

KUKJE 2400h(2014~) Branson Tractor

Parts Catalogue



BRANSON TRACTOR

CONTENTS

GROUP NO	GROUP NAME	PAGE
000	00/10 TRACTOR PARTS	6
001-1	AIR CLEANER	8
001-2	AIR CLEANER(2018.02)	10
002.	COMP MUFFLER	12
003H-1	ACCELERATOR LEVER (HST)	14
003H-2	ACCELERATOR LEVER(2017.10)	16
005-1	FUEL TANK	18
005-2	FUEL TANK(2017.11)	20
006-1	FUEL FILTER & PIPE	22
006-2	FUEL LINE	24
007-1	WATER PIPE	26
007-2	WATER PIPE	28
008.	RADIATOR	30
009.	RESERVE TANK	32
010H	BATTERY-HST	34
011H-1	SWITCH-hat	36
011H-2	SWITCH - HST (2017.11)	38
012H-1	PANEL BOARD - hst	40
012H-2	SWITCH PANEL BOARD-HST(2017.11)	42
013-1	HEAD LIGHT	44
013-2	HEAD RIGHT(2015.01)	46
013-3	HEAD RIGHT(2018.07)	48
014-2	TAIL LIGHT(2017.10)	50
015-1	WINKER LAMP	52
015-2	WINKER LAMP(2015.08)	54
015-3	WINKER LAMP(2019.12~)	56
016H-1	ELECTRICAL WIRING	58
016H-2	16. ELECTRICAL WIRING-HST	60
017.	CLUTCH	62
018.	CLUTCH ROD & RELEASE	64
019.	CLUTCH PEDAL	66
020C-1	CLUTCH HOUSING -hst	68
020T-2	CLUTCH HOUSING	70
021A-1	CENTER FRAME-2400(H)	72
021C-2	CENTER FRAME-2400(H)	74

GROUP NO	GROUP NAME	PAGE
023C-1	TRANSMISSION CASE_2400H	76
024A	DIFFERENTIAL GEAR CASE_2400(h)	78
025-1	25. REAR CASE	80
025-2	25. REAR CASE(2018.09~)	82
026.	CLUTCH SHAFT	84
028C	PROPELLOR SHAFT-HST	86
029C-1	29. HST ASSY-HST	88
029C-2	29. HST ASSY-HST(2018.08~)	90
029T-3	29. HST ASSY-HST(2019~)	92
031H-1	FRONT SHAFT-HST	94
031H-2	FRONT SHAFT-HST	96
033C-1	33. PTO SHAFT-HST	98
033C-2	PTO SHAFT	100
035H	MID PTO-HST	102
037A-1	REAR DIFFERENTIAL _2400(h)	104
037A-2	REAR DIFFERENTIAL _2400(h),2019~	106
039H	FRONT WHEEL PROPELLER SHAFT-HST	108
041H	2ND SHAFT-HST	110
043H	3RD SHAFT-HST	112
045C	4TH SHAFT-HST	114
047A	RANGE GEAR SHIFT FORK _2400(H)	116
049	PTO GEAR SHIFT FORK-HST	118
050	DIFFERENTIAL LOCK SHIFT FORK	120
051-1	REAR AXLE	122
051-2	51. REAR AXLE ASSY	124
052.	BRAKE	126
053.	BRAKE ROD	128
054-1	BRAKE PEDAL	130
054-2	BRAKE PEDAL(2018.06~)	132
055.	BRAKE SWITCH	134
056A	SIDE BRAKE _2400(h)	136
057A-2	MAIN GEAR SHIFT LEVER(2017.03)	138
058H-1	NUETRAL HOLDER LINK-HST	140
058H-2	NUETRAL HOLDER LINK-HST	142
059C	F-R PEDAL-HST	144

GROUP NO	GROUP NAME	PAGE
060H	HST CRUISE LEVER	146
061A-1	RANGE GEAR SHIFT LEVER _2400(h)	148
061A-2	RANGE GEAR SHIFT LEVER(2018.03) _2400(h)	150
062A	FRONT WHEEL DRIVE LEVER _2400(h)	152
063A-1	PTO GEAR SHIFT LEVER _2400(h) _2400(h)	154
063A-2	PTO GEAR SHIFT LEVER _2400(h)	156
065B	HYDRAULIC CONTROL LEVER	158
067C	DIFFERENTIAL LOCK LEVER-HST _2400h	160
068	FRONT AXLE FRAME	162
069A-1	FRONT AXLE CASE	164
069A-2	FRONT AXLE CASE(2017.10)	166
070-1	FRONT DIFFERENTIAL	168
070-2	FRONT DIFFERENTIAL	170
071.	DIFFERENTIAL GEAR SHAFT	172
072-1	BEVEL GEAR CASE	174
072-2	BEVEL GEAR CASE(2017.05)	176
073.	FRONT AXLE CASE	178
074-1	FRONT AXLE	180
074-2	FRONT AXLE(2017.05)	182
076C	FRONT DRIVE SHAFT-HST	184
077.	PST CYLINDER COVER	186
078.	TIE ROD	188
079.	STEERING WHEEL	190
080.	STEERING POST	192
081	HYDRAULIC STEERING VALVE	194
082.	HYDRAULIC PUMP	196
083A	HYDRAULIC OIL LINE _2400(h)	198
084C	HYDRAULIC OIL LINE-HST	200
085A	HYDRAULIC STEERING LINE	202
086C-1	HST HYDRAULIC OIL LINE - HST	204
086C-2	HST HYDRAULIC OIL LINE - HST(2017.09)	206
086C-3	HYDRAULIC OIL LINE-HST(2017.12) _2400h	208
087H-1	HYDRAULIC OIL COOLER-HST(2015.08)	210
087H-2	HYDRAULIC OIL COOLER (HYDROSTAT)	212
089C-1	HYDRAULIC OIL LINE (C/M) (HYDROSTAT)	214

GROUP NO	GROUP NAME	PAGE
089C-2	HYDRAULIC OIL LINE (C/M) (HYDROSTAT)	216
089C-3	HYDRAULIC OIL LINE (C/M) (2017.08)	218
091B-1	HYDRAULIC CYLINDER-HST	220
091B-2	HYDRAULIC CYLINDER - HST	222
092	HYDRAULIC PISTON / LIFT ARM	224
094B	FEED BACK LEVER (POSITION TYPE)	226
096B	POSITION VALVE	228
097.	LIFT LINK	230
098.	LIFT ARM	232
099	3-POINT LINKAGE(TOP LINK)	234
100A	CHECK CHAIN	236
101.	DRAW BAR	238
102.	PTO SHEILD	240
103.	HOOD	242
104.	PANEL COVER	244
105.	SHUTTER PLATE	246
107C	LEVER GUIDE (HYDROSTAT)	248
108	FENDER	250
109.	FENDER STAY	252
110A	FLOOR SEAT	254
111.	SEAT	256
112C-1	STEP_2400H	258
112CB-2	STEP_2400H	260
113-1	ROPS	262
113-2	ROPS(2018.05)	264
113-3	ROPS(2018.06~)	266
115	SMV BRACKET	268
118	FRONT WHEEL	270
119	REAR WHEEL	272
120C	DECAL _2400h	274
121	BALLAST WEIGHT	276
122	REAR VIEW MIRROR	278
123B	SCV 2PORT	280
124C	AIR BREATHER-HST	282

FIG 000 2400h(2014~)	00/10 TRACTOR PARTS	Year/Month 2020/01
-------------------------	---------------------	-----------------------



00/10 TRACTOR PARTS



ENGINE

FIG 001-1

2400h(2014~)

AIR CLEANER

Year/Month

2020/01

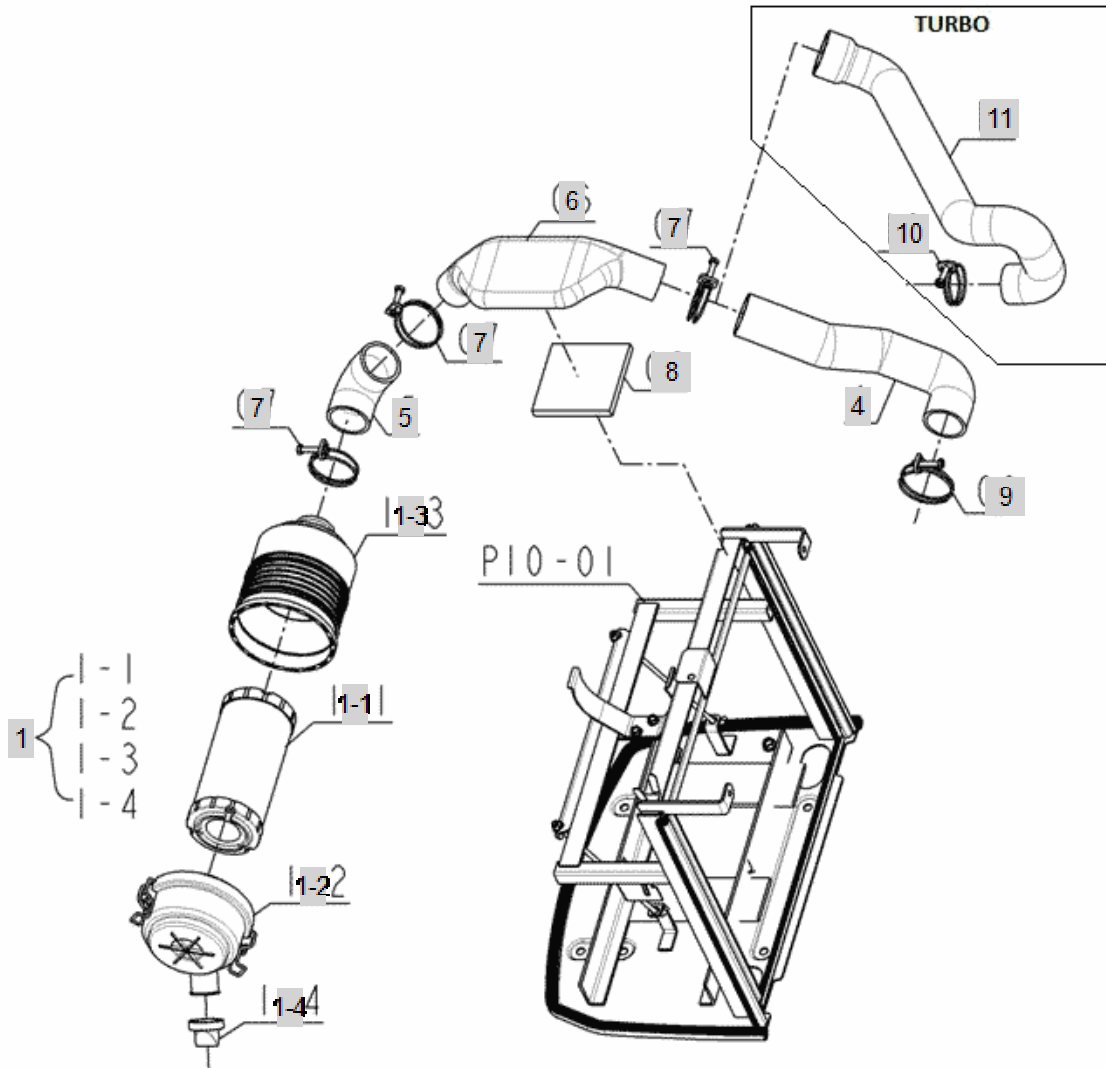


FIG 001-2

AIR CLEANER(2018.02)

Year/Month

2400h(2014~)

2020/01

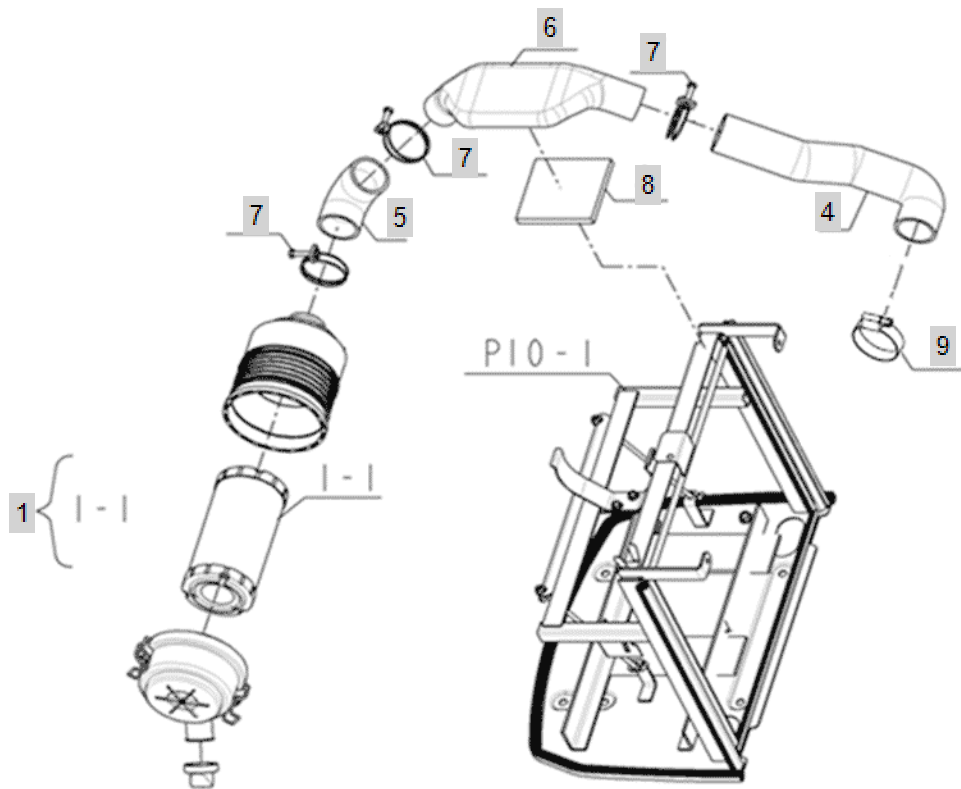


FIG 002.

2400h(2014~)

COMP MUFFLER

Year/Month

2020/01

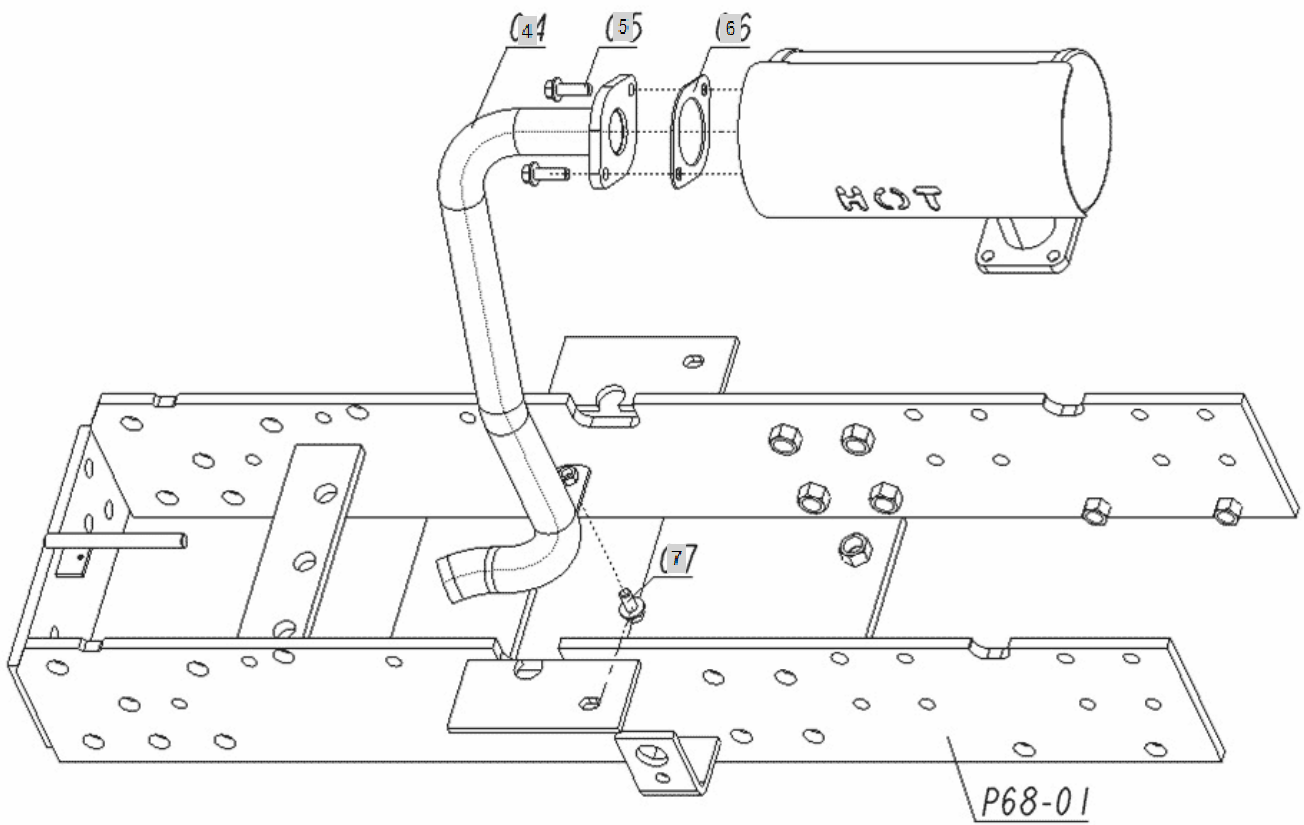


FIG 003H-1

ACCELERATOR LEVER (HST)

Year/Month

2400h(2014~)

2020/01

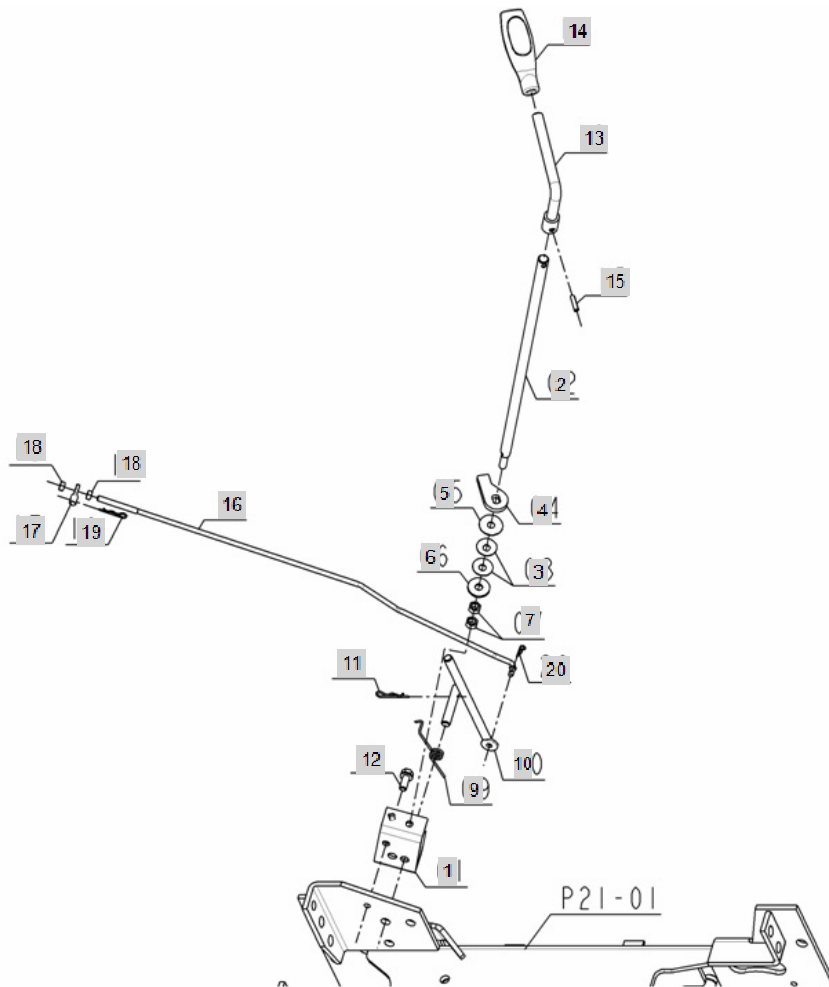


FIG 003H-2

ACCELERATOR LEVER(2017.10)

Year/Month

2400h(2014~)

2020/01

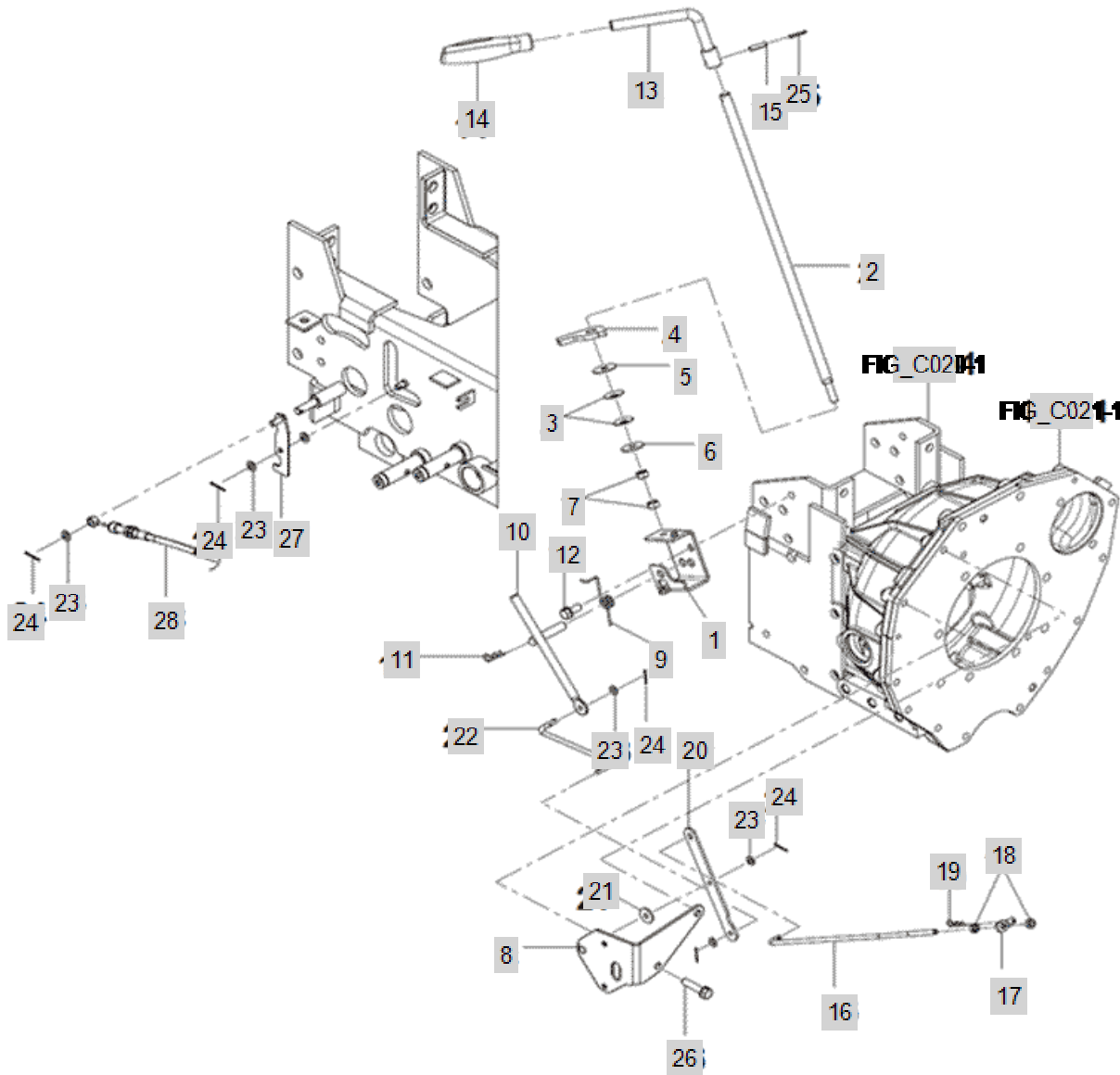


FIG 005-1

2400h(2014~)

FUEL TANK

Year/Month

2020/01

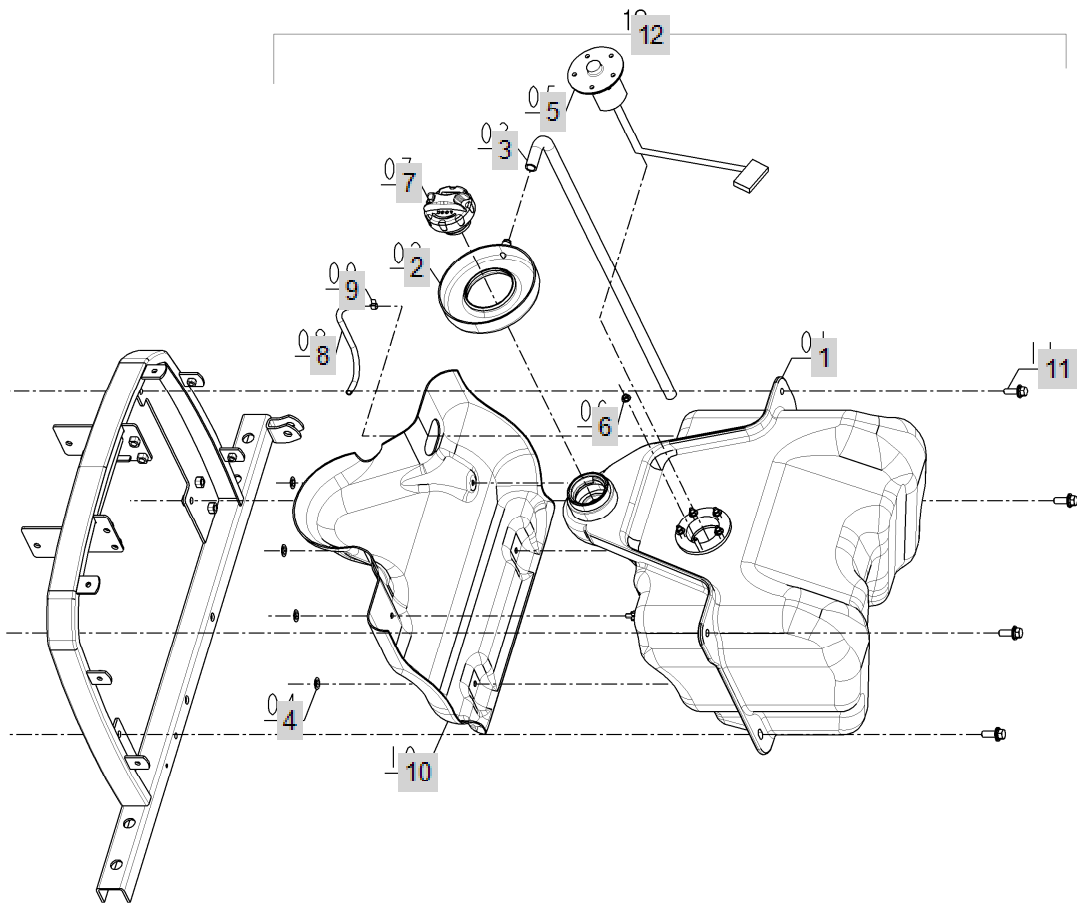


FIG 005-2

2400h(2014~)

FUEL TANK(2017.11)

Year/Month

2020/01

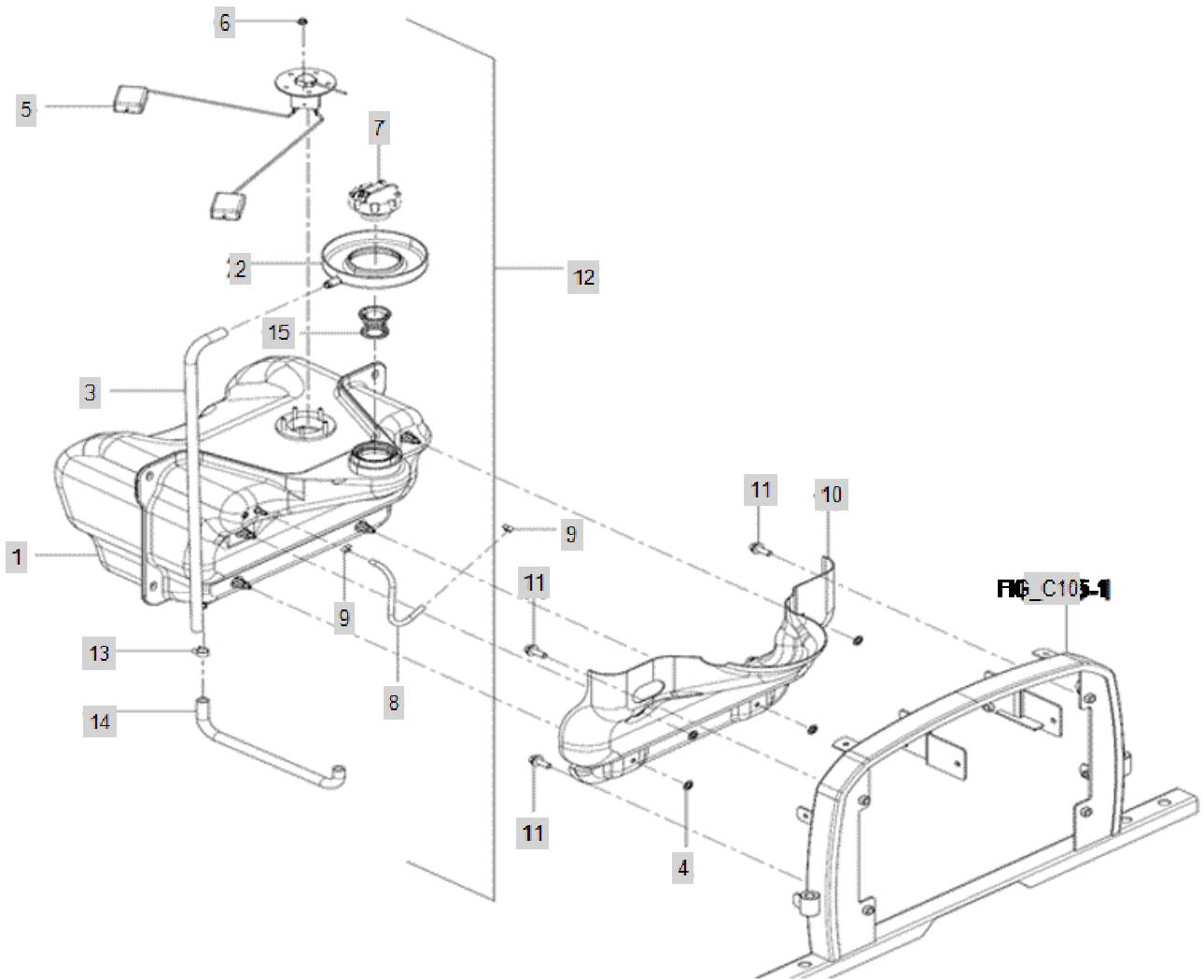


FIG 006-1

2400h(2014~)

FUEL FILTER & PIPE

Year/Month

2020/01

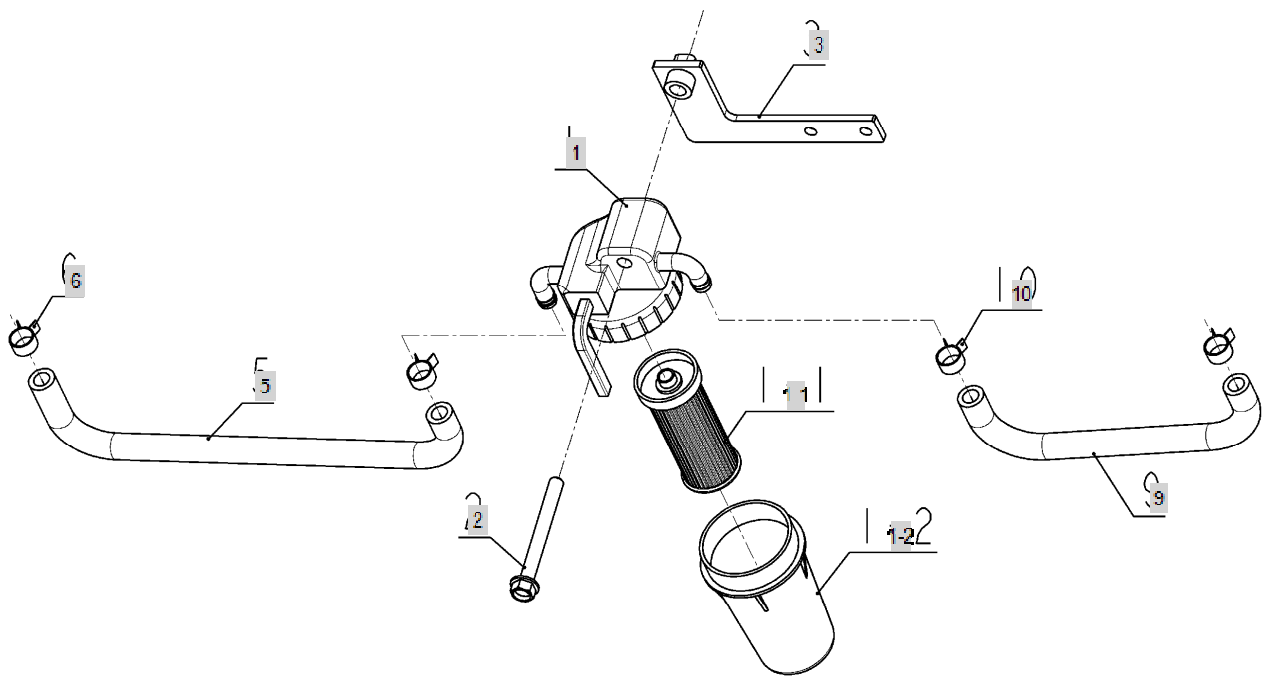


FIG 006-2

2400h(2014~)

FUEL LINE

Year/Month

2020/01

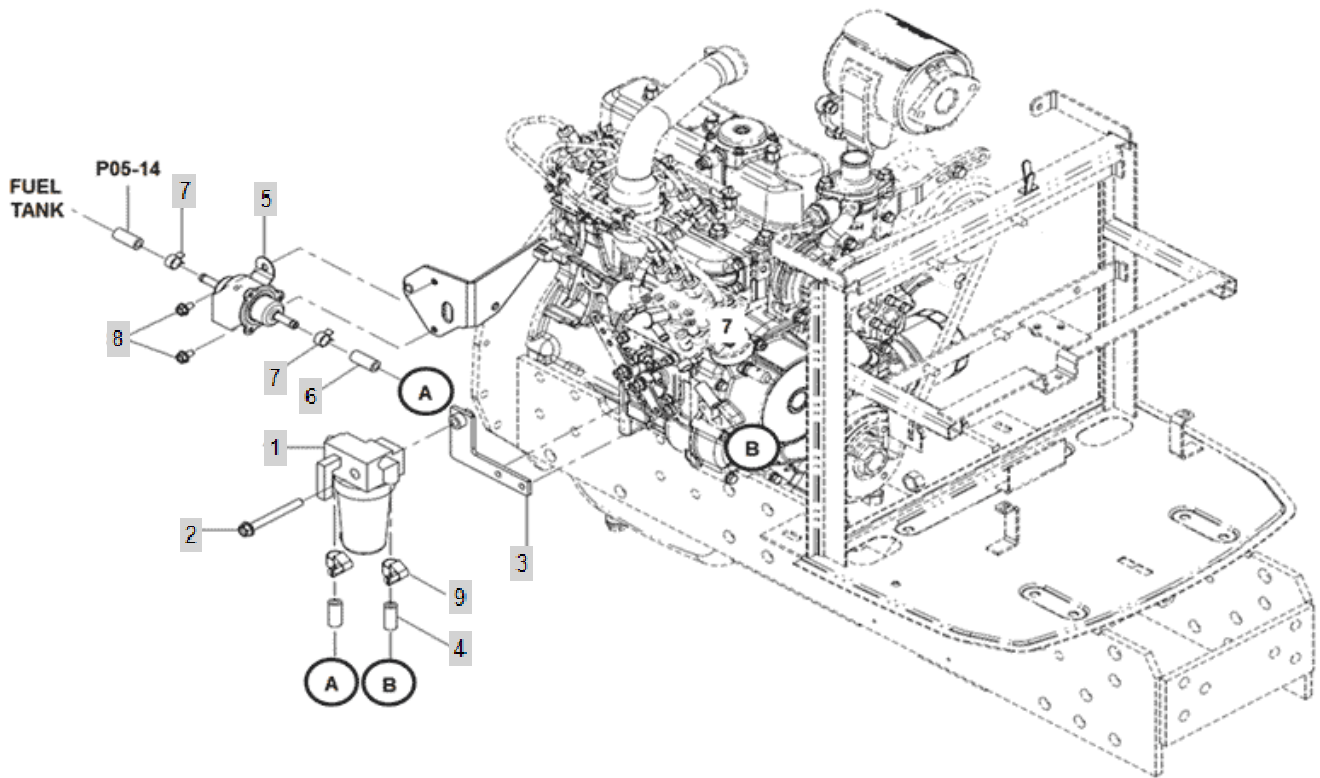


FIG 007-1

WATER PIPE

Year/Month

2400h(2014~)

2020/01

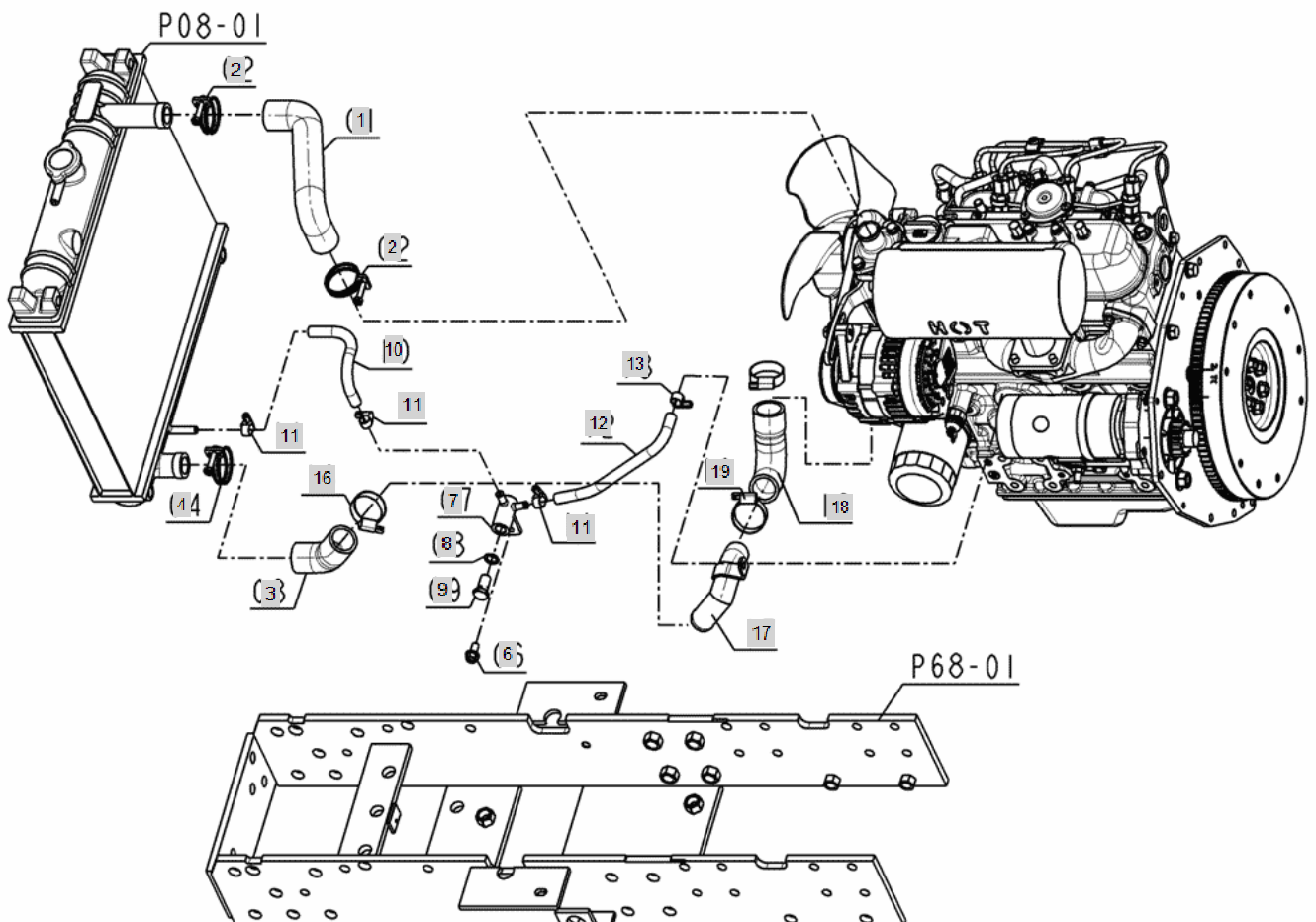


FIG 007-2

2400h(2014~)

WATER PIPE

Year/Month

2020/01

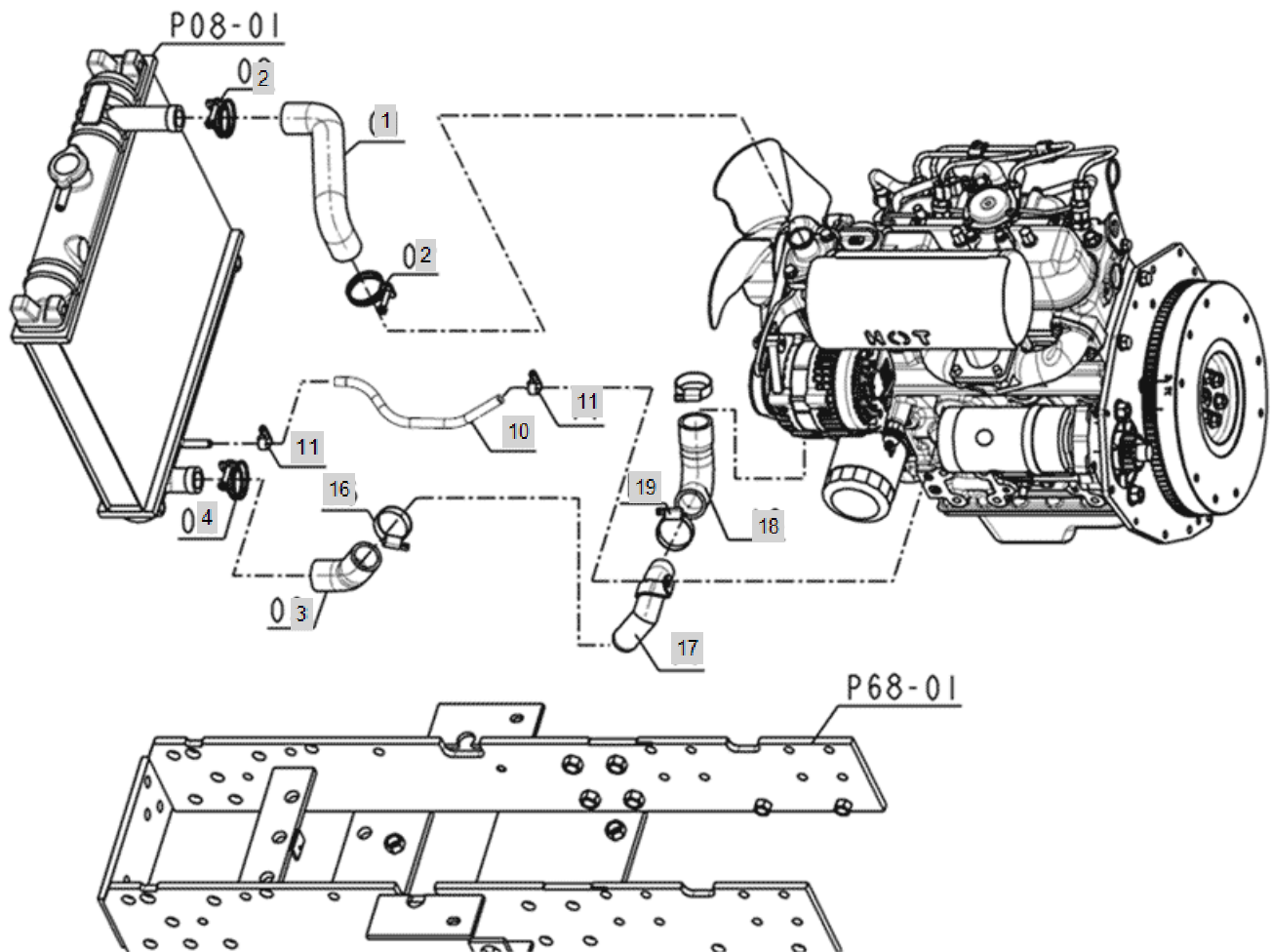


FIG 008.

2400h(2014~)

RADIATOR

Year/Month

2020/01

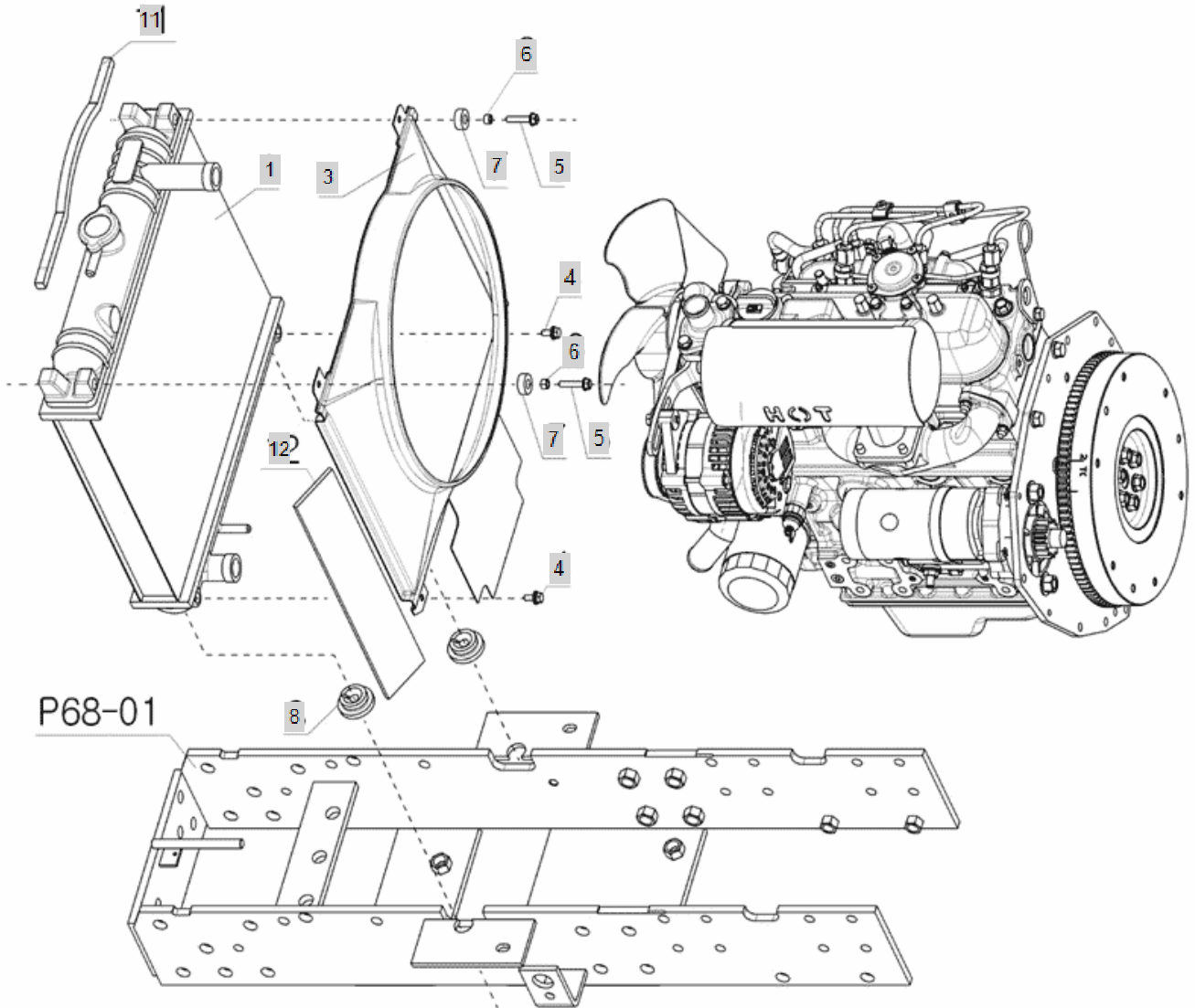


FIG 009.

RESERVE TANK

Year/Month

2400h(2014~)

2020/01

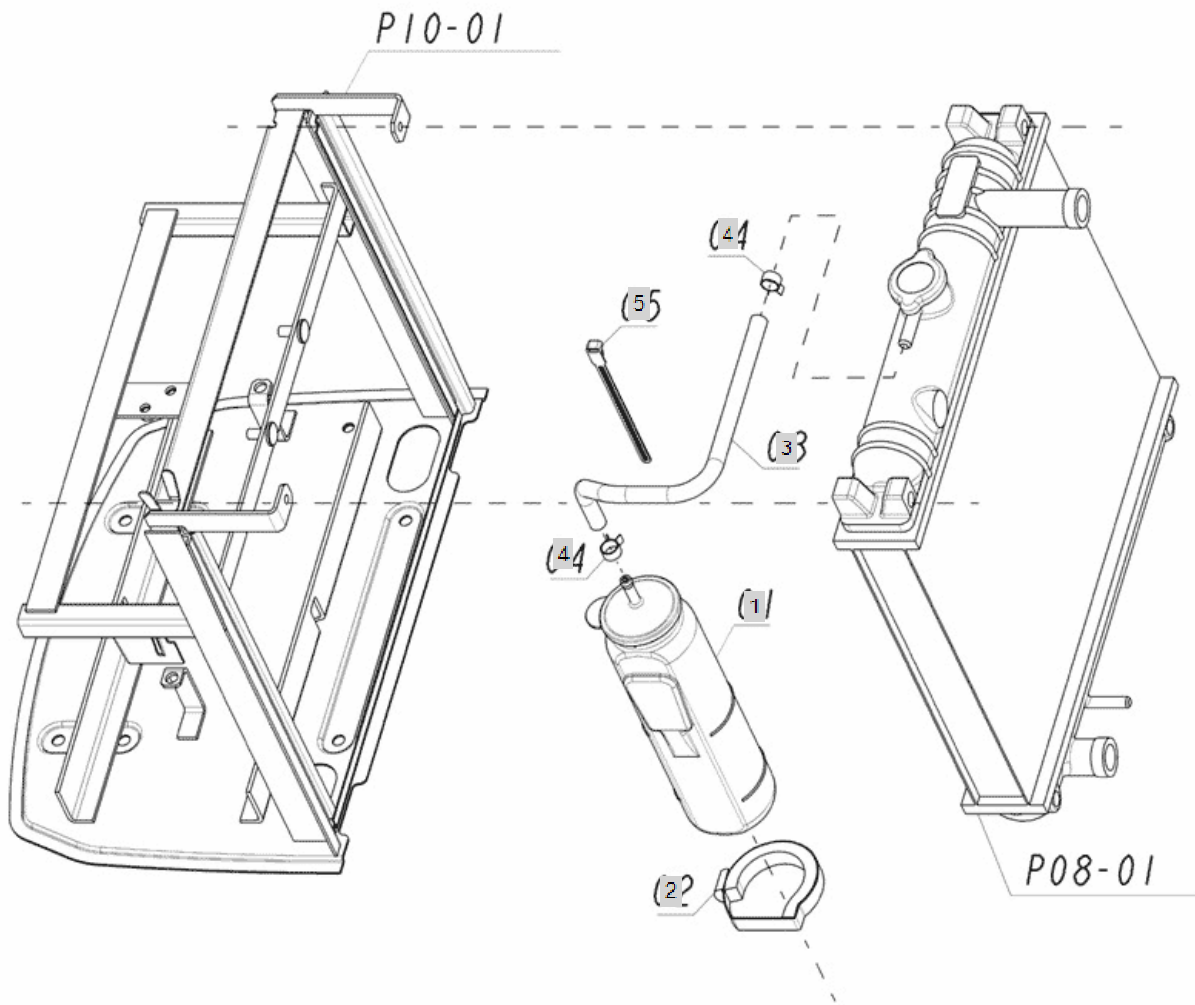


FIG 010H

2400h(2014~)

BATTERY-HST

Year/Month

2020/01

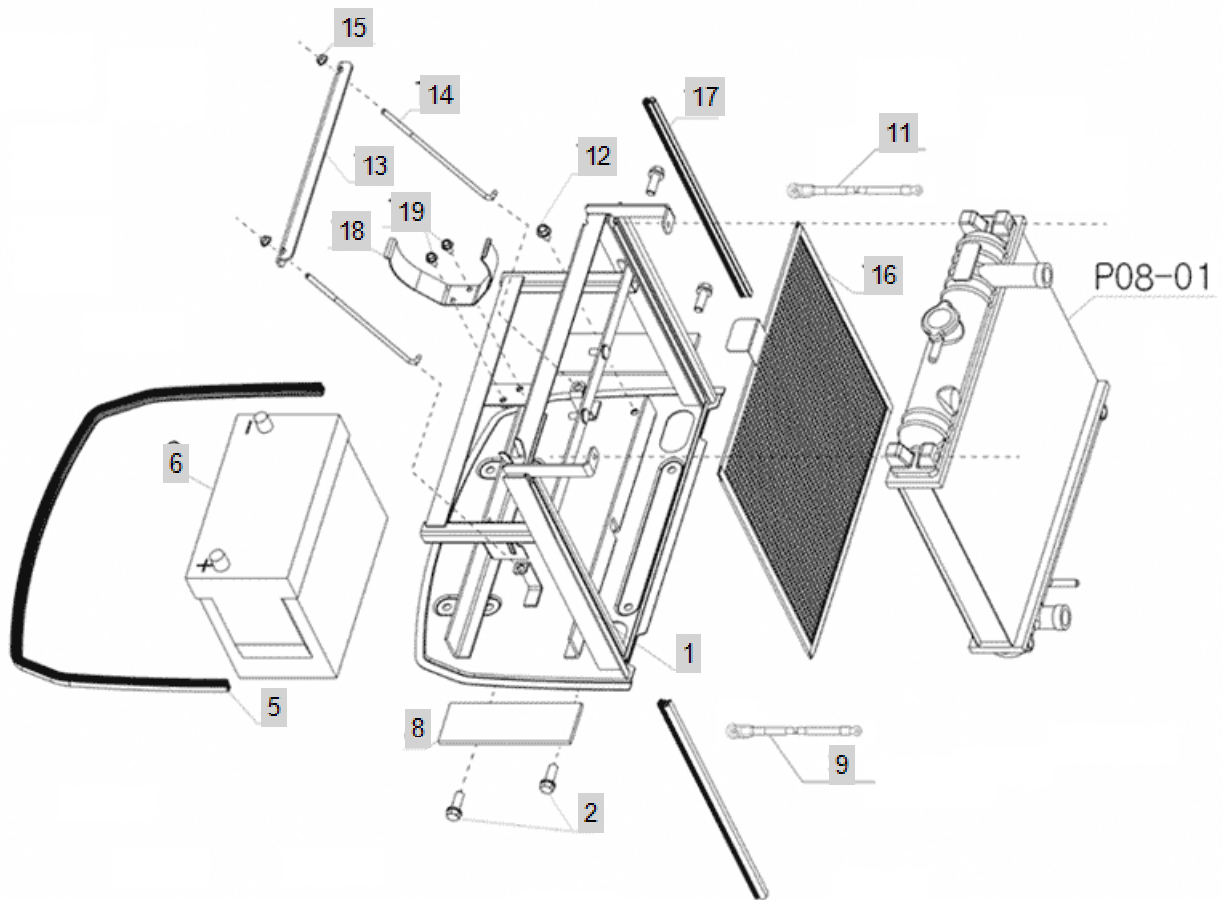


FIG 011H-1

SWITCH-hat

Year/Month

2400h(2014~)

2020/01

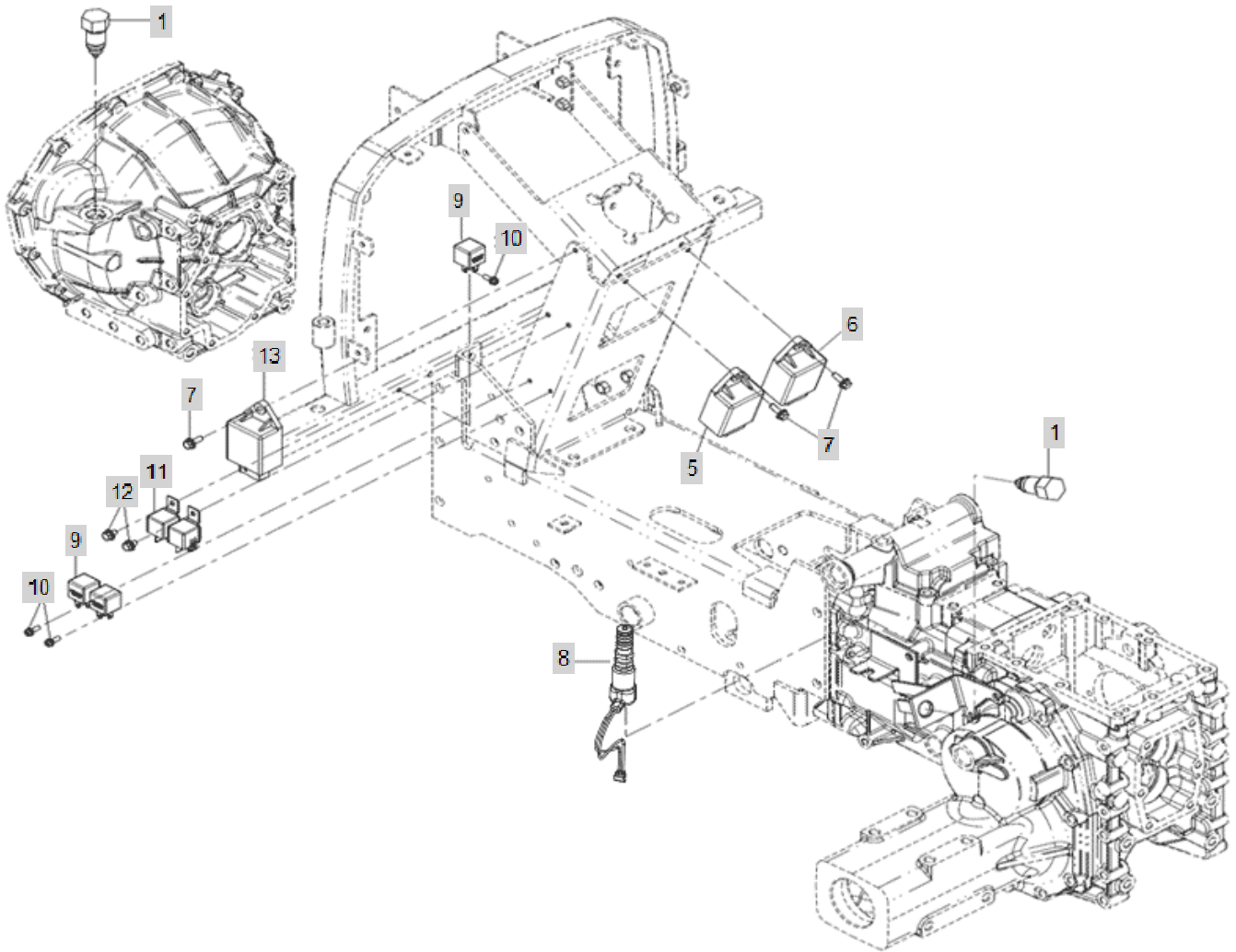


FIG 011H-2

SWITCH - HST (2017.11)

Year/Month

2400h(2014~)

2020/01

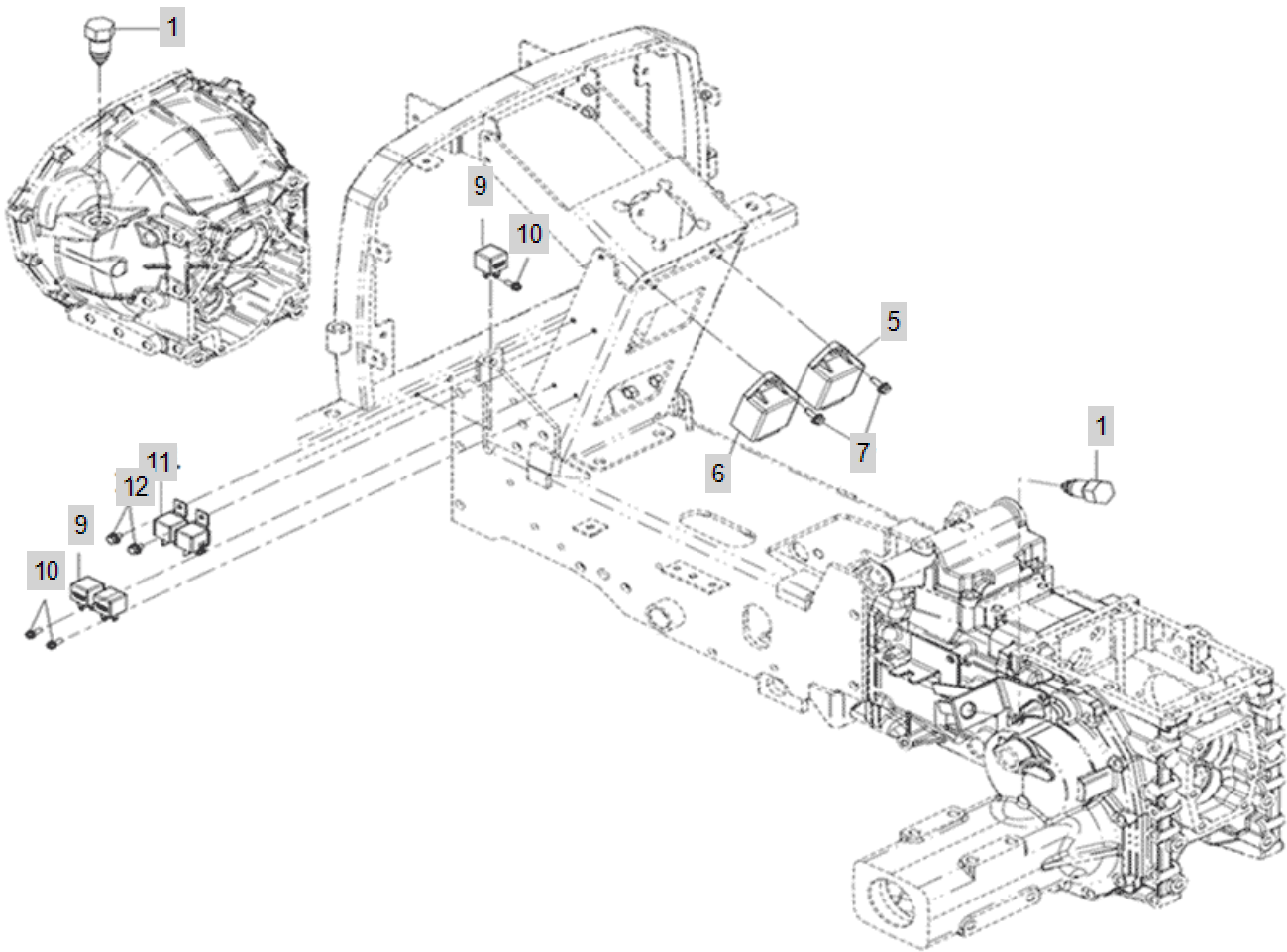


FIG 012H-1

PANEL BOARD - hst

Year/Month

2400h(2014~)

2020/01

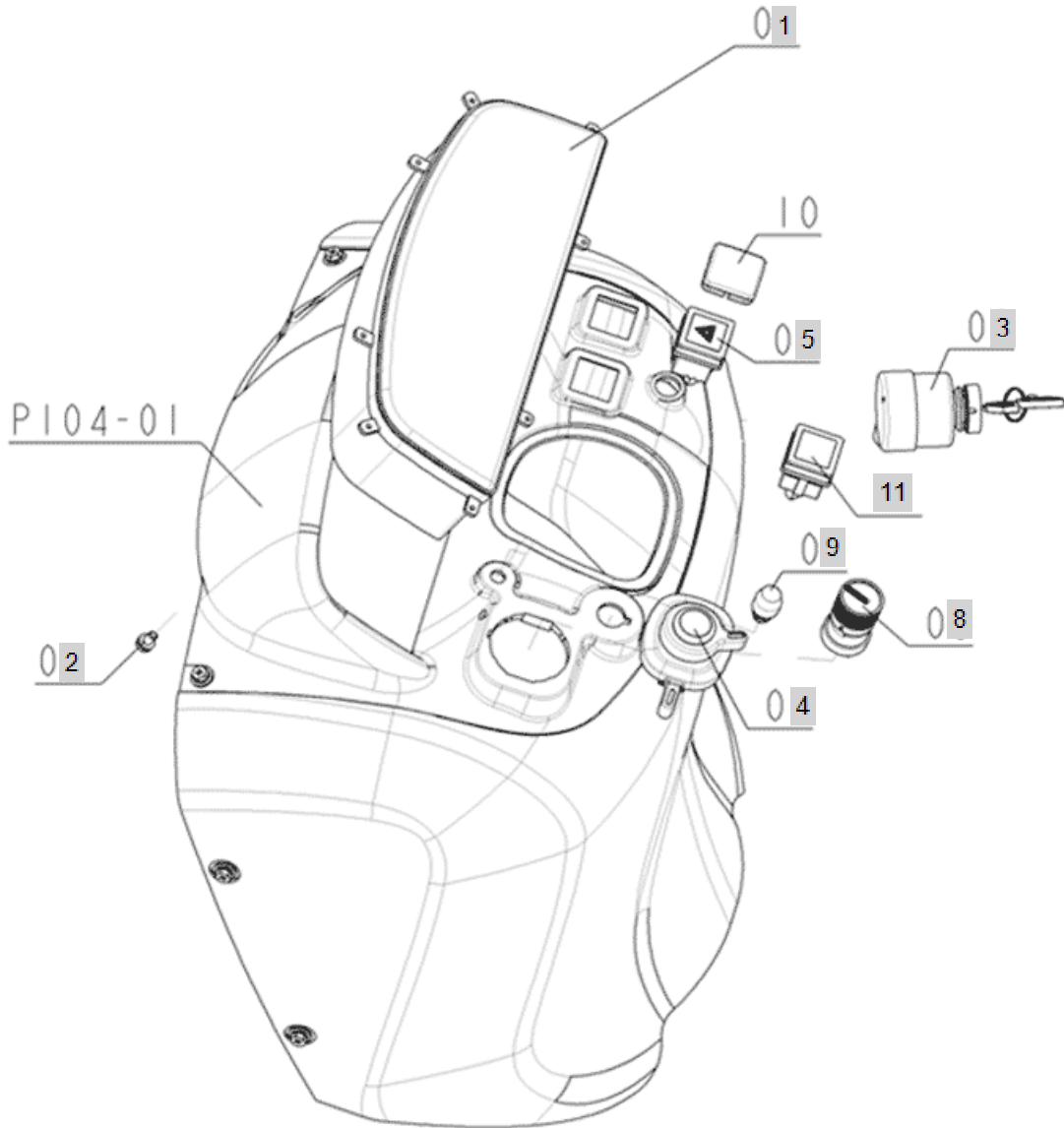


FIG 012H-2

SWITCH PANEL BOARD-HST(2017.11)

Year/Month

2400h(2014~)

2020/01

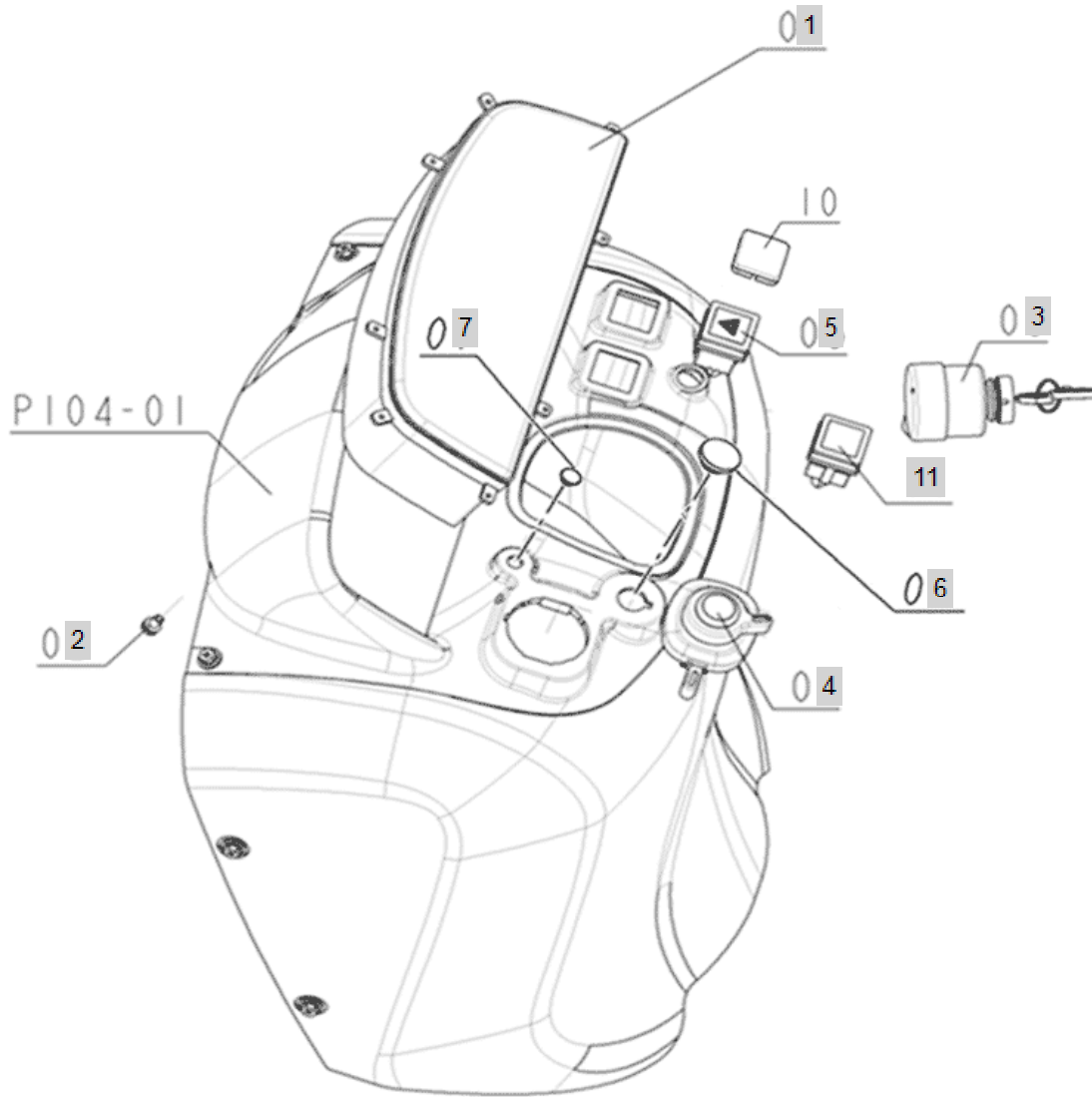


FIG 013-1

HEAD LIGHT

Year/Month

2400h(2014~)

2020/01

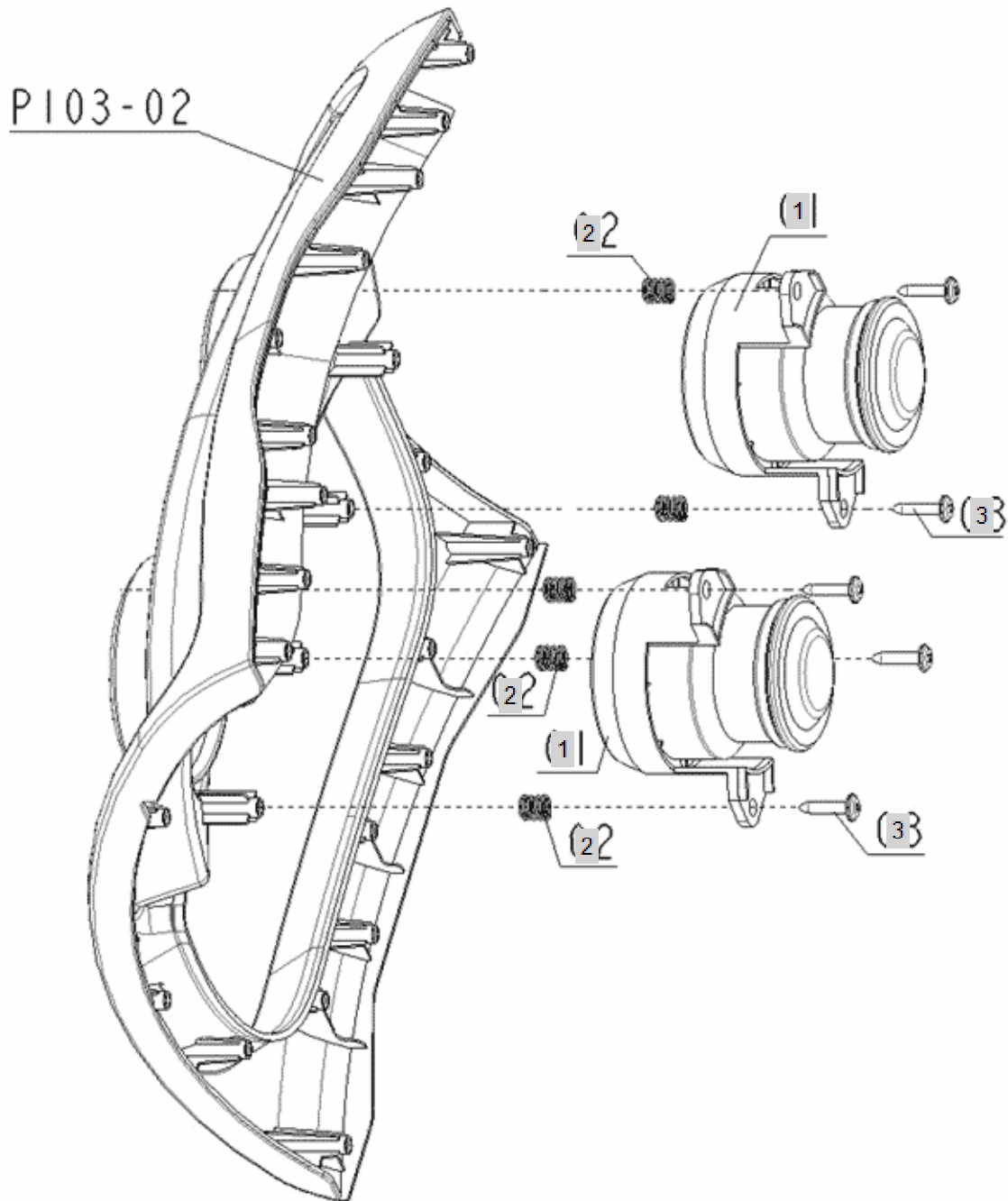


FIG 013-2

HEAD RIGHT(2015.01)

Year/Month

2400h(2014~)

2020/01

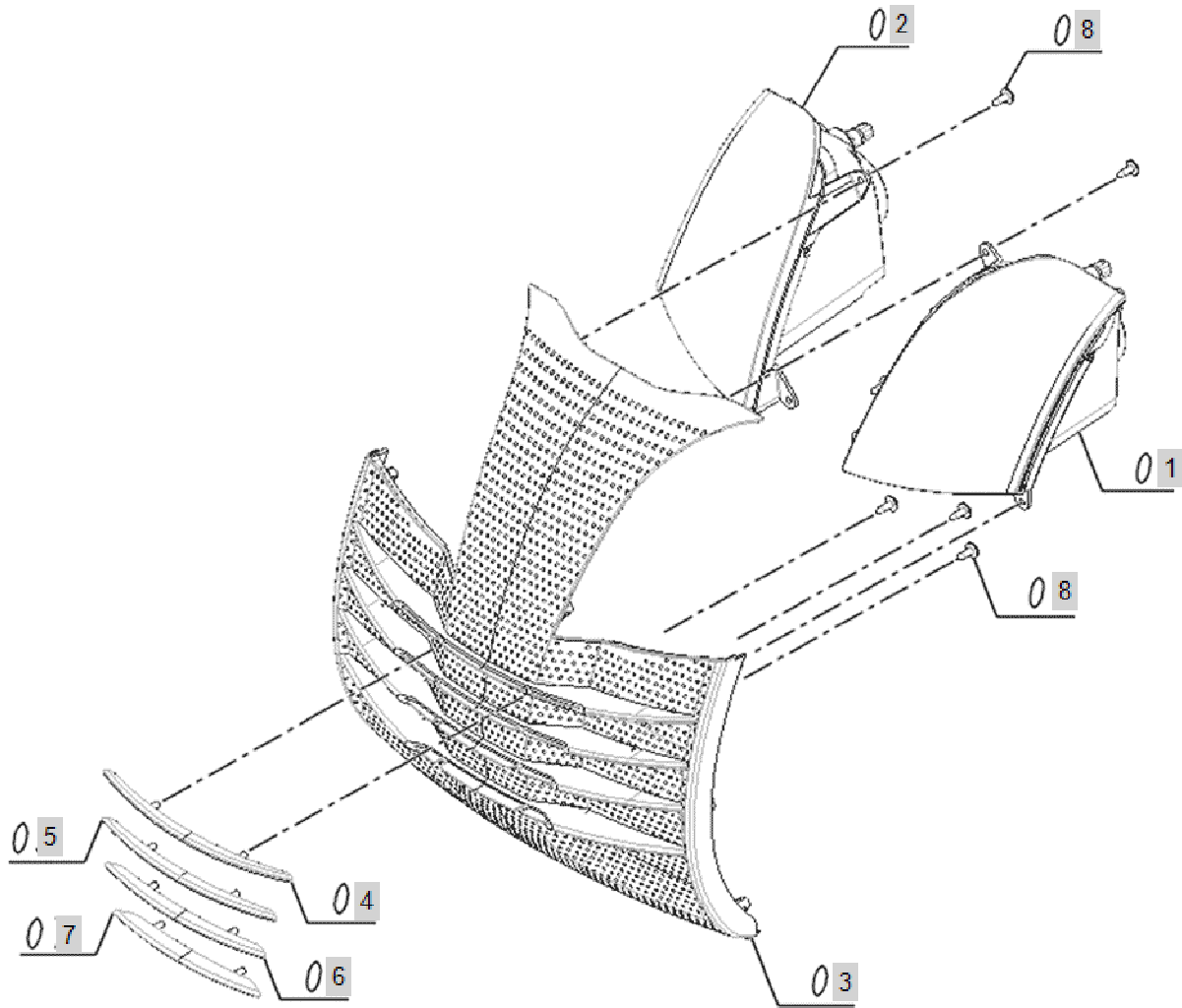


FIG 014-2

TAIL LIGHT(2017.10)

Year/Month

2400h(2014~)

2020/01

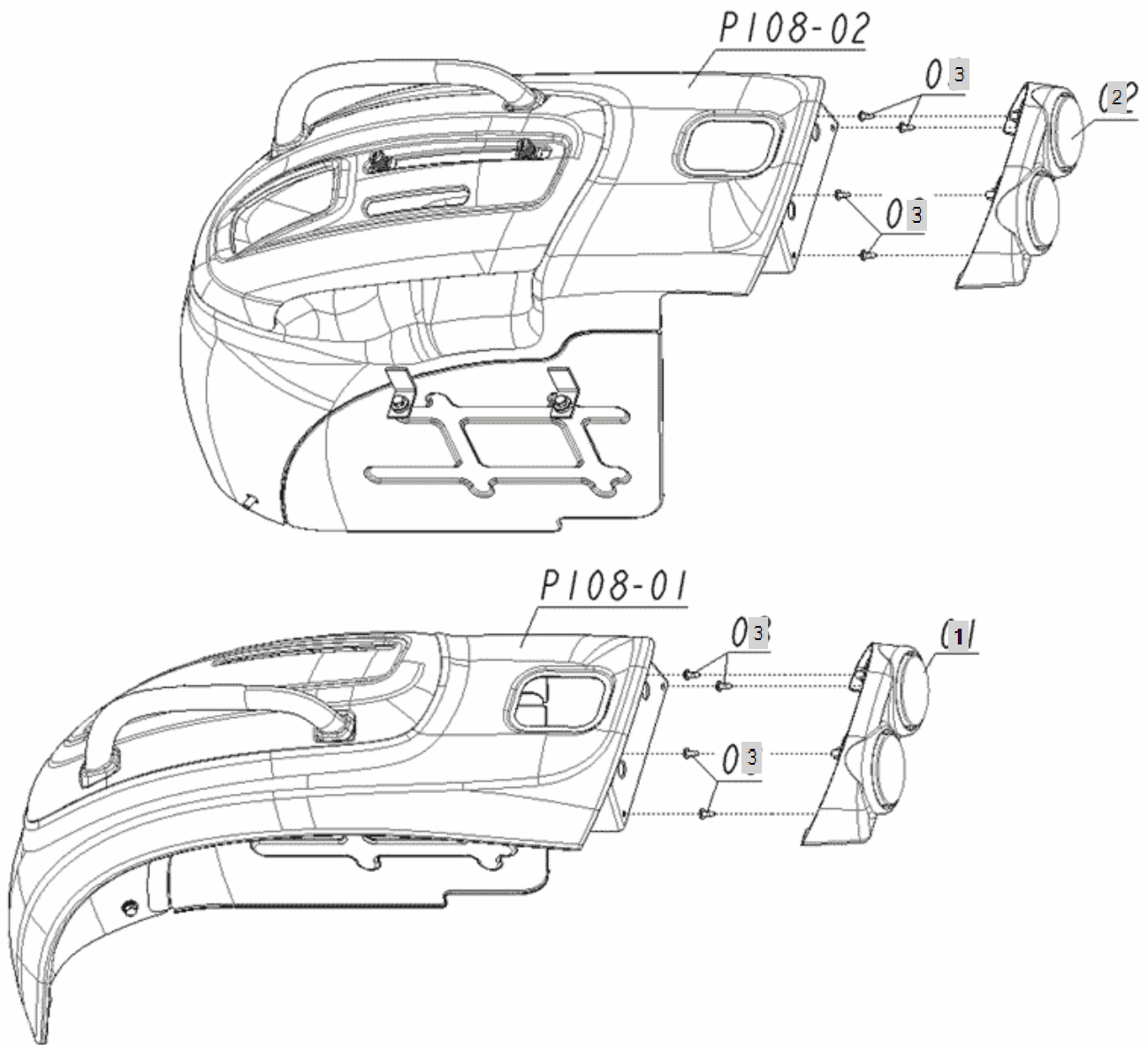


FIG 015-1

2400h(2014~)

WINKER LAMP

Year/Month

2020/01

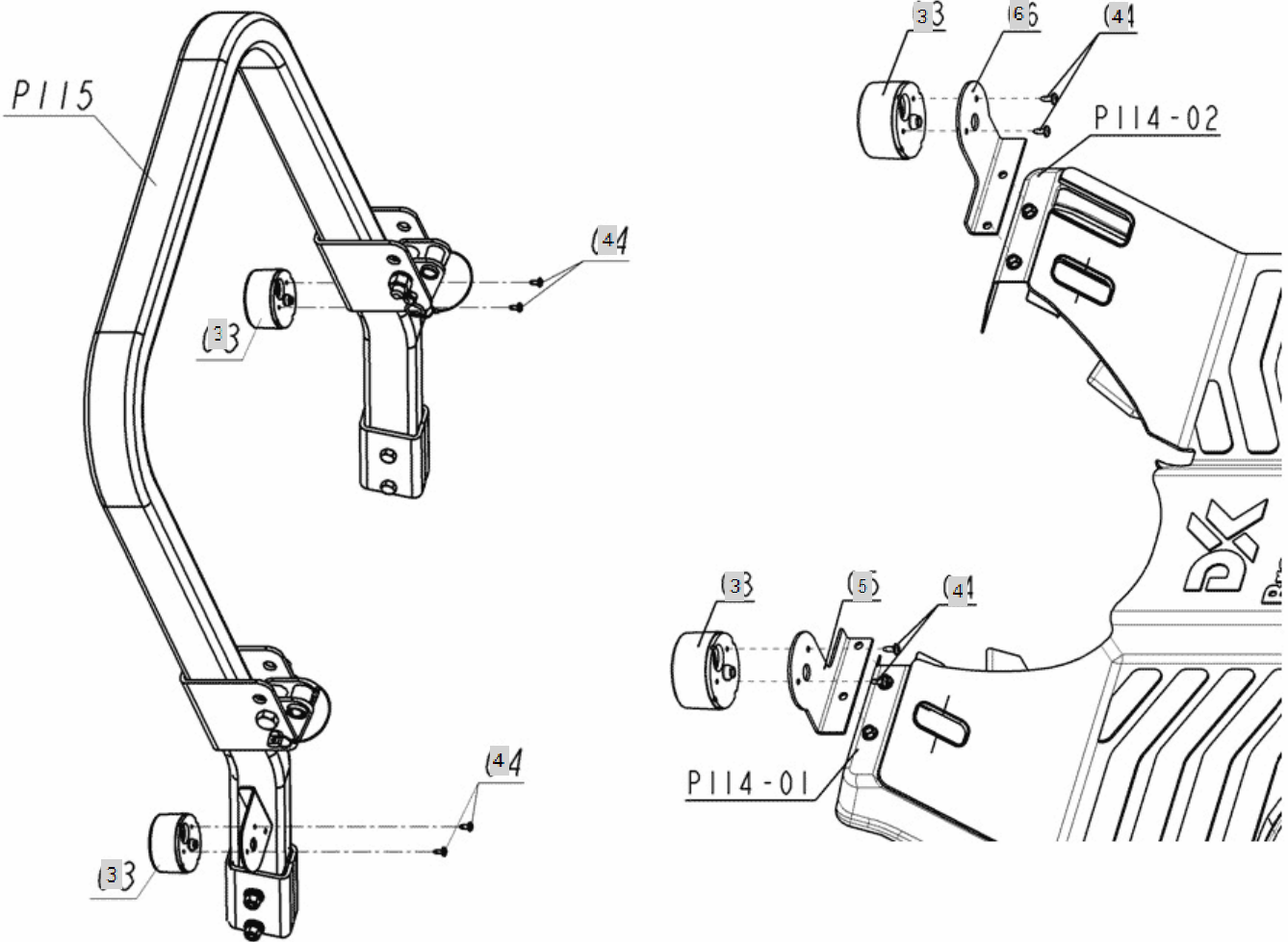


FIG 015-2

WINKER LAMP(2015.08)

Year/Month

2400h(2014~)

2020/01

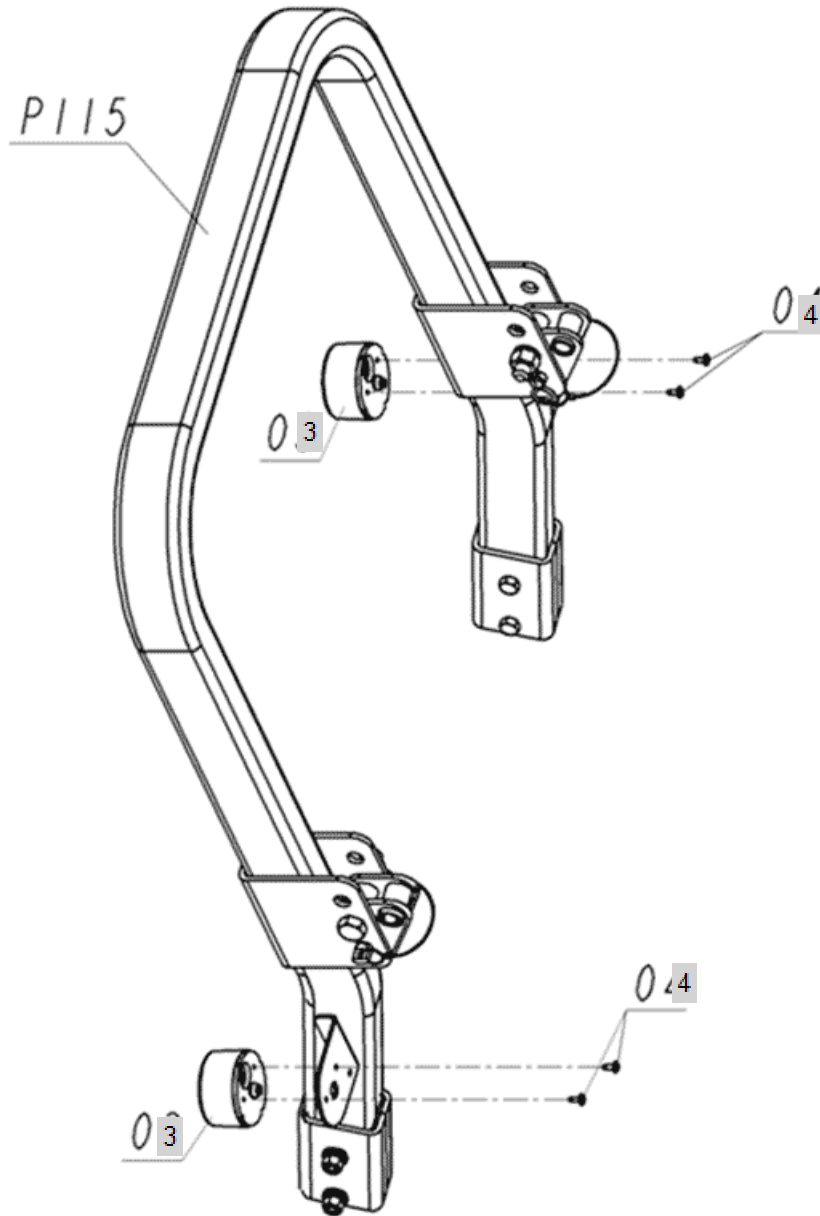


FIG 015-3

WINKER LAMP(2019.12~)

Year/Month

2400h(2014~)

2020/01

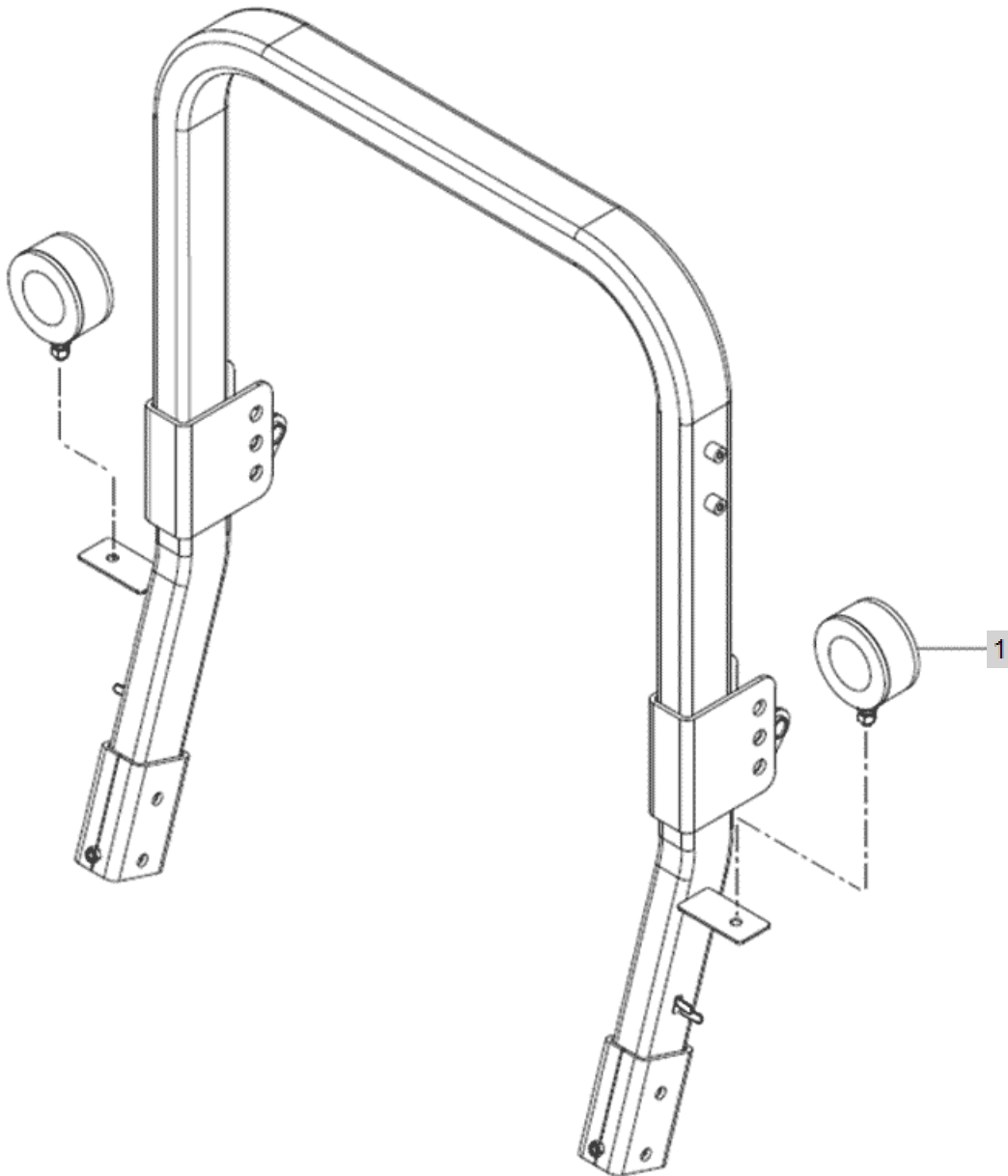


FIG 016H-1

ELECTRICAL WIRING

Year/Month

2400h(2014~)

2020/01

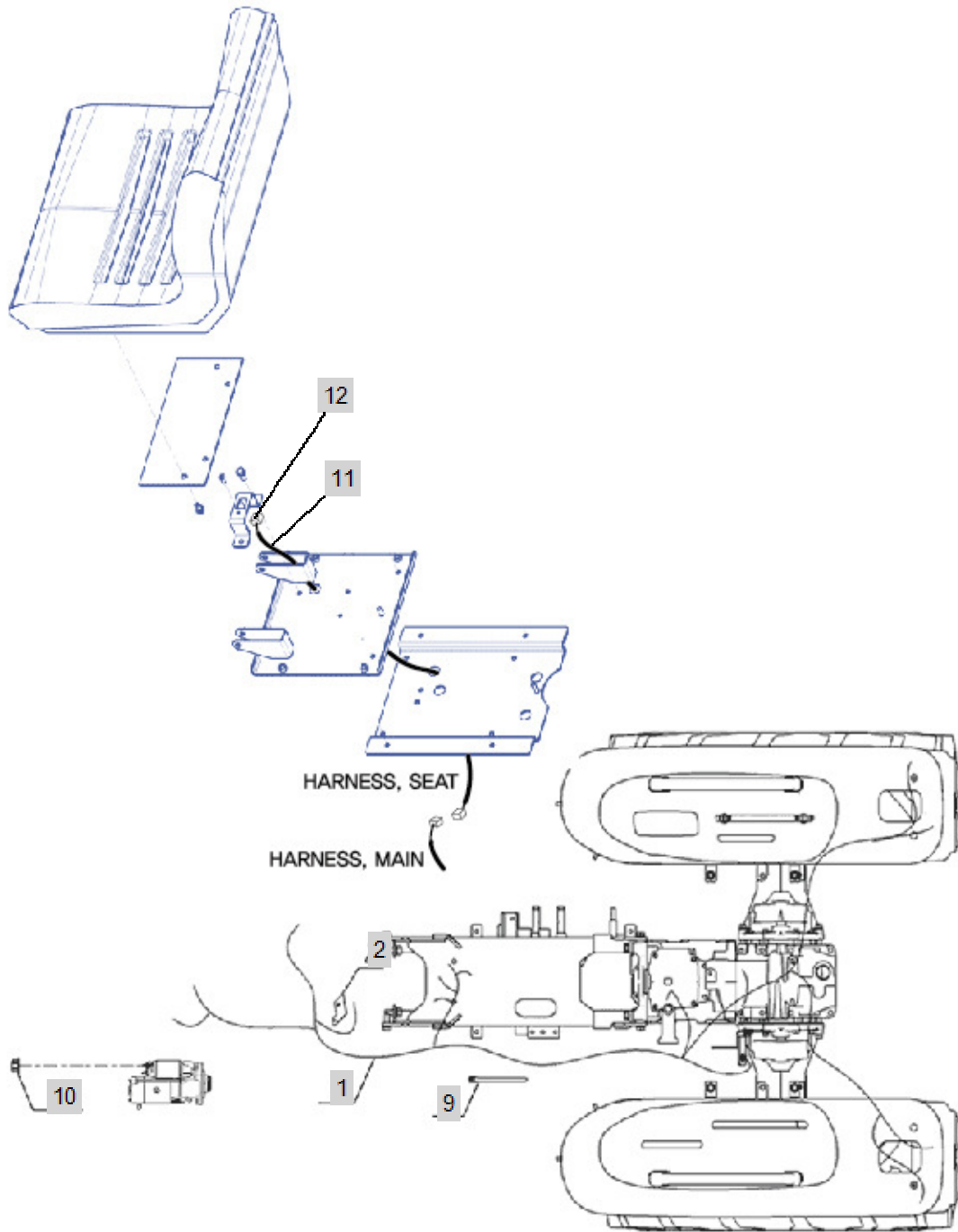


FIG 016H-2

16. ELECTRICAL WIRING-HST

Year/Month

2400h(2014~)

2020/01

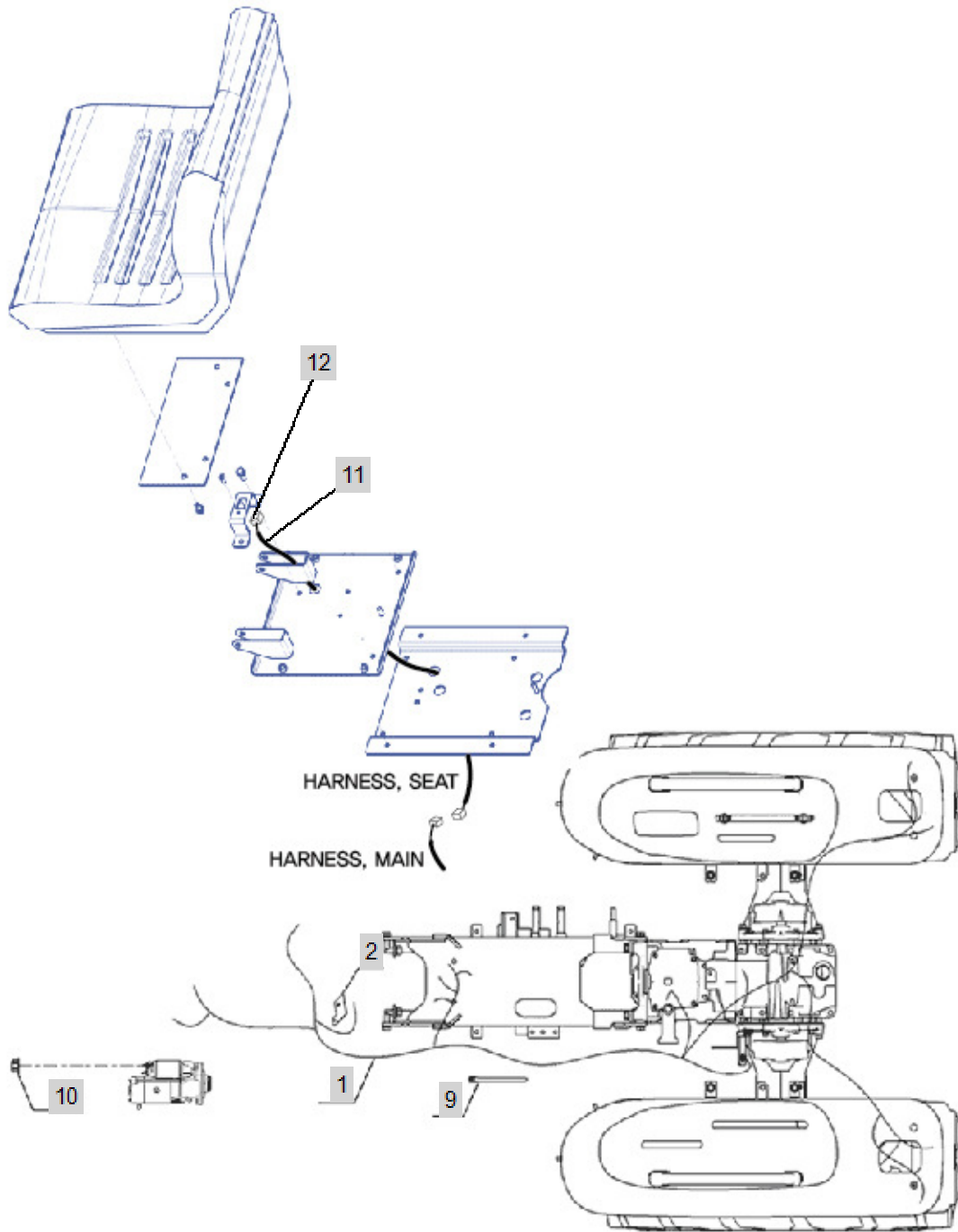


FIG 017.

2400h(2014~)

CLUTCH

Year/Month

2020/01

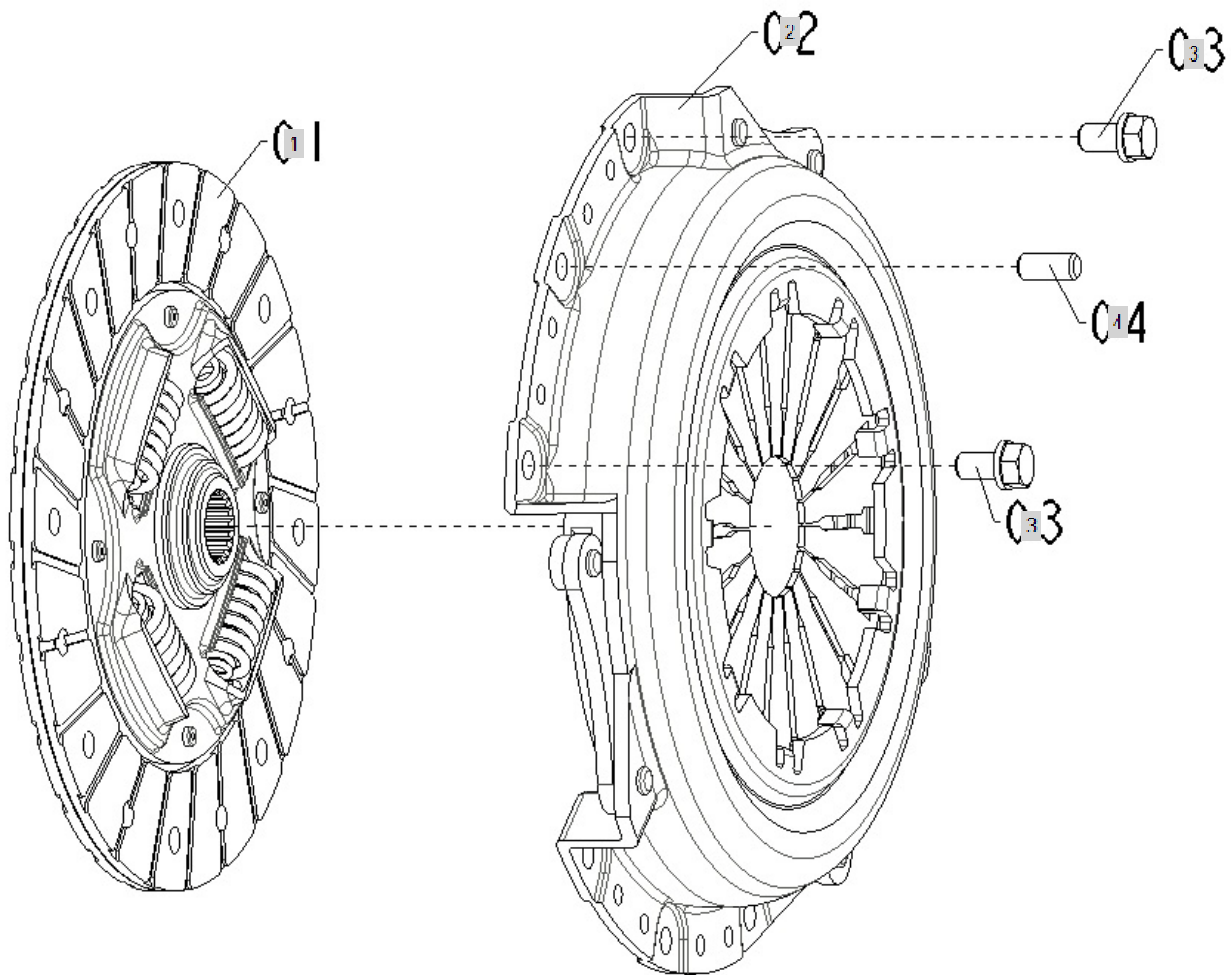


FIG 018.

2400h(2014~)

CLUTCH ROD & RELEASE

Year/Month

2020/01

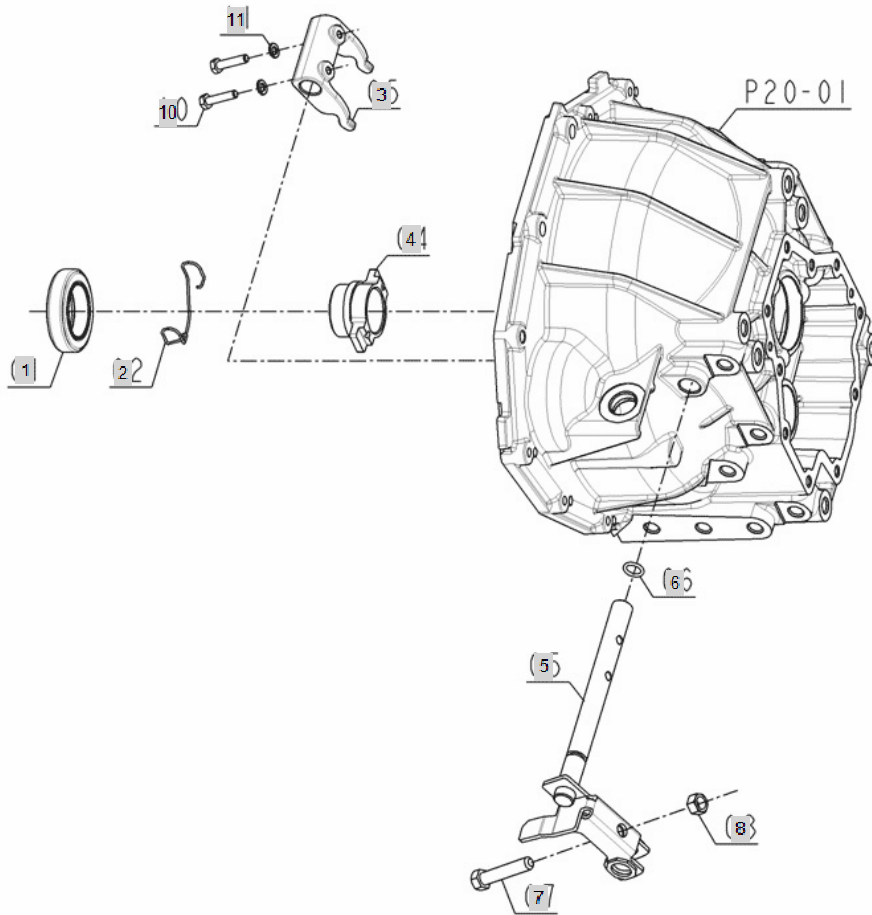


FIG 019.

CLUTCH PEDAL

Year/Month

2400h(2014~)

2020/01

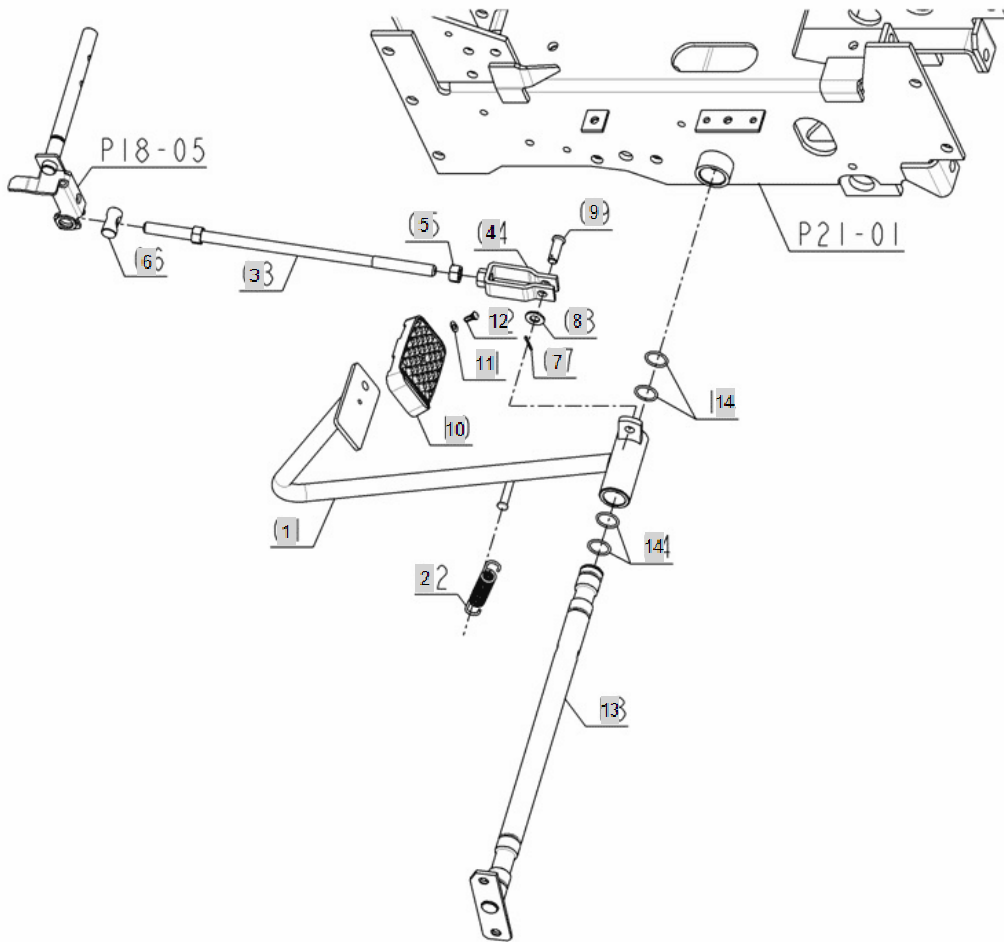


FIG 020C-1

CLUTCH HOUSING -hst

Year/Month

2400h(2014~)

2020/01

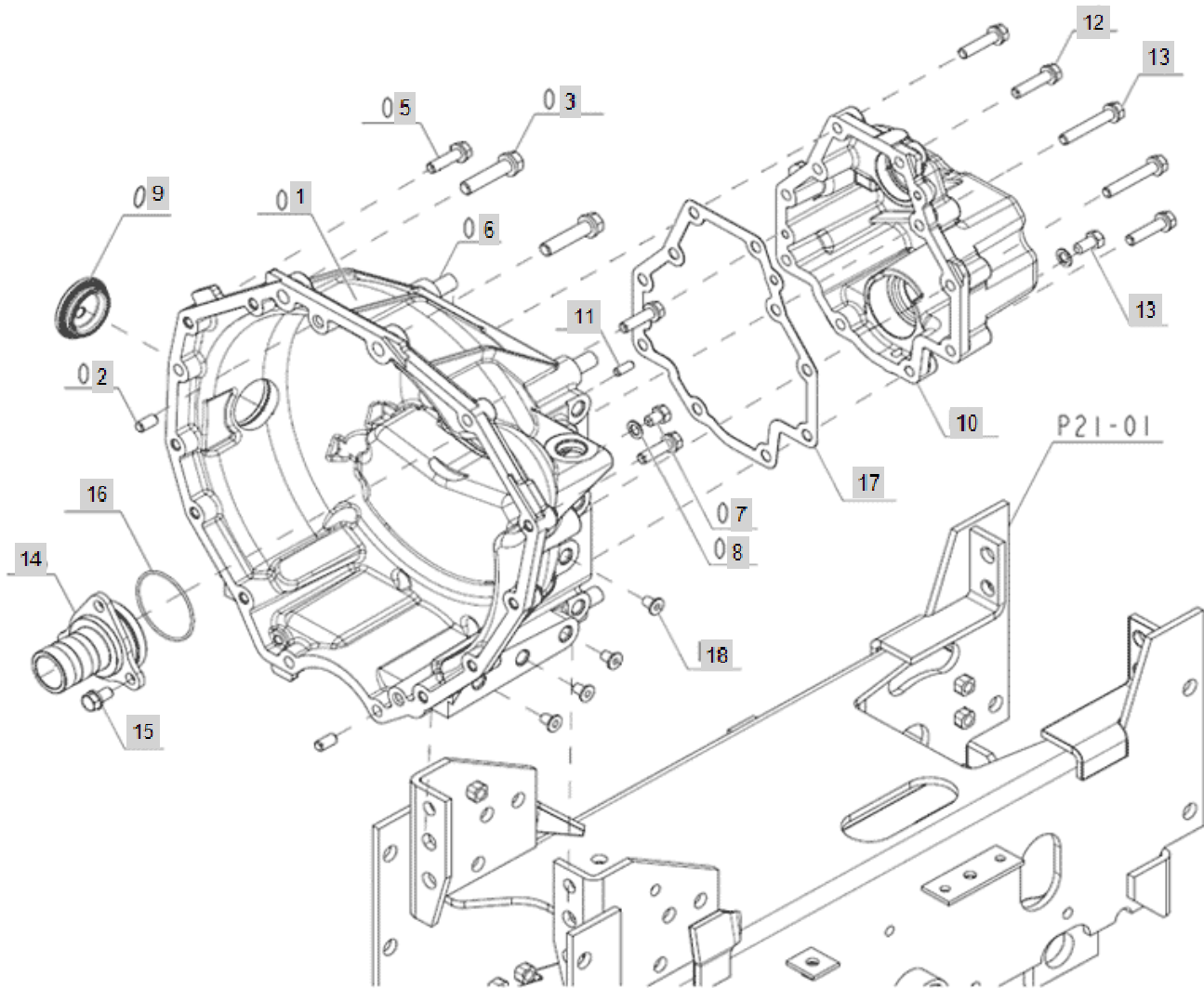


FIG 020T-2

CLUTCH HOUSING

Year/Month

2400h(2014~)

2020/01

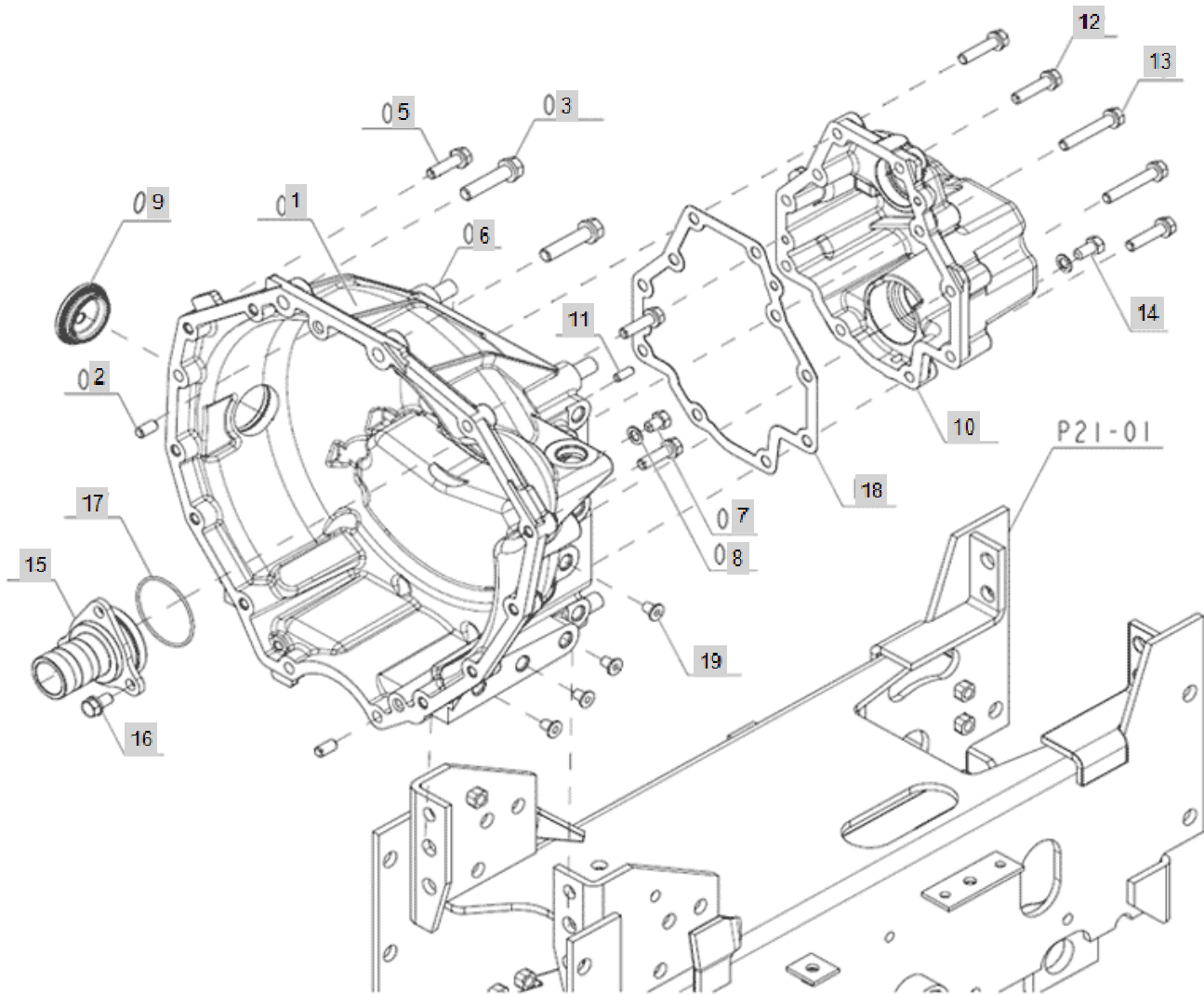


FIG 021A-1

2400h(2014~)

CENTER FRAME-2400(H)

Year/Month

2020/01

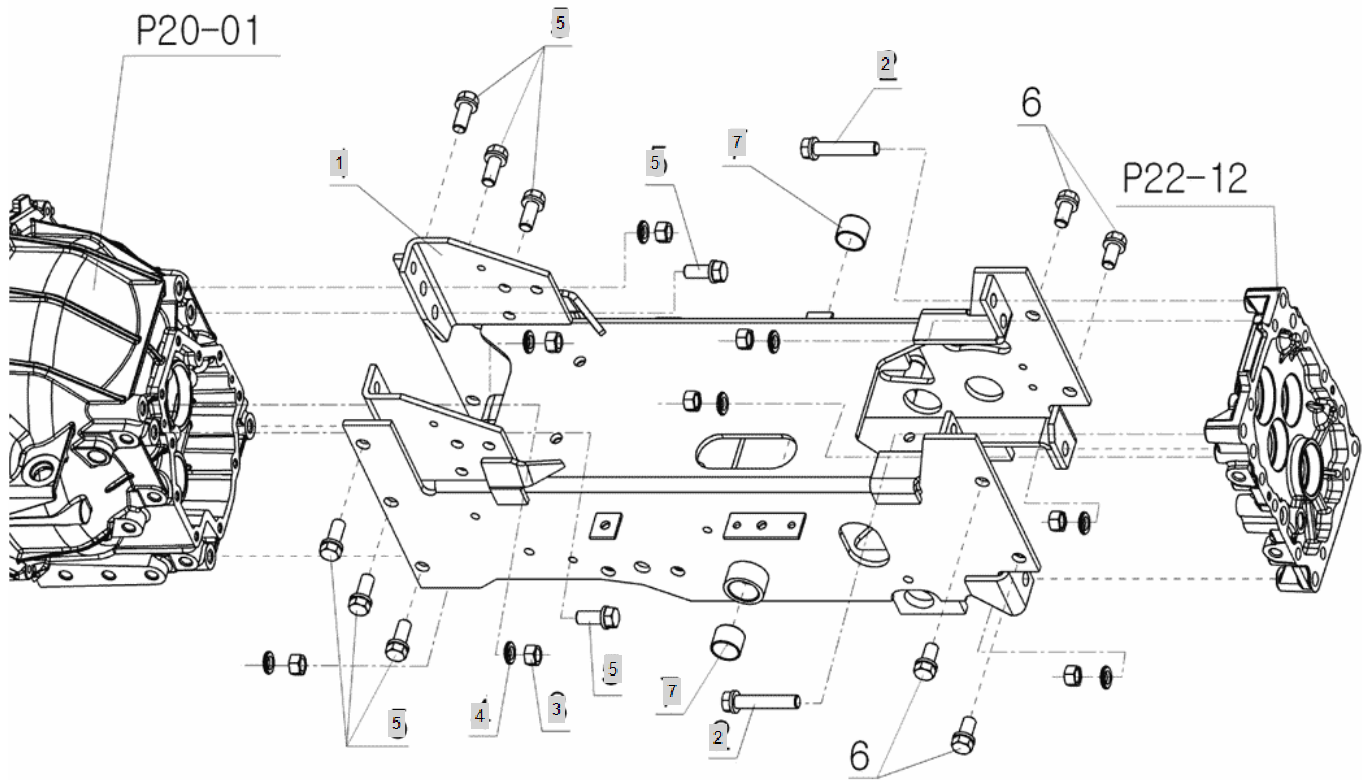


FIG 021C-2

CENTER FRAME-2400(H)

Year/Month

2400h(2014~)

2020/01

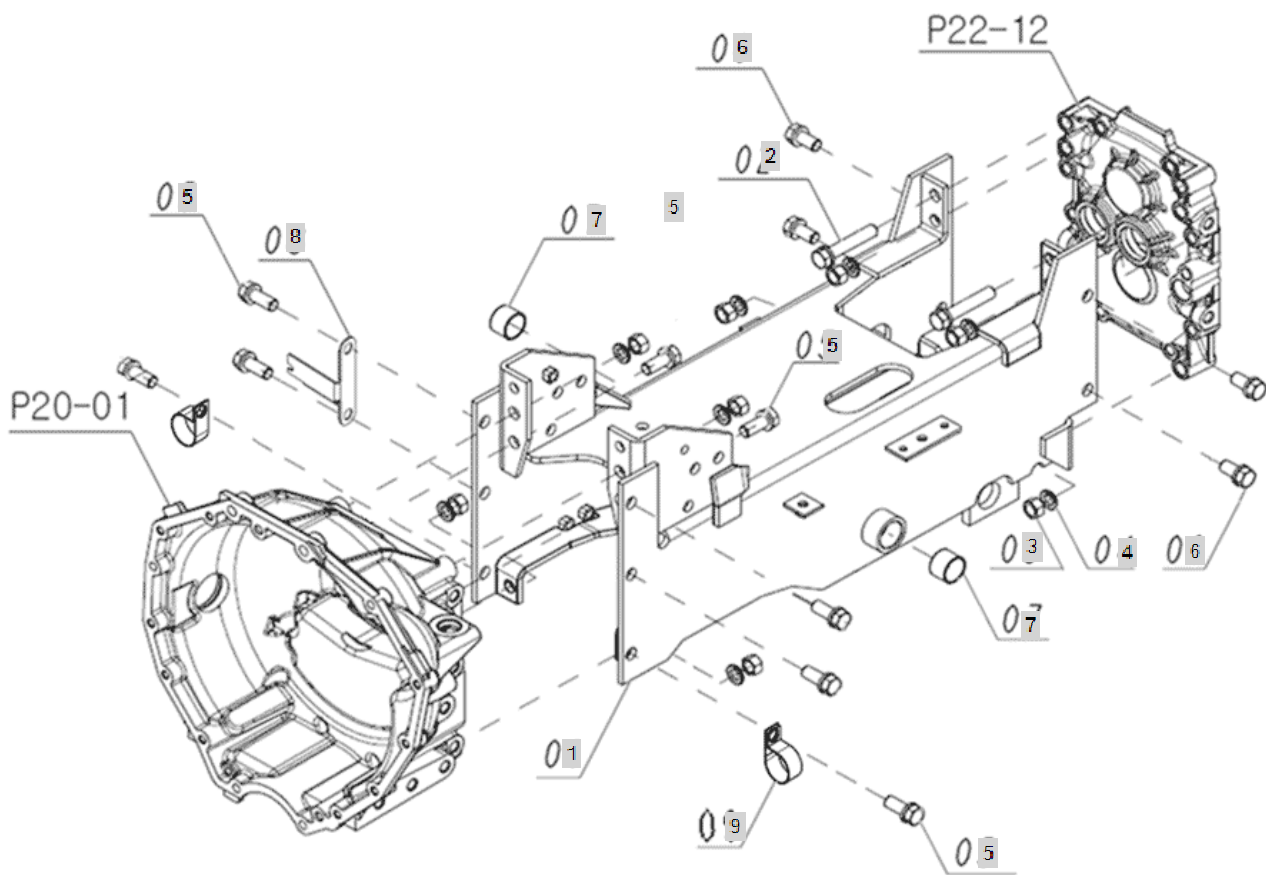


FIG 023C-1

TRANSMISSION CASE_2400H

Year/Month

2400h(2014~)

2020/01

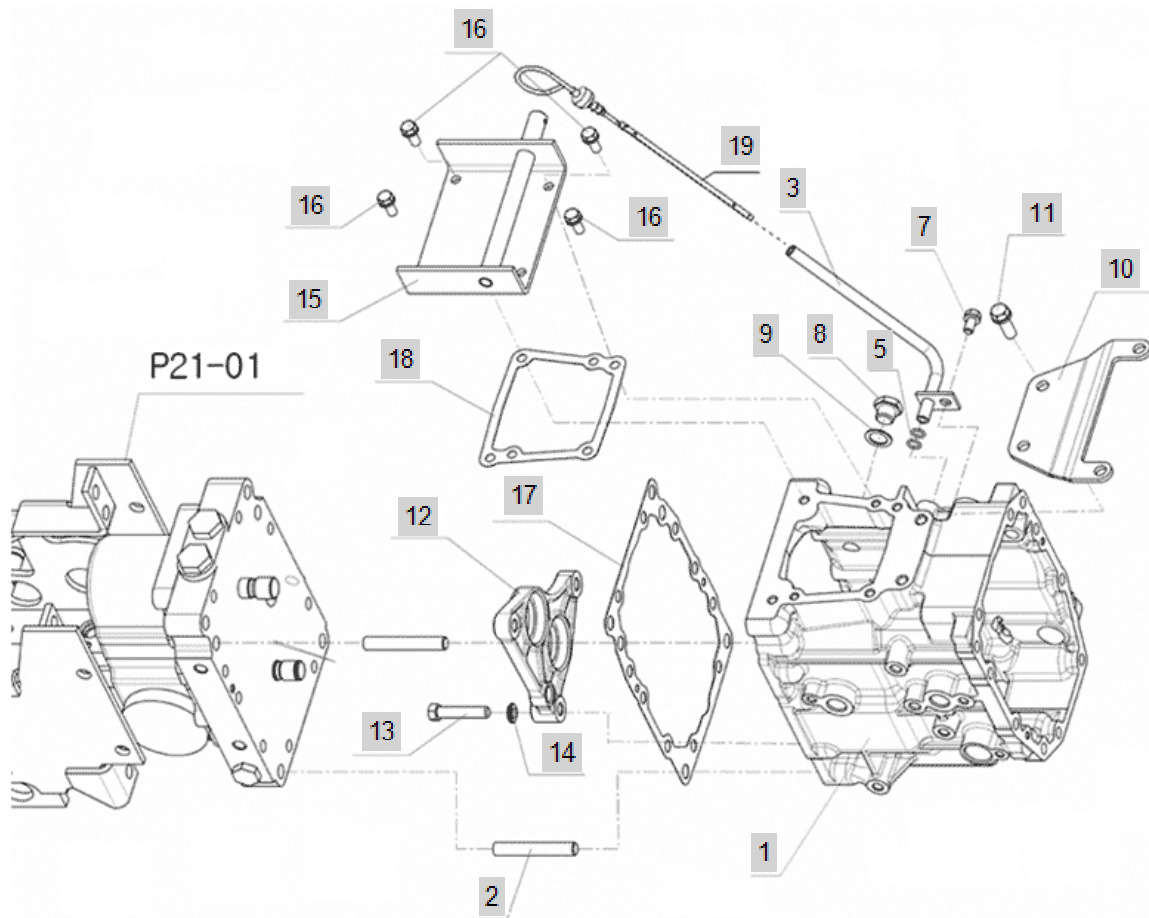


FIG 024A

DIFFERENTIAL GEAR CASE_2400(h)

Year/Month

2400h(2014~)

2020/01

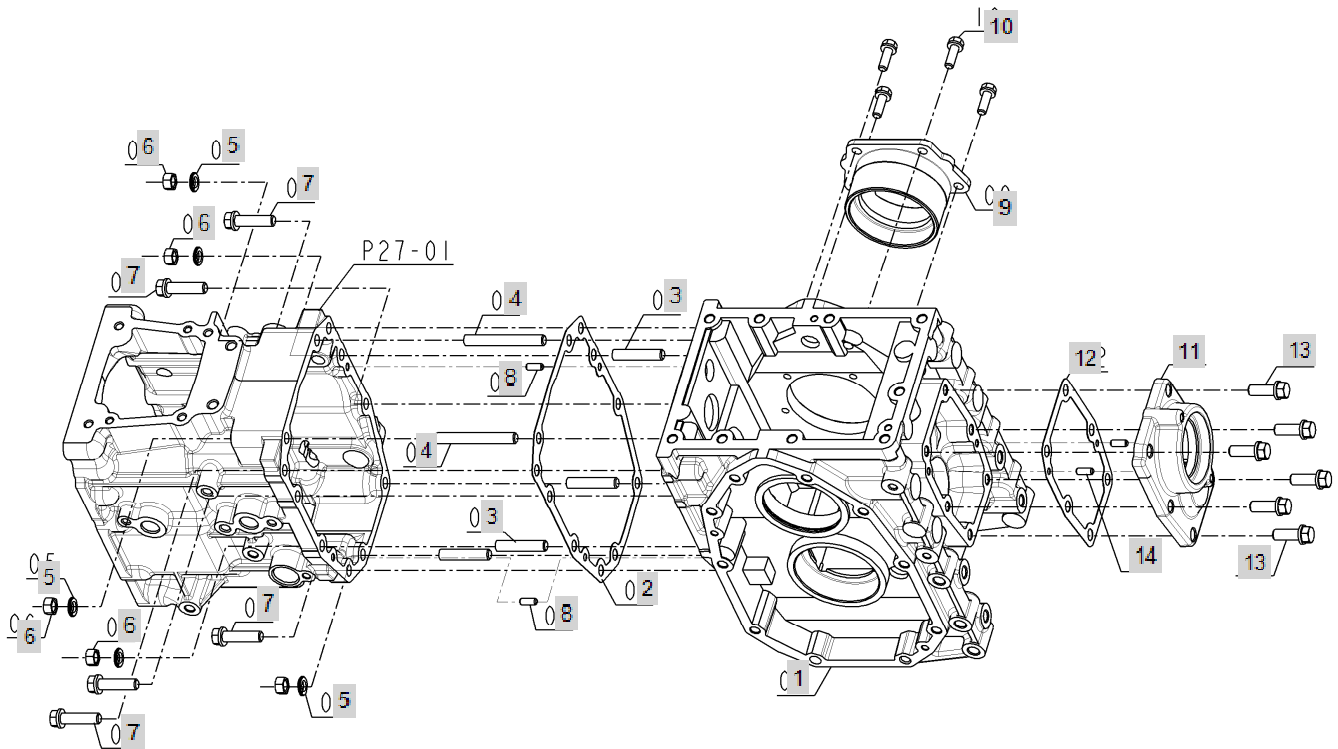


FIG 025-1

2400h(2014~)

25. REAR CASE

Year/Month

2020/01

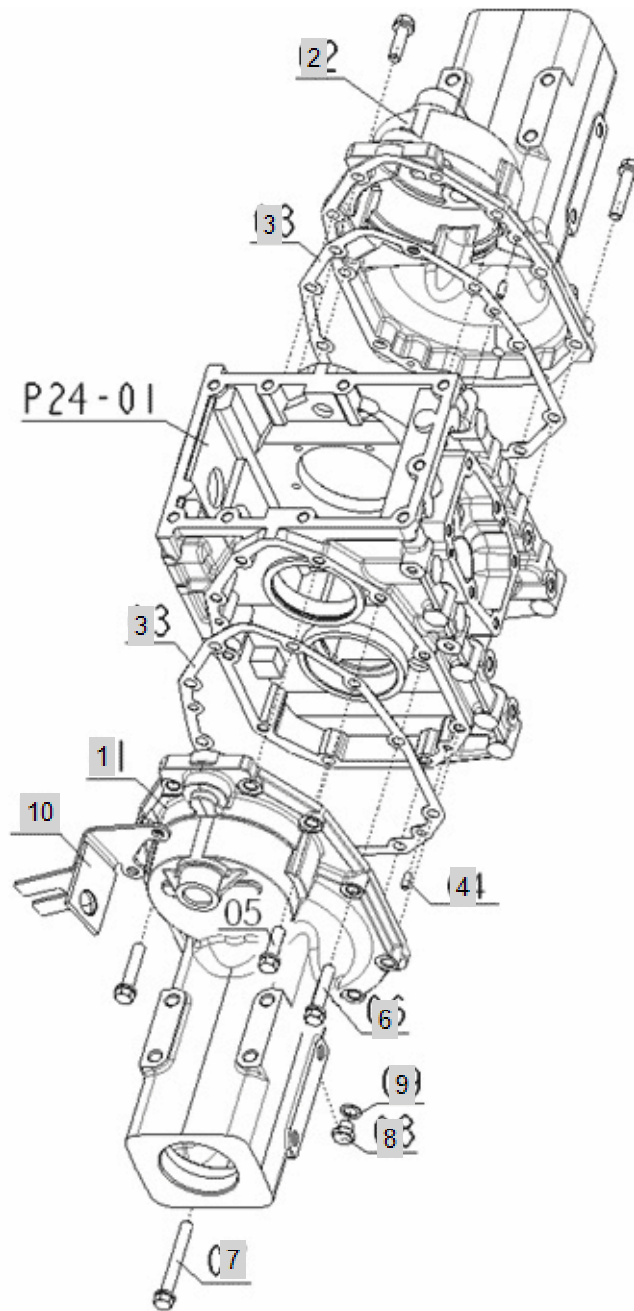


FIG 025-2

2400h(2014~)

25. REAR CASE(2018.09~)

Year/Month

2020/01

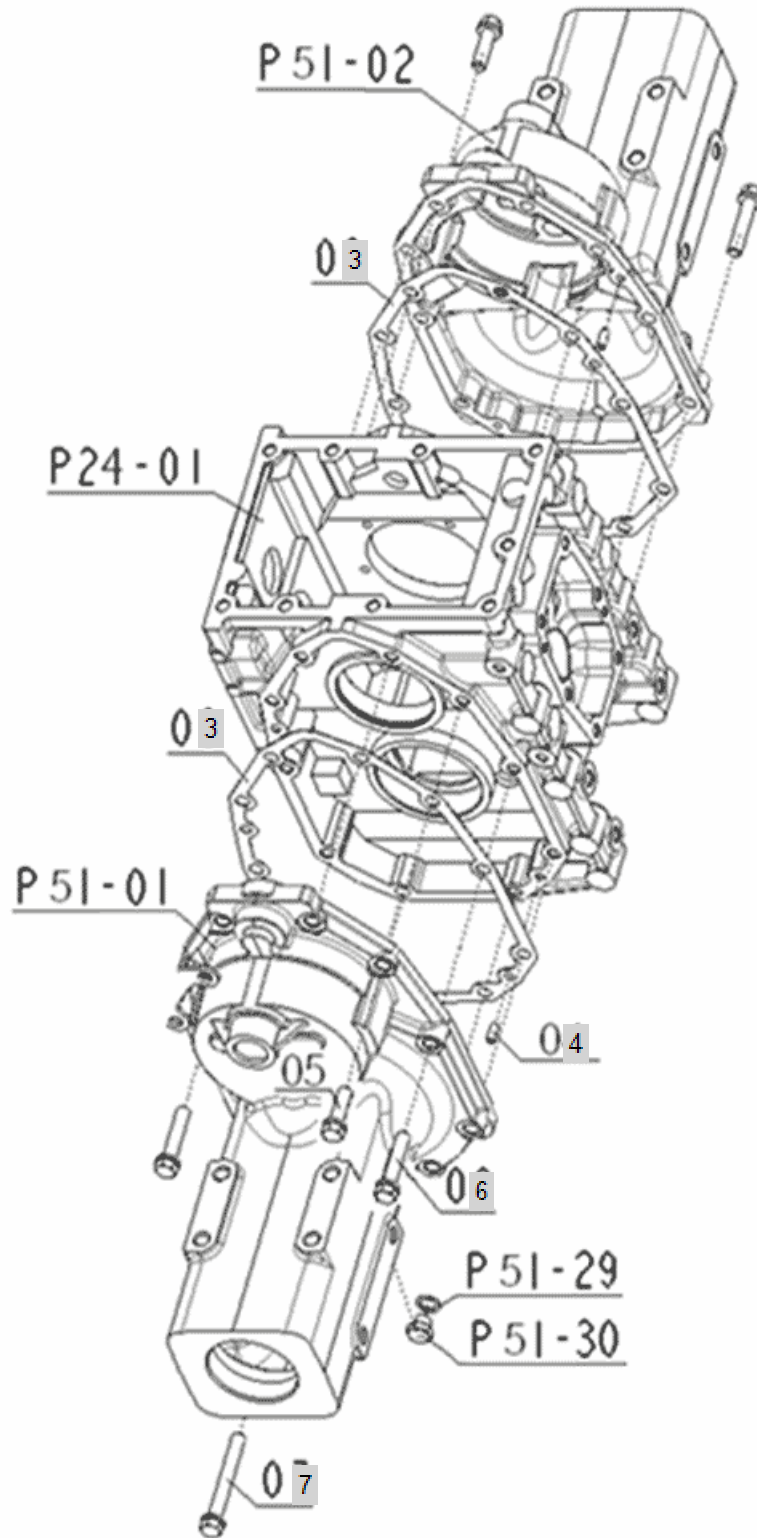


FIG 026.

CLUTCH SHAFT

Year/Month

2400h(2014~)

2020/01

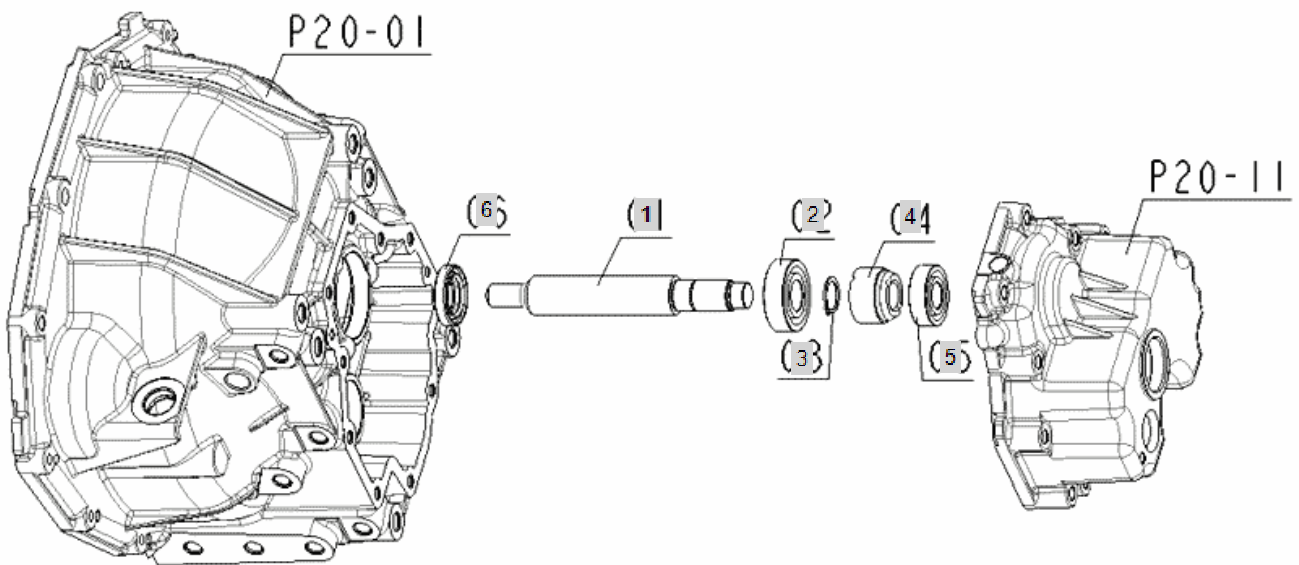


FIG 028C

PROPELLOR SHAFT-HST

Year/Month

2400h(2014~)

2020/01

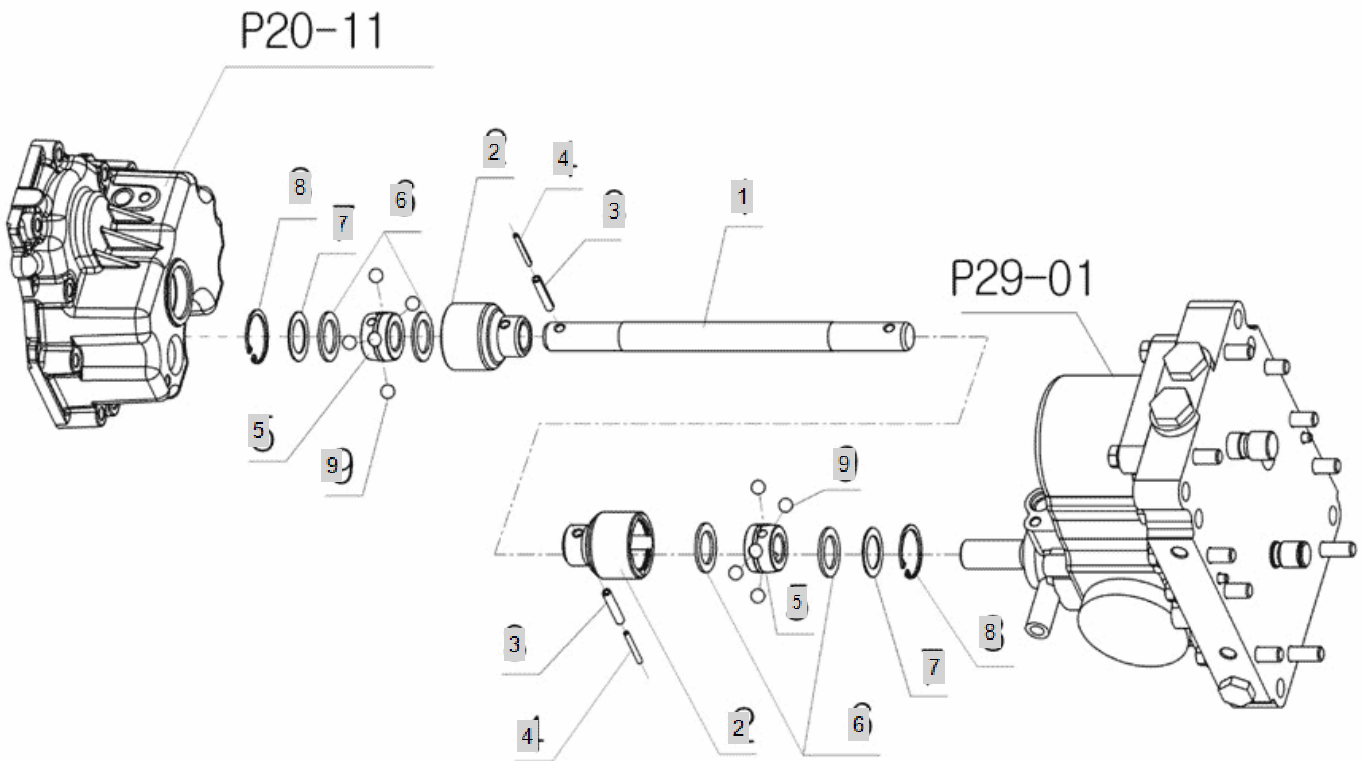


FIG 029C-1

29. HST ASSY-HST

Year/Month

2400h(2014~)

2020/01

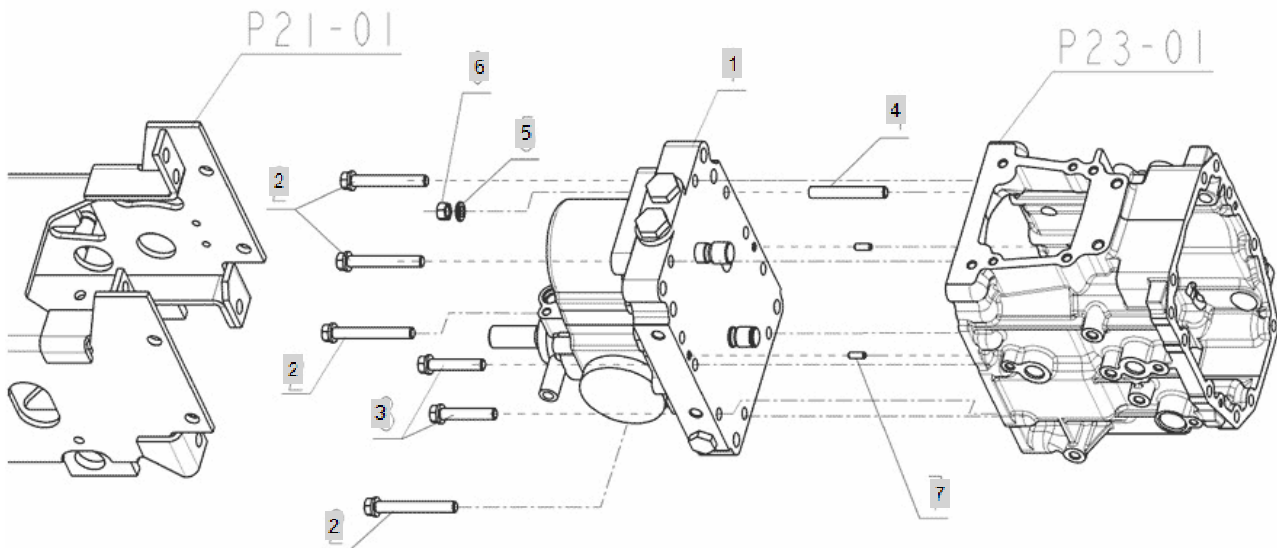


FIG 029C-2

29. HST ASSY-HST(2018.08~)

Year/Month

2400h(2014~)

2020/01

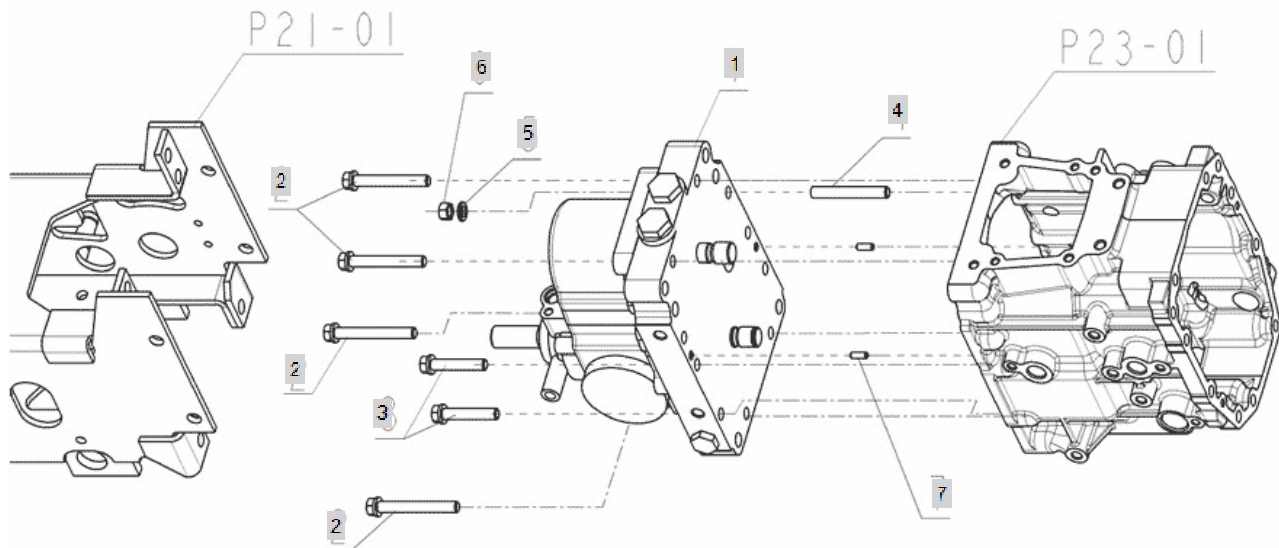


FIG 029T-3

29. HST ASSY-HST(2019~)

Year/Month

2400h(2014~)

2020/01

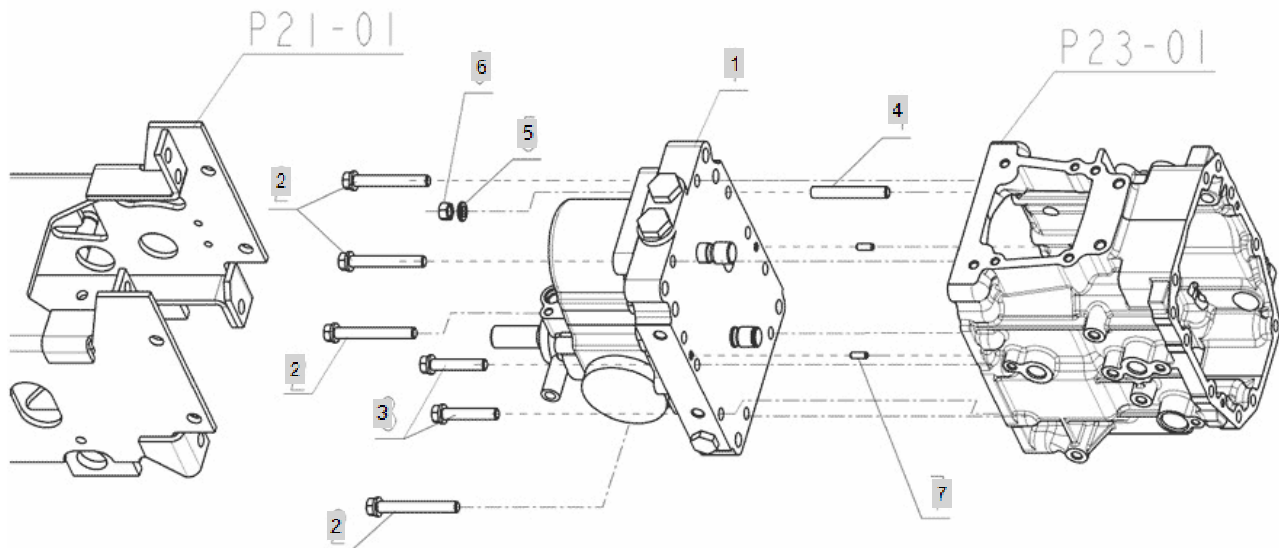


FIG 031H-1

FRONT SHAFT-HST

Year/Month

2400h(2014~)

2020/01

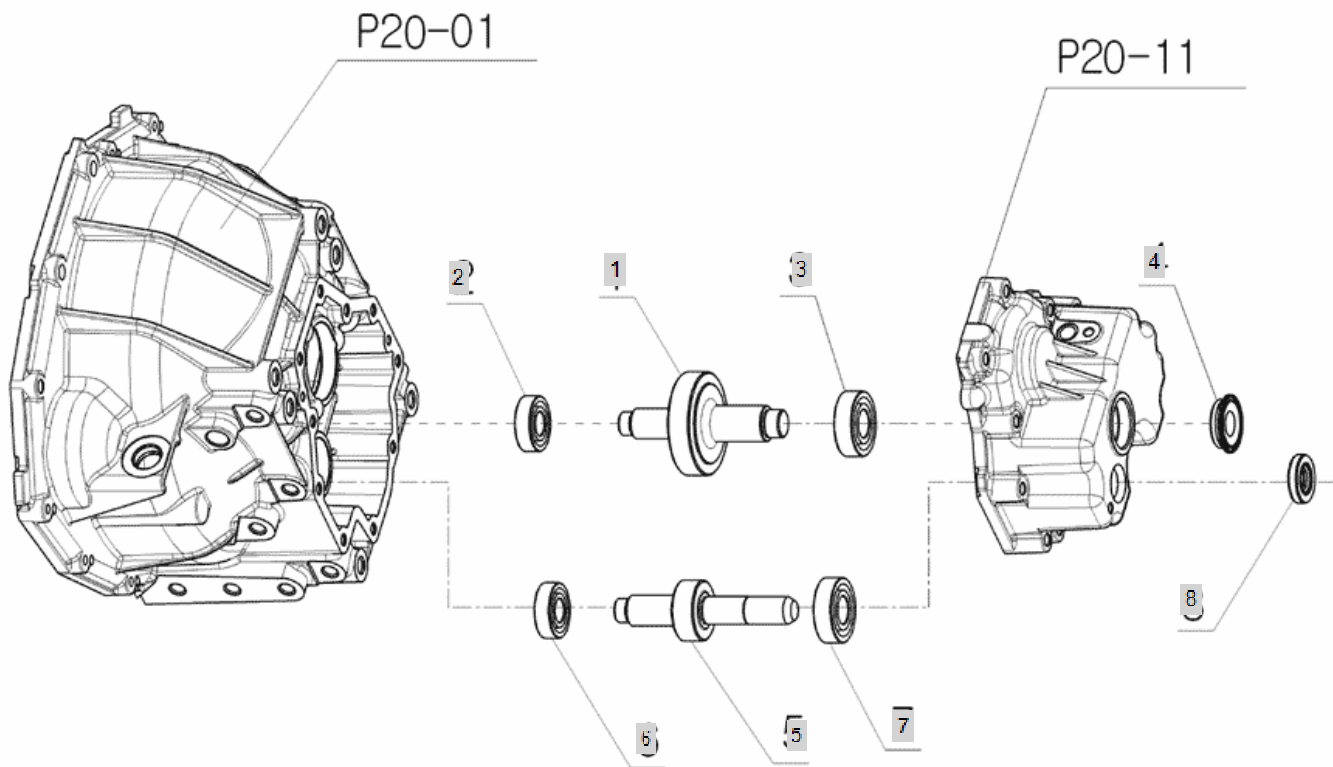


FIG 031H-2

FRONT SHAFT-HST

Year/Month

2400h(2014~)

2020/01

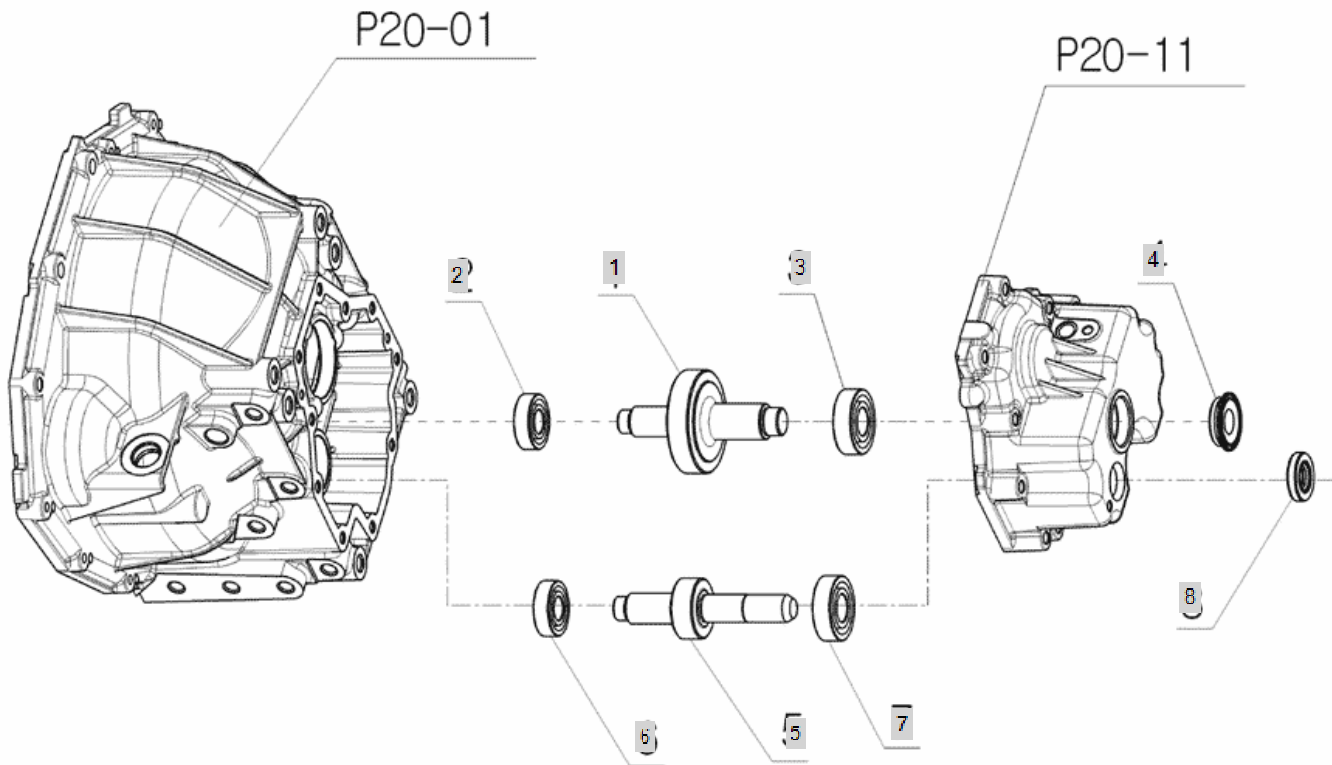


FIG 033C-1

2400h(2014~)

33. PTO SHAFT-HST

Year/Month

2020/01

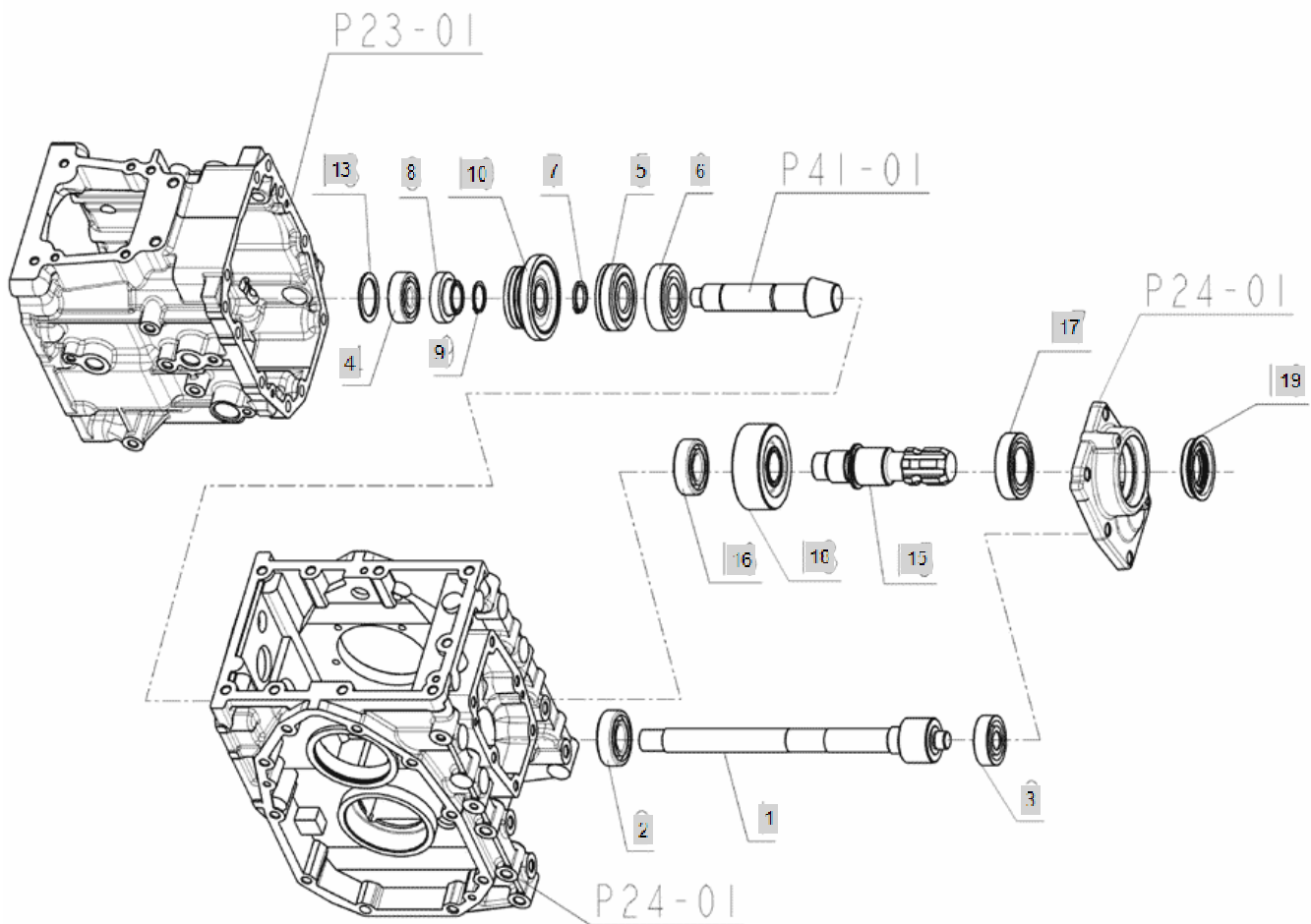


FIG 033C-2

2400h(2014~)

PTO SHAFT

Year/Month

2020/01

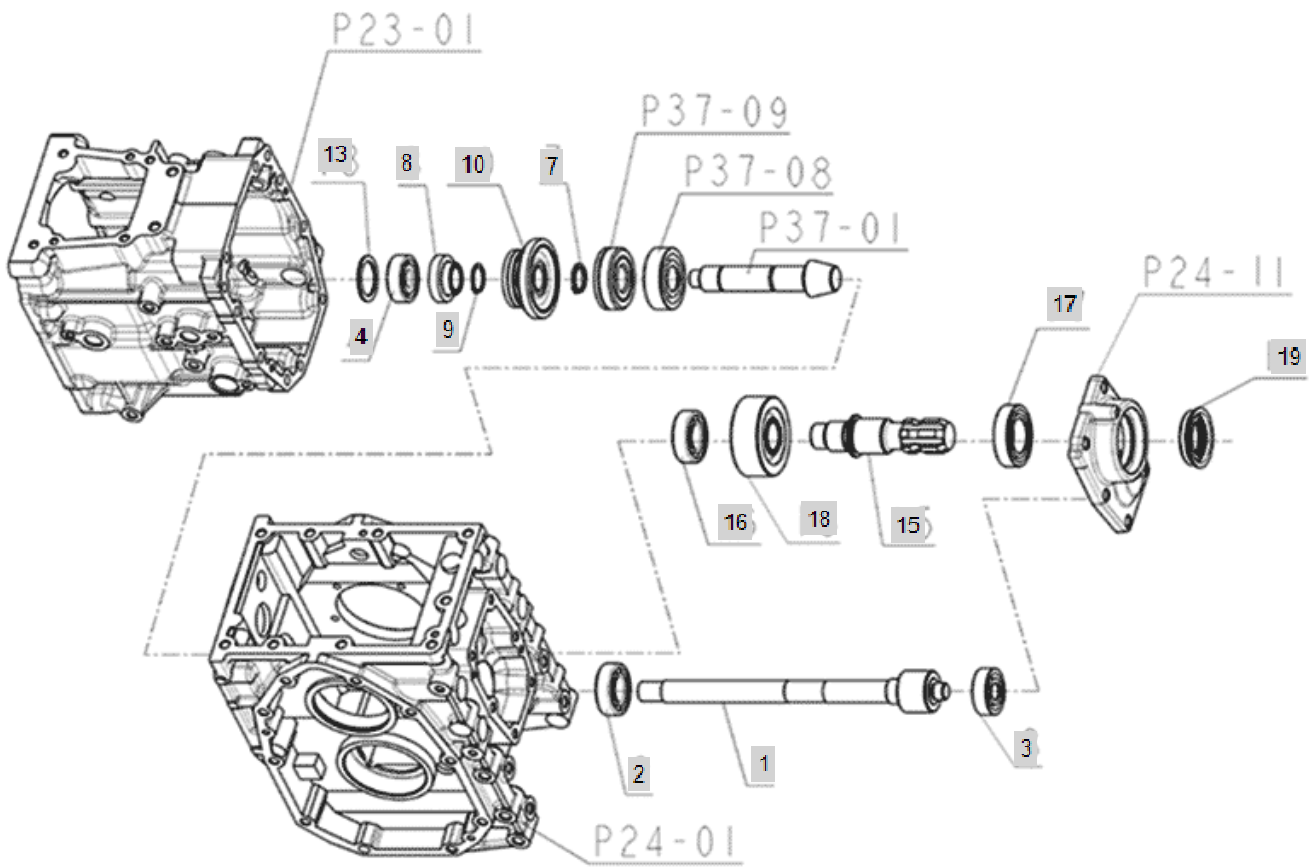


FIG 035H

2400h(2014~)

MID PTO-HST

Year/Month

2020/01

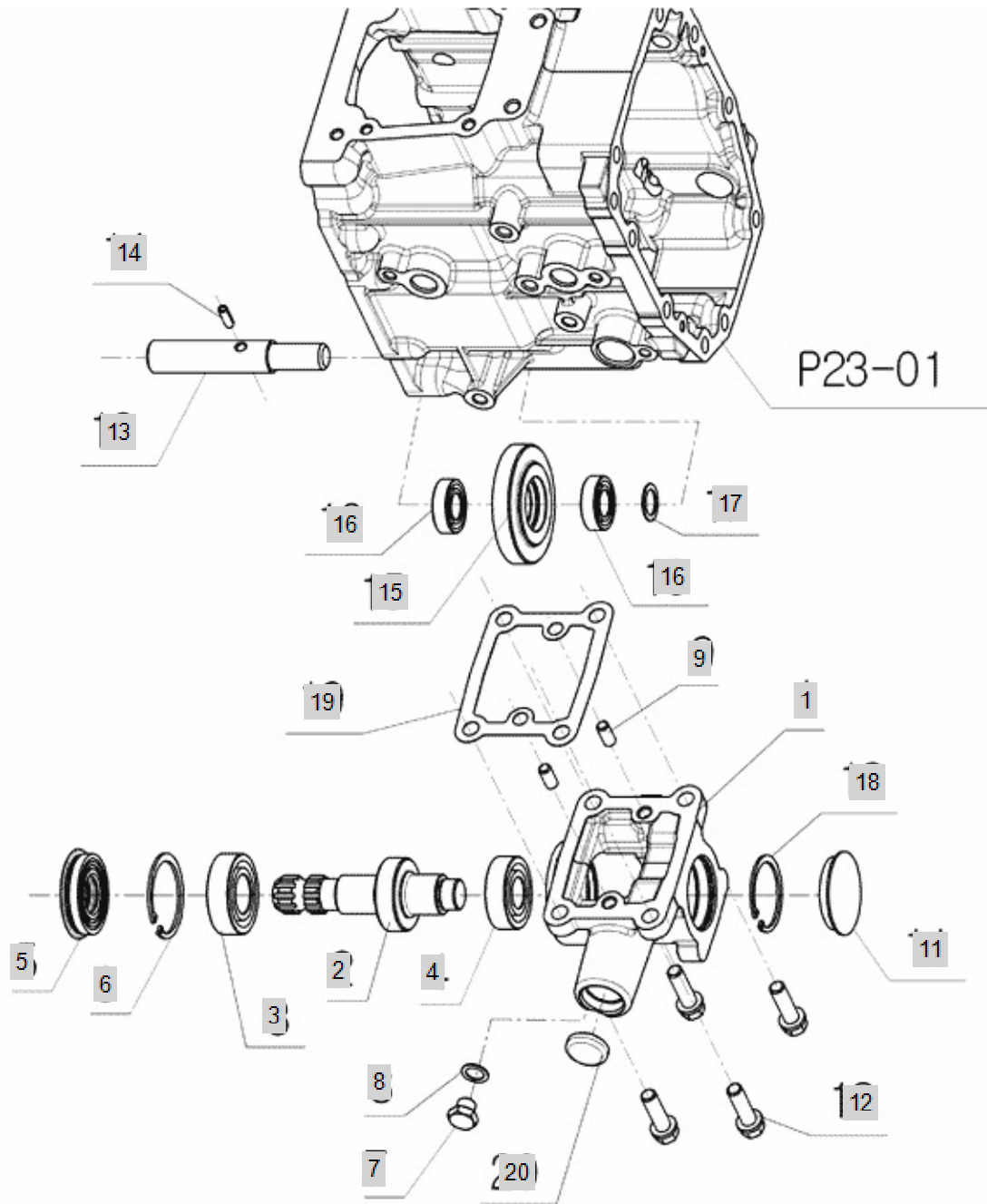


FIG 037A-1

REAR DIFFERENTIAL _2400(h)

Year/Month

2400h(2014~)

2020/01

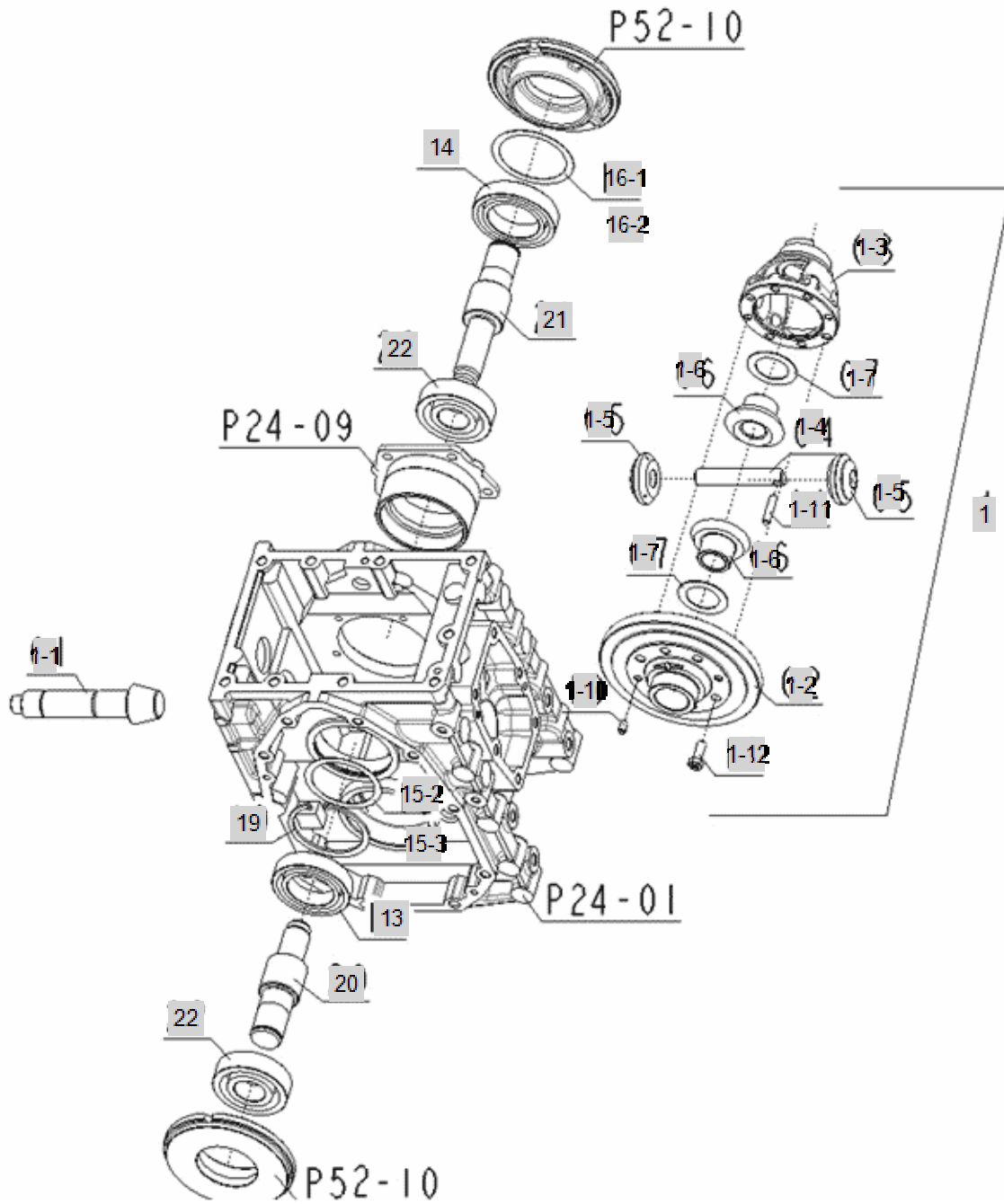


FIG 037A-2

REAR DIFFERENTIAL _2400(h),2019~

Year/Month

2400h(2014~)

2020/01

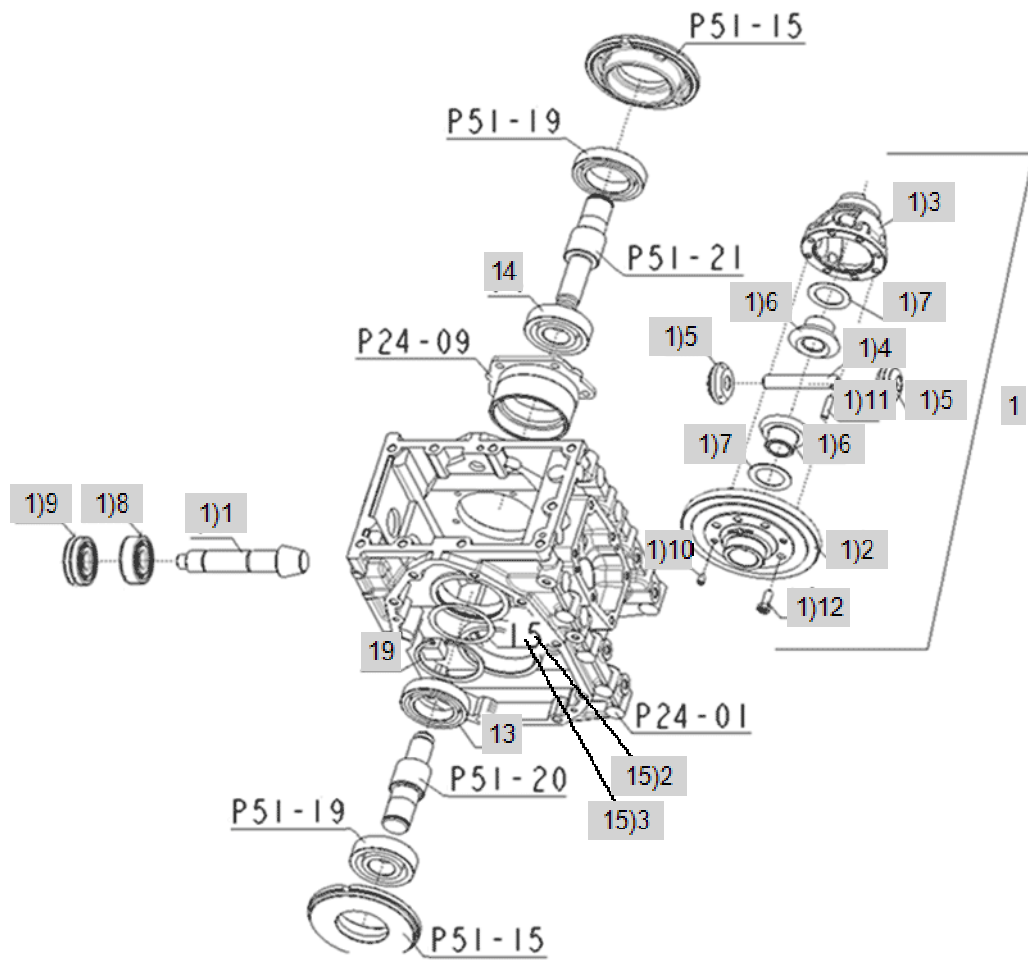


FIG 039H

FRONT WHEEL PROPELLER SHAFT-HST

Year/Month

2400h(2014~)

2020/01

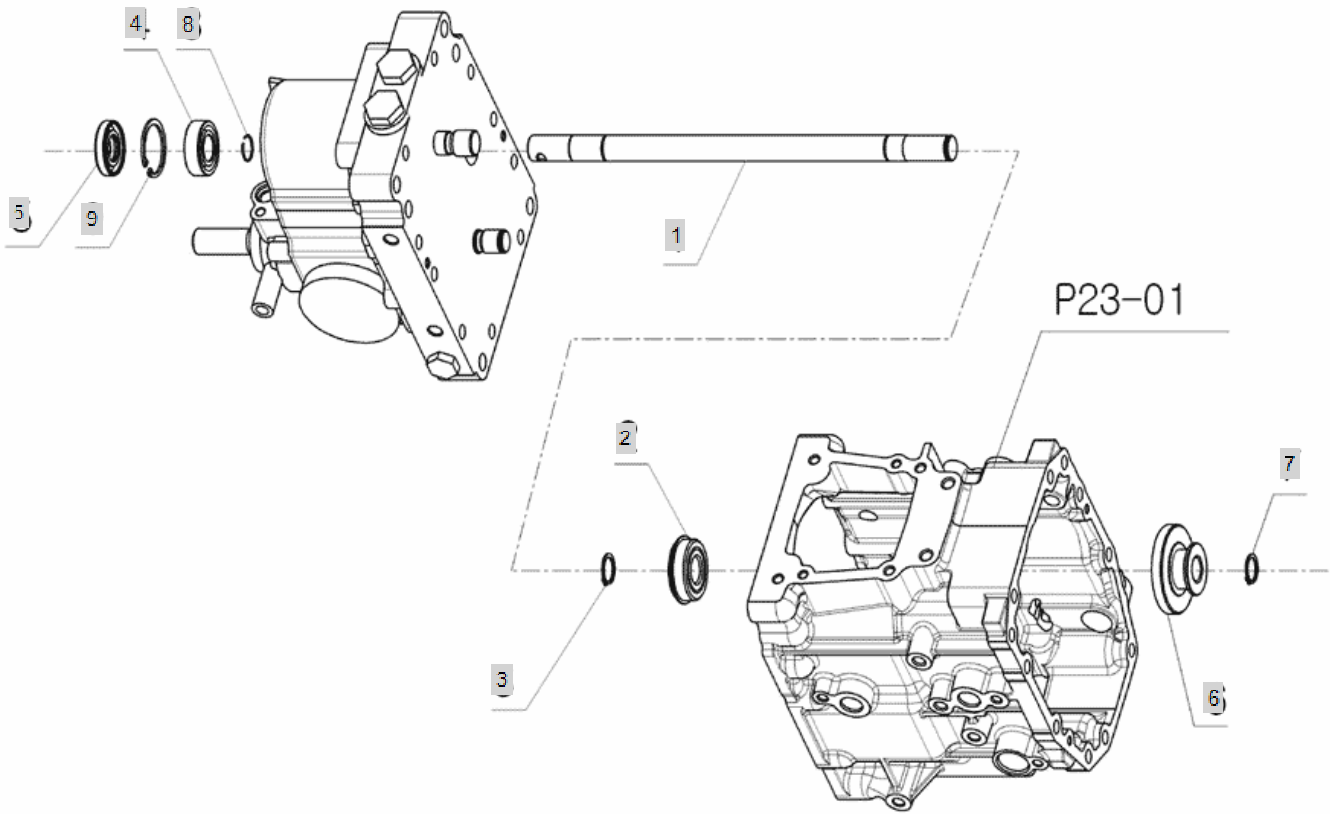


FIG 041H

2400h(2014~)

2ND SHAFT-HST

Year/Month

2020/01

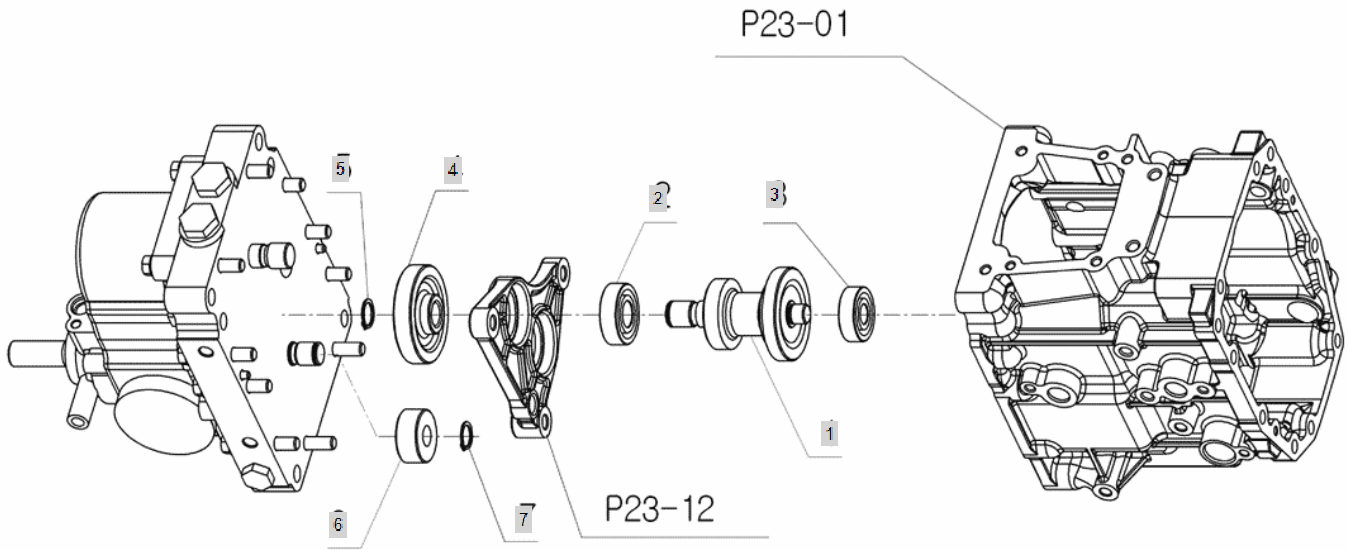


FIG 043H

2400h(2014~)

3RD SHAFT-HST

Year/Month

2020/01

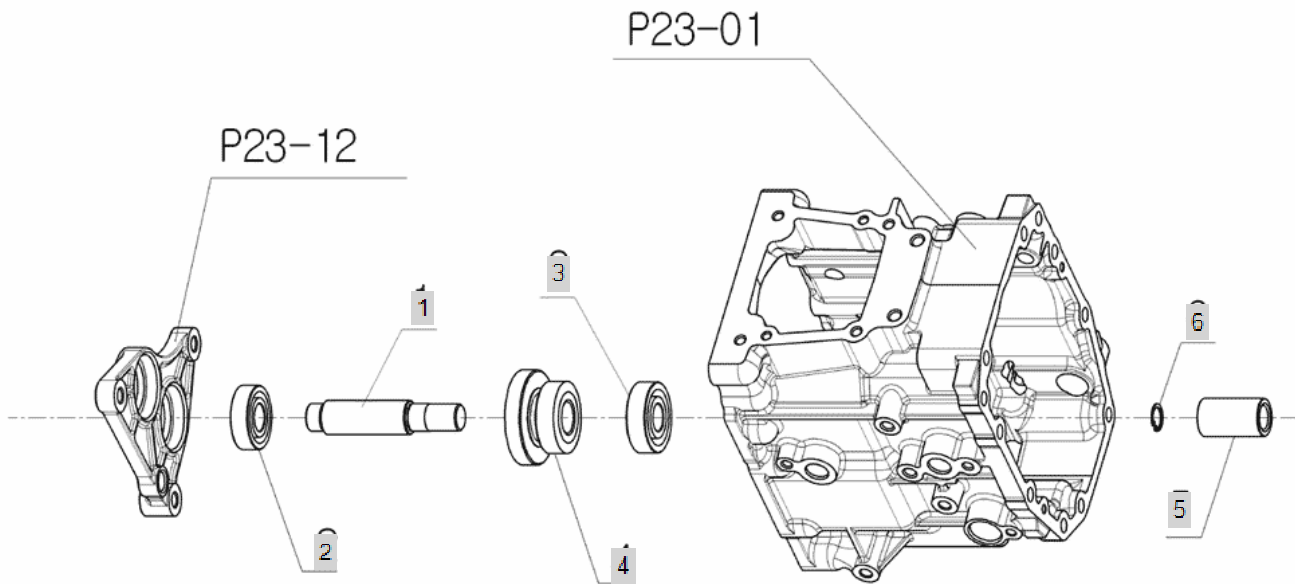


FIG 045C

2400h(2014~)

4TH SHAFT-HST

Year/Month

2020/01

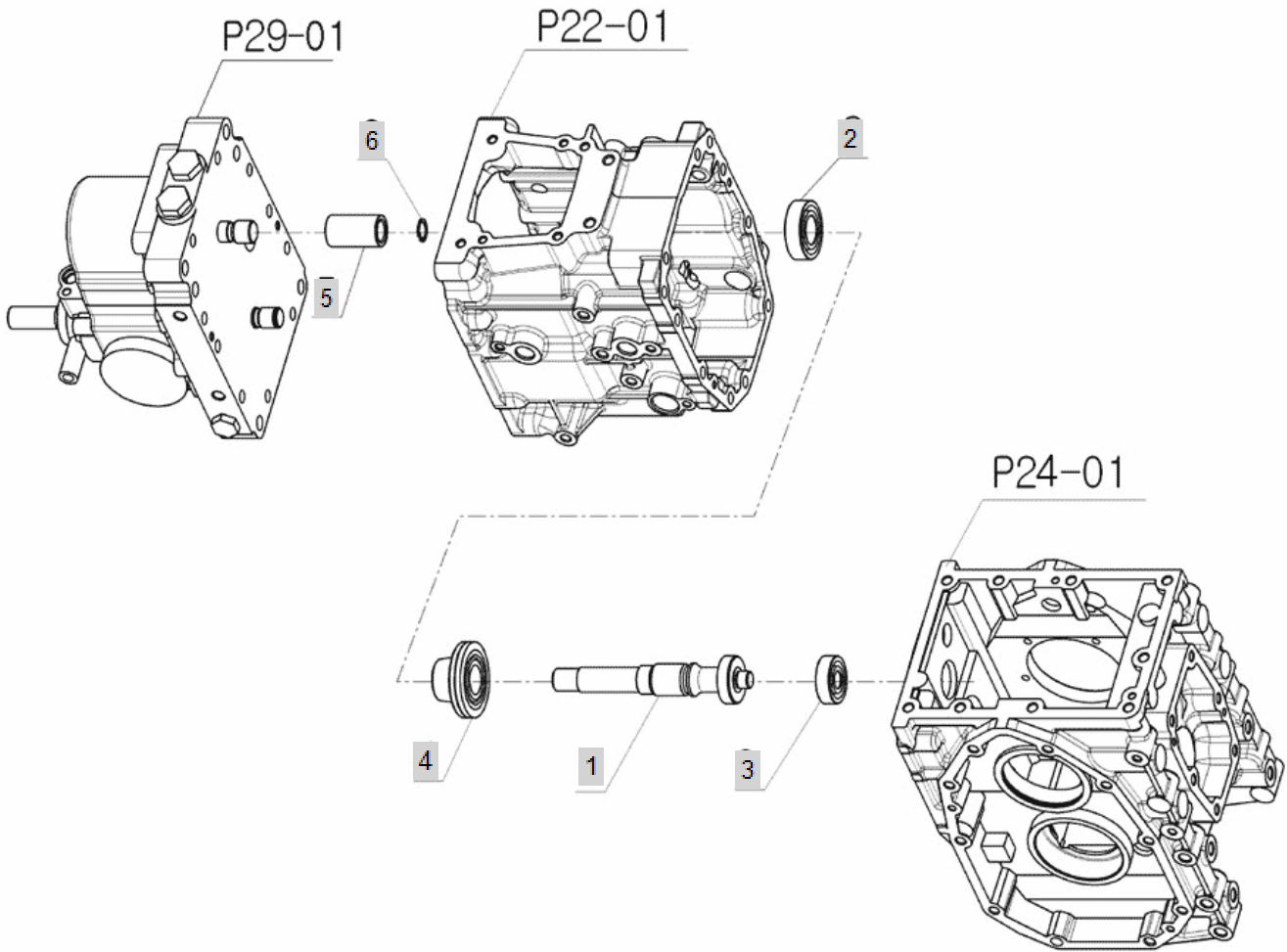


FIG 047A

RANGE GEAR SHIFT FORK _2400(H)

Year/Month

2400h(2014~)

2020/01

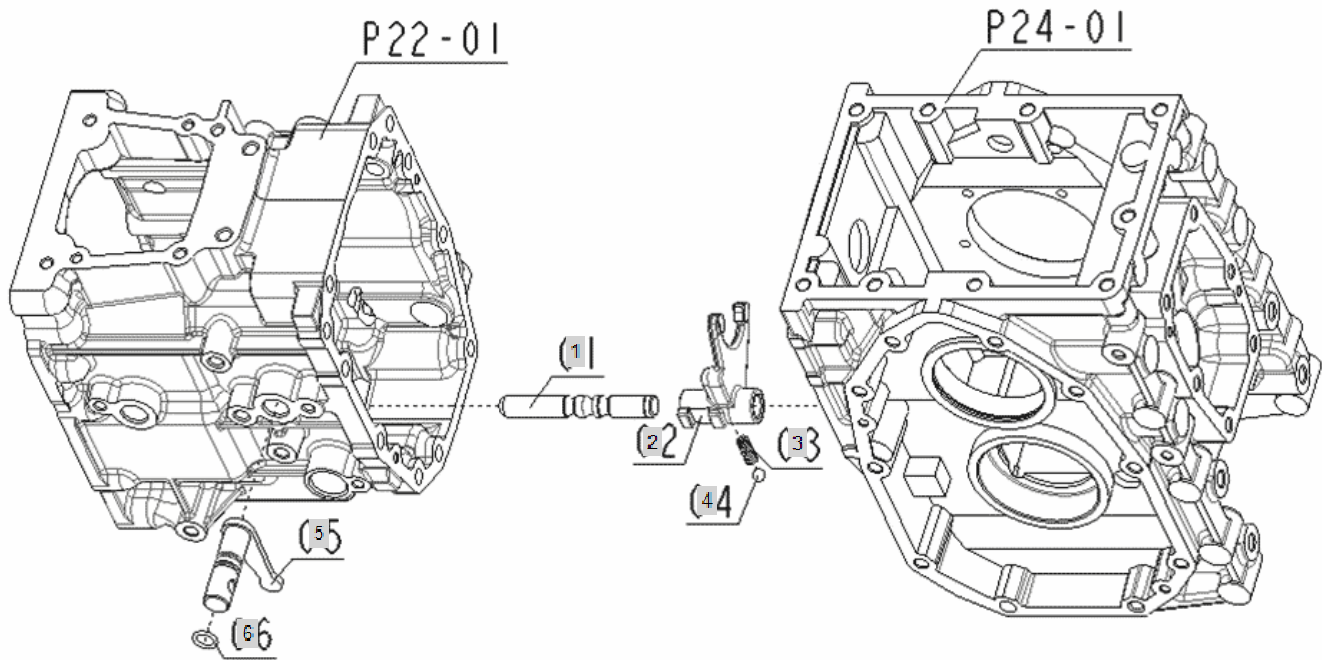


FIG 049

PTO GEAR SHIFT FORK-HST

Year/Month

2400h(2014~)

2020/01

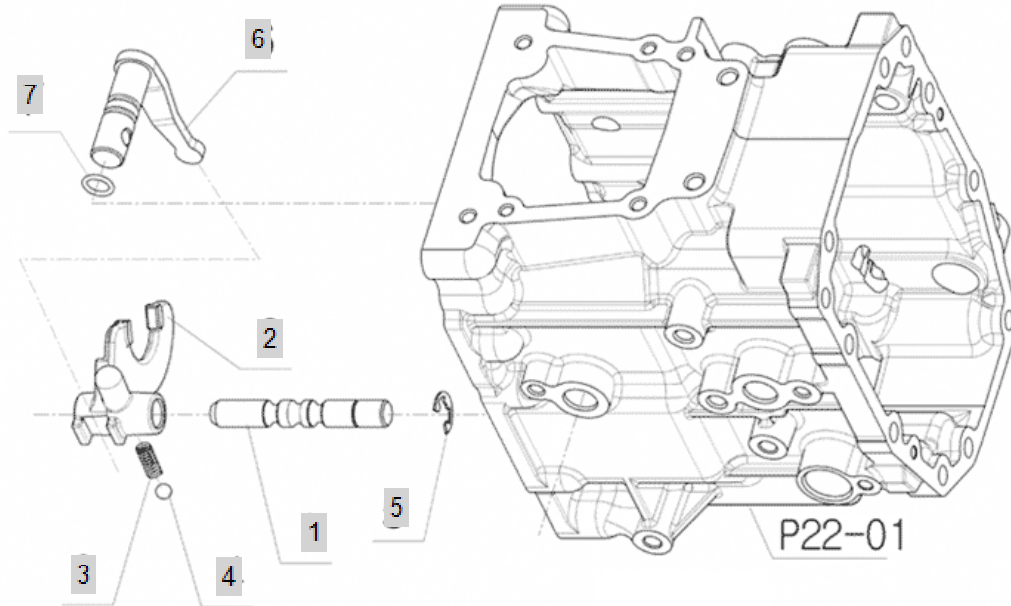


FIG 050

DIFFERENTIAL LOCK SHIFT FORK

Year/Month

2400h(2014~)

2020/01

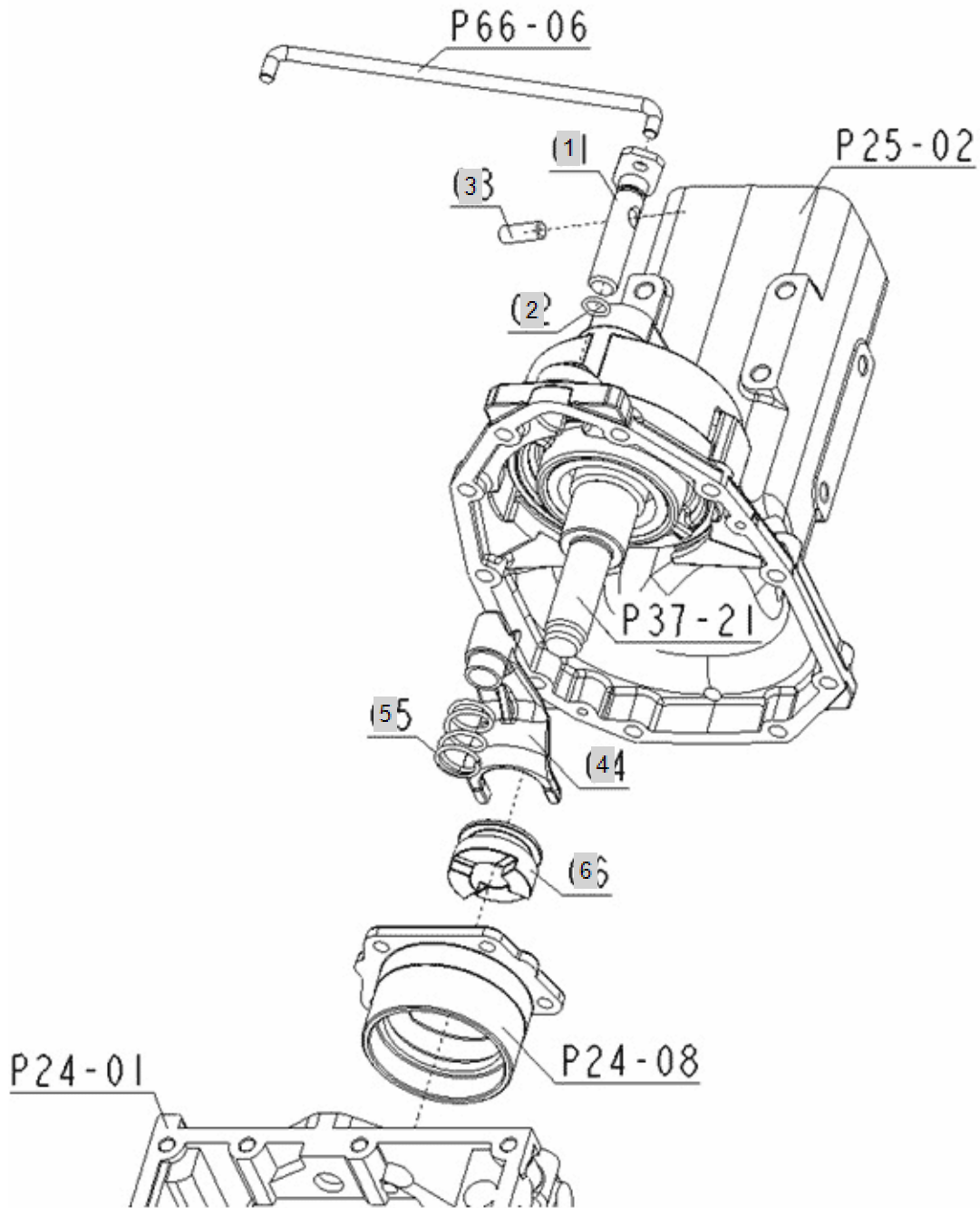


FIG 051-1

REAR AXLE

Year/Month

2400h(2014~)

2020/01

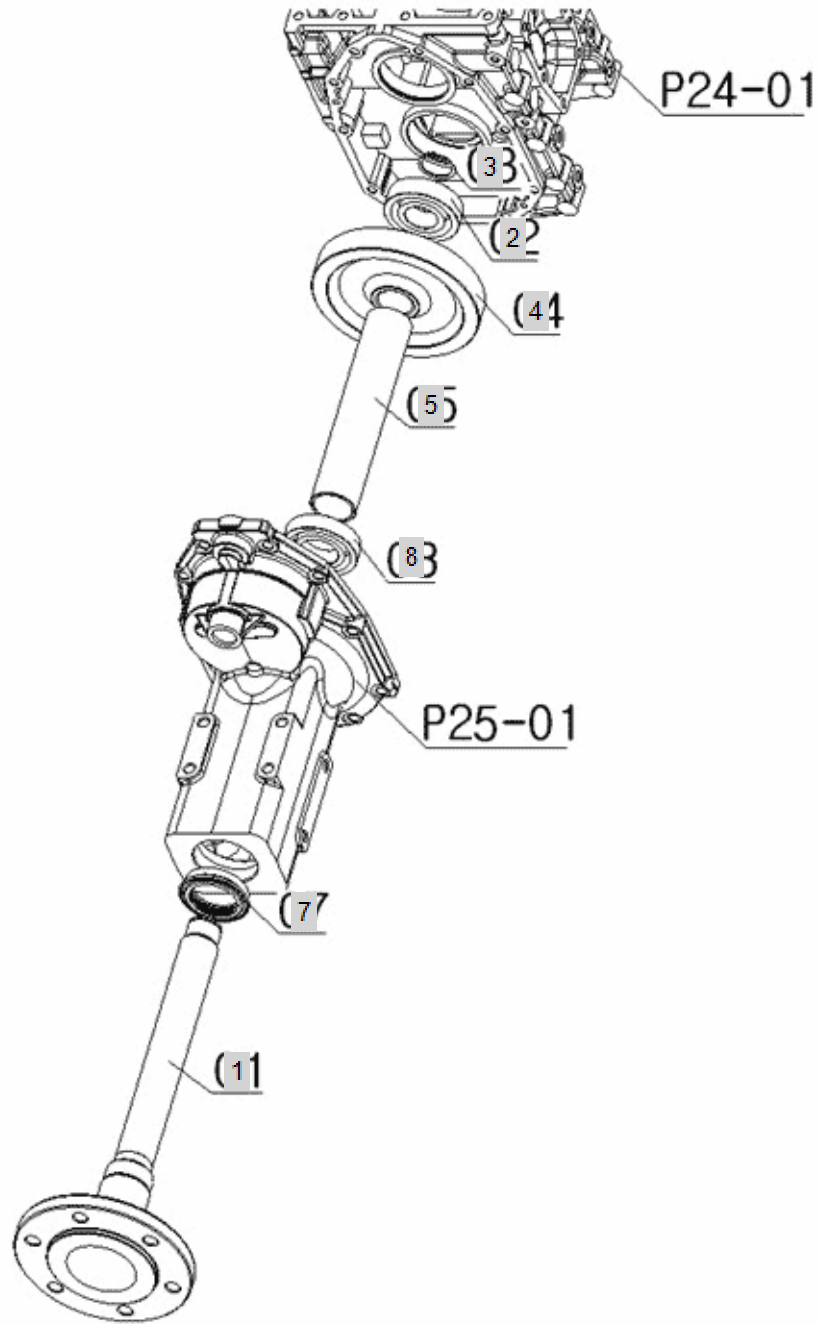


FIG 051-2

2400h(2014~)

51. REAR AXLE ASSY

Year/Month

2020/01

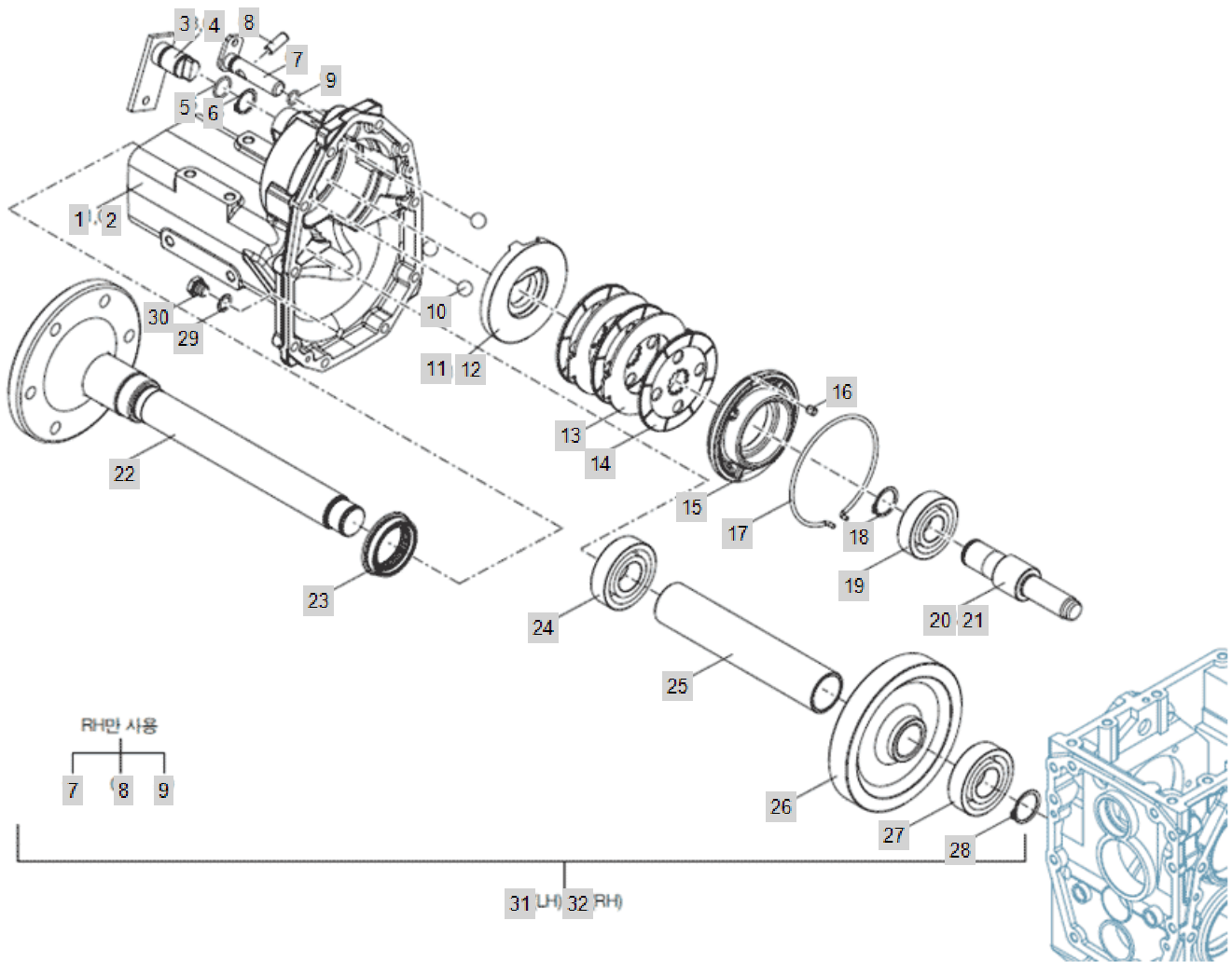


FIG 052.

BRAKE

Year/Month

2400h(2014~)

2020/01

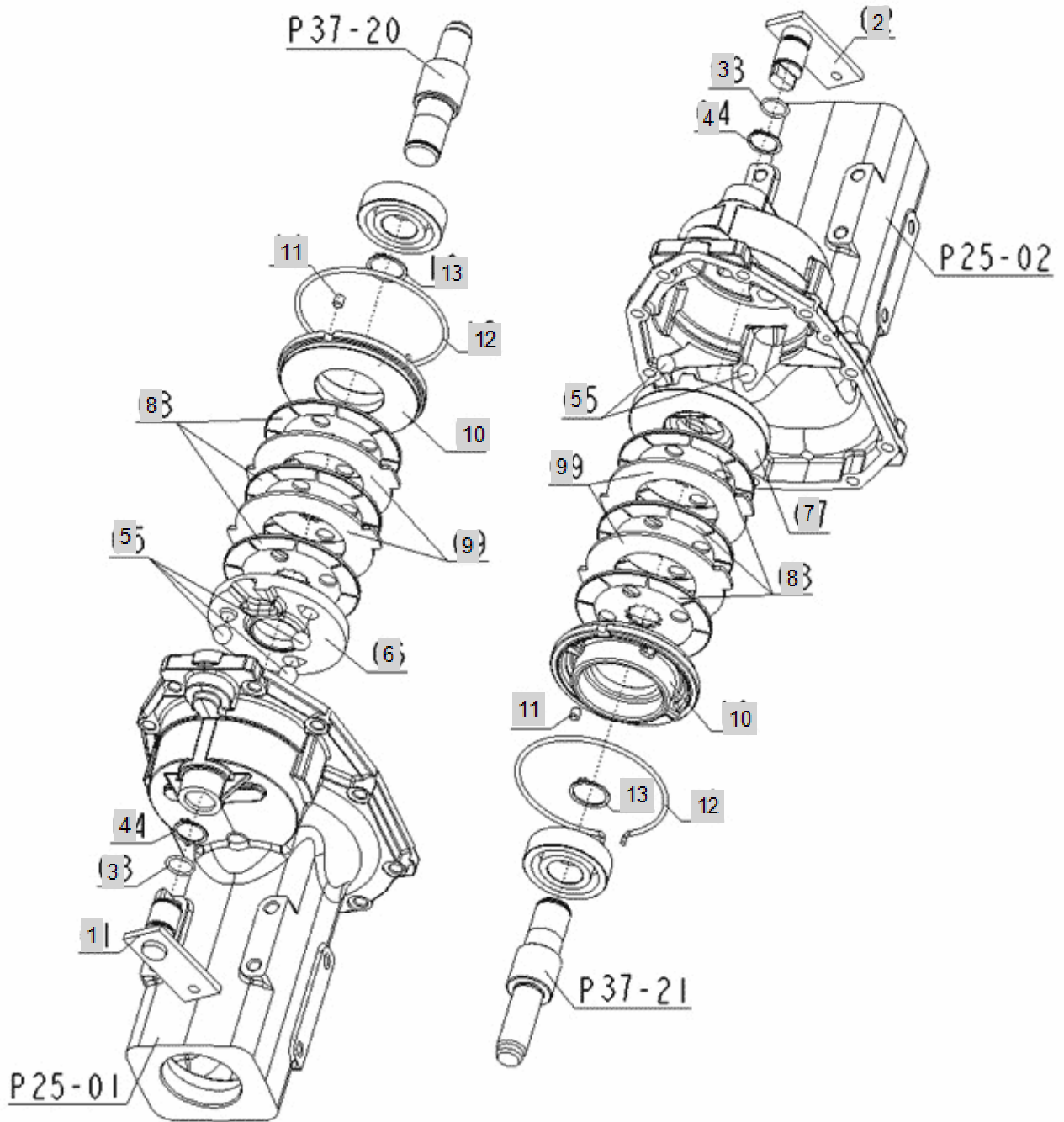


FIG 053.

BRAKE ROD

Year/Month

2400h(2014~)

2020/01

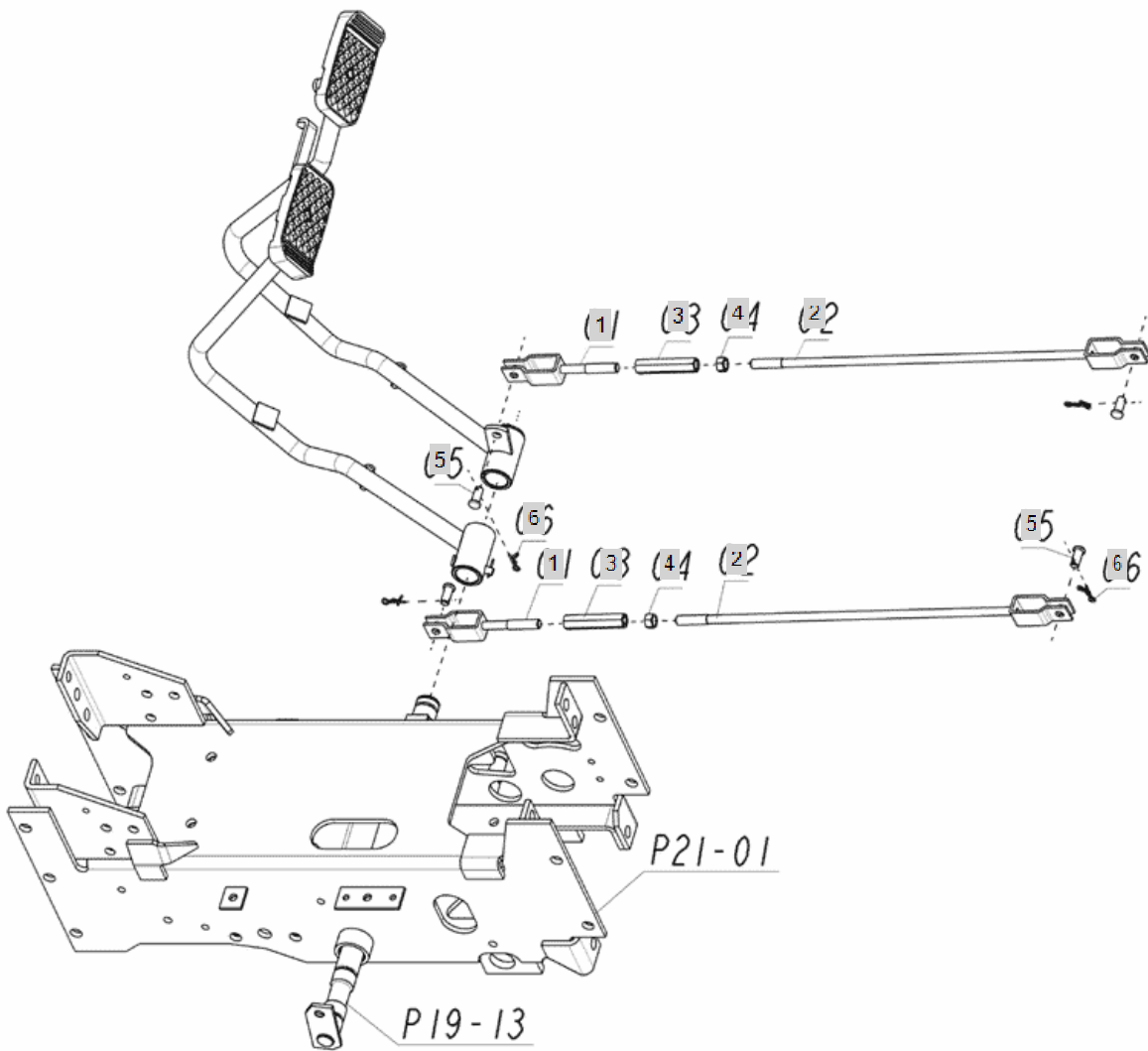


FIG 054-1

BRAKE PEDAL

Year/Month

2400h(2014~)

2020/01

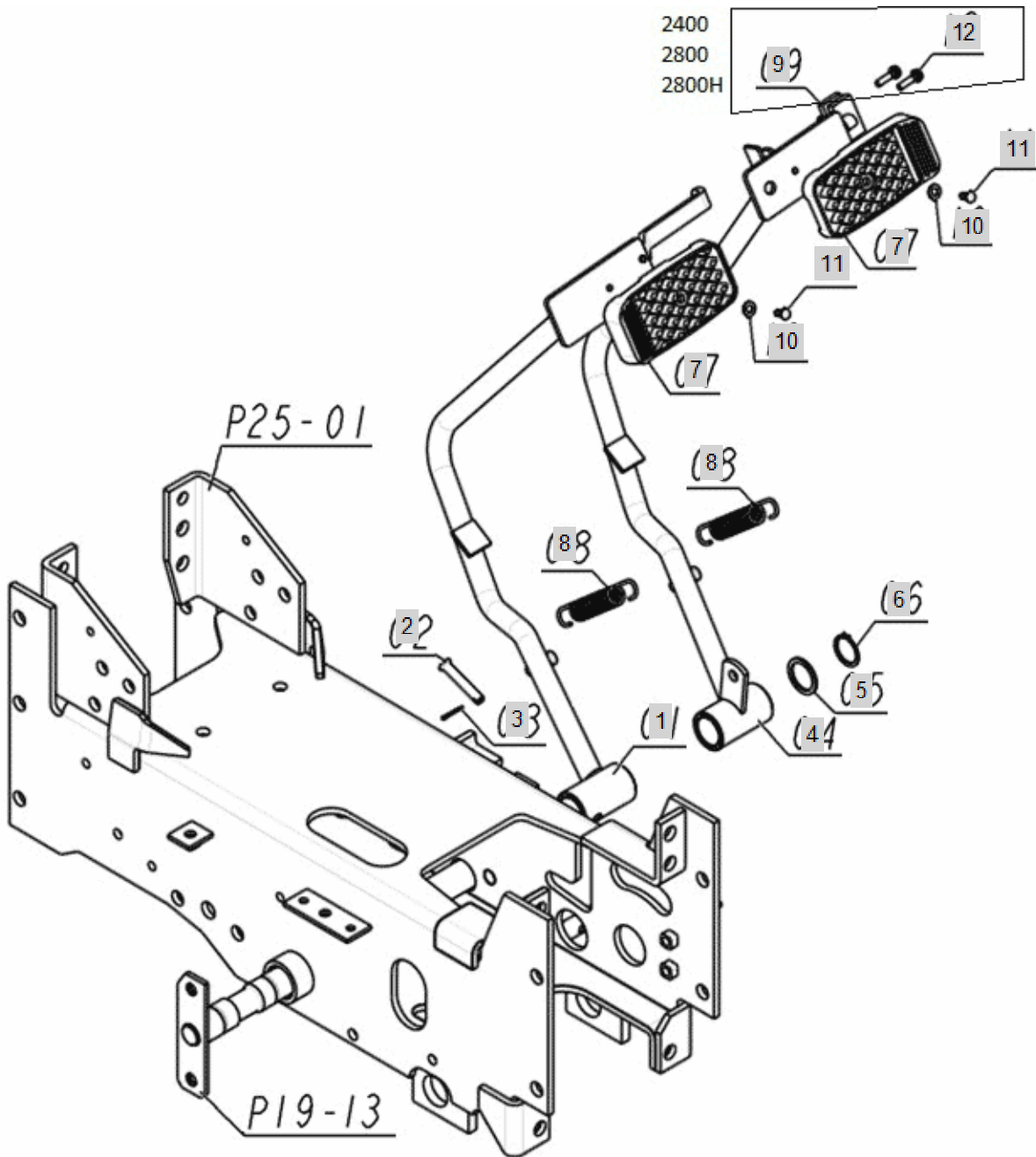


FIG 054-2

BRAKE PEDAL(2018.06~)

Year/Month

2400h(2014~)

2020/01

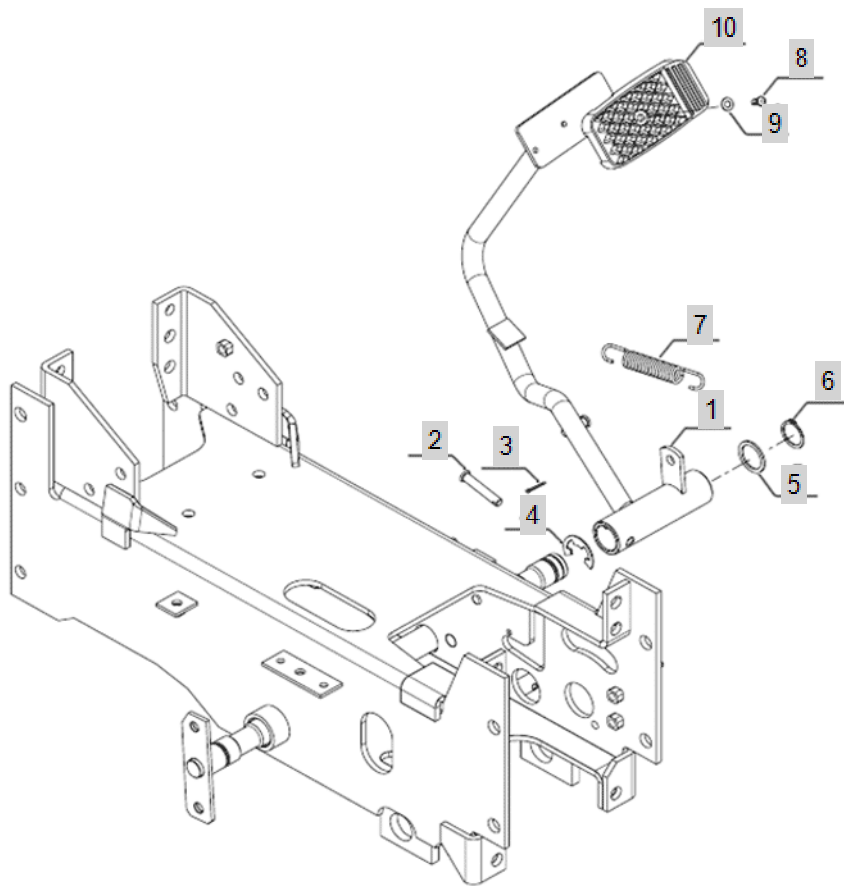


FIG 055.

BRAKE SWITCH

Year/Month

2400h(2014~)

2020/01

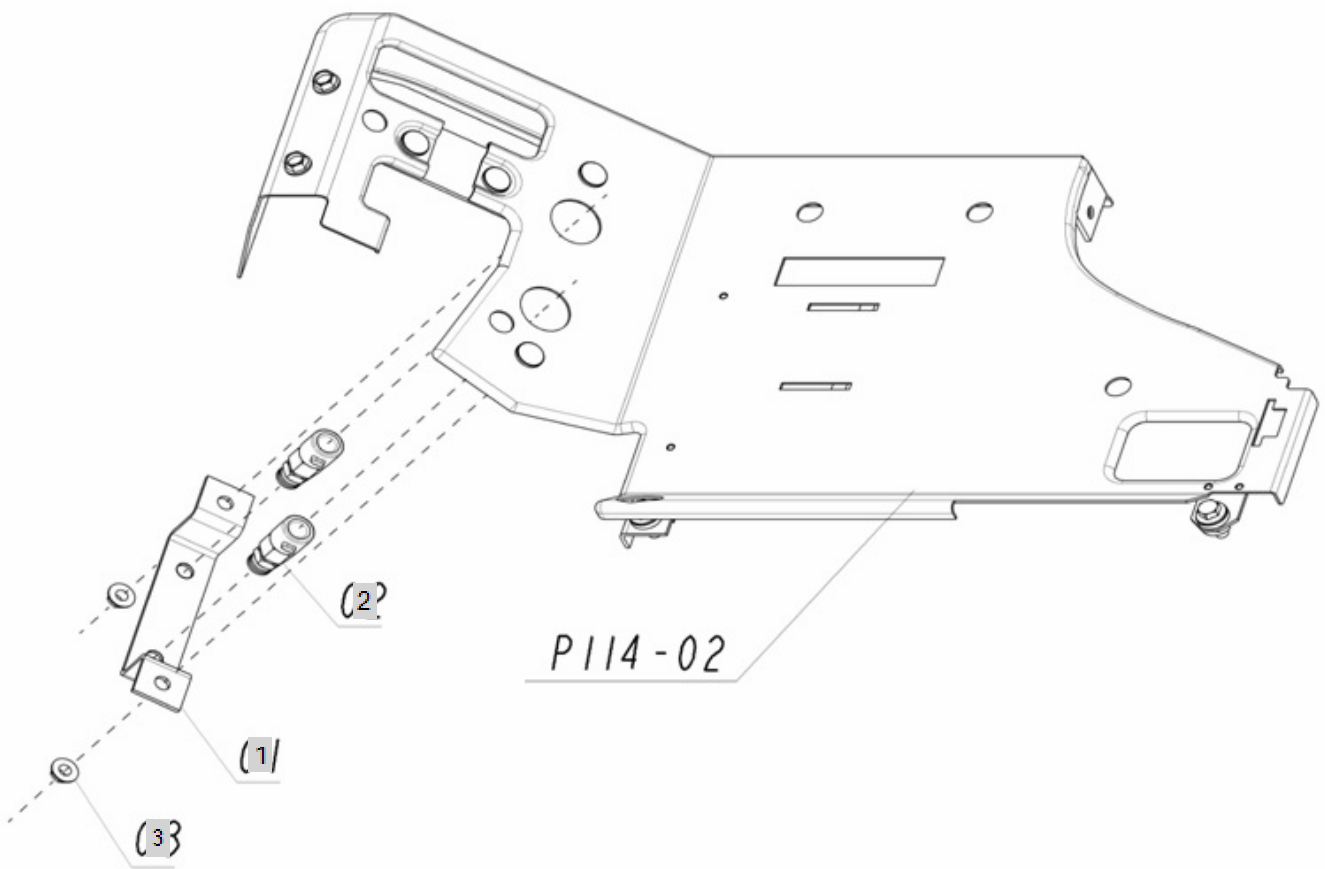


FIG 056A

SIDE BRAKE _2400(h)

Year/Month

2400h(2014~)

2020/01

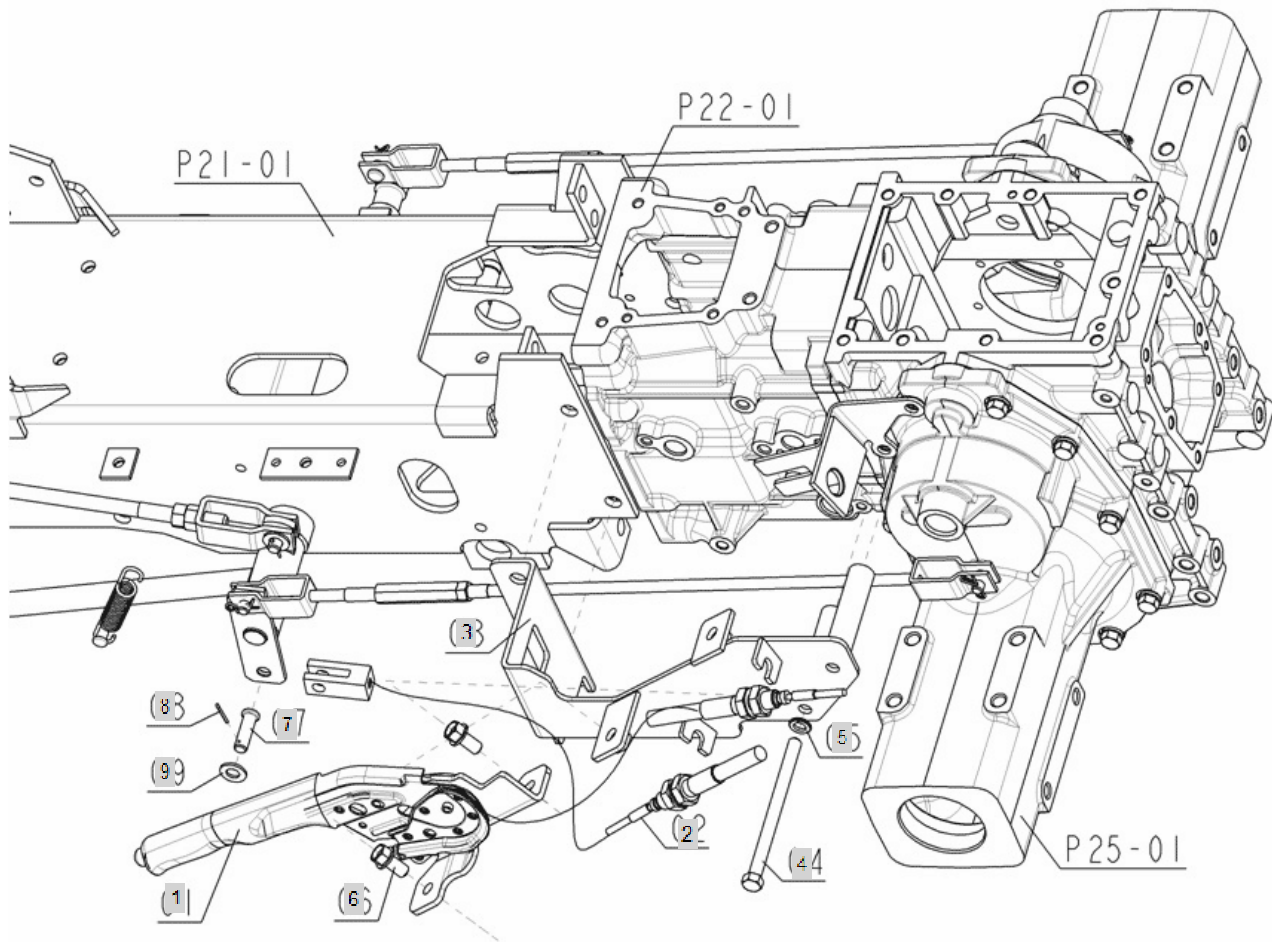


FIG 057A-2

MAIN GEAR SHIFT LEVER(2017.03)

Year/Month

2400h(2014~)

2020/01

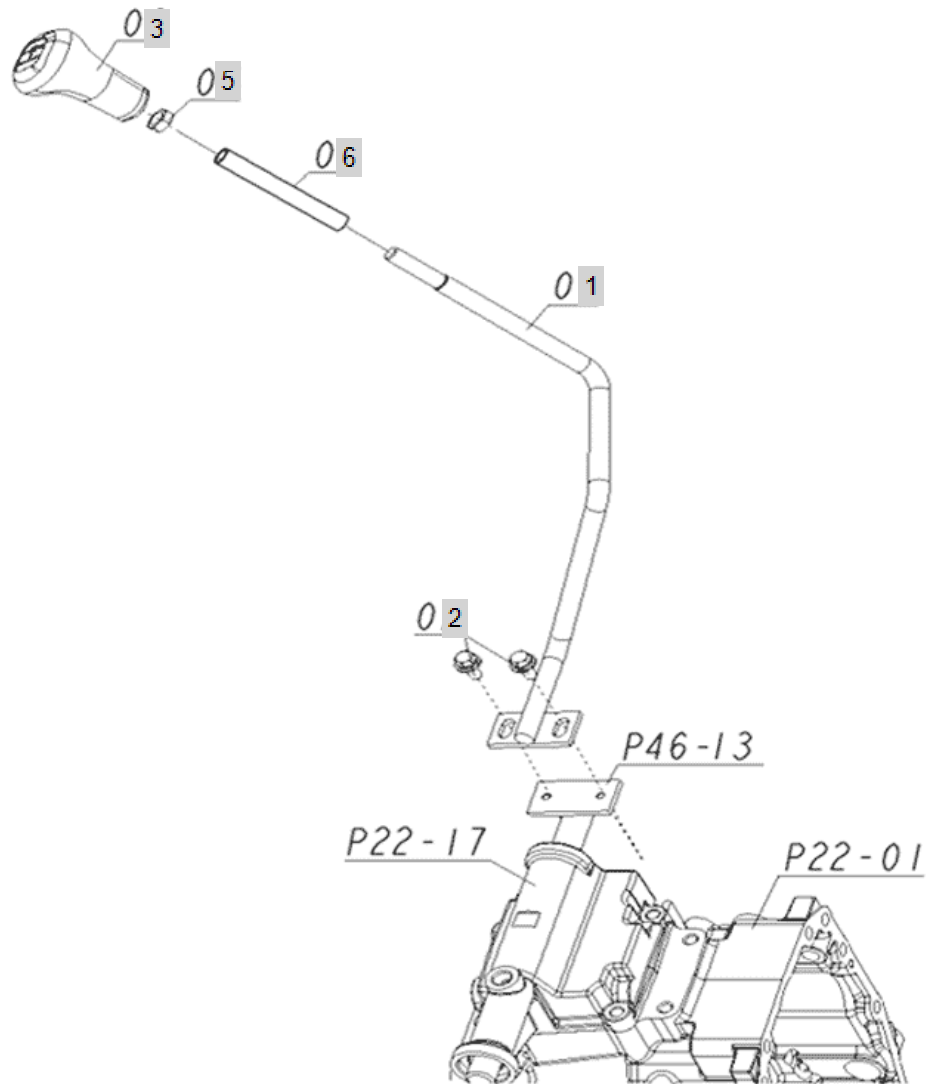


FIG 058H-1

NUETRAL HOLDER LINK-HST

Year/Month

2400h(2014~)

2020/01

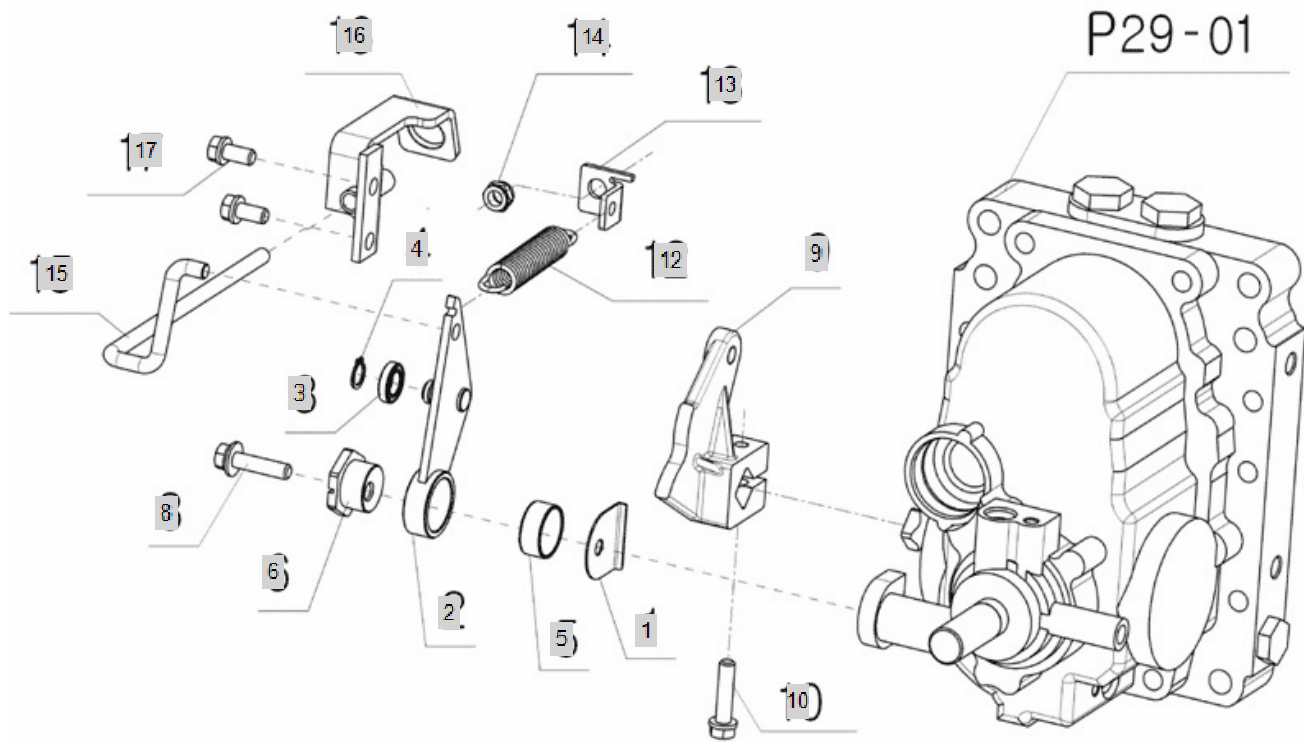


FIG 058H-2

NUETRAL HOLDER LINK-HST

Year/Month

2400h(2014~)

2020/01

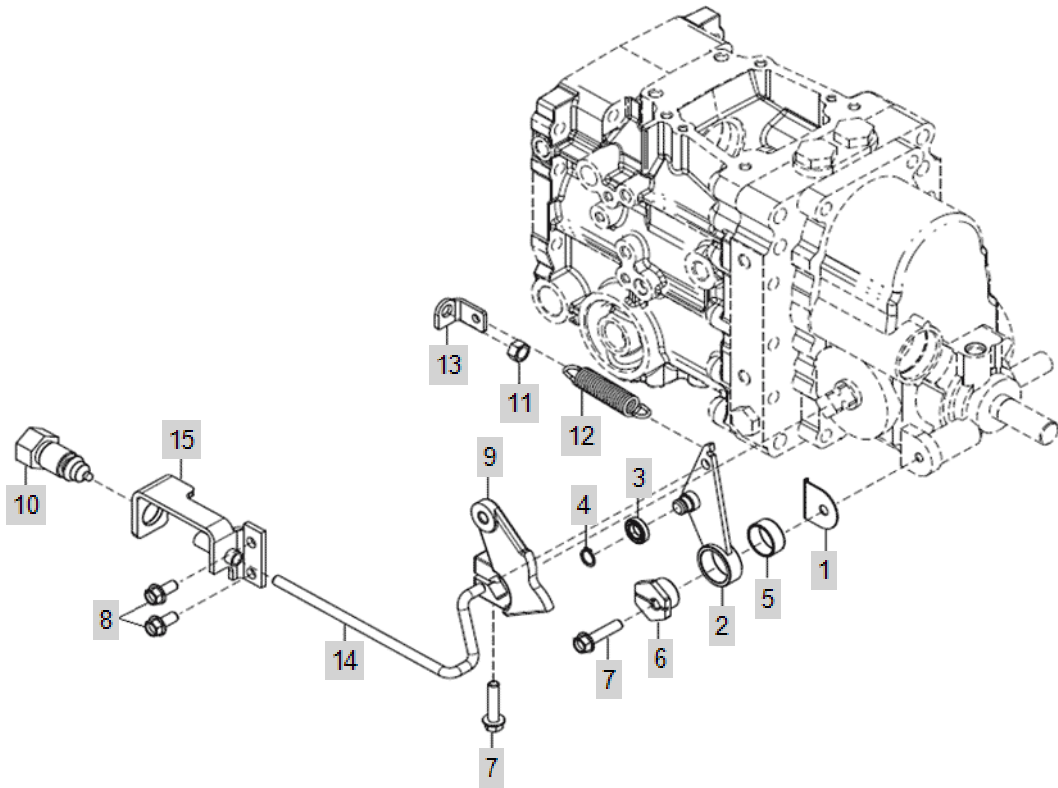


FIG 059C

F-R PEDAL-HST

Year/Month

2400h(2014~)

2020/01

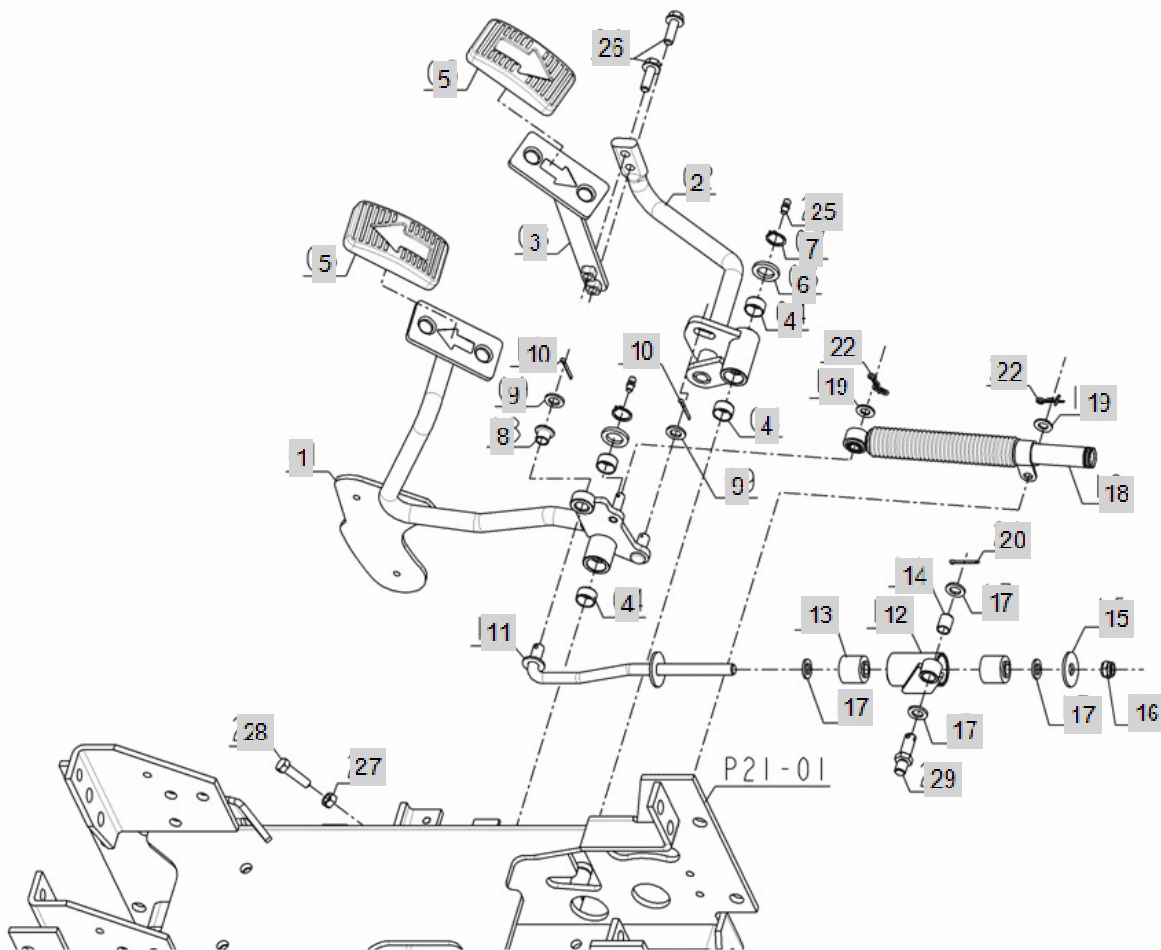


FIG 060H

HST CRUISE LEVER

Year/Month

2400h(2014~)

2020/01

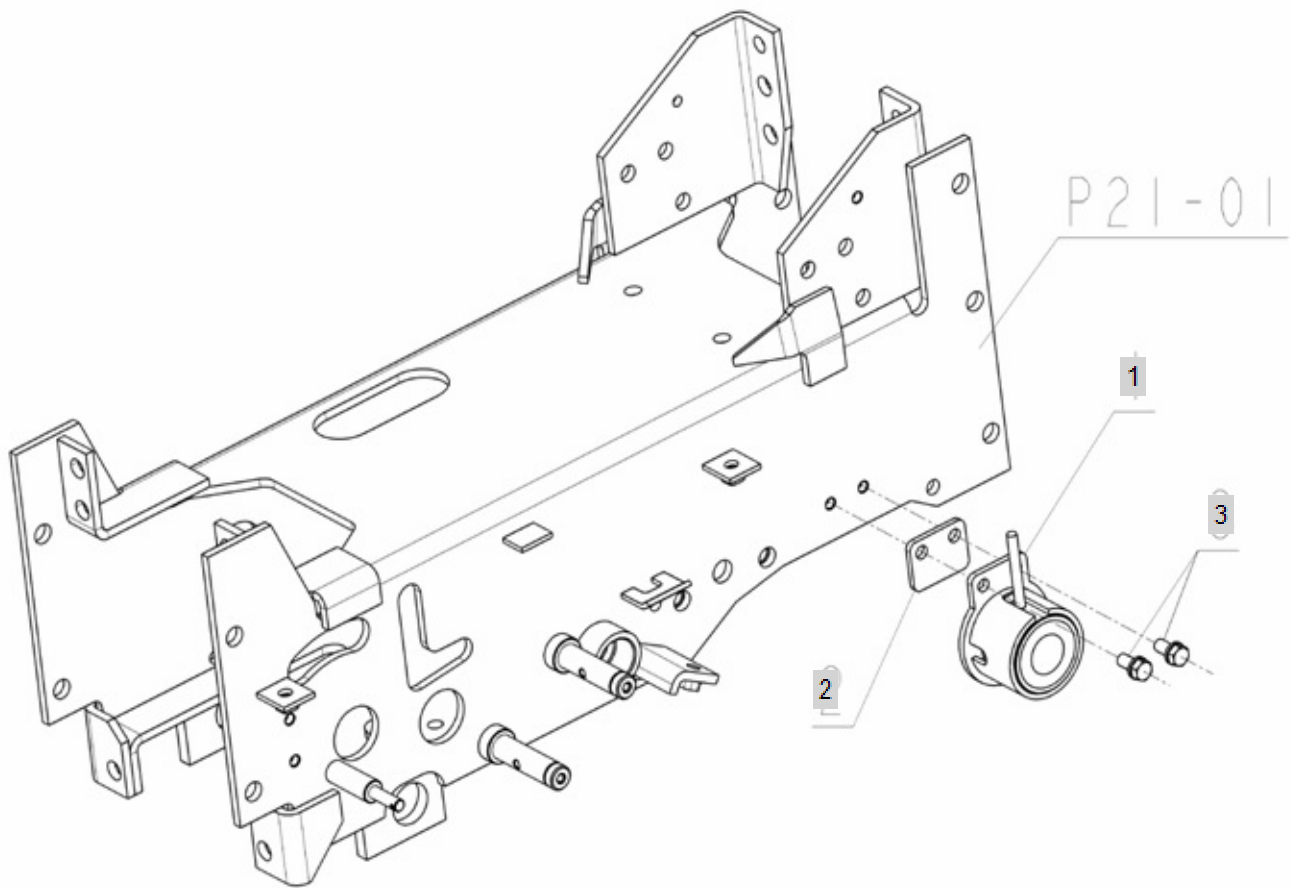


FIG 061A-1

RANGE GEAR SHIFT LEVER _2400(h)

Year/Month

2400h(2014~)

2020/01

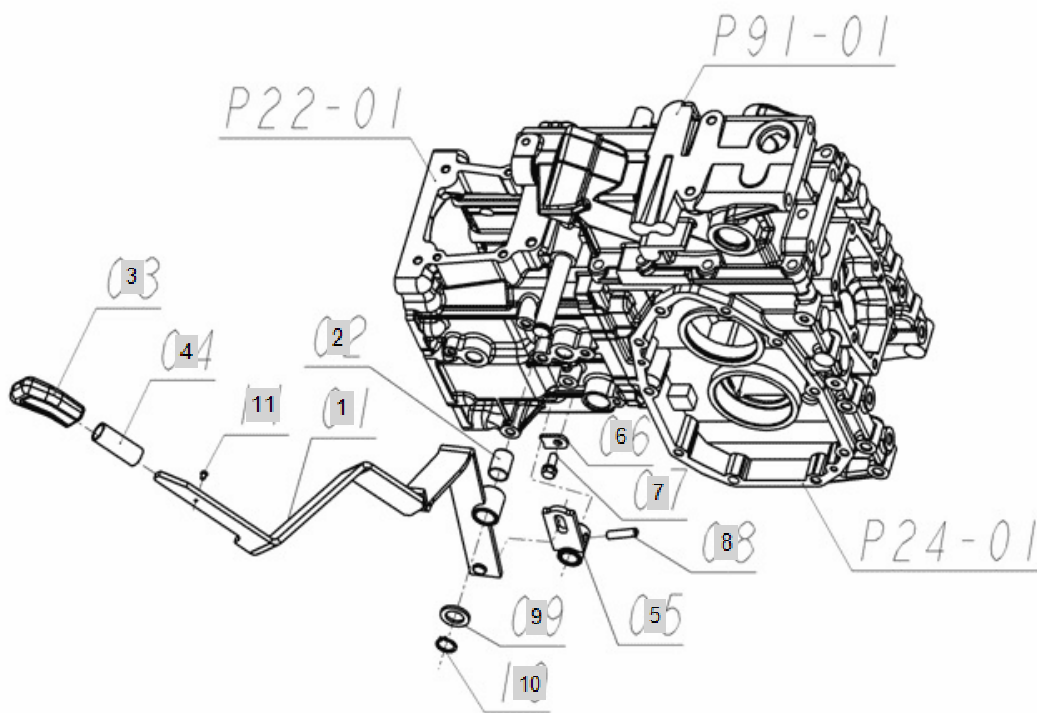


FIG 061A-2

RANGE GEAR SHIFT LEVER(2018.03) _2400(h)

Year/Month

2400h(2014~)

2020/01

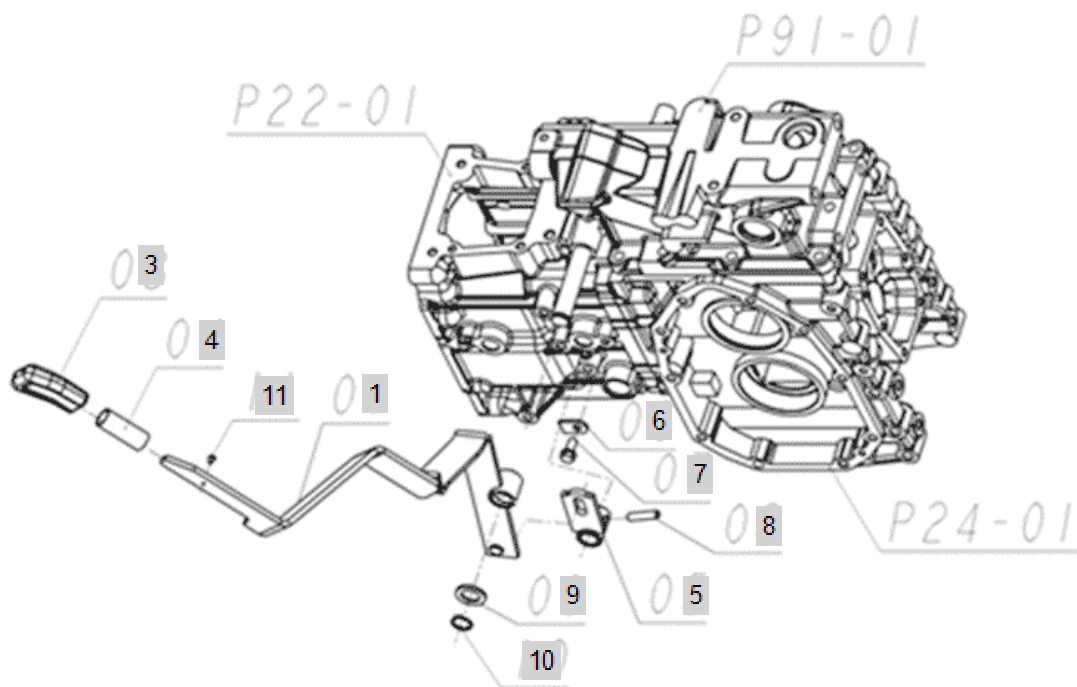


FIG 062A

FRONT WHEEL DRIVE LEVER _2400(h)

Year/Month

2400h(2014~)

2020/01

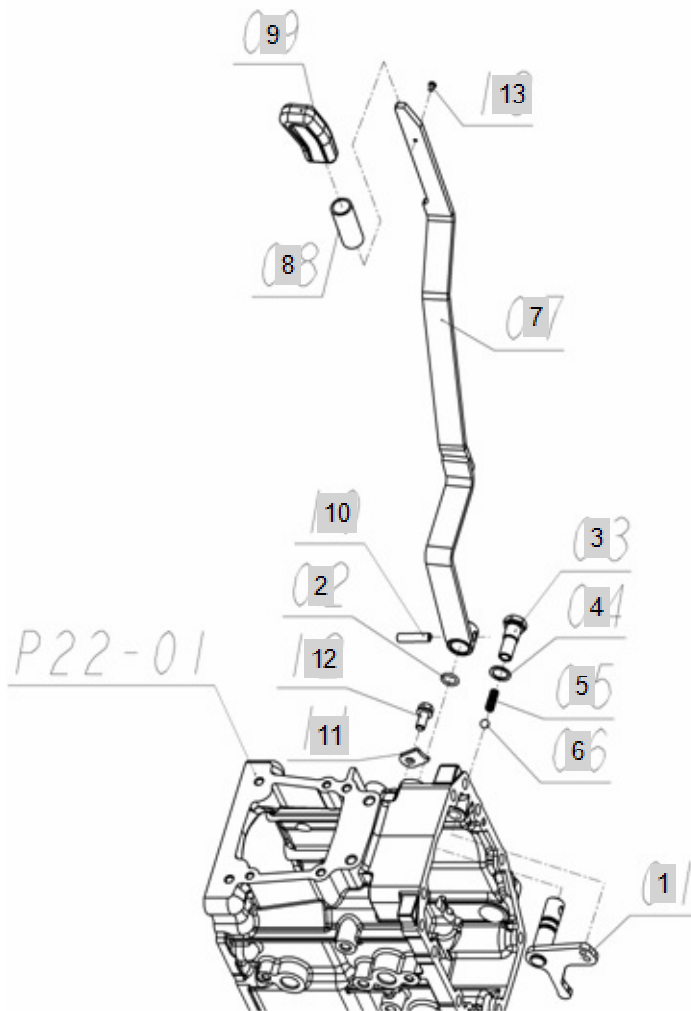


FIG 063A-1

PTO GEAR SHIFT LEVER _2400(h) _2400(h)

Year/Month

2400h(2014~)

2020/01

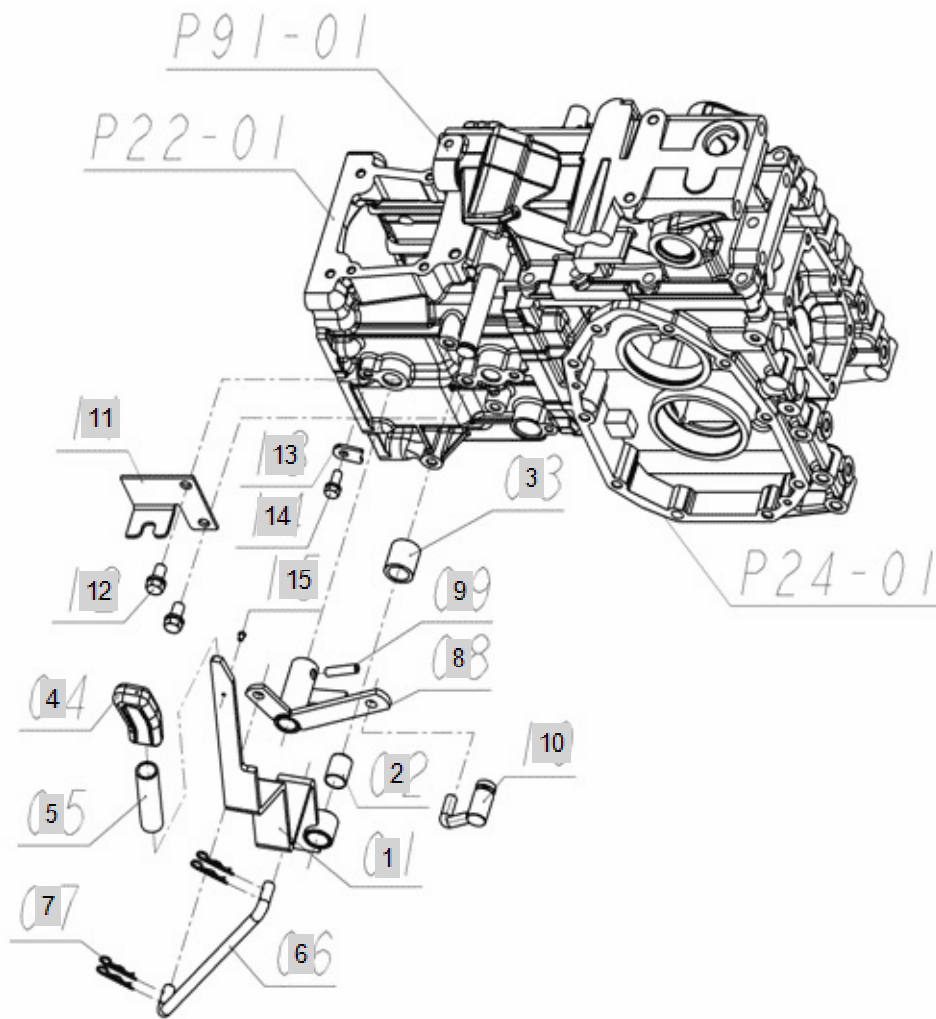


FIG 063A-2

PTO GEAR SHIFT LEVER _2400(h)

Year/Month

2400h(2014~)

2020/01

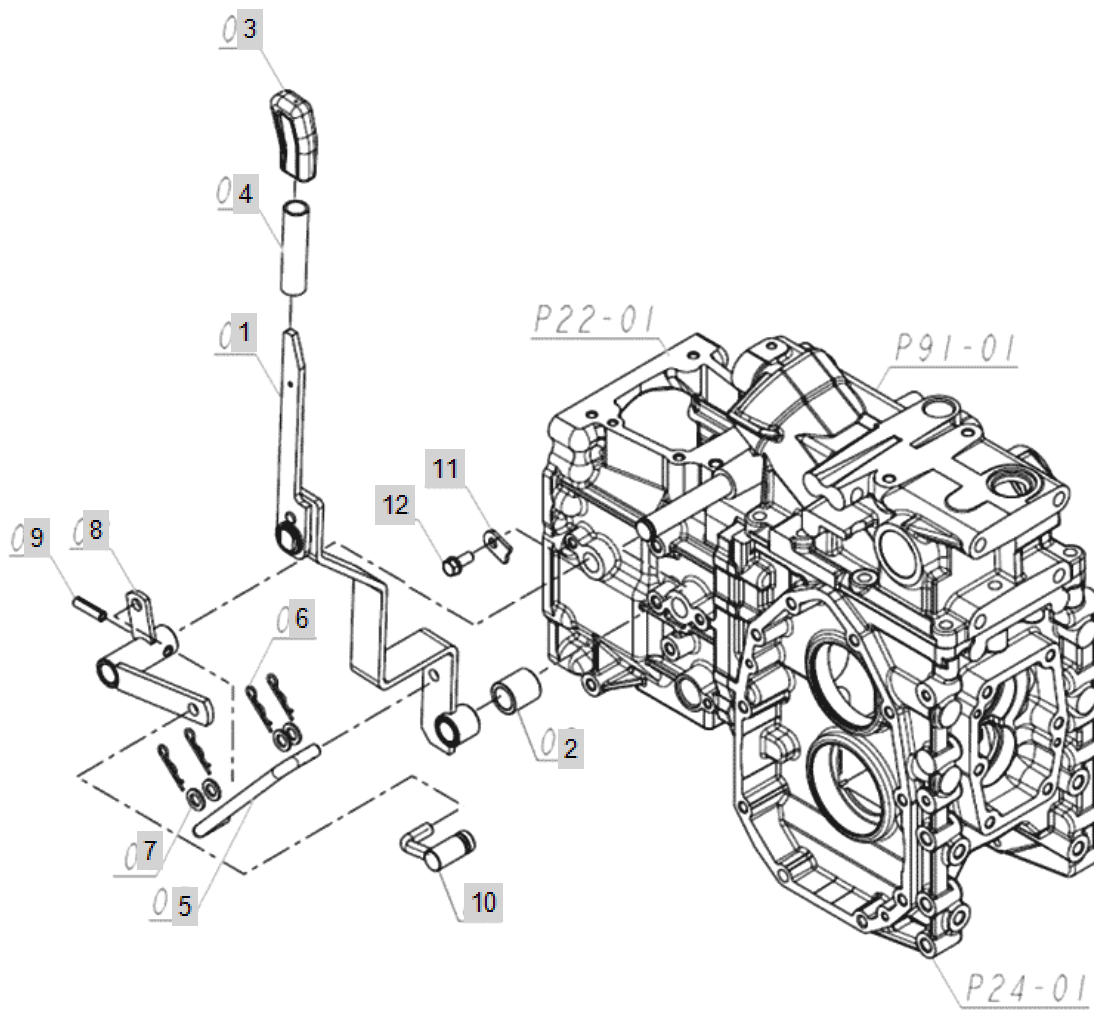


FIG 065B

HYDRAULIC CONTROL LEVER

Year/Month

2400h(2014~)

2020/01

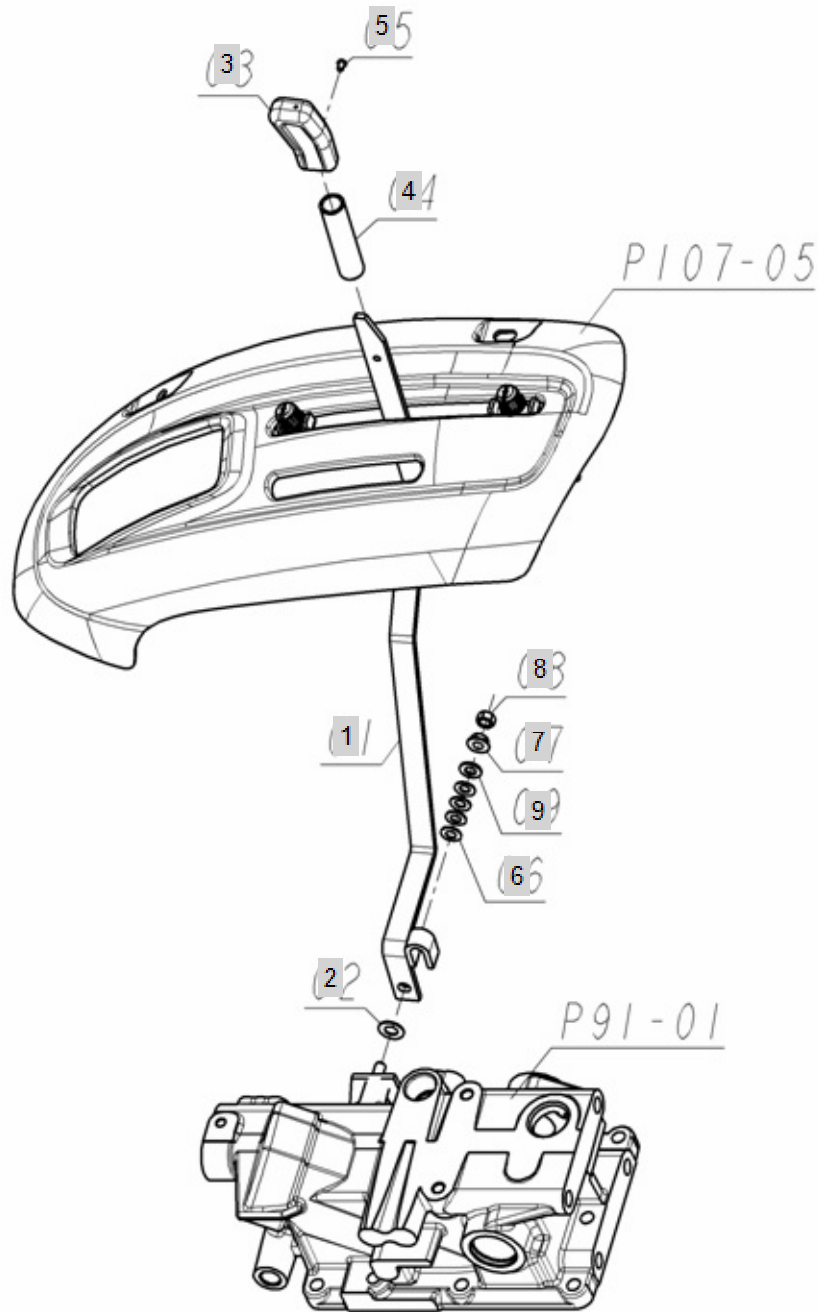


FIG 067C

DIFFERENTIAL LOCK LEVER-HST _2400h

Year/Month

2400h(2014~)

2020/01

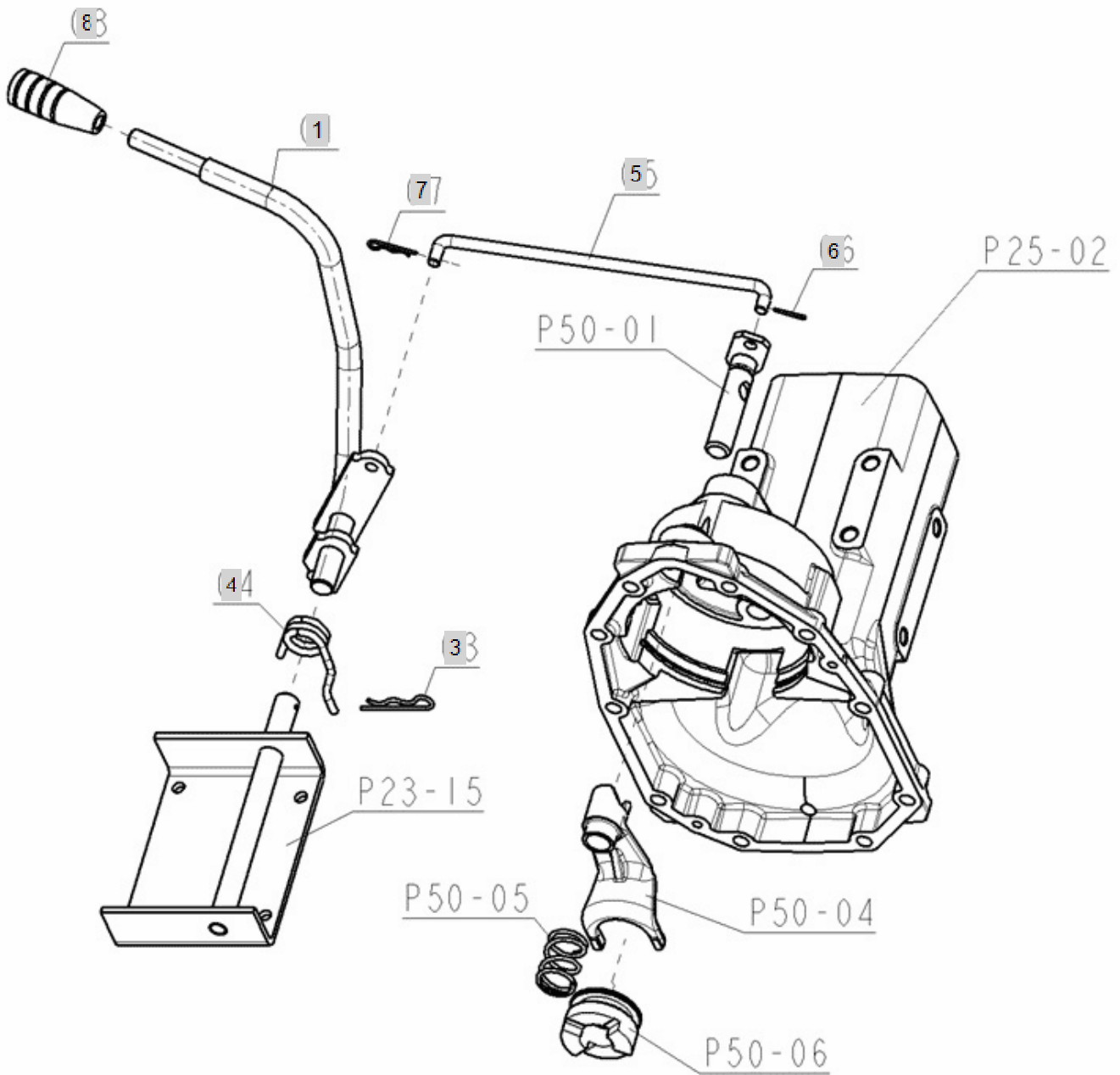


FIG 068

FRONT AXLE FRAME

Year/Month

2400h(2014~)

2020/01

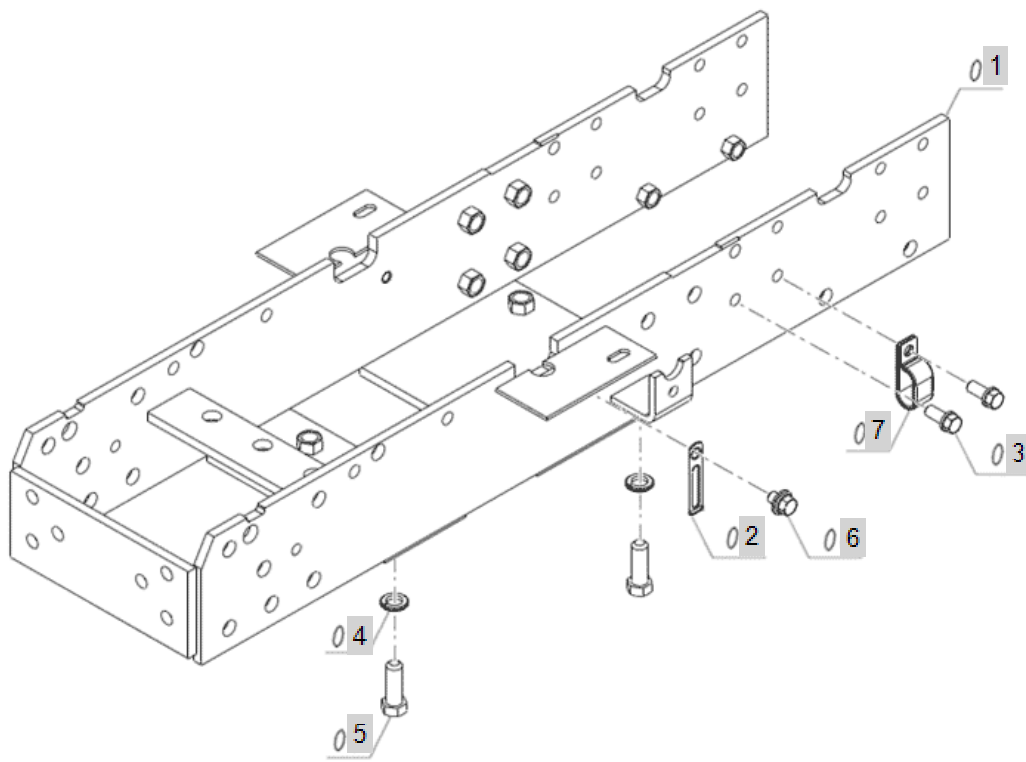


FIG 069A-1

FRONT AXLE CASE

Year/Month

2400h(2014~)

2020/01

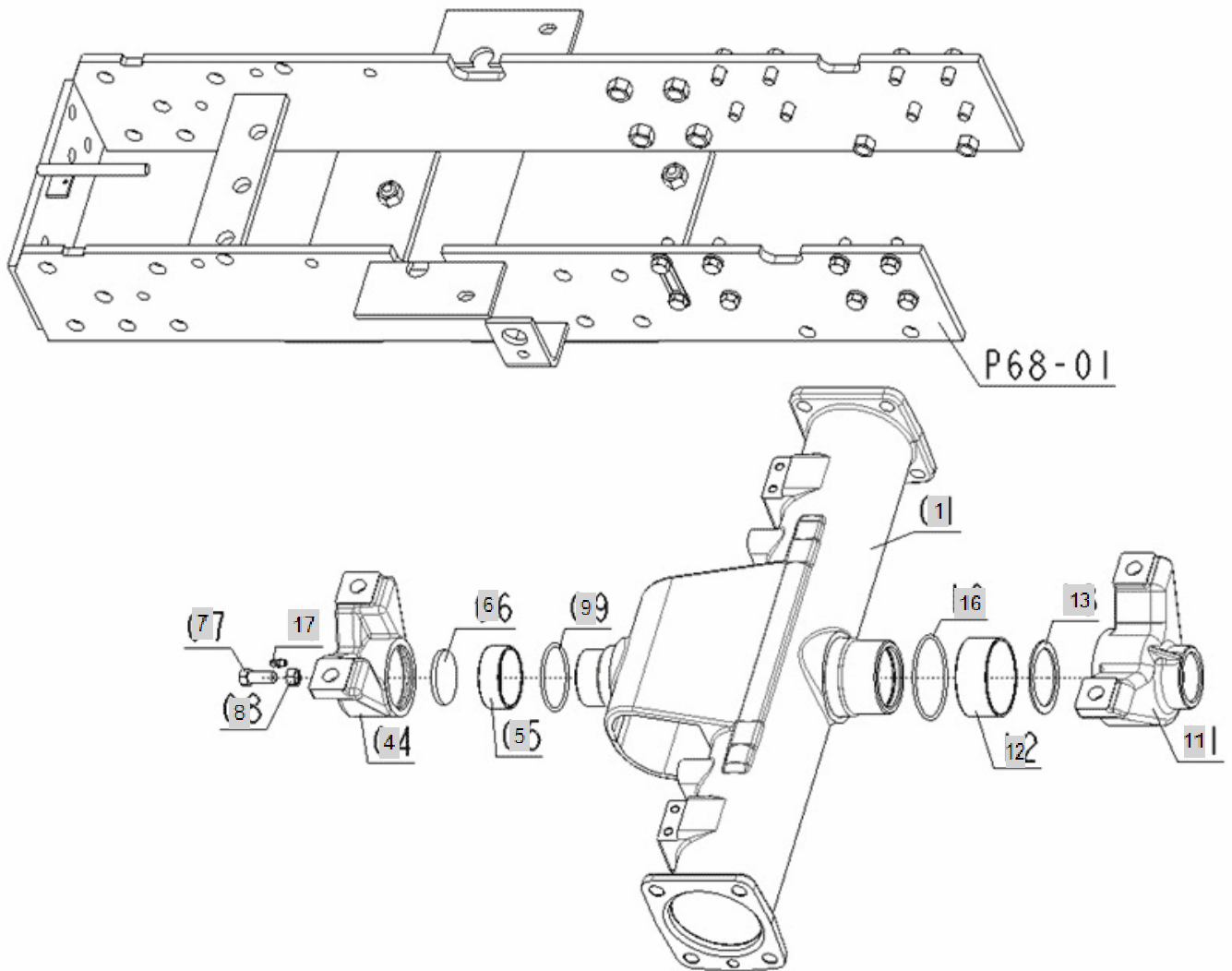


FIG 069A-2

FRONT AXLE CASE(2017.10)

Year/Month

2400h(2014~)

2020/01

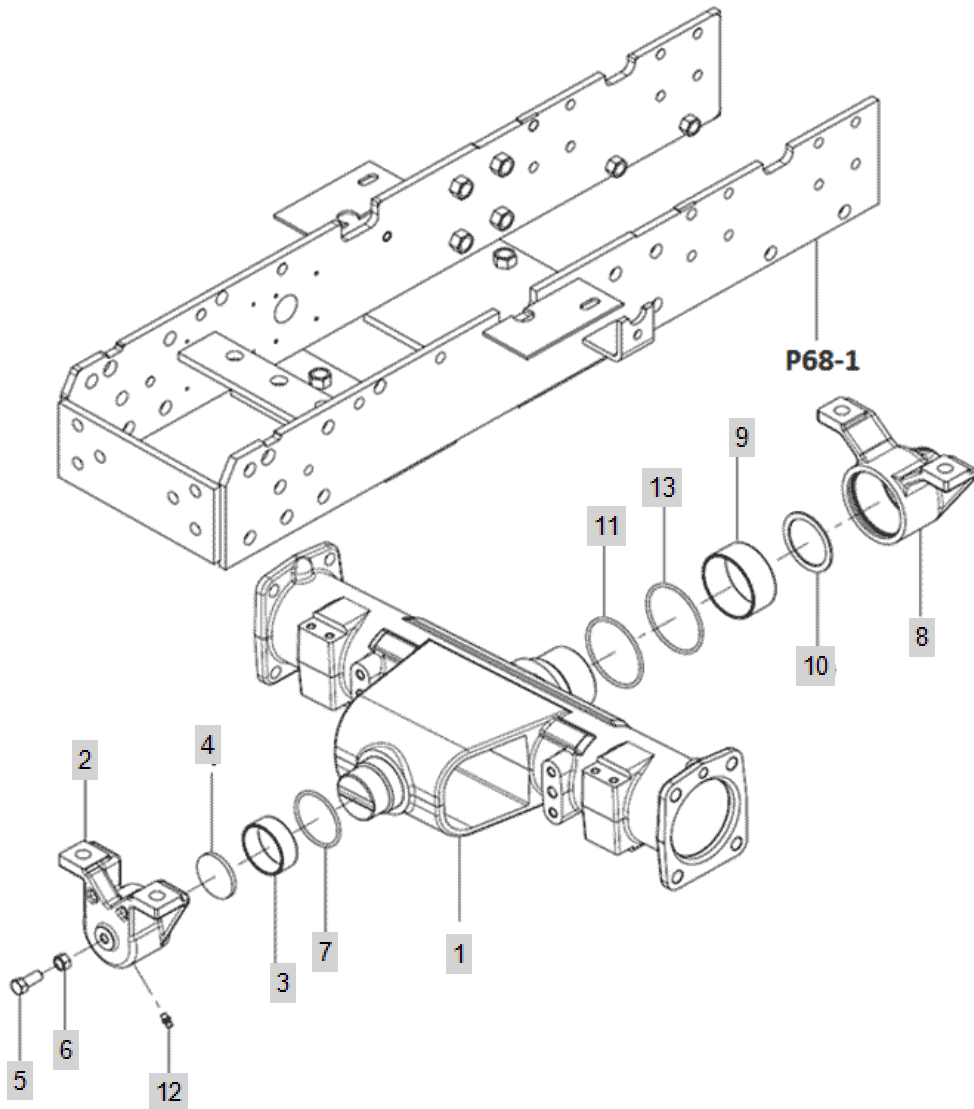


FIG 070-1

2400h(2014~)

FRONT DIFFERENTIAL

Year/Month

2020/01

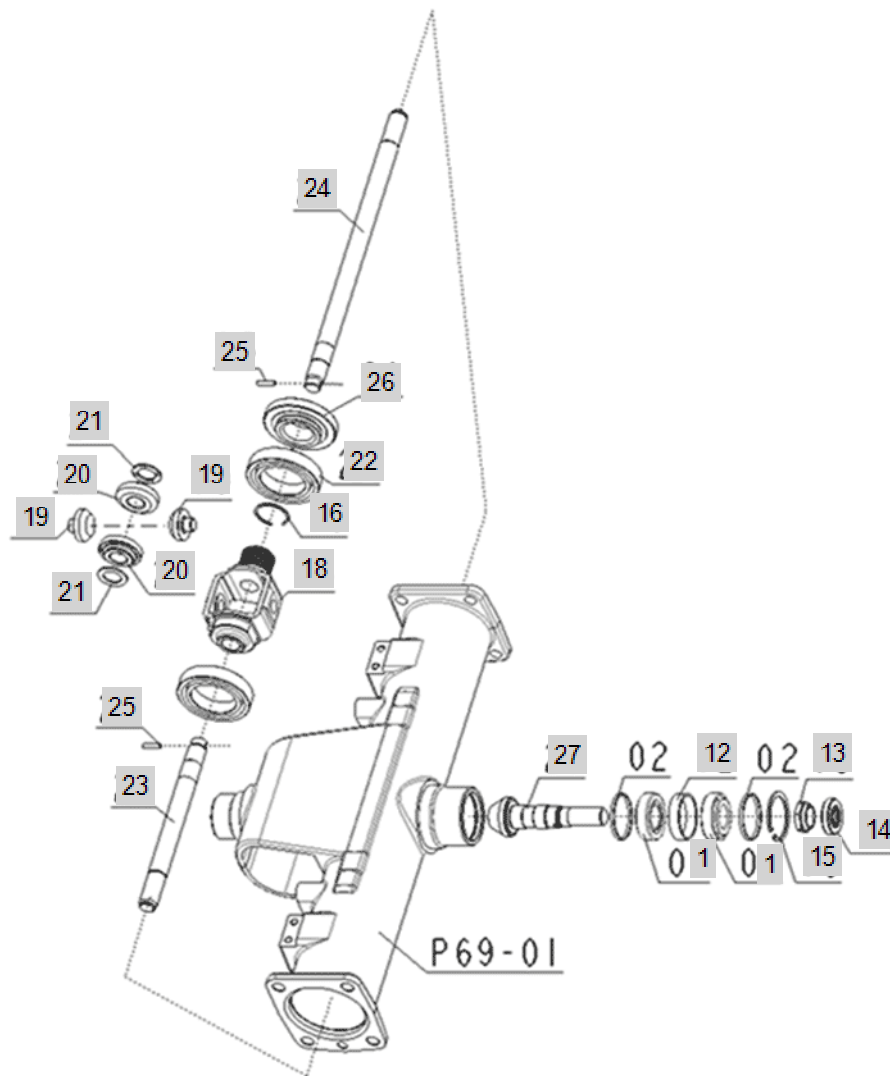


FIG 070-2

2400h(2014~)

FRONT DIFFERENTIAL

Year/Month

2020/01

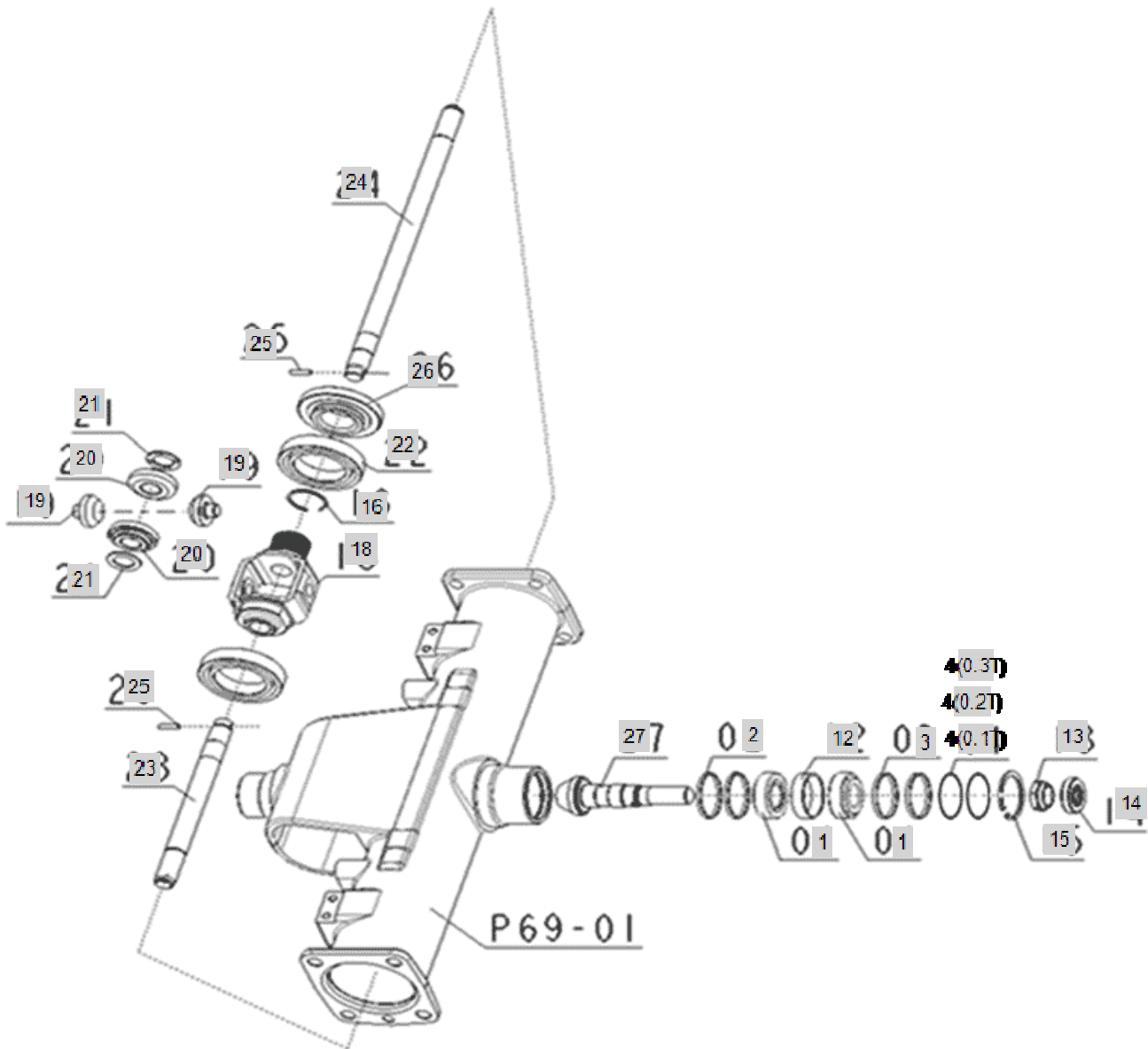


FIG 071.

DIFFERENTIAL GEAR SHAFT

Year/Month

2400h(2014~)

2020/01

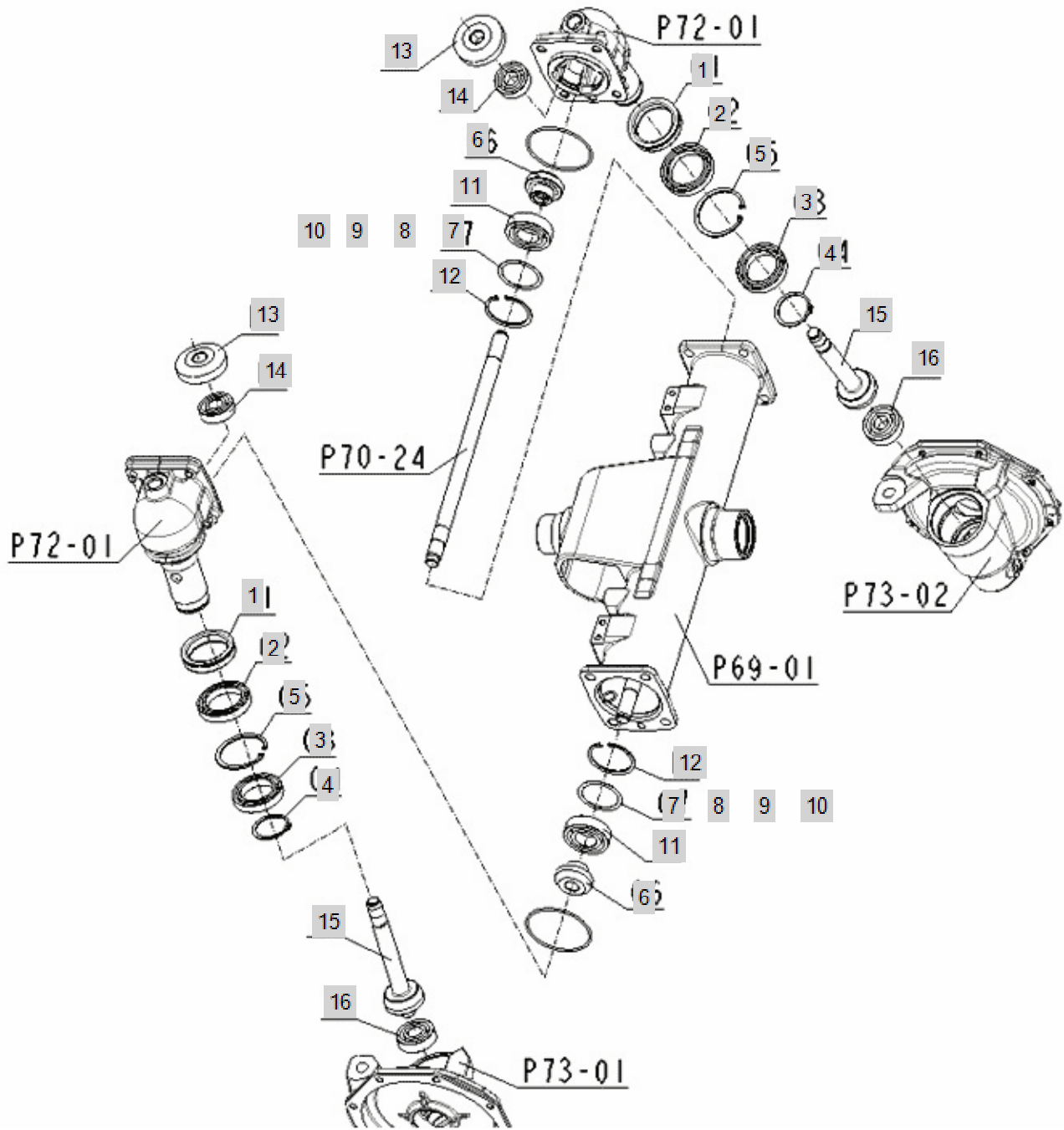


FIG 072-1

BEVEL GEAR CASE

Year/Month

2400h(2014~)

2020/01

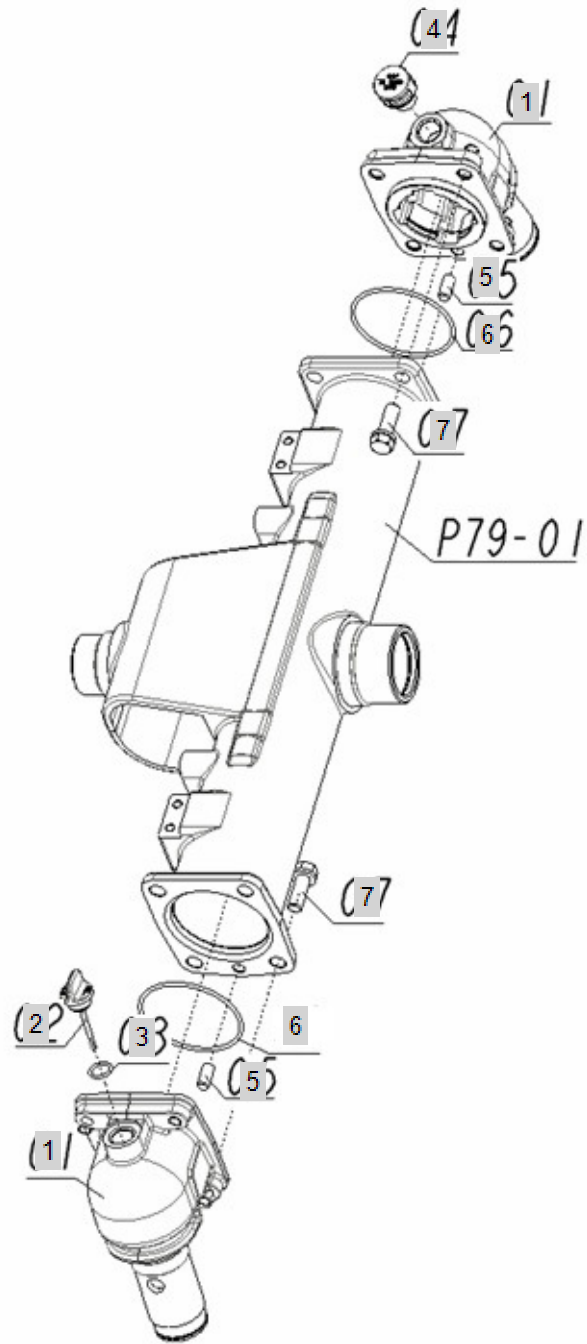


FIG 072-2

BEVEL GEAR CASE(2017.05)

Year/Month

2400h(2014~)

2020/01

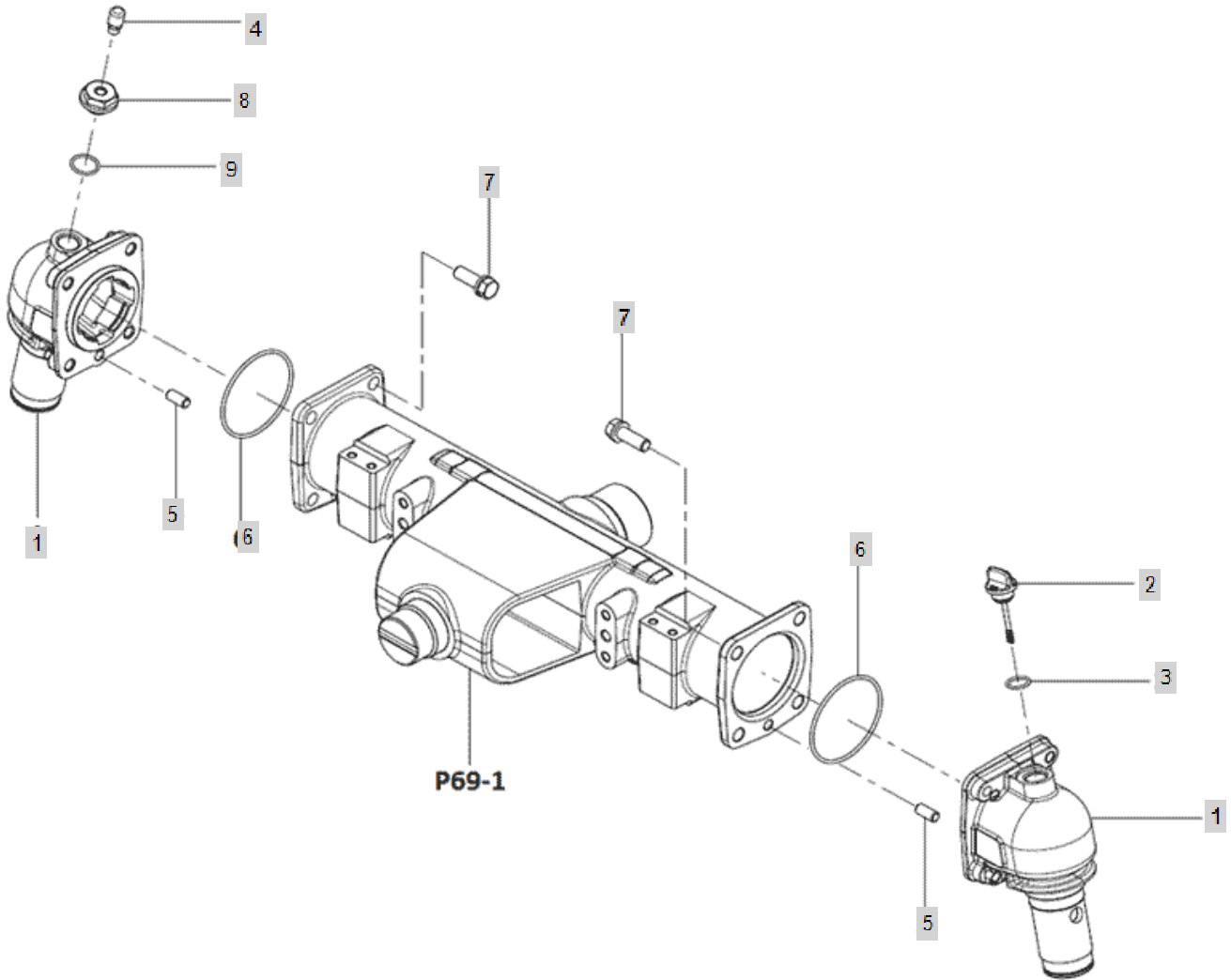


FIG 073.

FRONT AXLE CASE

Year/Month

2400h(2014~)

2020/01

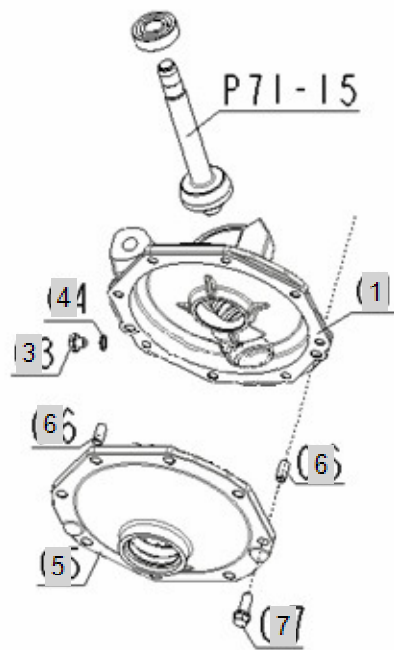
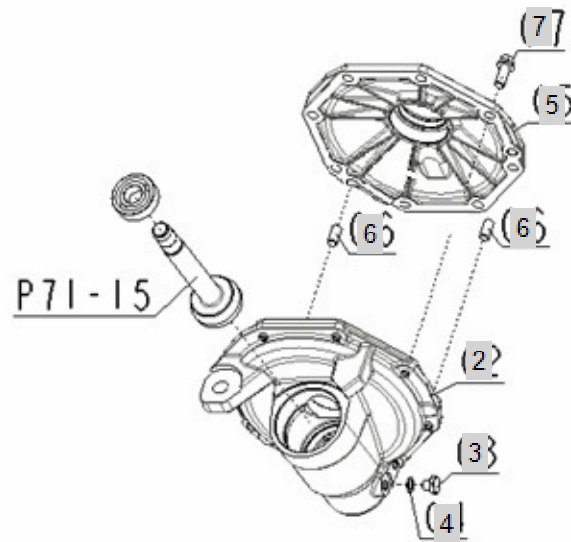


FIG 074-1

2400h(2014~)

FRONT AXLE

Year/Month

2020/01

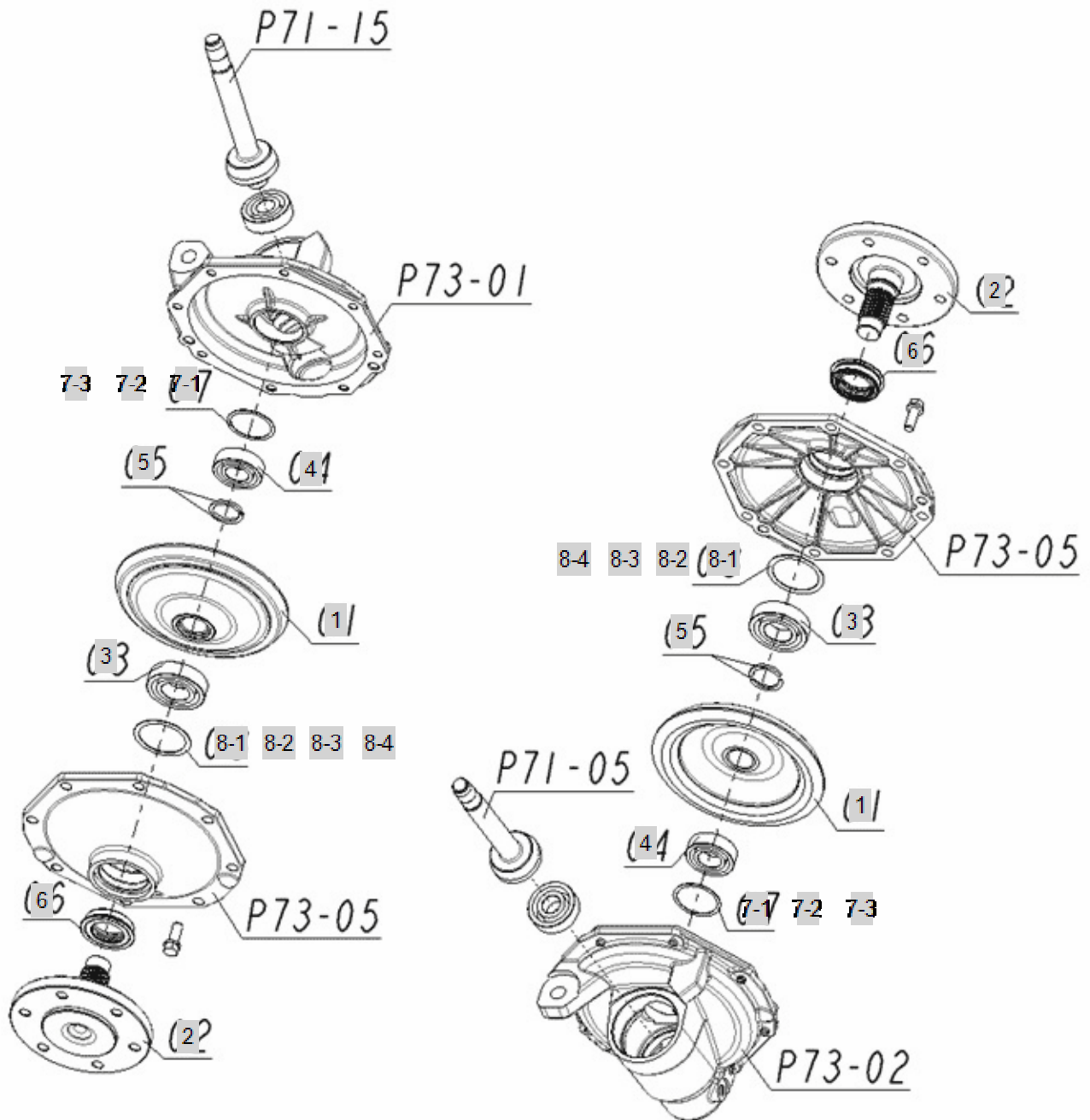


FIG 074-2

FRONT AXLE(2017.05)

Year/Month

2400h(2014~)

2020/01

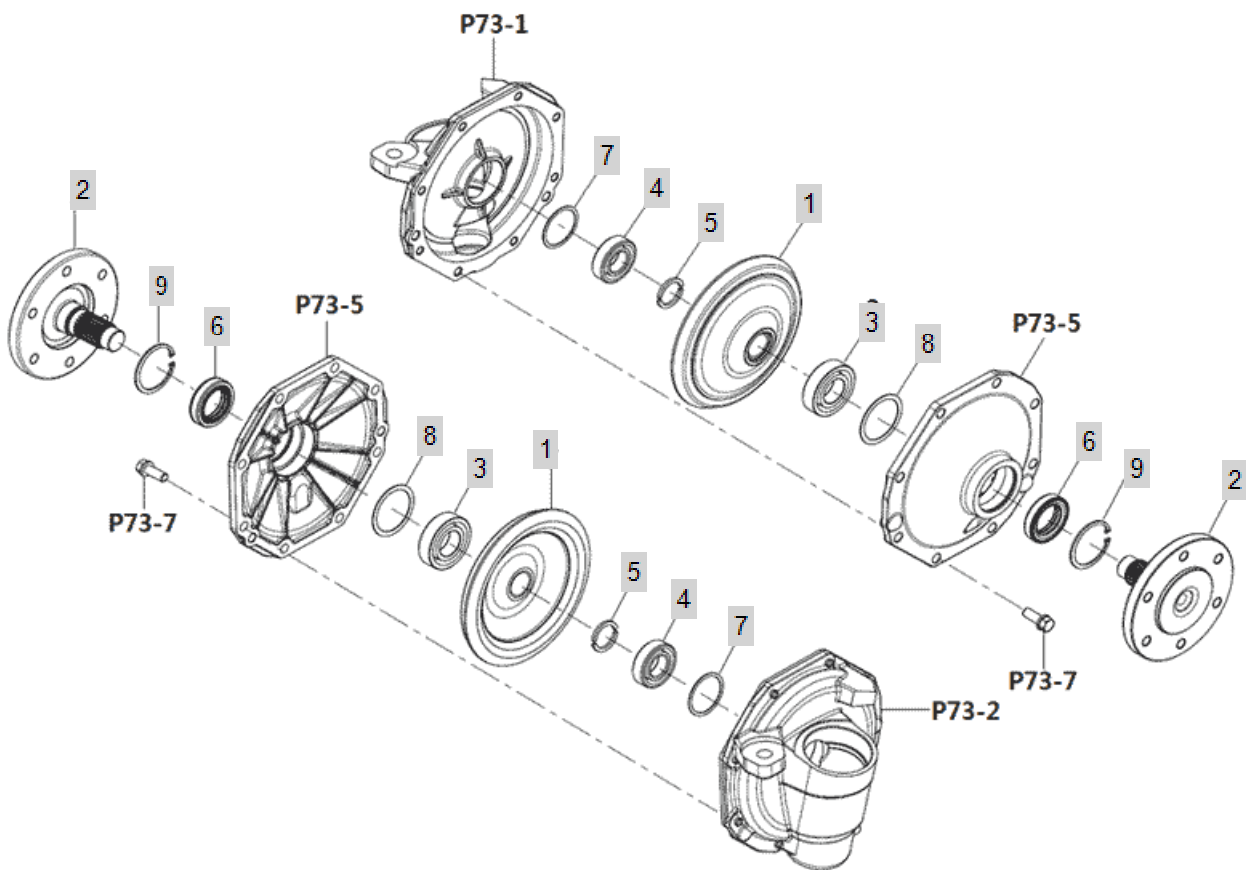


FIG 076C

FRONT DRIVE SHAFT-HST

Year/Month

2400h(2014~)

2020/01

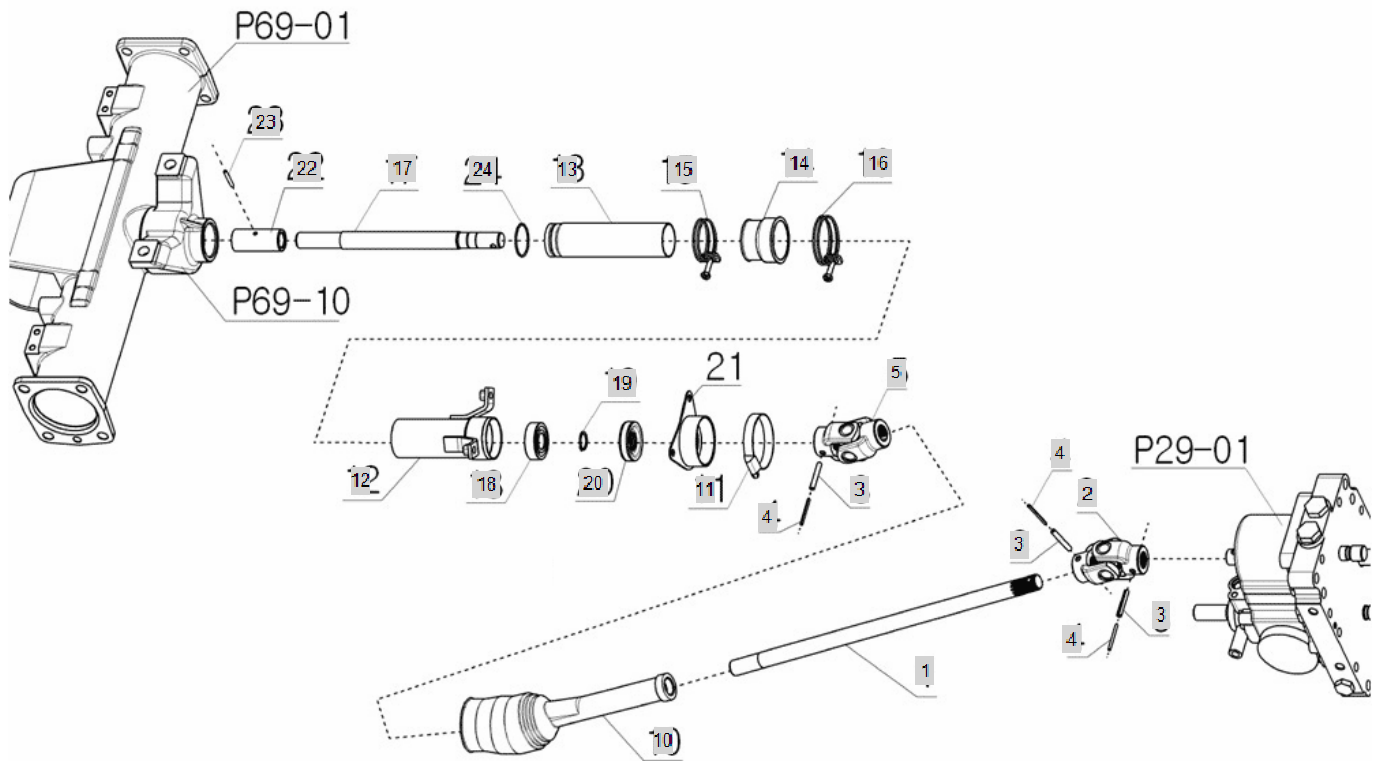


FIG 077.

PST CYLINDER COVER

Year/Month

2400h(2014~)

2020/01

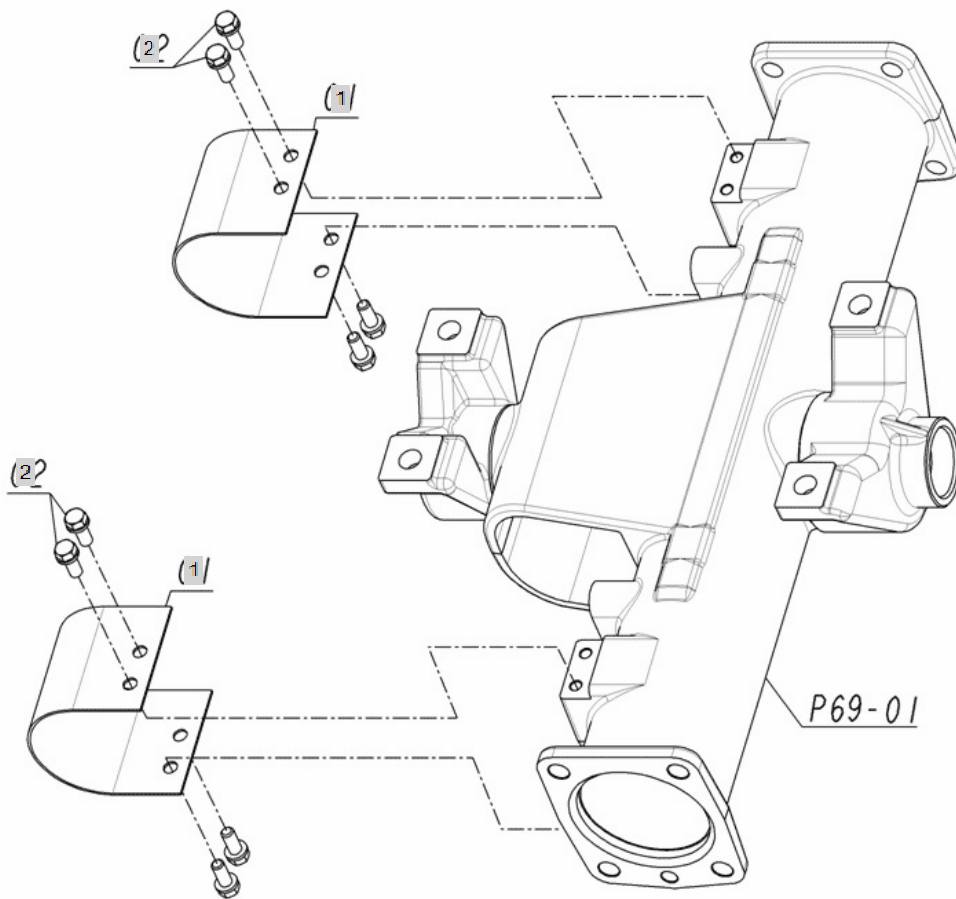


FIG 078.

2400h(2014~)

TIE ROD

Year/Month

2020/01

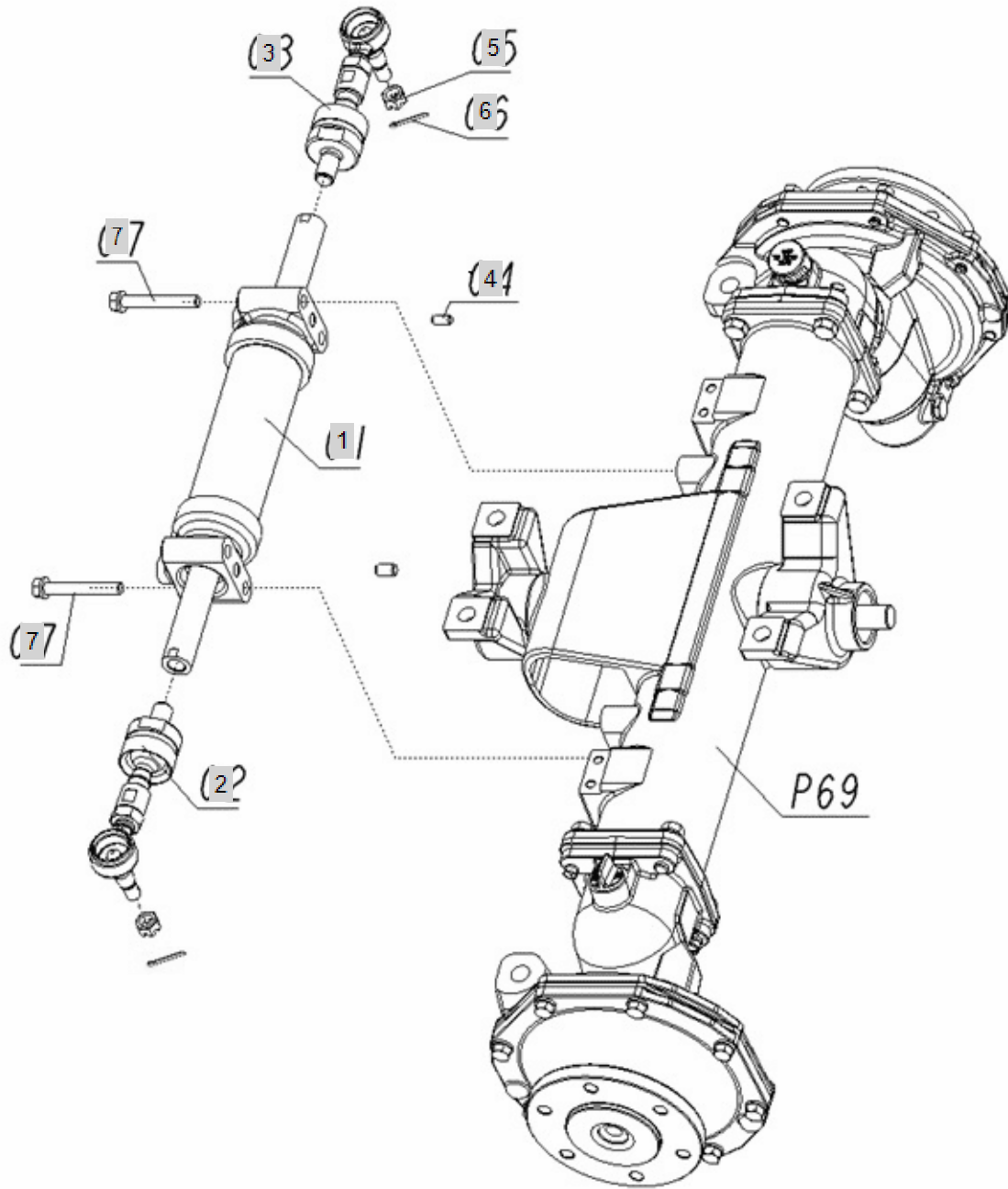


FIG 079.

STEERING WHEEL

Year/Month

2400h(2014~)

2020/01

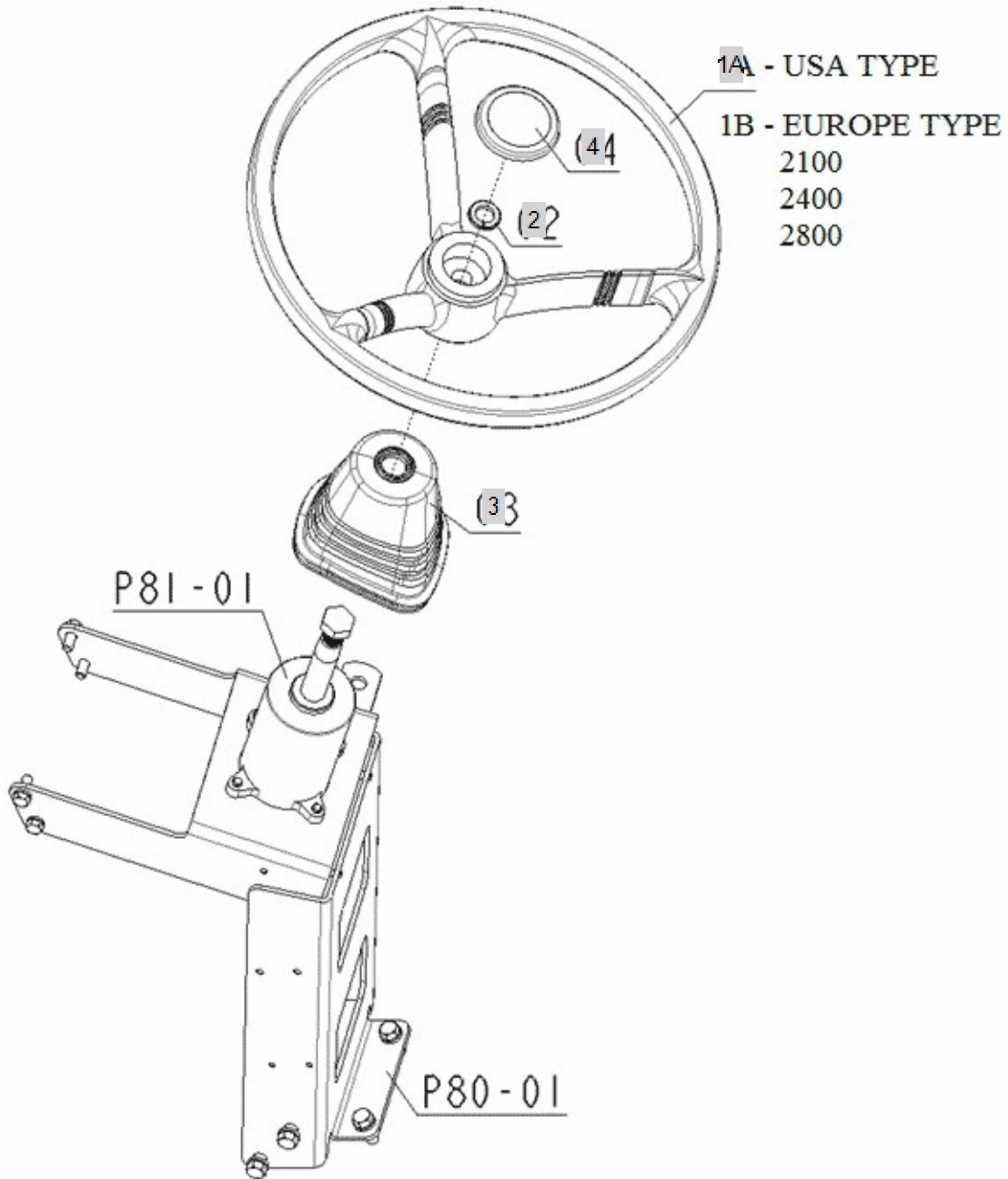


FIG 080.

2400h(2014~)

STEERING POST

Year/Month

2020/01

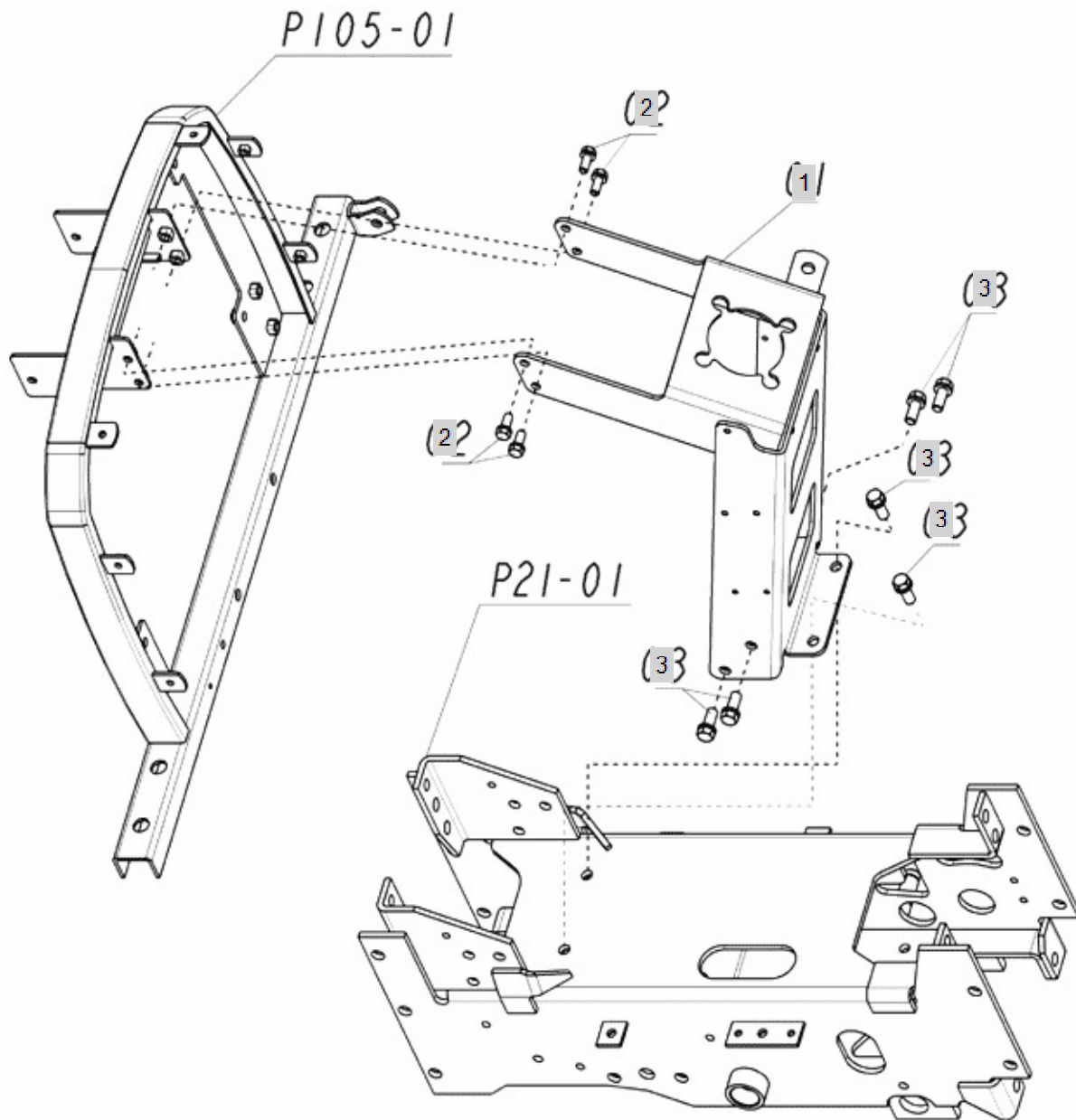


FIG 081

HYDRAULIC STEERING VALVE

Year/Month

2400h(2014~)

2020/01

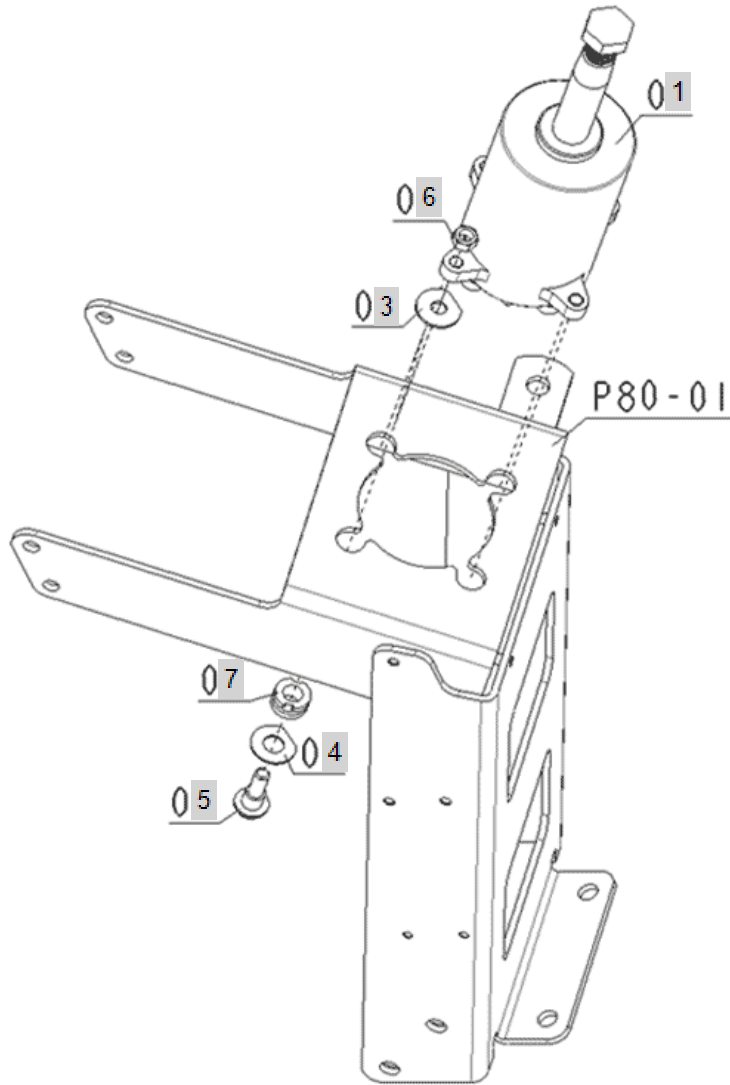


FIG 082.

HYDRAULIC PUMP

Year/Month

2400h(2014~)

2020/01

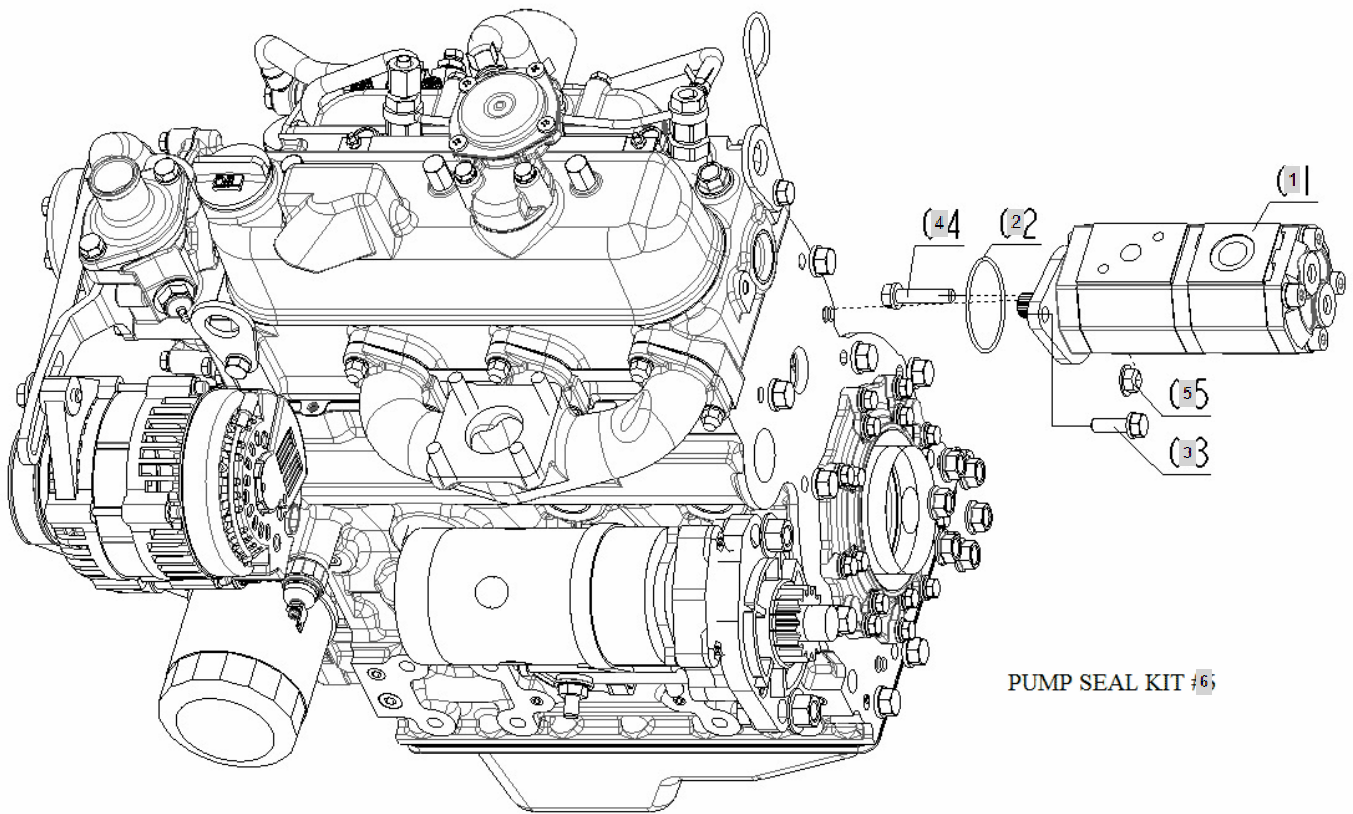


FIG 083A

HYDRAULIC OIL LINE _2400(h)

Year/Month

2400h(2014~)

2020/01

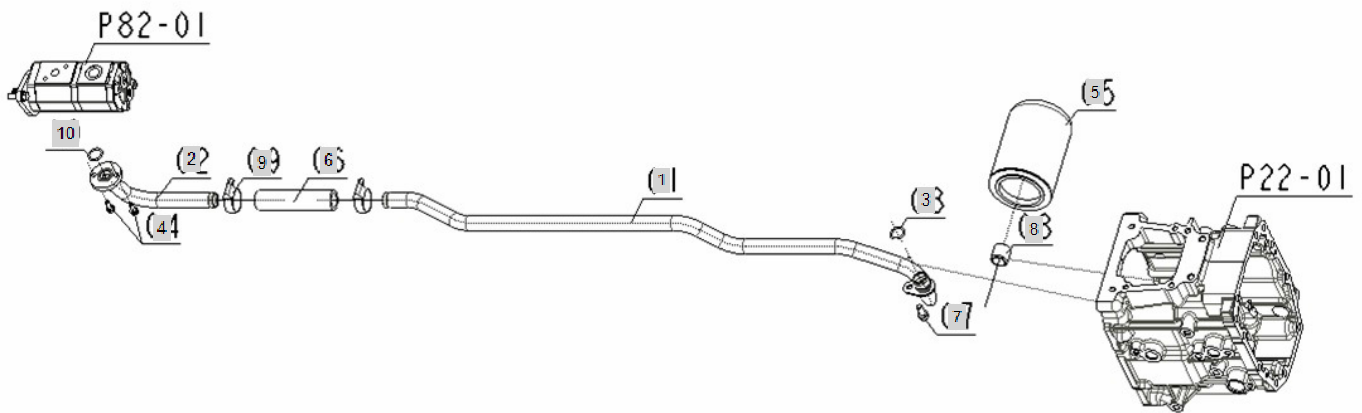


FIG 084C

HYDRAULIC OIL LINE-HST

Year/Month

2400h(2014~)

2020/01

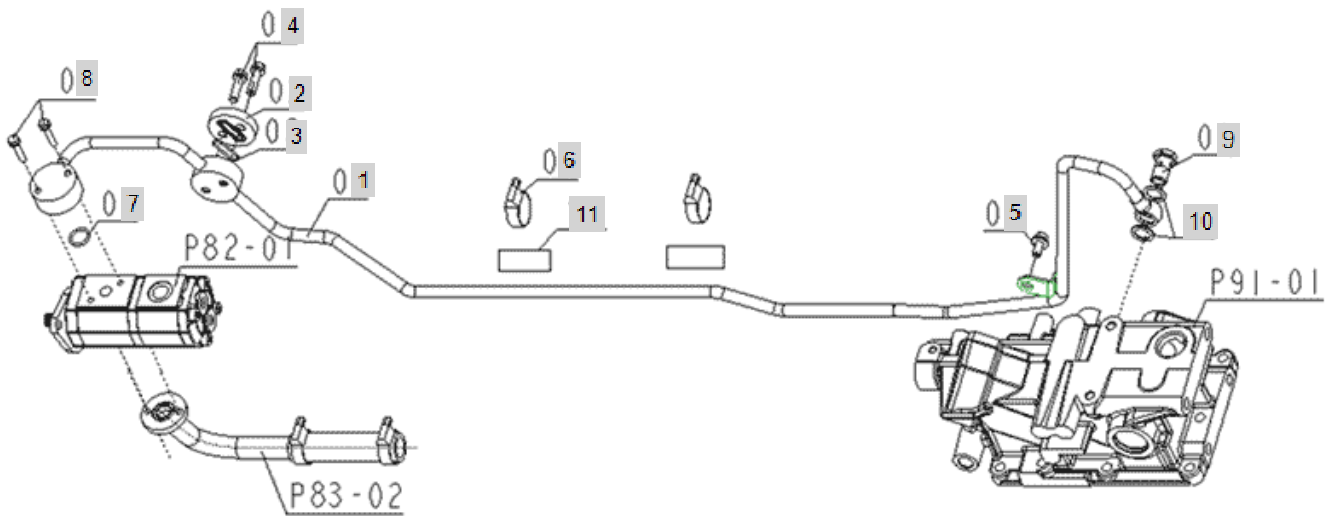


FIG 085A

HYDRAULIC STEERING LINE

Year/Month

2400h(2014~)

2020/01

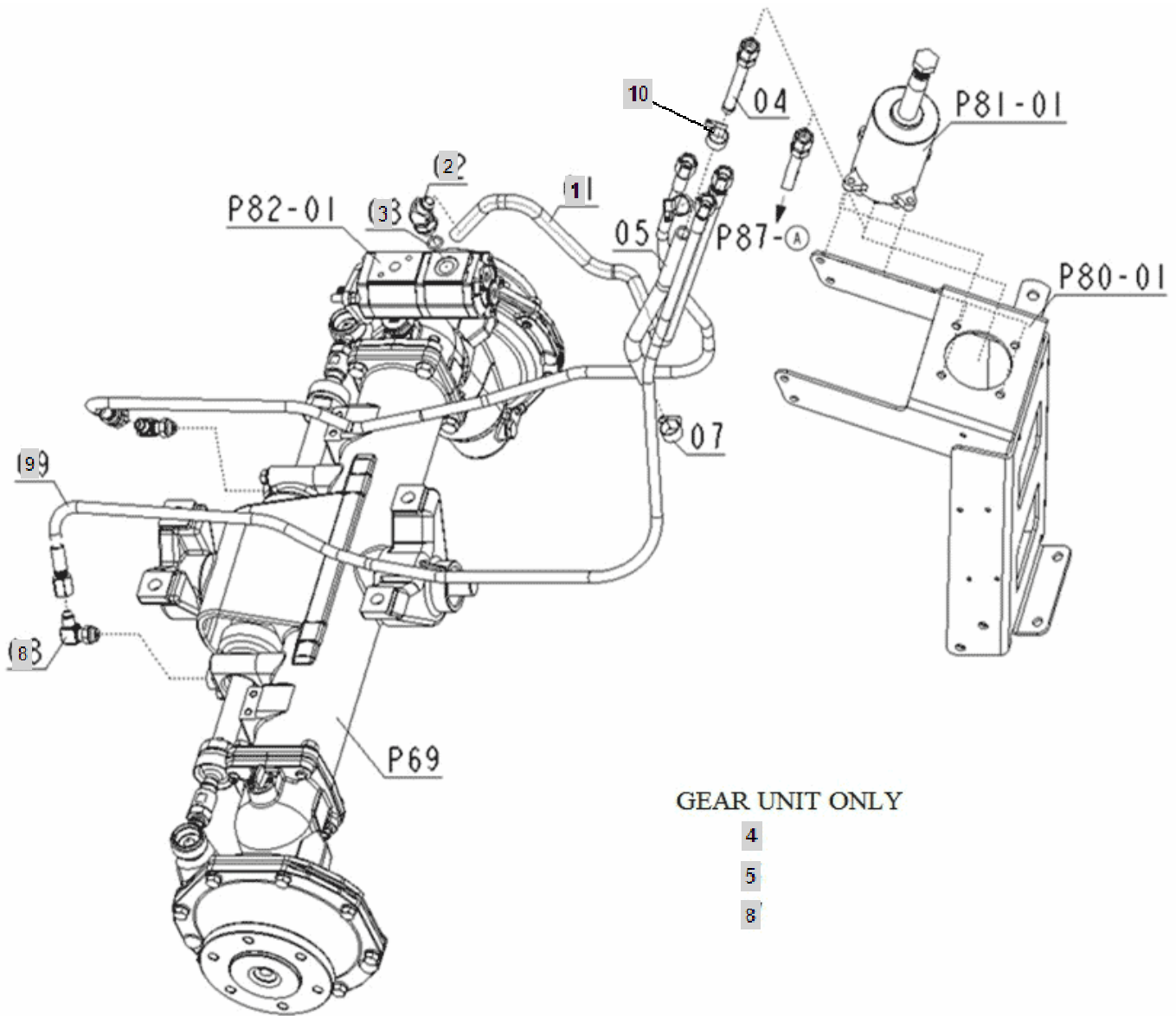


FIG 086C-1

HST HYDRAULIC OIL LINE - HST

Year/Month

2400h(2014~)

2020/01

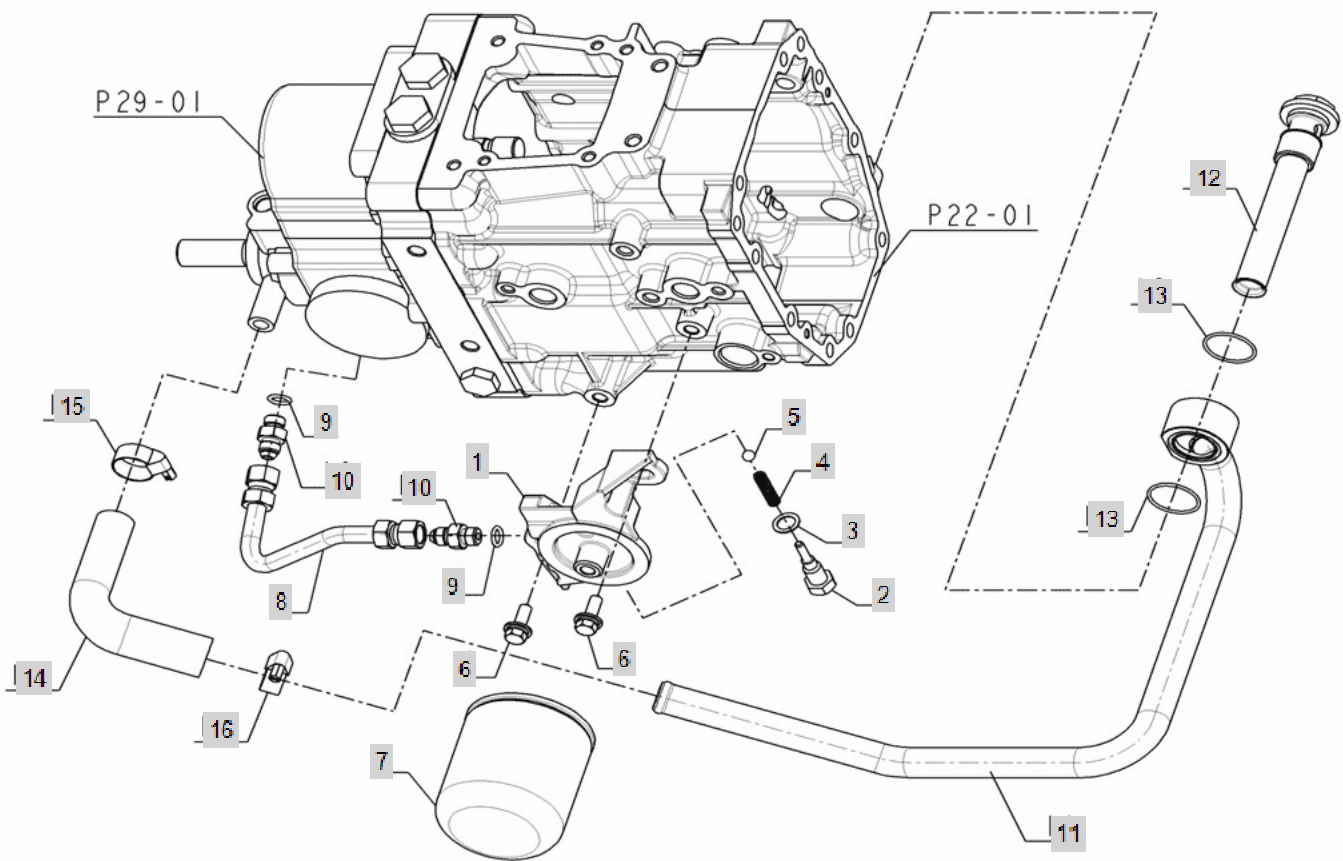


FIG 086C-2

HST HYDRAULIC OIL LINE - HST(2017.09)

Year/Month

2400h(2014~)

2020/01

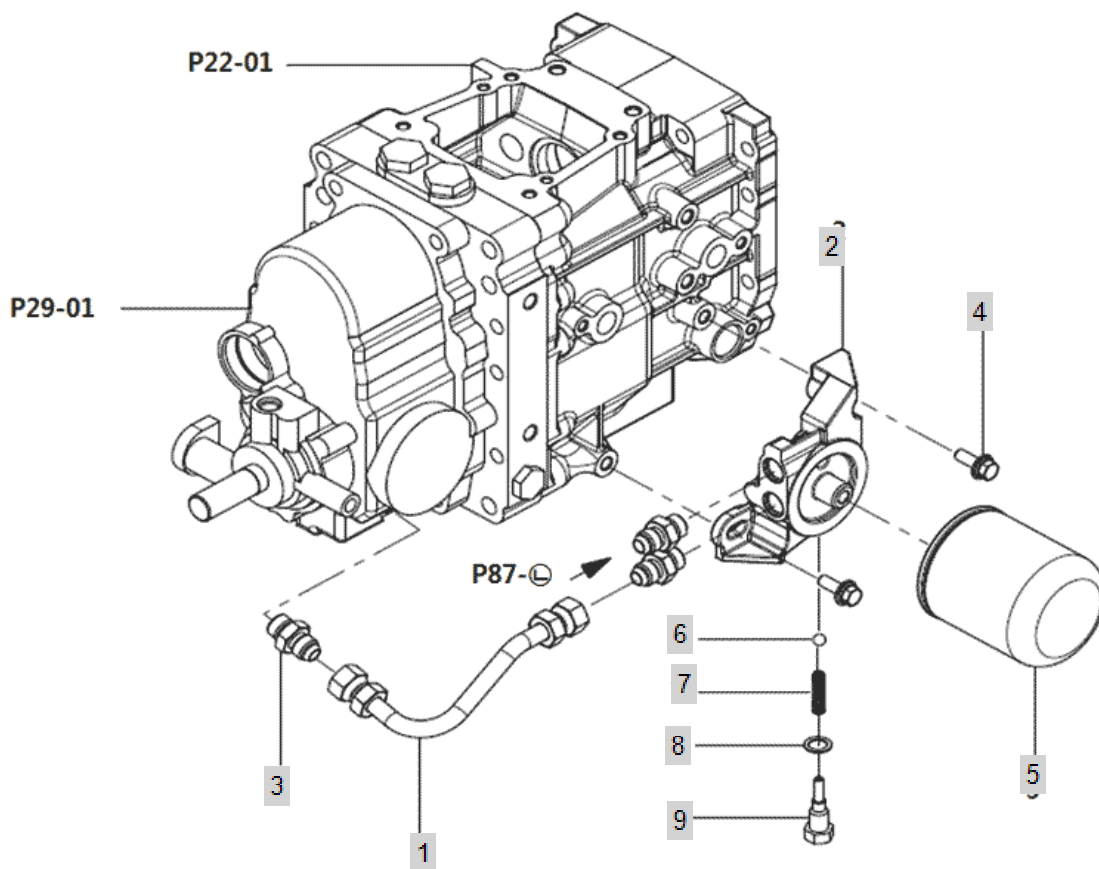


FIG 086C-3

HYDRAULIC OIL LINE-HST(2017.12)_2400h

Year/Month

2400h(2014~)

2020/01

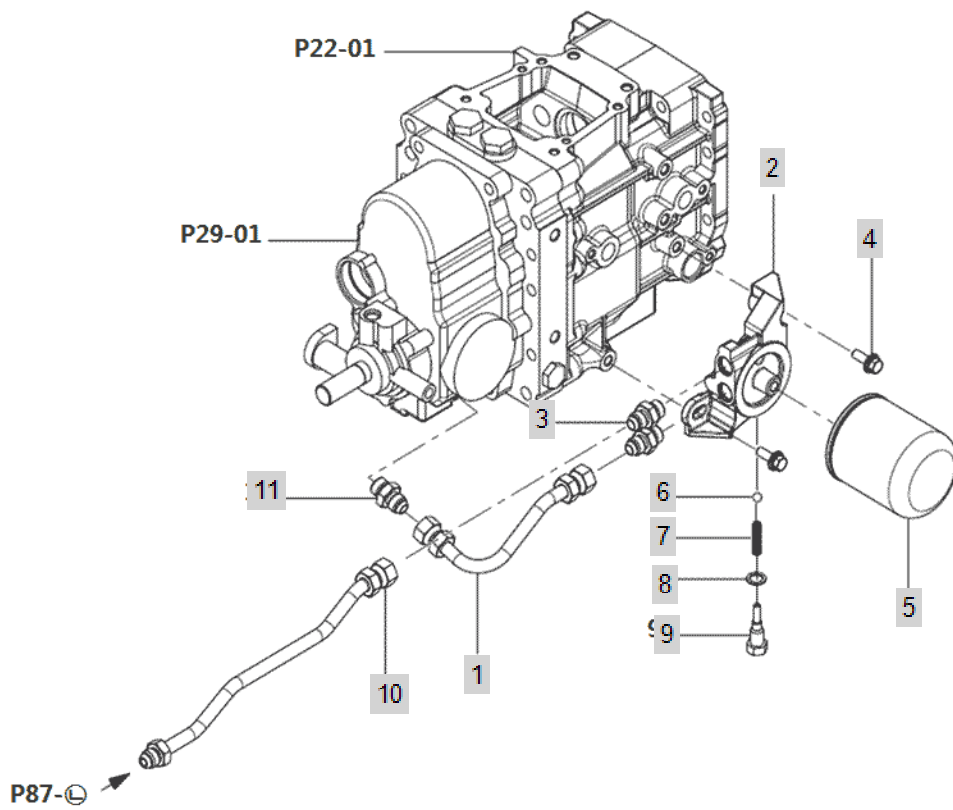


FIG 087H-1

HYDRAULIC OIL COOLER-HST(2015.08)

Year/Month

2400h(2014~)

2020/01

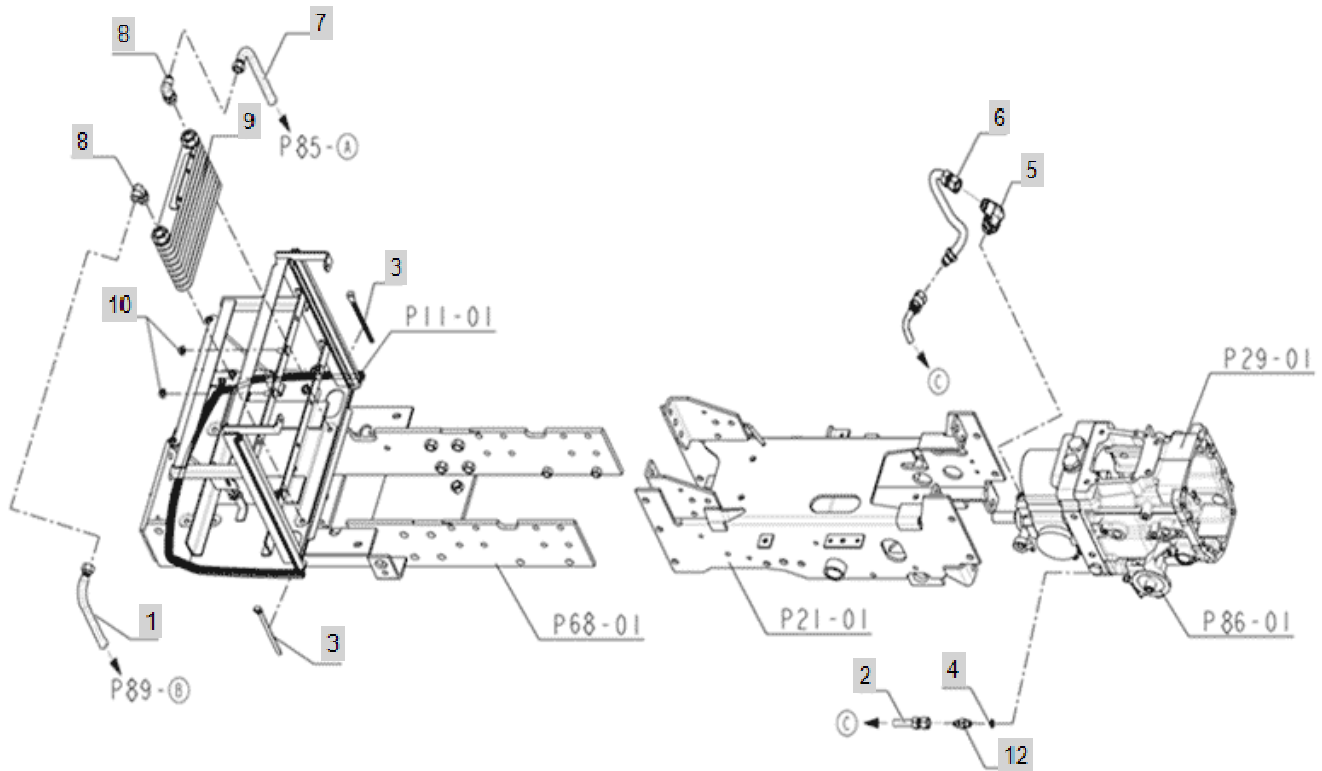


FIG 087H-2

HYDRAULIC OIL COOLER (HYDROSTAT)

Year/Month

2400h(2014~)

2020/01

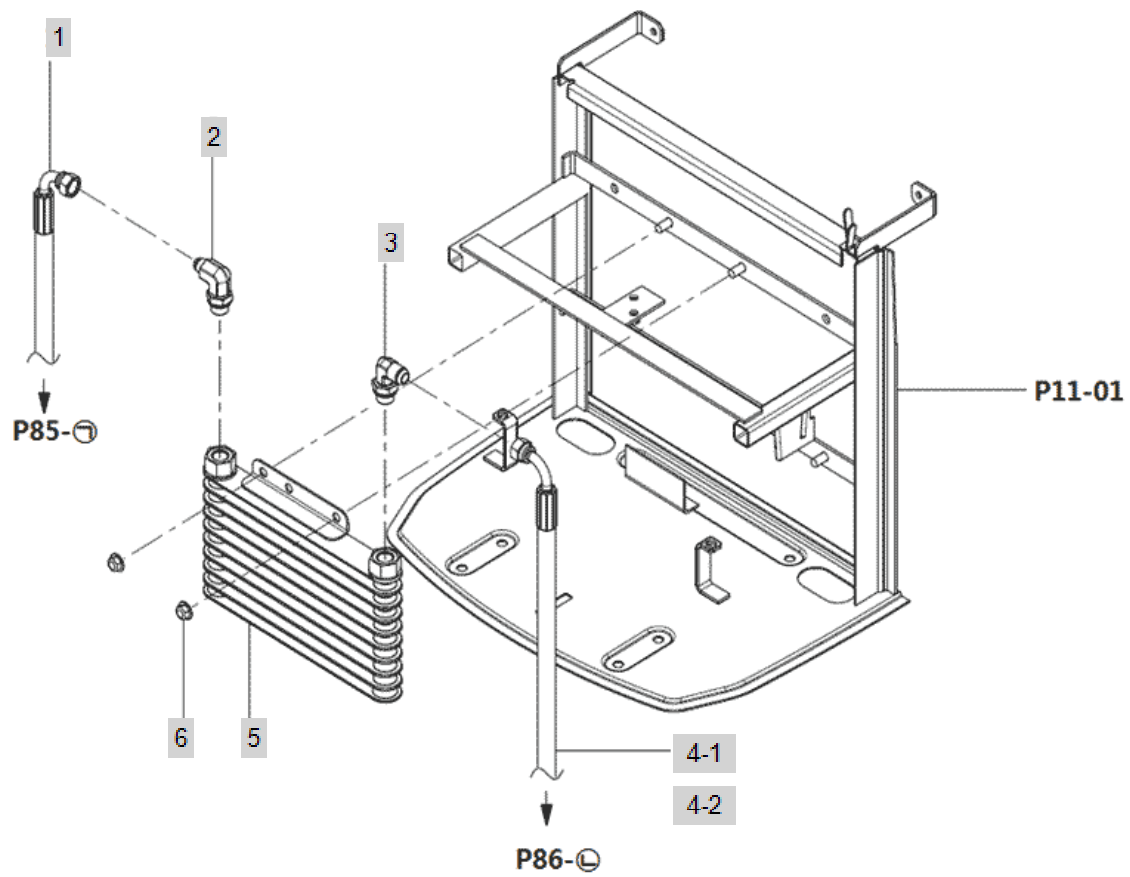


FIG 089C-1

HYDRAULIC OIL LINE (C/M) (HYDROSTAT)

Year/Month

2400h(2014~)

2020/01

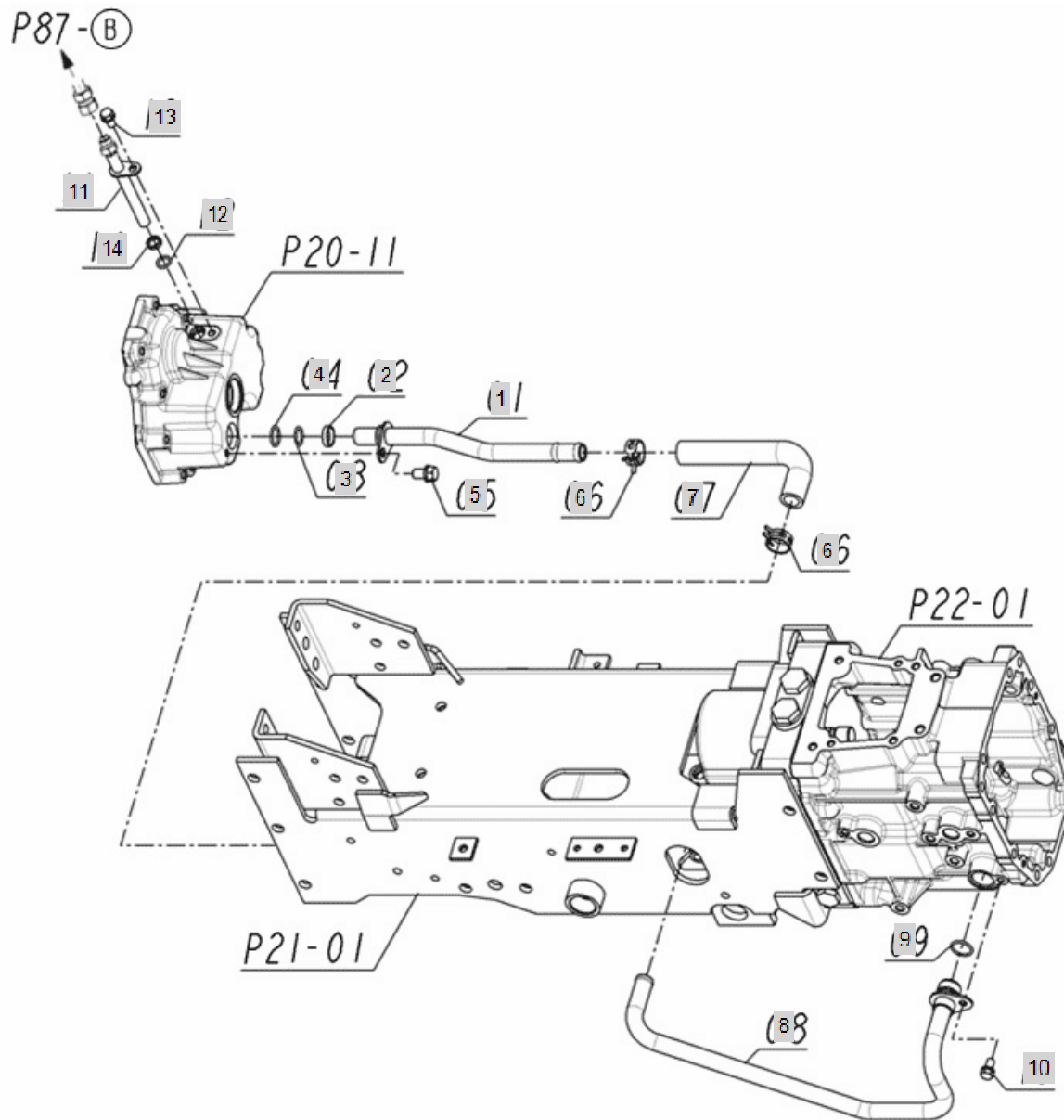


FIG 089C-2

HYDRAULIC OIL LINE (C/M) (HYDROSTAT)

Year/Month

2400h(2014~)

2020/01

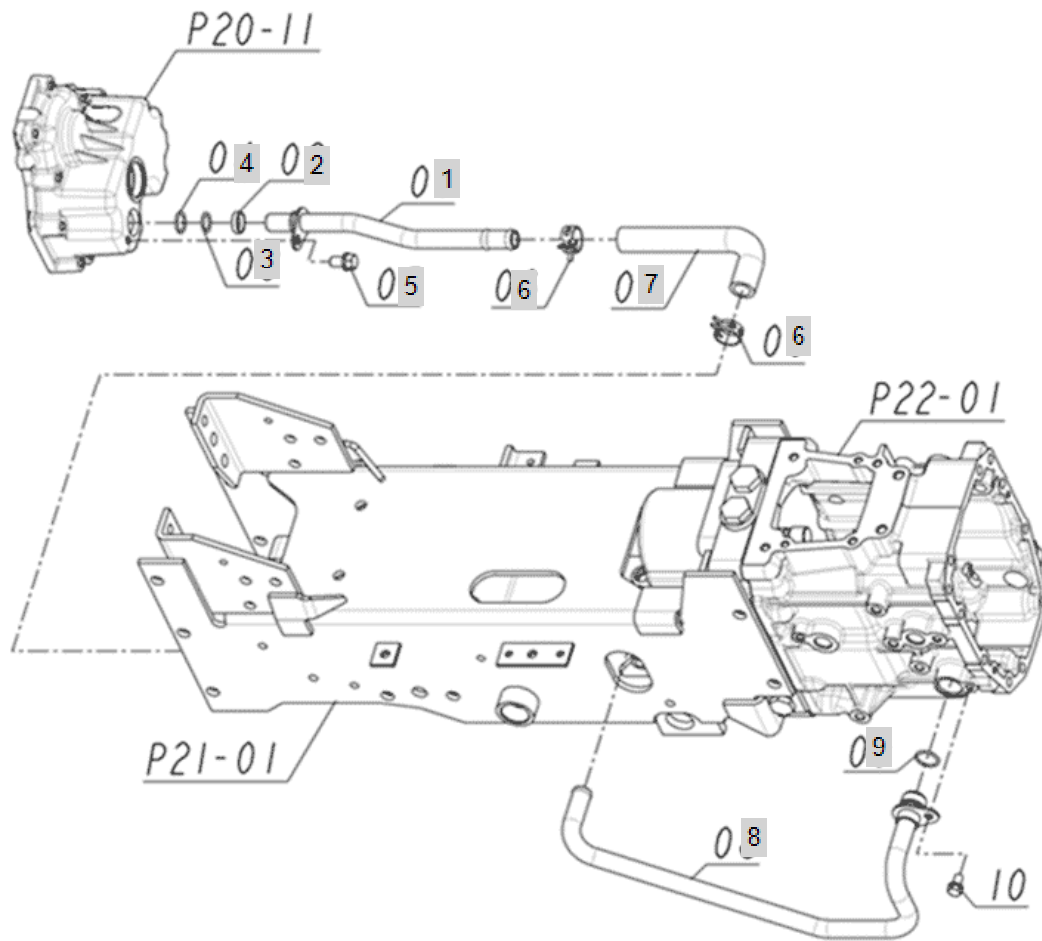


FIG 089C-3

HYDRAULIC OIL LINE (C/M) (2017.08)

Year/Month

2400h(2014~)

2020/01

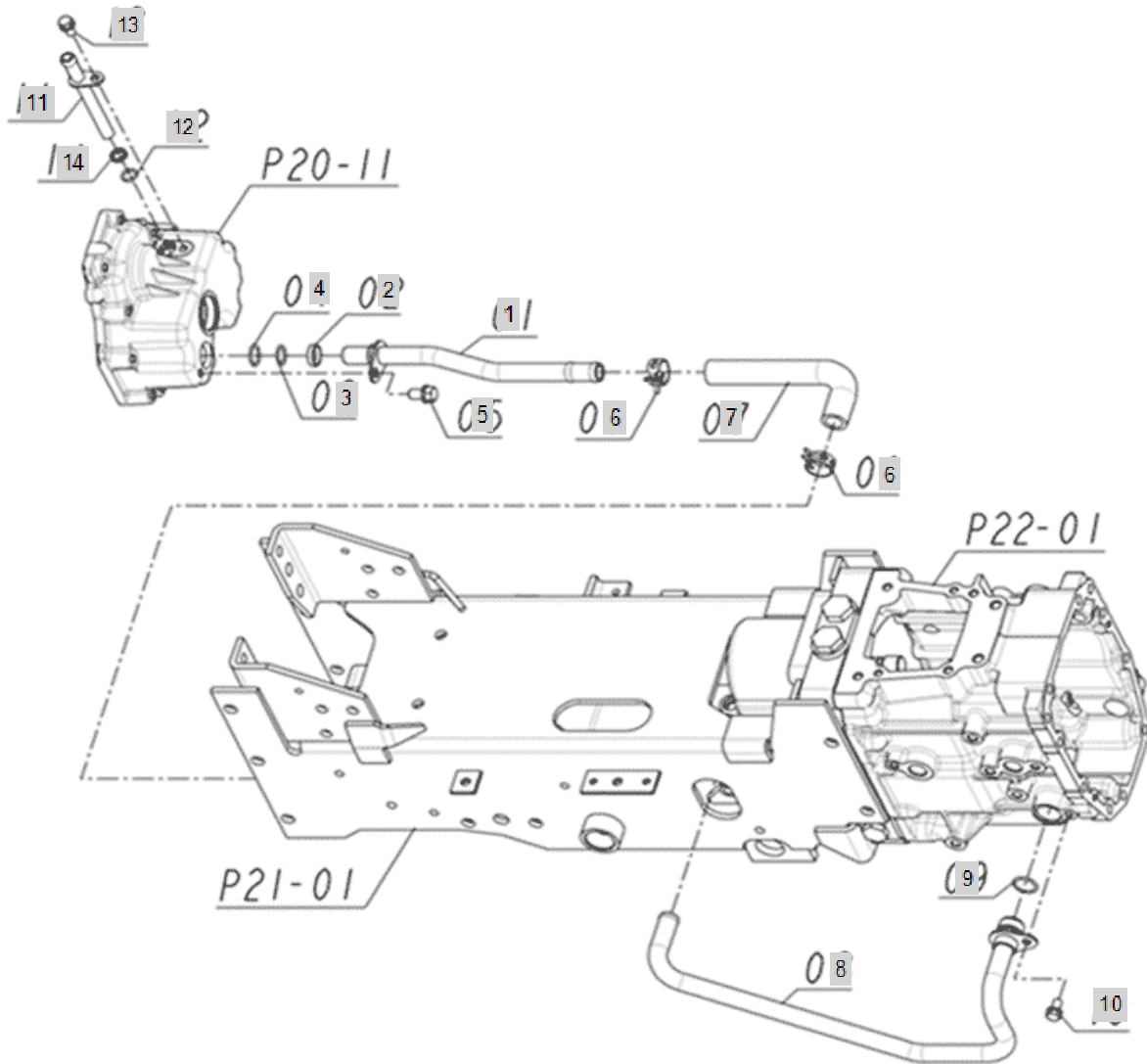


FIG 091B-1

HYDRAULIC CYLINDER-HST

Year/Month

2400h(2014~)

2020/01

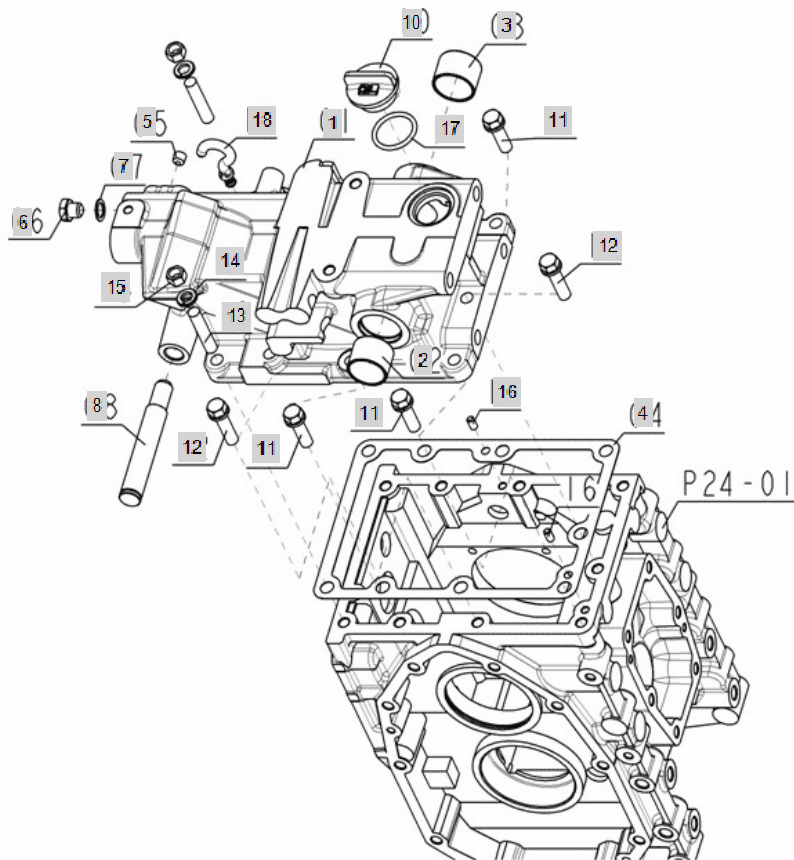


FIG 091B-2

HYDRAULIC CYLINDER - HST

Year/Month

2400h(2014~)

2020/01

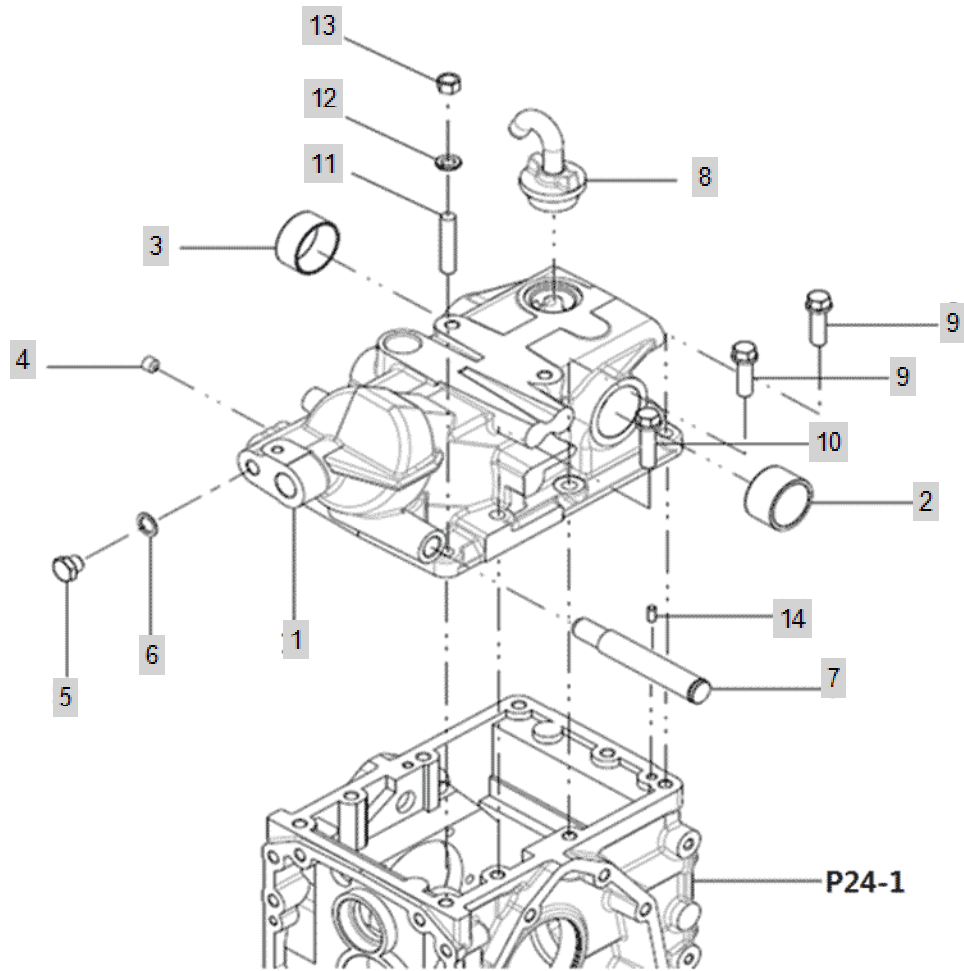


FIG 092

HYDRAULIC PISTON / LIFT ARM

Year/Month

2400h(2014~)

2020/01

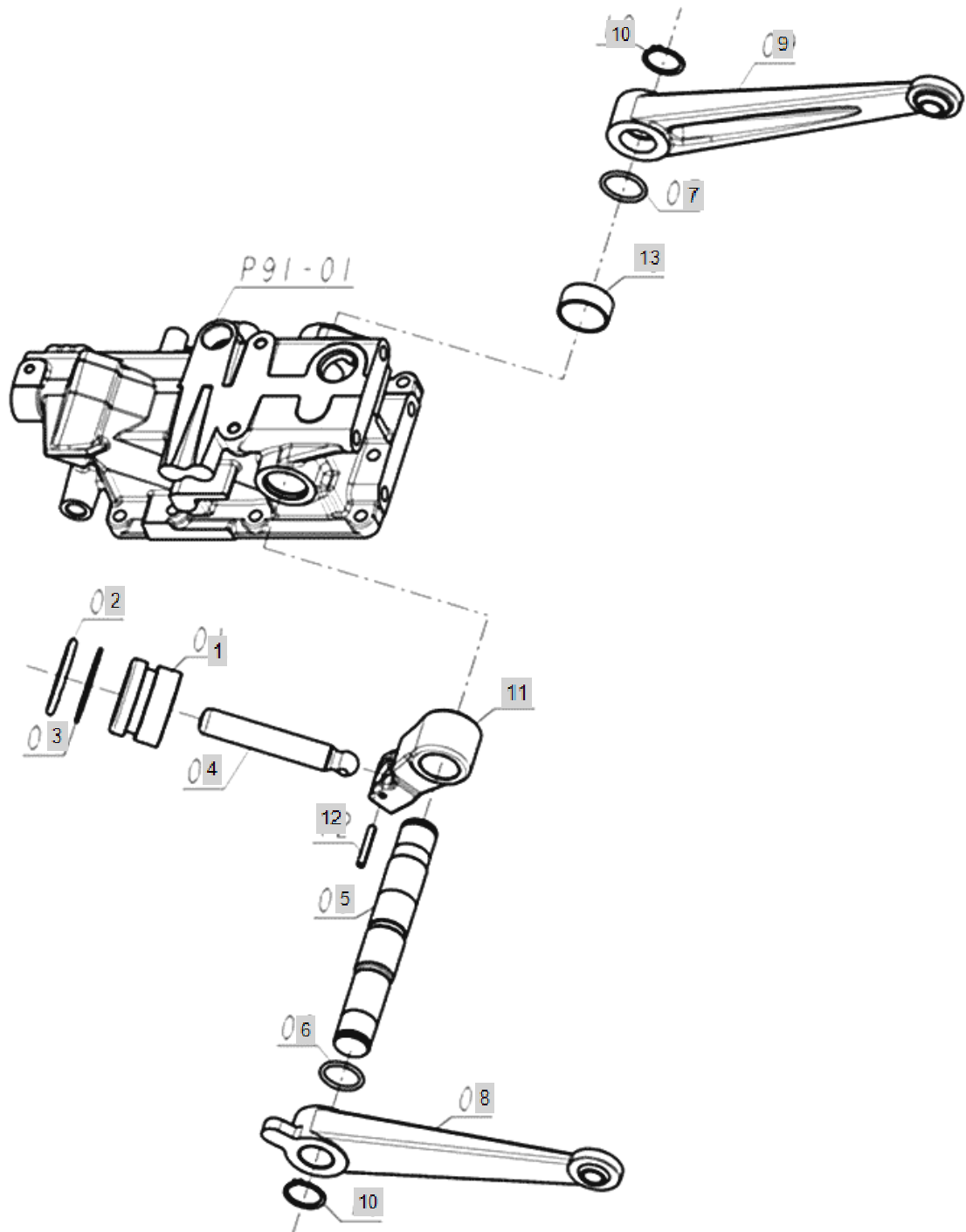


FIG 094B

FEED BACK LEVER (POSITION TYPE)

Year/Month

2400h(2014~)

2020/01

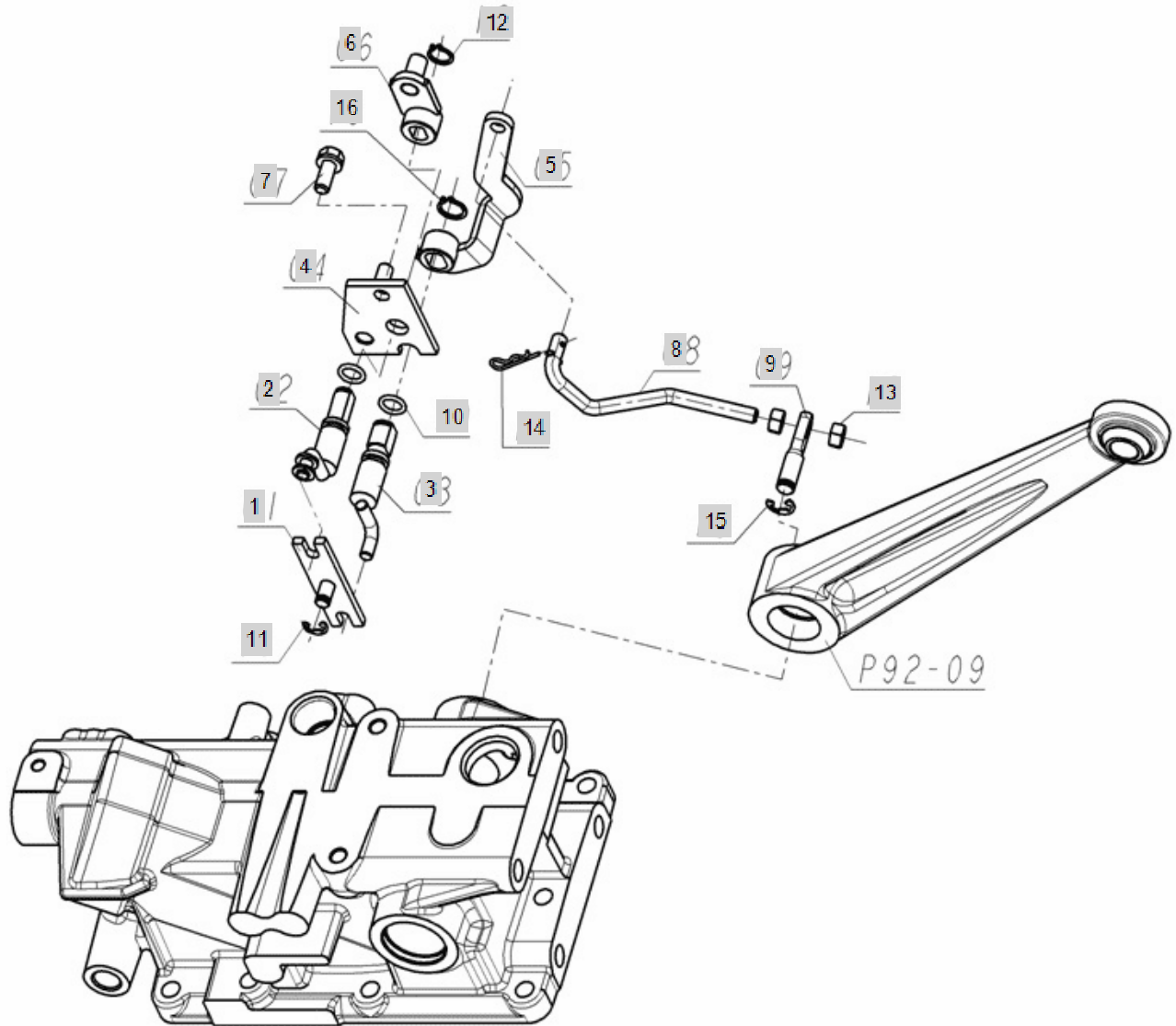


FIG 096B

2400h(2014~)

POSITION VALVE

Year/Month

2020/01

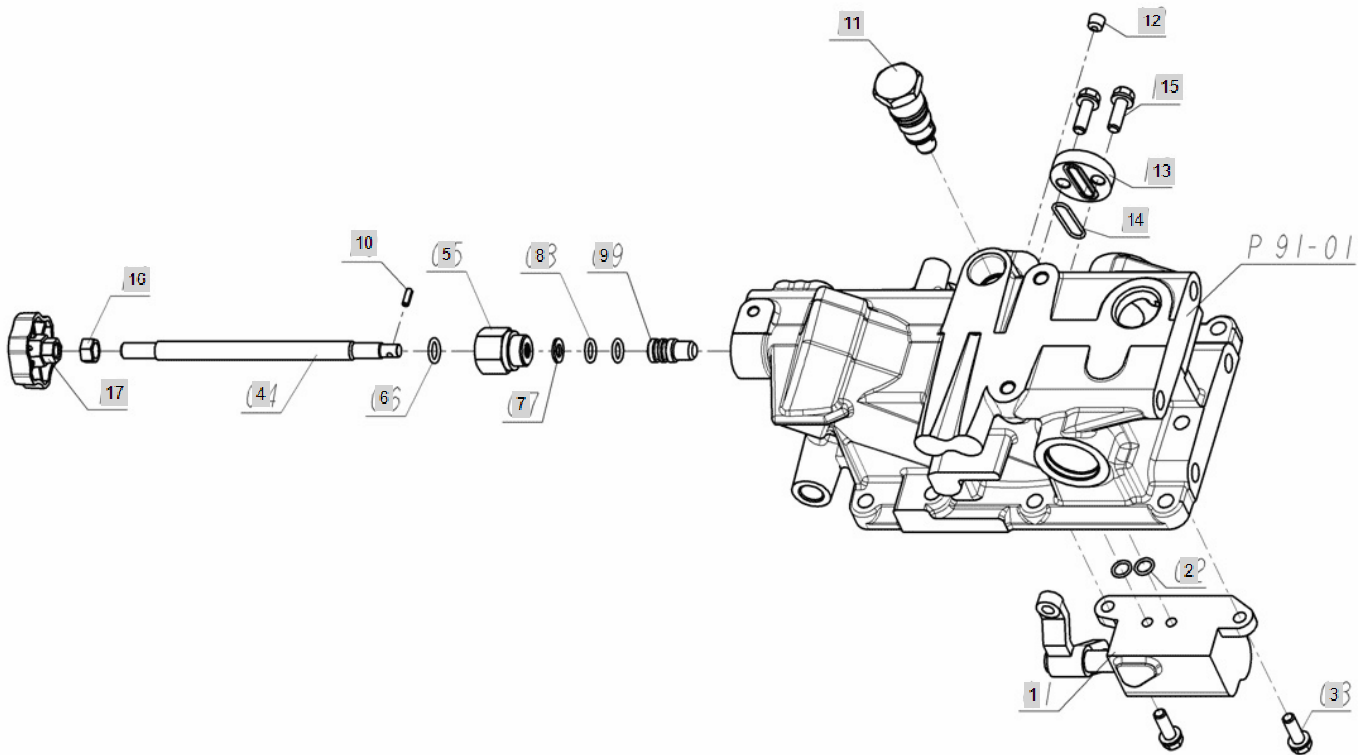


FIG 097.

2400h(2014~)

LIFT LINK

Year/Month

2020/01

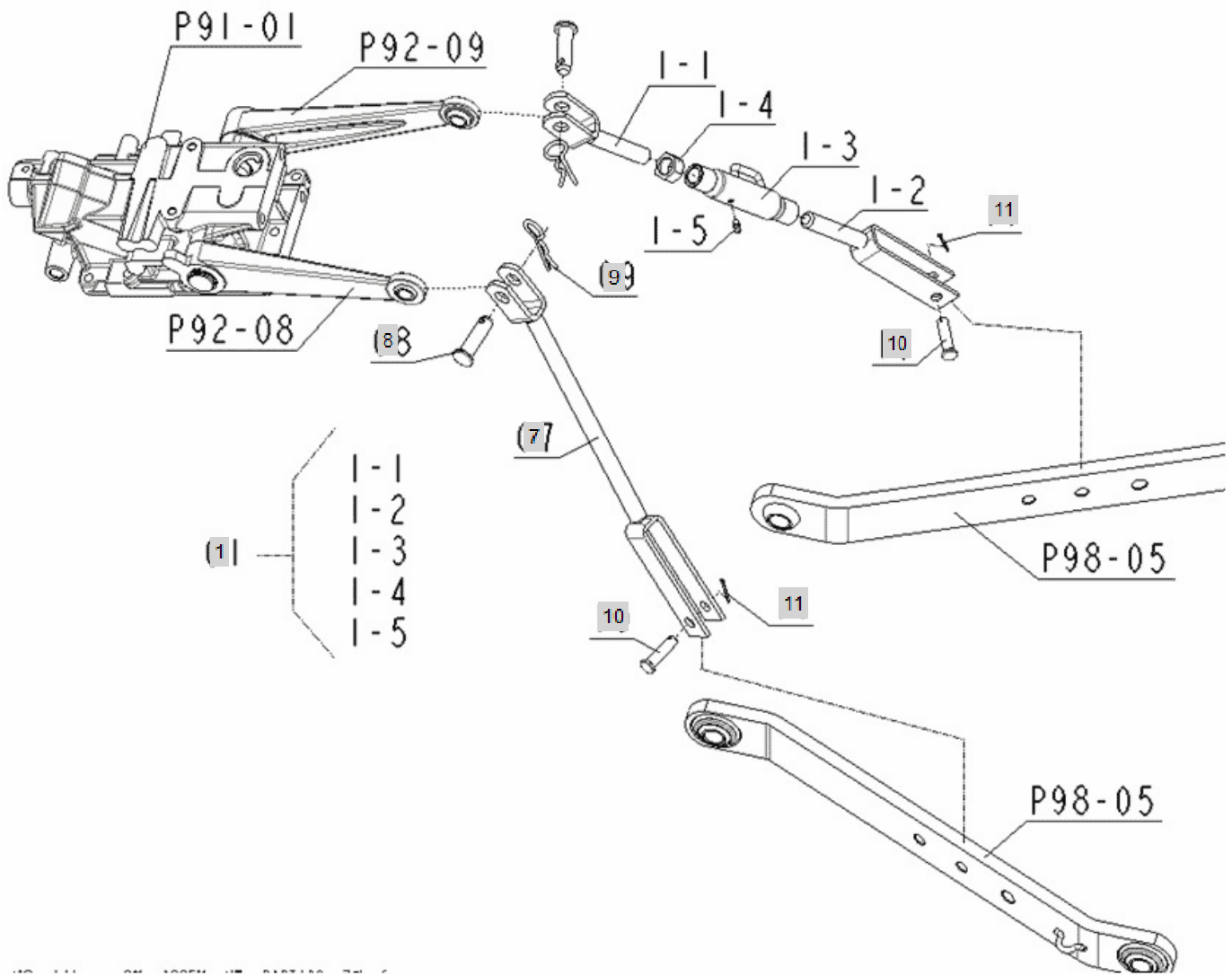


FIG 098.

LIFT ARM

Year/Month

2400h(2014~)

2020/01

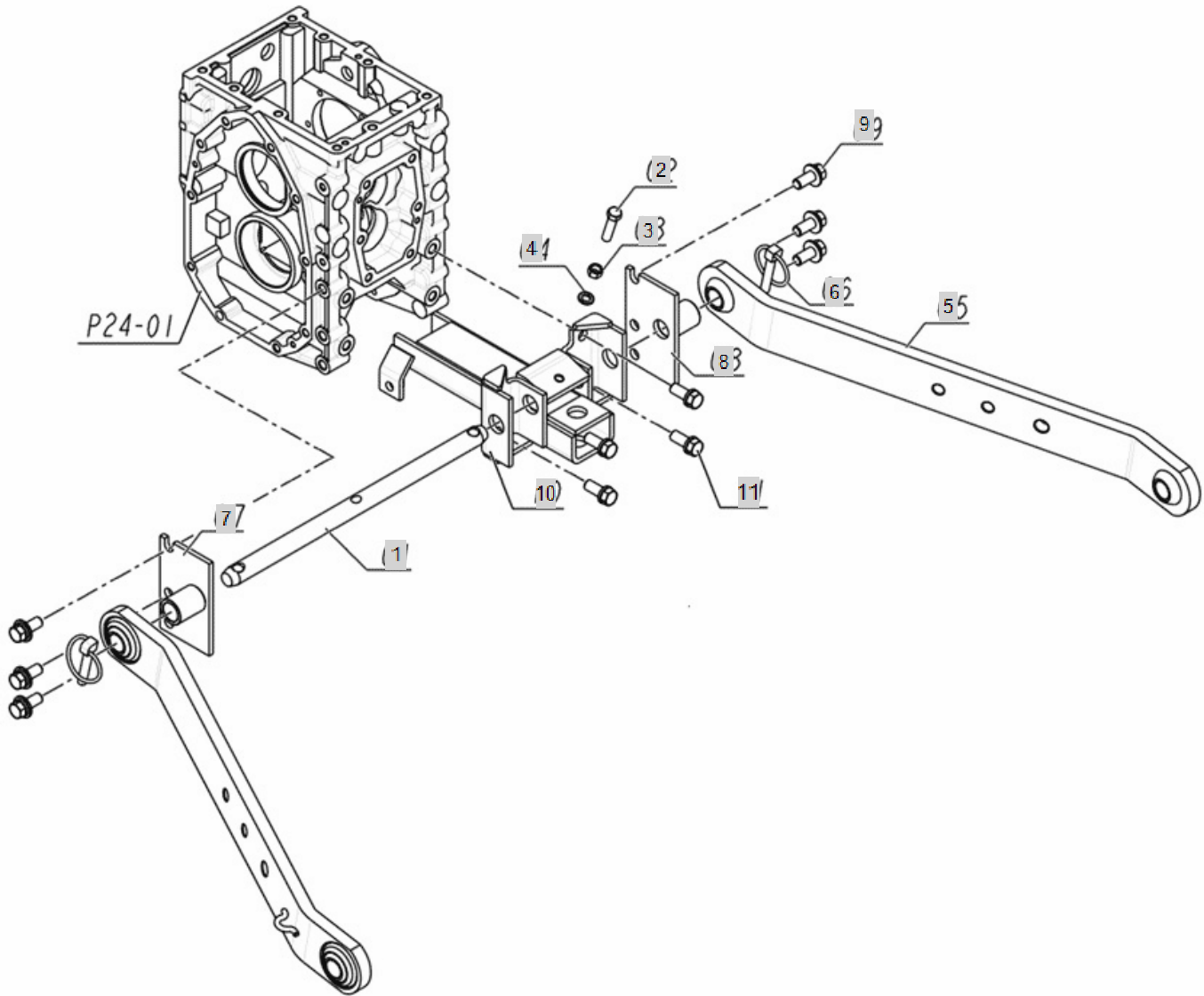


FIG 099

3-POINT LINKAGE(TOP LINK)

Year/Month

2400h(2014~)

2020/01

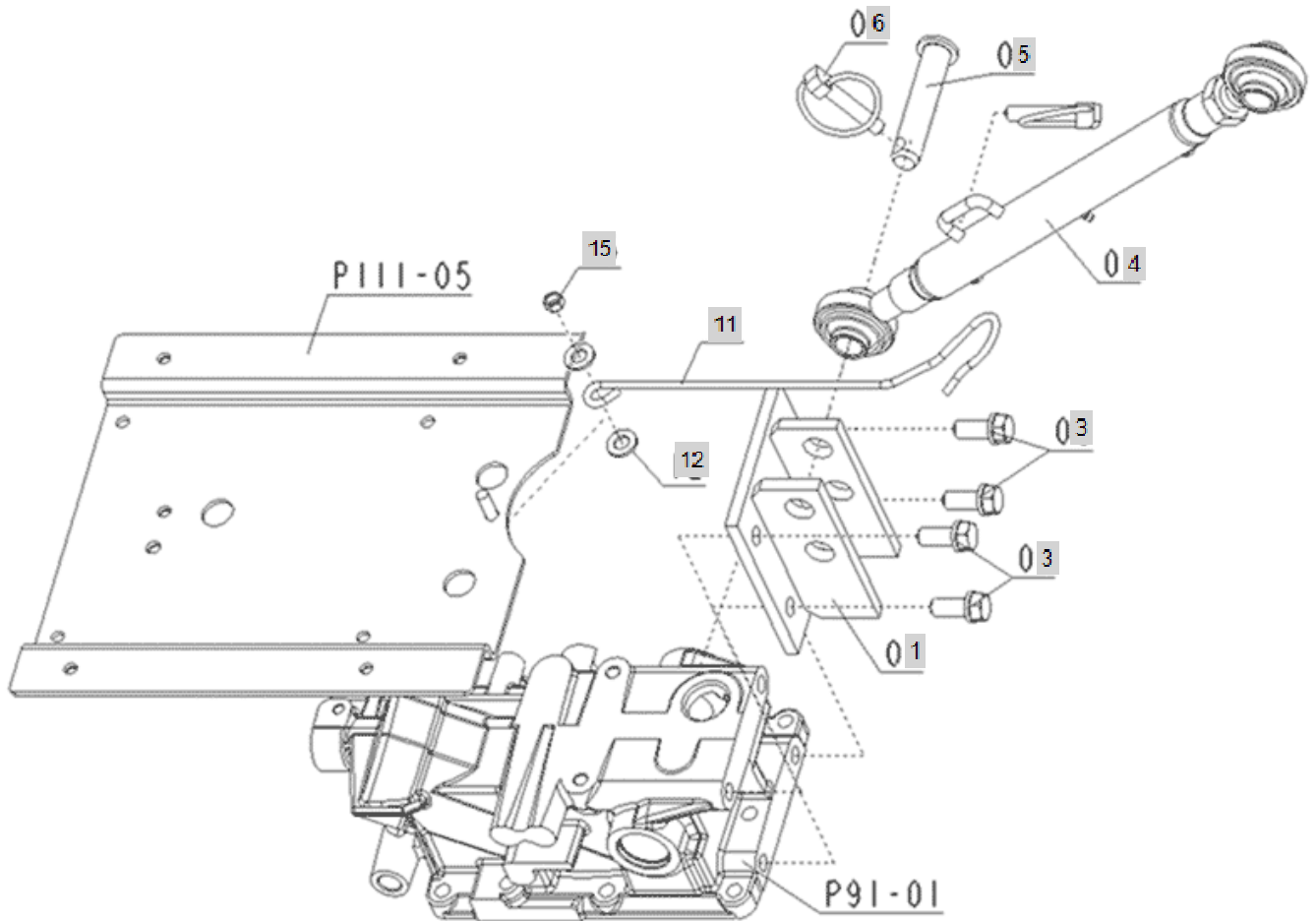


FIG 100A

CHECK CHAIN

Year/Month

2400h(2014~)

2020/01

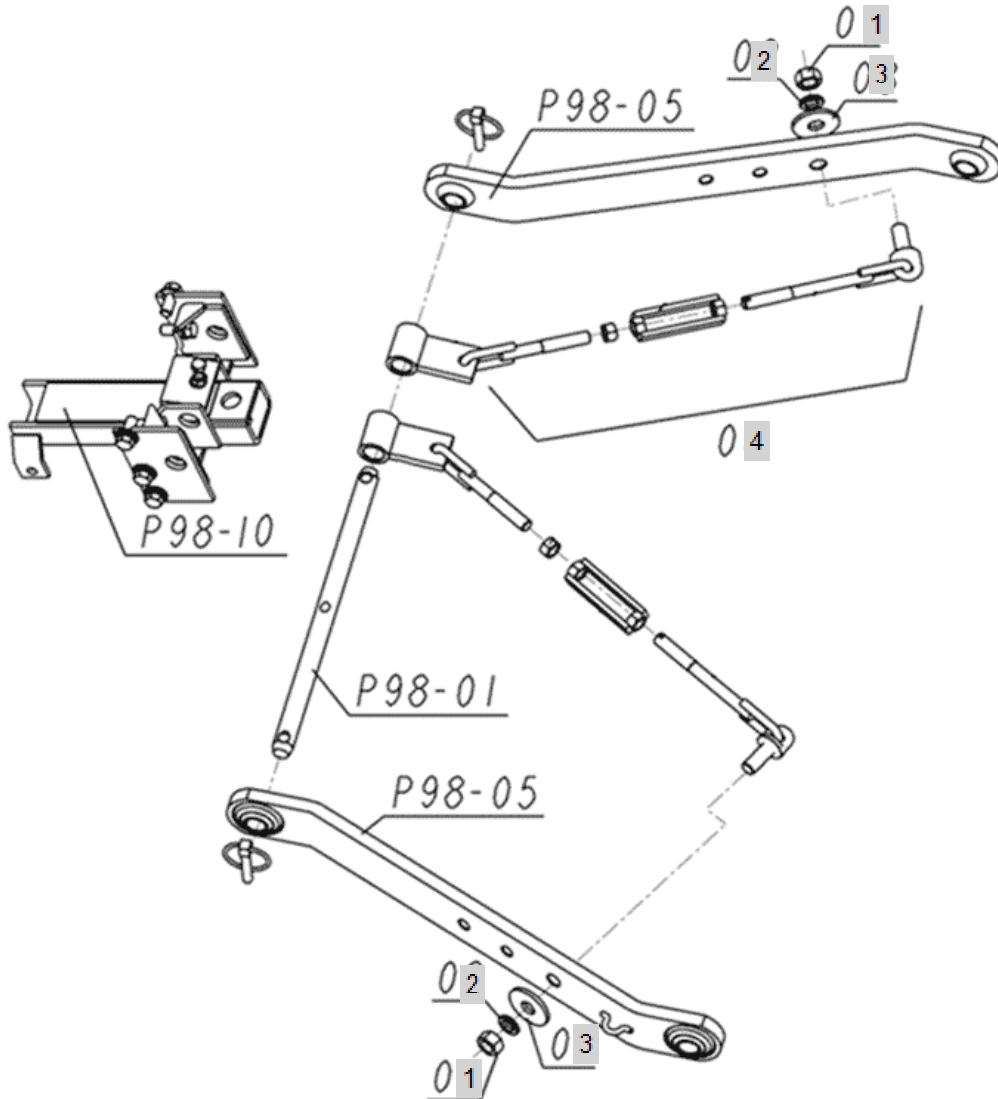


FIG 101.

2400h(2014~)

DRAW BAR

Year/Month

2020/01

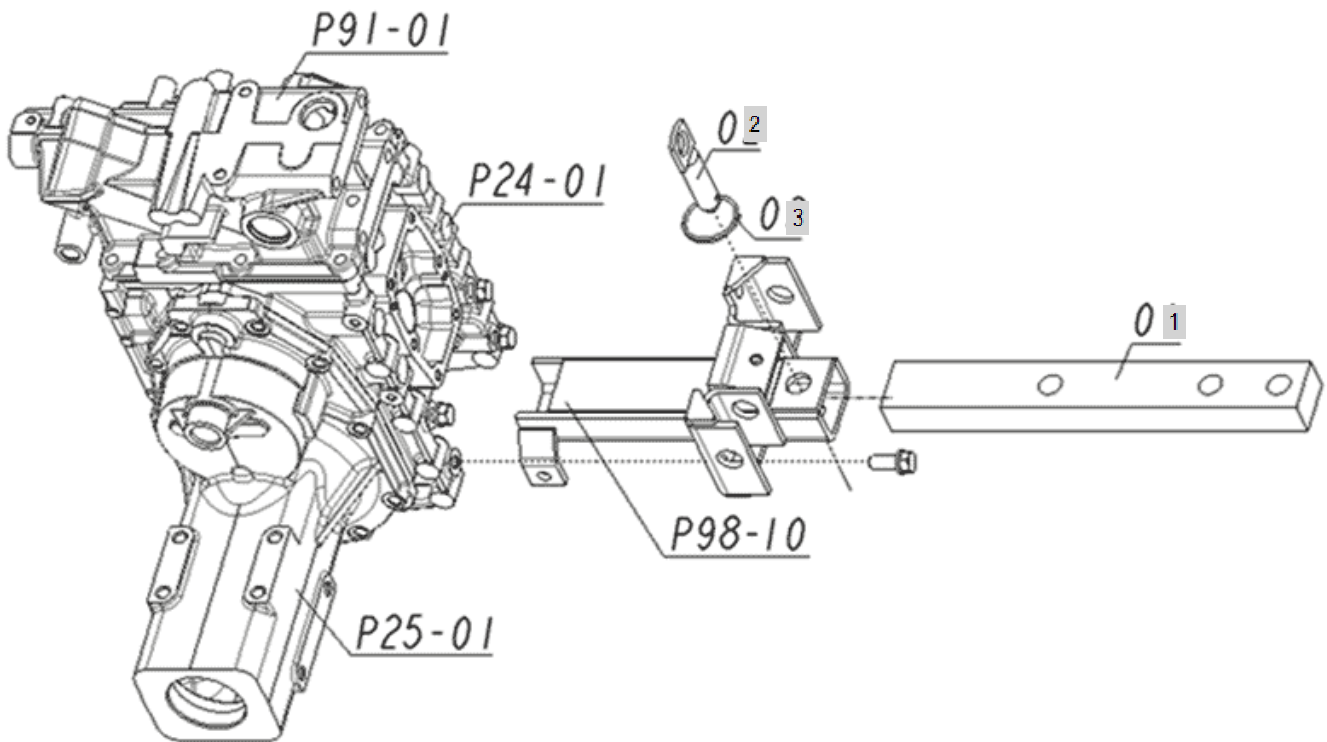


FIG 102.

PTO SHEILD

Year/Month

2400h(2014~)

2020/01

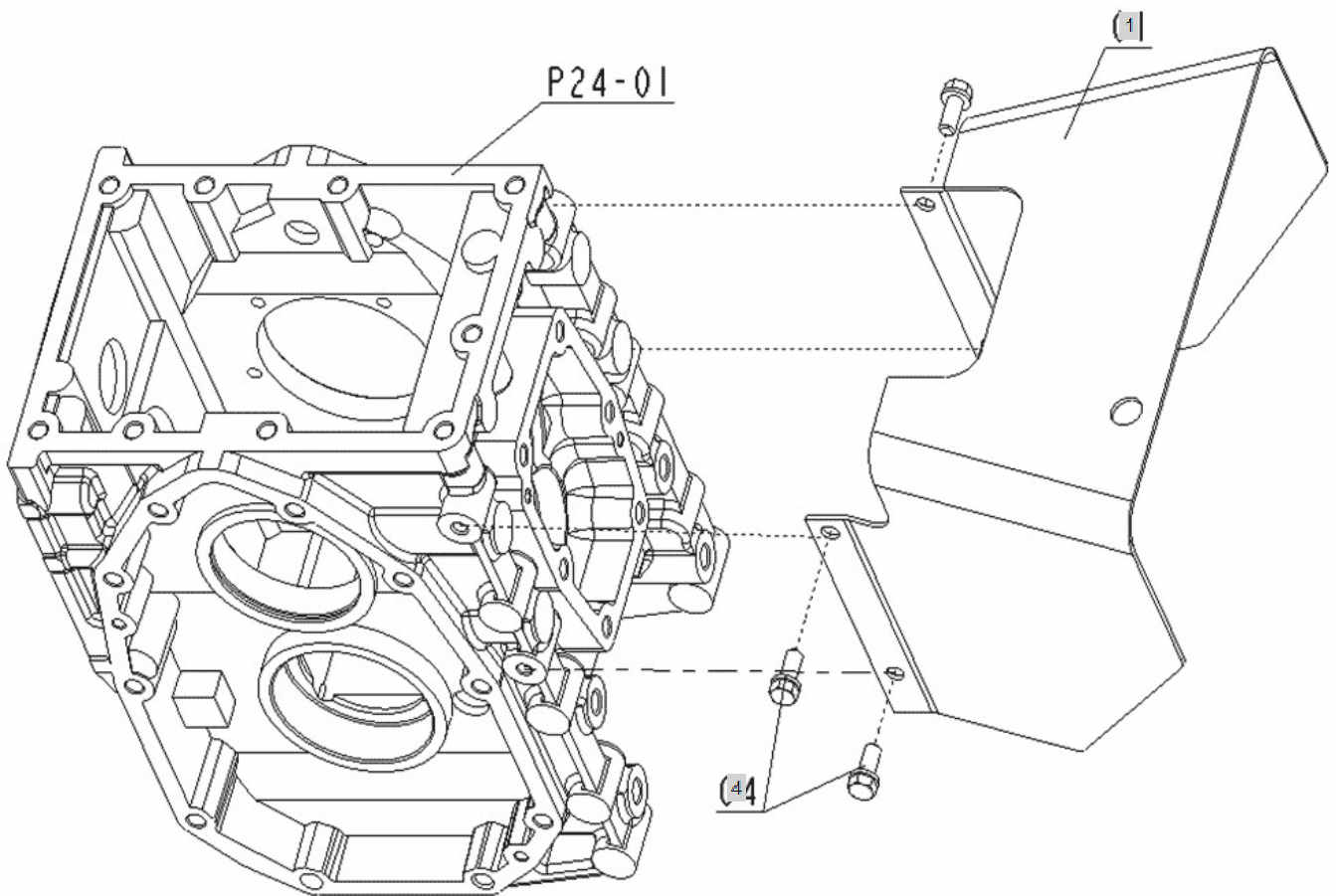


FIG 103.

HOOD

Year/Month

2400h(2014~)

2020/01

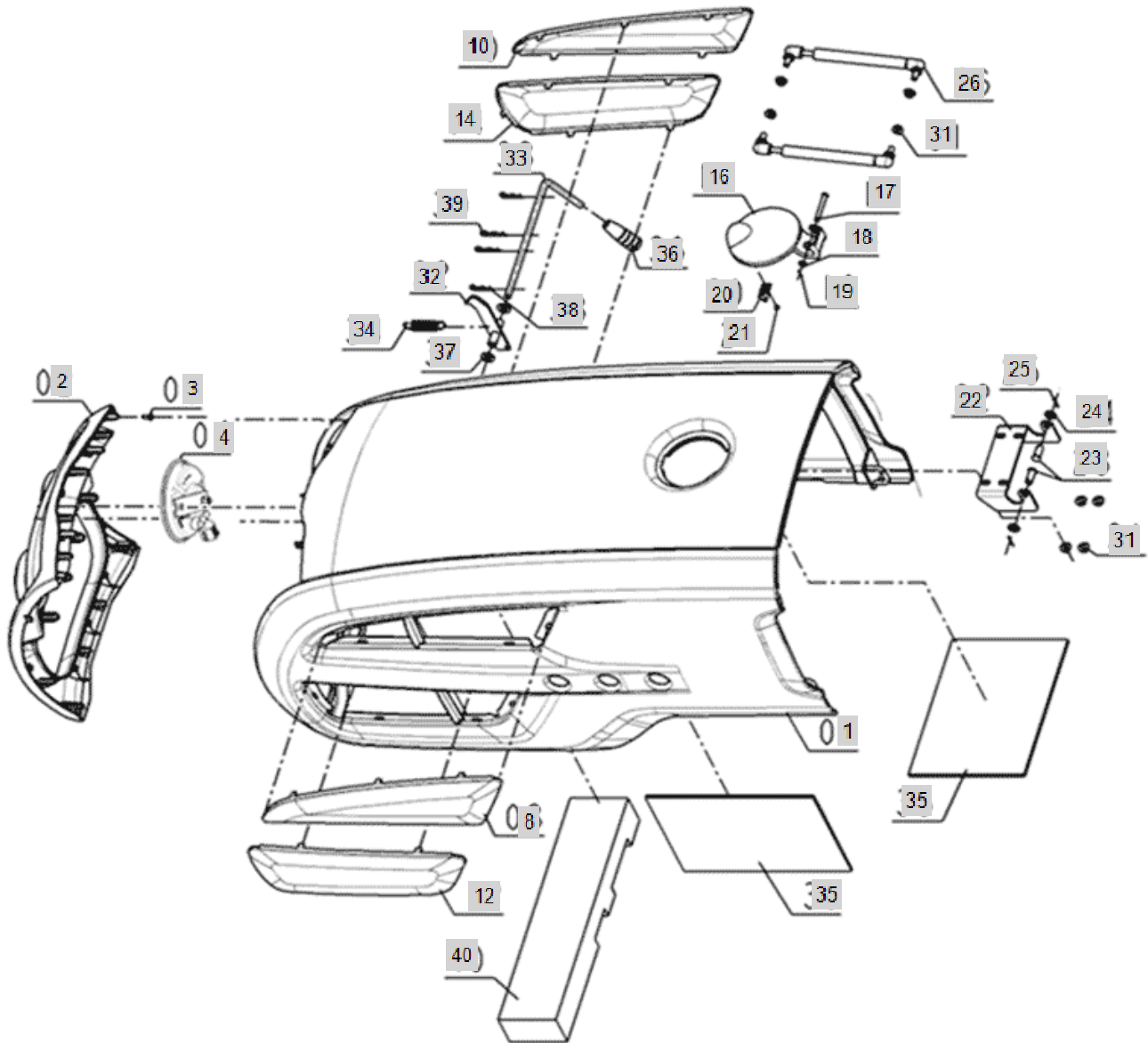


FIG 104.

PANEL COVER

Year/Month

2400h(2014~)

2020/01

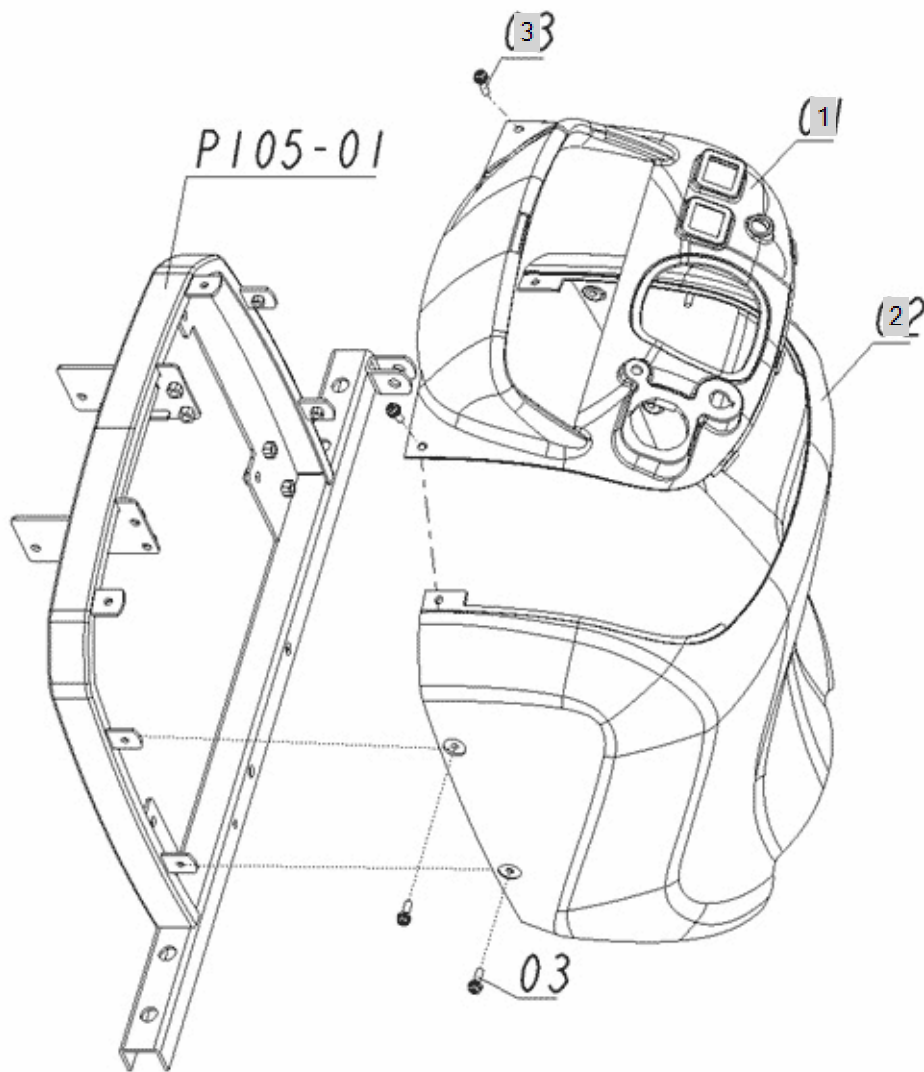


FIG 105.

2400h(2014~)

SHUTTER PLATE

Year/Month

2020/01

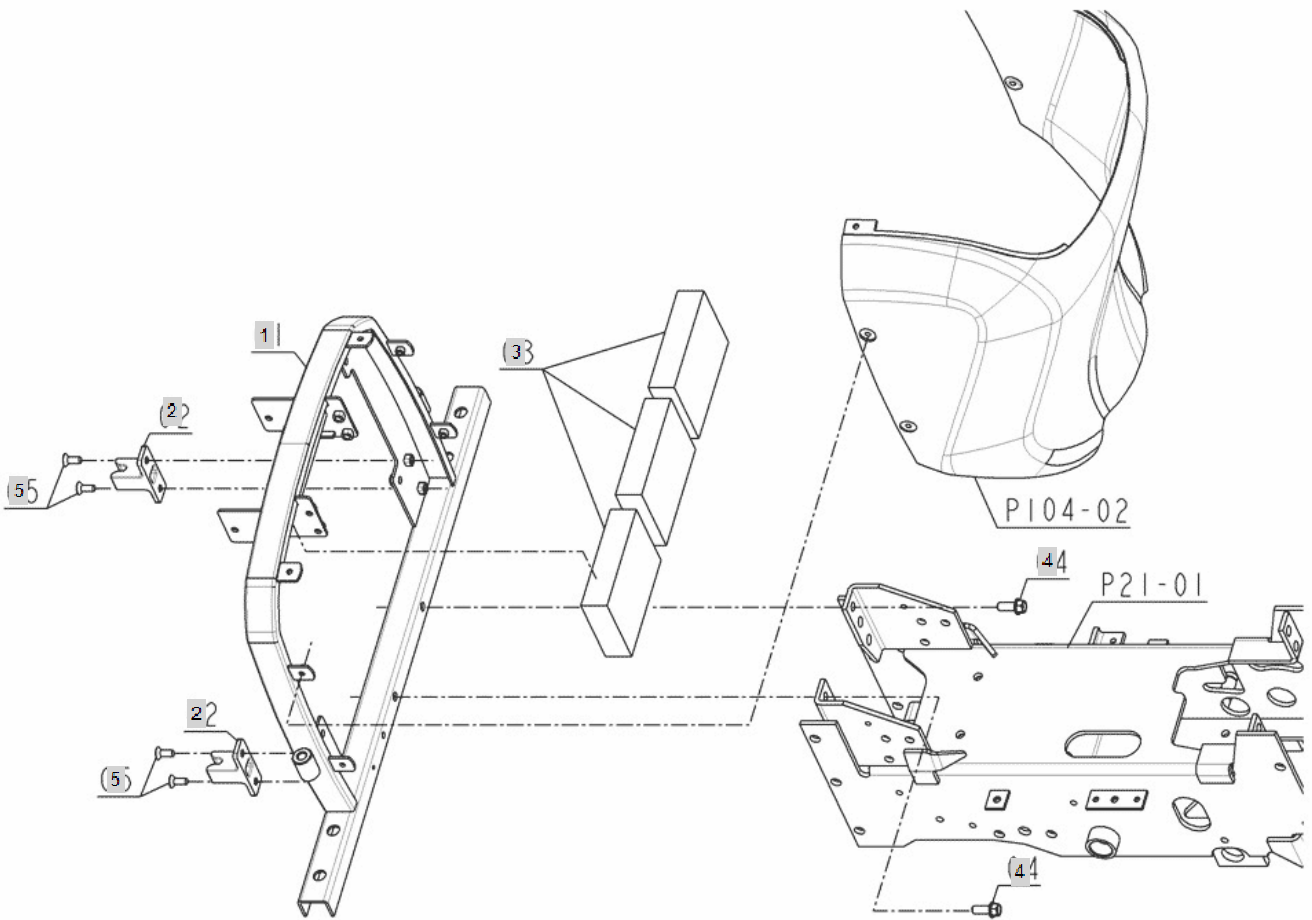


FIG 107C

2400h(2014~)

LEVER GUIDE (HYDROSTAT)

Year/Month

2020/01

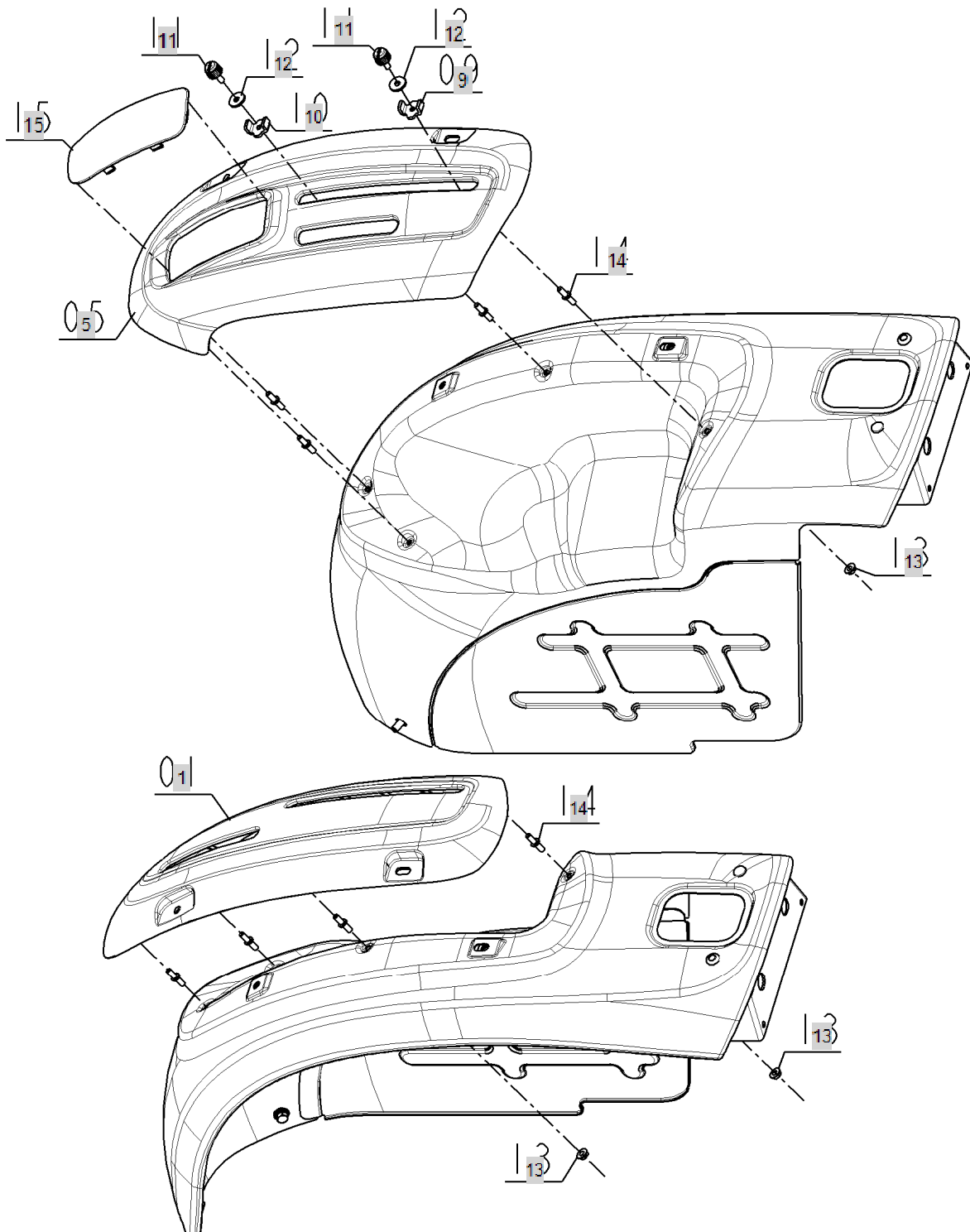


FIG 108

FENDER

Year/Month

2400h(2014~)

2020/01

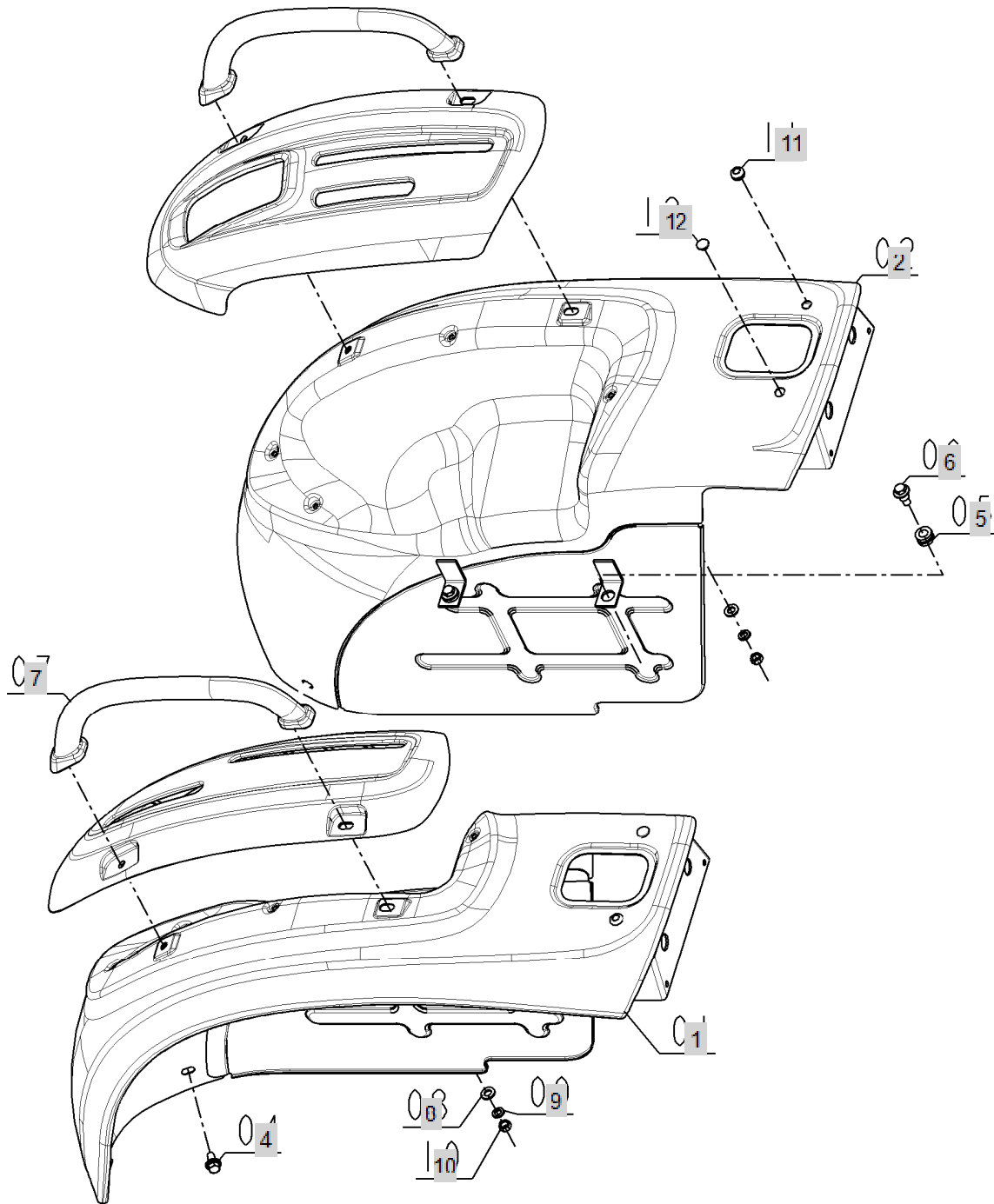


FIG 109.

FENDER STAY

Year/Month

2400h(2014~)

2020/01

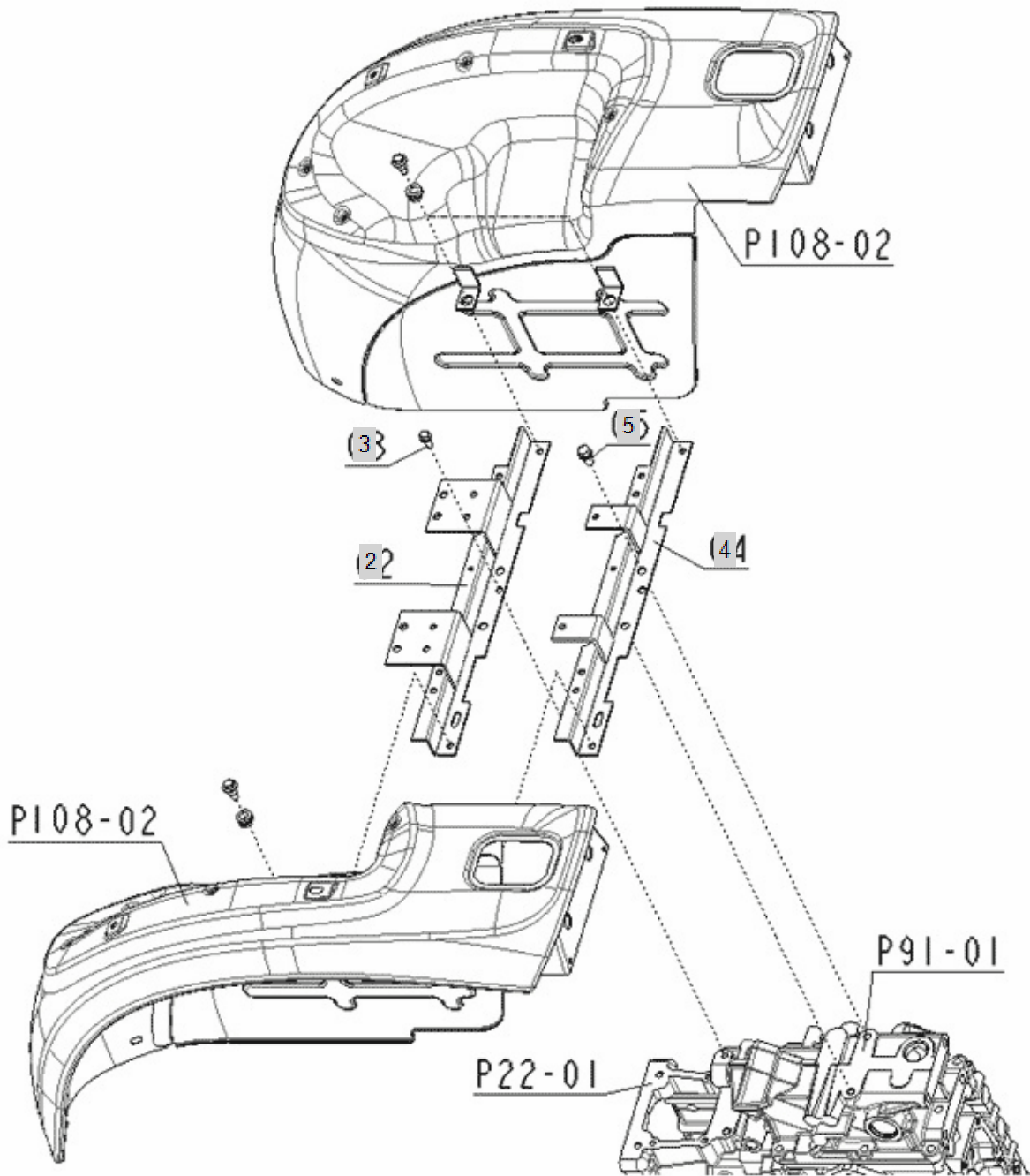


FIG 110A

FLOOR SEAT

Year/Month

2400h(2014~)

2020/01

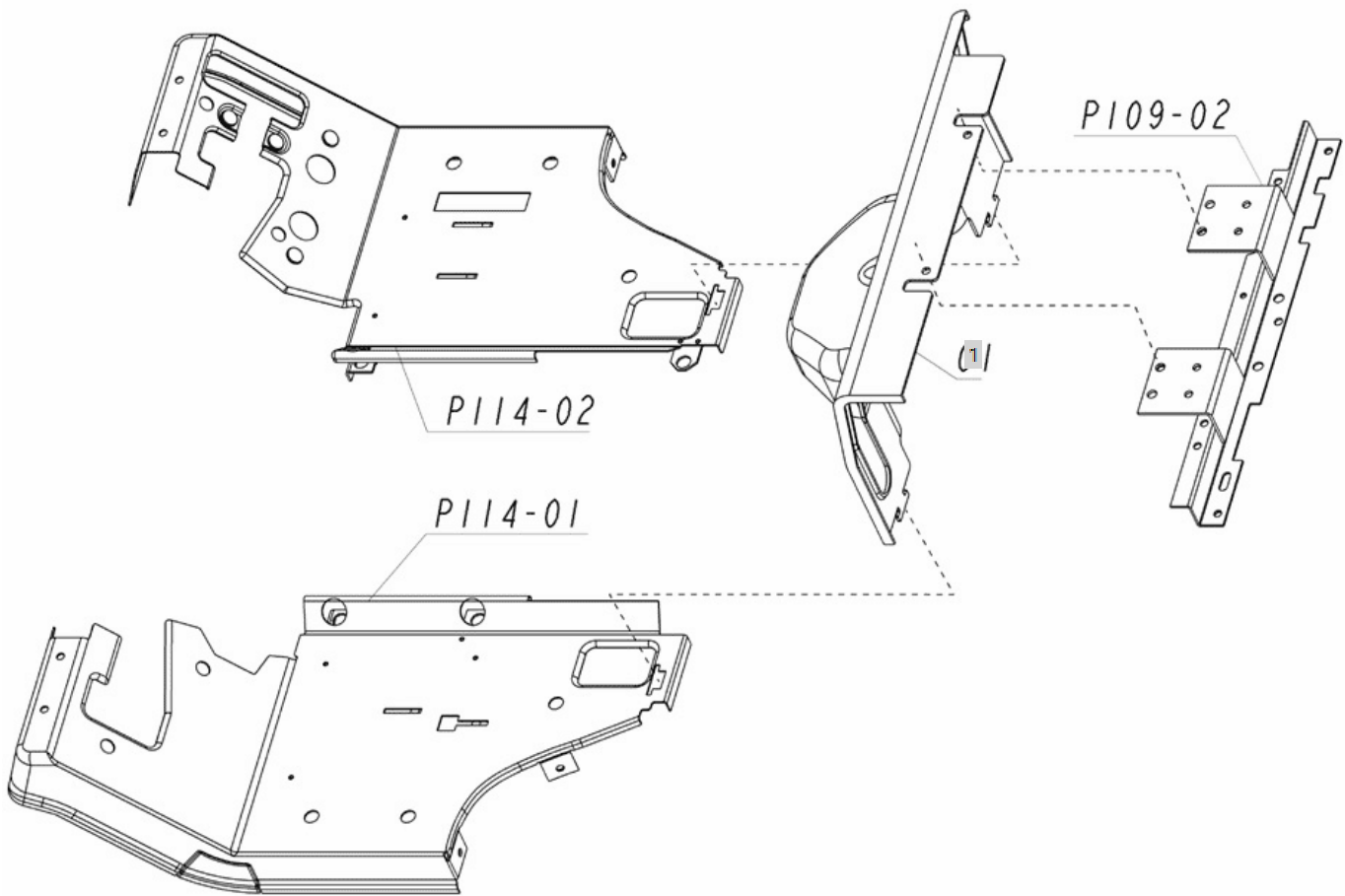


FIG 111.

SEAT

Year/Month

2400h(2014~)

2020/01

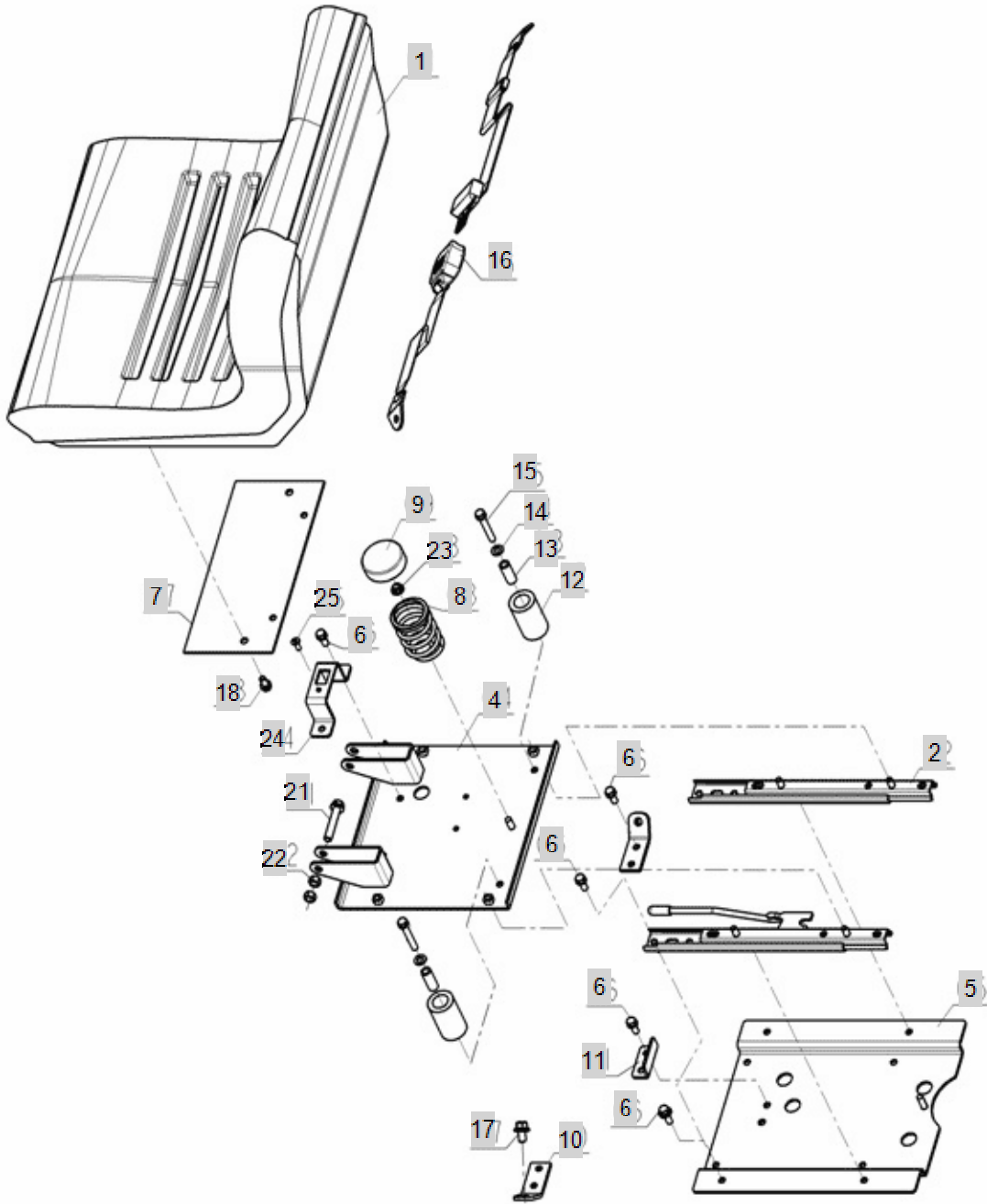


FIG 112C-1

STEP_2400H

Year/Month

2400h(2014~)

2020/01

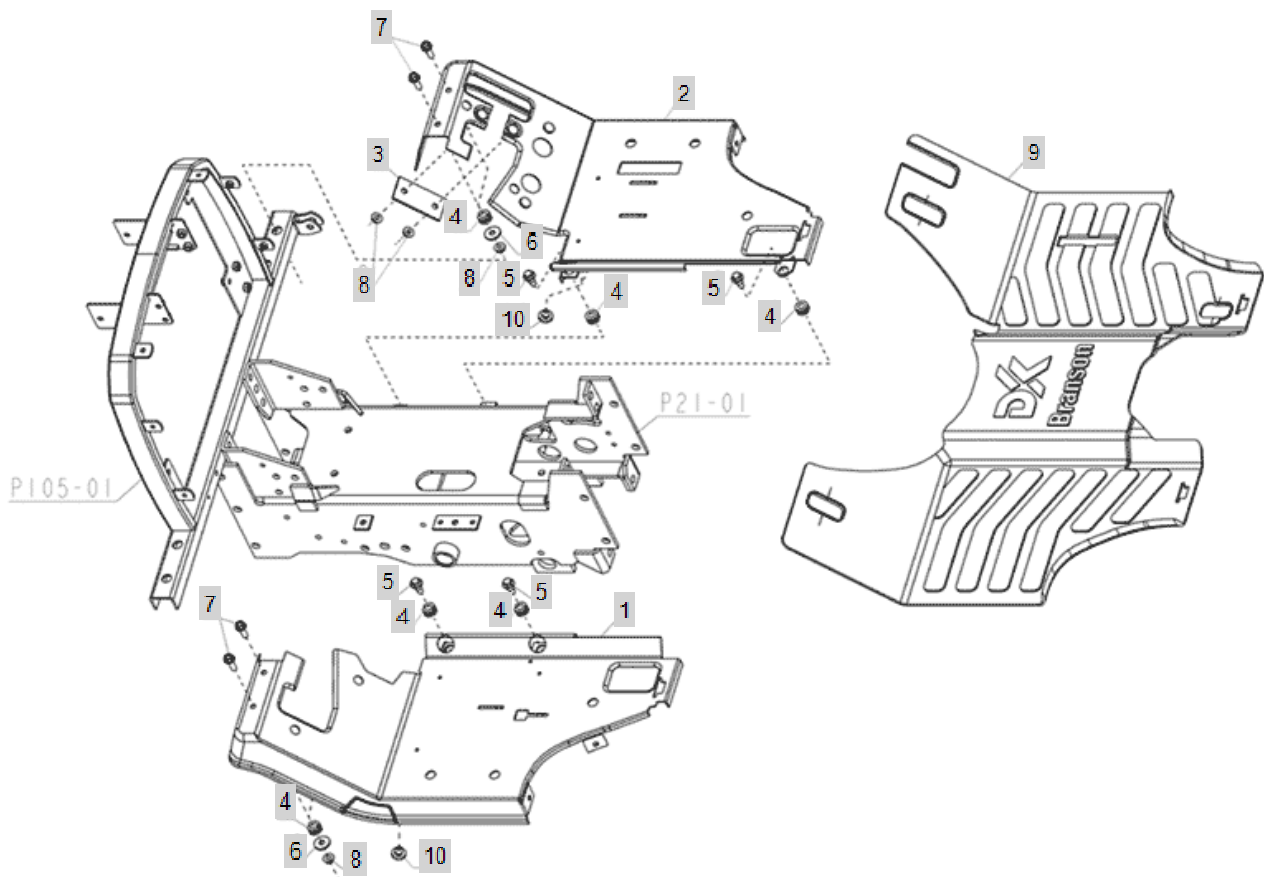


FIG 112CB-2

STEP_2400H

Year/Month

2400h(2014~)

2020/01

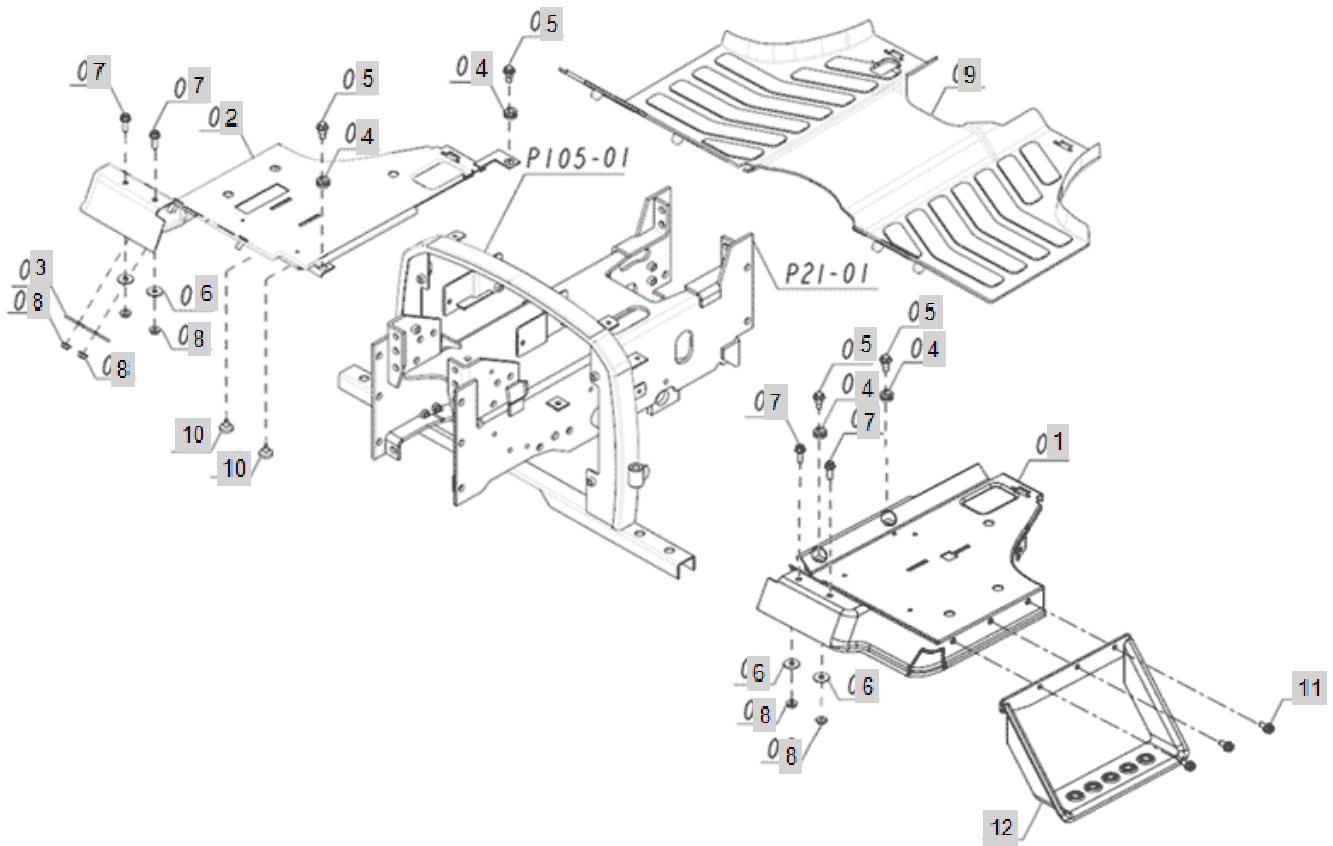


FIG 113-1

ROPS

Year/Month

2400h(2014~)

2020/01

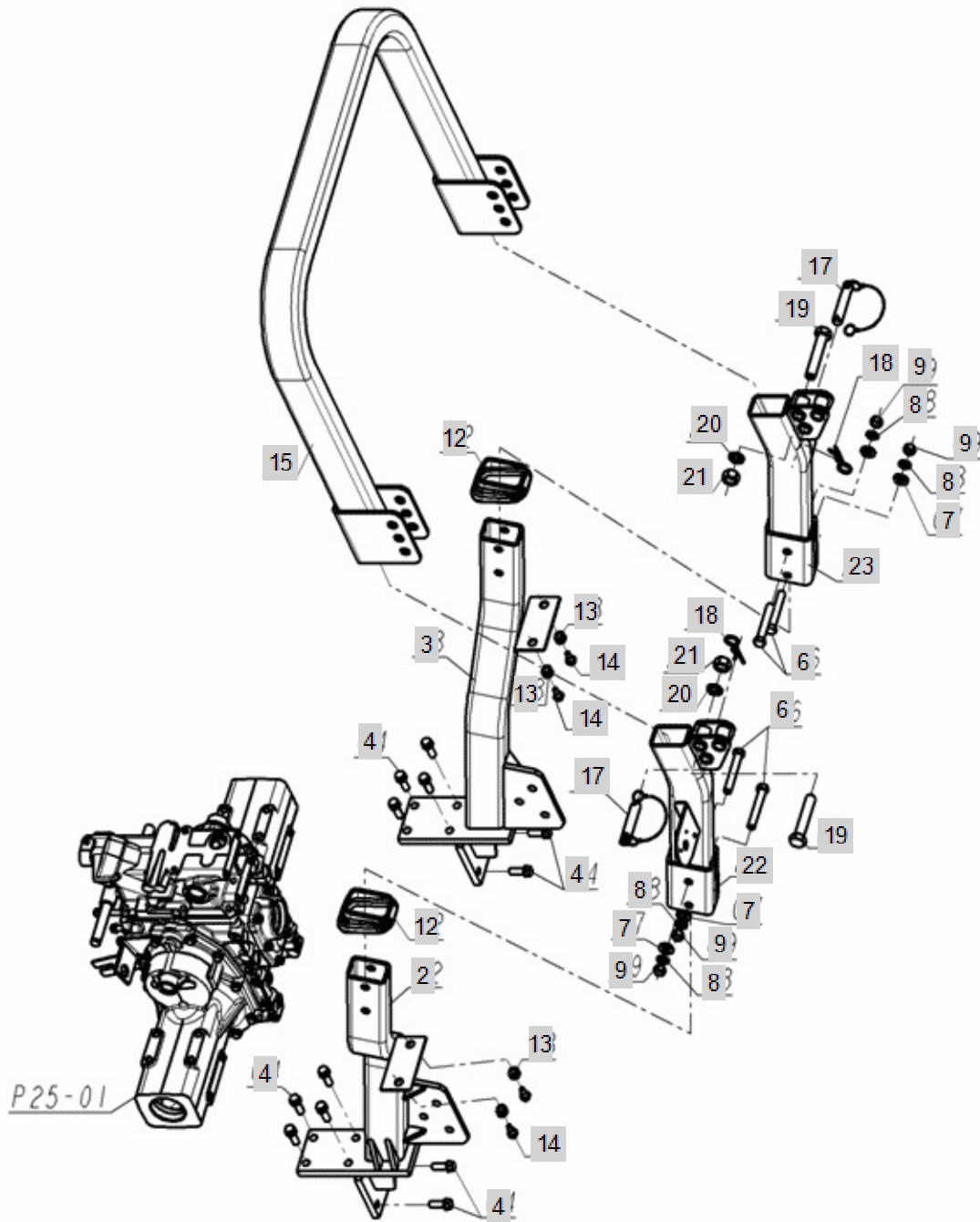


FIG 113-2

ROPS(2018.05)

Year/Month

2400h(2014~)

2020/01

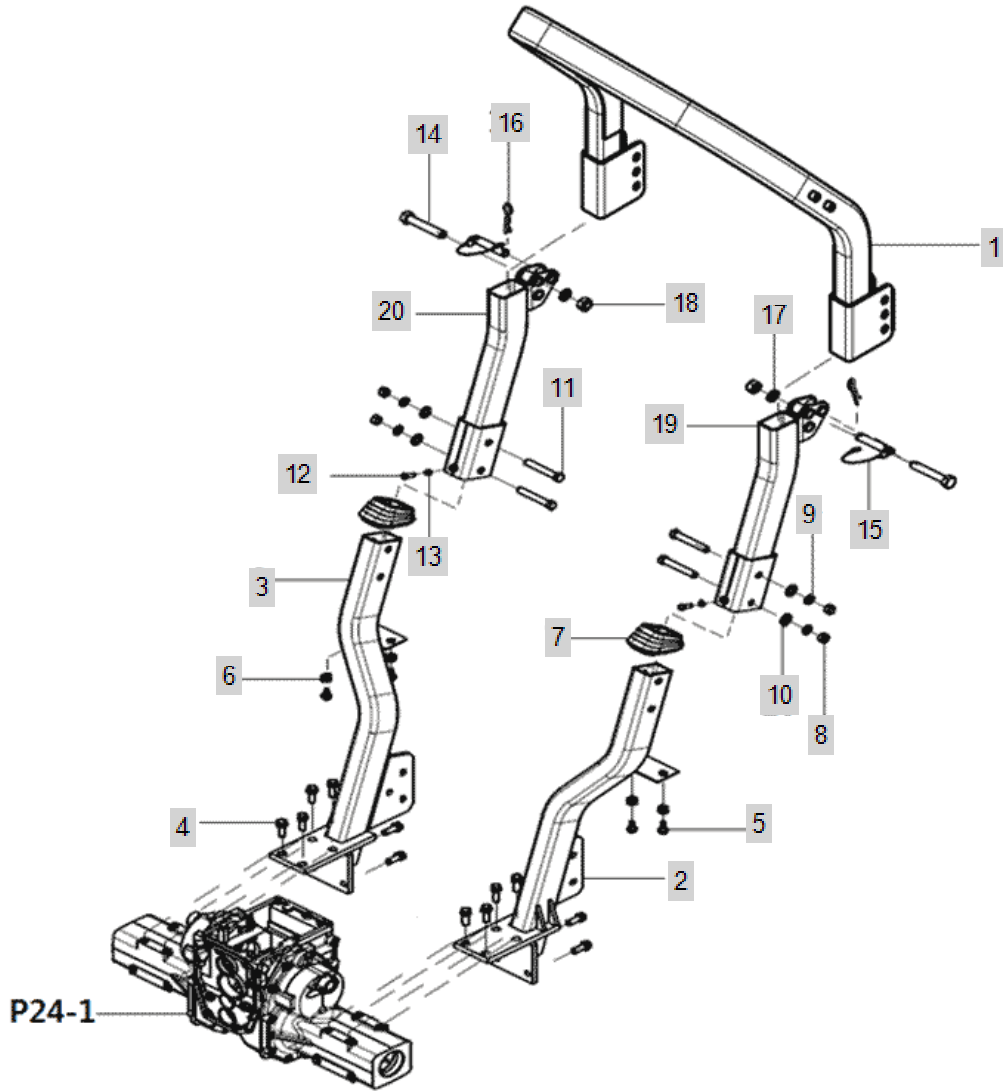


FIG 113-3

ROPS(2018.06~)

Year/Month

2400h(2014~)

2020/01

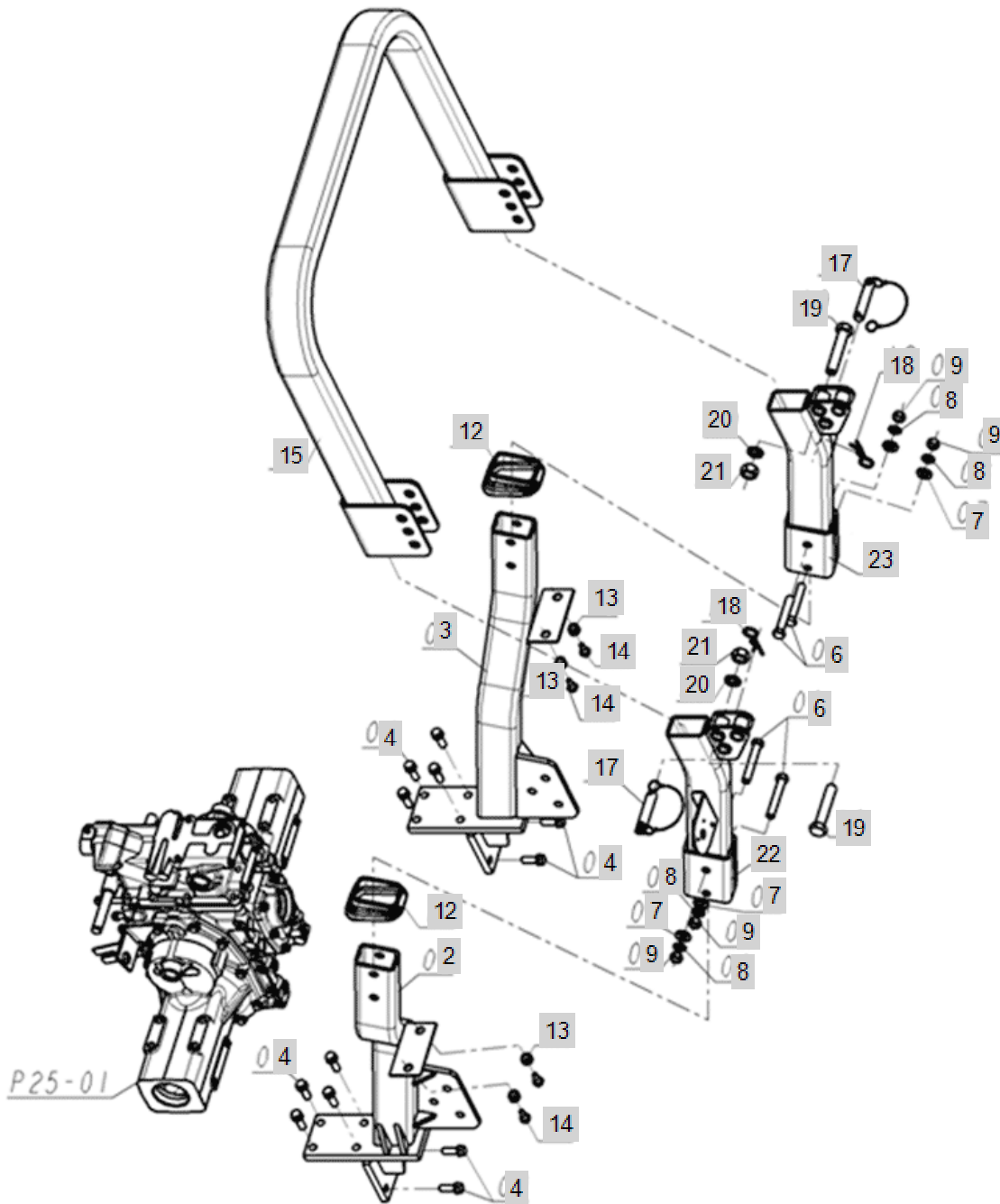


FIG 115

SMV BRACKET

Year/Month

2400h(2014~)

2020/01

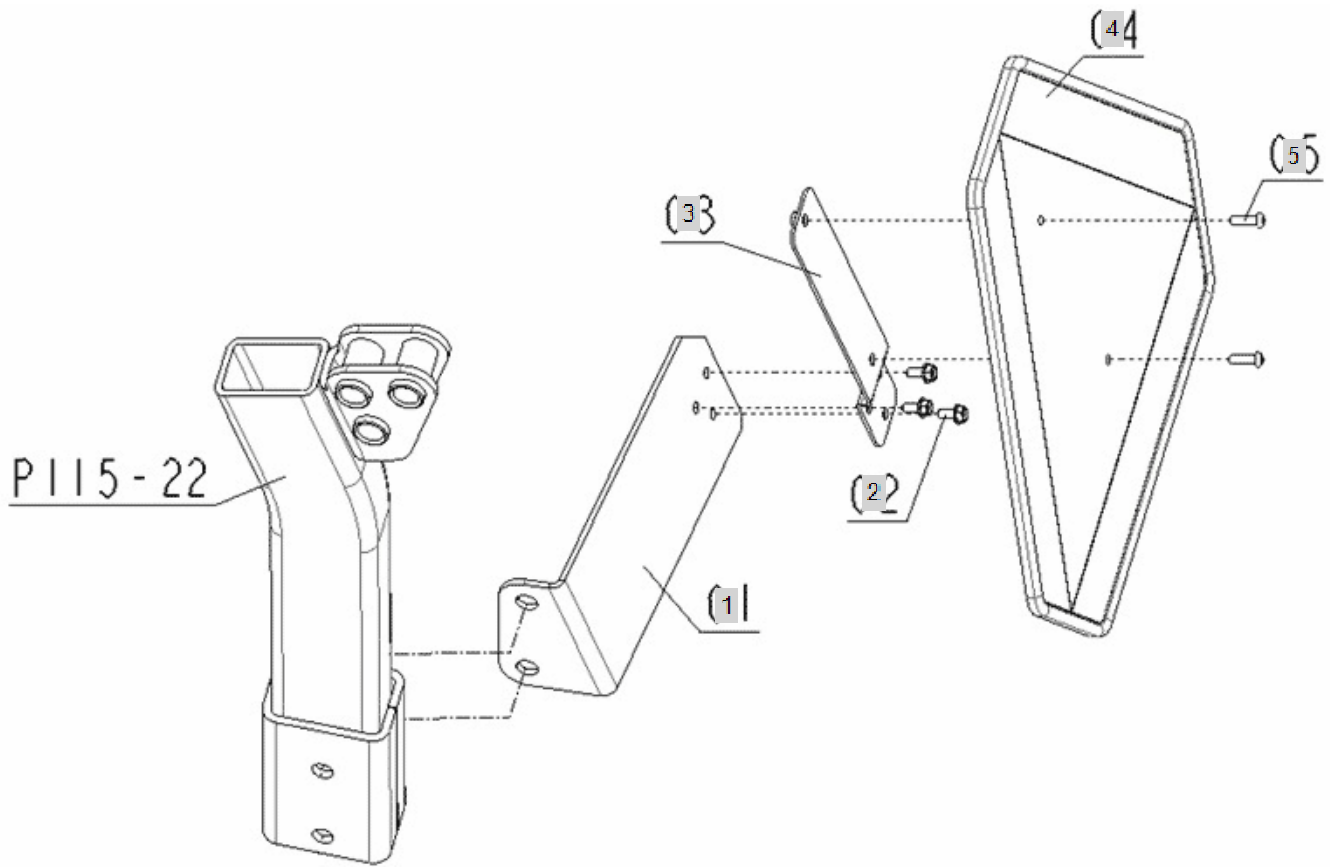


FIG 118

FRONT WHEEL

Year/Month

2400h(2014~)

2020/01

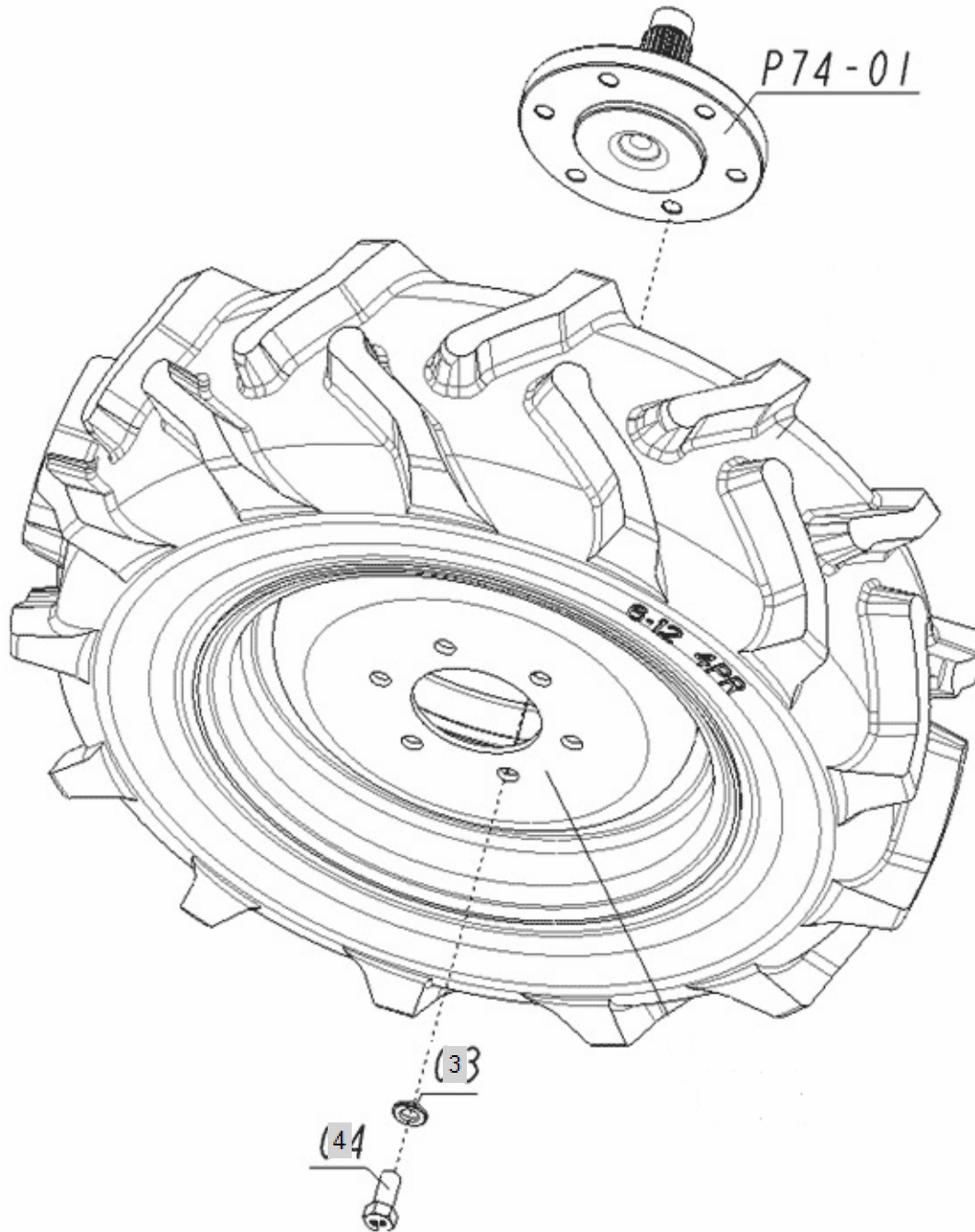


FIG 119

REAR WHEEL

Year/Month

2400h(2014~)

2020/01

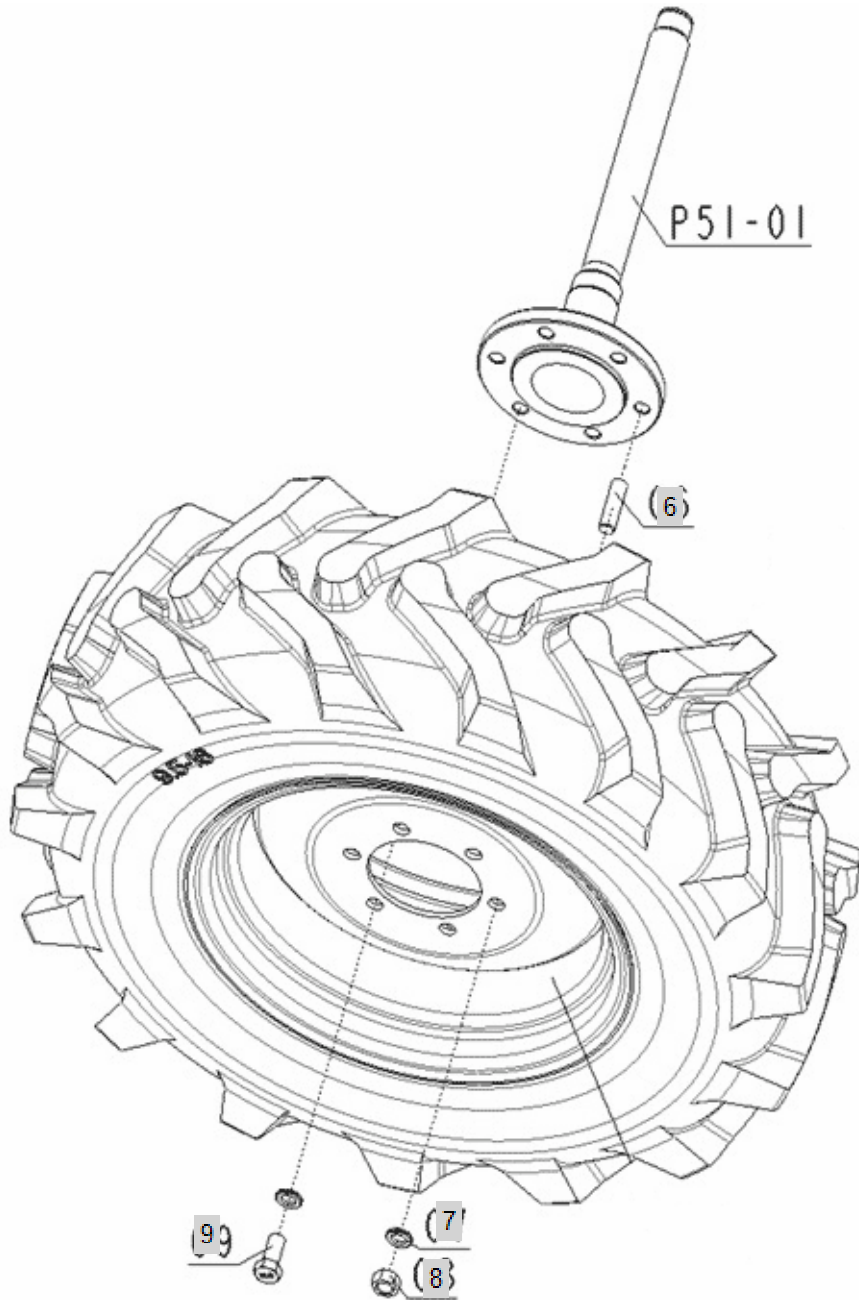


FIG 120C

DECAL _2400h

Year/Month

2400h(2014~)

2020/01

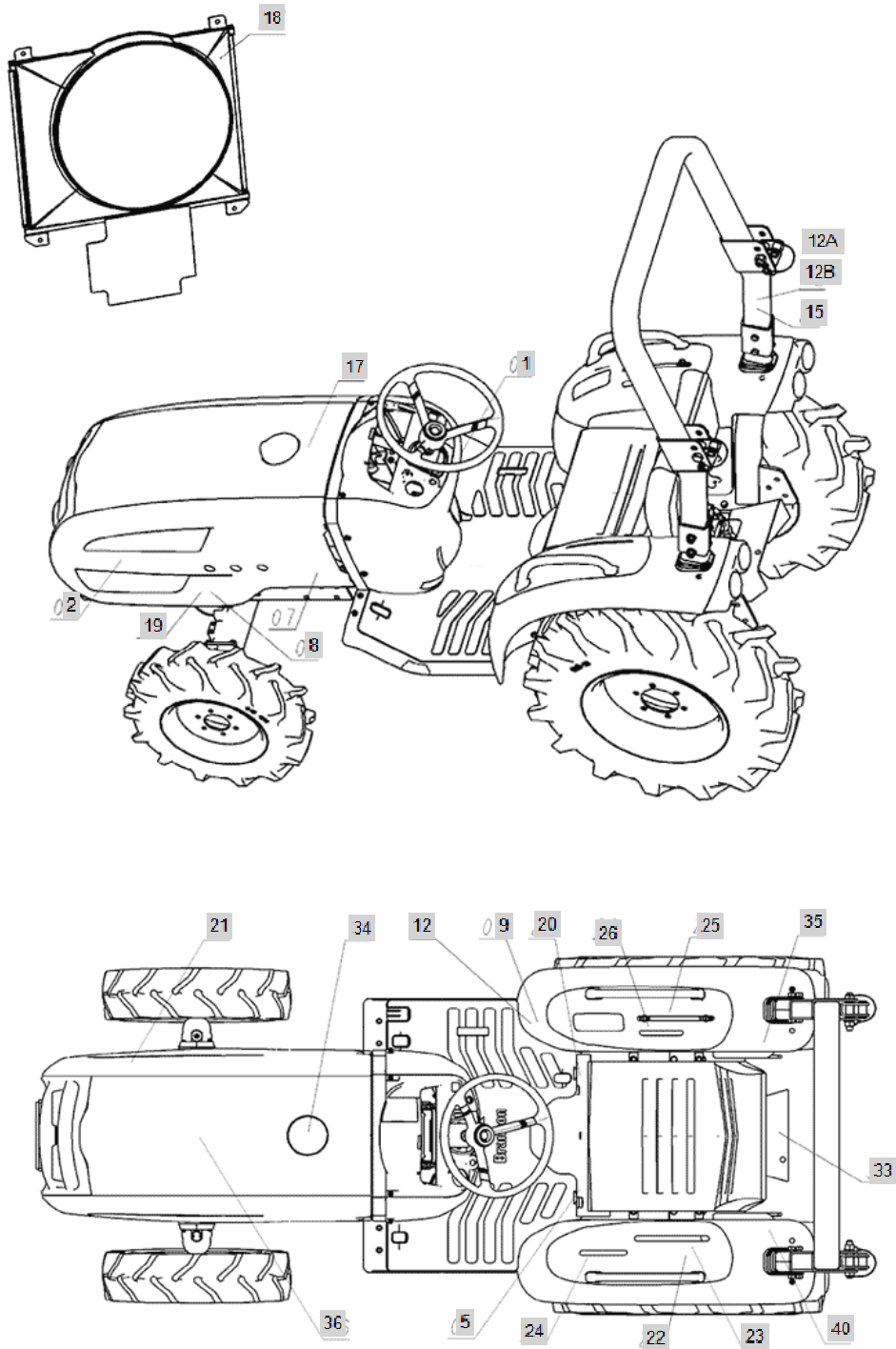


FIG 121

BALLAST WEIGHT

Year/Month

2400h(2014~)

2020/01

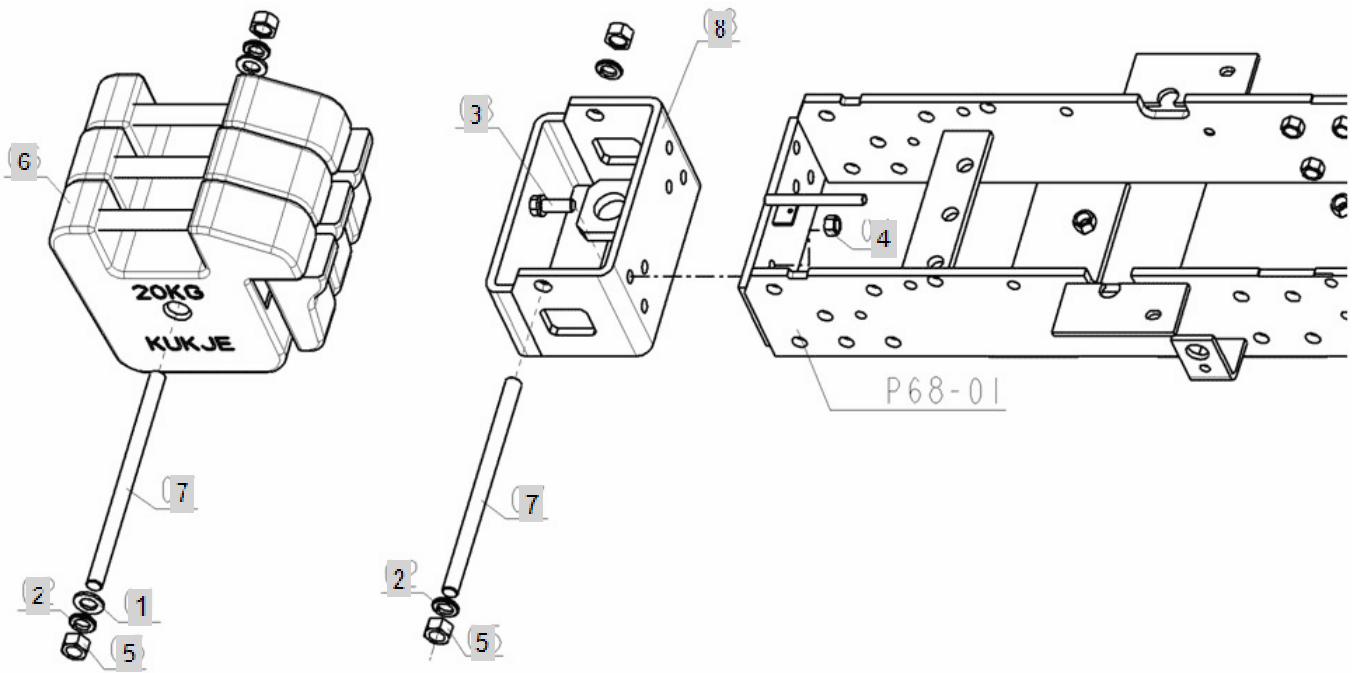


FIG 122

REAR VIEW MIRROR

Year/Month

2400h(2014~)

2020/01

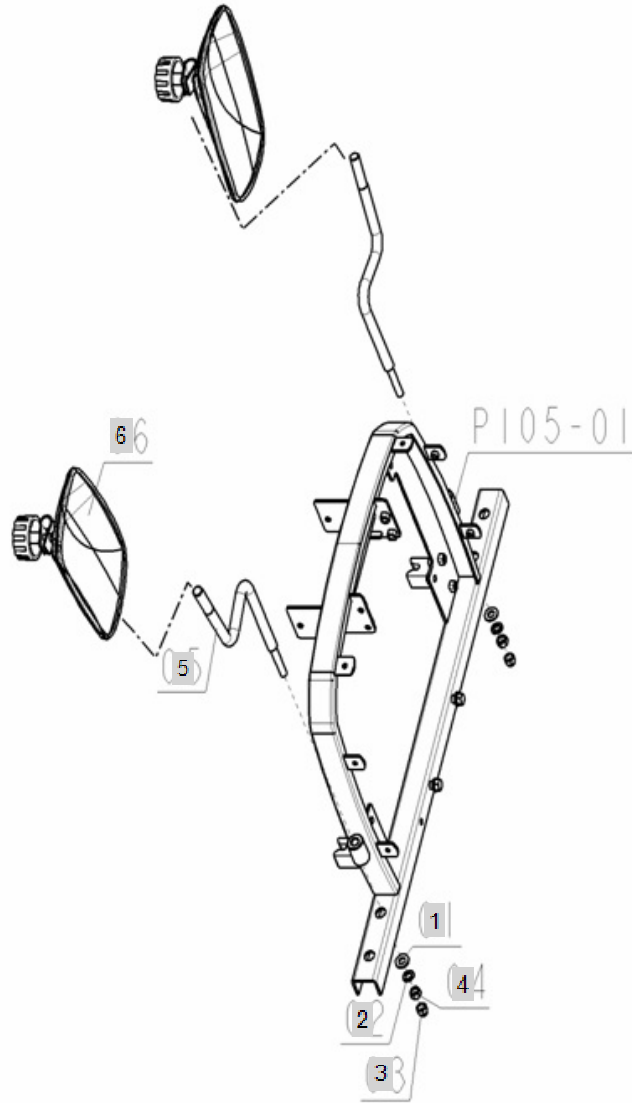


FIG 123B

2400h(2014~)

SCV 2PORT

Year/Month

2020/01

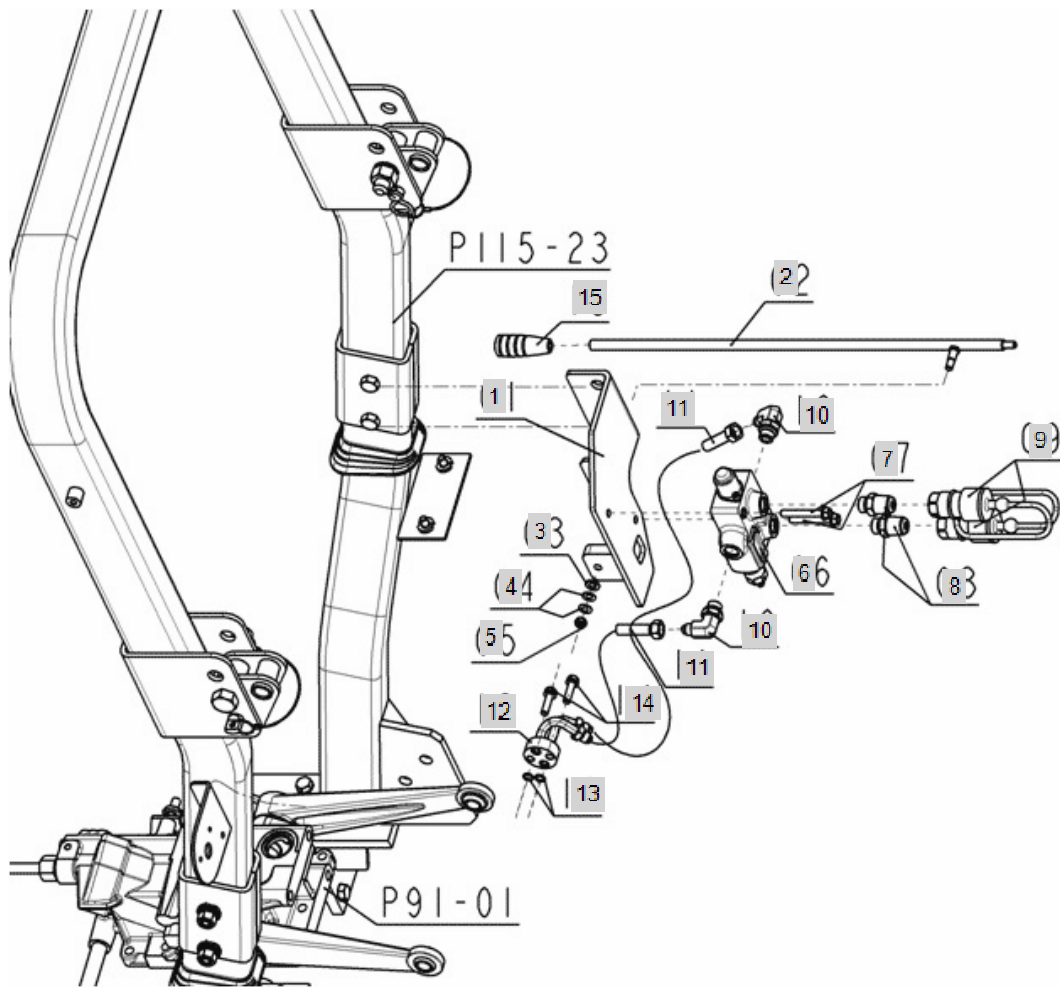


FIG 124C

AIR BREATHER-HST

Year/Month

2400h(2014~)

2020/01

