



Provisional

BROUWER SOD HARVESTER

**ROLLMAX 2400
FROM SERIAL NO. 150**

PARTS MANUAL



Kesmac Inc.

23324 Woodbine Avenue, Keswick Ontario Canada L4P 3E9

Tel (905) 476-6222 Fax (905) 476-6744

Web Site www.brouwerturf.com Email info@kesmac.com

KM99177
August 2008



STATEMENT OF LIMITED WARRANTY

Kesmac and Brouwer Turf warrants its full line of equipment to be free from defects in material and factory workmanship for a period of 12 months. This warranty begins on the date of sale or use of the equipment to the original purchaser. This statement does not extend or limit engine, tractor or component warranties in which the engine, tractor or component manufacturers may carry extended time periods up to 24 months. Engine, tractor or component warranty claims will be subject to the engine, tractor or components manufacturer's approval.

Replacement Parts carry a 90 day replacement warranty and are reimbursed to the dealer. All electrical and hydraulic parts are limited by this policy and will only be covered upon approval by the service department after inspection of the part. The installation and removal of a part will automatically place that part under the replacement parts warranty.

This warranty is limited exclusively to equipment or accessories manufactured or supplied by *Kesmac and Brouwer Turf* and are subject to the inspection and analysis by the company to conclusively identify the nature and cause of failure.

PRODUCT REGISTRATION FORM must be completely filled out, signed by the customer at the original date of installation, and returned to *Kesmac and Brouwer Turf* before any claims will be considered.

Kesmac and Brouwer Turf reserves the right to incorporate improvements in material and design of its products without notice and is not obligated to make the same improvements to equipment previously manufactured.

Kesmac and Brouwer Turf is not obliged under any warranty policy different from the Kesmac Brouwer Turf warranty policy as published above.

KESMAC AND BROUWER TURF RESPONSIBILITIES

Kesmac and Brouwer Turf's obligation under the terms of this warranty is limited to the repair, replacement or credit, at its option, of the equipment, parts or supply items that conform to its warranty.

DEALER'S RESPONSIBILITIES

1. Only factory-trained service or approved personnel will be permitted to perform warranty service on *Kesmac and Brouwer Turf* equipment.
2. All major warranty claims exceeding \$650.00 (in total including parts and labour) must be authorized by *Kesmac and Brouwer Turf* before work is performed.
3. All replacement parts used in warranty situations must be furnished by *Kesmac and Brouwer Turf* or approved by *Kesmac and Brouwer Turf* personnel. The use of non-recommended oil could nullify warranty.

OWNERS RESPONSIBILITIES

The owner is obligated to operate and maintain the equipment in accordance with the recommendations published by *Kesmac and Brouwer Turf* in the owners/operators manual for the unit. The owner is responsible for the costs associated with such maintenance and operating adjustments that may be required on a regularly scheduled basis. Where applicable the owner is responsible for transportation to and from the dealership or service calls made by the dealer.

CONDITIONS THAT VOID WARRANTY

This warranty shall not apply to equipment which:

- 1. Has had repairs or modifications not authorized by *Kesmac and Brouwer Turf*.
- 2. Has been subject to abuse, improper maintenance, or improper application.
- 3. Has been modified from original equipment specifications.

WARRANTY EXCEPTIONS

This warranty does not apply to the following items:

- 1. Wear items including blades, cutting edges, cutting arms, spark plugs, belts, filters, bearings, sprockets, chains, tires, light bulbs, lubricants and fluids etc. Cost of normal maintenance including replacement of service items.
- 2. Damages to engine/drive systems caused by lack of/or improper lubricants and/or fluids.
- 3. Damages arising from accident, misuse or neglect.
- 4. Damages to engine/drive systems caused by improper operation and/or maintenance.
- 5. *Kesmac and Brouwer Turf* will not be liable for any incidental or consequential damage or injuries, including but not limited to loss of profits, loss of crops, rental of substitute equipment, or other commercial loss or for damage to the equipment in which the Company Product is installed.

FREIGHT CARRIER DAMAGE

Claims for equipment damaged in transit should be referred to the freight carrier. Visible damage should be reported immediately and concealed damage as soon as possible, in accordance with freight carrier regulations.

ROLLMAX 2400

IMPORTANT

Your new RollMax Turf Harvester has been designed and built to give many years of outstanding performance. The service and reliability you receive from this product will be affected by the proper maintenance and operation of the machine.

It is important the operator of the machine follows all recommended operating procedures and service schedules, to ensure the safety of the machine, themselves and any bystanders.

It is not possible to list all situations that may affect the safety of the machine or that of the operators; therefore Brouwer Turf cannot identify all precautions that may possibly prevent accidents.

The owner/operator must assume responsibility for their own safety, the safety of others and of the machine.

BE A QUALIFIED OPERATOR BY :

- Reading and obeying the instructions in this manual and on the safety decals on the machine.
- Receiving training on the correct operation of the machine.
- Asking your supervisor or equipment dealer to explain anything you do not understand.
- Explaining the instructions in the operator's manual and safety decals to user/operators who cannot read or understand them.

IF YOU DO NOT UNDERSTAND....ASK

Use only genuine Brouwer replacement parts. Parts not supplied by Brouwer may not meet factory specifications or standards of manufacture. The use of non-approved parts may result in component failure and result in an accident to the operator or bystanders.

The Brouwer RollMax Turf Harvesters must not be used for any purpose other than that for which they are designed.

Prior to shipping from the manufacturer the machines are inspected to ensure that all safety guards, shields and warning/safety/operating decals are correctly positioned and secure.

The machine must not be used if any of the above items are missing or damaged.

ROLLMAX 2400

TABLE OF CONTENTS	FIGURES	PAGE
MAIN BEAM & FENDERS	FIGURE 1	4, 5
TOOLBOX & COOLER MOUNT	FIGURE 2	6, 7
FUEL TANK MOUNT/SMV FLASHER	FIGURE 3	8, 9
CONTROL PANEL & LINKAGE	FIGURE 4	10, 11
HANGERS	FIGURE 5	12, 13
LIFT ARM & LIFT STAND	FIGURE 6	14, 15
TANK FRAME & WEIGHTS	FIGURE 7	16, 17
TRACK ROD	FIGURE 8	18, 19
MAIN BEAM SUPPORT/F-FRAME MOUNT	FIGURE 9	20, 21
MAIN FRAME	FIGURE 10	22, 23
SUPPORT FRAME	FIGURE 11	24, 25
DUMP CONVEYOR	FIGURE 12	26, 27
ROLL UP CONVEYOR	FIGURE 13	28, 29
CASTER WHEEL	FIGURE 14	30, 31
DUMP CONVEYOR CHAIN DRIVE	FIGURE 15	32, 33
PLANETARY GEARBOX	FIGURE 16	34, 35
METERING VALVE CHAIN DRIVE	FIGURE 17	36, 37
HYDRAULIC TANK, PUMP & OIL COOLER	FIGURE 18	38, 39
METERING VALVE	FIGURE 19	40, 41
CONTROL VALVES	FIGURE 20	42, 43
JUNCTION BLOCK HYDRAULICS	FIGURE 21	44, 45
MAIN CONVEYOR MOTOR HYDRAULICS	FIGURE 22	46, 47
CUTTER MOTOR CYLINDERS	FIGURE 23	48, 49
DUMP CONVEYOR HYDRAULICS	FIGURE 24	50, 51
O-RINGS	FIGURE 25	52
THIS PAGE LEFT BLANK INTENTIONALLY		53
TUBE DISPENSER ASSEMBLY	FIGURE 26	54, 55
TUBE DISPENSER CAGE	FIGURE 27	56, 57
TUBE DISPENSER PLATFORM	FIGURE 28	58, 59
NET WRAP DISPENSER (A)	FIGURE 29	60, 61
NET WRAP DISPENSER (B)	FIGURE 30	62, 63
NET WRAP DISPENSER (C)	FIGURE 31	64, 65
NET WRAP OPTION	FIGURE 32	66, 67
OPTIONAL TOP NETTING ATTACHMENT (A)	FIGURE 33	68, 69
OPTIONAL TOP NETTING ATTACHMENT (B)	FIGURE 34	70, 71
RAMP ASSEMBLY	FIGURE 35	72, 73
ELECTRICAL BOX BREAKER MOUNT	FIGURE 36	74, 75
MAIN ELECTRICAL SCHEMATIC	FIGURE 37	76, 77
ELECTRICAL SCHEMATIC / CLUTCH	FIGURE 38	78, 79
ELECTRICAL SCHEMATIC/MANUAL CUT-OFF	FIGURE 39	80, 81
ELECTRICAL SCHEMATIC / NETTING	FIGURE 40	82, 83
ELECTRICAL SCHEMATIC / TUBE RACK	FIGURE 41	84, 85
LINEAR ACTUATOR	FIGURE 42	86, 87
DECALS (PAGE 1)	FIGURE 43	88, 89
DECALS (PAGE 2)	FIGURE 44	90, 91
FRONT IDLERS/MINTEX MAT	FIGURE 45	92, 93
FRONT IDLERS/RUBBER MAT	FIGURE 46	94, 95
MID IDLER ASSEMBLY	FIGURE 47	96, 97
TENSIONING BELT IDLER	FIGURE 48	98, 99
CONVEYOR DRIVE	FIGURE 49	100, 101
CUTTING HEAD DRIVES	FIGURE 50	102, 103
CUTTING BLADE ASSEMBLY	FIGURE 51	104, 105

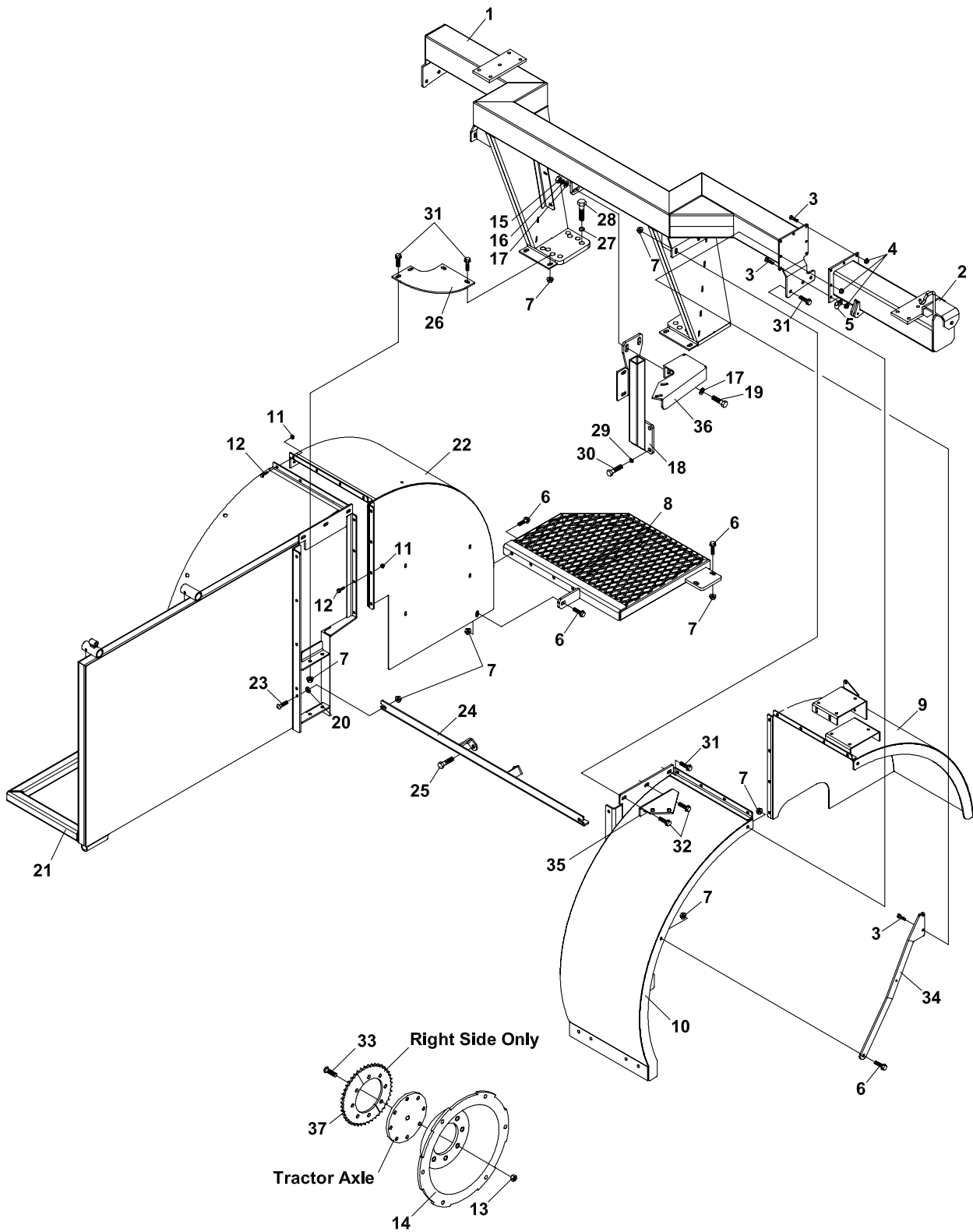
ROLLMAX 2400

HEAD PIVOT ASSY & WEIGHT BAR	FIGURE 52	106, 107
CUT-OFF ASSEMBLY	FIGURE 53	108, 109
ROLLER FRAME	FIGURE 54	110, 111
CHAIN DRIVES	FIGURE 55	112, 113
SHIELDS	FIGURE 56	114, 115
CANOPY & LIGHTS	FIGURE 57	116, 117
CUTTING BLADE KITS	FIGURE 58	118, 119
UNIBLADE OPTIONS	FIGURE 59	120, 121
CUTTING HEAD	FIGURE 60	122, 123
AUTOSTEER 2 WHEEL DRIVE	FIGURE 61	124, 125
AUTOSTEER 4 WHEEL DRIVE	FIGURE 62	126, 127
SELECTOR VLV & FINE ADJUSTER (A)	FIGURE 63	128, 129
SELECTOR VLV & FINE ADJUSTER (B)	FIGURE 64	130, 131
SENSOR VLV SERVICE PARTS	FIGURE 65	132, 133
MANUAL STEER DRIVER'S GUIDE	FIGURE 66	134, 135
ROTARY BRUSH	FIGURE 67	136, 137
HOSE CLAMPS	FIGURE 68	138, 139
COUNTER	FIGURE 69	140, 141

MAIN BEAM & FENDERS

ROLLMAX 2400

FIGURE 1



ROLLMAX 2400

MAIN BEAM & FENDERS

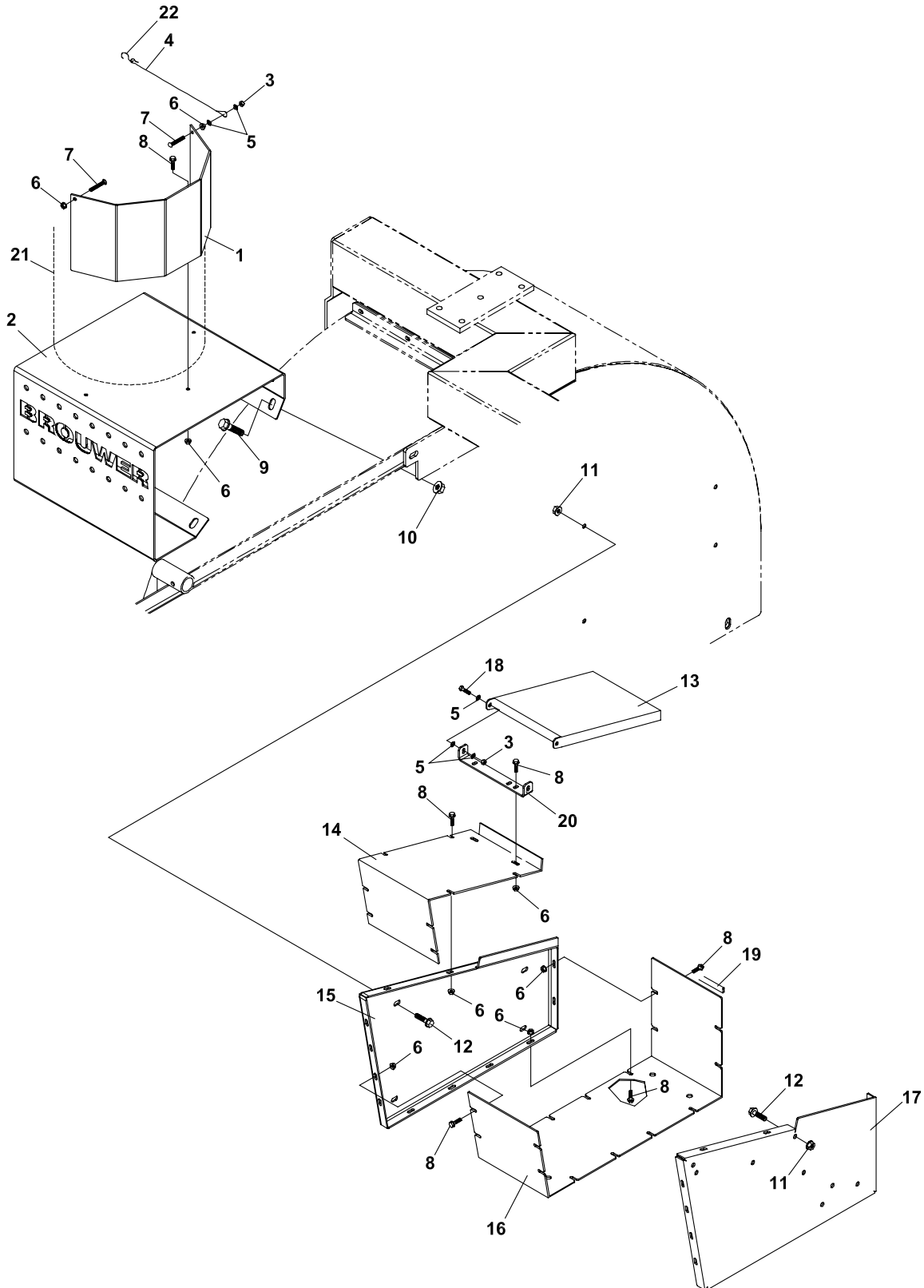
FIGURE 1

ITM	PART NO.	DESCRIPTION	QTY	ITM	PART NO.	DESCRIPTION	QTY
1	4138962.7	MAIN BEAM	1				
2	6109297.7	BEAM EXT 24"	1				
3	64123-87	BOLT-HEX 3/8-16X1-3/4	7				
4	64141-4	NUT-WLF 3/8-16	7				
5	11-016	WIRECLIP-13/32BLTX3/8ID	1				
6	99-K56	BOLT-1/2-13 X 1-1/2	8				
7	64141-13	NUT WLF 1/2-13	30				
8	6109437.7	PLATFORM-DRIVER SIDE	1				
9	6109419.7	FENDER-RT FRONT	1				
10	6109420.7	FENDER, RT REAR	1				
11	64141-6	NUT, 5/16-18	16				
12	64139-08	BOLT-5/16-18X3/4	16				
13	4140366	NUT-WHEEL 3/4-16	16				
14	6109306	DISH-JD WHL 5/8 IN.	1				
15	64025-21	NUT-HEX 5/8-11	2				
16	64006-04	LOCKWSHR-HELICAL 5/8	2				
17	64163-16	WASHER-41/64 X 1-3/8 X 12	4				
18	6109460.7	BRACE-MAIN BEAM	1				
19	90-1016	BOLT,5/8-11 X 2	2				
20	99-B12	SPACER	2				
21	6109375.7	FENDER, LEFT REAR	1				
22	6109390.7	FENDER, LEFT FRONT	1				
23	99-K101	BOLT, 1/2-13X1.25	2				
24	6109485.7	PILING WALL LWR STIFNR	1				
25	07-1420025	BOLT-14-2.00X25MM	2				
26	6109374.7	BRKT-FENDER TO AXLE	2				
27	07-C20	LOCKWASHER, 20MM	8				
28	07-2025045	BOLT-M20-2.5 X 45	8				
29	07-C16	LOCKWASHER, 16MM	4				
30	07-1620035	BOLT-M16-2.00 X 35	4				
31	64139-22	BLT-WLF 1/2-13X1	17				
32	99-K85	BOLT-1/2-13 X 1 1/4	2				
33	4140365	STUD-DRIVE-IN 3/4-16	16				
34	6109836.7	BRACE-RX2400 FENDER	1				
35	6109844.7	MNT-TUBE DISPENSER RT	1				
36	6109842.7	MNT-TUBE DISPENSER LFT	1				
37	4140367	SROCKET-MODIFICATION	1				

TOOLBOX & COOLER MOUNT

ROLLMAX 2400

FIGURE 2



ROLLMAX 2400

TOOLBOX & COOLER MOUNT

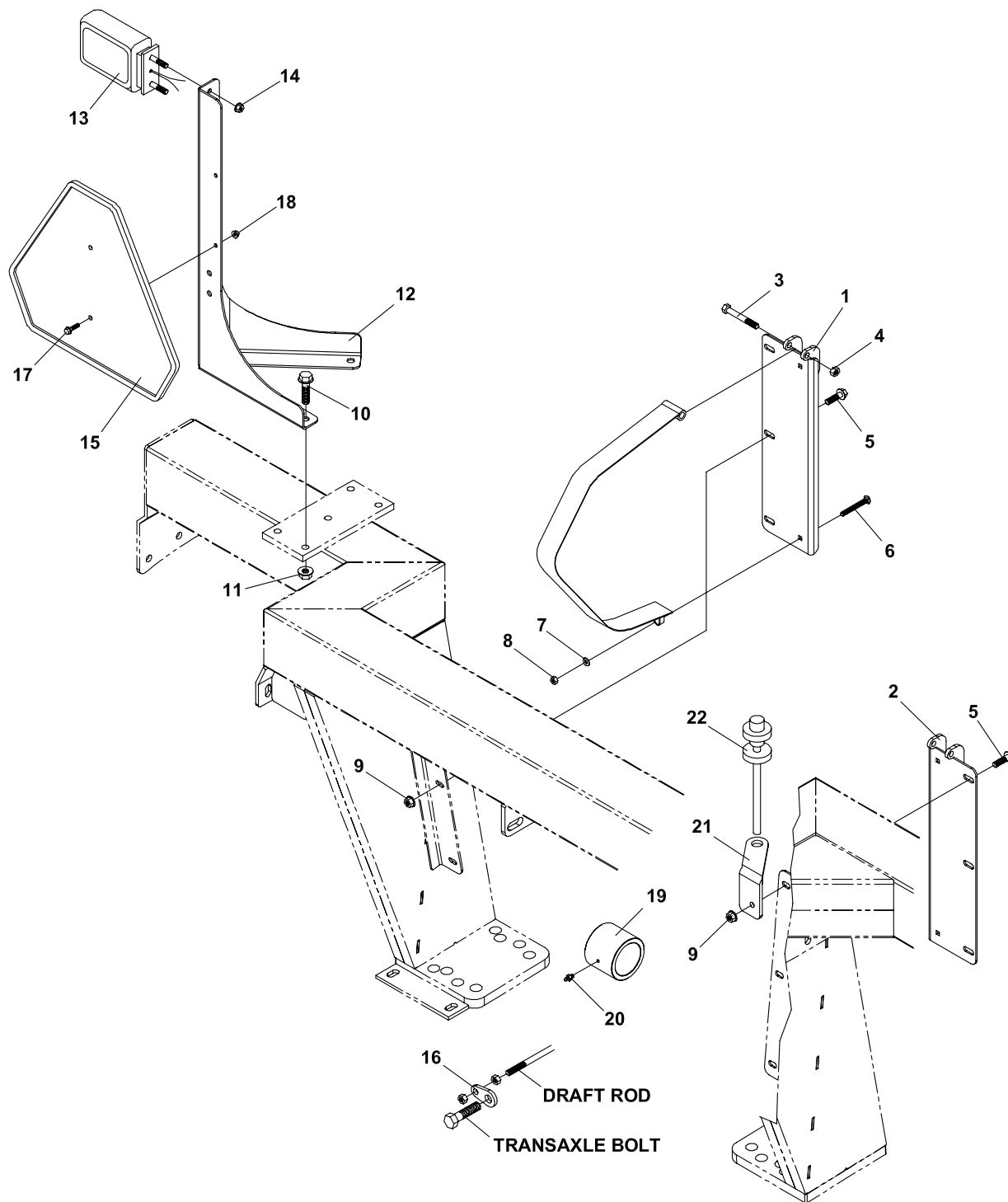
FIGURE 2

ITM	PART NO.	DESCRIPTION	QTY	ITM	PART NO.	DESCRIPTION	QTY
1	6109462.7	MOUNT-WATER COOLER	1				
2	6109789.7	BRKT-WATER COOLER	1				
3	64229-01	LOCKNUT-1/4-20 NYLON	3				
4	S8001	STRAP,15"-URETHANE	1				
5	64163-03	WSHR-.256ID X.62OD X 18	8				
6	64141-2	NUT-WLF 1/4-20	31				
7	99-K39	BOLT-1/4-20 X 1-1/2 BH	2				
8	64139-04	BOLT-WLF 1/4-20X3/4	29				
9	64139-22	BLT-WLF 1/2-13X1	4				
10	64141-13	NUT WLF 1/2-13	4				
11	64141-4	NUT-WLF 3/8-16	7				
12	64139-21	BLT-WLF 3/8-16X3/4	7				
13	4139035.7	LID-TOOLBOX	1				
14	4139034.7	TOP-TOOLBOX	1				
15	6109336.7	SIDE-TOOLBOX	1				
16	4139037.7	BOTTOM-TOOLBOX	1				
17	6109335.7	SIDE-TOOLBOX	1				
18	64123-89	BOLT-HEX 1/4-20X3/4	2				
19	56-027	TRIM-TRIM LOC 2'	1				
20	4139036.7	MOUNT-TOOL BOX LID	1				
21	06-063	COOLER-5 GALLON WATER	1				
22	M5137	TIE DOWN STRAP HOOK	1				

FUEL TANK MOUNT/SMV FLASHER

ROLLMAX 2400

FIGURE 3



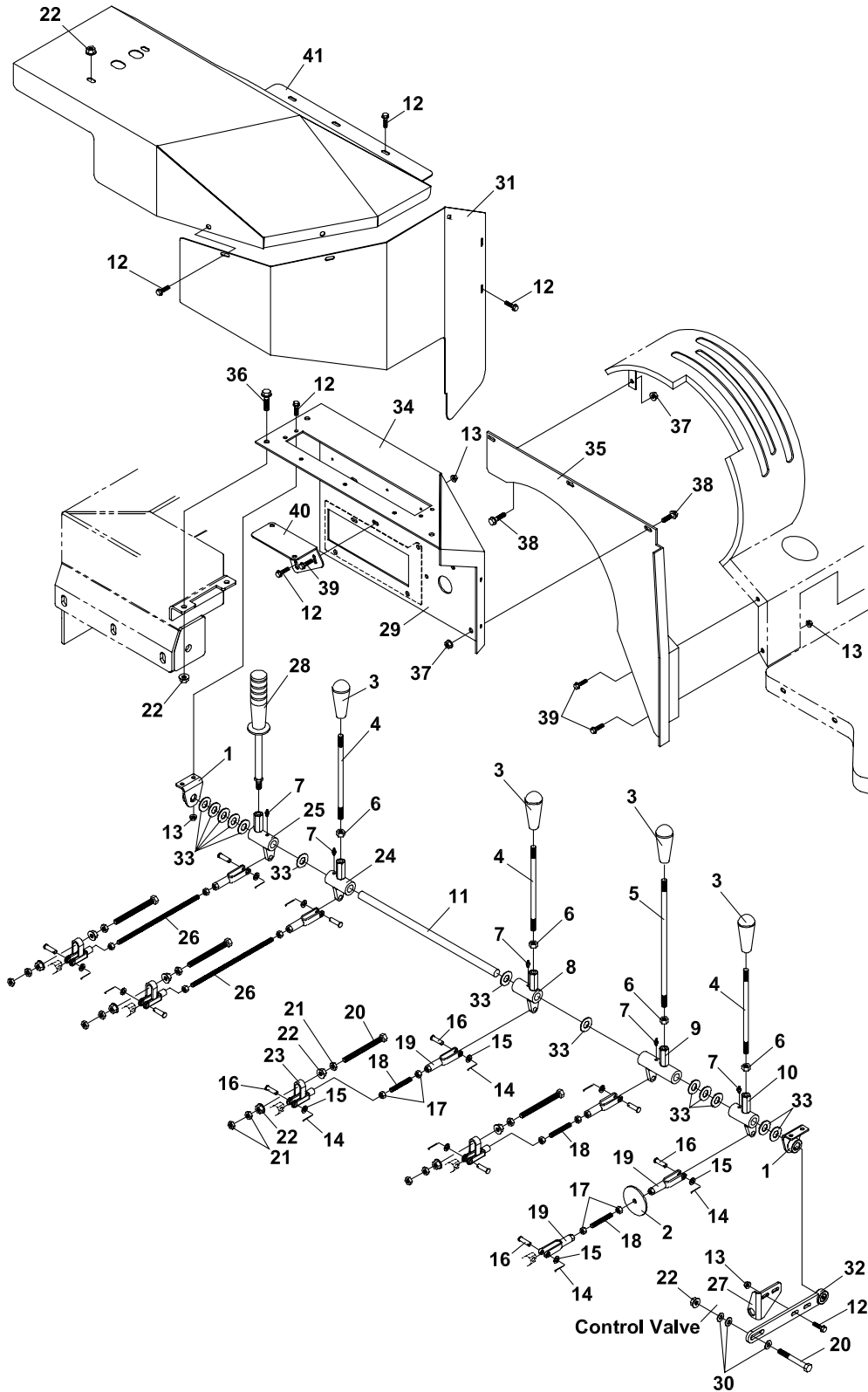
ROLLMAX 2400

FUEL TANK MOUNT/SMV FLASHER

FIGURE 3

ITM	PART NO.	DESCRIPTION	QTY	ITM	PART NO.	DESCRIPTION	QTY
1	4138958.7	TANK MOUNT-LH	1				
2	4138959.7	TANK MOUNT-RH	1				
3	64123-82	BOLT-HEX 3/8-16X2-1/2	2				
4	64229-03	LOCKNUT-NYLON 3/8-16	2				
5	64139-24	BLT-WLF 3/8-16 X 1	6				
6	97-0526	CRG BOLT-5/16-18 X 3-1/4	2				
7	64163-04	WASHER-25/64X5/8X16	2				
8	64229-02	LOCKNUT-NYLON 5/16-18	2				
9	64141-4	NUT-WLF 3/8-16	6				
10	99-K85	BOLT-1/2-13 X 1 1/4	3				
11	64141-13	NUT WLF 1/2-13	3				
12	6109531.7	MOUNT-FLASHER/SMV SIGN	1				
13	33-028	FLASHER-SAFETY	1				
14	64141-6	NUT, 5/16-18	2				
15		EMBLEM-SMV	1				
		(INCLUDED WITH TRACTOR)					
16	6109515.7	MOUNT-DRAFT ROD	1				
17	64139-04	BOLT-WLF 1/4-20X3/4	2				
18	64141-2	NUT-WLF 1/4-20	2				
19	6109832.7	COVER-ROCK SHAFT	2				
20	29-010	GREASE FITTING-1/4-28	2				
21	4142754	BRKT-CONV SPEED ADJ	1				
22	47-105	CABLE-REAR CONVEYOR	1				

FIGURE 4



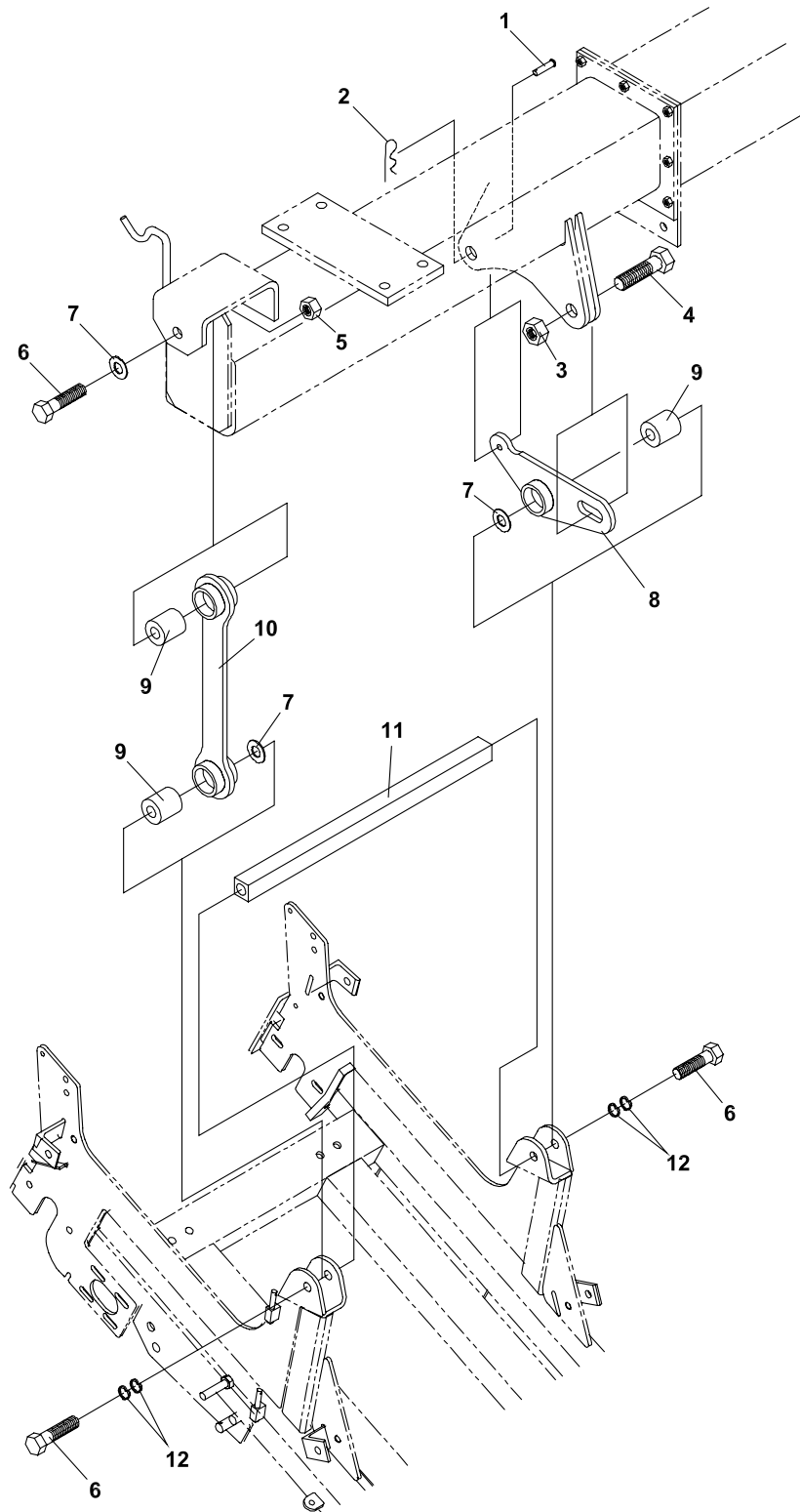
ROLLMAX 2400

CONTROL PANEL & LINKAGE

FIGURE 4

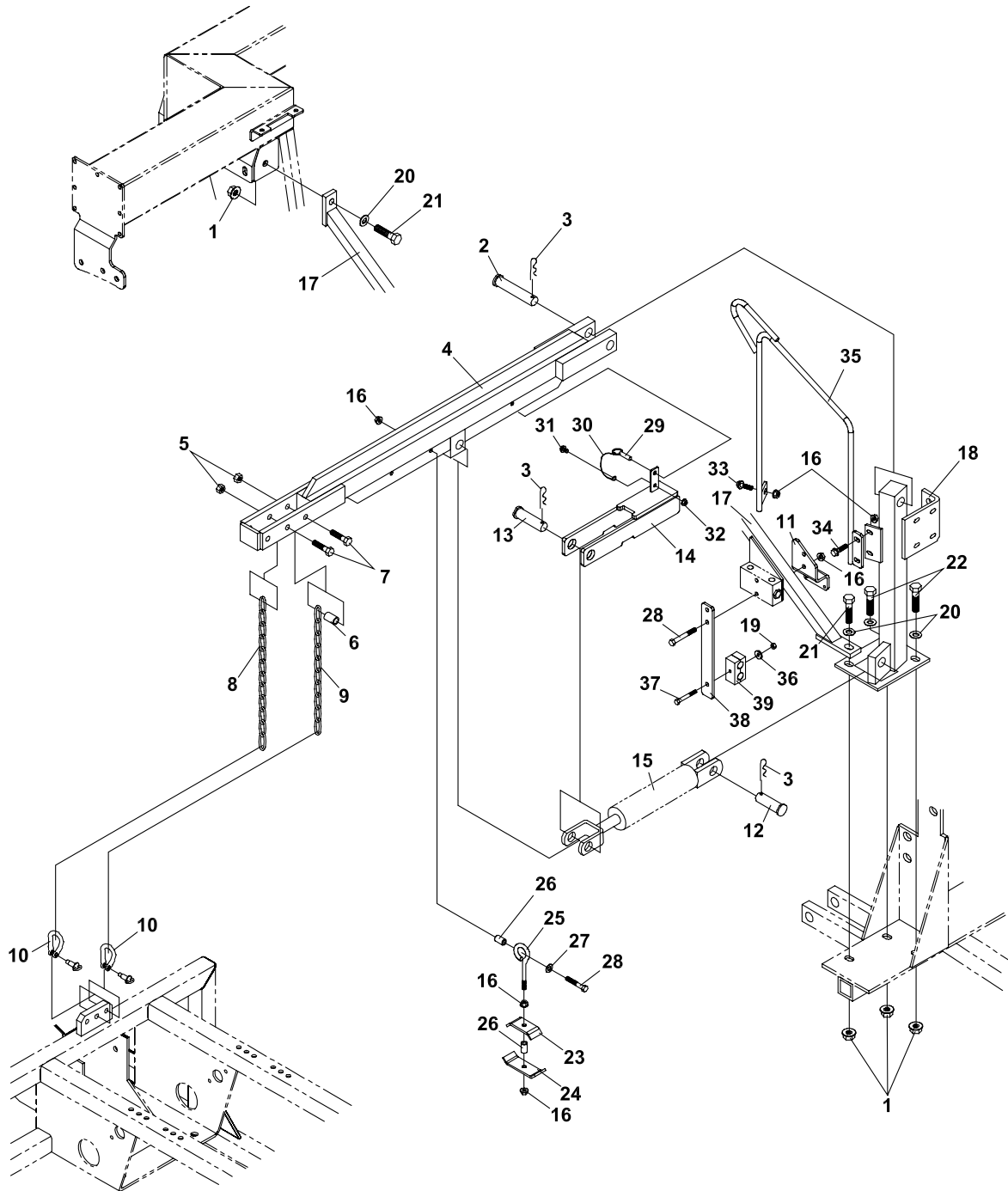
ITM	PART NO.	DESCRIPTION	QTY	ITM	PART NO.	DESCRIPTION	QTY
1	6109475.7	MOUNT-SHAFT	2				
2	6109542.7	PUSHER-MOTOR SWITCH	1				
3	47-114	KNOB	4				
4	6109486	ARM-SHORT LEVER	3				
5	6109487	ARM-LONG LEVER	1				
6	64257-02	NUT-WELD M10-1.5	4				
7	29-010	GREASE FITTING-1/4-28	5				
8	6109354.7	PIVOT-CNTRL LINKAGE R	1				
9	6109353.7	PIVOT-CNTRL LINKAGE CTR	1				
10	6109352.7	PIVOT-CNTRL LINKAGE FRT	1				
11	6109781	SHAFT-SPOOL LEVER PIVOT	1				
12	64139-04	BOLT-WLF 1/4-20X3/4	14				
13	64141-2	NUT-WLF 1/4-20	10				
14	02-CP0308	PIN-3/16 x 1	10				
15	64163-04	WASHER-25/64X5/8X16	10				
16	64188-22	PIN-CLEVIS 5/16X1	10				
17	64025-03	NUT-HEX 5/16-24	10				
18	6109788	ROD-SPOOL LINKAGE	3				
19	43-Y0505F	END-PIN YOKE	6				
20	64123-139	BOLT-3/8-16X4	5				
21	64001-6	NUT-HEX JAM,3/8-16	12				
22	64141-4	NUT-WLF 3/8-16	13				
23	6109783.7	STOP-ADJ YOKE	4				
24	6109355.7	PIVOT-CONTROL LINKAGE	1				
25	6109356.7	PIVOT-CONTROL LINKAGE	1				
26	6109830.7	ROD-SPOOL LINKAGE	2				
27	6109593.7	MOUNT-MOTOR SWITCH	1				
28	002648	LEVER-OVERRIDE SWITCH	1				
29	6109488.7	COVER-CONTROL PANEL	1				
30	64163-61	WSHR .81X.406X16	3				
31	6109853.7	SHIELD-FRT VALVE	1				
32	6109496.7	CONTROL PANEL BRACE	1				
33	99-B26	WASHER-MACH 5/8 ID 14	A/R				
34	6109453.7	PANEL-BEAM FWD CNTRL	1				
35	4139084.7	VALVE SHIELD	1				
36	64139-21	BLT-WLF 3/8-16X3/4	2				
37	64141-6	NUT, 5/16-18	4				
38	64139-08	BOLT-5/16-18X3/4	4				
39	64139-02	BLT-WLF 1/4-20X1/2	3				
40	6109829	MOUNT- FLOW VALVE	1				
41	6109856.7	SHIELD-CNTRL PANEL TOP	1				

FIGURE 5



ITM	PART NO.	DESCRIPTION	QTY	ITM	PART NO.	DESCRIPTION	QTY
1	64188-13	PIN-CLEVIS	1				
2	G2510	PIN-HITCH CLIP	1				
3	64229-07	LOCKNUT-NYLON 3/4-10	1				
4	90-1216	BOLT-3/4-10 X 2	1				
5	99-A10	LOCKNUT-5/8-11	1				
6	90-1024	BOLT-5/8-11 X 3	3				
7	F6051	WASHER-FLAT 5/8"	A/R				
8	6115602.7	INNER HANGER LINK	1				
9	S8009	ISOLATOR-CTR BONDED	3				
10	6115604.7	OUTER HANGER LINK	1				
11	016629.7	HOT ROLL SQUARE	1				
12	F6076	WASHER-DISC LOCK	4				

FIGURE 6



ROLLMAX 2400

LIFT ARM & LIFT STAND

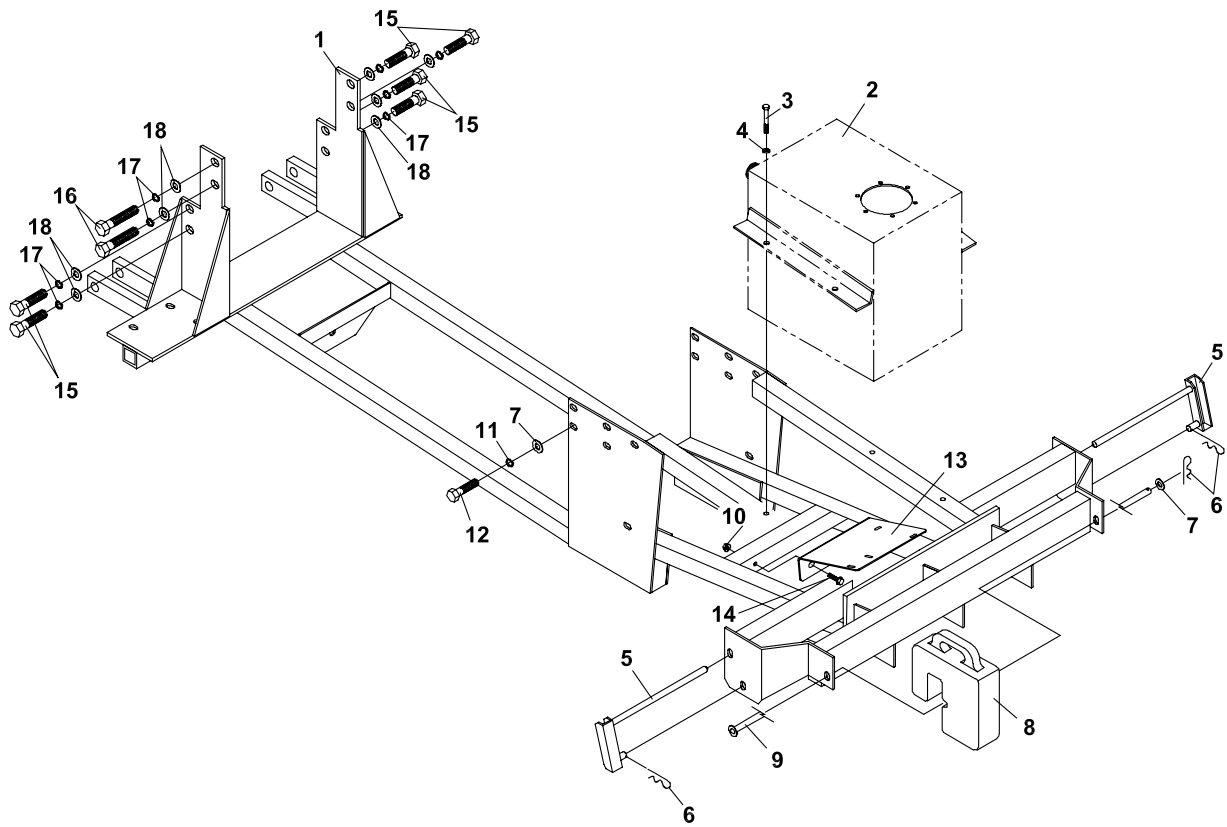
FIGURE 6

ITM	PART NO.	DESCRIPTION	QTY	ITM	PART NO.	DESCRIPTION	QTY
1	F6010	NUT, FLANGED	4				
2	03-1640	CLEVIS PIN, 1" X 5"	1				
3	G2501	PIN, HITCH CLIP	3				
4	001353.7	LIFT ARM	1				
5	64229-05	LOCKNUT, 1/2-13	2				
6	002448.7	SPACER, 1560 LIFT CHAIN	1				
7	90-0832	BOLT, 1/2-13 X 4	2				
8	6115719	CHAIN, SAFETY	1				
9	002449	CHAIN, 1560 SAFETY	1				
10	G8003	SHACKEL, ANCHOR 3/8"	2				
11	6109831.7	MOUNT-MTRNG RLF VLV	1				
12	03-1624	CLEVIS PIN, 1" X 3"	1				
13	03-1628	CLEVIS PIN, 1 X 3-1/2	1				
14	6115732	SUPPORT, SAFETY LIFT	1				
15	23-177	CYLINDER, HYD	1				
15	KH70088	SEAL KIT - CYLINDER, HYD	1				
16	64141-4	NUT-WLF 3/8-16	7				
17	6109790.7	BRACE-FRONT BEAM	1				
18	4138318.7	STAND, LIFT	1				
19	64229-02	LOCKNUT-NYLON 5/16-18	1				
20	94-10	FLAT WASHER, 5/8	4				
21	90-1016	BOLT, 5/8-11 X 2	2				
22	64123-109	BLT-HEX 5/8-11X1-1/2	2				
23	6115799	HOSE CLAMP, UPPER	1				
24	6115800	HOSE CLAMP, LOWER	1				
25	99-K87	EYE-BOLT, 3/8-16 X 5	1				
26	6115801.7	SPACER	2				
27	64163-61	WSHR .81X.406X16GA	1				
28	64123-82	BOLT-HEX 3/8-16X2-1/2	3				
29	03-020	HITCH PIN	1				
30	45-073	CABLE, LANYARD (6")	1				
31	64139-13	BLT-WLF 5/16-18X1/2	1				
32	64141-6	NUT, 5/16-18	1				
33	64139-21	BLT-WLF 3/8-16X3/4	1				
34	64139-24	BLT-WLF 3/8-16 X 1	2				
35	4139126.7	DRIVER RESTRAINT	1				
36	64163-29	WASHER	1				
37	64123-64	BLT-HEX 5/16-18X2-1/4	1				
38	6109526.7	MOUNT, LIFT CYLINDER	1				
39	G8081	CLAMP	1				

TANK FRAME & WEIGHTS

ROLLMAX 2400

FIGURE 7



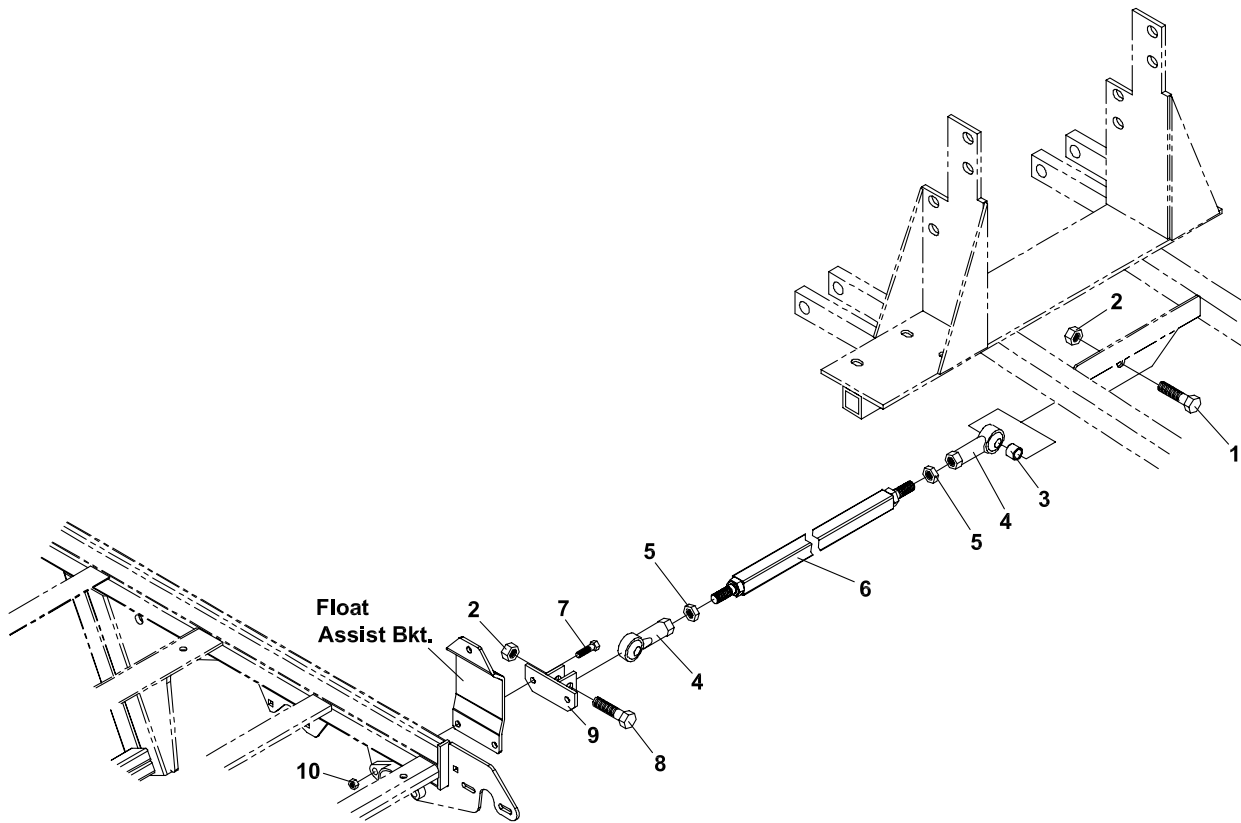
ROLLMAX 2400

TANK FRAME & WEIGHTS

FIGURE 7

ITM	PART NO.	DESCRIPTION	QTY	ITM	PART NO.	DESCRIPTION	QTY
1	4138311.7	FRAME-TANK	1				
2	6109228.7	TANK-HYDRAULIC	1				
3	64123-75	BOLT, 3/8-16X3 HEX	4				
4	015907	FLAT WASHER, 3/8" HD	4				
5	6115259.7	ROD, WEIGHT	2				
6	02-PP0420	PRESTO PIN	3				
7	64163-16	WASHER-41/64 X 1-3/8 X 12	9				
8	62-540.7	WEIGHT	12				
9	6109117	RETAINER, WEIGHT	1				
10	64141-4	NUT-WLF 3/8-16	6				
11	64006-04	LOCKWSHR-5/8	8				
12	64123-109	BLT-HEX 5/8-11X1-1/2	8				
13	4140332.7	MOUNT-FRONT VALVE	1				
14	64139-24	BLT-WLF 3/8-16 X 1	2				
15	07-2025050	BOLT-M20-2.50 X 50	6				
16	07-2025065	BOLT-M20-2.50 X 65	2				
17	07-C20	LOCKWASHER, 20MM	8				
18	64163-06	WASHER, .768/.756X1.25X14	8				

FIGURE 8



ROLLMAX 2400

TRACK ROD

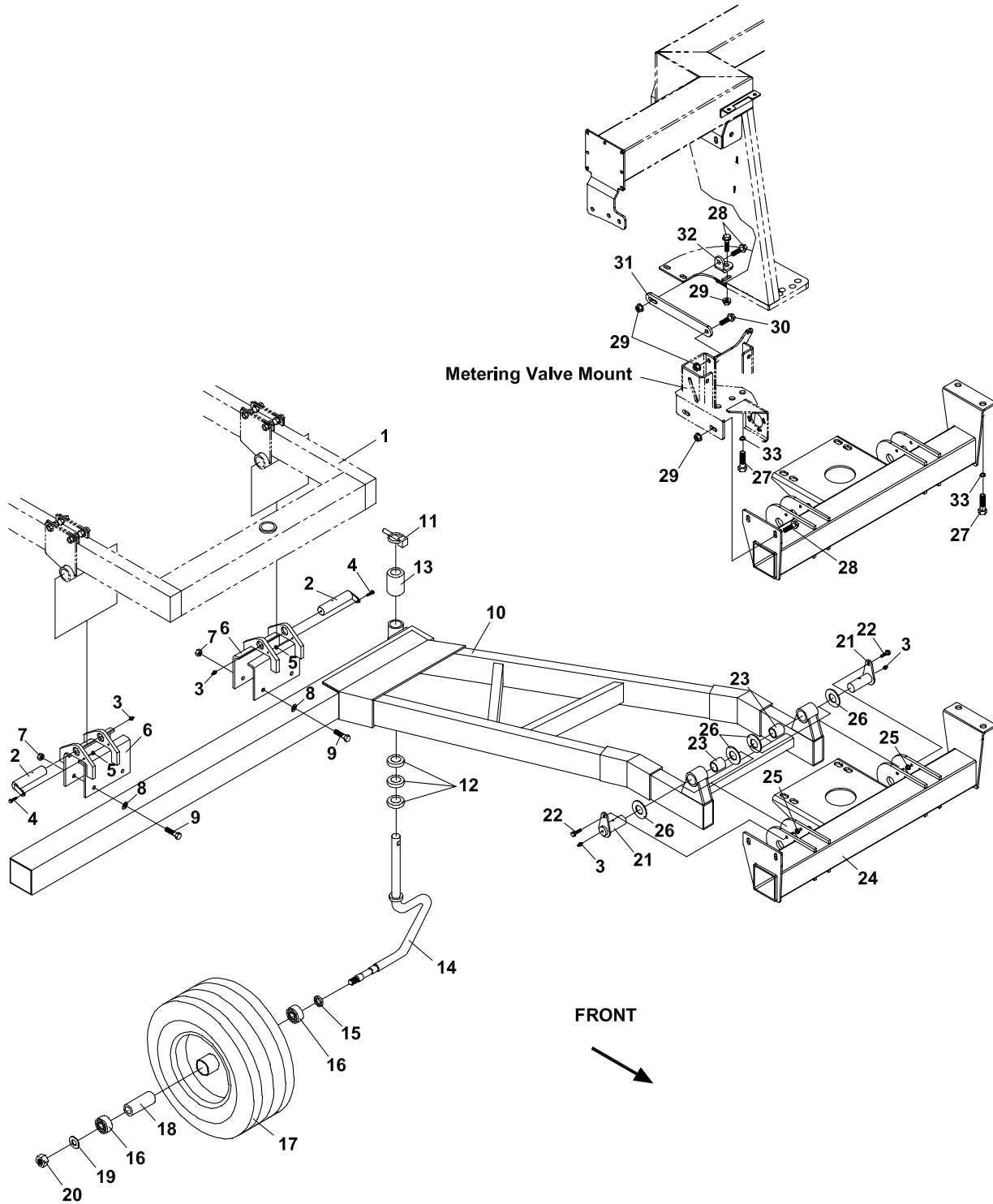
FIGURE 8

ITM	PART NO.	DESCRIPTION	QTY	ITM	PART NO.	DESCRIPTION	QTY
1	90-1228	BOLT,3/4-10 X 3-1/2	1				
2	64229-07	LOCKNUT-NYLON 3/4-10	2				
3	015630	SPACER	1				
4	M0310	ROD END	2				
5	99-E27	JAM NUT, 3/4-16	2				
6	6115822	TRACK ROD	1				
7	90-0714	BOLT-7/16-14 X 1-3/4	2				
8	90-1224	BOLT,3/4-10 X 3	1				
9	6115816.7	MOUNT, TRACK ROD	1				
10	64229-04	S LCK NUT-NYLN 7/16-14	2				

MAIN BEAM SUPPORT/F-FRAME MOUNT

ROLLMAX 2400

FIGURE 9



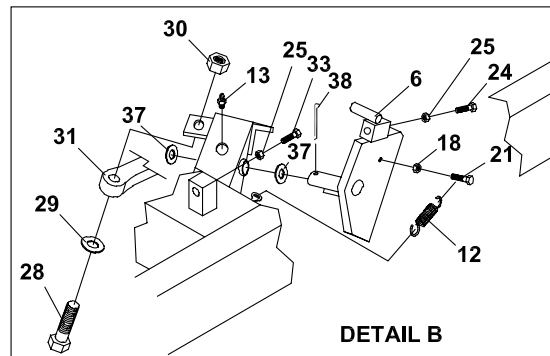
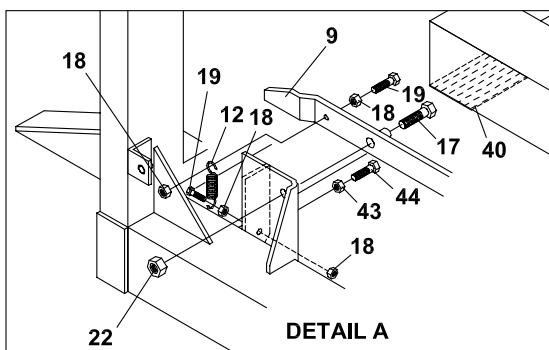
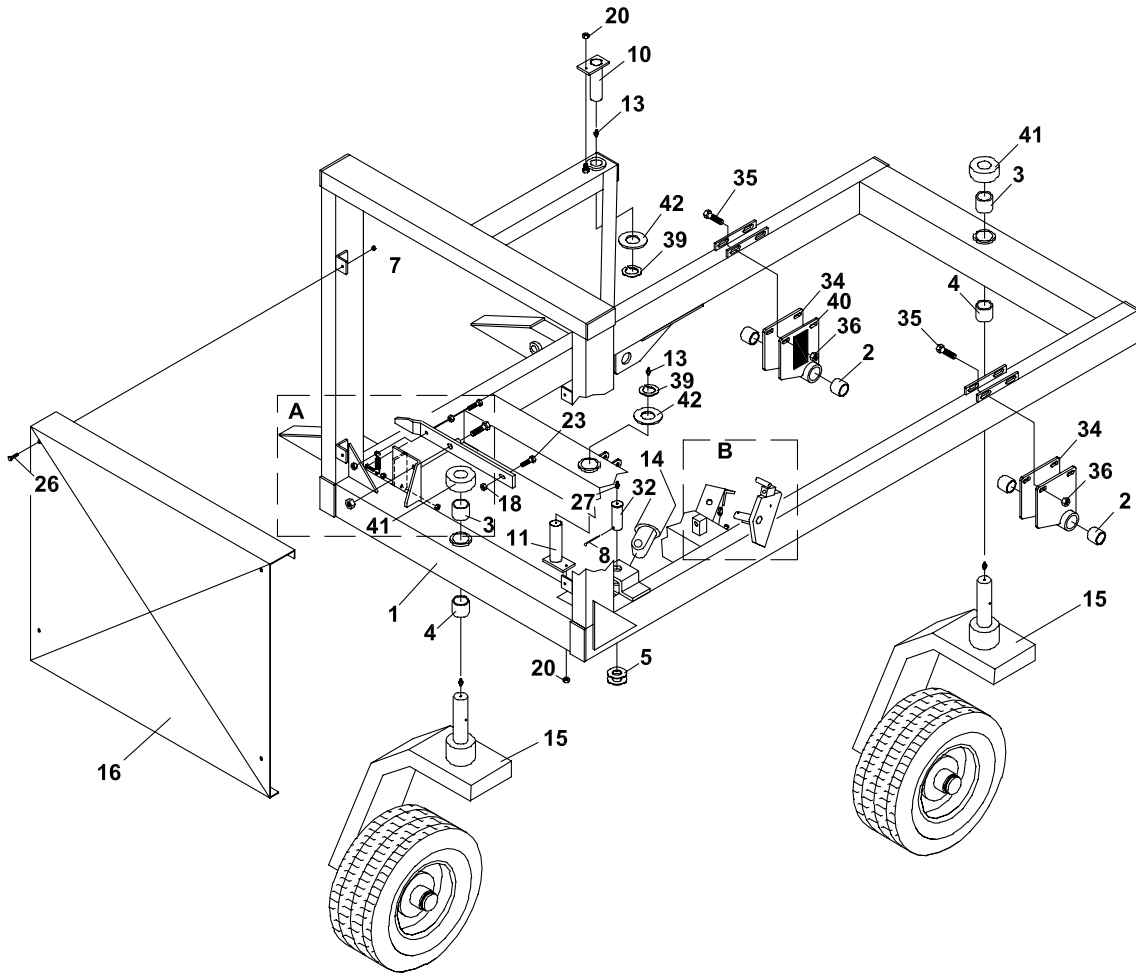
ROLLMAX 2400

MAIN BEAM SUPPORT/F-FRAME MOUNT

FIGURE 9

ITM	PART NO.	DESCRIPTION	QTY	ITM	PART NO.	DESCRIPTION	QTY
1	006001.7	MAIN FRAME	1				
2	006057	PIN-PIVOT	2				
3	29-010	GREASE FITTING	4				
4	99-K27	BOLT-1/4-20 X 1	2				
5	64141-2	NUT-WLF 1/4-20	2				
6	006582.7	BRKT-F-FRAME MOUNTING	2				
7	F5018	NUT-1/2-13	4				
8	64163-67	WASHER-.516X1X12	4				
9	64123-166	BLT-HEX 1/2-13X5-1/2	4				
10	006555.7	F-FRAME	1				
11	03-015	KLIK-PIN	1				
12	006534	SPACER-CASTER	3				
13	006533	SPACER-CASTER	1				
14	106231	CASTER-SWIVEL POST	1				
15	5106233	SPACER-WASHER	1				
16	55-99R16-NR	BEARING	2				
17	R1083	WHEEL	1				
18	5106506	SPACER-CASTER WHL BRG	1				
19	64163-06	WASHER	1				
20	64229-07	LOCKNUT-NYLON 3/4-10	1				
21	6109236	PIN-CLEVIS	2				
22	99-K02	BOLT-5/16-18 X 1	2				
23	85-B40	BUSHING	2				
24	6109839.7	F-FRAME MOUNT	1				
25	64141-6	NUT-5/16-18	2				
26	99-B54	WASHER	A/R				
27	07-1620035	BOLT-M16-2.00 X 35	6				
28	99-K85	BOLT-1/2-13 X 1 1/4	4				
29	64141-13	NUT WLF 1/2-13	5				
30	64139-22	BLT-WLF 1/2-13X1	1				
31	6109820.7	BRACE-METERING ASSY	1				
32	6109819.7	MNT-METRNG ASSY BRACE	1				
33	07-C16	LOCKWASHER-16MM	6				

FIGURE 10



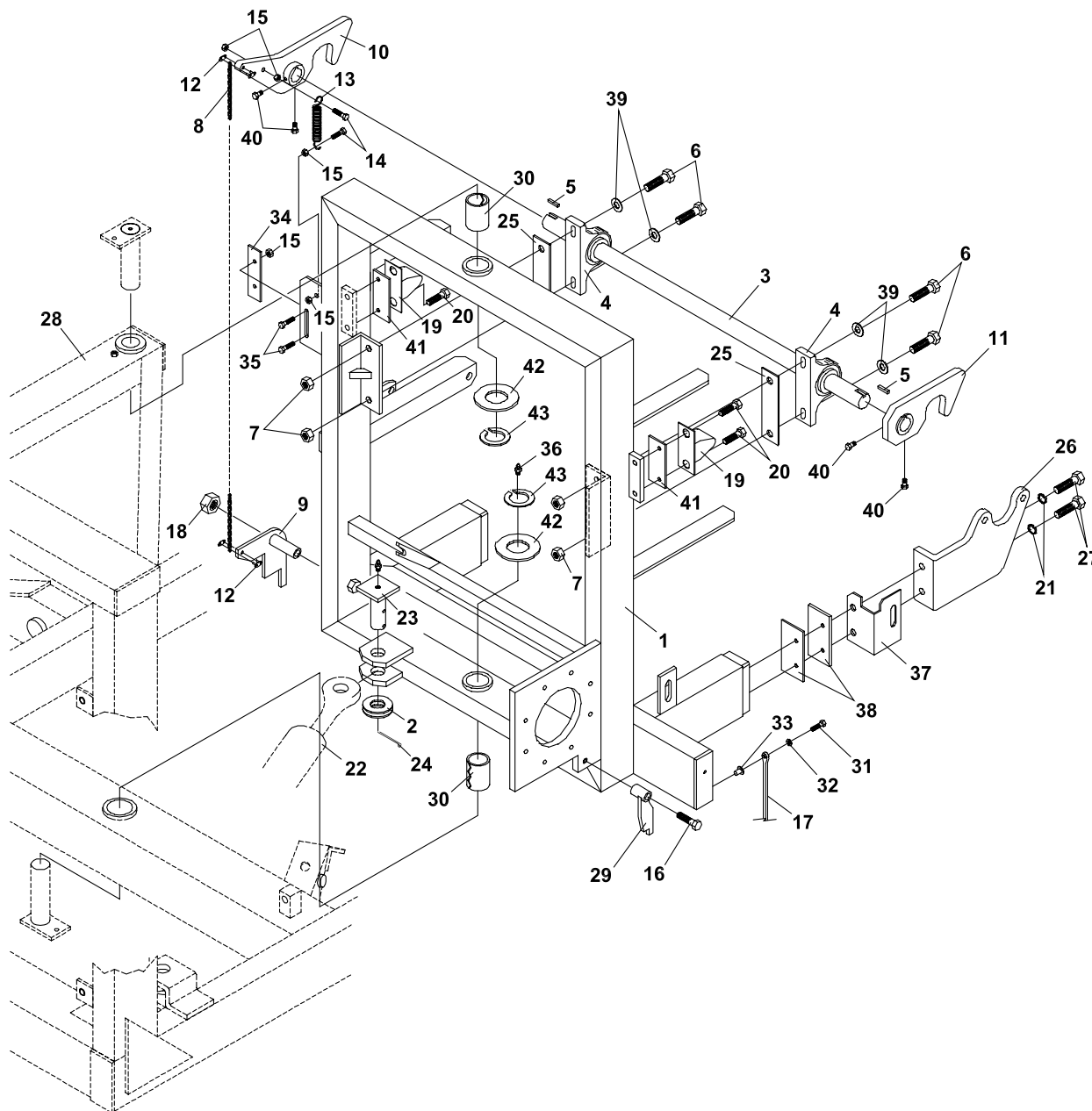
ROLLMAX 2400

MAIN FRAME

FIGURE 10

ITM	PART NO.	DESCRIPTION	QTY	ITM	PART NO.	DESCRIPTION	QTY
1	006001.7	MAIN FRAME	1				
2	85-B38	BUSHING	4				
3	85-B35	BUSHING	2				
4	85-B36	BUSHING	2				
5	64163-64	WSHR 1.015X1.500X14	2				
6	006192.7	CONVEYOR STOP LATCH	1				
7	64141-2	NUT-WLF 1/4-20	4				
8	G2501	PIN, HITCH CLIP	1				
9	006690.7	TRIP RESET LEVER	1				
10	006149	PIN WLDMT ASSY	1				
11	006150	PIN WLDMT ASSY	1				
12	41-010	SPRING	2				
13	29-010	GREASE FITTING	4				
14	23-178	CYLINDER, HYD	1				
15	006771.7	CASTER FRAME	1				
16	006271.7	REAR SHIELD, MAIN FRAME	1				
	56-071	WEATHERSTRIP-60"	1				
17	99-K44	BOLT, SHOULDER 1/2 X 1-1/4	1				
18	64141-6	NUT, 5/16-18	8				
19	64123-69	BOLT-5/16-18X1-1/2	2				
20	64141-4	NUT-WLF 3/8-16	2				
21	64123-47	BLT-HEX 5/16-18X1-1/4	1				
22	64229-05	LOCKNUT, 1/2-13	1				
23	64123-56	BLT-HEX 5/16-18X2	1				
24	64123-117	BOLT-HEX 1/2-13X1-1/2	1				
25	64001-8	NUT-HEX JAM,1/2-13	2				
26	64139-04	BOLT-WLF 1/4-20X3/4	4				
27	M0010	GREASE FITTING	1				
28	64123-07	BOLT, 1/4-20X1-1/2	1				
29	453023	FLATWASHER, 1/4	1				
30	64229-01	LOCKNUT-1/4-20	1				
31	S8003	STRAP, TIE DOWN	1				
32	006633	PIN, CYLINDER	1				
33	90-0814	BOLT, 1/2 X 1.3/4	1				
34	006852.7	BRKT MOUNTING-FRAME	2				
35	64139-18	BLT-WLF 3/8-16X1-1/4	8				
36	F3013	LOCKNUT	8				
37	99-B29	WASHER	2				
38	02-CP0512	COTTER PIN	1				
39	04-017	SNAP RING	2				
40	56-021-03	BELTING, 1/8"	2				
41	85-SC24	SET COLLAR	2				
42	99-B54	WASHER	A/R				
43	99-E11	NUT, STEERING VALVE	1				
44	90-1014	BOLT, 5/8-11 X 1-3/4	1				

FIGURE 11



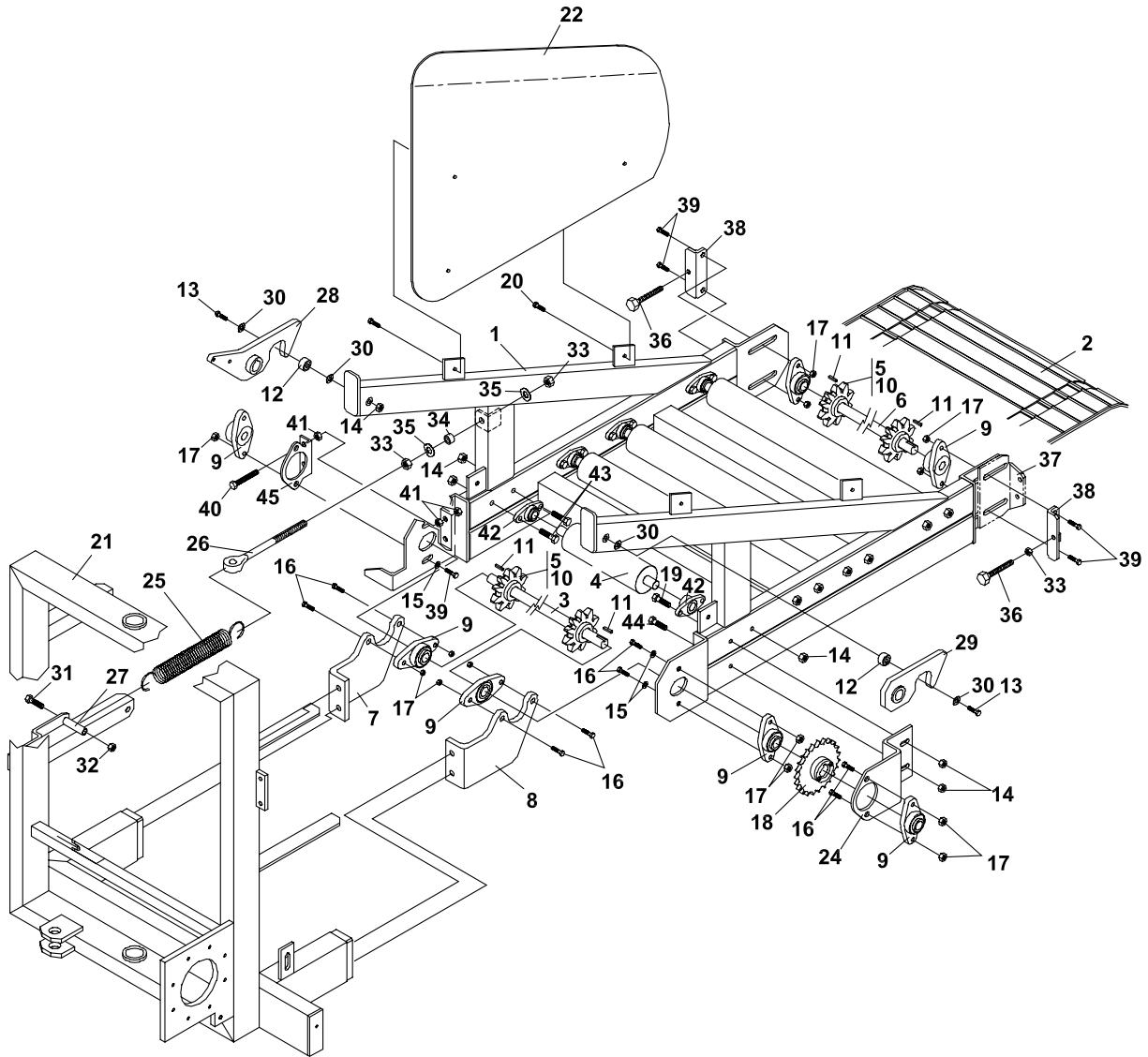
ROLLMAX 2400

SUPPORT FRAME

FIGURE 11

ITM	PART NO.	DESCRIPTION	QTY	ITM	PART NO.	DESCRIPTION	QTY
1	006072.7	SUPT FRAME R CONVEYOR	1				
2	64163-64	WSHR 1.015X1.500X14	2				
3	005281	DUMP SHAFT	1				
4	B1001	BEARING	2				
5	124424	KEY, 1/4" X 1/4" X 1-1/2"	2				
6	90-0714	BOLT,7/16-14 X 1-3/4	4				
7	64229-04	S LCK NUT-NYLN 7/16-14	4				
8	006170	CHAIN, TRIP RESET	1				
9	006712.7	TRIP LEVER	1				
10	005437.7	DUMP LATCH WELD'T, LH	1				
11	005286.7	DUMP LATCH WELD'T, RH	1				
12	81-053	CONNECTOR LINK	2				
13	41-010	SPRING	1				
14	64123-69	BOLT-5/16-18X1-1/2	2				
15	64141-6	NUT, 5/16-18	6				
16	99-K44	BOLT, SHOULDER 1/2 X 1-1/4	1				
17	S8003	STRAP-TIE DOWN	1				
18	F3013	LOCKNUT	1				
19	014082	BUMPER, RUBBER	2				
20	64139-21	BLT-WLF 3/8-16X3/4	4				
21	64006-05	LOCKWSHR-1/2	4				
22	23-178	CYLINDER-HYD	1				
	23-179	SEAL KIT	1				
23	006605	PIN, SQUARE TAB	1				
	M0010	GREASE FITTING	1				
24	G2501	PIN, HITCH CLIP	1				
25	006860.7	SHIM, LATCH BEARING	A/R				
26	005113.7	DUMP COVEYOR MNT-RH	1				
27	90-0814	BOLT-1/2 X 1-3/4	4				
28	006001.7	MAIN FRAME	1				
29	006191.7	CONVEYOR TRIP RELEASE	1				
30	85-B42	BUSHING	2				
31	64123-07	BOLT, 1/4-20X1-1/2	1				
32	453023	FLATWASHER, 1/4	1				
33	04-015	INSERT, 1/4-20	1				
34	006399.7	STOP, LATCH	1				
35	64139-08	BOLT-5/16-18X3/4	2				
36	29-010	GREASE FITTING	1				
37	006718.7	BRACKET, IDLER	1				
38	006484.7	SHIM	A/R				
	006485.7	SHIM	A/R				
39	64163-43	WSHR.443/.454X1X11	4				
40	85-SS18	SET SCREW, 1/4-20 X 3/8	4				
41	006566.7	SHIM, BUMPER	2				
42	99-B54	WASHER	A/R				
43	04-017	SNAP RING	2				

FIGURE 12



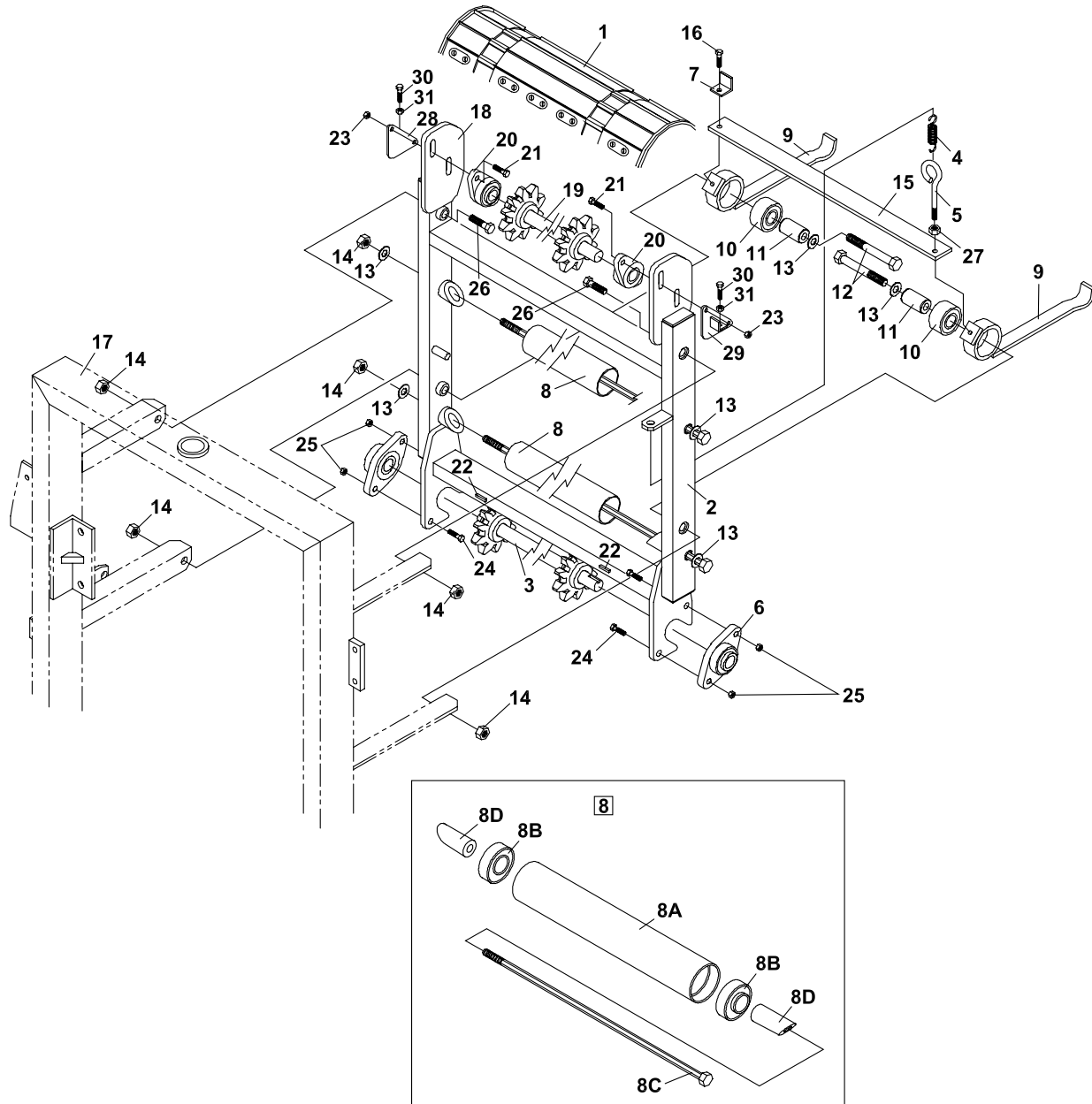
ROLLMAX 2400

DUMP CONVEYOR

FIGURE 12

ITM	PART NO.	DESCRIPTION	QTY	ITM	PART NO.	DESCRIPTION	QTY
1	006673.7	DUMP CONVEYOR	1				
2	005495	BELT, 24" CONVEYOR	1				
3	006668	DRIVE SHAFT	1				
4	006670	CONVEYOR IDLER TUBE	4				
5	005207	SPROCKET FLANGE	4				
6	006669	IDLER SHAFT	1				
7	005113.7	DUMP COVEYOR MNT-RH	1				
8	005112.7	DUMP COVEYOR MNT-LH	1				
9	B0122	BEARING	7				
10	83-053	SPROCKET	4				
11	124440	KEY,1/4 X 1/4 X 2-1/2	4				
12	B8019	BEARING, CAMROLL	2				
13	64123-75	BOLT, 3/8-16X3	2				
14	F3013	LOCKNUT-3/8	19				
15	99-B52	WASHER	4				
16	90-0712	BOLT,7/16-14 X 1-1/2	8				
17	64229-04	S LCK NUT-NYLN 7/16-14	14				
18	83-H50H26	SPROCKET-#50 26 TOOTH	3				
19	64123-88	BOLT, 3/8-16X2-3/4	1				
20	99-K61	BOLT-3/8-16 X 1/2	6				
21	006072.7	SUPPORT FRAME	1				
22	006689.6	PILING WALL W/A LH	1				
23*	006688.6	PILING WALL W/A RH	1				
24	006715.7	MOUNT, RH OUTER BRG	1				
25	41-068	SPRING, DUMP RETURN	1				
26	99-K66	EYE BOLT-1/2-13 X 6	1				
27	006065	TUBE, SPRING MOUNT	1				
28	005437.7	DUMP LATCH WELD'T, LH	1				
29	005286.7	DUMP LATCH WELD'T, RH	1				
30	64163-61	WSHR .81X.406X16	4				
31	90-0828	S/B BOLT,1/2-13X3 1/2	1				
32	F5018	NUT-1/2-13	1				
33	64025-09	HEX, NUT 1/2-13	3				
34	006510	SPACER, EYE BOLT	1				
35	99-B12	SPACER	2				
36	64123-111	BLT-HEX 1/2-13X3-1/2	2				
37	6109239.7	MOUNT-REAR TAKE UP	2				
38	006513.7	BRACKET, BELTING ADJ.	2				
39	90-0714	BOLT,7/16-14 X 1-3/4	6				
40	99-K68	BOLT, 3/8 X 2-3/4	2				
41	64025-05	NUT-3/8-16	6				
42	55-YCJT12	BEARING	8				
43	64123-82	BOLT-HEX 3/8-16X2-1/2	14				
44	64123-100	BOLT-3/8-16X2-1/4	1				
45	006648.7	MOUNT, BEARING RH	1				

FIGURE 13



ROLLMAX 2400

ROLL UP CONVEYOR

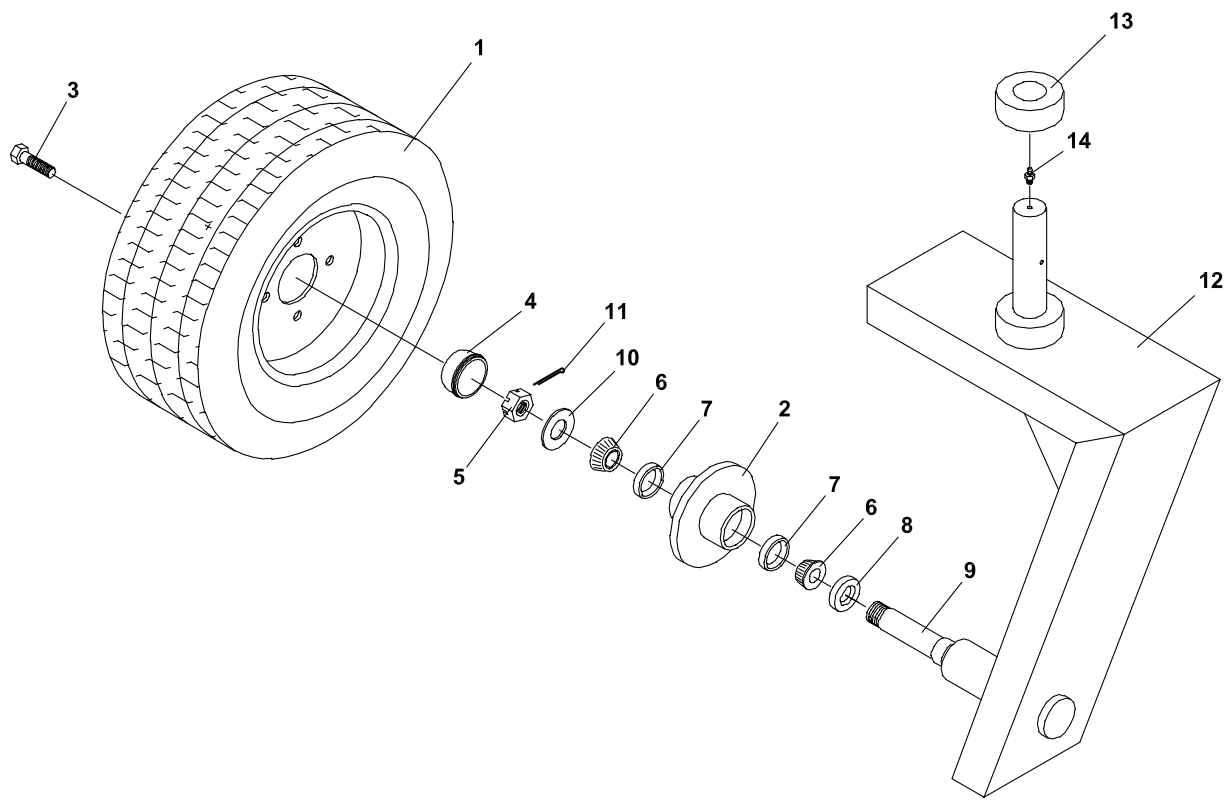
FIGURE 13

ITM	PART NO.	DESCRIPTION	QTY	ITM	PART NO.	DESCRIPTION	QTY
1	005496	BELT, 18" CONVEYOR	1				
2	005099.7	ROLL UP CONVEYOR FLAME	1				
3	A05032	DRIVER SHAFT ASS'Y	1				
	005109	DRIVE SHAFT	1				
	005207	SPROCKET FLANGE	4				
	64229-01	LOCKNUT-1/4-20	18				
	64123-89	BOLT-HEX 1/4-20X3/4	18				
	83-053	SPROCKET, 9 TOOTH	2				
	F2607	SET SCREW, 5/16-18 X 1/4	4				
	124440	KEY,1/4 X 1/4 X 2-1/2	2				
4	41-069	SPRING, ROLL GUARD	1				
5	002102	EYEBOLT, STARTER TRAY	1				
6	B0122	BEARING	2				
7	006499.7	STOP, STARTER FINGER	1				
8	A02051	CONVEYOR ROLLER ASSY	2				
	006676	TUBE, ROLLER	2				
	55-108	BEARING	4				
	005110	ROLLER SHAFT	2				
	006708	SUPPORT, BEARING	2				
9	006075.7	ROLL GUIDE	2				
10	B2022	BEARING	2				
11	005105	STUB SHAFT	2				
12	90-0836	BOLT-1/2 X 4-1/2	2				
13	64163-67	WASHER-.516X1X12	12				
14	F5018	NUT-1/2-13	6				
15	006768.7	CROSSBRACE-ROLL GUIDE	1				
16	64139-08	BOLT-5/16-18X3/4	1				
17	006072.7	SUPT FRAME R CONVEYOR	1				
18	G8008	MAT SPLICER	5				
19	A05033	IDLER SHAFT ASS'Y	1				
	005107.7	IDLER SHAFT WELD'T	1				
	64229-01	LOCKNUT-1/4-20	18				
	64123-89	BOLT-HEX 1/4-20X3/4	18				
	83-053	SPROCKET, 9 TOOTH	2				
	D8001	FLANGE, SPROCKET	2				
20	B0121	BEARING	2				
21	64123-87	BOLT-HEX 3/8-16X1-3/4	4				
22	124440	KEY,1/4 X 1/4 X 2-1/2	2				
23	F3013	LOCKNUT-3/8	4				
24	90-0712	BOLT,7/16-14 X 1-1/2	4				
25	64229-04	S LCK NUT-NYLN 7/16-14	4				
26	90-0818	BOLT,1/2-13 X 2-1/4	2				
27	64141-6	NUT, 5/16-18	1				
28	005458.7	TENSIONER-LH	1				
29	005461.7	TENSIONER-RH	1				
30	99-K33	BOLT, 3/8-16 X 2	2				
31	64001-6	NUT-HEX JAM,3/8-16	2				

CASTER WHEEL

ROLLMAX 2400

FIGURE 14



ROLLMAX 2400

CASTER WHEEL

FIGURE 14

ITM	PART NO.	DESCRIPTION	QTY	ITM	PART NO.	DESCRIPTION	QTY
1	53-141	WHEEL ASSEMBLY	2				
2	50-100	HUB (ELDALE #1100) (INCLUDES ITEMS 3, 4 & 6 - 8)	2				
3	53-134	BOLT, WHEEL	8				
4	53-133	CAP, DUST	2				
5	53-137	NUT	2				
6	53-132	CONE, OUTER/INNER	4				
7	53-131	INNER/OUTER CUP	4				
8	53-135	SEAL, WHEEL HUB	2				
9	006020	SPINDLE	2				
10	53-138	WASHER	2				
11	53-139	COTTER PIN	2				
12	006771.7	CASTER FRAME	2				
13	85-SC24	SET COLLAR	2				
14	29-010	GREASE FITTING	2				

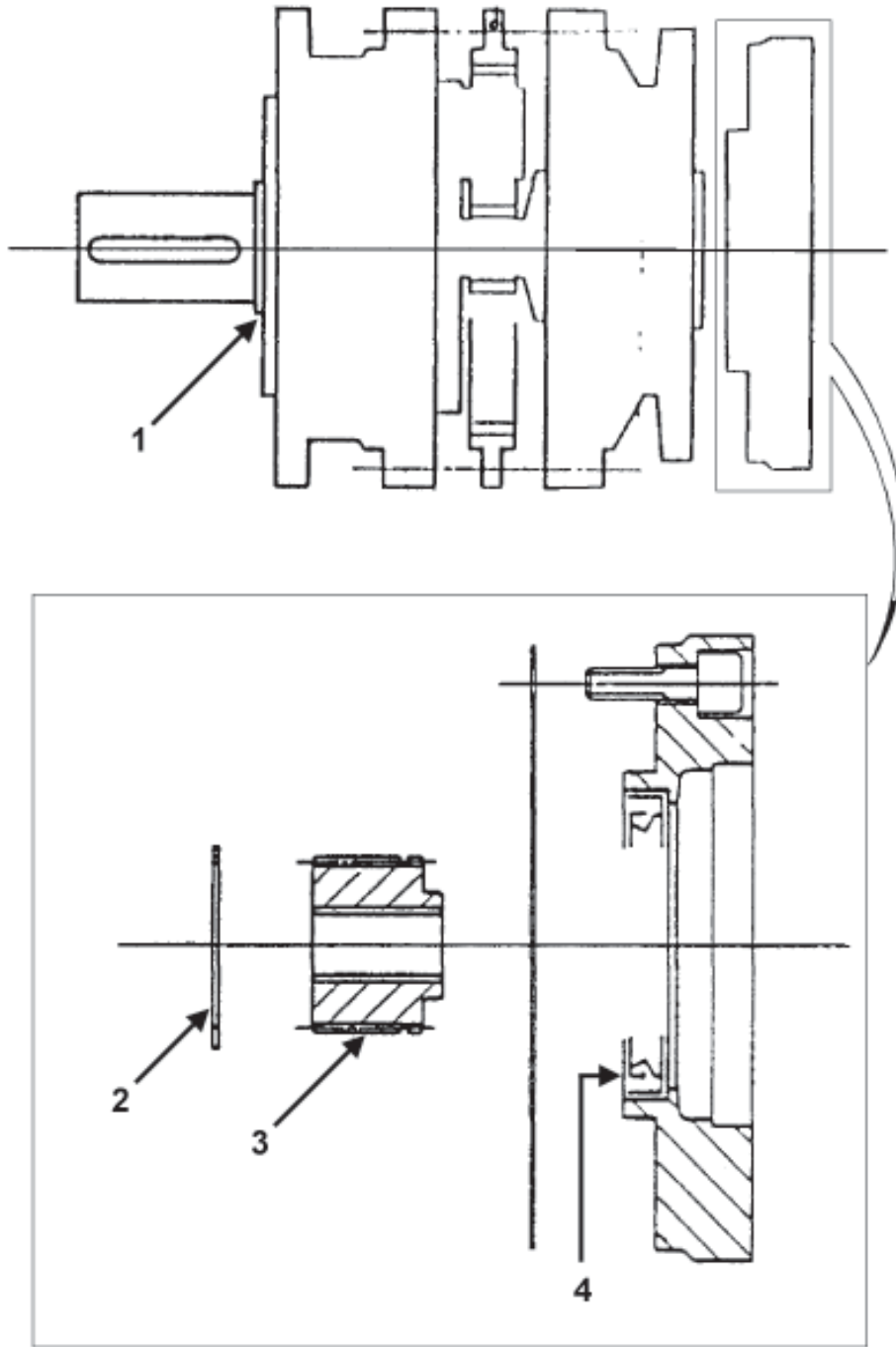
ROLLMAX 2400

DUMP CONVEYOR CHAIN DRIVE

FIGURE 15

ITM	PART NO.	DESCRIPTION	QTY	ITM	PART NO.	DESCRIPTION	QTY
1	006072.7	SUPT FRAME R CONVEYOR	1	41	006715.7	MOUNT, RH OUTER BRG	1
2	006668	DRIVE SHAFT	1	42	64123-98	BLT-HEX 1/4-20X2-1/2	1
3	A05032	DRIVER SHAFT ASS'Y	1	43	64006-01	LOCKWASHER-1/4	1
	005109	DRIVE SHAFT	1	44	453023	FLATWASHER, 1/4	1
	005207	SPROCKET FLANGE	4	45	56-RC50	ROLLER CHAIN, #50 29-1/2"	1
	64229-01	LOCKNUT-1/4-20	18	46	81-055	HALF LINK	2
	64123-89	BOLT-HEX 1/4-20X3/4	18				
	83-053	SPROCKET-9 TOOTH	2				
	F2607	SET SCREW	4				
	124440	KEY,1/4 X 1/4 X 2-1/2	2				
4	21-083	MOTOR, HYD	1				
	21-71302-900	SEAL KIT	1				
5	83-H50H26	SPROCKET-26 TOOTH	3				
6	83-H20	BUSHING, 1-1/4"	3				
7	64164-10	1/4X1/4X1-1/4 MACH KEY	3				
8	83-P124	BUSHING, 1-1/2"	1				
9	83-50P36	SPROCKET	1				
10	85-K0328	KEY, SQ. 3/16 X 3-1/2	1				
11	90-0818	BOLT,1/2-13 X 2-1/4	1				
12	83-5013E08	IDLER-SPROCKET 13 TOOTH	2				
13	64163-67	WASHER-.516X1X12	A/R				
14	F5018	NUT-1/2-13	1				
15	56-RC50	ROLLER CHAIN 54-1/2"	1				
16	64123-69	BOLT-5/16-18X1-1/2	8				
17	99-K02	BOLT-5/16-18 X 1	1				
18	006804.7	BRKT-SHIELD MOUNTING	1				
19	006805.7	BRKT-SHIELD MOUNTING	1				
20	04-010	INSERT	1				
21	64123-54	BOLT, 5/16-18X3/4	1				
22	64141-6	NUT, 5/16-18	9				
23	64139-02	BLT-WLF 1/4-20X1/2	4				
24	64141-2	NUT-WLF 1/4-20	2				
25	006769.6	SHIELD, CONVEYOR	1				
26	87-197	GEARBOX	1				
27	006718.7	BRACKET, IDLER	1				
28	006596.7	COVER, OIL ACCESS HOLE	1				
29	90-0828	S/B BOLT,1/2-13X3 1/2	1				
30	64141-13	NUT WLF 1/2-13	1				
31	006069.7	ARM, MOTOR CONTROL	1				
32	64123-67	BLT-HEX 3/8-16X2	1				
33	64229-03	LOCKNUT-NYLON 3/8-16	1				
34	47-105	CABLE, REAR CONVEYOR	1				
35	43-003SA	ROD END	1				
36	99-E50	LOCKNUT	1				
37	64139-02	BLT-WLF 1/4-20X1/2	2				
38	81-053	CONNECTOR LINK	2				
39	64006-05	LOCKWSHR-1/2	2				
40	64123-39	BOLT-HEX 1/2-13X1-1/4	2				

FIGURE 16



ROLLMAX 2400

PLANETARY GEARBOX

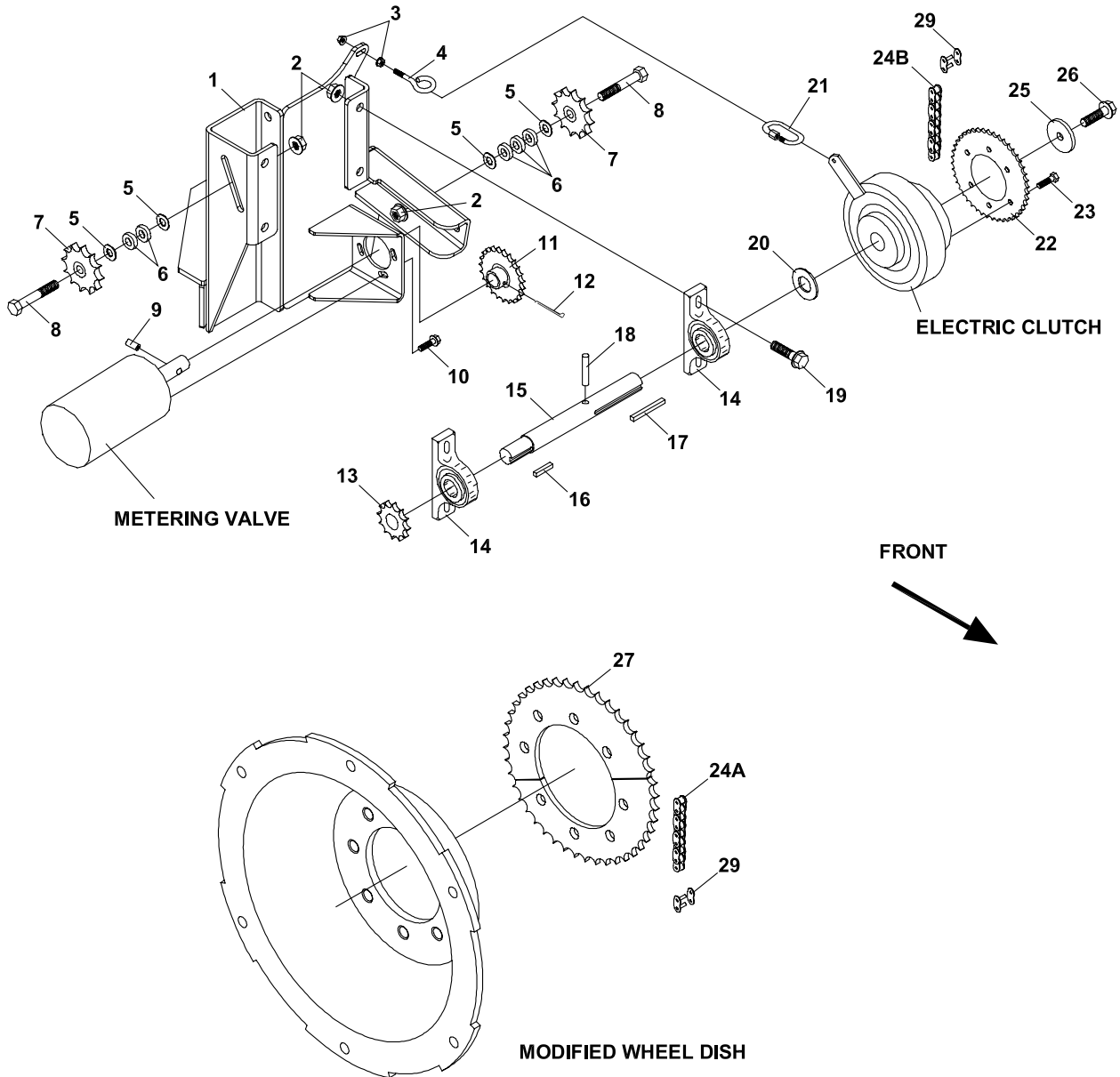
FIGURE 16

ITM	PART NO.	DESCRIPTION	QTY	ITM	PART NO.	DESCRIPTION	QTY
1	87-411-2370	OUTPUT SHAFT SEAL	1				
2	87-431-0550	SNAP RING	1				
3	87-305-0584	13-TOOTH SHAFT ADAPTR	1				
4	87-411-2790	INPUT SEAL	1				

METERING VALVE CHAIN DRIVE

ROLLMAX 2400

FIGURE 17



ROLLMAX 2400

METERING VALVE CHAIN DRIVE

FIGURE 17

ITM	PART NO.	DESCRIPTION	QTY	ITM	PART NO.	DESCRIPTION	QTY
1	6109838.7	METERING VLV MOUNT	1				
2	64141-13	NUT WLF 1/2-13	6				
3	64141-2	NUT-WLF 1/4-20	2				
4	99-K25	EYE-BOLT	1				
5	64163-67	WASHER-.516X1X12	A/R				
6	99-B12	SPACER	5				
7	83-5013E08	IDLER-SPROCKET 13 TOOTH	2				
8	64123-72	BLT-HEX 1/2-13X2-1/2	2				
9	006407	SLEEVE, METERING VLV	1				
10	64139-13	BLT-WLF 5/16-18X1/2	4				
11	006465	METERING VLV SPROCKET	1				
12	02-CP0616	COTTER PIN	1				
13	D1206	SPROCKET	1				
14	B1003	BEARING	2				
15	6109191	SHAFT, CLUTCH	1				
16	64164-10	1/4X1/4X1-1/4 MACH KEY	1				
17	85-K0428	KEY, 1/4	1				
18	64061-09	ROLL PIN-3/8X2	1				
19	99-K56	BOLT-1/2-13 X 1-1/2	4				
20	99-B36	WASHER	1				
21	G8084	QUICK LINK	1				
22	006115	SPROCKET, CLUTCH	1				
23	07-0812525D912	BOLT-M8-1.25 X 25	6				
		(56-RC50 IS A BULK ITEM)					
24A	56-RC50	ROLLER CHAIN 46"	1				
24B	56-RC50	ROLLER CHAIN 32"	1				
25	006888	WASHER-CLUTCH RET	1				
26	64139-22	BLT-WLF 1/2-13X1	1				
27	6109190	SPROCKET-MOD	1				
28	81-053	CONNECTOR LINK	2				

ROLLMAX 2400

HYDRAULIC TANK, PUMP & OIL COOLER

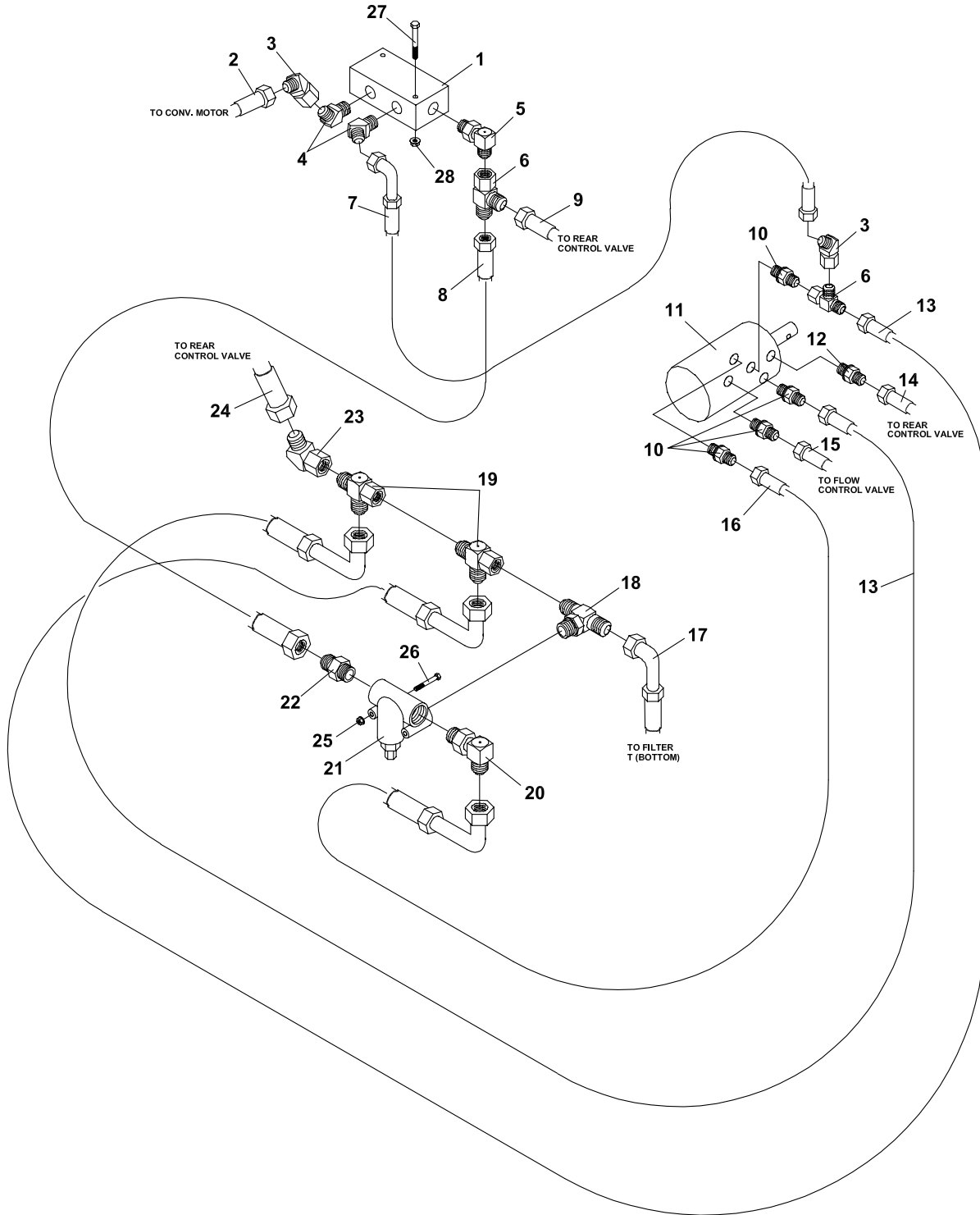
FIGURE 18

ITM	PART NO.	DESCRIPTION	QTY	ITM	PART NO.	DESCRIPTION	QTY
1	4139020	MOUNT-COOLER. BOTTOM	1	41	6109228	TANK-HYDRAULIC	1
	4139024	MOUNT-COOLER. TOP	1	42	H8011	PLUG, MAGNETIC	1
2	64229-10	NUT	6	43	25-063T-16-16	FITTING-TEE	1
3	64139-08	BOLT, 5/16-18X3/4 WLF	6	44	25-0103-20-16	FITTING-STR	1
4	64141-6	NUT, 5/16-18	4	45	H5019	FILTER	1
5	25-2503-12-12	FITTING-90	2		H5020	OIL ELEMENT	1
6	2692321-05	HOSE	2		H9105	FITTING-GAUGE	1
7	25-3903-16-16	FITTING-90	2	46	25-2103-8-6	FITTING-90	1
8	21-113	COOLER, OIL	1	47	2692301-19	HOSE	1
9	64205-038	BOLT-METRIC M6-1.00 X 20	2	48	2692311-01	HOSE	1
10	6109048	SPACER, PUMP PULLEY	1	49	016084	HOSE, SUCTION	1
11	002239	FLANGE-PUMP DRIVE	1	50	H9101	FITTING	1
12	4138966	BUSHING, PUMP FLANGE	4	51	25-4601-20-20	FITTING-90	1
13	64163-43	WSHR.443/.454X1X11	4	52	2692318-03	HOSE	1
14	64006-06	LOCKWASHER-7/16	4	53	20-250	HOSE-3/4 X 90	1
15	90-0712	BOLT,7/16-14 X 1-1/2	4	54	H4067	VALVE, FLOW CONTROL	1
16	6109151	SHIELD, COUPLER	1		H8046	HANDLE FOR VALVE	1
17	07-1620035	BOLT-M16-2.00 X 35	1		E0002	O-RING	1
18	4138398	BRACKET, PUMP MOUNT	1	55	H6190	FITTING, STR	1
19	64141-13	NUT WLF 1/2-13	2	56	25-0503-12-10	FITTING-STR	1
20	90-1214	BOLT, 3/4-10 X 1-3/4	4	57	H6122	FITTING, RUN TEE	1
21	96-12	LOCKWASHER-3/4	4	58	2692332-01	HOSE	1
22	4138975	DRIVESHAFT, PUMP	1	59	25-3903-12-12	FITTING-90	1
23	64164-12	KEY-1/4X1/4X1	2	60	20-210	HOSE-3/4 X 138	1
24	87-201	BOLT SET-502	1	61	2692321-07	HOSE	1
25	87-202	MEMBER-502 CENTER	1	62	20-224	HOSE	1
26	H111162	COUPLER	2	63	25-033T-12-12	TEE-FITTING UNION	2
27	21-082	PUMP-HYD DBL GEAR	1	64	2692333-01	HOSE	1
28	25-0503-12-12	FITTING-STR	1	65	23-075	VALVE, RELIEF	1
29	20-225	HOSE-5/8 X 150	1	66	64123-98	BLT-HEX 1/4-20X2-1/2	2
30	25-2503-12-12	FITTING-90	4	67	64141-2	NUT-WLF 1/4-20	4
31	H1074	FITTING, ELBOW	1	68	90-0414	BOLT,1/4-20 X 1-3/4	2
32	64123-117	BOLT-HEX 1/2-13X1-1/2	2	69	64251-002	WASHER - M6	2
33	G8102	CLAMP	2	70	64263-007	BOLT-FLG. HD. M8-1.25X20	2
34	H8074	PRESSURE FLR BREATHER	1				
35	01-016	SCREW, MACHINE 10-24 X 1	6				
36	6115846	COVER, HYDRAULIC TANK	1				
37	99-K27	BOLT, FLANGE 1/4-20 X 1	6				
38	202662	GASKET	1				
39	H9103	FITTING, SIGHT GLASS	1				
40	H5018	FILTER, SUCTION	1				

METERING VALVE

ROLLMAX 2400

FIGURE 19



ROLLMAX 2400

METERING VALVE

FIGURE 19

ITM	PART NO.	DESCRIPTION	QTY	ITM	PART NO.	DESCRIPTION	QTY
1	23-080	VALVE, FLOW CONTROL	1				
2	20-116	HOSE, 1/2 X 45	1				
3	25-3703-10-10	FITTING-45	2				
4	25-3503-8-10	FITTING-45	2				
5	25-2503-8-10	FITTING-90	1				
6	H6174	FITTING-TEE	2				
7	20-255	HOSE-5/8 X 33-1/2	1				
8	20-256	HOSE-5/8 X 38	1				
9	20-257	HOSE-1/2 X 36	1				
10	25-0503-6-10	FITTING-STR	4				
11	23-209	VALVE, METERING	1				
12	25-0503-6-8	FITTING-STR	1				
13	20-252	HOSE-5/8 X 17	2				
14	20-124	HOSE-1/2 X 60	1				
15	20-235	HOSE-5/8 X 114	1				
16	20-251	HOSE-5/8 X 24	1				
17	20-250	HOSE-3/4 X 90	1				
18	25-6803-12-12	FITTING-O RING T	1				
19	25-063T-12-12	FITTING-TEE	2				
20	25-2503-12-10	FITTING-90	1				
21	23-075	VALVE, RELIEF	1				
22	25-0503-12-10	FITTING-STR	1				
23	25-3703-12-12	FITTING-45	1				
24	20-253	HOSE-3/4 X 61	1				
25	99-E20	FLANGE NUT, 1/4-20	2				
26	64123-60	BOLT-1/4-20 X 2	2				
27	64123-56	BLT-HEX 5/16-18 X 2	2				
28	64141-6	NUT, 5/16-18	2				

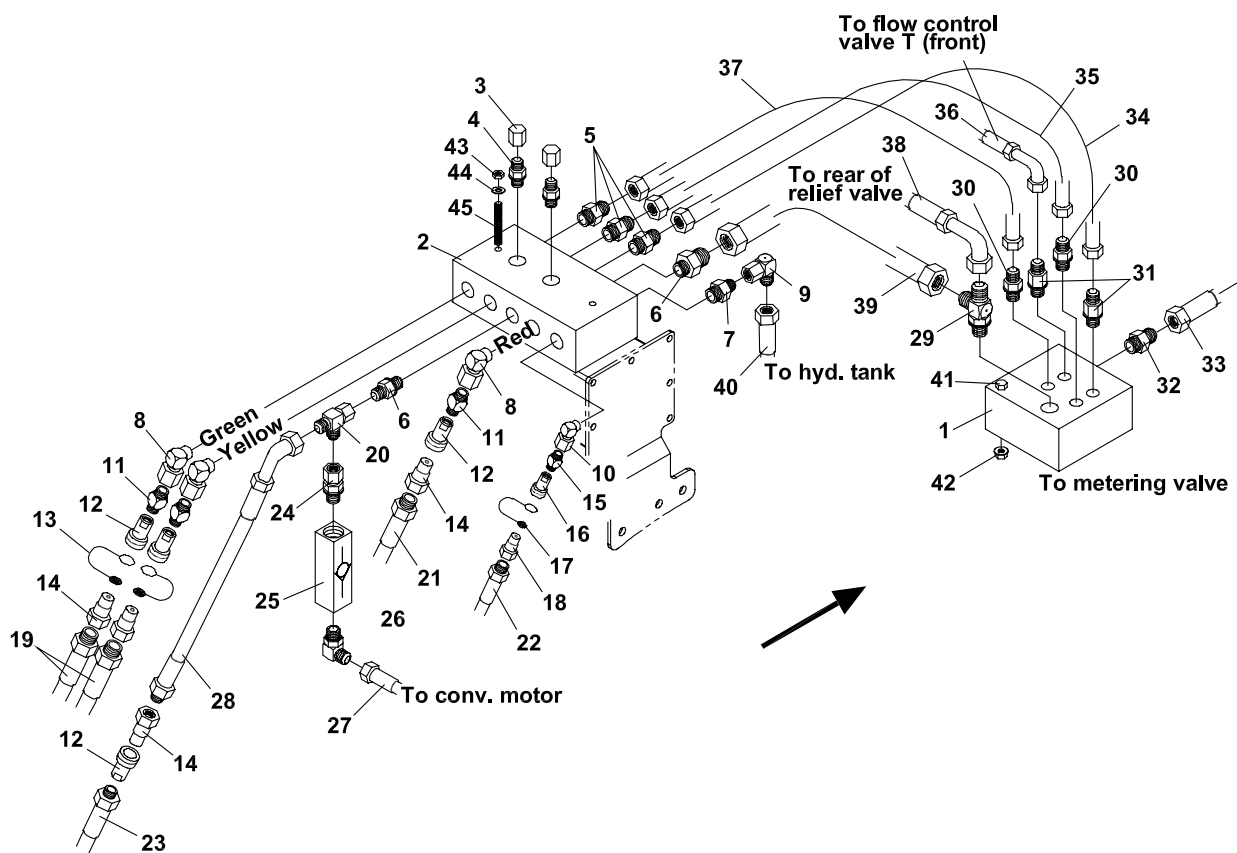
ROLLMAX 2400

CONTROL VALVES

FIGURE 20

ITM	PART NO.	DESCRIPTION	QTY	ITM	PART NO.	DESCRIPTION	QTY
1	23-193	VLV-LIFT & DEPTH CNTRL	1				
2	23-192	VLV-CUTTER CNTRL	1				
3	25-2503-8-8	FITTING-90	2				
4	25-0503-8-6	FITTING-STR	2				
5	20-228	HOSE-3/8 X 100	1				
6	20-229	HOSE-1/4 X 50	2				
7	23-156	VLV-LOAD CHECK	1				
8	25-2503-12-12	FITTING-90	2				
9	20-231	HOSE-3/4 X 58	1				
10	20-227	HOSE-5/8 X 58	1				
11	25-9068-12-22	FITTING-M22-1.5	3				
12	25-6801-LL-8	FITTING-90	1				
13	25-6402-08-08	FITTING-8M O RING	1				
14	23-073	VLV-FLOW RESTRICTOR	1				
15	20-240	HOSE-3/8 X 93	1				
16	25-0503-10-10	FITTING-STR	1				
17	20-230	HOSE-5/8 X 73	1				
18	20-254	HOSE-3/4 X 18.25	1				
19	25-2503-6-6	FITTING-90	2				
20	25-0503-6-6	FITTING-STR	2				
21	20-225	HOSE-5/8 X 150	1				
22	25-2503-10-10	FITTING-90	1				
23	20-233	HOSE-1/2 X 48	1				
24	25-0503-8-8	FITTING-STR	1				
25	64123-139	BOLT-3/8-16X4	5				
26	64141-4	NUT-WLF 3/8-16	5				
27	29-054	PIPE PLUG-3/8	1				
28	20-241	HOSE-1/4 X 80	2				
29	25-3703-8-8	FITTING-45	1				
30	20-224	HOSE-3/4 X 105	1				
31	25-6803-12-12	FITTING-O RING T	1				
32	H4067	VLV-FLOW CONTROL	1				
	H8046	HANDLE FOR VLV	1				
	E0002	O RING	1				
33	25-0503-12-8	FITTING-STR	1				
34	25-2503-12-10	FITTING-90	1				
35	016344	HOSE-FLOW CONTROL	1				

FIGURE 21



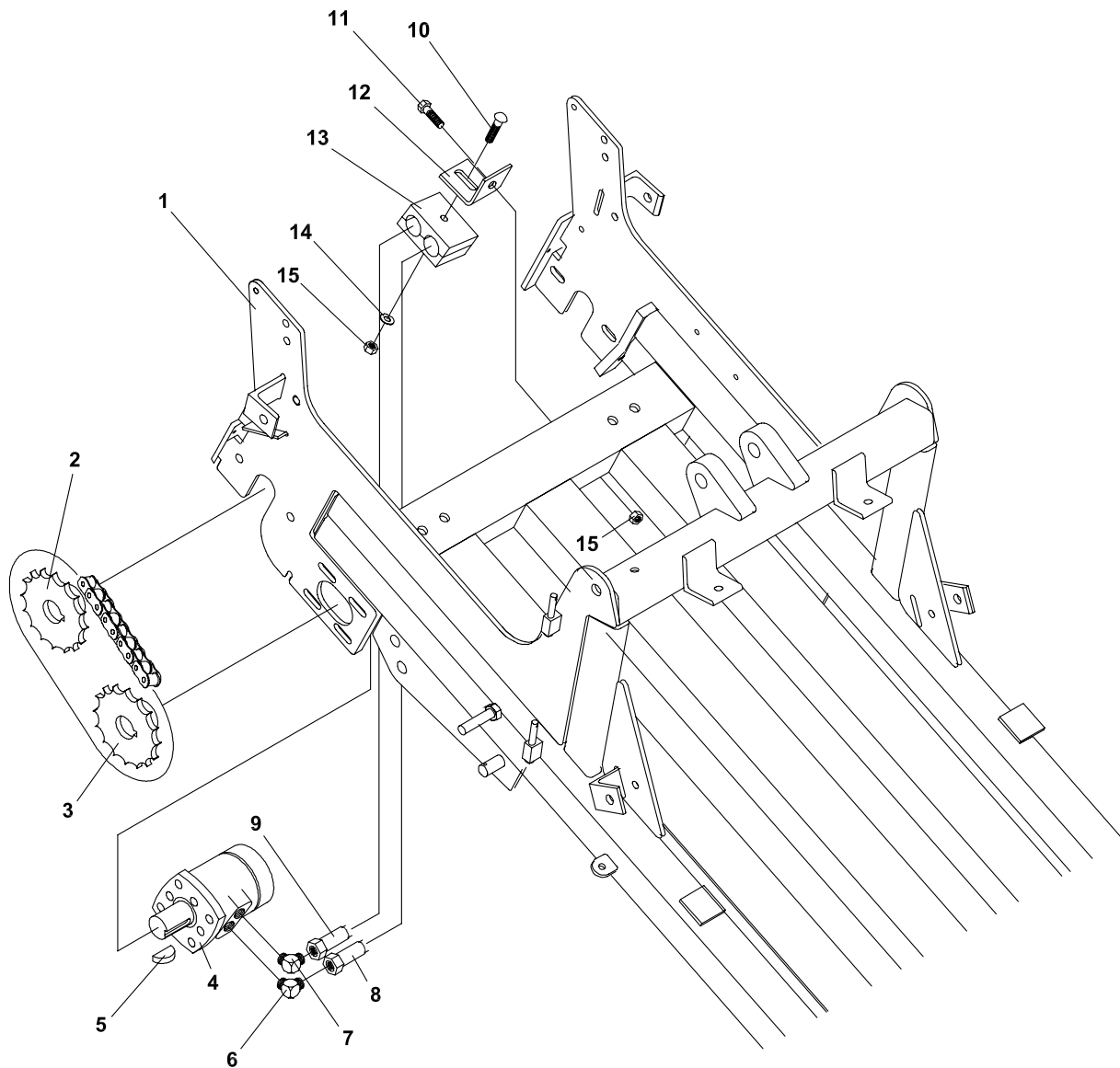
ROLLMAX 2400

JUNCTION BLOCK HYDRAULICS

FIGURE 21

ITM	PART NO.	DESCRIPTION	QTY	ITM	PART NO.	DESCRIPTION	QTY
1	23-208	VALVE	1				
2	23-087	JUNCTION BLOCK	1				
3	25-06CP-6	FITTING-CAP	2				
4	25-0103-4-6	FITTING-STR	2				
5	25-0503-10-8	FITTING-STR	3				
6	25-0503-10-12	FITTING-STR	2				
7	25-0503-10-6	FITTING-STR	1				
8	25-3507-10-8	FITTING-45	3				
9	25-3903-6-6	FITTING-90	1				
10	25-3507-10-6	FITTING-45	1				
11	25-0501-10-8	FITTING-STR	3				
12	23-085	QUICK COUPLER-FEMALE	4				
13	23-128	DUST COVER	4				
14	23-086	QUICK COUPLER-MALE	4				
15	25-0101-4-6	FITTING-STR	1				
16	23-003	QUICK COUPLER-FEMALE	1				
17	23-033	DUST COVER	1				
18	23-004	QUICK COUPLER-MALE	1				
19	20-113	HOSE-1/2 X 66	2				
20	25-063T-12-12	FITTING-TEE	1				
21	20-110	HOSE-1/2 X 66	1				
22	20-114	HOSE-3/8 X 66	1				
23	20-222	HOSE-1/2 X 33	1				
24	H6190	FITTING-STR	1				
25	23-081	VALVE-CHECK	1				
26	25-2503-12-10	FITTING-90	1				
27	20-118	HOSE-5/8 X 26	1				
28	20-249	HOSE-5/8 X 35	1				
29	H6122	FITTING-RUN TEE	1				
30	25-0503-8-8	FITTING-STR	2				
31	23-084	VALVE-CHECK	2				
32	25-0503-10-10	FITTING-STR	1				
33	20-124	HOSE-1/2 X 60	1				
34	23-204	TUBE	1				
35	23-205	TUBE	1				
36	20-257	HOSE-1/2 X 36	1				
37	23-206	TUBE	1				
38	20-253	HOSE-3/4 X 61	1				
39	23-203	TUBE	1				
40	20-102	HOSE-3/8 X 172	1				
41	64123-139	BOLT-3/8-16X4	3				
42	64141-4	NUT-WLF 3/8-16	3				
43	64001-6	NUT-HEX JAM,3/8-16	2				
44	64163-61	WSHR .81X.406X16	2				
45	5016921	ROD	2				

FIGURE 22



ROLLMAX 2400

MAIN CONVEYOR MOTOR HYDRAULICS

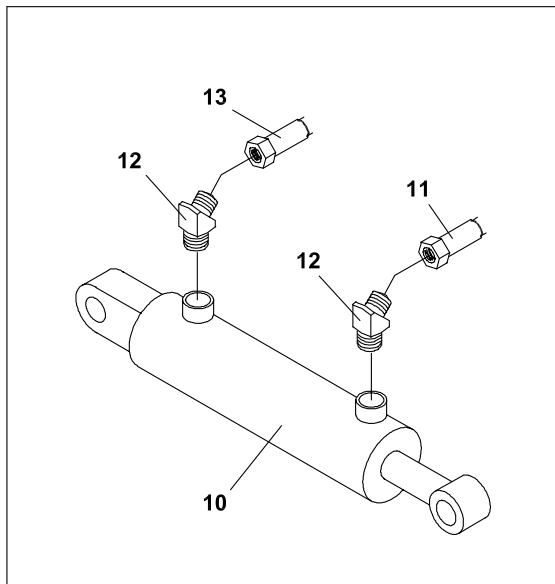
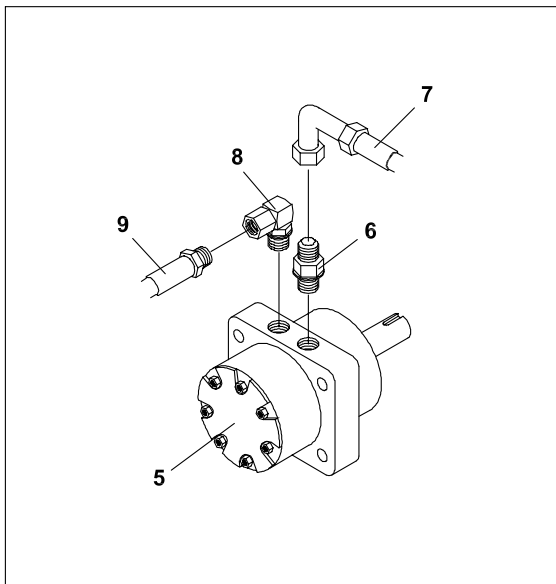
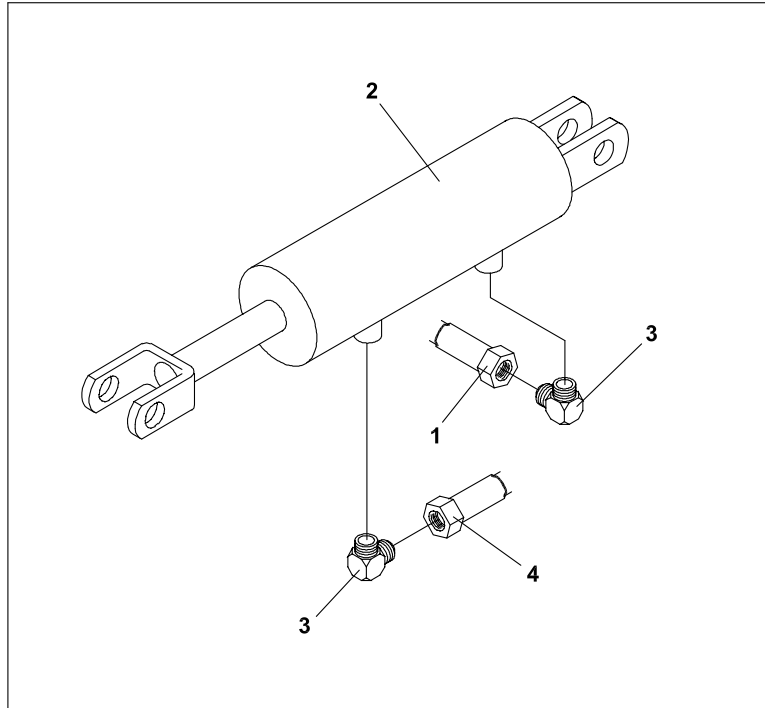
FIGURE 22

ITM	PART NO.	DESCRIPTION	QTY	ITM	PART NO.	DESCRIPTION	QTY
1	4133112.7	CONVEYOR-24"	1				
2	D1216	SPROCKET-FIXED H5016 X 1	1				
3	D1202	SPROCKET-FIXED #50X18TX11	1				
4	H0012	MOTOR - OBSOLETE	1				
	E3039	SEAL KIT	1				
	KH30007	MOTOR - SEE NOTE 1	1				
5	G8019	KEY-WOODRUFF 1/4 X 1"	1				
6	25-5703-8-10	FITTING-90	1				
7	25-2103-8-10	FITTING-90	1				
8	23-095	TUBE-MAIN CONV MOTOR	1				
9	23-094	TUBE-MAIN CONV MOTOR	1				
10	97-0518	BOLT-CRG	1				
11	99-K02	BOLT-5/16-18 X 1	1				
12	006397.7	BRKT-HYDRAULIC TUBE	1				
13	G8081	CLAMP	1				
14	64163-02	WSHR-.321/.328X.593/.608X11	1				
15	F2014	NUT-5/16-18	2				

NOTE 1

ITEM 4 - H0012 IS OBSOLETE
AND IS REPLACED BY SERVICE KIT
4160611. IT INCLUDES:
MOTOR - KH30007 QTY. 1
FITTINGS - 8-10-070220. QTY. 2

FIGURE 23



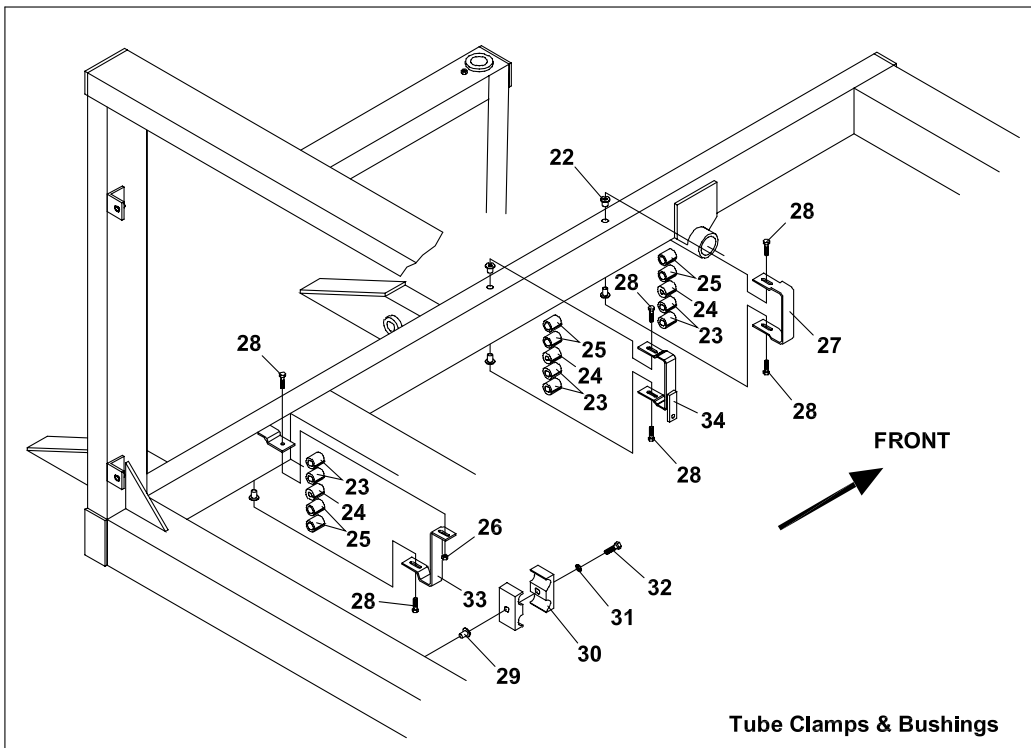
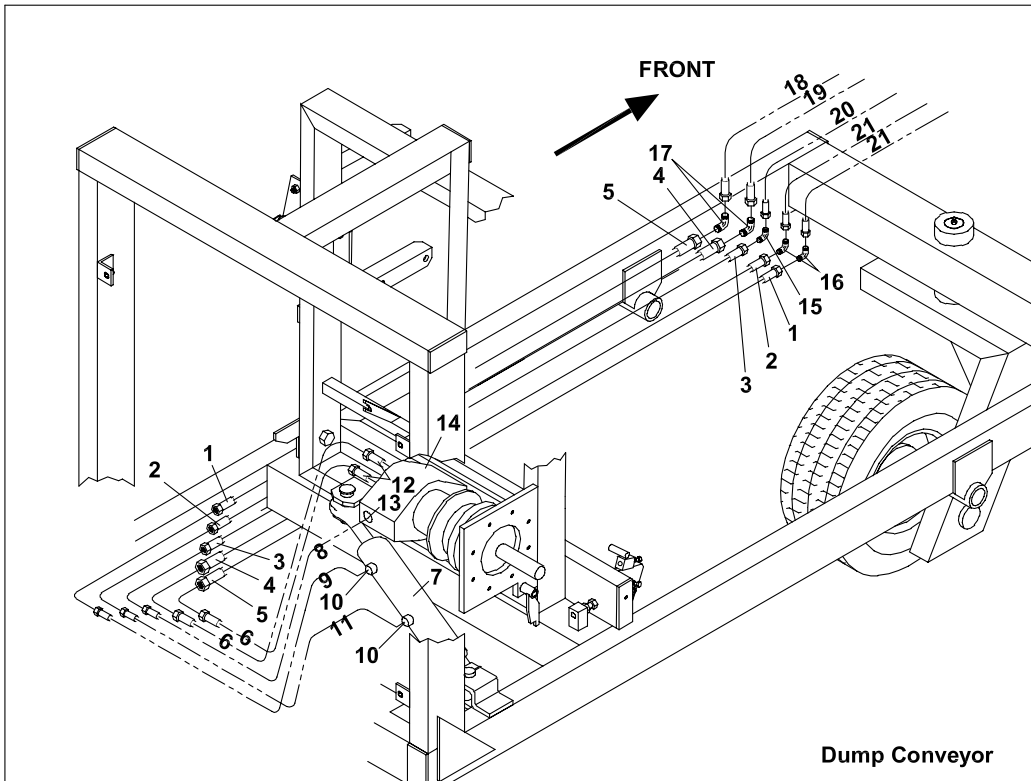
ROLLMAX 2400

CUTTER MOTOR CYLINDERS

FIGURE 23

ITM	PART NO.	DESCRIPTION	QTY	ITM	PART NO.	DESCRIPTION	QTY
1	20-240	HOSE-3/8 X 93	1				
2	23-177	CYLINDER-HYD	1				
	KH70088	SEAL KIT - CLYINDER-HYD	1				
3	25-2503-8-8	FITTING-90	2				
4	20-228	HOSE-3/8 X 100	1				
5	21-091	MOTOR-HYD CUTTER	1				
6	25-0503-10-10	FITTING-STR	1				
7	016344	HOSE	1				
8	H6192	FITTING-ELBOW 90	1				
9	20-210	HOSE-3/4 X 138	1				
10	23-178	CYLINDER-HYD	1				
	23-179	SEAL KIT	1				
11	20-241	HOSE-1/4 X 80	1				
12	25-3503-6-6	FITTING-45	2				
13	20-241	HOSE-1/4 X 80	1				

FIGURE 24



ROLLMAX 2400

DUMP CONVEYOR HYDRAULICS

FIGURE 24

ITM	PART NO.	DESCRIPTION	QTY	ITM	PART NO.	DESCRIPTION	QTY
1	23-100	TUBE	1				
2	23-099	TUBE	1				
3	23-098	TUBE	1				
4	23-097	TUBE	1				
5	23-096	TUBE	1				
6	20-120	HOSE-1/2 X 63	2				
7	23-070	CYLINDER-HYD	1				
	21-13055X	SEAL KIT	1				
8	20-109	HOSE-3/8 X 62	1				
9	20-122	HOSE-1/2 X 20	1				
10	006492	ELBOW-MODIFIED	2				
	006855	RESTRICTOR	2				
11	20-123	HOSE-1/2 X 30	1				
12	25-0503-12-10	FITTING-STR	2				
13	25-2503-6-6	FITTING-90	1				
14	21-083	MOTOR-HYD	1				
	21-71302-900	SEAL KIT	1				
15	25-2303-6-6	FITTING-90	1				
16	25-2303-8-8	FITTING-90	2				
17	25-2303-10-10	FITTING-90	2				
18	20-110	HOSE-1/2 X 66	1				
19	20-222	HOSE-1/2 X 33	1				
20	20-114	HOSE-3/8 X 66	1				
21	20-113	HOSE-1/2 X 66	2				
22	04-015	INSERT	5				
23	11-041	BUSHING	6				
24	11-040	BUSHING	3				
25	11-042	BUSHING	6				
26	64141-2	NUT-WLF 1/4-20	1				
27	006332.7	CLAMP-TUBE	1				
28	64139-04	BOLT-WLF 1/4-20X3/4	6				
29	04-010	INSERT	1				
30	G8082	CLAMP	1				
31	64163-29	WASHER	1				
32	64123-64	BLT-HEX 5/16-18X2-1/4	1				
33	006532.7	TUBE-CLAMP	1				
34	006842.7	TUBE CLAMP	1				

FIGURE 25

O-RING REFERENCE SHEET FOR HYDRAULIC FITTINGS			
DASH SIZE		BOSS O-RING ORB	PART NUMBER
2 3 4	5/16 - 24 3/8 - 24 7/16 - 20	SAE DASH 2-1 SAE DASH 3-1 SAE DASH 4-1	E0059
5 6 8	1/2 - 20 9/16 - 18 3/4 - 16	SAE DASH 5-1 SAE DASH 6-1 SAE DASH 8-1	E0060 E0061 E0062
10 12 14	7/8 - 14 1-1/16 - 12 1-3/16 - 12	SAE DASH 10-1 SAE DASH 12-1 SAE DASH 14-1	E0063 E0064 E0065
16 20 24 32	1-5/16 - 12 1-5/8 - 12 1-7/8 - 12 2-1/2 - 12	SAE DASH 16-1 SAE DASH 20-1 SAE DASH 24-1 SAE DASH 32-1	E0066 E0067
DASH SIZE		FACE SEAL O-RING SIZE NO. PER SAE J120 ORF	PART NUMBER
4 6 8	9/16 - 18 11/16 - 16 13/16 - 16	011 012 014	E0071 E0072
10 12 16	1 - 14 1-3/16 - 12 1-7/16 - 12	016 018 021	
<p>BREAKDOWN OF FITTING DESCRIPTION FOR O-RING SELECTION</p> <p>FITTING, ELBOW 90 DEG. - M#6 ORB X M#6 ORF</p> <p>TYPE M=MALE F=FEMALE DASH NO. O-RING BOSS O-RING FACE</p>			

**ROLLMAX
2400**



FIGURE 25

THIS PAGE LEFT BLANK INTENTIONALLY

ROLLMAX 2400

TUBE DISPENSER ASSEMBLY

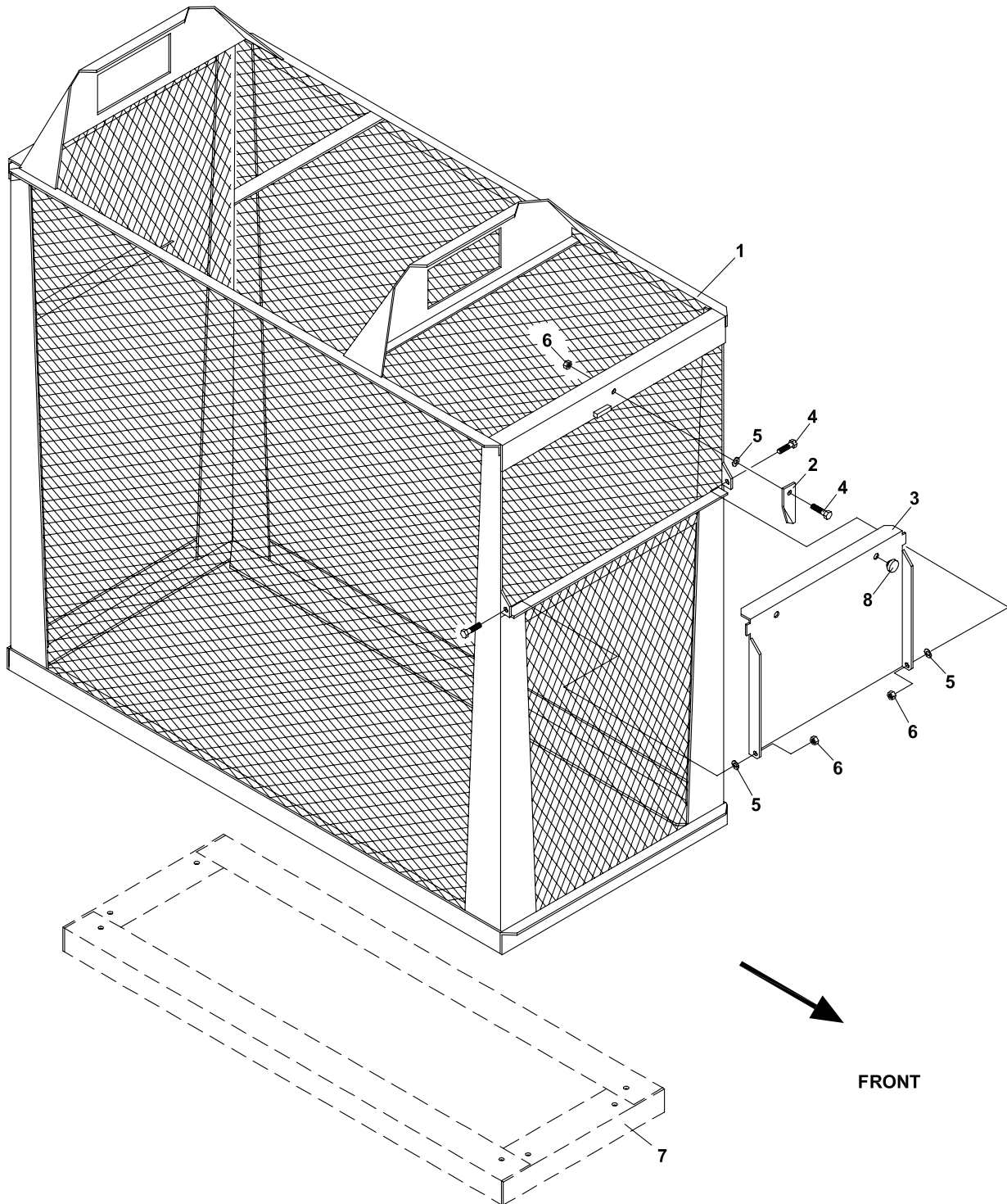
FIGURE 26

ITM	PART NO.	DESCRIPTION	QTY	ITM	PART NO.	DESCRIPTION	QTY
1	6109843.7	MOUNT-TUBE DISPENSER	1				
2	6109850.7	TUBE DISPENSER SUPPORT	1				
3	006295.7	HINGE PLATER	2				
4	006296.7	TUBE ROCKER	1				
5	006311.7	TUBE RELEASE (LH)	1				
6	006383.7	STOP, TUBE DISPENSER	1				
7	6109852.7	DISPENCER TRIP HANDLE	1				
8	006306.7	TUBE DISPENCER FRAME	1				
9	006307.7	PIVOT PLATE	1				
10	006301.7	SHAFT, TUBE RELEASE	1				
11	6109842.7	MOUNT-TUBE DISPENSER	1				
12	6109855.7	MOUNT-TUBE DISPENCER	1				
13	006275	ROD, TRIP	1				
14	85-SC10	SET COLLAR	1				
15	006303.7	TUBE RELEASE (RH)	1				
16	006302.7	PLATE, TUBE RELEASE	1				
17	64164-02	KEY 3/16X3/16X1 SQ	3				
18	43-006A	ROD END 3/8"	1				
19	41-066	SPRING, EXTENSION	1				
20	F2706	BOLT, EYE	1				
21	64025-04	NUT-3/8-24	4				
22	02-PP0313	PIN	4				
23	03-0610	CLEVIS PIN	3				
24	G8017	YOKE, CLEVIS	3				
25	64139-24	BLT-WLF 3/8-16 X 1	5				
26	64141-4	NUT-WLF 3/8-16	4				
27	006439	ROD, ADJUSTER	1				
28	03-0612	CLEVIS PIN	1				
29	99-K21	BOLT-5/16 X 7/8	4				
30	64141-6	NUT, 5/16-18	8				
31	64141-13	NUT WLF 1/2-13	2				
32	99-K20	BOLT, 5/16-18 X 3/4	4				
33	6109262.7	MOUNT, ADJ. PIPE	1				
34	64163-67	WASHER-.516X1X12	1				
35	G2501	PIN, HITCH CLIP	1				
36	6109844.7	MOUNT-TUBE DISPENSER	1				
37	99-K56	BOLT-1/2-13 X 1-1/2	2				

TUBE DISPENSER CAGE

ROLLMAX 2400

FIGURE 27



ROLLMAX 2400

TUBE DISPENSER CAGE

FIGURE 27

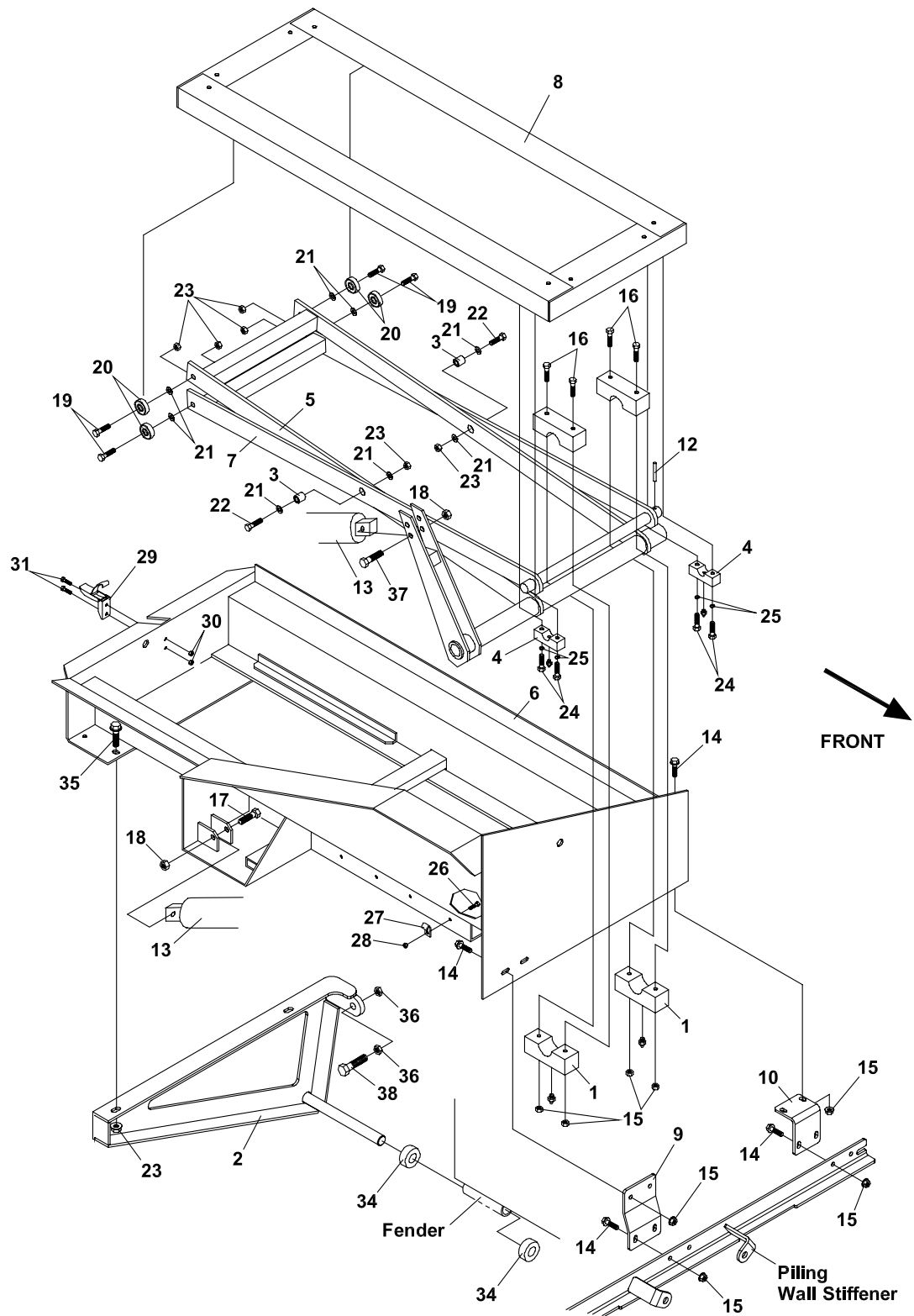
ITM	PART NO.	DESCRIPTION	QTY	ITM	PART NO.	DESCRIPTION	QTY
1	006374.7	CAGE FRAME	1				
2	006372.7	FRAME, LATCH	1				
3	006366.7	CAGE FRAME, DOOR	1				
4	64139-24	BLT-WLF 3/8-16 X 1	3				
5	64163-61	WSHR .81X.406X16	A/R				
6	F3013	LOCKNUT	3				
7	006432.7	LIFT PLATFORM	1				
8	810149	BUMPER, RUBBER	1				
*	006396	TUBE, SOD CORE	1				

* NOT ILLUSTRATED

TUBE DISPENSER PLATFORM

ROLLMAX 2400

FIGURE 28



ROLLMAX 2400

TUBE DISPENSER PLATFORM

FIGURE 28

ITM	PART NO.	DESCRIPTION	QTY	ITM	PART NO.	DESCRIPTION	QTY
1	006346	CLAMP	2				
	M0010	GREASE FITTING	1				
2	6109835.7	TUBE RACK REAR MOUNT	1				
3	006416	BUSHING, SCISSOR ARM	2				
4	006403	CLAMP, PLATFORM	2				
	M0010	GREASE FITTING	1				
5	006427.7	SCISSOR JACK (LH)	1				
6	006430.7	TUBE PLATFORM FRAME	1				
7	006431.7	SCISSORS JACK (RH)	1				
8	006432.7	LIFT PLATFORM	1				
9	6109821.7	MOUNT, TUBE RACK R F	1				
10	6109822.7	MOUNT, TUBE RACK L F	1				
11	64163-61	WSHR .81X.406X16	1				
12	02-RP0816	ROLL PIN	1				
13	37-025	ACTUATOR, LINEAR 12"	1				
14	64139-24	BLT-WLF 3/8-16 X 1	8				
15	64141-4	NUT-WLF 3/8-16	12				
16	64123-171	BOLT-HEX 3/8-16X3-1/2	4				
17	64123-72	BLT-HEX 1/2-13X2-1/2	1				
18	64229-05	LOCKNUT, 1/2-13	2				
19	64123-24	BLT-HEX 1/2-13X2	4				
20	B8020	BEARING, CAMROLL	4				
21	64163-67	WASHER-.516X1X12	8				
22	64123-117	BOLT-HEX 1/2-13X1-1/2	2				
23	64141-13	NUT WLF 1/2-13	6				
24	64123-87	BOLT-HEX 3/8-16X1-3/4	4				
25	64006-03	LOCKWASHER-3/8	4				
26	64139-04	BOLT-WLF 1/4-20X3/4	4				
27	11-015	WIRECLIP	4				
28	64141-2	NUT-WLF 1/4-20	4				
29	47-109	LATCH	1				
30	64229-10	NUT-NYLON INS #10-24	2				
31	64152-10	10-24X3/4 MACH SCREW	2				
32	64123-75	BOLT, 3/8-16X3	1				
33	56-011	RUBBER, 1/8 X 1/2"	1				
34	85-SC16	SET COLLAR	2				
35	64139-22	BLT-WLF 1/2-13X1	2				
36	99-E06	JAM NUT, 5/8-11	2				
37	90-0818	BOLT,1/2-13 X 2-1/4	1				
38	90-1016	BOLT,5/8-11 X 2	1				

ROLLMAX 2400

NET WRAP DISPENSER (A)

FIGURE 29

ITM	PART NO.	DESCRIPTION	QTY	ITM	PART NO.	DESCRIPTION	QTY
1	64141-13	NUT WLF 1/2-13	4	41	64229-04	S LCK NUT-NYLN 7/16-14	2
2	006772.7	SUPPORT, NETTING SIDE LH	1	42	006744.7	SHIELD, NET ROLLER	1
3	006441.7	BRKT-NETTING SOLENOID	1	43	006859	PIN, SPRING	1
4	35-051	SOLENOID MODULE	1	44	64001-8	NUT-HEX JAM,1/2-13	4
5	64229-10	NUT-NYLON INS #10-24	2	45	64123-70	BOLT-HEX 3/8-16X1-1/2	2
6	64152-10	10-24X3/4 MACH SCREW	2	46	64141-4	NUT-WLF 3/8-16	4
7	64139-02	BLT-WLF 1/4-20X1/2	4	47	99-A10	LOCKNUT-5/8-11	2
8	64141-2	NUT-WLF 1/4-20	4	48	006773.7	SUPPORT, NETTING SIDE RH	1
9	006449	ASSY-NETTING SOL WIRE	1	49	99-B52	WASHER	2
10	F2055	WASHER	1				
11	64025-23	NUT-HEX 1/4-28	1				
12	43-Y0404F	YOKE	1				
13	03-0612	CLEVIS PIN	1				
14	64140-1	COTTER PIN	1				
15	41-093	SPRING	1				
16	006784.7	SPACER, NETTING COVER	2				
17	006450.7	NETTING BREAK LEVER	1				
18	90-0714	BOLT,7/16-14 X 1-3/4	2				
19	90-0716	BOLT, 7/16 UNC X 2	2				
20	006525	RUBBER FLAP MOUNT	1				
21	64229-05	LOCKNUT, 1/2-13	2				
22	F5018	NUT-1/2-13	1				
23	64163-67	WASHER-.516X1X12	5				
24	02-CP0508	COTTER PIN	5				
25	006565.7	SPACER	6				
26	006246.7	ROLLER SPACER	4				
27	B2025	BEARING	4				
28	006241	ROLLER COVER	2				
29	006247	TUBE, NET ROLLER	2				
30	006244	ROLLER SUPPORT	1				
31	006745.7	BRAKE, LOWER NETTING	1				
32	85-K0206	KEY, SQUARE 1/8 x 3/4	1				
33	006242.7	NET SUPPORT	2				
34	90-1014	BOLT, 5/8-11 X 1-3/4	2				
35	006523.7	ROD, NETTING BRAKE	1				
36	006500.7	ROLLER SUPPORT	1				
37	006527	FLAP, RUBBER	1				
38	99-K70	BOLT, 1/4-20 X 1/2 BH	4				
39	01-047	SCREW-10X1/2	4				
40	99-B27	WASHER	4				

ROLLMAX 2400

NET WRAP DISPENSER (B)

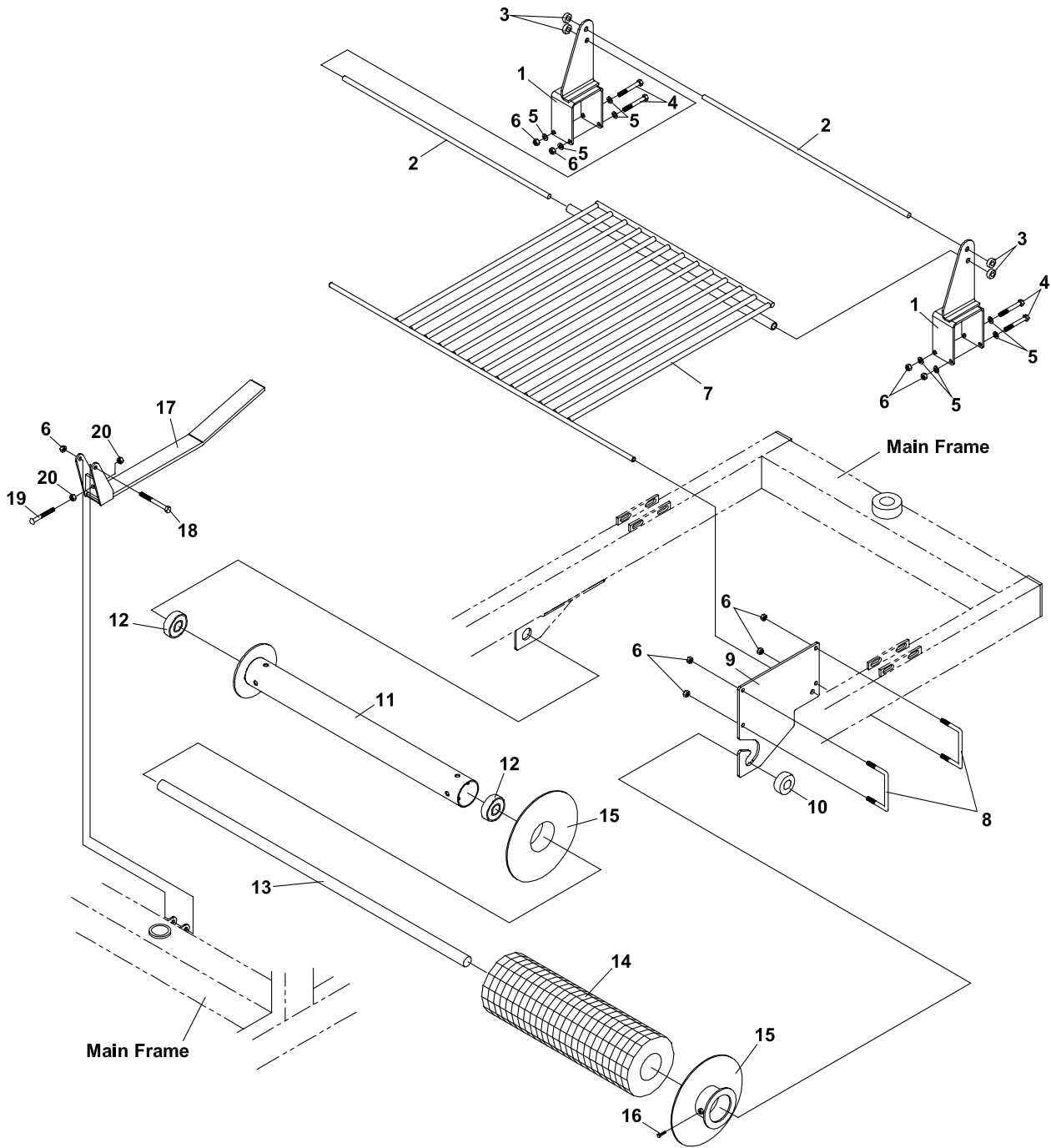
FIGURE 30

ITM	PART NO.	DESCRIPTION	QTY	ITM	PART NO.	DESCRIPTION	QTY
1	006653.7	BLADE-RIGHT HAND	1				
2	6109281.7	BRACKET-KNIFE	1				
3	99-K20	BOLT-5/16-18 X 3/4	2				
4	64141-6	NUT5/16-18	2				
5	99-K12	BOLT-3/8-16 X 1	2				
6	64141-4	NUT-WLF 3/8-16	2				
7	006673.7	DUMP CONVEYOR	1				
8	64163-61	WSHR .81X.406X16	3				
9	64229-03	LOCKNUT-3/8-16	1				
10	006846.7	BRAKE & SOLENOID MOUNT	1				
11	6111201	BRAKE ASSY-RH	1				
12	64123-39	BOLT-HEX 1/2-13X1-1/4	1				
13	64229-05	LOCKNUT-1/2-13	1				
14	64139-04	BOLT-WLF 1/4-20X3/4	4				
15	64152-10	10-24X3/4 MACH SCREW	1				
16	01-046	SCREW-10-24 X 1-1/4	1				
17	64141-2	NUT-WLF 1/4-20	6				
18	64123-98	BLT-HEX 1/4-20X2-1/2	2				
19	85-SC04	SET COLLAR-1/4"	1				
20	11-016	WIRE CLIP	1				
21	64229-10	NUT-10-24	2				
22	90-0604	BOLT-3/8-16 X 1/2	1				
23	006847	ASSY-LWR NETNG SOL	1				
24	99-B35	WASHER-FENDER 1/4"	1				
25	64025-23	NUT-HEX 1/4-28	1				
26	03-0408	CLEVIS PIN, 1/4 X 1	1				
27	41-093	SPRING	1				
28	64123-16	BLT-HEX 3/8-16X1-1/4	1				
29	006827	ARM-LWR NETTING BRAKE	1				
30	64140-12	COTTER PIN	1				
31	43-Y0404F	YOKE	1				
32	006001.7	MAIN FRAME	1				
33	006842.7	TUBE CLAMP	1				
34	006840	LOWER NETTING ROD	1				
35	64229-01	LOCKNUT-1/4-20	2				
36	85-SC18A	SET COLLAR	1				
37	01-016	SCREW-10-24 X 1	2				
38	64163-60	WSHR.50X.203X18	1				
39	6109239.7	MOUNT-REAR TAKE UP	1				
40	35-051	SOLENOID MODULE	1				
41	4160601	MOUNTING BRACKET	1				
42	4160602	CLAMP BAR	1				
43	4160607	TOGGLE CLAMP	1				
44	F040654	BOLT 3/8 UNC X 5 1/2 GR.8	2				
45	F210600	LOCKNUT 3/8 UNC	2				
46	F040406	BOLT 1/4 UNC X 3/4 GR.8	4				
47	F310400	LOCKWASHER 1/4	4				

NET WRAP DISPENSER (C)

ROLLMAX 2400

FIGURE 31



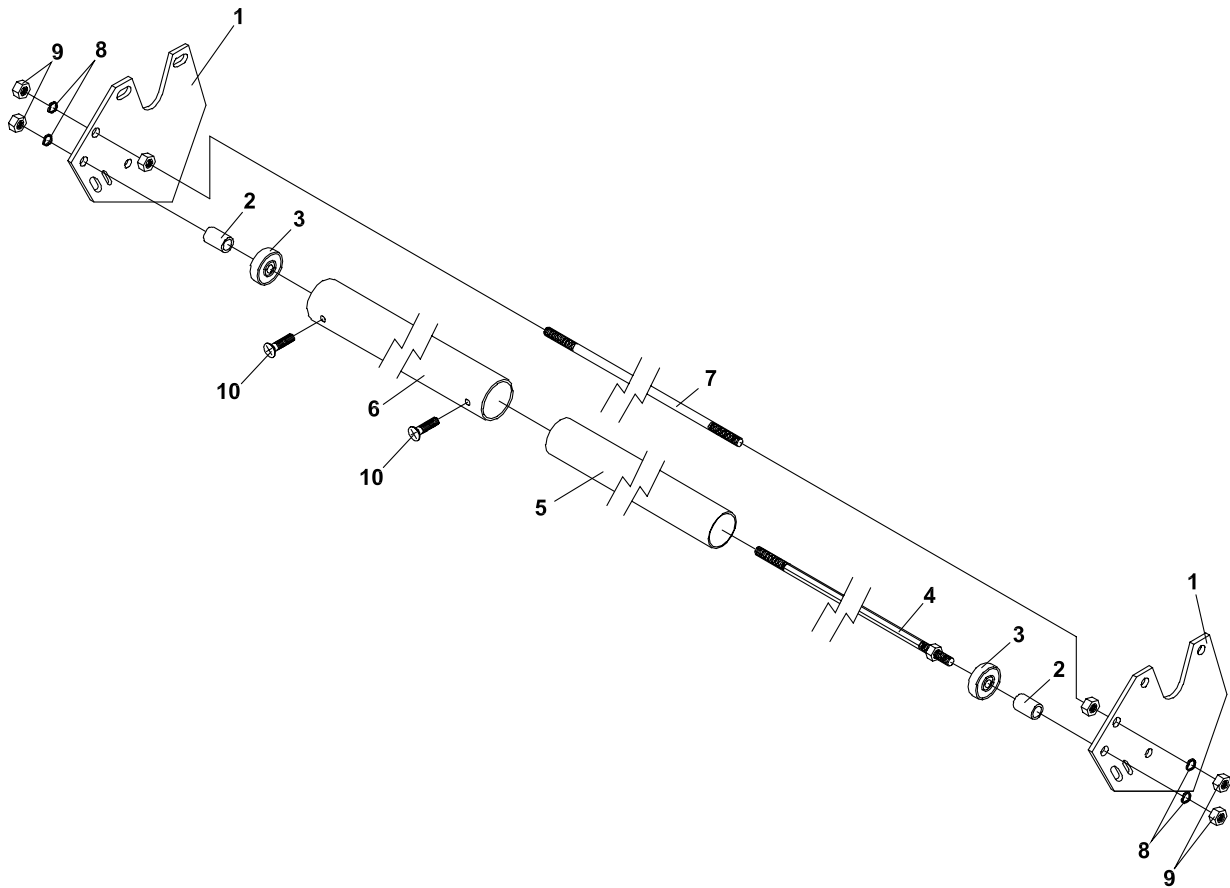
ROLLMAX 2400

NET WRAP DISPENSER (C)

FIGURE 31

ITM	PART NO.	DESCRIPTION	QTY	ITM	PART NO.	DESCRIPTION	QTY
1	006843.7	LWR NETTING GRD MNT	2				
2	006844	ROD-LWR NETTING GUIDE	2				
3	43067A	SET COLLAR	4				
4	64123-93	BLT-HEX 3/8-16X5	4				
5	64163-61	WSHR .81X.406X16	8				
6	64229-03	LOCKNUT-3/8-16	9				
7	006813.7	GUARD-LOWER NET	1				
8	99-K99	U-BOLT	2				
9	006814.7	PLATE-NETTING SIDE	1				
10	85-SC18A	SET COLLAR	1				
11	006845	NETTING SPINDLE	1				
12	55-108	BEARING	2				
13	006832	ROD-LOWER NETTING	1				
14	5990230	NETTING-SOD WRAP	1				
15	006612.7	COLLAR-NET RETAINING	2				
16	64123-16	BLT-HEX 3/8-16X1-1/4	1				
17	006837.7	LOWER NETTING DRAG BAR	1				
18	64123-75	BOLT-3/8-16X3	1				
19	F3108	BOLT-CRG 3/8-16 X 3	1				
20	64141-4	NUT-WLF 3/8-16	2				

FIGURE 32



ROLLMAX 2400

NET WRAP OPTION

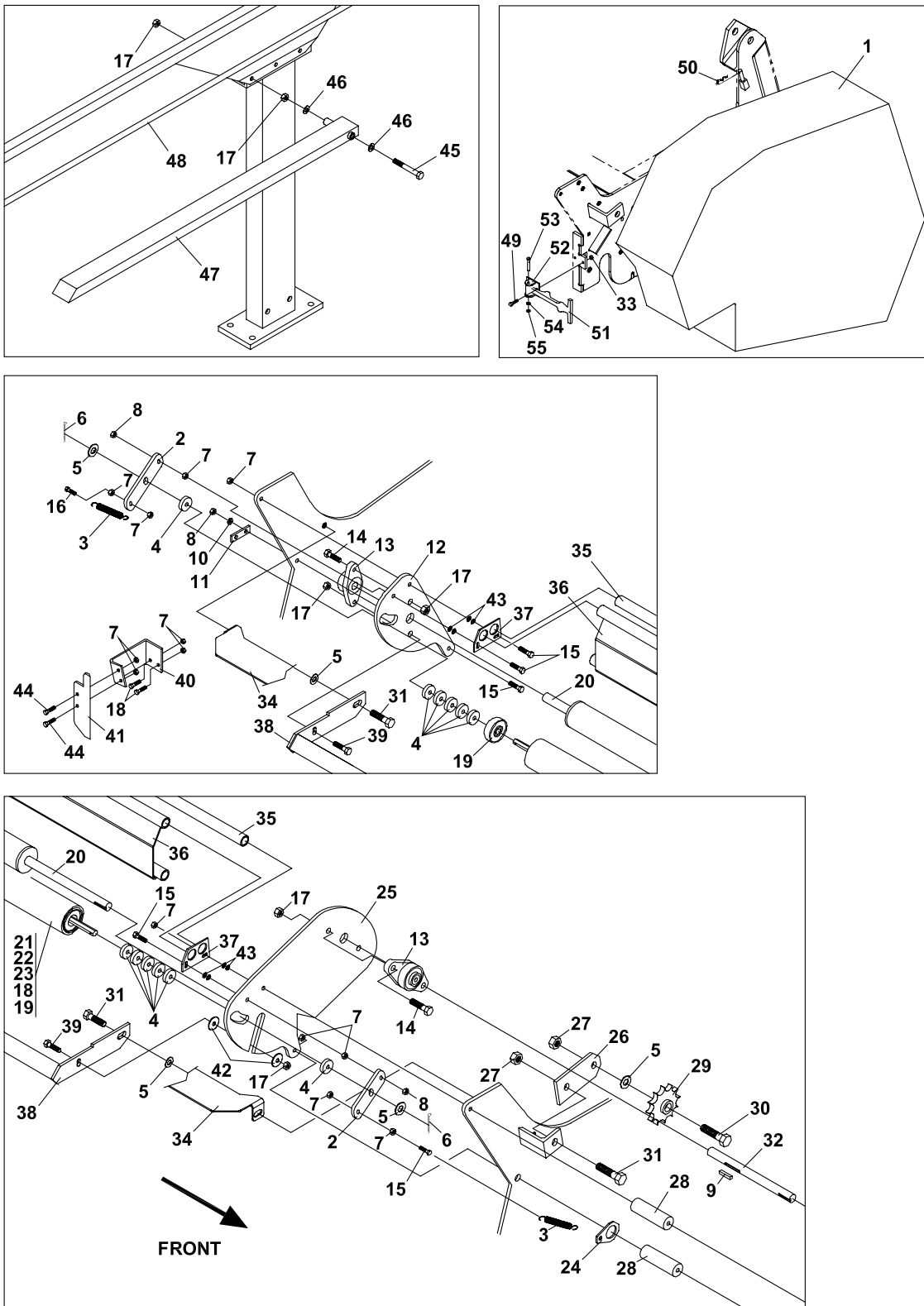
FIGURE 32

ITM	PART NO.	DESCRIPTION	QTY	ITM	PART NO.	DESCRIPTION	QTY
1	006160.7	PLATE-NON-NET SIDE	2				
2	006246	ROLLER SPACER	2				
3	B2025	BEARING	2				
4	006500	ROLLER SUPPORT	1				
5	006247	TUBE-NET ROLLER	1				
6	006241	ROLLER COVER	1				
7	006242.7	NET SUPPORT	1				
8	64006-05	LOCKWASHER-1/2	4				
9	64025-09	NUT-1/2-13	6				
10	01-047	SCREW-10X1/2	2				

OPTIONAL TOP NETTING ATTACHMENT (A)

ROLLMAX 2400

FIGURE 33



ROLLMAX 2400

OPTIONAL TOP NETTING ATTACHMENT (A)

FIGURE 33

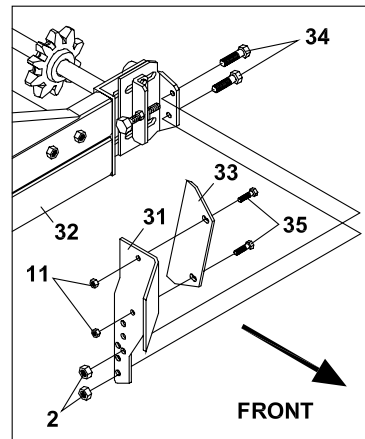
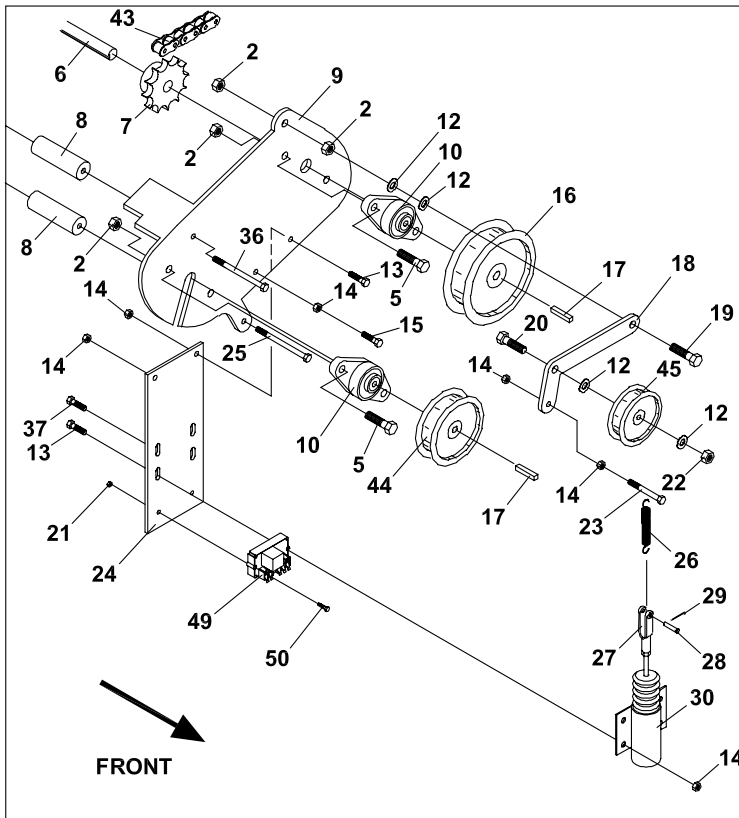
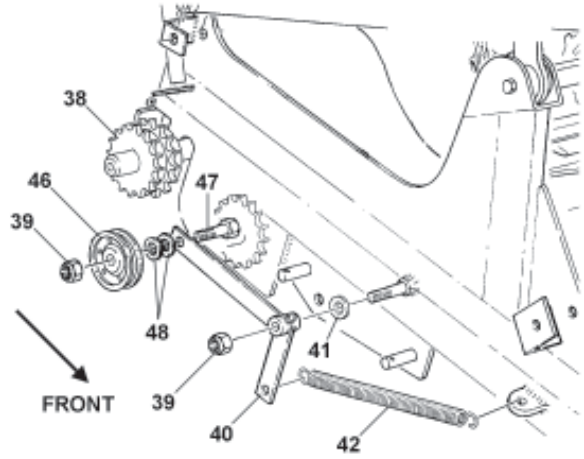
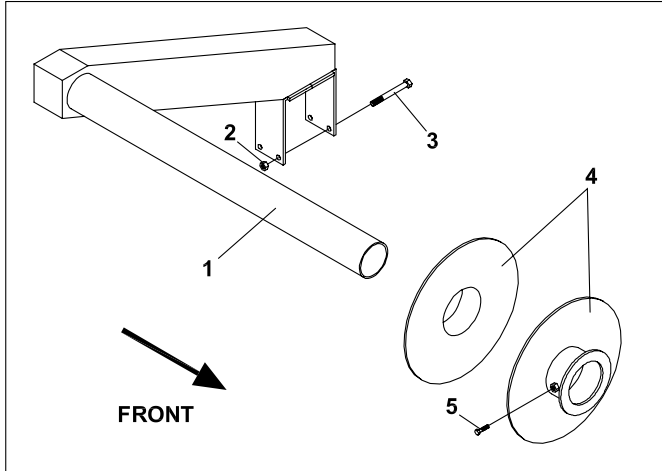
ITM	PART NO.	DESCRIPTION	QTY	ITM	PART NO.	DESCRIPTION	QTY
1	006632.6	TOP NETTING SHIELD	1	41	006655.7	BLADE-LH NETTING CUT OFF 1	1
2	006609.7	ARM-ROLLER PIVOT	2	42	64-799	WASHER-13/32 ID X 1-9/32	2
3	41-020	SPRING	2	43	453023	FLATWASHER-1/4	8
4	99-B12	SPACER	12	44	99-K77	BOLT-1/4 X 5/8	2
5	64163-67	WASHER-.516X1X12	5	45	64123-173	BLT-HEX 3/8-16X4-1/2	1
6	02-CP0508	COTTER PIN	2	46	64163-61	WSHR-.81 X .406 X 16	2
7	64141-2	NUT-WLF 1/4-20	12	47	6109294	BRAKE-TOP NETTING	1
8	64229-01	LOCKNUT-1/4-20	3	48	015958.7	FRAME-FRONT CANOPY RH	1
9	64164-02	KEY-3/16X3/16X1 SQ	1	49	64152-10	MACH SCREW-10-24X3/4	2
10	64163-03	WSHR-.256ID X.62OD X 18	1	50	G2510	PIN-HITCH CLIP	3
11	006618.7	MNT-LFT SIDE SPRING	1	51	G8115	HANDLE	1
12	006606.7	MNT-NET DRIVE RLR (LH)	1	52	G8116	BRACKET	1
13	55-YCJT10	BEARING	2	53	G8117	STUD	1
*	29-010	GREASE FITTING	1	54	64163-60	WSHR.50X.203X18	1
14	64139-24	BLT-WLF 3/8-16 X 1	4	55	G8119	RETAINER	1
15	99-K51	BOLT-1/4-20 X 1-1/4	4	*	30-300	CLAMP-ADHESIVE BACKED	5
16	99-K27	BOLT-1/4-20 X 1	1	*	56-RC40	CHAIN-ROLLER #40 4.3'	1
17	64141-4	NUT-WLF 3/8-16	6	*	81-056	CONNECTOR LINK-#40	1
18	64139-04	BOLT-WLF 1/4-20X3/4	2				
19	B2025	BEARING	2				
20	006629	ROLLER-DRV SHFT ASSY	2				
21	006623	COVER-OVERSIZED ROLLER	1				
*	01-047	SCREW-10X1/2	4				
22	006247	TUBE-NET ROLLER	1				
23	006244	ROLLER SUPPORT	1				
24	006617.7	MNT-RIGHT SIDE SPRING	1				
25	006608.7	MNT-INNER NET DRV RLR	1				
26	006621.7	MOUNT-IDLER	1				
27	64141-13	NUT WLF 1/2-13	4				
28	006613.7	SPACER-NET DRIVE	2				
29	83-4017E08	IDLER SPROCKET	1				
30	99-K56	BOLT-1/2-13 X 1-1/2	1				
31	64139-22	BLT-WLF 1/2-13X1	3				
32	006614	SHAFT-NET DRIVE	1				
33	64229-10	NUT-10-24	2				
34	006748.7	GUIDE-NETTING	1				
35	006644	GUIDE-TOP NETTING UPPER	1				
36	006742.6	SHIELD-TOP NET ROLLER	1				
37	006647.7	PLATE-TOP NET RLR MTG	2				
38	006749.7	GUIDE-NETTING	1				
39	64123-70	BOLT-HEX 3/8-16X1-1/2	2				
40	006654.7	BRKT-LH NETTING BLD MTG	2				

* NOT ILLUSTRATED

OPTIONAL TOP NETTING ATTACHMENT (B)

ROLLMAX 2400

FIGURE 34



ROLLMAX 2400

OPTIONAL TOP NETTING ATTACHMENT (B)

FIGURE 34

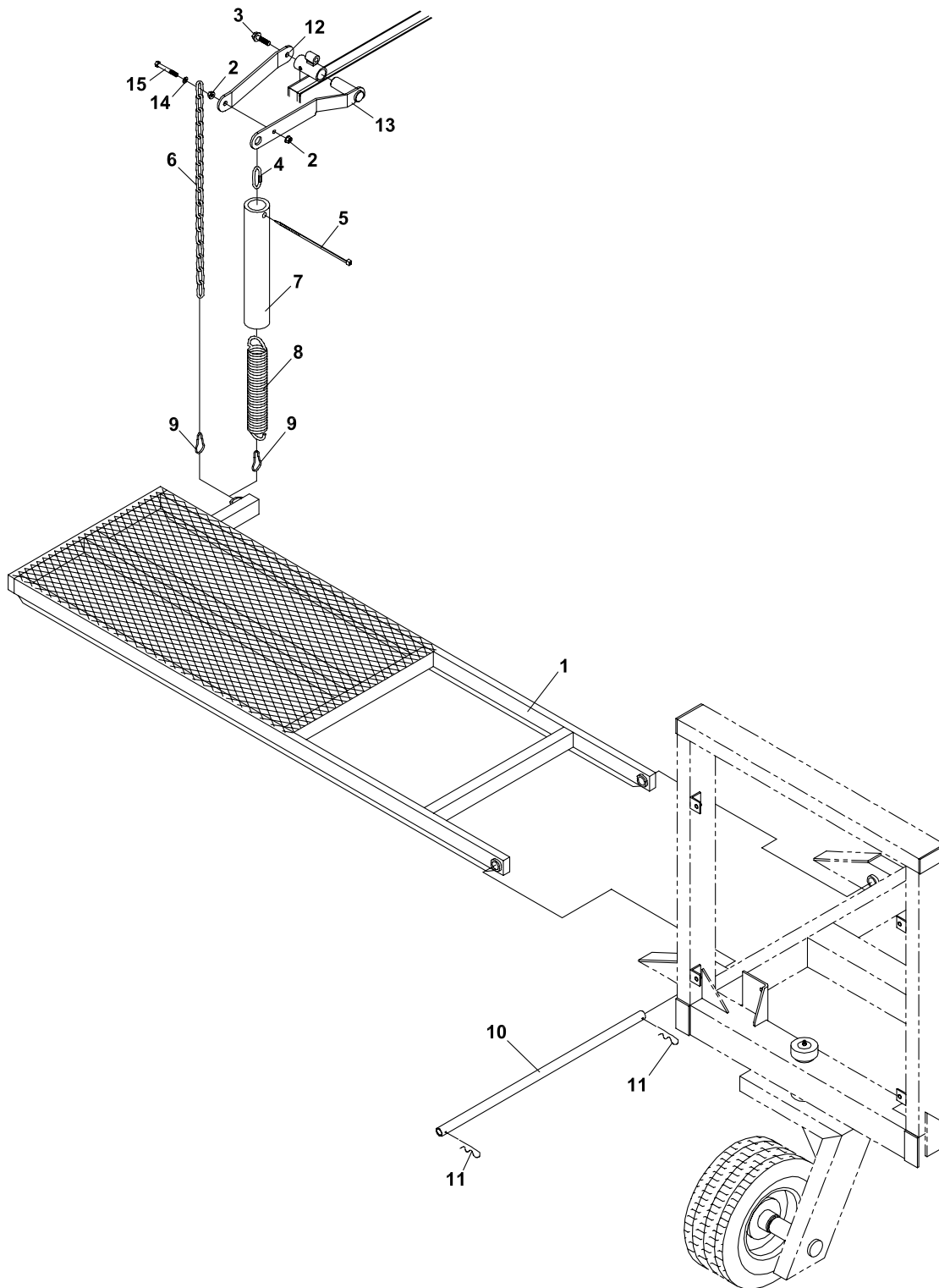
ITM	PART NO.	DESCRIPTION	QTY	ITM	PART NO.	DESCRIPTION	QTY
1	006594.7	NET MOUNTING WLDMT	1	43	56-RC40	CHAIN-ROLLER #40 53"	1
2	64141-4	NUT-WLF 3/8-16	8	44	83-BS4010	SHEAVE-BS40 5/8	1
3	64123-219	BOLT-HEX 3/8-16X6	2	45	83-016	IDLER PULLEY	1
4	006612.7	COLLAR-NET RETAINING	2	*	D2115	BELT-A31	1
5	64139-24	BLT-WLF 3/8-16 X 1	6				
6	006614	SHAFT-NET DRIVE	1	46	D2902	SHEAVE-BELT IDLER	1
7	83-H401110	SPROCKET-FIXED	1	47	64123-24	BLT-HEX 1/2-13X2	1
8	006613.7	SPACER-NET DRIVE	2	48	64163-67	WASHER-.516X1X12	2
9	006607.7	MNT-OUTER NET DRV RLR	1	49	35-051	SOLENOID MODULE	1
10	55-YCJT10	BEARING	2	50	64152-10	MACH SCREW-10-24X3/4	2
*	29-045	GREASE FITTING	2				
11	64141-6	NUT-5/16-18	2				
12	64163-61	WSHR-.81 X .406 X 16	4				
13	64139-04	BOLT-WLF 1/4-20X3/4	2				
14	64141-2	NUT-WLF 1/4-20	10				
15	64123-98	BLT-HEX 1/4-20X2-1/2	1				
16	83-BS6010	SHEAVE	1				
17	64164-02	WSR-.321/.328X.593/.608X11	2				
18	006620.7	ARM-IDLER	1				
19	64123-70	BOLT-HEX 3/8-16X1-1/2	1				
20	64123-67	BLT-HEX 3/8-16X2	1				
21	64229-10	NUT-10-24	2				
22	F3013	LOCKNUT	1				
23	64123-60	BOLT-1/4-20X2	1				
24	006622.7	MOUNT-SOLENOID	1				
25	64123-192	BLT-HEX 1/4-20 X 4-1/2	1				
26	41-013	SPRING	2				
27	43-Y0404F	YOKE END	1				
28	64188-06	PIN-CLEVIS	1				
29	G2510	PIN-HITCH CLIP	3				
30	006847	SOLENOID	1				
31	6109281.7	BRACKET-KNIFE	1				
32	006072.7	SUPT FRAME R CONVEYOR	1				
33	006653.7	BLADE-RIGHT HAND	1				
34	99-K12	BOLT-3/8-16 X 1	2				
35	99-K20	BOLT-5/16-18 X 3/4	2				
36	90-0440	BOLT-1/4-20 X 5	1				
37	64139-02	BLT-WLF 1/4-20X1/2	3				
38	D1116	SPROCKET	1				
39	F5018	NUT-1/2-13	2				
40	001375.7	ROLLUP DRIVE IDLER ARM	1				
41	99-B12	SPACER	1				
42	41-047	SPRING	1				

* NOT ILLUSTRATED

RAMP ASSEMBLY

ROLLMAX 2400

FIGURE 35



ROLLMAX 2400

RAMP ASSEMBLY

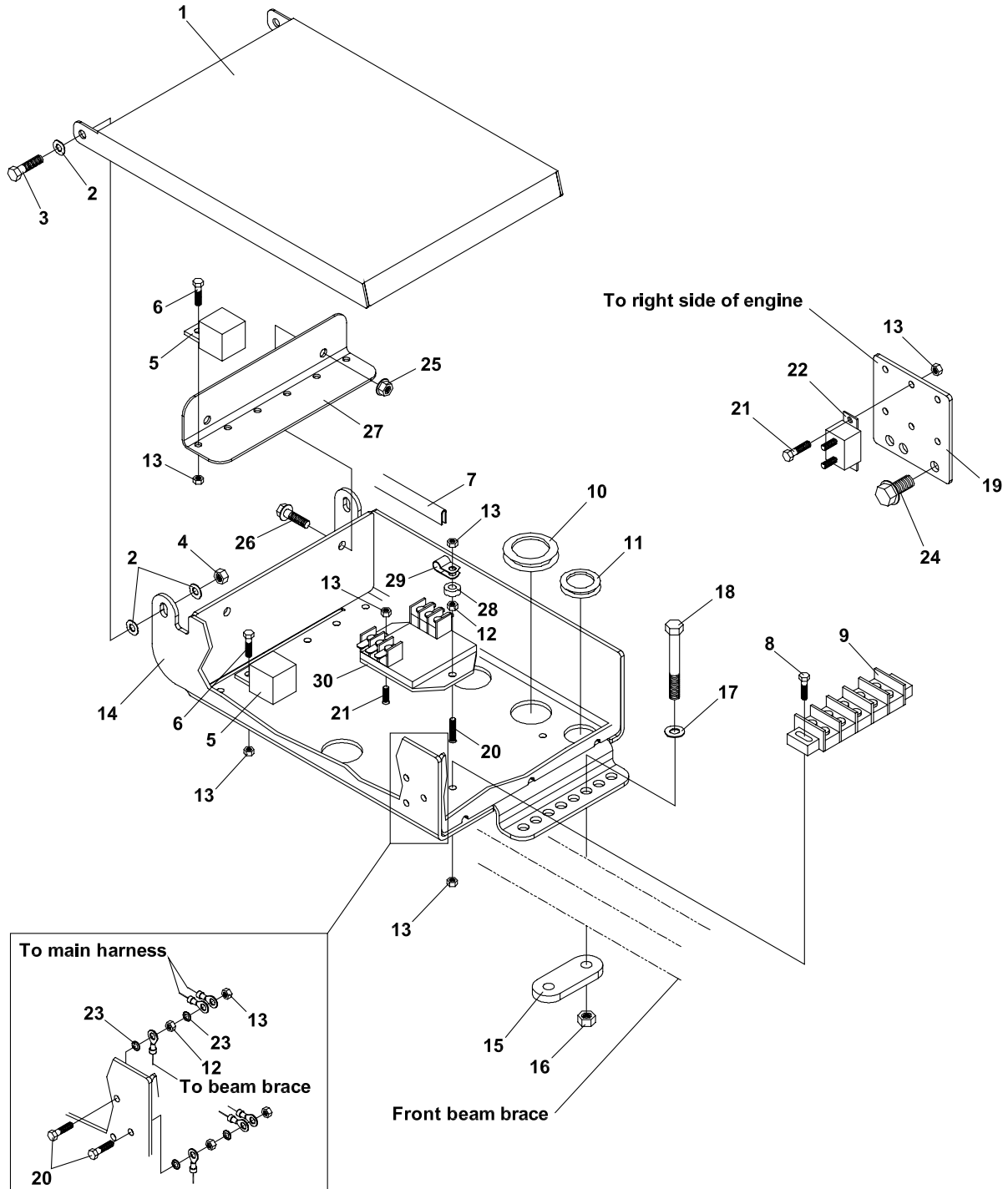
FIGURE 35

ITM	PART NO.	DESCRIPTION	QTY	ITM	PART NO.	DESCRIPTION	QTY
1	006263.7	RAMP	1				
2	64141-4	NUT-WLF 3/8-16	2				
3	64139-22	BLT-WLF 1/2-13X1	1				
4	81-090	CHAIN CONNECTOR	1				
5	G8002	WIRE TIE	1				
6	006270	CHAIN-30" RAMP	1				
7	006241	ROLLER COVER	1				
8	41-078	SPRING	1				
9	45-045	SPRING SNAP HOOK	2				
10	006269.7	TUBE-PIVOT RAMP	1				
11	G2501	PIN-HITCH CLIP	2				
12	6109846.7	MNT-RAMP SPRING LFT SIDE	1				
13	6109848.7	RAMP SPRING MOUNT	1				
14	64163-61	WSHR .81X.406X16	1				
15	64123-67	BLT-HEX 3/8-16X2	1				

ELECTRICAL BOX BREAKER MOUNT

ROLLMAX 2400

FIGURE 36



ROLLMAX 2400

ELECTRICAL BOX BREAKER MOUNT

FIGURE 36

ITM	PART NO.	DESCRIPTION	QTY	ITM	PART NO.	DESCRIPTION	QTY
1	4139035.7	LID-TOOLBOX	1				
2	64163-03	WSHR-.256ID X.62OD X 18	6				
3	64123-89	BOLT-HEX 1/4-20X3/4	2				
4	64229-01	LOCKNUT-1/4-20	2				
5	35-067	RELAY-SEALED PLASTIC	2				
6	64152-06	MACH SCREW-10-24X1/2	6				
7	56-027	TRIM LOC 3'	1				
8	64152-10	MACH SCREW-10-24 X 3/4	2				
9	30-401	TERMINAL BLOCK-6 GANG	1				
10	05-033	GROMMET	4				
11	05-032	GROMMET	1				
12	64025-15	NUT-HEX #10-24	3				
13	64229-10	NUT-NYLON INS #10-24	17				
14	6109505.7	ELECTRIC BOX	1				
15	6109497.7	MOUNT-ELECTRICAL BOX	2				
16	64229-02	LOCKNUT-5/16-18	4				
17	64163-04	WASHER-25/64X5/8X16	4				
18	64123-64	BLT-HEX 5/16-18X2-1/4	4				
19	4138995.7	MOUNT-BREAKER	1				
20	01-016	SCREW-MACHINE 10-24 X 1	3				
21	F0330	SCREW-10-24 X 3/4	7				
22	30-114	BREAKER-20 AMP	3				
23	64002-02	LOCKWASHER	4				
24	99-K61	BOLT-3/8-16 X 1/2	2				
25	64141-2	NUT-WLF 1/4-20	2				
26	64139-02	BLT-WLF 1/4-20X1/2	2				
27	6109546.7	MOUNT-RELAY	1				
28	85-SC04	SET COLLAR	1				
29	11-019	WIRE CLIP	1				
30	35-051	SOLENOID MODULE	1				

FIGURE 37

ITM	PART NO.	DESCRIPTION	QTY	ITM	PART NO.	DESCRIPTION	QTY
1	30-400	WIRE-GROUND	1				
2	KE30046	GROUND BUSS - 12 PIN	1				
3	KE30058	PLUG - 6 WAY	2				
4	KE30057	RECEPTACLE - 6 WAY	2				
5	KE80031	80A BREAKER	1				
6	KE80030	RELAY - 85 AMP. 12V.	1				
7	35-067	RELAY	2				
8	KE30070	RECEPTACLE - 12 WAY	1				
9	KE80026	BREAKER - 4 AMP	1				
10	31-021	SWITCH-ROCKER ON-OFF	1				
11	J1005	TERMINAL BLOCK-FLEXIBLE	1				
12	KE30069	PLUG - 12 WAY	1				
13	KE80028	BREAKER - 20 AMP	1				
14	A500147	E-STOP ASSEMBLY	1				
15	33-028	FLASHER - SAFETY	1				

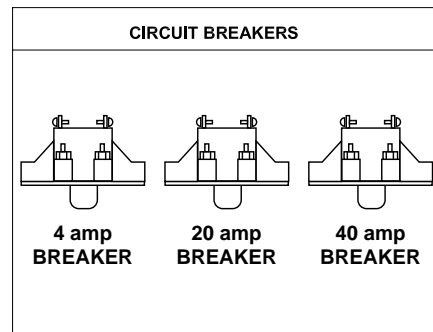
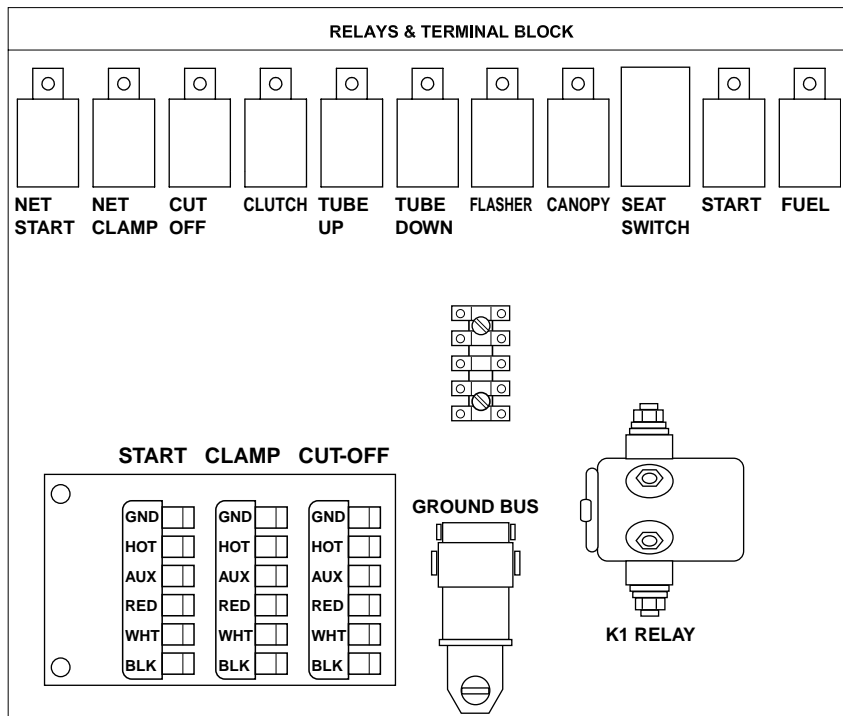
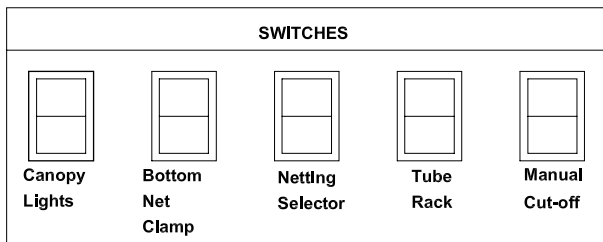
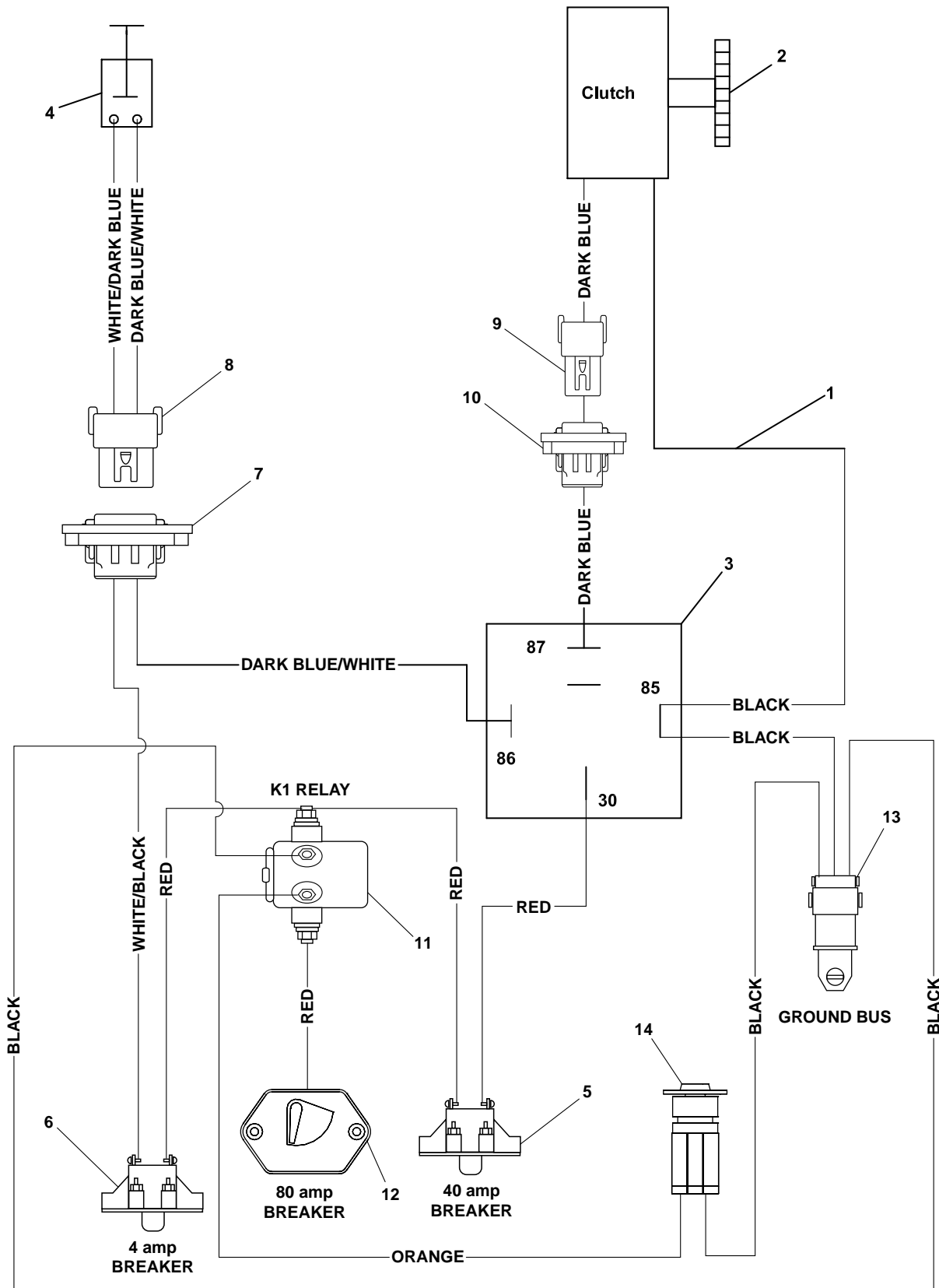


FIGURE 38



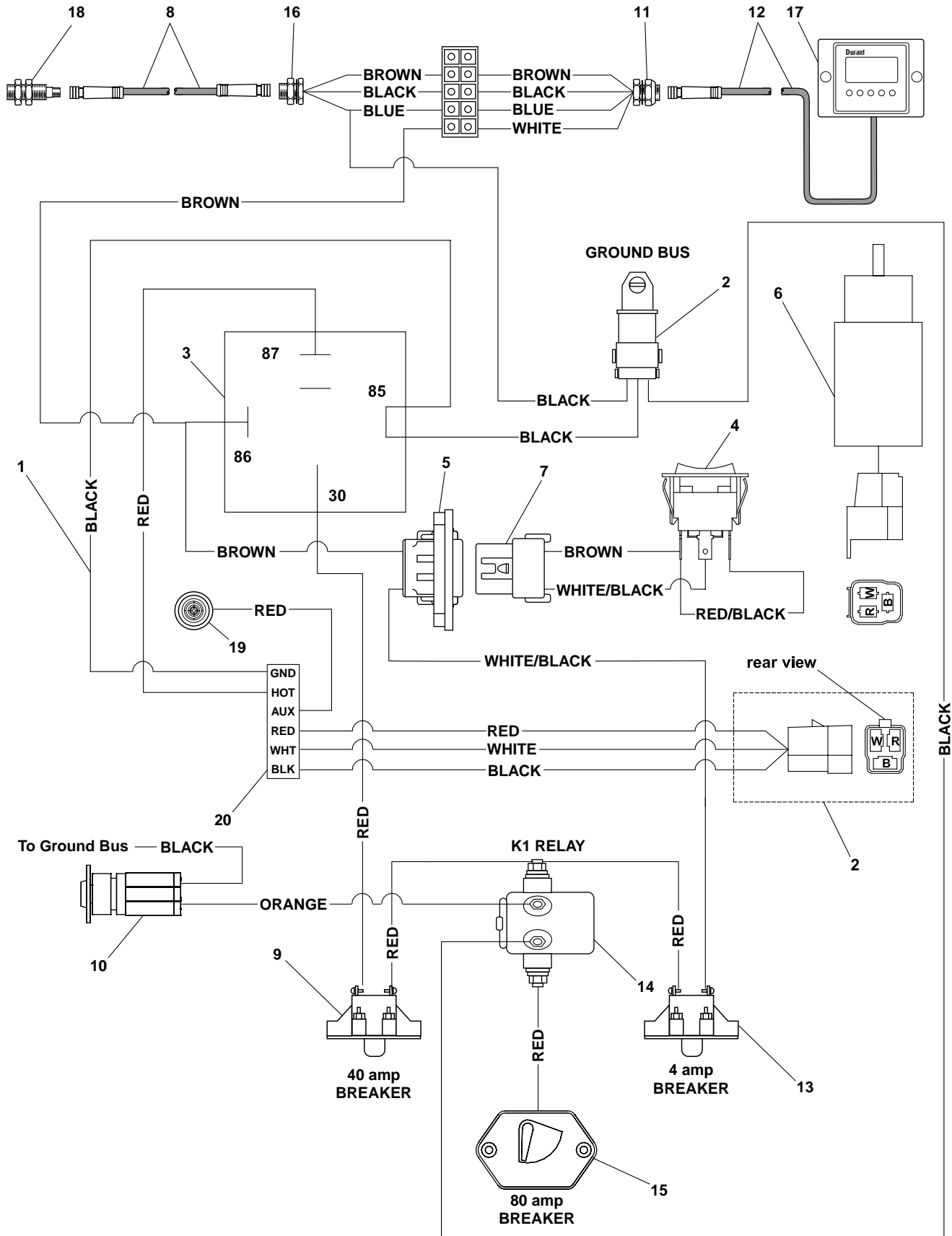
ROLLMAX 2400

ELECTRICAL SCHEMATIC / CLUTCH

FIGURE 38

ITM	PART NO.	DESCRIPTION	QTY	ITM	PART NO.	DESCRIPTION	QTY
1	30-407	WIRE HARNESS-CLUTCH	1				
2	35-076	CLUTCH	1				
3	35-067	RELAY	1				
4	006436	ASSY-CLUTCH SWITCH	1				
5	KE80029	BREAKER - 40 AMP	1				
6	KE80026	BREAKER - 4 AMP	1				
7	KE30070	RECEPTACLE - 12 WAY	1				
8	KE30069	PLUG - 12 WAY	1				
9	KE50058	PLUG - 6 WAY	1				
10	KE30057	RECEPTACLE - 6 WAY	1				
11	KE80030	RELAY - 85 AMP. 12 V.	1				
12	KE80031	80A BREAKER	1				
13	KE30046	GROUND BUSS - 12 PIN	1				
14	A500147	E-STOP ASSEMBLY	1				

FIGURE 39



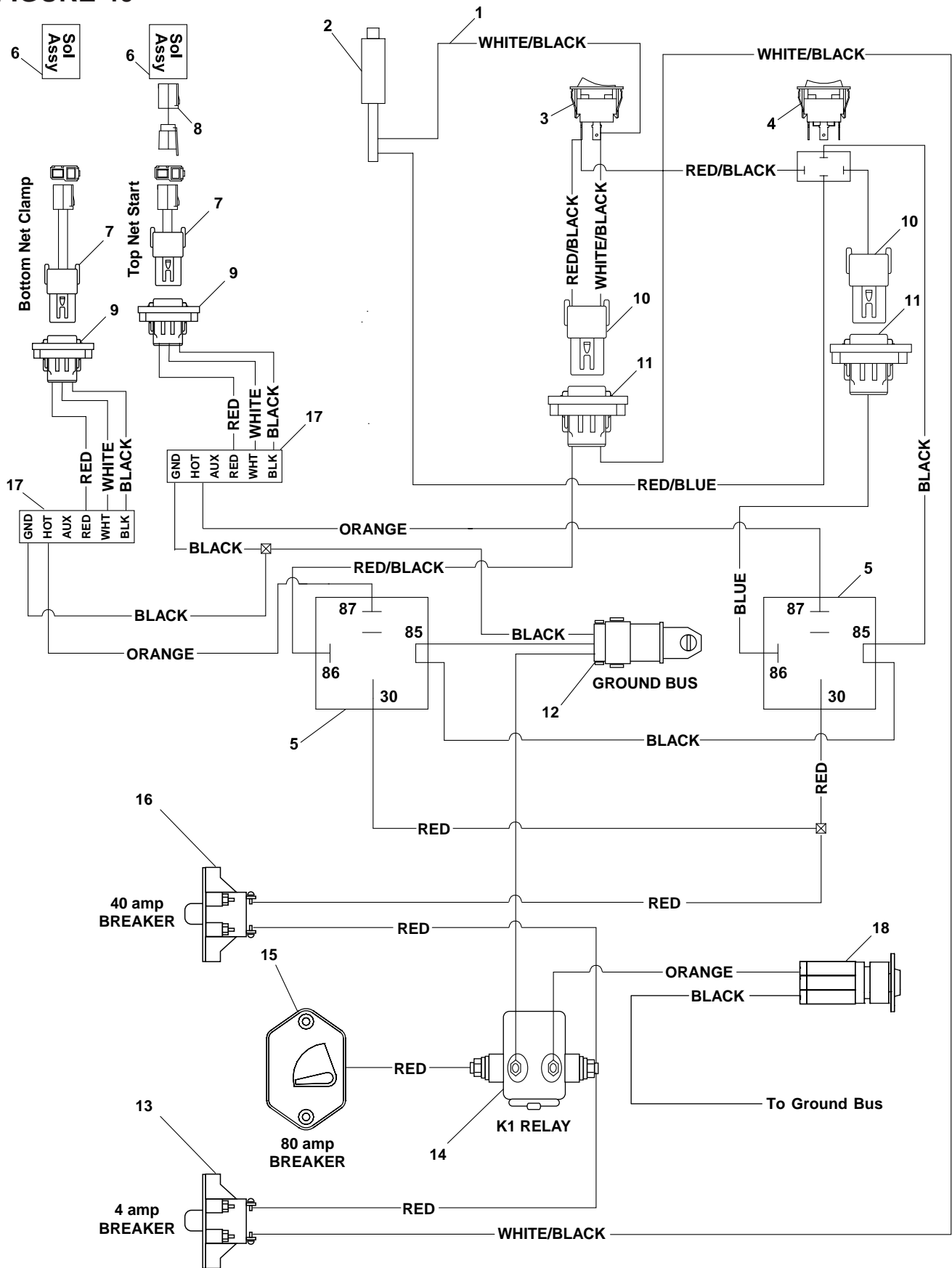
ROLLMAX 2400

ELECTRICAL SCHEMATIC/MANUAL CUT-OFF

FIGURE 39

ITM	PART NO.	DESCRIPTION	QTY	ITM	PART NO.	DESCRIPTION	QTY
1	30-409	WIRE HARNESS	1				
2	KE30046	GROUND BUSS - 12 PIN	1				
3	35-067	RELAY	1				
4	31-072	SWITCH-ROCKER	1				
5	KE30070	RECEPTACLE - 12 WAY	1				
6	006437	ASSY CUT OFF SOLENOID	1				
7	KE30069	PLUG - 12 WAY	1				
8	KE60143	CABLE - BLKHD. TO SNSR.	1				
9	KE80029	BREAKER - 40 AMP	1				
10	A500147	E-STOP ASSEMBLY	1				
11	KE60103	BULKHEAD	1				
12	KE60153	CABLE - BLKHD. TO CNTR.	1				
13	KE80026	BREAKER - 4 AMP	1				
14	KE80030	RELAY - 85 AMP. 12 V.	1				
15	KE80031	80A BREAKER	1				
16	KE60106	BULKHEAD	1				
17	KE10123	COUNTER	1				
18	KE10155	PROXIMITY SENSOR	1				
19	KE10161	BEEPER	1				
20	35-051	SOLENIOD MODULE	1				

FIGURE 40



ITM	PART NO.	DESCRIPTION	QTY	ITM	PART NO.	DESCRIPTION	QTY
1	30-410	WIRE HARNESS-NETTING	1				
2	006438	NETTING CLAMP SWITCH	1				
3	31-021	SWITCH-ROCKER 2 POS	1				
4	31-028	SWITCH-ROCKER 3 POS	1				
5	35-067	RELAY	3				
6	006449	NETTING SOLENOID WIRE	2				
7	KE30058	PLUG - 6 WAY	2				
8	30-321	WIRE HARNESS	1				
9	KE30057	RECEPTACLE - 6 WAY	1				
10	KE30069	PLUG - 12 WAY	1				
11	KE30070	RECEPTACLE - 12 WAY	1				
12	KE30046	GROUND BUSS - 12 PIN	1				
13	KE80026	BREAKER - 4 AMP	1				
14	KE80030	RELAY - 85 AMP. 12 V.	1				
15	KE80031	80A BREAKER	1				
16	K380029	BREAKER - 40 AMP	1				
17	35-051	SOLENOID MODULE	2				
18	A500147	E-STOP ASSEMBLY	1				

ROLLMAX 2400

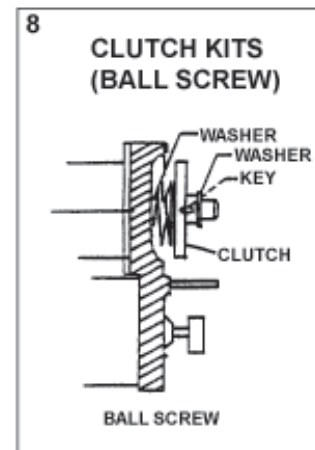
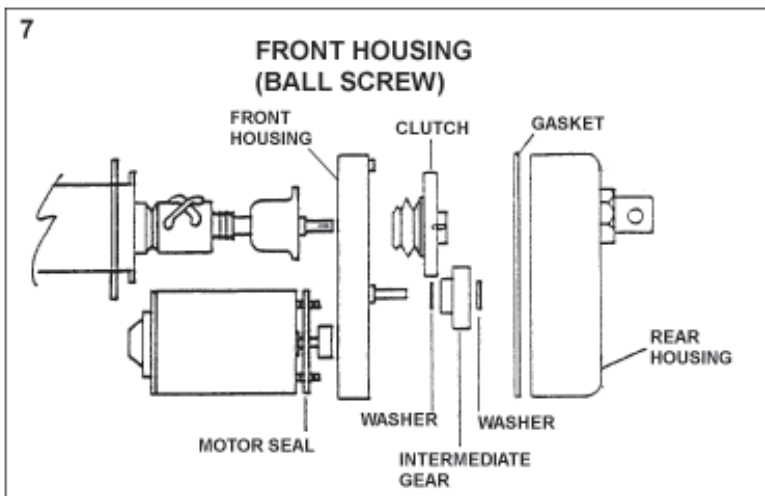
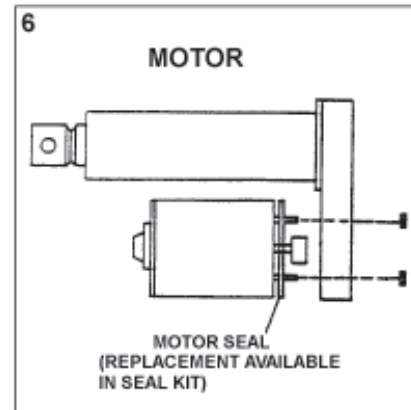
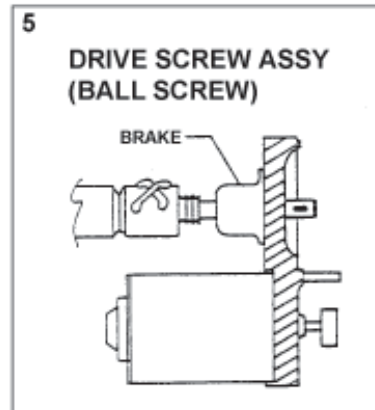
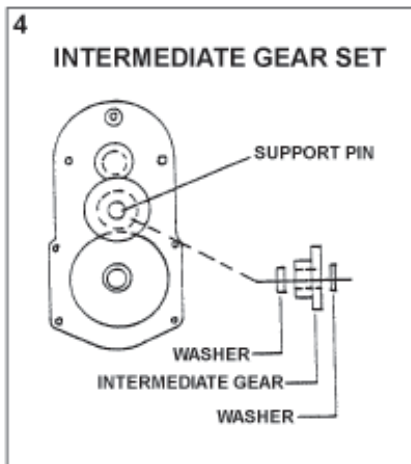
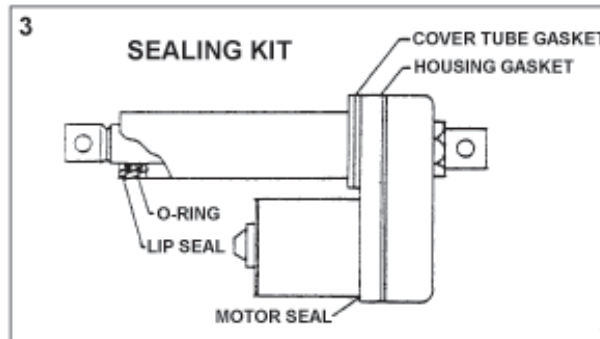
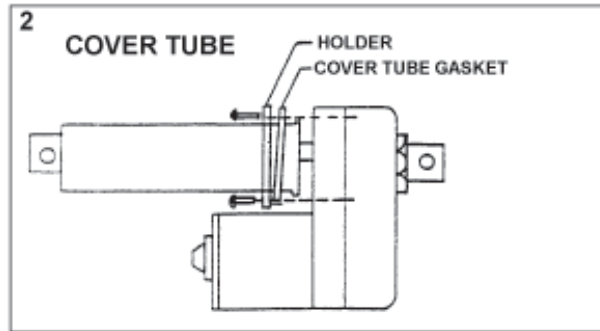
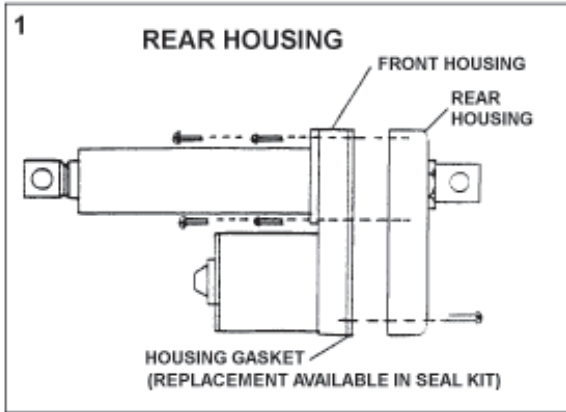
ELECTRICAL SCHEMATIC / TUBE RACK

FIGURE 41

ITM	PART NO.	DESCRIPTION	QTY	ITM	PART NO.	DESCRIPTION	QTY
1	30-408	WIRE HARNESS	1				
2	* 37-025	ACTUATOR LINEAR 12"	1				
3	31-072	SWITCH-ROCKER	1				
4	35-067	RELAY	2				
5	KE30069	PLUG - 12 WAY	1				
6	KE30070	RECEPTACLE - 12 WAY	1				
7	KE80026	BREAKER - 4 AMP	1				
8	KE80029	BREAKER - 40 AMP	1				
9	KE30058	PLUG - 6 WAY	1				
10	KE30057	RECEPTACLE - 6 WAY	1				
11	KE80030	RELAY - 85 AMP. 12 V.	1				
12	KE80031	80A BREAKER	1				
13	KE30046	GROUND BUSS - 12 PIN	1				
14	A500147	E-STOP ASSEMBLY	1				

* SEE FIGURE 43 FOR PARTS BREAKDOWN

FIGURE 42



ROLLMAX 2400

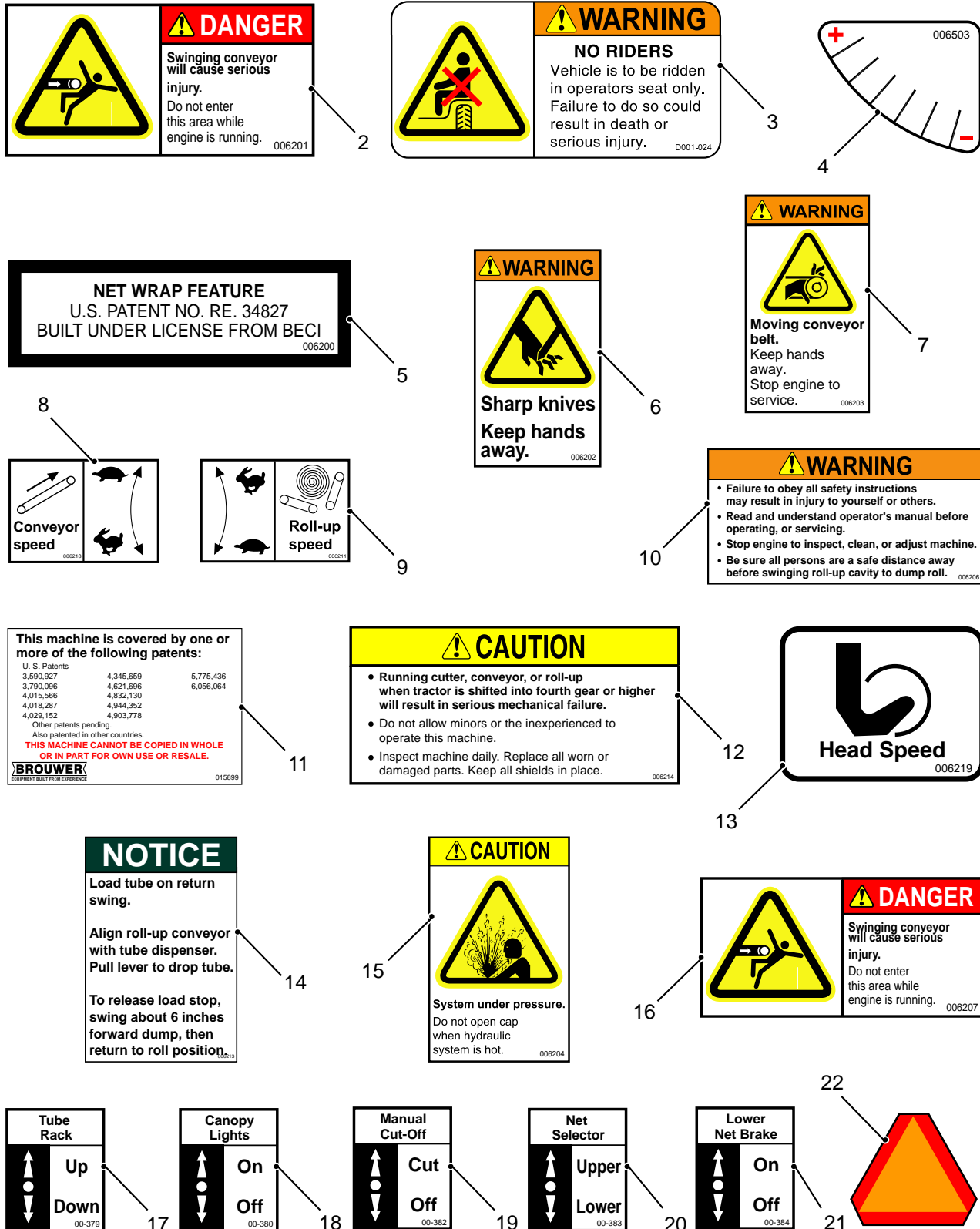
LINEAR ACTUATOR

FIGURE 42

ITM	PART NO.	DESCRIPTION	QTY	ITM	PART NO.	DESCRIPTION	QTY
1	37-9200536011	REAR HOUSING	1				
2	37-9200288014	12" BALL SCREW CVR	1				
3	37-9200795001	SEALING KIT	1				
		COVER TUBE SEAL	1				
		GASKET BETWEEN HOUSNG	1				
		MOTOR SEAL	1				
		O-RING	1				
		LIP SEAL	1				
4	37-9220505002	INTERMEDIATE GEAR SET	1				
5	37-9200191015	DRIVE SCREW ASSY	1				
6	37-9210635002	MOTOR	1				
7	37-9220536005	FRONT HOUSING	1				
8	37-9200271010	CLUTCH KIT	1				

FIGURE 43

ROLLMAX 2400



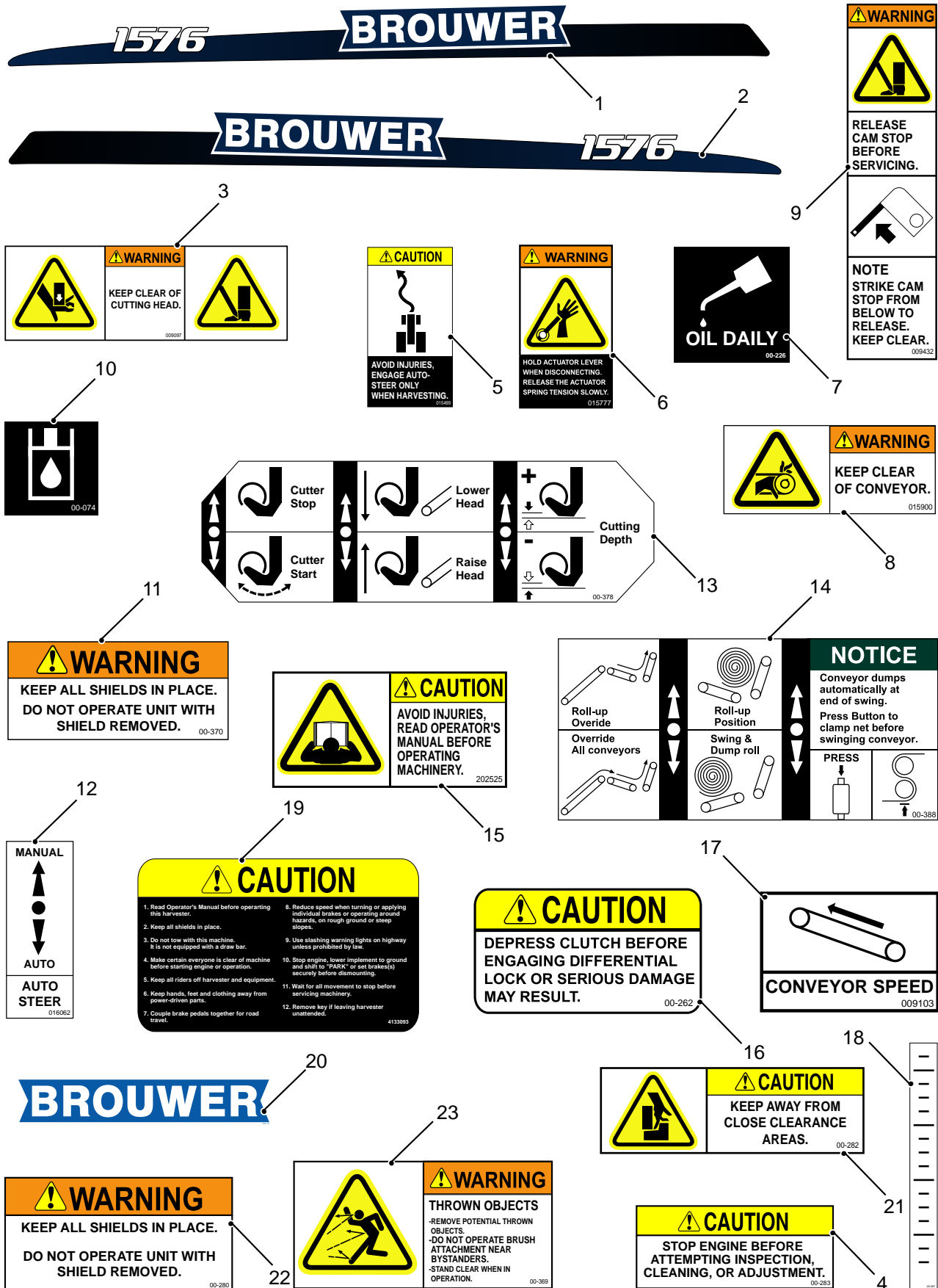
ROLLMAX 2400

DECALS (PAGE 1)

FIGURE 43

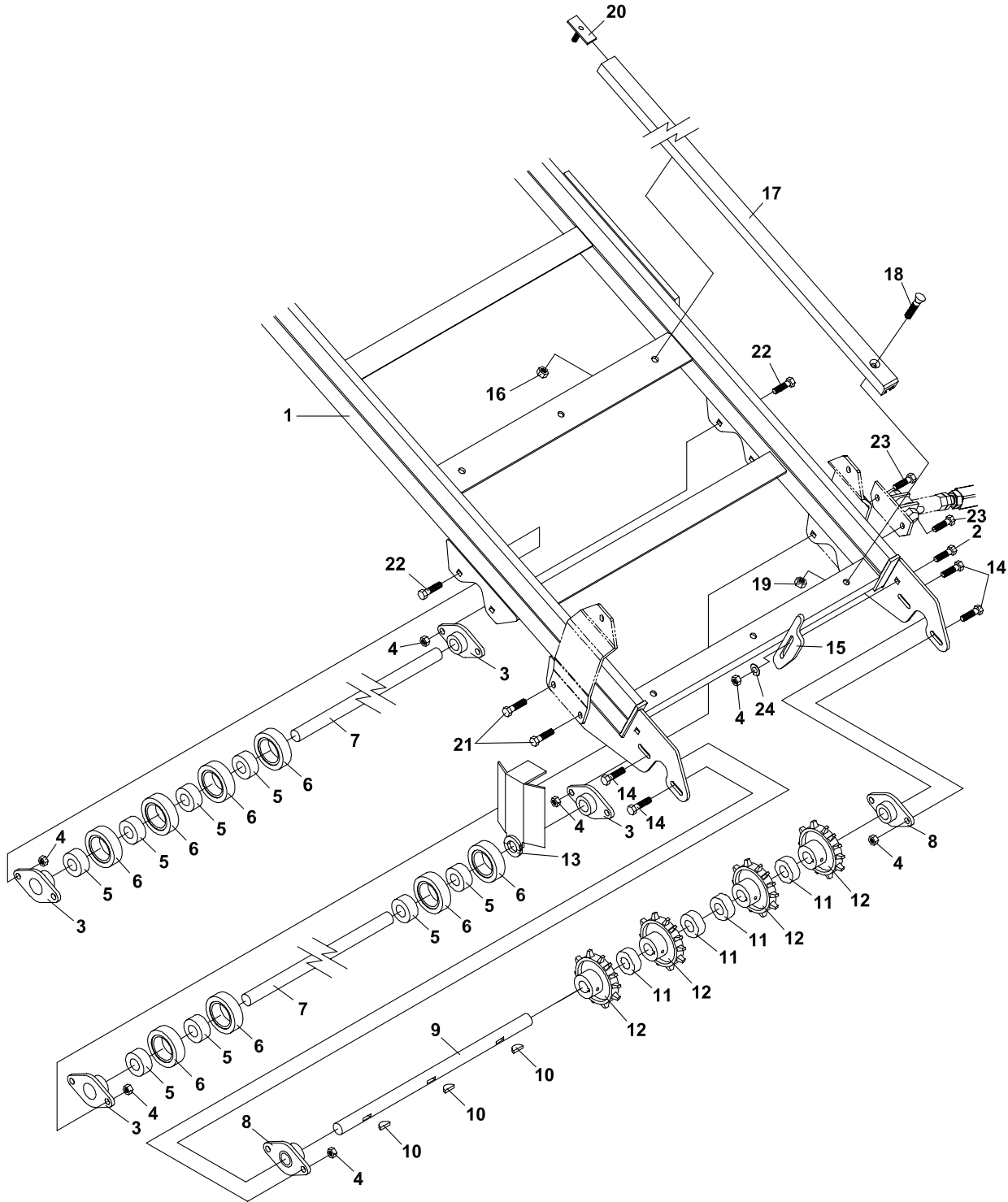
ITM	PART NO.	DESCRIPTION	QTY	ITM	PART NO.	DESCRIPTION	QTY
1	4131398	LBL-ROLLMAX 2400	2				
2	006201	LBL-DNGR SWING CNVYR	2				
3	D001-024	LBL-NO RIDERS	2				
4	006503	LBL-CUT-OFF LTH INDICATR	1				
5	006200	LBL-NETWRAP PATENT	1				
6	006202	LBL-SHARP KNIVES	1				
7	006203	LBL-CNVYR HANDS AWAY	2				
8	006218	LBL-CONVEYOR SPEED	1				
9	006211	LBL-ROLL-UP SPEED	1				
10	006206	LBL-OP WARNINGS	1				
11	015899	LBL-PATENTS	1				
12	006214	LBL-OPERATOR CAUTIONS	1				
13	006219	LBL-HEAD SPEED	1				
14	006213	LBL-LOAD TUBE	1				
15	006204	LBL-HOT HYDRAULIC	1				
16	006207	LBL-CONVEYOR SWING. SM	3				
17	00-379	LBL-TUBE RACK	1				
18	00-380	LBL-CANOPY LIGHTS	1				
19	00-382	LBL-MANUAL CUT-OFF	1				
20	00-383	LBL-NET SELECTOR	1				
21	00-384	LBL-LOWER NET BRAKE	1				
22	00-230	LBL-SMV EMBLEM	1				

FIGURE 44



ITM	PART NO.	DESCRIPTION	QTY	ITM	PART NO.	DESCRIPTION	QTY
1	D001-166	LBL-HOOD LH BROUWER	1				
2	D001-164	LBL-HOOD RH BROUWER	1				
3	009097	LBL-WARN CUTTING HEAD	1				
4	00-283	LBL-STOP ENGINE BEFORE	1				
5	015499	LBL-CAUTION AUTOSTEER	1				
6	015777	LBL-WARN ACTUATOR LVR	1				
7	00-226	LBL-LUBE OIL SYMBOL	1				
8	015900	LBL-WARN KEEP CLEAR	2				
9	009432	LBL-WARN CAM STOP	1				
10	00-074	LBL-HYDRAULIC OIL SYMBOL	1				
11	00-370	LBL-WARNING	5				
12	016062	LBL-AUTOSTEER CONTROL	1				
13	00-378	LBL-LIFT, CUTR, DEPTH LVR	1				
14	00-388	LBL-LEVERS, CLAMP NET	1				
15	202525	LBL-CAUTION READ MANUAL	1				
16	00-262	LBL-CAUT.DEP.CLUTCH	1				
17	009103	LBL-CONVEYOR SPEED	1				
18	00-267	LBL-CUTTERHD DEPTH IND	1				
19	4133093	LBL-CAUTION	1				
20	4131393	LABEL-BROUWER	2				
21	00-282	LBL-CLOSE CLRANCE AREA	1				
22	00-280	LBL-KEEP GUARD IN PLACE	3				
23	00-369	LBL-WARN THROWN OBJ	1				

FIGURE 45



ROLLMAX 2400

FRONT IDLERS/MINTEX MAT

FIGURE 45

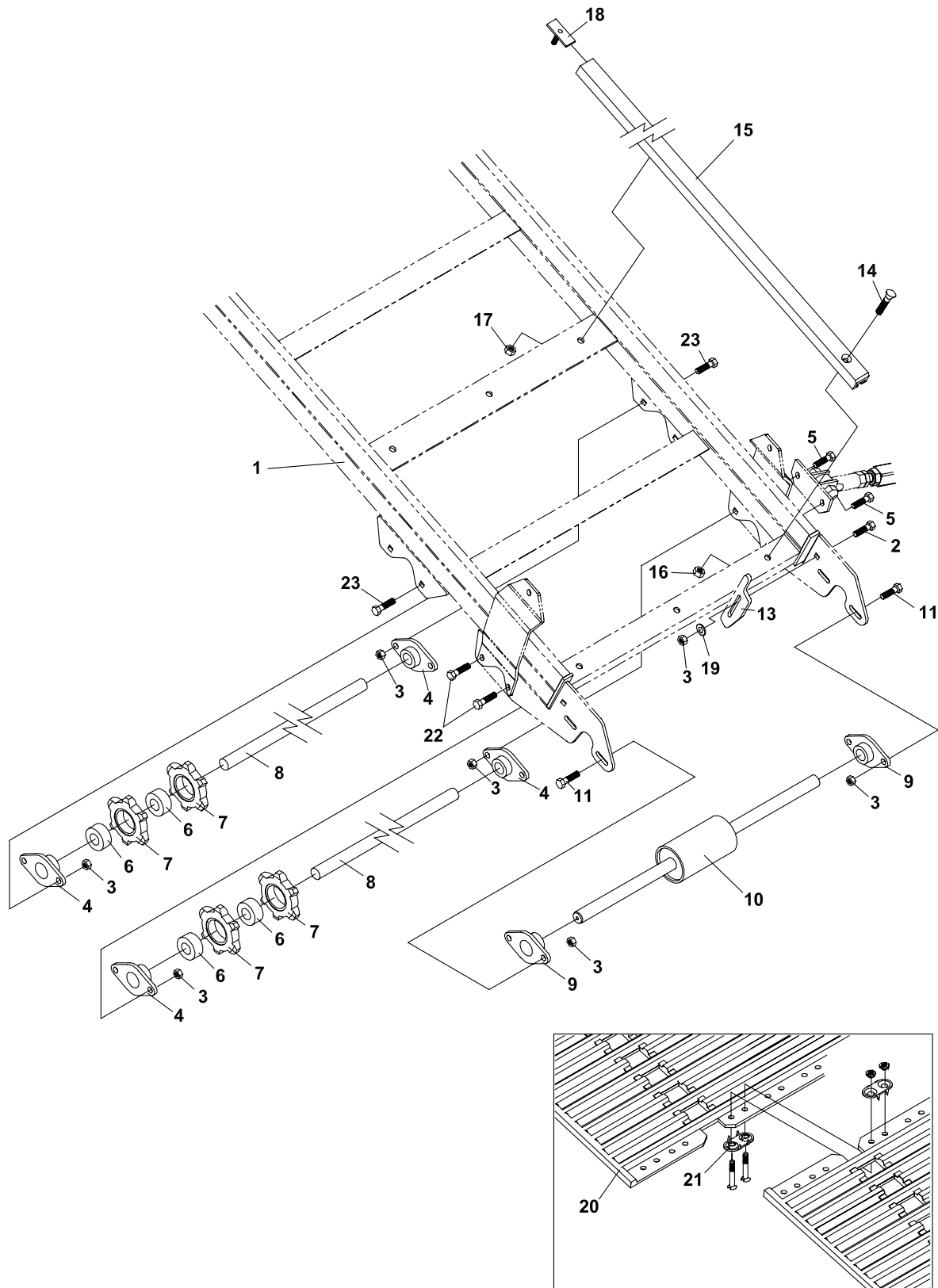
ITM	PART NO.	DESCRIPTION	QTY	ITM	PART NO.	DESCRIPTION	QTY
1	4133112.7	CONVEYOR-24"	1				
2	F4101	BOLT-CRG 7/16-14 X 1-1/4	2				
3	016382	FLANGE-SHAFT	4				
	F2607	SET SCREW-5/16-18 X 1/4	4				
4	64229-04	S LCK NUT-NYLN 7/16-14	13				
5	B2022	BEARING	8				
6	014074	IDLER ROLLER	8				
7	016683	SHAFT-IDLER	2				
8	55-FB23016	BEARING	2				
9	016650	SHAFT-IDLER	1				
10	G8019	KEY-WOODRUFF 1/4 X 1"	3				
11	85-SC16	SET COLLAR	4				
12	014058	SPROCKET-THIN	4				
13	002206.7	GUIDE-MAT	1				
14	F4104	BOLT-CRG 7/16	4				
15	016352.7	PLATE-ADJUSTER WEDGE	2				
16	F3013	LOCKNUT	9				
17	016361	SLIDER-CONVEYOR	3				
18	F5736	SCREW	3				
19	64229-05	LOCKNUT-1/2-13	3				
20	016661	SLIDER T-BOLT	9				
21	90-0712	BOLT-7/16-14 X 1-1/2	2				
22	90-0710	BOLT-7/16-14 X 1-1/4	4				
23	90-0714	BOLT-7/16-14 X 1-3/4	2				
24	64163-43	WSHR.443/.454X1X11	2				
*	001512	BELT-MINTEX CONVEYOR 24"	1				
*	A03484	ASSY-MAT CONNECTOR-24"	1				

* NOT ILLUSTRATED

FRONT IDLERS/RUBBER MAT

ROLLMAX 2400

FIGURE 46



ROLLMAX 2400

FRONT IDLERS/RUBBER MAT

FIGURE 46

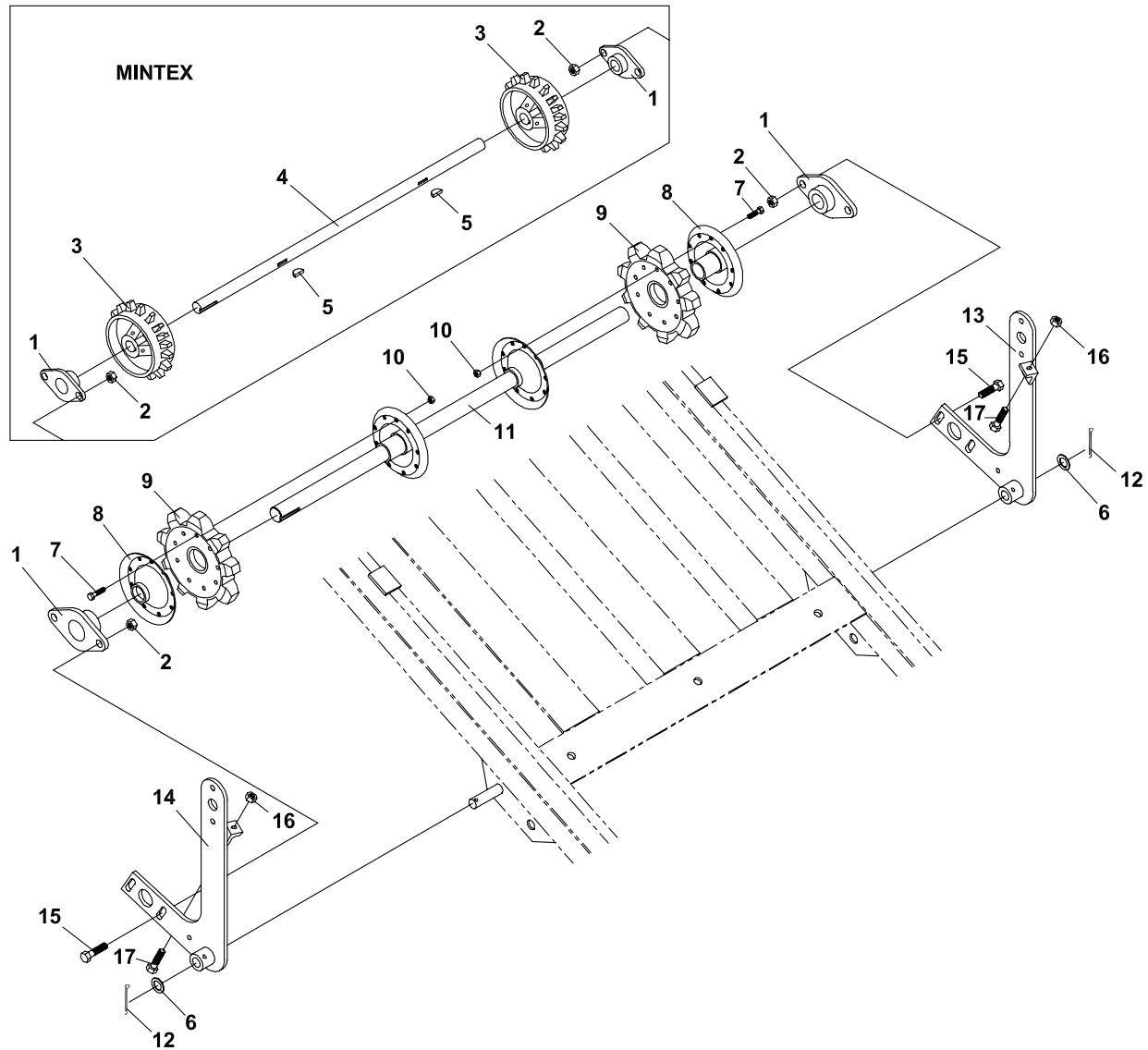
ITM	PART NO.	DESCRIPTION	QTY	ITM	PART NO.	DESCRIPTION	QTY
1	4133112.7	CONVEYOR-24"	1				
2	F4101	BOLT-CRG 7/16-14 X 1-1/4	2				
3	64229-04	S LCK NUT-NYLN 7/16-14	14				
4	016382	FLANGE-SHAFT	4				
	F2607	SET SCREW-5/16-18 X 1/4	4				
5	90-0714	BOLT-7/16-14 X 1-3/4	2				
6	B2022	BEARING	4				
7	014268	PLATE-PIVOT BOTTOM FRM	4				
8	016683	SHAFT-IDLER	2				
9	55-FB23016	BEARING	2				
10	002625.7	CROWN ROLLER 24"	1				
11	F4104	BOLT-CRG 7/16	4				
12	90-0814	BOLT-1/2 X 1-3/4	4				
13	016352.7	PLATE-ADJUSTER WEDGE	2				
14	F5736	SCREW	3				
15	016361	SLIDER-CONVEYOR	3				
16	64229-05	LOCKNUT-1/2-13	3				
17	F3013	LOCKNUT	9				
18	016661	SLIDER T-BOLT	9				
19	64163-43	WSHR.443/.454X1X11	2				
20	002638	BELT-24" CONVEYOR	1				
21	G8008	MAT SPLICER	7				
22	90-0712	BOLT-7/16-14 X 1-1/2	2				
23	90-0710	BOLT-7/16-14 X 1-1/4	4				
*	M5016	NUT DRIVER	1				
*	03-028	CLIP-TRACK (WIDE)	A/R				

* NOT ILLUSTRATED

MID IDLER ASSEMBLY

ROLLMAX 2400

FIGURE 47



ROLLMAX 2400

MID IDLER ASSEMBLY

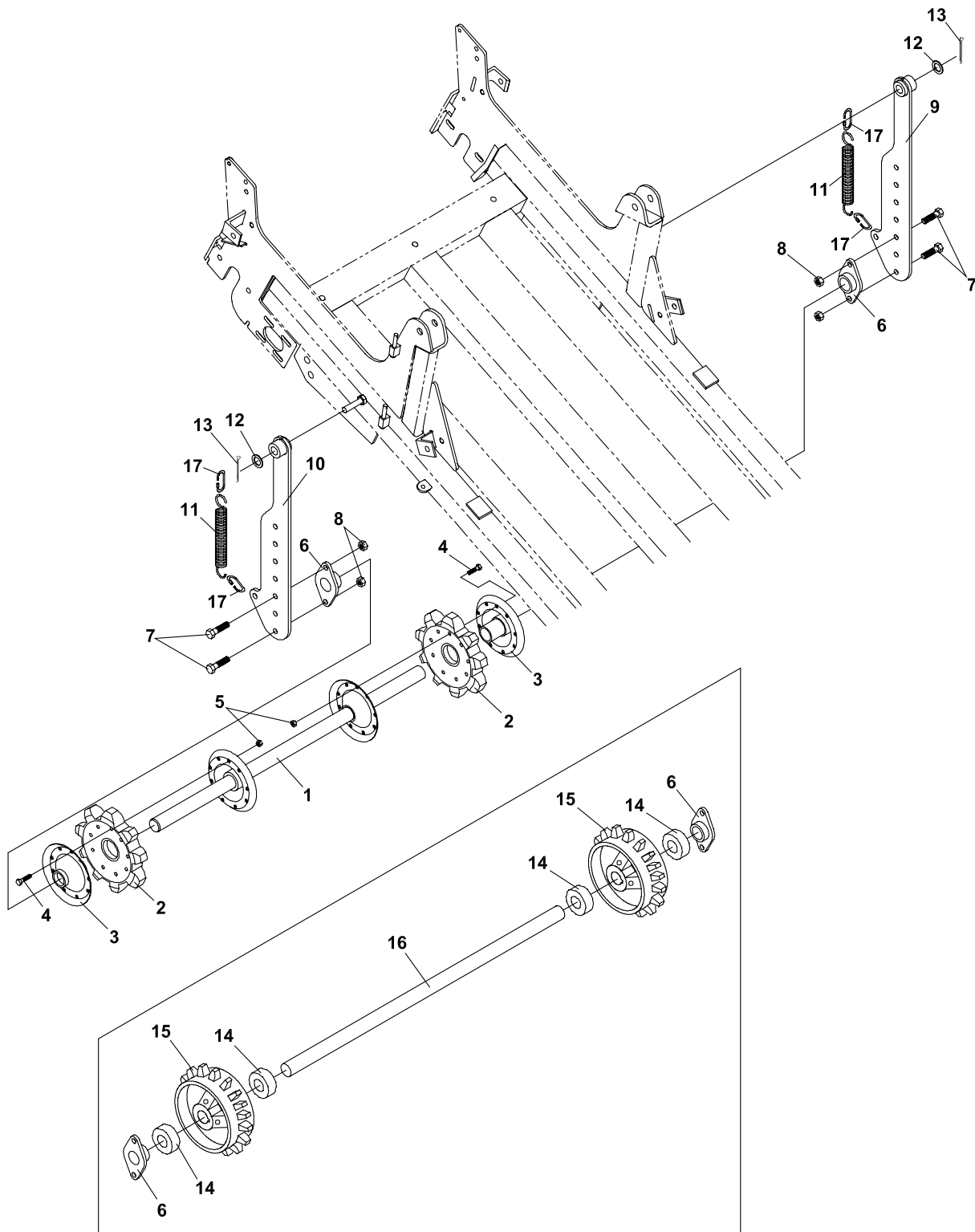
FIGURE 47

ITM	PART NO.	DESCRIPTION	QTY	ITM	PART NO.	DESCRIPTION	QTY
1	B0105	BEARING	2				
2	F3013	LOCKNUT	4				
3	001576	SPROCKET-4"	2				
	64044-2	SET SCREW-5/16-18X3/8	2				
4	001407	SHAFT-DRIVE 4" ROLLER	1				
5	64164-19	KEY WOODRUFF	2				
6	F6051	WASHER	2				
7	64123-89	BOLT-HEX 1/4-20X3/4	18				
8	D8001	FLANGE-SPROCKET	2				
9	83-053	SPROCKET	2				
10	64229-01	LOCKNUT-1/4-20	18				
11	002611.7	SHAFT-IDLER 24"	1				
12	02-CP0512	COTTER PIN	2				
13	006556.7	4" ROLLER ARM	1				
	29-010	GREASE FITTING	1				
14	001404.7	4" R.H. ROLLER ARM	1				
	29-010	GREASE FITTING	1				
15	64139-18	BLT-WLF 3/8-16X1-1/4	4				
16	64001-6	NUT-HEX JAM,3/8-16	1				
17	F3748	BOLT-RUBBER HEAD 3/8-16	1				

TENSIONING BELT IDLER

ROLLMAX 2400

FIGURE 48



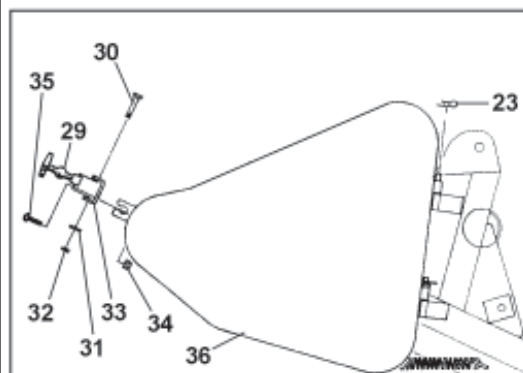
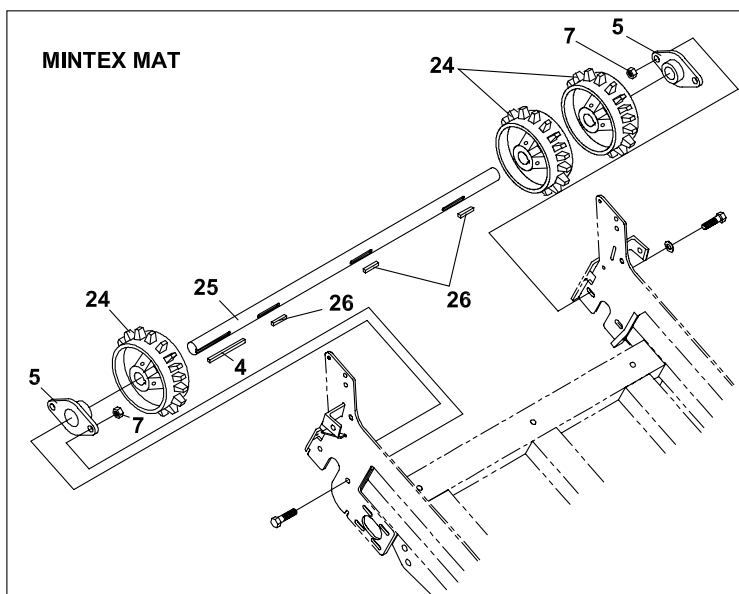
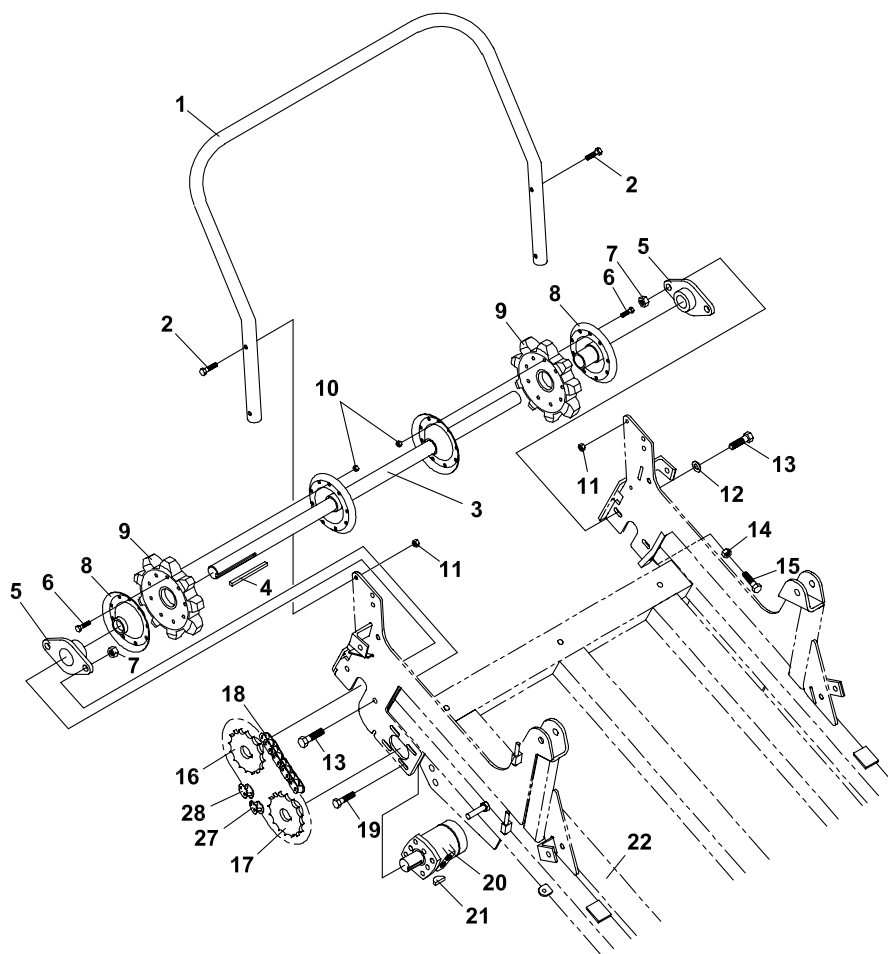
ROLLMAX 2400

TENSIONING BELT IDLER

FIGURE 48

ITM	PART NO.	DESCRIPTION	QTY	ITM	PART NO.	DESCRIPTION	QTY
1	4136960.7	SHAFT-IDLER 24"	1				
2	83-053	SPROCKET	2				
3	D8001	FLANGE SPROCKET	2				
4	64123-89	BOLT-HEX 1/4-20X3/4	18				
5	64229-01	LOCKNUT-1/4-20	18				
6	B0121	BEARING	4				
7	99-K73	BOLT-3/8-16 X 1-1/2	4				
8	64229-03	LOCKNUT-NYLON 3/8-16	4				
9	016637.7	TENSIONER ARM LH	1				
	29-010	GREASE FITTING	1				
10	016638.7	TENSIONER ARM RH	1				
	29-010	GREASE FITTING	1				
11	S2003	SPRING, EXTENSION	2				
12	F6051	WASHER	2				
13	02-CP0512	COTTER PIN	2				
14	85-SC16	SET COLLAR	4				
15	001351	SPROCKET	2				
16	002615	SHAFT, 24" IDLER	1				
17	G8084	QUICK LINK	4				

FIGURE 49



ROLLMAX 2400

CONVEYOR DRIVE

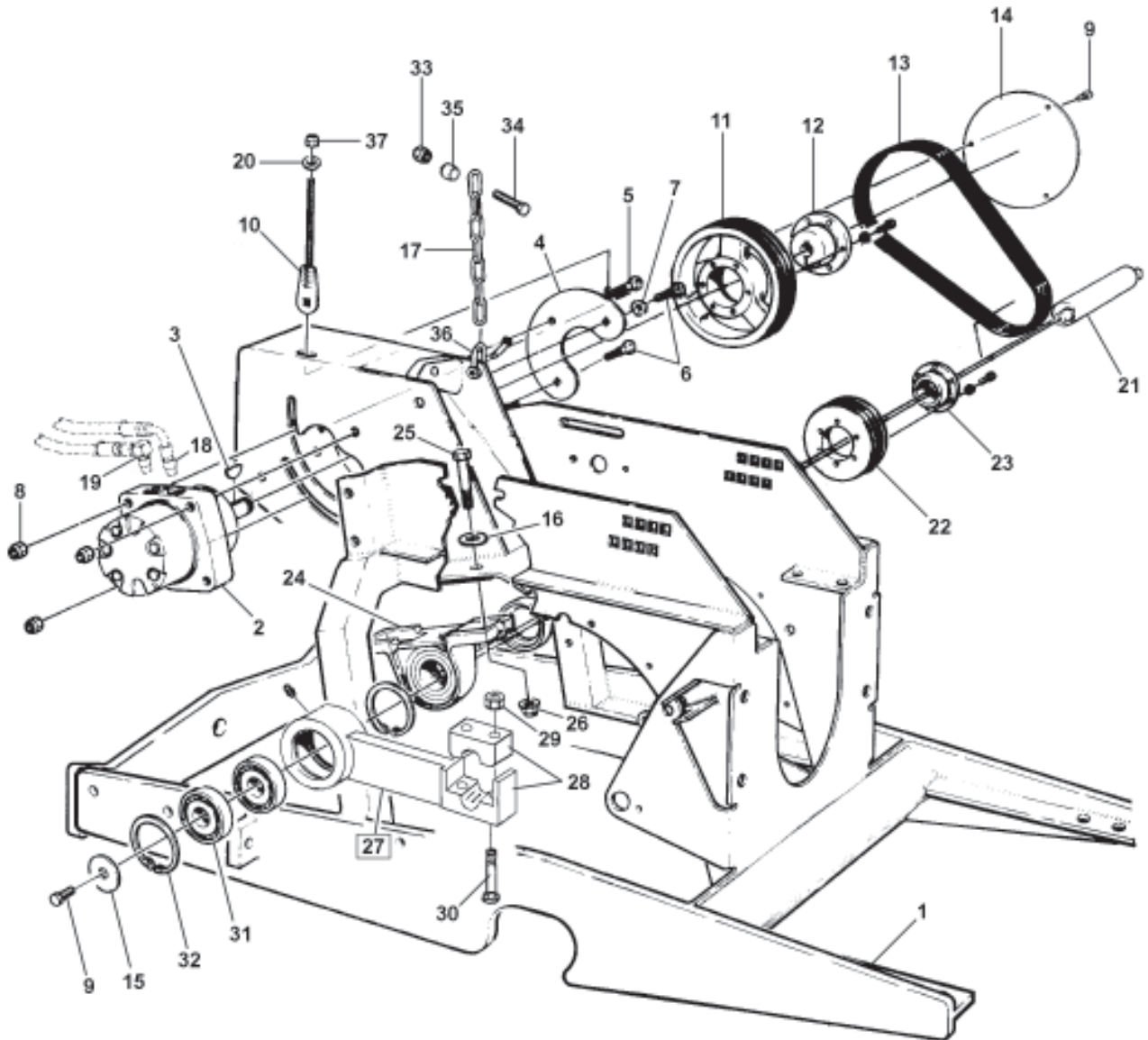
FIGURE 49

ITM	PART NO.	DESCRIPTION	QTY	ITM	PART NO.	DESCRIPTION	QTY
1	016380.7	HANDRAIL TUBE	1				
2	64123-69	BOLT-5/16-18X1-1/2	4				
3	002599.7	SHAFT-CONVEYOR DRIVE 24	1				
4	124458	KEY-1/4 X 1/4 X 3-5/8	1				
5	55-FB23016	2-BOLT FLANGE BEARING	4				
6	64123-89	BOLT-HEX 1/4-20X3/4	18				
7	64229-04	S LCK NUT-NYLN 7/16-14	4				
8	D8001	FLANGE SPROCKET	2				
9	83-053	SPROCKET	2				
10	64229-01	LOCKNUT-1/4-20	18				
11	64141-6	NUT-5/16-18	4				
12	99-B52	WASHER	2				
13	90-0712	BOLT-7/16-14 X 1-1/2	4				
14	64025-05	NUT-3/8-16	1				
15	99-K33	BOLT-3/8-16 X 2	1				
16	D1216	SPROCKET	1				
17	D1202	SPROCKET	1				
18	56-RC50	ROLLER CHAIN-#50 22-1/2"	1				
19	64139-24	BLT-WLF 3/8-16 X 1	4				
20	H0012	MOTOR - OBSOLETE	1				
	E3039	SEAL KIT	1				
	KH30007	MOTOR - SEE NOTE 1	1				
21	G8019	KEY-WOODRUFF	1				
22	4133112.7	CONVEYOR-24"	1				
23	G2510	PIN-HITCH CLIP	2				
24	001351	SPROCKET	3				
	85-SS14	SET SCREW-3/8-16 X 3/8	2				
25	001350	SHAFT-DRIVE-CONVEYOR	1				
26	124422	KEY-1/4 X 1/4 X 1-3/8	3				
27	81-055	HALF LINK	1				
28	81-053	CONNECTOR LINK	1				
29	G8115	HANDLE	1				
30	G8117	STUD	1				
31	64163-60	WSHR.50X.203X18	1				
32	G8119	RETAINER	1				
33	G8116	BRACKET	1				
34	64229-10	NUT-10-24	2				
35	64152-10	MACH SCREW-10-24X3/4	2				
36	6115944.6	SHIELD-ROLL UP DRIVE	1				

NOTE 1

ITEM 20 - H0012 IS OBSOLETE
AND IS REPLACED BY SERIVCE KIT
4160611. IT INCLUDES:
MOTOR - KH30007 QTY. 1
FITTINGS - 8-10-070220. QTY. 2

FIGURE 50



SOD HARVESTER

CUTTING HEAD DRIVES

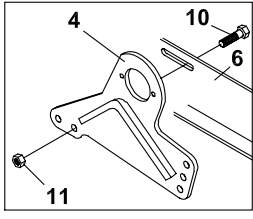
FIGURE 50

ITEM	PART NO.	DESCRIPTION	QTY	ITEM	PART NO.	DESCRIPTION	QTY
50-1	002001.7	FRAME-CUTTING HEAD (USED ON 16" & 18" ONLY)	1	50-21	001287	CRANKSHAFT (USED ON 16" & 18" ONLY)	1
	002004.7	FRAME-CUTTING HEAD (USED ON 24" ONLY)	1		4131799	CRANKSHAFT (USED ON 24" ONLY)	1
50-2	21-091	MOTOR-HYD CUTTER	1	50-22	D2705	SHEAVE	1
	E3046	KIT-SEAL	1	50-23	D3042	BUSHING	1
50-3	G8019	KEY-WOODRUFF 1/4 X 1"	1		F1713	SCREW-1/4 X 1-1/4	3
50-4	016295.7	SCRAPER-MOTOR SHEAVE	1		64006-01	LOCKWASHER-1/4	3
50-5	F5102	BOLT-CRG 1/2-13 X 3	1	50-24	B1120	BEARING	2
50-6	F5104	BOLT-CRG 1/2-13	2	50-25	90-1018	BOLT-5/8-11 X 2-1/4	4
50-7	94-10	FLAT WASHER-5/8	1	50-26	F6010	NUT-5/8	4
50-8	F5018	NUT-1/2-13	3	50-27	A03008	ASSY-CONNECTING ROD	2
50-9	99-K61	BOLT-3/8-16 X 1/2	5	50-28	001692.6	SPLIT CONNECTING ROD	1
50-10	016296	TENSIONER-DRIVE MTR	1		29-010	GREASE FITTING	1
50-11	D2704	SHEAVE	1	50-29	64229-04	S LOCKNUT-NYLN 7/16-14	2
50-12	D3029	BUSHING	1	50-30	F4216	BOLT-7/16 X 2-3/4	2
	F2718	SCREW-5/16 X 2	3	50-31	B2015	BEARING-BALL	2
	64006-02	LOCKWASHER-5/16	3	50-32	G1002	RETAINING RING	2
50-13	81-3-3VX400	BELT-V	1	50-33	64229-05	LOCKNUT, 1/2-13	2
50-14	016228.7	PLATE-MOTOR COVER	1	50-34	90-0832	BOLT, 1/2-13 X 4	2
50-15	99-B16	WASHER	2	50-35	002448.7	SPACER, 1560 LIFT CHAIN	1
50-16	002222	CRNKSHFT BRG WSHR	4	50-36	G8003	SHACKEL, ANCHOR 3/8"	2
50-17	6115719	CHAIN-SAFETY	1	50-37	64229-05	LOCKNUT, 1/2-13 NYLON	1
50-18	25-0503-10-10	FITTING-STR	1				
50-19	H6192	FITTING-ELBOW 90	1				
50-20	64163-16	WASHER	1				

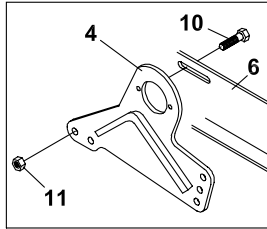
BLADE ARMS & DEPTH CONTROL

ROLLMAX 2400

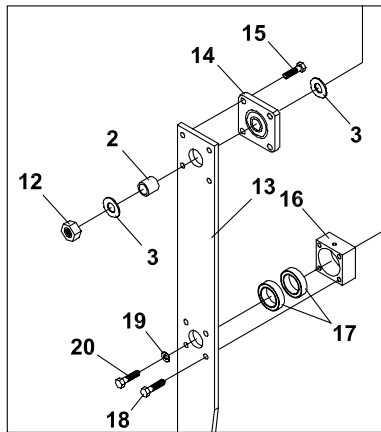
FIGURE 51



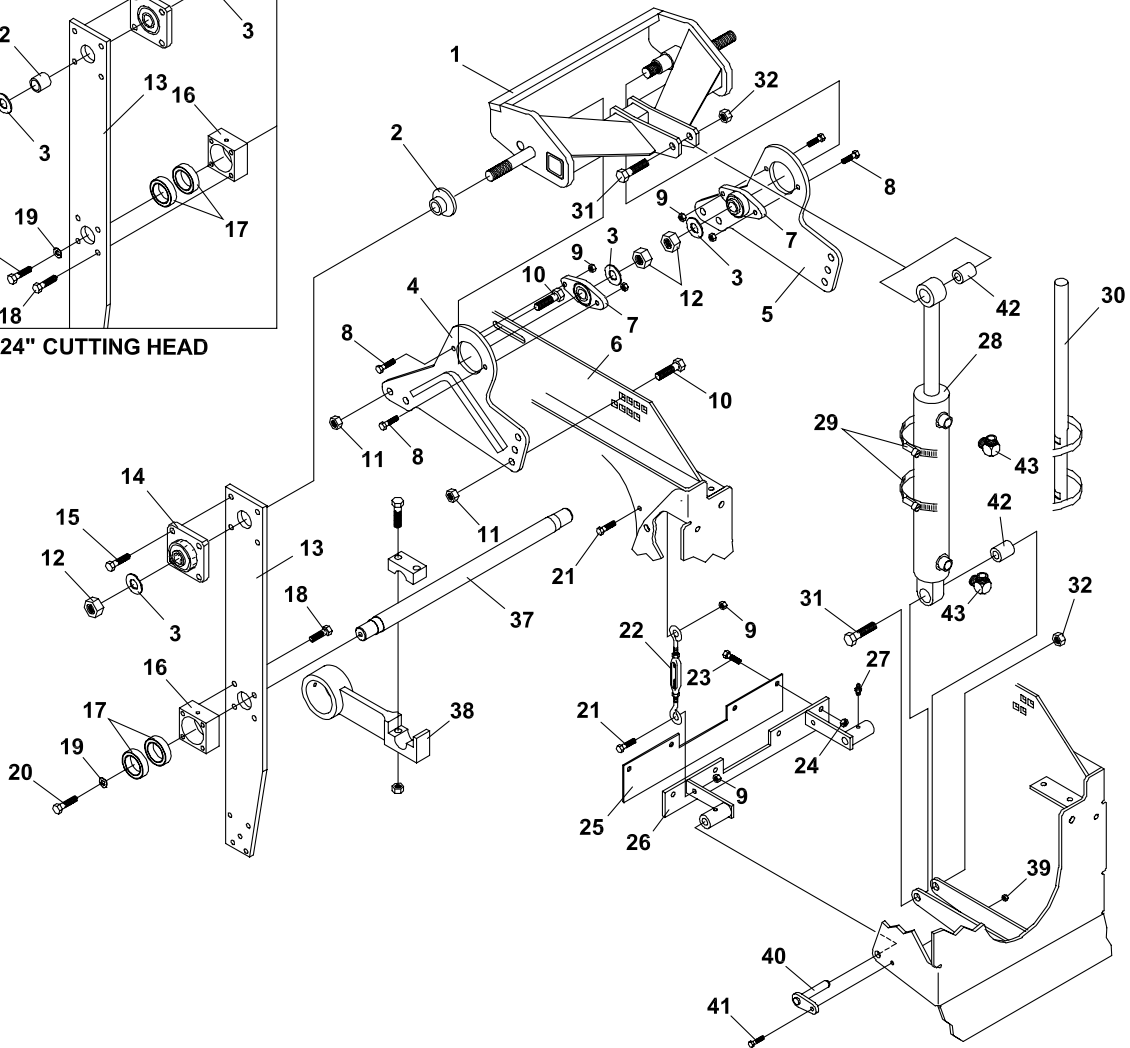
16" / 18" CUTTING HEAD



24" CUTTING HEAD



18" / 24" CUTTING HEAD



ROLLMAX 2400

BLADE ARMS & DEPTH CONTROL

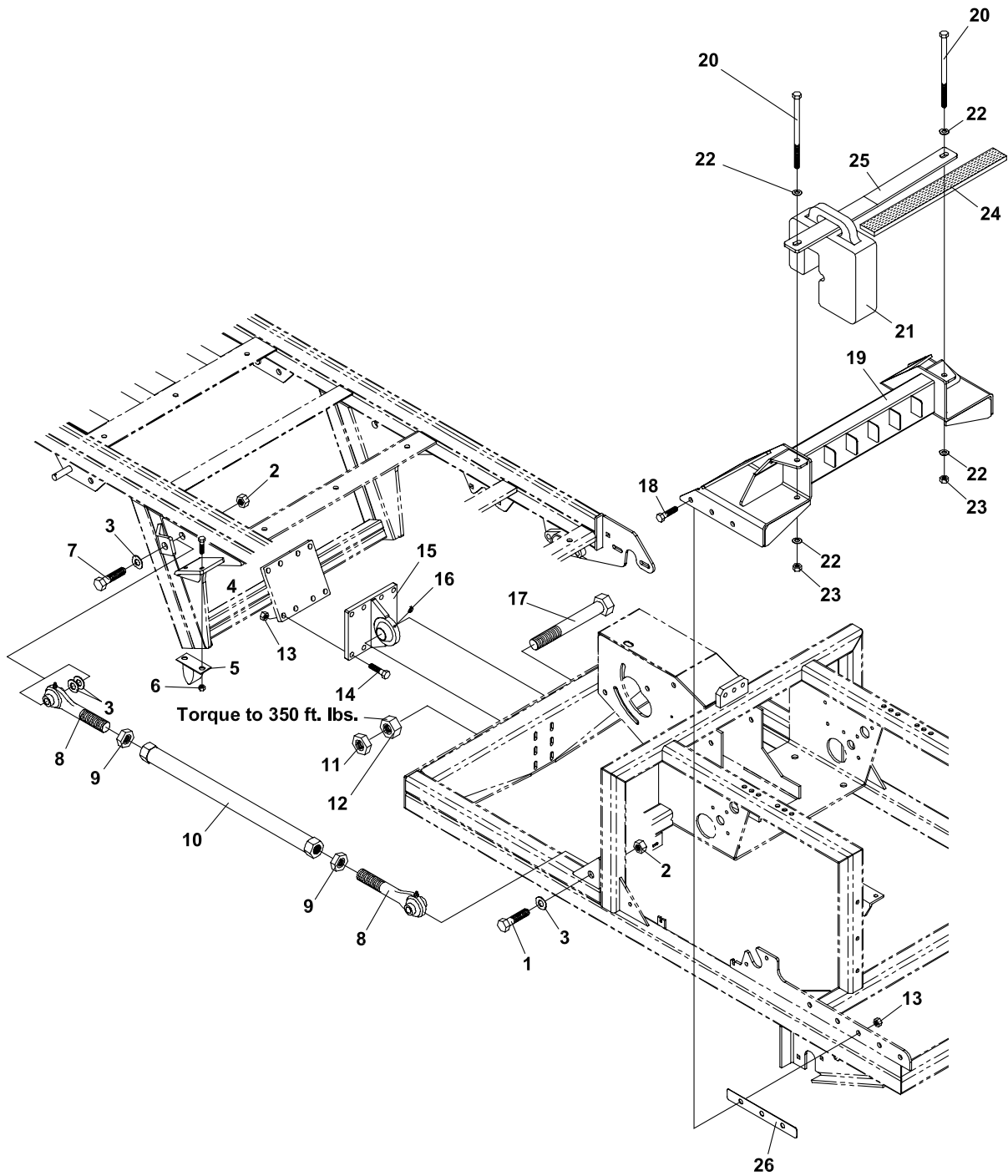
FIGURE 51

ITEM	PART NO.	DESCRIPTION	QTY	ITEM	PART NO.	DESCRIPTION	QTY
51-1	002398	CRANK-HYD DEPTH ADJ (USED ON 16" & 18" ONLY)	1	51-28	23-178	CYLINDER	1
	002399	CRANK-HYD DEPTH ADJ (USED ON 24" ONLY)	1	51-29	11-049	CLAMP-HOSE	2
51-2	016999	BUSHING,CUTTER ARM	2	51-30	002447	ROD-DEPTH INDICATOR	1
	002386	SPACER, CUTTER ARM (USED ON 16" ONLY)	2		00-267	LBL-CTRHD DEPTH IND	1
51-3	64163-06	WASHER	4	51-31	64123-31	BOLT-1/2-13X3	2
51-4	002317	GUIDE-DEPTH ADJ R.H.	1	51-32	64229-05	LOCKNUT, 1/2-13	2
51-5	002318	GUIDE-DEPTH ADJ L.H.	1	51-33	016652.7	BAR, DEPTH ADJ	1
51-6	002001	FRAME-CUTTER HEAD (USED ON 16" & 18" ONLY)	1	51-34	25-2503-6-6	FITTING-90	2
	002004	FRAME-CUTTER HEAD (USED ON 24" ONLY)	1	51-35	002397	BUSHING	2
51-7	6550003	BEARING	2	51-36	99-K27	BOLT-1/4-20 X 1	2
51-8	64139-10	BLT-WLF 5/16-18X1-1/4	4	51-37	001525	WRISTSHAFT-16"	1
51-9	F2014	NUT-5/16	8		001526	WRISTSHAFT-18"	1
51-10	97-0812	BOLT-CRG 1/2-13 X 1-1/2	4		001527	WRISTSHAFT-24"	1
51-11	F5018	NUT-1/2	4	51-38	001692	SPLIT CONNECTING ROD	1
51-12	99-A12	LOCKNUT-3/4-10	4		29-010	GREASE FITTING	1
51-13	016977.6	BAR, CUTTER ARM 8"	2	51-39	64141-2	NUT-WLF 1/4-20	2
51-14	55-HCFS204-12	BEARING	2	51-40	016304	SHAFT-SCRAPER BLD PIV	2
51-15	64139-24	BLT-WLF 3/8-16 X 1	8				
51-16	001281	WRISTSHAFT MNTG BLK	2				
51-17	B2014	BEARING	4				
51-18	64139-18	BLT-WLF 3/8-16X1-1/4	8				
51-19	99-B16	FENDER WASHER, 3/8	2				
	64-799	WASHER	2				
51-20	99-K61	BOLT-3/8-16 X 1/2	2				
51-21	99-K02	BOLT-5/16 X 1	4				
51-22	G8121	TURNBUCKLE	2				
	F1002	NUT, JAM 1/4-20	2				
	F1011	NUT, JAM	2				
51-23	64139-08	BOLT-5/16-18X3/4	4				
51-24	64141-6	NUT, 5/16-18	4				
51-25	4160687	BLADE, 15.5" SCRAPER. SP	1				
	002417	BLADE, 16" SCRAPER	1				
	002418	BLADE, 18" SCRAPER	1				
	002419	BLADE, 24" SCRAPER	1				
51-26	002422	HOLDER, SCRAPER BLD (USED ON 16" & 18" ONLY)	1				
	002423	HOLDER, SCRAPER BLD (USED ON 24" ONLY)	1				
51-27	29-010	GREASE FITTING	2				

HEAD PIVOT ASSY & WEIGHT BAR

ROLLMAX 2400

FIGURE 52



ROLLMAX 2400

HEAD PIVOT ASSY & WEIGHT BAR

FIGURE 52

ITM	PART NO.	DESCRIPTION	QTY	ITM	PART NO.	DESCRIPTION	QTY
1	90-1228	BOLT-3/4-10 X 3-1/2	1				
2	64229-07	LOCKNUT-3/4-10	4				
3	64163-06	WASHER	8				
4	64139-21	BLT-WLF 3/8-16X3/4	4				
5	64141-4	NUT-WLF 3/8-16	4				
6	014082	BUMPER-RUBBER	2				
7	90-1232	BOLT-3/4-10 X 4	2				
8	43-012	ROD END	4				
9	F8006	NUT-JAM	4				
10	6115783	ARM-LINK	2				
11	99-E66	JAM NUT-1-1/4	1				
12	92-20	NUT-1-1/4	1				
13	64141-13	NUT WLF 1/2-13	14				
14	99-K56	BOLT-1/2-13 X 1-1/2	8				
15	6115771.7	MOUNT-SWIVEL BALL	1				
16	29-045	GREASE FITTING	1				
17	90-2044	BOLT-1-1/4 X 5-1/2	1				
18	64139-22	BLT-WLF 1/2-13X1	6				
19	6115992.6	WEIGHT BAR-24" HEAD	1				
20	90-0868	BOLT-1/2 X 8-1/2	2				
21	62-540.7	WEIGHT	6				
22	64163-67	WASHER-.516X1X12	4				
23	64229-05	LOCKNUT-1/2-13	2				
24	Q7475	WEATHERSTRIP-1/2 X 2 19"	1				
25	6115990.6	BAR-HOLD DOWN	1				
26	6109602.7	SHIM-WEIGHT BAR	A/R				

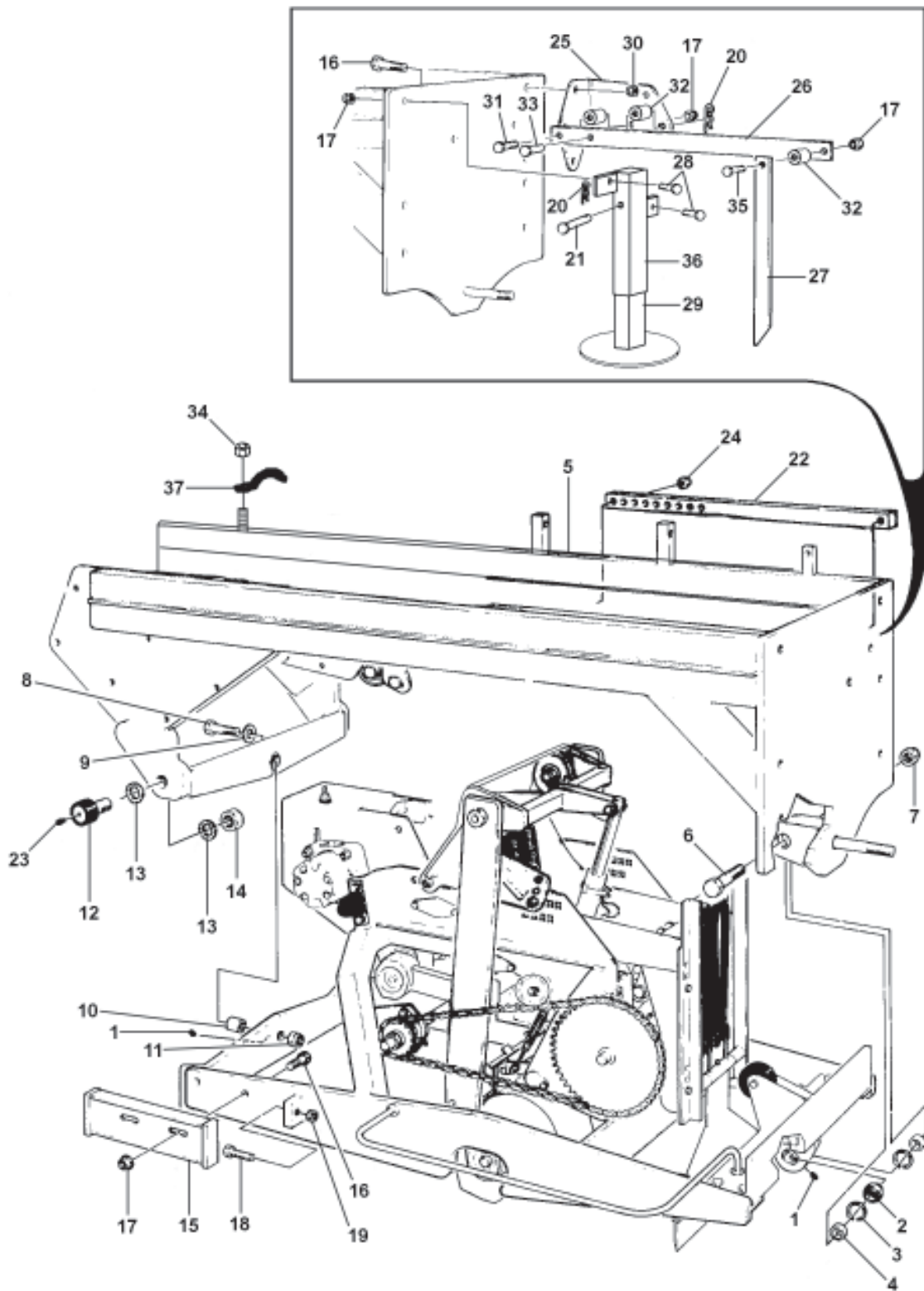
ROLLMAX 2400

8" ROLLER & CUT-OFF CAM

FIGURE 53

ITEM	PART NO.	DESCRIPTION	QTY	ITEM	PART NO.	DESCRIPTION	QTY
53-1	64139-08	BOLT-5/16-18X3/4	2	53-24	4160531	LIFT CAM. ELECTRONIC	1
53-2	4160686	8" ROLLER-15.38" SP	1	53-25	B1001	BEARING	2
	015997	8" ROLLER-16"	1	53-26	64123-87	BOLT-HEX 3/8-16X1-3/4	4
	015998	8" ROLLER-18"	1	53-27	015907	WASHER	4
	015999	8" ROLLER-24"	1	53-28	64141-4	NUT-WLF 3/8-16	4
53-3	B1111	BEARING	2	53-29	F924420	KEY 1/4 X 1/4 x 2"	2
53-4	F5106	BOLT-CRG 1/2-13	4	53-30	OPTION	CAM STOP RETURN (REFER TO TABLE ON PAGES 70 & 71)	
53-5	F5018	NUT-1/2-13	9	53-31	F3603	SET SCREW	1
53-6	OPTION	SPROCKET (REFER TO TABLE ON PAGES 70 & 71)	2	53-32	OPTION	BUSHING (REFER TO TABLE ON PAGES 70 & 71)	
53-7	OPTION	BUSHING	1	53-33	OPTION	CAMSHAFT SPROCKET (REFER TO TABLE ON PAGES 70 & 71)	
	OPTION	BUSHING (REFER TO TABLE ON PAGES 70 & 71)	1	53-34	OPTION	JACKSHAFT SPROCKET (REFER TO TABLE ON PAGES 70 & 71)	
53-8	124422	KEY,1/4 X 1/4 X 1-3/8	3	53-35	001802	RETURN CAM STOP	1
53-9	56-RC40	CHAIN, ROLLER, #40 /FT	A/R		29-010	GREASE FITTING	1
	81-076	HALFLINK-#40	2	53-36	90-0832	BOLT,1/2-13 X 4	1
	81-056	CONNECTOR LINK-#40	2	53-37	015761.7	SHIM-CAMSHAFT 24"	A/R
53-10	6550002	BEARING	2		015762.7	SHIM-CAMSHAFT 16" & 18"	A/R
53-11	016404	SHAFT-CUTTING HEAD (USED ON 16" & 18" ONLY)	1	53-38	002011.6	SHIELD-CUTOFF CHAIN	1
	016405	SHAFT-CUTTING HEAD (USED ON 24" ONLY)	1	53-39	64018-15	BOLT-CRG 5/16 X 1	4
53-12	64123-31	BOLT-1/2-13X3 (USED ON 16" & 18" ONLY)	1	53-40	016974.7	BRACKET-IDLER	1
	90-0840	BOLT,1/2-13 X 5 (USED ON 24" ONLY)	1	53-41	64197-001	BLT-TDFM 5/16-18X3/4	3
53-13	90-0814	BOLT-1/2 X 1.3/4	1				
53-14	D2902	SHEAVE	2				
53-15	64163-67	WASHER-.516X1X12	5				
53-16	OPTION	BUSHING (REFER TO TABLE ON PAGES 70 & 71)	2				
53-17	64141-6	NUT, 5/16-18	4				
53-18	002016	SPACER	1				
53-19	002295	SHIM	A/R				
	002296	SHIM (IN TOOLBOX)	A/R				
53-20	016976.7	BRACKET, IDLER L.H.	1				
53-21	99-K63	BOLT, 1/2-13 X 2"	1				
53-22	64001-8	NUT-HEX JAM,1/2-13	1				
53-23	64123-125	BOLT-HEX 1/2-13X2-3/4	1				

FIGURE 54



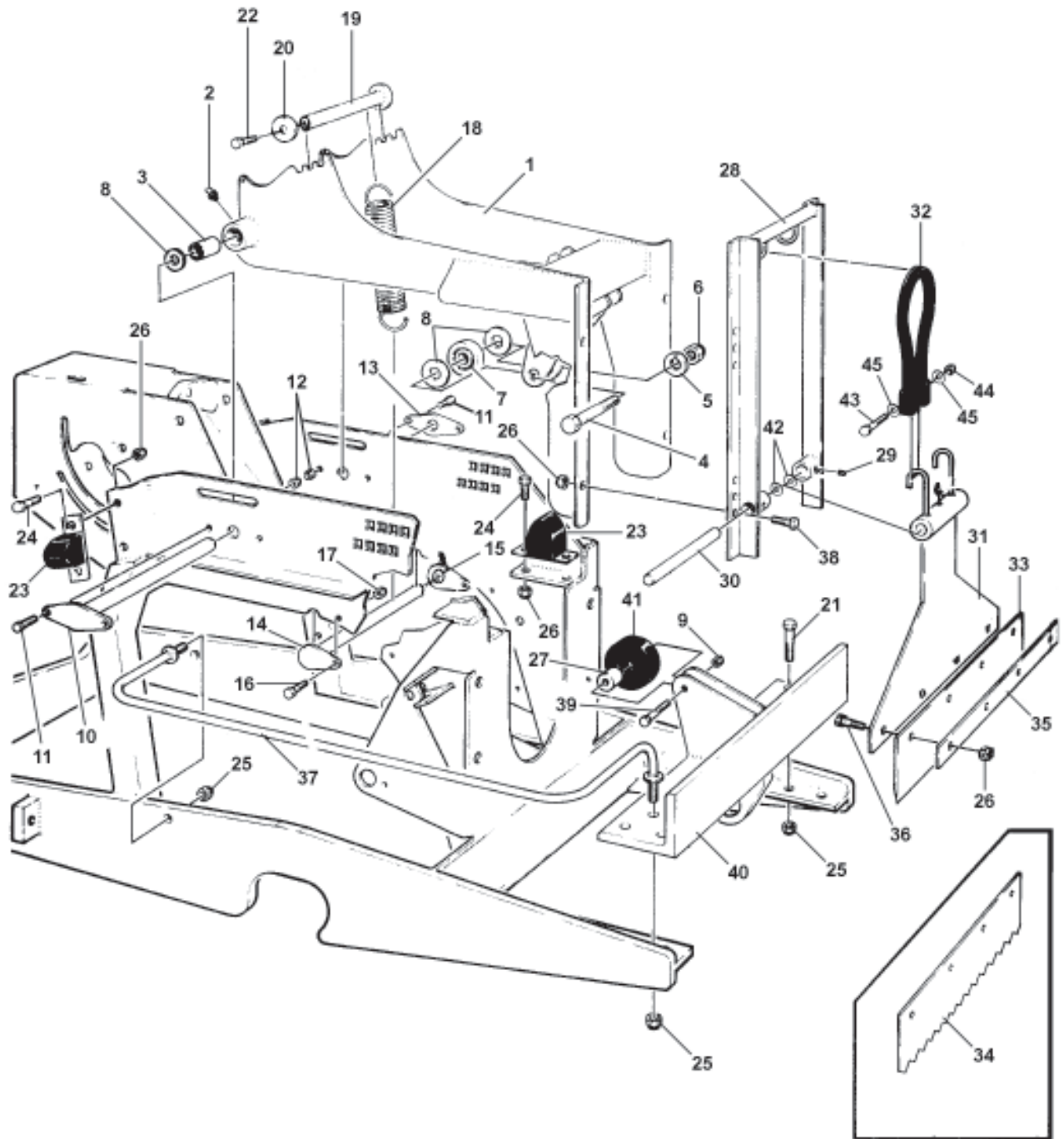
ROLLMAX 2400

FLOATING HEAD & CRADLE

FIGURE 54

ITEM	PART NO.	DESCRIPTION	QTY	ITEM	PART NO.	DESCRIPTION	QTY
54-1	29-010	GREASE FITTING	2				
54-2	B8041	BEARING	1				
54-3	G1007	RETAINING RING	2				
54-4	016376	SPACER-FRONT BALL	2				
54-5	016292.6	FRAME-CUTNG HD CRADLE 1 (USED ON 16" & 18" ONLY)	1				
	016595.6	FRAME-CUTNG HD CRADLE 1 (USED ON 24" ONLY)	1				
54-6	91-1632	BOLT,1-14 X 4	1				
54-7	64151-9	HEX LOCKNUT	1				
54-8	90-1228	BOLT,3/4-10 X 3-1/2	1				
54-9	64163-06	WASHER	1				
54-10	002248	BUSHING-PIVOT	1				
54-11	64229-07	LOCKNUT	1				
54-12	B8015	BEARING	2				
54-13	F8054	WASHER	4				
54-14	F8009	NUT-HEX 1-1/8	2				
54-15	016401.7	BLOCK-CAM	2				
54-16	64123-117	BOLT-HEX 1/2-13X1-1/2	7				
54-17	F5018	NUT-1/2-13	8				
54-18	F5707	SCREW	2				
54-19	64001-8	NUT-HEX JAM,1/2-13	2				
54-20	64168-4	COTTER-HAIRPIN	2				
54-21	03-0820	CLEVIS PIN	1				
54-22	016652.7	BAR, DEPTH ADJ	1				
54-23	M0010	GREASE FITTING	2				
54-24	F3013	LOCKNUT-3/8	2				
54-25	016512.7	BRACKET-DRIVERS GUIDE	1				
54-26	016513.6	BAR-DRIVER GUIDE SUPT	1				
54-27	016514.6	BAR-DRIVERS GUIDE	1				
54-28	90-0814	BOLT-1/2 X 1-3/4	2				
54-29	002506.6	STAND-BASE WLDMT	1				
54-30	64141-13	NUT WLF 1/2-13	3				
54-31	64123-125	BLT-HEX 1/2-13X2-3/4	1				
54-32	014113	SPACER	7				
54-33	03-0820	CLEVIS PIN	1				
54-34	64229-03	LOCKNUT-NYLON 3/8-16	1				
54-35	90-0830	BOLT, 1/2-13 X 3-3/4	1				
54-36	002502.6	STAND-UPPER WLDMT	1				
54-37	016711.7	CLAMP, SINGLE HOSE	1				

FIGURE 55



ROLLMAX 2400

CUT-OFF DRIVE

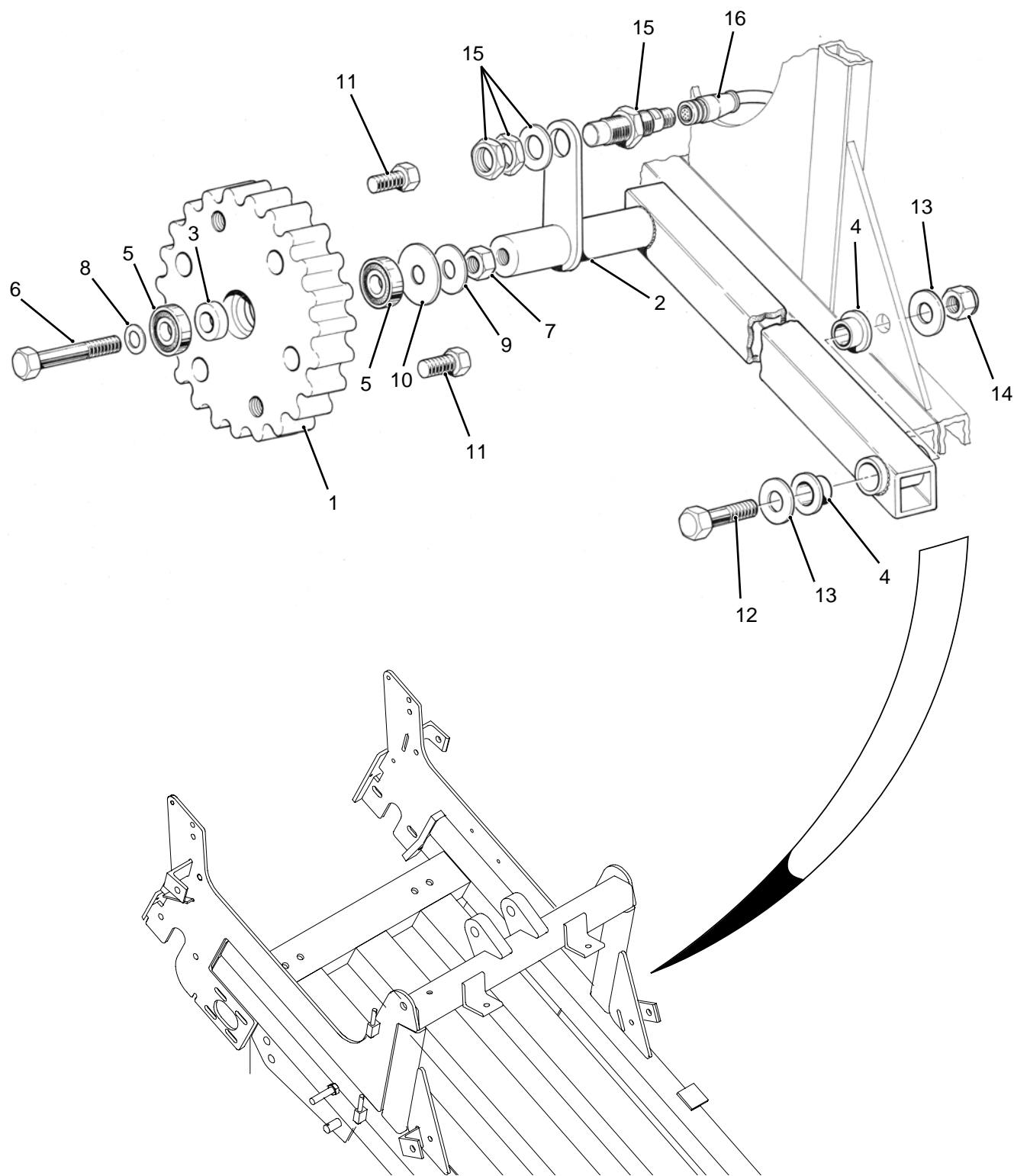
FIGURE 55

ITEM	PART NO.	DESCRIPTION	QTY	ITEM	PART NO.	DESCRIPTION	QTY
55-1	016262.7	FRAME, CUTOFF (USED ON 16" & 18" ONLY)	1	55-29	85-SS14	SET SCREW	2
	016615.7	FRAME, CUTOFF (USED ON 24" ONLY)	1	55-30	001417	PIN-BLADE PIVOT (USED ON 16" & 18" ONLY)	1
					001418	PIN-BLADE PIVOT (USED ON 24" ONLY)	1
55-2	29-010	GREASE FITTING	2	55-31	001446.6	MOUNT, CUTOFF BLADE (USED ON 16" & 18" ONLY)	1
55-3	009536	BUSHING	2		001447.6	MOUNT, CUTOFF BLADE (USED ON 24" ONLY)	1
55-4	N9021	SCREW	1		29-010	GREASE FITTING (QTY 1 USED ON 16" & 18") (QTY 2 USED ON 24")	
55-5	07-C20	LOCKWASHER	1	55-32	S8001	STRAP	2
55-6	N9022	NUT-M20-2.50	1	55-33	001304	BLADE-CUTOFF 16"	1
55-7	B8002	BEARING, TRACK ROLLER	1		001305	BLADE-CUTOFF 18"	1
55-8	64163-65	WASHER	4		001306	BLADE-CUTOFF 24"	1
55-9	64229-03	LOCKNUT-NYLON 3/8-16	1	55-34	001683	BLADE-SERRATED 16"	1
55-10	016582	SHAFT-CUTOFF PIVOT (USED ON 16" & 18" ONLY)	1		001676	BLADE-SERRATED 18"	1
	016583	SHAFT-CUTOFF PIVOT (USED ON 24" ONLY)	1		001677	BLADE-SERRATED 24"	1
55-11	99-K02	BOLT-5/16-18 X 1	4	55-35	001423.6	CLAMP-CUTOFF BLADE (USED ON 16" & 18" ONLY)	1
55-12	64141-6	NUT, 5/16-18	4		001424.6	CLAMP-CUTOFF BLADE (USED ON 24" ONLY)	1
55-13	016297.7	LUG-ANTI-ROTATION	1	55-36	F3701	BOLT, PLOW	4
55-14	016584	SHAFT (USED ON 16" & 18" ONLY)	1	55-37	016508	GUARD, TOE	1
	016585	SHAFT-LOWER (USED ON 24" ONLY)	1	55-38	64139-18	BLT-WLF 3/8-16X1-1/4	4
55-15	016457.7	ANTI ROTATION LUG	1	55-39	64123-100	BOLT-3/8-16X2-1/4	1
55-16	99-K27	BOLT-1/4-20 X 1	2	55-40	016270.7	CARRIER, FRONT PIVOT (USED ON 16" & 18" ONLY)	1
55-17	64141-2	NUT-WLF 1/4-20	2		016611.7	CARRIER, FRONT PIVOT (USED ON 24" ONLY)	1
55-18	S2006	SPRING-EXT (QTY 4 USED ON 16" & 18") (QTY 6 USED ON 24")		55-41	001507	BUMPER, RUBBER	1
55-19	016300	SHAFT-UPPER (USED ON 16" & 18" ONLY)	1	55-42	64163-06	WASHER	2
	016301	SHAFT-UPPER (USED ON 24" ONLY)	1	55-43	64123-60	BOLT, 1/4-20X2 HEX	2
55-20	64163-16	WASHER	1	55-44	64229-01	LOCKNUT-1/4-20	2
55-21	90-0814	BOLT-1/2 X 1.3/4	4	55-45	453023	FLATWASHER, 1/4	4
55-22	64139-22	BLT-WLF 1/2-13X1	1				
55-23	014082	BUMPER-RUBBER	4				
55-24	64139-21	BLT-WLF 3/8-16X3/4	8				
55-25	64141-13	NUT WLF 1/2-13	6				
55-26	64141-4	NUT-WLF 3/8-16	16				
55-27	001764	BUSHNG-RUBBER BUMPER	1				
55-28	001301.6	FRAME-CUTOFF BLD (USED ON 16" & 18" ONLY)	1				
	001445.6	FRAME-CUTOFF BLD (USED ON 24" ONLY)	1				

CUT-OFF COUNTER

ROLLMAX 2400

FIGURE 56



ROLLMAX 2400

CUT-OFF COUNTER

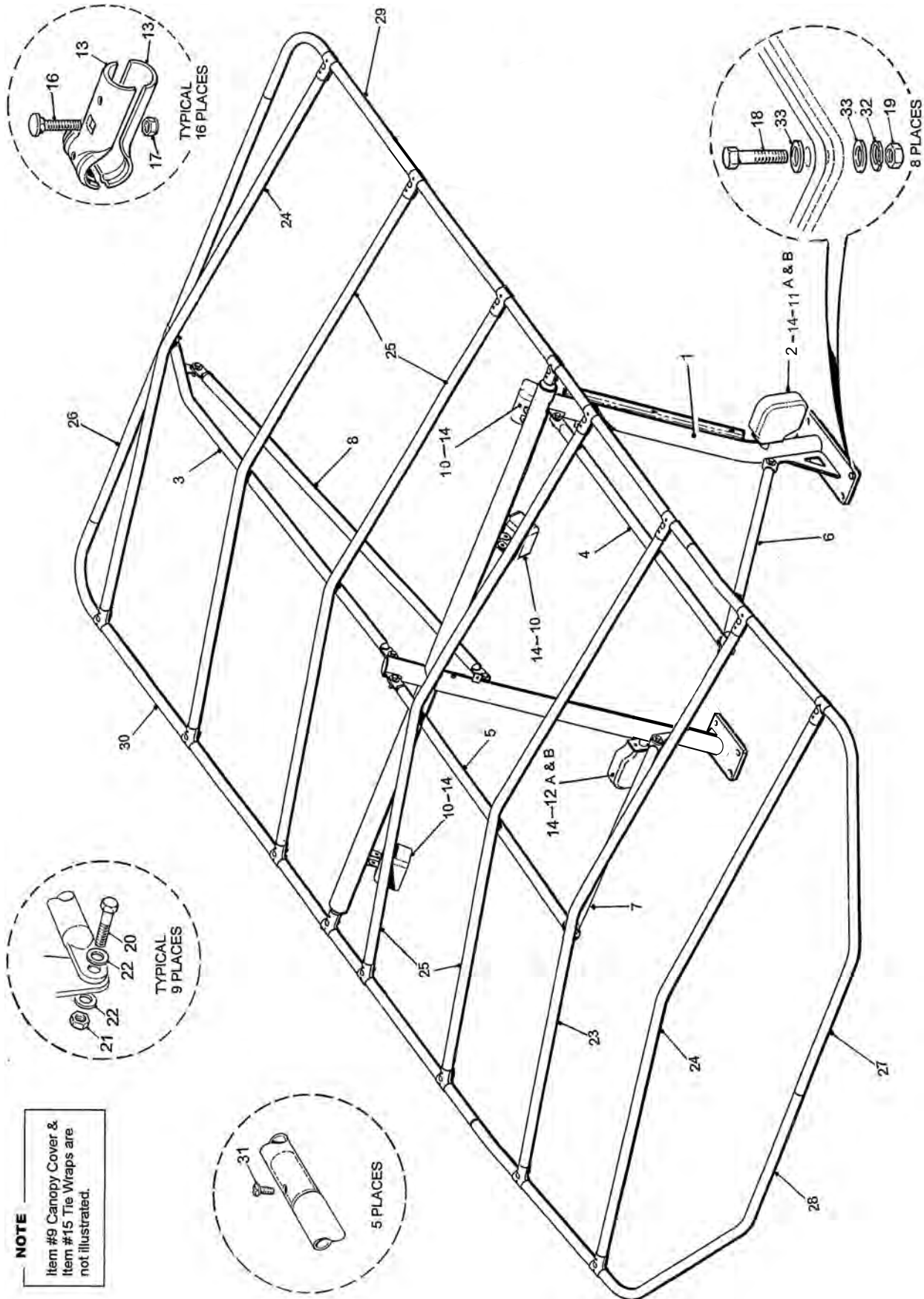
FIGURE 56

ITEM	PART NO.	DESCRIPTION	QTY	ITEM	PART NO.	DESCRIPTION	QTY
1	4160497	MEASURING WHEEL	1				
2	4160516	PIVOT ARM	1				
3	4140521	SPACER	1				
4	KB11608	BUSHING	2				
5	KB16001	BEARING	2				
6	G0112065	BOLT M12 X 1.75 X 65 LG.	1				
7	G231200	NUT M12 X 1.75	1				
8	A100279	WASHER	1				
9	F400805	WASHER 1/2. DISC SPRING	1				
10	F380120	SHIM WASHER 1/2	1				
11	F040810	BOLT 1/2 UNC X 1 GR.8	2				
12		BOLT	1				
13		FLATWASHER	2				
14		LOCKNUT	1				
15		PROXIMITY SENSOR	1				
16		CABLE	1				

CANOPY & LIGHTS

ROLLMAX 2400

FIGURE 57



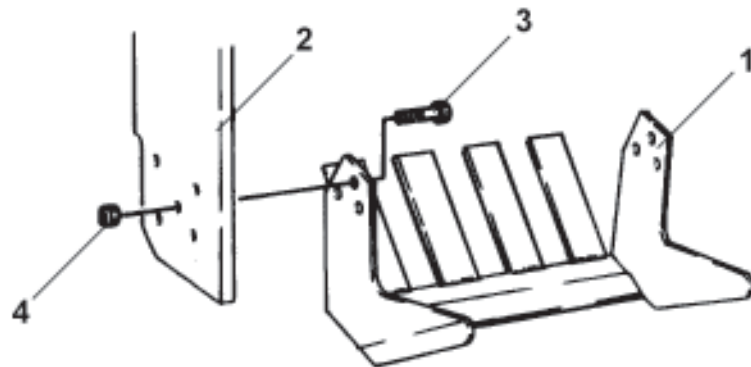
ROLLMAX 2400

CANOPY & LIGHTS

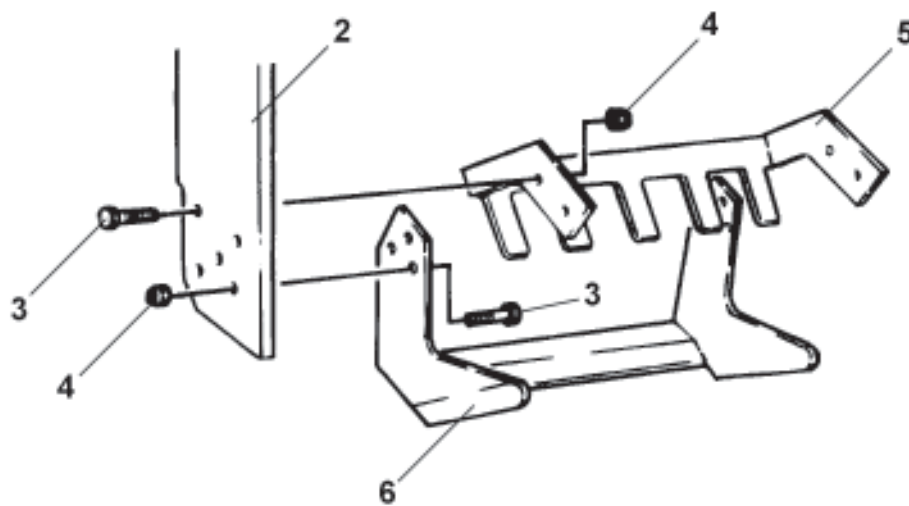
FIGURE 57

ITEM	PART NO.	DESCRIPTION	QTY	ITEM	PART NO.	DESCRIPTION	QTY
1	4160526	CANOPY SUPPORT (R)	1				
2	G0108065	BOLT M8 X 1.25 X 65	2				
3	H310166	REAR SPREADER	1				
4	H110768	TOP FRONT SPREADER LH	1				
5	H110769	TOP FRONT SPREADER RH	1				
6	H110770	FRONT ANGLED MBR. LH	1				
7	H110771	FRONT ANGLED MBR. RH	1				
8	H110772	REAR ANGLED MBR.	1				
9	4160250	CANOPY COVER	1				
10	KE90010	WORK LIGHT	3				
	KE90014	BULB. WORK LIGHT	3				
	KE90017	LENS	A/R				
11	KN02007	SIGNAL LENS LH	1				
12	KN02008	SIGNAL LENS RH	1				
13	H110935	90° BRACE CLAMP (HALF)	30				
14	H510009	WIRING HARNESS	1				
15	KX99107	TIE WRAPS	35				
16	F020516	CARR. BOLT 5/16 X 1 3/4	16				
17	F210500	LOCKNUT 5/16 UNC	16				
18	F040820	BOLT 1/2 UNC X 2 GR.8	8				
19	F230800	NUT 1/2 UNC	8				
20	F040714	BOLT 7/16 UNC X 1.5 GR.8	9				
21	F220700	JAM NUT 7/16 UNC	9				
22	F320700	USS WASHER 7/16	18				
23	H310162	CROSS BRACE	1				
24	H110761	CROSS BRACE FRT & REAR	2				
25	H110762	CROSS BRACE	4				
26	H110219	FRAME. REAR STRAIGHT	1				
27	H110220	FRAME. FRONT CORNER LH	1				
28	H110221	FRAME. FRONT CORNER RH	1				
29	H110723	FRAME. REAR CORNER LH	1				
30	H110724	FRAME. REAR CORNER RH	1				
31	F700204	SCREW #10 PAN HD, PHIL	5				
32	F310800	LOCKWASHER 1/2	8				
33	F320800	WASHER 1/2	16				

FIGURE 58



**SOD BLADE WITH
FINGERS STANDARD ON 24"**



**STANDARD BLADE WITH
SOD GUIDE BRACKET
OPTION ON 24"**

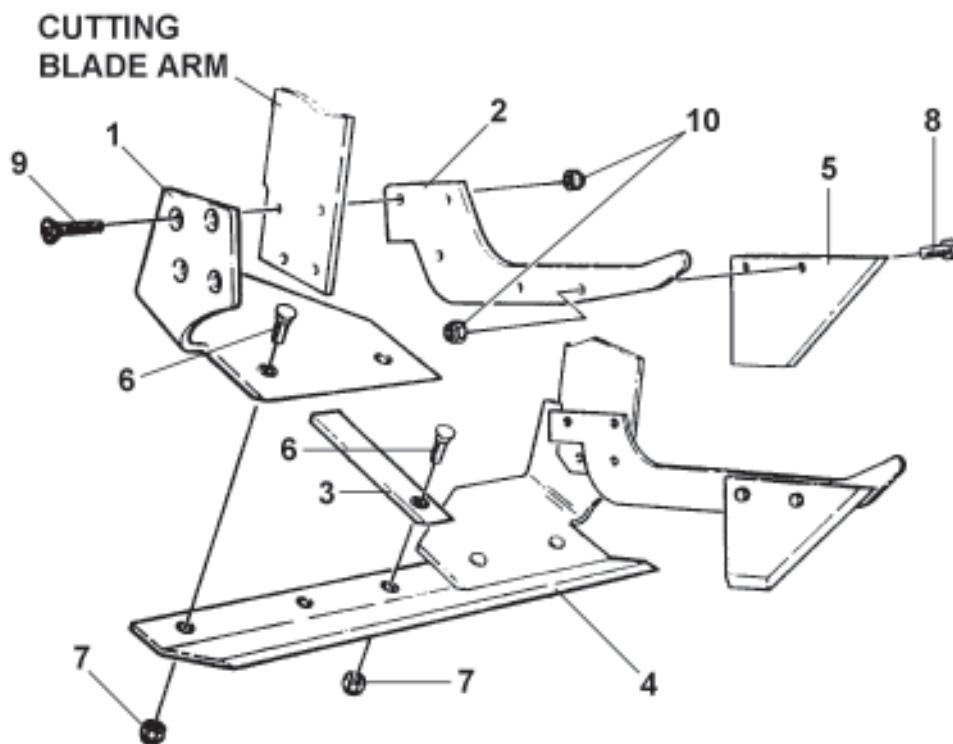
ROLLMAX 2400

CUTTING BLADE KITS

FIGURE 58

ITM	PART NO.	DESCRIPTION	QTY	ITM	PART NO.	DESCRIPTION	QTY
1	4132643	CUTTING BLADE COMBO 24"	1				
2	6115868	ARM, CUTTER	2				
3	515011	SCREW	16				
4	64025-03	NUT-HEX 5/16-24	16				
5	002405.7	GUIDE-SOD	1				
6	4132718	BLADE-CUTTING	1				

FIGURE 59



ROLLMAX 2400

UNIBLADE OPTIONS

FIGURE 59

ITM	PART NO.	DESCRIPTION	QTY	ITM	PART NO.	DESCRIPTION	QTY
1	015180.7	BLADE HOLDER RH	1				
	015179.7	BLADE HOLDER LH	1				
2	015183.7	SIDE BLADE HOLDER	2				
3	015184.7	SOD GUIDE-CENTER	2				
4	001549	BLADE-BOTTOM	1				
	002270.7	BLADE-BOTTOM HD	1				
5	001550.7	BLADE-SIDE CUTTER	2				
	002267	BLADE-SIDE CUTTER 4"	A/R				
6	F3701	BOLT	6				
7	F3013	LOCKNUT	6				
8	64123-01	BLT-HEX 5/16-24X3/4	4				
9	F2717	SCREW	8				
10	64025-03	NUT-HEX 5/16-24	12				

ROLLMAX 2400

CUTTING HEAD

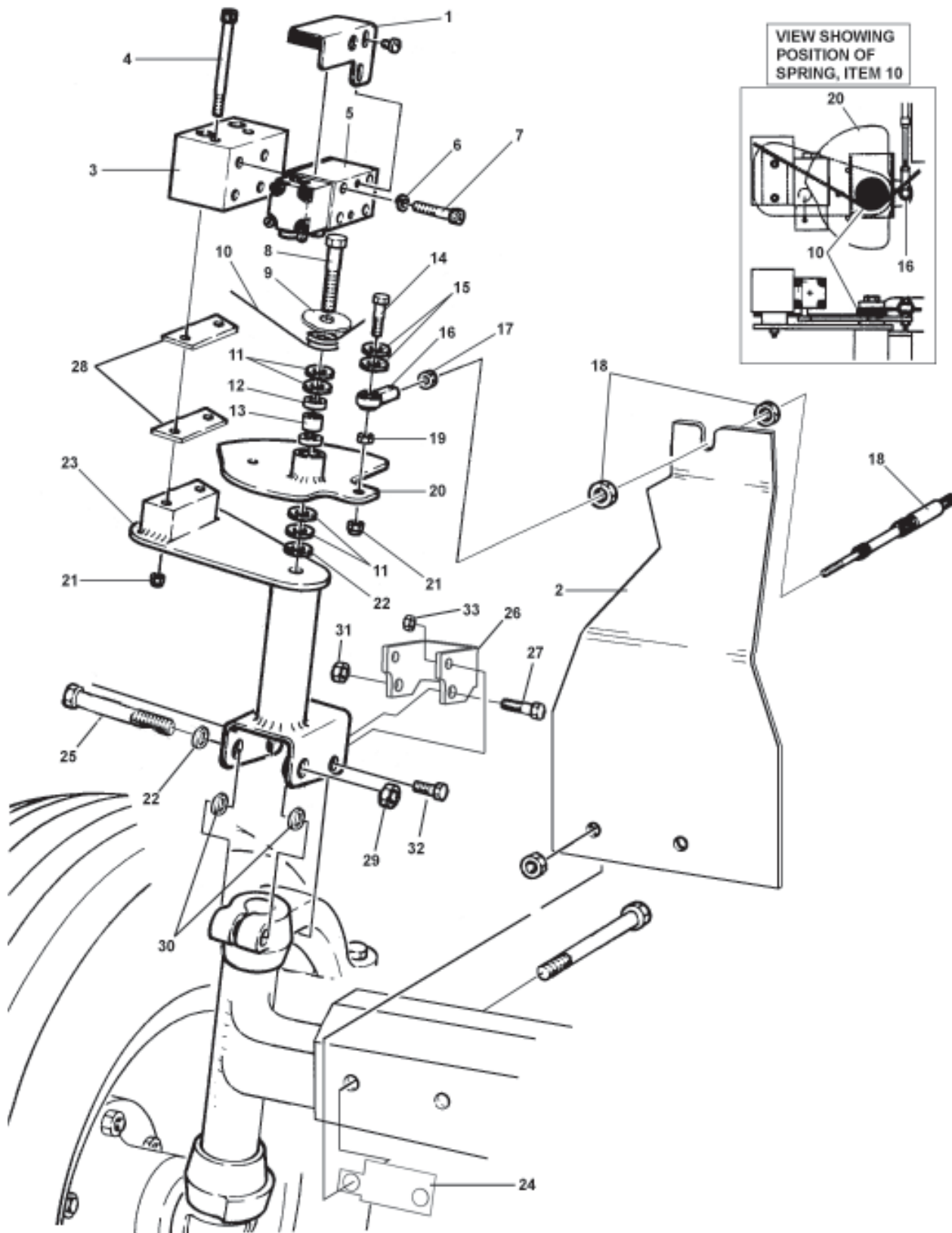
FIGURE 60

ITM	PART NO.	DESCRIPTION	QTY	ITM	PART NO.	DESCRIPTION	QTY
1		ASSY-SHOE COLUMN	1	43	64188-06	PIN, CLEVIS	1
2	B2022	BEARING	2	44	6109811	CHAIN-AUTOSTEER	1
3	015096.7	SHOE COLUMN BODY	1	45	99-K36	U-BOLT	4
4	015095	SHAFT-SHOE COLUMN	1	46	64141-4	NUT-WLF 3/8-16	8
5	015099	SPRING-SHOE COLUMN	1	47	64141-13	NUT WLF 1/2-13	8
6	6109806.7	ADJ-AUTOSTEER LIFT	1	48	4139231.7	MOUNT-AUTOSTEER LIFT	1
7	99-K61	BOLT-FLANGE 3/8-16 X 1/2	2	49	99-K85	BOLT-1/2-13 X 1 1/4	3
8	99-K73	BOLT-3/8-16 X 1-1/2	1	50	4139246.7	BRACE-AUTOSTEER LIFT	1
9	453023	FLATWASHER, 1/4	2	51	64229-03	LOCKNUT-NYLON 3/8-16	3
10	64123-70	BOLT-HEX 3/8-16X1-1/2	1	52	4139235.7	BRACE-JD AUTOSTEER	1
11	016469.7	AUTOSTR EXT ARM WLDMT	1	53	64123-50	BOLT-HEX 3/8-16X1	1
12	43-004A	ROD END	1	54	6109799.7	STOP-TRANSPORT	1
13	64229-01	LOCKNUT-1/4-20	1	55	03-020	HITCH PIN-QUICK RELEASE	1
14	M5270	CABLE,PUSH/PULL	1	56	64163-67	WASHER-.516X1X12	6
15	M0302	BALL END, RH	1	57	90-0832	BOLT,1/2-13 X 4	1
16	6115621.7	EXTENSION ARM WLDMT	1	58	6109803	ARM-AUTOSTEER LIFT	1
17	64123-80	BLT-HEX 1/4-20X1-1/4	1	59	015110.6	SHOE ARM WELD ASSY	1
18	99-E11	NUT, STEERING VALVE	2	60	G8084	QUICK LINK	1
19	47-142	AUTOSTEER ADJ CABLE	1	61	200706.6	AUTOSTEER SHOE	1
20	016530	CABLE ARM	1	62	D0004	CLAMP YOKE	1
21	43-Y0303F	YOKE-CLEVIS	1	63	D0008	KIT-JOURNAL	1
22	03-0305	CLEVIS PIN	1	64	64029-09	HEX, NUT 1/2-13	2
23	64140-2	COTTER PIN-1/16X1/2	1	65	64123-117	BOLT-HEX 1/2-13X1-1/2	6
24	301691	FRICTION WASHER	2				
25	64163-61	WSHR .81X.406X16	4				
26	64123-67	BLT-HEX 3/8-16X2	2				
27	F5076	LOCKWASHER	3				
28	90-0808	BOLT	3				
29	64229-05	LOCKNUT, 1/2-13	1				
30	64123-31	BOLT-1/2-13X3	1				
31	64123-49	BLT-HEX 1/4-20X1/2	1				
32	64006-01	LOCKWASHER-1/4	1				
33	015059.7	SHOE ARM SUPT PIVOT	1				
34	015102.7	PIVOT-SHOE ARM	1				
35	015061.7	SHOE ARM SUPT	1				
	29-045	GREASE FITTING-45 DEG	1				
	F3603	SET SCREW	2				
	016657	BUMPER-RUBBER	1				
36	23-199	CYLINDER-AUTOSTEER	1				
	E3043	KIT-PISTON SEALS	1				
	E3044	SEAL-END	1				
37	G8048	SHACKLE-ANCHOR	2				
38	E8024	SEAL-ROD WIPER	1				
39	016310	NUT	1				
40	F1006	NUT-JAM	1				
41	43-Y0404F	YOKE END	1				
42	G2510	PIN-HITCH CLIP	1				

AUTOSTEER 2 WHEEL DRIVE

ROLLMAX 2400

FIGURE 61



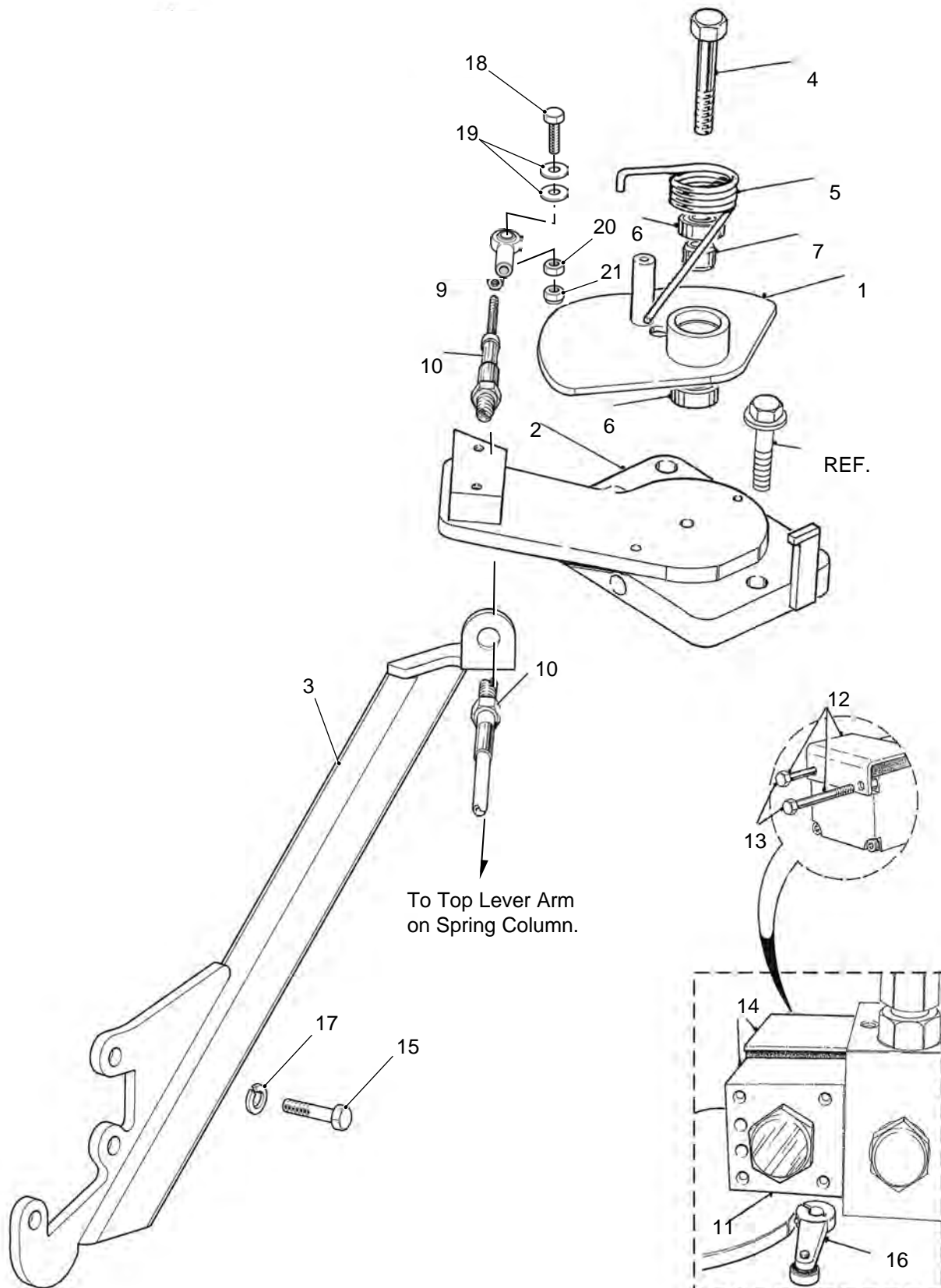
ROLLMAX 2400

AUTOSTEER 2 WHEEL DRIVE

FIGURE 61

ITM	PART NO.	DESCRIPTION	QTY	ITM	PART NO.	DESCRIPTION	QTY
1	016535.7	COVER-VALVE	1				
	016663	SEAL-FOAM	1				
2	4137309.7	ANCHOR BRACKET	1				
3	H4085	STEERING MANIFOLD	1				
4	F1735	SCREW	2				
5	23-142	VLV-AUTOSTEER SENSOR	1				
		SCREW	2				
6	120052	LOCKWASHER	4				
7	99-24	BOLT, 10-24 X 1-1/4	4				
8	64123-72	BLT-HEX 1/2-13X2-1/2	1				
9	F6053	WASHER	1				
10	016796	SPRING	1				
11	99-B59	WASHER	4				
12	B2010	BEARING-BALL	2				
13	015256	SPACER	1				
14	64123-07	BOLT, 1/4-20X1-1/2	1				
15	453023	FLATWASHER, 1/4	2				
16	43-004A	ROD END	1				
17	F1006	NUT-JAM	1				
18	M5270	CABLE-PUSH/PULL	1				
		(INCLUDES ITEM 16)					
19	64025-01	NUT-1/4-20 HEX	1				
20	016483.7	CAM-AUTOSTEER	1				
21	64229-01	LOCKNUT-1/4-20	3				
22	64163-67	WASHER-.516X1X12	A/R				
23	4137321.7	MNT-AUTOSTEER VLV	1				
24	4137317.7	SHIM - AUTOSTEER	1				
25	64205-075	BLT-MET M12-1.75X100	1				
26	4137368.7	BRKT-AUTOSTEER SUPT	1				
27	90-0728	BOLT-7/16-14 X 3-1/2	1				
28	016440.7	SHIM-.134" THICK	A/R				
	016441.7	SHIM-.059" THICK	A/R				
		(USED ON THE 1570 ONLY)					
29	64237-06	LOCKNUT-NYLON M12-1.75	1				
30	64163-36	WASHER	2				
31	64229-04	LOCKNUT-7/16-14	1				
32	64123-15	BOLT-3/8-16X3/4	2				
33	64151-18	NUT-HEX	2				

FIGURE 62



SOD HARVESTER

AUTOSTEER 4 WHEEL DRIVE

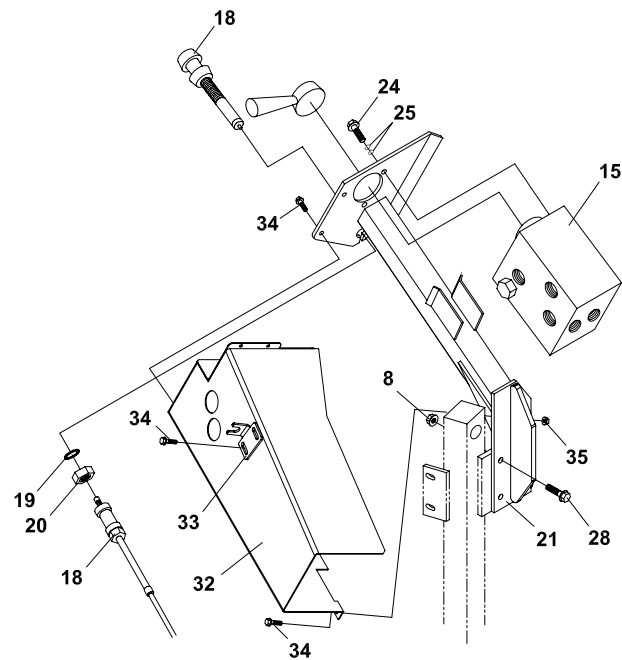
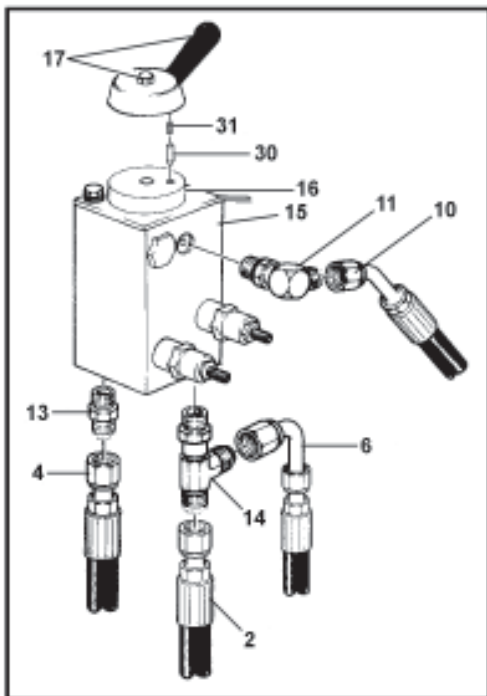
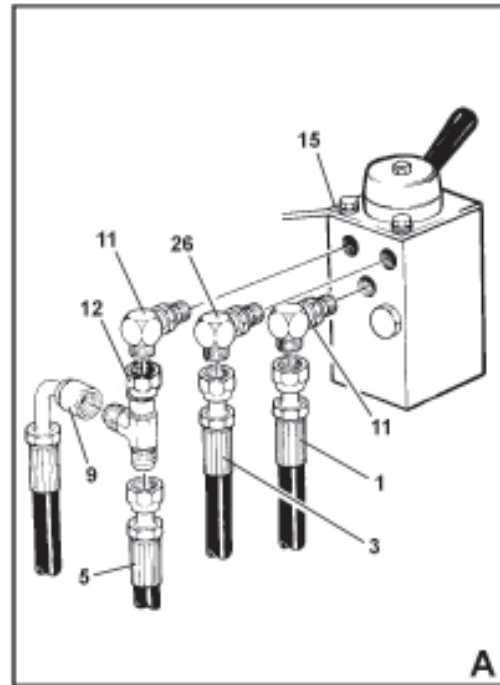
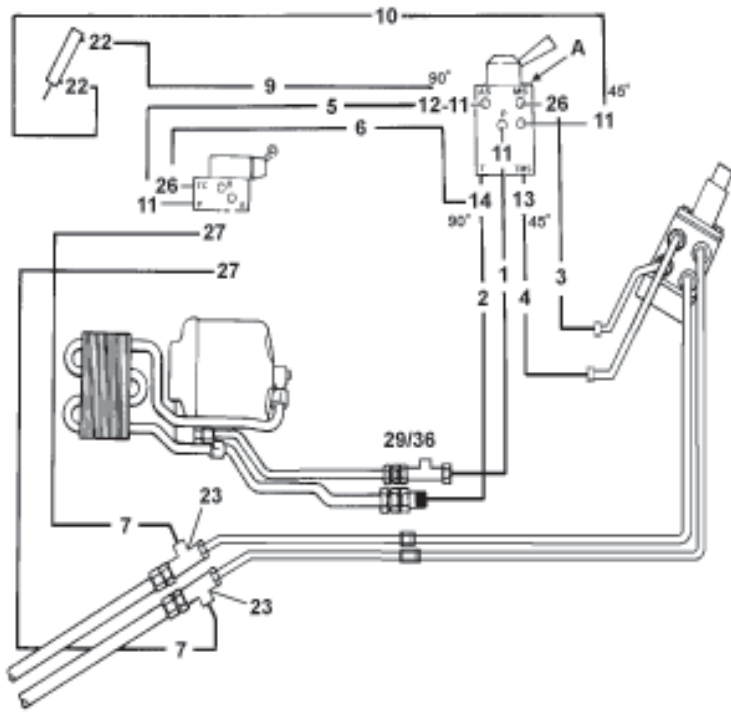
FIGURE 62

ITEM	PART NO.	DESCRIPTION	QTY	ITEM	PART NO.	DESCRIPTION	QTY
62-1	H310287	CAM. AUTO-STEER 4WD	1				
62-2	H310306	SENSOR VALVE MOUNT	1				
62-3	4160477	CABLE MOUNTING BRCKT.	1				
62-4	H111266	BOLT. MODIFIED (METRIC)	1				
62-5	H110113	SPRING. CAM	1				
62-6	KB16001	BEARING. CAM	1				
62-7	H110116	SPACER. BEARING	1				
62-8	KB03004	ROD END - 1/4 IN.	1				
62-9	F220450	JAM NUT 1/4 UNF	1				
62-10	M5270	CABLE ASSEMBLY	1				
62-11	KH20051	SENSOR VALVE	1				
62-12	H510109	SNSR. VALVE CVR. ASSY.	1				
62-13	G0105040	BOLT M5 X .8 X 40	2				
62-14	H510079	SENSOR VALVE ASSY.	1				
62-15	G0212040	BOLT M12 X 1.75 X 40	3				
62-16	H510111	CAM ROLLER ARM	1				
62-17	G311200	LOCKWASHER M12	2				
62-18	F040414	BOLT 1/4 UNC X 1 1/2 GR.8	1				
62-19	F320400	FLATWASHER 1/4	2				
62-20	F230400	NUT 1/4	1				
62-21	F210400	LOCKNUT 1/4 UNC	1				

SELECTOR VLV & FINE ADJUSTER (A)

ROLLMAX 2400

FIGURE 63



ROLLMAX 2400

SELECTOR VLV & FINE ADJUSTER (A)

FIGURE 63

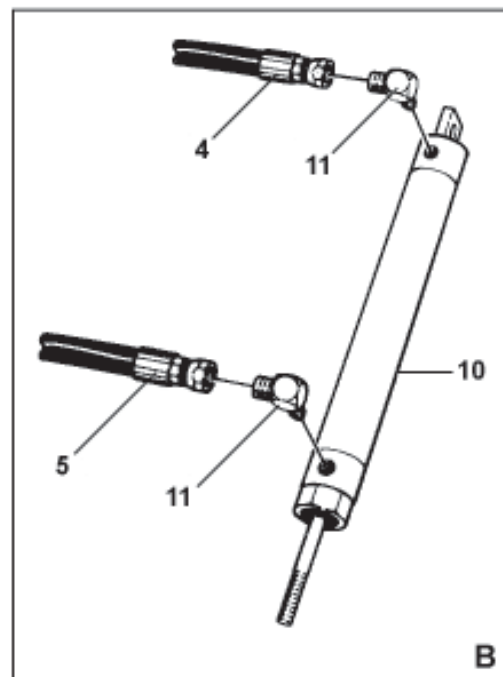
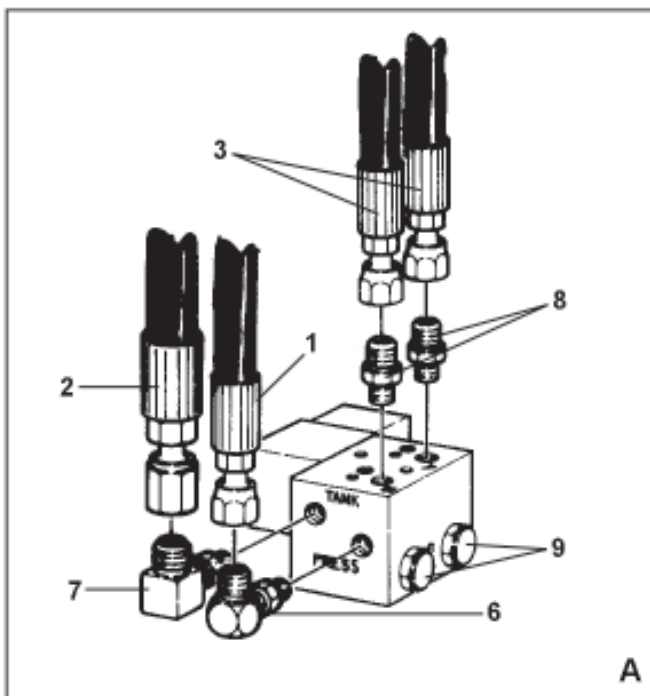
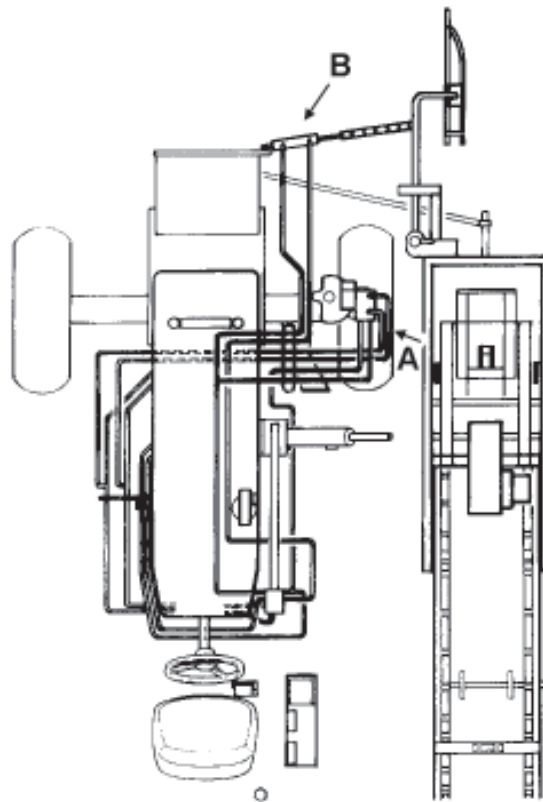
ITM	PART NO.	DESCRIPTION	QTY	ITM	PART NO.	DESCRIPTION	QTY
1	20-168	HOSE-1/2 X 51	1				
2	20-212	HOSE-1/2 X 82	1				
3	016954	HOSE ASSY-1/2" HYD	1				
4	20-223	HOSE-1/2 X 62	1				
5	016054	HOSE-SEL VLV TO SENSOR	1				
6	016055	HOSE-SENSOR VLV TO SEL	1				
7	20-166	HOSE-3/8 X 99	2				
8	64141-4	NUT-WLF 3/8-16	4				
9	016058	HOSE-RESET CYL EXT	1				
10	016059	HOSE, RESET CYL	1				
11	H7002	FITTING-90 DEG	4				
12	H7004	FITTING-SW RUN TEE	1				
13	H7001	FITTING	1				
14	H7005	FITTING-TEE	1				
15	H4070	VLV-STEERING SELCTOR	1				
16	H4081	CARTRIDGE-SELCTOR VLV	1				
	E3042	KIT-SEALS	1				
17	H4082	KIT-LEVER ASSY	1				
	H4083	LEVER	1				
	H4084	NUT-ROTARY VALVE	1				
18	47-142	AUTOSTEER ADJ CABLE	1				
19	F6078	LOCKWASHER	1				
20	99-E11	JAM NUT	1				
21	6109110.7	MNT-SELECTOR VLV	1				
22	H6189	FITTING-90 DEG	2				
23	25-FF6602-8-8	FITTING-TEE	2				
24	64123-15	BOLT-3/8-16X3/4 HEX	2				
25	F3076	LOCKWASHER	2				
26	H7003	FITTING-90	1				
27	H7000	FITTING-CONN	2				
28	64139-24	BLT-WLF 3/8-16 X 1	4				
29	H8026	PLUG	1				
30	21-21119	PLUNGER-ROTARY VLV	1				
31	21-21120	SPRING-ROTARY VLV	1				
32	6115961.7	SHIELD-AUTOSTEER VLV	1				
33	6115958.7	MNT-CABLE COUNTER	1				
34	64139-04	BOLT-WLF 1/4-20X3/4	5				
35	64141-2	NUT-WLF 1/4-20	1				
36	6109128	TEE-MODIFIED	1				
*	04-009	INSERTS					
		(USE QTY 2 ON NON-AUTOSTEER SLABR)					
		(USE QTY 2 ON ROLL-UP)					
		(USE QTY 4 ON SLABBER)					

* NOT ILLUSTRATED

SELECTOR VLV & FINE ADJUSTER (B)

ROLLMAX 2400

FIGURE 64



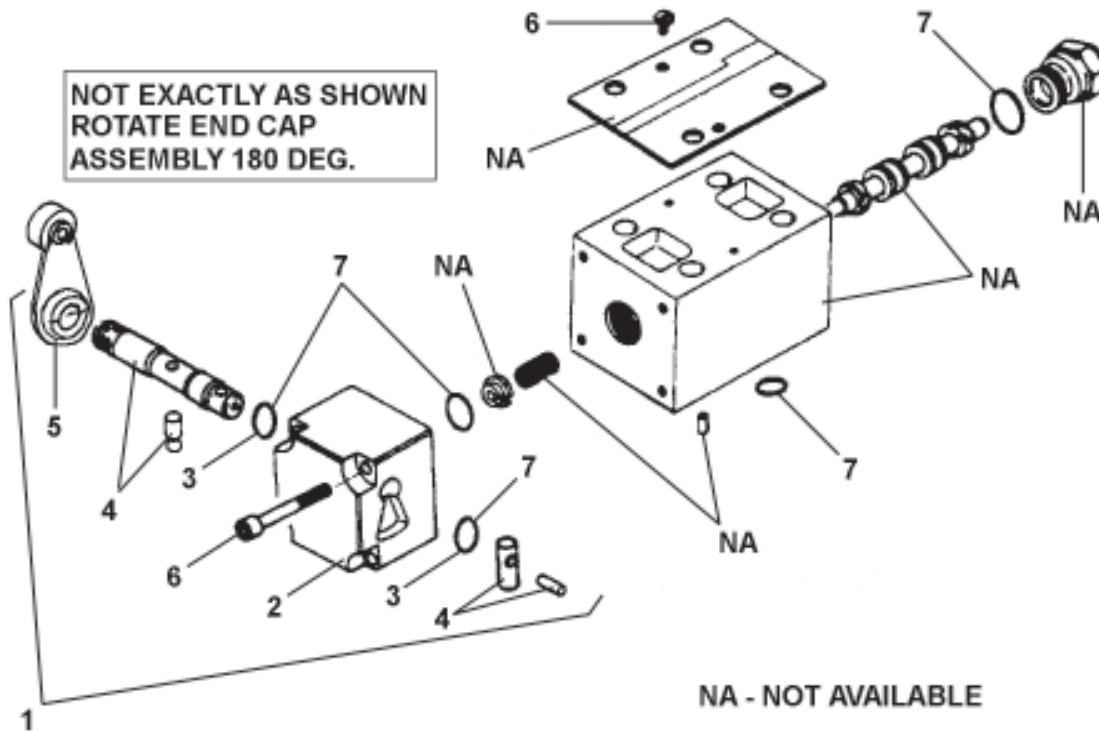
ROLLMAX 2400

SELECTOR VLV & FINE ADJUSTER (B)

FIGURE 64

ITM	PART NO.	DESCRIPTION	QTY	ITM	PART NO.	DESCRIPTION	QTY
1	016054	HOSE-SEL VLV TO SENSOR	1				
2	016055	HOSE-SENSOR VLV TO SEL	1				
3	20-166	HOSE-3/8 X 99	2				
4	016058	HOSE-RESET CYL EXT	1				
5	016059	HOSE, RESET CYL	1				
6	H7002	FITTING-90 DEG	1				
7	H7003	FITTING-90	1				
8	H7000	FITTING-CONN	2				
9	H4088	CARTRIDGE-CHK VLV	2				
10	23-199	CYL-AUTOSTEER	1				
	E3043	KIT-PISTON SEALS	1				
	E3044	SEAL-END	1				
11	H6189	FITTING-ADAPTER	2				

FIGURE 65

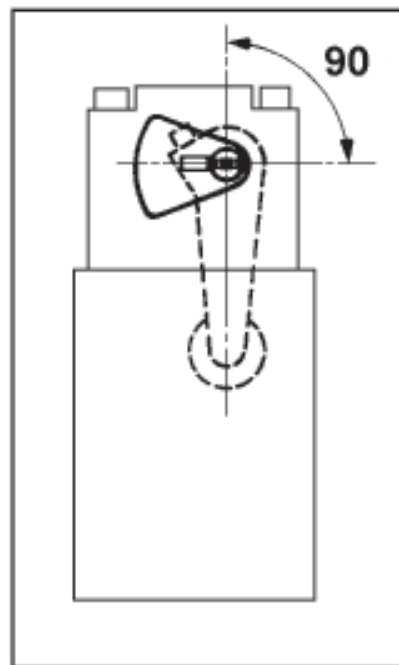


SENSOR VALVE

Before installing the sensor valve, the roller lever must be set 90 degrees to the slot in the shaft. This will be in the center of the full travel of the roller arm in the installed position.

In the installed position, the stop pin should be in the center of its adjustment when the cam is in the neutral position. (1/4" pin in place) If this is not the case, check the roller lever position, as per above.

A cover and foam gasket are used to prevent water or dirt from accumulating in the stop pin cavity. Use loctite on the screws, and check periodically to keep cavity clear.



ROLLMAX 2400

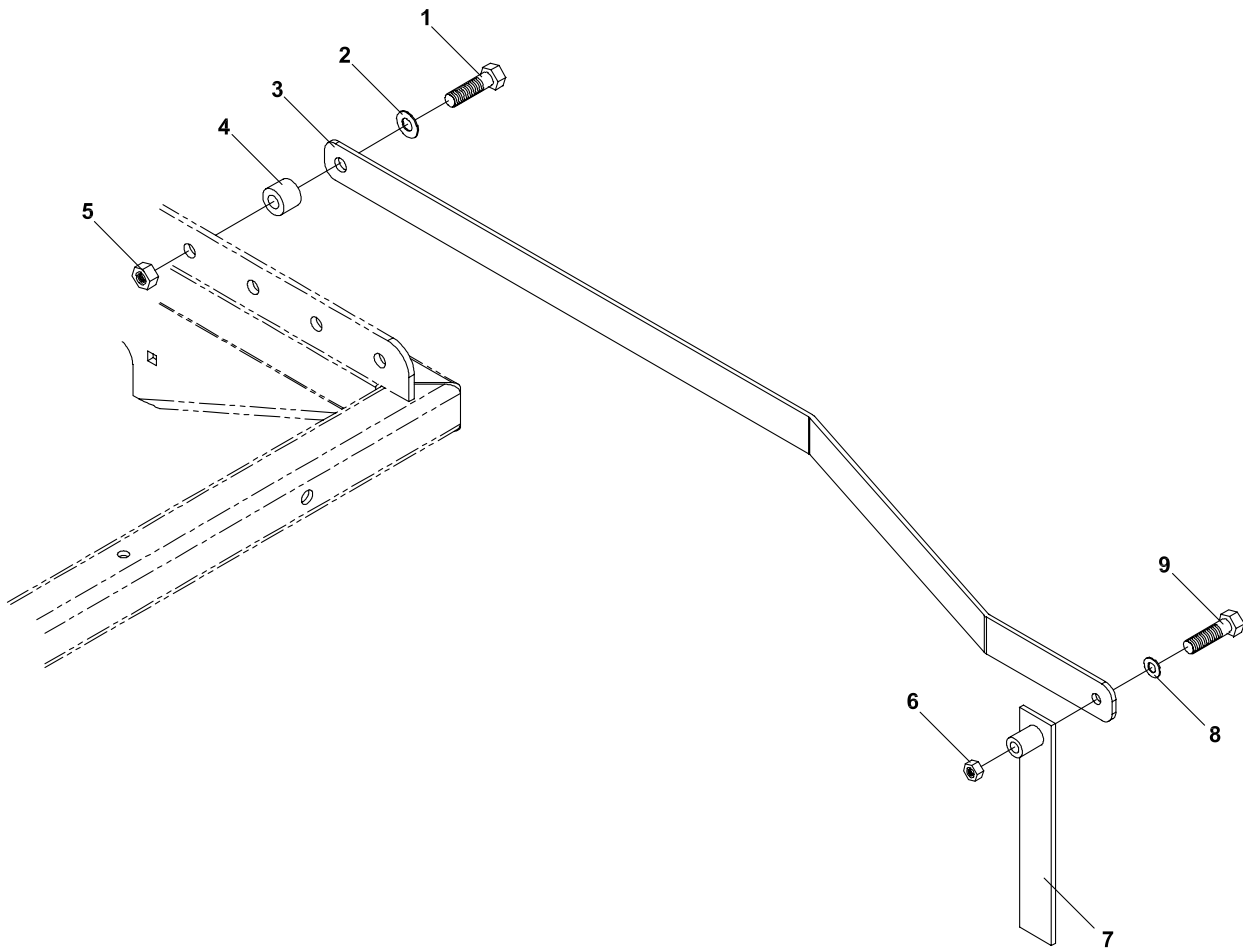
SENSOR VLV SERVICE PARTS

FIGURE 65

ITM	PART NO.	DESCRIPTION	QTY	ITM	PART NO.	DESCRIPTION	QTY
1	H4095	KIT-END CAP	1				
2	23-142	VLV-AUTOSTEER SENSOR (INCLUDES ITEMS 3 & 4)	1				
3		O-RING	2				
4		PIVOT SHAFT ASSY	1				
5	A02027	AUTOSTEER-ASSY	1				
	002633	AUTOSTEER TRIP ARM	1				
	55-106	BEARING	2				
	64006-01	LOCKWASHER-1/4	1				
	99-K96	BOLT, 1/4-20 X 7/8	1				
6		HARDWARE KIT	1				
7	E3034	KIT-SEAL	1				
*	H4045	LEVER-VALVE	1				

* NOT ILLUSTRATED

FIGURE 66



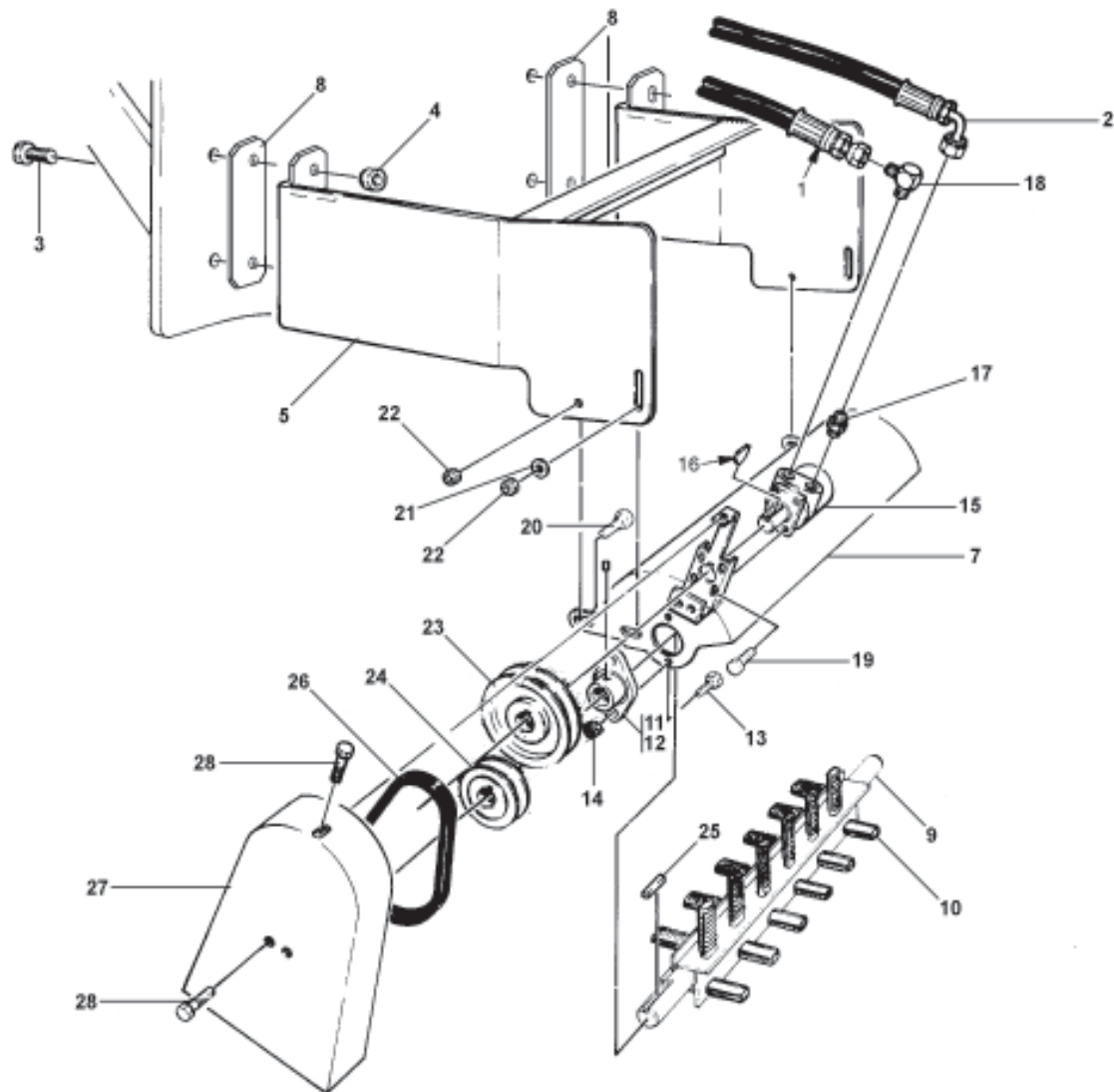
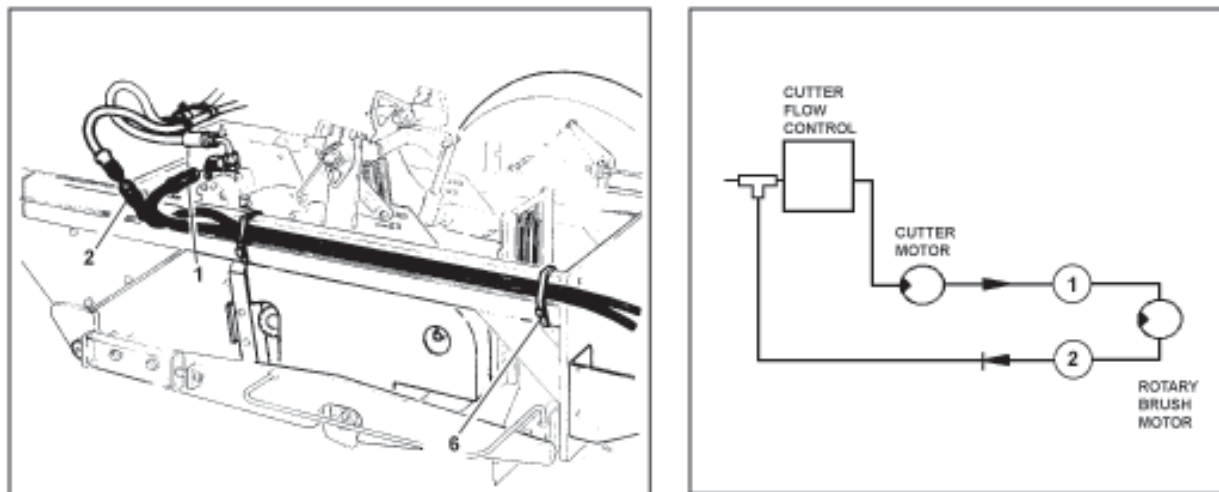
ROLLMAX 2400

MANUAL STEER DRIVER'S GUIDE

FIGURE 66

ITM	PART NO.	DESCRIPTION	QTY	ITM	PART NO.	DESCRIPTION	QTY
1	64123-24	BLT-HEX 1/2-13X2	1				
2	64163-67	WASHER-.516X1X12	1				
3	6115717.6	BAR-HORIZONTAL	1				
4	6115718	SPACER	1				
5	64229-05	LOCKNUT, 1/2-13	1				
6	64229-03	LOCKNUT-NYLON 3/8-16	1				
7	001709.6	BAR-VERTICAL	1				
8	64163-61	WSHR .81X.406X16	1				
9	64123-67	BLT-HEX 3/8-16X2	1				

FIGURE 67



ROLLMAX 2400

ROTARY BRUSH

FIGURE 67

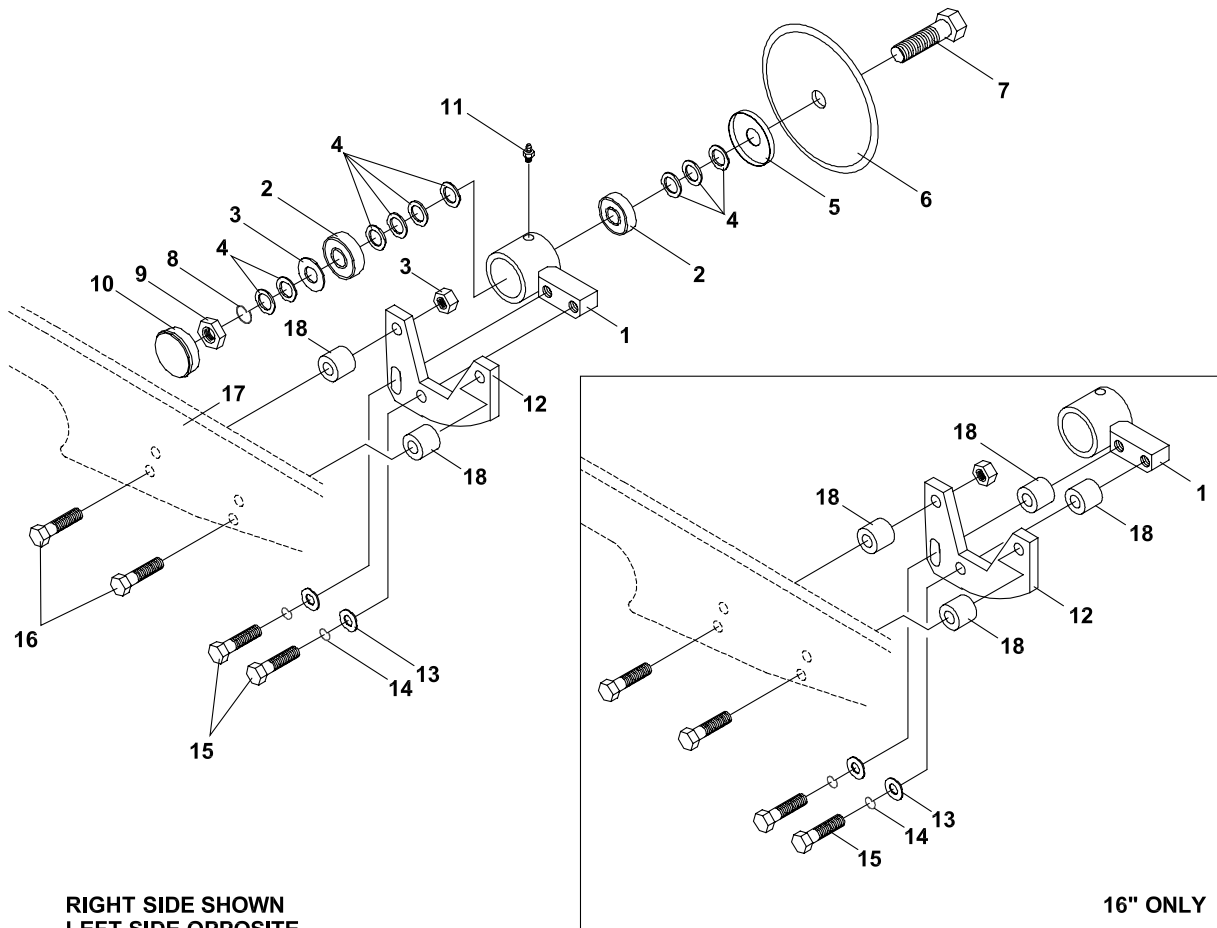
ITEM	PART NO.	DESCRIPTION	QTY	ITEM	PART NO.	DESCRIPTION	QTY
67-1	016434	HOSE	1				
67-2	016435	HOSE	1				
67-3	90-0814	BOLT-1/2 X 1-3/4	4				
67-4	64141-13	NUT WLF 1/2-13	4				
67-5	016420.7	FRAME-ROTARY BRUSH (USED ON 16" & 18" ONLY)	1				
	016421.7	FRAME-ROTARY BRUSH (USED ON 24" ONLY)	1				
67-6	G8002	WIRE TIE-15-1/4" LONG	2				
67-7	009249.6	COVER-ROTARY BRUSH (USED ON 16" & 18" ONLY)	1				
	016321.6	COVER-ROTARY BRUSH (USED ON 24" ONLY)	1				
67-8	002321.7	SPACER-BRUSH MNTNG	2				
67-9	015230.7	ROTARY BRUSH FRAME (USED ON 16" & 18" ONLY)	1				
	015510.7	ROTARY BRUSH FRAME (USED ON 24" ONLY)	1				
67-10	M5106	SWEEPER FINGERS 11-1/2" (USE QTY 24 ON 16" & 18") (USE QTY 31 ON 24")					
67-11	B8007	BEARING-CARTRIDGE	2				
67-12	B8008	FLANGE-BEARING	4				
67-13	64123-68	BOLT-HEX 5/16-18X1	4				
67-14	64141-6	NUT, 5/16-18	4				
67-15	H0026	MOTOR-HYD	1				
	21-094	SEAL KIT	1				
67-16	G8019	KEY, WOODRUFF 1/4 X 1"	1				
67-17	25-0503-10-10	FITTING-STR	1				
67-18	25-2503-10-10	FITTING-90	1				
67-19	64139-21	BLT-WLF 3/8-16X3/4	4				
67-20	64018-15	BLT-CRG 5/16-18X1	4				
67-21	64163-04	WASHER-25/64X5/8X16	2				
67-22	F2014	NUT-5/16-18	4				
67-23	83-BK5016	SHEAVE	1				
67-24	D2207	SHEAVE	1				
67-25	124422	KEY, 1/4 X 1/4 X 1-3/8	1				
67-26	D2006	BELT	1				
67-27	009259.6	GUARD-ROT BRUSH DRV	1				
67-28	64139-08	BOLT-5/16-18X3/4	3				
*	4131393	LBL-BROUWER	1				

* NOT ILLUSTRATED

COULTER BLADE OPTION

ROLLMAX 2400

FIGURE 68



SOD HARVESTER

COULTER BLADE OPTION

FIGURE 68

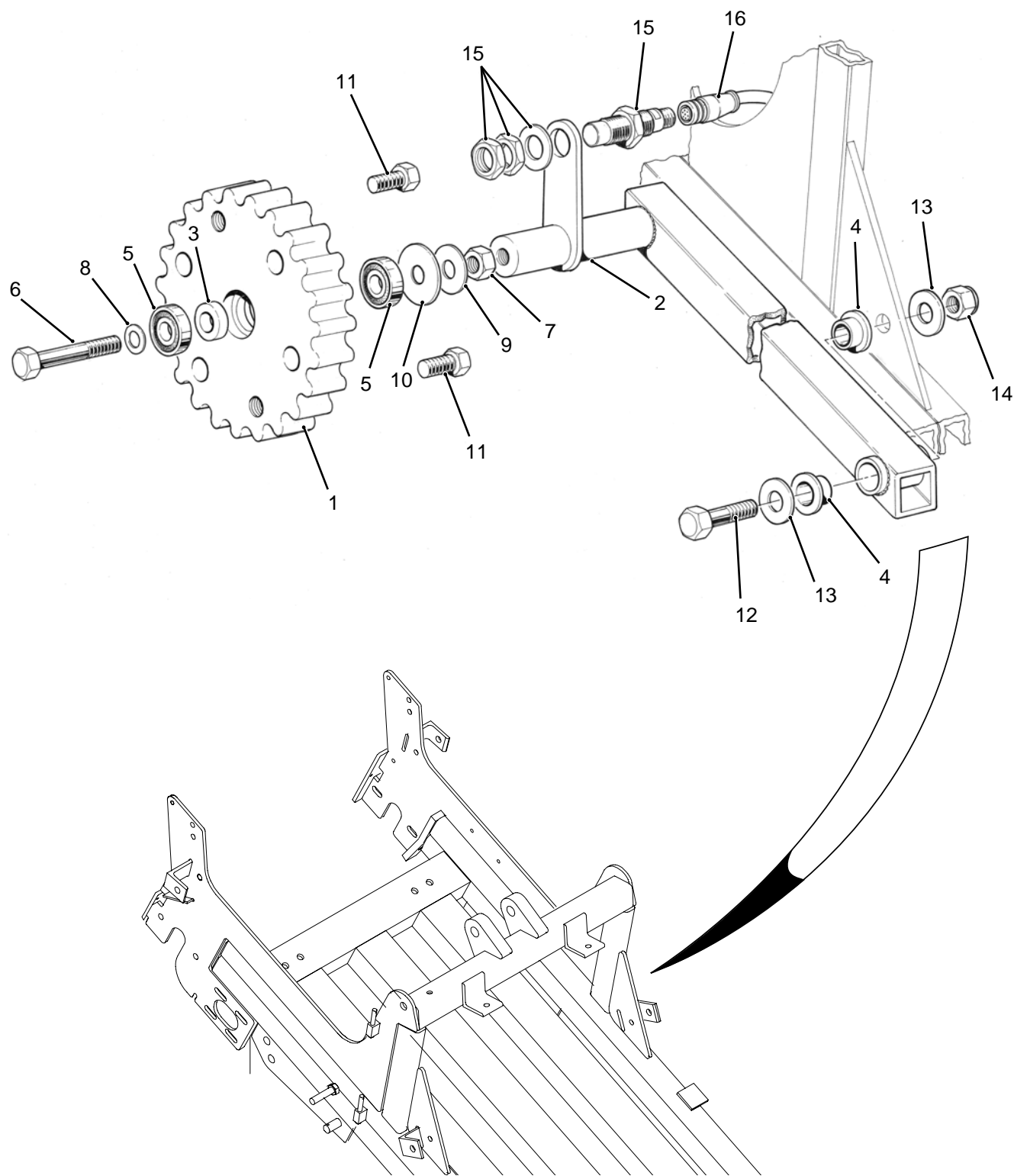
ITEM	PART NO.	DESCRIPTION	QTY	ITEM	PART NO.	DESCRIPTION	QTY
68-1	002426.7	ARM-COULTER B (SHOWN)	1				
	002425.7	ARM-COULTER A	1				
68-2	55-Z9504AB	BEARING	4				
68-3	F5018	NUT-1/2-13	4				
68-4	99-B34	WASHER	18				
68-5	53-150	CAP, BEARING HOUSING	2				
68-6	002377.7	BLADE-COULTER	2				
68-7	002376	BOLT, COULTER ARM	2				
68-8	96-12	LOCKWASHER, 3/4	2				
68-9	F7013	NUT,JAM-3/4-16	2				
68-10	53-060	DUST CAP	2				
68-11	29-010	GREASE FITTING	2				
68-12	006573.7	BRKT-COULTER	2				
*	006575.7	TEMPLATE-COULTER R.H.	1				
*	006576.7	TEMPLATE-COULTER L.H.	1				
68-13	64163-67	WASHER-.516X1X12	4				
68-14	64006-05	LOCKWASHER-1/2	4				
68-15	64123-117	BOLT-HEX 1/2-13X1-1/2 (USED ON 18" & 24" ONLY)	4				
	64123-72	BLT-HEX 1/2-13X2-1/2 (USED ON 16" ONLY)	4				
68-16	64123-125	BOLT-HEX 1/2-13X2-3/4	4				
68-17	002001.7	FRAME-CUTOFF (USED ON 16" & 18" ONLY)	1				
	002004.7	FRAME-CUTOFF (USED ON 24" ONLY)	1				
68-18	006578	SPACER-COULTER (USED ON 18" ONLY)	4				
	006583	SPACER-COULTER (USE QTY 8 ON 16", QTY 4 ON 24")					

* NOT ILLUSTRATED

CUT-OFF COUNTER

ROLLMAX 2400

FIGURE 56



ROLLMAX 2400

CUT-OFF COUNTER

FIGURE 56

ITEM	PART NO.	DESCRIPTION	QTY	ITEM	PART NO.	DESCRIPTION	QTY
1	4160497	MEASURING WHEEL	1				
2	4160516	PIVOT ARM	1				
3	4140521	SPACER	1				
4	KB11608	BUSHING	2				
5	KB16001	BEARING	2				
6	G0112065	BOLT M12 X 1.75 X 65 LG.	1				
7	G231200	NUT M12 X 1.75	1				
8	A100279	WASHER	1				
9	F400805	WASHER 1/2. DISC SPRING	1				
10	F380120	SHIM WASHER 1/2	1				
11	F040810	BOLT 1/2 UNC X 1 GR.8	2				
12		BOLT	1				
13		FLATWASHER	2				
14		LOCKNUT	1				
15	KE10155	PROXIMITY SENSOR	1				
16		CABLE	1				



Kesmac Inc.

23324 Woodbine Avenue, Keswick Ontario Canada L4P 3E9

Tel (905) 476-6222 Fax (905) 476-6744

Web Site www.brouwerturf.com Email info@kesmac.com