



MERITOR

**Duco Series, LISA, D3,
DX Series**

**Elsa 1 Series, Elsa 2 Series
Elsa 195-225-EX225 Series**

All Original Numbers, Marks and Models from
Vehicle Manufacturers Listed in this catalogue
are for comparison purposes only



www.brakingtech.com



Replace Pin Bushes Without Any Damage

BTA81K001

Description :
 Replacement Tools for All

Application :
 Useful for all Knorr,Wabco,Haldex,Meritor Variants

OEM No :
 ZB9032, I132203, Z004190, Z004361, Z003934, K016743, K015825, Z004354, Z004198, K005986, 02.0130.42.00, 02.0130.39.00, 02.0130.62.00, 02.0130.66.00, 02.0130.57.00, 02.0130.65.00, 02.0130.40.00, 02.0130.63.00, 02.0130.41.00, 02.0130.59.00, 02.0130.58.00, K039062K50, BTA81K001, K158880K50, K037001, I137951004, 4006083750, 640 195 522 2, 640 322 522 2, 300 100 014 2, 791-95231, 81922, P/N 81921, 81920, 89778, 89652, 89936, 81918, K028829



BTA81M001

Description :
 Brake Caliper Replace Tools Case

Application :
 Elsa2,EX225,Duco,D3,EX225L,EX225S

OEM No :
 MBT 1000, MST 1000, MST3001, 21221511, CMSK.22



BTA81M002

Description :
 Disc Brake Torque Wrench Extension 30mm

Application :
 Meritor Wrench

OEM No :
 BrakingTech only



BTF5510846

Description :
 Brake Disc Mounting Kit

Application :
 VOLVO,FM,FH,NH,B,FL,RVI Magnum,Premium2

OEM No :
 20375549, 1074468, 3092224, 3988839, 22485980, 3092710S, 85103803S, 85103806S, 85110495S, 8551042S, 5001867798S, 1962341



BTF5552034

Description :
 Brake Pad Meritor

Application :
 R.O.R., For Caliper: MERITOR DX195 Weight: 7,00

OEM No :
 15224835, MDP1314, MDP5076

WVA :
 29124, 29155

No	BT No	Information
1	BTF5552034 x	Brake Pad 205,4 x 102 x 2 ...



BTF5552044

Description :
 Brake Pad Meritor

Application :
 RENAULT,VOLVO,MERITOR ELSA 225,Weight: 8,40

OEM No :
 5001864365, 7421399915, 20568715, 21352573, 21496551, 20568712, 20526569, MDP3173K, MDP5106

WVA :
 29173, 29203, 29272, 29189

No	BT No	Information
1	BTF5552044 x	Brake Pad 215,85 x 101 x ...



BTG01001

Description :
 Grease Oil(White)

Application :
 Content is 5gr.For metal&rubber items in Airbrake system

OEM No :
 I114525, I132868, K93430, I132793, S-29152-12

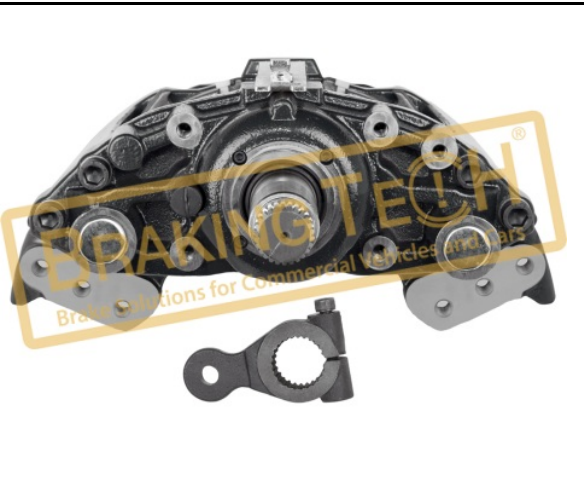


BTI72739

Description :
 Brake Adjuster Kit

Application :
 MAN L2000-M2000,MAN F9-G90-M90,MAN BUS SR-NL

OEM No :
 SP9662, 81.50456.6002, 5000823233

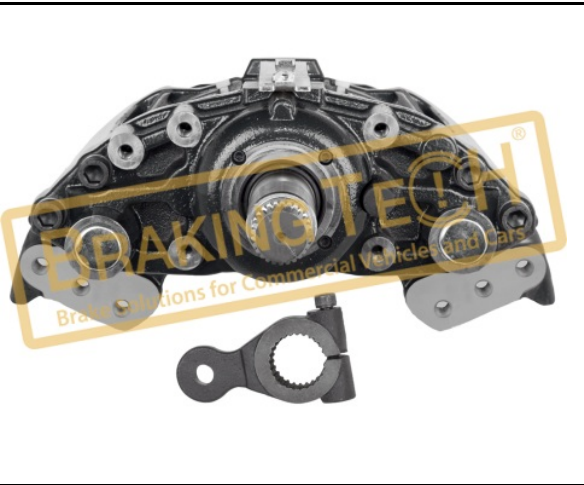


BTM0101127

Description :
 Caliper Complete Meritor Rear R/H(D3)

Application :
 D3,Mercedes Bus,LRG623,Reman.by BT

OEM No :
 A0014204101

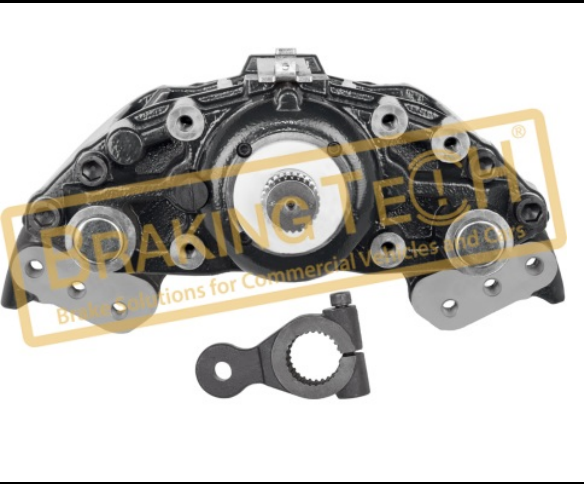


BTM0101128

Description :
 Caliper Complete Meritor Rear L/H(D3)

Application :
 D3,Mercedes Bus,LRG622,Reman.by BT

OEM No :
 A0014204101

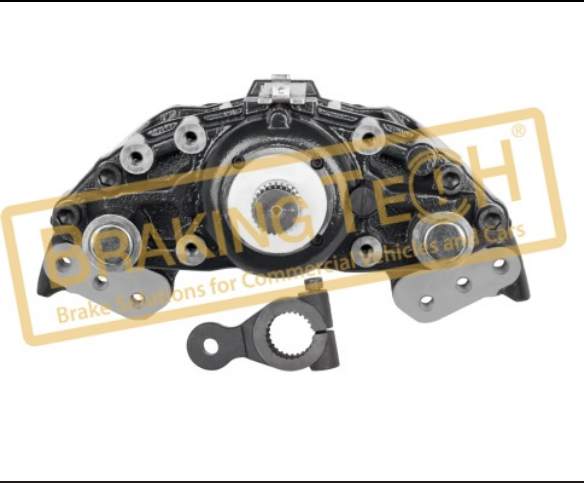


BTM0101129

Description :
 Caliper Complete Meritor Front R/H(D3)

Application :
 D3,Mercedes 403 Bus,LRG533,Reman.by BT

OEM No :
 A0014204001



BTM0101130

Description :
 Caliper Complete Meritor Front L/H(D3)

Application :
 D3,Mercedes 403 Bus,LRG532,Reman.by BT

OEM No :
 A0014203901



BTM20001

Description :
Caliper Repair Kit (DX195)

Application :
ROR L, M, T M Series

OEM No :
2169214

No	BT No	Information	No	BT No	Information
1	BTK26 x 2	Boot	14	BTC15 x 3	Screw M8x20mm
2	BTK27 x 2	Dust Cover	15	BTCN1 x 1	Gasket
3	BTK28 x 2	Boot	16	BTC16 x 1	Screw
4	BTS14 x 2	Metal Tap Ø 42 / 28 mm	17	BTS50 x 1	Washer
5	BTT13 x 1	Guide Pin (Duct deep 62mm ...	18	BTT91 x 1	Detent Pin
6	BTT14 x 1	Guide Pin (Duct deep 37mm ...	19	BTS51 x 1	Cotter Pin
7	BTC1 x 1	Screw M16x1.5x80mm			
8	BTC11 x 1	Screw M16X1.5X55mm			
9	BTB7 x 2	Bush Ø 32 x 36 / 55 mm			
10	BTK29 x 1	Dust Cover 52x4,60			
11	BTC12 x 2	Screw M10X20mm			
12	BTC13 x 4	Screw M12X30mm			
13	BTC14 x 2	Screw M12X30mm FT			



BTM20002

Description :
Caliper Repair Kit (DX225)

Application :
ROR, BREDAMENARINI BUS, CITY BUS

OEM No :
MCK1261

No	BT No	Information	No	BT No	Information
1	BTK85 x 2	Boot	14	BTC15 x 3	Screw M8x20mm
2	BTK86 x 2	Dust Cover	15	BTCN1 x 1	Gasket
3	BTK87 x 2	Boot	16	BTC16 x 1	Screw
4	BTS14 x 2	Metal Tap Ø42 / 28mm	17	BTS50 x 1	Washer(Brass)
5	BTT15 x 1	Guide Pin Ø 35x99(Duct d ...	18	BTT91 x 1	Detent Pin
6	BTT16 x 1	Guide Pin Ø 35x99(Duct d ...	19	BTS51 x 1	Cotter Pin
7	BTC11-01 x 1	Screw M18x2.5x90mm			
8	BTC1-01 x 1	Screw M18x2.5x60mm			
9	BTB7-01 x 2	Bush Ø35x39x50			
10	BTK29 x 1	Dust Cover			
11	BTC12 x 2	Screw M10x20mm			
12	BTC13 x 4	Screw M12x30mm			
13	BTC14 x 2	Screw M12x30mm			



BTM20003

Description :
Caliper Repair Kit (DX195)

Application :
ROR L, M, T M Series

OEM No :
MCK1171, DAF 1489989, RVI 5021 170 885, FRUEHAUF CF104387, CATERPILLAR 2799440, ASTRA 98133542AS

No	BT No	Information	No	BT No	Information
1	BTK26 x 2	Boot	14	BTS50 x 1	Washer
2	BTK27 x 2	Dust Boot			
3	BTK28 x 2	Boot			
4	BTS14 x 2	Metal Tap Ø 42 / 28 mm			
5	BTT13 x 1	Guide Pin (Duct Deep 62mm ...			
6	BTC1 x 1	Screw M16x1.5x80mm			
7	BTT14 x 1	Guide Pin (Duct Deep 37mm ...			
8	BTC11 x 1	Screw M16X1.5X55mm			
9	BTB7 x 2	Bush Ø 32 x 36 / 55 mm			
10	BTC12 x 2	Screw M10X20mm			
11	BTT91 x 1	Detent Pin			
12	BTS51 x 1	Cotter Pin			
13	BTC16 x 1	Screw			



BTM20004

Description :
Caliper Repair Kit (DX225)

Application :
ROR, BREDAMENARINI BUS, IVECO BUS 491 City Class Cursor

OEM No :
MCK1172, 2992673

No	BT No	Information	No	BT No	Information
1	BTK85 x 2	Boot	14	BTS50 x 1	Washer
2	BTK86 x 2	Dust Cover			
3	BTK87 x 2	Boot			
4	BTS14 x 2	Metal Tap Ø 42 / 28 mm			
5	BTT15 x 1	Guide Pin (Duct deep. 68mm ...			
6	BTT16 x 1	Guide Pin (Duct deep. 35mm ...			
7	BTC1-01 x 1	Screw M18 x 2.5 / 90 mm			
8	BTC11-01 x 1	Screw M18 x 2.5 / 60 mm			
9	BTB7-01 x 2	Bush Ø 35 x 39 / 50 mm			
10	BTC12 x 2	Screw M10X20mm			
11	BTT91 x 1	Detent Pin			
12	BTS51 x 1	Cotter Pin			
13	BTC16 x 1	Screw			



BTM20005

Description :
Caliper Repair Kit(DX195)

Application :
ROR L, M, T, M Series

OEM No :
DSB7

No	BT No	Information
1	BTK28 x 2	Boot
2	BTT13 x 1	Guide Pin (Duct Deep:62mm ...
3	BTC1 x 1	Screw M16x1.5x80mm
4	BTT14 x 1	Guide Pin (Duct Deep 37mm ...
5	BTC11 x 1	Screw M16X1.5X55mm
6	BTS14 x 2	Metal Tap Ø 42 / 28 mm
7	BTB7 x 2	Bush Ø 32 x 36 / 55 mm
8	BTC16 x 1	Screw
9	BTS50 x 1	Washer
10	BTT91 x 1	Detent Pin
11	BTS51 x 1	Cotter Pin



BTM20006

Description :
Caliper Repair Kit(DX225)

Application :
ROR, BREDAMENARINI BUS, IVECO BUS

OEM No :
DSB7

No	BT No	Information
1	BTK87 x 2	Boot
2	BTS14 x 2	Metal Tap Ø 42 / 28 mm
3	BTT15 x 1	Guide Pin(Duct deep. 68mm ...
4	BTC1-01 x 1	Screw M18 x 2.5 / 60 mm
5	BTT16 x 1	Guide Pin(Duct deep. 35mm ...
6	BTC11-01 x 1	Screw M18 x 2.5 / 90 mm
7	BTB7-01 x 2	Bush Ø 35 x 39 / 50 mm
8	BTC16 x 1	Screw
9	BTS50 x 1	Washer
10	BTT91 x 1	Detent Pin
11	BTS51 x 1	Cotter Pin



BTM20007

Description :
Caliper Repair Kit(DX195)

Application :
ROR L, M, T, M Series

OEM No :
BrakingTech

No	BT No	Information
1	BTT13 x 1	Guide Pin (Duct Deep:62mm ...
2	BTC1 x 1	Screw M16x1.5x80mm
3	BTT14 x 1	Guide Pin (Duct Deep:37mm ...
4	BTC11 x 1	Screw M16X1.5X55mm
5	BTB7 x 2	Bush Ø 32 x 36 / 55 mm
6	BTS14 x 2	Metal Tap Ø 42 / 28 mm



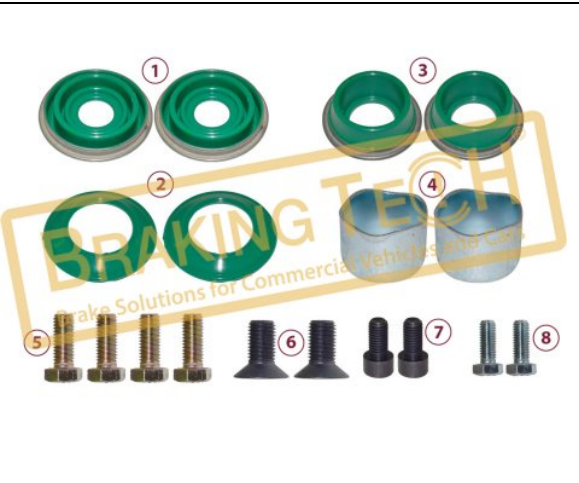
BTM20008

Description :
Caliper Repair Kit(DX225)

Application :
ROR, BREDAMENARINI BUS, IVECO BUS

OEM No :
BrakingTech

No	BT No	Information
1	BTT15 x 1	Guide Pin(Duct deep. 68mm ...
2	BTC11-01 x 1	Screw M18x2.5x90
3	BTT16 x 1	Guide Pin(Duct deep. 35mm ...
4	BTC1-01 x 1	Screw M18 x 2.5 / 60 mm
5	BTB7-01 x 2	Bush Ø 35 x 39 / 50 mm
6	BTS14 x 2	Metal Tap Ø 42 / 28 mm



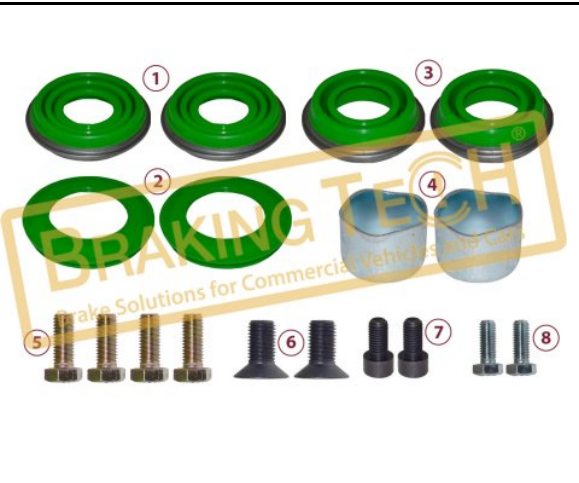
BTM20009

Description :
Caliper Repair Kit(DX195)

Application :
ROR L,M,T M Series

OEM No :
SerinFren

No	BT No	Information
1	BTK26 x 2	Boot
2	BTK27 x 2	Dust Cover
3	BTK28 x 2	Boot
4	BTS14 x 2	Metal Tap Ø 42 / 28 mm
5	BTC13 x 4	Screw M12X30mm
6	BTC14 x 2	Screw M12X30mm FT
7	BTC12 x 2	Screw M10X20mm
8	BTC15 x 2	Screw M8X20mm



BTM20010

Description :
Caliper Repair Kit(DX225)

Application :
ROR,BREDAMENARINI BUS,IVECO BUS

OEM No :
SerinFren

No	BT No	Information
1	BTK85 x 2	Boot
2	BTK86 x 2	Dust Cover
3	BTK87 x 2	Boot
4	BTS14 x 2	Metal Tap Ø 42 / 28 mm
5	BTC13 x 4	Screw M12X30mm
6	BTC14 x 2	Screw M12X30mm FT
7	BTC12 x 2	Screw M10X20mm
8	BTC15 x 2	Screw M8X20mm



BTM20011

Description :
Caliper Repair Kit(DX195)

Application :
ROR L,M,T M Series

OEM No :
DSB104

No	BT No	Information
1	BTK26 x 2	Boot
2	BTK27 x 2	Dust Cover
3	BTK28 x 2	Boot
4	BTS14 x 2	Metal Tap Ø 42 / 28 mm
5	BTK29 x 1	Dust Cover 52x4,60
6	BTC12 x 2	Screw M10x1,5x20mm
7	BTC13 x 4	Screw M12x1,75x30mm
8	BTC14 x 2	Screw M12x1,75x23mm
9	BTC15 x 2	Screw M8x1,25x20mm
10	BTCN1 x 1	Gasket
11	BTC16 x 1	Plug Bolt
12	BTS50 x 1	Washer
13	BTK31 x 1	Seal



BTM20012

Description :
Caliper Repair Kit(DX225)

Application :
ROR,BREDAMENARINI BUS,IVECO BUS

OEM No :
BrakingTech

No	BT No	Information
1	BTK85 x 2	Boot
2	BTK86 x 2	Dust Cover
3	BTK87 x 2	Boot
4	BTS14 x 2	Metal Tap
5	BTK29 x 1	Dust Cover
6	BTC12 x 2	Screw M10X20mm
7	BTC13 x 4	Screw M12X30mm
8	BTC14 x 2	Screw M12X30mm FT
9	BTC15 x 2	Screw M8X20mm
10	BTCN1 x 1	Gasket
11	BTC16 x 1	Screw
12	BTS50 x 1	Washer
13	BTK31 x 1	Seal



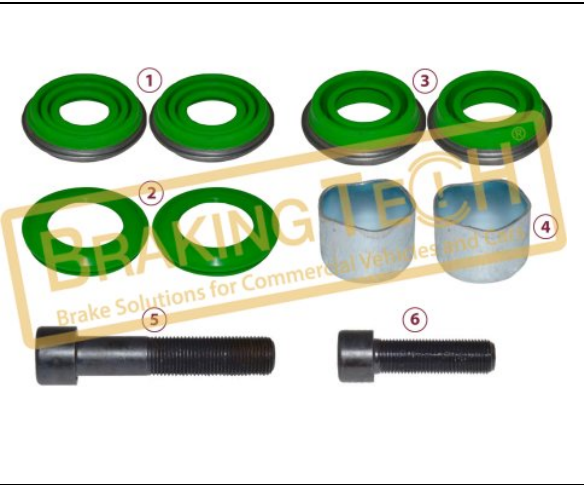
BTM20013

Description :
 Caliper Repair Kit(DX195)

Application :
 ROR L,M,T M Series

OEM No :
 MCK1192, 1034001, 1489991, AMMCK1192, 5021170
 886, 98133544AS, 2799674, CF104388

No	BT No	Information
1	BTK26 x 2	Boot
2	BTK27 x 2	Dust Cover
3	BTK28 x 2	Boot
4	BTS14 x 2	Metal Tap Ø 42 / 28 mm
5	BTC1 x 1	Screw M16x1.5x80mm
6	BTC11 x 1	Screw M16X1.5X55mm



BTM20014

Description :
 Caliper Repair Kit(DX225)

Application :
 ROR,BREDAMENARINI BUS,IVECO BUS

OEM No :
 MCK1193, Fruehauf CF104388, 193102

No	BT No	Information
1	BTK85 x 2	Boot
2	BTK86 x 2	Dust Cover
3	BTK87 x 2	Boot
4	BTS14 x 2	Metal Tap Ø 42 / 28 mm
5	BTC1-01 x 1	Screw M18 x 2.5 / 60 mm
6	BTC11-01 x 1	Screw M18 x 2.5 / 90 mm



BTM20015

Description :
 Caliper Repair Kit(DX195)

Application :
 ROR L,M,T M Series

OEM No :
 BrakingTech

No	BT No	Information
1	BTK26 x 2	Boot
2	BTK27 x 2	Dust Cover
3	BTK28 x 2	Boot



BTM20016

Description :
 Caliper Repair Kit(DX225)

Application :
 ROR,BREDAMENARINI BUS,IVECO BUS

OEM No :
 BrakingTech

No	BT No	Information
1	BTK85 x 2	Boot
2	BTK86 x 2	Dust Cover
3	BTK87 x 2	Boot



BTM20017

Description :
Caliper Repair Kit(DX195)(R/H)

Application :
ROR L,M,T M Series

OEM No :
MCK1293

No	BT No	Information
1	BTT84 x 1	Bridge (163mm outer)
2	BTT85 x 1	Push Plate
3	BTT86 x 1	Bush Ø72 / Ø68 x 28 mm
4	BTT87 x 2	Guide Pin
5	BTT88 x 2	Gear
6	BTT89 x 2	Calibration Bolt
7	BTC12 x 2	Screw M10X20mm
8	BTS47 x 2	Wavy Washer
9	BTSK1 x 2	Snap Ring
10	BTK27 x 2	Boot
11	BTK26 x 2	Dust Cover



BTM20018

Description :
Caliper Repair Kit (DX195) (L/H)

Application :
ROR L,M,T M Series

OEM No :
MCK1292

No	BT No	Information
1	BTT84 x 1	Bridge (163mm outer)
2	BTT85 x 1	Push Plate
3	BTT86 x 1	Bush Ø72 / Ø68 x 28 mm
4	BTT92 x 2	Guide Pin
5	BTT88 x 2	Gear
6	BTT93 x 2	Calibration Bolt
7	BTC12 x 2	Screw M10X20mm
8	BTS47 x 2	Wavy Washer
9	BTSK1 x 2	Snap Ring
10	BTK27 x 2	Boot
11	BTK26 x 2	Dust Cover



BTM20019

Description :
Caliper Repair Kit (DX225) (R/H)

Application :
ROR,BREDAMENARINI BUS,IVECO BUS

OEM No :
MCK1339, 193106

No	BT No	Information
1	BTT84 x 1	Bridge (169mm outer)
2	BTT94 x 1	Push Plate
3	BTT86 x 1	Bush Ø72 / Ø68 x 28 mm
4	BTT87 x 2	Guide Pin
5	BTT88 x 2	Gear
6	BTT89 x 2	Calibration Bolt
7	BTC12 x 2	Screw M10X20mm
8	BTS47 x 2	Wavy Washer
9	BTSK1 x 2	Snap Ring
10	BTK85 x 2	Boot
11	BTK86 x 2	Dust Cover



BTM20020

Description :
Caliper Repair Kit (DX225) (L/H)

Application :
ROR,BREDAMENARINI BUS,IVECO BUS

OEM No :
MCK1338, 193105

No	BT No	Information
1	BTT84 x 1	Bridge (169mm outer)
2	BTT94 x 1	Push Plate
3	BTT86 x 1	Bush Ø72 / Ø68 x 28 mm
4	BTT92 x 2	Guide Pin
5	BTT88 x 2	Gear
6	BTT93 x 2	Calibration Bolt
7	BTC12 x 2	Screw M10X20mm
8	BTS47 x 2	Wavy Washer
9	BTSK1 x 2	Snap Ring
10	BTK85 x 2	Boot
11	BTK86 x 2	Dust Cover



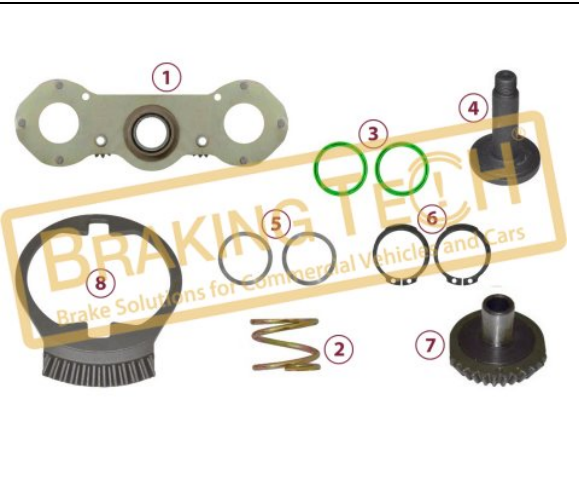
BTM20021

Description :
Caliper Mechanism Repair Kit (DX195) (R/H)

Application :
ROR L, M, T, M Series

OEM No :
MCK1291, DSL5R, DAF 876051, VOLVO AMMCK1291, CATERPILLAR 2799438, Fruehauf CF104671

No	BT No	Information
1	BTT95 x1	Mechanism
2	BTY5 x1	Spring
3	BTK32 x 2	Seal 23,50x28,60x2,00
4	BTT97 x1	Pin
5	BTC13 x 4	Screw M12X30mm
6	BTC14 x 2	Screw M12X30mm
7	BTC15 x 2	Screw M8X20mm
8	BTC16 x 1	Screw
9	BTS50 x 1	Washer
10	BTT98 x 1	Gear
11	BTT99 x 1	Central Gear



BTM20021-01

Description :
Caliper Repair Kit (DX225) (R/H)

Application :
ROR, BREDAMENARINI BUS, Irisbus

OEM No :
MCK1337, 193104

No	BT No	Information
1	BTT95-01 x 1	Mechanism
2	BTY5 x 1	Spring
3	BTK32 x 2	Seal
4	BTT97 x 1	Pin
5	BTS47 x 2	Wavy Washer
6	BTSK1 x 2	Snap Ring
7	BTT98 x 1	Gear
8	BTT99 x 1	Central Gear



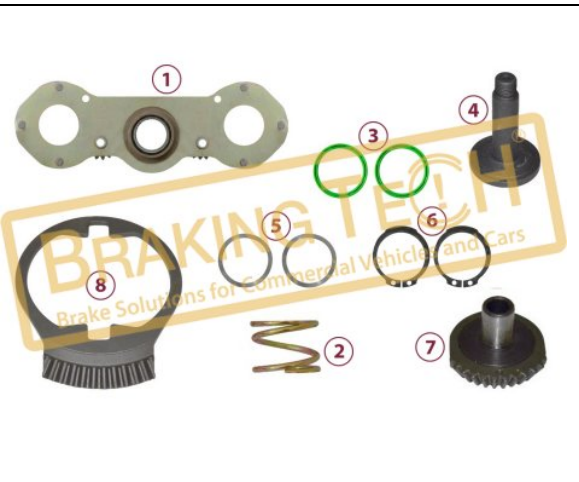
BTM20022

Description :
Caliper Mechanism Repair Kit (DX195) (L/H)

Application :
ROR L, M, T, M Series

OEM No :
MCK1290, DSL5L, VOLVO AMMCK1290, Fruehauf CF104670, CATERPILLAR 2799439

No	BT No	Information
1	BTT96 x 1	Mechanism
2	BTY5 x 1	Spring
3	BTK32 x 2	Seal 23,50x28,60x2,00
4	BTT97 x 1	Pin
5	BTC13 x 4	Screw M12X30mm
6	BTC14 x 2	Screw M12X30mm
7	BTC15 x 2	Screw M8X20mm
8	BTC16 x 1	Screw
9	BTS50 x 1	Washer
10	BTT98 x 1	Gear
11	BTT99 x 1	Central Gear



BTM20022-01

Description :
Caliper Repair Kit (DX225) (L/H)

Application :
ROR, BREDAMENARINI BUS, Irisbus

OEM No :
MCK1336, 193103

No	BT No	Information
1	BTT96-01 x 1	Mechanism
2	BTY5 x 1	Spring
3	BTK32 x 2	Seal
4	BTT97 x 1	Pin
5	BTS47 x 2	Wavy Washer
6	BTSK1 x 2	Snap Ring
7	BTT98 x 1	Gear
8	BTT99 x 1	Central Gear



BTM20023

Description :
Caliper Adjusting Mechanism Repair Kit (DX195) (R/H)

Application :
ROR L, M, T M Series

OEM No :
DSB5R, CF104619

No	BT No	Information
1	BTT95 x1	Mechanism
2	BTY5 x1	Spring
3	BTK32 x 2	Seal 23,50x28,60x2,00
4	BTT97 x1	Pin
5	BTS47 x 2	Wavy Washer
6	BTSK1 x 2	Snap Ring



BTM20023-01

Description :
Caliper Mechanism Repair Kit (DX225) (R/H)

Application :
ROR, BREDAMENARINI BUS, Irisbus

OEM No :
BrakingTech

No	BT No	Information
1	BTT95-01 x1	Mechanism
2	BTY5 x1	Spring
3	BTK32 x 2	Seal
4	BTT97 x1	Pin
5	BTS47 x 2	Wavy Washer
6	BTSK1 x 2	Snap Ring



BTM20024

Description :
Caliper Adjusting Mechanism Repair Kit (DX195) (L/H)

Application :
ROR L, M, T M Series

OEM No :
DSB5L, CF104620

No	BT No	Information
1	BTT96 x1	Mechanism
2	BTY5 x1	Spring
3	BTK32 x 2	Seal 23,50x28,60x2,00
4	BTT97 x1	Pin
5	BTS47 x 2	Wavy Washer
6	BTSK1 x 2	Snap Ring



BTM20024-01

Description :
Caliper Mechanism Repair Kit (DX225) (L/H)

Application :
ROR, BREDAMENARINI BUS, Irisbus

OEM No :
BrakingTech

No	BT No	Information
1	BTT96-01 x1	Mechanism
2	BTY5 x1	Spring
3	BTK32 x 2	Seal
4	BTT97 x1	Pin
5	BTS47 x 2	Wavy Washer
6	BTSK1 x 2	Snap Ring



BTM20025

Description :
Caliper Bridge (DX195)
Application :
ROR L, M, T, M Series
OEM No :
CMSK.19.1

No	BT No	Information
1	BTT84 x1	Bridge 163mm outer
2	BTT86 x1	Inner Bush Ø72 / Ø68 x ...



BTM20025-01

Description :
Caliper Bridge (DX225)
Application :
ROR, BREDAMENARINI BUS, Irisbus
OEM No :
BrakingTech

No	BT No	Information
1	BTT84-01 x1	Bridge outer 169mm
2	BTT86 x1	Bridge Inner Bush Ø72 / ...



BTM20026

Description :
Caliper Shaft Repair Kit (DX195-225)
Application :
ROR L, M, T, M Series
OEM No :
MCK1294, MCK1169, 1689883, 5021 202 850, 2995922, 98133541AS, 193100, 2799441

No	BT No	Information	No	BT No	Information
1	BTT100 x1	Shaft	14	BTC16 x1	Screw
2	BTGR1 x1	Grease Nipple	15	BTS50 x1	Washer Ø19 / Ø13 mm
3	BTK31 x1	Seal Ø35x44x7 mm	16	BTS51 x1	Cotter Pin
4	BTR5 x1	Roller Bearing	17	BTT91 x1	Detent Pin
5	BTR6 x1	Roller Bearing Ø52 / Ø4 ...			
6	BTK33 x1	Seal 35x47x8,80			
7	BTCN1 x1	Gasket			
8	BTT101 x1	Cover			
9	BTC15 x2	Screw M8X20mm			
10	BTK29 x1	Dust Cover 52x4,60			
11	BTC17 x1	Screw M8X60mm			
12	BTC18 x1	Bolt Nut M8			
13	BTT90 x1	Detent Pin			



BTM20027

Description :
Caliper Shaft Repair Kit (DX195-225)
Application :
ROR L, M, T, M Series
OEM No :
MCK1168

No	BT No	Information	No	BT No	Information
1	BTT100 x1	Shaft	14	BTK33 x1	Seal 35x47x8,80
2	BTGR1 x1	Grease Nipple			
3	BTK31 x1	Seal			
4	BTR6 x1	Roller Bearing Ø52 / Ø4 ...			
5	BTCN1 x1	Gasket			
6	BTT101 x1	Cover			
7	BTC15 x2	Screw M8X20mm			
8	BTC17 x1	Screw M8X60mm			
9	BTC18 x1	Bolt Nut M8			
10	BTT91 x1	Detent Pin			
11	BTS51 x1	Cotter Pin			
12	BTC16 x1	Screw			
13	BTS50 x1	Washer Ø19 / Ø13 mm			



BTM20028

Description :
 Caliper Shaft Kit (DX195-225)

Application :
 ROR L, M, T M Series

OEM No :
 CMSK.2.GR

No	BT No	Information
1	BTT100 x 1	Shaft
2	BTGR1 x 1	Grease Nipple
3	BTK31 x 1	Seal Ø35x44x7 mm



BTM20028-01

Description :
 Caliper Shaft Kit

Application :
 ROR L, M, T M Series

OEM No :
 TT Ref : CMSK.2.GR

No	BT No	Information
1	BTT100 x 1	Shaft
2	BTGR1 x 1	Grease Nipple
3	BTK31 x 1	Seal Ø35x44x7 mm
4	BTR5 x 1	Roller Bearing



BTM20029

Description :
 Caliper Gear Repair Kit (DX195-225)

Application :
 ROR L, M, T M Series

OEM No :
 CMSK.19.3

No	BT No	Information
1	BTT99 x 1	Central Gear
2	BTT98 x 1	Gear



BTM20030

Description :
 Caliper Shaft Cover Repair Kit (DX195-225)

Application :
 ROR L, M, T M Series

OEM No :
 BrakingTech

No	BT No	Information
1	BTT101 x 1	Cover
2	BTR6 x 1	Roller Bearing Ø52 / Ø4 ...
3	BTK29 x 1	Dust Cover 52x4,60
4	BTK33 x 1	Seal 35x47x8,80
5	BTCN1 x 1	Gasket
6	BTC15 x 2	Screw M8X20mm



BTM20031

Description :
Caliper Push Plate (DX195) (R/H)

Application :
ROR L,M,T M Series

OEM No :
CMSK.9.2

No	BT No	Information
1	BTT85 x 1	Push Plate
2	BTT89 x 2	Calibration Bolt
3	BTC12 x 2	Screw M10X20mm



BTM20032

Description :
Caliper Push Plate (DX195) (L/H)

Application :
ROR L,M,T M Series

OEM No :
CMSK.9.1

No	BT No	Information
1	BTT85 x 1	Push Plate
2	BTT93 x 2	Calibration Bolt
3	BTC12 x 2	Screw M10X20mm



BTM20033

Description :
Caliper Push Plate (DX195)

Application :
ROR L,M,T M Series

OEM No :
SerinFren

No	BT No	Information
1	BTT85 x 1	Push Plate



BTM20034

Description :
Caliper Push Plate (DX225) (R/H)

Application :
ROR,BREDAMENARINI BUS,Irisbus

OEM No :
BrakingTech

No	BT No	Information
1	BTT94 x 1	Push Plate
2	BTT89 x 2	Calibration Bolt
3	BTC12 x 2	Screw M10X20mm



BTM20035

Description :
 Caliper Push Plate(DX225)(L/H)

Application :
 ROR,BREDAMENARINI BUS,Irisbus

OEM No :
 BrakingTech

No	BT No	Information
1	BTT94 x 1	Push Plate
2	BTT93 x 2	Calibration Bolt
3	BTC12 x 2	Screw M10X20mm



BTM20036

Description :
 Caliper Push Plate (DX225)

Application :
 ROR,BREDAMENARINI BUS,Irisbus

OEM No :
 SerinFren

No	BT No	Information
1	BTT94 x 1	Push Plate



BTM20037

Description :
 Caliper Repair Kit (R/H) (DX195-225)

Application :
 ROR L M,T M Series

OEM No :
 CMSK.20.2

No	BT No	Information
1	BTT87 x 2	Guide Pin
2	BTT88 x 2	Gear
3	BTS47 x 2	Wavy Washer
4	BTSKI x 2	Snap Ring



BTM20038

Description :
 Caliper Repair Kit (L/H) (DX195-225)

Application :
 ROR L M,T M Series

OEM No :
 CMSK.19.2

No	BT No	Information
1	BTT92 x 2	Guide Pin
2	BTT88 x 2	Gear
3	BTS47 x 2	Wavy Washer
4	BTSKI x 2	Snap Ring



BTM20039

Description :
 Caliper Tappet Screw (R/H) (DX195-225)

Application :
 ROR L M,T M Series

OEM No :
 BrakingTech

No	BT No	Information
1	BTT89 x1	Calibration Bolt



BTM20040

Description :
 Caliper Tappet Screw(L/H)(DX195-225)

Application :
 ROR L M,T M Series

OEM No :
 BrakingTech

No	BT No	Information
1	BTT93 x1	Calibration Bolt



BTM20041

Description :
 Caliper Repair Kit(DX195-225)(R/H)

Application :
 ROR L M,T M Series

OEM No :
 SerinFren

No	BT No	Information
1	BTT87 x 2	Guide Pin
2	BTT88 x 2	Gear
3	BTT89 x 2	Calibration Bolt
4	BTS47 x 2	Wavy Washer
5	BTSK1 x 2	Snap Ring



BTM20042

Description :
 Caliper Repair Kit (DX195-225) (L/H)

Application :
 ROR L M,T M Series

OEM No :
 SerinFren

No	BT No	Information
1	BTT92 x 2	Guide Pin
2	BTT88 x 2	Gear
3	BTT93 x 2	Calibration Bolt
4	BTS47 x 2	Wavy Washer
5	BTSK1 x 2	Snap Ring



BTM20043

Description :
 Caliper Roller Bearing (DX195-225)

Application : :
 ROR L,M,T M Series

OEM No :
 CMSK.2.B

No	BT No	Information
1	BTR6 x 1	Roller Bearing Ø52 / Ø4 ...



BTM20044

Description :
 Caliper Roller Bearing (DX195-225)

Application : :
 ROR L,M,T M Series

OEM No :
 BrakingTech

No	BT No	Information
1	BTR5 x 1	Roller Bearing



BTM20045

Description :
 Caliper Bearing Kit(DX195-225)

Application : :
 ROR,BREDAMENARINI BUS,Irisbus

OEM No :
 MCK1344, ASTRA 98133545AS, CATERPILLAR 3429202, BREDAMENARINIBUS 193107



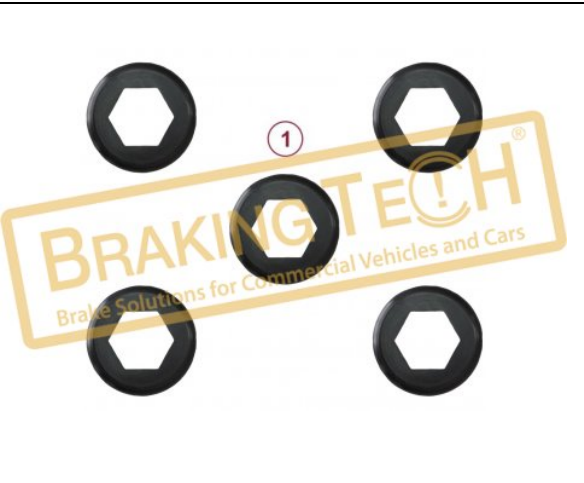
BTM20045-01

Description :
 Caliper Bearing Kit(DX195-225)

Application : :
 ROR,BREDAMENARINI BUS,Irisbus

OEM No :
 SerinFren

No	BT No	Information
1	BTR6 x 2	Roller Bearing Ø52 / Ø4 ...
2	BTR5 x 1	Roller Bearing



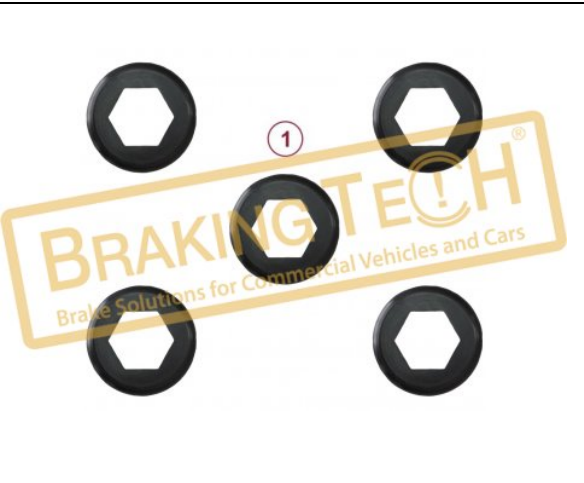
BTM20046

Description :
 Caliper Dust Cover(DX195-225)

Application :
 ROR L,M,T M Series

OEM No :
 21225226

No	BT No	Information
1	BTK29 x 5	Dust Cover 52x4,60



BTM20046-01

Description :
 Caliper Dust Cover(DX175)

Application :
 DX175

OEM No :
 BrakingTech

No	BT No	Information
1	BTK106 x 1	Dust Cover



BTM20047

Description :
 Caliper Cover Gasket & Pad Retainer Repair Kit

Application :
 ROR L,M,T M Series

OEM No :
 MCK1154, 2799442, 98133539AS

No	BT No	Information
1	BTS48 x1	Stabilizer Bar
2	BTCN1 x1	Gasket
3	BTC15 x2	Screw M8X20mm
4	BTC17 x1	Screw M8X60mm
5	BTC18 x1	Bolt Nut M8
6	BTT91 x1	Detent Pin
7	BTS51 x1	Colter Pin
8	BTC16 x1	Screw
9	BTS50 x1	Washer Ø19 / Ø13 mm



BTM20048

Description :
 Caliper Repair Kit(DX225)

Application :
 ROR,BREDAMENARINI BUS,Irisbus

OEM No :
 MCK1159

No	BT No	Information
1	BTS49 x1	Stabilizer Bar
2	BTS50 x1	Washer Ø19 / Ø13 mm
3	BTCN1 x1	Gasket
4	BTC15 x3	Screw M8X20mm
5	BTC17 x1	Screw M8X60mm
6	BTC18 x1	Bolt Nut M8
7	BTC16 x1	Screw



BTM20049

Description :
 Caliper Brake Pad Retainer Bar(DX195)

No	BT No	Information
1	BTS48 x1	Stabilizer Bar

Application :
 ROR L,M,T M Series

OEM No :
 2297J6692



BTM20050

Description :
 Caliper Stabilizer Bar(DX225)

No	BT No	Information
1	BTS49 x1	Stabilizer Bar

Application :
 ROR,BREDAMENARINI BUS,Irisbus

OEM No :
 SerinFren



BTM20051

Description :
 Caliper Cover Plate (L/H)

No	BT No	Information
1	BTT250 x1	Cover Plate

Application :
 ROR L,M,T M Series

OEM No :
 15224836SR



BTM20052

Description :
 Caliper Cover Plate(R/H)

No	BT No	Information
1	BTT250-01 x1	Cover Plate

Application :
 ROR L,M,T M Series

OEM No :
 15224837SR



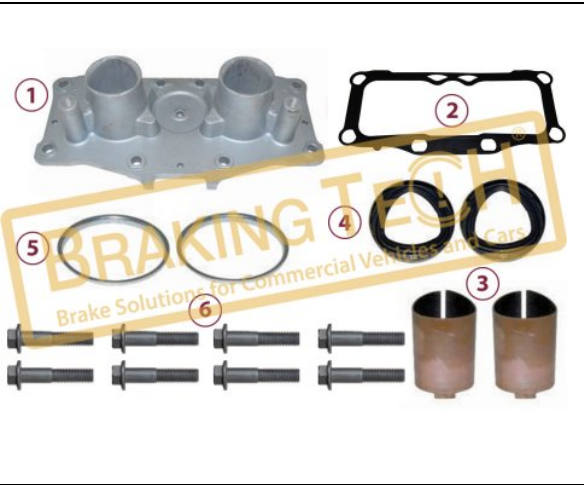
BTM20053

Description :
 Caliper Calibration Mechanism Complete

Application :
 R.V.I, Magnum, Premium, IRISBUS, VAN HOO, MAN City Bus, VOLVO City Bus, KAROSA, ERF ECS, ECX

OEM No :
 68033355, 68033356

No	BT No	Information
1	BTT104 x 1	Calibration Mechanism Com ...
2	BTK35 x 1	Gasket
3	BTC19 x 8	Screw M8X1.25X45mm
4	BTK34 x 2	Dust Cover



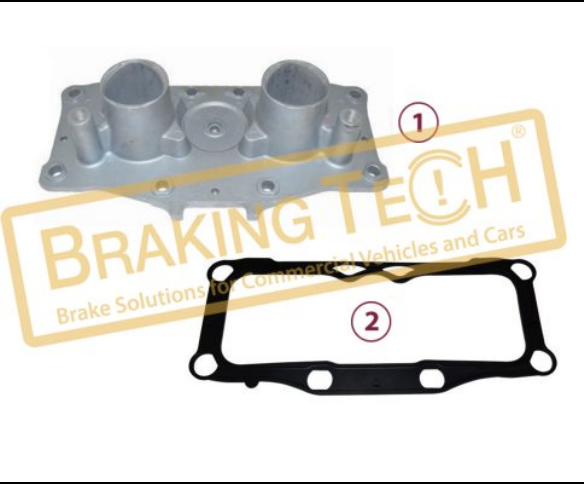
BTM20053-01

Description :
 Caliper Calibration Mechanism

Application :
 R.V.I, IRISBUS, VAN HOO, MAN, VOLVO, KAROSA, ERF

OEM No :
 68324625

No	BT No	Information
1	BTT105 x 1	Aluminium Cap (Ball Beari ...
2	BTK35 x 1	Gasket
3	BTS36 x 2	Bush
4	BTK36 x 2	Triangle Seal 52x6,70
5	BTS16 x 2	Ring
6	BTC19 x 8	Screw M8X1.25X45mm



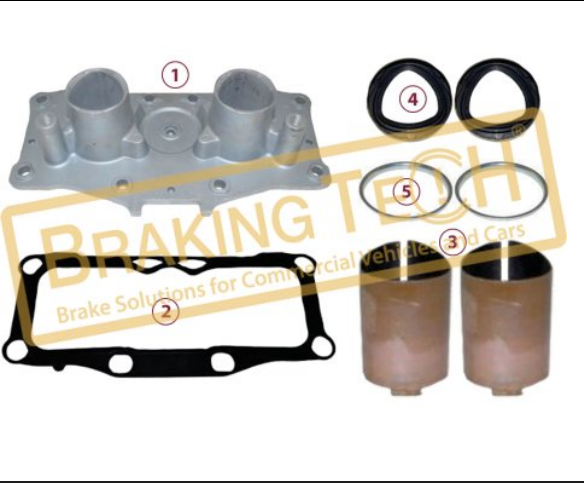
BTM20053-02

Description :
 Caliper Calibration Aluminium Cap

Application :
 R.V.I, IRISBUS, VAN HOO, MAN, VOLVO, KAROSA, ERF

OEM No :
 CMSK.7.5

No	BT No	Information
1	BTT105 x 1	Aluminium Cap (Ball Beari ...
2	BTK35 x 1	Gasket



BTM20053-03

Description :
 Caliper Calibration Mechanism

Application :
 R.V.I, IRISBUS, VAN HOO, MAN, VOLVO, KAROSA, ERF

OEM No :
 BrakingTech

No	BT No	Information
1	BTT105 x 1	Aluminium Cap (Ball Beari ...
2	BTK35 x 1	Gasket
3	BTS36 x 2	Bush
4	BTK36 x 2	Triangle Seal 52x6,70
5	BTS16 x 2	Ring



BTM20053-04

Description :
 Caliper Calibration Mechanism

Application :
 R.V.I,IRISBUS,VAN
 HOOL,MAN,VOLVO,KAROSA,ERF

OEM No :
 68323564

No	BT No	Information
1	BTT105 x 1	Aluminium Cap (Ball Beari ...
2	BTS36 x 2	Bush
3	BTK36 x 2	Triangle Seal 52x6,70
4	BTS16 x 2	Ring



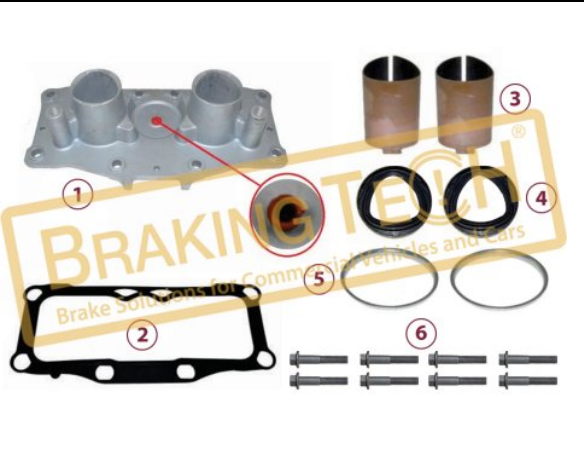
BTM20054

Description :
 Caliper Calibration Mechanism Complete

Application :
 R.V.I,IRISBUS,VAN
 HOOL,MAN,VOLVO,KAROSA,ERF

OEM No :
 SerinFren

No	BT No	Information
1	BTT104-1 x 1	Aluminium Cap (Center Wit ...
2	BTK35 x 1	Gasket
3	BTC19 x 8	Screw M8X1.25X45mm
4	BTK34 x 2	Dust Cover



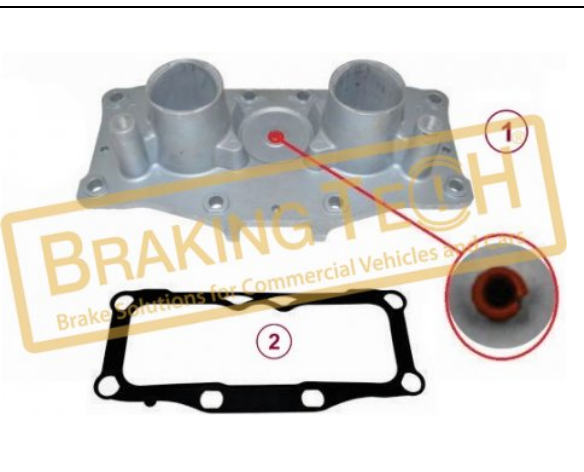
BTM20054-01

Description :
 Caliper Calibration Mechanism(Aluminium)

Application :
 R.V.I,IRISBUS,VAN
 HOOL,MAN,VOLVO,KAROSA,ERF

OEM No :
 BrakingTech

No	BT No	Information
1	BTT105-01 x 1	Aluminium Cap (Center Wit ...
2	BTK35 x 1	Gasket
3	BTS36 x 2	Bush(Triangle)
4	BTK36 x 2	Triangle Seal
5	BTS16 x 2	Ring
6	BTC19 x 8	Screw M8X1.25X45mm



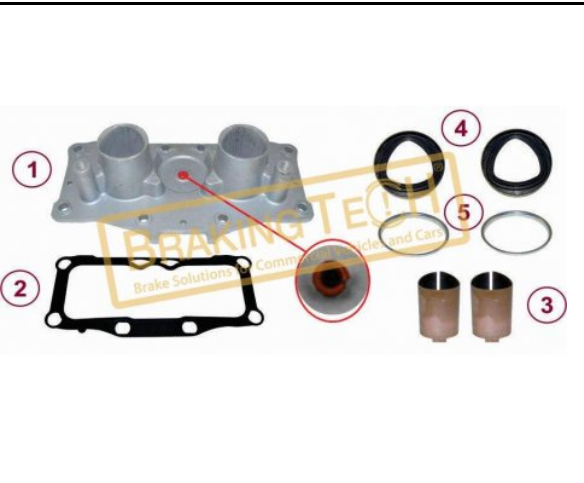
BTM20054-02

Description :
 Caliper Calibration Aluminium Cap

Application :
 R.V.I,IRISBUS,VAN
 HOOL,MAN,VOLVO,KAROSA,ERF

OEM No :
 TT Ref : CMSK.7.5

No	BT No	Information
1	BTT105-01 x 1	Aluminium Cap (Center Wit ...
2	BTK35 x 1	Gasket



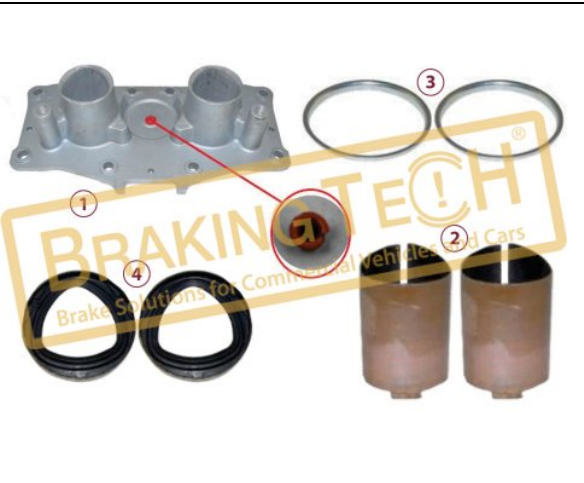
BTM20054-03

Description :
 Caliper Calibration Mechanism Cap

Application :
 R.V.I,IRISBUS,VAN
 HOOL,MAN,VOLVO,KAROSA,ERF

OEM No :
 BrakingTech

No	BT No	Information
1	BTT105-01 x 1	Aluminium Cap (Center Wit ...
2	BTK35 x 1	Gasket
3	BTS36 x 2	Bush
4	BTK36 x 2	Triangle Seal 52x6,70
5	BTS16 x 2	Ring



BTM20054-04

Description :
 Caliper Calibration Mechanism

Application :
 R.V.I,IRISBUS,VAN
 HOOL,MAN,VOLVO,KAROSA,ERF

OEM No :
 SerinFren

No	BT No	Information
1	BTT105-01 x 1	Aluminium Cap (Center Wit ...
2	BTS36 x 2	Bush
3	BTK36 x 2	Triangle Seal 52x6,70
4	BTS16 x 2	Ring



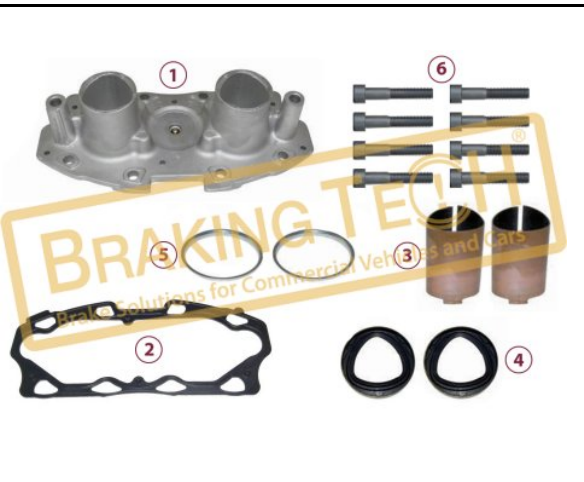
BTM20055

Description :
 Caliper Calibration Mechanism Complete

Application :
 Volvo,Renault,FORD,ROR

OEM No :
 20713403, 20713402

No	BT No	Information
1	BTT106 x 1	Mechanism Complete
2	BTK37 x 1	Gasket
3	BTC20 x 8	Screw M8x1.25x45mm
4	BTK34 x 2	Dust Cover



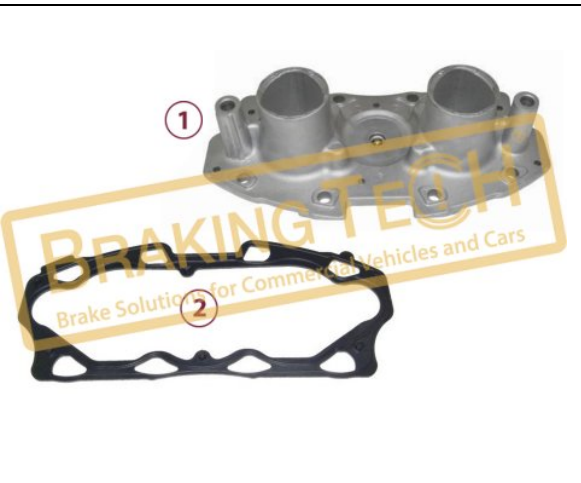
BTM20055-01

Description :
 Caliper Calibration Mechanism(Aluminium)

Application :
 Volvo,Renault,FORD,ROR

OEM No :
 BraKingTech

No	BT No	Information
1	BTT107 x 1	Aluminium Cap (Ball Beari ...
2	BTK37 x 1	Gasket
3	BTS36 x 2	Bush
4	BTK36 x 2	Triangle Seal 52x6,70
5	BTS16 x 2	Ring
6	BTC20 x 8	Screw M8X1.25X45mm



BTM20055-02

Description :
Caliper Calibration Aluminium Cap

Application :
Volvo, Renault, FORD, ROR

OEM No :
TT Ref : CMSK.7.3

No	BT No	Information
1	BTT107 x1	Aluminium Cap (Ball Bearer ...)
2	BTK37 x1	Gasket



BTM20055-03

Description :
Caliper Calibration Mechanism

Application :
Volvo, Renault, FORD, ROR

OEM No :
BrakingTech

No	BT No	Information
1	BTT107 x1	Aluminium Cap (Ball Bearer ...)
2	BTK37 x1	Gasket
3	BTS36 x2	Bush
4	BTK36 x2	Triangle Seal 52x6,70
5	BTS16 x2	Ring



BTM20055-04

Description :
Caliper Calibration Mechanism Cap

Application :
Volvo, Renault, FORD, ROR

OEM No :
BrakingTech

No	BT No	Information
1	BTT107 x2	Aluminium Cap (Ball Bearer ...)
2	BTS36 x2	Triangle Bush
3	BTK36 x2	Triangle Seal
4	BTS16 x2	Metal Ring



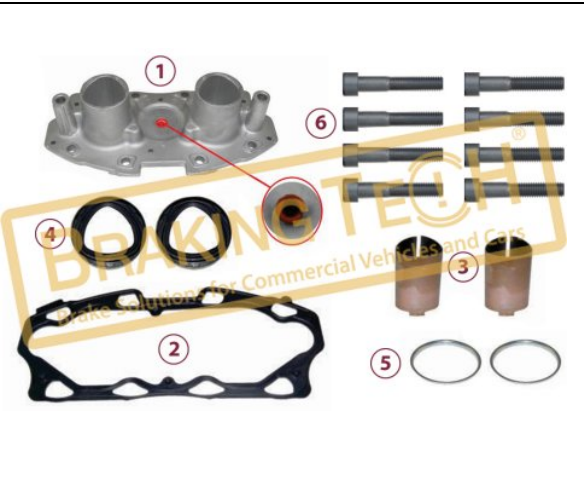
BTM20056

Description :
Caliper Calibration Mechanism Complete (Center Bushing Type)

Application :
Volvo, Renault, ROR L, M, T, M Series

OEM No :
SerinFren

No	BT No	Information
1	BTT106-01 x1	Aluminium Cap (with BTB25 ...)
2	BTK37 x1	Gasket
3	BTC20 x8	Screw M8X1.25X45mm
4	BTK34 x2	Dust Cover



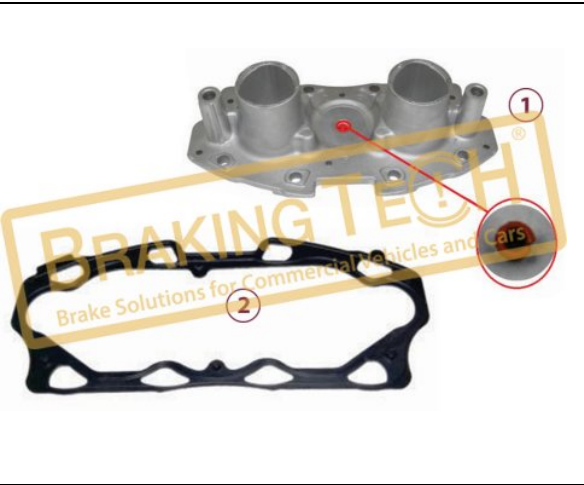
BTM20056-01

Description :
 Caliper Calibration Mechanism(With Centre Bushing)

Application :
 Volvo, Renault, ROR

OEM No :
 SerinFren

No	BT No	Information
1	BTT107-01 x 1	Aluminium Cap (with BTB25 ...
2	BTK37 x 1	Gasket
3	BTS36 x 2	Bush
4	BTK36 x 2	Triangle Seal 52x6,70
5	BTS16 x 2	Ring
6	BTC20 x 8	Screw M8X1.25X45mm



BTM20056-02

Description :
 Caliper Calibration Aluminium Cap

Application :
 Volvo, Renault, ROR L M, T M Series

OEM No :
 TT Ref : CMSK.7.3

No	BT No	Information
1	BTT107-01 x 1	Aluminium Cap (Center Wit ...
2	BTK37 x 1	Gasket



BTM20056-03

Description :
 Caliper Calibration Mechanism

Application :
 Volvo, Renault, ROR L M, T M Series

OEM No :
 BrakingTech

No	BT No	Information
1	BTT107-01 x 1	Aluminium Cap (Center Wit ...
2	BTK37 x 1	Gasket
3	BTS36 x 2	Bush
4	BTK36 x 2	Triangle Seal
5	BTS16 x 2	Ring



BTM20056-04

Description :
 Caliper Calibration Mechanism

Application :
 Volvo, Renault, ROR L M, T M Series

OEM No :
 BrakingTech

No	BT No	Information
1	BTT107-01 x 1	Aluminium Cap (Center Wit ...
2	BTS36 x 2	Bush
3	BTK36 x 2	Triangle Seal 52x6,70
4	BTS16 x 2	Ring



BTM20057

Description :
 Caliper Calibration Gear Set

Application : :
 R.V.I.Magnum,Premium,IRISBUS,VAN H00L,MAN
 City Bus,VOLVO City Bus,KAROSA,ERF ECS,ECX

OEM No :
 BrakingTech

No	BT No	Information
1	BTT108 x 2	Brake Lining Calibration ...



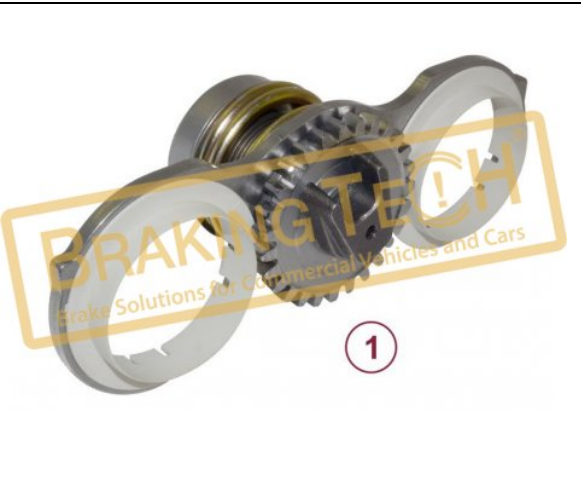
BTM20057-01

Description :
 Caliper Calibration Gear Kit

Application : :
 R.V.I,IRISBUS,VAN
 H00L,MAN,VOLVO,KAROSA,ERF

OEM No :
 BrakingTech

No	BT No	Information
1	BTT108-01 x 2	Brake Lining Calibration ...



BTM20058

Description :
 Caliper Adjusting Mechanism

Application : :
 R.V.I.Magnum,Premium,IRISBUS,VAN H00L
 INTERCITY 913CL,MAN City Bus,VOLVO City Bus
 5010,KAROSA,ERF

OEM No :
 BrakingTech

No	BT No	Information
1	BTT109 x 1	Adjusting Mechanism



BTM20058-01

Description :
 Caliper Adjuster Mechanism

Application : :
 R.V.I,IRISBUS,VAN
 H00L,MAN,VOLVO,KAROSA,ERF

OEM No :
 BrakingTech

No	BT No	Information
1	BTT109-01 x 1	Adjusting Mechanism



BTM20058-02

Description :
 Caliper Mechanism Plastic Kit

Application : :
 R.V.I,IRISBUS,VAN
 HOOL,MAN,VOLVO,KAROSA,ERF

OEM No :
 SerinFren

No	BT No	Information
1	BTP58-01 x 2	Plastic Ring



BTM20058-03

Description :
 Caliper Mechanism Plastic Kit(Old-Type)

Application : :
 R.V.I,IRISBUS,VAN
 HOOL,MAN,VOLVO,KAROSA,ERF

OEM No :
 BrakingTech

No	BT No	Information
1	BTP58 x 2	Plastic Ring



BTM20059

Description :
 Caliper Adjusting Gear (Left)

Application : :
 R.V.I PREMIUM KERAX,IRISBUS,VAN
 HOOL,MAN,VOLVO

OEM No :
 CMSK.7.11.3

No	BT No	Information
1	BTT110 x 1	Adjusting Gear (Left)
2	BTY6 x 1	Spring



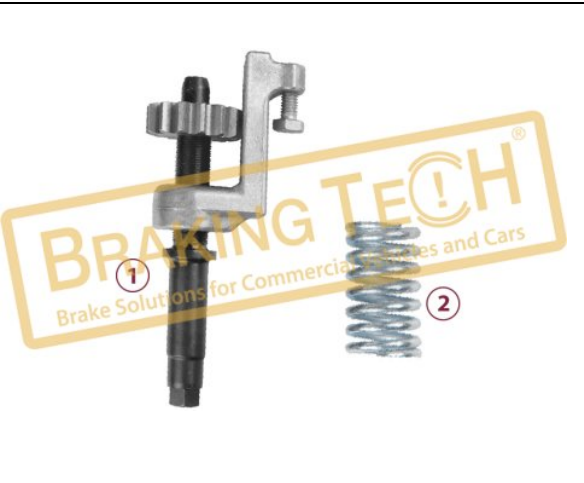
BTM20060

Description :
 Caliper Adjusting Gear(R/H)

Application : :
 R.V.I PREMIUM KERAX,IRISBUS,VAN
 HOOL,MAN,VOLVO

OEM No :
 CMSK.7.11.4

No	BT No	Information
1	BTT111 x 1	Adjusting Gear (Right)
2	BTY6 x 1	Spring



BTM20061

Description :
 Caliper Manual Adjusting Gear

Application :
 Volvo, Renault, ROR L M, T M Series

OEM No :
 CMSK.7.11.1

No	BT No	Information
1	BTT112 x 1	Adjusting Gear
2	BTY7 x 1	Spring



BTM20062

Description :
 Caliper Adjusting Mechanism Sealing

Application :
 R.V.I PREMIUM KERAX, IRISBUS, VAN HOO, MAN, VOLVO

OEM No :
 CMSK.7.4

No	BT No	Information
1	BTS36 x 2	Bush
2	BTK36 x 2	Triangle Seal 52x6,70
3	BTS16 x 2	Ring



BTM20063

Description :
 Caliper Adjusting Mechanism (Front)

Application :
 VOLVO FL, FL6 H

OEM No :
 MCK1113, SJ4110, 85102093, 3092267

No	BT No	Information
1	BTT113 x 1	Adjusting Mechanism (Fron ...
2	BTK38 x 1	Seal 12x22x7mm



BTM20064

Description :
 Caliper Adjusting Mechanism (Rear-Left)

Application :
 VOLVO FL, FL6 H

OEM No :
 MCK1111, SJ4102, 85102095, 3092265

No	BT No	Information
1	BTT114 x 1	Adjusting Mechanism (Rear ...
2	BTK38 x 1	Seal 22x12x7mm



BTM20065

Description :
 Caliper Adjusting Mechanism (Rear-Right)

Application :
 VOLVO FL,FL6 H

OEM No :
 MCK1112, SJ4103, 85102096, 3092266, 6086029

No	BT No	Information
1	BTT115 x 1	Adjusting Mechanism (Rear ...
2	BTK38 x 1	Seal 22x12x7mm



BTM20066

Description :
 Caliper Lever(Left&Right)

Application :
 VOLVO FL Series

OEM No :
 MCK1048



BTM20067

Description :
 Caliper Adjusting Mechanism

Application :
 VOLVO FL Series

OEM No :
 MCK1050, 3095646



BTM20068

Description :
 Caliper Adjuster Lever (48 Teeth sleeve)

Application :
 RVI Magnum,Premium

OEM No :
 68321502, VOLVO 10552713, MAN 81.50812.0009



BTM20068-01

Description :
Caliper Adjuster Lever(26 teeth)

Application : :
RVI Magnum,Premium

OEM No :
KASSBOHRER 82854415090, 31932070, 68321507, 68321508, MAN 81.50812.0011, VOLVO 2111686



BTM20069

Description :
Caliper Eccentric Seal Set

Application : :
VOLVO FL,FL6 H

OEM No :
68322297PK10, 20706977, 5001866415

No	BT No	Information
1	BTK39 x10	Eccentric Seal



BTM20070

Description :
Caliper Adjusting Tappet Mechanism Repair Kit (Right)

Application : :
VOLVO FL,FL6 H

OEM No :
MCK1237, MCK1239, 3092263, 3095642

No	BT No	Information
1	BTT116 x 2	Mechanism (Right)
2	BTT119 x 2	Tappet
3	BTSK2 x 2	Snap Ring
4	BTK34 x 2	Dust Cover
5	BTK40 x 2	Mechanism Seal Ø63,5x11, ...
6	BTP27 x 2	Bush (Plastic) 49x45x30mm



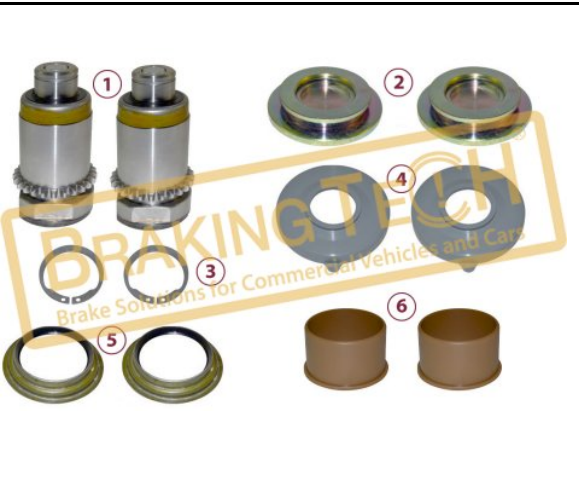
BTM20071

Description :
Caliper Adjusting Mechanism Repair Kit (Right)/Half Kit

Application : :
VOLVO FL,FL6 H

OEM No :
BrakingTech

No	BT No	Information
1	BTT116 x 1	Mechanism (Right)
2	BTT119 x 1	Tappet
3	BTSK2 x 1	Snap Ring
4	BTK34 x 1	Dust Cover
5	BTK40 x 1	Mechanism Seal
6	BTP27 x 1	Bush (Plastic)



BTM20072

Description :
 Caliper Adjusting Tappet Mechanism Repair Kit (Left)

Application :
 VOLVO FL,FL6 H

OEM No :
 MCK1236, 3092262

No	BT No	Information
1	BTT117 x 2	Mechanism (Left)
2	BTT119 x 2	Tappet
3	BTSK2 x 2	Snap Ring
4	BTK34 x 2	Dust Cover
5	BTK40 x 2	Mechanism Seal Ø63,5x11, ...
6	BTP27 x 2	Bush (Plastic) 49x45x30mm



BTM20073

Description :
 Caliper Adjusting Mechanism Repair Kit (Left/ Half Kit)

Application :
 VOLVO FL,FL6 H

OEM No :
 BrakingTech

No	BT No	Information
1	BTT117 x 1	Mechanism (Left)
2	BTT119 x 1	Tappet
3	BTSK2 x 1	Snap Ring
4	BTK34 x 1	Dust Cover
5	BTK40 x 1	Mechanism Seal
6	BTP27 x 1	Bush (Plastic)



BTM20074

Description :
 Caliper Adjusting Gear (Right-35mm)

Application :
 R.V.I.,IRISBUS,VAN HOOL,MAN

OEM No :
 BrakingTech

No	BT No	Information
1	BTT120 x 1	Adjusting Gear (Right)



BTM20075

Description :
 Caliper Adjusting Gear (Left-35mm)

Application :
 R.V.I.,IRISBUS,VAN HOOL,MAN

OEM No :
 BrakingTech

No	BT No	Information
1	BTT121 x 1	Adjusting Gear (Left)



BTM20076

Description :
Caliper Adjusting Gear Kit (Right-35mm)

Application :
R.V.I.,IRISBUS,VAN HOOL,MAN

OEM No :
CMSK.5.7

No	BT No	Information
1	BTT122 x 1	Adjusting Gear Sheet
2	BTT120 x 2	Adjusting Gear (Right)
3	BTT123 x 2	Metal Cap



BTM20077

Description :
Caliper Adjusting Gear Kit (Left-35mm)

Application :
R.V.I.,IRISBUS,VAN HOOL,MAN

OEM No :
CMSK.5.6

No	BT No	Information
1	BTT122 x 1	Adjusting Gear Sheet
2	BTT121 x 2	Adjusting Gear (Left)
3	BTT123 x 2	Metal Cap



BTM20078

Description :
Caliper Adjusting Gear Kit (Right-35mm)

Application :
R.V.I.,IRISBUS,VAN HOOL,MAN

OEM No :
CMSK.5.6

No	BT No	Information
1	BTT122 x 1	Adjusting Gear Sheet
2	BTT123 x 2	Metal Cap
3	BTT120 x 2	Adjusting Gear (Right)
4	BTT124 x 2	Adjusting Gear Bush



BTM20079

Description :
Caliper Adjusting Gear Kit (Left-35mm)

Application :
R.V.I.,IRISBUS,VAN HOOL,MAN

OEM No :
CMSK.5.7

No	BT No	Information
1	BTT122 x 1	Adjusting Gear Sheet
2	BTT123 x 2	Metal Cap
3	BTT121 x 2	Adjusting Gear (Left)
4	BTT124 x 2	Adjusting Gear Bush



BTM20080

Description :
 Caliper Adjusting Gear (Right-37.5mm)

Application : :
 R.V.I.,IRISBUS,VAN HOOL,MAN

OEM No :
 BrakingTech

No	BT No	Information
1	BTT125 x 1	Adjusting Gear (Right)



BTM20081

Description :
 Caliper Adjusting Gear (Left-37.5mm)

Application : :
 R.V.I.,IRISBUS,VAN HOOL,MAN

OEM No :
 BrakingTech

No	BT No	Information
1	BTT126 x 1	Adjusting Gear (Left)



BTM20082

Description :
 Caliper Adjusting Gear Kit (Right-37.5mm)

Application : :
 R.V.I.,IRISBUS,VAN HOOL,MAN

OEM No :
 BrakingTech

No	BT No	Information
1	BTT127 x 1	Adjusting Gear Sheet
2	BTT123 x 2	Metal Cap
3	BTT125 x 2	Adjusting Gear (Right)



BTM20083

Description :
 Caliper Adjusting Gear Kit (Left-37.5mm)

Application : :
 R.V.I.,IRISBUS,VAN HOOL,MAN

OEM No :
 BrakingTech

No	BT No	Information
1	BTT127 x 1	Adjusting Gear Sheet
2	BTT123 x 2	Metal Cap
3	BTT126 x 2	Adjusting Gear (Left)



BTM20084

Description :
 Caliper Adjusting Gear Kit (Right-37.5mm)

Application :
 R.V.I.,IRISBUS,VAN HOOL,MAN

OEM No :
 BrakingTech

No	BT No	Information
1	BTT127 x 1	Adjusting Gear Sheet
2	BTT123 x 2	Metal Cap
3	BTT125 x 2	Adjusting Gear (Right)
4	BTT128 x 2	Adjusting Gear Bush



BTM20085

Description :
 Caliper Adjusting Gear Kit (Left-37.5mm)

Application :
 R.V.I.,IRISBUS,VAN HOOL,MAN

OEM No :
 BrakingTech

No	BT No	Information
1	BTT127 x 1	Adjusting Gear Sheet
2	BTT123 x 2	Metal Cap
3	BTT126 x 2	Adjusting Gear (Left)
4	BTT128 x 2	Adjusting Gear Bush



BTM20086

Description :
 Caliper Adjusting Gear Bush (35mm)

Application :
 R.V.I.,IRISBUS,VAN HOOL,MAN

OEM No :
 BrakingTech

No	BT No	Information
1	BTT124 x 1	Adjusting Gear Bush



BTM20087

Description :
 Caliper Adjusting Gear Bush (37.5mm)

Application :
 R.V.I.,IRISBUS,VAN HOOL,MAN

OEM No :
 BrakingTech

No	BT No	Information
1	BTT128 x 1	Adjusting Gear Bush



BTM20088

Description :
 Caliper Adjusting Gear Spring

Application :
 MB,MAN,RVI

OEM No :
 SerinFren

No	BT No	Information
1	BTY8 x 1	Centre Gear Spring (Big)



BTM20089

Description :
 Caliper Adjusting Mechanism (Right)

Application :
 R.V.I.,IRISBUS,VAN HOOL,MAN

OEM No :
 CMSK.5.10

No	BT No	Information
1	BTT129 x 1	Adjusting Mechanism Clutc ...
2	BTT131 x 1	Spring Pin



BTM20090

Description :
 Caliper Adjusting Mechanism (Left)

Application :
 R.V.I.,IRISBUS,VAN HOOL,MAN

OEM No :
 CMSK.5.9

No	BT No	Information
1	BTT130 x 1	Adjusting Mechanism Clutc ...
2	BTT131 x 1	Spring Pin



BTM20091

Description :
 Caliper Adjusting Mechanism Clutch System

Application :
 R.V.I.,IRISBUS,VAN HOOL,MAN

OEM No :
 CMSK.5.8

No	BT No	Information
1	BTT132 x 1	Adjusting Gear
2	BTY9 x 1	Spring



BTM20092

Description :
 Caliper Adjusting Mechanism Repair Kit (Right)

No	BT No	Information
1	BTT129 x1	Adjusting Mechanism Clutc ...
2	BTT131 x1	Spring Pin
3	BTT132 x1	Adjusting Gear
4	BTY9 x1	Spring

Application :
 CRONUS ZF axle,VAN HOOL,AGORA,MAN
 TGA,Lions City Bus,F2000,REISEBUS BVA

OEM No :
 CMSK.5.10



BTM20093

Description :
 Caliper Adjusting Mechanism Repair Kit (Left)

No	BT No	Information
1	BTT130 x1	Adjusting Mechanism Clutc ...
2	BTT131 x1	Spring Pin
3	BTT132 x1	Adjusting Gear
4	BTY9 x1	Spring

Application :
 CRONUS ZF axle,VAN HOOL,AGORA,MAN
 TGA,Lions City Bus,F2000,REISEBUS BVA

OEM No :
 CMSK.5.9



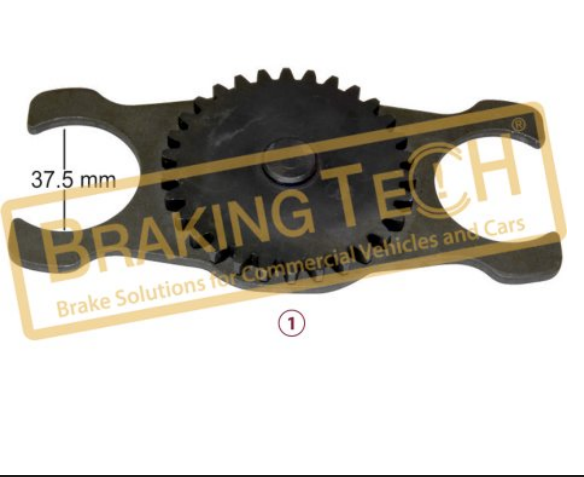
BTM20094

Description :
 Caliper Adjusting Gear Sheet (35mm)

No	BT No	Information
1	BTT122 x1	Adjusting Gear Sheet

Application :
 R.V.I.,IRISBUS,VAN HOOL,MAN

OEM No :
 SerinFren



BTM20095

Description :
 Caliper Adjusting Gear Sheet (37,5mm)

No	BT No	Information
1	BTT127 x1	Adjusting Gear Sheet

Application :
 R.V.I.,IRISBUS,VAN HOOL,MAN

OEM No :
 SerinFren



BTM20096

Description :
Caliper Metal Cap

Application : :
CRONUS ZF axle,VAN HOOL,AGORA,MAN
TGA,Lions City Bus,F2000,REISEBUS BVA

OEM No :
SerinFren

No	BT No	Information
1	BTT123 x 2	Metal Cap



BTM20097

Description :
Caliper Spring Retainer Kit (Right)

Application : :
R.V.I.,IRISBUS,VAN HOOL,MAN

OEM No :
CMSK.5.12

No	BT No	Information
1	BTY10 x 1	Spring
2	BTS37 x 1	Spring Retainer
3	BTS38 x 1	Pin Retainer
4	BTT131 x 1	Spring Pin



BTM20098

Description :
Caliper Spring (Right)

Application : :
R.V.I.,IRISBUS,VAN HOOL,MAN

OEM No :
SerinFren

No	BT No	Information
1	BTY10 x 1	Spring



BTM20099

Description :
Caliper Spring Retainer Kit (Left)

Application : :
R.V.I.,IRISBUS,VAN HOOL,MAN

OEM No :
CMSK.5.11

No	BT No	Information
1	BTY11 x 1	Spring
2	BTS37 x 1	Spring Retainer
3	BTS38 x 1	Pin Retainer
4	BTT131 x 1	Spring Pin



BTM20100

Description :
 Caliper Spring (Left)

Application :
 R.V.I.,IRISBUS,VAN HOOL,MAN

OEM No :
 SerinFren

No	BT No	Information
1	BTY11 x1	Spring



BTM20101

Description :
 Caliper Adjusting Mechanism (Left)

Application :
 Volvo B10,NISSAN M140,ORION Bus,RVI Midlum

OEM No :
 SJ4113, 3092763, RVI 5001 856 319, NISSAN 69029730, DENNIS CASSJ4113, DENNIS DEP100073, LEYLAND XBU1066

No	BT No	Information
1	BTT133 x 2	Adjusting Mechanism (Left ...
2	BTY12 x 1	Spring
3	BTK41 x 1	Boot



BTM20102

Description :
 Caliper Adjusting Mechanism (Right)

Application :
 Volvo B10,NISSAN M140,ORION Bus,RVI Midlum

OEM No :
 SJ4114, 3092764, RENAULT 5001 856 320, NISSAN 69030020, DENNIS CASJ4114, DENNIS DEP100074, LEYLAND LBSJ4114

No	BT No	Information
1	BTT134 x 2	Adjusting Mechanism (Righ ...
2	BTY12 x 1	Spring
3	BTK41 x 1	Boot



BTM20103

Description :
 Caliper Adjusting Gear Kit (Left)

Application :
 R.V.I.Magnum,Premium,IRISBUS,AGORA

OEM No :
 MCK1151, MCK1021, SJ4029, 85104827, NISSAN 69029750, DENNIS 6553776, 655377-6, Volvo 3098579

No	BT No	Information
1	BTT135 x 1	Adjusting Shaft
2	BTT137 x 1	Housing
3	BTR7 x 3	Ball Bearing
4	BTT139 x 1	Pin
5	BTGR2 x 1	Grease Nipple



BTM20104

Description :
Caliper Adjusting Gear Kit (Right)

Application :
R.V.I.Magnum,Premium,IRISBUS,AGORA

OEM No :
SJ4030, MCK1152, MCK1022, 85104828, NISSAN 69030040, DENNIS 6553784, 655378-4, CAMCK1152, Volvo 3098580

No	BT No	Information
1	BTT136 x1	Adjusting Shaft
2	BTT138 x1	Housing
3	BTR7 x 3	Ball Bearing
4	BTT139 x1	Pin
5	BTGR2 x1	Grease Nipple



BTM20105

Description :
Caliper Adjusting Shaft (Left)

Application :
VOLVO B10B,DENNIS Javelin,R.V.I.

OEM No :
CMSK.11.1

No	BT No	Information
1	BTT135 x1	Adjusting Shaft
2	BTGR2 x1	Grease Nipple



BTM20106

Description :
Caliper Adjusting Shaft (Right)

Application :
VOLVO B10B,DENNIS Javelin,R.V.I.

OEM No :
CMSK.12.1

No	BT No	Information
1	BTT136 x1	Adjusting Shaft
2	BTGR2 x1	Grease Nipple



BTM20107

Description :
Caliper Housing (Left)

Application :
NISSAN M140,R.V.I.Midlum,ORION Transit Bus

OEM No :
CMSK.11.2

No	BT No	Information
1	BTT137 x1	Housing



BTM20108

Description :
 Caliper Housing (Right)

Application :
 NISSAN M140,R.V.I.Midlum,ORION Transit Bus

OEM No :
 CMSK.12.2

No	BT No	Information
1	BTT138 x 1	Housing



BTM20109

Description :
 Caliper Needle&Roller Bearing Kit

Application :
 VOLVO,DENNIS,Magnum,Premium,AGORA,NISSAN M140,ORION,IRISBUS

OEM No :
 SJ4031, 06902976-0, 6553779, 655377-9, 69029760, 6553778

No	BT No	Information
1	BTR8 x 1	Bearing Ø72,5 / Ø46 x 8 ...
2	BTB8 x 1	Bush Ø44 x Ø40 x 15 mm
3	BTT140 x 1	Metal Sheet Ø73 / Ø47 m ...
4	BTR9 x 1	Bearing Ø52 / Ø46 x 16 ...
5	BTT167 x 1	Ring Ø44 / Ø37,5 mm



BTM20110

Description :
 Caliper Gear Small (Right)

Application :
 R.V.I.Magnum,Premium,AGORA,IRISBUS,VOLVO,DI

OEM No :
 SJ4074, 3098111, 6565652, RENAULT 5001 845 387

No	BT No	Information
1	BTT141 x 1	Adjusting Gear
2	BTY13 x 1	Spring



BTM20111

Description :
 Caliper Gear Small (Left)

Application :
 R.V.I.Magnum,Premium,AGORA,IRISBUS,VOLVO,DI

OEM No :
 SJ4073, 3098110, 65656410, RVI 5001 845 386

No	BT No	Information
1	BTT142 x 1	Adjusting Gear
2	BTY13 x 1	Spring



BTM20112

Description :
 Caliper Gear Big (Right)

Application : :
 MB 0350 0404,MAN,RVI,SETRA S3

OEM No :
 CMSK.25.4

No	BT No	Information
1	BTT143 x1	Adjusting Gear



BTM20113

Description :
 Caliper Gear Big (Left)

Application : :
 MB 0350 0404,MAN,RVI,SETRA S3

OEM No :
 CMSK.24.4

No	BT No	Information
1	BTT144 x1	Adjusting Gear



BTM20114

Description :
 Caliper Shaft Short (Right)

Application : :
 MB,MAN,RVI

OEM No :
 CMSK.29

No	BT No	Information
1	BTT145 x1	Shaft Short 26 Thread



BTM20115

Description :
 Caliper Shaft Short (Left)

Application : :
 MB,MAN,RVI

OEM No :
 CMSK.28

No	BT No	Information
1	BTT146 x1	Shaft Short 26 Thread



BTM20116

Description :
 Caliper Shaft Short (Right)

Application : :
 MB,MAN,RVI Magnum,Premium

OEM No :
 CMSK.25

No	BT No	Information
1	BTT147 x 1	Shaft Short 48 Thread



BTM20117

Description :
 Caliper Shaft Short (Left)

Application : :
 MB,MAN,RVI Magnum,Premium

OEM No :
 CMSK.24

No	BT No	Information
1	BTT148 x 1	Shaft Short 48 Thread



BTM20118

Description :
 Caliper Shaft Long (Right)

Application : :
 MB,MAN,RVI

OEM No :
 SerinFren

No	BT No	Information
1	BTT149 x 1	Shaft Long 26 Thread



BTM20119

Description :
 Caliper Shaft Long (Left)

Application : :
 MB,MAN,RVI

OEM No :
 SerinFren

No	BT No	Information
1	BTT150 x 1	Shaft Long 26 Thread



BTM20120

Description :
Caliper Housing (Left)

Application : :
MB,MAN,RVI,LRG562

OEM No :
CMSK.24.1

No	BT No	Information
1	BTT151 x 1	Housing



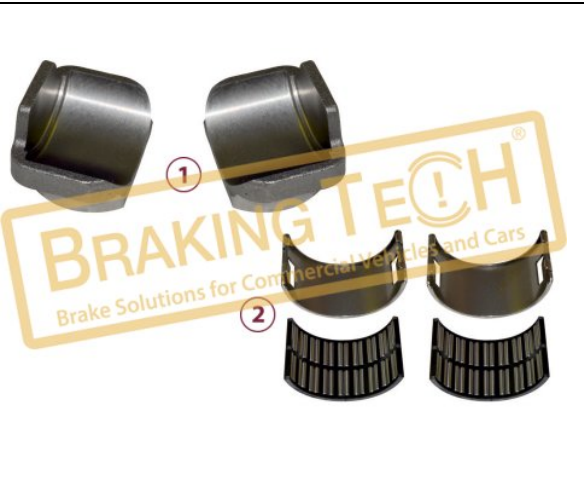
BTM20121

Description :
Caliper Housing (Right)

Application : :
MB,MAN,RVI,LRG563

OEM No :
CMSK.25.1

No	BT No	Information
1	BTT152 x 1	Housing



BTM20122

Description :
Caliper Roller Bearing Kit

Application : :
R.V.I PREMIUM KERAX,IRISBUS,VAN HOOL,MAN,VOLVO

OEM No :
BrakingTech

No	BT No	Information
1	BTT153 x 2	Bearing Cap
2	BTR10 x 4	Roller Bearing



BTM20123

Description :
Caliper Bearing Cap

Application : :
R.V.I PREMIUM KERAX,IRISBUS,VAN HOOL,MAN,VOLVO

OEM No :
BrakingTech

No	BT No	Information
1	BTT153 x 2	Bearing Cap



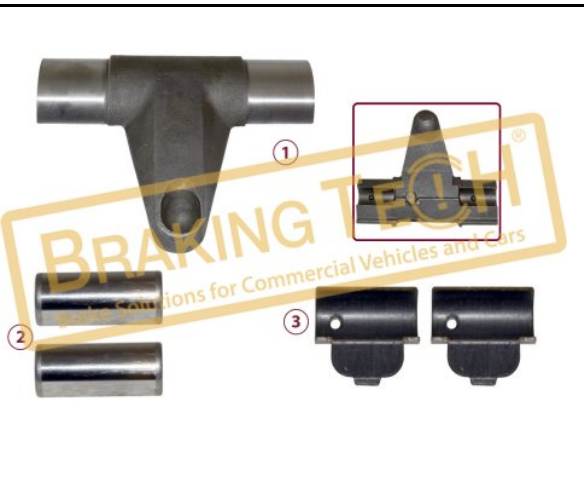
BTM20124			
Description :	No	BT No	Information
Caliper Roller Bearing	1	BTR10 x 4	Roller Bearing
Application : EX225H,EX225L,RVI,VOLVO,HOWO,MAN,MB,ROR			
OEM No : BrakingTech			



BTM20125			
Description :	No	BT No	Information
Caliper Roller Bearing Kit	1	BTR10 x 4	Roller Bearing
Application : MAN,Volvo,RVI	2	BTT154 x 2	Pin
	3	BTS39 x 2	Lever Bearing
OEM No : SJ4098, 3092261, 6086083			



BTM20126			
Description :	No	BT No	Information
Caliper Roller Bearing Kit	1	BTR10 x 4	Roller Bearing
Application : MAN,Volvo,RVI,MB,ROR,IRISBUS	2	BTT154 x 2	Pin
	3	BTS40 x 2	Lever Bearing
OEM No : SJ4112, 3092329, 1522169			



BTM20127			
Description :	No	BT No	Information
Caliper Lever (Left-Right)	1	BTT155 x 1	Lever
Application : R.V.I.Magnum,Premium,IRISBUS,VAN HOOL,MAN City Bus,VOLVO City Bus,KAROSA,ERF ECS,ECX	2	BTT154 x 2	Pin
	3	BTS40 x 2	Lever Bearing
OEM No : BrakingTech			



BTM20128

Description :
 Caliper Lever (Left-Right)

Application :
 Volvo, Renault, ROR L M, T M Series

OEM No :
 BrakingTech

No	BT No	Information
1	BTT156 x 1	Lever
2	BTT154 x 2	Pin
3	BTS40 x 2	Lever Bearing



BTM20128-01

Description :
 Caliper Lever (New)

Application :
 Volvo, Renault, Scania Bus 2159

OEM No :
 BrakingTech

No	BT No	Information
1	BTT247 x 1	Lever 114mm(length)



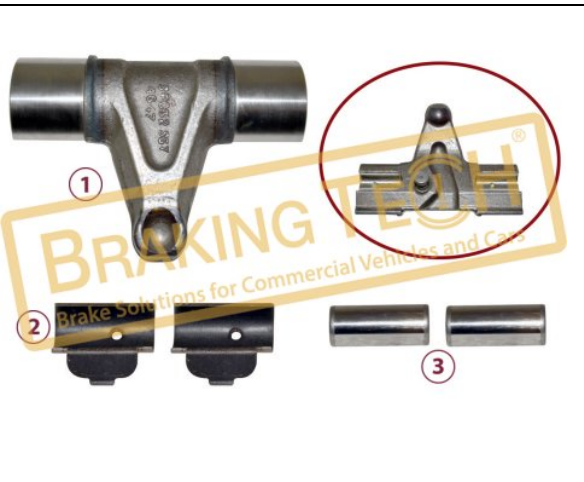
BTM20128-02

Description :
 Caliper Lever (with Pin) New

Application :
 IVECO, Buses

OEM No :
 BrakingTech

No	BT No	Information
1	BTT237 x 1	Lever



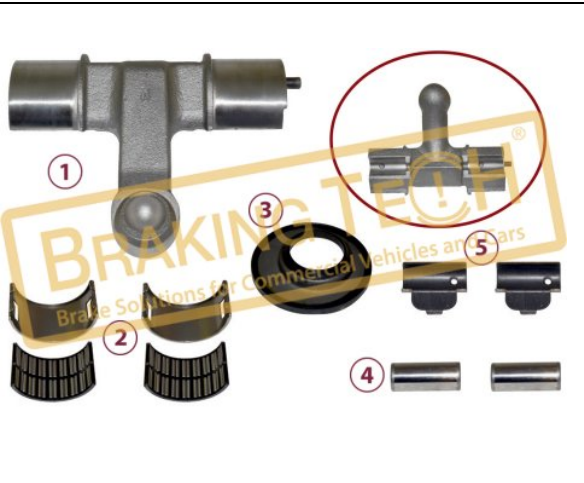
BTM20129

Description :
 Caliper Lever (Left-Right)

Application :
 Volvo, Renault, ROR L M, T M Series

OEM No :
 BrakingTech

No	BT No	Information
1	BTT157 x 1	Lever
2	BTS40 x 2	Lever Bearing
3	BTT154 x 2	Pin



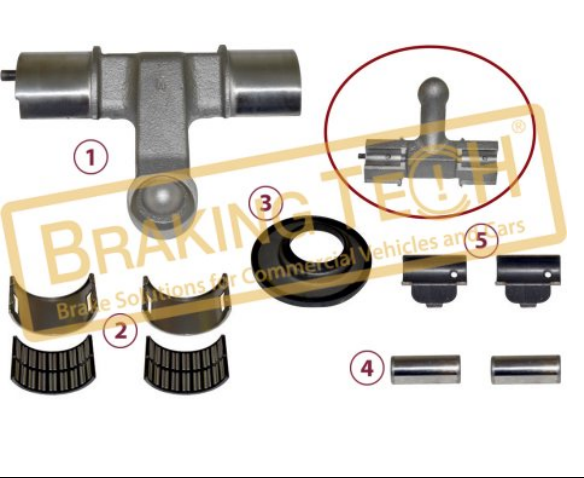
BTM20130

Description :
 Caliper Lever Repair Kit (Left)

Application :
 VOLVO FL,FL6 H

OEM No :
 SJ4096, 85109975, 21109753, MCK1398 ,
 3092258

No	BT No	Information
1	BTT158 x 1	Lever
2	BTR10 x 4	Roller Bearing
3	BTK39 x 1	Eccentric Seal
4	BTT154 x 2	Pin
5	BTS40 x 2	Lever Bearing



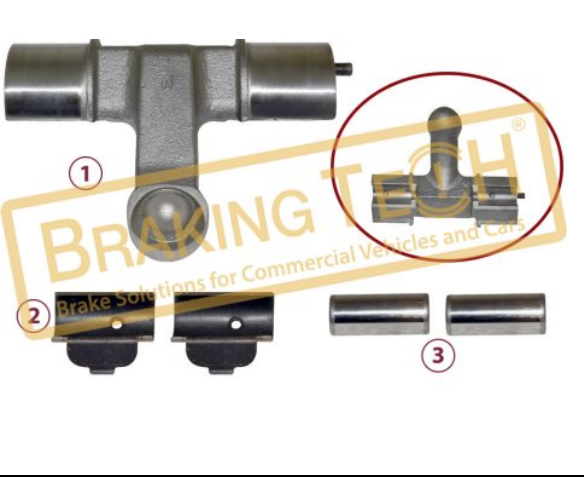
BTM20131

Description :
 Caliper Lever Repair Kit (Right)

Application :
 VOLVO FL,FL6 H

OEM No :
 SJ4097, MCK1399, 85109976, 3092259, 21109754

No	BT No	Information
1	BTT159 x 1	Lever
2	BTR10 x 4	Roller Bearing
3	BTK39 x 1	Eccentric Seal
4	BTT154 x 2	Pin
5	BTS40 x 2	Lever Bearing



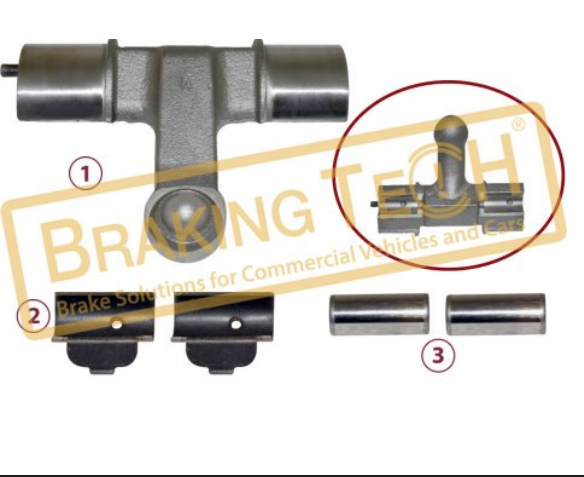
BTM20132

Description :
 Caliper Lever (Left)

Application :
 VOLVO FL,FL6 H

OEM No :
 SerinFren

No	BT No	Information
1	BTT158 x 1	Lever
2	BTS40 x 2	Lever Bearing
3	BTT154 x 2	Pin



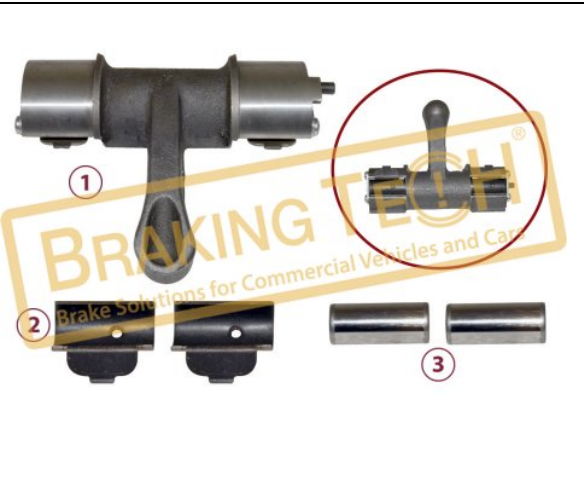
BTM20133

Description :
 Caliper Lever (Right)

Application :
 VOLVO FL,FL6 H

OEM No :
 SerinFren

No	BT No	Information
1	BTT159 x 1	Lever
2	BTS40 x 2	Lever Bearing
3	BTT154 x 2	Pin



BTM20134

Description :
 Caliper Lever (Left)

Application :
 MAN, Volvo, RVI, ROR, IRISBUS

OEM No :
 CMSK.5.14

No	BT No	Information
1	BTT160 x 1	Lever
2	BTS40 x 2	Lever Bearing
3	BTT154 x 2	Pin



BTM20135

Description :
 Caliper Lever (Right)

Application :
 MAN, Volvo, RVI, ROR, IRISBUS

OEM No :
 CMSK.5.15

No	BT No	Information
1	BTT161 x 1	Lever
2	BTS40 x 2	Lever Bearing
3	BTT154 x 2	Pin



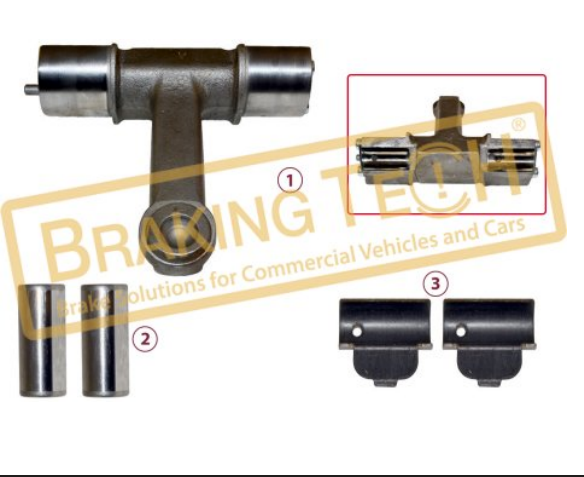
BTM20136

Description :
 Caliper Lever Repair Kit (Front)

Application :
 VOLVO FL, FL6 H

OEM No :
 SJ4108, 1522167, 3092260, 21109755, 85109977

No	BT No	Information
1	BTT162 x 1	Lever
2	BTR10 x 4	Roller Bearing
3	BTT154 x 2	Pin
4	BTS39 x 2	Lever Bearing
5	BTK39 x 1	Eccentric Seal



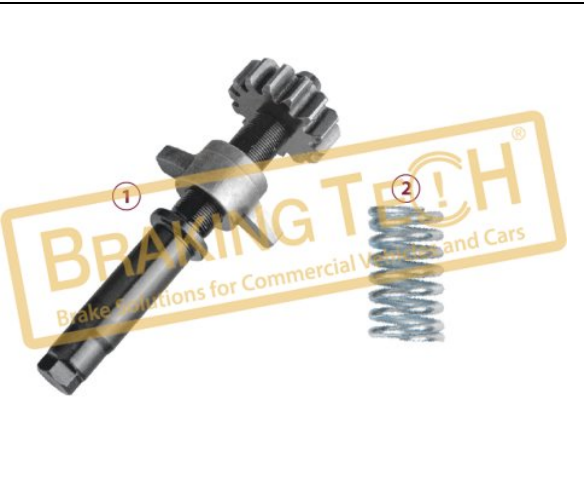
BTM20137

Description :
 Caliper Lever (Left-Right)

Application :
 VOLVO FL, FL6 H

OEM No :
 BrakingTech

No	BT No	Information
1	BTT162 x 1	Lever
2	BTS39 x 2	Lever Bearing
3	BTT154 x 2	Pin



BTM20138

Description :
 Caliper Adjusting Device

Application :
 Volvo, Renault, ROR L M, T M Series

OEM No :
 CMSK.7.11.2

No	BT No	Information
1	BTT428 x1	Manuel Adjuster
2	BTY41 x1	Spring



BTM20139

Description :
 Caliper Calibration Mechanism Cap Complete

Application :
 R.V.I, IRISBUS, VAN HOOL, MAN, VOLVO

OEM No :
 BrakingTech

No	BT No	Information
1	BTT290 x1	Calibration Mechanism(Com ...
2	BTK147 x1	Gasket
3	BTC19 x 8	Bolt M8x1,25x45mm



BTM20139-01

Description :
 Caliper Calibration Mechanism Cap(Aluminium)

Application :
 R.V.I, IRISBUS, VAN HOOL, MAN, VOLVO

OEM No :
 BrakingTech

No	BT No	Information
1	BTT291 x1	Calibration Mechanism Cap ...
2	BTC19 x 8	Bolt M8x1,25x45mm
3	BTK147 x1	Gasket



BTM20139-02

Description :
 Caliper Cover Gasket

Application :
 R.V.I, IRISBUS, VAN HOOL, MAN, VOLVO

OEM No :
 BrakingTech

No	BT No	Information
1	BTK147 x1	Gasket



BTM20140

Description :
 Caliper Lever Repair Kit (Left-Right)

Application :
 R.V.I.Magnum,Premium,IRISBUS,VAN HOOL,MAN
 City Bus,VOLVO City Bus,KAROSA,ERF ECS,ECX

OEM No :
 BrakingTech

No	BT No	Information
1	BTT163 x 1	Lever
2	BTR10 x 4	Roller Bearing
3	BTT154 x 2	Pin
4	BTS39 x 2	Lever Bearing
5	BTK39 x 1	Eccentric Seal



BTM20141

Description :
 Caliper Lever (Left-Right)

Application :
 R.V.I,IRISBUS,MAN,VOLVO

OEM No :
 SerinFren

No	BT No	Information
1	BTT163 x 1	Lever
2	BTT154 x 2	Pin
3	BTS39 x 2	Lever Bearing



BTM20142

Description :
 Caliper Boot Kit

Application :
 R.V.I.Magnum,Premium,AGORA,IRISBUS,VOLVO,DI

OEM No :
 3098109, SJ4077

No	BT No	Information
1	BTK44 x 2	Boot
2	BTK45 x 2	Boot



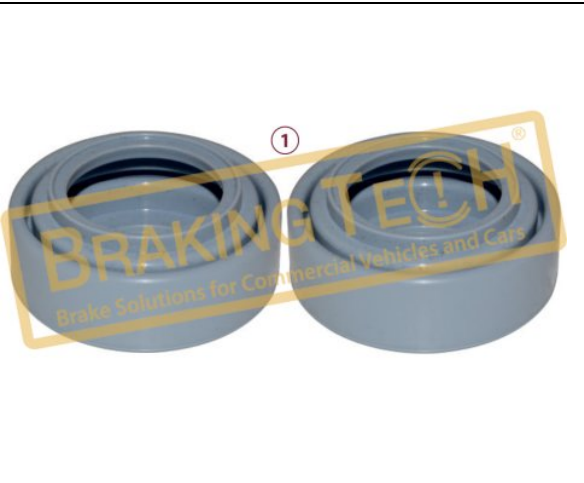
BTM20143

Description :
 Caliper Pin Boot Repair Kit

Application :
 VOLVO,R.V.I.,IRISBUS,NISSAN

OEM No :
 SJ4053, 69029910

No	BT No	Information
1	BTK45 x 2	Boot



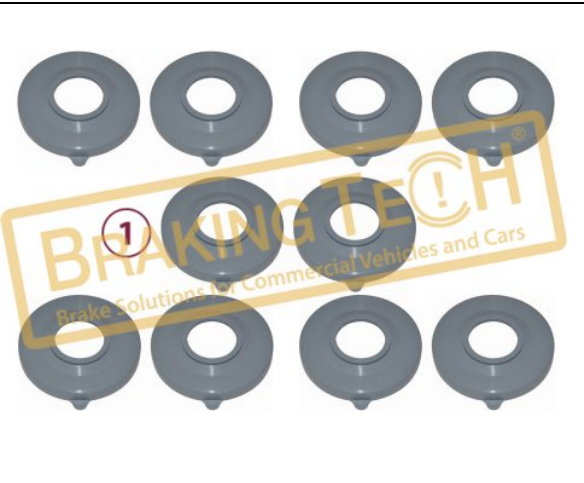
BTM20144

Description :
Caliper Guide Pin Boot

Application : :
Meritor Calipers

OEM No :
68323751

No	BT No	Information
1	BTK44 x 2	Pin Boot



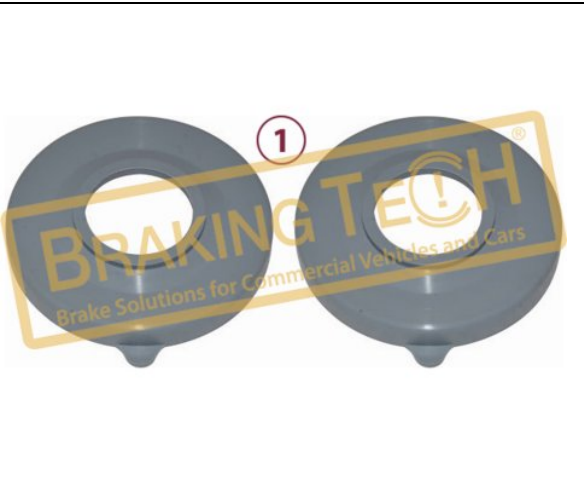
BTM20145

Description :
Caliper Piston/Tappet Excluder

Application : :
Scania,MB,MAN,ROR,RVI,VOLVO,FORD,DAF,IVECO

OEM No :
68324854PK10, N2509990263, STR68324854, 9500643, 3092272

No	BT No	Information
1	BTK34 x 10	Dust Cover



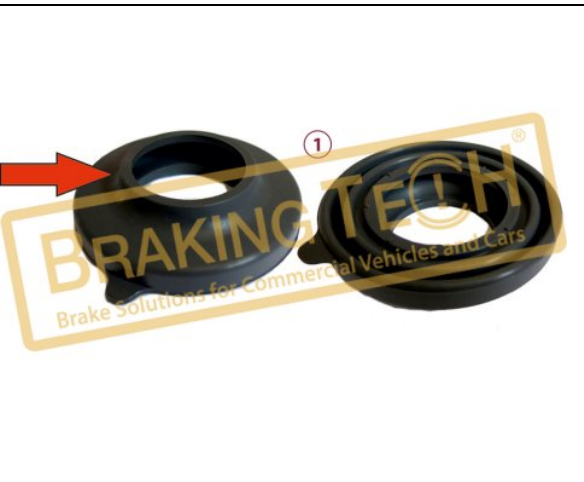
BTM20146

Description :
Caliper Tappet Dust Cover

Application : :
MAN,ROR,RVI,VOLVO,FORD,DAF,IVECO

OEM No :
MCK1139, Volvo 85107913, 3092272, 20777352, MAN 81508026024, 81508026027, MCK1288, 35403112182, 1487339, 5006028414, 5021179952, 0501215022, 503128757, 120019500053, 5820157, AMMCK1139, Fruehauf CF104301, CF104543, Renault 5001845388, 68324854

No	BT No	Information
1	BTK34 x 2	Dust Cover



BTM20146-01

Description :
Caliper Tappet Dust Cover(WideVersion)

Application : :
R.V.I,MAN,VOLVO

OEM No :
AMMCK1139, MCK1288, MCK1139

No	BT No	Information
1	BTK34-01 x 2	Tappet Cover



BTM20147

Description :
Caliper Tappet Boot Set

Application : :
MAN, Volvo, RVI, MB, ROR, IRISBUS

OEM No :
ST1156, 35503109502, 81508026016,
5001849886, N508026022, 0501211883

No	BT No	Information
1	BTK46 x 2	Tappet Dust Cover



BTM20148

Description :
Caliper Tappet & Boot Set

Application : :
VOLVO FL, FL6 H

OEM No :
MCK1238, 3092264, VOLVO AMMCK1238, MAN
STRMCK1238, DAF 868378, RVI 5021 202 828,
2169213, CMSK.3.5

No	BT No	Information
1	BTK34 x 2	Dust Cover
2	BTT119 x 2	Tappet
3	BTSK2 x 2	Snap Ring



BTM20149

Description :
Caliper Tappet & Boot Set

Application : :
Renault MAGNUM
PREMIUM, Volvo, PACCAR, Scania

OEM No :
MCK1309, 5001866398, VOLVO 85109891,
2169218, SerinFren

No	BT No	Information
1	BTK34 x 2	Tappet Boot
2	BTT165 x 2	Tappet
3	BTS35 x 2	Tappet Ring



BTM20150

Description :
Caliper Tappet Repair Kit

Application : :
MAN, ROR, RVI, VOLVO, FORD, DAF, IVECO

OEM No :
CMSK.7.7

No	BT No	Information
1	BTT165 x 2	Tappet
2	BTS35 x 2	Piston Ring



BTM20151

Description :
 Caliper Tappet Repair Kit

Application :
 VOLVO FL,FL6 H

OEM No :
 SerinFren

No	BT No	Information
1	BTT119 x 2	Tappet
2	BTSK2 x 2	Snap Ring



BTM20152

Description :
 Caliper Repair Kit (Front)

Application :
 VOLVO FL,FL6 H

OEM No :
 MCK1118, 85102092, 2169211

No	BT No	Information
1	BTT17 x 2	Guide Pin Ø35X102mm
2	BTC22 x 2	Screw M20X2X125mm
3	BTP28 x 1	Bush (Plastic) Ø 35 x 40 ...
4	BTK44 x 2	Boot
5	BTS17 x 2	Ring Ø 37 X 40 / 10 mm
6	BTS18 x 2	Metal Tap Ø 40/ 20 mm
7	BTB9 x 2	Oval Bush Ø 35-36 x 39 / ...



BTM20152-01

Description :
 Caliper Repair Kit (Front)

Application :
 VOLVO FL,FL6 H

OEM No :
 BrakingTech

No	BT No	Information
1	BTT17 x 2	Slider Pin Ø35x102mm
2	BTC22 x 2	Screw M20x2x125
3	BTB36 x 1	Bush with metallic plasti ...
4	BTK44 x 2	Pin Boot
5	BTS17 x 2	Ring Ø37x40/10mm
6	BTS18 x 2	Metal Tap Ø 40/ 20 mm
7	BTB9 x 2	Oval Bush Ø35x39x30mm



BTM20153

Description :
 Caliper Repair Kit (Rear)

Application :
 VOLVO FL,FL6 H

OEM No :
 MCK1116, 85102094, 30922555, 3095627, DAF
 1489197, RVI 5021 202 776, 2169212

No	BT No	Information
1	BTT17 x 1	Guide Pin Ø35X102mm
2	BTC22 x 1	Screw M20X2X125mm
3	BTT18 x 1	Guide Pin Ø35X60mm
4	BTC23 x 1	Screw M20X2X80mm
5	BTK44 x 2	Boot
6	BTS17 x 2	Ring Ø 37 X 40 / 10 mm
7	BTS18 x 2	Metal Tap Ø 40/ 20 mm
8	BTP28 x 1	Bush (Plastic) Ø 35 x 40 ...
9	BTB9 x 1	Oval Bush Ø 35-36 x 39 / ...



BTM20153-01

Description :
 Caliper Repair Kit (Rear)

Application :
 VOLVO FL,FL6 H

OEM No :
 BrakingTech

No	BT No	Information
1	BTT17 x 1	Slider Pin Ø35x102mm
2	BTC22 x 1	Screw M20x2x125mm
3	BTT18 x 1	Slider Pin Ø35x60mm
4	BTC23 x 1	Screw M20x2x80mm
5	BTK44 x 2	Pin Boot
6	BTS17 x 2	Metal Ring Ø37x40x10mm
7	BTS18 x 2	Metal Tap Ø 40/ 20 mm
8	BTB36 x 1	Bush with metallic plasti ...
9	BTB9 x 1	Bush (Oval) Ø35x39x30mm



BTM20154

Description :
 Caliper Repair Kit

Application :
 Volvo FH,FM,FL,FL6 H

OEM No :
 MCK1135, 85103891, SJ4107, 3092256, 3096768, 1522166

No	BT No	Information
1	BTT17 x 2	Guide Pin Ø35X102mm
2	BTC22 x 2	Screw M20X2X125mm
3	BTP29 x 2	Bush (Plastic) Ø35 x 40 ...
4	BTK44 x 2	Boot
5	BTS18 x 2	Metal Tap Ø 40/ 20 mm
6	BTS17 x 2	Ring Ø 37 X 40 / 10 mm
7	BTB9 x 2	Oval Bush Ø 35-36 x 39 / ...



BTM20155

Description :
 Caliper Repair Kit (Rear)

Application :
 VOLVO FL,FL6 H

OEM No :
 MCK1134, 85103892, SJ4094, 3092255, 3095627, AMMCK1134, 1489198

No	BT No	Information
1	BTT17 x 1	Guide Pin Ø35X102mm
2	BTC22 x 1	Screw M20X2X125mm
3	BTT18 x 1	Guide Pin Ø35X60mm
4	BTC23 x 1	Screw M20X2X80mm
5	BTK44 x 2	Boot
6	BTS17 x 2	Ring Ø 37 X 40 / 10 mm
7	BTS18 x 2	Metal Tap Ø 40/ 20 mm
8	BTP29 x 2	Bush (Plastic) Ø 35 x 40 ...
9	BTB9 x 1	Oval Bush Ø 35-36 x 39 / ...



BTM20156

Description :
 Caliper Service Repair Kit

Application :
 VOLVO,RVI Midliner, Midlum, Premium, Scania R

OEM No :
 MCK1298, 85109890, 5001866989, PACCAR 9500931, 2169216

No	BT No	Information
1	BTT19 x 1	Guide Pin Ø35X117mm
2	BTC24 x 1	Screw M18X1.5X120mm
3	BTT20 x 1	Guide Pin Ø31X78mm
4	BTC25 x 1	Screw M18X1.5X82mm
5	BTK44 x 2	Boot
6	BTS17 x 2	Ring Ø 37 X 40 / 10 mm
7	BTS19 x 2	Metal Tap Ø 44 / 22 mm
8	BTB10 x 1	Bush(68324208) Ø 31-33 x ...
9	BTB11 x 2	Bush Ø 35 x 39 / 30 mm
10	BTC26 x 4	Screw M16X1.5X40mm
11	BTC27 x 4	Screw M14X1.5X40mm



BTM20157

Description :
Caliper Repair Kit

Application :
EX225L,VOLVO,Renault
Premium,FORD,Paccar,SCANIA

OEM No :
MCK1254, 871054, AMMCK1254, ZG070160007,
STRMCK1254, 20706903, MCK1323, 5001866560,
21392594, 0871054, 225266, 22726389

No	BT No	Information
1	BTT19 x 1	Guide Pin(68325094) Ø35x ...
2	BTC24 x 1	Screw M18x1.5x120mm
3	BTT20 x 1	Guide Pin Ø31x78mm
4	BTC25 x 1	Screw M18x1.5x82mm
5	BTK44 x 2	Boot
6	BTS17 x 2	Sleeve(68324899) Ø 37 x ...
7	BTS19 x 2	Metal Tap Ø 44 / 22 mm
8	BTB10 x 1	Bush Ø 31-33 x 42 / 30 m ...
9	BTB11 x 2	Bush(68323784) Ø 35 x 39 ...
10	BTC27 x 4	Screw M14x1.5x40mm



BTM20158

Description :
Caliper Repair Kit

Application :
Volvo FH12 B9, Renault

OEM No :
MCK1317, 85109889, 5001866385, 2169217

No	BT No	Information
1	BTT19 x 1	Guide Pin Ø35X117mm
2	BTC24 x 2	Screw M18X1.5X120mm
3	BTT21 x 1	Guide Pin Ø31X117mm
4	BTK44 x 2	Boot
5	BTS17 x 4	Ring Ø 37 X 40 / 10 mm
6	BTS19 x 2	Metal Tap Ø 44 / 22 mm
7	BTB10 x 2	Bush Ø 31-33 x 42 / 30 m ...
8	BTB11 x 2	Bush Ø 35 x 39 / 30 mm
9	BTC26 x 2	Screw M16X1.5X40mm



BTM20159

Description :
Caliper Guides, Seals Repair Kit

Application :
R.V.I.Midlum, NISSAN M140, ORION Transit Bus

OEM No :
SJ4052, 5001845385, DAF 1522192, NISSAN
69029720

No	BT No	Information
1	BTT22 x 1	Guide Pin Ø30X115mm
2	BTC28 x 1	Screw M18X1.5X135mm
3	BTT23 x 1	Guide Pin Ø30X75mm
4	BTC29 x 1	Screw M18X1.5X95mm
5	BTB12 x 1	Bush Ø34 x Ø30-30,5 x ...
6	BTS20 x 1	Metal Tap Ø42 x 45mm
7	BTK45 x 2	Boot
8	BTT166 x 2	Ring Ø42 x 12 mm
9	BTP30 x 2	Bush(Plastic) Ø30 x Ø34 ...
10	BTS21 x 1	Metal Tap Ø37 x 11mm



BTM20160

Description :
Caliper Guide Pins & Sleeves

Application :
Volvo Bus, Renault Premium, Magnum, BUS
AGORA, DAF

OEM No :
SJ4076, MCK1104, 5001837006, 3098108,
85103129, 1522184, Dennis 6553777, 6355377-7,
656564-4, 6565644, 3097542, 8550880

No	BT No	Information
1	BTT24 x 1	Guide Pin Ø35X131mm
2	BTC30 x 1	Screw M20X1.5X150mm
3	BTT25 x 1	Guide Pin Ø35X79mm
4	BTC31 x 1	Screw M20X1.5X100mm
5	BTK44 x 2	Boot
6	BTS22 x 2	Metal Tap Ø45 x 17mm
7	BTT167 x 2	Ring Ø 37 x 47 / 12 mm
8	BTB13 x 1	Bush (Oval) Ø 35-36 x 39 ...
9	BTB11 x 2	Bush Ø 35 x 39 / 30 mm
10	BTB38 x 2	Bush Ø 35 x 41 / 30 mm



BTM20161

Description :

Caliper Repair Kit

Application :

IRISBUS CRONUS, CHRONOS, VAN HOOL BUS A320, R.V.I. AGORA, MAN REISEBUS BVA, TGA, F2000, Lions Range City Bus

OEM No :

MCK1102, 81508026017, 81508026020, 81508026021, ST1157, 35503109496, 1522034, 10770779, 0501213164

No	BT No	Information
1	BTT26 x 1	Guide Pin 35x135mm
2	BTC30 x 1	Screw M20X1.5X150mm
3	BTT27 x 1	Guide Pin 35x72mm
4	BTC32 x 1	Screw M20X1.5X 90mm
5	BTB14 x 1	Bush (Oval) Ø 35-37 x 40 ...
6	BTT168 x 2	Ring Ø 48 x 37 / 13,5 mm
7	BTK44 x 2	Boot
8	BTS23 x 2	Metal Tap Ø44 x 27mm
9	BTT175 x 1	Ring Ø 37 x 40 / 15 mm
10	BTT169 x 1	Ring Ø 39 x 36 / 15 mm
11	BTB11 x 2	Bush (Round) Ø 35 x 39 / ...



BTM20162

Description :

Caliper Repair Kit

Application :

MAN LION'S CLASSIC, Volvo, RVI, ROR, IRISBUS

OEM No :

MCK1103, 81508026022, 81.50802.6022

No	BT No	Information
1	BTT26 x 1	Guide Pin 35x135mm
2	BTC30 x 1	Screw M20X1.5X150mm
3	BTT28 x 1	Guide Pin Ø28.5X110mm
4	BTK47 x 1	Rubber Bush Ø40 x Ø29 x ...
5	BTK44 x 2	Boot
6	BTS23 x 2	Metal Tap Ø44 x 27mm
7	BTB11 x 2	Bush Ø39 x Ø35 x 30 mm
8	BTT169 x 1	Ring Ø 39 x 36 / 15 mm
9	BTT170 x 1	Ring Ø 30 x 40 / 19 mm



BTM20163

Description :

Caliper Disc Brake Kit

Application :

VOLVO, RENAULT MAGNUM, MAN CITYBUS, IVECO, DAF

OEM No :

MCK1243, MCK1140, 5001860791, 85107912, 81.50802.6025, MAN 35.40311.2205, VOLVO AMMCK1243, RVI 5001 860 791, IVECO 42555201, PACCAR 1522058, ZF 0501215220, 5820184, Fruehauf CF104300, 81508026025, 2169215, 42552052, 503128758, 4151001

No	BT No	Information
1	BTT29 x 1	Guide Pin Ø35X144mm
2	BTC33 x 1	Screw M18X1.5X150mm
3	BTT30 x 1	Guide Pin Ø31X84mm
4	BTC34 x 1	Screw M18X1.5X90mm
5	BTK44 x 2	Boot
6	BTS15 x 2	Metal Tap Ø 44 / 28 mm
7	BTT171 x 2	Ring Ø42 x 14 mm
8	BTB11 x 2	Bush Ø 35 x 39 / 30 mm
9	BTB10 x 1	Bush Ø 31-33 x 42 / 30 m ...
10	BTC38 x 1	Screw M10X1.25X20mm
11	BTC26 x 4	Screw M16X1.5X40mm



BTM20164

Description :

Caliper Repair Kit

Application :

Renault Premium, Magnum, MAN, DAF

OEM No :

MCK1086, 5001858717, 50 01 858 717, 1522185, ZG002950002

No	BT No	Information
1	BTT31 x 1	Guide Pin Ø35X126mm
2	BTC30 x 1	Screw M20X1.5X150mm
3	BTT32 x 1	Guide Pin Ø33/35X66mm
4	BTC32 x 1	Screw M20X1.5X 90mm
5	BTS24 x 2	Metal Ring Ø42,5 / 2,5 m ...
6	BTC38 x 1	Screw M10x1,25x20mm
7	BTK44 x 2	Boot
8	BTS15 x 2	Metal Tap Ø 44 / 28 mm
9	BTC26 x 4	Screw M16x1,5x40mm
10	BTB11 x 3	Bush Ø39 x Ø35 x 30 mm



BTM20165

Description :
Caliper Repair Kit

Application :
Mercedes,Raba,Setra,Dennis,MAN

OEM No :
SJ4011, SJ4012, MCK1213, SJ1228, SJ1213, 81508026008, 0004200276, 0004200676, A0004200176, A0004200276, A0004200676, 5001822998, 82853885310, 655079- 11, 5817057500, 81508026009, 0004200176, F0102502DU, 650463, 50001822994, 0501209573

No	BT No	Information
1	BTT33 x 1	Guide Pin Ø33X117mm
2	BTC24 x 1	Screw M18X1.5X120mm
3	BTT34 x 1	Guide Pin Ø32X73mm
4	BTC29 x 1	Screw M18X1.5X95mm
5	BTS25 x 2	Metal Tap Ø37 x 11mm
6	BTB16 x 1	Bush Ø36xØ32,80/32x30mm
7	BTB15 x 2	Bush Ø36 x Ø32 x 40 mm
8	BTK48 x 2	Dust Cover
9	BTS26 x 2	Metal Tap Ø61 x 17mm



BTM20166

Description :
Caliper Repair Kit

Application :
Mercedes,Raba,Setra,Dennis,MAN,Magnum,Premi

OEM No :
SJ4001, RVI 5001 822 998, 5001822994

No	BT No	Information
1	BTT33 x 1	Guide Pin Ø 32 / 117 mm
2	BTC24 x 1	Screw M18X1.5X120mm
3	BTT34 x 1	Guide Pin Ø 32 / 74 mm
4	BTC29 x 1	Screw M18X1.5X95mm
5	BTK48 x 2	Dust Cover
6	BTS26 x 2	Metal Tap Ø61mm x 17mm
7	BTS25 x 2	Metal Tap Ø37 x 11mm



BTM20167

Description :
Caliper Repair Kit

Application :
Volvo Bus,Renault Premium,Magnum,BUS AGORA,DAF

OEM No :
SJ4032

No	BT No	Information
1	BTCN2 x 1	Gasket
2	BTK41 x 1	Boot
3	BTK49 x 1	O-Ring
4	BTK44 x 2	Boot
5	BTK50 x 1	Dust Boot



BTM20168

Description :
Caliper Boot&Seals Repair Kit

Application :
R.V.I.Midlum,NISSAN M140,ORION Transit Bus

OEM No :
SJ4078, 3098113, 3097526, 8550895, 6553773, 6565643, DEP100080

No	BT No	Information
1	BTCN2 x 1	Gasket
2	BTK41 x 1	Boot
3	BTK49 x 1	O-Ring
4	BTK45 x 2	Boot
5	BTK44 x 2	Boot
6	BTS27 x 1	Metal Ring Ø62 x 6 mm
7	BTK42 x 1	Seal Ø52 / Ø39 mm
8	BTK50 x 1	Boot
9	BTK43 x 1	Seal Ø57 / Ø40 mm



BTM20169

Description :

Caliper Boots & Seals Kit

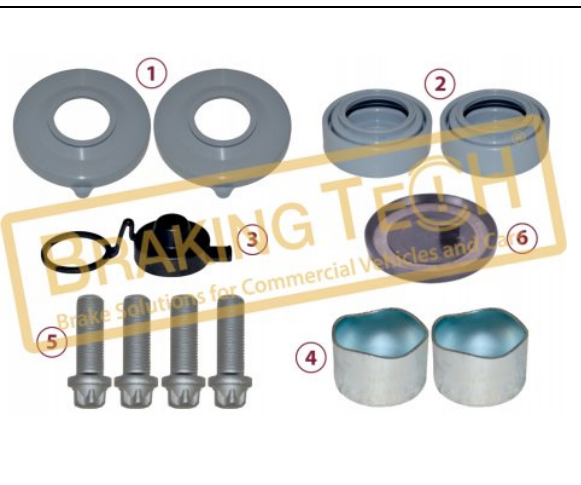
Application :

R.V.I.Midlum,NISSAN M140,ORION Transit Bus

OEM No :

SJ4061, 69029770

No	BT No	Information
1	BTCN2 x1	Gasket
2	BTK41 x1	Boot
3	BTK49 x1	O-Ring
4	BTK45 x2	Boot
5	BTS27 x1	Metal Ring Ø62 x 6 mm
6	BTK42 x1	Seal Ø57 / Ø40 mm
7	BTK50 x1	Boot
8	BTK43 x1	Seal Ø52 / Ø39 mm



BTM20170

Description :

Caliper Boot & Bolt Set

Application :

R.V.I.Magnum,Premium,Kerax,IRISBUS,VAN
HOOL,MAN City Bus,VOLVO City Bus,KAROSA,ERF
ECS,ECX

OEM No :

MCK1244, 5001860792, RVI 5001 858 718,
SerinFren

No	BT No	Information
1	BTK34 x 2	Dust Cover
2	BTK44 x 2	Boot
3	BTK51 x 1	Dust Cover
4	BTS15 x 2	Metal Tap Ø44mm x 28mm
5	BTC26 x 4	Screw M16X1.5X40mm
6	BTK52 x 1	Seal



BTM20171

Description :

Caliper Repair Kit

Application :

VOLVO FL6 H,FL

OEM No :

MCK1299, 3095628, 85107718, 3092268,
3096769, AMMCK1299, STRMCK1299, 1522170,
Y07100312

No	BT No	Information
1	BTT17 x 1	Guide Pin Ø35X102mm
2	BTC22 x 2	Screw M20X2X125mm
3	BTK44 x 2	Boot
4	BTS18 x 2	Metal Tap Ø 40/ 20 mm
5	BTC23 x 1	Screw M20X2X80mm



BTM20172

Description :

Caliper Pin Repair Kit

Application :

VOLVO FL6 H,FL

OEM No :

MCK1065, MCK1066

No	BT No	Information
1	BTT17 x 1	Guide Pin Ø35X102mm
2	BTK44 x 2	Boot
3	BTS18 x 2	Metal Tap Ø 40/ 20 mm



BTM20173

Description :
Caliper Repair Kit
Application :
VOLVO, Renault, FORD, Scania
OEM No :
KIT225200L, 225200

No	BT No	Information
1	BTT19 x 1	Guide Pin 68325094 Ø35X1 ...
2	BTC24 x 1	Screw M18X1.5X120mm
3	BTT20 x 1	Guide Pin 68325093 Ø31X7 ...
4	BTC25 x 1	Screw M18X1.5X82mm
5	BTC26 x 4	Screw M16X1.5X40mm
6	BTK44 x 2	Boot 68323751
7	BTK34 x 2	Dust Cover
8	BTS19 x 2	Pin Cap 68324890 Ø 44 / ...



BTM20174

Description :
Caliper Bolts Repair Kit
Application :
VOLVO, RVI Midliner, Midlum, Premium, Scania R
OEM No :
MCK1310, 85109892, 5001868400, 5001866400

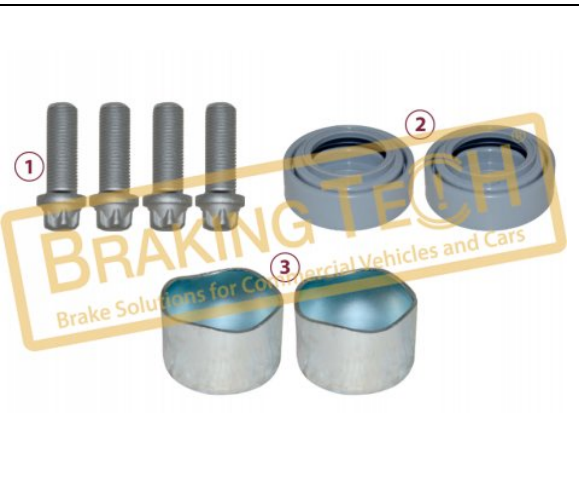
No	BT No	Information
1	BTC26 x 4	Screw M16X1.5X40mm
2	BTC27 x 4	Screw M14X1.5X40mm
3	BTC24 x 1	Screw M18 x 1.5 / 120 mm
4	BTK44 x 2	Boot
5	BTS19 x 2	Metal Tap Ø 44 / 22 mm



BTM20175

Description :
Caliper Repair Kit
Application :
VOLVO, RVI Midliner, Midlum, Premium, Scania R
OEM No :
225201

No	BT No	Information
1	BTC26 x 4	Screw M16X1.5X40mm
2	BTK44 x 2	Boot
3	BTK34 x 3	Dust Cover
4	BTK51 x 4	Dust Cover



BTM20176

Description :
Caliper Repair Kit
Application :
VOLVO, RVI Midliner, Midlum, Premium, Scania R
OEM No :
MCK1253, DAF 884368, MAN STRMCK1253,
VOLVO AMMCK1253

No	BT No	Information
1	BTC27 x 4	Screw M14x1.5x40mm
2	BTK44 x 2	Boot
3	BTS19 x 2	Metal Tap Ø 44 / 22 mm



BTM20177

Description :
 Caliper Operating Seals Kit

Application :
 R.V.I.Magnum,Premium,Kerax,IRISBUS,VAN
 HOOL,MAN City Bus,VOLVO City Bus,KAROSA,ERF
 ECS,ECX

OEM No :
 5001858718, MCK1085, 85107910

No	BT No	Information
1	BTK34 x 2	Dust Cover
2	BTK44 x 2	Boot
3	BTK51 x 1	Dust Cover
4	BTK52 x 1	Seal
5	BTC26 x 4	Screw M16X1.5X40mm



BTM20178

Description :
 Caliper Repair Kit

Application :
 Scania,MB,MAN,ROR,RVI,VOLVO,FORD,DAF,IVECO

OEM No :
 MCK1088, MAN N2965026008, 35.50307.5636

No	BT No	Information
1	BTK34 x 2	Dust Cover
2	BTK44 x 2	Boot
3	BTK51 x 1	Dust Cover
4	BTK52 x 1	Seal



BTM20179

Description :
 Caliper Repair Kit

Application :
 Volvo Bus,Renault Premium,Magnum,BUS
 AGORA,DAF

OEM No :
 SJ4021, 8550881

No	BT No	Information
1	BTC30 x 1	Screw M20X1.5X150mm
2	BTC31 x 1	Screw M20X1.5X100mm
3	BTS22 x 2	Metal Tap Ø45 x 17mm



BTM20180

Description :
 Caliper Intermediate Gear & Spring Set

Application :
 ROR,VOLVO FL,FH,FM

OEM No :
 MCK1067, 3095626

No	BT No	Information
1	BTS28 x 1	Center Gear Sheet
2	BTY14 x 1	Centre Gear Spring (Small ...
3	BTY15 x 1	Centre Gear Spring (Big)



BTM20181

Description :
 Caliper Shaft Bushing

Application : :
 R.V.I.,MAN,MB

OEM No :
 BrakingTech

No	BT No	Information
1	BTB18 x1	Bush Ø55xØ50x20mm



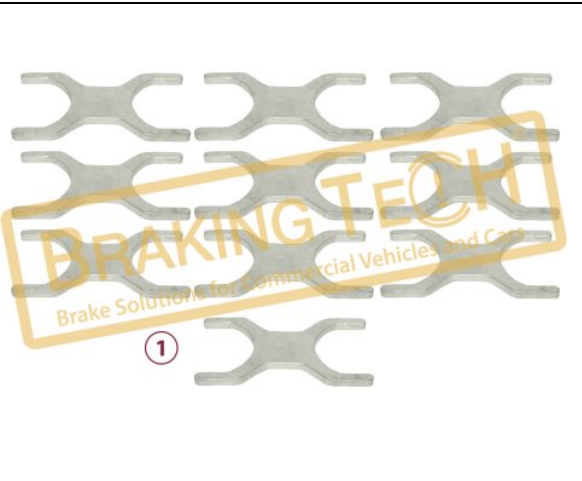
BTM20182

Description :
 Caliper Intermediate Gear & Spring

Application : :
 VOLVO FL6 H,FL

OEM No :
 MCK1129, 85102099

No	BT No	Information
1	BTS30 x1	Center Gear Sheet
2	BTY38 x1	Centre Gear Spring (Big)
3	BTY18 x1	Centre Gear Spring (Small ...



BTM20183

Description :
 Caliper Locking Shim Set

Application : :
 ROR,VOLVO FL,FH,FM

OEM No :
 68322900PK10

No	BT No	Information
1	BTS29 x10	Locking Shim



BTM20184

Description :
 Caliper Cover Plate Gasket Kit

Application : :
 Volvo FH/FM,RVI

OEM No :
 SJ4109, 3092270

No	BT No	Information
1	BTK53 x1	Gasket
2	BTK54 x1	Dust Cover
3	BTK39 x1	Eccentric Seal 27x63,30x1 ...
4	BTK38 x1	Seal



BTM20185

Description :
Caliper Cover Plate Gasket

Application : :
Volvo FH,FM,RVI

OEM No :
SerinFren

No	BT No	Information
1	BTK53 x1	Gasket



BTM20186

Description :
Caliper Cover Plate Gasket Kit

Application : :
VOLVO FL Series

OEM No :
MCK1041, 3095669, 6086095

No	BT No	Information
1	BTK55 x1	Gasket
2	BTK51 x1	Dust Cover
3	BTK39 x1	Eccentric Seal 27x63,30x1 ...
4	BTK38 x1	Seal



BTM20187

Description :
Caliper Cover Plate Gasket

Application : :
VOLVO FL6 H,FL

No	BT No	Information
1	BTK55 x1	Gasket



BTM20188

Description :
Caliper Cover Plate Gasket Kit

Application : :
ROR,VOLVO FL,FH,FM

OEM No :
SJ4105, 3092269

No	BT No	Information
1	BTK56 x1	Gasket
2	BTK51 x1	Dust Cover
3	BTK39 x1	Eccentric Seal 27x63,30x1 ...
4	BTK38 x1	Seal



BTM20189

Description :
 Caliper Cover Plate Gasket

Application : :
 ROR,VOLVO FL,FH,FM

OEM No :
 68322774

No	BT No	Information
1	BTK56 x 1	Gasket



BTM20190

Description :
 Caliper Calibration Mechanism Gasket

Application : :
 MAN,ROR,RVI,VOLVO

OEM No :
 SerinFren

No	BT No	Information
1	BTK35 x 1	Gasket



BTM20191

Description :
 Caliper Calibration Mechanism Gasket

Application : :
 Volvo,Renault,FORD,ROR

OEM No :
 BrakingTech

No	BT No	Information
1	BTK37 x 1	Gasket



BTM20192

Description :
 Caliper Mechanism Dust Cover Set

Application : :
 VOLVO,R.V.I.,MAN,MB,ROR

OEM No :
 68322655PK10

No	BT No	Information
1	BTK51 x 10	Dust Cover



BTM20193

Description :
 Caliper Adjuster Dust Cover Set

Application :
 ROR,VOLVO FL,FH,FM

OEM No :
 68322655PK10, 3092282

No	BT No	Information
1	BTK54 x 10	Dust Cover



BTM20194

Description :
 Caliper Actuator Seal Ring Kit

Application :
 R.V.I.Magnum,Premium,Kerax,IRISBUS,VAN
 H00L,MAN City Bus,VOLVO City Bus,KAROSA,ERF
 ECS,ECX

OEM No :
 68323746PK10, 5006028416, 35503075642,
 81509010015, 0868304, 20706975, 0501322343

No	BT No	Information
1	BTK52 x 10	Seal 63x5,60/8,10



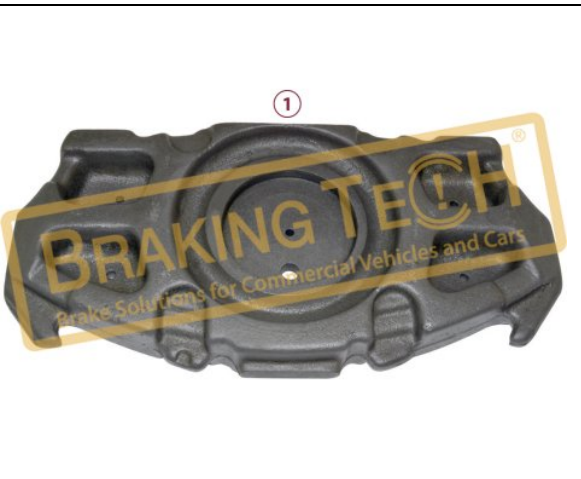
BTM20194-01

Description :
 Caliper Actuator Seal Set

Application :
 R.V.I,IRISBUS,MAN,VOLVO

OEM No :
 68323746PK10

No	BT No	Information
1	BTK52-01 x 10	Seal(OpenType) 39x63,60x8 ...



BTM20195

Description :
 Caliper Push Plate

Application :
 MB,MAN,RVI Magnum,Premium

OEM No :
 68320912, 68321272, Evo-Bus 82853884490,
 Hyundai 5811987500, MAN 81508220003,
 Mercedes Benz 0004230062, A0004230062,
 Orion F0102502DG, Raba 746871, Renault
 5001822997, ZF 0501314109

No	BT No	Information
1	BTT172 x 1	Push Plate



BTM20196

Description :
 Caliper Adjuster Lever

Application :
 VOLVO B10B,B10BLE,DENNIS Javelin PCV MK3

OEM No :
 68915080, 68915081, DENNIS 6464646, DENNIS 6565645

No	BT No	Information
1	BTT173 x 1	Lever
2	BTC39 x 1	Screw M10 x 1.5 / 50mm



BTM20197

Description :
 Caliper Push Plate

Application :
 VOLVO,DENNIS,R.V.I.,IRISBUS

OEM No :
 SJ4117, 68321551, 68321441, NISSAN 69029810, DENNIS 65537714, 655377-14, Volvo 3092765

No	BT No	Information
1	BTT174 x 2	Push Plate



BTM20198

Description :
 Caliper Mechanism Gear (Left)

Application :
 MAN,Volvo,RVI,ROR,IRISBUS

OEM No :
 68322562PK, 68322562, 3092281, 68322562PK4

No	BT No	Information
1	BTP31 x 1	Plastic Gear



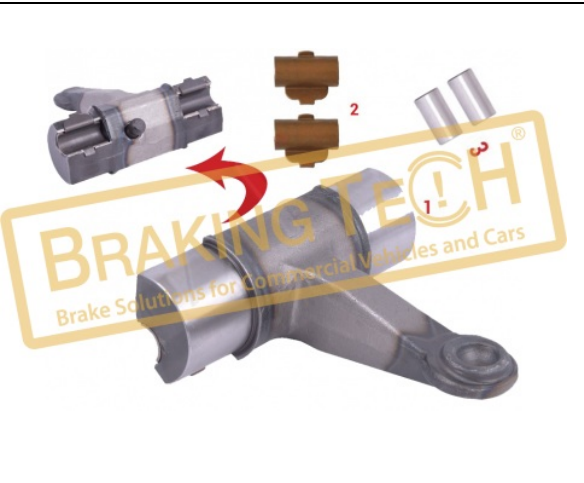
BTM20199

Description :
 Caliper Mechanism Gear (Right)

Application :
 MAN,Volvo,RVI,ROR,IRISBUS

OEM No :
 68322563PK, 68322563, 3092280, 68322563PK4

No	BT No	Information
1	BTP32 x 1	Plastic Gear



BTM20200

Description :
 Caliper Lever

Application :
 Volvo, Renault, ROR

OEM No :
 BrakingTech

No	BT No	Information
1	BTT178 x 1	Lever
2	BTS96 x 2	Lever Bearing
3	BTT154 x 2	Pin



BTM20201

Description :
 Caliper Test Repair Kit

Application :
 VOLVO, R.V.I., MAN, MB, ROR

OEM No :
 MCK1352, 68130055 MERITOR, 68324331, MST1504

No	BT No	Information
1	BTP33 x 1	Plastic Plug
2	BTS31 x 1	Plug Sheet
3	BTC35 x 1	Screw M10X1.50X16mm
4	BTK38 x 1	Seal
5	BTK59 x 2	O-Ring



BTM20201-P

Description :
 Caliper Sensor Tap

Application :
 Elsa 195-225 Series

OEM No :
 BrakingTech



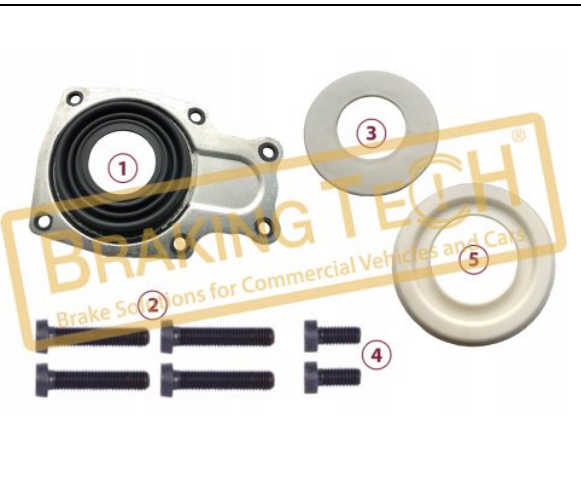
BTM20202

Description :
 Caliper Locking Shim

Application :
 MAN, Volvo, RVI, ROR, IRISBUS

OEM No :
 68321678PK, 68321678, 81508220006, ZF 0501318076, 68321678PK10

No	BT No	Information
1	BTS32 x 1	Locking Shim



BTM20203

Description :
Caliper Cover Repair Kit

Application :
MB,RVI,Setra,VAN HOO,MAN F2000

OEM No :
Sj1212, 5001831176, 81508026007, 0004230082,
DAF 1522063, KASSBOHRER 8285388441,
DENNIS 6535631, 65507910, RABA 650459, ZF
0501208810, 0501209883

No	BT No	Information
1	BTS33 x 1	Cover
2	BTC36 x 4	Screw M8X40mm
3	BTP34 x 1	Dust Cover
4	BTC37 x 2	Screw M8X15mm
5	BTP35 x 1	Dust Cover



BTM20204

Description :
Caliper Clutch System Small (Right)

Application :
RVI,MB,MAN City Bus

OEM No :
CMSK.25.5

No	BT No	Information
1	BTT176 x 1	Adjuster Gear
2	BTY19 x 1	Torsion spring
3	BTS34 x 1	Wavy Washer
4	BTK60 x 1	Rubber Cap
5	BTT177 x 1	Adjuster Bolt M6x1.5x50m ...



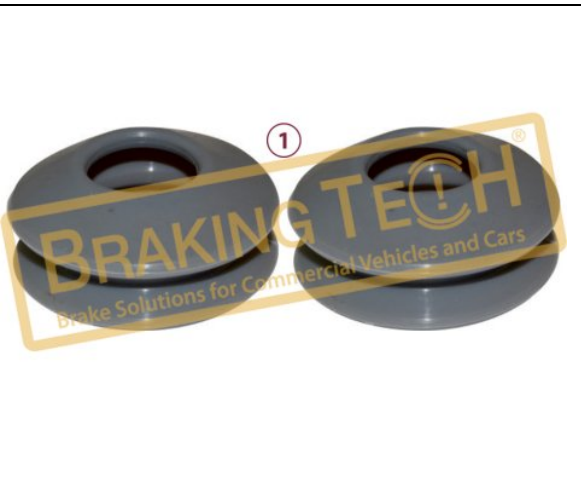
BTM20205

Description :
Caliper Clutch System Small (Left)

Application :
RVI,MB,MAN City Bus

OEM No :
CMSK.24.5

No	BT No	Information
1	BTT176 x 1	Gear
2	BTY20 x 1	Torsion spring
3	BTS34 x 1	Wavy Washer(Small)
4	BTK60 x 1	Rubber Cap
5	BTT177 x 1	Adjuster Bolt M6x1.5x50mm



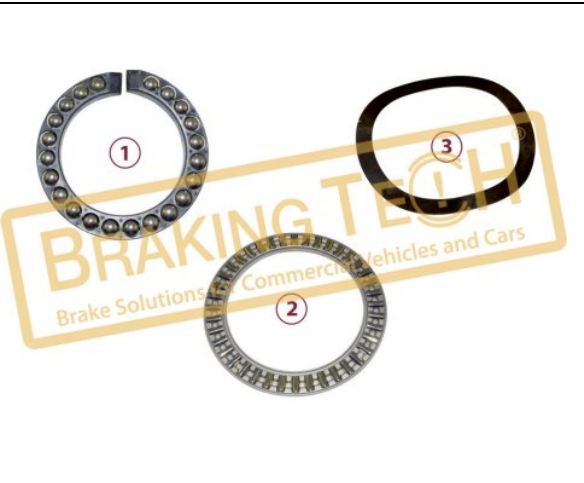
BTM20206

Description :
Caliper Dust Cover Kit

Application :
RVI,MB,MAN F2000

OEM No :
654147780414PK, 68320499

No	BT No	Information
1	BTK48 x 2	Dust Cover



BTM20207

Description :
 Caliper Roller Bearing Kit

Application :
 MAN,RVI,MB Omnibus

OEM No :
 SerinFren

No	BT No	Information
1	BTR11 x1	Roller Bearing
2	BTR12 x1	Roller Bearing
3	BTS41 x1	Wavy Washer(Big) 68320133 ...



BTM20208

Description :
 Caliper Shaft Roller Bearing

Application :
 MAN,RVI,MB Omnibus

OEM No :
 CMSK.24.2

No	BT No	Information
1	BTR11 x1	Roller Bearing



BTM20209

Description :
 Caliper Shaft Roller Bearing

Application :
 MAN,RVI,MB Omnibus

OEM No :
 CMSK.24.7

No	BT No	Information
1	BTR12 x1	Roller Bearing



BTM20210

Description :
 Caliper Gear

Application :
 MAN,RVI,MB Omnibus

OEM No :
 SerinFren

No	BT No	Information
1	BTT176 x1	Gear



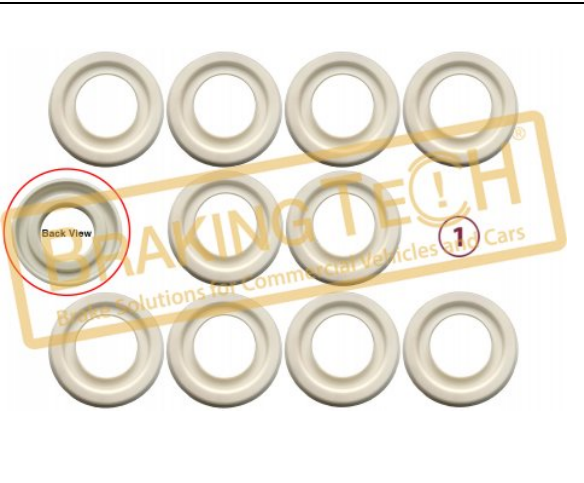
BTM20211

Description :
Caliper Wavy Washer (Big)

Application :
MB,MAN,RVI,Dennis,ROR

OEM No :
SJ1018

No	BT No	Information
1	BTS41-01 x1	Wavy Washer



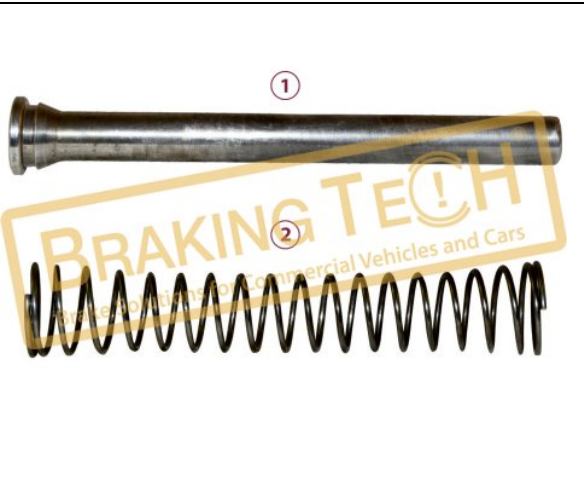
BTM20212

Description :
Caliper Dust Cover For D3-D2 Calipers

Application :
MB,MAN,RVI Magnum,Premium

OEM No :
68320507PK10, 68320507, MB 000 420 3044,
RABA 650458, ZF 0501313854, Renault
5001822999

No	BT No	Information
1	BTP35 x 10	Dust Cover



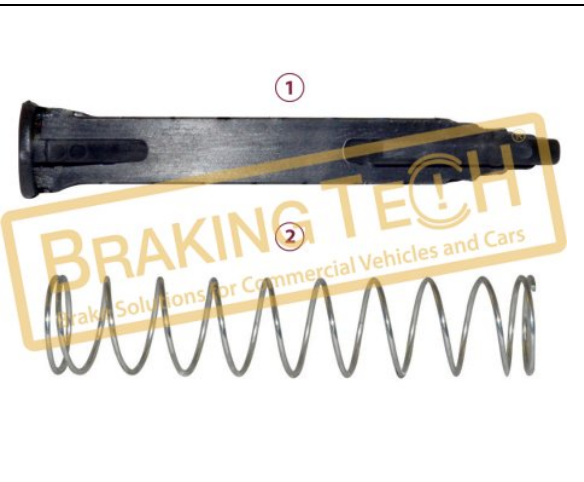
BTM20213

Description :
Caliper Brake Pad Wear Assembly

Application :
MAN,RVI,VOLVO

OEM No :
SJ4022, 5001836607

No	BT No	Information
1	BTT179 x 1	Pin
2	BTY16 x 1	Spring



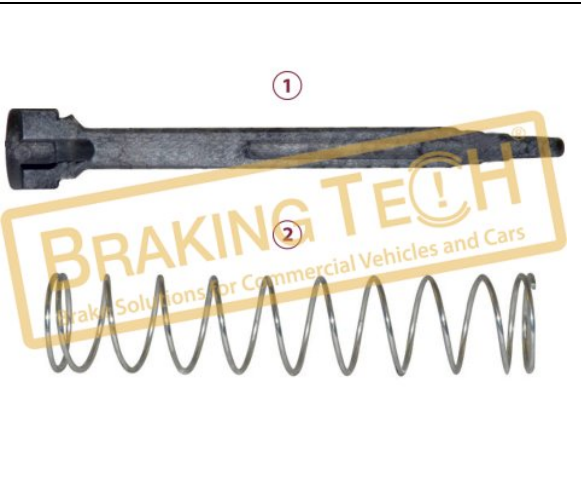
BTM20214

Description :
Caliper Brake Pad Wear Assembly

Application :
VOLVO,R.V.I.,MAN,MB,ROR

OEM No :
SJ4111, 3092283

No	BT No	Information
1	BTP36 x 1	Pin
2	BTY17 x 1	Spring



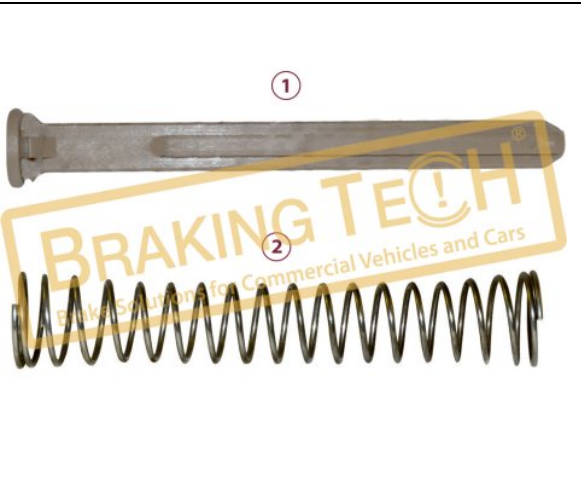
BTM20215

Description :
Caliper Brake Pad Visual Indicator

Application :
VOLVO,R.V.I.,MAN,ROR

OEM No :
MCK1311, MCK1296, VOLVO 85109893, 85109893,
RVI 7485 109 893, 7485 109 893, 225207,
68325336

No	BT No	Information
1	BTP37 x 1	Plastic Indicator
2	BTY16 x 1	Spring Ø14 x 80 mm



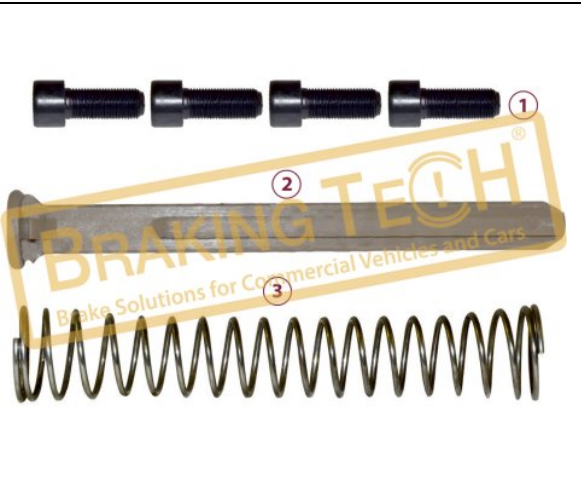
BTM20216

Description :
Caliper Brake Pad Wear Assembly

Application :
MAN,RVI,VOLVO

OEM No :
SerinFren

No	BT No	Information
1	BTP38 x 1	Pin
2	BTY16 x 1	Spring



BTM20217

Description :
Caliper Visual Pad Wear Indicator

Application :
R.V.I,IRISBUS,MAN,VOLVO

OEM No :
MCK1240, 33503075665, N2509990107,
5021177423

No	BT No	Information
1	BTC26 x 4	Screw M16X1.5X40mm
2	BTP38 x 1	Pin
3	BTY16 x 1	Spring



BTM20218

Description :
Caliper Brake Pad Retainer Kit

Application :
R.V.I,IRISBUS,MAN,VOLVO

OEM No :
MCK1174, 225210, 5001858719, 5001866486,
85107958, 06017718107, 35503075700,
81508220014, 868303, 503131342, 0501321591,
KIT225210

No	BT No	Information
1	BTS42 x 1	Pad Retainer
2	BTC38 x 1	Screw M10 x 1.25 / 20 mm



BTM20219

Description :
 Caliper Pad Retainer Kit

Application :
 MAN, Volvo, RVI, MB, ROR, IRISBUS

OEM No :
 MCK1262, 81508220007, 503128759

No	BT No	Information
1	BTS43 x1	Pad Retainer
2	BTC38 x1	Screw M10 x 1.25 / 20 mm



BTM20220

Description :
 Brake Pad Retainer Kit

Application :
 VOLVO FL, FL6 H

OEM No :
 MCK1263

No	BT No	Information
1	BTS44 x1	Pad Retainer
2	BTC38 x1	Screw M10 x 1.25 / 20 mm



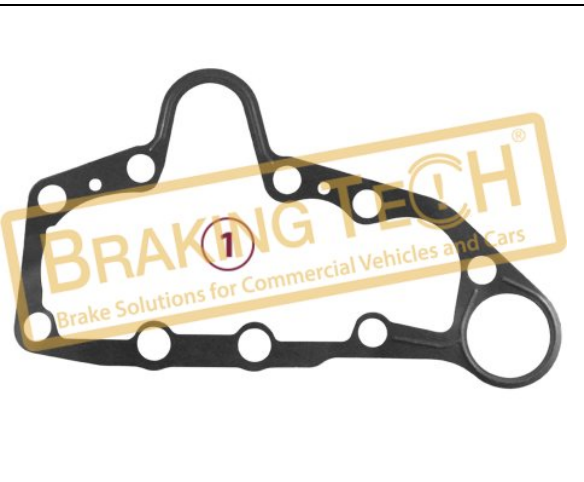
BTM20221

Description :
 Caliper Brake Pad Retainer Kit

Application :
 VOLVO FL, FL6 H

OEM No :
 MCK1264, 3092276, 3092277

No	BT No	Information
1	BTS45 x1	Pad Retainer
2	BTC38 x1	Screw M10 x 1.25 / 20 mm



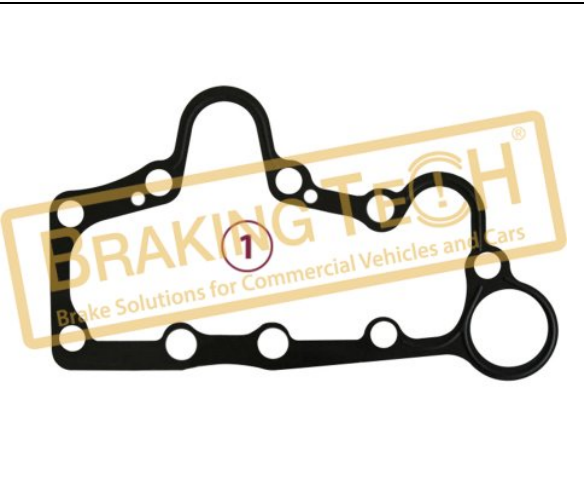
BTM20222

Description :
 Caliper Cover Gasket (Metal)

Application :
 MAN, Volvo, RVI, ROR, IRISBUS

OEM No :
 SerinFren

No	BT No	Information
1	BTCN5 x1	Metal Gasket



BTM20223

Description :
 Caliper Cover Gasket(Metal)

Application : :
 MAN,Volvo,RVI,ROR,IRISBUS

OEM No :
 SerinFren

No	BT No	Information
1	BTCN6 x1	Gasket(Metal)



BTM20224

Description :
 Caliper Cover Gasket(Metal)

Application : :
 MAN,Volvo,RVI,ROR,IRISBUS

OEM No :
 SerinFren

No	BT No	Information
1	BTCN7 x1	Metal Gasket



BTM20225

Description :
 Caliper Shaft Lever(90mm)

Application : :
 ROR L M,T M Series

OEM No :
 MCK1161, FRUEHAUF CF103650, ASTRA 98133540AS, RVI 5021170 883, 5021139 151, VOLVO AMMCK1161, DAF 1675766, N2509990223



BTM20226

Description :
 Caliper Shaft Lever(80mm)

Application : :
 ROR L M,T M Series

OEM No :
 MCK1160, 1675768, N2509990221, 5021139150, 5021170882



BTM20227

Description :
Adjuster Mechanism Repair Kit(old model)

Application : :
MAN,ROR,RVI,VOLVO

OEM No :
BrakingTech

No	BT No	Information
1	BTT439 x 1	Adjusting Metal Shield
2	BTT440 x 2	Triangle Bushing
3	BTP58 x 2	Adjuster Plastic
4	BTP54 x 1	Adjuster Center Plastic



BTM20227-01

Description :
Adjuster Mechanism Repair Kit(old model)

Application : :
MAN,ROR,RVI,VOLVO

OEM No :
CMSK.7.6

No	BT No	Information
1	BTT439 x 1	Adjusting Metal Shield
2	BTT440 x 2	Triangle Bushing
3	BTP58 x 2	Adjuster Plastic
4	BTP54 x 1	Adjuster Center Plastic
5	BTT441 x 2	Calibration Bolt 47,50mm



BTM20228

Description :
Caliper Cover Gasket DX

Application : :
ROR,BREDAMENARINI BUS,Irisbus

OEM No :
BrakingTech

No	BT No	Information
1	BTCN11 x 1	Gasket



BTM20229

Description :
Caliper Metal-Rubber Bush

Application : :
MAN,ROR,RVI,VOLVO

OEM No :
BrakingTech

No	BT No	Information
1	BTB33 x 1	Pin Rubber Bush(Metal) Ø ...



BTM20230

Description :
 Caliper Pin Bushing Kit

Application : :
 Meritor Calipers

OEM No :
 CMSK.5.16

No	BT No	Information
1	BTB11 x 10	Bush Ø 35 x Ø 39 / 30 m...



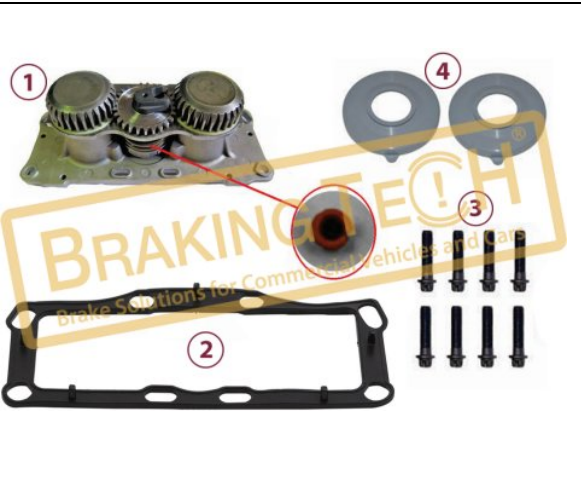
BTM20231

Description :
 Caliper DX Series Caps

Application : :
 ROR L M,T M Series

OEM No :
 CMSK.2.S

No	BT No	Information
1	BTS14 x 10	Metal Caps Ø 42 / 28 mm



BTM20232

Description :
 Caliper Calibration Mechanism Set(Universal Type)

Application : :
 Suitable for Trucks&Buses

OEM No :
 BrakingTech

No	BT No	Information
1	BTT292 x 1	Mechanism Complete (Cente ...
2	BTK108 x 1	Gasket
3	BTC19 x 8	Screw M8X1.25X45mm
4	BTK34 x 2	Dust Cover



BTM20232-01

Description :
 Caliper Calibration Mechanism(Universal Type)

Application : :
 Suitable for Trucks&Buses

OEM No :
 BrakingTech

No	BT No	Information
1	BTT293 x 1	Aluminium Cap (Center Wit ...
2	BTK108 x 1	Gasket
3	BTC19 x 8	Screw M8X1.25X45mm



BTM20233

Description :
 Caliper Calibration Mechanism Set(Universal Type)

Application :
 Suitable for Trucks&Buses

OEM No :
 BrakingTech

No	BT No	Information
1	BTT294 x 1	Caliper Calibration Mecha ...
2	BTK108 x 1	Gasket
3	BTC19 x 8	Screw M8X1.25X45mm
4	BTK34 x 2	Dust Cover



BTM20234

Description :
 Caliper Shaft Lever(DX175)

Application :
 DX175

OEM No :
 MCK1156



BTM20235

Description :
 Caliper Repair Kit (DX175)

Application :
 AUTODROMO BUS

OEM No :
 MCK1170

No	BT No	Information	No	BT No	Information
1	BTT504 x 1	Guide Pin (Duct Deep 64mm ...	14	BTC55 x 2	Screw M8x 1.25x 20mm
2	BTT505 x 1	Guide Pin (Duct Deep 44mm ...	15	BTC11 x 1	Gasket
3	BTC52 x 1	Screw M14 x 1,5 x 70 mm			
4	BTC53 x 1	Screw M14 x 1,5 x 50 mm			
5	BTK103 x 2	Boot			
6	BTK104 x 2	Boot			
7	BTS69 x 2	Metal Tap Ø37 x 25 mm			
8	BTB24 x 4	Bush Ø32 x Ø28 x 24,8 m ...			
9	BTC58 x 2	Screw M8x 1,25x 16mm			
10	BTC54 x 1	Plug Bolt			
11	BTS70 x 1	Washer Ø19/Ø13 mm			
12	BTC57 x 4	Screw M10x 1.5x 25mm			
13	BTC56 x 2	Screw M10x 1.5x 20mm			



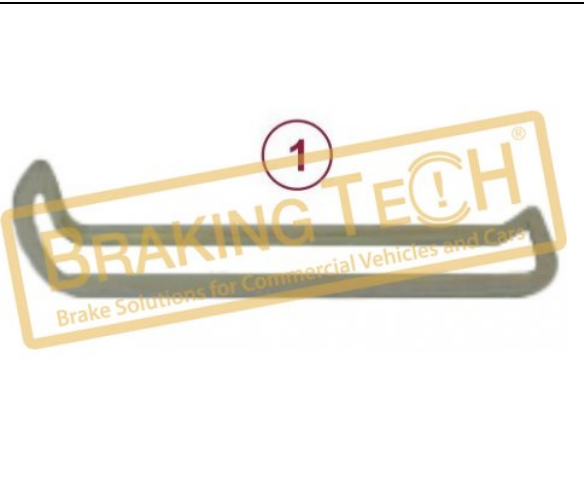
BTM20236

Description :
 Caliper Repair Kit(DX175)

Application :
 DX175

OEM No :
 MCK1191

No	BT No	Information
1	BTK103 x 2	Boot
2	BTK104 x 2	Boot
3	BTS69 x 2	Metal Tap Ø37 x 25 mm
4	BTC52 x 1	Screw M14 x 1,5 x 70 mm
5	BTC53 x 1	Screw M14 x 1,5 x 50 mm



BTM20237

Description :
 Caliper Stabilizer Bar(DX175)

Application : :
 DX175

OEM No :
 BT Only

No	BT No	Information
1	BTS71 x1	Stabilizer Bar



BTM20238

Description :
 Caliper Shaft Repair Kit

Application : :
 DX175

OEM No :
 BT Only

No	BT No	Information
1	BTT522 x1	Cover
2	BTR38 x1	Roller Bearing
3	BTK29 x1	Dust Cover 52x4,60
4	BTK31 x1	Seal
5	BTCN11 x1	Gasket
6	BTC58 x2	Screw M8x 1,25x i6mm
7	BTR27 x1	Roller Bearing
8	BTC54 x1	Plug Bolt
9	BTS70 x1	Washer
10	BTT279 x1	Eccentric Shaft



BTM20239

Description :
 Caliper Shaft Kit (DX175)

Application : :
 DX175

OEM No :
 BT Only

No	BT No	Information
1	BTT279 x1	Eccentric Shaft
2	BTK106 x1	Dust Cover



BTM20240

Description :
 Caliper Bearing Kit(DX175)

Application : :
 DX175

OEM No :
 BT Only

No	BT No	Information
1	BTR27 x1	Roller Bearing
2	BTR29 x1	Bush Ø58/55 x 28 mm
3	BTR28 x2	Roller Bearing



BTM20241

Description :
 Caliper Gear Repair Kit (DX175)

Application :
 DX175

OEM No :
 BT Only

No	BT No	Information
1	BTT281 x 1	Central Gear
2	BTT282 x 1	Gear



BTM20242

Description :
 Caliper Bridge (DX175) 136 mm

Application :
 DX 175

No	BT No	Information
1	BTT283 x 1	Bridge 136 mm outer



BTM20243

Description :
 Caliper Plate Repair Kit (L/H)

Application :
 DX175

OEM No :
 BT Only

No	BT No	Information
1	BTT284 x 1	Plate
2	BTT285 x 2	Calibration Bolt (Left)
3	BTC55 x 2	Bolt M8x1.25x20mm



BTM20244

Description :
 Caliper Plate Repair Kit (R/H)

Application :
 DX175

OEM No :
 BT Only

No	BT No	Information
1	BTT284 x 1	Plate
2	BTT286 x 2	Calibration Bolt (Right)
3	BTC55 x 2	Bolt M8x1.25x20mm



BTM20245

Description :
 Caliper Repair Kit (Left)

Application : :
 DX175

OEM No :
 BT Only

No	BT No	Information
1	BTT285 x 2	Guide Pin



BTM20246

Description :
 Caliper Repair Kit (Right)

Application : :
 DX175

OEM No :
 BT Only

No	BT No	Information
1	BTT287 x 2	Guide Pin



BTM20247

Description :
 Caliper Repair Kit Left (DX175)

Application : :
 DX175

OEM No :
 BT Only

No	BT No	Information
1	BTT287 x 1	Mechanism (Left)
2	BTY30 x 1	Spring
3	BTK107 x 2	Seal
4	BTT289 x 1	Pin
5	BTS72 x 2	Wavy Washer
6	BTSK10 x 2	Snap Ring



BTM20248

Description :
 Caliper Repair Kit Right (DX175)

Application : :
 DX175

OEM No :
 BT Only

No	BT No	Information
1	BTT288 x 1	Mechanism (Right)
2	BTY30 x 1	Spring
3	BTK107 x 2	Seal
4	BTT289 x 1	Pin
5	BTSK10 x 2	Snap Ring
6	BTS72 x 2	Wavy Washer

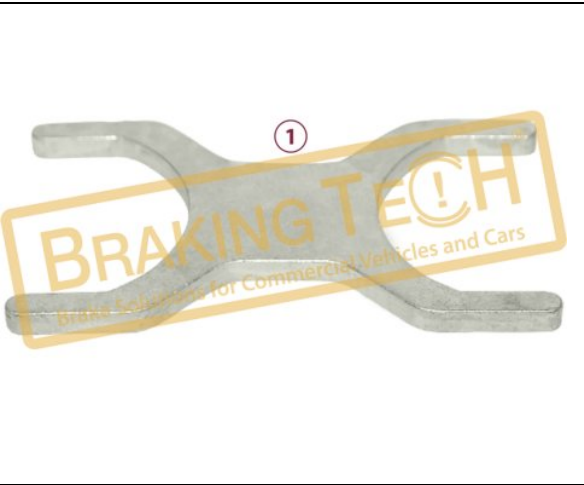


BTM20249

Description :
 Bush and Seal Repair Kit

Application : :
 MB,MAN,RVI Magnum,Premium

OEM No :
 CMSK.24.9



BTM20250

Description :
 Tappet Anti Rotation Plate

Application : :
 VOLVO FL,FL6 H

OEM No :
 68322485, 68322485PK, 68322485PK10

No	BT No	Information
1	BTS29-01 x1	Locking Shim



BTM20251

Description :
 Caliper Lever R/H

Application : :
 IRISBUS CRONUS,CHRONOS CITY
 BUS,R.V.I.AGORA,VAN HOOL BUS A320

OEM No :
 BrakingTech

No	BT No	Information
1	BTT375 x1	Lever-Right



BTM20252

Description :
 Caliper Lever L/H

Application : :
 IRISBUS CRONUS,CHRONOS CITY
 BUS,R.V.I.AGORA,VAN HOOL BUS A320

OEM No :
 BrakingTech

No	BT No	Information
1	BTT376 x1	Lever-Left



BTM20253

Description :
 Adjusting Mechanism Repair Kit(Central Part)

Application :
 Meritor Calipers

OEM No :
 BrakingTech

No	BT No	Information
1	BTS103 x 3	Plate
2	BTS95 x 3	Plate
3	BTS94 x 1	Plate
4	BTR35 x 1	Bearing
5	BTP54 x 1	Plastic Ring
6	BTB30 x 2	Bush



BTM20254

Description :
 Brake Pad Retainer D3

Application :
 MB,MAN,RVI

OEM No :
 68320550, 68323027, 356 421 0046,
 81.50822.0001 , 81.50822.0010, 6550793,
 8285388450

No	BT No	Information
1	BTS104 x 1	Retainer



BTM20255

Description :
 Caliper Dust Cover and Metal Ring

Application :
 VOLVO,R.V.I.,MAN,MB,ROR

OEM No :
 68322655, 68322655PK

No	BT No	Information
1	BTK51 x 1	Dust Cover
2	BTS109 x 1	Metal Ring



BTM20256

Description :
 Caliper Dust Cover and Metal Ring

Application :
 VOLVO FL,FL6 H

OEM No :
 BrakingTech

No	BT No	Information
1	BTK54 x 1	Dust Cover
2	BTS109 x 1	Metal Ring



BTM20257

Description :
Caliper Repair Kit
Application :
MAN,ROR,RVI,VOLVO
OEM No :
BrakingTech

No	BT No	Information
1	BTT29 x 1	Guide Pin Ø35X144mm
2	BTT30 x 1	Guide Pin Ø31X84mm
3	BTB33 x 1	Metal Rubber Bush Ø42 x ...
4	BTK44 x 2	Boot
5	BTS15 x 2	Metal Tap Ø 44 X 28 mm
6	BTT171 x 1	Ring Ø42 x 14 mm
7	BTB11 x 2	Bush Ø 35 x 39 / 30 mm
8	BTK34 x 2	Dust Cover



BTM20258

Description :
Caliper Repair Kit
Application :
MAN,ROR,RVI,VOLVO
OEM No :
BrakingTech

No	BT No	Information
1	BTT29 x 1	Guide Pin Ø35X144mm
2	BTC33 x 1	Screw M18X1.5X150mm
3	BTT30 x 1	Guide Pin Ø31X84mm
4	BTC34 x 1	Screw M18X1.5X90mm
5	BTB33 x 1	Metal Rubber Bush Ø42 x ...
6	BTK44 x 2	Boot
7	BTS15 x 2	Metal Tap Ø 44 X 28 mm
8	BTT171 x 1	Ring Ø42 x 14 mm
9	BTB11 x 2	Bush Ø 35 x 39 / 30 mm



BTM20258-01

Description :
Caliper Repair Kit
Application :
MAN,ROR,RVI,VOLVO
OEM No :
MCK1289, 81.50802.6026

No	BT No	Information
1	BTT29 x 1	Guide Pin Ø35X144mm
2	BTC33 x 1	Screw M18x1.5x150mm
3	BTT30 x 1	Guide Pin Ø31X84mm
4	BTC34 x 1	Screw M18x1.5x90mm
5	BTK44 x 2	Boot
6	BTS15 x 2	Metal Tap Ø 44x 28 mm
7	BTT171 x 2	Ring Ø42x 14 mm
8	BTB11 x 2	Bush Ø35x 39/ 30 mm
9	BTB33 x 1	Metal Rubber Bush Ø42x 3 ...
10	BTC38 x 1	Screw M10x 1.25x 20mm
11	BTC26 x 4	Screw M16x 1.5x 40mm



BTM20259

Description :
Caliper Lever(Bus)
Application :
VOLVO BUS
OEM No :
SerinFren

No	BT No	Information
1	BTT429 x 1	Lever



BTM20260

Description :

Brake Pad Control Sensor Cable

Application : :

MAN TGA,ERF ECS,ECX,R.V.I.,VOLVO

OEM No :

MCK1147, CMSK.44.13



BTM20261

Description :

Caliper Repair Kit (DX195)(R/H)

Application : :

ROR L,M,T M Series

OEM No :

TT Ref: CMSK.19

No	BT No	Information
1	BTT84 x 1	Bridge 163mm outer
2	BTT85 x 1	Push Plate
3	BTT99 x 1	Central Gear
4	BTT98 x 1	Gear
5	BTT88 x 2	Gear
6	BTT86 x 1	Metal Bush Ø72 /Ø68x28m ...
7	BTC12 x 2	Screw M10x20
8	BTT87 x 2	Guide Pin
9	BTT89 x 2	Calibration Bolt



BTM20262

Description :

Caliper Repair Kit(DX195)(L/H)

Application : :

ROR L,M,T M Series

OEM No :

TT Ref: CMSK.20

No	BT No	Information
1	BTT84 x 1	Bridge 163mm outer
2	BTT85 x 1	Push Plate
3	BTT99 x 1	Central Gear
4	BTT98 x 1	Gear
5	BTT88 x 2	Gear
6	BTT86 x 1	Metal Bush Ø72 /Ø68x28m ...
7	BTC12 x 2	Screw M10x20mm
8	BTT92 x 2	Guide Pin
9	BTT93 x 2	Calibration Bolt



BTM20263

Description :

Caliper Lever Set - R/H

Application : :

VOLVO FL,FL6 H

OEM No :

MCK1128, Volvo 85102098, 85109979

No	BT No	Information
1	BTT446 x 1	Lever Right
2	BTR10 x 2	Roller Bearing
3	BTT154 x 2	Roller Pin
4	BTS40 x 2	Lever Bearing
5	BTK39 x 1	Actuator Seal



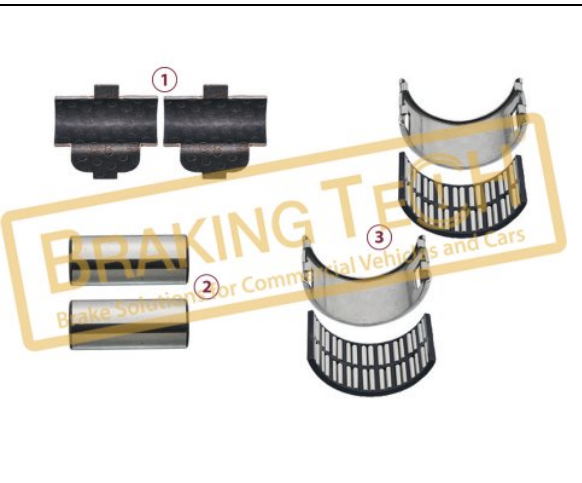
BTM20264

Description :
Caliper Lever Set - L/H

Application :
VOLVO FL,FL6 H

OEM No :
MCK1127, Volvo 85102097, 85109978

No	BT No	Information
1	BTT447 x 1	Caliper Lever Left
2	BTR10 x 2	Needle Bearing
3	BTT154 x 2	Roller Pin
4	BTS40 x 2	Lever Bearing
5	BTK39 x 1	Caliper Actuator Seal



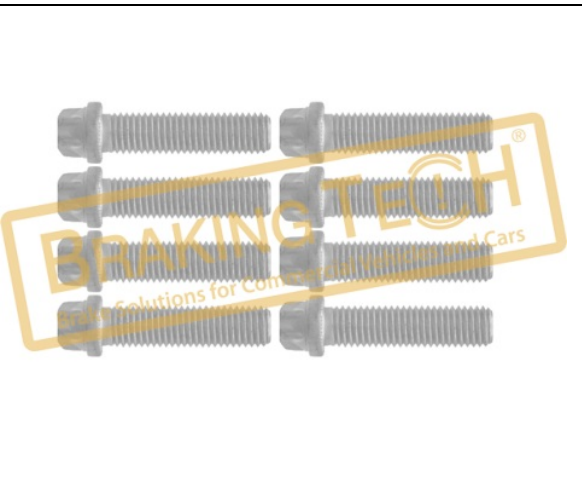
BTM20265

Description :
Caliper Roller Bearing Kit

Application :
Volvo, Renault, ROR

OEM No :
BrakingTech

No	BT No	Information
1	BTS96 x 2	Lever Bearing
2	BTT154 x 2	Pin
3	BTR10 x 2	Roller Bearing



BTM20266

Description :
Duco Up Cover Bolt Set

Application :
VOLVO FL,FL6 H

OEM No :
SerinFren

No	BT No	Information
1	BTC84 x 8	Screw M14x1.5x55mm



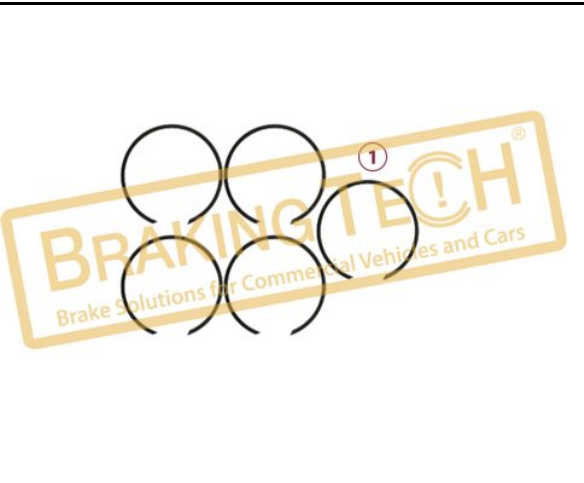
BTM20267

Description :
Caliper Shaft Seal Set

Application :
MB, MAN, RVI Magnum, Premium

OEM No :
SerinFren

No	BT No	Information
1	BTK57 x 5	Seal



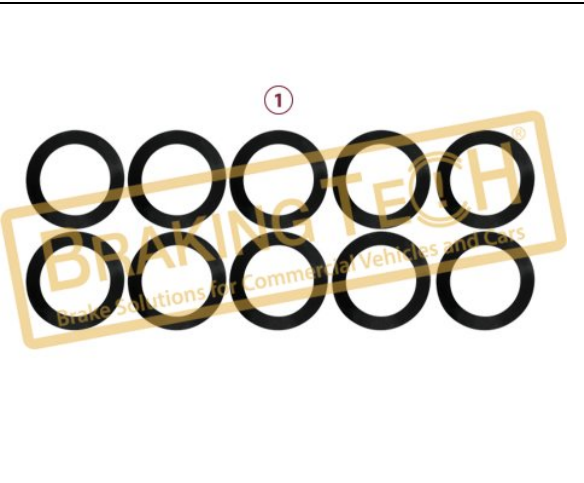
BTM20268

Description :
 Caliper Shaft Circlip Set

Application : :
 MB,MAN,RVI,Dennis,ROR

OEM No :
 SerinFren

No	BT No	Information
1	BTSK16 x 5	Circlip



BTM20269

Description :
 Caliper Washer Kit

Application : :
 ROR L M,T M Series

OEM No :
 BrakingTech

No	BT No	Information
1	BTS98 x 10	Washer(Metal) 64mm / 45 ...



BTM20270

Description :
 Caliper Up Cover Bolt Kit

Application : :
 Volvo,Renault,ROR

OEM No :
 BrakingTech

No	BT No	Information
1	BTC85 x 7	Screw M14x1,5x90mm



BTM20271

Description :
 Caliper Brake Pad Retainer(New)

Application : :
 RVI,VOLVO,FORD

OEM No :
 SerinFren

WVA :
 29174, D1708

No	BT No	Information
1	BTS70 x 1	Brake Pad Bar



BTM20272

Description :
 Caliper Cover Gasket(Metal)

Application : :
 MAN,Volvo,RVI,ROR,IRISBUS

OEM No :
 SerinFren

No	BT No	Information
1	BTCN8 x1	Gasket Metal



BTM20273

Description :
 Brake Pad Control Sensor Cable

Application : :
 Meritor Series

OEM No :
 5001 856 032, RN.5001856032

No	BT No	Information
1	BTM20273 x1	Sensor Cable 235cm



BTM20274

Description :
 Brake Pad Control Sensor Cable

Application : :
 Meritor Series

OEM No :
 5001 856 034, RVI.5001856034

No	BT No	Information
1	BTM20274 x1	Sensor Cable 185cm



BTM20275

Description :
 Brake Pad Control Sensor Cable

Application : :
 Meritor Series

OEM No :
 5001 856 031, RN.5001856031

No	BT No	Information
1	BTM20275 x1	Sensor Cable 285cm



BTM20276

Description :
 Brake Pad Control Sensor Cable

Application : :
 Meritor Series

OEM No :
 5001 856 033, RN.5001856033

No	BT No	Information
1	BTM20276 x1	Sensor Cable 145cm



BTM20277

Description :
 Brake Pad Control Sensor Cable

Application : :
 Meritor Series

OEM No :
 7420 928 560, RN.7420928560

No	BT No	Information
1	BTM20277 x1	Sensor Cable 525cm



BTM20278

Description :
 Brake Pad Control Sensor Cable

Application : :
 Meritor Series

OEM No :
 7420 928 553, RN.7420928553

No	BT No	Information
1	BTM20278 x1	Sensor Cable 130cm



BTM20279

Description :
 Brake Pad Control Sensor Cable

Application : :
 Meritor Series

OEM No :
 7420 928 559, RN.7420928559

No	BT No	Information
1	BTM20279 x1	Sensor Cable 370cm



BTM20280

Description :
 Brake Pad Control Sensor Cable

Application : :
 Meritor Series

OEM No :
 7420 928 552, RVI.7420928552

No	BT No	Information
1	BTM20280 x1	Sensor Cable 130cm



BTM20281

Description :
 Brake Pad Control Sensor Cable

Application : :
 Meritor Series

OEM No :
 20928533, Volvo 20928533

No	BT No	Information
1	BTM20281 x1	Sensor Cable 150cm



BTM20282

Description :
 Brake Pad Control Sensor Cable

Application : :
 Meritor Series

OEM No :
 20928532, Volvo 20928532

No	BT No	Information
1	BTM20282 x1	Sensor Cable 150cm



BTM20283

Description :
 Brake Pad Control Sensor Cable

Application : :
 Meritor Series

OEM No :
 81.25937.6015, MAN 81259376015

No	BT No	Information
1	BTM20283 x1	Sensor Cable 185cm



BTM20284

Description :
 Brake Pad Control Sensor Cable

Application : :
 Meritor Series

OEM No :
 81.25937.6041, MAN 81259376041

No	BT No	Information
1	BTM20284 x1	Sensor Cable 185cm



BTM20285

Description :
 Brake Pad Control Sensor Cable

Application : :
 Meritor Series

OEM No :
 81.25937.6044, MAN 81259376044

No	BT No	Information
1	BTM20285 x1	Sensor Cable 185cm



BTM20286

Description :
 Brake Pad Control Sensor Cable

Application : :
 Meritor Series

OEM No :
 21390374, Volvo 21390374

No	BT No	Information
1	BTM20286 x1	Sensor Cable 155cm



BTM20287

Description :
 Brake Pad Control Sensor Cable

Application : :
 Meritor Series

OEM No :
 21390375, Volvo 21390375

No	BT No	Information
1	BTM20287 x1	Sensor Cable 185cm



BTM20288

Description :
 Brake Pad Control Sensor Cable

Application : :
 Meritor Series

OEM No :
 21390376, 20928545, Volvo 21390376

No	BT No	Information
1	BTM20288 x1	Sensor Cable 185cm



BTM20289

Description :
 Brake Pad Control Sensor Cable

Application : :
 Meritor Series

OEM No :
 20928356, VOLVO 21390372

No	BT No	Information
1	BTM20289 x1	Sensor Cable 255cm



BTM20290

Description :
 Brake Pad Control Sensor Cable

Application : :
 Meritor Series

OEM No :
 20928537, Volvo 21390373

No	BT No	Information
1	BTM20290 x1	Sensor Cable 255cm



BTM20291

Description :
 Brake Pad Control Sensor Cable

Application : :
 Meritor Series

OEM No :
 20928548, Volvo 20928548

No	BT No	Information
1	BTM20291 x1	Sensor Cable 255cm



BTM20292

Description :
 Brake Pad Control Sensor Cable

Application :
 Meritor Series

OEM No :
 20928563, VOLVO 20928563

No	BT No	Information
1	BTM20292 x1	Sensor Cable 115cm



BTM20293

Description :
 Brake Pad Control Sensor Cable

Application :
 Meritor Series

OEM No :
 20928564, Volvo 20928564

No	BT No	Information
1	BTM20293 x1	Sensor Cable 115cm



BTM20294

Description :
 Caliper Cover (R/H)

Application :
 ROR,BREDAMENARINI BUS,Irisbus

OEM No :
 BrakingTech

No	BT No	Information
1	BTT186 x1	Upper Cover (Right)



BTM20295

Description :
 Caliper Cover (L/H)

Application :
 ROR,BREDAMENARINI BUS,Irisbus

OEM No :
 BrakingTech

No	BT No	Information
1	BTT187 x1	Upper Cover(Left)



BTM20296

Description :
 Caliper Bushing Kit

Application :
 EX225H, EX225H2, EX225H3, EX225L, EX225L2

OEM No :
 225221, 8235KIT225221, HRKIT225221,
 ROKIT225221, TDAKIT225221

No	BT No	Information
1	BTS17 x 2	Metal Ring 37x40/10mm
2	BTS19 x 2	Slide Pin Cap 44 / 22mm
3	BTB11 x 2	Bushing 35x39/30mm
4	BTB10 x 1	Bushing 31-33x42/30mm



BTM20297

Description :
 Caliper Brake Pad Retainer Set

Application :
 VOLVO, RVI, FORD

OEM No :
 MBA112, 68324769

WVA :
 29174

No	BT No	Information
1	BTS153 x 4	Retainer Shield



BTM20297-01

Description :
 Brake Pad Retainer Set(inc.indicators)

Application :
 VOLVO, RVI, FORD CARGO 4142

OEM No :
 68325408

WVA :
 29174

No	BT No	Information
1	BTS153 x 4	Retainer Shield
2	BTC38 x 2	Screw M10X1.25X20mm
3	BTWS9500 x 2	Indicator Cable



BTM20298

Description :
 Caliper Brake Pad Retainer Set

Application :
 VOLVO, R.V.I., MAN, MB, ROR

OEM No :
 20768092, 3095396

WVA :
 29125

No	BT No	Information
1	BTS154 x 4	Retainer Shield (10.3 mm)
2	BTC38 x 2	Screw M10X1.25X20mm



BTM20299

Description :
 Caliper Brake Pad Spring Kit

Application :
 MAN,ERF ECS,ECX,R.V.I.,VOLVO

OEM No :
 SerinFren

WVA :
 29131

No	BT No	Information
1	BTSI55 x 4	Retainer Shield (8.3 mm)
2	BTC38 x 2	Screw M10X1.25X20mm



BTM20299-01

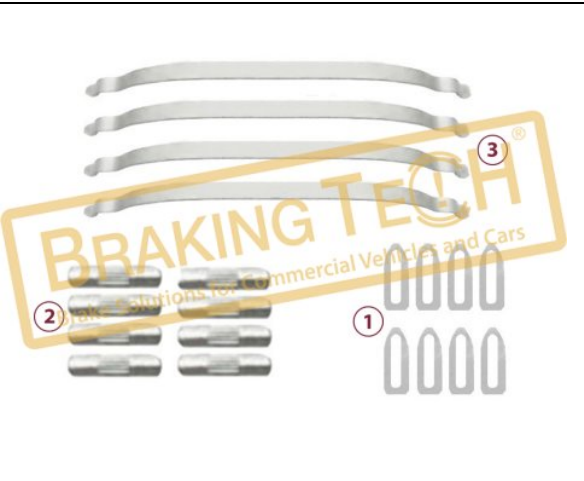
Description :
 Caliper Brake Pad Retainer Set(inc.Indicators)

Application :
 MAN TGA,ERF ECS,ECX,R.V.I.,VOLVO

OEM No :
 68324072

WVA :
 29131

No	BT No	Information
1	BTSI55 x 4	Retainer Shield (8.3 mm)
2	BTC38 x 2	Screw M10X1.25X20mm
3	BTWS3300 x 2	Indicator Cable (370 mm)



BTM20300

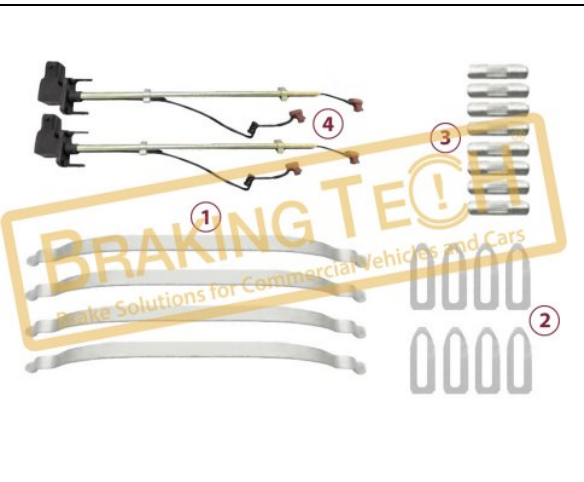
Description :
 Caliper Brake Pad Retainer Set

Application :
 Lisa Caliper

OEM No :
 3093919

WVA :
 29090

No	BT No	Information
1	BTSI58 x 8	Washer
2	BTSI57 x 8	Cotter Pin
3	BTSI56 x 4	Retainer Shield



BTM20300-01

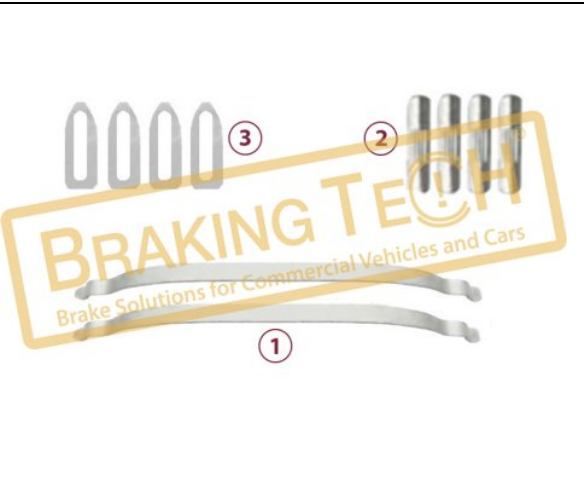
Description :
 Brake Pad Retainer Set(inc.indicators)

Application :
 Lisa,with BTWS4300

OEM No :
 3093919

WVA :
 29090

No	BT No	Information
1	BTSI56 x 4	Retainer Shield
2	BTSI57 x 8	Cotter Pin
3	BTSI58 x 8	Washer
4	BTWS4300 x 2	Indicator Cable (250 mm)



BTM20300-02

Description :
 Caliper Brake Pad Retainer Set

Application : :
 Lisa Series

OEM No :
 3093919

WVA :
 29090

No	BT No	Information
1	BTS156 x 2	Retainer Shield
2	BTS157 x 4	Cotter Pin
3	BTS158 x 4	Washer



BTM20301

Description :
 Caliper Brake Pad Retainer Set

Application : :
 Volvo

WVA :
 29137

No	BT No	Information
1	BTS159 x 4	Retainer Shield
2	BTC38 x 2	Screw M10X1.25X20mm



BTM20302

Description :
 Caliper Cover Plate (L/H)

Application : :
 DX 175

No	BT No	Information
1	BTT516 x 1	Caliper Cover (Left)



BTM20303

Description :
 Caliper Cover Plate (R/H)

Application : :
 DX 175

No	BT No	Information
1	BTT517 x 1	Caliper Cover (Right)



BTM20304

Description :
Caliper Slide Pin&Bushing Kit
Application :
EX225H,EX225H2,SCANIA
OEM No :
KIT-225280, 225280, KIT-225278, 225278,
2564033, 2272729

No	BT No	Information
1	BTT19 x 1	Slide Pin(68325094)
2	BTC24 x 1	Bolt
3	BTT20 x 1	Slide Pin(68325093)
4	BTC25 x 1	Bolt
5	BTK44 x 2	Pin Boot
6	BTS17 x 2	Metal Sleeve
7	BTS19 x 2	Pin Cap
8	BTB10 x 1	Bushing
9	BTB11 x 2	Bush
10	BTC27 x 4	Bolt(68130183)



BTM20305

Description :
Caliper Repair Kit
Application :
EX225L
OEM No :
KIT-225277, 225277, TDAKIT225277

No	BT No	Information
1	BTT236 x 1	Slide Pin
2	BTC49 x 1	Bolt
3	BTT20 x 1	Slide Pin
4	BTC25 x 1	Bolt
5	BTK44 x 2	Pin Boot
6	BTS17 x 2	Metal Ring Ø37x40/10mm
7	BTS19 x 1	Pin Cap
8	BTB10 x 1	Bushing Ø31-33x42/30mm
9	BTB11 x 2	Bushing Ø35x39/30mm
10	BTC27 x 4	Bolt M14x1.5x40mm
11	BTS18 x 1	Pin Cap



BTM20306

Description :
Caliper Repair Kit (DX175)
Application :
DX175
OEM No :
MCK1191

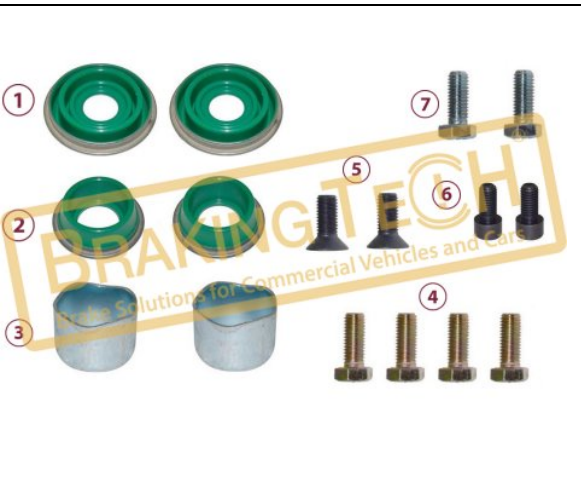
No	BT No	Information
1	BTT504 x 1	Guide Pin (Duct Deep 64mm ...
2	BTT505 x 1	Guide Pin (Duct Deep 44mm ...
3	BTC52 x 1	Screw M14 x 1,5 x 70 mm
4	BTC53 x 1	Screw M14 x 1,5 x 50 mm
5	BTK104 x 2	Boot
6	BTS69 x 2	Metal Tap Ø37 x 25 mm
7	BTB24 x 4	Bush Ø32 x Ø28 x 24,8 m ...
8	BTC54 x 1	Plug Bolt
9	BTS70 x 1	Washer Ø19/Ø13 mm
10	BTT91 x 1	Detent Pin
11	BTS51 x 1	Cotter Pin



BTM20307

Description :
Caliper Repair Kit(DX175)
Application :
DX175
OEM No :
BrakingTech

No	BT No	Information
1	BTT520 x 1	Guide Pin (Duct Deep 64mm ...
2	BTT521 x 1	Guide Pin (Duct Deep 44mm ...
3	BTC52 x 1	Screw M14 x 1,5 x 70 mm
4	BTC53 x 1	Screw M14 x 1,5 x 50 mm
5	BTB24 x 4	Bush Ø32 x Ø28 x 24,8 m ...
6	BTS161 x 2	Metal Tap Ø37 x 25 mm

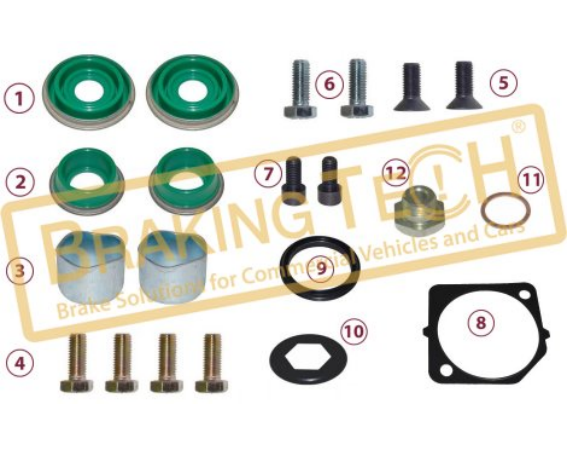


BTM20308

Description :
Caliper Repair Kit(DX175)

Application :
DX175

No	BT No	Information
1	BTK103 x 2	Boot
2	BTK104 x 2	Boot
3	BTS69 x 2	Metal Tap Ø37 x 25 mm
4	BTC57 x 4	Screw M10 x 1,5 x 25 mm
5	BTC58 x 2	Screw M8 x 1,25 x 16 mm
6	BTC56 x 2	Screw M10 x 1,5 x 20 mm
7	BTC55 x 2	Screw M8 x 1,25 x 20 mm



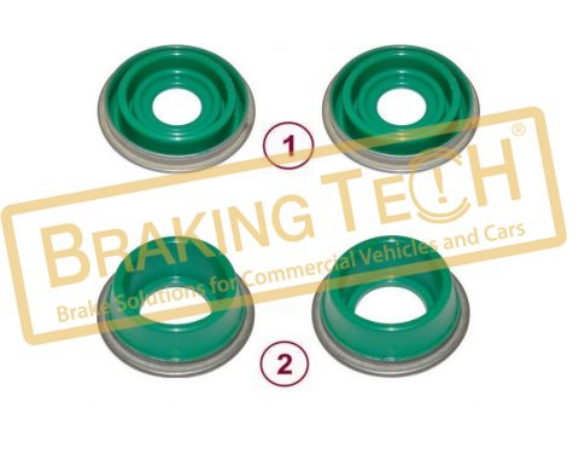
BTM20309

Description :
Caliper Repair Kit(DX175)

Application :
DX175

OEM No :
BT Only

No	BT No	Information
1	BTK103 x 2	Boot
2	BTK104 x 2	Boot
3	BTS69 x 2	Metal Tap Ø 42 / 28 mm
4	BTC57 x 4	Screw M10 x 1,5 x 25 mm
5	BTC56 x 2	Screw M10 x 1,5 x 20 mm
6	BTC58 x 2	Screw M8 x 1,25 x 16 mm
7	BTC55 x 2	Screw M8 x 1,25 x 20 mm
8	BTCN11 x 1	Gasket
9	BTK105 x 1	Seal
10	BTK106 x 1	Dust Cover 52x4,60
11	BTS70 x 1	Washer Ø19/Ø13 mm
12	BTC54 x 1	Plug Bolt



BTM20310

Description :
Caliper Boot Repair Kit(DX175)

Application :
DX175

No	BT No	Information
1	BTK103 x 2	Boot
2	BTK104 x 2	Boot



BTM20311

Description :
Caliper Repair Kit (DX175)

Application :
DX175

OEM No :
BT Only

No	BT No	Information
1	BTT522 x 1	Cover
2	BTR38 x 1	Roller Bearing
3	BTK29 x 1	Dust Cover 52x4,60
4	BTK33 x 1	Seal 35x47x8,80
5	BTCN1 x 1	Gasket
6	BTC55 x 2	Screw M8 x 1,25 x 16 mm



BTM20312

Description :
 Caliper Roller Bearing(DX175)

No	BT No	Information
1	BTR27 x1	Roller Bearing

Application :
 DX175

OEM No :
 BT Only



BTM20313

Description :
 Caliper Slide Pin Repair Kit NEW

No	BT No	Information
1	BTT527 x1	Pin
2	BTC25 x 2	Screw
3	BTT20 x 1	Guide Pin
4	BTB11 x 2	Bush
5	BTS83 x 1	Metal Tap
6	BTK44 x 2	Boot
7	BTS17 x 2	Ring
8	BTS84 x 1	Pin Cap
9	BTB42 x 1	Plastic Bush

Application :
 EX225LS,EX225S

OEM No :
 KIT225303, 225303



BTM20330

Description :
 Caliper Adjusting Gear

Application :
 EXX225L,VOLVO,Scania

OEM No :
 BrakingTech



BTM20980

Description :
 Brake Expander Box Assy RVI

Application :
 Wedge (Ø310, Ø325, Ø360),Meritor Genuine Expander 360
 Simplex,MIDLINER,MIDLUM,S130/150TI/170

OEM No :
 5010 815 484, 5010815484, B337279, B357647, 5000815484, 5000 815 484

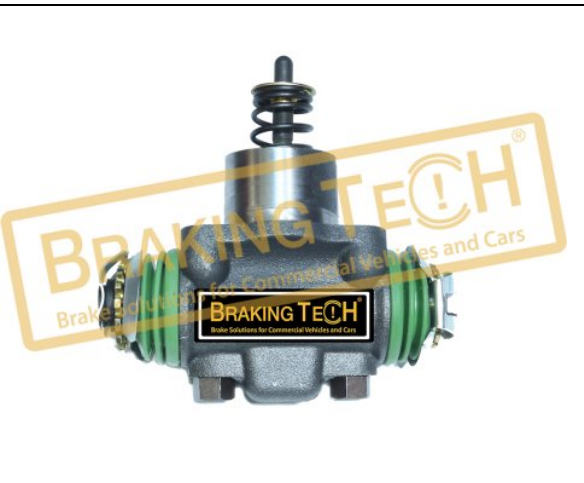


BTM20981

Description :
 Brake Expander Box Assy MB

Application :
 Wedge Drum Brake for Mercedes LK/LN2,0301,0402,Meritor Genuine

OEM No :
 677 420 01 23, 673 420 00 23, 6734200323, 673 420 03 23 , A 677 420 01 23



BTM20982

Description :
 Brake Expander MAN

Application :
 Lucas Meritor (OE),MAN L2000

OEM No :
 81500006242, 81.5000.6242, 68191649, 81500006230, 81.500.006.230, 5000823231

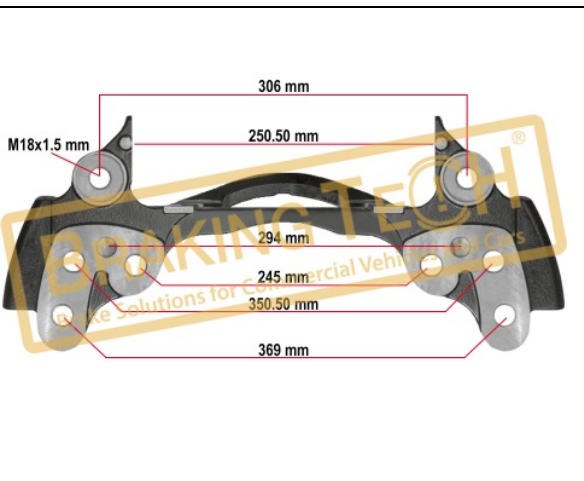


BTWS9500

Description :
 Brake Pad Wear Sensor

Application :
 RENAULT PREMIER,FORD CARGO 4142

WVA :
 29174

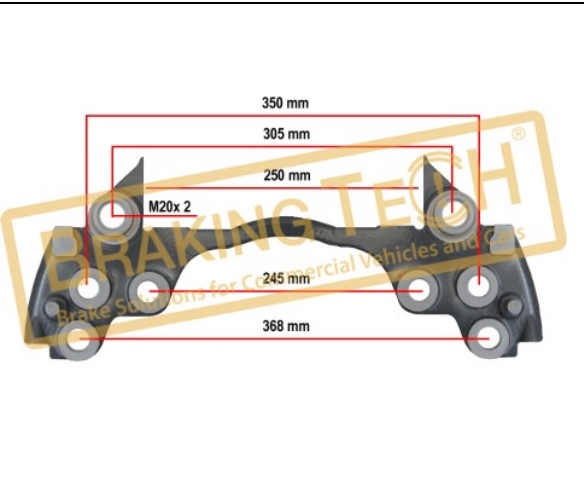


BTC0101104

Description :
 Caliper Carrier Meritor(Elsa2)

Application :
 22.5" Rim, Renault 420

OEM No :
 68324199, 68323673, 68323675, 68323676, 35.50307.5526

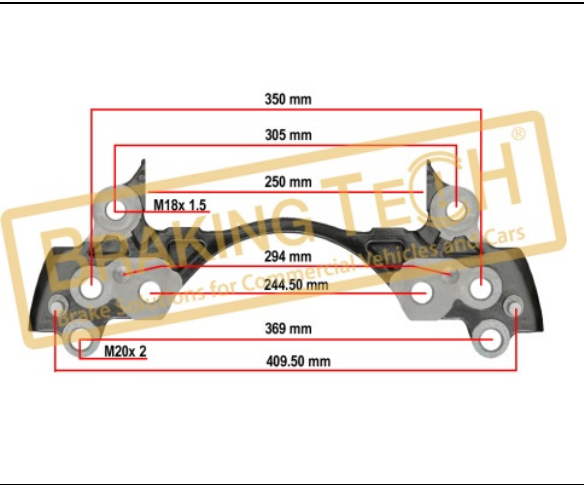


BTC0101105

Description :
 Caliper Carrier Meritor(D Duco)

Application : :
 VOLVO,DAF,ROR

OEM No :
 68322778, 1489072, 3092253, 68322849

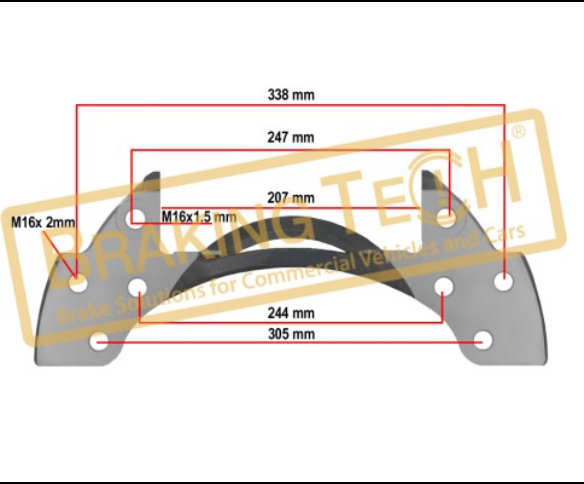


BTC0101106

Description :
 Caliper Carrier Meritor(ELSA 225)

Application : :
 VOLVO (with Pin),RVI Magnum DXI

OEM No :
 68325303, MCK1297, MCK1322, 85109886, 5001 866 384

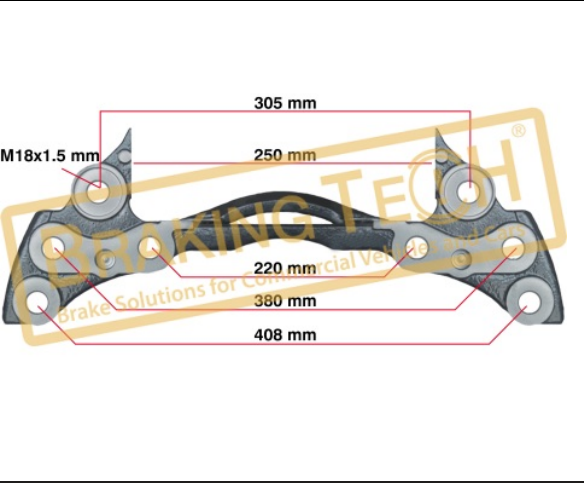


BTC0101111

Description :
 Caliper Carrier Saddle(DX195)

Application : :
 ROR L M,T M Trailer Axle

OEM No :
 MCK1185, 68323215



BTC0101121

Description :
 Caliper Carrier Meritor(Elsa225-EX225)

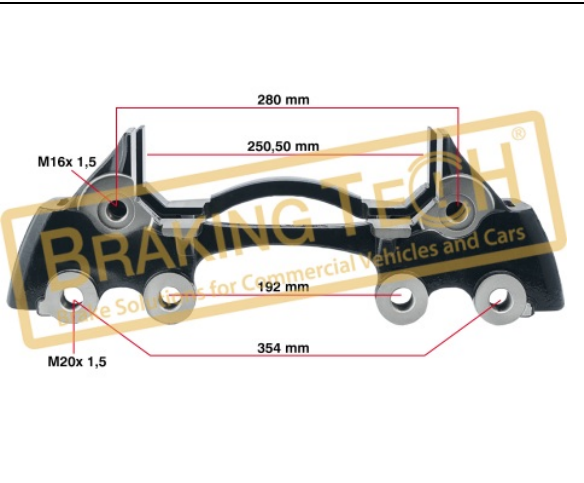
Application : :
 ROR Axle,22,5",201/202 calipers

OEM No :
 321561593



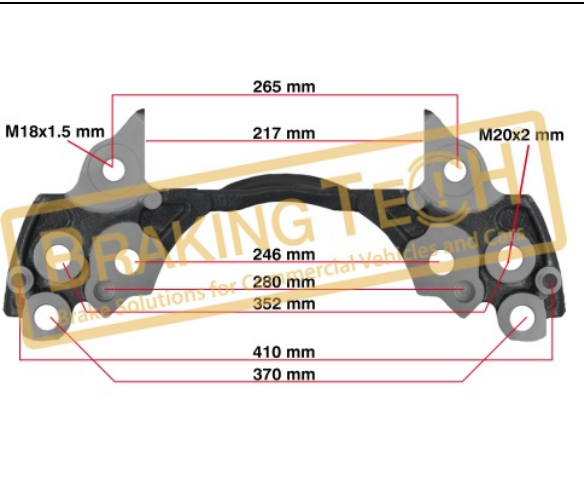
BTC0101126

Description :
 Caliper Bridge Kit(D3)
Application :
 MB Omnibus 0350,0403,0404
OEM No :
 31932042



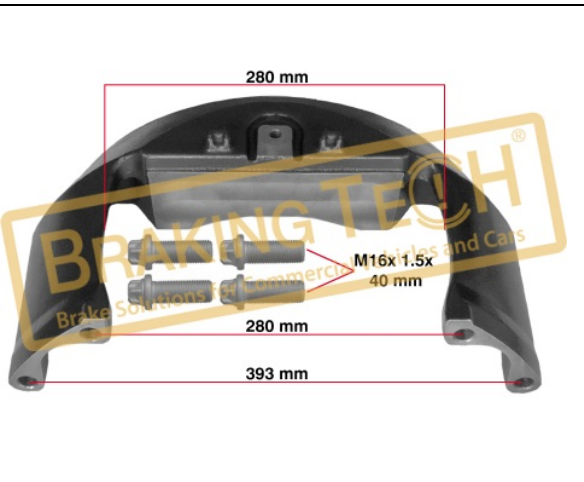
BTC0101131

Description :
 Caliper Carrier Meritor(D3)
Application :
 Renault Premium, Magnum
OEM No :
 68320814



BTC0101133

Description :
 Caliper Carrier Meritor Elsa2(Without Pin)
Application :
 Volvo City Bus, B7, B9, City Bus 5010
OEM No :
 BrakingTech



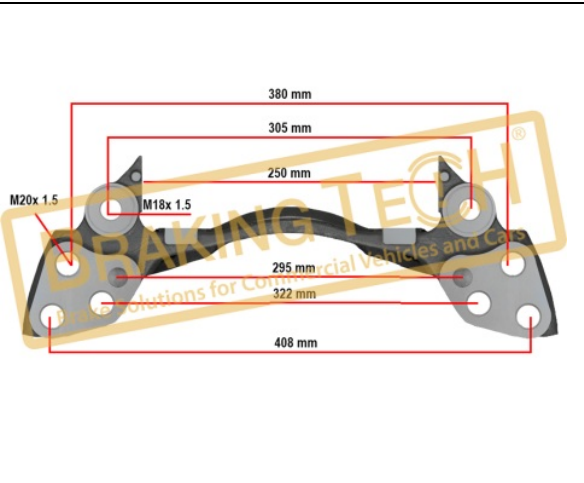
BTC0101134

Description :
 Caliper Carrier Bridge Kit(Elsa2)
Application :
 R.V.I.440, VOLVO 460
OEM No :
 BrakingTech



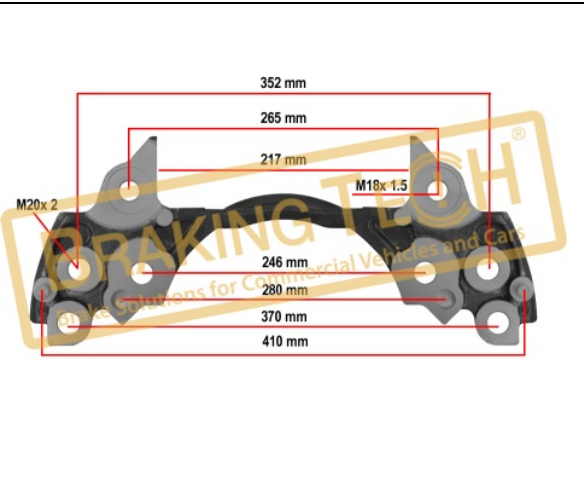
BTC0101135

Description :
 Caliper Carrier Bridge Kit(Elsa2)
Application :
 ROR Axles
OEM No :
 BrakingTech



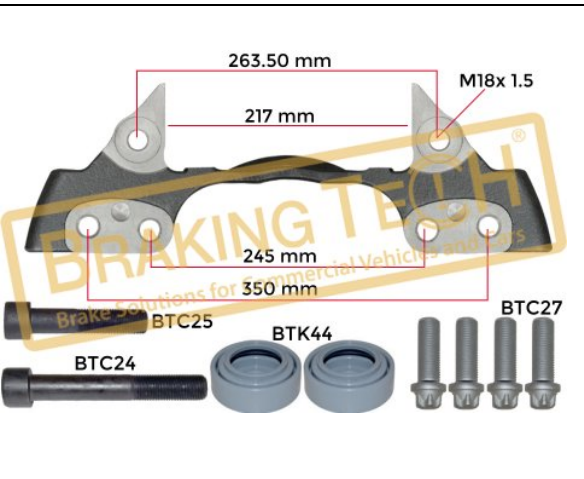
BTC0101136

Description :
 Caliper Carrier Meritor(Elsa225)
Application :
 Ford Cargo
OEM No :
 68326153



BTC0101139

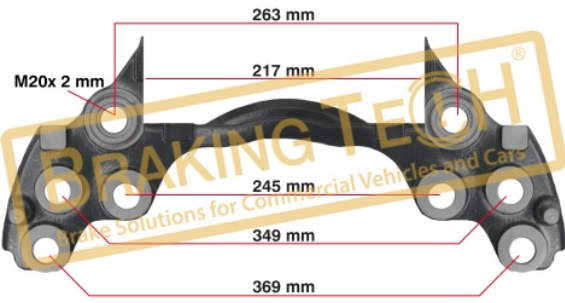
Description :
 Caliper Carrier Meritor Elsa2(With Pin)
Application :
 VOLVO FH16
OEM No :
 MCK1319, 68327462, 85109887, 5001866988



BTC0101200

Description :
 Caliper Carrier Meritor(Elsa225)
Application :
 ELSA225 Type ROR Axle
OEM No :
 68325994, MCK1384

BTC0101214



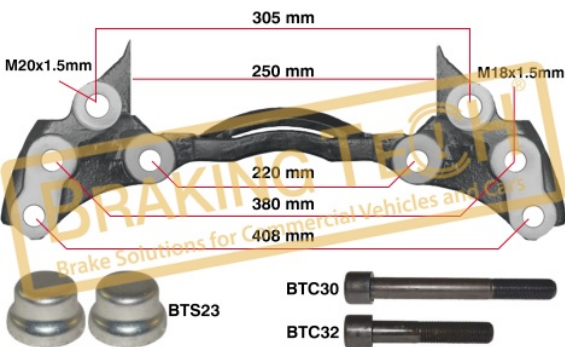
Description :
 Caliper Carrier Meritor L-R/H(C Duco)
Application :
 VOLVO FL,FL6 H
OEM No :
 68323539

BTC0101215



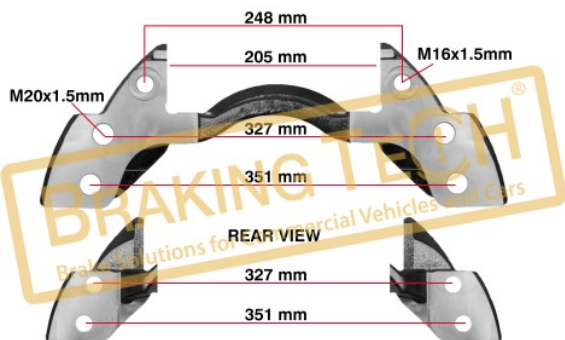
Description :
 Caliper Carrier Meritor(Elsa195)
Application :
 ELSA195,DAF,ROR Axle 19.5"
OEM No :
 MCK1252, 883186, 68324660

BTC0101216

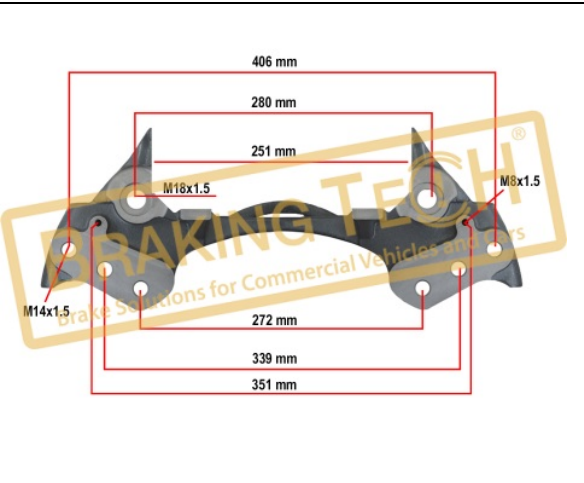


Description :
 Caliper Carrier Meritor(Elsa)
Application :
 MAN,Volvo,RVI,ROR,IRISBUS,ZF Axle 22.5"
OEM No :
 BDA445, 81.50802.6015, 5001 019 718, 0501211882, 68321617

BTC0101217



Description :
 Caliper Carrier Left/Right Meritor(Elsa195)
Application :
 Elsa195,ROR 22,5'
OEM No :
 MCK1188

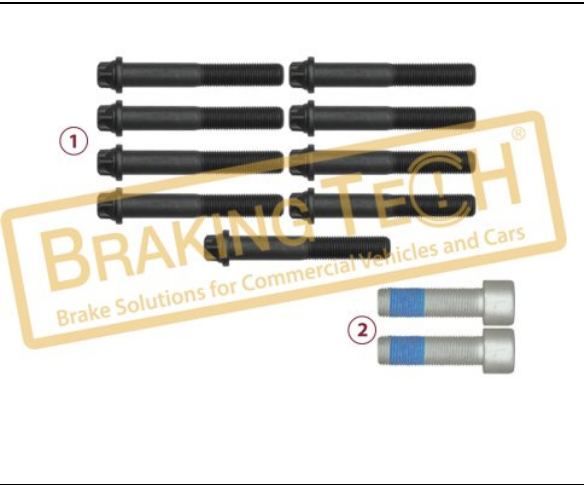


BTC010191

Description :
 Caliper Carrier Meritor(D3)

Application : :
 Mercedes Omnibus 0350,0403,0404

OEM No :
 BDA443



BTC0101971

Description :
 Caliper Cover Assembly Bolt Set

Application : :
 MAN, Volvo, RVI, ROR, IRISBUS, ZF Axle 22.5"

OEM No :
 SerinFren

No	BT No	Information
1	BTC101 x 9	Bolt Set M14 x 1,5 x 90 m ...
2	BTC102 x 2	Bolts M16 x 1,5 x 55 mm



BTC0101979

Description :
 Caliper Connecting Bolt Kit

Application : :
 MAN, Volvo, RVI, ROR, IRISBUS, ZF Axle 22.5"

OEM No :
 SerinFren

No	BT No	Information
1	BTC103 x 6	Bolt Kit M20 x 45 x 42 x ...



BTC0101981

Description :
 Caliper Connecting Bolt Kit

Application : :
 Meritor Calipers

OEM No :
 SerinFren

No	BT No	Information
1	BTC104 x 6	Screws M20 x 65 x 52 x 2 ...

BRAKING TECH®

Brake Solutions for Commercial Vehicles and Cars

www.brakingtech.com

www.serinfren.com



/BrakingTech



/SerinoTomotiv.Oğuz



/Oğuz Serin



/brakingtech



/BrakingTech-Serin Otomotiv



SERIN

Yedek Parça Otomotiv
San.Tic. A.Ş.

Kemalpaşa Mah. 7105 Sokak No:4 35060 Pınarbaşı
Bornova / İzmir / TURKEY



export@brakingtech.com



+90 232 478 5657



+90 232 478 5658