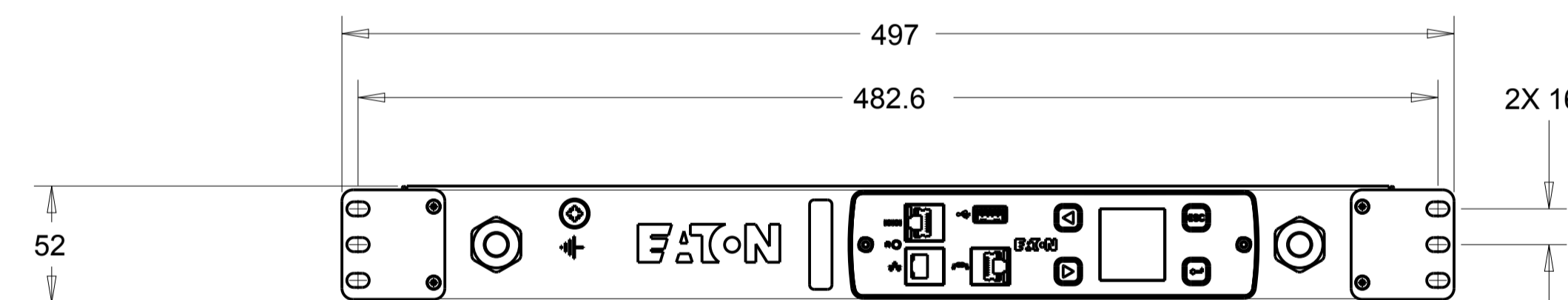
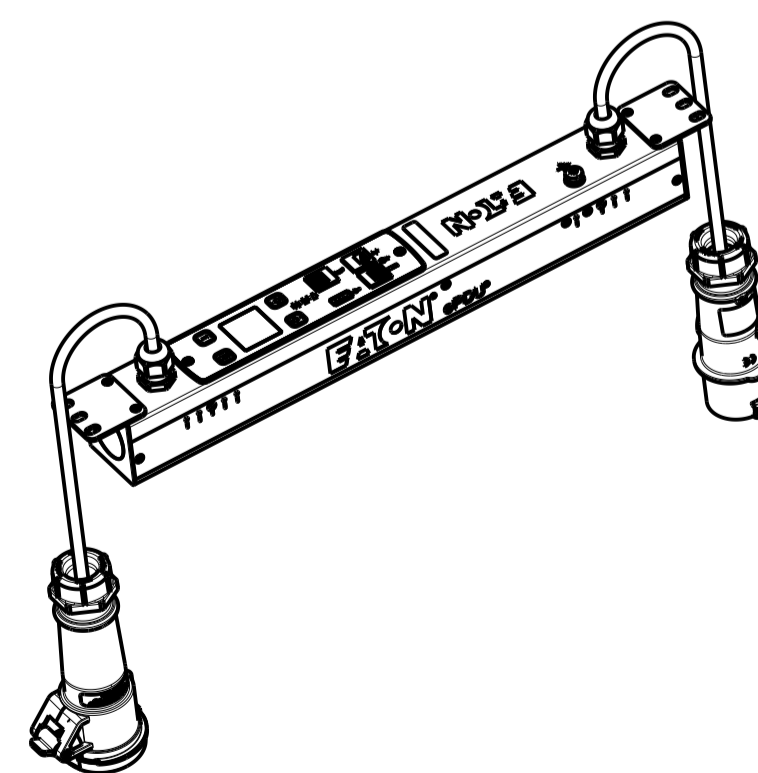


CABLE LENGTH SHOWN NOT TO SCALE



EILB13 G3 INLINE METERED

FUNCTIONALITY	INPUT	OUTPUT	ENVIRONMENTAL
CURRENT POWER AND ENERGY METERING	IEC 60309-2 16A 230V~ W+N+PE (M) 1.5MM HO5 POWER CORD CABLE LENGTH: 3.0 M	IEC 60309-2 16A 230V~ W+N+PE (F) 1.5MM HO5 POWER CORD CABLE LENGTH: 3.0 M	0 TO 60° C
MECHANICAL	INPUT RATING	OUTPUT RATING	CERTIFICATIONS
LENGTH: 443 MM WIDTH: 52 MM DEPTH: 53MM ALUMINIUM CHASSIS, BLACK MNT PATTERN SK-23919-Y1	1Ø; 200-240V~;W+N+PE 50/60HZ 16A	1Ø; 200-240V~;W+N+PE 50/60HZ 16A	CE, CB
CIRCUIT BREAKERS	FILTER AND SPIKE/SURGE	ACCESSORIES	CONFIGURATION
NONE	NONE	STANDARD KSP016 - EMEA HOR INSTALL NETWORK PACK OPTIONAL EMP001 - ENVIRONMENTAL PROBE	EIL3CEHFAAA71AM



PICTORIAL VIEW
SCALE 0.200

01 REVISED TO FIX GRAPHICS.		21.05.2014	G.McD.	M.B.
00 INITIAL RELEASE.		06.03.2014		M.B.
REV. MODIFICATION	DATE	DESIGNER	VERIF.	
EATON		HEINEMANN PRODUCTS		VUE/VIEW EUROPE: 4/10
CH-1345 LE LIEU SWITZERLAND		DESIGNEE LE / DRAWN THE		06.03.2014
TRAITEMENT / FINISH NA		VERIFIE PAR / VERIFIED BY		M.B.
MATERIE / MATERIAL NA		NIVEAU DU CERTIFICAT DE SOUMISSION REQUIS / SAMPLES APPROVAL PROCESS REPORT X DIMENSIONS AND TOLERANCES IN MILLIMETERS		
DESIGNATION EPDU IL 0U (309 16A 1P)1X309		SK-30919-Y1		01
COTES A CONTROLER / INSPECTION DIMENSIONS XX.XX		COTES FONCTIONNELLES / FUNCTIONAL DIMENSIONS # XX.XX		NUMERO DU PLAN / PLAN NUMBER
Ce document est propriété de Eaton Industries Manufacturing GmbH. Duplication interdite sans autorisation. This document is Eaton Industries Manufacturing GmbH property. Duplication forbidden without authorization.				