



**FEATURES**

- Completely assembled basin kit for 2" connection
- Simplex and duplex configurations available
- Conery base elbow disconnects 2"
- Easy pump installation
- Valves and piping complete
- True Union isolation valve
- Stainless steel guide rails
- Installed stainless steel float bracket
- Inlet hub shipped loose

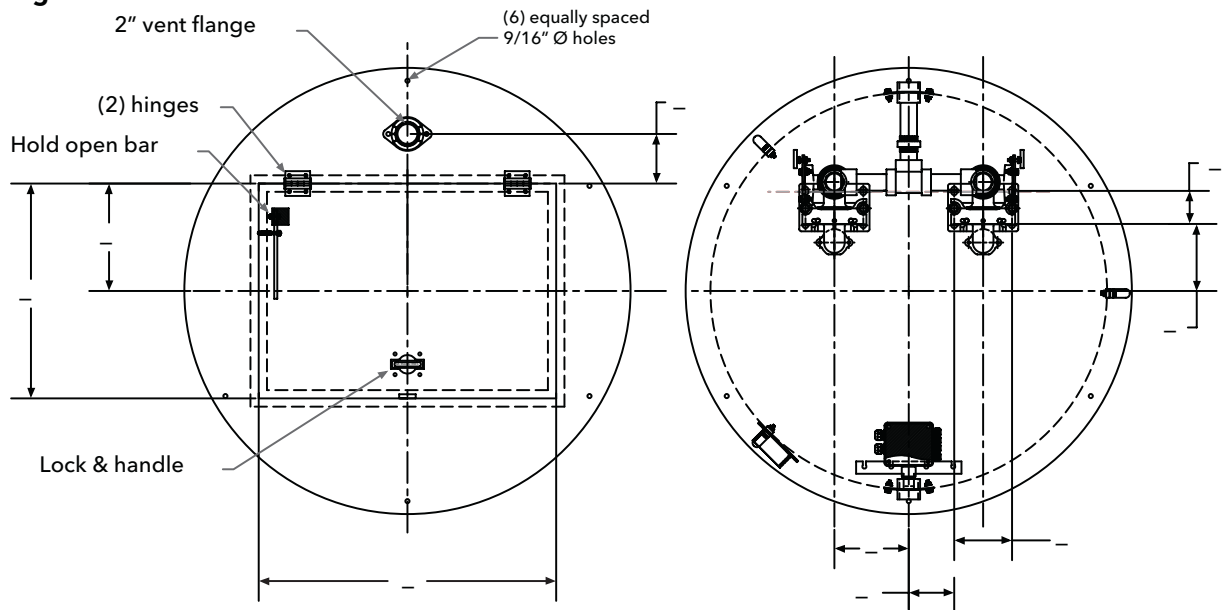
# Wastewater Package System

**BILL OF MATERIALS FOR BASIN KITS**

- Basin in specified size
- Studs for slide rail attachment
- 2" stainless steel discharge coupling
- Nylon electric coupling
- 4" inlet hub - shipped loose
- Conery base elbow system(s)
- Stainless steel upper guide rail bracket
- Conery stainless steel intermediate guide rail bracket (used on 84" and deeper)
- 10' stainless steel lift-out chain package(s)
- 1" stainless steel guide rail
- 2" PVC Schedule 80 discharge pipe
- 2" PVC True Union ball valve
- 2" PVC ball check valve
- 2" PVC Schedule 80 elbow
- 2" PVC Schedule 80 union
- 2" PVC Schedule 80 reducer bushing (thread by slip)
- Stainless steel extension handle bracket
- Basin lifting lugs
- Stainless steel cross braces for upper guide rail bracket and intermediate bracket
- Stainless steel float bracket
- Stainless steel nuts, bolts and washers
- 3 (simplex) or 4 (duplex) mechanical floats and weights
- Junction box NEMA 4X
- Steel hatch cover

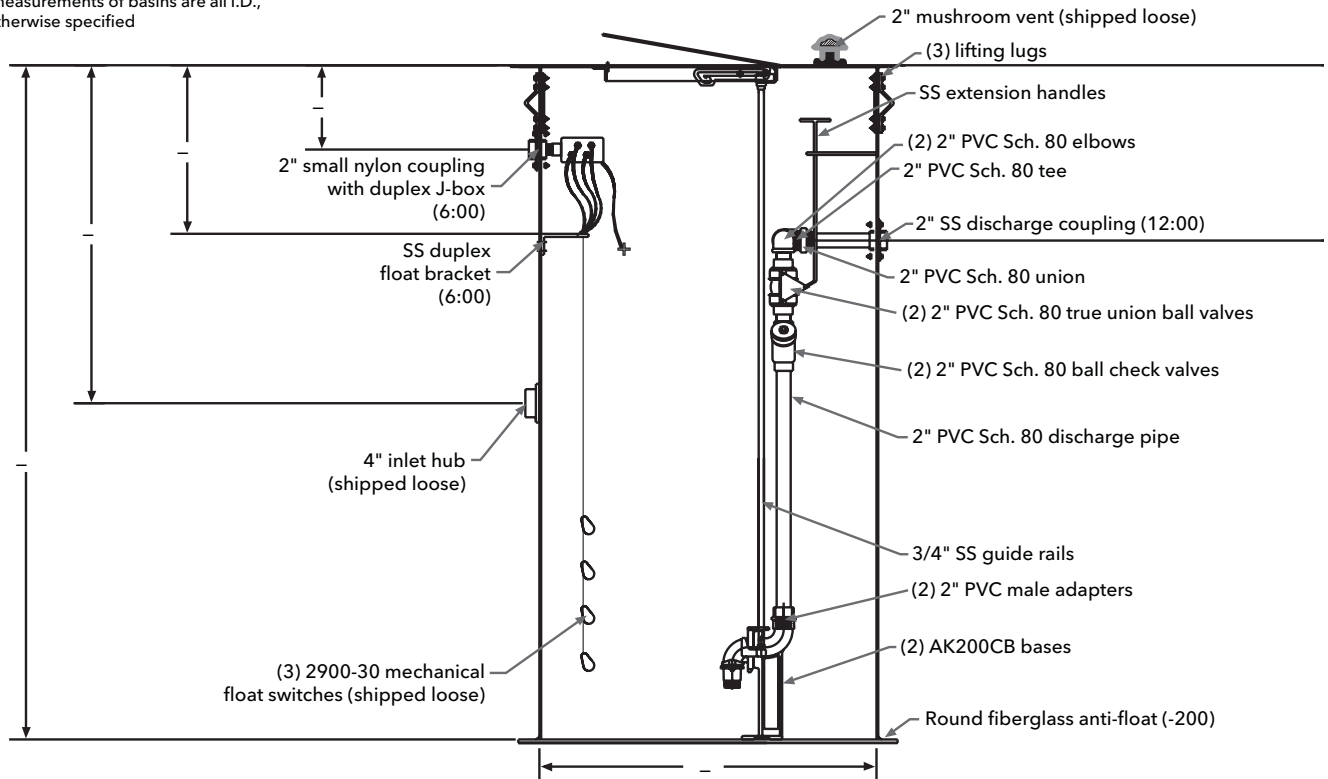
**BASIN KIT TOP VIEW**

Note: measurements of basins are all I.D., if not otherwise specified.

**Sample drawing**

### BASIN KIT DIMENSIONAL

Note: measurements of basins are all I.D., if not otherwise specified



### BASIN KIT ORDER NUMBERS

#### SIMPLEX

Order No.	Discharge Size	Discharge Depth	D X H Basin Size
SIM3048LS2	2"	12"	30 x 48
SIM3060LS2	2"	24"	30 x 60
SIM3072LS2	2"	36"	30 x 72
SIM3084LS2	2"	48"	30 x 84
SIM3096LS2	2"	48"	30 x 96
SIM30108LS2	2"	48"	30 x 108
SIM30120LS2	2"	48"	30 x 120

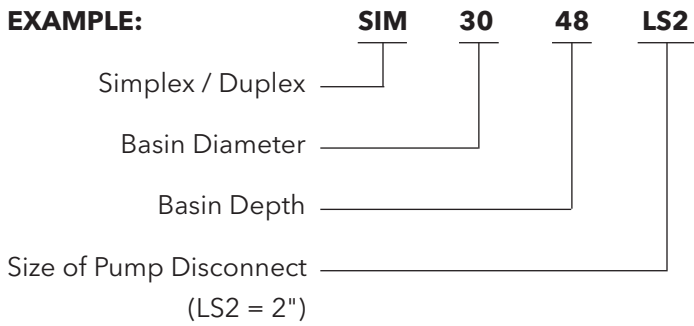
**NOTE:** Alternate sizes and features available upon request.

#### DUPLEX

Order No.	Discharge Size	Discharge Depth	D X H Basin Size
DUP3648LS2	2"	12"	36 x 48
DUP3660LS2	2"	24"	36 x 60
DUP3672LS2	2"	36"	36 x 72
DUP3684LS2	2"	48"	36 x 84
DUP3696LS2	2"	48"	36 x 96
DUP36108LS2	2"	48"	36 x 108
DUP36120LS2	2"	48"	36 x 120
DUP4848LS2	2"	12"	48 x 48
DUP4860LS2	2"	24"	48 x 60
DUP4872LS2	2"	36"	48 x 72
DUP4884LS2	2"	48"	48 x 84
DUP4896LS2	2"	48"	48 x 96
DUP48108LS2	2"	48"	48 x 108
DUP48120LS2	2"	48"	48 x 120

## BASIN KIT NOMENCLATURE

### EXAMPLE:



Xylem Inc.  
2881 East Bayard Street Ext., Suite A  
Seneca Falls, NY 13148  
Phone: (866) 325-4210  
Fax: (888) 322-5877  
[www.xylem.com/centripro](http://www.xylem.com/centripro)