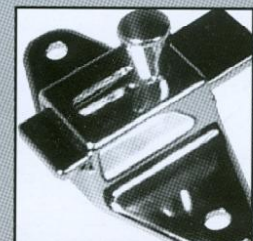
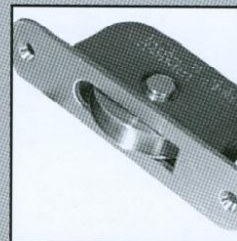
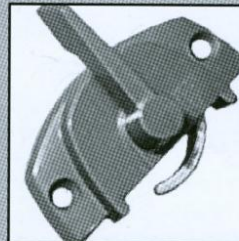
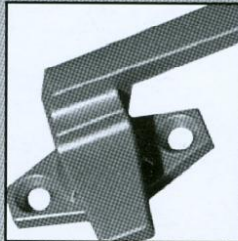
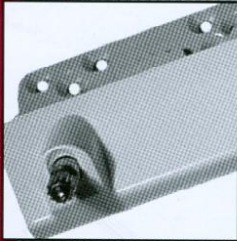
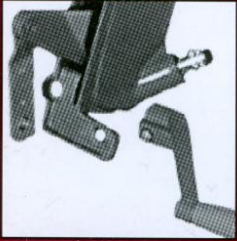


G-5

# **BLAINE**

## **WINDOW HARDWARE INC.**



Replacement Window and Door Hardware

More than **40,000** parts!

DISTRIBUTOR FOR

**TRUTH &  
ANDERBERG**

**Window Operators  
Toilet Partitions  
Hinges  
Door Closers  
Closet Hardware  
Balance Systems  
Handles/Keepers  
Insect Screens & Components**

Fax 888-250-3960 • [blainehdw@aol.com](mailto:blainehdw@aol.com)  
[www.blainewindow.com](http://www.blainewindow.com)

**800-678-1919**

17319 BLAINE DRIVE, HAGERSTOWN, MD 21740



**Balances & Accessories**

Andersen	38
Channel	4 - 27
Constant Force / Tube	28-39
Sash Pulleys & Accessories	39
Tape	40
Window Channel (Jambliners)	31-37
<b>Biltbest</b>	<b>57</b>
Casement Adjusters/Clerestory Cranks	65
Chair Glides	239
Closet Door Hardware	182-192
Corner & Tilt Keys	130-132
Door Closers (Commercial)	169-172
Door Holders / Bumpers	174
Four Seasons Slider Hardware	103
Glazing Bead, Channel & Spline	118-123
Grab Bars	198
Grille Fasteners	136
<b>Handles</b>	
Cam / Fasteners	82-94
Crank	65
Casement Locking	53, 95-96
Casement Sash Locks	97
Truth	53, 94
Hinges	108-113,116
Hinges, Truth / Anderberg	108-111, 113,117
Horizontal Slider Hardware	101-105
Keepers (Window)	94, 98
Keepers (Truth)	98
Limit Devices	117
Limit Devices, Truth	114-115
Locker Hardware	233-238
Lubricants	240-241
<b>Operators</b>	
Andersen	51,55,59
Awning	55-56,60-61,63-64
Biltbest	57
Casement	46-52,55,60,61
Motorized / Skylight	70-77
Pella	51,55,59
Truth	48-52,59-64
Ordering/Manufacturing	3, 243
Panic Exit Devices	173

**Patio Door Hardware**

Handles	146-150
Keepers	151
Locks	138
Rollers	156-158
Roller Assemblies	160-167

Thresholds	168
Patio Door Track	144
Patio Screen Door Guides	156-158
Patio Screen Door Latches	152-155
Patio Screen Doors/Grills	139-144
Pressure Shoes & Housings	106-107
Push Bars	78-81
Push Bars, Truth / Anderberg / Superior	80-81
Sash Locks	58, 97
Screen Hardware	125, 127-129
Screen Spline	126
Screen Tools & Other	127
<b>Screen Wire</b>	
Insect Screen / Frames	125, 137
Pet Screen	124
Solar Screen	124
Screens, Custom	125, 129, 137
Screens, Security	138
Security Hardware	175,181
Shower Door Hardware	159
Shutter & Period Hardware	178
Slide Bolts	132
Spring Catches	99
Stair Treads	179-180
Storm Door Hardware	133-135
Sweep Latches	100
Sweep Latches, Truth	100
Tilt Latches	41-45
Tilt Keys	130-132
Toilet Partitions & Hardware	193-232
Track (Window)	54
Transom Lifter	94
Venetian Blind Hardware	177
Vent Arms	116
Weatherstripping (Window & Door)	126,176

**National Distributor & Supplier For:**



All American

Amesbury/

Balance Systems

Anderberg

Andersen

Bayley

Caldwell

Ceco

Crestline

Crittall

Curtis

Detroit

Dorma

Fenestra

Getty

Hopes

International

Kawneer

Lupton

Mason

Miami

Phifer

Pella

Republic Steel

Reynolds

Standard-Keil

Stanley

Superior

Thorn

Truscon

Truth

Ualco

Valley Metals

& More



CALDWELL

**Jim Walter**  
window components

**Wright Products**

## Ordering Information

**Toll Free Express Ordering:** Customers may place express orders by calling **800-678-1919** (from continental U.S.) from 8 a.m. - 5 p.m. eastern time, Monday through Friday. Orders may be faxed 24 hours a day to **888-250-3960**. On line ordering is also available, 24 hours a day, at **www.blainewindow.com**.

**Ordering Information:** Our catalog has been designed to make ordering as easy as possible. It is not possible to list all of the items available through Blaine. If you need items, that do not appear in our catalog, please send a sample to our Research Department at 17319 Blaine Drive, Hagerstown, MD 21740-2394. To help expedite your orders, please use our part numbers, quantities required and include your account number, if possible, on your purchase orders.

**Delivery Status:** Any delivery dates set forth by Blaine Window are estimates only and are not intended as a guarantee of date of delivery. Our pledge is for quick and efficient processing of your order. However, due to the nature of our business, stock shortages may occur from time to time. Items will remain on back-order until shipped. Blaine Window Hardware will not be liable for any delay in delivery or failure to deliver any or all of the goods in case such delay results from causes beyond our

control. Order status may be obtained by calling Customer Service at 800-678-1919.

**Damages / Shortages:** All material in transit is the property of the buyer and the buyer assumes responsibility for filing claims and damages. **Please inspect all freight for visible damage prior to accepting. Do not accept cartons which show damage or are open. Claims for concealed damage must be made by the buyer, with the carrier, within ten (10) working days.** Original shipping carton must be retained. Shortages must be reported to our Customer Service Department at 800-678-1919 within ten (10) working days.

**Returns:** All returns / exchanges must be made within 30 days from receipt of material. Authorization numbers are available by calling Customer Service at 800-678-1919. All authorization numbers must appear on the outside of the carton and merchandise must be shipped prepaid to our warehouse. Shipping charges will not be credited on returns unless authorized in writing by Customer Service. Any unauthorized returns will be refused. A restocking fee of 25% will be charged for returns when the customer orders incorrectly. We strongly urge you to send a sample to eliminate doubt when placing orders. Special order or custom made parts are not returnable unless defective.

## Terms & Conditions

**Credit Policy:** Terms are net 30 days for open account customers. All other orders must be prepaid or shipped C.O.D. unless specified otherwise. Partial payment in advance may be required with an order.

**C.O.D.:** Orders may be shipped on a Cash on Delivery (C.O.D.) basis. Our Accounting Department may require cash, cashiers check, certified check or money order for payment. The current UPS C.O.D. charge is \$11.00 / carton. The refusal of a C.O.D. shipment, for any reason other than apparent damage may cause your account to be coded cash in advance only.

**Special Orders:** Non stock parts (special orders) may require a minimum order quantity.

**Stock Parts:** For orders less than \$25.00, there will be a \$5.00 processing fee applied automatically.

**Freight:** All shipments will be made by the carrier of our choice, usually UPS or Post Office, unless specified otherwise. We also offer UPS Next Day and Second Day service when requested. The customer is responsible for all shipping charges unless specified otherwise. Common carrier service is also available. Actual shipping charges will be added to all orders.

**State Sales Tax:** Customers exempt from state sales tax must provide certificate of exemption with initial order.

**Samples:** Can be sent to our Research Department or photos emailed to [blainehdw@aol.com](mailto:blainehdw@aol.com).

The following overview will help you to locate the channel balances you are looking for. There are three basic classifications: 1. Non-tilt Balances 2. Tilt Balances 3. Overhead Balances. We have designated each of these classifications and have made additional notes to help you determine your specific requirements. For more information, please note the detailed chart page for each individual series.

<p><b>CB 0 Balance</b> Non-Tilt 5/8"</p> <p>CB9006</p> <p>9/16" Channel Width</p> <p>Specify Channel Length</p> <p>Indicate Factory Numbers or Letters Stamped On Balance Face</p> <p>5/8" Channel Depth</p> <p>CB9003</p> <p>Must always have top and bottom guides attached Many guide variations available</p>	<p><b>CB - Caldwell</b> Non-Tilt 5/8"</p> <p>5/8" Channel Width</p> <p>This has a hemmed edge and, in most cases, has an adjustment screw.</p> <p>Indicate Factory Numbers or Letters Stamped On Balance Face</p> <p>19/32" Channel Depth</p> <p>CB9006-Caldwell</p> <p>CB9003-Caldwell</p> <p>Tension adjustment screw</p>	<p><b>CB 2 Balance</b> Tilt 5/8"</p> <p>Non ribbed</p> <p>9/16" Channel Width</p> <p>Specify Channel Length</p> <p>Indicate Factory Numbers or Letters Stamped On Balance Face</p> <p>5/8" Channel Depth</p> <p>Comes with CB9062 guide, as shown</p>	<p><b>CB 3 Balance</b> Tilt 5/8"</p> <p>9/16" Channel Width</p> <p>Specify Channel Length</p> <p>Indicate Factory Numbers or Letters Stamped On Balance Face</p> <p>5/8" Channel Depth</p>
<p><b>CB 4 Balance</b> Non-Tilt 3/8"</p> <p>13/32" Channel width</p> <p>3/8" version of the CB 0 Series</p> <p>Must have top and bottom guide attached</p> <p>Indicate Factory Numbers or Letters Stamped On Balance Face</p> <p>CB9040</p> <p>CB9041</p> <p>3/8" Channel Depth</p>	<p><b>CB 5 SERIES</b> Tilt 9/16"</p> <p>9/16" Channel Width</p> <p>Specify Channel Length</p> <p>Indicate Factory Numbers or Letters Stamped On Balance Face</p> <p>5/8" Channel Depth</p>	<p><b>CB 6 Balance</b> Tilt 9/16"</p> <p>Ribbed</p> <p>9/16" Channel Width</p> <p>Specify Channel Length</p> <p>Indicate Factory Numbers or Letters Stamped On Balance Face</p> <p>CB9062</p>	<p><b>CB1010 Balance</b> Non Tilt For Overhead</p> <p>Used on West Coast</p> <p>Standard cord length is determined from balance to hook at bottom of closed sash</p> <p>Specify Channel Length</p>

**CB1100 & CB1150  
Invisible Balances**

Mounted in the side of the window sash

Used mainly in custom wood windows when jamb liners will not work

Dacron cord used in newer style

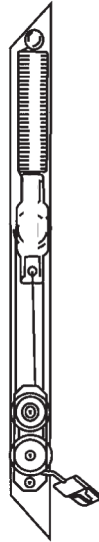
"A" type - single spring  
"AX" type - double spring



**CB1200 Balance  
Bantam Overhead**

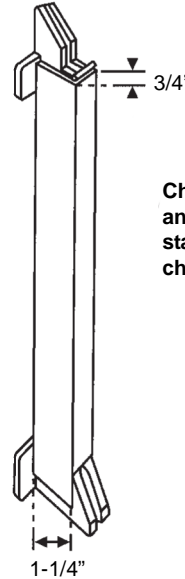
One of the first overhead balances

Channel Height  
5/8"  
Channel Width  
9/16"



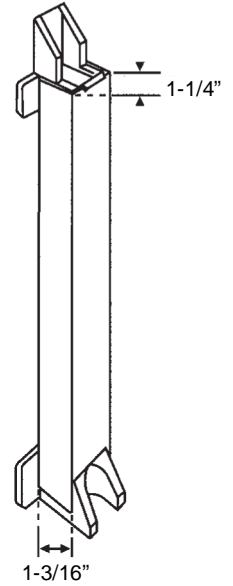
**CB1600 Balance  
Non-Tilt**

Balance has 2 internal springs



**CB6400 Balance  
Non-Tilt**

Balance has 4 internal springs



Channel length and weight stamped on channel

Note: Special order item. Non-returnable

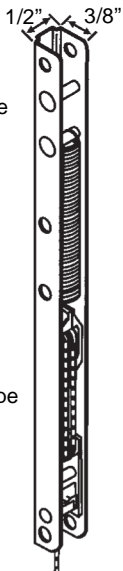
**CB7400 Balance  
Series Tilt  
Ribbed**

These balances are designed to fit into vinyl jamb liners

End view of channel shape of ribbed balances



CB9295



**CB7700 Balance  
Non-Tilt  
Rusco**

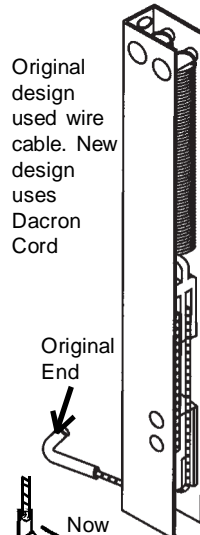


**CB8200 Balance  
Non Tilt for Overhead  
5 to 1 Overhead**

Original design used wire cable. New design uses Dacron Cord

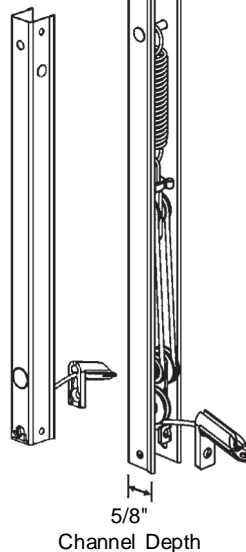
Original End  
Now standard cord end

Channel Height  
13/16"  
Channel width  
9/16"

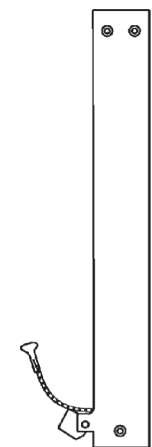


**CB8300 Balance  
Non-Tilt  
Peachtree**

9/16" Channel Width



**CB8900 Balance  
Overhead  
Devac Balances**

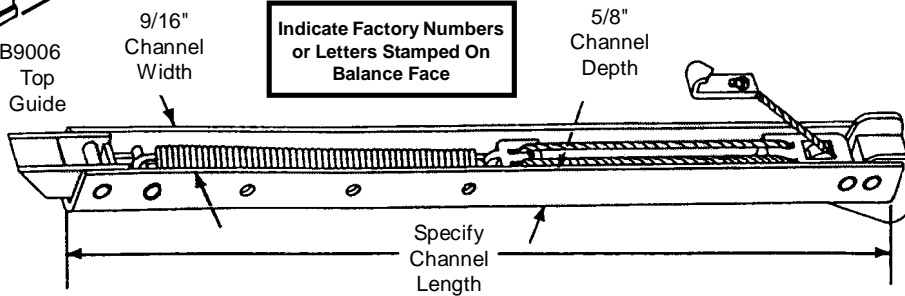
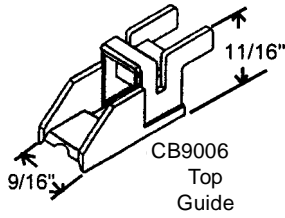


Channel Height  
13/16"  
Channel width  
9/16"

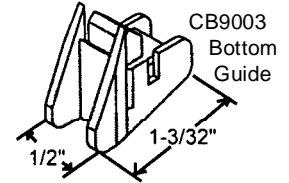
Double Spring Channel

1/2" Channel Balance - Non Tilt  
Normally 5/8" but considered 1/2" in the industry

\*For 3/8" channel width, contact  
Customer Service



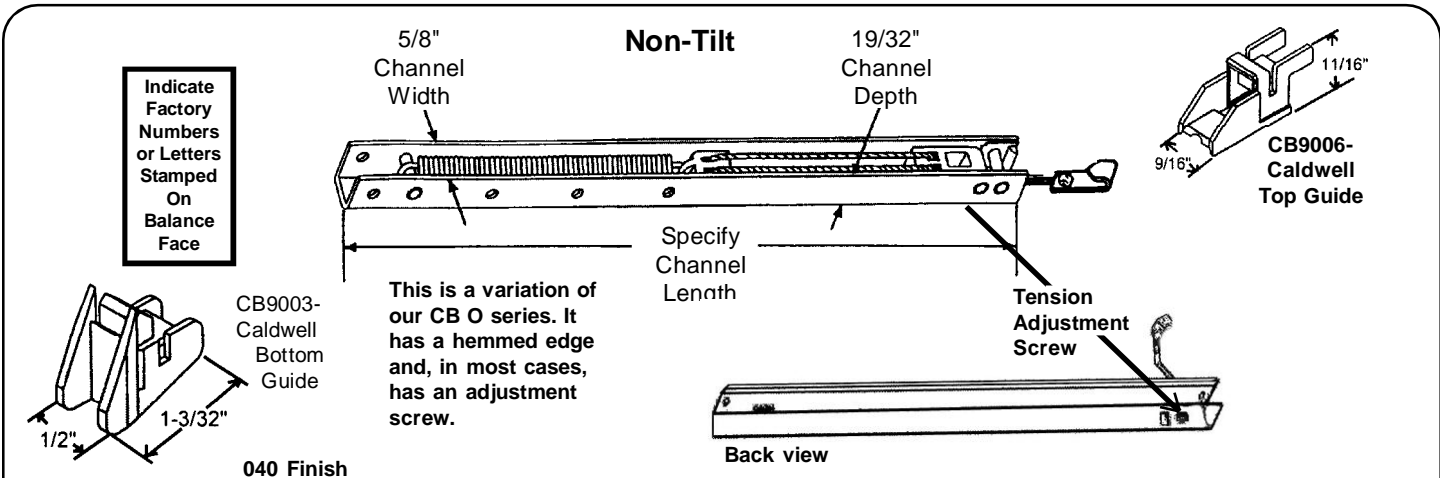
Most Commonly Used  
Accessories For CB 0 Series  
Balances. Please  
specify when ordering.



**CB 0 SERIES BALANCE DETAILS**

CHAN- NEL LENGTH	NO. ON BALANCE	SASH WT. LBS.	BLAINE PART NO.	NO. ON BALANCE	SASH WT. LBS.	BLAINE PART NO.	NO. ON BALANCE	SASH WT. LBS.	BLAINE PART NO.	NO. ON BALANCE	SASH WT. LBS.	BLAINE PART NO.	NO. ON BALANCE	SASH WT. LBS.	BLAINE PART NO.
7"	610/6A	4 - 7	CB1-610	620/6B	7 - 9	CB1-620	630/6C	9 - 11	CB1-630						
8"	710/7A	4 - 7	CB1-710	720/7B	7 - 9	CB1-720	730/7C	9 - 11	CB1-730						
9"	810/8A	4 - 7	CB1-810	820/8B	7 - 9	CB1-820	830/8C	9 - 11	CB1-830	840/8D	11 - 13	CB1-840			
10"	910/9A	4 - 7	CB1-910	920/9B	7 - 9	CB1-920	930/9C	9 - 11	CB1-930	940/9D	11 - 13	CB1-940			
11"	1010/10A	4 - 7	CB1-1010	1020/10B	7 - 9	CB1-1020	1030/10C	9 - 11	CB1-1030	1040/10D	11 - 13	CB1-1040			
12"	1110/11A	4 - 7	CB1-1110	1120/11B	7 - 9	CB1-1120	1130/11C	9 - 11	CB1-1130	1140/11D	11 - 13	CB1-1140			
13"	1210/101/12A	3 - 6	CB2-1210	1220/102/12B	6 - 9	CB2-1220	1230/103/12C	9 - 11	CB2-1230	1240	11 - 12	CB2			
14"	1310/13A	3 - 6	CB4	1320/13B	6 - 9	CB5	1330/13C	9 - 11	CB5-1330	1340/13D	11 - 12	CB3			
15"	1410/14/14A	4 - 6	CB7	1420/15/14B	6 - 10	CB8	1430/16/14C	10 - 12	CB8-A	1440/14D	12 - 13	CB9			
16"	1510/15A	4 - 6	CB10	1520/15B	6 - 10	CB11	1530/15C	10 - 12	CB11-A	1540/15D	12 - 13	CB12			
17"	1610/11/16A	5 - 8	CB13	1620/11/16B	8 - 12	CB14	1630/11/16C	12 - 14	CB14-A	1640/11/16D	14 - 19	CB15			
18"	1710/17A	5 - 8	CB16	1720/17B	8 - 12	CB17	1730/17C	12 - 14	CB17-A	1740/17D	14 - 17	CB18			
19"	1810/18/18A	5 - 8	CB19	1820/19/18B	8 - 12	CB20	1830/20/18C	12 - 14	CB20-A	1840/19/18D	14 - 17	CB21			
20"	1910/19A	5 - 8	CB22	1920/19B	8 - 12	CB23	1930/19C	12 - 14	CB23-A	1940/19D	14 - 17	CB24			
21"	2010/121/20A	5 - 8	CB25	2020/122/20B	8 - 12	CB26	2030/123/20C	12 - 15	CB27	2040/123HD/20D	15 - 23	CB28			
22"	2110/21A	5 - 8	CB29	2120/21B	8 - 12	CB30	2130/21C	12 - 15	CB31	2140/21D	15 - 23	CB32			
23"	2210/141/22A	5 - 8	CB33	2220/142/22B	8 - 12	CB34	2230/143/22C	12 - 19	CB35	2240/143HD/22D	19 - 23	CB36			
24"	2310/23A	5 - 8	CB37	2320/23B	9 - 15	CB38	2330/23C	15 - 18	CB39	2340/23D	18 - 23	CB40			
25"	2410/151/24A	5 - 9	CB41	2420/152/24B	9 - 15	CB42	2430/153/24C	15 - 19	CB43	2440/55HD/24D	19 - 24	CB44			
26"	2510/241/25A	5 - 9	CB45	2520/242/25B	9 - 15	CB46	2530/243/25C	15 - 19	CB47	2540/25D	19 - 25	CB48			
27"	2610/161/26A	5 - 9	CB49	2620/162/26B	9 - 13	CB50	2630/163/26C	13 - 19	CB51	2620/163HD/26D	19 - 26	CB52			
28"	2710/27A	5 - 9	CB53	2720/27B	9 - 13	CB54	2730/27C	13 - 19	CB55	2740/27D	19 - 26	CB56			
29"	2810/181/28A	7 - 12	CB57	2820/182/28B	12 - 16	CB58	2830/183/28C	16 - 23	CB59	2840/183HD/28D	23 - 28	CB60	28E/2850	25 - 32	CB60-2850
30"	2910/29A	7 - 12	CB61	2920/29B	12 - 16	CB62	2930/29C	16 - 23	CB63	2940/29D	23 - 28	CB64	29E/2950	28 - 32	CB64-A
31"	3010/191/30A	7 - 12	CB65	3020/192/30B	12 - 16	CB66	3030/193/30C	16 - 23	CB67	3040/193HD/30D	23 - 28	CB68	30E/3050	28 - 32	CB68-A
32"	3110/31A	7 - 12	CB69	3120/31B	12 - 16	CB70	3130/31C	16 - 23	CB71	3140/31D	23 - 28	CB72	31E/3150	28 - 32	CB72-3150
33"	3210/201/32A	8 - 13	CB73	3220/202/32B	13 - 18	CB74	3230/203/32C	18 - 23	CB75	3240/32D	23 - 28	CB76	32E/3250	28 - 32	CB76-HD
34"	3310/33A	8 - 13	CB77	3320/33B	13 - 18	CB78	3330/33C	18 - 23	CB79	3340/33D	23 - 28	CB80	33E/3350	28 - 32	CB80-A
35"	3410/221/34A	8 - 13	CB81	3420/222/34B	13 - 18	CB82	3430/223/34C	18 - 23	CB83	3440/34D	23 - 30	CB84	34E/3450	28 - 32	CB84-A
36"	3510/35A	8 - 13	CB85	3520/35B	13 - 18	CB86	3530/35C	18 - 23	CB87	3540/35D	23 - 30	CB88	35E/3550	30 - 34	CB88-3550
37"	3610/231/36A	8 - 13	CB89	3620/232/36B	13 - 18	CB90	3630/233/36C	18 - 23	CB91	3640/36D	23 - 30	CB92	36E/3650	30 - 35	CB92-3650
38"	3710/37A	8 - 13	CB93	3720/37B	13 - 18	CB94	3730/37C	18 - 23	CB95	3740/37D	23 - 30	CB96	37E/3750	30 - 35	CB96-3950
39"	3810/241/38A	9 - 14	CB97	3820/242/38B	14 - 19	CB98	3830/243/38C	19 - 24	CB99	3840/38D	24 - 30	CB100	38E/3850	30 - 35	CB100-A
40"	3910/39A	9 - 14	CB101	3920/39B	14 - 19	CB102	3930/39C	19 - 24	CB103	3940/39D	24 - 30	CB104	39E/3950	30 - 35	CB104-3950
41"	4010/40A	9 - 14	CB105	4020/40B	14 - 19	CB106	4030/40C	19 - 24	CB107	4040/40D	24 - 30	CB108	40E/4050	30 - 35	CB108-HD
42"	4110/41A	9 - 14	CB109	4120/41B	14 - 19	CB110	4130/41C	19 - 24	CB111	4140/41D	24 - 30	CB112	41E/4150	30 - 35	CB112-4150
43"	4210/261/42A	9 - 14	CB113	4220/262/42B	14 - 19	CB114	4230/263/42C	19 - 24	CB115	4240/42D	24 - 30	CB116	42E/4250	30 - 35	CB116-4250
44"	4310/43A	9 - 14	CB117	4320/43B	14 - 19	CB118	4330/43C	19 - 24	CB119	4340/43D	24 - 30	CB120	43E/4350	30 - 35	CB120-B
45"	4410/271/44A	9 - 14	CB121	4420/272/44B	14 - 19	CB122	4430/273/44C	19 - 24	CB123	4440/44D	24 - 30	CB124	44E/4450	30 - 35	CB124-4550
46"	4510/45A	9 - 14	CB125	4520/45B	14 - 19	CB126	4530/45C	19 - 24	CB127	4540/45D	24 - 30	CB128	45E/4550	30 - 35	CB128-A
47"	4610/281/46A	9 - 14	CB129	4620/282/46B	14 - 19	CB130	4630/283/46C	19 - 24	CB131	4640/46D	24 - 30	CB132	46E/4650	30 - 35	CB132-A
48"	4710/47A	9 - 14	CB133	4720/47B	14 - 19	CB134	4730/47C	19 - 24	CB135	4740/47D	24 - 30	CB136	47E/4750	30 - 35	CB136-4750
49"	4810/291/48A	9 - 14	CB137	4820/292/48B	14 - 19	CB138	4830/293/48C	19 - 24	CB139	4840/48D	24 - 32	CB140	48E/4850	30 - 35	CB140-4850
50"	4910/49A	9 - 14	CB141	4920/49B	14 - 19	CB142	4930/49C	19 - 24	CB143	4940/49D	24 - 32	CB144	49E/4950	30 - 35	CB144-4950
51"													50E/5050	32 - 35	CB148-5050
52"													51E/5150	32 - 35	CB152-5150
53"													52E/5250	32 - 35	CB156-5250
54"													53E/5350	32 - 35	CB160-5350

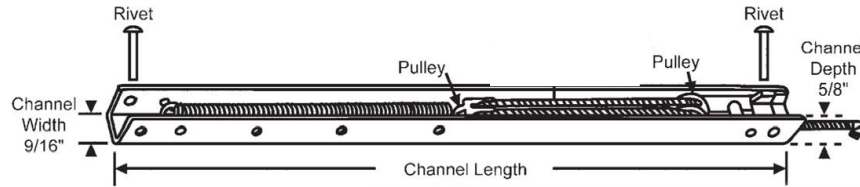
For weights on special and dual spring balances, please contact our Customer Service Department at 800-678-1919 or fax your request to 888-250-3960.



Channel Length	No. Stamp'd On Bal.	Blaine Part Number	Channel Length	No. Stamp'd On Bal.	Blaine Part Number	Channel Length	No. Stamp'd On Bal.	Blaine Part Number	Channel Length	No. Stamp'd On Bal.	Blaine Part Number
	12-1	CB0002-Cald-12-1		21-1	CB0029-Cald-21-1		30-1	CB0065-Cald-30-1		39-1	CB0101-Cald-39-1
	12-2	CB0002-Cald-12-2		21-2	CB0030-Cald-21-2		30-2	CB0066-Cald-30-2		39-2	CB0102-Cald-39-2
13	12-3	CB0002-Cald-12-3	22	21-3	CB0031-Cald-21-3	31	30-3	CB0068-Cald-30-3	40	39-3	CB0103-Cald-39-3
	12-4	CB0002-Cald-12-4		21-4	CB0032-Cald-21-4		30-4	CB0068-Cald-30-4		39-4	CB0104-Cald-39-4
	12-5	CB0002-Cald-12-5		21-5	CB0032-Cald-21-5		30-5	CB0068-Cald-30-5		39-5	CB0104-Cald-39-5
	13-1	CB0005-Cald-13-1		22-1	CB0033-Cald-22-1		31-1	CB0069-Cald-31-1		40-1	CB0105-Cald-40-1
	13-2	CB0005-Cald-13-2		22-2	CB0034-Cald-22-2		31-2	CB0070-Cald-31-2		40-2	CB0106-Cald-40-2
14	13-3	CB0005-Cald-13-3	23	22-3	CB0035-Cald-22-3	32	31-3	CB0071-Cald-31-3	41	40-3	CB0107-Cald-40-3
	13-4	CB0006-Cald-13-4		22-4	CB0036-Cald-22-4		31-4	CB0072-Cald-31-4		40-4	CB0108-Cald-40-4
	13-5	CB0006-Cald-13-5		22-5	CB0036-Cald-22-5		31-5	CB0072-Cald-31-5		40-5	CB0108-Cald-40-5
	14-1	CB0008-Cald-14-1		23-1	CB0037-Cald-23-1		32-1	CB0073-Cald-32-1		41-1	CB0109-Cald-41-1
	14-2	CB0008-Cald-14-2		23-2	CB0038-Cald-23-2		32-2	CB0074-Cald-32-2		41-2	CB0110-Cald-41-2
15	14-3	CB0008-Cald-14-3	24	23-3	CB0039-Cald-23-3	33	32-3	CB0075-Cald-32-3	42	41-3	CB0111-Cald-41-3
	14-4	CB0009-Cald-14-4		23-4	CB0040-Cald-23-4		32-4	CB0076-Cald-32-4		41-4	CB0112-Cald-41-4
	14-5	CB0009-Cald-14-5		23-5	CB0040-Cald-23-5		32-5	CB0076-Cald-32-5		41-5	CB0112-Cald-41-5
	15-1	CB0010-Cald-15-1		24-1	CB0041-Cald-24-1		33-1	CB0077-Cald-33-1		42-1	CB0113-Cald-42-1
	15-2	CB0011-Cald-15-2		24-2	CB0042-Cald-24-2		33-2	CB0078-Cald-33-2		42-2	CB0114-Cald-42-2
16	15-3	CB0011-Cald-15-3	25	24-3	CB0043-Cald-24-3	34	33-3	CB0080-Cald-33-3	43	42-3	CB0115-Cald-42-3
	15-4	CB0012-Cald-15-4		24-4	CB0044-Cald-24-4		33-4	CB0080-Cald-33-4		42-4	CB0116-Cald-42-4
	15-5	CB0012-Cald-15-5		24-5	CB0044-Cald-24-5		33-5	CB0080-Cald-33-5		42-5	CB0116-Cald-42-5
	16-1	CB0014-Cald-16-1		25-1	CB0045-Cald-25-1		34-1	CB0081-Cald-34-1		43-1	CB0117-Cald-43-1
	16-2	CB0014-Cald-16-2		25-2	CB0046-Cald-25-2		34-2	CB0082-Cald-34-2		43-2	CB0118-Cald-43-2
17	16-3	CB0015-Cald-16-3	26	25-3	CB0047-Cald-25-3	35	34-3	CB0083-Cald-34-3	44	43-3	CB0119-Cald-43-3
	16-4	CB0015-Cald-16-4		25-4	CB0048-Cald-25-4		34-4	CB0083-Cald-34-4		43-4	CB0120-Cald-43-4
	16-5	CB0015-Cald-16-5		25-5	CB0048-Cald-25-5		34-5	CB0084-Cald-34-5		43-5	CB0120-Cald-43-5
	17-1	CB0016-Cald-17-1		26-1	CB0049-Cald-26-1		35-1	CB0085-Cald-35-1		44-1	CB0121-Cald-44-1
	17-2	CB0017-Cald-17-2		26-2	CB0050-Cald-26-2		35-2	CB0086-Cald-35-2		44-2	CB0122-Cald-44-2
18	17-3	CB0017-Cald-17-3	27	26-3	CB0051-Cald-26-3	36	35-3	CB0087-Cald-35-3	45	44-3	CB0123-Cald-44-3
	17-4	CB0018-Cald-17-4		26-4	CB0052-Cald-26-4		35-4	CB0088-Cald-35-4		44-4	CB0124-Cald-44-4
	17-5	CB0018-Cald-17-5		26-5	CB0052-Cald-26-5		35-5	CB0088-Cald-35-5		44-5	CB0124-Cald-44-5
	18-1	CB0019-Cald-18-1		27-1	CB0053-Cald-27-1		36-1	CB0089-Cald-36-1			
	18-2	CB0020-Cald-18-2		27-2	CB0054-Cald-27-2		36-2	CB0090-Cald-36-2			
19	18-3	CB0020-Cald-18-3	28	27-3	CB0055-Cald-27-3	37	36-3	CB0091-Cald-36-3			
	18-4	CB0021-Cald-18-4		27-4	CB0056-Cald-27-4		36-4	CB0092-Cald-36-4			
	18-5	CB0021-Cald-18-5		27-5	CB0056-Cald-27-5		36-5	CB0092-Cald-36-5			
	19-1	CB0022-Cald-19-1		28-1	CB0057-Cald-28-1		37-1	CB0093-Cald-37-1			
	19-2	CB0023-Cald-19-2		28-2	CB0058-Cald-28-2		37-2	CB0094-Cald-37-2			
20	19-3	CB0023-Cald-19-3	29	28-3	CB0059-Cald-28-3	38	37-3	CB0095-Cald-37-3			
	19-4	CB0024-Cald-19-4		28-4	CB0059-Cald-28-4		37-4	CB0096-Cald-37-4			
	19-5	CB0024-Cald-19-5		28-5	CB0060-Cald-28-5		37-5	CB0096-Cald-37-5			
	20-1	CB0025-Cald-20-1		29-1	CB0061-Cald-29-1		38-1	CB0097-Cald-38-1			
	20-2	CB0026-Cald-20-2		29-2	CB0062-Cald-29-2		38-2	CB0098-Cald-38-2			
21	20-3	CB0027-Cald-20-3	30	29-3	CB0063-Cald-29-3	39	38-3	CB0099-Cald-38-3			
	20-4	CB0028-Cald-20-4		29-4	CB0064-Cald-29-4		38-4	CB0100-Cald-38-4			
	20-5	CB0028-Cald-20-5		29-5	CB0064-Cald-29-5		38-5	CB0100-Cald-38-5			

## 1/2" TILT WINDOW CHANNEL BALANCE

Actually 5/8" but considered 1/2" in the trade.



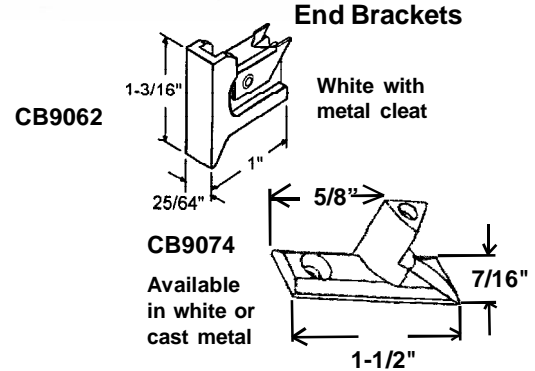
Comes with  
CB9062 or  
CCB9074 end  
brackets

### Ordering Information

1. Measure metal channel length (do not include any attached end guides).
2. Locate number stamped on balance (e.g. 1410, 2510, 26A, etc. . .)
3. Refer to chart , below, to locate the proper balance that corresponds to the numbers.
4. Determine the proper end guides to be attached.

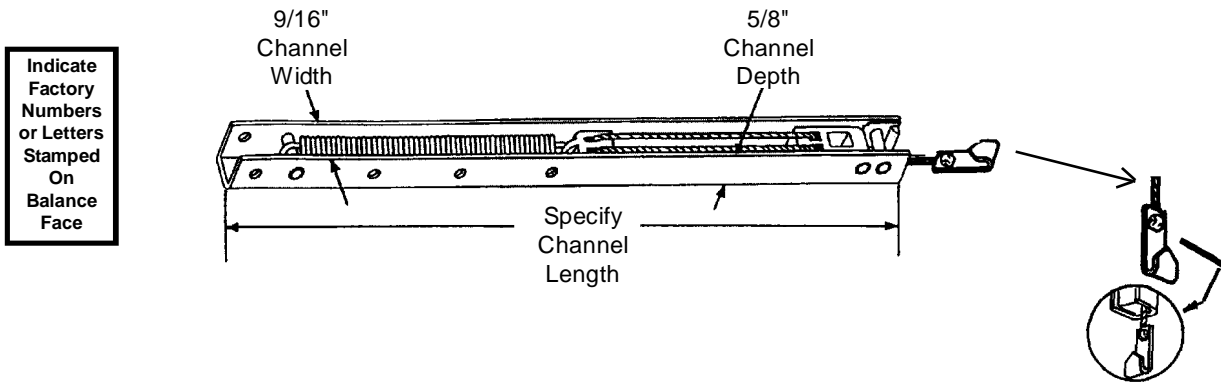
### Example

Length of Metal Channel	No. Stamped on Balance	Blaine Part No.
19	1810	CB2018



Length of Metal Channel	No. Stamped On Bal.	Sash Wt.	Blaine Part Number	No. Stamped On Bal.	Sash Wt.	Blaine Part Number	No. Stamped On Bal.	Sash Wt.	Blaine Part Number
13	1210 or 13A	4 - 8	CB2001-040	1220 or 13B	8 - 11	-----	1240 or 13D	13 - 17	CB2002-040
14	1310 or 14A	4 - 7	CB2003-040	1320 or 14B	7 - 11	CB2004-040	1340 or 14D	14 - 20	CB2005-040
15	1410 or 15A	4 - 7	CB2006-040	1420 or 15B	7 - 11	CB2007-040	1440 or 15D	14 - 20	CB2008-040
16	1510 or 16A	4 - 8	-----	1520 or 16B	8 - 11	CB2010-040	1540 or 16D	14 - 20	CB2011-040
17	1610 or 17A	4 - 8	CB2012-040	1620 or 17B	8 - 11	-----	1640 or 17D	14 - 20	CB2014-040
18	1710 or 18A	4 - 8	CB2015-040	1720 or 18B	8 - 11	CB2016-040	1740 or 18D	14 - 20	CB2017-040
19	1810 or 19A	4 - 7	CB2018-040	1820 or 19B	7 - 11	-----	1840 or 19D	14 - 20	-----
20	1910 or 20A	4 - 8	-----	1920 or 20B	8 - 13	-----	1940 or 20D	17 - 25	-----
21	2010 or 21A	5 - 9	-----	2020 or 21B	9 - 13	-----	2040 or 21D	17 - 25	-----
22	2110 or 22A	5 - 9	-----	2120 or 22B	9 - 14	-----	2140 or 22D	18 - 25	CB2032-040
23	2210 or 23A	5 - 10	CB2033-040	2220 or 23B	10 - 15	CB2034-040	2240 or 23D	20 - 27	CB2036-040
24	2310 or 24A	5 - 10	CB2037-040	2320 or 24B	10 - 15	CB2038-040	2340 or 24D	20 - 27	CB2040-040
25	2410 or 25A	5 - 10	CB2041-040	2420 or 25B	10 - 15	CB2042-040	2440 or 25D	20 - 27	CB2044-040
26	2510 or 26A	5 - 10	CB2045-040	2520 or 26B	10 - 15	CB2046-040	2540 or 26D	20 - 27	CB2048-040
27	2610 or 27A	5 - 10	CB2049-040	2620 or 27B	10 - 15	CB2050-040	2640 or 27D	20 - 27	CB2052-040
28	2710 or 28A	7 - 13	CB2053-040	2720 or 28B	10 - 15	CB2054-040	2740 or 28D	24 - 30	CB2056-040
29	2810 or 29A	8 - 13	CB2057-040	2820 or 29B	13 - 17	CB2058-040	2840 or 29D	24 - 30	CB2060-040
30	2910 or 30A	8 - 13	CB2061-040	2920 or 30B	13 - 17	CB2062-040	2940 or 30D	24 - 30	CB2064-040
31	3010 or 31A	8 - 13	CB2065-040	3020 or 31B	13 - 18	CB2066-040	3040 or 31D	24 - 30	CB2068-040
32	3110 or 32A	8 - 14	CB2069-040	3120 or 32B	13 - 17	CB2070-040	3140 or 32D	24 - 30	CB2072-040
33	3210 or 33A	9 - 15	CB2073-040	3220 or 33B	14 - 19	CB2074-040	3240 or 33D	25 - 30	CB2076-040
34	3310 or 34A	9 - 15	CB2077-040	3320 or 34B	15 - 19	CB2078-040	3340 or 34D	25 - 30	CB2080-040
35	3410 or 35A	9 - 15	CB2081-040	3420 or 35B	15 - 19	CB2082-040	3440 or 35D	25 - 30	CB2084-040
36	3510 or 36A	9 - 15	CB2085-040	3520 or 36B	15 - 19	CB2086-040	3540 or 36D	25 - 30	CB2088-040
37	3610 or 37A	9 - 15	CB2089-040	3620 or 37B	15 - 19	CB2090-040	3640 or 37D	25 - 30	CB2092-040
38	3710 or 38A	9 - 15	CB2093-040	3720 or 38B	15 - 19	CB2094-040	3740 or 38D	25 - 32	CB2096-040
39	3810 or 39A	9 - 15	CB2097-040	3820 or 39B	15 - 20	CB2098-040	3840 or 39D	25 - 32	CB2098-39D
40	3910 or 40A	9 - 15	CB2098-40A	3920 or 40B	15 - 20	CB2098-40B	3940 or 40D	25 - 32	CB2098-40D
41	4010 or 41A	9 - 15	CB2098-41A	4020 or 41B	15 - 20	CB2098-41B	4040 or 41D	25 - 32	CB2098-41D
42	4110 or 42A	9 - 15	CB2098-42A	4120 or 42B	15 - 20	CB2098-42B	4140 or 42D	25 - 32	CB2098-42D
43	4210 or 43A	9 - 15	CB2098-43A	4220 or 43B	15 - 20	CB2098-43B	4240 or 43D	25 - 32	CB2098-43D
44	4310 or 44A	9 - 15	CB2098-44A	4320 or 44B	15 - 20	CB2098-44B	4340 or 44D	25 - 32	CB2098-44D

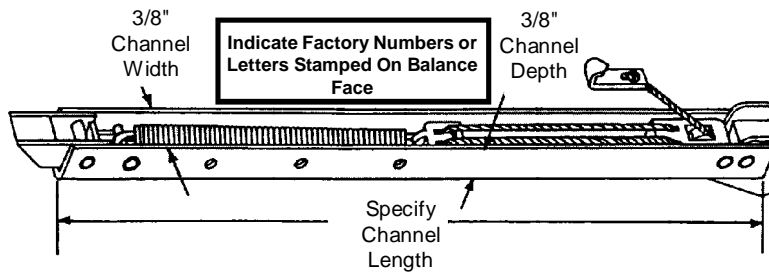
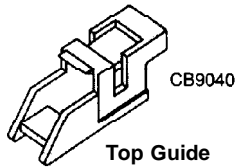




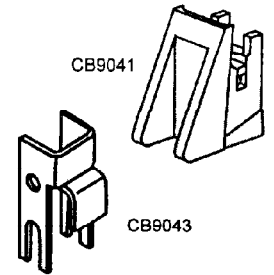
Length of Metal Channel	No. Stamped On Bal.	Blaine Part Number	No. Stamped On Bal.	Blaine Part Number	No. Stamped On Bal.	Blaine Part Number	No. Stamped On Bal.	Blaine Part Number
13	1210 or 13A	CB3001-040	1220 or 13B	CB3002-040	1230 or 13C	CB3001-13C	1240 or 13D	CB3001-13D
14	1310 or 14A	CB3003-040	1320 or 14B	CB3004-040	1330 or 14C	CB3004-14C	1340 or 14D	CB3004-14D
15	1410 or 15A	CB3005-040	1420 or 15B	CB3006-040	1430 or 15C	CB3006-15C	1440 or 15D	CB3006-15D
16	1510 or 16A	CB3007-040	1520 or 16B	CB3008-040	1530 or 16C	CB3008-16C	1540 or 16D	CB3008-16D
17	1610 or 17A	CB3009-040	1620 or 17B	CB3010-040	1630 or 17C	CB3010-17C	1640 or 17D	CB3010-17D
18	1710 or 18A	CB3011-040	1720 or 18B	CB3012-040	1730 or 18C	CB3012-18C	1740 or 18D	CB3012-18D
19	1810 or 19A	CB3013-040	1820 or 19B	CB3014-040	1830 or 19C	CB3014-19C	1840 or 19D	CB3014-19D
20	1910 or 20A	CB3015-040	1920 or 20B	CB3016-040	1930 or 20C	CB3016-20C	1940 or 20D	CB3016-20D
21	2010 or 21A	CB3017-040	2020 or 21B	CB3018-040	2030 or 21C	CB3019-040	2040 or 21D	CB3019-21D
22	2110 or 22A	CB3020-040	2120 or 22B	CB3021-040	2130 or 22C	CB3021-22C	2140 or 22D	CB3022-040
23	2210 or 23A	CB3023-040	2220 or 23B	CB3024-040	2230 or 23C	CB3025-23C	2240 or 23D	CB3025-23D
24	2310 or 24A	CB3026-040	2320 or 24B	CB3027-040	2330 or 24C	CB3028-040	2340 or 24D	CB3028-24D
25	2410 or 25A	CB3029-040	2420 or 25B	CB3030-040	2430 or 25C	CB3030-25C	2440 or 25D	CB3030-25D
26	2510 or 26A	CB3032-040	2520 or 26B	CB3033-040	2530 or 26C	CB3034-040	2540 or 26D	CB3034-26D
27	2610 or 27A	CB3035-040	2620 or 27B	CB3036-040	2630 or 27C	CB3037-040	2640 or 27D	CB3037-27D
28	2710 or 28A	CB3038-040	2720 or 28B	CB3039-040	2730 or 28C	CB3040-040	2740 or 28D	CB3040-28D
29	2810 or 29A	CB3041-040	2820 or 29B	CB3042-040	2830 or 29C	CB3043-040	2840 or 29D	CB3043-29D
30	2910 or 30A	CB3044-040	2920 or 30B	CB3045-040	2930 or 30C	CB3046-040	2940 or 30D	CB3046-30D
31	3010 or 31A	CB3047-040	3020 or 31B	CB3048-040	3030 or 31C	CB3049-040	3040 or 31D	CB3049-31D
32	3110 or 32A	CB3050-040	3120 or 32B	CB3051-040	3130 or 32C	CB3052-040	3140 or 32D	CB3052-32D
33	3210 or 33A	CB3053-040	3220 or 33B	CB3054-040	3230 or 33C	CB3055-040	3240 or 33D	CB3055-33D
34	3310 or 34A	CB3056-040	3320 or 34B	CB3057-040	3330 or 34C	CB3058-040	3340 or 34D	CB3058-34D
35	3410 or 35A	CB3059-040	3420 or 35B	CB3060-040	3430 or 35C	CB3061-040	3440 or 35D	CB3061-35D
36	3510 or 36A	CB3062-040	3520 or 36B	CB3063-040	3530 or 36C	CB3064-040	3540 or 36D	CB3064-36D
37	3610 or 37A	CB3065-040	3620 or 37B	CB3066-040	3630 or 37C	CB3067-040	3640 or 37D	CB3067-37D
38	3710 or 38A	CB3068-040	3720 or 38B	CB3069-040	3730 or 38C	CB3070-040	3740 or 38D	CB3070-38D
39	3810 or 39A	CB3071-040	3820 or 39B	CB3072-040	3830 or 39C	CB3073-040	3840 or 39D	CB3073-39D
40	3910 or 40A	CB3074-040	3920 or 40B	CB3075-040	3930 or 40C	CB3076-040	3940 or 40D	CB3076-40D
41	4010 or 41A	CB3077-040	4020 or 41B	CB3078-040	4030 or 41C	CB3079-040	4040 or 41D	CB3079-41D
42	4110 or 42A	CB3080-040	4120 or 42B	CB3081-040	4130 or 42C	CB3082-040	4140 or 42D	CB3082-42D
43	4210 or 43A	CB3083-040	4220 or 43B	CB3084-040	4230 or 43C	CB3085-040	4240 or 43D	CB3085-43D
44	4310 or 44A	CB3086-040	4320 or 44B	CB3087-040	4330 or 44C	CB3088-040	4340 or 44D	CB3088-44D

**3/8" Channel Balance - Non Tilt**

Most Commonly Used  
Accessories For CB 4 Series  
Balances



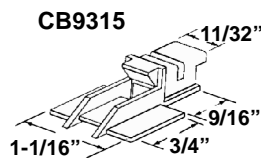
Bottom Guide



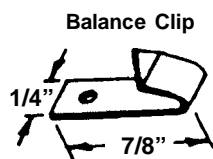
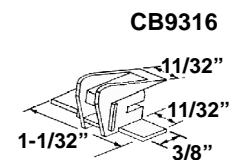
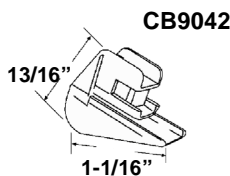
Length of Metal Channel	No. Stamped On Bal.	BWH Part No.	Length of Metal Channel	No. Stamped On Bal.	BWH Part No.	Length of Metal Channel	No. Stamped On Bal.	BWH Part No.
11	10A	CB4001	11	10B	CB4002	11	10C	CB4003
12	11A	CB4004	12	11B	CB4005	12	11C	CB4006
13	12A	CB4007	13	12B	CB4008	13	12C	CB4009
14	13A	CB4010	14	13B	CB4011	14	13C	CB4012
15	14A	CB4013	15	14B	CB4014	15	14C	CB4015
16	15A	CB4016	16	15B	CB4017	16	15C	CB4018
17	16A	CB4019	17	16B	CB4020	17	16C	CB4021
18	17A	CB4022	18	17B	CB4023	18	17C	CB4024
19	18A	CB4025	19	18B	CB4026	19	18C	CB4027
20	19A	CB4028	20	19B	CB4029	20	19C	CB4030
21	20A	CB4031	21	20B	CB4032	21	20C	CB4033
22	21A	CB4034	22	21B	CB4035	22	21C	CB4036
23	22A	CB4037	23	22B	CB4038	23	22C	CB4039
24	23A	CB4040	24	23B	CB4041	24	23C	CB4042
25	24A	CB4043	25	24B	CB4044	25	24C	CB4045
26	25A	CB4046	26	25B	CB4047	26	25C	CB4048
27	26A	CB4049	27	26B	CB4050	27	26C	CB4051
28	27A	CB4052	28	27B	CB4053	28	27C	CB4054
29	28A	CB4055	29	28B	CB4056	29	28C	CB4057
30	29A	CB4058	30	29B	CB4059	30	29C	CB4060
31	30A	CB4061	31	30B	CB4062	31	30C	CB4063
32	31A	CB4064	32	31B	CB4065	32	31C	CB4066
33	32A	CB4067	33	32B	CB4068	33	32C	CB4069
34	33A	CB4070	34	33B	CB4071	34	33C	CB4072
35	34A	CB4073	35	34B	CB4074	35	34C	CB4075
36	35A	CB4076	36	35B	CB4077	36	35C	CB4078
37	36A	CB4079	37	36B	CB4080	37	36C	CB4081
38	37A	CB4082	38	37B	CB4083	38	37C	CB4084

**Balance Accessories**

Top Bracket



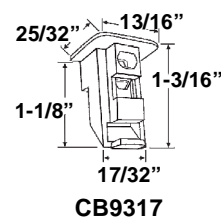
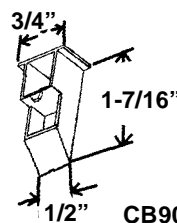
Bottom Brackets

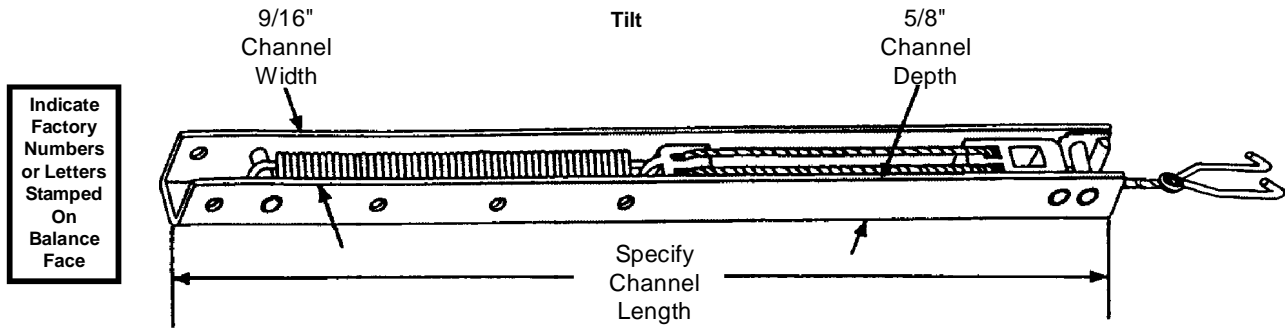


Rivet



Sash Guides





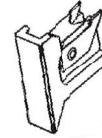
**Ordering Information:**

1. Measure metal channel length .
2. Locate number stamped on balance (e.g., 1410, 2510, 26A, etc. . .)
3. Refer to chart, below, to locate the proper balance which corresponds to the numbers.

Length of Metal Channel	No. Stamped On Bal.	Blaine Part Number	No. Stamped On Bal.	Blaine Part Number	No. Stamped On Bal.	Blaine Part Number	No. Stamped On Bal.	Blaine Part Number
13	1210 or 13A	CB5001-13A-040	1220 or 13B	CB5001-13B-040	1230 or 13C	CB5002-13C-040	1240 or 13D	CB5002-13D-040
14	1310 or 14A	CB5003-14A-040	1320 or 14B	CB5004-14B-040	1330 or 14C	CB5004-14C-040	1340 or 14D	CB5004-14D-040
15	1410 or 15A	CB5005-15A-040	1420 or 15B	CB5006-15B-040	1430 or 15C	CB5006-15C-040	1440 or 15D	CB5006-15D-040
16	1510 or 16A	CB5007-16A-040	1520 or 16B	CB5008-16B-040	1530 or 16C	CB5008-16C-040	1540 or 16D	CB5008-16D-040
17	1610 or 17A	CB5009-17A-040	1620 or 17B	CB5010-17B-040	1630 or 17C	CB5010-17C-040	1640 or 17D	CB5010-17D-040
18	1710 or 18A	CB5011-18A-040	1720 or 18B	CB5012-18B-040	1730 or 18C	CB5012-18C-040	1740 or 18D	CB5012-18D-040
19	1810 or 19A	CB5013-19A-040	1820 or 19B	CB5014-19B-040	1830 or 19C	CB5014-19C-040	1840 or 19D	CB5014-19D-040
20	1910 or 20A	CB5015-20A-040	1920 or 20B	CB5016-20B-040	1930 or 20C	CB5016-20C-040	1940 or 20D	CB5016-20D-040
21	2010 or 21A	CB5017-21A-040	2020 or 21B	CB5018-21B-040	2030 or 21C	CB5019-21C-040	2040 or 21D	CB5019-21D-040
22	2110 or 22A	CB5020-22A-040	2120 or 22B	CB5021-22B-040	2130 or 22C	CB5021-22C-040	2140 or 22D	CB5022-22D-040
23	2210 or 23A	CB5023-23A-040	2220 or 23B	CB5024-23B-040	2230 or 23C	CB5025-23C-040	2240 or 23D	CB5025-23D-040
24	2310 or 24A	CB5026-24A-040	2320 or 24B	CB5027-24B-040	2330 or 24C	CB5028-24C-040	2340 or 24D	CB5028-24D-040
25	2410 or 25A	CB5029-25A-040	2420 or 25B	CB5030-25B-040	2430 or 25C	CB5030-25C-040	2440 or 25D	CB5031-25D-040
26	2510 or 26A	CB5032-26A-040	2520 or 26B	CB5033-26B-040	2530 or 26C	CB5034-26C-040	2540 or 26D	CB5034-26D-040
27	2610 or 27A	CB5035-27A-040	2620 or 27B	CB5036-27B-040	2630 or 27C	CB5037-27C-040	2640 or 27D	CB5037-27D-040
28	2710 or 28A	CB5038-28A-040	2720 or 28B	CB5039-28B-040	2730 or 28C	CB5040-28C-040	2740 or 28D	CB5040-28D-040
29	2810 or 29A	CB5041-29A-040	2820 or 29B	CB5042-29B-040	2830 or 29C	CB5043-29C-040	2840 or 29D	CB5043-29D-040
30	2910 or 30A	CB5044-30A-040	2920 or 30B	CB5045-30B-040	2930 or 30C	CB5046-30C-040	2940 or 30D	CB5046-30D-040
31	3010 or 31A	CB5047-31A-040	3020 or 31B	CB5048-31B-040	3030 or 31C	CB5049-31C-040	3040 or 31D	CB5049-31D-040
32	3110 or 32A	CB5050-32A-040	3120 or 32B	CB5051-32B-040	3130 or 32C	CB5052-32C-040	3140 or 32D	CB5052-32D-040
33	3210 or 33A	CB5053-33A-040	3220 or 33B	CB5054-33B-040	3230 or 33C	CB5055-33C-040	3240 or 33D	CB5055-33D-040
34	3310 or 34A	CB5056-34A-040	3320 or 34B	CB5057-34B-040	3330 or 34C	CB5058-34C-040	3340 or 34D	CB5058-34D-040
35	3410 or 35A	CB5059-35A-040	3420 or 35B	CB5060-35B-040	3430 or 35C	CB5061-35C-040	3440 or 35D	CB5061-35D-040
36	3510 or 36A	CB5062-36A-040	3520 or 36B	CB5063-36B-040	3530 or 36C	CB5064-36C-040	3540 or 36D	CB5064-36D-040
37	3610 or 37A	CB5065-37A-040	3620 or 37B	CB5066-37B-040	3630 or 37C	CB5067-37C-040	3640 or 37D	CB5067-37D-040
38	3710 or 38A	CB5068-38A-040	3720 or 38B	CB5069-38B-040	3730 or 38C	CB5070-38C-040	3740 or 38D	CB5070-38D-040
39	3810 or 39A	CB5071-39A-040	3820 or 39B	CB5072-39B-040	3830 or 39C	CB5073-39C-040	3840 or 39D	CB5073-39D-040
40	3910 or 40A	CB5074-40A-040	3920 or 40B	CB5075-40B-040	3930 or 40C	CB5076-40C-040	3940 or 40D	CB5076-40D-040
41	4010 or 41A	CB5077-41A-040	4020 or 41B	CB5078-41B-040	4030 or 41C	CB5079-41C-040	4040 or 41D	CB5079-41D-040
42	4110 or 42A	CB5080-42A-040	4120 or 42B	CB5081-42B-040	4130 or 42C	CB5082-42C-040	4140 or 42D	CB5082-42D-040
43	4210 or 43A	CB5083-43A-040	4220 or 43B	CB5084-43B-040	4230 or 43C	CB5085-43C-040	4240 or 43D	CB5085-43D-040
44	4310 or 44A	CB5086-44A-040	4320 or 44B	CB5087-44B-040	4330 or 44C	CB5088-44C-040	4340 or 44D	CB5088-44D-040



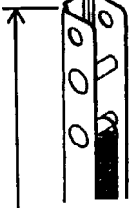
Tilt



CB9062

Used in  
jambliners

Ribbed

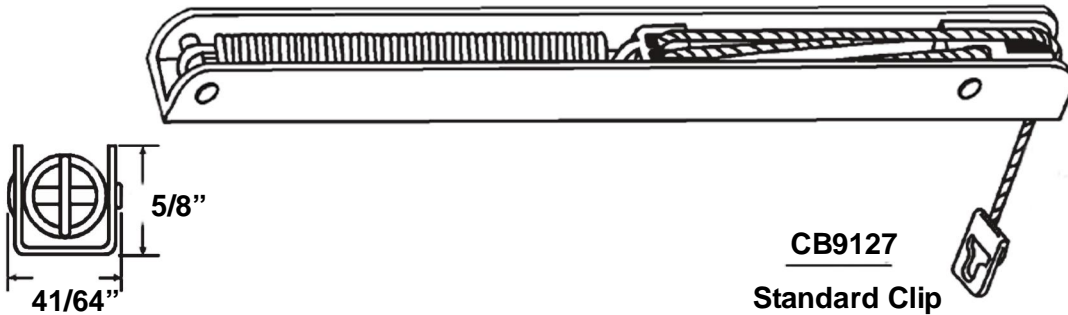


9/16"  
Channel  
Width

Indicate Factory Numbers or  
Letters Stamped On Balance  
Face

No. Stamped On Balance	Blaine Part No.	No. Stamped On Balance	Blaine Part No.	No. Stamped On Balance	Blaine Part No.	No. Stamped On Balance	Blaine Part No.
12R	CB6012-12R	22R	CB6022-22R	32R	CB6032-32R	42R	CB6042-42R
12HD	CB6012-12HD	22HD	CB6022-22HD	32HD	CB6032-32HD	42HD	CB6042-42HD
12XH	CB6012-12XH	22XH	CB6022-22XH	32XH	CB6032-32XH	42XH	CB6042-42XH
13R	CB6013-13R	23R	CB6023-23R	33R	CB6033-33R	43R	CB6043-43R
13HD	CB6013-13HD	23HD	CB6023-23HD	33HD	CB6033-33HD	43HD	CB6043-43HD
13XH	CB6013-13XH	23XH	CB6023-23XH	33XH	CB6033-33XH	43XH	CB6043-43XH
14R	CB6014-14R	24R	CB6024-24R	34R	CB6034-34R	44R	CB6044-44R
14HD	CB6014-14HD	24HD	CB6024-24HD	34HD	CB6034-34HD	44HD	CB6044-44HD
14XH	CB6014-14XH	24XH	CB6024-24XH	34XH	CB6034-34XH	44XH	CB6044-44XH
15R	CB6015-15R	25R	CB6025-25R	35R	CB6035-35R	45R	CB6045-45R
15HD	CB6015-15HD	25HD	CB6025-25HD	35HD	CB6035-35HD	45HD	CB6045-45HD
15XH	CB6015-15XH	25XH	CB6025-25XH	35XH	CB6035-35XH	45XH	CB6045-45XH
16R	CB6016-16R	26R	CB6026-26R	36R	CB6036-36R	46R	CB6046-46R
16HD	CB6016-16HD	26HD	CB6026-26HD	36HD	CB6036-36HD	46HD	CB6046-46HD
16XH	CB6016-16XH	26XH	CB6026-26XH	36XH	CB6036-36XH	46XH	CB6046-46XH
17R	CB6017-17R	27R	CB6027-27R	37R	CB6037-37R	47R	CB6047-47R
17HD	CB6017-17HD	27HD	CB6027-27HD	37HD	CB6037-37HD	47HD	CB6047-47HD
17XH	CB6017-17XH	27XH	CB6027-27XH	37XH	CB6037-37XH	47XH	CB6047-47XH
18R	CB6018-18R	28R	CB6028-28R	38R	CB6038-38R	48R	CB6048-48R
18HD	CB6018-18HD	28HD	CB6028-28HD	38HD	CB6038-38HD	48HD	CB6048-48HD
18XH	CB6018-18XH	28XH	CB6028-28XH	38XH	CB6038-38XH	48XH	CB6048-48XH
19R	CB6019-19R	29R	CB6029-29R	39R	CB6039-39R	49R	CB6049-49R
19HD	CB6019-19HD	29HD	CB6029-29HD	39HD	CB6039-39HD	49HD	CB6049-49HD
19XH	CB6019-19XH	29XH	CB6029-29XH	39XH	CB6039-39XH	49XH	CB6049-49XH
20R	CB6020-20R	30R	CB6030-30R	40R	CB6040-40R	50R	CB6050-50R
20HD	CB6020-20HD	30HD	CB6030-30HD	40HD	CB6040-40HD	50HD	CB6050-50HD
20XH	CB6020-20XH	30XH	CB6030-30XH	40XH	CB6040-40XH	50XH	CB6050-50XH
21R	CB6021-21R	31R	CB6031-31R	41R	CB6041-41R	51R	CB6051-51R
21HD	CB6021-21HD	31HD	CB6031-31HD	41HD	CB6041-41HD	51HD	CB6051-51HD
21XH	CB6021-21XH	31XH	CB6031-31XH	41XH	CB6041-41XH	51XH	CB6051-51XH

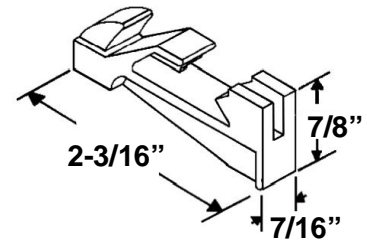
Non-Tilt



**CB9127**  
Standard Clip

Blaine Part No.	No. Stamped on Balance	Length of Channel	Std. Cord Length From Balance*	Std. Wt/ Pair
CB1010-111-040	111	12-3/4"	20"	4 - 7 lbs
CB1010-112-040	112	12-3/4"	20"	7 - 11 lbs
CB1010-121-040	121	15-1/4"	25"	4 - 8 lbs
CB1010-122-040	122	15-1/4"	25"	8 - 12 lbs
CB1010-151-040	151	19-1/4"	33"	5 - 9 lbs
CB1010-152-040	152	19-1/4"	33"	9 - 13 lbs
CB1010-153-040	153	19-1/4"	33"	13 - 16 lbs
CB1010-162-040	162	23-1/4"	36"	9 - 14 lbs
CB1010-163-040	163	23-1/4"	36"	13 - 16 lbs
CB1010-163HD-040	163HD	23-1/4"	36"	15 - 17 lbs
CB1010-183-040	183	27-1/4"	40"	17 - 20 lbs
CB1010-183HD-040	183HD	27-1/4"	40"	24 - 27 lbs

**End Bracket**



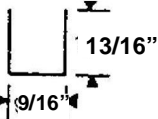
**CB7800-2**

\*Note: If cord lengths are different from the standard lengths shown, a plus sign (+) and the extra number of inches should be added after the part number.

Ordering Information

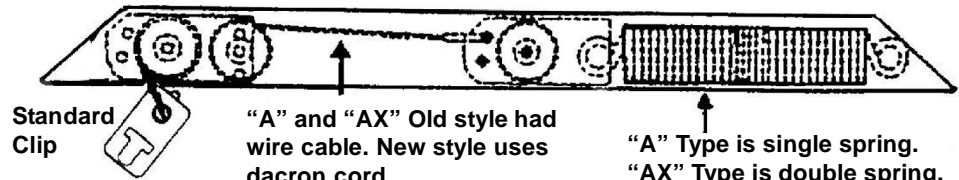
1. Measure metal channel length.
2. Identify number stamped on balance.
3. Select our corresponding part number from the chart, above and order accordingly.
4. Standard clip will be attached unless otherwise specified.

Channel Height



Channel Width

9/16" X 13/16"



Standard  
Clip

"A" and "AX" Old style had  
wire cable. New style uses  
dacron cord.

"A" Type is single spring.  
"AX" Type is double spring.

Old style is slotted.  
New style is not.



Bottom View

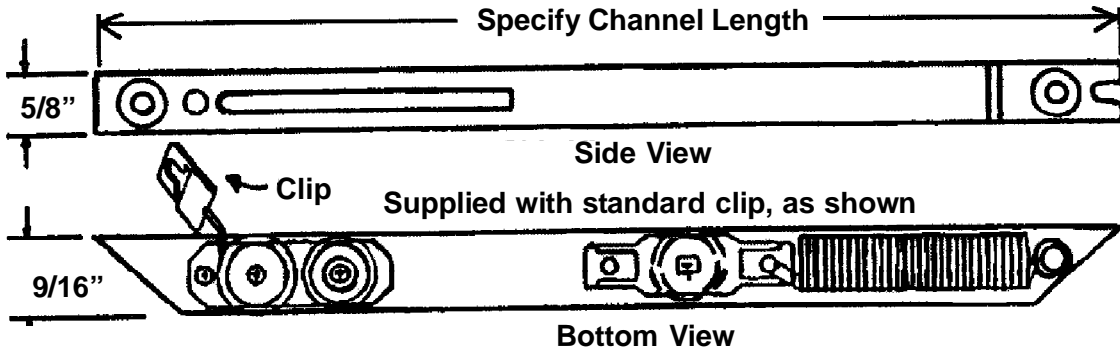
**CB1100 "A" Type**

Glass Height	Length of Channel	Balance No.	Sash Wt/ Pair	Std. Cord Lngth	Blaine Part No.
12"	13-1/2"	101	5 - 7 lbs	31"	CB1100-101-040
12"	13-1/2"	102	7 - 11 lbs	31"	CB1100-102-040
14"	15-1/2"	111	5 - 8 lbs	33"	CB1100-111-040
14"	15-1/2"	112	8 - 11 lbs	33"	CB1100-112-040
16"	17-1/2"	121	5 - 9 lbs	35"	CB1100-121-040
16"	17-1/2"	122	9 - 12 lbs	35"	CB1100-122-040
18"	19-1/2"	131	5 - 9 lbs	37"	CB1100-131-040
18"	19-1/2"	132	9 - 13 lbs	37"	CB1100-132-040
20"	21-1/2"	141	5 - 9 lbs	39"	CB1100-141-040
20"	21-1/2"	142	9 - 12 lbs	39"	CB1100-142-040
20"	21-1/2"	143	12 - 14 lbs	39"	CB1100-143-040
22"	23-1/2"	151	6 - 10 lbs	41"	CB1100-151-040
22"	23-1/2"	152	10 - 12 lbs	41"	CB1100-152-040
22"	23-1/2"	153	12 - 15 lbs	41"	CB1100-153-040
24"	25-1/2"	161	6 - 10 lbs	43"	CB1100-161-040
24"	25-1/2"	162	10 - 14 lbs	43"	CB1100-162-040
24"	25-1/2"	163	14 - 18 lbs	43"	CB1100-163-040
26"	27-1/2"	171	6 - 10 lbs	45"	CB1100-171-040
26"	27-1/2"	172	10 - 14 lbs	45"	CB1100-172-040
26"	27-1/2"	173	14 - 18 lbs	45"	CB1100-173-040
28"	29-1/2"	181	7 - 12 lbs	47"	CB1100-181-040
28"	29-1/2"	182	12 - 16 lbs	47"	CB1100-182-040
28"	29-1/2"	183	16 - 20 lbs	47"	CB1100-183-040
30"	31-1/2"	191	7 - 12 lbs	49"	CB1100-191-040
30"	31-1/2"	192	12 - 16 lbs	49"	CB1100-192-040
30"	31-1/2"	193	16 - 20 lbs	49"	CB1100-193-040
32"	33-1/2"	201	8 - 14 lbs	51"	CB1100-201-040
32"	33-1/2"	202	14 - 18 lbs	51"	CB1100-202-040
32"	33-1/2"	203	18 - 22 lbs	51"	CB1100-203-040
34"	35-1/2"	211	8 - 14 lbs	53"	CB1100-211-040
34"	35-1/2"	212	14 - 18 lbs	53"	CB1100-212-040
34"	35-1/2"	213	18 - 22 lbs	53"	CB1100-213-040
36"	37-1/2"	221	8 - 15 lbs	55"	CB1100-221-040
36"	37-1/2"	222	15 - 20 lbs	55"	CB1100-222-040
36"	37-1/2"	223	20 - 24 bs	55"	CB1100-223-040
38"	37-1/2"	231	8 - 15 lbs	57"	CB1100-231-040
38"	37-1/2"	232	15 - 20 lbs	57"	CB1100-232-040
38"	37-1/2"	233	20 - 24 lbs	57"	CB1100-233-040
40"	37-1/2"	241	8 - 15 lbs	59"	CB1100-241-040
40"	37-1/2"	242	15 - 20 lbs	59"	CB1100-242-040
40"	37-1/2"	243	20 - 24 lbs	59"	CB1100-243-040
42"	37-1/2"	251	8 - 15 lbs	61"	CB1100-251-040
42"	37-1/2"	252	15 - 20 lbs	61"	CB1100-252-040
42"	37-1/2"	253	20 - 24 lbs	61"	CB1100-253-040

**CB1150 "AX" Type**

Glass Height	Length of Channel	Balance No.	Sash Wt/ Pair	Std. Cord Length	Blaine Part No.
12"	13-1/2"	101AX	11 - 16 lb	31"	CB1150-AX101-050
12"	13-1/2"	102AX	16 - 24 lb	31"	CB1150-AX102-050
14"	15-1/2"	111AX	11 - 16 lb	33"	CB1150-AX111-050
14"	15-1/2"	112AX	16 - 25 lb	33"	CB1150-AX112-050
16"	17-1/2"	121AX	12 - 19 lb	35"	CB1150-AX121-050
16"	17-1/2"	122AX	19 - 26 lb	35"	CB1150-AX122-050
18"	19-1/2"	131AX	13 - 19 lb	37"	CB1150-AX131-050
18"	19-1/2"	132AX	19 - 26 lb	37"	CB1150-AX132-050
20"	21-1/2"	141AX	14 - 20 lb	39"	CB1150-AX141-050
20"	21-1/2"	142AX	20 - 26 lb	39"	CB1150-AX142-050
20"	21-1/2"	143AX	26 - 30 lb	39"	CB1150-AX143-050
22"	23-1/2"	151AX	15 - 20 lb	41"	CB1150-AX151-050
22"	23-1/2"	152AX	20 - 26 lb	41"	CB1150-AX152-050
22"	23-1/2"	153AX	26 - 32 lb	41"	CB1150-AX153-050
24"	25-1/2"	161AX	18 - 23 lb	43"	CB1150-AX161-050
24"	25-1/2"	162AX	23 - 28 lb	43"	CB1150-AX162-050
24"	25-1/2"	163AX	28 - 34 lb	43"	CB1150-AX163-050
24"	25-1/2"	164AX	34 - 38 lb	43"	CB1150-AX164-050
26"	27-1/2"	171AX	18 - 23 lb	45"	CB1150-AX171-050
26"	27-1/2"	172AX	23 - 28 lb	45"	CB1150-AX172-050
26"	27-1/2"	173AX	28 - 34 lb	45"	CB1150-AX173-050
26"	27-1/2"	174AX	34 - 38 lb	45"	CB1150-AX174-050
28"	29-1/2"	181AX	20 - 25 lb	47"	CB1150-AX181-050
28"	29-1/2"	182AX	25 - 32 lb	47"	CB1150-AX182-050
28"	29-1/2"	183AX	32 - 38 lb	47"	CB1150-AX183-050
28"	29-1/2"	184AX	38 - 42 lb	47"	CB1150-AX184-050
30"	31-1/2"	191AX	20 - 25 lb	49"	CB1150-AX191-050
30"	31-1/2"	192AX	25 - 32 lb	49"	CB1150-AX192-050
30"	31-1/2"	193AX	32 - 38 lb	49"	CB1150-AX193-050
30"	31-1/2"	194AX	38 - 42 lb	49"	CB1150-AX194-050
32"	33-1/2"	201AX	22 - 28 lb	51"	CB1150-AX201-050
32"	33-1/2"	202AX	28 - 34 lb	51"	CB1150-AX202-050
32"	33-1/2"	203AX	34 - 40 lb	51"	CB1150-AX203-050
32"	33-1/2"	204AX	40 - 44 lb	51"	CB1150-AX204-050
34"	35-1/2"	211AX	24 - 30 lb	53"	CB1150-AX211-050
34"	35-1/2"	212AX	30 - 36 lb	53"	CB1150-AX212-050
34"	35-1/2"	213AX	36 - 42 lb	53"	CB1150-AX213-050
34"	35-1/2"	214AX	42 - 48 lb	53"	CB1150-AX214-050
36"	37-1/2"	221AX	24 - 30 lb	55"	CB1150-AX221-050
36"	37-1/2"	222AX	30 - 36 lb	55"	CB1150-AX222-050
36"	37-1/2"	223AX	36 - 42 lb	55"	CB1150-AX223-050
36"	37-1/2"	224AX	42 - 48 lb	55"	CB1150-AX224-050
38"	37-1/2"	231AX	24 - 30 lb	57"	CB1150-AX231-050
38"	37-1/2"	232AX	30 - 36 lb	57"	CB1150-AX232-050
38"	37-1/2"	233AX	36 - 42 lb	57"	CB1150-AX233-050
38"	37-1/2"	234AX	42 - 48 lb	57"	CB1150-AX234-050
40"	37-1/2"	241AX	24 - 30 lb	59"	CB1150-AX241-050
40"	37-1/2"	242AX	30 - 36 lb	59"	CB1150-AX242-050
40"	37-1/2"	243AX	36 - 42 lb	59"	CB1150-AX243-050
40"	37-1/2"	244AX	42 - 48 lb	59"	CB1150-AX244-050
42"	37-1/2"	251AX	24 - 30 lb	61"	CB1150-AX251-050
42"	37-1/2"	252AX	30 - 36 lb	61"	CB1150-AX252-050
42"	37-1/2"	253AX	36 - 42 lb	61"	CB1150-AX253-050
42"	37-1/2"	254AX	42 - 48 lb	61"	CB1150-AX254-050

**CB1200 Series Bantam  
Overhead Balance**



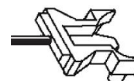
Blaine Part No.	No. Stamped On Balance	Channel Length	Sash Wt. Lbs
CB1200-101-040	101B	12-1/2"	5 - 7
CB1200-102-040	102B	12-1/2"	7 - 11
CB1200-102HD-040	102BHD	12-1/2"	11 - 13
CB1200-111-040	111B	14-1/2"	5 - 8
CB1200-112-040	112B	14-1/2"	8 - 11
CB1200-112HD-040	112BHD	14-1/2"	11 - 16
CB1200-121-040	121B	16-1/2"	5 - 9
CB1200-122-040	122B	16-1/2"	9 - 12
CB1200-122HD-040	122BHD	16-1/2"	12 - 16
CB1200-141-040	141B	20-1/2"	5 - 9
CB1200-142-040	142B	20-1/2"	9 - 12
CB1200-143-040	143B	20-1/2"	12 - 14
CB1200-142HD-040	142BHD	20-1/2"	14 - 20
CB1200-161-040	161B	24-1/2"	6 - 10
CB1200-162-040	162B	24-1/2"	10 - 14
CB1200-163-040	163B	24-1/2"	14 - 16
CB1200-163HD-040	163BHD	24-1/2"	18 - 24
CB1200-181-040	181B	28-1/2"	7 - 12
CB1200-182-040	182B	28-1/2"	12 - 16
CB1200-183-040	183B	28-1/2"	16 - 20
CB1200-183HD-040	183BHD	28-1/2"	20 - 30
CB1200-201-040	201B	32-1/2"	8 - 14
CB1200-202-040	202B	32-1/2"	14 - 18
CB1200-203-040	203B	32-1/2"	18 - 22
CB1200-203HD-040	203BHD	32-1/2"	22 - 30
CB1200-221-040	221B	36-1/2"	8 - 15
CB1200-222-040	222B	36-1/2"	15 - 20
CB1200-223-040	223B	36-1/2"	20 - 24
CB1200-223HD-040	223BHD	36-1/2"	24 - 34



1/2" Tilt RIBBED CHANNEL BALANCE FOR JAMBLINERS



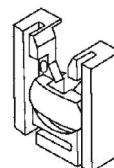
Ribbed Balance



CB9295 comes standard



End view of channel shape of ribbed balances.



CB9278 Sold separately

Ordering Information

1. Measure metal channel length. Do not include any attached ends.
2. Check number stamped on channel (e.g., 16, 16HD, 16TG, etc. . .)
3. Select our corresponding part numbers from the chart below.

General Instructions

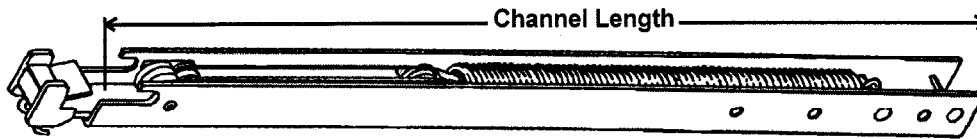
1. In order to remove balances, you must remove all window trim and remove sash along with jambiners. Balances can then be slid out of jambliner sleeve, once parts are moved to the release position. Please note that forcing balances out of jambliner pocket will most likely destroy vinyl extrusion.
2. Balances can be special ordered in beige or white finishes. Contact Customer Service for assistance.

Standard is aluminum

Length of Metal Channel	No. Stamped On Bal.	Blaine Part Number	Length of Metal Channel	No. Stamped On Bal.	Blaine Part Number
13"	12 or 12R	CB7412Reg-040	30"	29 or 29R	CB7429Reg-040
13	12HD	CB7412HD-040	30"	29HD	CB7429HD-040
14"	13 or 13R	CB7413Reg-040	30"	29TG or 29XHD	CB7429XH-040
14"	13HD	CB7413HD-040	31"	30 or 30R	CB7430Reg-040
15"	14 or 14R	CB7414Reg-040	31"	30HD	CB7430HD-040
15"	14HD	CB7414HD-040	31"	30TG or 30XHD	CB7430XH-040
16"	15 or 15R	CB7415Reg-040	32"	31 or 31R	CB7431Reg-040
16"	15HD	CB7415HD-040	32"	31HD	CB7431HD-040
17"	16 or 16R	CB7416Reg-040	32"	31TG or 31XHD	CB7431XH-040
17"	16HD	CB7416HD-040	33"	32 OR 32R	CB7432Reg-040
18"	17 or 17R	CB7417Reg-040	33"	32HD	CB7432HD-040
18"	17HD	CB7417HD-040	33"	32TG OR 32XHD	CB7432XH-040
19"	18 or 18R	CB7418Reg-040	34"	33 OR 33R	CB7433Reg-040
19"	18HD	CB7418HD-040	34"	33HD	CB7433HD-040
20"	19 or 19R	CB7419Reg-040	34"	33TG OR 33XHD	CB7433XH-040
20"	19HD	CB7419HD-040	35"	34 OR 34R	CB7434Reg-040
21"	20 or 20R	CB7420Reg-040	35"	34HD	CB7434HD-040
21"	20HD	CB7420HD-040	35"	34TG OR 34XHD	CB7434XH-040
21"	20TG or 20XHD	CB7420XH-040	36"	35 OR 35R	CB7435Reg-040
22"	21 or 21R	CB7421Reg-040	36"	35HD	CB7435HD-040
22"	21HD	CB7421HD-040	36"	35TG OR 35XHD	CB7435XH-040
22"	21TG or 21XHD	CB7421XH-040	37"	36 OR 36R	CB7436Reg-040
23"	22 or 22R	CB7422Reg-040	37"	36HD	CB7436HD-040
23"	22 HD	CB7422HD-040	37"	36TG OR 36XHD	CB7436XH-040
23"	22TG or 22XHD	CB7422XH-040	38"	37 OR 37R	CB7437Reg-040
24"	23 or 23R	CB7423Reg-040	38"	37HD	CB7437HD-040
24"	23HD	CB7423HD-040	38"	37TG OR 37XHD	CB7437XH-040
24"	23TG or 23XHD	CB7423XH-040	39"	38 OR 38R	CB7438Reg-040
25"	24 or 24R	CB7424Reg-040	39"	38HD	CB7438HD-040
25"	24HD	CB7424HD-040	39"	38TG OR 38XHD	CB7438XH-040
25"	24TG or 24XHD	CB7424XH-040	40"	39 OR 39R	CB7439Reg-040
26"	25 or 25R	CB7425Reg-040	40"	39HD	CB7439HD-040
26"	25HD	CB7425HD-040	40"	39TG OR 39XHD	CB7439XH-040
26"	25TG or 25XHD	CB7425XH-040	41"	40 OR 40R	CB7440Reg-040
27"	26 or 26R	CB7426Reg-040	41"	40HD	CB7440HD-040
27"	26HD	CB7426HD-040	41"	40TG OR 40XHD	CB7440XH-040
27"	26TG or 26XHD	CB7426XH-040	42"	41 OR 41R	CB7441Reg-040
28"	27 or 27R	CB7427Reg-040	42"	41HD	CB7441HD-040
28"	27HD	CB7427HD-040	42"	41TG OR 41XHD	CB7441XH-040
28"	27TG or 27XHD	CB7427XH-040	43"	42 OR 42R	CB7442Reg-040
29"	28 or 28R	CB7428Reg-040	43"	42HD	CB7442HD-040
29"	28HD	CB7428HD-040	43"	42TG OR 42XHD	CB7442XH-040
29"	28TG or 28XHD	CB7428XH-040			

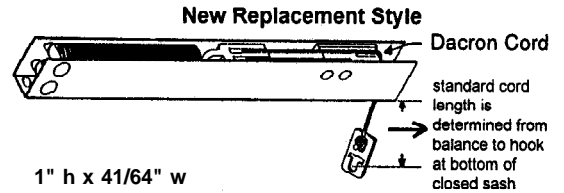
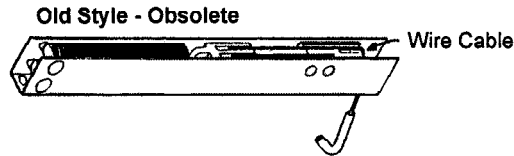
**CB7700 SERIES RUSCO Channel Balance**

Non-Tilt



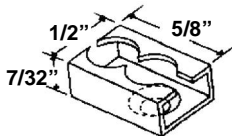
BLAINE PART NO.	NO. STAMPED ON BALANCE	CHANNEL LENGTH	BLAINE PART NO.	NO. STAMPED ON BALANCE	CHANNEL LENGTH
CB7700-10A	10A - C	10-1/2"	CB7700-25C	25C	26"
CB7700-10B	10B - C	10-1/2"	CB7700-25D	25D	26"
CB7700-10D	10D - C	10-1/2"	CB7700-25S	25S	25-5/8"
CB7700-10S	10-S	10-3/16"	CB7700-26C	26C	26-1/2"
CB7700-11A	11A	11-7/8"	CB7700-26S	26S	26-25/32"
CB7700-11B	11B	11-7/8"	CB7700-27A	27A	27-7/8"
CB7700-11D	11D	11-7/8"	CB7700-27B	27B	27-7/8"
CB7700-14A	14A	14-3/8"	CB7700-27C	27C	27-7/8"
CB7700-15A	15A	15-7/8"	CB7700-27D	27D	27-7/8"
CB7700-15B	15B	15-7/8"	CB7700-27E	27E	27-7/8"
CB7700-15D	15D	15-7/8"	CB7700-27S	27S	27-15/16"
CB7700-16A	16A - C	16-11/16"	CB7700-28A	28A - C	29"
CB7700-16B	16B - C	16-11/16"	CB7700-28B	28B - C	29"
CB7700-16D	16D - C	16-11/16"	CB7700-28C	28C - C	29"
CB7700-16E	16E - C	16-11/16"	CB7700-28D	28D - C	29"
CB7700-16F	16F	16-1/8"	CB7700-28E	28E - C	29"
CB7700-16S	16S	16-13/32"	CB7700-28F	28F - C	29"
CB7700-16S-18	16S - 18	16-11/16"	CB7700-28S	28S - 28	28-9/16"
CB7700-17A	17A	18"	CB7700-31B	31B	32"
CB7700-17B	17B	18"	CB7700-31C	31C	32"
CB7700-17C	17C	18"	CB7700-31D	31D	32"
CB7700-17D	17D	18"	CB7700-31E	31E	32"
CB7700-18B	18B	18-1/4"	CB7700-33A	33A	33-7/8"
CB7700-18S	18S	18-21/32"	CB7700-33B	33B	33-7/8"
CB7700-19A	19A	19-7/8"	CB7700-33C	33C	33-7/8"
CB7700-19B	19B	19-7/8"	CB7700-33D	33D	33-7/8"
CB7700-19D	19D	19-7/8"	CB7700-33E	33E	33-7/8"
CB7700-19S	19S	19-7/8"	CB7700-35A - C	35A - C	35-7/8"
CB7700-20C	20C	20-5/8"	CB7700-35B - C	35B - C	35-7/8"
CB7700-20D	20D	20-5/8"	CB7700-35C - C	35C - C	35-7/8"
CB7700-20E	20E	20-3/4"	CB7700-35D - C	35D - C	35-7/8"
CB7700-20S	20S	20-3/8"	CB7700-35E - C	35E - C	35-7/8"
CB7700-21A	21A	21-7/8"	CB7700-39A	39A	39-7/8"
CB7700-21B	21B	21-7/8"	CB7700-39C	39C	39-7/8"
CB7700-21C	21C	21-7/8"	CB7700-39D	39D	39-7/8"
CB7700-21D	21D	21-7/8"	CB7700-39E	39E	39-7/8"
CB7700-21S	21S	21/15/16"	CB7700-42A	42A	42-7/8"
CB7700-22A	22A	22-13/16"	CB7700-42B	42B	42-7/8"
CB7700-22B	22B	22-13/16"	CB7700-42C	42C	42-7/8"
CB7700-22C	22C	22-13/16"	CB7700-42D	42D	42-7/8"
CB7700-22D	22D	22-13/16"	CB7700-42E	42E	42-7/8"
CB7700-22E	22E - C	22-13/16"			
CB7700-22F	22F	22-13/16"			
CB7700-22S	22S - 23	22-9/16"			
CB7700-23A	23A	23-7/8"			
CB7700-23B	23B	23-7/8"			
CB7700-23C	23C	23-7/8"			
CB7700-23D	23D	23-7/8"			
CB7700-23E	23E	24"			
CB7700-23F	23F	24"			
CB7700-23S	23S	23-1/16"			
CB7700-24D	24D	24-3/8"			
CB7700-24F	24F	24-3/8"			
CB7700-24S	24S	24-11/32"			
CB7700-25B	25B	26"			

**CB8200 Series Overhead Balance  
Double Spring- Non Tilt**



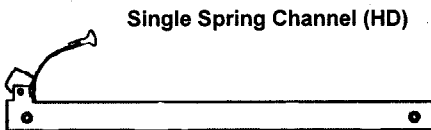
BLAINE PART NO.	NO. STAMPED ON BALANCE	CHANNEL LENGTH	STD CORD LENGTH FROM BALANCE	SASH WEIGHT (2) BALANCES
CB8200-112-040	112	13-1/4"	20"	4 - 10
CB8200-112D-040	112D	13-1/4"	20"	10 - 18
CB8200-122-040	122	16-1/4"	25"	6 - 12
CB8200-122D-040	122D	16-1/4"	25"	12 - 22
CB8200-153-040	153	19-3/4"	30"	8 - 16
CB8200-153D-040	153D	19-3/4"	30"	16 - 28
CB8200-163-040	163	23-3/4"	36"	10 - 18
CB8200-163D-040	163D	23-3/4"	36"	18 - 32
CB8200-183-040	183	28-1/4"	40"	10 - 16
CB8200-183D-040	183D	28-1/4"	40"	16 - 34

CB9097-1 Bracket

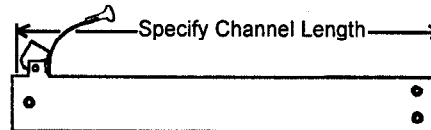
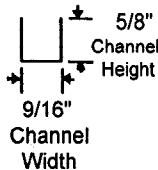


Non-Tilt

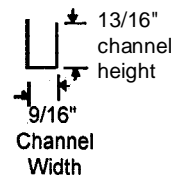
**CB8900 SERIES DEVAC OVERHEAD BALANCE**



works with CB9097-1 bracket, shown above



Now with Dacron cord. Original steel cable with copper hook is no longer produced.

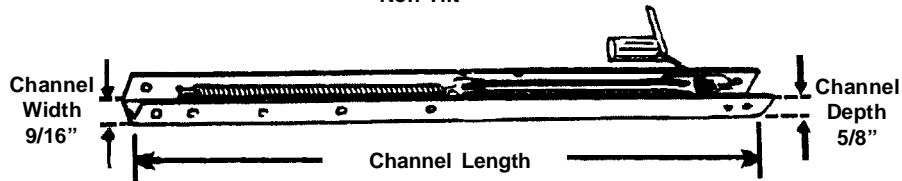


BLAINE PART NO.	OLD NO. ON BALANCE	NEW NO. ON BALANCE	CHANNEL LENGTH	STD CORD LENGTH FROM BALANCE
CB8900-1210HD	111	1210HD	13"	31"
CB8900-1220HD	112	1220HD	13"	31"
CB8900-112D	112-D	112D	13-1/4"	36"
CB8900-1510HD	121	1510HD	16"	37"
CB8900-1520HD	122	1520HD	16"	37"
CB8900-122D	122-D	122-D	16-1/4"	42"
CB8900-1910HD	151	1910HD	20"	41"
CB8900-1920HD	152	1920HD	20"	41"
CB8900-1930HD	153	1930HD	20"	41"
CB8900-153D	153-D	153-D	19-3/4"	47"
CB8900-2320HD	162	2320HD	24"	47"
CB8900-2330HD	163	2330HD	24"	47"
CB8900-163D	163-D	163-D	23-3/4"	53"
CB8900-2730HD	183	2730HD	28"	50"
CB8900-183D	183-D	183-D	28-1/4"	58"

Standard cord length is determined from balance to hook at bottom of closed sash.

**CB8300 SERIES PEACHTREE BALANCE**

Non-Tilt



Blaine Part No.	No. Stamped On Balance	Channel Length
CB8300-3036-040	3036-1	14-1/4"
CB8300-3040-040	3040-1	16-1/4"
CB8300-3048-040	3048-1	20-1/4"
CB8300-3054-040	3054-1	23-1/4"
CB8300-3060-040	3060-1	26-1/4"
CB8300-3066-040	3066-1	29-1/4"
CB8300-3072-040	3072-1	32-1/4"
CB8300-3360-040	3360-1	25-1/4"
CB8300-3372-040	3372-1	31-1/4"
CB8300-3636-040	3636-1	14-1/4"
CB8300-3640-040	3640-1	16-1/4"
CB8300-3648-040	3648-1	20-1/4"
CB8300-3654-040	3654-1	23-1/4"
CB8300-3660-040	3660-1	26-1/4"
CB8300-3672-040	3672-1	32-1/4"
CB8300-4236-040	4236-1	14-1/4"
CB8300-4240-040	4240-1	16-1/4"
CB8300-4248-040	4248-1	20-1/4"
CB8300-4254-040	4254-1	23-1/4"
CB8300-4260-040	4260-1	26-1/4"
CB8300-4266-040	4266-1	29-1/4"
CB8300-4272-040	4272-1	32-1/4"

**CB1050 Balance**

1/2" Wide x 1/2" Depth

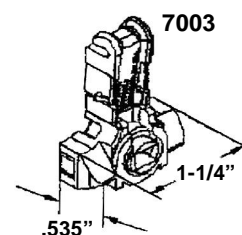
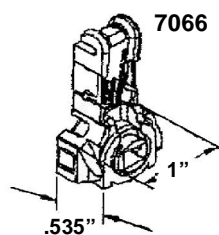
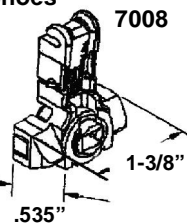
**Inverted Tilt**

Please indicate required tilt shoe and clip, shown below:

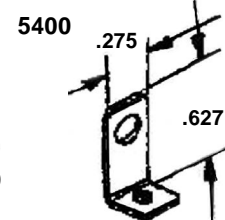
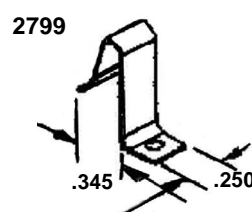
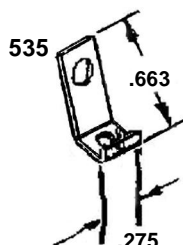
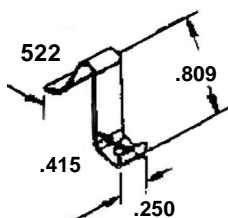
Indicate  
Factory  
Numbers  
or Letters  
Stamped  
On  
Balance  
Face



Tilt Shoes



Clips

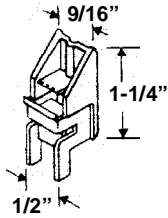


**CB 0 SERIES COMBINATIONS**

**CB9006**

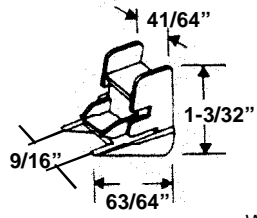
Top

White



**CB9003**

Bottom

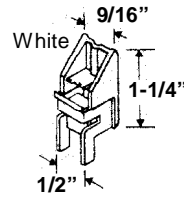


White

**CB9006**

Top

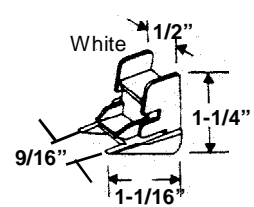
White



**CB9004**

Bottom

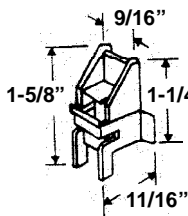
White



**CB9007**

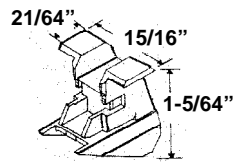
Top

White



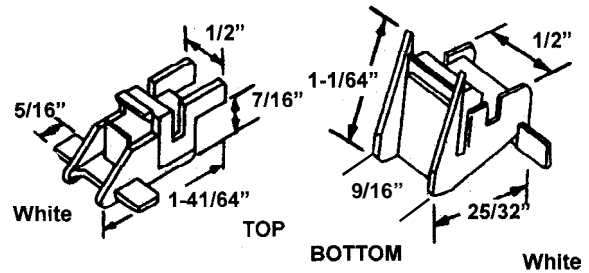
**CB9005**

Bottom



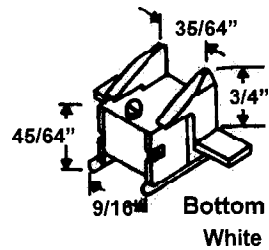
White

**CB9051-Set**

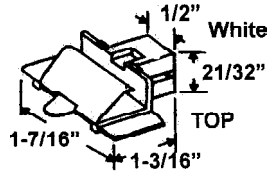


**CB9019**

**CB9020**

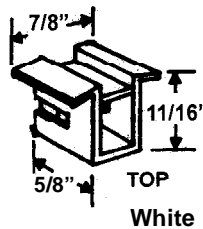


Bottom  
White



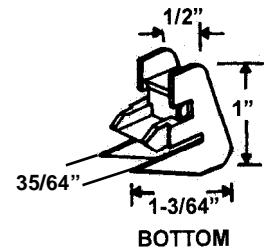
White  
TOP

**CB9001-1**



White  
TOP

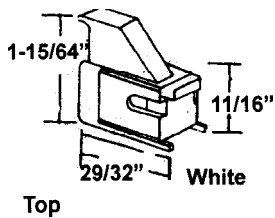
**CB9002**



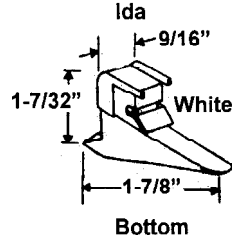
BOTTOM

**CB9025**

**CB9029**



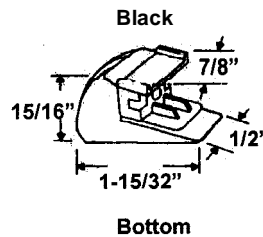
White  
Top



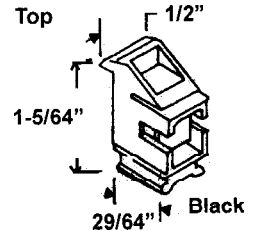
White  
Bottom

**CB9075-B**

**CB9075-A**



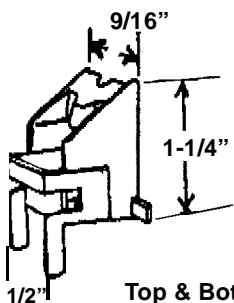
Black  
Bottom



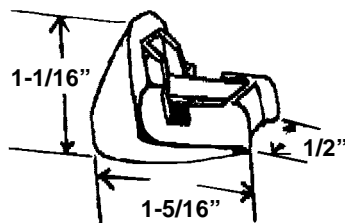
Black  
Top

**CB9104-Top**

**CB9104-Bottom**

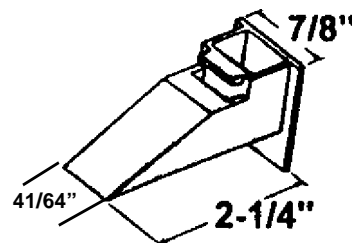


Top & Bottom Guide White

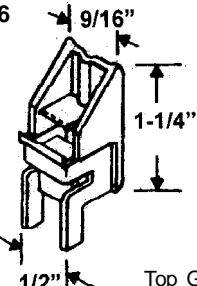
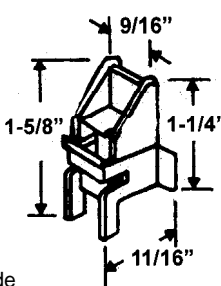
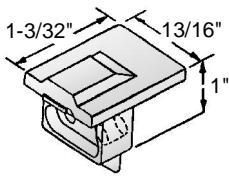
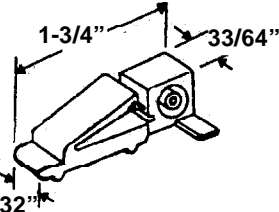
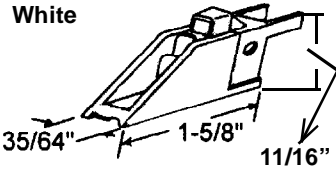
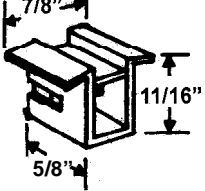
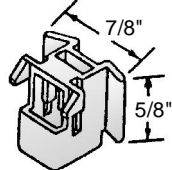
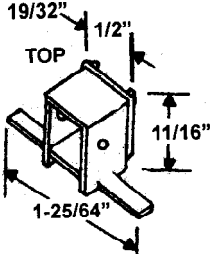


**CB9075**

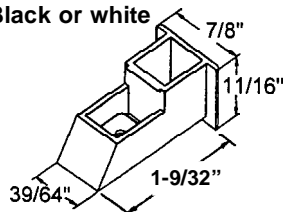
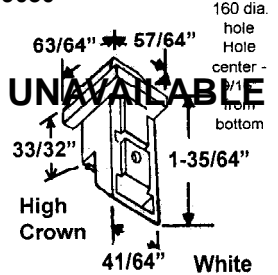
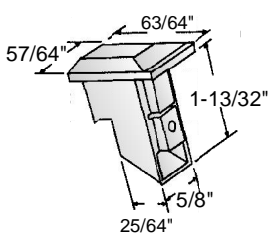
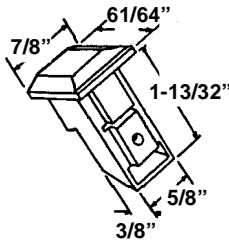
Black

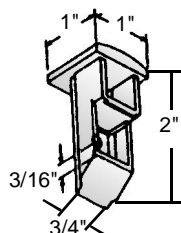
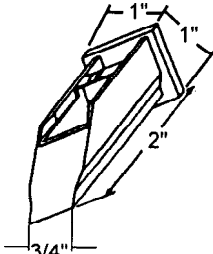
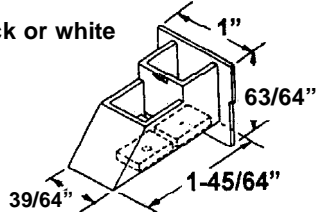


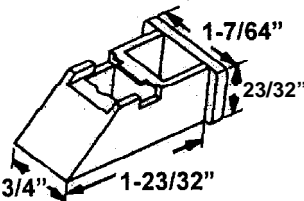
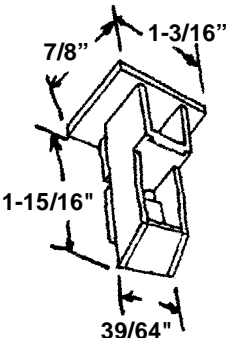
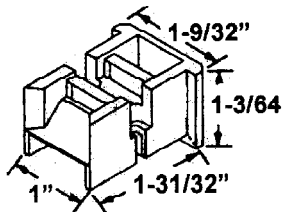
**TOP GUIDES**

<p>CB9006 White</p>  <p>Top Guide</p>	<p>CB9007 White</p>  <p>Top Guide</p>	<p>CB9269 White</p>  <p>Top Guide</p>	<p>CB9250 Top Guide White</p> 
<p>CB9085 White</p>  <p>Top Guide</p>	<p>CB9001-1 Capitol White</p>  <p>Top Guide</p>	<p>CB9268-A Top Guide Black or white</p> 	<p>CB9088 Black or white</p> 

**SASH CAMS**

<p>CB9012 Black or white</p> 	<p>CB9030 UNAVAILABLE High Crown White</p> 	<p>CB9031 White</p> 	<p>CB9033 White</p> 
---	---	---	--

<p>CB9067 Black or white</p> 	<p>CB9087 Black or white</p> 	<p>CB9312 Black or white</p> 
--	--	--

<p>CB9252-Spec White</p> 	<p>CB9264 Black or white</p> 	<p>CB9308 Black or white</p> 
--	--	--

<p>CB9046</p> <p>White</p> <p>TOP</p> <p>BOTTOM</p>	<p>CB9291</p> <p>White</p> <p>TOP</p>	<p>CB9021</p> <p>Includes two(2) of each parts shown, plus two (2) screws</p>	
<p>CB9268-A</p> <p>TOP</p> <p>Black or white</p>	<p>CB9268-B</p> <p>Original in clear plastic</p> <p>TOP</p> <p>BOTTOM</p> <p>Black or white</p>	<p>White</p>	
<p>CB9048</p> <p>White</p> <p>TOP</p> <p>Bottom</p> <p>Top &amp; Bottom guide</p> <p>This pc. also sold separately as</p>	<p>CB9028-Assy</p> <p>White</p> <p>Top</p>	<p>CB9056</p> <p>White</p> <p>Bottom</p>	<p>CB9056</p> <p>White</p> <p>Bottom</p>
<p>CB9049</p>	<p><b>BOTTOM GUIDES</b></p>		
<p>CB9002</p> <p>White</p> <p>BOTTOM</p>	<p>CB9003</p> <p>White</p> <p>BOTTOM</p>	<p>CB9004</p> <p>White</p> <p>BOTTOM</p>	<p>CB9023</p> <p>White</p> <p>BOTTOM</p>
<p>CB9005</p> <p>White</p> <p>BOTTOM</p>	<p>CB9014</p> <p>White</p> <p>Bottom Guide</p>	<p>CB9015</p> <p>White</p> <p>BOTTOM</p>	<p>CB9019</p> <p>White</p> <p>Bottom</p>

**CB 4 SERIES**

<p><b>CB9071</b> <b>Top Guide</b> White</p>	<p><b>CB9040</b> <b>Top Guide</b> White</p>	<p><b>CB9041</b> <b>Bottom Guide</b> White</p>	<p><b>CB9042</b> White</p>
---	---	--	--------------------------------

**CB 2 SERIES**

**CB 3 SERIES**

<p><b>CB9062</b></p> <p>White with metal cleat</p>	<p><b>CB9074</b> Available in white or cast metal</p>	<p><b>CB9228</b> order CB9229 brake shoe / pawl</p> <p>White</p>	<p><b>CB9083-L/R</b> White</p> <p>Left/Right Handed - Pair</p>
--	---	--	--

<p><b>CB9270</b> L/R Pair White</p> <p>For zinc cam, order CB9270-1 For nylon pawl (brake), order CB9270-2</p>	<p><b>CB9270-1</b> Die Cast Metal</p> <p>order CB9270-2 pawl</p>	<p><b>CB9230</b> Pivot Retainer</p> <p>White</p>	<p><b>CB9229</b> Brake shoe for CB9228 Locking Terminal</p> <p>White</p>
--	--	--	--

**CB 5 SERIES**

<p><b>CB9249</b> Locking Terminal white</p>	<p><b>CB9246</b> Locking Cam Cast Zinc Metal</p>	<p><b>CB9263</b> Sash Pivot white</p>	<p><b>CB9208</b> white</p>
<p><b>CB9231</b> Cast zinc metal</p>	<p><b>CB9232</b> Cast zinc metal</p>	<p><b>CB9258</b> Top 1-23/64" Tilt Pivot Cast Zinc Metal</p>	<p><b>CB9202</b> 3/16" 3/8" L/R Pair Cast zinc metal</p>
<p><b>CB9248</b> white or black</p>	<p><b>CB9225</b> Upper Latch White</p>	<p><b>CB9219</b> .346" o.d. .174 i.d. white</p>	<p><b>CB9207</b> white</p>

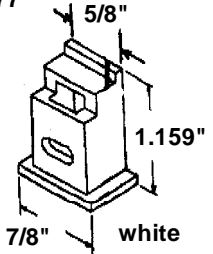
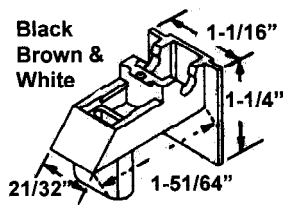
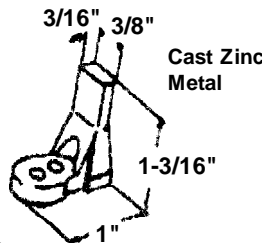
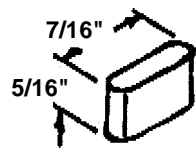
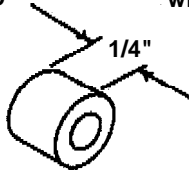
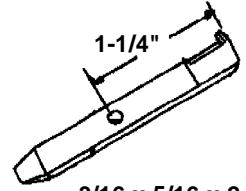
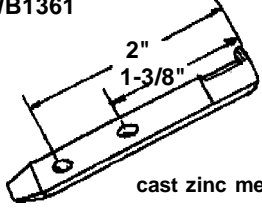
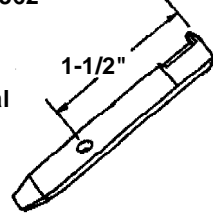
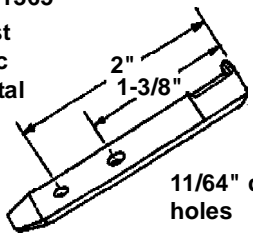
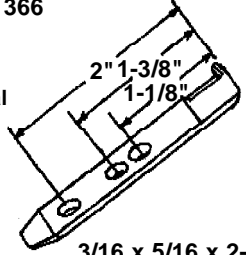
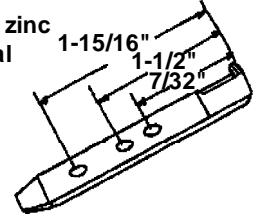
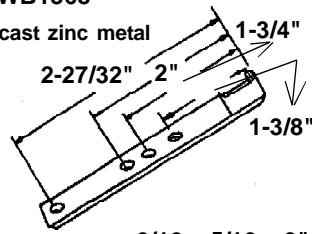
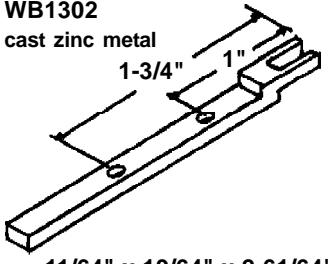
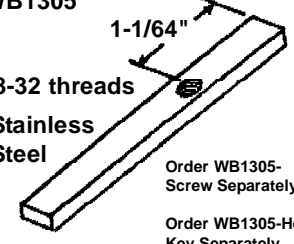
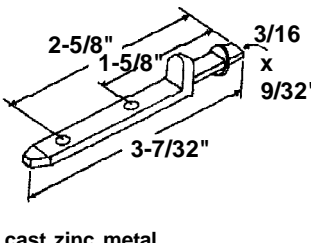
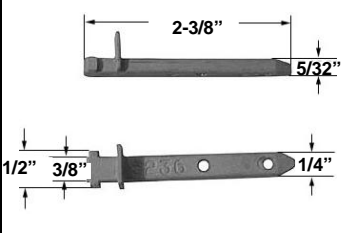
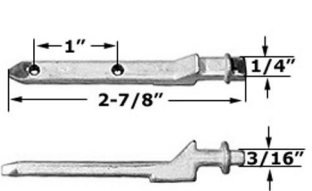
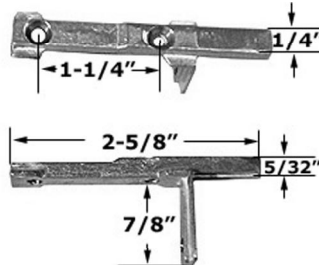
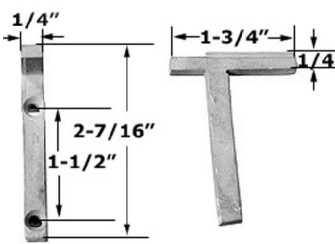
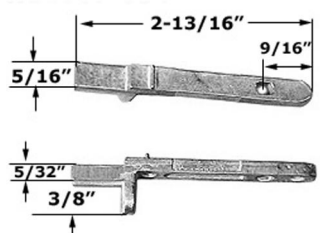


**SASH CAMS**

<p><b>CB9397</b></p> <p>White</p>	<p><b>CB9011</b></p> <p>White</p>	<p><b>CB9335</b></p> <p>White</p>	<p><b>CB9018</b></p> <p>Black &amp; White</p>
<p><b>CB9338</b></p>	<p><b>CB9398</b></p> <p>White</p>	<p><b>CB9255</b></p> <p>Black or White</p>	<p><b>CB9274</b></p> <p>Black</p> <p><b>EFCO CAM</b></p>
<p><b>CB9266</b></p> <p>Rollyson</p> <p>Black or White</p>	<p><b>CB9257</b></p> <p>Aluminum</p>	<p><b>CB9276</b></p> <p>Aluminum</p>	<p><b>CB9395</b></p> <p>White</p> <p>King</p>

**MISCELLANEOUS**

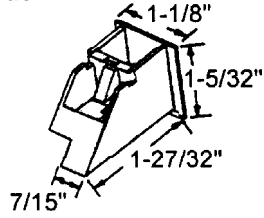
<p><b>CB9394</b></p> <p>Used when no rivet tool is available or if parts are stocked without ends attached.</p>	<p><b>CB9010</b></p> <p>Steel</p>	<p><b>CB9013</b></p> <p>Steel</p>	<p><b>CB9353</b></p> <p>Aluminum</p> <p>Sponge Rubber</p>
<p><b>CB9348</b></p> <p>White</p> <p>Felt</p>	<p><b>CB9256</b></p> <p>Louisiana Pacific</p> <p>White or Black</p> <p>3 Piece</p>	<p><b>CB9256-F</b></p> <p>Flip Latch</p> <p>Cast Metal</p>	

<p>CB9077</p>  <p>white</p>	<p>CB9098 L/R Pair</p> <p>Black Brown &amp; White</p> 	<p>CB9202</p>  <p>Cast Zinc Metal</p> <p>L/R Pair</p>	<p>CB9208</p>  <p>white</p>
<p>CB9219 white</p>  <p>.346" (approx. 11/32") o.d. .174" (approx. 11/64") i.d.</p>	<p>The accessories shown on these pages are a representation of the thousands of balance accessories available through Blaine. Please contact our Customer Service Department at 1-800-678-1919 for assistance.</p>		<p>WB1360 cast zinc metal</p>  <p>3/16 x 5/16 x 2-1/2"</p>
<p>WB1361</p>  <p>cast zinc metal</p> <p>3/16 x 5/16 x 2-1/2"</p>			<p>WB1362</p> <p>cast zinc metal</p>  <p>1-1/2"</p> <p>3/16 x 5/16 x 2-1/2"</p>
<p>WB1365</p> <p>cast zinc metal</p>  <p>11/64" dia. holes</p>	<p>WB1366</p> <p>cast zinc metal</p>  <p>3/16 x 5/16 x 2-1/2"</p>	<p>WB1367</p> <p>cast zinc metal</p>  <p>3/16 x 5/16 x 2-1/2"</p>	<p>WB1368</p> <p>cast zinc metal</p>  <p>3/16 x 5/16 x 3"</p>
<p>WB1302</p> <p>cast zinc metal</p>  <p>11/64" x 19/64" x 2-61/64"</p>	<p>WB1305</p> <p>1-1/64" threads</p> <p>8-32 threads</p> <p>Stainless Steel</p>  <p>3/16 x 5/16 x 3</p> <p>Order WB1305-Screw Separately</p> <p>Order WB1305-Hex Key Separately</p>	<p>WB1317</p>  <p>3/16 x 9/32"</p> <p>cast zinc metal</p>	<p>WB1371</p> 
<p>WB1374</p> 	<p>WB1380</p> 	<p>WB1383</p> 	<p>WB1387</p> 

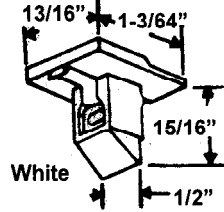
**SASH CAMS**

**CB9304-L/R**

Black

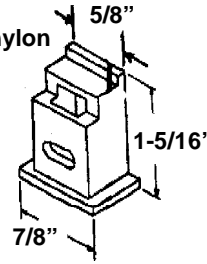


**CB9035**

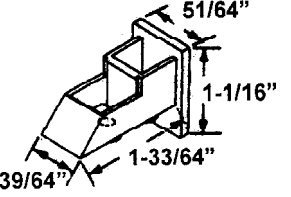


**CB9077**

white nylon

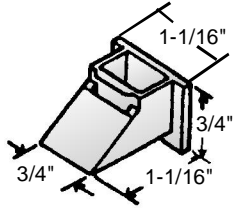


**CB9341**



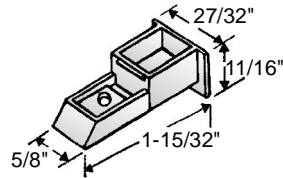
White

**CB9096**



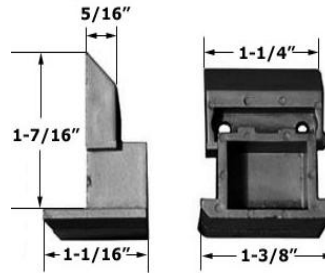
Black or white

**CB9065**

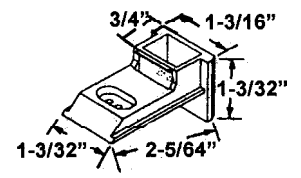


Black or white

**CB9340**



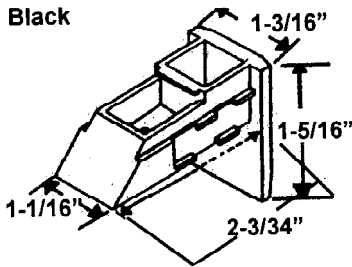
**CB9091**



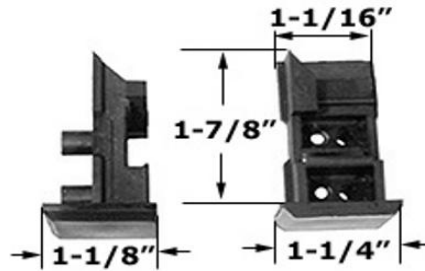
Black or white

**CB9078**

Black

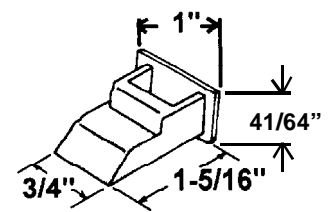


**CB9433-L/R**



**CB9068**

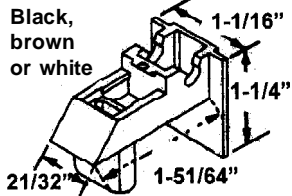
White Nylon Sash Cam



**CB9098**

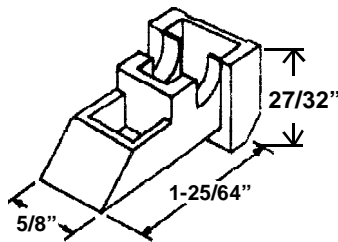
**Fiberlux**

Black, brown or white

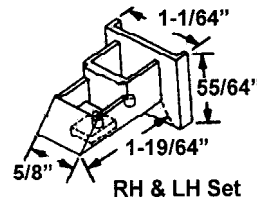


**CB9265**

Black or white



**CB9290-L/R**

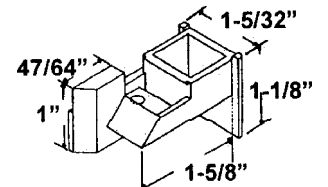


RH & LH Set

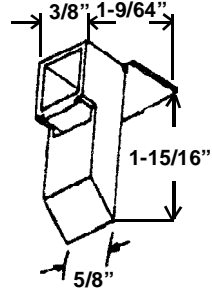
**CB9289-L/R**

RH & LH Set

Black

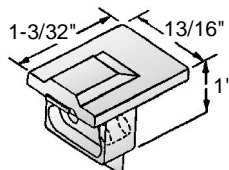


**CB9309**



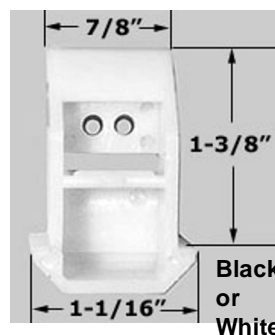
Black

**CB9269**



Black or white

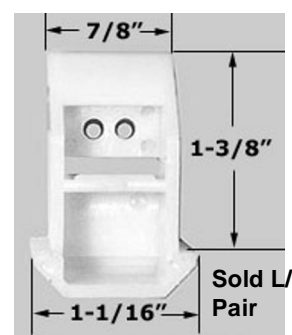
**CB9329**



Black or White

**CB9375**

Black or White

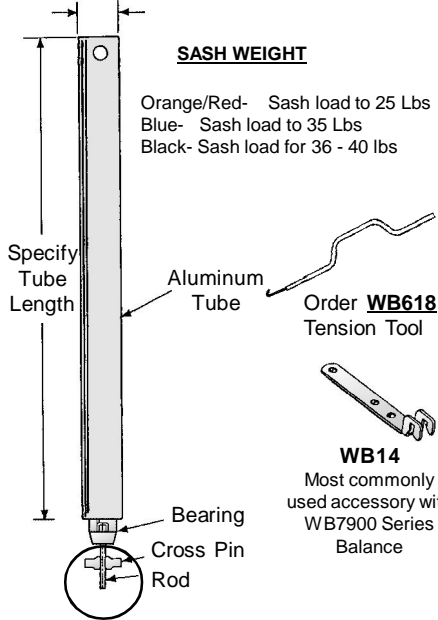


Sold L/R Pair

**WB7900 Series Tube Balance  
Non Tilt**

Specify Tube Length & Bearing  
Color When Ordering

Actual Diameter 9/16".  
Referred to as 5/8" in Trade.



Order **WB618**  
Tension Tool

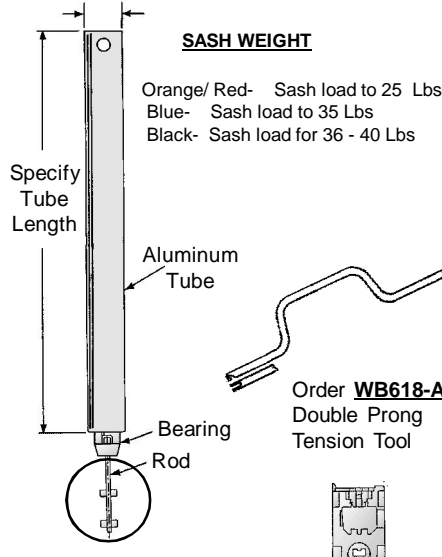
**WB14**  
Most commonly  
used accessory with  
WB7900 Series  
Balance

For  
Double / Single Hung, Non-Tilt /  
Non-Take Out Style Windows

**WB79-AT Series Tube Balance  
Tilt**

Specify Tube Length & Bearing  
Color When Ordering

Actual Diameter 9/16".  
Referred to as 5/8" in Trade.



**SASH WEIGHT**

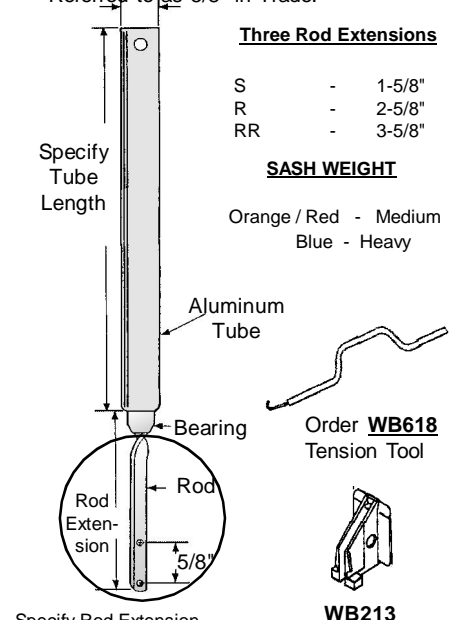
Order **WB618-AT**  
Double Prong  
Tension Tool

**WB1047**  
Most commonly used  
accessory with  
WB79 -AT Series  
Balance

**WB79-TO Series Tube Balance  
Non-Tilt**

Specify Tube Length, Bearing, Rod  
extension and Color When Ordering

Actual Diameter 9/16".  
Referred to as 5/8" in Trade.



Order **WB618**  
Tension Tool

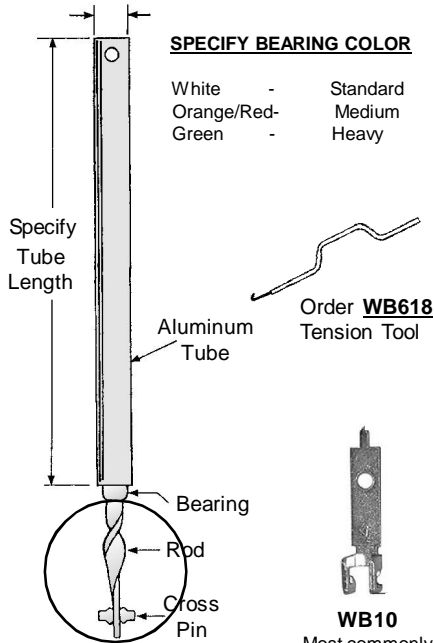
**WB213**  
Please specify if  
required at time of  
order

Specify Rod Extension  
when ordering

**WB7700 Series Tube Balance  
Non Tilt**

Specify Tube Length & Bearing  
Color When Ordering

3/8" Diameter



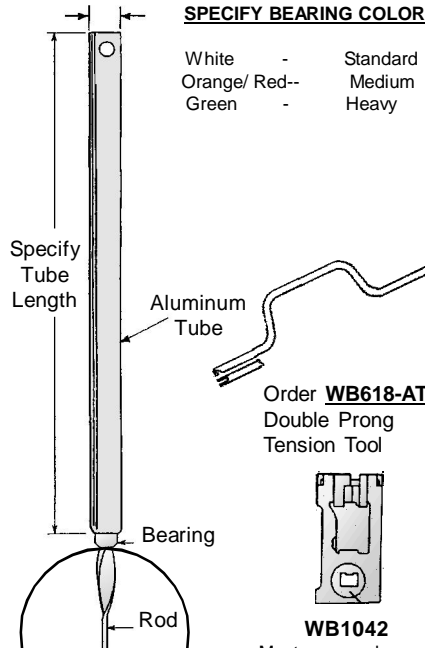
Order **WB618**  
Tension Tool

**WB10**  
Most commonly  
used accessory  
with WB7700  
Series Balance

**WB77-IT Series Tube Balance  
Tilt**

Specify Tube Length & Bearing  
Color When Ordering

3/8" Diameter



**SPECIFY BEARING COLOR**

Order **WB618-AT**  
Double Prong  
Tension Tool

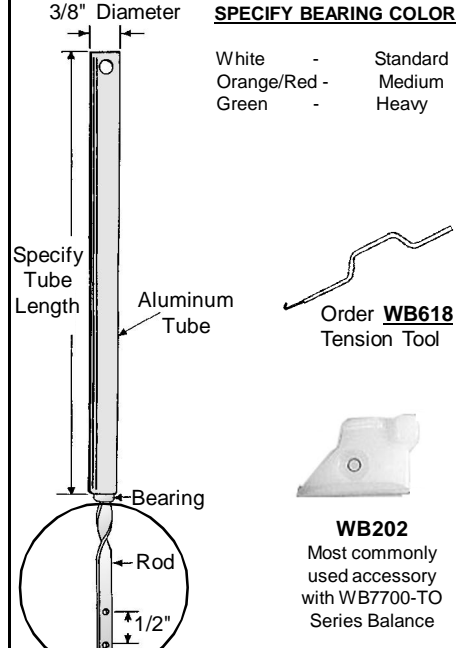
**WB1042**  
Most commonly used  
accessory with  
WB77-IT Series  
Balance

For Tilt Windows

**WB77-TO Series Tube Balance  
Non-Tilt**

Specify Tube Length & Bearing  
Color When Ordering

3/8" Diameter



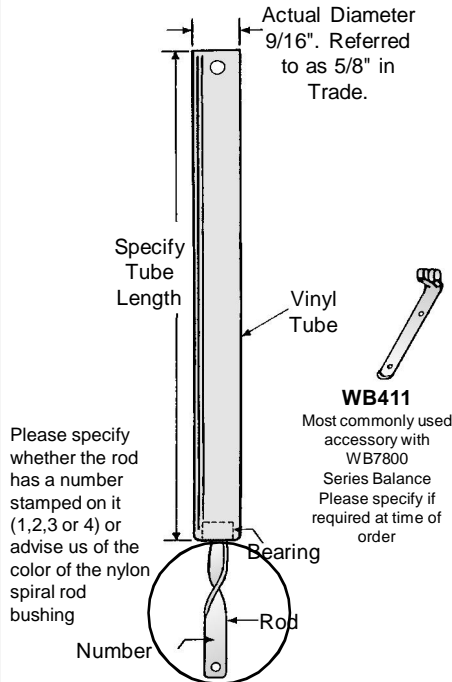
Order **WB618**  
Tension Tool

**WB202**  
Most commonly  
used accessory  
with WB7700-TO  
Series Balance

Please specify if  
required at time of  
order

**WB7800 Series Tube Balance Non-Tilt**

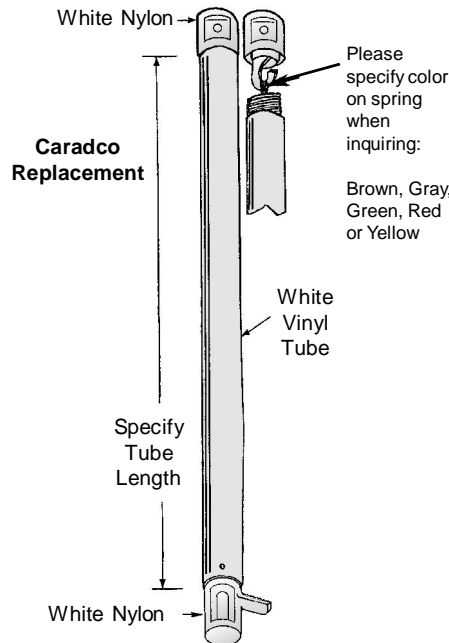
Specify Tube Length & Bearing Color When Ordering



Gray tube is standard for all WB7800 Series balances. All other tube colors must be special ordered.

**WB7400 Series Tube Balance**

Specify Tube Length & Color On Spring When Ordering

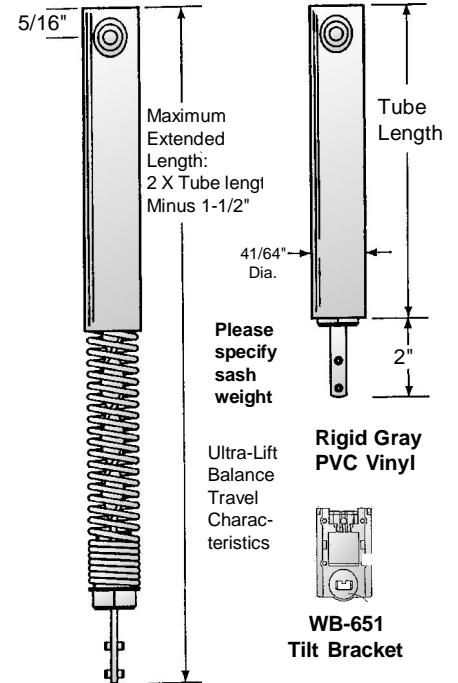


**ULTRA-LIFT BALANCE (Special Order)**

Makes 80-Lb Sash Easy To Lift !

Specify tube length / weight / tilt or non tilt

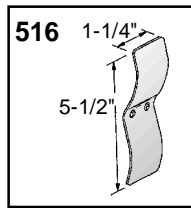
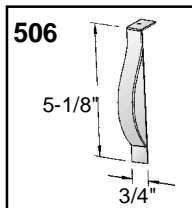
30-80 lbs per pair capacity Available 20-1/2" - 60-1/2"



**Fast Fix Window Springs For Double Hung Windows**

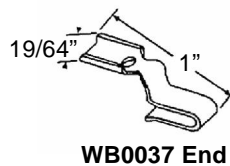
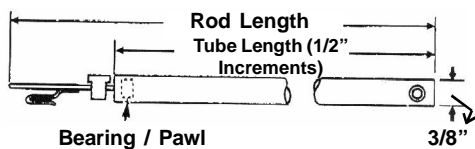
Eliminates broken sash cords. When sash cords break or windows rattle, insert the spring between the window frame and the sash and nail in place. Once installed, the spring will hold the window in position.

Sold by pair

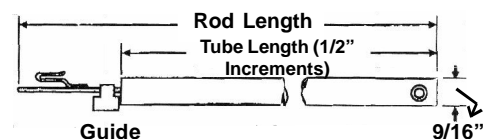


- Lifts 70% of sash weight vs AAMA's 40% minimum.
  - Useable with both tilt and non-tilt windows.
  - Fits most C-20 and HC-40 AAMA-Grade single and double hung windows.
  - Fits most large architectural wood windows.
- Call Customer Service for more details.

**WB6000 SERIES 3/8" TUBE BALANCE**



**WB7000 SERIES 5/8" PLASTIC TUBE BALANCE**  
Tube diameter 9/16" but considered 5/8" in the trade



Limited stock available for WB6000 series and WB7000 series balance. Black tube is standard. Gray may be available on balances in warehouse. Contact Customer Service for availability. Possible substitute: WB0037 end guide attached to WB7700-TO Series or WB7900-TO Series. See page \_\_\_\_\_.

<p><b>WB-3</b></p> <p><b>WB-4</b> WB-4-Spec w/ loop spring</p>	<p><b>WB-10</b></p>	<p><b>WB-11</b></p>	<p><b>WB-14</b></p>	<p><b>WB-18</b></p>
<p><b>WB-22</b></p>	<p><b>WB-202</b></p>	<p><b>WB-411</b> replacement may differ slightly from original</p>	<p><b>WB-436</b> UNIQUE</p>	<p><b>WB-616</b> Black or white</p>
<p><b>WB-618</b></p> <p><b>WB-618-AT</b></p>	<p><b>WB-627</b></p> <p>Black or white</p>	<p><b>WB-634</b></p> <p>Black or white</p>	<p><b>WB-643</b></p>	<p><b>WB-644</b></p>
<p><b>WB-646-L/R</b></p> <p>Black or white</p>	<p><b>WB-651</b></p> <p>Black Cam</p>	<p><b>WB-652</b></p> <p>Tan Cam</p>	<p><b>WB-653</b></p> <p>Red Cam</p>	<p><b>WB-657</b> Plunger</p>
<p><b>WB-658</b> Black or white</p> <p>Anti draft black</p>	<p><b>WB-664</b></p> <p>Front View Back View</p>	<p><b>WB-1042</b> Used with WB77-IT Series</p> <p>White Cam</p>	<p><b>WB-1042-1</b></p> <p>Pivot Bar</p>	<p><b>WB-1047</b> Used with WB79-AT Series</p> <p>Blue Cam</p>
<p><b>WB-1059</b></p>	<p><b>WB-1064</b> For Crestline</p> <p>Assy includes (1) of each piece shown</p> <p>For spring, order WB7500-Spring</p>	<p><b>WB-1073</b> 3 pc. foot assembly</p> <p>Cast zinc replacement</p>	<p><b>WB-1083-Upper</b> Black only</p> <p><b>WB-1083-Lower</b></p>	<p><b>WL-33</b></p>

## WB7500 SERIES REPLACEMENT ALUMINUM WINDOW CHANNELS

For Wood Double Hung Window  
With 1-3/8" Sash

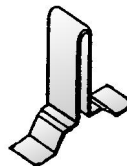
Replace old style tubular balances or rope and pulley. Designed for 1-3/8" sash. One piece jamb strip reduces air infiltration. Baked-on white enamel finish, metal "T" hangers and flocked springs. Use (1) pair to repair (1) double hung window. See chart at right.

### TO ORDER:

Measure overall window height of window opening and / or glass height of sash only. Select from chart at right.

Absolute maximum  
sash weight: 26 lbs.

Replacement Metal "T"  
Hanger, included with  
jambliner



WB7517

Part Number	Window Height	Glass Height
WB-7501	2'2"	10"
WB-7502	2'6"	12"
WB-7503	2'10"	14"
WB-7504	3'2"	16"
WB-7505	3'6"	18"
WB-7506	3'10"	20"
WB-7507	4'2"	22"
WB-7508	4'6"	24"
WB-7509	4'10"	26"
WB-7510	5'2"	28"
WB-7511	5'6"	30"
WB-7512	5'10"	32"
WB-7513	6'2"	34"
WB-7514	6'6"	36"
WB-7515	6'10"	38"
WB-7516	7'2"	40"

**Caution:** Our jambliners are square cut. Sill degree of angle to be determined at job site.

## WB7300 Series Vinyl Tilt Liner

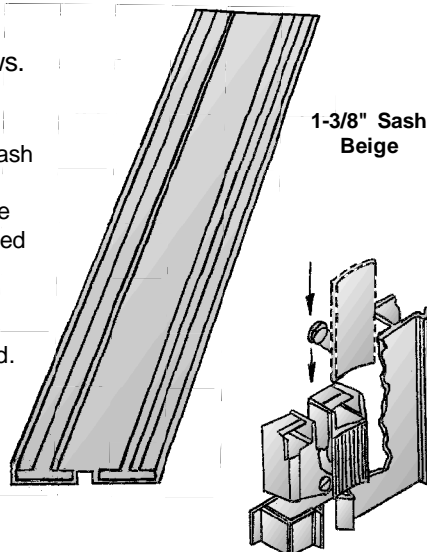
WB7300 Series Tilt Liner was developed to provide a durable, trouble-free removable weatherstrip balance for single glazed windows.

### The Liner

Rigid PVC with flex-leaf open construction. The sash is held in place solidly yet the individual leaves will move out of the way to allow for tilting. Springs are concealed and protected. Spring noise is eliminated with a sound deadener attached to each spring.

### Backing Foam

Advanced foam with a closed cell edge is standard. The foam acts as a compression spring with the closed cell edge providing a superior air and water seal.



Part Number	Glass Height	Opening Height
WB-7300	12"	2'6"
WB-7301	14"	2'10"
WB-7302	16"	3'2"
WB-7303	18"	3'6"
WB-7304	20"	3'10"
WB-7305	22"	4'2"
WB-7306	24"	4'6"
WB-7307	26"	4'10"
WB-7308	28"	5'2"
WB-7309	30"	5'6"
WB-7310	32"	5'10"
WB-7311	34"	6'2"
WB-7312	36"	6'6"

### The Carrier System

Simple and durable. Large one piece carriers provide easy sash installation and insure proper balancing with self-adjusting friction. Large mushroom sash pins capture the carriers to eliminate carrier fly-up.

**Caution:** Our jambliners are square cut. Sill degree of angle to be determined at job site.

## WB-1281 Vinyl Slip-On Tube Balance Covers

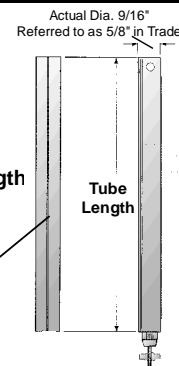
•Available in Black, Bronze, Pebble Tan & White To Blend With Window Sash.

•Fits All 9/16" O.D. (Referred to as 5/8" in Trade) Vinyl or Metal Sheathed Tube (Spiral) Balances

•Comes in 6' Lengths. Easily Cut With Sharp Scissors

Simply cut to length of balance tube

Slit for easy slip over installation



### Blaine Part No.

WB1281-Black-058  
WB1281-Bronze-058  
WB1281-Pebbletan-058  
WB1281-White-058

### Fits all Blaine No.

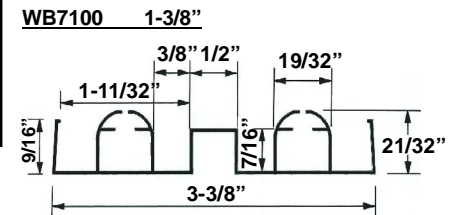
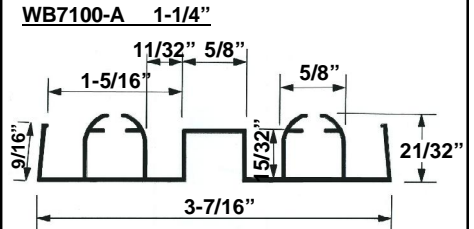
WB7800 Series  
WB7900 Series  
WB79-AT Series  
WB79-TO Series

**For Single Strength Glass**

Glass Size	Opening Height	1-3/8" Part No.	1-1/4" Part No.	Max. Sash Weight	Length At Longest Point
12"	2-6 - 30"	WB7101	WB7101-A	7.8 LBS	30-3/16"
14"	2-10 - 34"	WB7102	WB7102-A	8.5 LBS	34-3/16"
16"	3-2 - 38"	WB7103	WB7103-A	9.2 LBS	38-3/16"
18"	3-6 - 42"	WB7104	WB7104-A	9.9 LBS	42-3/16"
20"	3-10 - 46"	WB7105	WB7105-A	10.6 LBS	46-3/16"
22"	4-2 - 50"	WB7106	WB7106-A	11.3 LBS	50-3/16"
24"	4-6 - 54"	WB7107	WB7107-A	12.0 LBS	54-3/16"
26"	4-10 - 58"	WB7108	WB7108-A	12.7 LBS	58-3/16"
28"	5-2 - 62"	WB7109	WB7109-A	13.4 LBS	62-3/16"
30"	5-6 - 66"	WB7110	WB7110-A	14.1 LBS	66-3/16"
32"	5-10 - 70"	WB7111	WB7111-A	14.8 LBS	70-3/16"
34"	6-2 - 74"	WB7112	WB7112-A	15.5 LBS	74-3/16"
36"	6-6 - 78"	WB7113	WB7113-A	16.2 LBS	78-3/16"

**WB7100**  
for 1-3/8" sash

**WB7100-A**  
for 1-1/4" Sash



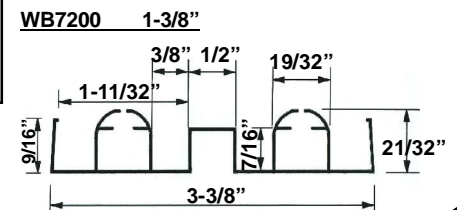
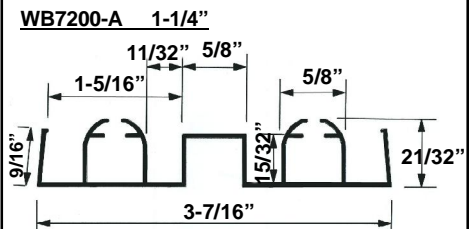
Only available in beige. 14 degree standard sill angle. Please contact Customer Service for more information or cottage, carriage and oriel windows.

**For Insulated or Double Strength Glass**

Glass Size	Opening Height	1-3/8" Part No.	1-1/4" Part No.	Max. Sash Weight	Length At Longest Point
12"	2-6 - 30"	WB7201	WB7201-A	11.0 LBS	30-3/16"
14"	2-10 - 34"	WB7202	WB7202-A	12.3 LBS	34-3/16"
16"	3-2 - 38"	WB7203	WB7203-A	13.5 LBS	38-3/16"
18"	3-6 - 42"	WB7204	WB7204-A	14.6 LBS	42-3/16"
20"	3-10 - 46"	WB7205	WB7205-A	16.0 LBS	46-3/16"
22"	4-2 - 50"	WB7206	WB7206-A	17.3 LBS	50-3/16"
24"	4-6 - 54"	WB7207	WB7207-A	18.5 LBS	54-3/16"
26"	4-10 - 58"	WB7208	WB7208-A	19.9 LBS	58-3/16"
28"	5-2 - 62"	WB7209	WB7209-A	21.0 LBS	62-3/16"
30"	5-6 - 66"	WB7210	WB7210-A	22.2 LBS	66-3/16"
32"	5-10 - 70"	WB7211	WB7211-A	23.5 LBS	70-3/16"
34"	6-2 - 74"	WB7212	WB7212-A	24.7 LBS	74-3/16"
36"	6-6 - 78"	WB7213	WB7213-A	26.0 LBS	78-3/16"

**WB7200**  
for 1-3/8" sash

**WB7200-A**  
for 1-1/4" Sash

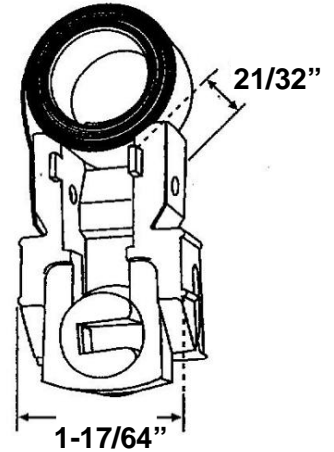


Only available in beige. 14 degree standard sill angle. Please contact Customer Service for more information or cottage, carriage and oriel windows.



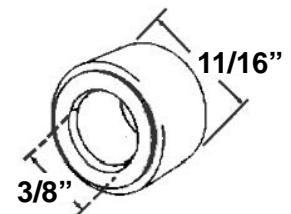
**WB9200  
Constant Force Balance**

Single or Double Coil	No. Stamped on Coil	Blaine Part No.
Single	5 or 540	WB9200-Single - 5/540
Single	6 or 640	WB9200-Single - 6/640
Single	7 or 740	WB9200-Single - 7/740
Single	8 or 840	WB9200-Single - 8/840
Single	832	WB9200-Single - 832
Double	440 / 440	WB9200-DbI - 440/440
Double	440 / 540	WB9200-DbI - 440/540
Double	540 / 540	WB9200-DbI - 540 / 540
Double	540 / 640	WB9200-DbI - 540 / 640
Double	640 / 640	WB9200-DbI - 640/640
Double	740 / 740	WB9200-DbI - 740/740

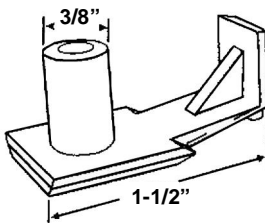


**WB9200 Bushing**

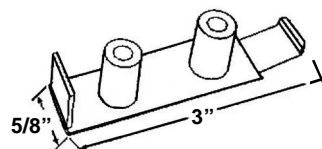
Color	Diameter	Blaine Part Number
Dark Gray	21/32"	WB9200-Bushing-DGRY
Black	21/32"	WB9200-Bushing-BLK
Bronze	41/64"	WB9200-Bushing-BRZ
Gray	11/16"	WB9200-Bushing-Gray
Tan	41/64"	WB9200-Bushing-TAN
White	43/64"	WB9200-Bushing-WHT



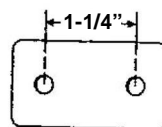
**WB9200- Clip-058**



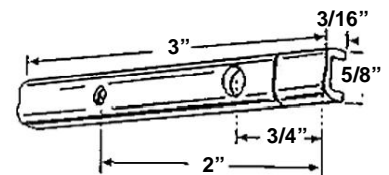
**WB9200 -Double Clip-058**



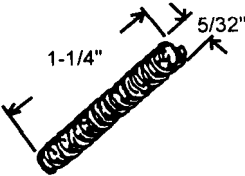

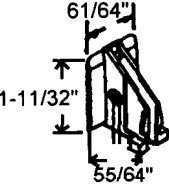
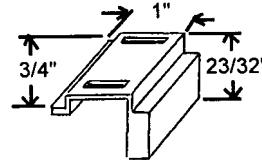
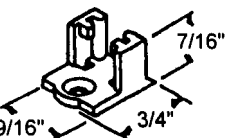
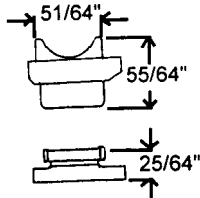
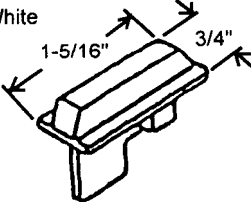
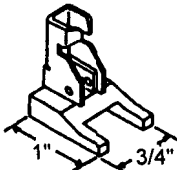
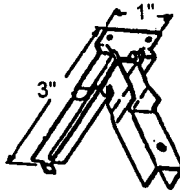
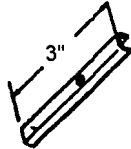
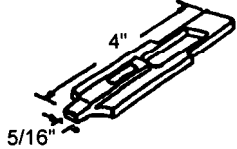
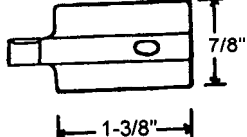
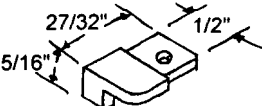
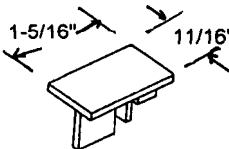
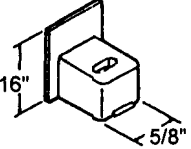
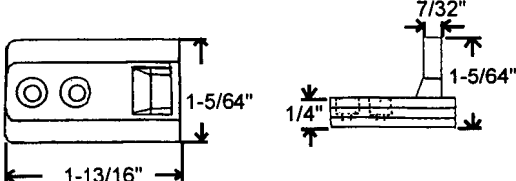
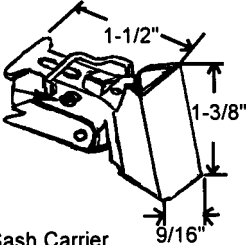

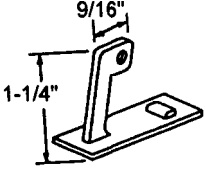
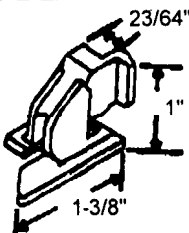
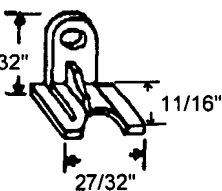
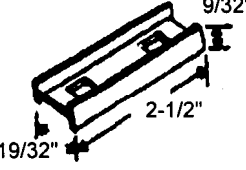
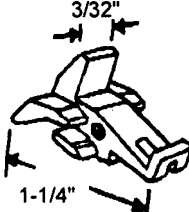
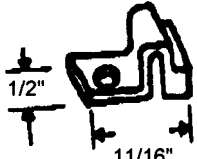
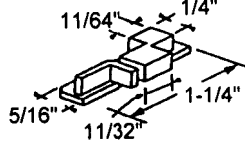




**WB9200- Guide-058**

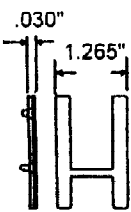
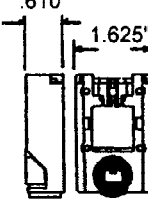
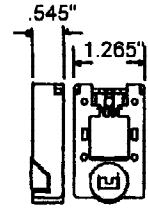
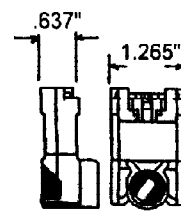
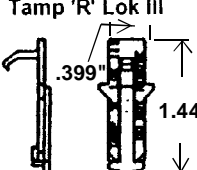
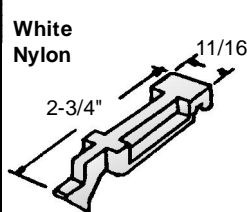
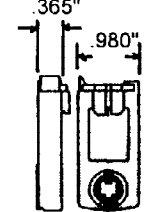
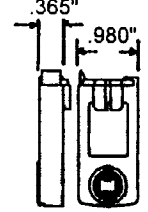
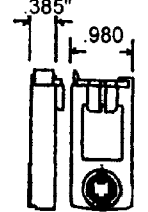
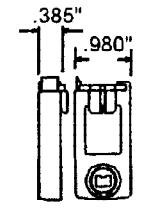
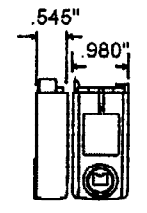
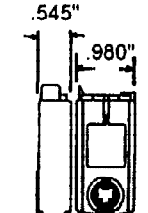
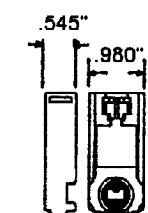
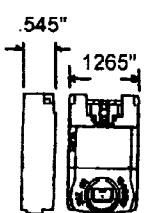
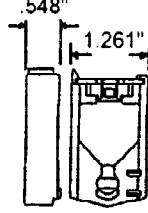
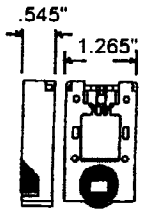
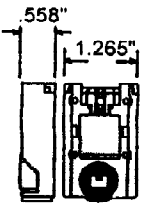
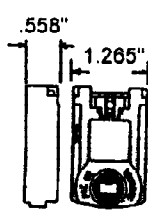
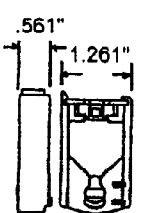
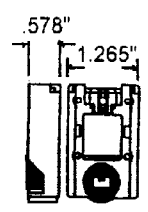
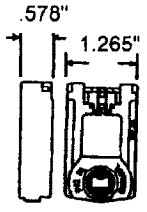
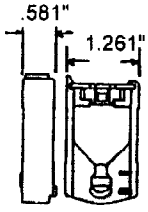
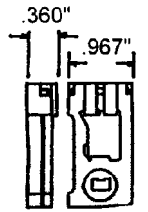
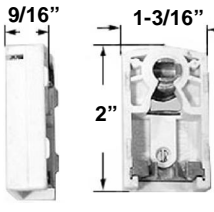
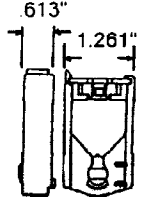
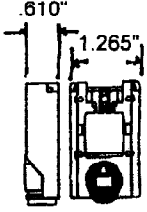
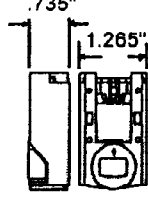
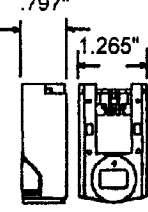
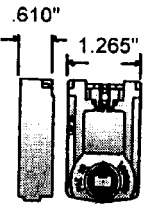


**Pivot Bar**



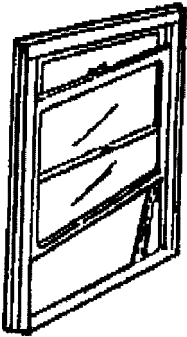
**WB1047-1-050**

<p><b>CB9218</b></p>  <p>Sash Plunger Spring</p>	<p><b>CB9257</b></p>  <p>Metal Top Sash Guide</p>	<p><b>WB-213</b></p>  <p>Shoe</p>	<p><b>WB-620</b></p>  <p>Upper / Lower Sash Guide</p>	<p><b>WB-627</b></p>  <p>Sash Clip</p>
<p><b>WB-699-L/R</b></p>  <p>Slide Lock</p>	<p><b>WB-819</b> White</p>  <p>Upper Dust Cap</p>	<p><b>WB-1026</b></p>  <p>Shoe</p>	<p><b>WB-1027</b></p>  <p>Shoe</p>	<p><b>WB-1047-1</b></p>  <p>Pivot Bar</p>
<p><b>WB-1067-1 &amp; 2</b></p>  <p>Pivot Bar</p>	<p><b>Thermalgard</b></p>  <p>Pivot Bar</p>	<p><b>WB-1099-L/R</b></p>  <p>Bottom Guide. Sold Pair</p>	<p><b>WB-1106-L/R</b> Black or white</p>  <p>Lower Dust Cap.</p>	<p><b>WB-1110</b></p>  <p>Sash Guide</p>
<p><b>WB-1115</b></p> 	<p><b>WB-1125</b></p>  <p>Sash Carrier</p>	<p><b>WB-1210</b> White</p>  <p>Face Guide</p>	<p><b>WB-1251</b> White</p>  <p>Clip</p>	
<p><b>WB-2-L/R</b></p>  <p>Cupples</p>	<p><b>WB-2-Clip</b></p>  <p>Cupples</p>	<p><b>WB1074</b></p>  <p>Georgia Palm Beach Sash Carrier Lock</p>	<p><b>WB1178</b></p>  <p>Silverline</p>	<p><b>WB1207</b></p>  <p>Window Guide</p>
<p><b>WB-1258-L/R</b></p>  <p>Dust Cover. Sold L/R</p>	<p><b>WB-1180</b></p>  <p>5 x 5/16 Drive Screw</p>	<p><b>WB-1181</b></p>  <p>6 x 1/4 Truss Head Retainer Screw</p>	<p><b>WB-1182</b></p>  <p>Balance Screw</p>	<p><b>WB-1190</b></p>  <p>6 X 3/8 Truss Head SMS Lock Screw</p>

<p><b>Caldwell Carriers</b></p> <p>If the carrier you need doesn't appear on this page, please contact us for assistance.</p>	<p><b>WB651-Spacer</b></p> <p>White</p>  <p>Option to be used with WB651, at right</p>	<p><b>WB651</b></p>  <p>With black cam</p>	<p><b>WB652</b></p>  <p>With tan cam</p>	<p><b>WB653</b></p>  <p>With red cam</p>
<p><b>WB664-III</b></p> <p>Black</p>  <p>Tamp 'R' Lok III</p> <p>Option to be used with WB653, above</p>	<p><b>WB657</b></p> <p>Plunger</p> <p>White Nylon</p> 	<p><b>WB1334</b></p>  <p>With red cam</p>	<p><b>WB1335</b></p>  <p>With black cam</p>	<p><b>WB1336</b></p>  <p>With green cam</p>
<p><b>WB1337</b></p>  <p>With white cam</p>	<p><b>WB1338</b></p>  <p>With white cam</p>	<p><b>WB1339</b></p>  <p>With navy blue cam</p>	<p><b>WB1340</b></p>  <p>With black cam</p>	<p><b>WB1341</b></p>  <p>With natural cam</p>
<p><b>WB1342</b></p>  <p>With natural cam</p>	<p><b>WB1343</b></p>  <p>With lt. green cam</p>	<p><b>WB1344</b></p>  <p>With navy blue cam</p>	<p><b>WB1345</b></p>  <p>With navy blue cam</p>	<p><b>WB1346</b></p>  <p>Locking ramp - navy blue</p> <p>With natural cam</p>
<p><b>WB1347</b></p>  <p>Locking ramp - red</p> <p>With black cam</p>	<p><b>WB1348</b></p>  <p>With orange cam</p>	<p><b>WB1349</b></p>  <p>Locking ramp - orange</p> <p>With natural cam</p>	<p><b>WB1042</b></p>  <p>With white cam</p>	<p><b>WB1111</b></p>  <p>with cast zinc cam</p>
<p><b>WB1352</b></p>  <p>With black cam</p>	<p><b>WB1353</b></p>  <p>With lt. green cam</p>	<p><b>WB1354</b></p>  <p>With natural cam</p>	<p><b>WB1355</b></p>  <p>With natural cam</p>	<p><b>WB1351</b></p>  <p>with black cam</p>

**DON'T REPLACE THEM - REPAIR THEM!**

Repair your old wood windows with new, thermally efficient, rattle free jambliners!

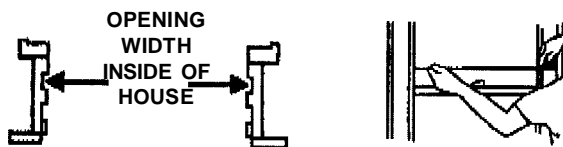


- Vinyl jambliners can reduce air infiltration dramatically and increase the efficiency of wood windows by more than 60%!
- Vinyl jambliners are an excellent option when your customers wood sashes are in good shape but balances, pulleys and weatherstripping are not sufficient.
- Blaine offers a stocking program of tilt and non tilt jambliners for 1-1/4" and 1-3/8" sash. We can also provide custom sizes for most window shapes.
- Blaine can also offer a number of options not shown in this catalog. Please contact our customer service department for assistance with special requests or for additional information!

**MEASURING YOUR EXISTING WINDOW OPENING:**

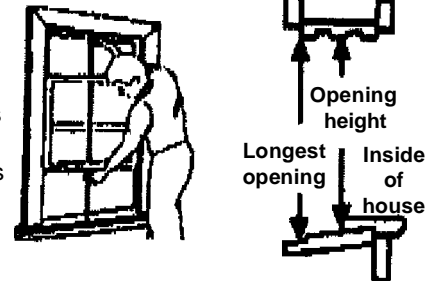
**WIDTH**

To find the width of the sash opening, measure from inside jamb to inside jamb. This measurement should be approximately 4" wider than the glass width.



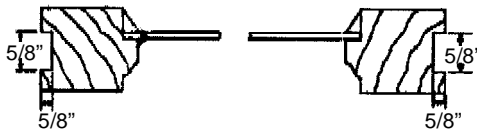
**HEIGHT**

To determine the height of the opening, measure from the header to the sill at the inside edges of the parting bead. This measurement is normally about 8" greater than double the glass height. You will also need the longest opening height.



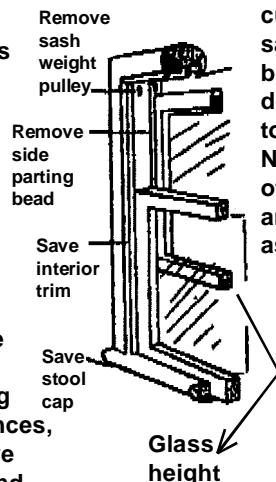
**HOW TO INSTALL NON TILT JAMBLINERS**

1. In order to accept our WB7100 and WB7200 jambliners, you must make a 5/8" wide x 5/8" deep square plough along both sides of the sash.

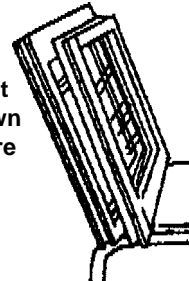


2. If you are replacing a sash fitted with ropes or chains, it is necessary to prep your opening by cutting off the ropes or chains, removing sash weight pulleys (4), removing the side parting beads. Save the head parting bead because it will be reused.

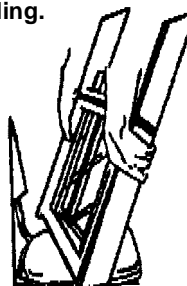
If you are only replacing defective or worn balances, you will need to remove all existing hardware and make room for your new sash balance system.



3. Set the lower and upper sash on a chair (see diagram). Note that the sash are upside down with the interior (the bare wood) toward the chair back.



4. Pick up balances with angle cut to top. Place balance with sash platforms resting on the bottom of the sash. Push sash down about 1-1/2" - 2" below the top of balance and HOLD FIRMLY. Note: You may find an extra pair of hands helpful, or wrap tape around the sash and balance to assist in handling.



5. Pick up the balance with sash so that the interior is facing you. Place the bottom of the balance into the window frame until it butts the outside stop, then ease into position. Raise the lower sash thus driving the Speed Lok into header to secure the balance. The tops of the jambliner are slightly aligned for easier installation.



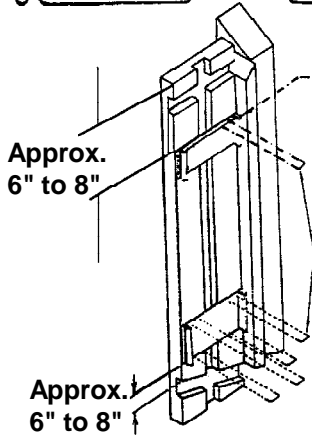
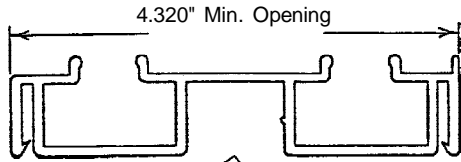
6. Check for proper fit. Test operation, then replace stops, head parting bead and the remainder of the interior trim.

**Full Tilt Balance Systems**

CB8500 Series - For 1-3/4" Sash Thickness - Wood Frames  
 CB8800 Series - For 1-3/8" Sash Thickness - Wood Frames

**Caution:** Our jambliners are square cut. Sill degree of angle to be determined at job site.

**CB8500 Series Vinyl Jambliners**



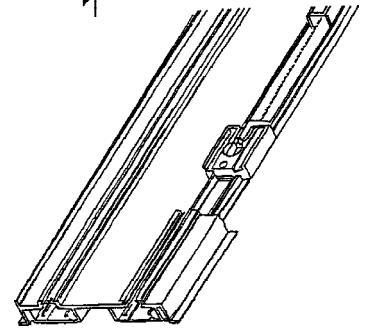
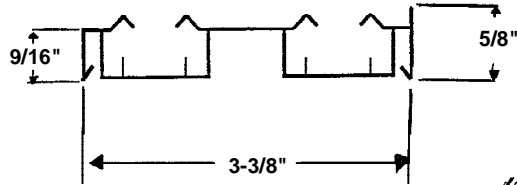
**Frame Jamb Preparation For Bracket Application**

Place end of bracket against blind stop.  
**NOTE:** Do not drive staple too tight. A small amount of free play in the bracket is desirable. Place vinyl jambliner against brackets and snap into place. 1/2" X 1/2" X 16 gauge staple. Additional brackets will be furnished for larger glass heights.

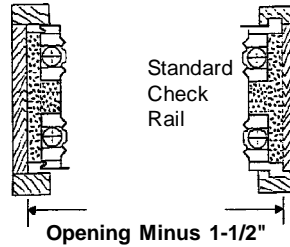
**Frame Applications And Sash Prefit**



**CB8800 Series Vinyl Jambliners**

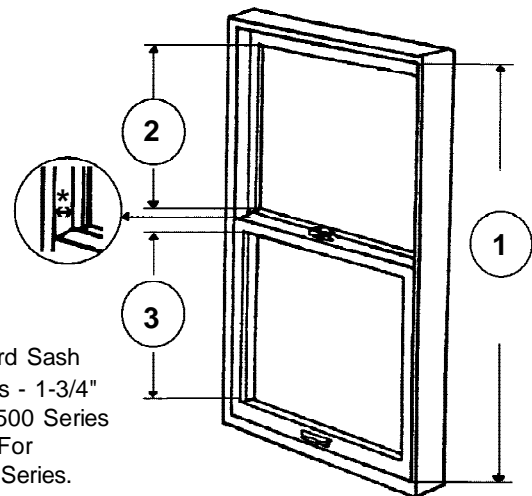


**FRAME APPLICATIONS AND SASH PREFIT**



**CRITICAL INFORMATION (REQUIRED) WHEN IDENTIFYING FULL TILT & NON-TILT BALANCE SYSTEMS**

1. Overall Opening \_\_\_\_\_
2. Visible Glass Height (upper) \_\_\_\_\_
3. Visible Glass Height (lower) \_\_\_\_\_
4. Sash Weight \_\_\_\_\_
5. Color: White or Beige \_\_\_\_\_
6. Sash Thickness \_\_\_\_\_
7. Specify Series \_\_\_\_\_



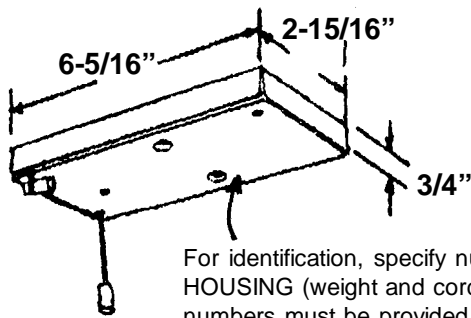
\* Standard Sash Thickness - 1-3/4" For CB8500 Series & 1-3/8" For CB8800 Series.

**\*Caution:** When converting an old style wooden sash to a newer style Full Tilt or Jambliner System, modifications may be required.

# Andersen®

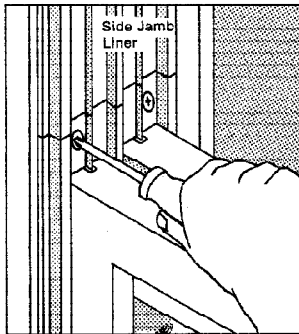
## PERMA-SHIELD or PRIMED NARROWLINE® WINDOWS Replacement Counter Balances

### Part No. 7489

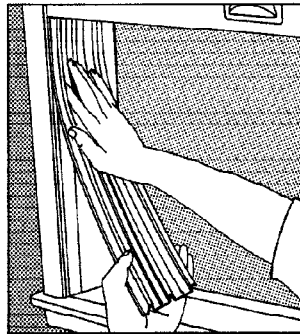


For identification, specify numbers ON HOUSING (weight and cord travel). These numbers must be provided when ordering.

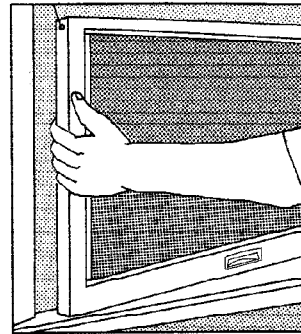
### REMOVAL/ INSTALLATION INSTRUCTIONS



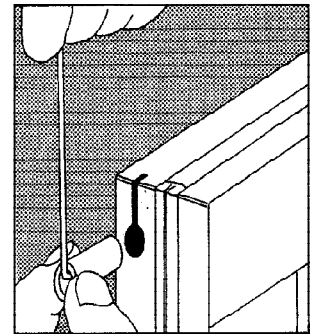
1. Remove jamb liner screws by lowering top sash to full open position. Remove two screws located above sash on left-hand side as viewed from inside. Raise sash to remove screws from lower half of jamb liner.



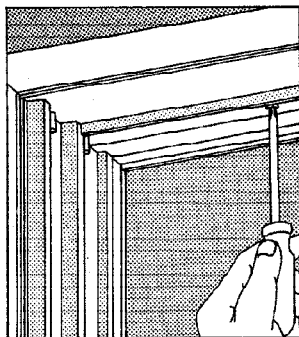
2. Slide out jamb liner from bottom by bending and moving toward center of opening. Take care not to scratch window sill or stool.



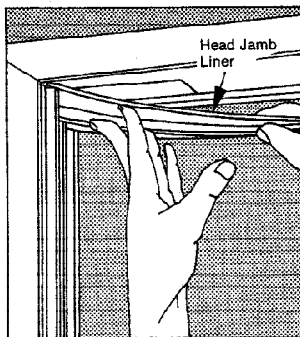
3. Remove sash by lowering to closed position and pulling out from left side. Hold sash down. Remove sash cord and sash as follows.



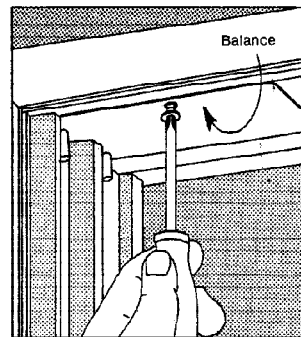
4. **CAUTION:** When unhooking sash cords, be careful not to let cord snap back into sash balance. With a firm grip, remove cord tab from left and right-hand sides of sash - ease sash cord back into balance in head jamb.



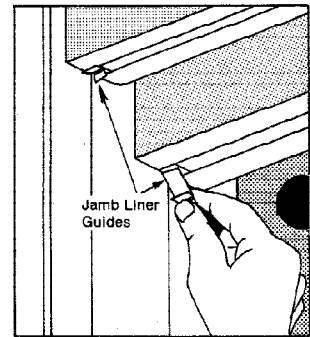
5. Remove screws from vinyl head jamb liner or wooden head stop on old style units.



6. Remove head jamb liner or wood head stop. If paint bound pry wood stop loose from outside to prevent damage to interior finish.



7. Take out screw and remove damaged balance. Note part number on balance.



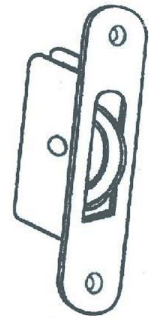
8. After replacing sash insert the vinyl jamb liner guides into weatherstrip groove on left-hand side of upper and lower sash at bottom as shown above. These guides prevent damage to weatherstrip when replacing jamb liner.

8. Replace balance and secure with screws. **CAUTION:** Set screw snug - not tight. Check operation of cord - if too tight back off screw to allow free operation of cord.

Constructed with solid brass, 1/8" thick face plate, ball bearing solid brass wheel, & stamped steel housing.



Model	Face Plate Width	Face Plate Length	Mount Hole Centers
571-A-004	1.250" (1-1/4")	6.390" (6-25/34")	5.187" (5-3/16")
571-B-004	1.250" (1-1/4")	5.578" (5-37/64")	4.500" (4-1/2")
571-C-004	1.125" (1-1/8")	5.437" (5-7/16")	4.375" (4-3/8")
571-D-004	1.093" (1-3/32")	4.937" (4-15/16")	4.000" (4")

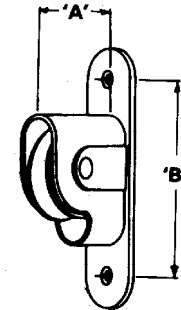


Designed to meet the needs of custom high-end window fabricators building large and heavy sash, and enables the use of 2" diameter or 2" square counterweights in most applications.

The standard finish is satin lacquered brass. Other finishes are available.

Constructed with cast housing and wheel, steel axle and operating with chain or rope. Available in red bronze (010) and nickel bronze (029).

Model	Face Size	Wheel Diameter	Sash Weight	'A' Dimension	'B' Dimension
571-A-029 571-A-010	1-1/4" x 6-1/2"	3"	50-200 lbs.	2-1/4"	5-3/16"
571-B-029 571-B-010	1-1/4" x 5-3/4"	2-1/2"	30-50 lbs.	2"	4-1/2"
571-C-029 571-C-010	1-1/8" x 5-1/2"	2"	20-40 lbs.	1-3/4"	4-3/8"
571-D-029 571-D-010	1" x 5"	2-1/4"	20-40 lbs.	1-5/8"	4"
571-E-029 571-E-010	1" x 4-5/8"	2"	1-20 lbs.	1-1/2"	3-5/8"



**Sash Weights**

571-WT-1-1/2-051	1-1/2lb
3-1/4" high	
571-WT-2-051	2 lb
4" high	
571-WT-8-051	8 lb
15-1/2" high	

•Designed to be stacked in combination to achieve desired weight.



**Sash Chain**

**1532-Chain**

- Copper dipped steel
- 100 ft. in box
- Max. work load - 75 lbs.

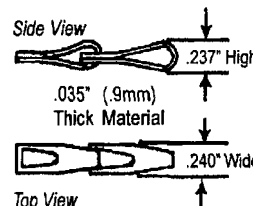


**Sash Fixtures**

**1532-Fixtures\***



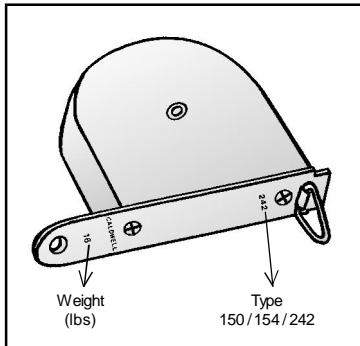
- All 1532-Fixtures are packed with 25 sets per box - enough to repair 25 windows.
- 25 sets = 100 ea. hooks & 100 ea. spirals
- \*fixtures only work with sash chain, sold separately.



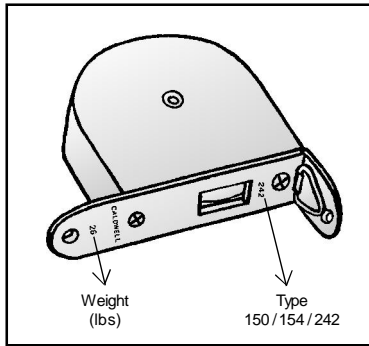
**1532-Cord**

- Nylon sash cord #7
- 7/32" Nylon
- 100 ft. in box

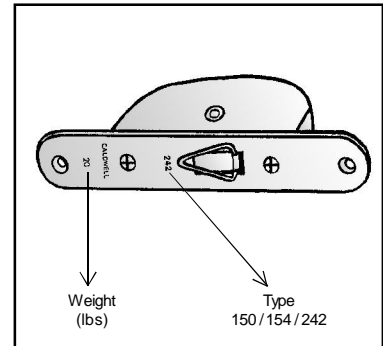
**CALDWELL TAPE BALANCES**



**FT Style**



**AT Style**



**S Style**

Weight factor based on one (1) pair

**HOW TO ORDER:**

1. Identify style by above drawings: FT, AT or S.
2. Identify type (type number will be stamped on the face plate). In some cases, you may need to scrape off paint or dirt to locate the type number.
3. Identify weight (weight number will be stamped on the face plate).

Other Caldwell sash balances, not described on this page, have been developed for specific purposes, special windows or other devices and can be special ordered. **Please send samples, or details, to our Customer Service Department.**

**Face Plate Length**

**FT Style**

150-FT	5-1/8"
154-FT	5-13/16"
242-FT	4-11/16"

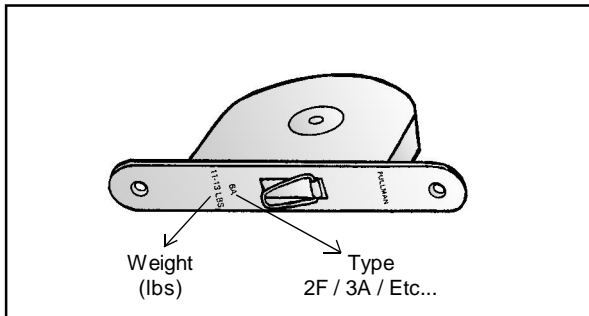
**AT Style**

150-AT	4-11/16"
154-AT	5-15/32"
242-AT	4-5/16"

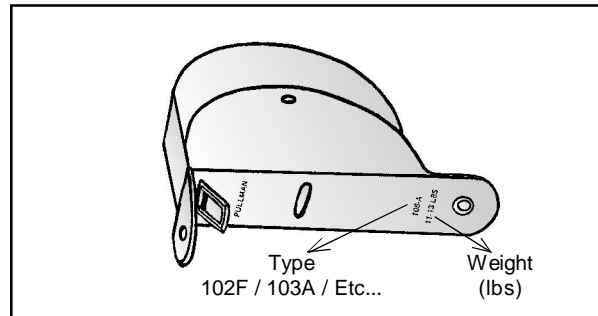
**S Style**

150-S	6"
154-S	7"
242-S	5-5/8"

**PULLMAN TAPE BALANCES**



**Side Style**



**Overhead Style**

**HOW TO ORDER:**

1. Identify style by above drawings: Side Style or Overhead Style.
2. Identify type (type number will be stamped on the face plate). In some cases, you may need to scrape off paint or dirt to locate the type number.
3. Identify weight (weight number will be stamped on the face plate).

**\*Customer Samples are highly recommended to ensure proper identification of tape balances.**

**Face Plate Length**

**Side Style**

F	4-3/8"
A	6"
L	7-7/16"
M	8-3/4"

**Overhead Style**

F	3-3/8"
A	4-11/16"
L	5-7/8"
M	7-1/4"

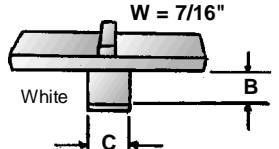
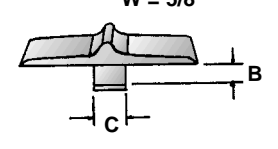
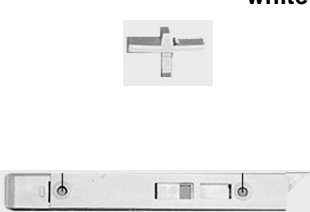
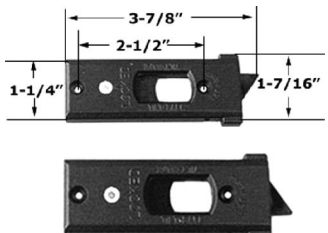
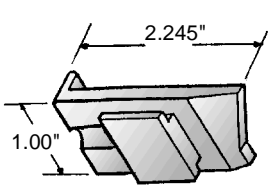
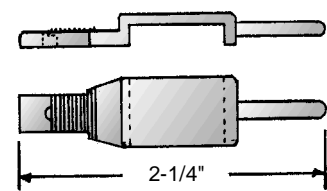
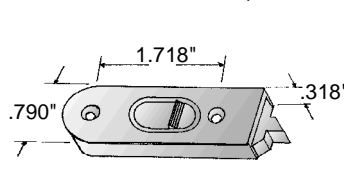
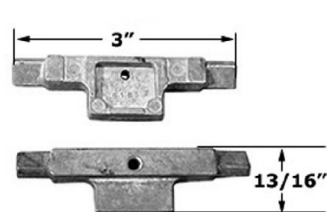
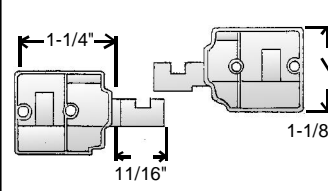
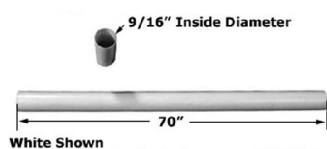
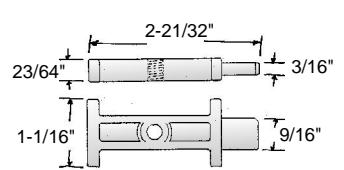
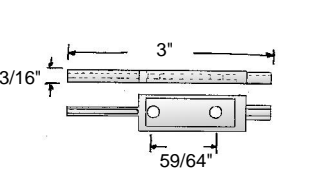
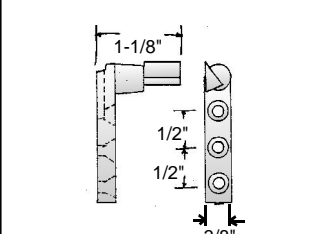
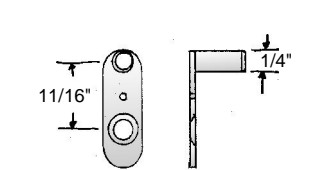
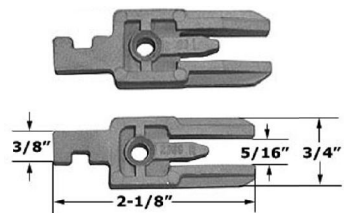
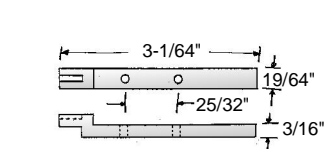
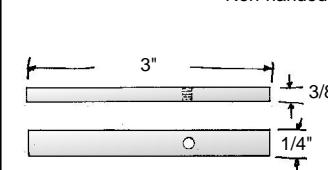
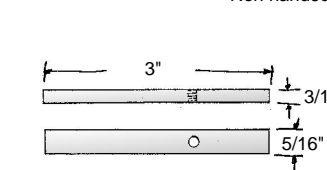
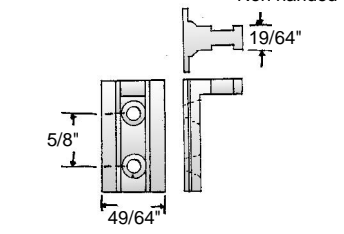
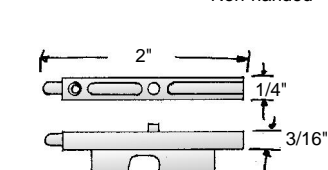
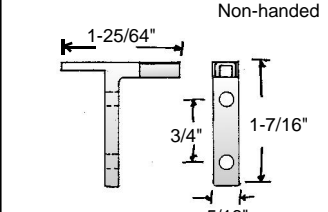
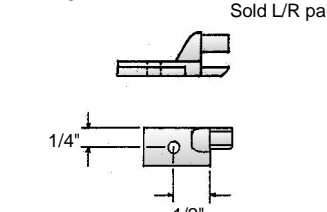
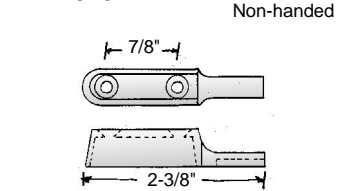
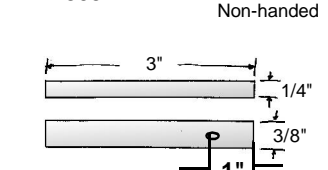


<p><b>WL-1</b> Available in black, cocoa &amp; white</p> <p><b>Sold as a pair</b></p> <p><i>Obsolete Order WL-7</i></p>	<p><b>WL-2</b> Sold as a pair</p> <p>Available in black &amp; white</p>	<p><b>WL-3</b></p> <p><b>Sold as pair</b> Black or white</p>	
<p><b>WL-4</b></p> <p><b>Sold as a pair</b></p> <p>Available in beige or white</p>	<p><b>WL-5</b> Sold each</p> <p>Black</p>	<p><b>WL-6</b> Quaker</p> <p>Sold as a pair</p> <p>Black &amp; white</p>	<p><b>WL-7</b> Acorn Black only</p> <p>Sold as a pair</p> <p>Black</p>
<p><b>WL-8</b></p>	<p><b>WL-9</b> Black only</p>	<p><b>WL-135</b> Black Nylon</p>	<p><b>WL-48</b></p> <p>Sold as a pair</p> <p>WL-48* w/ Straight Slotted Lock (As Shown) WL-49* w/ Tri-wing Slotted Lock</p>
<p><b>WL-12</b> Sold each</p>	<p><b>WL-13</b> Sold as a pair</p> <p>Black</p>	<p><b>WL-14</b> Zinc cast replacement</p>	<p><b>WL-15</b> Zinc cast replacement</p>
<p><b>WL-16</b> Reversible for left or right</p> <p>Sold as a pair</p> <p>Available in black or white</p>	<p><b>WL-17</b> Sold as a pair</p> <p>Black</p> <p>Reynolds</p>	<p><b>WL-19</b></p> <p>Black or white</p>	
<p><b>WL-20</b> Sold each</p> <p>Black or White</p>	<p><b>WL-21</b> Available in black &amp; white</p> <p>Sold each</p>	<p><b>WL-147</b> Black</p> <p>For Lock Tool, order WL-22-Tool</p>	<p><b>WL-23</b> Black or White</p> <p>Sold as a pair</p>

**Tilt Latches**

<p><b>WL-24</b> White</p> <p><b>Sold each</b></p>	<p><b>WL-25</b> Zinc Cast Replacement</p> <p><b>Sold each</b></p> <p><b>Zinc cast replacement</b></p>	<p><b>WL-26</b> Zinc Cast Replacement</p> <p><b>Sold as a pair</b></p>	<p><b>WL-27</b> Zinc Cast Replacement with springs</p>
<p><b>WL-28-Gripper</b> Sold each</p> <p>Black or white</p>	<p><b>WL-29</b> Black or White</p> <p><b>Sold as a pair</b></p>	<p><b>WL-30-New</b> White</p> <p><b>Sold as a pair</b></p>	<p><b>WL-31</b> Sold as a pair</p> <p>White</p> <p>For thumb grip, order WL-31-Gripper. Thumb grip sold each</p>
<p><b>WL-32</b> Black</p> <p><b>Sold as a pair</b></p>	<p><b>WL-33</b> Black Nylon</p>	<p><b>WL-34</b> White</p> <p>See WL-12 Replacement on Page</p> <p><b>Sold each</b></p>	<p><b>WL-35</b> Black or White</p> <p><b>Sold as a pair</b></p>
<p><b>WL-36</b> Black or White</p> <p><b>Sold as a pair</b></p>	<p><b>WL-37</b> Black</p> <p><b>Sold as a pair</b></p> <p><b>WL-37-Key</b> Key sold each.</p>	<p><b>WL-38</b> Black or White</p> <p><b>Sold as a pair</b></p>	<p><b>WL-39</b> White</p>
<p><b>4429</b> Black or white</p> <p>Keller</p> <p><b>Sold as a pair</b></p>	<p><b>WL-108</b> Non handed</p> <p>Sold Each</p> <p>Zinc</p>	<p><b>WL-42</b> White</p> <p><b>Sold as a pair</b></p>	<p><b>WL-115</b></p>
<p><b>WL-44-A*, C*</b> Black or White</p> <p><b>Sold as a pair</b></p> <p>*A = w/o Latch Lock, w/ Flat Bottom *C = w/ Latch Lock, w/ Flat Bottom</p>	<p><b>WL-46*</b> Black or White <b>WL-47*</b></p> <p><b>Sold Pair</b></p> <p>*WL-46 - G = 19/64" *WL-47 - G = .305"</p>	<p><b>WL-49</b> Black or white</p> <p>Sold Pair</p> <p>w/ Tri-wing Slotted Lock</p>	<p><b>WL-50-A*</b> Sold Pair White</p> <p>WL-50-A* w/ Flat Bottom</p>

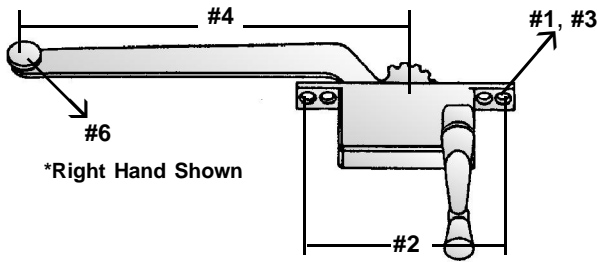
<p><b>WL-52*</b> <b>WL-53*</b></p> <p>White</p> <p>WL-52* w/ Tri-Wing Slotted Lock (as shown)</p> <p>WL-53* w/ Straight Slotted Lock</p> <p>Sold Pair</p>	<p><b>WL-54-A, B, D</b></p> <p>White</p> <p>Sold Pair</p>	<p>WL-54A* w/ .125" Bottom Hole Post, w/o Lock</p> <p>WL-54B* w/ flat Bottom, w/o Lock</p> <p>1/8" Front post only, with straight slotted lock, order D</p>	
<p><b>WL-61*</b> <b>WL-64*</b></p> <p>Sold Pair</p> <p>w/ flat bottom,</p> <p>WL-61* w/ Flat Bottom, w/ 3/16" Latch Height</p> <p>WL-64* w/ 11/32" Bottom Hole Post, w/ 3/16" Latch Height</p> <p>White</p>	<p><b>WL-67*</b></p> <p>Sold Pair White</p>	<p><b>WL-123</b></p> <p>Zinc replaces original plastic</p>	
<p><b>WL-114</b></p> <p>Black or white</p> <p>Non handed. Reversible. Sold each.</p>	<p><b>WL-72</b></p> <p>White</p> <p>Sold Pair</p>	<p><b>WB-1396</b></p> <p>Seasonall</p> <p>Sold each Non-handed cast zinc metal</p>	<p><b>WL-110</b></p> <p>Sold each</p> <p>Cast zinc Non-handed</p>
<p><b>WL-112</b></p> <p>L/R Pair Black or white</p>	<p><b>WL-78</b></p> <p>White</p> <p>For thumb button grip, order WL-78-1</p> <p>Sold Pair</p>	<p><b>WL-138</b></p> <p>L/R Pair Cast Zinc Replacement</p>	<p><b>WL-80</b></p> <p>White</p> <p>Sold Pair</p>
<p><b>Measuring Chart</b></p>	<p><b>WL-81*</b> <b>WL-82*</b></p> <p>White</p> <p>WL-81 A = 3/8" B = 7/32" C = 1/8" WL-82 A = 31/64" B = .415" C = 1/8"</p>	<p><b>WL-176</b></p> <p>Left hand shown. For right hand, order WL0174-R</p>	<p><b>CB9372</b></p> <p>White</p> <p>A = 3/8" B = 7/32" C = 1/8"</p>
<p><b>WL-86</b></p> <p>White</p> <p>A = 29/64" B = 5/16" C = 11/64"</p>	<p><b>WL-87</b></p> <p>White</p> <p>A = 13/16" B = 19/64" C = 15/64"</p>	<p><b>Measuring Chart</b></p>	<p><b>WL-88</b></p> <p>White</p> <p>Order CB9223</p> <p>A = 5/32" B = 1/4" C = 1/4"</p>

<p><b>WL-89</b> Order CB9223</p> <p>White</p> <p>L = 1-1/8" W = 7/16"</p>  <p>A = .155" B = .250" C = .250"</p>	<p><b>WL-90</b> White</p> <p>L = 1-7/16" W = 5/8"</p>  <p>A = .150" B = .200" C = .250"</p>	<p><b>WL-120</b> white</p> 	<p><b>WL-121</b></p>  <p><b>Metal</b></p>
<p><b>WL-94</b> White or Black</p> 	<p><b>WL-95</b> White</p> 	<p><b>WL-96</b> Cast Zinc Metal Replacement</p> 	<p><b>WB-1396</b> Non-handed Metal</p> 
<p><b>WB-1264</b> Metal Sold L/R Pair</p> 	<p><b>WB-1281</b> Metal Non-Handed Flip For Left or Right</p> <p>9/16" Inside Diameter</p>  <p>White Shown Also Available in Black, Bronze and Pebbletan</p>	<p><b>WB-1273</b> Metal Non-handed</p>  <p>Comes w/ 5901 5/16-18x3/4 Bolt</p>	<p><b>WB-1276</b> Metal Non-Handed</p> 
<p><b>WB-1279</b> Metal Sold L/R Pair</p> 	<p><b>WB-1280</b> Metal Non-handed</p> 	<p><b>WB-1299</b> Metal L/R Pair</p> 	<p><b>WB-1302</b> Metal Non handed</p> 
<p><b>WB-1303</b> Metal Non-handed</p> 	<p><b>WB-1305</b> Metal Non handed</p>  <p>Comes w/ 8-32 thread Allen Screw For extra screws, order WB1305-Screw</p>	<p><b>WB-1306</b> Metal Non handed</p> 	<p><b>WB-1310</b> Metal Non-handed</p>  <p>Includes Spring</p>
<p><b>WB-1315</b> Metal Non-handed</p> 	<p><b>WB-1372</b> Metal Sold L/R pair</p>  <p>Pivot Tilt Latch</p>	<p><b>WB-1318</b> Metal Non-handed</p> 	<p><b>WB-1303</b> Metal Non-handed</p>  <p>Includes 8X3/4 screw</p>

<p><b>4429</b></p> <p>2 pc. Nylon w/ Compression Spring Sold Left/Right Pair Available 001 Black 057 White</p>	<p><b>WL-1</b> Sold pair</p> <p>Cocoa, White or Black</p>	<p><b>WL-2</b> Sold pair</p> <p>Black or white</p>	<p><b>WL-3</b></p> <p>L/R PAIR Black or white</p>
<p><b>WL-6 Quaker</b></p> <p>L/R PAIR Black or white</p>	<p><b>WL-7 Acorn</b></p> <p>L/R PAIR Black</p>	<p><b>WL-12</b></p>	<p><b>WL-20</b> Black or White</p>
<p><b>WL-21</b></p> <p>Black or White</p>	<p><b>WL-23</b> Black or white</p> <p>Order WL-22-Tool Locking Tool</p>	<p><b>WL-32 Acorn</b></p> <p>Right hand shown. Sold L/R Pairs</p>	<p><b>WL-44-A, C</b> White</p> <p>Sold pair A = w/o Latch Lock, w/ Flat Bottom C = w/ Latch Lock, w/ Flat Bottom</p>
<p><b>WL-48</b> Available in black or white</p> <p>2 pc. nylon w/ compression spring. Sold as L/R Pair</p>	<p><b>WL-49</b> White With tri-wing slotted lock Black or white</p> <p>L/R Pair</p>	<p><b>WL-61</b> Sold Pair</p>	<p><b>WL-61*</b> w/ Flat Bottom, w/ 3/16" Latch Height <b>WL-64*</b> w/ 11/32" Bottom Hole Post, w/ 3/16" Latch Height</p> <p>White</p>
<p><b>WL-81</b> White</p> <p>WL-81 A = 3/8" B = 7/32" C = 1/8" WL-82 A = 31/64" B = 27/64" C = 1/8"</p>	<p><b>WL-112</b> L/R Pair Black or white</p>	<p><b>WL-114</b> white, black</p> <p>Die Cast, Reversible</p>	<p><b>WL-115</b> L/R</p> <p>White</p>
<p><b>WL-120</b></p>	<p><b>WL-121</b> Black or white L/R</p> <p>Die Cast</p>	<p><b>WL-138</b> Warren</p>	

**Metal Casement Window Operator Identification**  
(May Also Apply To Some Vinyl Windows)

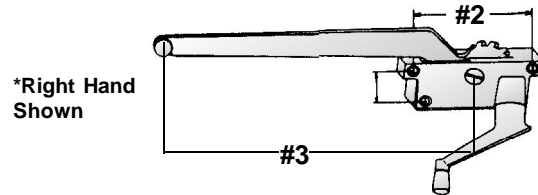
1. Determine the number of mounting holes.
2. Measure the mounting hole(s) spacing by measuring center to center.
3. Determine whether the mounting holes are thru-mount or concealed rear mount threaded pivot holes.
4. Measure operator arm length by measuring the center of the button to the center of the housing arm pivot pin.
5. Determine handing from the inside of your window looking to the outside.\*
6. Determine the type of guide on the end of the arm (round button, rectangular button, etc...).



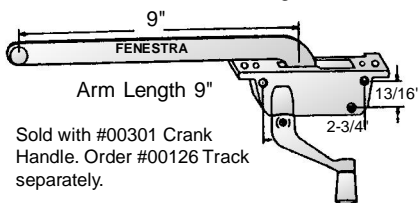
**Wood Casement Window Operator Identification**

1. Determine the number of mounting holes.
2. Measure the mounting hole(s) spacing by measuring center to center.
3. Measure operator arm length by measuring the center of the button to the center of the housing arm pivot pin.
4. Determine handing from the inside of your window looking to the outside\*.
5. Determine the type of guide on the end of the arm (round button, rectangular button, etc...).
6. Specify the operator material.

For Truth Hardware, Blaine uses Truth method of handing. Handing may vary from inside to outside, depending on series. Refer to individual parts for handing determination.

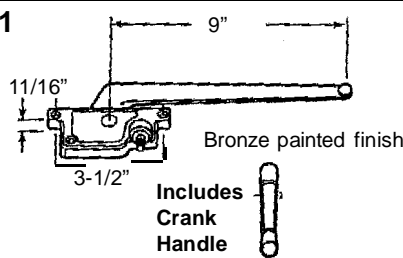


**00011 Fenestra** Right Hand Shown  
Painted Die Cast Housing



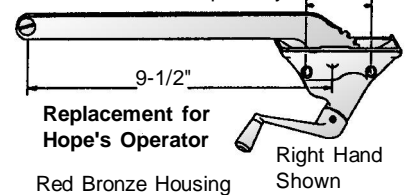
Sold with #00301 Crank Handle. Order #00126 Track separately.

**00021**



Includes Crank Handle

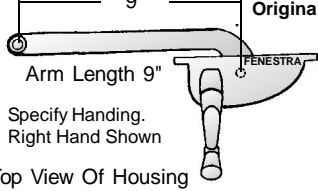
**00026** Sold with #00308 Crank Handle. Order #00126 Track separately. 2-11/32"



Replacement for Hope's Operator

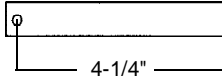
Red Bronze Housing Right Hand Shown

**00010** Original

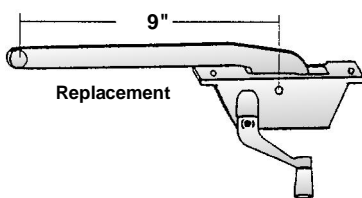


Specify Handing. Right Hand Shown

Top View Of Housing



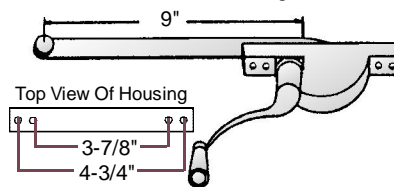
**00010-S**



Replacement

**00057**

Right Hand Shown Arm Lengths 9", 11".



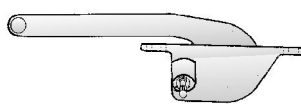
Top View Of Housing

UNAVAILABLE. See Replacement 05275, Below

**05275**

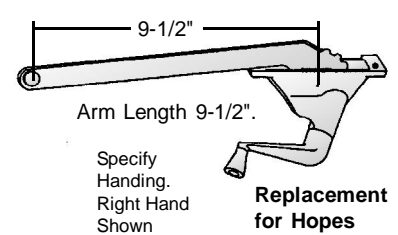
Replacement

Available in 9" & 11"



Painted models order #05275 replacement. Bronze models order #01238 replacement.

**00025** 4-1/8" hole centers



Arm Length 9-1/2".

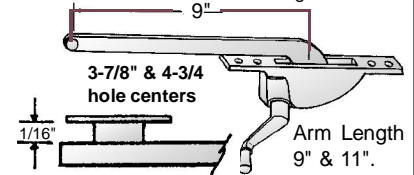
Specify Handing. Right Hand Shown

Replacement for Hopes

Nickel, Red Bronze & Painted Housing

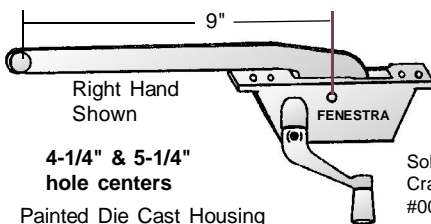
**01238**

Nickel Bronze or Red Bronze Housing



Arm Length 9" & 11".

**00024 Fenestra**



Right Hand Shown

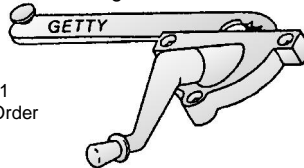
4-1/4" & 5-1/4" hole centers

Painted Die Cast Housing Arm length 9".

**04851** For Wood Casements

Right Hand Shown

Arm Lengths: 9" & 11"

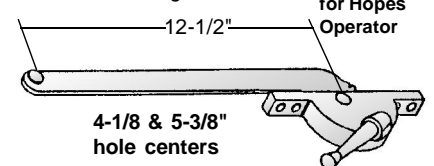


Available in Bronze Painted Finish

**08415** Red & Nickel Bronze Housing

Arm Length 12-1/2"

Replacement for Hopes Operator



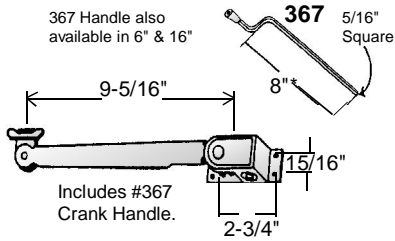
4-1/8" & 5-3/8" hole centers

Sold with #00338 Crank Handle. Order #00126 Track separately.

**00007**

Non Handed

367 Handle also available in 6" & 16"



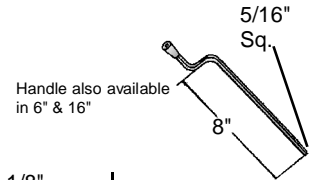
Includes #367 Crank Handle.

Comes with #00130 track and 00367 handle shown above

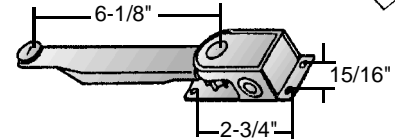
**#00007 Wood Casement Operator - Hints For Positive Identification**

1. Determine style - non-handed for left / right application.
2. A universal replacement that replaces original, as shown, plus many other variations of the same type of operator.
3. Operator comes with a 6" crank handle, track and all mounting hardware.
4. 6" and 16" cranks available separately. Order number 367-8 or 367-16.
5. Available in zinc plated steel or brass plated steel.

**00033**



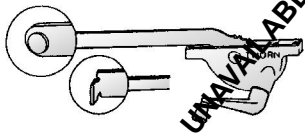
Handle also available in 6" & 16"



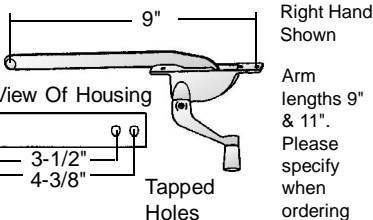
#00367 Crank Handle, Included

**00012-Orig**

No longer available. Order 12 below



**00012**

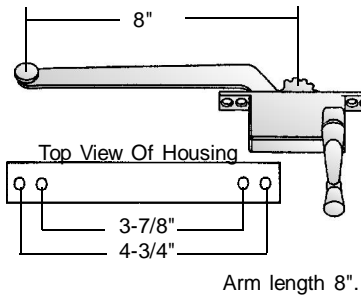


Right Hand Shown  
Arm lengths 9" & 11". Please specify when ordering  
Tapped Holes

**00015**

Painted Die Cast Housing

Specify Handing  
Right Hand Shown

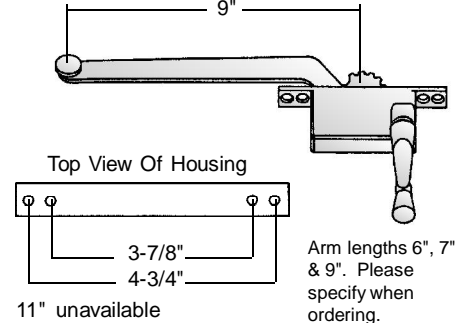


Arm length 8".

**00020**

Painted Die Cast Housing

Specify Handing.  
Right Hand Shown

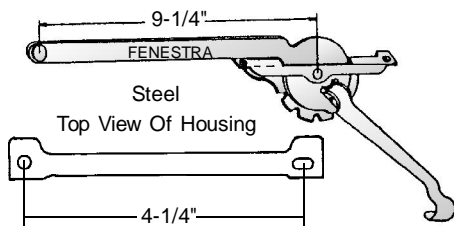


Arm lengths 6", 7" & 9". Please specify when ordering.  
11" unavailable

**00008**

Specify Handing  
Right Hand Shown

Arm lengths 7-1/4", 8-1/4", 9-1/4". Please specify when ordering.



Steel  
Top View Of Housing

**00013**

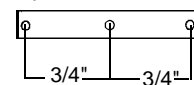
Fenestra

Painted Die Cast Housing

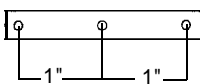
Right Hand Shown

May require No. 00157 bracket to install

Top View Of Housing

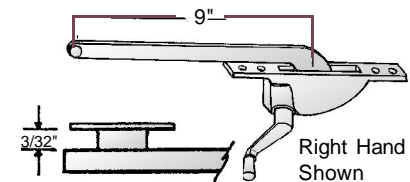


End View Of Arm Bracket

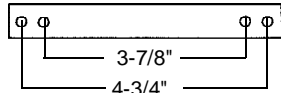


**08453**

Nickel & Red Bronze Housing

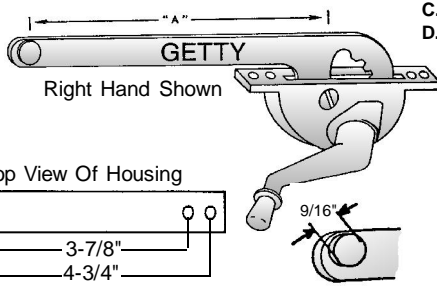


Top View Of Housing



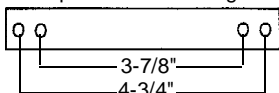
Arm Length 9".

**00017**



Right Hand Shown

Top View Of Housing



Guide A

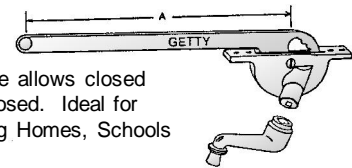


- Arm Length: Specify 6", 9", 10", 11".
- Arm Thickness: Specify 1/8" or 3/16".
- Standard Housing Thickness: 5/8"
- Select Type of Guide Required: Guide "A", "B" or "C"

**00017-AA**

Tamper Proof

Specify Handing.  
Right Hand Shown



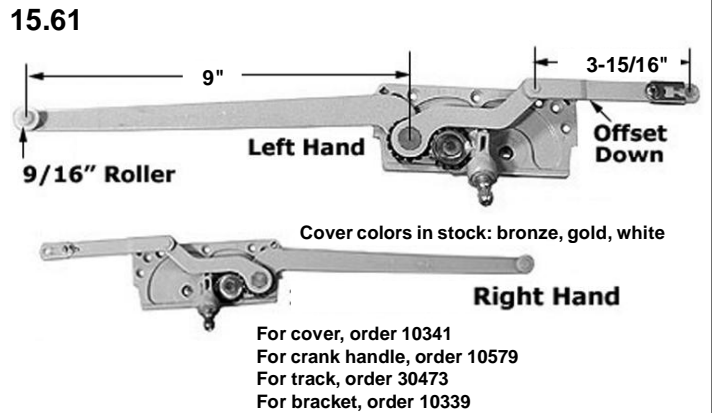
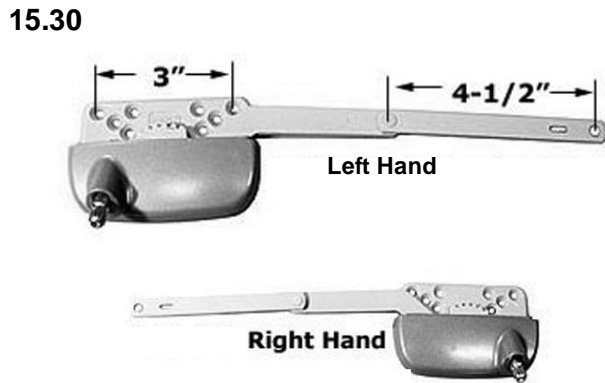
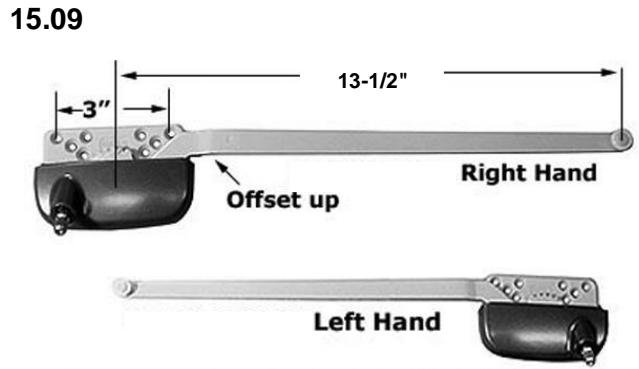
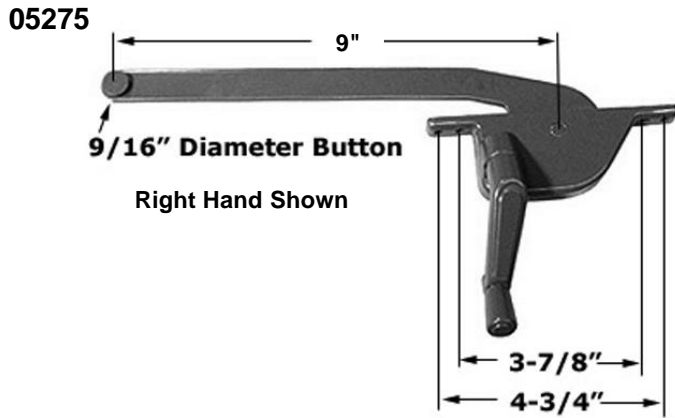
Removable handle allows closed window to stay closed. Ideal for Hospitals, Nursing Homes, Schools and Offices

For replacement or O.E.M.

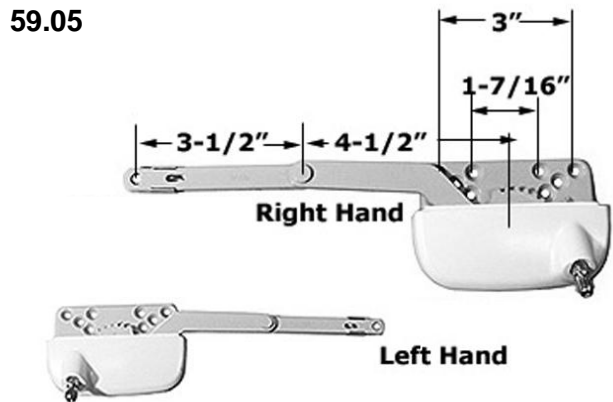
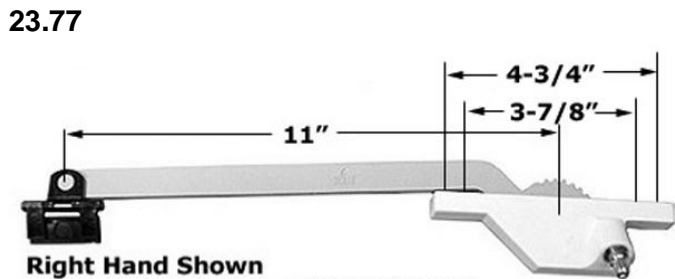
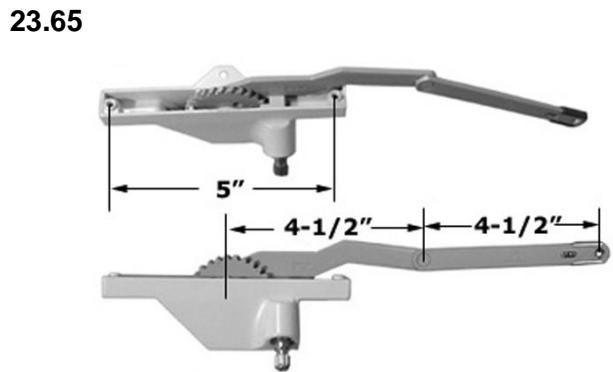
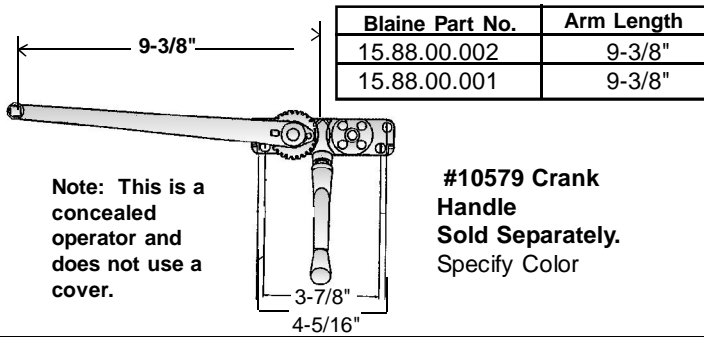
Finish, Material, Guides, Arm Thickness and Length options are the same as No. 00017 Operator

Note: New rounded style housing for all operators shown below

**Truth Casement Operators**



**15.88.00.002** Right Hand  
**15.88.00.001** Left Hand As Shown

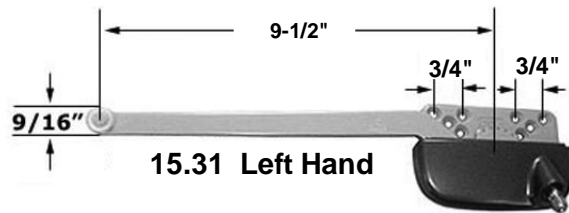




Note: New rounded style housing for all operators shown below

**Truth Casement Operators**

- 15.31.XX.061 As shown 9-1/2"
- 15.31.XX.062 Opposite 9-1/2"
  
- 15.32.XX.061 As shown 13-1/2"
- 15.32.XX.062 Opposite 13-1/2"
  
- 15.39.XX.061 As shown 6"
- 15.39.XX.062 Opposite 6"
  
- 15.56.XX.061 As shown 7-1/2"
- 15.56.XX.062 Opposite 7-1/2"



15.31 Left Hand

Order track no. 30473 track for 15.31 and order 30150 track for 15.32, sold separately.

Handle sold separately. Order no. 10579



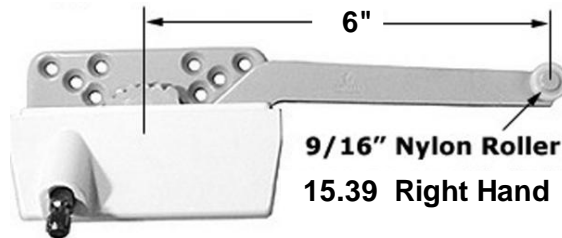
15.32 Right Hand

Mounting screws included

denotes color. Please contact Customer Service for available colors.

Arm Lengths: 6", 7-1/2", 9-1/2", 13-1/2"

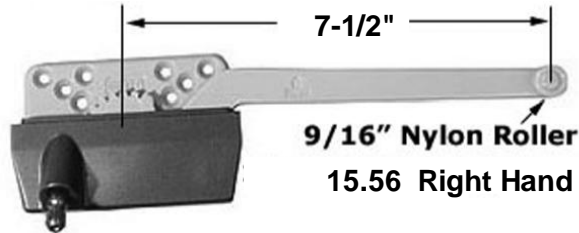
Blaine Part No	Hand	Arm Length	Color
15.39.29.062	R	6"	Gold
15.39.29.061	L	6"	Gold
15.39.32.062	R	6"	White
15.39.32.061	L	6"	White
15.39.23.062	R	6"	Chestnut Brz
15.39.23.061	L	6"	Chestnut Brz
15.56.24.062	R	7-1/2"	Beige
15.56.24.061	L	7-1/2"	Beige
15.56.22.062	R	7-1/2"	Clay
15.56.22.061	L	7-1/2"	Clay
15.56.32.062	R	7-1/2"	White
15.56.32.061	L	7-1/2"	White
15.56.03.062	R	7-1/2"	Bronze
15.56.03.061	L	7-1/2"	Bronze
15.31.29.062	R	9-1/2"	Gold
15.31.29.061	L	9-1/2"	Gold
15.31.24.062	R	9-1/2"	Beige
15.31.24.061	L	9-1/2"	Beige
15.31.22.062	R	9-1/2"	Clay
15.31.22.061	L	9-1/2"	Clay
15.31.32.062	R	9-1/2"	White
15.31.32.061	L	9-1/2"	White
15.31.03.062	R	9-1/2"	Bronze
15.31.03.061	L	9-1/2"	Bronze
15.32.29.062	R	13-1/2"	Gold
15.32.29.061	L	13-1/2"	Gold
15.32.22.062	R	13-1/2"	Clay
15.32.22.061	L	13-1/2"	Clay
15.32.32.062	R	13-1/2"	White
15.32.32.061	L	13-1/2"	White
15.32.03.062	R	13-1/2"	Bronze
15.32.03.061	L	13-1/2"	Bronze



15.39 Right Hand



15.39 Left Hand

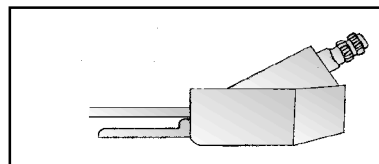


15.56 Right Hand

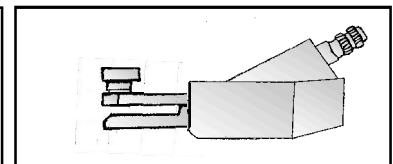


15.56 Left Hand

Send sample for identification



Flat Arm, Side View Open Position



Flat Arm, Side View Closed Position

Note: Bronzes are painted with a metallic finish. Specify arm length

**TRUTH / WRIGHT**

"Truth" and "Wright" window mechanisms are used by many window companies. The word "Truth" or "Wright" will appear on the arm outside the window that connects the operator to the bottom of the window. You must open the window to see it. Some brands that use this hardware include: Acorn, Avon, Biltbest, Caradco, Certainty, Craftline, Crestline, Eagle, Harvey, Hurd, Johnson-Postman, King, Kolbe & Kolbe, Lincoln, Louisiana-Pacific, MW, Malta, Marvin, National, Norco, Nordic, Pozzi, Row, Semco, Vetter, Weathershield and Windsor.

15.10.00.001 Left  
15.10.00.002 Right

15.14.00.001 Left  
15.14.00.002 Right

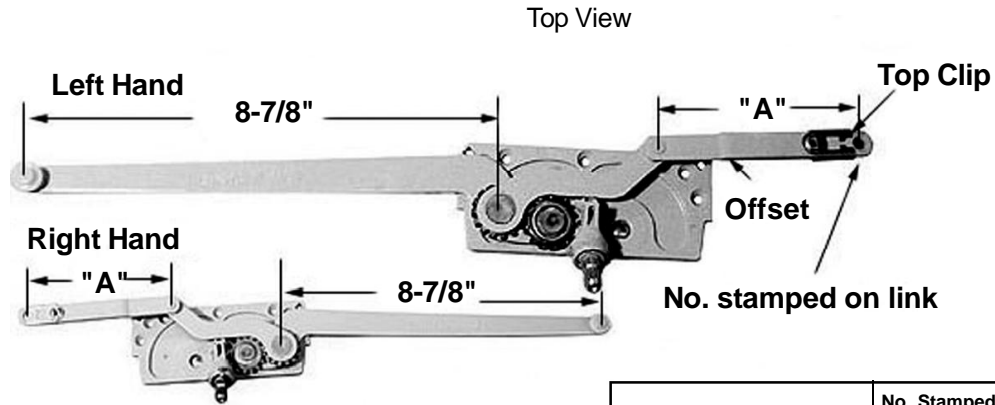
15.15.00.001 Left  
15.15.00.002 Right

15.16.00.001 Left  
15.16.00.002 Right

**ENTRYGARD DUAL ARM OPERATOR**

Please send a sample for accurate identification

**TRUTH &  
ANDERBERG**



"A" Measurement	No. Stamped On Link
2-3/8" - 15.15.00.001 15.15.00.002	20748
3-5/16" - 15.16.00.001 15.16.00.002	20755
3-15/16" - 15.10.00.001 15.10.00.002	20810 or 20544
3-15/16" - 15.14.00.001* 15.14.00.002*	-----

**Component Part numbers to help identification:**

Housing = 40372 or 40471 or 40254

Main Arm (10") = 40753 or 30470 or 30472 or 40754

Arm (Dog Leg) = L30841 or 31538A or 30637 or 30842

Link (4") = 20810 or 20544

Some newer models do not have part numbers stamped on components

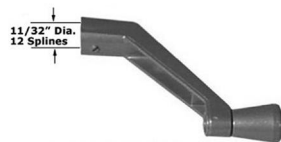
\* = Stainless Steel

Other dimensions available.  
Please Inquire

**Sold Separately:**

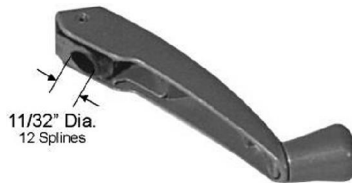
Handle: Specify Color (Bronze, Gold, White)

Standard 10579



Note: The Color Code is the 6th & 7th Digit of the Part Number

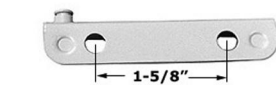
Folding Handle 11329



T-Handle 11573

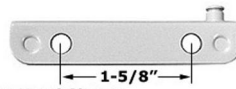


Bracket 10339 LH



Left Hand Shown  
For Right Hand, Order 10340  
Used With 15.10 and Others

Bracket 10340 RH

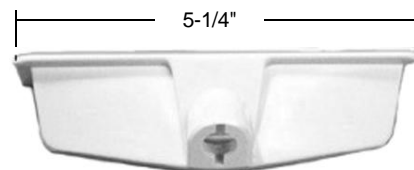


Right Hand Shown  
For Left Hand, Order 10339  
Used With 15.10 and Others

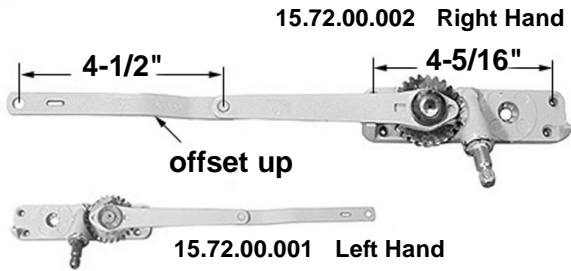
Track 30473



Cover 10341

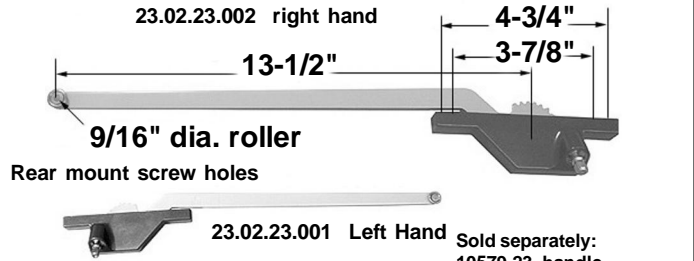


15.72



For handle, order 10579

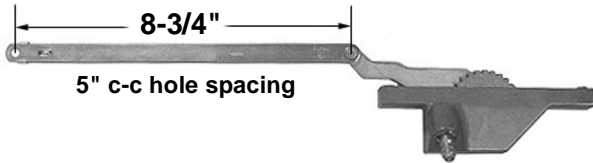
23.02



For front mount operator, order 23.03

23.49

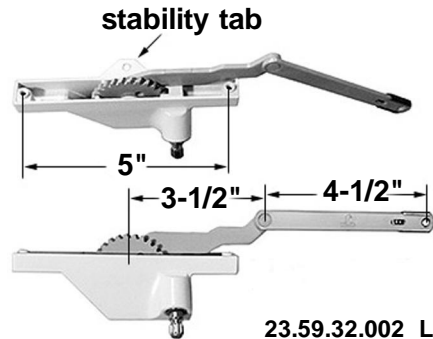
23.49.03.001 Right Hand  
23.49.03.002 Left Hand



Sold separately:  
10579.03 Handle  
03030-10-L/R-050 Hinge  
10558.92 Bracket  
24.25 Locking Handle  
21088 Keeper

available in white and bronze

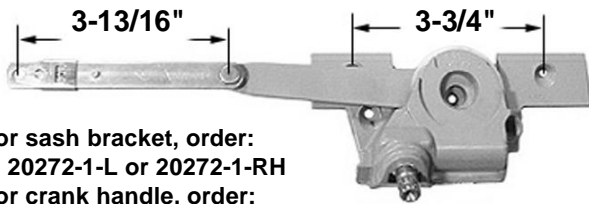
23.59



23.59.32.002 Left Hand  
23.59.32.001 Right Hand

10141

Andersen Non-handed

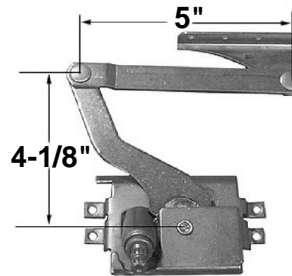


For sash bracket, order:  
20272-1-L or 20272-1-RH  
For crank handle, order:  
20684-1-078 or 20684-1-067  
For cover, order:  
20684-2-078 Stone or 20684-2-067 White

10451-R

Pella

Right hand shown.  
Specify Right or left  
hand.

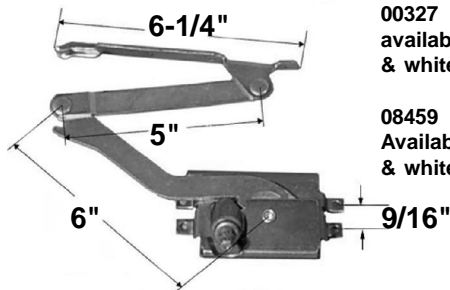


For left hand, order 10451-Left  
For crank handle, order:  
00327-057 Gold  
00327-099 Champagne

08458-R

Pella

Right hand show. Specify right  
or left hand when ordering.



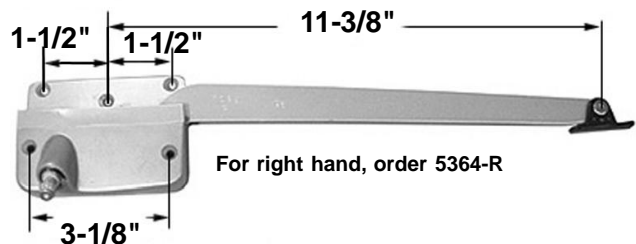
Sold separately:  
00327 Crank handle  
available in gold, champagne  
& white

08459 Cover  
Available in gold, champagne  
& white

05364-L

Andersen

Left hand shown



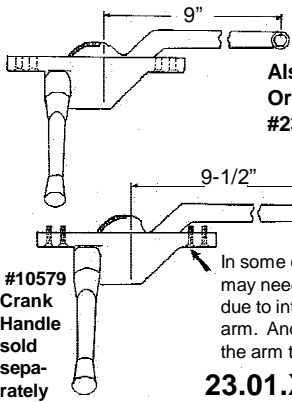
For right hand, order 5364-R

For sash bracket, order 20272-1-LH or 20272-1-RH  
For crank handle, oreer 20684-1-078 or 20684-1-067  
For cover, order 20684-2-078 stone or 20684-2-067 white

**Note:** New rounded style housing for all operators shown below

**Truth Casement Operators**

23.01.XX.001 As Shown Left Hand



**Discontinued "Original Style" Arm**

Also available with rear mount housing. Order #23.00.XX.001 Left Hand or #23.00.XX.002 Right Hand

Due to engineering design changes, "New Style Arm" replaces original.

Order 30175 track separately

In some cases the No. 3 position mounting screw may need to be eliminated or ground down in length due to interference in the full closing position of the arm. Another alternative would be to grind a notch in the arm to clear the screw end.

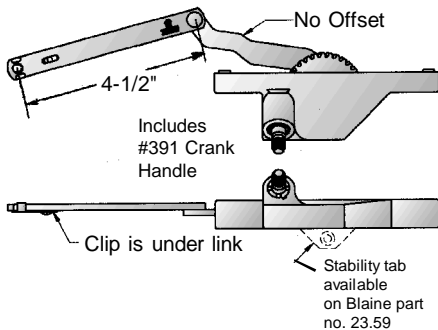
**23.01.XX.002 Opposite**

Blaine Part No.	L/R	Arm Length	Color
23.01.01.001	L	9-1/2"	Aluminum
23.01.01.002	R	9-1/2"	Aluminum
23.01.19.001	L	9-1/2"	Nickel
23.01.19.002	R	9-1/2"	Nickel
23.01.32.001	L	9-1/2"	White
23.01.32.002	R	9-1/2"	White
23.01.23.001	L	9-1/2"	Chestnut Brz.
23.01.23.002	R	9-1/2"	Chestnut Brz.
23.01.03.001	L	9-1/2"	Bronze
23.01.03.002	R	9-1/2"	Bronze
23.00.01.001	L	9-1/2"	Aluminum
23.00.01.002	R	9-1/2"	Aluminum
23.00.23.001	L	9-1/2"	Chestnut Brz.
23.00.23.002	R	9-1/2"	Chestnut Brz.

**Note:** Bronze Colors are painted metallic finishes.

Rear Mount

23.46.XX.002 Opposite  
23.46.XX.001 As Shown

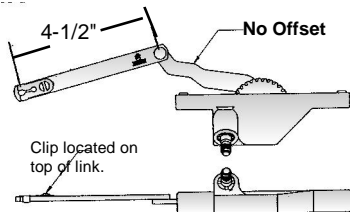


10579.XX crank handle sold separately

Truth Part No.	Handing	Color
23.46.22.002	R	Clay
23.46.22.001	L	Clay
23.46.32.002	R	White
23.46.32.001	L	White
23.46.03.002	R	Bronze
23.46.03.001	L	Bronze

**Note:** Bronze is a painted metallic finish.

23.33.XX.001 as shown  
23.33.XX.002 opposite



#10579 Crank Handle sold separately.

Truth Part No.	Handing	Color
23.33.32.501	L	White
23.33.32.502	R	White
23.33.03.501	L	Bronze
23.33.03.502	R	Bronze

15.18.XX.052 as shown  
15.18.XX.051 opposite

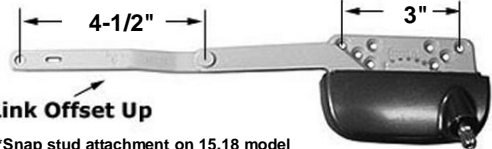
Colors available include Bronze and white painted finish. XX = specify color choice

15.66.XX.052 as shown  
15.66.XX.051 opposite

10579.XX crank handle sold separately.

15.67.XX.052 as shown  
15.67.XX.051 opposite

**15.18 Right Hand**

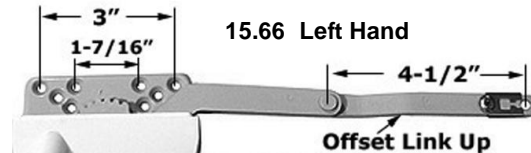


Link Offset Up

\*\*Snap stud attachment on 15.18 model



15.18 Left Hand Shown

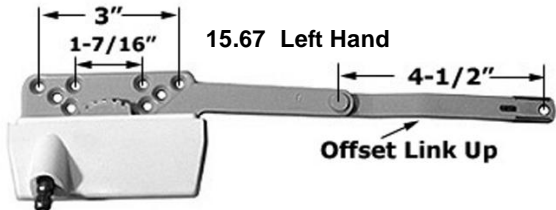


15.66 Left Hand

Offset Link Up



15.66 Right Hand



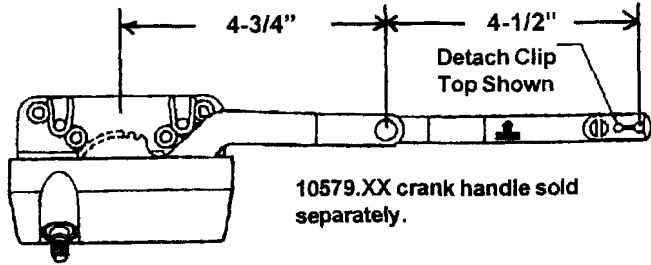
15.67 Left Hand

Offset Link Up

Operator Number	Clip Orientation	Bracket	
15.18.XX.062	As Shown	**None	12511.92
15.18.XX.061	Opposite	**None	12510.92
15.66.XX.052	As Shown	Top	10918.92
15.66.XX.051	Opposite	Top	10917.92
15.67.XX.052	As Shown	Bottom	10918.92
15.67.XX.051	Opposite	Bottom	10917.92

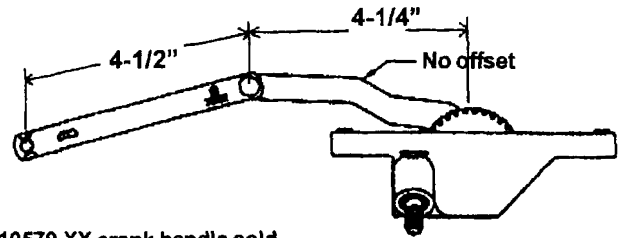
15.66.XX.061 Clip on top, as shown  
15.66.XX.062 opposite  
15.67.XX.061 Clip on bottom, as shown  
15.67.XX.062 opposite

Truth Split Arm  
Operator



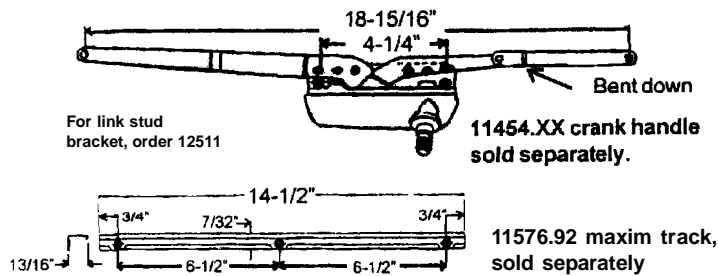
23.54.XX.002 opposite  
23.54.XX.001 as shown

Truth Dwyad Operator



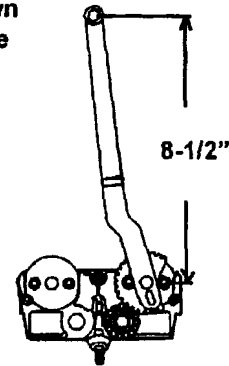
50.00.XX.011 as shown  
50.00.XX.012 opposite

Truth Maxim Dual Arm Casement  
Operator



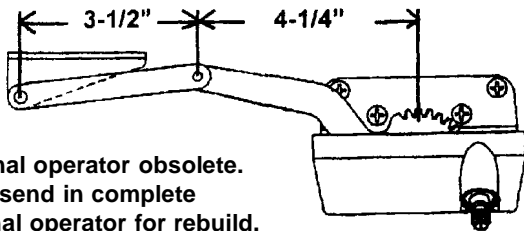
15.94.00.001 as shown  
15.94.00.002 opposite

Truth Entrygard

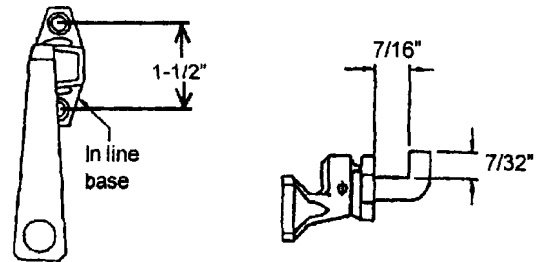


10649-L as shown  
10649-R opposite

Truth Split Arm Operator

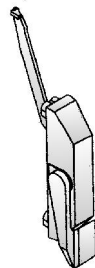


27.31.XX.102 as shown  
27.31.XX.103 opposite



24.84.XX.002 as shown  
24.84.XX.001 opposite

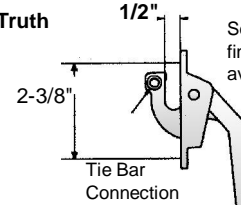
Truth  
  
Many finishes available



Used In  
Tie Bar  
Applications

24.13.XX.202 - Lower

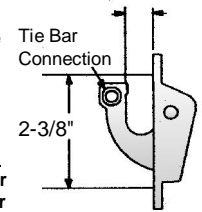
Truth



Several finishes available

24.13.XX.203-Upper

Truth

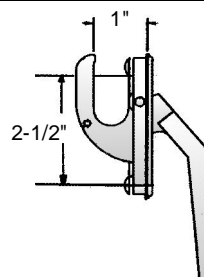


Several finishes available

For 3/8" gap order:  
24.12.XX.200 Lower  
24.12.XX.201 Upper

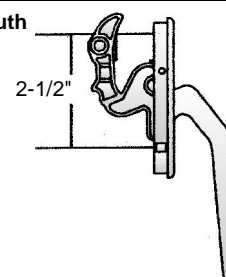
24.21.XX.100

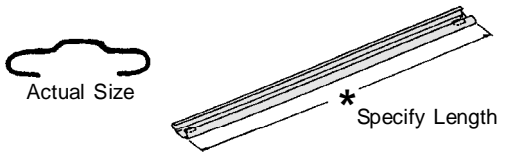
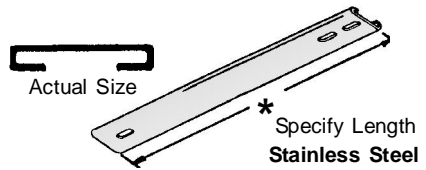
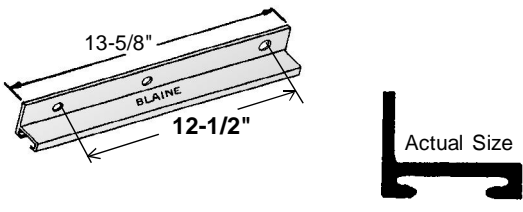
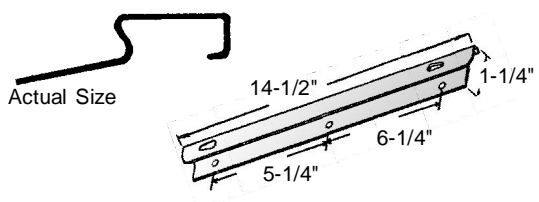
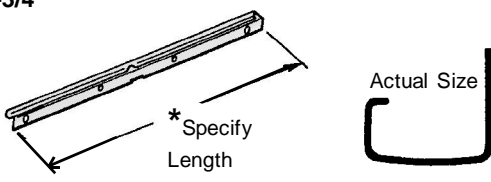
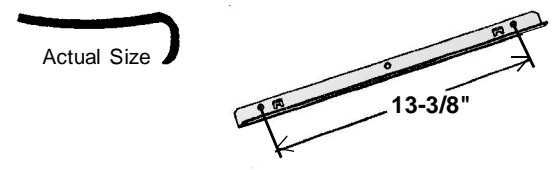
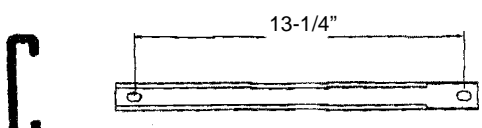
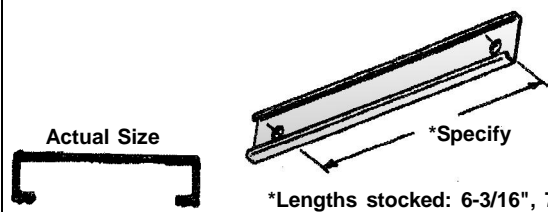
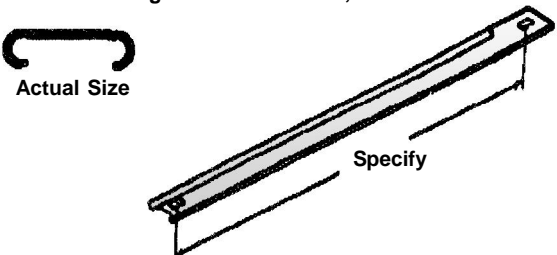
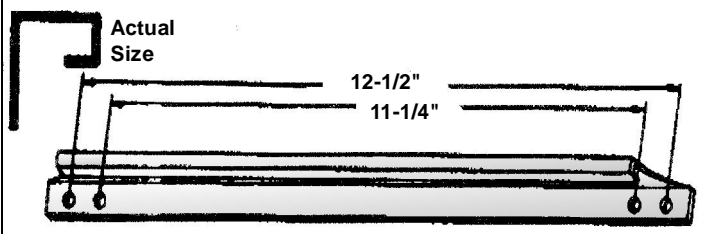
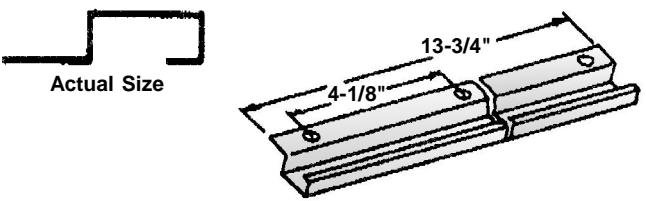
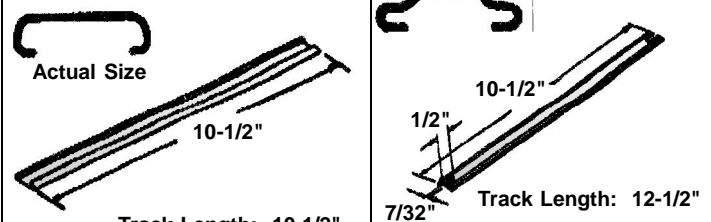
Truth



24.25.XX.300

Truth



<p><b>125</b></p>  <p>Actual Size</p> <p>* Specify Length</p> <p>*Lengths Available: 10", 11", 12-1/2" and 16-1/4".</p>	<p><b>126</b></p>  <p>Actual Size</p> <p>* Specify Length Stainless Steel</p> <p>*Lengths Available: 12-5/8", 13-3/4" &amp; 18".</p>
<p><b>129</b>      <b>Aluminum</b></p>  <p>13-5/8"</p> <p>12-1/2"</p> <p>Actual Size</p>	<p><b>2074</b>      <b>Andersen</b></p>  <p>Actual Size</p> <p>14-1/2"</p> <p>1-1/4"</p> <p>6-1/4"</p> <p>5-1/4"</p>
<p><b>30473.92 - 11-3/8"</b>      <b>Truth</b> <b>30150.92 - 13-3/4"</b></p>  <p>Actual Size</p> <p>* Specify Length</p> <p>*Lengths available: 11-3/8" or 13-3/4"</p>	<p><b>58-Channel</b>      <b>Andersen</b></p>  <p>Actual Size</p> <p>13-3/8"</p>
<p><b>30175</b>      <b>Stainless Steel</b></p>  <p>Actual Size</p> <p>13-1/4"</p> <p>*Length available: 13-1/4"</p>	<p><b>2908</b></p>  <p>Actual Size</p> <p>*Specify</p> <p>*Lengths stocked: 6-3/16", 7-1/16", 9-1/2" &amp; 12". Other sizes available per customer request.</p>
<p><b>3033</b>      <b>Lengths Available: 12", 13" &amp; 16"</b></p>  <p>Actual Size</p> <p>Specify</p>	<p><b>130</b>      <b>Track Length 13"</b></p>  <p>Actual Size</p> <p>12-1/2"</p> <p>11-1/4"</p>
<p><b>30151.92</b>      <b>Track Length: 13-3/4"</b></p>  <p>Actual Size</p> <p>4-1/8"</p> <p>13-3/4"</p>	<p><b>10073</b>      <b>8221</b></p>  <p>Actual Size</p> <p>10-1/2"</p> <p>10-1/2"</p> <p>1/2"</p> <p>7/32"</p> <p>Track Length: 10-1/2"</p> <p>Track Length: 12-1/2"</p>

<p><b>58</b> Andersen <b>58-Rev</b></p> <p>Specify Handing. Right Hand Shown</p> <p>58-2 Crank Handle sold separately. Track sold separately. Order 58-Channel.</p> <p>*Arm measured from gear center to shoe rivet center.</p>	<p>Andersen <b>2073</b></p> <p>Black nylon shoe with slot for channel. Shoe is mounted under operator arm.</p> <p>Specify Handing. Right Hand Shown</p> <p>*Arm measured from gear center to shoe rivet center</p> <p>58-2 crank handle sold separately.</p>	<p>Andersen <b>2073</b></p> <p>Right Hand Shown</p> <p>Bronze painted finish</p> <p>**Includes 975-1 Crank Handle.</p>
---	--	--

<p><b>1285*</b> Andersen <b>10002</b></p> <p>*Please Specify Long or Short Arms When Ordering:</p> <p>Long - 34" Short - 24-7/8"</p> <p>1285</p> <p>Comes with rods and 975-1 Crank Handle</p>	<p>Andersen <b>2026</b></p> <p>Left Hand available, Limited quantities. Right hand obsolete. Order 2073 shown above and 2074 track.</p> <p>58-2 crank handle sold separately.</p> <p>TOP VIEW OF HOUSING</p> <p>3-7/8"</p> <p>* Arm measures from gear center to button rivet center</p> <p>975-1 crank handle sold separately.</p>
--	---

<p><b>4990</b> Andersen <b>4993*</b></p> <p>Available in 33", 36", 39" Arms Order #125-16 1/4 replacement track separately.</p> <p>Comes with #00301 crank handle</p>	<p>Andersen <b>42</b></p> <p><b>UNAVAILABLE</b></p> <p>Order 10147-061 with instructions. 58-2 handle sold separately.</p> <p>*Long = 5" Short = 3-5/32"</p> <p>Please specify.</p>	<p><b>Pella</b></p> <p>Right Hand Shown.</p> <p>Sill Sizes: 20", 21", 30"</p> <p>Limited Supply</p>
---	---	---

**9492** Pella

**UNAVAILABLE**

Track sold separately. Available in 17", 21" & 25". Specify left or right hand.

Order No. 327 Crank Handle Separately

Left Hand Shown.

**43.54** TRUTH

Pella Spline

For Pella Operators For Cover, Order 12490

Motorized Window Products are Non-returnable.

Contact Customer Service for Warranty Issues.

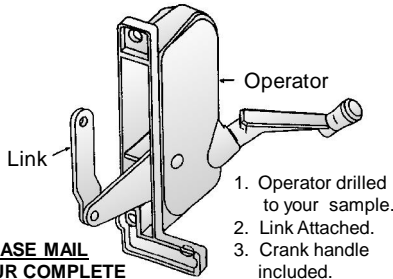
**We have window operators for all window configurations. Please contact our Customer Service Department at 800-678-1919 for assistance with your window hardware needs.**

**CUSTOM AWNING OPERATORS**

**3707**

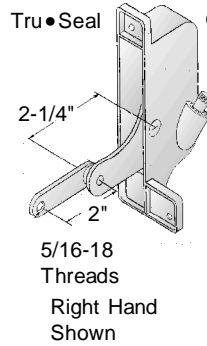
**Replacement**

**73-R**

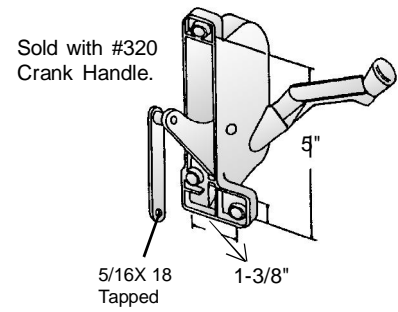
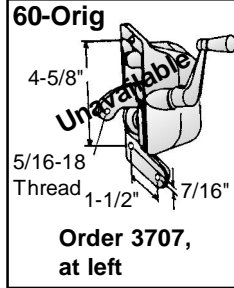


1. Operator drilled to your sample.
2. Link Attached.
3. Crank handle included.
4. Fasteners supplied when sample is provided.

**PLEASE MAIL YOUR COMPLETE SAMPLE** (Including Arm, Link & All Fasteners At The End Of The Link)



Sold with #303 crank handle.



Sold with #320 Crank Handle.

Replace with No. 95, at right

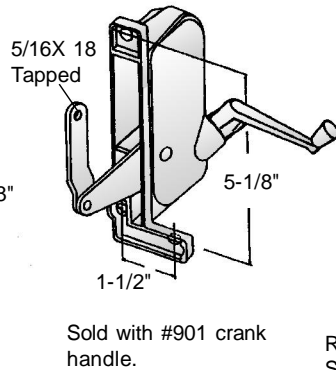
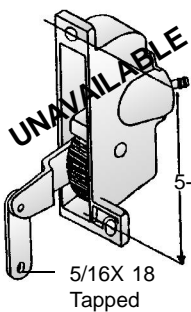
**MIAMI**

**95**

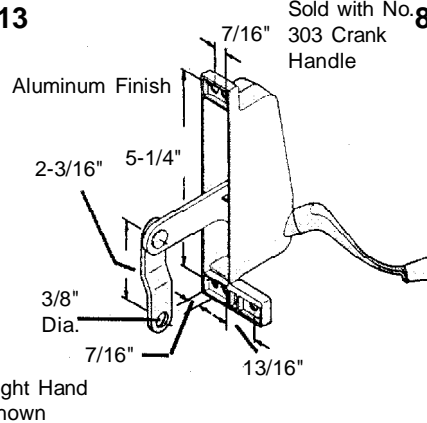
Right Hand

**3713**

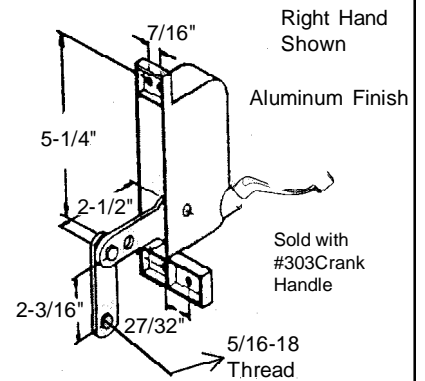
Sold with No. 80 303 Crank Handle



Sold with #901 crank handle.



Right Hand Shown



Right Hand Shown

Aluminum Finish

Sold with #303 Crank Handle

**2066**

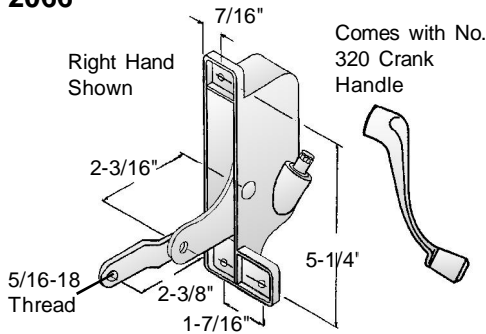
**3718**

Right Hand Shown

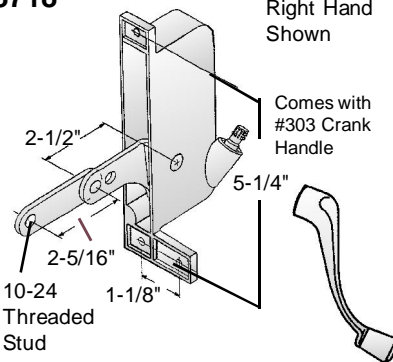
Replace with No. 77

**77**

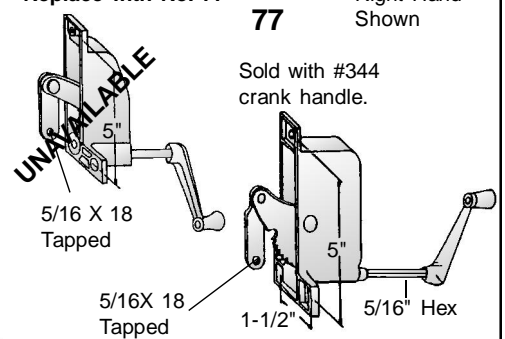
Right Hand Shown



Comes with No. 320 Crank Handle



Comes with #303 Crank Handle



Sold with #344 crank handle.

**2008 Flat**

**2008-Offset**

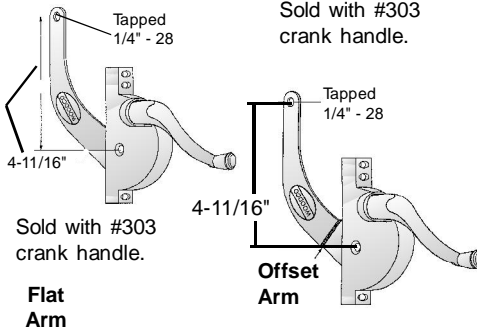
**2045**

**2048**

Right Hand Shown.

**Woodco**

**Woodco**



Sold with #303 crank handle.

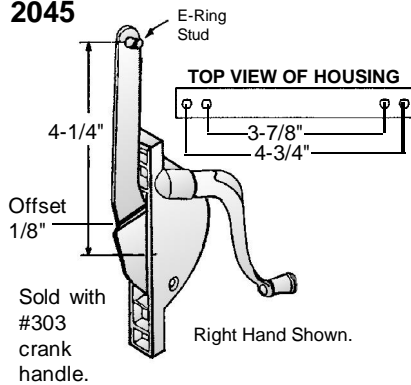
Flat Arm

Sold with #303 crank handle.

Tapped 1/4" - 28

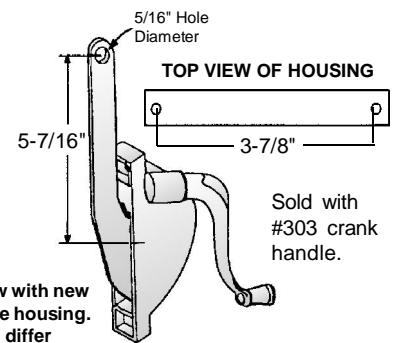
4-11/16"

Offset Arm



Sold with #303 crank handle.

Right Hand Shown.



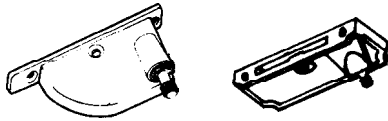
Sold with #303 crank handle.

Now with new style housing. Will differ slightly from the picture



## OLD STYLE OPERATOR BOXES - OBSOLETE

Casement & Awning



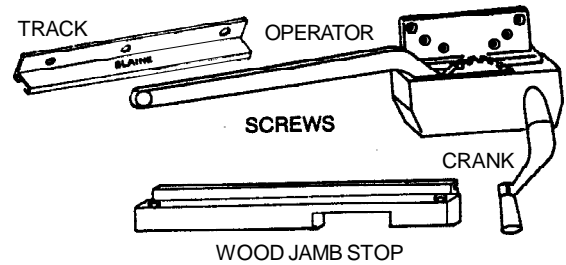
Please send a sample for accurate identification



### OPERATOR REPLACEMENT\*

To replace operator boxes, left, it is necessary to order a complete kit with wood jamb stop, operator, track, crank handle and screws.

### CASEMENT REPAIR KIT



Operator sold separately. Order No. 15.31.XX operator.

KIT NUMBER	GLASS WIDTH SIZE*	SILL LENGTH
08501-N-L-087	14-5/8"	16-1/8"
08501-N-R-087	14-5/8"	16-1/8"
08501-W-L-087	19-1/8"	20-5/8"
08501-W-R-087	19-1/8"	20-5/8"
08501-XW-L-087	22"	24-7/16"
08501-XW-R-087	22"	24-7/16"
08501-XWE-L-087*	22"	24-7/16"
08501-XWE-R-087*	22"	24-7/16"

\*Emergency Exit Model

**ALL CASEMENT KITS COME COMPLETE WITH SCREWS AND CRANK HANDLE**

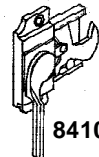


Original locking handle #8410 cannot be replaced. However, in many cases, it can be repaired. Please send your broken handle to our Research Department for an evaluation.



8410-L

### Locking Handle



8410-R

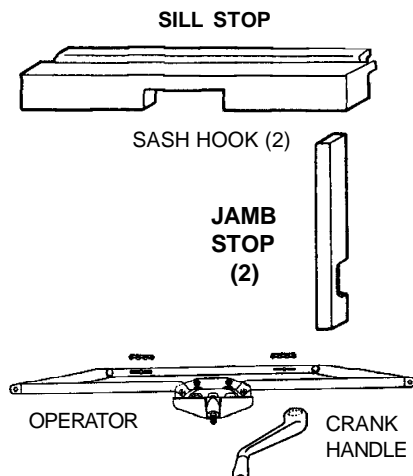
## IMPERIAL CASEMENT HINGE REPLACEMENT FOR ALL WIDTHS

Hinge repair kits are furnished with instructions, fit all widths and are reversible to fit right or left hand vents. Sold in pairs (1 pair repairs 1 vent). Order #08500-HINGE-050.

## ROTO-LOK AWNING WINDOW HARDWARE KIT\*\*

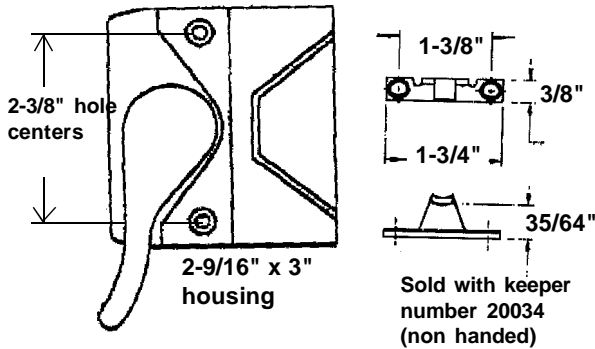
KIT NUMBER	GLASS WIDTH X HEIGHT* SIZE	VERTICAL JAMBS	SILL LENGTH (w/ WEATHERSTRIP)
08500-A-087	19" x 14"	17-9/16" Pair	(1) 21-5/8"
08500-B-087	27" x 10"	13-9/16" Pair	(1) 29-1/4"
08500-C-087	27" x 14"	17-9/16" Pair	(1) 29-1/4"
08500-D-087	27" x 18"	21-9/16" Pair	(1) 29-1/4"
08500-E-087	27" x 22"	25-9/16" Pair	(1) 29-1/4"
08500-F-087	27" x 30"	33-9/16" Pair	(1) 29-1/4"
08500-G-087	36" x 14"	17-9/16" Pair	(1) 38-1/4"
08500-H-087	36" x 18"	21-9/16" Pair	(1) 38-1/4"
08500-I-087	36" x 22"	25-9/16" Pair	(1) 38-1/4"
08500-J-087	36" x 30"	33-9/16" Pair	(1) 38-1/4"
08500-K-087	39" x 14"	17-9/16" Pair	(1) 29-1/4"
08500-L-087	39" x 18"	21-9/16" Pair	(1) 41-1/4"
08500-M-087	39" x 22"	25-9/16" Pair	(1) 41-1/4"
08500-N-087	39" x 30"	33-9/16" Pair	(1) 41-1/4"
08500-O-087	44" x 14"	17-9/16" Pair	(1) 46-1/4"
08500-P-087	44" x 18"	21-9/16" Pair	(1) 46-1/4"
08500-Q-087	44" x 22"	25-9/16" Pair	(1) 46-1/4"
08500-R-087	44" x 30"	33-9/16" Pair	(1) 46-1/4"

\*\*All Awning Kits come complete with screws, nylon spacers, crank handle and sash hooks.



**Casement Sash Lock**

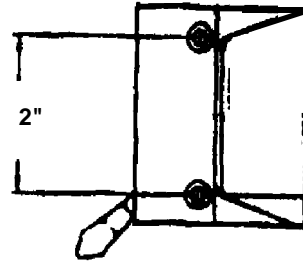
16.16.XX.111 RH  
16.16.XX.110 LH LH Shown



Cannot be used with tie bar for tandem application

16.18.XX.210

Non handed  
Low profile



16.18 and 16.19 sold with standard keeper no. 31344.

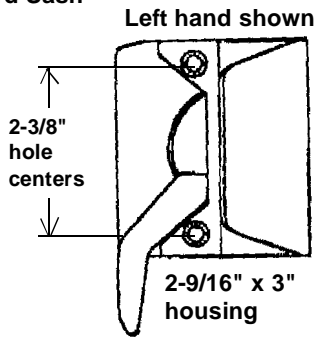
16.19.XX.210

16.19 is tie bar compatible

Non handed  
Low profile

16.27.XX.001 LH  
16.27.XX.002 RH

Entrygard Sash Lock



For tie bar application, order 16.30 at right  
Sold with 30827 keeper (non handed)

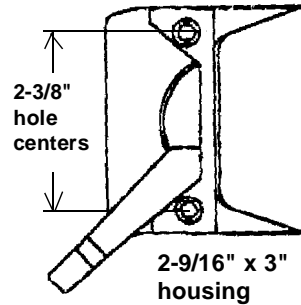
16.30.XX.001 LH  
16.30.XX.002 RH

Entrygard Sash Lock

16.30 is tie bar compatible

16.28.XX.001

Non handed  
Entrygard Sash Lock



For tie bar application, order 16.31 at right  
Sold with 30827 keeper (non handed)

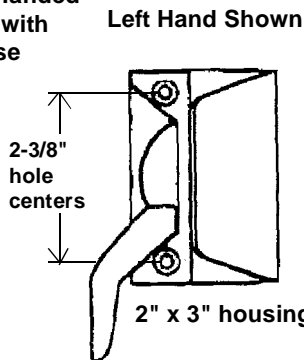
16.31.XX.001

Non handed  
Entrygard Sash Lock

16.31 is tie bar compatible

16.38.XX.001 LH  
16.38.XX.002 RH

Entrygard Handed Sash Lock with Narrow Case



For tie bar application order 16.44 at right  
Sold with 30827 Keeper

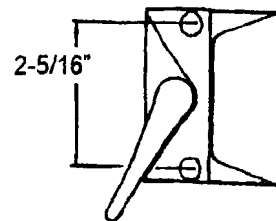
16.44.XX.001 LH  
16.44.XX.002 RH

Entrygard Handed Sash Lock with Narrow Case

16.44 is tie bar compatible

16.52.XX.300

Non-handed Home Gard Primary Sash Lock (Lower)



For tie bar application order 16.53 at right  
Keeper sold separately  
40902 Keeper Left Hand  
40903 Keeper Right Hand

16.53.XX.300

16.53 is tie bar compatible

Non Handed Home Gard Secondary (Only) Sash Lock (Upper w/o lever)

<p><b>58</b> Specify Handing. Right Hand Shown <b>Andersen</b> <b>58-Rev</b></p> <p>58-2 Crank Handle sold separately. Track sold separately. Order 58-Channel. *Arm measured from gear center to shoe rivet center.</p>	<p><b>Andersen</b> <b>2073</b> Right Hand Shown</p> <p>Black nylon shoe with slot for channel. Shoe is mounted under operator arm.</p> <p>Specify Handing. Right Hand Shown *Arm measured from gear center to shoe rivet center 58-2 crank handle sold separately.</p>	<p><b>Andersen</b> <b>2073</b> Right Hand Shown</p> <p>Bronze painted finish</p> <p>**Includes 975-1 Crank Handle.</p>
--	--	--

<p><b>1285*</b> <b>Andersen</b></p> <p>*Please Specify Long or Short Arms When Ordering: Long - 34" Short - 24-7/8"</p> <p>1285 Comes with rods and 975-1 Crank Handle</p>	<p><b>10002</b> <b>Andersen</b></p> <p>Bracket sold separately</p> <p>Left Hand Shown 58-2 crank handle sold separately. TOP VIEW OF HOUSING 3-7/8"</p>	<p><b>2026</b> <b>Andersen</b></p> <p>Left hand available, Limited quantities. Right hand obsolete. Order 2073 shown above and 2074 track.</p> <p>* Arm measures from gear center to button rivet center * 975-1 crank handle sold separately. 9" actual measurement - 8-7/8" 11" actual measurement - 11-3/16"</p>
--	---	---

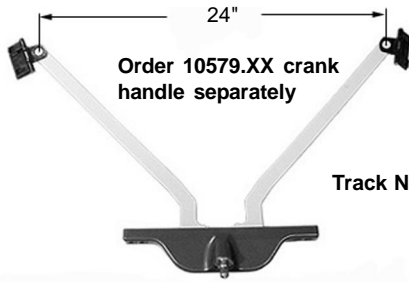
<p><b>4990</b> <b>Andersen</b></p> <p>Available in 33", 36", 39" Arms Order #125-16 1/4 replacement track separately. Comes with #00301 crank handle</p>	<p><b>4993*</b> <b>Andersen</b></p> <p><b>UNAVAILABLE</b></p> <p>Order 10147-061 with instructions. 58-2 handle sold separately. * Long = 5" Short = 3-5/32" Please specify.</p>	<p><b>42</b> <b>Pella</b></p> <p>Right Hand Shown.</p> <p>Sill Sizes: 20", 21", 30" Limited Supply</p>
--	--	--

<p><b>08458</b> Crank Handle And Cover Sold Separately. Order No. 327 Crank Handle And No. 8459 Cover.</p> <p>*Older style may measure 3/4" Specify Handing. Right Hand Shown. Zinc Plated Steel</p>	<p><b>9492</b> <b>Pella</b></p> <p><b>UNAVAILABLE</b></p> <p>Track sold separately. Available in 17", 21" &amp; 25". Specify left or right hand.</p> <p>Order No. 327 Crank Handle Separately Left Hand Shown.</p>	<p><b>We have window operators for all window configurations. Please contact our Customer Service Department at 800-678-1919 for assistance with your window hardware needs.</b></p>
--	--	--



22.10 Front Mount  
22.19 Rear Mount

Aluminum & Vinyl Window  
Awning Operator



Track No. 30169 - 2 per operator

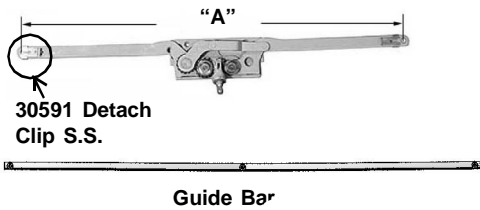
Blaine Part No.	Arm Length	Color
22.10.01.102	24"	Aluminum
22.10.22.102	24"	Clay
22.10.32.103	24"	White
22.10.23.104	24"	Chestnut Brz.
22.10.03.102	24"	Bronze
* 22.19.32.001*	24"	White

**\*Note:**  
RM models have rear threaded holes for rear mounting.

11.43.00.001 20-1-8" (A)  
11.44.00.001 28-3/4" (A)

Truth Dual Arm Operator

Blaine Part No.	Arm Length	Color
11.43.00.001	20-1/2"	*
11.44.00.001	28-3/4"	*



\* Number **10341** Cover sold separately.

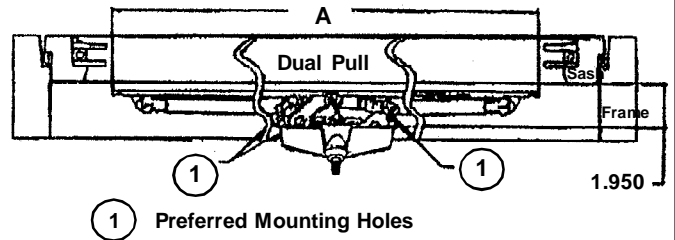
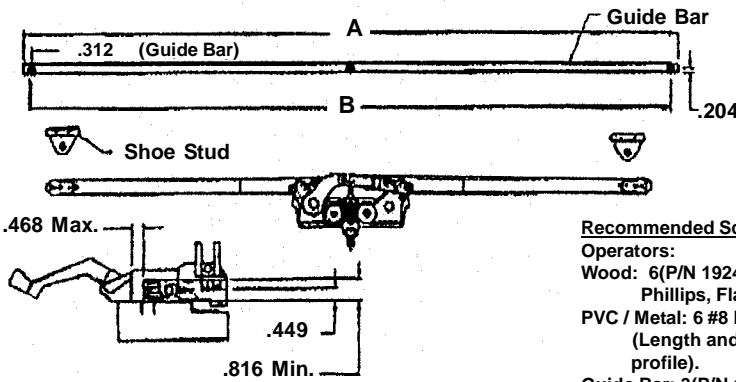
Number **10579** crank handle sold separately. Order handle color to match the cover.

Shoes sold separately. Order number **10005**

31641	Guide Bar
10005	Shoe Studs
10341.XX	Cover
10579.XX	Handle
31642	Guide Bar
30591	Detach Clips S.S.

Guide bar sold separately. Order number **31641.92 (22-3/4")** or **31642.92 (30-3/4")**

Blaine Part No.	B	A
11.43.00.001	22.125	22.750
11.44.00.001	30.125	30.750



**Recommended Screws:**

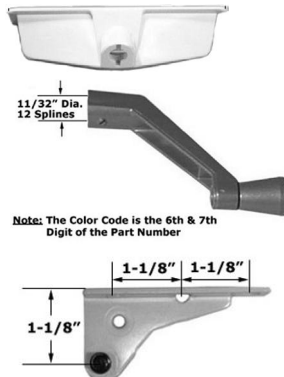
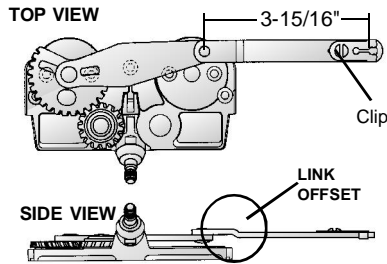
Operators:  
Wood: 6(P/N 19240.92) Steel SST #8 x 1.0 Phillips, Flat Head, Sheet Metal Screws  
PVC / Metal: 6 #8 Phillips, Flat Head Screws (Length and thread type determined by profile).  
Guide Bar: 3(P/N 19240.92) #8 x 1.0 Phillips, Flat Head, sheet metal screws.

31641	Guide Bar
10005	Shoe Studs
10341.XX	Cover
10579.XX	Handle
31642	Guide Bar

Hardware Shown Sold Separately

15.11.00.001 As Shown  
15.11.00.002 Opposite

Truth Dyad Arm Operator



\*No. **10341** cover sold separately

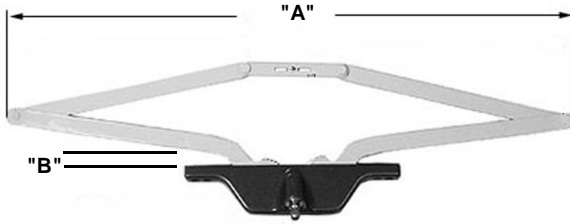
No. **10579** Crank Handle sold separately. Order color matching no. 10341 cover.

Note: The Color Code is the 6th & 7th Digit of the Part Number

Bracket for end of link sold separately. Order **12511.92** bracket for 15.11.00.002 operator. For 15.11.00.001 operator, order **12510.92** bracket, as shown

22.21

**Truth Scissors Arm Operator For Awning Windows**



Rear Mount (2 Holes)  
or  
Front Mount (4 Holes)

Mount Dimension  
in front mount 6-1/8" c/c)

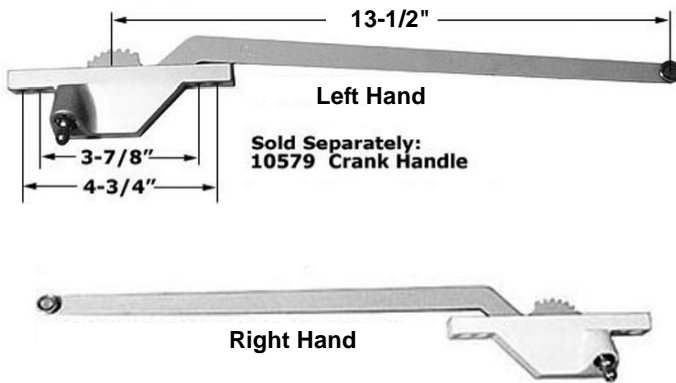
Operator Part No.	"A"	Mounting	Stabilizing Tab	"B" Arm Clearance
22.21	21-1/2"	Front	Order Part No. 11481	1/4"
22.22	21-1/2"			11/32"
22.23	16"			11/32"
22.27	-1/2"	Rear		1/4"
22.28	21-1/2"			11/32"
22.29	16"			11/32"

10579 Crank Handle  
Sold separately

\*Order 20008 Sash Hook  
separately

Scissors Arm Operator For  
Awning Windows

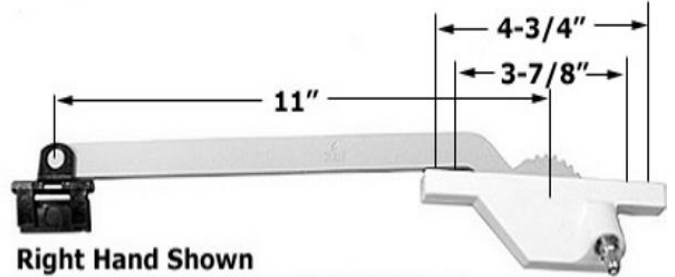
23.03.XX.001 as shown  
23.03.XX.002 opposite



Sold Separately:  
10579 Crank Handle

**Note:** The Color Code is the 5th & 6th  
Digit of the Part Number

23.77.XX.001 as shown  
23.77.XX.002 opposite



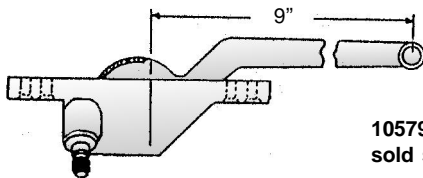
Right Hand Shown  
For Left Hand, Order 23.77.32.002

**Note:** The Color Code is the 5th & 6th  
Digit of the Part Number

For 9" Arm, See 23.04

10579 Crank handle sold separately

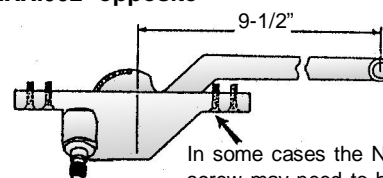
**Discontinued "Original Style"  
Arm**



10579.XX crank handle  
sold separately

Also available with rear mount housing.  
Order #23.00.XX.001 as shown, above  
or #23.00.XX.002 opposite

23.01.XX.001 as shown  
23.01.XX.002 opposite

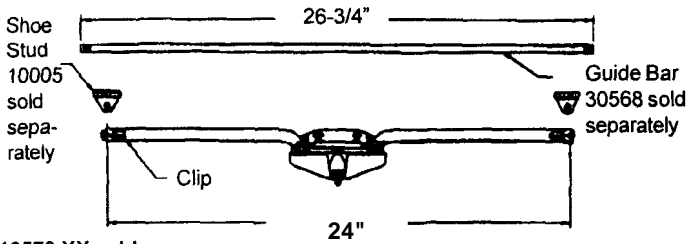


Due to engineering design  
changes, "New Style Arm"  
replaces original.

In some cases the No. 3 position mounting  
screw may need to be eliminated or ground  
down in length due to interference in the full  
closing position of the arm. Another  
alternative would be to grind a notch in the  
arm to clear the screw end.

11.16.XX.001

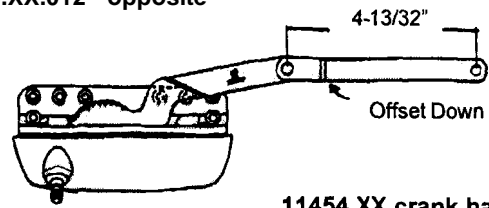
Truth Awning Operator



10579.XX sold separately

50.50.XX.011 as shown  
50.50.XX.012 opposite

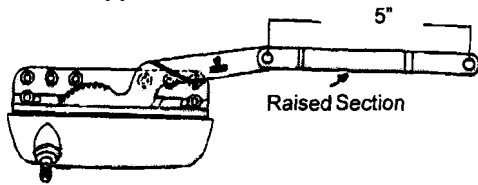
Maxim Dyad Operator



11454.XX crank handle sold separately

50.70.XX.011 as shown  
50.70.XX.012 opposite

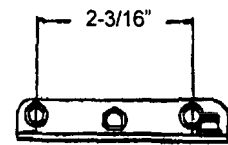
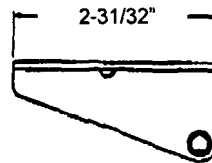
Maxim Reverse Dyad Operator



11454.XX crank handle sold separately

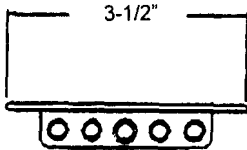
12510.92 opposite  
12511.92 as shown

Stud Bracket for 50.50 operator, above



11674.92 as shown (non-handed)

Stud Bracket For 50.70 Operator, above



51.00.XX.011



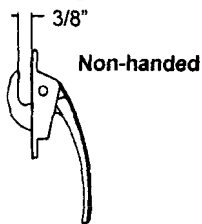
32 White (Shown)  
Also Available in:  
03 Bronze  
24 Beige

Sold Separately:  
11577.92 Track  
11454 Handle  
02997 Hinge

Shown Below in Open Position:

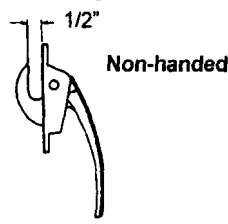


24.10 Locking Handle



2-3/8" hole centers

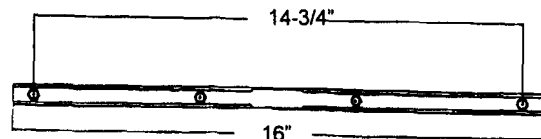
24.11 Locking Handle



2-3/8" hole centers

11577.92

Maxim Awning Track & Slider Assembly For 51.00 Operator, above.



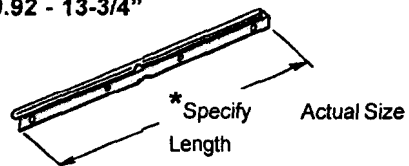
Sold separately

24.23 Locking Handle



2-3/8" hole centers

30473.92 - 11-3/8"  
30150.92 - 13-3/4"



\*Lengths available: 11-3/8" or 13-3/4"

30175



Actual Size

**1001 Peachtree Operator**

Order crank handle separately:  
01001-1-060

**800A**

Sold as a kit

1. Determine the similarity of your sample to the picture, at left.
2. Note the following:
  - a. 800-A kits work for most obsolete jalousie operators.
  - b. 800-A operators work on the left and right side.
  - c. 3 links in package allow for best hook-up to replace original.
  - d. Package includes all fasteners.

**14**

Arm Lengths: 9", 13"

Sold with #301 Crank Handle.  
Right Hand Shown.

**4-1/4" hole centers**

**54** **Detroit Swing Lite** only.

Now manufactured by Blaine

Bronze painted finish

Sold with #302 Crank Handle.

**56** **Replacement**

Sold with #302 Crank Handle.

Specify Handing. Left Hand Shown. Left Hand Most Commonly Used.

**2020 Crestline** **738 Crestline**

No. 361 Gold Crank Handle Included

Now manufactured by Blaine

Extra 14 Tooth Gears Also Available. Order 738. Covers no longer available.

14 tooth replacement gear for Crestline No. 2020 Operator

**712 Ualco** **726 Ualco**

Operator for Residential Sash. Use with #712 Gear, shown at left and #399 Crank Handle. Both sold separately.

**399** Die Cast Aluminum Finish

**45 Stanley** **45-1/2 Stanley**

Order No. 468-1" connector separately

Order No. 322 crank handle separately

No. 468-8" extension now unavailable.

**45-1/2 currently unavailable**

**322 Crank handle sold separately**

**2100**

Right hand only as shown

**3/8" Sold with #303 crank handle**

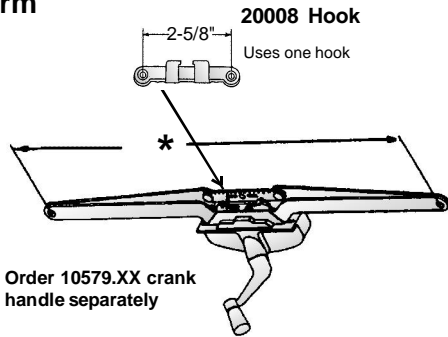
**3718**

Right Hand Shown

Aluminum Finish

Sold with #303 Crank Handle

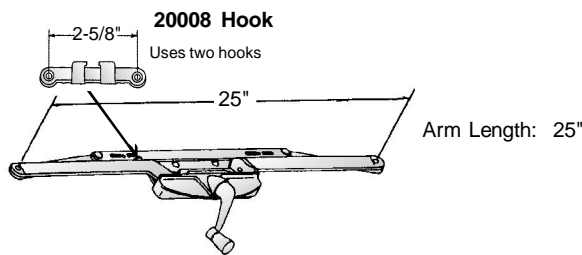
- 11.30 12" arm
- 11.12 16" arm
- 11.10 21" arm



Truth Part No.	Arm Length	Color
11.30.03.001	12"	Bronze
11.30.32.001	12"	White
11.10.29.001	21"	Gold
11.10.32.001	21"	White
11.10.03.001	21"	Bronze
11.10.24.001	21"	Beige
11.12.03.001	16"	Bronze
11.12.29.001	16"	Gold
11.12.32.001	16"	White

**Note:** Bronze - Painted Finish

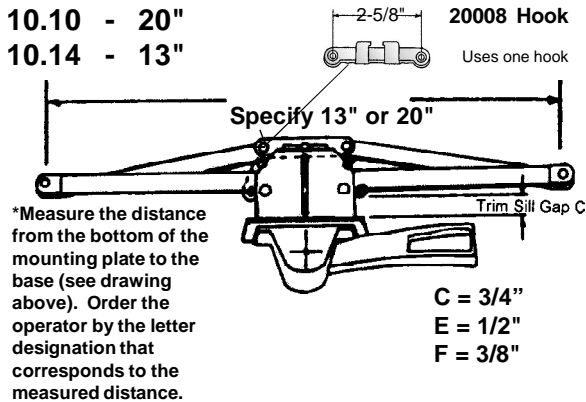
**11.14**



Blaine Part No.	Arm Length	Color
11.14.13.001	25"	Brass
11.14.29.001	25"	Gold
11.14.32.001	25"	White
11.14.03.001	25"	Bronze

**Note:** Bronze - Painted Finish  
Brass - Bright Plated Finish

- 10.10 - 20"
- 10.14 - 13"

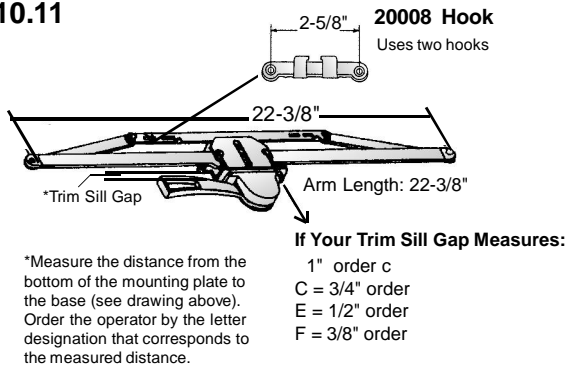


**Truth Wood Window Awning Operator**

Blaine Part No.	Trim Sill Gap	Color	Arm Length
10.14.03.003	3/4" C	Bronze	13"
10.10.29.001	3/4" C	Gold	20"
10.10.03.003	3/4" C	Bronze	20"
10.14.13.002	3/8" F	Brass	13"
10.14.37.001	1/2" E	Off White	13"
10.10.13.002	1/2" E	Brass	20"
10.10.29.005	1/2" E	Gold	20"
10.10.03.005	1/2" E	Bronze	20"
10.10.37.001	1/2" E	Off White	20"
10.14.29.001	3/8" F	Gold	13"
10.10.03.001	3/8" F	Bronze	20"

**Note:** Bronze - Painted Finish      Brass - Bright Plated Finish

**10.11**

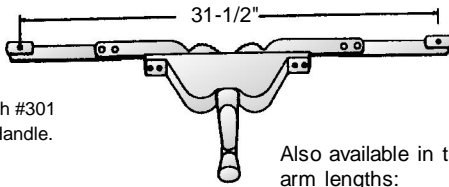


Truth Part No.	Trim Sill Gap	Color	Arm Length
10.11.29.004	3/4"	Gold	22-3/8"
10.11.03.005	3/4"	Bronze	22-3/8"
10.11.13.102	1/2"	Brass	22-3/8"
10.11.03.003	1/2"	Bronze	22-3/8"
10.11.29.002	3/8"	Gold	22-3/8"
10.11.03.001	3/8"	Bronze	22-3/8"
10.11.32.001	3/8"	White	22-3/8"



5

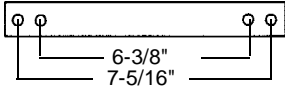
Standard Size



Sold with #301 Crank Handle.

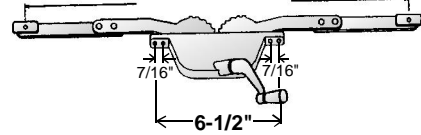
Also available in the following arm lengths:  
17", 23-1/2", 24", 27"

TOP VIEW OF HOUSING



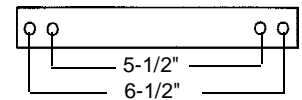
36

Available in 24-1/2", 25-1/2", 27-3/4", 33", 39" Arm Lengths



Also available with reverse arm guides (on back of arms). Same guides as standard no. 36. Order:  
36-REV-27-3/4  
36-REV-33  
36-REV-39

TOP VIEW OF HOUSING

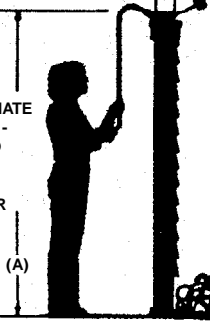


**REMOTE / CLERESTORY CRANKS**

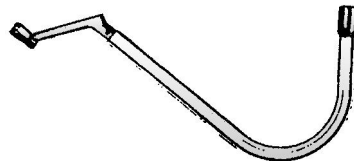
For Awning Sash Windows & Skylights

See chart at right to determine which adapter is required for your installation.

APPROXIMATE DISTANCE - FLOOR TO EXISTING WINDOW OPERATOR

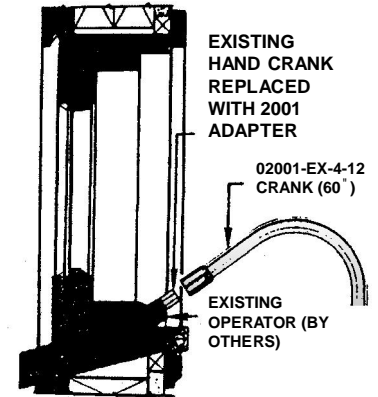


Operator Location	A	Recommended Crank Length	Part No.
Sill Mounted or Casement Style	8' - 9'	4'	02001-EX-4
	10' - 11'	5'	02001-EX-5
	12' - 14'	8'	02001-EX-8
	15' - 17'	12'	02001-EX-12



EXISTING HAND CRANK REPLACED WITH 2001 ADAPTER

02001-EX-4-12 CRANK (60")



EXISTING OPERATOR (BY OTHERS)

**ADAPTERS**

Adapter Part No.	Window and / or Hardware Brand That Adapters Fit
2001-A	Andersen
2001-P	Pella
20550	Biltbest, Caradco, Eagle, Hurd, Truth and Weathershield
2001-PT	Peachtree



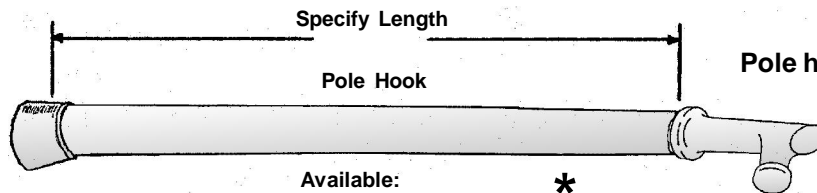
NOTE: One 2001 adapter is required for each operable window.

Our adapters let you adapt our remote crank to most popular window operators. See chart for adapter part number with corresponding window manufacturer.

See Chart at Left

**1236 POLE HOOK**

\* 10' through 16' shipped in two sections with coupler joiner



Available: 3', 4', 5', 6', 7', 8', 9', 10', 12', 13', 15', 16' \*

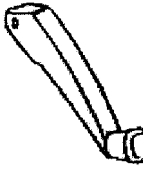
17319 Blaine Drive  
Hagerstown, Md 21740

Toll Free: 800-678-1919  
Fax: 888-250-3960

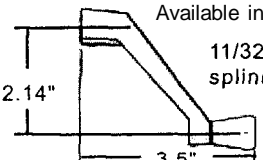
e-mail: info@blainewindow.com G5-65  
web: www.blainewindow.com

**Crank Handles & Accessories**

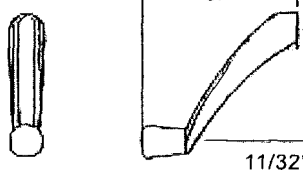
**11329** Folding crank handle.  
Die Cast  
Eliminates obstructions of venetian blinds by neatly folding out of the way.  
11/32" dia. splined hole  
Available in 48 colors



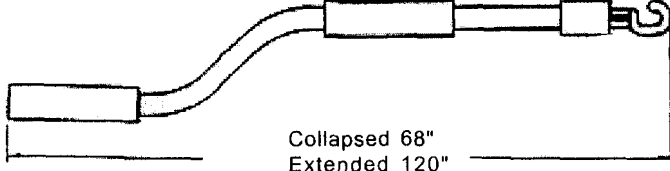
**10579** Includes set screw  
Available in 34 colors  
11/32" dia. splined hole  
2.14"  
3.5"



**11454** No set screw  
3.10"  
2.14"  
11/32" dia. Splined hole  
Available in 44 colors



**10637 (with hex ball)**  
**10638 (with hook)**



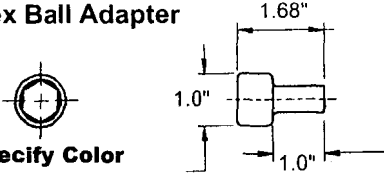
Collapsed 68"  
Extended 120"

**30957 Hex Ball Drive**  
**10453 Hook End**

Specify hex ball or hook end

Recommended height range (from floor) 7' - 11' (windows)  
9' - 15' (skylights)

**30662 Hex Ball Adapter**

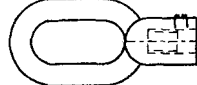


1.68"  
1.0"  
1.0"

Specify Color

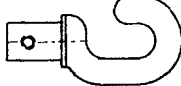
Note:  
1. Hex ball adapters fit all truth operator splines (supplied with set screws).  
2. Available in a color to match the operator.  
3. maximum operational angle when used with a hex ball pole is 35 degrees.  
4. For use with the drive modules where pole operation is required.

**31000 Eyelet** Specify color



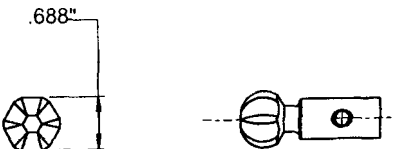
Includes set screw

**10453 Hook** Specify Color



Includes set screw

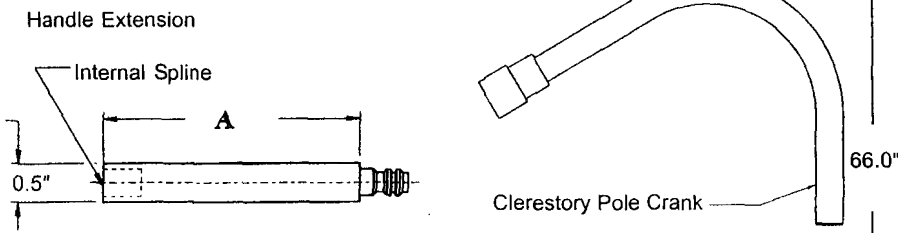
**30957**



.688"

**30476 Clerestory Pole Crank**

Rigid aluminum tubing with flex cable inside




Handle Extension  
Internal Spline  
0.5"  
A  
66.0"

A=	Order
2.0	40096
4.0	40097

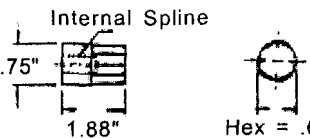
Clerestory Pole Crank

**20642 Detachable Sash Pin**



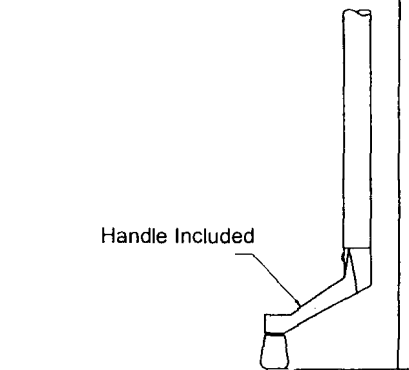
**40470 Sash Bracket**

**20550 Adaptor**



Internal Spline  
.75"  
1.88"  
Hex = .625"

Note: This adaptor easily fits over the spline of the window operator and is used in conjunction with Blaine part number 30476 Clerestory Pole Crank as an alternative to the hook pole and universal joint assembly.



Handle Included

<b>5/16"</b>	<p>Die Cast</p> <p>Specify Bronze or Aluminum Painted Finish</p> <p><b>301</b></p>	<p>Die Cast</p> <p><b>302-5/16*</b> <b>303-3/8*</b></p> <p>Avail. in aluminum or bronze painted finish.</p> <p><b>302</b></p>	<p>Aluminum and White Finish</p> <p><b>333</b></p>	<p>Aluminum Finish</p> <p>5/16" Hex</p> <p>* Avail: 6" 10" 18"</p> <p><b>344</b></p>	<p><b>Crestline</b></p> <p>For 3-1/2" long version, order 361-3-1/2</p> <p>Works With #2020 Operator</p> <p>Specify Gold Or Brown Finish</p> <p><b>361</b></p>
	<p>* Avail. 6" 8" 16"</p> <p>Brass</p> <p><b>367</b></p>	<p>Nickel &amp; Red Bronze</p> <p>Avail. 5/16" 3/8"</p> <p><b>376</b></p>	<p>Aluminum Finish</p> <p>Order 301 Replacement</p> <p><b>380</b></p>	<p>Die Cast Aluminum Finish</p> <p><b>399</b></p>	<p><b>Many Styles and Sizes of Crank Handles, Not Shown Here, Are Available. If You Don't See What You Need, Please Send A Sample Or Call Our Customer Service Department.</b></p>
<b>3/8"</b>	<p>Specify Brown or Gray Finish</p> <p>see 00302, above</p> <p><b>303</b></p>	<p>Nickel or Red Bronze</p> <p><b>308</b></p>	<p><b>Order 338 replacement, shown below</b></p> <p>For Nickel or Red Bronze Replacement Order 338. For Brown Or Gray Replacement, Order 303</p> <p><b>316</b></p>	<p>Aluminum Finish</p> <p>3/8" Hex</p> <p>Works with #468 Shaft &amp; #45 Operator</p> <p><b>322</b></p>	
	<p>Gold Finish</p> <p><b>328</b></p>	<p>Also available w/ 19/64" sq. hole. Order 338-Rem</p> <p>Nickel Bronze, Red Bronze, Dark Statuary Bronze, Brown &amp; Gray</p> <p><b>338</b></p>	<p>Order 327 Replacement, shown above. Specify Gold or Champagne</p> <p><b>356</b></p>	<p>Aluminum Finish</p> <p><b>901</b></p>	<p style="background-color: black; color: white; text-align: center; font-weight: bold;">7/16"</p> <p>Use with #61 Operator</p> <p>16 Splines Red Bronze</p> <p><b>332</b></p>
<p><b>12905.XX</b></p> <p>Flip handle and cover for Entrygard operators</p> <p>Specify Color</p>	<p><b>12616 RH</b> <b>12614 LH</b></p> <p><b>Truth Encore Tango</b></p> <p>Handle &amp; Cover</p> <p>Specify Color</p>	<p><b>ADA Handle</b></p> <p>Available in 26 finishes</p> <p><b>11403</b></p>	<p style="background-color: black; color: white; text-align: center; font-weight: bold;">1/2"</p> <p>Red Bronze</p> <p><b>318</b></p>		

**987 Folding Crank Handle**



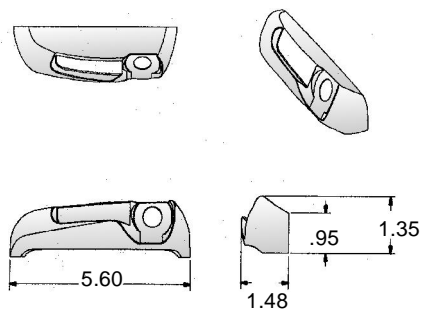
Available in silver & white

**Part No.**  
987 3/8" dia. splined hole

**Fits**  
Universal

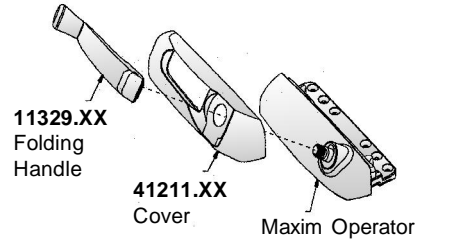
**Maxim Folding Handle Cover**

41211.XX As Shown  
41212.XX Opposite



5.60 1.48 .95 1.35

**Application**

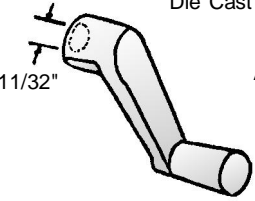


11329.XX Folding Handle  
41211.XX Cover  
Maxim Operator

Operator arms removed for clarity.

**Andersen**

Die Cast



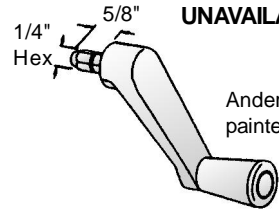
11/32"

Andersen Clay color finish

**58-2**

**Andersen**

UNAVAILABLE



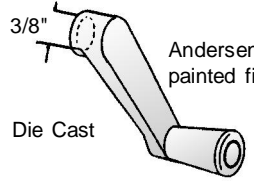
1/4" Hex 5/8"

Andersen Bronze painted finish

**975**

**Andersen**

Die Cast



3/8"


Andersen bronze painted finish

Die Cast

**975-1**

**Andersen**

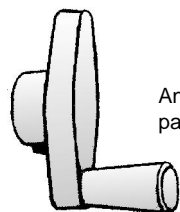
Easy Grip Handle



Andersen bronze painted finish

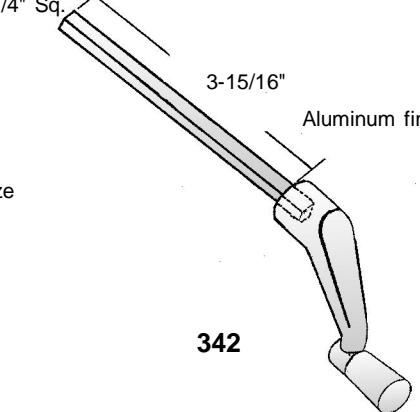
**922**

**Andersen**



Andersen bronze painted finish

**928**

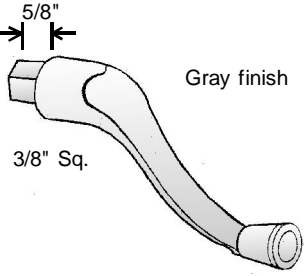


1/4" Sq. 3-15/16"

Aluminum finish

**342**

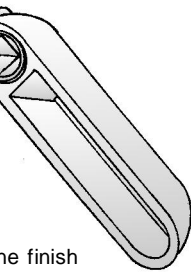
**Various Manufacturers**



5/8" 3/8" Sq. Gray finish

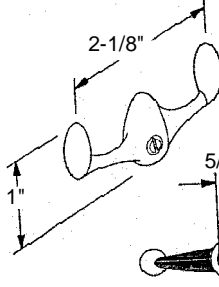
**362**

**Peachtree**



1/4" Sq. Hole Champagne finish

**916**

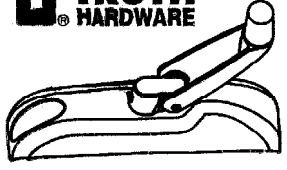


2-1/8" 5/16"

Alum. Finish

**20149-5/16**

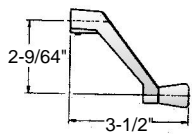
**TRUTH HARDWARE**



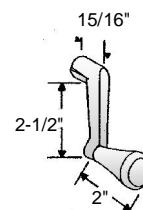
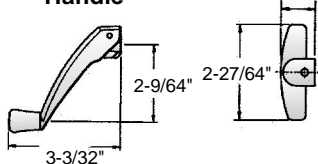
Flip handle and cover for Entrygard operators

**12905.XX**

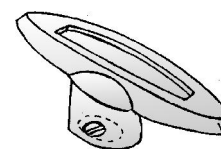
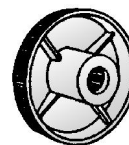
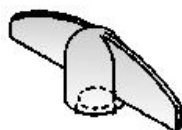
**Truth**  
11/32" Spline Diameter



**Folding Handle**



Color	Standard	Folding	"T"	Round	ADA
Aluminum	10579.01	11329.01	11573.01	11660.01	11403.01
Powder Black	10579.02	11329.02	11573.02	11660.02	11403.02
Bronze	10579.03	11329.03	11573.03	11660.03	11403.03
Med. Bronze	10579.05	11329.29	11573.05	11660.29	_____
Gold	10579.29	11329.29	11573.29	11660.29	11403.29
Coppertone	10579.11	11329.11	11573.11	11660.11	_____
Bright Brass	10579.13	11329.13	11573.13	11660.13	11403.13
Antique Brass	10579.14	11329.14	11573.14	11660.14	_____
Brushed Nickel	10579.19	11329.19	11573.19	11660.19	11403.19
Clay	10579.22	11329.22	11573.22	11660.22	_____
Chestnut Brnze	10579.23	11329.23	11573.23	11660.23	11403.23
Beige	10579.24	11329.24	11573.24	11660.24	11403.24
Cocoa Brown	10579.26	11329.26	11573.26	_____	_____
White	10579.32	11329.32	11573.32	11660.32	11403.32
Bright Chrome	10579.35	11329.35	11573.35	_____	_____
Off White	10579.37	11329.37	11573.37	11660.37	11403.37
Sandstone	10579.50	11329.50	11573.50	11660.50	11403.50
Oil Rubbed Brz	10579.51	11329.51	11573.51	11660.51	_____
Brushed Chrome	10579.53	11329.53	11573.53	11660.53	_____
Western Pewter	10579.55	11329.55	_____	_____	_____
Brown	10579.75	11329.75	_____	_____	_____
Bright White	10579.78	11329.78	11573.78	11660.78	_____



Fits Mfg	Color	Spline Dia.	Folding	Round	"T"
Andersen	Bronze	3/8"	-----	00940-A-038	00335-AND-038
Andersen	Clay	3/8"	-----	00940-A-061	00335-AND-061
Andersen	Aluminum	3/8"	-----	-----	00335-AND-037
Andersen	White	3/8"	-----	-----	00335-AND-067
Caradco	Bronze	11/32"	11329.03	11660.03	11573.03
Marvin	Bronze	11/32"	11329.03	11660.03	11573.03
Peachtree	Beige	9/32"	-----	-----	00335-9/32-060
Peachtree	White	9/32"	-----	-----	00335-9/32-067
Pella	Gold	3/8"	-----	00940-P-057	00335-PELLA-057
Pella	Champagne	3/8"	-----	-----	00335-Pella-099
Weathershield	Bronze	11/32"	11329.03	11660.03	11573.03
Misc.	Aluminum	3/8"	-----	-----	00335-3/8-037
Misc.	Bronze	3/8"	-----	-----	00335-3/8-038
Misc.	Aluminum	5/16" Hex	-----	-----	00335-HEX-037

## SKYLIGHT OPERATORS

Introducing Truth's next generation of power window systems. Sentry II WLS for windows and light skylights. Based on the powerful and reliable mechanics from our previous motorization system, we've added a new digital electronics package with built in power conversion. The new Sentry II WLS system truly takes over where Truth's Sentry 2000 left off.

The new electronics package provides many new features to enhance a home's comfort and its owner's peace of mind.

- **Retrofits** onto casement and awning windows and light skylights normally operated with a hand crank manufactured by Truth Hardware (see Truth Tips). The motor system drives the same input the handle is attached to.
- **Power conversion** built right into the wall mounted control package which accepts direct connection of 110 VAC power. No more transformers to complicate and add expense to the installation.
- **Power Blind System compatible.** Centralized power window system control is now possible with Sentry II's ability to accept and control most 24 VDC power blind systems. The Sentry II's remote and wall switch can be used to control both window and blind motors for convenient, centralized control.
- **Power Protected Memory** eliminates the need to "reset" or retrain the motor after a power outage. Once the installation is complete the motor never needs further service or adjustments - even after prolonged power outages.
- **RF remote** compatibility built into all motor control packages as a standard feature. Simply order the optional remote to add new and exciting control capability for the homeowner.
- **Rain Sensor** - standard with all

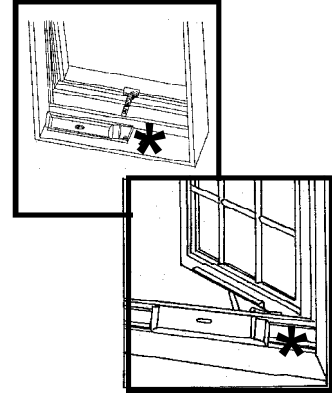
kits, automatically closes the window or skylight at the first sign of moisture. Corrosion resistant sensor decreases maintenance cleaning requirements and extends service life.

- **No special preparation** is required by the window or skylight manufacturer. The kits are suitable for new construction or retrofit applications. Please consult with your electrical contractor for a retrofit evaluation.
- **ETL Listed and CE Approved.** Meets all requirements for Class II installations.
- **Safety** - Automatic motor reversal has been engineered into the system which is intended to reverse the motor should an obstruction stop the window while closing. In addition, a screen interlock is provided which, when properly installed, electrically disconnects the motor when the screen is removed. These features are intended to help prevent personal injury which could result from reaching into the window area during its operation.
- **Motorized Sash Locks** are available for use with the WLS system for casement and awning windows.
- **Building Automation Systems** can easily be tied into the control electronics for virtually limitless ventilation possibilities.

### SENTRY II WLS CAPACITY

When used on light skylights, Truth's Sentry II WLS is load rated at 40 lbs at the chain. This equates to a total skylight hatch weight of 80 lbs. Contact your electrical contractor for a retrofit evaluation.

When used on casement window, the Sentry II WLS is designed to work on all window systems meeting the AAMA-101 hardware load requirements (See Truth Tips).



When used on awning windows, the Sentry II WLS is designed to work on awning windows with a properly sized counter-balance hinge (See Truth Tips) and operator (Consult awning operator specifications).

Sentry II power window system is rated at 50 Watts.

## CONTROL OPTIONS

The Sentry II WLS kit comes with a standard wall control panel. The same control panel can also accept and control most commercially available 24 VDC mini blinds (not provided by Truth Hardware). The panel also provides feedback to the user via a status light (LED). This small LED shows when the motor is running, or if there are any problems during window or skylights operation.

The optional **RF Hand Held Remote** is available which adds even more flexibility and convenience to a home's windows or skylights.

**Important:** Electrical components are generally not returnable. However, a request for return will be evaluated on a case by case basis. Please contact Customer Service to determine whether a return authorization can be provided.

**REMOTE FEATURES INCLUDE:**

- **Infinite number** of windows and skylights can be controlled with a single remote.
- **9 Zones** or "unit codes" are available to allow units to be controlled in groups and organized to a user's needs.
- **Motorized Blinds** (supplied by others) can be controlled with the same remote.
- **Control windows and skylights** from one remote - The Sentry II HS (for large / heavy skylights) uses the same remote as the Sentry WLS for coordinated ventilation throughout the entire home or building.
- **Built in Thermostat** allows windows and skylights to open and close together, to coordinate a comfortable interior temperature. Takes advantage of true "chimney effect" cooling to reduce energy demands.
- **Rolling Code Technology** proven in garage door openers is built into every remote to provide high security and peace of mind.

**WARRANTY:**

The Sentry II family of products is warranted for one year against defects in materials and workmanship on all electronic and mechanical components.

**Consumer Notice:**

The Sentry II WLS power system must be installed by a qualified electrician.

**PRODUCT APPLICATION ASSISTANCE:**

If you need assistance with product configurations to meet your needs, please visit our website at [www.truth.com](http://www.truth.com). Under the "Technical Support" tab you will find all of the technical information needed to properly configure and specify all elements of an automated window installation, including installation instructions, pre-wiring and proper hardware requirements.

**ORDERING INFORMATION:**

Ordering of the new Sentry II systems is much easier than in the past. All hardware necessary for mounting the system on either a window or skylight is now included in the same kit.

**Special Note:** Motor covers are ordered separately to help keep your inventory costs down. Sentry II motor kit packaging includes additional space so cover can be added which allows the manufacturer to supply a complete kit to the jobsite.

**WHEN APPLYING TO TRUTH OPERATORS - USE THE FOLLOWING:**

Order (1) each per window:

**43.51.00.005** Sentry II WLS System

**12490.XX** - Cover (.xx denotes finish code)

**Finish Codes:** The WLS cover is available in **02** Black, **03** Bronze, **23** Chestnut Bronze, **24** Beige, **32** White and **78** White.

Order (1) Hand Held Remote (optional):

**43.53.00.002** - Hand Held RF Remote

If you are applying the Sentry II to a **PELLA** brand window you must order the following items which include special hardware and instructions.

Order (1) each per window:

**43.54.00.005** - Sentry II WLS System Pella

**12490.XX** - Cover (.xx denotes finish code).

**Finish Codes:** The WLS cover is available in **02** Black, **03** Bronze, **23** Chestnut Bronze, **24** Beige, **32** White and **78** White.

Order (1) Hand Held Remote (optional):

**43.53.00.002** - Hand Held RF Remote

If you are applying the Sentry II to an **ANDERSEN** brand window with a size .350" diameter splined shaft you must order the Adaptor #32013-.350 Andersen

If you are applying the Sentry II to an **ANDERSEN** brand window with

a size .365 dia. splined shaft you must order the Adapter #32013-.365 Andersen

**TRUTH TIPS:**

1. Truth Hardware does not recommend the use of Sentry II WLS on any casement window system that does not meet AAMA 101 hardware load requirements. All hardware and motor system warranties are void if the window system does not meet these guidelines.

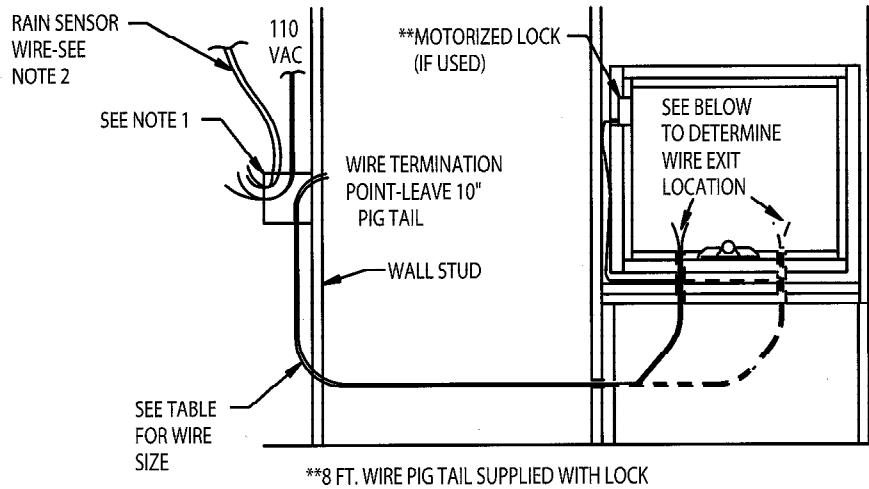
2. Awning windows must be equipped with a properly sized counter balance hinge such as Truth Hardware's 13 series or 34 series 4-bar hinges. If an awning window is specified with butt (or continuous) hinges, a skylight operator and motor system must be used. All hardware and motor system warranties are void if these guidelines are not followed (See Tech Notes).

3. Unless otherwise specified, the Sentry II WLS power window system is designed to operate any properly sized rotary hardware and hinge system manufactured by Truth Hardware.

Use of the Sentry II WLS motor system on windows or skylights with manual hardware manufactured by companies other than Truth Hardware is **at your own risk**. For verification, look for the Truth logo / name stamped on the hinge and operator arm or consult with the window manufacturer.

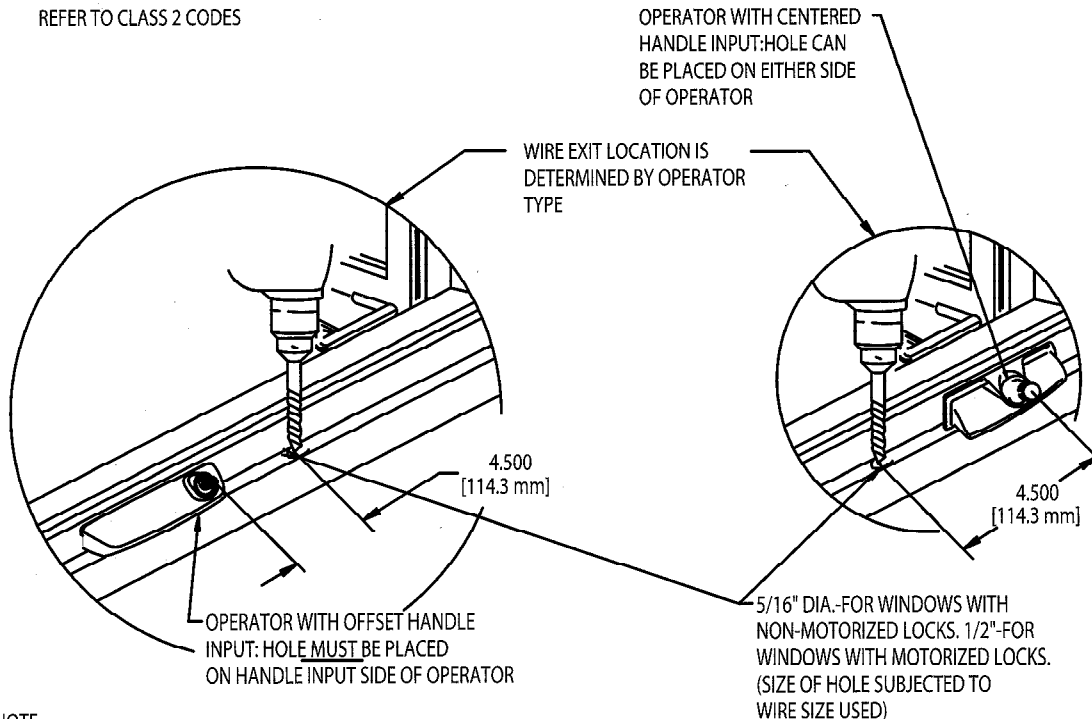
4. The Sentry II WLS system is rated for use in indoor applications only.

**Sentry II Pre-Wiring For Casement / Awning Windows**



WIRE SIZE (CLASS 2)	TOTAL DISTANCE FROM CONTROL PANEL TO MOTOR	NUMBER OF CONDUCTORS		
		MOTOR ONLY	MOTOR + 1 LOCK	MOTOR + 2 LOCKS
18 AWG	50 ft (15m)MAX	2	3	4
14 AWG	100 ft (30m)MAX			
12 AWG	150 ft (60m)MAX			

SOLID CORE WIRE RECOMMENDED  
REFER TO CLASS 2 CODES



**NOTE:**

1. EACH POWERED WINDOW REQUIRES A CONTROL PANEL. CONTROL PANEL FITS A FINISHED WALL OPENING OF 3 7/8" WIDE BY 4 1/8" HIGH. (RECEPTICAL BOX IS SUPPLIED AS AN INTEGRAL PART OF THE CONTROL PANEL.) CONTROL PANEL CAN BE LOCATED IN A REMOTE LOCATION IF THE CONTROL PANEL IS NOT INTENDED TO BE THE PRIMARY MEANS OF CONTROL. (EXAMPLE: RF REMOTE CONTROL OF BUILDING AUTOMATION CONTROL SYSTEM)
2. RAIN SENSOR WIRE MUST BE 22 GAUGE TWISTED,SHIELDED PAIR
3. MOTOR RATING: 50 WATTS.



Introducing Truth's next generation of power window systems. Sentry II HS for heavy skylights. Based on the powerful and reliable mechanics from our previous SkySentry motorization systems, we've added a new digital electronics package with built in power conversion to take this system to a whole new level of service and reliability.

The new electronics package provides many new features to enhance a home's comfort and its owner's peace of mind.

**Quick and easy installation** of the skylight is possible when motor system is pre-installed and programmed by skylight manufacturer at their facility. The electrician needs only to connect 110 VAC power and the skylight is completely ready for operation - no further set up would be required by the installer or homeowner!

**Power conversion** built right into the skylight mounted control package which accepts direct connection of 110 VAC power. No more transformers to complicate and add expense to the installation.

**Power Blind System compatible.**

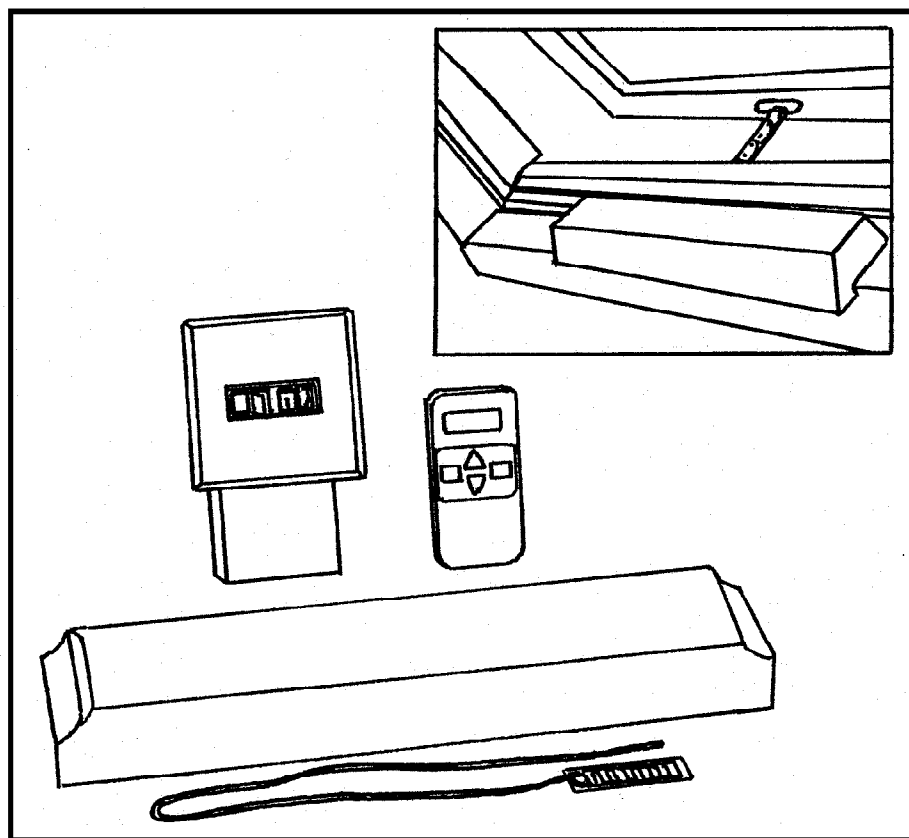
Centralized power window system control is now possible with Sentry II's ability to accept and control most 24 VDC power blind systems. The Sentry II RF remote or wall switch controls both skylight and blind motors for convenient, centralized control.

**Power Protected Memory** eliminates the need to "reset" or retrain the control system after a power outage. Once the installation is complete the motor never needs further service or adjustments - even after prolonged power outages.

**RF remote** compatibility built into all motor control packages as a standard feature. Simply order the optional remote to add new and exciting control capability for the homeowner.

**Rain Sensor** - standard with all kits, automatically closes the skylight at the first sign of moisture. Corrosion resistant sensor decreases mechanisms cleaning requirements and extends service life.

**Easily adapts** for new construction or retrofit applications. Please consult with your electrical contractor for a retrofit evaluation.



**ETL Listed and CE Approved.** Meets all requirements for Class II installations.

**Safety** - Automatic motor reversal has been engineered into the system which is intended to reverse the motor should an obstruction stop the skylight while closing. In addition, a screen interlock is provided which, when properly installed, electrically disconnects the motor when the screen is removed. These features are intended to help prevent personal injury which could result from reaching into the skylight area during its operation.

**Synchronized Operation** of multiple motors is now standard on the HS motor system. The same Sentry II HS motor system can now be used on single motor applications or it can be ganged with up to four motor units on a large single skylight. Multiple motors on a single skylight add stability and capacity.

**Awning Windows** - Can also be fitted with the Sentry II HS Motor System. Skylight hardware systems work great on awning windows with butt hinges.

**Building Automation systems** can easily be tied into the control electronics for virtually limitless ventilation possibilities.

**SENTRY II HS CAPACITY**

Truth's Sentry II HS for heavy skylights is load rated at 80 lbs. at the chain. This equates to a total skylight hatch weight of 160 lbs. Sentry II HS power skylight system is rated at 50 watts.

**CONTROL OPTIONS**

The Sentry II HS motorization kit is available with a standard RF hand held remote for skylight control (order separately). The same remote can also accept and control most commercially available 24 VDC mini blinds (not provided by Truth Hardware). The motor unit provides feedback to the user via a status light (LED). This small LED shows when the motor is running, or if there are any problems during skylight operation. An optional wall control panel is also available.

Up to 20 skylights can be controlled from a single control panel.

### REMOTE FEATURES INCLUDE:

Infinite Number of windows and skylights can be controlled with a single remote.

- **9 zones** or "unit codes" are available to allow units to be controlled in up to nine groups and organized to a user's needs.

- **Motorized Blinds** can be controlled with the same remote.

- **Control windows and skylights from one remote** - the Sentry II HS (for heavy skylights) uses the same remote as the Sentry II WLS to allow coordinated ventilation throughout the entire home or building.

- **Built in Thermostat** allows skylights to open and close together, to help maintain a comfortable interior temperature. Take advantage of true "chimney effect" cooling to reduce energy demands.

- **Rolling Code Technology** proven in garage door openers is built into every remote to provide high security and peace of mind.

**WARRANTY:** The Sentry II family of products is warranted for one year against defects in materials and workmanship on all electronic and mechanical components.

### CONSUMER NOTICE:

The Sentry II HS for heavy skylights must be installed by a qualified electrician.

### PRODUCT APPLICATION ASSISTANCE:

If you need assistance with product configurations to meet your needs, please visit [www.truth.com](http://www.truth.com). Under the "Technical Support" tab you will find all of the technical information needed to properly configure and specify all elements of an automated window installation, including installation instructions, pre-wiring and proper hardware requirements. You can also contact our Research Department, during normal business hours (EST) for assistance with the selection of the appropriate hardware.

### ORDERING INFORMATION:

Ordering of the new Sentry II HS systems is much easier than in the past. All hardware necessary for mounting on a skylight is now included in the same kit. Special Note: Motor covers are ordered separately to help keep inventory costs down. Sentry II motor kit packaging includes additional space so cover can be added which allows the manufacturer to supply a complete kit for jobsite.

#### Sentry II HS for heavy skylights

Order (1) per skylight  
**43.50.00.005** - Sentry II HS System  
**12481.XX** - Cover (xx denotes finish code)

Order (1) Hand Held Remote & /or Wall Switch  
**43.53.00.002** - Hand Held RF Remote  
**12539** - Wall Switch

Finish Codes: The "HS" cover is available in .03 Bronze, .23 Chestnut Bronze, .24 Beige & .32 White

### TRUTH TIPS:

1. To help prevent personal injury from moving skylight parts, the skylight must be installed at least eight feet above the floor or an inside screen must be applied to the skylight with the provided screen interlock properly installed. Adherence to these safety requirements is the responsibility of the installer.

2. The Sentry II HS system is rated for use in indoor applications only.

### INCLUDE TRUTH SPECS IN YOUR NEXT SKYLIGHT PROJECT

Skylight operating hardware should be suited for roof window, and skylight installation for wood, PVC, and metal materials. Skylight Bases shall be provided with a special high quality gear reduction (high output torque) to meet required maximum sash weight of 160 lbs. (72.6 kg), unit to be constructed of high pressure zinc diecast case electrostatically painted. Each base is complete with steel chain, sprocket, and detachable sash bracket. The chain sprocket shall be hardened steel and an acetal chain guide must be provided. Base modules with a Motorized Drive shall be low profile in design. Unit to be supplied

with snap-on, decorative ABS cover conveniently accessible to motor, mechanical, and electronic components. The mechanical closing pressure shall not exceed 70 lbs. Supply electronic circuitry for sensing rain and accommodation of remote control. Each unit shall be equipped with auxiliary contacts for additional thermostatic control, security, fire or smoke alarms, or computer control. Motor kits to include motor, wall switch, rain sensor, and hardware pack. Remote control shall operate at a minimum distance of 50 ft. from skylight operator. Power skylight system shall be "Sentry II HS" as manufactured by Truth Hardware, Owatonna, MN.

FIG. 1 FINISHED DIMENSIONS OF THE SENTRY II HS MOTOR SYSTEM

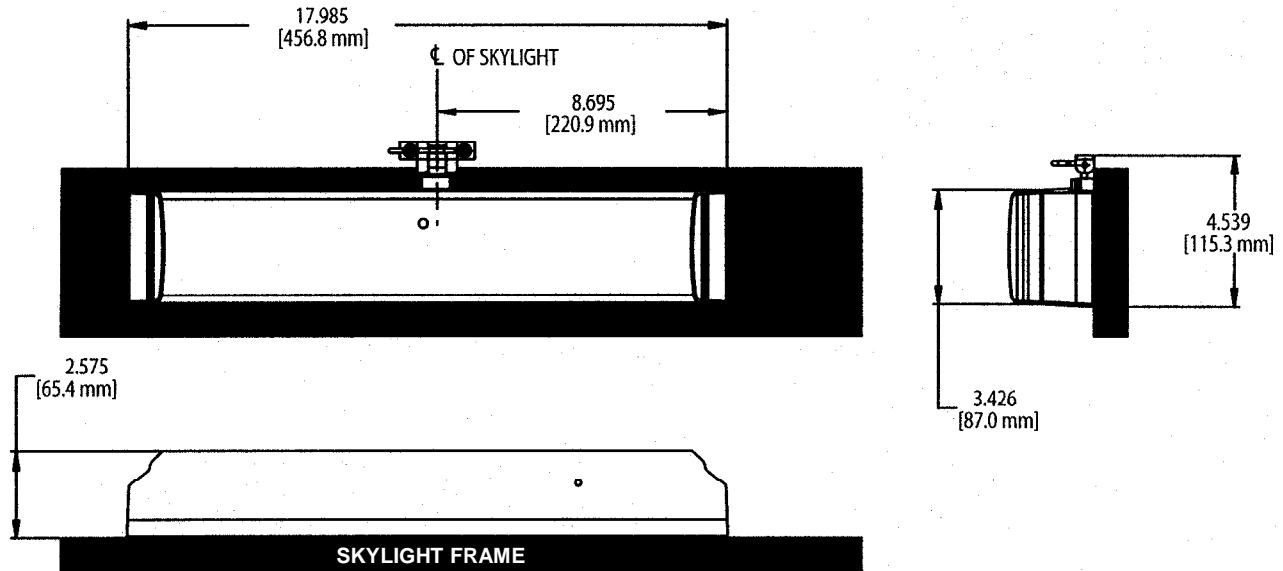
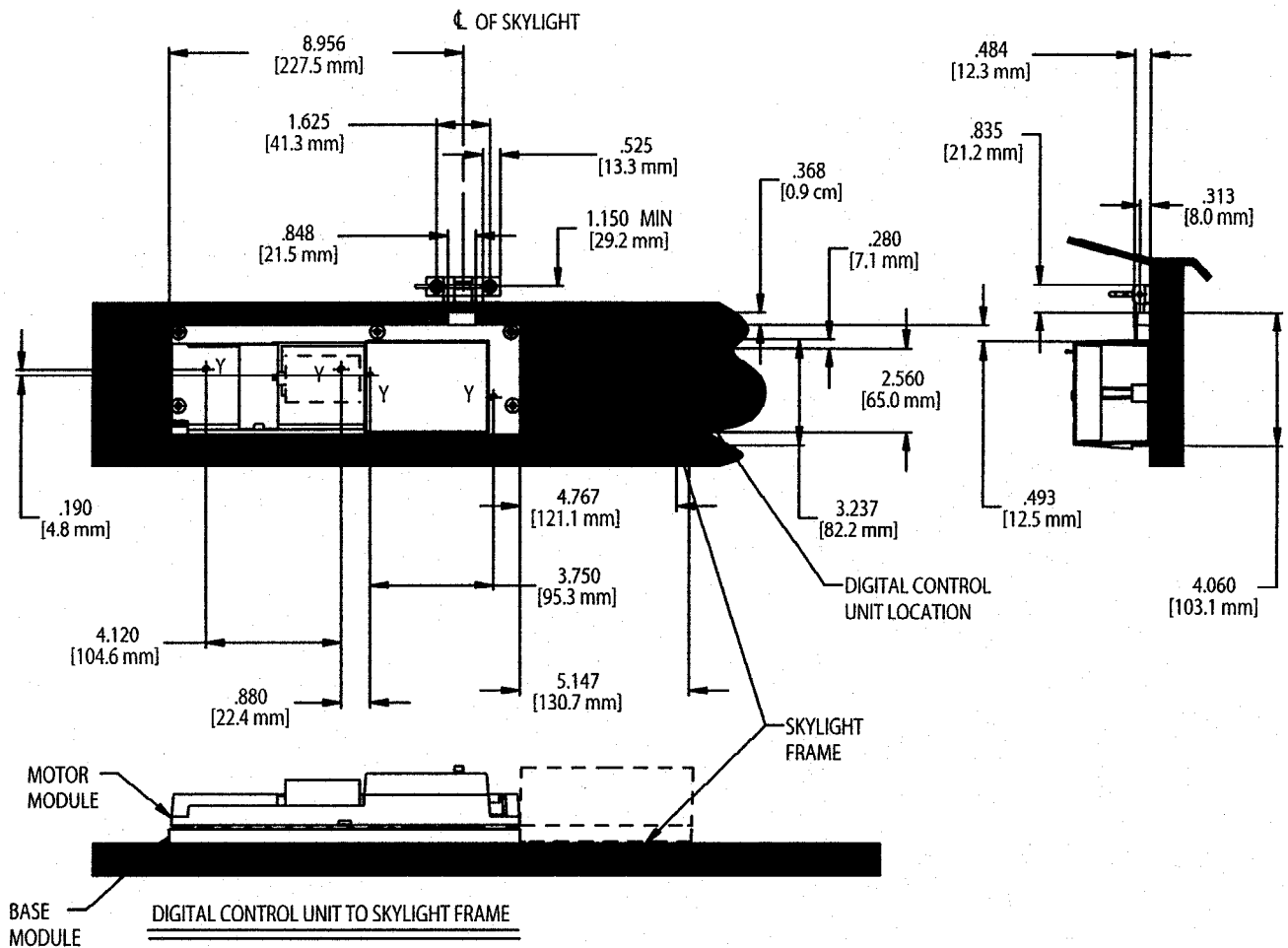


FIG. 2 SENTRY II HS MOUNTING ILLUSTRATION



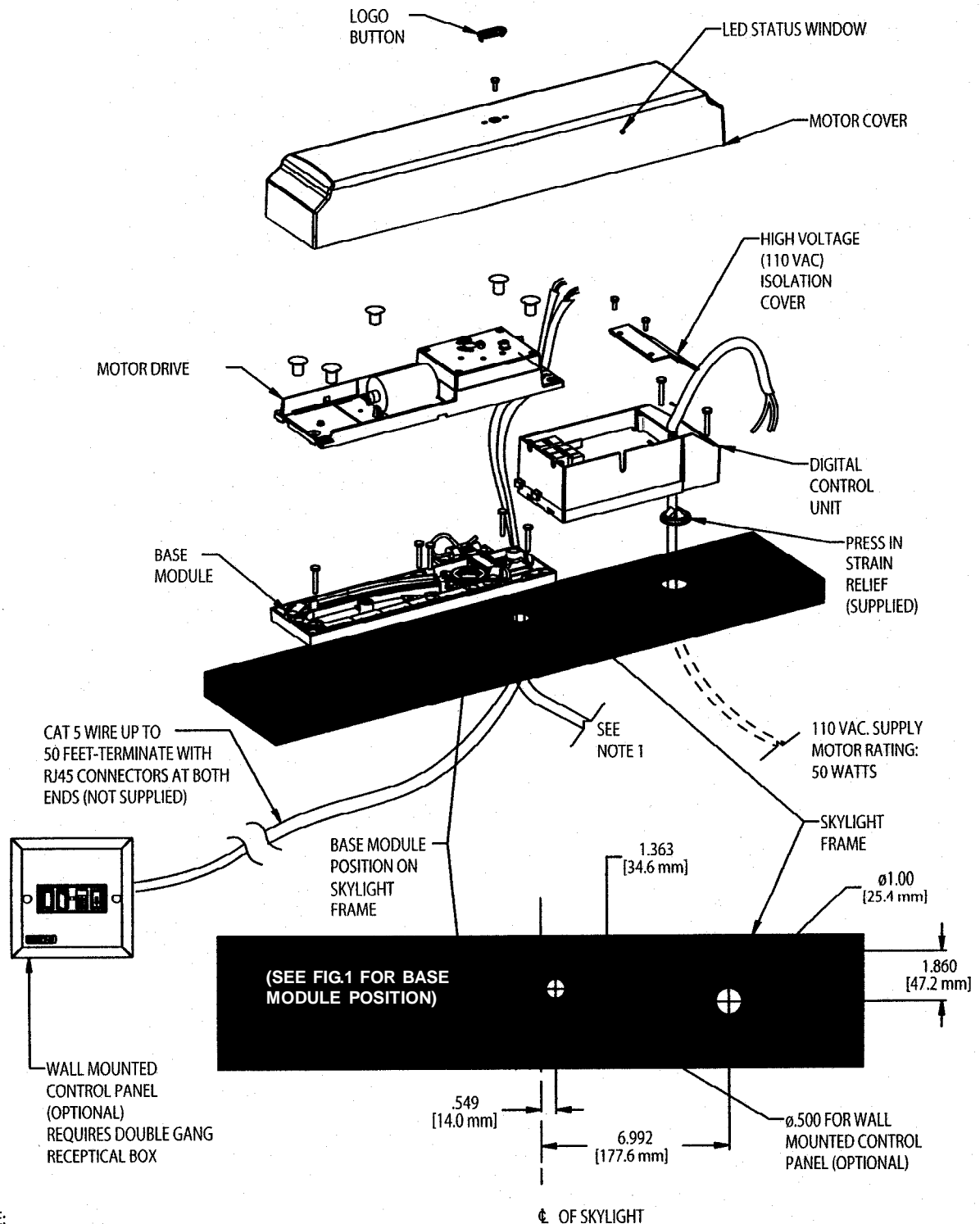
DIGITAL CONTROL UNIT TO SKYLIGHT FRAME

(QTY 2) (P/N 19335) #10 X .750 PHILLIPS PAN HEAD SHEET METAL SCREWS

BASE MODULE TO SKYLIGHT FRAME:

(QTY 4) (P/N 19335) #10 X .750 PHILLIPS PAN HEAD, SHEET METAL SCREWS

FIG. 3 SENTRY II HS PRE-WIRING DIAGRAM



NOTE:

1. FOR CONTROL OF MULTIPLE MOTOR UNITS FROM ONE WALL MOUNTED CONTROL PANEL, RUN A 2 CONDUCTOR WIRE BETWEEN EACH MOTOR UNIT. 22 GAGE OR HEAVIER IS SUFFICIENT.

The Truth Manual Skylight Operator System is easy to install and compatible with wood, metal or vinyl framed skylights.

Special high gear reduction provides the low torque needed to lift a maximum sash weight of 140 lbs. with minimum effort. The steel chain is detachable at the sash for ease of field or factory installation. The sprocket and chain are made from hardened steel to provide years of continuous, chatter free operation. An acetal case liner keeps the chain and sprocket sliding smoothly, easing the force required to open the window. The high-pressure, zinc die-cast case is phosphate coated, electrostatically painted to provide a finish that resists chipping and flaking. The worm gear is made from hardened steel for lasting service.

**STRAIGHT DRIVE**

**42.75** is recommended for use in installations where pole operation is required (especially steep pitched roofs).

**ANGLE DRIVE**

**42.65** is recommended for easily accessible installations where the use of the standard crank handle is warranted. It may sometimes be used in pole applications.

**HANDLES**

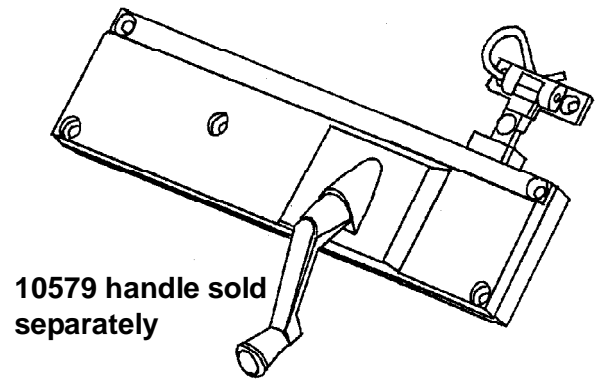
**11660** hand knob and **11573** T handle are available for customers who prefer to use something other than the standard crank handle, or where mini-blinds, sunshades, insect screens, etc... will not allow the crank handle to be used. The hand knob and the T-handle are zinc die cast and attach with a set screw and painted to match the operator.

**EYELET ADAPTOR**

**31000** eyelet adaptor is for use where the pole operation is required. Available with a zinc die-cast or painted finish.

**HOOK ADAPTOR**

**10453** hook adaptor is for use where pole operation is required. Attaches with a set screw.



**10579 handle sold separately**

**HANDLE EXTENSIONS**

**40096** handle extensions ensure that proper clearance is provided for either handle cranks or hex and hook adapters. They are available in either 2" or 4" lengths and mount easily between the spline and handle or adapter and are painted to match.  
40096 = 2"    40097 = 4"

**HEX BALL DRIVE ADAPTER**

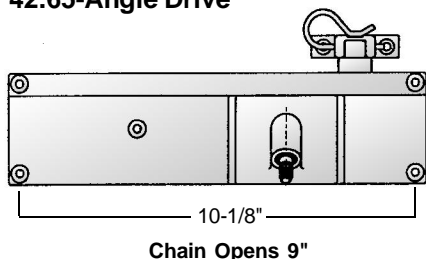
**30662** hex ball drive adapter is for use where pole operation is required. Specify color.

**SKYLIGHT POLES**

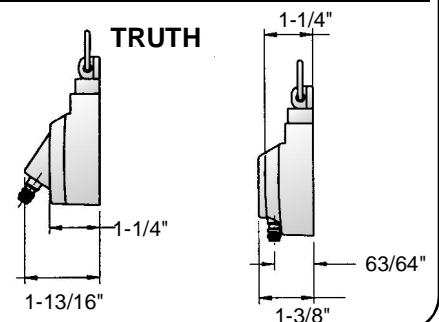
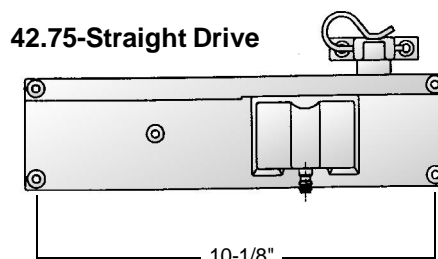
**10637** Hex Ball or **10638** Hook end\* skylight poles are rigid anodized aluminum and adjustable. They feature free-turning ABS hand grips and a locking collar to lock the pole at the desired length, or to reduce its size for convenient storage. The poles are available in two different adjustable lengths - four to six feet, or six to ten feet with either hook or hex ball drives - each to provide easy access to remote operator locations. Optional three foot pole extensions also available. A clerestory pole crank (**30476**) is also available. It operates by means of a flexible shaft inside a tubular metal housing. This can be used as an alternative to the hook pole and universal joint assembly in clerestory applications. It must be used with the adapter which is sold separately.

\*Specify hex ball or hook end

**42.65-Angle Drive**



**42.75-Straight Drive**



<p><b>601 Fenestra</b></p> <p>Available in nickel or dark statuary bronze</p> <p>Bar length: 9", 11", 16".</p>	<p><b>622 Ceco</b></p> <p>Available in nickel bronze and dark statuary bronze</p> <p>*Bar Length: 12", 16", 18"</p>
--	---

<p><b>627</b></p> <p>Aluminum bar with nickel bronze components</p> <p>*Bar Length: 12", 14", 18"</p>	<p><b>628 Superior</b></p> <p>Nickel Bronze</p> <p>*Bar length: 10", 12", 16", 18" &amp; 24"</p>	<p><b>670-Short* Ceco</b> <b>670-Long*</b></p> <p>Steel with Gold Painted Finish</p> <p>00670-SHORT-057 (10") 00670-LONG-057 (13-1/4")</p> <p>Also Available with 3-1/4" Yoke, Order 00670-LONG-SPEC-057</p>
---	--	--

<p><b>1675 Ware</b></p> <p>Nickel Bronze</p> <p>*Bar Length: 12", 16"</p>	<p><b>4922</b></p> <p>003 Brass shown Also available in 023 Statuary Bronze</p>	<p><b>1627 Truscon Republic Steel</b></p> <p>Dark Statuary Bronze</p>
---	---	---

<p><b>1631</b></p> <p>003 Brass shown Also available in 10"</p> <p>Available in brass plated steel, solid brass, antiqued brass and polished nickel.</p> <p>*Bar Length: 10", 12"</p>	<p><b>1674 Ware</b></p> <p>Red bronze &amp; nickel bronze</p>	<p><b>672 Red Bronze &amp; Nickel Bronze</b></p>
---	---	--

<p><b>3100-R-Sill-050 (shown) UNAVAILABLE</b> <b>3100-L-Sill-050 order #03514, at right</b></p> <p>Right Hand Shown</p>	<p><b>3100-R-Head-050 (Shown)</b> <b>3100-L-Head-050 order #03514, at right</b></p> <p>Right Hand Shown</p>	<p><b>3514</b></p>
---	---	--------------------

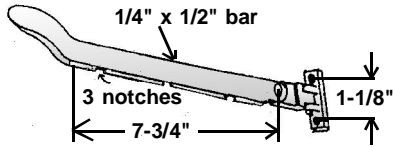
<p><b>602</b></p> <p>Steel with Baked on Brown Finish</p>	<p><b>603</b></p> <p>Steel</p> <p>Specify 12", 16" or 20"</p>	<p><b>605</b></p> <p>Specify 14", 16", 18"</p> <p>Available in nickel bronze and dark statuary bronze</p>
<p><b>606</b> (606-Spec)</p> <p>Aluminum</p> <p>Bar lengths: 16", 19" 16" model shown</p>	<p><b>607</b></p> <p>Available in steel or aluminum</p> <p>Bar lengths: 16", 19" 16" model shown</p>	<p><b>640</b></p> <p>Aluminum</p> <p>Specify 12", 14", 16", 18" or 35"</p>
<p><b>644</b></p> <p>Aluminum</p> <p>Bar Length: 12", 14", 18"</p>	<p><b>645</b></p> <p>Bar Lengths: 14", 16" and 18"</p> <p>Specify Length</p> <p>Aluminum</p>	<p><b>648</b></p> <p>Specify</p> <p>Available in nickel bronze and red bronze</p> <p>Bar Lengths: 10", 12", 16", 18"</p>
<p><b>669</b></p> <p>Steel with gold painted finish</p> <p>669-1 sold separately</p> <p>Aluminum with nickel components</p>	<p><b>673</b></p> <p>Dark statuary bronze</p> <p>Specify 12" or 18" length</p> <p>Available in nickel bronze or dark statuary bronze</p>	<p><b>683</b></p> <p>Nickel bronze or dark statuary bronze</p> <p>Specify 9", 12" or 17" length</p>
<p><b>686</b></p> <p>Comes with end bracket</p> <p>Specify 13-3/8" or 21-1/2" length</p> <p>Aluminum with nickel components</p>	<p><b>687</b></p> <p>Specify 13", 15", 16", 18", 21" or 23" length</p> <p>Available in nickel bronze or dark statuary bronze</p>	<p><b>1655</b></p> <p>Aluminum</p> <p>Specify left or right hand. Right hand shown.</p> <p>3/8" x 5/8" bar</p>

Please send a sample for accurate identification

**Push Bars / Limit Devices**

3228

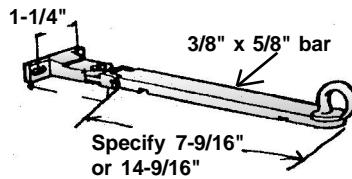
Smith-Wallis



Dark Statuary Bronze

3284

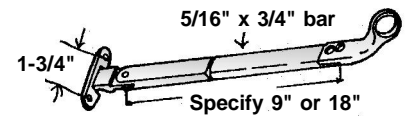
3284-Short = 7-9/16"  
3284-Long = 14-9/16"



Short & Long available in Dark Statuary Bronze

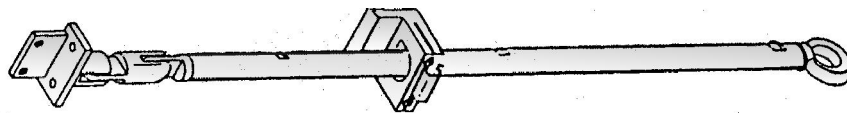
3507

Dark Statuary Bronze



3200

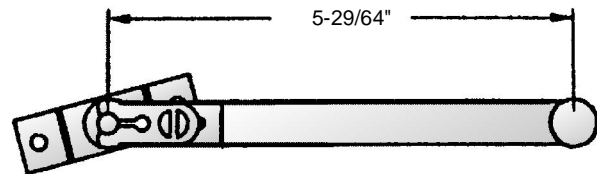
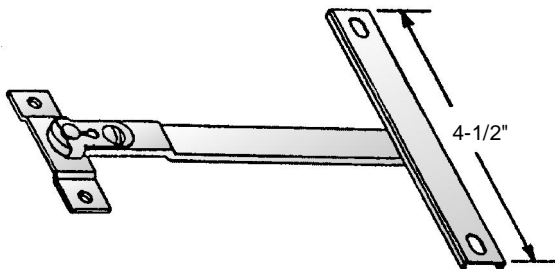
Custom Made Push Bars and Casement Adjusters



Blaine can custom make any style of push bar or casement adjuster, as shown above.

Please send a sample with the quantity needed.

**TRUTH 99.20  
LIMIT DEVICES:**



**Limit Devices:**

When properly installed and operated, the Limit Device will help prevent damage to casement and awning windows under high winds in high-rise applications. Two different methods of disconnecting the Limit Device from the sash for cleaning purposes - either by inserting a key, or by operating the detach clip.

A variety of track and arm lengths are available for this product. Consult our Research Department for details.

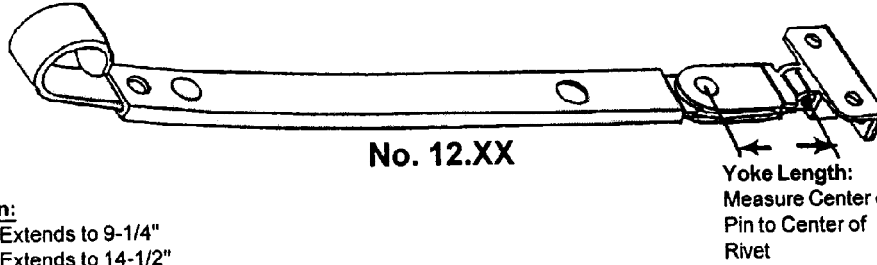
The 4-1/2" model is shown here.

Additional limit devices for a variety of window types also available. Please inquire.



**TELESCOPING PUSH BAR**  
For Residential Use

Truth / Anderberg / Superior



Replacement Escutcheon & Bar Lock / Rest Can Also Be Ordered Separately:

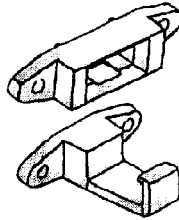
Escutcheon Part No. 87031

Bar Lock / Rest Part No. 87029

**Push Bars available in:**

- 6" (Closed Position) - Extends to 9-1/4"
- 9" (Closed Position) - Extends to 14-1/2"

Push Bars have anodized aluminum finish



87031  
Escutcheon

87029  
Bar Lock / Rest

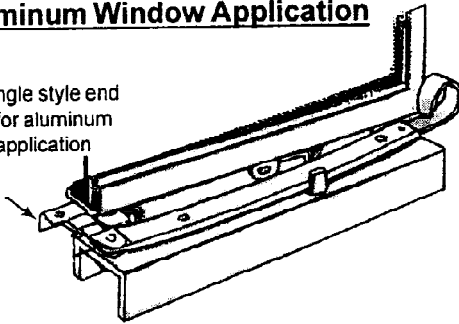
Nylon



For aluminum window.  
Angle type bracket

**Aluminum Window Application**

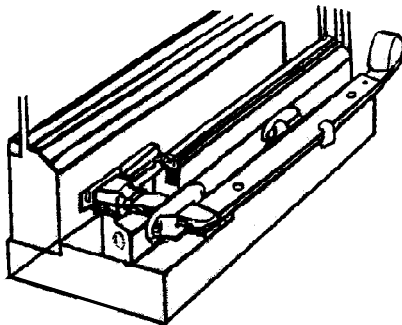
Note: Angle style end bracket for aluminum window application



The part numbers in this chart utilize an aluminum window bracket

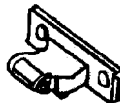
Blaine Part Number	Yoke Length
12.40.00.100	25/32"
12.42.00.100	27/32"
12.41.00.100	27/32"
12.43.00.100	15/16"
12.45.00.100	1-13/32"

**Wood Window Application**



The part numbers in this chart utilize a wood window bracket

Blaine Part Number	Yoke Length
12.50.00.100	27/32"
12.52.00.100	1-9/32"
12.45.00.100	1-13/32"



For wood window  
Flat type bracket

**Project Out  
Cam  
Handles**

**1-1/8"** **105** Right hand only

Medium statuary bronze finish

Republic Truscon

**1-1/4"** **1242**

Available in nickel or red bronze

Right Hand Shown

**5080**

Available in nickel or red bronze

Right Hand Shown

**8151** Right Hand Shown

Medium statuary bronze

**1-3/8"** **200** zinc plated steel

Order 12160-1-3/8-029 Keeper

Right Hand Shown

**297** **Ceco**

Right Hand Shown

Medium Statuary Bronze

Right Hand Shown

**401** **Republic Truscon**

Available In Right Hand Only - Shown Here

Available In Nickel Bronze Or Red Bronze

Republic Truscon

**429** Available In Nickel Bronze Or Red Bronze

Right Hand Shown

**436** Available In Nickel Bronze Or Red Bronze

Right Hand Shown

**1210** Available In Nickel Bronze Or Red Bronze

**Ceco**

Right Hand Shown

Also available in Long Nose - Order 1210-Long

Ceco

Right Hand Shown

**1246** Aluminum finish

Available In Right Hand Only - Shown Here

**1250** Painted Die Cast

Right Hand Shown

Aluminum or bronze painted finish

**4875** Right Hand Shown

Nickel Bronze

**4954** **Hopes** Red Bronze

Right Hand Shown

For upper fastener, order 4954-upper. Specify left or right

3/16"

Red Bronze

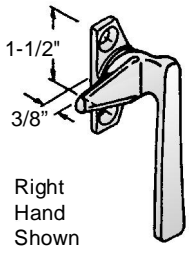
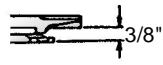
Right Hand Shown

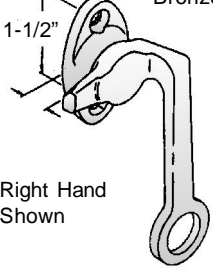

**5128** Right Hand Shown

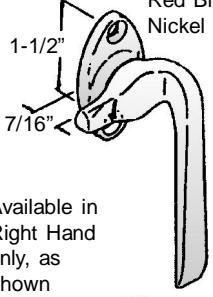
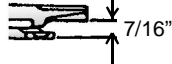
Nickel or red bronze

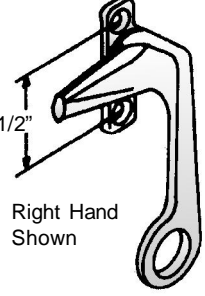
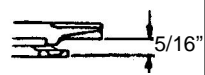
<p><b>1-3/8"</b></p> <p><b>9481</b> Nickel Bronze</p> <p>Order 9481-K Strike</p> <p>Right Hand Shown</p>	<p><b>10044</b> Right Hand Only Available, As Shown</p> <p>Nickel Bronze</p> <p>Right Hand Shown</p>	<p><b>10069</b> Order #4954 replacement</p> <p>Red Bronze</p> <p>Right Hand Shown</p>	<p><b>10076</b> Nickel Bronze</p> <p>Right Hand Shown</p>
<p><b>1-5/8"</b></p> <p><b>440</b> Window Wares</p> <p>Right Hand Shown</p> <p>Available In Nickel Bronze Or Red Bronze</p>	<p><b>2416</b> Right Hand Shown</p> <p>Red Bronze</p>	<p><b>5028</b> Available In Nickel Bronze</p> <p>Right Hand Shown</p>	<p><b>1-7/16"</b></p> <p><b>5246</b> UNAVAILABLE</p> <p>Order 12600-1-7/16" Replacement. Specify Handing and color (Nickel or Red Bronze).</p> <p>Right Hand Shown</p>
<p><b>5266</b> Catawba</p> <p>Available in Nickel or Red Bronze</p> <p>Right hand shown</p>	<p><b>5316</b> Available In Nickel Bronze Or Red Bronze</p> <p>Ware</p> <p>UNAVAILABLE</p> <p>Right Hand Shown</p> <p>Order 12600-1-7/16 Replacement</p>	<p><b>8162</b></p> <p>Right Hand Shown</p> <p>Available in Nickel or Red Bronze</p>	<p><b>1-1/2"</b></p> <p><b>227</b> Ltd. supply of original. Left hand in stock.</p> <p>Valley Metals (VAMPCO)</p> <p>Nickel Bronze</p> <p>Order 12601-1-1/2" replacement</p> <p>Right Hand Shown</p>
<p><b>189</b> Valley Metals (VAMPCO)</p> <p>UNAVAILABLE</p> <p>Nickel Bronze</p> <p>Order 191 Replacement</p> <p>Right Hand Shown</p>	<p><b>191</b> Nickel Bronze</p> <p><b>192</b> Angle Adapter</p> <p>Right Hand Shown</p>	<p><b>201</b> Right Hand Shown</p> <p>Available in Nickel Bronze &amp; Red Bronze</p>	<div style="border: 2px solid black; padding: 10px; text-align: center;"> <p><b>Detailed drawings and information regarding Truth Cam Handles and associated keepers are also featured in this catalog.</b></p> </div>

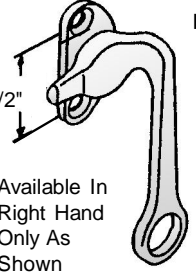

**1-1/2"**

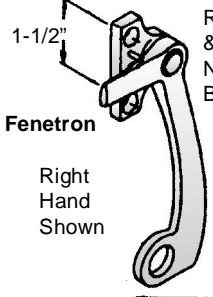
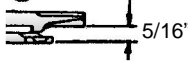
**421** Nickel Bronze  
  
 1-1/2"  
 3/8"  
 Right Hand Shown  
 3/8"

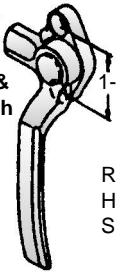

**499** Bayley Nickel or Red Bronze  
  
 1-1/2"  
 Right Hand Shown  
 7/16"

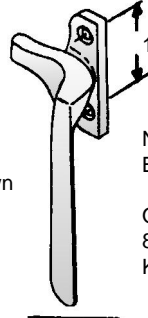
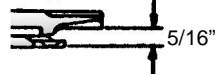
**2483** Available In Red Bronze or Nickel Bronze  
  
 1-1/2"  
 7/16"  
 Available in Right Hand only, as shown  
 7/16"

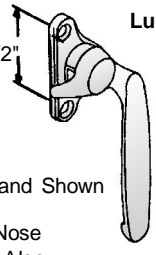

**4920** Nickel Bronze  
  
 1-1/2"  
 Right Hand Shown  
 5/16"

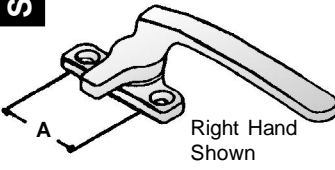

**5115** Medium Statuary Bronze Bayley  
  
 1-1/2"  
 Available In Right Hand Only As Shown  
 3/16"

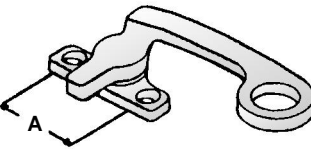

**5244** Fenetron Available In Red Bronze & Nickel Bronze  
  
 1-1/2"  
 Right Hand Shown  
 5/16"

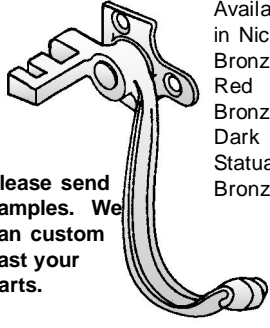
**5352** Bogert & Carlough Nickel Bronze  
  
 1-1/2"  
 Right Hand Shown  
 3/8"

**8298** Right Hand Shown Nickel Bronze  
  
 1-1/2"  
 Order 8298-K Keeper  
 5/16"

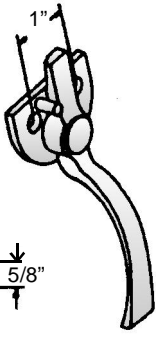

**9467** Nickel Bronze Lupton  
  
 1-1/2"  
 Right Hand Shown  
 5/16" Nose Height Also Available. Order 9467-Low  
 7/16"

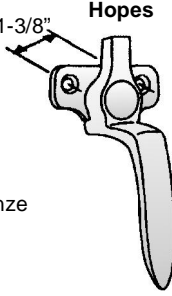
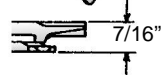
**Special 12600** Mason Available In Nickel Bronze Or Red Bronze  
  
 Right Hand Shown  
 "A" = 1-3/8", 1-7/16", 1-1/2". Please specify  
 5/16"

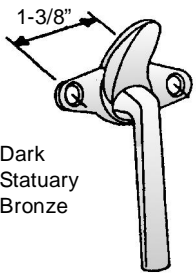
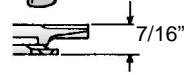
**12601** Mason Available In Nickel Bronze Or Red Bronze  
  
 Right Hand Shown  
 "A" = 1-3/8", 1-7/16", 1-1/2". Please specify  
 5/16"

**Antique Handles**  
  
 Available in Nickel Bronze, Red Bronze, Dark Statuary Bronze  
 Please send samples. We can custom cast your parts.  
 Right Hand Shown

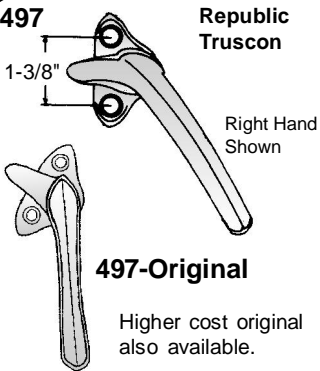
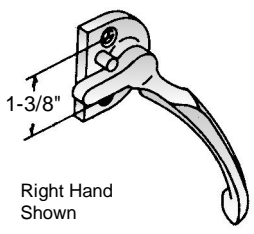
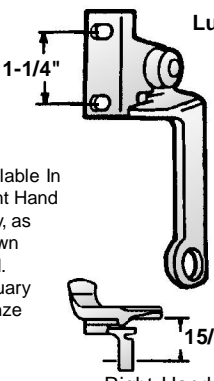
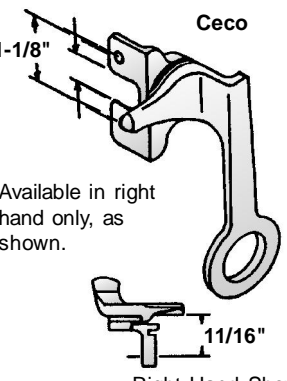
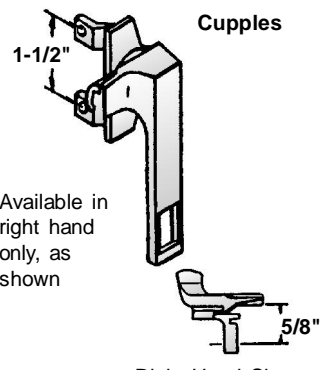
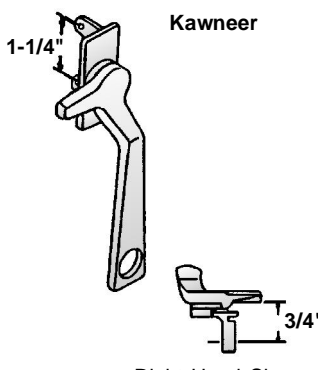

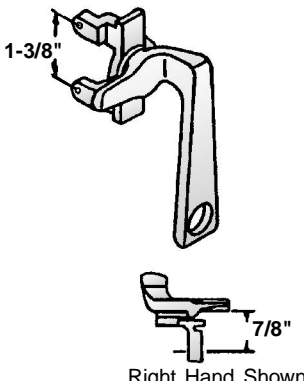
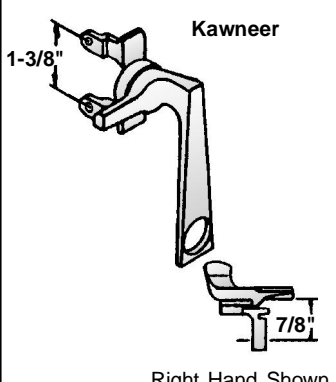
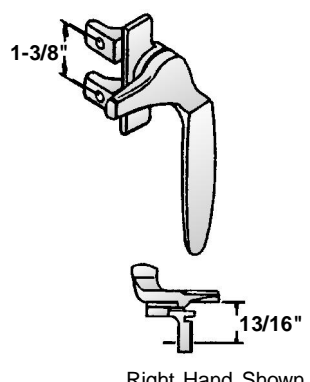
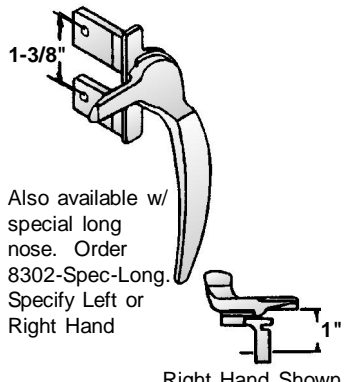
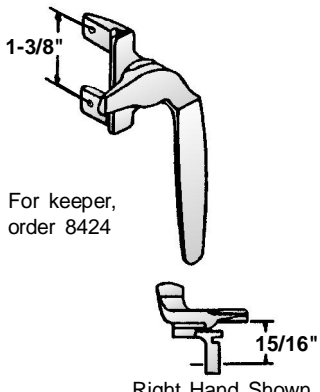
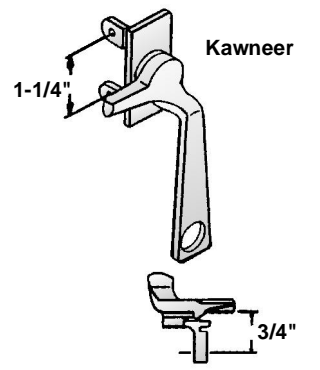
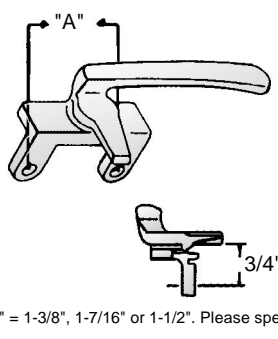
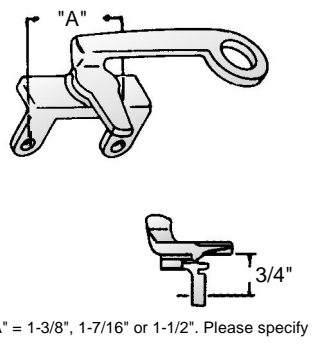
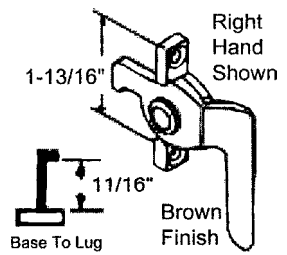
**Project In Hopper Cam Handles**

**1"** **5169-S** Red Bronze  
  
 1"  
 Right Hand Shown  
 5/8"

**1-3/8"** **141** Hopes Red Bronze  
  
 1-3/8"  
 Right Hand Shown  
 7/16"


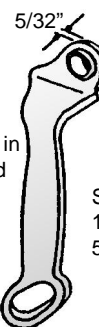
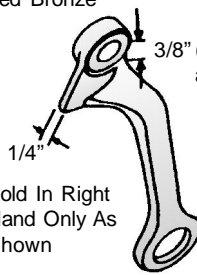

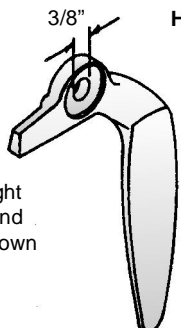
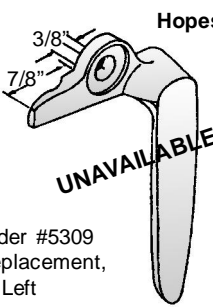
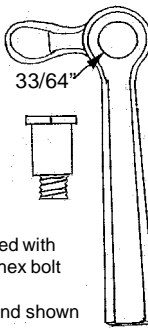
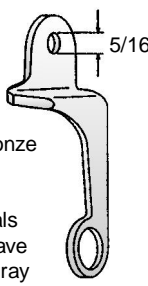
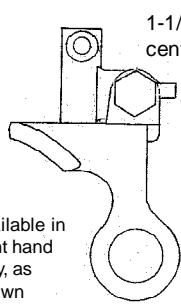
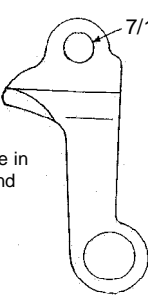
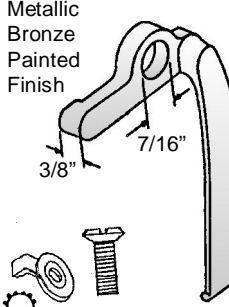
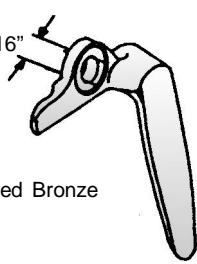

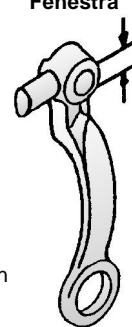
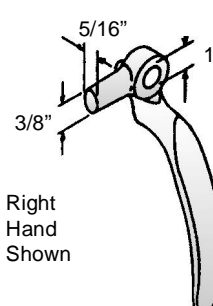
**215** Dark Statuary Bronze  
  
 1-3/8"  
 Right Hand Shown  
 7/16"

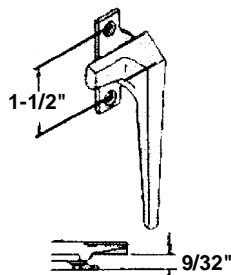
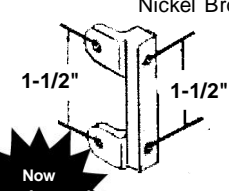
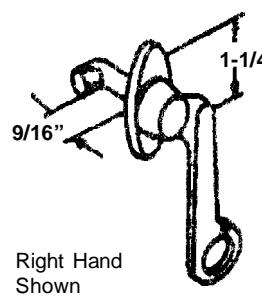
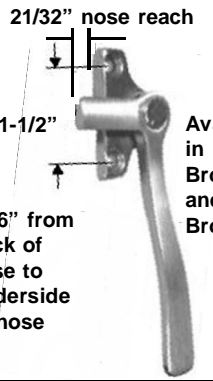
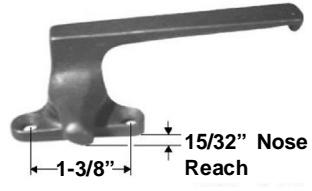
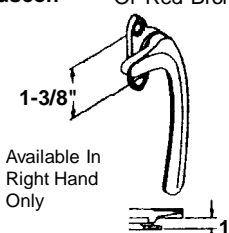
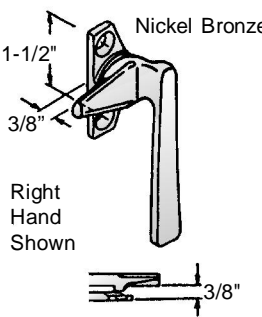
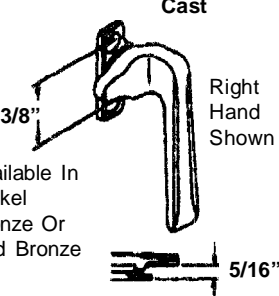
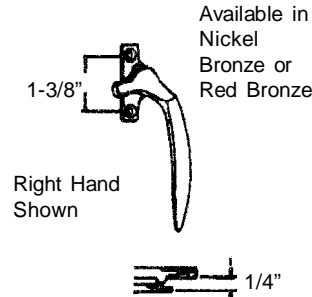
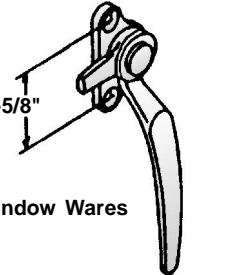
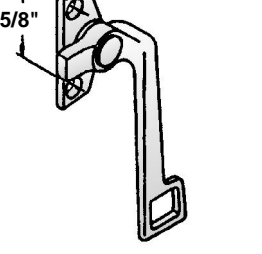
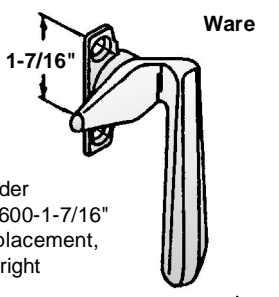
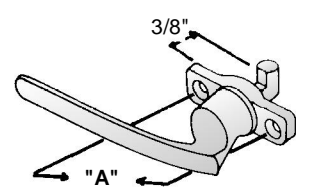
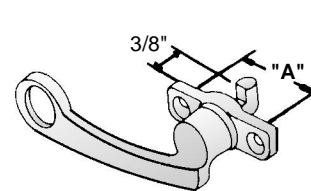
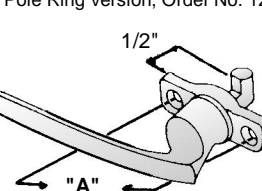
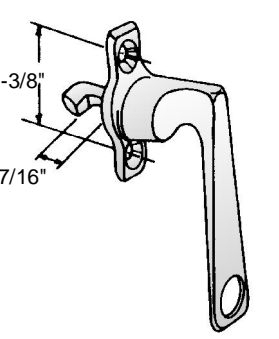
<p><b>1-3/8"</b></p> <p><b>224</b> Republic <b>402</b> Republic <b>5046</b> <b>5123</b></p> <p>Gray Texture Finish Replaces Original Zinc Plating</p> <p>Nickel or Red Bronze</p> <p>Nickel or Red Bronze</p> <p>Nickel or Red Bronze</p>	<p><b>5145</b> Order #224 Replacement, Above</p> <p><b>5324</b> Red Bronze</p> <p><b>9339</b> 1/8"</p> <p><b>10127</b> Order 10127-k keeper</p> <p>UNAVAILABLE</p> <p>UNAVAILABLE</p> <p>Nickel Bronze</p> <p>UNAVAILABLE</p> <p>Order 12175-1-3/8-029 Replacement Strike.</p> <p>Order#402 Replacement, Above</p> <p>Order #402 Replacement, Shown Above</p> <p>Originals were metallic bronze painted</p> <p>Nickel or red bronze</p>		
<p><b>1-7/16"</b></p> <p><b>8600</b></p> <p>Medium Statuary Bronze</p>	<p><b>1-3/4"</b></p> <p><b>128</b> Dark Statuary Bronze</p> <p>Nose opens to left. For opposite, order 128-opposite.</p>	<p><b>1-7/8"</b></p> <p><b>416</b> Thorn Red Bronze</p>	<p><b>Inside Glazed Window (IGW) Cam Handles</b></p>
<p><b>5/8"</b></p> <p><b>431</b> Lupton / Thorn</p> <p>Nickel Bronze</p> <p>Some originals were produced in dull brass</p> <p>Available in Right Hand Only As Shown</p>	<p><b>1-1/8"</b></p> <p><b>226</b> Ceco Right Hand Shown</p> <p>Nickel or Red Bronze</p>	<p><b>4854</b> Ceco Nickel ~Bronze</p> <p>Available in Right Hand Only As Shown</p>	<p><b>8027</b> Right Hand Shown</p> <p>Ceco</p> <p>Red Bronze</p>

<p><b>497</b> Republic Truscon</p>  <p>1-3/8"</p> <p>Right Hand Shown</p> <p><b>497-Original</b></p> <p>Higher cost original also available.</p> <p>Available in red bronze &amp; medium statuary bronze.</p>	<p><b>5041</b></p>  <p>1-3/8"</p> <p>Right Hand Shown</p> <p>Available in dk. statuary bronze &amp; nickel bronze.</p>	<p><b>474</b> Red Bronze</p>  <p>Lupton</p> <p>1-1/4"</p> <p>Available In Right Hand Only, as shown</p> <p>Med. statuary bronze</p> <p>15/16"</p> <p>Right Hand Shown</p>	<p><b>4854</b> Nickel Bronze</p>  <p>Ceco</p> <p>1-1/8"</p> <p>Available in right hand only, as shown.</p> <p>11/16"</p> <p>Right Hand Shown</p>
<p><b>4916</b> Nickel Bronze</p>  <p>Cupples</p> <p>1-1/2"</p> <p>Available in right hand only, as shown</p> <p>5/8"</p> <p>Right Hand Shown</p>	<p><b>4935</b> Nickel Bronze</p>  <p>Kawneer</p> <p>1-1/4"</p> <p>3/4"</p> <p>Right Hand Shown</p>	<p><b>25.41.XX.103 as shown</b> <b>25.41.XX.102 opposite</b></p>  <p>1-3/8"</p> <p>Right Hand Shown</p> <p>Nickel or painted bronze finish.</p> <p>Diecast</p> <p>15/16"</p>	<p><b>5029</b> Nickel Bronze</p>  <p>1-3/8"</p> <p>7/8"</p> <p>Right Hand Shown</p>
<p><b>5248</b> Nickel Bronze</p>  <p>Kawneer</p> <p>1-3/8"</p> <p>7/8"</p> <p>Right Hand Shown</p>	<p><b>5335</b> Available In Nickel Bronze Or Red Bronze</p>  <p>1-3/8"</p> <p>13/16"</p> <p>Right Hand Shown</p>	<p><b>8302</b> Nickel Bronze</p>  <p>1-3/8"</p> <p>Also available w/ special long nose. Order 8302-Spec-Long. Specify Left or Right Hand</p> <p>1"</p> <p>Right Hand Shown</p>	<p><b>8365</b> Nickel Bronze</p>  <p>1-3/8"</p> <p>For keeper, order 8424</p> <p>15/16"</p> <p>Right Hand Shown</p>
<p><b>9318</b> Nickel Bronze</p>  <p>Kawneer</p> <p>1-1/4"</p> <p>3/4"</p> <p>Right Hand Shown</p>	<p><b>12610</b> Available In Nickel Bronze Or Red Bronze</p>  <p>"A"</p> <p>3/4"</p> <p>"A" = 1-3/8", 1-7/16" or 1-1/2". Please specify</p> <p>Right Hand Shown</p>	<p><b>12611</b> Available In Nickel Bronze Or Red Bronze</p>  <p>"A"</p> <p>3/4"</p> <p>"A" = 1-3/8", 1-7/16" or 1-1/2". Please specify</p> <p>Right Hand Shown</p>	<p><b>113</b></p>  <p>Right Hand Shown</p> <p>1-13/16"</p> <p>11/16"</p> <p>Base To Lug</p> <p>Brown Finish</p> <p><b>Hope's Replacement</b></p>

Please send a sample for accurate identification

**Cam Handles**

<p><b>3/8"</b></p> <p><b>Hopes</b></p>  <p>3/8"</p> <p>Metallic Bronze Painted Finish</p> <p>Sold In Right Hand Only As Shown</p> <p><b>218</b></p>	<p><b>Truscon</b></p>  <p>5/32"</p> <p>3/8" (.386" actual)</p> <p>Available in right hand only as shown</p> <p>Supplied with 1722 Bolt and 5431 Nut</p> <p>Steel</p> <p><b>405</b></p>	<p><b>Ceco</b></p> <p>Red Bronze</p>  <p>3/8" (.386" actual)</p> <p>1/4"</p> <p>Sold In Right Hand Only As Shown</p> <p><b>422</b></p>	<p><b>Ceco</b></p> <p>Now With Gray Texture Finish</p>  <p>3/8" (.386" actual)</p> <p>7/16"</p> <p>Sold In Right Hand Only As Shown</p> <p><b>458</b></p>
<p>Red Bronze</p> <p><b>Hopes</b></p>  <p>3/8"</p> <p>Right Hand Shown</p> <p><b>5309</b></p>	<p>Red Bronze</p> <p><b>Hopes</b></p>  <p>3/8"</p> <p>7/8"</p> <p><b>UNAVAILABLE</b></p> <p>Order #5309 Replacement, At Left</p> <p><b>8440</b></p>	<p><b>33/64"</b></p> <p>Red Bronze</p>  <p>33/64"</p> <p>Supplied with brass hex bolt</p> <p>Right hand shown</p> <p><b>8728</b></p>	<p><b>5/16"</b></p> <p><b>Lupton</b></p>  <p>5/16"</p> <p>Red Bronze</p> <p>Originals may have been gray iron</p> <p><b>447</b></p>
<p>Red Bronze</p> <p><b>7/16"</b></p>  <p>1-1/4" hole centers</p> <p>Available in right hand only, as shown</p> <p>with detachable base and bolt.</p> <p><b>10481</b></p>	<p>Red Bronze</p> <p><b>7/16"</b></p>  <p>7/16"</p> <p>Available in right hand only, as shown</p> <p><b>490</b></p>	<p><b>Hopes</b></p> <p>Metallic Bronze Painted Finish</p>  <p>3/8"</p> <p>7/16"</p> <p>Right Hand Shown</p> <p>Order 403-BCW Bolt, Clevis &amp; Washer</p> <p><b>403</b></p>	<p><b>Hopes</b></p> <p>Right Hand Shown</p>  <p>7/16"</p> <p>Red Bronze</p> <p><b>8448</b></p>
<p><b>13/32"</b></p> <p><b>Fenestra</b></p>  <p>13/32"</p> <p>Metallic Bronze Painted Finish</p> <p>Right Hand Shown</p> <p><b>132</b></p>	<p><b>Fenestra</b></p>  <p>13/32"</p> <p>Metallic Bronze Painted Finish</p> <p>Right Hand Shown</p> <p><b>133</b></p>	<p><b>Fenestra</b></p>  <p>5/16"</p> <p>13/32"</p> <p>3/8"</p> <p>Metallic Bronze Painted Finish</p> <p>Right Hand Shown</p> <p><b>134</b></p>	<p><b>Thru-Rail Cam Handles</b></p>

<p><b>191</b> Project Out</p>  <p>Right Hand Shown</p>	<p><b>192</b> Nickel Bronze</p>  <p>Now manufactured by Blaine</p> <p>Angle Adapter</p>	<p><b>8317</b> Lupton</p> <p>Nickel Bronze</p>  <p>Right Hand Shown</p>	<p><b>201</b> Right Hand Shown</p>  <p>Available in Nickel Bronze and Red Bronze</p>
<p><b>297</b> Right hand shown. Specify left or right hand.</p>  <p>7/32" from back of base to underside of nose</p> <p>Dark Statuary Bronze</p>	<p><b>401</b> Project Out</p> <p>Republic Truscon Available In Nickel Or Red Bronze</p>  <p>Available In Right Hand Only</p>	<p><b>421</b> Project Out</p> <p>Nickel Bronze</p>  <p>Right Hand Shown</p>	<p><b>429</b> Painted Die Cast</p>  <p>Right Hand Shown</p> <p>Available In Nickel Bronze Or Red Bronze</p>
<p><b>436</b></p>  <p>Available in Nickel Bronze or Red Bronze</p> <p>Right Hand Shown</p>	<p><b>440</b> Available In Nickel Bronze Or Red Bronze</p>  <p>Window Wares</p> <p>Right Hand Shown</p>	<p><b>5028</b> Available In Nickel Bronze Or Aluminum</p>  <p>Right Hand Shown</p>	<p><b>5316</b> Available In Nickel Bronze Or Red Bronze</p> <p>Ware</p>  <p>Order 12600-1-7/16" replacement, at right</p> <p>Right Hand Shown</p>
<p><b>12500</b> Available In Nickel Bronze Or Red Bronze</p>  <p>"A" = 1-3/8", 1-7/16" or 1-1/2". Please specify.</p> <p>Right Hand Shown</p>	<p><b>12501</b> Available In Nickel Bronze Or Red Bronze</p>  <p>"A" = 1-3/8", 1-7/16" or 1-1/2". Please specify.</p> <p>Right Hand Shown</p>	<p><b>12510</b> Available In Nickel Bronze Or Red Bronze</p> <p>For Pole Ring Version, Order No. 12511</p>  <p>"A" = 1-3/8", 1-7/16" or 1-1/2". Please specify.</p> <p>Right Hand Shown</p>	<p><b>500</b> Available In Nickel Bronze</p>  <p>Right Hand Shown</p>



<p><b>1-1/4"</b></p> <p><b>242</b> Right Hand Shown</p> <p><b>Lupton</b></p> <p>Available In Nickel Bronze, Red Bronze or Medium Statuary Bronze</p>	<p><b>476</b> Available In Nickel Bronze Or Medium Statuary Bronze</p> <p><b>Lupton</b></p> <p>Right Hand Shown</p>	<p><b>8317</b> Nickel Bronze</p> <p><b>Lupton</b></p> <p>Right Hand Shown</p>	<p><b>1-3/8"</b></p> <p><b>243</b> Available In Nickel Bronze Or Red Bronze</p> <p><b>Ceco</b></p> <p>Right Hand Shown</p>
--	---	---	--

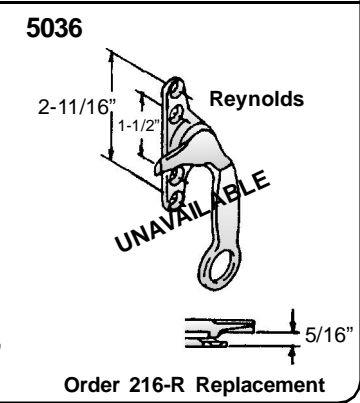
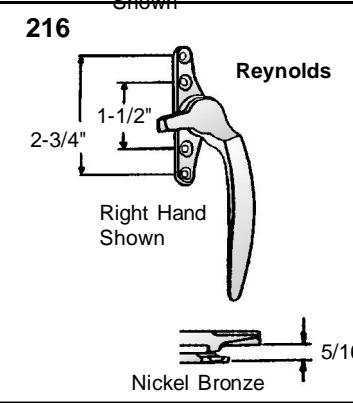
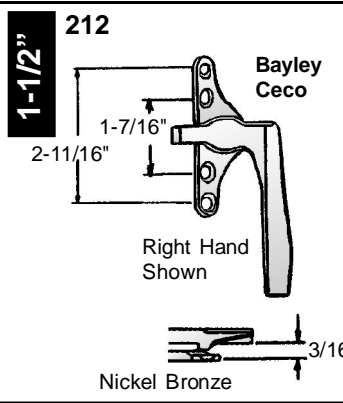
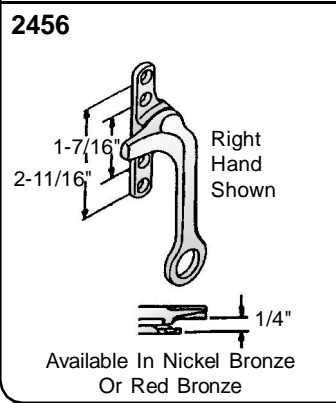
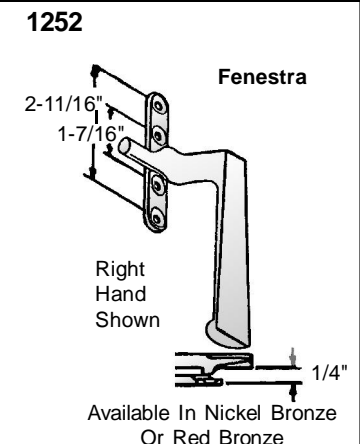
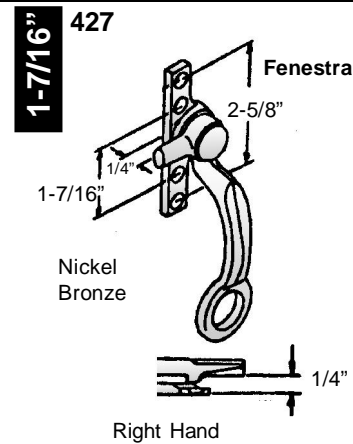
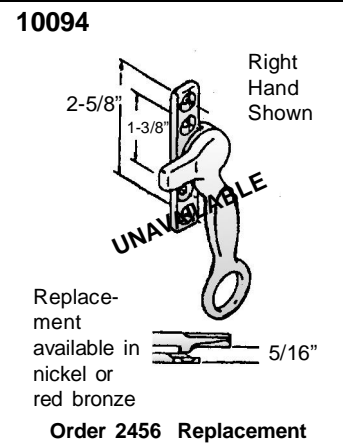
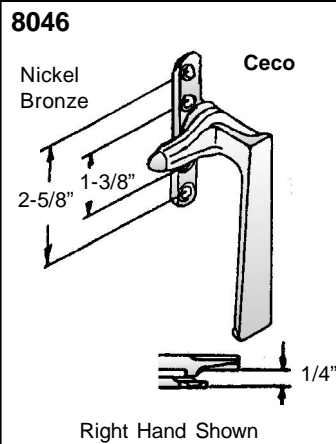
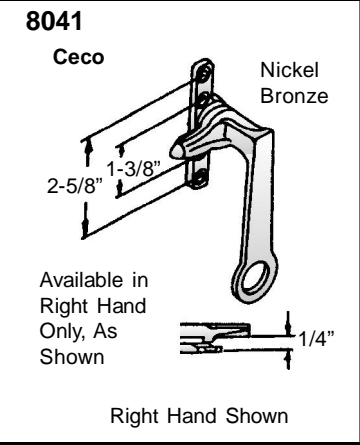
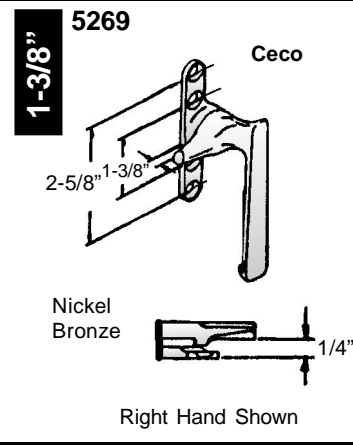
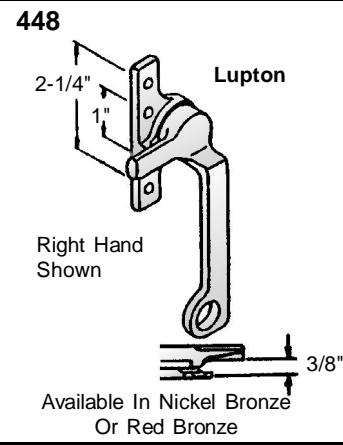
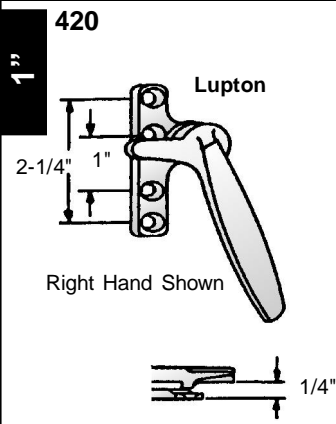
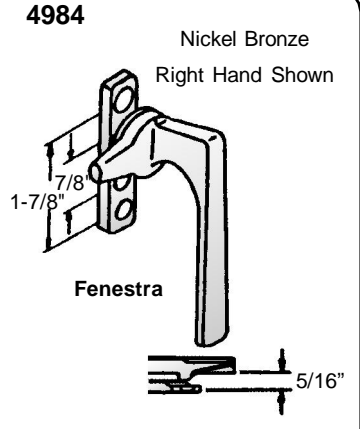
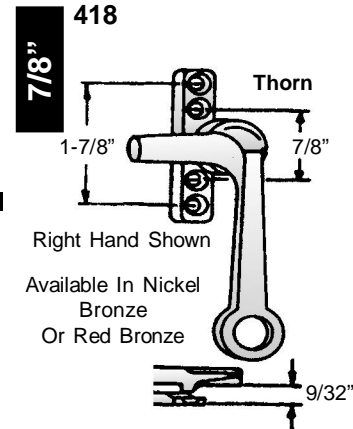
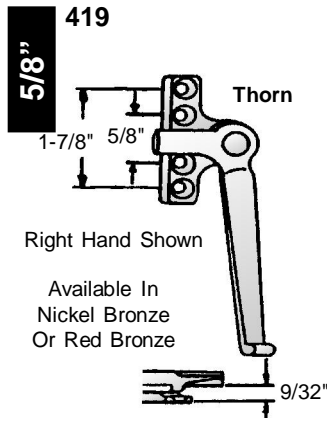
<p><b>428</b> Nickel Bronze</p> <p>Right Hand Shown</p> <p>Also avail w/ 1-1/8" Lug Gap, order 428-Spec</p>	<p><b>500</b> Available In Nickel Bronze</p> <p>Right Hand Shown</p>	<p><b>1204</b> Available In Nickel Bronze Or Red Bronze</p> <p>Right Hand Shown</p>	<p><b>4840</b> Available In Nickel Bronze Or Red Bronze</p> <p>Right Hand Shown</p>
---	--	---	---

<p><b>8052</b> Nickel Bronze</p> <p>Right Hand Shown</p> <p>Order 12500-1-3/8" Replacement. See page 76</p>	<p><b>1-7/16"</b></p> <p><b>426</b> Right Hand Shown</p> <p>Available In Nickel Bronze Or Red Bronze</p>	<p><b>1-1/2"</b></p> <p><b>190</b> Nickel Bronze</p> <p>Right Hand Shown</p> <p>Valley Metals / Vampco</p>	<p><b>271</b> Valley Metals (VAMPCO)</p> <p>Nickel Bronze</p> <p>Right Hand Shown</p>
---	--	--	---

<p><b>298</b> Valley Metals (VAMPCO)</p> <p>Nickel Bronze</p> <p>Right Hand Shown</p>	<p><b>414-Pole</b> Lupton</p> <p>Right Hand Shown</p> <p>Available In Nickel Bronze Or Red Bronze w/o ring handle, order 414</p>	<p><b>495</b> Bayley</p> <p>Available In Right Hand Only, As Shown</p> <p>Order 495-k keeper</p> <p>Available In Nickel Bronze Or Red Bronze</p>	<p><b>4928</b> Nickel Bronze</p> <p>Winco</p> <p>Right Hand Shown</p>
---	--	--	---

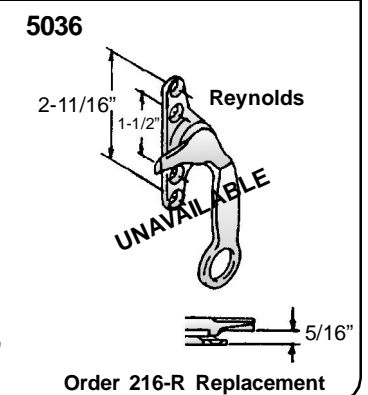
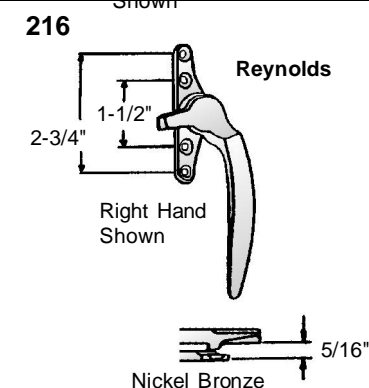
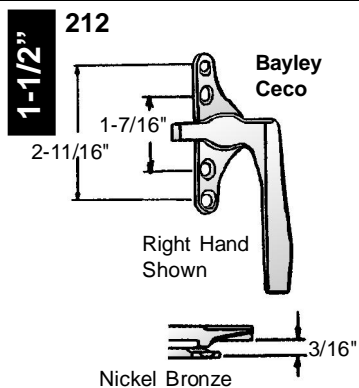
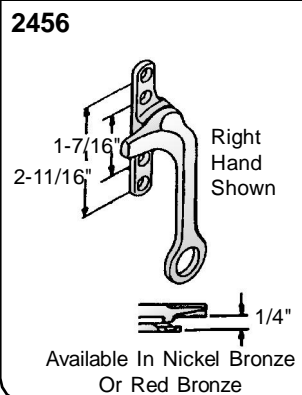
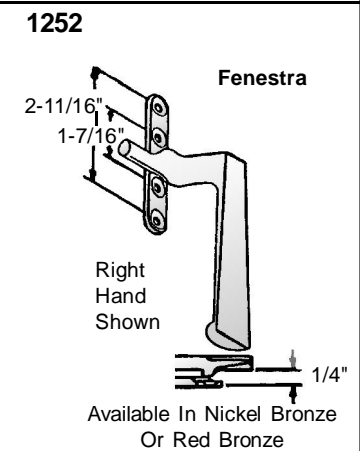
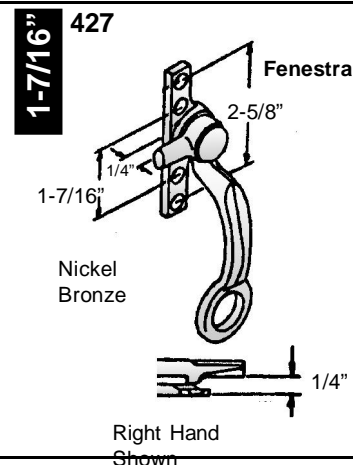
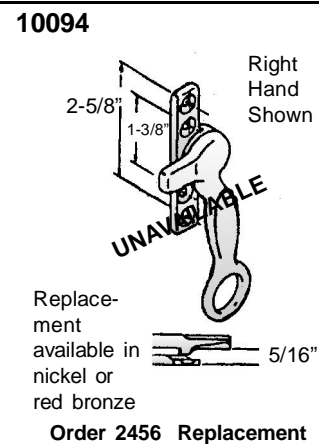
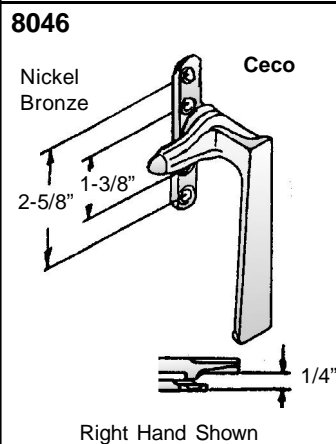
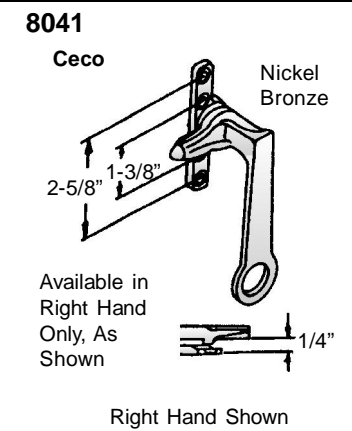
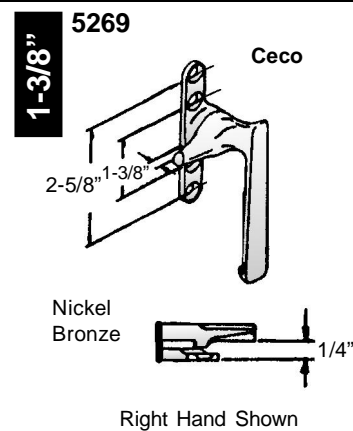
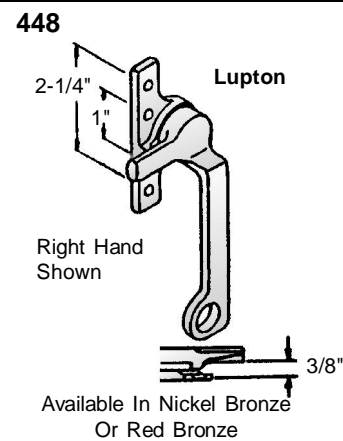
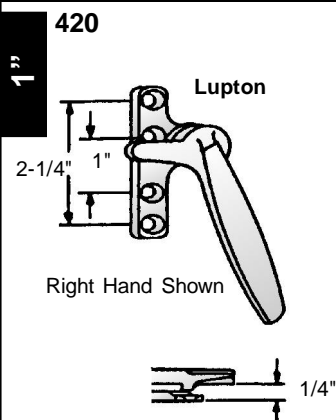
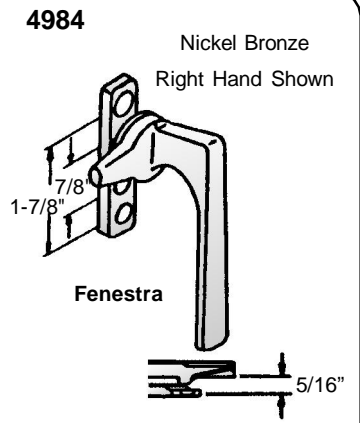
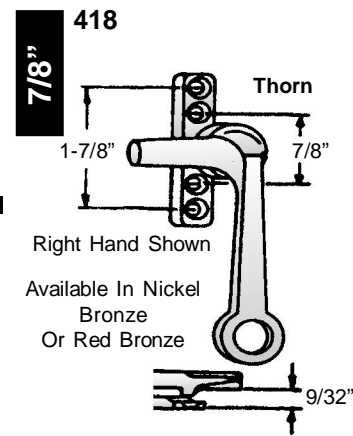
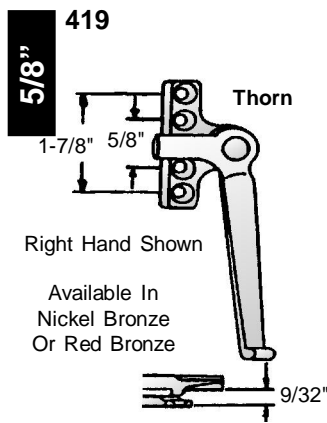
**4-Hole Project  
Out Cam  
Handles**

Blaine also specializes  
in antique handles in 2,  
3 and 4 hole styles.



**4-Hole Project  
Out Cam  
Handles**

Blaine also specializes  
in antique handles in 2,  
3 and 4 hole styles.



**Simplex Cam Handles**

**425**  
**1-1/4"**  
Red Bronze  
1-1/4"  
Available In  
1-1/8" & 1-1/4"  
Hole Spacing  
1/4"  
Right Hand Shown

**5105**  
Right hand shown  
1-3/16"  
1-1/4"  
Available in  
Red Bronze &  
Dark Statuary  
Bronze  
Upper latch  
also avail.  
Order 5105-  
upper.  
5/16"  
1/4"

**5199**  
Right Hand Shown  
1-1/4"  
5/16"  
Red Bronze  
1/4"

**8116**  
Getty  
1-1/4"  
1/8"  
Medium  
Statuary  
Bronze  
1/4"  
Right Hand Shown

**1-3/8"**  
Red Bronze  
Left Hand Shown  
1-3/8"  
497-Original  
available option  
with original  
detail  
1/4"  
497-Orig

**5041**  
1-3/8"  
Nickel &  
Dark  
Statuary  
Bronze  
23/64"  
Right Hand Shown

**8036**  
1-3/8"  
Red Bronze  
1/4"  
Right Hand Shown

**9394**  
Right Hand Shown  
1-1/8"  
1-3/8"  
1/8"  
Red Bronze  
Order #497  
Replacement,  
above  
1/4"

**5101**  
**1-1/2"**  
Truscon  
1-1/2"  
Available in Black  
or  
Medium Statuary  
Bronze  
3/16"  
Right Hand Shown

**8317** Nickel Bronze  
Lupton  
1-1/4"  
5/16"  
Right Hand Shown

**Mason Hardware Replacement**

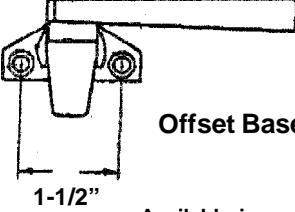
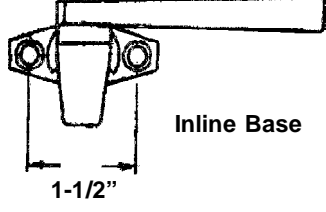
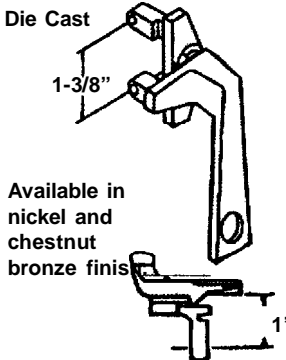
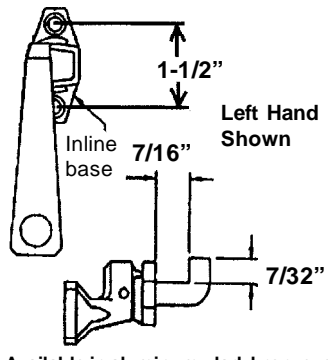
**12500** Available In Nickel  
Bronze Or Red Bronze  
Right Hand Shown  
3/8"  
"A"  
"A" = 1-3/8", 1-7/16" or 1-1/2".  
Please specify.

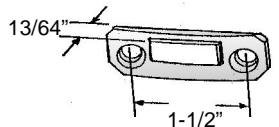
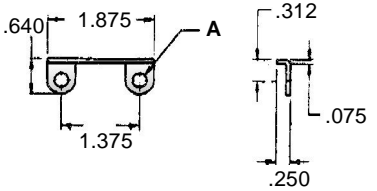
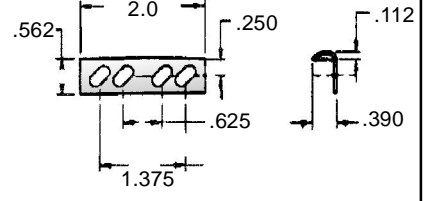
**12501** Available In Nickel  
Bronze Or Red Bronze  
Right Hand Shown  
3/8"  
"A"  
"A" = 1-3/8", 1-7/16" or 1-1/2".  
Please specify.

**12510** Available In Nickel  
Bronze Or Red Bronze  
For Pole Ring Version, Order No. 12511  
1/2"  
"A"  
"A" = 1-3/8", 1-7/16" or 1-1/2".  
Please specify.

**500** Available In Nickel  
Bronze  
1-3/8"  
7/16"  
Right Hand Shown

<p>Three Hole Mount Right Hand Shown</p> <p><b>8044</b></p>	<p>Four Hole Mount Right Hand Shown</p> <p><b>8055</b></p>	<p>Two Hole Mount Right Hand Shown</p> <p><b>8168</b></p>	<p>Two Hole Mount Right Hand Shown</p> <p><b>8218</b></p>	<p>Four Hole Mount Right Hand Shown</p> <p><b>8485</b></p>
<p>Four Hole Mount Right Hand Shown</p> <p><b>8485A</b></p>	<p>Two Hole Mount Right Hand Shown</p> <p><b>8485B</b></p>	<p>Three Hole Mount Right Hand Shown</p> <p><b>8497</b></p>	<p>Three Hole Mount Right Hand Shown</p> <p><b>8498</b></p>	<p>Three Hole Mount Right Hand Shown</p> <p><b>8499</b></p>
<p>Three Hole Mount Right Hand Shown</p> <p><b>8499-Spec</b></p>	<p>Two Hole Mount Right Hand Shown</p> <p><b>8726</b></p>	<p>Four Hole Mount Right Hand Shown</p> <p><b>8739</b></p>	<p>Two Hole Mount Non Handed Hopper Window Handle</p> <p><b>8747</b></p>	<p>Three Hole Mount Left Hand Shown</p> <p><b>512</b></p>
<p>Four Hole Mount Right Hand Shown</p> <p><b>4105</b></p>	<p>Single Hole Mount Right Hand Shown</p> <p><b>10041</b></p>	<p>Two Hole Mount Right Hand Shown</p> <p><b>10494</b></p>	<p>Two Hole Mount Upper / Lower Handle Set. Right hand only.</p> <p><b>10518</b></p>	<p>Four Hole Mount Right Hand Shown</p> <p><b>10522</b></p>

TRUTH	TRUTH	TRUTH	TRUTH
<b>Project Out Cam Handle</b>	<b>Project Out Cam Handle</b>	<b>IGW Cam Handle</b>	<b>Thru Rail Cam Handle</b>
25.29.XX.103 As Shown 25.29.XX.102 Opposite	25.31.XX.103 As Shown 25.31.XX.102 Opposite	25.41.XX.103 as shown 25.41.XX.102 opposite	27.31.XX.102 as shown 27.31.XX.103 opposite
 Offset Base 1-1/2"	 Inline Base 1-1/2"	 Die Cast 1-3/8" Available in nickel and chestnut bronze finis	 1-1/2" 7/16" Left Hand Shown 7/32" Available in aluminum, dark bronze, chestnut bronze & white
Available in aluminum, black, bronze, white & chestnut bronze	Available in aluminum, bronze, chestnut bronze & white		

<b>30569</b>	<b>20237.XX Offset</b> <b>20236.XX Inline</b>	<b>20303 A = .204</b> <b>20404 A = .250</b>	<b>30238</b>
<b>Inline Keeper</b>	 13/64" 1-1/2" <b>Inserts Sold Separately</b> 20231 .218" high 20232 .282" high 20233 .344" high	 .640 1.875 A 1.375 .312 .075 .250	 .562 2.0 .250 1.375 .625 .112 .390
XX =Specify Color			

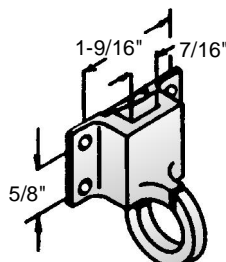
**TL-4 Transom Operator**

For left or right side application. Right side shown.

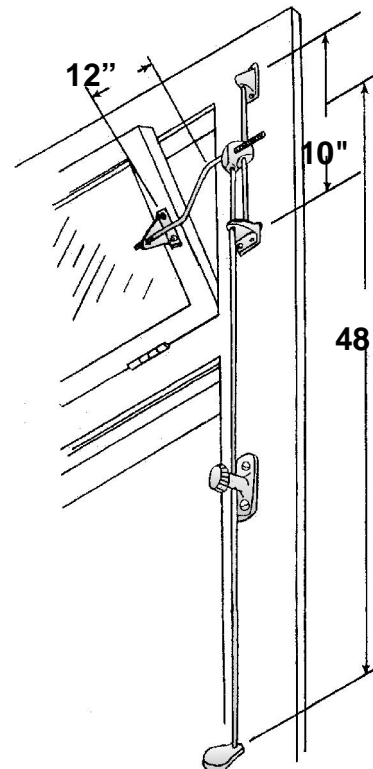
- Solid Brass
- Polished
- Unlacquered

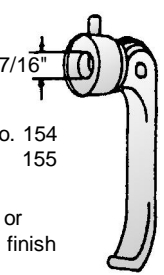
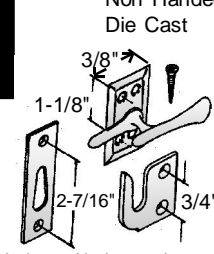
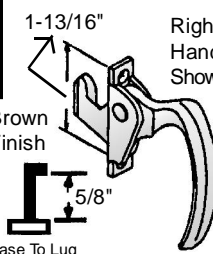
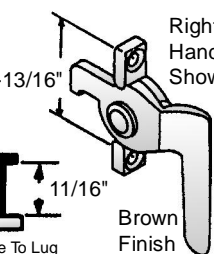
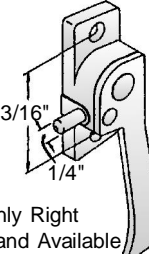
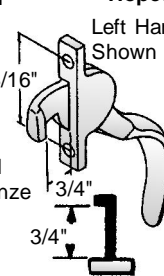
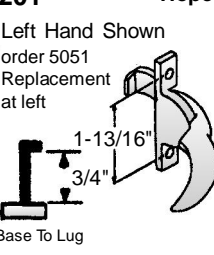
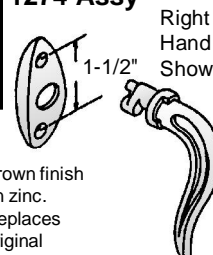
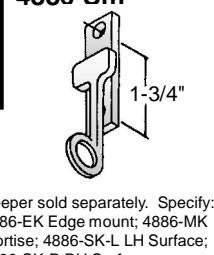
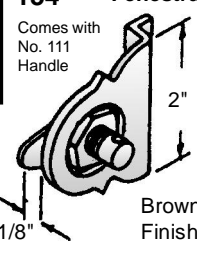
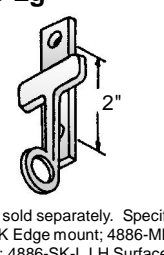
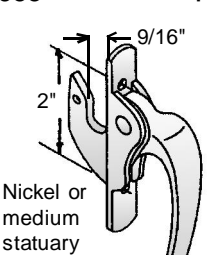
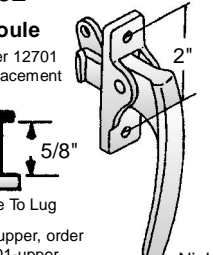
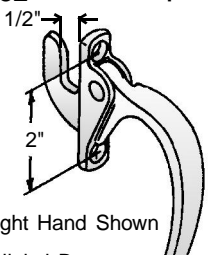
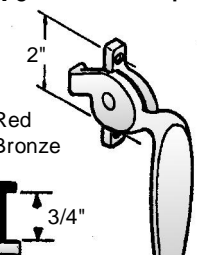
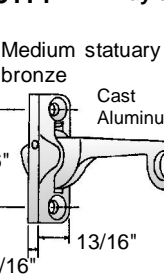
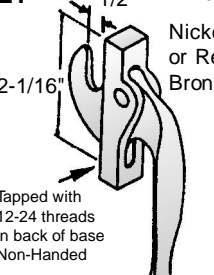
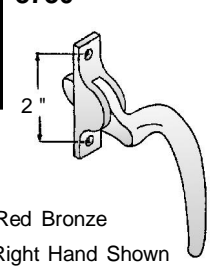
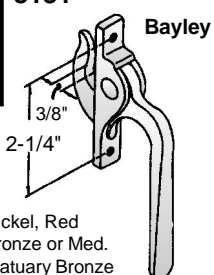
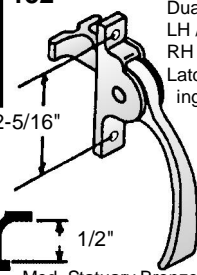
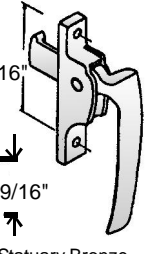
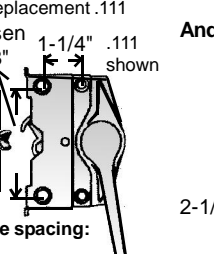
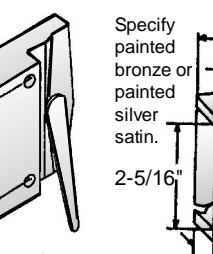
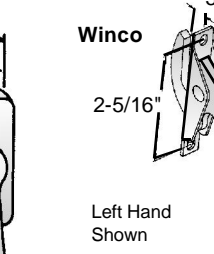
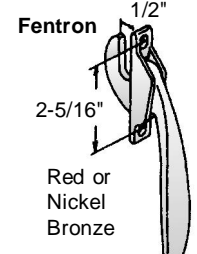
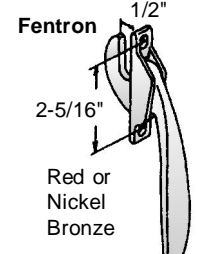
Due to the many door and transom sizes and configurations, position of transom lifter to be determined by installer for best operation.

**4862 Transom Catch**



Comes With keeper.  
Bright brass finish.



<p><b>7/16"</b></p> <p><b>111 Fenestra</b></p>  <p>7/16"</p> <p>Fits No. 154 155</p> <p>Alum. or brown finish</p>	<p><b>1-1/8"</b></p> <p><b>1525 Brass Plated Non Handed Die Cast</b></p>  <p>3/8"</p> <p>1-1/8"</p> <p>2-7/16"</p> <p>3/4"</p> <p>Horizontal hole spacing - 3/8"</p>	<p><b>7/16"</b></p> <p><b>112 Hopes</b></p>  <p>1-13/16"</p> <p>Right Hand Shown</p> <p>Brown Finish</p> <p>5/8"</p> <p>Base To Lug</p>	<p><b>113 Hopes</b></p>  <p>1-13/16"</p> <p>Right Hand Shown</p> <p>11/16"</p> <p>Base To Lug</p> <p>Brown Finish</p>	<p><b>4812 Andersen</b></p>  <p>1-13/16"</p> <p>1/4"</p> <p>Only Right Hand Available as shown</p>	
<p><b>5051 Hopes</b></p>  <p>Left Hand Shown</p> <p>1-13/16"</p> <p>Red Bronze</p> <p>3/4"</p> <p>3/4"</p> <p>Base To Lug</p>	<p><b>8201 Hopes</b></p>  <p>Left Hand Shown order 5051 Replacement at left</p> <p>1-13/16"</p> <p>3/4"</p> <p>Base To Lug</p> <p>Red Bronze</p>	<p><b>1-1/2"</b></p> <p><b>1274-Assy Curtis</b></p>  <p>Right Hand Shown</p> <p>1-1/2"</p> <p>Brown finish on zinc. Replaces original plastic.</p>	<p><b>1-3/4"</b></p> <p><b>4886-Sm Red Bronze</b></p>  <p>1-3/4"</p> <p>Keeper sold separately. Specify: 4886-EK Edge mount; 4886-MK Mortise; 4886-SK-L LH Surface; 4886-SK-R RH Surface</p>	<p><b>2"</b></p> <p><b>154 Fenestra</b></p>  <p>Comes with No. 111 Handle</p> <p>2"</p> <p>1/8"</p> <p>Non Handed</p> <p>Brown Finish</p>	
<p><b>4886-Lg Red Bronze</b></p>  <p>2"</p> <p>Keeper sold separately. Specify: 4886-EK Edge mount; 4886-MK Mortise; 4886-SK-L LH Surface; 4886-SK-R RH Surface</p>	<p><b>4953 Hopes</b></p>  <p>9/16"</p> <p>2"</p> <p>Nickel or medium statuary bronze</p> <p>Non-Handed</p>	<p><b>5092 Soule</b></p>  <p>Order 12701 Replacement</p> <p>2"</p> <p>5/8"</p> <p>Base To Lug</p> <p>For upper, order 12701-upper. Specify handing.</p> <p>Left Hand Shown</p> <p>Nickel Bronze</p>	<p><b>5282 Hopes</b></p>  <p>1/2"</p> <p>2"</p> <p>Right Hand Shown</p> <p>Nickel Bronze</p>	<p><b>8270 Hopes</b></p>  <p>2"</p> <p>Red Bronze</p> <p>3/4"</p> <p>Base To Lug</p> <p>Right Hand Shown</p>	
<p><b>2-1/16"</b></p> <p><b>5114 Bayley</b></p>  <p>Medium statuary bronze</p> <p>Cast Aluminum</p> <p>2-1/16"</p> <p>5/16"</p> <p>13/16"</p> <p>Non-Handed</p>	<p><b>121 Thorn</b></p>  <p>1/2"</p> <p>2-1/16"</p> <p>Nickel or Red Bronze</p> <p>Tapped with 12-24 threads in back of base</p> <p>Non-Handed</p>	<p><b>2-1/8"</b></p> <p><b>8730 Red Bronze</b></p>  <p>2"</p> <p>Right Hand Shown</p>	<p><b>2-1/4"</b></p> <p><b>8131 Bayley</b></p>  <p>3/8"</p> <p>2-1/4"</p> <p>Nickel, Red Bronze or Med. Statuary Bronze</p> <p>Non Handed</p>	<p><b>2-5/16"</b></p> <p><b>152 Lupton</b></p>  <p>2-5/16"</p> <p>1/2"</p> <p>Med. Statuary Bronze</p> <p>For Dual LH / RH Latching</p>	
<p><b>106 Andersen</b></p>  <p>2-5/16"</p> <p>9/16"</p> <p>Med. Statuary Bronze</p> <p>Right Hand Shown</p>	<p><b>108 Andersen</b></p>  <p>Order 16.16.03.110 replacement .111</p> <p>2-3/8"</p> <p>1-1/4"</p> <p>.111 shown</p> <p>C-C hole spacing: 2-3/8</p> <p>Horizontal c-c hole spacing: 1-1/4"</p>	<p><b>109-New Andersen</b></p>  <p>2-1/16"</p> <p>Right Hand</p> <p>Clay color finish</p>	<p><b>109 Andersen</b></p>  <p>Specify painted bronze or painted silver satin.</p> <p>2-1/2"</p> <p>15/16"</p> <p>2-5/16"</p> <p>3/4"</p> <p>Left Hand</p>	<p><b>4979 Winco</b></p>  <p>3/8"</p> <p>2-5/16"</p> <p>Left Hand Shown</p> <p>Nickel Bronze</p>	<p><b>5040 Fentron</b></p>  <p>1/2"</p> <p>2-5/16"</p> <p>Red or Nickel Bronze</p> <p>Non Handed</p>

**Casement Locking Handles**

**Hundreds of Styles Of Locking Handles Available Through Blaine**

**2-5/16"** **8024**  
Upper  
5/16"  
5/16"  
3/8"  
2-5/16"  
Nickel Bronze  
For lower order 8024-Lower (w/ handle) Non-Handed

**2-3/8"** **102**  
5/16"  
2-3/8"  
Alum or bronze painted  
Non-Handed

**107** Painted Die Cast  
23/64"  
Right Hand Shown  
2-3/8"  
Specify brown or gray finish  
**Fenestra Replacement**

**292** Nickel Bronze  
Left Hand Shown  
Note Counter Bore  
3/8"  
2-3/8"  
1/4"  
**Valley Metals (Vampco)**

**430**  
7/16"  
Non-Handed  
2-3/8"  
Nickel or Red Bronze

**435** Mesker  
9/32" gap  
2-3/8"  
Nickel, Red or Statuary Bronze  
Non-Handed

**457** Pella  
55/64"

**5125** Kawneer  
1"  
Nickel Bronze  
2-3/8"  
Right Hand Shown

**5125-Upper** Left Hand Shown  
1"  
2-3/8"  
Nickel Bronze  
**Kawneer**

**8029** Non-Handed  
11/16"  
2-3/8"  
Nickel, Red or med. statuary bronze

**8425** 3/8"  
Red or nickel bronze  
2-3/8"  
Non-Handed

**8425-Upper** 3/8"  
2-3/8"  
Red or nickel bronze  
Non-Handed

**9498** 1/2"  
Left Hand  
2-3/8"  
For upper order 9498-Upper. Specify handing.  
Nickel or med. statuary bronze

**2-1/2"** **110** Right hand shown  
1/2"  
2-1/2"  
**UNAVAILABLE**  
Limited Surplus of Right Hand Still Available  
**Getty**

**2-5/8"** **101** Fenestra  
9/16"  
2-5/8"  
Right Hand Shown  
Handle offsets to the right for right hand.  
Stamped Steel Gray finish

**135** Fenestra  
1/2"  
2-5/8"  
Nickel or med. statuary bronze  
Right Hand Shown  
Handle offsets to the right for right hand.

**4868** Nickel Bronze  
Gap - 1/8" or 3/16" Please Specify  
Right Hand Shown

**3-1/8"** **267** Fire Escape  
Non-Handed  
3-1/8"  
Nickel Bronze

**3-1/4"** **124** Thorn  
1/2"  
3-1/4"  
Med. statuary bronze  
Tapped with 10-24 Threads In Back Of Base  
Non-Handed

**5133** Hopes  
3-1/4"  
3/4"  
Red or med. statuary bronze  
Base To Lug  
Right Hand Shown

**8195** Hopes  
11/16"  
2" 3-1/4"  
Red Bronze  
Left Hand Shown

**3-11/32"** **155** Fenestra  
Non-Handed  
Brown Finish  
3-11/32"  
1-1/16"  
Comes With No. 111 Handle. See page G4-81

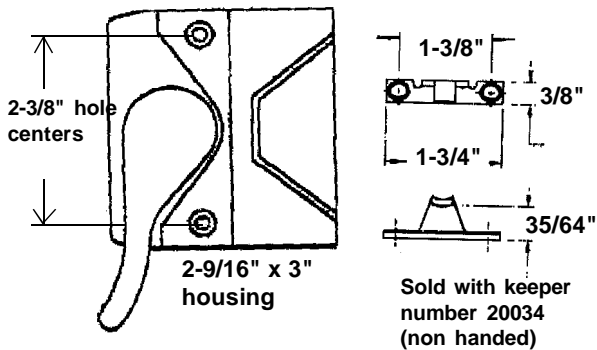
**Special** **5328** Winco  
1/2"  
7/32"  
2-11/32"  
Left Hand Shown  
Nickel Bronze

**4300** Beige Nylon  
2-27/32"  
2-3/8"  
2-1/2"



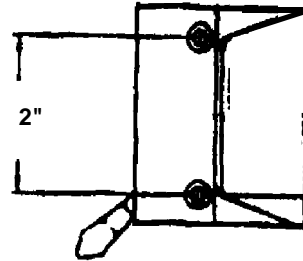
**Casement Sash Lock**

16.16.XX.111 RH  
16.16.XX.110 LH LH Shown



Cannot be used with tie bar for tandem application

16.18.XX.210  
Non handed  
Low profile

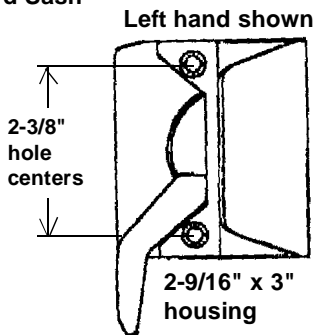


16.19.XX.210  
16.19 is tie bar compatible  
Non handed  
Low profile

16.18 and 16.19 sold with standard keeper no. 31344.

16.27.XX.001 LH  
16.27.XX.002 RH

Entrygard Sash Lock



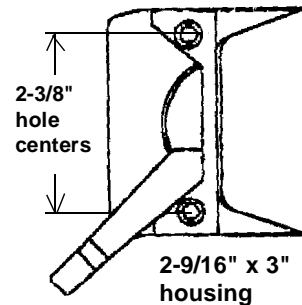
For tie bar application, order 16.30 at right  
Sold with 30827 keeper (non handed)

16.30.XX.001 LH  
16.30.XX.002 RH

Entrygard Sash Lock

16.30 is tie bar compatible

16.28.XX.001  
Non handed  
Entrygard Sash Lock



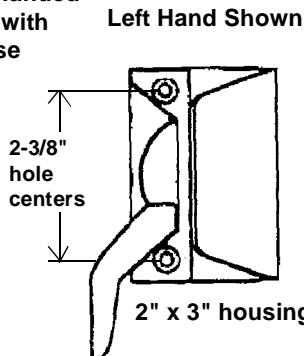
For tie bar application, order 16.31 at right  
Sold with 30827 keeper (non handed)

16.31.XX.001  
Non handed  
Entrygard Sash Lock

16.31 is tie bar compatible

16.38.XX.001 LH  
16.38.XX.002 RH

Entrygard Handed Sash Lock with Narrow Case



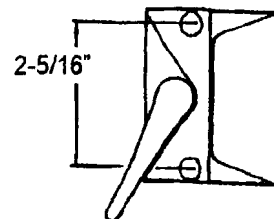
For tie bar application order 16.44 at right  
Sold with 30827 Keeper

16.44.XX.001 LH  
16.44.XX.002 RH

Entrygard Handed Sash Lock with Narrow Case

16.44 is tie bar compatible

16.52.XX.300  
Non-handed Home Gard Primary Sash Lock (Lower)



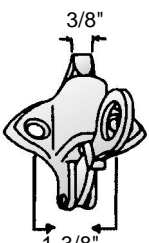
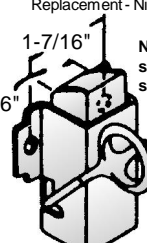
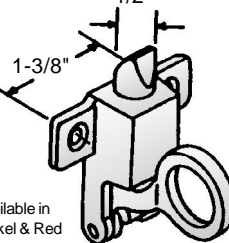
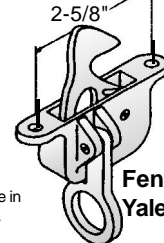
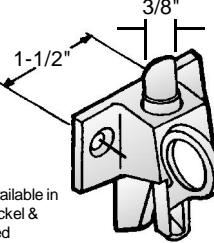
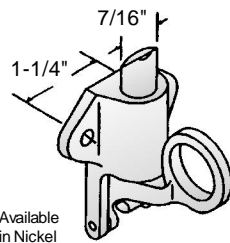
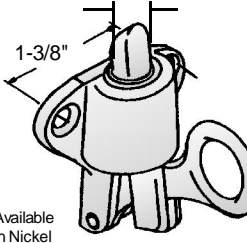
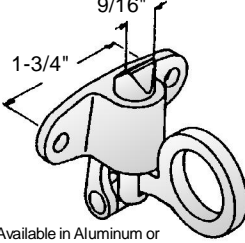
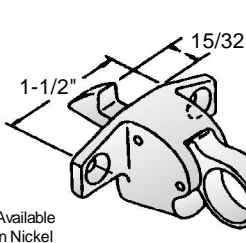
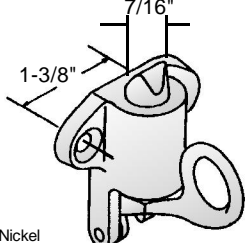
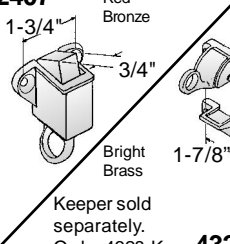
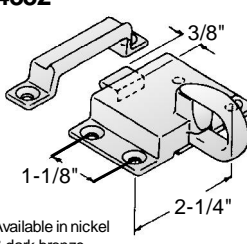
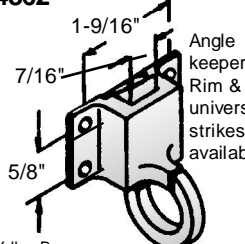
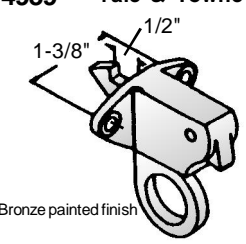
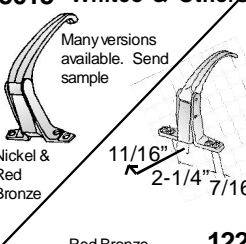
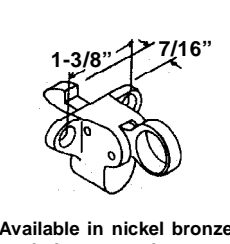
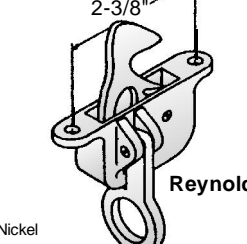
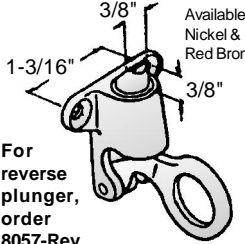
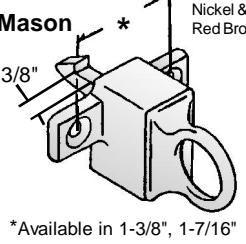
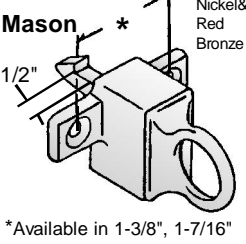
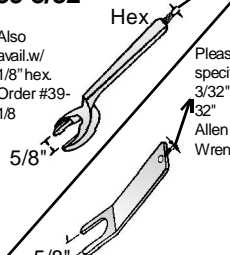
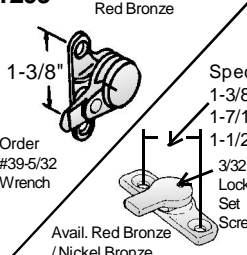
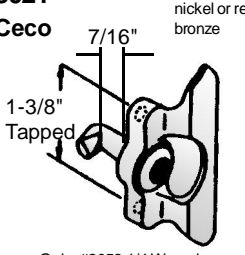
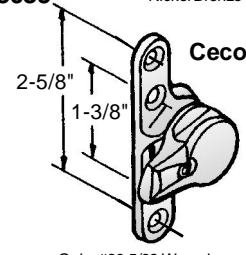
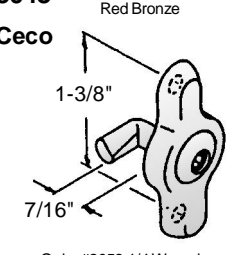
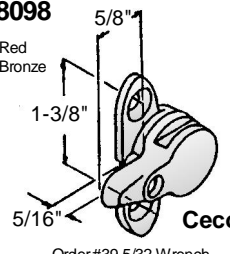
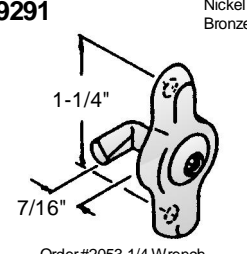
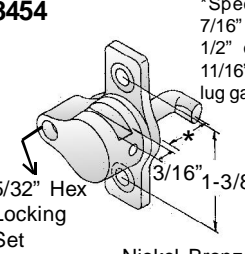

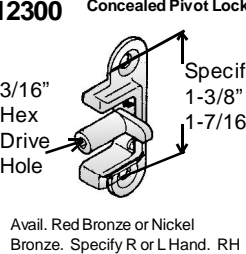
For tie bar application order 16.53 at right  
Keeper sold separately  
40902 Keeper Left Hand  
40903 Keeper Right Hand

16.53.XX.300  
16.53 is tie bar compatible

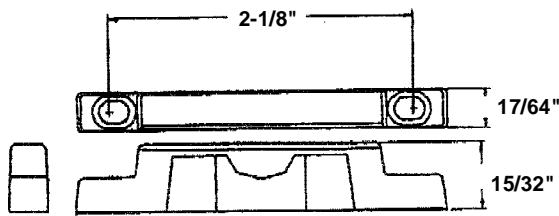
Non Handed Home Gard Secondary (Only) Sash Lock (Upper w/o lever)

<p><b>114</b> Steel</p> <p><b>115-Vert</b> Replaces orig. round and horiz. hole mounts.</p>	<p><b>116-R</b> Aluminum</p> <p>Right Hand Shown</p>	<p><b>547-S</b> Steel</p> <p><b>547-K</b></p>	<p><b>30569.XX</b> Truth Strike Plate</p> <p>Specify finish</p>	<p><b>232</b> Available in Nickel Bronze or Red Bronze</p> <p><b>452</b> Nickel Bronze &amp; Red Bronze</p>
<p><b>245</b> Nickel Bronze</p> <p><b>258</b> Nickel Bronze</p>	<p><b>1211</b> Red Bronze</p> <p><b>219</b> Red Bronze</p>	<p><b>1553</b> Steel</p>	<p><b>4583-K</b> Nickel Bronze</p>	<p><b>4675-K</b> Seasonal</p> <p>Die Cast</p> <p><b>4563</b> Die Cast</p>
<p><b>20034.92</b> Truth</p> <p>Used with a 16.16 Sash Lock</p>	<p><b>12100</b> Available In Nickel Bronze or Red Bronze</p> <p>"A" = 1-3/8", 1-1/2" or 1-7/16". Please specify.</p>	<p><b>12105</b> Available In Nickel Bronze or Red Bronze</p> <p><b>12115</b></p> <p>12105 &amp; 12115: "A" = 1-3/8", 1-1/2" or 1-7/16". Please specify.</p>	<p><b>12130</b> Stainless Steel</p> <p><b>12155</b></p> <p>Available In Nickel Bronze or Red Bronze</p> <p>"A" = 1-3/8", 1-1/2" or 1-7/16". Please specify.</p>	<p><b>12160</b> Available In Nickel Bronze or Red Bronze</p> <p><b>12175</b></p> <p>12160 &amp; 12175: "A" = 1-3/8", 1-7/16" or 1-1/2".</p>
<p><b>160</b> Steel</p> <p><b>161</b> Steel</p>	<p><b>4700</b> Nickel Bronze</p> <p><b>4703-K</b></p>	<p><b>5007</b> Nickel Bronze</p>	<p><b>1566</b> Nickel Bronze</p>	<p><b>4562</b> Nickel Bronze</p>
<p><b>4583-k</b> Nickel Bronze</p>	<p><b>495-K</b> Nickel Bronze or Red Bronze</p>	<p><b>286</b> Nickel Bronze</p>	<p><b>8250</b> Nickel Bronze</p>	<p><b>5285</b> Nickel Bronze</p>
<p><b>4965</b> Nickel Bronze</p>	<p><b>5136</b> Nickel Bronze</p>	<p><b>259</b> Nickel Bronze</p>	<p><b>558</b> Steel</p> <p><b>1555</b></p>	<p><b>10343</b> Steel</p> <p>Die Cast</p> <p><b>4594-k</b></p>

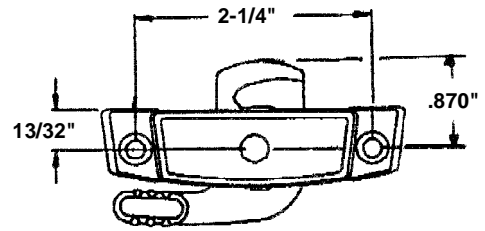
**Spring Catches / Handle-less Fasteners**

<p><b>144</b> <b>Truscon</b> Red Bronze This model also available for project out application. Order No. 144-Rev</p> 	<p><b>146</b> Original - Steel Replacement - Nickel Bronze New Style similar to 484 shown below.</p>  <p><b>Truscon</b></p>	<p><b>147</b> 1/2" 1-3/8"</p>  <p>Available in Nickel &amp; Red Bronze</p>	<p><b>150</b> 2-5/8" Fenestra Yale</p>  <p>Available in Nickel &amp; Red Bronze</p>	<p><b>187</b> Valley Metals (Vampco) 3/8" 1-1/2"</p>  <p>Available in Nickel &amp; Red Bronze</p>
<p><b>202</b> Lupton 7/16" 1-1/4"</p>  <p>Available in Nickel &amp; Dark Bronze</p>	<p><b>456</b> 1/2" Ceco 1-3/8"</p>  <p>Available in Nickel &amp; Dark Bronze</p>	<p><b>484</b> Fenestra 9/16" 1-3/4"</p>  <p>Available in Aluminum or bronze painted finish</p>	<p><b>1224</b> 15/32" 1-1/2"</p>  <p>Available in Nickel &amp; Dark Bronze</p>	<p><b>2404</b> 7/16" 1-3/8"</p>  <p>Nickel Bronze</p>
<p><b>2407</b> Red Bronze 1-3/4" 3/4" Bright Brass 1-7/8"</p>  <p>Keeper sold separately. Order 4328-K</p>	<p><b>4332</b> 3/8" 1-1/8" 2-1/4"</p>  <p>Available in nickel &amp; dark bronze</p>	<p><b>4862</b> Whitco 1-9/16" 7/16" 5/8"</p>  <p>Angle keeper. Rim &amp; universal strikes available.</p> <p>Yellow Brass</p>	<p><b>4939</b> Yale &amp; Towne 1-3/8" 1/2"</p>  <p>Bronze painted finish</p>	<p><b>5015</b> Whitco &amp; Others 11/16" 2-1/4" 7/16"</p>  <p>Many versions available. Send sample</p> <p>Nickel &amp; Red Bronze</p>
<p><b>5131</b> Ceco 1-3/8" 7/16"</p>  <p>Available in nickel bronze or dark statuary bronze</p>	<p><b>5045</b> 2-3/8" Reynolds</p>  <p>Nickel bronze</p>	<p><b>8057</b> Henne 3/8" 1-3/16" 3/8"</p>  <p>Available in Nickel &amp; Red Bronze</p> <p>For reverse plunger, order 8057-Rev</p>	<p><b>12400</b> Mason * 3/8" 3/8"</p>  <p>Avail. In Nickel &amp; Red Bronze</p> <p>*Available in 1-3/8", 1-7/16" &amp; 1-1/2".</p>	<p><b>12401</b> Mason * 1/2" 1/2"</p>  <p>Avail. in Nickel &amp; Red Bronze</p> <p>*Available in 1-3/8", 1-7/16" &amp; 1-1/2".</p>
<p><b>39-5/32</b> 5/32" Hex 5/8" 5/8"</p>  <p>Also avail. w/ 1/8" hex. Order #39-1/8</p> <p>Please specify 3/32" or 5/32" Allen Wrench</p>	<p><b>1209</b> Available in Nickel &amp; Red Bronze 1-3/8" 1-7/16" 1-1/2" 3/32 Locking Set Screw</p>  <p>Order #39-5/32 Wrench</p> <p>Avail. Red Bronze / Nickel Bronze</p>	<p><b>8021</b> Ceco 7/16" 1-3/8" Tapped</p>  <p>Available in nickel or red bronze</p> <p>Order #2053-1/4 Wrench</p>	<p><b>8039</b> Nickel Bronze Ceco 2-5/8" 1-3/8"</p>  <p>Order #39-5/32 Wrench</p>	<p><b>8043</b> Available in Nickel or Red Bronze Ceco 1-3/8" 7/16"</p>  <p>Order #2053-1/4 Wrench</p>
<p><b>8098</b> Red Bronze 5/8" 1-3/8" 5/16"</p>  <p><b>Ceco</b></p> <p>Order #39-5/32 Wrench</p>	<p><b>9291</b> Nickel Bronze 1-1/4" 7/16"</p>  <p>Order #2053-1/4 Wrench</p>	<p><b>8454</b> *Specify 7/16" or 1/2" or 11/16" lug gap 5/32" Hex Locking Set Screw 3/16" 1-3/8"</p>  <p>Nickel Bronze</p>	<p><b>5034</b> Concealed Pivot Lock Nickel Bronze 1-3/8" 15/32" (Post) *Specify Short = 1/4" Medium = 3/8" Long = 3/4"</p>  <p>Also avail: 5034-Spec 3/8" Latch Reach, 1" Long Post 5034-Rev-Short 1/4" latch reach, 15/32" long post Post &amp; Latch on backside of base</p>	<p><b>12300</b> Concealed Pivot Lock 3/16" Hex Drive Hole 1-3/8" 1-7/16"</p>  <p>Avail. Red Bronze or Nickel Bronze. Specify R or L Hand. RH Shown</p>

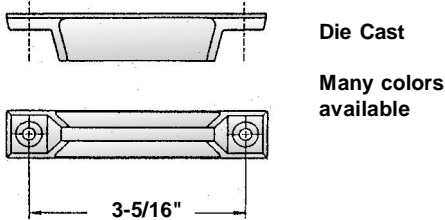
**40932 Truth Keeper** Several colors available



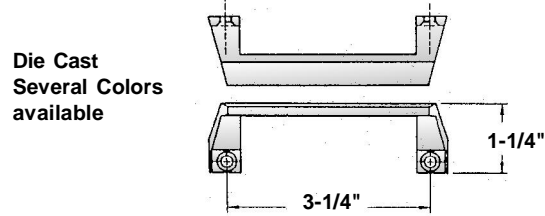
**A8164-00-GB** Available in white and bronze painted



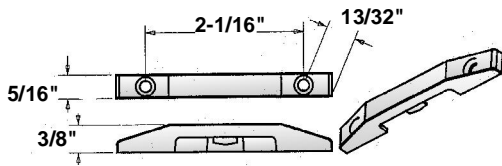
**18.10 Sash Lift - Double Hung Window**



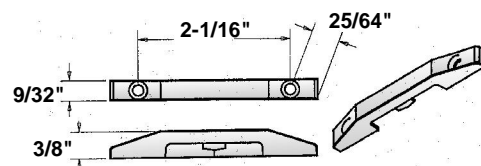
**18.11 Sash Lift - Double Hung Window**



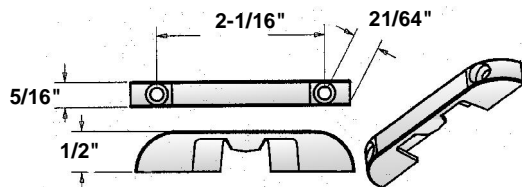
**C30705.XX Sweep Latch Keeper**



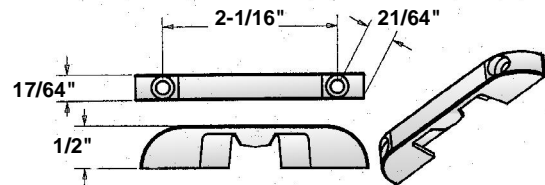
**C30706.XX Sweep Latch Keeper**



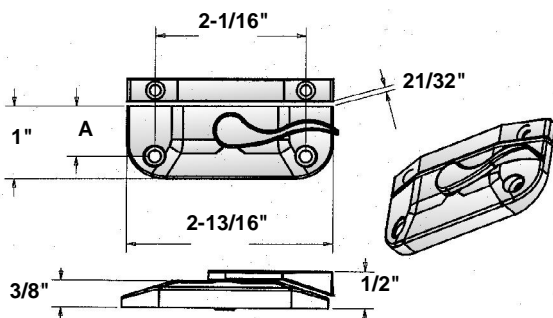
**C30715.XX Sweep Latch Keeper**



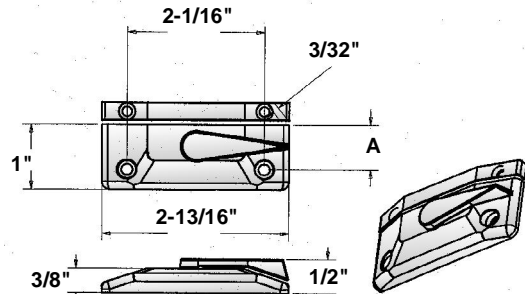
**C30716.XX Sweep Latch Keeper**



**A30700400 Truth A = .687"**  
**A30700401 Truth A = .437"**

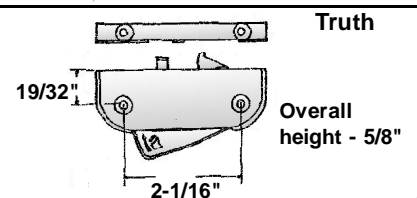


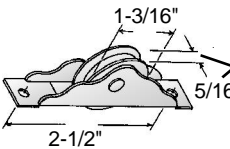
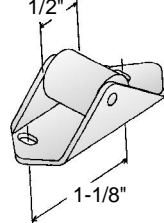
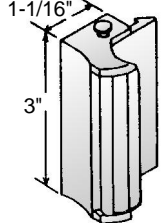
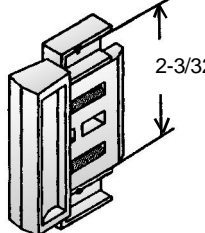
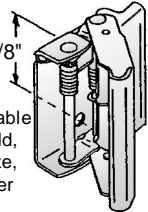
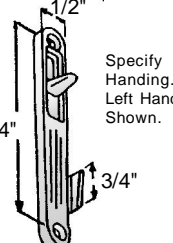
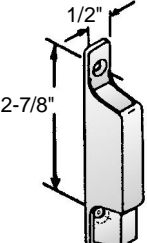
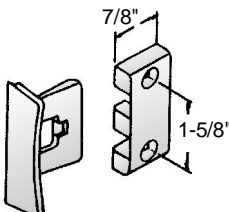
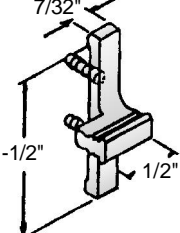
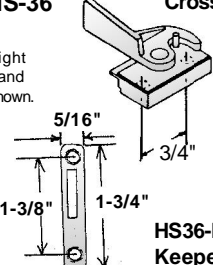
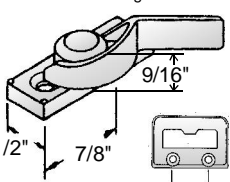
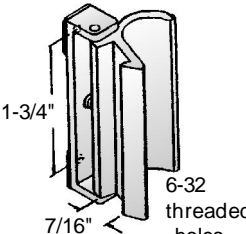
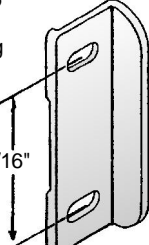

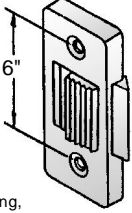
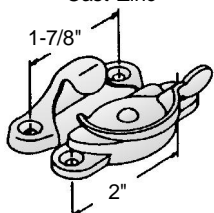
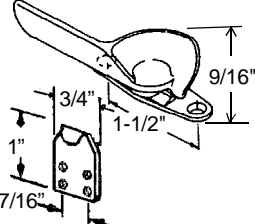
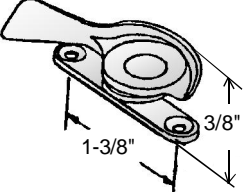
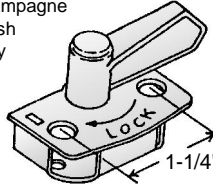
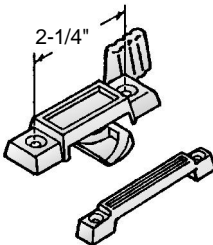
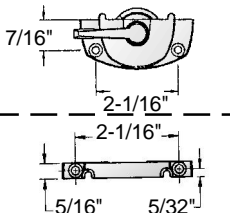
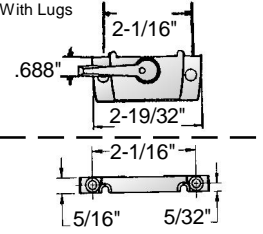
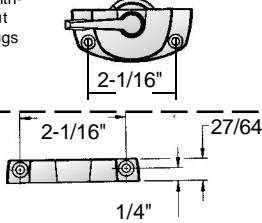
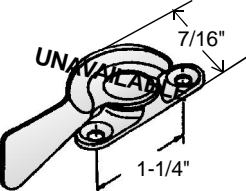
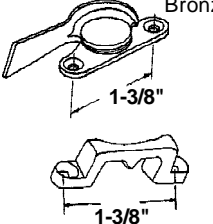
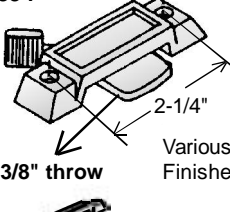
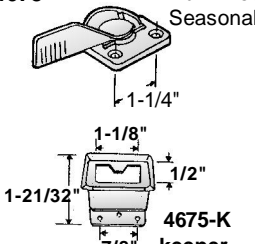
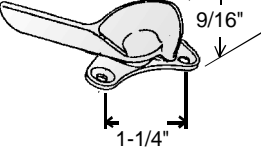
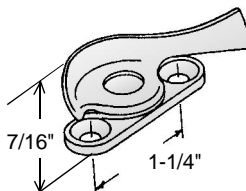
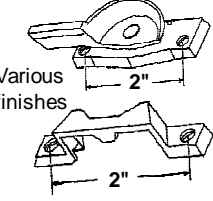
**A30720400 Truth A = .687"**  
**A30720401 Truth A = .437"**



**19.61.WC.100 Latch**  
**41235WC Keeper**

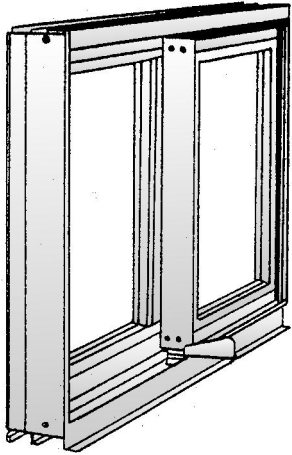
Self closing single / double hung window latch



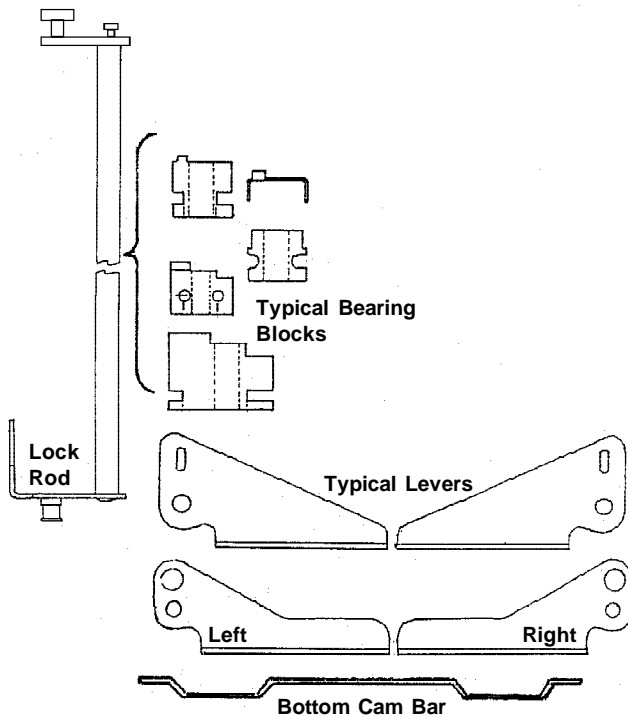
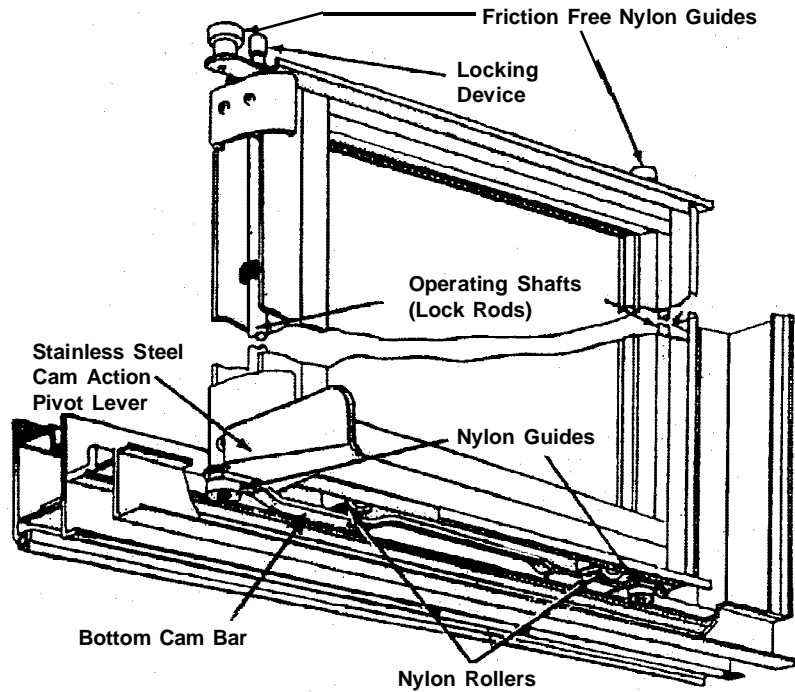
<p><b>RA-52</b></p>  <p>Nylon or Steel Roller</p>	<p><b>RA-169</b> Four Seasons</p> 	<p><b>HS-1</b> Premiere</p> 	<p><b>HS-3</b></p> 	<p><b>17.13</b> Truth</p>  <p>Available In Gold, Bronze, Copper &amp; White</p>
<p><b>HS-15</b></p>  <p>Specify Handing. Left Hand Shown.</p>	<p><b>HS-16</b> Air Control / Keller</p> 	<p><b>HS-23</b></p> 	<p><b>HS-29</b></p> 	<p><b>HS-36</b> Crossly</p>  <p>Right Hand Shown.</p> <p><b>HS36-K</b> Keeper</p>
<p><b>HS-38</b> Specify Handing. Right Hand</p>  <p><b>HS38-K</b> 5/8"</p>	<p><b>HS-50</b> Keller</p> 	<p><b>HS-55</b> Spring Incl.</p> 	<p><b>HS-67</b> Specify Handing. Right Hand Shown.</p>  <p>For 7/8" long, order HS-67-Spec (LH Only). For 1-11/32" long w/ hook end, order HS-67-Long (R.H. only)</p>	<p><b>HS-74</b> C &amp; P</p>  <p>For 1-1/2" hole spacing, order HS-74-Small.</p>
<p><b>501</b> Brass Finished Cast Zinc</p> 	<p><b>1550-Set</b></p> 	<p><b>1565</b> For keeper, order 1565-K</p>  <p>Nickel Bronze</p>	<p><b>4216</b> Pella Available in Champagne Finish Only</p>  <p>Comes with keeper</p>	<p><b>4550</b></p> 
<p><b>17.19</b> Truth With Lugs</p>  <p>Order 40320 Keeper separately.</p>	<p><b>17.35</b> Truth With Lugs</p>  <p>Order 40380 Keeper separately.</p>	<p><b>17.23</b> Truth Without Lugs</p>  <p>Order 40367 Keeper separately.</p>	<p><b>4561</b></p>  <p>Order 4703-R, below, with 1566 Keeper</p>	<p><b>4583</b> Nickel Bronze</p>  <p>Order 4583-Keeper separately</p>
<p><b>4594</b></p>  <p>Various Finishes</p> <p>4594-K Keeper also available separately</p>	<p><b>4675</b> NuPrime / Seasonall</p>  <p><b>4675-K</b> keeper</p>	<p><b>4690</b> R.H. Die Cast Limited Surplus of L.H. Antique Brass Avail.</p> 	<p><b>4703</b> Nickel Bronze</p>  <p>Order 4703-k keeper separately</p>	<p><b>17.14</b> Truth</p>  <p>Various finishes</p> <p>Keeper sold separately. Order 40073</p>

<p><b>HS-521 Acorn</b></p> <p>1-41/64" 11/16" 5/8" dia. metal flat wheel</p>	<p><b>HS-524 Capitol 180</b></p> <p>1-3/4" 13/16" 9/16" dia. flat metal wheel 19/32"</p>	<p><b>HS-537 Tomrays Tyco 66</b></p> <p>1-1/4" 3/8" dia. flat metal wheel</p>	<p><b>HS-545</b></p> <p>5/8" 2-3/4" 27/64" dia. flat nylon wheel</p>	<p><b>HS-546 Flat Nylon Wheel</b></p> <p>3/4" 9/16" 1/4" 3/16"</p>
<p><b>HS-553 Grooved Nylon Wheel</b></p> <p>1/4" 7/16" 3/16"</p>	<p><b>HS-557</b></p> <p>3/4" 21/64" 1/2" dia. convex nylon wheel</p>	<p><b>HS-560 Diack &amp; others Nylon Grooved Wheel</b></p> <p>1/4" 9/16" 3/16"</p>	<p><b>HS-561 Diack &amp; others Metal Grooved Wheel</b></p> <p>1/4" 3/16" 9/16"</p>	<p><b>HS-571 Nylon</b></p> <p>1/8" 1/8" 9/16" 3/8"</p>
<p><b>HS-573 5/8" dia. flat metal wheel</b></p> <p>1/2" 1-3/4" 5/8" dia. roller</p>	<p><b>HS-577 5/16" dia. flat dual metal wheels</b></p> <p>1-3/8" 7/16" 5/16" dia. roller</p>	<p><b>HS-582</b></p> <p>9/16" 7/16" dia. metal roller</p>	<p><b>HS-585 27/32" grooved nylon or steel wheel avail.</b></p> <p>15/32" 1-21/64" 7/32"</p>	<p><b>HS-588</b></p> <p>31/64" 1-5/32" 43/64" 1/2" dia. flat nylon wheel</p>
<p><b>HS-601</b></p> <p>1-7/16" 27/32" 9/16" dia. flat metal wheel</p>	<p><b>HS-603 Nylon grooved wheel Extruded aluminum</b></p> <p>7/16" 1-3/64" 23/32" 13/16"</p>	<p><b>HS-605 Crossly 3/4" flat nylon ball bearing wheel</b></p> <p>3/4" 5/8"</p>	<p><b>HS-607 1/2" dia. flat metal wheel</b></p> <p>1-27/32" 1-7/64"</p>	<p><b>HS-775 3/8" dia. nylon roller</b></p> <p>1-3/4" 3/4"</p>
<p><b>HS-618 New Style 5/16" o.d.</b></p> <p>3/4" 7/16" 7/8" 5/16" o.d.</p>	<p><b>HS-622 1/2" dia. flat nylon wheel</b></p> <p>1-11/16" 5/8" 13/16" 1/2" dia. flat nylon wheel</p>	<p><b>HS-635 Flat metal ball bearing wheel</b></p> <p>7/16" 3/4" 1-1/4" 5/8" 1/4"</p>	<p><b>HS-666 9/32" 3/4"</b></p> <p>9/16" 3/4" 9/32"</p>	<p><b>HS-672 Howard Ind. 5/8" dia. grooved metal wheel</b></p> <p>37/64" 1-1/64"</p>
<p><b>HS-677 Original nylon housing shown. Replacement has solid zinc metal housing w/ brass 1/2" dia. wheel.</b></p> <p>1-7/32" 15/32" 7/16"</p>	<p><b>HS-678 Flat Wheel</b></p> <p>17/64" 1/2" 29/64"</p>	<p><b>HS-682</b></p> <p>11/16" 15/32" 2"</p>	<p><b>HS2013-RA 7/16" o.d. PVC track for HS2013-RA 8' lengths</b></p> <p>2" 5/8" 11/16" 1" 11/16" 7/16" o.d. 440" .900"</p>	<p><b>RA-153 RA-153-Small 1/2" dia. metal wheel</b></p> <p>1-13/64" 11/16" 1/4" 37/64" 1/2" 3/4"</p>

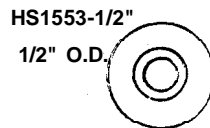
# FOUR SEASONS



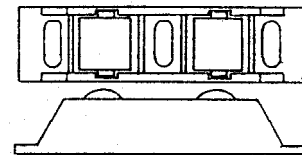
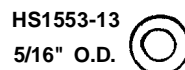
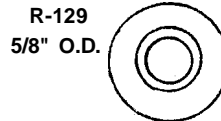
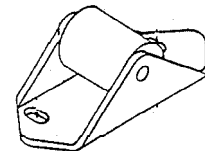
Blaine now reproduces original "Four Seasons" lock rod operating shafts and bottom cam bars to your size. Send in complete samples, with all typical pieces as shown below, for accurate reproduction match.



**Available Individual Replacement Parts**



RA-169

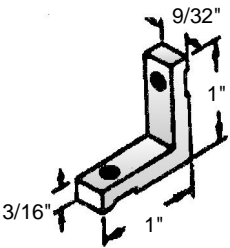
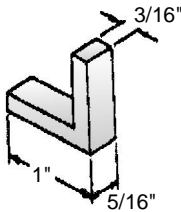
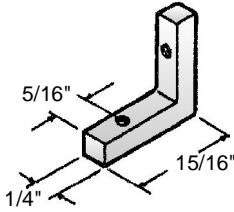
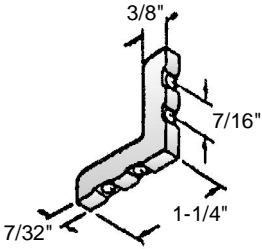
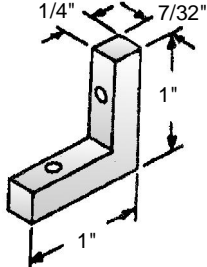
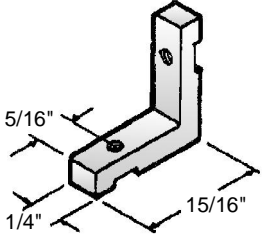
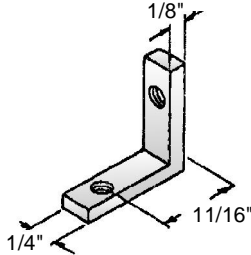
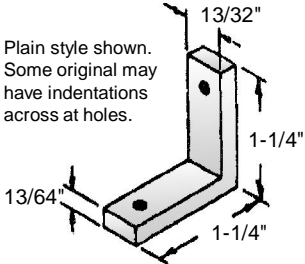
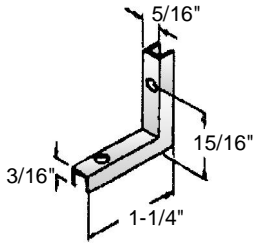
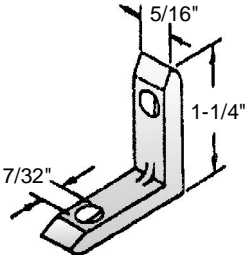
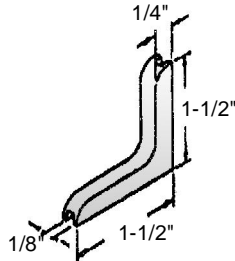
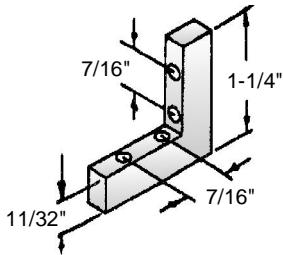
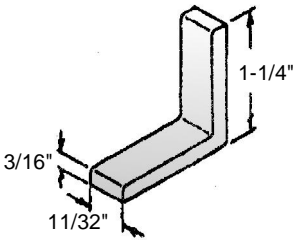
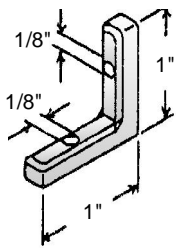
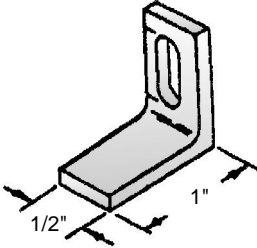
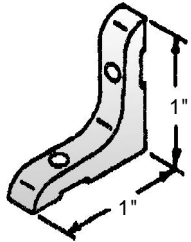
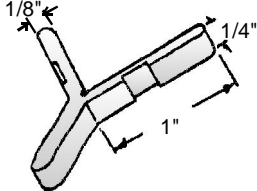
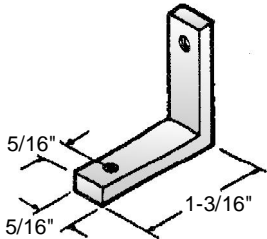
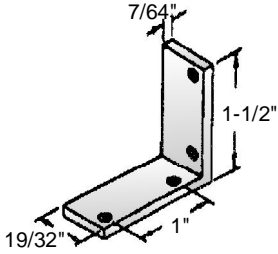
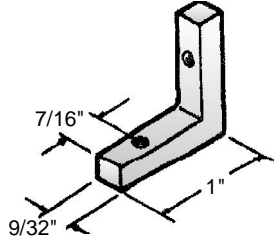


HS-935-TANDEM

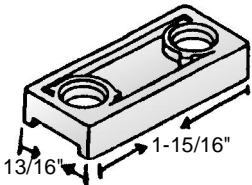
<p><b>HS-37 Phillips</b></p>	<p><b>HS-498</b></p> <p>Nylon Rollers</p>	<p><b>HS-502 Acorn</b></p> <p>Flat Nylon Roller</p>	<p><b>HS-505 Olson and Others</b></p> <p>Flat Steel Roller</p>	<p><b>HS-506 Glasco</b></p> <p>Grooved Steel Roller</p>
<p><b>HS-517 Guaranteed</b></p> <p>Nylon Roller</p>	<p><b>HS-527 International Imperial</b></p> <p>Flat Nylon Roller</p>	<p><b>HS-528 Air Control Keller</b></p> <p>Nylon Roller</p>	<p><b>HS-529 HiLite</b></p> <p>Old Style</p>	<p><b>HS-530 HiLite</b></p> <p>Nylon Roller</p>
<p><b>HS-543 Daryl U/A</b></p> <p>order HS-524</p>	<p><b>HS-544 Nylon Roller</b></p>	<p><b>HS-590 Alenco</b></p> <p>Steel Roller</p>	<p><b>HS-609 Fullview</b></p>	<p><b>HS-614 Likit Guide</b></p>
<p><b>HS-621</b></p> <p>Flat nylon roller</p>	<p><b>HS-629 Pacific (Old Style) Windows</b></p> <p>Guide Nylon</p>	<p><b>HS-630 Academy A-1 Aluminum International King-Queen</b></p> <p>Flat nylon roller</p>	<p><b>HS-634 Radco Glass Emporium</b></p> <p>Nylon Roller</p>	<p><b>HS-651 Krest</b></p>
<p><b>HS-690 Flat nylon ball bearing roller</b></p>	<p><b>HS-747 Window Master</b></p> <p>Nylon housing replaces original die cast</p>	<p><b>HS-752 Elco / Century</b></p> <p>Flat steel roller</p>	<p><b>R-81 Premier</b></p> <p>Stainless Steel</p>	<p><b>HS-791 Ralley</b></p> <p>Nylon</p>
<p><b>HS-919 Flat steel ball bearing roller</b></p>	<p><b>HS-931 House of Aluminum</b></p> <p>Flat nylon rollers</p>	<p><b>HS-1042 International</b></p>	<p><b>HS-1552 International</b></p>	<p><b>HS-1564 U/A</b></p> <p>Better-Bilt Order HS-1047</p> <p>Nylon Roller</p>



**Horizontal Sliding Window Corners**

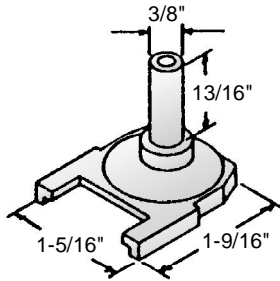
<p><b>HS-1000</b></p>  <p>8-32 Threads</p>	<p><b>HS-1001</b></p> 	<p><b>HS-1003</b> 6-32 Threads</p> 	<p><b>HS-1004</b> Fleetlite</p> 
<p><b>HS-1005</b></p> 	<p><b>HS-1006</b> 6-32 Threads</p> 	<p><b>HS-1007</b></p>  <p>4-40 Threads</p>	<p><b>HS-1008</b></p>  <p>Plain style shown. Some original may have indentations across at holes.</p> <p>6-32 Threads</p>
<p><b>HS-1010</b></p> 	<p><b>HS-1012</b> Mayfair</p> 	<p><b>HS-1014</b></p> 	<p><b>HS-1015</b></p> 
<p><b>HS-1016</b></p> 	<p><b>HS-1018</b></p>  <p>6-32 Threads</p>	<p><b>HS-1019</b></p> 	<p><b>HS-1020</b></p>  <p>6-32 Threads</p>
<p><b>HS-1022</b> Nylon</p>  <p>Replaces original cast zinc</p>	<p><b>HS-1025</b> 5-40 Threads</p> 	<p><b>HS-1027</b></p> 	<p><b>HS-1028</b> 8-32 Threads</p>  <p>8-32 Threads</p>

**P10-B Valley Metals (VAMPCO)**

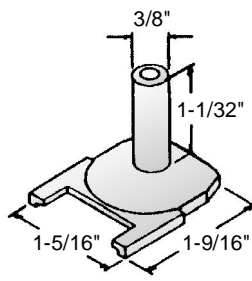


Order P10-B-101 Pin separately  
Order P10-B-102 Spring separately  
Order P10-B-103 Housing separately

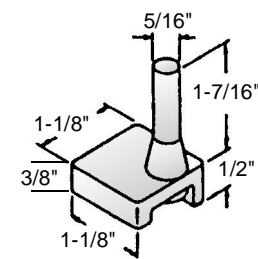
**P-20 Lupton**



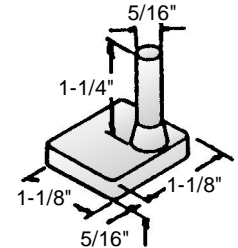
**P-21 Lupton**



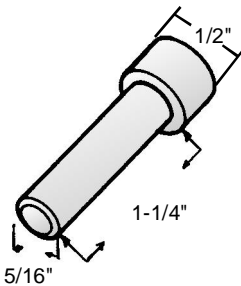
**P-33 Winco**



**P-34 Winco**

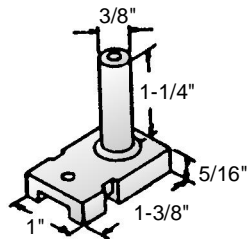


**P-35 Winco**



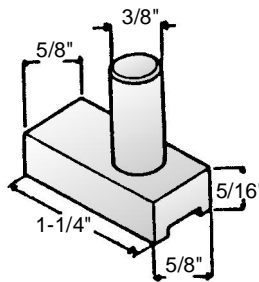
works w/ P-66 housing and P-311 spring

**P-40 Superior**



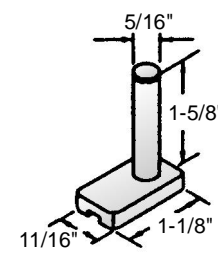
works w/ P-66 housing and P-311 spring

**P-44**



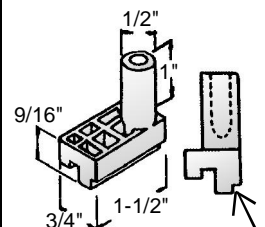
works w/ P-545 housing and P-311 spring

**P-49**

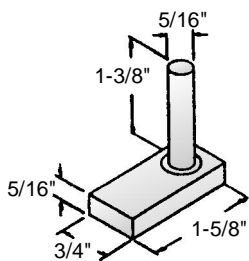


works w/ P-159 housing and P-273 spring

**P-53**

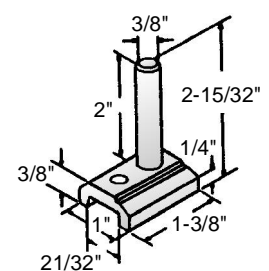


**P-60-Orig**



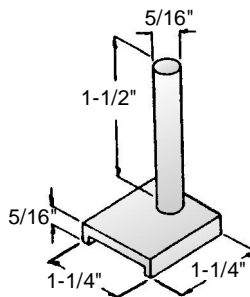
works w/ P-356/357 housing and P-273 spring

**P-70 Ware**



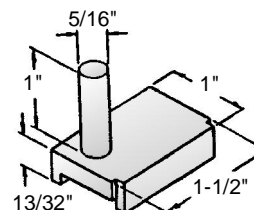
works w/ P-71 Long or P-71 short housing and P-81 spring

**P-74**



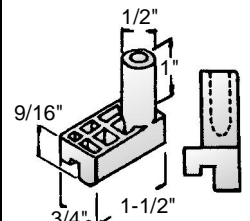
**P-80 Fenestra**

also avail. w/ alum. removeable pin. Order P-80-Rem



Also avail. w/ solid shoe (no groove) and alum. removeable pin, order P-80-S-Rem.

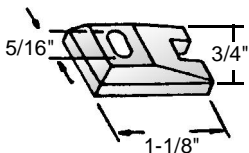
**P-83**



works w/ P-65 tube housing and P-84 spring.

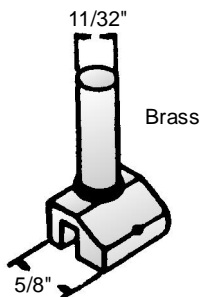
**P-93**

Uses P-95 spring and P-96 housing.

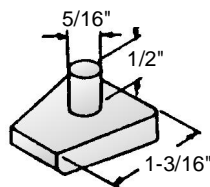


Uses P-94 pin. Sold separately.

**P-101 Truscon**



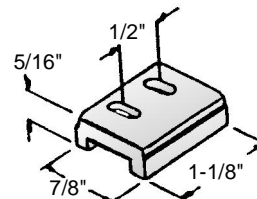
**P-130**



works w/ P-129 tube housing and P-273 spring

**P-157**

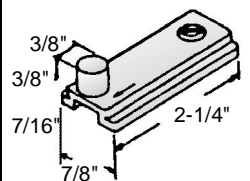
works w/ P-376 housing and P-311 spring



Uses P-148 pin. Sold separately.

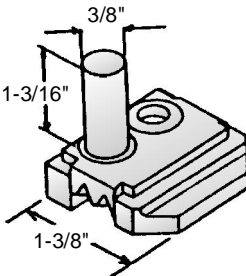
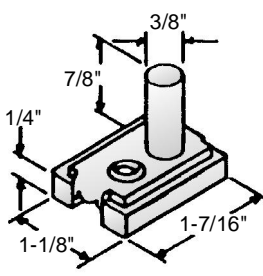
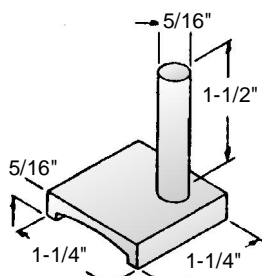
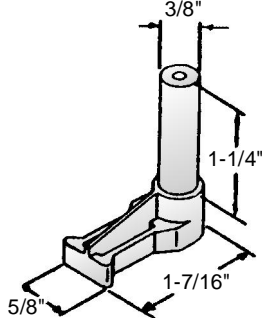
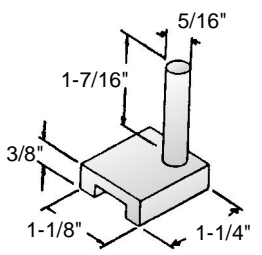
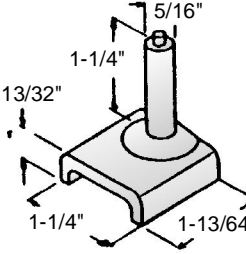
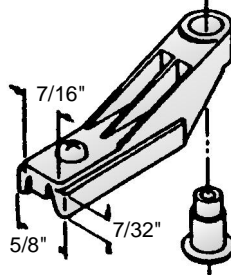
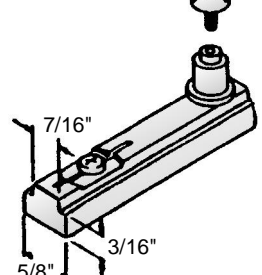
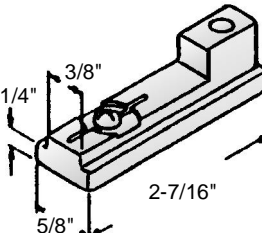
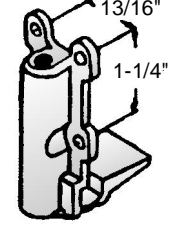
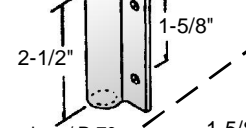
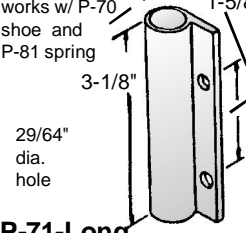
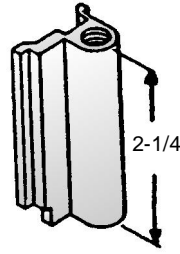
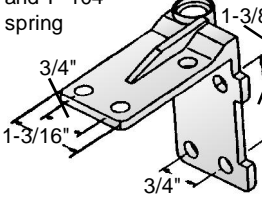
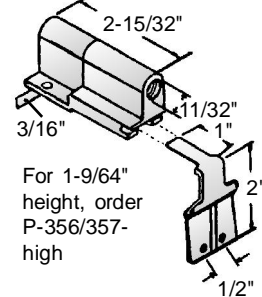
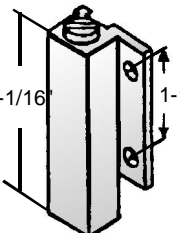
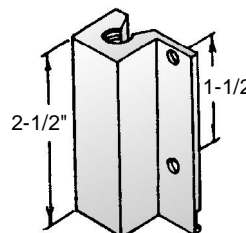
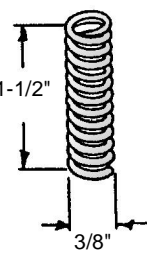
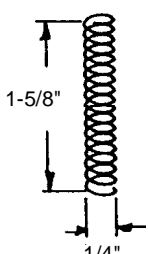
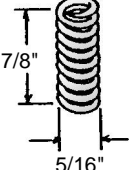
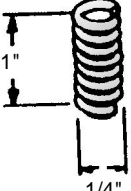
**P-171**

Used on Kawneer Windows

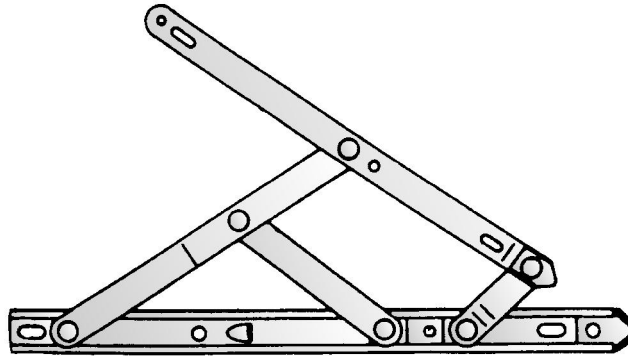


works w/ P-171-2 bracket

Sold In Pairs

<p><b>P-172</b> Bayley</p>  <p>works w/ P-287 housing (below) and P-104 spring</p>	<p><b>P-183</b> Bayley</p>  <p>works w/ P-182 or P-287 housing (see below) and P-104 spring</p>	<p><b>P-201</b></p> 	<p><b>P-248</b></p> 	<p><b>P-275</b></p> 
<p><b>P-277</b></p> 	<p><b>723-A</b> Lupton</p>  <p>For 19/32" &amp; 3/16" runner height, order 723-Alt</p>	<p><b>723-B</b> Lupton</p> 	<p><b>723-C</b> Lupton</p> 	<p><b>P-66</b> Alcraft</p> <p>3/8" diameter hole</p>  <p>works w/ P-40 shoe or P-209 shoe and P-300 spring (below)</p>
<p><b>P-71-Short</b> 3/8" dia. hole</p>  <p>works w/ P-70 shoe and P-81 spring</p> <p><b>P-71-Long</b> 29/64" dia. hole</p> 	<p><b>P-137</b> Winco</p> <p>11/32" diameter hole</p>  <p>for 51/64" high model, order P-137-spec</p>	<p><b>P-287-Orig</b> Bayley</p> <p>works w/ P-172 shoe (above) and P-104 spring</p>  <p>Original now replaced with Blaine two piece assembly. Order P-287-W/Brkt.</p>	<p><b>P-356/357-Orig</b></p>  <p>For 1-9/64" height, order P-356/357-high</p> <p>Original now replaced with Blaine one piece housing. Order P-356/357.</p>	<p><b>P-429</b></p>  <p>21/64" diameter hole</p>
<p><b>P-437</b></p>  <p>21/64" diameter hole</p>	<p><b>P-95</b></p> 	<p><b>P-273</b></p> 	<p><b>P-300</b></p> 	<p><b>P-311</b></p> 

**34 Series      Anderberg 4 Bar Friction Arm Assembly**



**There are more than 300 variations of the 4-Bar Hinge.** Variations include the overall length, width and thickness of track, overall stack height of the track and arms combined plus materials of aluminum, steel and stainless steel.

Over the years, many special types of 4-Bar Hinges were manufactured that incorporated an offset top arm, had shims attached to the top arm and had shims or thick solid extruded sections as part of or subsequently added to the track.

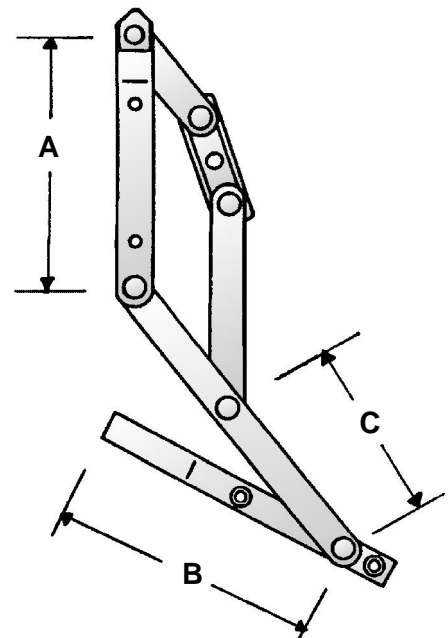
Many of these special types are now obsolete and the original supplies are now exhausted. However, we carry more than 30 standard shims. We can also custom manufacture shims and spacers to work with current stock 4-Bar Hinges to adapt them to replace obsolete models.

Our hinges are non-handed and will work for both left and right side. These hinges are sold each.

**PLEASE SEND IN YOUR COMPLETE SAMPLE HINGE ALONG WITH ANY SHIMS OR SPACERS BEING USED FOR PROPER IDENTIFICATION.** We will provide you with a quote for our recommended stock hinge plus any additional recommended shims or spacers necessary for adaptation.

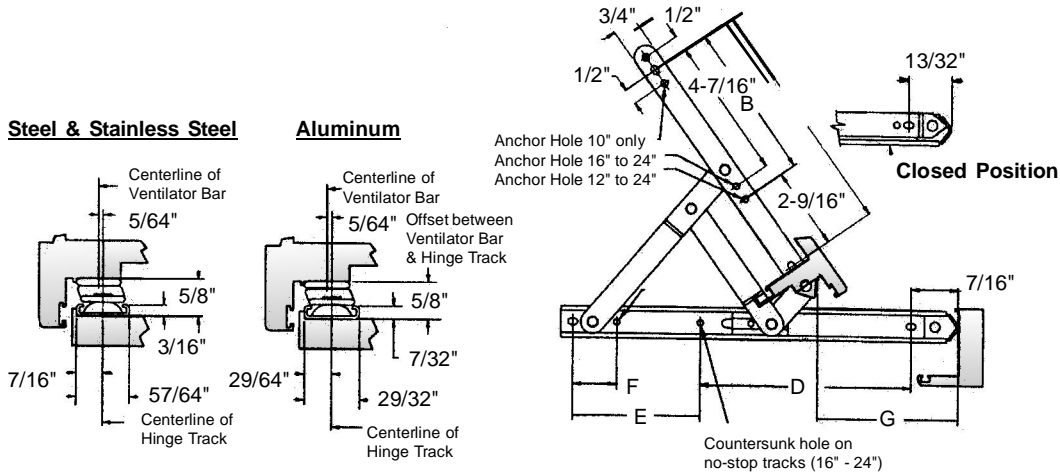
**Used On Cupples Windows**

Blaine Part Number	A	B	C
<b>700-6</b>	4-3/16"	5-9/32"	4"
<b>700-8</b>	4-3/16"	6-13/32"	4"
<b>700-10</b>	7-3/16"	7-25/32"	7"
<b>700-12</b>	7-3/16"	11-9/32"	7"



### HEAVY DUTY 4-BAR HINGES Anderberg 301 Series

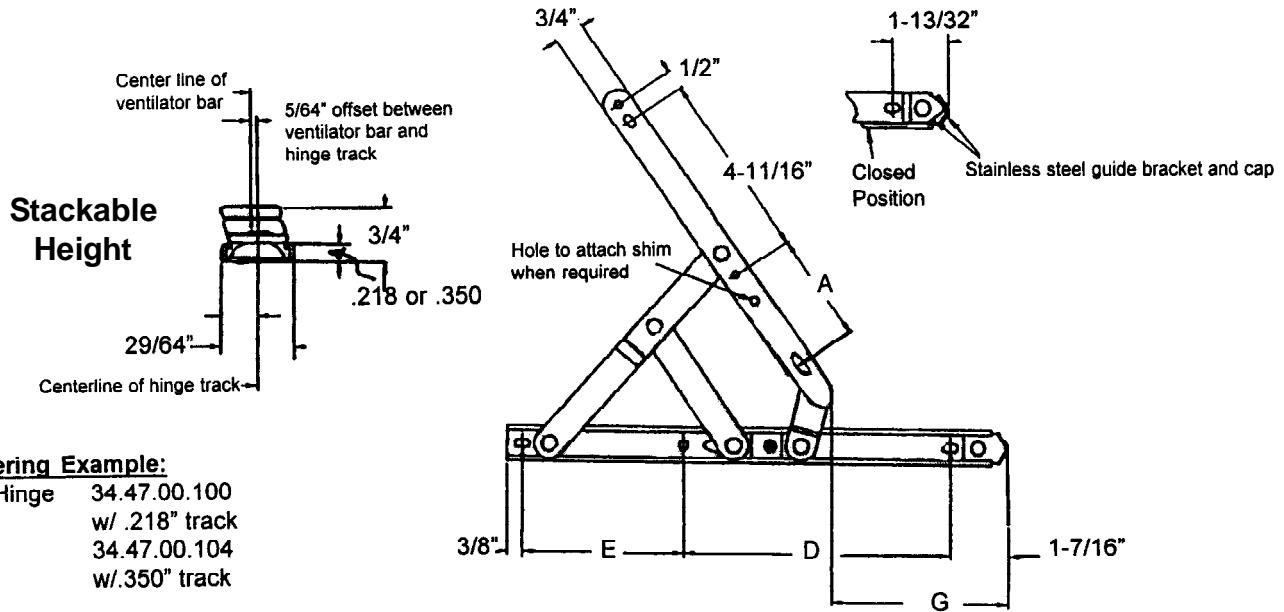
Stainless Steel (SS) - Steel (ST) - Aluminum (AL)



Mat'l	Size	Part Number	Stop	No Stop	Loose Rivets	.125 Shim	.187 Shim	.250 Shim	.312 Shim	SS Track	SS Track & Rivets	Reinforced Support Arm	Aluminum Hinges Only					
													.218 Track	.125 Shim	.250 Shim	.350 Track	.385 Track	
SS	10	34.24.00	100	103	111	110	101											
ST	10	34.33.00	100															
AL	10	34.41.00	100										100					
SS	12	34.25.00	111	109	110		107											
ST	12	34.34.00	106				105											
AL	12	34.42.00	104										104					
SS	14	34.26.00	100	102														
ST	14	34.35.00	100															
AL	14	34.43.00	100										100			103		
SS	16	34.27.00	104	102			101											
ST	16	34.36.00	103				102											
AL	16	34.44.00											102			101	100	
SS	18	34.28.00	100	103			101	105										
ST	18	34.37.00	100				103											
SS	20	34.29.00	107	106			105						100			101		
ST	20	34.38.00	107															
SS	24	34.31.00	106	104			101						103			102	101	
ST	24	34.39.00	100															
SS	28	34.86.00	100															

If your hinge specifications do not appear on this page, or if you are unsure about the part you need, please send a sample to our Research Department for accurate identification.

**ALUMINUM 4-BAR HINGES**  
Anderberg 77AL Series



**Ordering Example:**

10" Hinge 34.47.00.100  
w/ .218" track 34.47.00.104  
w/.350" track

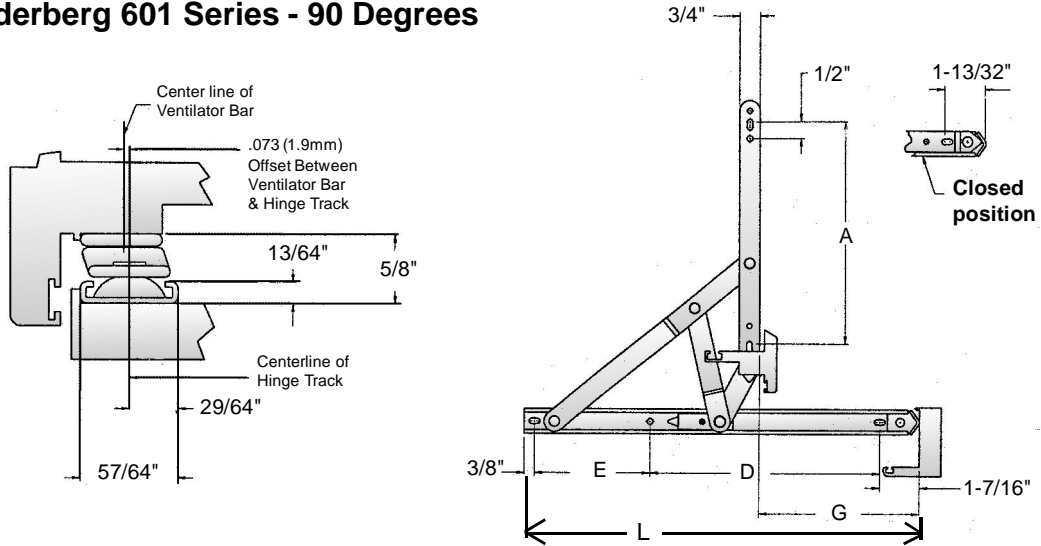
If a .187" shim is needed with your .218" track, order 34.47.00.102

If a .187" shim is needed with your .350" track, order 34.47.00.105

Mat'l	Size Inch	Truth Part No.	.218 Track			.350 Track			Vent Height Range	Max. Vent Wt.	Degree of Opening	
			.125 Shim	.187 Shim	.250 Shim	.125 Shim	.187 Shim	.250 Shim				
AL	10	34.47.00	100				104			12" - 20"	58	63
AL	12	34.48.00	107				104			20" - 23"	67	54
AL	14	34.49.00	100							23" - 27"	79	50
AL	16									27" - 30"	88	50
AL	18	34.51.00	100							30" - 35"	102	50
AL	20									35" - 40"	117	50
AL	24									40" - 44"	129	45

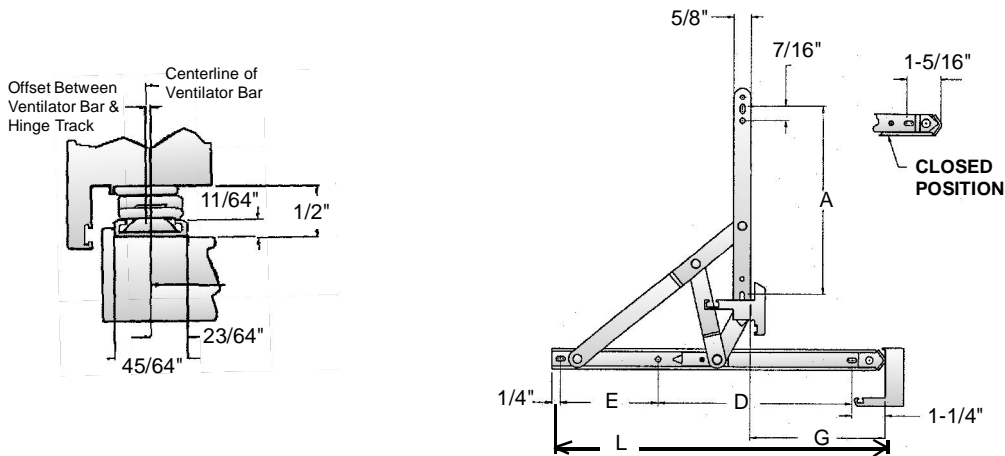
If your hinge specifications do not appear on this page, please send a sample to our Research Department for accurate identification or if you are still unsure of the hinge you need.

**ALUMINUM 4-BAR HINGES**  
**Anderberg 601 Series - 90 Degrees**



Truth / Blaine Part No.	Hinge Length (L)	"A"	"D"	"E"	"G"
34.59.00.100	14"	8"	8-13/32"	4-3/16"	6"
34.60.00.100	16"	8"	7-29/32"	6-11/16"	5-5/8"
34.61.00.100	18"	8"	8-15/16"	8-15/16"	5-7/16"

**ALUMINUM 4-BAR HINGES**  
**Anderberg 401 Series - 90 Degrees**

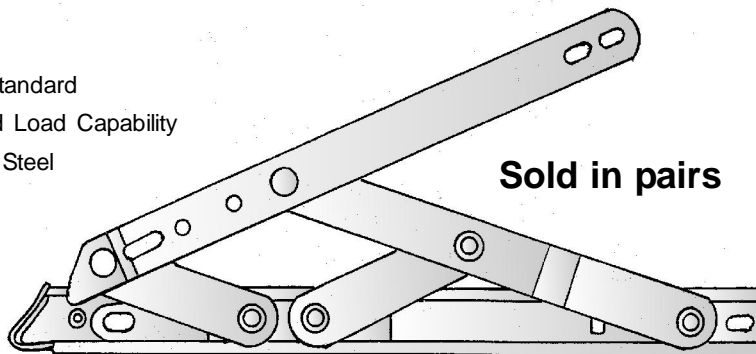


Truth / Blaine Part No.	Hinge Length (L)	"A"	"D"	"E"	"G"
34.55.00.100	12"	6-3/4"	7-15/32"	3-5/16"	5-15/16"
*34.81.00.100	12"	6-3/4"	8-15/16"	1-27/32"	4-21/32"
34.56.00.100	14"	7-9/32"	8-5/32"	4-5/8"	6-3/16"
34.57.00.100	16"	7-25/32"	8-25/32"	6"	6-21/32"
34.58.00.100	18"	8-5/16"	9-3/8"	7-13/32"	7-1/8"

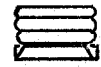
\*Black Acetal  
(plastic) Shoe

## 755 Stainless Steel Storm Hinges w/ Asymmetric End Cap

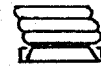
- Tested to AAMA 904.1 standard
- Superior Structural Wind Load Capability
- All 300 Series Stainless Steel



**Sold in pairs**



**Inline (stacked)  
Mounting**



**Offset (stacked)  
Mounting**

Slide Mechanism incorporates a concealed non-structural delrin sleeve for smoothness of operation and application of friction

### Inline Mounting For Projected (Awning Style) Windows

Part No.	Hinge Sz	1/8" Shim Added	Max. Sash Ht.	Max. Sash Wt.	Max. Opening
00755-909-034	10"	Without	30"	110 lbs	75 deg
00755-904-034	10"	With	30"	110 lbs	75 deg
00755-908-034	16"	Without	44"	138 lbs	90 deg
00755-910-034	16"	With	44"	138 lbs	90 deg
00755-907-034	22"	Without	52"	165 lbs	90 deg
00755-911-034	22"	With	52"	165 lbs	90 deg
00755-912-034	26"	Without	79"	264 lbs	20 deg
00755-913-034	26"	With	79"	264 lbs	20 deg

### Inline Mounting For Casement Windows

Part No.	Hinge Sz	1/8" Shim Added	Max. Sash Ht.	Max. Sash Wt.	Max. Opening
00755-909-034	10"	Without	26"	77 lbs	75 deg
00755-904-034	10"	With	26"	77 lbs	75 deg
00755-908-034	16"	Without	33"	103 lbs	90 deg
00755-910-034	16"	With	33"	103 lbs	90 deg

### Offset Mounting For Projected (Awning Style) Windows

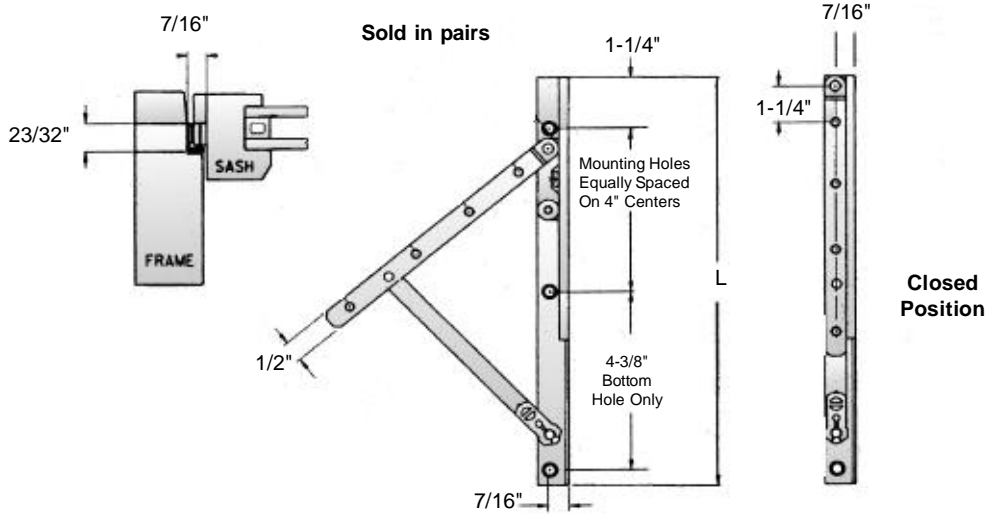
Part No.	Hinge Sz	1/8" Shim Added	Max. Sash Ht.	Max. Sash Wt.	Max. Opening
00755-914-034	10"	Without	30"	110 lbs	75 deg
00755-915-034	10"	With	30"	110 lbs	75 deg
00755-916-034	16"	Without	44"	138 lbs	90 deg
00755-917-034	16"	With	44"	138 lbs	90 deg
00755-918-034	22"	Without	52"	165 lbs	90 deg
00755-919-034	22"	With	52"	165 lbs	90 deg
00755-920-034	26"	Without	79"	264 lbs	20 deg
00755-921-034	26"	With	79"	264 lbs	20 deg

### Offset Mounting For Casement Windows

Part No.	Hinge Sz	1/8" Shim Added	Max. Sash Ht.	Max. Sash Wt.	Max. Opening
00755-914-034	10"	Without	26"	77 lbs	75 deg
00755-915-034	10"	With	26"	77 lbs	75 deg
00755-916-034	16"	Without	33"	103 lbs	90 deg
00755-917-034	16"	With	33"	103 lbs	90 deg

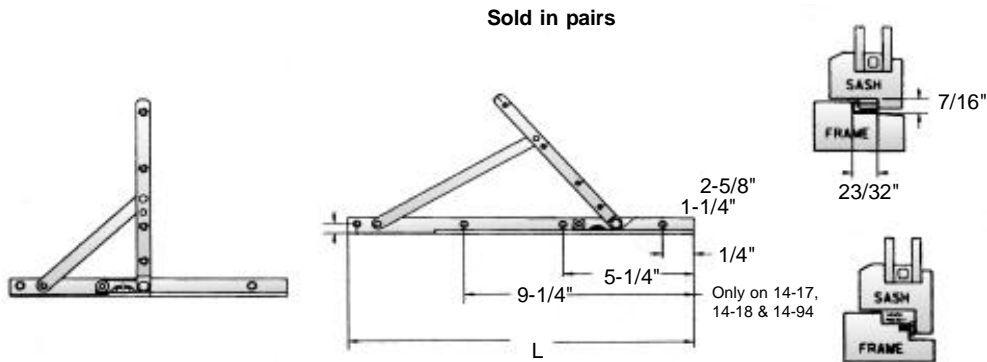


**TRUTH AWNING HINGES**



Blaine Part Number	Truth Part Number	Sash Height	Max. Sash Wt.	Hinge Track Length "L"	Material
02997-10-L/R-050	13.13.00.003 & 004	10 - 14"	7 LB	10"	Steel
02997-10-L/R-034	13.43.00.102 & 202	10 - 14"	7 LB	10"	Stainless Steel
02997-14-L/R-050	13.14.00.003 & 004	14 - 19"	20 LB	14"	Steel
02997-14-L/R-034	13.44.00.202 & 203	14 - 19"	20 LB	14"	Stainless Steel
02997-18-L/R-050	13.15.00.003 & 004	19 - 26"	38 LB	18"	Steel
02997-18-L/R-034	13.42.00.102 & 103	19 - 26"	38 LB	18"	Stainless Steel
02997-22-L/R-050	13.16.00.003 & 004	26 - 34"	50 LB	22"	Steel
02997-22-L/R-034	13.45.00.102 & 103	26 - 34"	50 LB	22"	Stainless Steel
02997-26-L/R-050	13.17.00.003 & 004	34 - 42"	61 LB	26"	Steel

**TRUTH CASEMENT HINGES**



Blaine Part Number	Truth Part Number	Hinge Track Length "L"	Material
03030-10-050	14.05.00.003 & 004	10"	Steel
03030-10-034	14.80.00.503 & 504	10"	Stainless Steel
03030-14-050	14.17.00.005 & 006	14"	Steel

**Truth Heavy Duty Friction Adjusters**

Part No.	Bracket Height "A"	Stack Height
16010	.110	.468
16011	.180	.538
16012	*.235	.593
16013	.422	.780

\*Standard

Heavy Duty Friction Adjusters	
Part Number	Track Length*
37.41.00.100	10"
37.42.00.100	12"
37.43.00.100	14"

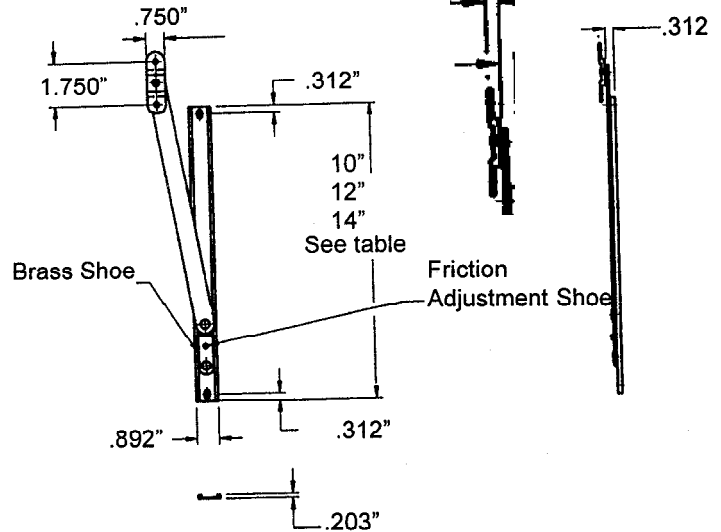
\*Bar length is always 2" shorter than track length

Standard Duty Friction Adjusters	
Part Number	Track Length*
37.35.00.100	8"
37.36.00.100	10"
37.37.00.100	12"
37.38.00.100	14"

\*Bar length is always 2" shorter than track length

**"A" Bracket**

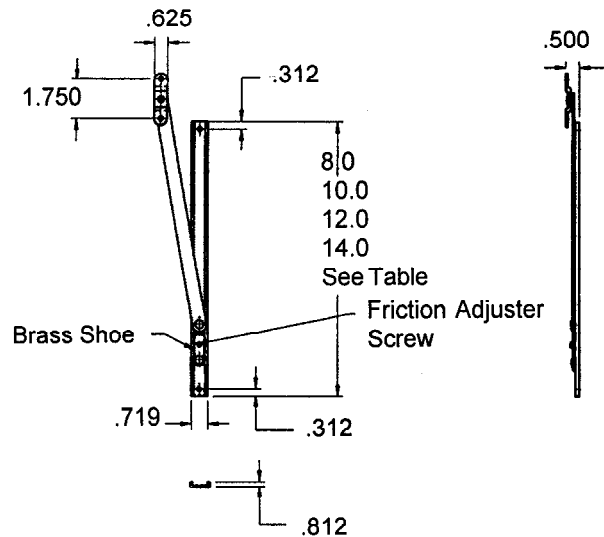
(see chart for available heights)



**Recommended Screws:**

4 no. 10-24x.375 philips pan head, stainless steel machine screws

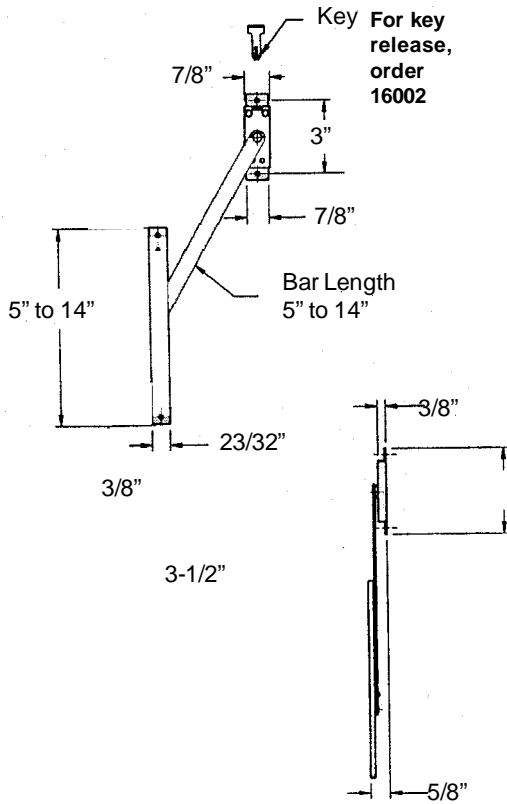
**Truth Standard Duty Friction Adjusters**



**Recommended Screws:**

4 no. 10-24x.375 philips pan head, stainless steel machine screws

**Truth Standard Duty Limit Device With Key Release**



**Limit Device With Key Release Feature**

Part Number	Track Length	Bar Length
37.26.00.100	5"	5"
37.27.00.100	6"	6"
37.28.00.100	7"	7"
37.29.00.100	8"	8"
37.30.00.100	9"	9"
37.31.00.100	10"	8"
37.31.00.101	10"	10"
37.32.00.100	11"	11"
37.33.00.102	12"	12"
37.34.00.101	14"	14"

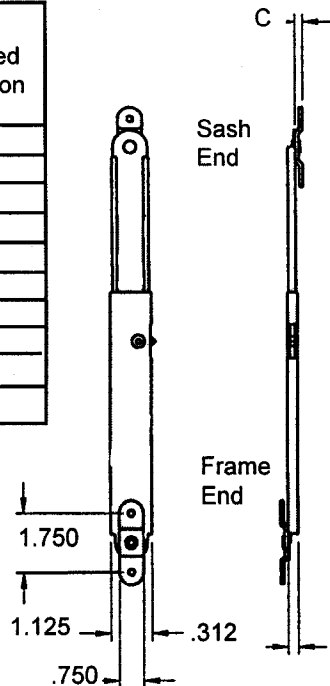
Note:

1. Key allows you to detach support arm to open the window further for maintenance.
2. A friction adjustment screw is provided in the shoe.

**Truth Support Arms**

Part No.	A Extended Position	B Closed Position
37.10	10	7
37.11	12	8
37.12	14	9
37.13	16	10
37.14	18	11
37.15	20	12
37.16	22	13
37.17	24	14
37.18	26	15
37.19	28	16

C Available Bracket Height	
Part No.	Height
16010	.110
16011	.180
16012	.235
16013	.422



**Recommended Screws:**  
4 No. 10-24X.375 Philips, pan head stainless steel machine screw

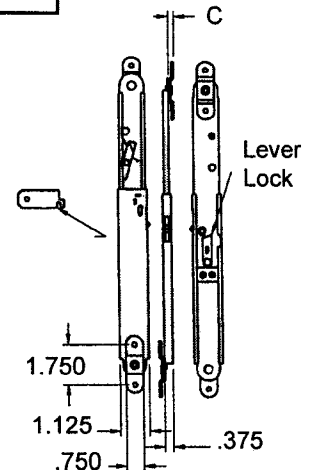
**Support Arms With Limited Opening**

Part No.	A Extended Position	B Closed Position
37.20	12	8
37.21	16	10
37.22	20	12.5
37.23	24	14.5
37.24	28	16.5

C Available Bracket Height	
Part No.	Height
16010	.110
16011	.180
16012	.235
16013	.422

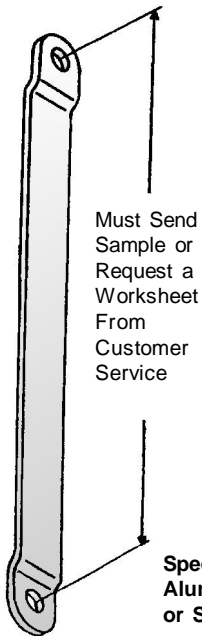
Use release key #16002 to achieve maximum extension: This unit will only extend 1.500 without release key inserted.

**Recommended Screws:**  
4 No. 10-24X.375 Philips, Pan head stainless steel machine screws.



**VA1**

Custom Made To Size

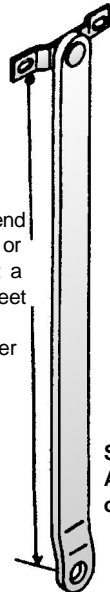


Must Send Sample or Request a Worksheet From Customer Service

Specify Aluminum or Steel

**VA2**

Custom Made To Size

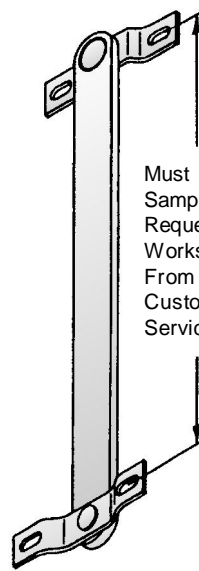


Must Send Sample or Request a Worksheet From Customer Service

Specify Aluminum or Steel

**VA3**

Custom Made To Size

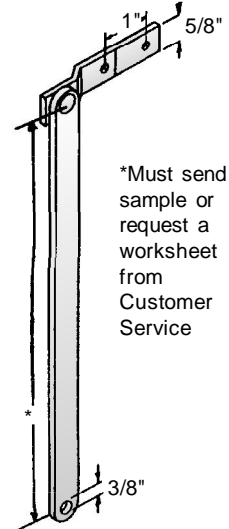


Must Send Sample or Request a Worksheet From Customer Service

Specify Aluminum or Steel

**691**

Custom Made To Size



\*Must send sample or request a worksheet from Customer Service

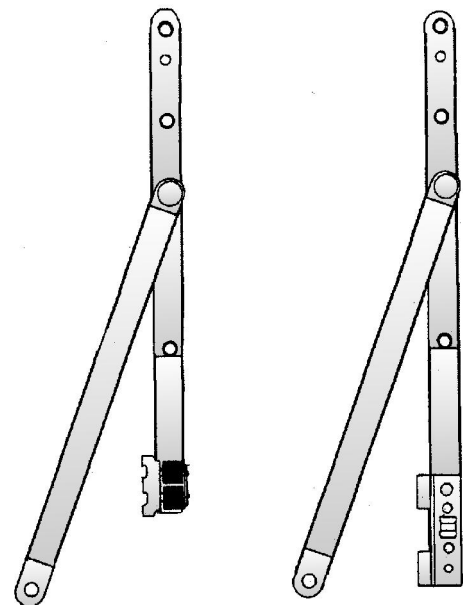
Aluminum

**Pella 3070 Top & Bottom Hinges**

**Pella**

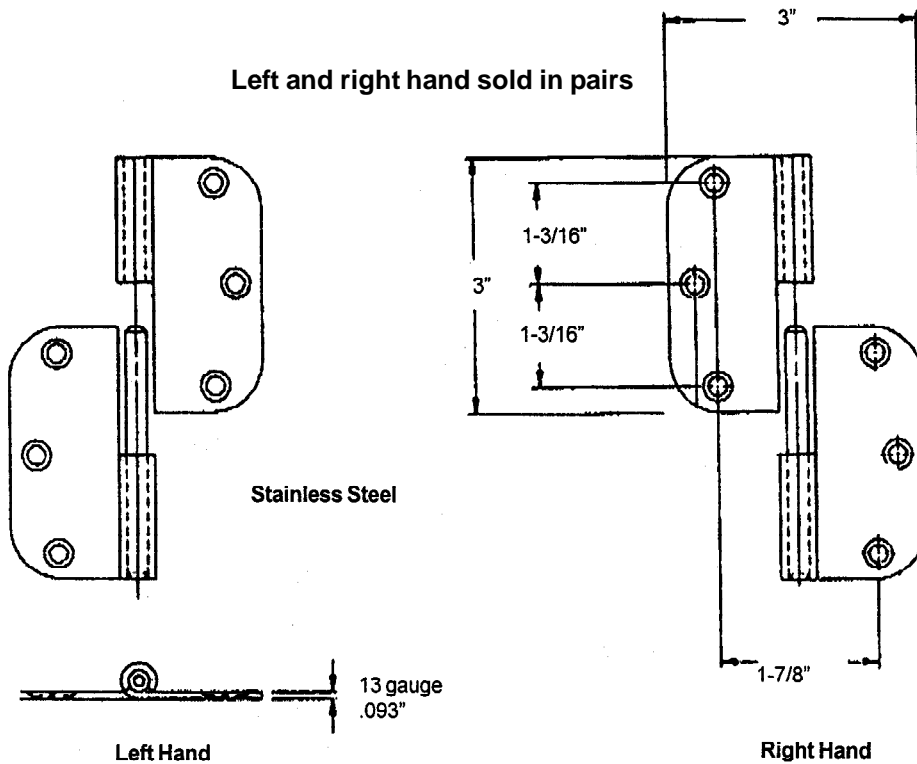
BWH #	Description	Glass Size
3070-12-R-050	Top & Bottom Hinge RH	12" wide
3070-12-L-050	Top & Bottom Hinge LH	12" wide
3070-16-R-050	Top & Bottom Hinge RH	16" wide
3070-16-L-050	Top & Bottom Hinge LH	16" wide
3070-20-R-050	Top & Bottom Hinge RH	20" wide
3070-20-L-050	Top & Bottom Hinge LH	20" wide
3070-24-R-050	Top & Bottom Hinge RH	24" wide
3070-24-L-050	Top & Bottom Hinge LH	24" wide
3070-28-R-050	Top & Bottom Hinge RH	28" wide
3070-28-L-050	Top & Bottom Hinge LH	28" wide
3070-30-R-050	Top & Bottom Hinge RH	30" wide
3070-30-L-050	Top & Bottom Hinge LH	30" wide

Right or left hand determined from inside based on the side the latch is on.



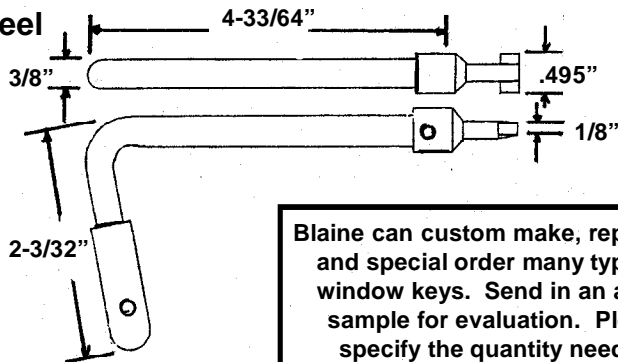
**Truth Loose Butt Hinge**  
**29.10.00.102 Left Hand**  
**29.10.00.103 Right Hand**

Left and right hand sold in pairs



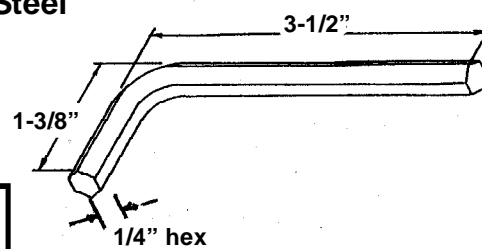
**3093**

Steel



**2053-1/4**

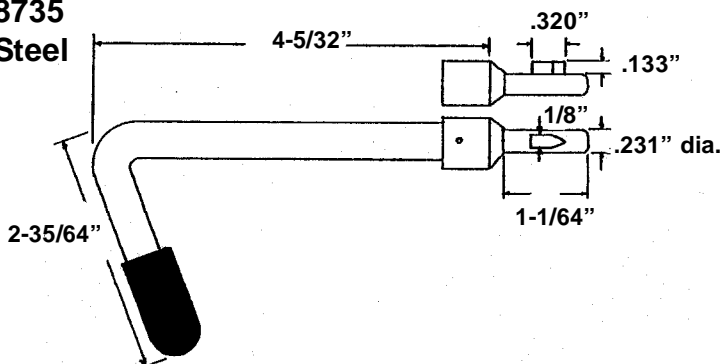
Steel



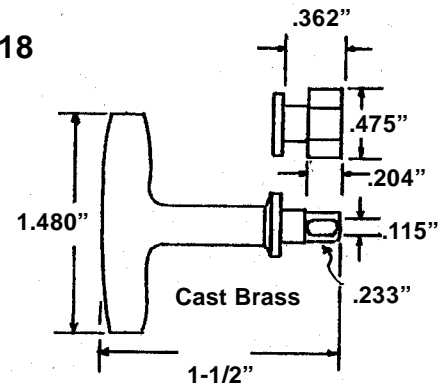
Blaine can custom make, reproduce and special order many types of window keys. Send in an actual sample for evaluation. Please specify the quantity needed.

**8735**

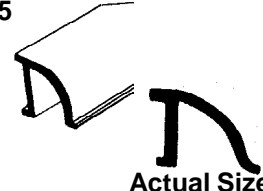
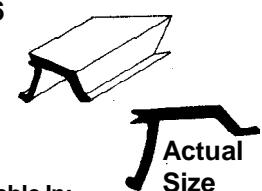
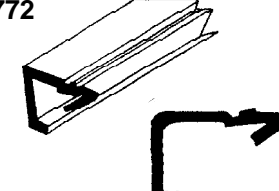
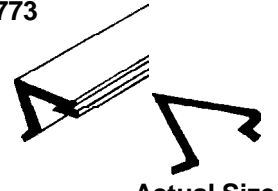
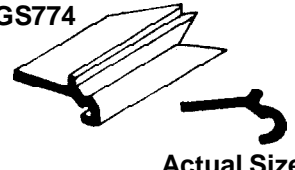
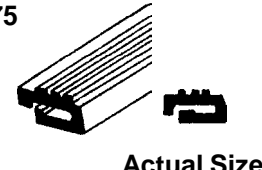
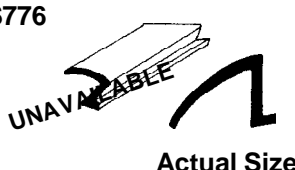
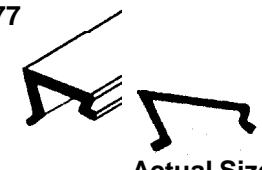
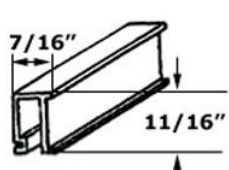
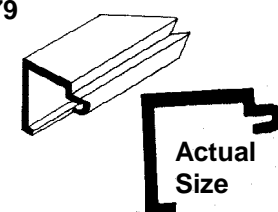
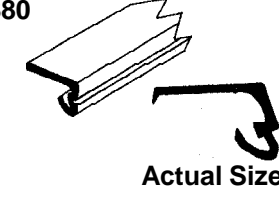
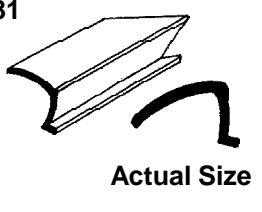
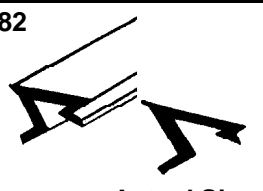
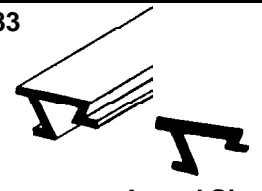


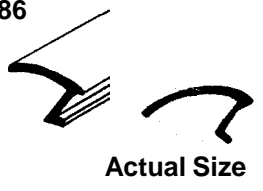
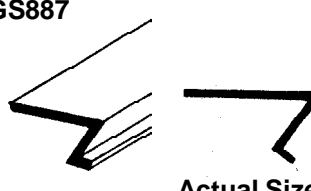
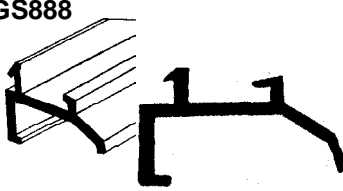
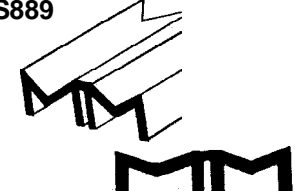
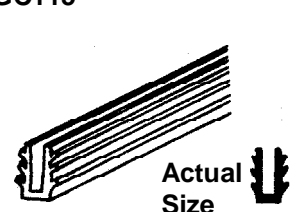
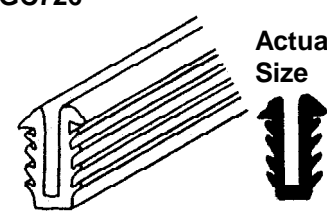
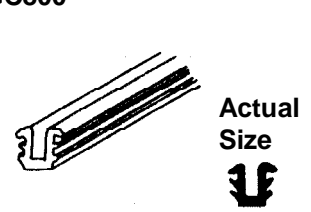
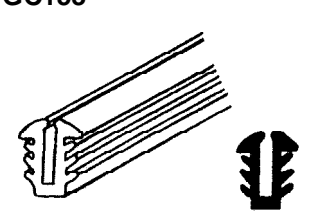
Steel



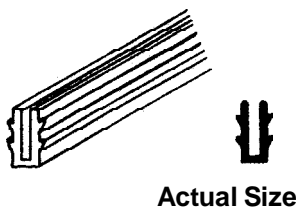
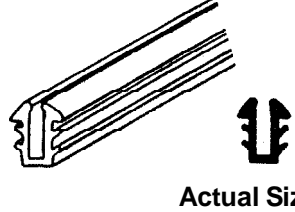
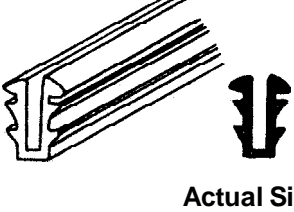
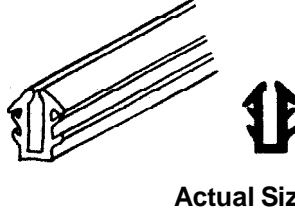
**20418**



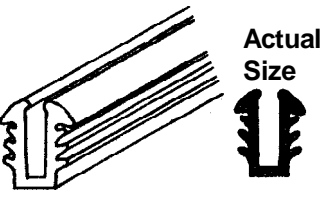
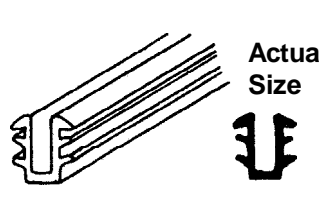
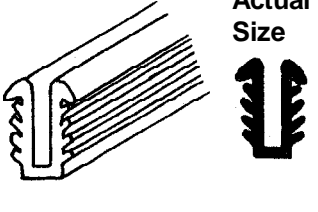
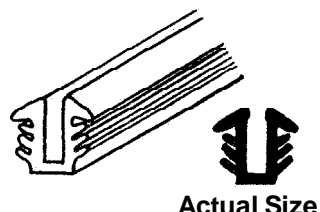
**Glazing Spine / Glazing Channel**

<p><b>GS15</b></p>  <p>Actual Size</p> <p>Available In: Black, Dark Gray or White</p>	<p><b>GS16</b></p>  <p>Actual Size</p> <p>Available In: Brown, Bronze, White or Black</p>	<p><b>GS772</b></p>  <p>Actual Size</p> <p>Available In: Black</p>	<p><b>GS773</b></p>  <p>Actual Size</p> <p>Available In: Light Gray or White</p>
<p><b>GS774</b></p>  <p>Actual Size</p> <p>Available In: Light Gray</p>	<p><b>GS775</b></p>  <p>Actual Size</p> <p>Available In: Dark Gray</p>	<p><b>GS776</b></p>  <p>UNAVAILABLE</p> <p>Actual Size</p> <p>Order GS15 Replacement, above</p>	<p><b>GS777</b></p>  <p>Actual Size</p> <p>Available In: Black or White</p>
<p><b>GS-139</b></p>  <p>7/16" 11/16"</p>	<p><b>GS779</b></p>  <p>Actual Size</p> <p>Available In: Black or White</p>	<p><b>GS880</b></p>  <p>Actual Size</p> <p>Available In: White</p>	<p><b>GS881</b></p>  <p>Actual Size</p> <p>Available In: Light Gray</p>
<p><b>GS882</b></p>  <p>Actual Size</p> <p>Available In: Black or Brown</p>	<p><b>GS883</b></p>  <p>Actual Size</p> <p>Available In: Light Gray, Black or White</p>	<p><b>GS884</b></p>  <p>Actual Size</p> <p>Available In: Black or White</p>	<p><b>GS885</b></p>  <p>Actual Size</p> <p>Available In: Black or White</p>
<p><b>GS886</b></p>  <p>Actual Size</p> <p>Available In: White or Light Gray</p>	<p><b>GS887</b></p>  <p>Actual Size</p> <p>Available In: Black</p>	<p><b>GS888</b></p>  <p>Actual Size</p> <p>Available In: Black or White</p>	<p><b>GS889</b></p>  <p>Actual Size</p> <p>Available In: Black or White</p>
<p><b>Glazing Channel For Single Strength Glass 1/16" (1.6 mm)</b></p>			
<p><b>GC115</b></p>  <p>Actual Size</p>	<p><b>GC726</b></p>  <p>Actual Size</p>	<p><b>GC800</b></p>  <p>Actual Size</p>	<p><b>GC153</b></p>  <p>Actual Size</p>

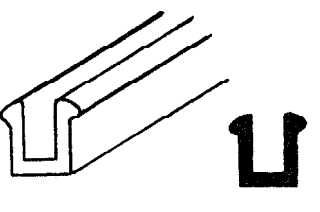
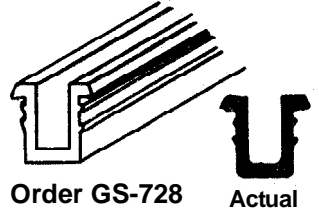
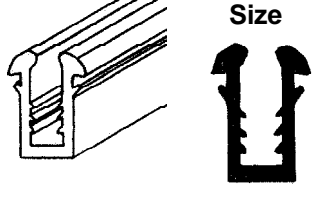
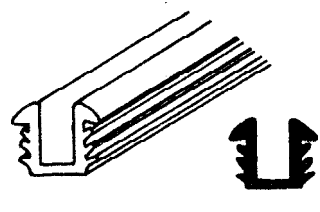
Glazing Channel For Single Strength Glass 1/16" (1.6 mm)

<p><b>GC195</b></p>  <p>Actual Size</p>	<p><b>GC460</b></p>  <p>Actual Size</p>	<p><b>GC673</b></p>  <p>Actual Size</p>	<p><b>GC723</b></p>  <p>Actual Size</p>
--	--	---	--

Glazing Channel For Double Strength Glass 1/8" (3.2mm)

<p><b>GC722</b></p>  <p>Actual Size</p>	<p><b>GC724</b></p>  <p>Actual Size</p>	<p><b>GC725</b></p>  <p>Actual Size</p>	<p><b>GC157</b></p>  <p>Actual Size</p>
--	--	---	--

Glazing Channel For 3/16" (4.75 mm) 7/32" (5.5 mm) and 1/4" (6 mm) Glass

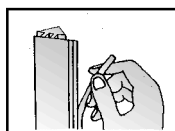
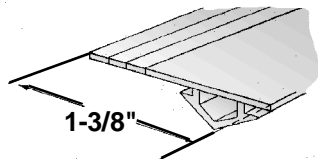
<p><b>GC158</b></p>  <p>Actual Size</p>	<p><b>GC159</b></p>  <p>Order GS-728 replacement</p> <p>Actual Size</p>	<p><b>GC729</b></p>  <p>Actual Size</p>	<p><b>GC728</b></p>  <p>Actual Size</p>
--	--	---	--

Glazing Channel is available in 100 or 1000 foot rolls. Gray vinyl.

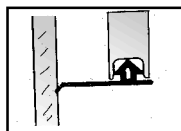
**Vinyl Bug Strip For Sliding Screen Doors**

**WS203**

Vinyl bug strip provides a flexible seal against insects. The flexible flap on the strip rubs against the sliding glass door so that insects cannot penetrate the gap between the screen & door. Tear strips allow you to choose a custom flap width.



Tear strips allow you to adjust flap width



Closes gap between screen door & patio door

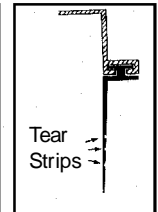
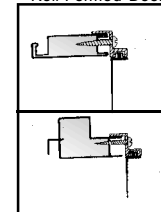
Available in Black and Gray Color. Specify 84" strip, 100 ft or 1000 ft. roll

**Sure-Fit Bug Strip For Sliding Screen Doors**

**WS204**

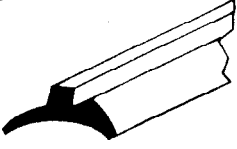
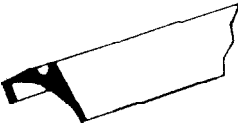
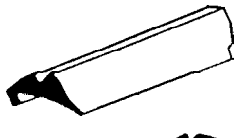
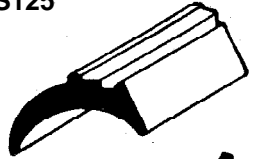
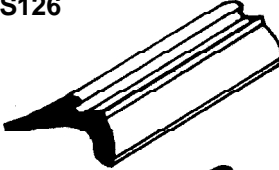
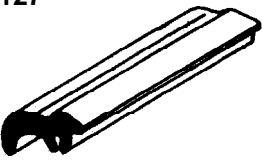

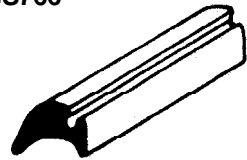
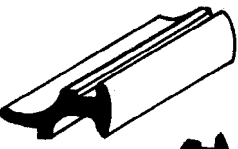
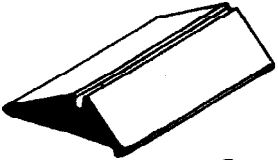
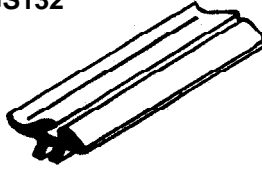
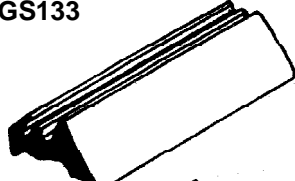
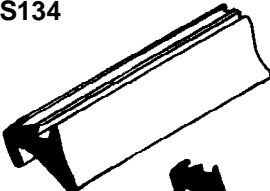
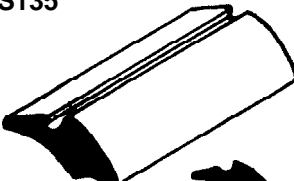
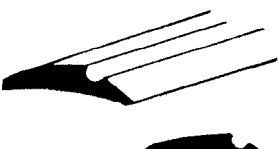
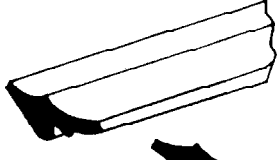
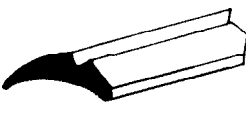
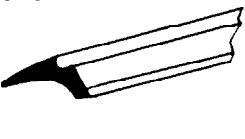
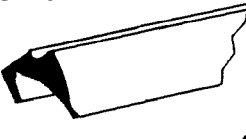
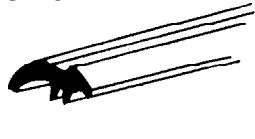
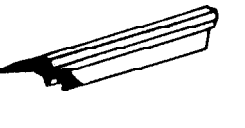
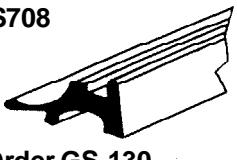
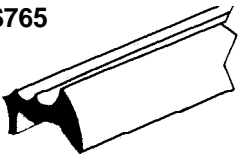
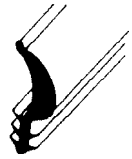
Sure-Fit Bug Strip is used on roll-formed or extruded screen doors. The strip is segmented so that you can tear it off to the desired length. The seal is available in your choice of clear or black anodized aluminum. Easily mounted.

Typical installation on Roll-Formed Door



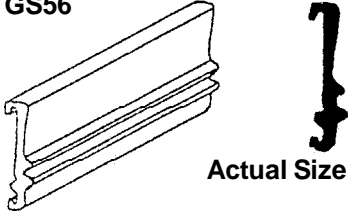
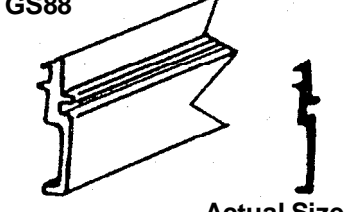
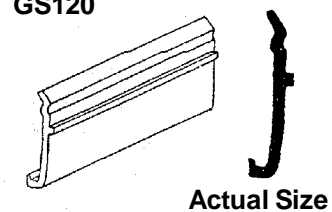
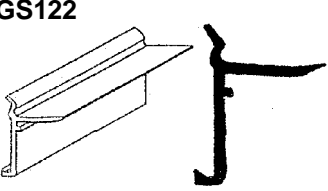
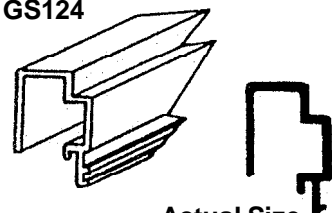
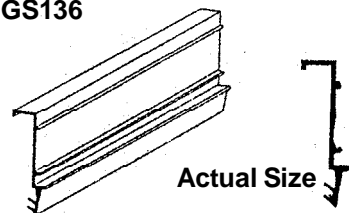
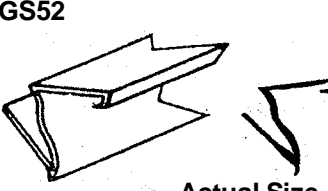
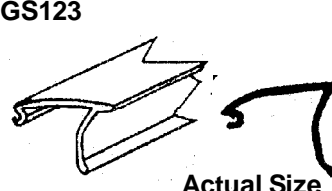
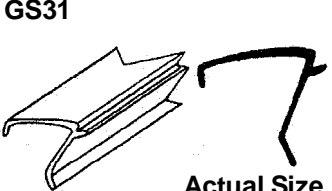
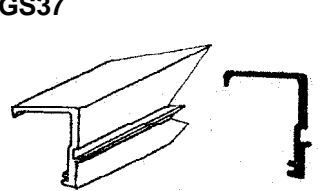
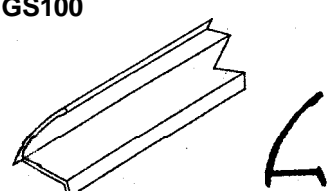
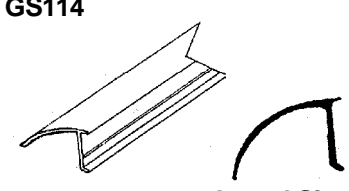
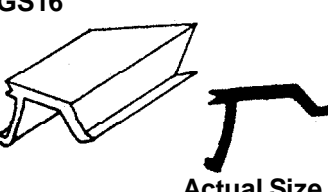
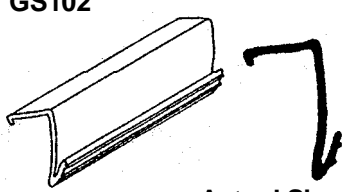
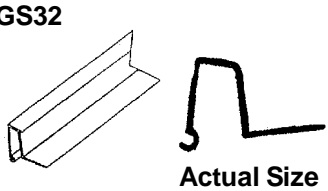
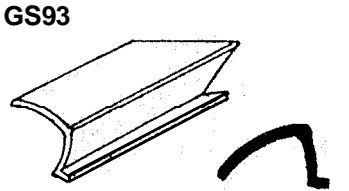
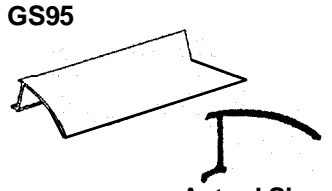
Typical installation on Extruded Door

Available in Clear or Black Anodized. Specify 84" or 96".

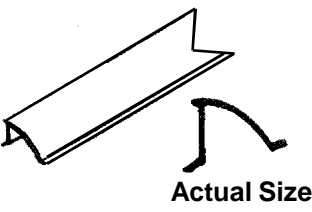
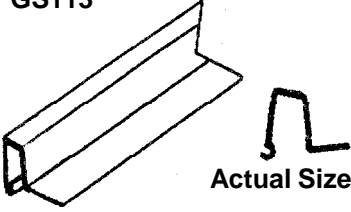
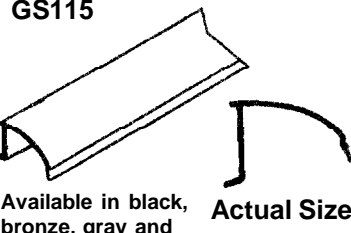
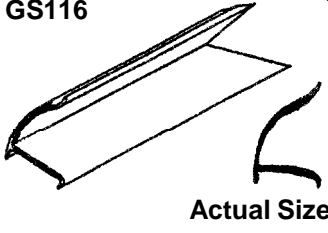
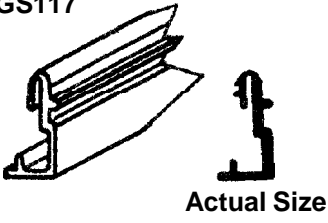
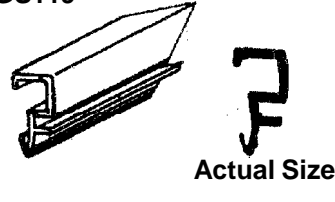
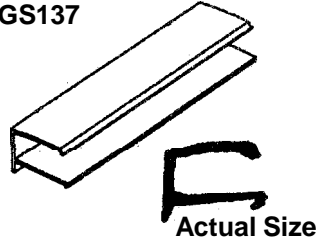
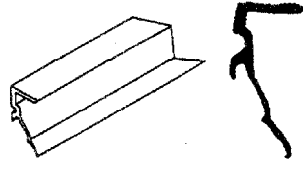
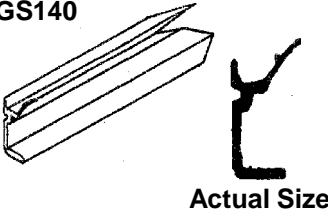
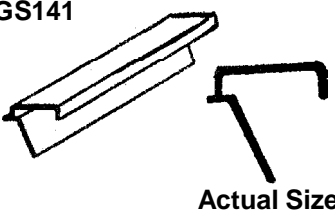
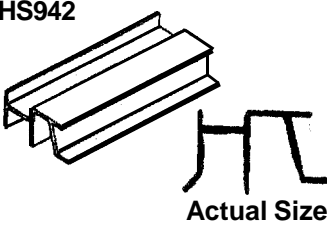
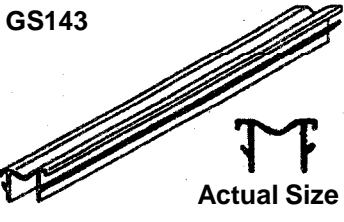
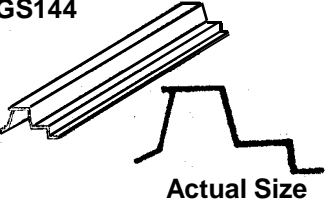
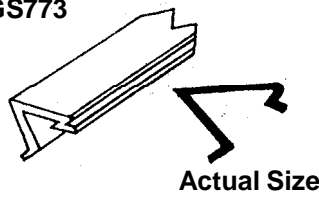
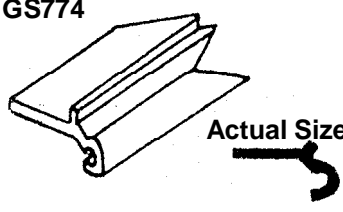
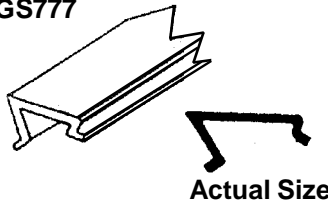
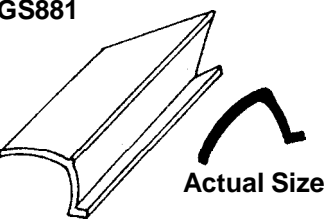
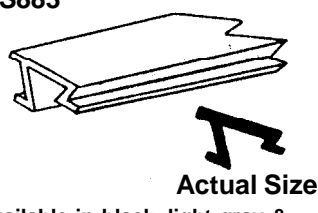
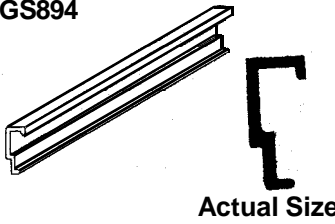
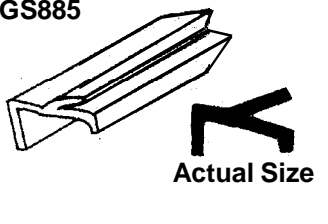
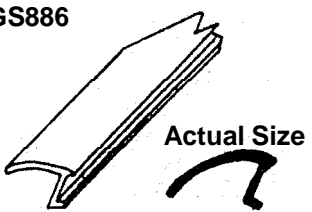
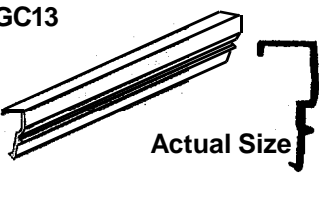
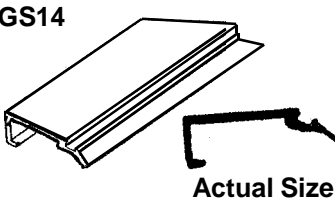
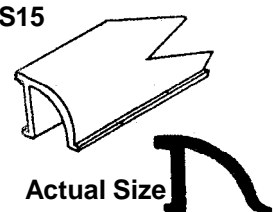
<p>GS111</p>  <p>Gray Actual Size</p>	<p>GS112</p>  <p>Gray Actual Size</p>	<p>GS118</p>  <p>Gray Actual Size</p>	<p>GS125</p>  <p>Order GS-118 Gray Actual Size</p>
<p>GS126</p>  <p>Order GS-316 Gray Actual Size</p>	<p>GS127</p>  <p>Gray Actual Size</p>	<p>GS128</p>  <p>Order GS-118 Gray Actual Size</p>	<p>GS766</p>  <p>Gray Actual Size</p>
<p>GS130</p>  <p>Gray Actual Size</p>	<p>GS131</p>  <p>Order GS-231 Gray Actual Size</p>	<p>GS132</p>  <p>Order GS-678 Gray Actual Size</p>	<p>GS133</p>  <p>Order GS-765 Gray Actual Size</p>
<p>GS134</p>  <p>Order GS-476 Gray Actual Size</p>	<p>GS135</p>  <p>Order GS-232 Gray Actual Size</p>	<p>GS231</p>  <p>Gray Actual Size</p>	<p>GS232</p>  <p>Gray Actual Size</p>
<p>GS233</p>  <p>Gray Actual Size</p>	<p>GS316</p>  <p>Gray Actual Size</p>	<p>GS476</p>  <p>Gray Actual Size</p>	<p>GS478</p>  <p>Gray Actual Size</p>
<p>GS678</p>  <p>Gray Actual Size</p>	<p>GS708</p>  <p>Order GS-130 Gray Actual Size</p>	<p>GS765</p>  <p>Gray Actual Size</p>	<p>GS301 Generic Spline Black or gray</p> <p>•Fits a large percentage of all spline type aluminum windows.</p> 

If the glazing spline, glazing bead or glazing channel you need doesn't appear here, please send a sample.

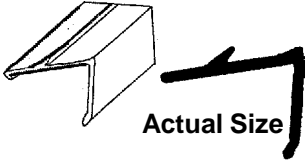
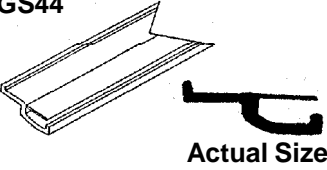
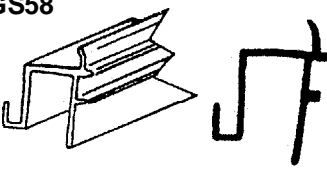
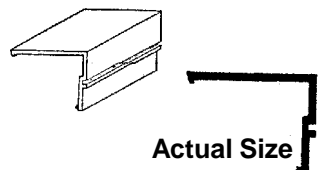
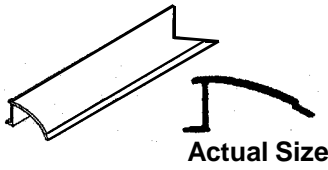

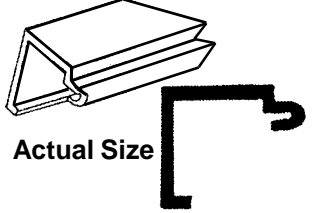
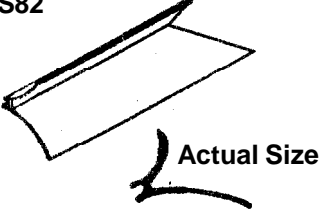

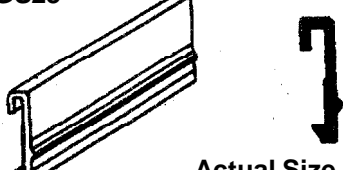
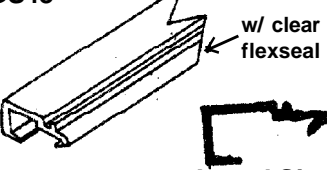
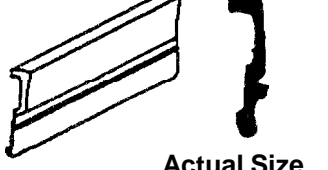

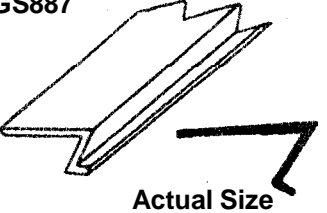

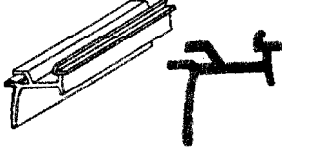



<p><b>Acorn</b></p>	<p>GS56</p>  <p>Actual Size</p> <p>Available in black</p>	<p>GS88</p>  <p>Actual Size</p> <p>Available in black</p>	<p>GS120</p>  <p>Actual Size</p> <p>Available in bronze &amp; white</p>
<p>GS122</p>  <p>Actual Size</p> <p>Available in black &amp; white</p>	<p>GS124</p>  <p>Actual Size</p> <p>Available in black</p>	<p>GS136</p>  <p>Actual Size</p> <p>Available in black &amp; white</p>	<p><b>Binnings</b></p>
<p>GS52</p>  <p>Actual Size</p> <p>Available in black &amp; white</p>	<p>GS123</p>  <p>Actual Size</p> <p>Available in white</p>	<p><b>Capitol</b></p>	<p>GS31</p>  <p>Actual Size</p> <p>Available in bronze &amp; white</p>
<p>GS37</p>  <p>Actual Size</p> <p>Available in white</p>	<p>GS100</p>  <p>Actual Size</p> <p>Available in bronze &amp; white</p>	<p>GS114</p>  <p>Actual Size</p> <p>Available in brown &amp; white</p>	<p><b>Crossly</b></p>
<p>GS16</p>  <p>Actual Size</p> <p>Available in black, bronze, brown &amp; white</p>	<p><b>Gapco</b></p>	<p>GS102</p>  <p>Actual Size</p> <p>Available in almond &amp; white</p>	<p><b>General Aluminum</b></p>
<p>GS32</p>  <p>Actual Size</p> <p>Available in bronze &amp; white</p>	<p><b>Misc.</b></p>	<p>GS93</p>  <p>Actual Size</p> <p>Available in bronze &amp; white</p>	<p>GS95</p>  <p>Actual Size</p> <p>Available in dk bronze &amp; white</p>

All glazing spline, on this page, comes in 6 ft. lengths. If the glazing spline, glazing bead or glazing channel you need doesn't appear here, please send a sample.

<p>GS109 Available in white</p>  <p>Actual Size</p>	<p>GS113</p>  <p>Actual Size</p> <p>Available in bronze &amp; white</p>	<p>GS115</p>  <p>Actual Size</p> <p>Available in black, bronze, gray and white</p>	<p>GS116</p>  <p>Actual Size</p> <p>Available in white</p>
<p>GS117</p>  <p>Actual Size</p> <p>Available in brown &amp; white</p>	<p>GS119</p>  <p>Actual Size</p> <p>Available in brown &amp; white</p>	<p>GS137</p>  <p>Actual Size</p> <p>Available in black &amp; white</p>	<p>GS138</p>  <p>Actual Size</p> <p>Available in white</p>
<p>GS140</p>  <p>Actual Size</p> <p>Available in white</p>	<p>GS141</p>  <p>Actual Size</p> <p>Available in brown &amp; white</p>	<p>HS942</p>  <p>Actual Size</p> <p>Available in white</p>	<p>GS143</p>  <p>Actual Size</p> <p>Available in black</p>
<p>GS144</p>  <p>Actual Size</p> <p>Available in white</p>	<p>GS773</p>  <p>Actual Size</p> <p>Available in light gray &amp; white</p>	<p>GS774</p>  <p>Actual Size</p> <p>Available in light gray</p>	<p>GS777</p>  <p>Actual Size</p> <p>Available in black &amp; white</p>
<p>GS881</p>  <p>Actual Size</p> <p>Available in light gray</p>	<p>GS883</p>  <p>Actual Size</p> <p>Available in black, light gray &amp; white</p>	<p>GS894</p>  <p>Actual Size</p> <p>Available in white</p>	<p>GS885</p>  <p>Actual Size</p> <p>Available in black &amp; white</p>
<p>GS886</p>  <p>Actual Size</p> <p>Available in Lt. Gray &amp; white</p>	<p>GC13</p>  <p>Actual Size</p> <p>Available in bronze &amp; white</p>	<p>GS14</p>  <p>Actual Size</p> <p>Available in white</p>	<p>GS15</p>  <p>Actual Size</p> <p>Available in white</p>

All glazing spline, on this page, comes in 6 ft. lengths. If the glazing spline, glazing bead or glazing channel you need doesn't appear here, please send a sample.

<p><b>GS36</b></p>  <p>Actual Size</p> <p>Dual Durometer</p> <p>Available in white</p>	<p><b>GS44</b></p>  <p>Actual Size</p> <p>Available in brown &amp; white</p>	<p><b>GS58</b></p>  <p>Actual Size</p> <p>Available in white</p>	<p><b>GS81</b></p>  <p>Actual Size</p> <p>Available in brown &amp; white</p>
<p><b>GS84</b></p>  <p>Actual Size</p> <p>Available in gray</p>	<p><b>Keller</b></p>	<p><b>GS139</b></p>  <p>Actual Size</p> <p>Available in black &amp; white</p>	<p><b>GS779</b></p>  <p>Actual Size</p> <p>Available in black &amp; white</p>
<p><b>Krestmark</b></p>	<p><b>GS82</b></p>  <p>Actual Size</p> <p>Available in black &amp; white</p>	<p><b>Marvin</b></p>	<p><b>GS30</b></p>  <p>Actual Size</p> <p>Available in beige &amp; white</p>
<p><b>Penco</b></p>	<p><b>GS23</b></p>  <p>Actual Size</p> <p>Dual Durometer</p> <p>Available in bronze &amp; white</p>	<p><b>GS43</b></p>  <p>Actual Size</p> <p>Available in bronze &amp; white</p>	<p><b>GS60</b></p>  <p>Actual Size</p> <p>Available in bronze &amp; white</p>
<p><b>GS121</b></p>  <p>Actual Size</p> <p>Available in brown</p>	<p><b>Portalume</b></p>	<p><b>GS887</b></p>  <p>Actual Size</p> <p>Available in black &amp; light gray</p>	<p><b>Rollyson</b></p>
<p><b>GS62</b>      400 Series</p>  <p>Actual Size</p> <p>Available in bronze, dark bronze &amp; white</p>	<p><b>GS89</b>      2500 Series</p>  <p>Actual Size</p> <p>Available in black, brown &amp; white</p>	<p><b>Silverline</b></p>	<p><b>GS33</b></p>  <p>Actual Size</p> <p>Available in black &amp; white</p>

All glazing spline, on this page, comes in 6 ft. lengths. If the glazing spline, glazing bead or glazing channel you need doesn't appear here, please send a sample.

Introducing...  
**NEW!**  
**PHIFER**  
**SUPER SOLAR**  
**SCREENING**

**40 X 40 Mesh**

- Blocks up to 90% of the sun's heat
- Excellent outward visibility
- Keeps carpets & draperies from fading
- Saves energy

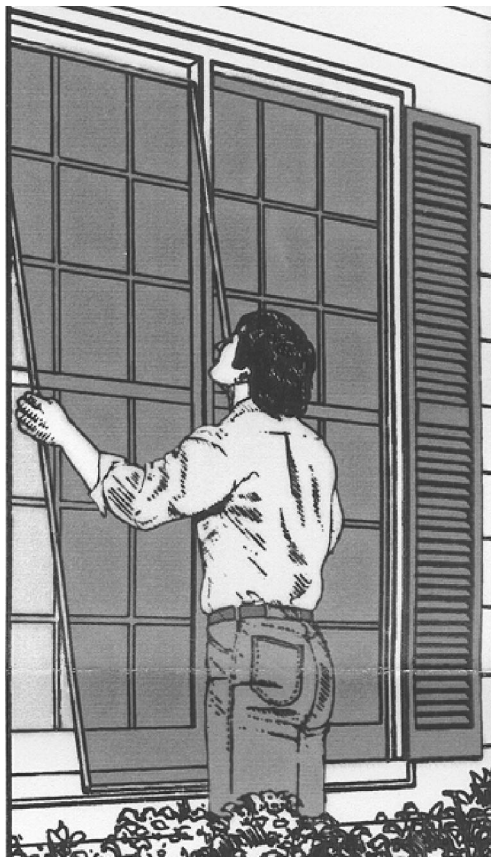
Widths Available: 36", 48", 60", 84"

Roll Length Available: 100'

Color Available: Black & Gray

*Call us for FREE sample!*

**Order SWSS36, SWSS48, SWSS60 or SWSS84**



Introducing...  
**NEW!**  
**PHIFER**  
**Pet Screen**<sup>TM</sup>

**Pet Resistant Insect Screening**

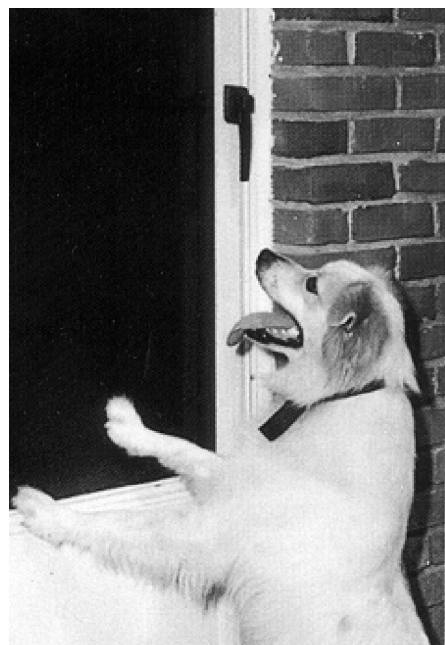
- Resists damage by dogs & cats
- Excellent outward visibility
- Made of strong vinyl-coated polyester
- Easy to install

\*Colors Available: Black, Gray

Widths Available: 30", 36", 48", 60"

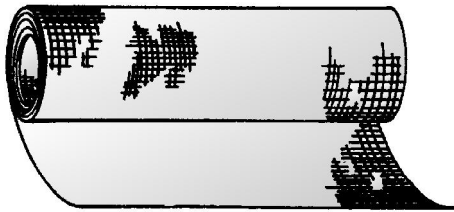
Roll Length Available: 100'

*Call us for FREE sample!*



**Order SWPS36 or SWPS48\***

**ALUMINUM & FIBERGLASS MESH SCREEN WIRE**



**Black Aluminum Screening**

- Baked on charcoal finish reduces glare and improves visibility
- Extends life of screening
- 18 X 16 X .011 diameter mesh

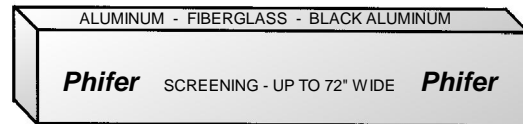
**Fiberglass Screening**

- 18 X 16 X .011 diameter mesh
- Will not dent, corrode or scratch
- Lightweight, yet strong. Easy to install
- Economical alternative to aluminum screening

**Aluminum Screening**

- 18 X 16 X .011 diameter mesh
- Brite-Kote exclusive dip weld finish
- Free of streaks, lays flat
- Easy to measure and fabricate

**Bronze Screening Also Available. Please call Customer Service for details.**



*Quality Screening By Phifer Wire Products*

Size	Fiberglass Screening 100' Roll Black or Gray	Size	Aluminum Screening 100' Roll Brite-Kote or Black
18"	SW18-068	18"	SW18-040
20"	SW20-068	20"	SW20-040
24"	SW24-068	24"	SW24-040
28"	SW28-068	28"	SW28-040
30"	SW30-068	30"	SW30-040
32"	SW32-068	32"	SW32-040
34"	SW34-068	34"	SW34-040
36"	SW36-068	36"	SW36-040
42"	SW42-068	42"	SW42-040
48"	SW48-068	48"	SW48-040
60"	SW60-068	60"	SW60-040
72"	SW72-068	72"	SW72-040
84"	SW84-068		

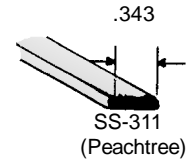
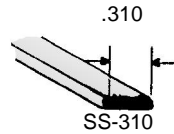
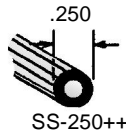
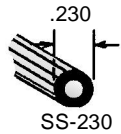
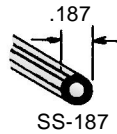
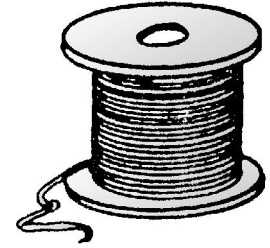
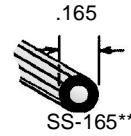
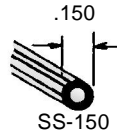
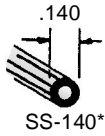
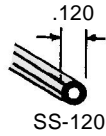
+ Charcoal (gray) aluminum screening also available

Note: SS-140 Spline Recommended For All Blaine Frames

Non-Mitred Corners Available In Silver, White & Bronze Color

<p><b>91021</b> 1/4" X 3/4" BOX</p>	<p><b>Mitred Corners</b></p> <table border="1"> <tr><th>Frame No.</th><th>Corner No.</th></tr> <tr><td>91007</td><td>91007-CR</td></tr> <tr><td>91015</td><td>91015-CR</td></tr> <tr><td>91021</td><td>91021-CR</td></tr> <tr><td>91088</td><td>91088-CR</td></tr> <tr><td>91051</td><td>91007-CR</td></tr> </table>	Frame No.	Corner No.	91007	91007-CR	91015	91015-CR	91021	91021-CR	91088	91088-CR	91051	91007-CR	<p><b>Non-Mitred Corners</b></p> <table border="1"> <tr><th>Frame No.</th><th>Corner No.</th></tr> <tr><td>91007</td><td>91207-CR</td></tr> <tr><td>91015</td><td>91215-CR</td></tr> <tr><td>91088</td><td>91288-CR</td></tr> <tr><td>91021</td><td>91221-CR</td></tr> </table>	Frame No.	Corner No.	91007	91207-CR	91015	91215-CR	91088	91288-CR	91021	91221-CR	<p><b>91007</b> 5/16" X 3/4" BOX</p>
Frame No.	Corner No.																								
91007	91007-CR																								
91015	91015-CR																								
91021	91021-CR																								
91088	91088-CR																								
91051	91007-CR																								
Frame No.	Corner No.																								
91007	91207-CR																								
91015	91215-CR																								
91088	91288-CR																								
91021	91221-CR																								
<p><b>91015</b> 7/16" X 3/4" BOX</p>	<p><b>91088</b> 3/8" X 3/4" BOX</p>	<p><b>91051</b> 5/16" X 3/4" BOX</p>	<p>Screen frame is sold in 6'3" (75 in.) 8' and 12'6" lengths. Truck delivery required for 12'6" lengths. SS-140 spline recommended for all Blaine screen frame.</p>																						

**Please Specify Black or Gray**



++Replaces original Andersen Metal Spline

PART NUMBER	COLOR Black / Gray	FRACTION EQUIVALENT	FEET / ROLL	PART NUMBER	COLOR Black / Gray	FRACTION EQUIVALENT	FEET / ROLL
SS-90-100-062	Black	3/32"	100	SS-187-100-062	Gray	3/16"	100
SS-90-1000-062	Black	3/32"	1000	SS-187-1000-062	Gray	3/16"	1000
SS-90-1000-062	Gray	3/32"	1000	SS-230-100-062	Black	15/64"	100
SS-120-100-062	Black	1/8"	100	SS-230-1000-062	Black	15/64"	1000
SS-120-1000-062	Black	1/8"	1000	SS-230-100-062	Gray	15/64"	100
SS-120-100-062	Gray	1/8"	100	SS-230-1000-062	Gray	15/64"	1000
SS-120-1000-062	Gray	1/8"	1000	SS-250-100-062*	White	1/4"	100
SS-140-100-062*	Black	9/64"	100	SS-250-100-062	Black	1/4"	100
SS-140-1000-062*	Black	9/64"	1000	SS-250-800-062	White	1/4"	800
SS-140-100-062	Gray	9/64"	100	SS-250-1000-062	Black	1/4"	1000
SS-140-1000-062	Gray	9/64"	1000	SS-310-100-062	Black	5/16" flat	100
SS-140-1000-062	Gray	9/64"	1000	SS-310-1000-062	Gray	5/16" flat	1000
SS-150-1815-062	Black	5/32"	1,815	SS-311-062	Black	11/32" flat	100
SS-150-1815-062	Black	5/32"	1,815				
SS-165-100-062**	Black	11/64"	100				
SS-165-1000-062**	Black	11/64"	1000				
SS-165-100-062**	Gray	11/64"	100				
SS-165-1000-062**	Gray	11/64"	1000				
SS-165-1000-062**	Black	3/16"	100				
SS-187-100-062	Black	3/16"	1000				

\*Spline for all Blaine Frames    \*\*Spline for PSD-1000 Patio Screen Frames

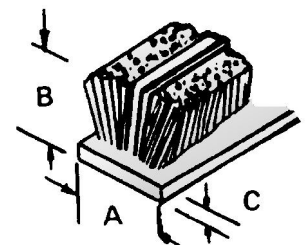
**SS-250 Fits Andersen Screens with metal spline**

**SS-311 Fits Peachtree**

**DRAFT-SEAL WEATHERSTRIPPING**

Polypropylene Backing Resists Shrinkage

	A		B		C	
	In	mm	In	mm	In	mm
WS-7	.187	4.7	.150	4.0	.035	0.9
WS-8	.187	4.7	.190	4.0	.035	0.9
WS-9	.187	4.7	.250	6.7	.035	0.9
WS-15	.229	5.9	.260	6.7	.035	0.9
WS-16	.229	5.9	.310	7.9	.035	0.9
WS-20	.270	6.9	.150	4.0	.035	0.9
WS-22	.270	6.9	.170	4.0	.035	0.9
WS-24	.270	6.9	.250	6.5	.035	0.9
WS-25	.270	6.9	.310	7.9	.035	0.9
WS-26	.270	6.9	.360	9.0	.035	0.9



Reduces Air Infiltration  
Resists Shrinkage  
Exceeds AAMA Specifications

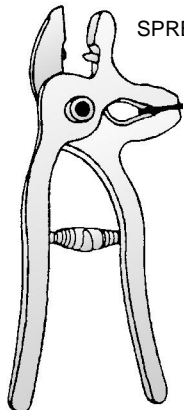
**Screen Frame Plungers / Tools / Roller Kit**

	<p><b>2335-058 Nylon</b></p> <p>A = 11/16" B = 3/8" C = 7/32"</p>	<p><b>2336-058 Nylon</b></p> <p>A = 11/16" B = 11/32" C = 7/32"</p> <p>w/ black cap</p>	<p><b>1125-058 Nylon</b></p> <p><b>Most Popular</b></p> <p>A = 3/4" B = 11/32" C = 7/32"</p> <p>Specify Black or white</p>
<p><b>2338-058 Nylon</b></p> <p>A = 5/8" B = 11/32" C = 7/32"</p>	<p><b>2339-058 Nylon</b></p> <p>A = 1" B = 1/4" C = 11/32" D = Tapered</p>	<p><b>2340-058 Metal w/ nylon knob</b></p> <p>A = 11/16" B = 11/32" C = 3/16"</p>	<p><b>2341-040 Metal</b></p> <p>A = 5/8" B = 13/32" C = 5/32"</p>
<p><b>2342-040 Metal</b></p> <p>A = 9/16" B = 5/16" C = 1/8"</p>	<p><b>2343-040 Metal w/ nylon knob</b></p> <p>A = 11/16" B = 11/32" C = 7/32"</p>	<p><b>2344-058 Nylon</b></p> <p>A = 5/8" B = 11/32" C = 7/32"</p>	<p><b>2345-040 Metal</b></p> <p>A = 5/8" B = 13/32" C = 7/32"</p>
<p><b>2346-040 Metal</b></p> <p>A = 7/8" B = 13/32" C = 7/32"</p>	<p><b>2347-040 Metal</b></p> <p>A = 7/8" B = 13/32" C = 3/16"</p>	<p><b>2348-040 Metal</b></p> <p>A = 23/32" B = 3/8" C = 7/32"</p>	<p>Many other sizes and styles of plungers available from Blaine. Please contact our Customer Service Department for more information and assistance in selecting the plunger which best suits your needs.</p>
<p><b>2350-040 Metal</b></p> <p>A = 19/32" B = 3/8" C = 3/16"</p>	<p><b>2351-058 Nylon</b></p> <p>For 7/16" x 1" frames</p>	<p><b>1125 Nylon</b></p> <p>Use Step Drill #S-25</p> <p>3/4" 5/16" 7/32"</p>	<p><b>1149-040 Metal</b></p> <p>1/4" 3/8" 29/32"</p> <p><b>1149-1-1/8-040 Metal</b></p> <p>1/4" 1-1/8" 9/16"</p>

**S-9**

**Storm Window Tool**

SPREADER \* STRAIGHTENER \* CRIMPER

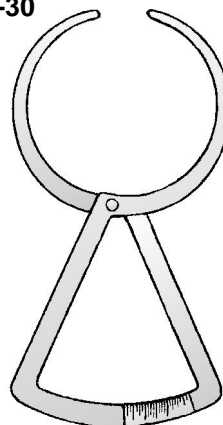


Quickly spreads corners of frames for removal of old tilt keys and corner keys. Provides fast and effective crimping of storm window and screen frame corners. Centered steel dowel dimples frame to hold corners tight. Oil hardened replaceable jaw plates. Flat jaws provide ideal surface for straightening. Cast iron construction.

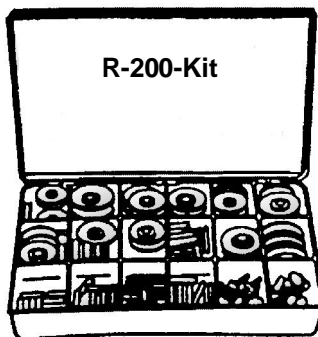
**S-30**

**"ELIMINATOR"**

GLASS CALIPER



Specifically designed to eliminate errors during insulating glass unit fabrication. The "Eliminator" makes it easy to measure insulated glass thicknesses up to 1-3/4" in sliding windows and doors. Complete with embossed scale on both sides of caliper. Opens to a wide 7" to fit around almost any frame. Plated stamped steel construction. Comes in a durable, foam padded polypropylene carrying case.



**R-200-Kit**

**Mechanics Best Helper**


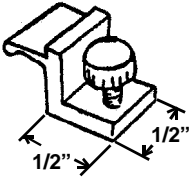
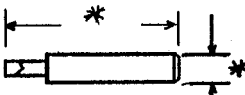
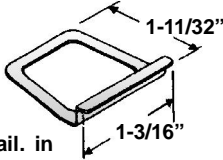
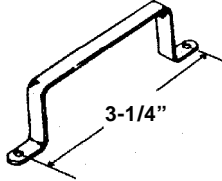
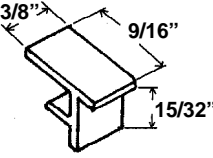
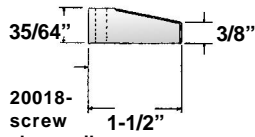
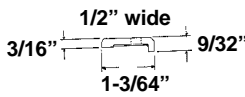
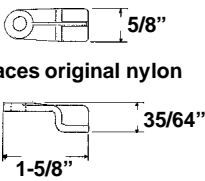
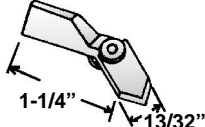
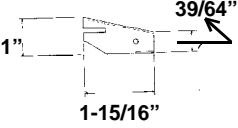
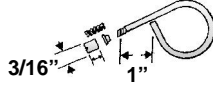
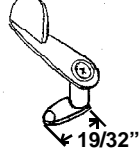
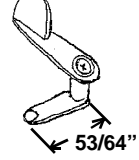

The R-200-Kit contains over 160 pieces for rebuilding more than 50 types of patio door roller assemblies.

The kit is organized in a convenient plastic case complete with contents diagram for easy reference.

Also see individual rollers

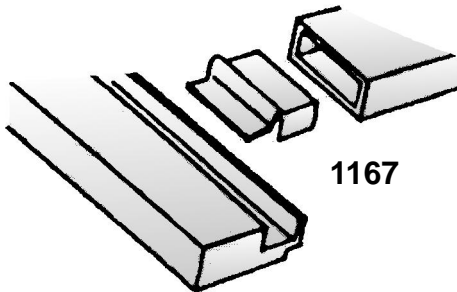
<p><b>1125 Nylon</b> W/ Spring Black or White Use Step Drill #S-25</p>	<p><b>1116</b></p> <p>Slide Latch</p>	<p><b>1131</b></p> <p>Slide Latch</p>	<p><b>2285</b></p> <p>Knife Latch</p> <p>Specify Handing- Right Hand Shown</p>	<p><b>8900-L/R</b></p> <p>Andersen</p>																								
<p><b>4474 All Metal</b></p> <p>Swivel Latch</p> <p><b>4495 Metal Plunger Nylon Knob</b></p>	<p><b>4445</b></p> <p>Sold L/R Pair</p> <p>Swivel Latch</p>	<p><b>1123</b></p> <p>Friction Hanger</p>	<p><b>2263</b></p> <p>Friction Hanger</p>	<p><b>2288</b></p> <p>Friction Hanger</p>																								
<p><b>Plain Plastic Screen Clips</b></p> <p>White, Black or Gray</p> <p>*M-8952 white only *M-8956 Black or white only</p> <table border="1"> <tr><td></td><td>"A"</td></tr> <tr><td>M-8950</td><td>Flush</td></tr> <tr><td>M-8951</td><td>1/16"</td></tr> <tr><td>M-8952*</td><td>3/16"</td></tr> <tr><td>M-8956*</td><td>1/4"</td></tr> <tr><td>M-8953</td><td>5/16"</td></tr> <tr><td>M-8954</td><td>3/8"</td></tr> <tr><td>M-8955</td><td>7/16"</td></tr> </table>		"A"	M-8950	Flush	M-8951	1/16"	M-8952*	3/16"	M-8956*	1/4"	M-8953	5/16"	M-8954	3/8"	M-8955	7/16"	<p><b>8899</b> Male Hanger</p>	<p><b>1126</b></p> <p>Female Hanger</p>	<p><b>2245</b></p> <p>Female Hanger</p>	<p><b>1117</b> Male Hanger</p>								
	"A"																											
M-8950	Flush																											
M-8951	1/16"																											
M-8952*	3/16"																											
M-8956*	1/4"																											
M-8953	5/16"																											
M-8954	3/8"																											
M-8955	7/16"																											
<p><b>PLAIN DIE CAST SCREEN CLIPS</b></p> <p>Gray</p> <table border="1"> <tr><td></td><td>"A"</td></tr> <tr><td>8931</td><td>Flush</td></tr> <tr><td>4467</td><td>1/16"</td></tr> <tr><td>8868</td><td>3/16"</td></tr> <tr><td>4428</td><td>1/4"</td></tr> <tr><td>1124</td><td>5/16"</td></tr> <tr><td>2206</td><td>3/8"</td></tr> <tr><td>1120</td><td>7/16"</td></tr> <tr><td>1153</td><td>1"</td></tr> <tr><td>1153-1-1/8</td><td>1-1/8"</td></tr> </table>		"A"	8931	Flush	4467	1/16"	8868	3/16"	4428	1/4"	1124	5/16"	2206	3/8"	1120	7/16"	1153	1"	1153-1-1/8	1-1/8"	<p><b>8800</b> Nylon</p> <p>Black or White</p>	<p><b>20284</b></p>	<p><b>20023</b></p>	<p><b>8808</b> Acorn</p>				
	"A"																											
8931	Flush																											
4467	1/16"																											
8868	3/16"																											
4428	1/4"																											
1124	5/16"																											
2206	3/8"																											
1120	7/16"																											
1153	1"																											
1153-1-1/8	1-1/8"																											
<p><b>Universal Adjustable Clips</b></p> <p>* = avail in gray or white</p> <p>Gray</p> <table border="1"> <tr><td></td><td>Mat'l</td><td>"A"</td></tr> <tr><td>1152*</td><td>Nylon</td><td>Flush</td></tr> <tr><td>4443*</td><td>Nylon</td><td>1/8"</td></tr> <tr><td>1151*</td><td>Nylon</td><td>9/32"</td></tr> <tr><td>20058</td><td>Nylon</td><td>7/16"</td></tr> <tr><td>20059*</td><td>Nylon</td><td>19/32"</td></tr> <tr><td>2239</td><td>Nylon</td><td>3/4"</td></tr> <tr><td>20060</td><td>Nylon</td><td>13/16"</td></tr> </table> <p>*Limited surplus of diecast still available</p> <p>All clips shown above furnished with 1151-1 (10-24 x 13/16") smooth shank machine screws. Springs included where applicable. For extra screws or optional sizes, order: 1151-1 (10-24 x 13/16" machine screw), 1151-2 (#8 X 1-1/4" wood screw), 1151-3 (10-32 x 13/16 machine screw), 1151-4 (spring).</p>		Mat'l	"A"	1152*	Nylon	Flush	4443*	Nylon	1/8"	1151*	Nylon	9/32"	20058	Nylon	7/16"	20059*	Nylon	19/32"	2239	Nylon	3/4"	20060	Nylon	13/16"	<p><b>8809</b> Screen Pivot Post Acorn</p>	<p><b>Cee Clips</b></p>	<p><b>20161</b> black</p>	<p><b>20561</b></p> <p>Screen Clip</p>
	Mat'l	"A"																										
1152*	Nylon	Flush																										
4443*	Nylon	1/8"																										
1151*	Nylon	9/32"																										
20058	Nylon	7/16"																										
20059*	Nylon	19/32"																										
2239	Nylon	3/4"																										
20060	Nylon	13/16"																										
<p><b>Storm /Screen Latch For Wood</b></p> <p><b>4499-Single</b></p> <p><b>4499-Double</b></p> <p>Latch to fasten wood storm or screen inserts into a combination door or window frame.</p>	<p><b>Stretcher Clips</b></p> <table border="1"> <tr><td></td><td>"A"</td></tr> <tr><td>1186</td><td>3/4"</td></tr> <tr><td>2261</td><td>1"</td></tr> <tr><td>1143</td><td>11/16"</td></tr> </table>		"A"	1186	3/4"	2261	1"	1143	11/16"	<p><b>8915</b> 1/4" <b>1166</b> 5/16" <b>1144</b> 3/8" <b>1165</b> 7/16"</p>	<p><b>Storm /Screen Latch For Wood</b></p> <p><b>4499-Single</b></p> <p><b>4499-Double</b></p> <p>Latch to fasten wood storm or screen inserts into a combination door or window frame.</p>																	
	"A"																											
1186	3/4"																											
2261	1"																											
1143	11/16"																											
<p><b>Universal Adjustable Clips</b></p> <p>* = avail in gray or white</p> <p>Gray</p> <table border="1"> <tr><td></td><td>Mat'l</td><td>"A"</td></tr> <tr><td>1152*</td><td>Nylon</td><td>Flush</td></tr> <tr><td>4443*</td><td>Nylon</td><td>1/8"</td></tr> <tr><td>1151*</td><td>Nylon</td><td>9/32"</td></tr> <tr><td>20058</td><td>Nylon</td><td>7/16"</td></tr> <tr><td>20059*</td><td>Nylon</td><td>19/32"</td></tr> <tr><td>2239</td><td>Nylon</td><td>3/4"</td></tr> <tr><td>20060</td><td>Nylon</td><td>13/16"</td></tr> </table> <p>*Limited surplus of diecast still available</p> <p>All clips shown above furnished with 1151-1 (10-24 x 13/16") smooth shank machine screws. Springs included where applicable. For extra screws or optional sizes, order: 1151-1 (10-24 x 13/16" machine screw), 1151-2 (#8 X 1-1/4" wood screw), 1151-3 (10-32 x 13/16 machine screw), 1151-4 (spring).</p>		Mat'l	"A"	1152*	Nylon	Flush	4443*	Nylon	1/8"	1151*	Nylon	9/32"	20058	Nylon	7/16"	20059*	Nylon	19/32"	2239	Nylon	3/4"	20060	Nylon	13/16"	<p><b>1172</b></p> <p>Miami Screen Clip</p>	<p><b>2274</b> Flexible Nylon</p> <p>order 20164 clear or white</p> <p>1" Nylon Lift</p>	<p><b>4411</b></p>	<p><b>2212</b></p> <p>Frame Tension Spring</p>
	Mat'l	"A"																										
1152*	Nylon	Flush																										
4443*	Nylon	1/8"																										
1151*	Nylon	9/32"																										
20058	Nylon	7/16"																										
20059*	Nylon	19/32"																										
2239	Nylon	3/4"																										
20060	Nylon	13/16"																										
<p><b>2216</b> Frame Tension Springs</p>	<p><b>1142</b></p>	<p><b>20004-Narrow</b></p>	<p><b>20004</b></p> <p>Corner Tension Springs</p>																									



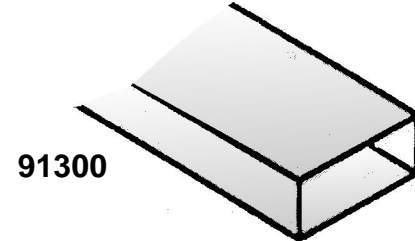
<p><b>Drive-In Screw</b></p>  <p>Replacement is non-slotted. Order 1122-1 replacement</p> <p><b>5447</b></p>	<p><b>Clear Storm Door Clip</b></p>  <p><b>SD-124</b></p>	<p><b>Fixed Pin</b></p>  <p>2260-1/4" x 9/16" 2260-5/32 x 1-1/8" 2260-7/32 x 1-1/8"</p>	<p><b>Screen Pull</b></p>  <p>avail. in black and clear</p> <p><b>20164</b></p>	<p><b>Flat Aluminum Handle</b></p>  <p><b>20069</b></p>
<p><b>Nylon Clip</b></p>  <p><b>20014</b></p>	<p><b>Nylon Clip w/ 10-24x1-3/4" screw</b></p>  <p>20018-screw also avail. separately</p> <p><b>20018</b></p>	<p><b>Cast Zinc Clip</b></p>  <p>w/ #1168 thumb screw. Screw also available separately.</p> <p><b>20402</b></p>	<p><b>Cast Zinc Storm Panel Clip</b></p>  <p>Replaces original nylon</p> <p><b>SD-274</b></p>	<p><b>Screen Clip black or white</b></p>  <p>Customer to supply rivet</p> <p><b>20284</b></p>
<p><b>Aluminum Clip</b></p>  <p>Rh shown. Avail. in L or R.</p> <p><b>20278</b></p>	<p><b>3 pc Bullet Clip</b></p>  <p><b>1149</b></p>	<p><b>2 pc Nylon Clip With Screw</b></p>  <p><b>2266</b></p>	<p><b>2 pc Nylon Clip With Screw</b></p>  <p><b>2266-Long</b></p>	<p><b>Elbow Catch</b></p>  <p>complete with strike and screws, brass plated.</p> <p><b>2359</b></p>

**CROSS BRACES**

**Insert Fits 1/4" x 3/4" Cross Brace**



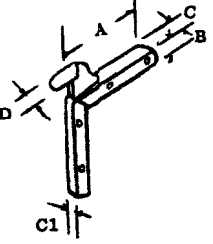
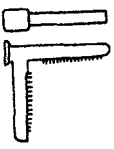
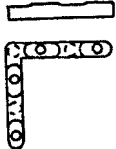
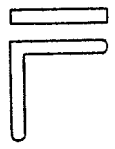
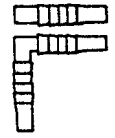
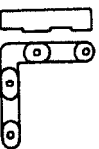
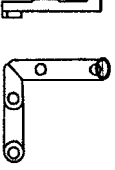
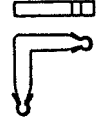
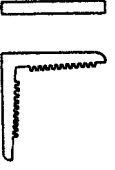
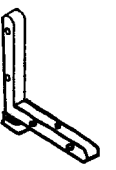
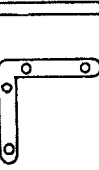
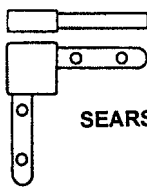
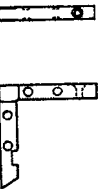
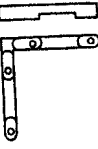
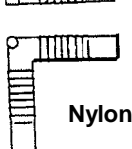
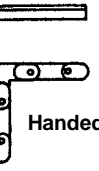
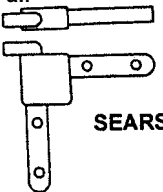
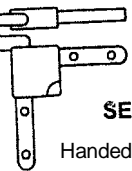
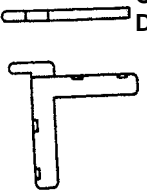

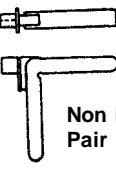
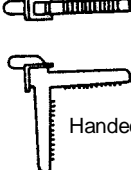
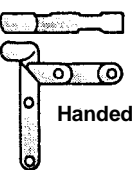
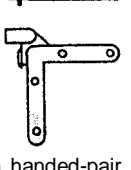
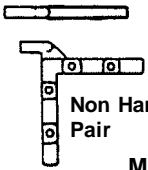

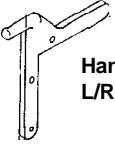
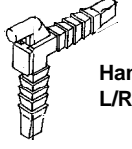
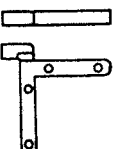
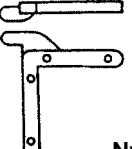
**Small Tubular Cross Brace 1/4" x 3/4"**



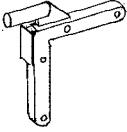
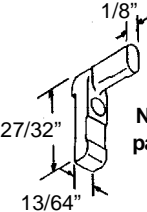
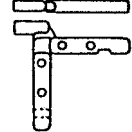
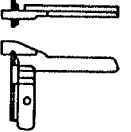
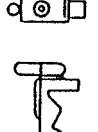
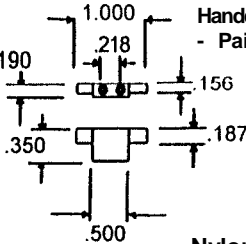
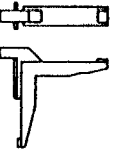
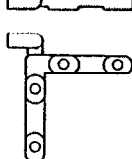
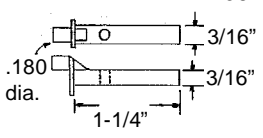
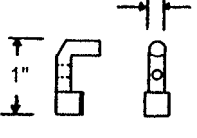
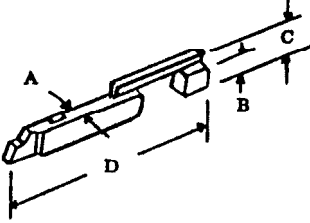
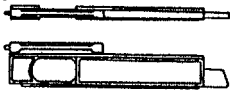
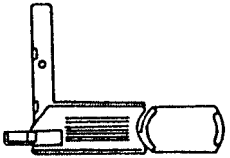
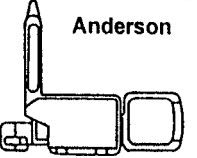
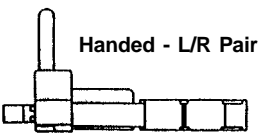
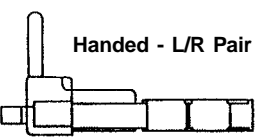
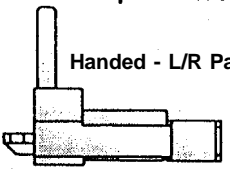
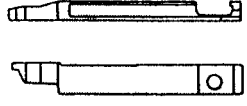
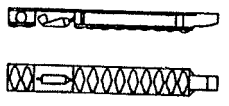

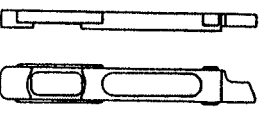
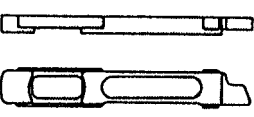
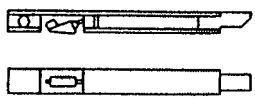
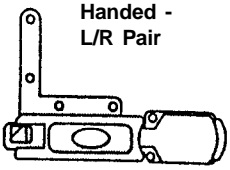
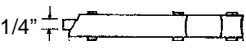
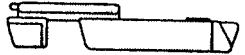
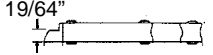
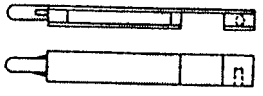
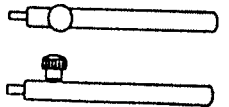
Part Number	Length	Qty	Color
91300-Bronze	6'3"	Each	Bronze
91300-Mill	6'3"	Each	Mill (Aluminum)
91300-White	6'3"	Each	White


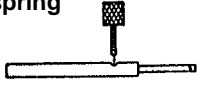
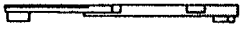

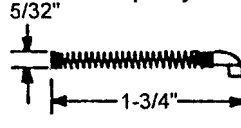
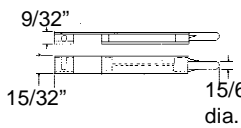
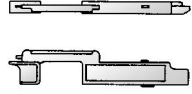
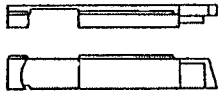
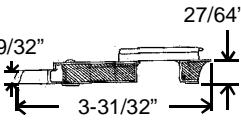


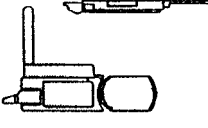
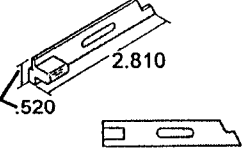

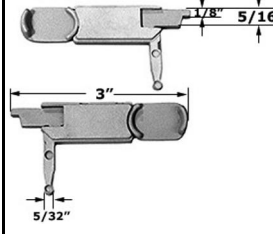
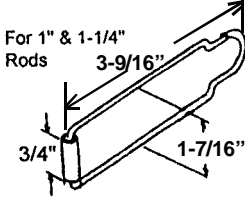
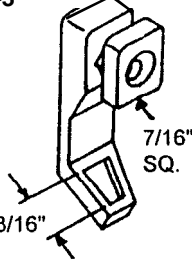
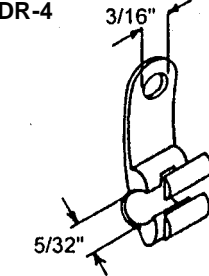
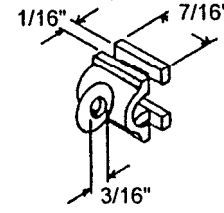
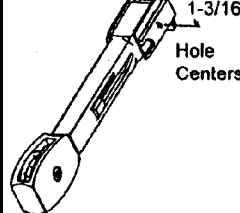

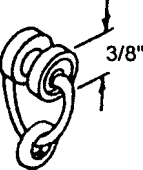
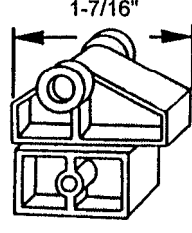
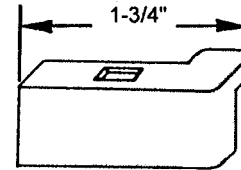
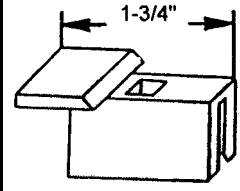
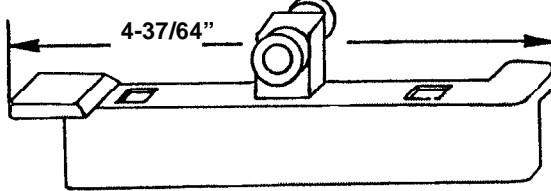
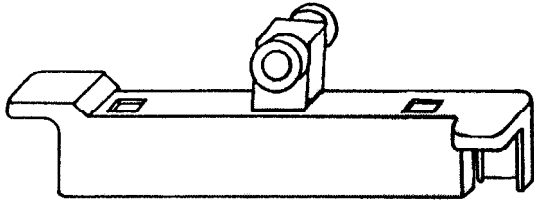
Call our Customer Service Department for additional information

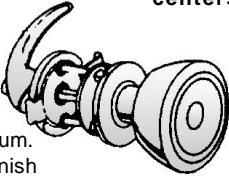
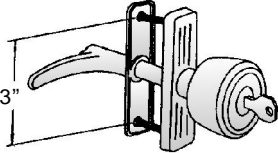
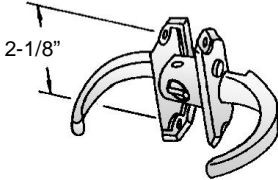
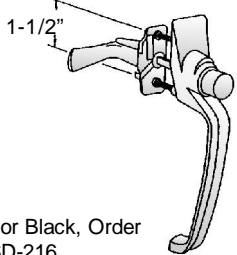
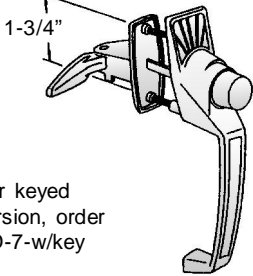
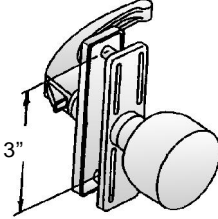
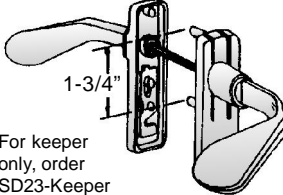
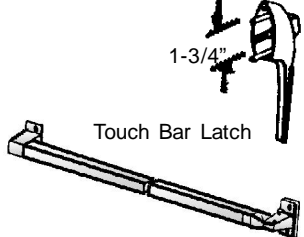
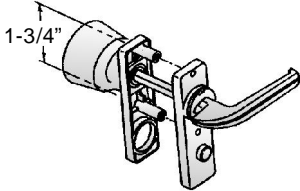
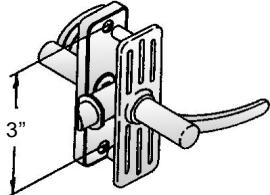
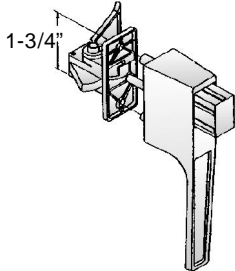
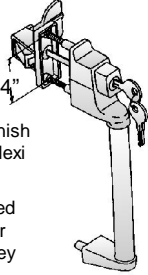
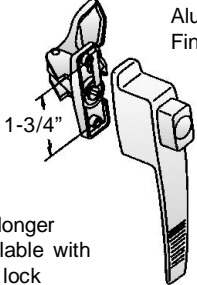
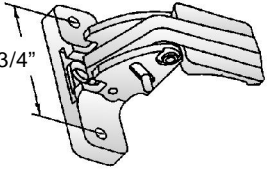
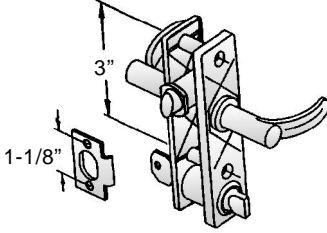
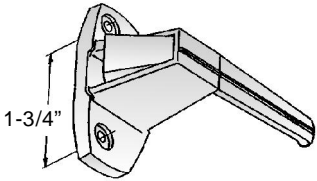
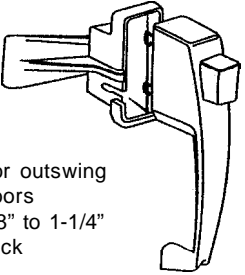
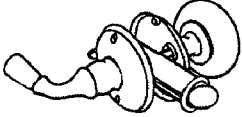
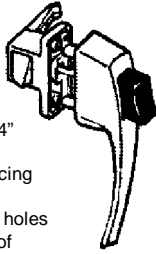
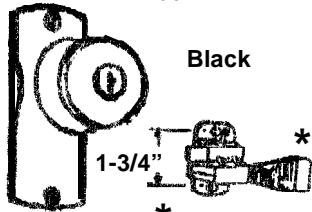
**Corner Keys / Tilt Corner Keys**

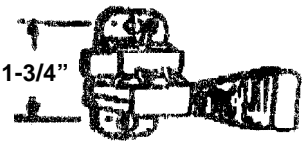

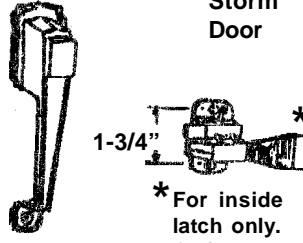
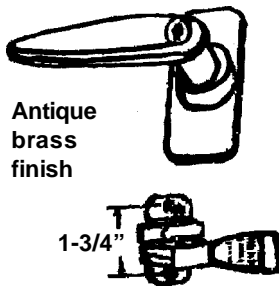
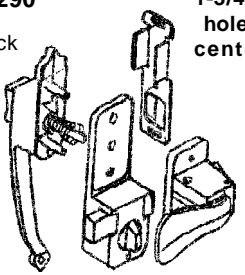
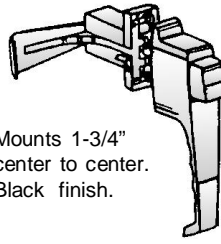
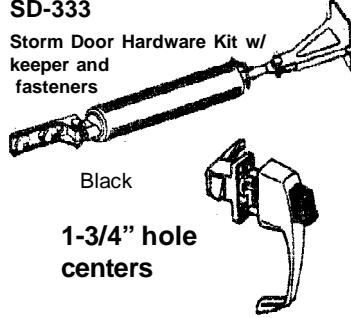
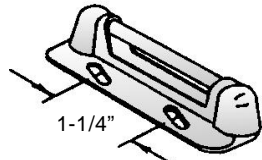
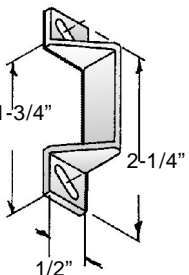
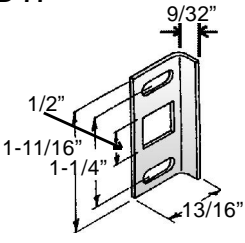
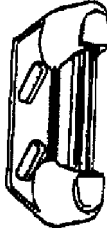

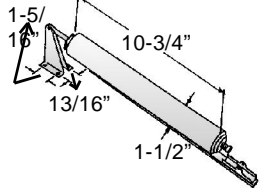
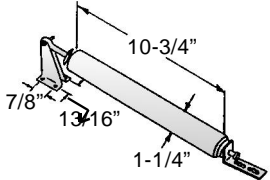
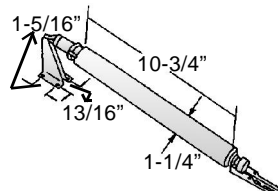
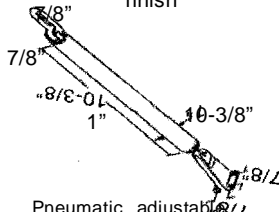
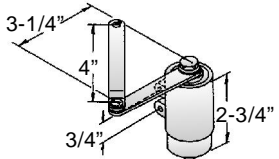
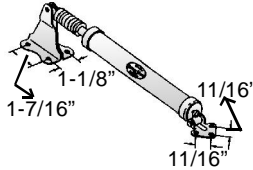
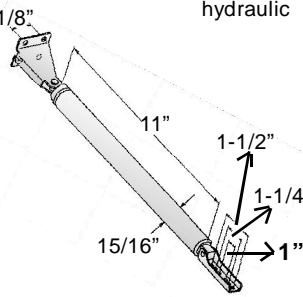
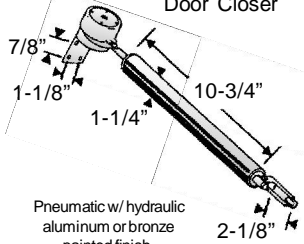
	<p><b>CK-2</b>      A = 1.255                   B = .230                   C = .168                   D = 1.05</p>  <p>Non handed-pair      <b>Nylon</b></p>	<p><b>CK-7</b>      A = 1.250                   B = .175                   C = .170</p>  <p>Non handed-pair      <b>Metal</b></p>	<p><b>CK-12</b>      A = 1.305                   B = .175                   C = .200</p>  <p>Non handed-pair      <b>Metal</b></p>	<p><b>CK-17</b>      A = 1.225                   B = .215                   C = .245</p> <p>Order CK-23 Metal re- place- ment</p>  <p>Non Handed - Pair      <b>Nylon</b></p>
<p><b>CK-23</b>      A = 1.305                   B = .230                   C = .250</p>  <p>Non handed-pair      <b>Metal</b></p>	<p><b>CK-26</b>      A = 1.312                   B = .245                   C = .190                   C1 = .265</p>  <p>Non handed-pair      <b>Metal</b></p>	<p><b>CK-28</b>      A = 1.038                   B = .183                   C = .183</p>  <p>Non handed-pair      <b>Metal</b></p>	<p><b>CK-32</b>      A = 1.370                   B = .225                   C = .170</p>  <p>Non handed-pair      <b>Nylon</b></p>	<p><b>CK-36</b>      A = 1.250                   B = .195                   C = .156</p>  <p>Non handed-pair      <b>Nylon</b></p>
<p><b>CK-37</b>      A = 1.370                   B = .210                   C = .150</p>  <p>Non handed-pair      <b>Metal</b></p>	<p><b>CK-45</b>      A = 1.870 Non Handed -      B = .250 Pair                    C = .180</p>  <p><b>SEARS</b></p> <p><b>Nylon</b></p>	<p><b>CK-46</b>      A = 1.265                   B = .156                   C = .200</p>  <p><b>Nylon</b></p>	<p><b>CK-59</b>      A = 1.340                   B = .185                   C = .195</p>  <p>Non handed-pair      <b>Metal</b></p>	<p><b>CK-65</b>      A = 1.937                   B = .421                   C = .173</p>  <p><b>Nylon</b></p> <p>Non handed-pair</p>
<p><b>CK-68</b>      A = 1.250                   B = .208                   C = .160                   C1 = .105</p>  <p>Handed - L/R Pair</p> <p><b>Metal</b></p>	<p><b>TK-1</b>      A = 1.725 Non Handed -      B = .254 Pair                    C = .177                               D = .158</p>  <p><b>SEARS</b></p> <p><b>Nylon</b></p>	<p><b>TK-2</b>      A = 1.861                   B = .272                   C = .190                   D = .163</p>  <p><b>SEARS</b></p> <p>Handed - L/R Pair</p> <p><b>Nylon</b></p>	<p><b>TK-3</b>      A = 1.407                   B = .274                   C = .120                   D = .140</p>  <p><b>Nylon</b></p>	<p><b>TK-6</b>      A = 1.043                   B = .177                   C = .171                   D = .155</p> <p>Order TK-32</p>  <p>Non Handed - Pair</p> <p><b>Nylon</b></p>
<p><b>TK-7</b>      A = 1.212                   B = .190                   C = .177                   D = .195</p>  <p>Non Handed - Pair</p> <p><b>Nylon</b></p>	<p><b>TK-12</b>      A = 1.254                   B = .238                   C = .178                   D = .160</p>  <p>Handed - L/R Pair</p> <p><b>Nylon</b></p>	<p><b>TK-14</b>      A = 1.347                   B = .247                   C = .244                   D = .230                   C1 = .164</p>  <p>Handed - L/R Pair</p> <p><b>Metal</b></p>	<p><b>TK-15</b>      A = 1.222                   B = .204                   C = .151                   D = .150</p>  <p>Non handed-pair      <b>Nylon</b></p>	<p><b>TK-16</b>      A = 1.350                   B = .196                   C = .186                   D = .172</p>  <p>Non Handed - Pair</p> <p><b>Metal</b></p>
<p><b>TK-20</b>      A = 1.250                   B = .200                   C = .160                   D = .137                   C1 = .100</p>  <p>Handed - L/R Pair</p> <p><b>Metal</b></p>	<p><b>TK-23</b>      A = 1.300                   B = .194                   C = .090                   D = .130</p>  <p>Handed - L/R Pair</p> <p><b>Nylon</b></p>	<p><b>TK-32</b>      A = 1.222                   B = .207                   C = .240                   D = .145</p>  <p>Handed - L/R Pair</p> <p><b>Nylon</b></p>	<p><b>TK-33</b>      A = 1.200                   B = .175                   C = .160                   D = .180</p> <p>Handed - L/R Pair</p>  <p><b>Nylon</b></p>	<p><b>TK-34</b>      A = 1.285                   B = .185                   C = .140                   D = .185</p> <p>Handed - L/R Pair</p>  <p><b>Nylon</b></p>

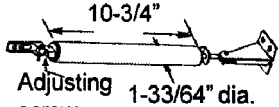
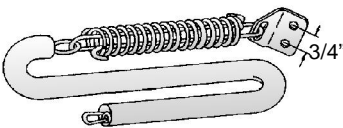
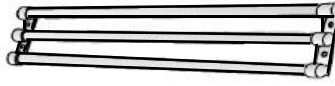
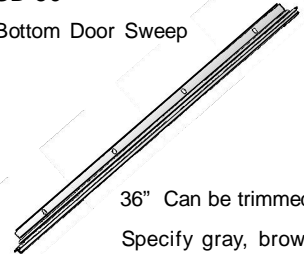
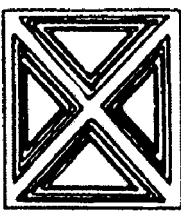
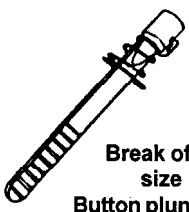
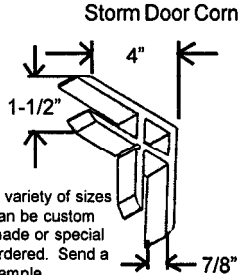
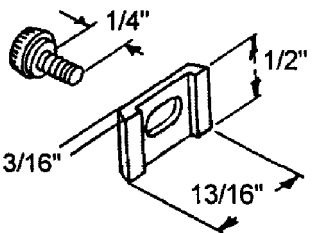
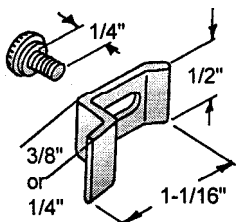
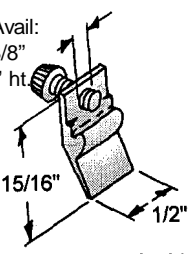
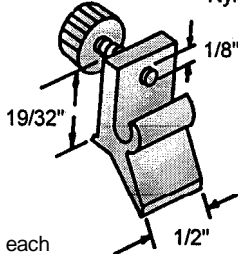
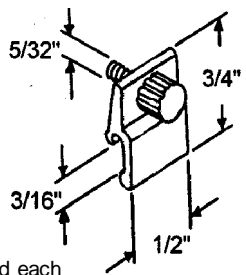
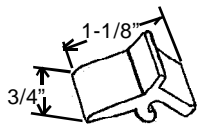
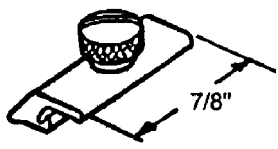
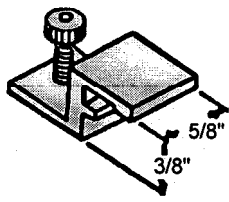
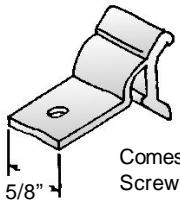
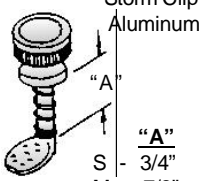
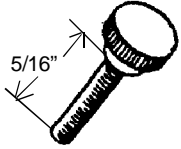
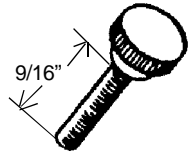
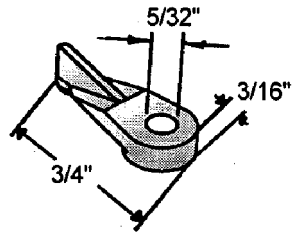
**Tilt Corner Keys / Slidebolts**

<p><b>TK-35</b> A = 1.300 B = .200 C = .190 D = .160</p> <p>Non Handed - Pair</p>  <p>Nylon</p>	<p><b>TK-39</b> A = .855 B = .170 C = .190 D = .130</p>  <p>Non-handed pair</p> <p>Nylon</p>	<p><b>TK-40</b> A = 1.245 B = .205 C = .150 D = .137</p> <p>Non Handed - Pair</p>  <p>Nylon</p>	<p><b>TK-44</b> A = 1.440 B = .205 C = .165 D = .130 C1=.322</p> <p>Handed - L/R Pair</p>  <p>Nylon</p>	<p><b>TK-45</b> A = .540 B = .125 C = .200 D = .170 C1=.295</p>  <p>Metal or Black Nylon</p>
<p><b>TK-46</b> Non Handed - Pair</p>  <p>Nylon</p>	<p><b>TK-49</b> A = 1.105 B = .250 C = .210 D = .150</p> <p>Non Handed - Pair</p>  <p>Nylon</p>	<p><b>TK-54</b> A = 1.364 B = .245 C = .245 D = .240</p> <p>Non Handed - Pair</p>  <p>Metal</p>	<p><b>TK-57</b> A = 1.275 B = .190 C = .190 D = .160</p> <p>Non Handed - Pair</p>  <p>Nylon</p>	<p><b>TK-62</b> Non Handed - Pair</p>  <p>Nylon</p>
	<p><b>SB-1</b> A = .223 B = .567 C = .797 D = 4.0</p> <p>Non Handed - Pair</p> <p>Sears Replacement</p>  <p>Metal or Nylon</p>	<p><b>SB-5</b> 4-Piece Assembly</p>  <p>Handed - L/R Pair Metal</p>	<p><b>SB-6</b> 4-Piece Assembly</p> <p>Anderson</p>  <p>Handed - L/R Pair Nylon</p>	
<p><b>SB-12</b> Sears Replacement</p> <p>Handed - L/R Pair</p>  <p>Nylon</p>	<p><b>SB-13</b> Sears Replacement</p> <p>Handed - L/R Pair</p>  <p>Nylon</p>	<p><b>SB-14</b> Sears Replacement</p> <p>Handed - L/R Pair</p>  <p>Nylon</p>	<p><b>SB-18</b> A = .277 B = .455 D = 3.625</p> <p>Handed - L/R Pair</p>  <p>Nylon</p>	<p><b>SB-19</b> A = .292 B = .468 D = 3.875</p> <p>Non Handed - Pair</p>  <p>Nylon</p>
<p><b>SB-21</b> A = .214 B = .552 C = .912 D = 3.937</p> <p>Handed - L/R Pair</p>  <p>Nylon</p>	<p><b>SB-24</b> A = .264 B = .565 D = 4.0</p> <p>Handed - L/R Pair</p>  <p>Metal</p>	<p><b>SB-25</b> A = .270 B = .570 D = 3.937</p> <p>Handed - L/R Pair</p> <p>Season-All</p>  <p>Metal</p>	<p><b>SB-27</b> A = .320 B = .355 D = 3.875</p> <p>Non Handed - Pair</p>  <p>Nylon</p>	<p><b>SB-29</b> Handed - L/R Pair</p> <p>4-pc assembly</p>  <p>Metal</p>
<p><b>SB-32</b> A = .267 B = .577 D = 4.0</p> <p>Handed - L/R Pair</p>  <p>Nylon</p>	<p><b>SB-33</b> A = .242 B = .448 C = .683 D = 3.750</p> <p>Handed - L/R Pair</p>  <p>Nylon</p>	<p><b>SB-34</b> A = .273 B = .582 D = 4.0</p> <p>Handed - L/R Pair</p>  <p>Nylon</p>	<p><b>SB-38</b> A = .395 B = .430 D = 4.0</p> <p>Non Handed - Pair</p>  <p>Nylon</p>	<p><b>SB-59</b> A = .250 D = 2.750</p> <p>Non Handed - Pair</p>  <p>Metal</p>

<p><b>SB-61</b>      A = .187                   D = 2.562</p> <p>Non Handed - Pair</p>  <p>w/ spring</p>  <p><b>Metal</b></p>	<p><b>SB-70</b>      A = .160                   B = .472                   C = .624                   D = 3.500</p> <p>Handed - L/R Pair</p>   <p><b>Nylon</b></p>	<p><b>SB-77</b>      Available with metal or nylon tip. Please specify.</p>  <p>Sold in pair      <b>Metal</b></p>	<p><b>SB-82</b>      A = .305                   B = .466                   D = 4.0</p> <p>Non Handed - Pair</p>  <p><b>Nylon</b></p>	<p><b>SB-83</b>      A = .195                   B = .409                   C = .687                   D = 3.500</p> <p>Handed - L/R Pair</p>  <p><b>Metal</b></p>
<p><b>SB-89</b>      A = .293                   B = .425                   C = .475                   D = 2.937</p> <p>Order SB-89- Special. Handed - L/R Pair</p>  <p><b>Nylon</b></p>	<p><b>SB-153</b></p>  <p>Handed- L/R Pair</p> <p><b>Metal</b></p>	<p><b>SB-93</b>      A = .255                   B = .430                   C = .750                   D = 3.312</p> <p>Handed - L/R Pair</p>  <p><b>Metal</b></p>	<p><b>SB-100</b>      A = .210                   B = .499                   C = .705                   D = 3.375</p> <p>Handed - L/R Pair</p>  <p><b>Metal</b></p>	<p><b>SB-105</b></p> <p>Handed - L/R Pair 4-pc assembly</p>  <p><b>Metal</b></p>
<p><b>SB-112</b></p> <p>Handed - L/R Pair</p>  <p><b>Nylon</b></p>	<p><b>SB-119</b>      A = .247                   B = .427                   D = 3.750</p> <p>Handed - L/R Pair</p>  <p><b>Metal</b></p>	<p><b>SB-92</b></p>  <p><b>Metal</b></p>	<p>This is a representation of hundreds of sizes and styles of Corner Keys, Tilt Keys and Slidebolts available through Blaine. If you don't see the parts you need on these pages, please contact our Customer Service Department for help with your requirements or send a sample to our Research Department.</p>	
<p><b>DR-1-1/4</b></p> <p>For 1" &amp; 1-1/4" Rods</p>  <p><b>Nylon</b></p>	<p><b>DR-3</b></p>  <p><b>Metal</b></p>	<p><b>DR-4</b></p>  <p><b>Metal</b></p>	<p><b>DR-10</b></p>  <p><b>Metal</b></p>	<p><b>DR-20</b></p>  <p><b>Metal</b></p>
<p><b>DR-27</b></p>  <p><b>Metal</b></p>	<p><b>DR-30</b></p>  <p><b>Metal</b></p>	<p><b>DR-41</b></p>  <p><b>Metal</b></p>	<p><b>DR-43</b></p>  <p><b>Metal</b></p>	<p><b>DR-43-1</b></p>  <p><b>Metal</b></p>
<p><b>DR-42-L-with rollers</b></p>  <p>also available without rollers</p>		<p><b>DR-42-R- with rollers</b></p>  <p>also available without rollers</p>		

<p><b>SD-3</b>      1-1/4" hole centers</p>  <p>Alum. Finish</p> <p>For all outswing storm or jalousie doors. 1" to 1-1/4" thick. Single hole bore 1-1/4" diameter.</p>	<p><b>SD-4</b></p>  <p>3"</p> <p><b>w/ key lock</b></p> <p>Aluminum Finish</p>	<p><b>SD-5</b>      Aluminum Finish</p>  <p>2-1/8"</p> <p>Order SD-329 replacement.</p>	<p><b>SD-6</b>      Aluminum Finish</p>  <p>1-1/2"</p> <p>For Black, Order SD-216</p>
<p><b>SD-7</b>      Black or Aluminum Finish</p>  <p>1-3/4"</p> <p>For keyed version, order SD-7-w/key</p>	<p><b>SD-16</b></p>  <p>3"</p> <p>Black or Aluminum Finish</p>	<p><b>SD-23</b></p>  <p>1-3/4"</p> <p>For keeper only, order SD23-Keeper in black or aluminum.</p> <p>Black or Aluminum Finish</p>	<p><b>SD-25</b>      White Finish.</p>  <p>1-3/4"</p> <p>Touch Bar Latch</p>
<p><b>SD-26</b>      Aluminum Finish</p>  <p>1-3/4"</p>	<p><b>SD-39</b></p>  <p>3"</p> <p>Aluminum Finish</p>	<p><b>SD-40</b>      Black Finish</p>  <p>1-3/4"</p>	<p><b>SD-42</b></p>  <p>1-3/4"</p> <p>Aluminum Finish With Clear Plexi Handle</p> <p>For non-keyed version, order SD-42-w/o key can be ordered keyed alike in quantities</p>
<p><b>SD-43</b>      Black or Aluminum Finish</p>  <p>1-3/4"</p> <p>No longer available with key lock</p>	<p><b>SD-44</b>      Inside Handle</p>  <p>1-3/4"</p> <p>Aluminum or Black Finish</p>	<p><b>SD-45-w/key</b>      Without key, order SD45-w/o key (aluminum finish)</p>  <p>3"</p> <p>1-1/8"</p> <p>Aluminum or Black Finish</p>	<p><b>SD-54</b>      Inside Handle</p>  <p>1-3/4"</p> <p>Black Finish</p>
<p><b>SD-57</b>      1-3/4" hole centers</p>  <p>For outswing doors 7/8" to 1-1/4" thick</p> <p>Black or aluminum finish</p>	<p><b>SD-125</b></p>  <p>Solid brass (polished) for wood and metal doors 7/8" to 1-3/8" thick. Interior locking mechanism.</p>	<p><b>SD-146</b></p>  <p>For outswing wood or metal doors Fits doors 1" to 1-1/4" thick Installation hole spacing 1-3/4" Installs in three 1/4" holes Contains two sizes of strikes and shims to provide adjustment for latching Has no "lock out" feature</p> <p>Black or aluminum finish</p>	<p><b>SD-214</b>      Security Storm Door</p>  <p>Black</p> <p>1-3/4"</p> <p>* For inside latch only. Order SD-214-DB</p>

<p><b>SD-214-DB</b> Black or white</p>  <p>1-3/4"</p> <p>other sizes and accessories available. Please inquire.</p>	<p><b>SD-216</b> Black Finish</p>  <p>1-1/2"</p> <p>without key</p> <p>For push button key lock, order SD-216-OSDE-W/LK</p>	<p><b>SD-268-HA</b> Security Storm Door</p>  <p>1-3/4" *</p> <p>* For inside latch only. Order SD-214-DB</p> <p>Black</p>	<p><b>SD-272</b></p>  <p>1-3/4"</p> <p>Antique brass finish</p>
<p><b>SD-290</b> Black</p>  <p>1-3/4" hole centers</p> <p>Security Storm Door</p>	<p><b>SD-331</b> Black Finish</p>  <p>Mounts 1-3/4" center to center. Black finish.</p> <p>For all doors 1" to 1-1/4"</p>	<p><b>SD-333</b> Storm Door Hardware Kit w/ keeper and fasteners</p>  <p>1-3/4" hole centers</p> <p>Black</p>	<p><b>SD-10</b> Specify Aluminum or Black Finish</p> <p>Low Profile</p>  <p>1-1/4"</p> <p>1/2" rod maximum height. Spring loaded.</p>
<p><b>SD-17</b> .050 shim - order SD-17-1</p>  <p>1-3/4"</p> <p>2-1/4"</p> <p>1/2"</p> <p>For 1/4" o/a height, order SD-17-Low. Aluminum or black.</p> <p>1/2" o/a height. Aluminum finish only.</p>	<p><b>SD-77</b></p>  <p>9/32"</p> <p>1/2"</p> <p>1-11/16"</p> <p>1-1/4"</p> <p>13/16"</p> <p>Zinc plated steel</p>	<p><b>SD-188</b> Black &amp; Aluminum finish</p>  <p>High Profile</p>	<p><b>SD-279</b></p>  <p>Plastic storm door keeper</p>
<p><b>SD-12</b></p>  <p>1-5/16"</p> <p>10-3/4"</p> <p>13/16"</p> <p>1-1/2"</p> <p>Aluminum or Black Finish. Pneumatic, adjustable speed.</p>	<p><b>SD-13</b></p>  <p>10-3/4"</p> <p>7/8"</p> <p>13/16"</p> <p>1-1/4"</p> <p>Aluminum Finish. Pneumatic, adjustable speed.</p>	<p><b>SD-14</b></p>  <p>1-5/16"</p> <p>10-3/4"</p> <p>13/16"</p> <p>1-1/4"</p> <p>Aluminum or Black Finish. Pneumatic, adjustable speed.</p>	<p><b>SD-15</b> Black or aluminum finish</p>  <p>1-5/8"</p> <p>7/8"</p> <p>10-3/8"</p> <p>1"</p> <p>1-1/8"</p> <p>Pneumatic, adjustable speed.</p>
<p><b>SD-34</b></p>  <p>3-1/4"</p> <p>4"</p> <p>3/4"</p> <p>2-3/4"</p> <p>Rota-Closer. Aluminum Finish. Adjustable Speed.</p>	<p><b>SD-51</b> Storm King</p>  <p>1-1/8"</p> <p>11/16"</p> <p>1-7/16"</p> <p>11/16"</p> <p>Aluminum &amp; Black Finish. Hydraulic, adjustable speed.</p>	<p><b>SD-195</b> Black Pre-adjusted hydraulic</p> <p><b>SD-196</b> Aluminum</p>  <p>1-1/8"</p> <p>11"</p> <p>1-1/2"</p> <p>1-1/4"</p> <p>1"</p> <p>15/16"</p>	<p><b>SD-258</b> "Heavyweight" Door Closer</p>  <p>7/8"</p> <p>1-1/8"</p> <p>1-1/4"</p> <p>10-3/4"</p> <p>2-1/8"</p> <p>Pneumatic w/ hydraulic aluminum or bronze painted finish.</p>

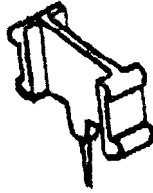
<p><b>SD-212</b></p>  <p>Adjusting screw 10-3/4" 1-33/64" dia.</p> <p><b>Heavy Duty</b></p> <p>Aluminum, white or gold painted finish</p>	<p><b>SD-18</b></p>  <p>3/4"</p> <p>Black or Aluminum Finish. Please specify when ordering.</p>	<p><b>SD-82</b> Guard</p>  <p>Adjustable for doors up to 39" widths. Weatherproof. 5/8" diameter aluminum tubing. White.</p>	<p><b>SD-56</b> Bottom Door Sweep</p>  <p>36" Can be trimmed Specify gray, brown or white.</p>
<p><b>SD-122</b> White</p>  <p>32-1/2" x 36"</p>	<p><b>SD-47</b></p>  <p>Break off to size Button plunger spindle</p>	<p><b>SD-164</b> Storm Door Corner</p>  <p>4" 1-1/2" 7/8"</p> <p>A variety of sizes can be custom made or special ordered. Send a sample.</p>	<p><b>SD-85</b></p>  <p>1/4" 1/2" 3/16" 13/16"</p> <p>4-Pack</p>
<p><b>SD-87</b> 8-Pack</p>  <p>1/4" 1/2" 3/8" 1-1/16"</p> <p>Avail. in Alum &amp; White</p>	<p><b>SD-89</b></p>  <p>Offset Avail: 3/16", 3/8" or 7/16" ht.</p> <p>15/16" 1/2"</p> <p>Aluminum or white</p>	<p><b>SD-90</b> White Nylon</p>  <p>19/32" 1/8" 1/2"</p> <p>Sold each</p>	<p><b>SD-91</b> Aluminum</p>  <p>5/32" 3/4" 3/16" 1/2"</p> <p>Sold each</p>
<p><b>SD-92-LG</b></p>  <p>1-1/8" 3/4"</p> <p>4-Pack White nylon</p>	<p><b>SD-93</b> Sold each</p>  <p>7/8"</p> <p>Avail. in black or bronze</p>	<p><b>SD-97</b> Sold each</p>  <p>5/8" 3/8"</p> <p>Nylon, black or white</p>	<p><b>SD-98</b> Sold each</p>  <p>5/8"</p> <p>Comes With Screw Natural Zinc Color</p>
<p><b>1100</b></p>  <p>Casement Storm Clip Aluminum</p> <p>Sold Each</p> <p>"A" S - 3/4" M - 7/8" L - 1"</p>	<p><b>1168-Short</b> Sold each</p>  <p>5/16"</p> <p>8-32 X 5/16"</p>	<p><b>1168</b> Sold each</p>  <p>9/16"</p> <p>8-32x9/16</p>	<p><b>20023</b> Sold each</p>  <p>5/32" 3/16" 3/4"</p> <p>clear or white</p>

4373

Pin Type



\*Note: All clips, dimensions are inside width.



Non ribbed depicted above

4372-7/8	Non-ribbed
4372-5/8	Non-ribbed
4372-1-1/16	Ribbed
4373-5/8	Ribbed
4373-3/4	Ribbed
4373-7/8	Ribbed
4373-1	Ribbed
4373-1-1/4	Ribbed

Nylon 5/8"

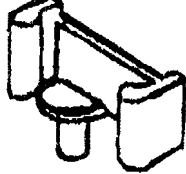
Stud Type

4340



Nylon 5/8"

4357



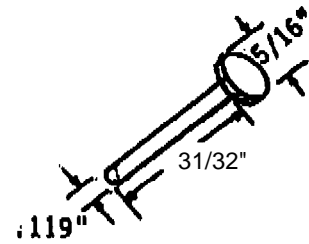
Nylon 7/8"

4350-7/8



Nylon 7/8"

4368



Nylon

Screw Attached Type

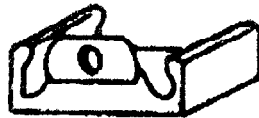
4337



Clip with Screw

Nylon 5/8"

4337-Offset

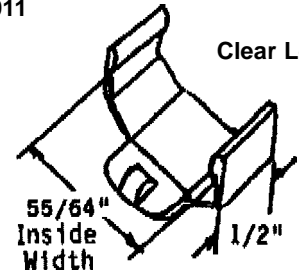


Offset Clip with Screw

Nylon 5/8"

For additional screws, order Screw-35-050 #4x3/8 Sheet Metal Screw

21011



Clear Lexan

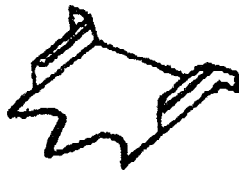
Stainless Steel

4229-5/8



5/8"

4229-7/8



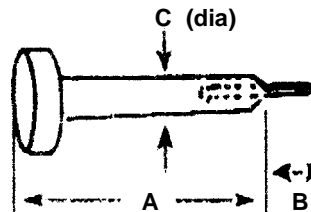
7/8"

Mini Grill Pins

Dimensions

Part No.	A	B	C
4223-220	.440	.220	.120
4223-250	.440	.250	.120

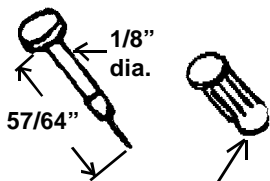
Wood hole diameter 7/32".  
Overall length .300



.440 = approximately 7/16"  
.220 = approximately 7/32"  
.250 = 1/4"  
.120 = approximately 1/8"

Full Framed Pin And Grommet

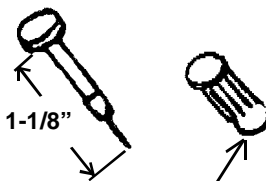
4346



Fits 7/32" dia. hole

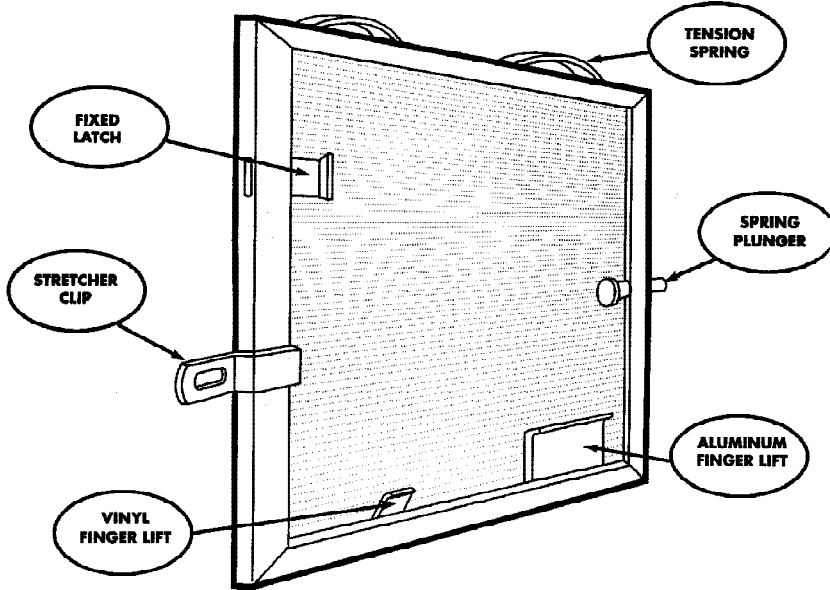
Nylon

4346-Long Pin



Fits 7/32" dia. hole





Your Complete Source  
For Manufactured  
Screens And  
Components !

Everything You Need  
Is Just A Phone Call  
Away !

We Can Make NEW Screens For The Cost Of Repairing Your Old Screens . Give Us The Sizes . We'll Do The Work !

•Frame Material:

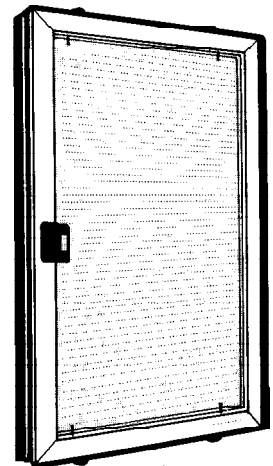
Mill, Bronze, White, Silver

•Screen Wire Material:

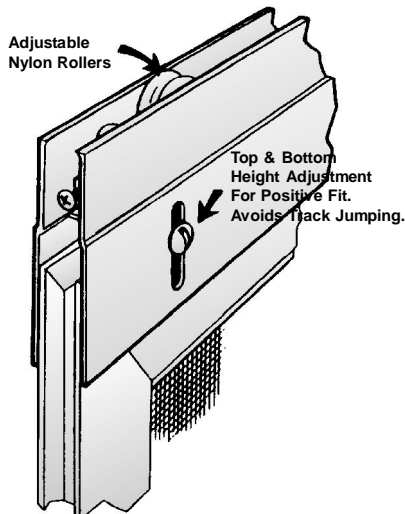
Aluminum , Fiberglass

•Screen Wire Colors:

Brite, Charcoal, Gray



**ADJUSTABLE SLIDING PATIO  
SCREEN DOOR**



- FITS MOST PATIO DOORS
- CUSTOM FIT BY HOMEOWNER
- SEALS BUGS OUT
- QUIET, SMOOTH ROLLING ACTION
- ALUMINUM FRAME - ROLL FORMED
- AVAILABLE IN NATURAL ALUMINUM, BRONZE OR WHITE
- FIBERGLASS SCREENING
- SMOOTH PLASTIC HANDLES

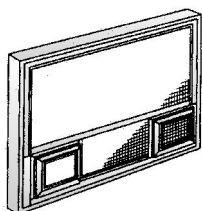
Screen Worksheets  
Available By  
Contacting Our  
Screen Department

**REPLACEMENT WINDOW SCREENS  
MADE TO YOUR SPECIFICATIONS**

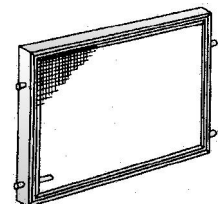
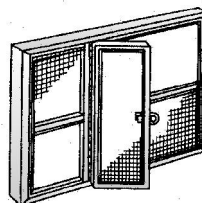
FOR QUOTATION - CALL TOLL FREE: 800-678-1919  
OR

FAX YOUR REQUIREMENTS TO: 888-250-3960

Many Styles & Sizes,  
Not Shown Here,  
Available On Request.  
Please Inquire!



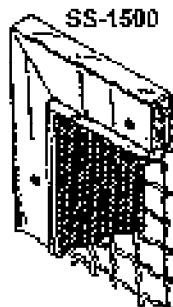
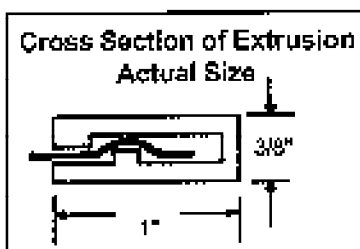
Custom screen  
orders require a  
minimum of  
(6) screens in any  
combination.



**BLAINE PROTECTION SCREENS**

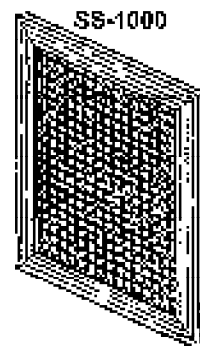
Designed to keep homes and businesses secure from intruders. Built with a tough half-mesh crimped aluminum screen tightly enclosed in a strong aluminum frame.

- Attractive alternative to unsightly bars on storm doors, basement and storm windows, and other openings.
- Great for schools, colleges, office buildings, warehouse windows and apartment ground level windows.
- Easy to install
- Heavy duty, long lasting and durable
- Many attractive finishes
- Protects against moving objects
- Available in aluminum, stainless or galvanized steel.



**Model SS-1000**

Prevents expensive glass breakage in high risk areas such as golf courses, playgrounds and factories. Ideal for apartments, offices, basements, warehouses and schools. Heavy duty aluminum frame sections, 3/8" thick, 1" wide, stainless steel wire .062" diameter strands. One strand every 1/2". Wire is crimped for additional strength.



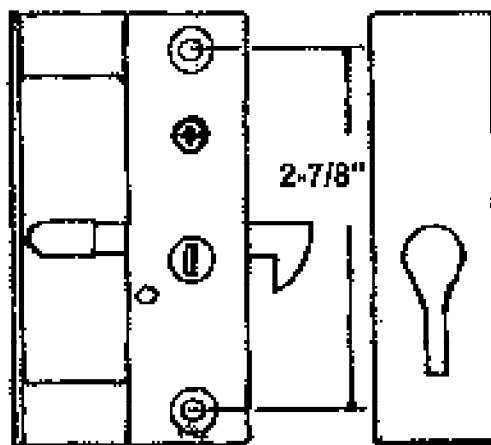
**Model SS-1500**

Same features as above but includes Aluminum 18 x 16 screen mesh to keep insects out during ventilation. Ordering: Provide exact frame size, width and height. Specify model number and regular or heavy duty stainless wire. All frame sections are natural aluminum finish (mill) only. Exterior installation requires use of one way screws.

Interior installation also. Manufactured of a .064 diameter half-mesh crimped aluminum wire which is laid over replaceable aluminum "insect screen" and forced together in a 1" wide aluminum frame.

**Self Closing Patio Door Latch**

Now a mandatory item in several states to satisfy safety requirements for patio doors adjacent to swimming pools and other potential hazards.



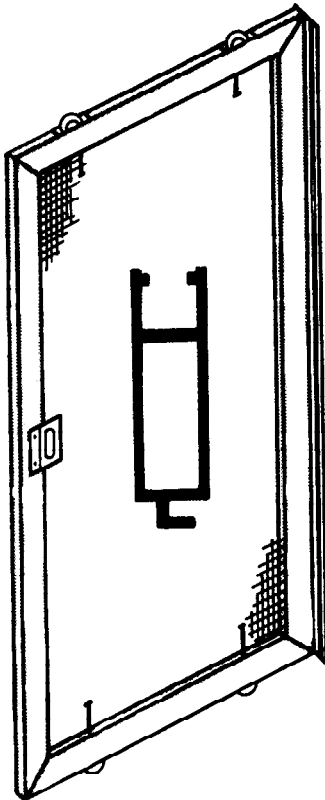
**For Sliding Doors**  
An auxiliary lock designed to be mounted in conjunction with the regular patio door handle lock. Automatically latches the door when it is closed.

**H-354-Black-058 and H-354-White-058**

Complete with inside & outside latch control, pull handle, keeper, shims and all fasteners

# PATIO SCREEN DOORS

**HEAVY EXTRUDED FRAME, CUSTOM SIZES**



**General Information**

Custom made, heavy extruded aluminum frame. spring loaded adjustable nylon wheels. Pull handles and adjustable vinyl bug strip at meeting rail.

**Frame Finishes**

Natural Aluminum (Mill)  
Bronze (Medium)  
White

**Screen Wire Options**

Fiberglass (silver-gray or black), Brite Aluminum or Black Aluminum

**Options**

Steel ball bearing rollers  
Pull handles with lock and keeper

**Measuring / Ordering**

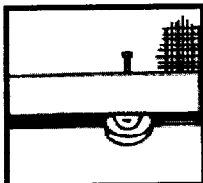
**New Screens** - Measure clear \* opening dimensions as shown below to determine size. Measure glass door for width. Specify frame finish, screen wire type and color and any options desired.

**Existing Screen Replacement**

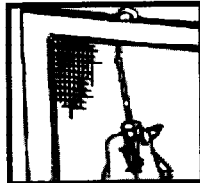
Measure the height of the existing screen from the top outside edge of the frame to the bottom outside edge of the frame.

When ordering, please specify the method of measurement you have used.

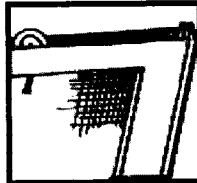
Quantities less than (5) are shipped unassembled (knocked down) for economical shipping (UPS)



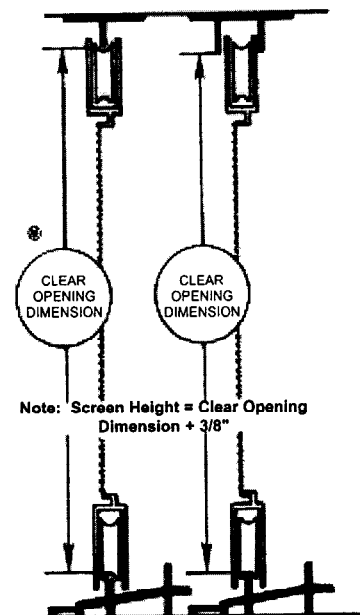
Smooth nylon rollers are mounted on spring assemblies that assure smooth operation.



Adjusting screw maintains propertension. Keeps screen from jumping the track.



All patio door screens are equipped with an adjustable vinyl bug strip to form a positive seal. Adjusts from 1-3/16" - 1/4"



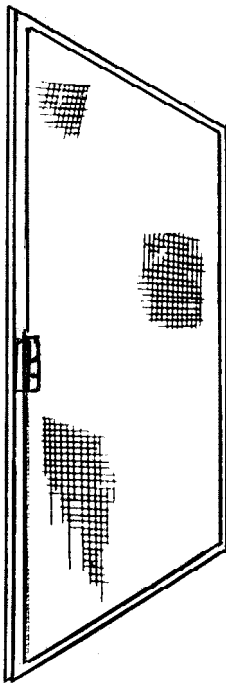


# TITAN

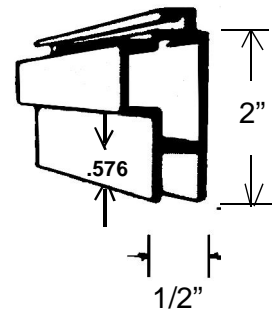
## Patio Screen Door



**\*Premium Quality\***  
**Extruded Aluminum**  
**Unassembled Patio Screen Doors**  
**Includes Fiberglass cloth & spline**



PART NO.	SIZE	COLOR
PSD3-36B	36" X 81"	BRONZE
PSD3-36W	36" X 81"	WHITE
PSD3-48B	48" X 81"	BRONZE
PSD3-48W	48" X 81"	WHITE



**Note:** Prior to assembly, customer must mitre cut side rails to proper size. Blaine can cut to size for a nominal charge.

- Provided with steel wheel
- Made of heavy .040 extruded aluminum
- Reversible for left or right hand doors
- Each door includes latch, keeper, rollers and bug seal.

**NOTE:** Maximum cut is 1/2" from each end of width without having to redrill hole.

Preassembled doors can be ordered in multiples of (5).  
Please inquire.



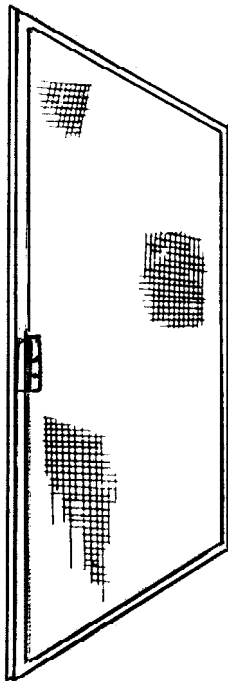
# GEMINI

## Patio Screen Door

**\* Standard Quality \***

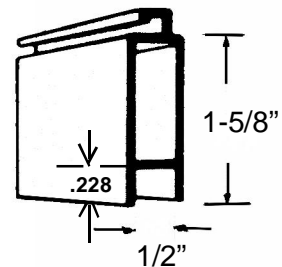
**Extruded Aluminum  
Unassembled Patio Screen Doors**

**Includes Fiberglass cloth & spline**



PART NO.	SIZE	COLOR
PSD2-36B	36" X 81"	BRONZE
PSD2-36W	36" X 81"	WHITE
PSD2-48B	48" X 81"	BRONZE
PSD2-48W	48" X 81"	WHITE

Note: Prior to assembly, customer must mitre cut side rails to proper size. Blaine can cut to size for a nominal charge.



- Provided with nylon wheel
- Made of heavy extruded aluminum
- Reversible for left or right hand doors
- Each door includes latch, keeper, rollers and bug seal

**NOTE:** Maximum cut is 1/2" from each end of width without having to redrill hole.

Preassembled doors can be ordered in multiples of (5).  
Please inquire.



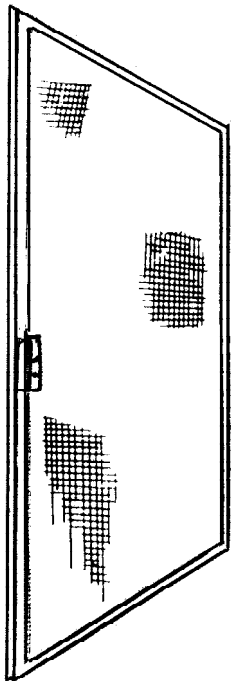
# APOLLO

## Patio Screen Door

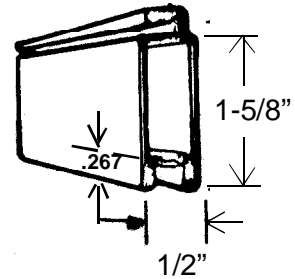
**\*ECONOMY\***

**Roll Formed Aluminum  
Unassembled Patio Screen Doors**

**Includes Fiberglass cloth & spline**



PART NO.	SIZE	COLOR
PSD1-36M	36" X 81"	MILL
PSD1-36B	36" X 81"	BRONZE
PSD1-36W	36" X 81"	WHITE
PSD1-48M	48" X 81"	MILL
PSD1-48B	48" X 81"	BRONZE
PSD1-48W	48" X 81"	WHITE



**Note:** Prior to assembly, customer must mitre cut side rails to proper size. Blaine can cut to size for a nominal charge.

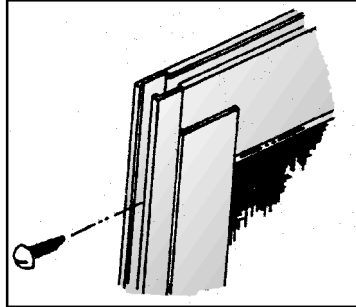
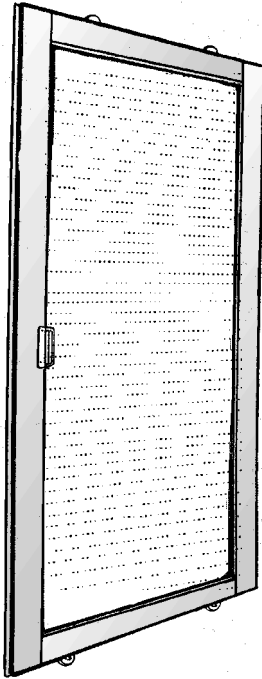
- Provided with nylon wheel
- Made of .038 roll formed aluminum
- Reversible for left or right hand doors
- Each door includes latch, keeper, rollers and bug seal
- Replaces patio screen doors with 1/16" to 3/16" sill/track bead height

**NOTE:** Maximum cut is 1/2" from each end of width without having to redrill hole.

Preassembled doors can be ordered in multiples of (5).  
Please inquire .

# RIVIERA

All Riviera Patio Screen Doors are custom made to your specifications. Please call or fax your size requirements & inquire for pricing.



**Note: Assembled doors cannot be shipped by UPS. They must be shipped by common carrier.**

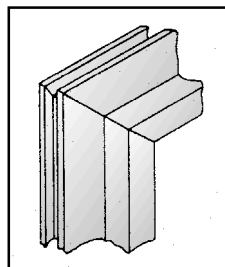
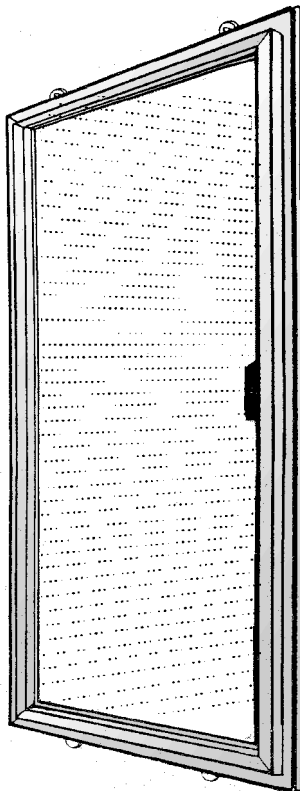
- Mill, Med. Bronze or White Finish
- Attractively designed w/ functional engineering to adapt to most door framing conditions.
- Extruded doors furnished with vinyl bug sweep, interlock or woolpile.
- Spring loaded latch will not break when door is slammed as die cast latches often do.
- Doors are REVERSIBLE for installation flexibility by cartwheeling screen 180 degrees.

Add actual freight charges for oversized shipments of both Deluxe and Riviera.

Quantity of 1 - 4 doors can be shipped unassembled. Quantity of 5 or more doors can be shipped assembled or unassembled for both Deluxe and Riviera. Please specify.

# DELUXE

All Deluxe Patio Screen Doors are custom made to your specifications. Please call or fax us your size requirements & inquire for pricing.

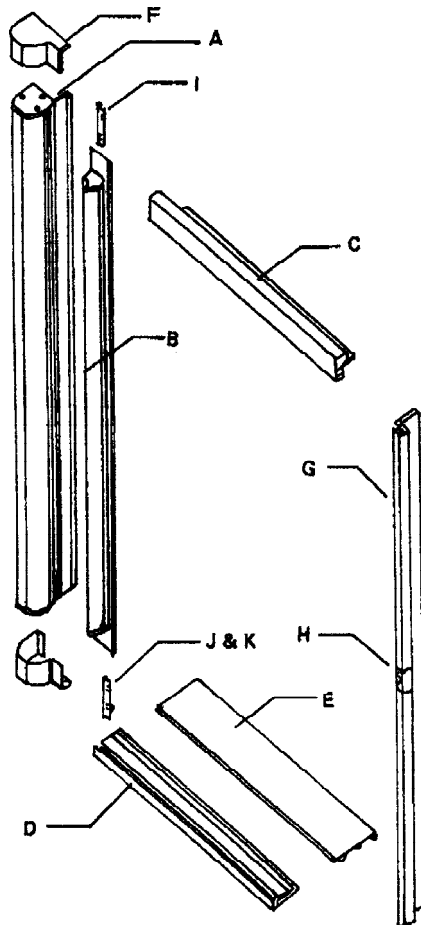
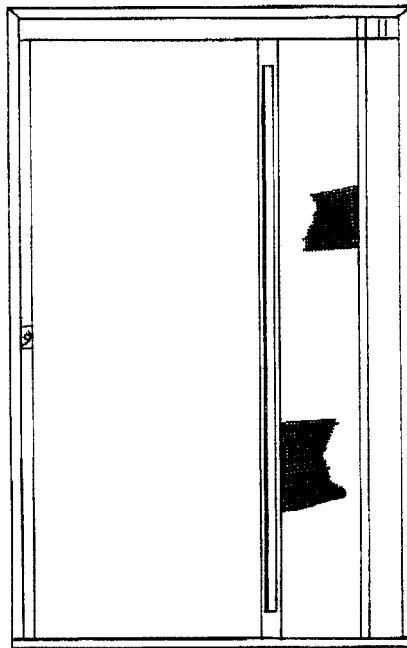


- Mill, Med. Bronze or White Finish
- Tubular extruded frame designed for maximum versatility, combines strength and appeal to provide user with ultimate in a patio screen door.
- Screens are REVERSIBLE for installation flexibility by cartwheeling screen 180 degrees.
- Furnished with vinyl bug sweep, interlock or woolpile.

**Note: Other doors available. Adjustable doors available with expanders. Expander doors can adjust 1-1/2" in height.**

# RSD36 X 80 WHITE

## Retractable Screen Door



White Extruded Nylon Vinyl with Black Fiberglass Screening

Adaptable for left or right sliding

- A Screen Housing
- B Slide Bar
- C Top Track
- D Bottom Track
- E Sill Cover
- F Housing Cover
- G Grip Catch
- H Grip Catch Screw
- I Top Slide
- J Bottom Slide
- K Spacing Aid

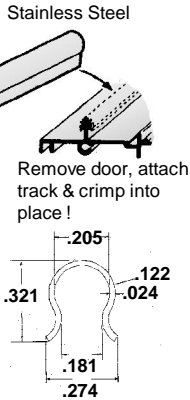
Comes with all mounting screws, support rings, screw covers, split nails and nylon end caps.

This door fits openings 80" tall by 32" - 36" wide. Ideal for common brick mold and sill constructions.

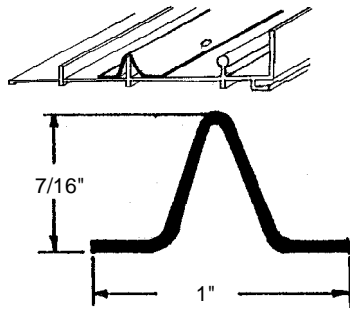


**T-1 Replacement Patio Door Sill Track Cover**

- Fits most track doors
- Easy to install
- Quickly replaces damaged track
- Saves time and money
- Attractive replacement for damaged or corroded track
- Available in 6 ft. & 8 ft. length

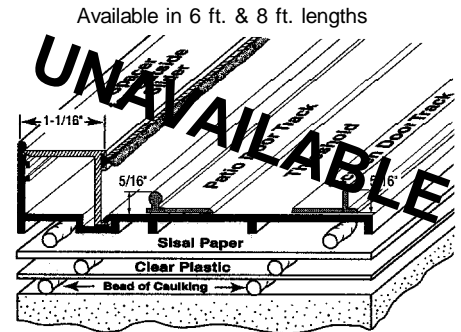


**T-3 8'**

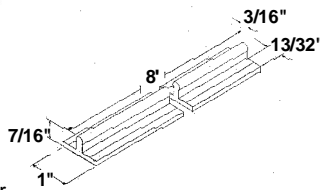
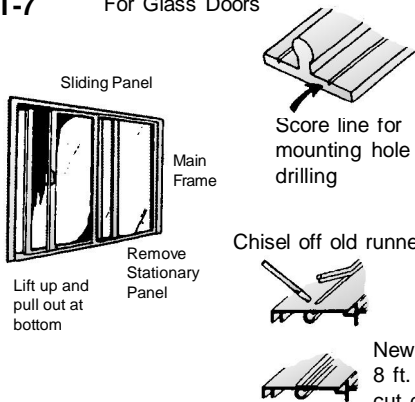


**T-6**

Threshold Replacements for Sliding Glass And Screen Doors

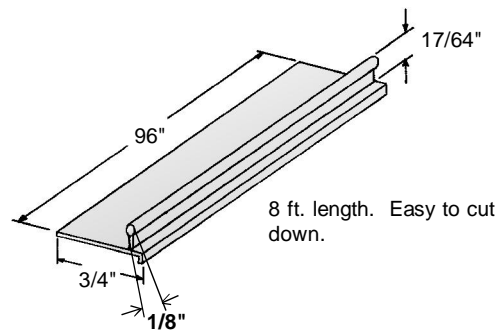


**T-7 For Glass Doors**



**T-9**

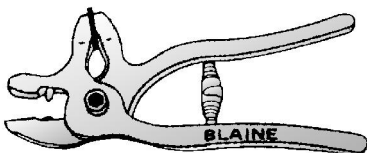
For Screen Doors



**S-6 Retractable Utility Knife**



**S-9 Glass Tool**



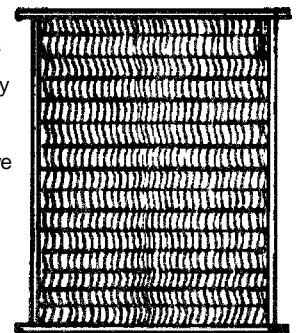
**Sliding Screen Door Grilles**

- Attractive & Functional
- Easy To Install
- Sizes To Fit 28-1/4" - 49-1/4" W Doors

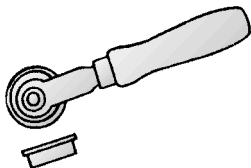
Aluminum, Bronze & White Finish

These grilles are made of heavy duty aluminum and are strong enough to protect doors from the abuse of children and pets. These grilles save time and money by eliminating the need to constantly repair screen doors.

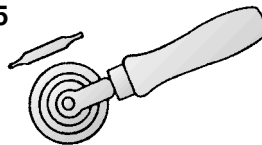
- PSD 1014 28-1/4" - 31-1/4"
- PSD 1015 34-1/4" - 37-1/4"
- PSD 1016 46-1/4" - 49-1/4"



**S-3A**



**S-5**



**Super Slick**

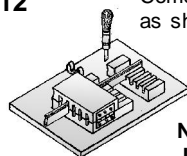
Lubricant



**S-11**



**S-12**



Comes with S-11, as shown

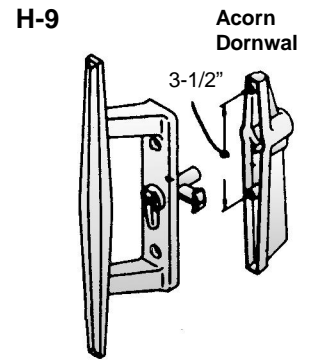
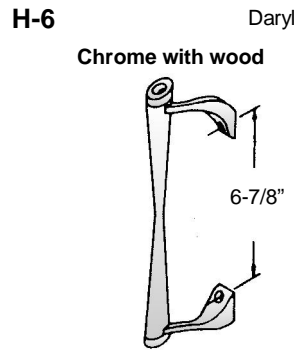
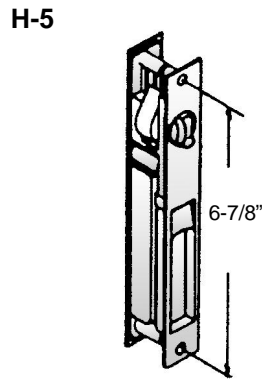
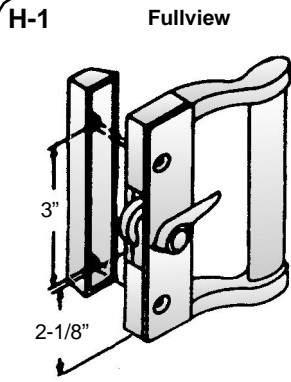
Notching Tool Jig Assembly

**S-25**

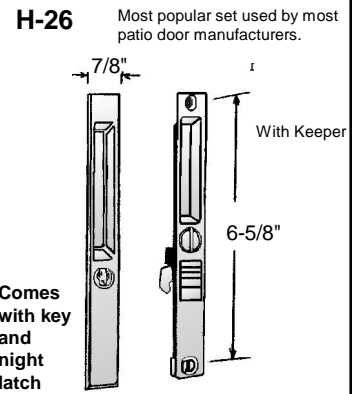
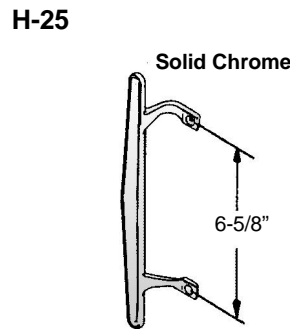
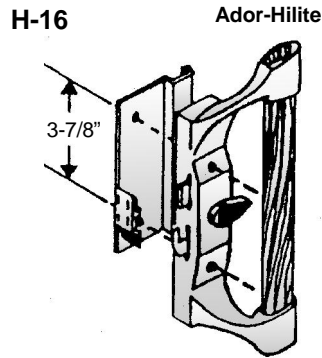
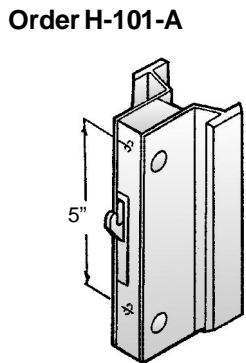
Step Drill



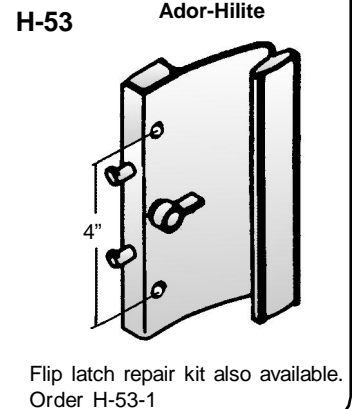
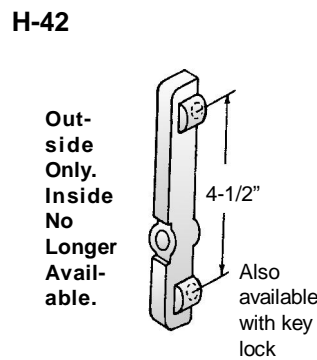
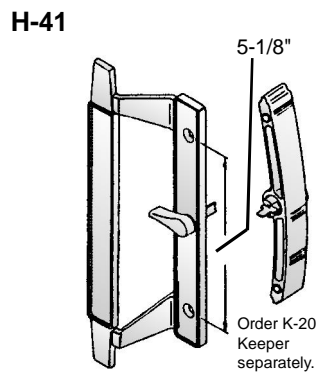
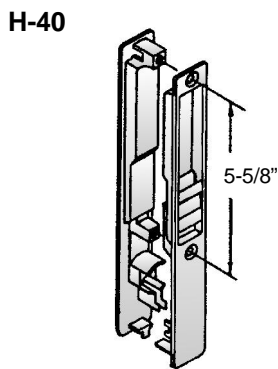
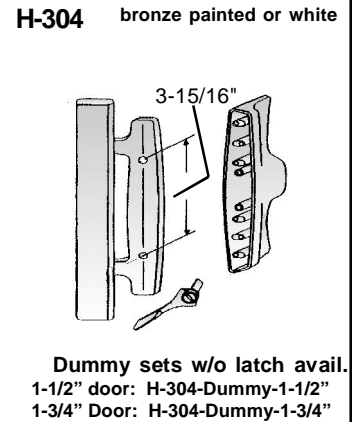
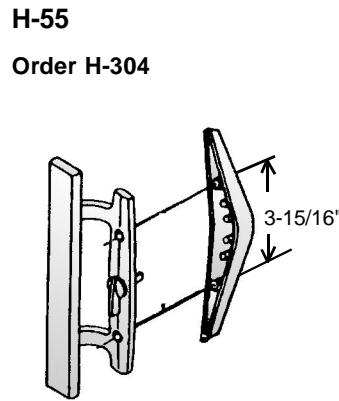
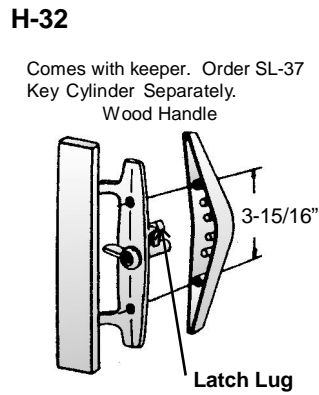
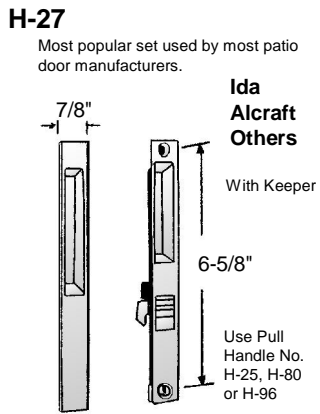
1/8" to 7/32"



Daryl Patio Rama 300



H-13 Peachtree Unavailable



Available with or without key. Please specify.

<p><b>H-33</b> <b>OZARK/CAPITOL</b></p>	<p><b>H-54</b> Crossley</p> <p>For 1" Door</p>	<p><b>H-54-A</b> Crossley</p> <p>Used with H-56 Pull</p> <p>For 7/8" Door</p>	<p><b>H-56</b> Wood Grain Use with H-54 &amp; H-54-A</p> <p>Adjustable</p>
---	--	---	--

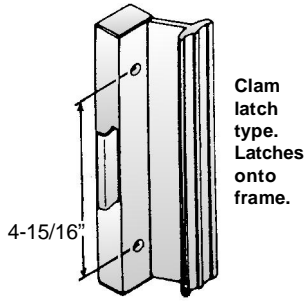
<p><b>H-62</b> Tucker</p> <p>No key cylinder available Right Hand Shown</p>	<p><b>H-80</b></p> <p>Deluxe wood handle with chrome brackets</p>	<p><b>H-96</b></p> <p>Deluxe wood handle with chrome brackets</p>	<p><b>H-100</b></p> <p>Original metal handle replaced with solid white nylon handle.</p>
---	---	---	--

<p><b>H-101-A</b> Universal Style See H-101-1 Keeper on page 138, sold separately.</p> <p>Surface mount design replaces 90% of obsolete handles.</p>	<p><b>H-110</b></p> <p>Front view</p> <p>Universal Glass Door Pull. Interior or Exterior.</p>	<p><b>H-106</b></p>	<p><b>H-347</b></p>
--	---	---------------------	---------------------

<p><b>H-130</b></p>	<p><b>H-140</b></p>	<p><b>H-146</b></p> <p>Order H-27 Replacement</p>	<p><b>H-160</b> Capitol</p>
---------------------	---------------------	---	-----------------------------

**H-161**

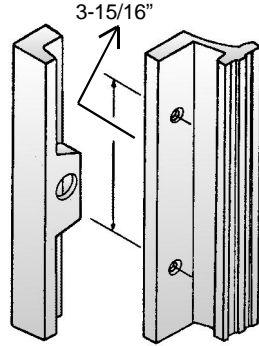
Avail. in black or alum. finish



comes w/ outside pull

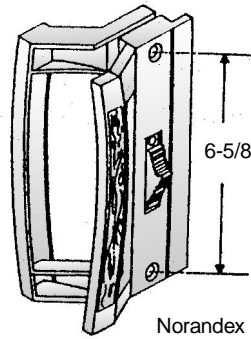
SL-37 Key Cylinder, Sold Separately

**H-173**



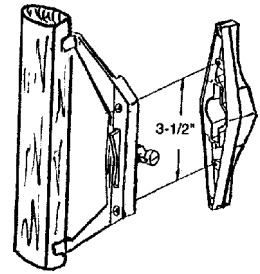
For key cylinder, order SL-37

**H-180**



Norandex

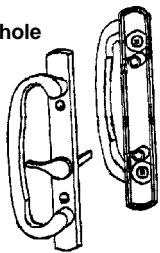
**H-38**



**H-95**

3-15/16" hole centers

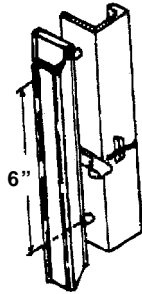
Specify finish



Specify door thickness, with or without key. Thumb turn off center as shown or centered.

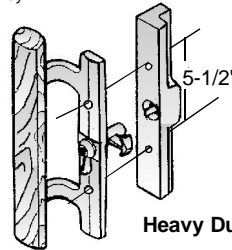
**H-47**

Old Arcadia door lock



**H-298**

When ordering complete handle with key cylinder, order H-298-With Key



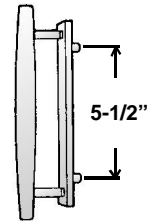
Heavy Duty

Replacement for standard duty H-98 which is no longer available

**H-300-OS**

Andersen

1966 Rounded Style



Specify outside or inside pull. Available in Rose Gold or satin silver.

**H-300-IS**

Andersen

1966 Rounded Style

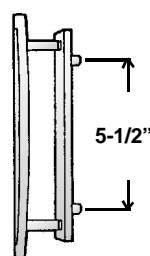


Specify outside or inside pull. Available in Rose Gold or satin silver.

**H-301-OS**

Andersen

1973 - 1981 Dished Style

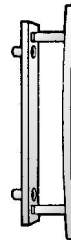


Specify outside or inside pull. Available in stone color only.

**H-301-IS**

Andersen

1973 - 1981 Dished Style

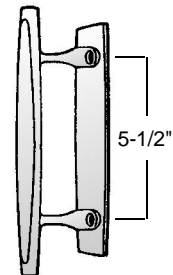


Specify outside or inside pull. Available in stone color only.

**H-302-IS**

Andersen

1982 Dished Style



Specify outside or inside pull. Available in stone color only.

**H-302-OS**

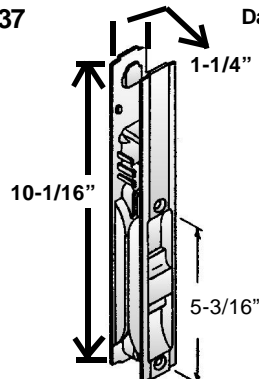
1982 Dished Style Andersen



Specify outside or inside pull. Available in stone color only.

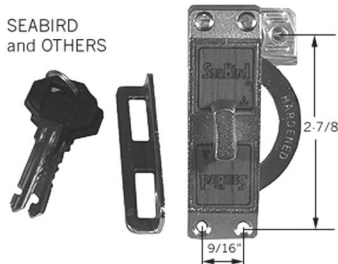
**H-37**

Daryl



**H-75**

SEABIRD and OTHERS

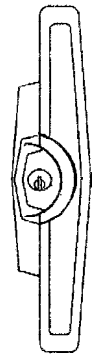


40.12.03.100  
40.12.03.101

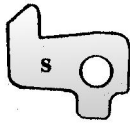
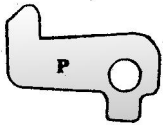
Truth Outside Pull

40.12.03.100 will accept key cylinder no. 31815, sold separately

40.12.03.101 not key cylinder acceptable



H-27-P Optional Latches For H-27 Handle H-27-S H-27-C Optional Latches For H-27 Handle H-27-K



Standard w/ "C" Latch



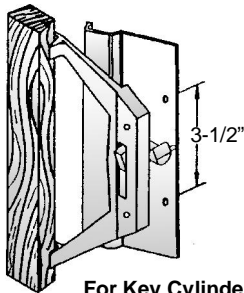
H-27-X



H-27-Z

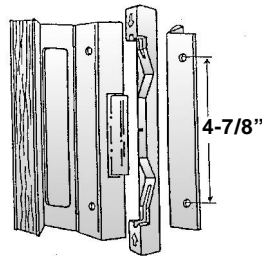


H-106



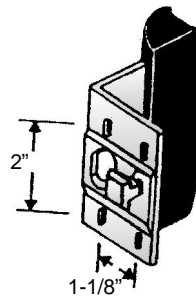
For Key Cylinder,  
Order H-106-Key

H-348



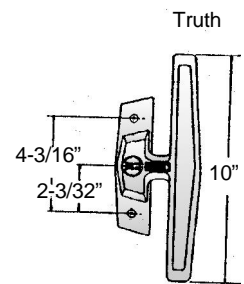
Rusco / Look

H-159



Capitol

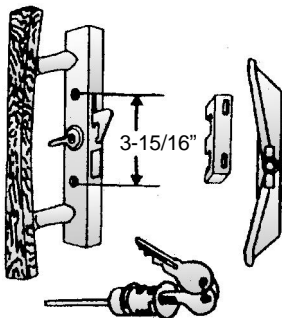
40.11.XX.100



Truth

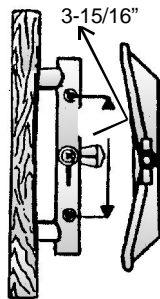
various colors available

H-170-KIT

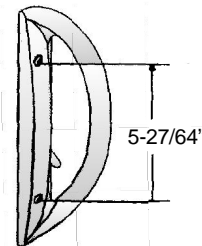


Sold with SL0037 key cylinder

H-171

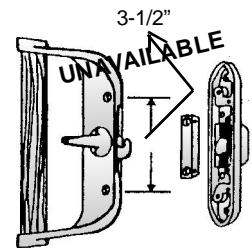


40.45 -w/o lock cylinder  
40.46 - w/lock cylinder



Truth  
Various Finishes Available

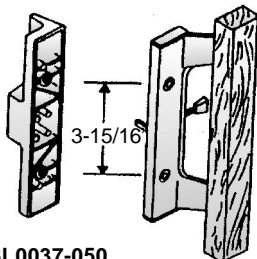
H-21



Order H-101-A Replacement

H-59

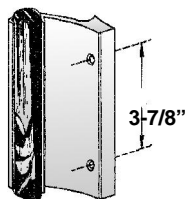
New Style Shown



SL0037-050  
Key cylinder

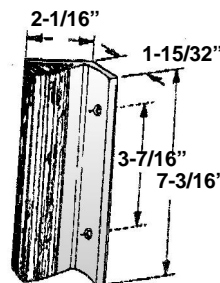
H-320

Ador / Hilite



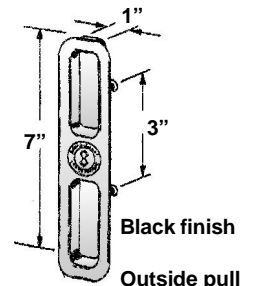
Aluminum  
finish with  
wood pull

H-328



H-329

International



Black finish  
Outside pull

**H-312**

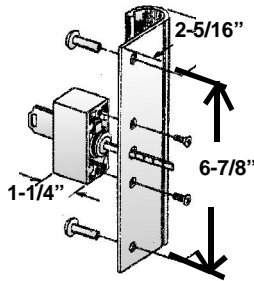


Center to Center  
Hole Spacing  
3-15/16"

Outside Handle Only  
For Complete Set - Inside and  
Outside Handle, Order H0312-SET  
For Key and Housing, Order H0312-1

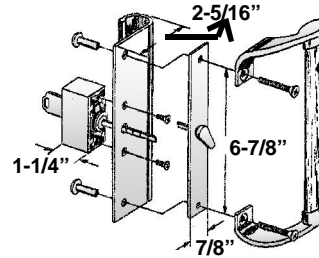
**H-326**

Daryl & Others  
Aluminum finish



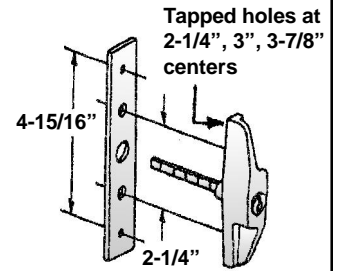
**H-326-Assembly (w/o key)  
H-326 Assy-w/key**

Daryl & Others  
Aluminum finish



**H-327**

gray zinc

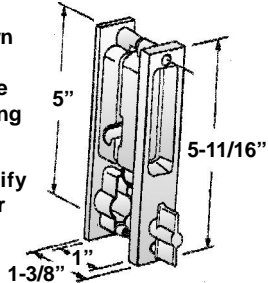


Order H-16 outer with key

**H-331**

Fran Meyer

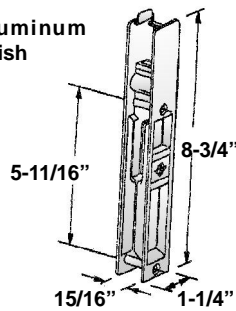
Left  
hand  
shown  
from  
inside  
looking  
out  
  
Specify  
left or  
right  
hand



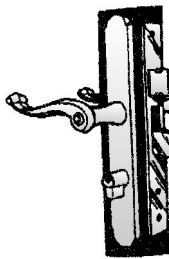
**H-332**

Adams-Rite

Aluminum  
finish



**H-356**



7-1/2" hole  
spacing

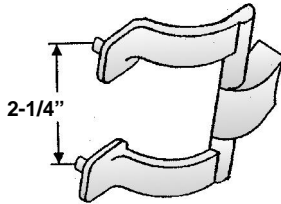
Available only in left hand

Features:  
Backset: 1"  
Swing deadbolt:  
1" throw  
Latch: 1/2"  
projection, easily  
reversible  
Cylinder Unit: 1  
piece, solid brass  
Solid cast brass  
lever / plate  
assemblies  
Strike included

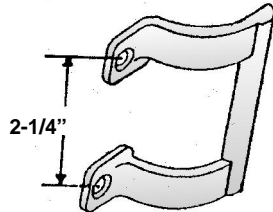
**Shower  
Door  
Hardware**

**HANDLES**

**H-343-B**

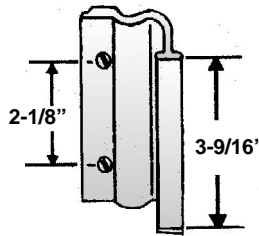


**H-315**



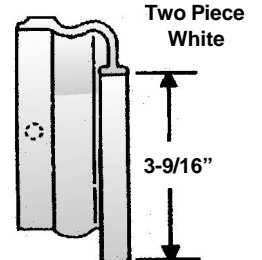
For 2" model, order H-343

Obsolete. Replaced  
by new style at right.



Old Style

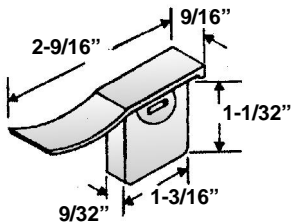
**6679**



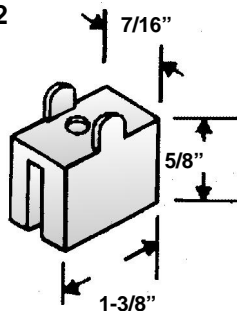
New Style

**DOOR GUIDES**

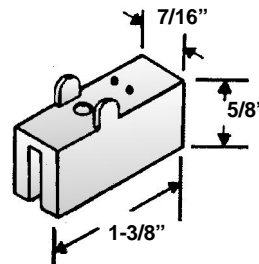
**6681**



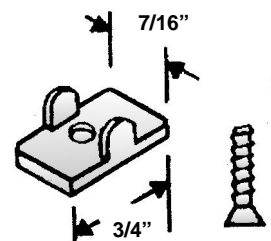
**6682**

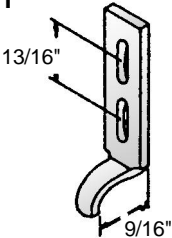
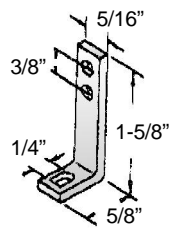
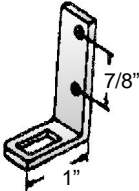
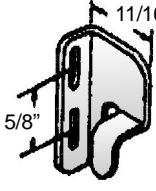
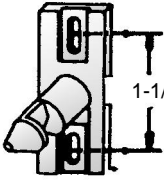
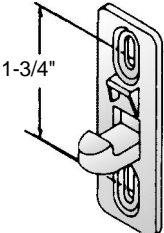
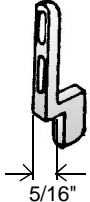
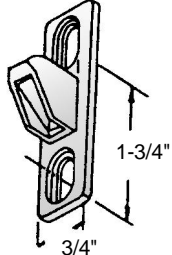
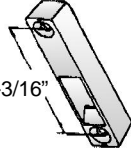
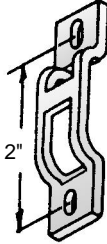
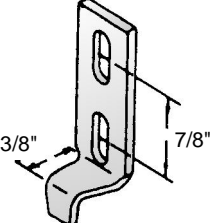
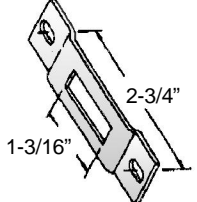
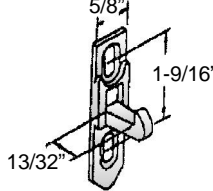
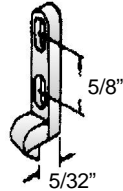
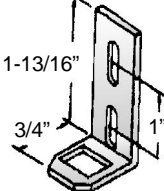
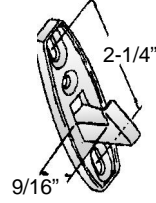
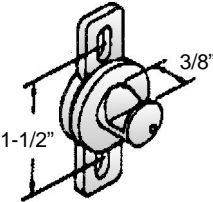
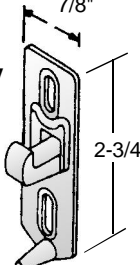
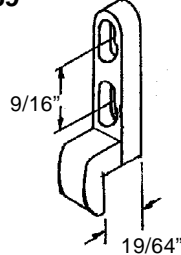
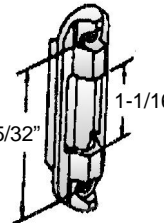
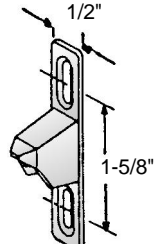
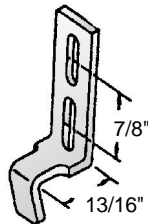
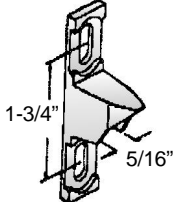
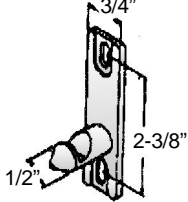
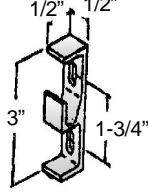
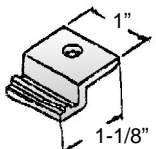
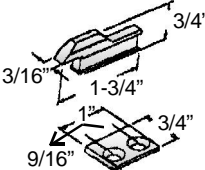
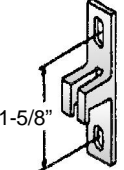
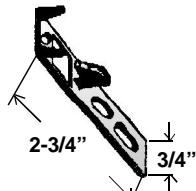
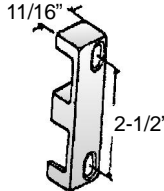


**6683**

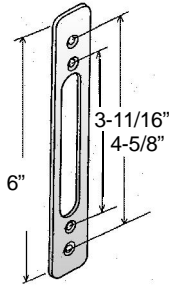


**6680**

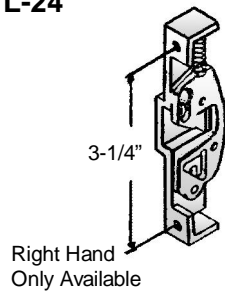


<p><b>K-1</b></p> 	<p><b>K-4</b></p> 	<p><b>K-8</b></p> 	<p><b>K-11</b></p>  <p>Left hand only available</p>	<p><b>K-12</b></p> 
<p><b>K-13</b></p> 	<p><b>K-15</b> Screen Keeper</p> 	<p><b>K-16</b></p> 	<p><b>K-19</b></p> 	<p><b>K-20</b></p> 
<p><b>K-36</b></p> 	<p><b>K-37</b></p> 	<p><b>K-45</b></p>  <p>Order K-66 replacement</p>	<p><b>K-51</b></p> 	<p><b>K-54</b></p> 
<p><b>K-60</b></p> 	<p><b>K-64</b></p>  <p>Order K-64-Spec replacement</p>	<p><b>K-66</b></p> <p>Crossly</p> 	<p><b>K-89</b></p> 	<p><b>K-93</b></p> 
<p><b>K-94</b></p> 	<p><b>K-96</b></p>  <p>Order K-36 replacement</p>	<p><b>K-107</b></p> 	<p><b>K-108</b></p> 	<p><b>K-113</b></p>  <p>For 3/4" wide, order K-113-Wide</p>
<p><b>K-115</b></p>  <p>Comes with felt cushion</p>	<p><b>K-119</b></p> 	<p><b>K-121</b></p> 	<p><b>K-122</b></p> 	<p><b>H-101-1</b></p> 

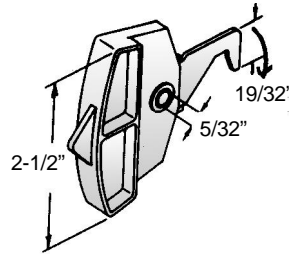
**L-76**



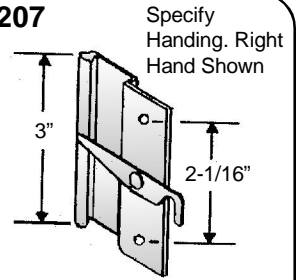
**L-24**



**L-11**

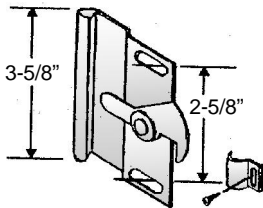


**L-207**



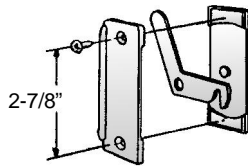
**L-300**

Specify Handing. Right Hand Shown.

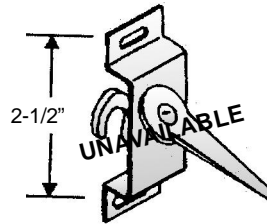


**L-19**

**Keller**



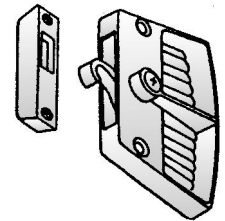
**L-121**



Order L-34 Replacement

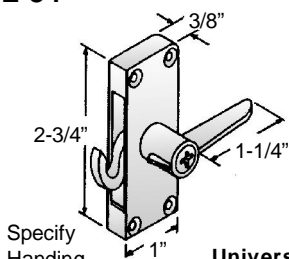
**L-9**

2-5/16" hole centers



Universal Surface Mount

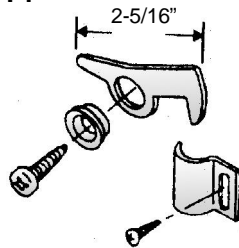
**L-34**



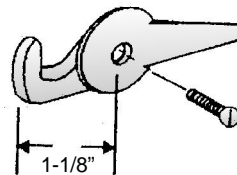
Specify Handing. Left Hand Shown.

Universal Surface Mount

**L-314**

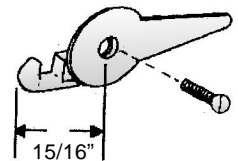


**L-50**



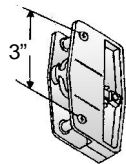
Comes with handle, strike, tension spring and all screws.

**L-188**



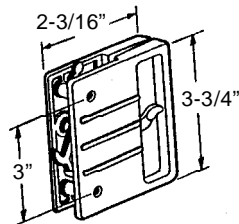
Comes with handle, strike, tension spring and all screws.

**L-33**

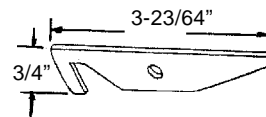


**L-153**

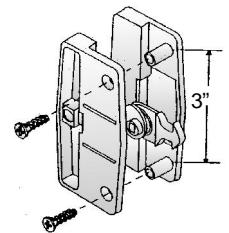
**Anjac**



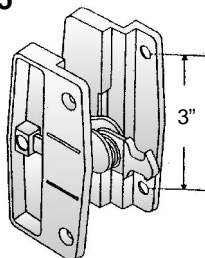
**L-32**



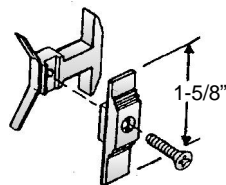
**L-293**



**L-275**

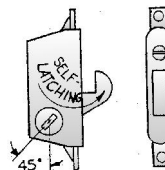


**L-91**

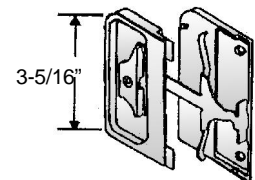


**L-93**

Self Latching



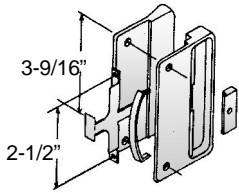
**L-225**



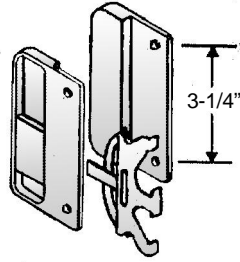
Order L-317



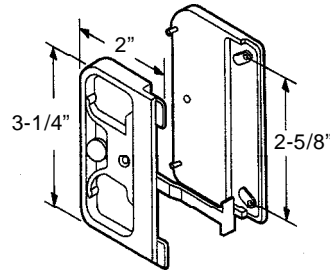
**L-31**



**L-172**

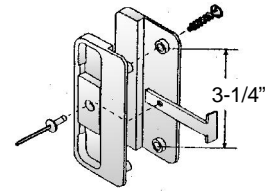


**L-317**



**L-298**

**Order L-324**



**L-278**

**Columbia**

**L-299**

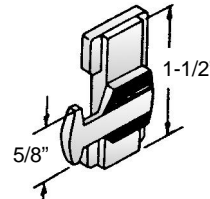
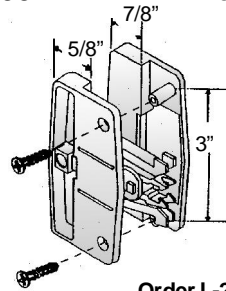
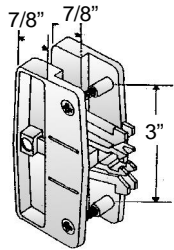
**Keller**

**L-155-1**

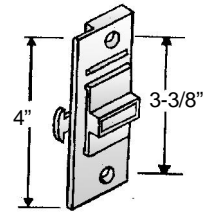
**Crossley**

**L-21**

**Peachtree**



Nylon replacement latch only



**Order L-278**

**L-231**

**Peachtree**

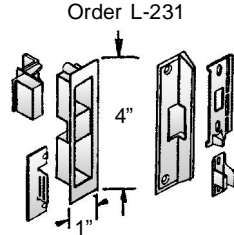
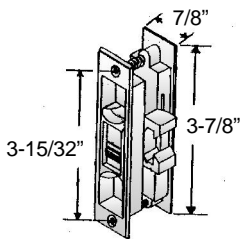
**L-234**

**Peachtree Super**

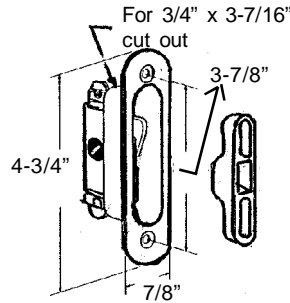
**L-333**

**L-296**

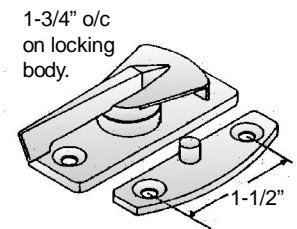
**Howard**



**Order L-231**



For 3/4" x 3-7/16" cut out



1-3/4" o/c on locking body.

**L-108**

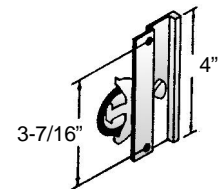
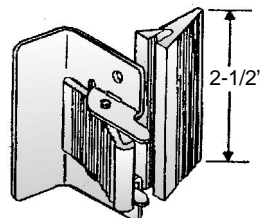
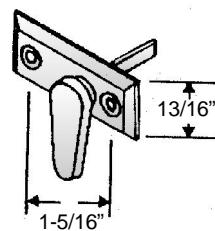
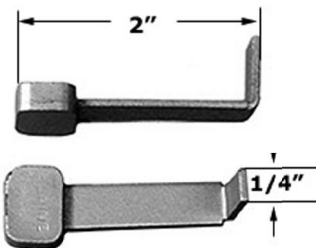
**L-158**

**Anjac**

**L-176**

**Gallatin**

**L-38**



**UNAVAILABLE. Order L38-1 insert only with keeper**

**L-12**

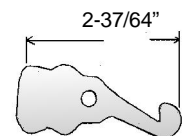
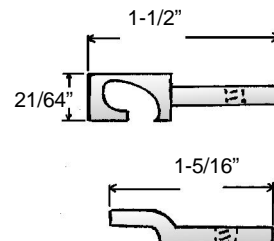
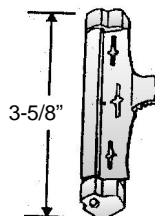
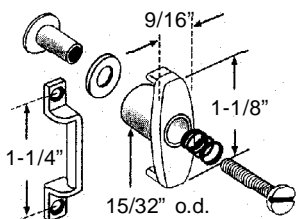
**L-114**

**Ador Hilite**

**L-164**

**L-173**

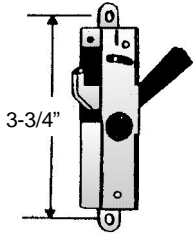
**Aluminum**



2 piece cast zinc latch replacement

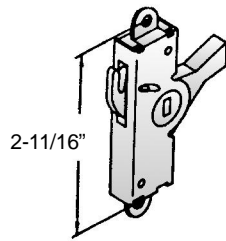
**Patio Screen Door Latches**

**L-167**



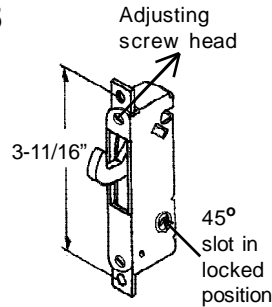
**Northrop. Adamsrite, Marshall & Others**

**L-43**



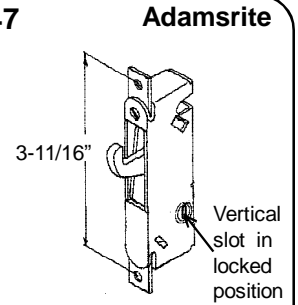
For Latch Cover, Order L-43-Cover. Cover is cast zinc.

**L-45**



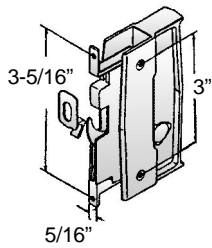
**W & F / Adamsrite**

**L-47**



**Adamsrite**

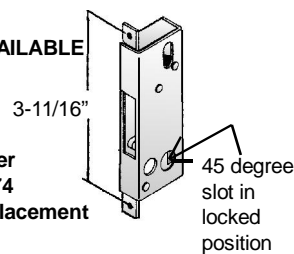
**L-202**



**L-124**

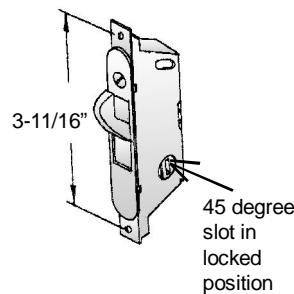
**Arcadia & Saurenman**

UNAVAILABLE



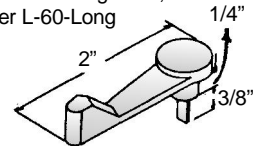
**L-135**

**Adamsrite**



**L-60**

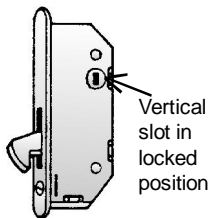
For 21/32" long stem, order L-60-Long



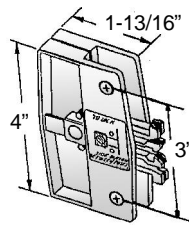
**Arcadia & Others**

**L-240**

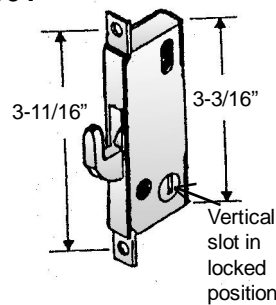
**Andersen**



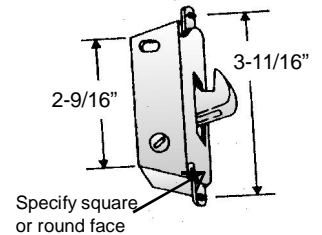
**L-278**



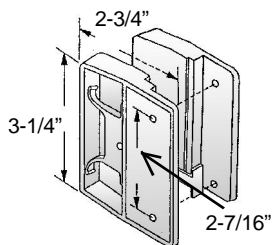
**L-301**



**L-302-Round-** order L-135 (See page 142)  
**L-302-Square**

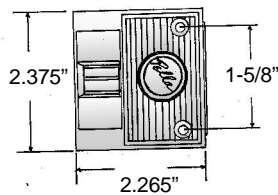


**L-318**



**L-331**

**Pella**



Left hand shown. Specify left or right.

**L-257**

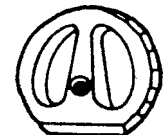
**Andersen**



Non handed

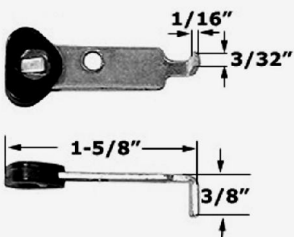
**L-244**

**Andersen**



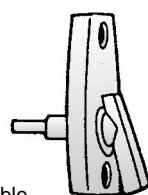
Screen Door Lock - 2 panel (1987 - 1991)

**L-157**



**L-236**

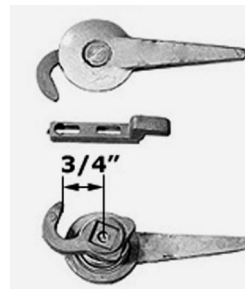
**Andersen**



Available In Stone

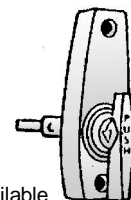
Order L-328

**L-188**



**L-258**

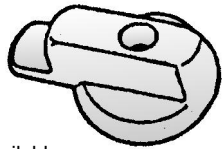
**Andersen**



Available In Stone

**L-308**

**Andersen**



Available  
In White

**L-245**

**Andersen**



Available  
In White  
Or Stone

**L-252**

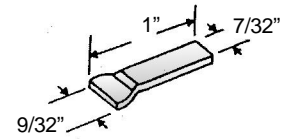
**Andersen**



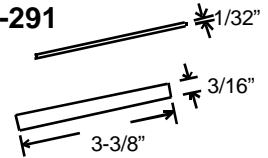
Available  
In Stone

**L-290**

**Andersen**



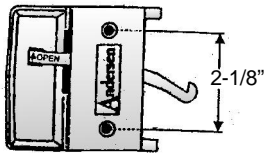
**L-291**



**L-255**

**Andersen**

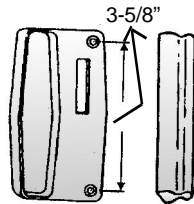
Available in white or stone color



**L-251**

**Andersen**

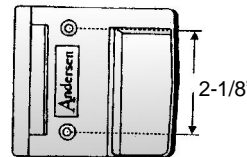
Available in white



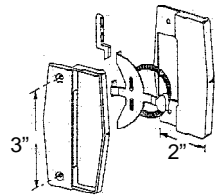
**L-249**

**Andersen**

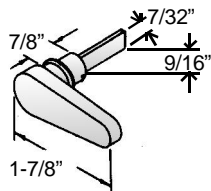
Available in white or stone color



**L-312**

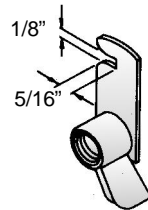


**L-78**

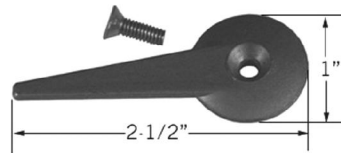


Fleetwood & Others

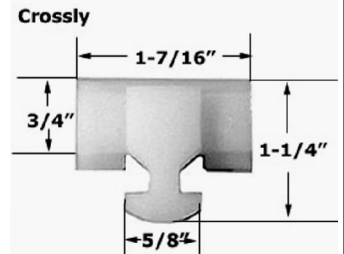
**L-119**



**L-127**

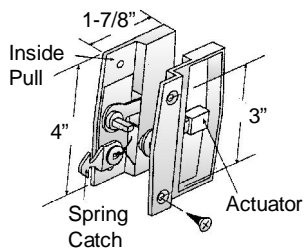


**L-155-1**

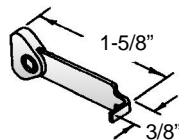


**L-275**

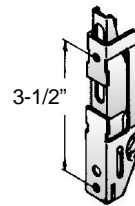
**Columbia**



**L-157**



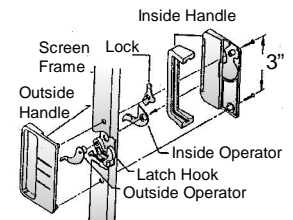
**L-59**



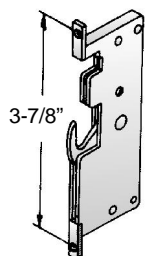
**Arcadia 700**

**L-311**

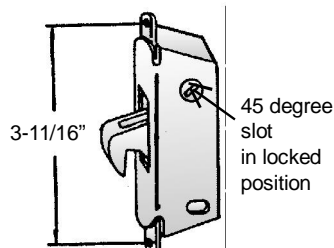
**Anjac**



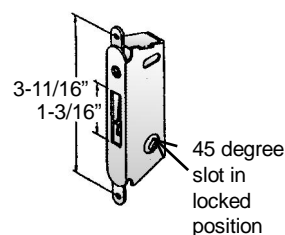
**L-92**



**L-134**

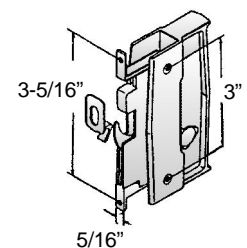


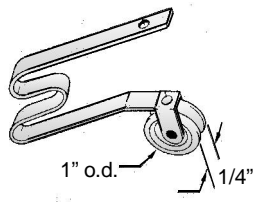
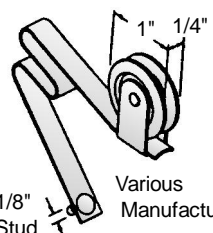
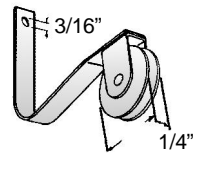
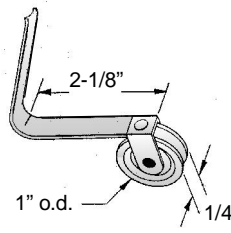
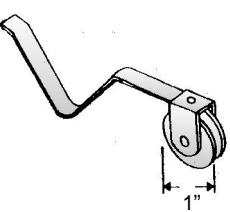
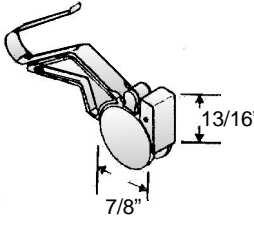
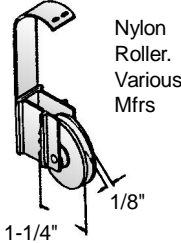
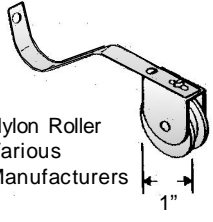
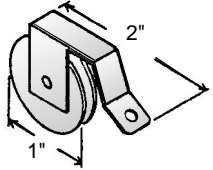

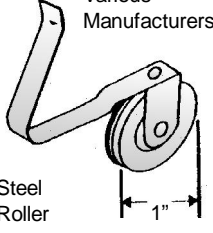
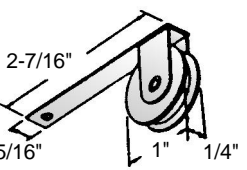
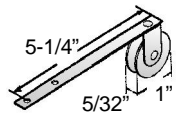
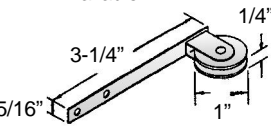
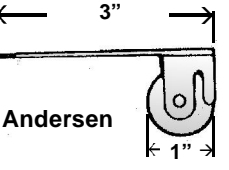
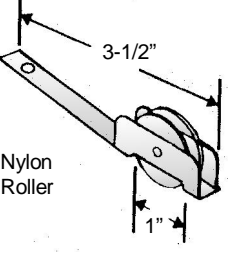
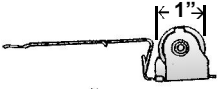
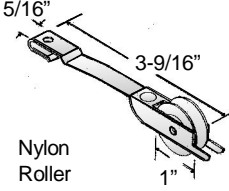
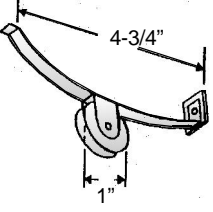
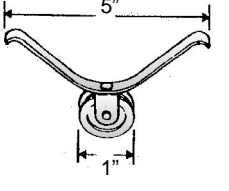
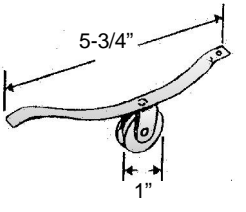
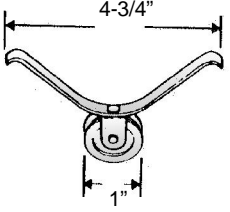
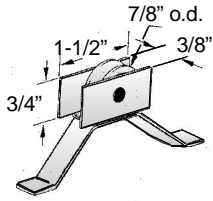
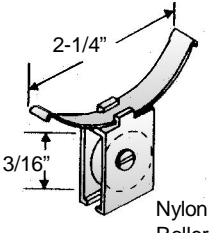
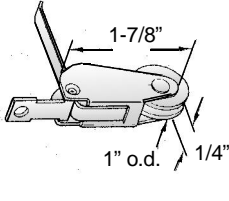
**L-135**



**Adamsrite**

**L-202**

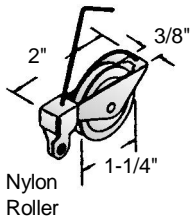


<p><b>G-1</b></p> <p>Nylon, Steel ball bearing, Stainless steel ball bearing wheel available.</p>  <p>1" o.d. 1/4"</p>	<p><b>G-165</b></p>  <p>1" 1/4" 1/8" Stud Various Manufacturers Steel or Nylon Roller</p>	<p><b>G-203</b></p>  <p>3/16" 1/4"</p> <p>Nylon, Nylon Ball Bearing or Steel Roller Available. Various Manufacturers</p>	<p><b>G-62</b></p>  <p>2-1/8" 1" o.d. 1/4"</p> <p>Nylon or Steel Roller Available. Various Manufacturers</p>	<p><b>G-39</b></p>  <p>1"</p> <p>Nylon Roller Available Various Manufacturers</p>
<p><b>G-71</b> Nylon Roller</p>  <p>13/16" 7/8"</p>	<p><b>G-166</b> Peachtree</p>  <p>1-1/4" 1/8"</p> <p>Nylon Roller. Various Mfrs</p>	<p><b>G-163</b></p>  <p>1"</p> <p>Nylon Roller Various Manufacturers</p>	<p><b>G-238</b> Metal Industries</p>  <p>2" 1"</p> <p>Nylon, Nylon Ball Bearing or Steel Roller</p>	<p><b>G-261</b></p> <p>UNAVAILABLE</p>  <p>1"</p> <p>Nylon Roller Order G-39 Replacement, Above</p>
<p><b>G-262</b></p> <p>Various Manufacturers</p>  <p>1"</p> <p>Steel Roller</p> <p>Maximum Corner Thickness 7/16"</p>	<p><b>G-47</b></p> <p>Various Manufacturers</p>  <p>2-7/16" 5/16" 1" 1/4"</p> <p>Nylon, Steel ball bearing, Stainless steel ball bearing wheel available.</p>	<p><b>G-73</b> Nylon Roller</p> <p>Various Manufacturers</p>  <p>5-1/4" 5/32" 1"</p>	<p><b>G-162</b></p> <p>Nylon or Steel Roller Available</p>  <p>3-1/4" 5/16" 1/4" 1"</p> <p>Also 4-1/2" &amp; 5-3/8" lengths available w/ nylon roller</p> <p>Various Manufacturers</p>	<p><b>G-171</b></p> <p>Nylon Roller</p>  <p>3" 1"</p> <p>Andersen</p>
<p><b>G-194</b></p>  <p>3-1/2" 1"</p> <p>Nylon Roller</p>	<p><b>G-252</b> Andersen</p> <p>Nylon Roller</p>  <p>1"</p>	<p><b>G-257</b></p>  <p>5/16" 3-9/16" 1"</p> <p>Nylon Roller</p> <p>Columbia Unifit</p>	<p><b>G-3</b></p>  <p>4-3/4" 1"</p> <p>Nylon Roller</p>	<p><b>G-4</b></p> <p>Various Manufacturers</p>  <p>5" 1"</p> <p>Nylon Roller</p>
<p><b>G-146</b></p> <p>Various Manufacturers</p>  <p>5-3/4" 1"</p> <p>Nylon or Steel Roller Available</p>	<p><b>G-67</b></p> <p>Various Manufacturers</p>  <p>4-3/4" 1"</p> <p>Nylon or Steel Roller Available</p>	<p><b>G-116</b> Keller</p>  <p>7/8" o.d. 1-1/2" 3/8" 3/4"</p> <p>Nylon Roller</p>	<p><b>G-186</b> Croft</p>  <p>2-1/4" 13/16"</p> <p>Nylon Roller</p>	<p><b>G-152</b></p> <p>Various Manufacturers</p>  <p>1-7/8" 1" o.d. 1/4"</p> <p>Nylon or Steel Roller Available</p>

Please send a sample for accurate identification

**Patio Screen Door Roller Guides**

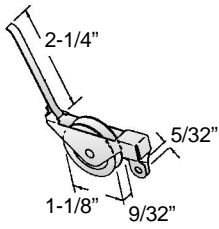
**G-167**



Nylon Roller

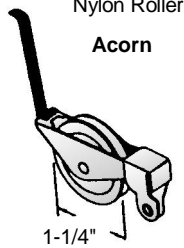
Various Manufacturers

**G-155**



Nylon or Steel Roller  
Various Manufacturers

**G-65**



Nylon Roller  
**Acorn**

**G-203**

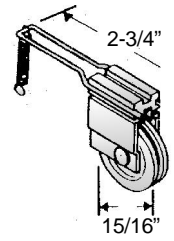
Nylon Non-Ball Bearing Roller  
1" Diameter



For Metal Ball Bearing Wheel,  
Order G0203-BB-050  
For Nylon Ball Bearing Wheel,  
Order G0203-BB-058

**G-109**

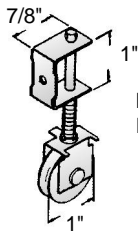
Daryl



Nylon Roller

**G-184**

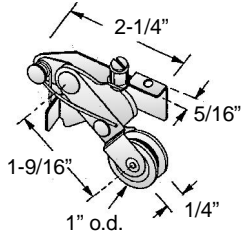
Crossly



Nylon Roller

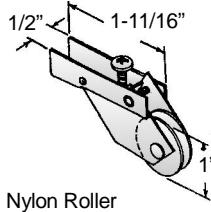
**G-187**

Truth



Steel or Nylon Roller

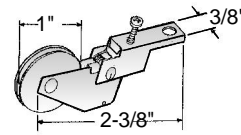
**G-208**



Nylon Roller

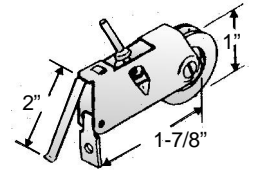
**G-205**

Pacesetter



5/16" Width Bracket Also Available. Order G-205-Narrow

**G-164**



Nylon Roller

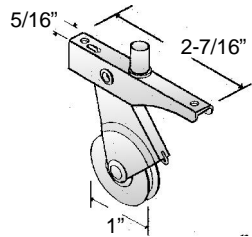
**G-190**

Nylon Roller



**G-254**

Steel Roller



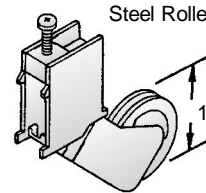
**G-244**

Nylon Roller



**G-239**

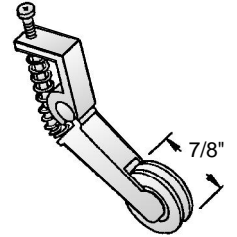
Peachtree



Original style shown. Now available in metal.

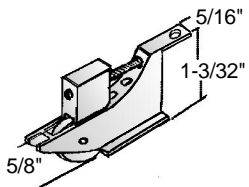
**G-235**

Steel Roller



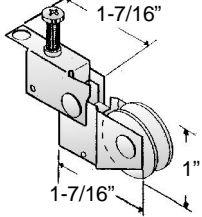
**G-242**

Nylon Roller



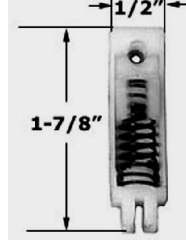
**G-269**

Moss  
Nylon Roller



**G-36**

Daryl



**G-217**

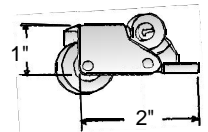
Nylon or Steel Roller



Metal Ind. or Explora

**G-204-L/R**

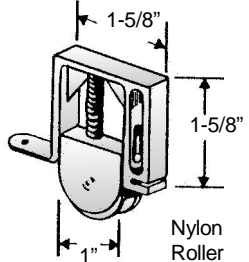
Sold In Pair



1" Steel Ball Bearing Wheel

**G-209**

Nylon Roller

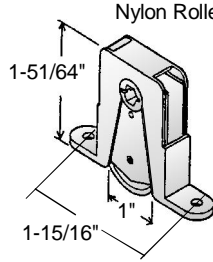


Nylon Roller

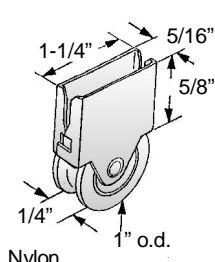
Academy Unifit

**G-236**

Andersen  
Nylon Roller



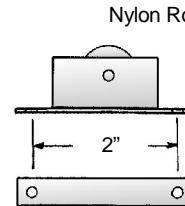
**G-250**



Nylon Roller

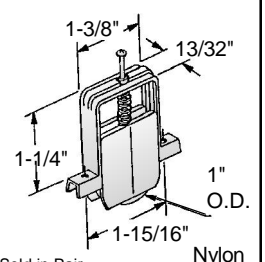
**G-231**

Nylon Roller

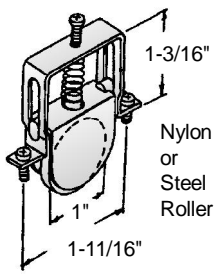
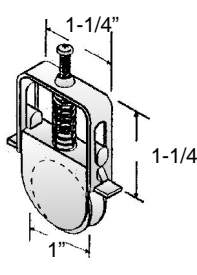
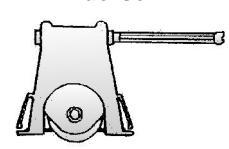
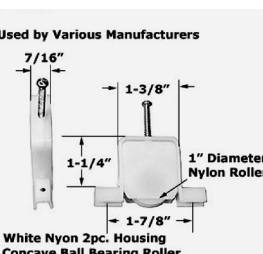
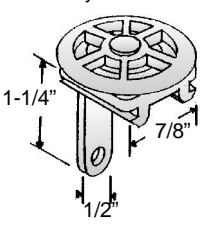
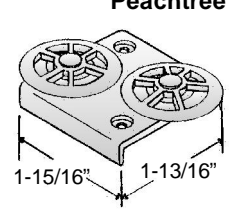
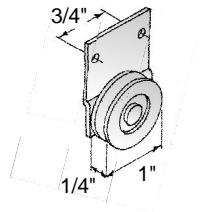
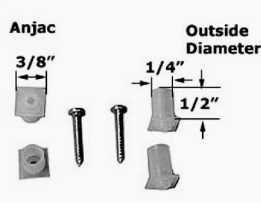
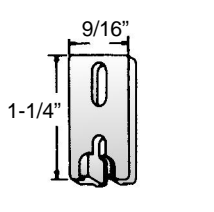
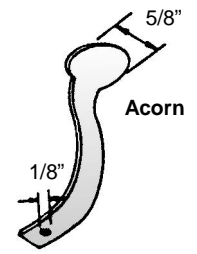
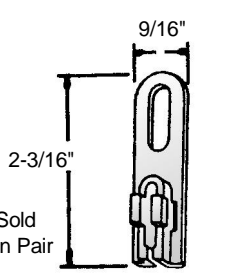
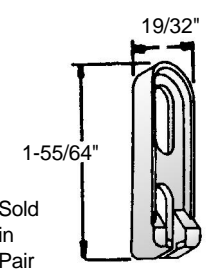
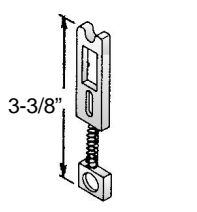
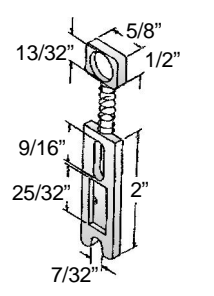
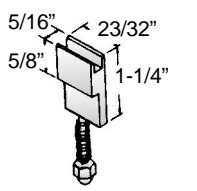
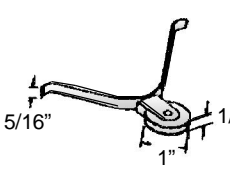
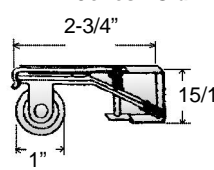
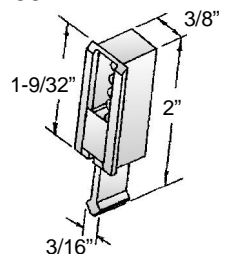
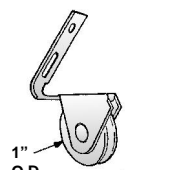
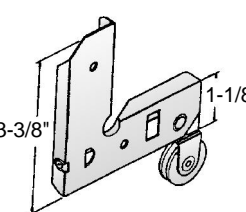
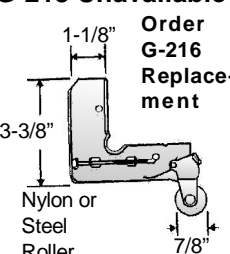
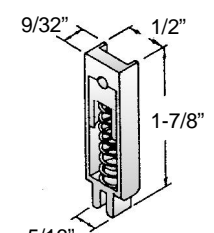
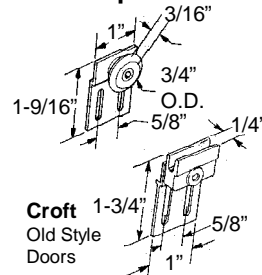
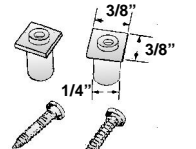
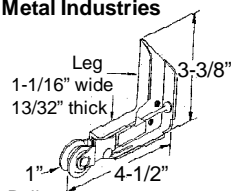


**G-246**

Sold in Pair



Nylon Roller

<p><b>G-176</b> Columbia</p>  <p>Nylon or Steel Roller</p>	<p><b>G-268</b></p>  <p>Nylon or Steel Roller</p>	<p><b>G-251</b></p> <p>Nylon Roller</p> <p>Andersen</p> 	<p><b>G-246</b></p> <p>Used by Various Manufacturers</p>  <p>1" Diameter Nylon Roller White Nylon Zpc. Housing Concave Ball Bearing Roller</p>	<p><b>G-135</b> Peachtree</p> <p>Nylon Roller</p> 
<p><b>G-248</b></p> <p>Peachtree</p>  <p>Nylon Roller</p>	<p><b>G-188</b></p>  <p>Nylon Roller</p>	<p><b>G-274</b></p> <p>Anjac</p>  <p>Outside Diameter</p>	<p><b>G-59</b> Sold In Pair</p> 	<p><b>G-33</b></p> <p>Acorn</p> 
<p><b>G-74</b> Crossly</p>  <p>Sold in Pair</p>	<p><b>G-84</b> Crossly</p>  <p>Sold in Pair</p>	<p><b>G-158</b></p> 	<p><b>G-158-BTM</b></p> 	<p><b>G-48</b></p> 
<p><b>G-67</b></p>  <p>Steel Roller</p>	<p><b>G-101</b> Jones - Old Miller</p>  <p>Nylon Roller</p>	<p><b>G-55</b></p> 	<p><b>G-271</b> Arcadia</p>  <p>Nylon Roller</p>	<p><b>G-216</b> Jim Walters</p>  <p>Nylon Or Steel Roller</p>
<p><b>G-218</b> Unavailable</p> <p>Order G-216 Replacement</p>  <p>Nylon or Steel Roller</p> <p>Maximum Corner Thickness 7/16"</p>	<p><b>G-36</b></p> 	<p><b>G-75-Top</b> Croft &amp; Keller</p>  <p>Croft Old Style Doors</p>	<p><b>G-274</b></p>  <p>Screen Door Roller Adjustment Assembly</p>	<p><b>G-275</b> Metal Industries</p>  <p>Leg 1-1/16" wide 13/32" thick Roller Nylon Center Groove</p>

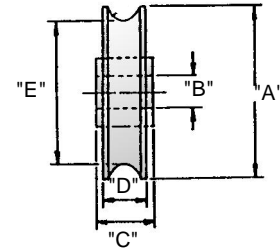
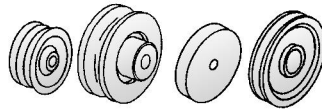
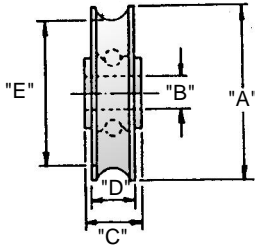
Axes available for the following:

R7-AX            R67-1  
R22-AX        R71-AX  
R60-AX        R127-AX

**ROLLERS**

Custom axes can be provided for other rollers. Send a sample.

**WE CARRY MORE THAN 100 TYPES OF ROLLERS. PLEASE SEND A SAMPLE FOR IDENTIFICATION.**



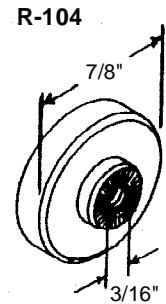
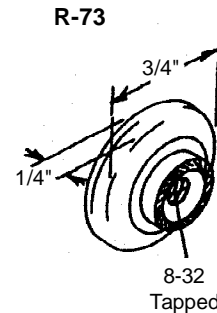
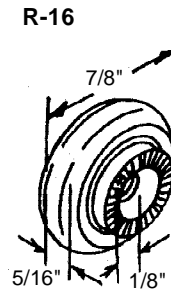
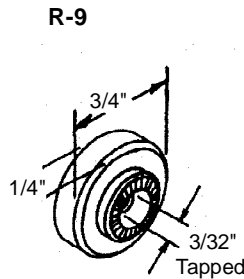
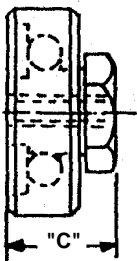
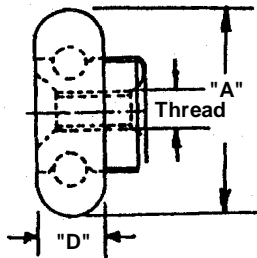
**BALL BEARING ROLLERS**

WHEEL DESC.	PRODUCT CODE		DIMENSIONS IN INCHES				
	STEEL	NYLON	A	B	C	D	E
R-7		*	1-1/4"	1/4"	3/8"	5/16"	1"
R-17	*		1-1/2"	1/4"	3/8"	5/16"	1-3/16"
R-20		*	1-1/2"	1/4"	13/32"	5/16"	1-3/16"
R-22		*	1-5/16"	3/16"	1/2"	5/16"	1-1/8"
R-27		*	1-7/16"	1/4"	5/16"	5/16"	1-1/4"
R-31	*		1-1/4"	1/4"	3/8"	5/16"	1"
R-36		*	1-1/4"	1/4"		5/16"	1"
R-44	*		31-32"	1/4"	3/8"	9/32"	3/4"
R-51	*		1-3/8"	1/4"	7/16"	3/8"	1"
R-69		*	1-11/16"	1/4"	1-3/16"	5/8"	1-1/2"
R-84	*		1-1/2"	1/4"	1/2"	5/16"	1-5/16"
R-109	*		1-1/4"	1/4"	15/32"	5/16"	1"

**NON BALL BEARING ROLLERS**

WHEEL DESC.	PRODUCT CODE		DIMENSIONS IN INCHES				
	STEEL	NYLON	A	B	C	D	E
R-5		*	1-1/4"	3/8"	5/16"	5/16"	7/8"
R-12		*	1-1/16"	1/4"	1/4"	1/4"	7/8"
R-19		*	63/34"	5/32"	1/4"	1/4"	5/8"
R-24		*	1-3/8"	5/16"	5/16"	5/16"	15/16"
R-26		*	1"	3/8"	5/16"	5/16"	3/4"
R-32		*	1"	3/8"	3/8"	1/4"	3/4"
R-47	*		9/16"	3/16"	9/32"	3/16"	3/8"
R-60		*	1-1/4"	5/16"	3/8"	1/4"	7/8"
R-67		*	1-1/2"	3/8"	9/16"	1/4"	1-1/4"
R-71		*	1"	3/16"	1/2"	7/16"	3/4"
R-94		*	27/32"	8-32	13/32"	1/4"	23/32"
R-124		*	1-3/8"	3/16"	3/8"	5/16"	1"
R-139		*	1-9/64"	11/64"	13/64"	13/64"	21/32"

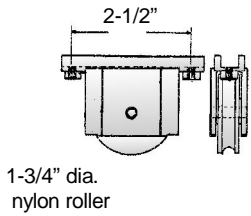
**SHOWER DOOR ROLLERS**



WHEEL DESC.	PRODUCT CODE		DIMENSIONS IN INCHES				
	STEEL	NYLON	A	B	C	D	E
R-9		*	3/4"		5/16"	1/4"	8-32
R-16		*	7/8"		3/8"	1/4"	8-32
R-73		*	3/4"		5/16"	1/4"	8-32
R-104		*	7/8"		3/8"	1/4"	8-32

All shower door rollers come with screws.

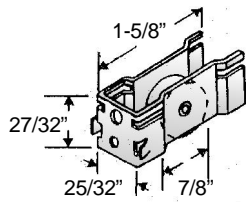
**RA-408**



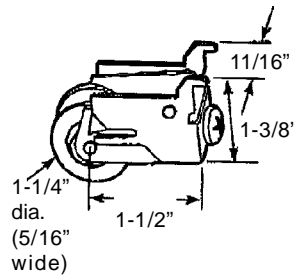
1-3/4" dia.  
nylon roller

**HS-568**

Steel Roller



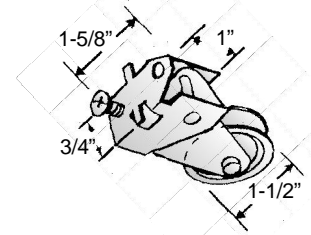
**RA-102**



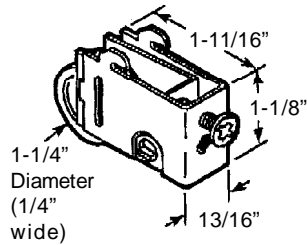
1-1/4" dia.  
(5/16" wide)

**RA-17**

Stanley  
Steel Roller

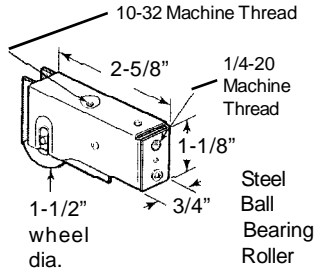


**RA-342**



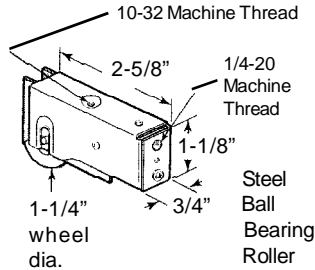
1-1/4" Diameter  
(1/4" wide)

**RA-23-1-1/2" wheel**



Steel Ball  
Bearing  
Roller

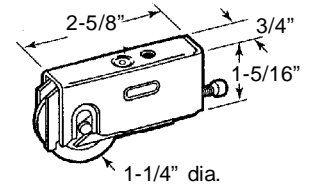
**RA-27-1-1/4" wheel**



Steel Ball  
Bearing  
Roller

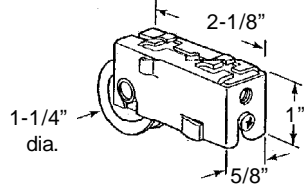
**RA-187**

Steel Roller



**RA-188**

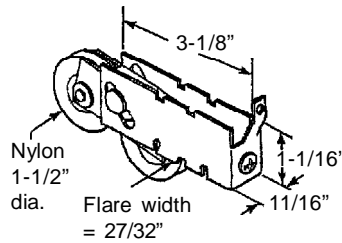
Smith & Carry  
& Others



Steel Roller

**RA-477**

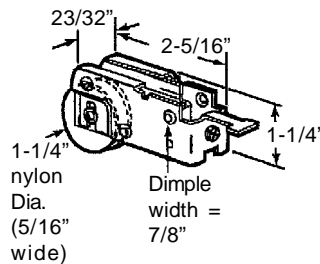
Nylon Roller



Nylon  
1-1/2" dia.  
Flare width  
= 27/32"

**RA-481-1-1/4**

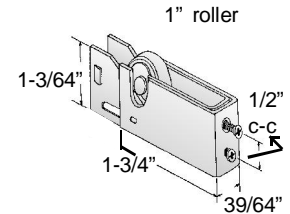
Nylon



1-1/4" nylon Dia.  
(5/16" wide)  
Dimple width = 7/8"

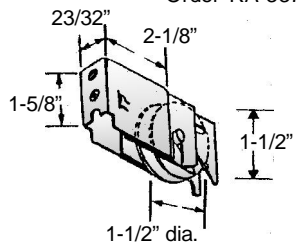
**RA-313**

Steel Roller  
Flat Tread



**RA-432**

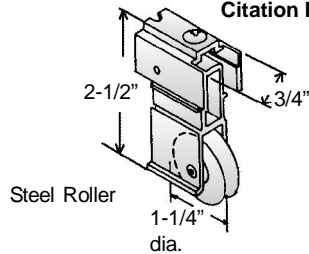
UNAVAILABLE  
Order RA-337



1-1/2" dia.

**RA-10**

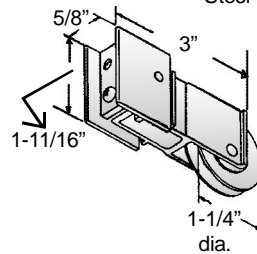
Peachtree  
Citation II



Steel Roller

**RA-24**

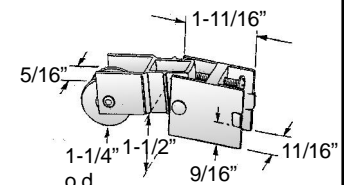
Peachtree  
Steel Roller



1-1/4" dia.

**RA-30**

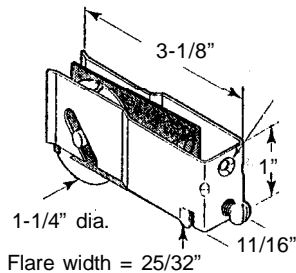
Peachtree  
Steel Roller



1-1/4" o.d.

**RA-94**

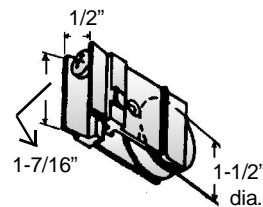
Steel Roller



Flare width = 25/32"

**RA-68**

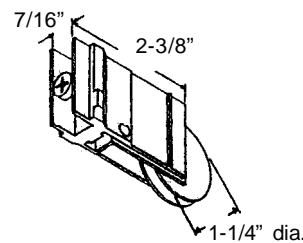
Nylon Roller



1-1/2" dia.

**RA-326**

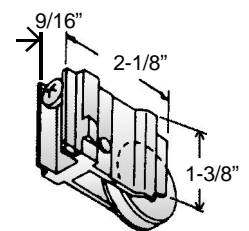
Steel Roller



1-1/4" dia.

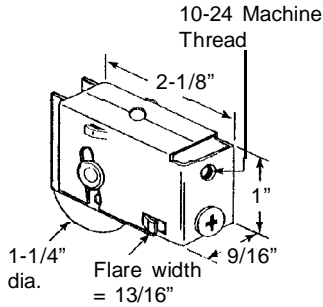
**RA-113**

Nylon Roller

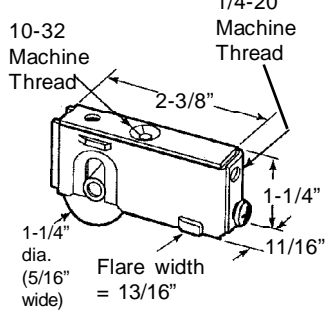




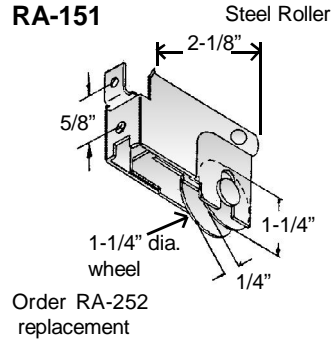
**RA-458**



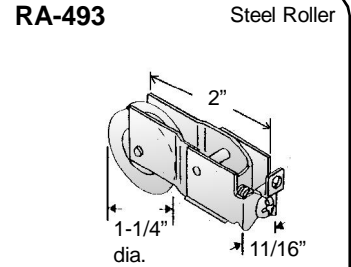
**RA-259**



**RA-151**

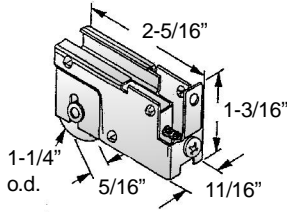


**RA-493**



**RA-200**

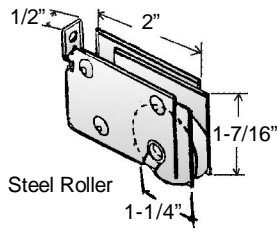
Lupton & Others



Nylon Roller

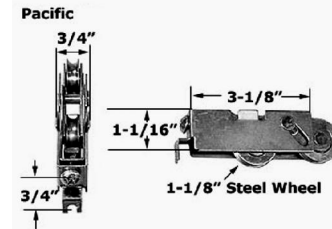
**RA-215**

Window Master & Others



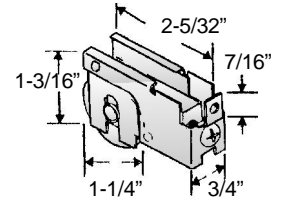
Steel Roller

**RA-214**

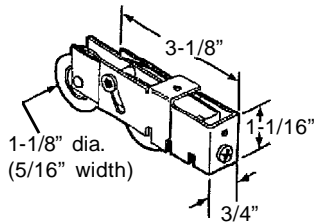


**RA-223**

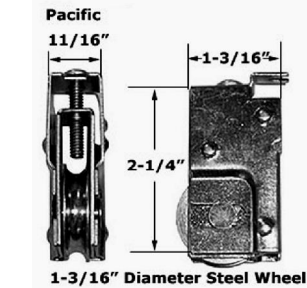
Steel Roller



**RA-286**

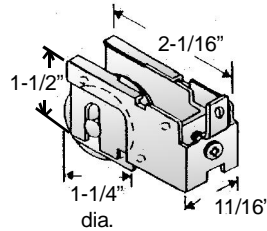


**RA-258**



**RA-252**

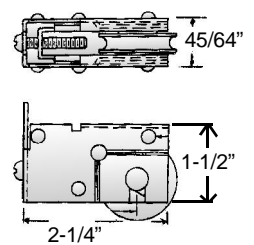
Northrop & Others



Steel Roller

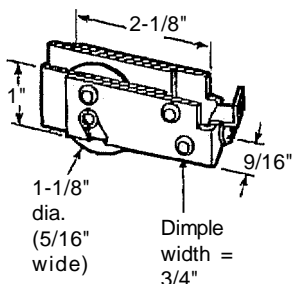
**RA-250**

Steel Roller



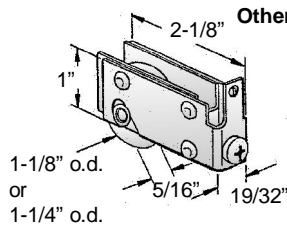
**RA-256**

Steel Roller



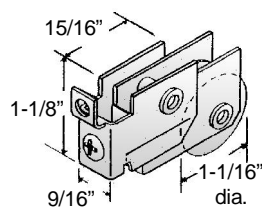
**RA-257-1-1/8**  
**RA-257-1-1/4**

Steel Roller  
Viking & Others



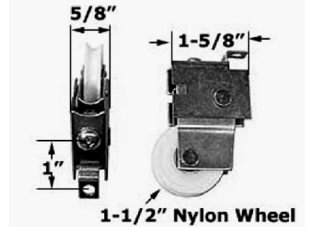
**RA-335**

Steel Roller

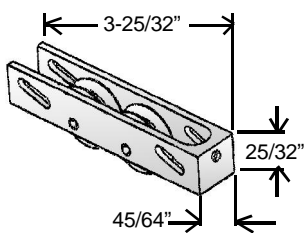


**RA-271**

Starlite Doormaster

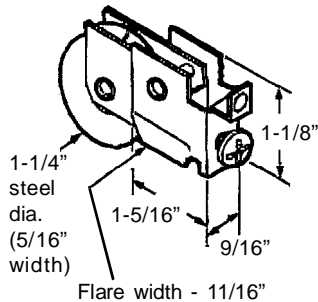


**RA-167**



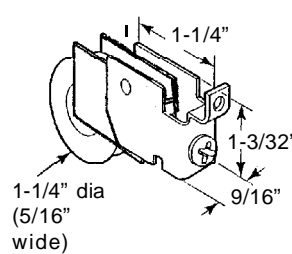
1" dia. dual nylon rollers

**RA-364**

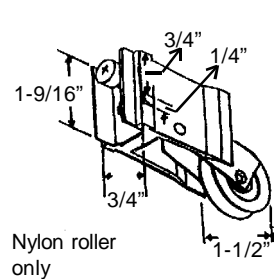


**RA-133**

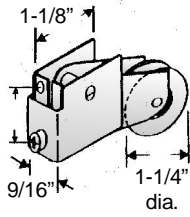
Nylon Roller



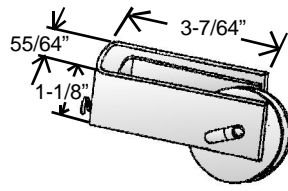
**RA-165**



**RA-437** Nylon Roller

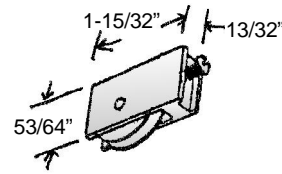


**RA-308**



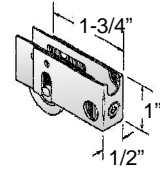
1-1/2" dia. steel roller

**RA-310**



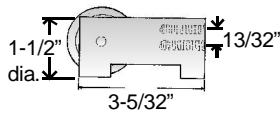
1" dia. groove nylon roller

**RA-340-A 1" Roller**  
**RA-340 1-1/8" Roller**



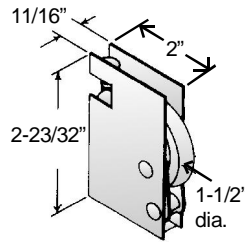
**RA-101-Special**

New (1) Piece Cast Replacement  
adjusting - mounting hole c-c: 13/32"

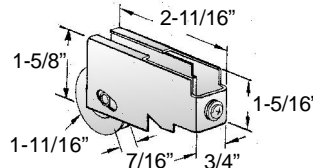


Nylon Roller

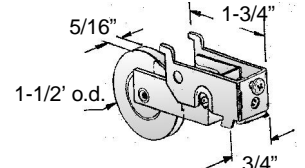
**RA-72** Steel Roller  
**Pella**



**RA-142** Arcadia Nylon Roller

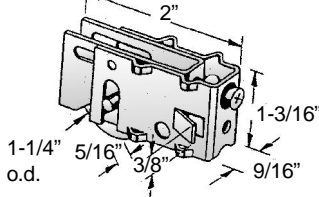


**RA-148** Steel Roller  
**HiLite**



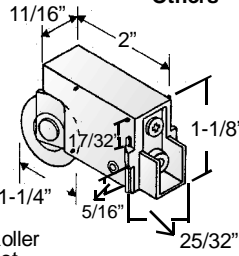
**RA-132-Spec**

Steel Roller  
**Bennings, Nu-Air, Scotty & Others**



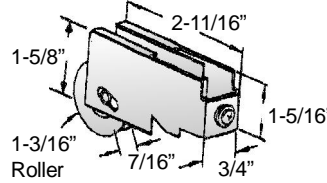
adjusting - mounting hole c-c: 1/2"

**RA-132** Crossly & Others



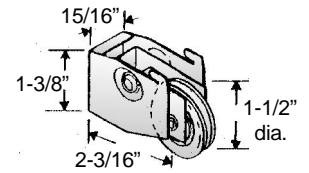
Steel Roller Diecast

**RA-142-1-13/16** Arcadia & Others



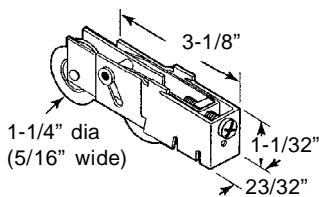
See standard RA-142 with 1-11/16" roller, above

**RA-49** Nylon Roller

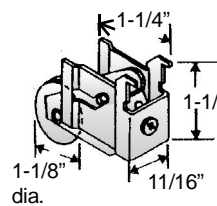


**Northrup Series 151,500 & 700**

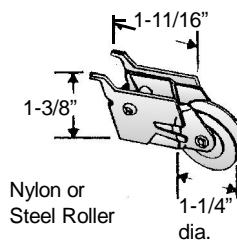
**RA-488** Steel Roller



**RA-185** Steel Roller

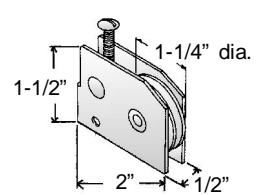


**RA-102** Premier & Others

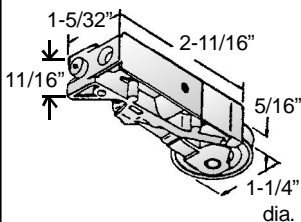


Nylon or Steel Roller

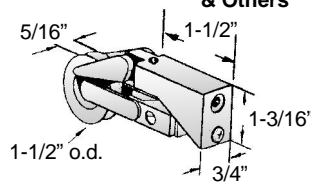
**RA-198** Nylon or steel Roller



**RA-89** Steel Roller

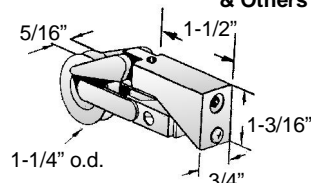


**RA-100** Fleetwood, Fullview & Others



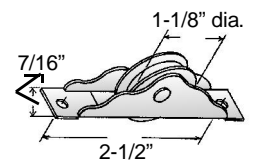
Steel or nylon Roller

**RA-117** Fleetwood, Fullview & Others



Steel or nylon Roller

**RA-52** Nylon or steel Roller



**RA-82** Western & Others  
Nylon Roller

2-1/32"  
adjusting - mounting hole c-c: 2-7/8"  
1-11/16" dia.

**RA-116**  
Brass

7/8" dia.  
2-3/8"  
7/16"

**RA-146** Order RA-146-Fix Kit which includes 2 new rollers and 2 axes.  
Steel Roller

Steel Roller  
4-1/4" c-c  
1-3/4" dia.  
5/8"

**RA-169** Nylon Roller

adjusting - mounting hole c-c: 1-3/16"  
1/2" dia.  
1-3/16" c-c  
3/4"

**RA-208** Nylon Roller

3-3/8"  
7/16"  
1-1/2" dia.

**RA-5** Nylon Roller

5/16" 1-5/16" dia.  
2-1/2"  
7/16"

Order RA-52  
See Page 153

**RA-29** Nylon Roller

1" 1/4"  
1-5/8"

**RA-73** Nylon Roller  
Pella

1-1/4" dia.  
1-1/2"  
1-13/16"

**RA-115** Ador Thermo Door  
Steel Roller

1-9/16" 2-1/4"  
1-49/64" dia.

**RA-327** Steel Roller

3/4" 2" 1-3/4" 1-1/2" dia.

**RA-205** Monarch 500  
Wardrobe Roller  
RA-205-1 Nylon Roller

1-3/4" 1/2" 3" 1-1/2" dia.

**RA-95** Nylon Roller

11/16" 19/64" 1-1/4" dia.

**RA-83** Nylon Roller

11/16" 3/4" 1-5/16" 5/16" 1-1/4"

**RA-105**

3/4" 1" 1-5/8" dia.

**RA-91** Nylon Roller

1-3/8" dia. 1-5/16" 5/8" 3/8" 1/4"

**RA-55** Nylon Roller  
UNAVAILABLE  
Order RA163-A Replacement, page 148

1/2" 2" 5/8" dia.

**RA-42** Daryl PM II  
Nylon Roller

1-1/4" dia. 3/4" 3/8" 1-1/4"

**RA-42-A** Daryl PM  
Nylon Roller

5/8" 3/8" 1-5/16" 1-1/4" dia.

Order RA-42

**RA-206** International Series 900, 925 & 950 Screen Door  
Nylon Roller

3/8" 1-1/8" 1"

**RA-58** Nylon Roller

1-11/16" 1-7/16" 9/16" 1-11/16"

**RA-65** Nylon Roller

**RA-96** Nylon Roller

Order RA-60-1

**RA-60-1 Lower**  
**RA-60-2 Upper**

Nylon Roller

Upper & Lower Sold Separately

**RA-114** Miller (Older Model)

Nylon Roller

**RA-211** Nylon Roller

adjusting - mounting hole c-c: 1/2"

**RA-12** Chrysler All Nylon

**RA-343** Nylon Roller

Specify Convex or Flat Roller

**RA-70** Ador HiLite All Nylon

**RA-333** Weathershield All Nylon

**RA-245** Steel Roller

Hollyview

**RA-35** Nylon Roller Sold Pair L/R

Wardrobe Roller

**RA-311** Steel Ball Bearing

Same look at opposite end

comes w/ two tandem roller assemblies Weatherstrip

**RA-8** Howard All Nylon

Sold L/R Pair

**RA-7** Howard All Nylon

Sold L/R Pair

**RA-163** UNAVAILABLE

Replaces Unavailable RA-54, Shown Above

Steel Roller

**RA-163-A** Nylon Roller

Flat Roller

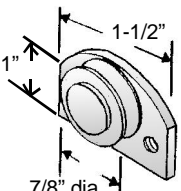
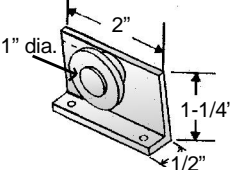
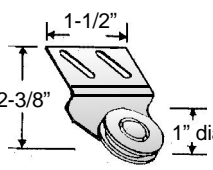
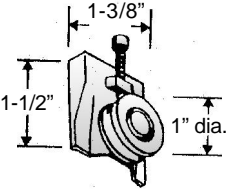
**RA-103** All Nylon

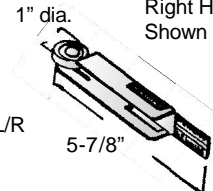
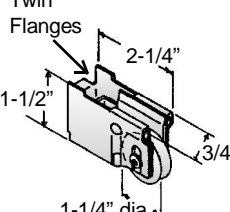
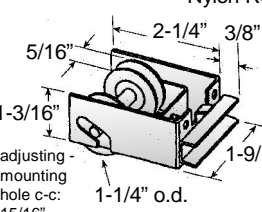
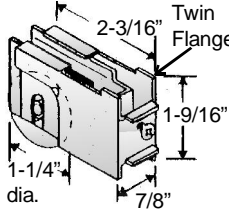
Ador HiLite

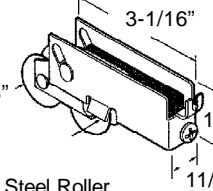
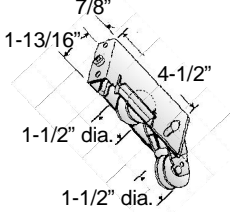
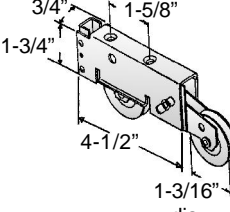
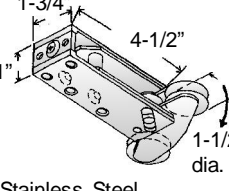
**19-7623-350** Truth

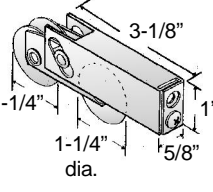
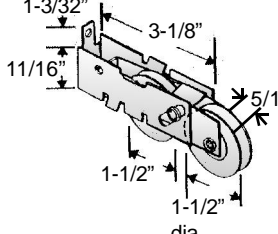
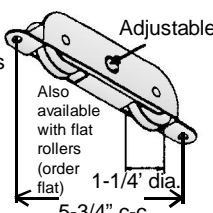
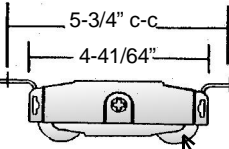
**RA-153** All Nylon

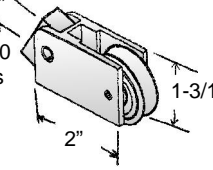
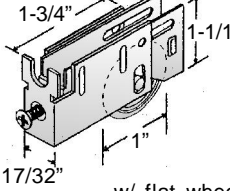
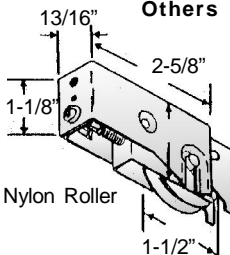
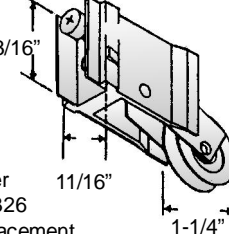
**RA-71** Nylon Roller

<p><b>RA-129</b> mounting hole c-c: 1-1/16"</p>  <p>1-1/2" 1" 7/8" dia. Nylon Roller</p>	<p><b>RA-184</b> mounting hole c-c: 1-1/2"</p>  <p>2" 1-1/4" 1/2" 1" dia. Nylon Roller</p>	<p><b>RA-25</b> Ador</p>  <p>Steel Roller 1-1/2" 2-3/8" 1" dia.</p>	<p><b>RA-22</b> Nylon Roller Ador "Z" Door</p>  <p>1-3/8" 1-1/2" 1" dia.</p>
---	---	---	---

<p><b>RA-32-L/R</b> Woodall / Glideall Right Hand Shown Sold L/R Pair Nylon Roller</p>  <p>1" dia. 5-7/8"</p>	<p><b>RA-262</b> Stainless Steel Twin Flanges</p>  <p>2-1/4" 3/4" 1-1/2" 1-1/4" dia.</p>	<p><b>RA-201</b> Guaranteed &amp; Others Nylon Roller Twin Flanges</p>  <p>5/16" 2-1/4" 3/8" 1-3/16" 1-1/4" o.d. 1-9/16" adjusting mounting hole c-c: 15/16"</p>	<p><b>RA-325</b> Peachtree Steel Roller Twin Flanges</p>  <p>2-3/16" 1-9/16" 1-1/4" dia. 7/8"</p> <p>Specify 1-1/8" or 1-1/4" roller</p>
--	---	--	---

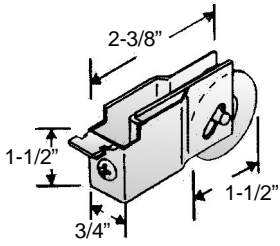
<p><b>RA-214</b> Elco &amp; Others Steel Roller</p>  <p>3-1/16" 1-1/8" dia. 1-3/4" 11/16"</p>	<p><b>RA-291</b> Steel Roller</p>  <p>7/8" 1-13/16" 4-1/2" 1-1/2" dia. 1-1/2" dia.</p>	<p><b>RA-297</b> Steel Roller</p>  <p>3/4" 1-5/8" 1-3/4" 4-1/2" 1-3/16" dia.</p>	<p><b>RA-161</b> Stainless Steel only available</p>  <p>1-3/4" 4-1/2" 1-1/2" dia.</p>
---	--	---	---

<p><b>RA-455</b> Steel Roller</p>  <p>3-1/8" 1-1/4" 1-1/4" dia. 5/8"</p>	<p><b>RA-403</b> Steel or nylon roller</p>  <p>1-3/32" 3-1/8" 11/16" 5/16" 1-1/2" 1-1/2" dia.</p>	<p><b>39.10 Steel</b> <b>39.11 Nylon</b> Truth &amp; Others Adjustable Also available with flat rollers (order flat) 1-1/4" dia. 5-3/4" c-c</p> 	<p><b>39.13</b> Stainless Steel Housing, Stainless Steel Roller <b>39.14</b> Steel Housing, Steel Roller <b>39.18</b> Steel Housing, Stainless Steel Roller Truth 1-1/4" dia.</p>  <p>5-3/4" c-c 4-41/64"</p>
---	--	--	--

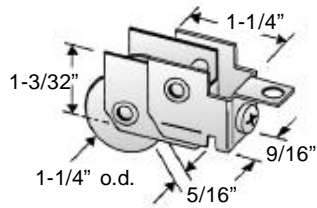
<p><b>RA-51</b> 3/4" wide housing 1/4-20 Holes 1-1/4" dia. nylon roller</p>  <p>5/8" 1-3/16" 2"</p>	<p><b>RA-400</b> Capitol w/ flat wheel</p>  <p>1-3/4" 1-1/16" 1" 17/32"</p>	<p><b>RA-494</b> Fleetwood &amp; Others Nylon Roller</p>  <p>13/16" 2-5/8" 1-1/8" 1-1/2"</p>	<p><b>RA-404</b> Steel Roller Order RA-326 Replacement, 11/16" 1-1/4"</p> 
--	--	--	---

<p><b>RA-410</b></p>	<p><b>RA-411</b> Steel Roller</p>	<p><b>RA-412</b> Capitol</p>	<p><b>RA-413</b> Capitol</p> <p>Steel Roller</p>
<p>Order RA-411</p>		<p>Order RA-411</p>	
<p><b>RA-254</b> Steel Roller</p>	<p><b>RA-416</b> Steel Roller</p>	<p><b>RA-417</b> SWS Ind.</p> <p>Steel Wheel</p>	<p><b>RA-419</b> Silverline</p> <p>Steel Roller</p>
<p><b>RA-420</b> Peachtree</p>	<p><b>RA-421</b></p> <p><b>UNAVAILABLE</b> Order RA-153-Special</p>	<p><b>RA-422</b> Miller</p> <p>Steel Wheel</p>	<p><b>RA-28</b> Crossly</p> <p>Steel Wheel</p>
<p><b>RA-424</b> Steel Roller</p> <p><b>UNAVAILABLE</b> Order RA-216</p>	<p><b>RA-425-Housing</b> Ador</p>	<p><b>RA-426</b> Steel Roller</p> <p><b>UNAVAILABLE</b> Order RA-481-1-1/4</p>	<p><b>RA-427</b> Nylon Roller</p>
<p><b>RA-428</b> Nylon Roller</p>	<p><b>RA-341</b> Andersen</p>	<p><b>RA-430</b> Nylon Roller</p>	<p><b>RA-4</b> Ador-Hilite &amp; Others</p> <p>Old Style</p>

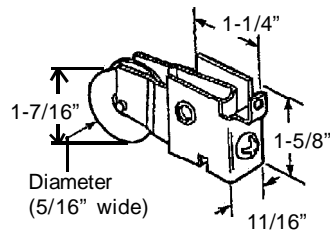
**RA-483** Nylon Roller



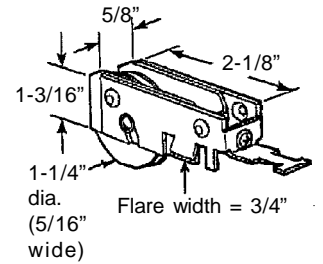
**RA-434**



**RA-271**

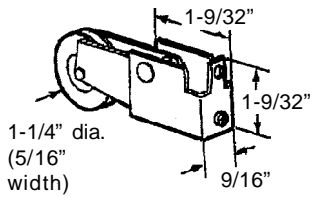


**RA-238**



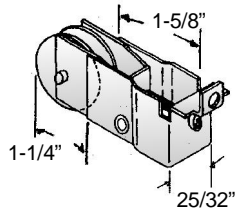
Steel

**RA-85** Fullview,  
Glasgo, Sun Valley

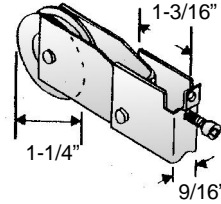


Steel Roller

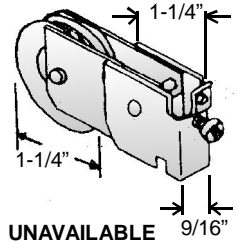
**RA-438** Steel Roller



**RA-439** Nylon Roller

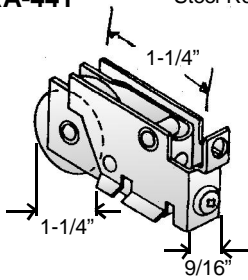


**RA-440** Steel Roller

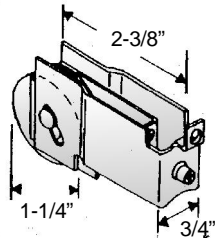


**UNAVAILABLE**  
Order RA-364

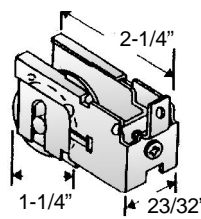
**RA-441** Steel Roller



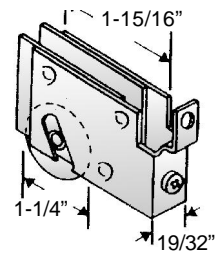
**RA-442** Steel Roller



**RA-443** Steel Roller

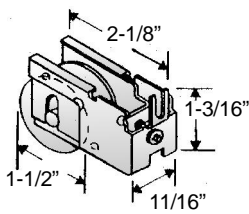


**RA-444** Steel Roller

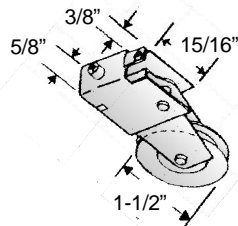


**UNAVAILABLE**  
Order RA-215

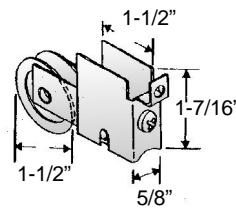
**RA-447** Nylon Roller



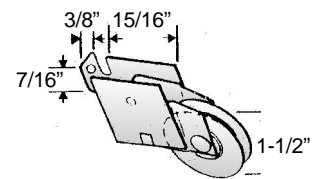
**RA-448** Steel Roller



**RA-449** Metal

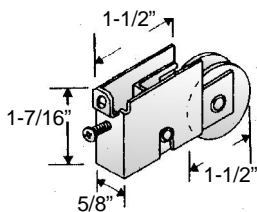


**RA-450**

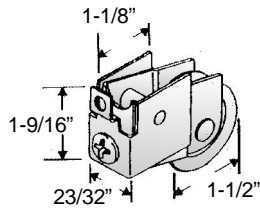


Order RA-473

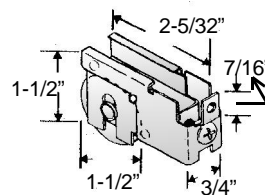
**RA-141** Nylon Roller



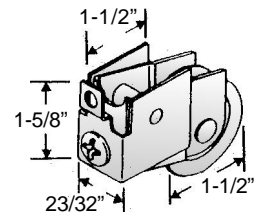
**RA-84** Steel Roller




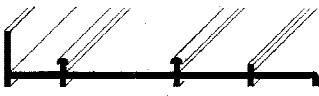
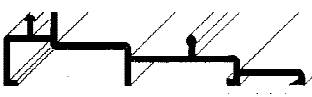

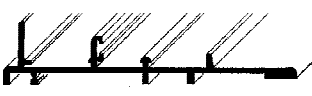
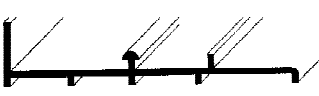
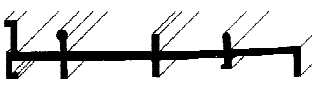

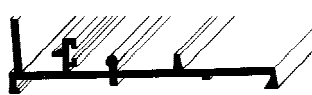


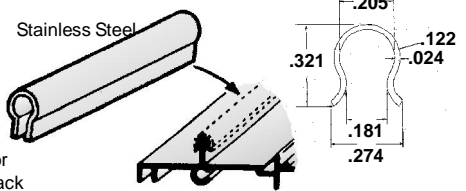
**RA-453** Steel Roller



**RA-454** Steel Roller



**Threshold illustrations**

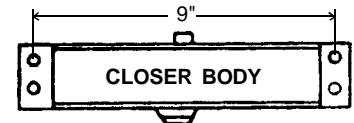
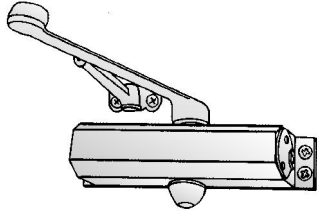
<p><b>TH017</b></p> <p><b>Fits Arcadia Doors</b></p>  <p>Available in Clear Anodized and Bronze Duranodic. 6 ft. &amp; 8 ft. length. Please specify.</p>	<p><b>TH018</b></p> <p><b>Fits Daryl Doors</b></p>  <p>Available in Clear Anodized. 6 ft. &amp; 8 ft. length. Please specify.</p>
<p><b>TH019</b></p> <p><b>Fits Arcadia Doors</b></p>  <p>Available in Clear Anodized. 6 ft. &amp; 8 ft. length. Please specify.</p>	<p><b>TH020</b></p> <p><b>Fits Century &amp; Elco Doors</b></p>  <p>Available in Clear Anodized and Bronze Duranodic. 6 ft. &amp; 8 ft. length. Please specify.</p>
<p><b>TH021</b></p> <p><b>Fits Lupton Doors</b></p>  <p>Available in Clear Anodized. 6 ft. &amp; 8 ft. length. Please specify.</p>	<p><b>TH022</b></p> <p><b>Fits Roll-Eze Doors</b></p>  <p>Available in Clear Anodized. 6 ft. &amp; 8 ft. length. Please specify.</p>
<p><b>TH023</b></p> <p><b>Fits Premier Doors</b></p>  <p>Available in Clear Anodized. 6 ft. &amp; 8 ft. length. Please specify.</p>	<p><b>TH024</b></p> <p><b>Fits Air Control Doors</b></p>  <p>Available in Clear Anodized. 6 ft. &amp; 8 ft. length. Please specify.</p>
<p><b>TH025</b></p> <p><b>Fits Premier Doors</b></p>  <p>Available in Clear Anodized. 6 ft. &amp; 8 ft. length. Please specify.</p>	<p><b>TH026</b></p> <p><b>Fits Premier Doors</b></p>  <p>Available in Clear Anodized. 6 ft. &amp; 8 ft. length. Please specify.</p>
<p><b>TH027</b></p> <p><b>Fits Ador HiLite Doors</b></p>  <p>Available in Clear Anodized. 6 ft. &amp; 8 ft. length. Please specify.</p>	<p><b>T-1 Replacement Patio Door Sill Track Cover</b></p> <ul style="list-style-type: none"> <li>•Fits most track doors</li> <li>•Easy to install</li> <li>•Quickly replaces damaged track</li> <li>•Saves time and money</li> <li>•Attractive replacement for damaged or corroded track</li> <li>•Available in 6 ft. &amp; 8 ft. length</li> </ul>  <p>Remove door, attach track &amp; crimp into place !</p>

**All thresholds available in 6 ft and 8 ft. length. If the part you need doesn't appear here, please send a sample. Special order sizes and colors may be available.**



**COMMERCIAL DOOR CLOSERS**

**MADE IN THE U.S.A.  
FULL 10 YEAR FACTORY WARRANTY**



**Closer Body Length:**  
9-3/4"

Blaine Door Closers provide narrow styling and installation versatility. They are ideal for use with aluminum doors and frames, yet they make an attractive installation on wood or metal doors.

**SIZE SELECTION CHART**

MODEL	MAXIMUM DOOR WIDTH	
	INTERIOR	EXTERIOR
DC 2	2'8"	--
DC 3	3'0"	2'6"
DC 4	3'8"	3'0"
DC 5	4'0"	3'6"

**FEATURES**

**Standard**

- Non-Handed
- Aluminum Alloy Shell
- Adjustable Closing Speed
- Adjustable Latching Speed
- Non-Hold Open
- Adjustable Power Shoe

**Optional**

- Adjustable Delayed Action Closing (ADA)
- Adjustable Back Check Cushioning
- Hold Open Arm

**U.L. & U.L.C. Listing**

All Blaine door closers, with non-hold open arms or hold open arms, are listed by Underwriters Laboratories under their continuing re-inspection programs.

Blaine Door Closers are non handed and, for standard non-hold open or hold open applications, can be mounted on regular and top jamb installations. An optional mounting bracket is available for parallel installations. **ADA Closers also available. Please call for detailed information.**

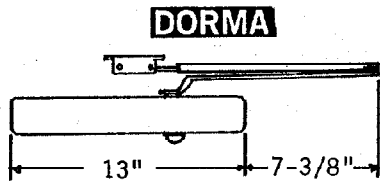
**COMPARISON CHART**

FUNCTION	Blaine	Yale	Norton	Dorma	LCN
Standard	DC Series	50	1600	600	---
Backcheck	DC Series-BC	50BC	1600BC	610	1070
Parallel Arm	DC Series-PA	50	1600PA	600PA	1070P
Hold Open	DC Series-HO	150	1600H	600FHO	1070H

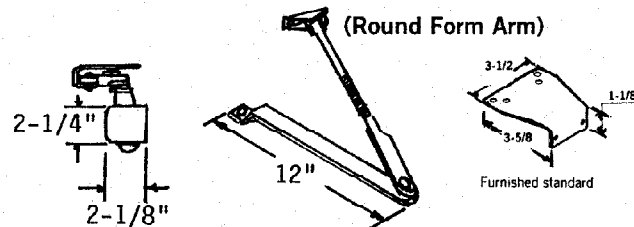


**DC 8**

Adjustable from sizes 1 thru 6



Standard Sprayed Finishes: Aluminum or Gold



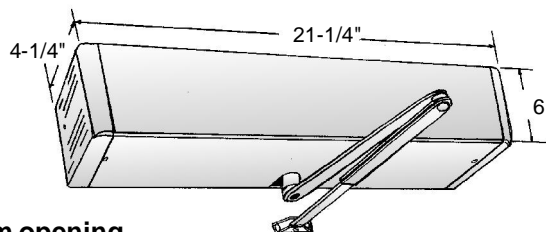
Minimum door rail for mounting closer 5-1/8".\*  
Minimum door rail to bottom of optional full cover 6-1/4".\*  
Backcheck positioning valve in "ON" position.  
\* Based on 5/8" stop.

CLOSER	INTERIOR/ EXTERIOR	DOOR WIDTH					
		2'-0" min.	2'-6" max.	3'-0" max.	3'-6" max.	4'-0" max.	4'-6" max.
	INTERIOR	•	•	♿	•	•	•
	EXTERIOR	•	•	♿	•	•	N/A

MAXIMUM OPENING	APPROX. BACKCHECK	APPROX. DELAYED ACTION	MINIMUM DOOR WIDTH
180°	60°-180°	180°-75°	24"

**DC-144 Closer  
DC-144 Switch**

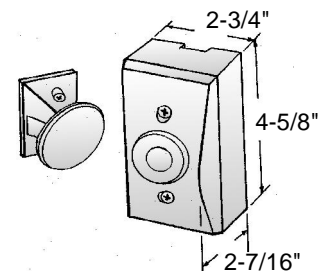
**Electric Door Closer**



115 degree maximum opening  
62 - 115 degree backcheck range  
85 - 115 degree hold open range

Adjustable spring power for doors from 3 ft. to 4 ft wide.  
Minimum frame face for mounting unit: 1-5/8".

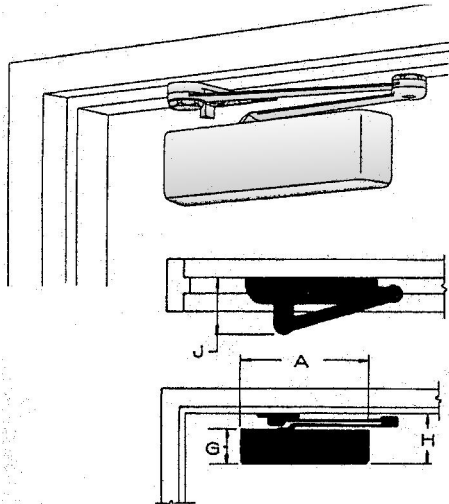
**Magnetic Door Holder  
20631**



Wall mount magnet  
24 volts  
AC or DC

# LCN Smoothee Door Closer

For Interior or Exterior Use



A	G	H	J
12-1/4"	3-1/2"	5-1/8"	5-1/2"

Mounts on stop face (push side) of door.  
With door closed, arm folds to position parallel to door.

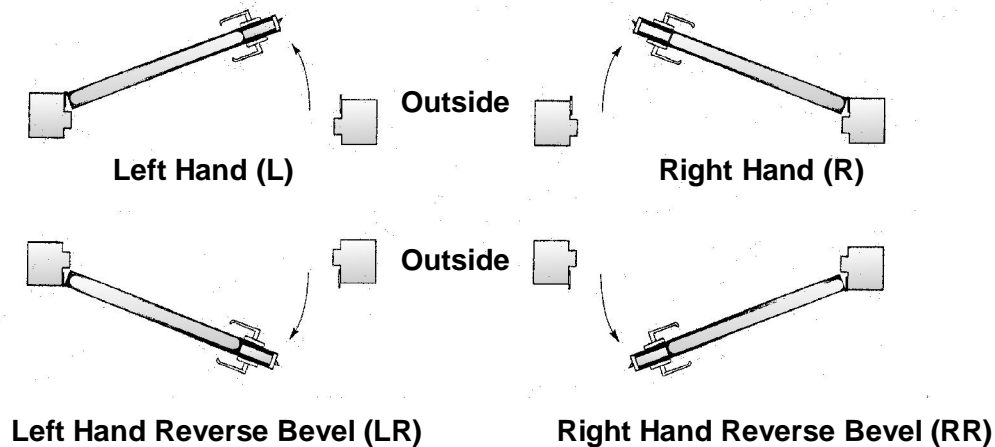
Other features and accessories available such as fusible link arm and drop plates. Contact our research for further information.

Maximum width of doors		Part No.
Exterior	Interior	
3'0"	3'8"	DC-130 (w/reg. arm)  DC-130-L-037 DC-130-L-038 DC-130-R-037 DC-130-R-038
2'2" thru 3'6"	2'2" thru 4'6"	DC-140 (w/hold open arm)  DC-140-L-037 DC-140-R-037  DC-140-HO-L-037 DC-140-HO-R-037  DC-140H-EDA-L-037 DC-140H-EDA-R-037

## Door Conditions

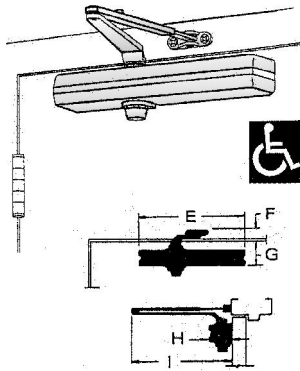
Hand of door is always determined from the outside.

- Here are a few of the rules to follow:
- The outside of an exterior door is the street or entrance side.
- The outside of a room door is the hall side.
- The outside of a single communicating door is the side from which the hinges are not visible when the door is closed.
- The outside of a closet door is the room or hall side.



## LCN Super Stock Closer - 1460 Series

Non Handed, Non sized for Interior or Exterior Use



**Features:**

- One 1460 Super stock can be mounted three different ways.
  1. Hinge Face
  2. Top Jamb
  3. Stop face (parallel arm)
- 1460 Series is non-handed, non-sized with spring power adjustable from size 2 through 6
- Adjustable hydraulic back check provides cushioning of opening swing prior to 90 degrees.
- Delayed action optional.
- Heavy-duty forged main arm.
- Cast Iron cylinder.
- Full rack and pinion hydraulic action.
- Joints in arm and shoe adapt to uneven trim.
- Non-critical regulating screws are tamper resistant.
- 10 year warranty ; UL Listings

<b>Part No. DC0017-1460-037</b>		<b>Has backcheck</b>
<b>Exterior or Vestible Door</b>	<b>Interior Doors</b>	<b>Reg. Arm</b>
2'0" (600 MM) through 4'0" (1200 MM)	2'0" (600 MM) through 5'0" (1500 MM)	1460

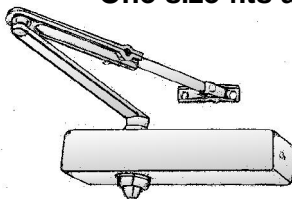
E	F	G	H	I
12-1/4"	1-1/8"	2-11/16"	2-3/8"	11-1/4"

For closers with fusible link options, see the LCN Smoother page

## 2200 Series Door Closer

Order Part No. DC0154-037

**Non-sized Door Closer**  
**Non-Hold Open**  
**One size fits all**

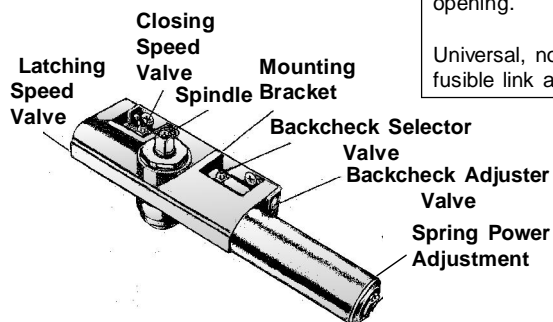


This closer series has built-in features allowing spring power adjustment in the field to accommodate many size doors. This invaluable series in the Russwin line permits stocking of ONE model closer for application to a variety of door sizes.

U.L. Listed for all classes labeled doors.

Allows full 180 degree door opening.

Universal, non handed except fusible link and Delayed action.



Type of Installation	Door Size Chart			Spring Power Equivalent Approximate Size
	Size of Door			
	Interior	Exterior Inswinging	Exterior Outswing	
Regular Arm	2'4"	----	----	1
	3'0"	----	----	2
	3'6"	2'6"	2'6"	3
	4'0"	3'0"	3'0"	4
	4'6"	3'6"	3'6"	5
Top Jamb Mounted	5'0"	4'0"	4'0"	6
	2'4"	----	----	1
	3'0"	----	----	2
	3'6"	2'6"	2'6"	3
Parallel Arm	4'0"	3'0"	3'0"	4
	4'6"	3'6"	3'6"	5
	2'2"	----	----	1
	Minimum	----	----	2
Parallel Arm	2'6"	----	----	2
	3'0"	----	----	3
	3'6"	----	----	4

Contact our Research Department for further information regarding "Armgard", Parallel Arm, Delayed Action Closer and other options.

**Applications:** Regular, Top Jamb, Parallel Arm, Track and Corner Bracket

**Spring Adjustment:** Installation form gives instruction for setting closer to accommodate various door sizes.

# LCN 4041 Super Smoothee

For Interior or Exterior Use

Order Part No. DC0129-037 or DC0129-038

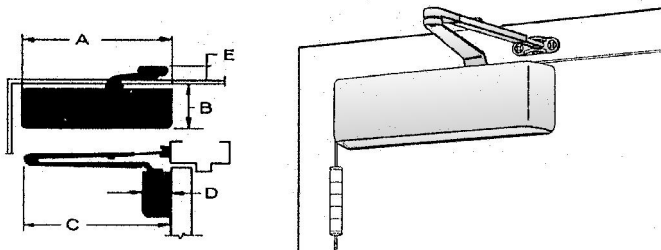
## Features

- Non-sized closer adjusts to any size 1 through 6
- DC129 mounts four different ways
- Non handed
- Height strength cast iron cylinder
- Adjustable hydraulic back check in advance of 90 degrees
- Liquid "X" temperature stable fluid
- 10-year warranty
- Tamper-proof, non-critical regulating screws

## Hinge Face (Pull Side)

### Mounting

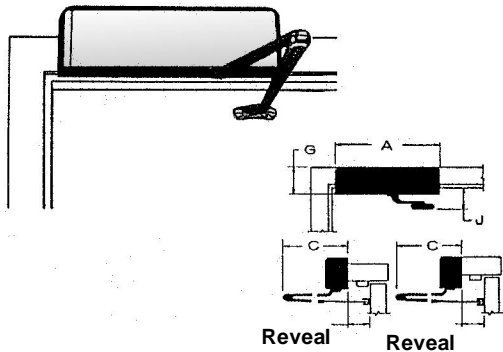
- One template position permits 120 degree opening



- UL Listing
- ANSI Certification
- ANSI A156.4 Grade 1
- Non-handed Cush-n-stop arm available
- Non-handed spring crush arm available

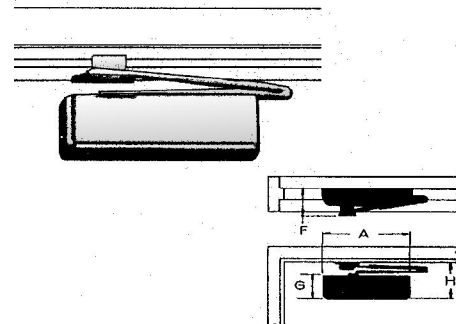
## Over Door (Push Side) Mounting

- One template position permits 120 degree opening
- Adapter plate (4040-18TJ or 4040-18G) required for narrow transom bars
- Reveal to 2-9/16" (65 MM) standard
- For deeper reveals to 4-13/16 (120 MM) specify 4040-79 L.R



## Stop Face (Push Side) Parallel Arm Mounting

- One template position permits 120 degree opening
- Maximum hinge width 5" (125 MM)



For other available accessories such as corner bracket mountings, adapter plates, drop plates, extra duty arms, cush-n-stop arms and spring crush, contact our research department.

A	B	C	D	E	F	G	H	J
12-1/4"	3-3/4"	11"	2-5/32"	1-1/4"	4"	3-1/2"	5-1/8"	2-7/8"

### Drop Plate



### DC0129-2-040

For use with hinge face mountings when top rail of door is 3-3/4" or less.

### Adapter Plate



Locates closer in a centered position on narrow transom bars. For use on outswing doors.

**SL1112 & SL1113 Exit Devices**

**Specifications:**

**Material:** Push bar painted heavy gauge steel, spring of stainless steel.

**Latch Bolts:** 3/4" throw, stainless steel.

**Dead Latch Bolt:** 5/8" stainless steel.

**Strike:** For 5/8" top, plus shim for 1/2" stop.

**Projection:** 2-1/2" maximum, 1-7/8" depressed.

**Reversible:** Non-handed. Reversible for all functions and trims.

**For Door:** 1-3/4" thick standard. Specify if other than 1-3/4" thick.

**Backset:** 2-3/4"

**161 Cut Out:** Device covers 161 cut out. Some trims require cover plate.

**Packaging:** Exit devices packed with lock front and strike filter.

**Sex Bolts:** Standard packaging for use with wood, composite or non reinforced doors on vertical rod devices.

**Door width:** For doors 2'6" to 3'0" wide-3'0" standard; for doors 3'0" to 4'0" wide - 4'0" standard.

**Stile Width:** 4-1/4" min.

**Mounting Height:** 40-5/16" from CL\* to finished floor recommended.

**Mounting:** Furnished standard with sheet metal and machine screws.

**Cylinder:** Schlage "C" keyway, other keyways specify.

**Dogging:** 1/4" turn, hex key dogging on non-fire-labeled devices.

**U.L. Listed:** For "panic hardware".

**Operation:** Inside by slight pressure on any point on the push bar at all times.

**For Vertical Rod:**

**Top Latchbolt:** 3/4" throw, stainless steel

**Top Deadbolt:** 1/2" throw, steel bolt.

**Bottom Latchbolt:** 3/4" throw, stainless steel

**Door Height:** For door up to 7'0" high - 7'0" standard. For door from 7'0" to 8'0"-8'0" standard. Field cut to need.

**Fire rated devices have no dogging functions.**

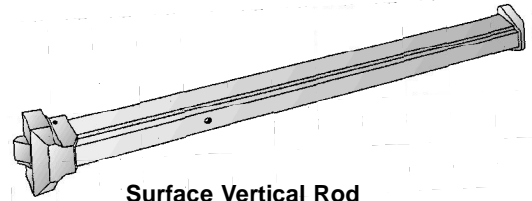
**Fire rated device is surface applied, including strikes.**

**Sex bolts are standard packaging for use with wood, composite or non-reinforced doors.**

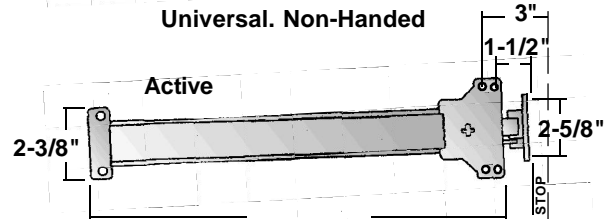
**SL1112-Rimstrike-053**



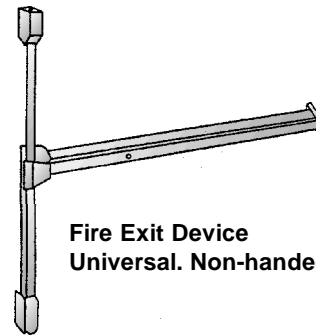
\*CL = Center Line



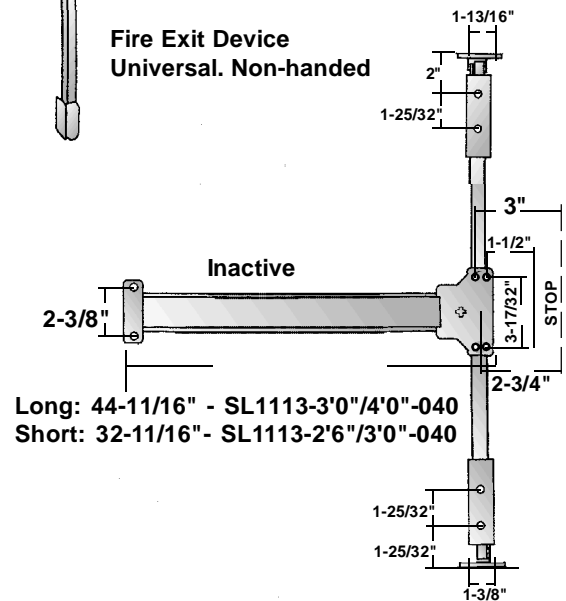
**Surface Vertical Rod  
Universal. Non-Handed**



**Long: 44-11/16" - SL1112-3'0"/4'0"-040  
Short: 32-11/16"- SL1112-2'6"/3'0"-040**

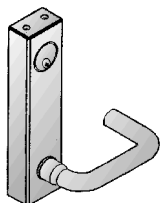


**Fire Exit Device  
Universal. Non-handed**



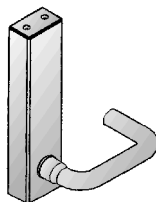
**Long: 44-11/16" - SL1113-3'0"/4'0"-040  
Short: 32-11/16"- SL1113-2'6"/3'0"-040**

**Exit Device-Entry Trim**



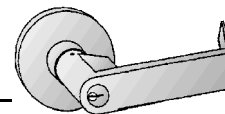
**SL1112-A-053**  
Outside by lever except when locked by key.  
**Entrance.**

**SL1112-B-053**  
Outside by key. Lever always rigid. Packed with cover plate.  
**Storeroom.**



**SL1112-C-053**  
Outside by lever always free. **Passage.**

**SL1112-D-053**  
Lever always rigid. **Dummy.**  
Packed with cover plate.



**Non-Handed**  
**SL1112-E-053**  
Outside by lever except when locked by key.  
**Entrance.**

**SL1112-KeyCyl**  
Key Cylinder

**SL1112-Rimstrike**  
**SL1112-G** Passage Lever - No Key

**SL1112-F-053**  
Storeroom function.  
Available in most major manufacturers keyways.



# Install-a-lock

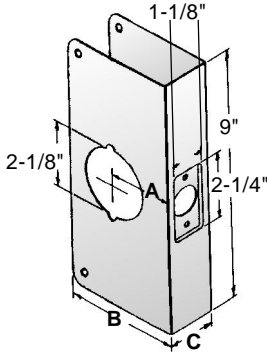
## Lock Changing & Door Reinforcing Kits

**Codes:**  
A = Backset  
B = Faceplate Width  
C = Door Thickness

- Easy to install
- Protects new doors
- Makes doors more jimmy-proof
- Comes complete with mounting screws & washers
- Available in stainless steel or satin bronze finish

- One piece, heavy gauge metal
- Use for correcting improper / off-center holes in doors
- Use for replacing unit locks or installing in cut-out doors
- Add strength to the lock area
- Provide a new look to old doors

For use with:  
Schlage \* Kwik-Set  
\* Weslock \* Weiser \*  
Other popular locks



**SL-1091** Deadbolt Strike

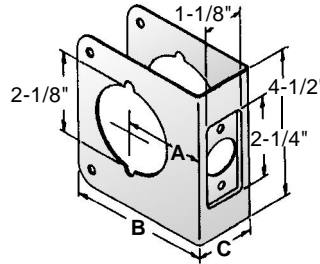
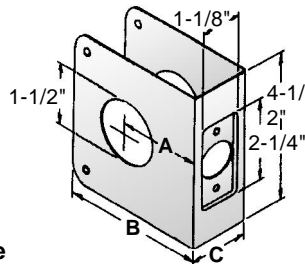
**SL-1091-1** Lip Strike

**SL-1092**  
A = 2-3/8"  
B = 4"  
C = 1-3/8"

**SL-1094**  
A = 2-3/4"  
B = 4-1/4"  
C = 1-3/8"

**SL-1093**  
A = 2-3/8"  
B = 4"  
C = 1-3/4"

**SL-1095**  
A = 2-3/4"  
B = 4-1/4"  
C = 1-3/4"



**SL-1089**  
A = 2-3/8"  
B = 4"  
C = 1-3/4"

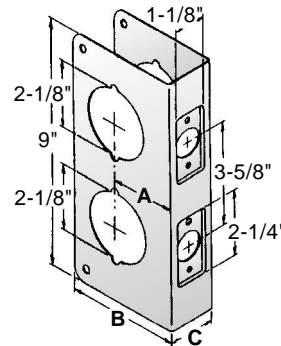
**SL-1090**  
A = 2-3/4"  
B = 4-1/4"  
C = 1-3/4"

**SL-1096**  
A = 2-3/8"  
B = 4"  
C = 1-3/8"

**SL-1098**  
A = 2-3/4"  
B = 4-1/4"  
C = 1-3/8"

**SL-1097**  
A = 2-3/8"  
B = 4"  
C = 1-3/4"

**SL-1099**  
A = 2-3/4"  
B = 4-1/4"  
C = 1-3/4"

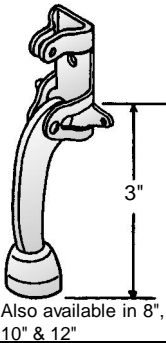


**SL-1087**  
A = 2-3/8"  
B = 4"  
C = 1-3/4"

**SL-1088**  
A = 2-3/4"  
B = 4-1/4"  
C = 1-3/4"

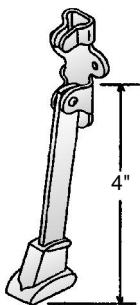
M.A.G. Security

**10007-3**

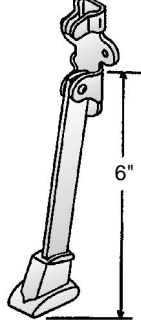


Also available in 8", 10" & 12"

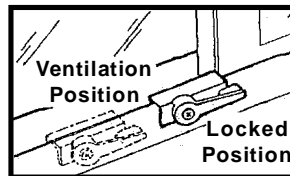
**10007-4**



**10007-6**



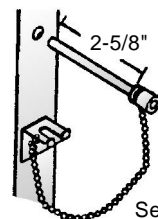
**SL-101**



For aluminum sliders

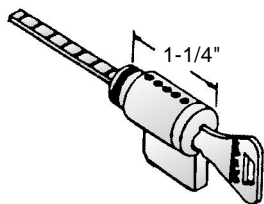
**SL-14**

Security Pin



Secures single and double sliding doors. Easy to install.

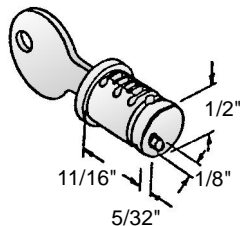
**SL-37**



**SL-37-KA**

**SL-69**

For doors over 1" thick, order SL69-Long

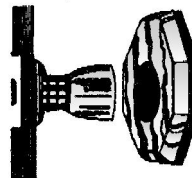


**SL-69-KA**  
**SL-69-Long**

**SL-102**

**DB-7**

Hole-In-Wall Door Bumper

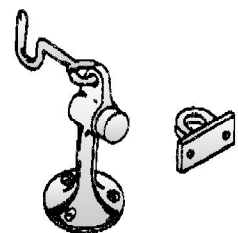


Covers holes caused by door knobs

Available in white or oak. Please specify.

**DB-27**

Commercial Floor Stop



With holder, solid brass, 3 mounting holes. Meets ANSI 156.16 standards

SL-514  
SL-514-w/keylock

Patio Door Lock

SL-515-KA  
SL-515-KR

Wood Window  
Sash Locks

SL-515-Spec-KA  
SL-515-Spec-KR

KA - Keyed alike  
KR - Keyed Random  
Please specify

SL1086  
SL1086-KA  
SL1086-KR

Keyed Sash Lock -  
Sweep Type

04594-w/key Keyed Sash Lock with  
keeper

04594-Keyed Alike

Brass or white

4687 Ventilating Window Lock  
Double / Single Hung

Brass plated steel

SL-29 Double / Single Hung Window Lock

Brass or aluminum

SL-35 Security Pin  
For wood double hung and  
single hung windows

8 Pins  
4 Keys

Brass Finish

SL-6 Double Hung Flip Lock

Locked Unlocked

Brass or chrome finish

SL-51 Keyed Sash Lock

Available KA Keyed Alike

SL-84 Keyed Pin Type Wood Sash Lock

Aluminum Finish

SL-91 Patio Door High Security Bolt w/ Key

Available brown or aluminum painted finish

For inside & outside on sliding and  
swinging doors

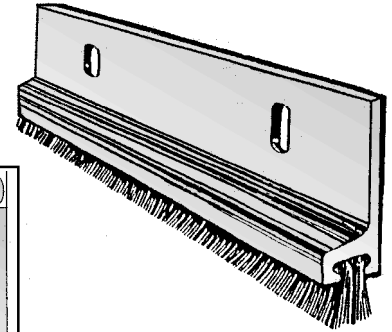
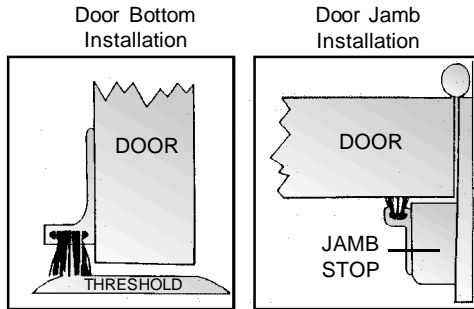
41.13 9/32" "A" Dim  
41.14 25/32" Specify 9/32" or  
25/32"

Avail. in  
.03 Bronze  
.11 Coppertone  
.22 Clay  
.23 Bronze  
.24 Beige  
.32 White

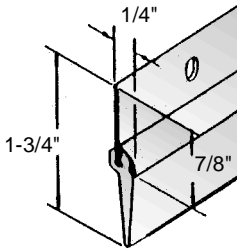
**SD238**

**Brush Style Weatherstripping**

Specially designed to stop air, water dust and insects from entering. Silicone treated pile will not shrink, rot or absorb water and low friction sealing action allows for minimum drag during opening and closing. Can be installed around doors on top and side jamb stops where air infiltration is a particular problem. Available in aluminum and bronze finish. Comes in 12'2" sections shipped via motor carrier or can be cut to your specifications.

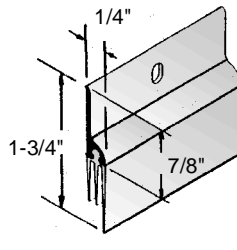


**SD241**



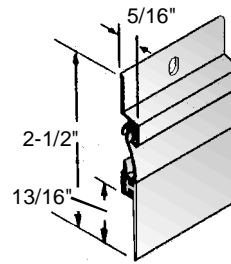
Finish - Aluminum, Dark Bronze  
Length - 36"

**SD243**



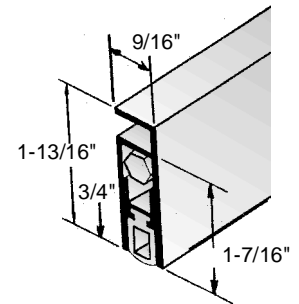
Finish - Aluminum, Dark Bronze  
Length - 36"

**SD244**



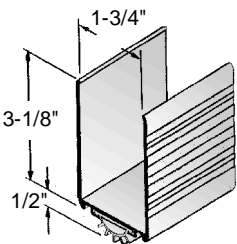
Finish - Aluminum, Dark Bronze  
Length - 36"

**SD245**



Finish - Aluminum, Dark Bronze  
Length - 36"

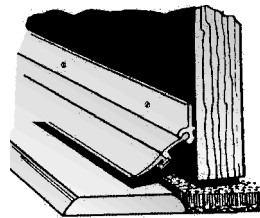
**SD246**



Finish - Aluminum, Dark Bronze  
Length - 36"

**SD247**

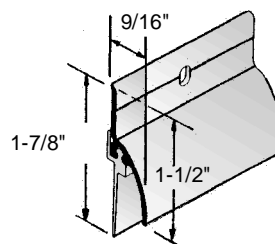
Order SD244-36" replacement



Finish - Aluminum  
Vinyl Color - Gray  
Length - 36"

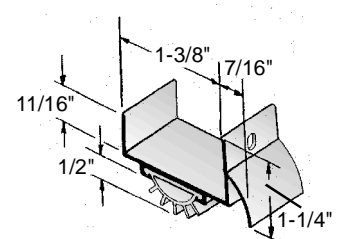
Min. Order - 10 Each

**SD248**



Finish - Aluminum, Dark Bronze  
Length - 36"

**SD250-1-3/8**



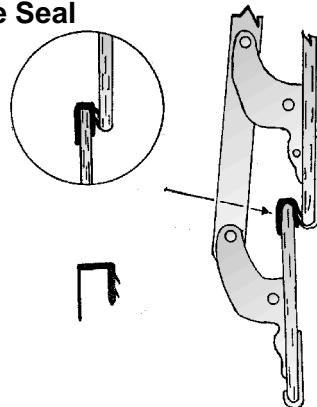
Finish - Aluminum, Dark Bronze  
Length - 36"

**WS206**

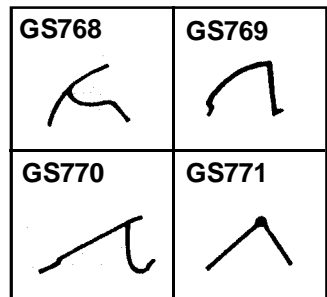
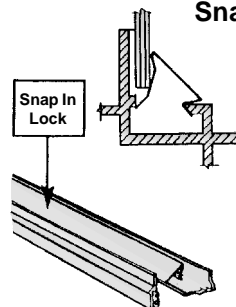
**Jalousie Seal**

Clear vinyl keeps air and water from blowing between closed louver slats. Seals out drafts usually found in jalousie type windows.

Available in 100 and 1000 ft. rolls. Please specify.




**Snap-In Vinyl Glazing Bead**




Used on aluminum windows. Available in white, gray and bronze. 6 ft. stock lengths. Packed 20 lengths per box. Minimum order 20 lengths of one color and shape.




**VB-20**



**VB-21**



**VB-22**

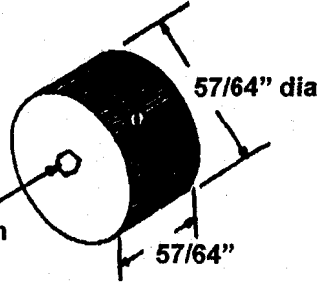


Custom Made To Your Specifications. Must Send A Sample For Proper Identification And Manufacturing.

Note: VB 20 and VB 21 end holes are 5/32" dia. off center

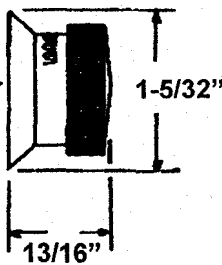
**VB-9**

Cast zinc. Dark brown finish



5.715 mm hex hole

**VB-10**



1/4" dia. hole

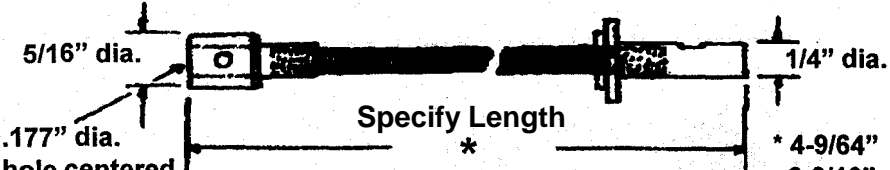
1-5/32"

13/16"

Cast zinc with brown finish

**VB-19**

Brass ends



5/16" dia.

.177" dia. hole centered

Specify Length \*

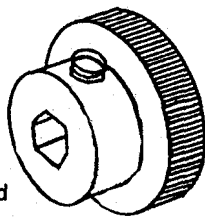
1/4" dia.

\* 4-9/64"  
6-3/16"  
6-1/4"  
6-5/8"

Lengths, other than those shown here, can be custom made.

**VB-24**

also available with 7/32" hex hole

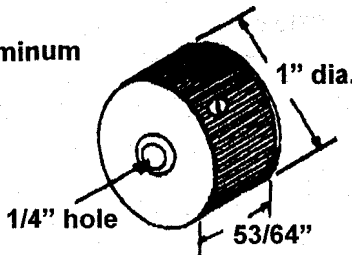


1/4" Hex Hole

Bronze painted finish on cast zinc

**VB-25**

Aluminum



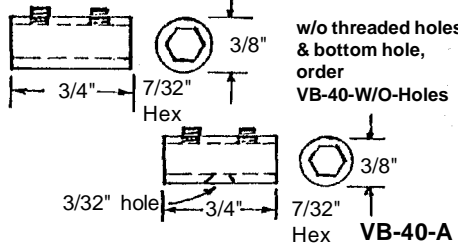
1" dia.

53/64"

1/4" hole

**VB-40**

Aluminum Rod Connector



3/4"

7/32" Hex

3/8"

3/32" hole

3/4"

7/32" Hex

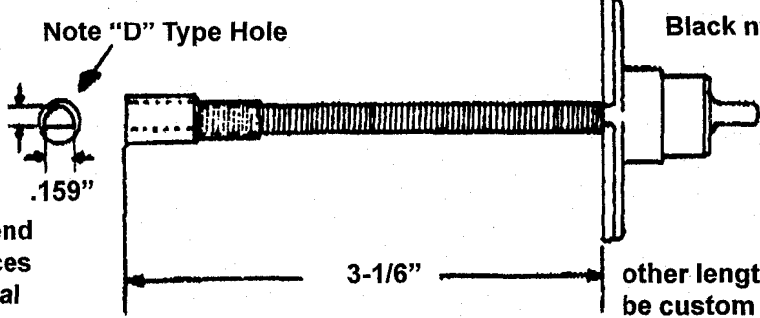
3/8"

w/o threaded holes & bottom hole, order VB-40-W/O-Holes

VB-40-A

**VB-12**

Note "D" Type Hole



.133"

.159"

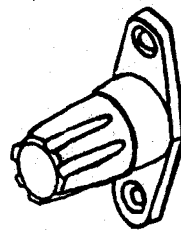
3-1/6"

Black nylon

Zinc end replaces original brass

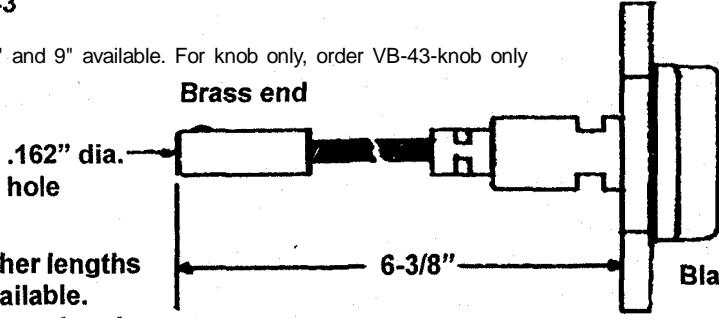
other lengths can be custom made

**VB-29-Assembly**



**VB-43**

3", 7" and 9" available. For knob only, order VB-43-knob only



.162" dia. hole

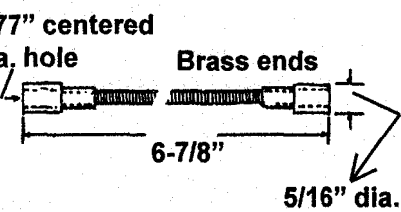
6-3/8"

Brass end

Black nylon

Other lengths available. Please inquire.

**VB-54**



.177" centered dia. hole

6-7/8"

5/16" dia.

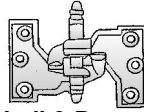
Brass ends

other lengths can be custom made



**Scroll (S-Hook)**  
Specify Lag Screw or Post Mount

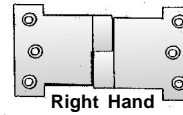
SH-13  
w/ 8X3-1/2" screws  
SH-13-6-3/4-Lag  
w/lag screws  
SH-13-6-3/4-Post  
w/post mount



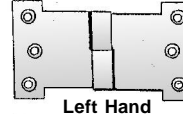
**Acme, Lull & Porter Hinges**

SH1-3-1/8" (width when open)  
SH1-3-3/4"  
SH1-4-1/2"  
SH1-5"  
SH1-5-1/2"  
SH1-6-1/2"  
SH1-9"  
These are left/right  
4 pc. sets.  
Complete w/  
Shutter fasteners

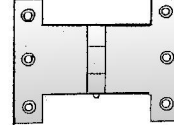
**Cast Iron Shutter & General Use Hinges**



Right Hand



Left Hand



\* 3 Segment Joint  
(Non handed)

**Post & Base**

Cast iron with nickel look finish



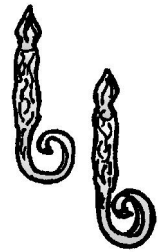
For misc. swivel applications.  
Screws included.

**6642**

Post: 2-7/8" x 7/8"  
Base: 1-3/4" x 3/4"

Mounting Leaf Lngth Each Leaf Overall Width Open

Part No.	Joint Lngth & Dia.	(Height)	Width	Open
SH-3-L-051 SH-3-R-051	2 x 2-1/2"	2-3/4"	2-3/8"	4-3/4"
SH-4-L-051 SH-4-R-051	2 x 2-1/2"	2-3/4"	2-1/8"	4-1/4"
SH-5-L-051 SH-5-R-051	2 x 7/16"	2-1/2"	1-7/8"	3-3/4"
SH-6-L-051 SH-6-R-051	2-1/2 x 5/8"	3-3/8"	3"	6"
SH-7-L-051 SH-7-R-051	1-7/8 x 7/16"	3-3/8"	2-1/4"	4-1/2"
SH-8-051	1-7/8 x 7/16"	3-3/8"	2-1/4"	4-1/2"
SH-9-L-051 SH-9-R-051	1-7/8 x 3/8"	2-7/8"	1-7/8"	3-3/4"
SH-10-051	1-7/8 x 3/8"	2-7/8"	1-7/8"	3-3/4"



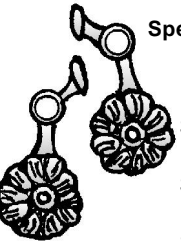
**Curl**  
Specify Lag Screw or Post Mount

SH-14  
w/#8 dia. X 3-1/2" nail  
SH-14-6-1/4-Lag  
w/Lag screws  
SH-14-6-1/4-Post  
w/post mount



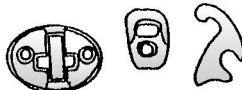
**Clark's Tip Hinge**

SH2-Small (width when open 2-1/2")  
SH2-Large (width when open 3") w/o tip  
Comes complete with shutter fasteners



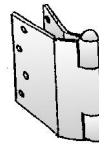
**Shell**  
Specify Lag Screw or Post Mount

SH-15  
w/#6 dia. X 2-1/2" Nail  
SH-15-5-1/4-Lag  
w/Lag screws  
SH-15-5-1/4-Post  
w/Post mount



**Shutter Fasteners Only**  
SH-18

Reversible Shutter Hinge W/ Loose Brass Pin



SH-22-3x4-051  
3" x 4" open size  
SH-22-3x5-051  
3" x 5" open size  
SH-22-3x6-051  
3" x 6" open size

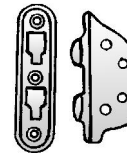


**Shutter Strap Hinges**

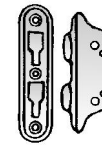
SH-21-12-A-051 12" as shown  
SH-21-18-A-051 18" long  
SH-21-12-B-051 12" opposite side  
SH-21-18-B-051 18" opposite side

Multiple use fasteners designed for misc. construction and furniture assembly.

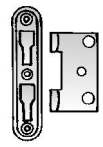
4" x 1-1/16" 4-3/4" x 1-1/8" 5-3/8" x 1-3/16"



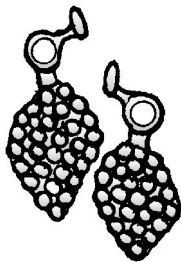
SF-1



SF-2



SF-3



**Grape**  
Specify Lag Screw or Post Mount

SH-16  
w/#6 dia. X 2-1/2" Nail  
SH-16-6-1/4-Lag  
w/Lag screws  
SH-16-6-1/4-Post  
w/Post mount



**Shutter Slide Bolt**

SH-23-10-051  
10" overall length slide bolt  
SH-23-12-051  
12" overall length slide bolt

**Ivy Drawer Pull**  
Cast iron with nickel look finish. Screws included.



6640

2-3/8" x 1-3/4"

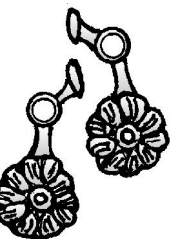
**Scroll Drawer Pull**  
Cast iron with nickel look finish. Screws included.



6641

6639 Acorn Hook  
Cast iron with nickel look finish. Screws included.  
3-1/2" L x 3" D

**Flower**  
Specify Lag Screw or Post Mount



SH-17  
SH-17-4-1/2-Lag  
w/Lag screws  
SH-17-1-1/4-Post  
w/Post mount

**BRIGADIER II<sup>®</sup> TILE**

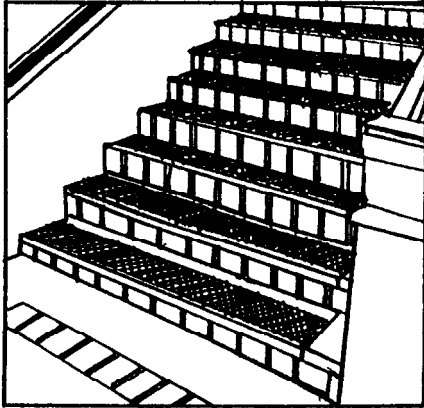
(AT-710)

Follow the arrows on back side of each tile to assure proper tile alignment.

Thickness: 7/32". Size: 24" x 24"

Colors:

Installation: Use *Armor Contact Adhesive*.



Available in:

**Dark Brown**

**Black**

**Light Gray**

**Medium Brown**

**Dark Blue**

**Burgundy**

**Slate**

**Beige**

**Dark Green**

**Medium Gray**

**ADHESIVES**

**ARMOR<sup>®</sup> Adhesive**

(AD-1303)

Brush-on Neoprene type contact adhesive.

Thin or clean up with Methyl, Ethyl, Ketone (MEK)

Indoor / Outdoor

Size

Weight

1 Quart

2 lbs

1 Gallon

5 lbs

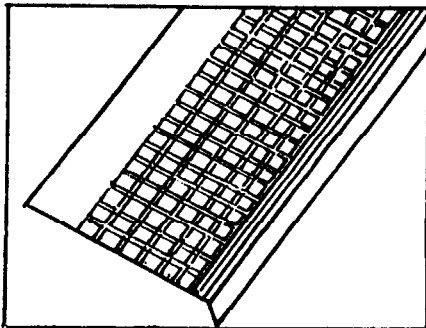
5 Gallon Drum

40 lbs

Notes:

1. Coverage: 80 - 100 sq.ft. / gallon

2. UPS HAZ-MAT handling charge add \$20.00 per container.



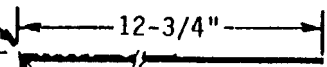
**METROTRED<sup>®</sup> (ES-748)**

(without riser)

Radius

1/8"

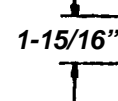
1-7/8"



Regular Stair Tread  
for General Applications

1-15/16"

18-3/4"



One Piece Stair Tread  
for General Applications

The MetroTred is now offered only in the 12-3/4" depth. The improved front 2" now has 4 full length ribs followed by the surface pattern with the back 3" smooth for easier cleaning. A fiberglass mesh in the nosing improves installation.

MetroTred was designed for use in elegant surrounds, like concert halls, new car show rooms, museums, libraries. . .

Thickness: 1/4" tapering to 3/16"

Depth: 12-3/4"

Widths: 36", 48", 72"

Install with Armor-contact Adhesive (AD-1303)

Fire Rating: Class 1

Federal Spec: RR-T-65a Type A

Colors Available in:

**Stoneleigh**

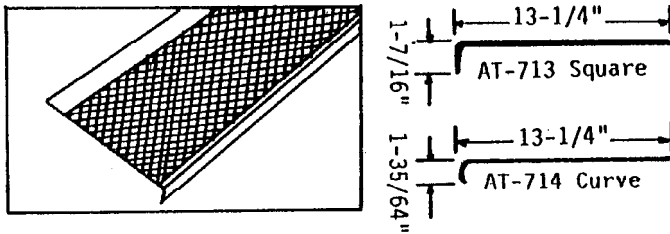
**Onyx Black**

**Midnite Charcoal**

**Polished Pewter**

**ARMOR-TREDS II®**

(AT-713) Square Nose  
(AT-714) Curved Nose



Diamond designed Armor-Treds have set the standard for the industry combining beauty, long-life and ease of cleaning. Scientifically designed grooves allow dirt particles to fall below the walking surface and prevent excessive wear from abrasion. For use in high traffic areas.

**Specifications:** (C.S.I. Div. 9 Stair Treads) Armor molded rubber treads shall be made of top quality rubber compound, homogenous colors, heat cured and free of blemishes. Superior compound eliminates necessity of metal-mesh inside the nosings. The front edge of the tread shall have a smooth border. The back 2-1/2" shall be free of design to facilitate cleaning. The front 10-1/4" shall have a horizontal diamond pattern.

**Federal Spec.:** ZZ-T-001237-GSA-FSS and RR-T-650 Type A. Type II

**Thickness:** 1/4" overall **Size:** 13-1/4" deep.

**Lengths:** 36", 42", 48", 54", 60", 72".

**Installation:** Cut to fit each step accurately and install with **Armor Contact Adhesive**.

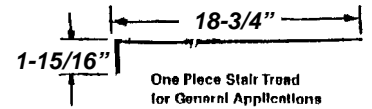
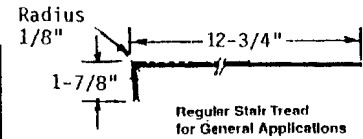
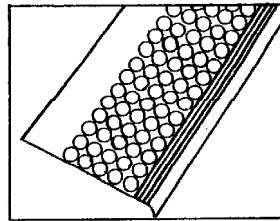
**Matching Cover Risers (AT-707):** 7" Cove Risers available 1/8" thick.

Available in:

<i>Diablo Red</i>	<i>Moon Rock</i>	<i>Silver Gray</i>
<i>Cabernet</i>	<i>Adobe Peach</i>	<i>Windsor Blue</i>
<i>Navy Blue</i>	<i>Black</i>	<i>Heather Green</i>
<i>Desert Camel</i>	<i>Sable</i>	<i>Hunter Green</i>
<i>Charcoal</i>	<i>Sandalwood</i>	<i>Taupe</i>
<i>Pearl</i>	<i>Brown</i>	<i>Burnt Umber</i>
<i>Medium Gray</i>	<i>Gray</i>	<i>Fawn</i>
<i>Blue Lagoon</i>	<i>Beige</i>	<i>Burgundy</i>

**ORBITRED® (ES-718)**

(with or without riser)



Orbitred is now manufactured with or without the rise attached. For the architect or designer who wishes to give a flowing look to the step, the one-piece Orbitred is ideal. On the other hand, if you want a contrasting color for the riser, the full step Orbitred is the solution. Easy to clean design! Orbitred is perfect for use in public buildings, hospitals, churches, schools, office buildings, department stores, shopping malls, etc. The soft self-waxing surface helps to reduce area noise from shoe traffic, and the rubber compound tends to give better foot safety.

**Specifications:**

**Thickness:** 1/4" tapering to 3/16"

**Depth:** 18-3/4" with riser, 12-3/4" tread only.

**Widths:** 36", 48", 72".

**Weight:** 2.8 lbs lin. ft. (with riser); 2.2 lbs lin. ft. (tread only)

**Fire rating:** Class 1

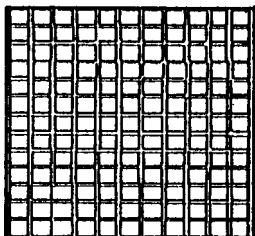
Install with **Armor-Contact Adhesive** (AD 1303)

Available in:

<i>Stoneleigh</i>	<i>Carriage Gray</i>
<i>Onyx Black</i>	<i>Sandstone Beige</i>
<i>Midnite Charcoal</i>	<i>Deep Chestnut</i>
<i>Polished Pewter</i>	<i>Emerald Luster</i>
<i>Silver Wing</i>	<i>Indigo Sapphire</i>
<i>Willow Mint</i>	<i>Versailles Taupe</i>
<i>Platinum Gray</i>	

**METROTILE® (AT-747)**

Metrotile's 1" x 1" repeating pattern of squares has a raised height of only .6 mm above the base. Each tile weights 10.1 pounds.



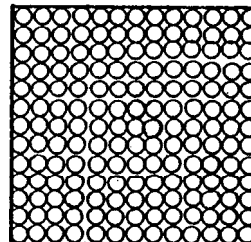
Available in:

*Stoneleigh*  
*Solid Black*  
*Midnite Charcoal*  
*Polished Pewter*  
*Java Jewel*  
*Passion*  
*Goldenrod*  
*Valley Green*  
*Purple Night*

Now available in 24" x 24" only

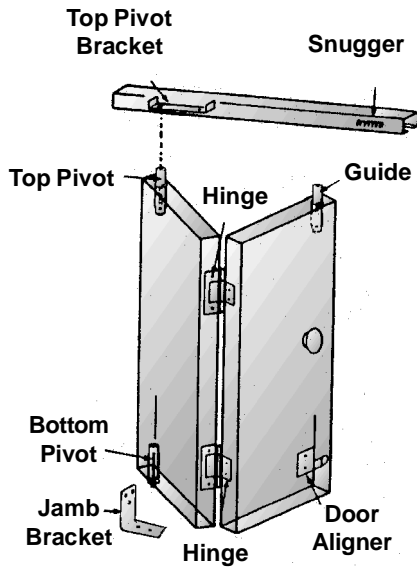
**ORBITILE® (ES-717)**

The Orbitile has a continuous pattern of quarter size discs raised only 1 mm above the background. Tile weighs 9.9 pounds.



Available in:

*Silver*  
*Willow Mint*  
*Onyx Black*  
*Midnite Charcoal*  
*Polished Pewter*  
*Platinum Gray*  
*Versailles Taupe*  
*Carriage Gray*  
*Sandstone Beige*  
*Deep Chestnut*  
*Emerald Luster*  
*Indigo Sapphire*  
*Cherry Red*



**Complete Hardware Sets For Wood Bi-Fold Doors (Doors Not Included)**

- 36" Track Kit**  
CD4001-36-040 for 2 panels in 2'0", 2'6", 3'0" openings
- 48" Track Kit**  
CD4001-48-040 for 4 panel in 4' openings
- 60" Track Kit**  
CD4001-60-040 for 4 panels in 5' openings

**Steel Replacement Track For Bi-Fold Doors\***  
Can be cut down for smaller sizes

CD4002-48T-050 4 ft.  
CD4002-72T-050 6 ft.

\*Track only. Not a complete kit.

**SL-14** Patio Door Security Pin

Secures single and double sliding doors. Easy to install.

**SL-80** Secondary Patio Door Lock Pin

**SL-535-DBL**

avail. in black, aluminum & white finishes

**SL-82** Secondary Patio Door Lock Pin

for keyed alike, order SL-82-KA

black or alum. finish

**SL-85** Secondary Door Lock

**SL-87** Patio Lock

Two piece hinged assembly, clear adhesive backing, installs on stationary glass panel.

**SL-518** Secondary Patio Door Lock

Available in Aluminum, Black & White finishes

**SL-524** Horizontal Window Lock Slider

Available in black, alum & white finishes

**SL-1367** Secondary Patio Door Lock

Available in Aluminum & Bronze Painted

**SL-5** Blaine Burglar Bar

Makes your sliding glass doors jimmy-proof!

Simple to install. Fits 36" to 48" doors. Avail. in alum, white & bronze painted finishes

Works on all single, double and outside sliding panels. All hardware included.

**SL-538-Kit** 6 Locks & Key


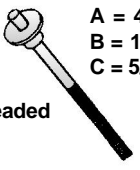
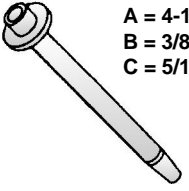
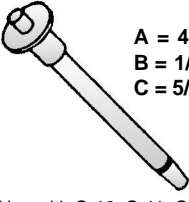
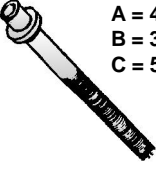
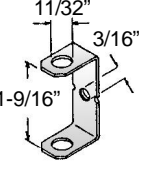
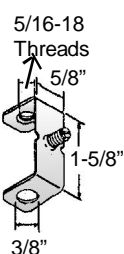
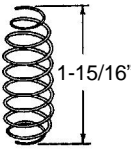
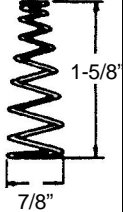

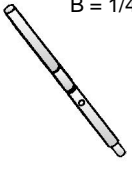
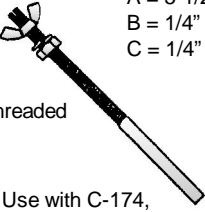
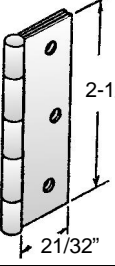
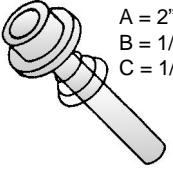
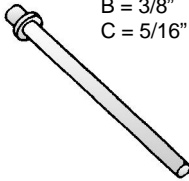
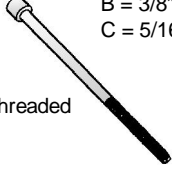
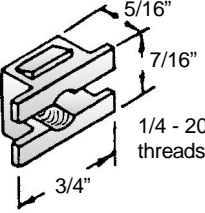


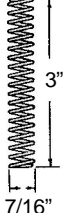
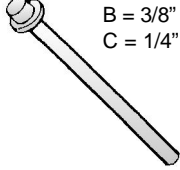
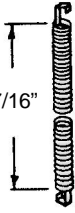
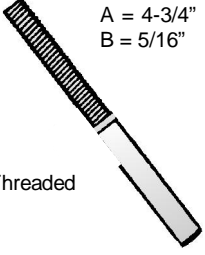
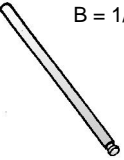

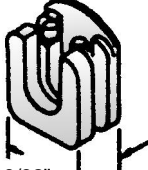
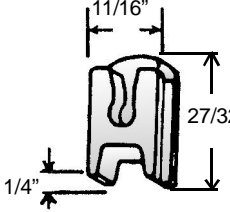




For extra keys, order SL-538-Key

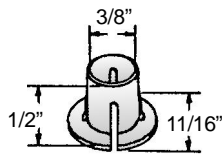
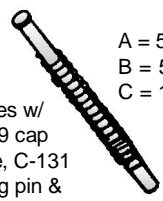
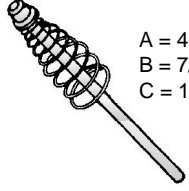
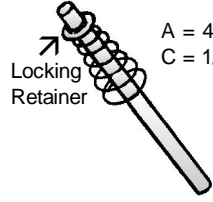
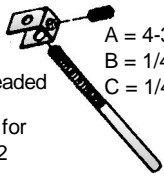
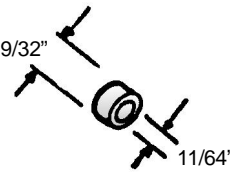
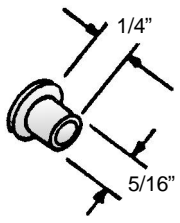
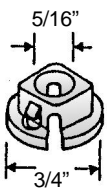
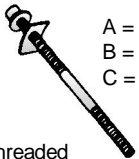
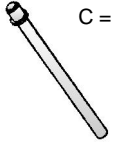
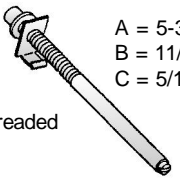
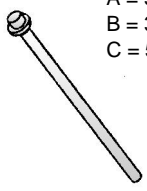
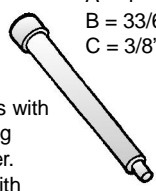
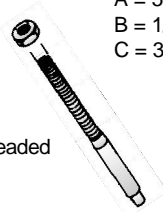
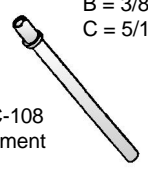
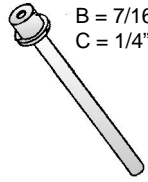

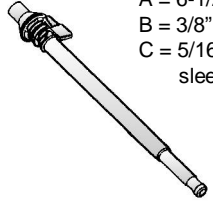
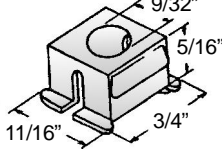
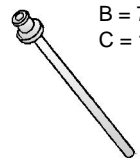
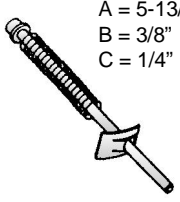
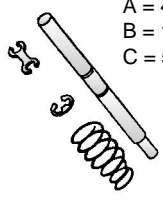
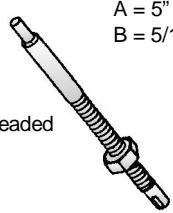
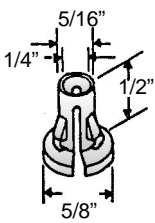
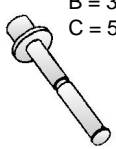
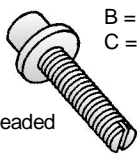
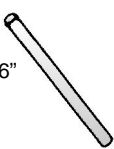
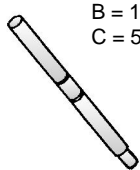
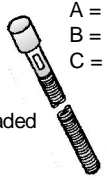

Double Hung Wood Window Lock

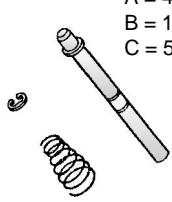
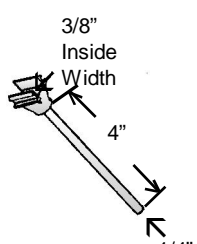
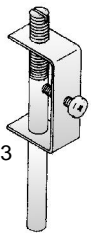
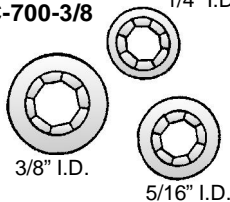
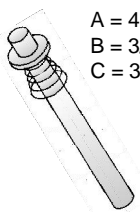
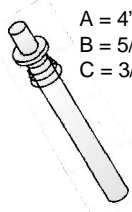
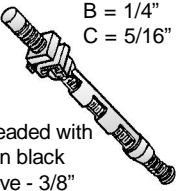
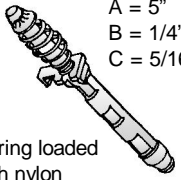
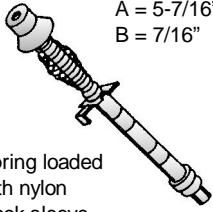
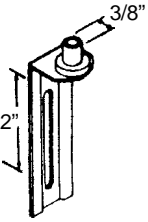
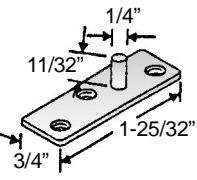
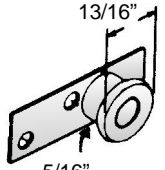
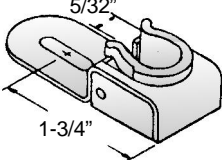
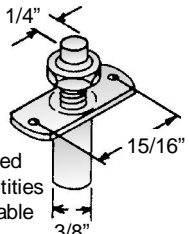

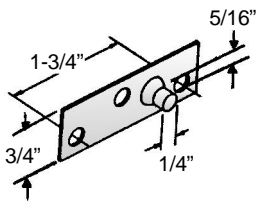
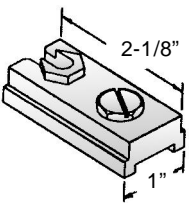


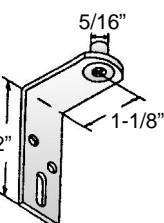
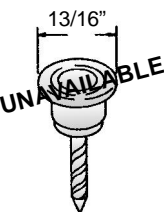
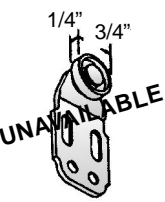
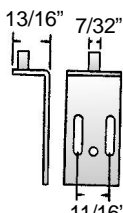
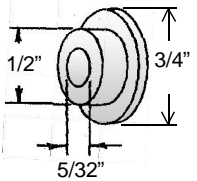
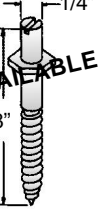
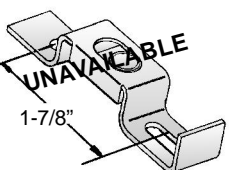
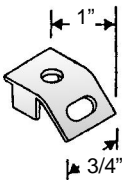


**41.10** Truth

avail. in many colors

Secondary Patio Door Lock

<p><b>Bi-fold Pins &amp; Associated Parts</b></p>	 <p>Pin Dia.</p>	<p><b>C-10</b> 5/16" Dia. Pin</p>  <p>A = 4-1/2" B = 1/4" C = 5/16"</p> <p>Threaded</p> <p>Use with C-11, C-12, C-13, C-19</p>	<p><b>C-11</b> 5/16" Dia. Pin</p>  <p>A = 4-1/6" B = 3/8" C = 5/16"</p> <p>Use with C-10, C-12, C-13, C-16</p>	<p><b>C-12</b> 5/16" Dia. Pin</p>  <p>A = 4-1/2" B = 1/4" C = 5/16"</p> <p>Use with C-10, C-11, C-13, C-16</p>	
<p><b>C-13</b> 3/8" Dia. Cap</p>  <p>A = 4-1/3" B = 3/8" C = 5/16"</p> <p>Use with C-10, C-11, C-12, C-19</p>	<p><b>C-16</b></p>  <p>11/32" 3/16" 1-9/16"</p> <p><b>C-19</b></p>  <p>5/16-18 Threads 5/8" 1-5/8" 3/8"</p>	<p><b>C-21</b></p>  <p>1-15/16"</p>	<p><b>C-22</b></p>  <p>1-5/8" 7/8"</p>	<p><b>C-60</b></p>  <p>1" dia. A = 6" B = 1" C = 5/16"</p> <p>Threaded</p> <p>Use with C-61</p>	<p><b>C-61</b></p>  <p>A = 4-1/2" B = 1/4"</p> <p>Use with C-60, C-227</p>
<p><b>C-91</b></p>  <p>A = 5-1/2" B = 1/4" C = 1/4"</p> <p>Threaded</p> <p>Use with C-174, C-175, C-176</p>	<p><b>C-102</b></p>  <p>2-1/2" 21/32"</p>	<p><b>C-105</b> 1/4" Dia. Pin</p>  <p>A = 2" B = 1/2" C = 1/4"</p> <p>Use with C-346</p>	<p><b>C-108</b></p>  <p>A = 5-5/8" B = 3/8" C = 5/16"</p>	<p><b>C-109</b></p>  <p>A = 5-1/4" B = 3/8" C = 5/16"</p> <p>Threaded</p>	
<p><b>C-125</b></p>  <p>5/16" 7/16" 1/4 - 20 threads 3/4"</p> <p>Replacement now in cast zinc</p>	<p><b>C-130</b></p>  <p>3/8"</p> <p>For 5/16" hole, order C-130-5/16"</p>	<p><b>C-131</b></p>  <p>Fits most bifold pins with hole</p> <p>Specifically works with C-133 pin</p>	<p><b>C-132</b></p>  <p>3" 7/16"</p>	<p><b>C-133</b></p>  <p>A = 5-5/16" B = 3/8" C = 1/4"</p> <p>Use with C-91, C-132, C-125</p>	
<p><b>C-135</b></p>  <p>2-7/16"</p>	<p><b>C-173-Short</b></p>  <p>A = 4-3/4" B = 5/16"</p> <p>Threaded</p>	<p><b>C-174</b></p>  <p>A = 5-1/4" B = 1/4"</p> <p>Use with C-91, C-175, C-176</p>	<p><b>C-175</b></p>  <p>A = 5-1/4" B = 1/4"</p> <p>Use with C-91, C-174, C-176</p>	<p><b>C-178</b></p>  <p>19/32" 5/16"</p>	
<p><b>C-179</b></p>  <p>11/16" 27/32" 1/4"</p> <p>Use with C-224 Pin</p>	<p><b>C-189-5/16</b></p>  <p>A = 4-11/16" B = 5/16"</p> <p>Use with C-190, C-191, C-192</p> <p>5/16" dia.</p> <p>For 3/8" diameter, order C-189-5/16 New style replacement</p>	<p><b>C-190-3/8</b> <b>C-190-5/16</b></p>  <p>3/8 or 5/16" dia.</p> <p>A = 5-1/8" B = 3/16"</p> <p>Use with C-189, C-191, C-192</p>	<p><b>C-191-3/8</b> <b>C-191-5/16</b></p>  <p>A = 5-1/2" B = 3/8"</p> <p>Use with C-189, C-190, C-192</p> <p>3/8 or 5/16"</p>	<p><b>C-192</b></p>  <p>A = 4-51/64" B = 3/8" C = 5/16"</p> <p>Use with C-189, C-190, C-191</p> <p>Please specify 3/8" or 5/16 dia.</p>	

<p><b>C-194</b></p>  <p>For 5/16 diameter hole, order C-194-5/16</p>	<p><b>C-224</b> 1/4" dia. pin</p>  <p>A = 5-1/4" B = 5/16" C = 1/4"</p> <p>Comes w/ C-179 cap guide, C-131 spring pin &amp; C-132 spring</p>	<p><b>C-225</b> 1/4" dia. pin</p>  <p>A = 4-1/2" B = 7/16" C = 1/4"</p> <p>Use with C-226, C-227, C-445</p>	<p><b>C-226</b> 1/4" dia. pin</p>  <p>A = 4-3/8" C = 1/4"</p>	<p><b>C-227</b> 1/4" dia. pin</p>  <p>A = 4-3/8" B = 1/4" C = 1/4"</p> <p>Threaded sub for C-62 Use with C-225, C-226, C-445</p>
<p><b>C-232</b></p>  <p>Black Rubber</p>	<p><b>C-233</b></p> 	<p><b>C-240</b></p> 	<p><b>C-244</b> 5/16" dia. pin</p>  <p>Threaded</p> <p>A = 5-3/8" B = 3/8" C = 5/16"</p>	<p><b>C-286</b></p>  <p>A = 5-1/4" B = 3/8" C = 5/16"</p>
<p><b>C-288</b> 5/16" dia. pin</p>  <p>Threaded</p> <p>A = 5-3/8" B = 11/32" C = 5/16"</p> <p>Use with C-237, C-403, C-467</p>	<p><b>C-292</b></p>  <p>A = 5-1/4" B = 3/8" C = 5/16"</p>	<p><b>C-364</b></p>  <p>A = 4" B = 33/64" C = 3/8"</p> <p>Comes with locking retainer. Use with C-366</p>	<p><b>C-366</b></p>  <p>Threaded</p> <p>A = 5" B = 1/4" C = 3/8"</p>	<p><b>C-403</b></p>  <p>A = 5-5/8" B = 3/8" C = 5/16"</p> <p>Order C-108 replacement Use with C-287, C-288, C-467</p>
<p><b>C-435</b></p>  <p>A = 4-1/2" B = 7/16" C = 1/4"</p>	<p><b>C-441</b></p>  <p>Order C-700-1/4 round replacement</p>	<p><b>C-468</b></p>  <p>A = 6-1/2" B = 3/8" C = 5/16" sleeve</p>	<p><b>C-472</b></p> 	<p><b>C-511</b></p>  <p>A = 6-1/16" B = 7/16" C = 1/4"</p>
<p><b>C-517</b></p>  <p>A = 5-13/16" B = 3/8" C = 1/4"</p> <p>3/8" Diameter Cap</p>	<p><b>C-524</b></p>  <p>A = 4" B = 1/4" C = 5/16"</p> <p>Use with C-525, C-575, C-666</p>	<p><b>C-525</b></p>  <p>Threaded</p> <p>A = 5" B = 5/16"</p> <p>Use with C-524, C-575, C-666</p>	<p><b>C-527-Orig</b></p> 	<p><b>C-545</b></p>  <p>A = 2-17/32" B = 3/8" C = 5/16"</p> <p>Use with C-544, C-546</p>
<p><b>C-546</b></p>  <p>Threaded</p> <p>A = 1-3/4" B = 3/8" C = 5/16"</p> <p>Use with C-544, C-545</p>	<p><b>C-547</b></p>  <p>C = 5/16"</p> <p>Overall Length - 5-1/4"</p>	<p><b>C-575</b></p>  <p>A = 4-1/2" B = 1/4" C = 5/16"</p>	<p><b>C-619</b></p>  <p>Threaded</p> <p>A = 4-1/4" B = 3/8" C = 1/4"</p> <p>Use with C-659</p>	<p><b>C-619-KIT</b></p>  <p>A = 4-1/4" B = 3/8" C = 1/4"</p> <p>Unavailable. Order C-619, at left Use with C-659</p>



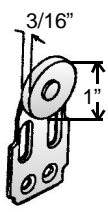
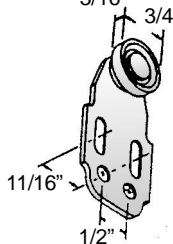
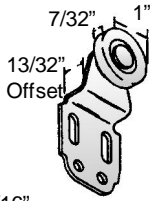
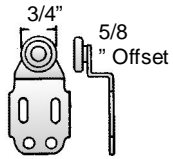

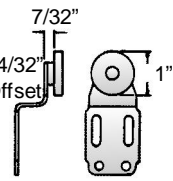
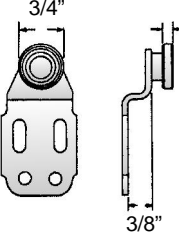
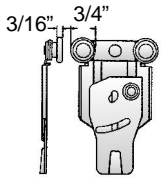
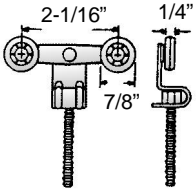
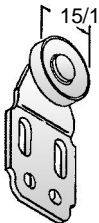
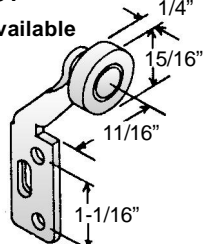

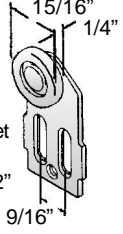
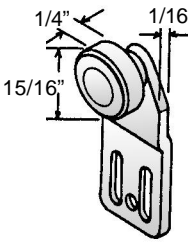
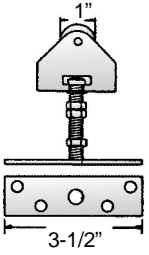
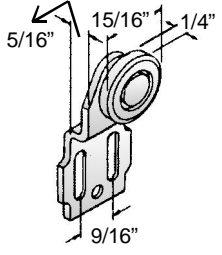
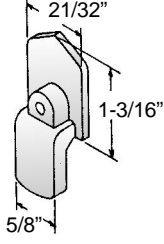



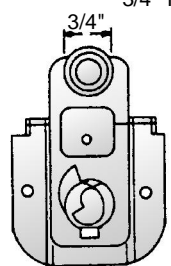
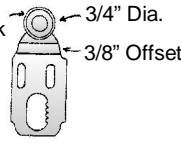
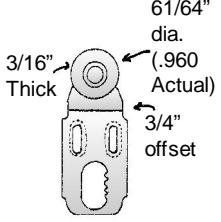
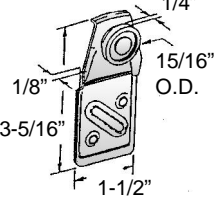
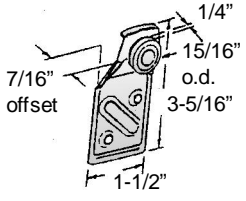
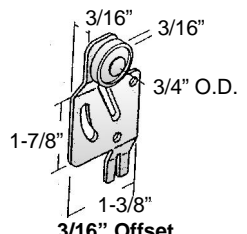
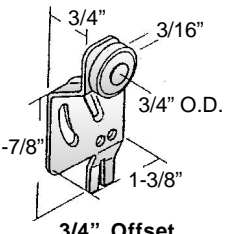
<p><b>C-666</b></p> <p>A = 4-1/2" B = 13/32" C = 5/16"</p>  <p>Use with C-524, C-525</p>	<p><b>C-694</b></p> <p>3/8" Inside Width</p> <p>4"</p> <p>1/4"</p> 	<p><b>C-698</b></p> <p>Threaded</p> <p>A = 4-1/8" C = 5/16"</p> <p>Order C-13 &amp; C-19 Replacement</p> 	<p><b>C-700-1/4</b> <b>C-700-5/16</b> <b>C-700-3/8</b></p> <p>1/4" I.D.</p> <p>3/8" I.D.</p> <p>5/16" I.D.</p> 	<p><b>C-749</b></p> <p>A = 4-1/2" B = 3/8" C = 3/8"</p> 
<p><b>C-750</b></p> <p>A = 4" B = 5/16" C = 3/8"</p> 	<p><b>C-781</b></p> <p>A = 5" B = 1/4" C = 5/16"</p> <p>Threaded with nylon black sleeve - 3/8" dia.</p> 	<p><b>C-782</b></p> <p>A = 5" B = 1/4" C = 5/16"</p> <p>Spring loaded with nylon black sleeve - 3/8" dia.</p> 	<p><b>C-789</b></p> <p>A = 5-7/16" B = 7/16"</p> <p>Spring loaded with nylon black sleeve - 3/8" dia.</p> 	<p><b>Other Bifold Parts</b></p>
<p><b>C-15</b> 3/8" Diameter Cap</p> 	<p><b>C-44</b> Upper Pivot</p> <p>1/4"</p> <p>11/32"</p> <p>1-25/32"</p> <p>3/4"</p> 	<p><b>C-45</b> Upper Guide</p> <p>13/16"</p> <p>5/16" Shoulder Height</p> 	<p><b>C-46</b> Bottom Pivot Block</p> <p>5/32"</p> <p>1-3/4"</p> <p>For nylon insert only, order C-46-1</p> 	<p><b>C-47</b> Bottom Pivot</p> <p>1/4"</p> <p>15/16"</p> <p>3/8"</p> <p>Limited quantities available</p> 
<p><b>C-49</b> Hinge</p> <p>3"</p> <p>1-7/8"</p> <p>1-5/8"</p> <p><b>UNAVAILABLE</b></p> <p>Order C-102 replacement</p> 	<p><b>C-53</b> Bottom Pivot</p> <p>1-3/4"</p> <p>5/16"</p> <p>3/4"</p> <p>1/4"</p> 	<p><b>C-56</b> Bottom Pivot</p> <p>2-1/8"</p> <p>1"</p> <p>Use with C-314, C-29, C-47</p> 	<p><b>C-66</b> Top Hanger Guide</p> <p>13/16"</p> <p>3/4" Hanger Offset</p> <p>11/16"</p> 	<p><b>C-71</b> Top Pivot</p> <p>5/16"</p> <p>2"</p> <p>5/8"</p> <p><b>UNAVAILABLE</b></p> <p>Order C-72 Replacement</p> 
<p><b>C-72</b> Top Pivot</p> <p>5/16"</p> <p>2"</p> <p>1-1/8"</p> 	<p><b>C-75</b> Upper Guide</p> <p>13/16"</p> <p><b>UNAVAILABLE</b></p> <p>Order C-45 Replacement</p> 	<p><b>C-78</b></p> <p>1/4"</p> <p>3/4"</p> <p><b>UNAVAILABLE</b></p> <p>Order C-697 Replacement, Page 177</p> 	<p><b>C-80</b> Top Pivot</p> <p>13/16"</p> <p>7/32"</p> <p>11/16"</p> 	<p><b>C-90</b> Pivot Cap</p> <p>1/2"</p> <p>3/4"</p> <p>5/32"</p> 
<p><b>C-97</b> Bottom Pivot</p> <p>1/4"</p> <p>2-5/8"</p> <p><b>UNAVAILABLE</b></p> <p>Order C-47 Replacement</p> 	<p><b>C-118</b></p> <p>1-7/8"</p> <p><b>UNAVAILABLE</b></p> <p>Order C-141 Replacement, Page 172</p> 	<p><b>C-122</b> Pivot Bracket</p> <p>1"</p> <p>3/8"</p> <p>3/4"</p> 	<p><b>C-123</b> Top Guide</p> <p><b>UNAVAILABLE</b></p> <p>Order C-761 Replacement</p> 	<p><b>C-126</b> Top Guide</p> <p>5/8"</p> <p><b>UNAVAILABLE</b></p> <p>Order C-265 Replacement</p> 



<p><b>C-127</b> Upper Pivot</p>	<p><b>C-138</b> Bottom Pivot</p> <p>Adjustable threaded pivot</p> <p>Use with C-180, C-181</p>	<p><b>C-141</b> Floor Base &amp; Bushing</p>	<p><b>C-142</b> Bottom Jamb Bracket</p>	<p><b>C-143</b> Top Pivot</p>
<p><b>C-150</b> Bottom Pivot</p> <p>For 1/4" dia. pin</p> <p>Use with C-127, C-281</p>	<p><b>C-160</b> Top Pivot</p>	<p><b>C-164</b> Top Pivot</p>	<p><b>C-169</b> Bottom Pivot Ltd Surplus On Hand</p> <p>Use with C-44</p>	<p><b>C-176</b> Bottom Pivot Bracket</p> <p>Sub for C-177</p>
<p><b>C-177</b> Bottom Pivot Bracket</p> <p><b>UNAVAILABLE</b></p> <p>Order C-176 Replacement</p>	<p><b>C-180</b> Top Pivot</p>	<p><b>C-181</b> Top Pivot</p>	<p><b>C-184</b> Upper Guide</p> <p>New style has squared rectangular plate</p>	<p><b>C-186</b> Bottom Guide</p>
<p><b>C-187</b> Top Pivot</p>	<p><b>C-879</b> Steel</p>	<p><b>C-202</b> Top Pivot</p>	<p><b>C-216</b> Top Pivot</p>	<p><b>C-219</b> Bottom Pivot</p> <p>Use with C-226</p>
<p><b>C-221</b> Bottom Pivot Block</p>	<p><b>C-222</b> Bottom Base Plate</p>	<p><b>C-223</b> Available in various sizes. Please inquire.</p> <p>Universal Knob</p>	<p><b>C-228</b> Top Pivot</p> <p>Threaded Adjustment</p>	<p><b>C-234-R</b> Top Pivot Guide</p> <p>Order C-773 non handed replacement</p> <p>Right Hand Shown</p>
<p><b>C-235</b> Bottom Guide</p>	<p><b>C-236-R</b> Ceiling Block</p> <p>Handed. Right Hand Shown</p>	<p><b>C-237</b> Bottom Pivot</p> <p>Threaded</p>	<p><b>C-819-Top</b> For plate without pin, order C-819-Btm</p>	<p><b>C-243</b> Track Pivot Socket</p>

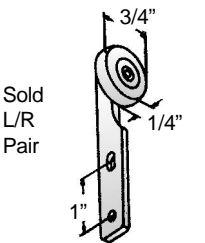
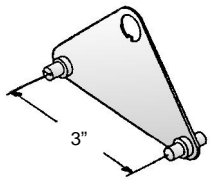
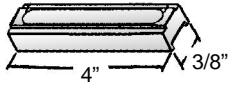
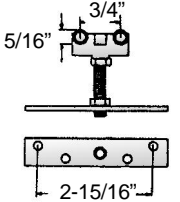
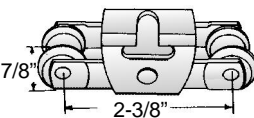
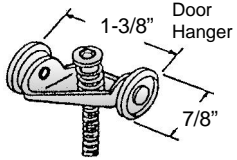
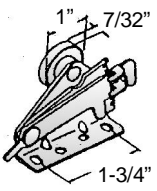
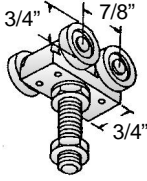
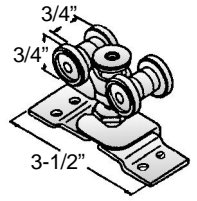
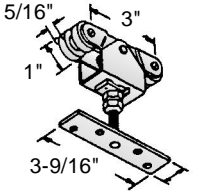
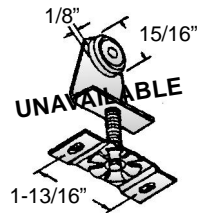
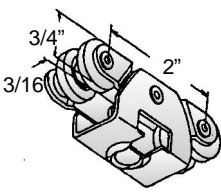
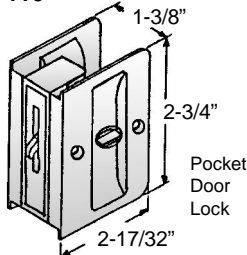

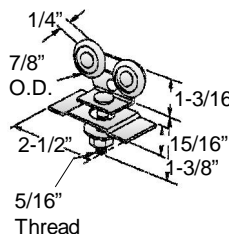
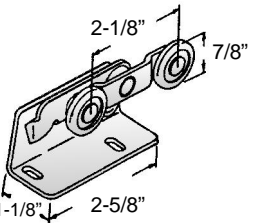
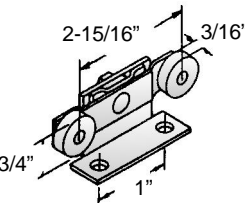
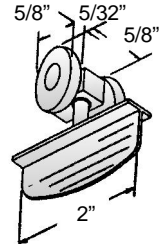
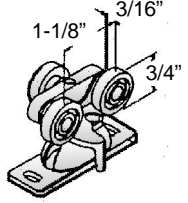
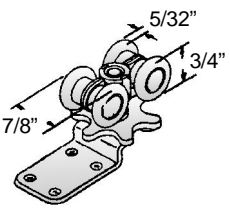
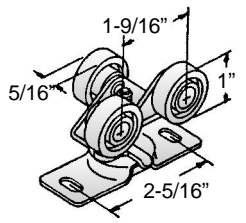
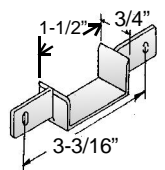
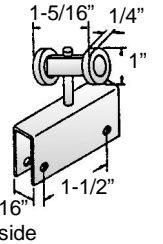
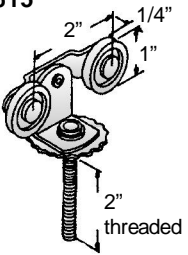
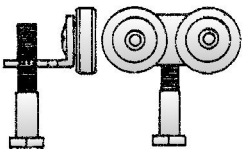
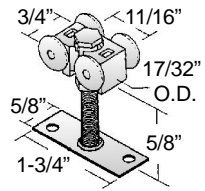
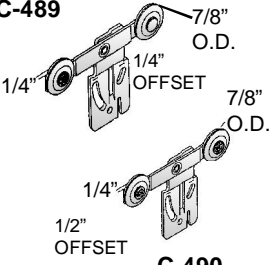
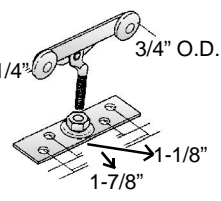
<p><b>C-251</b></p> <p>1/8" Hanger Offset</p>	<p><b>C-265</b> Upper Guide</p> <p>5/8" 2-1/4" 3/4" Hanger Offset 31/32"</p>	<p><b>C-277</b> Top Roller</p> <p>1" 2" 5/16"</p>	<p><b>C-278</b> Door Aligner</p> <p>11/16"</p>	<p><b>C-281</b></p> <p>1/4" Upper Pivot 7/16"</p>
<p><b>C-283</b> Upper Pivot</p> <p>7/8" UNAVAILABLE</p> <p>Order C-228 Replacement</p>	<p><b>C-287</b></p> <p>5/16" 13/16"</p>	<p><b>C-314</b> Top Pivot</p> <p>Use with C-44, C-169</p> <p>1-3/4" 3/4" 31/32"</p>	<p><b>C-326</b> Top Pivot / Guide</p> <p>35/64" 3/4"</p>	<p><b>C-336</b> Top Pivot</p> <p>5/8" 3-3/16"</p> <p>For roller carrier, order C-334</p>
<p><b>C-338</b></p> <p>5/8" 1-3/32" 1/4" 1" 1/2"</p>	<p><b>C-341</b> Order C-142 Replacement</p> <p>1-15/16" 1-5/8" 2-3/16"</p> <p>Jamb Mounting Bracket</p>	<p><b>C-880</b> Snugger</p> <p>1-3/4" 3"</p>	<p><b>C-348</b> Bottom Pivot</p> <p>15/16" 5/16"</p>	<p><b>C-374</b> Stanley Acme</p> <p>4" 7/8"</p> <p>Slide Guide Snugger</p>
<p><b>C-378</b> Johnson Top Pivot</p> <p>Old Style Shown</p> <p>3/8" 1-3/8"</p> <p>New style has rectangular base</p>	<p><b>C-380</b> Johnson Bottom Bracket</p> <p>3/4" 2-7/16" 5/16" Hole</p> <p>Use with C-183, C-186, C-188</p>	<p><b>C-400</b> Top Pivot</p> <p>3/8" 1-3/8"</p>	<p><b>C-401</b> Snugger</p> <p>Stanley Acme</p> <p>1-1/4" 3/8" 13/16"</p>	<p><b>C-409</b> Bottom Pivot</p> <p>1/4" 2-1/8" 5/16"</p> <p>Threaded</p>
<p><b>C-414</b> Bottom Pivot</p> <p>Adjustable</p> <p>3/8" 1-1/2" 1/4" dia. 1/2"</p>	<p><b>C-415</b> Top Pivot</p> <p>1/4" 3/8"</p> <p>Spring Loaded</p>	<p><b>C-426</b> Non shop made</p> <p>3/8" 1-1/2"</p> <p>Order C-400 Replacement</p>	<p><b>C-427</b> Grip Nut</p> <p>1/4" 9/16" 3/4" 1/2"</p>	<p><b>C-428</b> Bottom Pivot</p> <p>7/16" 1/4" 3/4"</p>
<p><b>C-445</b> Track Socket</p> <p>1-5/16" 9/16" 7/16"</p>	<p><b>C-462</b> Slimfold</p> <p>3/8" 3/4" 1-7/8"</p> <p>Track Socket</p>	<p><b>C-470</b></p> <p>1-1/16" 3/8"</p>	<p><b>C-479</b> Track Socket</p> <p>1-1/4" 5/8" 7/16" UNAVAILABLE</p> <p>Order C-445 Replacement</p>	<p><b>C-497</b> Dual Folding Post</p> <p>1-5/8"</p>

<p><b>C-526</b> Top Pivot</p> <p>Spring Loaded</p>	<p><b>C-535</b> Stanley Hinge</p> <p>Hinge</p>	<p><b>C-562-NEW</b> Johnson Bottom Pivot</p> <p>Bottom Pivot</p> <p>New style slightly different than shown above.</p>	<p><b>C-565</b> Stanley Top Pivot</p> <p>Flange</p> <p>Top Pivot</p> <p>7/16" Hex</p>	<p><b>C-641</b> Top Pivot</p> <p>7/16"</p> <p>1-1/4"</p>
<p><b>C-587</b> Stanley - Acme Bottom Pivot</p> <p>1/2"</p> <p>1/2" Adjustable</p> <p>2-3/8"</p> <p>Bottom Pivot</p>	<p><b>C-639</b> Johnson Hinge</p> <p>7/8"</p> <p>1-1/2"</p> <p>w/ door spacers</p> <p>Hinge</p>	<p><b>C-641</b> Johnson Top Pivot</p> <p>7/16"</p> <p>1-9/32"</p> <p>7/16"</p> <p>Spring Loaded</p> <p>Top Pivot</p>	<p><b>C-642</b> Johnson Bottom Pivot</p> <p>1/4"</p> <p>5/8"</p> <p>7/16"</p> <p>Newer models may have star wheel adjuster</p> <p>Bottom Pivot</p>	<p><b>C-665</b> Johnson Shock absorbing hinge</p> <p>1-1/2"</p> <p>Shock absorbing hinge</p> <p>Steel with white nylon insert</p>
<p><b>C-682</b> Snugger</p> <p>5/8"</p> <p>7/8"</p> <p>1/2"</p>	<p><b>C-685</b> Top Pivot</p> <p>7/8"</p> <p>1"</p> <p>5/16"</p> <p>Spring Loaded</p>	<p><b>C-704</b> Stanley - Acme Top / Bottom Pivot Set</p> <p>3/8"</p> <p>1-11/16"</p> <p>7/16"</p> <p>Top / Bottom Pivot Set</p>	<p><b>C-722</b> Stanley Adjustable Bottom Pivot</p> <p>3/8"</p> <p>1-3/8"</p> <p>Adjustable</p> <p>Bottom Pivot</p>	<p><b>C-776</b> Top Pivot</p> <p>1/4"</p> <p>1-5/16"</p> <p>Top Pivot</p>
<p><b>C-813</b> Crimp-on steel guide</p> <p>1/2" dia.</p> <p>1-23/64"</p> <p>5/8"</p> <p>1/2"</p> <p>2-23/32"</p> <p>UNAVAILABLE</p> <p>Order C-814 Replacement</p>	<p><b>C-837</b> Alliance Top Pivot</p> <p>1/4"</p> <p>1-3/8"</p> <p>3/8"</p> <p>Top Pivot</p>	<p><b>C-1020</b> Top Pivot</p> <p>3/8"</p> <p>7/8"</p> <p>7/8"</p> <p>Top Pivot</p> <p>Order C-181 w/ C-140 replacement</p>	<p><b>C-1021</b> Top Pivot</p> <p>7/8"</p> <p>7/8"</p> <p>7/8"</p> <p>Top Pivot</p>	<p><b>C-1022A</b> Top Pivot</p> <p><b>C-1022B</b> Top Pivot</p> <p>1/4" order C-415-B</p> <p>3/4"</p> <p>1-1/16"</p> <p>1-1/16"</p> <p>order C-415</p> <p>Top Pivot</p>
<p><b>C-1023</b> Top Pivot</p> <p>1/4"</p> <p>1-1/16"</p> <p>Top Pivot</p>	<p><b>By-Pass Hardware</b></p>	<p><b>C-36</b> 3/4" Roller</p> <p>3/16"</p> <p>3/4"</p> <p>1-5/8"</p> <p>UNAVAILABLE</p> <p>3/4" Roller</p> <p>Order C-37 Replacement</p>	<p><b>C-37</b> Lawrence 3/4" Roller</p> <p>3/4" Roller</p> <p>3/4"</p> <p>1-11/16"</p>	<p><b>C-161</b></p> <p>9/32"</p> <p>2-1/2"</p> <p>15/16"</p> <p>15/16"</p>
<p><b>C-999</b></p> <p>3/4"</p> <p>15/16" Dia.</p> <p>3/4"</p> <p>1-3/4"</p> <p>1/2"</p> <p>order C-711 replacement</p>	<p><b>C-82</b></p> <p>3/16"</p> <p>15/16"</p>	<p><b>C-83</b></p> <p>3/16"</p> <p>7/8"</p> <p>3/8"</p> <p>UNAVAILABLE</p> <p>Order C-107 Replacement</p>	<p><b>C-86</b> Stanley - Acme 1/8" Hanger Offset</p> <p>7/8"</p> <p>1/8" Hanger Offset</p>	<p><b>C-87</b> 7/8" Roller</p> <p>7/8"</p> <p>2-1/2"</p> <p>3/8" Hanger Offset</p>

 <p>5/8" dia. roller</p> <p><b>UNAVAILABLE</b></p> <p>Order C-894-RR Roller &amp; Rivet Kit</p>	 <p>3/4"</p> <p><b>UNAVAILABLE</b></p> <p>Order C-251 Replacement</p>	 <p>3/16"</p> <p>1"</p> <p>1 1/2"</p> <p><b>UNAVAILABLE</b></p> <p>Order C-84 Replacement</p>	 <p>3/16"</p> <p>3/4"</p> <p>11/16"</p> <p>1/2"</p> <p><b>UNAVAILABLE</b></p> <p>Order C-744 Replacement</p>	 <p>7/32"</p> <p>1"</p> <p>13/32" Offset</p> <p>3/16"</p>
 <p>3/4"</p> <p>5/8" Offset</p> <p><b>UNAVAILABLE</b></p> <p>Order C-112</p>	 <p>13/16"</p> <p><b>UNAVAILABLE</b></p> <p>Order C-113</p>	 <p>7/32"</p> <p>24/32" Offset</p> <p>1"</p> <p><b>UNAVAILABLE</b></p> <p>Order C-114</p>	 <p>3/4"</p> <p>3/8"</p> <p><b>UNAVAILABLE</b></p> <p>Order C-116</p>	<p>These pages are a representation of thousands of Closet Door hardware parts available through Blaine. If you don't see the part(s) you need, please contact our Customer Service Department for assistance or send a sample to our Research Department</p>
 <p>3/16"</p> <p>3/4"</p> <p><b>UNAVAILABLE</b></p> <p>Order C-129</p>	 <p>2-1/16"</p> <p>1/4"</p> <p>7/8"</p> <p><b>UNAVAILABLE</b></p> <p>Order C-144 Cox</p>	 <p>15/16"</p> <p><b>UNAVAILABLE</b></p> <p>Order C-147</p>	 <p>1/4"</p> <p>15/16"</p> <p>11/16"</p> <p>1-1/16"</p> <p><b>UNAVAILABLE</b></p> <p>Order C-151</p>	 <p>7/8"</p> <p>7/16" Hanger Offset</p> <p><b>UNAVAILABLE</b></p> <p>Order C-152</p>
 <p>15/16"</p> <p>1/4"</p> <p>9/16"</p> <p><b>UNAVAILABLE</b></p> <p>Order C-153</p>	 <p>1/4"</p> <p>1/16"</p> <p>15/16"</p> <p><b>UNAVAILABLE</b></p> <p>Order C-154</p>	 <p>1"</p> <p>3-1/2"</p> <p><b>UNAVAILABLE</b></p> <p>Order C-155</p>	 <p>5/16"</p> <p>15/16"</p> <p>1/4"</p> <p>9/16"</p> <p><b>UNAVAILABLE</b></p> <p>Order C-161</p>	 <p>21/32"</p> <p>1-3/16"</p> <p>5/8"</p> <p><b>UNAVAILABLE</b></p> <p>Order C-211 Bottom Guide</p>
 <p>1/2"</p> <p>3/4"</p> <p><b>UNAVAILABLE</b></p> <p>Order C-212</p>	 <p>3/4"</p> <p>2-1/8"</p> <p>15/16"</p> <p><b>UNAVAILABLE</b></p> <p>Order C-229</p>	 <p>7/8" hanger offset</p> <p>3/4"</p> <p>1"</p> <p><b>UNAVAILABLE</b></p> <p>Order C-250</p>	 <p>3/4" Roller</p> <p>3/4"</p> <p>5/16"</p> <p>15/16"</p> <p>1/4"</p> <p>9/16"</p> <p>1/8" Hanger Offset</p> <p><b>UNAVAILABLE</b></p> <p>Order C-251-Grant</p>	 <p>3/16" Thick</p> <p>3/4" Dia.</p> <p>3/8" Offset</p> <p><b>UNAVAILABLE</b></p> <p>Order C-424</p>
 <p>3/16" Thick</p> <p>61/64" dia. (.960 Actual)</p> <p>3/4" offset</p> <p><b>UNAVAILABLE</b></p> <p>Order C-707</p>	 <p>1/8"</p> <p>3-5/16"</p> <p>1-1/2"</p> <p>1/4"</p> <p>15/16" O.D.</p> <p>1/8" Offset</p> <p><b>UNAVAILABLE</b></p> <p>Order C-67</p>	 <p>7/16" offset</p> <p>1/4"</p> <p>15/16" o.d.</p> <p>3-5/16"</p> <p>1-1/2"</p> <p>1/2" Offset</p> <p><b>UNAVAILABLE</b></p> <p>Order C-68</p>	 <p>3/16"</p> <p>3/16"</p> <p>3/4" O.D.</p> <p>1-7/8"</p> <p>1-3/8"</p> <p>3/16" Offset</p> <p><b>UNAVAILABLE</b></p> <p>Order C-163 Grant</p>	 <p>3/4"</p> <p>3/16"</p> <p>3/4" O.D.</p> <p>1-7/8"</p> <p>1-3/8"</p> <p>3/4" Offset</p> <p><b>UNAVAILABLE</b></p> <p>Order C-32</p>

<p><b>C-269</b></p>	<p><b>C-275</b> Front</p>	<p><b>C-276</b> Back</p>	<p><b>C-291</b></p>	<p><b>C-296</b> Back</p>
<p><b>C-297</b> Front</p>	<p><b>C-298</b> Har-vey</p>	<p><b>C-300</b></p> <p>Order C-361 replacement</p>	<p><b>C-316</b> Sterling</p>	<p><b>C-317</b> Sterling</p>
<p><b>C-321-HD</b></p> <p>.050 Thick Hanger</p> <p>order .093" thick hvy duty replacement</p>	<p><b>C-329</b></p> <p>UNAVAILABLE</p> <p>Order C-106 Replacement</p>	<p><b>C-330</b></p>	<p><b>C-333</b></p>	<p><b>C-361</b> Har-vey</p>
<p><b>C-396</b></p>	<p><b>C-402</b></p> <p>UNAVAILABLE</p> <p>Order C-251 Replacement</p>	<p><b>C-418</b></p>	<p><b>C-251-Grant</b> 3/4" Roller</p>	<p><b>C-425</b></p> <p>UNAVAILABLE</p> <p>Order C-613-1/16 Replacement</p>
<p><b>C-447</b></p> <p>Order C-697 Replacement</p>	<p><b>C-448</b></p> <p>Order C-333 Replacement</p>	<p><b>C-463</b> Sterling</p> <p>Order C-478 Replacement</p>	<p><b>C-464</b> Stanley</p>	<p><b>C-465</b> Stanley</p>
<p><b>C-466</b></p> <p>Order C-464 Replacement</p>	<p><b>C-478</b></p>	<p><b>C-483-1</b></p> <p>For 7/8" roller, order C-483-7/8"</p>	<p><b>C-487</b></p> <p>Right Hand Shown</p>	<p><b>C-488</b> Sterling</p> <p>For 1" dia. wheels, order C-488-Large</p>

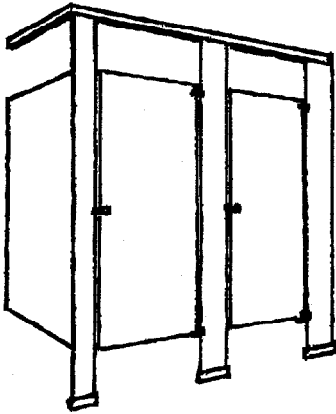
<p><b>C-489 Stanley-Acme</b></p> <p>1/16" Hanger Offset</p>	<p><b>C-490 Stanley-Acme</b></p> <p>7/16" Hanger Offset</p>	<p><b>C-493 Lawrence</b></p> <p>3/8" Hanger Offset</p> <p>Order C-572 replacement</p>	<p><b>C-502</b></p> <p>UNAVAILABLE</p> <p>Order C-691 Replacement</p>	<p><b>C-508</b></p> <p>Bottom Door Guide</p> <p>UNAVAILABLE</p> <p>Order C-34 Replacement</p>
<p><b>C-538</b> Order C-490</p> <p>5/16" Hanger Offset</p>	<p><b>C-540 Har-vey</b></p> <p>3/16" Hanger Offset</p>	<p><b>C-541 Har-vey</b></p> <p>1-7/8"</p>	<p><b>C-554 Cox</b></p> <p>1/2" Offset</p> <p>Rear</p>	<p><b>C-555 Cox</b></p> <p>1/16" Offset</p> <p>Front</p>
<p><b>C-561</b></p> <p>1-1/2"</p>	<p><b>C-584 Stanley-Acme</b></p> <p>Bottom Door Guide</p>	<p><b>C-604</b></p> <p>UNAVAILABLE</p> <p>Order C-613-1/16 Replacement</p>	<p><b>C-605</b></p> <p>UNAVAILABLE</p> <p>Order C-613-3/8 Replacement</p>	<p><b>C-613-1/16 Johnson</b></p> <p>1/16" 3/16" 3/8" 3/16"</p> <p><b>C-613-3/8</b></p>
<p><b>C-616</b></p> <p>5/16" 7/8" 4" 1"</p>	<p><b>C-638 Johnson</b></p> <p>7/8" 7/8" 1/8" Hanger Offset</p>	<p><b>C-654</b></p> <p>1/2" Hanger Offset</p> <p>Order C-464 Replacement</p>	<p><b>C-690</b></p> <p>3/16" hanger offset 15/16" 5/16"</p>	<p><b>C-691</b></p> <p>7/16" 5/16" 15/16" 7/16" Offset</p>
<p><b>C-697</b></p> <p>1/16" Hanger Offset 3/4" 11/16"</p>	<p><b>C-702 E-Z Roll</b></p> <p>1/2" 1-3/16" 3/4" 1/16" hanger offset</p>	<p><b>C-703 1-3/16" Roller</b></p> <p>1/2" 1-3/16" 1-7/16" Hanger Offset 3/4"</p>	<p><b>C-769</b></p> <p>3/16" 1" 1/8" Hanger Offset</p>	<p><b>C-770</b></p> <p>3/16" 1/2" 1" 3/8" hanger offset</p>
<p><b>C-779</b></p> <p>3/16" 7/8" 5/8" 3-1/4"</p>	<p><b>C-153</b></p> <p>59/64"</p> <p><b>C-154</b></p> <p>59/64"</p>	<p><b>C-268</b></p> <p>1/4" 1" dia. 3/8" 1-3/4" 1/2"</p> <p>Back</p> <p><b>C-267</b></p> <p>3/8" offset 1/4" 1" dia. 1-3/4" 1/2"</p> <p>Front</p>	<p><b>RA-9</b></p> <p>UNAVAILABLE</p> <p>Order RA0009-2</p>	<p><b>RA-32</b></p> <p>1" 5-7/8"</p> <p>Sold L/R Kit</p>

<p><b>RA-35</b></p>  <p>Sold L/R Pair</p>	<p><b>Pocket Door, Trolleys &amp; Miscellaneous</b></p>	<p><b>C-40</b></p>  <p>Hanger unavailable. Order C-42 Roller Kit.</p>	<p><b>C-70</b></p>  <p>Nylon Slide</p>	<p><b>C-166</b></p> 
<p><b>C-198</b></p> 	<p><b>C-199</b> Stanley - Acme Acordian Door Hanger</p>  <p>Comes with threaded 2-hole pivot mount bracket</p>	<p><b>C-242</b> 1" dia. wheel</p>  <p>Kennaframe</p>	<p><b>C-259</b></p> 	<p><b>C-272</b> Lawrence</p> 
<p><b>C-290</b></p>  <p>1" Diameter Wheel</p>	<p><b>C-322</b></p>  <p>UNAVAILABLE Order C-242 Replacement</p>	<p><b>C-334</b></p>  <p>Use with C-336, C-337, C-338</p>	<p><b>C-410</b> Sterling</p>  <p>Pocket Door Lock</p>	<p><b>C-413</b></p>  <p>UNAVAILABLE Order C-413-1 Roller Kit</p>
<p><b>C-1161</b></p> 	<p><b>C-443</b> Cox</p> 	<p><b>C-444</b></p>  <p>Order (2) ea. C-850-050</p>	<p><b>C-477</b></p> 	<p><b>C-482</b> Johnson</p> 
<p><b>C-499</b></p> 	<p><b>C-500</b></p> 	<p><b>C-549</b></p>  <p>Door Guide</p>	<p><b>C-567</b> Modern Door</p>  <p>Inside</p>	<p>Blaine can rebuild and repair most antique parlor and pocket door hangers.</p> <p>Please send a complete sample to our Research Department for an estimate.</p>
<p><b>C-615</b></p> 	<p><b>C-1037</b></p>  <p>7/8" dia. wheels</p>	<p><b>C-574</b> Cox</p> 	<p><b>C-489</b></p>  <p><b>C-490</b></p>	<p><b>C-422</b> Kennaframe</p> 

<p><b>C-90</b></p>	<p><b>C-106</b></p> <p>U/A Order C-744</p>	<p><b>C-141</b></p>	<p><b>C-143</b></p>	<p><b>C-164</b></p>
<p><b>C-168</b></p>	<p><b>C-202</b></p>	<p><b>C-235</b></p>	<p><b>C-238</b></p>	<p><b>C-266</b></p>
<p><b>C-270</b></p> <p>Order C-499 Replacement</p>	<p><b>C-271</b></p>	<p><b>C-280</b></p>	<p><b>C-331</b></p> <p>Ltd. surplus</p>	<p><b>C-335</b></p> <p><b>C-89</b> Floor Guide Adjustable for 7/8" to 1-3/8" Doors. Overall guide 2-3/4" height 1-1/8"</p>
<p><b>C-337</b></p>	<p><b>C-418</b></p>	<p><b>C-419</b></p>	<p><b>C-420</b></p>	<p><b>C-421</b></p>
<p><b>C-424</b></p>	<p><b>C-542</b></p>	<p><b>C-550</b> Bifold Pin</p>	<p><b>C-659</b> Threaded Bifold Pin</p>	<p><b>C-672</b></p> <p><b>C-1025</b></p>
<p><b>C-629</b></p>	<p><b>C-661</b> Handed. Right Hand Shown</p>	<p><b>C-696</b> Bifold Pin</p>	<p><b>C-1027A</b></p> <p>Order C-1023</p> <p><b>C-1027B</b></p> <p>Order C-127</p>	<p><b>C-1063</b> By Pass</p> <p>Mirror Door Bottom Roller</p>

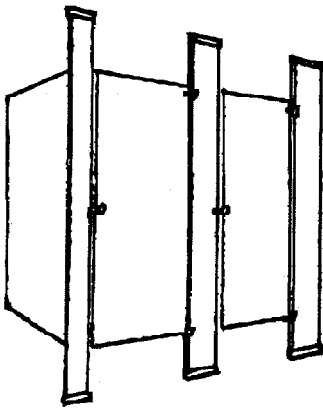


## Construction Styles of Toilet Compartments



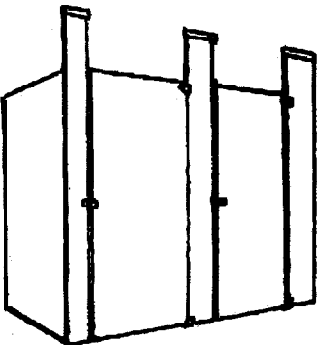
### HEADRAIL BRACED (Most Popular)

For easy, economical installations, the headrail braced is a great choice. This unit requires no special floor construction; therefore, it can be used in new or old buildings.



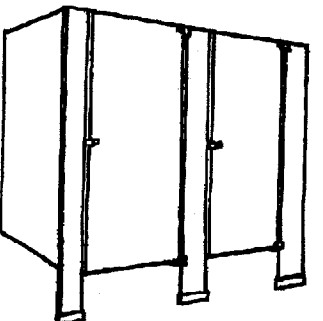
### FLOOR TO CEILING

Floor to ceiling is recommended for all areas subject to heavy usage. For problem areas we recommend the use of full length aluminum brackets and hinges.



### CEILING HUNG

Ceiling hung partitions combine functional styling with an unobstructed floor area which simplifies cleaning and reduces the cost of maintenance.



### FLOOR SUPPORTED

Floor supported partitions have the same functional lines as ceiling hung partitions without the top structure.

## COMTEC INDUSTRIES

Comtec's solid plastic compartments come closer to being totally maintenance free than any other toilet compartments on the market today.

**Comtec** is a seamless, one piece, solid homogenous polymer resin sheet produced under heat and high pressure.

The compartment panels, doors and pilasters are manufactured to handle the toughest requirements and meet construction needs. The texture gloss finish is an ideal material for applications from toilet compartment systems to dressing room compartments with an emphasis on the needs of the handicapped.

**Comtec** is exceptionally resistant to marking by pens, cosmetics, pencils, most markers and paints. . . easily cleaned using a non-abrasive Industrial-Strength detergent.

**Comtec** sheets and compartments are available to meet a wide range of applications including vanity tops, benches and other related products.

**Comtec** products and systems are designed to hold-up under the toughest of conditions and environments with little or NO maintenance. The products and materials are designed and engineered to withstand the most rigorous use and will maintain the "Same Quality Appearance" as the day they were installed.

### GRAFFITI RESISTANT

Applications - Ideal for wet, corrosive areas that receive high use including schools, parks, gas stations, amusement areas, swimming pools and factories.

### ASTME 84 TESTED CLASS "A" MATERIAL AVAILABLE

### COST EFFECTIVE

Comtec compartments are a cost effective solution for public restroom construction and replacement . . . saving maintenance dollars.

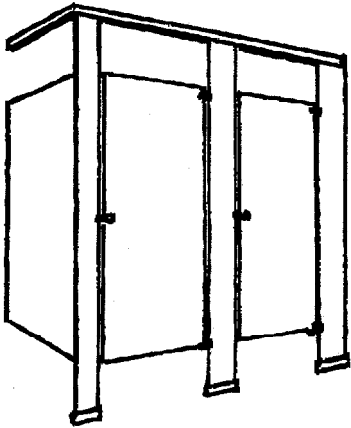
### LOW MAINTENANCE

Comtec compartments are designed to be a low maintenance system and provide an attractive design feature to building maintenance engineers. The protective finish of Comtec is self lubricating and resists ink, pencil, cosmetics and most other instruments. In most instances, stains and marks can be easily removed with a common industrial cleaner. The color of the compartment is homogeneously compounded throughout the material. (Paint will not adhere to the surface of Comtec). Excessive moisture, corrosion from steam cleaning or pressure hose methods of maintenance will not harm Comtec.

### COMTEC / CAPITOL GUARANTEE

Comtec/Capitol guarantees its panels against breakage, corrosion and delamination for 15 years from the date of receipt by the customer  
(Labor not included in Comtec Warranty)

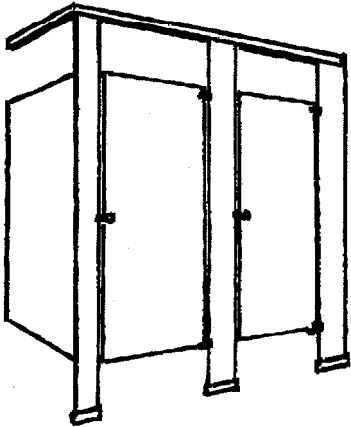
Plastic laminate products provide the best solution when durability and beauty are required. They provide architects and designers unlimited color and pattern selection, combined with graffiti resistance, ease of maintenance and durability.



Available in four construction styles - headrail braced, ceiling hung, floor to ceiling and floor supported. Color to be selected from manufacturer's stand charts for this product.

### Sunlight (quick ship series)

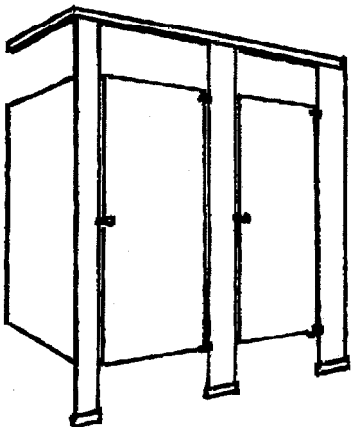
Quick ship series compartments are ideal for projects requiring immediate shipment. Customers doing renovations, tenant work and fast tract projects can rely on a complete inventory of items and the most dependable delivery in the industry. We offer 3 neutral colors to complement any restroom design. Panels and doors have a thickness of 7/8" and pilasters are 1-1/4" thick. Standard hardware is chrome plated institutional quality. Stainless steel hardware, chrome plated brass and continuous hardware are available as an extra cost option (selection of optional hardware may increase delivery times). Unlike many companies, the quick shipment of this series compartment is offered at no extra cost, and this product is also priced economically, making it a great value.



Available in four construction styles - headrail braced, ceiling hung, floor to ceiling and floor supported. Color to be selected from manufacturer's stand charts for this product.

### Sunburst (special order series)

Special order series compartments set the architectural standard by offering unlimited color flexibility combined with the finest quality product line. Special order series compartments are the ideal solution for all types of public facilities. Several hundred colors and patterns are available enabling architects and designers the ability to use durable plastic laminates without compromising color designs. Panels and doors are a full 1 inch thick and pilasters are 1-1/4" thick. Standard hardware is chrome plated institutional quality. Stainless steel hardware, chrome plated brass hardware, and continuous hardware are available at extra cost. Our lead times for this product line are the quickest in the industry. Over the years we have proven our ability to produce special orders quickly without unnecessary up charges. Better service, enhanced color selection and quick delivery do not translate to extended lead times and higher costs with this series.



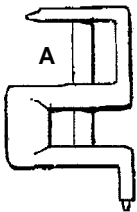
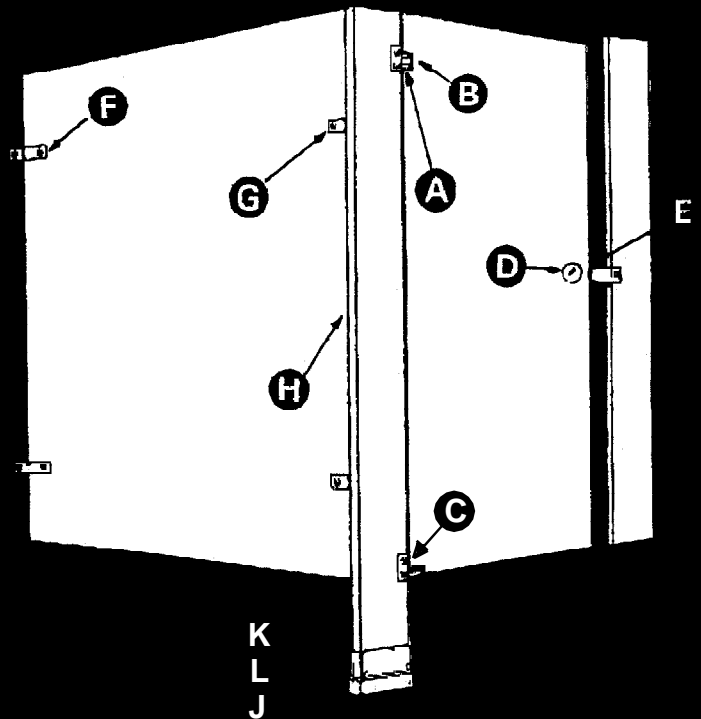
Available in four construction styles - headrail braced, ceiling hung, floor to ceiling and floor supported. Color to be selected from manufacturer's stand charts for this product.

### Eclipse (phenolic core compartments)

Phenolic material is a solid plastic material made of laminate color sheets thermally fused to a phenolic core. The color sheets are fused under heat and pressure to the core to form a solid sheet. Solid core products are ideal for areas that require extreme durability. Virtually unbreakable and waterproof, they can be used in wet areas or areas that require hose down cleaning. Abusive areas can rely on the strength of the core to eliminate breakage. Unlike other solid plastic materials, color selection is unlimited. The same range of colors and patterns are available for phenolic that are available for any plastic laminate. With unlimited color selection, architects and designers can achieve the color coordination in their designs without sacrificing the desirable properties of a solid plastic. Doors and pilasters are 3/4" thick and panels are 1/2" thick. Standard hardware is stainless steel. Continuous stainless and continuous aluminum brackets and hinges are available as an extra cost option.

**FEATURES**

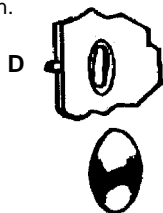
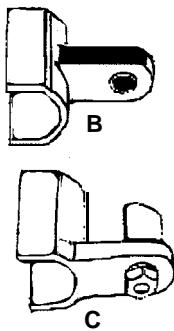
1. All partitions have welded construction on perimeters and corners.
2. For protection against rust, all steel is galvanized and bonderized with .00015 zinc coating.
3. All hardware is heavy Zamac castings, chrome plated. Brass available at extra charge as specified.
4. All parts are pre drilled for ease of installation.



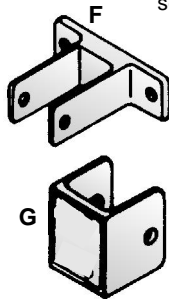
**A.** Upper door bracket and stainless steel pin. This is a heavy Zamac casting made an integral part of the door as it is inbedded with in pre-formed abscesses. The stainless steel pin goes through door and brack for three-point bearings. Operates in a zytel self-lubricating bushing.

**B.** Top hinge bracket  
**C.** Bottom hinge bracket

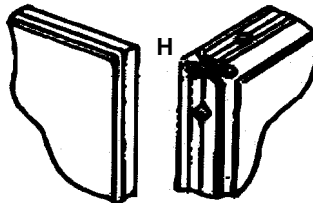
These are heavy Zamac No. 3 castings, chrome plated with a 5/8" flange which wraps around the pilaster for maximum strength. Hinge brackets are through-bolted with one way, theft-proof screws. The bottom hinge works on opposing zytel cams which are self lubricating to insure trouble free operation and quiet action.



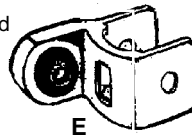
**D.** Concealed latch and emergency cover plate. Latch has a fully concealed case made of Zamac No. 3 castings with stainless steel bolt and mortised face plates fully tamper and theft proof. Cover plate is a Zamac No. 3 chrome plated casting which snaps in place. This has a slot for emergency entrance feature as standard.



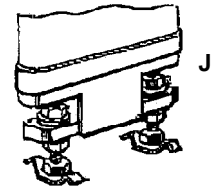
**F.** Wall bracket and **G.** Pilaster brackets are heavy Zamac No. 3 chrome plated castings or anodized aluminum.



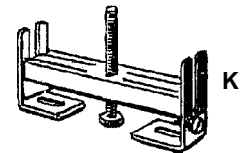
**H.** Welded construction. We weld the doors and pilasters 18" on center around the entire perimeter for maximum strength and durability. We weld and grind all corners. No corner clips are used.



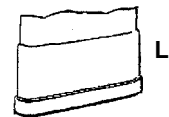
**E.** Doorstrike and keeper. Heavy Zamac No. 3 chrome plated castings with a wrap around flange for maximum durability that is through bolted with one way theft proof screws.



**J.** Carrying member for Type aamco Floor supported is a 1/2" x 1" solid bar for maximum strength and durability. This saves installation time and assures a plumb and long lasting installation.



**K.** Jack-leveling device for Type aamco Headrail Braced is used as standard. Heavy-duty bolt provides loadbearing and a permanent base for panels and pilaster with the use of levelling screws. This saves installation time and assures a plumb and long lasting installation.



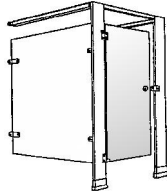
**L.** Pilaster Shoe is made of 302 stainless steel and is of one piece construction. Shoe assembly has snap down action on a concealed hold down clip. This eliminates unsightly screws and saves on installation time. Shoe is vandal-proof and cannot be removed.

**Blaine Lavatory Partitions**

**DOORS**

**Stock Number**

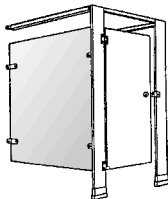
- TPDR9100
- TPDR9101
- TPDR9102
- TPDR9103
- TPDR9104
- TPDR9105
- TPDR9106
- TPDR9107



- 21-5/8" w x 58" h Door
- 23-5/8" w x 58" h Door
- 25-5/8" w x 58" h Door
- 27-5/8" w x 58" h Door
- 29-5/8" w x 58" h Door
- 31-5/8" w x 58" h Door
- 33-5/8" w x 58" h Door
- 35-5/8" w x 58" h Door

**PANELS**

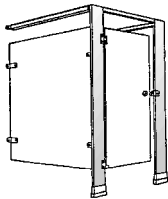
- TPPL9108
- TPPL9109
- TPPL9110
- TPPL9111
- TPPL9112
- TPPL9113
- TPPL9114
- TPPL9115
- TPPL9116
- TPPL9117
- TPPL9118
- TPPL9119
- TPPL9120
- TPPL9121
- TPPL9122
- TPPL9173
- TPPL9174



- 15-1/2" w x 58" h Panel
- 17-1/2" w x 58" h Panel
- 21-1/2" w x 58" h Panel
- 23-1/2" w x 58" h Panel
- 25-1/2" w x 58" h Panel
- 27-1/2" w x 58" h Panel
- 29-1/2" w x 58" h Panel
- 31-1/2" w x 58" h Panel
- 33-1/2" w x 58" h Panel
- 35-1/2" w x 58" h Panel
- 37-1/2" w x 58" h Panel
- 39-1/2" w x 58" h Panel
- 45-1/2" w x 58" h Panel
- 51-1/2" w x 58" h Panel
- 54-1/2" w x 58" h Panel
- 57-1/2" w x 58" h Panel
- 69-1/2" w x 58" h Panel

**PILASTERS**

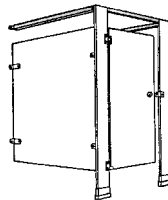
- TPPR9124
- TPPR9125
- TPPR9126
- TPPR9127
- TPPR9128
- TPPR9129
- TPPR9130
- TPPR9131



- 3" w x 82" h Pilaster
- 4" w x 82" h Pilaster
- 5" w x 82" h Pilaster
- 6" w x 82" h Pilaster
- 7" w x 82" h Pilaster
- 8" w x 82" h Pilaster
- 10" w x 82" h Pilaster
- 12" w x 82" h Pilaster

**ALUMINUM HEADRAILS**

- TPAH9134
- TPAH9135
- TPAH9136
- TPAH9137
- TPAH9138
- TPAH9139
- TPAH9140
- TPAH9142



- 37" L Aluminum Headrail
- 56" L Aluminum Headrail
- 66" L Aluminum Headrail
- 70" L Aluminum Headrail
- 72" L Aluminum Headrail
- 74" L Aluminum Headrail
- 82" L Aluminum Headrail
- 96" L Aluminum Headrail

**SCREENS & POSTS**

- TPSP9123

6" x 70" h Screen Pilaster-use a 35-1/2"-45-1/2" w panel for pilaster supported urinal screen (sold separately)

- TPUS9132

18" w x 42" h bracket supported screen

- TPUS9133

24" w x 42" h bracket supported screen

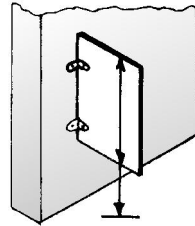
- TPAP9142-040

Aluminum Post - 1-3/4" x 1-3/4" x 70" h

Doors, panels, pilasters and urinal screens - specify steel by adding 050 to the end of the stock number or plastic laminate by adding 058. Alum. headrail - specify 040 for use on steel pilasters or PL-040 for use on plastic laminate pilasters.

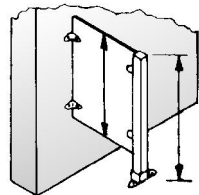
**Entry And Urinal Screens**

Complete with mounting hardware



**Bracket Supported Finishes:**  
Baked enamel on steel and high pressure plastic laminate.

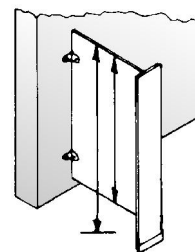
**Sizes:**  
18" w x 42" h  
24" w x 42" h



**Post Supported Finishes:**  
Baked enamel on steel and high pressure plastic laminate.

**Panel Sizes:**  
15-1/2" x 17-1/2" x 21-1/2",  
23-1/2", 25-1/2", 27-1/2", 29-1/2",  
31-1/2" and 33-1/2" wide x  
58" high

**Aluminum Post:**  
1-3/4" x 1-3/4" x 70" high



**Pilaster Supported Finishes:**  
Baked enamel on steel and high pressure plastic laminate.

**Panel Sizes:**  
35-1/2", 37-1/2", 39-1/2" and  
45-1/2" wide x 58" high

**Pilaster Size:**  
6" w x 70" high

For more information regarding our Toilet Partitions, including color selection and material used, please contact our Customer Service Department at 800-678-1919.

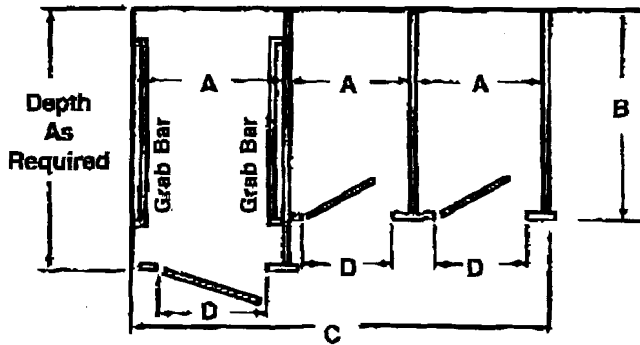
## Blaine Standard Toilet Partition Layouts

Determine the following when ordering Baked Enamel on Steel, Stainless Steel, High Pressure Laminate, Solid Phenolic Laminate & Solid Plastic Polymer Partitions:

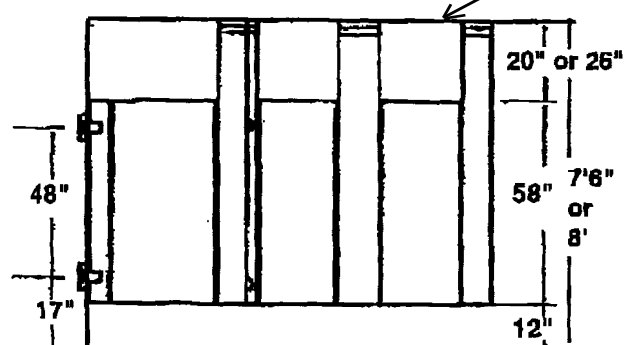
- Determine Layout Type (see Below):
  - Free Standing
  - In Corner
  - Between Walls
  - Alcove
  - Entry & Urinal Screens
- Partition Type and Style:
  - A. Solid Plastic, Metal or Laminate
  - B. Type of Brace Required (headrail, floor, ceiling hung)
- Complete Layout of Toilet Partition Stall(s)
  - A. Width of stall
  - B. Depth of stall
  - C. Total width available
  - D. Width of doors, if known.
- Indicate whether a handicapped accessible unit (ADA) is required.
- Indicate color required.

Metal partitions are solid in a standard 58" door height. Solid plastic partitions are sold in a standard 55" door height. Replacement doors, panels, pilasters and hardware are also available separately.

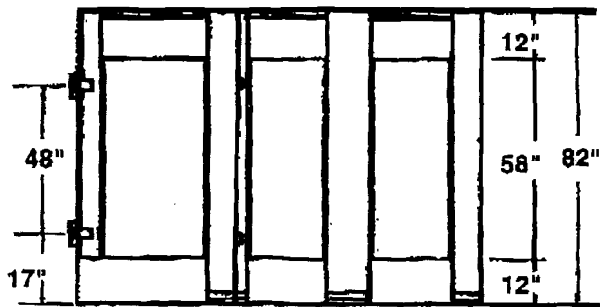
### Typical Toilet Partition Layout



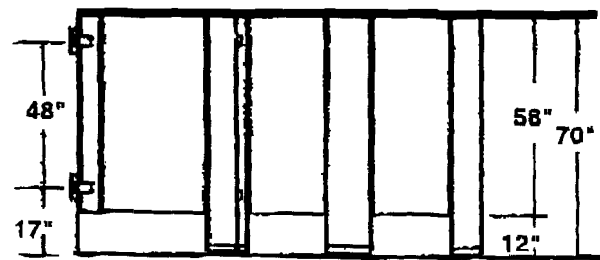
### Finished Ceiling



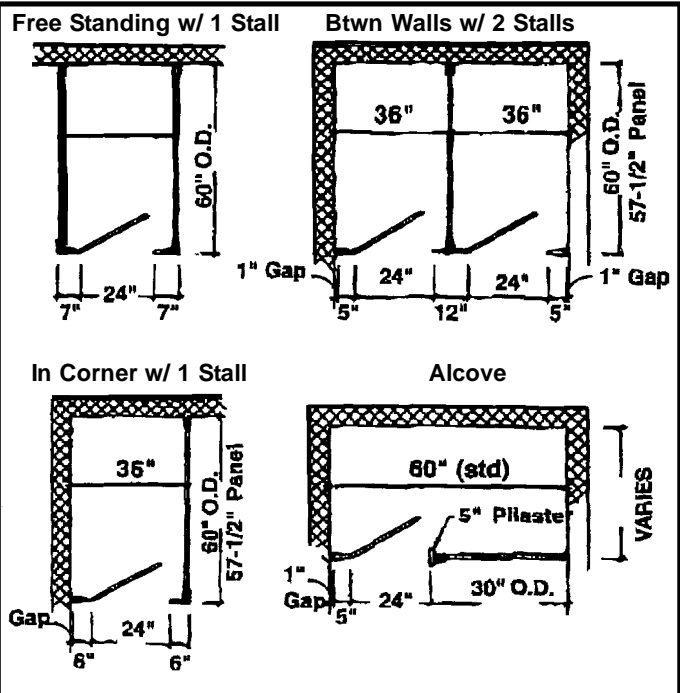
### Ceiling Hung



### Headrail Braced (most commonly used)



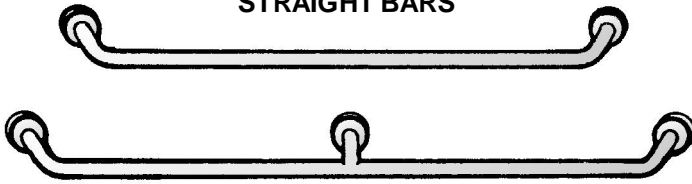
### Floor Braced



**GRAB BAR APPLICATIONS**

This is strictly a representation of the grab bars available through Blaine. Contact our Customer Service Department for detailed literature and assistance.

**STRAIGHT BARS**



Specify center support when required

**BAR NUMBER**

- NUMBER 12
- NUMBER 16
- NUMBER 18
- NUMBER 24
- NUMBER 32
- NUMBER 36
- NUMBER 42
- NUMBER 48

**LENGTH**

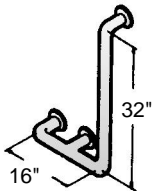
- 12"
- 16"
- 18"
- 24"
- 32"
- 36"
- 42"
- 48"

**FLANGE SPECIFICATIONS**

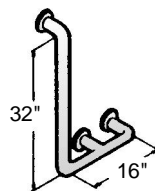
TUBE DIAMETER	ROUND	CONCEALED	SNAP-ON
	<p>Bolt Hole Circle 2-1/4"</p>	<p>Three 1/4-20 set screws in lip</p>	<p>5/16" x 1/2"</p> <p>2-11/16"</p> <p>3-3/4"</p> <p>2-1/4"</p> <p>Cover rotates to expose mounting holes for easier installation</p>
1"	#73	#69	#89
1-1/4"	#74	#71	#90
1-1/2"	#75	#72	#91

**OTHER GRAB BAR APPLICATIONS**

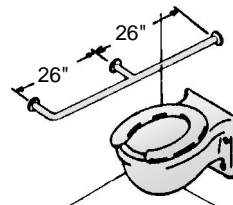
**No. 5R** Right Hand Shown



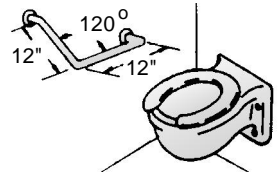
**No. 5L** Left Hand Shown



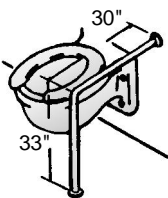
**No. 52**



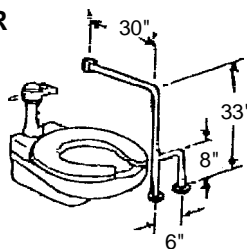
**No. 55**



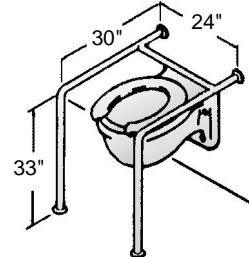
**No. 60**



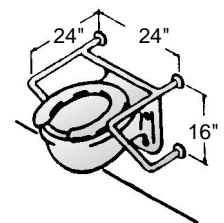
**No. 75R** Right Hand Shown



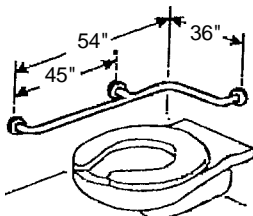
**No. 70**



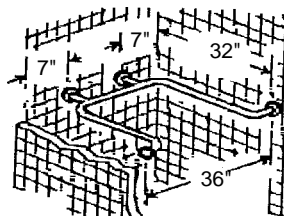
**No. 80**



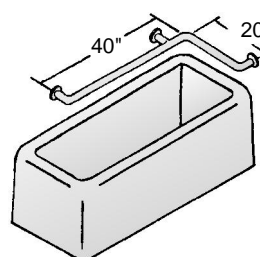
**No. 50**



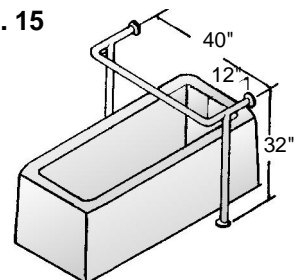
**No. 40** Right Hand Shown



**No. 10** Non Handed



**No. 15**

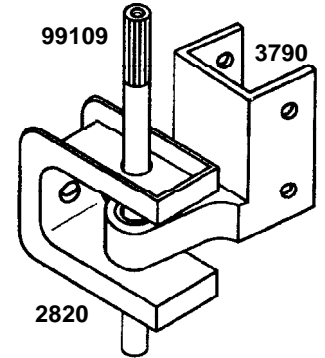


PART #		CONTENTS										ALSO AVAILABLE IN		
Door Size	Post Size	Chrome Plated Zamac	Latch	Top Hinge	Bottom Hinge	Strike/ Keeper	One Pc Keeper	One Pc Strike	Top Insert	Bottom Insert	Hinge Pin	Chrome Plated Brass	Polished Brass	Cast S.S.
1/2"	1/2"	19000	5030	3720	3220		5160	5170	2380	2390	99585			
1/2"	1"	18000	5020	3760	3260		5160	5170	2380	2390	99585			18003
7/8"	1-1/8"	18500	5020	36904	31904	56104			1540	1530	99109			
7/8"	1-1/4"	17800	5020	3790	3290	5110			1540	1530	99109	17801	17802	17803
7/8"	1-1/4"	17810	5020	3790	3290	5980			1540	1530	99109			17813
7/8"	1-1/4"	17830	5020	3790	3290	5340			1540	1530	99109	17831		17833
7/8"	1-1/4"	17900	5050	3790	3290	5110			1540	1530	99109	17901	17902	17903
1"	1"	11300	5030	3760	3260		5160	5170	2820	2810	99109			11303
1"	1"	11310	5080	3760	3260			5170	2820	2810	99109			
1"	1-1/8"	18600	5020	36904	31904	56104			2820	2810	99109			
1"	1-1/4"	11000	5020	3790	3290	5110			2820	2810	99109	11001	11002	11003
1"	1-1/4"	11200	5080	3790	3290	5960			2820	2810	99109	11201		11203
1"	1-1/4"	11400	5020	3790	3290	5980			2820	2810	99109			11403
1"	1-1/4"	11500	5050	3790	3290	5110			2820	2810	99109	11501	11502	11503
1"	1-1/4"	11600	5020	3790	3290	5110			2400	2490	99109	11601		11603
1"	1-1/4"	11610	5020	3790	3290	5340			2400	2490	99109			
1"	1-1/4"	11700	5050	3660	3160	5110			2820	2810	99109	11701	11702	11703
1"	1-1/4"	11710	5080	3660	3160	5230			2820	2810	99109			
1"	1"	78310	5030	3550	3550		5160	5170	1680	1680	99109			
1"	1-1/4"	72610	5080	3540	3540	5230			1680	1680	99109	72611		
1"	1-1/4"	72730	5020	3540	3540	5110			1680	1680	99109	72731	72732	
1"	1-1/4"	78010	5020	3540	3540	5110			1680	1680	99109	78011	78012	

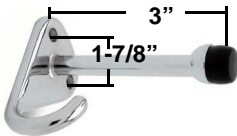
**INSWING**

All packs are supplied with series #4000 door hooks and mounting hardware.

**TOP HINGE ASSEMBLY**



4000



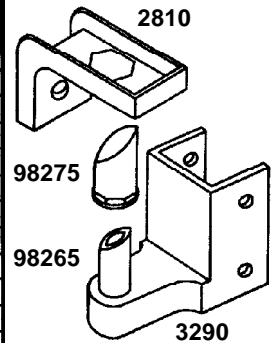
5110



5020



**BOTTOM HINGE ASSEMBLY**



PART #		CONTENTS										ALSO AVAILABLE IN			
Door Size	Post Size	Chrome Plated Zamac	Latch	Top Hinge	Bottom Hinge	Strike/ Keeper	One Pc Strike	Top Insert	Bottom Insert	Hinge Pin	Door Pull	Door Stop	Chrome Plated Brass	Polished Brass	Cast S.S.
1/2"	1/2"	29000	5020	3720	3220		5170	2380	2390	99585	6200				
1/2"	1"	28000	5020	3760	3260		5170	1540	1530	99585	6200				
7/8"	1-1/8"	28500	5020	36904	31904	5710		1540	1530	99109	6200				
7/8"	1-1/4"	27800	5020	3790	3290	5210		1540	1530	99109	6200		27801	27802	27803
7/8"	1-1/4"	27810	5020	3790	3290	5970		1540	1530	99109	6200				27813
7/8"	1-1/4"	27820	5020	3790	3290	5210		1540	1530	99109	6200	4120		27822	27823
7/8"	1-1/4"	27900	5050	3790	3290	5210		1540	1530	99109	5400	4120	27901	27902	27903
7/8"	1-1/4"	28100	5020	3790	3290	5210		1520	1510	99109	6200				
1"	1"	21300	5020	3760	3260		5170	2820	2810	99109	6200				21303
1"	1"	21310	6080	3760	3260		5170	2820	2810	99109	6200				
1"	1-1/8"	28600	5020	36904	31904	5710		2820	2810	99109	6200				
1"	1-1/4"	21000	5020	3790	3290	5210		2820	2810	99109	6200		21001	21002	21003
1"	1-1/4"	21200	5080	3790	3290	5960		2820	2810	99109	6200		21201		21203
1"	1-1/4"	21400	5020	3790	3290	5970		2820	2810	99109	6200	4120			
1"	1-1/4"	21500	5050	3790	3290	5210		2820	2810	99109	5400		21501	21502	21503
1"	1-1/4"	21600	5020	3790	3290	5210		2400	2490	99109	6200		21601		21603
1"	1-1/4"	21700	5050	3660	3160	5210		2820	2810	99109	5400		21701	21702	21703
1"	1-1/4"	21710	5080	3660	3160	5230		2820	2810	99109	5400				
1"	1"	78320	5020	3550	3550		5170	1680	1680	99109	6200				
1"	1-1/4"	72620	5080	3540	3540	5230		1680	1680	99109	6200		72621		
1"	1-1/4"	72740	5020	3540	3540	5210		1680	1680	99109	6200		72741	72742	
1"	1-1/4"	78020	5020	3540	3540	5210		1680	1680	99109	6200		78021	78022	

**OUTSWING**

All packs are supplied with series #4020 door hooks and mounting hardware.

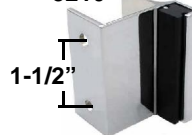
4120



4020



5210



5020



6200

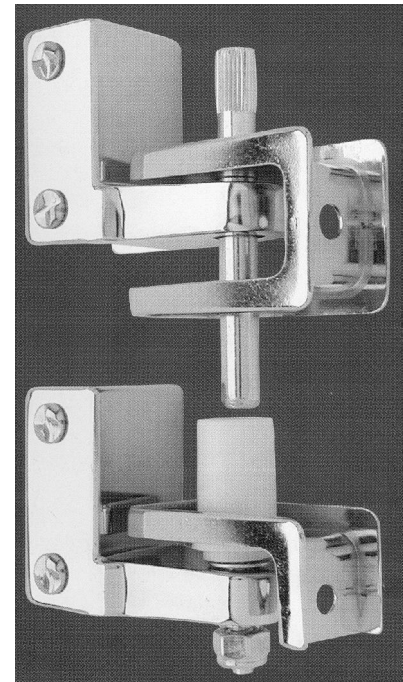


REPLACEMENT PACKS

63140



63130



TOP HINGE ONLY

PART # CONTENTS ALSO AVAILABLE IN

DOOR SIZE	POST SIZE	CHROME PLATED ZAMAC	TOP HINGE	TOP INSERT	HINGE PIN	CAST STAINLESS STEEL
7/8"	1-1/4"	63020	3790	1540	99109	63023
1"	1-1/4"	63040	3790	2820	99109	63043
1"	1-1/4"	63060	3790	2400	98544	
1"	1-1/4"	63080	4530	4540	98584	
1"	1-1/4"	63100	3510		98584	
1"	1-1/4"	63160	3540	1680	99109	
1"	1-1/4"	63200	3910		98614	
1"	1-1/4"	63220	3910		98614	
1"	1-1/4"	63720	3630	4800	98574	

BOTTOM HINGE ONLY

PART # CONTENTS ALSO AVAILABLE IN

DOOR SIZE	POST SIZE	CHROME PLATED ZAMAC	BOTTOM HINGE	BOTTOM INSERT	PINTLE	CAM	NUT & WASHER	CAST STAINLESS STEEL
7/8"	1-1/4"	63010	3290	1530	98265	98275	98305	63013
1"	1-1/4"	63030	3290	2810	98175	98245	98305	63033
1"	1-1/4"	63070	4040	4060	98175	98185	98305	
1"	1-1/4"	63090	3010		98175	98185	98305	
1"	1-1/4"	63160	3540	1680	89830	89820	98305	
1"	1-1/4"	63190	3410			97245	98305	
1"	1-1/4"	63210	3420		97275	97265		
1"	1-1/4"	63710	3130	4700	98175	98195	98305	

TOP & BOTTOM HINGES

PART # CONTENTS ALSO AVAILABLE IN

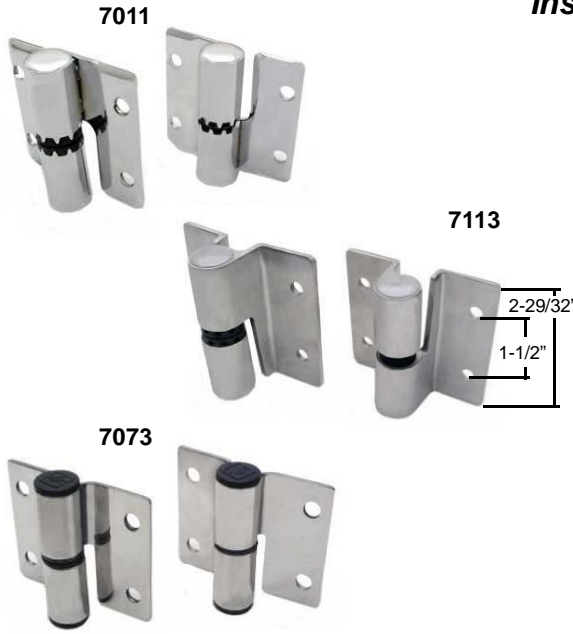
DOOR SIZE	POST SIZE	CHROME PLATED ZAMAC	TOP HINGE	TOP INSERT	BOTTOM HINGE	BOTTOM INSERT	PINTLE	CAM	HINGE PIN	CHROME PLATED BRASS	CAST STAINLESS STEEL
7/8"	1-1/4"	63120	3790	1540	3290	1530	98265	98275	99109	63121	63123
1"	1"	63150	3760	2820	3260	2810	98175	98245	99109		63153
1"	1-1/4"	63130	3790	2820	3290	2810	98175	98245	99109	63131	63133
1"	1-1/4"	63140	3510		3010		98175	98185	98584		63143



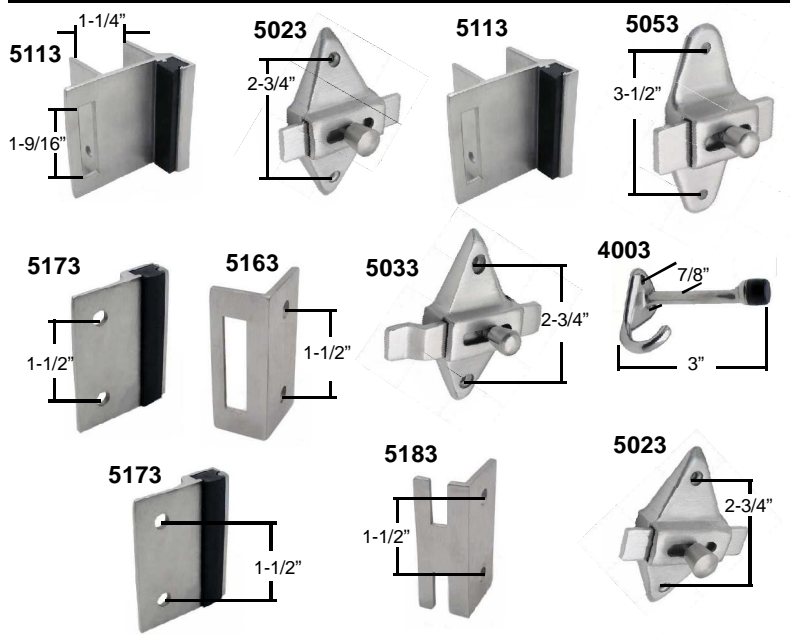
## Surface Mounted Door Packs

### Inswing

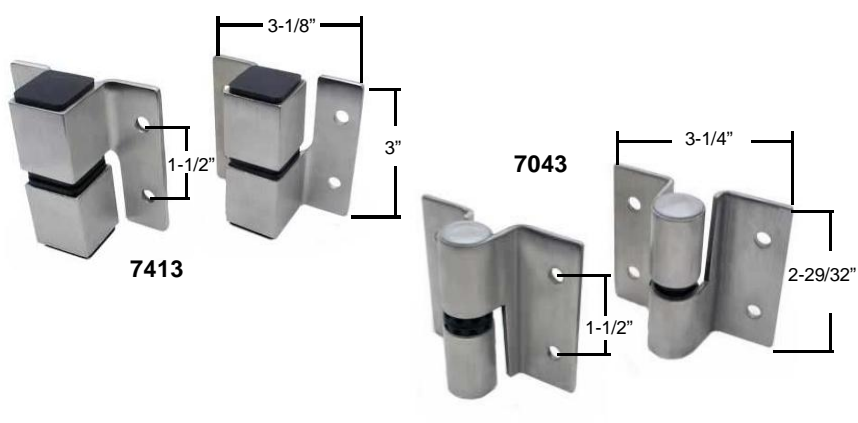
All packs are supplied with series #4000 door hooks and mounting hardware



CHROME PLATED ZAMAC					CONTENTS				ALSO AVAILABLE IN	
Door Size	Post Size	Part #	Swing of Door	Latch	Hinge Set	Strike/ Keeper	One Pc Strike	One Pc Keeper	Chrome Plated Brass	Polished Brass
1/2"	1/2"	20510	LH-IN	5030	7021		5170	5160		20512
1/2"	1/2"	20520	RH-IN	5030	7011		5170	5160		
1/2"	3/4"	20410	LH-IN	5020	7021		5170	5160		
1/2"	3/4"	20420	RH-IN	5020	7011		5170	5160		
3/4"	3/4"	20450	LH-IN	5030	7021		5170	5160	20451	20452
3/4"	3/4"	20460	RH-IN	5030	7011		5170	5160	20461	20462
3/4"	1"	20550	LH-IN	5020	7021		5170	5160	20551	
3/4"	1"	20560	RH-IN	5020	7011		5170	5160	20561	
3/4"	1"	70500	LH-IN	5050	7021		5170	5160		70502
3/4"	1"	70510	RH-IN	5050	7011		5170	5160		70512
3/4"	1"	20610	LH-IN	5020	7083		5170	5160		
3/4"	1"	20620	RH-IN	5020	7073		5170	5160		
1"	1"	20650	LH-IN	5020	7123	5620				
1"	1"	20660	RH-IN	5020	7113	5620				
1"	1"		LH-IN	5701	7021		5171		20801	
1"	1"		RH-IN	5701	7011		5171		20811	
1"	1-1/4"	20100	LH-IN	5020	7021	5110			20101	20102
1"	1-1/4"	20110	RH-IN	5020	7011	5110			20111	20112



CAST STAINLESS STEEL					CONTENTS					
Door Size	Post Size	Part #	Swing of Door	Latch	Hinge Set	Strike/ Keeper	One Pc Strike	One Pc Keeper		
1/2"	3/4"	70543	LH-IN	5023	7123		5173	5163		
1/2"	3/4"	70553	RH-IN	5023	7113		5173	5163		
3/4"	3/4"	20453	LH-IN	5033	7123		5173	5163		
3/4"	3/4"	20463	RH-IN	5033	7113		5173	5163		
3/4"	3/4"	20943	LH-IN	5033	7423		5173	5163		
3/4"	3/4"	20953	RH-IN	5033	7413		5173	5163		
3/4"	1"	20553	LH-IN	5023	7083	5623				
3/4"	1"	20563	RH-IN	5023	7073	5623				
3/4"	1"	70503	LH-IN	5050	7083		5170	5160		
3/4"	1"	70513	RH-IN	5050	7073		5170	5160		
3/4"	1"	20613	LH-IN	5023	7043	5113				
3/4"	1"	20623	RH-IN	5023	7033	5113				
1"	1"	20653	LH-IN	5033	7123	5623				
1"	1"	20663	RH-IN	5033	7113	5623				
1"	1-1/4"	20903	LH-IN	5023	7423		5173	5163		
1"	1-1/4"	20913	RH-IN	5023	7413		5173	5163		
1"	1-1/4"	20103	LH-IN	5023	7083	5113				
1"	1-1/4"	20113	RH-IN	5023	7073	5113				
1"	1-1/4"	20123	LH-IN	5023	7123	5113				
1"	1-1/4"	20133	RH-IN	5023	7113	5113				

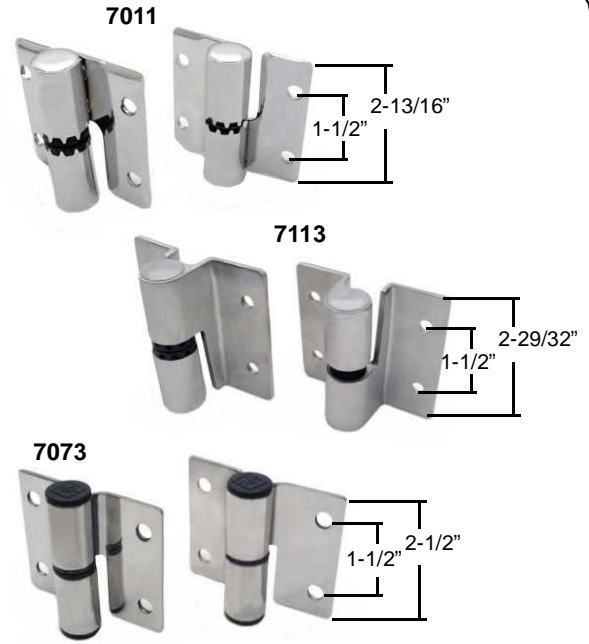


STAMPED STAINLESS STEEL					CONTENTS					
Door Size	Post Size	Part #	Swing of Door	Latch	Hinge Set	One Pc Strike	One Pc Keeper			
3/4"	3/4"	20459	LH-IN	6309	7123	6329	6319			
3/4"	3/4"	20469	RH-IN	6309	7113	6329	6319			
3/4"	3/4"	20949	LH-IN	6309	7083	6369	6499			
3/4"	3/4"	20959	RH-IN	6309	7073	6369	6499			
3/4"	1"	20019	LH-IN	6409	7043		6539			
3/4"	1"	20029	RH-IN	6409	7033		6539			
3/4"	1"	20559	LH-IN	6309	7083	6369	6499			
3/4"	1"	20569	RH-IN	6309	7073	6369	6499			
7/8"	1-1/4"	21909	LH-IN	6309	7423	6389	6499			
7/8"	1-1/4"	21919	RH-IN	6309	7413	6389	6499			
1"	1"	20109	LH-IN	6309	7089	6449	6499			
1"	1"	20119	RH-IN	6309	7079	6449	6499			

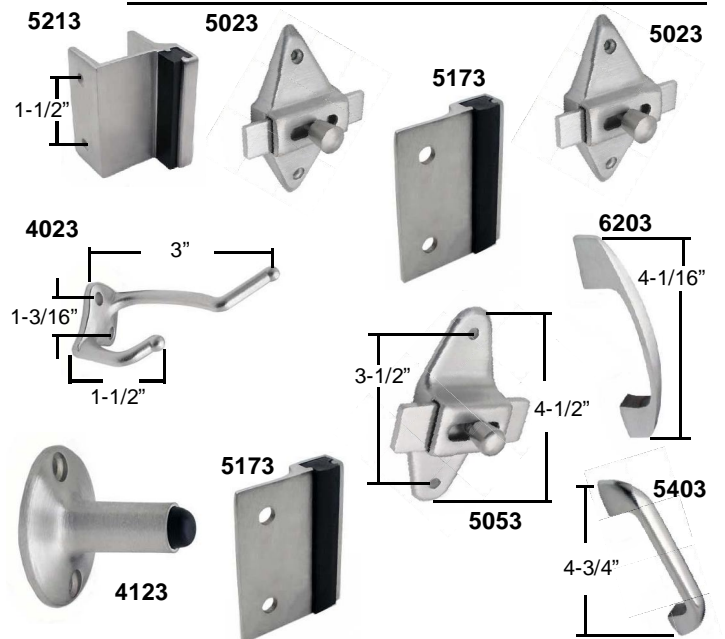
All packs are supplied with series #4020 door hooks and mounting hardware

**Outswing**

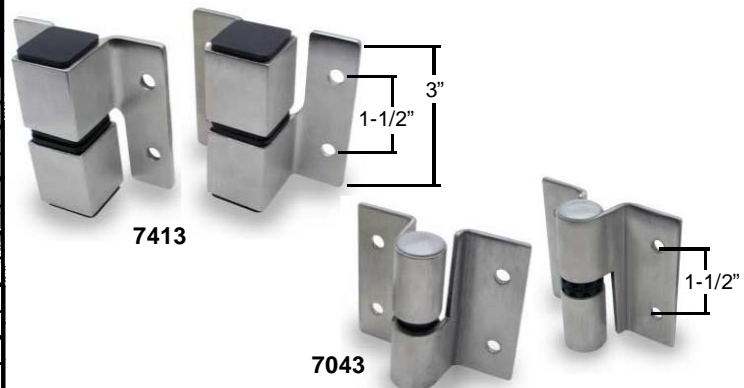
CHROME PLATED ZAMAC				CONTENTS				ALSO AVAILABLE IN			
DOOR SIZE	POST SIZE	PART #	SWING OF DOOR	LATCH	HINGE SET	STRIKE/KEEPER	ONE PC. STRIKE	DOOR PULL	CHROME PLATED BRASS	POLISHED BRASS	
1/2"	1/2"	20530	LH-OUT	5020	7011		5170	6200			
1/2"	1/2"	20540	RH-OUT	5020	7021		5170	6200			
1/2"	3/4"	20430	LH-OUT	5020	7011		5170	6200			
1/2"	3/4"	20440	RH-OUT	5020	7021		5170	6200			
3/4"	3/4"	20470	LH-OUT	5020	7011		5170	6200		20472	
3/4"	3/4"	20480	RH-OUT	5020	7021		5170	6200		20482	
3/4"	1"	20570	LH-OUT	5020	7011		5170	6200	20571		
3/4"	1"	20580	RH-OUT	5020	7021		5170	6200	20581		
3/4"	1"	70520	LH-OUT	5020	7011		5170	5400		70522	
3/4"	1"	70530	RH-OUT	5020	7021		5170	5400		70532	
3/4"	1"	20630	LH-OUT	5020	7073		5170	6200			
3/4"	1"	20640	RH-OUT	5020	7083		5170	6200			
1"	1"	20670	LH-OUT	5020	7113		5170	6200			
1"	1"	20680	RH-OUT	5020	7123		5170	6200			
1"	1"		LH-OUT	5701	7011		5171	5401	20821		
1"	1"		RH-OUT	5701	7021		5171	5401	20831		
1"	1-1/4"	20200	LH-OUT	5020	7011	5210		6200	20201	20202	
1"	1-1/4"	20210	RH-OUT	5020	7021	5210		6200	20211	20212	



CAST STAINLESS STEEL				CONTENTS					
DOOR SIZE	POST SIZE	PART #	SWING OF DOOR	LATCH	HINGE SET	STRIKE/KEEPER	ONE PC. STRIKE	DOOR PULL	DOOR STOP
1/2"	3/4"	70563	LH-OUT	5023	7113		5173	6203	
1/2"	3/4"	70573	RH-OUT	5023	7123		5173	6203	
3/4"	3/4"	20473	LH-OUT	5023	7113		5173	6203	
3/4"	3/4"	20483	RH-OUT	5023	7123		5173	6203	
3/4"	3/4"	20963	LH-OUT	5023	7413		5173	6203	
3/4"	3/4"	20973	RH-OUT	5023	7423		5173	6203	
3/4"	1"	20573	LH-OUT	5023	7073	5723		6203	
3/4"	1"	20583	RH-OUT	5023	7083	5723		6203	
3/4"	1"	70523	LH-OUT	5050	7073		5170	5400	
3/4"	1"	70533	RH-OUT	5050	7083		5170	5400	
3/4"	1"	20633	LH-OUT	5023	7033	5213		6203	
3/4"	1"	20643	RH-OUT	5023	7043	5213		6203	
1"	1"	20673	LH-OUT	5023	7113	5723		6203	
1"	1"	20683	RH-OUT	5023	7123	5723		6203	
1"	1-1/4"	20923	LH-OUT	5023	7413		5173	6203	4123
1"	1-1/4"	20933	RH-OUT	5023	7423		5173	6203	4123
1"	1-1/4"	20203	LH-OUT	5023	7073	5213		6203	
1"	1-1/4"	20213	RH-OUT	5023	7083	5213		6203	
1"	1-1/4"	20223	LH-OUT	5023	7113	5213		6203	4123
1"	1-1/4"	20233	RH-OUT	5023	7123	5213		6203	4123



STAMPED STAINLESS STEEL				CONTENTS				
DOOR SIZE	POST SIZE	PART #	SWING OF DOOR	LATCH	HINGE SET	STRIKE/KEEPER	DOOR PULL	DOOR STOP
3/4"	3/4"	20479	LH-OUT	6309	7113	6329	6419	
3/4"	3/4"	20489	RH-OUT	6309	7123	6329	6419	
3/4"	3/4"	20969	LH-OUT	6309	7413	6379	6203	
3/4"	3/4"	20979	RH-OUT	6309	7423	6379	6203	
3/4"	1"	20039	LH-OUT	6309	7033	6569	6419	4129
3/4"	1"	20049	RH-OUT	6309	7043	6569	6419	4129
3/4"	1"	20579	LH-OUT	6309	7089	6379	6419	
3/4"	1"	20589	RH-OUT	6309	7079	6379	6419	
7/8"	1-1/4"	21929	LH-OUT	6309	7413	6399	6419	
7/8"	1-1/4"	21939	RH-OUT	6309	7423	6399	6419	
1"	1"	20209	LH-OUT	6309	7079	6559	6419	
1"	1"	20219	RH-OUT	6309	7089	6559	6419	



**Prepackaged Hardware**

**TWO EAR PANEL PACKS**

PANEL SIZE	PART# CONTENTS			ALSO AVAILABLE IN				
	CHROME PLATED ZAMAC	WALL BRACKET	"U" BRACKET	CHROME PLATED BRASS	POLISHED BRASS	CAST STAINLESS STEEL	ALUMINUM EXTRUSION	STAMPED STAINLESS STEEL
1/2"	15000	1560	1870			15003		15009
3/4"	15010	1620	1890			15013		15019
7/8"	15020	1630	1900	15021	15022	15023		15029
1"	15030	1750	1910	15031	15032	15033	15034	15039
1-1/4"	15040	1830	1940		15042	15043		15049

THREE BRACKET PACKS

1/2"	15170	1560	1870			15173	15174	15179
3/4"	15160	1620	1890			15163		15169
7/8"	15150	1630	1900	15151	15152	15153		15159
1"	15980	1750	1910			15983		

1-1/4" Inquire About Special Request Orders

**ONE EAR PANEL PACKS**

PANEL SIZE	PART# CONTENTS			ALSO AVAILABLE IN				
	CHROME PLATED ZAMAC	WALL BRACKET	"U" BRACKET	CHROME PLATED BRASS	POLISHED BRASS	CAST STAINLESS STEEL	ALUMINUM EXTRUSION	STAMPED STAINLESS STEEL
1/2"	15110	1570	1870			15113		15119
3/4"	15100	1640	1890			15103		15109
7/8"	15090	1650	1900	15091	15092	15093		15099
1"	15050	1760	1910	15051	15052	15053	15054	15059
1-1/8"	15130	18204						
1-1/4"	15140	1840	1940	15141	15142	15143	15144	15149

THREE BRACKET PACKS

1/2"		1570	1870			15573		15579
3/4"		1640	1890			715103		715109
7/8"	715090	1650	1900					
1"	15080	1760	1910	15081	15082	15083	15084	15089

1-1/8" Inquire About Special Request Orders

1-1/4" Inquire About Special Request Orders

**ONE EAR PILASTER PACKS**

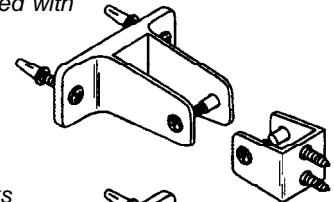
PANEL SIZE	PART# CONTENTS			ALSO AVAILABLE IN			
	CHROME PLATED ZAMAC	WALL BRACKET	CHROME PLATED BRASS	POLISHED BRASS	CAST STAINLESS STEEL	ALUMINUM EXTRUSION	STAMPED STAINLESS STEEL
1/2"	15190	1570			15193		15199
3/4"	15810	1640			15813		15819
7/8"	15820	1650	15821	15822	15823		15829
1"	15250	1760	15251	15252	15253	15254	15259
1-1/8"	15210	18204					15219
1-1/4"	15230	1840	15231	15232	15233	15234	15239
1-1/4"	15240	1850	15241	15242	15243		15249

**TWO EAR PILASTER PACKS**

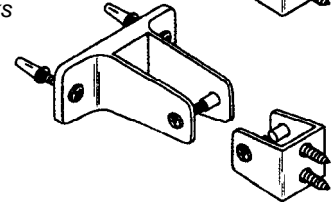
PANEL SIZE	PART# CONTENTS			ALSO AVAILABLE IN			
	CHROME PLATED ZAMAC	WALL BRACKET	CHROME PLATED BRASS	POLISHED BRASS	CAST STAINLESS STEEL	ALUMINUM EXTRUSION	STAMPED STAINLESS STEEL
1/2"	15200	1560			15203	15204	15209
3/4"	15840	1620			15843		15849
7/8"	15850	1630	15851	15852	15853		15859
1"	15280	1750	15281	15282	15283	15284	15289
1-1/4"	15220	1830	15221	15222	15223		15229
1-1/4"	15870	1810	15871		15873		15879

**Panel & Pilaster Packs**

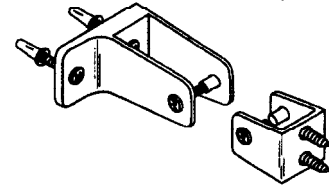
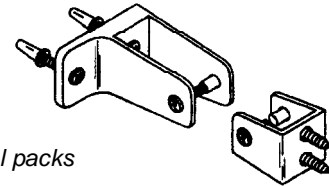
All packs are supplied with mounting hardware



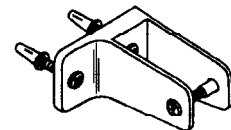
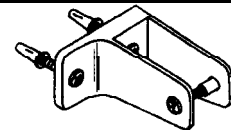
Two ear panel packs



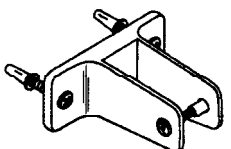
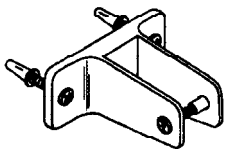
One ear panel packs



One ear pilaster packs



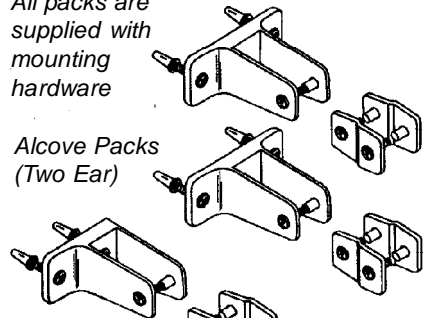
Two ear pilaster packs



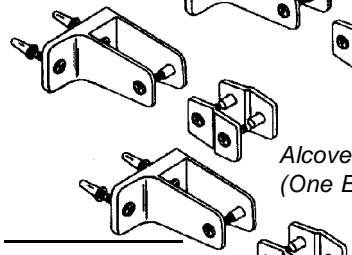
**Alcove, Urinal, Angle Bracket, Headrail Packs**

All packs are supplied with mounting hardware

Alcove Packs (Two Ear)



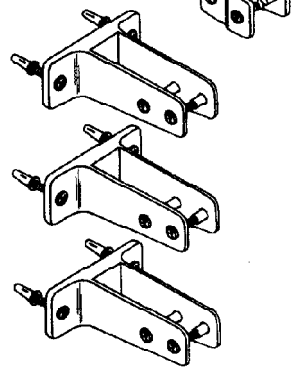
Alcove Packs (One Ear)



**ALCOVE PACKS**

PANEL SIZE	POST SIZE	PART#				CONTENTS		ALSO AVAILABLE IN					BRACKET TYPE
		CHROME PLATED ZAMAC	WALL BRACKET	ALCOVE CLIP	HEADRAIL BRACKET	CHROME PLATED BRASS	POLISHED BRASS	CAST STAINLESS STEEL	ALUMINUM EXTRUSION	STAMPED STAINLESS STEEL			
ALL 1/4" Offsets		15300		8340				15301	15302	15303		15309	
1/2"	3/4"	15350	1560	8340						15353		15359	2-EAR
3/4"	3/4"	15660	1623	8369						15663		15669	2-EAR
3/4"	1"	15310	1620	8340						15313		15319	2-EAR
3/4"	1"	15680	1640	8340									1-EAR
7/8"	1"	15320	1630	8340				15321	15322	15323		15329	2-EAR
7/8"	1"	15380	1630	8340	2170								2-EAR
7/8"	1"	15690	1650	8340									1-EAR
1"	1"	15670	1760	8369								15679	1-EAR
1"	1-1/4"	15330	1750	8340				15331	15332	15333	15334	15339	2-EAR
1"	1-1/4"	15360	1760	8340				15361	15362	15363	15364	15369	1-EAR
1"	1-1/4"	15370	1750	1550									2-EAR

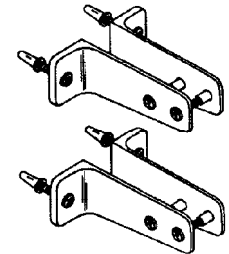
**URINAL SCREEN PACKS**



Urinal Screen Packs

SCREEN SIZE	PART#		CONTENTS		ALSO AVAILABLE IN					BRACKET TYPE
	CHROME PLATED ZAMAC	WALL BRACKET	CHROME PLATED BRASS	POLISHED BRASS	CAST STAINLESS STEEL	ALUMINUM EXTRUSION	STAMPED STAINLESS STEEL			
ALL	15470	1320	15471	15472	15473		15479	ANGLE X-LONG		
1/2"	15390	1480			15393		15399			
3/4"	15410	1590			15413		15419			
7/8"	15420	1600	15421	15422	15423		15429			
1"	15430	1610	15431	15432	15433	15434	15439			
1"	15440	1280	15441	15442	15443		15449	2-PC X-LONG		
1"	15510	1280	15511	15512	15513		15519	X-LONG		
1-1/4"	15450	107720	15451	15452	15453		15459			
1-1/4"	15460	1330					15469	2-PC X-LONG		
1-1/4"	15500	1330					15509	X-LONG		

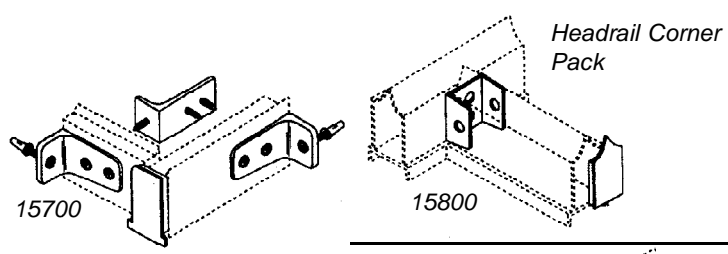
**ANGLE BRACKET PACKS**



Angle Bracket Packs

PANEL SIZE	PART#		CONTENTS		ALSO AVAILABLE IN		
	CHROME PLATED ZAMAC	WALL BRACKET	CHROME PLATED BRASS	POLISHED BRASS	CAST STAINLESS STEEL	STAMPED STAINLESS STEEL	
ALL	15480	1320 (2-SET) X-LONG	15481		15483	15489	
ALL	15490	1320 (1-SET) X-LONG	15491	15492	15493	15499	
ALL	15520	1860 (2-SET)	15521	15522	15523	15529	
ALL	15530	1860 (1-SET)	15531	15532	15533	15539	

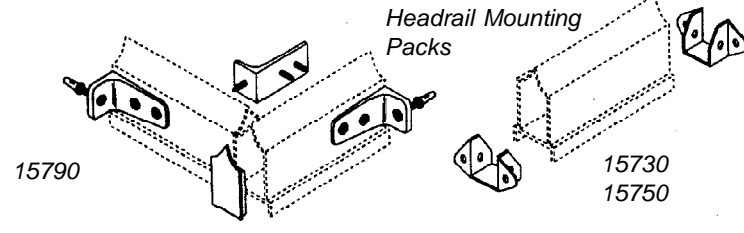
**HEADRAIL CORNER PACKS**



Headrail Corner Pack

PANEL SIZE	PART #		CONTENTS		ALSO AVAILABLE IN		
	CHROME PLATED ZAMAC	U-BRACKET	END PLUG	CAST STAINLESS STEEL	ALUMINUM EXTRUSION	STAMPED STAINLESS STEEL	
ALL	15800	1910	6675	15803	15804	15809	

**HEADRAIL MOUNTING PACKS**

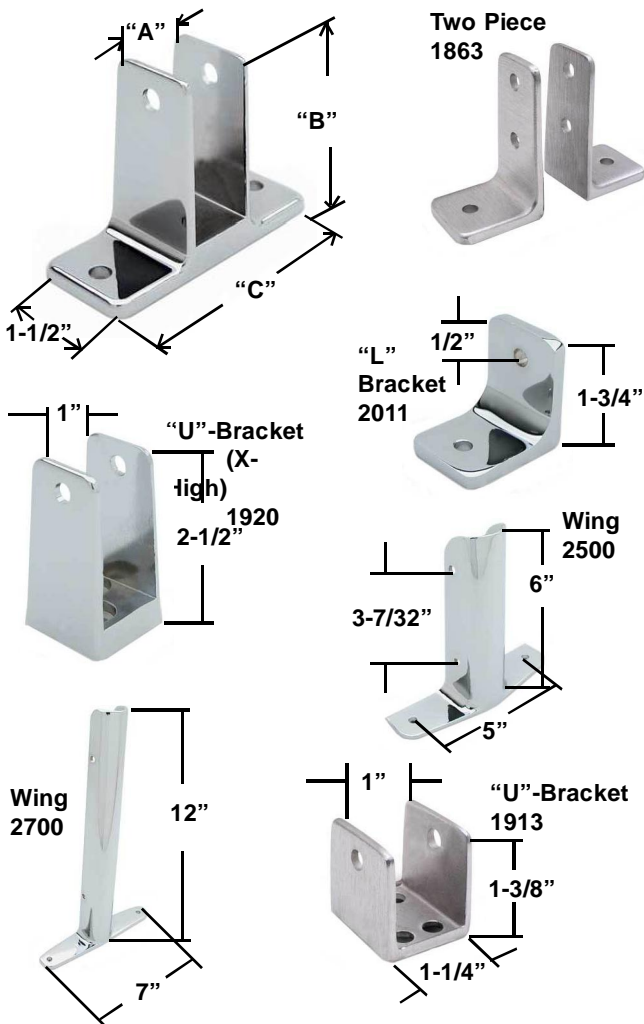


Headrail Mounting Packs

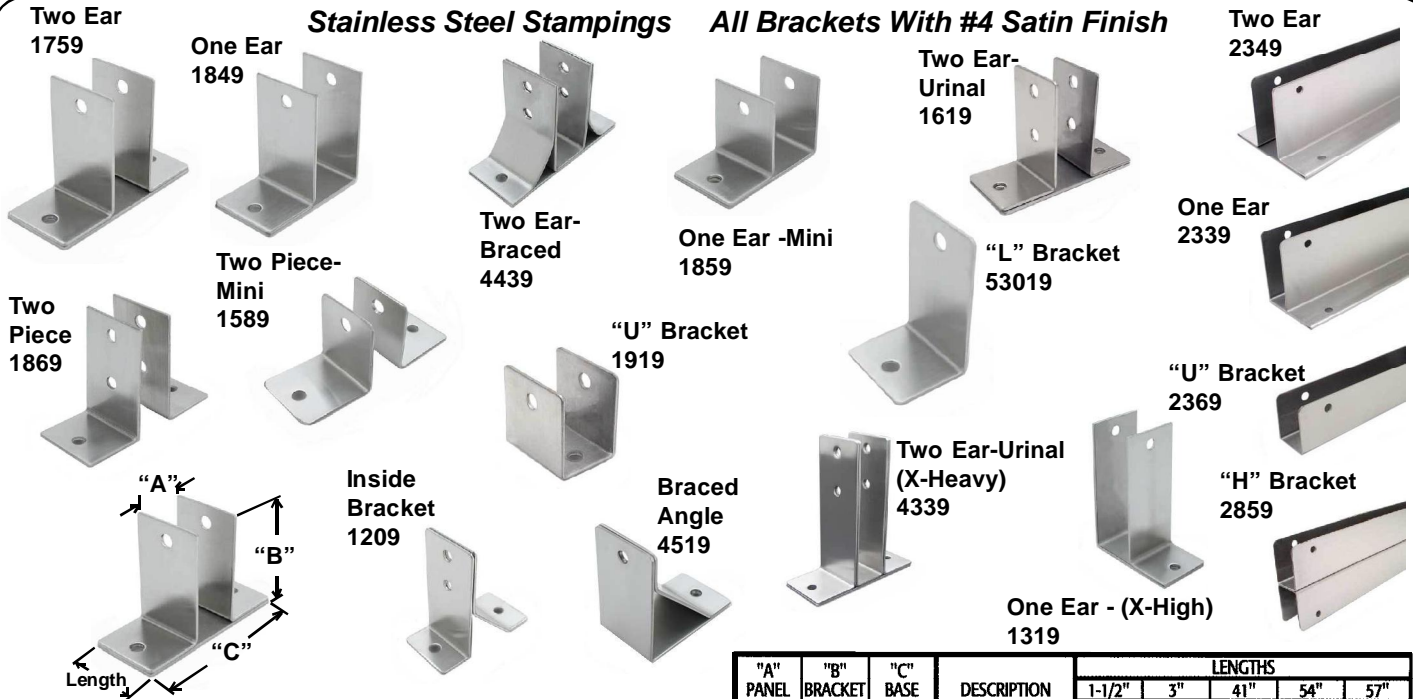
SCREEN SIZE	PART #		CONTENTS		ALSO AVAILABLE IN	
	CHROME PLATED ZAMAC	MOUNTING BRACKET	END PLUG	CAST STAINLESS STEEL	STAMPED STAINLESS STEEL	
ALL	15790	1350 (3-PC)	6675 (1-PC)	15793	15799	
1"	15700	1350 (3-PC)	6715 (2-PC)	15703	15709	
1"	15710	2150 (1-PC)	6660 (1-PC)			
1/2" to 1"	15720	2150 (1-PC)	6670 (1-PC)		15729	
1/2" to 1"	15730	2150 (2-PC)			15739	
1-1/4"	15740	2170 (1-PC)	6675 (1-PC)			
1-1/4"	15750	2170 (2-PC)				

**Castings Lengths**

**All Brackets At 1-1/2"**



"A" PANEL SIZE	"B" BRACKET HEIGHT	"C" BASE WIDTH	DESCRIPTION	CHROME PLATED ZAMAC	CHROME PLATED BRASS	POLISHED BRASS	CAST STAINLESS STEEL
<b>TWO EAR BRACKETS</b>							
1/2"	2-1/2"	2-27/32"		1560			1563
3/4"	2-1/2"	3"		1620			1623
7/8"	2-1/2"	3-1/2"		1630	1631	1632	1633
1"	2-1/2"	4"		1750	1751	1752	1753
1-1/4"	2-1/2"	4"		1830	1831	1832	1833
<b>ONE EAR BRACKETS</b>							
1/2"	2-1/2"	1-3/4"		1570			1573
3/4"	2-1/2"	2"		1640		1642	1643
7/8"	2-1/2"	2-3/32"		1650	1651	1652	1653
1"	2-1/2"	2-21/32"		1760	1761	1762	1763
1-1/8"	2-1/2"	2-3/4"	With Spacers	18204			
1-1/4"	2-1/2"	2-3/4"		1840	1841	1842	1843
<b>MINI BRACKETS</b>							
ALL	1-3/4"	1-3/8"	Two Piece	1580			
1-1/4"	1-3/4"	4"	Two Ear	1810			1813
1-1/4"	1-3/4"	2-3/4"	One Ear	1850		1852	1853
<b>X-HIGH BRACKETS</b>							
1"	3-1/2"	4"	Two Ear	1260			
1"	3-1/2"	2-21/32"	One Ear	1270			
1-1/4"	3-1/2"	4"	Two Ear	1300			
1-1/4"	3-1/2"	2-27/32"	One Ear	1310			
<b>URINAL SCREEN BRACKETS</b>							
1/2"	2-1/2"	1-3/4"	One Ear	1470			
1/2"	2-1/2"	2-27/32"	Two Ear	1480			1483
3/4"	2-1/2"	3"	Two Ear	1590			1593
7/8"	2-1/2"	3-1/2"	Two Ear	1600	1601	1602	1603
1"	2-1/2"	4"	Two Ear	1610	1611	1612	1613
1"	3-1/2"	2-21/32"	One Ear X-High	1660			
1"	3-1/2"	4"	Two Ear X-High	1280	1281	1282	1283
1-1/4"	2-1/2"	4"	Two Ear	107720			107723
1-1/4"	3-1/2"	4"	Two Ear X-High	1330			
<b>WING BRACKETS</b>							
1"	12"	7"		2700			
1-1/4"	6"	6-1/4"		2500			
<b>"U" BRACKETS</b>							
1/2"	1-3/8"	3/4"		1870			1873
3/4"	1-3/8"	1"		1890			1893
7/8"	1-3/8"	1-1/8"		1900	1901	1902	1903
1"	1-3/8"	1-1/4"		1910	1911	1912	1913
1-1/4"	1-3/8"	1-1/2"		1940			
<b>"U" BRACKETS X HIGH</b>							
1"	2-1/2"	1-1/4"		1920			
1-1/4"	2-1/2"	1-9/16"		1950			
<b>TWO PIECE "L" BRACKETS</b>							
ALL	1-3/4"	1-3/8"	Mini (1) Hole	1580			
ALL	2-1/2"	1-1/2"	Standard (2) Hole	1860	1861	1862	1863
ALL	3-1/2"	1-1/2"	X-High (2) Hole	1320	1321	1322	1323
<b>ANGI F "L" BRACKETS (SINGI F)</b>							
ALL	1-3/4"	1-3/4"	Mini		2011	2012	2013



"A" PANEL SIZE	"B" BRACKET HEIGHT	"C" BASE WIDTH	DESCRIPTION	LENGTHS				
				1-1/2"	3"	41"	54"	57"
				14 GAUGE		18 GAUGE		
<b>TWO EAR BRACKETS</b>								
1/2"	2-1/2"	3-3/16"		1569	2209	2059		2679
3/4"	2-1/2"	3-13/32"		1629	2229			2089
7/8"	2-1/2"	3-9/16"		1639	2249			
1"	2-1/2"	3-11/16"		1759	2269	2609	2869	2349
1-1/8"	2-1/2"	3-13/16"		1779	2389			
1-1/4"	2-1/2"	3-15/16"		1839	2289			
1-1/2"	2-1/2"	3-29/32"		1709				
1"	2-5/8"	4"	Braced Two Ear	4439				
<b>ONE EAR BRACKETS</b>								
1/2"	2-1/2"	1-29/32"		1579	2219		2919	2099
3/4"	2-1/2"	2-5/32"		1649	2239			2079
7/8"	2-1/2"	2-5/16"		1659	2259			
1"	2-1/2"	2-13/32"		1769	2279		2879	2339
1-1/8"	2-1/2"	2-17/32"		1829				
1-1/4"	2-1/2"	2-11/16"		1849	2299			2359
ALL	2-7/8"	2-29/32"	Inside Wall Bracket	1209				
<b>MINI BRACKETS</b>								
ALL	1-5/8"	1-5/8"	(2-Pc.) Set	1589				
3/4"	1-1/2"	2-5/32"	One Ear	1679				
1"	1-1/2"	2-13/32"	One Ear	1749				
1-1/4"	1-5/8"	3-15/16"	Two Ear	1819				
1-1/4"	1-3/4"	2-11/16"	One Ear	1859				4359
<b>ONE EAR X-HIGH BRACKETS</b>								
3/4"	3-1/2"	2-5/32"		1259				
1"	3-1/2"	2-13/32"		1279				
1-1/4"	3-1/2"	2-11/16"		1319				
<b>TWO EAR X-HIGH BRACKETS</b>								
3/4"	3-1/2"	3-13/32"		1249				
1"	3-1/2"	3-11/16"		1269				
1-1/4"	3-1/2"	3-15/16"		1309				
<b>URINAL SCREEN BRACKETS</b>								
1/2"	2-1/2"	1-29/32"	One Ear	1479				
1/2"	2-1/2"	3-3/16"	Two Ear	1489				
3/4"	2-1/2"	2-5/32"	One Ear	1699				
3/4"	2-1/2"	3-13/32"	Two Ear	1599				
7/8"	2-1/2"	3-9/16"	Two Ear	1609				
1"	2-1/2"	3-11/16"	Two Ear	1619				

"A" PANEL SIZE	"B" BRACKET HEIGHT	"C" BASE WIDTH	DESCRIPTION	LENGTHS				
				1-1/2"	3"	41"	54"	57"
				14 GAUGE		18 GAUGE		
<b>TWO EAR URINAL SCREEN X-HEAVY</b>								
1/2"	4"	3-5/8"		4309				
3/4"	4"	3-7/8"		4319				
7/8"	4"	4"		4329				
1"	4"	4-1/8"		4339				
1-1/4"	4"	4-3/8"		4349				
<b>URINAL SCREEN X-HIGH</b>								
1"	3-1/2"	2-13/32"	One Ear	1669				
7/8"	3-1/2"	3-17/32"	Two Ear	1239				
1"	3-1/2"	3-11/16"	Two Ear	1289				
1-1/4"	3-1/2"	3-15/16"	Two Ear	1339				
<b>"U" BRACKETS</b>								
1/2"	1-1/2"	11/16"		1879	2989	2039		2669
3/4"	1-1/2"	15/16"		1899		4589 (53")		2069
7/8"	1-1/2"	1-1/16"		1909				
1"	1-1/2"	1-3/16"		1919	2309	101309	2799	2369
1-1/8"	1-1/2"	1-9/32"		1939				
1-1/4"	1-1/2"	1-13/32"		1949				
1-1/2"	1-1/2"	1-11/16"		1889				
<b>"U" BRACKETS X-HIGH</b>								
1/2"	2-1/2"	11/16"		1999	2189			
3/4"	2-1/2"	15/16"		1989	2319			
7/8"	2-1/2"	1-1/16"		1979	2199			
1"	2-1/2"	1-3/16"		1929	2329			
1-1/8"	2-1/2"	1-5/16"		1969	103719			
1-1/4"	2-1/2"	1-7/16"		1959	2999			
<b>TWO PIECE BRACKETS</b>								
ALL	2-1/2"	1-1/4"	(2 Hole)	1869				
ALL	3-1/2"	1-5/16"	(2 Hole) X-High	1329				
<b>ANGLE "L" BRACKETS</b>								
ALL	2"	13/16"	3/4" Length / 12 Gauge	2809				
ALL	1-5/8"	1-5/8"		2019				
ALL	2-1/2"	1-5/16"		53019				2689
ALL	3-1/2"	1-5/16"		1359				
ALL	3-1/2"	3-1/2"	Braced Angle Bracket	4519				
<b>"H" BRACKET</b>								
1"	3-1/2"	1-1/8"	Riveted & Welded				2859	
<b>HINGED BRACKETS (see back cover)</b>								
1"	2-9/16"	3"	Uses (1) #2329		111359			
1-1/4"	2-9/16"	3"	Uses (1) #2999		111369			

**Aluminum Extrusions**



**Two Ear  
2344**



**One Ear  
2334**



**"U" Bracket  
2364**



**"L" Bracket  
2684**



**"H" Bracket  
2858**



**Two Ear  
1754**



**One Ear  
1764**



**Two Ear - Urinal  
1614**



**"U" Bracket - (X-Long)  
2304**



**"U" Bracket  
1914**



**"L" Bracket  
1864**



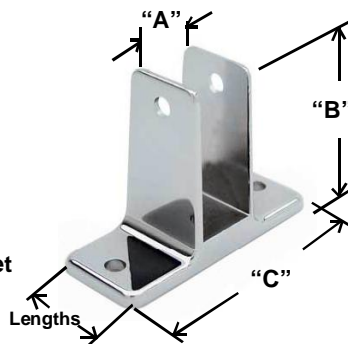
**Two Ear - (X-Long)  
2264**



**One Ear - (X-Long)  
2274**



**"H" Bracket  
1734**



All Parts "T-6063-T5"  
Extruded Aluminum  
With "Clear Anodized"  
Finish

"A" PANEL SIZE	"B" HEIGHT	"C" BASE WIDTHS	LENGTHS					
			1-1/2"	3"	41"	54"	57"	57-1/2"
<b>TWO EAR BRACKETS</b>								
1/2"	2-3/4"	2-27/32"	1564	2204	2054		4174	2674
3/4"	2-3/4"	3-13/32"			4604			2084
1"	2-3/4"	3-3/4"	1754	2264	2888	2868		2344
<b>ONE EAR BRACKETS</b>								
1/2"	2-3/4"	1-31/32"					2094	4394
3/4"	2-3/4"	2-7/32"	1644	109284			2074	4364
1"	2-3/4"	2-5/8"	1764	2274		2878		2334
1-1/4"	2-3/4"	2-5/8"	1844	2294				2354
1-1/4"	1-3/4"	2-5/8"						4354 (mini)
<b>URINAL SCREEN BRACKET</b>								
1"	2-3/4"	3-3/4"	1614					
<b>"U" BRACKETS</b>								
1/2"	1-3/8"	3/4"	1874	2984	2034		4184	2664
3/4"	1-3/8"	1"				4584 (53")		2064
1"	1-3/8"	1-5/16"	1914	2304	101304	2794		2364
1"	2-3/4"	1-1/4"		2324 (x-high)				
<b>"L" BRACKET</b>								
ALL	2-3/4"	1-3/8"	1864 (2pc)					2684
<b>"H" BRACKET</b>								
1"	2-1/2"	1-1/4"	1724	1734		2858		

	CHROME PLATED BRASS	POLISHED BRASS	CAST STAINLESS STEEL	STAMPED STAINLESS STEEL	DESCRIPTION	FINISH	HINGE THICKNESS
#	7011	7012			RH-IN or LH-OUT (3" Height)		
#	7131	7132			Top Hinge Only RH-IN or LH-OUT	Polished	3/32"
#	7141	7142			Bottom Hinge Only RH-IN or LH-OUT		
#	7021	7022			LH-IN or RH-OUT (3" Height)		
#	7151	7152			Top Hinge Only LH-IN or RH-OUT	Polished	3/32"
#	7161	7162			Bottom Hinge Only LH-IN or RH-OUT		
				7033	RH-IN or LH-OUT (3" Height)	Satin	3/32"
				7043	LH-IN or RH-OUT (3" Height)		
				7053	RH-IN or LH-OUT (3" Height)	Satin	1/8"
				7063	LH-IN or RH-OUT (3" Height)		
*				7073	RH-IN or LH-OUT (2-1/2" Height)	Polished	3/32"
*				7083	LH-IN or RH-OUT (2-1/2" Height)		
*				7079	RH-IN or LH-OUT (2-1/2" Height)	Satin	3/32"
*				7089	LH-IN or RH-OUT (2-1/2" Height)		
*				7093	RH-IN or LH-OUT (2-7/8" Height)	Satin	1/8"
*				7103	LH-IN or RH-OUT (2-7/8" Height)		
				8169	RH-IN or LH-OUT (3-3/8" Height)	Satin	1/8"
				8179	LH-IN or RH-OUT (3-3/8" Height)		
				7113	RH-IN or LH-OUT (3" Height)	Satin	1/8"
				7133	Top Hinge Only RH-IN or LH-OUT		
				7143	Bottom Hinge Only RH-IN or LH-OUT		
				7123	LH-IN or RH-OUT (3" Height)		
				7153	Top Hinge Only LH-IN or RH-OUT	Satin	1/8"
				7163	Bottom Hinge Only LH-IN or RH-OUT		

Three Hinge Sets - Two Tops and One Bottom

				7553	RH-IN or LH-OUT of 7113		
				7563	LH-IN or RH-OUT of 7123		
				7883	RH-IN or LH-OUT of 7093		
				7893	LH-IN or RH-OUT of 7103		

Spring Adjustable

				8643	RH-IN/OUT or LH-IN/OUT (4" Height)	Polished	3/32"
				8649	RH-IN/OUT or LH-IN/OUT (4" Height)	Satin	
				8653	RH-IN/OUT or LH-IN/OUT (5" Height)	Polished	3/32"
				8659	RH-IN/OUT or LH-IN/OUT (5" Height)	Satin	

Square Barrel Hinges

				7413	RH-IN or LH-OUT (3" Height)	Satin	1/8"
				7423	LH-IN or RH-OUT (3" Height)		

Locker Hinge

				7719	RH-OUT or LH-OUT (2-3/4" Height)	Satin	3/32"
--	--	--	--	------	----------------------------------	-------	-------

# THREE HINGE SETS RECOMMENDED ON HANDICAPPED, OVERSIZED OR OUTSWING DOORS.  
TWO HINGE SETS NOT RECOMMENDED FOR DOORS OVER 50 LBS.  
THREE HINGE SETS NOT RECOMMENDED FOR DOORS OVER 70 LBS.  
\* HANDEDNESS OF HINGES CANNOT BE CHANGED

ROUND BARREL ALUMINUM (For 1" Material)

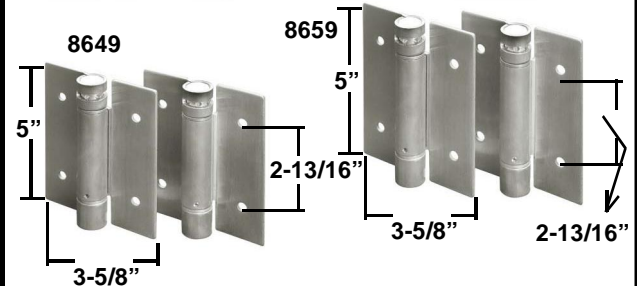
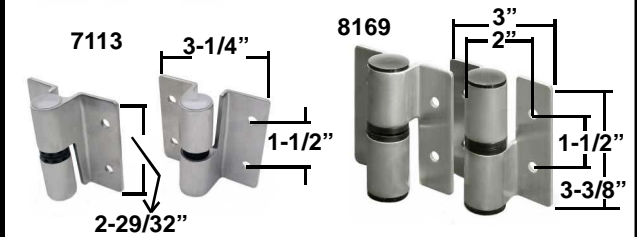
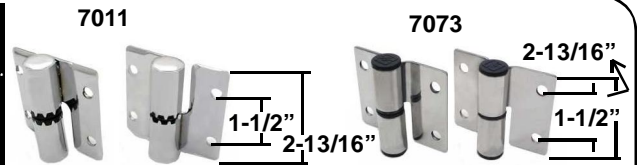
PART #	DESCRIPTION	FINISH
7978	RH-IN or LH-OUT (8" Height)	Clear Anodized
7988	LH-IN or RH-OUT (8" Height)	Clear Anodized
8974	RH-IN or LH-OUT (8" Height)	Brite-Dip
8984	LH-IN or RH-OUT (8" Height)	Brite-Dip

Three Hinge Sets - One Top and Two Bottoms

73714	RH-IN or LH-OUT	of (8974)
73724	LH-IN or RH-OUT	of (8984)

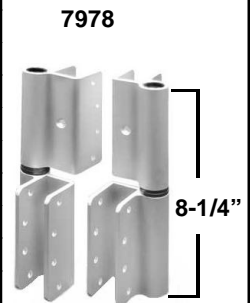
Replacement Parts

97415	Set of Inserts for 3/4" Door and Post	Nylon-Black
8465	Cam & Pintle Set for Top Hinges	Nylon-Black
8475	Cam & Pin Set for Bottom Hinges	Nylon-Black



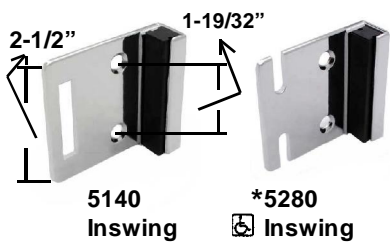
PIANO HINGES

MATERIAL THICKNESS	LENGTHS	DESCRIPTION	STAMPED STAINLESS STEEL
16 Gauge	54"	RH-IN or LH-OUT - Spring Close (1/8" Pin)	7959
	54"	LH-IN or RH-OUT - Spring Close (1/8" Pin)	7969
14 Gauge	57"	RH-IN or LH-OUT - Spring Close (1/4" Pin)	7339
	57"	LH-IN or RH-OUT - Spring Close (1/4" Pin)	7349
16 Gauge	57-1/2"	No Spring (1/8" Pin)	7649
	57-1/2"	RH-IN or LH-OUT - Spring Close (1/8" Pin)	7659
	57-1/2"	LH-IN or RH-OUT - Spring Close (1/8" Pin)	7669
	71-1/2"	RH-IN or LH-OUT - Spring Close (1/8" Pin)	7759
	71-1/2"	LH-IN or RH-OUT - Spring Close (1/8" Pin)	7769
14 Gauge	54-1/2"	RH-IN/OUT or LH-IN/OUT - Cam Close (1/4" Pin)	7599
	54-1/2"	RH-IN/OUT or LH-IN/OUT - Cam Close (1/4" Pin) (20° Open)	7609
	57-1/2"	RH-IN/OUT or LH-IN/OUT - Cam Close (1/4" Pin)	7789
	57-1/2"	RH-IN/OUT or LH-IN/OUT - Cam Close (1/4" Pin) (20° Open)	7799





**Square Edge Posts**



**5140**  
Inswing



**\*5280**  
Inswing



**\*5240**  
In or Out



**\*5260**  
Outswing



**\*5230**  
In or Out



**\*5110**  
Inswing



**\*5210**  
Outswing



**\*5340**  
Inswing

\*Overall height - 2-1/2"  
center to center hole  
spacing - 1-1/2"

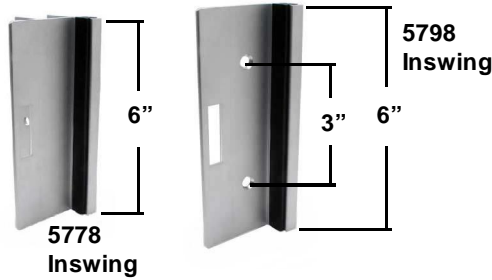


**\*5160**  
Inswing

**\*111770**  
Inswing

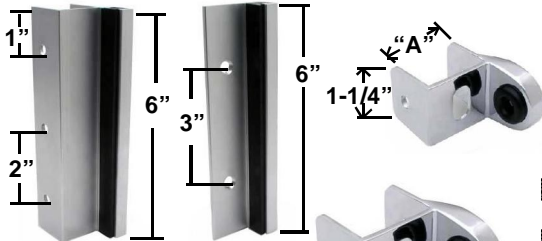
**\*5180**  
Inswing

**\*5170**  
Inswing



**5778**  
Inswing

**5798**  
Inswing



**5878**  
Outswing

**5898**  
Outswing

**5960**  
In or Out



**5980**  
Inswing

**5970**  
Outswing

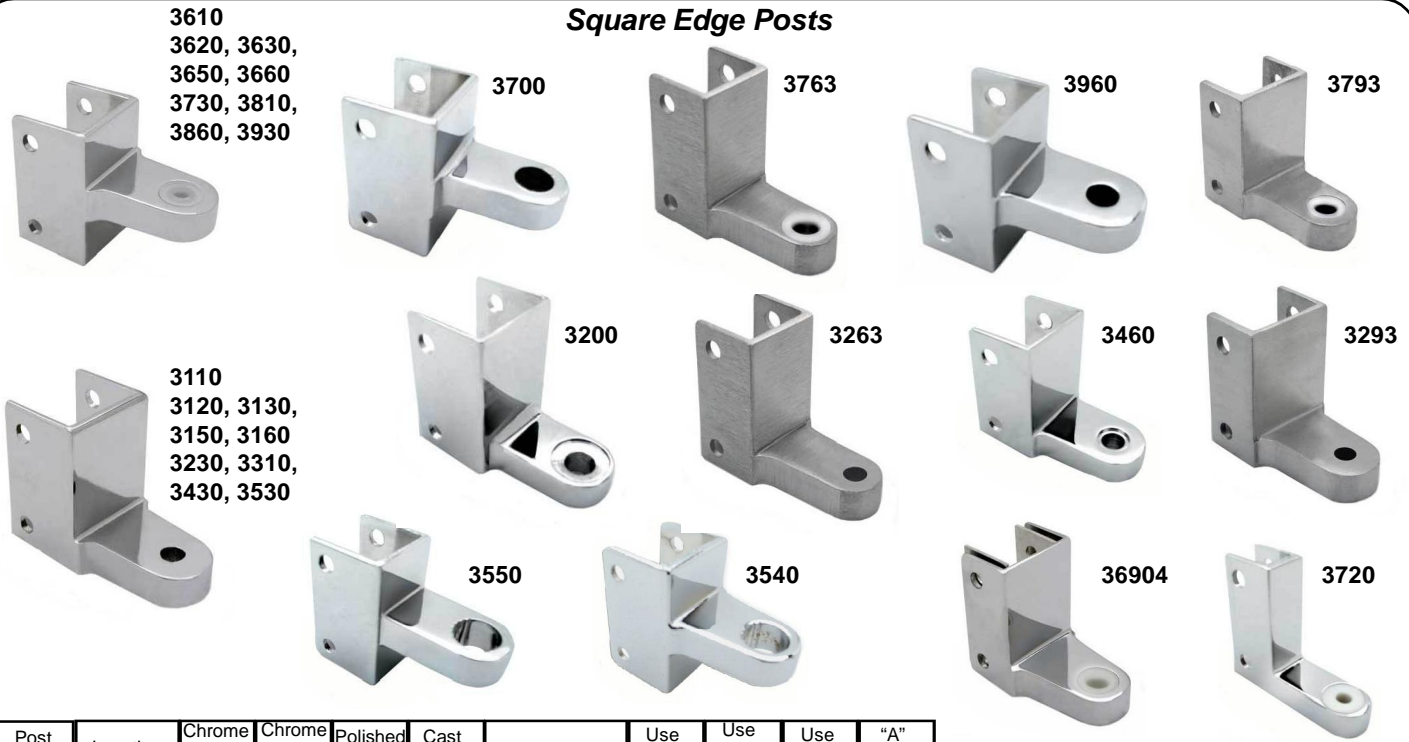


**5650**  
Inswing

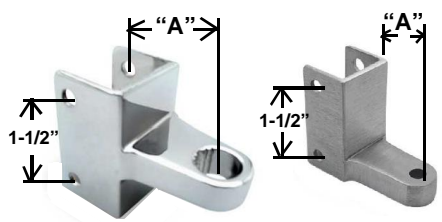
**5640**  
Outswing

"A" POST SIZE	DESCRIPTION	CHROME PLATED ZAMAC	"SATIN" FINISH ZAMAC	CHROME PLATED BRASS	POLISHED BRASS	CAST STAINLESS STEEL	ALUMINUM EXTRUSION (CLEAR ANODIZE)	ALUMINUM EXTRUSION (BRITE-DIP)
1"		5620				5623	5624	5628
1-1/8"	Inswing for Slide Latch	56104						
1-1/4"		5110	5118	5111	5112	5113		
3/4"						4913		
1"	Outswing for Slide Latch	5720				5723	5724	5728
1-1/8"		57104						
1-1/4"		5210	5218	5211	5212	5213		
1"	Inswing or Outswing for Concealed Latches	5730				5733		
1-1/4"		5230		5231	5232	5233		
1-1/4"	Inswing or Outswing for Concealed Latches	5220						
3/4"						4903		
1"	Inswing for Throw Latch (Emergency Access)	5820				5823	5824	
1-1/4"		5340		5341	5342	5343		
FLATS								
ALL	Inswing for Slide Latch	5140	5148	5141	5142	5143	5144	85148
ALL	Inswing or Outswing for Concealed Latches	5240		5241	5242	5243		
ALL	Outswing for Slide Latch	5260		5261	5262	5263	5264	85268
ALL	Inswing for Throw Latch (Emergency Access)	5280		5281	5282	5283		
HALVES & SFTS								
ALL	Inswing Keeper for Slide Latch	5160		5161	5162	5163	5164	
ALL	Inswing or Outswing Strike for Slide Latches	5170		5171	5172	5173	5174	
ALL	Inswing Keeper for Throw Latch (Emergency Access)	5180		5181	5182	5183	5184	
ALL	Inswing Keeper for Throw Latch (Emergency Access) - Short Slot	111770						
ALL	Strike & Keeper 2 pc Pack (5160 & 5170)	5680				5683		
6" HIGH ALUMINUM								
1"	Inswing						5778	
1"	Outswing						5878	
ALL	Inswing (Flat)						5798	
ALL	Outswing (Flat)						5898	
HALF HEIGHT								
1-1/4"	Inswing or Outswing for Concealed Latches	5960				5963		
1-1/4"	Outswing for Slide Latch	5970				5973		
1-1/4"	Inswing for Throw Latch (Emergency Access)	5980				5983		
1-1/4"	Inswing or Outswing for Concealed Latches (1-1/4" Doors)	5840						
HALF HEIGHT-FLATS								
ALL	Inswing or Outswing for Concealed Latches	5630				5633		
ALL	Outswing for Slide Latch	5640				5643		
ALL	Inswing for Throw Latch (Emergency Access)	5650				5653		

**Square Edge Posts**



Post Size	Location	Chrome Plated Zamac	Chrome Plated Brass	Polished Brass	Cast S.S.	Description	Use Pin	Use Pintle or Candle	Use Cam	"A" Dim
1/2"	Top	3720				G-1/2	99585	98265	98275	1.265"
	Bottom	3220								
1"	Top	3760			3763	G-4	99109	98265	98275	1.265"
	Bottom	3260			3263					
1-1/8"	Top	36904				G-2 (With Inserts)	99109	98175	98245	1.265"
	Bottom	31904								
1-1/4"	Top	3610	3611	3612	3613	AMPCO	99585	98265	98275	1.250"
	Bottom	3110	3111	3112	3113					
1-1/4"	Top	3620				GLOBAL		98175		1.155"
	Bottom	3120								1.197"
1-1/4"	Top	3630	3631	3632	3633	FIAT	99574	98175	98185	1.275"
	Bottom	3130	3131	3132	3133					
1-1/4"	Top	3650	3651		3653	SHANAHAN	98544	98175	98195	1.363"
	Bottom	3150	3151		3153					
1-1/4"	Top	3660	3661	3662	3663	COLUMBIA	99109	98175	98245	1.265"
	Bottom	3160	3161	3162	3163					
1-1/4"	Top	3700			3703	ACCURATE				1.200"
	Bottom	3200			3203					
1-1/4"	Top	3730	3731		3733	FLUSH METAL	98584	98175	98185	1.200"
	Bottom	3230	3231		3233					
1-1/4"	Top	3790	3681	3682	3793	G-3	99109	98265	98275	1.265"
	Bottom	3290	3181	3182	3293			98175	98245	
1-1/4"	Top	3860			3863	KNICKERBOCKER (LAMINATE)	98614	97275		1.433"
	Bottom	3530			3533					
1-1/4"	Top	3810	3811		3813	KNICKERBOCKER & GENERAL (STEEL)	98614	97275	97265	1.385"
	Bottom	3310	3311		3313					
1-1/4"	Top	3930			3933	METPAR	98584	97235		1.104"
	Bottom	3430			3433					
1-1/4"	Top	3960				SANYMETAL	98715	97280		1.093"
	Bottom	3460								
1"	Top & Bottom	3550				M-3 Bottom or Top	99109	89830	89820	1.300"
1-1/4"	Top & Bottom	3540	3541	3542		M - Bottom or Top	99109	89830	89820	1.300"



Post	Door	Pivot Hinge (Roller Bearing Design)			
1/2"	1/2"				7803
3/4" & 1"	1/2"				7853
3/4" & 1"	3/4" & 1"				7813

**Round Edge Posts**

Post Size	Location	Chrome Plated Zamac	Chrome Plated Brass	Polished Brass	Cast S.S.	Description	Use Pin	Use Pintle or Candle	Use Cam	"A" Dim
1-1/4"	Top	3510	3511	3512	3513	FLUSH METAL	98584	98175	98185	1.085"
	Bottom	3010	3011	3012	3013					1.156"
1-1/4"	Top	3900			3903	SANY METAL	98715	97290		1.065"
	Bottom	3060			3403					
1-1/4"	Top	3910			3913	KNICKERBOCKER & GENERAL	98614	97265		1.385"
	Bottom	3420			3423			97275		
1-1/4"	Top	4530	4531		4533	METPAR	98584		97235	1.070"
	Bottom	4040	4041		4043			1.104"		
1-1/4"	Top	4530	4531		4533	AMPKO	98584	98175	98185	1.070"
	Bottom	4040	4041		4043					1.104"



3510



3010



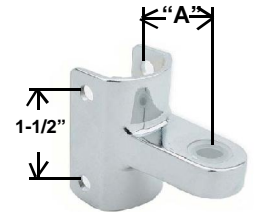
3900



4533



3910



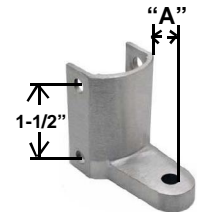
3060



4043



3420

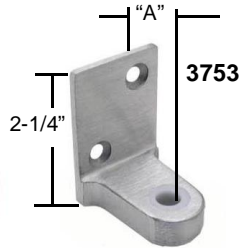


**Flats**

Location	Chrome Plated Zamac	Chrome Plated Brass	Polished Brass	Cast S.S.	Description	Use Pin	Use Pintle or Candle		"A" Dim
Top	3710			3713	ACCURATE				1.200"
Bottom	3210			3213					
Top	3740	3741		3743	AMPKO (LAMINATE)	99585	98265	98275	1.250"
Bottom	3240	3241		3243					
Top	3880		3883		AMPKO & METPAR (STEEL)	98584	97245	98185	1.104"
Bottom	3280		3283				98175		
Top	3750	3751	3752	3753	G-3	99109	98265	98275	1.265"
Bottom	3250	3251	3252	3253			98175	98245	
Top	3940			3943	KNICKERBOCKER (LAMINATE)	98614	97275		1.433"
Bottom	3870			3873					
Top	3970	3971		3973	KNICKERBOCKER & GENERAL (STEEL)	98614	97275	97265	1.385"
Bottom	3470	3471		3473					



3710



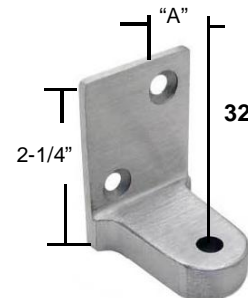
3753

1-7/16"

2-1/4"

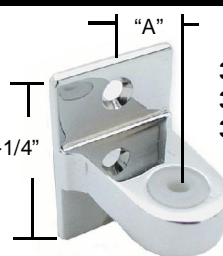


3210



3253

2-1/4"



3740  
3880, 3940,  
3970

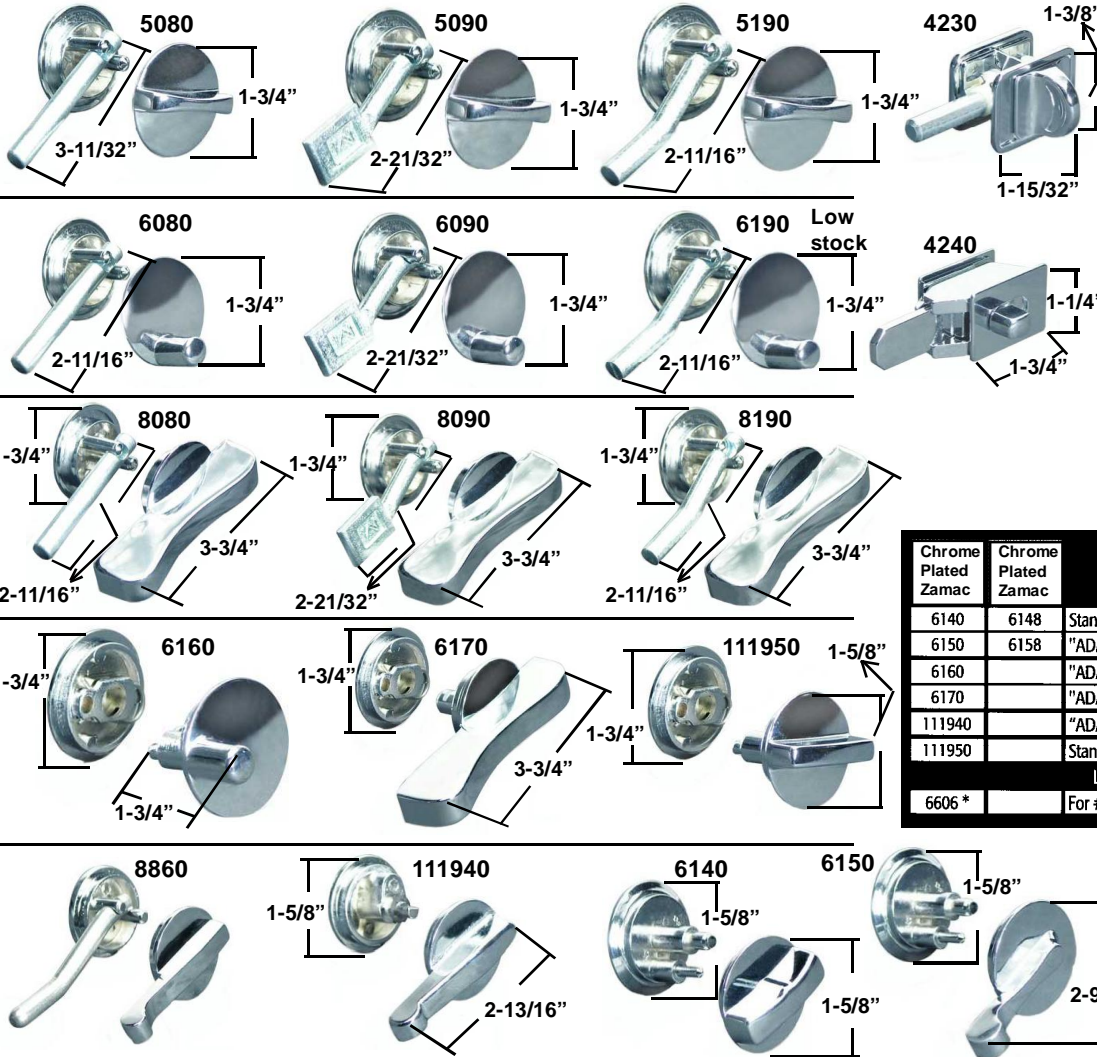
2-1/4"



3240  
3280, 3470,  
3870

2-1/4"

**Concealed Latches & Knob Sets**



**For 1" Doors**

Chrome Plated Zamac	CONCEALED LATCHES
5080	Laminate Doors
5090	Steel Doors - Flat Tip Bar
5190	Steel Doors
<b>"ADA" DOORS</b>	
6080	Laminate Doors
6090	Steel Doors - Flat Tip Bar
6190	Steel Doors
8080	Laminate Doors
8090	Steel Doors - Flat Tip Bar
8190	Steel Doors
8860	Steel Doors
<b>SQUARE OPENINGS</b>	
4230	Steel Doors
4240	Steel Doors with Indicator

Chrome Plated Zamac	Chrome Plated Zamac	KNOB SETS
6140	6148	Standard - For #6606 Housing
6150	6158	"ADA" - For #6606 Housing
6160		"ADA" - For Knickerbocker & General Housing
6170		"ADA" - For Knickerbocker & General Housing
111940		"ADA" - For Sanymetal Housing
111950		Standard - For Knickerbocker & General Housing
<b>LATCH HOUSING</b>		
6606 *		For #6140 & 6150 Knob Sets *Non-Plated

**Door Pulls & Fix-It Kits**



Chrome Plated Zamac	Chrome Plated Brass	Polished Brass	Cast Stainless Steel	Stamped Stainless Steel	DOOR PULLS
5400	5401	5402	5403		3-1/2" Centers
	5421	5422	5423		4" Centers
5440			5443		3-1/2" Centers (Used with #5400)
54400			54403		Door Pull Set (#5400 & 5440 with mounting hardware)
6200	6201	6202	6203		2-3/4" Centers
	6251		6253		3" High "ADA"
				6419	5" Centers
6020					2-5/8" Centers

Chrome Plated Zamac	Cast Stainless Steel	FIX-IT KITS (with stainless plate) (see inside back cover)
<b>SQUARE EDGE DOORS</b>		
115490		Fix-It Kit for Inswing Doors - 1"
115500		Fix-It Kit for Outswing Doors - 1"
115510		Fix-It Kit for Outswing Doors - 1" (with Door Pull)
<b>RADIAL EDGE DOORS</b>		
111680		Fix-It Kit for Inswing Doors - 1"
111690		Fix-It Kit for Outswing Doors - 1"
111700		Fix-It Kit for Outswing Doors - 1" (with Door Pull)
<b>DOOR HOOK</b>		
	115523	Fix-It Kit (Uses #4113 Hook)



All shoes are made of 22 gauge #304 stainless steel with #4 satin finish



**\*3" HIGH PILASTER SHOES**

**\*4" HIGH PILASTER SHOES**

Length	Width					
	1/2"	3/4"	7/8"	1"	1-1/8"	1-1/4"
2"	36029	35029	31029	34029	33029	32029
3"	36039	35039	31039	34039	33039	32039
4"	36049	35049	31049	34049	33049	32049
5"	36059	35059	31059	34059	33059	32059
6"	36069	35069	31069	34069	33069	32069
7"	36079	35079	31079	34079	33079	32079
8"	36089	35089	31089	34089	33089	32089
9"	36099	35099	31099	34099	33099	32099
10"	36109	35109	31109	34109	33109	32109
11"	36119	35119	31119	34119	33119	32119
12"	36129	35129	31129	34129	33129	32129
13"	36139	35139	31139	34139	33139	32139
14"	36149	35149	31149	34149	33149	32149
15"		35159	31159	34159	33159	32159
16"	36169	35169	31169	34169	33169	32169
17"		35179	31179	34179	33179	32179
18"	36189	35189	31189	34189	33189	32189
19"	36199	35199		34199	33199	32199
20"	36209	35209	31209	34209	33209	32209
21"		35219	31219	34219		32219
22"	36229	35229	31229	34229	33229	32229
23"		35239	31239	34239		32239
24"	36249	35249	31249	34249	33249	32249
25"	36259	35259	31259	34259	33259	32259
26"	36269	35269		34269	33269	32269
28"	36289	35289	31289	34289	33289	32289
30"	36309	35309	31309	34309	33309	32309

Length	Width					
	1/2"	3/4"	7/8"	1"	1-1/8"	1-1/4"
2"	46029	45029	41029	44029	43029	42029
3"	46039	45039	41039	44039	43039	42039
4"	46049	45049	41049	44049	43049	42049
5"	46059	45059	41059	44059	43059	42059
6"	46069	45069	41069	44069	43069	42069
7"	46079	45079	41079	44079	43079	42079
8"	46089	45089	41089	44089	43089	42089
9"	46099	45099	41099	44099	43099	42099
10"	46109	45109	41109	44109	43109	42109
11"	46119	45119	41119	44119	43119	42119
12"	46129	45129	41129	44129	43129	42129
13"		45139	41139	44139	43139	42139
14"	46149	45149	41149	44149	43149	42149
15"		45159		44159	43159	42159
16"	46169	45169	41169	44169	43169	42169
17"			41179	44179		42179
18"	46189	45189	41189	44189	43189	42189
19"			41199	44199	43199	42199
20"	46209	45209	41209	44209	43209	42209
21"		45219	41219	44219	43219	42219
22"	46229	45229	41229	44229	43229	42229
23"			41239	44239		42239
24"	46249	45249	41249	44249	43249	42249
25"		45259	41259	44259	43259	42259
26"	46269	45269		44269	43269	42269
28"	46289	45289		44289	43289	42289
30"	46309	45309	41309	44309	43309	42309

**4" HIGH 'OFFSET' PILASTER SHOES**

Length	Width*		
	1/2"	3/4"	1"
2"	56029	55029	54029
3"	56039	55039	54039
4"	56049	55049	54049
5"	56059	55059	54059
6"	56069	55069	54069
7"	56079	55079	54079
8"	56089	55089	54089
9"	56099	55099	54099
10"	56109	55109	54109
12"	56129	55129	54129
14"	56149	55149	54149
16"	56169	55169	54169
18"	56189	55189	54189
20"	56209	55209	54209
22"	56229	55229	54229
24"	56249	55249	54249

widths measured at top opening

\*Custom sizes available upon request.  
Open ended available in all sizes.



**ANCHOR SHOES**

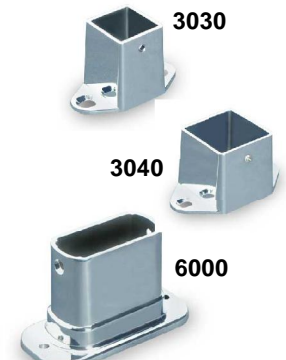
Length	Width		Length	Width	
	1-1/4"	1"		1"	1"
2"	61029		3"	30039	48039
3"	61039	62039	4"	30049	48049
4"	61049	62049	5"	30059	48059
5"	61059	62059	6"	30069	48069
6"	61069	62069	7"	30079	48079
7"	61079	62079	8"	30089	48089
8"	61089	62089	9"	30099	48099
9"		62099	10"	30109	48109
10"	61109	62109	11"	30119	
12"	61129	62129	12"	30129	48129
14"		62149	14"	30149	48149
18"	61189	62189	16"	30169	
20"	61209		18"	30189	48189
21"		62219	20"	30209	
24"	61249	62249	22"	30229	
30"		62309	24"	30249	48249



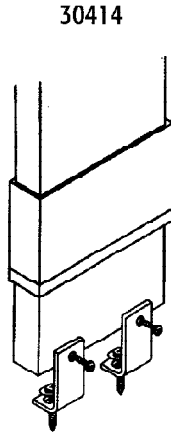
PART #	DESCRIPTION
3030	1-1/4" Pilaster Shoe (Use with #98334 Tube)
3040	1-3/4" Pilaster Shoe (Use with #98434 Tube)
6000	1-1/4" x 3" Post Shoe
8503	1-1/4" Pilaster Anchor Bracket (11-1/2" - 14" Range)
85083	1-1/4" Pilaster Anchor Bracket (9-1/2" - 12" Range)
85093	1-1/4" Pilaster Anchor Bracket (7-1/2" - 10" Range)
8513	1-1/4" Pilaster Anchor Bracket - One Ear (11-1/2" - 14" Range)
85183	1-1/4" Pilaster Anchor Bracket - One Ear (9-1/2" - 12" Range)
85193	1-1/4" Pilaster Anchor Bracket - One Ear (7-1/2" - 10" Range)

8503  
85083  
85093

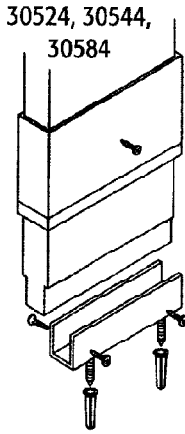
8513  
85183  
85193



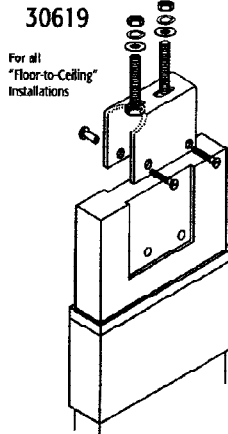
## Pilaster Post Anchoring Packs & Devices



For 1" Thick and Larger Pilaster Posts.

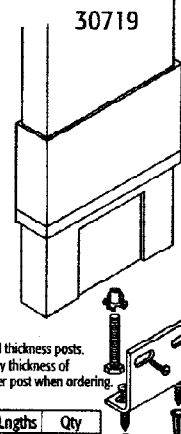


30524 For 1-1/4" X 2" to 4" Posts.  
30544 For 1-1/8" X 4" to 7" Posts.  
30584 For 1-1/4" X 8" & Up.



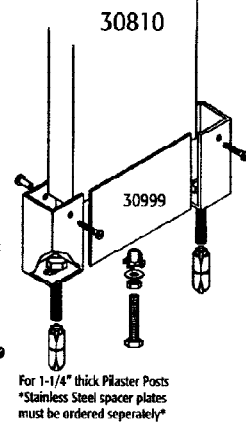
For all "Floor-to-Ceiling" Installations

For all size posts. Specify thickness of Pilaster Post when ordering.



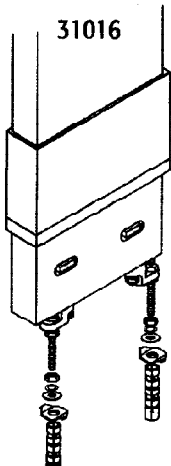
For all thickness posts. Specify thickness of pilaster post when ordering.

Post Lengths	Qty
3" - 5"	one pc.
6" - 17"	TWO PCS
18" +	3 pcs

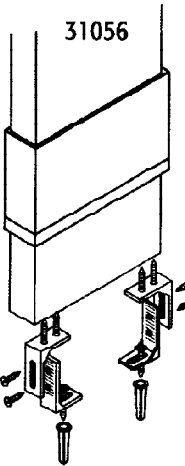


For 1-1/4" thick Pilaster Posts "Stainless Steel spacer plates must be ordered seperakely"

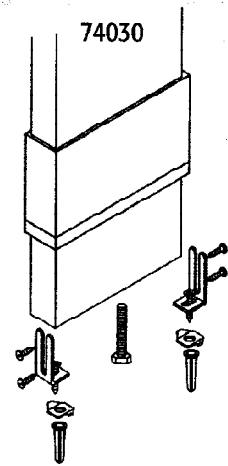
**30999**  
Stainless Steel spacer plates measure 3"x10"  
Other lengths can be fabricated upon request.



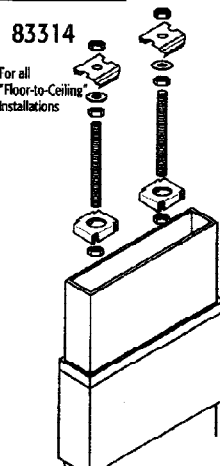
For 1-1/4" & 1-1/8" Posts.



For 3/4" thick & larger Pilaster Posts.

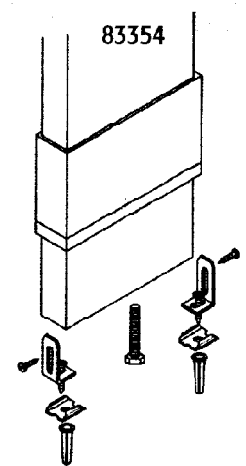


For 1-1/4" & 1-1/8" Posts.

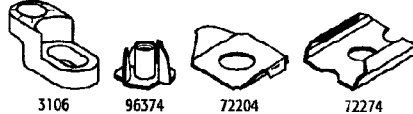
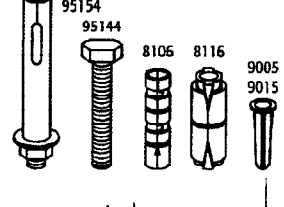
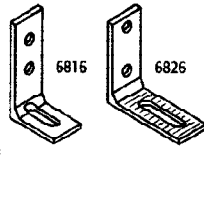
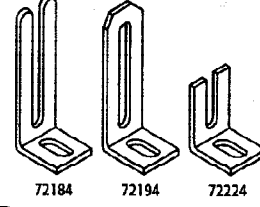
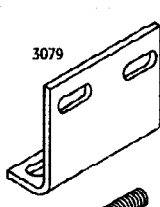
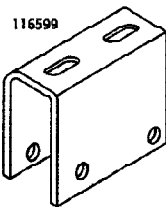
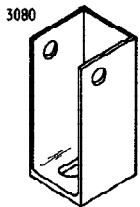


For all "Floor-to-Ceiling" Installations

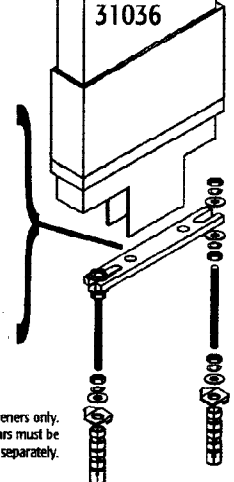
For 1-1/4" steel Pilaster Posts.



For 1-1/4" & 1-1/8" Posts.



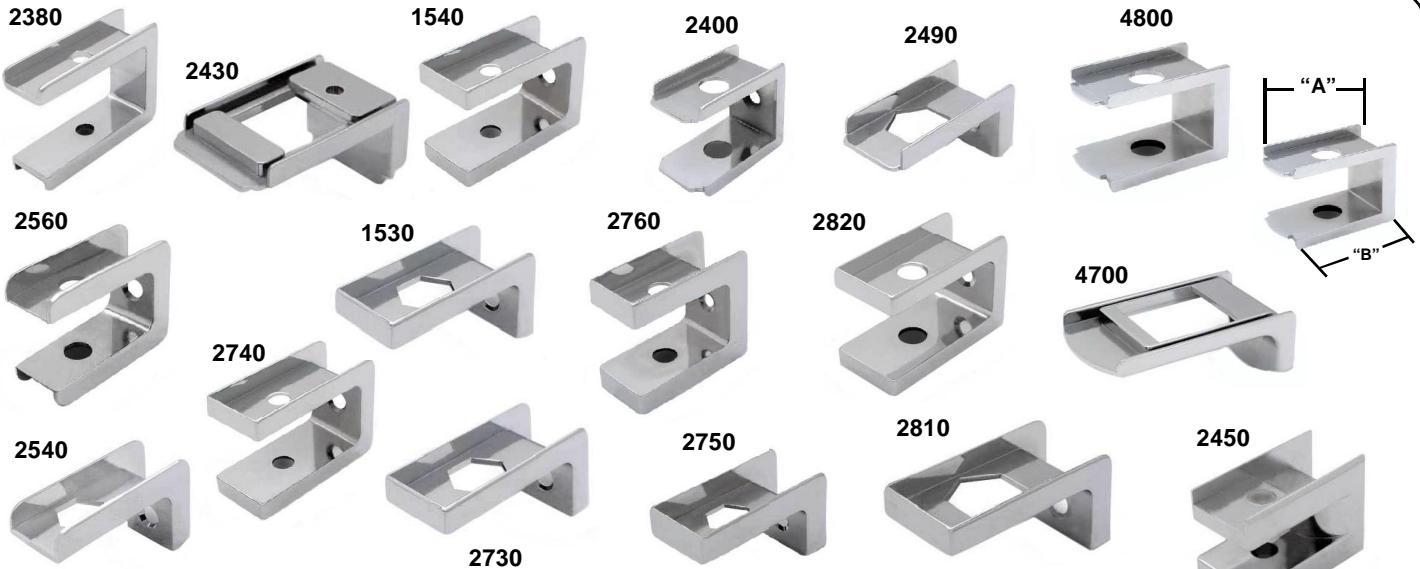
PILASTER MOUNTING BARS	
Part #	Post Size
65039	3"
65049	4"
65059	5"
65069	6"
65079	7"
65089	8"
65099	9"
65109	10"
65129	12"



Consists of Fasteners only. Mounting Bars must be ordered seperately.

PART #	DESCRIPTION
3079	3" x 2-1/2" L-Bracket
3080	1-1/4" Split Pilaster Shoe (One-Piece)
3106	Pilaster Foot
6816	Top L-Anchor for Plastic Laminate
6826	Bottom L-Anchor for Plastic Laminate
8106	3/8" Expansion Floor Anchor
8116	3/8" Double Expansion Floor Anchor
9005	Plastic Anchor for #10 - 12 Screws
9015	Plastic Anchor for #14 - 16 Screws
30999	3" x 10" Spacer Plate (Two-Pack) Used with #3080
72184	Pilaster Anchor Fork (Open)
72194	Pilaster Anchor Fork (Closed)
72204	Spring Clip
72214	Box Clamp Anchor

PART #	DESCRIPTION
72224	Pilaster Anchoring Fork - Half Height (Open)
72274	Spring Clip
87304	3/8-16 x 4" Threaded Rod - Zinc Plated
87334	3/8-16 x 6" Threaded Rod - Zinc Plated
87374	3/8-16 x 8" Threaded Rod - Zinc Plated
87394	3/8-16 x 10" Threaded Rod - Zinc Plated
95144	3/8-16 x 2-1/2" Hex Bolt - Zinc Plated
95154	1/2" x 3" Anchor Sleeve with 3/8 Nut & Washer
96324	3/8-16 Hex Nut
96356	3/8-16 x 7/8" Square Nut
96374	3/8-16 4-Prong T-Nut
96914	3/8" Split Lock Washer
96924	3/8" Flat Washer
116599	3/4" X-Long U-Bracket

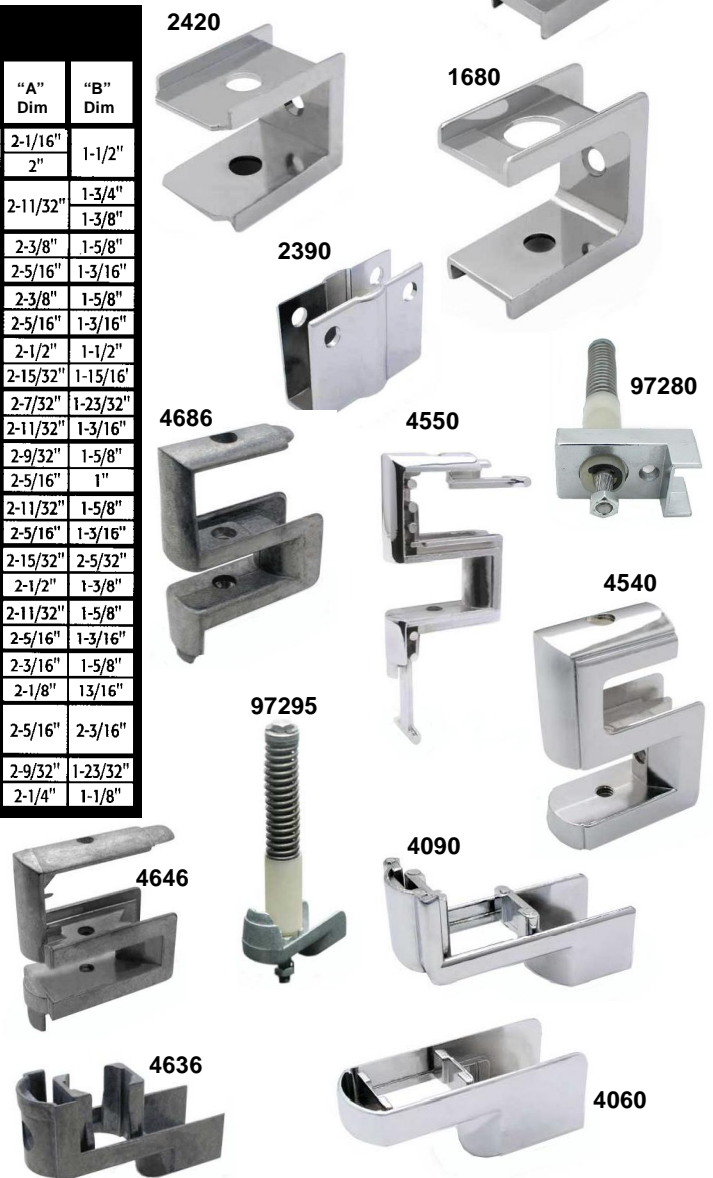


**FOR SQUARE EDGE DOORS**

Post Size	Location	Chrome Plated Zamac	Brass Plated Zamac	Satin Finish Zamac	Description	Use Pin	Use Pintle or Candle	Use Cam	"A" Dim	"B" Dim
1/2"	Top	2380				99585	Candle 98265	98275	2-1/16"	1-1/2"
	Bottom	2390							2"	
3/4"	Top	2560		2568		99109	98265	98275	2-11/32"	1-3/4"
	Bottom	2540		2548					1-3/8"	
7/8"	Top	1540	1542	1548		99109	98265	98275	2-3/8"	1-5/8"
	Bottom	1530	1532	1538					2-5/16"	1-3/16"
7/8"	Top	2740		2748	AMPCO	98585	98265	98275	2-3/8"	1-5/8"
	Bottom	2730		2738					2-5/16"	1-3/16"
7/8"	Top	2770		2778		99109	98265	98275	2-1/2"	1-1/2"
	Bottom	2780		2788					2-15/32"	1-15/16"
1"	Top	2400	2402			99109	98175	98245	2-7/32"	1-23/32"
	Bottom	2490	2492						2-11/32"	1-3/16"
1"	Top	2450			SANYMETAL	98715	INCLUDED		2-9/32"	1-5/8"
	Bottom	97280							2-5/16"	1"
1"	Top	2720		2728	AMPCO	99585	98265	98275	2-11/32"	1-5/8"
	Bottom	2710		2718					2-5/16"	1-3/16"
1"	Top	2760		2768		99109	98265	98275	2-15/32"	2-5/32"
	Bottom	2750		2758					2-1/2"	1-3/8"
1"	Top	2820	2822	2828		99109	98175	98245	2-11/32"	1-5/8"
	Bottom	2810	2812	2818					2-5/16"	1-3/16"
1"	Top	4800			FIAT	99574	98175	98195	2-3/16"	1-5/8"
	Bottom	4700							2-1/8"	13/16"
1"	Top & Bottom	1680		1688	CAPITAL	99109	89830	89820	2-5/16"	2-3/16"
1-1/4"	Top	2420			SHANAHAN	98544	98175	98195	2-9/32"	1-23/32"
	Bottom	2430							2-1/4"	1-1/8"

**FOR ROUND EDGE (METAL) DOORS**

Post Size	Location	Chrome Plated Zamac	Unplated Zamac	Description	Use Pin	Use Pintle or Candle	Use Cam
1"	Top	4540	4546	AMOCO & METPAR	98584	98175	98185
	Bottom	4060	4066				
1"	Top	4550	4556	FLUSH METAL	98584	98175	98185
	Bottom	4090	4096				
1"	Top		4646	GENERAL & KNICKERBOCKER	98614	97275	97265
	Bottom		4636				
1"	Top	4680	4686	SANYMETAL	98715	INCLUDED	
	Bottom	97290	97295				



1550



8340



8309



8330

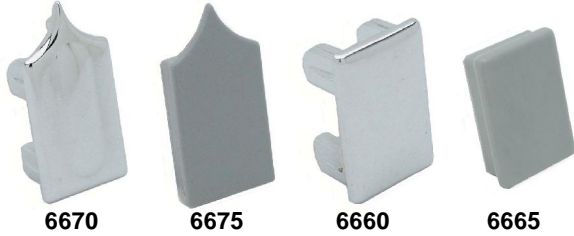
8329



8349



**ALCOVE CLIPS**



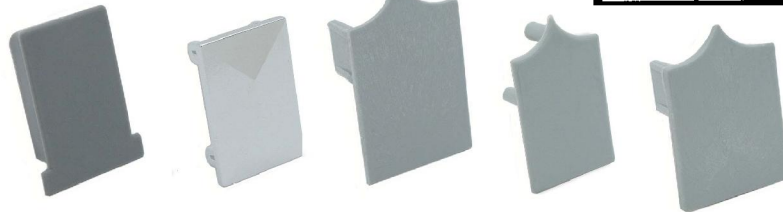
6670

6675

6660

6665

POST SIZE	CHROME PLATED ZAMAC	CHROME PLATED BRASS	POLISHED BRASS	CAST STAINLESS STEEL	STAMPED STAINLESS STEEL	DESCRIPTION
1" to 1-1/4"	1550					Right Angle-Curved Molding (Metpar)
1" to 1-1/4"	8330					Right Angle-Curved Molding (Flush Metal)
ALL					8329	Offset-Double High (1/2", 1/4" Per Side)
ALL	8340	8341	8342	8343	8349	Offset-Laminate 1/4" (1/8" Per Side)
ALL					8369	Equal Panel & Post (1-1/2" High x 2-5/8" Long)
ALL					8309	Equal Panel & Post (3" High x 2-3/4" Long)
ALL					8319	Equal Panel & Post (3" High x 54" Long)
ALL					111139	Equal Panel & Post (3" High x 57" Long)



6715

6680

6695

6725

6705

**HEADRAIL END PLUGS**

POST SIZE	CHROME PLATED ZAMAC	SILVER PAINTED STEEL	GRAY NYLON	DESCRIPTION
ALL	6670	6672	6675	Anti-Grip (For all Jacknob Headrail)
1"	6660		6665	Rectangle
1"			6715	Flat (Marlite)
1-1/4"	6680			Rectangle
1-1/2"			6695	Anti-Grip (Shanahan)
1-1/4"			6725	Anti-Grip (Columbia)
1-1/2"			6705	Anti-Grip (Columbia)
3/4"	6710			Rectangle (Ampco)
1"	6700			Rectangle (Ampco)
1-1/4"	6690			Rectangle (Ampco)
3/4"			6835	For Headrail with Tracks
1"			6765	For Headrail with Tracks
1-1/4"			6845	For Headrail with Tracks



6710

6700

6690

**SQUARE TUBING**

ALUMINUM	DESCRIPTION
98334	1-1/4" x 10' Length (Use with #3030 Post Shoe)
98434	1-3/4" x 10' Length (Use with #3040 Post Shoe)

**HEAT SINK ("T" Style)**

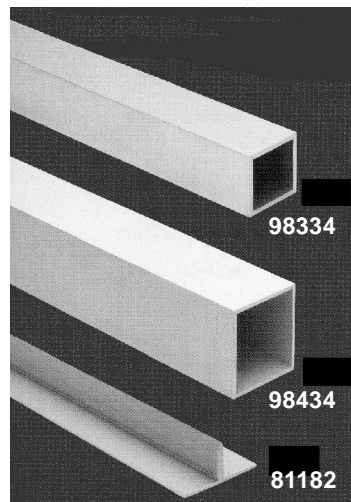
ALUMINUM	DESCRIPTION
81172	1" x 10' Length
81182	1" x 5' Length

**POST CAPS & PLUGS**

CHROME PLATED ZAMAC	NYLON	DESCRIPTION
6500		1-3/4" Square Post Cap
	6515	1-3/4" Square Post Plug

**CURTAIN HOOKS**

BRASS NICKEL PLATED	STAINLESS STEEL	DESCRIPTION
6281		For 1-1/8" Square & Round
	6290	Used with Headrail Containing Curtain Tracks



98334

98434

81182



6500

6515

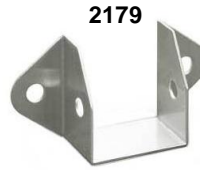


6281



6290

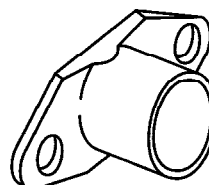
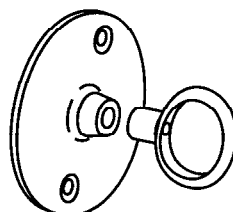
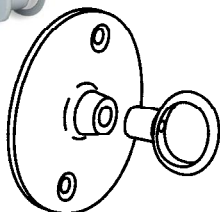
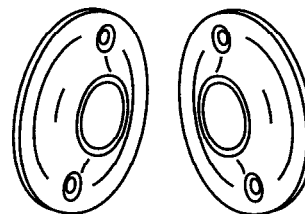
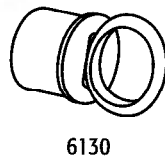
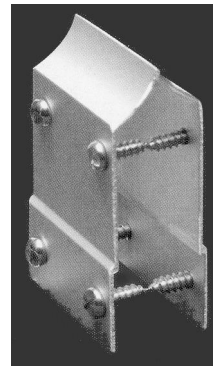




EXTRUDED ALUMINUM HEADRAIL				
POST SIZE	LENGTHS			
	62"	84"	8-1/2'	10'
1/2"			80022	80122
3/4"			80032	80132
1"			80042	80142
1-1/4"			80052	80152
3/4"				80188
1"	80268	80368		80168



POST SIZE	CHROME PLATED ZAMAC	ANODIZED ALUMINUM EXTRUSION	STAMPED STAINLESS STEEL	DESCRIPTION
<b>HEADRAIL CONNECTOR PACKS</b>				
3/4"		15762		Headrail Connector Pack (with Fasteners)
1"		15772		Headrail Connector Pack (with Fasteners)
1-1/4"		15782		Headrail Connector Pack (with Fasteners)
<b>HEADRAIL BRACKETS</b>				
1"	2110			Headrail Bracket (ASP)
1"			2139	Headrail Bracket (Mini)
1"	2150		2169	Headrail Bracket
1-1/4"	2170	2172 *	2179	Headrail Bracket *(Aluminum Painted Zamac)
3/4"			2109	For Headrail with Track
1"			2129	For Headrail with Track
1-1/4"			2579	For Headrail with Track



PAPER ROLL HOLDERS	
CHROME PLATED STEEL	DESCRIPTION
7359	Single Roll Paper Holder
207359	Single Roll (Case of 50)
7369	Double Roll Paper Holder
207369	Double Roll (Case of 25)
CURTAIN ROD FLANGES	
CHROME PLATED STEEL	DESCRIPTION
16120	3/4" Eye Loop Pack (with Fasteners)
16110	1" Eye Loop Pack (with Fasteners)
6220	1" End Flange
16140	1" Rod Holder Set (with Fasteners)
6130	1" Eye Loop (2 pc)

## SCREW PACKS

ONE WAY				SIX-LOBE		USED FOR	For Material Thickness or Depth
CHROME PLATED STEEL	CHROME PLATED BRASS	BRASS PLATED STAINLESS	STAINLESS STEEL	CHROME PLATED STEEL	STAINLESS STEEL		
10	11	12	19	60010	60019	1-1/4" Hinge or Strike and Keeper	1-1/4"
20	21	22	29	60020	60029	1" Wall Bracket	1"
30		32	39	60030	60039	"U" Bracket	7/8" to 1-1/4"
40	41	42	49	60040	60049	Two Piece Wall Bracket	7/8" to 1-1/4"
50		52	59	60050	60059	5020 Slide Latch	7/8" to 1-1/4"
60		62	69	60060	60069	5020 Slide Latch and Door Pull	5/8" to 1-1/8"
70			79			Urinal Screen Bracket	7/8" to 1-1/4"
80	81	82	89	60080	60089	5050 or 5151 Latches	1"
90		92	99	60090	60099	5050 Latch and Door Pull	1" to 1-1/4"
100		102	109	60100	60109	Hook or Door Stop	7/8" Min.
110				60110		Paper Roll Holder (#12 x 1-1/2" Screws)	1" Min.
120				60120		Paper Roll Holder (#14 x 1-1/2" Screws)	1" Min.
130				60130		Flat Strike & Keeper	1" Min.
140	141	142	149	60140	60149	1-1/4" Wall Bracket	1-1/4"
150						3040 Pilaster Shoe	1-3/4"
160	161	162	169	60160	60169	8340 Alcove Clips (2 pc)	1" to 1-1/4"
220		222	229		60229	5400 Door Pull	7/8" to 1-1/4"
240			249		60249	5701/5703 Throw Latch	7/8" to 1-1/8"
250			259			6200 Door Pull	1/2" to 1"
260			269			Open End Pilaster Shoe	5/8" Min.
270			279			6251/6253 Door Pull	3/4" to 1"
			289		60289	8503 Floor Mounted Pilaster Bracket	1-1/4"
340			349			1/2" Wall Bracket	1/2"
350			359	60350	60359	3/4" Wall Bracket	3/4"
360	361	362	369			7/8" Wall Bracket	7/8"
370	371	372	379		60379	1" Hinge or Strike and Keeper	1"
			399			Flat Back Hinge	1-3/8" Min.
500			509		60509	1-1/4" x 57-1/2" Continuous Wall Bracket	1-1/4"
510						5400/5440 Door Pulls	1"
520			529			1" x 57-1/2" Continuous "U" Bracket	1"
			569			Pivot Hinge (7803)	1"
			579			Pivot Hinge (7813)	3/4" or 1"
580			589		60589	1" x 57-1/2" Continuous "U" Bracket	1"
590			599			Hook (for 1/2" Solid Surface)	1/2"
	601		609			4151 Pilaster Mounted Door Stop	1-1/4"
610			619		60619	3/4" Hinge or Strike and Keeper	3/4"
8223						Floor Mounted 1" Aluminum U-Channel	1"
114140			114149			Headrail Wall Brackets	ALL

### FOR PIANO HINGES

			709			Sheet Metal Screws	5/8" Min.
			719			1/2" Door & Pilaster Post	1/2"
			729		60729	3/4" Door & Pilaster Post	3/4"
			739		60739	7/8" Door & Pilaster Post	7/8"
			749		60749	1" Door & Pilaster Post	1"
			759		60759	1-1/4" Door & Pilaster Post	1-1/4"

### FOR SURFACE MOUNTED HINGES

			429		60429	1/2" Door - 1/2" Pilaster Post	
430	431	432	439		60439	1" Door - 1-1/4" Pilaster Post	
440	441		449		60449	7/8" Door - 1-1/4" Pilaster Post	
450	451		459		60459	3/4" Door - 3/4" Pilaster Post	
460	461		469		60469	3/4" Door - 1" Pilaster Post	
470	471		479		60479	1" Door - 1" Pilaster Post	
480	481		489		60489	1/2" Door - 1" Pilaster Post	
490	491		499		60499	1/2" Door - 3/4" Pilaster Post	

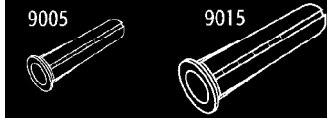
## ANCHORS

STEEL ZAMAC PLASTIC

For No. 10 and 12 Screws		9005
For No. 14 and 16 Screws		9015
3/8" Expansion		8106
3/8" Double Expansion		8116
1/2" x 3" Anchor Sleeve with 3/8 Nut & Washer	95154	

9005

9015



## MISCELLANEOUS

DESCRIPTION	ZINC PLATED STEEL	STAINLESS STEEL
1/4-20 x 3" Toggle Bolt Assembly (Pan Head)	89904	
1/4-20 x 4" Toggle Bolt Assembly (Flat Head)	89924	
1/4-20 Toggle Wing	96164	
1/4" Flat Washer	96814	
1/4" Fender Washer		96819
1/4" Split Lock Washer	96834	
5/16-18 x 3" Hex Bolt	94964	
5/16-18 Hex Locknut - Nylon Stop	96274	
5/16-18 Internal Lock Washer	96884	
5/16-18 External Lock Washer	96894	
3/8-16 x 2-1/2" Hex Bolt	95144	
3/8-16 Hex Nut	96324	96329
3/8-16 x 7/8" Square Nut	96356	
3/8-16 T-Nut	96374	
3/8" Flat Washer	96924	
3/8" Split Lock Washer	96914	
#8 Finishing Washer (for Oval Head Screws)	96623	

## THREADED WIRE & RODS

10-24 x 1/2"	87004	
10-24 x 3/4"	87024	
10-24 x 7/8"	87034	
10-24 x 1-1/8"	87054	
10-24 x 1-3/8"	87074	
10-24 x 1-1/2"	87094	
10-24 x 1-15/16"	87134	
3/8-16 x 4"	87304	
3/8-16 x 6"	87334	87339
3/8-16 x 8"	87374	
3/8-16 x 10"	87394	
3/8-16 x 12"	87404	

### TOGGLE BOLT



MATERIAL THICKNESS	SURFACE HINGES		HINGE BRACKETS WALL BRACKETS STRIKE & KEEPERS		STAMPED STAINLESS BRACKETS	
	BARREL NUT	SHOULDER SCREW	BARREL NUT	SHOULDER SCREW	BARREL NUT	SHOULDER SCREW
1/2"	1/2" (9703)	3/8" (9883)	1/2" (9703)	1/2" (9773)	1/2" (9709)	3/8" (9889)
5/8"	1/2" (9703)	1/2" (9773)	X	X	X	X
3/4"	5/8" (9713)	1/2" (9773)	5/8" (9713)	3/4" (9783)	5/8" (9719)	1/2" (9779)
7/8"	5/8" (9713)	3/4" (9783)	5/8" (9713)	15/16" (9793)	5/8" (9719)	3/4" (9789)
1"	5/8" (9713)	15/16" (9793)	5/8" (9713)	1-1/16" (9803)	5/8" (9719)	15/16" (9799)
1-1/8"	5/8" (9713)	15/16" (9793)	5/8" (9713)	1-3/16" (9813)	5/8" (9719)	1-1/16" (9809)
1-1/4"	5/8" (9713)	1-3/16" (9813)	5/8" (9713)	1-5/16" (9823)	5/8" (9719)	1-3/16" (9819)
1-3/8"	5/8" (9713)	1-5/16" (9823)	X	X	X	X
1-1/2"	1/2" (9703)	1-1/2" (9873)	X	X	X	X
1-5/8"	5/8" (9713)	1-1/2" (9873)	X	X	X	X
1-3/4"	(2) 5/8" (9713)	1-1/8" Wire (87054)	X	X	X	X

## SIX-LOBE FASTENERS

1/2"	1/2" (88203)	3/8" (88223)	1/2" (88203)	1/2" (88233)	1/2" (88209)	3/8" (88229)
5/8"	1/2" (88203)	1/2" (88233)	X	X	X	X
3/4"	5/8" (88213)	1/2" (88233)	5/8" (88213)	3/4" (88243)	5/8" (88219)	1/2" (88239)
7/8"	5/8" (88213)	3/4" (88243)	5/8" (88213)	15/16" (88253)	5/8" (88219)	3/4" (88249)
1"	5/8" (88213)	15/16" (88253)	5/8" (88213)	1-1/16" (88263)	5/8" (88219)	15/16" (88259)
1-1/8"	5/8" (88213)	15/16" (88253)	5/8" (88213)	1-3/16" (88273)	5/8" (88219)	1-1/16" (88269)
1-1/4"	5/8" (88213)	1-3/16" (88273)	5/8" (88213)	1-5/16" (88283)	5/8" (88219)	1-3/16" (88279)
1-3/8"	5/8" (88213)	1-5/16" (88283)	X	X	X	X
1-1/2"	(2) 5/8" (88213)	7/8" Wire (87034)	X	X	X	X
1-5/8"	(2) 1/2" (88203)	1-1/8" Wire (87054)	X	X	X	X
1-3/4"	(2) 5/8" (88213)	1-1/8" Wire (87054)	X	X	X	X

**MACHINE SCREWS**

SIZE/HEAD TYPE	CHROME PLATED STEEL	CHROME PLATED BRASS	BRASS PLATED STAINLESS	ZINC PLATED STEEL	STAINLESS STEEL
8-32 x 5/8" One Way Oval Head	9403				9409
8-32 x 3/4" One Way Oval Head	9413				9419
8-32 x 1" One Way Oval Head	9423		9422		9429
8-32 x 1-1/8" One Way Oval Head	9443		9442		9449
8-32 x 1-3/8" One Way Oval Head	9463				9469
8-32 x 1-5/8" One Way Oval Head	9483		9482		9489
10-24 x 3/4" One Way Round Head	9513				
10-32 x 1/2" Slotted Flat Head	93783				
10-32 x 3/4" One Way Round Head	9543				
1/4-20 x 3/4" One Way Round Head		9571			
1/4-20 x 3" Phillips Pan Head	94823				
1/4-20 x 4" Phillips Flat Head				94884	

**One Way Round Tapping Screws**

SIZE	CHROME PLATED STEEL	BRASS PLATED	STAINLESS STEEL
6 x 3/4"	9073		
8 x 3/8"	9103		
8 x 1/2"	9113		
10 x 3/8"	9163		
10 x 1/2"			9159
10 x 5/8"	9173	9172	9179
10 x 3/4"	9193		
10 x 1"	9203		
12 x 5/8"	9213		
12 x 1-1/2"	9233		
14 x 1/2"	9253		
14 x 5/8"	9263		
14 x 1"	9283		
14 x 1-3/4"	9343		
14 x 2"	9313		
14 x 2-1/2"	9323		
14 x 3"	9333		

**PHILLIPS TAPPING**

SIZE/HEAD TYPE	CHROME PLATED STEEL	BRASS PLATED STAINLESS	STAINLESS STEEL
10 x 1/2" Phillips Flat Head	90864		
10 x 5/8" Phillips Flat Head	90884		
10 x 3/4" Phillips Pan Head	90933		
10 x 1" Phillips Flat Head	91013		
10 x 1-3/4" Phillips Flat Head			91109
12 x 5/8" Phillips Pan Head	91353		
12 x 1-1/2" Phillips Pan Head	91553		
12 x 2" Phillips Pan Head	91783		
14 x 1/2" (AB) Phillips Pan Head	92003		
14 x 5/8" (A) Phillips Pan Head	92063	92072	92079
14 x 5/8" (AB) Phillips Pan Head	92093		
14 x 1" Phillips Pan Head	92153		
14 x 1-1/2" Phillips Flat Head			92309
14 x 1-3/4" Phillips Pan Head	92353	92362	92369
14 x 2" Phillips Pan Head	92403		92419
14 x 2-1/2" Phillips Pan Head	92503		92519
14 x 3" Phillips Pan Head	92603		
12 x 1-1/2" Square Recess Pan Head	91543		

**10-24 SHOULDER SCREWS**

SIZE/HEAD TYPE	CHROME PLATED STEEL	CHROME PLATED BRASS	BRASS PLATED	STAINLESS STEEL
3/8" One Way Round Head	9883	9881		9889
1/2" One Way Round Head	9773	9771	9772	9779
3/4" One Way Round Head	9783	9781	9782	9789
15/16" One Way Round Head	9793	9791	9792	9799
1-1/16" One Way Round Head	9803	9801	9802	9809
1-3/16" One Way Round Head	9813	9811	9812	9819
1-5/16" One Way Round Head	9823	9821	9822	9829
1-5/16" Phillips Round Head		9861		
1-1/2" One Way Round Head	9873			

**BARREL NUTS**

SIZE/HEAD TYPE	CHROME PLATED STEEL	CHROME PLATED BRASS	BRASS PLATED	STAINLESS STEEL
8-32 x 1/2" Unslotted Head	9763		9762	9769
10-24 x 1/2" Phillips Round Head	9723	9721		
10-24 x 1/2" One Way Round Head	9703	9701	9702	9709
10-24 x 5/8" One Way Round Head	9713	9711	9712	9719

**SIX LOBE FASTENERS  
(T-27 HEADS)**

**10-24**

**BARREL NUTS**

LENGTH	CHROME PLATED STEEL	STAINLESS STEEL
1/2"	88203	88209
5/8"	88213	88219

**10-24**

**SHOULDER SCREWS**

#	LENGTH	CHROME PLATED STEEL	STAINLESS STEEL
	3/8"	88223	88229
	1/2"	88233	88239
	3/4"	88243	88249
	15/16"	88253	88259
	1-1/16"	88263	88269
	1-3/16"	88273	88279
	1-5/16"	88283	88289
	1-3/8"	88293	

# 3/8" has full threads (no shoulder)

**PAN HEAD TAPPING SCREWS  
Without Center Pin**

SIZE	CHROME PLATED STEEL
12 x 1-1/2"	91613
14 x 1-3/4"	92373

**10-24**

**SHOULDER SCREWS  
Without Center Pin**

LENGTH	CHROME PLATED STEEL
1/2"	88133
3/4"	88143
15/16"	88153
1-1/16"	88163
1-3/16"	88173
1-5/16"	88183

**8-32 OVAL HEAD  
(T-20)**

LENGTH	CHROME PLATED STEEL	STAINLESS STEEL
5/8"	88313	88319
3/4"	88323	88329
1"	88333	88339
1-1/8"	88343	88349
1-3/8"	88353	88359
1-5/8"	88363	88369

All Barrel Nut & Shoulder Screws Have a 1/4" Outer Diameter

**TAPPING SCREWS**

SIZE/HEAD TYPE	CHROME PLATED STEEL	STAINLESS STEEL
10 x 5/8" Pan Head	90963	90969
10 x 3/4" Pan Head	90943	90949
10 x 1" Flat Head (T-20)	91053	91059
B 12 x 7/16" Pan Head		91429
12 x 1-1/2" Truss Head	91813	91819
12 x 2" Truss Head	91913	91919
12 x 2-1/2" Truss Head	91903	91909
* 14 x 1/2" Pan Head	92083	92089
* 14 x 5/8" Pan Head	92193	92199
14 x 5/8" Truss Head	92213	92219
14 x 3/4" Pan Head		90929
14 x 1" Truss Head	92183	92189
14 x 1-1/2" Pan Head		92319
14 x 1-3/4" Pan Head	92423	92429
14 x 2" Pan Head	92383	92389
14 x 2-1/4" Pan Head		92449
14 x 2-1/2" Pan Head	92393	

B - "Blunt" Tip (Type MS)

\* - Type #410 Stainless Steel

8915  
8925  
8935

8965

96513

96053

96523

96533

**CHROME PLATED STEEL DRIVERS**

8905	3 Pack One Way Screw Removers
8915	One Way Screw Remover (Sizes 6-8)
8925	One Way Screw Remover (Sizes 8-10)
8935	One Way Screw Remover (Sizes 12-14)
8965	Use with all Hex Bits (Magnetic End)

**HARDENED STEEL BITS**

96513	Six Lobe Hex Bit (T-20)
96503	Six Lobe Hex Bit (T-27)
96523	Six Lobe Hex Bit (T-30)
96533	Six Lobe Hex Bit Combo (T-20 & T-27) (Can not be used with Driver)

LISTED BY MANUFACTURER (Available in other materials & finishes)

**ACCURATE**



**AII AMERICAN**



**AMERICAN SANITARY**



**AMPCO**



LISTED BY MANUFACTURER (Available in other materials & finishes)

**AMPCO**



**BOBRICK**



**COLUMBIA**



LISTED BY MANUFACTURER (Available in other materials & finishes)

**COMRES MANUFACTURING**



**COMTEC / CAPITAL PARTITIONS**

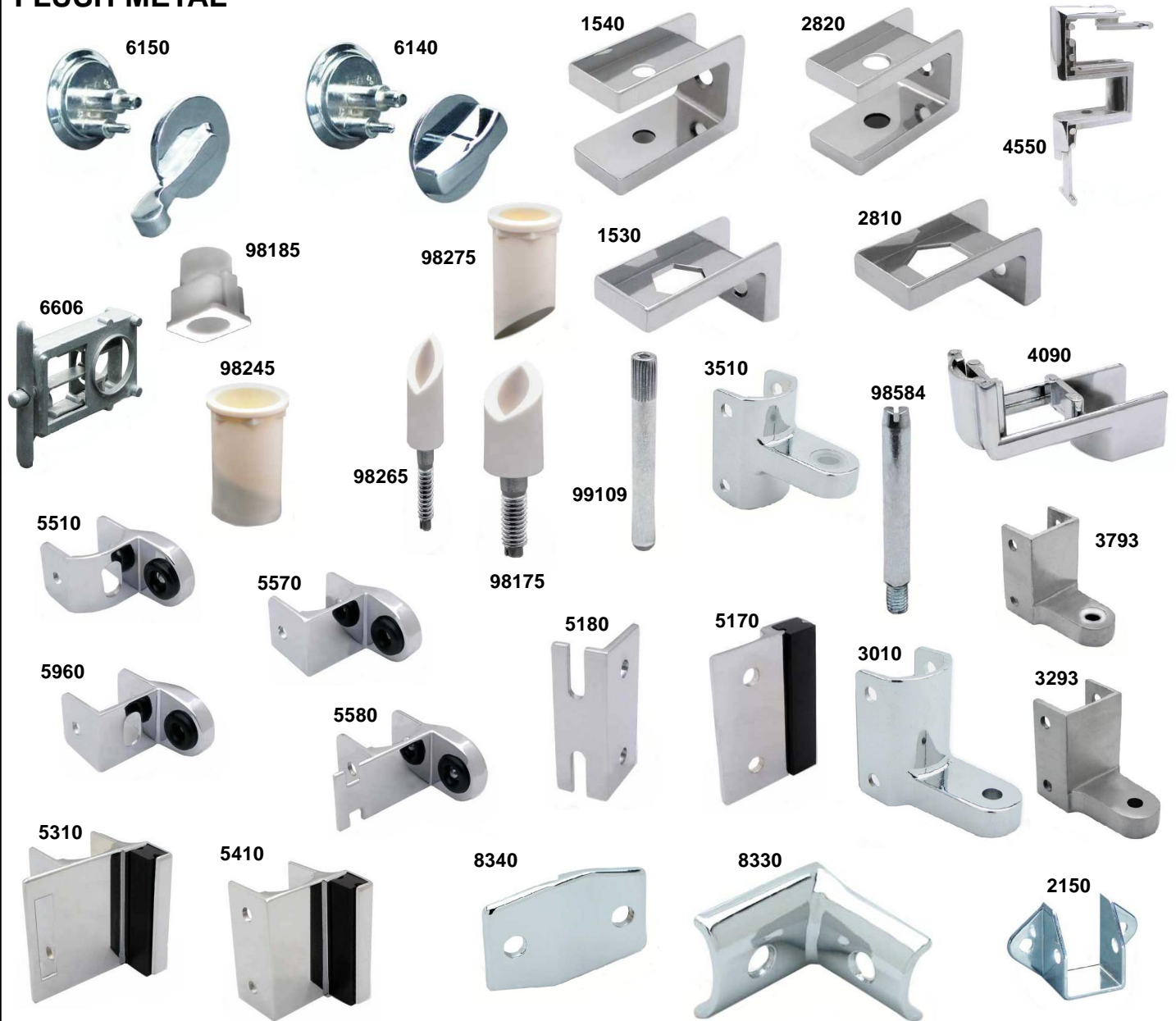


**FIAT**



LISTED BY MANUFACTURER (Available in other materials & finishes)

**FLUSH METAL**



**GENERAL PARTITION**



LISTED BY MANUFACTURER (Available in other materials & finishes)

**GENERAL PARTITION (continued)**



**GLOBAL STEEL**





LISTED BY MANUFACTURER (Available in other materials & finishes)

**GLOBAL STEEL (continued)**

5510



5310



5230



5410



**HADRIAN**

5778



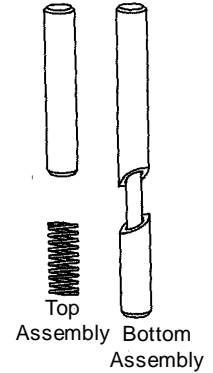
5878



7978  
7988



7005



4988

**KNICKERBOCKER**

3910



4646



6160

97275



6170



98614



3420



4636



111950



5470



4290



4260

**METPAR**



6090



5090



4240

1550



2150

LISTED BY MANUFACTURER (Available in other materials & finishes)

**METPAR (continued)**



**MILLS**



LISTED BY MANUFACTURER (Available in other materials & finishes)

**SANTANA / HINY HIDERS**

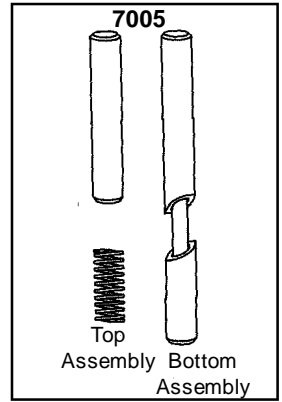


5058



6309

8974  
8984



**SANYMETAL**



6540



3960



3900



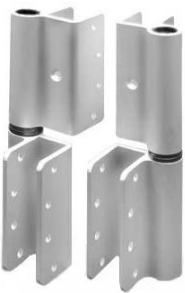
4280



2450



4686



7978  
7988



3460



3060



5170



97280



97295



5180



5130



5510



98175



8860



98715

**SHANAHAN**



2420



3650



98175



98544



5170



2430



3150



98195

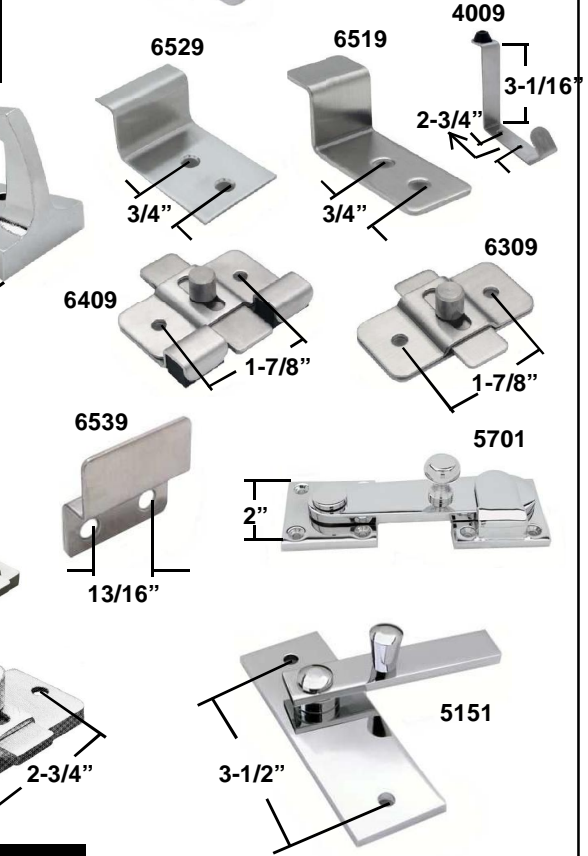
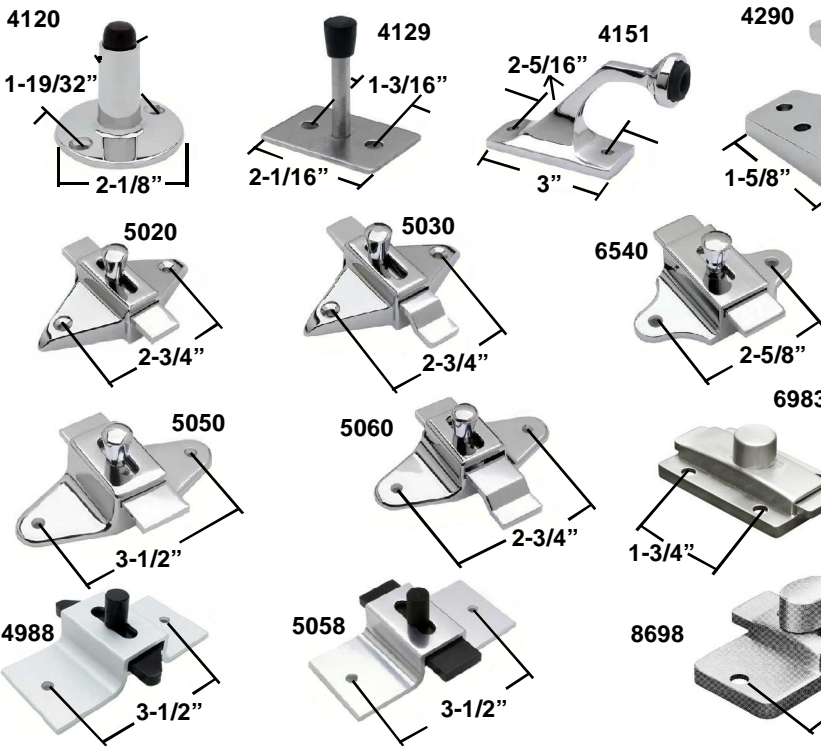
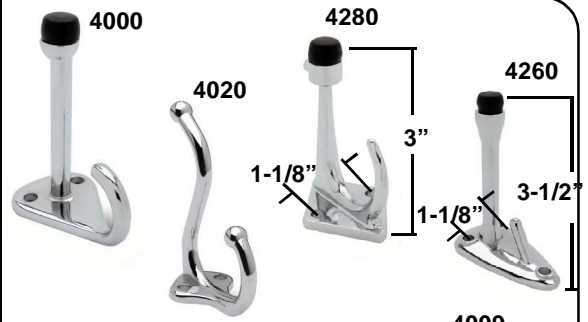


5180



6695

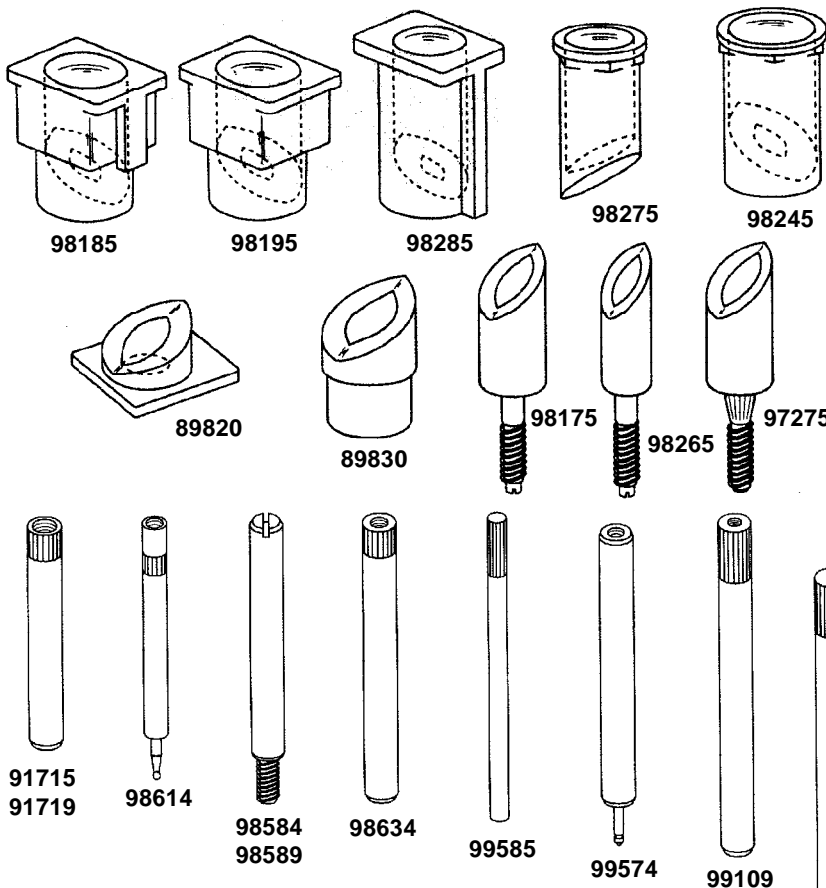
HOOKS				
CHROME PLATED ZAMAC	CHROME PLATED BRASS	POLISHED BRASS	CAST STAINLESS STEEL	STAMPED STAINLESS STEEL
4000	4001	4002	4003	
			4113	
4020	4021	4022	4023	
4260				
4280				
4290				
				4009
				6519
				6529
DOOR STOPS				
4120		4122 *	4123	4129
	4151		4153	



**FOR PROPER FUNCTION, ALL LATCHES REQUIRE A MATING STRIKE & KEEPER**

CHROME PLATED ZAMAC	CHROME PLATED BRASS	POLISHED BRASS	CAST STAINLESS STEEL	CLEAR ANODIZED ALUMINUM	BRITE-DIP ALUMINUM	STAMPED STAINLESS STEEL	SLIDE LATCHES
5020	5021	5022	5023				Standard for #6200 Door Pull (2-3/4" Centers)
5030	5031	5032	5033				Offset Bar with #5020 (2-3/4" Centers)
5040	5041	5042	5043				Reverse Offset Bar with #5020 (2-3/4" Centers)
5000			5003				Reverse Offset Bar with #5050 (3-1/2" Centers)
5050	5051	5052	5053				Standard for #5400 Door Pull (3-1/2" Centers)
5060	5061	5062	5063				Offset Bar with #5050 (3-1/2" Centers)
6540							Standard for #6020 Door Pull (2-5/8" Centers)
						6983	Straight Bar - Four Hole (1-1/2" Centers Height)
8698 *							Straight Bar (2-3/4" Centers) *Satin Finish
				4988	4984		Angled Bar (3-1/2" Centers)
				5054	5058		Straight Bar (3-1/2" Centers)
						6049	With Keeper
						6069	With Keeper, Indicator and Door Pull
						6309	For all Stamped Stainless Steel Strike & Keepers
						6409	Inswing Latch & Strike Combination
						6539	Keeper for #6409
THROW LATCHES							
	5151		5153				Use with "T" Type Strike & Keepers
	5701		5703				Heavy Duty Latch & Keeper



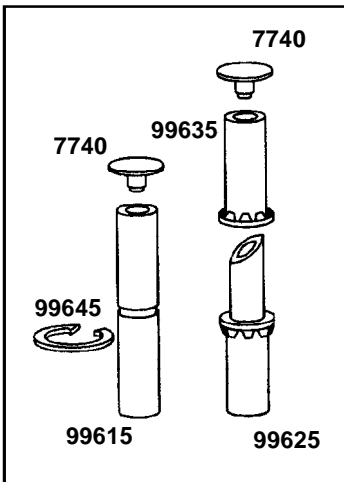


PART #		CAMS	
89820	M-Hinges (3540 & 3550)		
98185	Square - Unshaved		
98195	Square - Shaved		
98245	Round for 5/8" Pintle		
98275	Round for 1/2" Pintle		
98285	Round with Keylock (Use with #97205 Pintle only)		
PART #		PINTLES	
89830	M-Hinges (3540 & 3550)		
97205	1/2" Diameter (Use with #98285 Cam only)		
97275	5/8" Diameter (Knickerbocker)		
98175	5/8" Diameter		
98265	1/2" Diameter		
98305	Nut and Washer Pack for Pintles		
CAM & PINTLE SETS (WITH NUTS & WASHERS)			
PART #	PINTLE	CAM	DESCRIPTION
97305	98265	98275	5/8" Round
97315	97205	98285	5/8" Round with Keylock
97325	98175	98245	3/4" Round
97335	98175	98195	7/8" Square - Shaved
97345	98175	98185	7/8" Square - Unshaved

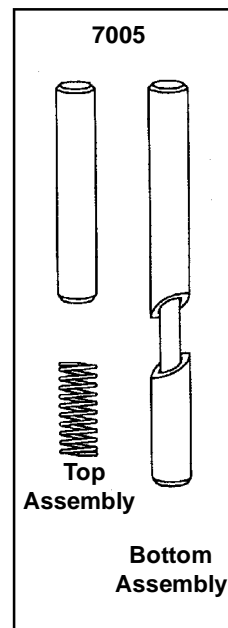
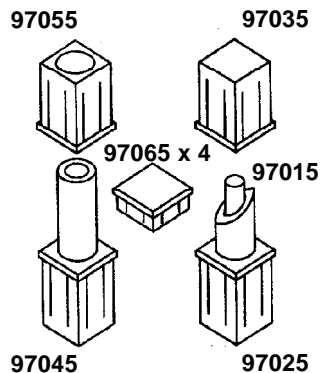
PART #	HINGE PINS		
	MATERIAL	DIMENSIONS	USED FOR
98715	Knurled Plastic	3/8" Dia. x 2-1/2" L	Sanymetal
98719	Knurled Stainless		
98614	Knurled Steel	1/4" Dia. x 2-3/4" L	General
98584	Threaded Steel	3/8" Dia. x 3" L	Ampco, Metpar & Flush Metal
98589	Threaded Stainless		
98634	Knurled Steel	5/16" Dia. x 3" L	All American
99585	Knurled Steel	7/32" Dia. x 3-1/4" L	Ampco
99574	Zinc Plated Steel	7/16" Dia. x 3-5/16" L	Fiat
99109	Knurled Steel	3/8" Dia. x 3-1/2" L	
99119	Knurled Stainless		
98544	Zinc Plated Steel	3/8" Dia. x 3-3/4" L	Shanahan

PART #	CANDLE CAMS
97435	Metpar
97245	General
97265	Knickerbocker

PART #	INTEGRAL HINGE SET
7005	Includes Three Set Screws (T-7 Bit Required for Installation)

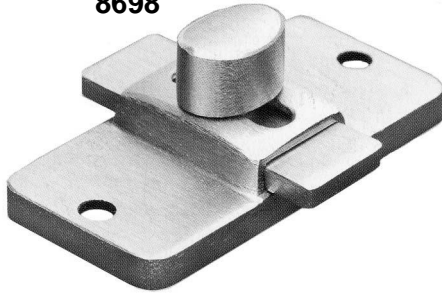


7035	
CONTENTS	USED WITH
7740 Nylon Cap	Round Barrel Hinge Parts for Surface Mounted Hinges (7011, 7021, 7033, 7043, 7053, 7063, 7113, 7123)
99615 Nylon Pin	
99625 Nylon Pintle	
99635 Nylon Cam	
99645 Nylon Retaining Ring	
7405	
CONTENTS	USED WITH
97015 Pintle	Square Barrel Hinge Parts for Surface Mounted Hinges (7413, 7423)
97025 Nylon Pintle Housing	
97035 Nylon Cam	
97045 Nylon Pin Assembly	
97055 Nylon Pin Housing	
97065 Nylon Cap	



# LATCHES / HINGES

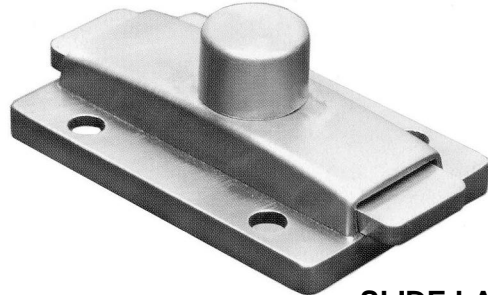
8698



**SLIDE LATCH**

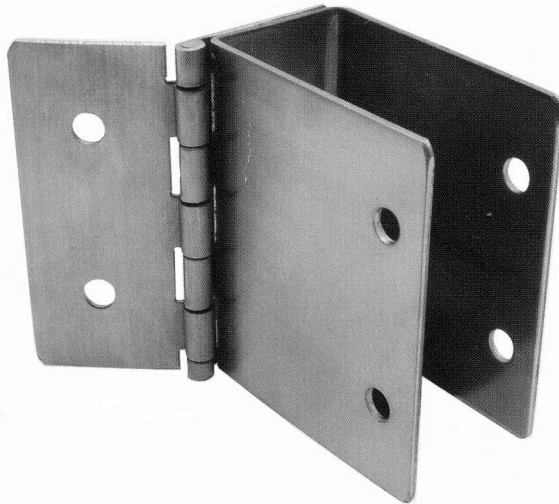
Satin Finish Cast Zamac Design  
2-3/4" center-to-center holes

6983



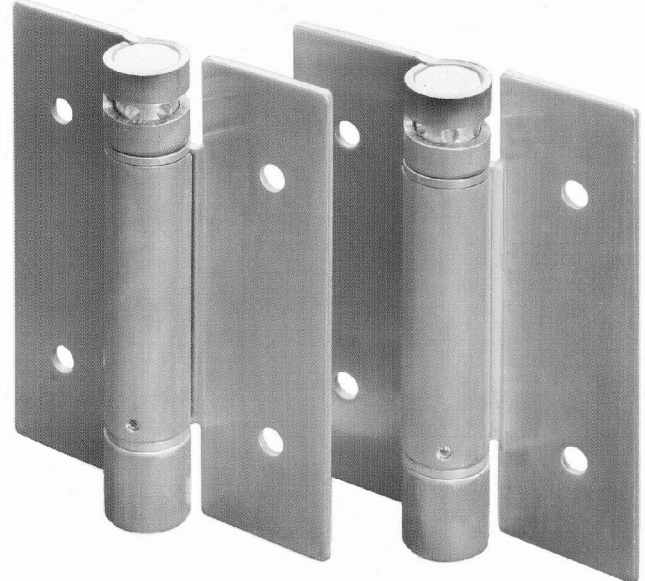
**SLIDE LATCH**

Heavy Duty Cast Stainless  
Steel Design



**HINGED BRACKET**

Can be rotated for any angle application  
111359 1" Hinged Wall Bracket  
111359 1-1/4" Hinged Wall Bracket



**SPRING LOADED SURFACE HINGE**

Heavy duty stainless steel tension adjustable

- 8643 4" high - polished
- 8649 4" high - satin
- 8653 5" high - polished
- 8659 5" high - satin

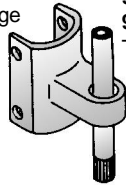
# Quality Features By **BLAINE**

22 gauge **STEEL DOORS** 1" thick.....20 gauge **STEEL PANELS** 1" thick.....20 gauge **STEEL PILASTER** 1-1/4" thick.....**PLASTIC LAMINATED DOORS** 1" thick.....**PLASTIC LAMINATED PANELS** 1" thick.....**PLASTIC LAMINATED PILASTERS** 1-1/4" thick.....heavy chrome-plated **ZAMAC HARDWARE** on all...



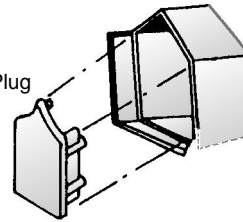
**9173**  
Tamper Proof Screw

**3510**  
Top Hinge

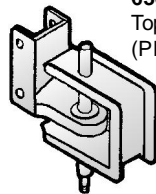


**98614 - 1/4"**  
**99109 - 3/8"**  
**98634 - 5/16"**  
Top Hinge Pin

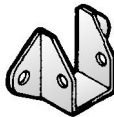
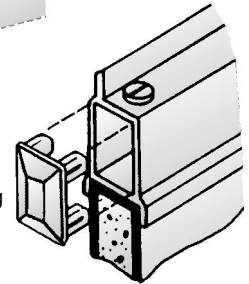
**6670**  
Headrail End Plug



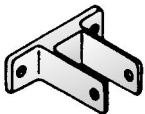
**63060**  
Top Hinge Assembly  
(PL)



**6660**  
Headrail End Plug  
(PL)



**2150\***  
Headrail Wall Bracket

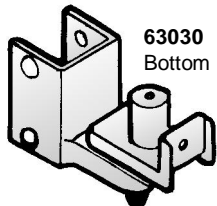


Double Ear Wall Bracket  
**1750-1\*\*** - For panels  
**1830-1 1/4\*\*** - For pilasters

Single Ear Wall Brackets Also Available. See hardware page.

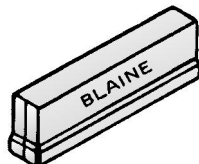
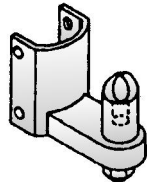


**1910\***  
Pilaster Panel Bracket

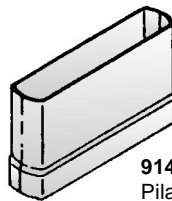


**63030**  
Bottom Hinge Assembly  
(PL)

**3010 - 1/2"**  
**63090 - 5/8"**  
Bottom Hinge



**32109**  
Pilaster Shoe  
(Specify Size for proper part #)  
(PL)



**9149**  
Pilaster Shoe  
(Specify Size)



**9150\***  
Floor Bracket



**6140**  
Concealed Latch & Emergency Cover



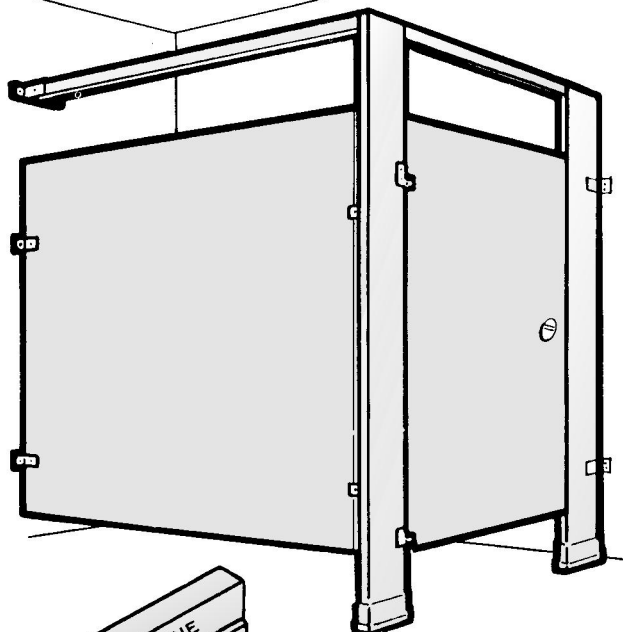
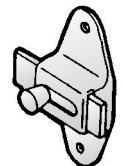
**9151\***  
Shoe Clip

**5510**  
Keeper & Door Strike



**5110**  
Keeper & Door Strike  
(PL)

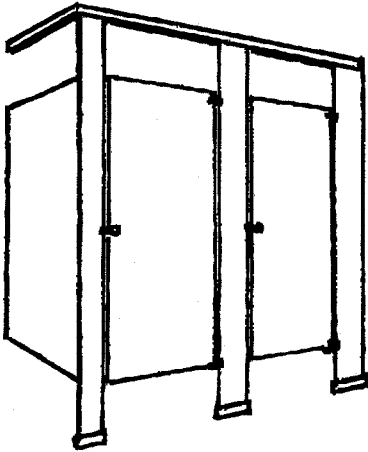
**5050**  
Slide Latch  
(PL)



Installation hardware is supplied **FREE** with complete lavatory compartments and lavatory partition components. Additional hardware is priced and sold individually. Standard discounts apply.

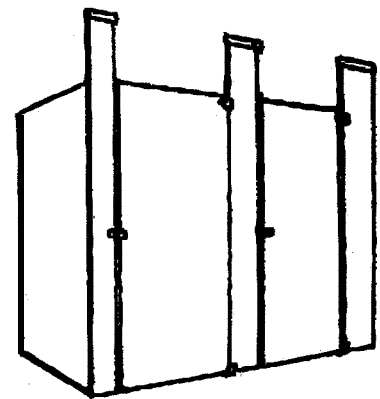
\*This hardware can be used on steel or plastic laminate compartments. PL = For use on Plastic Laminate Components

## Construction Styles of Toilet Compartments



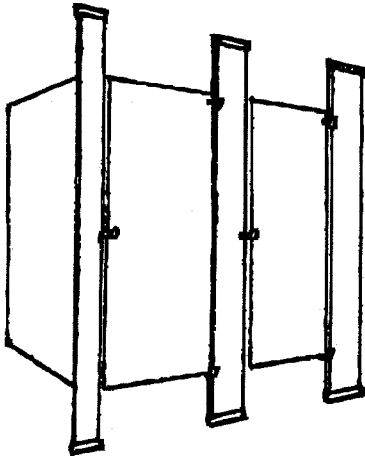
### HEADRAIL BRACED (Most Popular)

For easy, economical installations, the headrail braced is a great choice. This unit requires no special floor construction; therefore, it can be used in new or old buildings.



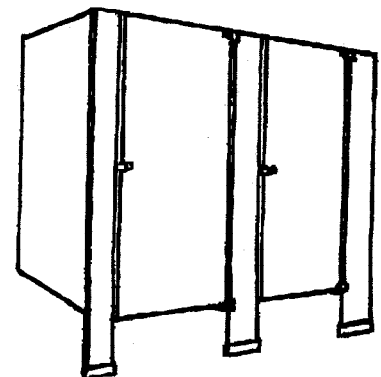
### CEILING HUNG

Ceiling hung partitions combine functional styling with an unobstructed floor area which simplifies cleaning and reduces the cost of maintenance.



### FLOOR TO CEILING


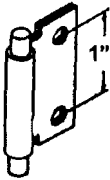
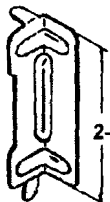
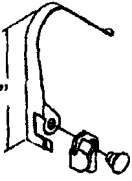

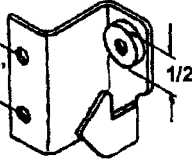
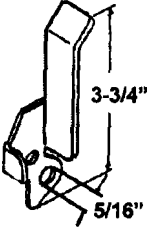
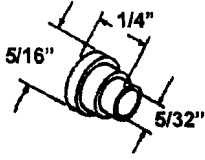
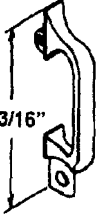
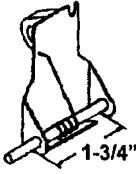
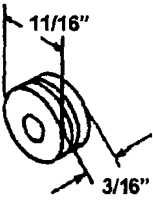
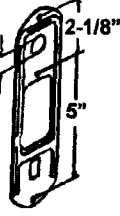


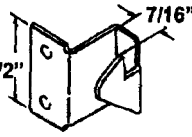

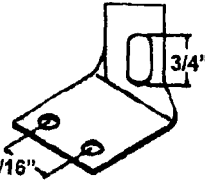

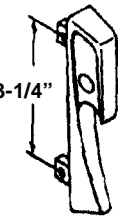
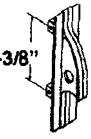

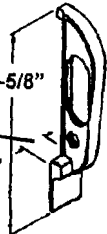
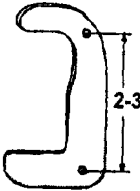




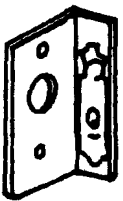

Floor to ceiling is recommended for all areas subject to heavy usage. For problem areas we recommend the use of full length aluminum brackets and hinges.



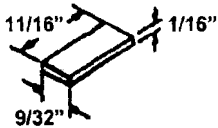
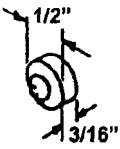
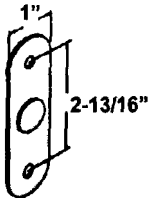

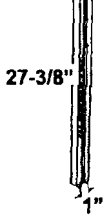

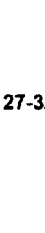
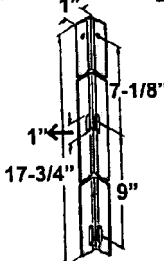
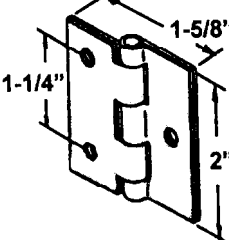
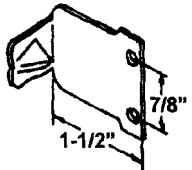
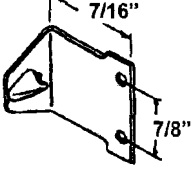
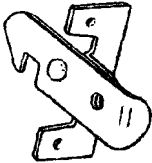
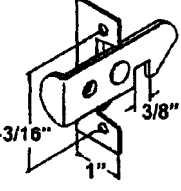
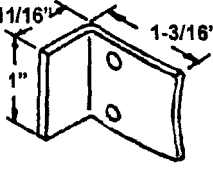
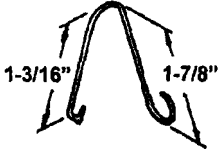

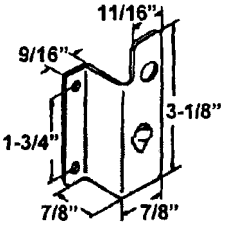
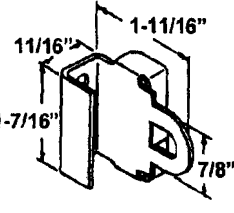

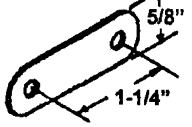
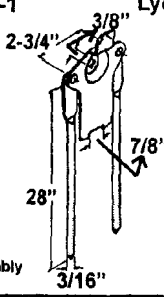
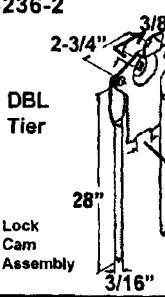
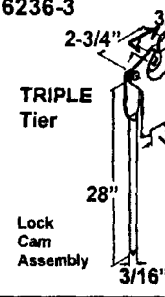
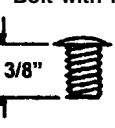
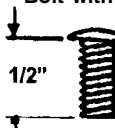
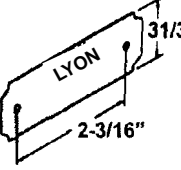
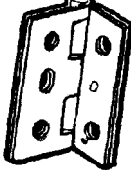



### FLOOR SUPPORTED



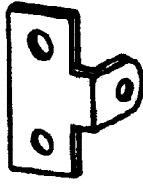
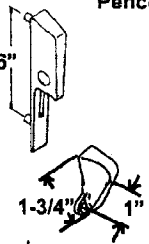


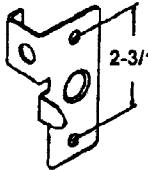
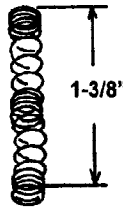
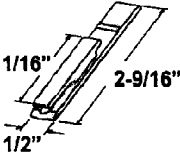



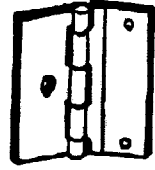
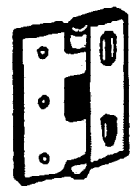

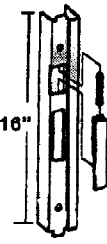
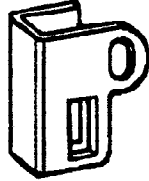
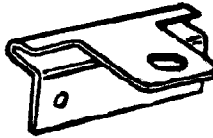







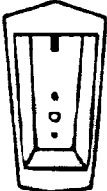
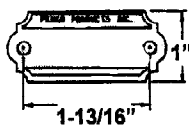


Floor supported partitions have the same functional lines as ceiling hung partitions without the top structure.



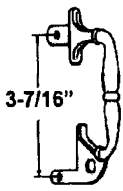
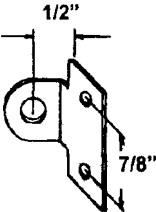
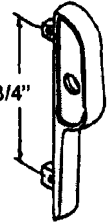

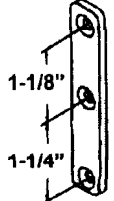
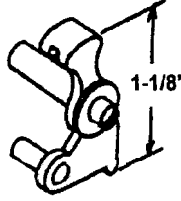
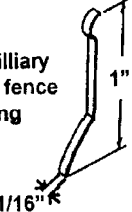
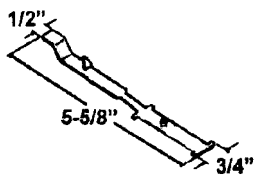


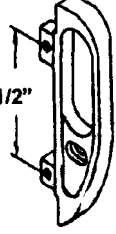
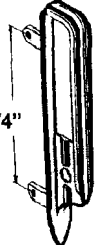
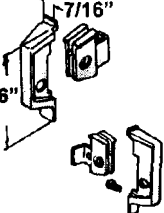
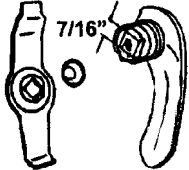

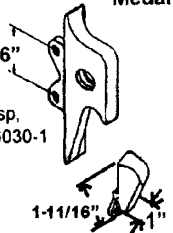
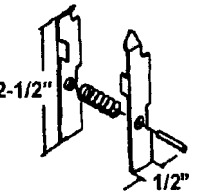
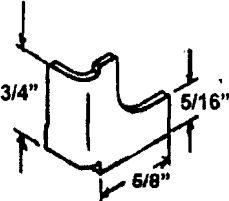
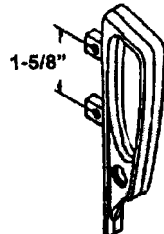
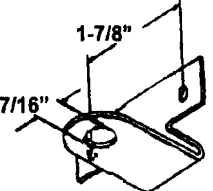
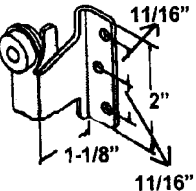
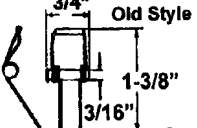






<p><b>All-Steel</b></p>	<p>6011 All-Steel              1-1/2"            3-1/2"            1"            For kick guard, order 6011-guard</p>	<p>6021 All-Steel              1"</p>	<p>6022 All-Steel              2-3/4"            Hinge Clip</p>	<p>6026 All-Steel              2-1/2"            Latch Spring w/ Catch</p>
<p>6037 All-Steel              4-1/4"</p>	<p>6047 All-Steel              13/16" 1/2"</p>	<p>6063 w/riquet All-Steel              3-3/4" 5/16"</p>	<p>6063-1 All-Steel            rivet only              1/4" 5/16" 5/32"</p>	<p><b>Aurora Steel</b></p>
<p>6028 Aurora Steel              3-13/16"</p>	<p>6074 Aurora Steel              1-3/4"            Lifter Assembly</p>	<p>6075 Aurora Steel              11/16" 3/16"</p>	<p>6076 Aurora Steel              5/8" 2-1/8" 5"            Face Plate</p>	<p>6077 Aurora Steel              4-13/16" 7/8"            Lifter Cover</p>
<p>6078 Aurora Steel              3/16" 1-3/4"            Center Spring</p>	<p>6079 Aurora Steel              1-1/2" 7/16"</p>	<p>6080 Aurora Steel              7/8"            Rubber Bumper</p>	<p>6081 Aurora Steel              3/4" 13/16"            Adjustable Foot</p>	<p>6082 Aurora Steel              2-1/4"</p>
<p><b>Interior Steel</b></p>	<p>6008 Interior Steel              3-1/4"</p>	<p>6013 Interior Steel National              2-3/8"            For kick guard, order 6013-Guard              1-11/16" 1"</p>	<p>6014 Interior Steel              5-5/8" 11/16"</p>	<p>6015 Interior Steel              2-3/8"</p>
<p>6032 Interior Steel              3"</p>	<p>6041 Interior Steel              3-5/16"</p>	<p>6257-Long Interior Steel            For left side              2 Person Locker              6257-Short For right side</p>	<p>6258 Interior Steel            Back Plate Pull  </p>	<p>6259 Interior Steel              Right Hand Shown</p>

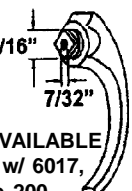

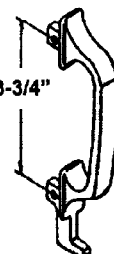
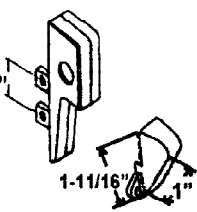
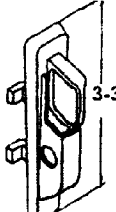
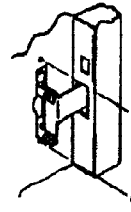
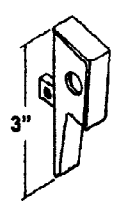
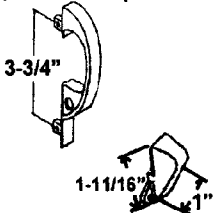
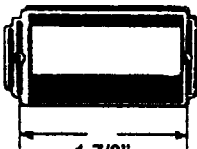



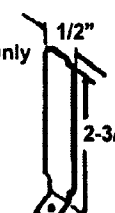

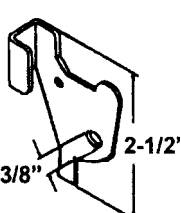
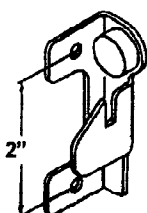


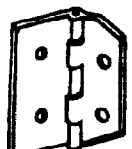
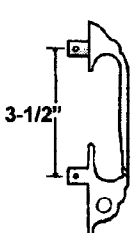
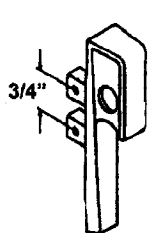
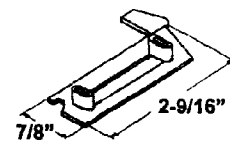

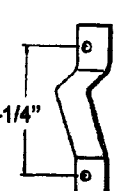
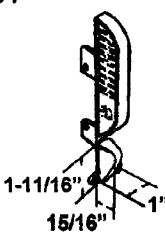
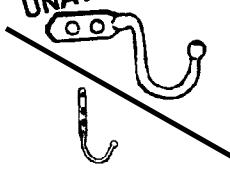
<p>6261 Interior Steel</p> <p>Right Hand Shown</p>	<p>6262 Interior Steel</p> <p>Upper Lock Bar</p>	<p>6263 Interior Steel</p> <p>3 piece Latch Assembly</p>	<p>6264 Interior Steel</p> <p>Old Style Latch Spring</p>	<p>6265 Interior Steel</p> <p>Latch Finger</p>
<p>6266 Interior Steel</p>	<p>6267 Interior Steel</p> <p>Padlock Strike Plate</p>	<p style="text-align: center;"><b>Lyon</b></p>	<p>6009 Lyon</p>	<p>6010 Lyon</p>
<p>6033 Lyon</p>	<p>6050 Lyon</p>	<p>6052 Lyon</p>	<p>6061 Lyon</p>	<p>6067 Lyon</p> <p>For kick guard, order 6067-guard</p>
<p>6068-1 Lyon</p>	<p>6069 Lyon</p>	<p>6083 Lyon</p>	<p>6092 Lyon</p> <p>Right Hand Shown</p>	<p>6161 Lyon</p>
<p>6208 Lyon</p> <p>Coat rod support</p>	<p>6209 Lyon</p>	<p>6210 Lyon</p> <p style="text-align: center;"><b>UNAVAILABLE</b></p> <p>Order 6237, see page 198</p>	<p>6211 Lyon</p>	<p>6291 Penco</p>
<p>6213 Lyon</p>	<p>6214 Lyon</p> <p style="text-align: center;"><b>UNAVAILABLE</b></p> <p>See Page 201 Order 6025 Replacement</p>	<p>6215 Lyon</p> <p style="text-align: center;"><b>UNAVAILABLE</b></p> <p>Order 6083 replacement, above</p>	<p>6217 Lyon</p> <p>Right Hand Shown Handed on Hinge Side</p> <p>Single Door Jamb</p>	<p>6218 Lyon</p>

<p>6219 Lyon</p>  <p>Rubber Bumper</p>	<p>6220 Lyon</p>  <p>Rubber Bumper</p>	<p>6221 Lyon</p>  <p>Locker Hole Cover Plate</p>	<p>6222-1 Lyon</p>  <p>Lock Bar Assembly</p>	<p>6222-2 Lyon</p>  <p>Lock Bar Assembly</p>
<p>6223-1 Lyon</p>  <p>Lock Bar Assembly</p>	<p>6223-2 Lyon</p>  <p>Lock Bar Assembly</p>	<p>6224 Lyon</p>  <p>Lock Bar Assembly</p>	<p>6225 Lyon</p>  <p>Two person bar latch</p>	<p>6226 Lyon</p>  <p>Two person bar latch</p>
<p>6227 Lyon</p>  <p>Two person bar latch</p>	<p>6228 Lyon</p>  <p>Spring Latch</p>	<p>6229 Lyon</p>  <p>Gravity Latch</p>	<p>6230 Lyon</p>  <p>Latch Clip</p>	<p>6231 Lyon</p>  <p>Latch Spring</p>
<p>6232 Lyon</p>  <p>Housing</p>	<p>6232-1 Lyon</p>  <p>Lift</p>	<p>6233 Lyon</p>  <p>Lift</p>	<p>6234 Lyon</p>  <p>Hook Strap</p>	<p>6235 Lyon</p>  <p>Hook Strap</p>
<p>6236-1 Lyon</p>  <p>SGL Tier</p> <p>Lock Cam Assembly</p>	<p>6236-2 Lyon</p>  <p>DBL Tier</p> <p>Lock Cam Assembly</p>	<p>6236-3 Lyon</p>  <p>TRIPLE Tier</p> <p>Lock Cam Assembly</p>	<p>6237 Lyon</p>  <p>Bolt with nut</p> <p>10-24 Threads</p>	<p>6238 Lyon</p>  <p>Bolt with nut</p> <p>10-24 Threads</p>
<p>6239 Lyon</p>  <p>Lyon logo plate</p>	<p>6240 Lyon</p>  <p>Lyon logo plate</p>	<p>6241 Lyon</p>  <p>Lyon logo plate</p>	<p>6242 Lyon</p>  <p>Lyon logo plate</p>	<p>6243 Lyon</p>  <p>Left Hand Shown</p>

<p>6244 Lyon</p>  <p>Basket Rack Hasp</p>	<p>6068-3</p>  <p>Also see associated parts: 6068-1, 6068-2</p>	<p>6249 Lyon</p>  <p>Padlock Eye</p>	<p><b>Penco</b></p>	<p>6020 Penco</p>  <p>For kick guard, order 6020-Guard</p>
<p>6027 Penco</p>  <p>Used after 1967</p>	<p>6049 Penco</p>  <p>For hasp, order 6049-hasp</p>	<p>6084 Penco</p> 	<p>6087 Penco</p> 	<p>6088 Penco Nylon</p>  <p>Latch Clip</p>
<p>6089 Penco</p>  <p>Right Hand Shown</p> <p>For bumper only, order 6089-1</p>	<p>6117 Penco</p>  <p>Retainer Button Nylon</p>	<p>6162 Penco</p>  <p>Lock Bar Pin</p>	<p>6163 Penco</p>  <p>Spring Loaded</p>	<p>6164 Penco</p> 
<p>6165-R Penco</p> 	<p>6165-L Penco</p> 	<p>6166 Penco</p> 	<p>6167 Penco</p> 	<p>6168 Penco</p>  <p>Bumper</p>
<p>6169 Penco</p> 	<p>6170 Penco</p>  <p>Latch Clip</p>	<p>6171 Penco</p> 	<p>6172-Top Penco</p>  <p>For double door locker</p>	<p>6172-Bottom Penco</p>  <p>For double door locker</p>
<p>6285 Unavailable Penco</p>  <p>Order 6027, shown above</p>	<p>6286 Penco</p> 	<p>6294 Penco</p> 	<p>6298 Penco Palnut</p>  <p>See 6601 Tool Page 200</p>	<p>6299 Penco Palnut</p>  <p>For new style Vanguard</p> <p>See 6602 Tool Page 200</p>

<p>6601 Penco Palnut Tool Old Style Before 1972  works with 6298 palnut. See Page 199</p>	<p>6602 Penco Palnut Tool New Style After 1972  works with 6299 palnut. See Page 199</p>	<p><b>Durand</b></p>	<p>6086 Durand  3-7/16"</p>	<p><b>Misc. Mfrs.</b></p>
<p>6019 Misc. Mfrs.  1/2" 7/8"</p>	<p>6048 Valiant  3-3/4"</p>	<p>6060 Misc. Mfrs.  2-3/16"</p>	<p>6064 Misc. Mfrs.  1-1/8" 1-1/4"</p>	<p>6066 Misc. Mfrs.  1-1/8" <b>Bolt Cam</b></p>
<p>6066-1 Misc. Mfrs. Auxilliary cam fence spring  1" 1/16"</p>	<p>6072 Misc. Mfrs. Tension Spring  1/2" 5-5/8" 3/4"</p>	<p>6099 Misc. Mfrs.  3/4"</p>	<p>6101 Misc. Mfrs.  4"</p>	<p>6102 Misc. Mfrs.  3-1/2"</p>
<p>6274 Misc. Mfrs.  3-3/4"</p>	<p><b>Medart</b></p>	<p>6004 Unavailable Medart  7/16" 15/16" Left Hand Shown. Order 6277 Replacement</p>	<p>6017 Medart  7/16"</p>	<p>6029 Medart  1-5/8"</p>
<p>6030 Medart  15/16" For hasp, order 6030-1 1-11/16" For kick guard, order 6030-Guard</p>	<p>6043 Medart  2-1/2" 1/2"</p>	<p>6053 Medart  3/4" 5/16" 5/8"</p>	<p>6056 Medart  1-5/8"</p>	<p>6070 Medart  1-7/8" 7/16"</p>
<p>6071 Medart  11/16" 2" 1-1/8" 11/16"</p>	<p>6097 Medart Old Style  3/4" 1-3/8" 3/16" New Style 6097-1 </p>	<p>6115 Medart  Large Grommet</p>	<p>6116 Medart  Small Bumper</p>	<p>6256 Medart </p>

**LOCKER HARDWARE**

<p>10074 Medart &amp; Others</p>  <p>UNAVAILABLE Sub w/ 6017, Page 200</p>	<p><b>Republic Steel</b></p>	<p>6001 Republic Steel</p>  <p>Specify handing. Right hand shown.</p>	<p>6002 Republic Steel</p> 	<p>6003 Republic Steel</p>  <p>For kick guard, order 6003-Guard</p>
<p>6005 Republic Steel</p>  <p>Specify handing. Right hand shown.</p>	<p>6005-SHP Republic Steel</p>  <p>Specify handing. Right hand shown.</p>	<p>6006 Republic Steel</p> 	<p>6007 Republic Steel</p>  <p>For kick guard, order 6007-Guard</p>	<p>6023 Republic Steel</p> 
<p>6025 Republic Steel</p> 	<p>6041-1 Unavailable Republic Steel</p>  <p>Order 6045, at right</p>	<p>6042-2 Unavailable Republic Steel</p>  <p>Order 6073, below</p>	<p>6045 Republic Steel</p> <p>Latch Only</p> 	<p>6046 Republic Steel</p> <p>UNAVAILABLE</p>  <p>Order 6040-3. No picture available</p>
<p>6058 Republic Steel</p> 	<p>6062 Republic Steel</p> 	<p>6073 Republic Steel</p> 	<p>6272 Republic Steel</p> 	<p>6273 Republic Steel</p> 
<p><b>Supreme</b></p>	<p>6098 Supreme</p> 	<p><b>Wilson</b></p>	<p>6065 Wilson</p> 	<p>6065-Brkt Wilson</p> 
<p><b>Worley</b></p>	<p>6038 Worley</p> 	<p>6039 Worley</p> 	<p>6054 Worley</p> 	<p>6275 Worley</p> <p>UNAVAILABLE</p>  <p>Order 6290 Replacement</p>

<p><b>CG-1</b> Swivel Glides for Square Tubing</p>  <p>Available In: 3/4" O.D. X 5/8" I.D. 7/8" O.D. X 3/4" I.D. 1" O.D. X 7/8" I.D. 1-1/8" O.D. X 1" I.D.</p>	<p><b>CG-4</b> Swivel Glides for Round Tubing</p>  <p>Available In: 5/8" O.D. X 7/16" I.D. 5/8" O.D. X 1/2" I.D. 9/16" O.D. X 7/16" I.D.</p>	<p><b>CG-5</b> Chair Front Leg</p>  <p>Available In: 5/8" Leg O.D. only</p>	<p><b>CG-6</b> Chair Rear Leg</p>  <p>Available In: 5/8" Leg O.D. only</p>						
<p><b>CG-7</b> Table Leg</p>  <p>Available In: 5/8" Leg O.D. only</p>	<p><b>CG-8</b> Outside Grater Clip Type</p>  <p>Available In: 5/8" Leg O.D.</p>	<p><b>CG-13</b> Nylon Guide Re-Treds</p>  <p>Available For The Following Glide Base:</p> <table border="0"> <tr> <td>31/32"</td> <td>1-1/4"</td> </tr> <tr> <td>1-1/8"</td> <td>1-3/8"</td> </tr> <tr> <td>1-5/32"</td> <td>1-9/16"</td> </tr> </table>	31/32"	1-1/4"	1-1/8"	1-3/8"	1-5/32"	1-9/16"	<p><b>CG-14</b> Nail Type for Wooden Furniture With Nickel Base Type</p>  <p>Available In: 5/8" Base Dia. 7/8" Base Dia. 1-1/4" Base Dia. 1-1/2" Base Dia. 1-1/16" Base Dia.</p>
31/32"	1-1/4"								
1-1/8"	1-3/8"								
1-5/32"	1-9/16"								
<p><b>CG-15</b> Adjustable Type With Nickel Base Type</p>  <p>Available In: Size A - 8-32 Threads x 1/2" Stem Size B - 1/4-20 Threads X 1/2" Stem</p>	<p><b>CG-16</b> Non-Swivel Leg Adjustable Type With Nickel Base Finish</p>  <p>Available In: Size A - 1/4-20 Threads X 1-1/8" Stem Size B - 5/16-18 Threads X 1-5/16" Stem</p>	<p><b>CG-17</b> Swivel Leg Adjustable Type</p>  <p>For 3/8-16 Threads, order CG-81-3/8-16</p> <p>For 5/16-18 Threads, order CG-81-5/16-18</p> <p>Available In: Size A - 1/4-20 Threads X 1" Stem</p>	<p><b>CG-24</b> 9/16" High Ferrule (External)</p>  <p>Available In: 3/4" O.D. X 5/8" I.D. 11/16" O.D. X 9/16" I.D. 7/8" O.D. X 3/4" I.D.</p>						
<p><b>CG-93</b> Plastic Chair Tips for Krueger Chairs, Tables and other furniture. Round legs</p>  <p>Specify for Leg O.D. 5/8" - Gray, Tan or White 3/4" - Black, Gray or Tan 7/8" - Gray, Tan or White 1" - Gray, Tan or White 1-1/8" - Gray, Tan or White</p>	<p><b>CG-94</b> Rubber Chair Tips for Hampden, Krueger &amp; Samsonite. Round Legs</p>  <p>Specify Leg O.D. 3/4" - Black, Gray or Tan 7/8" - Black or Gray 1" - Black or Gray</p>	<p><b>CG-97</b> Rubber Crutch Tip Type For Universal Applications White</p>  <p>Specify Leg O.D. 5/8" 3/4" 1" 1-1/8" 1-1/4"</p>	<p><b>CG-111</b> Felt Base Floor Protectors</p>  <p>Specify Base Dia: 7/8" dia. 1" dia. 1-1/2" dia.</p>						

ALL PURPOSE . . .

# Alum-a-Lub®

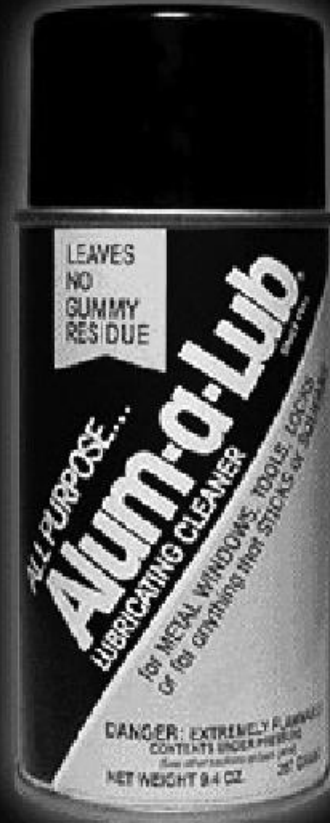
The Original Multi-Purpose  
Lubricating Cleaner

Serving Industries and Manufacturers for over 54 years with a product that maintains their equipment to perfection.

**Alum-a-Lub will keep new equipment brand new and will restore old and damaged equipment to like new.**

Alum-a-Lub never leaves a gummy build-up. Alum-a-Lub will clean up grime that other lubricants just could not penetrate.

**Alum-a-Lub is a multi-purpose superior blend of proven, penetrating ingredients to handle all of your hard to tackle jobs.**



## Who Do We Supply With The Spray For All Reasons. . .

Homeowners  
Condominiums / Apartments  
Hospitals / Nursing Homes  
Schools / Colleges / Universities  
Correctional Institutions  
Sporting Goods Stores / Retail Businesses  
Automotive Industry  
Amusement Parks  
Farm / Rural Business & Equipment  
Aircraft / Marine  
Railroad





# "L.C. Wax" Alumaslick

- Stops squeaks, bumps, clunks, clinks
- Reduces wear
- Protects from salt corrosion
- Cleans corrosion and tarnish
- Long lasting lubrication

Awnings Jalousies Sliding Doors & Windows Storm Shutters Hinges Folding & Extension Doors  
School Bus Motor Home Commercial Bus Vehicle Windows & Doors



**Cleans, shines, and protects for months:** Use a nylon pad soaked in Alumaslick to renew oxidized or salt-corroded windows and door frames, outdoor furniture, marine hardware, etc. Wipe excess oxidation from window frames with a rag and polish with a clean coat of AlumaSlick.

**Aluminum Cutting and Drilling Fluid:** Apply to cutting surface of tool at point of contact with aluminum. Contains special additives to improve cutting.

## Super Slick Stuff Lubricant

**Solves more problems for a longer time, even under extreme conditions**

Coats with a unique plating effect. SuperSlick lays down a molecular cushion of lubrication between moving parts. It bonds to the surface, setting up a protective film against rust, moisture, and wear.

Extreme pressure friction is greatly reduced.

It is not petroleum based as are most cheap lubricants.

It's greaseless, so it doesn't attract moisture or dirt that causes rust.

It does not build up. It's perfect for external linkages and it won't sling or run off moving parts.

Cleaning action is immediate. It lifts rust, grime, dirt and built-up grease right off. Try it on a greasy, dirty bike chain, a rusty garden tool, or a frozen bolt. You'll see the fast cleaning action. It even handles corrosive acids, so it can be used on battery terminals. SuperSlick does not attack plastics.

You can use it on stuck drawers, front-end loaders, cars, fishing reels, baby strollers, or on anything that slides, rubs, turns, grinds, moves or rotates.

And it lasts longer.





Credit Application

Blaine Window Hardware, Inc.

Application for Credit

17319 Blaine Drive
Hagerstown, Md 21740
Phone (800) 678-1919
Local (301) 797-6500
Fax: (301) 797-2510

Account No.: \_\_\_\_\_

Please complete all sections in full. References will be processed by mail. Incomplete applications may not be approved. Please print legibly.

Name of company \_\_\_\_\_

Address \_\_\_\_\_ Phone \_\_\_\_\_

City, state, zip \_\_\_\_\_ Fax \_\_\_\_\_

Date Started \_\_\_\_\_ No. of employees \_\_\_\_\_ Email \_\_\_\_\_

Type of business \_\_\_\_\_ Est. annual sales \_\_\_\_\_

Ownership: \_\_\_\_\_ Corporation \_\_\_\_\_ Partnership \_\_\_\_\_ Proprietorship \_\_\_\_\_ Other

Rating with Dun & Bradstreet \_\_\_\_\_ If tax exempt, attach resale / exemption certificate

Bank Operating Account

Ownership / Officers if corporation

Name of Bank \_\_\_\_\_ Name \_\_\_\_\_ Title \_\_\_\_\_

Address \_\_\_\_\_ Name \_\_\_\_\_ Title \_\_\_\_\_

City \_\_\_\_\_ State \_\_\_\_\_ Zip \_\_\_\_\_ Name \_\_\_\_\_ Title \_\_\_\_\_

Phone \_\_\_\_\_ Fax \_\_\_\_\_ Name \_\_\_\_\_ Title \_\_\_\_\_

Account No. \_\_\_\_\_ Name \_\_\_\_\_ Title \_\_\_\_\_

Trade References - at least 3. Please write legibly or type. Complete addresses - essential

Company name \_\_\_\_\_ Company name \_\_\_\_\_ Company name \_\_\_\_\_

Address \_\_\_\_\_ Address \_\_\_\_\_ Address \_\_\_\_\_

City \_\_\_\_\_ State \_\_\_\_\_ Zip \_\_\_\_\_ City \_\_\_\_\_ State \_\_\_\_\_ Zip \_\_\_\_\_ City \_\_\_\_\_ State \_\_\_\_\_ Zip \_\_\_\_\_

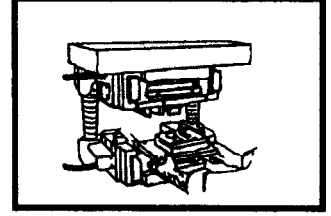
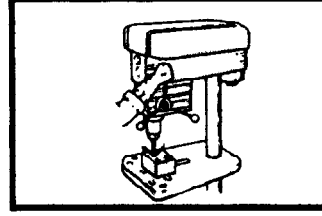
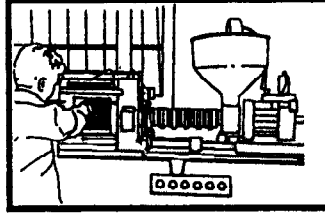
Phone \_\_\_\_\_ Fax \_\_\_\_\_ Phone \_\_\_\_\_ Fax \_\_\_\_\_ Phone \_\_\_\_\_ Fax \_\_\_\_\_

Terms: Net due 30 days from invoice date. Late fee of 1-1/2% per month will be added to all balances over 30 days. Accounts over 30 days will be placed on temporary credit hold.

We certify that all the information on this form is correct and that we fully understand the credit terms. We further authorize you to investigate the references provided. If our application for credit is approved, we agree to the billing terms on this application.

Should it be necessary to assign the account to a licensed collection agency or attorney for legal action, all subsequent collection and legal fees shall be paid by the applicant.

Principal or Owner

**MANUFACTURING FACILITIES AND SERVICES****CASTINGS:**

Blaine operates its own foundry specializing in the sand casting of non-ferrous aluminum, nickel bronze and red bronze. Blaine can produce one of a kind castings and short productive runs accurately and efficiently. Direct molding from good original samples to custom manufactured patterns is also available.

Small parts zinc castings are also completed in-house through a special rubber mold process. Blaine can reproduce parts from good original zinc or nylon samples or design new prototypes from which to mold. Whether a customer requires one piece or a thousand pieces, parts can be reproduced with minimal tooling costs involved.

**INJECTION MOLDING:**

Blaine specializes in small part nylon injection molding. The minimum requirement is 100 pieces and Blaine utilizes its own in-house mold design draftsman and die makers. Black and white nylon parts are a specialty but other colors are available upon request. Blaine's in-house tooling results in very economical tooling charges and fast turn around.

**MACHINING:**

We machine aluminum, brass, steel and almost any bar, rod or sheet stock of most metals including castings and nylons. Machine shop operations include bending, broaching, drilling, lathe turning, milling, punching, sawing and shearing.

**STAMPING:**

Small parts stampings from aluminum, brass and steel sheet is available. Blaine has the capability in house to make small dies for short or long runs.

**FINISHING:**

Finishing operations include buffing, grinding, polishing, tumbling and sanding. Finishes include baked on powder coating and lacquering, antiquing of brass and red bronze and medium and dark statuary bronze coloring of some nickel alloys. Outside sources are available for zinc plating. If you have old parts that need to be refurbished, please send them to us.

**ASSEMBLY AND PACKAGING:**

Assembly help is available through Blaine. We can hand rivet and spin rivet parts for you and can produce your rivets or other fasteners.

If you need packing help, Blaine can bag, box, wrap and ship your parts via commercial carrier, Fed Ex, Post Office and UPS using your materials or ours. If your location is within close proximity to our plant, we can possibly arrange delivery on our own roll back truck or in our van.

**PLEASE SEND US YOUR DRAWINGS OR ACTUAL SAMPLES FOR A WRITTEN QUOTE.** Samples and drawings can be sent to 17319 Blaine Drive, Hagerstown, Md. 21740 Attn: Research Department.

# BLAINE

## WINDOW HARDWARE INC.

**WE ARE THE NATION'S LEADER IN REPLACEMENT WINDOW & DOOR HARDWARE COMPANY SINCE 1954!**

**EASY ORDERING & ASSISTANCE**

**TOLL FREE: 800-678-1919**

**Fax: 888-250-3960**

**email: [info@blainewindow.com](mailto:info@blainewindow.com)**

**web: [www.blainewindow.com](http://www.blainewindow.com)**

**17319 Blaine Drive, Hagerstown, Md 21740**

***More than 40,000 replacement hardware parts including:***

<p><b>Gears</b></p> 	<p><b>Locking &amp; Cam Handles</b></p> 	<p><b>Window Latches</b></p> 	<p><b>Antique Handles</b></p> 	<p><b>Window Operators</b></p> 	<p><b>Tube &amp; Channel Balances</b></p> 		
<p><b>S-9 Glass Saver</b></p> 	<p><b>Crank handles</b></p> 	<p><b>Toilet Partitions &amp; Hardware</b></p> 	<p><b>Install-A-Locks</b></p> 	<p><b>S-31 Glass Caliper</b></p> 	<p><b>Chair Glides</b></p> 	<p><b>Tape Balances</b></p> 	
<p><b>Storm Window Tool</b></p> 	<p><b>Security Hardware</b></p> 	<p><b>Locker Parts</b></p> 	<p><b>Shower Hardware</b></p> 	<p><b>Door Closers</b></p> 	<p><b>Vent Arms &amp; Hinge Assemblies</b></p> 	<p><b>Push Bars</b></p> 	<p><b>Patio Door Parts</b></p> 
<p><b>Keepers</b></p> 	<p><b>Pressure Shoes</b></p> 	<p><b>Complete Screen Service</b></p> 	<p><b>Closet Door Parts</b></p> 	<p><b>Sash Pulleys</b></p> 			