

DATE:	PROJECT:	TYPE:
-------	----------	-------

CATALOG NUMBER LOGIC:



Anchor kit may be shipped ahead upon request.

\*120V only

**CATALOG NUMBER LOGIC**

Example: UO - 42 - LED - x139 - 1 - BLP - RE1 - INC - MT

**MATERIAL**

Aluminum

**SERIES**

UO - Union Bollard

**OVERALL HEIGHT**

42"

**SOURCE**

LED - Chip on Board Technology

**LED TYPE**

x138 - 20W LED/2700K/80CRI

x139 - 20W LED/3000K/80CRI

x140 - 20W LED/3500K/80CRI

x141 - 20W LED/4000K/80CRI

**TYPE II OPTIC ORIENTATION**

1 - Wide Throw

2 - Forward Throw

**FINISH (See page 2 for full-color swatches)**

Standard Finishes (BZP, BZW, BLP, BLW, WHP, WHW, SAP, VER)

Premium Finish (ABP, AMG, AQW, BCM, BGE, BPP, CAP, CMG, CRM, HUG, NBP, OCP, RMG, SDS, SMG, TXF, WCP, WIR)

Also available in RAL Finishes

**RECEPTACLE**

(Blank) - No Receptacle

RE1 - Receptacle 20A

RE2 - Receptacle w/ 1 USB-A and 1 USB-C port

RE3 - Receptacle w/ RJ45 Jack

**CONTROL TYPE**

ELV - Dimming Driver (For use with Electronic Low Voltage Dimmer)\*

INC - Dimming Driver (For use with Incandescent Dimmer)\*

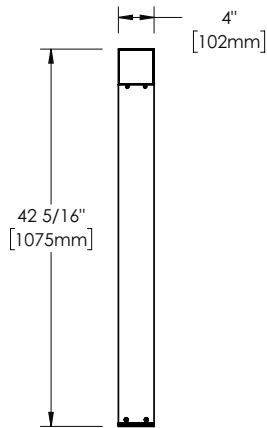
010 - Dimming Driver (For use with 0-10 Dimmer, 1-100% Dimming)

**INPUT VOLTAGE**

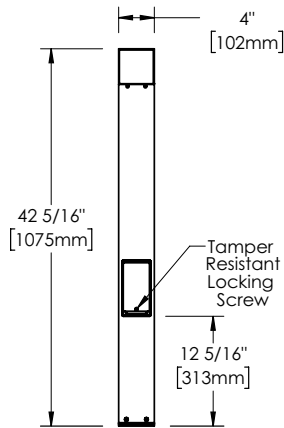
MT - 120-277 VAC Input

DATE: \_\_\_\_\_ PROJECT: \_\_\_\_\_ TYPE: \_\_\_\_\_

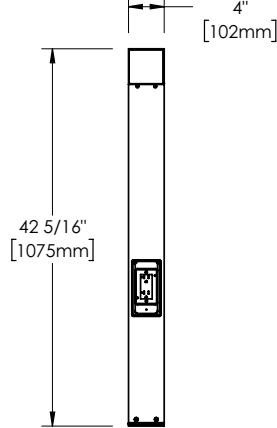
(Shown with No Receptacle)



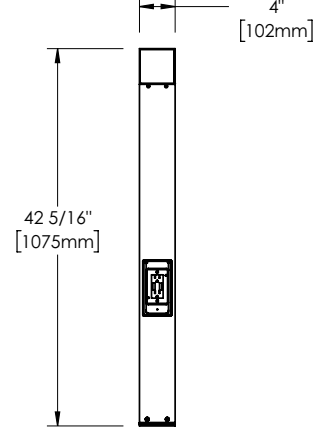
(Shown with Receptacle Option)



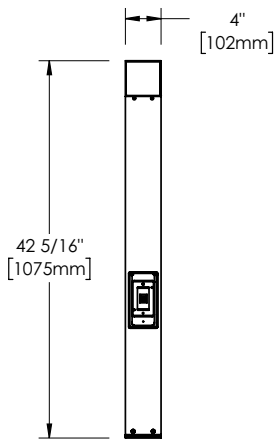
(RE1 Shown with Duplex-GFCI)



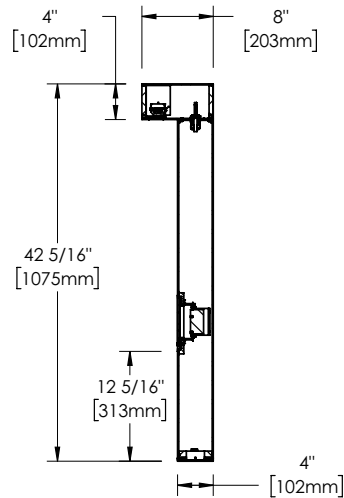
(RE2 Shown with Duplex-Dual with USB)



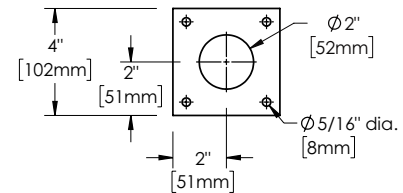
(RE3 Shown with RJ45)



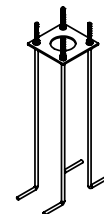
SIDE VIEW



STANDARD ANCHOR BASE MOUNTING



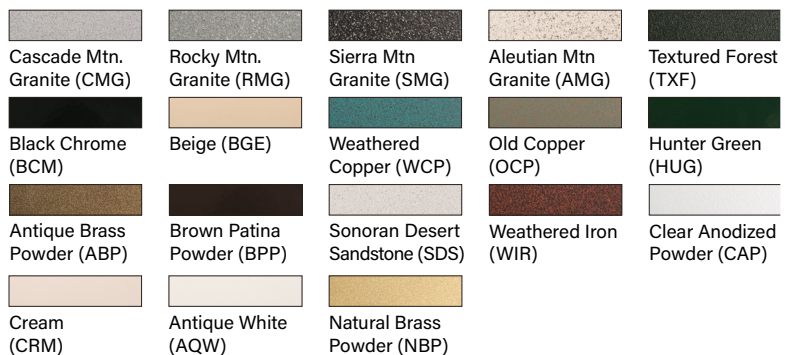
ANCHOR KIT



STANDARD FINISHES



PREMIUM FINISHES



[Click Here](#) to view larger, full-color swatches of all available finishes on our website.

DATE:	PROJECT:	TYPE:
-------	----------	-------

ACCESSORIES (Configure separately)

## SPECIFICATIONS

ELECTRICAL	WATTAGE	20W LED
	WIRING	Fixture factory pre-wired with SE00W,16/3GA,105C (INC/ELV) / SJTOW,16/5GA,105C (0-10) / RE1 & RE2 - 12GA, Solid Copper Wire, PVC Coated, 90C, 600V.
	DRIVER	500mA, Class A, constant current integral driver. 120 & 277 VAC (nominal) primary input voltage. 50/60Hz. >0.9 Power Factor, ≤20%THD (nominal at 120VAC full load.) Output over-voltage, over-current, and short circuit protection with auto recovery. Dimming driver for use with 0-10V, Incandescent, Standard TRIAC, or ELV dimmers. 1-100% range. *INC/ELV dimming at 120VAC only.
PHYSICAL	MATERIALS	Furnished in Copper-Free Aluminum (Type 6061-T6)
	HOUSING	4x4x1/8" wall extruded copper-free aluminum (6061-T6)
	LENS	Shock-resistant, tempered glass lens is factory adhered to fixture and provides liquid tight sealed fixture housing.
	LED	Integrated solid state system and modular design with electrical disconnects allow for easy field upgrade and maintenance. LM-80 certified. Minimum 50,000 hour rated life at 70% of initial lumens (L70). LED technology provides long life, significant energy reduction and exceptional thermal management.
	IN-USE COVER	Furnished in copper-free aluminum (6061-T6).
	RE1 - RECEPTACLE 20A	20 Amp, 125 Volt, NEMA 5-20R, 2P, 3W Duplex Receptacle.
	RE2 - RECEPTACLE W/ 1 USB-A AND 1 USB-C PORT	Combination Ports, One Type A, One Type C, Weather and Tamper Resistant 15A/125V Duplex, 5 Amp, 5 Volts USB Ports.
	RE3 - RECEPTACLE W/ RJ45 JACK	Receptacle with RJ45 Jack. Punch down tool required (by others).
	INSTALLATION	4"x4" black anodized aluminum base with galvanized steel anchor plate and 18" steel threaded rods. For use in poured concrete footing.
	HARDWARE	Tamper-resistant, stainless steel hardware.
WARRANTY	5 year limited warranty.	
CERTIFICATION AND LISTING	UL tested to IESNA LM-79. UL Listed. Certified to CAN/CSA/ANSI Standards. ADA compliant receptacle. RoHS compliant. Suitable for indoor or outdoor use. Suitable for use in wet locations. IP66 Rated. Made in USA.	



# LAMP & DRIVER DATA (INTEGRAL DRIVER)

DATE:

PROJECT:

TYPE:

## LM79 DATA

## OPTICAL DATA

BK No.	CCT (Typ.)	CRI (Typ.)	Fixture Watts	L70 Data	Accessory/Optic	Roadway Class	BUG	Del. Lumens	
x138	2700	80	20	50,000	2	Type II Short	B0 U1 G0	784	0.97
<b>x139</b>	<b>3000</b>	<b>80</b>	<b>20</b>	<b>50,000</b>	<b>2</b>	<b>Type II Short</b>	<b>B0 U1 G0</b>	<b>871</b>	<b>1.08</b>
x140	3500	80	20	50,000	2	Type II Short	B0 U1 G0	898	1.12
<b>x141</b>	<b>4000</b>	<b>80</b>	<b>20</b>	<b>50,000</b>	<b>2</b>	<b>Type II Short</b>	<b>B0 U1 G0</b>	<b>805</b>	
x138	2700	80	20	50,000	1	Type II Short	B0 U1 G0	1128	0.97
<b>x139</b>	<b>3000</b>	<b>80</b>	<b>20</b>	<b>50,000</b>	<b>1</b>	<b>Type II Short</b>	<b>B0 U1 G0</b>	<b>1252</b>	<b>1.08</b>
x140	3500	80	20	50,000	1	Type II Short	B0 U1 G0	1292	1.12
<b>x141</b>	<b>4000</b>	<b>80</b>	<b>20</b>	<b>50,000</b>	<b>1</b>	<b>Type II Short</b>	<b>B0 U1 G0</b>	<b>1158</b>	

**B-K LIGHTING**

MADE IN THE USA

559.438.5800 | INFO@BKLIGHTING.COM | BKLIGHTING.COM

THIS DOCUMENT CONTAINS PROPRIETARY INFORMATION OF B-K LIGHTING, INC. AND ITS RECEIPT OR POSSESSION DOES NOT CONVEY ANY RIGHTS TO REPRODUCE, DISCLOSE ITS CONTENTS, OR TO MANUFACTURE, USE OR SELL ANYTHING IT MAY DESCRIBE. REPRODUCTION, DISCLOSURE OR USE WITHOUT SPECIFIC WRITTEN AUTHORIZATION OF B-K LIGHTING, INC. IS STRICTLY FORBIDDEN.