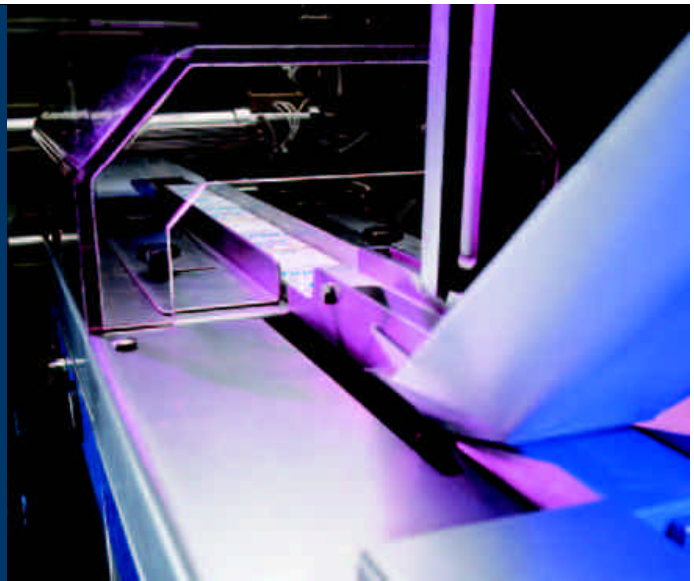


# Linium 315 Parts Manual

**Bosch Packaging Technology, Inc.**  
869 South Knowles Avenue  
New Richmond, WI 54017  
Phone 715-246-6511  
Fax 715-246-6539  
[www.bosch.com](http://www.bosch.com)



**BOSCH**

Invented for life

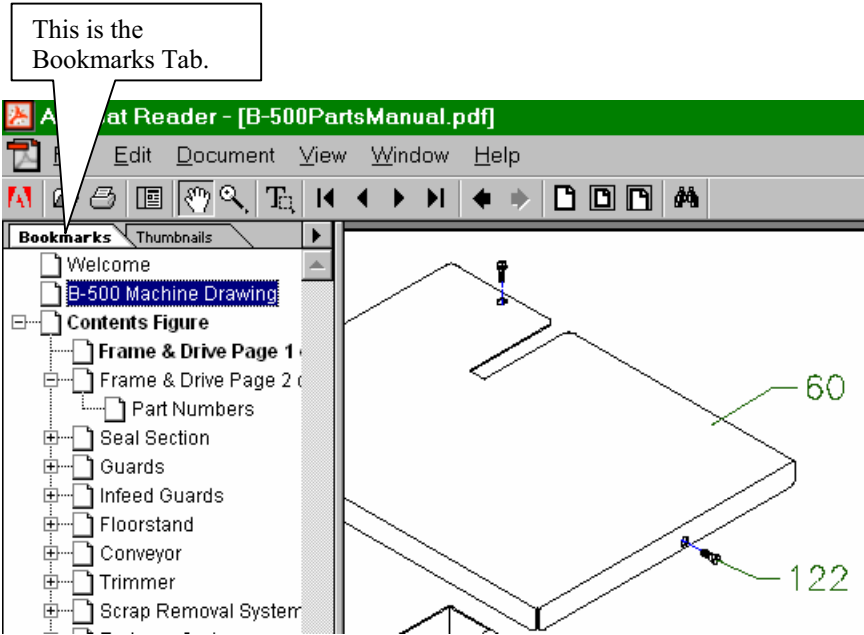
# How to use Acrobat Reader with Electronic Parts Manuals

The Purpose of this guide is to help you understand the Electronic Parts Manuals.

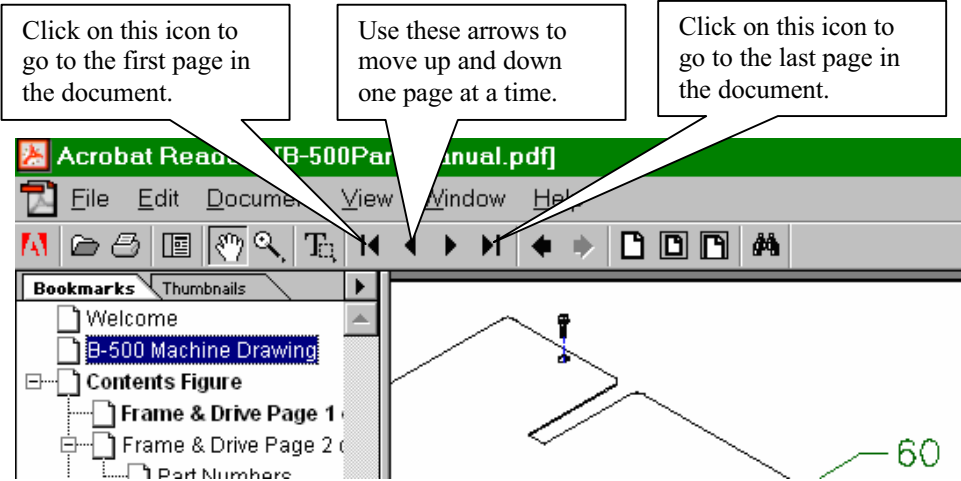
Note: This file contains reference drawings to aid in the identification of parts. When ordering replacement parts ALWAYS use part numbers found in your Customer Bill of Material.

### Viewing Pages in a Document:

Viewing different areas of a PDF file can be done several different ways. One way is by simply using the page up or page down keys on your keyboard. Another is by using the Bookmarks Tab as shown below. Selecting a bookmark will open the pages that bookmark represents. A bookmark with a plus mark next to it indicates that there is another bookmark below it. Open the next level by clicking on the plus sign, and then select the desired page for viewing.



Another way to page through the document is by using the arrows on the toolbar.

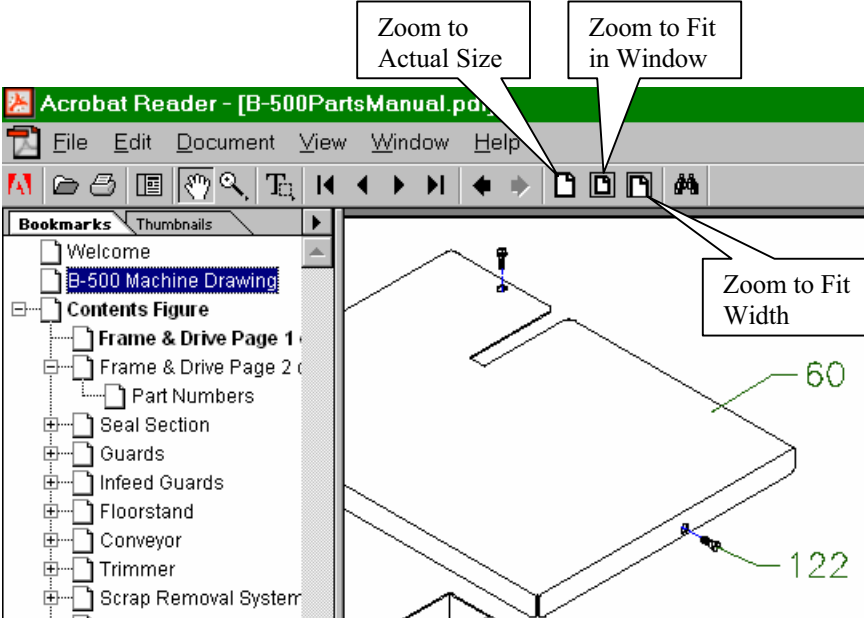
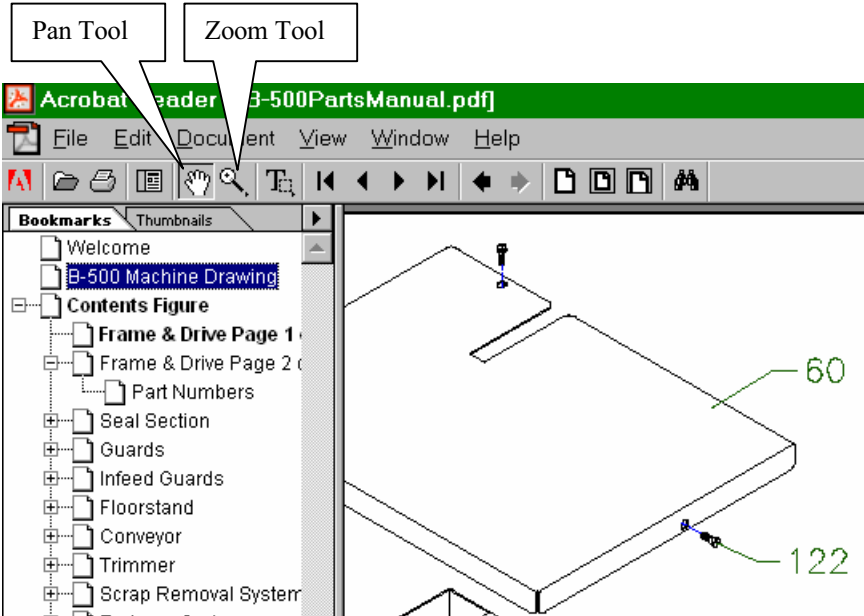


# How to use Acrobat Reader with Electronic Parts Manuals

Using the Zoom and Pan Tools:

Clicking on the Zoom tool will activate that tool. This tool can be used several different ways. Notice that there is a plus sign in the magnifying glass portion of the tool. By simply clicking in the document it becomes magnified. If you hold down the Ctrl Key a (-) sign appears in the magnifying glass. Keep holding the Ctrl key when clicking in the document. The document now zooms in reverse.

Once you have the document zoomed into an area; you might want to just view something nearby. You can do this by using the Pan Tool. Select the pan tool and a hand will appear as your selection tool. Click on an area of the drawing and hold the mouse button down then drag in the direction you'd like the document to move. The same magnification remains but you have moved the document to view another area. You can continue to pan anywhere you'd like in the document pane. By combining the zoom and pan tools, you can view areas of a document very easily. Other options for viewing documents are shown below. These three Icons can be used to help view a drawing after you have used the Zoom and Pan Tools and want to see the whole page.

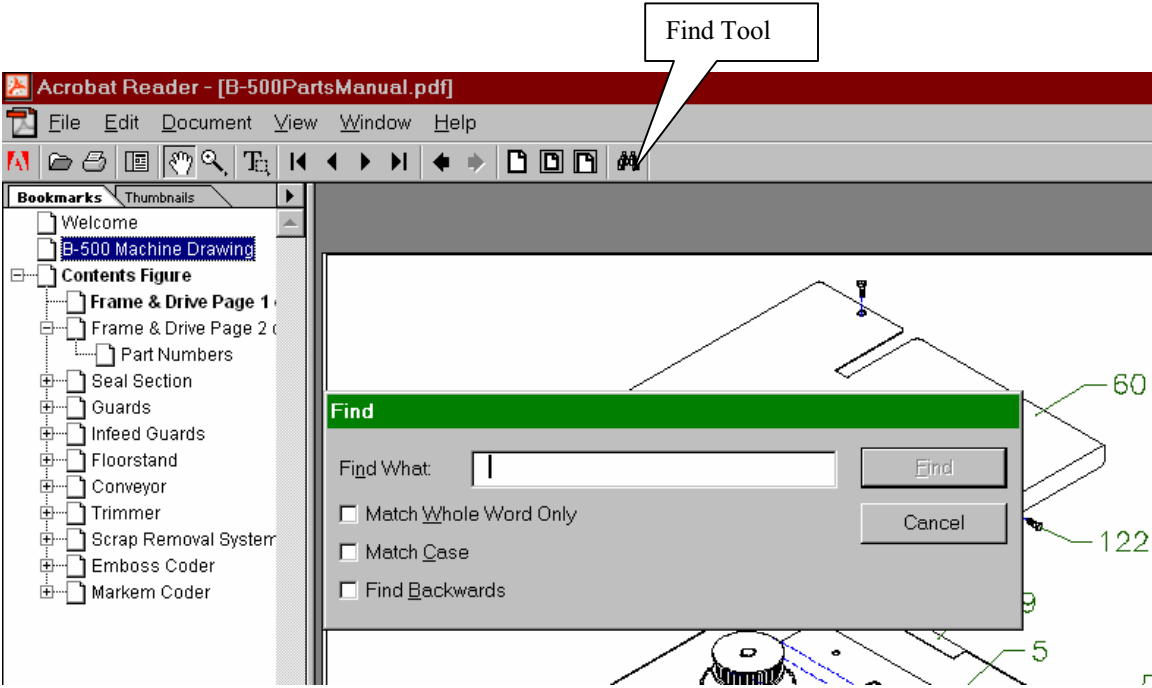


# How to use Acrobat Reader with Electronic Parts Manuals

## Using the Find Tools:

The find tool can be used to help you find a document or item based on a key word or part number. When you click on the Find tool a dialogue box will appear. Enter the text you'd like to find in the text box then select from the options below for your search criteria. If you choose not to use any of the options below, the search will find any words that match the string of text you entered. For example, if you type in *bearing* then hit enter, the find command will find the next place in the document that *bearing* comes up. The search might actually find the word *bearings*, even though you searched on the word bearing. By clicking on the Match Whole Word Only option, the search will only find that whole word in the document. If you click on the Find button again, the dialogue box will appear again with the last word you searched for in the text box and the Find button will now appear as "Find again". You can continue to select "find again" until it no longer finds that word in the document.

This tool will not find text that has been put into the document as Graphics text.



# Bosch Packaging Technology Inc.

<b>Material</b>	C241	06	0010	<b>Alt.</b>	<b>Usage</b> 3
	Linium 3X5 PolyRotary Horizontal Wrapper				<b>Valid</b>
					09/16/2009
<b>Reqd qty</b>	1.000	EA	<b>Base quant</b>	1.000	EA
<b>Sales ord.</b>	172945		<b>Item</b>	000104	

Lv	Item	Component no.	Description	Quant	Un
1	0001		KRAFT US - MEDFORD PLANT AND F		
1	0002		09-29054		
1	0003		Linium 315 Poly Rotary Wrapper		
1	0004		15AMPS, 10LMA, 22ka INTERRUPT (2k SCCR)		
1	0004		Electrical Specs -240-60-3 8000 WATTS		
1	0005		Mechanical Engineer K. Purintun		
1	0006		Electrical Engineer Robert Evertsen		
1	0010		_____ Additional Requirements _____		
1	0011		KVP Discharge Belts		
1	0012		Add Auto Film Splicing		
1	0013		Add Additional Ethernet Card		
1	0014		Special Static Seal Device		
1	0015		Panel view 1000 mounting		
1	0021		COST_ESTIMATE	Material Cost Estimate:	9720.000 EA
1	0025		8-110-912-480	W/D LINIUM 315	1.000 EA
1	0026		8-110-912-481	SOFTWARE LINIUM 315 CONTROL LOGIX	1.000 EA
1	0027		8-110-912-482	SOFTWARE LINIUM 315 PANEL VIEW	1.000 EA
1	0028		8-110-912-483	SOFTWARE LINIUM 315 DEVICENET	1.000 EA
1	0030		C_PRP_WRAPPER	PRODUCT RELATED PARTS - WRAPPER	1.000 EA
1	0090		500000	MANUAL	3.000 EA
1	0105		8-110-910-498	ASSY FRAME MAIN LR 800 SST	1.000 EA
1	0106		131.029691	01 KIT-ELECTRICAL ACCESS PLATES 225	1.000 EA
1	0110		131.031908	KIT-FRAME GUARDS W/AC LR SST	1.000 EA
1	0115		131.006660	02 KIT-FRAME PNEUMATICS W/AC SST	1.000 EA
1	0120		131.049076	KIT-FRAME DECALS LINIUM 315 ENGLISH	1.000 EA
1	0135		8-110-914-294	PEG LEVELING USDA	4.000 EA
1	0405		131.047226	ASSY-CUTTING HEAD W/FRAME LR SST	1.000 EA
1	0405			HAS ADDS AND DELETES	
1	0406		8-110-912-612	PLATE CUTTING HEAD LR - OP	1.000 EA
1	0407		8-110-910-496	KIT CUTTING HEAD W/PV1000	1.000 EA
1	0408		8-110-910-309	KIT GUARD MAIN MOTOR	1.000 EA
1	0410		131.047227	01 KIT-GUARDS CUTTING HEAD LR SST	1.000 EA
1	0410			HAS ADDS DELETES	
1	0411		8-110-912-714	GUARD GRATE	1.000 EA
1	0425		131.032434	KIT-CUTT HD SHAFTS 1UP 2UP SK	1.000 EA
1	0500		131.055463	ASSY-VACUUM CONVEYOR LR SST	1.000 EA
1	0500			HAS DELETES	
1	0501		8-110-914-292	ASSY ROLLER VACUUM	1.000 EA
1	0502		031.008151	BELT VACUUM 250WD x 1300LG	1.000 EA
1	0505		8-110-914-006	ASSY COMBO LAP SEAL LR	1.000 EA
1	0506		531.067240	GUARD-COMBO SEAL	1.000 EA
1	0510		8-110-912-759	KIT VACUUM CNVR GUARDS LR	1.000 EA
1	0511		8-110-912-619	ASSY PUMP SHIELD	1.000 EA
1	0512		8-110-912-748	ASSEMBLY MOTOR COVER LR	1.000 EA
1	0515		531.036538	GUARD TENSIONER	1.000 EA
1	0515		531.052887	GUARD TENSIONER	1.000 EA
1	0600		131.055477	ASSY-BACKSTAND 800MM LR SST	1.000 EA
1	0601		8-110-910-302	DRAWING BACKSTAND GASKETING LOCATION	1.000 EA

## Bosch Packaging Technology Inc.

1	0602	8-101-101-762	FOAM RUBBER-SELF ADH.	15.000	FT
1	0603	8-110-914-000	DWG REWORK TO MOUNT STATIC GENERATOR	1.000	EA
1	0610	8-110-910-301	ASSY PFR MECH SPLICER 800 SST LR	1.000	EA
1	0615	131.001827	02 KIT-HIGH SPEED POWER FEED ROLL DRIVE	1.000	EA
1	0625	131.038281	KIT-BKSTD STD SPLCR DECKS 800MM	1.000	EA
1	0635	131.008563	02 KIT-BKSTD NO LIGHT TOWER USDA	1.000	EA
1	0636	131.013816	02 KIT-BKSTD LIGHT TOWER	1.000	EA
1	0637	131.016764	KIT-NO FILM HOIST USDA	1.000	EA
1	0645	131.047301	KIT-DBLE PARENT ROLL LIFT 800MM SST	1.000	EA
1	0646	HAS A DELETE			
1	0647	8-110-910-286	SUPPORT HORIZONTAL	1.000	EA
1	0648	8-110-910-284	DEFLECTOR ROD	1.000	EA
1	0700	8-110-910-298	03 ASSY DISCHG CNVR 800 LR PLASTIC BELT	1.000	EA
1	0700	HAS ADDS DELETES			
1	0701	8-110-628-305	ASSEMBLY-MOTOR COVER-LR	1.000	EA
1	0710	8-110-912-615	01 KIT GUARD DISCHG TOP LR	1.000	EA
1	0800	8-110-625-042	02 KIT MAIN BASIC 311 L-R 09	1.000	EA
1	0800	ADDS AND DELETES			
1	0801	8-110-912-715	02 PIGTAIL	4.000	EA
1	0805	497549	LABEL DANGER ARC FLASH	1.000	EA
1	0806	131.002408	05 KIT 208/230/VOLT INPUT ELECT	1.000	EA
1	0810	8-110-912-475	KIT OPERATOR INTERFACE PV1000+	1.000	EA
1	0815	131.016089	05 KIT-POWER FEED ROLL ELECT (CTRLLGX)	1.000	EA
1	0820	474497	01 MOTOR SERVO AC 26IN/LB 5000RPM 230V	1.000	EA
1	0820	***VACUUM BELT ITEMS 820-822***			
1	0821	8-110-622-746	02 CONTACTOR 3NO 1NC 25A	1.000	EA
1	0822	8-110-622-759	RELAY OVERLOAD 1.0-5.0AMP	1.000	EA
1	0825	131.062434	KIT HOT SHOE CLX 08	1.000	EA
1	0826	131.062514	KIT STATIC SEAL (WINPACK & CLX)	1.000	EA
1	0826	DELETES			
1	0830	131.063173	KIT CUTT HD CLX SK 08	1.000	EA
1	0840	131.062417	01 KIT DISCHARGE CLX 08	1.000	EA
1	0875	415098	STATIC XFRMR POWER SUPPLY 220VAC	1.000	EA
1	0881	8-110-622-352	SERVO AMP 1.9KW	1.000	EA
1	0881	***TRANSFER BELT SERVO DRIVE***			
1	0882	8-110-622-358	BREAKOUT BD COMBO KINETIX 2000	1.000	EA
1	0883	131.007357	KIT-SPLICER ELEC-MECH TRIP	1.000	EA
1	0884	475476	01 CONTROL LOGIX ETHERNET/IP MODULE	1.000	EA
1	0885	631.024292	01 .3 METER SERCOS CABLE	1.000	EA
1	0887	***UP & DOWNSTREAM INTERFACE OPTION			
1	0888	479967	RELAY W/BASE SPDT MECH 6 AMPS 24VDC	4.000	EA
1	0889	373531	RELAY-BASE MINI A-B	1.000	EA
1	0890	373530	RELAY-DPDT 24 VDC MINI A-B	1.000	EA
1	0891	474183	16PT INPUT CONTROLOGIX	1.000	EA
1	0892	131.008537	01 KIT-RED-AMBER-GREEN BEACON	1.000	EA
1	0893	8-110-912-721	LINIUM 315 FUSE LABEL	1.000	EA
1	0894	423159	ELECTRICAL INTERLOCK	1.000	EA
1	0895	474189	20 PIN SCREW CLAMP CONNECTOR	1.000	EA
1	0896	473840	SLOT FILLER CONTROLOGIX	2.000	EA

# Bosch Packaging Technology Inc.

<b>Material</b>	C241	06 0010	<b>Alt.</b>	<b>Usage</b> 3	
	Linium 3X5 PolyRotary Horizontal Wrapper			<b>Valid</b> 09/16/2009	
<b>Reqd qty</b>	1.000 EA	<b>Base quant</b>	1.000 EA		
<b>Sales ord.</b>	172945	<b>Item</b>	000104		
<b>Lv</b>	<b>Item</b>	<b>Component no.</b>	<b>Description</b>	<b>Quant</b>	<b>Un</b>
1	0000	C_PRP_WRAPPER	PRODUCT RELATED PARTS - WRAPPER		
2	0005	8-110-910-292***	FILM LAYOUT		
2	0200	131.036161	ASSY-FORMER MOUNT SST	1.000	EA
2	0200	HAS ADDS DELETES			
2	0210	8-110-912-631	ASSY LAP FORMER 48 HI X 165 WD	1.000	EA
2	0443	131.008567	01 KIT HOT KNIFE 150 DIA- 410 LG	1.000	EA
2	0447	031.015208	ELEMENT-HEAT 230V 1500W .250 16.5	1.000	EA
2	0450	300081	PRODUCT SPACER	1.000	EA
2	0451	401117	SCREW-HEX HD M4 X 8 SST	2.000	EA
2	0451	8-110-912-616	GUARD CRIMPER WIRE 150 DIA. 410LG.	1.000	EA
2	0452	531.032109	DECAL-FILM THREADING LR	1.000	EA
2	0453	531.054016	FLOOR PAD	7.000	EA

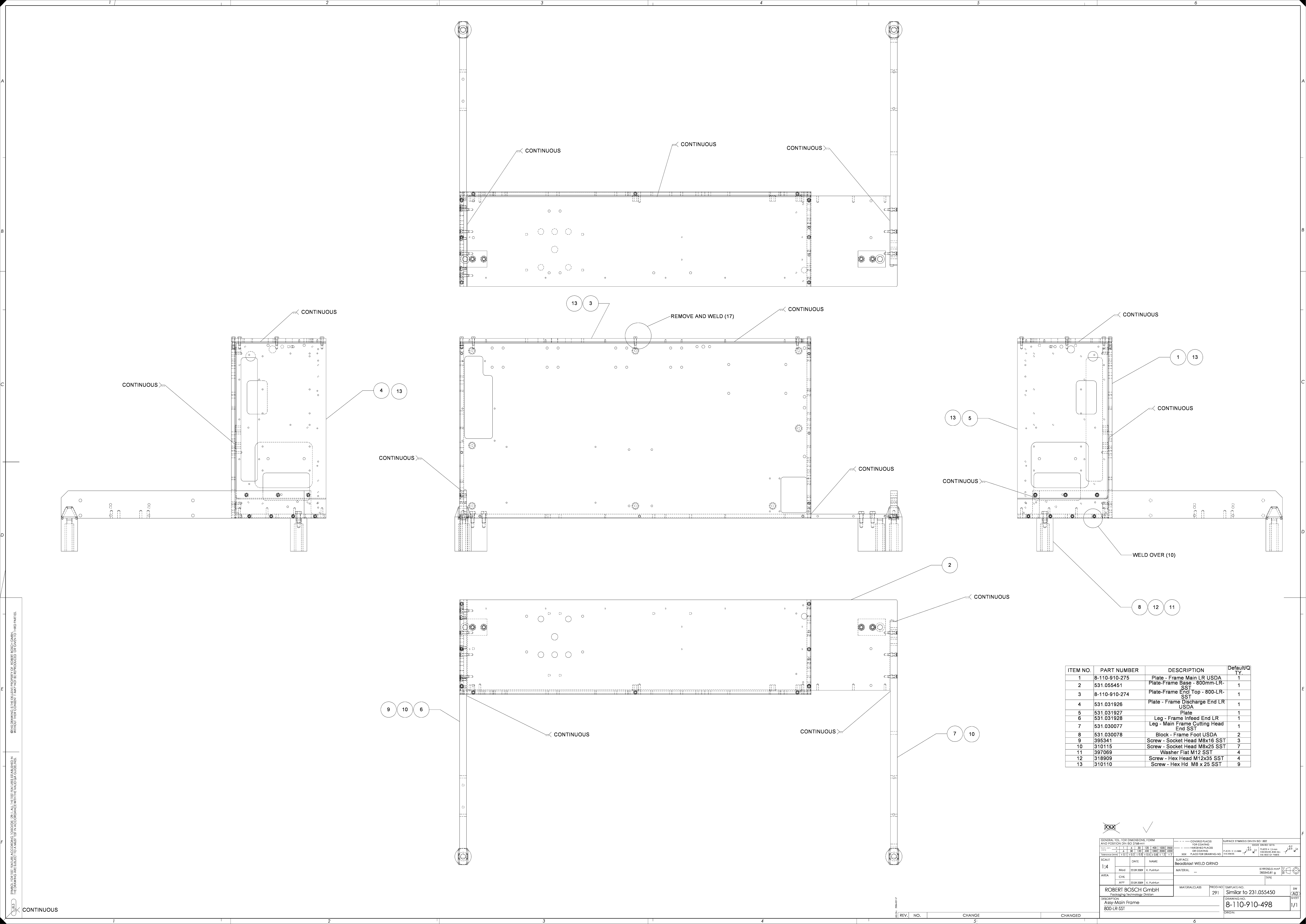
**Bosch Packaging Technology Inc.**

<b>Material</b>	C241	06 0010	<b>Alt.</b>	<b>Usage</b> 3
	Linium 3X5 PolyRotary Horizontal Wrapper			<b>Valid</b>
				09/16/2009
<b>Reqd qty</b>	1.000 EA	<b>Base quant</b>	1.000 EA	
<b>Sales ord.</b>	172945	<b>Item</b>	000104	

<b>Lv</b>	<b>Item</b>	<b>Component no.</b>	<b>Description</b>	<b>Quant</b>	<b>Un</b>
1	0000	8-110-910-498	ASSY FRAME MAIN LR 800 SST		
2	0001	8-110-910-275	01 PLATE FRAME LR USDA	1.000	EA
2	0002	531.031927	02 PLATE FRAME INFEED END LR USDA	1.000	EA
2	0003	531.031926	PLATE-FRAME-DISCHARGE END LR USDA	1.000	EA
2	0004	531.055451	01 PLATE-FRAME BASE-800MM-LR-SST	1.000	EA
2	0005	531.031928	01 LEG-FRAME-INFEED END LR USDA	1.000	EA
2	0006	531.030077	01 LEG-MAIN FRAME-CUTTING HEAD END SST	1.000	EA
2	0007	8-110-910-274	PLATE FRAME ENCL TOP 800 LR SST	1.000	EA
2	0008	531.030078	01 BLOCK-FRAME FOOT USDA	2.000	EA
2	0009	397069	WASHER-FLAT 13 X 24 X 2.5 SST	4.000	EA
2	0010	318909	SCREW-HEX HD M12 X 35 SST	4.000	EA
2	0011	310110	SCREW-HEX HD M8 X 25 SST	21.000	EA
2	0012	310115	SCREW-SOC CAP M8 X 25 SST	7.000	EA
2	0013	395341	SCREW-SOC CAP M8 X 16 SST	3.000	EA





ITEM NO.	PART NUMBER	DESCRIPTION	Default/Qty
1	8-110-910-275	Plate - Frame Main LR USDA	1
2	531.055451	Plate-Frame Base - 800mm-LR-SST	1
3	8-110-910-274	Plate-Frame End Top - 800-LR-SST	1
4	531.031926	Plate - Frame Discharge End LR USDA	1
5	531.031927	Plate	1
6	531.031928	Leg - Frame Infeed End LR	1
7	531.030077	Leg - Main Frame Cutting Head End SST	1
8	531.030078	Block - Frame Foot USDA	2
9	395341	Screw - Socket Head M8x16 SST	3
10	310115	Screw - Socket Head M8x25 SST	7
11	397069	Washer Flat M12 SST	4
12	318909	Screw - Hex Hd M12x35 SST	4
13	310110	Screw - Hex Hd M8 x 25 SST	9

GENERAL TOL. FOR DIMENSIONS FORM AND POSITION ON ISO 2768-mS TOL. FORM: 0.15 0.10 0.07 0.05 0.03 0.02 TOL. POSITION: 0.10 0.07 0.05 0.03 0.02 0.01		SURFACE FINISH: RAZZ x 1.6mm PLATE x 1.5mm INCREASE ALL BE BEF OF PAGE	
SCALE: 1:4	DATE: 22.09.2009	NAME: K. Purkayast	SURFACE: Beadblast WELD GRIND
AREA: CHK	APP: 22.09.2009	K. Purkayast	MATERIAL: 316L2003-001
ROBERT BOSCH GmbH Assembly Technology Division		MATERIALCLASS: 291 PRECISO: Similar to 231.055450	DWG NO: 8-110-910-498 SHEET: 1/1

THIS DRAWING IS THE SOLE PROPERTY OF ROBERT BOSCH GMBH. ANY REPRODUCTION OR TRANSMISSION OF THIS DRAWING WITHOUT THE WRITTEN CONSENT OF ROBERT BOSCH GMBH IS PROHIBITED.

CONTINUOUS

CONTINUOUS

XXX

REV. NO. CHANGE  
 291  
 DATE: 22.09.2009  
 NAME: K. Purkayast  
 SURFACE: Beadblast WELD GRIND  
 MATERIAL: 316L2003-001  
 DWG NO: 8-110-910-498  
 SHEET: 1/1

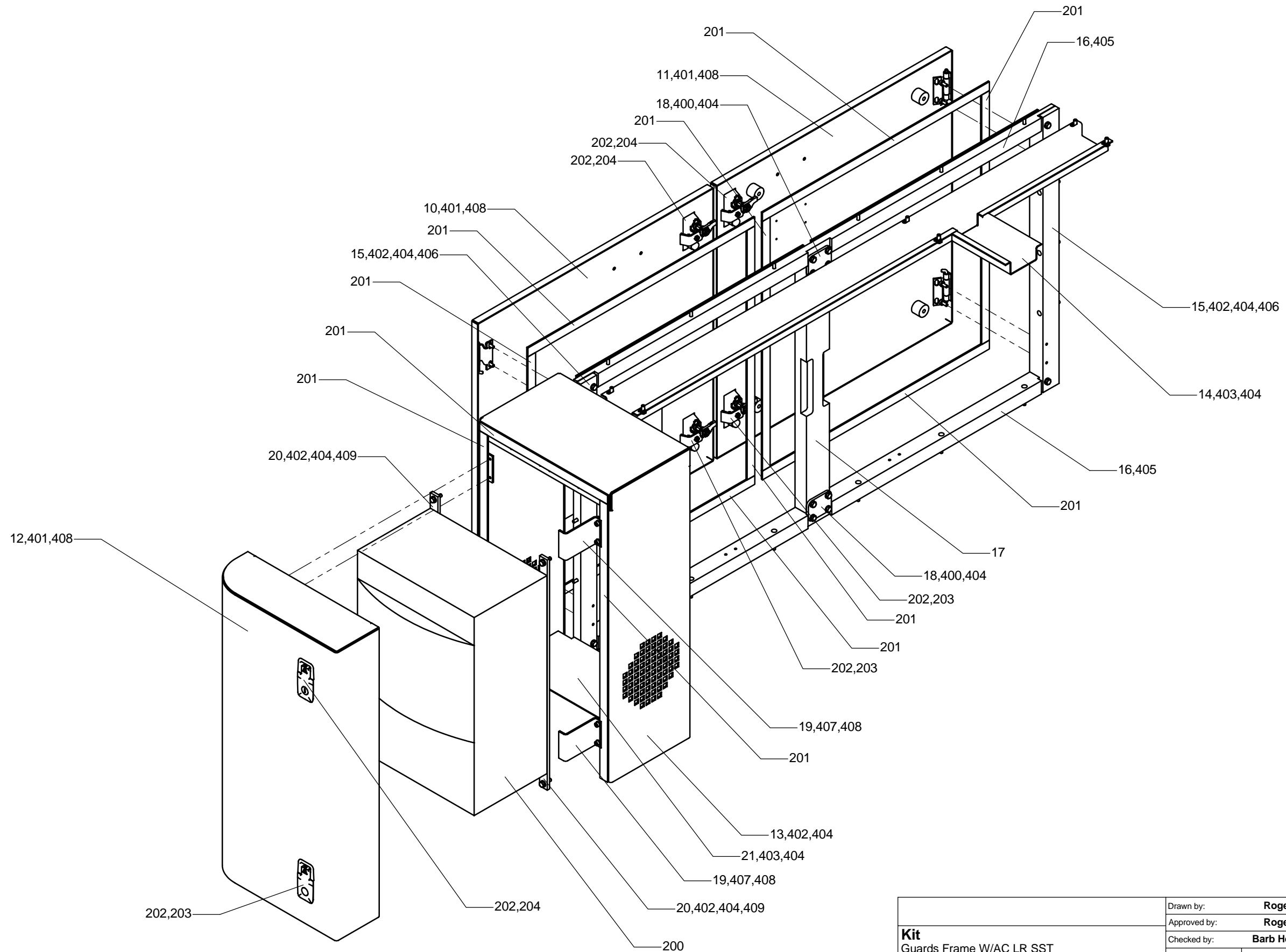
**Bosch Packaging Technology Inc.**

<b>Material</b>	C241	06 0010	<b>Alt.</b>	<b>Usage</b> 3	
	Linium 3X5 PolyRotary Horizontal Wrapper			<b>Valid</b> 09/16/2009	
<b>Reqd qty</b>	1.000 EA	<b>Base quant</b>	1.000 EA		
<b>Sales ord.</b>	172945	<b>Item</b>	000104		
<b>Lv</b>	<b>Item</b>	<b>Component no.</b>	<b>Description</b>	<b>Quant</b>	<b>Un</b>
1	0000	131.029691	KIT-ELECTRICAL ACCESS PLATES 225		
2	0001	531.030104	PLATE ELECTRICAL CONNECTOR	1.000	EA
2	0002	531.030106	PLATE ELECTRICAL CONNECTOR	1.000	EA
2	0003	531.030105	PLATE ELECTRICAL CONNECTOR	1.000	EA
2	0004	531.030108	PLATE ELECTRICAL CONNECTOR	1.000	EA

**Bosch Packaging Technology Inc.**

<b>Material</b>	C241	06 0010	<b>Alt.</b>	<b>Usage</b> 3
	Linium 3X5 PolyRotary Horizontal Wrapper			<b>Valid</b>
				09/16/2009
<b>Reqd qty</b>	1.000 EA	<b>Base quant</b>	1.000 EA	
<b>Sales ord.</b>	172945	<b>Item</b>	000104	

Lv	Item	Component no.	Description	Quant	Un
1	0000	131.031908	KIT-FRAME GUARDS W/AC LR SST		
2	0001	231.031908	DWG-FRAME GUARDS W/AC LR SST	1.000	EA
2	0010	531.006656	04 DOOR-FRAME ENCLOSURE LH LR USDA	1.000	EA
2	0011	531.006658	03 DOOR-FRAME ENCLOSURE RH LR USDA	1.000	EA
2	0012	531.006659	01 DOOR-FRAME PNEUMATICS LR USDA	1.000	EA
2	0013	531.031921	GUARD-FRAME AIR CONDITIONER USDA	1.000	EA
2	0014	531.031943	02 TRUNK FRAME ENCLOSURE AIR LR USDA	1.000	EA
2	0015	531.031916	JAMB FRAME ENCLOSURE SIDE USDA	2.000	EA
2	0016	531.031917	02 JAMB FRAME ENCLOSURE DOOR USDA	2.000	EA
2	0017	531.031919	01 JAMB FRAME ENCLOSURE CENTER USDA	1.000	EA
2	0018	531.031920	01 PLATE JAMB ATTACHMENT	2.000	EA
2	0019	531.006643	01 BRACKET-FRAME DOOR LATCH USDA	2.000	EA
2	0020	531.006645	01 FRAME AIR CONDITIONER MNT USDA	2.000	EA
2	0021	531.035187	GUARD BOTTOM AIR COOLING	1.000	EA
2	0022	531.000317	03 SPACER-FRAME DOOR	2.000	EA
2	0200	274090	04 AIR CONDITIONER 2000 BTU	1.000	EA
2	0201	031.000321	GASKET-DOOR	26.000	FT
2	0202	031.006642	GASKET-LIFT & TURN COMPRESS LATCH	6.000	EA
2	0203	031.006640	LATCH-LIFT & TURN COMPRESSION	3.000	EA
2	0204	031.006641	LATCH-LIFT & TURN COMPRESSION W/KEY	3.000	EA
2	0400	309391	SCREW-HEX HD M6 X 16 SST	8.000	EA
2	0401	310094	SCREW-SOC-CAP M5 X 12 SST	12.000	EA
2	0402	310098	SCREW-HEX HD M6 X 20 SST	12.000	EA
2	0403	310102	SCREW-HEX HD M6 X 12 SST	8.000	EA
2	0404	379749	WASHER-FLAT 6.4 X 12 X 1.6 SST	28.000	EA
2	0405	397026	SCREW-SOC CAP M5 X 25 SST	12.000	EA
2	0406	397027	SCREW-SOC CAP M5 X 35 SST	6.000	EA
2	0407	397035	SCREW-SOC CAP M5 X 8 SST	4.000	EA
2	0408	401228	WASHER-FLAT 5.3 X 10 X 1 SST	16.000	EA
2	0409	397038	SCREW-FLAT SOC M6 X 16 SST	4.000	EA



<b>Kit</b> Guards Frame W/AC LR SST		Drawn by: <b>Roger Hefty</b>	Date: <b>19 Jun 2003</b>
		Approved by: <b>Roger Hefty</b>	Scale: <b>1:5</b>
		Checked by: <b>Barb Hemauer</b>	Size: <b>A2</b>
		Sheet: <b>1/1</b>	M-Type: <b>291</b>
		<b>231.031908</b>	<b>Rev.: 0</b>
<b>BOSCH</b>	<b>Doboy Inc.</b>	© Copyright Doboy Inc.	Based on SIG Pack International Design Standards

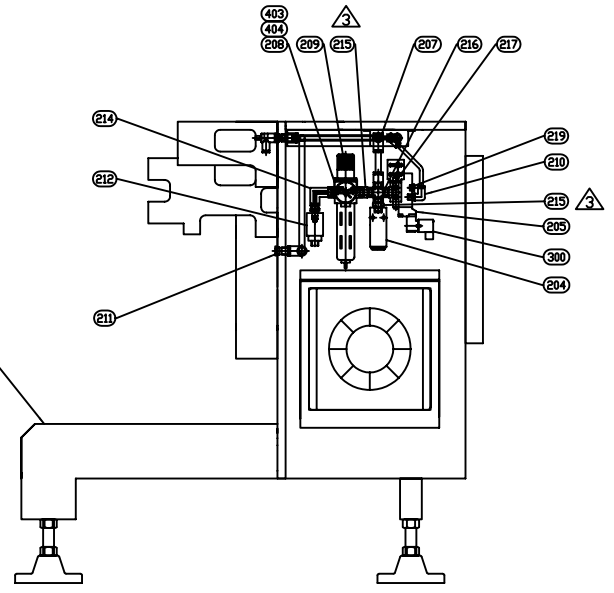
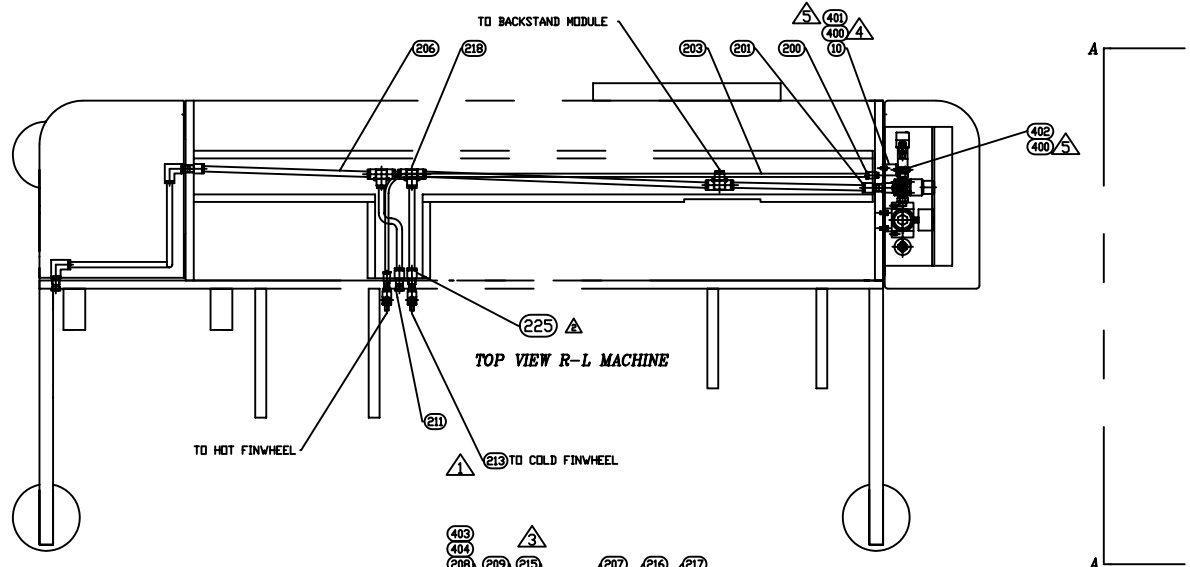
Qty.	Index	Description	Date	ECN No.	Changed by
------	-------	-------------	------	---------	------------

**Bosch Packaging Technology Inc.**

<b>Material</b>	C241	06 0010	<b>Alt.</b>	<b>Usage</b> 3
	Linium 3X5 PolyRotary Horizontal Wrapper			<b>Valid</b>
				09/16/2009
<b>Reqd qty</b>	1.000 EA	<b>Base quant</b>	1.000 EA	
<b>Sales ord.</b>	172945	<b>Item</b>	000104	

Lv	Item	Component no.	Description	Quant	Un
1	0000	131.006660	KIT-FRAME PNEUMATICS W/AC SST		
2	0000	131.001588	: KIT-FRAME PNEUMATICS W/FAN		
2	0002	331.006660	LYT-KIT FRAME PNEUMATICS USDA	1.000	EA
2	0010	531.006664	01 BRACKET-FRAME PNEU REGULATOR USDA	1.000	EA
2	0011	531.006665	01 BRACKET-FRAME PNEU VALVE USDA	1.000	EA
2	0201	031.000525	CONNECTOR-STRAIGHT MALE R1/4 TO 10mm	3.000	EA
2	0202	370697	01 CONNECTOR-MALE 10MM TO 1/8 G	1.000	EA
2	0203	370695	01 CONNECTOR-STRAIGHT MALE R1/8 TO 6mm	2.000	EA
2	0204	031.001523	COUPLING-PLUG KS-1/4-S	1.000	EA
2	0205	031.000520	COUPLING-QUICK SOCKET	1.000	EA
2	0206	031.000521	CONNECTOR-ELBOW MALE R1/4 TO 10mm TU	3.000	EA
2	0207	432287	CONNECTOR-ELBOW MALE R1/8 TO 6mm TUB	2.000	EA
2	0208	379775	ELBOW-90° 1/4 BRASS	1.000	EA
2	0209	031.000519	REGULATOR W/FILTER G1/4	1.000	EA
2	0210	370719	PA TUBE (NYLON) PNEUMATIC 6mm OD	1.500	M
2	0211	370720	PA TUBE (NYLON) PNEUMATIC 10mm OD	2.000	M
2	0212	031.002798	PIPE CROSS G1/4	1.000	EA
2	0213	450487	PIPE-NIPPLE 1/4 BSPT	2.000	EA
2	0214	379780	PLUG-PIPE R1/8 BRASS	2.000	EA
2	0215	379779	PLUG-PIPE 1/4 BSPT BRASS	4.000	EA
2	0216	407108	SWITCH-PRESSURE 180 PSI 250V	1.000	EA
2	0217	031.002799	CONNECTOR-TEE 10mm TUBE	3.000	EA
2	0218	445500	UNEQUAL PIPE NIPPLE 1/8BSPT 1/4BSPT	1.000	EA
2	0219	031.000528	VALVE-PNEUMATIC 5-WAY 2-POS G1/8 24V	1.000	EA
2	0220	432407	01 VALVE-FLOW CONTROL G1/8	2.000	EA
2	0300	031.000529	01 CABLE-SOCKET MOLDED W/LED 24V 5M	1.000	EA
2	0400	432320	SCREW-HEX HD M4 X 20 SST	2.000	EA
2	0401	422010	SCREW-HEX HD M5 X 10 SST	2.000	EA



FRAME / GUARD REFERENCES

VIEW AA  
ROTATED 90°

Qty.	Desc.	Description	Qty.	ECN No.	Changed by	
2	5	Item 401 Vis 397636 New 40117	3	JUN 01	142899	JLH
1	4	Item 400 Vis Qty 2 New Qty 4	29	FEB 00	102979	KDP
2	3	Item 400 Changed To 3M Vis 84 Washer	02	MAR 99	102740	JLH
1	2	Updated Item 10 And 215 Per Ecn 103746	04	FEB 99	102810	SAE
1	1	Added 225 - 378697	02	FEB 99	102669	SAE
1	1	Corrected Flow Control Valve Location	02	FEB 99	102669	SAE

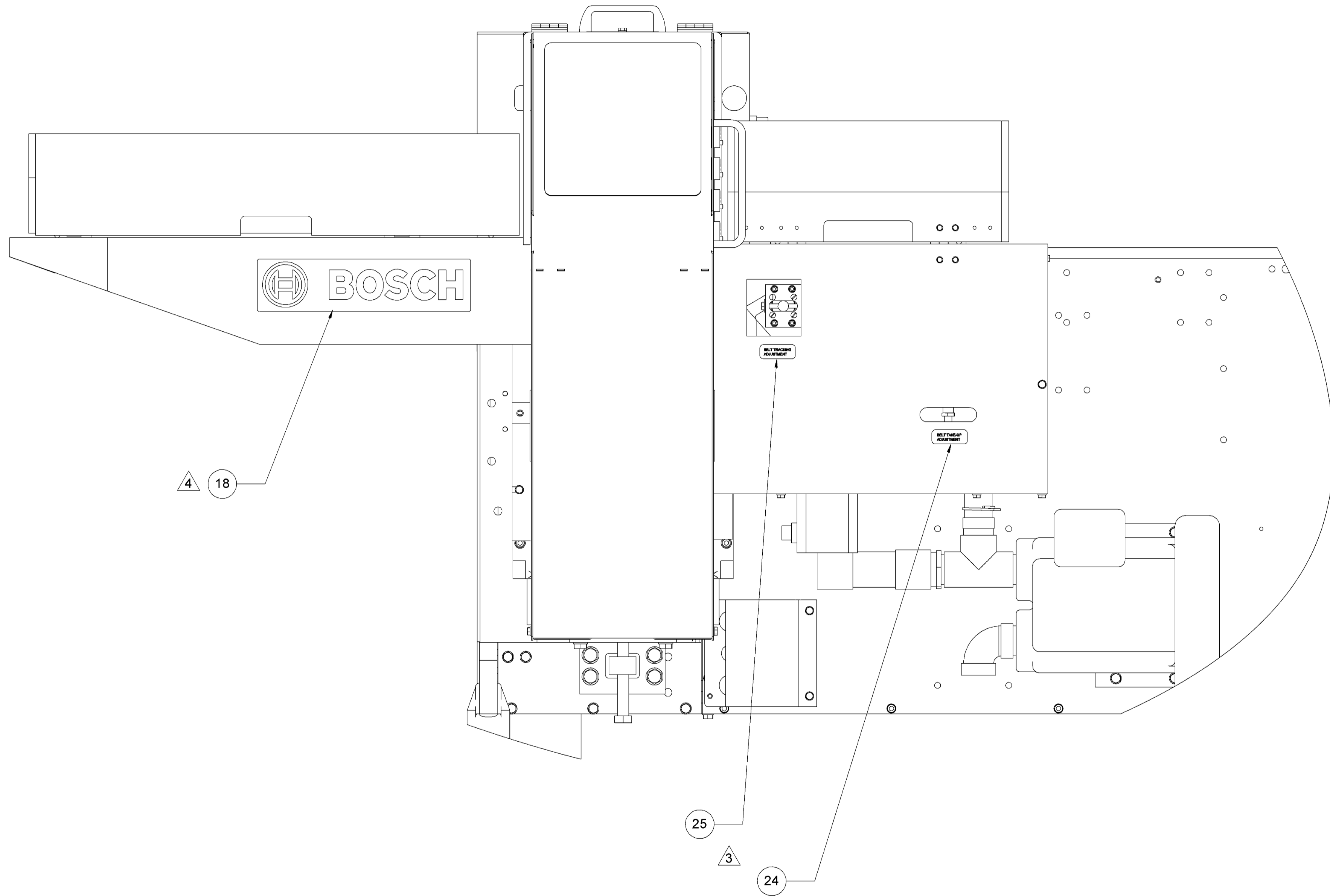
1	1	1	1	1	1	1	1
Pos.	Qty.	Shape	Item	Material	Proposed Measurement	Remarks	
					Drawn by	J. J. Hahn	Issue 9 NOV 98
					Approved by	Terry Anderson	Scale 1/1
					Checked by	LKH	Size A1
							R-Type 223
							Rev 5
					231.001588		
					©Copyright Bosch in North America		
					Shop No.		
BOSCH		Doboy Inc.					

**Bosch Packaging Technology Inc.**

<b>Material</b>	C241	06 0010	<b>Alt.</b>	<b>Usage</b> 3
	Linium 3X5 PolyRotary Horizontal Wrapper			<b>Valid</b>
				09/16/2009
<b>Reqd qty</b>	1.000 EA	<b>Base quant</b>	1.000 EA	
<b>Sales ord.</b>	172945	<b>Item</b>	000104	

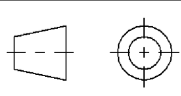
  

<b>Lv</b>	<b>Item</b>	<b>Component no.</b>	<b>Description</b>	<b>Quant</b>	<b>Un</b>
1	0000	131.049076	KIT-FRAME DECALS LINIUM 315 ENGLISH		
2	0001	231.008437	04 DWG KIT FRAME DECALS ENGLISH	1.000	EA
2	0002	331.008437	02 LAYOUT KIT FRAME DECALS ENGLISH	1.000	EA
2	0010	508002	06 PLATE-SAFETY INSTRUCTIONS	1.000	EA
2	0012	424365	DECAL-OVERCURRENT	1.000	EA
2	0013	379793	DECAL-ELECTRICAL HAZARD	1.000	EA
2	0014	410061	DECAL-WARNING	1.000	EA
2	0015	338424	01 LABEL-PMMI "USA" 2.2 X 3.7 ADH BACK	1.000	EA
2	0017	531.049062	01 DECAL-DOBOY LINIUM 315	1.000	EA
2	0018	531.046522	01 DECAL-BOSCH LARGE	1.000	EA
2	0021	8-110-627-071	01 LABEL CUSTOMER SERVICE INFORMATION	1.000	EA
2	0022	138915	: NAMEPLATE-IDENTIFICATION		
2	0023	531.014831	01 DECAL-INCLINATION ARM READING	1.000	EA
2	0024	031.037781	DECAL BELT TAKE-UP ADJUSTMENT	1.000	EA
2	0025	031.037782	DECAL BELT TRACKING ADJUSTMENT	1.000	EA
2	0400	397044	SCREW-PAN SLOT M3 X 8 SST	4.000	EA

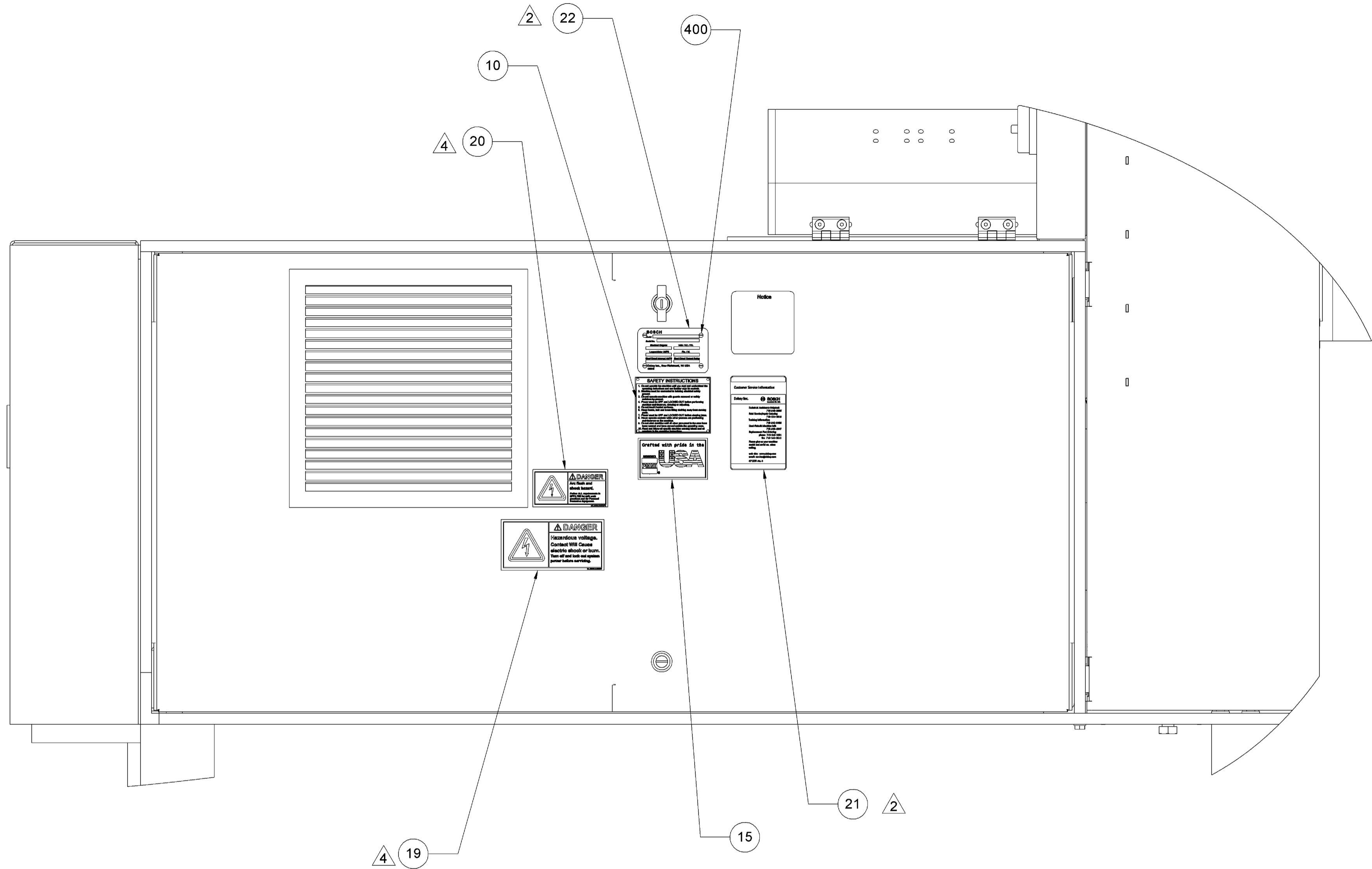


Qty.	Index	Description	Date	ECN No.	Changed by
6	4	Updated to Bosch STD	3 Oct 05	184992	T Anderson
1	3	Added 031.037781 and 031.037782	6 May 04	176190	Roger Hefty
2	2	Added 471209 and REF for 138915	29 May 01	153457	DJM
1	1	Added 531.014831 Decal Inclination Arm	19 Apr 01	150522	DJM

<b>Drawing Kit Frame Decals English</b>		Drawn by: <b>Diana Marschall</b>	Date: <b>08 FEB 00</b>
		Approved by: <b>Diana Marschall</b>	Scale: <b>1:4</b>
		Checked by: <b>Jay Fowler</b>	Size: <b>A2</b>
		Sheet: <b>1/4</b>	M-Type: <b>241</b>
<b>231.008437</b>		<b>Rev.: 4</b>	
<b>BOSCH</b>	<b>Doboy Inc.</b>	© Copyright Doboy Inc.	Based on SIG Pack International Design Standards

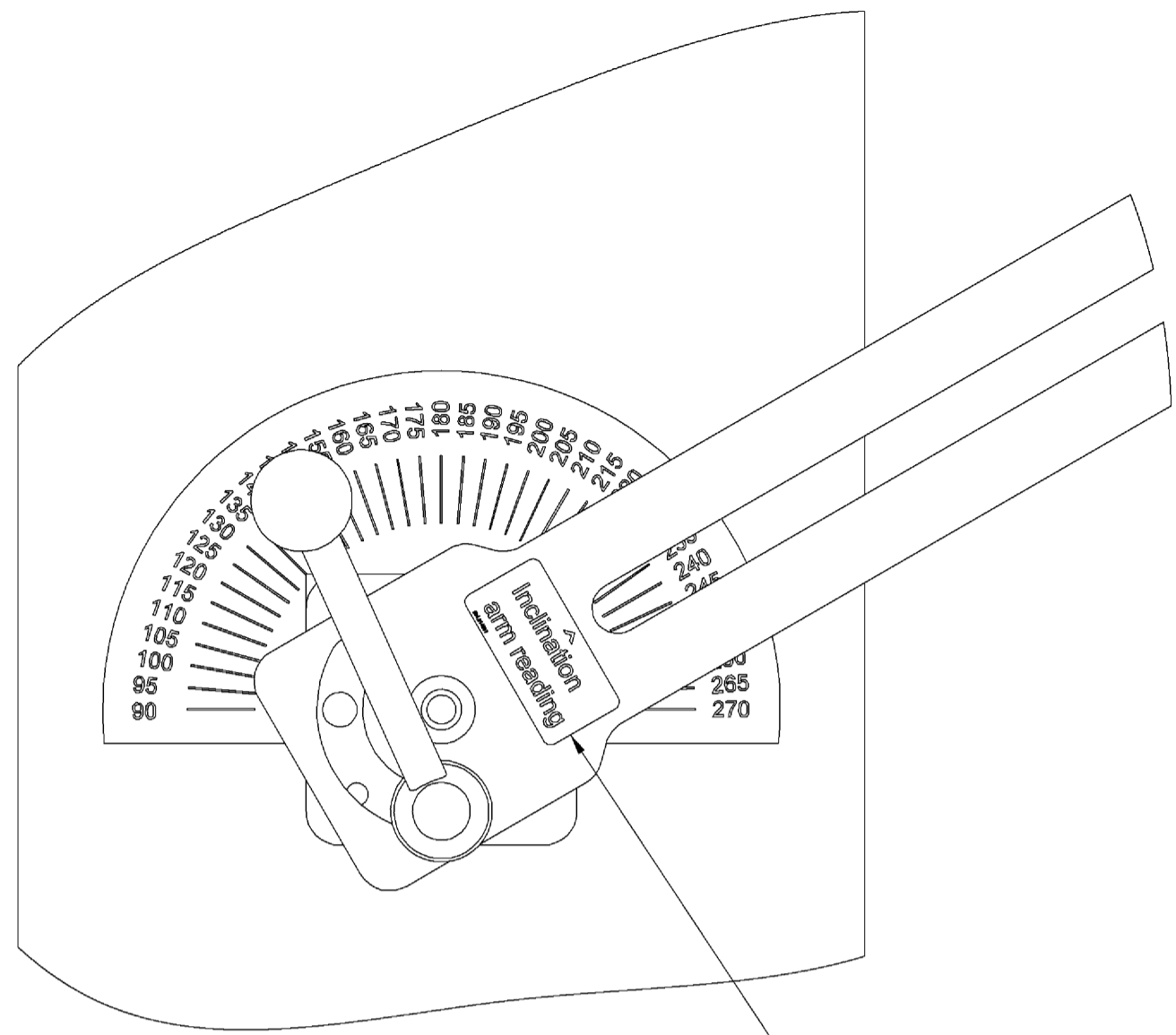




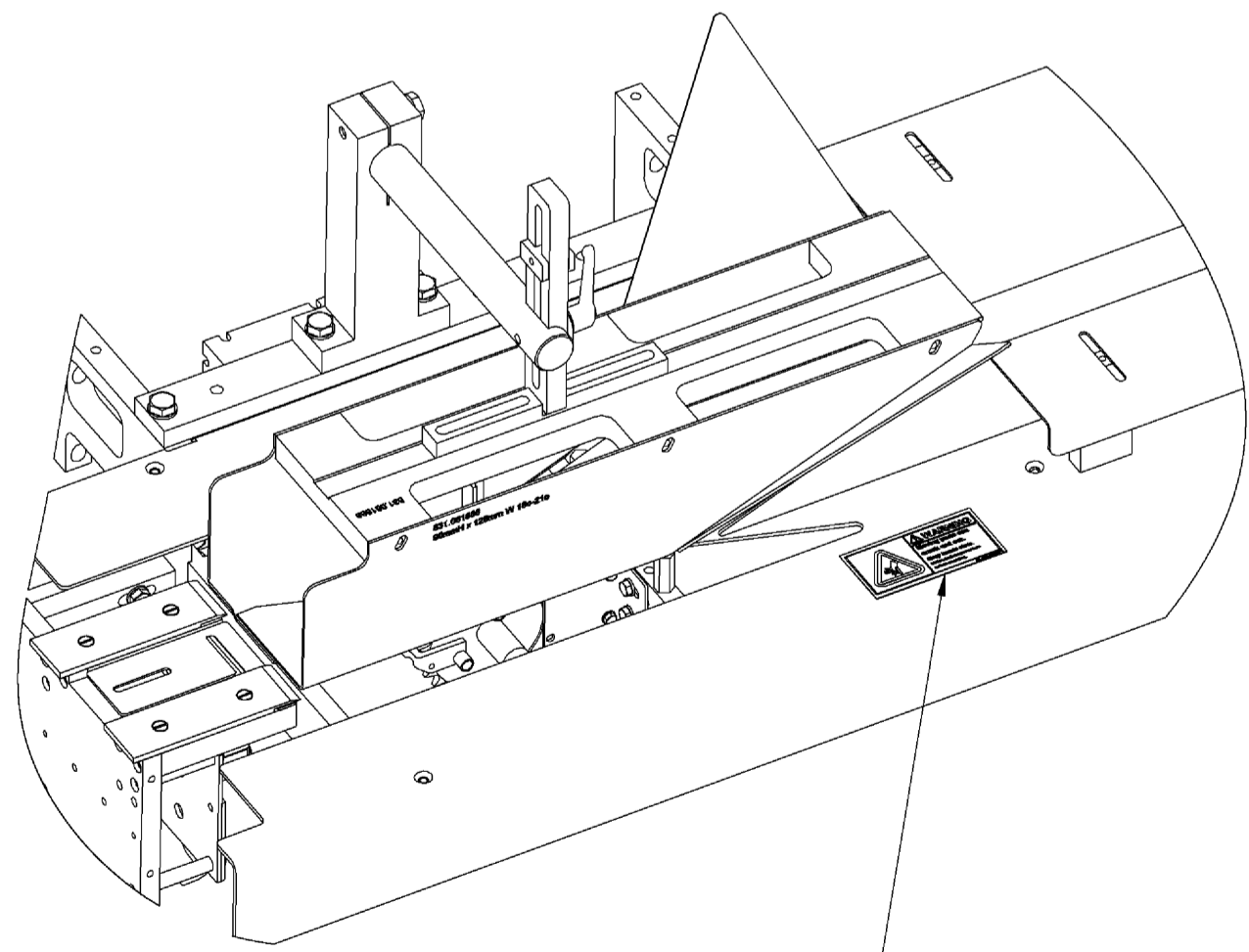


<b>Drawing Kit Frame Decals English</b>	Drawn by:	<b>Diana Marschall</b>	Date:	<b>08 FEB 00</b>
	Approved by:	<b>Diana Marschall</b>	Scale:	<b>1:4</b>
	Checked by:	<b>Jay Fowler</b>	Size:	<b>A2</b>
	Sheet:	Sheet: <b>2/4</b>	M-Type:	<b>241</b>
	<b>231.008437</b>		<b>Rev.: 4</b>	
<b>BOSCH</b>	<b>Dobby Inc.</b>	© Copyright Dobby Inc.	Based on SIG Pack International Design Standards	

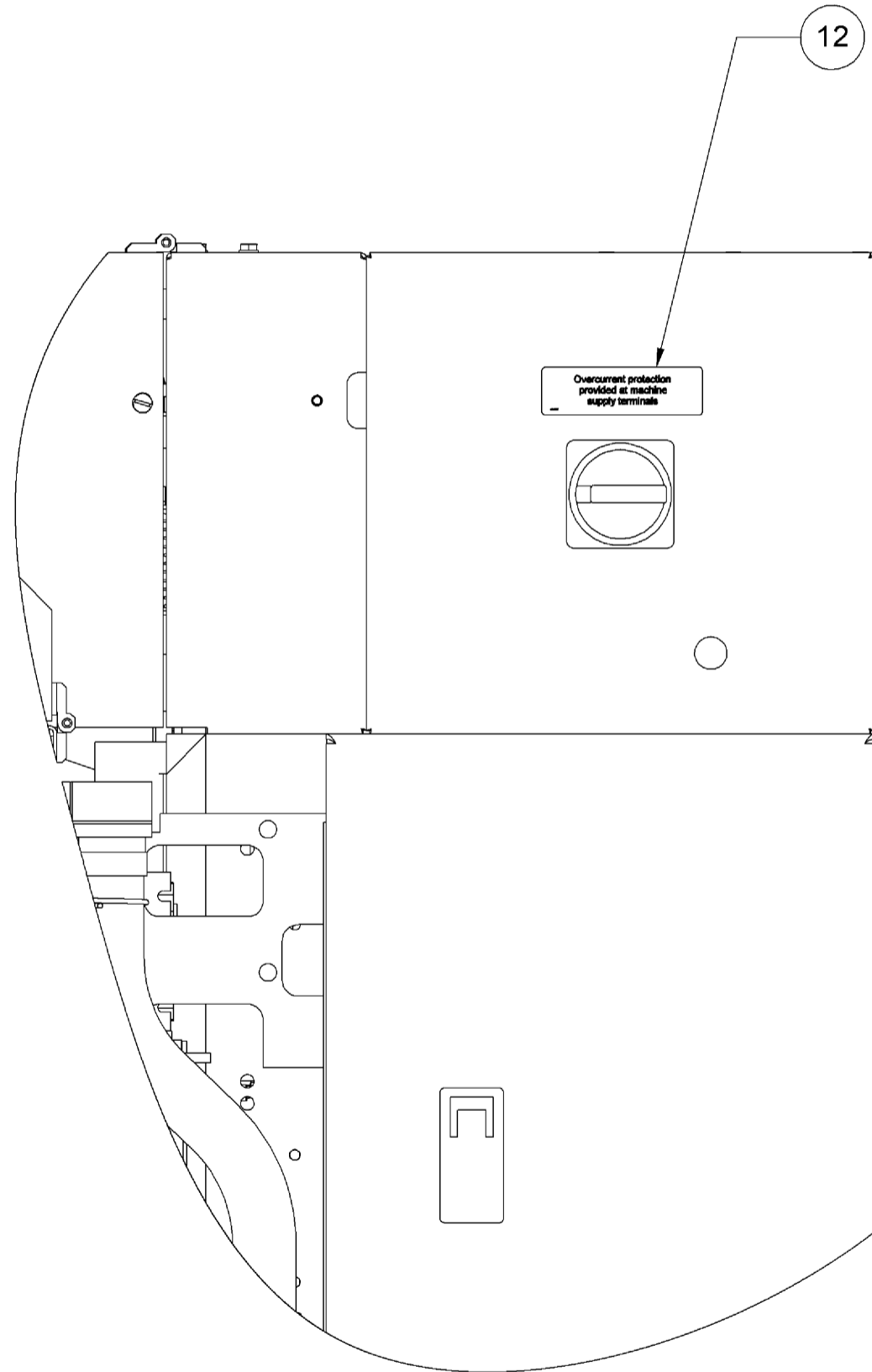
Qty.	Index	Description	Date	ECN No.	Changed by



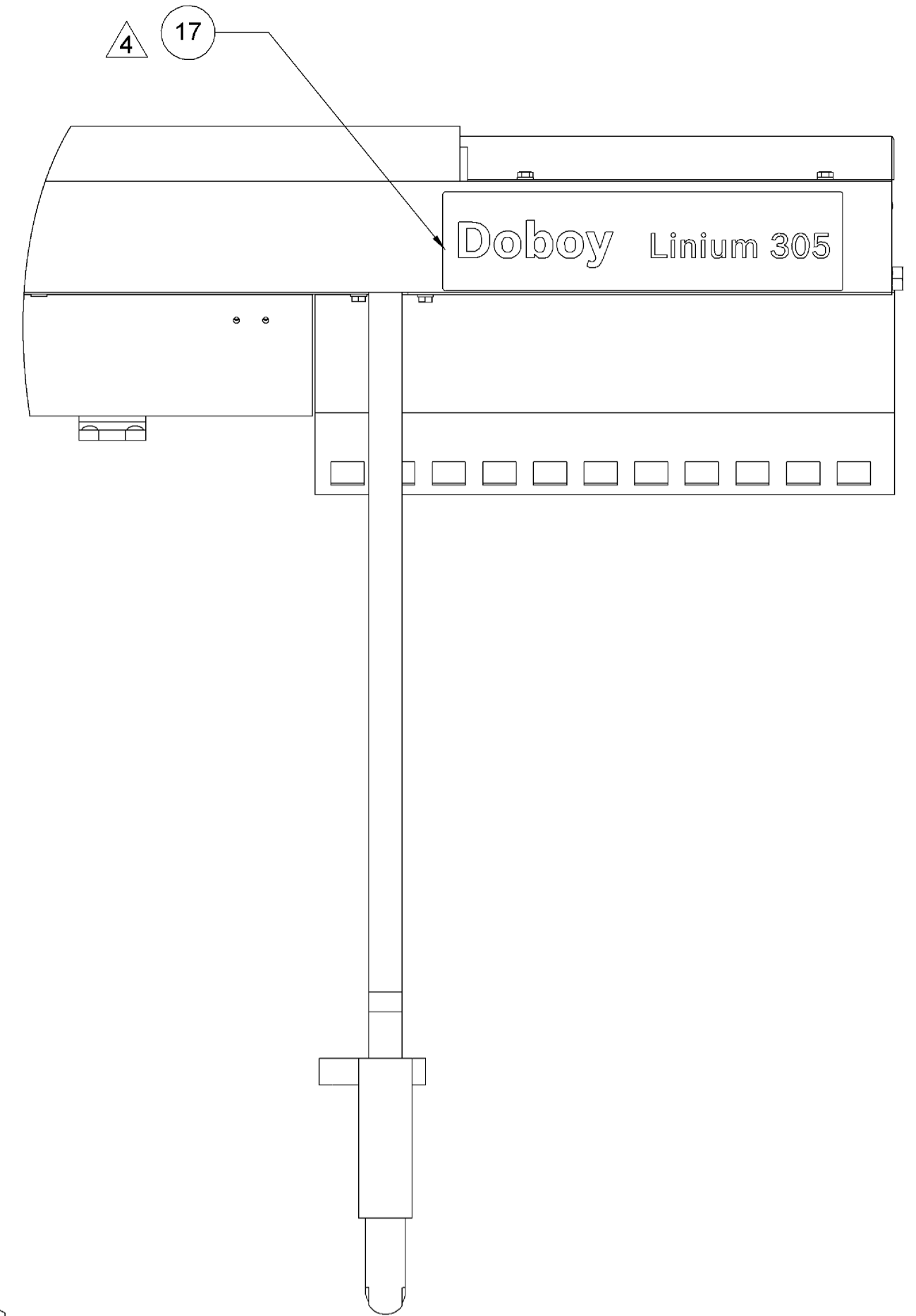
23 1



4 14



12



4 17

<b>Drawing Kit Frame Decals English</b>		Drawn by: <b>Diana Marschall</b>	Date: <b>08 FEB 00</b>
		Approved by: <b>Diana Marschall</b>	Scale: <b>1:4</b>
		Checked by: <b>Jay Fowler</b>	Size: <b>A2</b>
		Sheet: <b>4/4</b>	M-Type: <b>241</b>
		<b>231.008437</b>	<b>Rev.: 4</b>
<b>BOSCH</b>	<b>Doboy Inc.</b>	© Copyright Doboy Inc.	Based on SIG Pack International Design Standards

Qty.	Index	Description	Date	ECN No.	Changed by
------	-------	-------------	------	---------	------------

**Bosch Packaging Technology Inc.**

<b>Material</b>	C241	06 0010	<b>Alt.</b>	<b>Usage</b> 3	
	Linium 3X5 PolyRotary Horizontal Wrapper			<b>Valid</b> 09/16/2009	
<b>Reqd qty</b>	1.000 EA	<b>Base quant</b>	1.000 EA		
<b>Sales ord.</b>	172945	<b>Item</b>	000104		
<b>Lv</b>	<b>Item</b>	<b>Component no.</b>	<b>Description</b>	<b>Quant</b>	<b>Un</b>
1	0000	131.047226	ASSY-CUTTING HEAD W/FRAME LR SST		
2	0010	131.047225	ASSY-CUTT HEAD CHAIN DR LR SST	1.000	EA
2	0010	HAS ADDS DELETES			
2	0011	131.047222	01 ASSY-FRAME CUTTING HEAD LR SST	1.000	EA
2	0011	HAS ADDS DELETES			

# Bosch Packaging Technology Inc.

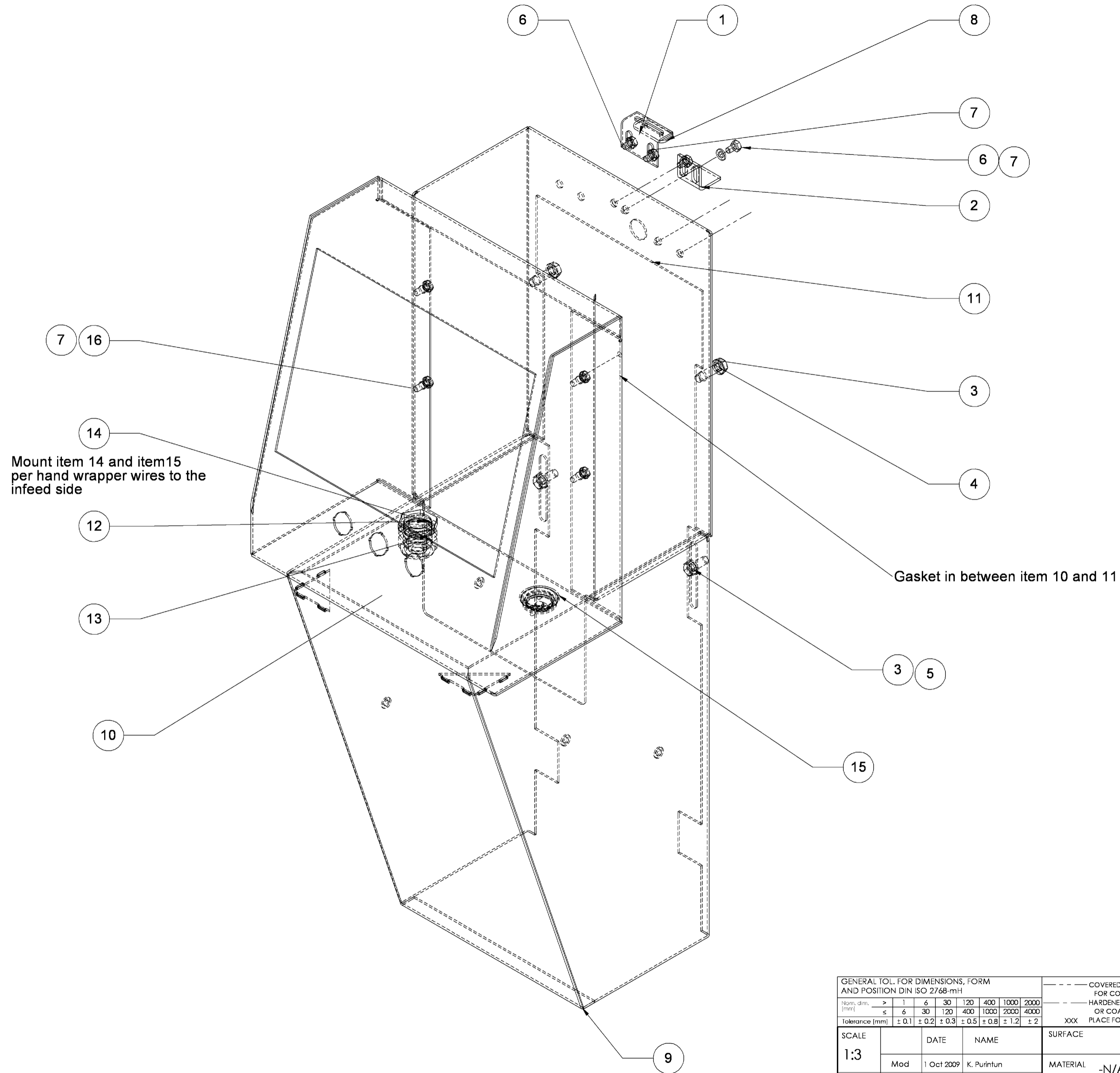
<b>Material</b>	C241	06 0010	<b>Alt.</b>	<b>Usage</b> 3
	Linium 3X5 PolyRotary Horizontal Wrapper			<b>Valid</b>
				09/16/2009
<b>Reqd qty</b>	1.000 EA	<b>Base quant</b>	1.000 EA	
<b>Sales ord.</b>	172945	<b>Item</b>	000104	

Lv	Item	Component no.	Description	Quant	Un
1	0000	8-110-910-496	KIT CUTTING HEAD W/PV1000		
2	0001	531.025706	BRACKET-MOUNT SWITCH	1.000	EA
2	0002	531.025697	MOUNT-CUTTING HEAD STOP	1.000	EA
2	0003	309393	01 WASHER-FLAT 8.4 X 16 X 1.6 SST	4.000	EA
2	0004	310144	SCREW-HEX HD M8 X 30 SST	2.000	EA
2	0005	432072	SCREW-HEX HD M8 X 20 SST	2.000	EA
2	0006	310106	SCREW-HEX HD M6 X 10 SST	8.000	EA
2	0007	379749	WASHER-FLAT 6.4 X 12 X 1.6 SST	12.000	EA
2	0008	531.025701	PLATE-NUT GUARD	1.000	EA
2	0009	8-110-910-497	01 GUARD TOUCH PAD LOWER	1.000	EA
2	0010	8-110-910-494	ENCLOSURE CUTTING HEAD TOUCH PAD	1.000	EA
2	0011	8-110-910-495	ENCLOSURE CUTTING HEAD TOUCH PAD	1.000	EA
2	0012	379508	CONNECTOR-STRAIN RELIEF PG21	1.000	EA
2	0013	379513	01 RING-SEALING NYLON PG-21	1.000	EA
2	0014	379510	01 LOCKNUT-NYLON PG 21	1.000	EA
2	0015	210815	01 HOLE SEAL 1.06 OIL TITE SST	1.000	EA
2	0016	309391	SCREW-HEX HD M6 X 16 SST	4.000	EA
2	0410	574-30075	01 CLAMP CABLE PLASTIC .750	1.000	EA
2	0411	031.000321	GASKET-DOOR	2.000	FT

© THIS DRAWING IS THE EXCLUSIVE PROPERTY OF ROBERT BOSCH GMBH. WITHOUT THEIR CONSENT IT MAY NOT BE REPRODUCED OR GIVEN TO THIRD PARTIES.

SYMBOL FOR TEST FEATURE ACCORDING TO ISO/DS 129-1. ALL THE TEST FEATURES ESTABLISHED IN THE DRAWING ARE SUBJECT TO A MUST TEST IN ACCORDANCE WITH THE VALID QA GUIDELINES.



GENERAL TOL. FOR DIMENSIONS, FORM AND POSITION DIN ISO 2768-mH		COVERED PLACES FOR COATING		SURFACE SYMBOLS DIN EN ISO 1302	
Norm. dim. (mm)	> 1 ≤ 6	6 30	30 120	120 400	400 1000
Tolerance (mm)	± 0.1 ± 0.2	± 0.2 ± 0.3	± 0.3 ± 0.5	± 0.5 ± 0.8	± 1.2 ± 2
SCALE		DATE		NAME	
1:3		1 Oct 2009		K. Purintun	
AREA		CHK		APP	
		1 Oct 2009		K. Purintun	
ROBERT BOSCH GmbH Packaging Technology Division		MATERIALCLASS	PROD-NO	TEMPLATE-NO.	SW
		-N/A-	225	Similar to 231.041000	(A2)
DESCRIPTION		DRAWING-NO.		SHEET	
Kit		8-110-910-496		1/1	
Cutting Head Touchpad PV1000		ORIGIN:			

AZ:ENL: 2006-02-17

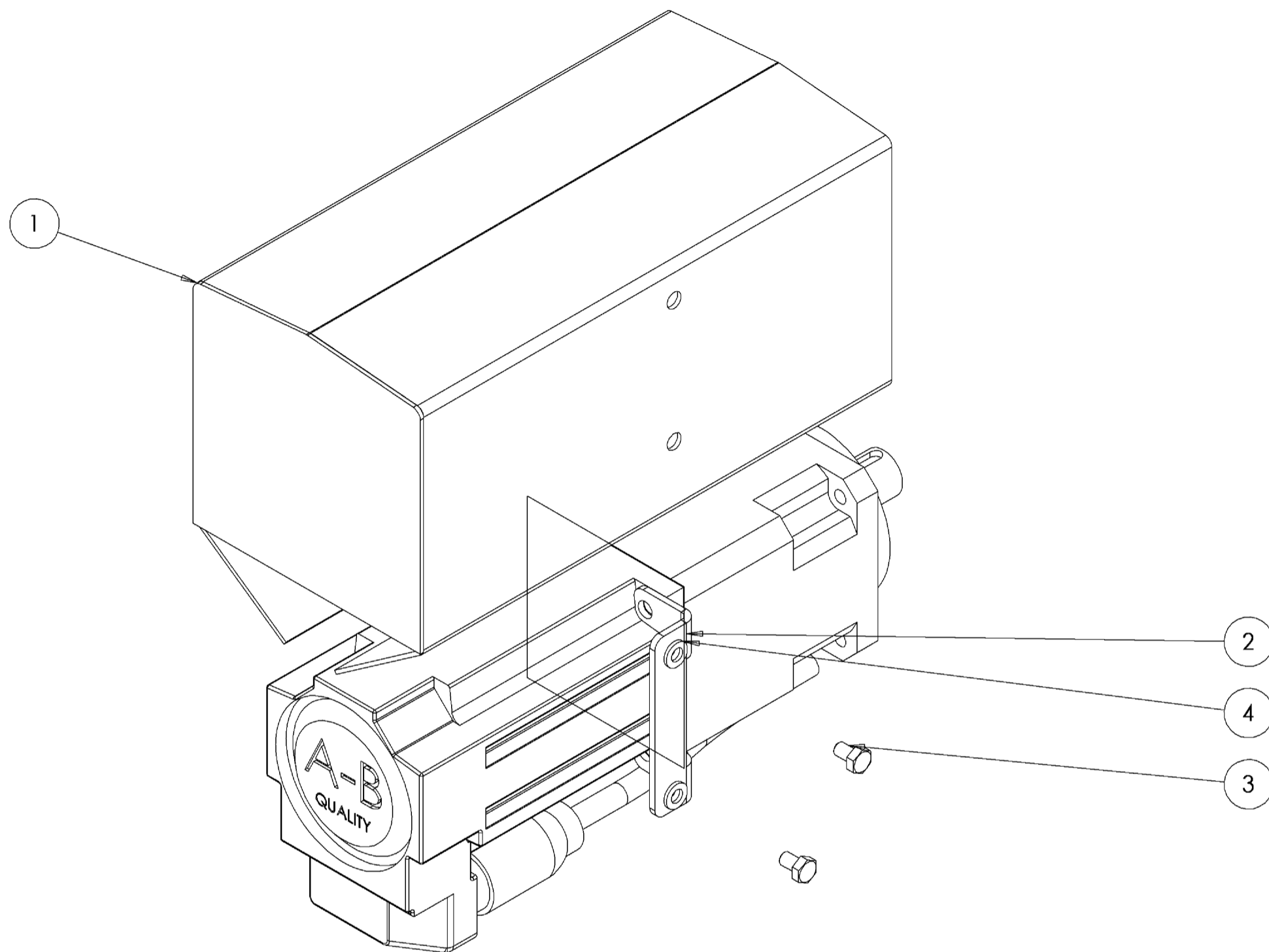
REV.	NO.	CHANGE	CHANGED
	3		

**Bosch Packaging Technology Inc.**

<b>Material</b>	C241	06 0010	<b>Alt.</b>	<b>Usage</b> 3	
	Linium 3X5 PolyRotary Horizontal Wrapper			<b>Valid</b> 09/16/2009	
<b>Reqd qty</b>	1.000 EA	<b>Base quant</b>	1.000 EA		
<b>Sales ord.</b>	172945	<b>Item</b>	000104		
<b>Lv</b>	<b>Item</b>	<b>Component no.</b>	<b>Description</b>	<b>Quant</b>	<b>Un</b>
1	0000	8-110-910-309	KIT GUARD MAIN MOTOR		
2	0001	8-110-910-308	01 COVER CUTTING HEAD MOTOR SST	1.000	EA
2	0002	8-110-624-069	01 BRACKET-CUTTING HEAD MOTOR COVER SST	2.000	EA
2	0003	310106	SCREW-HEX HD M6 X 10 SST	4.000	EA
2	0004	379749	WASHER-FLAT 6.4 X 12 X 1.6 SST	4.000	EA

© THIS DRAWING IS THE EXCLUSIVE PROPERTY OF ROBERT BOSCH GMBH. WITHOUT THEIR CONSENT IT MAY NOT BE REPRODUCED OR GIVEN TO THIRD PARTIES.

SYMBOL FOR TEST FEATURE ACCORDING TO ISO/DS 129-1. ALL THE TEST FEATURES ESTABLISHED IN THE DRAWING ARE SUBJECT TO A MUST TEST IN ACCORDANCE WITH THE VALID QA GUIDELINES.



GENERAL TOL. FOR DIMENSIONS, FORM AND POSITION DIN ISO 2768-mH		COVERED PLACES FOR COATING		SURFACE SYMBOLS DIN EN ISO 1302	
Norm. dim. (mm)	> 1	6	30	120	400
	≤ 6	30	120	400	1000
					2000
					4000
Tolerance (mm)	± 0.1	± 0.2	± 0.3	± 0.5	± 0.8
					± 1.2
					± 2
SCALE		DATE	NAME	SURFACE	
1:2		06.10.2009	K. Purintun		
AREA		CHK		MATERIAL	
		APP	06.10.2009	479866.34 mm <sup>3</sup>	
				18725.57 g	
				TYPE	
				MATERIAL CLASS	
				PROD-NO	
				TEMPLATE-NO.	
				SW	
				A2	
DESCRIPTION		DRAWING-NO.		SHEET	
Kit Guard Main Motor		8-110-910-309		1/1	
		ORIGIN:			

AZ/ENL: 2006-02-17

REV.	NO.	CHANGE	CHANGED

# Bosch Packaging Technology Inc.

<b>Material</b>	C241	06 0010	<b>Alt.</b>	<b>Usage</b> 3
	Linium 3X5 PolyRotary Horizontal Wrapper			<b>Valid</b>
				09/16/2009
<b>Reqd qty</b>	1.000 EA	<b>Base quant</b>	1.000 EA	
<b>Sales ord.</b>	172945	<b>Item</b>	000104	

Lv	Item	Component no.	Description	Quant	Un
1	0000	131.047227	KIT-GUARDS CUTTING HEAD LR SST		
2	0010	531.027233	GUARD-CUTTING HEAD TOP	1.000	EA
2	0011	531.036170	ENCLOSURE-HINGE MOUNTING-SST	1.000	EA
2	0012	531.027235	01 BRACE-CUTTING HEAD GUARD	1.000	EA
2	0013	531.027234	01 BRACKET-CUTTING HEAD TUNNEL GUARD	1.000	EA
2	0014	531.025700	01 BRACKET-SWITCH	1.000	EA
2	0015	531.036171	BRACKET-STOP-SST	1.000	EA
2	0016	531.036172	PLATE-DOOR CYLINDER-SST	1.000	EA
2	0017	8-110-910-307	01 GUARD CUTTING HD DISCHG LR	1.000	EA
2	0017	WAS 531.031932			
2	0018	531.031933	05 GUARD CUTTING HEAD FINWHEEL LR	1.000	EA
2	0019	531.027244	GUARD-BOTTOM	2.000	EA
2	0020	531.031899	GUARD-FRAME WIRING	1.000	EA
2	0021	531.036173	ENCLOSURE-POWER DROP-SST	1.000	EA
2	0022	531.036174	01 COVER-CE BOX-SST	1.000	EA
2	0023	531.047228	DOOR CUTTING HEAD DRIVE LR	1.000	EA
2	0024	531.000328	01 CATCH-FRAME DOOR	1.000	EA
2	0025	531.025699	BRACKET-MOUNT SWITCH	1.000	EA
2	0026	531.025701	PLATE-NUT GUARD	2.000	EA
2	0027	531.036176	MOUNT-GAS SPRING-SST	1.000	EA
2	0200	031.001526	LATCH-LIFT & TURN W/KEY	1.000	EA
2	0202	370694	STUD-BALL METRIC STL	2.000	EA
2	0203	261753	01 SPRING-GAS 3.5in 60lb	1.000	EA
2	0204	031.018177	BUMPER	1.000	EA
2	0205	377556	01 BUMPER-ROLLER END	2.000	EA
2	0206	031.001298	HANDLE-"U" CABINET	1.000	EA
2	0207	031.029231	HINGE-SST	2.000	EA
2	0208	188392	01 CLIP-BALL STUD PNEU SPRING	2.000	EA
2	0300	479833	INTERLOCK SWITCH		
2	0400	310102	SCREW-HEX HD M6 X 12 SST	11.000	EA
2	0401	379749	WASHER-FLAT 6.4 X 12 X 1.6 SST	30.000	EA
2	0402	318898	NUT-HEX FULL M6 SST	7.000	EA
2	0403	309392	SCREW-HEX HD M6 X 8 SST	4.000	EA
2	0404	309393	01 WASHER-FLAT 8.4 X 16 X 1.6 SST	8.000	EA
2	0405	388079	SCREW-HEX HD M6 X 25 SST	2.000	EA
2	0406	379447	01 SCREW-FLAT SLOT M6 X 16 SST	8.000	EA
2	0407	433420	SCREW-FLAT SLOT M6 X 25 SST	4.000	EA
2	0408	031.004582	SCREW-FLAT SLOT M5 X 25 SST	2.000	EA
2	0409	310107	SCREW-SOC CAP M6 X 16 SST	6.000	EA
2	0410	310114	SCREW-HEX HD M8 X 16 SST	8.000	EA
2	0411	397007	SCREW-HEX HD M5 X 8 SST	3.000	EA
2	0412	401213	SCREW-SOC CAP M4 X 16 SST	4.000	EA
2	0413	409969	SCREW-HEX HD M6 X 14 SST	2.000	EA
2	0414	422076	SCREW-FLAT SLOT M6 X 10 SST	2.000	EA

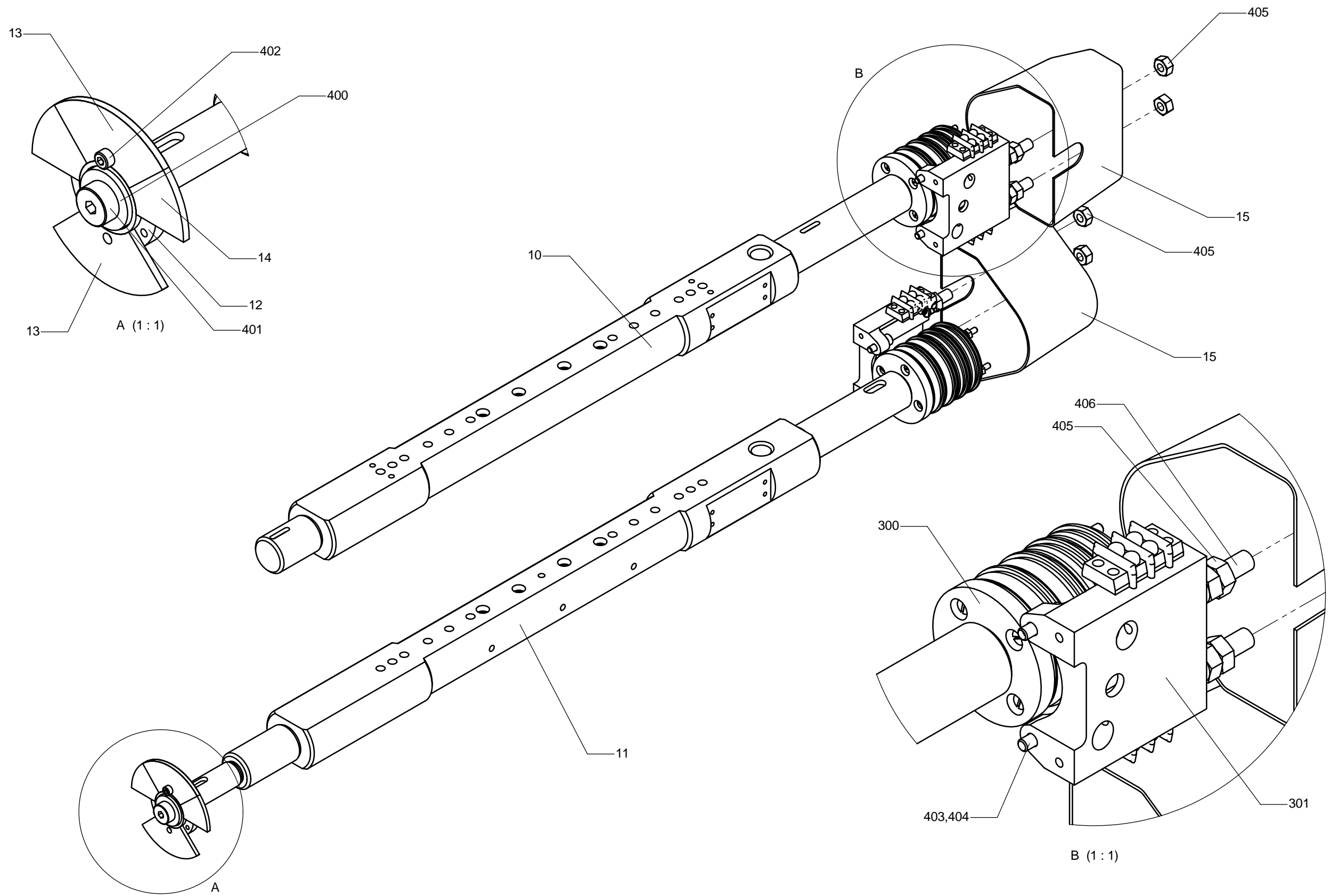


**Bosch Packaging Technology Inc.**

<b>Material</b>	C241	06 0010	<b>Alt.</b>	<b>Usage</b> 3
	Linium 3X5 PolyRotary Horizontal Wrapper			<b>Valid</b>
				09/16/2009
<b>Reqd qty</b>	1.000 EA	<b>Base quant</b>	1.000 EA	
<b>Sales ord.</b>	172945	<b>Item</b>	000104	

<b>Lv</b>	<b>Item</b>	<b>Component no.</b>	<b>Description</b>	<b>Quant</b>	<b>Un</b>
1	0000	131.032434	KIT-CUTT HD SHAFTS 1UP 2UP SK		
2	0010	531.032432	01 SHAFT-CUTTING HEAD-UPPER-1UP 2UP-SK	1.000	EA
2	0011	531.032433	01 SHAFT-CUTTING HEAD-LOWER-1UP 2UP-SK	1.000	EA
2	0012	531.025344	01 HUB-CUTTING HEAD FLAG	1.000	EA
2	0013	531.002796	01 FLAG CUTT HD 90o	2.000	EA
2	0014	531.002797	01 FLAG CUTT HD 180o	1.000	EA
2	0015	391537	COVER SLIP RING	1.000	EA
2	0300	391709	04 ASSY COLLECTOR 4 RING METRIC***	1.000	EA
2	0301	391710	03 KIT BRUSH HOLDER 4 RING METRIC	1.000	EA
2	0400	422037	WASHER-FLAT THK 10.5 X 25 X 4 SST	1.000	EA
2	0401	395975	SCREW-SHOULDER 10/M8 X 10 SST	1.000	EA
2	0402	410904	SCREW-SOC CAP M4 X 6 SST	1.000	EA
2	0403	401228	WASHER-FLAT 5.3 X 10 X 1 SST	2.000	EA
2	0404	310093	SCREW-SOC-CAP M5 X 16 SST	2.000	EA
2	0405	397063	NUT-HEX FULL M8 SST	6.000	EA
2	0406	379458	SCREW-SET M8 X 40 SST	2.000	EA



0	1	Update per ecn	30 Dec 02	169181	BKM
Qty.	Index	Description	Date	ECN No.	Changed by

<b>Kit</b> Cutting Head Shafts 1UP - 2UP Doboy Style 370		Drawn by: <b>Kirk Bryan</b>	Date: <b>24 Oct 2002</b>
		Approved by: <b>Kirk Bryan</b>	Scale: <b>1:2</b>
		Checked by: <b>Barb Hemauer</b>	Size: <b>A2</b>
		Sheet: <b>1/1</b>	M-Type: <b>225</b>
		<b>231.025719</b>	<b>Rev.: 1</b>
<b>BOSCH</b>	<b>Doboy Inc.</b>	© Copyright Doboy Inc.	Based on SIG Pack International Design Standards

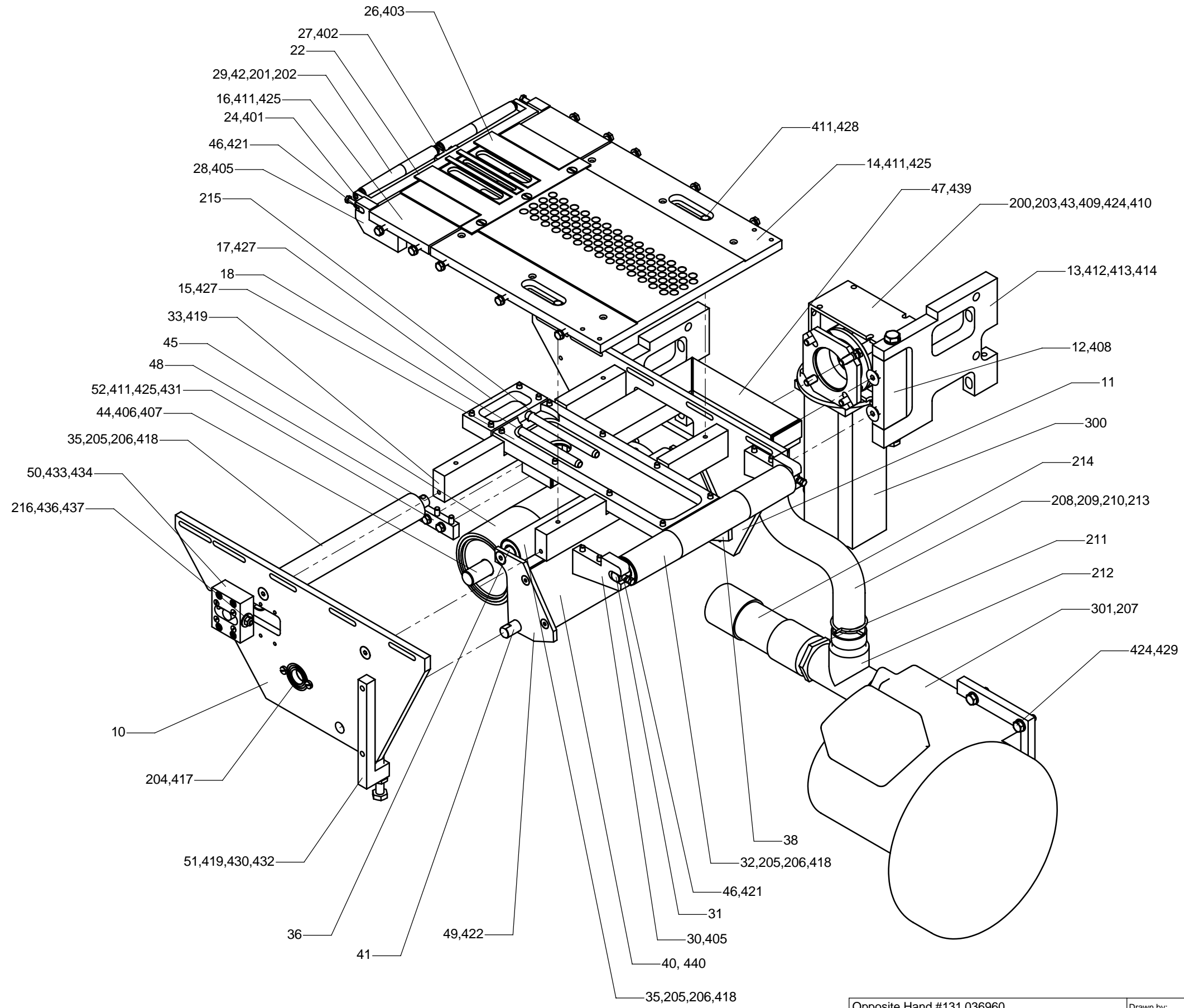
# Bosch Packaging Technology Inc.

<b>Material</b>	C241	06 0010	<b>Alt.</b>	<b>Usage</b> 3
	Linium 3X5 PolyRotary Horizontal Wrapper			<b>Valid</b>
				09/16/2009
<b>Reqd qty</b>	1.000 EA	<b>Base quant</b>	1.000 EA	
<b>Sales ord.</b>	172945	<b>Item</b>	000104	

Lv	Item	Component no.	Description	Quant	Un
1	0000	131.055463	ASSY-VACUUM CONVEYOR LR SST		
2	0000	231.036530	ASSY VACUUM CONVEYOR RL	1.000	EA
2	0010	531.036543	01 PLATE FRAME OP LR	1.000	EA
2	0011	531.036544	PLATE FRAME DRIVE LR	1.000	EA
2	0012	531.038274	BLOCK-CNVR MOUNT-SST	2.000	EA
2	0013	531.038273	PLATE-MOUNT-VAC CNVR-SST	2.000	EA
2	0014	531.006112	02 PLATE TOP VACUUM	1.000	EA
2	0015	531.006113	02 PLATE VACUUM BOX	1.000	EA
2	0016	531.006117	01 PLATE-TOP VAC ADJ	1.000	EA
2	0017	531.006118	01 PLATE-VAC BOX ADJ	1.000	EA
2	0018	531.006119	02 TUBE VACUUM	2.000	EA
2	0022	DELETE 531.006114 (QTY1)			
2	0024	DELETE 531.003843 (QTY1)			
2	0026	531.006115	01 DECK-BELT SUPPORT	1.000	EA
2	0027	DELETE 531.004397 (QTY1)			
2	0028	DELETE 531.006116 (QTY2)			
2	0029	DELETE 531.000057 (QTY2)			
2	0030	531.003876	01 PLATE TRACKING MOUNT	2.000	EA
2	0031	531.003874	01 SHAFT NOSE ROLLER	1.000	EA
2	0032	531.003875	03 ROLLER RUBBER COATED NOSE	1.000	EA
2	0033	531.003860	01 BLOCK SPACER VACUUM CNVR	2.000	EA
2	0035	531.003862	01 ROLLER IDLER	2.000	EA
2	0036	531.003863	02 SHAFT TAKEUP ROLLER	1.000	EA
2	0038	531.036539	02 BRACKET TAKE UP RL	1.000	EA
2	0040	531.038608	01 PLATE-TAKE UP SPACER	1.000	EA
2	0041	531.003873	01 SHAFT REMOVEABLE PIVOT	1.000	EA
2	0042	DELETE 350868 (QTY 4)			
2	0043	531.001254	02 SPACER RIDER BAR	1.000	EA
2	0044	531.003868	01 SHAFT VACUUM CNVR DRIVE	1.000	EA
2	0045	531.003869	01 ROLLER DRIVE RUBBER COATED	1.000	EA
2	0046	531.004583	01 NUT LOCKING	2.000	EA
2	0046	DELETE 531.004583 (QTY 2 ONLY)			
2	0047	531.055464	TUBE-VACUUM EXTENSION-LR-SST	1.000	EA
2	0048	531.036535	SHAFT TRACKING	1.000	EA
2	0049	531.036537	02 BRACKET TAKE UP LR	1.000	EA
2	0050	531.036534	PLATE TAKE UP	1.000	EA
2	0051	531.036540	MOUNT TAKE UP	1.000	EA
2	0052	531.036536	PLATE PIVOT	1.000	EA
2	0200	031.000810	GEAR REDUCER RIGHTANGLE 10:1	1.000	EA
2	0201	DELETE 339705 (QTY 8)			
2	0202	DELETE 339704 (QTY 4)			
2	0203	031.000766	FLANGE-GEAR REDUCER NMRV040	1.000	EA
2	0204	031.002890	01 BEARING-RADIAL BALL 20x37x9	2.000	EA
2	0205	521-56002	02 BEARING-RADIAL BALL 15X32X9	6.000	EA
2	0206	382762	02 SEAL-OIL 15mm x 32mm x 7mm	6.000	EA
2	0207	347649	STREET ELBOW 90o PVC GREY	1.000	EA
2	0208	031.003585	CLAMP HOSE	2.000	EA
2	0209	031.003584	HOSE VACUUM	2.500	FT

## Bosch Packaging Technology Inc.

2	0210	031.003583		NIPPLE HOSE	2.000	EA
2	0211	031.003895		REDUCER BUSHING 1.50 X 1.25 SCH 80	1.000	EA
2	0212	031.003894		TEE 1.25 T×T×T SCH 80 GREY PVC	1.000	EA
2	0213	347650		NIPPLE CLOSE PVC 1.75LG GREY	3.000	EA
2	0214	395636		VALVE-VACUUM RELIEF 1 1/2 NPT	1.000	EA
2	0215	126263	01	RING-"O" .364 +_ .005	2.000	EA
2	0216	019.042446		BEARING-THRUST-IGLIDE 8x18x1.5	2.000	EA
2	0300	440549	:	SERVO MOTOR		
2	0301	310950	01	RING COMPRESSOR,VACUUM,3PH	1.000	EA
2	0401	DELETE	431823	(QTY 2)		
2	0402	DELETE	432321	(QTY 2)		
2	0403	422076		SCREW-FLAT SLOT M6 X 10 SST	3.000	EA
2	0405	310107		SCREW-SOC CAP M6 X 16 SST	9.000	EA
2	0406	397387		KEY-6 X 6 X 70 SST	1.000	EA
2	0407	397385		KEY-6 X 6 X 20 SST	1.000	EA
2	0408	320841		SCREW-FLAT SOC M10 X 25 SST	4.000	EA
2	0409	432072		SCREW-HEX HD M8 X 20 SST	4.000	EA
2	0410	310102		SCREW-HEX HD M6 X 12 SST	4.000	EA
2	0411	379749		WASHER-FLAT 6.4 X 12 X 1.6 SST	14.000	EA
2	0412	397080		WASHER-FLAT 10.5 X 20 X 2 SST	4.000	EA
2	0413	397010		SCREW-HEX HD M10 X 45 SST	2.000	EA
2	0414	310148		SCREW-HEX HD M10 X 30 SST	2.000	EA
2	0417	397047		SCREW-PAN SLOT M5 X 6 SST	4.000	EA
2	0418	397368		RING RTNG EXT 15MM SST	6.000	EA
2	0419	395577		SCREW-FLAT SOC M8 X 20 SST	6.000	EA
2	0421	406880		SCREW-HEX HD M5 X 30 SST	4.000	EA
2	0422	310146		SCREW-FLAT SOC M8 X 16 SST	2.000	EA
2	0424	309393	01	WASHER-FLAT 8.4 X 16 X 1.6 SST	8.000	EA
2	0425	310098		SCREW-HEX HD M6 X 20 SST	12.000	EA
2	0427	310099		SCREW-FLAT SOC M6 X 25 SST	12.000	EA
2	0428	309391		SCREW-HEX HD M6 X 16 SST	2.000	EA
2	0429	310110		SCREW-HEX HD M8 X 25 SST	4.000	EA
2	0430	432090		SCREW-HEX HD M10 X 80 SST	1.000	EA
2	0431	397381		PIN-DOWEL 6 X 20 SST	3.000	EA
2	0432	310171	01	NUT-HEX JAM M10 SST	1.000	EA
2	0433	397026		SCREW-SOC CAP M5 X 25 SST	4.000	EA
2	0434	388078		SCREW-FLAT-SLOT M4X8 SST	4.000	EA
2	0436	431969		SCREW-HEX HD M6 X 60 SST	1.000	EA
2	0437	397065		NUT-HEX NYLOCK FULL M6 SST	1.000	EA
2	0439	395576		SCREW-FLAT SOC M6 X 30 SST	4.000	EA
2	0440	330832		SCREW-FLAT SOC M6 X 10 SST	4.000	EA



Opposite Hand #131.036960		Drawn by: <b>Bryan Mueller</b>	Date: <b>15 Mar 2004</b>
<b>Assembly</b> Vacuum Conveyor R-L		Approved by: <b>Bryan Grass</b>	Scale: <b>1:3.5</b>
		Checked by: <b>Barb Hemauer</b>	Size: <b>A2</b>
		Sheet: <b>1/1</b>	M-Type: <b>241</b>
		<b>231.036530</b>	Rev.: <b>1</b>
<b>BOSCH</b>	<b>SIG Dobby Inc.</b>	© Copyright SIG Dobby Inc.	Based on SIG Pack International Design Standards

Qty.	Index	Description	Date	ECN No.	Changed by
0	1	Changed Items 38 & 40	1 Apr 04	175643	SRL

# Bosch Packaging Technology Inc.

<b>Material</b>	C241	06 0010	<b>Alt.</b>	<b>Usage</b> 3
	Linium 3X5 PolyRotary Horizontal Wrapper			<b>Valid</b>
				09/16/2009
<b>Reqd qty</b>	1.000 EA	<b>Base quant</b>	1.000 EA	
<b>Sales ord.</b>	172945	<b>Item</b>	000104	

Lv	Item	Component no.	Description	Quant	Un
1	0000	8-110-914-292	ASSY ROLLER VACUUM		
2	0001	531.003876	01 PLATE TRACKING MOUNT	2.000	EA
2	0002	531.003875	03 ROLLER RUBBER COATED NOSE	1.000	EA
2	0003	531.003874	01 SHAFT NOSE ROLLER	1.000	EA
2	0004	382762	02 SEAL-OIL 15mm x 32mm x 7mm	2.000	EA
2	0005	521-56002	02 BEARING-RADIAL BALL 15X32X9	2.000	EA
2	0006	531.004583	01 NUT LOCKING	2.000	EA
2	0007	397368	RING RTNG EXT 15MM SST	2.000	EA
2	0008	310107	SCREW-SOC CAP M6 X 16 SST	4.000	EA
2	0009	406880	SCREW-HEX HD M5 X 30 SST	2.000	EA

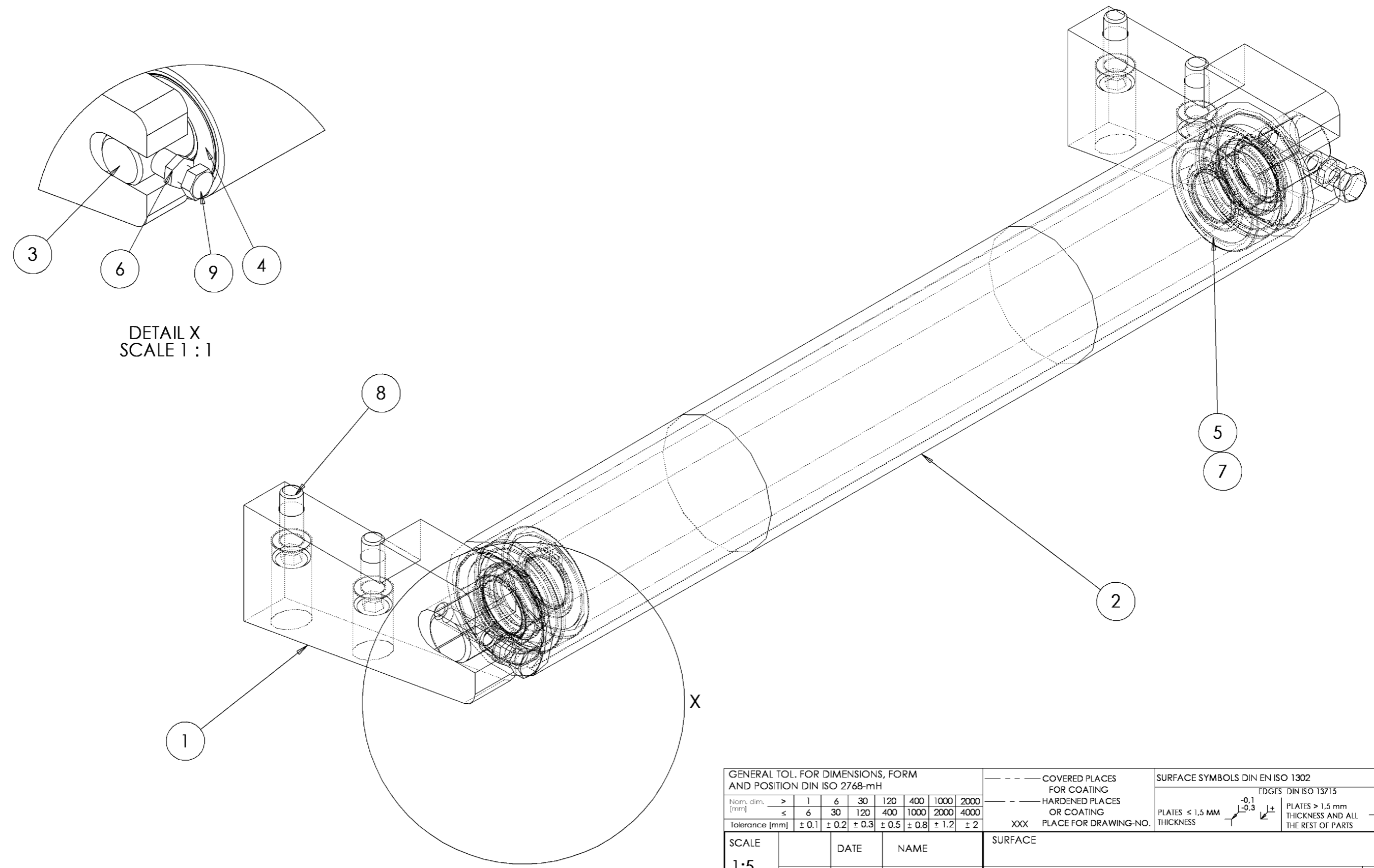
©THIS DRAWING IS THE EXCLUSIVE PROPERTY OF ROBERT BOSCH GMBH.  
 WITHOUT THEIR CONSENT IT MAY NOT BE REPRODUCED OR GIVEN TO THIRD PARTIES.

SYMBOL FOR TEST FEATURE ACCORDING TO ISO/DIS 129-1. ALL THE TEST FEATURES ESTABLISHED IN  
 THE DRAWING ARE SUBJECT TO A MUST TEST IN ACCORDANCE WITH THE VALID QA GUIDELINES.

1 | 8.5

A3-EN; 2006-02-17

REV.	NO.	CHANGE	CHANGED



GENERAL TOL. FOR DIMENSIONS, FORM AND POSITION DIN ISO 2768-mH				SURFACE		SURFACE SYMBOLS DIN EN ISO 1302				
Nom. dim. [mm]	>	1	6	30	120	400	1000	2000	EDGES DIN ISO 13715	
	<	6	30	120	400	1000	2000	4000	PLATES < 1,5 mm THICKNESS	
Tolerance [mm]		± 0.1	± 0.2	± 0.3	± 0.5	± 0.8	± 1.2	± 2	PLATES > 1,5 mm THICKNESS AND ALL THE REST OF PARTS	
				---		COVERED PLACES FOR COATING				
				---		HARDENED PLACES OR COATING				
				XXX		PLACE FOR DRAWING-NO.				
SCALE	1:5	DATE	23.12.2009	NAME	K. Purintun					
AREA	CHK	APP	23.12.2009	K. Purintun						
ROBERT BOSCH GmbH Packaging Technology Division						MATERIALCLASS	PROD-NO	TEMPLATE-NO.	SW	
							241		A3	
DESCRIPTION Assy Roller Vacuum						DRAWING-NO. 8-110-914-292			SHEET 1/1	
						ORIGIN:				

# Bosch Packaging Technology Inc.

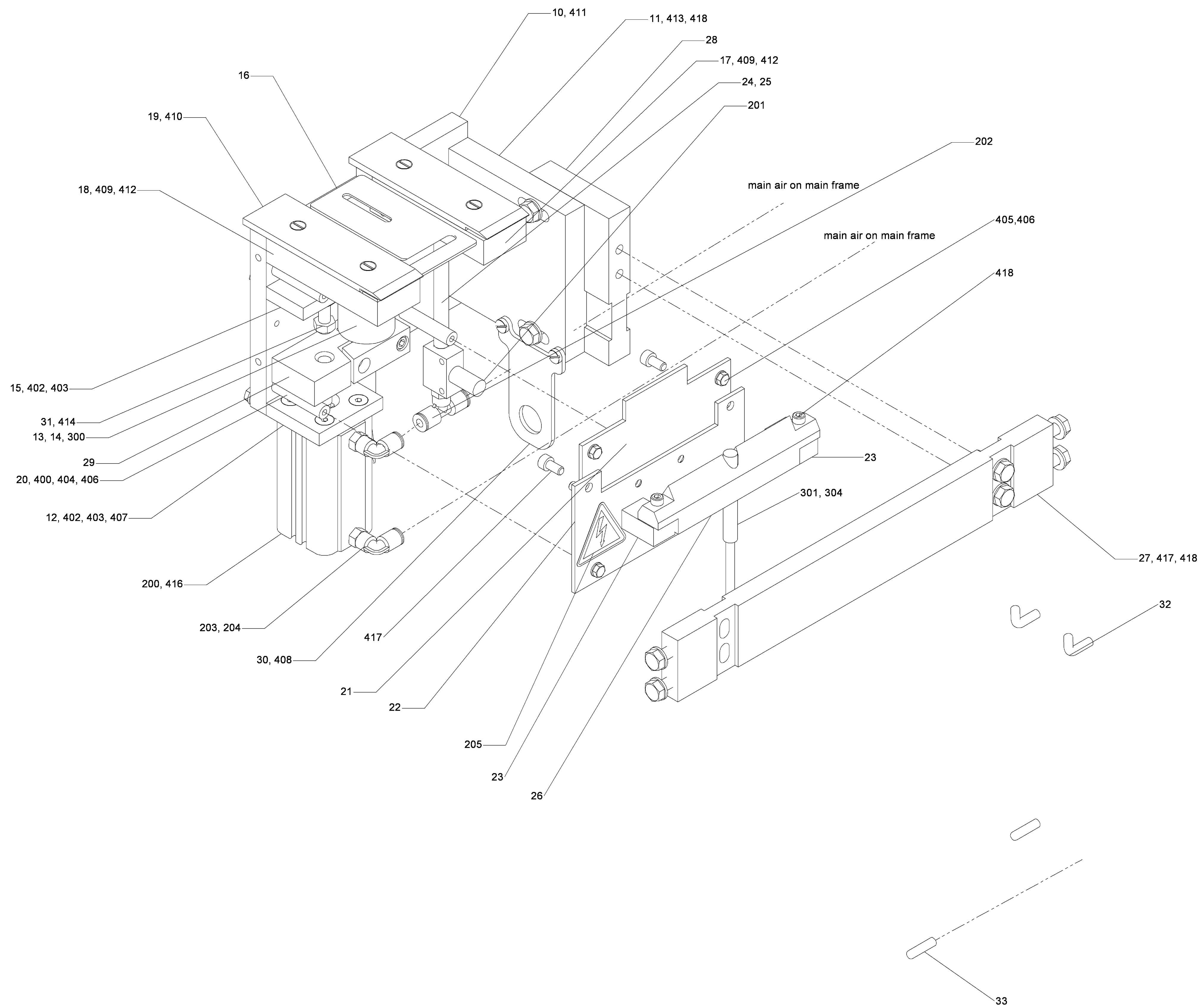
<b>Material</b>	C241	06 0010	<b>Alt.</b>	<b>Usage</b> 3
	Linium 3X5 PolyRotary Horizontal Wrapper			<b>Valid</b>
				09/16/2009
<b>Reqd qty</b>	1.000 EA	<b>Base quant</b>	1.000 EA	
<b>Sales ord.</b>	172945	<b>Item</b>	000104	

Lv	Item	Component no.	Description	Quant	Un
1	0000	8-110-914-006	ASSY COMBO LAP SEAL LR		
2	0010	531.003899	01 PLATE-COMBO MOUNTING LR	1.000	EA
2	0011	531.004562	01 PLATE MOUNT COMBO LR	1.000	EA
2	0012	531.004563	01 PLATE CYLINDER MOUNT	1.000	EA
2	0013	531.041643	BAR-HOT SHOE	1.000	EA
2	0014	531.004565	01 PLATE RETAINER HEAT ELEMENT	1.000	EA
2	0015	531.038630	BLOCK-HOT SHOE STOP	1.000	EA
2	0016	531.044210	PLATE-FILM GUIDE-COMBO	1.000	EA
2	0017	531.004568	03 BLOCK MOUNT RIDER	1.000	EA
2	0018	531.004569	02 BLOCK MOUNT RIDER	1.000	EA
2	0019	531.004570	02 PLATE PRODUCT RIDER	2.000	EA
2	0020	531.004571	01 SHAFT SPACER	4.000	EA
2	0021	8-110-914-003	PLATE INSULATOR STATIC PIN	1.000	EA
2	0022	8-110-912-766	MOUNT STATIC SEAL	1.000	EA
2	0023	8-110-912-765	BRKT BAR MOUNTING	2.000	EA
2	0024	531.004575	03 BLOCK COOLING MANIFOLD	1.000	EA
2	0025	531.004576	01 NIPPLE PIPE	1.000	EA
2	0026	8-110-912-351	02 BAR-STATIC PIN MOUNT	1.000	EA
2	0027	531.004578	02 BAR CROSS BOTTOM SEAL	1.000	EA
2	0028	531.004579	01 PLATE SUPPORT BRACKET	1.000	EA
2	0029	531.003900	03 BLOCK HOLDER HOT SHOE-2pc	1.000	EA
2	0030	531.004587	01 PLATE CONDUIT MOUNTING	1.000	EA
2	0031	531.038629	SCREW-HOT SHOE STOP	1.000	EA
2	0032	8-110-914-001	01 PEG	2.000	EA
2	0033	8-110-914-002	01 PEG	2.000	EA
2	0200	031.004580	CYLINDER AIR SQUARE SHAFT	1.000	EA
2	0201	031.004581	VALVE-FLOW CONTROL-IN LINE	1.000	EA
2	0202	031.000734	TEE-MALE R1/8-6MM TUBE	1.000	EA
2	0203	432287	CONNECTOR-ELBOW MALE R1/8 TO 6mm TUB	2.000	EA
2	0204	370719	PA TUBE (NYLON) PNEUMATIC 6mm OD	2.000	M
2	0205	379793	DECAL-ELECTRICAL HAZARD	1.000	EA
2	0206	031.005251	DECAL-HEAT CONTROL SHOE L-R	1.000	EA
2	0300	311951	04 ELEMENT-HEAT 240V 300W .500 4.50	1.000	EA
2	0301	8-110-914-005	STATIC ELECTRODE W/MALE CONN	1.000	EA
2	0302	350906	: STATIC GENERATOR		
2	0303	393350	BOX, JUNCTION 6 X 4 X 4	1.000	EA
2	0304	8-110-914-004	STATIC CONN CABLE	1.000	EA
2	0305	398040	PANEL	1.000	EA
2	0400	310093	SCREW-SOC-CAP M5 X 16 SST	4.000	EA
2	0402	388079	SCREW-HEX HD M6 X 25 SST	4.000	EA
2	0403	379749	WASHER-FLAT 6.4 X 12 X 1.6 SST	4.000	EA
2	0404	397011	SCREW-HEX HD M5 X 16 SST	2.000	EA
2	0405	397007	SCREW-HEX HD M5 X 8 SST	2.000	EA
2	0406	401228	WASHER-FLAT 5.3 X 10 X 1 SST	4.000	EA
2	0407	398355	SCREW-FLAT SOC M6 X 20 SST	4.000	EA
2	0408	310095	SCREW-PAN SLOT M5 X 10 SST	2.000	EA
2	0409	031.004582	SCREW-FLAT SLOT M5 X 25 SST	2.000	EA
2	0410	398354	SCREW-FLAT SLOT M5 X 12 SST	4.000	EA



## Bosch Packaging Technology Inc.

2	0411	8-108-190-194	SCREW-FLAT SOC M8 X 25 SST	2.000	EA
2	0412	310107	SCREW-SOC CAP M6 X 16 SST	6.000	EA
2	0413	310144	SCREW-HEX HD M8 X 30 SST	2.000	EA
2	0414	382897	01 NUT-HEX JAM M8 SST	1.000	EA
2	0416	310171	01 NUT-HEX JAM M10 SST	1.000	EA
2	0417	310110	SCREW-HEX HD M8 X 25 SST	6.000	EA
2	0417	397029	SCREW-SOC CAP M6 X 12 SST	2.000	EA
2	0418	309393	01 WASHER-FLAT 8.4 X 16 X 1.6 SST	8.000	EA
2	0418	451872	SCREW-SOC CAP M5 X 20 SST	2.000	EA



© THE DRAWING IS THE EXCLUSIVE PROPERTY OF ROBERT BOSCH GMBH  
 WHOSE CONSENT MUST BE OBTAINED BEFORE REPRODUCTION IN ANY FORM OR BY ANY MEANS.

SYMBOLS FOR BEST FEATURES ACCORDING TO DIN ISO 15701-1:2009  
 THE DRAWING IS SUBJECT TO PATENT RIGHTS IN ALL COUNTRIES.

A.LIN.: 200402-7

REV.	NO.	CHANGE	CHANGED

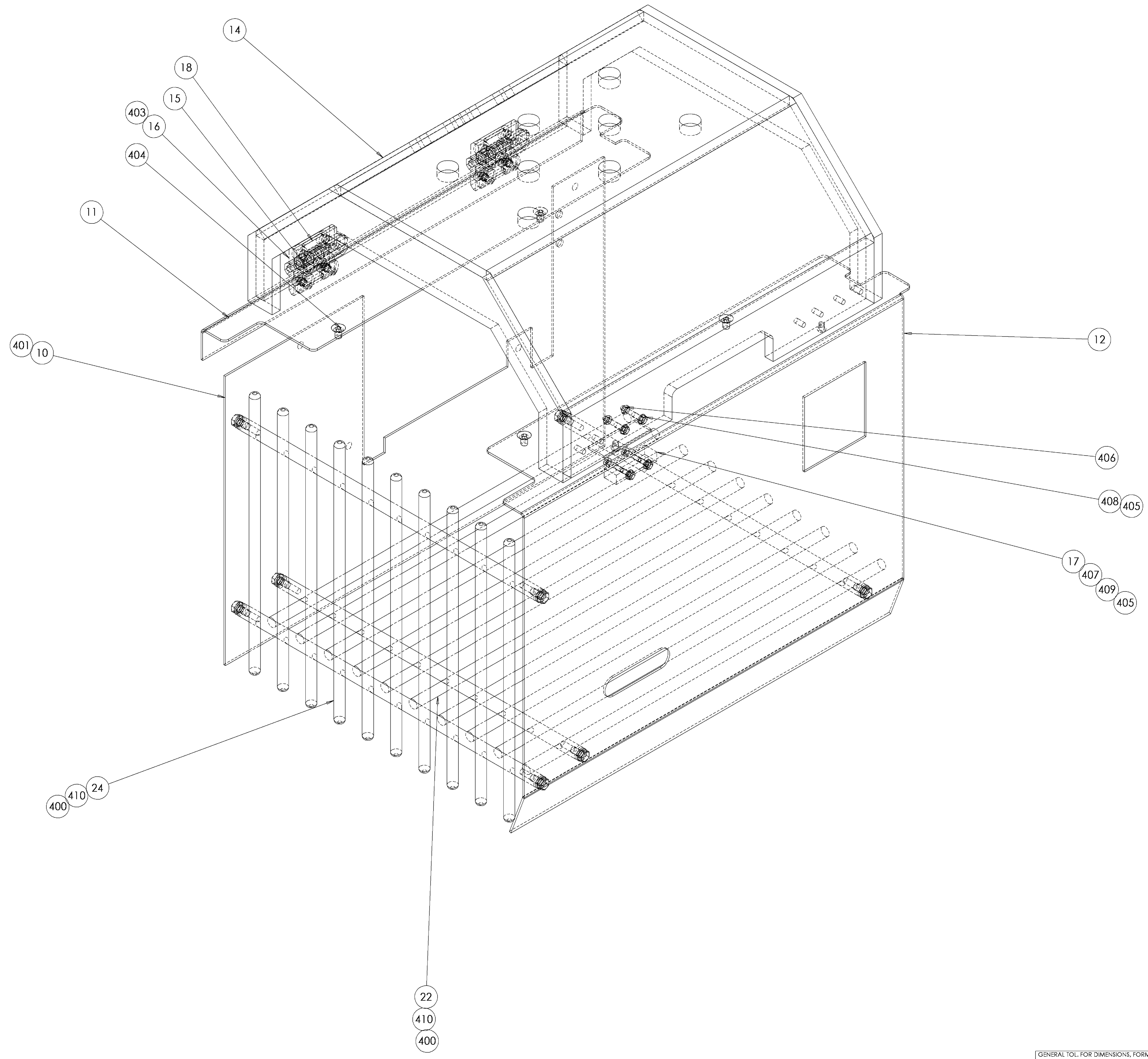
GENERAL TOL. FOR DIMENSIONS, FORM AND POSITION DIN ISO 2768-mH			SURFACE SYMBOLS DIN EN ISO 1302				
Form class	> 1	6	30	120	400	1000	2000
Surface	≤ 6	30	120	400	1000	2000	4000
Tolerance (mm)	± 0.1	± 0.2	± 0.3	± 0.5	± 0.8	± 1.2	± 2
TOLERANCES ON COATING			TOLERANCES ON POSITION		TOLERANCES ON COATING		
XXX			XXX		XXX		
PLACE FOR DRAWING NO.			PLACE FOR DRAWING NO.		PLACE FOR DRAWING NO.		
SCALE	DATE	NAME	SURFACE				
1:1.5	Mod 30.10.2009	K. Pulintun	528644.19 mm <sup>2</sup>				
AREA	CHK	APP	8810.2959 g				
ROBERT BOSCH GmbH	MATERIALCLASS	PROD-NO	TEMPLATE-NO.		SW		
Packaging Technology Division	241	241	Similar to 231.044204		A		
DESCRIPTION	DRAWING-NO.		DRAWING-NO.		SHEET		
Assy-Combo Lap Seal RL	8-110-912-764		8-110-912-764		1/1		
ORIGIN:			ORIGIN:				

**Bosch Packaging Technology Inc.**

<b>Material</b>	C241	06	0010	<b>Alt.</b>	<b>Usage</b> 3
	Linium 3X5 PolyRotary Horizontal Wrapper				<b>Valid</b>
					09/16/2009
<b>Reqd qty</b>		1.000	EA	<b>Base quant</b>	1.000 EA
<b>Sales ord.</b>	172945			<b>Item</b>	000104

Lv	Item	Component no.	Description	Quant	Un
1	0000	8-110-912-759	KIT VACUUM CNVR GUARDS LR		
2	0010	8-110-912-755	GUARD DR SIDE	1.000	EA
2	0011	531.032480	DECK - DRIVE SIDE -LR	1.000	EA
2	0012	8-110-912-758	DECK OP SIDE LR	1.000	EA
2	0014	531.055487	GUARD-TOP-VACUUM CNVR	1.000	EA
2	0015	031.029231	HINGE-SST	2.000	EA
2	0016	531.015558	PLATE-NUT GUARD	2.000	EA
2	0017	531.032301	01 MOUNT - INTERLOCK	1.000	EA
2	0018	531.032740	SPACER - OVERHEAD GUARD	2.000	EA
2	0019	8-110-912-757	GUARD GRATE VAC	1.000	EA
2	0020	8-110-912-756	GUARD GRATE VAC BTM	1.000	EA
2	0400	379749	WASHER-FLAT 6.4 X 12 X 1.6 SST	14.000	EA
2	0401	310106	SCREW-HEX HD M6 X 10 SST	6.000	EA
2	0402	398355	SCREW-FLAT SOC M6 X 20 SST	4.000	EA
2	0403	397038	SCREW-FLAT SOC M6 X 16 SST	4.000	EA
2	0404	330832	SCREW-FLAT SOC M6 X 10 SST	4.000	EA
2	0405	401118	WASHER-FLAT 4.3 X 9 X .8 SST	4.000	EA
2	0406	397062	NUT-HEX-FULL M4 SST	2.000	EA
2	0407	401213	SCREW-SOC CAP M4 X 16 SST	2.000	EA
2	0408	432916	SCREW-HEX HD M4 X 25 SST	2.000	EA
2	0409	407551	SCREW-HEX HD M4 X 10 SST	2.000	EA
2	0410	310102	SCREW-HEX HD M6 X 12 SST	8.000	EA



© THE DRAWING IS THE EXCLUSIVE PROPERTY OF ROBERT BOSCH GMBH. WHOSE CONSENT MUST BE OBTAINED FOR REPRODUCTION OR TRANSMISSION TO THIRD PARTIES.  
 SYMBOLS FOR BEST FEATURES ACCORDING TO DIN EN ISO 13705. ALL THE LISTED FEATURES ESTABLISHED IN THE DRAWING ARE SUBJECT TO CHANGE WITHOUT NOTICE.  
 1 | B.5

A.LIN: 200407-7

REV.	NO.	CHANGE	CHANGED

GENERAL TOL. FOR DIMENSIONS, FORM AND POSITION DIN ISO 2768-mH		COVERED PLACES FOR COATING		SURFACE SYMBOLS DIN EN ISO 1300					
nom. dim.	> 1	6	30	120	400	1000	2000	TOLERANCES TO BE USED	
tolerance (mm)	± 0.1	± 0.02	± 0.03	± 0.05	± 0.08	± 0.12	± 0.2	PLATES ≤ 1.5 mm THICKNESS AND ALL THE REST OF PARTS	
SCALE	1:2	DATE	28.10.2009	NAME	K. Pulintun	SURFACE		MATERIALCLASS	
AREA	CHK	APP	28.10.2009	CHK	K. Pulintun	MATERIAL		1640B71.4 mm <sup>2</sup> 14261.97 g	
ROBERT BOSCH GmbH		MATERIALCLASS		PROD-NO		TEMPLATE-NO.		SW	
Packaging Technology Division		241		241		Similar to 231.032478		A	
DESCRIPTION		DRAWING-NO.		ORIGIN:		SHEET		1/1	
Kit		8-110-912-759		Guards - LR					

**Bosch Packaging Technology Inc.**

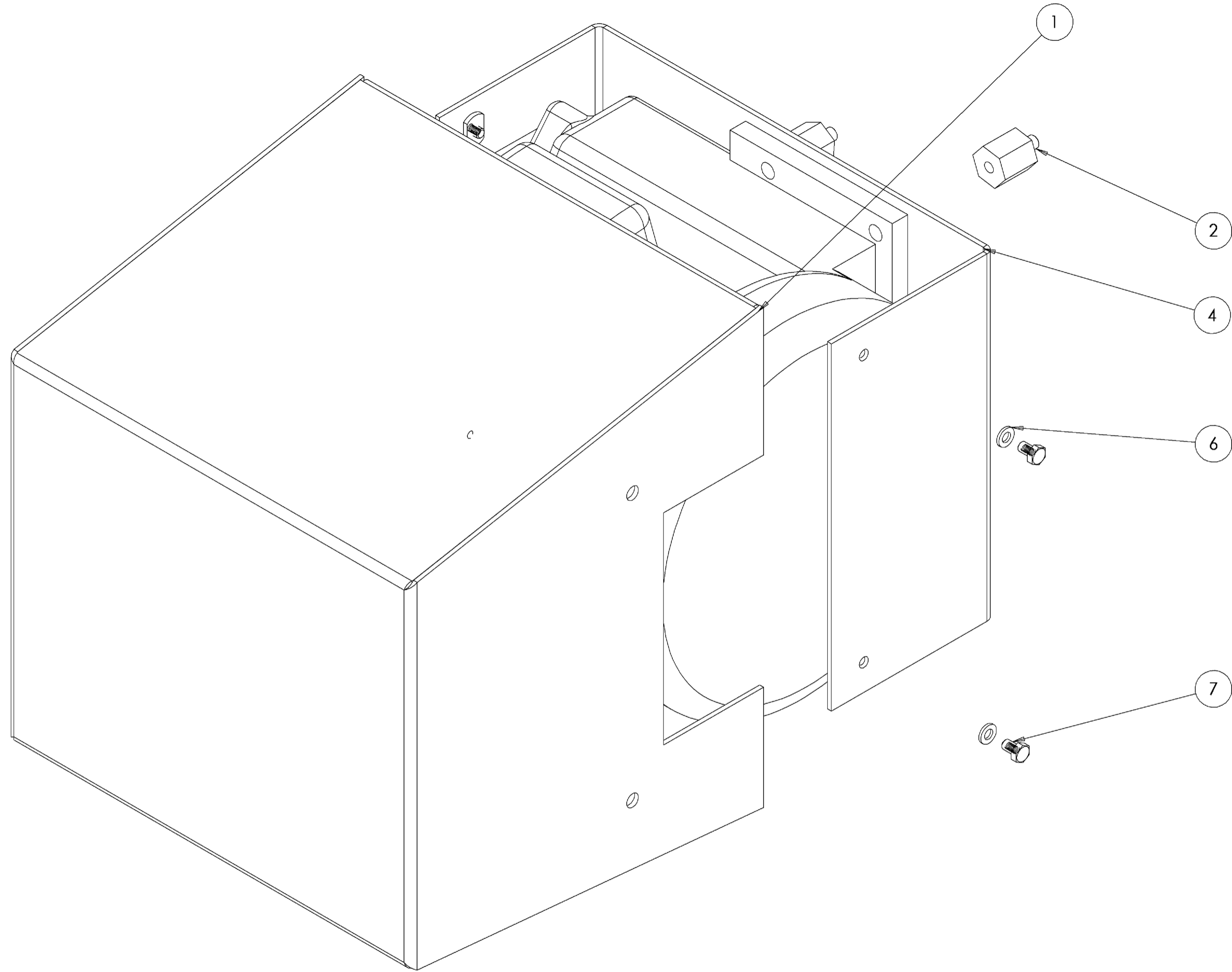
<b>Material</b>	C241	06 0010	<b>Alt.</b>	<b>Usage</b> 3
	Linium 3X5 PolyRotary Horizontal Wrapper			<b>Valid</b>
				09/16/2009
<b>Reqd qty</b>	1.000 EA	<b>Base quant</b>	1.000 EA	
<b>Sales ord.</b>	172945	<b>Item</b>	000104	

<b>Lv</b>	<b>Item</b>	<b>Component no.</b>	<b>Description</b>	<b>Quant</b>	<b>Un</b>
1	0000	8-110-912-619	ASSY PUMP SHIELD		
2	0001	8-110-912-618	01 SHIELD PUMP	1.000	EA
2	0002	8-110-910-310	STANDOFF VACUUM PUMP MOUNT	4.000	EA
2	0004	8-110-912-617	01 SHIELD BACK PUMP	1.000	EA
2	0006	379749	WASHER-FLAT 6.4 X 12 X 1.6 SST	4.000	EA
2	0007	310106	SCREW-HEX HD M6 X 10 SST	4.000	EA

© THIS DRAWING IS THE EXCLUSIVE PROPERTY OF ROBERT BOSCH GMBH.  
 WITHOUT THEIR CONSENT IT MAY NOT BE REPRODUCED OR GIVEN TO THIRD PARTIES.

SYMBOL FOR TEST FEATURE ACCORDING TO ISO/DS 129-1. ALL THE TEST FEATURES ESTABLISHED IN  
 THE DRAWING ARE SUBJECT TO A MUST TEST IN ACCORDANCE WITH THE VALID QA GUIDELINES.



GENERAL TOL. FOR DIMENSIONS, FORM AND POSITION DIN ISO 2768-mH		COVERED PLACES FOR COATING		SURFACE SYMBOLS DIN EN ISO 1302	
Norm. dim. (mm)	> 1	6	30	120	400
	≤ 6	30	120	400	1000
					2000
					4000
Tolerance (mm)	± 0.1	± 0.2	± 0.3	± 0.5	± 0.8
					± 1.2
					± 2
SCALE		DATE	NAME	SURFACE	
1:2					
AREA		Mod	07.10.2009	K. Purintun	MATERIAL
		CHK			1530389.4 mm <sup>3</sup>
		APP	07.10.2009	K. Purintun	825   2.906 g
				TYPE	ISO 11
ROBERT BOSCH GmbH		MATERIAL CLASS	PROD-NO	TEMPLATE-NO.	SW
Packaging Technology Division			241		(A2)
DESCRIPTION		DRAWING-NO.		SHEET	
ASSY Pump Shield		8-110-912-619		1/1	
		ORIGIN:			

AZ:ENL: 2006-02-17

REV.	NO.	CHANGE	CHANGED

# Bosch Packaging Technology Inc.

<b>Material</b>	C241	06 0010	<b>Alt.</b>	<b>Usage</b> 3
	Linium 3X5 PolyRotary Horizontal Wrapper			<b>Valid</b> 09/16/2009
<b>Reqd qty</b>	1.000 EA	<b>Base quant</b>	1.000 EA	
<b>Sales ord.</b>	172945	<b>Item</b>	000104	

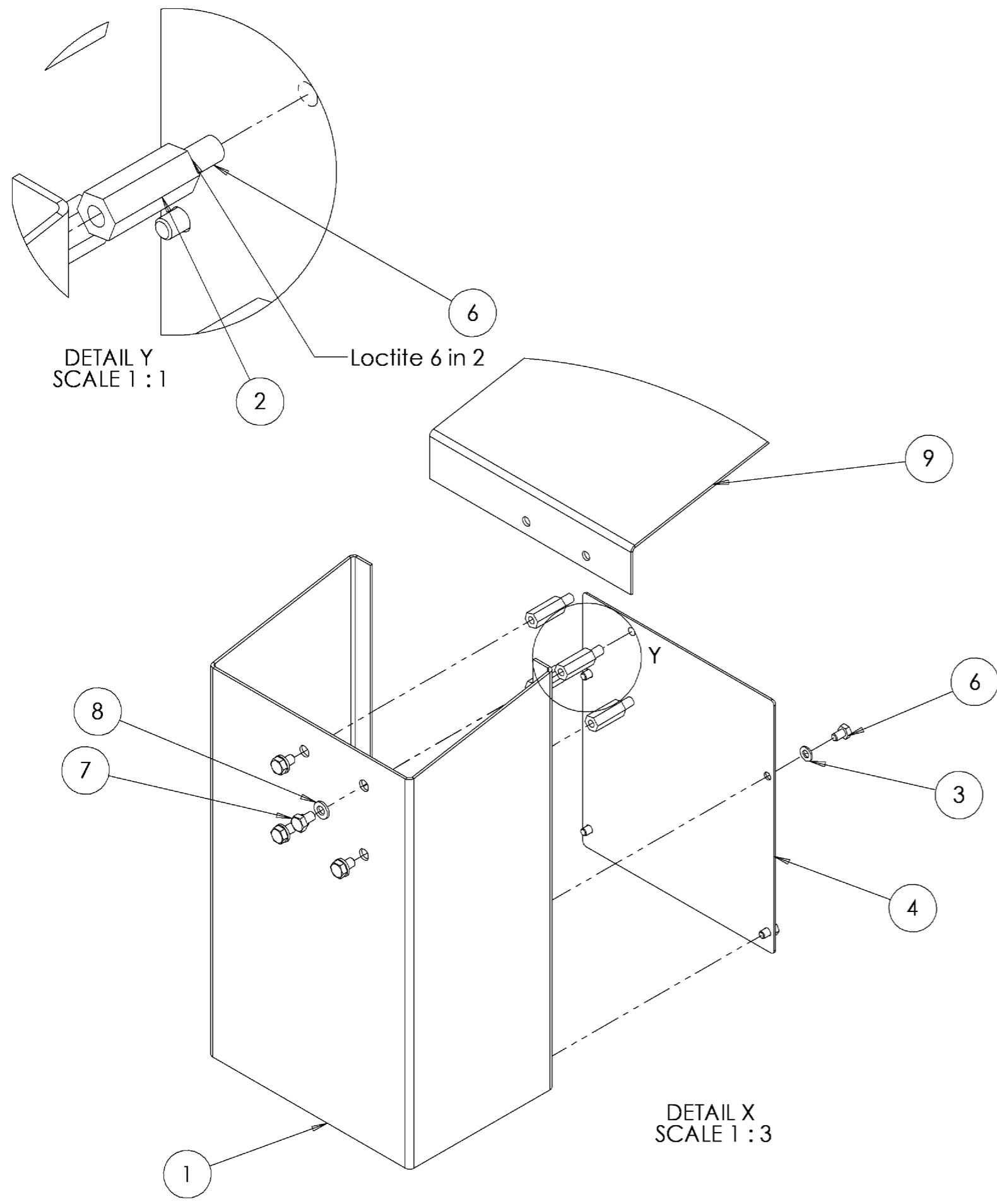
Lv	Item	Component no.	Description	Quant	Un
1	0000	8-110-912-748	ASSEMBLY MOTOR COVER LR		
2	0001	8-110-912-747	MOTOR COVER	1.000	EA
2	0002	8-110-628-303	SPACER	4.000	EA
2	0003	8-110-628-306	COVER	1.000	EA
2	0004	401228	WASHER-FLAT 5.3 X 10 X 1 SST	4.000	EA
2	0005	397007	SCREW-HEX HD M5 X 8 SST	4.000	EA
2	0006	310161	SCREW-SET M6 X 20 SST	4.000	EA
2	0007	379749	WASHER-FLAT 6.4 X 12 X 1.6 SST	4.000	EA
2	0008	310106	SCREW-HEX HD M6 X 10 SST	4.000	EA
2	0009	8-110-912-749	COVER	1.000	EA

© THIS DRAWING IS THE EXCLUSIVE PROPERTY OF ROBERT BOSCH GMBH.  
 WITHOUT THEIR CONSENT IT MAY NOT BE REPRODUCED OR GIVEN TO THIRD PARTIES.

SYMBOL FOR TEST FEATURE ACCORDING TO ISO/DIS 129-1. ALL THE TEST FEATURES ESTABLISHED IN  
 THE DRAWING ARE SUBJECT TO A MUST TEST IN ACCORDANCE WITH THE VALID QA GUIDELINES.

1 | 8.5

A3-EN; 2006-02-17



DETAIL X  
SCALE 1 : 3

DETAIL Y  
SCALE 1 : 1

GENERAL TOL. FOR DIMENSIONS, FORM AND POSITION DIN ISO 2768-mH

Nom. dim. [mm]	>	1	6	30	120	400	1000	2000
	<	6	30	120	400	1000	2000	4000
Tolerance [mm]		± 0.1	± 0.2	± 0.3	± 0.5	± 0.8	± 1.2	± 2

--- COVERED PLACES FOR COATING  
 --- HARDENED PLACES OR COATING  
 XXX PLACE FOR DRAWING-NO.

SURFACE SYMBOLS DIN EN ISO 1302  
 EDGES DIN ISO 13715  
 PLATES ≤ 1,5 mm THICKNESS  
 PLATES > 1,5 mm THICKNESS AND ALL THE REST OF PARTS

SCALE	DATE	NAME	SURFACE
1:5	27.10.2009	K. Purintun	
AREA	CHK		MATERIAL
	APP	27.10.2009 K. Purintun	Similar to 8-110-912-610

MATERIALCLASS	PROD-NO	TEMPLATE-NO.	SW
	225		A3
DESCRIPTION			SHEET
Assembly-Motor Cover-LR			1/1

ROBERT BOSCH GmbH Packaging Technology Division	PROJ-NO	TEMPLATE-NO.	SW
	225		A3
DRAWING-NO.		ORIGIN:	
8-110-912-748			

REV.	NO.	CHANGE	CHANGED



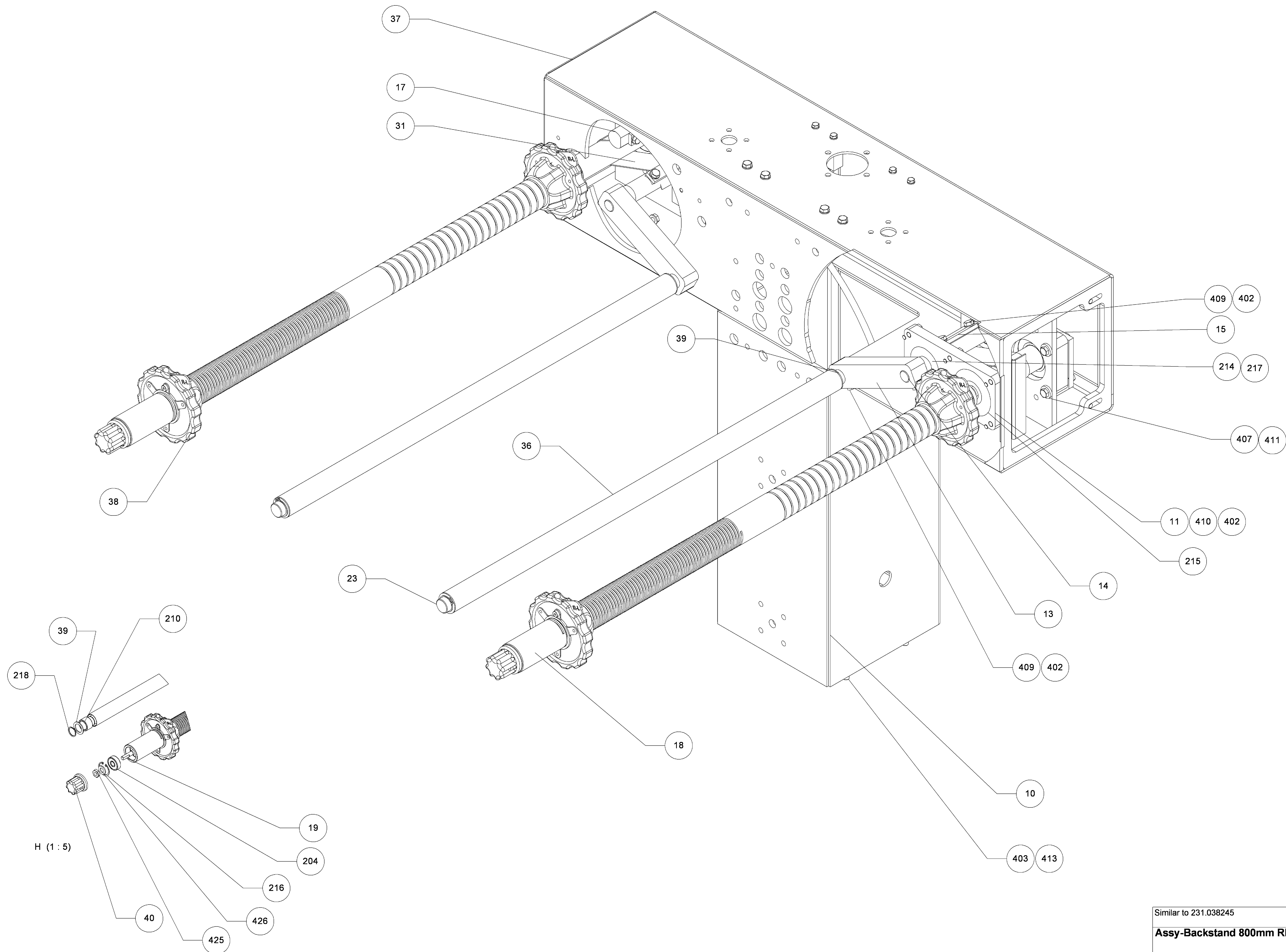
**Bosch Packaging Technology Inc.**

<b>Material</b>	C241	06 0010	<b>Alt.</b>	<b>Usage</b> 3
	Linium 3X5 PolyRotary Horizontal Wrapper			<b>Valid</b>
				09/16/2009
<b>Reqd qty</b>	1.000 EA	<b>Base quant</b>	1.000 EA	
<b>Sales ord.</b>	172945	<b>Item</b>	000104	

Lv	Item	Component no.	Description	Quant	Un
1	0000	131.055477	ASSY-BACKSTAND 800MM LR SST		
2	0000	231.047559	01 ASSY BACKSTAND 800MM RL SST	1.000	EA
2	0003	431.016492	-SCHEMATIC-600 LINIUM PNEUM		
2	0010	131.007080	WELDMENT-BACKSTAND FRAME EXTENDED SS	1.000	EA
2	0011	531.007014	05 PLATE BEARING	2.000	EA
2	0012	531.007013	02 MOUNT BRAKE CYLINDER	2.000	EA
2	0013	531.000106	03 ARM BRAKE ROLLER	2.000	EA
2	0014	531.016477	SHAFT BRAKE	2.000	EA
2	0015	531.000108	02 CLAMP BRAKE	4.000	EA
2	0016	531.000109	01 ARM BRAKE CYLINDER	2.000	EA
2	0017	531.000112	01 SHAFT BRAKE HOLDER	2.000	EA
2	0018	531.028621	01 SHAFT-FILM ROLL-800-LR	2.000	EA
2	0019	531.028626	SHAFT ROLL ADJUST 800mm	2.000	EA
2	0020	531.000115	01 STOP ROLL ADJUST	2.000	EA
2	0021	531.016226	BLOCK PLATE MOUNT	2.000	EA
2	0022	531.017142	PLATE-ROLL ADJUST	2.000	EA
2	0023	531.028623	01 SHAFT BRAKE ROLLER 800	2.000	EA
2	0031	531.000131	01 BELT BRAKE	2.000	EA
2	0032	531.000132	04 MOUNT REGULATOR	1.000	EA
2	0033	531.007084	02 COVER VERTICAL	1.000	EA
2	0034	531.007012	02 COVER HORIZONTAL	1.000	EA
2	0035	531.000139	02 SPACER ROD END	2.000	EA
2	0036	531.028624	ROLLER-FILM 800MM	2.000	EA
2	0037	531.006884	04 COVER END	2.000	EA
2	0038	131.007015	ASSY BKSTD FILM ROLL CHUCK	4.000	EA
2	0039	327713	03 WASHER-ENTRANCE ROLL 1.1X1.3X.9	4.000	EA
2	0040	364212	01 KNOB MOLDED PARENT ROLL	2.000	EA
2	0048	531.008555	02 MOUNT POWER FEED ROLL CYLINDER	2.000	EA
2	0049	531.016218	01 PLUG AIR CYLINDER	2.000	EA
2	0050	531.017141	COLLAR-TENSION-FILM ROLL SHAFT	2.000	EA
2	0051	531.027314	01 PLATE BEARING	2.000	EA
2	0200	031.000137	CYLINDER AIR	2.000	EA
2	0201	031.010042	REG. LOW PRESSURE W/GAUGE 2 PC	1.000	EA
2	0202	432287	CONNECTOR-ELBOW MALE R1/8 TO 6mm TUB	2.000	EA
2	0203	031.017143	SPRING COMPRESSION	2.000	EA
2	0204	031.010155	01 BEARING-RADIAL BALL 12x37x12	2.000	EA
2	0206	031.016476	BEARING-RADIAL BALL 30x62x20 SELF AL	2.000	EA
2	0207	031.016475	BEARING-RADIAL BALL 40x80x23 SELF AL	2.000	EA
2	0208	370623	SWIVEL-HEAD	2.000	EA
2	0209	365794	CLEVIS W/PIN	2.000	EA
2	0210	521-62613	02 BEARING-NEEDLE ROLLER 24 X 32 X 20	4.000	EA
2	0211	370719	PA TUBE (NYLON) PNEUMATIC 6mm OD	2.000	M
2	0212	031.000521	CONNECTOR-ELBOW MALE R1/4 TO 10mm TU	2.000	EA
2	0213	370720	PA TUBE (NYLON) PNEUMATIC 10mm OD	2.000	M
2	0214	521-56206	03 BEARING-RADIAL BALL 30x62X16	2.000	EA
2	0215	370610	BEARING-RADIAL BALL 40x80x18	2.000	EA
2	0216	031.006389	RING-RTNG-INT 37HSG 1.5THK SST	2.000	EA
2	0217	397373	RING-RTNG EXT 30MM SHAFT DIA SST	4.000	EA

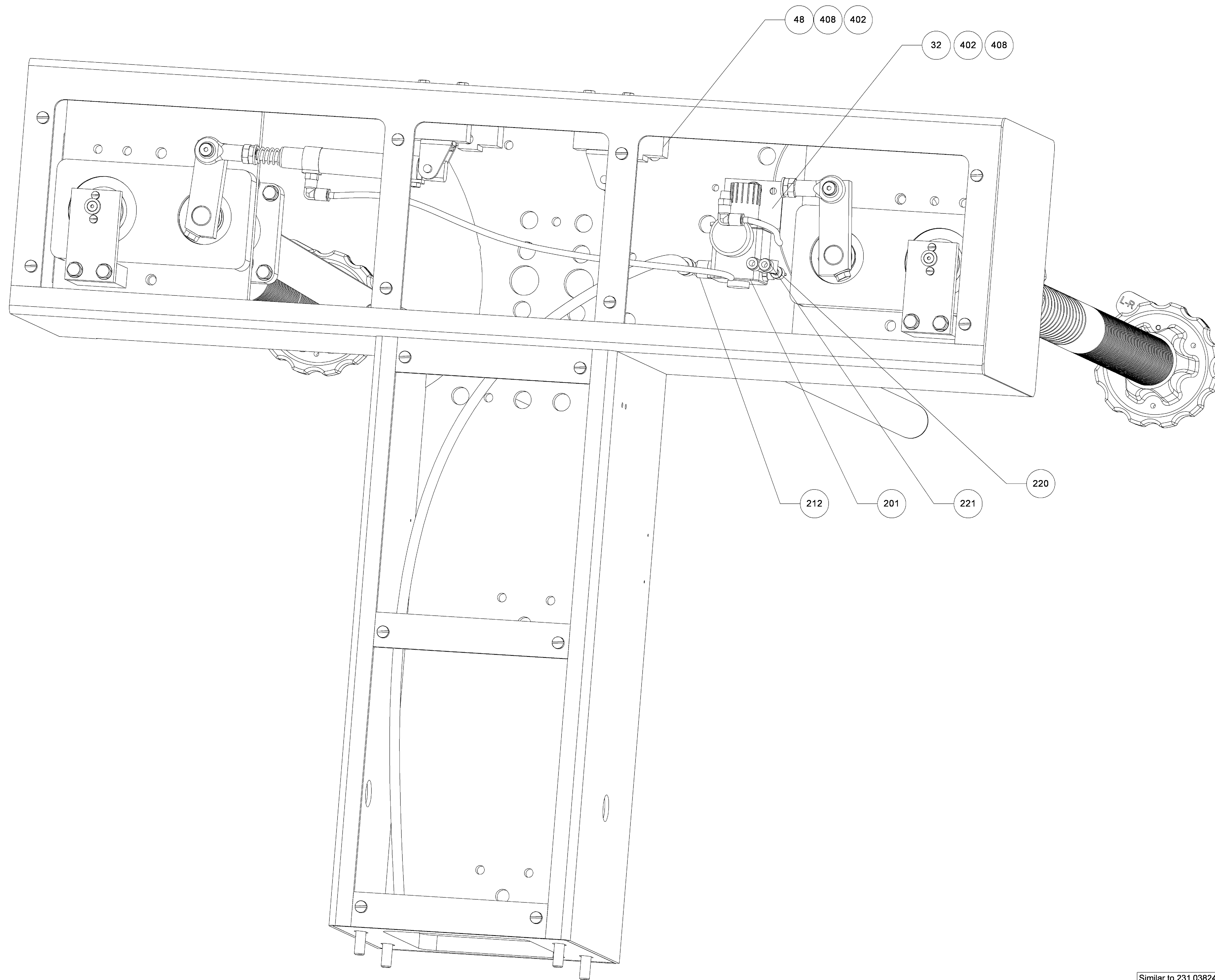
## Bosch Packaging Technology Inc.

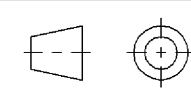
2	0218	282193	01	RING-RETAINING EXTERNAL 24mm SST	4.000	EA
2	0220	432286		CONNECTOR-ELBOW MALE R1/4 TO 6mm TUB	1.000	EA
2	0221	393482	01	UNION-Y 6mm OD TUBE	1.000	EA
2	0222	031.027723		SPRING-COMP	2.000	EA
2	0401	379749		WASHER-FLAT 6.4 X 12 X 1.6 SST	12.000	EA
2	0402	309393	01	WASHER-FLAT 8.4 X 16 X 1.6 SST	43.000	EA
2	0403	397080		WASHER-FLAT 10.5 X 20 X 2 SST	4.000	EA
2	0404	397058		SCREW-SET M6 X 8 SST	1.000	EA
2	0405	379473		SCREW-PAN SLOT M6 X 10 SST	14.000	EA
2	0406	419471		SCREW-HEX-HD MACH WASH M6 X 12 SST	4.000	EA
2	0407	407802		WASHER-FLAT THK 8.4 X 21 X 4 SST	12.000	EA
2	0408	310143		SCREW-HEX HD M8 X 12 SST	5.000	EA
2	0409	310110		SCREW-HEX HD M8 X 25 SST	14.000	EA
2	0410	310144		SCREW-HEX HD M8 X 30 SST	12.000	EA
2	0411	430377		SCREW-HEX HD M8 X 35 SST	12.000	EA
2	0413	310151		SCREW-HEX HD M10 X 40 SST	4.000	EA
2	0416	318898		NUT-HEX FULL M6 SST	4.000	EA
2	0418	310106		SCREW-HEX HD M6 X 10 SST	4.000	EA
2	0420	310096		SCREW-FLAT SOC M5 X 10 SST	2.000	EA
2	0421	310114		SCREW-HEX HD M8 X 16 SST	4.000	EA
2	0422	378658	01	SCREW-SHOULDER 8/M6 X 20 SST	2.000	EA
2	0423	397030		SCREW-SOC CAP M8 X 30 SST	4.000	EA
2	0424	362992		SCREW-PAN-STEEL M4 X 35 STL	4.000	EA
2	0425	483503		NUT-HEX JAM M12 SST	2.000	EA
2	0426	397069		WASHER-FLAT 13 X 24 X 2.5 SST	2.000	EA
2	0428	397080		WASHER-FLAT 10.5 X 20 X 2 SST	4.000	EA



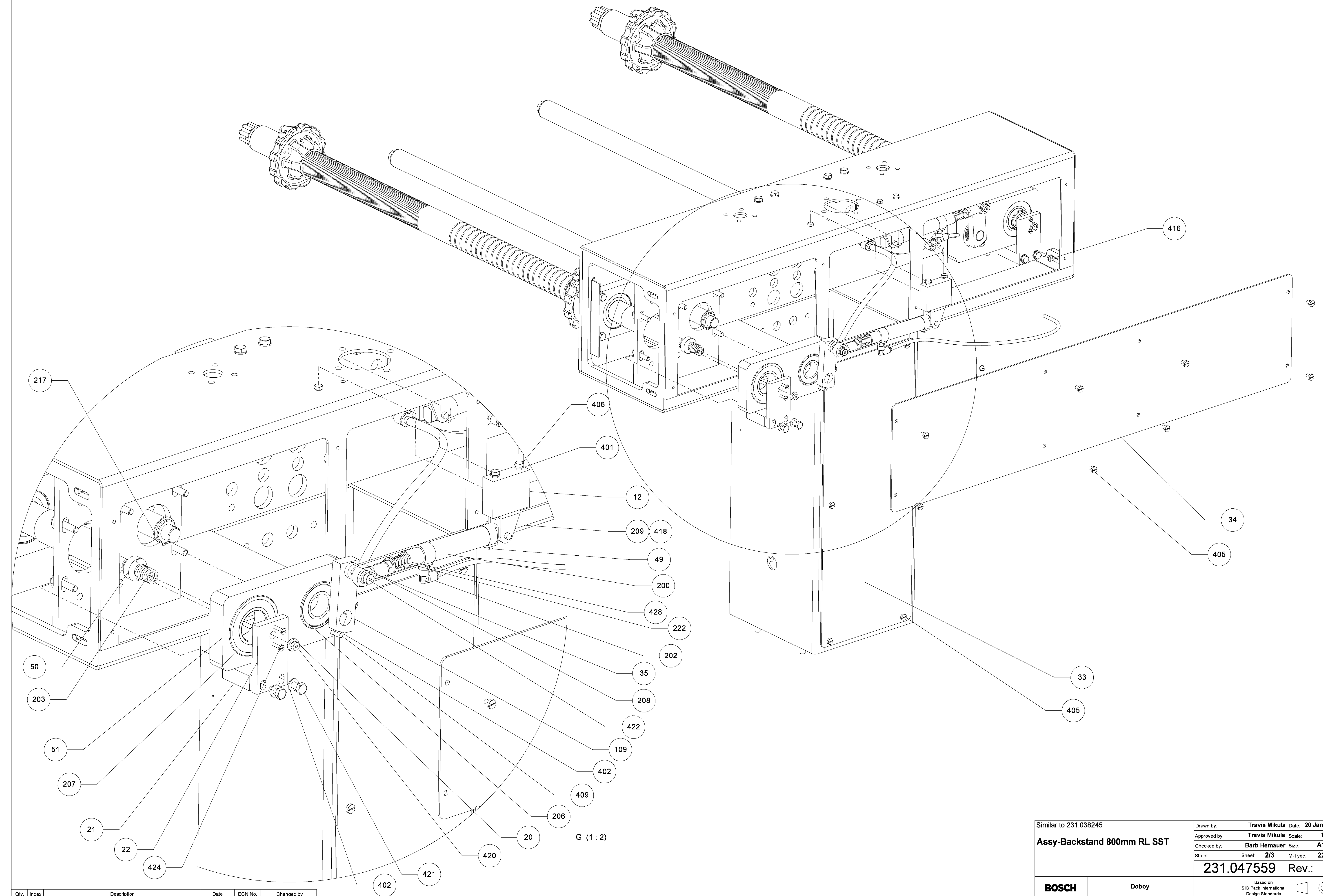
Similar to 231.038245		Drawn by: <b>Travis Mikula</b>	Date: <b>20 Jan 2006</b>
		Approved by: <b>Travis Mikula</b>	Scale: <b>1:3</b>
<b>Assy-Backstand 800mm RL SST</b>		Checked by: <b>Barb Hemauer</b>	Size: <b>A1</b>
Sheet:	Sheet: <b>1/3</b>	M-Type: <b>225</b>	
		<b>231.047559</b> Rev.: <b>1</b>	
<b>BOSCH</b>	Doboy	Based on SIG Pack International Design Standards	

Qty	Index	Description	Date	ECN No.	Changed by
1	1	SEE B/M	20 Oct 09	186989	KCP



Similar to 231.038245		Drawn by:	Travis Mikula	Date:	20 Jan 2006
		Approved by:	Travis Mikula	Scale:	1:2
<b>Assy-Backstand 800mm RL SST</b>		Checked by:	Barb Hemauer	Size:	A1
Sheet:	3/3	M-Type:	225		
		<b>231.047559</b>		Rev.: 1	
<b>BOSCH</b>	Doboy	Based on SIG Pack International Design Standards			

Qty	Index	Description	Date	ECN No.	Changed by



Similar to 231.038245		Drawn by:	Travis Mikula	Date:	20 Jan 2006
		Approved by:	Travis Mikula	Scale:	1:3
<b>Assy-Backstand 800mm RL SST</b>		Checked by:	Barb Hemauer	Size:	A1
Sheet:	Sheet: 2/3	M-Type:	225		
		<b>231.047559</b>		Rev.: 1	
<b>BOSCH</b>	Doboy	Based on SIG Pack International Design Standards			

Qty	Index	Description	Date	ECN No.	Changed by

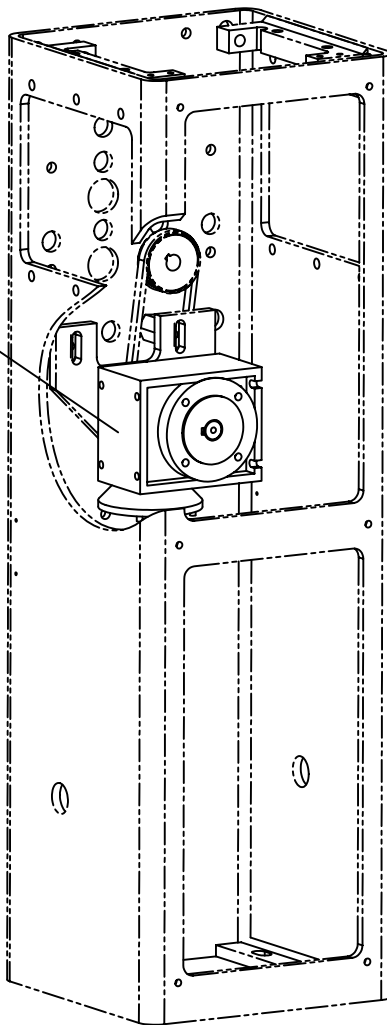
**Bosch Packaging Technology Inc.**

<b>Material</b>	C241	06 0010	<b>Alt.</b>	<b>Usage</b> 3	
	Linium 3X5 PolyRotary Horizontal Wrapper			<b>Valid</b> 09/16/2009	
<b>Reqd qty</b>	1.000 EA	<b>Base quant</b>	1.000 EA		
<b>Sales ord.</b>	172945	<b>Item</b>	000104		
<b>Lv</b>	<b>Item</b>	<b>Component no.</b>	<b>Description</b>	<b>Quant</b>	<b>Un</b>
1	0000	8-110-910-301	ASSY PFR MECH SPLICER 800 SST LR		
2	0001	8-110-910-488	ASSY PFR MECH SPLICER 800 SST RL	1.000	EA

**Bosch Packaging Technology Inc.**

<b>Material</b>	C241	06 0010	<b>Alt.</b>	<b>Usage</b> 3	
	Linium 3X5 PolyRotary Horizontal Wrapper			<b>Valid</b>	
				09/16/2009	
<b>Reqd qty</b>	1.000 EA	<b>Base quant</b>	1.000 EA		
<b>Sales ord.</b>	172945	<b>Item</b>	000104		
<b>Lv</b>	<b>Item</b>	<b>Component no.</b>	<b>Description</b>	<b>Quant</b>	<b>Un</b>
1	0000	131.001827	KIT-HIGH SPEED POWER FEED ROLL DRIVE		
2	0000	131.001826 :	KIT-LOW SPEED POWER FEED R		
2	0001	231.001827	Kit Backstand High Speed Power Feed	1.000	EA
2	0006	431.001827	SCHEMATIC DR BKSTD HIGH SPEED PFR	1.000	EA
2	0200	031.001819	REDUCER MOTOVARIO NMRV-040-7.5:1	1.000	EA
2	0400	310098	SCREW-HEX HD M6 X 20 SST	4.000	EA
2	0401	379749	WASHER-FLAT 6.4 X 12 X 1.6 SST	4.000	EA

200, 400, 401



		Drawn by	Jonathan Ditto	Date	03 Dec 2001
		Approved by	John Melsner	Scale	1:3
KIT Backstand HIGH SPEED POWER FEED ROLL		Checked by	Barb Henauer	Size	A2
			Sheet 1/1	H-Type	225
		231.001827		Rev:	0
<b>BOSCH</b>		Doboy Inc.		© Copyright Doboy Inc.	Based on Siemco International Design Standards

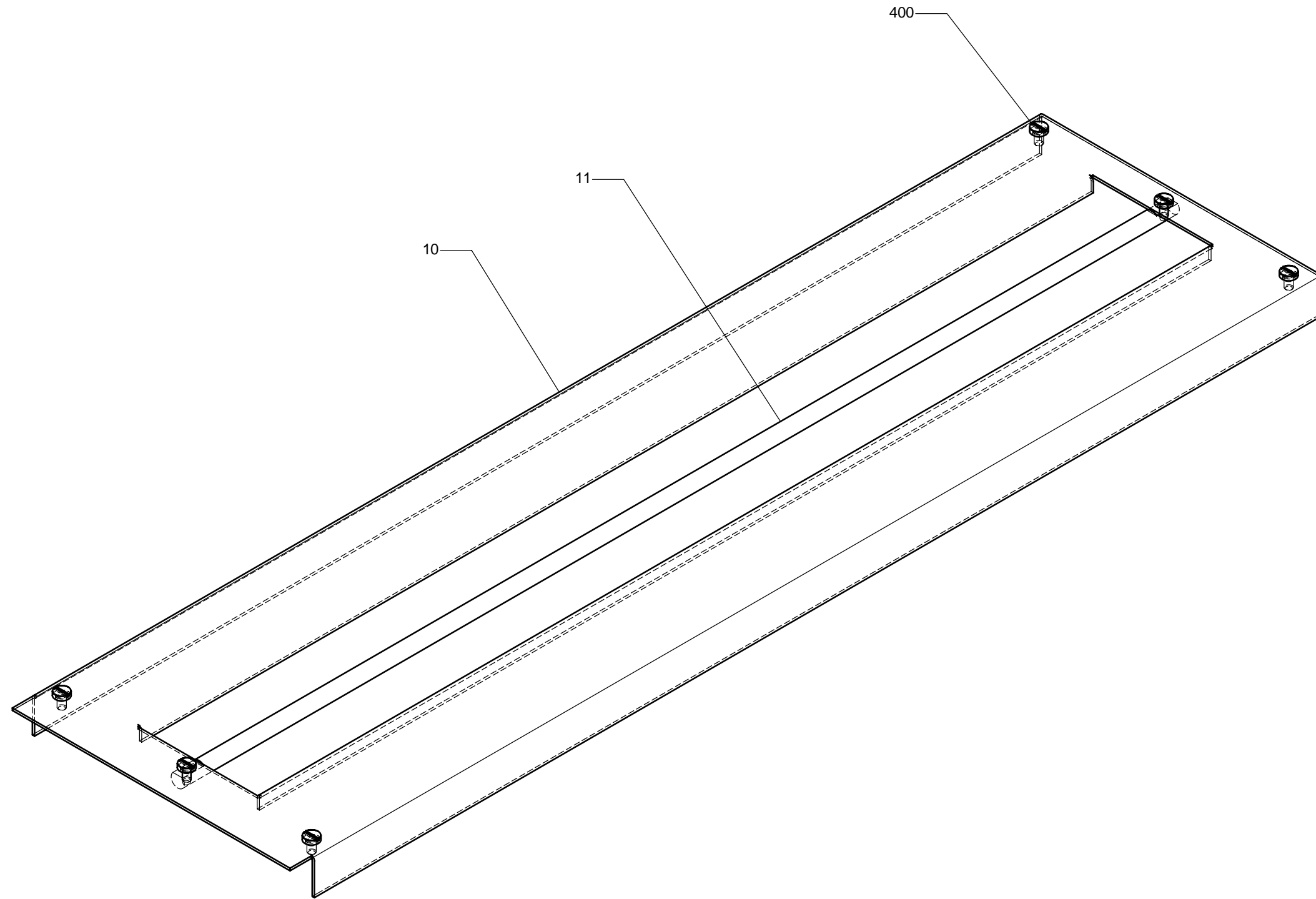
Qty.	Index	Description	Date	EDN No.	Changed by
------	-------	-------------	------	---------	------------





**Bosch Packaging Technology Inc.**

<b>Material</b>	C241	06 0010	<b>Alt.</b>	<b>Usage</b> 3	
	Linium 3X5 PolyRotary Horizontal Wrapper			<b>Valid</b>	
				09/16/2009	
<b>Reqd qty</b>		1.000 EA	<b>Base quant</b>	1.000 EA	
<b>Sales ord.</b>	172945		<b>Item</b>	000104	
<b>Lv</b>	<b>Item</b>	<b>Component no.</b>	<b>Description</b>	<b>Quant</b>	<b>Un</b>
1	0000	131.038281	KIT-BKSTD STD SPLCR DECKS 800MM		
2	0001	231.038281	KIT-BKSTD STD SPLCR DECKS 800MM	1.000	EA
2	0010	531.038279	DECK-POWER FEED ROLL-800	1.000	EA
2	0011	531.038280	ROD-DECK-PFR-800	1.000	EA
2	0400	379473	SCREW-PAN SLOT M6 X 10 SST	6.000	EA

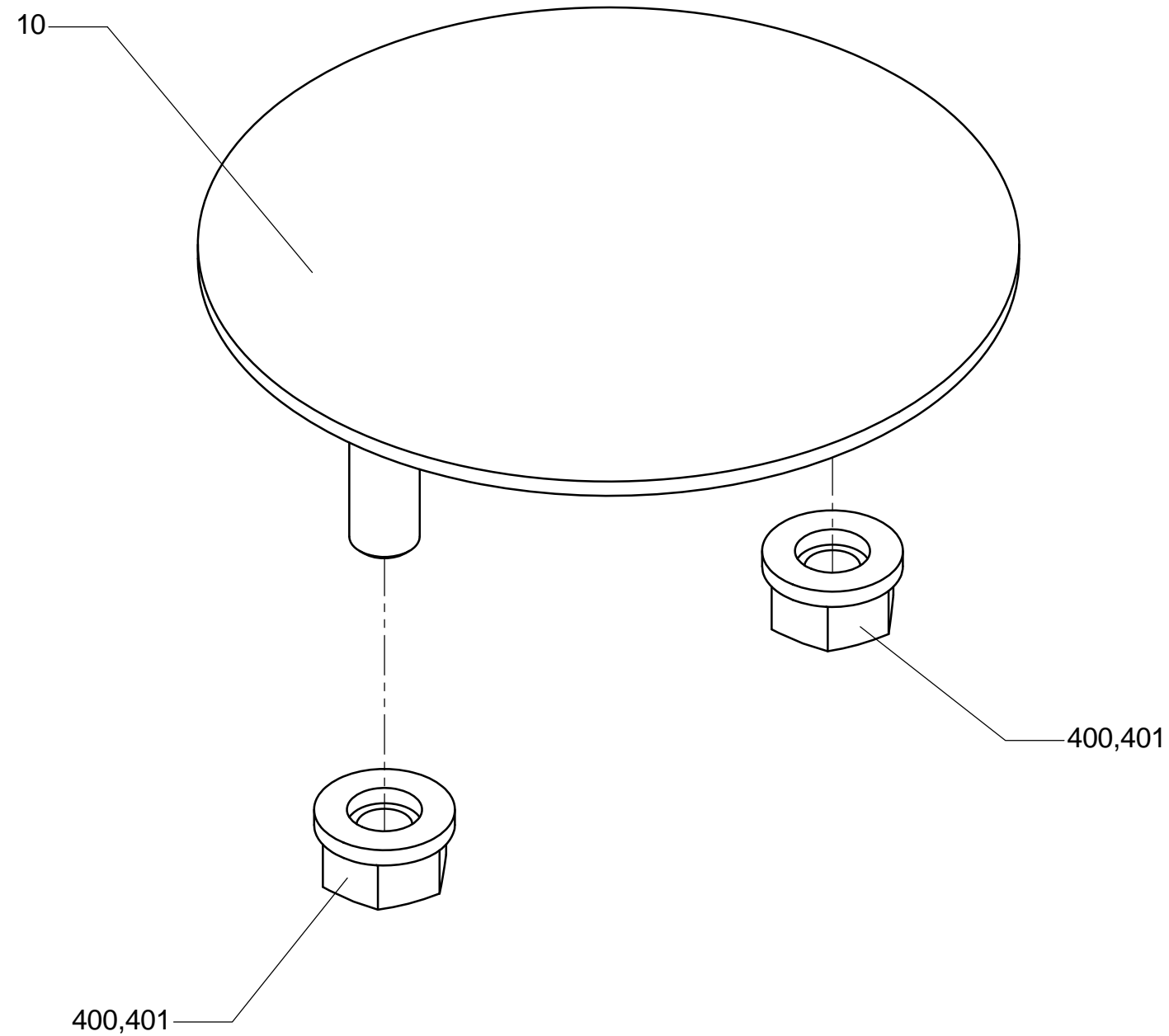


<b>Kit-Bkstd Std Splcr Decks 800mm</b>		Drawn by: <b>Steve Larson</b>	Date: <b>27 Oct 2004</b>
		Approved by: <b>Steve Larson</b>	Scale: <b>1:2</b>
		Checked by: <b>Barb Hemauer</b>	Size: <b>A2</b>
		Sheet: <b>1/1</b>	M-Type: <b>241</b>
		<b>231.038281</b>	<b>Rev.: 0</b>
<b>BOSCH</b>	<b>Doboy Inc.</b>	© Copyright Doboy Inc.	Based on SIG Pack International Design Standards

Qty.	Index	Description	Date	ECN No.	Changed by
------	-------	-------------	------	---------	------------

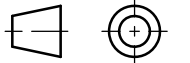
**Bosch Packaging Technology Inc.**

<b>Material</b>	C241	06 0010	<b>Alt.</b>	<b>Usage</b> 3	
	Linium 3X5 PolyRotary Horizontal Wrapper			<b>Valid</b> 09/16/2009	
<b>Reqd qty</b>	1.000 EA	<b>Base quant</b>	1.000 EA		
<b>Sales ord.</b>	172945	<b>Item</b>	000104		
<b>Lv</b>	<b>Item</b>	<b>Component no.</b>	<b>Description</b>	<b>Quant</b>	<b>Un</b>
1	0000	131.008563	KIT-BKSTD NO LIGHT TOWER USDA		
2	0001	231.008563	DWG-BKSTD-NO LIGHT TOWER-USDA	1.000	EA
2	0010	531.008556	01 COVER LIGHT TOWER HOLES USDA	1.000	EA
2	0400	397065	NUT-HEX NYLOCK FULL M6 SST	2.000	EA
2	0401	379749	WASHER-FLAT 6.4 X 12 X 1.6 SST	2.000	EA



Qty.	Index	Description	Date	ECN No.	Changed by
0	2	Update per ECV	29 Mar 01	148584	DWL
0	1	Update per ECN	19 Dec 00	1144724	SHD

<b>Kit</b> Bkstd-No Light Tower-USDA		Drawn by: <b>Corey Monson</b>	Date: <b>3 Dec 2001</b>
		Approved by: <b>John Meisner</b>	Scale: <b>2:1</b>
		Checked by: <b>Barb Hemauer</b>	Size: <b>A3</b>
		Sheet: <b>1/1</b>	M-Type: <b>307</b>
		<b>231.008563</b>	<b>Rev.: 2</b>
<b>BOSCH</b>	<b>Doboy Inc.</b>	© Copyright Doboy Inc.	Based on SIG Pack International Design Standards

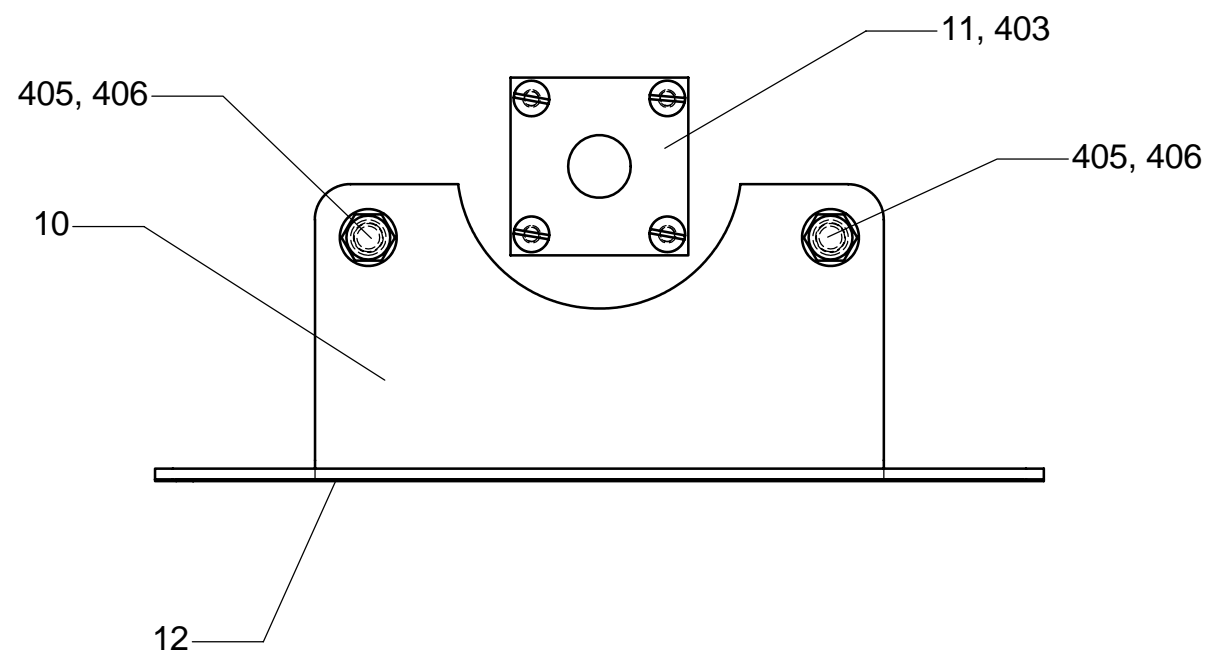
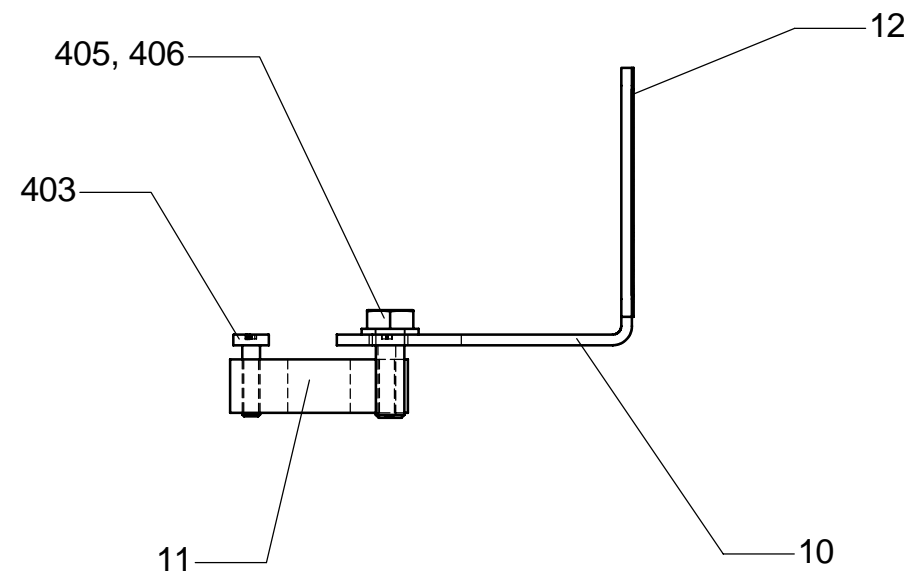
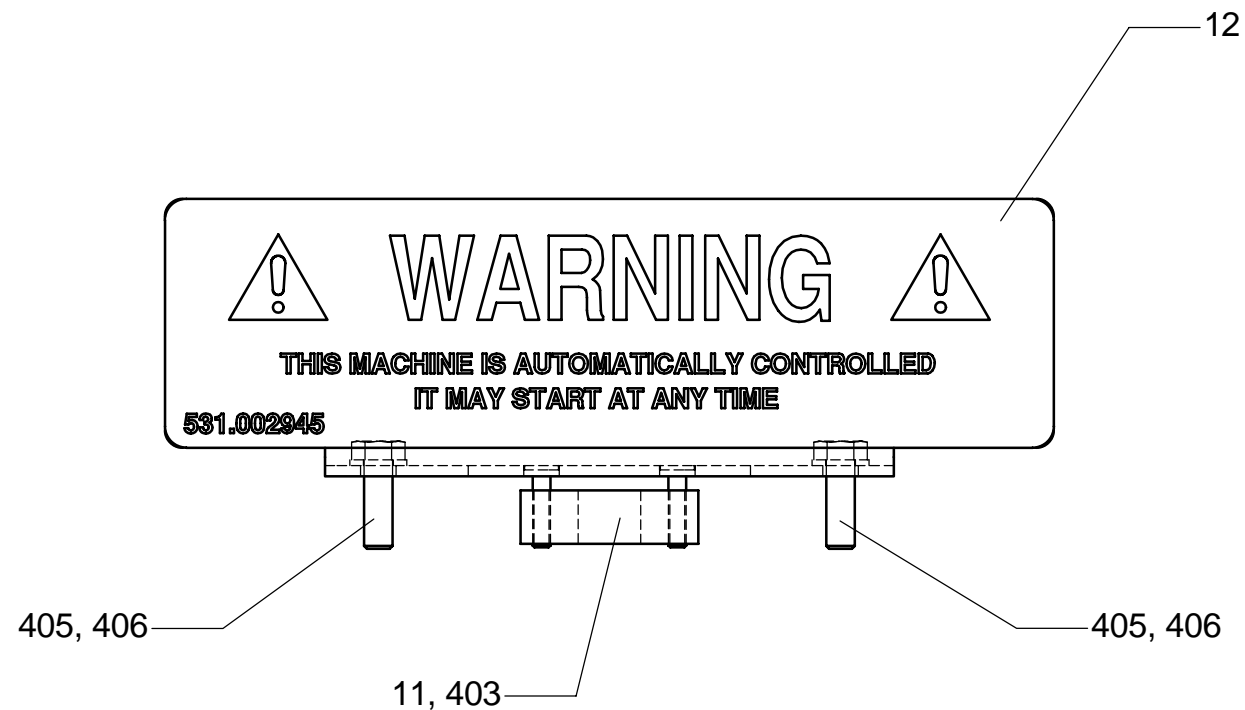


**Bosch Packaging Technology Inc.**

<b>Material</b>	C241	06 0010	<b>Alt.</b>	<b>Usage</b> 3
	Linium 3X5 PolyRotary Horizontal Wrapper			<b>Valid</b>
				09/16/2009
<b>Reqd qty</b>	1.000 EA	<b>Base quant</b>	1.000 EA	
<b>Sales ord.</b>	172945	<b>Item</b>	000104	

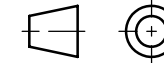
  

<b>Lv</b>	<b>Item</b>	<b>Component no.</b>	<b>Description</b>	<b>Quant</b>	<b>Un</b>
1	0000	131.013816	KIT-BKSTD LIGHT TOWER		
2	0001	231.013816	DWG-BKSTD LIGHT TOWER	1.000	EA
2	0010	531.014328	PLATE CAUTION DECAL AUTOMATIC FDR	1.000	EA
2	0011	531.002532	02 PLATE LIGHT TOWER BACKUP	1.000	EA
2	0012	531.002945	01 DECAL-CAUTION AUTOMATIC CONTROL	1.000	EA
2	0403	031.000658	SCREW-SLOTTED-PAN M5 X 20 SST	4.000	EA
2	0405	310110	SCREW-HEX HD M8 X 25 SST	2.000	EA
2	0406	309393	01 WASHER-FLAT 8.4 X 16 X 1.6 SST	2.000	EA



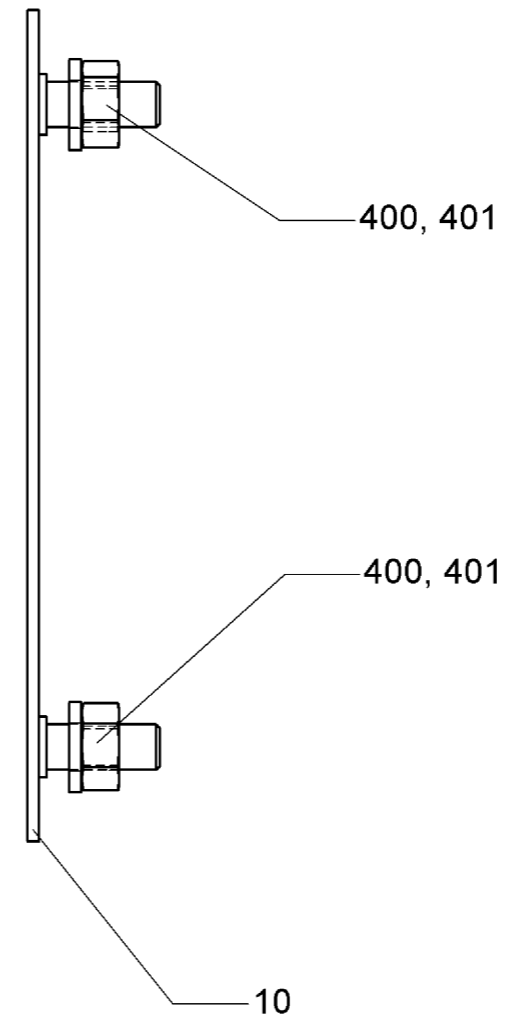
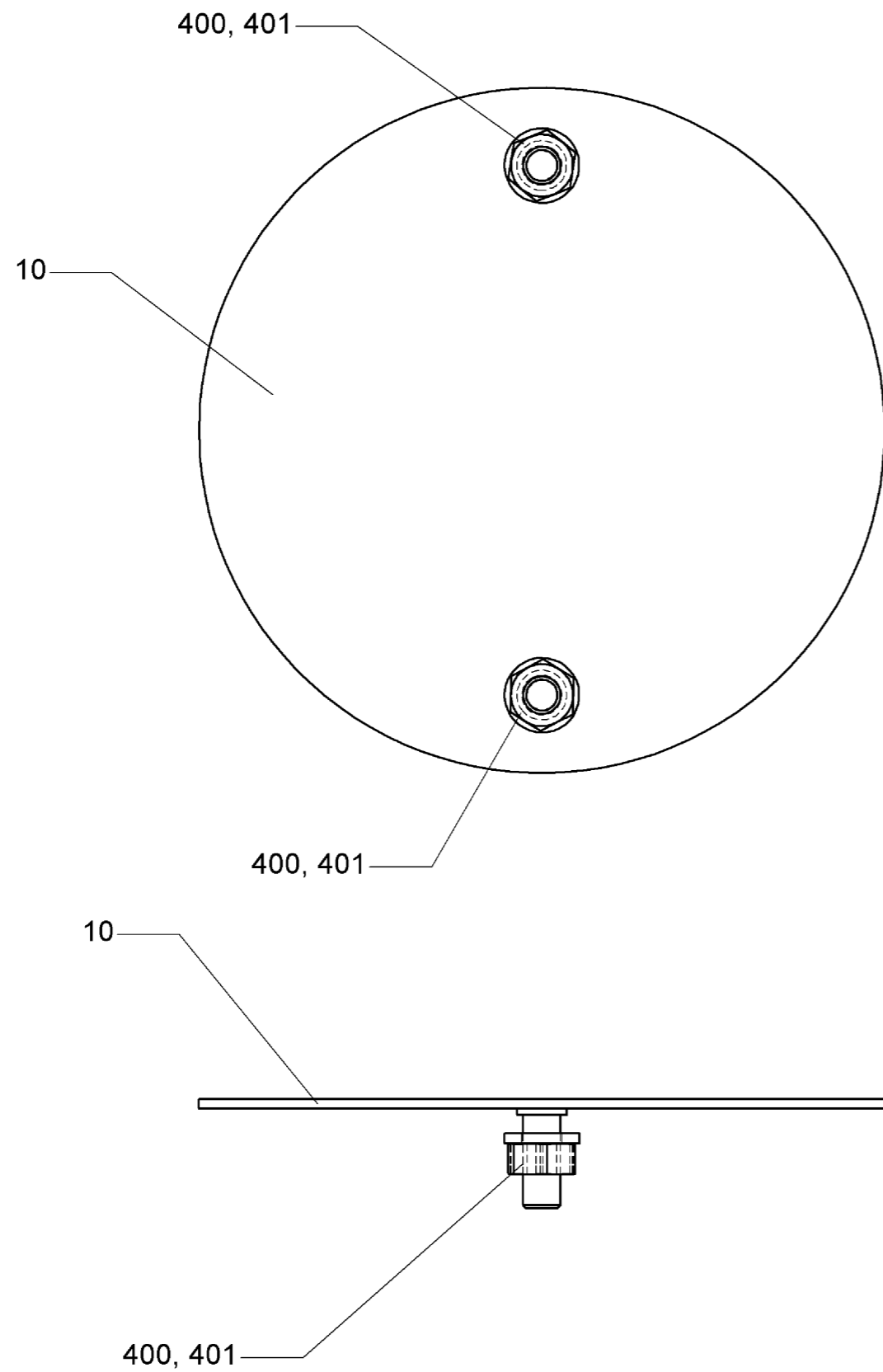
Qty.	Index	Description	Date	ECN No.	Changed by
0	2	Update per ECN	11 Oct 02	168285	TLM
0	1	531.013815 was 531.014328, qty-4 of 318898 was qty-2, Jan 01 qty-4 of 379749 was qty-2, added items 13, 405, and 406	29 Jan 01	144733	TLM

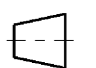
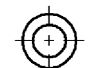
<b>Kit Backstand Light Tower</b>		Drawn by: <b>Travis Mikula</b>	Date: <b>3 Jun 2002</b>
		Approved by: <b>Travis Mikula</b>	Scale: <b>1:2</b>
		Checked by: <b>Barb Hemauer</b>	Size: <b>A3</b>
		Sheet: <b>1/1</b>	M-Type: <b>284</b>
		<b>231.013816</b>	<b>Rev.: 2</b>
<b>BOSCH</b>	<b>Doboy Inc.</b>	© Copyright Doboy Inc.	Based on SIG Pack International Design Standards



**Bosch Packaging Technology Inc.**

<b>Material</b>	C241	06 0010	<b>Alt.</b>	<b>Usage</b> 3	
	Linium 3X5 PolyRotary Horizontal Wrapper			<b>Valid</b> 09/16/2009	
<b>Reqd qty</b>	1.000 EA	<b>Base quant</b>	1.000 EA		
<b>Sales ord.</b>	172945	<b>Item</b>	000104		
<b>Lv</b>	<b>Item</b>	<b>Component no.</b>	<b>Description</b>	<b>Quant</b>	<b>Un</b>
1	0000	131.016764	KIT-NO FILM HOIST USDA		
2	0001	231.016764	DWG-NO FILM HOIST-USDA	1.000	EA
2	0010	531.008557	01 COVER FILM HOIST HOLES USDA	1.000	EA
2	0400	397065	NUT-HEX NYLOCK FULL M6 SST	2.000	EA
2	0401	379749	WASHER-FLAT 6.4 X 12 X 1.6 SST	2.000	EA



<b>Kit</b> No Film Hoist-USDA	Drawn by:	<b>Corey Monson</b>	Date:	<b>3 Dec 2001</b>
	Approved by:	<b>John Meisner</b>	Scale:	<b>1:1</b>
	Checked by:	<b>Barb Hemauer</b>	Size:	<b>A3</b>
		Sheet:	<b>1/1</b>	M-Type:
			<b>231.016764</b>	<b>Rev.: 0</b>
<b>BOSCH</b>	<b>Doboy Inc.</b>	© Copyright Doboy Inc.	Based on SIG Pack International Design Standards	 

Qty.	Index	Description	Date	ECN No.	Changed by
------	-------	-------------	------	---------	------------



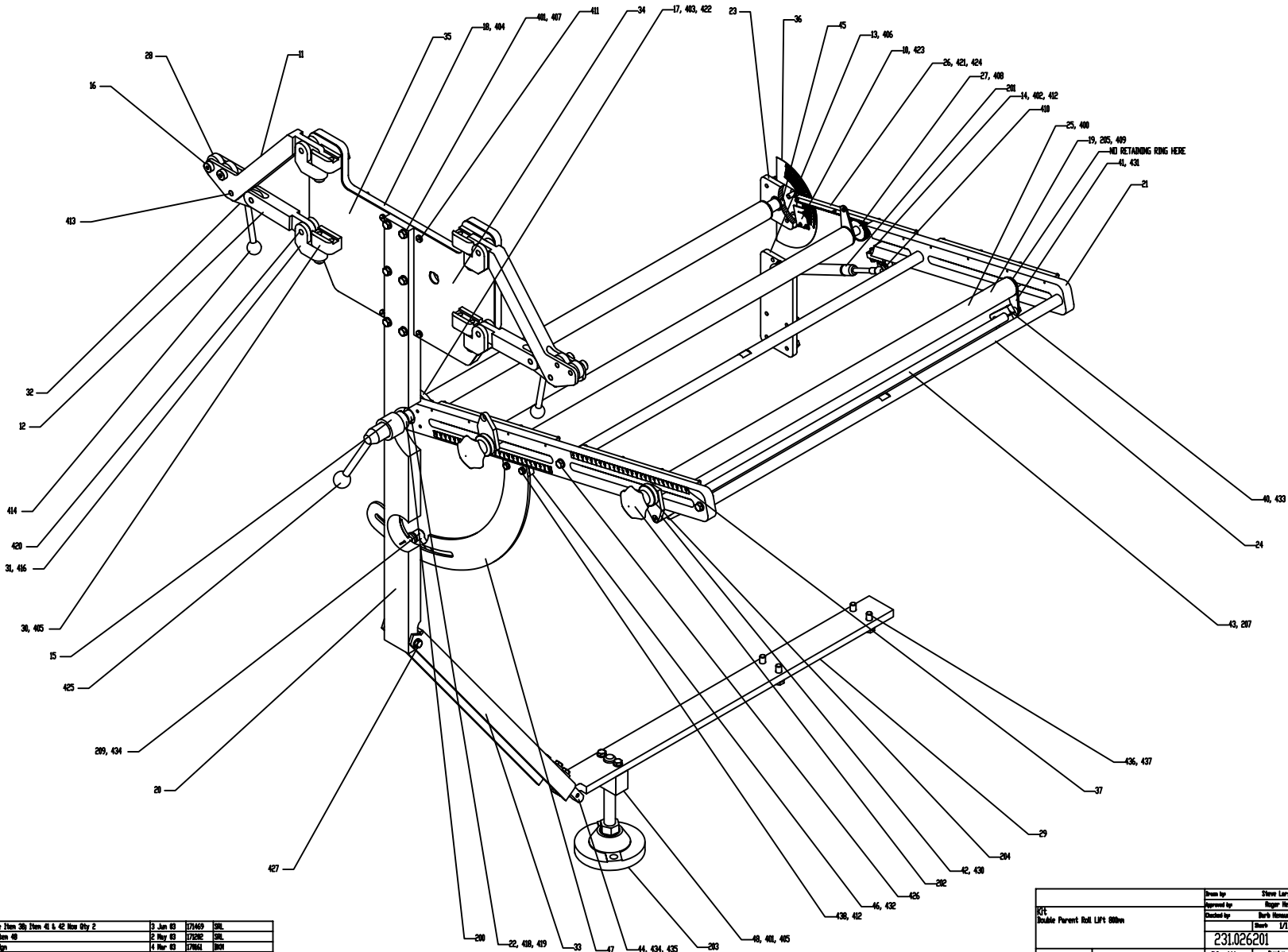
**Bosch Packaging Technology Inc.**

<b>Material</b>	C241	06 0010	<b>Alt.</b>	<b>Usage</b> 3
	Linium 3X5 PolyRotary Horizontal Wrapper			<b>Valid</b>
				09/16/2009
<b>Reqd qty</b>	1.000 EA	<b>Base quant</b>	1.000 EA	
<b>Sales ord.</b>	172945	<b>Item</b>	000104	

Lv	Item	Component no.	Description	Quant	Un
1	0000	131.047301	KIT-DBLE PARENT ROLL LIFT 800MM SST		
2	0001	231.026201	KIT-DOUBLE PARENT ROLL LIFT 800MM	1.000	EA
2	0010	531.026208	PLATE-PIVOT GUIDE	1.000	EA
2	0011	531.026244	BAR UPPER ROLLER BRACE	2.000	EA
2	0012	531.026245	BAR LOWER ROLLER BRACE	2.000	EA
2	0013	531.038257	PLATE-PIVOT ARM	1.000	EA
2	0014	531.038258	BRKT-GAS CYLINDER MTG	1.000	EA
2	0015	531.028362	CLAMP-DISK	1.000	EA
2	0016	531.028363	BOLT-SHOULDER	4.000	EA
2	0017	531.028364	COLLAR-PHASING	1.000	EA
2	0018	531.038249	PLATE-FRONT-PFR-USDA	1.000	EA
2	0019	531.028624	ROLLER-FILM 800MM	3.000	EA
2	0020	531.047560	PLATE-FILM ROLL LIFT	1.000	EA
2	0021	531.038261	01 ARM-PIVOT-EXTENDED	2.000	EA
2	0022	531.028643	01 SHAFT-FILM ROLLER PIVOT ARM	1.000	EA
2	0023	531.028644	PLATE-PIVOT ARM	1.000	EA
2	0024	531.028645	01 SHAFT PIVOT ARM SPACER	2.000	EA
2	0025	531.028646	01 SHAFT-FILM ROLLER	2.000	EA
2	0026	531.038262	01 RACK-ROLLER ADJUSTMENT	4.000	EA
2	0027	531.038259	GEAR-FILM ROLL ADJUST-USDA	4.000	EA
2	0028	531.028649	ROLLER-FILM SHAFT HOLDER	4.000	EA
2	0029	was 531.038250			
2	0030	531.028654	02 BLOCK HINGE ATTACHMENT	4.000	EA
2	0031	531.028655	01 HINGE PIVOT	4.000	EA
2	0032	531.028656	LINK OVER CENTER	2.000	EA
2	0033	531.030491	01 BEAM-FILM ARM	1.000	EA
2	0034	531.028658	01 COVER-PFR FRONT DOUBLE	1.000	EA
2	0035	531.028659	02 COVER-PFR FRONT DOUBLE	1.000	EA
2	0036	531.026207	DECAL PIVOT ARM 0-90	1.000	EA
2	0036	was 531.028665			
2	0037	531.038265	DECAL-PIVOT ARM-A-Z	2.000	EA
2	0040	531.003300	01 BLOCK STATIC ELIMINATOR MNT	2.000	EA
2	0041	531.003301	01 PLATE MOUNT STATIC ELIMINATOR	2.000	EA
2	0042	531.030375	PLATE-ROLLER ADJUST-STATIC ELIMINATO	2.000	EA
2	0043	531.030376	01 SHAFT-STATIC ELIMINATOR-800 MM	1.000	EA
2	0044	531.038260	BRKT-SUPPORT TIE-SST	1.000	EA
2	0045	531.026874	BEARING-FLANGE	1.000	EA
2	0046	531.030677	BLOCK-PIVOT ARM LOCK	1.000	EA
2	0047	531.030678	PLATE-PIVOT ARM LOCK	1.000	EA
2	0048	531.038876	PEG LEVELING USDA 167MM	1.000	EA
2	0048	was 531.006379			
2	0049	531.030109	DECAL-POWER FEED	1.000	EA
2	0200	031.028360	BEARING-SPHERICAL 16 X 32 X 21	1.000	EA
2	0201	208188	02 PNEUMATIC SPRING 120 lb.	1.000	EA
2	0202	031.016746	KNOB-M10X22 BLIND	2.000	EA
2	0204	031.028650	FLAT KNURLED NUT	2.000	EA
2	0205	521-62613	02 BEARING-NEEDLE ROLLER 24 X 32 X 20	6.000	EA
2	0207	338437	01 STATIC ELIMINATOR BAR 32"	1.000	EA

## Bosch Packaging Technology Inc.

2	0208	942-06254	TUBING CLEAR PLASTIC .625 OD X .375I	6.000	FT
2	0209	431416	HANDLE-ADJUST-M8 X 20MM LG	1.000	EA
2	0400	282193	01 RING-RETAINING EXTERNAL 24mm SST	5.000	EA
2	0401	309393	01 WASHER-FLAT 8.4 X 16 X 1.6 SST	33.000	EA
2	0402	310098	SCREW-HEX HD M6 X 20 SST	2.000	EA
2	0403	310103	SCREW-HEX HD M6 X 30 SST	4.000	EA
2	0404	310104	SCREW-SOC CAP M6 X 20 SST	8.000	EA
2	0405	310110	SCREW-HEX HD M8 X 25 SST	10.000	EA
2	0406	310114	SCREW-HEX HD M8 X 16 SST	8.000	EA
2	0407	310144	SCREW-HEX HD M8 X 30 SST	10.000	EA
2	0408	310159	SCREW-SET M5 X 8 SST	4.000	EA
2	0409	327713	03 WASHER-ENTRANCE ROLL 1.1X1.3X.9	6.000	EA
2	0410	370694	STUD-BALL METRIC STL	2.000	EA
2	0411	379473	SCREW-PAN SLOT M6 X 10 SST	4.000	EA
2	0412	379749	WASHER-FLAT 6.4 X 12 X 1.6 SST	5.000	EA
2	0413	382896	01 PIN-DOWEL 10 X 24 SST	4.000	EA
2	0414	382900	HANDLE-MACHINE	2.000	EA
2	0416	397052	01 SCREW-SHOULDER 12/M10 X 30 SST	4.000	EA
2	0417	397069	WASHER-FLAT 13 X 24 X 2.5 SST	1.000	EA
2	0418	397383	KEY-6 X 6 X 12 SST	1.000	EA
2	0419	397389	KEY-6 X 6 X 16 SST	1.000	EA
2	0420	420458	PIN-DOWEL 10 X 30 SST	4.000	EA
2	0421	422032	WASHER-FLAT 3.2 X 7 X .5 SST	16.000	EA
2	0422	422036	WASHER-FLAT THK 6.4 X 17 X 3 SST	4.000	EA
2	0423	422201	01 SCREW-FLAT SLOT-DISC. USE 8-108-139-	2.000	EA
2	0424	422219	SCREW-SOC CAP M3 X 16 SST	20.000	EA
2	0425	427358	LEVER-ADJUSTABLE M12x1.75 BLIND	1.000	EA
2	0426	430377	SCREW-HEX HD M8 X 35 SST	4.000	EA
2	0427	432072	SCREW-HEX HD M8 X 20 SST	2.000	EA
2	0430	397038	SCREW-FLAT SOC M6 X 16 SST	1.000	EA
2	0431	310106	SCREW-HEX HD M6 X 10 SST	1.000	EA
2	0432	310101	SCREW-SOC CAP M6 X 30 SST	4.000	EA
2	0433	397054	SCREW-SET M5 X 5 SST	2.000	EA
2	0434	407802	WASHER-FLAT THK 8.4 X 21 X 4 SST	5.000	EA
2	0435	397012	SCREW-HEX HD M8 X 60 SST	1.000	EA
2	0436	397080	WASHER-FLAT 10.5 X 20 X 2 SST	4.000	EA
2	0437	310148	SCREW-HEX HD M10 X 30 SST	4.000	EA
2	0438	309391	SCREW-HEX HD M6 X 16 SST	2.000	EA



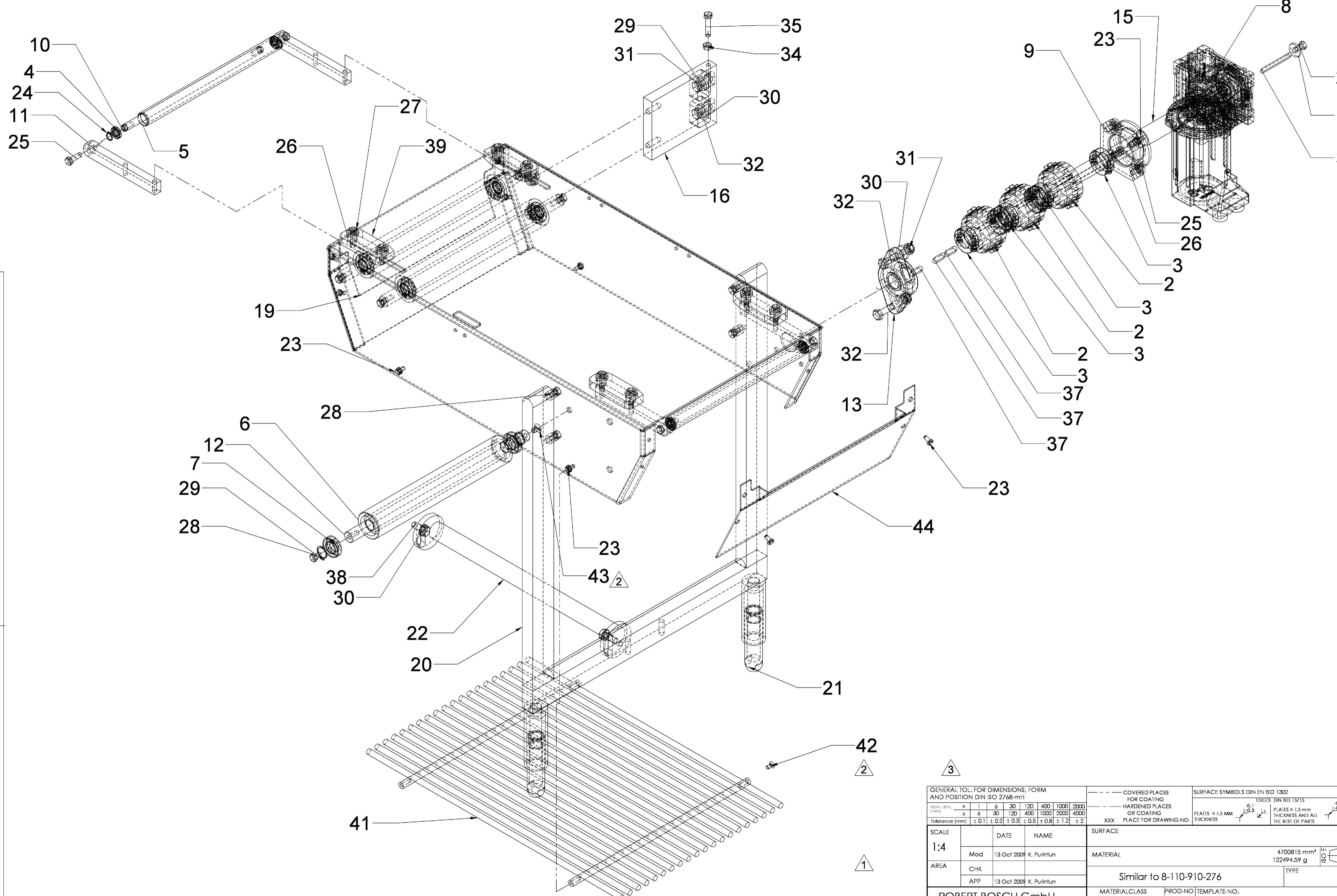
Qty	Date	Description	Date	Rev	By	Checked by
0	4	Update Item 20, Item 41 & 42 New Qty 2	3 Jun 03	179459	SRL	
0	3	Add Item 49	2 May 03	179292	SRL	
0	2	Revised	4 Mar 03	179044	SRL	
0	1	Revised	4 Mar 03	179029	SRL	
0						

Drawn by	Steve Larson	Date	04 Dec 2002
Approved by	Roger Hefty	Scale	AS
Checked by	Bob's Hammer	Size	A4
	Item	U/I	Page
	231.026201		4
Rev		Rev	4
Copyright		Doboy Inc.	
Doboy Inc.		Doboy Inc.	

# Bosch Packaging Technology Inc.

<b>Material</b>	C241	06 0010	<b>Alt.</b>	<b>Usage</b> 3
	Linium 3X5 PolyRotary Horizontal Wrapper			<b>Valid</b>
				09/16/2009
<b>Reqd qty</b>	1.000 EA	<b>Base quant</b>	1.000 EA	
<b>Sales ord.</b>	172945	<b>Item</b>	000104	

Lv	Item	Component no.	Description	Quant	Un
1	0000	8-110-910-298	ASSY DISCHG CNVR 800 LR PLASTIC BELTING		
2	0000	DWG 8-110-910-276			
2	0001	8-110-910-297	03 FRAME DISCHG CNVR 305 X 800	1.000	EA
2	0002	031.069350	SPROCKET-DRIVE 24 TOOTH S1100 25mm B	3.000	EA
2	0003	031.039935	COLLAR-CLAMP 25x45x15 SPLIT SST	6.000	EA
2	0004	031.069351	BEARING-RADIAL BALL 12X21X5 W/SEALS	4.000	EA
2	0005	8-110-910-278	ROLLER DISCHG CNVR NOSE	2.000	EA
2	0006	8-110-910-279	ROLLER DISCHG CNVR IDLER	3.000	EA
2	0007	031.056690	BEARING-RADIAL BALL 20X37X9 W/SEALS	6.000	EA
2	0008	8-110-622-492	REDUCER-5:1 NMRV040 56B5 18MM OUTPUT	1.000	EA
2	0009	031.000766	FLANGE-GEAR REDUCER NMRV040	1.000	EA
2	0010	8-110-910-280	SHAFT DISCHG CNVR NOSE ROLLER	2.000	EA
2	0011	531.069356	BLOCK-DISCH CNVR NOSE ROLLER MOUNT	4.000	EA
2	0012	8-110-910-281	SHAFT DISCHG CNVR IDLER	3.000	EA
2	0013	031.066944	BEARING-2-BOLT FLANGE 25mm WASHDOWN	1.000	EA
2	0014	8-110-910-282	BELT 304.8(12") X 1900 FLUSH GRID	1.000	EA
2	0015	8-110-910-283	SHAFT DISCH CNVR DRIVE	1.000	EA
2	0016	8-110-910-285	PLATE DISCHG CNVR MOUNT SST	1.000	EA
2	0017	8-110-620-295	AB Servo Motor		
2	0018	531.035458	WASHER-FLAT 9X25X3.5 SST	1.000	EA
2	0019	8-110-910-288	GUARD DISCHG CNVR BTM	1.000	EA
2	0019	QTY WAS 2			
2	0020	8-110-910-289	02 LEG DISCHG	1.000	EA
2	0021	8-110-914-294	PEG LEVELING USDA	2.000	EA
2	0021	was 531.006379			
2	0022	8-110-910-290	TIE BAR	1.000	EA
2	0023	310106	SCREW-HEX HD M6 X 10 SST	12.000	EA
2	0024	397367	RING-RETAINING EXTERNAL 12mm SST	4.000	EA
2	0025	310110	SCREW-HEX HD M8 X 25 SST	12.000	EA
2	0026	407802	WASHER-FLAT THK 8.4 X 21 X 4 SST	16.000	EA
2	0027	310114	SCREW-HEX HD M8 X 16 SST	8.000	EA
2	0028	310143	SCREW-HEX HD M8 X 12 SST	15.000	EA
2	0029	397370	RING-RETAINING EXTERNAL 20 SST	6.000	EA
2	0030	422037	WASHER-FLAT THK 10.5 X 25 X 4 SST	8.000	EA
2	0031	397067	NUT-HEX LOCK NYLON FULL M10 SST	2.000	EA
2	0032	310148	SCREW-HEX HD M10 X 30 SST	4.000	EA
2	0033	318914	SCREW-HEX HD M10 X 16 SST	2.000	EA
2	0034	397063	NUT-HEX FULL M8 SST	1.000	EA
2	0035	397009	SCREW-HEX HD M8 X 40 SST	1.000	EA
2	0036	397387	KEY-6 X 6 X 70 SST	1.000	EA
2	0037	397386	SST KEY 8MM X 7MM 25MM LG	3.000	EA
2	0038	310151	SCREW-HEX HD M10 X 40 SST	6.000	EA
2	0039	531.069377	BLOCK-DISCH CNVR BELT GUIDE	4.000	EA
2	0040	8-110-914-293	01 GUARD DISCHARGE END	1.000	EA
2	0040	ADD ITEM 40			



© THIS DRAWING IS THE EXCLUSIVE PROPERTY OF ROBERT BOSCH GMBH. WITHOUT THEIR CONSENT IT MAY NOT BE REPRODUCED OR GIVEN TO THIRD PARTIES.

SYMBOL FOR TEST FEATURE ACCORDING TO ISO/DS 129-1. ALL THE TEST FEATURES ESTABLISHED IN THE DRAWING ARE SUBJECT TO A MUST TEST IN ACCORDANCE WITH THE VALID QA GUIDELINES.

REV.	NO.	CHANGE	DATE	CHANGED
3	206650	RE-NUMBERED DRAWING	06.01.10	KCP
2	206559	added items 42,43	16.12.09	KCP
1	206140	redesigned	30.10.09	KCP

GENERAL TOL. FOR DIMENSIONS, FORM AND POSITION DIN ISO 2768-mH <small>Norm. dim. (mm)</small> <table border="1"> <tr> <td>&gt; 1</td> <td>6</td> <td>30</td> <td>120</td> <td>400</td> <td>1000</td> <td>2000</td> </tr> <tr> <td>≤ 6</td> <td>30</td> <td>120</td> <td>400</td> <td>1000</td> <td>2000</td> <td>4000</td> </tr> </table>		> 1	6	30	120	400	1000	2000	≤ 6	30	120	400	1000	2000	4000	--- COVERED PLACES FOR COATING - - - HARDENED PLACES OR COATING XXX PLACE FOR DRAWING-NO.	SURFACE SYMBOLS DIN EN ISO 1302 <small>EDGES DIN ISO 13715</small> <table border="1"> <tr> <td>PLATES &lt; 1,5 mm THICKNESS</td> <td> <math>\sqrt{0.1}</math>  <math>\sqrt{0.3}</math> </td> <td> <math>\sqrt{0.2}</math>  <math>\sqrt{0.5}</math> </td> </tr> <tr> <td>PLATES &gt; 1,5 mm THICKNESS AND ALL THE REST OF PARTS</td> <td> <math>\sqrt{0.1}</math>  <math>\sqrt{0.3}</math> </td> <td> <math>\sqrt{0.2}</math>  <math>\sqrt{0.5}</math> </td> </tr> </table>	PLATES < 1,5 mm THICKNESS	$\sqrt{0.1}$ $\sqrt{0.3}$	$\sqrt{0.2}$ $\sqrt{0.5}$	PLATES > 1,5 mm THICKNESS AND ALL THE REST OF PARTS	$\sqrt{0.1}$ $\sqrt{0.3}$	$\sqrt{0.2}$ $\sqrt{0.5}$
> 1	6	30	120	400	1000	2000																	
≤ 6	30	120	400	1000	2000	4000																	
PLATES < 1,5 mm THICKNESS	$\sqrt{0.1}$ $\sqrt{0.3}$	$\sqrt{0.2}$ $\sqrt{0.5}$																					
PLATES > 1,5 mm THICKNESS AND ALL THE REST OF PARTS	$\sqrt{0.1}$ $\sqrt{0.3}$	$\sqrt{0.2}$ $\sqrt{0.5}$																					
SCALE <b>1:4</b>	DATE 13 Oct 2009	NAME K. Purintun	SURFACE MATERIAL 4700815 mm <sup>2</sup> 122494.59 g																				
AREA CHK APP 13 Oct 2009 K. Purintun	Similar to 8-110-910-276		TYPE Similar to 231.069374																				
ROBERT BOSCH GmbH Packaging Technology Division			MATERIALCLASS PROD-NO. 225 TEMPLATE-NO. Similar to 231.069374 SW (A2) SHEET 1/1																				
DESCRIPTION Assy Disch Cnvr 305mm x 800mm LR			DRAWING-NO. <b>8-110-910-298</b> ORIGIN:																				

AZ:EN: 2066-09-17

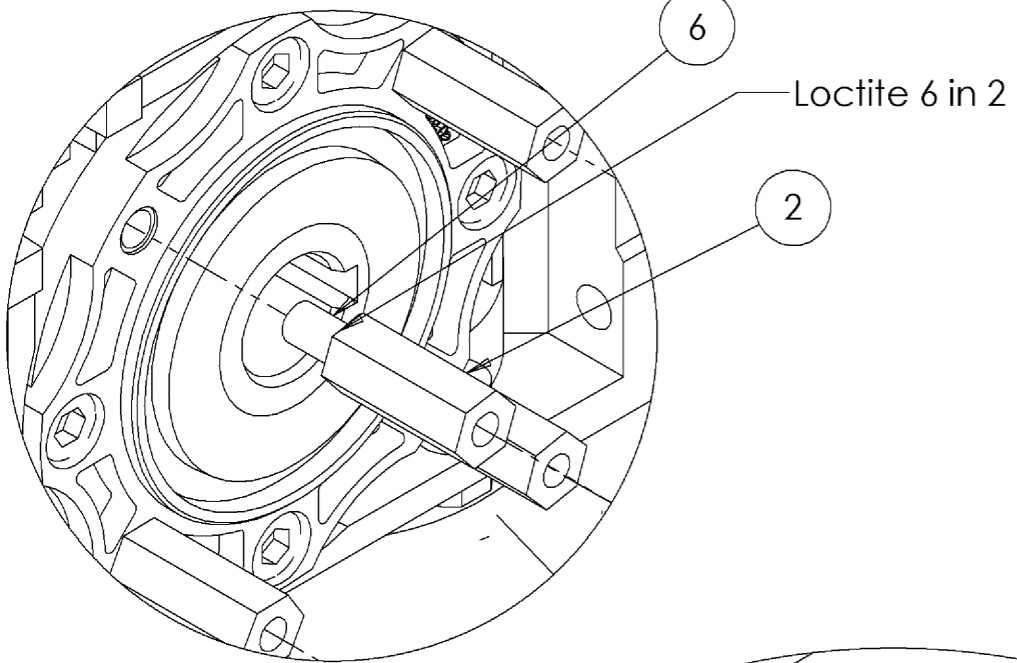
# Bosch Packaging Technology Inc.

<b>Material</b>	C241	06 0010	<b>Alt.</b>	<b>Usage</b> 3
	Linium 3X5 PolyRotary Horizontal Wrapper			<b>Valid</b>
				09/16/2009
<b>Reqd qty</b>	1.000 EA	<b>Base quant</b>	1.000 EA	
<b>Sales ord.</b>	172945	<b>Item</b>	000104	

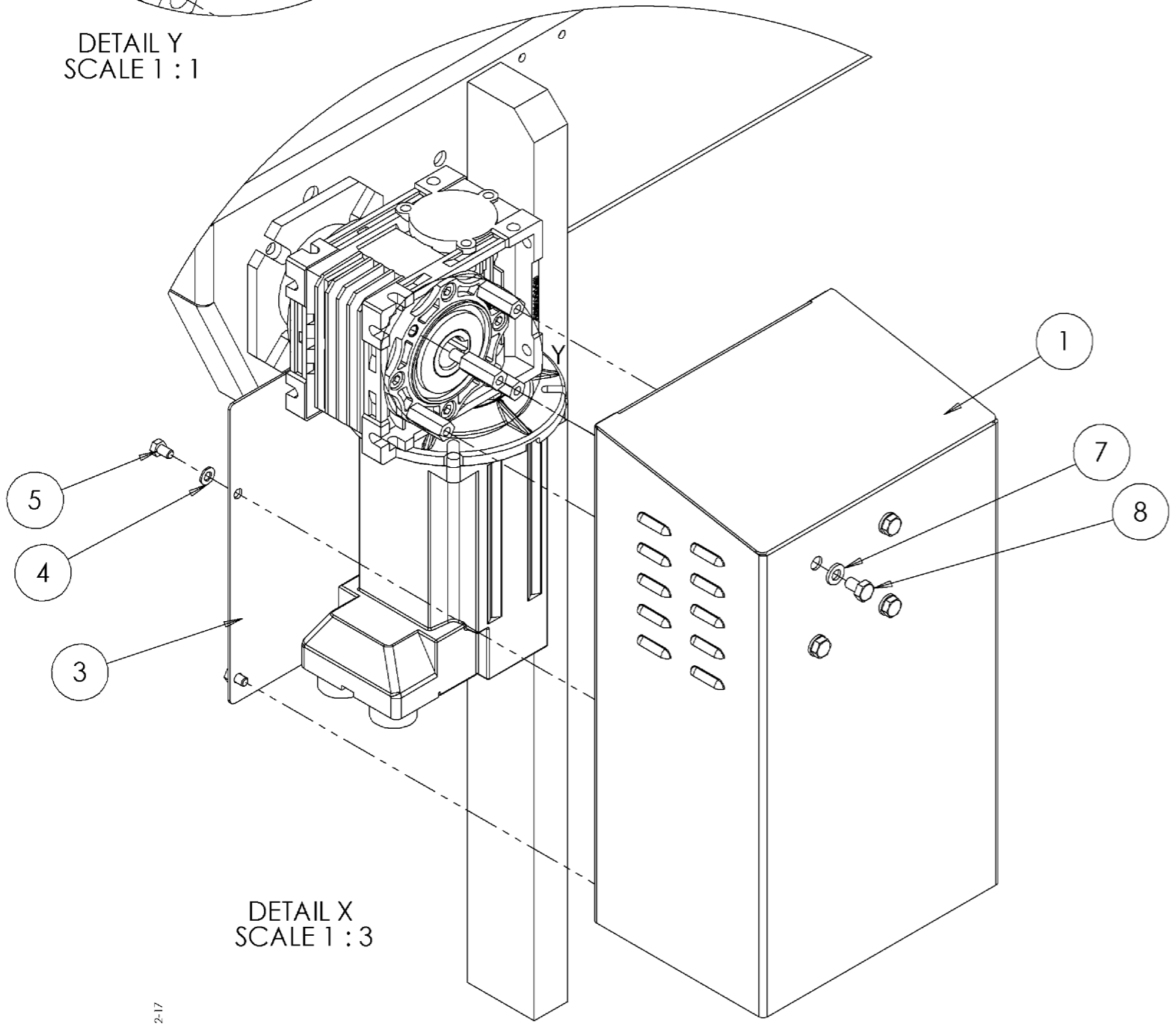
  

Lv	Item	Component no.	Description	Quant	Un
1	0000	8-110-628-305	ASSEMBLY-MOTOR COVER-LR		
2	0001	8-110-628-304	WELDMENT-MOTOR COVER-LR	1.000	EA
2	0002	8-110-628-303	SPACER	4.000	EA
2	0003	8-110-628-306	COVER	1.000	EA
2	0004	401228	WASHER-FLAT 5.3 X 10 X 1 SST	4.000	EA
2	0005	397007	SCREW-HEX HD M5 X 8 SST	4.000	EA
2	0006	310161	SCREW-SET M6 X 20 SST	4.000	EA
2	0007	379749	WASHER-FLAT 6.4 X 12 X 1.6 SST	4.000	EA
2	0008	310106	SCREW-HEX HD M6 X 10 SST	4.000	EA

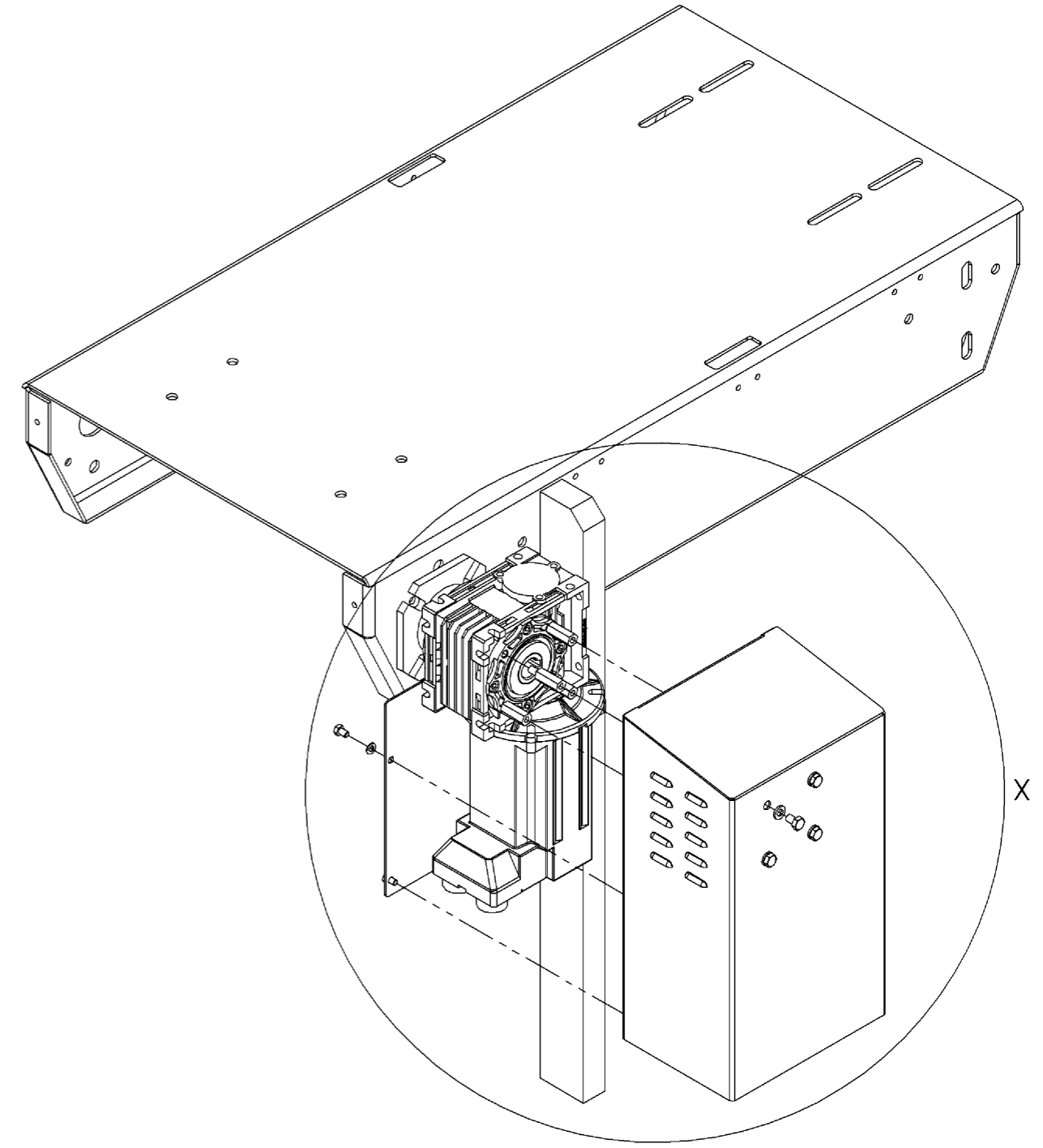
©THIS DRAWING IS THE EXCLUSIVE PROPERTY OF ROBERT BOSCH GMBH. WITHOUT THEIR CONSENT IT MAY NOT BE REPRODUCED OR GIVEN TO THIRD PARTIES.



DETAIL Y  
SCALE 1 : 1



DETAIL X  
SCALE 1 : 3



GENERAL TOL. FOR DIMENSIONS, FORM AND POSITION DIN ISO 2768-mH

Nom. dim. [mm]	> 1	6	30	120	400	1000	2000
	≤ 6	30	120	400	1000	2000	4000
Tolerance [mm]	± 0.1	± 0.2	± 0.3	± 0.5	± 0.8	± 1.2	± 2

--- COVERED PLACES FOR COATING  
--- HARDENED PLACES OR COATING  
XXX PLACE FOR DRAWING-NO.

SURFACE SYMBOLS DIN EN ISO 1302  
EDGES DIN ISO 13715  
PLATES ≤ 1,5 mm THICKNESS  
PLATES > 1,5 mm THICKNESS AND ALL THE REST OF PARTS

SCALE	DATE	NAME	SURFACE
1:5	Mod 12.03.2009	Bryan Mueller	MATERIAL
AREA	CHK		
	APP 12.03.2009	Bryan Mueller	TYPE
ROBERT BOSCH GmbH Packaging Technology Division			MATERIALCLASS
			PROD-NO
			TEMPLATE-NO.
			SW

DESCRIPTION	DRAWING-NO.	SHEET
Assembly-Motor Cover-LR	8-110-628-305	1/1
ORIGIN:		

1 8.5  
A3-EN: 2006-02-17

REV.	NO.	CHANGE	CHANGED

**Bosch Packaging Technology Inc.**

<b>Material</b>	C241	06 0010	<b>Alt.</b>	<b>Usage</b> 3
	Linium 3X5 PolyRotary Horizontal Wrapper			<b>Valid</b>
				09/16/2009
<b>Reqd qty</b>	1.000 EA	<b>Base quant</b>	1.000 EA	
<b>Sales ord.</b>	172945	<b>Item</b>	000104	

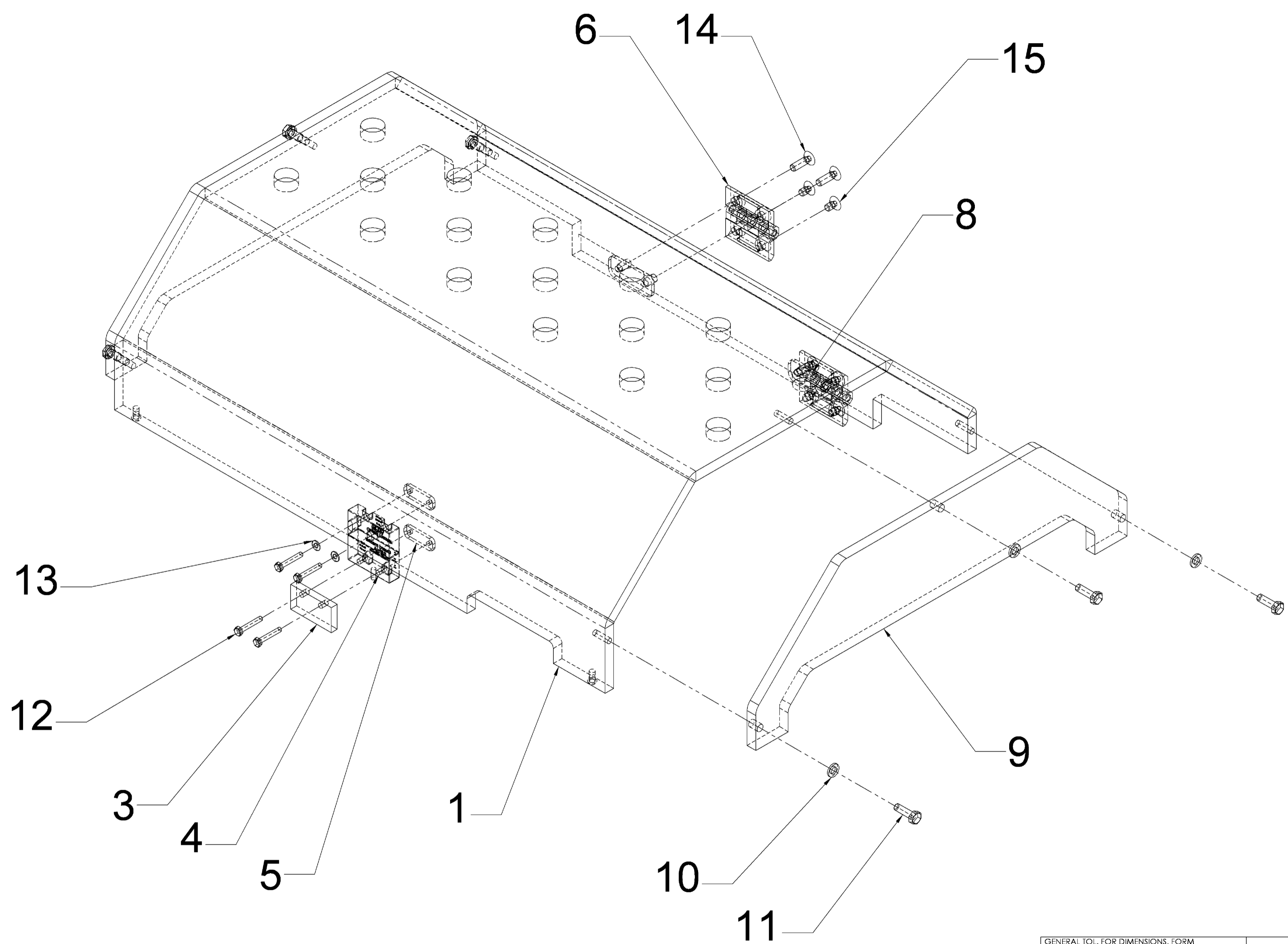
<b>Lv</b>	<b>Item</b>	<b>Component no.</b>	<b>Description</b>	<b>Quant</b>	<b>Un</b>
1	0000	8-110-912-615	KIT GUARD DISCHG TOP LR		
2	0001	8-110-912-614	01 GUARD DISCHG TOP LR	1.000	EA
2	0003	531.046518	SPACER-INTERLOCK MOUNTING	1.000	EA
2	0004	#479833	Sensor-Interlock Switch		
2	0005	531.001317	01 PLATE-NUT SWITCH	2.000	EA
2	0006	#479833	Sensor-Interlock Switch		
2	0007	031.029231	HINGE-SST	2.000	EA
2	0008	531.015558	PLATE-NUT GUARD	2.000	EA
2	0009	8-110-910-305	01 GUARD END	2.000	EA
2	0010	379749	WASHER-FLAT 6.4 X 12 X 1.6 SST	4.000	EA
2	0011	310098	SCREW-HEX HD M6 X 20 SST	4.000	EA
2	0012	432916	SCREW-HEX HD M4 X 25 SST	4.000	EA
2	0013	401118	WASHER-FLAT 4.3 X 9 X .8 SST	2.000	EA
2	0014	398355	SCREW-FLAT SOC M6 X 20 SST	4.000	EA
2	0015	330832	SCREW-FLAT SOC M6 X 10 SST	4.000	EA



© THIS DRAWING IS THE EXCLUSIVE PROPERTY OF ROBERT BOSCH GMBH. WITHOUT THEIR CONSENT IT MAY NOT BE REPRODUCED OR GIVEN TO THIRD PARTIES.

SYMBOL FOR TEST FEATURE ACCORDING TO ISO/DS 129-1. ALL THE TEST FEATURES ESTABLISHED IN THE DRAWING ARE SUBJECT TO A MUST TEST IN ACCORDANCE WITH THE VALID QA GUIDELINES.

11B.5



1

A2:ENL: 2006-02-17

1	205951	REMOVED ITEM 2	21.10.09	KCP
REV.	NO.	CHANGE		CHANGED

GENERAL TOL. FOR DIMENSIONS, FORM AND POSITION DIN ISO 2768-mH		COVERED PLACES FOR COATING		SURFACE SYMBOLS DIN EN ISO 1302	
Norm. dim. (mm)	>	1	6	30	120
	≤	6	30	120	400
		1000	2000	4000	
Tolerance (mm)		± 0.1	± 0.2	± 0.3	± 0.5
		± 0.8	± 1.2	± 2	
SCALE		DATE	NAME	SURFACE	
1:2.5		Mod	05.10.2009	MATERIAL	
AREA		CHK		940314.31 mm <sup>2</sup>	
		APP	05.10.2009	4787.7407 g	
				Similar to 8-110-910-303	
ROBERT BOSCH GmbH		MATERIALCLASS	PROD-NO	TEMPLATE-NO.	SW
Packaging Technology Division			225	Similar to 8-110-624-101	(A2)
DESCRIPTION		DRAWING-NO.		SHEET	
Kit		8-110-912-615		1/1	
Guard Dischg Top LR		ORIGIN:			

# Bosch Packaging Technology Inc.

<b>Material</b>	C241	06 0010	<b>Alt.</b>	<b>Usage</b> 3
	Linium 3X5 PolyRotary Horizontal Wrapper			<b>Valid</b>
				09/16/2009
<b>Reqd qty</b>	1.000 EA	<b>Base quant</b>	1.000 EA	
<b>Sales ord.</b>	172945	<b>Item</b>	000104	

Lv	Item	Component no.	Description	Quant	Un
1	0000	8-110-625-042	KIT MAIN BASIC 311 L-R 09		
2	0301	8-110-623-711	03 MAIN ELECT PANEL CLX L-R 300 SERIES	1.000	EA
2	0303	401129	01 SWITCH-DISCONNECT 25 A, 660V	1.000	EA
2	0304	631.048204	POWER SUPPLY 24VDC 3.9A	1.000	EA
2	0305	255888	04 BAR GROUNDING	1.000	EA
2	0306	276734	02 CABLE-QUICK DISCONNECT DC 15' STRAIG	1.000	EA
2	0310	474388	CONNECTOR MICRO FEMALE	1.000	EA
2	0311	8-110-620-916	MONITOR SAFETY RELAY	1.000	EA
2	0312	8-110-622-746	02 CONTACTOR 3NO 1NC 25A	3.000	EA
2	0313	631.042799	01 SOLID STATE RELAY W/COVER & LED	3.000	EA
2	0315	8-110-913-427	02 FUSE HOLDER-13/32X1.5-TERMINAL BLOCK	7.000	EA
2	0316	440716	FUSE 10AMP	5.000	EA
2	0317	476677	MP MOTOR POWER CABLE 3M	4.000	EA
2	0320	479833	INTERLOCK SWITCH 10M CABLE,1NO&1NC	3.000	EA
2	0321	492799	TERM BLOCK 2 SEPARATE CIRCUIT	69.000	EA
2	0322	492800	TERM BLOCK END PLATE FOR 2 SEPARATE	4.000	EA
2	0323	491622	TERM BLOCK 4 WIRE	60.000	EA
2	0324	491623	END PLATE FOR 4 WIRE	5.000	EA
2	0325	491635	KIT SENSOR TERMINAL BLOCK	13.000	EA
2	0326	491632	TERMINAL BLOCK RETAINER	8.000	EA
2	0328	491627	END PLATE FOR SENSOR BLOCK	1.000	EA
2	0330	491630	GROUND TERM BLOCK 4 WIRE	4.000	EA
2	0331	491631	END PLATE GRD TB 4 WIRE	2.000	EA
2	0332	379508	CONNECTOR-STRAIN RELIEF PG21	5.000	EA
2	0333	440561	MULTI HOLE SEAL INSERT	5.000	EA
2	0334	402781	PLUG-HOLE PG 21 THREADED	11.000	EA
2	0335	440560	STRAIN RELIEF PG16 ENLARGED	3.000	EA
2	0336	440559	CONNECTOR-STRAIN RELIEF PG-16	8.000	EA
2	0337	440564	HOLE PLUG PG16 THREADED	5.000	EA
2	0341	283039	02 CABLE-QUICK DISCONNECT DC 15' 90 DEG	1.000	EA
2	0342	233672	CABLE 20 AWG 10 CONDUCTOR 300V	20.000	FT
2	0343	491633	JUMPER 10 PLACE	3.000	EA
2	0345	491649	TB MARKER 10mm 144 PER CARD	2.000	EA
2	0347	471657	CABLE DEVICENET COMM	10.000	FT
2	0349	284599	02 WIRING DUCT 1Wx3H W/COVER	11.000	FT
2	0350	283407	02 WIRING DUCT 2Wx3H W/COVER	4.000	FT
2	0351	432887	SCREW THREAD FORMING M4X10mm		
2	0352	255975	SCREW HEX SLTD #10-32 .375LG		
2	0353	327046	01 MOUNTING RAIL-DIN EN NS35/7,5	104.000	IN
2	0354	8-110-913-429	FUSE 10A CLASS CC	1.000	EA
2	0356	454334	01 STRAIN RELIEF NYLON PG29	1.000	EA
2	0358	898-52504	TERMINAL, SOLDERLESS	1.000	EA
2	0359	402782	PLUG-HOLE PG29 THREADED	1.000	EA
2	0360	631.054375	TEMP CONTROL DUAL LOOP MODULE ETHERN	2.000	EA
2	0361	8-110-623-039	RJ-45 3' CABLE BLUE	2.000	EA
2	0362	8-110-620-917	SAFETY EXPANSION OFF DELAY MONITOR	1.000	EA
2	0363	631.024292	01 .3 METER SERCOS CABLE	3.000	EA
2	0364	631.024259	1 METER SERCOS CABLE	2.000	EA

## Bosch Packaging Technology Inc.

2	0369	476678	01	MP MOTOR FEEDBACK CABLE 3M	4.000	EA
2	0372	404635	02	CABLE-FEMALE 4COND #16 15' LONG	1.000	EA
2	0374	631.035631		VFD POWERFLEX 40 1HP 240V	1.000	EA
2	0375	631.035632		DEVICENET COMM POWERFLEX	1.000	EA
2	0376	631.035633		COVER- POWERFLEX B FRAME DNET CARD	1.000	EA
2	0377	531.062269		AUXILIARY PANEL CLX L-R	1.000	EA
2	0378	401144		ACTUATOR, LOAD SWITCH	1.000	EA
2	0379	423159		ELECTRICAL INTERLOCK	1.000	EA
2	0380	131.063185	01	KIT CONTROLOGIX LINIUM 31X 08	1.000	EA
2	0380	ADDS AND DELETES				
2	0384	479969		RELAY W/BASE 1NO SSR OUTPUT 24VDC IN	2.000	EA
2	0389	292597	01	WIRING DUCT 1.5Wx3H W/COVER	3.000	FT
2	0391	8-110-620-828	01	RECTIFIER	3.000	EA
2	0392	8-110-128-478		BREAKER 15A 3P	1.000	EA
2	0393	8-110-128-466		BREAKER -5A -3POLE	1.000	EA
2	0395	8-110-622-353		POWER RAIL 8 AXIS	1.000	EA
2	0396	8-110-622-350		INTEGRATE MODULE KINETIX 2000	1.000	EA
2	0397	8-110-622-352		SERVO AMP 1.9KW	3.000	EA
2	0398	8-110-622-358		BREAKOUT BD COMBO KINETIX 2000	4.000	EA
2	0399	8-110-625-021		ENET BULK HEAD CONNECTOR W/2M CABLE	1.000	EA
2	0400	292416	01	END BARRIER FOR FUSE BLOCK	1.000	EA
2	0401	631.055755		WIRING DUCT 2Wx4H W/COVER	4.000	FT
2	0402	479967		RELAY W/BASE SPDT MECH 6 AMPS 24VDC	1.000	EA
2	0403	8-110-623-716		CABLE RJ45/RJ45 5FT	1.000	EA

**Bosch Packaging Technology Inc.**

<b>Material</b>	C241	06 0010	<b>Alt.</b>	<b>Usage</b> 3	
	Linium 3X5 PolyRotary Horizontal Wrapper			<b>Valid</b>	
				09/16/2009	
<b>Reqd qty</b>	1.000 EA	<b>Base quant</b>	1.000 EA		
<b>Sales ord.</b>	172945	<b>Item</b>	000104		
<b>Lv</b>	<b>Item</b>	<b>Component no.</b>	<b>Description</b>	<b>Quant</b>	<b>Un</b>
1	0000	131.002408	KIT 208/230/VOLT INPUT ELECT		
2	0300	631.048184	CIRCUIT BREAKER 15AMP	1.000	EA
2	0301	631.048185	01 DIN RAIL ADAPTER FOR 140U CB	1.000	EA
2	0302	8-110-622-367	CB 140U COVER	1.000	EA
2	0303	497549	LABEL DANGER ARC FLASH	1.000	EA

**Bosch Packaging Technology Inc.**

<b>Material</b>	C241	06 0010	<b>Alt.</b>	<b>Usage</b> 3	
	Linium 3X5 PolyRotary Horizontal Wrapper			<b>Valid</b>	
				09/16/2009	
<b>Reqd qty</b>	1.000 EA	<b>Base quant</b>	1.000 EA		
<b>Sales ord.</b>	172945	<b>Item</b>	000104		
<b>Lv</b>	<b>Item</b>	<b>Component no.</b>	<b>Description</b>	<b>Quant</b>	<b>Un</b>
1	0000	8-110-912-475	KIT OPERATOR INTERFACE PV1000+		
2	0302	491645	KIT - START PB w/1 N.O.	1.000	EA
2	0303	491646	KIT - STOP PB w/1 N.C.	1.000	EA
2	0304	131.056525	KIT E-STOP PBM W/1NO & 1NC	1.000	EA
2	0310	631.035057	TOUCHSCREEN PANELVIEW PLUS 1000 ENET	1.000	EA

**Bosch Packaging Technology Inc.**

<b>Material</b>	C241	06 0010	<b>Alt.</b>	<b>Usage</b> 3	
	Linium 3X5 PolyRotary Horizontal Wrapper			<b>Valid</b>	
				09/16/2009	
<b>Reqd qty</b>	1.000 EA	<b>Base quant</b>	1.000 EA		
<b>Sales ord.</b>	172945	<b>Item</b>	000104		
<b>Lv</b>	<b>Item</b>	<b>Component no.</b>	<b>Description</b>	<b>Quant</b>	<b>Un</b>
1	0000	131.016089	KIT-POWER FEED ROLL ELECT (CTRLLGX)		
2	0301	8-110-621-328	02 ASSY- MOTOR/CABLE ASSEMBLY	1.000	EA
2	0304	474389	SENSOR-PROXIMITY ANALOG 18mm DEVICEN	1.000	EA
2	0306	404635	02 CABLE-FEMALE 4COND #16 15' LONG	1.000	EA

**Bosch Packaging Technology Inc.**

<b>Material</b>	C241	06 0010	<b>Alt.</b>	<b>Usage</b> 3	
	Linium 3X5 PolyRotary Horizontal Wrapper			<b>Valid</b> 09/16/2009	
<b>Reqd qty</b>	1.000 EA	<b>Base quant</b>	1.000 EA		
<b>Sales ord.</b>	172945	<b>Item</b>	000104		
<b>Lv</b>	<b>Item</b>	<b>Component no.</b>	<b>Description</b>	<b>Quant</b>	<b>Un</b>
1	0000	131.062434	KIT HOT SHOE CLX 08		
2	0300	402700	01 THERMOCOUPLE-36 INCH WIRE	1.000	EA
2	0301	631.042799	01 SOLID STATE RELAY W/COVER & LED	1.000	EA

# Bosch Packaging Technology Inc.

<b>Material</b>	C241	06 0010	<b>Alt.</b>	<b>Usage</b> 3	
	Linium 3X5 PolyRotary Horizontal Wrapper			<b>Valid</b> 09/16/2009	
<b>Reqd qty</b>	1.000 EA	<b>Base quant</b>	1.000 EA		
<b>Sales ord.</b>	172945	<b>Item</b>	000104		
<b>Lv</b>	<b>Item</b>	<b>Component no.</b>	<b>Description</b>	<b>Quant</b>	<b>Un</b>
1	0000	131.062514	KIT STATIC SEAL (WINPACK & CLX)		
2	0302	8-110-912-488	FUSE 1/4 AMP	2.000	EA
2	0303	8-110-913-427	02 FUSE HOLDER-13/32X1.5-TERMINAL BLOCK	2.000	EA
2	0304	292416	01 END BARRIER FOR FUSE BLOCK	1.000	EA
2	0305	350906	01 STATIC GENERATOR	1.000	EA
2	0306	457533	02 TRANSFORMER 50VA	1.000	EA
2	0307	434495	02 COVER-TERMINAL	1.000	SE
2	0317	479967	RELAY W/BASE SPDT MECH 6 AMPS 24VDC	1.000	EA



# Bosch Packaging Technology Inc.

<b>Material</b>	C241	06 0010	<b>Alt.</b>	<b>Usage</b> 3	
	Linium 3X5 PolyRotary Horizontal Wrapper			<b>Valid</b> 09/16/2009	
<b>Reqd qty</b>	1.000 EA	<b>Base quant</b>	1.000 EA		
<b>Sales ord.</b>	172945	<b>Item</b>	000104		
<b>Lv</b>	<b>Item</b>	<b>Component no.</b>	<b>Description</b>	<b>Quant</b>	<b>Un</b>
1	0000	131.063173	KIT CUTT HD CLX SK 08		
2	0300	181015	07 BLOCK-TERMINAL 4-PLACE	2.000	EA
2	0301	253787	05 COVER-TERMINAL 4-PLACE	2.000	EA
2	0302	318912	SCREW-PAN HEAD M4 X 25 SST	4.000	EA
2	0303	318913	SCREW-PAN HEAD M4 X 16 SST	4.000	EA
2	0306	474497	01 MOTOR SERVO AC 26IN/LB 5000RPM 230V	1.000	EA
2	0307	261682	05 THERMOCOUPLE 24"	1.000	EA
2	0308	440548	SENSOR PROXIMITY N.O. PNP	1.000	EA

**Bosch Packaging Technology Inc.**

<b>Material</b>	C241	06 0010	<b>Alt.</b>	<b>Usage</b> 3	
	Linium 3X5 PolyRotary Horizontal Wrapper			<b>Valid</b> 09/16/2009	
<b>Reqd qty</b>	1.000 EA	<b>Base quant</b>	1.000 EA		
<b>Sales ord.</b>	172945	<b>Item</b>	000104		
<b>Lv</b>	<b>Item</b>	<b>Component no.</b>	<b>Description</b>	<b>Quant</b>	<b>Un</b>
1	0000	131.062417	KIT DISCHARGE CLX 08		
2	0800	474497	01 MOTOR SERVO AC 26IN/LB 5000RPM 230V	1.000	EA
2	0801	479833	INTERLOCK SWITCH 10M CABLE,1NO&1NC	1.000	EA

**Bosch Packaging Technology Inc.**

<b>Material</b>	C241	06 0010	<b>Alt.</b>	<b>Usage</b> 3	
	Linium 3X5 PolyRotary Horizontal Wrapper			<b>Valid</b> 09/16/2009	
<b>Reqd qty</b>	1.000 EA	<b>Base quant</b>	1.000 EA		
<b>Sales ord.</b>	172945	<b>Item</b>	000104		
<b>Lv</b>	<b>Item</b>	<b>Component no.</b>	<b>Description</b>	<b>Quant</b>	<b>Un</b>
1	0000	131.007357	KIT-SPLICER ELEC-MECH TRIP		
2	0001	471866	02 PROX SWITCH 12MM PNP QD DC	2.000	EA
2	0002	402155	01 CABLE-5 CONDUCTOR 15'	2.000	EA

**Bosch Packaging Technology Inc.**

<b>Material</b>	C241	06 0010	<b>Alt.</b>	<b>Usage</b> 3
	Linium 3X5 PolyRotary Horizontal Wrapper			<b>Valid</b>
				09/16/2009
<b>Reqd qty</b>		1.000 EA	<b>Base quant</b>	1.000 EA
<b>Sales ord.</b>	172945		<b>Item</b>	000104

<b>Lv</b>	<b>Item</b>	<b>Component no.</b>	<b>Description</b>	<b>Quant</b>	<b>Un</b>
1	0000	131.008537	KIT-RED-AMBER-GREEN BEACON		
2	0301	470601	LIGHT AMBER STACKABLE 24V	1.000	EA
2	0302	470602	LIGHT RED STACKABLE 24V	1.000	EA
2	0303	470603	LIGHT GREEN STACKABLE 24V	1.000	EA
2	0304	470608	CAP LIGHT STACK	1.000	EA
2	0305	470609	BASE LIGHT STACK W/10CM POLE	1.000	EA

# Bosch Packaging Technology Inc.

<b>Material</b>	C241	06 0010	<b>Alt.</b>	<b>Usage</b> 3
	Linium 3X5 PolyRotary Horizontal Wrapper			<b>Valid</b> 09/16/2009
<b>Reqd qty</b>	1.000 EA	<b>Base quant</b>	1.000 EA	
<b>Sales ord.</b>	172945	<b>Item</b>	000104	

Lv	Item	Component no.	Description	Quant	Un
2	0000	131.036161	ASSY-FORMER MOUNT SST		
3	0000	231.036131	ASSY FORMER MOUNT SST	1.000	EA
3	0010	8-110-912-705	PLATE FORMER POST MTG SST	1.000	EA
3	0010	WAS 531.036159			
3	0011	531.036160	BASE FORMER MTG-USDA	1.000	EA
3	0012	531.017539	STEM-FORMER SUPPORT	1.000	EA
3	0200	364197	HANDLE-ADJUSTABLE M8x30 STL	1.000	EA
3	0400	310152	SCREW-HEX HD M10 X 50 SST	1.000	EA
3	0401	310151	SCREW-HEX HD M10 X 40 SST	4.000	EA
3	0402	397080	WASHER-FLAT 10.5 X 20 X 2 SST	5.000	EA
3	0403	406296	WASHER-BACKUP-FORMER MOUNT	1.000	EA

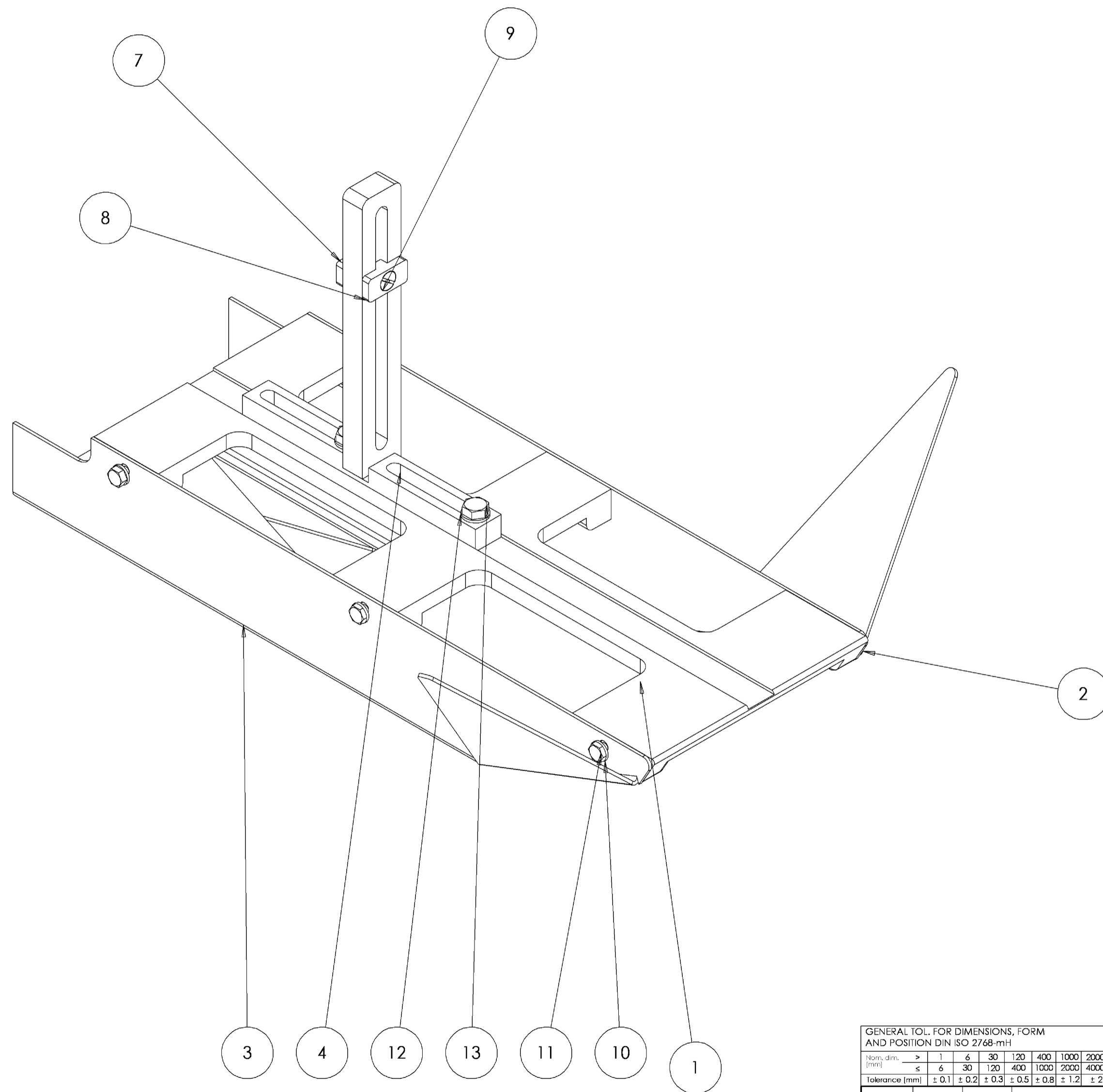
# Bosch Packaging Technology Inc.

<b>Material</b>	C241	06 0010	<b>Alt.</b>	<b>Usage</b> 3
	Linium 3X5 PolyRotary Horizontal Wrapper			<b>Valid</b> 09/16/2009
<b>Reqd qty</b>	1.000 EA	<b>Base quant</b>	1.000 EA	
<b>Sales ord.</b>	172945	<b>Item</b>	000104	

Lv	Item	Component no.	Description	Quant	Un
2	0000	8-110-912-631	ASSY LAP FORMER 48 HI X 165 WD		
3	0001	8-110-912-632	MOUNT FORMER 165 WD USDA	1.000	EA
3	0002	8-110-912-633	WING LAP FORMER 48H X 165W	1.000	EA
3	0003	8-110-912-627	WING LAP FORMER 48H X 165W	1.000	EA
3	0004	531.000193	04 BRACKET-FORMER SUPPORT	1.000	EA
3	0007	531.000395	01 STOP FORMER SUPPORT	1.000	EA
3	0008	531.000396	01 STOP FORMER SUPPORT	1.000	EA
3	0009	433420	SCREW-FLAT SLOT M6 X 25 SST	1.000	EA
3	0010	379749	WASHER-FLAT 6.4 X 12 X 1.6 SST	6.000	EA
3	0011	419471	SCREW-HEX-HD MACH WASH M6 X 12 SST	6.000	EA
3	0012	309393	01 WASHER-FLAT 8.4 X 16 X 1.6 SST	2.000	EA
3	0013	310110	SCREW-HEX HD M8 X 25 SST	2.000	EA

© THIS DRAWING IS THE EXCLUSIVE PROPERTY OF ROBERT BOSCH GMBH. WITHOUT THEIR CONSENT IT MAY NOT BE REPRODUCED OR GIVEN TO THIRD PARTIES.

SYMBOL FOR TEST FEATURE ACCORDING TO ISO/DS 129-1. ALL THE TEST FEATURES ESTABLISHED IN THE DRAWING ARE SUBJECT TO A MUST TEST IN ACCORDANCE WITH THE VALID QA GUIDELINES.



GENERAL TOL. FOR DIMENSIONS, FORM AND POSITION DIN ISO 2768-mH		COVERED PLACES FOR COATING		SURFACE SYMBOLS DIN EN ISO 1302	
Norm. dim. (mm)	> 1	6	30	120	400
	≤ 6	30	120	400	1000
					2000
					4000
Tolerance (mm)	± 0.1	± 0.2	± 0.3	± 0.5	± 0.8
					± 1.2
					± 2
SCALE		DATE	NAME	SURFACE	
1:2					
AREA		Mod	12.10.2009	K. Purintun	
		CHK			
		APP	12.10.2009	K. Purintun	
ROBERT BOSCH GmbH		MATERIALCLASS	PROD-NO	TEMPLATE-NO.	SW
Packaging Technology Division			241	Similar to 231.039275	(A2)
DESCRIPTION		DRAWING-NO.		SHEET	
Assy		8-110-912-631		1/1	
Lap Former 48H X 165WD		ORIGIN:			

AZ:ENL: 2006-02-17

REV.	NO.	CHANGE	CHANGED
	3		
	4		

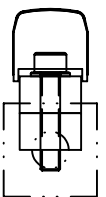
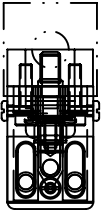
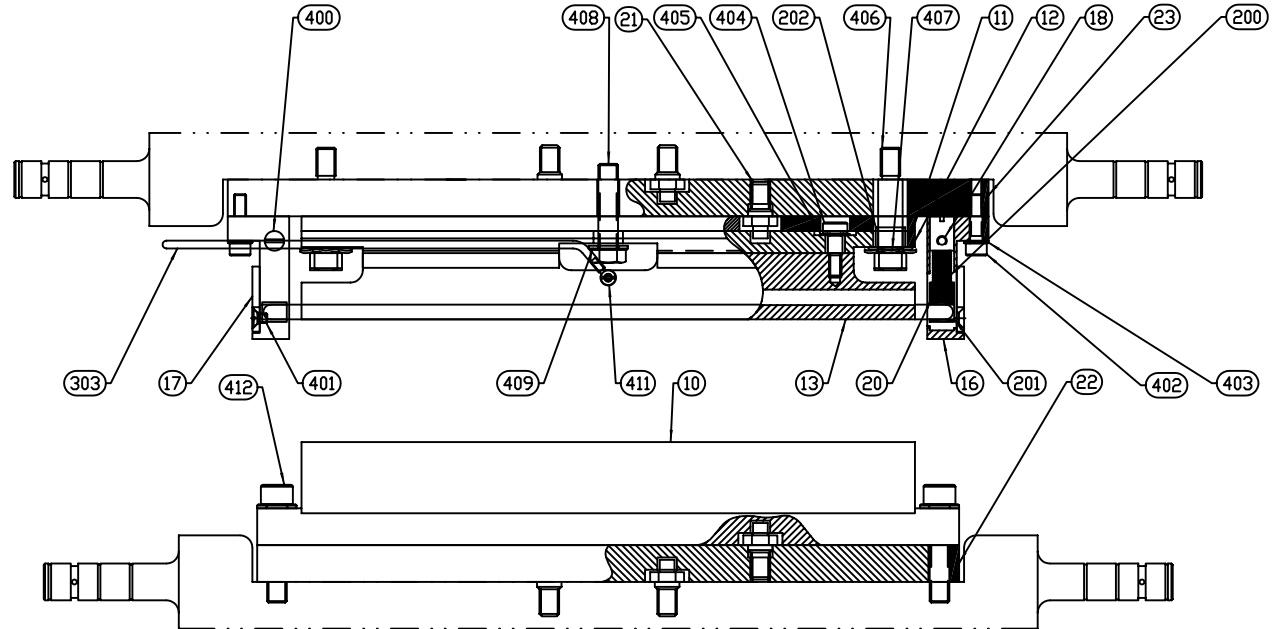
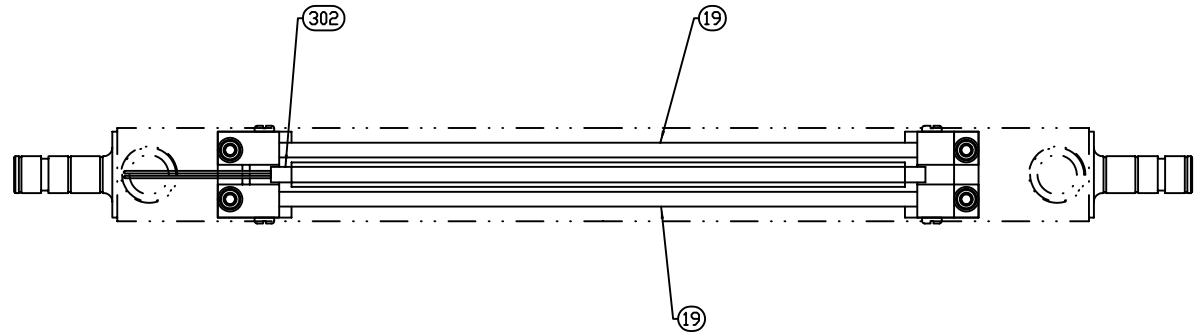
**Bosch Packaging Technology Inc.**

<b>Material</b>	C241	06 0010	<b>Alt.</b>	<b>Usage</b> 3
	Linium 3X5 PolyRotary Horizontal Wrapper			<b>Valid</b>
				09/16/2009
<b>Reqd qty</b>	1.000 EA	<b>Base quant</b>	1.000 EA	
<b>Sales ord.</b>	172945	<b>Item</b>	000104	

<b>Lv</b>	<b>Item</b>	<b>Component no.</b>	<b>Description</b>	<b>Quant</b>	<b>Un</b>
2	0000	131.008567	KIT HOT KNIFE 150 DIA- 410 LG		
3	0000	131.008159	: KIT HOT KNIFE 120DIA 250LG		
3	0001	231.007097	DWG KIT HOT KNIFE 150DIA 250LG	1.000	EA
3	0002	331.008567	LAYOUT KIT HOT KNIFE 150DIA 410LG	1.000	EA
3	0010	131.008569	AY ANVIL SPRING LOADED 410MM 120DIA	1.000	EA
3	0011	531.008572	BLOCK KNIFE SPACER 410MM	1.000	EA
3	0012	531.008573	02 BLOCK KNIFE HOLDER 410MM	1.000	EA
3	0013	531.037377	KNIFE-410MM TEFLON NICKEL	1.000	EA
3	0016	531.008163	03 BLOCK MOUNT CLAMP BARS	2.000	EA
3	0017	531.008164	01 PLATE RETAINER CLAMP BAR	2.000	EA
3	0018	531.003824	03 SHAFT SPRING RETAINER	4.000	EA
3	0019	531.008575	SHAFT CLAMP BAR 410MM	2.000	EA
3	0020	531.003780	01 BUSHING-SPRING	4.000	EA
3	0021	375065	PIN-ALIGNMENT-CRIMPER	8.000	EA
3	0022	531.015008	SPACER ANVIL 150DIA 410LG	1.000	EA
3	0023	531.015009	SPACER KNIFE 150DIA 410LG	1.000	EA
3	0200	185484	01 SPRING COMP 0.26 1.25 .022	4.000	EA
3	0201	031.003826	BEARING-SLEEVE-IGLIDE-6mm X 8mm X 10	4.000	EA
3	0202	031.005245	BRG FLANGED SLEEVE 10MMx12MMx9M	3.000	EA
3	0300	253787	: COVER-TERMINAL 4 WIRE		
3	0301	181015	: TERMINAL BLOCK 4 TERMINAL 20A		
3	0302	031.015208	: ELEMENT-HEAT 230V 1500W .2		
3	0303	206674	: THERMOCOUPLE-SIX FOOT		
3	0400	310085	SCREW-PAN SLOT M4 X 10 SST	4.000	EA
3	0401	397040	SCREW-FLAT SLOT M4 X 6 SST	2.000	EA
3	0402	451872	SCREW-SOC CAP M5 X 20 SST	4.000	EA
3	0403	401228	WASHER-FLAT 5.3 X 10 X 1 SST	4.000	EA
3	0404	031.000423	SCREW-SHOULDER M5/6x8 SST	4.000	EA
3	0405	031.003828	WASHER-WAVE 6.4 X 12 X 0.5 SST	4.000	EA
3	0406	531.007117	SCREW SHOULDER 10/M8/30	2.000	EA
3	0407	031.005246	WASHER-WAVE 10.5 X 21 X 1 SST	2.000	EA
3	0408	430377	SCREW-HEX HD M8 X 35 SST	1.000	EA
3	0409	309393	01 WASHER-FLAT 8.4 X 16 X 1.6 SST	3.000	EA
3	0411	310087	SCREW-PAN SLOT M3 X 4 SST	1.000	EA
3	0412	397032	SCREW-SOC CAP M8 X 40 SST	2.000	EA





Qty.	Index	Description	Date	ECN No.	Changed by
-	-	-	-	-	-

Pos.	Qty.	Shape	Mark	Material	Proposed Measurement	Remarks
				Drawn by	S. Erickson	Date 21 Feb 00
				Approved by	S. Larson	Scale 1 : 1
				Checked by	LAM	Size A1
						M-Type 241
					231.007097	Rev. 0
BOSCH		Doboy Inc.		©Copyright Inley Inc.		Based on Rigid International Design Standards

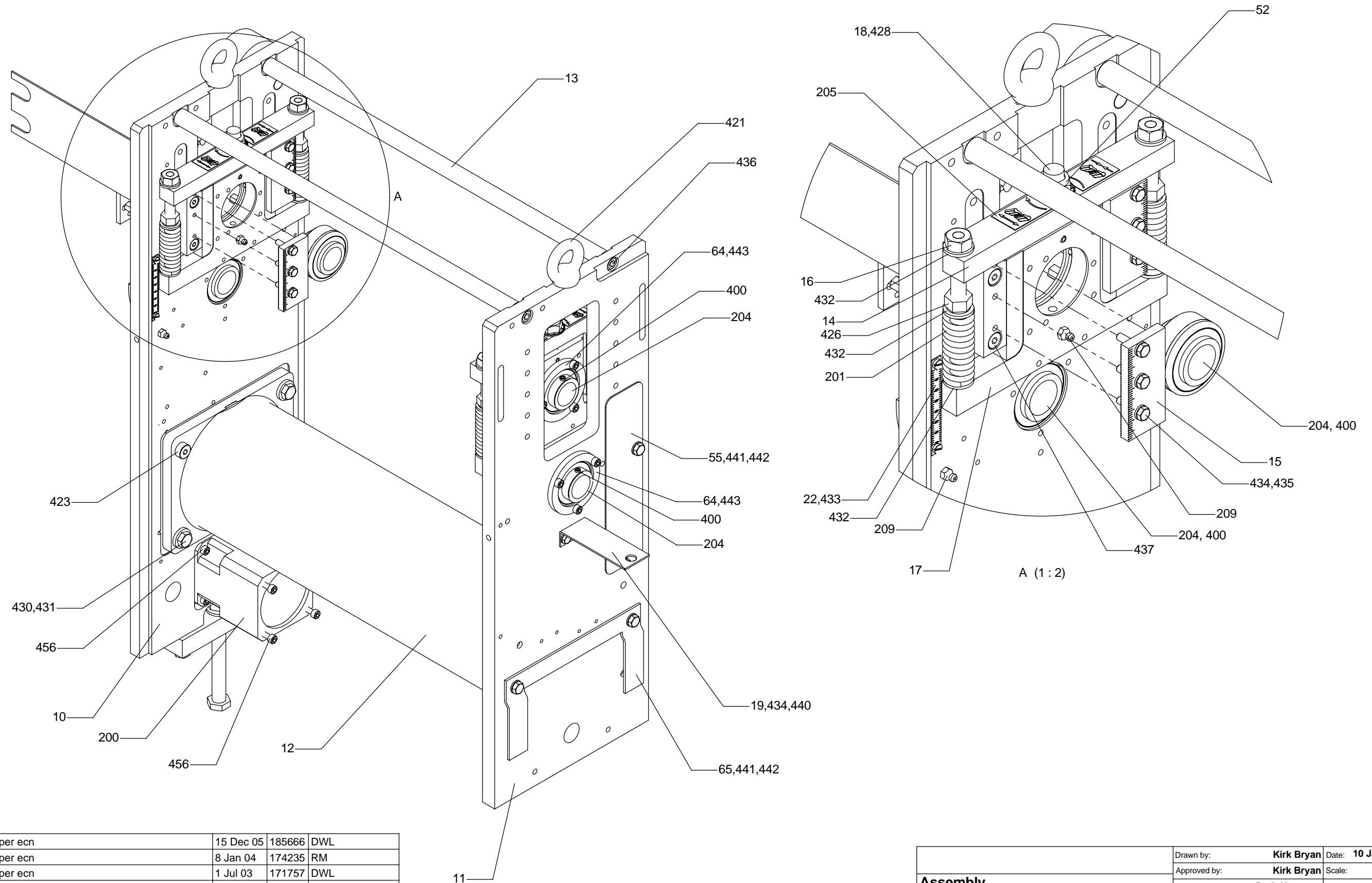
# Bosch Packaging Technology Inc.

<b>Material</b>	C241	06 0010	<b>Alt.</b>	<b>Usage</b> 3
	Linium 3X5 PolyRotary Horizontal Wrapper			<b>Valid</b>
				09/16/2009
<b>Reqd qty</b>	1.000 EA	<b>Base quant</b>	1.000 EA	
<b>Sales ord.</b>	172945	<b>Item</b>	000104	

Lv	Item	Component no.	Description	Quant	Un
2	0000	131.047225	ASSY-CUTT HEAD CHAIN DR LR SST		
3	0001	231.027267	09 DWG-CUTTING HD-CHAIN DR-LR	1.000	EA
3	0010	531.027264	04 PLATE - CUTTING HEAD - DR - LR	1.000	EA
3	0011	WAS 531.027265			
3	0012	531.036163	02 BRACE-TUBE-USDA	1.000	EA
3	0013	531.027238	STIFFENER - CUTTING HEAD FRAME	2.000	EA
3	0014	531.013660	06 BLOCK SLIDE BASE	2.000	EA
3	0015	531.013663	03 PLATE SLIDE	4.000	EA
3	0016	531.013696	SCREW-CUTTING HEAD ADJUST M12 X 160	4.000	EA
3	0017	531.025316	06 BEARING HOUSING	2.000	EA
3	0018	531.013596	ROD - CUTTING HEAD ADJUST SST	2.000	EA
3	0019	531.025339	BRACKET- CUTTING HEAD PROX	1.000	EA
3	0022	531.000028	02 SCALE 0-70MM SST	1.000	EA
3	0024	406296	WASHER-BACKUP-FORMER MOUNT	1.000	EA
3	0025	531.036164	SPACER-CHAIN GUIDE-SST	4.000	EA
3	0026	531.027266	PLATE - CHAIN GUIDE	1.000	EA
3	0027	531.036165	SPACER-COLLECTOR RING-SST	2.000	EA
3	0028	531.025341	01 PLATE - COLLECTOR	1.000	EA
3	0029	531.025318	02 SHAFT - IDLER SPROCKET	1.000	EA
3	0030	531.036166	SPACER-CHAIN GUIDE-SST	1.000	EA
3	0031	531.013692	SPACER - CHAIN GUIDE	1.000	EA
3	0032	531.011652	02 GUIDE CUTTING HEAD CHAIN	4.000	EA
3	0033	531.011653	GUIDE CUTTING HEAD CHAIN	2.000	EA
3	0034	531.027893	BRACKET - BRUSH HOLDER	1.000	EA
3	0035	531.016314	02 GUIDE-CUTTING HEAD IDLER BRACKET	2.000	EA
3	0036	531.013652	04 BRACKET-CUTTING HEAD TENSIONER	1.000	EA
3	0037	531.011647	02 BRACKET - ADJUSTING SCREW	1.000	EA
3	0038	531.013654	NUT-CUTTING HEAD TENSIONER	1.000	EA
3	0039	395955	SCREW-HEX HD M8 X 90 SST	1.000	EA
3	0043	531.025306	SPACER - CRIMPER SHAFT	1.000	EA
3	0044	531.025309	SPACER - CRIMPER SHAFT	1.000	EA
3	0045	531.011648	COLLAR - ADJUSTABLE	2.000	EA
3	0046	531.016851	SPROCKET-CUTTING HEAD DRIVE 40D27 ST	2.000	EA
3	0047	531.011650	01 SPROCKET-CUTTING HEAD IDLER 40D16 ST	2.000	EA
3	0048	531.049218	SPROCKET-CUTTING HEAD DRIVE 40D18 ST	1.000	EA
3	0052	131.013681	01 ASSY-NUT CUTTING HEAD SCALE	2.000	EA
3	0054	531.011649	BRACKET - CUTT.HD WARNING WIRES	1.000	EA
3	0055	531.015115	COVER SLAT CNVR HOLE	1.000	EA
3	0060	531.036167	CLAMP-SST	1.000	EA
3	0061	531.025722	NUT - HEIGHT ADJUSTMENT	1.000	EA
3	0062	031.000027	01 SCREW-HEX HD M16 X 150 SST	1.000	EA
3	0064	531.025336	01 COVER - BEARING	4.000	EA
3	0065	531.006186	01 BRACKET CUTTING HEAD GUARD	1.000	EA
3	0200	031.048915	02 GEAR-REDUCER INLINE 10:1 RATIO	1.000	EA
3	0201	253661	01 SPRING DIE 1.00x3.00 71.4lb/.10in	4.000	EA
3	0202	031.018434	SPRING .625 - 11/32 - 2.00 - YELLOW	1.000	EA
3	0203	950243	BEARING-RADIAL BALL 20 x 42 x 12	4.000	EA
3	0204	031.016884	BEARING -RADIAL BALL ER 30mm X 62mm	4.000	EA

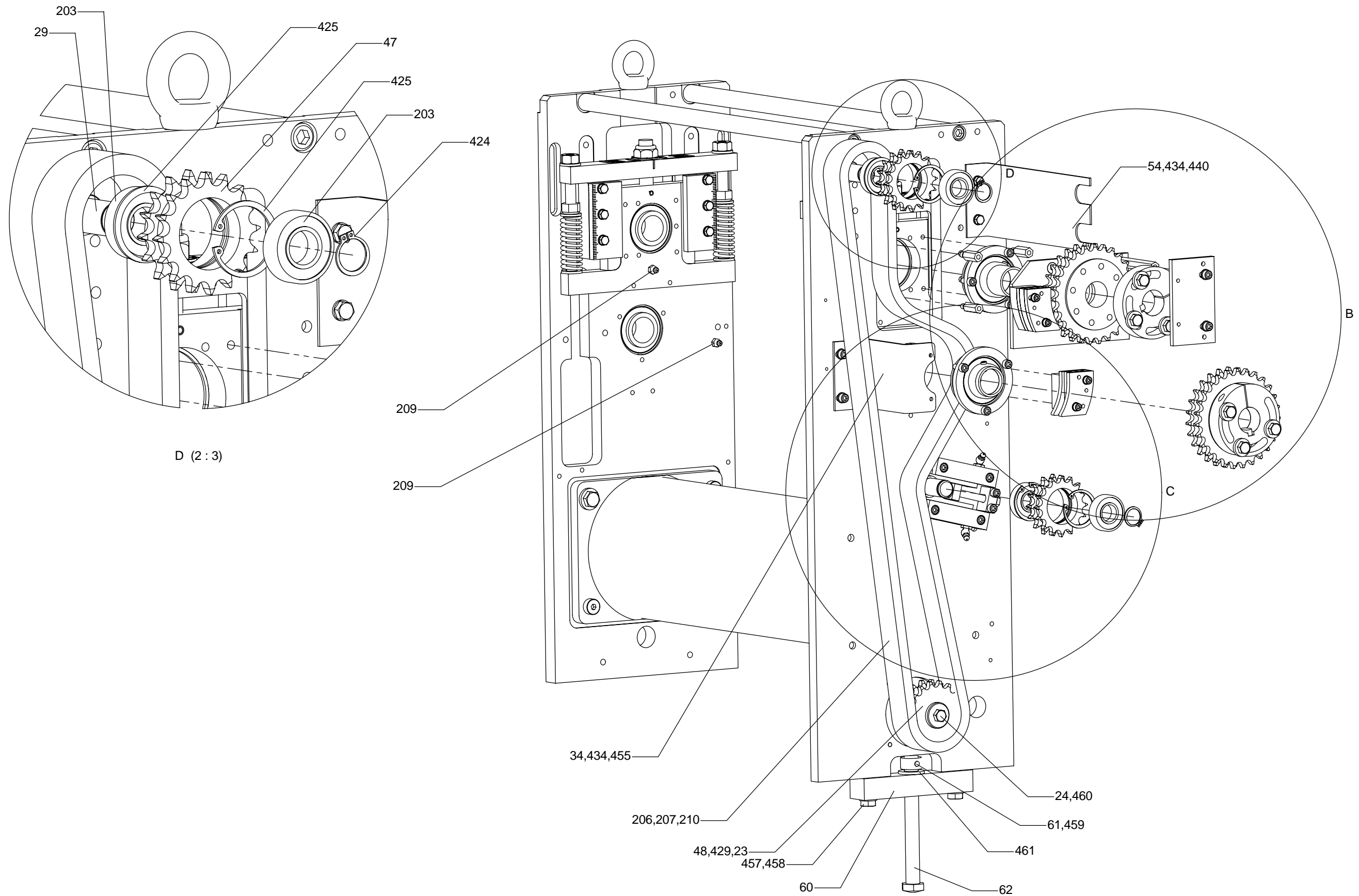
## Bosch Packaging Technology Inc.

3	0205	531.013659	DECAL CRIMPER GAP ADJUST	2.000	EA
3	0206	031.013602	CHAIN ROLLER #40-2 LAMBDA DOUBLE	60.500	IN
3	0207	031.013603	CHAIN CONN LINK #40 STL	1.000	EA
3	0208	031.023120	FITTING-GREASE 45o M8 X 1	2.000	EA
3	0209	031.016318	FITTING-GREASE STRAIGHT M8 X 1	4.000	EA
3	0210	031.013604	CHAIN OFFSET LINK #40 STL	1.000	EA
3	0400	031.016885	SCREW-SOC. HD. - DOG PT. M6 X 9	4.000	EA
3	0421	031.001712	EYE BOLT CUTT HD M12	2.000	EA
3	0423	031.018092	SCREW SHOULDER 12/M10 X 12SST	4.000	EA
3	0424	397370	RING-RETAINING EXTERNAL 20 SST	2.000	EA
3	0425	397376	RING-RTNG-INT 42HSG 1.75THK SST	4.000	EA
3	0426	397068	NUT-HEX LOCK NYLON FULL M12 SST	4.000	EA
3	0428	407605	PIN-SPRING 5 x 22 SST	2.000	EA
3	0429	397384	KEY-6 X 6 X 25 SST	1.000	EA
3	0430	422037	WASHER-FLAT THK 10.5 X 25 X 4 SST	4.000	EA
3	0431	310148	SCREW-HEX HD M10 X 30 SST	4.000	EA
3	0432	397069	WASHER-FLAT 13 X 24 X 2.5 SST	12.000	EA
3	0433	310085	SCREW-PAN SLOT M4 X 10 SST	2.000	EA
3	0434	379749	WASHER-FLAT 6.4 X 12 X 1.6 SST	21.000	EA
3	0435	388079	SCREW-HEX HD M6 X 25 SST	12.000	EA
3	0436	310150	SCREW-SOC CAP M10 X 20 SST	4.000	EA
3	0437	310166	SCREW-SHOULDER 10/M8 X 16 SST	8.000	EA
3	0438	430377	SCREW-HEX HD M8 X 35 SST	6.000	EA
3	0439	310101	SCREW-SOC CAP M6 X 30 SST	6.000	EA
3	0440	310106	SCREW-HEX HD M6 X 10 SST	5.000	EA
3	0441	309393	01 WASHER-FLAT 8.4 X 16 X 1.6 SST	4.000	EA
3	0442	310143	SCREW-HEX HD M8 X 12 SST	3.000	EA
3	0443	310107	SCREW-SOC CAP M6 X 16 SST	14.000	EA
3	0448	401228	WASHER-FLAT 5.3 X 10 X 1 SST	4.000	EA
3	0450	407802	WASHER-FLAT THK 8.4 X 21 X 4 SST	6.000	EA
3	0451	310115	SCREW-SOC CAP M8 X 25 SST	2.000	EA
3	0452	425332	SOCKET-HD-CAP M5 X 45 SST	4.000	EA
3	0453	397038	SCREW-FLAT SOC M6 X 16 SST	4.000	EA
3	0454	031.000189	KEY-8 X 7 X 18 SST	2.000	EA
3	0455	310105	SCREW-SOC CAP M6 X 10 SST	2.000	EA
3	0456	310104	SCREW-SOC CAP M6 X 20 SST	8.000	EA
3	0457	310151	SCREW-HEX HD M10 X 40 SST	2.000	EA
3	0458	397080	WASHER-FLAT 10.5 X 20 X 2 SST	2.000	EA
3	0459	407782	01 PIN-DOWEL 6 X 26 SST	1.000	EA
3	0460	310144	SCREW-HEX HD M8 X 30 SST	1.000	EA
3	0461	031.000041	WASHER-FLAT 17 X 30 X 3 SST	1.000	EA



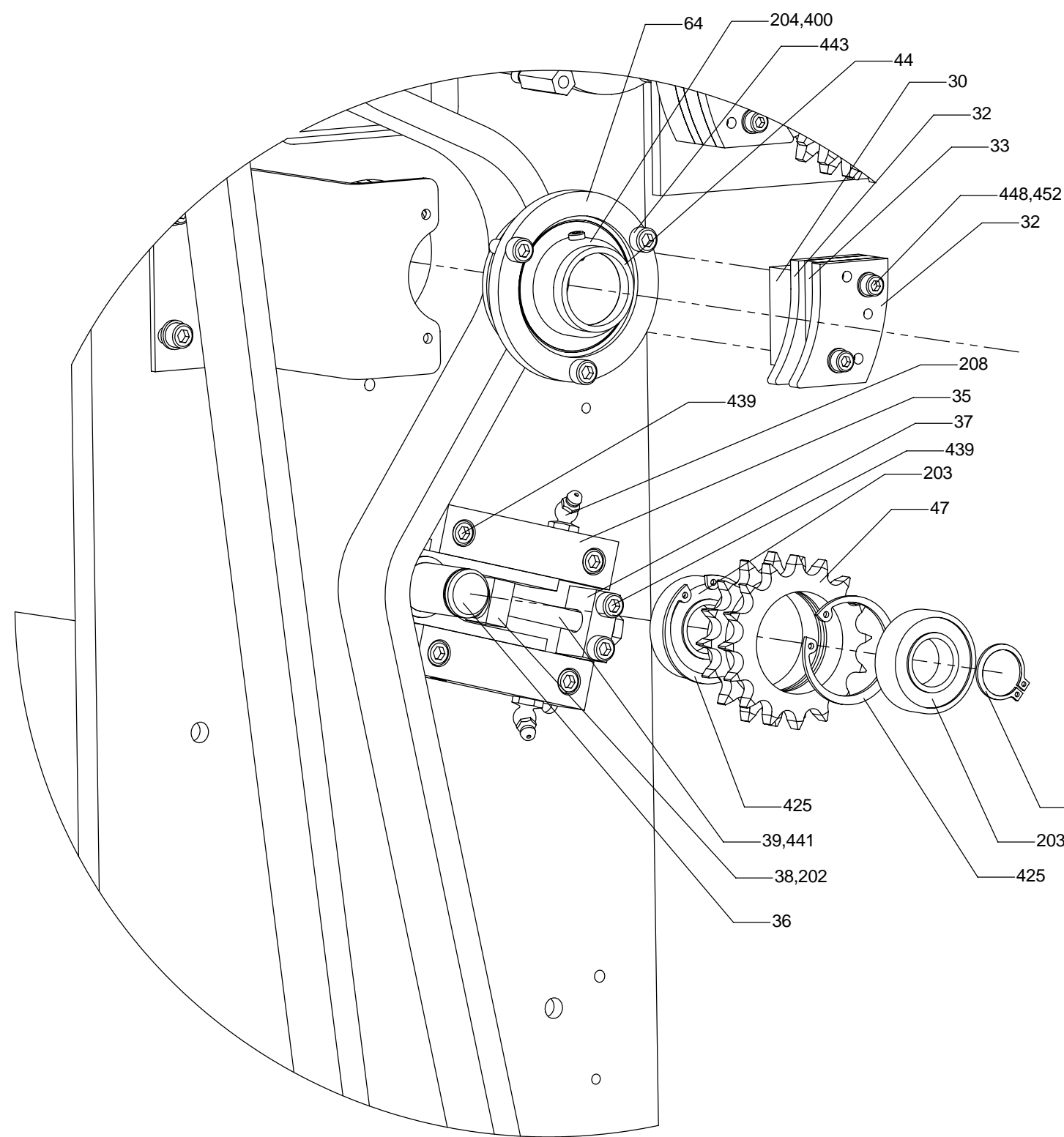
Qty.	Index	Description	Date	ECN No.	Changed by
0	8	Update per ecn	15 Dec 05	185666	DWL
0	7	Update per ecn	8 Jan 04	174235	RM
0	6	Update per ecn	1 Jul 03	171757	DWL
0	5	Update per ecn	10 Apr 03	170973	DM
0	4	Update per ecn	1 Apr 03	170701	RM
0	3	Update per ecn	20 Feb 03	169976	KB
0	2	Update per ecn	14 Feb 03	169903	DWL
0	1	Update per ecn	30 Dec 02	169184	KB

<b>Assembly</b> Cutting Head LR 370 Center Line		Drawn by: <b>Kirk Bryan</b>	Date: <b>10 Jan 2003</b>
		Approved by: <b>Kirk Bryan</b>	Scale: <b>1:3</b>
		Checked by: <b>Barb Hemauer</b>	Size: <b>A2</b>
		Sheet: <b>1/3</b>	M-Type: <b>225</b>
		<b>231.027267</b>	<b>Rev.: 8</b>
		© Copyright Doboy Inc.	Based on SIG Pack International Design Standards

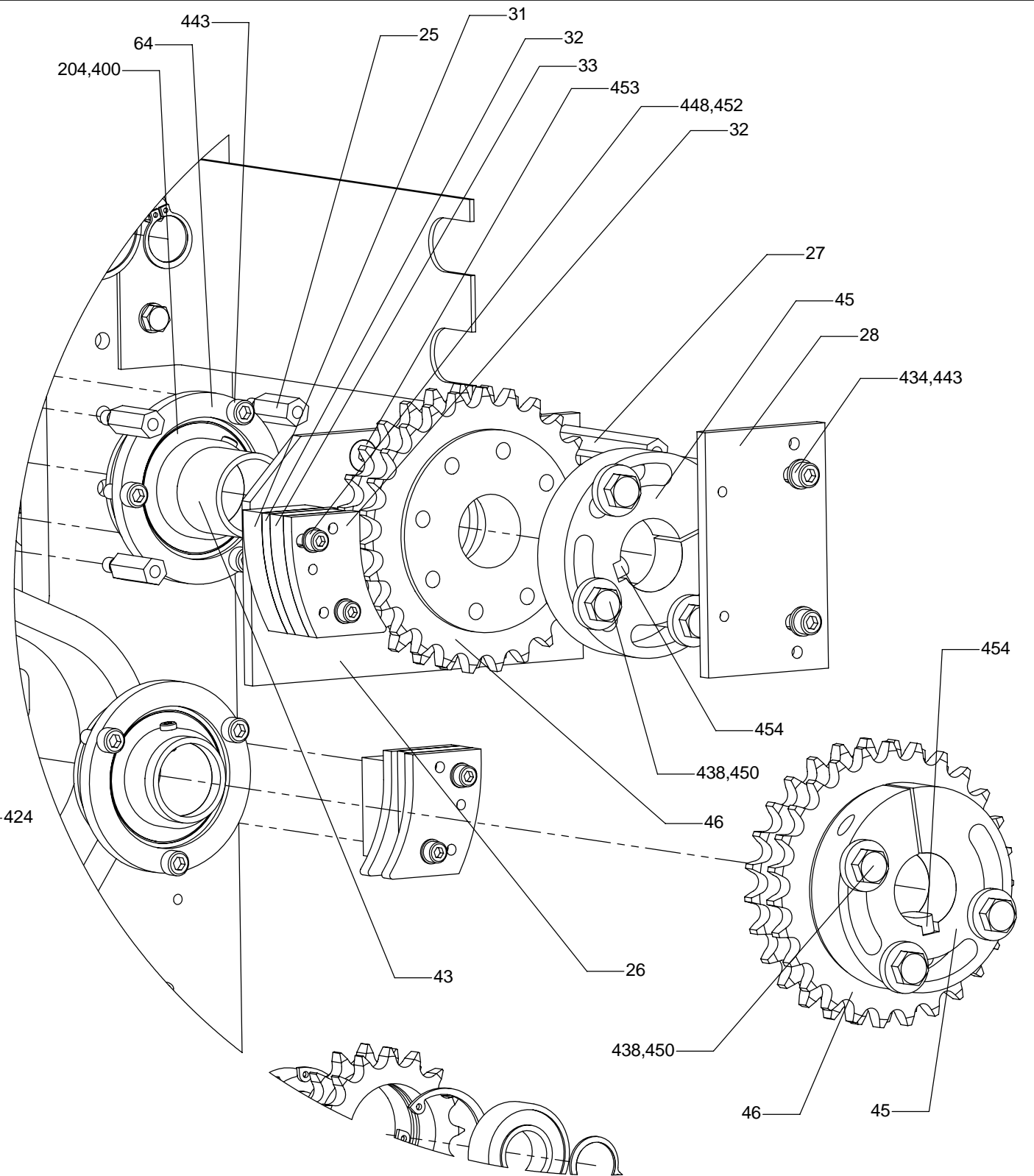


Qty.	Index	Description	Date	ECN No.	Changed by
0	8	Update per ecn	15 Dec 05	185666	DWL
0	7	Update per ecn	8 Jan 04	174235	RM
0	6	Update per ecn	1 Jul 03	171757	DWL
0	5	Update per ecn	10 Apr 03	170973	DM
0	4	Update per ecn	1 Apr 03	170701	RM
0	3	Update per ecn	20 Feb 03	169976	KB
0	2	Update per ecn	14 Feb 03	169903	DWL
0	1	Update per ecn	30 Dec 02	169184	KB

<b>Assembly</b> Cutting Head LR 370 Center Line		Drawn by: <b>Kirk Bryan</b>	Date: <b>10 Jan 2003</b>
		Approved by: <b>Kirk Bryan</b>	Scale: <b>1:3</b>
<b>BOSCH</b>		Checked by: <b>Barb Hemauer</b>	Size: <b>A2</b>
		Sheet: <b>2/3</b>	M-Type: <b>225</b>
<b>Doboy Inc.</b>		<b>231.027267</b>	
		Rev.: <b>8</b>	
© Copyright Doboy Inc.		Based on SIG Pack International Design Standards	



C (2 : 3)



B (2 : 3)

Qty.	Index	Description	Date	ECN No.	Changed by
0	8	Update per ecn	15 Dec 05	185666	DWL
0	7	Update per ecn	8 Jan 04	174235	RM
0	6	Update per ecn	1 Jul 03	171757	DWL
0	5	Update per ecn	10 Apr 03	170973	DM
0	4	Update per ecn	1 Apr 03	170701	RM
0	3	Update per ecn	20 Feb 03	169976	KB
0	2	Update per ecn	14 Feb 03	169903	DWL
0	1	Update per ecn	30 Dec 02	169184	KB

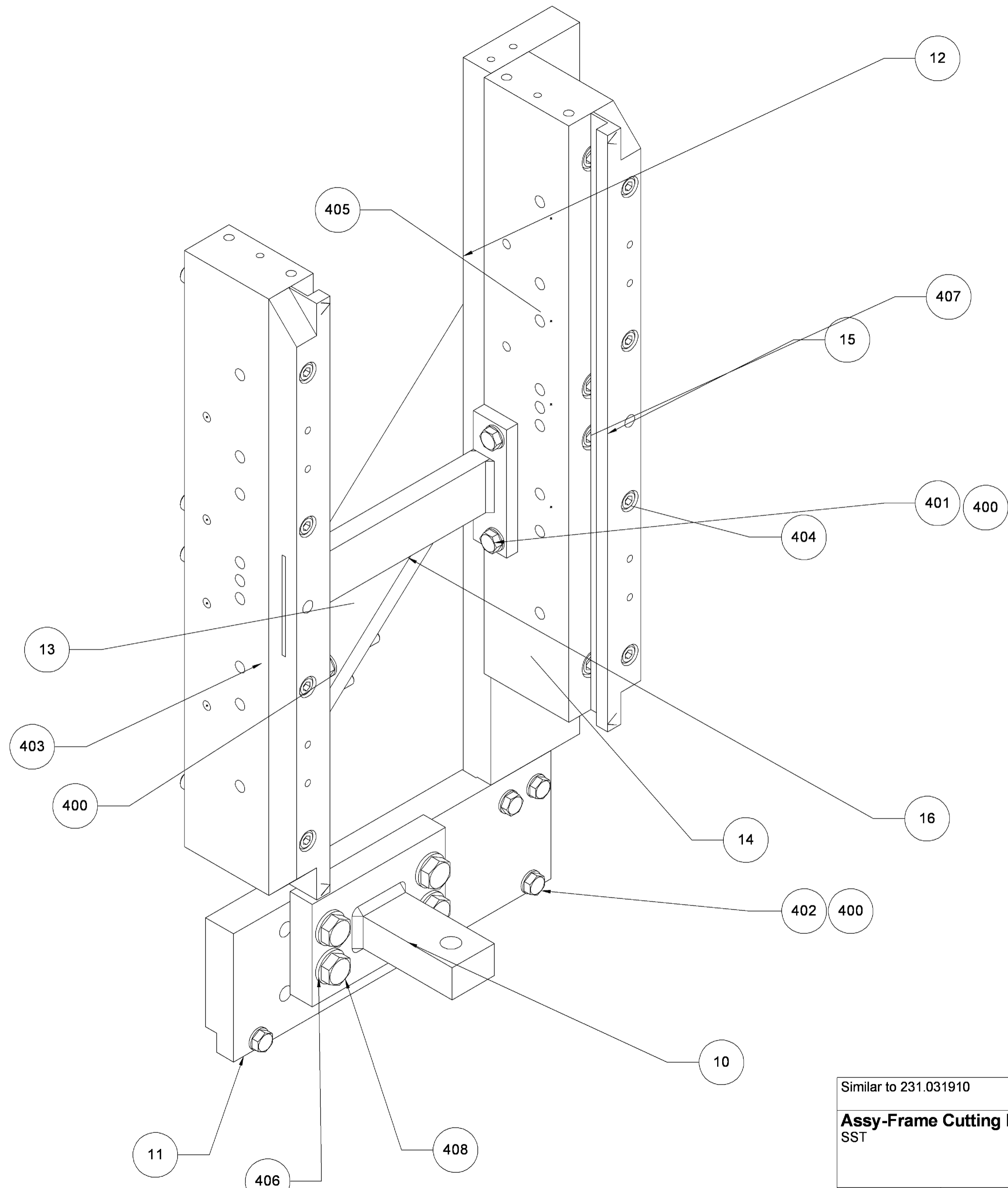
<b>Assembly</b> Cutting Head LR 370 Center Line		Drawn by: <b>Kirk Bryan</b>	Date: <b>10 Jan 2003</b>
		Approved by: <b>Kirk Bryan</b>	Scale: <b>1:3</b>
		Checked by: <b>Barb Hemauer</b>	Size: <b>A2</b>
		Sheet: <b>3/3</b>	M-Type: <b>225</b>
		<b>231.027267</b>	
		<b>Rev.: 8</b>	
<b>BOSCH</b>	<b>Doboy Inc.</b>	© Copyright Doboy Inc.	Based on SIG Pack International Design Standards

**Bosch Packaging Technology Inc.**

<b>Material</b>	C241	06 0010	<b>Alt.</b>	<b>Usage</b> 3
	Linium 3X5 PolyRotary Horizontal Wrapper			<b>Valid</b>
				09/16/2009
<b>Reqd qty</b>	1.000 EA	<b>Base quant</b>	1.000 EA	
<b>Sales ord.</b>	172945	<b>Item</b>	000104	

Lv	Item	Component no.	Description	Quant	Un
2	0000	131.047222	ASSY-FRAME CUTTING HEAD LR SST		
3	0010	531.036152	BRKT-CUTT HD HEIGHT ADJ-SST	1.000	EA
3	0011	531.047223	01 PLATE-FRAME LOWER CUTTING HEAD LR SS	1.000	EA
3	0012	8-110-624-104	PLATE-CUTTING HEAD FRAME SST LR	1.000	EA
3	0012	WAS 531.047224			
3	0013	531.028683	01 PLATE TOP FRAME CUTTING HEAD	1.000	EA
3	0014	531.036158	01 BLOCK-FRAME-CUTT HD MOUNT-USDA	2.000	EA
3	0015	531.036156	CLAMP-CUTTING HEAD FRAME-USDA	2.000	EA
3	0016	531.036157	BRACE-CUTTING HEAD FRAME-SST	1.000	EA
3	0400	309393	01 WASHER-FLAT 8.4 X 16 X 1.6 SST	8.000	EA
3	0401	310110	SCREW-HEX HD M8 X 25 SST	2.000	EA
3	0402	310144	SCREW-HEX HD M8 X 30 SST	3.000	EA
3	0403	318910	SCREW-HEX HD M8 X 45 SST	3.000	EA
3	0404	397030	SCREW-SOC CAP M8 X 30 SST	8.000	EA
3	0405	397032	SCREW-SOC CAP M8 X 40 SST	2.000	EA
3	0406	397069	WASHER-FLAT 13 X 24 X 2.5 SST	4.000	EA
3	0407	407559	PF ALLEN CYL M12x80/30	8.000	EA
3	0408	407574	SCREW-HEX-HD M12 X 45 SST	4.000	EA



Similar to 231.031910		Drawn by: <b>Steve Larson</b>	Date: <b>5 Dec 2006</b>
<b>Assy-Frame Cutting Head LR</b> SST		Approved by: <b>Steve Larson</b>	Scale: <b>1:2</b>
		Checked by: <b>Barb Hemauer</b>	Size: <b>A2</b>
Sheet:	Sheet: <b>1/1</b>	M-Type: <b>241</b>	
		<b>231.047222</b>	<b>Rev.: 1</b>
<b>BOSCH</b>	<b>Doboy</b>	Based on SIG Pack International Design Standards	

1	1	SEE B/M	20 Oct 09	186040	KCP
Qty.	Index	Description	Date	ECN No.	Changed by



**Bosch Packaging Technology Inc.**

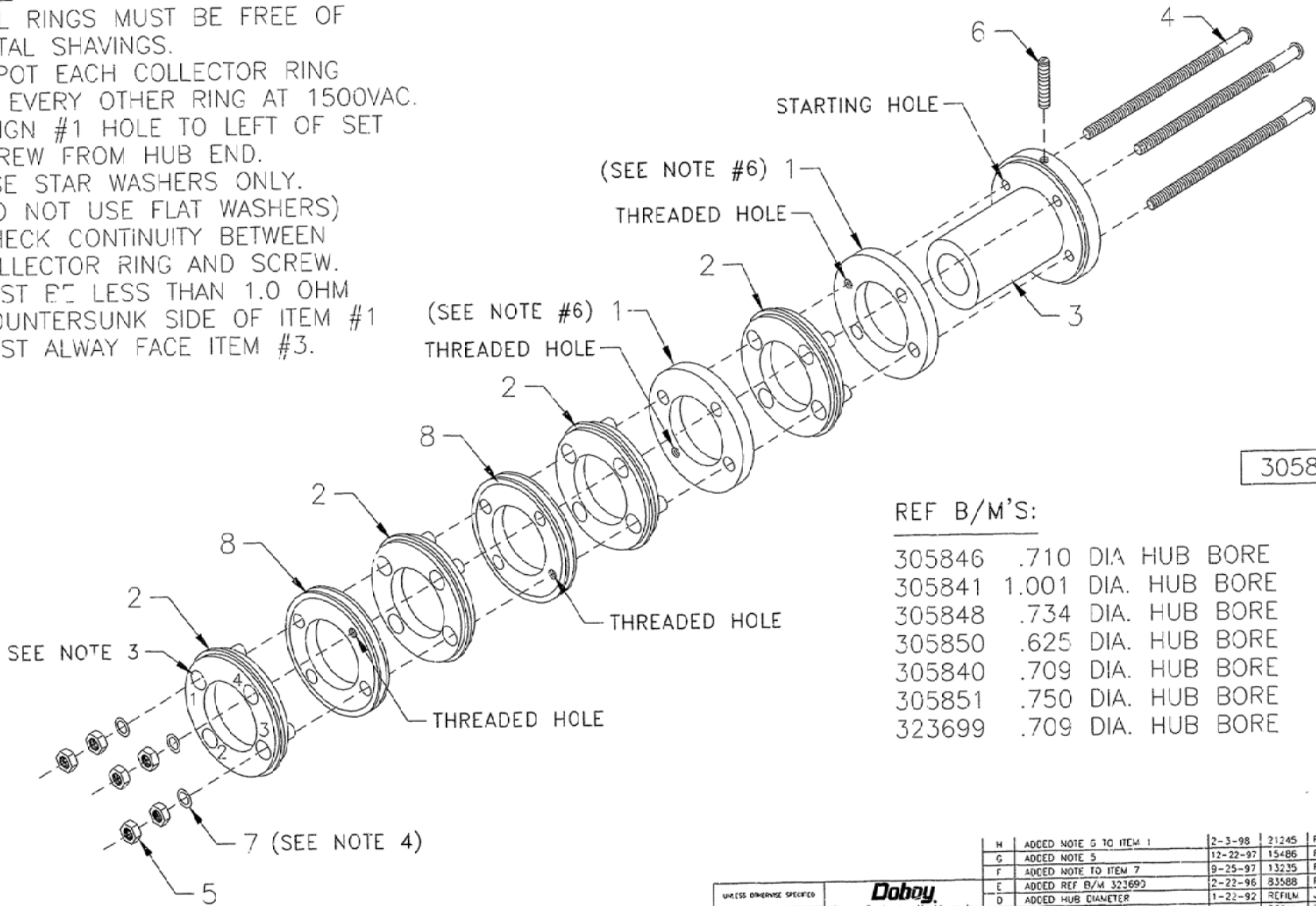
<b>Material</b>	C241	06 0010	<b>Alt.</b>	<b>Usage</b> 3
	Linium 3X5 PolyRotary Horizontal Wrapper			<b>Valid</b>
				09/16/2009
<b>Reqd qty</b>	1.000 EA	<b>Base quant</b>	1.000 EA	
<b>Sales ord.</b>	172945	<b>Item</b>	000104	

<b>Lv</b>	<b>Item</b>	<b>Component no.</b>	<b>Description</b>	<b>Quant</b>	<b>Un</b>
2	0000	391709	ASSY COLLECTOR 4 RING METRIC***		
3	0001	391702	03 COLLECTOR RING METRIC	2.000	EA
3	0002	305412	02 INSULATOR-COLLECTOR RING	4.000	EA
3	0003	391701	03 HUB COLLECTOR RING METRIC	1.000	EA
3	0004	391704	SCREW-CHEESE-HD M4 X 70 BRASS	4.000	EA
3	0005	391706	NUT-HEX HD M4 BRASS	8.000	EA
3	0006	397056	SCREW-SET M5 X 16 SST	1.000	EA
3	0007	352-47598-36	WASHER-STARLOCINT #8 STL	4.000	EA
3	0008	391711	ASSY COLLECTOR RING METRIC	2.000	EA

**NOTES:**

1. ALL RINGS MUST BE FREE OF METAL SHAVINGS.
2. HIPOT EACH COLLECTOR RING TO EVERY OTHER RING AT 1500VAC.
3. ALIGN #1 HOLE TO LEFT OF SET SCREW FROM HUB END.
4. USE STAR WASHERS ONLY. (DO NOT USE FLAT WASHERS)
5. CHECK CONTINUITY BETWEEN COLLECTOR RING AND SCREW. MUST BE LESS THAN 1.0 OHM
6. COUNTERSUNK SIDE OF ITEM #1 MUST ALWAYS FACE ITEM #3.



305847

**REF B/M'S:**

305846	.710 DIA	HUB BORE
305841	1.001 DIA.	HUB BORE
305848	.734 DIA.	HUB BORE
305850	.625 DIA.	HUB BORE
305840	.709 DIA.	HUB BORE
305851	.750 DIA.	HUB BORE
323699	.709 DIA.	HUB BORE

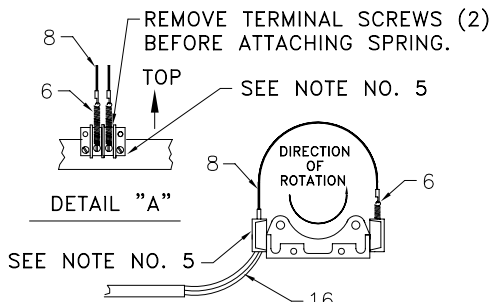
UNLESS OTHERWISE SPECIFIED		<b>Doboy</b>		2-3-98		21245		RCL	
DEBUR & BREAK ALL SHARP EDGES & CORNERS BY .004 TO .016		Doboy Packaging Machinery Inc. New Richmond, WI 53073		12-22-97		15486		RCL LH	
DRAWN MIKE O'HARE		CHECKED		9-25-97		13235		RCL LH	
DIMENSIONS ARE IN INCHES UNLESS SHOWN OTHERWISE		APPROVED L GUMBERT		2-22-96		83588		RCL LG	
1 SMALL DEC 1/16 2 PLATE DEC 1/32		NAME ASSY COLLECTOR 4-RING		1-22-92		REFILM		JAG DLR	
ANGLES 2 1/2 3 PLATE DEC 1/32		SCALE NONE DATE 10-11-91		10-11-91		REFILM		BJ OL	
When filed in this cabinet CONFIDENTIAL and PROPRIETARY INFORMATION of Doboy Packaging Machinery Inc.		MATERIAL		DATE		E.L.N		BY APP. BY	
		FIRST MACHINE CODE 106		DWS. SITE C					
		305847							

# Bosch Packaging Technology Inc.

<b>Material</b>	C241	06 0010	<b>Alt.</b>	<b>Usage</b> 3
	Linium 3X5 PolyRotary Horizontal Wrapper			<b>Valid</b>
				09/16/2009
<b>Reqd qty</b>	1.000 EA	<b>Base quant</b>	1.000 EA	
<b>Sales ord.</b>	172945	<b>Item</b>	000104	

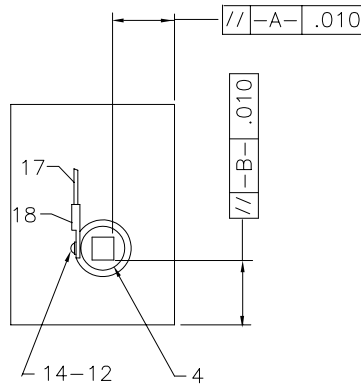
  

Lv	Item	Component no.	Description	Quant	Un
2	0000	391710	KIT BRUSH HOLDER 4 RING METRIC		
3	0001	550-00083	01 CAP, BRUSH HOLDER	2.000	EA
3	0002	549-06222	05 BRUSHES-CARBON .18X.18X11	2.000	EA
3	0003	898-14002	TERMINAL BLOCK 2 PLACE	2.000	EA
3	0004	550-00573	04 BRUSH HOLDERS 573	2.000	EA
3	0005	391680	BRUSH HOLDER METRIC	1.000	EA
3	0006	082-39032	03 SPRING EXT .187 .013 .500 MW	2.000	EA
3	0008	082-40465	02 ASSY, SILVER BRAID	2.000	EA
3	0011	952887	SCREW-SET M5 X 10 STL	2.000	EA
3	0012	352-47598-34	02 WASHER-STARLOCINT #4 STL	4.000	EA
3	0013	390081	SCREW-PAN-SLOT M3 X 10 STL	4.000	EA
3	0014	117519	03 SCREW-PAN-MACH #4-40 .125LG STL	2.000	EA
3	0015	310093	SCREW-SOC-CAP M5 X 16 SST	2.000	EA
3	0016	966-80622	06 WIRE, THERMOCOUPLE 24 GA.	4.000	FT
3	0017	532112	WIRE #16 MTW STRANDED BLACK	6.000	FT
3	0018	898-00616	02 TERMINAL-RING TONGUE	2.000	EA



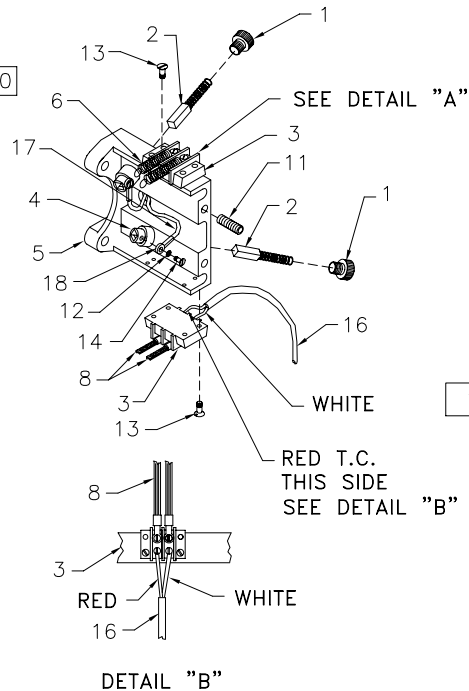
**INSTALLATION NOTES**

1. CORRECT INSTALLATION WILL ALLOW SPRING TO BE STRETCHED BY THE FRICTION OF THE BRAID ON THE COLLECTOR RING
2. THERMOCOUPLE WIRE IS TERMINATED ON THE OPPOSITE TERMINAL BLOCK THAN THE SPRING.
3. SEE DETAIL "A"
4. ITEM NO. 15 (2) USED TO MOUNT HOLDER TO MACHINE.
5. MOUNT TERM. BLK TO BRUSH HOLDER USING BOTTOM HOLE ON TERM. BLK. TO TOP HOLE ON BRUSH HOLDER, USING ITEM NO. 13 (2) TYPICAL BOTH SIDES.



**NOTE**

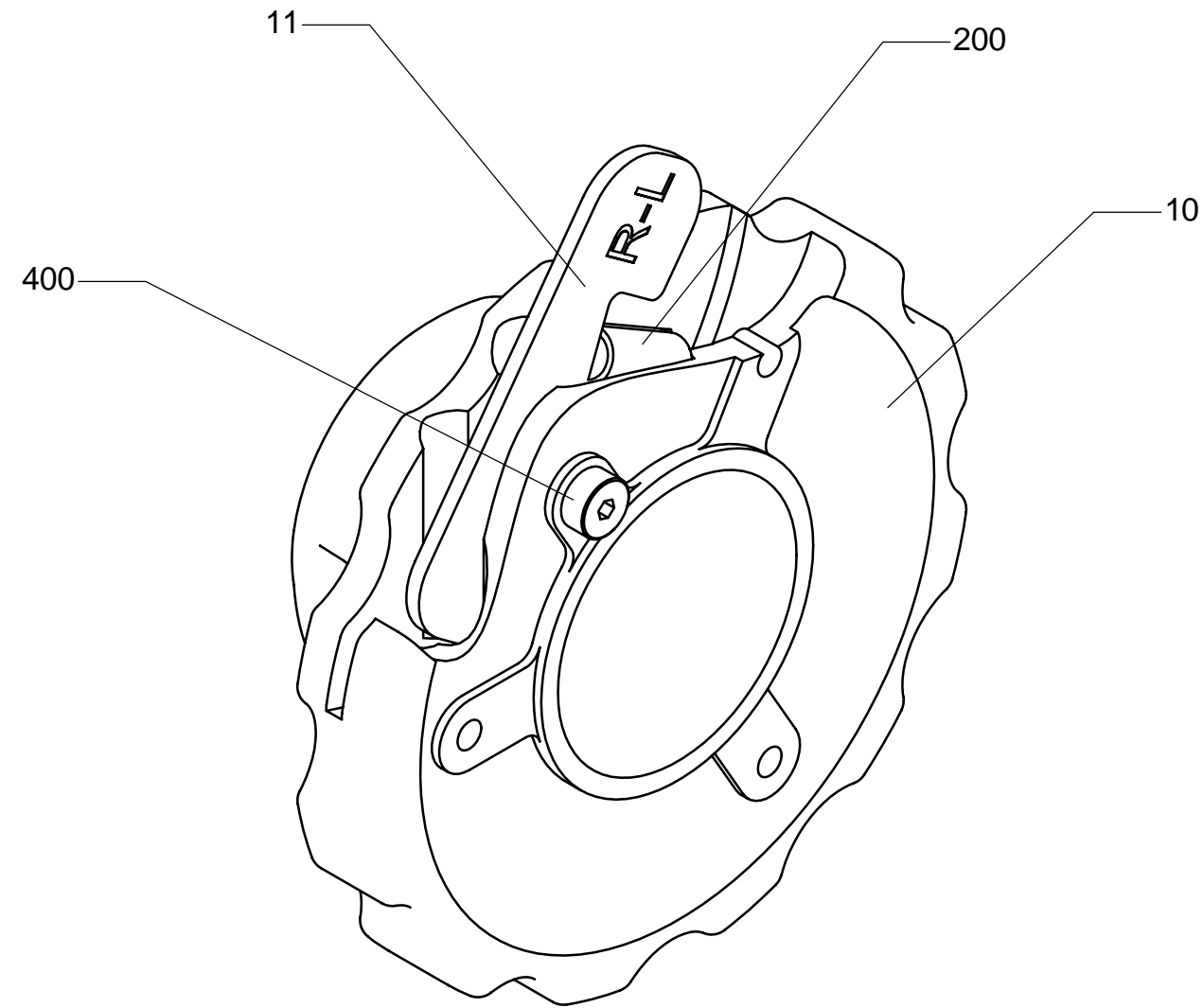
1. AFTER TIGHTENING SCREW 14 FILE FLUSH TO ALLOW CLEARANCE FOR BRUSH.
2. DO NOT USE TERMINAL ENDS ON THERMOCOUPLE WIRE.



UNLESS OTHERWISE SPECIFIED		<b>Doboy</b>		L	REVISED PER ECN	3-4-94	57566	MPO	BH
DEBURR & REMOVE ALL SHARP EDGES & CORNERS BY .004 TO .016		Doboy Packaging Machinery Inc. New Richmond, WI 54017		I	REFILM	10-15-91	29502	BJ	RLM
DRAWN MIKE O'HARE		SYM	DESCRIPTION	DATE	E.C.N.	BY	APP. BY		
DIMENSIONS ARE IN INCHES UNLESS OTHERWISE SPECIFIED		CHECKED ORV LUEHMAN		NAME		FIRST MACHINE CODE		DWG. SIZE	
1 PLACE DEC # 1	2 PLACE DEC # 33	APPLY'D. ORV LUEHMAN		KIT BRUSH HOLDER		030		C	
ANGLES # 1"	3 PLACE DEC # 10	SCALE	NONE	DATE	10-15-91				
When filed in, this contains CONFIDENTIAL and PROPRIETARY INFORMATION of Doboy Packaging Machinery Inc.		MATERIAL		SEE B/M				136547	
		FINISH PER ENGR. SPEC. #							

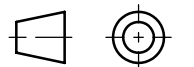
**Bosch Packaging Technology Inc.**

<b>Material</b>	C241	06 0010	<b>Alt.</b>	<b>Usage</b> 3	
	Linium 3X5 PolyRotary Horizontal Wrapper			<b>Valid</b> 09/16/2009	
<b>Reqd qty</b>	1.000 EA	<b>Base quant</b>	1.000 EA		
<b>Sales ord.</b>	172945	<b>Item</b>	000104		
<b>Lv</b>	<b>Item</b>	<b>Component no.</b>	<b>Description</b>	<b>Quant</b>	<b>Un</b>
2	0000	131.007015	ASSY BKSTD FILM ROLL CHUCK		
3	0001	231.000147	DWG AY BKSTD FILM ROLL CHUCK	4.000	EA
3	0010	531.007017	01 CHUCK FILM ROLL	4.000	EA
3	0011	531.000149	03 LEVER CHUCK FILM ROLL	4.000	EA
3	0200	204016	02 SPRING COMP .360 .040 1.120	4.000	EA
3	0400	397050	SCREW-SHOULDER 6/M5 X 10 SST	4.000	EA



		Drawn by: <b>Steve Larson</b>	Date: <b>07 May 2001</b>
		Approved by: <b>Steve Larson</b>	Scale: <b>1:1</b>
<b>Assembly</b> Backstand Film Roll Chuck		Checked by: <b>Barb Hemauer</b>	Size: <b>A3</b>
		Sheet: <b>1/1</b>	M-Type: <b>225</b>
		<b>231.000147</b>	Rev.: <b>0</b>
<b>BOSCH</b>	<b>Doboy Inc.</b>	© Copyright Doboy Inc.	Based on SIG Pack International Design Standards

Qty.	Index	Description	Date	ECN No.	Changed by
------	-------	-------------	------	---------	------------



**Bosch Packaging Technology Inc.**

<b>Material</b>	C241	06 0010	<b>Alt.</b>	<b>Usage</b> 3
	Linium 3X5 PolyRotary Horizontal Wrapper			<b>Valid</b>
				09/16/2009
<b>Reqd qty</b>	1.000 EA	<b>Base quant</b>	1.000 EA	
<b>Sales ord.</b>	172945	<b>Item</b>	000104	

<b>Lv</b>	<b>Item</b>	<b>Component no.</b>	<b>Description</b>	<b>Quant</b>	<b>Un</b>
2	0000	8-110-910-488	ASSY PFR MECH SPLICER 800 SST RL		
3	0010	8-110-910-486	02 ASSY PFR SPLICER W/PERF 800 SST	1.000	EA
3	0012	531.044327	MOUNT-FILM SHAFT-SST	2.000	EA
3	0013	8-110-910-490	SHAFT SPLIT FILM ROLLER 800	2.000	EA
3	0015	531.028189	01 PLATE MOUNT	2.000	EA
3	0016	8-110-910-491	ROLLER FILM	4.000	EA
3	0018	531.026239	01 FLAG FILM SPLICE DETECT	2.000	EA
3	0019	531.028191	01 ADJUSTING SCREW	4.000	EA
3	0020	531.028354	01 PLATE COVER	2.000	EA
3	0021	327713	03 WASHER-ENTRANCE ROLL 1.1X1.3X.9	8.000	EA
3	0022	531.028355	COVER END	4.000	EA
3	0023	8-110-910-492	SHAFT FLAG ATTACHMENT	2.000	EA
3	0025	531.000954	01 SUPPORT SHAFT SWING ARM 600	2.000	EA
3	0026	531.028635	SHAFT SWING ARM 800mm	2.000	EA
3	0027	396647	01 ARM-SWING	6.000	EA
3	0028	400673	06 STOP-SWING ARM	12.000	EA
3	0201	521-62613	02 BEARING-NEEDLE ROLLER 24 X 32 X 20	8.000	EA
3	0400	282193	01 RING-RETAINING EXTERNAL 24mm SST	8.000	EA
3	0401	031.003661	NUT-JAM M4 SST	4.000	EA
3	0402	452135	SCREW-SHOULDER 6/M5 X16 SST	2.000	EA
3	0403	310151	SCREW-HEX HD M10 X 40 SST	2.000	EA
3	0404	310095	SCREW-PAN SLOT M5 X 10 SST	8.000	EA
3	0405	310098	SCREW-HEX HD M6 X 20 SST	6.000	EA
3	0406	310150	SCREW-SOC CAP M10 X 20 SST	2.000	EA
3	0407	379749	WASHER-FLAT 6.4 X 12 X 1.6 SST	4.000	EA
3	0408	379464	SCREW-PAN SLOT M3 X 10 SST	8.000	EA
3	0409	282195	PIN-DOWEL .188 X 1.00 SST	6.000	EA
3	0410	310156	SCREW-HEX HD M12 X 25 SST	2.000	EA
3	0411	397069	WASHER-FLAT 13 X 24 X 2.5 SST	2.000	EA
3	0412	310176	NUT-HEX FULL M12 SST	2.000	EA
3	0413	310159	SCREW-SET M5 X 8 SST	6.000	EA

**Bosch Packaging Technology Inc.**

<b>Material</b>	C241	06 0010	<b>Alt.</b>	<b>Usage</b> 3	
	Linium 3X5 PolyRotary Horizontal Wrapper			<b>Valid</b> 09/16/2009	
<b>Reqd qty</b>	1.000 EA	<b>Base quant</b>	1.000 EA		
<b>Sales ord.</b>	172945	<b>Item</b>	000104		
<b>Lv</b>	<b>Item</b>	<b>Component no.</b>	<b>Description</b>	<b>Quant</b>	<b>Un</b>
2	0000	491635	KIT SENSOR TERMINAL BLOCK		
3	0001	491624	TERM BLOCK SENSOR BASE	13.000	EA
3	0002	491625	SENSOR DIST. BLOCK BLUE	13.000	EA
3	0003	491626	SENSOR DIST. BLOCK BROWN	13.000	EA



**Bosch Packaging Technology Inc.**

<b>Material</b>	C241	06 0010	<b>Alt.</b>	<b>Usage</b> 3
	Linium 3X5 PolyRotary Horizontal Wrapper			<b>Valid</b>
				09/16/2009
<b>Reqd qty</b>	1.000 EA	<b>Base quant</b>	1.000 EA	
<b>Sales ord.</b>	172945	<b>Item</b>	000104	

<b>Lv</b>	<b>Item</b>	<b>Component no.</b>	<b>Description</b>	<b>Quant</b>	<b>Un</b>
2	0000	131.063185	KIT CONTROLOGIX LINIUM 31X 08		
3	0300	474182	RACK 10 SLOT CONTROLOGIX	1.000	EA
3	0301	474183	16PT INPUT CONTROLOGIX	2.000	EA
3	0302	474184	16PT OUTPUT CONTROLOGIX	2.000	EA
3	0303	474181	POWER SUPPLY CONTROLOGIX	1.000	EA
3	0304	631.035636	01 CONTROLOGIX PROCESSOR 5561	1.000	EA
3	0305	631.055513	16 AXIS CLX SERCOS MODULE	1.000	EA
3	0305	WAS PART NUMBER 631.024295			
3	0306	475471	DEVICENET SCANNER CLX	1.000	EA
3	0307	473840	SLOT FILLER CONTROLOGIX	2.000	EA
3	0308	474189	20 PIN SCREW CLAMP CONNECTOR	4.000	EA
3	0309	426646	VARISTOR MOV	1.000	EA
3	0310	631.054376	01 ETHERNET RAIL SWITCH 8 PORT	1.000	EA
3	0311	475476	01 CONTROL LOGIX ETHERNET/IP MODULE	1.000	EA
3	0312	8-110-623-717	CABLE RJ45/RJ45 10FT	1.000	EA
3	0313	631.037008	RJ-45 20' CABLE BLUE	1.000	EA

**Bosch Packaging Technology Inc.**

<b>Material</b>	C241	06 0010	<b>Alt.</b>	<b>Usage</b> 3	
	Linium 3X5 PolyRotary Horizontal Wrapper			<b>Valid</b>	
				09/16/2009	
<b>Reqd qty</b>	1.000 EA	<b>Base quant</b>	1.000 EA		
<b>Sales ord.</b>	172945	<b>Item</b>	000104		
<b>Lv</b>	<b>Item</b>	<b>Component no.</b>	<b>Description</b>	<b>Quant</b>	<b>Un</b>
2	0000	491645	KIT - START PB w/1 N.O.		
3	0001	631.042296	SWITCH PB FLUSH HD GREEN "1" 800F	1.000	EA
3	0002	491642	BACK OF PANEL LATCH	1.000	EA
3	0003	631.039108	CONTACT BLOCK N.O. FOR 800F	1.000	EA

**Bosch Packaging Technology Inc.**

<b>Material</b>	C241	06 0010	<b>Alt.</b>	<b>Usage</b> 3	
	Linium 3X5 PolyRotary Horizontal Wrapper			<b>Valid</b>	
				09/16/2009	
<b>Reqd qty</b>	1.000 EA	<b>Base quant</b>	1.000 EA		
<b>Sales ord.</b>	172945	<b>Item</b>	000104		
<b>Lv</b>	<b>Item</b>	<b>Component no.</b>	<b>Description</b>	<b>Quant</b>	<b>Un</b>
2	0000	491646	KIT - STOP PB w/1 N.C.		
3	0001	631.042297	SWITCH PB EXTENDED HD RED "O" 800F	1.000	EA
3	0002	491642	BACK OF PANEL LATCH	1.000	EA
3	0003	631.039109	CONTACT BLOCK N.C. FOR 800F	1.000	EA

**Bosch Packaging Technology Inc.**

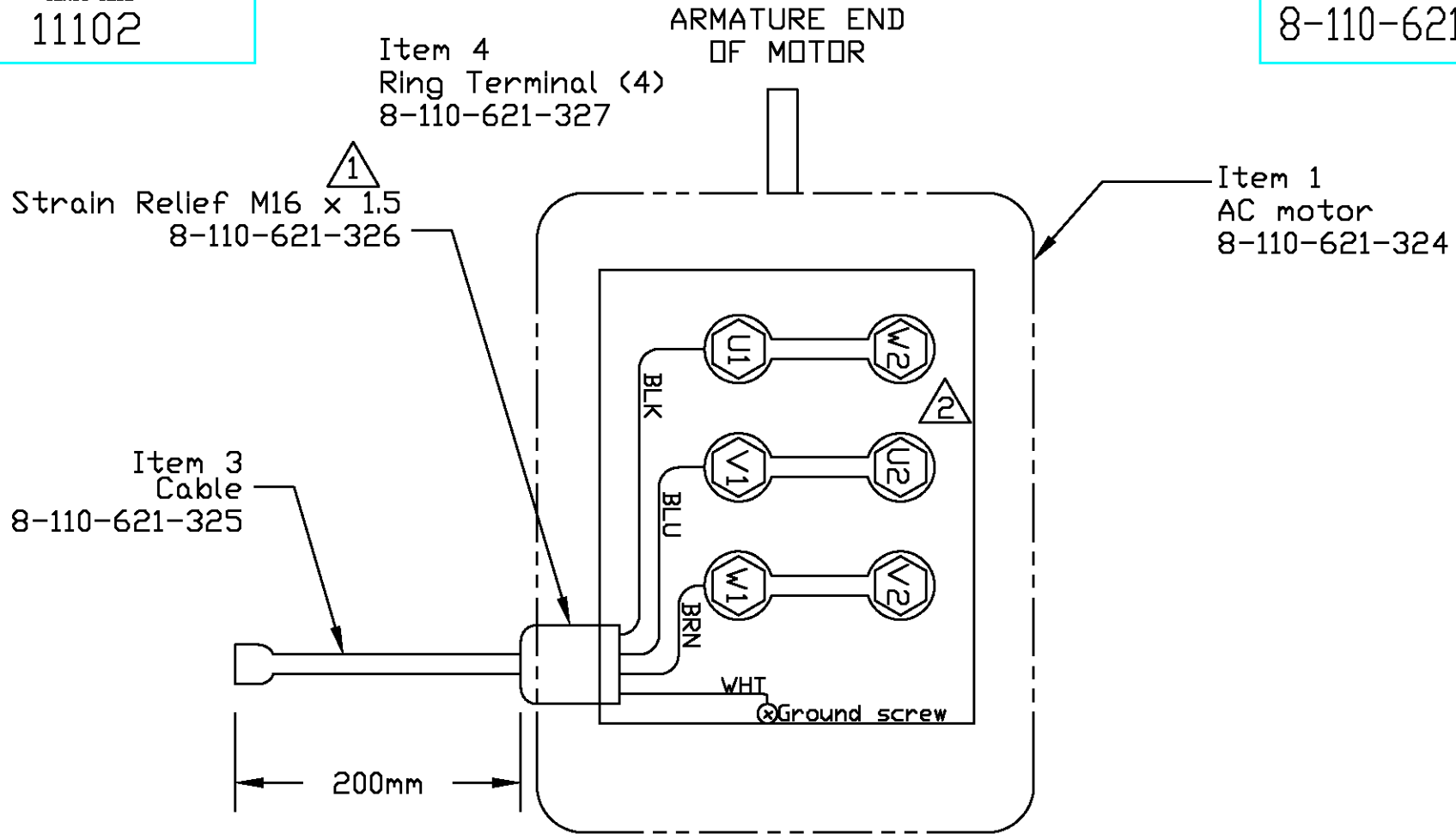
<b>Material</b>	C241	06 0010	<b>Alt.</b>	<b>Usage</b> 3	
	Linium 3X5 PolyRotary Horizontal Wrapper			<b>Valid</b>	
				09/16/2009	
<b>Reqd qty</b>	1.000 EA	<b>Base quant</b>	1.000 EA		
<b>Sales ord.</b>	172945	<b>Item</b>	000104		
<b>Lv</b>	<b>Item</b>	<b>Component no.</b>	<b>Description</b>	<b>Quant</b>	<b>Un</b>
2	0000	131.056525	KIT E-STOP PBM W/1NO & 1NC		
3	0001	631.042298	SWITCH PB MUSHROOM HD MAINT TWIST-TO	1.000	EA
3	0002	491642	BACK OF PANEL LATCH	1.000	EA
3	0003	631.039109	CONTACT BLOCK N.C. FOR 800F	1.000	EA
3	0004	631.039108	CONTACT BLOCK N.O. FOR 800F	1.000	EA

**Bosch Packaging Technology Inc.**

<b>Material</b>	C241	06 0010	<b>Alt.</b>	<b>Usage</b> 3	
	Linium 3X5 PolyRotary Horizontal Wrapper			<b>Valid</b> 09/16/2009	
<b>Reqd qty</b>	1.000 EA	<b>Base quant</b>	1.000 EA		
<b>Sales ord.</b>	172945	<b>Item</b>	000104		
<b>Lv</b>	<b>Item</b>	<b>Component no.</b>	<b>Description</b>	<b>Quant</b>	<b>Un</b>
2	0000	8-110-621-328	ASSY- MOTOR/CABLE ASSEMBLY		
3	0001	8-110-621-324	MOTOR AC 230/460V 3PH .33HP	1.000	EA
3	0003	8-110-621-325	CABLE 4 PIN MALE	1.000	EA
3	0004	8-110-621-327	TERMINAL-RING TONGUE	1.000	EA

CLASS CODE  
11102

8-110-621-328



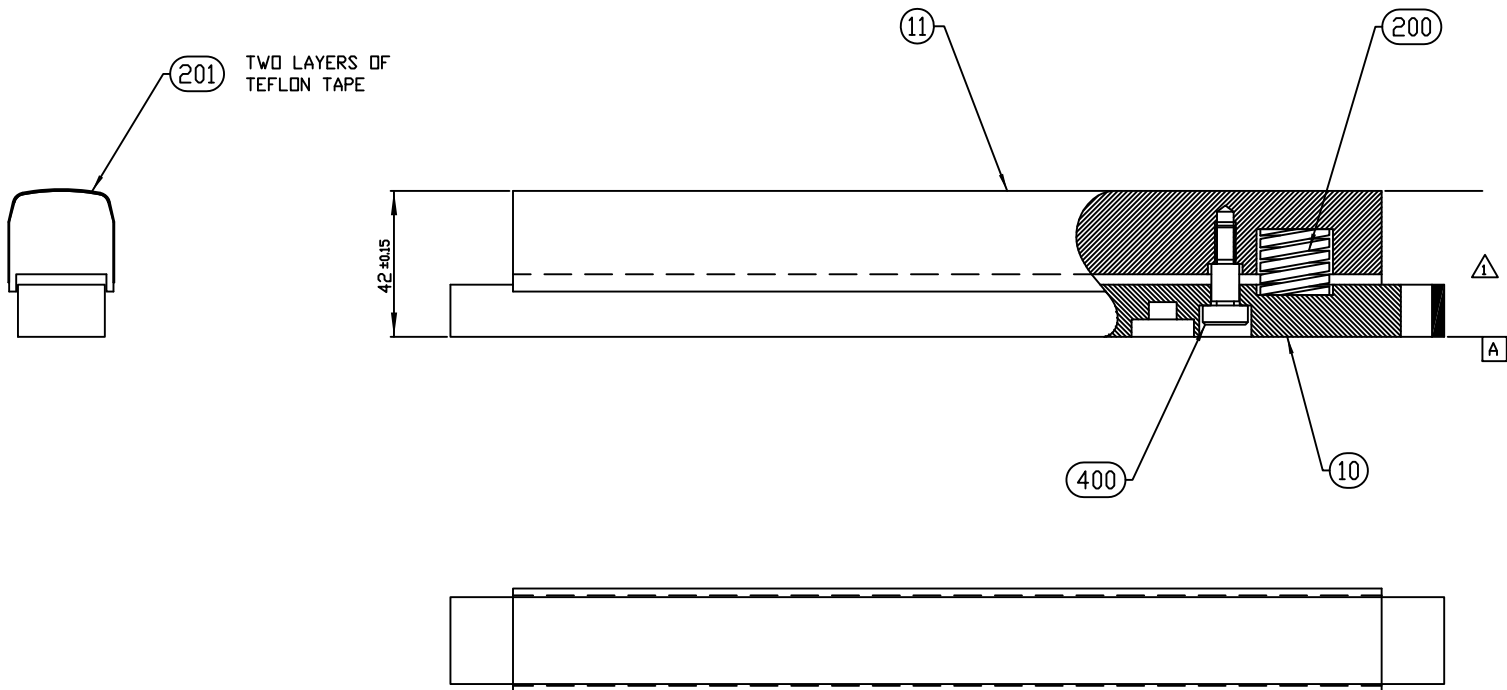
UNLESS OTHERWISE SPECIFIED		<b>BOSCH</b> Doboy Inc.		2 CHG'D TERM. TO MATCH VENDOR CHANGE		27AUG07 193859		DLN		DN	
DEBURR & REMOVE ALL SHARP EDGES & CORNERS BY .004 TO .016		DRAWN Dennis Neck		1 REMOVED ITEM 2(VENDOR SUPPLIED)		11APR07 191454		DLN		DN	
DIMENSIONS ARE IN INCHES TOLERANCES ON		CHECKED DN		SYM		DATE		E.C.N.		BY APP. BY	
1 PLACE DEC. ± .1	2 PLACE DEC. ± .03	APPV'D DLN		NAME MOTOR CABLE ASSEMBLY				FIRST MACHINE CODE 091		DWG SIZE A	
ANGLES ± 1°	3 PLACE DEC. ± .010	SCALE N/A		DATE 26MAR07		MATERIAL SEE BOM		8-110-621-328			
When filled in, this contains CONFIDENTIAL and PROPRIETARY INFORMATION of Doboy Inc.				FINISH PER ENGR.SPEC. # N/A							

**Bosch Packaging Technology Inc.**

<b>Material</b>	C241	06 0010	<b>Alt.</b>	<b>Usage</b> 3
	Linium 3X5 PolyRotary Horizontal Wrapper			<b>Valid</b>
				09/16/2009
<b>Reqd qty</b>	1.000 EA	<b>Base quant</b>	1.000 EA	
<b>Sales ord.</b>	172945	<b>Item</b>	000104	

<b>Lv</b>	<b>Item</b>	<b>Component no.</b>	<b>Description</b>	<b>Quant</b>	<b>Un</b>
3	0000	131.008569	AY ANVIL SPRING LOADED 410MM 120DIA		
4	0000	131.008156	: ASSY ANVIL SPRING LOADED 2		
4	0001	231.008156	01 DWG AY ANVIL SPRING LOADED 250MM	1.000	EA
4	0002	331.008569	LAYOUT AY ANVIL SPRING LOADED 410MM	1.000	EA
4	0010	531.008570	PLATEN BOTTOM 410MM	1.000	EA
4	0011	531.008571	PLATEN UPPER 410MM	1.000	EA
4	0200	005-00788	05 SPRING-COMP .779 .093 1.00	5.000	EA
4	0201	190227	01 TFLN TAPE 3.00 .010 ADHES BACK	2.000	FT
4	0400	384606	SCREW-SHOULDER 8/M6 X 12 SST	4.000	EA



NOTE:

1. TO ACHIEVE THE HEIGHT AND PARALLELISM TOLERANCES, TORQUE REQUIREMENTS OF ITEM #400 ARE AS FOLLOWS:  
 7 N\*M (5 FT\*LBS) MINIMUM  
 20 N\*M (15 FT\*LBS) MAXIMUM
2. HEIGHT AND PARALLELISM TOLERANCES TO BE ACHIEVED PRIOR TO APPLICATION OF TEFLON TAPE.

Qty.	Index	Description	Date	E.C.N. No.	Changed by
1	1	REMOVED ITEMS #401 310115 AND #402 309393	17FEB00	113073	SAE

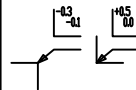
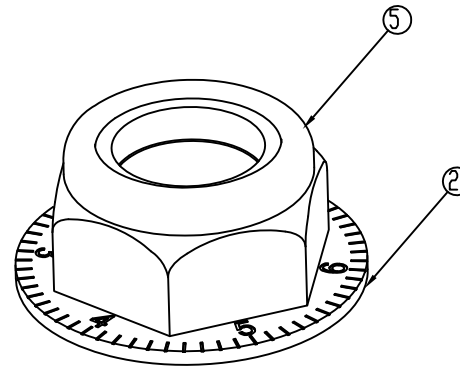
Pos.	Qty.	Shape	Material / Werkstoff	Proposed Measurement	Remarks
				Drawn by: S. Erickson	Date: 4 Feb 00
				Approved by: S. Larson	Scale: 1 : 1
Dwg Assy Anvil Spring Loaded 250mm				Checked by: B_H	Size: A2
				231.008156	Rev.: 0
BOSCH		Doboy Inc.		©Copyright Doboy Inc.	Based on Siemens International Design Standards



**Bosch Packaging Technology Inc.**

<b>Material</b>	C241	06 0010	<b>Alt.</b>	<b>Usage</b> 3	
	Linium 3X5 PolyRotary Horizontal Wrapper			<b>Valid</b> 09/16/2009	
<b>Reqd qty</b>	1.000 EA	<b>Base quant</b>	1.000 EA		
<b>Sales ord.</b>	172945	<b>Item</b>	000104		
<b>Lv</b>	<b>Item</b>	<b>Component no.</b>	<b>Description</b>	<b>Quant</b>	<b>Un</b>
3	0000	131.013681	ASSY-NUT CUTTING HEAD SCALE		
4	0000	#231.013681	DWG-Assy Nut Cutt Hd Scale		
4	0001	531.013666	SCALE-GAP ADJUST SST	2.000	EA
4	0002	531.013664	02 NUT-GAP ADJUST SST	2.000	EA

Qty.	Index	Description	Date	ECN No.	Changed by
1	1	Changed part #031.017190 to #531.013664	21Sep01	160817	MAF



N9 ✓

5	1	-	--	--		531.013664
4						
3						
2	1	BL	DIN	X5CrNi18-10	1.5	16 Gauge Acceptable
1						

Pos.	Qty.	Shape	Nom	Material	Proposed Measurement	Remarks
					Drawn by: Roger Hefty	Date: 13 Feb 2001
					Approved by: Roger Hefty	Scale: 2:1
					Checked by:	Size: A4
						M-Type: 320
					231.013681	Rev.: 1
<b>BOSCH</b>			Doboy Division		©Copyright Doboy Division	Based on Sigpack International Design Standards



**Bosch Packaging Technology Inc.**

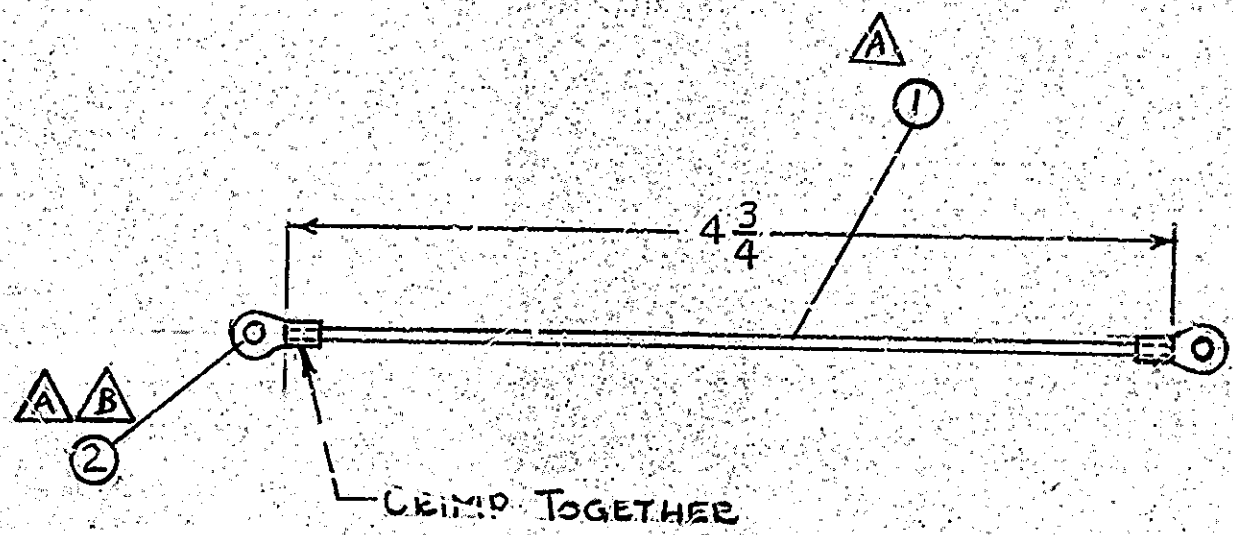
<b>Material</b>	C241	06 0010	<b>Alt.</b>	<b>Usage</b> 3	
	Linium 3X5 PolyRotary Horizontal Wrapper			<b>Valid</b> 09/16/2009	
<b>Reqd qty</b>	1.000 EA	<b>Base quant</b>	1.000 EA		
<b>Sales ord.</b>	172945	<b>Item</b>	000104		
<b>Lv</b>	<b>Item</b>	<b>Component no.</b>	<b>Description</b>	<b>Quant</b>	<b>Un</b>
3	0000	391711	ASSY COLLECTOR RING METRIC		
4	0001	840-00001	12 RING SLIP	2.000	EA
4	0002	391703	03 COLLECTOR RING CORE METRIC	2.000	EA

**Bosch Packaging Technology Inc.**

<b>Material</b>	C241	06 0010	<b>Alt.</b>	<b>Usage</b> 3	
	Linium 3X5 PolyRotary Horizontal Wrapper			<b>Valid</b> 09/16/2009	
<b>Reqd qty</b>	1.000 EA	<b>Base quant</b>	1.000 EA		
<b>Sales ord.</b>	172945	<b>Item</b>	000104		
<b>Lv</b>	<b>Item</b>	<b>Component no.</b>	<b>Description</b>	<b>Quant</b>	<b>Un</b>
3	0000	082-40465	ASSY, SILVER BRAID		
4	0001	826-00026	CABLE ALPHA #2191 1/16 ID #19AWG SIL	0.800	FT
4	0002	898-75866	04 TERMINAL WIRE MO 16	4.000	EA

082A40465

FILMED



SYM.	DESCRIPTION	DATE	E.C.O.	BY	APP. BY
B	CALLOUT #2 PART NO. CHANGED	2-7-77	20432	DJB	J
A	ADDED CALLOUTS	7-29-76	19339	DJB	JES

NAME ASSY SILVER BRAID		UNLESS OTHERWISE SPECIFIED	
MACHINE		DIMENSIONS ARE IN INCHES TOLERANCES ON	
MATERIAL SEE B/M		3 PLACE DEC. ± .003	2 PLACE DEC. & FRACTIONS ± .018
FINISH		ANGLES ± 0° 30'	
DRAWN J. ZUELKE	<b>DOUGHSOY INDUSTRIES, INC.</b> PACKAGING MACHINERY DIVISION NEW RICHMOND, WISCONSIN		
CHECKED			
DATE 3-4-69			
SCALE FULL	082A40465		

MACH. USED ON	QTY.	ASST. USED ON	2

DO NOT SCALE

HARCO

**Bosch Packaging Technology Inc.**

<b>Material</b>	C241	06 0010	<b>Alt.</b>	<b>Usage</b> 3
	Linium 3X5 PolyRotary Horizontal Wrapper			<b>Valid</b>
				09/16/2009
<b>Reqd qty</b>	1.000 EA	<b>Base quant</b>	1.000 EA	
<b>Sales ord.</b>	172945	<b>Item</b>	000104	

Lv	Item	Component no.	Description	Quant	Un
3	0000	8-110-910-486	ASSY PFR SPLICER W/PERF 800 SST		
4	0010	8-110-910-489	PLATE MTG PFR 800 BKSTD	1.000	EA
4	0011	531.038247	PLATE-PFR SPACER-800-SST	2.000	EA
4	0012	531.028664	SHAFT PLAIN ROLLER 800MM	2.000	EA
4	0013	8-110-910-487	SHAFT BACKUP ROLLER 800	1.000	EA
4	0014	531.028630	01 ROLLER FILM RUBBER COATED 800MM	3.000	EA
4	0015	531.028628	SHAFT-PINCH ROLLER 800MM	2.000	EA
4	0016	531.028627	ROLLER FILM FEED 800MM	1.000	EA
4	0017	531.028631	SHAFT-PIVOT PINCH ROLLER 800MM	2.000	EA
4	0018	531.028632	SHAFT-TENSION ROLLER 800MM	1.000	EA
4	0019	531.028633	SHAFT-PIVOT TENSION ROLLER 800MM	1.000	EA
4	0020	531.007443	03 ARM ROLLER TENSION DETECT	2.000	EA
4	0021	531.028634	01 ROLLER-FILM TENSION DETECT 800MM	1.000	EA
4	0022	531.007444	03 ARM ROLLER PRESSURE	4.000	EA
4	0023	531.000265	03 ARM PIVOT PRESSURE ROLLER	2.000	EA
4	0024	531.000266	02 ARM SPRING TENSION	1.000	EA
4	0025	531.000267	01 CAM SENSOR TENSION	1.000	EA
4	0027	531.028639	GUIDE-FILM 800MM	2.000	EA
4	0029	531.018987	03 BRACKET ANALOG SENSOR MOUNT	1.000	EA
4	0030	531.062095	STANDOFF-GEARBOX MOUNT	2.000	EA
4	0031	531.000276	01 PLATE MNT GEARBOX PFR	1.000	EA
4	0032	531.000277	01 SHAFT GEARBOX PFR	1.000	EA
4	0033	531.001254	02 SPACER RIDER BAR	3.000	EA
4	0034	531.000279	03 PULLEY 32 5Mx9 HTD	2.000	EA
4	0035	531.001992	02 MOUNT SPLICER REGULATOR	1.000	EA
4	0037	531.028636	COVER-PFR 800MM	2.000	EA
4	0038	531.038276	01 SHAFT-FILM ROLLER	4.000	EA
4	0039	531.028624	ROLLER-FILM 800MM	3.000	EA
4	0040	327713	03 WASHER-ENTRANCE ROLL 1.1X1.3X.9	8.000	EA
4	0041	131.038269	ASSY-PERFORATOR WHEEL-USDA	6.000	EA
4	0042	531.003308	02 COLLAR CLAMP SPRING 12MM	6.000	EA
4	0043	531.003309	02 COLLAR CLAMP ARM STOP	6.000	EA
4	0044	531.003317	02 GUARD PERFORATOR WHEEL	3.000	EA
4	0045	531.003318	02 GUARD PERFORATOR WHEEL	3.000	EA
4	0046	531.028668	ROLLER FILM PERFORATOR 800MM	1.000	EA
4	0047	531.038267	PLATE-ARM-WHEEL PIVOT-USDA	6.000	EA
4	0048	531.038278	01 SHAFT-EYE MOUNT-800MM	1.000	EA
4	0049	531.038277	01 ROD-SLIDE-PERF WHEELS	1.000	EA
4	0200	031.000269	MOUNT SWIVEL CYLINDER	2.000	EA
4	0201	031.000270	CYLINDER 32x10	2.000	EA
4	0202	031.000271	CLEVIS ROD	2.000	EA
4	0203	031.000138	PRESSURE REGULATOR W/GAUGE	2.000	EA
4	0204	031.000248	VALVE-5WAY-2POSITION	1.000	EA
4	0205	031.001504	CONNECTOR BARBED M5	3.000	EA
4	0206	370609	BEARING-RADIAL BALL 17 X 35 X 10	6.000	EA
4	0207	414439	TIMING BELT HTD 425-5M 9 WIDE	1.000	EA
4	0208	370615	BEARING FLANGE 12 X 18 X 16MM BRZE	2.000	EA
4	0209	950243	BEARING-RADIAL BALL 20 x 42 x 12	6.000	EA

## Bosch Packaging Technology Inc.

4	0210	364181	01	BEARING-BALL 22MM OD 8MM B 7MM WD	2.000	EA
4	0211	306379		TORSION SPRING LH .869 .095	1.000	EA
4	0212	370599		BRG-SLEEVE-OILITE 12 X 15 X 16	1.000	EA
4	0213	407188		ACTUATOR-SELECTOR SWITCH	1.000	EA
4	0214	410224	01	VALVE-FLOW CONTROL G1/8	4.000	EA
4	0215	433094		CONNECTOR-STRAIGHT R1/8 TO 6mm TUBE	4.000	EA
4	0216	432287		CONNECTOR-ELBOW MALE R1/8 TO 6mm TUB	5.000	EA
4	0217	031.002799		CONNECTOR-TEE 10mm TUBE	2.000	EA
4	0218	370719		PA TUBE (NYLON) PNEUMATIC 6mm OD	3.000	M
4	0220	397369		RING-RETAINING EXTERNAL 17mm SST	6.000	EA
4	0221	407600		RING-RTNG EXT 25DIA 1.2THK SST	6.000	EA
4	0222	397366		RING-RTNG-EXT 8 DIA 0.8 THK SST	2.000	EA
4	0223	397367		RING-RETAINING EXTERNAL 12mm SST	4.000	EA
4	0224	370705	01	MALE-ELBOW 10MM TO 1/8 G	2.000	EA
4	0225	370720		PA TUBE (NYLON) PNEUMATIC 10mm OD	1.000	M
4	0226	031.003312		BRG FLANGE 12MMx15MMx12MM	6.000	EA
4	0227	320045	02	SPRING TORSION RH SS .780 .080 1.19	3.000	EA
4	0228	320046	02	SPRING TORSION SS .780 .080 1.19	3.000	EA
4	0229	521-62613	02	BEARING-NEEDLE ROLLER 24 X 32 X 20	12.000	EA
4	0230	282193	01	RING-RETAINING EXTERNAL 24mm SST	12.000	EA
4	0231	031.000528		VALVE-PNEUMATIC 5-WAY 2-POS G1/8 24V	1.000	EA
4	0232	273234	02	TAPE DISPENSER SPLICER	1.000	EA
4	0233	273235		SPLICER TAPE	2.000	EA
4	0234	531.000132	04	MOUNT REGULATOR	1.000	EA
4	0300	031.000529	01	CABLE-SOCKET MOLDED W/LED 24V 5M	1.000	EA
4	0400	310107		SCREW-SOC CAP M6 X 16 SST	10.000	EA
4	0401	379441		SCREW-SOC CAP M8 X 20 SST	11.000	EA
4	0402	388079		SCREW-HEX HD M6 X 25 SST	2.000	EA
4	0403	397011		SCREW-HEX HD M5 X 16 SST	2.000	EA
4	0404	397009		SCREW-HEX HD M8 X 40 SST	3.000	EA
4	0405	397007		SCREW-HEX HD M5 X 8 SST	4.000	EA
4	0406	310098		SCREW-HEX HD M6 X 20 SST	14.000	EA
4	0408	310110		SCREW-HEX HD M8 X 25 SST	6.000	EA
4	0409	309391		SCREW-HEX HD M6 X 16 SST	9.000	EA
4	0412	310108		SCREW-SOC CAP M6 X 25 SST	4.000	EA
4	0413	310177		NUT-HEX FULL M10 SST	1.000	EA
4	0414	401228		WASHER-FLAT 5.3 X 10 X 1 SST	6.000	EA
4	0415	379749		WASHER-FLAT 6.4 X 12 X 1.6 SST	26.000	EA
4	0416	309393	01	WASHER-FLAT 8.4 X 16 X 1.6 SST	10.000	EA
4	0417	397387		KEY-6 X 6 X 70 SST	1.000	EA
4	0418	031.000188		KEY-5 X 5 X 18 SST	2.000	EA
4	0419	397024		SCREW-SOC CAP M4 X 10 SST	6.000	EA
4	0420	397047		SCREW-PAN SLOT M5 X 6 SST	6.000	EA
4	0421	404514		SCREW-HEX HD M4 X 30 SST	2.000	EA
4	0422	397062		NUT-HEX-FULL M4 SST	2.000	EA
4	0423	401118		WASHER-FLAT 4.3 X 9 X .8 SST	2.000	EA

**Bosch Packaging Technology Inc.**

<b>Material</b>	C241	06 0010	<b>Alt.</b>	<b>Usage</b> 3
	Linium 3X5 PolyRotary Horizontal Wrapper			<b>Valid</b>
				09/16/2009
<b>Reqd qty</b>	1.000 EA	<b>Base quant</b>	1.000 EA	
<b>Sales ord.</b>	172945	<b>Item</b>	000104	

<b>Lv</b>	<b>Item</b>	<b>Component no.</b>	<b>Description</b>	<b>Quant</b>	<b>Un</b>
4	0000	131.038269	ASSY-PERFORATOR WHEEL-USDA		
5	0010	531.038268	WHEEL-PERFORATOR-USDA	6.000	EA
5	0011	211423	NEEDLE PERFORATOR	48.000	EA
5	0012	531.010564	01 BEARING SLEEVE	6.000	EA
5	0200	031.003306	01 RING-O 35MM x 3.5MM	12.000	EA
5	0400	401300	SCREW-SET M4 X 4 SST	48.000	EA
5	0401	031.003310	SCREW SHOULDER 8/M6x16 SST	6.000	EA



<b>Material</b>	C282	01	0010	<b>Alt.</b>	<b>Usage</b> 3
	Linium Infeed Conveyor			<b>Valid</b>	10/05/2009
<b>Reqd qty</b>	1.000	EA	<b>Base quant</b>	1.000	EA
<b>Sales ord.</b>	172945		<b>Item</b>	000107	

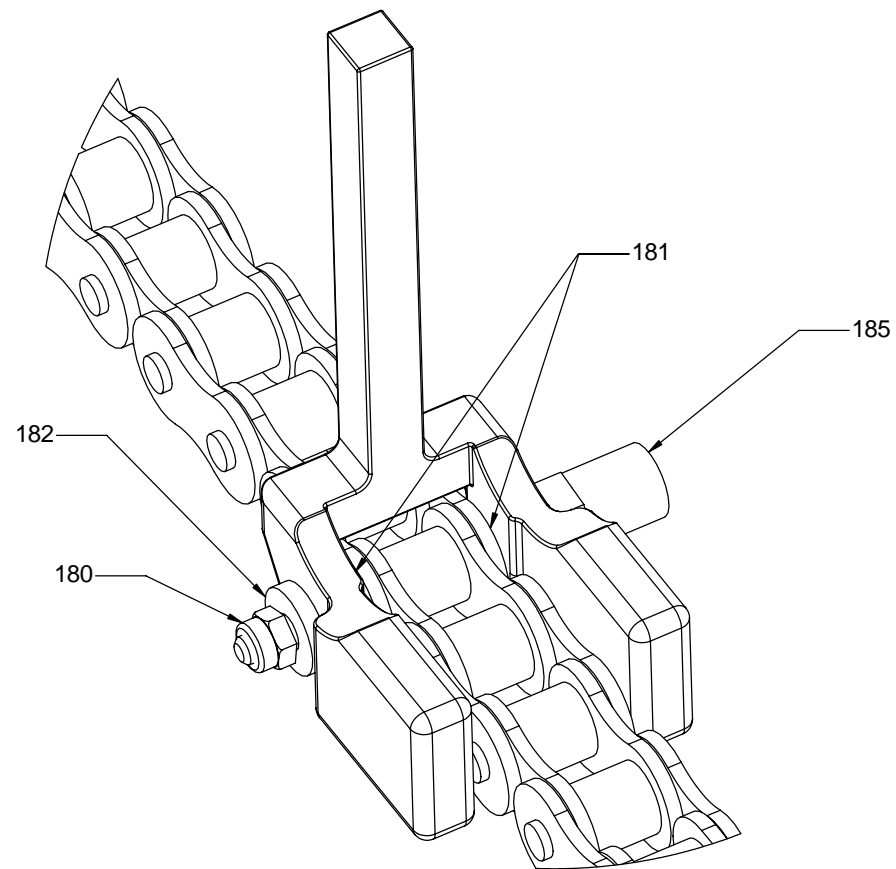
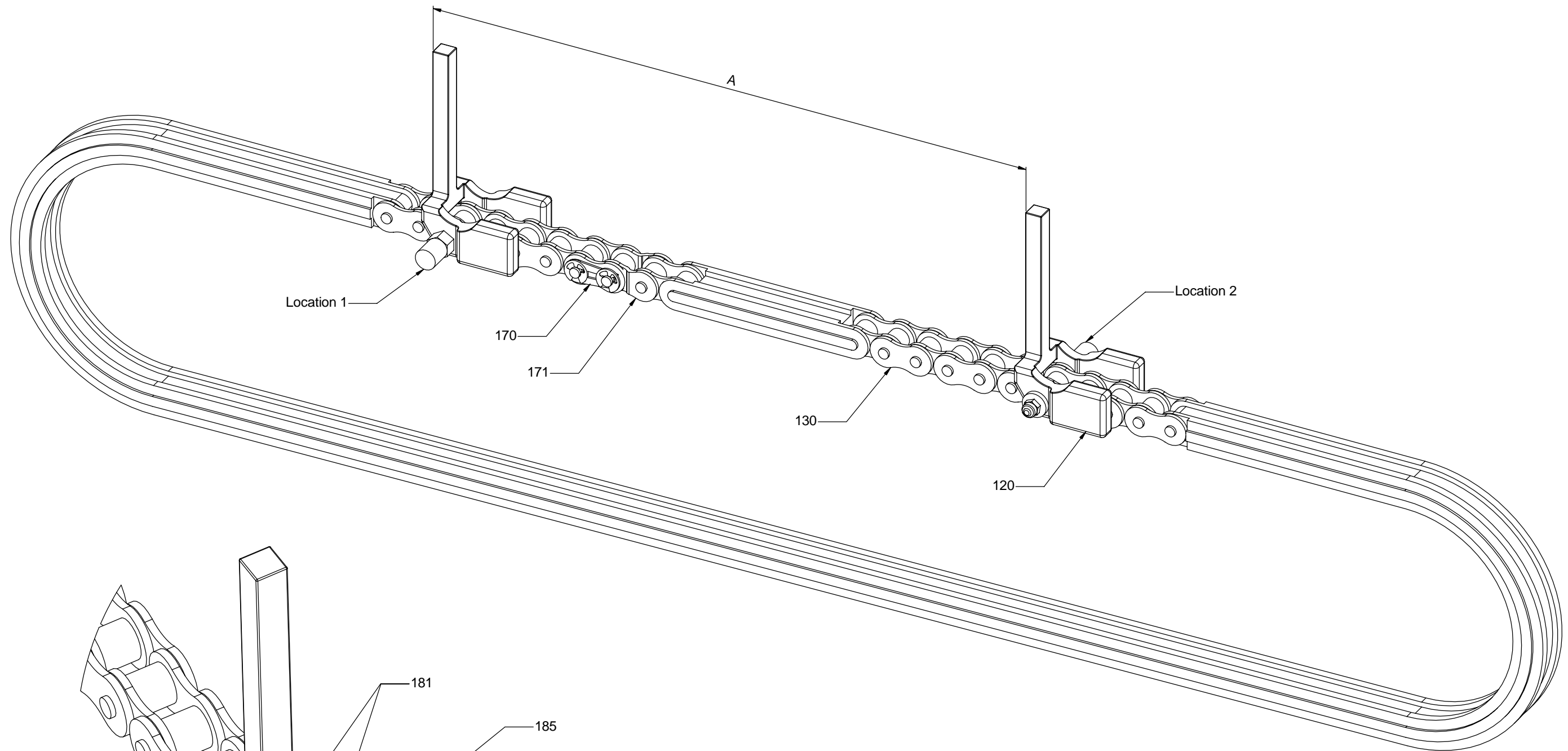
  

Lv	Item	Component no.	Description	Quant	Un
1	0001		KRAFT US - MEDFORD PLANT AND F		
1	0002		09-29055		
1	0003		Linium Infeed Conveyor		
1	0004		Electrical Specification		
1	0005		Mechanical Engineer (Name)		
1	0006		Electrical Engineer (Rod Cain)		
1	0010		Additional Requirements		
1	0011		Upgrade to Pizza Style Infeed		
1	0012		KVP Transfer Belts		
1	0026		Silicone Required		
1	0030	C_CHAIN_E	Infeed Chain Assembly	1.000	EA
1	0031	C282E	Linium Infeed Engineering Configurat	1.000	EA
1	0110	8-110-913-305	ASSY RECV CONVEYOR	1.000	EA
1	0140	8-110-913-473	02 ASSY INFEED CONVEYOR PIZZA 6 - 12	1.000	EA
1	0150	8-110-913-257	KIT INFD EYE MTG	2.000	EA
1	0151	8-110-913-345	ASSY-ENCLOSURE INFEED WASH DOWN	1.000	EA
1	0152	8-110-913-264	KIT WIREWAY	1.000	EA
1	0800	8-110-628-146	MOTOR-SERVO-26IN/LB-5000RPM-FOOD GRA	2.000	EA
1	0801	8-110-623-507	CABLE- FEEDBACK-3M- MPLA1530	2.000	EA
1	0802	8-110-623-508	CABLE-POWER-3M-MPLA1530	2.000	EA
1	0803	440548	SENSOR PROXIMITY N.O. PNP	1.000	EA
1	0810	276732	01 SOURCES, INFRARED EMITTER	1.000	EA
1	0811	276733	01 PHOTO EYE, RECEIVER	1.000	EA
1	0812	283039	02 CABLE-QUICK DISCONNECT DC 15' 90 DEG	2.000	EA
1	0815	600749	EYE ADJUSTABLE FIELD, LASER	1.000	EA
1	0816	276734	02 CABLE-QUICK DISCONNECT DC 15' STRAIG	1.000	EA
1	0817	131.062291	KIT ENCL SST REMOTE 1 BUTTON	1.000	EA
1	0817		ADDS/DELETES IN 131.062291		

<b>Material</b>	C282	01	0010	<b>Alt.</b>	<b>Usage</b> 3
	Linium Infeed Conveyor				<b>Valid</b>
					10/05/2009
<b>Reqd qty</b>	1.000	EA	<b>Base quant</b>	1.000	EA
<b>Sales ord.</b>	172945		<b>Item</b>	000107	

Lv	Item	Component no.	Description	Quant	Un
1	0000	C_CHAIN_E	Infeed Chain Assembly		
2	0001		KRAFT US - MEDFORD PLANT AND F		
2	0002	231.034823	- Drawing Chain W/Offset Link		
2	0010		Flight Length "A" = 9.5		
2	0010		Number of Flights = 19		
2	0014		Orientation ALL Prox Pins = Location 1 To the Left - Viewed from Behind Pusher		
2	0020				
2	0100		Assembled Chain Section		
2	0127	259956	PUSHER 2.38" H	19.000	EA
2	0131	570-00450	04 CHAIN ROLLER #40 HOLLOW PIN SST	179.500	IN
2	0170	570-00451	02 CHAIN CONN LINK #40 SST	1.000	EA
2	0171	570-00455	03 CHAIN OFFSET LINK #40 SST	1.000	EA
2	0180	031.000405	Nut Hex Self Locking M3 SST		
2	0182	082-32966	Washer Flat .156 X .375 X .074 SST		
2	0185	531.047486	PIN PUSHER PROX	19.000	EA



<b>Assy</b> Chain w/Offset Link Configured		Drawn by: <b>Rick Gessler</b>	Date: <b>23 Feb 2004</b>
		Approved by: <b>Rick Gessler</b>	Scale: <b>1:1</b>
		Checked by: <b>Barb Hemauer</b>	Size: <b>A2</b>
		Sheet: <b>1/1</b>	M-Type: <b>282</b>
		<b>231.034823</b>	
		Rev.: <b>0</b>	
<b>BOSCH</b>		<b>Doboy Inc.</b>	
		© Copyright Doboy Inc.	
		Based on SIG Pack International Design Standards	

Qty.	Index	Description	Date	ECN No.	Changed by
------	-------	-------------	------	---------	------------

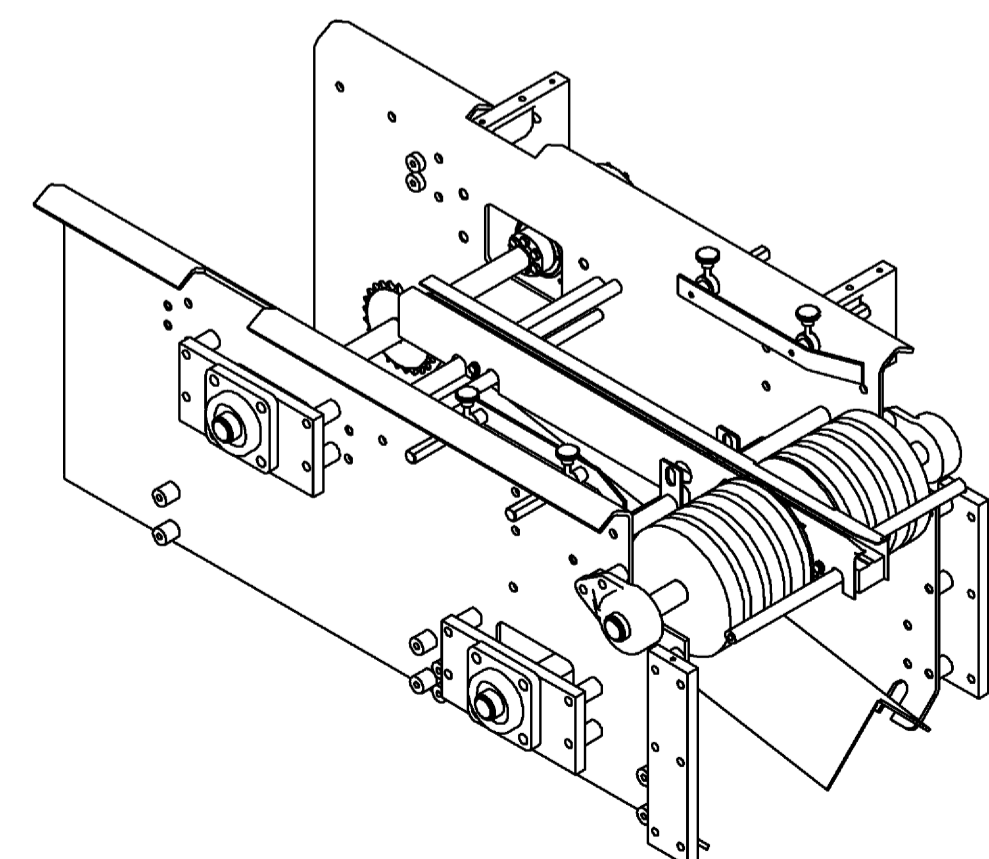
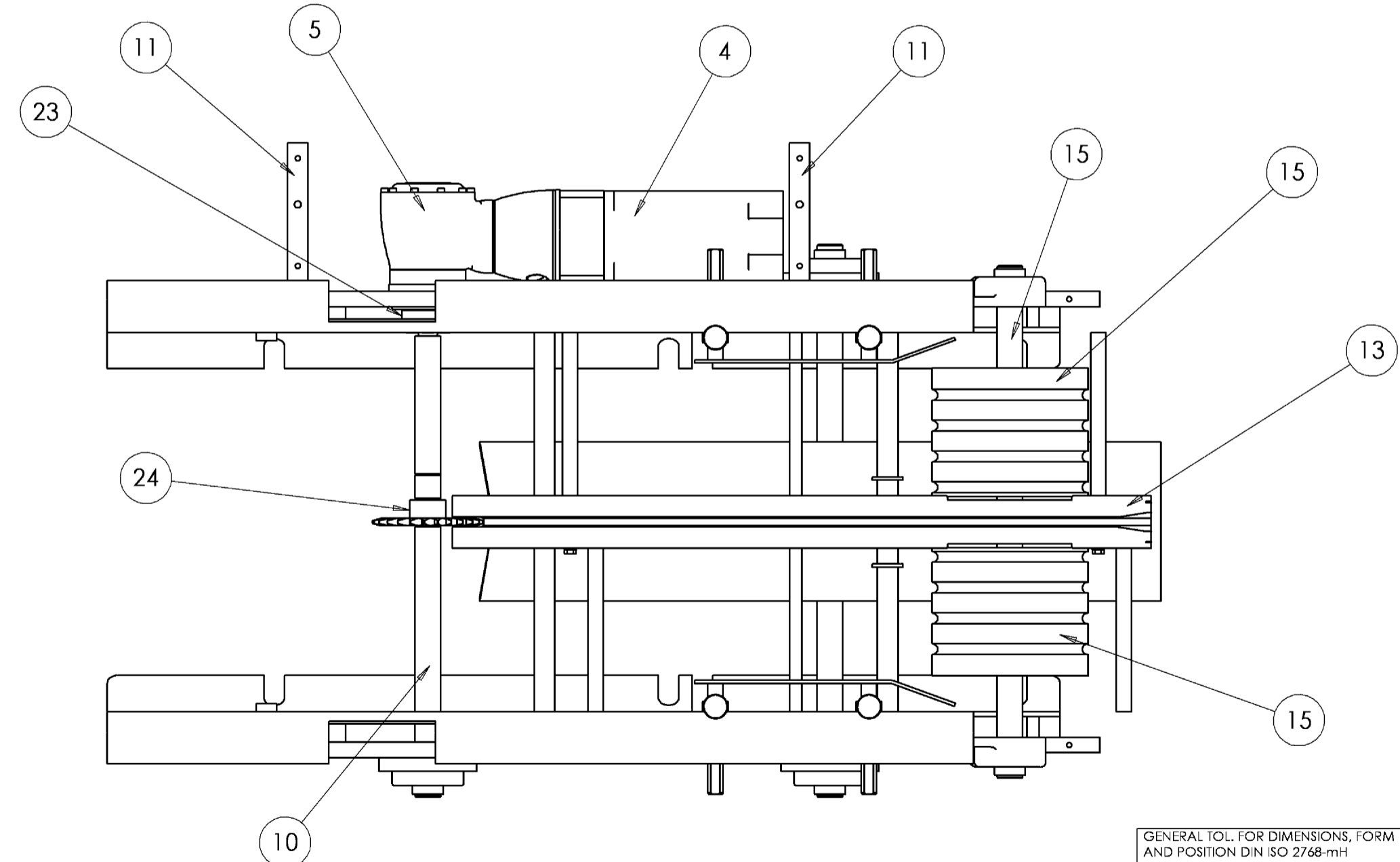
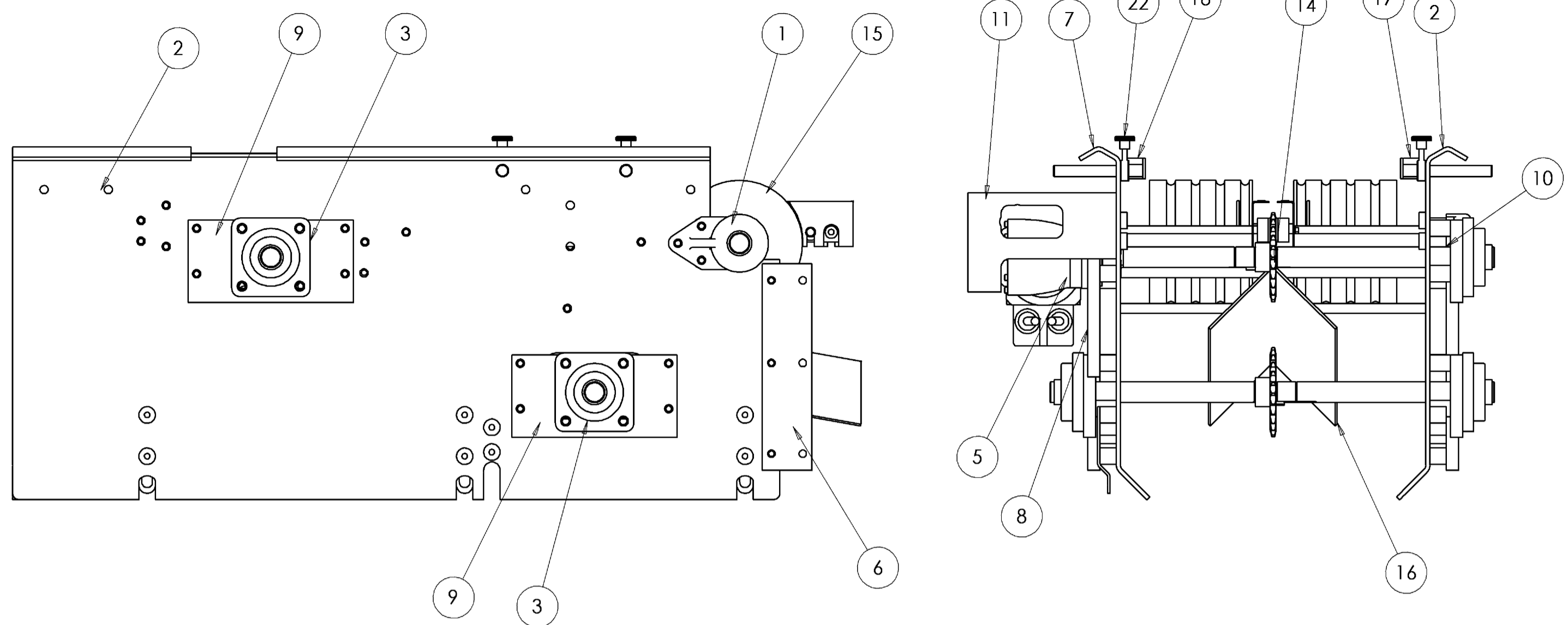
<b>Material</b>	C282	01	0010	<b>Alt.</b>	<b>Usage</b>	3	
	Linium Infeed Conveyor					<b>Valid</b>	10/05/2009
<b>Reqd qty</b>		1.000	EA	<b>Base quant</b>		1.000 EA	
<b>Sales ord.</b>	172945			<b>Item</b>	000107		
<b>Lv</b>	<b>Item</b>	<b>Component no.</b>	<b>Description</b>		<b>Quant</b>	<b>Un</b>	
1	0000	C282E	Linium Infeed Engineering Configuration				
2	0019	8-110-913-022	DECKS RECV CONV WASH DOWN		1.000	EA	
2	0020	8-110-913-302	DECK RECV CONV WASHDOWN		1.000	EA	

<b>Material</b>	C282	01	0010	<b>Alt.</b>	<b>Usage</b> 3
	Linium Infeed Conveyor				<b>Valid</b>
					10/05/2009
<b>Reqd qty</b>		1.000 EA	<b>Base quant</b>		1.000 EA
<b>Sales ord.</b>	172945		<b>Item</b>	000107	

Lv	Item	Component no.	Description	Quant	Un
1	0000	8-110-913-305	ASSY RECV CONVEYOR		
2	0003	8-110-912-511	FLANGE BEARING 25MM SST	3.000	EA
2	0005	8-110-912-561	GEARBOX 10:1 RIGHT ANGLE	1.000	EA
2	0006	8-110-912-530	TIE PLATE CONVEYOR	2.000	EA
2	0007	8-110-913-013	02 FRAME RAIL RECV CONV	1.000	EA
2	0008	8-110-913-016	DRIVE PLATE BELT	1.000	EA
2	0009	8-110-913-017	DRIVE PLATE SPROCKET	3.000	EA
2	0010	8-110-913-014	SHAFT DRIVE	1.000	EA
2	0011	8-110-913-304	PLATE-MTG-RECV CNVR-SST	2.000	EA
2	0012	8-110-913-307	CROSS BAR	1.000	EA
2	0013	8-110-913-337	ASSY RIDER BAR	1.000	EA
2	0014	531.057424	SPROCKET-INFEED DRIVE 40B25 25mm BOR	2.000	EA
2	0015	8-110-913-356	KIT IDLER RECV CONV	1.000	EA
2	0015	531.057424	SPROCKET-INFEED DRIVE 40B25 25mm BOR	2.000	EA
2	0016	8-110-913-405	SHEILD RETURN BAR	1.000	EA
2	0017	8-110-913-401	PRODUCT GUIDE	1.000	EA
2	0018	8-110-913-402	PRODUCT GUIDE	1.000	EA
2	0019	8-110-913-404	SHAFT IDLER	1.000	EA
2	0020	8-110-628-619	PROX MOUNT	1.000	EA
2	0023	8-110-912-562	GEARBOX SHRINK DISC HSD24-22 SST	1.000	EA
2	0024	398350	KEY-8 X 7 X 35 SST	2.000	EA

ITEM NO.	PART NUMBER	DESCRIPTION	QTY.
1	8-110-912-501	Bearing 25mm SST - Peer SSUCFB205-25MM	2
2	8-110-912-527	Frame Rail Rec Conv -	1
3	8-110-912-511	Flange Bearing 4 Bolt 25mm - SST	3
4	Ref-MPF-A330	Motor - Servo AC 26 in/lb 5000 RPM 230 Volt	1
5	8-110-912-561	-	1
6	8-110-912-530	Tie Plate Conveyor -	2
7	8-110-913-013	Frame Rail Rec Conv -	1
8	8-110-913-016	Drive Plate Belt -	1
9	8-110-913-017	Drive Plate Sprocket -	3
10	8-110-913-014	Shaft Drive -	1
11	8-110-913-304	Plate-Mtg-Recv Cnvr-SST -	2
12	8-110-913-307	Cross Bar -	1
13	8-110-913-337	Assy - Rider Bar	1
14	531.057424	Sprocket - Infeed Drive 40B25 25mm Bore SST	2
15	8-110-913-356	Kit Idler - Recv Conv	1
16	8-110-913-405	Shield Return Bar -	1
17	8-110-913-401	Product Guide -	1
18	8-110-913-402	Product Guide -	1
19	8-110-913-404	Shaft Idler -	1
20	8-110-628-619	Prox Mount -	1
21	8-110-628-676	Hanger - Bottom Grating	3
22	398342	Knob - M6 x 20 SST	4
23	8-110-912-562	Shrink Disc HSD24-22 -	1
24	398350	Key - 8x7x35 SST	2



THIS DRAWING IS THE EXCLUSIVE PROPERTY OF ROBERT BOSCH GMBH. WITHOUT THEIR CONSENT IT MAY NOT BE REPRODUCED OR GIVEN TO THIRD PARTIES.

SYMBOL FOR TEST FEATURE ACCORDING TO ISO/DS 129-1. ALL THE TEST FEATURES ESTABLISHED IN THE DRAWING ARE SUBJECT TO A MUST TEST IN ACCORDANCE WITH THE VALID QA GUIDELINES.

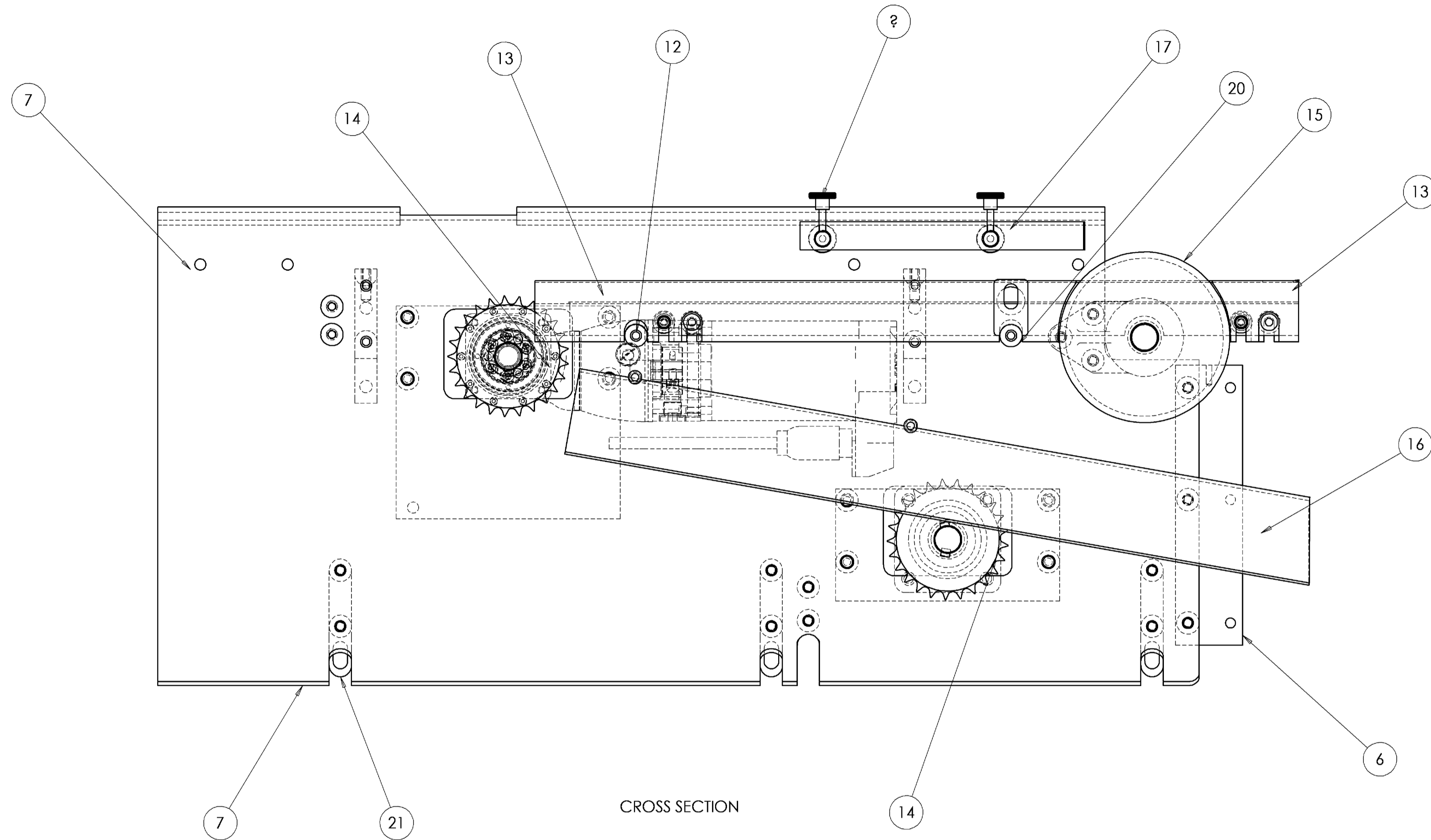
GENERAL TOL. FOR DIMENSIONS, FORM AND POSITION DIN ISO 2768-mH		COVERED PLACES FOR COATING		SURFACE SYMBOLS DIN EN ISO 1302	
Norm. dim. (mm)	> 1	6	30	120	400
	≤ 6	± 0.1	± 0.2	± 0.3	± 0.5
	30	± 0.2	± 0.3	± 0.5	± 0.8
	120	± 0.3	± 0.5	± 0.8	± 1.2
	400	± 0.5	± 0.8	± 1.2	± 2
	1000	± 0.8	± 1.2	± 2	
	2000	± 1.2	± 2		
	4000	± 2			
Tolerance (mm)		XXX PLACE FOR DRAWING-NO.		EDGES DIN ISO 13715	
				PLATES < 1.5 mm THICKNESS	
				PLATES > 1.5 mm THICKNESS AND ALL THE REST OF PARTS	
SCALE	DATE	NAME	SURFACE		
1:5	18.09.2009	Mike Rogers			
AREA	CHK		MATERIAL		
	APP	18.09.2009 Mike Rogers	3767187.5 mm <sup>3</sup> 95886.195 g		
ROBERT BOSCH GmbH		MATERIALCLASS		TYPE	
Packaging Technology Division		PROD-NO.		TEMPLATE-NO.	
DESCRIPTION		MATERIALCLASS		SW	
Pizza 6.0-12.0				(A2)	
				SHEET	
				1/2	
				DRAWING-NO.	
				8-110-913-305	
				ORIGIN:	

AZ:ENL - 2006-02-17

1	207066	SEE ECN FOR DETAILS	10.02.10	Bryan Grass
REV.	NO.	CHANGE		CHANGED

© THIS DRAWING IS THE EXCLUSIVE PROPERTY OF ROBERT BOSCH GMBH. WITHOUT THEIR CONSENT IT MAY NOT BE REPRODUCED OR GIVEN TO THIRD PARTIES.

SYMBOL FOR TEST FEATURE ACCORDING TO ISO/DS 129-1. ALL THE TEST FEATURES ESTABLISHED IN THE DRAWING ARE SUBJECT TO A MUST TEST IN ACCORDANCE WITH THE VALID QA GUIDELINES.



CROSS SECTION

AZ:ENL 2006-02-17

1	207066	SEE ECN FOR DETAILS	10.02.10	Bryan Grass
REV.	NO.	CHANGE	CHANGED	

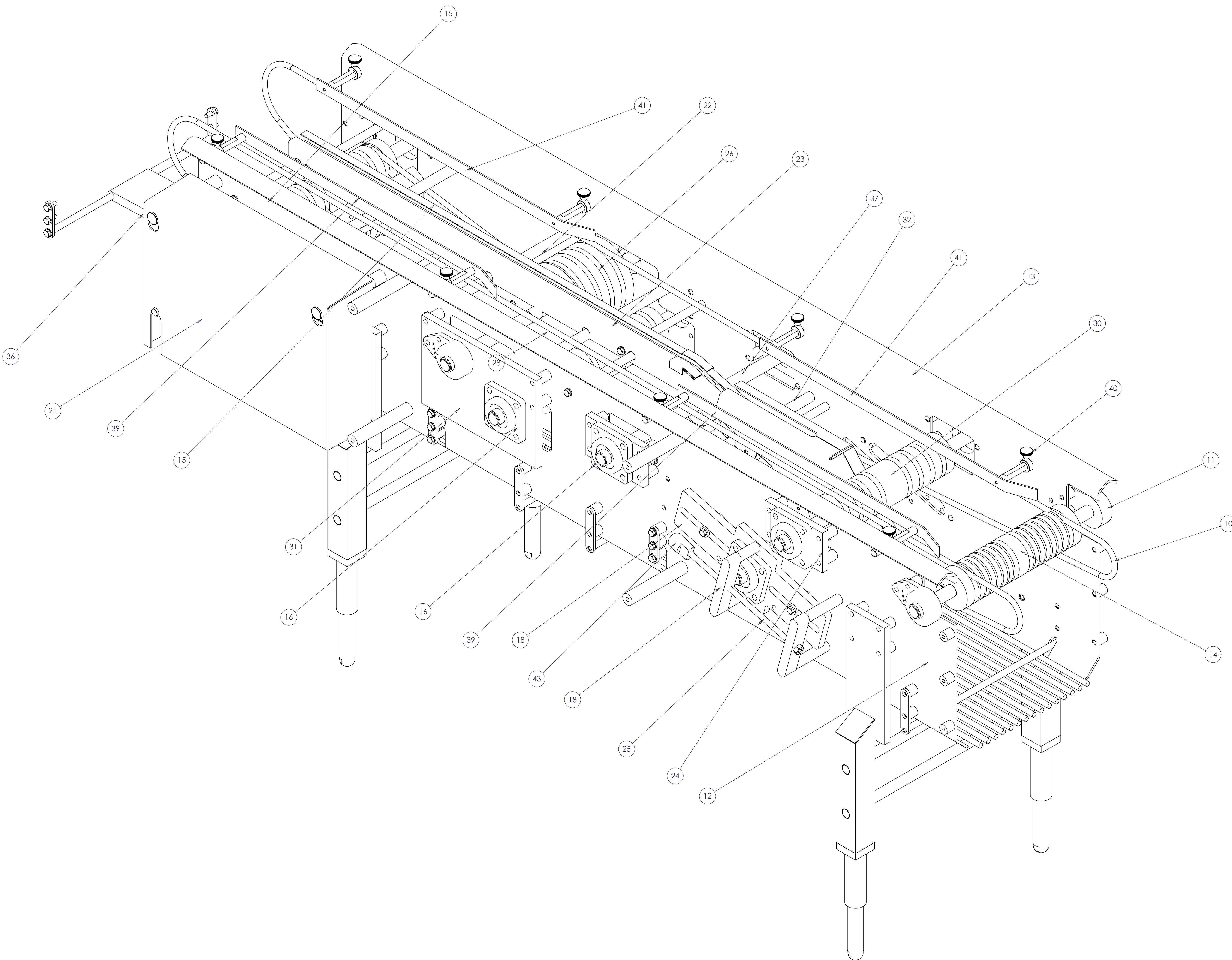
GENERAL TOL. FOR DIMENSIONS, FORM AND POSITION DIN ISO 2768-mH		COVERED PLACES FOR COATING		SURFACE SYMBOLS DIN EN ISO 1302	
Norm. dim. (mm)	> 1 6 30 120 400 1000 2000	HARDENED PLACES OR COATING		EDGES DIN ISO 13715	
Tolerance (mm)	± 0.1 ± 0.2 ± 0.3 ± 0.5 ± 0.8 ± 1.2 ± 2	XXX PLACE FOR DRAWING-NO.		PLATES < 1.5 mm THICKNESS	
SCALE	DATE	NAME	SURFACE		
1:5	18.09.2009	Mike Rogers	MATERIAL		
AREA	CHK		3767187.5 mm <sup>2</sup> 95886.195 g		
	APP	18.09.2009 Mike Rogers	TYPE		
ROBERT BOSCH GmbH Packaging Technology Division			MATERIAL CLASS	PROD-NO.	TEMPLATE-NO.
DESCRIPTION Assy Recv Conveyor Pizza 6.0-12.0			DRAWING-NO. 8-110-913-305		SW (A2)
			ORIGIN:		SHEET 2/2

<b>Material</b>	C282	01	0010	<b>Alt.</b>	<b>Usage</b> 3
	Linium Infeed Conveyor				<b>Valid</b>
					10/05/2009
<b>Reqd qty</b>		1.000 EA	<b>Base quant</b>		1.000 EA
<b>Sales ord.</b>	172945		<b>Item</b>	000107	

Lv	Item	Component no.	Description	Quant	Un
1	0000	8-110-913-473	ASSY INFEED CONVEYOR PIZZA 6 - 12		
2	0010	219362	ROUND BELT .375DIA URETHANE	200.000	FT
2	0011	8-110-912-501	FLANGE BEARING 25MM SST	4.000	EA
2	0012	8-110-913-471	01 FRAME RAIL INFEED	1.000	EA
2	0013	8-110-913-472	01 FRAME RAIL INFEED	1.000	EA
2	0014	8-110-912-543	ASSY 82.5MM NOSE ROLLER #1	1.000	EA
2	0015	8-110-912-565	KIT BELT DRIVE #1	1.000	EA
2	0016	8-110-912-511	FLANGE BEARING 25MM SST	8.000	EA
2	0017	8-110-913-020	SPROCKET TAIL 40C24	2.000	EA
2	0018	8-110-913-018	01 PLATE TAKE UP BEARING	2.000	EA
2	0021	8-110-913-023	WELDMENT INFEED BOTTOM GRATING	2.000	EA
2	0022	8-110-913-307	CROSS BAR	3.000	EA
2	0023	8-110-913-340	ASSEMBLY INFEED RIDER BAR	1.000	EA
2	0024	8-110-913-339	DRIVE PLATE SPROCKET	4.000	EA
2	0025	531.000487	01 SCREW-TAKEUP	2.000	EA
2	0026	8-110-913-343	KIT IDLER INFEED	1.000	EA
2	0027	8-110-912-564	01 KIT SCRAPER IDLER ROLLER	1.000	EA
2	0028	8-110-913-087	01 FEEDER LEG-WELDMENT	2.000	EA
2	0029	8-110-913-261	GUARD DRIVE	1.000	EA
2	0030	8-110-912-545	ASSY IDLER ROLLER #1	2.000	EA
2	0031	8-110-913-348	DRIVE PLATE BELT	2.000	EA
2	0032	8-110-913-354	KIT TAKE UP INFD CHAIN	1.000	EA
2	0035	8-110-913-406	WELDMENT SHEILD RETURN BAR	1.000	EA
2	0036	8-110-913-408	KIT RETURN BAR RECV CONV	1.000	EA
2	0037	8-110-913-341	SHAFT IDLER	2.000	EA
2	0038	8-110-913-414	PRODUCT GUIDE	2.000	EA
2	0039	8-110-913-415	PRODUCT GUIDE	2.000	EA
2	0040	8-110-913-258	01 SUPPORT GUARD	1.000	EA
2	0041	8-110-913-269	KIT SCRAPER IDLER ROLLER	1.000	EA
2	0042	8-110-913-271	KIT SCRAPER IDLER ROLLER	1.000	EA
2	0400	407802	WASHER-FLAT THK 8.4 X 21 X 4 SST	2.000	EA
2	0401	397009	SCREW-HEX HD M8 X 40 SST	2.000	EA
2	0402	309393	01 WASHER-FLAT 8.4 X 16 X 1.6 SST	2.000	EA
2	0403	310143	SCREW-HEX HD M8 X 12 SST	1.000	EA
2	0404	398350	KEY-8 X 7 X 35 SST	2.000	EA
2	0405	387948	01 KNOB REWORK	8.000	EA



ITEM NO.	PART NUMBER	DESCRIPTION	QTY.
10	8-110-912-belt5	Belt 10mm Dia x XXXX -	2
11	8-110-912-501	Bearing 25mm SST - Peer SSUCFB205-25MM	4
12	8-110-913-472	Frame Rail Infd	1
13	8-110-913-471	Frame Rail Infd	1
14	8-110-912-543	Assy Ø62.5mm Nose Roller #1 -	1
15	8-110-912-545	Kit Belt Drive - #1	1
16	8-110-912-511	Flange Bearing 4 Bolt 25mm - SST	8
17	8-110-913-020	Sprocket Tail 40C24 -	2
18	8-110-913-018	Plate Take Up Bearing -	2
19	407802	Washer - Flat Heavy M8 SST	2
20	397009	Screw - Hex Head M8x40 SST	2
21	8-110-913-023	Infeed - Bottom Grating	2
22	8-110-913-307	Cross Bar	3
23	8-110-913-340	Assy - Infeed Rider Bar	1
24	8-110-913-339	Drive Plate Sprocket -	4
25	531.000487	Screw - takeup	2
26	8-110-913-343	Kit Idler - Infeed	1
27	8-110-912-564	Kit Scraper Idler Roller -	1
28	8-110-913-087	Feeder Leg -	2
29	8-110-913-261	Guard Drive -	1
30	8-110-912-545	Assy Idler Roller #1 -	2
31	8-110-913-348	Drive Plate Belt -	2
32	8-110-913-354	Kit Take Up - Infeed Chain	1
33	309393	Washer - Flat 8.4 x 1.6 x 1.6 SST	2
34	310143	Screw - Hex Head M8 x 12 SST	1
35	8-110-913-406	Shield - Return Bar	1
36	8-110-913-408	Kit - Return Bar Recv Conv	1
37	8-110-913-341	Shaft Idler - Conv	2
38	398350	Key - 8x7x35 SST	2
39	8-110-913-414	Product Guide -	2
40	387948	Knob-Rework - M6 x 10 SST	8
41	8-110-913-415	Product Guide -	2
42	8-110-913-258	Support Guard -	1
43	8-110-628-677	Cap Take Up Screw -	2



THIS DRAWING IS THE EXCLUSIVE PROPERTY OF ROBERT BOSCH GMBH. WITHOUT THE WRITTEN CONSENT OF ROBERT BOSCH GMBH, THIS DRAWING IS NOT TO BE REPRODUCED OR TRANSMITTED IN ANY FORM OR BY ANY MEANS, ELECTRONIC OR MECHANICAL, INCLUDING PHOTOCOPYING, RECORDING, OR BY ANY INFORMATION STORAGE AND RETRIEVAL SYSTEM.

REV.	NO.	DESCRIPTION	DATE	BY	CHK.
2	206186	CHANGE ROLLER SCRAPER	05.11.09	Mike Rogers	
1	206156	Update Guard	03.11.09	Mike Rogers	

GENERAL TOL. FOR DIMENSIONS, FORM AND POSITION DRN ISO 2768-TH		COVERED PLACES FOR COATING		SURFACE SYMBOLS DRN EN ISO 1302	
DIMENSIONS		DIMENSIONS		DIMENSIONS	
SCALE: 1:4		DATE: 18.09.2009		NAME: Mike Rogers	
MATERIAL: ALU		MATERIALCLASS: 18.09.2009		PROD-NO: TEMPLATE NO.	
ROBERT BOSCH GmbH		Technology Division		DRAWING NO: 8-110-913-473	
DESCRIPTION: Assy Infeed		PIZZA 6.0-12.0		SHEET: 11/1	

<b>Material</b>	C282	01	0010	<b>Alt.</b>	<b>Usage</b> 3
	Linium Infeed Conveyor			<b>Valid</b>	10/05/2009
<b>Reqd qty</b>	1.000	EA	<b>Base quant</b>	1.000	EA
<b>Sales ord.</b>	172945		<b>Item</b>	000107	
<b>Lv</b>	<b>Item</b>	<b>Component no.</b>	<b>Description</b>	<b>Quant</b>	<b>Un</b>
1	0000	8-110-913-257	KIT INFD EYE MTG		
2	0001	531.033589	UPRIGHT EYE MOUNT POST	2.000	EA
2	0002	531.033590	CLAMP MTG RAIL NARROW	2.000	EA
2	0003	309393	01 WASHER-FLAT 8.4 X 16 X 1.6 SST	4.000	EA
2	0004	310110	SCREW-HEX HD M8 X 25 SST	4.000	EA
2	0005	8-110-912-546	ASSY FEEDER EYE PIZZA FEEDER	2.000	EA

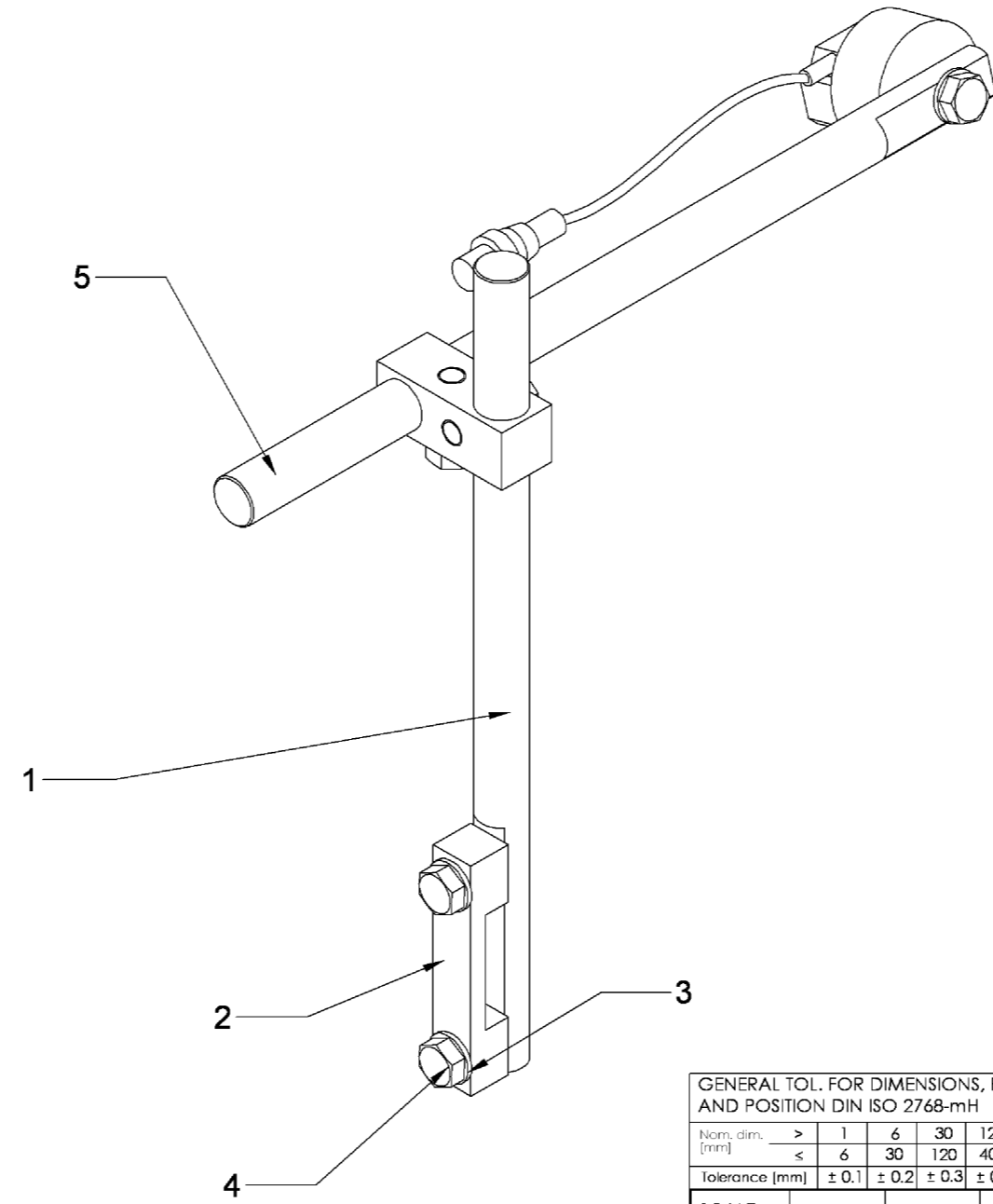
©THIS DRAWING IS THE EXCLUSIVE PROPERTY OF ROBERT BOSCH GMBH.  
 WITHOUT THEIR CONSENT IT MAY NOT BE REPRODUCED OR GIVEN TO THIRD PARTIES.

SYMBOL FOR TEST FEATURE ACCORDING TO ISO/DIS 129-1. ALL THE TEST FEATURES ESTABLISHED IN  
 THE DRAWING ARE SUBJECT TO A MUST TEST IN ACCORDANCE WITH THE VALID QA GUIDELINES.

118.5

A3-EN; 2006-02-17

ITEM NO.	PART NUMBER	DESCRIPTION	MATERIAL CHEMICAL	Default/QTY.
1	531.033589	Upright - Eye Mount Post	X10CrNiS18-9	1
2	531.033590	Clamp - Mtg Rail Narrow	X5CrNi18-10	1
3	309393	Washer - Flat 8.4 x 16 x 1.6 SST	-	2
4	310110	Screw - Hex Hd M8 x 25 SST	-	2
5	8-110-912-546	Assy Feeder Eye - Pizza Feeder		1



GENERAL TOL. FOR DIMENSIONS, FORM AND POSITION DIN ISO 2768-mH

Nom. dim. [mm]	>	1	6	30	120	400	1000	2000
	<	6	30	120	400	1000	2000	4000
Tolerance [mm]		± 0.1	± 0.2	± 0.3	± 0.5	± 0.8	± 1.2	± 2

--- COVERED PLACES FOR COATING  
 --- HARDENED PLACES OR COATING  
 XXX PLACE FOR DRAWING-NO.

SURFACE SYMBOLS DIN EN ISO 1302  
 EDGES DIN ISO 13715  
 PLATES < 1,5 mm THICKNESS:  $\sqrt{0.1}$   $\sqrt{0.3}$   $\sqrt{0.5}$   $\sqrt{1}$   
 PLATES > 1,5 mm THICKNESS AND ALL THE REST OF PARTS:  $\sqrt{0.2}$   $\sqrt{0.5}$   $\sqrt{1}$   $\sqrt{2}$

SCALE	DATE	NAME	SURFACE
1:1	02.11.2009	Mike Rogers	
AREA	CHK		MATERIAL
	APP	02.11.2009	Mike Rogers

MATERIALCLASS	PROD-NO	TEMPLATE-NO.	SW
	282	For use with Mounting Rail Infeed	AS
DESCRIPTION	DRAWING-NO.	SHEET	
Kit	8-110-913-257	1/1	
Infeed Eye Mount	ORIGIN:		

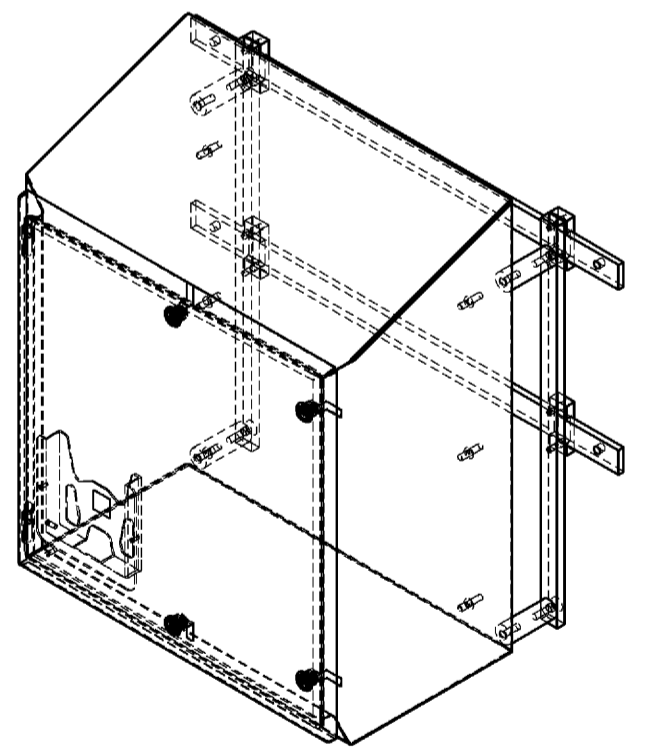
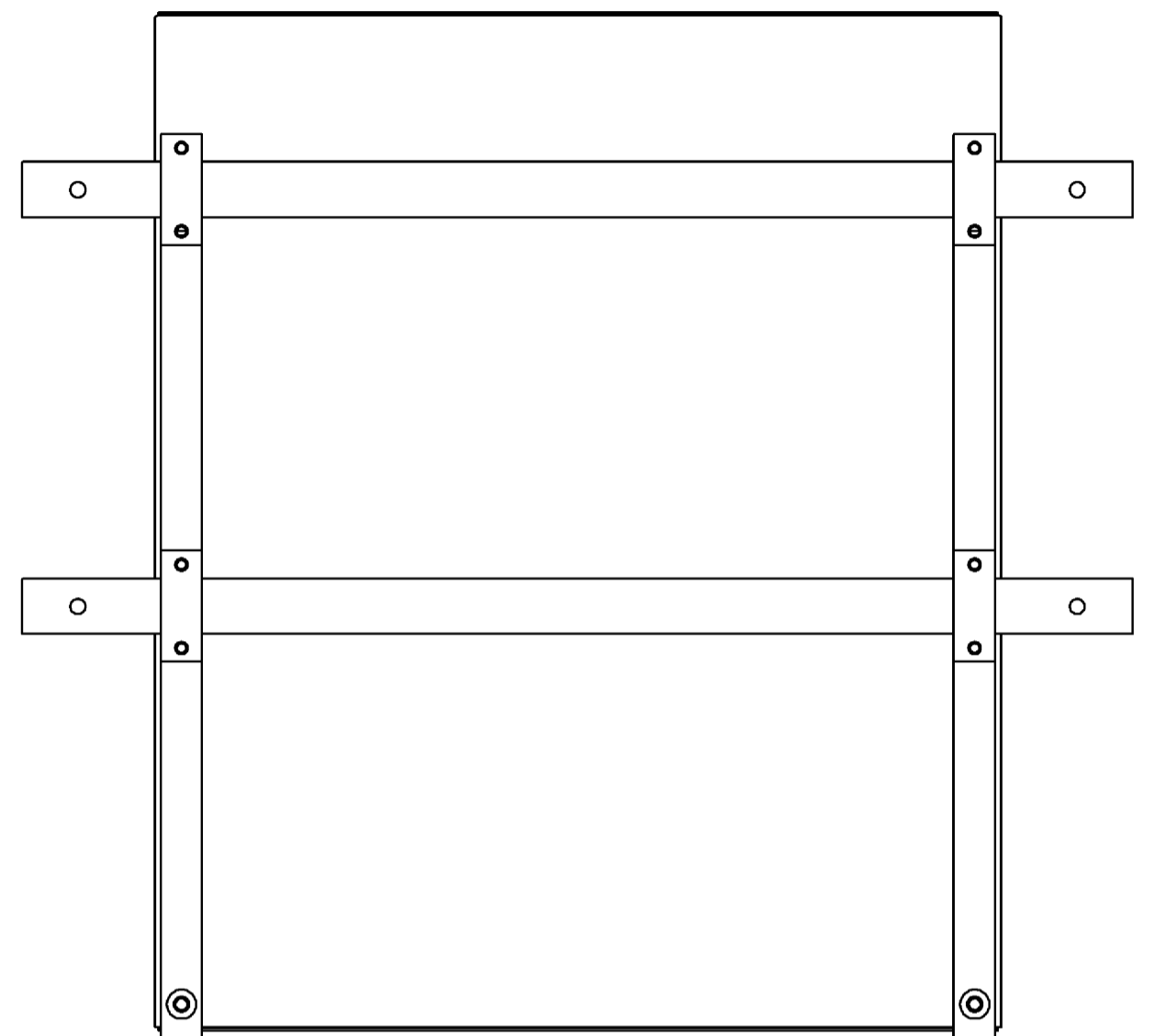
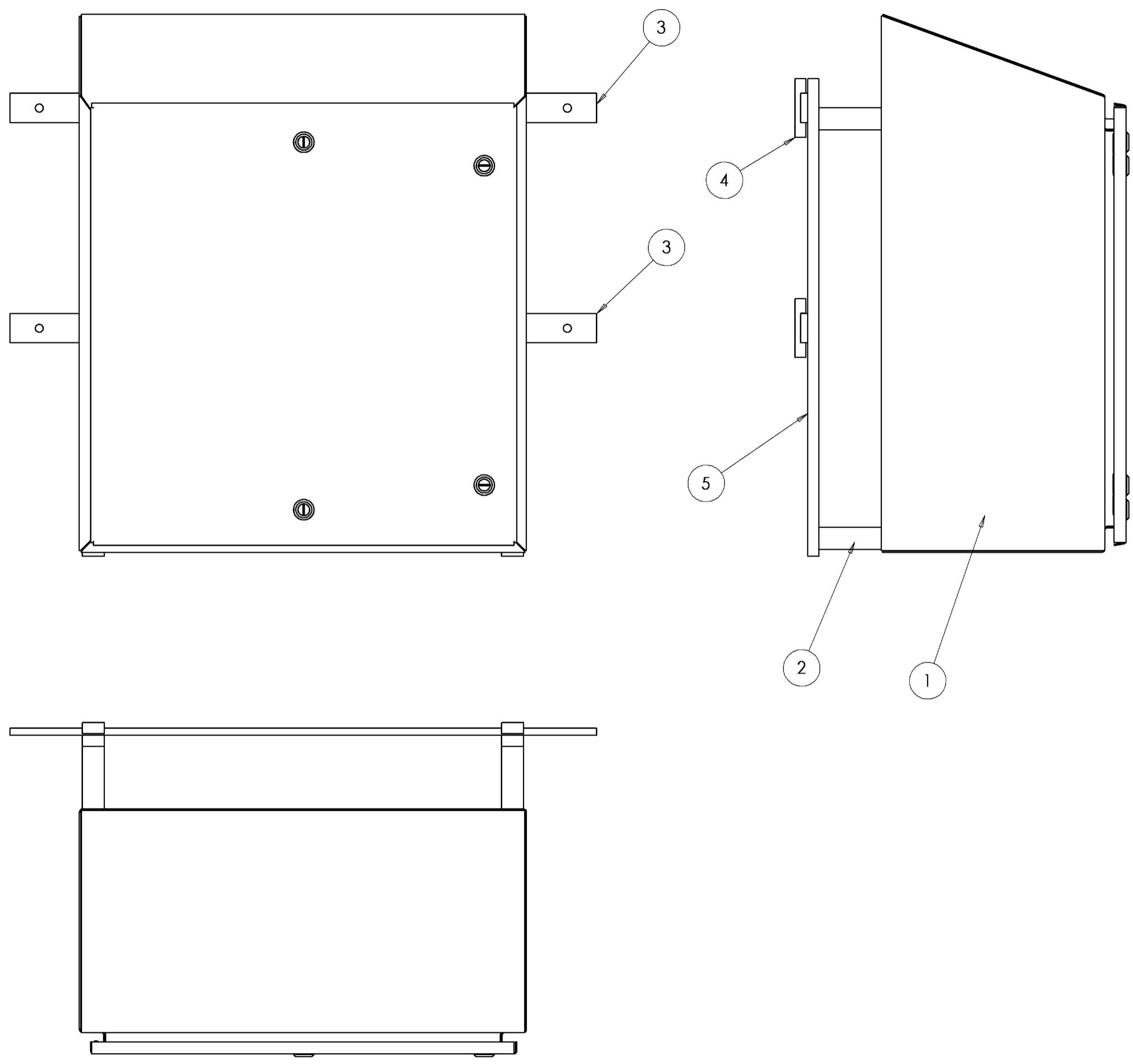
REV.	NO.	CHANGE	CHANGED

<b>Material</b>	C282	01	0010	<b>Alt.</b>	<b>Usage</b> 3
	Linium Infeed Conveyor				<b>Valid</b>
					10/05/2009
<b>Reqd qty</b>		1.000	EA	<b>Base quant</b>	1.000 EA
<b>Sales ord.</b>	172945			<b>Item</b>	000107

Lv	Item	Component no.	Description	Quant	Un
1	0000	8-110-913-345	ASSY-ENCLOSURE INFEEED WASH DOWN		
2	0001	031.062731	ENCLOSURE - WATERSHED 610x610x305 SS	1.000	EA
2	0002	531.034217	STANDOFF-ENCLOSURE-TOP	4.000	EA
2	0003	8-110-913-407	BAR UNIVERSAL 1495MM	2.000	EA
2	0004	531.026679	CLAMP-MTG RAIL	4.000	EA
2	0005	8-110-913-342	MOUNT ENCLOSURE	2.000	EA

ITEM NO.	PART NUMBER	DESCRIPTION	MATERIAL CHEMICAL	QTY.
1	031.062731	Enclosure - Watershed - 24x24x12 SST		1
2	531.034217	Standoff - Enclosure Top	X10CrNiS18-9	4
3	8-110-913-407	Bar - Universal Mouting Rail 1495mm	X5CrNi18-10+2D	2
4	531.026679	Clamp - Mtg Rail	X5CrNi18-10	4
5	8-110-913-342	Mount-Enclosure -	X5CrNi18-10	2



© THIS DRAWING IS THE EXCLUSIVE PROPERTY OF ROBERT BOSCH GMBH. WITHOUT THEIR CONSENT IT MAY NOT BE REPRODUCED OR GIVEN TO THIRD PARTIES.

SYMBOL FOR TEST FEATURE ACCORDING TO ISO/DS 129-1. ALL THE TEST FEATURES ESTABLISHED IN THE DRAWING ARE SUBJECT TO A MUST TEST IN ACCORDANCE WITH THE VALID QA GUIDELINES.

GENERAL TOL. FOR DIMENSIONS, FORM AND POSITION DIN ISO 2768-mH		COVERED PLACES FOR COATING		SURFACE SYMBOLS DIN EN ISO 1302	
Norm. dim. (mm)	> 1	6	30	120	400
	≤ 6	30	120	400	1000
					2000
					4000
Tolerance (mm)	± 0.1	± 0.2	± 0.3	± 0.5	± 0.8
					± 1.2
					± 2
SCALE		DATE	NAME	SURFACE	
1:5		30.10.2009	Bryan Grass		
AREA		CHK		MATERIAL	
		APP	30.10.2009	3289229.5 mm <sup>2</sup>	
				14780.163 g	
				TYPE	
				MATERIALCLASS	
				PROD-NO	
				TEMPLATE-NO.	
				SW	
				A2	
DESCRIPTION		DRAWING-NO.		SHEET	
Assy Enclosure Infeed Wash Down		8-110-913-345		1/1	
		ORIGIN:			

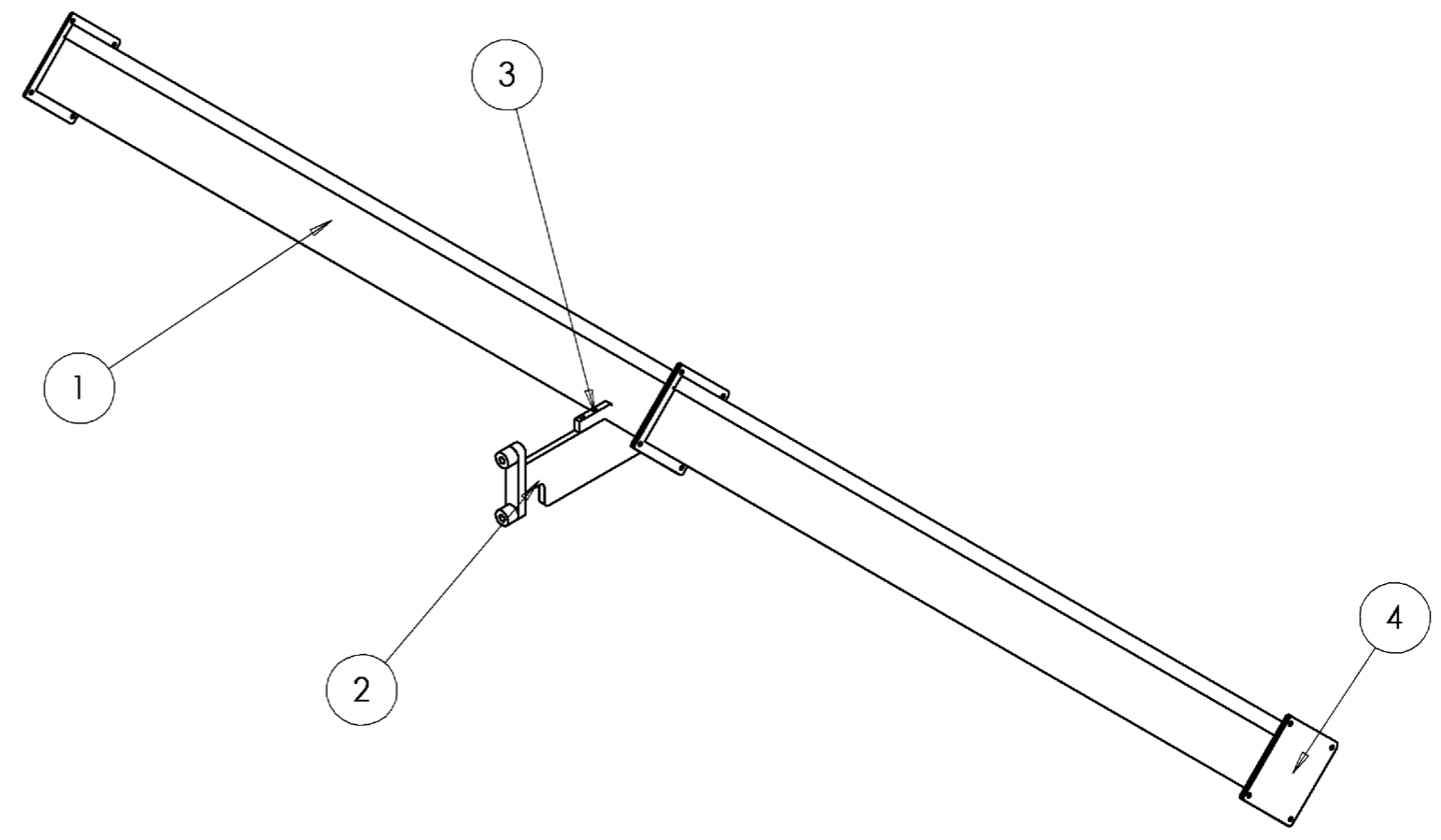
AZ:ENL: 2006-02-17

REV.	NO.	CHANGE	CHANGED
	3		
	4		

<b>Material</b>	C282	01	0010	<b>Alt.</b>	<b>Usage</b>	3	
	Linium Infeed Conveyor				<b>Valid</b>	10/05/2009	
<b>Reqd qty</b>		1.000	EA	<b>Base quant</b>		1.000 EA	
<b>Sales ord.</b>	172945			<b>Item</b>	000107		
<b>Lv</b>	<b>Item</b>	<b>Component no.</b>	<b>Description</b>			<b>Quant</b>	<b>Un</b>
1	0000	8-110-913-264	KIT WIREWAY				
2	0001	208161	01	WIREWAY 4 X 4 X 48 NEMA 4X	SST	2.000	EA
2	0002	8-110-913-262	HANGER WIREWAY			2.000	EA
2	0003	8-110-913-263	CLAMP WIREWAY			2.000	EA
2	0004	208250	01	WIREWAY-CLOSURE 4 X 4	SST	1.000	EA

©THIS DRAWING IS THE EXCLUSIVE PROPERTY OF ROBERT BOSCH GMBH. WITHOUT THEIR CONSENT IT MAY NOT BE REPRODUCED OR GIVEN TO THIRD PARTIES.  
 SYMBOL FOR TEST FEATURE ACCORDING TO ISO/DIS 129-1. ALL THE TEST FEATURES ESTABLISHED IN THE DRAWING ARE SUBJECT TO A MUST TEST IN ACCORDANCE WITH THE VALID QA GUIDELINES.  
 A3-EN: 2006-02-17

ITEM NO.	PART NUMBER	DESCRIPTION	MATERIAL CHEMICAL	QTY.
1	208161	Wireway - Straight Section 4X4 X 48"	SST	2
2	8-110-913-262	Hanger Wireway -		2
3	8-110-913-263	Clamp Wireway -	X5CrNi18-10	2
4	208250	Wireway-4x4-Closure Plate SST	SST	1



GENERAL TOL. FOR DIMENSIONS, FORM AND POSITION DIN ISO 2768-mH				- - - - COVERED PLACES FOR COATING - - - - HARDENED PLACES OR COATING XXX PLACE FOR DRAWING-NO.		SURFACE SYMBOLS DIN EN ISO 1302 EDGES DIN ISO 13715 PLATES < 1,5 mm THICKNESS PLATES > 1,5 mm THICKNESS AND ALL THE REST OF PARTS						
Nom. dim. [mm]	>	1	6	30	120	400	1000	2000				
	<	6	30	120	400	1000	2000	4000				
Tolerance [mm]		± 0.1	± 0.2	± 0.3	± 0.5	± 0.8	± 1.2	± 2				
SCALE	DATE	NAME		SURFACE								
1:20	Mod	04.11.2009	Mike Rogers		MATERIAL							
AREA	CHK			2239668.3 mm <sup>2</sup> 24388.068 g								
	APP	04.11.2009	Mike Rogers		TYPE							
ROBERT BOSCH GmbH Packaging Technology Division				MATERIALCLASS	PROD-NO	TEMPLATE-NO.			SW			
										(A3)		
DESCRIPTION Kit Wireway				DRAWING-NO. 8-110-913-264			SHEET 1/1					
				ORIGIN:								

REV.	NO.	CHANGE	CHANGED

<b>Material</b>	C282	01	0010	<b>Alt.</b>	<b>Usage</b> 3
	Linium Infeed Conveyor				<b>Valid</b> 10/05/2009
<b>Reqd qty</b>	1.000	EA	<b>Base quant</b>	1.000	EA
<b>Sales ord.</b>	172945		<b>Item</b>	000107	

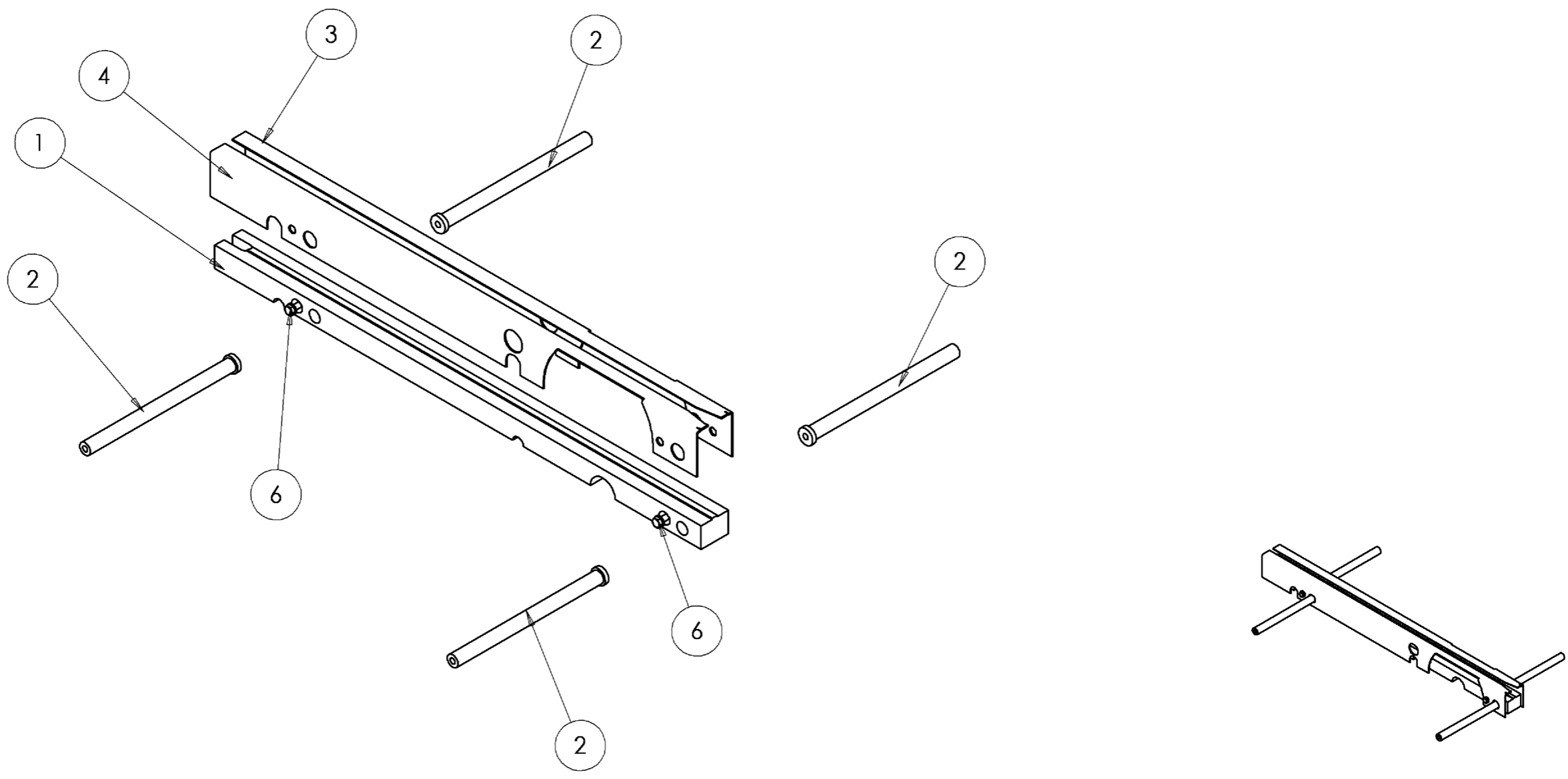
  

Lv	Item	Component no.	Description	Quant	Un
1	0000	131.062291	KIT ENCL SST REMOTE 1 BUTTON		
2	0010	531.033573	BRACKET 2 BUTTON STOP BOX UNIVERSAL	1.000	EA
2	0011	531.047177	ENCLOSURE SST 2 BUTTON MODIFIED	1.000	EA
2	0012	531.051791	CLAMP-UNIVERSAL RAIL		
2	0300	131.056525	KIT E-STOP PBM W/1NO & 1NC	1.000	EA
2	0301	467851	02 NAMEPLATE YELLOW RING BLANK 60MM	1.000	EA
2	0304	DELETE 451819	RECEPTACLE MALE 6PIN		
2	0305	DELETE 451820	CABLE FEMALE 6PIN		
2	0306	524495	04 LOCKNUT 0.50 STEEL CONDUIT	1.000	EA
2	0307	210814	01 HOLE SEAL 0.88 OIL TITE SST	2.000	EA
2	0400	432072	SCREW-HEX HD M8 X 20 SST	4.000	EA
2	0401	309393	01 WASHER-FLAT 8.4 X 16 X 1.6 SST	4.000	EA
2	0402	422010	SCREW-HEX HD M5 X 10 SST	4.000	EA
2	0403	401228	WASHER-FLAT 5.3 X 10 X 1 SST	4.000	EA
2	0404	306570	CABLE SHIELDED 4COND 18AWG	20.000	FT
2	0405	379507	01 STRAIN-RELIEF NYLON PG13.5 5-9MM	1.000	EA
2	0406	379509	01 LOCKNUT-NYLON PG-13.5	1.000	EA
2	0407	379512	01 SEALING RING-13.5MM	1.000	EA



<b>Material</b>	C282	01	0010	<b>Alt.</b>	<b>Usage</b> 3
	Linium Infeed Conveyor			<b>Valid</b>	10/05/2009
<b>Reqd qty</b>	1.000 EA		<b>Base quant</b>	1.000 EA	
<b>Sales ord.</b>	172945	<b>Item</b>	000107		
<b>Lv</b>	<b>Item</b>	<b>Component no.</b>	<b>Description</b>	<b>Quant</b>	<b>Un</b>
2	0000	8-110-913-337	ASSY RIDER BAR		
3	0001	8-110-913-303	01 RIDER BAR	1.000	EA
3	0002	8-110-913-336	MOUNT RIDER BAR	4.000	EA
3	0003	8-110-913-309	01 TRAP-PUSHER-245MM DROP OFF	1.000	EA
3	0004	8-110-913-308	01 TRAP-PUSHER-245MM DROP OFF	1.000	EA
3	0005	379749	WASHER-FLAT 6.4 X 12 X 1.6 SST	4.000	EA
3	0006	310102	SCREW-HEX HD M6 X 12 SST	4.000	EA

ITEM NO.	PART NUMBER	DESCRIPTION	MATERIAL CHEMICAL	QTY.
1	8-110-913-303	Rider Bar -	vas pom	1
2	8-110-913-336	Mount Rider Bar -	X8CrNiS18-9	4
3	8-110-913-309	Trap Pusher 245mm Drop Off -	X5CrNi18-10	1
4	8-110-913-308	Trap Pusher 245mm Drop Off -	X5CrNi18-10	1
5	379749	Washer - Flat 6.4 x 12 x 1.6 SST		4
6	310102	Screw - Hex Hd M6 x 12 SST		4



©THIS DRAWING IS THE EXCLUSIVE PROPERTY OF ROBERT BOSCH GMBH. WITHOUT THEIR CONSENT IT MAY NOT BE REPRODUCED OR GIVEN TO THIRD PARTIES.  
 SYMBOL FOR TEST FEATURE ACCORDING TO ISO/DIS 129-1. ALL THE TEST FEATURES ESTABLISHED IN THE DRAWING ARE SUBJECT TO A MUST TEST IN ACCORDANCE WITH THE VALID GA GUIDELINES.

GENERAL TOL. FOR DIMENSIONS, FORM AND POSITION DIN ISO 2768-mH				- - - - COVERED PLACES FOR COATING - - - - HARDENED PLACES OR COATING XXX PLACE FOR DRAWING-NO.		SURFACE SYMBOLS DIN EN ISO 1302 EDGES DIN ISO 13715 PLATES < 1,5 mm THICKNESS PLATES > 1,5 mm THICKNESS AND ALL THE REST OF PARTS			
Nom. dim. [mm]	>	1	6	30	120	400	1000	2000	4000
	<	6	30	120	400	1000	2000	4000	
Tolerance [mm]		± 0.1	± 0.2	± 0.3	± 0.5	± 0.8	± 1.2	± 2	
SCALE	1:10	DATE	16.10.2009	NAME	Bryan Grass	SURFACE			
AREA	CHK	APP	16.10.2009	Bryan Grass	MATERIAL				
<b>ROBERT BOSCH GmbH</b> Packaging Technology Division					MATERIALCLASS	PROD-NO	TEMPLATE-NO.	SW	A3
DESCRIPTION Assy Rider Bar					DRAWING-NO. <b>8-110-913-337</b>			SHEET 1/1	
					ORIGIN:				

A3-EN: 2006-02-17	1	1	2	3	4	5	6
REV.	NO.	CHANGE	CHANGED				

<b>Material</b>	C282	01	0010	<b>Alt.</b>	<b>Usage</b> 3
	Linium Infeed Conveyor			<b>Valid</b>	10/05/2009
<b>Reqd qty</b>		1.000	EA	<b>Base quant</b>	1.000 EA
<b>Sales ord.</b>	172945			<b>Item</b>	000107
<b>Lv</b>	<b>Item</b>	<b>Component no.</b>	<b>Description</b>	<b>Quant</b>	<b>Un</b>
2	0000	8-110-913-356	KIT IDLER RECV CONV		
3	0001	8-110-913-400	01 SHAFT NOSE ROLLER	1.000	EA
3	0002	8-110-913-311	01 ROLLER	2.000	EA

©THIS DRAWING IS THE EXCLUSIVE PROPERTY OF ROBERT BOSCH GMBH. WITHOUT THEIR CONSENT IT MAY NOT BE REPRODUCED OR GIVEN TO THIRD PARTIES.

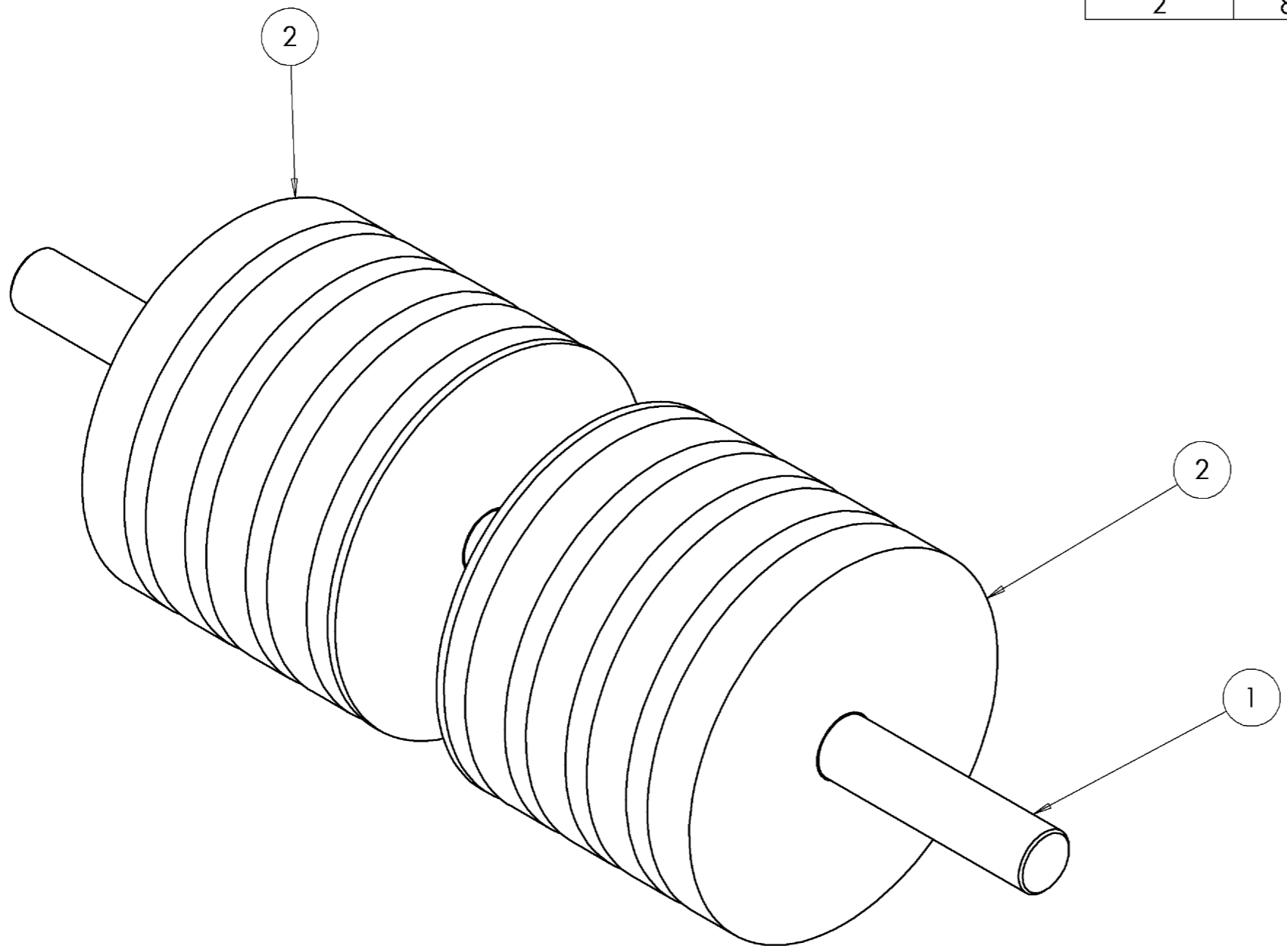
SYMBOL FOR TEST FEATURE ACCORDING TO ISO/DIS 129-1. ALL THE TEST FEATURES ESTABLISHED IN THE DRAWING ARE SUBJECT TO A MUST TEST IN ACCORDANCE WITH THE VALID QA GUIDELINES.

118.5

A3-EN.; 2006-02-17

REV.	NO.	CHANGE	CHANGED

ITEM NO.	PART NUMBER	DESCRIPTION	QTY.
1	8-110-913-400	Shaft Nose Roller -	1
2	8-110-913-311	Roller -	2



GENERAL TOL. FOR DIMENSIONS, FORM AND POSITION DIN ISO 2768-mH				--- COVERED PLACES FOR COATING		SURFACE SYMBOLS DIN EN ISO 1302																			
Nom. dim. [mm]				--- HARDENED PLACES OR COATING		EDGES DIN ISO 13715																			
Tolerance [mm]				XXX PLACE FOR DRAWING-NO.		PLATES < 1,5 mm THICKNESS																			
<table border="1"> <tr> <td>&gt;</td> <td>1</td> <td>6</td> <td>30</td> <td>120</td> <td>400</td> <td>1000</td> <td>2000</td> </tr> <tr> <td>&lt;</td> <td>6</td> <td>30</td> <td>120</td> <td>400</td> <td>1000</td> <td>2000</td> <td>4000</td> </tr> </table>				>	1	6	30	120	400	1000	2000	<	6	30	120	400	1000	2000	4000			<table border="1"> <tr> <td>PLATES &gt; 1,5 mm THICKNESS AND ALL THE REST OF PARTS</td> <td></td> </tr> </table>		PLATES > 1,5 mm THICKNESS AND ALL THE REST OF PARTS	
>	1	6	30	120	400	1000	2000																		
<	6	30	120	400	1000	2000	4000																		
PLATES > 1,5 mm THICKNESS AND ALL THE REST OF PARTS																									
SCALE	DATE	NAME	SURFACE																						
1:2	23 Oct 2009	Bryan Grass	MATERIAL																						
AREA	CHK		274501.09 mm <sup>2</sup> 13853.319 g																						
	APP	23 Oct 2009 Bryan Grass	TYPE																						
ROBERT BOSCH GmbH Packaging Technology Division			MATERIALCLASS	PROD-NO	TEMPLATE-NO.		SW																		
DESCRIPTION Kit Idler Recv Conv			DRAWING-NO. 8-110-913-356		ORIGIN:		SW A3 SHEET 1/1																		

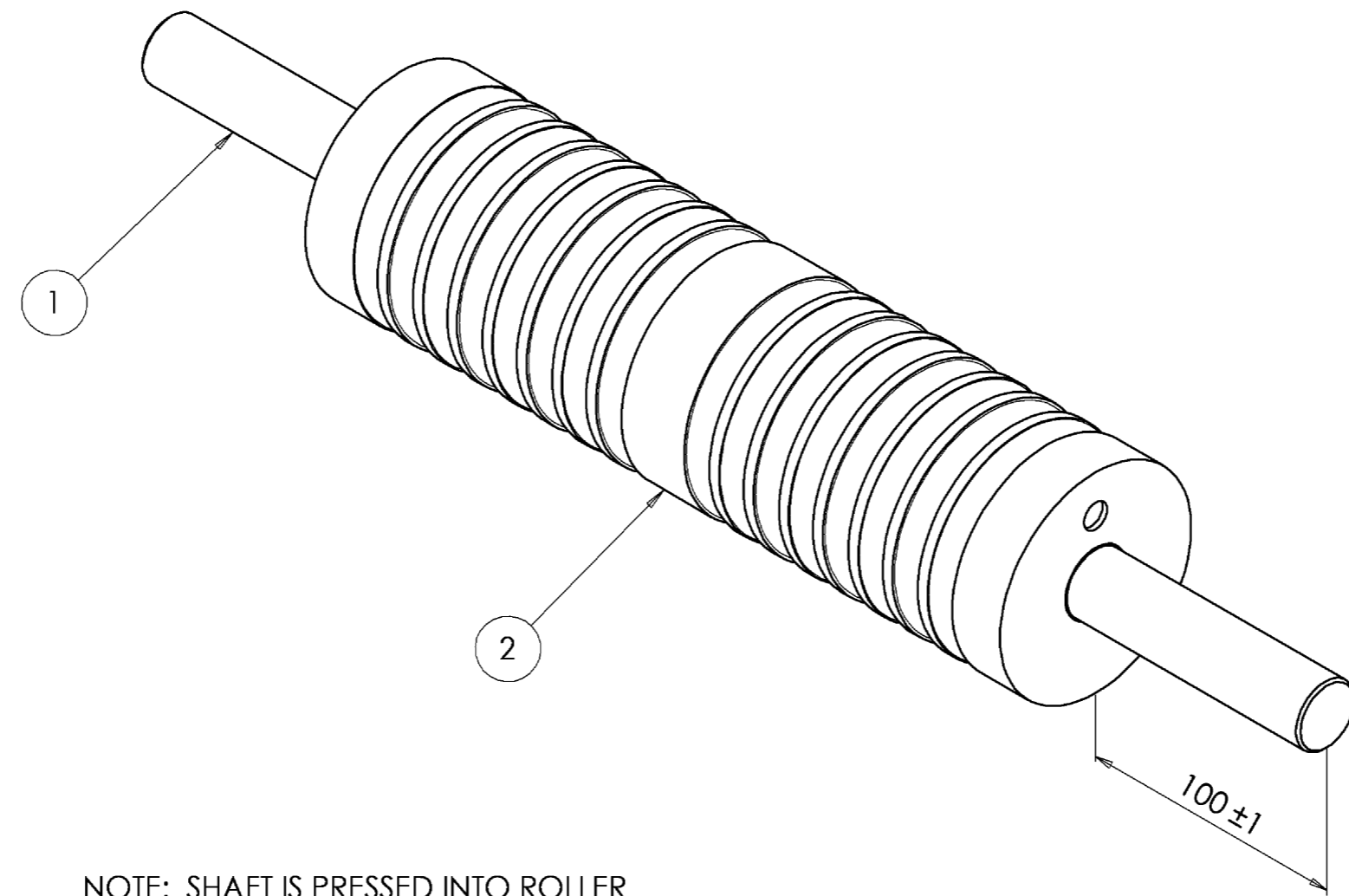
<b>Material</b>	C282	01	0010	<b>Alt.</b>	<b>Usage</b> 3
	Linium Infeed Conveyor			<b>Valid</b>	10/05/2009
<b>Reqd qty</b>		1.000	EA	<b>Base quant</b>	1.000 EA
<b>Sales ord.</b>	172945			<b>Item</b>	000107
<b>Lv</b>	<b>Item</b>	<b>Component no.</b>	<b>Description</b>	<b>Quant</b>	<b>Un</b>
2	0000	8-110-912-543	ASSY 82.5MM NOSE ROLLER #1		
3	0001	8-110-912-525	01 SHAFT NOSE ROLLER	1.000	EA
3	0002	8-110-912-542	01 ROLLER Ø 82.5MM 16 GROOVE #1	1.000	EA

©THIS DRAWING IS THE EXCLUSIVE PROPERTY OF ROBERT BOSCH GMBH.  
 WITHOUT THEIR CONSENT IT MAY NOT BE REPRODUCED OR GIVEN TO THIRD PARTIES.

SYMBOL FOR TEST FEATURE ACCORDING TO ISO/DIS 129-1. ALL THE TEST FEATURES ESTABLISHED IN  
 THE DRAWING ARE SUBJECT TO A MUST TEST IN ACCORDANCE WITH THE VALID QA GUIDELINES.

118.5

A3-EN; 2006-02-17



NOTE: SHAFT IS PRESSED INTO ROLLER

GENERAL TOL. FOR DIMENSIONS, FORM AND POSITION DIN ISO 2768-mH				--- COVERED PLACES FOR COATING		SURFACE SYMBOLS DIN EN ISO 1302																							
Nom. dim. [mm]				--- HARDENED PLACES OR COATING		EDGES DIN ISO 13715																							
Tolerance [mm]				XXX PLACE FOR DRAWING-NO.		PLATES < 1,5 mm THICKNESS																							
<table border="1"> <tr> <td>&gt;</td> <td>1</td> <td>6</td> <td>30</td> <td>120</td> <td>400</td> <td>1000</td> <td>2000</td> </tr> <tr> <td>&lt;</td> <td>6</td> <td>30</td> <td>120</td> <td>400</td> <td>1000</td> <td>2000</td> <td>4000</td> </tr> </table>				>	1	6	30	120	400	1000	2000	<	6	30	120	400	1000	2000	4000	<table border="1"> <tr> <td>-0.1</td> <td>-0.3</td> <td>±</td> </tr> </table>		-0.1	-0.3	±	<table border="1"> <tr> <td>-0.2</td> <td>-0.5</td> <td>±</td> </tr> </table>		-0.2	-0.5	±
>	1	6	30	120	400	1000	2000																						
<	6	30	120	400	1000	2000	4000																						
-0.1	-0.3	±																											
-0.2	-0.5	±																											
SCALE		DATE		NAME		SURFACE																							
1:2		06.10.2009		Mike Rogers		MATERIAL																							
AREA		CHK		APP		176214.69 mm <sup>2</sup> 5408.7827 g																							
		06.10.2009		Mike Rogers		TYPE																							
ROBERT BOSCH GmbH Packaging Technology Division				MATERIALCLASS		PROD-NO																							
				TEMPLATE-NO.		SW																							
DESCRIPTION				DRAWING-NO.		SHEET																							
Assy Ø82.5mm Nose Roller #1				8-110-912-543		1/1																							
				ORIGIN:																									

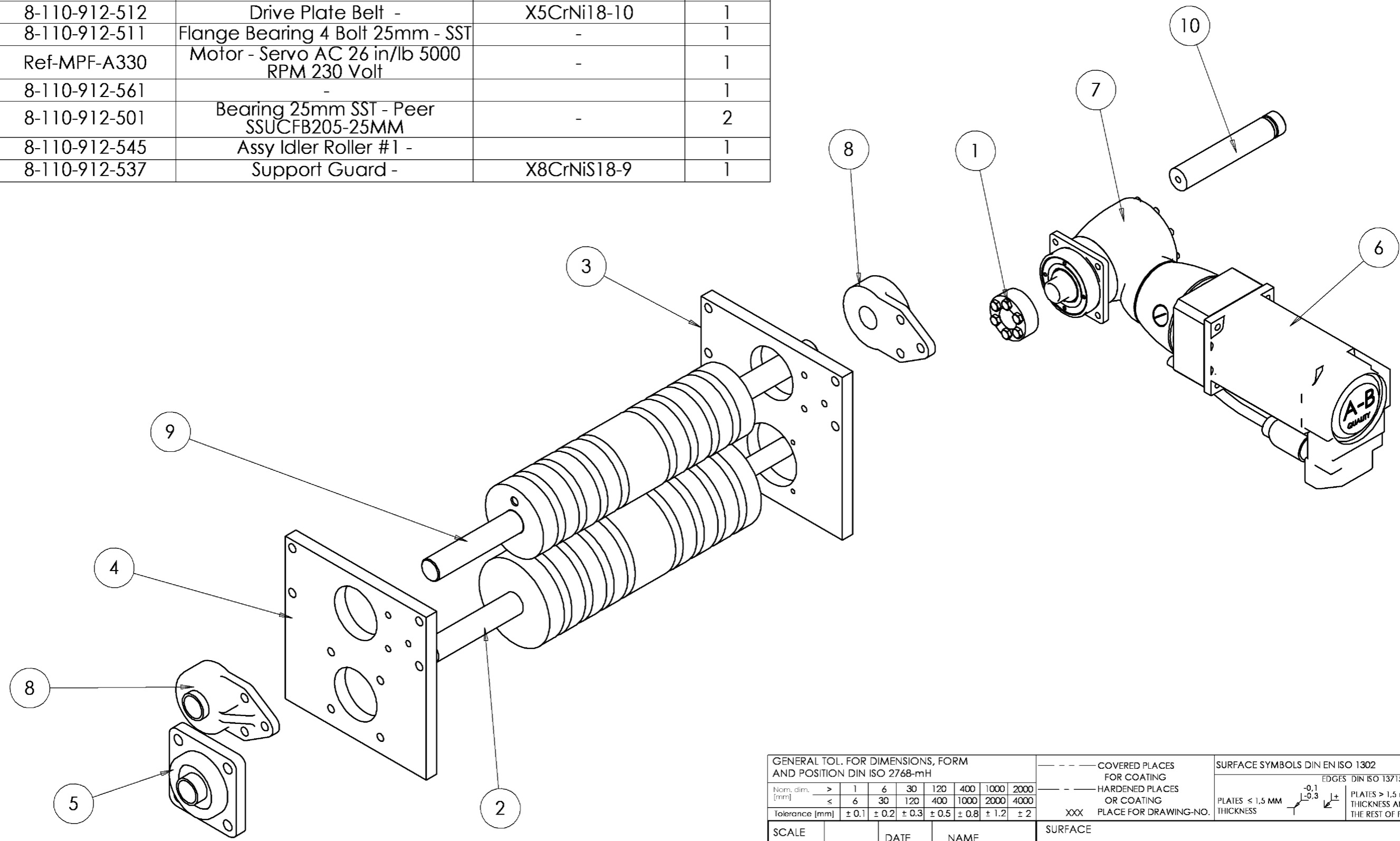
REV.	NO.	CHANGE	CHANGED

<b>Material</b>	C282	01	0010	<b>Alt.</b>	<b>Usage</b> 3
	Linium Infeed Conveyor				<b>Valid</b> 10/05/2009
<b>Reqd qty</b>	1.000	EA	<b>Base quant</b>	1.000	EA
<b>Sales ord.</b>	172945		<b>Item</b>	000107	

Lv	Item	Component no.	Description	Quant	Un	
2	0000	8-110-912-565	KIT BELT DRIVE #1			
3	0001	8-110-912-562	GEARBOX SHRINK DISC HSD24-22 SST	1.000	EA	
3	0002	8-110-912-510	DRIVE ROLLER 100MM #1	1.000	EA	
3	0003	8-110-912-514	02 PLATE MTG DRIVE	1.000	EA	
3	0004	8-110-912-512	02 DRIVE PLATE BELT	1.000	EA	
3	0005	8-110-912-511	FLANGE BEARING 25MM SST	1.000	EA	
3	0006	REF AB SEVO MOTOR				
3	0007	8-110-912-561	GEARBOX 10:1 RIGHT ANGLE	1.000	EA	
3	0008	8-110-912-501	FLANGE BEARING 25MM SST	2.000	EA	
3	0009	8-110-912-545	ASSY IDLER ROLLER #1	1.000	EA	
3	0010	8-110-912-537	01 SUPPORT GUARD	1.000	EA	

ITEM NO.	PART NUMBER	DESCRIPTION	MATERIAL CHEMICAL	Default/ QTY.
1	8-110-912-562	Shrink Disc HSD24-22 -		1
2	8-110-912-510	Roller Drive 100mm #1 -	X8CrNiS18-9	1
3	8-110-912-514	Plate Mtg Drive -	X5CrNi18-10	1
4	8-110-912-512	Drive Plate Belt -	X5CrNi18-10	1
5	8-110-912-511	Flange Bearing 4 Bolt 25mm - SST	-	1
6	Ref-MPF-A330	Motor - Servo AC 26 in/lb 5000 RPM 230 Volt	-	1
7	8-110-912-561	-		1
8	8-110-912-501	Bearing 25mm SST - Peer SSUCFB205-25MM	-	2
9	8-110-912-545	Assy Idler Roller #1 -		1
10	8-110-912-537	Support Guard -	X8CrNiS18-9	1



©THIS DRAWING IS THE EXCLUSIVE PROPERTY OF ROBERT BOSCH GMBH. WITHOUT THEIR CONSENT IT MAY NOT BE REPRODUCED OR GIVEN TO THIRD PARTIES.  
 SYMBOL FOR TEST FEATURE ACCORDING TO ISO/DIS 129-1. ALL THE TEST FEATURES ESTABLISHED IN THE DRAWING ARE SUBJECT TO A MUST TEST IN ACCORDANCE WITH THE VALID QA GUIDELINES.

GENERAL TOL. FOR DIMENSIONS, FORM AND POSITION DIN ISO 2768-mH				- - - - COVERED PLACES FOR COATING - - - - HARDENED PLACES OR COATING XXX PLACE FOR DRAWING-NO.		SURFACE SYMBOLS DIN EN ISO 1302 EDGES DIN ISO 13715 PLATES < 1,5 MM THICKNESS PLATES > 1,5 mm THICKNESS AND ALL THE REST OF PARTS	
Nom. dim. [mm]	> 1	6	30	120	400	1000	2000
	≤ 6	30	120	400	1000	2000	4000
Tolerance [mm]	± 0.1	± 0.2	± 0.3	± 0.5	± 0.8	± 1.2	± 2
SCALE	DATE	NAME		SURFACE			
1:20	Mod	08.10.2009	Mike Rogers	MATERIAL			
AREA	CHK			853949.69 mm <sup>2</sup> 47568.586 g			
	APP	08.10.2009	Mike Rogers	TYPE			
ROBERT BOSCH GmbH Packaging Technology Division				MATERIALCLASS	PROD-NO	TEMPLATE-NO.	
DESCRIPTION Kit Belt Drive #1				DRAWING-NO. 8-110-912-565		SW A3	
				ORIGIN:		SHEET 1/1	

A3-EN: 2006-02-17	REV.	NO.	CHANGE	CHANGED

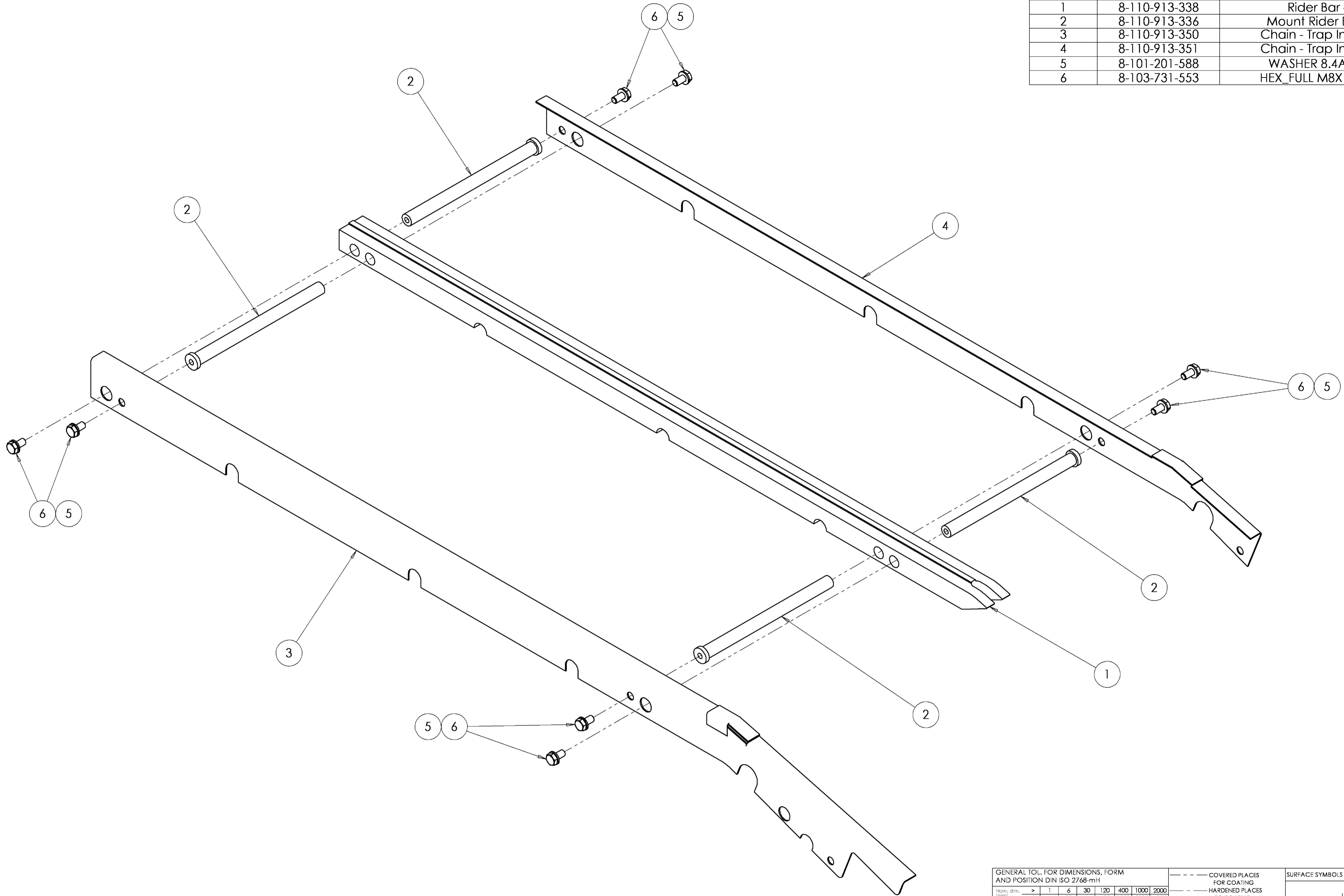


<b>Material</b>	C282	01	0010	<b>Alt.</b>	<b>Usage</b> 3
	Linium Infeed Conveyor			<b>Valid</b>	10/05/2009
<b>Reqd qty</b>	1.000	EA	<b>Base quant</b>	1.000	EA
<b>Sales ord.</b>	172945		<b>Item</b>	000107	

Lv	Item	Component no.	Description	Quant	Un
2	0000	8-110-913-340	ASSEMBLY INFEED RIDER BAR		
3	0001	8-110-913-338	01 RIDER BAR	1.000	EA
3	0002	8-110-913-336	MOUNT RIDER BAR	4.000	EA
3	0003	8-110-913-350	CHAIN TRAP INFEED	1.000	EA
3	0004	8-110-913-351	CHAIN TRAP INFEED	1.000	EA
3	0005	8-101-201-588	USE 309393 WASHER-FLAT M8	8.000	EA
3	0006	8-103-731-553	SCREW-HEX HD M8 X 16 SST	8.000	EA

ITEM NO.	PART NUMBER	DESCRIPTION	QTY.
1	8-110-913-338	Rider Bar -	1
2	8-110-913-336	Mount Rider Bar -	4
3	8-110-913-350	Chain - Trap Infeed	1
4	8-110-913-351	Chain - Trap Infeed	1
5	8-101-201-588	WASHER 8.4A A2	8
6	8-103-731-553	HEX_FULL M8X16 A2	8



© THIS DRAWING IS THE EXCLUSIVE PROPERTY OF ROBERT BOSCH GMBH.  
 WITHOUT THEIR CONSENT IT MAY NOT BE REPRODUCED OR GIVEN TO THIRD PARTIES.

SYMBOL FOR TEST FEATURE ACCORDING TO ISO/DS 129-1. ALL THE TEST FEATURES ESTABLISHED IN  
 THE DRAWING ARE SUBJECT TO A MUST TEST IN ACCORDANCE WITH THE VALID QA GUIDELINES.

GENERAL TOL. FOR DIMENSIONS, FORM AND POSITION DIN ISO 2768-mH <small>Norm. dim. (mm)</small> <table border="1"> <tr> <td>&gt;</td> <td>1</td> <td>6</td> <td>30</td> <td>120</td> <td>400</td> <td>1000</td> <td>2000</td> </tr> <tr> <td>≤</td> <td>6</td> <td>30</td> <td>120</td> <td>400</td> <td>1000</td> <td>2000</td> <td>4000</td> </tr> </table>		>	1	6	30	120	400	1000	2000	≤	6	30	120	400	1000	2000	4000	--- COVERED PLACES FOR COATING --- HARDENED PLACES OR COATING XXX PLACE FOR DRAWING-NO.	SURFACE SYMBOLS DIN EN ISO 1302 <small>EDGES DIN ISO 13715</small> <table border="1"> <tr> <td>PLATES &lt; 1.5 mm THICKNESS</td> <td> <math>\sqrt{0.1}</math>  <math>\sqrt{0.3}</math> </td> <td> <math>\sqrt{0.5}</math> </td> </tr> <tr> <td>PLATES &gt; 1.5 mm THICKNESS AND ALL THE REST OF PARTS</td> <td> <math>\sqrt{0.5}</math> </td> <td> <math>\sqrt{0.2}</math> </td> </tr> </table>	PLATES < 1.5 mm THICKNESS	$\sqrt{0.1}$ $\sqrt{0.3}$	$\sqrt{0.5}$	PLATES > 1.5 mm THICKNESS AND ALL THE REST OF PARTS	$\sqrt{0.5}$	$\sqrt{0.2}$
>	1	6	30	120	400	1000	2000																		
≤	6	30	120	400	1000	2000	4000																		
PLATES < 1.5 mm THICKNESS	$\sqrt{0.1}$ $\sqrt{0.3}$	$\sqrt{0.5}$																							
PLATES > 1.5 mm THICKNESS AND ALL THE REST OF PARTS	$\sqrt{0.5}$	$\sqrt{0.2}$																							
Tolerance (mm) ± 0.1   ± 0.2   ± 0.3   ± 0.5   ± 0.8   ± 1.2   ± 2	SCALE <b>1:3</b>	DATE 16.10.2009	NAME Bryan Grass	SURFACE MATERIAL 556595.13 mm <sup>2</sup> 4246.3486 g	TYPE ISO 11																				
AREA CHK APP 16.10.2009 Bryan Grass	MATERIAL CLASS PROD-NO TEMPLATE-NO.	SW (A2) SHEET 1/1	ROBERT BOSCH GmbH Packaging Technology Division DESCRIPTION Assy Infeed Rider Bar DRAWING-NO. <b>8-110-913-340</b> ORIGIN:																						

AZ:ENL: 2006-02-17

REV.	NO.	CHANGE	CHANGED
3			
4			

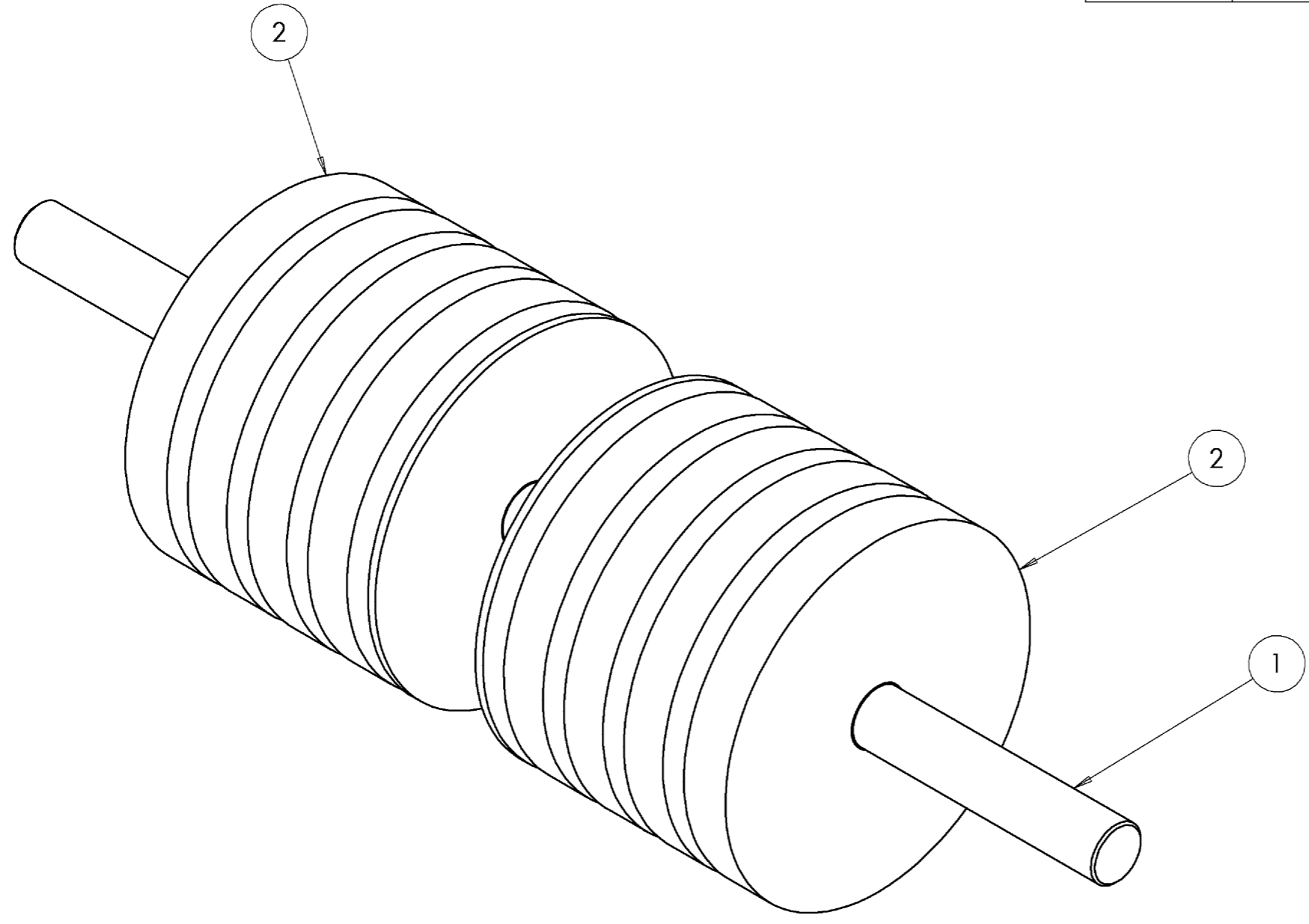
<b>Material</b>	C282	01	0010	<b>Alt.</b>	<b>Usage</b> 3
	Linium Infeed Conveyor			<b>Valid</b>	10/05/2009
<b>Reqd qty</b>		1.000	EA	<b>Base quant</b>	1.000 EA
<b>Sales ord.</b>	172945			<b>Item</b>	000107
<b>Lv</b>	<b>Item</b>	<b>Component no.</b>	<b>Description</b>	<b>Quant</b>	<b>Un</b>
2	0000	8-110-913-343	KIT IDLER INFEEED		
3	0001	8-110-913-344	01 SHAFT NOSE ROLLER	1.000	EA
3	0002	8-110-913-311	01 ROLLER	2.000	EA

©THIS DRAWING IS THE EXCLUSIVE PROPERTY OF ROBERT BOSCH GMBH. WITHOUT THEIR CONSENT IT MAY NOT BE REPRODUCED OR GIVEN TO THIRD PARTIES.  
 SYMBOL FOR TEST FEATURE ACCORDING TO ISO/DIS 129-1. ALL THE TEST FEATURES ESTABLISHED IN THE DRAWING ARE SUBJECT TO A MUST TEST IN ACCORDANCE WITH THE VALID QA GUIDELINES.

A3-EN; 2006-02-17

REV.	NO.	CHANGE	CHANGED

ITEM NO.	PART NUMBER	DESCRIPTION	QTY.
1	8-110-913-344	Shaft Nose Roller -	1
2	8-110-913-311	Roller -	2



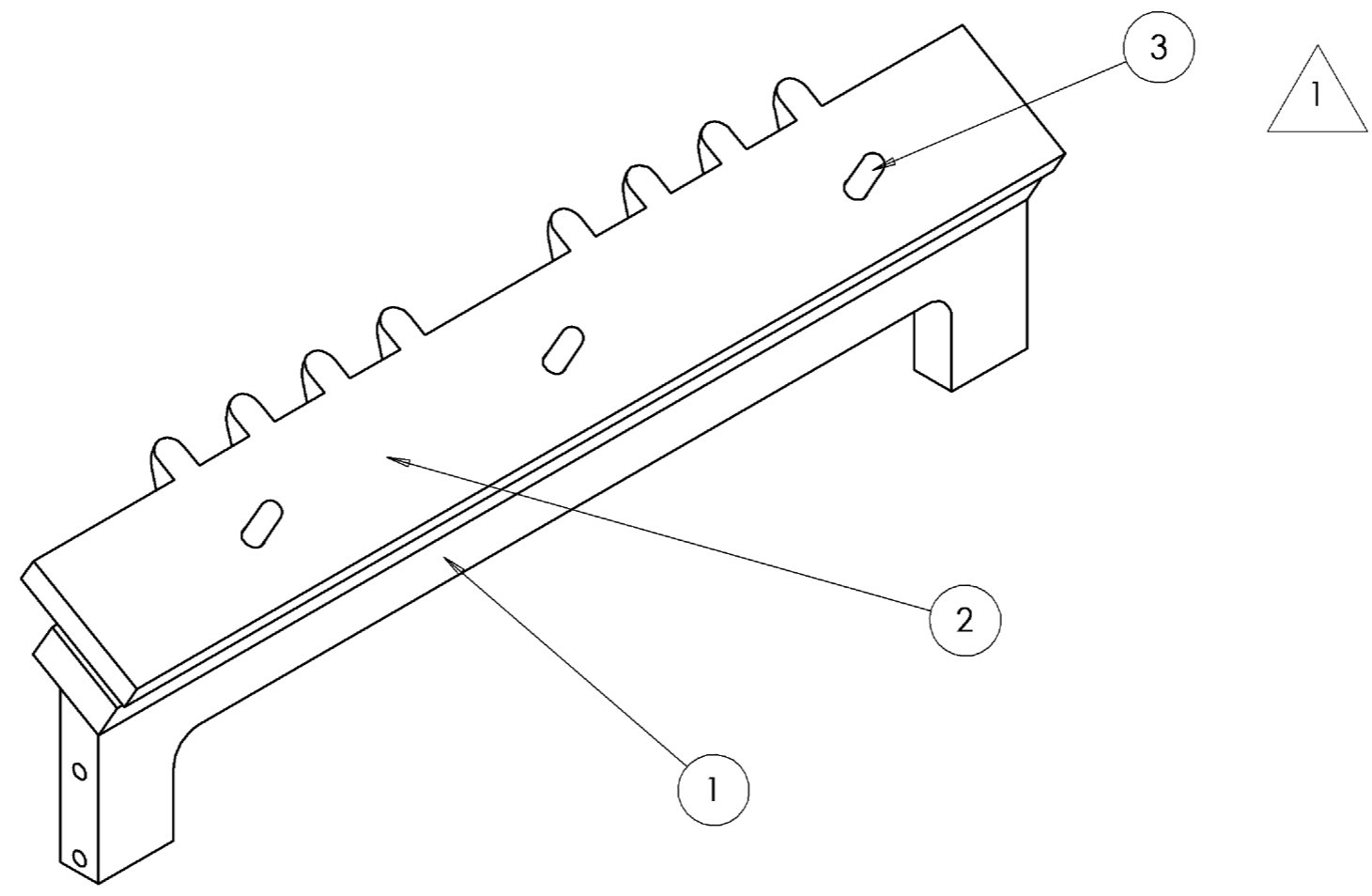
GENERAL TOL. FOR DIMENSIONS, FORM AND POSITION DIN ISO 2768-mH <table border="1"> <tr> <td>Nom. dim. [mm]</td> <td>&gt; 1</td> <td>6</td> <td>30</td> <td>120</td> <td>400</td> <td>1000</td> <td>2000</td> </tr> <tr> <td></td> <td>≤ 6</td> <td>30</td> <td>120</td> <td>400</td> <td>1000</td> <td>2000</td> <td>4000</td> </tr> <tr> <td>Tolerance [mm]</td> <td>± 0.1</td> <td>± 0.2</td> <td>± 0.3</td> <td>± 0.5</td> <td>± 0.8</td> <td>± 1.2</td> <td>± 2</td> </tr> </table>				Nom. dim. [mm]	> 1	6	30	120	400	1000	2000		≤ 6	30	120	400	1000	2000	4000	Tolerance [mm]	± 0.1	± 0.2	± 0.3	± 0.5	± 0.8	± 1.2	± 2	--- COVERED PLACES FOR COATING --- HARDENED PLACES OR COATING XXX PLACE FOR DRAWING-NO.		SURFACE SYMBOLS DIN EN ISO 1302 EDGES DIN ISO 13715 <table border="1"> <tr> <td>PLATES ≤ 1,5 mm THICKNESS</td> <td> <math>\sqrt{\text{L}}</math> <math>\begin{matrix} -0.1 \\ -0.3 \\ \pm \end{matrix}</math> </td> <td>PLATES &gt; 1,5 mm THICKNESS AND ALL THE REST OF PARTS</td> <td> <math>\sqrt{\text{L}}</math> <math>\begin{matrix} -0.2 \\ -0.5 \\ \pm \end{matrix}</math> </td> </tr> </table>		PLATES ≤ 1,5 mm THICKNESS	$\sqrt{\text{L}}$ $\begin{matrix} -0.1 \\ -0.3 \\ \pm \end{matrix}$	PLATES > 1,5 mm THICKNESS AND ALL THE REST OF PARTS	$\sqrt{\text{L}}$ $\begin{matrix} -0.2 \\ -0.5 \\ \pm \end{matrix}$
Nom. dim. [mm]	> 1	6	30	120	400	1000	2000																												
	≤ 6	30	120	400	1000	2000	4000																												
Tolerance [mm]	± 0.1	± 0.2	± 0.3	± 0.5	± 0.8	± 1.2	± 2																												
PLATES ≤ 1,5 mm THICKNESS	$\sqrt{\text{L}}$ $\begin{matrix} -0.1 \\ -0.3 \\ \pm \end{matrix}$	PLATES > 1,5 mm THICKNESS AND ALL THE REST OF PARTS	$\sqrt{\text{L}}$ $\begin{matrix} -0.2 \\ -0.5 \\ \pm \end{matrix}$																																
SCALE	DATE	NAME	SURFACE																																
1:2	Mod 16.10.2009	Bryan Grass	MATERIAL																																
AREA	CHK		277642.69 mm <sup>2</sup> 14004.509 g																																
	APP	16.10.2009 Bryan Grass	TYPE																																
<b>ROBERT BOSCH GmbH</b> Packaging Technology Division			MATERIALCLASS	PROD-NO	TEMPLATE-NO.	SW																													
DESCRIPTION kit lder Infeed			DRAWING-NO.			SW																													
			8-110-913-343			(A3)																													
			ORIGIN:			SHEET																													
						1/1																													

<b>Material</b>	C282	01	0010	<b>Alt.</b>	<b>Usage</b> 3
	Linium Infeed Conveyor			<b>Valid</b>	10/05/2009
<b>Reqd qty</b>		1.000 EA	<b>Base quant</b>		1.000 EA
<b>Sales ord.</b>	172945		<b>Item</b>	000107	
<b>Lv</b>	<b>Item</b>	<b>Component no.</b>	<b>Description</b>	<b>Quant</b>	<b>Un</b>
2	0000	8-110-912-564	KIT SCRAPER IDLER ROLLER		
3	0001	8-110-912-558	01 SUPPORT BAR IDLER SCRAPPER	1.000	EA
3	0002	8-110-912-560	01 SCRAPER IDLER ROLLER	1.000	EA
3	0003	8-110-914-938	01 STAND OFF SCRAPER	3.000	EA

ITEM NO.	PART NUMBER	DESCRIPTION	MATERIAL CHEMICAL	QTY.
1	8-110-912-558	Support Bar Idler Scrapper -		1
2	8-110-912-560	Roller Idler Scrapper -	ACETAL POM	1
3	8-110-914-938	Stand Off Scraper -	X8CrNiS18-9	3

©THIS DRAWING IS THE EXCLUSIVE PROPERTY OF ROBERT BOSCH GMBH. WITHOUT THEIR CONSENT IT MAY NOT BE REPRODUCED OR GIVEN TO THIRD PARTIES.

SYMBOL FOR TEST FEATURE ACCORDING TO ISO/DIS 129-1. ALL THE TEST FEATURES ESTABLISHED IN THE DRAWING ARE SUBJECT TO A MUST TEST IN ACCORDANCE WITH THE VALID QA GUIDELINES.



GENERAL TOL. FOR DIMENSIONS, FORM AND POSITION DIN ISO 2768-mH				--- COVERED PLACES FOR COATING		SURFACE SYMBOLS DIN EN ISO 1302	
Nom. dim. [mm]				--- HARDENED PLACES OR COATING		EDGES DIN ISO 13715	
Tolerance [mm]				XXX PLACE FOR DRAWING-NO.		PLATES < 1,5 mm THICKNESS	
						PLATES > 1,5 mm THICKNESS AND ALL THE REST OF PARTS	
SCALE	DATE	NAME	SURFACE				
1:5	8 Oct 2009	Mike Rogers	MATERIAL				
AREA	CHK		Similar to 8-110-912-563				
	APP	8 Oct 2009 Mike Rogers	TYPE				
ROBERT BOSCH GmbH Packaging Technology Division			MATERIALCLASS	PROD-NO	TEMPLATE-NO.		SW
							(A3)
DESCRIPTION			DRAWING-NO.		SHEET		
Kit Scraper Idler Roller			8-110-912-564		1/1		
			ORIGIN:				

1	206967	Add pins	03.02.10	Mike Rogers
REV.	NO.	CHANGE	CHANGED	

A3-EN.; 2006-02-17

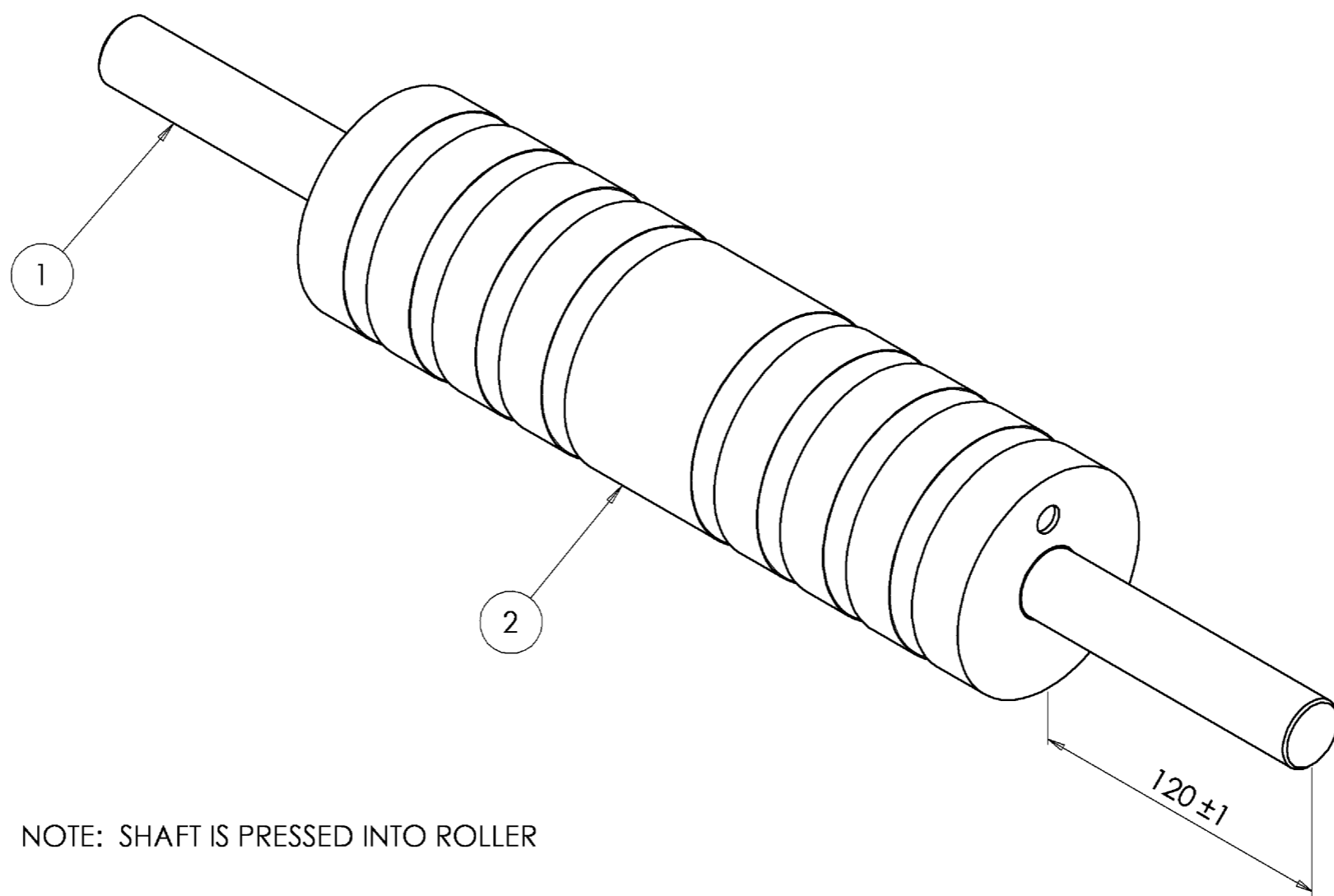
<b>Material</b>	C282	01	0010	<b>Alt.</b>	<b>Usage</b> 3
	Linium Infeed Conveyor			<b>Valid</b>	10/05/2009
<b>Reqd qty</b>		1.000	EA	<b>Base quant</b>	1.000 EA
<b>Sales ord.</b>	172945			<b>Item</b>	000107
<b>Lv</b>	<b>Item</b>	<b>Component no.</b>	<b>Description</b>	<b>Quant</b>	<b>Un</b>
2	0000	8-110-912-545	ASSY IDLER ROLLER #1		
3	0001	8-110-912-544	01 SHAFT IDLER ROLLER	2.000	EA
3	0002	8-110-912-509	01 IDLER ROLLER #1	2.000	EA

©THIS DRAWING IS THE EXCLUSIVE PROPERTY OF ROBERT BOSCH GMBH.  
 WITHOUT THEIR CONSENT IT MAY NOT BE REPRODUCED OR GIVEN TO THIRD PARTIES.

SYMBOL FOR TEST FEATURE ACCORDING TO ISO/DIS 129-1. ALL THE TEST FEATURES ESTABLISHED IN  
 THE DRAWING ARE SUBJECT TO A MUST TEST IN ACCORDANCE WITH THE VALID QA GUIDELINES.

118.5

A3-EN.; 2006-02-17



NOTE: SHAFT IS PRESSED INTO ROLLER

GENERAL TOL. FOR DIMENSIONS, FORM AND POSITION DIN ISO 2768-mH				- - - - COVERED PLACES FOR COATING - - - - HARDENED PLACES OR COATING XXX PLACE FOR DRAWING-NO.		SURFACE SYMBOLS DIN EN ISO 1302					
Nom. dim. [mm]	>	1	6	30	120	400	1000	2000	EDGES DIN ISO 13715 PLATES ≤ 1,5 mm THICKNESS		PLATES > 1,5 mm THICKNESS AND ALL THE REST OF PARTS
Tolerance [mm]	<	± 0.1	± 0.2	± 0.3	± 0.5	± 0.8	± 1.2	± 2	$\sqrt[0.1]{-0.3}$		$\sqrt[0.2]{-0.5}$
SCALE	DATE	NAME		SURFACE							
1:2	06.10.2009	Mike Rogers		MATERIAL							
AREA	CHK	APP		166140.13 mm <sup>2</sup> 5876.833 g							
		06.10.2009 Mike Rogers		TYPE							
ROBERT BOSCH GmbH Packaging Technology Division				MATERIALCLASS	PROD-NO	TEMPLATE-NO.			SW		
DESCRIPTION Assy Idler Roller #1				DRAWING-NO. 8-110-912-545			SHEET 1/1				
				ORIGIN:							

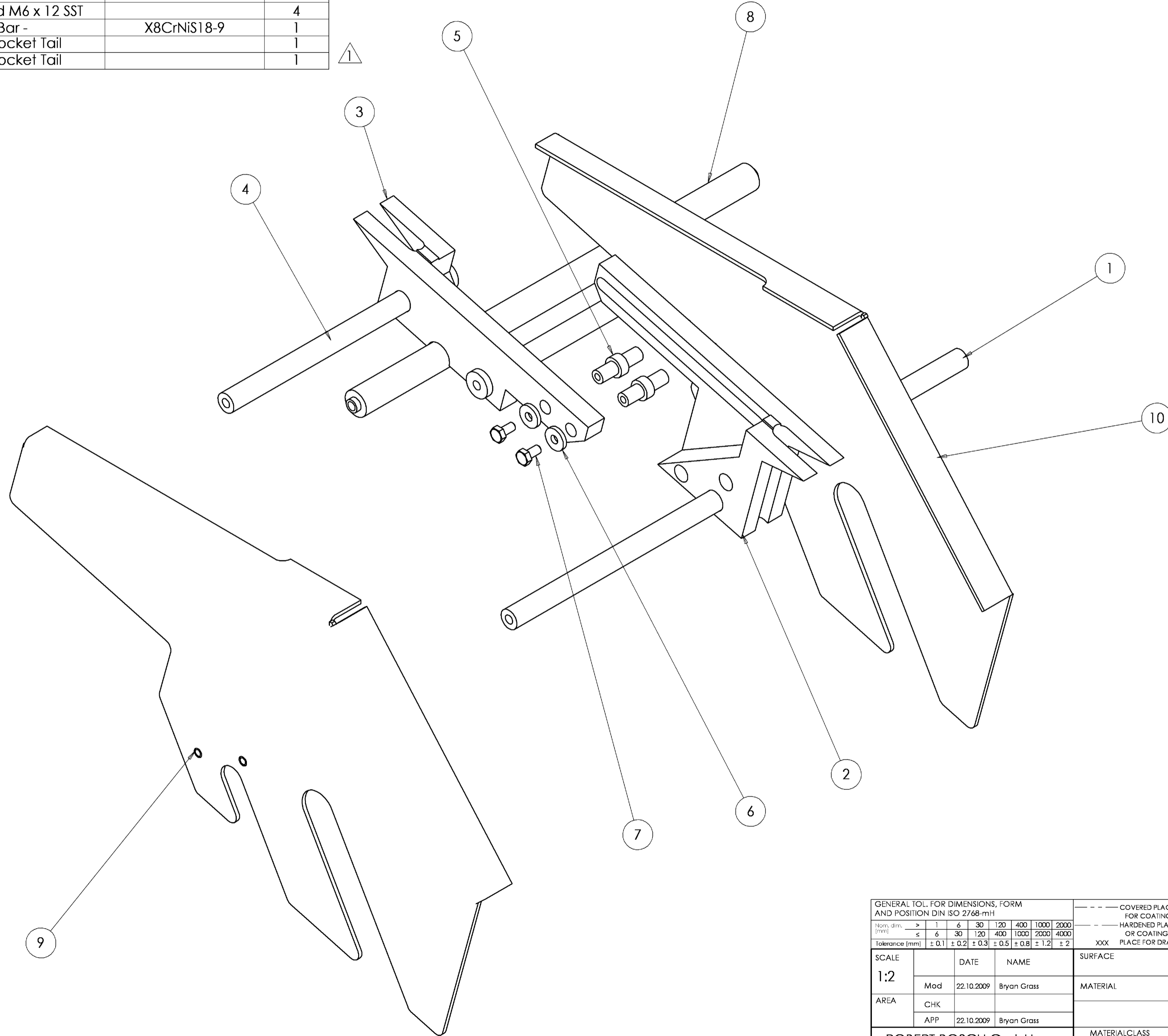
REV.	NO.	CHANGE	CHANGED



<b>Material</b>	C282	01	0010	<b>Alt.</b>	<b>Usage</b> 3
	Linium Infeed Conveyor				<b>Valid</b>
					10/05/2009
<b>Reqd qty</b>		1.000 EA	<b>Base quant</b>		1.000 EA
<b>Sales ord.</b>	172945		<b>Item</b>	000107	

Lv	Item	Component no.	Description	Quant	Un
2	0000	8-110-913-354	KIT TAKE UP INFD CHAIN		
3	0001	8-110-913-352	CROSS BAR	1.000	EA
3	0002	8-110-913-411	RIDER BAR	1.000	EA
3	0003	8-110-913-353	CHAIN TAKE UP RIDER BAR	1.000	EA
3	0004	8-110-913-336	MOUNT RIDER BAR	2.000	EA
3	0005	8-110-913-355	TAKE UP CHAIN	2.000	EA
3	0006	422036	WASHER-FLAT THK 6.4 X 17 X 3 SST	4.000	EA
3	0007	310102	SCREW-HEX HD M6 X 12 SST	6.000	EA
3	0008	8-110-913-307	CROSS BAR	1.000	EA
3	0009	8-110-628-617	SHEILD SPROCKET TAIL	1.000	EA
3	0010	8-110-628-618	SHEILD SPROCKET TAIL	1.000	EA
3	0011	379749	WASHER-FLAT 6.4 X 12 X 1.6 SST	2.000	EA

ITEM NO.	PART NUMBER	DESCRIPTION	MATERIAL CHEMICAL	QTY.
1	8-110-913-352	Cross Bar -	X8CrNiS18-9	1
2	8-110-913-411	Rider Bar -	ACETAL POM	1
3	8-110-913-353	Chain Take up - Rider Bar	ACETAL POM	1
4	8-110-913-336	Mount Rider Bar -	X8CrNiS18-9	2
5	8-110-913-355	Guide - Take Up Chain	X8CrNiS18-9	2
6	422036	Washer - Flat Thick M6 SST	-	4
7	310102	Screw - Hex Hd M6 x 12 SST	-	4
8	8-110-913-307	Cross Bar -	X8CrNiS18-9	1
9	8-110-628-679	Sheild - Sprocket Tail		1
10	8-110-628-680	Sheild - Sprocket Tail		1



© THIS DRAWING IS THE EXCLUSIVE PROPERTY OF ROBERT BOSCH GMBH. WITHOUT THEIR CONSENT IT MAY NOT BE REPRODUCED OR GIVEN TO THIRD PARTIES.

SYMBOL FOR TEST FEATURE ACCORDING TO ISO/DS 129-1. ALL THE TEST FEATURES ESTABLISHED IN THE DRAWING ARE SUBJECT TO A MUST TEST IN ACCORDANCE WITH THE VALID QA GUIDELINES.

11B.5

AZ:EN: 2006-02-17

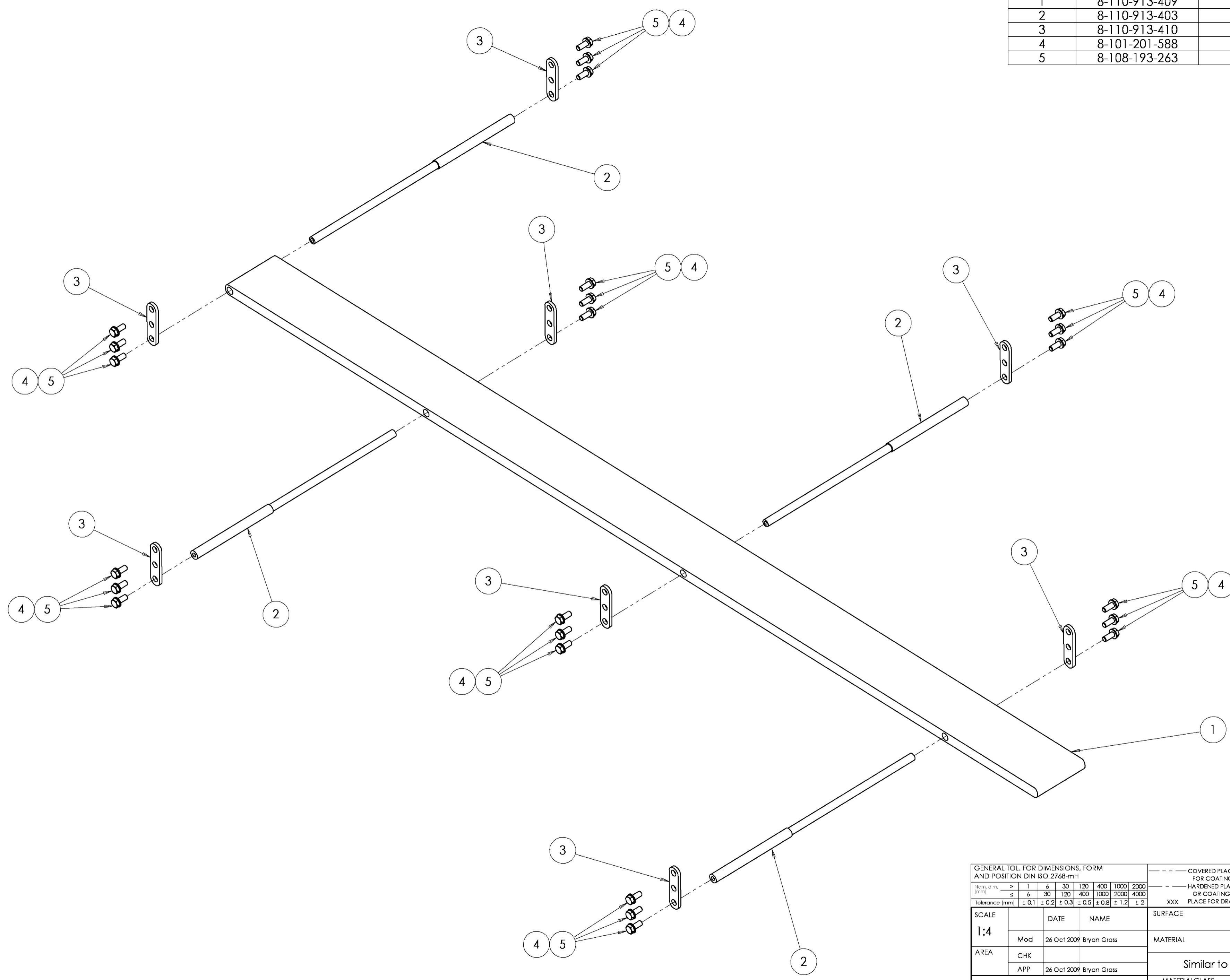
SCALE		DATE	NAME	SURFACE	
1:2	Mod	22.10.2009	Bryan Grass	MATERIAL	
AREA	CHK			476235.47 mm <sup>2</sup> 6625.8584 g	
	APP	22.10.2009	Bryan Grass	TYPE	
ROBERT BOSCH GmbH Packaging Technology Division				MATERIAL CLASS	PROD-NO
DESCRIPTION Kit Take Up Infeed Chain				TEMPLATE-NO.	SW
REV. NO.				DRAWING-NO.	SHEET
1 207059 SEE ECN FOR DETAILS				8-110-913-354	1/1
CHANGE				ORIGIN:	
10.02.10 Bryan Grass					
CHANGED					

<b>Material</b>	C282	01	0010	<b>Alt.</b>	<b>Usage</b> 3
	Linium Infeed Conveyor			<b>Valid</b>	10/05/2009
<b>Reqd qty</b>		1.000 EA	<b>Base quant</b>		1.000 EA
<b>Sales ord.</b>	172945		<b>Item</b>	000107	

Lv	Item	Component no.	Description	Quant	Un
2	0000	8-110-913-408	KIT RETURN BAR RECV CONV		
3	0001	8-110-913-409	BAR CHAIN RETURN	1.000	EA
3	0002	8-110-913-403	MOUNT RIDER BAR	4.000	EA
3	0003	8-110-913-410	BRACKET RETURN BAR	8.000	EA
3	0004	8-101-201-588	USE 309393 WASHER-FLAT M8	24.000	EA
3	0005	8-108-193-263	SCREW-HEX HD M8 X 20 SST	24.000	EA

ITEM NO.	PART NUMBER	DESCRIPTION	QTY.
1	8-110-913-409	Bar Chain Return -	1
2	8-110-913-403	Mount - Rider Bar	4
3	8-110-913-410	Bracket Return Bar -	8
4	8-101-201-588	WASHER 8.4A A2	24
5	8-108-193-263	HEX_FULL M8X20 A2	24



© THIS DRAWING IS THE EXCLUSIVE PROPERTY OF ROBERT BOSCH GMBH.  
 WITHOUT THEIR CONSENT IT MAY NOT BE REPRODUCED OR GIVEN TO THIRD PARTIES.

SYMBOL FOR TEST FEATURE ACCORDING TO ISO/DS 129-1. ALL THE TEST FEATURES ESTABLISHED IN  
 THE DRAWING ARE SUBJECT TO A MUST TEST IN ACCORDANCE WITH THE VALID QA GUIDELINES.

GENERAL TOL. FOR DIMENSIONS, FORM AND POSITION DIN ISO 2768-mH <small>Norm. dim. (mm)</small> <table border="1"> <tr> <td>&gt;</td> <td>1</td> <td>6</td> <td>30</td> <td>120</td> <td>400</td> <td>1000</td> <td>2000</td> </tr> <tr> <td>≤</td> <td>6</td> <td>30</td> <td>120</td> <td>400</td> <td>1000</td> <td>2000</td> <td>4000</td> </tr> <tr> <td>Tolerance (mm)</td> <td>± 0.1</td> <td>± 0.2</td> <td>± 0.3</td> <td>± 0.5</td> <td>± 0.8</td> <td>± 1.2</td> <td>± 2</td> </tr> </table>		>	1	6	30	120	400	1000	2000	≤	6	30	120	400	1000	2000	4000	Tolerance (mm)	± 0.1	± 0.2	± 0.3	± 0.5	± 0.8	± 1.2	± 2	--- COVERED PLACES FOR COATING --- HARDENED PLACES OR COATING XXX PLACE FOR DRAWING-NO.	SURFACE SYMBOLS DIN EN ISO 1302 <small>EDGES DIN ISO 13715</small> <table border="1"> <tr> <td>PLATES &lt; 1.5 mm THICKNESS</td> <td> <math>\sqrt{0.1}</math>  <math>\sqrt{0.3}</math> </td> <td> <math>\sqrt{0.2}</math>  <math>\sqrt{0.5}</math> </td> </tr> <tr> <td>PLATES &gt; 1.5 mm THICKNESS AND ALL THE REST OF PARTS</td> <td></td> <td></td> </tr> </table>	PLATES < 1.5 mm THICKNESS	$\sqrt{0.1}$ $\sqrt{0.3}$	$\sqrt{0.2}$ $\sqrt{0.5}$	PLATES > 1.5 mm THICKNESS AND ALL THE REST OF PARTS		
>	1	6	30	120	400	1000	2000																										
≤	6	30	120	400	1000	2000	4000																										
Tolerance (mm)	± 0.1	± 0.2	± 0.3	± 0.5	± 0.8	± 1.2	± 2																										
PLATES < 1.5 mm THICKNESS	$\sqrt{0.1}$ $\sqrt{0.3}$	$\sqrt{0.2}$ $\sqrt{0.5}$																															
PLATES > 1.5 mm THICKNESS AND ALL THE REST OF PARTS																																	
SCALE <b>1:4</b>	DATE 26 Oct 2009	NAME Bryan Grass	SURFACE																														
AREA CHK APP	DATE 26 Oct 2009	NAME Bryan Grass	MATERIAL Similar to 8-110-913-407 TYPE																														
ROBERT BOSCH GmbH Packaging Technology Division		MATERIAL CLASS	PROD-NO TEMPLATE-NO. SW <b>(A2)</b>																														
DESCRIPTION Kit Return Bar Recv Conv		DRAWING-NO. <b>8-110-913-408</b> ORIGIN:																															

AZ:ENL: 2006-02-17

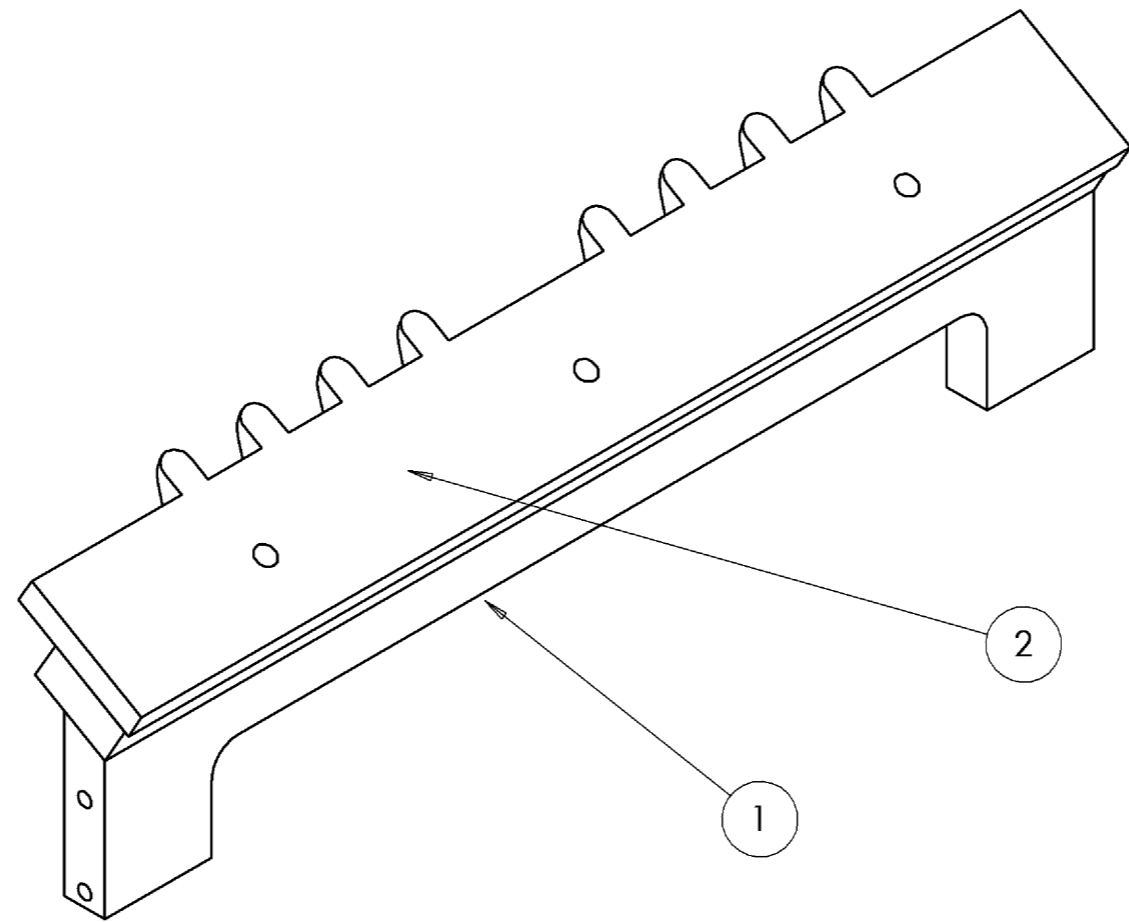
REV.	NO.	CHANGE	CHANGED
3			
4			

<b>Material</b>	C282	01	0010	<b>Alt.</b>	<b>Usage</b>	3
	Linium Infeed Conveyor				<b>Valid</b>	10/05/2009
<b>Reqd qty</b>		1.000	EA	<b>Base quant</b>	1.000	EA
<b>Sales ord.</b>	172945			<b>Item</b>	000107	
<b>Lv</b>	<b>Item</b>	<b>Component no.</b>	<b>Description</b>		<b>Quant</b>	<b>Un</b>
2	0000	8-110-913-269	KIT SCRAPER IDLER ROLLER			
3	0001	8-110-913-268	SUPPORT BAR IDLER SCRAPER		1.000	EA
3	0002	8-110-912-560	01	SCRAPER IDLER ROLLER	1.000	EA

ITEM NO.	PART NUMBER	DESCRIPTION	MATERIAL CHEMICAL	QTY.
1	8-110-913-268	Support Bar Idler Scrapper -		1
2	8-110-912-560	Roller Idler Scrapper -	ACETAL POM	1

©THIS DRAWING IS THE EXCLUSIVE PROPERTY OF ROBERT BOSCH GMBH.  
 WITHOUT THEIR CONSENT IT MAY NOT BE REPRODUCED OR GIVEN TO THIRD PARTIES.

SYMBOL FOR TEST FEATURE ACCORDING TO ISO/DIS 129-1. ALL THE TEST FEATURES ESTABLISHED IN  
 THE DRAWING ARE SUBJECT TO A MUST TEST IN ACCORDANCE WITH THE VALID QA GUIDELINES.



GENERAL TOL. FOR DIMENSIONS, FORM AND POSITION DIN ISO 2768-mH				- - - - COVERED PLACES FOR COATING - - - - HARDENED PLACES OR COATING XXX PLACE FOR DRAWING-NO.		SURFACE SYMBOLS DIN EN ISO 1302 EDGES DIN ISO 13715 PLATES < 1,5 mm THICKNESS PLATES > 1,5 mm THICKNESS AND ALL THE REST OF PARTS		
Nom. dim. [mm]	>	1	6	30	120	400	1000	2000
	<	6	30	120	400	1000	2000	4000
Tolerance [mm]		± 0.1	± 0.2	± 0.3	± 0.5	± 0.8	± 1.2	± 2
SCALE	DATE	NAME		SURFACE				
1:5	5 Nov 2009	Mike Rogers		MATERIAL				
AREA	CHK			120586.41 mm <sup>2</sup> 3149.3406 g				
	APP	5 Nov 2009	Mike Rogers	Similar to 8-110-912-564				
ROBERT BOSCH GmbH Packaging Technology Division				MATERIALCLASS	PROD-NO	TEMPLATE-NO.		SW A3
DESCRIPTION Kit Scrapper Idler Roller				DRAWING-NO. 8-110-913-269		TYPE		SHEET 1/1
				ORIGIN:				

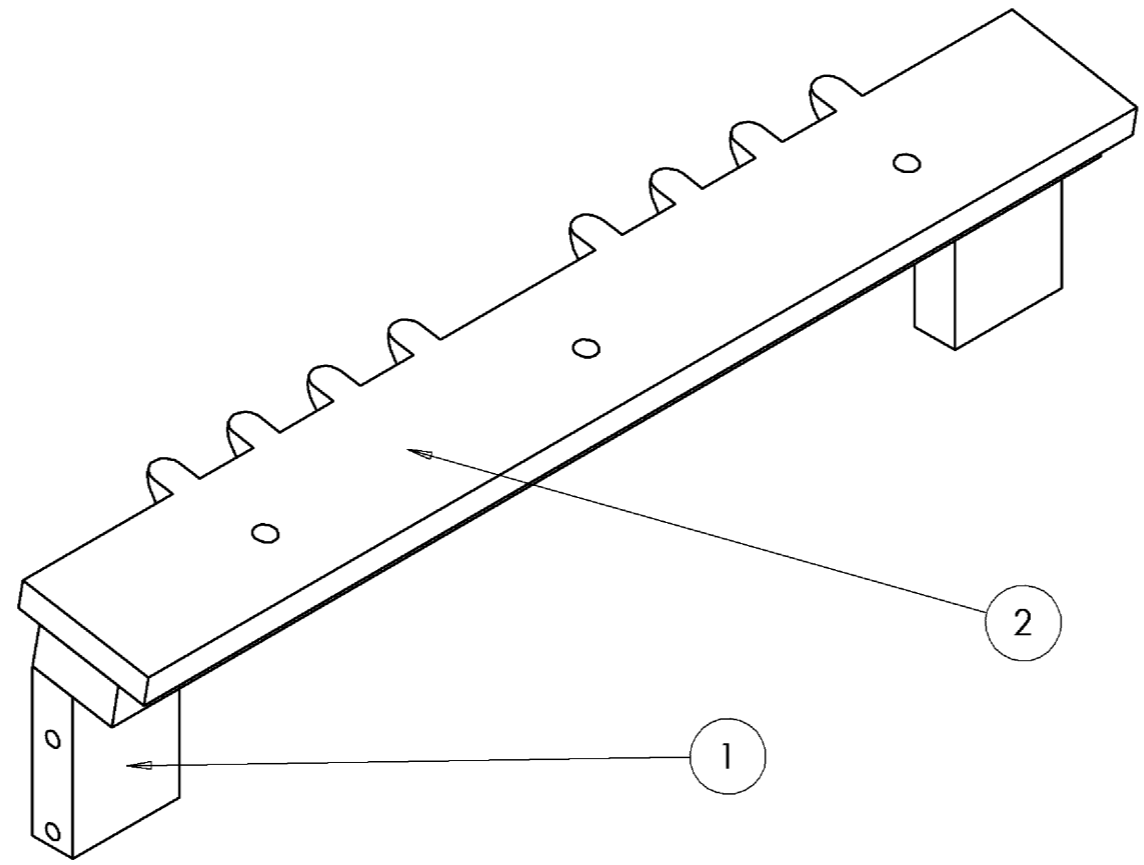
1	1	2	3	4	5	6
REV.	NO.	CHANGE	CHANGED			

A3-EN: 2006-02-17

<b>Material</b>	C282	01	0010	<b>Alt.</b>	<b>Usage</b> 3
	Linium Infeed Conveyor			<b>Valid</b>	10/05/2009
<b>Reqd qty</b>		1.000	EA	<b>Base quant</b>	1.000 EA
<b>Sales ord.</b>	172945			<b>Item</b>	000107
<b>Lv</b>	<b>Item</b>	<b>Component no.</b>	<b>Description</b>	<b>Quant</b>	<b>Un</b>
2	0000	8-110-913-271	KIT SCRAPER IDLER ROLLER		
3	0001	8-110-913-270	SUPPORT BAR IDLER SCRAPER	1.000	EA
3	0002	8-110-912-560	01 SCRAPER IDLER ROLLER	1.000	EA

ITEM NO.	PART NUMBER	DESCRIPTION	MATERIAL CHEMICAL	QTY.
1	8-110-913-270	Support Bar Idler Scrapper -		1
2	8-110-912-560	Roller Idler Scrapper -	ACETAL POM	1

©THIS DRAWING IS THE EXCLUSIVE PROPERTY OF ROBERT BOSCH GMBH. WITHOUT THEIR CONSENT IT MAY NOT BE REPRODUCED OR GIVEN TO THIRD PARTIES.  
 SYMBOL FOR TEST FEATURE ACCORDING TO ISO/DIS 129-1. ALL THE TEST FEATURES ESTABLISHED IN THE DRAWING ARE SUBJECT TO A MUST TEST IN ACCORDANCE WITH THE VALID QA GUIDELINES.



GENERAL TOL. FOR DIMENSIONS, FORM AND POSITION DIN ISO 2768-mH				- - - - COVERED PLACES FOR COATING - - - - HARDENED PLACES OR COATING XXX PLACE FOR DRAWING-NO.		SURFACE SYMBOLS DIN EN ISO 1302				
Nom. dim. [mm]	>	1	6	30	120	400	1000	2000	EDGES DIN ISO 13715 PLATES < 1,5 mm THICKNESS $\sqrt[0.1]{-0.3}$ $\sqrt[0.1]{\pm}$ PLATES > 1,5 mm THICKNESS AND ALL THE REST OF PARTS $\sqrt[0.2]{-0.5}$ $\sqrt[0.2]{\pm}$	
Tolerance [mm]		± 0.1	± 0.2	± 0.3	± 0.5	± 0.8	± 1.2	± 2		
SCALE	1:5	DATE	5 Nov 2009	NAME	Mike Rogers	SURFACE				
AREA	CHK	APP	5 Nov 2009	Mike Rogers	MATERIAL		110029.35 mm <sup>2</sup> 2561.7737 g		ISO $\sqrt[0.1]{+}$	
Similar to 8-110-913-269						TYPE				
<b>ROBERT BOSCH GmbH</b> Packaging Technology Division						MATERIALCLASS	PROD-NO	TEMPLATE-NO.		SW
DESCRIPTION Kit Scraper Idler Roller						DRAWING-NO.		8-110-913-271		SHEET 1/1
						ORIGIN:				

1	1	2	3	4	5	6
REV.	NO.	CHANGE	CHANGED			

A3-EN; 2006-02-17

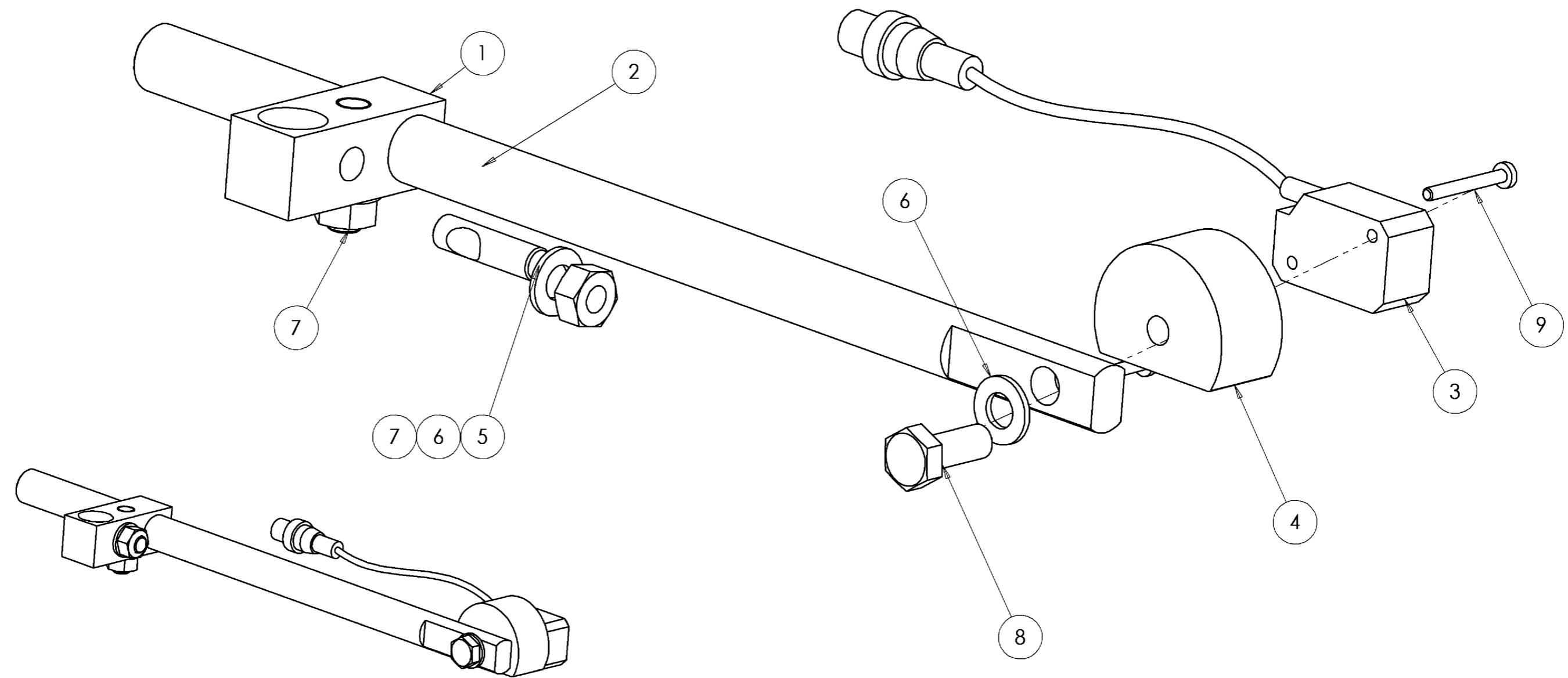


<b>Material</b>	C282	01	0010	<b>Alt.</b>	<b>Usage</b> 3
	Linium Infeed Conveyor				<b>Valid</b> 10/05/2009
<b>Reqd qty</b>	1.000 EA		<b>Base quant</b>	1.000 EA	
<b>Sales ord.</b>	172945		<b>Item</b>	000107	

Lv	Item	Component no.	Description	Quant	Un
2	0000	8-110-912-546	ASSY FEEDER EYE PIZZA FEEDER		
3	0001	531.033591	CROSS BLOCK EYE MOUNT MASTER	2.000	EA
3	0002	531.033583	01 SHAFT EYE MOUNT MASTER	2.000	EA
3	0003	REF 600749	Eye		
3	0004	8-110-912-539	EYE MOUNT BLOCK	2.000	EA
3	0005	531.033592	CAM LOCK STUD MASTER	4.000	EA
3	0006	309393	01 WASHER-FLAT 8.4 X 16 X 1.6 SST	6.000	EA
3	0007	397063	NUT-HEX FULL M8 SST	4.000	EA
3	0008	432072	SCREW-HEX HD M8 X 20 SST	2.000	EA
3	0009	390547	SCREW-PAN HD M3 X 25 SST	4.000	EA

ITEM NO.	PART NUMBER	DESCRIPTION	MATERIAL CHEMICAL	Exp Drw/QTY.
1	531.033591	Cross Block - Eye Mount Master	X5CrNi18-10	1
2	531.033583	Shaft - Eye Mount Master	X10CrNiS18-9	1
3	600749	Banner Eye QS18VP6LAFQ5 -	-	1
4	8-110-912-539	Eye Mount Block -	X8CrNiS18-9	1
5	531.033592	Cam - Lock Stud Master	X10CrNiS 18-9	2
6	309393	Washer - Flat 8.4 x 1.6 x 1.6 SST	-	3
7	397063	Nut - Hex M8	934 A2	2
8	432072	Screw - Hex M8x20	-	1
9	390547	Screw - Pan Head M3x25 SST	-	2



©THIS DRAWING IS THE EXCLUSIVE PROPERTY OF ROBERT BOSCH GMBH. WITHOUT THEIR CONSENT IT MAY NOT BE REPRODUCED OR GIVEN TO THIRD PARTIES.  
 SYMBOL FOR TEST FEATURE ACCORDING TO ISO/DIS 129-1. ALL THE TEST FEATURES ESTABLISHED IN THE DRAWING ARE SUBJECT TO A MUST TEST IN ACCORDANCE WITH THE VALID QA GUIDELINES.  
 A3-EN.: 2006-02-17

GENERAL TOL. FOR DIMENSIONS, FORM AND POSITION DIN ISO 2768-mH				--- COVERED PLACES FOR COATING		SURFACE SYMBOLS DIN EN ISO 1302	
Nom. dim. [mm]	> 1	6	30	120	400	1000	2000
	< 6	30	120	400	1000	2000	4000
Tolerance [mm]	± 0.1	± 0.2	± 0.3	± 0.5	± 0.8	± 1.2	± 2
				--- HARDENED PLACES OR COATING		EDGES DIN ISO 13715	
				XXX PLACE FOR DRAWING-NO.		PLATES < 1,5 mm THICKNESS	
						PLATES > 1,5 mm THICKNESS AND ALL THE REST OF PARTS	
SCALE	DATE	NAME		SURFACE			
1:1	06.10.2009	Mike Rogers		MATERIAL			
AREA	CHK			38620.223 mm <sup>2</sup> 840.65948 g			
	APP	06.10.2009	Mike Rogers	TYPE			
ROBERT BOSCH GmbH Packaging Technology Division				MATERIALCLASS	PROD-NO	TEMPLATE-NO.	
DESCRIPTION Assy Feeder Eye Pizza Feeder				DRAWING-NO. 8-110-912-546		SW A3	
				ORIGIN:		SHEET 1/1	

REV.	NO.	CHANGE	CHANGED

<b>Material</b>	C282	01	0010	<b>Alt.</b>	<b>Usage</b> 3
	Linium Infeed Conveyor			<b>Valid</b>	10/05/2009
<b>Reqd qty</b>		1.000	EA	<b>Base quant</b>	1.000 EA
<b>Sales ord.</b>	172945			<b>Item</b>	000107

Lv	Item	Component no.	Description	Quant	Un
2	0000	131.056525	KIT E-STOP PBM W/1NO & 1NC		
3	0001	631.042298	SWITCH PB MUSHROOM HD MAINT TWIST-TO	1.000	EA
3	0002	491642	BACK OF PANEL LATCH	1.000	EA
3	0003	631.039109	CONTACT BLOCK N.C. FOR 800F	1.000	EA
3	0004	631.039108	CONTACT BLOCK N.O. FOR 800F	1.000	EA

**Bosch Packaging Technology Inc.**

<b>Material</b>	S283	0010	<b>Alt.</b>	<b>Usage</b> 3
	Special Internal Equipment			<b>Valid</b>
				09/25/2009
<b>Reqd qty</b>	1.000 EA	<b>Base quant</b>	1.000 EA	
<b>Sales ord.</b>	172945	<b>Item</b>	000108	

Lv	Item	Component no.	Description	Quant	Un
1	0001		KRAFT US - MEDFORD PLANT AND F		
1	0002		09-29056		
1	0003		Polycord Non-Contact Feeder		
1	0004		Electrical Specification		
1	0005		Mechanical Engineer (Name)		
1	0006		Electrical Engineer (Rod Cain)		
1	0010		Additional Requirements		
1	0011		Polycord Construction		
1	0100	8-110-913-091	01 KIT FRAME L-R POLYCORD FEEDER	1.000	EA
1	0101	8-110-912-565	KIT BELT DRIVE #1	2.000	EA
1	0102	8-110-912-566	KIT BELT DRIVE #2	2.000	EA
1	0103	8-110-912-564	01 KIT SCRAPER IDLER ROLLER	2.000	EA
1	0104	8-110-912-563	KIT SCRAPER IDLER ROLLER	2.000	EA
1	0105	8-110-912-541	ASSY 80MM NOSE ROLLER #1	3.000	EA
1	0106	8-110-912-543	ASSY 82.5MM NOSE ROLLER #1	2.000	EA
1	0107	8-110-912-551	ASSY 80MM NOSE ROLLER #2	2.000	EA
1	0108	8-110-912-552	ASSY 82.5MM NOSE ROLLER #2	1.000	EA
1	0109	8-110-912-547	KIT FEEDER EYE POLY FEEDER	1.000	EA
1	0110	8-110-912-567	KIT PRODUCT GUIDE POLY 4 SECT FEEDER	1.000	EA
1	0111	8-110-913-076	KIT ROLLER SCRAPER	1.000	EA
1	0112	8-110-913-077	KIT DOUBLE ROLLER SCRAPER	3.000	EA
1	0113	8-110-913-083	GUARD DRIVE	4.000	EA
1	0114	8-110-913-079	KIT STOP START STATION	1.000	EA
1	0115	219362	ROUND BELT .375DIA URETHANE	400.000	FT
1	0800	8-110-912-806	KIT 4 BELT FEEDER ELEC PANEL	1.000	EA
1	0801	8-110-628-146	MOTOR-SERVO-26IN/LB-5000RPM-FOOD GRA	4.000	EA
1	0805	8-110-620-892	01 KIT REMOTE START STOP E-STOP ELECT	1.000	EA
1	0809	600749	EYE ADJUSTABLE FIELD, LASER	6.000	EA
1	0810	276734	02 CABLE-QUICK DISCONNECT DC 15' STRAIG	6.000	EA

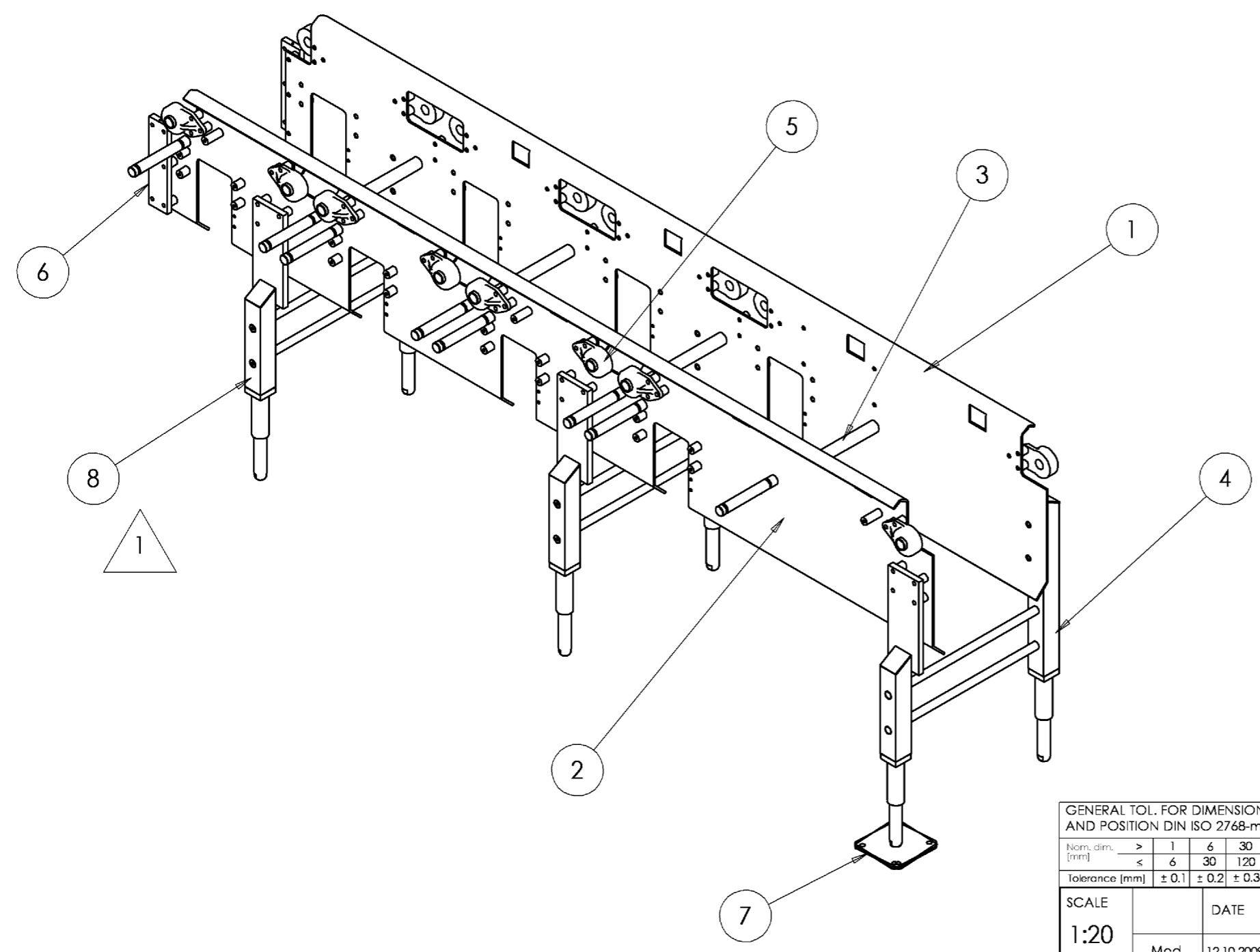
# Bosch Packaging Technology Inc.

<b>Material</b>	S283	0010	<b>Alt.</b>	<b>Usage</b> 3
	Special Internal Equipment			<b>Valid</b> 09/25/2009
<b>Reqd qty</b>	1.000 EA	<b>Base quant</b>	1.000 EA	
<b>Sales ord.</b>	172945	<b>Item</b>	000108	

Lv	Item	Component no.	Description	Quant	Un
1	0000	8-110-913-091	KIT FRAME L-R POLYCORD FEEDER		
2	0001	8-110-913-089	FRAME RAIL	1.000	EA
2	0002	8-110-913-090	FRAME RAIL	1.000	EA
2	0003	8-110-912-524	CROSS BAR	4.000	EA
2	0004	8-110-913-087	01 FEEDER LEG-WELDMENT	1.000	EA
2	0005	8-110-912-501	FLANGE BEARING 25MM SST	16.000	EA
2	0006	8-110-912-530	TIE PLATE CONVEYOR	2.000	EA
2	0007	531.054016	FLOOR PAD	6.000	EA
2	0008	8-110-913-267	FEEDER LEG W/MTG HOLES	2.000	EA

ITEM NO.	PART NUMBER	DESCRIPTION	MATERIAL CHEMICAL	QTY.
1	8-110-913-089	Frame Rail -		1
2	8-110-913-090	Frame Rail -		1
3	8-110-912-524	Cross Bar -	X8CrNiS18-9	4
4	8-110-913-087	Feeder Leg -		1
5	8-110-912-501	Bearing 25mm SST - Peer SSUCFB205-25MM	-	16
6	8-110-912-530	Tie Plate Conveyor -	X5CrNi18-10	2
7	531.054016	Floor Pad	X5CrNi18-10	6
8	8-110-913-267	LEG FEEDER		2



FLOOR PADS WILL BE LOCATED IN THE FIELD AND WELDED TO THE FOOT BY THE CUSTOMER

©THIS DRAWING IS THE EXCLUSIVE PROPERTY OF ROBERT BOSCH GMBH. WITHOUT THEIR CONSENT IT MAY NOT BE REPRODUCED OR GIVEN TO THIRD PARTIES.  
 SYMBOL FOR TEST FEATURE ACCORDING TO ISO/DIS 129-1. ALL THE TEST FEATURES ESTABLISHED IN THE DRAWING ARE SUBJECT TO A MUST TEST IN ACCORDANCE WITH THE VALID GA GUIDELINES.

GENERAL TOL. FOR DIMENSIONS, FORM AND POSITION DIN ISO 2768-mH				--- COVERED PLACES FOR COATING		SURFACE SYMBOLS DIN EN ISO 1302						
Nom. dim. [mm]	>	1	6	30	120	400	1000	2000	--- HARDENED PLACES OR COATING		EDGES DIN ISO 13715	
	<	6	30	120	400	1000	2000	4000	XXX PLACE FOR DRAWING-NO.		PLATES < 1,5 mm THICKNESS	
Tolerance [mm]		± 0.1	± 0.2	± 0.3	± 0.5	± 0.8	± 1.2	± 2			PLATES > 1,5 mm THICKNESS AND ALL THE REST OF PARTS	
SCALE	1:20	DATE	12.10.2009	NAME	Mike Rogers	SURFACE		MATERIAL		7094467.5 mm <sup>2</sup> 166048.61 g		
AREA	CHK	APP	12.10.2009	NAME	Mike Rogers	Similar to 8-110-913-082		TYPE		ISO		
ROBERT BOSCH GmbH Packaging Technology Division						MATERIALCLASS	PROD-NO	TEMPLATE-NO.	SW		A3	
DESCRIPTION Kit Feeder Frame L-R Poly Cord Feeder						DRAWING-NO. 8-110-913-091		ORIGIN:		1/1		

REV.	NO.	CHANGE	CHANGED
1	206183	CHNAGE LEGS ADD LEG WITH MTG HOLES	05.11.09 Mike Rogers

A3-EN.; 2006-02-17

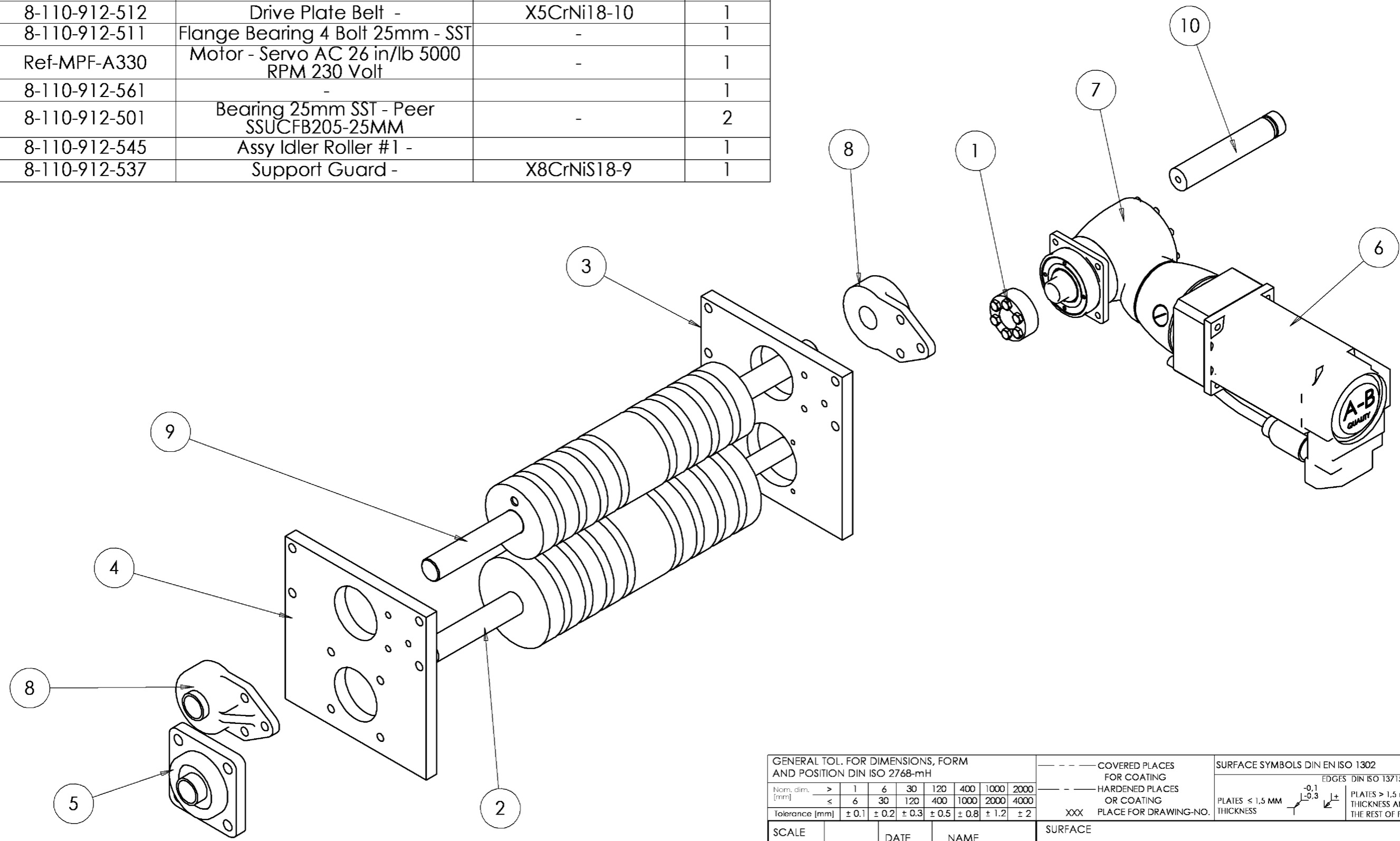
# Bosch Packaging Technology Inc.

<b>Material</b>	S283	0010	<b>Alt.</b>	<b>Usage</b> 3
	Special Internal Equipment		<b>Valid</b>	09/25/2009
<b>Reqd qty</b>	1.000 EA	<b>Base quant</b>	1.000 EA	
<b>Sales ord.</b>	172945	<b>Item</b>	000108	

Lv	Item	Component no.	Description	Quant	Un
1	0000	8-110-912-565	KIT BELT DRIVE #1		
2	0001	8-110-912-562	GEARBOX SHRINK DISC HSD24-22 SST	2.000	EA
2	0002	8-110-912-510	DRIVE ROLLER 100MM #1	2.000	EA
2	0003	8-110-912-514	02 PLATE MTG DRIVE	2.000	EA
2	0004	8-110-912-512	02 DRIVE PLATE BELT	2.000	EA
2	0005	8-110-912-511	FLANGE BEARING 25MM SST	2.000	EA
2	0006	REF AB SEVO MOTOR			
2	0007	8-110-912-561	GEARBOX 10:1 RIGHT ANGLE	2.000	EA
2	0008	8-110-912-501	FLANGE BEARING 25MM SST	4.000	EA
2	0009	8-110-912-545	ASSY IDLER ROLLER #1	2.000	EA
2	0010	8-110-912-537	01 SUPPORT GUARD	2.000	EA

ITEM NO.	PART NUMBER	DESCRIPTION	MATERIAL CHEMICAL	Default/ QTY.
1	8-110-912-562	Shrink Disc HSD24-22 -		1
2	8-110-912-510	Roller Drive 100mm #1 -	X8CrNiS18-9	1
3	8-110-912-514	Plate Mtg Drive -	X5CrNi18-10	1
4	8-110-912-512	Drive Plate Belt -	X5CrNi18-10	1
5	8-110-912-511	Flange Bearing 4 Bolt 25mm - SST	-	1
6	Ref-MPF-A330	Motor - Servo AC 26 in/lb 5000 RPM 230 Volt	-	1
7	8-110-912-561	-		1
8	8-110-912-501	Bearing 25mm SST - Peer SSUCFB205-25MM	-	2
9	8-110-912-545	Assy Idler Roller #1 -		1
10	8-110-912-537	Support Guard -	X8CrNiS18-9	1



©THIS DRAWING IS THE EXCLUSIVE PROPERTY OF ROBERT BOSCH GMBH. WITHOUT THEIR CONSENT IT MAY NOT BE REPRODUCED OR GIVEN TO THIRD PARTIES.  
 SYMBOL FOR TEST FEATURE ACCORDING TO ISO/DIS 129-1. ALL THE TEST FEATURES ESTABLISHED IN THE DRAWING ARE SUBJECT TO A MUST TEST IN ACCORDANCE WITH THE VALID QA GUIDELINES.  
 A3-EN: 2006-02-17

GENERAL TOL. FOR DIMENSIONS, FORM AND POSITION DIN ISO 2768-mH				- - - - COVERED PLACES FOR COATING - - - - HARDENED PLACES OR COATING XXX PLACE FOR DRAWING-NO.		SURFACE SYMBOLS DIN EN ISO 1302 EDGES DIN ISO 13715 PLATES < 1,5 MM THICKNESS PLATES > 1,5 mm THICKNESS AND ALL THE REST OF PARTS	
Nom. dim. [mm]	> 1	6	30	120	400	1000	2000
	≤ 6	30	120	400	1000	2000	4000
Tolerance [mm]	± 0.1	± 0.2	± 0.3	± 0.5	± 0.8	± 1.2	± 2
SCALE	DATE	NAME		SURFACE			
1:20	Mod	08.10.2009	Mike Rogers	MATERIAL			
AREA	CHK			853949.69 mm <sup>2</sup> 47568.586 g			
	APP	08.10.2009	Mike Rogers	TYPE			
ROBERT BOSCH GmbH Packaging Technology Division				MATERIALCLASS	PROD-NO	TEMPLATE-NO.	
DESCRIPTION Kit Belt Drive #1				DRAWING-NO. 8-110-912-565		SW A3	
				ORIGIN:		SHEET 1/1	

REV.	NO.	CHANGE	CHANGED



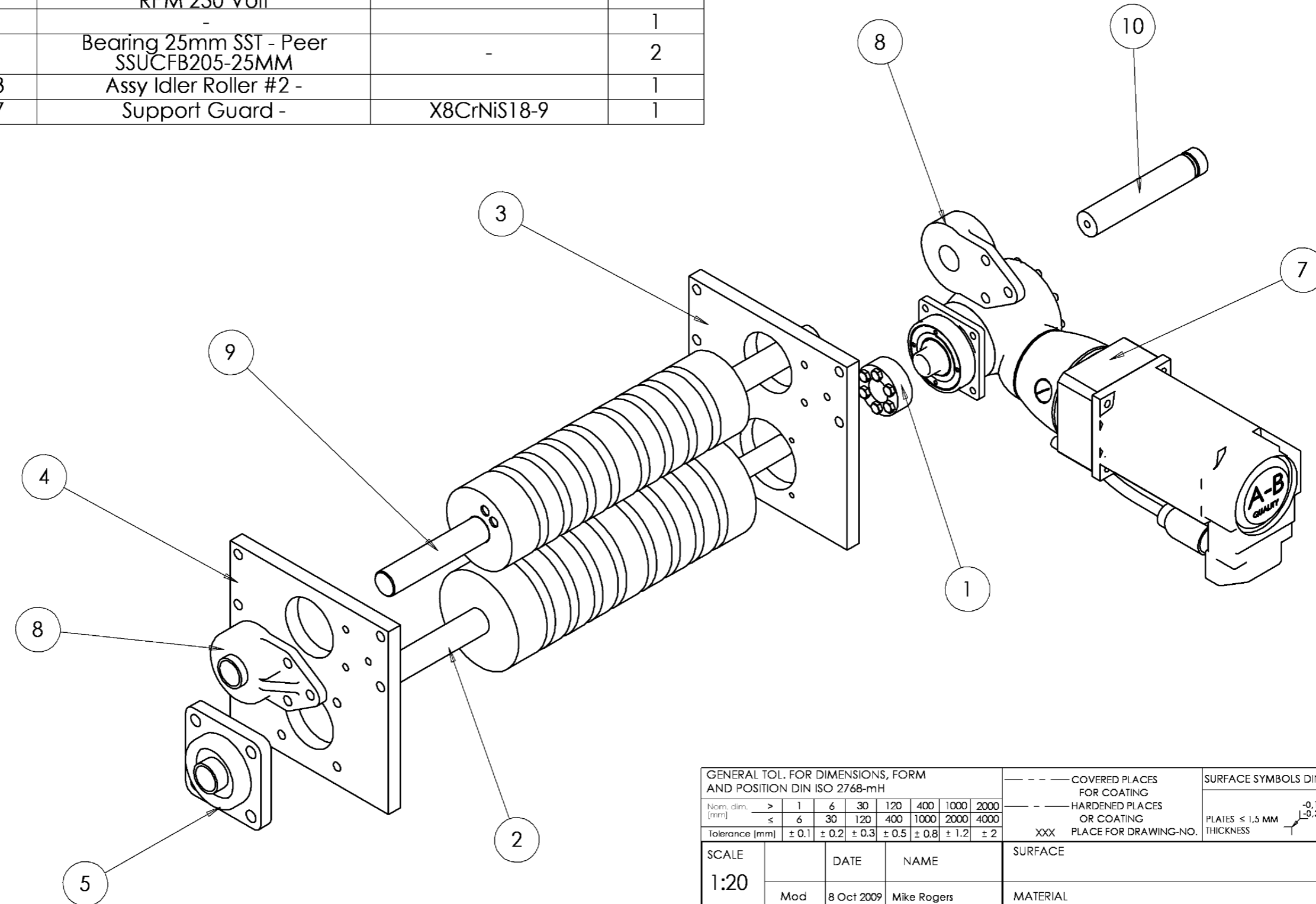
# Bosch Packaging Technology Inc.

<b>Material</b>	S283	0010	<b>Alt.</b>	<b>Usage</b> 3
	Special Internal Equipment		<b>Valid</b>	09/25/2009
<b>Reqd qty</b>	1.000 EA	<b>Base quant</b>	1.000 EA	
<b>Sales ord.</b>	172945	<b>Item</b>	000108	

Lv	Item	Component no.	Description	Quant	Un
1	0000	8-110-912-566	KIT BELT DRIVE #2		
2	0001	8-110-912-562	GEARBOX SHRINK DISC HSD24-22 SST	2.000	EA
2	0002	8-110-912-554	DRIVE ROLLER 100MM #2	2.000	EA
2	0003	8-110-912-514	02 PLATE MTG DRIVE	2.000	EA
2	0004	8-110-912-512	02 DRIVE PLATE BELT	2.000	EA
2	0005	8-110-912-511	FLANGE BEARING 25MM SST	2.000	EA
2	0006	REF AB SEVO MOTOR			
2	0007	8-110-912-561	GEARBOX 10:1 RIGHT ANGLE	2.000	EA
2	0008	8-110-912-501	FLANGE BEARING 25MM SST	4.000	EA
2	0009	8-110-912-553	ASSY IDLER ROLLER #2	2.000	EA
2	0010	8-110-912-537	01 SUPPORT GUARD	2.000	EA

ITEM NO.	PART NUMBER	DESCRIPTION	MATERIAL CHEMICAL	Default/ QTY.
1	8-110-912-562	Shrink Disc HSD24-22 -		1
2	8-110-912-554	Roller Drive 100mm #2 -	X8CrNiS18-9	1
3	8-110-912-514	Plate Mtg Drive -	X5CrNi18-10	1
4	8-110-912-512	Drive Plate Belt -	X5CrNi18-10	1
5	8-110-912-511	Flange Bearing 4 Bolt 25mm - SST	-	1
6	Ref-MPF-A330	Motor - Servo AC 26 in/lb 5000 RPM 230 Volt	-	1
7	8-110-912-561	-		1
8	8-110-912-501	Bearing 25mm SST - Peer SSUCFB205-25MM	-	2
9	8-110-912-553	Assy Idler Roller #2 -		1
10	8-110-912-537	Support Guard -	X8CrNiS18-9	1



©THIS DRAWING IS THE EXCLUSIVE PROPERTY OF ROBERT BOSCH GMBH. WITHOUT THEIR CONSENT IT MAY NOT BE REPRODUCED OR GIVEN TO THIRD PARTIES.  
 SYMBOL FOR TEST FEATURE ACCORDING TO ISO/DIS 129-1. ALL THE TEST FEATURES ESTABLISHED IN THE DRAWING ARE SUBJECT TO A MUST TEST IN ACCORDANCE WITH THE VALID QA GUIDELINES.

GENERAL TOL. FOR DIMENSIONS, FORM AND POSITION DIN ISO 2768-mH				- - - - COVERED PLACES FOR COATING - - - - HARDENED PLACES OR COATING XXX PLACE FOR DRAWING-NO.		SURFACE SYMBOLS DIN EN ISO 1302 EDGES DIN ISO 13715 PLATES < 1,5 mm THICKNESS PLATES > 1,5 mm THICKNESS AND ALL THE REST OF PARTS	
Nom. dim. [mm]	> 1	6	30	120	400	1000	2000
	≤ 6	30	120	400	1000	2000	4000
Tolerance [mm]	± 0.1	± 0.2	± 0.3	± 0.5	± 0.8	± 1.2	± 2
SCALE	DATE	NAME		SURFACE			
1:20	Mod 8 Oct 2009	Mike Rogers		MATERIAL			
AREA	CHK			854012.5 mm <sup>2</sup> 47568.145 g			
	APP	8 Oct 2009	Mike Rogers	Similar to 8-110-912-565			
ROBERT BOSCH GmbH Packaging Technology Division				MATERIALCLASS	PROD-NO	TEMPLATE-NO.	
DESCRIPTION Kit Belt Drive #2				DRAWING-NO. 8-110-912-566		SW A3	
				ORIGIN:		SHEET 1/1	

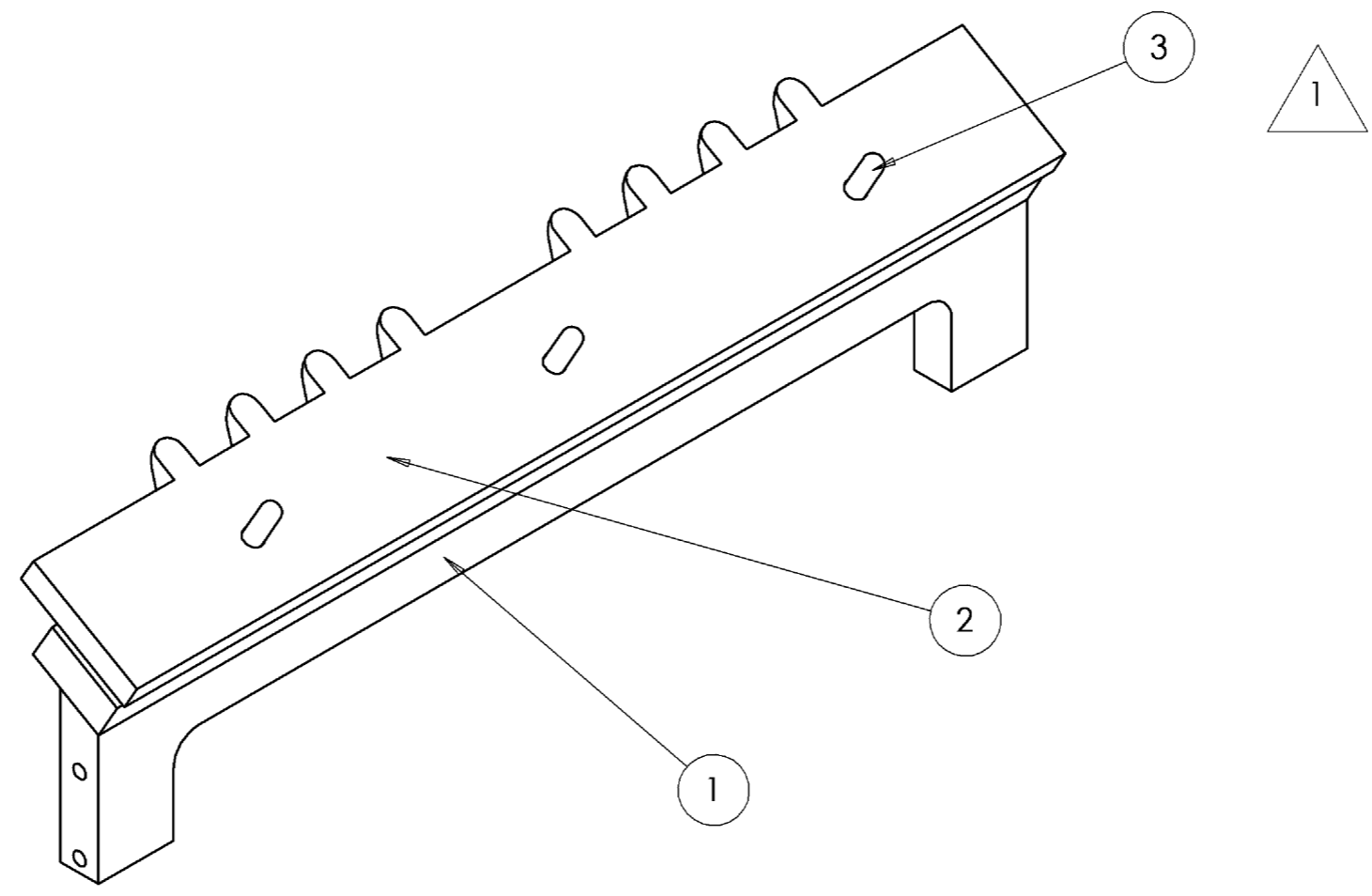
A3-EN: 2006-02-17	REV.	NO.	CHANGE	CHANGED
-------------------	------	-----	--------	---------

**Bosch Packaging Technology Inc.**

<b>Material</b>	S283	0010	<b>Alt.</b>	<b>Usage</b> 3	
	Special Internal Equipment		<b>Valid</b>	09/25/2009	
<b>Reqd qty</b>	1.000 EA	<b>Base quant</b>	1.000 EA		
<b>Sales ord.</b>	172945	<b>Item</b>	000108		
<b>Lv</b>	<b>Item</b>	<b>Component no.</b>	<b>Description</b>	<b>Quant</b>	<b>Un</b>
1	0000	8-110-912-564	KIT SCRAPER IDLER ROLLER		
2	0001	8-110-912-558	01 SUPPORT BAR IDLER SCRAPPER	2.000	EA
2	0002	8-110-912-560	01 SCRAPER IDLER ROLLER	2.000	EA
2	0003	8-110-914-938	01 STAND OFF SCRAPER	6.000	EA

ITEM NO.	PART NUMBER	DESCRIPTION	MATERIAL CHEMICAL	QTY.
1	8-110-912-558	Support Bar Idler Scrapper -		1
2	8-110-912-560	Roller Idler Scrapper -	ACETAL POM	1
3	8-110-914-938	Stand Off Scraper -	X8CrNiS18-9	3

©THIS DRAWING IS THE EXCLUSIVE PROPERTY OF ROBERT BOSCH GMBH. WITHOUT THEIR CONSENT IT MAY NOT BE REPRODUCED OR GIVEN TO THIRD PARTIES.  
 SYMBOL FOR TEST FEATURE ACCORDING TO ISO/DIS 129-1. ALL THE TEST FEATURES ESTABLISHED IN THE DRAWING ARE SUBJECT TO A MUST TEST IN ACCORDANCE WITH THE VALID QA GUIDELINES.



GENERAL TOL. FOR DIMENSIONS, FORM AND POSITION DIN ISO 2768-mH				- - - - COVERED PLACES FOR COATING - - - - HARDENED PLACES OR COATING XXX PLACE FOR DRAWING-NO.		SURFACE SYMBOLS DIN EN ISO 1302 EDGES DIN ISO 13715 PLATES < 1,5 mm THICKNESS $\sqrt{\text{Rz}} \begin{matrix} -0.1 \\ -0.3 \end{matrix}$ PLATES > 1,5 mm THICKNESS AND ALL THE REST OF PARTS $\sqrt{\text{Rz}} \begin{matrix} -0.2 \\ -0.5 \end{matrix}$				
Nom. dim. [mm]	>	1	6	30	120	400	1000	2000		
	<	6	30	120	400	1000	2000	4000		
Tolerance [mm]		± 0.1	± 0.2	± 0.3	± 0.5	± 0.8	± 1.2	± 2		
SCALE	1:5	DATE	8 Oct 2009	NAME	Mike Rogers	SURFACE				
AREA	CHK	APP	8 Oct 2009	Mike Rogers	MATERIAL		119942.77 mm <sup>2</sup> 2938.1597 g		ISO $\begin{matrix} \oplus \\ \ominus \end{matrix}$	
Similar to 8-110-912-563						TYPE				
ROBERT BOSCH GmbH Packaging Technology Division						MATERIALCLASS	PROD-NO	TEMPLATE-NO.		SW A3
DESCRIPTION Kit Scraper Idler Roller						DRAWING-NO. 8-110-912-564		ORIGIN:		SHEET 1/1

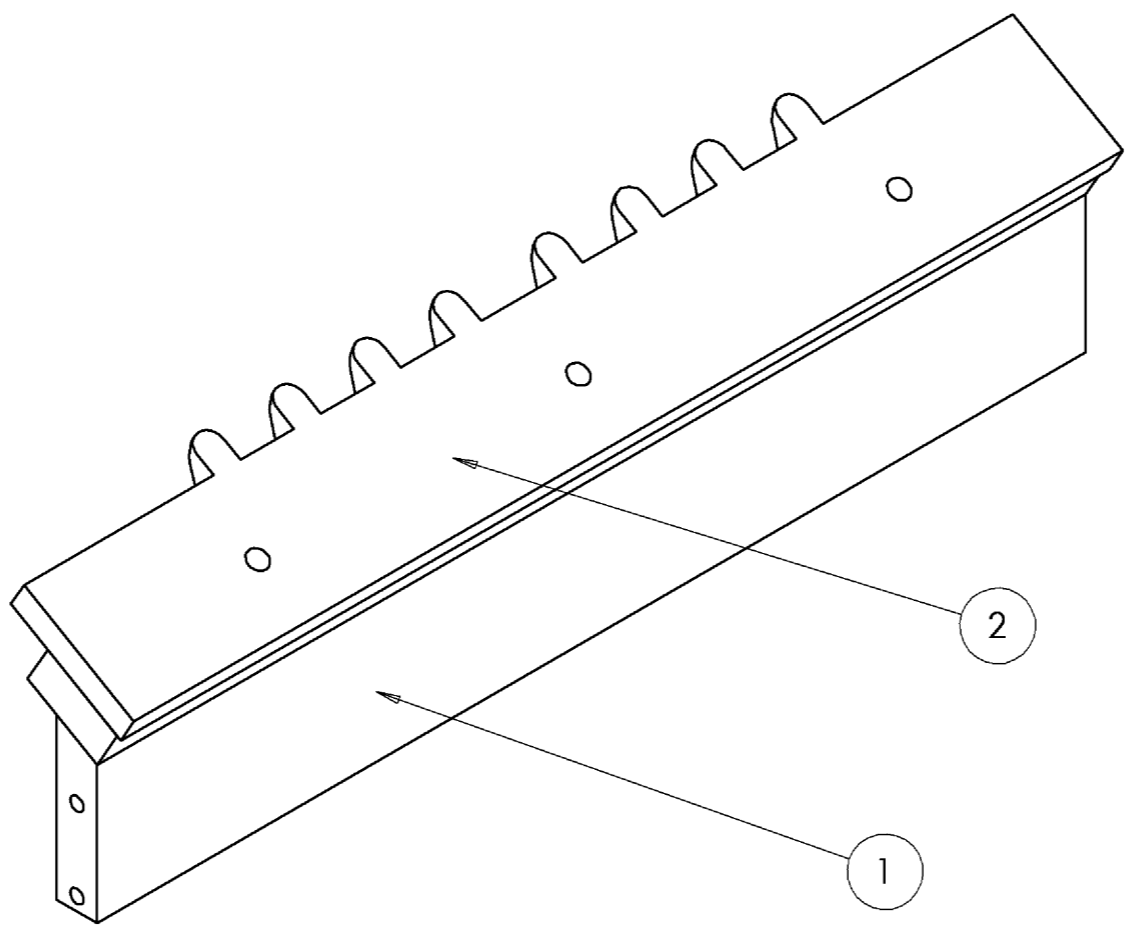
1	206967	Add pins	03.02.10	Mike Rogers
REV.	NO.	CHANGE	CHANGED	

A3-EN.; 2006-02-17

**Bosch Packaging Technology Inc.**

<b>Material</b>	S283	0010	<b>Alt.</b>	<b>Usage</b> 3
	Special Internal Equipment			<b>Valid</b> 09/25/2009
<b>Reqd qty</b>	1.000 EA	<b>Base quant</b>	1.000 EA	
<b>Sales ord.</b>	172945	<b>Item</b>	000108	
<b>Lv</b>	<b>Item</b>	<b>Component no.</b>	<b>Description</b>	<b>Quant</b> <b>Un</b>
1	0000	8-110-912-563	KIT SCRAPER IDLER ROLLER	
2	0001	8-110-912-558	01 SUPPORT BAR IDLER SCRAPPER	2.000 EA
2	0002	8-110-912-559	SCRAPPER IDLER ROLLER	2.000 EA

ITEM NO.	PART NUMBER	DESCRIPTION	MATERIAL CHEMICAL	QTY.
1	8-110-912-558	Support Bar Idler Scrapper -		1
2	8-110-912-559	Roller Idler Scrapper -	ACETAL POM	1



©THIS DRAWING IS THE EXCLUSIVE PROPERTY OF ROBERT BOSCH GMBH. WITHOUT THEIR CONSENT IT MAY NOT BE REPRODUCED OR GIVEN TO THIRD PARTIES.  
 SYMBOL FOR TEST FEATURE ACCORDING TO ISO/DIS 129-1. ALL THE TEST FEATURES ESTABLISHED IN THE DRAWING ARE SUBJECT TO A MUST TEST IN ACCORDANCE WITH THE VALID QA GUIDELINES.

1 18.5  
 A3-EN.: 2006-02-17

REV.	NO.	CHANGE	CHANGED

GENERAL TOL. FOR DIMENSIONS, FORM AND POSITION DIN ISO 2768-mH <table border="1"> <tr> <td>Nom. dim. [mm]</td> <td>&gt; 1</td> <td>6</td> <td>30</td> <td>120</td> <td>400</td> <td>1000</td> <td>2000</td> </tr> <tr> <td></td> <td>≤ 6</td> <td>30</td> <td>120</td> <td>400</td> <td>1000</td> <td>2000</td> <td>4000</td> </tr> <tr> <td>Tolerance [mm]</td> <td>± 0.1</td> <td>± 0.2</td> <td>± 0.3</td> <td>± 0.5</td> <td>± 0.8</td> <td>± 1.2</td> <td>± 2</td> </tr> </table>				Nom. dim. [mm]	> 1	6	30	120	400	1000	2000		≤ 6	30	120	400	1000	2000	4000	Tolerance [mm]	± 0.1	± 0.2	± 0.3	± 0.5	± 0.8	± 1.2	± 2	--- COVERED PLACES FOR COATING --- HARDENED PLACES OR COATING XXX PLACE FOR DRAWING-NO.		SURFACE SYMBOLS DIN EN ISO 1302 EDGES DIN ISO 13715 <table border="1"> <tr> <td>PLATES ≤ 1,5 mm THICKNESS</td> <td> <math>\sqrt{\text{L}}</math>  <math>\begin{matrix} -0.1 \\ -0.3 \end{matrix}</math>  <math>\sqrt{\text{L}}</math> </td> <td> <math>\sqrt{\text{L}}</math>  <math>\begin{matrix} -0.2 \\ -0.5 \end{matrix}</math>  <math>\sqrt{\text{L}}</math> </td> </tr> <tr> <td>PLATES &gt; 1,5 mm THICKNESS AND ALL THE REST OF PARTS</td> <td></td> <td></td> </tr> </table>		PLATES ≤ 1,5 mm THICKNESS	$\sqrt{\text{L}}$ $\begin{matrix} -0.1 \\ -0.3 \end{matrix}$ $\sqrt{\text{L}}$	$\sqrt{\text{L}}$ $\begin{matrix} -0.2 \\ -0.5 \end{matrix}$ $\sqrt{\text{L}}$	PLATES > 1,5 mm THICKNESS AND ALL THE REST OF PARTS		
Nom. dim. [mm]	> 1	6	30	120	400	1000	2000																														
	≤ 6	30	120	400	1000	2000	4000																														
Tolerance [mm]	± 0.1	± 0.2	± 0.3	± 0.5	± 0.8	± 1.2	± 2																														
PLATES ≤ 1,5 mm THICKNESS	$\sqrt{\text{L}}$ $\begin{matrix} -0.1 \\ -0.3 \end{matrix}$ $\sqrt{\text{L}}$	$\sqrt{\text{L}}$ $\begin{matrix} -0.2 \\ -0.5 \end{matrix}$ $\sqrt{\text{L}}$																																			
PLATES > 1,5 mm THICKNESS AND ALL THE REST OF PARTS																																					
SCALE	DATE	NAME	SURFACE																																		
1:5	08.10.2009	Mike Rogers	MATERIAL																																		
AREA	CHK		137129.33 mm <sup>2</sup> 4149.2329 g																																		
	APP	08.10.2009	Mike Rogers																																		
ROBERT BOSCH GmbH Packaging Technology Division			MATERIALCLASS	PROD-NO	TEMPLATE-NO.	SW																															
DESCRIPTION Kit Scrapper Idler Roller			DRAWING-NO.			SW																															
			8-110-912-563			(A3)																															
			ORIGIN:			SHEET																															
						1/1																															

**Bosch Packaging Technology Inc.**

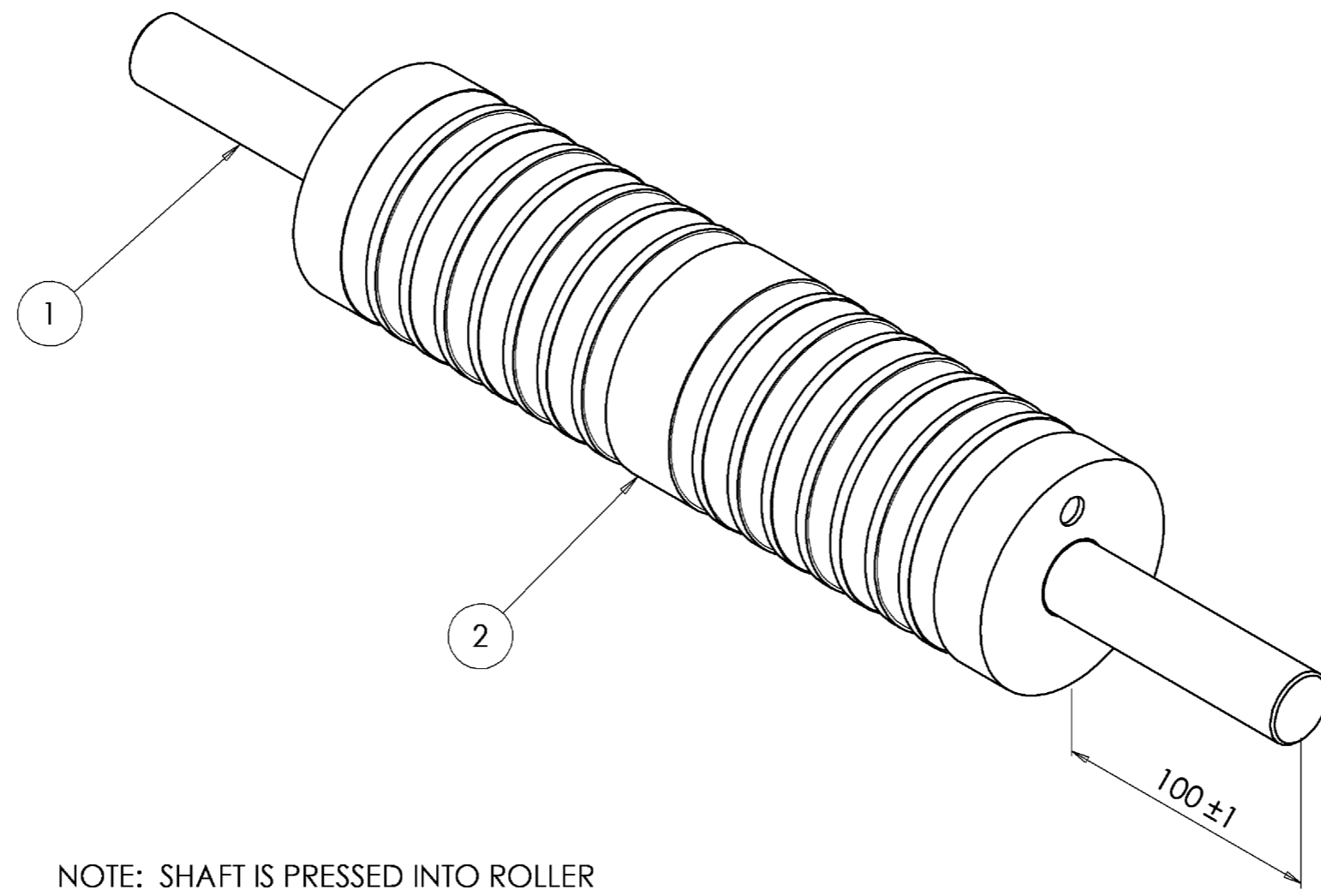
<b>Material</b>	S283	0010	<b>Alt.</b>	<b>Usage</b> 3	
	Special Internal Equipment		<b>Valid</b>	09/25/2009	
<b>Reqd qty</b>	1.000 EA	<b>Base quant</b>	1.000 EA		
<b>Sales ord.</b>	172945	<b>Item</b>	000108		
<b>Lv</b>	<b>Item</b>	<b>Component no.</b>	<b>Description</b>	<b>Quant</b>	<b>Un</b>
1	0000	8-110-912-541	ASSY 80MM NOSE ROLLER #1		
2	0001	8-110-912-525	01 SHAFT NOSE ROLLER	3.000	EA
2	0002	8-110-912-540	01 ROLLER Ø 80MM 16 GROOVE #1	3.000	EA

©THIS DRAWING IS THE EXCLUSIVE PROPERTY OF ROBERT BOSCH GMBH.  
 WITHOUT THEIR CONSENT IT MAY NOT BE REPRODUCED OR GIVEN TO THIRD PARTIES.

SYMBOL FOR TEST FEATURE ACCORDING TO ISO/DIS 129-1. ALL THE TEST FEATURES ESTABLISHED IN  
 THE DRAWING ARE SUBJECT TO A MUST TEST IN ACCORDANCE WITH THE VALID QA GUIDELINES.

118.5

A3-EN.; 2006-02-17



NOTE: SHAFT IS PRESSED INTO ROLLER

GENERAL TOL. FOR DIMENSIONS, FORM AND POSITION DIN ISO 2768-mH				--- COVERED PLACES FOR COATING		SURFACE SYMBOLS DIN EN ISO 1302																							
Nom. dim. [mm]				--- HARDENED PLACES OR COATING		EDGES DIN ISO 13715																							
Tolerance [mm]				XXX PLACE FOR DRAWING-NO.		PLATES < 1,5 mm THICKNESS																							
<table border="1"> <tr> <td>&gt;</td> <td>1</td> <td>6</td> <td>30</td> <td>120</td> <td>400</td> <td>1000</td> <td>2000</td> </tr> <tr> <td>&lt;</td> <td>6</td> <td>30</td> <td>120</td> <td>400</td> <td>1000</td> <td>2000</td> <td>4000</td> </tr> </table>				>	1	6	30	120	400	1000	2000	<	6	30	120	400	1000	2000	4000			<table border="1"> <tr> <td>-0.1</td> <td>-0.3</td> <td>±</td> </tr> <tr> <td>-0.2</td> <td>-0.5</td> <td>±</td> </tr> </table>		-0.1	-0.3	±	-0.2	-0.5	±
>	1	6	30	120	400	1000	2000																						
<	6	30	120	400	1000	2000	4000																						
-0.1	-0.3	±																											
-0.2	-0.5	±																											
SCALE	DATE	NAME	SURFACE																										
1:2	06.10.2009	Mike Rogers	MATERIAL																										
AREA	CHK		172201.23 mm <sup>2</sup> 5155.6172 g																										
	APP	06.10.2009	TYPE																										
ROBERT BOSCH GmbH Packaging Technology Division			MATERIALCLASS	PROD-NO	TEMPLATE-NO.		SW																						
							(A3)																						
DESCRIPTION			DRAWING-NO.			SHEET																							
Assy Ø80mm Nose Roller #1			8-110-912-541			1/1																							
			ORIGIN:																										

REV.	NO.	CHANGE	CHANGED



**Bosch Packaging Technology Inc.**

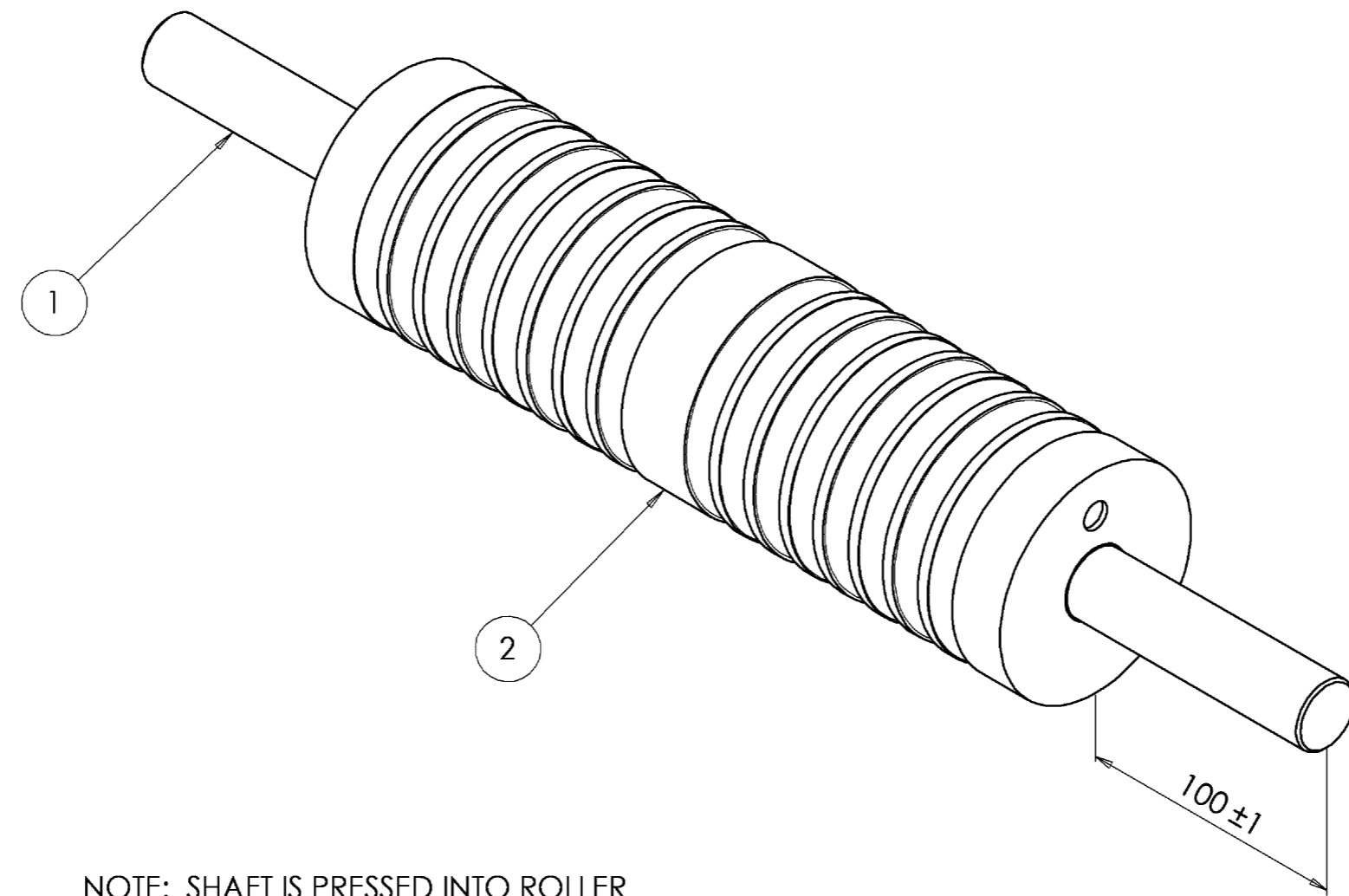
<b>Material</b>	S283	0010	<b>Alt.</b>	<b>Usage</b> 3	
	Special Internal Equipment		<b>Valid</b>	09/25/2009	
<b>Reqd qty</b>	1.000 EA	<b>Base quant</b>	1.000 EA		
<b>Sales ord.</b>	172945	<b>Item</b>	000108		
<b>Lv</b>	<b>Item</b>	<b>Component no.</b>	<b>Description</b>	<b>Quant</b>	<b>Un</b>
1	0000	8-110-912-543	ASSY 82.5MM NOSE ROLLER #1		
2	0001	8-110-912-525	01 SHAFT NOSE ROLLER	2.000	EA
2	0002	8-110-912-542	01 ROLLER Ø 82.5MM 16 GROOVE #1	2.000	EA

©THIS DRAWING IS THE EXCLUSIVE PROPERTY OF ROBERT BOSCH GMBH.  
 WITHOUT THEIR CONSENT IT MAY NOT BE REPRODUCED OR GIVEN TO THIRD PARTIES.

SYMBOL FOR TEST FEATURE ACCORDING TO ISO/DIS 129-1. ALL THE TEST FEATURES ESTABLISHED IN  
 THE DRAWING ARE SUBJECT TO A MUST TEST IN ACCORDANCE WITH THE VALID QA GUIDELINES.

118.5

A3-EN.; 2006-02-17



NOTE: SHAFT IS PRESSED INTO ROLLER

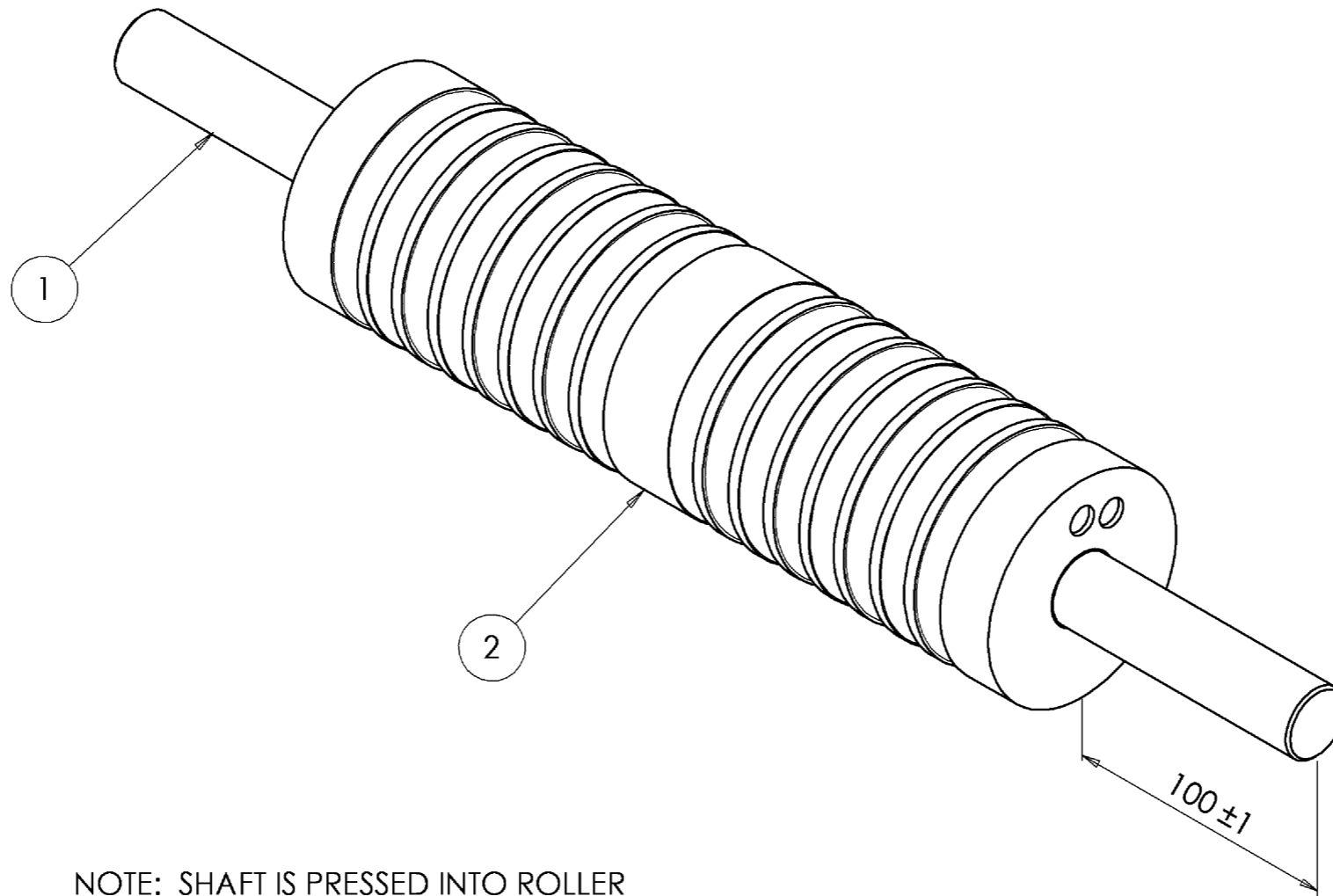
GENERAL TOL. FOR DIMENSIONS, FORM AND POSITION DIN ISO 2768-mH				--- COVERED PLACES FOR COATING		SURFACE SYMBOLS DIN EN ISO 1302																							
Nom. dim. [mm]				--- HARDENED PLACES OR COATING		EDGES DIN ISO 13715																							
Tolerance [mm]				XXX PLACE FOR DRAWING-NO.		PLATES ≤ 1,5 mm THICKNESS																							
<table border="1"> <tr> <td>&gt;</td> <td>1</td> <td>6</td> <td>30</td> <td>120</td> <td>400</td> <td>1000</td> <td>2000</td> </tr> <tr> <td>≤</td> <td>6</td> <td>30</td> <td>120</td> <td>400</td> <td>1000</td> <td>2000</td> <td>4000</td> </tr> </table>				>	1	6	30	120	400	1000	2000	≤	6	30	120	400	1000	2000	4000			<table border="1"> <tr> <td>-0.1</td> <td>-0.3</td> <td>±</td> </tr> <tr> <td>-0.2</td> <td>-0.5</td> <td>±</td> </tr> </table>		-0.1	-0.3	±	-0.2	-0.5	±
>	1	6	30	120	400	1000	2000																						
≤	6	30	120	400	1000	2000	4000																						
-0.1	-0.3	±																											
-0.2	-0.5	±																											
SCALE	DATE	NAME	SURFACE																										
1:2	06.10.2009	Mike Rogers	MATERIAL																										
AREA	CHK		176214.69 mm <sup>2</sup>																										
	APP	06.10.2009	5408.7827 g																										
ROBERT BOSCH GmbH			MATERIALCLASS	PROD-NO	TEMPLATE-NO.	TYPE																							
Packaging Technology Division						ISO																							
DESCRIPTION					DRAWING-NO.		SW																						
Assy Ø82.5mm Nose Roller #1					8-110-912-543		A3																						
					ORIGIN:		SHEET																						
							1/1																						

REV.	NO.	CHANGE	CHANGED

**Bosch Packaging Technology Inc.**

<b>Material</b>	S283	0010	<b>Alt.</b>	<b>Usage</b> 3
	Special Internal Equipment		<b>Valid</b>	09/25/2009
<b>Reqd qty</b>	1.000 EA	<b>Base quant</b>	1.000 EA	
<b>Sales ord.</b>	172945	<b>Item</b>	000108	
<b>Lv</b>	<b>Item</b>	<b>Component no.</b>	<b>Description</b>	<b>Quant</b> <b>Un</b>
1	0000	8-110-912-551	ASSY 80MM NOSE ROLLER #2	
2	0001	8-110-912-525	01 SHAFT NOSE ROLLER	2.000 EA
2	0002	8-110-912-548	01 ROLLER Ø 80MM 16 GROOVE #2	2.000 EA

© THIS DRAWING IS THE EXCLUSIVE PROPERTY OF ROBERT BOSCH GMBH. WITHOUT THEIR CONSENT IT MAY NOT BE REPRODUCED OR GIVEN TO THIRD PARTIES.  
 SYMBOL FOR TEST FEATURE ACCORDING TO ISO/DIS 129-1. ALL THE TEST FEATURES ESTABLISHED IN THE DRAWING ARE SUBJECT TO A MUST TEST IN ACCORDANCE WITH THE VALID QA GUIDELINES.  
 1 18.5  
 A3-EN; 2006-02-17



NOTE: SHAFT IS PRESSED INTO ROLLER

GENERAL TOL. FOR DIMENSIONS, FORM AND POSITION DIN ISO 2768-mH

Nom. dim. [mm]	> 1	6	30	120	400	1000	2000
	≤ 6	30	120	400	1000	2000	4000
Tolerance [mm]	± 0.1	± 0.2	± 0.3	± 0.5	± 0.8	± 1.2	± 2

- - - COVERED PLACES FOR COATING  
 - - - HARDENED PLACES OR COATING  
 XXX PLACE FOR DRAWING-NO.

SURFACE SYMBOLS DIN EN ISO 1302  
 EDGES DIN ISO 13715  
 PLATES ≤ 1,5 mm THICKNESS:  $\sqrt{0.1}$   $\sqrt{0.3}$   $\sqrt{\pm}$   
 PLATES > 1,5 mm THICKNESS AND ALL THE REST OF PARTS:  $\sqrt{0.2}$   $\sqrt{0.5}$   $\sqrt{\pm}$

SCALE	DATE	NAME	SURFACE
1:2	7 Oct 2009	Mike Rogers	
AREA	CHK	APP	MATERIAL
		7 Oct 2009	172244.33 mm <sup>2</sup> 5154.0933 g

Similar to 8-11-912-551  
 MATERIALCLASS PROD-NO TEMPLATE-NO. TYPE  
 SW (A3)  
 SHEET 1/1

ROBERT BOSCH GmbH  
 Packaging Technology Division

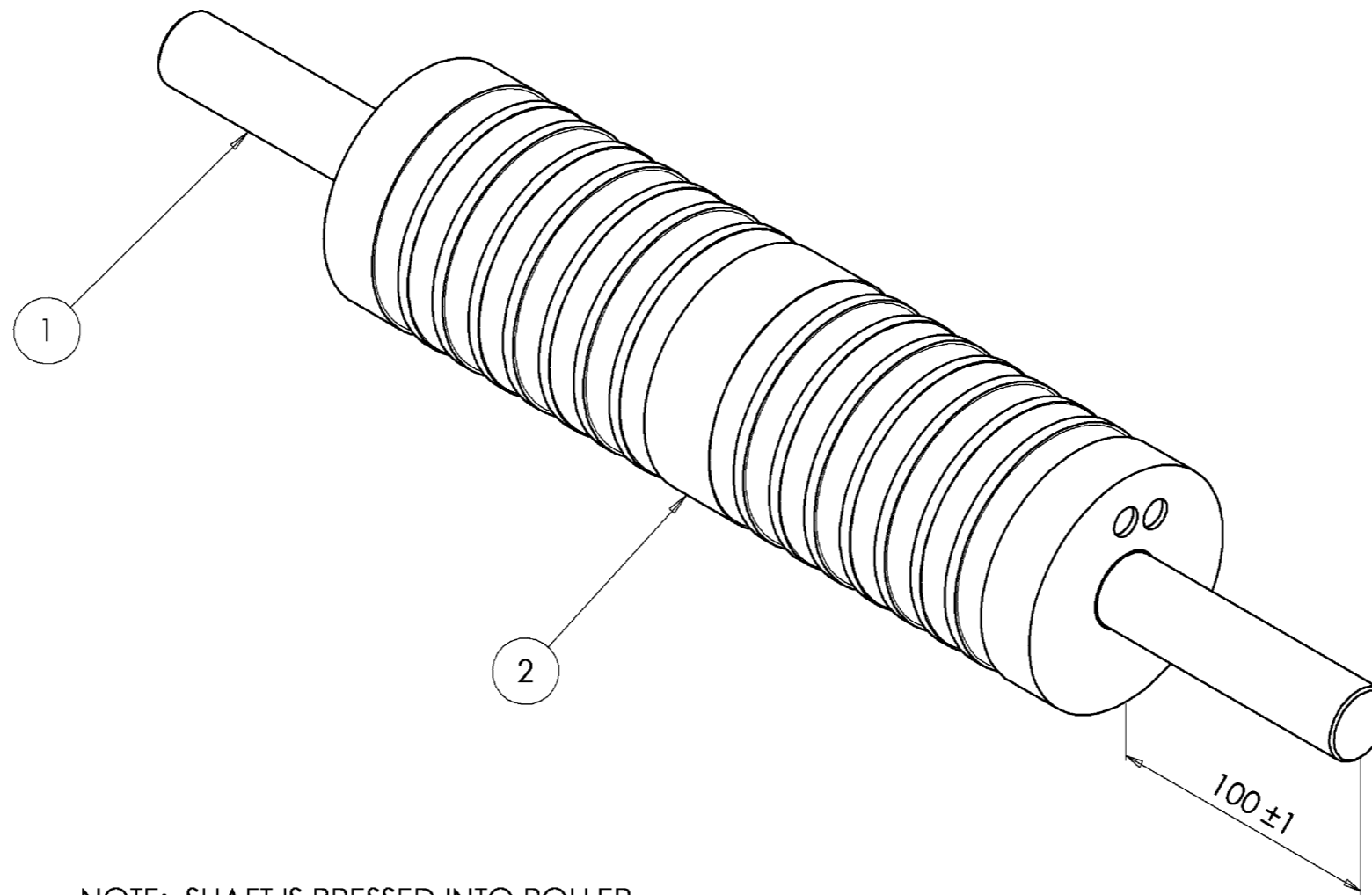
DESCRIPTION: Assy Ø80mm Nose Roller #2  
 DRAWING-NO.: 8-110-912-551  
 ORIGIN:

REV.	NO.	CHANGE	CHANGED

**Bosch Packaging Technology Inc.**

<b>Material</b>	S283	0010	<b>Alt.</b>	<b>Usage</b> 3
	Special Internal Equipment		<b>Valid</b>	09/25/2009
<b>Reqd qty</b>	1.000 EA	<b>Base quant</b>	1.000 EA	
<b>Sales ord.</b>	172945	<b>Item</b>	000108	
<b>Lv</b>	<b>Item</b>	<b>Component no.</b>	<b>Description</b>	<b>Quant Un</b>
1	0000	8-110-912-552	ASSY 82.5MM NOSE ROLLER #2	
2	0001	8-110-912-525	01 SHAFT NOSE ROLLER	1.000 EA
2	0002	8-110-912-549	01 ROLLER Ø 82.5MM 16 GROOVE #2	1.000 EA

© THIS DRAWING IS THE EXCLUSIVE PROPERTY OF ROBERT BOSCH GMBH. WITHOUT THEIR CONSENT IT MAY NOT BE REPRODUCED OR GIVEN TO THIRD PARTIES.  
 SYMBOL FOR TEST FEATURE ACCORDING TO ISO/DIS 129-1. ALL THE TEST FEATURES ESTABLISHED IN THE DRAWING ARE SUBJECT TO A MUST TEST IN ACCORDANCE WITH THE VALID QA GUIDELINES.  
 A3-EN: 2006-02-17



NOTE: SHAFT IS PRESSED INTO ROLLER

GENERAL TOL. FOR DIMENSIONS, FORM AND POSITION DIN ISO 2768-mH								SURFACE SYMBOLS DIN EN ISO 1302		
Nom. dim. [mm]	>	1	6	30	120	400	1000	2000	EDGES DIN ISO 13715	
	<	6	30	120	400	1000	2000	4000	PLATES < 1,5 mm THICKNESS	
Tolerance [mm]		± 0.1	± 0.2	± 0.3	± 0.5	± 0.8	± 1.2	± 2	PLATES > 1,5 mm THICKNESS AND ALL THE REST OF PARTS	
SCALE								SURFACE		
1:2		DATE		NAME		MATERIAL		176277.52 mm <sup>2</sup> 5408.3428 g		
Mod		7 Oct 2009		Mike Rogers		Similar to 8-110-912-543		TYPE		
CHK		APP		7 Oct 2009		Mike Rogers		MATERIALCLASS		PROD-NO
ROBERT BOSCH GmbH Packaging Technology Division								TEMPLATE-NO.		SW
DESCRIPTION								DRAWING-NO.		SHEET
Assy Ø82.5mm Nose Roller #2								8-110-912-552		1/1
ORIGIN:										

A3-EN: 2006-02-17

REV.	NO.	CHANGE	CHANGED

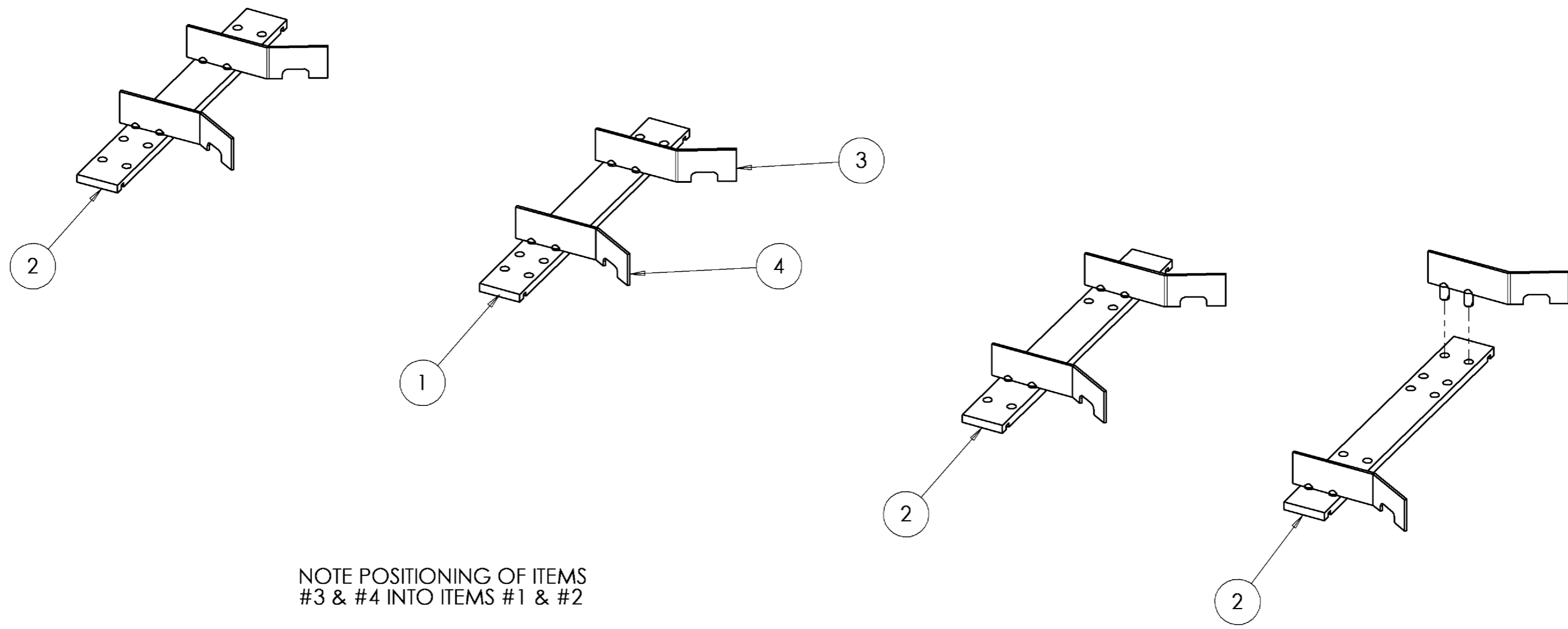
**Bosch Packaging Technology Inc.**

<b>Material</b>	S283	0010	<b>Alt.</b>	<b>Usage</b> 3
	Special Internal Equipment			<b>Valid</b> 09/25/2009
<b>Reqd qty</b>	1.000 EA	<b>Base quant</b>	1.000 EA	
<b>Sales ord.</b>	172945	<b>Item</b>	000108	

<b>Lv</b>	<b>Item</b>	<b>Component no.</b>	<b>Description</b>	<b>Quant</b>	<b>Un</b>
1	0000	8-110-912-547	KIT FEEDER EYE POLY FEEDER		
2	0001	8-110-912-532	MOUNT EYE ROD	3.000	EA
2	0002	8-110-912-533	ROD EYE SLIDE	1.000	EA
2	0003	8-110-912-546	ASSY FEEDER EYE PIZZA FEEDER	6.000	EA
2	0004	310098	SCREW-HEX HD M6 X 20 SST	6.000	EA
2	0005	379749	WASHER-FLAT 6.4 X 12 X 1.6 SST	6.000	EA

© THIS DRAWING IS THE EXCLUSIVE PROPERTY OF ROBERT BOSCH GMBH. WITHOUT THEIR CONSENT IT MAY NOT BE REPRODUCED OR GIVEN TO THIRD PARTIES.  
 SYMBOL FOR TEST FEATURE ACCORDING TO ISO/DIS 129-1. ALL THE TEST FEATURES ESTABLISHED IN THE DRAWING ARE SUBJECT TO A MUST TEST IN ACCORDANCE WITH THE VALID GA GUIDELINES.  
 A3-EN.: 2006-02-17



NOTE POSITIONING OF ITEMS #3 & #4 INTO ITEMS #1 & #2

GENERAL TOL. FOR DIMENSIONS, FORM AND POSITION DIN ISO 2768-mH				--- COVERED PLACES FOR COATING		SURFACE SYMBOLS DIN EN ISO 1302						
Nom. dim. [mm]	>	1	6	30	120	400	1000	2000	--- HARDENED PLACES OR COATING		EDGES DIN ISO 13715	
	<	6	30	120	400	1000	2000	4000	XXX PLACE FOR DRAWING-NO.		PLATES < 1,5 mm THICKNESS	
Tolerance [mm]		± 0.1	± 0.2	± 0.3	± 0.5	± 0.8	± 1.2	± 2			PLATES > 1,5 mm THICKNESS AND ALL THE REST OF PARTS	
SCALE	1:5	DATE	08.10.2009	NAME	Mike Rogers	SURFACE						
AREA	CHK	APP	08.10.2009	NAME	Mike Rogers	MATERIAL						
ROBERT BOSCH GmbH Packaging Technology Division						MATERIALCLASS		PROD-NO	TEMPLATE-NO.		SW	
DESCRIPTION Kit Product Guide Poly 4 Sect Feeder						DRAWING-NO. 8-110-912-567		ORIGIN:		SHEET 1/1		

A3-EN.: 2006-02-17

REV.	NO.	CHANGE	CHANGED



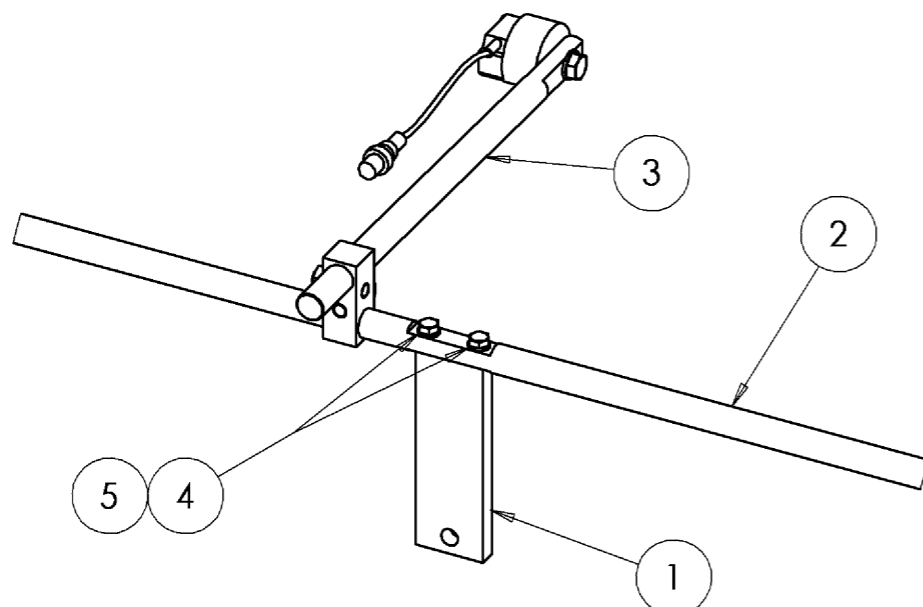
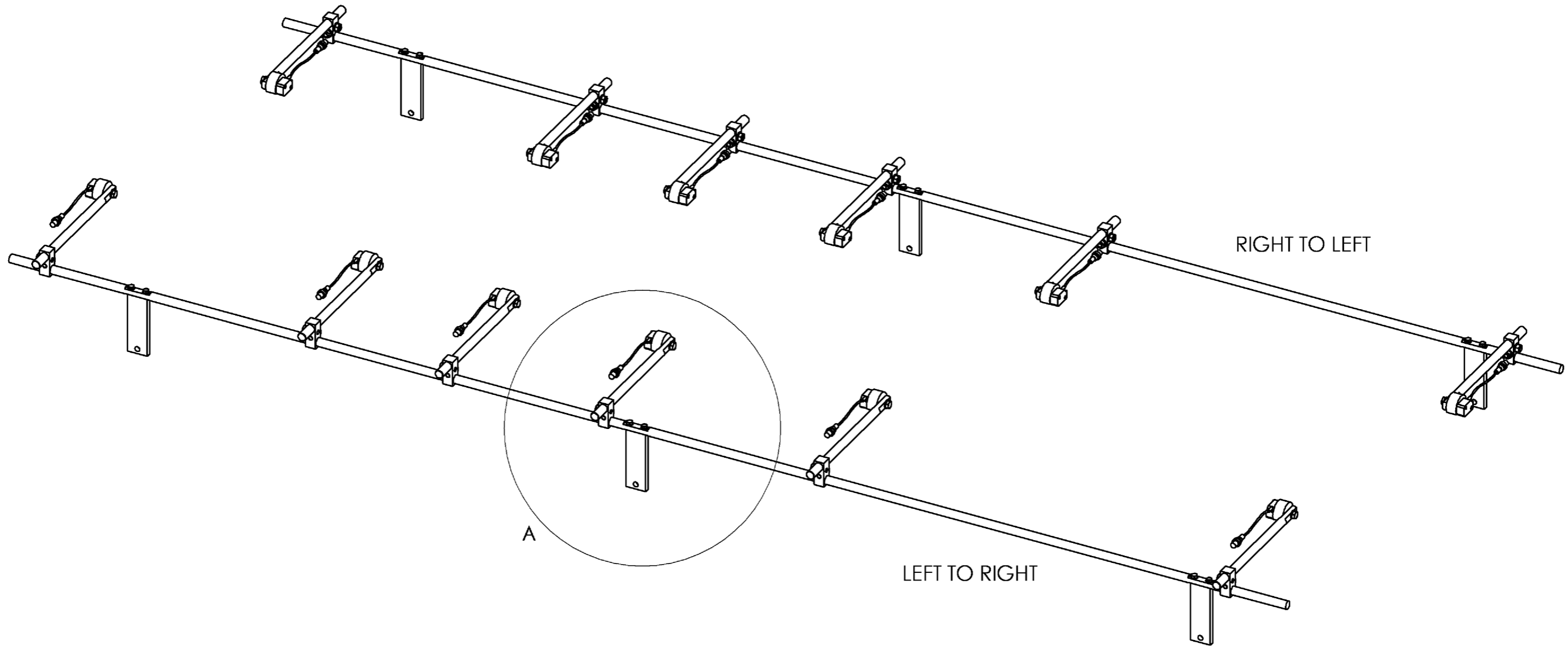
**Bosch Packaging Technology Inc.**

<b>Material</b>	S283	0010	<b>Alt.</b>	<b>Usage</b> 3
	Special Internal Equipment			<b>Valid</b> 09/25/2009
<b>Reqd qty</b>	1.000 EA	<b>Base quant</b>	1.000 EA	
<b>Sales ord.</b>	172945	<b>Item</b>	000108	

<b>Lv</b>	<b>Item</b>	<b>Component no.</b>	<b>Description</b>	<b>Quant</b>	<b>Un</b>
1	0000	8-110-912-567	KIT PRODUCT GUIDE POLY 4 SECT FEEDER		
2	0001	8-110-912-523	MOUNT PRODUCT GUIDE	1.000	EA
2	0002	8-110-912-515	MOUNT PRODUCT GUIDE	3.000	EA
2	0003	8-110-912-517	01 PRODUCT GUIDE	4.000	EA
2	0004	8-110-912-516	01 PRODUCT GUIDE	4.000	EA

© THIS DRAWING IS THE EXCLUSIVE PROPERTY OF ROBERT BOSCH GMBH. WITHOUT THEIR CONSENT IT MAY NOT BE REPRODUCED OR GIVEN TO THIRD PARTIES.  
 SYMBOL FOR TEST FEATURE ACCORDING TO ISO/DIS 129-1. ALL THE TEST FEATURES ESTABLISHED IN THE DRAWING ARE SUBJECT TO A MUST TEST IN ACCORDANCE WITH THE VALID GA GUIDELINES.



DETAIL A  
SCALE 1 : 4

GENERAL TOL. FOR DIMENSIONS, FORM AND POSITION DIN ISO 2768-mH							SURFACE SYMBOLS DIN EN ISO 1302			
Nom. dim. [mm]	> 1	6	30	120	400	1000	2000	EDGES DIN ISO 13715		
	< 6	30	120	400	1000	2000	4000	PLATES ≤ 1,5 mm THICKNESS	PLATES > 1,5 mm THICKNESS AND ALL THE REST OF PARTS	
Tolerance [mm]	± 0.1	± 0.2	± 0.3	± 0.5	± 0.8	± 1.2	± 2	$\sqrt{0.1}$ $\sqrt{0.3}$ $\sqrt{1}$	$\sqrt{0.2}$ $\sqrt{0.5}$	
							XXX PLACE FOR DRAWING-NO.			
SCALE	1:8	DATE	08.10.2009	NAME	Mike Rogers	SURFACE				
AREA	CHK	APP	08.10.2009	Mike Rogers	MATERIAL				409513.91 mm <sup>2</sup> 10114.136 g	ISO 1101
ROBERT BOSCH GmbH Packaging Technology Division					MATERIALCLASS	PROD-NO	TEMPLATE-NO.	TYPE		
DESCRIPTION Kit Feeder Eye Poly Feeder							DRAWING-NO. 8-110-912-547		SW A3	
							ORIGIN:		SHEET 1/1	

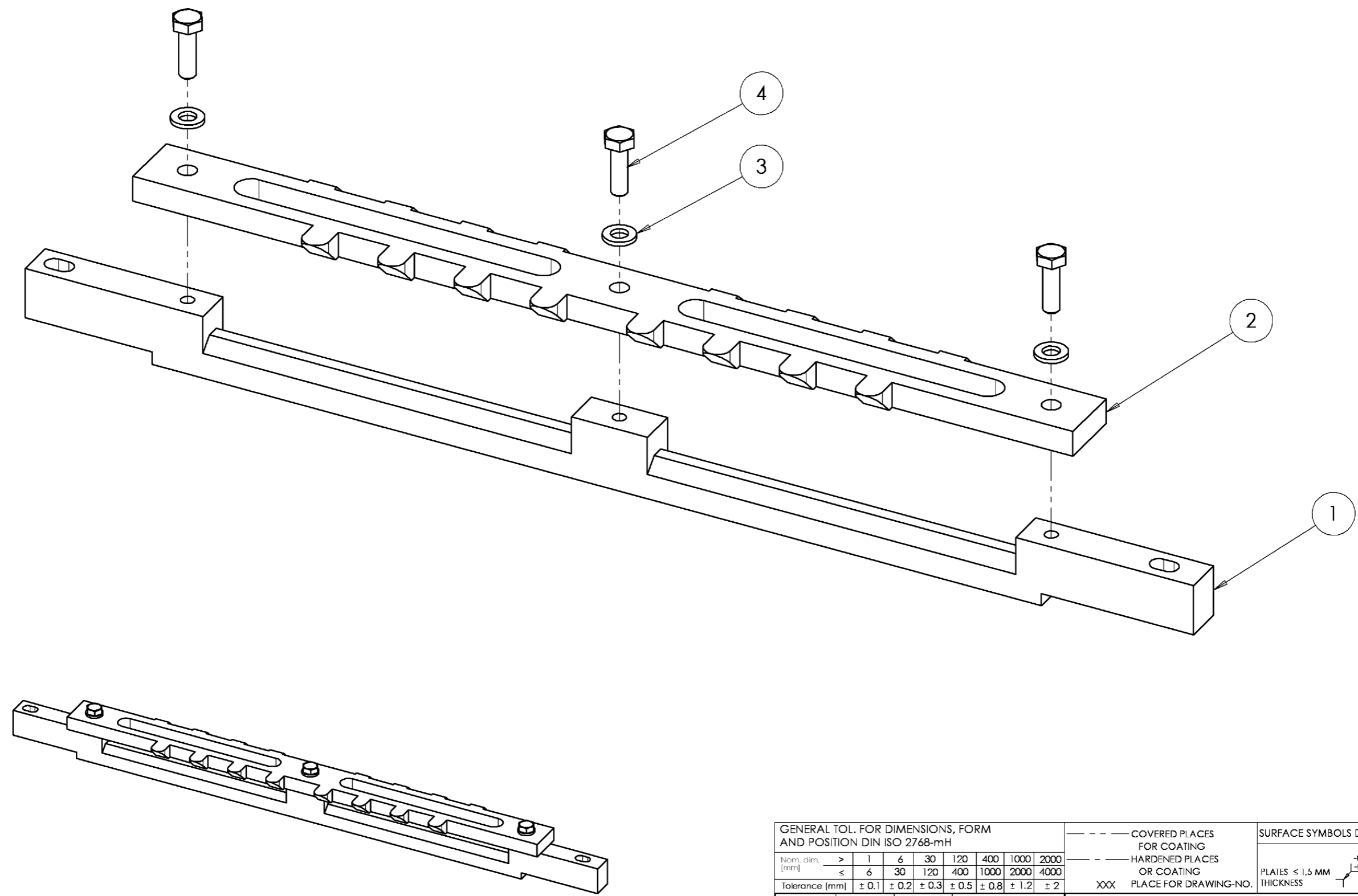
A3-EN.: 2006-02-17

REV.	NO.	CHANGE	CHANGED

**Bosch Packaging Technology Inc.**

<b>Material</b>	S283	0010	<b>Alt.</b>	<b>Usage</b> 3	
	Special Internal Equipment			<b>Valid</b> 09/25/2009	
<b>Reqd qty</b>	1.000 EA	<b>Base quant</b>	1.000 EA		
<b>Sales ord.</b>	172945	<b>Item</b>	000108		
<b>Lv</b>	<b>Item</b>	<b>Component no.</b>	<b>Description</b>	<b>Quant</b>	<b>Un</b>
1	0000	8-110-913-076	KIT ROLLER SCRAPER		
2	0001	8-110-912-557	SUPPORT SCRAPER	1.000	EA
2	0002	8-110-912-506	ROLLER SCRAPER	1.000	EA
2	0003	379749	WASHER-FLAT 6.4 X 12 X 1.6 SST	3.000	EA
2	0004	310098	SCREW-HEX HD M6 X 20 SST	3.000	EA

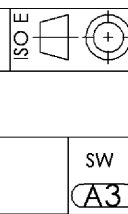
© THIS DRAWING IS THE EXCLUSIVE PROPERTY OF ROBERT BOSCH GMBH. WITHOUT THEIR CONSENT IT MAY NOT BE REPRODUCED OR GIVEN TO THIRD PARTIES.  
 SYMBOL FOR TEST FEATURE ACCORDING TO ISO/DIS 129-1. ALL THE TEST FEATURES ESTABLISHED IN THE DRAWING ARE SUBJECT TO A MUST TEST IN ACCORDANCE WITH THE VALID GA GUIDELINES.



A3-EN: 2006-02-17

REV.	NO.	CHANGE	CHANGED

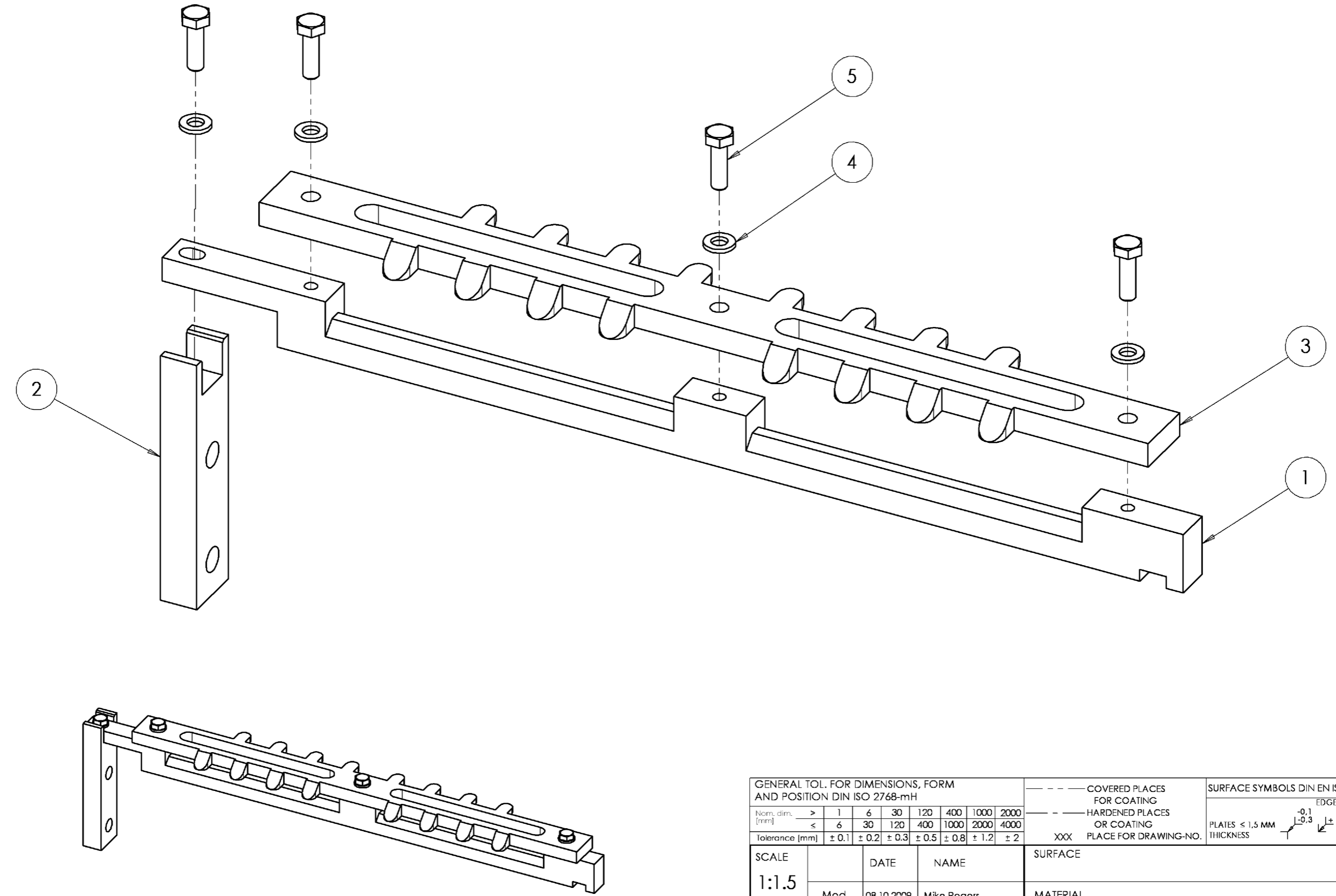
GENERAL TOL. FOR DIMENSIONS, FORM AND POSITION DIN ISO 2768-mH <table border="1"> <tr> <td>Nom. dim. [mm]</td> <td>&gt; 1</td> <td>6</td> <td>30</td> <td>120</td> <td>400</td> <td>1000</td> <td>2000</td> </tr> <tr> <td></td> <td>≤ 6</td> <td>30</td> <td>120</td> <td>400</td> <td>1000</td> <td>2000</td> <td>4000</td> </tr> <tr> <td>Tolerance [mm]</td> <td>± 0.1</td> <td>± 0.2</td> <td>± 0.3</td> <td>± 0.5</td> <td>± 0.8</td> <td>± 1.2</td> <td>± 2</td> </tr> </table>				Nom. dim. [mm]	> 1	6	30	120	400	1000	2000		≤ 6	30	120	400	1000	2000	4000	Tolerance [mm]	± 0.1	± 0.2	± 0.3	± 0.5	± 0.8	± 1.2	± 2	--- COVERED PLACES FOR COATING --- HARDENED PLACES OR COATING XXX PLACE FOR DRAWING-NO.		SURFACE SYMBOLS DIN EN ISO 1302 EDGES DIN ISO 13715 <table border="1"> <tr> <td>PLATES ≤ 1,5 mm THICKNESS</td> <td> <math>\sqrt{\begin{matrix} -0.1 \\ -0.3 \\ \pm \end{matrix}}</math> </td> <td>PLATES &gt; 1,5 mm THICKNESS AND ALL THE REST OF PARTS</td> <td> <math>\sqrt{\begin{matrix} -0.2 \\ -0.5 \\ \pm \end{matrix}}</math> </td> </tr> </table>		PLATES ≤ 1,5 mm THICKNESS	$\sqrt{\begin{matrix} -0.1 \\ -0.3 \\ \pm \end{matrix}}$	PLATES > 1,5 mm THICKNESS AND ALL THE REST OF PARTS	$\sqrt{\begin{matrix} -0.2 \\ -0.5 \\ \pm \end{matrix}}$
Nom. dim. [mm]	> 1	6	30	120	400	1000	2000																												
	≤ 6	30	120	400	1000	2000	4000																												
Tolerance [mm]	± 0.1	± 0.2	± 0.3	± 0.5	± 0.8	± 1.2	± 2																												
PLATES ≤ 1,5 mm THICKNESS	$\sqrt{\begin{matrix} -0.1 \\ -0.3 \\ \pm \end{matrix}}$	PLATES > 1,5 mm THICKNESS AND ALL THE REST OF PARTS	$\sqrt{\begin{matrix} -0.2 \\ -0.5 \\ \pm \end{matrix}}$																																
SCALE	DATE	NAME	SURFACE																																
1:1.5	08.10.2009	Mike Rogers	MATERIAL																																
AREA	CHK		65237.668 mm <sup>2</sup> 1439.9692 g																																
	APP	08.10.2009 Mike Rogers	TYPE																																
<b>ROBERT BOSCH GmbH</b> Packaging Technology Division			MATERIALCLASS	PROD-NO	TEMPLATE-NO.	SW																													
DESCRIPTION <b>Kit Roller Scraper</b>			DRAWING-NO. <b>8-110-913-076</b>			SHEET <b>1/1</b>																													
			ORIGIN:																																



# Bosch Packaging Technology Inc.

<b>Material</b>	S283	0010	<b>Alt.</b>	<b>Usage</b> 3
	Special Internal Equipment		<b>Valid</b>	09/25/2009
<b>Reqd qty</b>	1.000 EA	<b>Base quant</b>	1.000 EA	
<b>Sales ord.</b>	172945	<b>Item</b>	000108	
<b>Lv</b>	<b>Item</b>	<b>Component no.</b>	<b>Description</b>	<b>Quant</b> <b>Un</b>
1	0000	8-110-913-077	KIT DOUBLE ROLLER SCRAPER	
2	0001	8-110-912-555	SUPPORT SCRAPER	3.000 EA
2	0002	8-110-912-556	LOCK SCRAPER BAR	3.000 EA
2	0003	8-110-912-506	ROLLER SCRAPER	3.000 EA
2	0004	379749	WASHER-FLAT 6.4 X 12 X 1.6 SST	12.000 EA
2	0005	310098	SCREW-HEX HD M6 X 20 SST	12.000 EA

© THIS DRAWING IS THE EXCLUSIVE PROPERTY OF ROBERT BOSCH GMBH. WITHOUT THEIR CONSENT IT MAY NOT BE REPRODUCED OR GIVEN TO THIRD PARTIES.  
 SYMBOL FOR TEST FEATURE ACCORDING TO ISO/DIS 129-1. ALL THE TEST FEATURES ESTABLISHED IN THE DRAWING ARE SUBJECT TO A MUST TEST IN ACCORDANCE WITH THE VALID QA GUIDELINES.



A3-EN.; 2006-02-17

REV.	NO.	CHANGE	CHANGED

GENERAL TOL. FOR DIMENSIONS, FORM AND POSITION DIN ISO 2768-mH				--- COVERED PLACES FOR COATING		SURFACE SYMBOLS DIN EN ISO 1302	
Nom. dim. [mm]	> 1	6	30	120	400	1000	2000
	≤ 6	30	120	400	1000	2000	4000
Tolerance [mm]	± 0.1	± 0.2	± 0.3	± 0.5	± 0.8	± 1.2	± 2
				--- HARDENED PLACES OR COATING		EDGES DIN ISO 13715	
				XXX PLACE FOR DRAWING-NO.		PLATES ≤ 1,5 mm THICKNESS	
						PLATES > 1,5 mm THICKNESS AND ALL THE REST OF PARTS	
SCALE	DATE	NAME		SURFACE			
1:1.5	08.10.2009	Mike Rogers		MATERIAL			
AREA	CHK			72424.656 mm <sup>2</sup> 1598.1508 g			
	APP	08.10.2009 Mike Rogers		TYPE			
ROBERT BOSCH GmbH Packaging Technology Division				MATERIALCLASS	PROD-NO	TEMPLATE-NO.	
DESCRIPTION Kit Double Roller Scrapper						DRAWING-NO. 8-110-913-077	
						ORIGIN:	

SW A3 SHEET 1/1

**Bosch Packaging Technology Inc.**

<b>Material</b>	S283	0010	<b>Alt.</b>	<b>Usage</b> 3	
	Special Internal Equipment		<b>Valid</b>	09/25/2009	
<b>Reqd qty</b>	1.000 EA	<b>Base quant</b>	1.000 EA		
<b>Sales ord.</b>	172945	<b>Item</b>	000108		
<b>Lv</b>	<b>Item</b>	<b>Component no.</b>	<b>Description</b>	<b>Quant</b>	<b>Un</b>
1	0000	8-110-913-079	KIT STOP START STATION		
2	0010	8-110-913-078	4 BUTTON ENCLOSURE SST	1.000	EA
2	0012	531.010848	02 DECAL-PANEL 4 BUTTON: MAIN REMOTE	1.000	EA
2	0400	379749	WASHER-FLAT 6.4 X 12 X 1.6 SST	4.000	EA
2	0401	310102	SCREW-HEX HD M6 X 12 SST	6.000	EA

**Bosch Packaging Technology Inc.**

<b>Material</b>	S283	0010	<b>Alt.</b>	<b>Usage</b> 3
	Special Internal Equipment			<b>Valid</b>
				09/25/2009
<b>Reqd qty</b>	1.000 EA	<b>Base quant</b>	1.000 EA	
<b>Sales ord.</b>	172945	<b>Item</b>	000108	

Lv	Item	Component no.	Description	Quant	Un
1	0000	8-110-912-806	KIT 4 BELT FEEDER ELEC PANEL		
2	0200	631.042781	03 FEEDER REMOTE ENCLOSURE PANEL	1.000	EA
2	0201	8-110-622-354	POWER RAIL 4 AXIS	1.000	EA
2	0202	8-110-622-350	INTEGRATE MODULE KINETIX 2000	1.000	EA
2	0203	8-110-622-351	SERVO AMP 0.9KW	3.000	EA
2	0204	8-110-622-358	BREAKOUT BD COMBO KINETIX 2000	4.000	EA
2	0205	8-110-127-387	01 .3 METER SERCOS CABLE	3.000	EA
2	0206	631.051897	01 9 METER SERCOS CABLE	2.000	EA
2	0207	8-110-623-508	CABLE-POWER-3M-MPLA1530	2.000	EA
2	0208	8-110-623-507	CABLE- FEEDBACK-3M- MPLA1530	2.000	EA
2	0209	631.066412	MPF MOTOR POWER CABLE 9M	2.000	EA
2	0210	631.066413	MPF MOTOR ENCODER CABLE 9M	2.000	EA
2	0211	255888	04 BAR GROUNDING	1.000	EA
2	0212	284599	02 WIRING DUCT 1Wx3H W/COVER	10.000	FT
2	0213	327046	01 MOUNTING RAIL-DIN EN NS35/7,5	24.000	IN
2	0214	479833	INTERLOCK SWITCH 10M CABLE,1NO&1NC	1.000	EA
2	0215	491633	JUMPER 10 PLACE	2.000	EA
2	0216	491649	TB MARKER 10mm 144 PER CARD	1.000	EA
2	0217	491632	TERMINAL BLOCK RETAINER	2.000	EA
2	0218	491622	TERM BLOCK 4 WIRE	33.000	EA
2	0219	491623	END PLATE FOR 4 WIRE	1.000	EA
2	0220	492799	TERM BLOCK 2 SEPARATE CIRCUIT	22.000	EA
2	0221	492800	TERM BLOCK END PLATE FOR 2 SEPARATE	1.000	EA
2	0222	491630	GROUND TERM BLOCK 4 WIRE	5.000	EA
2	0223	491631	END PLATE GRD TB 4 WIRE	1.000	EA
2	0224	491635	KIT SENSOR TERMINAL BLOCK	10.000	EA
2	0225	491627	END PLATE FOR SENSOR BLOCK	1.000	EA



**Bosch Packaging Technology Inc.**

<b>Material</b>	S283	0010	<b>Alt.</b>	<b>Usage</b> 3
	Special Internal Equipment			<b>Valid</b> 09/25/2009
<b>Reqd qty</b>	1.000 EA	<b>Base quant</b>	1.000 EA	
<b>Sales ord.</b>	172945	<b>Item</b>	000108	
<b>Lv</b>	<b>Item</b>	<b>Component no.</b>	<b>Description</b>	<b>Quant</b> <b>Un</b>
1	0000	8-110-620-892	KIT REMOTE START STOP E-STOP ELECT	
2	0300	8-110-620-835	KIT - START PB w/1 N.O.	1.000 EA
2	0301	8-110-620-836	KIT - STOP PB w/1 N.C.	1.000 EA
2	0302	8-110-621-323	KIT E-STOP PBM W/1NO & 1NC	1.000 EA
2	0303	8-110-620-894	KIT SEL SW SPRING RET w/1 N.O. & 1 N	1.000 EA

# Bosch Packaging Technology Inc.

<b>Material</b>	S283	0010	<b>Alt.</b>	<b>Usage</b> 3
	Special Internal Equipment		<b>Valid</b>	09/25/2009
<b>Reqd qty</b>	1.000 EA	<b>Base quant</b>	1.000 EA	
<b>Sales ord.</b>	172945	<b>Item</b>	000108	

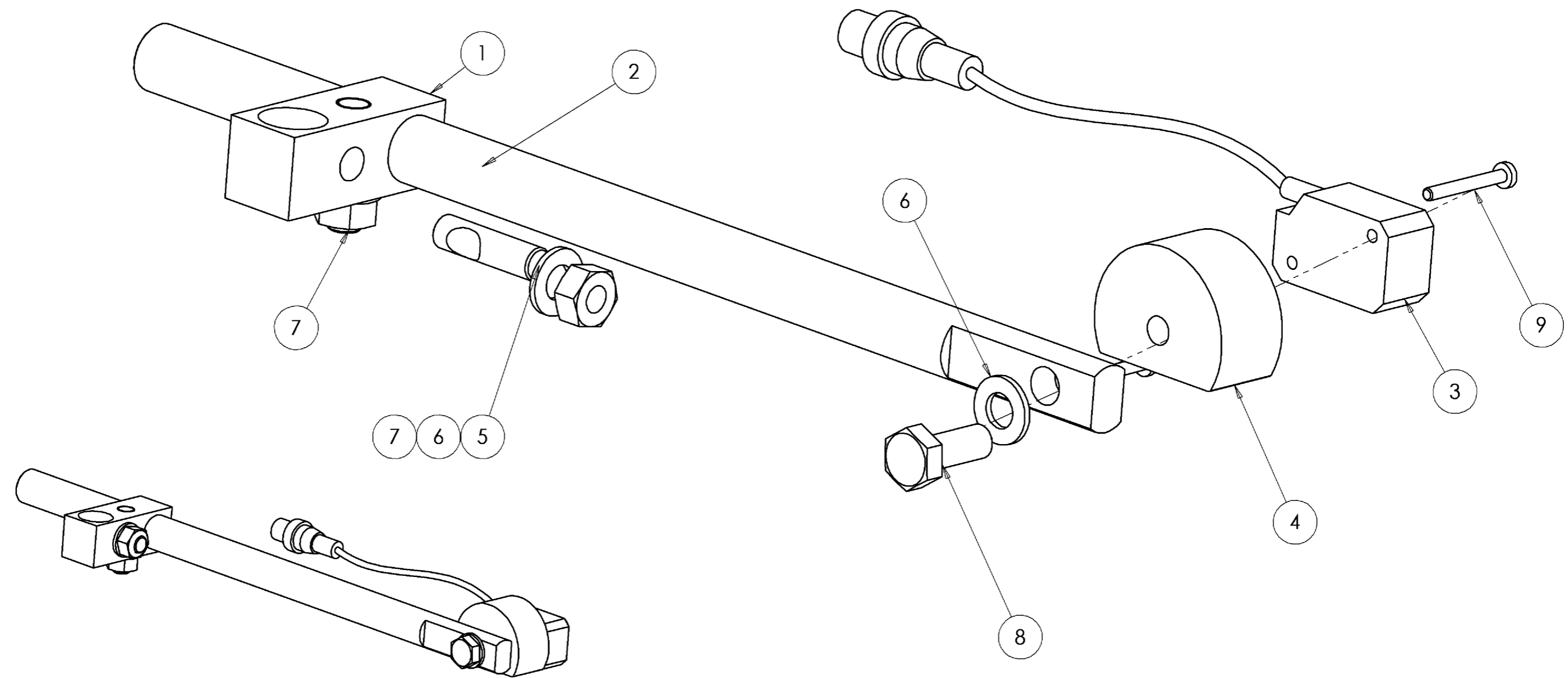
  

Lv	Item	Component no.	Description	Quant	Un
2	0000	8-110-912-546	ASSY FEEDER EYE PIZZA FEEDER		
3	0001	531.033591	CROSS BLOCK EYE MOUNT MASTER	6.000	EA
3	0002	531.033583	01 SHAFT EYE MOUNT MASTER	6.000	EA
3	0003	REF 600749	Eye		
3	0004	8-110-912-539	EYE MOUNT BLOCK	6.000	EA
3	0005	531.033592	CAM LOCK STUD MASTER	12.000	EA
3	0006	309393	01 WASHER-FLAT 8.4 X 16 X 1.6 SST	18.000	EA
3	0007	397063	NUT-HEX FULL M8 SST	12.000	EA
3	0008	432072	SCREW-HEX HD M8 X 20 SST	6.000	EA
3	0009	390547	SCREW-PAN HD M3 X 25 SST	12.000	EA

©THIS DRAWING IS THE EXCLUSIVE PROPERTY OF ROBERT BOSCH GMBH. WITHOUT THEIR CONSENT IT MAY NOT BE REPRODUCED OR GIVEN TO THIRD PARTIES.

SYMBOL FOR TEST FEATURE ACCORDING TO ISO/DIS 129-1. ALL THE TEST FEATURES ESTABLISHED IN THE DRAWING ARE SUBJECT TO A MUST TEST IN ACCORDANCE WITH THE VALID QA GUIDELINES.

ITEM NO.	PART NUMBER	DESCRIPTION	MATERIAL CHEMICAL	Exp Drw/QTY.
1	531.033591	Cross Block - Eye Mount Master	X5CrNi18-10	1
2	531.033583	Shaft - Eye Mount Master	X10CrNiS18-9	1
3	600749	Banner Eye QS18VP6LAFQ5 -	-	1
4	8-110-912-539	Eye Mount Block -	X8CrNiS18-9	1
5	531.033592	Cam - Lock Stud Master	X10CrNiS 18-9	2
6	309393	Washer - Flat 8.4 x 1.6 x 1.6 SST	-	3
7	397063	Nut - Hex M8	934 A2	2
8	432072	Screw - Hex M8x20	-	1
9	390547	Screw - Pan Head M3x25 SST	-	2



GENERAL TOL. FOR DIMENSIONS, FORM AND POSITION DIN ISO 2768-mH				--- COVERED PLACES FOR COATING		SURFACE SYMBOLS DIN EN ISO 1302	
Nom. dim. [mm]	> 1	6	30	120	400	1000	2000
	< 6	30	120	400	1000	2000	4000
Tolerance [mm]	± 0.1	± 0.2	± 0.3	± 0.5	± 0.8	± 1.2	± 2
				--- HARDENED PLACES OR COATING		EDGES DIN ISO 13715	
				XXX PLACE FOR DRAWING-NO.		PLATES ≤ 1,5 mm THICKNESS	
						PLATES > 1,5 mm THICKNESS AND ALL THE REST OF PARTS	
SCALE	DATE	NAME		SURFACE			
1:1	06.10.2009	Mike Rogers		MATERIAL			
AREA	CHK			38620.223 mm <sup>2</sup> 840.65948 g			
	APP	06.10.2009 Mike Rogers		TYPE			
ROBERT BOSCH GmbH Packaging Technology Division				MATERIALCLASS	PROD-NO	TEMPLATE-NO.	
DESCRIPTION Assy Feeder Eye Pizza Feeder				DRAWING-NO. 8-110-912-546		SW A3	
				ORIGIN:		SHEET 1/1	

A3-EN: 2006-02-17

REV.	NO.	CHANGE	CHANGED

**Bosch Packaging Technology Inc.**

<b>Material</b>	S283	0010	<b>Alt.</b>	<b>Usage</b> 3	
	Special Internal Equipment		<b>Valid</b>	09/25/2009	
<b>Reqd qty</b>	1.000 EA	<b>Base quant</b>	1.000 EA		
<b>Sales ord.</b>	172945	<b>Item</b>	000108		
<b>Lv</b>	<b>Item</b>	<b>Component no.</b>	<b>Description</b>	<b>Quant</b>	<b>Un</b>
2	0000	491635	KIT SENSOR TERMINAL BLOCK		
3	0001	491624	TERM BLOCK SENSOR BASE	10.000	EA
3	0002	491625	SENSOR DIST. BLOCK BLUE	10.000	EA
3	0003	491626	SENSOR DIST. BLOCK BROWN	10.000	EA

**Bosch Packaging Technology Inc.**

<b>Material</b>	S283	0010	<b>Alt.</b>	<b>Usage</b> 3
	Special Internal Equipment		<b>Valid</b>	09/25/2009
<b>Reqd qty</b>	1.000 EA	<b>Base quant</b>	1.000 EA	
<b>Sales ord.</b>	172945	<b>Item</b>	000108	
<b>Lv</b>	<b>Item</b>	<b>Component no.</b>	<b>Description</b>	<b>Quant Un</b>
2	0000	8-110-620-835	KIT - START PB w/1 N.O.	
3	0001	491645	KIT - START PB w/1 N.O.	1.000 EA

**Bosch Packaging Technology Inc.**

<b>Material</b>	S283	0010	<b>Alt.</b>	<b>Usage</b> 3
	Special Internal Equipment		<b>Valid</b>	09/25/2009
<b>Reqd qty</b>	1.000 EA	<b>Base quant</b>	1.000 EA	
<b>Sales ord.</b>	172945	<b>Item</b>	000108	
<b>Lv</b>	<b>Item</b>	<b>Component no.</b>	<b>Description</b>	<b>Quant</b> <b>Un</b>
2	0000	8-110-620-836	KIT - STOP PB w/1 N.C.	
3	0001	491646	KIT - STOP PB w/1 N.C.	1.000 EA

**Bosch Packaging Technology Inc.**

<b>Material</b>	S283	0010	<b>Alt.</b>	<b>Usage</b> 3	
	Special Internal Equipment		<b>Valid</b>	09/25/2009	
<b>Reqd qty</b>	1.000 EA	<b>Base quant</b>	1.000 EA		
<b>Sales ord.</b>	172945	<b>Item</b>	000108		
<b>Lv</b>	<b>Item</b>	<b>Component no.</b>	<b>Description</b>	<b>Quant</b>	<b>Un</b>
2	0000	8-110-621-323	KIT E-STOP PBM W/1NO & 1NC		
3	0001	631.042298	SWITCH PB MUSHROOM HD MAINT TWIST-TO	1.000	EA
3	0002	491642	BACK OF PANEL LATCH	1.000	EA
3	0003	631.039109	CONTACT BLOCK N.C. FOR 800F	1.000	EA
3	0004	631.039108	CONTACT BLOCK N.O. FOR 800F	1.000	EA

**Bosch Packaging Technology Inc.**

<b>Material</b>	S283	0010	<b>Alt.</b>	<b>Usage</b> 3	
	Special Internal Equipment		<b>Valid</b>	09/25/2009	
<b>Reqd qty</b>	1.000 EA	<b>Base quant</b>	1.000 EA		
<b>Sales ord.</b>	172945	<b>Item</b>	000108		
<b>Lv</b>	<b>Item</b>	<b>Component no.</b>	<b>Description</b>	<b>Quant</b>	<b>Un</b>
2	0000	8-110-620-894	KIT SEL SW SPRING RET w/1 N.O. & 1 N.C.		
3	0001	8-110-620-893	SEL SW 2 POS SPRING RETURN	1.000	EA
3	0002	8-110-620-853	BACK OF PANEL LATCH	1.000	EA
3	0003	8-110-620-854	CONTACT BLOCK N.O. FOR 800F	1.000	EA
3	0004	8-110-620-856	CONTACT BLOCK N.C. FOR 800F	1.000	EA



**Bosch Packaging Technology Inc.**

<b>Material</b>	S283	0010	<b>Alt.</b>	<b>Usage</b> 3	
	Special Internal Equipment		<b>Valid</b>	09/25/2009	
<b>Reqd qty</b>	1.000 EA	<b>Base quant</b>	1.000 EA		
<b>Sales ord.</b>	172945	<b>Item</b>	000108		
<b>Lv</b>	<b>Item</b>	<b>Component no.</b>	<b>Description</b>	<b>Quant</b>	<b>Un</b>
3	0000	491645	KIT - START PB w/1 N.O.		
4	0001	631.042296	SWITCH PB FLUSH HD GREEN "1" 800F	1.000	EA
4	0002	491642	BACK OF PANEL LATCH	1.000	EA
4	0003	631.039108	CONTACT BLOCK N.O. FOR 800F	1.000	EA

**Bosch Packaging Technology Inc.**

<b>Material</b>	S283	0010	<b>Alt.</b>	<b>Usage</b> 3	
	Special Internal Equipment		<b>Valid</b>	09/25/2009	
<b>Reqd qty</b>	1.000 EA	<b>Base quant</b>	1.000 EA		
<b>Sales ord.</b>	172945	<b>Item</b>	000108		
<b>Lv</b>	<b>Item</b>	<b>Component no.</b>	<b>Description</b>	<b>Quant</b>	<b>Un</b>
3	0000	491646	KIT - STOP PB w/1 N.C.		
4	0001	631.042297	SWITCH PB EXTENDED HD RED "O" 800F	1.000	EA
4	0002	491642	BACK OF PANEL LATCH	1.000	EA
4	0003	631.039109	CONTACT BLOCK N.C. FOR 800F	1.000	EA

# LINIUM31X - CLOGIX CONTROLS HORIZONTAL WRAPPER

					Date	02/04/2010	Customer or Machine	Bosch Packaging Technology, Inc. 869 South Knowles Ave. New Richmond, WI 54017	Cover page	=225. 00	Function	00
				Name	Robert Evertsen	Rockwell Controls	Type of Sheet				CP	
				Checked	Joe Franek	Linium31X						
Index	Description	Date	ECN#	Chg By						<b>BOSCH</b>	8-110-912-480	1 39

TYPE	FUNCTION	PAGE	DESCRIPTION
CP	00	1 of 39	Cover page
OV	00	2 of 39	Table of contents: (1 - 38)
OV	00	3 of 39	Reserved-TOC
LE	00	4 of 39	Legend
PL	00	5 of 39	Main Panel Layout
PL	00	6 of 39	Auxiliary Panel Layout
RF	00	7 of 39	Cable Reference
RF	00	8 of 39	Cable Reference
RF	00	9 of 39	Terminal Block Layout
RF	00	10 of 39	Terminal Block Layout
ED	01	11 of 39	Main Power
ED	01	12 of 39	Main Power
ED	06	13 of 39	DC Power Supply
ED	08	14 of 39	Operator Interface Controller & I/O Overview
ED	08	15 of 39	Inputs
ED	08	16 of 39	Inputs
ED	08	17 of 39	Inputs
ED	08	18 of 39	Outputs
ED	08	19 of 39	Outputs
ED	08	20 of 39	DeviceNet Connections
ED	08	21 of 39	Ethernet Connections
ED	08	22 of 39	Serco's Connections
ED	17	23 of 39	Safety Circuit Guard Switches And Estop Pushbuttons
ED	17	24 of 39	Safety Circuit Guard Switches And Estop Pushbuttons
ED	17	25 of 39	Safety Circuit Monitoring Relays And Contactors
ED	31	26 of 39	Temperature Control Controllers
ED	31	27 of 39	Temperature Control Heaters
ED	25	28 of 39	Cutting Head Motor And Control
ED	26	29 of 39	Finwheel Motor And Control
ED	27	30 of 39	Infeed Motor And Control
ED	28	31 of 39	Discharge Motor And Control
ED	29	32 of 39	Powerfeed Roll Motor And Control
ED	31	33 of 39	Options Coder, Fan, Vacuum, Static Eliminator
ED	08	34 of 39	External Connections
ED	27	35 of 39	Metering Motor And Control
ED	27	36 of 39	Gap Closing belt 3Motor And Control
ED	27	37 of 39	Gap Closing belt 2Motor And Control
ED	27	38 of 39	Gap Closing belt 1Motor And Control
ED	01	39 of 39	Transfer Belt
		of	
		of	
		of	
		of	
		of	
		of	
		of	

				Date	02/04/2010	Customer or Machine	Bosch Packaging Technology, Inc. 869 South Knowles Ave. New Richmond, WI 54017	Table of contents: (1 - 39)	=225. 00	Function	00
				Name	Robert Evertsen	Rockwell Controls Linium31X				Type of Sheet	OV
				Checked	Joe Franek					<b>BOSCH</b>	8-110-912-480
Index	Description	Date	ECN#	Chg By							39

This Page Intentionally Left Blank

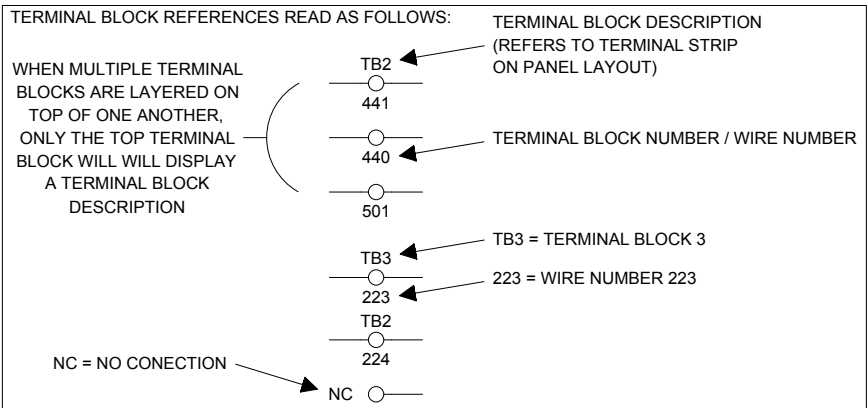
					Date	02/04/2010	Customer or Machine	Bosch Packaging Technology, Inc. 869 South Knowles Ave. New Richmond, WI 54017	Reserved-TOC	=225. 00	Function	00
				Name	Robert Evertsen	Rockwell Controls	Type of Sheet				OV	
				Checked	Joe Franek	Linium31X						
Index	Description	Date	ECN#	Chg By						<b>BOSCH</b>	8-110-912-480	3 39

SYMBOL DESCRIPTIONS	
SYMBOL	FUNCTION
A	AUDIBLE ALARM
AC	AIR CONDITIONING UNIT
CB	CIRCUIT BREAKER
CH	CHILLER UNIT
CON	CONTACTOR
CPU	PROCESSOR
CR	RELAY
DR	DRIVE
DS	DISCONNECT SWITCH
ENC	ENCODER
FU	FUSE
HMI	HUMAN MACHINE INTERFACE
HTR	HEATER
LS	LIMIT SWITCH / GUARD INTERLOCK
LT	LIGHT
MNT	SAFETY MONITOR
MSR	SAFETY RELAY - MONITOR
MOV	METAL OXIDE VARISTOR
MTR	MOTOR
OL	OVERLOAD
PB	PUSHBUTTON
PBM	PUSHBUTTON - MAINTAINED
PE	PHOTO-EYE
PROX	PROXIMITY SWITCH
PS	PRESSURE SWITCH
PWS	POWER SUPPLY
R	RESISTOR
REC	RECEPTACLE
SOL	SOLENOID
SS	SELECTOR SWITCH
SWITCH	ETHERNET SWITCH
T	TRANSFORMER
TB	TERMINAL BLOCK
T/C	THERMOCOUPLE
TC	TEMPERATURE CONTROLLER
TR	TIMER

MACHINE FUNCTIONS	
NUMBER	DESCRIPTION
00	INFORMATION
01	MAIN POWER
06	DC VOLTAGE SUPPLY
08	MAIN LOGIC UNIT
17	EMERGENCY STOP
18	GUARDS
25	CUTTING HEAD
26	FINWHEEL
27	INFEED
28	DISCHARGE
29	POWER FEED ROLL
30	FEEDER
31	OPTIONS

TYPE OF SHEET	
SYMBOL	DESCRIPTION
CV	COVER PAGE
OV	OVERVIEW
LE	LEGEND
EP	ELECTRICAL POSITION PLAN
PL	PANEL LAYOUT
RF	REFERENCE INFORMATION
ED	ELECTRICAL DIAGRAM

LINE REFERENCE =08/15.09 READS AS FOLLOWS:  
 =08 IS FUNCTION 08  
 /15 IS PAGE 15  
 .09 IS ROW 9

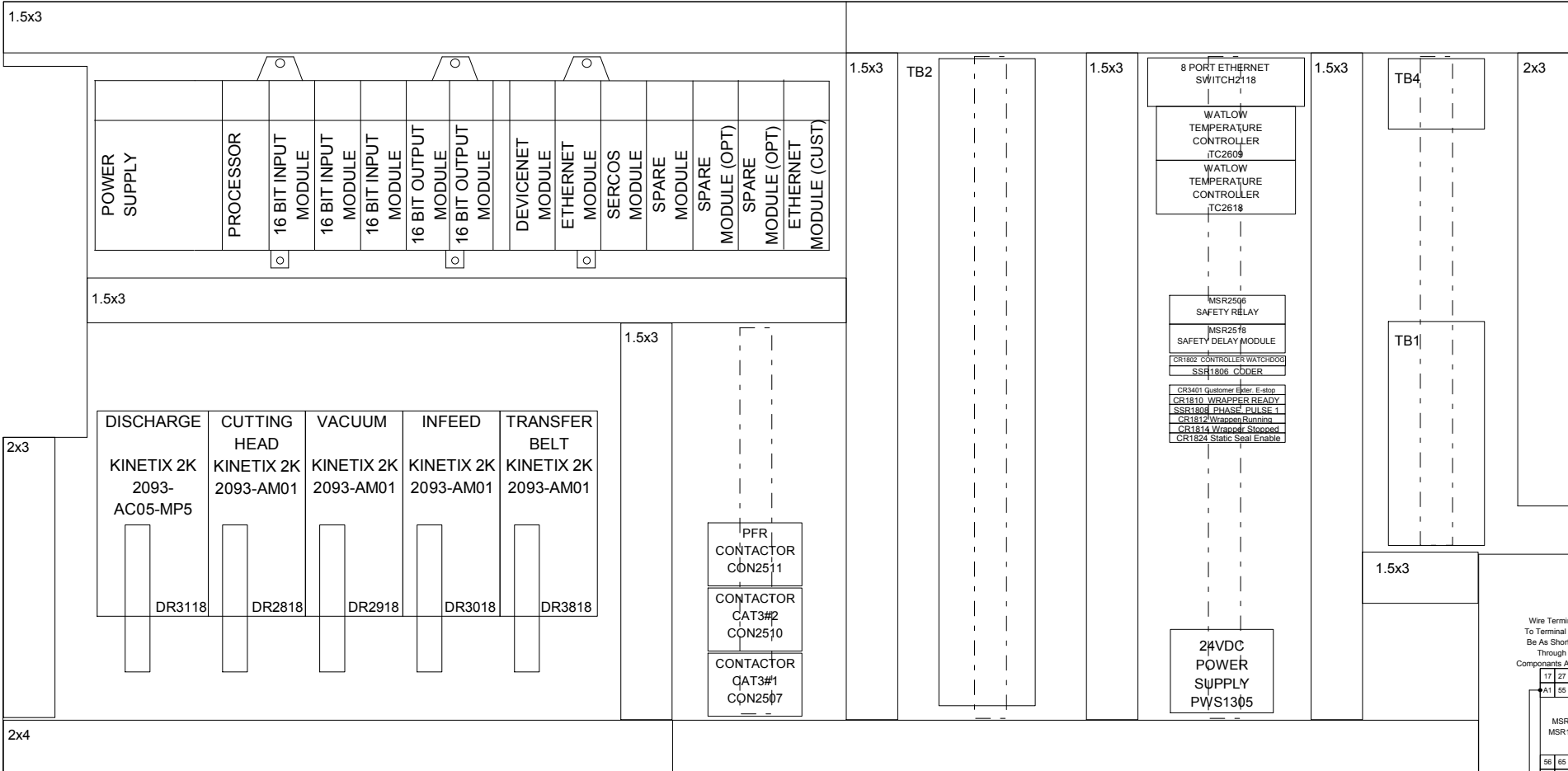


				Date	02/04/2010	Customer or Machine	Bosch Packaging Technology, Inc. 869 South Knowles Ave. New Richmond, WI 54017	Legend	=225. 00	Function	00
				Name	Robert Evertsen	Rockwell Controls Linium31X				Type of Sheet	LE
				Checked	Joe Franek					<b>BOSCH</b>	8-110-912-480
Index	Description	Date	ECN#	Chg By							39

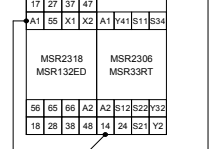
# MAIN ENCLOSURE PANEL

SHOWN FOR A RIGHT TO LEFT MACHINE, MIRROR IMAGE FOR LEFT TO RIGHT MACHINE

Cut Panduit Cover At This Location.



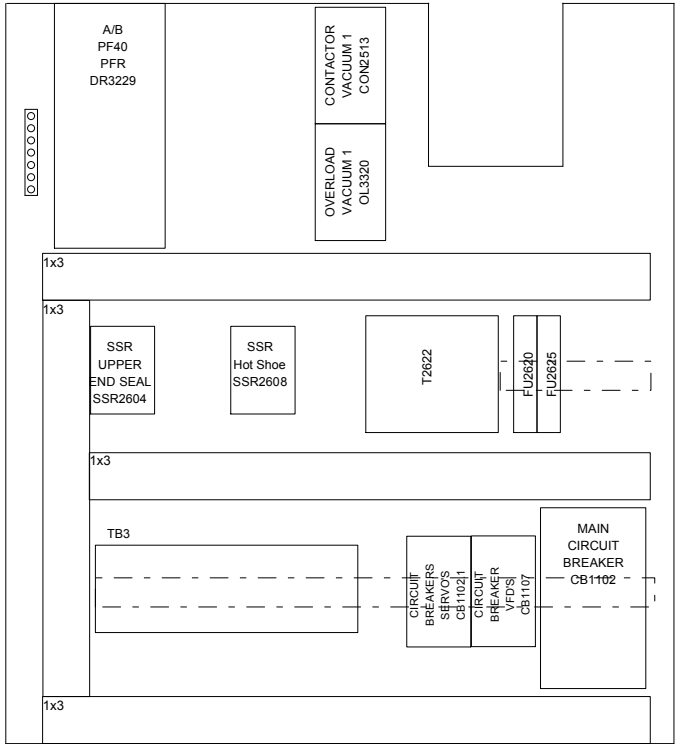
Wire Terminal A1 Of MSR2318 Directly To Terminal 14 of MSR2306. Wire Should Be As Short As Possible And Not Routed Through The Wireway. These Two Components Are To Be Mounted Side By Side.



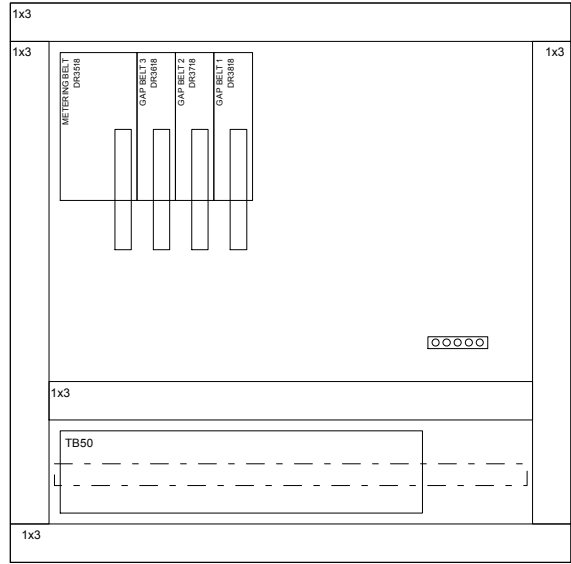
Cut Panduit Cover At This Location.

Date	02/04/2010	Customer or Machine	Bosch Packaging Technology, Inc. 869 South Knowles Ave. New Richmond, WI 54017	Main Panel Layout	=225. 00	Function 00 Type of Sheet PL
Name	Robert Evertsen	Rockwell Controls Linium31X				
Checked	Joe Franek					
Index	Description	Date	ECN#	Chg By	BOSCH	8-110-912-480

DOOR PANEL, SK PANEL & AUXILIARY FEEDER PANEL  
 SHOWN FOR A RIGHT TO LEFT MACHINE, MIRROR IMAGE FOR LEFT TO RIGHT MACHINE



Feeder Auxiliary Enclosure

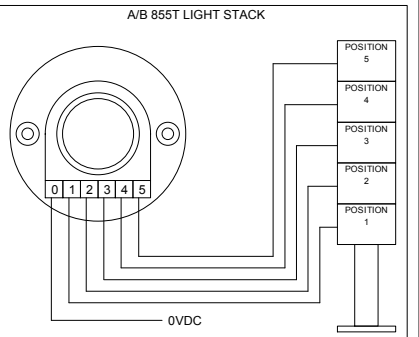


				Date	02/04/2010	Customer or Machine	Bosch Packaging Technology, Inc. 869 South Knowles Ave. New Richmond, WI 54017	Auxiliary Panel Layout	=225. 00	Function	00
			Name	Robert Evertsen	Rockwell Controls Linium31X	Type of Sheet				PL	
			Checked	Joe Franek							
Index	Description	Date	ECN#	Chg By					<b>BOSCH</b>	8-110-912-480	6 39

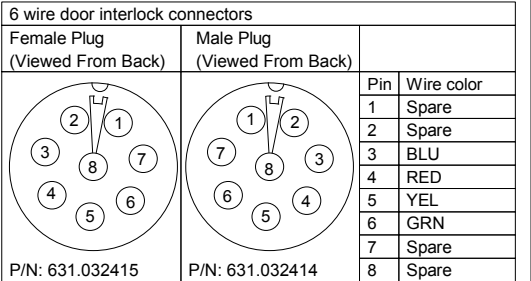




Main Panel -> Door Panel Connections (Low/High Voltage)					
Wire #	Size	Wire Color	From:	To:	Function
440	16AWG	WHT/BLU	TB2	TB3	0 VDC
441	16AWG	BLU	TB2	TB3	24 VDC
936	18AWG	BLU	TB2	TB3	Safety Monitor Out 3
GND	14AWG	GRN/YEL	PANEL	PANEL	GROUND
223	14AWG	BLK	TB1	TB3	208-230 VAC
224	14AWG	BLK	TB1	TB3	208-230 VAC
225	14AWG	BLK	TB1	TB3	208-230 VAC
253	14AWG	BLK	TB1	TB3	208-230 VAC
254	14AWG	BLK	TB1	TB3	208-230 VAC
255	14AWG	BLK	TB1	TB3	208-230 VAC

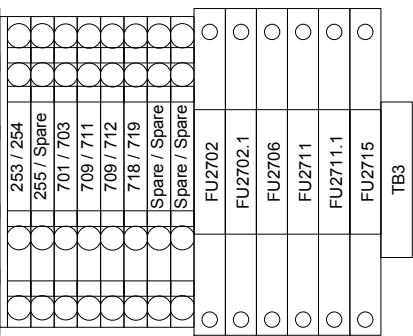
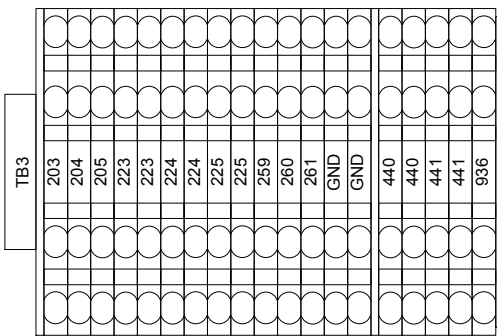
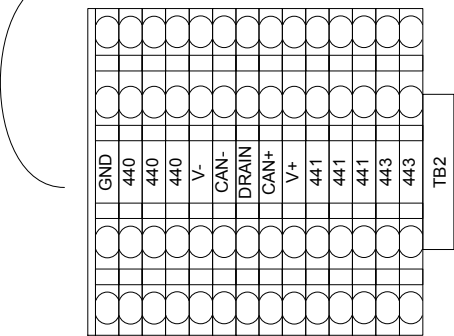
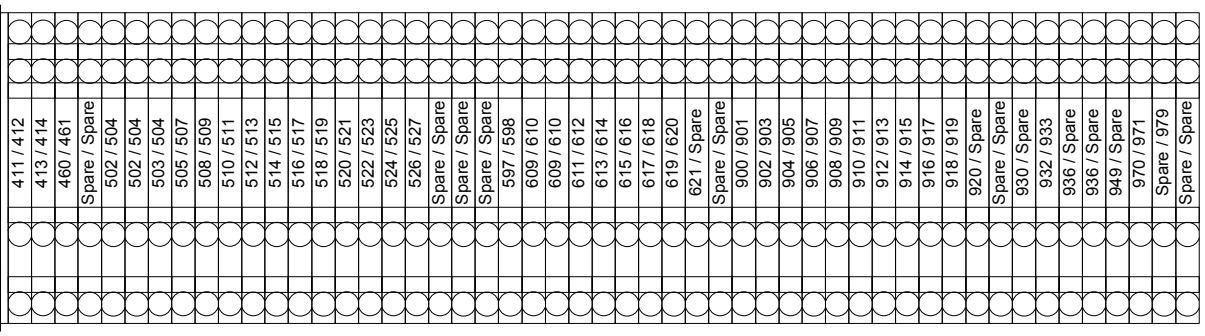
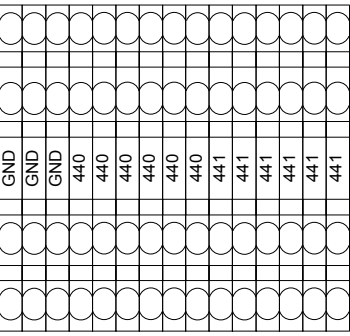
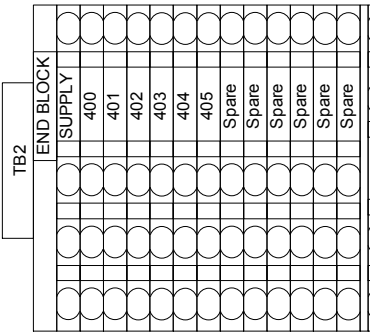
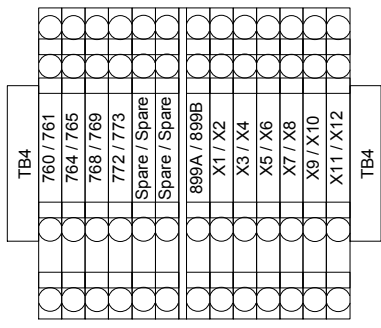
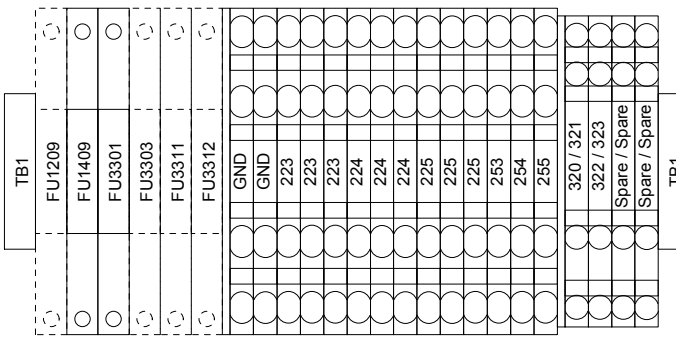


Temp. Controller SSR Cable (From Watlow Controllers To SSR's) Cable P/N: 306573 (22AWG, 12C)		
Wire #	Wire Color	Function
762	WHT	-SSR
763	BLU	+SSR
766	BLK	-SSR
767	YEL	+SSR
770	RED	-SSR
771	ORG	+SSR
774	PUR	-SSR
775	PNK	+SSR
Spare	GRY	Spare
Spare	BRN	Spare
Spare	TAN	Spare
Spare	GRN	Spare

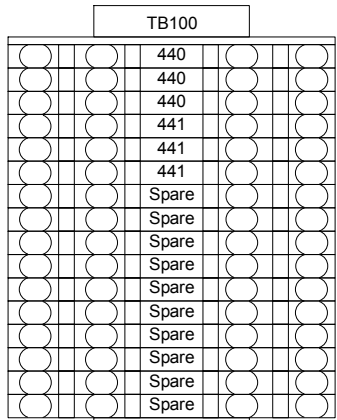


					Date	02/04/2010	Customer or Machine	Bosch Packaging Technology, Inc. 869 South Knowles Ave. New Richmond, WI 54017	Cable Reference	=225. 00	Function	00
					Name	Robert Evertsen	Rockwell Controls				Type of Sheet	RF
					Checked	Joe Franek	Linium31X					
Index	Description	Date	ECN#	Chg By						<b>BOSCH</b>	8-110-912-480	8 39

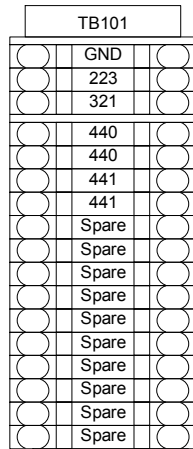
Optional Fuse Blocks  
 FU1209 - Receptacle  
 FU3303 - Empty Bag Fan  
 FU3311 - Chiller  
 FU3312 - Chiller



Index	Description	Date	ECN#	Chg By	Date	02/04/2010	Customer or Machine	Bosch Packaging Technology, Inc.	Terminal Block Layout	=225. 00	Function	00	
					Name	Robert Evertsen	Rockwell Controls	869 South Knowles Ave.			Type of Sheet	RF	
					Checked	Joe Franek	Linium31X	New Richmond, WI 54017					
										<b>BOSCH</b>	8-110-912-480	9 39	

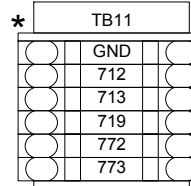


TB100 - Located On Feeder Section

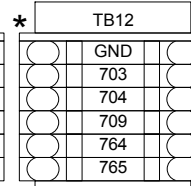


TB101 - Located On Discharge Section

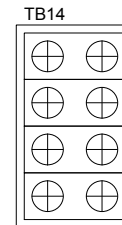
\* For wrappers with cantable finwheels, use TB11 and TB12.  
For wrappers with non-cantable finwheels, use TB30.



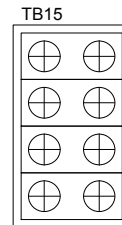
Located In First Heated Finwheel Section



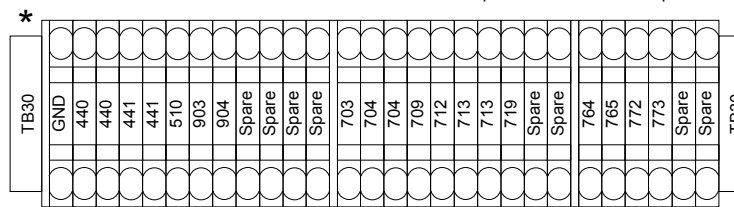
Located In Second Heated Finwheel Section



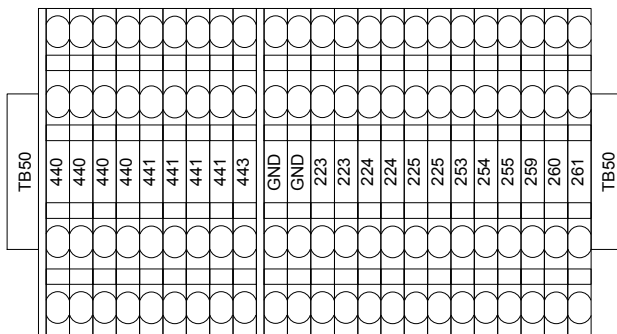
Located On Upper Crimper Shaft



Located On Lower Crimper Shaft



Located underneath the finwheel assembly



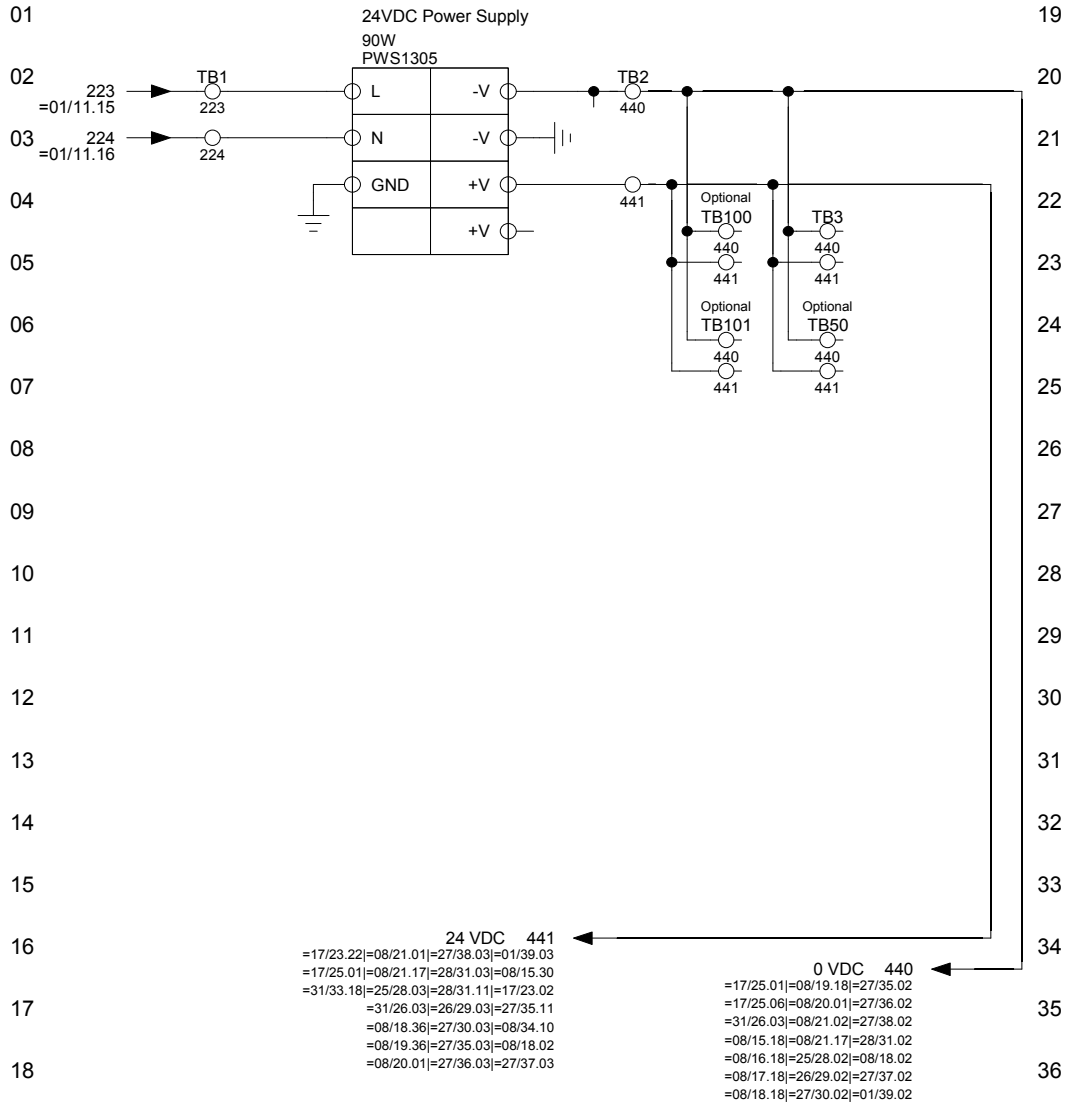
TB50 Located In External Enclosure.  
Actual Terminals Necessary Depends On Application.

				Date	02/04/2010	Customer or Machine Rockwell Controls Linium31X	Bosch Packaging Technology, Inc. 869 South Knowles Ave. New Richmond, WI 54017	Terminal Block Layout	=225. 00		Function	00
			Name	Robert Evertsen	Type of Sheet				RF			
			Checked	Joe Franek	BOSCH				8-110-912-480	10		
Index	Description	Date	ECN#	Chg By		39						



01	19
02	20
03	21
04	22
05	23
06	24
07	25
08	26
09	27
10	28
11	29
12	30
13	31
14	32
15	33
16	34
17	35
18	36

				Date	02/04/2010	Customer or Machine	Bosch Packaging Technology, Inc. 869 South Knowles Ave. New Richmond, WI 54017	Main Power	=225. 01	Function	01
			Name	Robert Evertsen	Rockwell Controls Linium31X	Type of Sheet				ED	
			Checked	Joe Franek						<b>BOSCH</b>	8-110-912-480
Index	Description	Date	ECN#	Chg By							



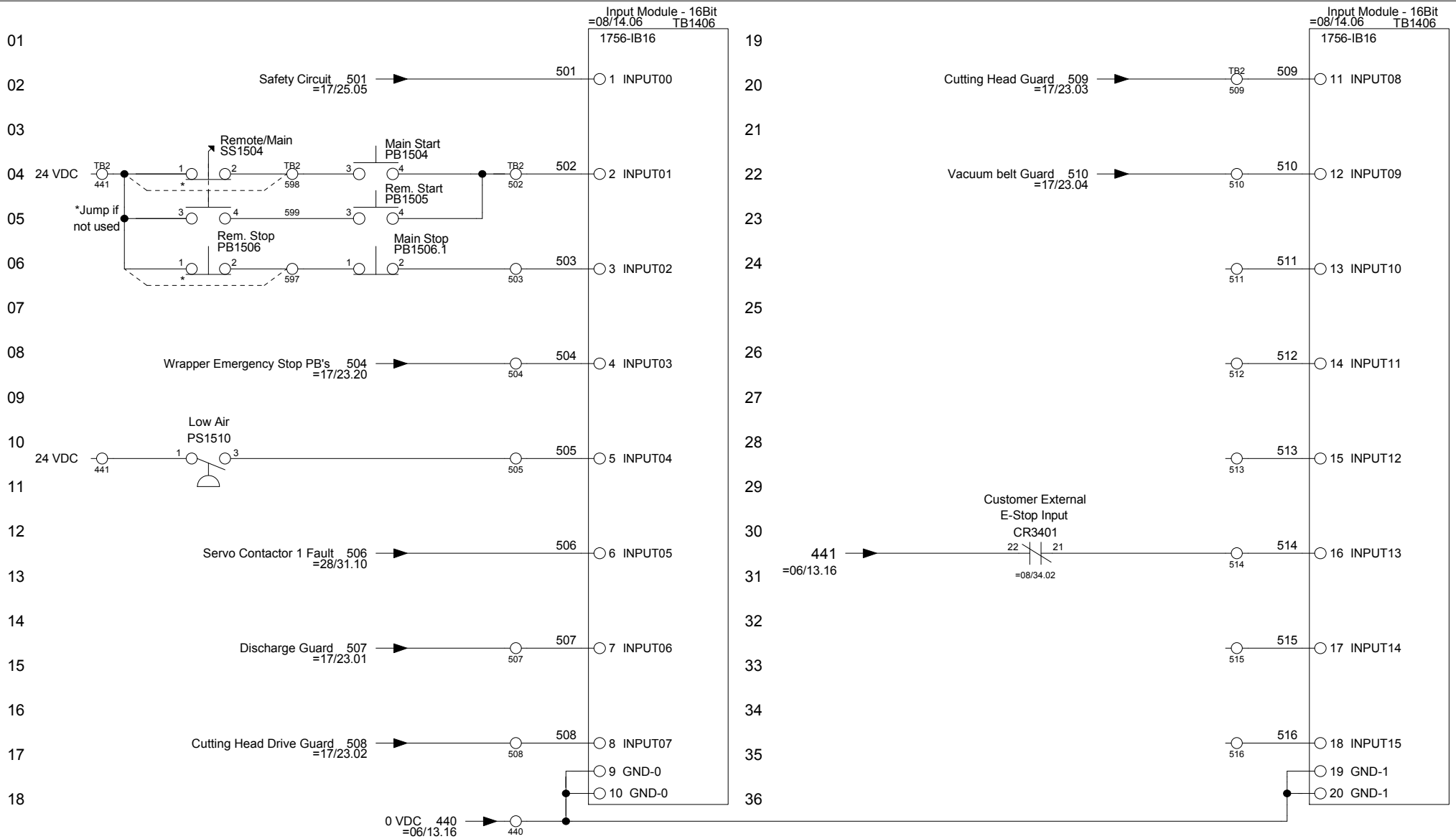
					Date	02/04/2010	Customer or Machine	Bosch Packaging Technology, Inc. 869 South Knowles Ave. New Richmond, WI 54017	DC Power Supply	=225. 06	Function	06
				Name	Robert Evertsen	Rockwell Controls Linium31X	Type of Sheet				ED	
				Checked	Joe Franek							
Index	Description	Date	ECN#	Chg By						<b>BOSCH</b>	8-110-912-480	13 39

01  
02  
03  
04  
05  
06  
07  
08  
09  
10  
11  
12  
13  
14  
15  
16  
17  
18

ControlLogix Power Supply PWS1406 	Slot0	Slot1	Slot2	Slot3	Slot4	Slot5	Slot6	Slot7	Slot8	Slot9	Slot10	Slot11	Slot12	
	CPU1406 L61 Processor 1756-5561	TB1406 Input Module - 16Bit 1756-IB16	TB1406.1 Input Module - 16Bit 1756-IB16	TB1406.2 Input Module - 16Bit 1756-IB16	TB1406.3 Output Module - 16Bit 1756-OB16E	TB1406.4 Output Module - 16Bit 1756-OB16E	TB1406.5 DeviceNet Module 1756-DNB/A Node: 0, Baud: 500	TB1406.6 EthernetIP Module 1756-ENBT IP Address: 10.227.137.001	TB1406.7 Sercos Module 1756-MO16SE Node:0	TB1406.8 EthernetIP Module 1756-ENBT IP Address: 192.123.044.219	TB1406.9 Optional Module Slot Filler	TB1406.10 Optional Module Slot Filler	TB1406.11 Optional Module Slot Filler	

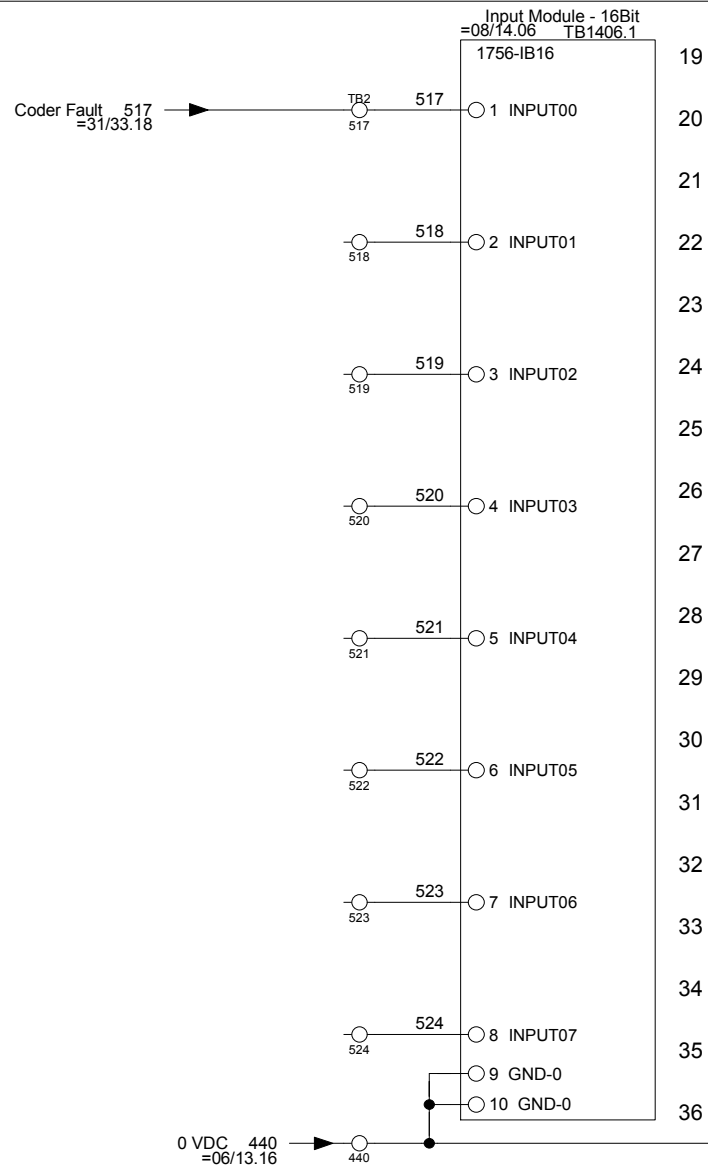
				Date	02/04/2010	Customer or Machine	Bosch Packaging Technology, Inc. 869 South Knowles Ave. New Richmond, WI 54017	Operator Interface Controller & I/O Overview	<b>=225. 08</b> <b>BOSCH</b>	Function	08
			Name	Robert Evertsen	Rockwell Controls Linium31X	Type of Sheet				ED	
			Checked	Joe Franek		8-110-912-480				14	
Index	Description	Date	ECN#	Chg By							39



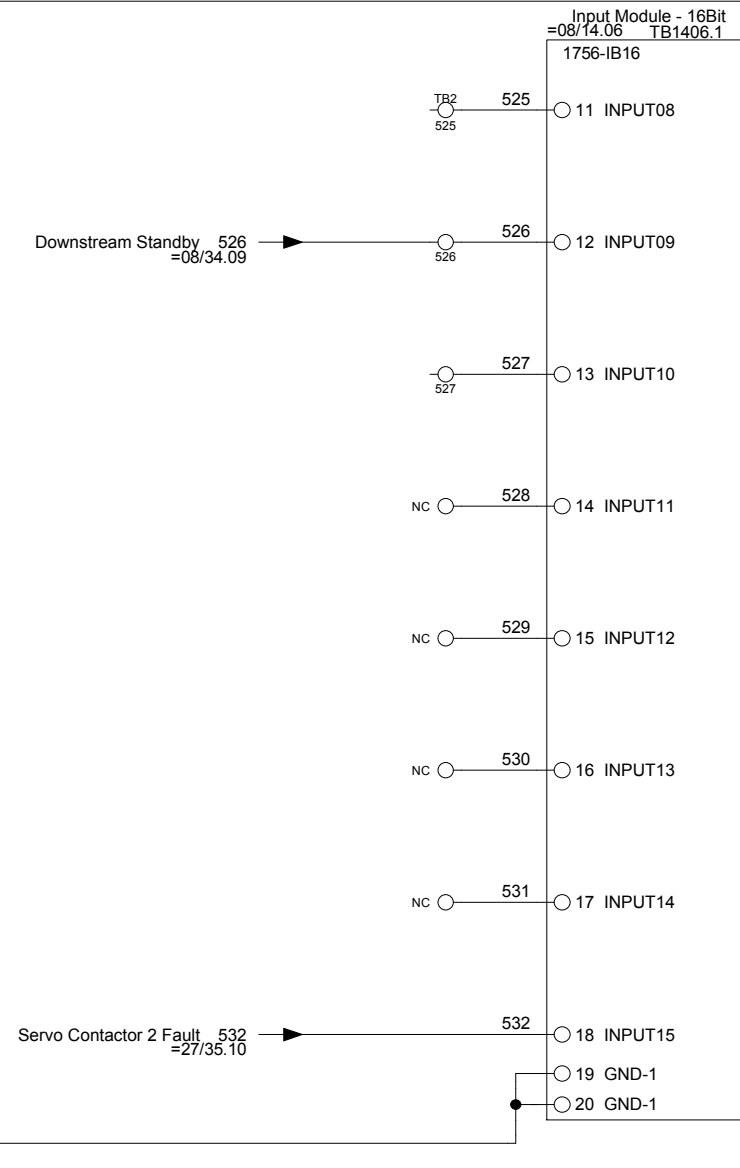


					Date	02/04/2010	Customer or Machine	Bosch Packaging Technology, Inc. 869 South Knowles Ave. New Richmond, WI 54017	Inputs	=225. 08	Function	08
				Name	Robert Evertsen	Rockwell Controls Linium31X	Type of Sheet				ED	
				Checked	Joe Franek							
Index	Description	Date	ECN#	Chg By						<b>BOSCH</b>	8-110-912-480	15 39

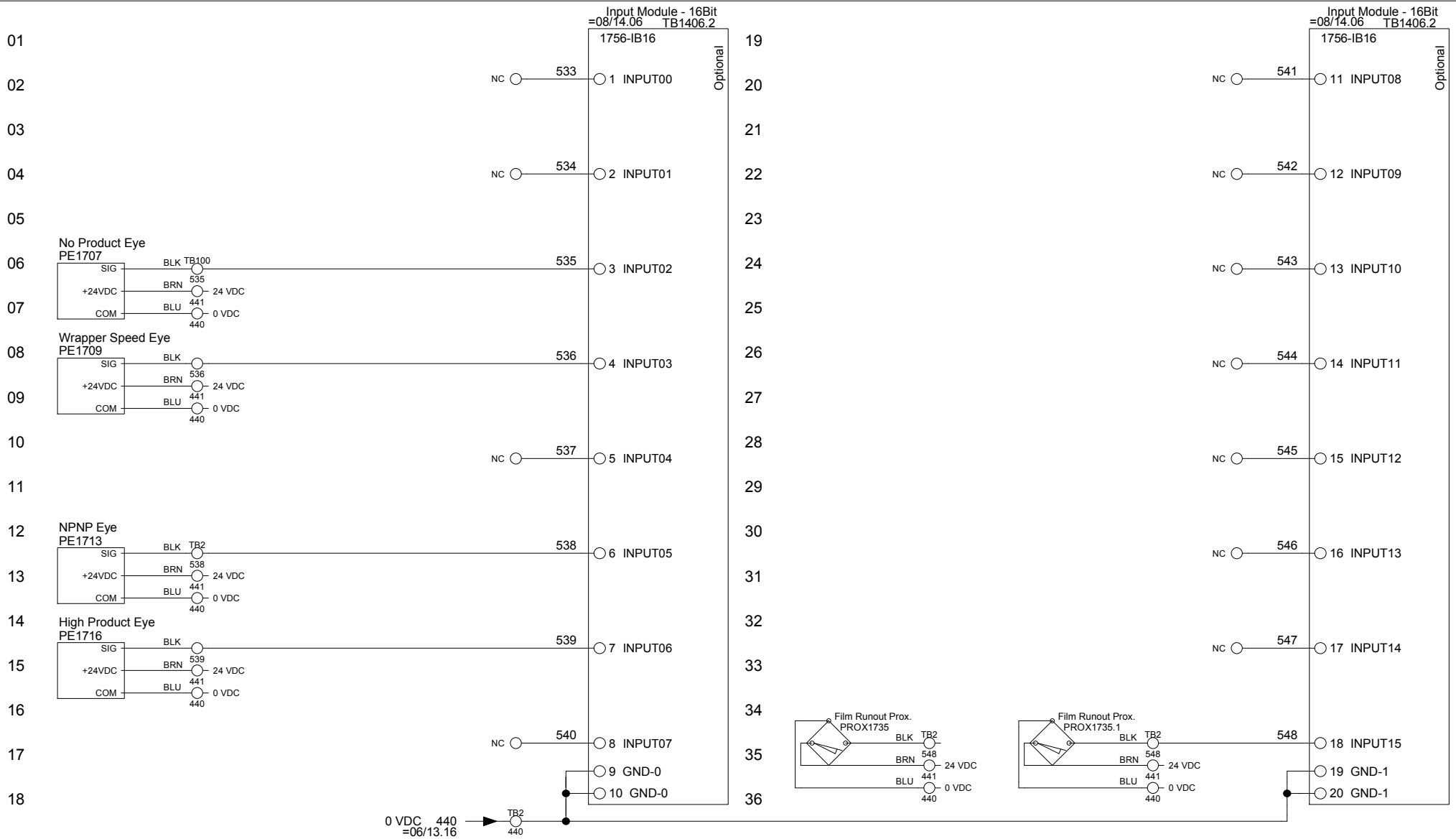
01  
02  
03  
04  
05  
06  
07  
08  
09  
10  
11  
12  
13  
14  
15  
16  
17  
18



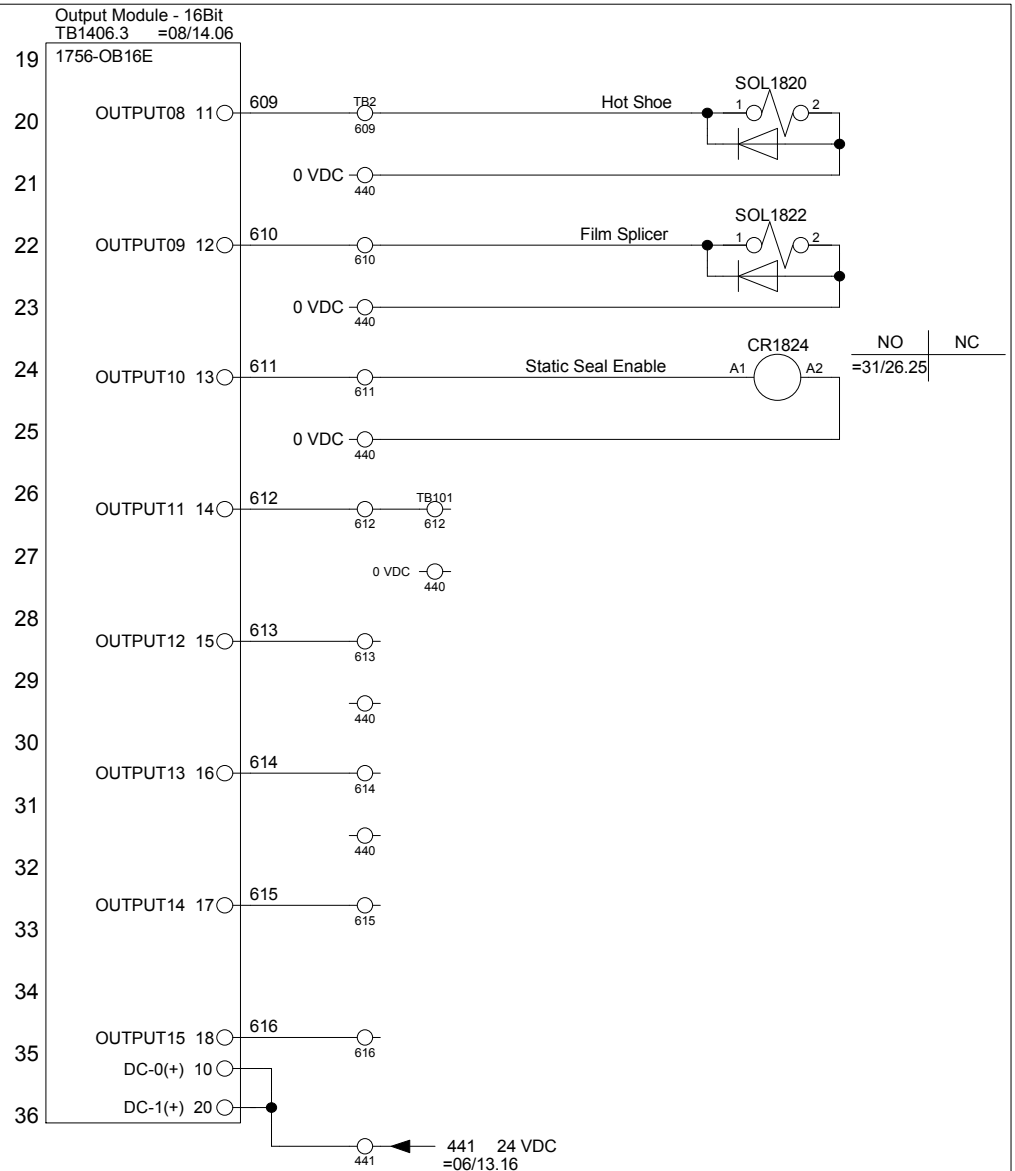
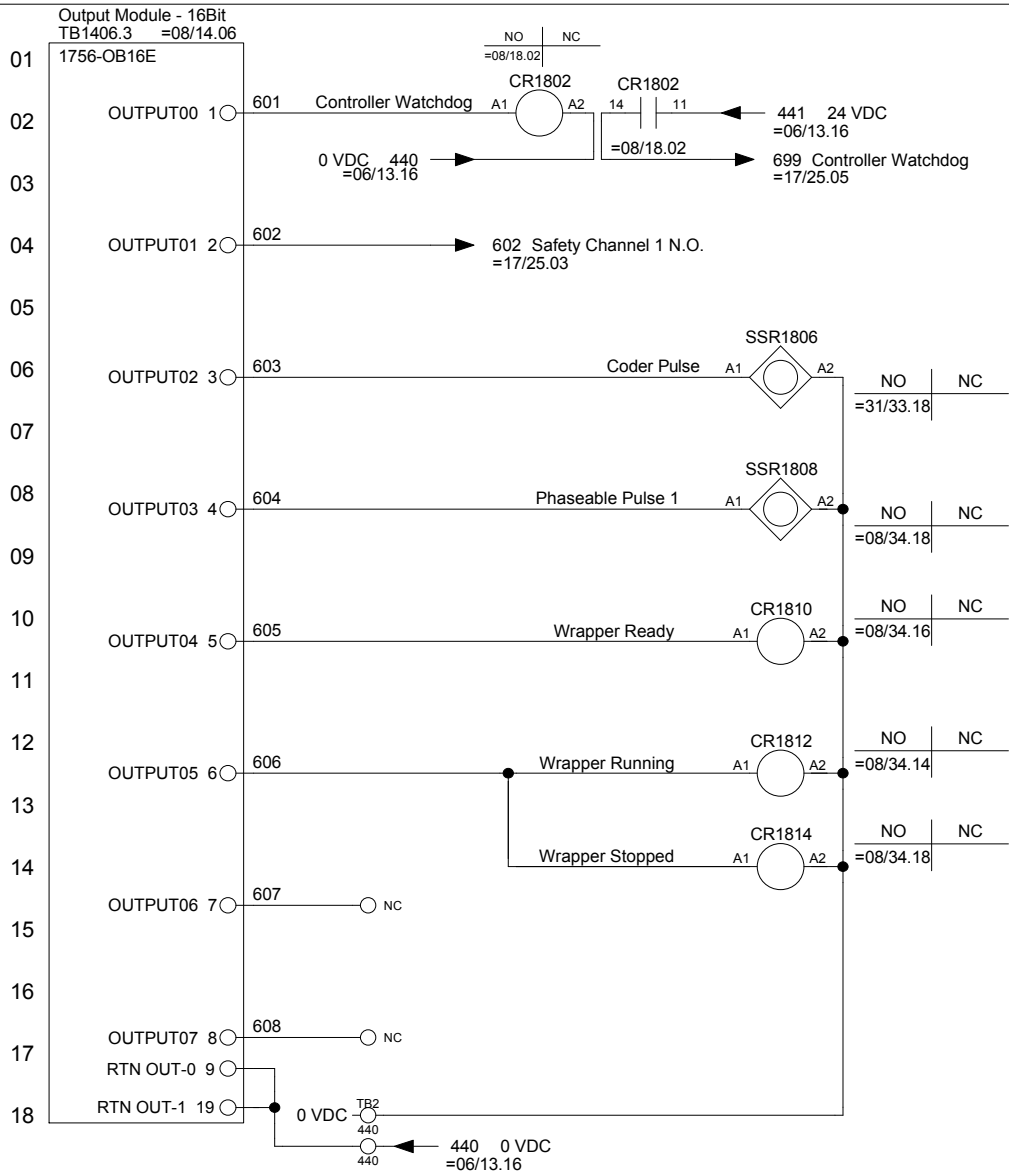
19  
20  
21  
22  
23  
24  
25  
26  
27  
28  
29  
30  
31  
32  
33  
34  
35  
36



					Date	02/04/2010	Customer or Machine	Bosch Packaging Technology, Inc. 869 South Knowles Ave. New Richmond, WI 54017	Inputs	=225. 08	Function	08
				Name	Robert Evertsen	Rockwell Controls	Type of Sheet				ED	
				Checked	Joe Franek	Linium31X						
Index	Description	Date	ECN#	Chg By						<b>BOSCH</b>	8-110-912-480	16 39



					Date	02/04/2010	Customer or Machine		Bosch Packaging Technology, Inc. 869 South Knowles Ave. New Richmond, WI 54017	Inputs	=225. 08	Function	08
					Name	Robert Evertsen	Rockwell Controls Linium31X					Type of Sheet	ED
					Checked	Joe Franek						<b>BOSCH</b>	8-110-912-480
Index	Description	Date	ECN#	Chg By							39		



					Date	02/04/2010	Customer or Machine	Bosch Packaging Technology, Inc. 869 South Knowles Ave. New Richmond, WI 54017	Outputs	=225. 08	Function	08	
					Name	Robert Evertsen	Rockwell Controls Linium31X	Type of Sheet			ED		
					Checked	Joe Franek					18		
Index	Description	Date	ECN#	Chg By							BOSCH	8-110-912-480	39

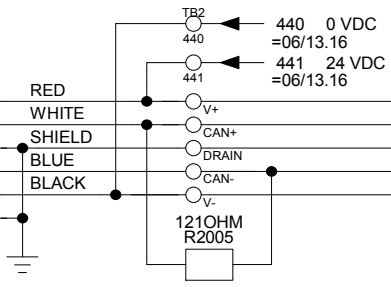


01  
02  
03  
04  
05  
06  
07  
08  
09  
10  
11  
12  
13  
14  
15  
16  
17  
18

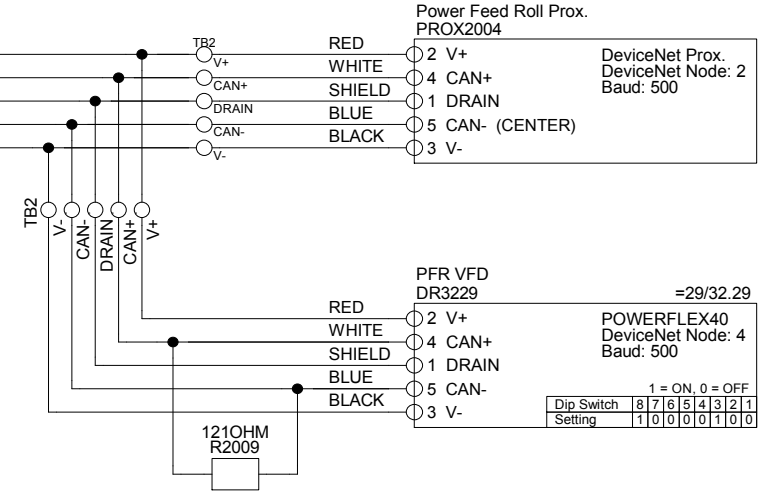
=08/14.06  
DeviceNet Module  
1756-DNB/A  
Node: 0, Baud: 500

BAUD RATE 0 = 125KBPS 1 = 250KBPS 2 = 500KBPS	ADR X10 (MSD)	ADR X1 (LSD)

DIP Switches Are Located At The Top Of The 1756-DNB Module.  
Communication Rate: 500KBPS  
DeviceNet Node Address: 0

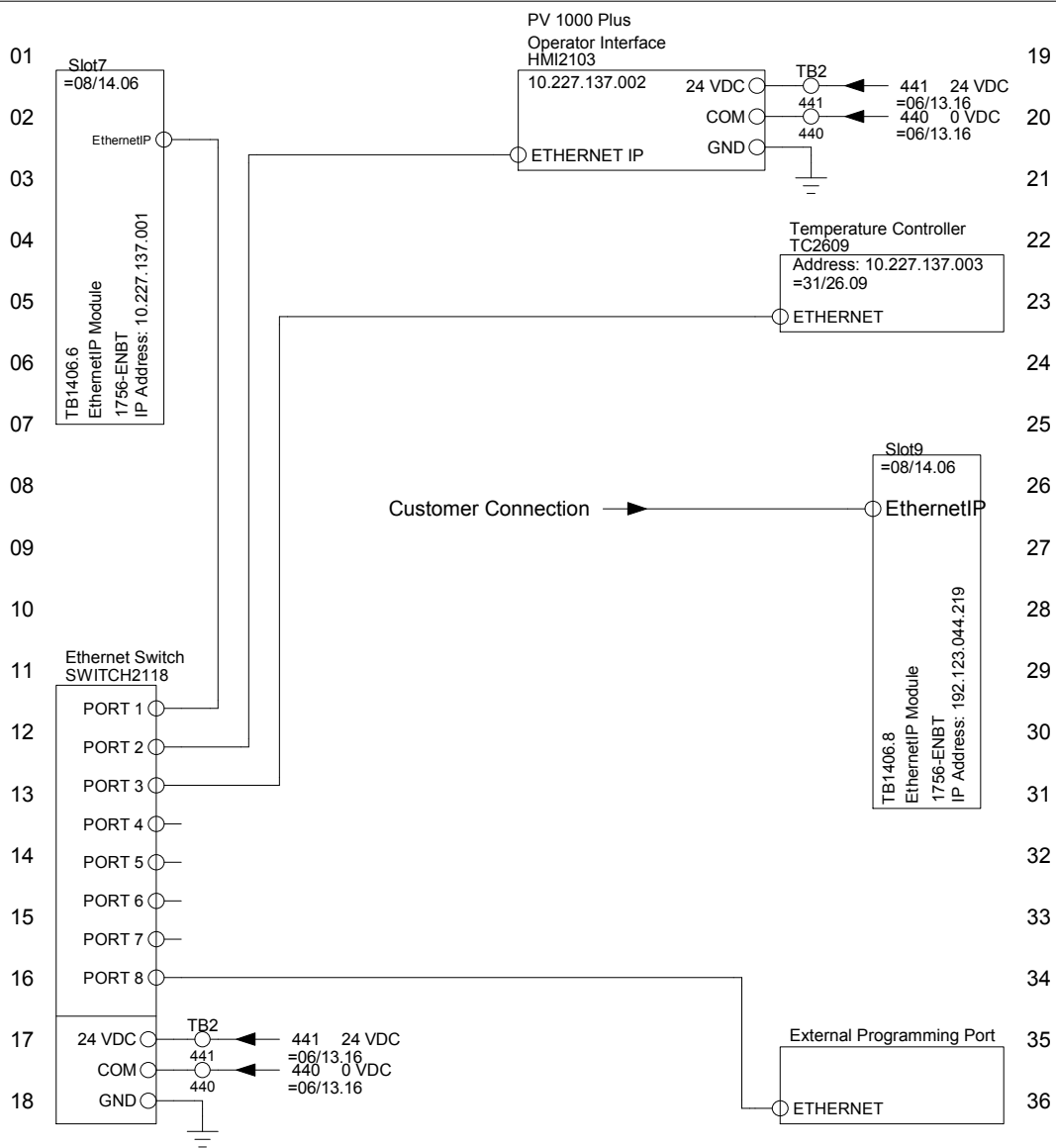


Use Clear Shrink Tubing For All Drain(Sheild) Wires!

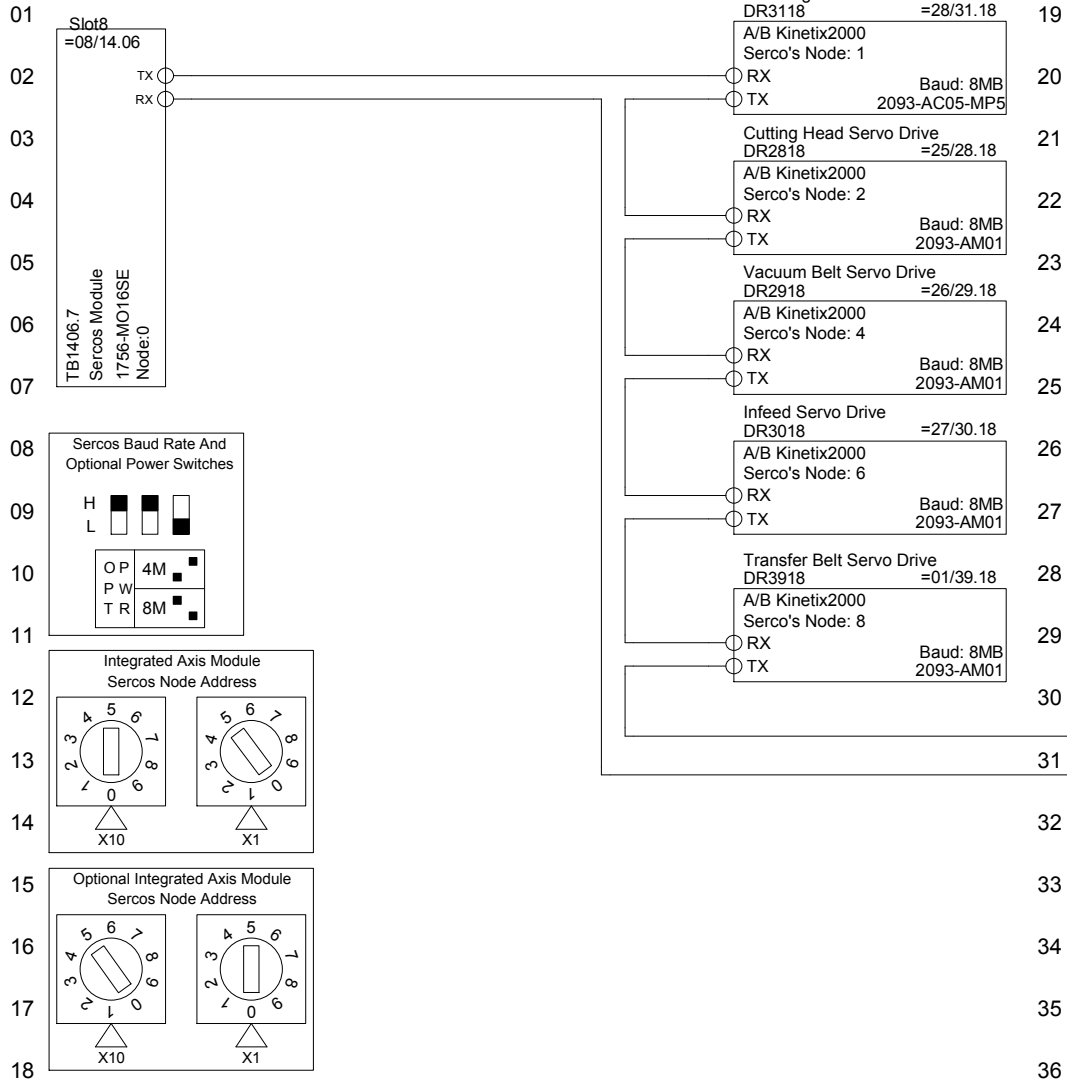


1 = ON, 0 = OFF								
Dip Switch	8	7	6	5	4	3	2	1
Setting	1	0	0	0	0	1	0	0

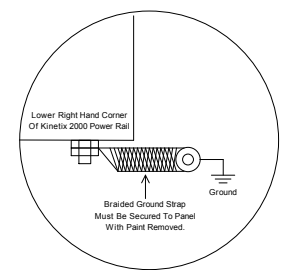
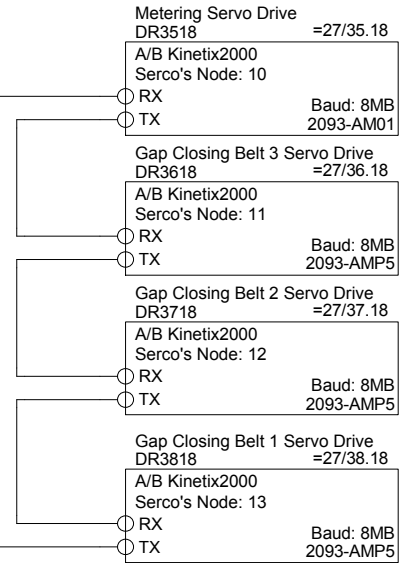
Date	02/04/2010	Customer or Machine	Rockwell Controls Linium31X	DeviceNet Connections	=225. 08	Function	08
Name	Robert Evertsen	Bosch Packaging Technology, Inc. 869 South Knowles Ave. New Richmond, WI 54017		BOSCH	8-110-912-480	Type of Sheet	ED
Checked	Joe Franek					20	
Index	Description	Date	ECN#	Chg By			39



				Date	02/04/2010	Customer or Machine	Bosch Packaging Technology, Inc. 869 South Knowles Ave. New Richmond, WI 54017	Ethernet Connections	=225. 08		Function	08
			Name	Robert Evertsen	Rockwell Controls Linium31X	Type of Sheet					ED	
			Checked	Joe Franek		<b>BOSCH</b>			8-110-912-480		21	
Index	Description	Date	ECN#	Chg By				39				

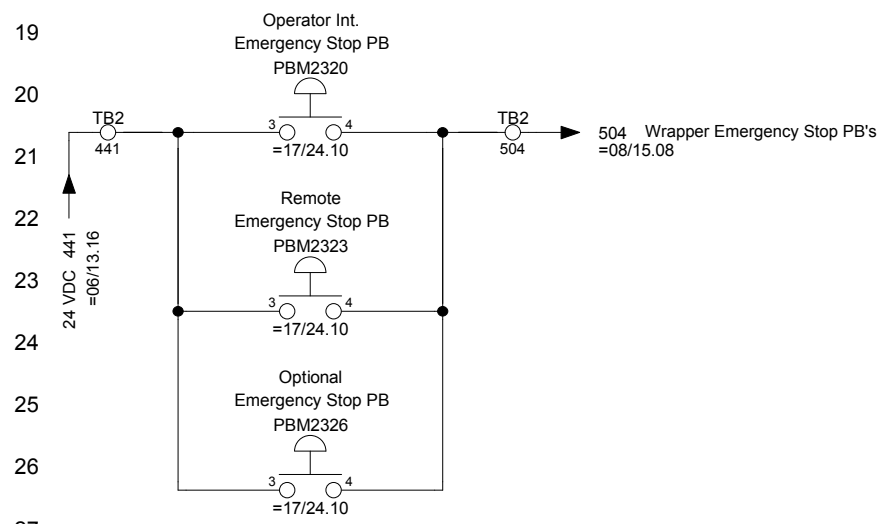
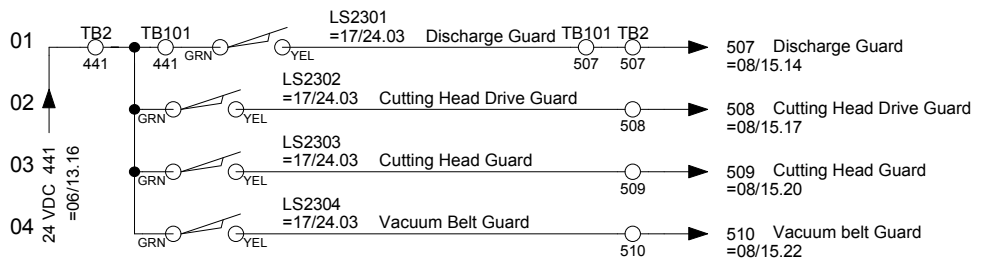


Drives Located in the External Enclosure on the Feeder.



Date	02/04/2010	Customer or Machine	Bosch Packaging Technology, Inc. 869 South Knowles Ave. New Richmond, WI 54017	Sercos's Connections	=225. 08	Function	08
Name	Robert Evertsen	Rockwell Controls Linium31X				Type of Sheet	ED
Checked	Joe Franek					<b>BOSCH</b>	8-110-912-480
Index	Description	Date	ECN#	Chg By			39





01

02

03

04

05

06

07

08

09

10

11

12

13

14

15

16

17

18

19

20

21

22

23

24

25

26

27

28

29

30

31

32

33

34

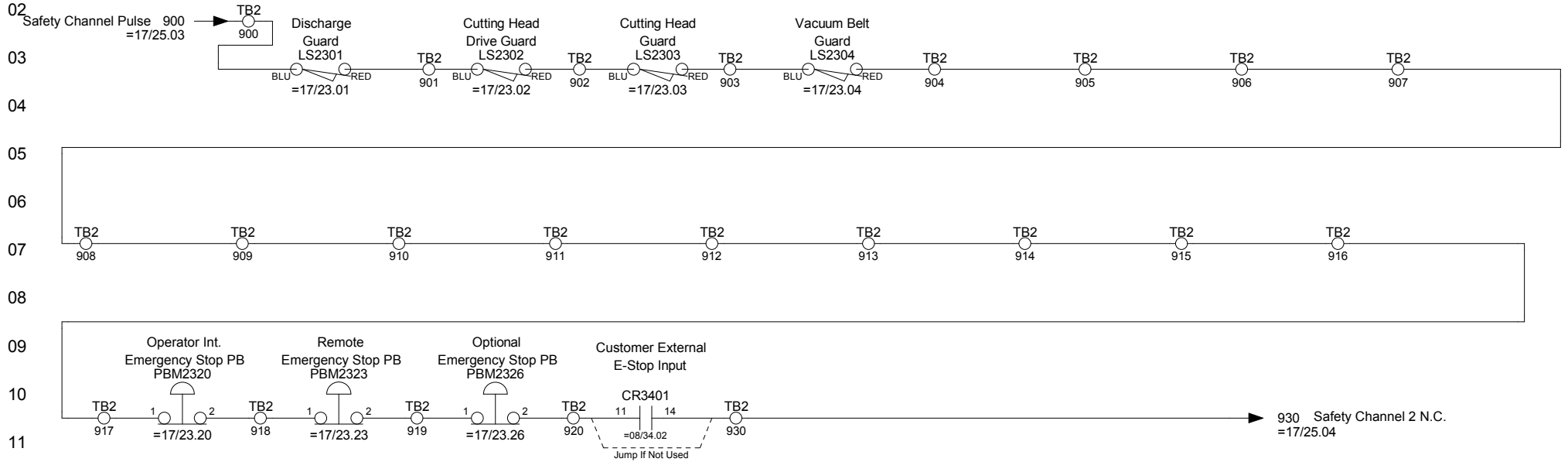
35

36

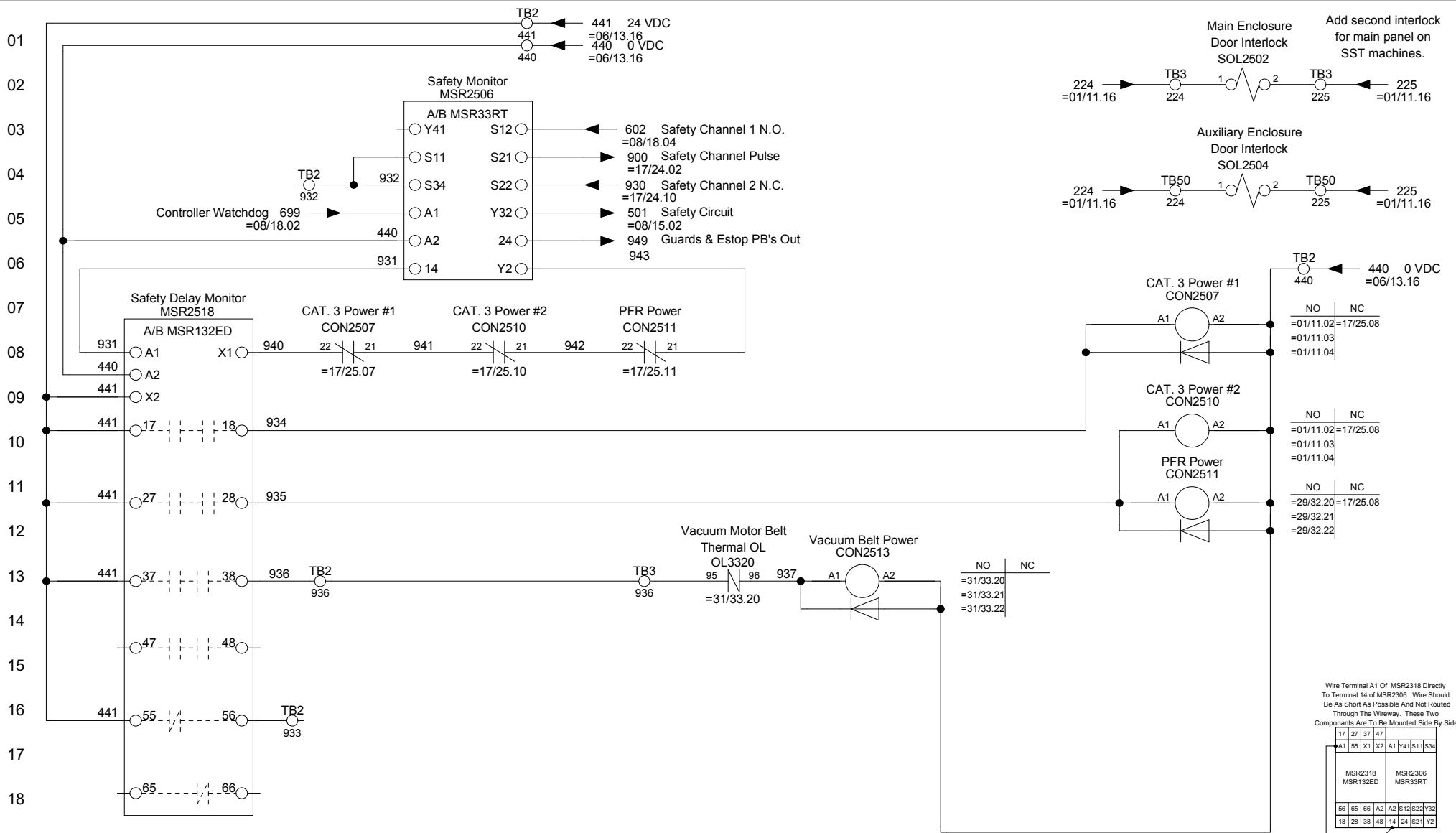
				Date	02/04/2010	Customer or Machine	Bosch Packaging Technology, Inc. 869 South Knowles Ave. New Richmond, WI 54017	Safety Circuit Guard Switches And Estop Pushbuttons	=225. 17	Function	17
			Name	Robert Evertsen	Rockwell Controls Linium31X	Type of Sheet				ED	
			Checked	Joe Franek							
Index	Description	Date	ECN#	Chg By					<b>BOSCH</b>	8-110-912-480	23 39

NOTE:

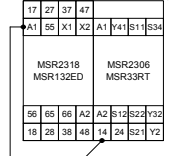
01 Guard Switches And E-Stop Pushbuttons Illustrated In A Safe To Operate (Non-Estop) Condition.  
 Jump Any Unsued Switches!



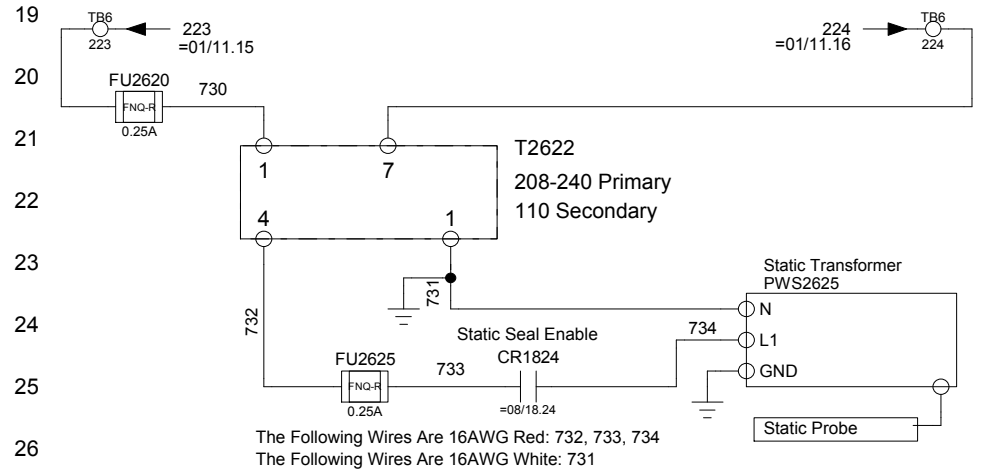
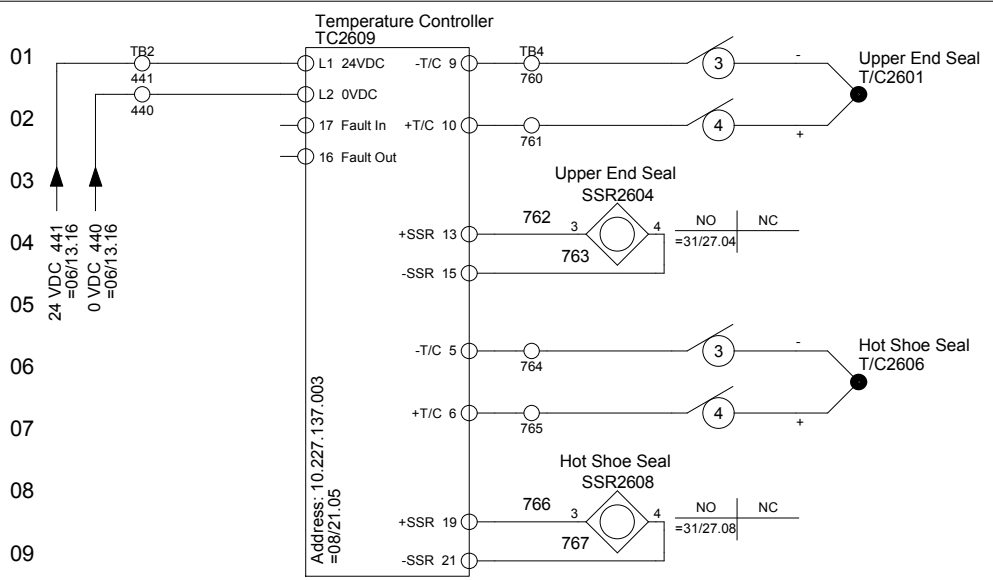
				Date	02/04/2010	Customer or Machine	Bosch Packaging Technology, Inc. 869 South Knowles Ave. New Richmond, WI 54017	Safety Circuit Guard Switches And Estop Pushbuttons	=225. 17 <b>BOSCH</b>	Function	17
			Name	Robert Evertsen	Rockwell Controls Linium31X	Type of Sheet				ED	
			Checked	Joe Franek						24	
Index	Description	Date	ECN#	Chg By					8-110-912-480		39



Wire Terminal A1 Of MSR2318 Directly To Terminal 14 of MSR2306. Wire Should Be As Short As Possible And Not Routed Through The Wireway. These Two Components Are To Be Mounted Side By Side.



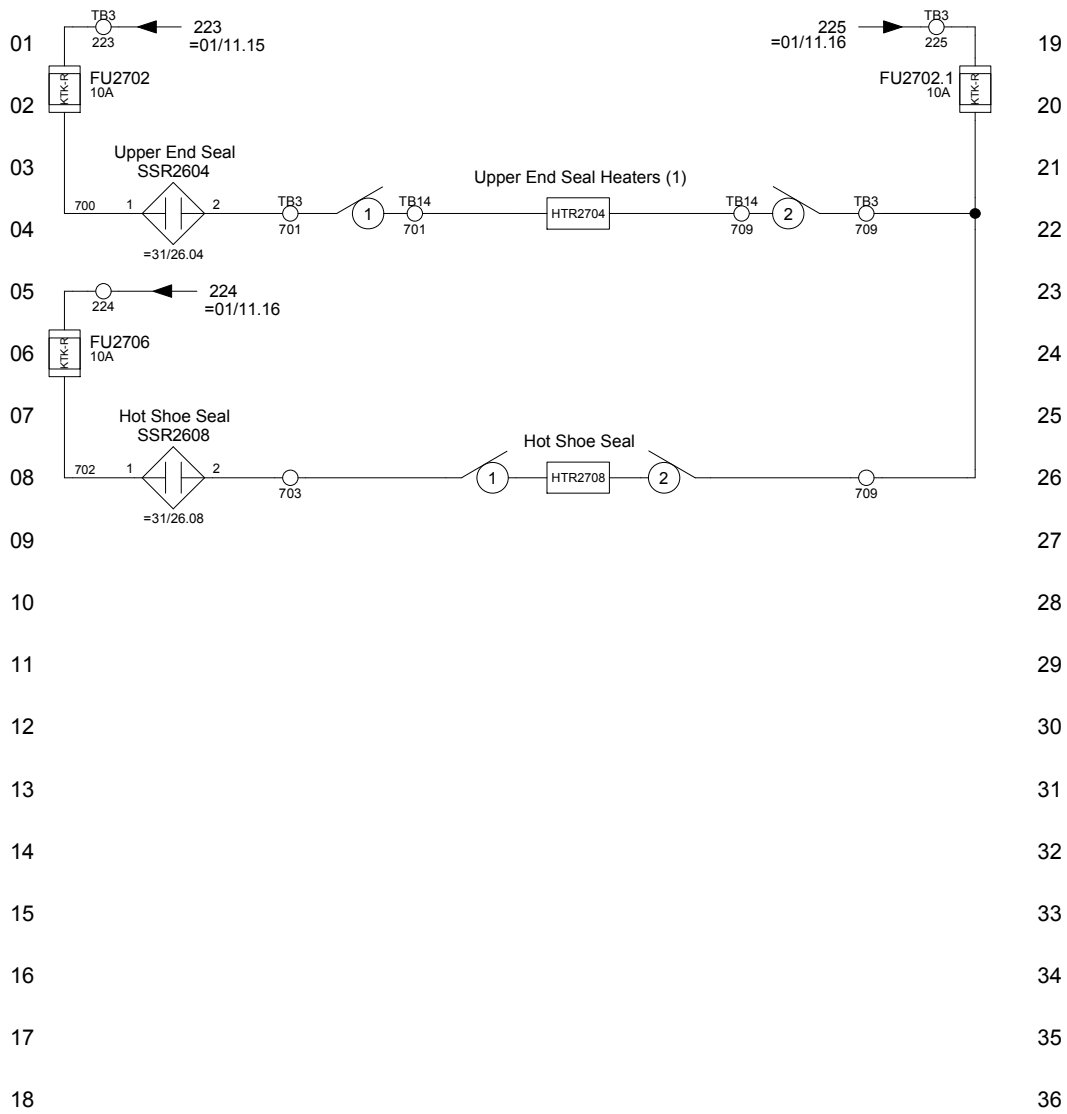
		Date	02/04/2010	Customer or Machine	Rockwell Controls Linium31X	Bosch Packaging Technology, Inc. 869 South Knowles Ave. New Richmond, WI 54017	Safety Circuit Monitoring Relays And Contactors	=225. 17	Function	17
		Name	Robert Evertsen					<b>BOSCH</b>	Type of Sheet	ED
		Checked	Joe Franek						8-110-912-480	25
Index	Description	Date	ECN#	Chg By					39	



The Following Wires Are 16AWG Red: 732, 733, 734  
 The Following Wires Are 16AWG White: 731

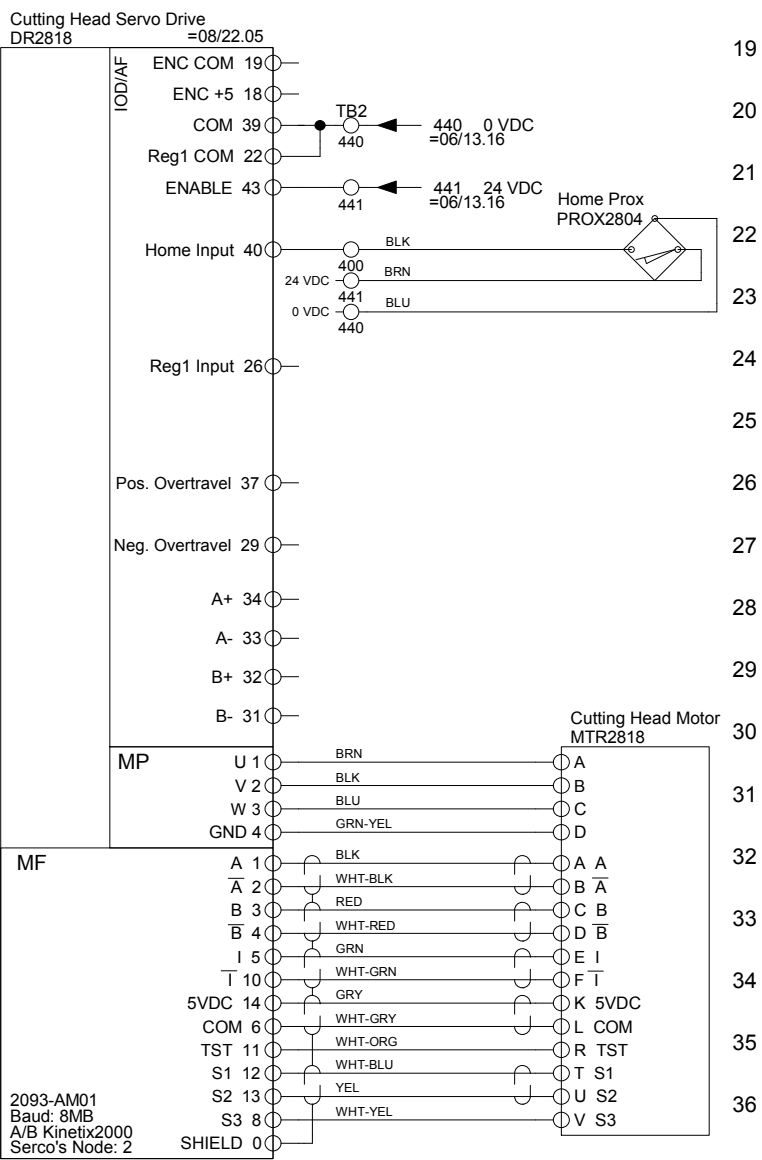
Thermocouple Extension Cable Color Codes		
Region:	+	-
North America	WHT	RED
United Kingdom	YEL	BLU
Germany	RED	BLU
France	YEL	BLK
International IEC 584-3	BLK	WHT

				Date	02/04/2010	Customer or Machine	Rockwell Controls Linium31X	Bosch Packaging Technology, Inc. 869 South Knowles Ave. New Richmond, WI 54017	Temperature Control Controllers	=225. 31	Function	31
			Name	Robert Evertsen	Type of Sheet	ED						
			Checked	Joe Franek								
Index	Description	Date	ECN#	Chg By						<b>BOSCH</b>	8-110-912-480	26 39



				Date	02/04/2010	Customer or Machine	Bosch Packaging Technology, Inc. 869 South Knowles Ave. New Richmond, WI 54017	Temperature Control Heaters	=225. 31	Function	31
			Name	Robert Evertsen	Rockwell Controls Linium31X	Type of Sheet				ED	
			Checked	Joe Franek							
Index	Description	Date	ECN#	Chg By					<b>BOSCH</b>	8-110-912-480	27 39

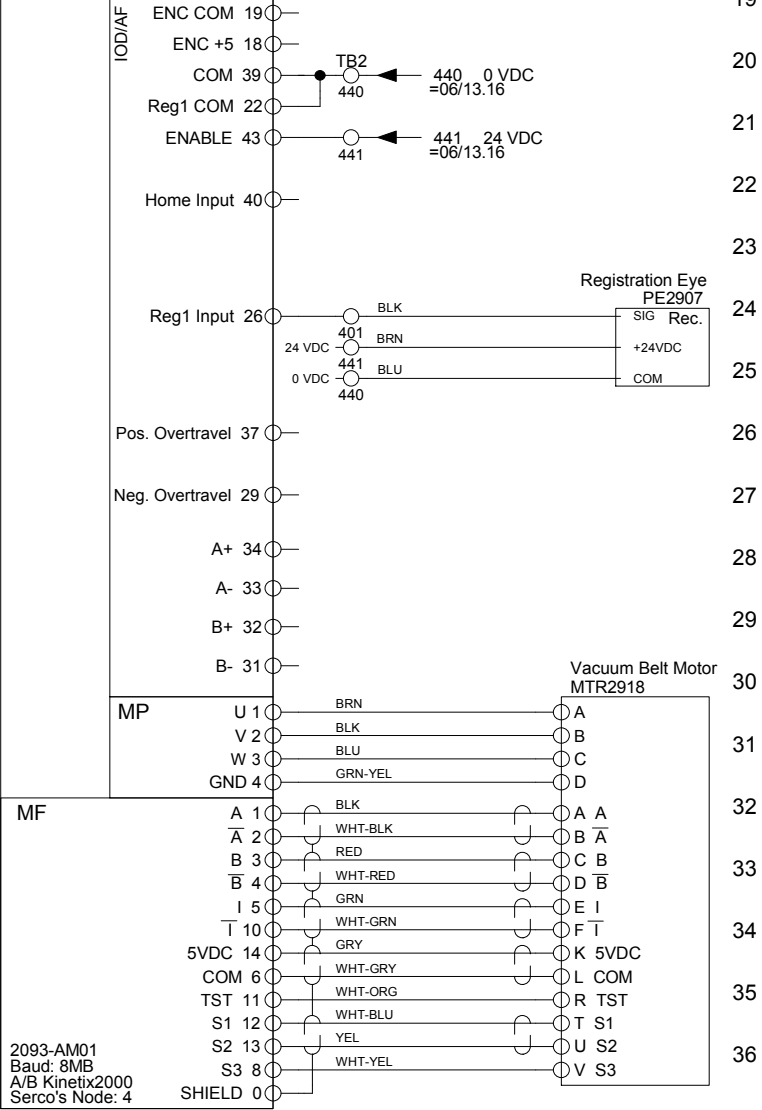
01  
02  
03  
04  
05  
06  
07  
08  
09  
10  
11  
12  
13  
14  
15  
16  
17  
18



19  
20  
21  
22  
23  
24  
25  
26  
27  
28  
29  
30  
31  
32  
33  
34  
35  
36

				Date	02/04/2010	Customer or Machine	Bosch Packaging Technology, Inc. 869 South Knowles Ave. New Richmond, WI 54017	Cutting Head Motor And Control	=225. 25	Function	25
			Name	Robert Evertsen	Rockwell Controls Linium31X	Type of Sheet				ED	
			Checked	Joe Franek							
Index	Description	Date	ECN#	Chg By					<b>BOSCH</b>	8-110-912-480	28 39

Vacuum Belt Servo Drive  
DR2918  
=08/22.07

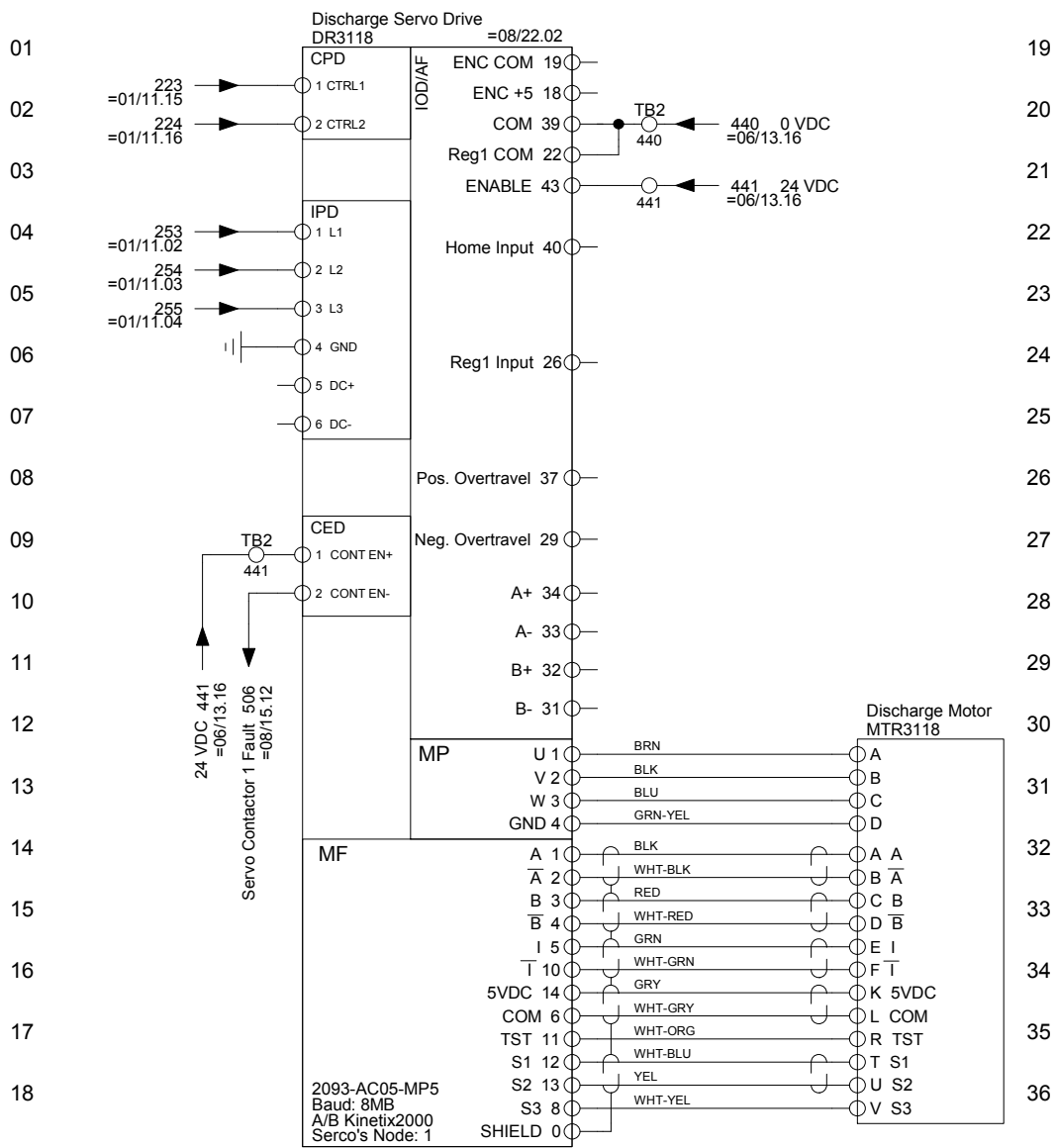


2093-AM01  
Baud: 8MB  
A/B Kinetix2000  
Serco's Node: 4

					Date	02/04/2010	Customer or Machine		Bosch Packaging Technology, Inc. 869 South Knowles Ave. New Richmond, WI 54017	Finwheel Motor And Control	=225. 26		Function	26
					Name	Robert Evertsen	Rockwell Controls Linium31X				Type of Sheet	ED		
					Checked	Joe Franek					<b>BOSCH</b>	8-110-912-480		29
Index	Description	Date	ECN#	Chg By									39	

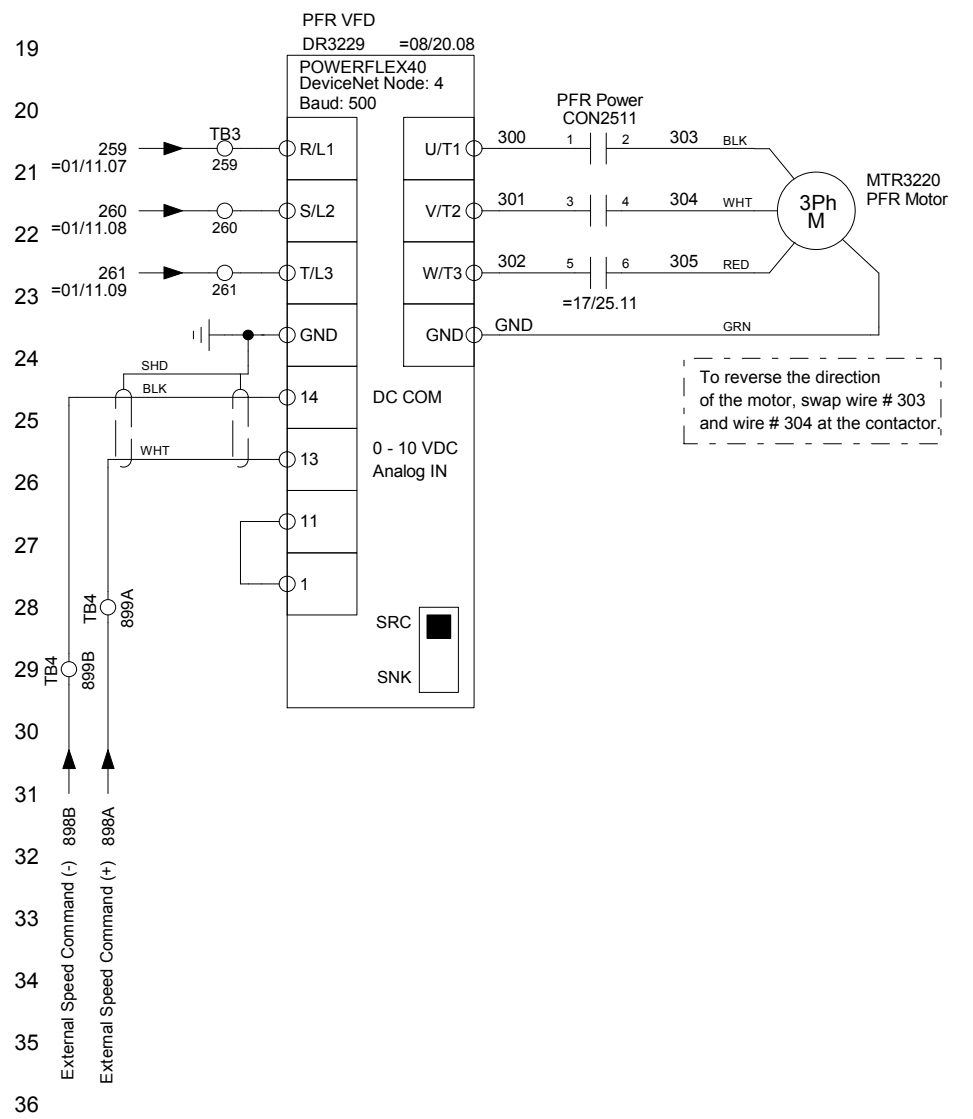




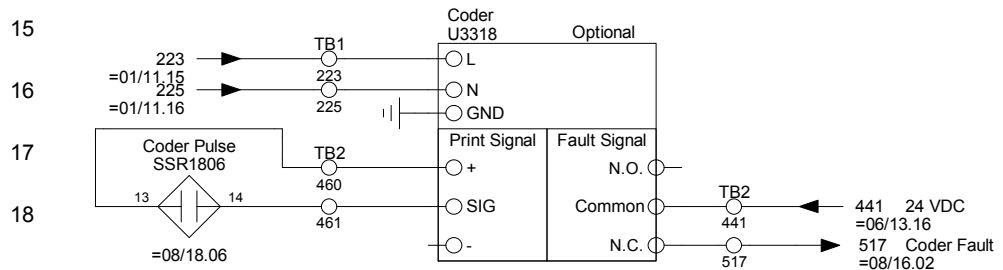
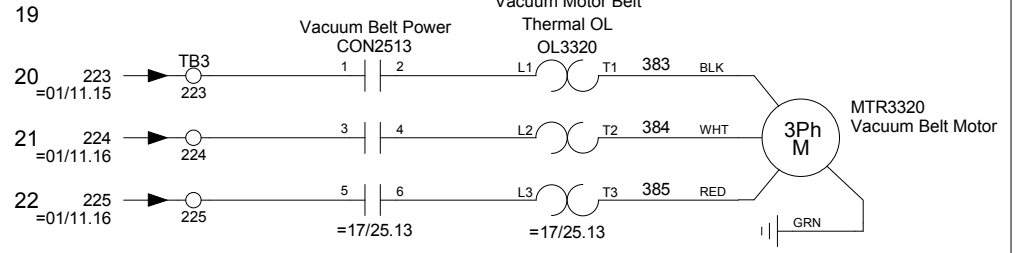
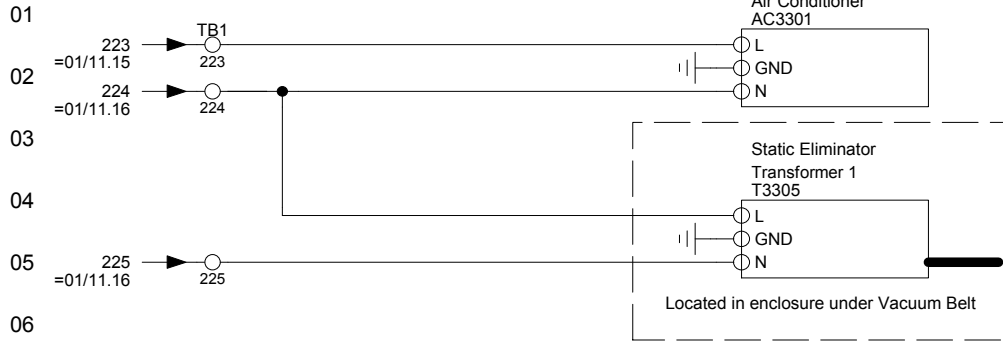


					Date	02/04/2010	Customer or Machine	Bosch Packaging Technology, Inc. 869 South Knowles Ave. New Richmond, WI 54017	Discharge Motor And Control	=225. 28	Function	28
				Name	Robert Evertsen	Rockwell Controls Linium31X	Type of Sheet				ED	
				Checked	Joe Franek							
Index	Description	Date	ECN#	Chg By						<b>BOSCH</b>	8-110-912-480	31 39

01  
02  
03  
04  
05  
06  
07  
08  
09  
10  
11  
12  
13  
14  
15  
16  
17  
18

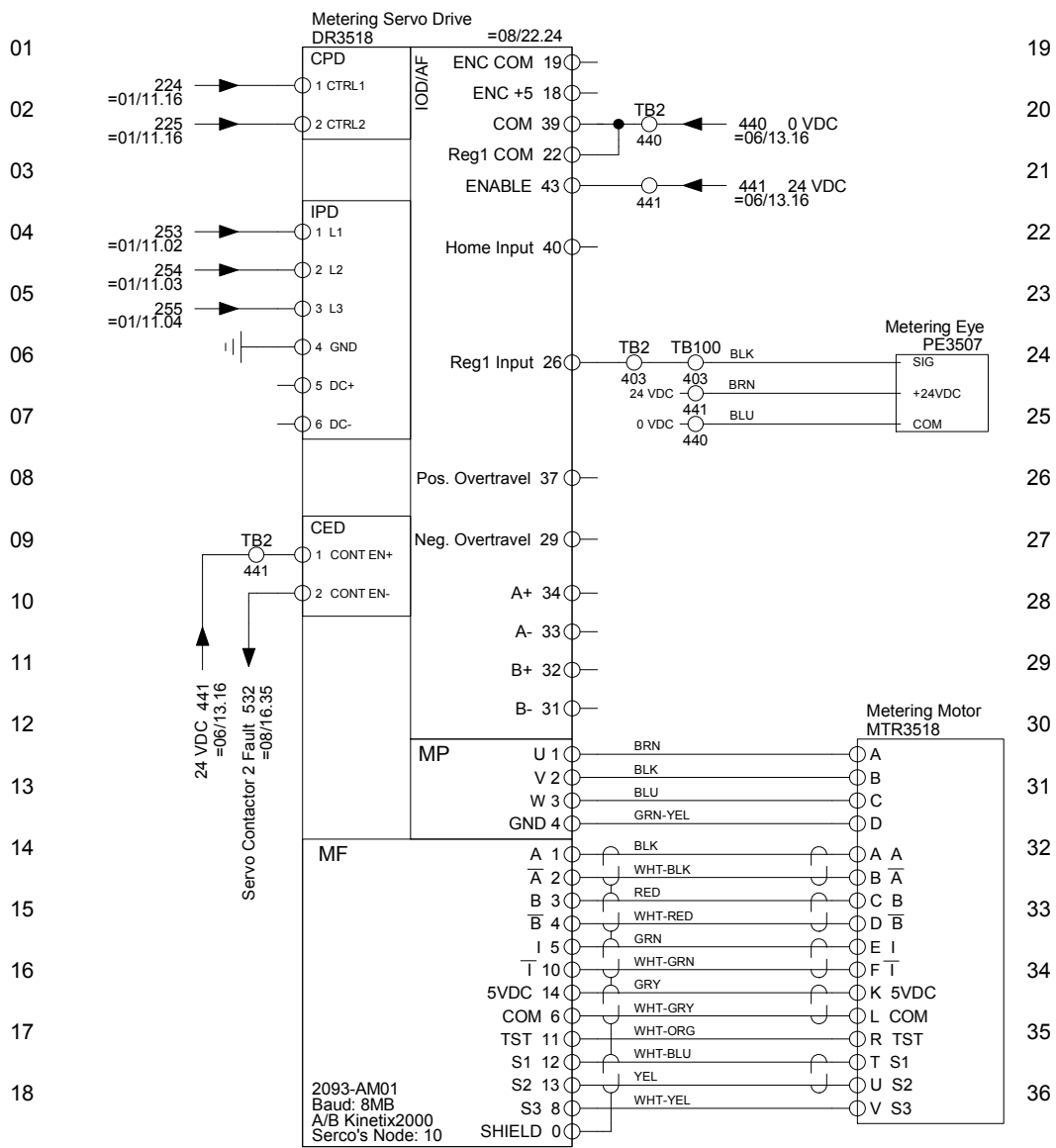


				Date	02/04/2010	Customer or Machine	Bosch Packaging Technology, Inc. 869 South Knowles Ave. New Richmond, WI 54017	Powerfeed Roll Motor And Control	=225. 29	Function	29
			Name	Robert Evertsen	Rockwell Controls Linium31X	Type of Sheet				ED	
			Checked	Joe Franek							
Index	Description	Date	ECN#	Chg By					<b>BOSCH</b>	8-110-912-480	32 39



				Date	02/04/2010	Customer or Machine	Bosch Packaging Technology, Inc. 869 South Knowles Ave. New Richmond, WI 54017	Options	=225. 31	Function	31
				Name	Robert Evertsen	Rockwell Controls		Coder, Fan, Vacuum, Static Eliminator	<b>BOSCH</b>	Type of Sheet	ED
				Checked	Joe Franek	Linium31X					33
Index	Description	Date	ECN#	Chg By							39

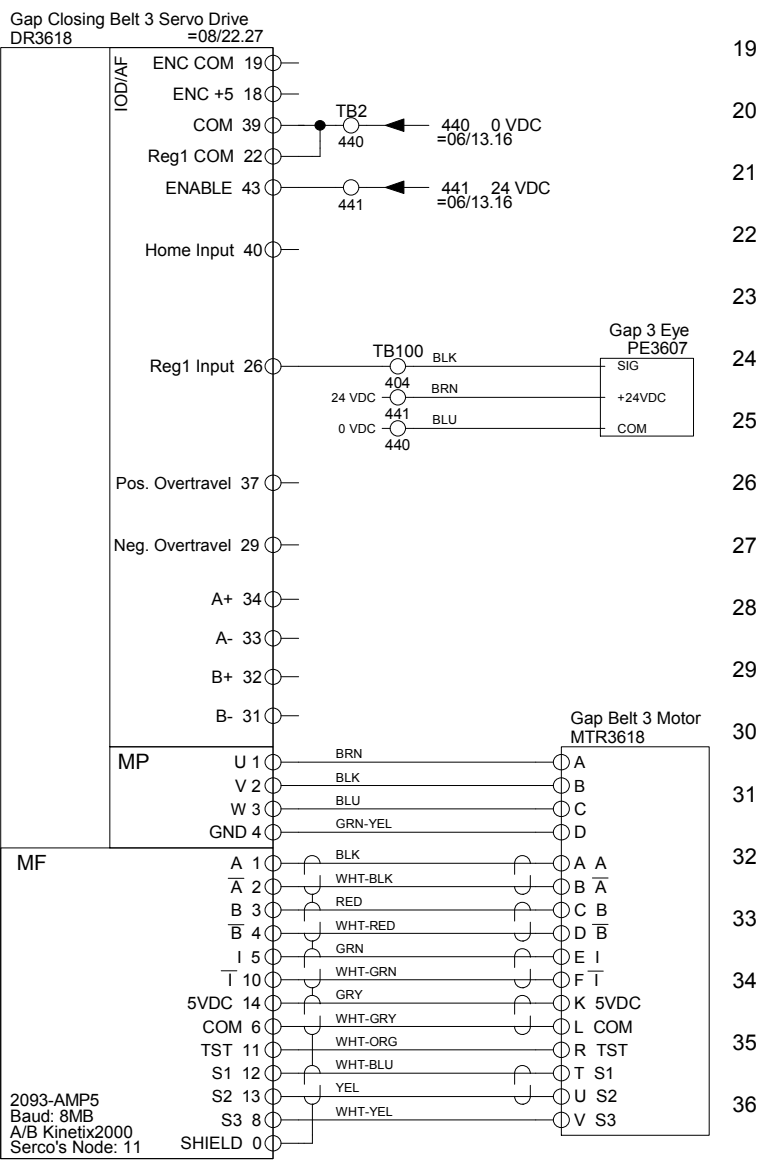




19	ENC COM	19
20	ENC +5	18
21	COM	39
22	Reg1 COM	22
23	ENABLE	43
24	Home Input	40
25	Reg1 Input	26
26	Pos. Overtravel	37
27	Neg. Overtravel	29
28	A+	34
29	A-	33
30	B+	32
31	B-	31
32	U	1
33	V	2
34	W	3
35	GND	4
36	A	1
	A	2
	B	3
	B	4
	I	5
	T	10
	5VDC	14
	COM	6
	TST	11
	S1	12
	S2	13
	S3	8
	SHIELD	0

					Date	02/04/2010	Customer or Machine	Bosch Packaging Technology, Inc. 869 South Knowles Ave. New Richmond, WI 54017	Metering Motor And Control	=225. 27	Function	27
					Name	Robert Evertsen	Rockwell Controls Linium31X				Type of Sheet	ED
					Checked	Joe Franek				<b>BOSCH</b>	8-110-912-480	35
Index	Description	Date	ECN#	Chg By								39

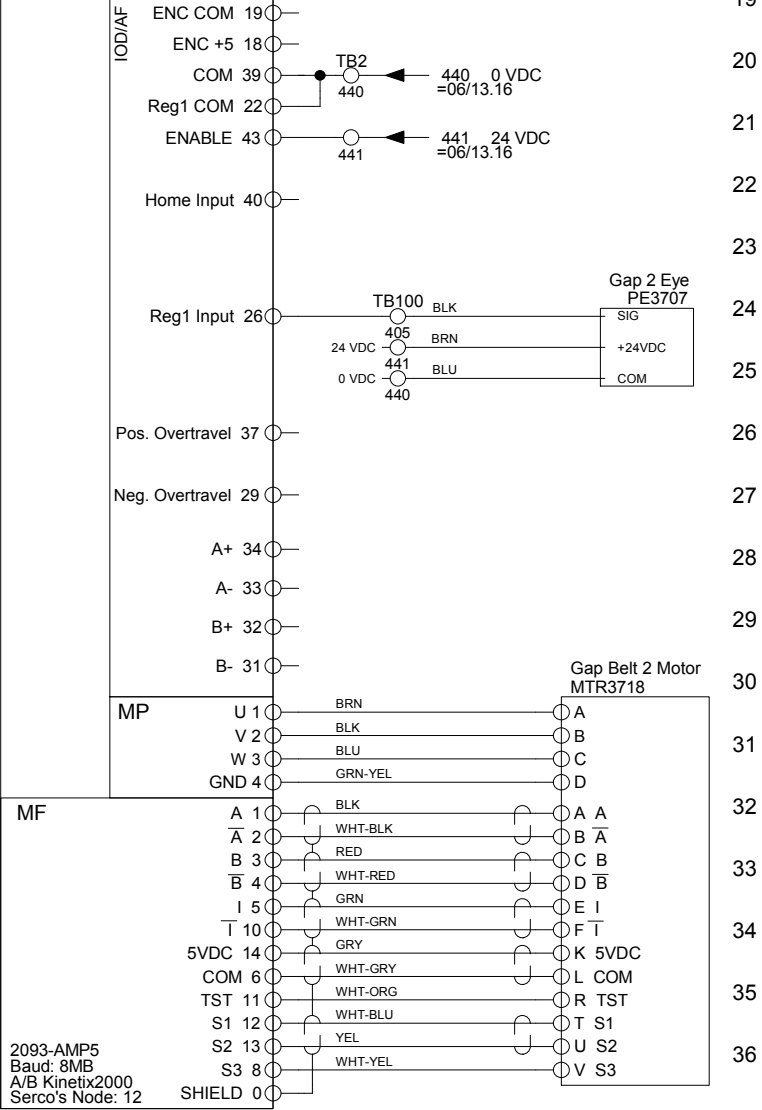
01  
02  
03  
04  
05  
06  
07  
08  
09  
10  
11  
12  
13  
14  
15  
16  
17  
18



19  
20  
21  
22  
23  
24  
25  
26  
27  
28  
29  
30  
31  
32  
33  
34  
35  
36

					Date	02/04/2010	Customer or Machine		Bosch Packaging Technology, Inc. 869 South Knowles Ave. New Richmond, WI 54017	Gap Closing belt 3 Motor And Control	=225. 27		Function	27
					Name	Robert Evertsen	Rockwell Controls Linium31X						Type of Sheet	ED
					Checked	Joe Franek					BOSCH	8-110-912-480		36
Index	Description	Date	ECN#	Chg By									39	

Gap Closing Belt 2 Servo Drive  
DR3718  
=08/22.29



2093-AMP5  
Baud: 8MB  
A/B Kinetix2000  
Serco's Node: 12

01	ENC COM 19	19
02	ENC +5 18	20
03	COM 39	21
04	Reg1 COM 22	22
05	ENABLE 43	23
06	Home Input 40	24
07	Reg1 Input 26	25
08	Pos. Overtravel 37	26
09	Neg. Overtravel 29	27
10	A+ 34	28
11	A- 33	29
12	B+ 32	30
13	B- 31	31
14	MP U 1	32
15	V 2	33
16	W 3	34
17	GND 4	35
18	MF A 1	36
	A 2	
	B 3	
	B 4	
	I 5	
	T 10	
	5VDC 14	
	COM 6	
	TST 11	
	S1 12	
	S2 13	
	S3 8	
	SHIELD 0	

Date	02/04/2010	Customer or Machine	Rockwell Controls Linium31X	Bosch Packaging Technology, Inc. 869 South Knowles Ave. New Richmond, WI 54017	Gap Closing belt 2 Motor And Control	=225. 27	Function 27	
Name	Robert Evertsen	Type of Sheet						ED
Checked	Joe Franek							37
Index	Description	Date	ECN#	Chg By		<b>BOSCH</b>	8-110-912-480	39





