

Atlantic Air Tool Company, Inc.

P.O. Box 38

1112 Old Railroad Bed Road

Taft, Tennessee 38488

Telephone: (931) 425-6882 or 6883

Fax: (931) 425-6884

Email: staff@atlanticairtool.com

Visit our web site @ www.atlanticairtool.com



WELCOME TO ATLANTIC AIR TOOL COMPANY, INC.

Atlantic Air Tool Pneumatic Compression Riveting Tools and Accessories are designed, fabricated and manufactured under strict quality control. Insuring precise and exceptional performance. All Portable Pneumatic Tools are equipped with Safety Backheads.

ALL PRESSURES ARE LOAD CELL TESTED NOT CALCULATED!

A SQUEEZERS	PAGE	PEDESTAL MOUNT BRACKETS	PAGE
30A / 30AH	1	AATC #53 for the 60A	32
30A / 30AH Parts Breakdown	2	AATC #52 for the 90A, 630A	32
60A / 60AH	3	AATC #498 for the 444A	32
60A / 60AH Parts Breakdown	4		
90A	5	PEDESTAL STANDS	PAGE
90A Parts Breakdown	6		
630A	7	15000 PEDESTAL	33
630A Parts Breakdown	8	15010 PEDESTAL	33
444A	9		
444A Parts Breakdown	10,11	SPECIAL YOKE AND JAWS	PAGE
		Standard and Designed Specials	34
C SQUEEZERS		SET HOLDERS	PAGE
30C / 30CH	12		
30C / 30CH Parts Breakdown	13		
60C / 60CH	14	3/8 Diameter	35
60C / 60CH Parts Breakdown	15	7/16 Diameter 2 9/16 - 4 1/2	36
90C	16	7/16 Diameter 4 9/16 - 6 7/16	37
90C Parts Breakdown	17	Adjustable	38
444C	18	ONE YEAR WARRANTY	
444C Parts Breakdown	19, 20	Atlantic Air Tool Company, Inc. warrants to the original user the products manufactured by AATC to be free of defects in material and workmanship for a period of one year from date of purchase.	
BENCH SQUEEZERS		90A Power Unit requires heavy-duty bearings.	
30C/ 30CH Compression Bench Riveter	21	Installation of Jaws without AATC heavy-duty bearings voids this warranty.	
30C/ 30CH Bench Riveter Parts Breakdown	22	Tools should be returned postage prepaid and we will repair or replace any parts found defective in material and workmanship.	
60C/ 60CH Compression Bench Riveter	23	Misused, abused, modified, improperly maintained tools, or repairs made to tools manufactured by AATC voids this warranty.	
60C/ 60CH Bench Riveter Parts Breakdown	24	All applicable requirements of OSHA regulations can be met by AATC Tools listed in this catalog.	
90C Compression Bench Riveter	25	All Tools Manufactured in the U.S.A.	
90C Bench Riveter Parts Breakdown	26		
444CB Compression Bench Riveter	27		
444CB Bench Riveter Parts Breakdown	28		
458CB Compression Riveter	29		
444AB Compression Bench Riveter	30		
444AB Bench Riveter Parts Breakdown	31		

Atlantic Air Tool Company, Inc.

Phone: (931) 425-6882

Fax (931) 425-6884

Email: staff@atlanticairtool.com

Web: www.atlanticairtool.com

Our Office Hours are 8 AM to 4 PM Mon. thru Fri. Central Standard Time

ATLANTIC AIR TOOL COMPANY

30A / 30AH

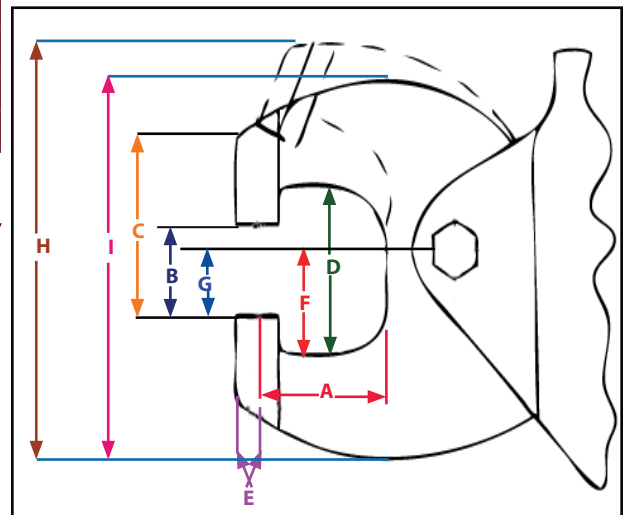


Shown Here Is The 30A22HD

MODEL NO.	RIVET CAPACITY DIAMETER INCHES (mm)		STANDARD YOKE/JAW DIMENSIONS INCHES (mm)		MAX FORCE w/90 PSI (6.21 Bar) AIR PRESSURE (kn)	MOVING JAW		OVERALL LENGTH INCHES (mm)	WEIGHT WITH JAWS LBS. (kgs)
	Alum.	Steel	REACH	Closed Ht.		MAX TRAVEL INCHES (mm)	STROKE AT MAX POWER INCHES (mm)		
30A15HD	1/8 (3.17)	3/32 (2.36)	1 1/2 (38.1)	7/8 (22.2)	3000 (13.35)	5/8 (15.8)	1/16 (1.57)	9 1/4 (234.9)	4 (1.8)
30A22HD	3/32 (2.36)	3/32 (2.36)	2 1/4 (57.15)	7/8 (22.2)	2400 (10.68)	7/8 (22.2)	3/32 (2.36)	10 (254)	4 1/2 (2.04)
30A30HD	3/32 (2.36)	1/16 (1.57)	3 (76.2)	7/8 (22.2)	1800 (8.01)	1 1/4 (31.75)	1/8 (3.17)	10 3/4 (273)	5 (2.26)
30AH15HD	5/32 (3.96)	1/8 (3.17)	1 1/2 (38.1)	7/8 (22.2)	3900 (17.35)	5/8 (15.8)	3/64 (3.19)	9 1/4 (234.9)	4 (1.8)
30AH22HD	1/8 (3.17)	3/32 (2.36)	2 1/4 (57.15)	7/8 (22.2)	3000 (13.35)	7/8 (22.2)	1/16 (1.57)	10 (254)	4 1/2 (2.04)
30AH30HD	3/32 (2.36)	1/16 (1.57)	3 (76.2)	7/8 (22.2)	2400 (10.68)	1 1/4 (31.75)	3/32 (2.36)	10 3/4 (273)	5 (2.26)

***All pressures are load cell tested not calculated.**

JAWS	A	B	C	D	E	F	G	H	I
3"	3	7/8	2 1/8	2 1/8	9/32	1 1/4	5/8	5 13/32	5
2 1/4"	2 1/4	7/8	1 7/8	2 1/8	9/32	1 1/4	5/8	5 1/16	4 3/4
1 1/2"	1 1/2	7/8	1 1/2	1 5/8	9/32	1	5/8	4 1/16	3 13/16

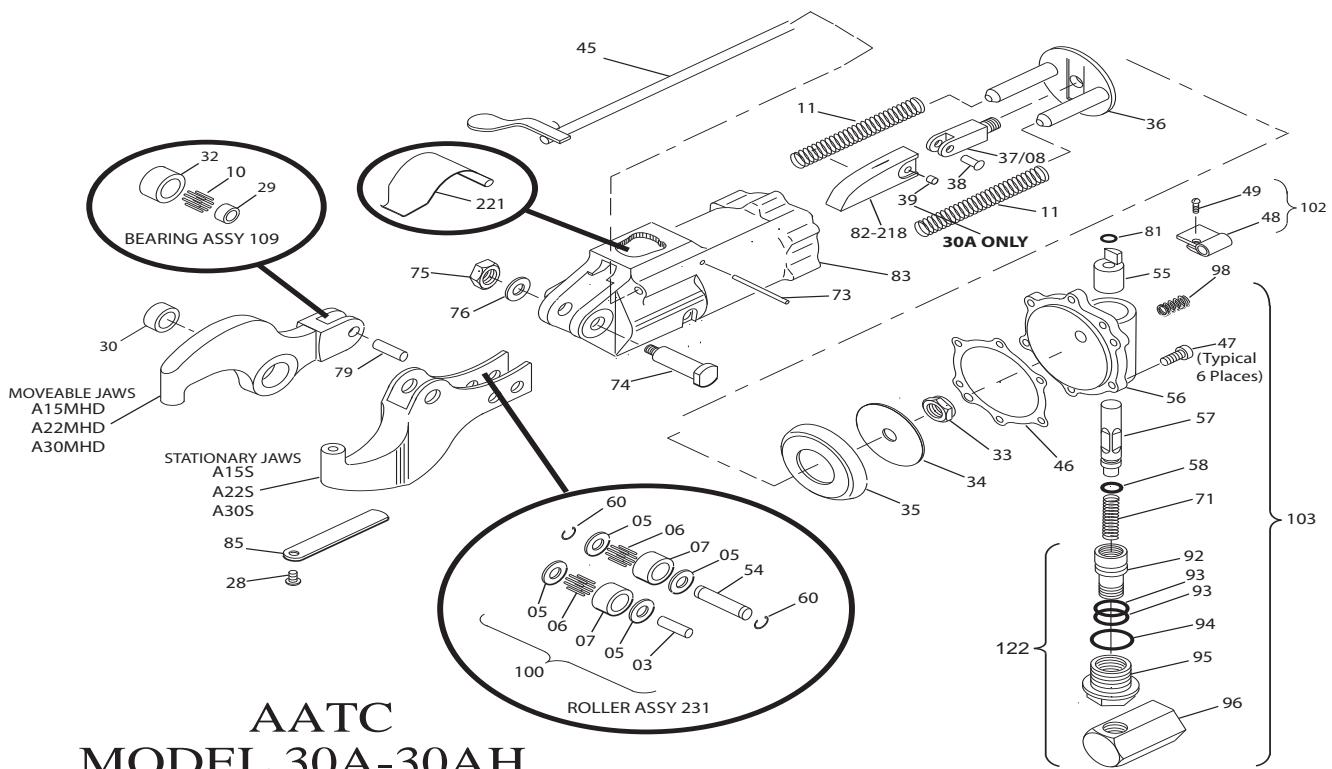


Atlantic Air Tool Company
Taft, Tennessee

(931) 425-6882 • FAX (931) 425-6884

Email: staff@atlanticairtool.com

Visit Our Website: www.atlanticairtool.com



AATC MODEL 30A-30AH COMPRESSION RIVETER

Our Tool is furnished with Safety Backhead

AATC PART #	DESCRIPTION
03	Roller Shaft, Short
05	Roller Thrust Washer (4)
06	Needle Roller (40)
07	Roller Plate (2)
08	Piston Fork (30AH)
10	Needle Roller (40)
11	Piston Return Spring (2) _(30 Series)
28	Guard Screw
29	Bearing Inner Race
30	Pivot Bearing
32	Outer Race End Bearing
33	Piston Rod Nut
34	Piston Leather Plate
35	Piston Leather
36	Piston
37	Piston Fork (30A)
38	Wedge Spacer Rivet
39	Wedge Spacer
45	Throttle Valve Lever
46	Cylinder Head Gasket
47	Allen Cap Screw (6)
48	Lever Arm
49	Screw
54	Roller Shaft, Long
55	Throttle Valve Bushing
56	Cylinder Head
57	Throttle Valve
58	"O" Ring
60	Retainer Ring (2)
71	Throttle Valve Spring
73	Return Spring Pin
74	Bearing Bolt
75	Bearing Bolt Nut
76	Bearing Bolt Washer
79	End Roller Bearing Shaft

Maximum Air Pressure 90 Psi

AATC PART #	DESCRIPTION
81	"O" Ring (Brass Bushing)
82	Wedge Short "A"
83	Cylinder
85	Stationary Jaw Roller Guard
92	Swivel
93	O-Ring (2)
94	O-Ring
95	Swivel Nut
96	Elbow
98	Spring
100	Plate Roller Assembly (2) (Includes 2-#05, 20-#06, 1-#07)
102	Lever Arm Assembly
103	Head Assembly
109	Moving Jaw Bearing Assembly (Includes 1-#32, 40-#10, 1-#29)
122	Swivel Assembly (Includes 1-#92, 2-#93, 1-#94, 1-#95, 1-#96)
218	Wedge Short "A", H.P. (30AH)
221	Return Spring, Heavy-Duty
231	Roller Assembly (Includes 2-#100, 1-#54, 1-#03, 2-#60)

ATLANTIC AIR TOOL COMPANY

60A / 60AH

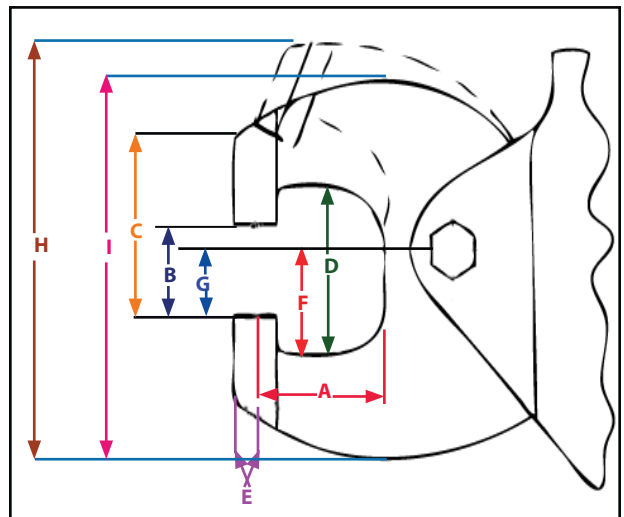


Shown Here Is The 60A15HD

MODEL NO.	RIVET CAPACITY DIAMETER INCHES (mm)		STANDARD YOKE/JAW DIMENSIONS INCHES (mm)		MAX FORCE w/90 PSI (6.21 Bar) AIR PRESSURE (kn)	MOVING JAW		OVERALL LENGTH INCHES (mm)	WEIGHT WITH JAWS LBS. (kgs)
	Alum.	Steel	REACH	Closed Ht.		MAX TRAVEL INCHES (mm)	STROKE AT MAX POWER INCHES (mm)		
60A15HD	3/16 (4.75)	5/32 (3.96)	1 1/2 (38.1)	7/8 (22.2)	6000 (26.70)	5/8 (15.8)	1/16 (1.57)	12 (304.8)	5 1/2 (2.49)
60A22HD	3/16 (4.75)	1/8 (3.17)	2 1/4 (57.15)	7/8 (22.2)	4600 (20.47)	7/8 (22.2)	3/32 (2.36)	12 3/4 (323.85)	5 1/2 (2.49)
60A30HD	5/32 (3.96)	3/32 (2.36)	3 (76.2)	7/8 (22.2)	3400 (15.13)	1 1/4 (31.75)	1/8 (3.17)	13 1/2 (342.9)	6 (2.72)
60AH15HD	3/16 (4.75)	5/32 (3.96)	1 1/2 (38.1)	7/8 (22.2)	7200 (32.03)	5/8 (15.8)	3/64 (1.19)	12 (304.8)	5 1/2 (2.49)
60AH22HD	3/16 (4.75)	1/8 (3.17)	2 1/4 (57.15)	7/8 (22.2)	5300 (23.58)	7/8 (22.2)	1/16 (1.57)	12 3/4 (323.85)	5 1/2 (2.49)
60AH30HD	5/32 (3.96)	1/8 (3.17)	3 (76.2)	7/8 (22.2)	4000 (17.79)	1 1/4 (31.75)	3/32 (2.36)	13 1/2 (342.9)	6 (2.72)

*All pressures are load cell tested not calculated.

JAWS	A	B	C	D	E	F	G	H	I
3"	3	7/8	2 1/8	2 1/8	9/32	1 1/4	5/8	5 13/32	5
2 1/4"	2 1/4	7/8	1 7/8	2 1/8	9/32	1 1/4	5/8	5 1/16	4 3/4
1 1/2"	1 1/2	7/8	1 1/2	1 5/8	9/32	1	5/8	4 1/16	3 13/16

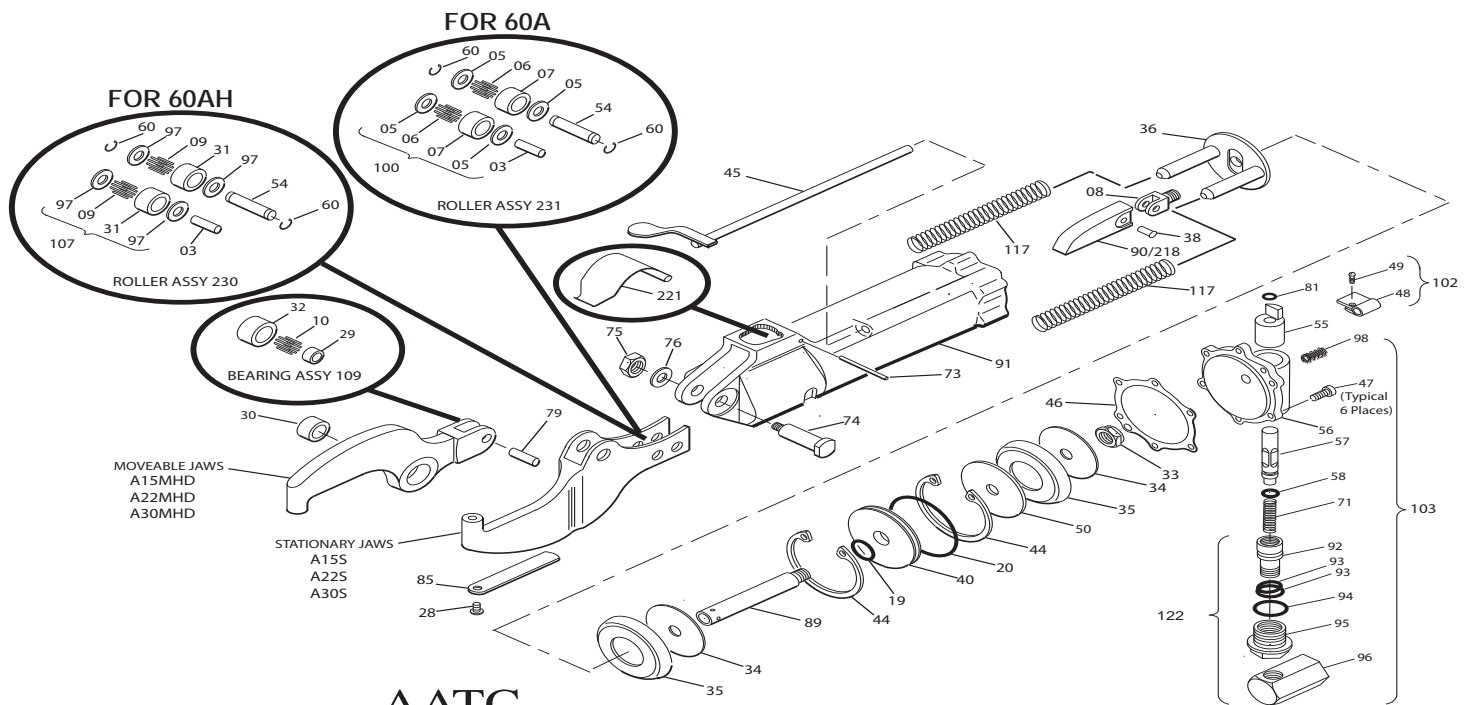


Atlantic Air Tool Company
Taft, Tennessee

(931) 425-6882 • FAX (931) 425-6884

Email: staff@atlanticairtool.com

Visit Our Website: www.atlanticairtool.com



AATC MODEL 60A-60AH COMPRESSION RIVETER

Our Tool is furnished with Safety Backhead

Maximum Air Pressure 90 Psi

AATC PART #	DESCRIPTION	AATC PART #	DESCRIPTION
03	Roller Shaft, Short	74	Bearing Bolt
05	Thrust Washer (4)	75	Bearing Bolt Nut
06	Needle Roller (40)	76	Bearing Bolt Washer
07	Stationary Roller Plate (2)	79	End Roller Bearing Shaft
08	Piston Fork	81	"O" Ring
09	Needle Roller 60AH (40)	85	Stationary Jaw Roller Guard
10	Needle Roller (40)	89	Piston Rod
19	"O" Ring	90	Wedge Long "A" 60A Only
20	"O" Ring	91	Cylinder
28	Guard Screw	92	Swivel
29	Bearing, Inner Race	93	"O" Ring (2)
30	Pivot Bearing	94	"O" Ring
31	Stationary Roller Plate (2) 60AH	95	Swivel Nut
32	Outer Race End Bearing	96	Elbow
33	Piston Rod Nut	97	Thrust Washer (4)
34	Piston Leather Plate (2)	98	Spring
35	Piston Leather (2)	100	Plate Roller Assembly (2) (Includes 1-#07, 2-#05, 20-#06)
36	Piston	102	Lever Arm Assembly
38	Wedge Spacer Rivet	103	Head Assembly
40	Separator	107	Plate Roller Assembly (2) (Includes 1-#31, 20-#09, 2-#97)
44	Retaining Ring (2)	109	Moving Jaw End Bearing Assembly (Includes 1-#32, 40-#10, 1-#29)
45	Throttle Valve Lever	117	Piston Return Spring (2)
46	Cylinder Head Gasket	122	Swivel Assembly (Includes 1-#92, 2-#93, 1-#94, 1-#95, 1-#96)
47	Allen Cap Screw (6)	218	High Performance Long "A" Wedge
48	Lever Arm	221	Return Spring, Heavy-Duty
49	Screw	230	Roller Assembly For 60 AH (Includes 2-#107, 1-#54, 1-#03, 2-#60)
50	Tandem Piston	231	Roller Assembly (Includes 2-#100, 1-#54, 1-#03, 2-#60)
54	Roller Shaft, Long		
55	Throttle Valve Bushing		
56	Cylinder Head		
57	Throttle Valve		
58	"O" Ring		
60	Retainer Ring (2)		
71	Throttle Valve Spring		
73	Return Spring Pin		

* A15MHD, A22MHD, A30MHD ALLIGATOR JAWS COME EQUIPPED WITH HEAVY-DUTY BEARINGS.

ATLANTIC AIR TOOL COMPANY 90A

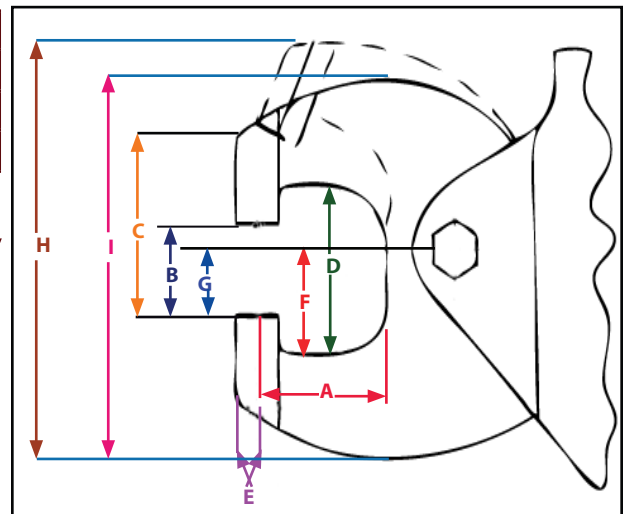


Shown Here Is The 90A30

MODEL NO.	RIVET CAPACITY DIAMETER INCHES (mm)		STANDARD YOKE/JAW DIMENSIONS INCHES (mm)		MAX FORCE w/90 PSI (6.21 Bar) AIR PRESSURE (kn)	MOVING JAW		OVERALL LENGTH INCHES (mm)	WEIGHT WITH JAWS LBS. (kgs)
	Alum.	Steel	REACH	Closed Ht.		MAX TRAVEL INCHES (mm)	STROKE AT MAX POWER INCHES (mm)		
90A15	1/4 (6.35)	3/16 (4.75)	1 1/2 (38.1)	7/8 (22.2)	9000 (40.05)	5/8 (15.8)	1/16 (1.57)	16 (406.4)	7 (3.17)
90A22	3/16 (4.75)	5/32 (3.96)	2 1/4 (57.15)	7/8 (22.2)	7000 (31.15)	7/8 (22.2)	3/32 (2.36)	16 3/4 (425.45)	7 1/2 (3.4)
90A30	3/16 (4.75)	5/32 (3.96)	3 (76.2)	7/8 (22.2)	5200 (23.14)	1 1/4 (31.75)	1/8 (3.17)	17 1/2 (444.5)	8 (3.62)

***All pressures are load cell tested not calculated.**

JAWS	A	B	C	D	E	F	G	H	I
3"	3	7/8	2 1/8	2 1/8	9/32	1 1/4	5/8	5 13/32	5
2 1/4"	2 1/4	7/8	1 7/8	2 1/8	9/32	1 1/4	5/8	5 1/16	4 3/4
1 1/2"	1 1/2	7/8	1 1/2	1 5/8	9/32	1	5/8	4 1/16	3 13/16

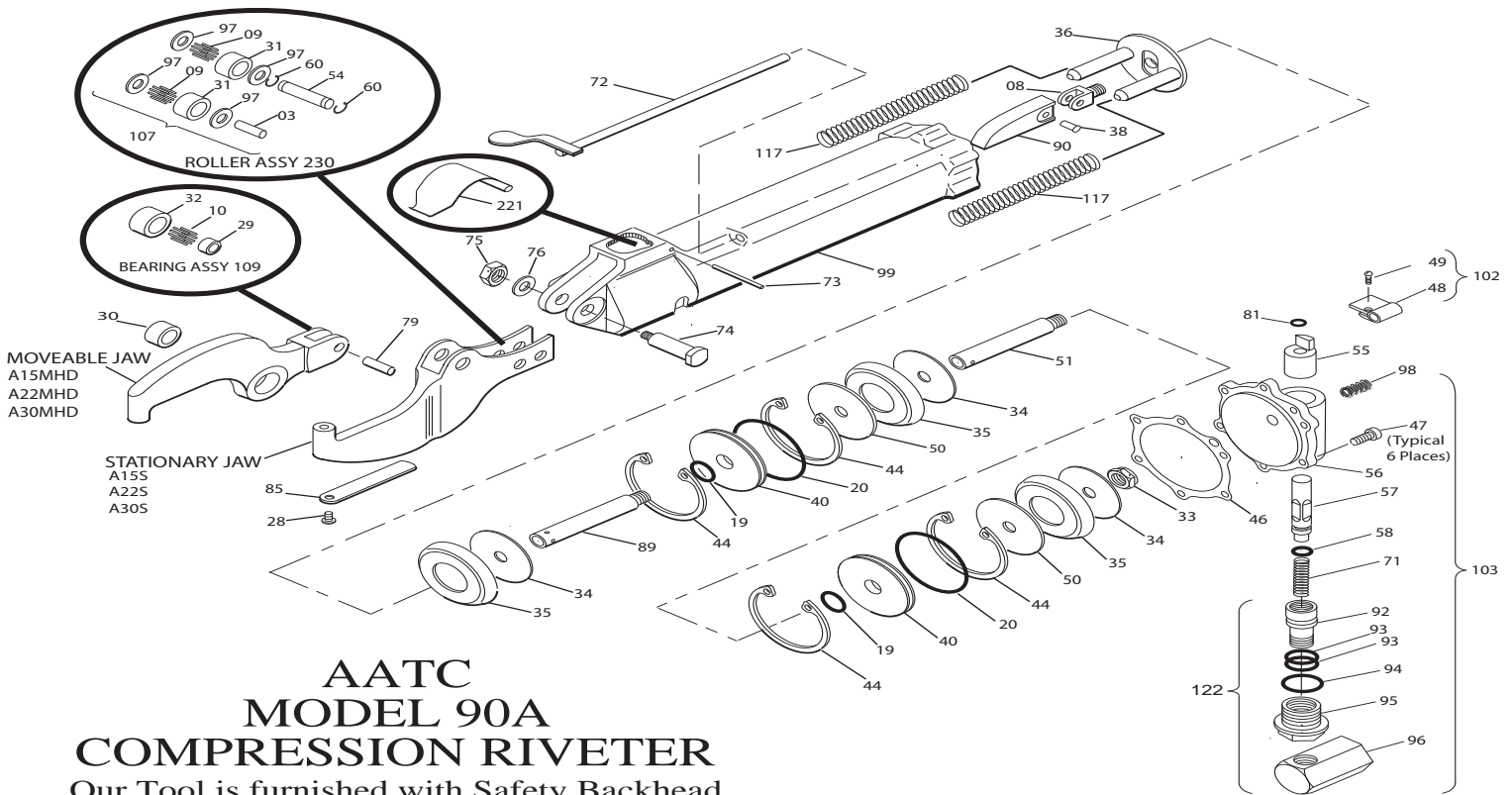


Atlantic Air Tool Company
Taft, Tennessee

(931) 425-6882 • FAX (931) 425-6884

Email: staff@atlanticairtool.com

Visit Our Website: www.atlanticairtool.com



**AATC
MODEL 90A
COMPRESSION RIVETER**
Our Tool is furnished with Safety Backhead

Maximum Air Pressure 90 Psi

AATC PART #	DESCRIPTION
03	Roller Shaft, Short
08	Piston Fork
09	Needle Roller (40)
10	Needle Roller (40)
19	"O" Ring
20	"O" Ring
28	Guard Screw
29	Bearing, Inner Race
30	Bearing, Inner Race
31	Stationary Roller Plate(2)
32	Outer Race End Bearing
33	Piston Rod Nut
34	Piston Leather Plate
35	Piston Leather (3)
36	Piston
38	Wedge Spacer Rivet
40	Separator
44	Retaining Ring (4)
46	Cylinder Head Gasket
47	Allen Cap Screw (6)
48	Lever Arm
49	Screw
50	Tandem Piston (2)
51	Piston Rod
54	Roller Shaft, Long
55	Throttle Valve Bushing
56	Cylinder Head
57	Throttle Valve
58	"O" Ring
60	Retainer Ring (2)
71	Throttle Valve Spring
72	Throttle Valve Lever
73	Return Spring Pin
74	Bearing Bolt
75	Bearing Bolt Nut

AATC PART #	DESCRIPTION
76	Bearing Bolt Washer
79	End Roller Bearing Shaft
81	"O" Ring
85	Stationary Jaw Roller Guard
89	Piston Rod
90	Wedge Long "A"
92	Swivel
93	"O" Ring (2)
94	"O" Ring
95	Swivel Nut
96	Elbow
97	Thrust Washer (4)
98	Spring
99	Cylinder
102	Lever Arm Assembly
103	Head Assembly
107	Plate Roller Assembly (2) (Includes 1-#31, 20-#09, 2-#97)
109	Moving Jaw Bearing Assembly (Includes 1-#32, 40-#10, 1-#29)
117	Piston Return Spring (2)
122	Swivel Assembly (Includes 1-#92, 2-#93, 1-#94, 1-#95, 1-#96)
221	Return Spring, Heavy-Duty
230	Roller Assembly For 90A (Includes 2-#107, 1-#54, 1-#03, 2-#60)

NOTE

Due to very high squeezing pressures developed by this tool, use Alligator Jaws equipped with heavy duty bearings only. The use of standard bearings will cause damage to the tool and possible injury to the operator.

* A15HD, A22HD, A30HD ALLIGATOR JAWS COME EQUIPPED WITH HEAVY-DUTY BEARINGS.

ATLANTIC AIR TOOL COMPANY 630A

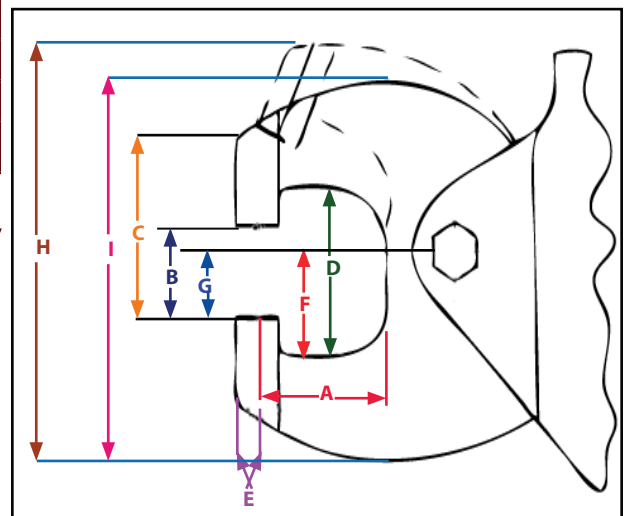


Shown Here Is The 630A-1527

MODEL NO.	RIVET CAPACITY DIAMETER INCHES (mm)		STANDARD YOKE/JAW DIMENSIONS INCHES (mm)		MAX FORCE w/90 PSI (6.21 Bar) AIR PRESSURE (kn)	MOVING JAW		OVERALL LENGTH INCHES (mm)	WEIGHT WITH JAWS LBS. (kgs)
	Alum.	Steel	REACH	Closed Ht.		MAX TRAVEL INCHES (mm)	STROKE AT MAX POWER INCHES (mm)		
630A-1526	9/32 (7.1)	7/32 (5.5)	3 (76.2)	7/8 (22.2)	10,900 (48.49)	1 3/16 (30.16)	5/64 (1.95)	19 3/4 (501.6)	11 1/2 (5.2)
630A-1527	1/4 (6.4)	3/16 (4.8)	5" (127)	7/8 (22.2)	5,900 (26.24)	1 3/8 (35)	1/8 (3.15)	21 3/4 (552.4)	12 (5.5)
630A-1528	3/16 (4.8)	1/8 (3.2)	7" (178)	7/8 (22.2)	4,700 (20.90)	1 13/16 (46)	5/32 (3.95)	23 3/4 (603.2)	12 1/2 (5.7)

*All pressures are load cell tested not calculated.

JAWS	A	B	C	D	E	F	G	H	I
1526	3"	7/8	1 5/8	2 1/4	9/32	1 1/8	7/16	8 7/8	5 5/8
1527	5"	7/8	2"	2 9/32	9/32	1 1/8	7/16	6 1/4	6"
1528	7"	7/8	2 3/8	2 1/4	9/32	1 1/8	7/16	7 1/2	7 1/4

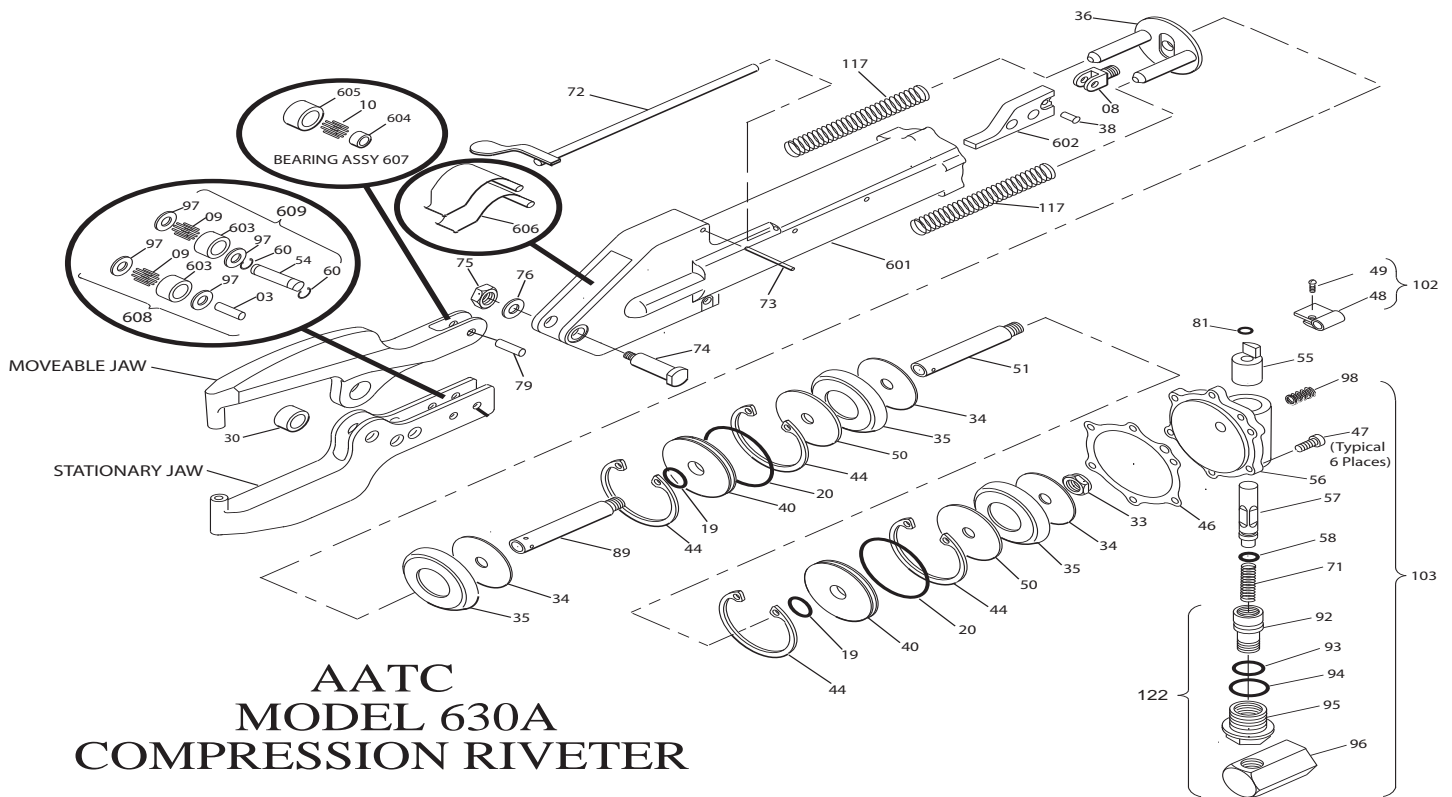


Atlantic Air Tool Company
Taft, Tennessee

(931) 425-6882 • FAX (931) 425-6884

Email: staff@atlanticairtool.com

Visit Our Website: www.atlanticairtool.com



AATC MODEL 630A COMPRESSION RIVETER

Maximum Air Pressure 90 Psi

AATC PART #	DESCRIPTION	AATC PART #	DESCRIPTION
03	ROLLER SHAFT	93	"O" RING (SWIVEL)
08	PISTON FORK/ SHORT	94	"O" RING (SWIVEL NUT)
09	NEEDLE ROLLER	95	SWIVEL NUT
10	NEEDLE ROLLER END BEARING	96	ELBOW
19	"O" RING	97	THRUST WASHER
20	"O" RING	98	SPRING
30	PIVOT BEARING	102	LEVER ARM ASSEMBLY
33	PISTON ROD NUT	103	HEAD ASSEMBLY
34	PISTON LEATHER PLATE	117	PISTON RETURN SPRING
35	PISTON LEATHER	122	SWIVEL ASSEMBLY
36	PISTON		(Includes 1-# 92, 1-#93, 1-#94, 1-#95, 1-#96)
38	WEDGE SPACER RIVET	601	CYLINDER
40	SEPARATOR	602	WEDGE
44	RETAINING RING	603	PLATE ROLLER BEARING
46	CYLINDER HEAD GASKET	604	INNER RACE END BEARING
47	ALLEN CAP SCREW	605	OUTER RACE END BEARING
48	LEVER ARM	606	RETURN SPRING (2 ea. Required)
49	SCREW	607	END BEARING ASSEMBLY
50	TANDEM PISTON		(Includes 1-#605, 50-#10, 1-#604)
51	PISTON ROD	608	PLATE ROLLER BEARING ASSEMBLY
54	ROLLER SHAFT, LONG		(Includes 1-#603, 2-#97, 1-#03, 20-#09)
55	THROTTLE VALVE BUSHING	609	PLATE ROLLER BEARING ASSEMBLY
56	CYLINDER HEAD		(Includes 2-#97, 20-#09, 1-#603, 2-#60, 1-#54)
57	THROTTLE VALVE		
58	"O" RING		
60	RETAINER RING (2)		
71	THROTTLE VALVE SPRING		
72	THROTTLE VALVE LEVER		
73	RETURN SPRING PIN		
74	BEARING BOLT		
75	BEARING BOLT NUT		
76	BEARING BOLT WASHER		
79	END ROLLER BEARING SHAFT		
81	"O" RING (BRASS BUSHING)		
89	PISTON ROD		
92	SWIVEL		

ATLANTIC AIR TOOL COMPANY

444A

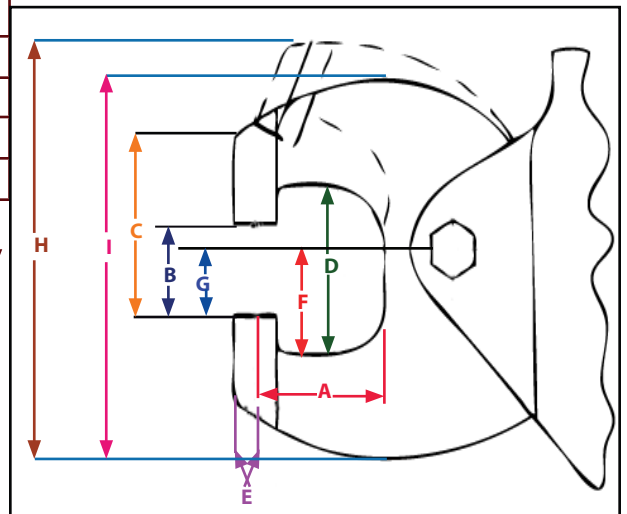


Shown Here Is The 444AFH32

MODEL NO.	RIVET CAPACITY DIAMETER INCHES (mm)		STANDARD YOKE/JAW DIMENSIONS INCHES (mm)		MAX FORCE w/90 PSI (6.21 Bar) AIR PRESSURE PSI (kn)	MOVING JAW		OVERALL LENGTH INCHES (mm)	WEIGHT WITH JAWS LBS. (kgs)
	Alum.	Steel	REACH	Closed Ht.		MAX TRAVEL INCHES (mm)	STROKE AT MAX POWER INCHES (mm)		
444AFH32	9/32 (7.14)	7/32 (5.56)	3 1/4" (82.5)	7/8 (22.2)	9,800 (43.61)	1 (25.4)	1/8 (3.2)	22.5 (571)	14.5 (6.78)
444AFH52	1/4 (6.35)	3/16 (4.76)	5 1/4" (133.3)	7/8 (22.2)	6,800 (30.25)	1 15/32 (37.4)	3/16 (4.75)	24 1/2 (622)	16 (7.26)
444AFH72	3/16 (4.76)	5/32 (3.97)	7 1/4 (184.1)	7/8 (22.2)	6000** (26.7)	1 31/32 (49.9)	7/32 (5.6)	26.5 (673)	17.5 (7.94)
444AFH92	3/16 (4.76)	5/32 (3.97)	9 1/8 (231.7)	7/8 (22.2)	6000*** (26.7)	2 7/16 (61.8)	15/64 (6)	28.5 (724)	21.5 (9.8)
444ASH32	9/32 (7.14)	7/32 (5.56)	3 1/4 (82.5)	7/8 (22.2)	9,800 (43.61)	1 (25.4)	1/8 (3.2)	22.5 (571)	15.5 (7.03)
444ASH52	1/4 (6.35)	3/16 (4.76)	5 1/4 (133.3)	7/8 (22.2)	6800 (30.25)	1 15/32 (37.4)	3/16 (4.75)	24.5 (622)	17 (7.71)
444ASH72	3/16 (4.76)	5/32 (3.97)	7 1/4 (184.1)	7/8 (22.2)	6000** (26.7)	1 31/32 (49.9)	7/32 (5.6)	26.5 (673)	18.5 (8.39)
444ASH92	3/16 (4.76)	5/32 (3.97)	9 1/8 (231.7)	7/8 (22.2)	6000*** (26.7)	2 7/16 (61.8)	15/64 (6)	28.5 (724)	22.5 (10.2)

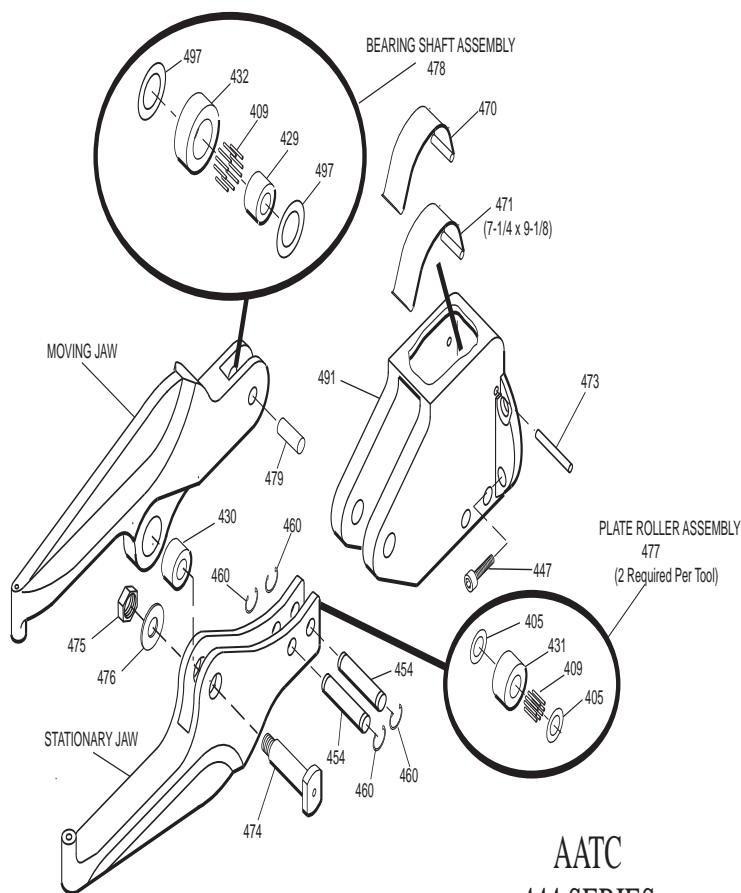
***All pressures are load cell tested not calculated.**

JAWS	A	B	C	D	E	F	G	H	I
A 32	3 1/4	7/8	2	2 7/32	1/4	1 7/64	7/16	6 3/16	6 3/16
A 52	5 1/4	7/8	2 1/4	2 1/8	9/32	1 1/16	7/16	6 1/2	6 1/2
A 72	7 1/4	7/8	2 5/16	1 5/8	9/32	1 1/16	7/16	7 15/16	7 3/4
A 92	9 1/8	7/8	3 7/16	2 1/8	9/32	1 1/16	7/16	9 7/16	9 1/8



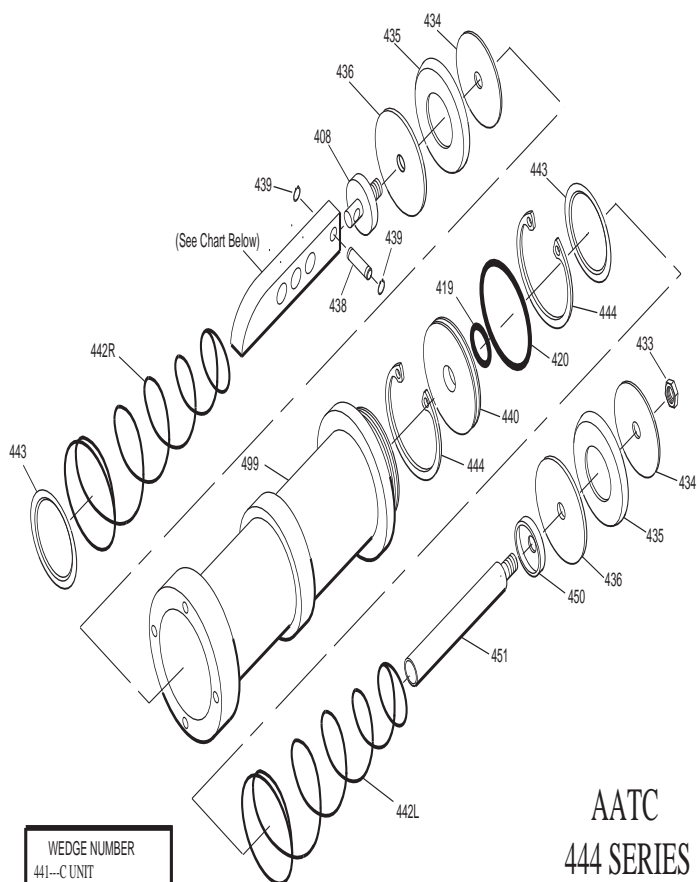
Atlantic Air Tool Company
 Taft, Tennessee
 (931) 425-6882 • FAX (931) 425-6884
 Email: staff@atlanticairtool.com
 Visit Our Website: www.atlanticairtool.com

444 SERIES "A" UNIT



AATC
444 SERIES
("A" UNIT)

AATC PART #	DESCRIPTION
405	Thrust Washer
409	Needle Roller
429	Inner Race
430	Pivot Bearing
431	Stationary Roller
432	Outer Bearing Race
447	Screw
454	Stationary Roller Shaft
460	Retaining Ring (4 Req.)
470	Return Spring
471	Spring/Back Up
473	Return Spring Pin
474	Pivot Bearing Bolt
475	Pivot Bearing Bolt Nut
476	Pivot Bearing Bolt Washer
477	Plate Roller Assembly (2 Req.)
478	End Bearing Assembly
479	Bearing Shaft
491	"A" Adaptor
497	Thrust Washer



AATC
444 SERIES
(POWER UNIT)

444 SERIES POWER UNIT

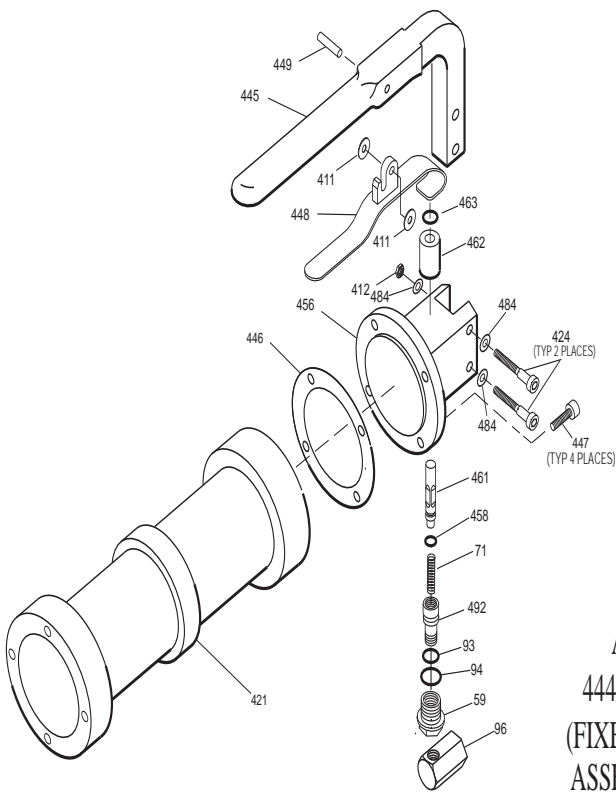
AATC PART # DESCRIPTION

408	Wedge Connector
419	"O" Ring
420	"O" Ring
433	Piston Rod Nut
434	Piston Leather Plate
435	Piston Leather
436	Piston
438	Pin
439	Retaining Ring (2 Req.)
440	Separator
441	Wedge
442L	Spring (Need One Of Each)
442R	Spring (Need One Of Each)
443	Spring Washer (2 Req.)
444	Retaining Ring (2 Req.)
450	Spring Guide
451	Piston Rod
499	Cylinder (Swivel Head)

NOTE: (443 Is only used in tools manufactured before 2015)

WEDGE NUMBER
441--C UNIT
441-- 3-1/4+5-1/4 ALL JAW
482-- 7-1/4 ALL JAW **
490-- 9-1/8 ALL JAW ***

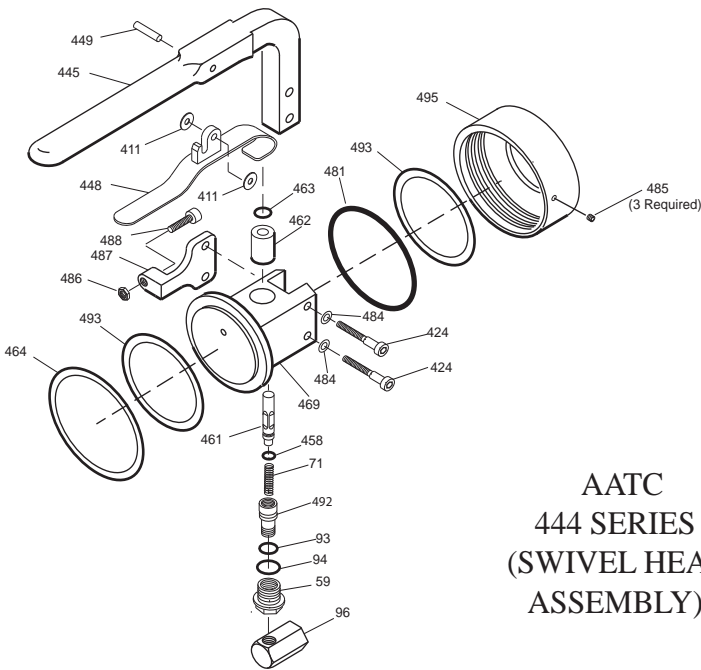
444 SERIES FIXED HEAD ASSEMBLY



AATC
444 SERIES
(FIXED HEAD
ASSEMBLY)

AATC PART #	DESCRIPTION
59	Swivel Nut
71	Throttle Valve Spring
93	"O" Ring
94	"O" Ring
96	Elbow
411	Shim (2 Req.)
412	Nut (2 Req.)
421	Cylinder (Fixed Head And Bench)
424	Screw (2 Req.)
445	Handle
446	Cylinder Head Gasket
447	Screw (4 Req.)
448	Throttle Valve Lever
449	Throttle Valve Lever Pin
456	Fixed Cylinder Head
458	"O" Ring
461	Valve
462	Valve Bushing
463	"O" Ring
484	Washer (4 Req.)
492	Swivel

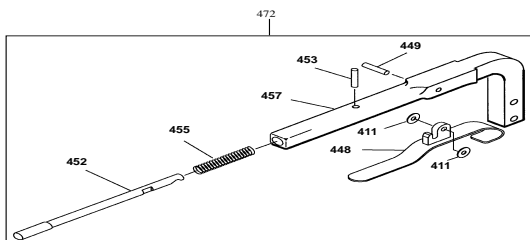
444 SERIES SWIVEL HEAD ASSEMBLY



AATC
444 SERIES
(SWIVEL HEAD
ASSEMBLY)

AATC PART #	DESCRIPTION
59	Swivel Nut
71	Throttle Valve Spring
93	"O" Ring
94	"O" Ring
96	Elbow
411	Shim (2 Req.)
424	Screw (2 Req.)
445	Handle
448	Throttle Valve Lever
449	Throttle Valve Lever Pin
458	"O" Ring
461	Valve
462	Valve Bushing
463	"O" Ring
464	Swivel Head Gasket
469	Swivel Backhead
481	"O" Ring
484	Washer (2 Req.)
485	Set Screw (3 Req.)
486	Lock Screw Nut
487	Swivel Lock Bracket
488	Lockscrew
492	Swivel
493	Slip Ring (2 Req.)
495	Swivel Head Retainer

444 SERIES SAFETY HANDLE



AATC
444 SERIES
SAFETY HANDLE

AATC PART #	DESCRIPTION
411	Shim (2 Req.)
448	Throttle Valve Lever
449	Throttle Valve Lever Pin
452	Safety Catch
453	Pin
455	Spring
457	Handle
472	Complete 444 Series Safety Handle Assembly

ATLANTIC AIR TOOL COMPANY

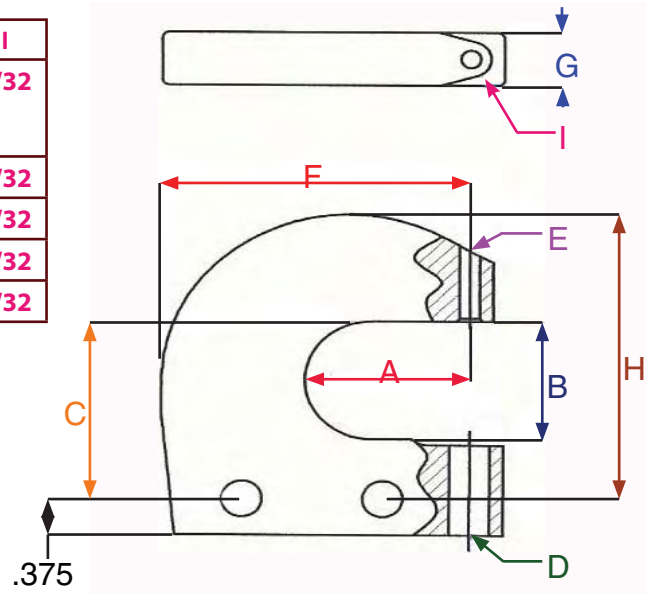
30C / 30CH



Shown Here Is The 30C15

MODEL NO.	RIVET CAPACITY DIAMETER INCHES (mm)		STANDARD YOKE/JAW DIMENSIONS INCHES (mm)		MAX FORCE w/90 PSI (6.21 Bar) AIR PRESSURE PSI (kn)	MOVING JAW		OVERALL LENGTH INCHES (mm)	WEIGHT WITH JAWS LBS. (kgs)
	Alum.	Steel	REACH	Closed Ht.		MAX TRAVEL INCHES (mm)	STROKE AT MAX POWER INCHES (mm)		
30C15	1/8 (3.17)	3/32 (2.36)	11/2 (38.1)	11/16 (17.45)	3000 (13.35)	9/16 (14.27)	1/16 (1.57)	10 1/4 (260.35)	4 1/2 (2.04)
30C20	1/8 (3.17)	3/32 (2.36)	2 (50.8)	11/16 (17.45)	3000 (13.35)	9/16 (14.27)	1/16 (1.57)	10 3/4 (273.05)	5 (2.3)
30C25	1/8 (3.17)	3/32 (2.36)	2.5 (63.5)	11/16 (17.45)	3000 (13.35)	9/16 (14.27)	1/16 (1.57)	11 (279.4)	5 1/2 (2.49)
30C30	1/8 (3.17)	3/32 (2.36)	3 (76.2)	11/16 (17.45)	3000 (13.35)	9/16 (14.27)	1/16 (1.57)	11 1/4 (285.75)	6 (2.72)
30CH15	5/32 (4)	3/32 (2.36)	1 1/2 (38.1)	11/16 (17.45)	3800 (19.90)	9/16 (14.27)	1/16 (1.57)	10 1/4 (260.35)	4 1/2 (2.04)
30CH20	5/32 (4)	3/32 (2.36)	2 (50.8)	11/16 (17.45)	3800 (19.90)	9/16 (14.27)	1/16 (1.57)	10 3/4 (273.05)	5 (2.3)
30CH25	5/32 (4)	3/32 (2.36)	2.5 (63.5)	11/16 (17.45)	3800 (19.90)	9/16 (14.27)	1/16 (1.57)	11 (279.4)	5 1/2 (2.49)
30CH30	5/32 (4)	3/32 (2.36)	3 (76.2)	11/16 (17.45)	3800 (19.90)	9/16 (14.27)	1/16 (1.57)	11 1/4 (285.75)	6 (2.72)

YOKE	A	B	C	D	E	F	G	H	I
C15	1 1/2	1 1/4	1 15/16	3/8 or 7/16	3/16 or 1/4	3	9/16	3	9/32
C20	2	1 1/4	1 15/16	3/8	3/16	3 7/16	9/16	3	9/32
C25	2 1/2	1 1/4	2 1/8	3/8	3/16	4 3/8	9/16	3 7/16	9/32
C30	3	1 1/4	2 1/8	3/8	3/16	4 5/8	9/16	3 1/2	9/32
C30HD	3	1 1/4	2 1/8	3/8	3/16	4 5/8	9/16	3 1/2	9/32



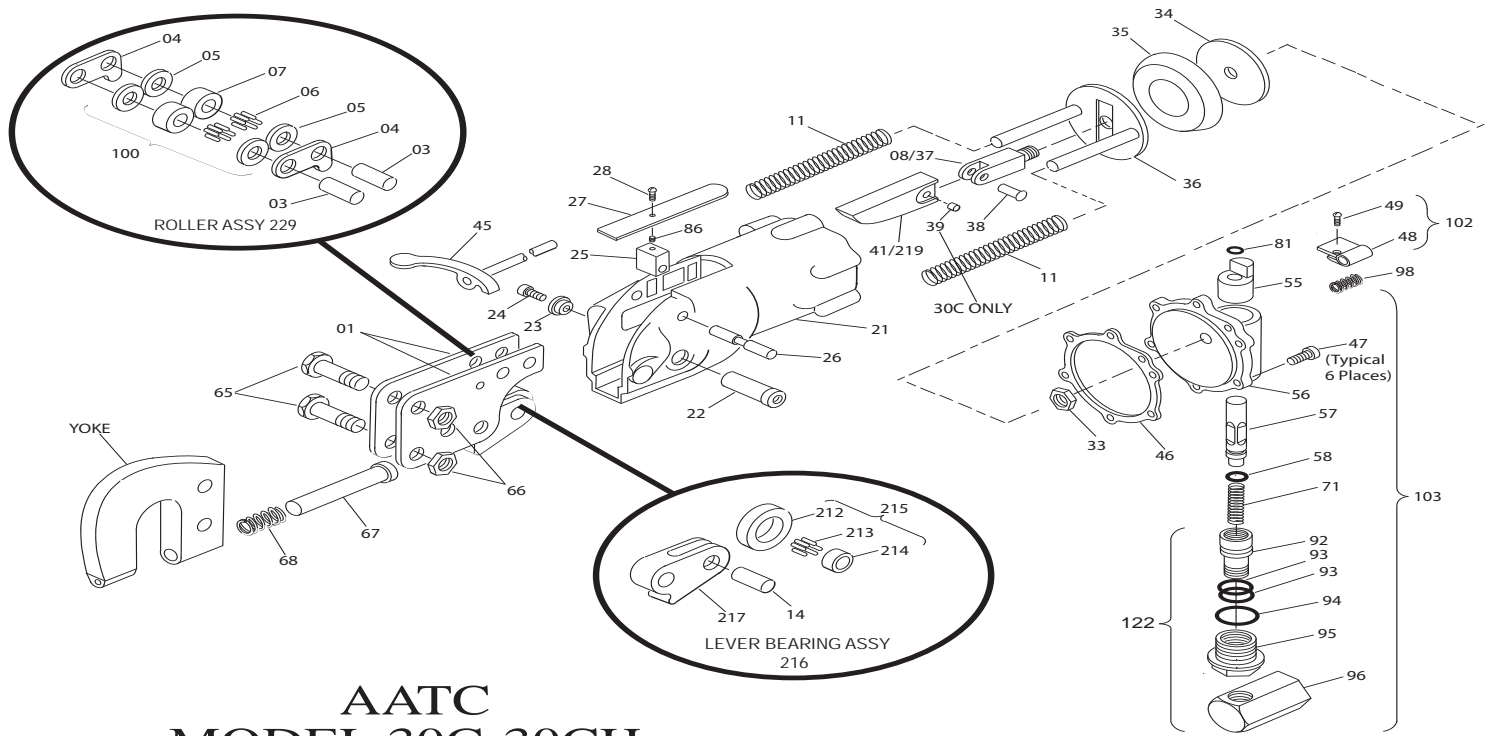
Atlantic Air Tool Company

Taft, Tennessee

(931) 425-6882 • FAX (931) 425-6884

Email: staff@atlanticairtool.com

Visit Our Website: www.atlanticairtool.com



AATC MODEL 30C-30CH COMPRESSION RIVETER

Our Tool is furnished with Safety Backhead

Maximum Air Pressure 90 Psi

AATC PART #	DESCRIPTION
01	Yoke Frame Plate(2)
03	Roller Shaft (2)
04	Wedge Guide Plate (2)
05	Roller Thrust Washer (4)
06	Needle Roller (40)
07	Plate Roller (2)
08	Piston Fork For 30C
11	Piston Return Spring (2) (30 Series)
14	Lever Bearing Shaft
21	Cylinder
22	Lever Shaft
23	Lever Shaft Washer
24	Lever Shaft Screw
25	Spacer Block
26	Spacer Block Pin
27	Guard
28	Guard Screw
33	Piston Rod Nut
34	Piston Leather Plate
35	Piston Leather
36	Piston
37	Piston Fork
38	Wedge Spacer Rivet
39	Wedge Spacer
41	Short "C" Wedge For 30C
45	Throttle Valve Lever
46	Cylinder Head Gasket
47	Allen Cap Screw (6)
48	Lever Arm
49	Screw
55	Throttle Valve Bushing
56	Cylinder Head
57	Throttle Valve
58	"O" Ring
65	Yoke Bolt (2)
66	Yoke Bolt Nut (2)
67	Set Holder
68	Set Holder Spring
71	Throttle Valve Spring
81	"O" Ring (Brass Bushing)
86	Set Screw
92	Swivel
93	"O" Ring (2)
94	"O" Ring
95	Swivel Nut
96	Elbow
98	Spring
100	Plate Roller Assembly (2) (Includes 1-#07, 20-#06, 2-#05)
102	Lever Arm Assembly
103	Head Assembly
122	Swivel Assembly (Includes 1-#92, 2-#93, 1-#94, 1-#95, 1-#96)
212	Lever Bearing Outer Race
213	Needle Roller
214	Lever Bearing Inner Race
215	Lever Bearing Assembly (Includes 1-#212, 44-#213, 1-#214)
216	Set Holder Lever Assembly (Includes 1-#217, 1-#215, 1-#14)
217	Set Holder Lever
219	Short "C" Wedge For 30CH
229	Roller Assembly (Includes 2-#100, 2-#03, 2-#04)

AATC PART #	DESCRIPTION
81	"O" Ring (Brass Bushing)
86	Set Screw
92	Swivel
93	"O" Ring (2)
94	"O" Ring
95	Swivel Nut
96	Elbow
98	Spring
100	Plate Roller Assembly (2) (Includes 1-#07, 20-#06, 2-#05)
102	Lever Arm Assembly
103	Head Assembly
122	Swivel Assembly (Includes 1-#92, 2-#93, 1-#94, 1-#95, 1-#96)
212	Lever Bearing Outer Race
213	Needle Roller
214	Lever Bearing Inner Race
215	Lever Bearing Assembly (Includes 1-#212, 44-#213, 1-#214)
216	Set Holder Lever Assembly (Includes 1-#217, 1-#215, 1-#14)
217	Set Holder Lever
219	Short "C" Wedge For 30CH
229	Roller Assembly (Includes 2-#100, 2-#03, 2-#04)

ATLANTIC AIR TOOL COMPANY

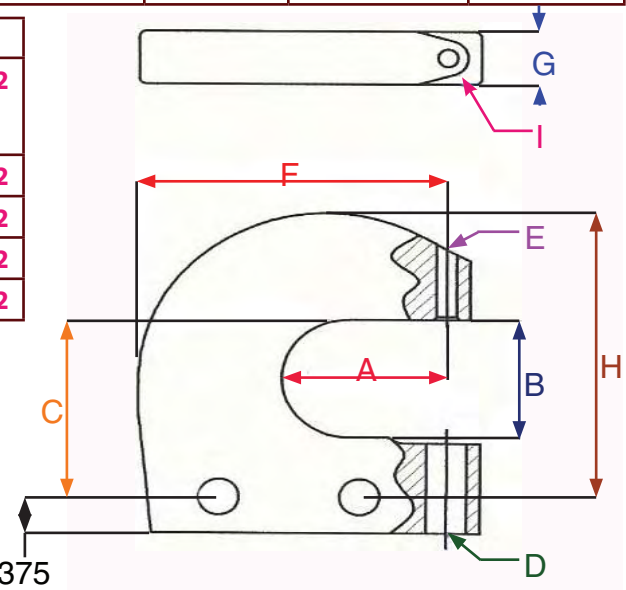
60C / 60CH



Shown Here Is The 60C15

MODEL NO.	RIVET CAPACITY DIAMETER INCHES (mm)		STANDARD YOKE/JAW DIMENSIONS INCHES (mm)		MAX FORCE w/90 PSI (6.21 Bar) AIR PRESSURE (kn)	MOVING JAW		OVERALL LENGTH INCHES (mm)	WEIGHT WITH JAWS LBS. (kgs)
	Alum.	Steel	REACH	Closed Ht.		MAX TRAVEL INCHES (mm)	STROKE AT MAX POWER INCHES (mm)		
60C15	3/16 (4.75)	5/32 (3.96)	11/2 (38.1)	11/16 (17.45)	6000 (26.70)	9/16 (14.27)	1/16 (1.57)	14 (355.6)	5 1/2 (2.49)
60C20	3/16 (4.75)	5/32 (3.96)	2 (50.8)	11/16 (17.45)	6000 (26.70)	9/16 (14.27)	1/16 (1.57)	14 1/2 (368.30)	6 (2.72)
60C25	3/16 (4.75)	5/32 (3.96)	2 1/2 (63.5)	11/16 (17.45)	6000 (26.70)	9/16 (14.27)	1/16 (1.57)	14 3/4 (374.65)	6 1/2 (2.95)
60C30	3/16 (4.75)	5/32 (3.96)	3 (76.2)	11/16 (17.45)	6000 (26.70)	9/16 (14.27)	1/16 (1.57)	15 (381)	7 (3.18)
60C30HD	3/16 (4.75)	5/32 (3.96)	3 (76.2)	11/16 (17.45)	6000 (26.70)	9/16 (14.27)	1/16 (1.57)	15 (381)	7 1/2 (3.40)
60CH15	3/16 1/4 (4.75)	5/32 (3.96)	11/2 (38.1)	11/16 (17.45)	7600 (33.81)	9/16 (14.27)	1/16 (1.57)	14 (355.6)	5 1/2 (2.49)
60CH20	3/16 (4.75)	5/32 (3.96)	2 (50.8)	11/16 (17.45)	7600 (33.81)	9/16 (14.27)	1/16 (1.57)	14 1/2 (368.30)	6 (2.72)
60CH25	3/16 (4.75)	5/32 (3.96)	2.5 (63.5)	11/16 (17.45)	7600 (33.81)	9/16 (14.27)	1/16 (1.57)	14 3/4 (374.65)	6 1/2 (2.95)
60CH30	3/16 (4.75)	5/32 (3.96)	3 (76.2)	11/16 (17.45)	7600 (33.81)	9/16 (14.27)	1/16 (1.57)	15 (381)	7 (3.18)
60CH30HD	3/16 (4.75)	5/32 (3.96)	3 (76.2)	11/16 (17.45)	7600 (33.81)	9/16 (14.27)	1/16 (1.57)	15 (381)	7 1/2 (3.40)

YOKE	A	B	C	D	E	F	G	H	I
C15	1 1/2	1 1/4	1 15/16	3/8 or 7/16	3/16 or 1/4	3	9/16	3	9/32
C20	2	1 1/4	1 15/16	3/8	3/16	3 7/16	9/16	3	9/32
C25	2 1/2	1 1/4	2 1/8	3/8	3/16	4 3/8	9/16	3 7/16	9/32
C30	3	1 1/4	2 1/8	3/8	3/16	4 5/8	9/16	3 1/2	9/32
C30HD	3	1 1/4	2 1/8	3/8	3/16	4 5/8	9/16	3 1/2	9/32



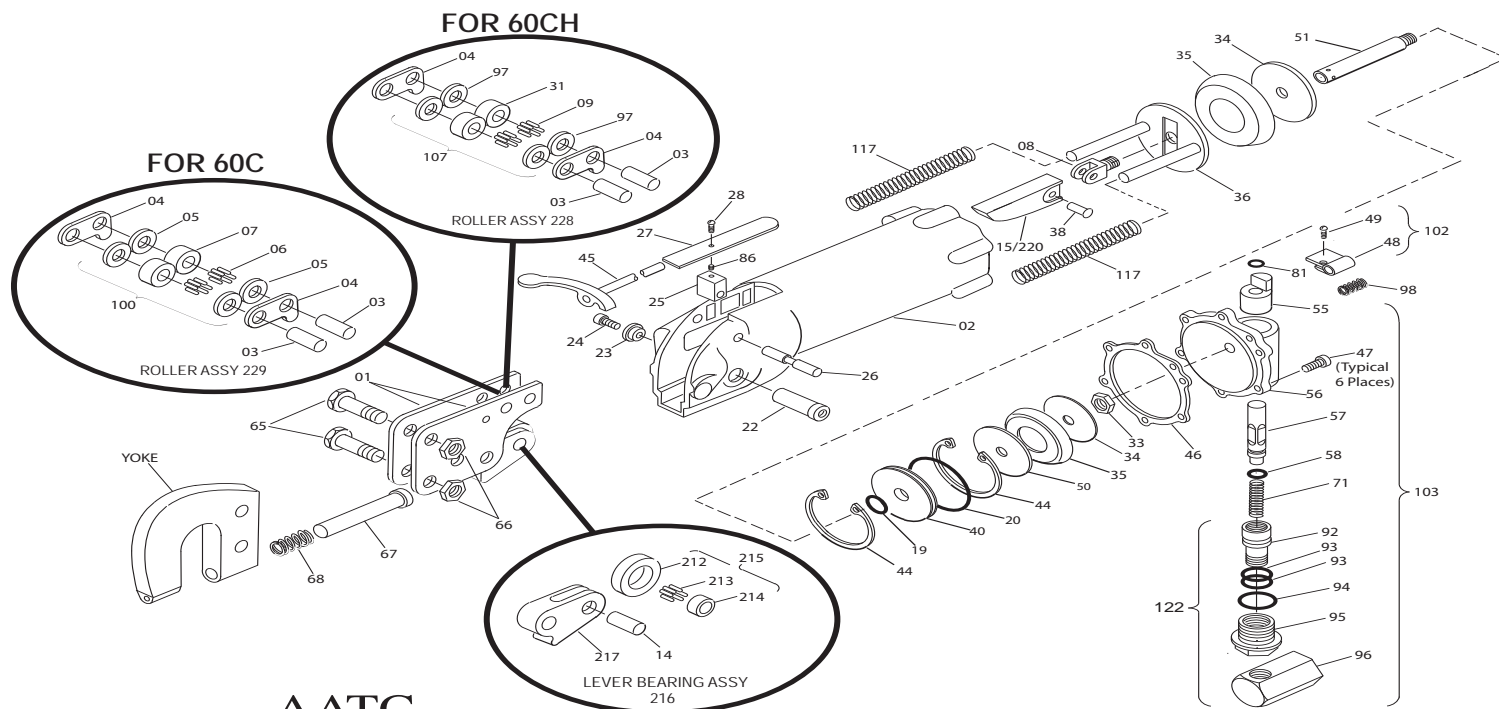
Atlantic Air Tool Company

Taft, Tennessee

(931) 425-6882 • FAX (931) 425-6884

Email: staff@atlanticairtool.com

Visit Our Website: www.atlanticairtool.com



AATC MODEL 60C-60CH COMPRESSION RIVETER

Our Tool is furnished with Safety Backhead

Maximum Air Pressure 90 Psi

AATC PART #	DESCRIPTION
01	Yoke Frame Plate (2)
02	Cylinder
03	Roller Shaft (2)
04	Wedge Guide Plate (2)
05	Roller Thrust Washer (4)
06	Needle Roller (40)
07	Plate Roller (2)
08	Piston Fork
09	Needle Roller, Heavy Duty (40)
14	Lever Bearing Shaft
15	Wedge C For 60C
19	"O" Ring
20	"O" Ring
22	Lever Shaft
23	Lever Shaft Washer
24	Lever Shaft Screw
25	Spacer Block
26	Spacer Block Pin
27	Guard
28	Guard Screw
31	Plate Roller (2)
33	Piston Rod Nut
34	Piston Leather Plate (2)
35	Piston Leather (2)
36	Piston
38	Wedge Spacer Rivet
40	Separator
44	Retaining Ring (2)
45	Throttle Valve Lever
46	Cylinder Head Gasket
47	Allen Cap Screw (6)
48	Lever Arm
49	Screw
50	Tandem Piston
51	Piston Rod
55	Throttle Valve Bushing
56	Cylinder Head
57	Throttle Valve

AATC PART #	DESCRIPTION
58	"O" Ring
65	Yoke Bolt
66	Yoke Bolt Nut (2)
67	Set Holder
68	Set Holder Spring
71	Throttle Valve Spring
81	"O" Ring (Brass Bushing)
86	Set Screw
92	Swivel
93	"O" Ring (2)
94	"O" Ring
95	Swivel Nut
96	Elbow
97	Roller Thrust Washer (4)
98	Spring
100	Plate Roller Assembly (2) (Includes 1-#07, 20-#06, 2-#05)
102	Lever Arm Assembly
103	Head Assembly
107	Roller Plate Assembly (2) (Includes 1-#31, 20-#09, 2-#97)
117	Piston Return Spring (2)
122	Swivel Assembly (Includes 1-#92, 2-#93, 1-#94, 1-#95, 1-#96)
212	Lever Bearing Outer Race
213	Needle Roller (44)
214	Lever Bearing Inner Race
215	Lever Bearing Assembly (Includes 1-#212, 44-#213, 1-#214)
216	Set Holder Lever Assembly, H.D.
217	Set Holder Lever, H.D.
220	Long "C" Wedge/ High Pressure
228	Roller Assemblies (Includes 2-#107, 2-#04, 2-#03)
229	Roller Assemblies (Includes 2-#100, 2-#04, 2-#03)

ATLANTIC AIR TOOL COMPANY

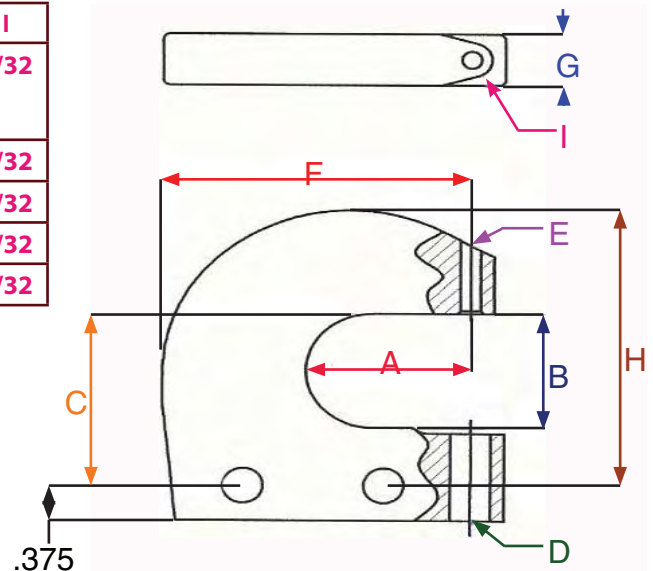
90C



Shown Here Is The 90C15

MODEL NO.	RIVET CAPACITY DIAMETER INCHES (mm)		STANDARD YOKE/JAW DIMENSIONS INCHES (mm)		MAX FORCE w/90 PSI (6.21 Bar) AIR PRESSURE PSI (kn)	MOVING JAW		OVERALL LENGTH INCHES (mm)	WEIGHT WITH JAWS LBS. (kgs)
	Alum.	Steel	REACH	Closed Ht.		MAX TRAVEL INCHES (mm)	STROKE AT MAX POWER INCHES (mm)		
90C15	1/4 (6.35)	3/16 (4.75)	11/2 (38.1)	11/16 (17.45)	9000 (40.05)	9/16 (14.27)	1/16 (1.57)	18 3/4 (476.25)	8 1/2 (3.86)
90C20	1/4 (6.35)	3/16 (4.75)	2 (50.8)	11/16 (17.45)	9000 (40.05)	9/16 (14.27)	1/16 (1.57)	19 1/4 (488.95)	9 (4.08)
90C25	1/4 (6.35)	3/16 (4.75)	2.5 (63.5)	11/16 (17.45)	9000 (40.05)	9/16 (14.27)	1/16 (1.57)	19 1/2 (495.30)	9 1/2 (4.31)
90C30	1/4 (6.35)	3/16 (4.75)	3 (76.2)	11/16 (17.45)	9000 (40.05)	9/16 (14.27)	1/16 (1.57)	19 3/4 (501.65)	10 (4.54)
90C30HD	1/4 (6.35)	3/16 (4.75)	3 (76.2)	11/16 (17.45)	9000 (40.05)	9/16 (14.27)	1/16 (1.57)	19 3/4 (501.65)	10 1/2 (4.77)

YOKE	A	B	C	D	E	F	G	H	I
C15	1 1/2	1 1/4	1 15/16	3/8 or 7/16	3/16 or 1/4	3	9/16	3	9/32
C20	2	1 1/4	1 15/16	3/8	3/16	3 7/16	9/16	3	9/32
C25	2 1/2	1 1/4	2 1/8	3/8	3/16	4 3/8	9/16	3 7/16	9/32
C30	3	1 1/4	2 1/8	3/8	3/16	4 5/8	9/16	3 1/2	9/32
C30HD	3	1 1/4	2 1/8	3/8	3/16	4 5/8	9/16	3 1/2	9/32



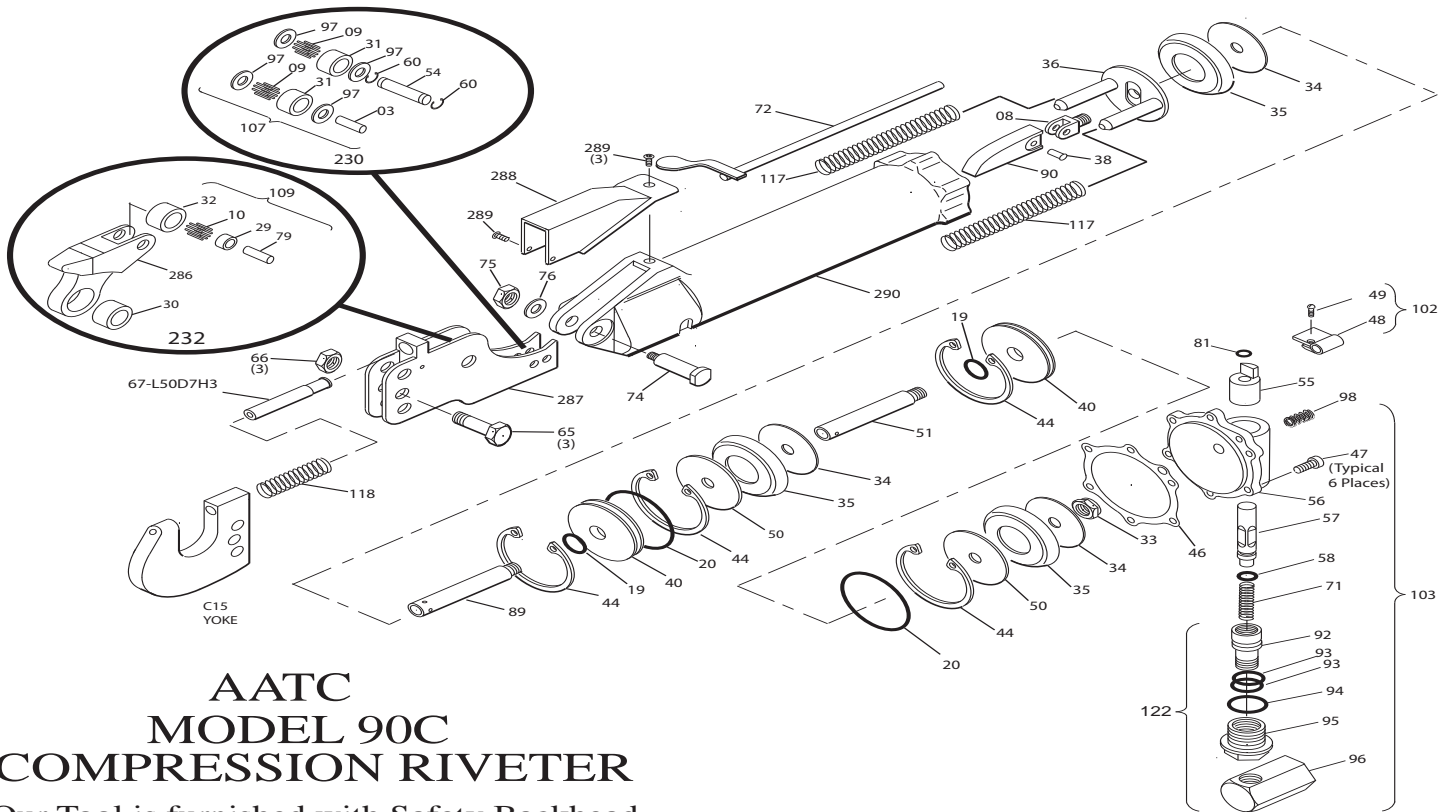
Atlantic Air Tool Company

Taft, Tennessee

(931) 425-6882 • FAX (931) 425-6884

Email: staff@atlanticairtool.com

Visit Our Website: www.atlanticairtool.com



AATC MODEL 90C COMPRESSION RIVETER

Our Tool is furnished with Safety Backhead

Maximum Air Pressure 90 Psi

AATC PART # DESCRIPTION

AATC PART #	DESCRIPTION
C15	Standard Yoke
03	Roller Shaft
08	Piston Fork
09	Needle Roller (40)
10	Needle Roller End Bearing (40)
19	"O" Ring (2)
20	"O" Ring (2)
29	Inner Race End Bearing
30	Pivot Bearing
31	Stationary Roller Plate (2)
32	Outer Race End Bearing
33	Piston Rod Nut
34	Piston Leather Plate (3)
35	Piston Leather (3)
36	Piston
38	Wedge Spacer Rivet
40	Separator (2)
44	Retaining Ring (4)
46	Cylinder Head Gasket
47	Allen Cap Screw (6)
48	Lever Arm
49	Screw
50	Tandem Piston (2)
51	Piston Rod
54	Roller Shaft
55	Throttle Valve Bushing
56	Cylinder Head
57	Throttle Valve
58	"O" Ring
60	Retainer Ring (2)
65	Yoke Bolt (3)
66	Yoke Bolt Nut (3)
67-L50D7H3	Set Holder (3 1/8" LX 7/16" DIA. X 3/16" SET HOLE SIZE)
71	Throttle Valve Spring
72	Throttle Valve Lever
74	Bearing Bolt
75	Bearing Bolt Nut
76	Bearing Bolt Washer
79	End Roller Bearing Shaft

AATC PART # DESCRIPTION

81	"O" Ring (Brass Bushing)
89	Piston Rod
90	Wedge Long "A"
92	Swivel
93	"O" Ring (2)
94	"O" Ring
95	Swivel Nut
96	Elbow
97	Thrust Washer (4)
98	Spring
102	Lever Arm Assembly
107	Plate Roller Assembly (Includes 1-#31, 20-#09, 2-#97)
109	End Bearing Assembly (Includes 1-#32, 40-#10, 1-#29)
117	Piston Return Spring (2)
118	Spring
122	Swivel Assembly (Includes 1-#92, 2-#93, 1-#94, 1-#95, 1-#96)
230	Roller Assembly (Includes 2-#107, 1-#54, 1-#03, 2-#60)
232	Set Holder Lever Assembly (Includes 1-#109, 1-#286, 1-#30)
286	Lever
287	Yoke Plate
288	Cover Guard
289	Guard Screw
290	Cylinder

NOTE

DUE TO VERY HIGH SQUEEZING PRESSURES DEVELOPED BY THIS TOOL, USE HEAVY DUTY BEARINGS ONLY. THE USE OF STANDARD BEARINGS WILL CAUSE DAMAGE TO THE TOOL AND POSSIBLE INJURY TO THE OPERATOR.

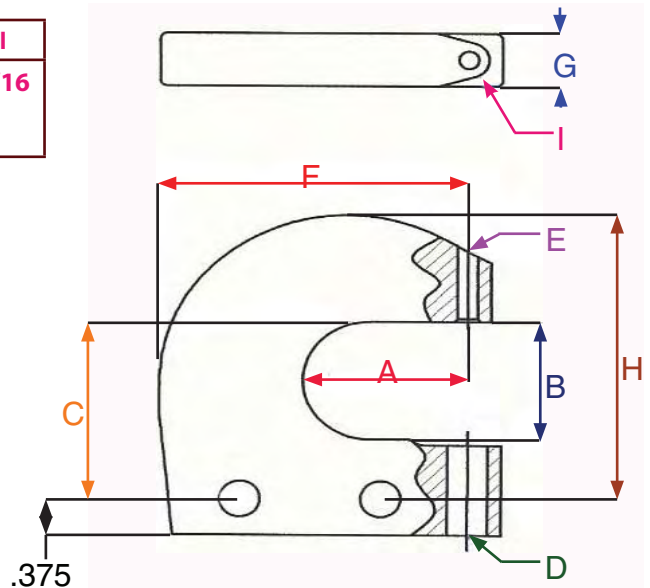
ATLANTIC AIR TOOL COMPANY 444C



Shown Here Is The 444CFH21

MODEL NO.	RIVET CAPACITY DIAMETER INCHES (mm)		STANDARD YOKE/JAW DIMENSIONS INCHES (mm)		MAX FORCE w/90 PSI (6.21 Bar) AIR PRESSURE (kn)	OVERALL LENGTH		MAX RAM TRAVEL	STROKE AT MAX POWER	WEIGHT LBS. (kgs)
	Alum.	Steel	REACH	GAP		With Out Yoke INCHES (mm)	with standard yoke INCHES (mm)			
444CFH21	5/16 (7.9)	1/4 (6.35)	2 1/8 (53.97)	1 1/2 (38.1)	12,000 (53.4)	19 23/32 (500.8)	23 3/16 (588.96)	5/8 (19.05)	3/32 (2.38)	15.5 (7.05)
444CSH21	5/16 (7.9)	1/4 (6.35)	2 1/8 (53.97)	1 1/2 (38.1)	12,000 (53.4)	19 23/32 (500.8)	23 3/16 (588.96)	5/8 (19.05)	3.32 (2.38)	16.5 (7.50)

YOKE	A	B	C	D	E	F	G	H	I
C21	2 1/8	1 1/2	2 5/16	1/2	3/16 or 1/4	4 1/4	1 1/4	3 7/8	5/16



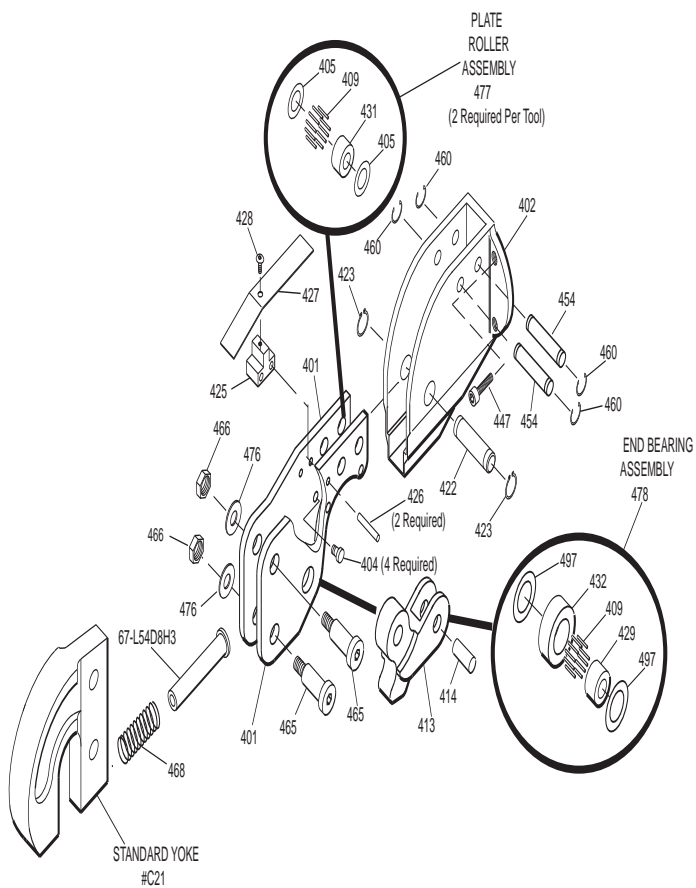
Atlantic Air Tool Company

Taft, Tennessee

(931) 425-6882 • FAX (931) 425-6884

Email: staff@atlanticairtool.com

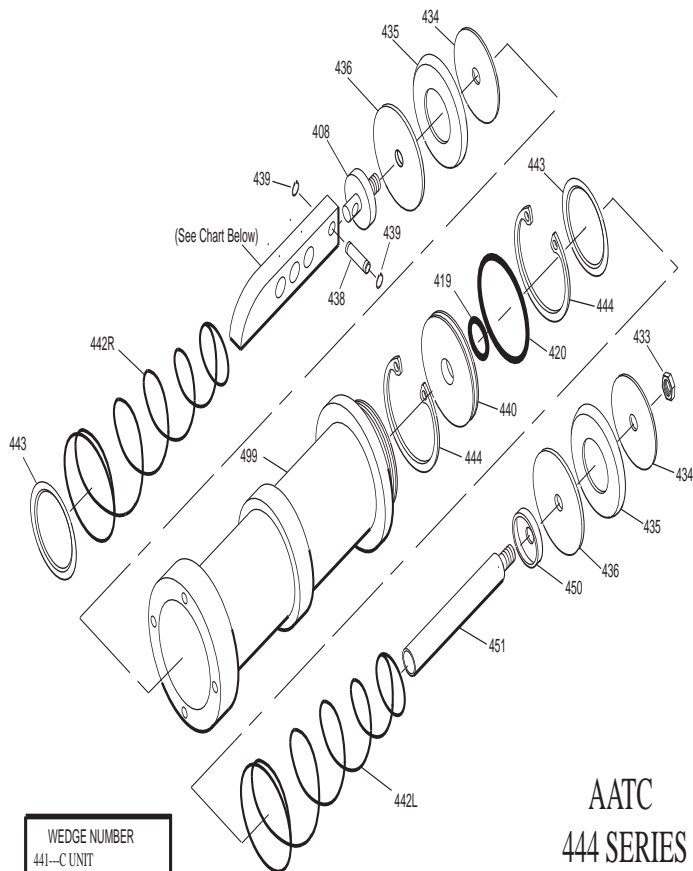
Visit Our Website: www.atlanticairtool.com



444 SERIES "C" UNIT

AATC PART # DESCRIPTION

AATC PART #	DESCRIPTION
67-L54D8H3	Setholder
401	Yoke Plate
402	"C" Adapter
404	Wedge Guide Button (4 Req.)
405	Thrust Washer (4 Req.)
409	Needle Roller (25 Req. per #477), (45 Req. per #478)
413	Set Lever
414	Bearing Shaft
422	Lever Shaft
423	Retaining Ring (2 Req.)
425	Spacer Block
426	Spacer Block Pin
427	Guard
428	Guard Screw
429	Inner Race
431	Stationary Roller
432	Outer Race
447	Screw (4 Req.)
454	Stationary Roller Shaft (2 Req.)
460	Retaining Ring (4 Req.)
465	Yoke Bolt
466	Yoke Bolt Nut
468	Setholder Spring
476	Pivot Bearing Bolt Washer
477	Plate Roller Assembly (2 Req.)
478	End Bearing Assembly
497	Thrust Washer (2 Req.)



444 SERIES POWER UNIT

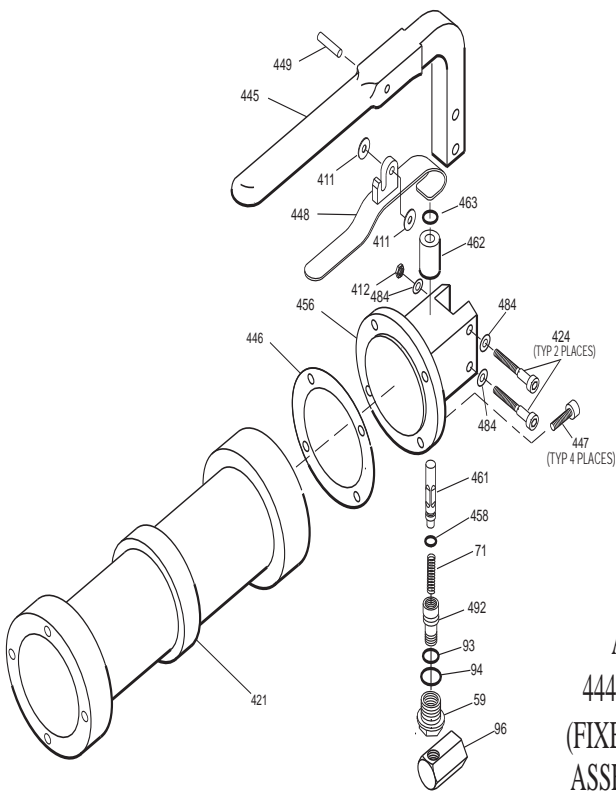
AATC PART # DESCRIPTION

AATC PART #	DESCRIPTION
408	Wedge Connector
419	"O" Ring
420	"O" Ring
433	Piston Rod Nut
434	Piston Leather Plate
435	Piston Leather
436	Piston
438	Pin
439	Retaining Ring (2 Req.)
440	Separator
441	Wedge
442L	Spring (Need One Of Each)
442R	Spring (Need One Of Each)
443	Spring Washer (2 Req.)
NOTE: (443 is only used in tools manufactured before 2015)	
444	Retaining Ring (2 Req.)
450	Spring Guide
451	Piston Rod
499	Cylinder (Swivel Head)

WEDGE NUMBER
 441--C UNIT
 441-- 3-1/4+5-1/4 ALL JAW
 482-- 7-1/4 ALL JAW
 490-- 9-1/8 ALL JAW

AATC 444 SERIES (POWER UNIT)

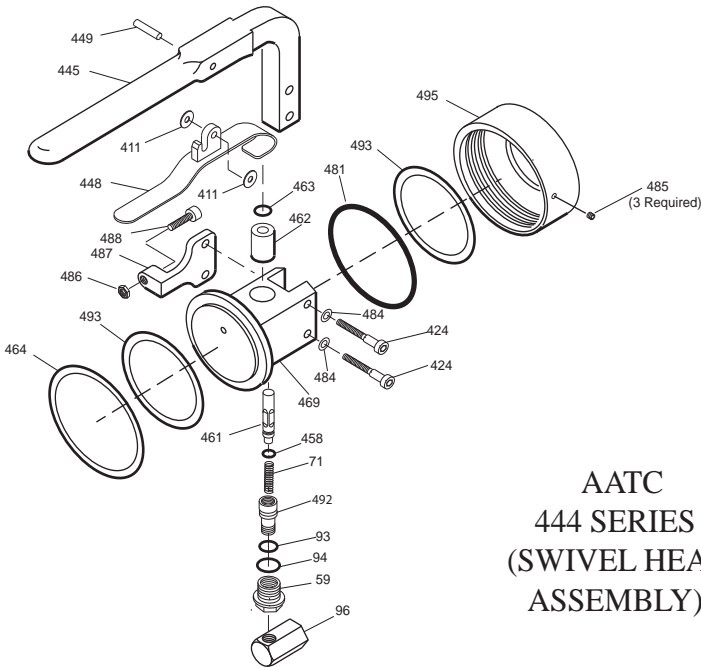
444 SERIES FIXED HEAD ASSEMBLY



AATC
444 SERIES
(FIXED HEAD
ASSEMBLY)

AATC PART #	DESCRIPTION
59	Swivel Nut
71	Throttle Valve Spring
93	"O" Ring
94	"O" Ring
96	Elbow
411	Shim (2 Req.)
412	Nut (2 Req.)
421	Cylinder (Fixed Head And Bench)
424	Screw (2 Req.)
445	Handle
446	Cylinder Head Gasket
447	Screw (4 Req.)
448	Throttle Valve Lever
449	Throttle Valve Lever Pin
456	Fixed Cylinder Head
458	"O" Ring
461	Valve
462	Valve Bushing
463	"O" Ring
484	Washer (4 Req.)
492	Swivel

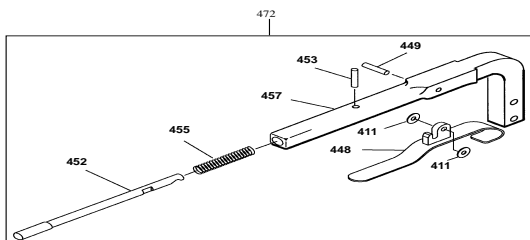
444 SERIES SWIVEL HEAD ASSEMBLY



AATC
444 SERIES
(SWIVEL HEAD
ASSEMBLY)

AATC PART #	DESCRIPTION
59	Swivel Nut
71	Throttle Valve Spring
93	"O" Ring
94	"O" Ring
96	Elbow
411	Shim (2 Req.)
424	Screw (2 Req.)
445	Handle
448	Throttle Valve Lever
449	Throttle Valve Lever Pin
458	"O" Ring
461	Valve
462	Valve Bushing
463	"O" Ring
464	Swivel Head Gasket
469	Swivel Backhead
481	"O" Ring
484	Washer (2 Req.)
485	Set Screw (3 Req.)
486	Lock Screw Nut
487	Swivel Lock Bracket
488	Lockscrew
492	Swivel
493	Slip Ring (2 Req.)
495	Swivel Head Retainer

444 SERIES SAFETY HANDLE



AATC
444 SERIES
SAFETY HANDLE

AATC PART #	DESCRIPTION
411	Shim (2 Req.)
448	Throttle Valve Lever
449	Throttle Valve Lever Pin
452	Safety Catch
453	Pin
455	Spring
457	Handle
472	Complete 444 Series Safety Handle Assembly

ATLANTIC AIR TOOL COMPANY

30C / 30CH COMPRESSION BENCH RIVETER



Shown Here Is The 30C60B

MODEL NO.	YOKE THICKNESS INCHES (mm)	REACH INCHES (mm)	MAX FORCE w/90 PSI (6.21 Bar) AIR PRESSURE (kn)	GAP INCHES (mm)	WEIGHT LBS. (kgs)
30C60B	1 3/8 (34.9)	6 (152.4)	3000 (13.35)	3 1/2 (88.9)	31 (14)
30C90B	1 5/8 (41.3)	9 1/2 (241.3)	3000 (13.35)	3 1/2 (88.9)	59 (27)
30C120B	2 3/8 (60.3)	12 1/2 (317.5)	3000 (13.35)	4 (101.6)	179 (81.4)

All Bench Models come equipped with adjustable lower Set Holder, Bench Mounting Bracket, Hoses and Foot Control with Safety Guard.

PEDESTAL STANDS AVAILABLE SEE PAGE 33

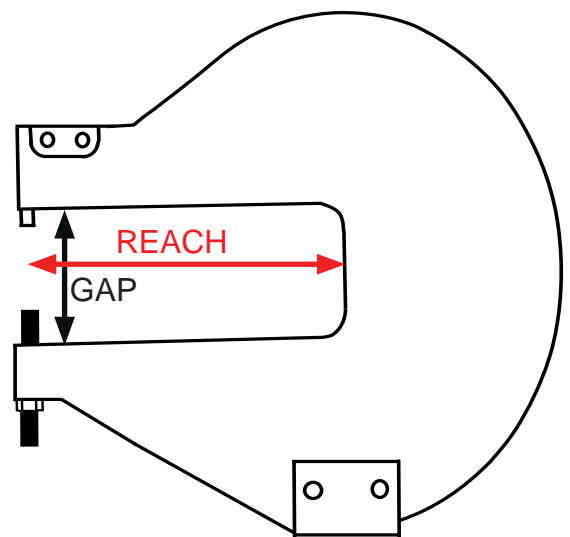
Atlantic Air Tool Company

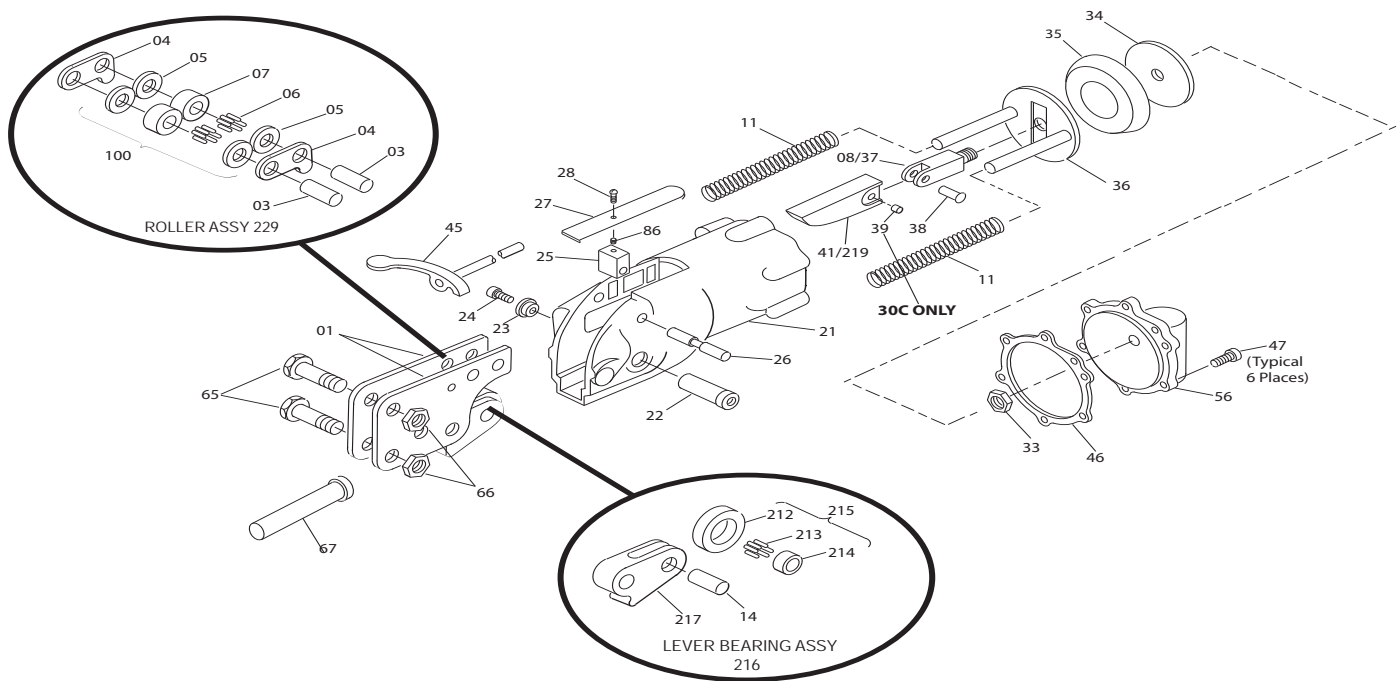
Taft, Tennessee

(931) 425-6882 • FAX (931) 425-6884

Email: staff@atlanticairtool.com

Visit Our Website: www.atlanticairtool.com





AATC MODEL 30C / 30CH COMPRESSION BENCH RIVETER

Maximum Air Pressure 90 Psi

AATC PART #	DESCRIPTION	AATC PART #	DESCRIPTION
01	Yoke Frame Plate(2)	81	"O" Ring (Brass Bushing)
03	Roller Shaft (2)	86	Set Screw
04	Wedge Guide Plate (2)	98	Spring
05	Roller Thrust Washer (4)	100	Plate Roller Assembly (2)
06	Needle Roller (40)		(includes 1-#07, 20-#06, 2-#05)
07	Plate Roller (2)	212	Lever Bearing Outer Race
08	Piston Fork For 30C	213	Needle Roller
11	Piston Return Spring (2) (30 Series)	214	Lever Bearing Inner Race
14	Lever Bearing Shaft	215	Lever Bearing Assembly
21	Cylinder		(Includes 1-#212, 44-#213, 1-#214)
22	Lever Shaft	216	Set Holder Assembly
23	Lever Shaft Washer	217	Set Holder Lever
24	Lever Shaft Screw	219	Short "C" Wedge FOR 30CH
25	Spacer Block	229	Roller Assembly
26	Spacer Block Pin		(Includes 2-#100, 2-#03, 2-#04)
27	Guard		
28	Guard Screw		
33	Piston Rod Nut		
34	Piston Leather Plate		
35	Piston Leather		
36	Piston		
37	Piston Fork		
38	Wedge Spacer Rivet		
39	Wedge Spacer		
41	Short "C" Wedge For 30C		
45	Throttle Valve Lever		
46	Cylinder Head Gasket		
47	Allen Cap Screw (6)		
55	Throttle Valve Bushing		
56	Cylinder Head		
65	Yoke Bolt (2)		
66	Yoke Bolt Nut (2)		
67	Set Holder		
	• 67L-68D7H3 - 6"		
	• 67L-68D7H3 - 9 1/2"		
	• 67L-78D7H3 - 12 1/2"		

ATLANTIC AIR TOOL COMPANY

60C / 60CH COMPRESSION BENCH RIVETER



Shown Here Is The 60C90B

MODEL NO.	YOKE THICKNESS INCHES (mm)	REACH INCHES (mm)	MAX FORCE w/90 PSI (6.21 Bar) AIR PRESSURE (kn)	GAP INCHES (mm)	WEIGHT LBS. (kgs)
60C60B	1 3/8 (34.9)	6 (152.4)	6000 (26.70)	3 1/2 (88.9)	33 (15)
60C90B	1 5/8 (41.3)	9 1/2 (241.3)	6000 (26.70)	3 1/2 (88.9)	61 (28)
60C120B	2 3/8 (60.3)	12 1/2 (317.5)	6000 (26.70)	4 (101.6)	181 (82.3)
60C180B	2 3/4 (69.85)	18 (457.2)	6000 (26.70)	4 (101.6)	406 (185)

All Bench Models come equipped with adjustable lower Set Holder, Bench Mounting Bracket, Hoses and Foot Control with Safety Guard.

PEDESTAL STANDS AVAILABLE SEE PAGE 33

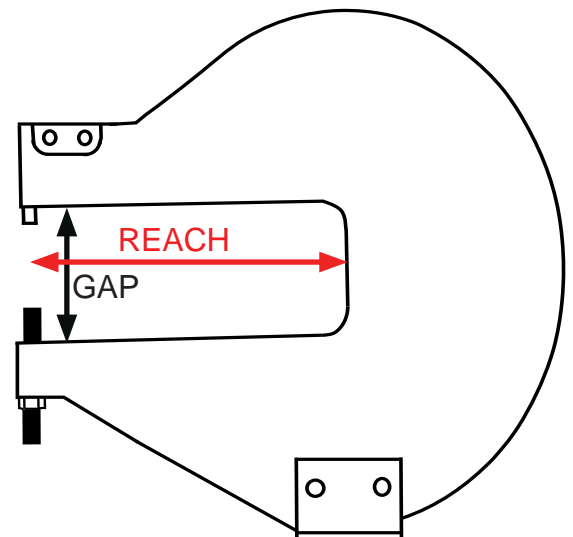
Atlantic Air Tool Company

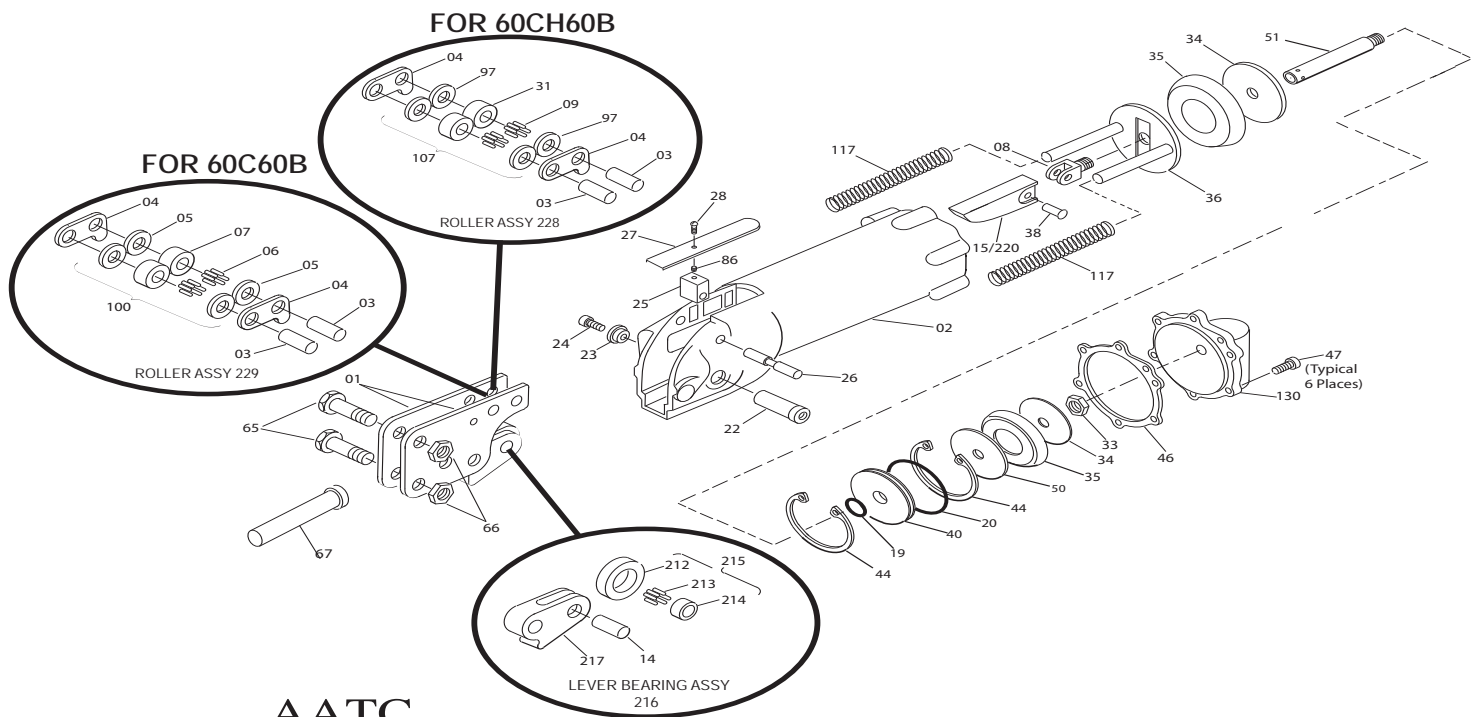
Taft, Tennessee

(931) 425-6882 • FAX (931) 425-6884

Email: staff@atlanticairtool.com

Visit Our Website: www.atlanticairtool.com





AATC MODEL 60C60B-60CH60B COMPRESSION BENCH RIVETER

Maximum Air Pressure 90 Psi

AATC PART #	DESCRIPTION	AATC PART #	DESCRIPTION
01	Yoke Frame Plate (2)	50	Tandem Piston
02	Cylinder	51	Piston Rod
03	Roller Shaft (2)	65	Yoke Bolt
04	Wedge Guide Plate (2)	66	Yoke Bolt Nut (2)
05	Roller Thrust Washer (4)	67	Set Holder
06	Needle Roller (40)		• 67L-68D7H3 - 6" & 9"
07	Plate Roller (2)		• 67L-78D7H3 - 12 1/2"
08	Piston Fork		• 67L-94D7H3 - 18"
09	Needle Roller, Heavy Duty	86	Set Screw
14	Lever Bearing Shaft	97	Roller Thrust Washer (4)
15	Wedge C For 60C	100	Plate Roller Assembly
19	"O" Ring		(Includes 1-#07, 20-#06, 2-#05)
20	"O" Ring	107	Roller Plate Assembly (2)
22	Lever Shaft		(Includes 1-#31, 20-#09, 2-#97)
23	Lever Shaft Washer	117	Piston Return Spring (2)
24	Lever Shaft Screw	130	Cylinder Head
25	Spacer Block	212	Lever Bearing Outer Race
26	Spacer Block Pin	213	Needle Roller (44)
27	Guard	214	Lever Bearing Inner Race
28	Guard Screw	215	Lever Bearing Assembly
31	Plate Roller (2)		(Includes 1-#212, 44-#213, 1-#214)
33	Piston Rod Nut	216	Set Holder Lever Assembly, H.D.
34	Piston Leather Plate	217	Set Holder Lever, H.D.
35	Piston Leather (2)	220	Long "C" Wedge/ High Pressure
36	Piston	228	Roller Assembly H.D.
38	Wedge Spacer Rivet		(Includes 2-#03, 2-#04, 2-#107)
40	Separator	229	Roller Assembly
44	Retaining Ring (2)		(Includes 2-#100, 2-#03, 2-#04)
46	Cylinder Head		
47	Allen Cap Screw (6)		
48	Lever Arm		
49	Screw		

ATLANTIC AIR TOOL COMPANY 90C COMPRESSION BENCH RIVETER



Shown Here Is The 90C120B

MODEL NO.	YOKE THICKNESS INCHES (mm)	REACH INCHES (mm)	MAX FORCE w/90 PSI (6.21 Bar) AIR PRESSURE (kn)	GAP INCHES (mm)	WEIGHT LBS. (kgs)
90C60B	1 3/8 (34.9)	6 (152.4)	9000 (40.05)	3 1/2 (88.9)	35 (16)
90C90B	1 5/8 (41.3)	9 1/2 (241.3)	9000 (40.05)	3 1/2 (88.9)	63 (29)
90C90BHD	2 3/8 (69.85)	9 1/2 (241.3)	9000 (40.05)	3 1/2 (88.9)	153 (70)
90C120B	2 3/8 (60.3)	12 1/2 (317.5)	9000 (40.05)	4 (101.6)	183 (83)
90C180B	2 3/4 (69.85)	18 (457.2)	9000 (40.05)	4 (101.6)	408 (186)

All Bench Models come equipped with adjustable lower Set Holder, Bench Mounting Bracket, Hoses and Foot Control with Safety Guard.

PEDESTAL STANDS AVAILABLE SEE PAGE 33

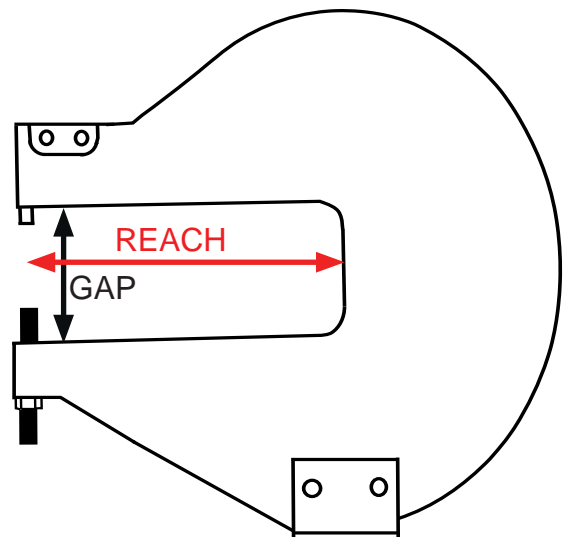
Atlantic Air Tool Company

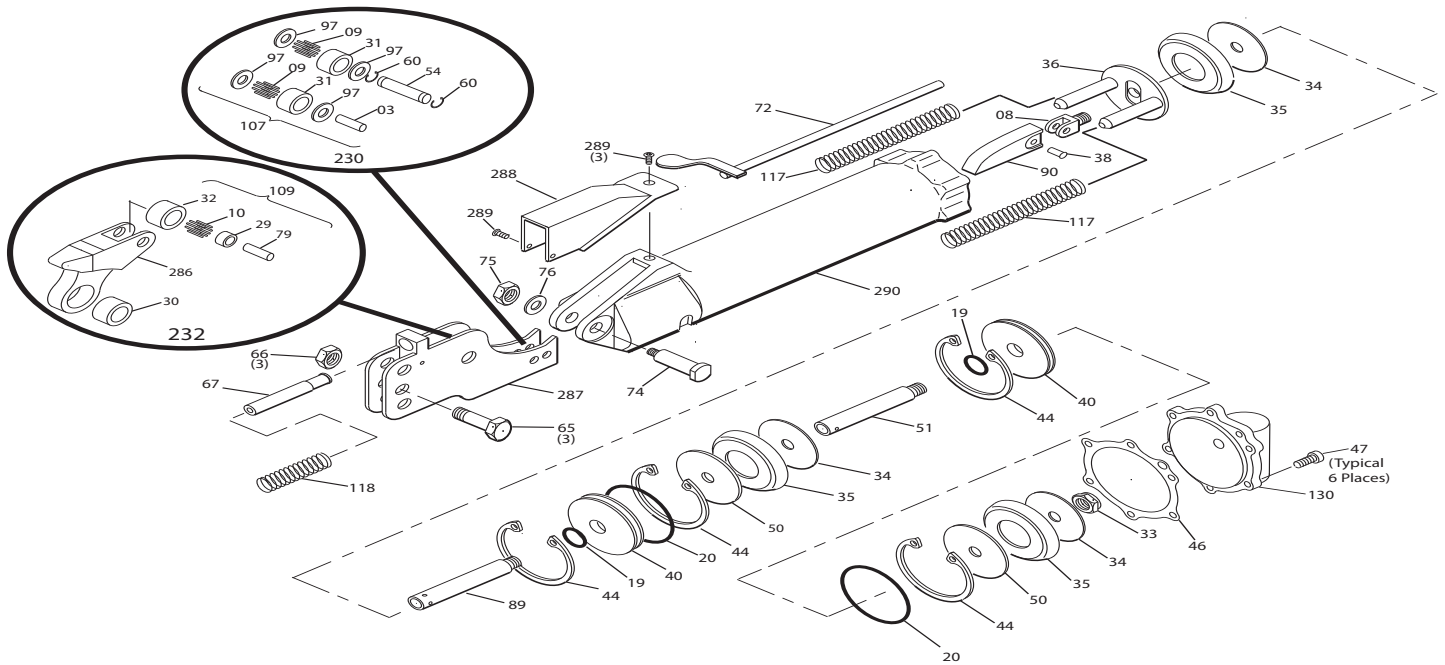
Taft, Tennessee

(931) 425-6882 • FAX (931) 425-6884

Email: staff@atlanticairtool.com

Visit Our Website: www.atlanticairtool.com





AATC MODEL 90C COMPRESSION BENCH RIVETER

Maximum Air Pressure 90 Psi

AATC PART #	DESCRIPTION	AATC PART #	DESCRIPTION
03	Roller Shaft	89	Piston Rod
08	Piston Fork	90	Wedge Long "A"
09	Needle Roller (40)	97	Thrust Washer (4)
10	Needle Roller End Bearing (40)	107	Plate Roller Assembly (Includes 1-#31, 20-#09, 2-#97)
19	"O" Ring (2)	109	End Bearing Assembly (Includes 1-#32, 40-#10, 1-#29)
20	"O" Ring (2)	117	Piston Return Spring (2)
29	Inner Race End Bearing	130	Cylinder Head (Bench)
30	Pivot Bearing	230	Roller Assembly (Includes 2-#107, 1-#54, 1-#03, 2-#60)
31	Stationary Roller Plate (2)	232	Set Holder Lever Assembly (Includes 1-#109, 1-#286, 1-#30)
32	Outer Race End Bearing	286	Lever
33	Piston Rod Nut	287	Yoke Plate
34	Piston Leather Plate (3)	288	Cover Guard
35	Piston Leather (3)	289	Guard Screw
36	Piston	290	Cylinder
38	Wedge Spacer Rivet		
40	Separator (2)		
44	Retaining Ring (4)		
46	Cylinder Head Gasket		
47	Allen Cap Screw (6)		
50	Tandem Piston (2)		
51	Piston Rod		
54	Roller Shaft		
56	Cylinder Head		
60	Retainer Ring (2)		
65	Yoke Bolt (3)		
66	Yoke Bolt Nut (3)		
67	Set Holder		
	• 67L-78D7H3 - 6" & 9 1/2"		
	• 67L-86D7H3 - 12 1/2" & (9 1/2" HD C90B)		
	• 67L-94D7H3 - 18"		
72	Throttle Valve Lever		
74	Bearing Bolt		
75	Bearing Bolt Nut		
76	Bearing Bolt Washer		
79	End Roller Bearing Shaft		

NOTE

DUE TO VERY HIGH SQUEEZING PRESSURES DEVELOPED BY THIS TOOL, USE HEAVY DUTY BEARINGS ONLY. THE USE OF STANDARD BEARINGS WILL CAUSE DAMAGE TO THE TOOL AND POSSIBLE INJURY TO THE OPERATOR.

ATLANTIC AIR TOOL COMPANY

444CB COMPRESSION BENCH RIVETER



Shown Here Is The 444CB240B

MODEL NO.	YOKE THICKNESS INCHES (mm)	REACH INCHES (mm)	MAX FORCE w/90 PSI (6.21 Bar) AIR PRESSURE (kn)	GAP INCHES (mm)	WEIGHT LBS. (kgs)
444CB120BHD	2 3/8 (60.3)	12 1/2 (317.5)	12,000 (53.38)	4 (101.6)	190 (86.4)
444CB180B	2 3/4 (69.85)	18 (457.2)	12,000 (53.38)	4 (101.6)	415 (189)
444CB240B	3 1/4 (82.3)	24 (610)	12,000 (53.38)	6 (152.4)	1015 (461.4)

All Bench Models come equipped with adjustable lower Set Holder, Bench Mounting Bracket, Hoses and Foot Control with Safety Guard.

PEDESTAL STANDS AVAILABLE SEE PAGE 33

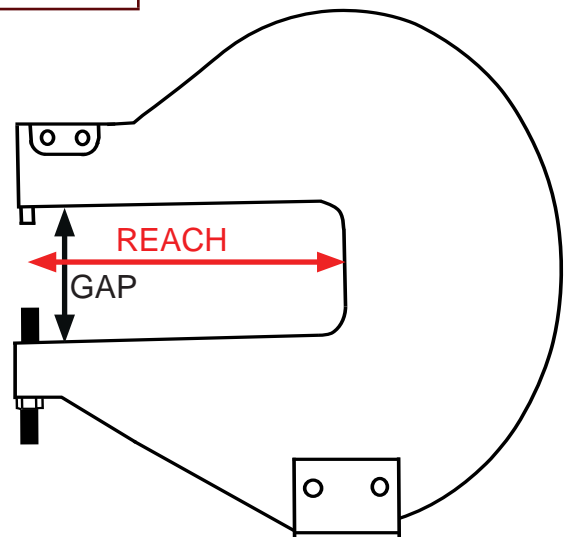
Atlantic Air Tool Company

Taft, Tennessee

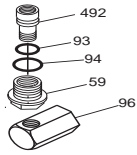
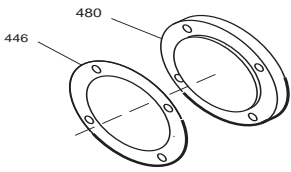
(931) 425-6882 • FAX (931) 425-6884

Email: staff@atlanticairtool.com

Visit Our Website: www.atlanticairtool.com



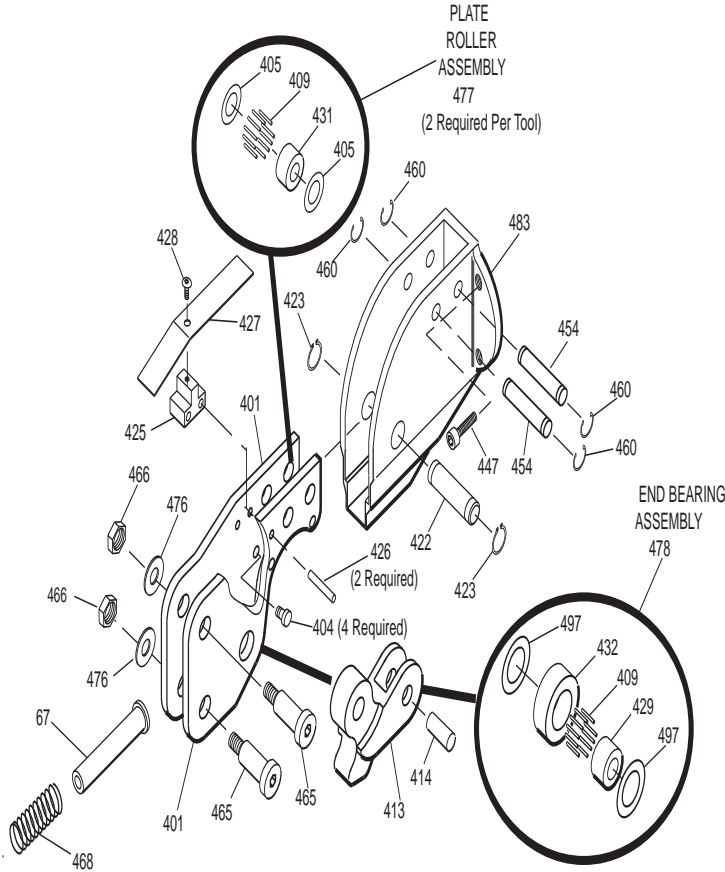
444 SERIES BENCH HEAD ASSEMBLY



AATC 444 SERIES (BENCH HEAD ASSEMBLY)

AATC PART #	DESCRIPTION
59	Swivel Nut
93	"O" Ring
94	"O" Ring
96	Elbow
446	Cylinder Head Gasket
447	Screw (4 Req.)
480	Bench Cylinder Head Swivel
492	Swivel

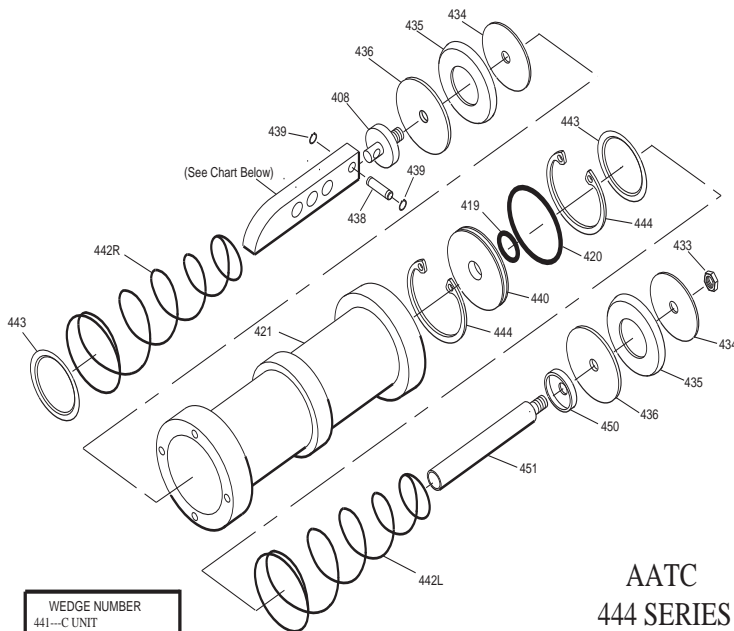
444 SERIES "BENCH C" UNIT



AATC PART # DESCRIPTION

67	Set Holder
	• 67L-120D8H3 - 12 1/2"
	• 67L-136D8H3 - 18"
	• 67L-136D8H3 - 24"
401	Yoke Plate
404	Wedge Guide Button (4 Req.)
405	Thrust Washer (4 Req.)
409	Needle Roller (25 Req. per #477), (45 Req. per #478)
413	Set Lever
414	Bearing Shaft
422	Lever Shaft
423	Retaining Ring (2 Req.)
425	Spacer Block
426	Spacer Block Pin
427	Guard
428	Guard Screw
429	Inner Race
431	Stationary Roller
432	Outer Race
447	Screw (4 Req.)
454	Stationary Roller Shaft (2 Req.)
460	Retaining Ring (4 Req.)
465	Yoke Bolt
466	Yoke Bolt Nut
468	Setholder Spring
476	Pivot Bearing Bolt Washer
477	Plate Roller Assembly (2 Req.)
478	End Bearing Assembly
483	"C" Adapter
497	Thrust Washer (2 Req.)

444 SERIES POWER UNIT



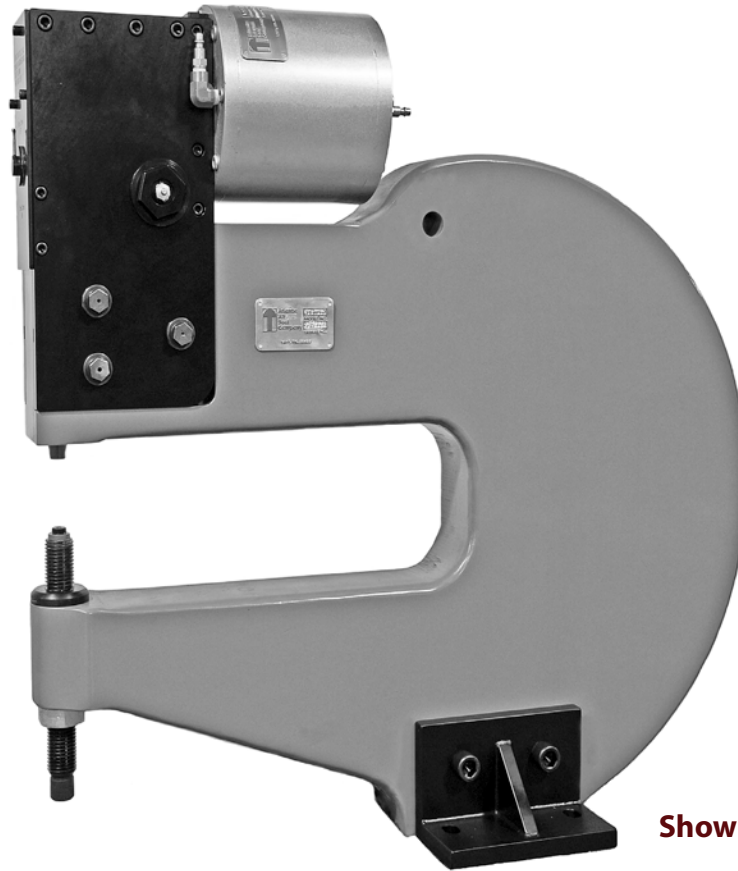
AATC PART # DESCRIPTION

408	Wedge Connector
419	"O" Ring
420	"O" Ring
421	Cylinder (Fixed Head and Bench)
433	Piston Rod Nut
434	Piston Leather Plate
435	Piston Leather
436	Piston
438	Pin
439	Retaining Ring (2 Req.)
440	Separator
441	Wedge
442L	Spring (Need One Of Each)
442R	Spring (Need One Of Each)
443	Spring Washer (2 Req.)
NOTE: (443 is only used in tools manufactured before 2015)	
444	Retaining Ring (2 Req.)
450	Spring Guide
451	Piston Rod

WEDGE NUMBER
441--C UNIT
441--3-1/4-5-1/4 ALL JAW
482--7-1/4 ALL JAW
490--9-1/8 ALL JAW

AATC 444 SERIES (POWER UNIT)

ATLANTIC AIR TOOL COMPANY 458CB COMPRESSION RIVETER



Shown Here Is The 458CB180B

MODEL NO.	YOKE THICKNESS INCHES (mm)	REACH INCHES (mm)	MAX FORCE w/70 PSI (4.83 Bar) AIR PRESSURE (kn)	GAP INCHES (mm)	WEIGHT LBS. (kgs)
458CB180B	3 3/4 (95.25)	18 (457.2)	22,000 (97.9)	6 (152.4)	1015 (461.4)
458CB240B	3 3/4 (95.25)	24 (610)	22,000 (97.9)	6 (152.4)	1350 (613)

All Bench Models come equipped with adjustable lower Set Holder, Bench Mounting Bracket, Hoses and Foot Control with Safety Guard.

PEDESTAL STANDS AVAILABLE SEE PAGE 33

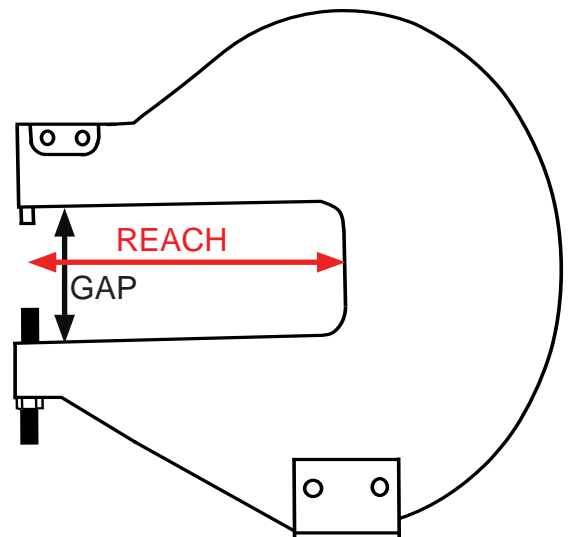
Atlantic Air Tool Company

Taft, Tennessee

(931) 425-6882 • FAX (931) 425-6884

Email: staff@atlanticairtool.com

Visit Our Website: www.atlanticairtool.com



ATLANTIC AIR TOOL COMPANY

444AB COMPRESSION BENCH RIVETER

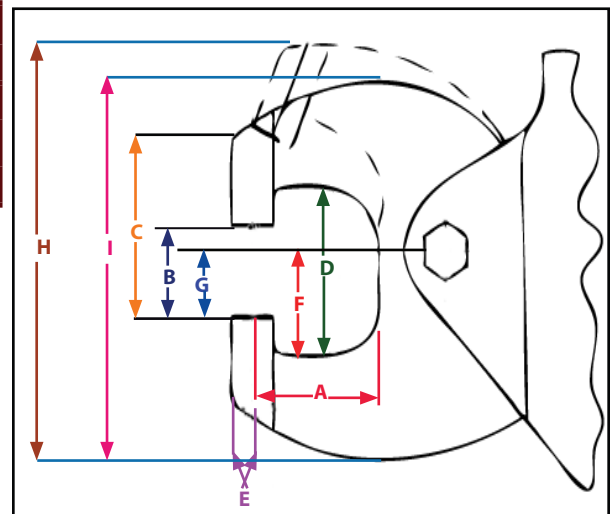


Shown Here Is The 444AB92

MODEL NO.	RIVET CAPACITY DIAMETER INCHES (mm)		STANDARD YOKE/JAW DIMENSIONS INCHES (mm)		MAX FORCE w/90 PSI (6.21 Bar) AIR PRESSURE PSI (kn)	MOVING JAW		OVERALL LENGTH INCHES (mm)	WEIGHT WITH JAWS LBS. (kgs)
	Alum.	Steel	REACH	Closed Ht.		MAX TRAVEL INCHES (mm)	STROKE AT MAX POWER INCHES (mm)		
444AB32	9/32 (7.14)	7/32 (5.56)	3 1/4" (82.5)	7/8 (22.2)	9,800 (43.61)	1 (25.4)	1/8 (3.2)	22.5 (571)	14.5 (6.78)
444AB52	1/4 (6.35)	3/16 (4.76)	5 1/4" (133.3)	7/8 (22.2)	6,800 (30.25)	1 15/32 (37.4)	3/16 (4.75)	24 1/2 (622)	16 (7.26)
444AB72	3/16 (4.76)	5/32 (3.97)	7 1/4 (184.1)	7/8 (22.2)	6000** (26.7)	1 31/32 (49.9)	7/32 (5.6)	26.5 (673)	17.5 (7.94)
444AB92	3/16 (4.76)	5/32 (3.97)	9 1/8 (231.7)	7/8 (22.2)	6000*** (26.7)	2 7/16 (61.8)	15/64 (6)	28.5 (724)	21.5 (9.8)

All Alligator Bench Models come equipped with AATC #498 Mounting Bracket, Hoses and Foot Control with Safety Guard. **PEDESTAL STANDS AVAILABLE SEE PAGE 33**

JAWS	A	B	C	D	E	F	G	H	I
AB 32	3 1/4	7/8	2	2 7/32	1/4	1 7/64	7/16	6 3/16	6 3/16
AB 52	5 1/4	7/8	2 1/4	2 1/8	9/32	1 1/16	7/16	6 1/2	6 1/2
AB 72	7 1/4	7/8	2 5/16	1 5/8	9/32	1 1/16	7/16	7 15/16	7 3/4
AB 92	9 1/8	7/8	3 7/16	2 1/8	9/32	1 1/16	7/16	9 7/16	9 1/8



Atlantic Air Tool Company

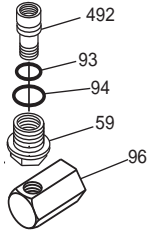
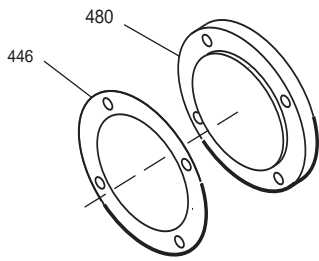
Taft, Tennessee

(931) 425-6882 • FAX (931) 425-6884

Email: staff@atlanticairtool.com

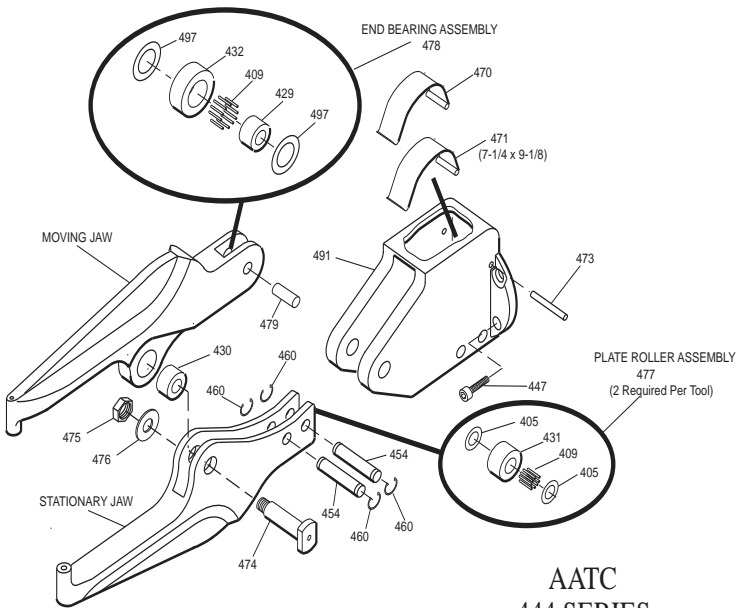
Visit Our Website: www.atlanticairtool.com

444 SERIES BENCH HEAD ASSEMBLY



AATC 444 SERIES (BENCH HEAD ASSEMBLY)

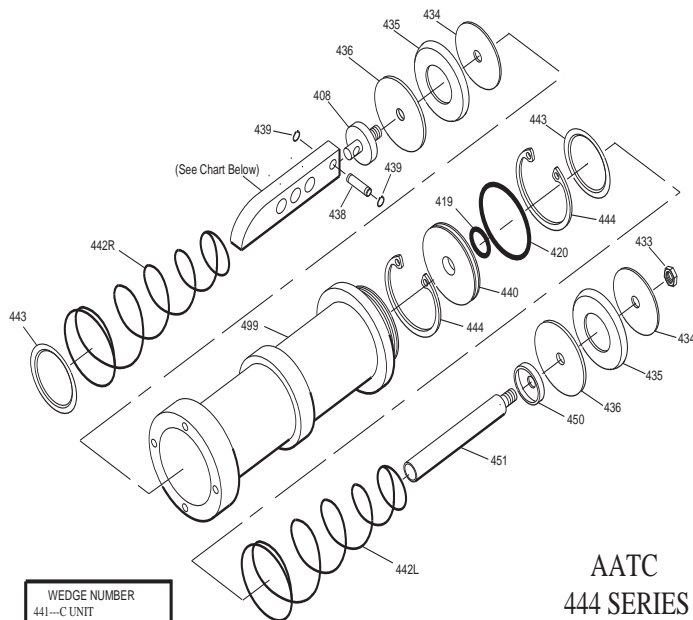
AATC PART #	DESCRIPTION
59	Swivel Nut
93	"O" Ring
94	"O" Ring
96	Elbow
446	Cylinder Head Gasket
447	Screw (4 Req.)
480	Bench Cylinder Head
492	Swivel



AATC 444 SERIES ("A" UNIT)

444 SERIES "A" UNIT

AATC PART #	DESCRIPTION
405	Thrust Washer (4 Req.)
409	Needle Roller (25 Req. per #477), (45 Req. per #478)
429	Inner Race
430	Pivot Bearing
431	Stationary Roller
432	Outer Bearing Race
447	Screw
454	Stationary Roller Shaft
460	Retaining Ring (4 Req.)
470	Return Spring
471	Spring/Back Up
473	Return Spring Pin
474	Pivot Bearing Bolt
475	Pivot Bearing Bolt Nut
476	Pivot Bearing Bolt Washer
477	Plate Roller Assembly (2 Req.)
478	End Bearing Assembly
479	Bearing Shaft
491	"A" Adaptor
497	Thrust Washer (2 Req.)



AATC 444 SERIES (POWER UNIT)

444 SERIES POWER UNIT

AATC PART #	DESCRIPTION
408	Wedge Connector
419	"O" Ring
420	"O" Ring
433	Piston Rod Nut
434	Piston Leather Plate
435	Piston Leather
436	Piston
438	Pin
439	Retaining Ring (2 Req.)
440	Separator
441	Wedge
442L	Spring (Need One Of Each)
442R	Spring (Need One Of Each)
443	Spring Washer (2 Req.)
NOTE: (443 Is only used in tools manufactured before 2015)	
444	Retaining Ring (2 Req.)
450	Spring Guide
451	Piston Rod
499	Cylinder (Swivel Head)

WEDGE NUMBER
441--C UNIT
441--3-1/4-5-1/4 ALL JAW
482--7-1/4 ALL JAW **
490--9-1/8 ALL JAW ***

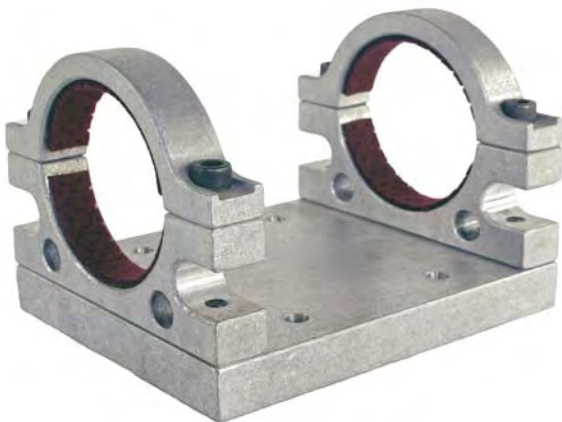
ATLANTIC AIR TOOL COMPANY
PEDESTAL MOUNT BRACKETS



AATC #53
60A PEDESTAL MOUNT BRACKET
ASSEMBLY



AATC #52
90A, 630A PEDESTAL MOUNT
BRACKET ASSEMBLY



AATC #498
444A PEDESTAL MOUNT BRACKET
ASSEMBLY



SHOWN HERE IS A 444 PEDESTAL MOUNT
BRACKET ASSEMBLY USED ON A 444 AB
MODEL WITH A 15000 PEDESTAL STAND

Atlantic Air Tool Company

Taft, Tennessee

(931) 425-6882 • FAX (931) 425-6884

Email: staff@atlanticairtool.com

Visit Our Website: www.atlanticairtool.com

ATLANTIC AIR TOOL COMPANY PEDESTAL STANDS



15000 PEDESTAL

USED WITH THE : C60B
C90B
C90BHD
C120B
444AB
WITH BRACKET ASSEMBLY AATC 498

15010 PEDESTAL

USED WITH THE : C180B
C180BHD
C240B



Atlantic Air Tool Company

Taft, Tennessee

(931) 425-6882 • FAX (931) 425-6884

Email: staff@atlanticairtool.com

Visit Our Website: www.atlanticairtool.com

SPECIAL YOKES AND JAWS

Atlantic Air Tool Co. will design and manufacture for special applications in minimal time.

We Have Many Former Designed Specials In Stock.

Go to our web site www.atlanticairtool.com and look through the specials starting at the 1100 series .

Call us and we can assist you in finding or designing the Special Yokes or Jaws to meet your application.

Atlantic Air Tool Company, Inc.

Phone: (931) 425-6882

Fax (931) 425-6884

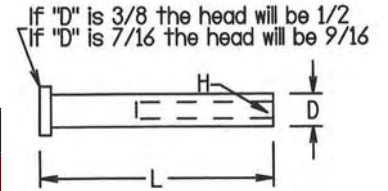
Email: staff@atlanticairtool.com

Web: www.atlanticairtool.com



ATLANTIC AIR TOOL COMPANY

SET HOLDERS



ORDER#	CROSS REF#	LENGTH	DIAMETER	SETHOLE
67-L41D6H3	APT#539	2 9/16	3/8	3/16
67-L42D6H3		2 5/8	3/8	3/16
67-L43D6H3		2 11/16	3/8	3/16
67-L44D6H3		2 3/4	3/8	3/16
67-L45D6H3		2 13/16	3/8	3/16
67-L46D6H3		2 7/8	3/8	3/16
67-L47D6H3		2 15/16	3/8	3/16
67-L48D6H3		3	3/8	3/16
67-L49D6H3		3 1/16	3/8	3/16
67-L50D6H3		3 1/8	3/8	3/16
67-L51D6H3		3 3/16	3/8	3/16
67-L52D6H3		3 1/4	3/8	3/16
67-L53D6H3		3 5/16	3/8	3/16
67-L54D6H3		3 3/8	3/8	3/16
67-L55D6H3		3 7/16	3/8	3/16
67-L56D6H3		3 1/2	3/8	3/16
67-L57D6H3		3 9/16	3/8	3/16
67-L58D6H3		3 5/8	3/8	3/16
67-L59D6H3		3 11/16	3/8	3/16
67-L60D6H3		3 3/4	3/8	3/16
67-L61D6H3		3 13/16	3/8	3/16
67-L62D6H3		3 7/8	3/8	3/16
67-L63D6H3		3 15/16	3/8	3/16
67-L64D6H3		4	3/8	3/16
67-L65D6H3		4 1/16	3/8	3/16
67-L66D6H3		4 1/8	3/8	3/16
67-L67D6H3		4 3/16	3/8	3/16
67-L68D6H3		4 1/4	3/8	3/16
67-L69D6H3		4 5/16	3/8	3/16
67-L70D6H3		4 3/8	3/8	3/16
67-L71D6H3		4 7/16	3/8	3/16
67-L72D6H3		4 1/2	3/8	3/16
67-L73D6H3		4 9/16	3/8	3/16

If 1/4" Sethole is desired change H3 of order # to H4.

Atlantic Air Tool Company
Taft, Tennessee

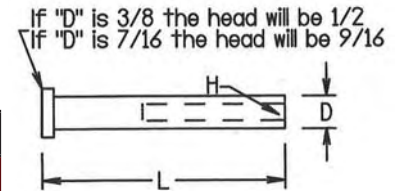
(931) 425-6882 • FAX (931) 425-6884

Email: staff@atlanticairtool.com

Visit Our Website: www.atlanticairtool.com

ATLANTIC AIR TOOL COMPANY

SET HOLDERS



ORDER#	CROSS REF#	LENGTH	DIAMETER	SETHOLE
67-L41D7H3		2 9/16	7/16	3/16
67-L42D7H3		2 5/8	7/16	3/16
67-L43D7H3		2 11/16	7/16	3/16
67-L44D7H3		2 3/4	7/16	3/16
67-L45D7H3		2 13/16	7/16	3/16
67-L46D7H3		2 7/8	7/16	3/16
67-L47D7H3		2 15/16	7/16	3/16
67-L48D7H3		3	7/16	3/16
67-L49D7H3		3 1/16	7/16	3/16
67-L50D7H3		3 1/8	7/16	3/16
67-L51D7H3		3 3/16	7/16	3/16
67-L52D7H3		3 1/4	7/16	3/16
67-L53D7H3		3 5/16	7/16	3/16
67-L54D7H3		3 3/8	7/16	3/16
67-L55D7H3		3 7/16	7/16	3/16
67-L56D7H3		3 1/2	7/16	3/16
67-L57D7H3		3 9/16	7/16	3/16
67-L58D7H3		3 5/8	7/16	3/16
67-L59D7H3		3 11/16	7/16	3/16
67-L60D7H3		3 3/4	7/16	3/16
67-L61D7H3		3 13/16	7/16	3/16
67-L62D7H3		3 7/8	7/16	3/16
67-L63D7H3		3 15/16	7/16	3/16
67-L64D7H3		4	7/16	3/16
67-L65D7H3		4 1/16	7/16	3/16
67-L66D7H3		4 1/8	7/16	3/16
67-L67D7H3		4 3/16	7/16	3/16
67-L68D7H3		4 1/4	7/16	3/16
67-L69D7H3		4 5/16	7/16	3/16
67-L70D7H3		4 3/8	7/16	3/16
67-L71D7H3		4 7/16	7/16	3/16
67-L72D7H3		4 1/2	7/16	3/16

If 1/4" Setholder is desired, change H3 of order number to H4.

Atlantic Air Tool Company
Taft, Tennessee

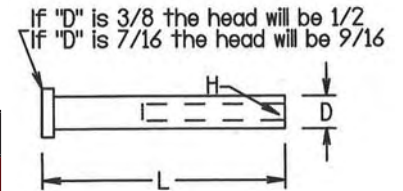
(931) 425-6882 • FAX (931) 425-6884

Email: staff@atlanticairtool.com

Visit Our Website: www.atlanticairtool.com

ATLANTIC AIR TOOL COMPANY

SET HOLDERS



ORDER#	CROSS REF#	LENGTH	DIAMETER	SETHOLE
67-L73D7H3		4 9/16	7/16	3/16
67-L74D7H3		4 5/8	7/16	3/16
67-L75D7H3		4 11/16	7/16	3/16
67-L76D7H3		4 3/4	7/16	3/16
67-L77D7H3		4 13/16	7/16	3/16
67-L78D7H3		4 7/8	7/16	3/16
67-L79D7H3		4 15/16	7/16	3/16
67-L80D7H3		5	7/16	3/16
67-L81D7H3		5 1/16	7/16	3/16
67-L82D7H3		5 1/8	7/16	3/16
67-L83D7H3		5 3/16	7/16	3/16
67-L84D7H3		5 1/4	7/16	3/16
67-L85D7H3		5 5/16	7/16	3/16
67-L86D7H3		5 3/8	7/16	3/16
67-L87D7H3		5 7/16	7/16	3/16
67-L88D7H3		5 1/2	7/16	3/16
67-L89D7H3		5 9/16	7/16	3/16
67-L90D7H3		5 5/8	7/16	3/16
67-L91D7H3		5 11/16	7/16	3/16
67-L92D7H3		5 3/4	7/16	3/16
67-L93D7H3		5 13/16	7/16	3/16
67-L94D7H3		5 7/8	7/16	3/16
67-L95D7H3		5 15/16	7/16	3/16
67-L96D7H3		6	7/16	3/16
67-L97D7H3		6 1/16	7/16	3/16
67-L98D7H3		6 1/8	7/16	3/16
67-L99D7H3		6 3/16	7/16	3/16
67-L100D7H3		6 1/4	7/16	3/16
67-L101D7H3		6 5/16	7/16	3/16
67-L102D7H3		6 3/8	7/16	3/16
67-L103D7H3		6 7/16	7/16	3/16

If 1/4" Setholder is desired, change H3 of order number to H4.

Atlantic Air Tool Company
Taft, Tennessee

(931) 425-6882 • FAX (931) 425-6884

Email: staff@atlanticairtool.com

Visit Our Website: www.atlanticairtool.com

ATLANTIC AIR TOOL COMPANY

ADJUSTABLE SET HOLDERS

ORDER#	CROSS REF#	LENGTH	DIAMETER	SETHOLE
123-L41D6H3		2 9/16	3/8	3/16
123-L41D7H4		2 9/16	7/16	1/4
123-L45D6H3		2 13/16	3/8	3/16
123-L45D7H4		2 13/16	7/16	1/4
123-L49D6H3		3 1/16	3/8	3/16
123-L49D7H4		3 1/16	7/16	1/4

ABOVE SIZES ARE THE ONLY ADJUSTABLE SET HOLDERS AVAILABLE AT THIS TIME.

Atlantic Air Tool Company
Taft, Tennessee

(931) 425-6882 • FAX (931) 425-6884

Email: staff@atlanticairtool.com

Visit Our Website: www.atlanticairtool.com

“NOTES”

Atlantic Air Tool Company

Taft, Tennessee

(931) 425-6882 • FAX (931) 425-6884

Email: staff@atlanticairtool.com

Visit Our Website: www.atlanticairtool.com

OUR OFFICE HOURS ARE 8 AM to 4 PM MONDAY THRU FRIDAY CENTRAL STANDARD TIME

“NOTES”

Atlantic Air Tool Company

Taft, Tennessee

(931) 425-6882 • FAX (931) 425-6884

Email: staff@atlanticairtool.com

Visit Our Website: www.atlanticairtool.com

THE ADVANTAGES OF PURCHASING FROM ATLANTIC AIR TOOL COMPANY, INC.

1. INTEGRITY Atlantic Air Tool has been in the manufacturing business for over 40 years.
2. RELIABILITY OUR TOOLS are known industry wide as one of the FINEST PRODUCTS of its type. LONG LIFE AND MINIMAL DOWN-TIME!
3. QUALITY AATC TOOLS are designed, tooled and manufactured under strict quality control, insuring precision and exceptional performance.
4. INNOVATIVE AATC brought five new tools to the market: 90A, 90C, 444A, 444C and the 630A. Parts were re-designed to improve the 30 and 60 series tools efficiency, thereby manufacturing a tool that is user friendly. We are the only company that manufactures and sells HEAVY-DUTY BEARINGS for the 30 and 60 series tools. These bearings are also found in our 90A and 90C model pneumatic rivet squeezers.
5. PREFERRED AATC TOOLS are "NUMBER ONE" on the purchasing list of major companies.
6. COMPLETE MANUFACTURE 90% of all AATC PARTS are manufactured IN-HOUSE. ALL ITEMS ARE U.S.A. MADE !
7. TECHNICAL SERVICE ATLANTIC AIR TOOL PERSONNEL are available during working hours to SPEAK DIRECTLY TO CUSTOMERS and RESOLVE any problems or applications in a QUICK and TIMELY MANNER.
8. SAFETY ALL TOOLS are equipped with safety devices as STANDARD EQUIPMENT.
9. SPECIAL REQUIREMENTS AATC will design and manufacture for special yokes or jaws in minimal time. We have many former designed specials in stock.
10. DELIVERY AATC has a large inventory of various type and size raw material for use in special applications of jaws and yokes which can reduce delivery time by 2 or 3 weeks.

*** STANDARD TOOLS, PARTS AND ACCESSORIES are usually from stock.

Atlantic Air Tool Company, Inc.

Phone: (931) 425-6882 or 6883

Email: staff@atlanticairtool.com

Fax (931) 425-6884

Web: www.atlanticairtool.com