

Samsung SMART Signage Accessories and Peripherals

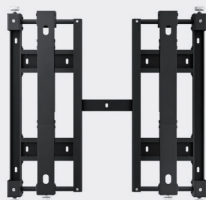
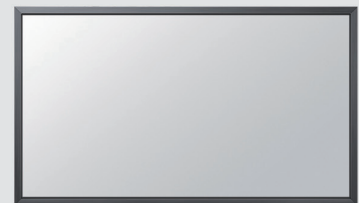
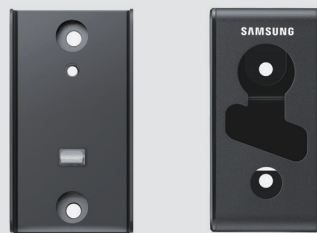


Table of contents

Overview	3
Stands	4
Wall Mounts	6
Ceiling Mounts	9
Special Mounts	10
Set-Back-Box (SBB)	12
Plug-in-Module (PIM)	14
Touch Overlay	15
Protection Overlay	18
Color Bezel	19
PIM-HDBT	20
Magic Presenter	21
Legal and additional information	22

Accessories and peripherals for Samsung products

Samsung quality from start to finish

Samsung provides a variety of accessories to enhance the Samsung SMART Signage experience. Samsung's control of all processes involved in creating Samsung SMART Signage accessories and peripherals results in high performance and reliability.

Deep and direct oversight of each manufacturing and quality assurance step at Samsung facilities ensures that Samsung's lofty internal standards and requirements are met. And, because Samsung designs accessories and peripherals specifically for each Samsung product, customers can be assured of high efficiency, simple, easy connectivity, and enhanced content playing and scalability.

Samsung SMART Signage Stands

"Display easily and more effectively with Samsung stands"

Overview

Available in various designs and height variations, Samsung SMART Signage Stands firmly support the displays on a flat surface. They are easy to install for convenient set up and serve as swift way to display signage.

A basic stand for simple installation

The STN-L75D stand provides the most basic and simple way of standing up the display using a small but solid installation piece. In addition, the stand can support the use of optional touch overlay with the display.



Figure 1. STN-L75D

A reliable, easy-to-set up stand

The STN-L75E, STN-L3240E, STN-L4655E, STN-L6500E come as two separate stands that can be easily attached to the back of the display using the VESA mount holes. Each stand is designed with Y-shaped feet for convenient placement and stability. This stand also supports the use of an optional display touch overlay.



Figure 2. STN-L75E



Figure 3. STN-L4655E

Samsung SMART Signage Stands

"Display easily and more effectively with Samsung stands"

Specifications

	L75D	L75E	L3240E	L4655E	L6500E	L7585F
VESA compatibility	Not applicable	Not applicable	200 x 200 400 x 400	200 x 200 400 x 400	200 x 200 400 x 400	
SBB/PIM compatibility	Supported	Supported	Supported	Supported	Supported	
Touch Overlay compatibility	Supported	Supported	Supported	Supported	Supported	
Installation orientation	Landscape only	Landscape only	Landscape and Portrait	Landscape and Portrait	Landscape and Portrait	
Dimension (mm/in.)						
Weight (kg/lb)						
Color						

	PE			MD				ME					ED					DM					DB				DH				UD		UE		QM		PQ		
	40	46	55	40	46	55	65	32	40	46	55	75	40	46	55	65	75	32	40	48	55	65	75	32	40	48	55	32	40	48	55	46	55	46	55	55	85	46C	
75D												○																											
75E																	○																						
3240E	○												○	○											○	○			○	○									
4655E		○	○											○	○											○	○			○	○	○	○	○	○	○	○	○	○
6500E							○										○							○															
7585F																									○													○	

◎: Landscape/Portrait ○: Landscape only ●: Portrait only

Samsung SMART Signage Wall Mounts

"Display to maximum effect on wall mounts"

Overview

Samsung offers two types of wall mounts, categorized by usage: standalone mounts and video wall mounts. Both types can be installed on flat-surface walls, and are available in various designs. Simple hanging mounts and multi-jointed arm mounts are available, as are specialized wall mounts that make it easy to access the back of the video wall displays. The wall mounts hold up to four times the weight of supported display products, and provide secure mounting in either landscape or portrait positions.

A slim, mini wall mount

Ultra-slim WMN350M standalone wall mount offers minimal installation requirements due to its light weight, fixture and configuration. Varying depths can be implemented at the time of installation by using included brackets.



Figure 4. WMN350M

Wall mounting flexibility and stability

The WMN-4070SD and WMN-4270SD are standalone-only wall mounts that once fully installed allows for not only variable depth by pulling the display in or out but swivel options as well. This enhanced flexibility provides the optimal viewing angle on a sturdy wall mount.

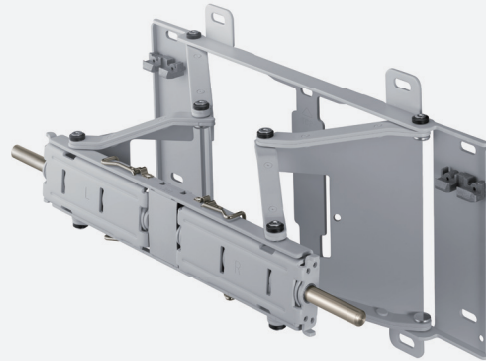


Figure 6. WMN-4270SD

A dedicated videowall mount

Specialized for videowall displays and configurations, WMN-4675MD wall mount enables easy upkeep by allowing for individual displays to be replaced or removed for maintenance without having to dismantle the entire videowall. It also allows for vertical (front and rear) micro-adjustments.

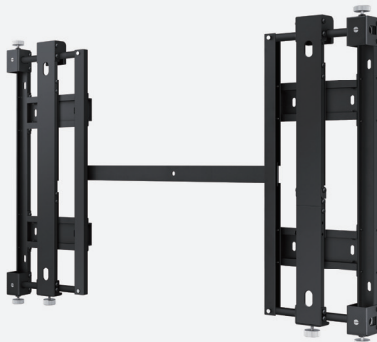


Figure 5. WMN-4675MD

Versatile wall mount capabilities

The WMN-6575SD and WMN-9500SD are highly versatile wall mounts that provide not only solid support for standalone but video wall configurations. Its slim profile and post-installation cable inset capability deliver a clutter-free, ergonomic display area.

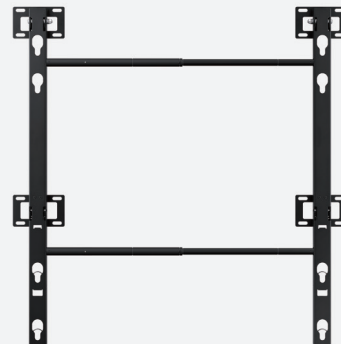


Figure 7. WMN-9500SD

Samsung SMART Signage Wall Mounts

"Display to maximum effect on wall mounts"

Specifications

	5770D	4070SD	4270SD	4277S	4675MD
VESA compatibility	600 x 400 400 x 600 800 x 400 400 x 800	200 x 200	400 x 400	400 x 400	400 x 400 600 x 400 400 x 600
SBB/PIM compatibility	Supported	Not supported	Supported	Supported	Supported
Touch Overlay compatibility	Supported	Supported	Supported	Supported	Supported (Landscape only for ED Series)
Installation orientation	Landscape and Portrait	Landscape and Portrait	Landscape and Portrait	Landscape only	Landscape and Portrait
Dimension (mm/in.)	732.4 x 534.5 x 46 (28.8 x 21 x 1.8)	248 x 255 x 30 (9.7 x 10 x 1.1)	465 x 460 x 24.5 (18.3 x 18.1 x 0.9)	465 x 460 x 24.5 (18.3 x 18.1 x 0.9)	533.2 x 538.5 x 43.4 (20.0 x 21.2 x 1.7)
Weight (kg/lb)		2.4 (5.2)	5.5 (12.1)	5.5 (12.1)	3.2 (7)
Minimum wall thickness (mm/in.)	46 (1.8)	30 (1.1)	24.5 (0.9)	24.5 (0.9)	43.5 (1.7)
Recommended Usage	Standalone	Standalone	Standalone	Standalone	Video wall
Maintainability					Lift and pull to remove
Tilt/Swivel	10 degrees tilt 20 degrees swivel	10 degrees tilt 20 degrees swivel	10 degrees tilt 20 degrees swivel	Not supported	Not supported

	450M	6575SD	9500SD	22UDPD
VESA compatibility	200 x 200 400 x 400	400 x 400	900 x 600	300 x 300
SBB/PIM compatibility	Supported	Supported	Supported	Supported
Touch Overlay compatibility	Supported	Supported	Not supported	Not applicable
Installation orientation	Landscape and Portrait	Landscape and Portrait	Landscape and Portrait	Landscape and Portrait
Dimension (mm / in.)	Only depth: 17 (ultra slim option) 40 (w/ adjustable BRKT)	564 x 580 x 100 (22.2 x 22.8 x 3.9)	1,064 x 1,080 x 28 (41.8 x 42.5 x 1.1)	394 x 394 x 95 (15.5 x 15.5 x 3.7)
WMN Weight (kg/lb)		3.2 (7)	5 (11)	3.2 (7)
Minimum wall thickness (mm)	15 (0.5)	100 (3.9)	28 (1.1)	95 (3.7)
Recommended Usage	Standalone	Standalone & Video wall	Standalone & Video wall	Video wall
Maintainability				Push-to-popup mechanism
Tilt/Swivel	Not applicable	Not applicable	Not applicable	Not applicable

Samsung SMART Signage Wall Mounts

"Display to maximum effect on wall mounts"

Specifications

	PE			MD				ME					ED					HD							
	40	46	55	32	40	46	55	65	32	40	46	55	75	95C	32	40	46	55	65	75	32	40	46	55	
5570D																									
4070SD	●			●	●				● ¹	● ¹					●	●					●	●			
4270SD		●	○			●	○	○			○ ¹ /●	○ ¹					○	○	○				○	○	
4277S											○								○						
4675MD										● ¹	● ¹														
2000AD	●									●															
2000BD		●	●			●	●																		
450M	●	●	●						●	●	●														
6575SD								● ²					● ¹						● ²	● ²					
9500SD														●											

	DM				DB				DH			UD		UE		QM		SL	PQ					
	32	40	48	55	65	75	32	40	48	55	40	48	55	46	55	46	55	55	85D	46B	46C			
5570D																			●	●				
4070SD	●	●					●	●			●													
4270SD			●	○				●	○		●	○	●	○				●					●	
4277S				○	○																			
4675MD			● ³	● ³				● ³	● ³		● ³	● ³	●	●	●	●								
2000AD																								
2000BD																●	●							
450M	●	●	●	●			●	●	●	●	●	●	●			●	●							
6575SD					● ²	● ³																		
9500SD																								

●: Landscape/Portrait ○: Landscape only ●: Portrait only
¹ Compatible with CY-TM, ² Compatible with CY-TE, ³ Compatible with CY-TD

Samsung SMART Signage Ceiling Mounts "Extend mounting capabilities to the ceiling"

Overview

Samsung ceiling mounts enable display installation from the ceiling, on an extended pole that is adjustable in length to position the display at just the right height. The mounted displays can be adjusted in various vertical angles and the directional (horizontal) angle that the displays face can also be adjusted for optimal viewing. The ceiling mounts hold up to four times the weight of the supported display products.



Figure 8. CML-400D

Specifications

	400D	450D	500D
VESA compatibility	200 x 200	400 x 400	600 x 400
SBB/PIM compatibility	Supported	Supported	Supported
Touch Overlay compatibility	Supported	Supported	Supported
Pole Length (mm/in.)	1,431 (56.3) ~ 1,864.5 (73.4)	1,431 (56.3) ~ 1,864.5 (73.4)	1,188 (46.7) ~ 1,588 (62.5)
Dimension (mm/in.)	248 x 250.2 x 1,690.6 (Max) (9.7 x 9.8 x 66.5)	460 x 511 x 1,791.5 (Max) (18.1 x 20.1 x 70.5)	600 x 400 x 1,588 (Max) (23.6 x 15.7 x 62.5)
Weight (kg/lb)			
Installation orientation			
Tilt angle	20 degrees	20 degrees	20 degrees
Rotation angle	360 degrees	360 degrees	360 degrees
Maintainability			

	MD				ME				ED					HD		DM				DB				DH			UE	SL
	32	40	55	65	32	40	55	75	32	40	55	65	75	32	40	32	40	48	55	32	40	48	55	40	48	55	55	46B
400D	⊙	⊙			⊙	⊙			⊙	⊙				⊙	⊙	⊙	⊙			⊙	⊙			⊙				
450D			⊙	⊙			⊙	⊙			⊙	⊙	⊙					⊙	⊙			⊙	⊙		⊙	⊙	⊙	
500D																												⊙

⊙: Landscape/Portrait ○: Landscape only ●: Portrait only

Samsung SMART Signage Special Mounts "Configure displays to fit specific needs"

Overview

Special mounts include Welcome Board and ID Stand.

- Welcome Board** is an adjustable-height stand for mounting displays at eye-level. Wheels allow users to easily move the stand to a desired location with minimum effort, and cables can be routed through the stand to eliminate wiring appearance for clutter-free installation. Users can attach PIM and SBB to the display while using this mount.



Figure 9. STN-W4075E

- ID Stand** is specifically designed to enable the easy stacking of UD displays to create video walls. Upon installation, the stand provides the flexibility to adjust the video wall's shape into various formats including: rectangle, folding, standard, stair and pyramid with inter-display gaps minimized through fine-tuned positioning. An adjustable flat bottom and the ability to firmly affix the stand to the floor or ground with screws maximize the stability of the entire video wall.



Figure 10. MID-UD55FS

Specifications

Welcome Board

	W4075E
VESA compatibility	200 x 200 400 x 400
SBB/PIM compatibility	Supported
Touch Overlay compatibility	Supported
Dimensions (mm/in.)	756 x 836 x 1,403.7 (29.7 x 32.9 x 55.2)
Weight (kg/lb)	
Installation orientation	Landscape and Portrait
Tilt/Swivel	Not supported
Recommended Usage	Standalone
Maintainability	Wheels for easy movement

Samsung SMART Signage Special Mounts

"Configure displays to fit specific needs"

Specifications

Welcome Board

	UD46FS	UD55FS	UD46DS	UD55DS
VESA compatibility	Not applicable	Not applicable	Not applicable	Not applicable
SBB/PIM compatibility	Supported	Supported	Supported	Supported
Touch Overlay compatibility	Not Supported	Not Supported	Not Supported	Not Supported
Dimension (mm/in.)	1,025.5 x 468 x 600 (40.3 x 18.4 x 23.6)	1,215 x 468 x 600 (47.8 x 18.4 x 23.6)	1,025.5 x 468 x 600 (40.3 x 18.4 x 23.6)	1,215 x 468 x 600 (47.8 x 18.4 x 23.6)
Weight (kg/lb)	40 (88)	45 (99)	40 (88)	45 (99)
Installation orientation	Landscape only	Landscape only	Landscape only	Landscape only
Tilt/Swivel	Not supported	Not supported	Not supported	Not supported
Recommended Usage	Video wall	Video wall	Video wall	Video wall
Maintainability				

	PE			ME				UD				UE		PO	QM	
	40	46	55	40	46	55	75	46	46D	55	55C-B	55D	46	55	46C	85
520WE								○		○						●
W4075E	●	●	●	●	●	●	●						●	●		
UD46FS								○								
UD46MB								○								
UD55MB										○						
UD55FS											○					
UD46DS									○							
UD55DS												○				

●: Landscape/Portrait ○: Landscape only ●: Portrait only

Samsung SMART Signage Set-Back-Box (SBB)

"Take display performance to the next level"

Overview

Set-Back-Box (SBB) is a lean, performance-focused upgrade that adds functionality to displays with minimal bulk and wiring clutter. The product easily installs in the back of Samsung SMART Signage, which is typically equipped with screw holes to fix the SBB in place. In addition, SBB offers performance ranges from dual core to quad core.



Figure 11. SBB-A

Specifications

		D16CX2	D32CX2	D32CV2	F32CV4	
Media Player	CPU	AMD® A4-3310M Dual-Core			AMD® AM3520 1.6GHz Quad-core	
	N/B	Integrated			None	
	S/B	Hudson-M3				
	GPU	AMD® Radeon HD6480G (Integrated on APU)			Integrated on APU	
	FDM/HDD/SSD	SSD 16GM	SSD 32GB			
	Memory	2GB (DDR3 SO-DIMM 2GB x 1)			4GB (DDR3 SO-DIMM 2GB x 2)	
	Ethernet	GbE Ethernet (RJ-45)				
	Connectivity	USB	USB 2.0 Port x 2, USB 3.0 Port x 2			
		Output	1st: Magicinfo Out (DP Port, Up-to 1080p), 2nd: DisplayPort®			
Others		RJ-45, RS232 (D-SUB 9P)				
Operating System		Windows® Embedded Standard 2009		Windows® Embedded Standard 7		
Power	Type	Internal				
	Power Supply	AC 100 - 240 V~ (+/- 10 %), 50/60 Hz				
	Power Consumption	70 W (Max) /27W (Typical)			70 W (Max) / 29W (Typical)	
Mechanical Spec	Dimension (mm/in.)	Set	310 x 219 x 32 (12.2 x 8.6 x 1.2)			
		Package	462 x 269 x 95 (18.1 x 10.5 x 3.7)			
	Weight (kg/lb)	Set	1.8			
		Package	2.5			
Operation	Operating Temperature	10°C~ 40°C (50°F ~ 104°F)				
	Humidity	10~80%				
Accessories		User Manual, Power Cord DP to DVI Cable (Short, Long)				

Samsung SMART Signage Set-Back-Box (SBB)

"Take display performance to the next level"

		SBB-N64DV4	SBB-N64DP4	SBB-N28DP4	SBB-B64DV4	SBB-B64DP4	SBB-B28DP4	
Media Player	CPU	Intel® Core i5-4400EQ (2.7GHz Dual, GT2)			AMD Bald Eagle RX425 (2.5GHz Quad)			
	N/B	Integrated						
	S/B	QM87			Bolton-E4			
	GPU	Intel HD4600			AMD R6 Graphics			
	FDM/HDD/SSD	SSD 64GB		SSD 128GB	SSD 64GB		SSD 128GB	
	Memory	4GB (DDR3 SO-DIMM 2GB x 2)						
	Ethernet	GbE Ethernet (RJ-45)						
	Connectivity	USB	USB 2.0 Port x 2, USB 3.0 Port x 2					
		Output	1st: Magicinfo Out (DP Port, Up-to 1080p), 2nd: DisplayPort					
		Others	RJ-45, RS232 (D-SUB 9P)					
Operating System	Windows Embedded Standard 7	Window 7 Professional		Windows Embedded Standard 7	Window 7 Professional			
Power	Type	Internal						
	Power Supply	AC 100 – 240 V~ (+/- 10%), 50/60 Hz						
	Power Consumption	TBD						
Mechanical Spec	Dimension (mm/in.)	Set	310 x 219 x 32 (12.2 x 8.6 x 1.2)					
		Package	462 x 269 x 95 (18.1 x 10.5 x 3.7)					
	Weight (kg/lb)	Set	1.8 (3.9)					
		Package	2.5 (5.5)					
Operation	Operating Temperature	10°C~ 40°C (50°F ~ 104°F)						
	Humidity	10~80%						
Accessories		User Manual, Power Cord DP to DVI Cable (Short, Long)						

	ME	DE	UE	UD	MDC	DB	DM	DH	QM
All SBBs	○	○	○	○	○	○	○	○	○

Samsung SMART Signage Plug-in-Module (PIM) "Upgrade to a familiar, user-friendly interface"

Overview

Plug-in-Module (PIM) adds performance to Samsung SMART Signage, with a Windows operating system (OS) for a familiar user interface (UI) and high compatibility with third-party software. PIM partially embeds on the back of the compatible Samsung SMART Signage to minimize bulk on the rear side, and reduces wire clutter. The product follows the OPS slot standard.



Figure 12. PIM-B

Specifications

		SBB-PD32BV2	SBB-PF32BV4	SBB-PF28BP4
APU		AMD A4-3310M 2.1GHz Dual-core (boost up to 2.5GHz) 256KB (L1) / 1MB (L2) Cache	AMD AM3520 1.6GHz Quad-core	
Memory		2GB (DDR3 SO-DIMM 2GB x 1)	4GB (DDR3 SO-DIMM 4GB x 1)	
Storage		SSD 32GB	SSD 32GB	
Graphics		Radeon HD6480 Series (Integrated on APU)	(Integrated on APU)	
OS		Window Embedded Standard 7	Window Embedded Standard 7	Window 7 Professional for Embedded Systems
I/O Port		80 pin OPS port / DisplayPort out / Gigabit Ethernet (RJ-45) / USB 2.0 Port x 2, USB 3.0 Port x 2 / Mic in, Audio out		
Power	Power Consumption	60W (MAX), 14W (Typical)	70W (MAX), 15W(Typical)	70W (MAX), 27 (Typical)
Dimension (mm/in.)	Set	200 x 175.6 x 34.4 (7.8 x 6.9 x 1.3)	200 x 175.6 x 34.4 (7.8 x 6.9 x 1.3)	200 x 175.6 x 34.4 (7.8 x 6.9 x 1.3)
	Package	430 x 250 x 55 (16.9 x 9.8 x 2.1)	430 x 250 x 55 (16.9 x 9.8 x 2.1)	430 x 250 x 55 (16.9 x 9.8 x 2.1)
Weight (kg/lb)	Set	1.2 (2.6)		
	Package	1.9 (4.1)		
Operation	Operating Temperature	10°C ~ 40°C (50°F ~ 104°F)		
	Humidity	10 ~ 80%		
Certification	Safety	UL/c-UL, CSA,TUV, NEMKO, KC, CCC		
	EMC	FCC class A, CE, VCCI, KCC, BSMI, C-Tick CCC		
	Environment	N/A		

	ME75	ME95	ED65	ED75	PE40	PE46	PE55	MD65	DM	DB	DH
All PIMs	○	○	○	○	○	○	○	○	○	○	○

Samsung SMART Signage Touch Overlay

"Bring touch interactivity to the visual experience"

Overview

Touch Overlay adds interactive touch capability to compatible Samsung SMART Signage, with multi-touch support. With Touch Overlay, a layer is placed over the panel surface for a better touch experience that allows the user's finger to slide along the surface more easily (unlike glossy display panels). The added layer also provides some protection against the external environment.

For Samsung D-Series displays, most of the touch functionality can be achieved even without an SBB or PIM, however, an SBB or PIM can be added to bring out the capabilities of Samsung MagicWB®.



Figure 13. TM75LBC

Specifications

		TM75LBC	TM32LCA	TM40LCA	TM46LCA	TM55LCC	TE65LCC
Inch		75"	32"	40"	46"	55"	65"
Dimension (mm/in.)	Set	1,737.2 x 1,015.5 x 25.5 (68.3 x 39.9 x 1)	752.4 x 446.3 x 32.1 (29.6 x 17.5 x 1.2)	939 x 551 x 32.1 (36.9 x 21.6 x 1.2)	1,076.1 x 628.5 x 32.1 (42.3 x 24.7 x 1.2)	1,267 x 735.7 x 32.1 (49.8 x 28.9 x 1.2)	1,518.2 x 893.2 x 45 (59.7 x 35.1 x 1.7)
	Package	1,892 x 1,136 x 267 (74.4 x 44.7 x 10.5)	842 x 535 x 102 (33.1 x 21 x 4)	1,029 x 640 x 102 (40.5 x 25.1 x 4)	1,187 x 738 x 102 (46.7 x 29 x 4)	1,377 x 844 x 102 (54.2 x 33.2 x 4)	1,654 x 1,012 x 265 (65.1 x 39.8 x 10.4)
Weight (kg/lb)	Set	21.1 (46.5)	4.2 (9.2)	5.8 (12.7)	7.3 (16)	9.5 (20.9)	22.2 (48.9)
	Package	32.2 (70.9)	5.4 (11.9)	7.1 (15.6)	9.2 (20.2)	12.2 (26.8)	29.4 (64.8)
Glass Thickness		3.2	2.8	2.8	2.8	2.8	3.2
Glass Film		AG(Front), PET(Rear)					
Glass Reflection Rate		≤10%					
Glass Haze		≤15%					
Frame Material		Aluminum Extrusion					
Bezel width (mm/in.)		42.7 (1.6)	26.5 (1)	23.6 (0.9)	26.5 (1)	26.5 (1)	43.2 (1.7)
Touch Technology		IR					
Number of Simultaneous Touch		6 Point	10 Drawing	10 Drawing	10 Drawing	6 Drawing	6 Drawing
Response Time			11ms	11ms	13ms	11ms	11ms

Samsung SMART Signage Touch Overlay

"Bring touch interactivity to the visual experience"

		TE75LCC	TE65ECC	TE75ECC	TP40LCA	TP46LCA	TP55LCC
Inch		75"	65"	75"	40"	46"	55"
Dimension (mm/in.)	Set	1,738.2 x 1,016.5 x 45 (68.3 x 40 x 1.7)	1,518.1 x 893.3 x 29.6 (59.7 x 35.1 x 1.1)	1,739.2 x 1,017.2 x 29.6 (68.4 x 40 x 1.1)	939 x 551 x 32.1 (36.9 x 21.6 x 1.2)	1,076.1 x 628.4 x 32.1 (42.3 x 24.7 x 1.2)	1,267 x 735.7 x 32.1 (49.8 x 28.9 x 1.2)
	Package	1,890 x 1,136 x 265 (74.4 x 44.7 x 10.4)	1,654 x 1,012 x 265 (65.1 x 39.8 x 10.4)	1,890 x 1,136 x 265 (74.4 x 44.7 x 10.4)	1,029 x 640 x 102 (40.5 x 25.1 x 4)	1,187 x 738 x 102 (46.7 x 20 x 4)	1,377 x 844 x 102 (54.2 x 33.2 x 4)
Weight (kg/lb)	Set	26.6 (58.6)	16.2 (35.7)	19.5 (42.9)	5.8 (12.7)	7.3 (16)	9.5 (20.9)
	Package	36.5 (80.4)	24.6 (54.2)	29.6 (65.2)	7.1 (15.6)	9.2 (20.2)	12.2 (26.8)
Glass Thickness		3.2	3.2	3.2	2.8	2.8	2.8
Glass Film		AG(Front), PET(Rear)					
Glass Reflection Rate		≤10%					
Glass Haze		≤15%					
Frame Material		Aluminum Extrusion					
Bezel width (mm/in.)		43.2 (1.7)	43.2 (1.7)	43.2 (1.7)	23.6 (0.9)	26.5 (1)	26.5 (1)
Touch Technology		IR					
Number of Simultaneous Touch		6 Drawing	1 Drawing 4 touch	1 Drawing 4 touch	10 Drawing	10 Drawing	6 Drawing
Response Time		11ms	TBD	TBD	11ms	14ms	11ms

		TD32LDAH	TD40LDAH	TD48LDAH	TD55LDAH	TD75LDAF	TD85LDAF
Inch		32"	40"	48"	55"	75"	85"
Dimension (mm/in.)	Set	755.9 x 449 x 30.9 (29.7 x 17.6 x 1.2)	945.1 x 558.5 x 30.9 (37.2 x 21.9 x 1.2)	1,120.6 x 659.4 x 26.8 (44.1 x 25.9 x 1)	1,276.1 x 764.9 x 26.8 (50.2 x 30.1 x 1)	1,739.2 x 1,017.2 x 29.6 (68.4 x 40 x 1.1)	1,949 x 1,130 x 45.7 (76.8 x 44.4 x 1.7)
	Package	842 x 535 x 102 (33.1 x 21 x 4)	1,029 x 640 x 102 (40.5 x 25.1 x 4)	1,217 x 797 x 116 (47.9 x 31.3 x 4.5)	1,367 x 879 x 128 (53.8 x 34.6 x 5)	1,890 x 1,136 x 265 (74.4 x 44.7 x 10.4)	2,114 x 1,301 x 276 (83.2 x 51.2 x 10.8)
Weight (kg/lb)	Set	4.4 (9.7)	6.1 (13.4)	7.9 (17.4)	9.8 (21.6)	19.5 (42.9)	27.5 (60.6)
	Package	5.1 (11.2)	7.2 (15.8)	10.4 (22.9)	12.6 (27.7)	29.6 (65.2)	40.5 (89.2)
Glass Thickness		2.8	2.8	2.8	2.8	3.2	3.2
Glass Film		AG(Front), PET(Rear)					
Glass Reflection Rate		≤10%					
Glass Haze		≤15%					
Frame Material		Aluminum Extrusion					
Bezel width (mm/in.)		28 (1.1)	30 (1.1)	32.7 (1.2)	32.7 (1.2)	37.9 (1.4)	39.9 (1.5)
Touch Technology		IR					
Number of Simultaneous Touch		2 Drawing 10 touch	2 Drawing 10 touch	2 Drawing 10 touch	2 Drawing 10 touch	2 Drawing 10 touch	1 Drawing 10 touch
Response Time		12ms	12ms	12ms	13ms	12ms	11ms

Samsung SMART Signage Touch Overlay

"Bring touch interactivity to the visual experience"

	PE			ME					ED	
	40C	46C	55C	32C	40C	46C	55C	75C	65	75
TM75LBC								○		
TM32LCA				○						
TM40LCA					○					
TM46LCA						○				
TM55LCC							○			
TM65LCC									○	
TE75LCC										○
TE65ECC									○	
TE75ECC										○
TP40LCA	○									
TP46LCA		○								
TP55LCA			○							
TD32LDAH										
TD40LDAH										
TD48LDAH										
TD55LDAH										
TD75LDAF										
TD85LDAF										

	DB				DM					QM
	32D	40D	48D	55D	32D	40D	48D	55D	75D	85D
TM75LBC										
TM32LCA										
TM40LCA										
TM46LCA										
TM55LCC										
TM65LCC										
TE75LCC										
TE65ECC										
TE75ECC										
TP40LCA										
TP46LCA										
TP55LCA										
TD32LDAH	○				○					
TD40LDAH		○				○				
TD48LDAH			○				○			
TD55LDAH				○				○		
TD75LDAF									○	
TD85LDAF										○

Samsung SMART Signage Protection Overlay "Safeguard smart signage protection"

Overview

Protection Overlay adds a protective glass surface on top of a display to safeguard the display from harm. The product offers extended protection for outdoor display installation environments that typically have heavy foot traffic.

If the surface of a display product is vandalized, users can simply replace the Protection Overlay, instead of incurring the expense of replacing the entire display unit.



Figure 14. CY-PP40

Specifications

		CY-PP40	CY-PP46	CY-PP55
Inch		40"	46"	55"
Dimension (mm/in.)	Set	939 x 551 x 20 (36.9 x 21.6 x 0.7)	1076.1 x 628.5 x 20 (42.3 x 24.7 x 0.7)	1,267 x 735.7 x 20 (29.8 x 28.9 x 0.7)
	Package	1,029 x 640 x 87 (40.5 x 25.1 x 3.4)	1,198 x 738 x 87 (46.7 x 29 x 3.4)	1,377 x 844 x 87 (54.2 x 33.2 x 3.4)
Weight (kg/lb)	Set	5 (11)	6.3 (13.8)	8.1 (17.8)
	Package	6.3 (13.8)	8.4 (18.5)	11 (24.2)
Glass Thickness		2.8		
Glass Film		AG(front), PET(rear)		
Glass Reflection Rate		≤10%		
Glass Haze		≤15%		
Frame Material		Aluminum Extrusion		
Bezel width (mm/in.)		22 (0.8)		

	PE		
	40C	46C	55C
CY-PP40	○		
CY-PP46		○	
CY-PP55			○

Samsung SMART Signage Color Bezel

"Improve ambiance with customizable bezel colors"

Overview

Available exclusively for Samsung D-series displays, Color Bezel allows the displays to take on a different ambiance to suit the customer's preference or the environment. Color Bezel is available in a variety of hues for customized expression.



Figure 15. CY-BD40BD

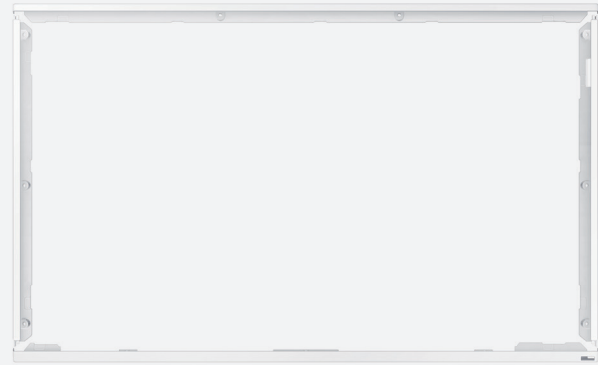


Figure 16. CY-BD40WD

Specifications

		CY-BD40BD	CY-BD46BD	CY-BD55BD	CY-BD40WD	CY-BD46WD	CY-BD55WD
Color		Black	Black	Black	White	White	White
Dimension (mm/in.)	Top	913.2 x 23.2 x 39.2 (35.9 x 0.9 x 1.5)	1,081.7 x 23.1 x 39.2 (42.5 x 0.9 x 1.5)	1,237.2 x 23.2 x 39.2 (48.7 x 0.9 x 1.5)	913.2 x 23.2 x 39.2 (35.9 x 0.9 x 1.5)	1,081.7 x 23.1 x 39.2 (42.5 x 0.9 x 1.5)	1,237.2 x 23.2 x 39.2 (48.7 x 0.9 x 1.5)
	Bottom	913.2 x 23.8 x 39.2 (35.9 x 0.9 x 1.5)	1,081.7 x 23.8 x 39.9 (42.5 x 0.9 x 1.5)	1,237.2 x 23.8 x 39.9 (48.7 x 0.9 x 1.5)	913.2 x 23.8 x 39.2 (35.9 x 0.9 x 1.5)	1,081.7 x 23.8 x 39.9 (42.5 x 0.9 x 1.5)	1,237.2 x 23.8 x 39.9 (48.7 x 0.9 x 1.5)
	Side	497.8 x 23.2 x 39.2 (19.5 x 0.9 x 1.5)	592.5 x 23.2 x 39.2 (23.3 x 0.9 x 1.5)	680 x 23.2 x 39.2 (26.7 x 0.9 x 1.5)	497.8 x 23.2 x 39.2 (19.5 x 0.9 x 1.5)	592.5 x 23.2 x 39.2 (23.3 x 0.9 x 1.5)	680 x 23.2 x 39.2 (26.7 x 0.9 x 1.5)
Weight (kg/lb)		0.57 (1.2)	0.68 (1.5)	0.75 (1.6)	0.57 (1.2)	0.68 (1.4)	0.75 (1.6)

	DB			DM			DH		
	40	46	55	40	46	55	40	46	55
TM75LBC	○			○			○		
TM32LCA		○			○			○	
TM40LCA			○			○			○
TM46LCA	○			○			○		
TM55LCC		○			○			○	
TM65LCC			○			○			○

Samsung SMART Signage PIM-HDBT

"Provide streamlined connectivity to a video source"

Overview

Samsung PIM-HDBT combines two elements: Plug-in-Module (PIM), a slim, cable-less extension that enhances display functionalities. and HDBaseT™ (HDBT), a connectivity standard for transmission of uncompressed full high definition (FHD) multimedia content through a single Local Area Network (LAN) cable. The PIM-HDBT enables all-in-one connection between an HD video source and remote displays.



Simplified video source connectivity

The Samsung PIM-HDBT provides FHD media content over long distances of up to 100m or 328 ft without image-quality degradation through a single LAN cable. The simplified set up allows media to be easily streamed over several stories of a building or a convention center without wire clutter. This also reduces TCO by eliminating the need to purchase, install and maintain multiple cables, or additional repeaters and amplifiers. Plus, HDBT technology is compatible with other devices on the market that implement the HDBT standard for flexible, expanded use.



Figure 17. PIM-HDBT

Specifications

		PIM-HDBT
HDBT chipset		Valens® VS100RX
Input/output	80-pin OPS out	PIM port support
	Ethernet	10/100 Ethernet output port
	HDBT	8-pin RJ45 female, shielded
Energy consumption		Less than 10 watts
Mechanical	Dimension (mm/in.)	200 x 175.6 x 34.4 (7.87 x 6.91 x 1.35)
	Weight (kg/lb)	1.2 (2.65)

	DM65D	DM75D	ED65D	ED75D	ME75C	ME95C	DHD	PEC
All PIMs-HDBTs	○	○	○	○	○	○	○	○

Samsung SMART Signage Magic Presenter "Deliver dynamic presentations on digital displays"

Overview

Samsung Magic Presenter is a laserless presentation tool that can point onto large digital displays unlike conventional laser pointers which are unresponsive on such surfaces. Instead of using a laser, Magic Presenter digitally creates a pointer on the presentation source device, making it ideal for use in today's digital world when presenting and collaborating.

A digital, laserless presentation tool

Samsung Magic Presenter enables presenters to point on screens including digital displays, while eliminating the risk of eye injury due to its laserless technology. With Magic Presenter a user can move about freely without worrying about it being blocked to provide a more dynamic presentation. Easily set up Magic Presenter by plugging the included dongle into smart signage or a PC USB port for immediate wireless use. And, users can customize the pointers shape, color, size and speed for more personal, intuitive experience for more focus on the presentation instead of controls.



Figure 18. Magic Presenter

Specifications

		Magic Presenter
Power Source		Battery AAA*2
Wireless Technology		Bluetooth® 3.0
On-device buttons		Mode button, Pointer button, Left button, Right button
Operating condition	Operating temperature	10 ~ 40°C (50°F ~ 104°F)
	Working distance	10 m
	Working angle	360°
	Working hours	Approx. 40hrs
Mechanical	Dimension (mm/in.)	28 x 136 x 19 (1.1 x 5.3 x 0.7)
	Weight (g/oz.)	w/o battery: 41 (1.4) w/ battery: 65 (2.1)
Included in package		Pointer, Dongle, User Manual, Battery AAA*2, Warranty Card, MagicPresenter S/W(in Dongle)

	PC running Windows®XP/Vista/7 OS Samsung D-Series Smart Signage
Magic Presenter	○

Legal and additional information

About Samsung Electronics Co., Ltd.

Samsung Electronics Co., Ltd. is a global leader in technology, opening new possibilities for people everywhere. Through relentless innovation and discovery, we are transforming the worlds of TVs, smartphones, tablets, PCs, cameras, home appliances, printers, LTE systems, medical devices, semiconductors and LED solutions. We employ 286,000 people across 80 countries with annual sales of US\$216.7 billion. To discover more, please visit www.samsung.com.

For more information

For more information about the Samsung SMART Signage Accessories and Peripherals, visit www.samsung.com/business or www.samsung.com/displaysolutions.

Copyright © 2014 Samsung Electronics Co., Ltd. All rights reserved. Samsung is a registered trademark of Samsung Electronics Co., Ltd. Specifications and designs are subject to change without notice. Non-metric weights and measurements are approximate. All data were deemed correct at time of creation. Samsung is not liable for errors or omissions. All brand, product, service names and logos are trademarks and/or registered trademarks of their respective owners and are hereby recognized and acknowledged.

AMD logos are registered trademarks of AMD.

Microsoft, Windows and Windows Server are trademarks of Microsoft Corporation in the United States, other countries or both.

Intel is a registered trademark of Intel Corporation or its subsidiaries in the United States and other countries.

DisplayPort is a trademark of the Video Electronics Standards Association.

HDBaseT is a trademark of HDBaseT Alliance.

Valens is a registered trademark of Valens Semiconductor Ltd.

Bluetooth is a registered trademark of Bluetooth SIG, Inc. USA.

Samsung Electronics Co., Ltd.
129 Samsung-ro,
Yeongtong-gu,
Suwon-si, Gyeonggi-do 443-742,
Korea

www.samsung.com

2014-10

Note

