

SA771PU SA771P

SmartMount® Articulating Wall Arm for 37"-71" Flat Panel Displays

From any angle, this wall arm mount reflects remarkable form and function. Extending the flat panel display up to 27.55" (700mm) from the wall and allowing for a full 180° of side-to-side motion for viewing in any part of the room. Fine-tuning of the installation is simple with its side-to-side display leveling and 1" (25.4mm) of vertical adjustment features that help achieve installation perfection. This articulating arm also provides display centering on the wall plate and integrates a desirable cable management system, centering the display on the wall when retracted and organizing and protecting the cables at all times. Designed and built in the USA, this mount maintains the same brilliant look as the entire SmartMount® 700 Series line of Articulating and Pivot Wall Arm Mounts.



Display size: 37"-71"

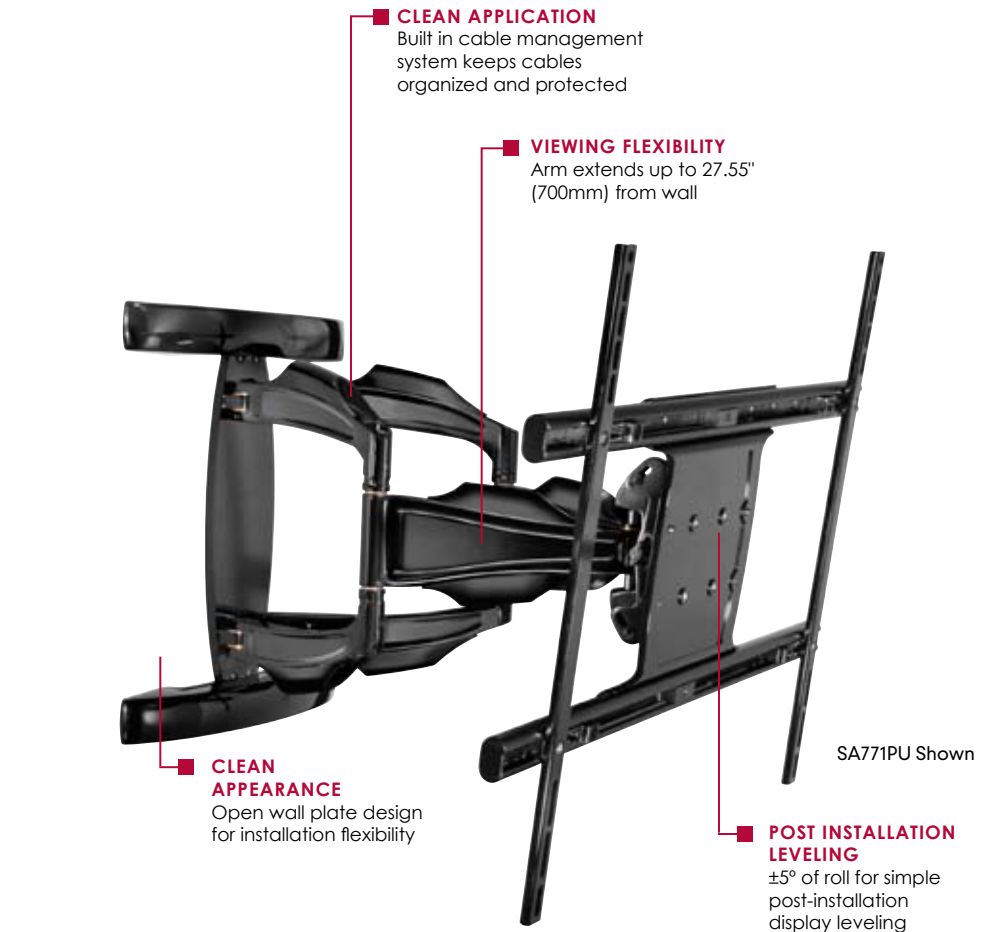


Max load: 200lb (91kg)

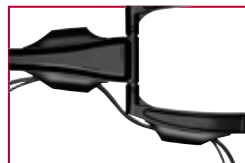
FEATURES

- Universal model SA771PU provides compatibility for 37" to 71" flat panel displays with mounting patterns up to 827 x 439mm (32.56" x 17.29")
- Dedicated model SA771P requires display adapter to be purchased separately
- Display can be held as close to the wall as 4.43" (113mm) or be extended as far as 27.55" (700mm)
- Integrated cable management contains, protects and conceals cables for a clean, clutter-free look
- One-Touch™ tilt allows for +15°/-5° without the use of tools for easy viewing angle adjustment
- Multi-link construction allows for a full 180° range of motion
- ±5° of roll allows for post installation leveling
- Display can be rotated from landscape to portrait without removing the display for easy orientation changes
- 1" (25.4mm) vertical adjustment for display position fine tuning
- Minimalistic wall plate footprint for increased wall access and improved aesthetics
- Horizontal display adjustment up to 4.5" (114mm) for perfect display placement

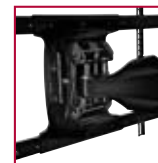
* OSHPD Approval Pending



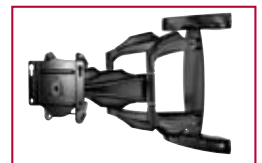
Arm retracts to just 4.43" (113mm) and extends up to 27.55" (700mm) from wall



1" (25.4mm) clearance per channel for clean and simple cable management



1" (25.4mm) of vertical adjustment for post-installation fine tuning



SA771P dedicated model requires additional adapter plate for mounting display

SA771PU	Universal Articulating Wall Arm for 37" to 71" Flat Panel Displays
SA771P	Dedicated Articulating Wall Arm for 37" to 71" Flat Panel Displays

Product Specifications

	DIMENSIONS (W x H x D)	PRODUCT WEIGHT	LOAD CAPACITY	FINISH	AVAILABLE COLORS
SA771PU	34.38" x 20.23" x 4.43"-27.55" (873 x 514 x 113-700mm)	63lb (28.6kg)	200lb (91kg)	Scratch resistant fused epoxy	Gloss Black
SA771P	19.20" x 20.23" x 2.83"-25.83" (488 x 514 x 72-656mm)	36lb (16.3kg)			

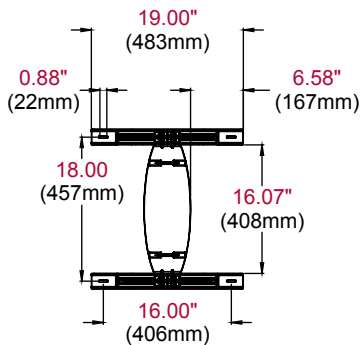
Package Specifications

	PACKAGE SIZE (W x H x D)	PACKAGE SHIP WEIGHT	PACKAGE UPC CODE	PACKAGE CONTENTS	UNITS IN PACKAGE
SA771PU	35.75" x 21.25" x 6.125" (908 x 540 x 156mm)	72lb (33kg)	SA771PU: 735029266624	Mount, wall and display attachment hardware, installation instructions, large display adapters (universal model only)	1
SA771P		43lb (20kg)	SA771P: 735029270232		

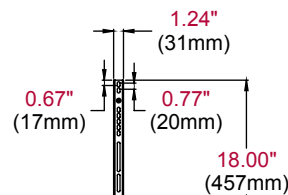
Accessories

- ACC925:** Security Fastener Pack
- WSP756:** Metal Stud Wall Plate Accessory

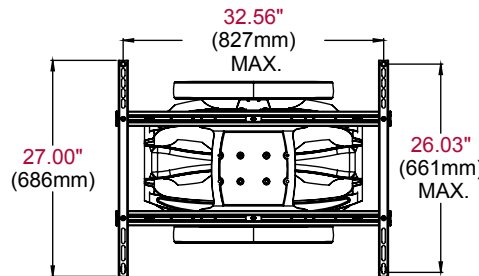
All dimensions = inch (mm)



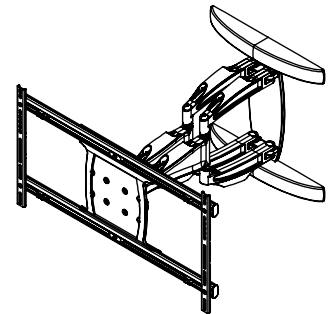
WALL PLATE



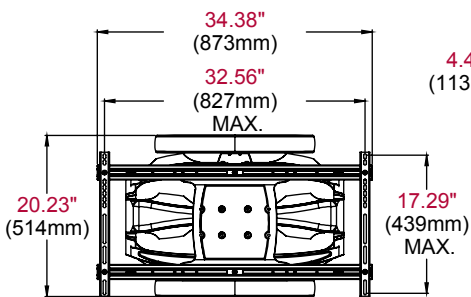
VERTICAL ADAPTER



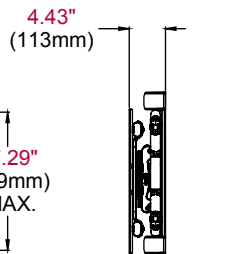
FOR USE WITH 65" SHARP DISPLAYS



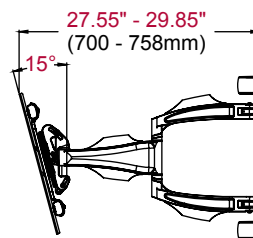
ISOMETRIC VIEW



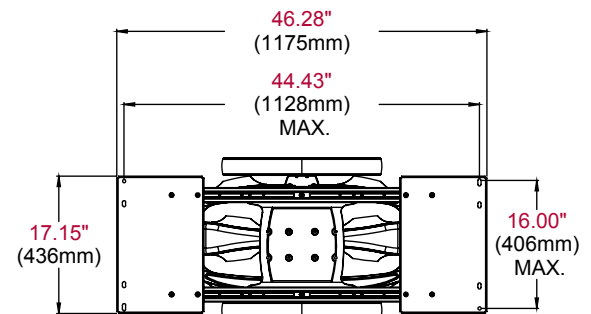
FRONT VIEW



SIDE VIEW RETRACTED



SIDE VIEW EXTENDED



FOR USE WITH 65" PANASONIC DISPLAYS

ARCHITECTS SPECIFICATIONS

The SmartMount® Articulating Wall Arm shall be a Peerless-AV model SA771P(U) and shall be located where indicated on the plans. It shall feature scratch resistant black or silver fused epoxy finish. Assembly and installation shall be done according to instructions provided by the manufacturer.