

DST660

Flat/Tilt Wall Mount with Media Device Storage For 40" to 60" Flat Panel Displays

Designed to hold a display and media device, the DST660 is the ideal low profile solution for digital signage applications. An open wall plate for easy outlet access, various tilt options and portrait/landscape ability add to its versatility. The universal design accommodates VESA® patterns from 200 x 100 up to 400 x 400mm. For 600 x 400 and 800 x 400mm patterns, the ACC-V800X is available. In addition, component storage access is simple with the bottom disengaging design allowing the display to have a negative tilt that enables quick and easy computer maintenance without having to remove the display.



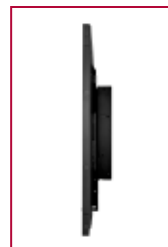
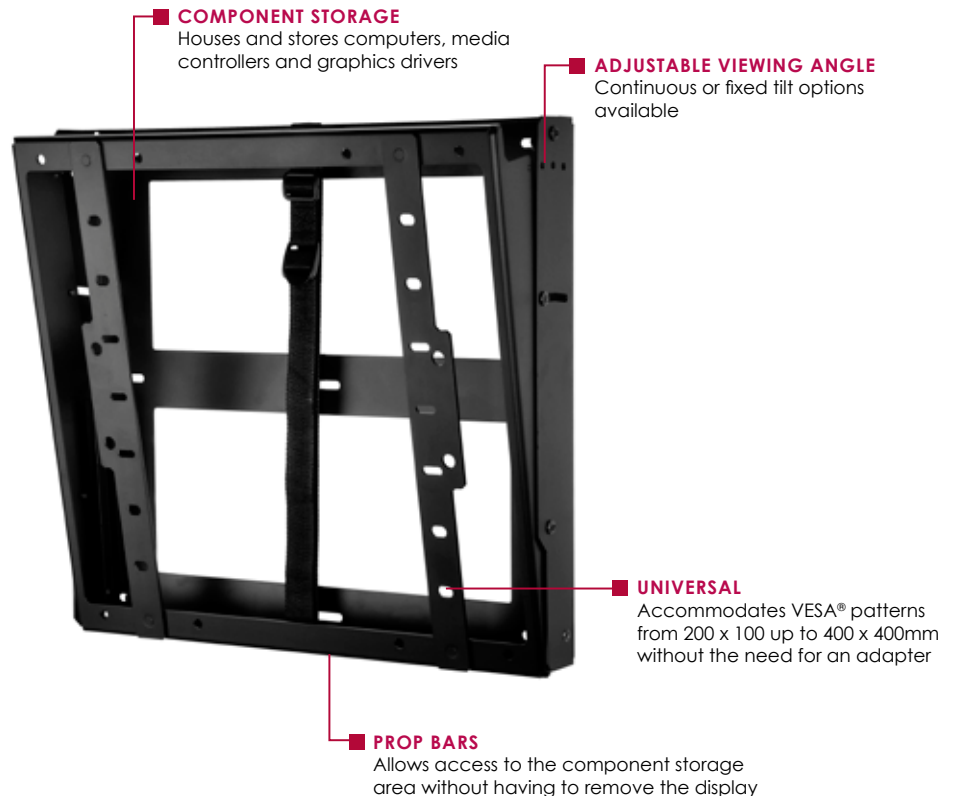
Display size: 40"-60"



Max load: 125lb (57kg)

FEATURES

- Compatible with VESA® mounting hole patterns from 200 x 100 up to 400 x 400mm
- Adapter plate compatible for VESA® patterns larger than 400 x 400mm
- Display can be mounted in portrait or landscape
- Continuous tilt options from 0°-10° or fixed at 0°, 3.5° and 7°
- Accommodates media players up to 12" x 13" x 2.4"
- The media player can be removed from the bottom if replacement, repair or maintenance is necessary without having to remove the display
- Included security hardware deters tampering and loss



Clean profile hides components from view



Continuous tilt from 0-10 degrees



Media device access

DST660 Flat/Tilt Wall Mount with Media Device Storage for 40" to 60" Flat Panel Displays

Product Specifications

	DIMENSIONS (W x H x D)	PRODUCT WEIGHT	LOAD CAPACITY	FINISH	AVAILABLE COLORS
DST660	18.50" x 17.16" x 2.83" (470 x 436 x 72mm)	10.7lb (5kg)	125lb (57kg)	Powder Coat	Black

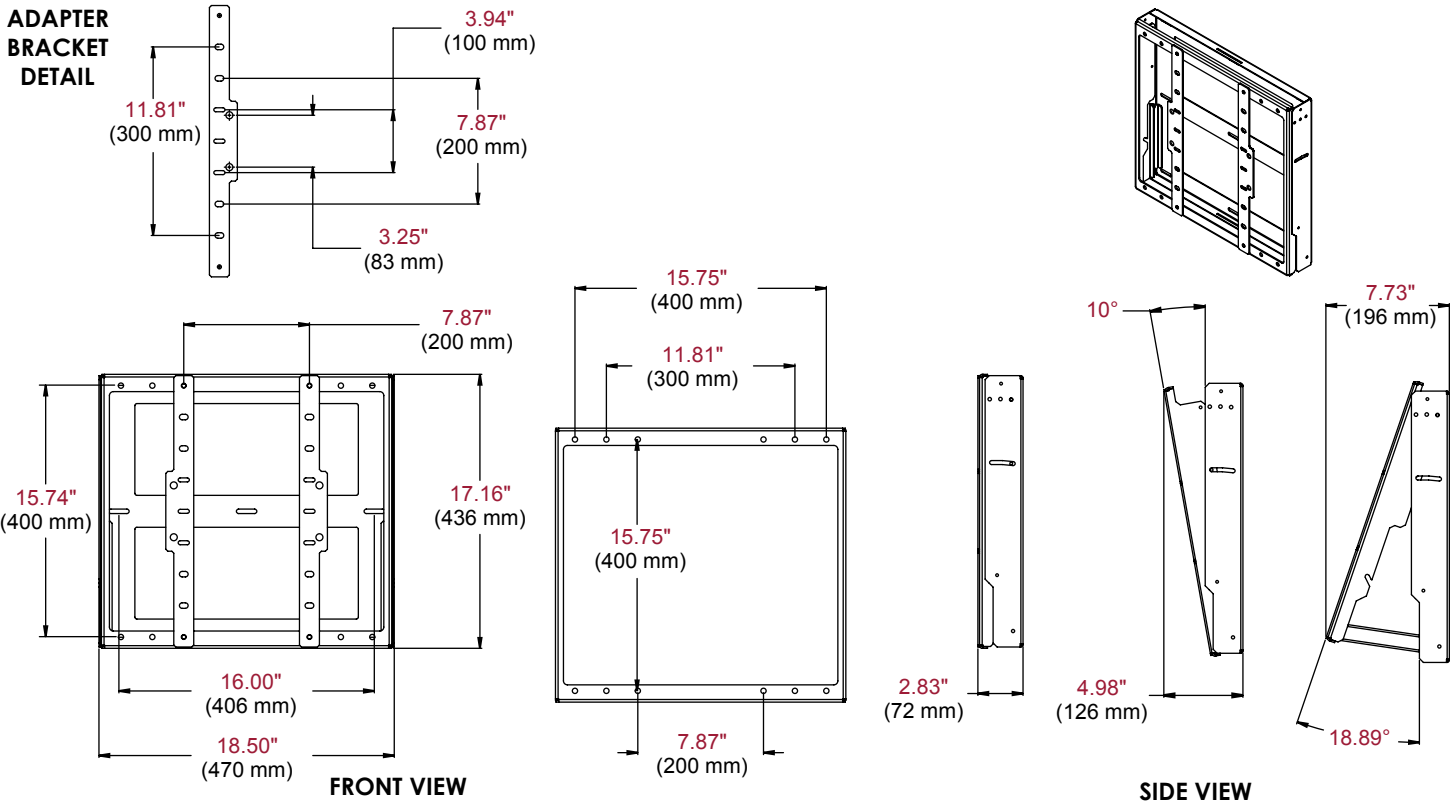
Package Specifications

	PACKAGE SIZE (L x W x H)	PACKAGE SHIP WEIGHT	PACKAGE UPC CODE	PACKAGE CONTENTS	UNITS IN PACKAGE
DST660	27.0" x 18.25" x 5.5" (686 x 464 x 140mm)	15lb (7kg)	735029282945	Wall plate, adapter bracket, adapter rails, media strap and mounting hardware	1

Accessories

ACC-V800X: Adapter accessory for 600 x 400 and 800 x 400mm mounting patterns

All dimensions = inch (mm)



ARCHITECTS SPECIFICATIONS

The Flat/Tilt Wall Mount with Media Device Storage shall be Peerless-AV model DST660 and shall be located where indicated on the plans. It shall be constructed of heavy gauge steel. The finish shall be scratch resistant black fused epoxy. Assembly and installation shall be done according to instructions provided by the manufacturer.