

MODEL:

# PDU3XEVN6G20

## 3-Phase Monitored Vertical Rack-Mount PDU



**400V**  
3-Phase  
Input



**16/20A Red IEC**  
309 3P+N+E  
Plug



**230V**  
Single-Phase  
Output



**48 Outlets**



**11.5kW**  
Load  
Capacity



**Touchscreen**  
LCD



**Network**  
Interface



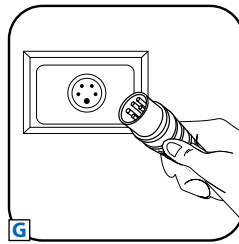
**0U**  
Rack-mount



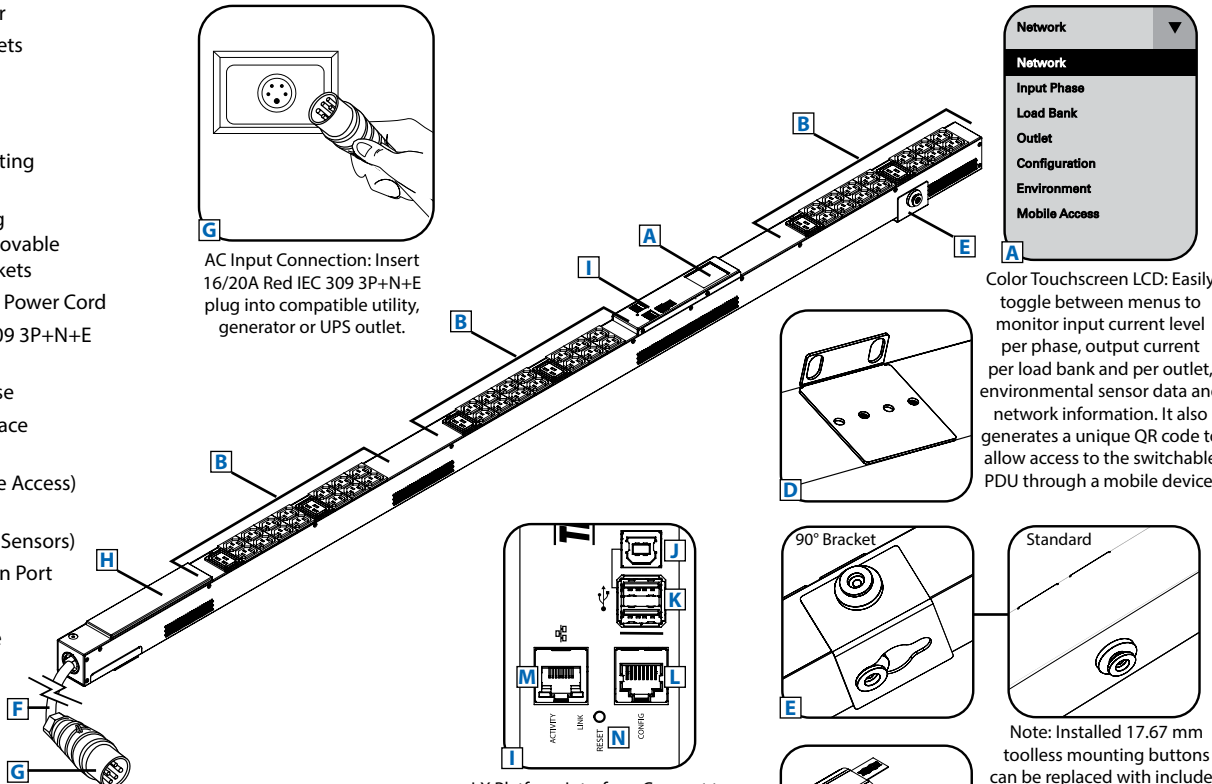
**Toolless**  
Mounting  
Buttons

- A** Digital Load Meter
- B** C13 and C19 Outlets with On/Off LEDs
- C** C13 and C19 Plug-Lock Inserts
- D** Removable Mounting Brackets
- E** Toolless Mounting Buttons with Removable 90° Rotation Brackets
- F** 6 ft. /1.83 m Input Power Cord
- G** 16/20A Red IEC 309 3P+N+E Input Plug
- H** Durable Metal Case
- I** LX Platform Interface
- J** USB-B Port (for Direct Console Access)
- K** USB-A Ports (for EnviroSense2 Sensors)
- L** RJ45 Configuration Port
- M** Ethernet Port
- N** Network Interface Reset Button

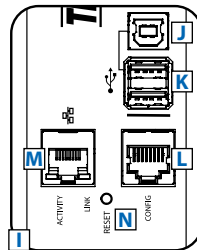
Not Shown: Configuration Cable, Owner's Manual



**AC Input Connection:** Insert 16/20A Red IEC 309 3P+N+E plug into compatible utility, generator or UPS outlet.

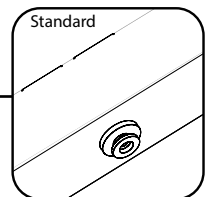
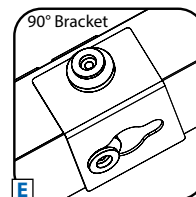
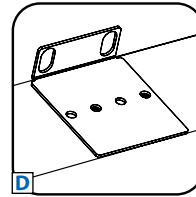


**Color Touchscreen LCD:** Easily toggle between menus to monitor input current level per phase, output current per load bank and per outlet, environmental sensor data and network information. It also generates a unique QR code to allow access to the switchable PDU through a mobile device.

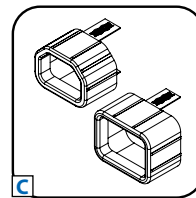


**LX Platform Interface:** Connect to Ethernet for remote monitoring and individual outlet control via SNMP, Web, SSH or telnet.

\*Add optional EnviroSense2 (E2) modules for temperature/humidity monitoring and dry contact interface.



**Note:** Installed 17.67 mm toolless mounting buttons can be replaced with included 14.17 mm buttons for additional compatibility.



### Specifications



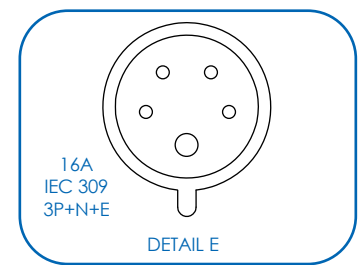
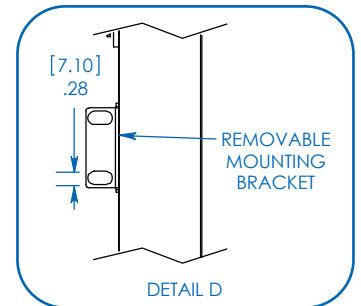
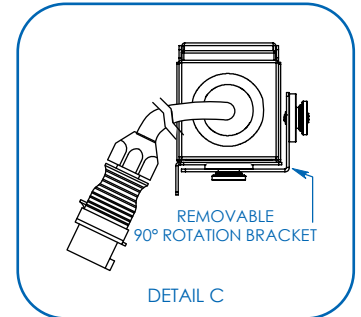
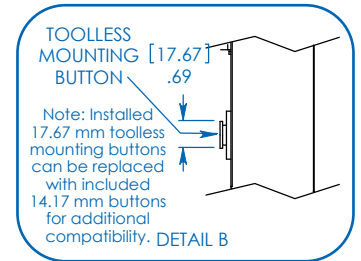
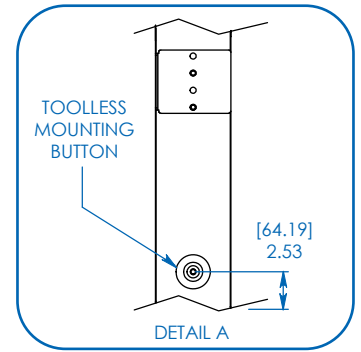
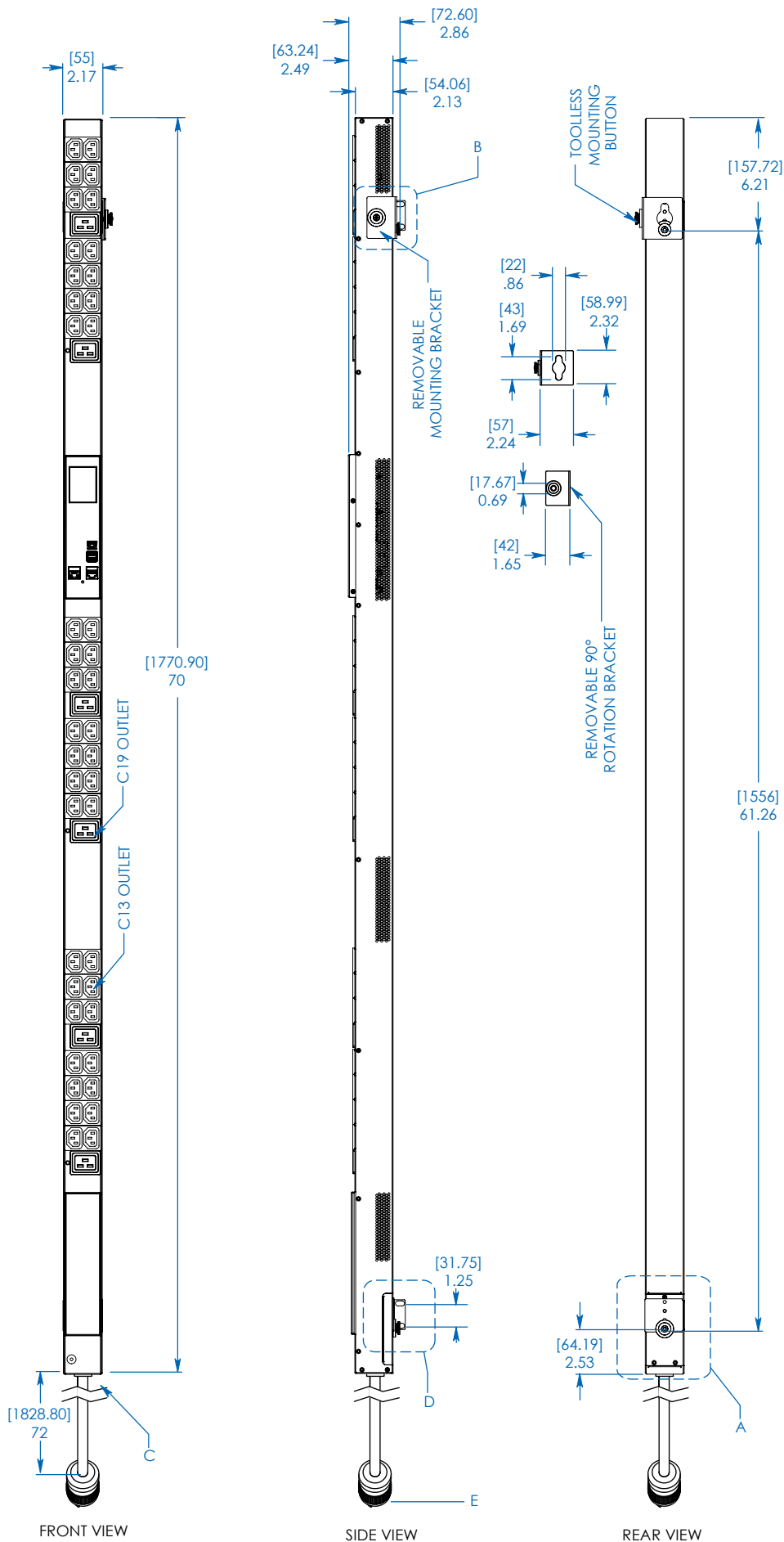
<b>Model</b>	<b>PDU3XEVN6G20</b>
<b>Voltage</b>	400V 3-Phase Input/230V Single-Phase Output
<b>Frequency</b>	50/60 Hz
<b>Load Capacity</b>	11.5kW
<b>Input Plug</b>	16/20A Red IEC 309 3P+N+E
<b>Input Cord Length</b>	6 ft. / 1.83 m
<b>Outlets</b>	48 (42 C13 / 6 C19)
<b>Primary Mounting Option</b>	0U (Vertical) Rack-Mount
<b>Unit Weight &amp; Dimensions</b>	13.5 lb. / 6.1 kg 70 x 2.17 x 2.86 in. / 1778 x 55 x 73 mm <i>See next page for detailed unit measurements.</i>
<b>Certifications</b>	Tested to UL60950-1, CSA, NOM, CE (EN60950-1), Class A, ROHS

- Distributes power to 48 outlets (14 C13 & 2 C19 per phase)
- Java-free, HTML5-based network interface allows for remote monitoring and control via SNMP, Web, SSH or telnet
- Reports current for each **phase**, **bank**, and **outlet** in real-time
- Perfect for rack-mount server, network and telecom applications

**SEE NEXT PAGE FOR DETAILED UNIT MEASUREMENTS**



1111 W. 35th Street  
Chicago, IL 60609 USA  
773.869.1234  
triplite.com



MODEL:  
**PDU3XEVN6G20**



1111 W. 35th Street  
Chicago, IL 60609 USA  
773.869.1234  
triplite.com

Dimensions: [mm] INCHES

Tripp Lite has a policy of continuous improvement. Specifications are subject to change without notice. Photos and illustrations may differ slightly from actual products.