

EIKI

Model No. LC-XB41N

U.S.A., Canada,
Europe, Hong Kong

SERVICE MANUAL

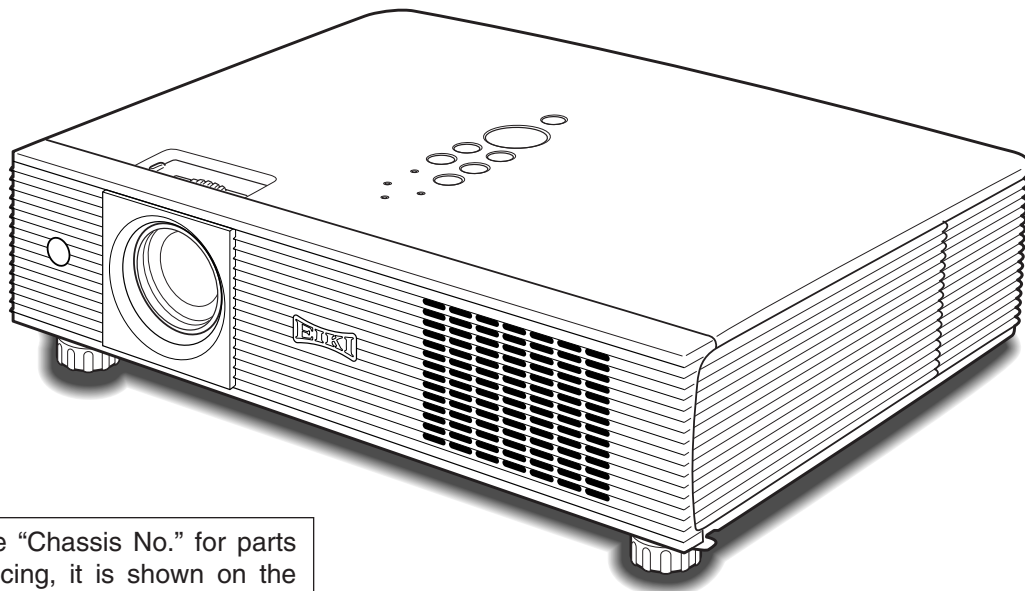
Multimedia Projector

Touchboards

205 Westwood Ave, Long Branch, NJ 07740
Phone: 866-94 BOARDS (26273) / (732)-222-1511
Fax: (732)-222-7088 | E-mail: sales@touchboards.com

ORIGINAL VERSION

Chassis No. KM6-XB41N00



Give complete "Chassis No." for parts order or servicing, it is shown on the rating sheet on the cabinet on the projector.

FOREWORD

For your convenience, all service parts, identified in this manual are available through Eiki's normal distribution channels. In addition to service part number, the generic descriptions have been given, where possible, to allow your service technicians to substitute equivalent components which might be available from other sources.

All orders for service parts will be honored. However, in instances where generic components are considered to be available from several common sources, as would be the case with an industry standard fuse, resistor, or semiconductor, it may be more economical and expeditious to purchase the part locally.

PRODUCT CODE

1 122 354 21 (KM6BC)

1 122 355 21 (LM6BC)

1 122 355 26 (LM6GC)

REFERENCE NO. SM5110858-00

Contents

SERVICE MANUAL	1	IIC bus control circuit	52
Contents	2	Network (MCI) circuit	53
Safety Instructions	3	Troubleshooting.....	54
Safety Precautions	3	Indicators and Projector Condition	54
Product Safety Notice	3	No Power.....	55
Service Personnel Warning	3	No Picture	56
Battery Replacement Notice	3	No Sound.....	57
Specifications	4	Control Port Functions.....	58
Circuit Protections	5	Scaler I/O Port Functions (PW190)	58
Thermal switch	5	IIC Bus D/A Converter Port Functions (M62334)	59
Lamp cover switch.....	5	I/O Expander Port Functions (TE7783)	60
Fuse.....	5	Waveform	61
Warning temperature and power failure protection	6	IC Block Diagrams.....	62
Maintenance	7	Electrical Parts List.....	70
Cleaning the Filter	7	Electrical Parts Location	71
Resetting the Filter Counter.....	7	Electrical Parts List	72
Lamp Replacement	8	Mechanical Parts List	102
Resetting the Lamp Counter.....	9	Cabinet Parts Location	102
How to check Lamp Used Time.....	9	Optical Parts Location	103
Cleaning	10	Mechanical Parts List	107
Security Function Notice.....	11	Diagrams & Drawings.....	A1
Security Function Disable	11	Parts description and reading in schematic diagram...A2	
Antitheft Alarm Function Disable	11	Schematic Diagrams	A3
Mechanical Disassembly	12	Printed Wiring Board Diagrams	A11
Optical Parts Disassembly.....	16	Pin description of diode, transistor and IC.....	A15
Adjustments.....	22	Note on Soldering.....	A16
Adjustments after Parts Replacement	22		
Optical Adjustments.....	23		
Contrast adjustment	23		
Integrator lens adjustment	24		
Relay lens-Out adjustment	25		
Electrical Adjustments	26		
Service Adjustment Menu Operation	26		
Memory IC (IC1391) Replacement.....	26		
Circuit Adjustments.....	27		
Test Points and Locations	31		
Service Adjustment Data Table	32		
Chassis Block Diagrams.....	45		
Chassis over view.....	45		
System control.....	46		
Lamp control.....	47		
Audio circuit	48		
Power supply & protection circuit	49		
Fan control circuit	50		
Alarm circuit	51		

Specifications

Mechanical Information

Projector Type	Multi-media Projector
Dimensions (W x H x D)	13.15" x 3.07" x 9.13" (334 mm x 78 mm x 232 mm) (Not including adjustable feet)
Net Weight	7.7 lbs (3.5 kg)
Feet Adjustment	0° to 9.0°

Panel Resolution

LCD Panel System	0.8" TFT Active Matrix type, 3 panels
Panel Resolution	1,024 x 768 dots
Number of Pixels	2,359,296 (1,024 x 768 x 3 panels)

Signal Compatibility

Color System	PAL, SECAM, NTSC, NTSC4.43, PAL-M, and PAL-N
High Definition TV Signal	480i, 480p, 575i, 575p, 720p, 1035i, and 1080i
Scanning Frequency	H-sync. 15 kHz–100 kHz, V-sync. 50–100 Hz

Optical Information

Projection Image Size (Diagonal)	Adjustable from 33" to 300"
Throw Distance	4.3'–32.8' (1.3 m–10.0 m)
Projection Lens	F1.7–2.1 lens with f26.7 mm–32.0 mm with manual zoom and focus
Projection Lamp	300 W

Interface

Video Input Jack	RCA Type x 1
S-video Input Jack	Mini DIN 4 pin x 1
Audio Input Jacks	RCA Type x 2
Computer Input 1/DVI-I Input Terminal	DVI-I Terminal X 1
Computer Input 2/Component Input Terminal	Analog RGB (Mini D-sub 15 pin) Terminal x 1
Monitor Output Terminal	Analog RGB (Mini D-sub 15 pin) Terminal x 1
Computer/Component Audio Input Jack	Mini Jack (stereo) x 1
Service Port Connector	Mini DIN 8 pin x 1
USB Connector	USB Series A connector x 1/USB Series B connector x 1
Audio Output Jack	Mini Jack (stereo) x 1 (variable)
LAN Connection Terminal	100 Base-TX (100 Mbps)/10 Base-T (10Mbps), RJ45

Audio

Internal Audio Amp	1.0 W RMS
Built-in Speaker	1 speaker, ø1.1" (28 mm)

Power

Voltage and Power Consumption	AC 100–120 V (4.9A Max. Ampere), 50/60 Hz (The U.S.A and Canada) AC 200–240 V (2.2A Max. Ampere), 50/60 Hz (Continental Europe and The H.K.)
-------------------------------	---

Operating Environment

Operating Temperature	41°F–95°F (5 °C–35 °C)
Storage Temperature	14°F–140°F (-10°C–60 °C)

Remote Control

Battery	AAA or LR03 Type x 2
Operating Range	16.4' (5 m)/±30°
Dimensions	1.8" (W) x 1.0" (H) x 5.7" (D) (45 mm x 25 mm x 145 mm)
Net Weight	3.5 oz (99 g) (including batteries)
Laser Pointer	Class II Laser (Max. Output: 1 m W/Wave length: 640–660 nm)

Built-In Battery (Antitheft Alarm)

Ni-MH BATTERY PACK 3.6V

- The specifications are subject to change without notice.
- LCD panels are manufactured to the highest possible standards. Even though 99.99% of the pixels are effective, a tiny fraction of the pixels (0.01% or less) may be ineffective by the characteristics of the LCD panels.



This symbol on the nameplate means the product is Listed by Underwriters Laboratories Inc. It is designed and manufactured to meet rigid U.L. safety standards against risk of fire, casualty and electrical hazards.

Circuit Protections

This projector provides the following circuit protections to operate in safety. If the abnormality occurs inside the projector, it will automatically turn off by operating one of the following protection circuits.

Thermal switch

There is the thermal switch (SW902) inside of the projector to detect the internal temperature rising abnormally. When the internal temperature reaches near 100°C, the thermal switch opens to stop the operation of the power supply circuit.

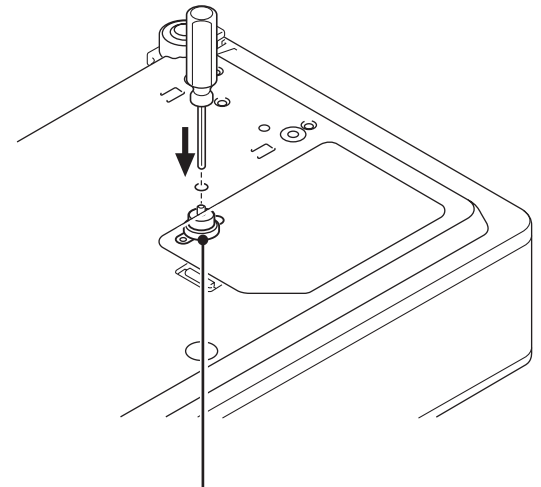
The thermal switch cannot be reset itself automatically even if the internal temperature becomes normal. Reset the thermal switch following to the below procedure.

How to reset the thermal switch

1. Insert the sharp tool like a screwdriver into a hole on the cabinet from the cabinet bottom.
2. Press the reset button on the thermal switch with the screwdriver.

CAUTION:

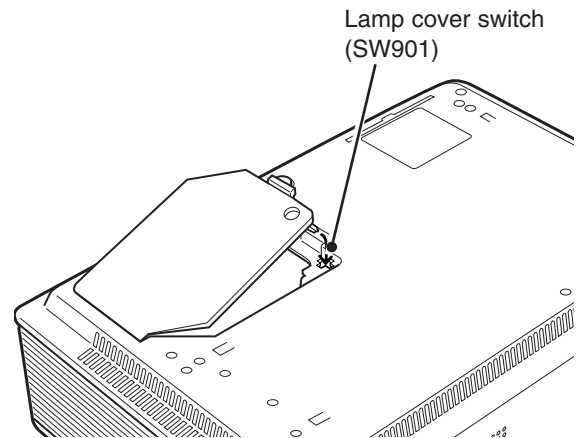
Before press the reset button, make sure that the AC cord must be disconnected from the AC outlet.



Thermal switch (SW902)

Lamp cover switch

The lamp cover switch (SW901) cuts off the drive signal to the lamp circuit when the lamp cover is removed or not closed completely. After opening the lamp cover for replacing the lamp ass'y, place the lamp cover correctly otherwise the projector can not turn on.



Lamp cover switch (SW901)

Fuse

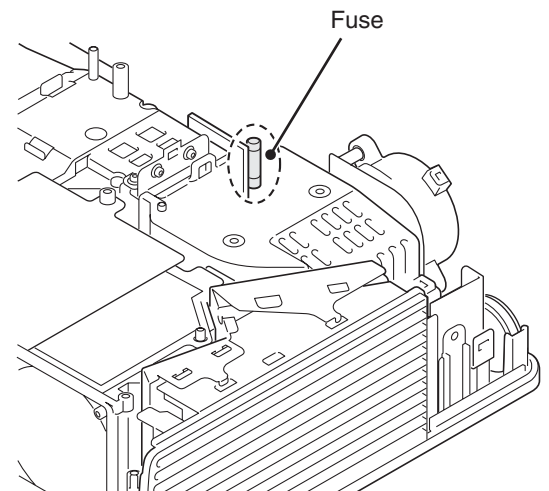
A fuse is located inside of the projector. When the POWER indicator is not lightning, the fuse may be opened. Check the fuse as following steps.

The fuse should be used with the following type;

Fuse Part No.: 323 025 1204
TYPE 8A 250V FUSE
LITTLE FUSE INC. TYPE 21500.8

How to replace the fuse

1. The fuse is placed on the filter board under the main board. Remove the cabinet top and main board.
2. Take the fuse off, and replace the new one with the specified type.



Warning temperature and power failure protection

The projector will be automatically turned off when the internal temperature of the projector is abnormally high, or the cooling fans stop spinning, or the power supplies in the projector are failed.

- If the WARNING indicator is flashing, it may detect the abnormal temperature inside the projector. Check the following possible causes and wait until the WARNING indicator stops flashing, and then try to turn on the projector.
- If the WARNING indicator lights red, it may defect the cooling fans or power supply circuits. Check fans operation and power supply lines referring to the chapter "Power supply & protection circuit" in the Chassis Block Diagram section.

Possible causes

- Air filters are clogged with dust particles. Remove dust from the air filters by following instructions in the "Air filter care and cleaning" below.
- Ventilation slots of the projector are blocked. In such an event, reposition the projector so that ventilation slots are not obstructed.
- Check if projector is used at higher temperature place (Normal operating temperature is 5 to 35 °C or 41 to 95°F)

The projector is shut down and the WARNING indicator lights red.

When the projector detects an abnormal condition, it is automatically shut down to protect the inside of the projector and the WARNING indicator lights red. In this case, unplug the AC power cord and reconnect it, and then turn the projector on once again to verify operation. If the projector cannot be turned on and the WARNING indicator still lights red, it may defect the cooling fans or power supply circuits.

Top Control



CAUTION

DO NOT LEAVE THE PROJECTOR WITH THE AC POWER CORD CONNECTED UNDER AN ABNORMAL CONDITION. IT MAY RESULT IN FIRE OR ELECTRIC SHOCK.

Maintenance

Cleaning the Filter

Filter prevents dust from accumulating on the optical elements inside the projector. Should the filter becomes clogged with dust particles, it will reduce cooling fans' effectiveness and may result in internal heat buildup and adversely affect the life of the projector. If a "Filter warning" icon appears on the screen, clean the filter immediately. Clean the filter by following the steps below.

- 1 Turn off the projector, and unplug the AC power cord from the AC outlet.
- 2 Turn the projector over and remove the filter by pulling the latches upward.
- 3 Gently clean the filter by using a brush or rinse it softly.
- 4 When rinsing the filter, dry it well. Replace the filter properly. Make sure that the filter is fully inserted to the projector.



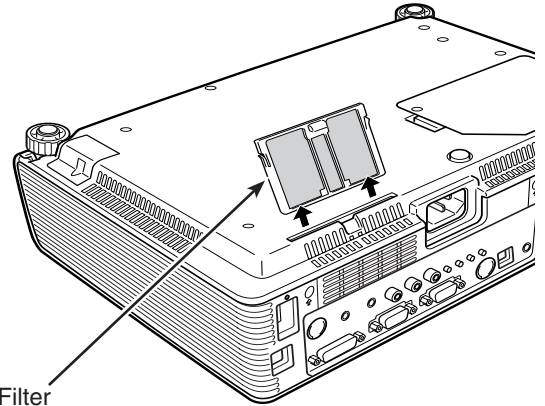
CAUTION

Do not operate the projector with the filter removed. Dust may accumulate on the optical elements degrading picture quality. Do not put anything into the air vents. Doing so may result in malfunction of the projector.

RECOMMENDATION

We recommend avoiding dusty/smoky environments when you operate the projector. Usage in these environments may cause poor image quality.

When using the projector under dusty or smoky conditions, dust may accumulate on a lens, LCD panels, or optical elements inside the projector degrading the quality of a projected image. When the symptoms above are noticed, contact your authorized dealer or service station for proper cleaning.



Filter
Pull up and remove.

✓Note:

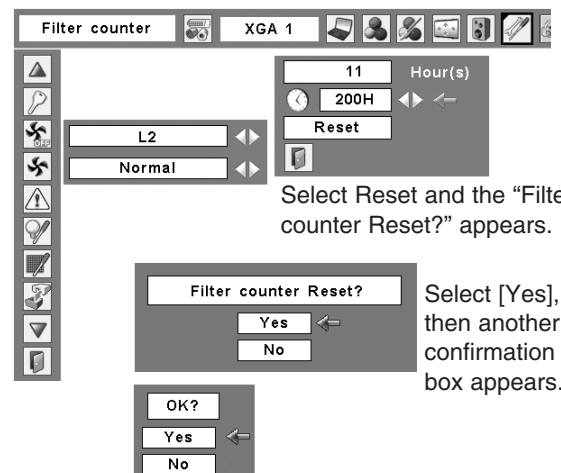
- When reinserting this filter, be sure that the slit part is facing the outer side.

Resetting the Filter Counter

Be sure to reset the Filter counter after cleaning or replacing the filter.

- 1 Press the MENU button to display the On-Screen Menu. Use the Point ◀▶ buttons to move the red frame pointer to the Setting Menu icon.
- 2 Use the Point ▲▼ buttons to move the red frame pointer to Filter counter and then press the SELECT button. A dialog box appears showing the total accumulated time of the filter use, a timer setting option, and the reset option. Select Reset and the "Filter counter Reset?" appears. Select [Yes] to continue.
- 3 Another confirmation dialog box appears, select [Yes] to reset the Filter counter.

Filter counter



Select Reset and the "Filter counter Reset?" appears.

Select [Yes], then another confirmation box appears.

Lamp Replacement

When the projection lamp of the projector reaches its end of life, the Lamp replacement icon appears on the screen and LAMP REPLACE indicator lights yellow. Replace the lamp with a new one promptly. The timing when the LAMP REPLACE indicator should light is depending on the lamp mode.

Top Control



Lamp replacement



Lamp replacement icon

✓Note:

- The Lamp replacement icon will not appear when the Display function is set to “Off”, during “Freeze”, or “No show”.



WARNING:
TURN OFF THE UV LAMP BEFORE OPENING THE LAMP COVER



CAUTION

Allow a projector to cool for at least 45 minutes before you open the Lamp cover. The inside of the projector can become very hot.

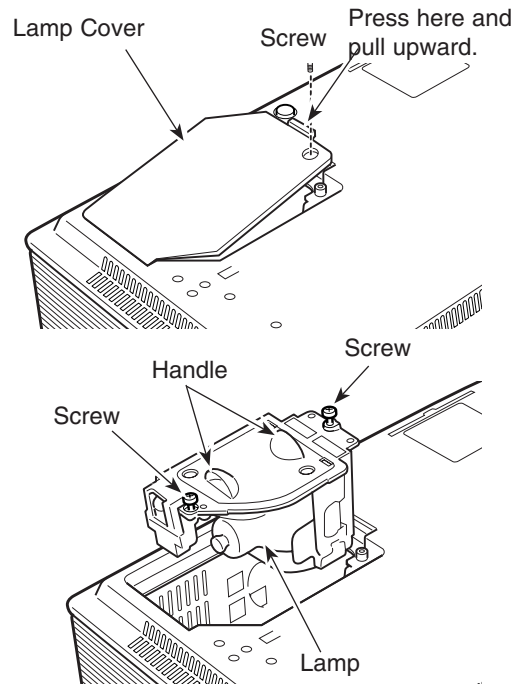


CAUTION

For continued safety, replace with a lamp of the same type. Do not drop a lamp or touch a glass bulb! The glass can shatter and may cause injury.

Follow these steps to replace the lamp.

- 1** Turn off the projector and unplug the AC power cord. Let the projector cool for at least 45 minutes.
- 2** Remove the one (1) screw on the lamp cover and open the lamp cover.
- 3** Remove the two (2) screws that secure the lamp. Lift the lamp out of the projector by using the handle.
- 4** Replace the lamp with a new one and secure the two (2) screws. Make sure that the lamp is set properly. Close the lamp cover.
- 5** Connect the AC power cord to the projector and turn on the projector.
- 6** Reset the lamp counter. See “Resetting the Lamp Counter” on the next page.



ORDER REPLACEMENT LAMP

Type No. POA-LMP111
Service Parts No. 610 333 9740

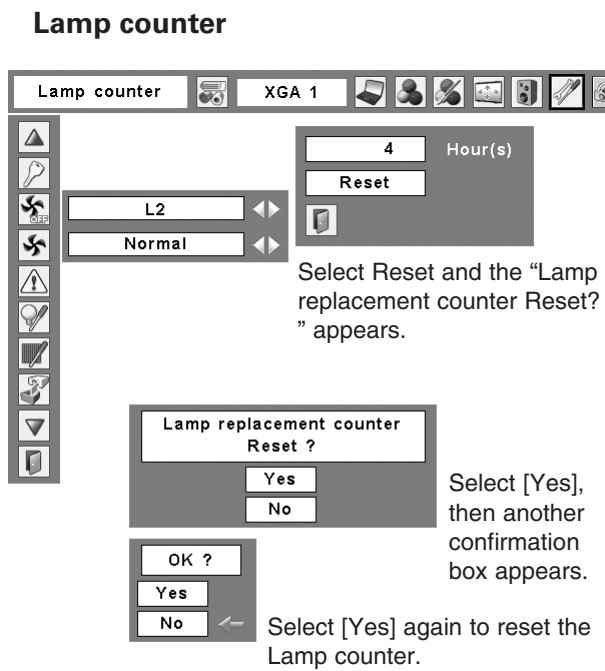
Resetting the Lamp Counter

Be sure to reset the Lamp counter after the lamp is replaced. When the Lamp counter is reset, the LAMP REPLACE indicator stops lighting and the Lamp replacement icon disappears.

- 1 Press the MENU button to display the On-Screen Menu. Use the Point ◀▶ buttons to move the red framed pointer to the Setting Menu icon.
- 2 Use the Point ▲▼ buttons to move the red framed pointer to Lamp counter and then press the SELECT button. A dialog box appears showing the total accumulated time of the lamp usage and the reset option. Select Reset and the “Lamp replacement counter Reset?” appears. Select [Yes] to continue.
- 3 Another confirmation dialog box appears, select [Yes] to reset the Lamp counter.

✓ **Note:**

- Do not reset the Lamp counter without implementing lamp replacement. Be sure to reset the Lamp counter only after replacing the lamp.



How to check Lamp Used Time

The LAMP REPLACE indicator will light yellow when the total lamp used time (Corresponding value) reaches 3,000 hours. This is to indicate that lamp replacement is required.

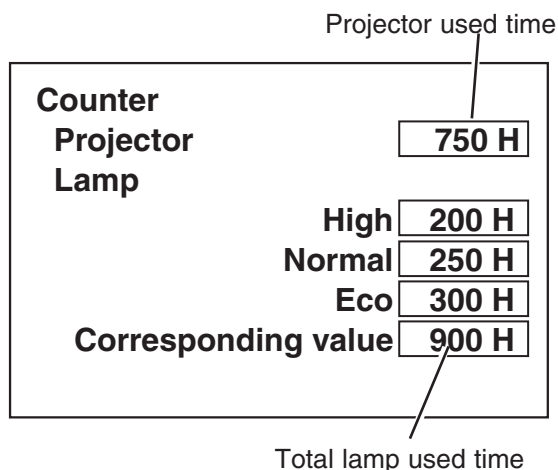
The total lamp used time is calculated by using the below expression,

$$\text{Total lamp used time (Corresponding value)} = T_{eco} + (T_{normal} \times 1.2) + (T_{high} \times 1.5)$$

- T_{eco} : used time in the Eco mode
- T_{normal} : used time in the Normal mode
- T_{high} : used time in the High mode

You can check the lamp used time following to the below procedure.

- 1 Press and hold the **ON/STAND-BY** button on the projector for more than 20 seconds.
- 2 The projector used time and lamp used time will be displayed on the screen briefly as follows.



Cleaning

After long periods of use, dust and other particles will accumulate on the LCD panel, prism, mirror, polarized glass, lens, etc., causing the picture to darken or color to blur. If this occurs, clean the inside of optical unit.

Remove dust and other particles using air spray. If dirt cannot be removed by air spray, disassemble and clean the optical unit.

Cleaning with air spray

1. Remove the cabinet top following to “Mechanical Disassemblies”.
2. Clean up the LCD panel and polarizing plate by using the air spray from the cabinet top opening.

Caution:

Use a commercial (inert gas) air spray designed for cleaning camera and computer equipment. Use a resin-based nozzle only. Be very careful not to damage optical parts with the nozzle tip. Never use any kind of cleanser on the unit. Also, never use abrasive materials on the unit as this may cause irreparable damage.

Disassembly Cleaning

Disassembly cleaning method should only be performed when the unit is considerably dirty and cannot be sufficiently cleaned by air spraying alone.

Be sure to readjust the optical system after performing disassembly cleaning.

1. Remove the cabinet top and main units following to “Mechanical Disassemblies”.
2. Remove the optical base top following to “Optical Unit Disassemblies”. If the LCD panel needs cleaning, remove the LCD panel unit following to “LCD panel replacement”.
3. Clean the optical parts with a soft cloth. Clean extremely dirty areas using a cloth moistened with alcohol.

Caution:

The surface of the optical components consists of multiple dielectric layers with varying degrees of refraction. Never use organic solvents (thinner, etc.) or any kind of cleanser on these components.

Since the LCD panel is equipped with an electronic circuit, never use any liquids (water, etc.) to clean the unit. Use of liquid may cause the unit to malfunction.

Security Function Notice

Security Function Disable

This projector provides security functions such as "Key lock", "PIN code lock" and "Logo PIN code lock". When the projector has set these security function on, you are required to enter correct PIN code to use the projector. If you do not know the correct PIN code to the projector, the projector can no longer be operated or started. In this case, you must reset those function first according to the resetting procedure described below and then check up on the projector.

Function	Description
Key lock	Locks operation of the top control or the remote control. If the Key lock is enabled with top control lock, the projector can no longer be started. <i>Initial setting: Key lock function is disabled</i>
PIN code lock	Prevents the projector from being operated by an unauthorized person. <i>Initial code: "1234"</i>
Logo PIN code lock	Prevents an unauthorized person for changing the start-up logo and captured image on the screen. <i>Initial code: "4321"</i>

Resetting procedure

- 1 Disconnect the AC power cord from the AC outlet.
- 2 As pressing the **SELECT** button on the projector, connect the AC power cord into an AC outlet again. Keep pressing the **SELECT** button until the POWER indicator lights continuously.

This is complete the resetting of the security function. The PIN code lock and Logo PIN code lock are reset as the initial PIN code at the factory and the Key lock function is disabled.

Please refer to the owner's manual for further information of the security functions.

Antitheft Alarm Function Disable

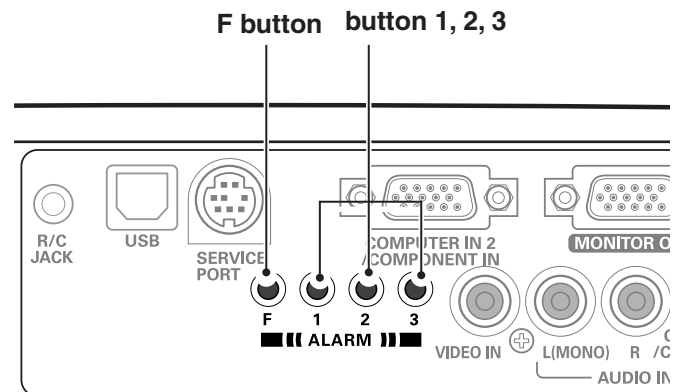
This projector provides an Antitheft alarm function which works when detecting a vibration to protect the projector from a suspicious person.

Release the alarm setting

Press the **F button** and input the four-digit PIN code within 10 seconds. (default PIN code "1111") When the alarm is released, you will hear high-pitched confirmation sound.

When inputting an incorrect PIN code, you will hear low-pitched sound. If you input incorrect PIN codes 3 times, the alarm will start ringing.

If you forget the PIN code to release the alarm setting, press and hold the **button 3** and **F button** at the same time for more than 3 seconds.



Rear Control


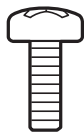
Mechanical Disassembly

Mechanical disassembly should be made following procedures in numerical order.

Following steps show the basic procedures, therefore unnecessary step may be ignored.

Caution:

The parts and screws should be placed exactly the same position as the original otherwise it may cause loss of performance and product safety.

Screws Expression (Type Diameter x Length) mm	
T type	M Type
	

1 Cabinet Top, Front, R/C Board removal

1. Remove the cabinet top (Before removing the cabinet top, open the Lens cover fully).
2. Remove the Cabinet front.

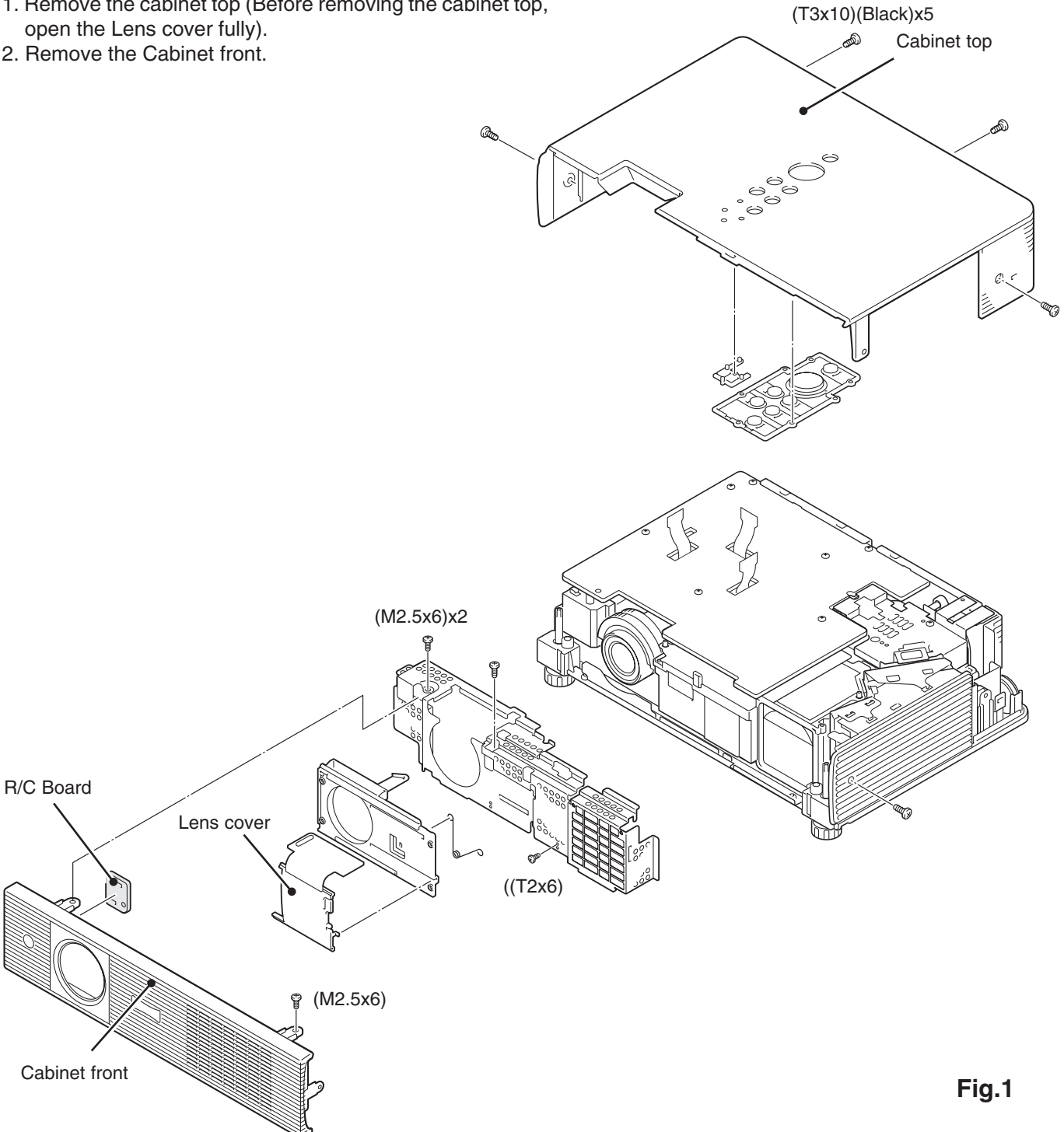


Fig.1

2 Main, AV Board, Rear Panel and Fans Board removal

1. Remove the Main board.
2. Remove the Rear panel.
3. Remove AV board.
4. Remove fans (FN901, FN902).

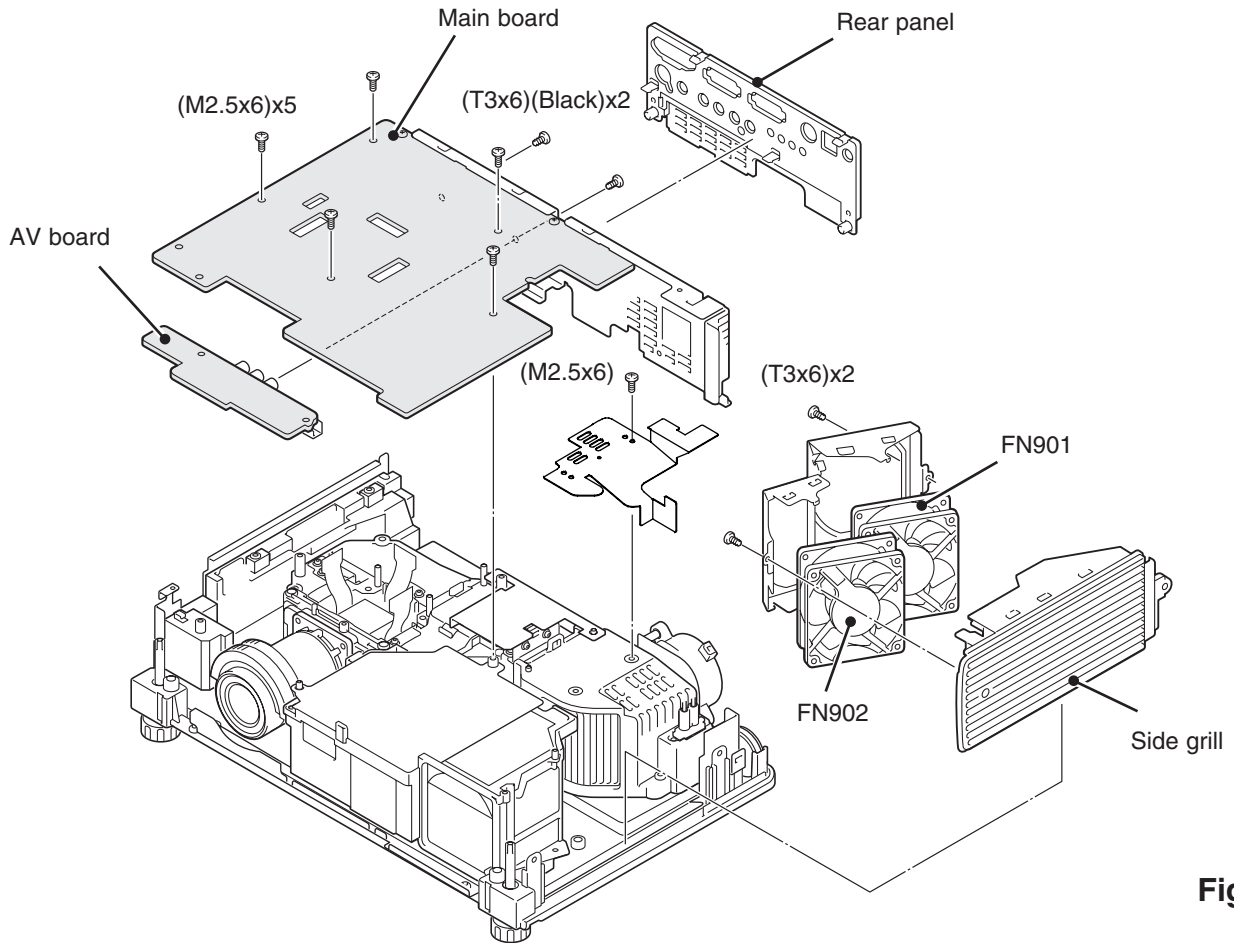


Fig.2

3 Fan (FN907) removal

1. Disconnect the lamp ballast socket and remove fan (FN907)

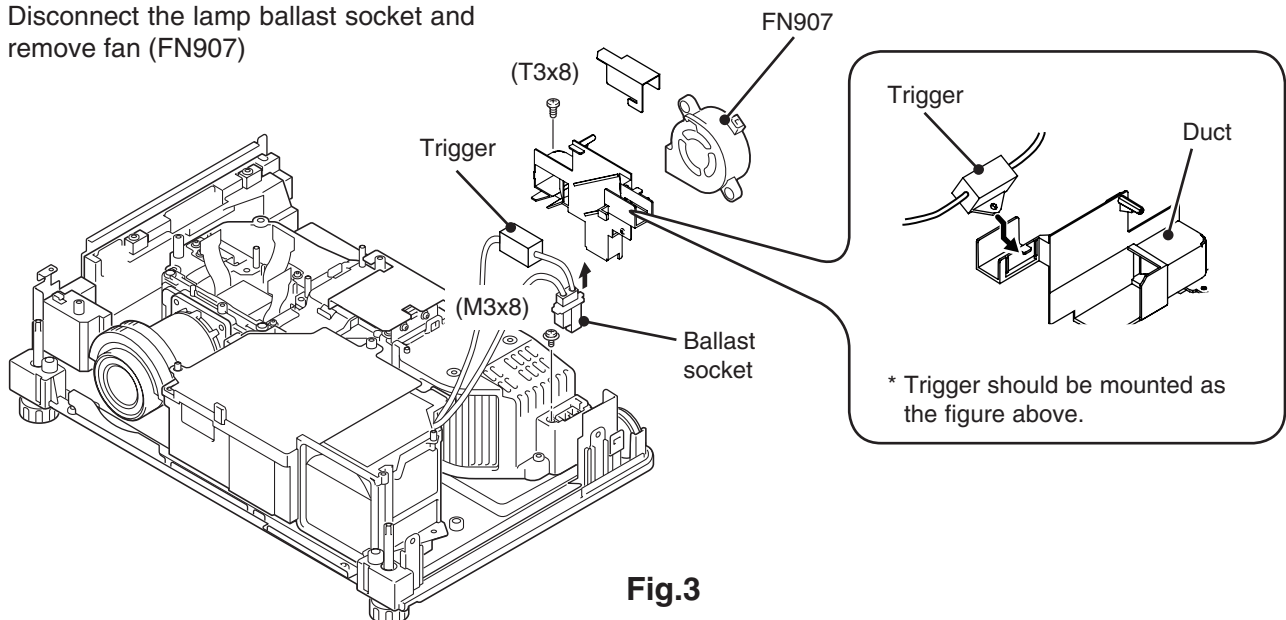


Fig.3

4 Optical unit, MCI, Buzzer, Temp., Line Filter board, Fans removal

1. Remove the Optical unit.
2. Remove the MCI board.
3. Remove the Battery and Buzzer board.
 - 3-1. Remove Screw (T3x8) and 4 hooks on the duct and then remove the Duct.
 - 3-2. Remove the Duct top and then remove the Buzzer board.
4. Remove the Line filter board and Temp. board.
5. Remove fans and SP901.

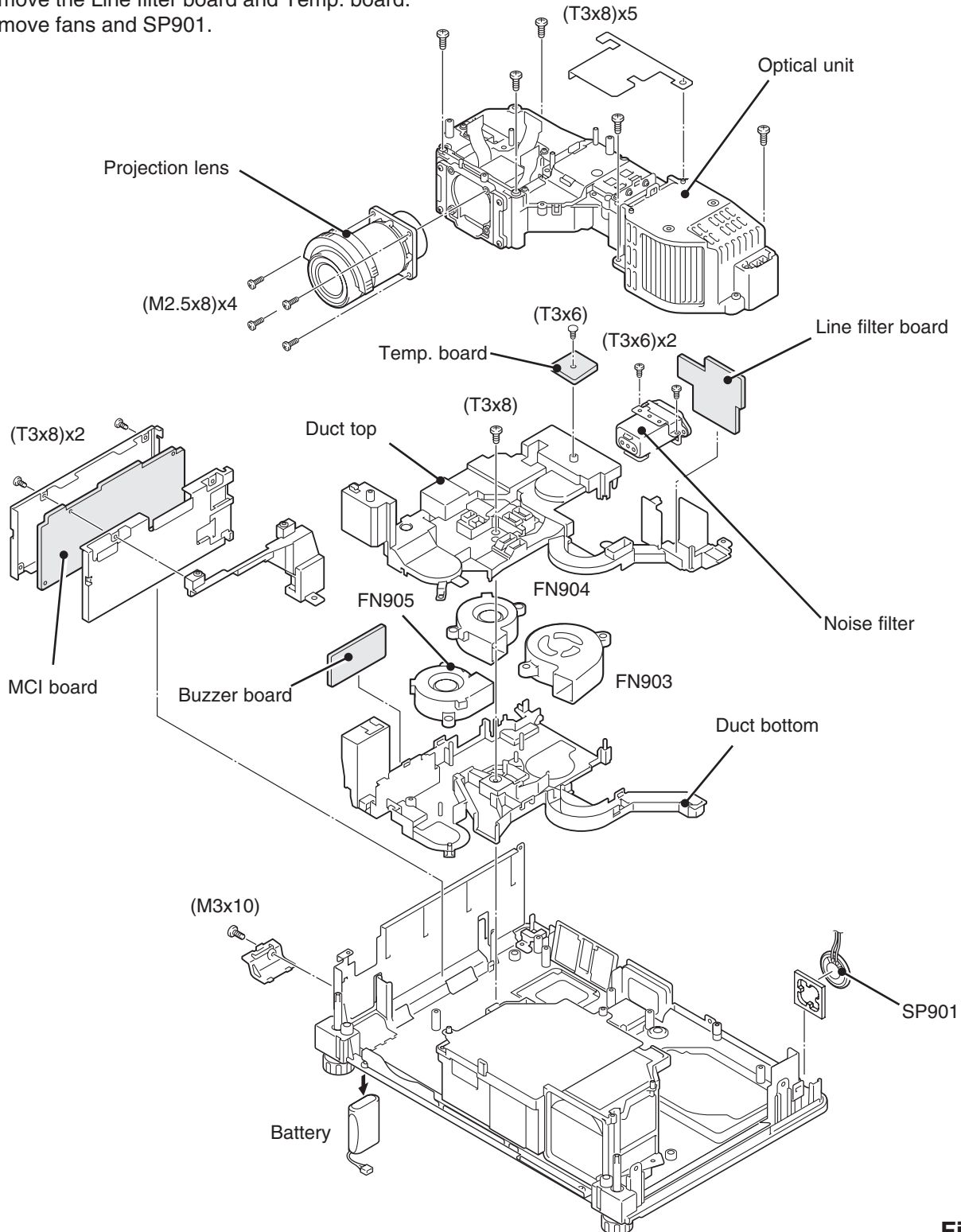


Fig.4

5 Power, Ballast, Lamp Cover Sw Board, Thermal Sw(SW902) removal

1. Remove the Power board.
2. Remove the Ballast board.
3. Remove the Lamp cover switch board and thermal switch (SW902).

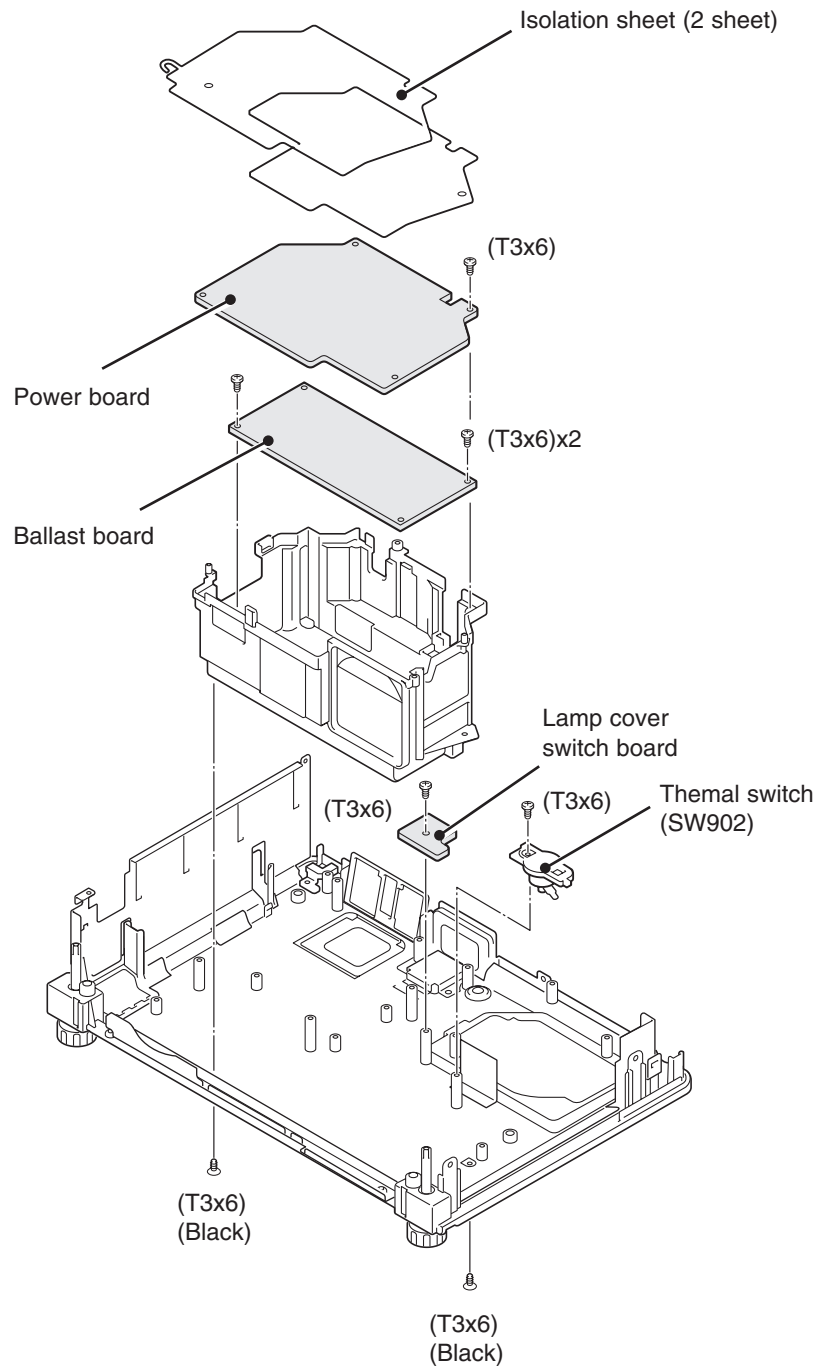


Fig.5

Optical Parts Disassembly

Before taking this procedure, remove Cabinet Top , Cabinet Front and Main Board following to the “Mechanical Disassembly”.

Disassembly requires a 2.0mm hex wrench.

1 Projection lens disassembly

Note: The optical unit should be removed from the cabinet bottom before removing the projection lens.

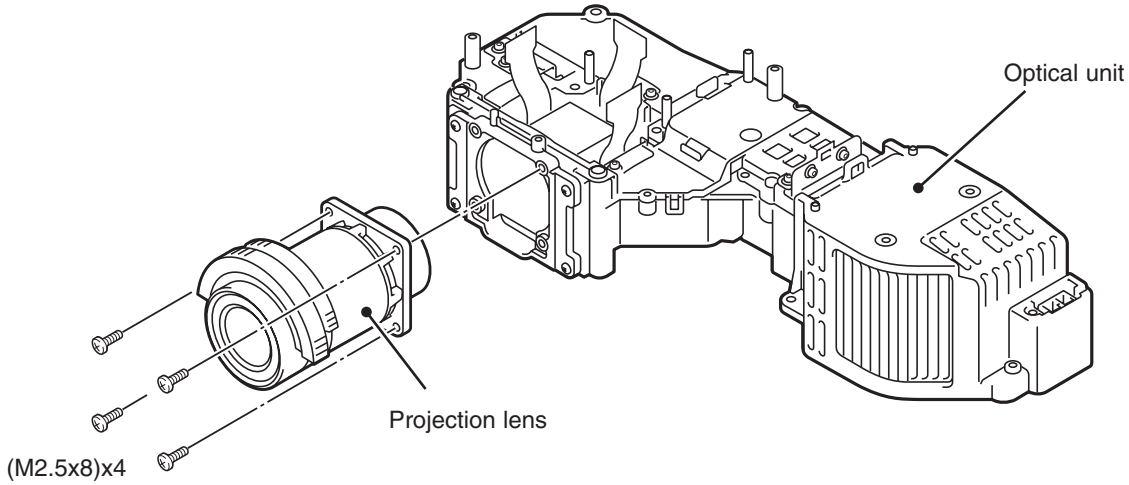


Fig.1

2 Integrator lens-in disassembly

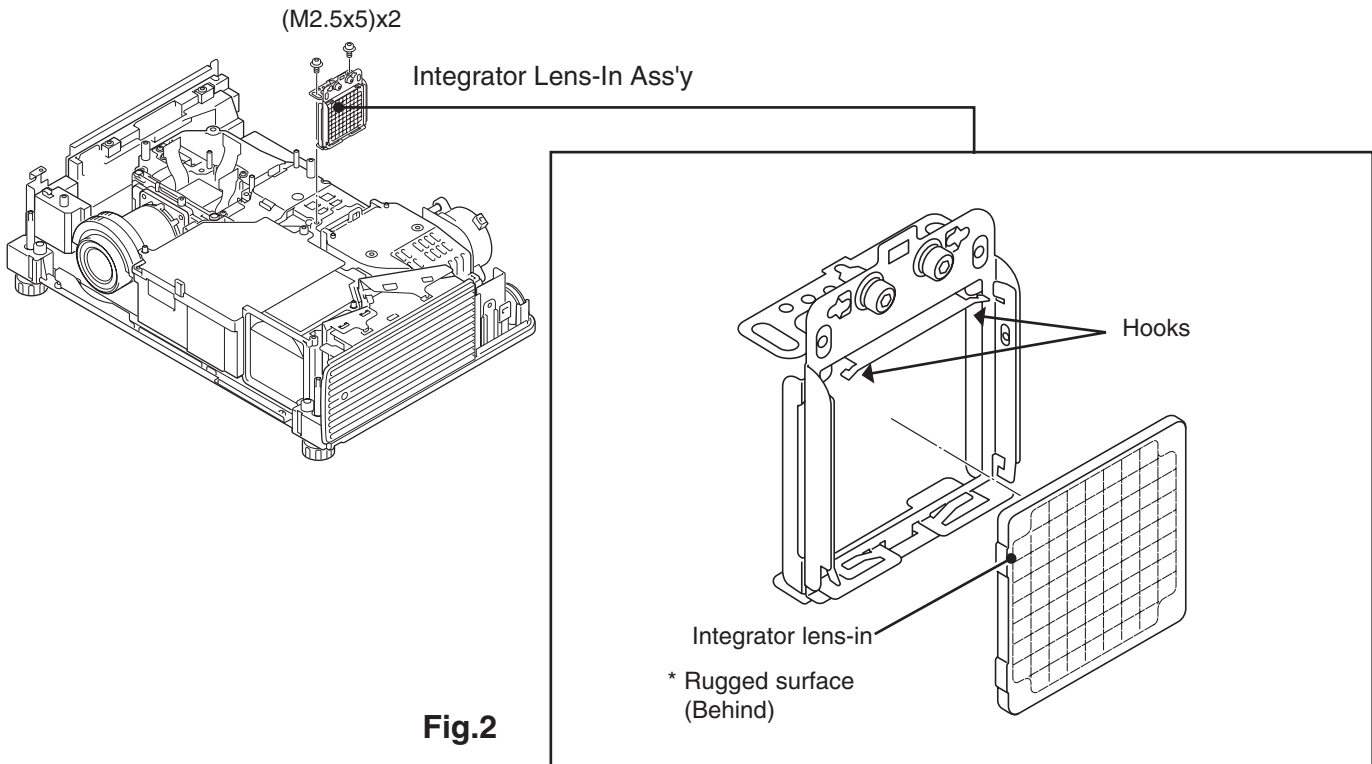


Fig.2

3 Relay lens disassembly

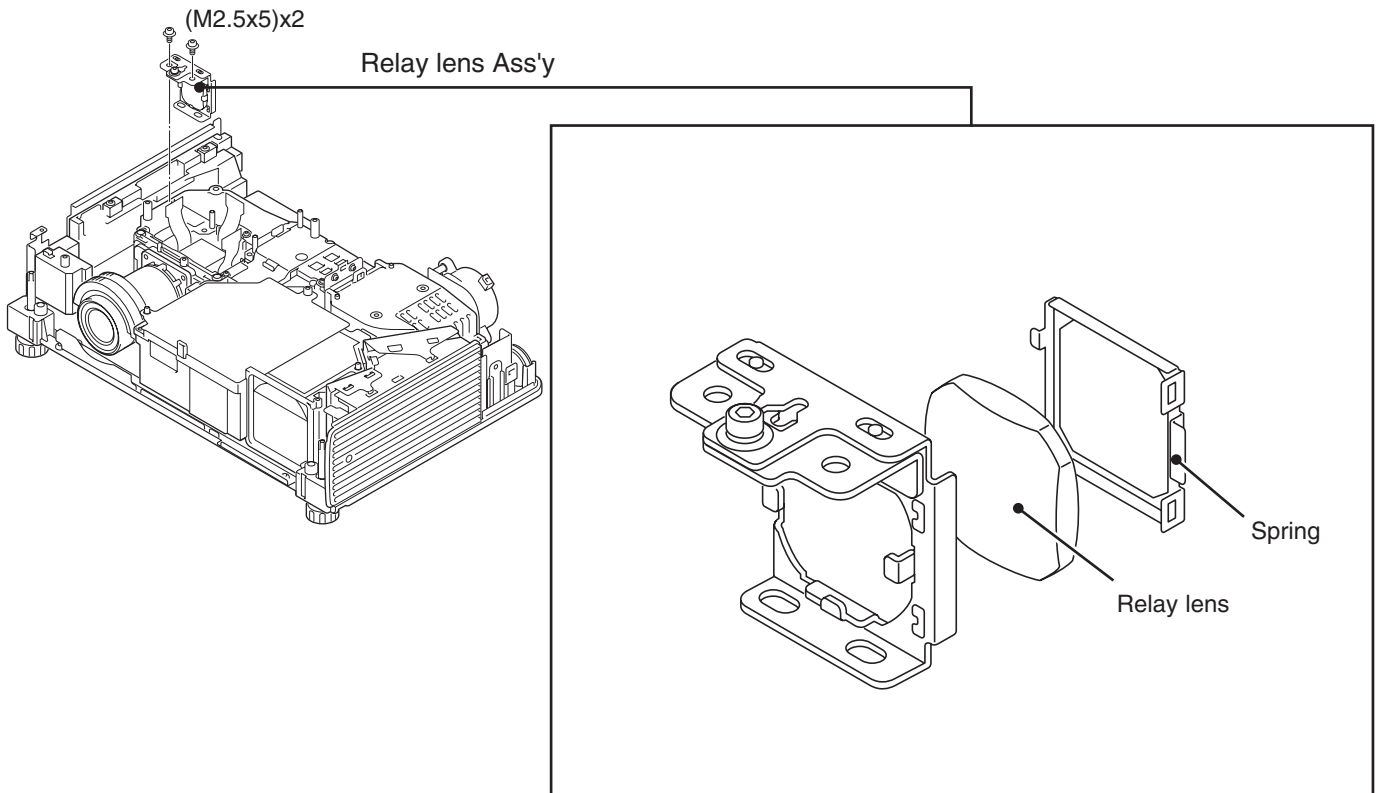


Fig.3

4 Polarized glass-in disassembly

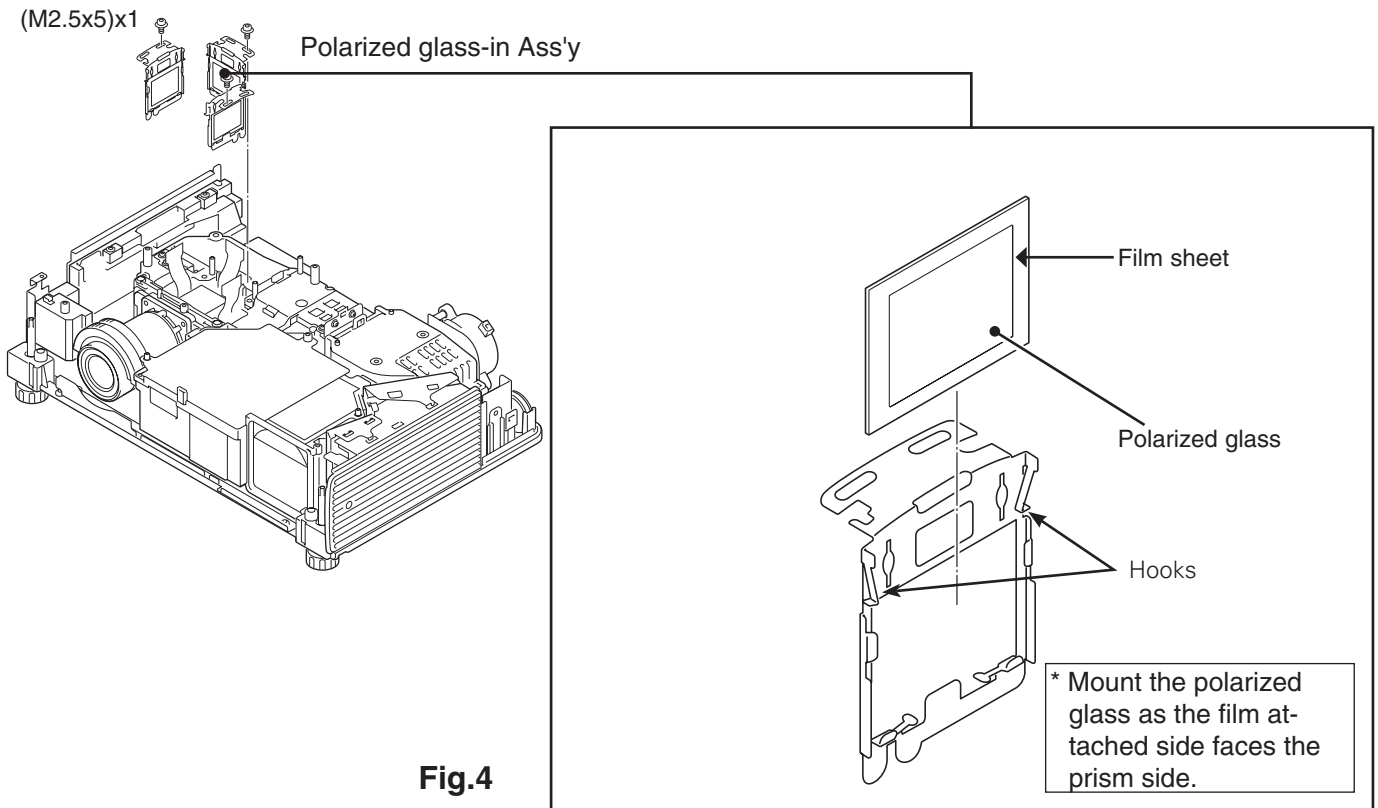


Fig.4

5 LCD Panel/Prism Ass'y removal

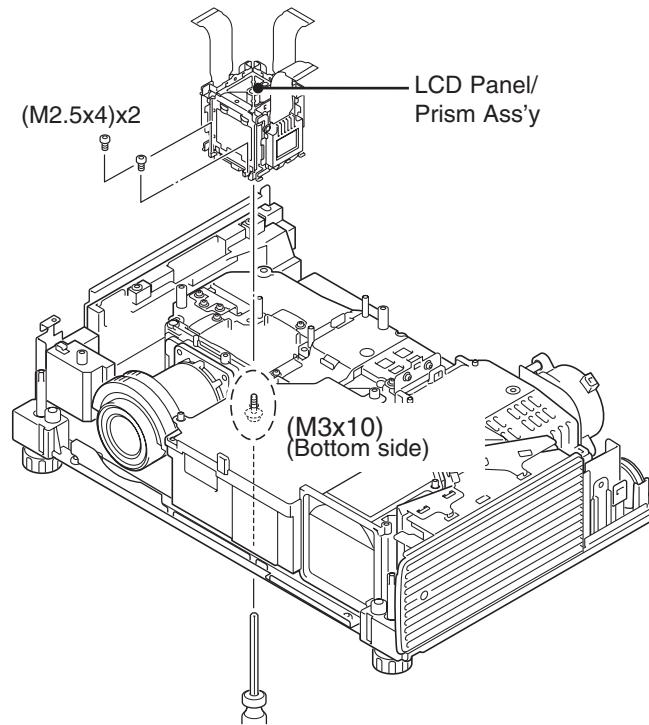


Fig.5-1

IMPORTANT NOTICE on LCD Panel/Prism Ass'y Replacement

LCD panels used for this model can not be replaced separately. Do not disassemble the LCD Panel/Prism Ass'y. These LCD panels are installed with precision at the factory. When replacing the LCD panel, should be replaced whole of the LCD panels and prism ass'y at once.

After replacing LCD Panel/Prism ass'y, please check the following points.

- Check that there is no color shading at the top, bottom, left or right of the screen. If there is, try to remove the shading following to the chapter "Optical Adjustment".
- Check the white balance. If it needs the adjustment, adjust the white balance following to the "White Balance Adjustment", "Gamma Adjustment" and "Common Centre Adjustment" in the chapter "Electrical Adjustment".
- Check the white uniformity on the screen.

If you find the color shading at the some part of the screen, it needs to take the color shading adjustment. This adjustment should be performed by a computer and it also requires a special software "Color Shading Correction".

Panel Type Check

There are 2 types of LCD Panel/Prism Ass'y for this model. Either L-Type or R-Type LCD Panel/Prism Ass'y is used on the projector. Check which type of LCD Panel/Prism Ass'y is used with the figure below. When replacing the LCD Panel/Prism Ass'y, you need to take "Panel Type Check and Setting" on the Electrical Adjustment for the replaced LCD Panel/Prism Ass'y. The gamma-characteristics is different between L-Type and R-Type LCD Panel/Prism Ass'y.

How to check the type of LCDPanel/Prism Ass'y

Check the printed number on the flat cable of the G-LCD Panel.

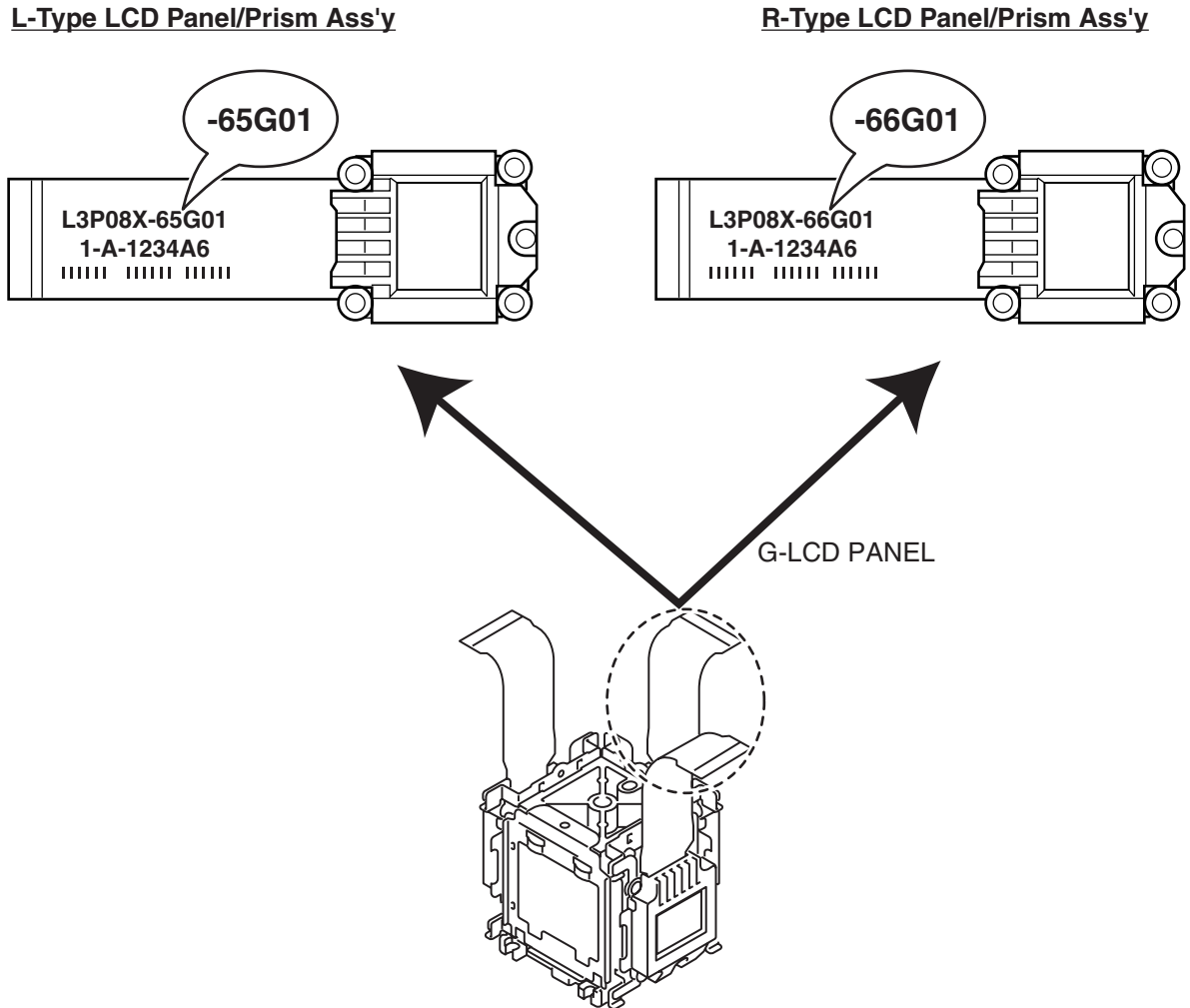


Fig.5-2

6 Polarized glass, Pre-polarized glass removal

* Mount the polarized glasses as the film attached side faces the LCD panel side.

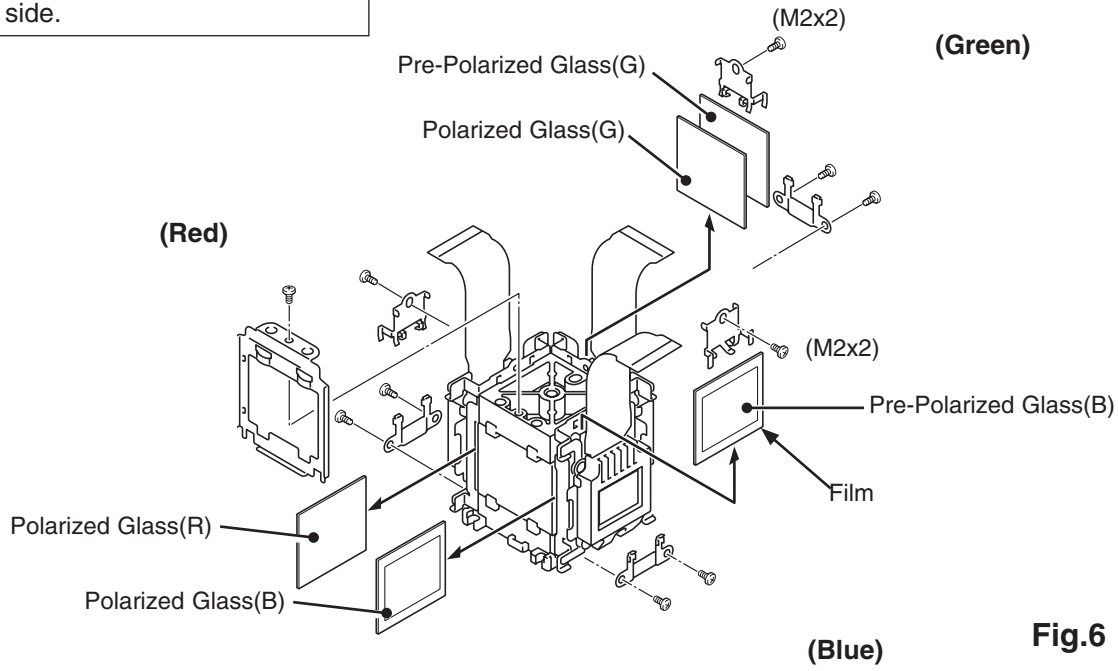


Fig.6

7 Optical unit top removal

1. Remove the Optical top A and Optical Top B.

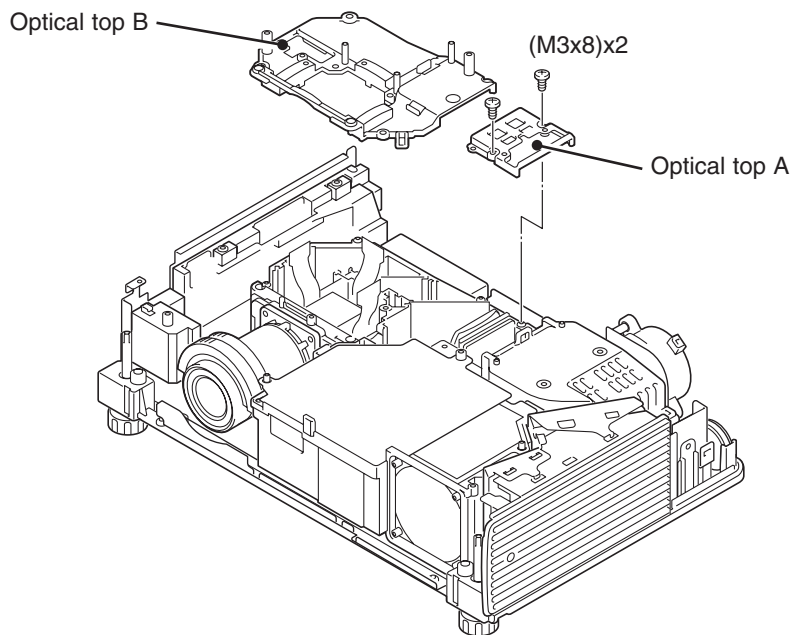


Fig.7

8 Locations and Directions

When mounting or assembling the optical parts in the optical unit, the parts must be mounted in the specified location and direction as shown in figure below.

No.	Parts Name
1	Integrator lens (OUT)
2	Prism beam splitter (PBS)
3	Condenser lens (OUT)
4	Dichroic mirror (B)
5	Dichroic mirror (G)
6	Condenser lens (G)
7	Relay Lens (IN)
8	Mirror (R)
9	Condenser lens (R)
10	Condenser lens (B)
11	Mirror (B)

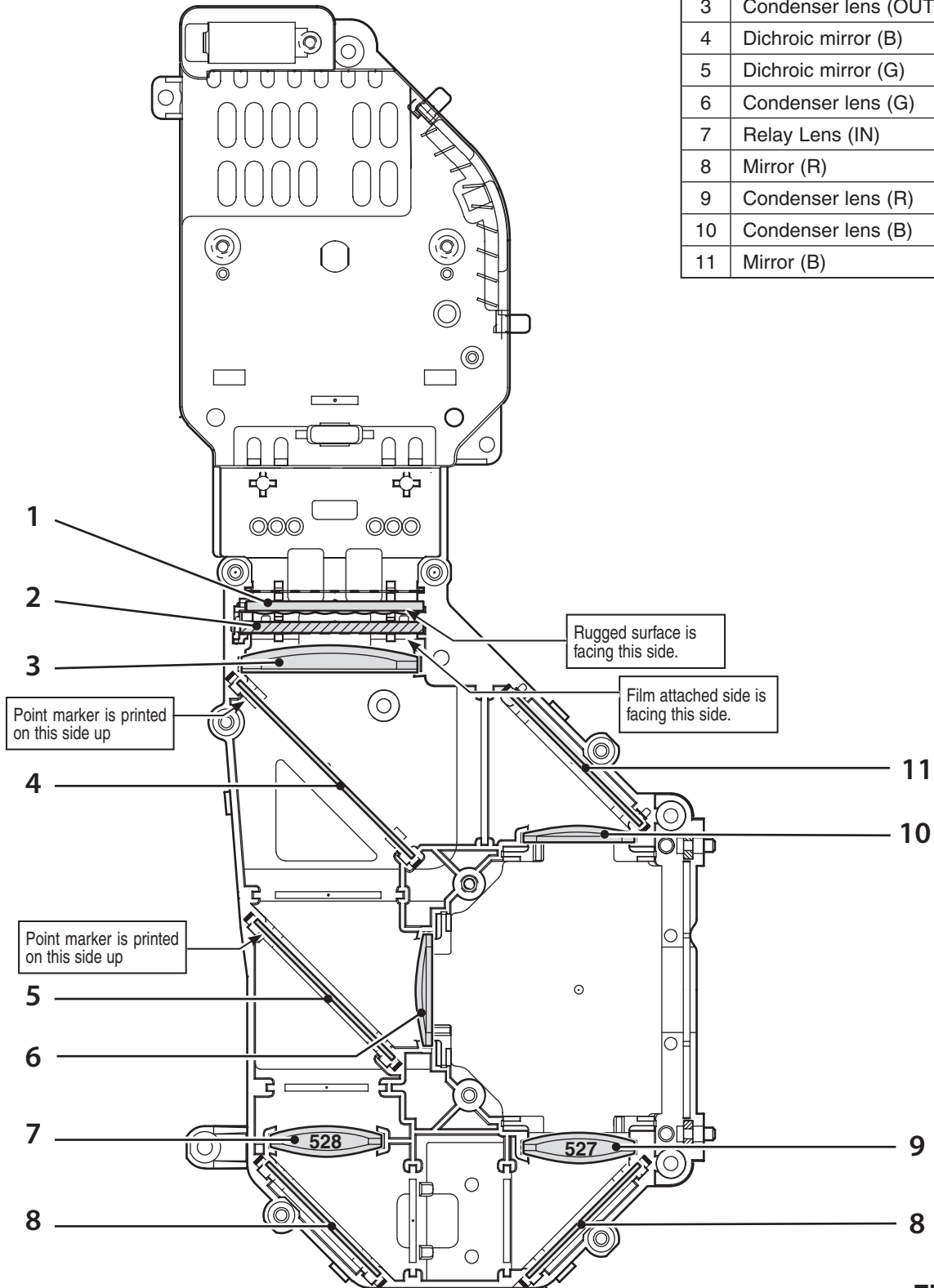


Fig.8

Adjustments

Adjustments after Parts Replacement

● : Adjustment necessary ○ : Check necessary

		Disassembly / Replaced Parts							
		LCD/ Prism Ass'y	Integrator Lens (OUT)	Relay Lens (OUT)	Polarized Glass			Power Board	Main Board
					R	G	B		
Optical Adjustments	Contrast Adjustment								
	R-Contrast adjustment				●				
	G-Contrast adjustment					●			
	B-Contrast adjustment						●		
	Integrator lens adjustment	○	●						
	Relay lens-out adjustment	○		●					
Electrical Adjustments	Fan control adjustment						●		●
	Panel type check and setting	●							●
	Auto calibration adjustment [PC]								●
	Auto calibration adjustment [Component]								●
	Auto calibration adjustment [Video]								●
	Common center adjustment	●							●
	50% white adjustment [PC]	●							●
	White balance adjustment [PC]	○							○
	50% white adjustment [Video]	●							●
	White balance adjustment [Video]	○							○
	White uniformity adjustment	○							○
	Keystone offset adjustment								●

Optical Adjustments

Before taking optical adjustments below, remove the Cabinet Top following to the “Mechanical Disassembly”. Adjustments require a 2.0mm hex wrench and a slot screwdriver. When you adjust Integrator lens or Relay lens adjustment, you need to disconnect FPC cables of LCD panels on the main board. Optical adjustment requires a 2.0mm hex wrench and a slot screwdriver.
Note: Do not disconnect connectors on the main board, because the projector cannot turn on due to operate the power failure protection.



WARNING : USE UV RADIATION EYE AND SKIN PROTECTION DURING SERVICING

CAUTION: To prevent suffer of UV radiation, those adjustment must be completed within 25 minutes.

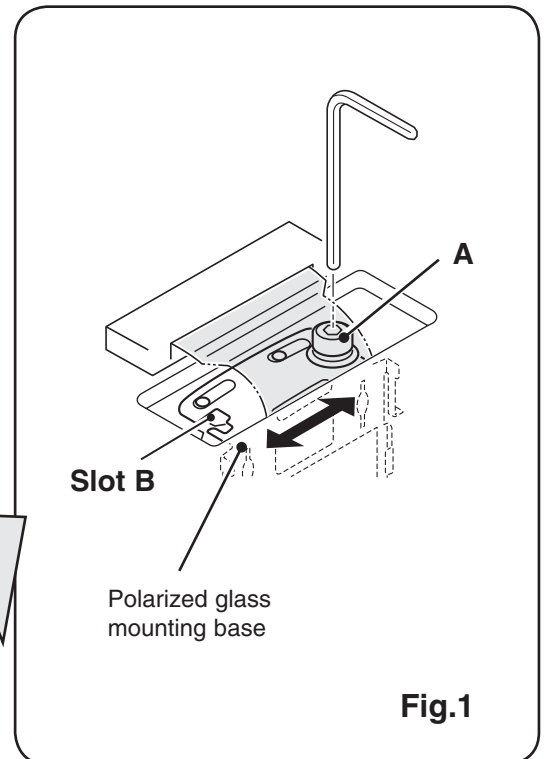
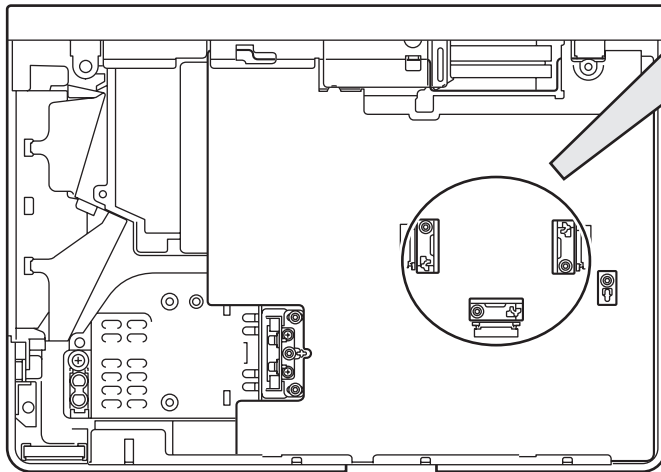
Contrast adjustment

[Before Adjustment]

- Input a 100% of black raster signal.

- 1 Loosen a screw **A** (Fig.1) on the polarized glass mounting base which you intend to adjust.
- 2 Adjust the slot **B** to obtain the darkest brightness on the screen by using a slot screwdriver.
- 3 Tighten the screw **A** to fix the polarized glass mounting base.

Repeat steps 1 to 3 for remaining polarized glasses.



Integrator lens adjustment

- 1 Turn the projector on by a state of without FPC cables.
- 2 Project all of lights on the screen.
- 3 Adjust the adjustment base of integrator lens assy to make color uniformity in white.
 - 1) If the shading appears on the left or right of the screen as shown in **Fig.2-1**, loosen 1 screw **A** , and adjust the slot **B** to make color uniformity in white by using a slot screwdriver.
 - 2) If the shading appears on the top or bottom of the screen as shown in **Fig.2-2**, loosen 2 screws **C**, and insert a slot screwdriver into the slot **D** and adjust color uniformity in white by turning a slot screwdriver up or down.
- 4 Tighten screws **A** and **C** to fix the Integrator lens unit.

Note:
The relay lens adjustment must be carried out after completing this adjustment.

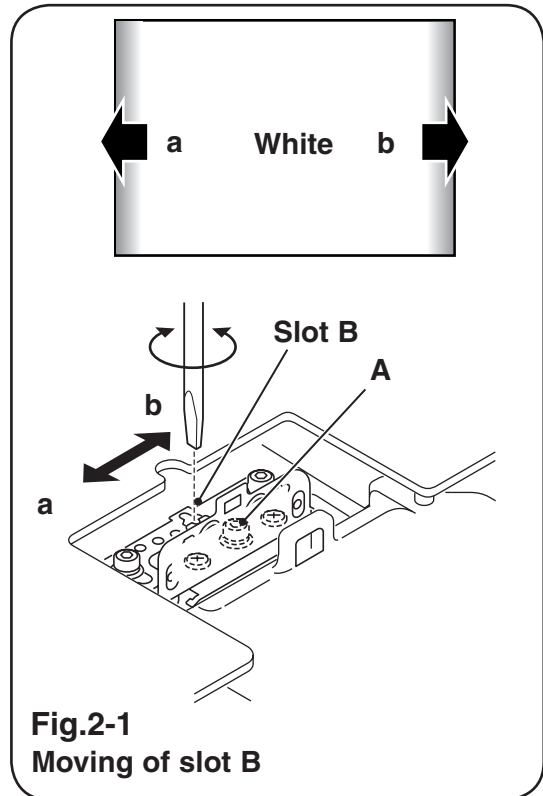
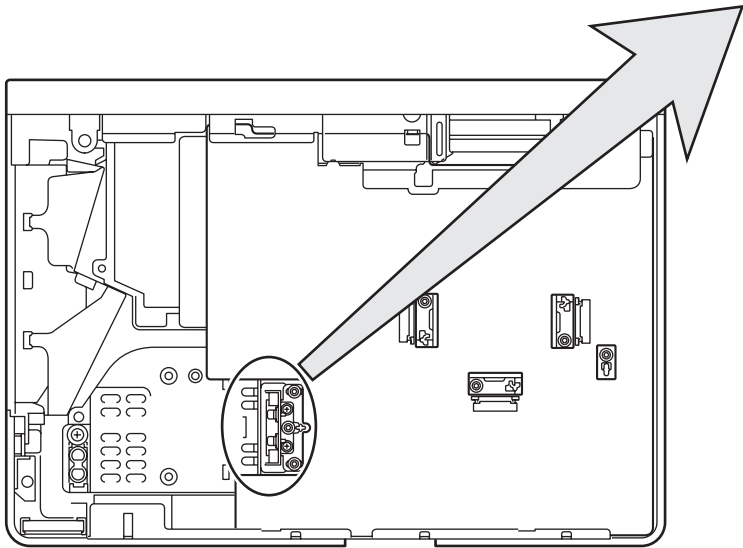


Fig.2-1
Moving of slot B

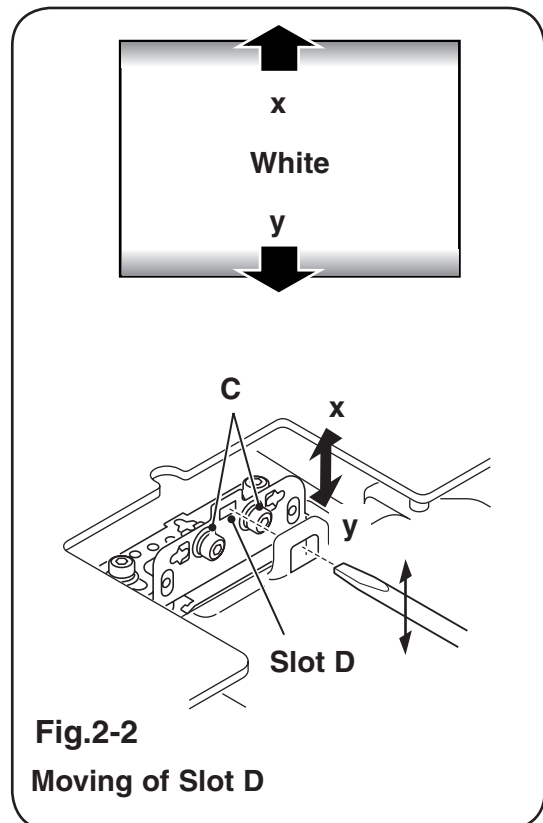


Fig.2-2
Moving of Slot D

Optical Adjustments

Relay lens-Out adjustment

- 1 Turn the projector on by a state of without FPC cables.
- 2 Project all of lights on the screen.
- 3 Adjust the adjustment base of relay lens assy to make color uniformity in white.
If the shading appears on the left or right of the screen as shown in **Fig.3**, loosen 1 screw **A**, and adjust the slot **B** to make color uniformity in white by using a slot screwdriver.
- 4 Tighten the screw **A** to fix the relay lens unit.

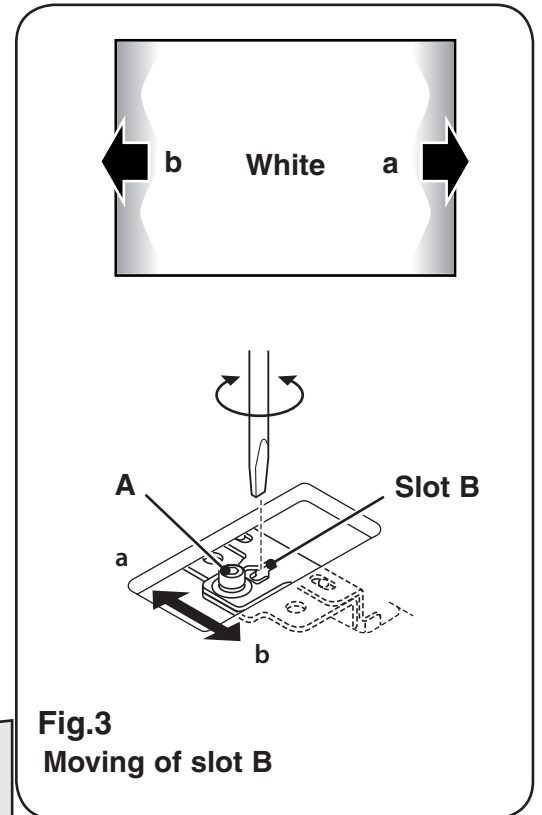
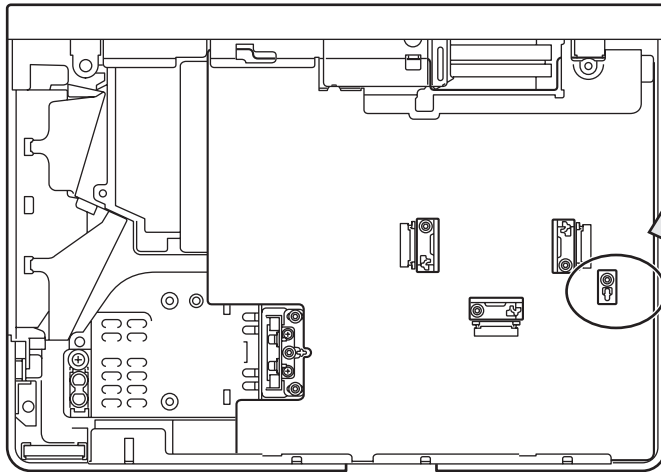


Fig.3
Moving of slot B

Electrical Adjustments

Service Adjustment Menu Operation

To enter the service mode

To enter the "Service Mode", press and hold the **MENU** and **SELECT** button for more than 3 seconds. The service menu appears on the screen as follows.

To adjust service data

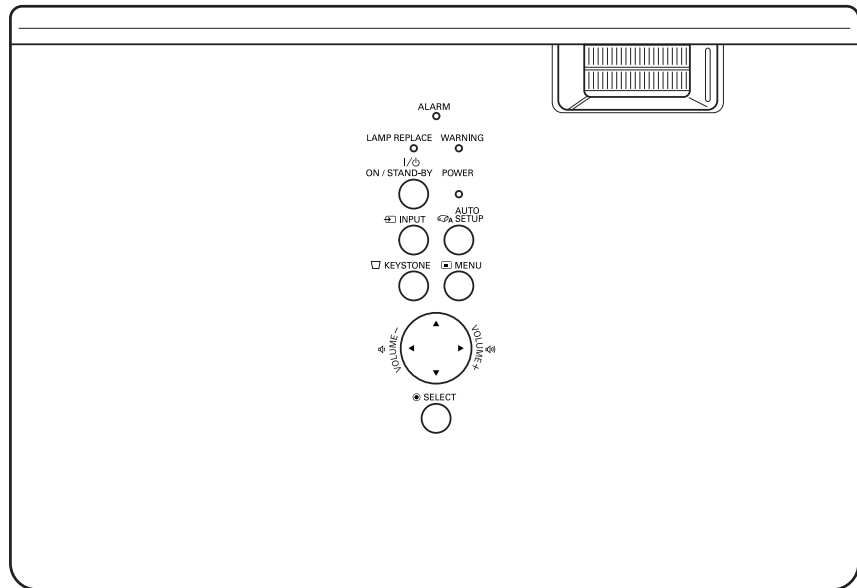
Select the adjustment group no. by pressing the **MENU** button (increase) or **SELECT** button (decrease), and select the adjustment item no. by pressing the pointer **▲** or **▼** button, and change the data value by pressing the **◀** or **▶** button. Refer to the "Service Adjustment Data Table" for further description of adjustment group no., item no. and data value.

To exit the service mode

To exit the service mode, press the **ON/STAND-BY** button.

Service Mode		
Input	Video	
Group	No.	Data
0	0	32
Ver.	1	00

Group No. Item No. Data value



Memory IC (IC1391) Replacement

Memory IC on the main board stores the data for the service adjustments, and should not be replaced except for the case of defective device.

If replaced, the re-adjustments are required following to the "Electrical Adjustments".

The data of lamp replacement counter is stored in the Memory IC.

Please note that the lamp replace counter will be reset when the memory IC is replaced.

(Lamp replace counter cannot be set to the previous value.)

● Caution to memory IC replacement

When memory IC is replaced with new one, the CPU writes down the default data of the service adjustments to the replaced IC as the mentioned on the service adjustment table. As these data are not the same data as

factory shipped data, it should be required to perform the re-adjustments following to the "Electrical Adjustments".

Please note that in this case the lamp replace counter will be reset.

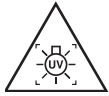
● Caution of Main Board replacement (in the case memory IC is not defective)

When the main board is replaced, memory IC should be replaced with the one on previous main board. After replacement, it should be required to perform the re-adjustments following to the "Electrical Adjustments".

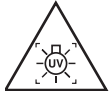
In this case, the lamp replace counter can be kept the value as before.

Circuit Adjustments

CAUTION: The each circuit has been made by the fine adjustment at factory. Do not attempt to adjust the following adjustments except requiring the readjustments in servicing otherwise it may cause loss of performance and product safety.



WARNING : USE UV RADIATION EYE AND SKIN PROTECTION DURING SERVICING.



CAUTION:
To prevent suffer of UV radiation, those adjustments must be completed within 25 minutes.

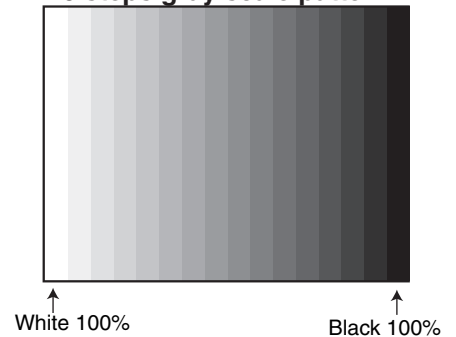
[Adjustment Condition]

- Input signal
 - Video signal1.0Vp-p/75Ω terminated, 16 steps gray scale (Composite video signal)
 - Component Video signal.....0.7Vp-p/75Ω terminated, 16 steps gray scale (Component video signal)
 - Computer signal.....0.7Vp-p/75Ω terminated, 16 steps gray scale pattern
- Image control mode“STANDARD” mode unless otherwise noted.

Note:

* Please refer to “Service Adjustment Menu Operation” for entering the service mode and adjusting the service data.

16 steps gray scale pattern



Output Voltage adjustment

After replacing the Power Board readjust the Output voltage adjustment as follows.

1. Connect a digital voltmeter to pins 2 (+) and 1 (-) of **K6A**.
2. Adjust the voltage by using VR601 as following.

AC Input	Reading
230V	370V ±2V

Caution:

Be sure to connect the lamp when taking this adjustment.
* This adjustment is not required even if the power board is replaced because this adjustment is carried out before parts shipment.

1 Fan Control adjustment

1. Enter the service mode.
2. Connect a digital voltmeter to test point “**TPFANA**” (+) and chassis ground (-). Select group no. “**250**”, item no. “**0**” and change data value to adjust voltage to be **5.0 ±0.1V**.
3. Connect a digital voltmeter to test point “**TPFANB**” (+) and chassis ground (-). Select item no. “**2**” and change data value to adjust voltage to be **5.0 ±0.1V**.
4. Connect a digital voltmeter to test point “**TPFANC**” (+) and chassis ground (-). Select item no. “**4**” and change data value to adjust voltage to be **5.0 ±0.1V**.
5. Connect a digital voltmeter to test point “**TPFANA**” (+) and chassis ground (-). Select item no. “**1**” and change data value to adjust voltage to be **13.5 ±0.1V**.
6. Connect a digital voltmeter to test point “**TPFANB**” (+) and chassis ground (-). Select item no. “**3**” and change data value to adjust voltage to be **13.5 ±0.1V**.
7. Connect a digital voltmeter to test point “**TPFANC**” (+) and chassis ground (-). Select item no. “**5**” and change data value to adjust voltage to be **13.5 ±0.1V**.

2 Panel Type Check and Setting

* Before setting, you need to check which type of LCD panel is placed on the projector according to the item "LCD Panel/Prism Ass'y removal" in the chapter "Optical Parts Disassembly".

1. Enter the service mode.
2. Panel Type Check
Select group no. "290", item no. "0". Check the data value as follows;
Data value: 0 For L-Type of LCD Panel
Data value: 20 For R-Type of LCD panel
3. Panel Type Setting
Select group no. "290", item no. "1" and change data value from 10 to 0 or 20 depending on your LCD Panel type. When the data value reaches 0 or 20, it returns to 10 quickly. The gamma-characteristics changes according to your selection.

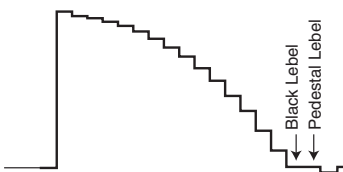
3 Auto Calibration adjustment [PC]

1. Enter the service mode.
2. Receive the 16-step grey scale computer signal with **Computer1 [RGB]** mode.
3. To start the auto-calibration for PC adjustment, select group no. "260", item no. "0" and then change data value from "0" to "1". After the auto-calibration completed, "OK" will appear on the screen.

Below adjustments are performed when the above auto calibration is failed.

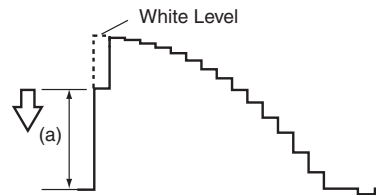
Pedestal adjustment [PC]

1. Enter the service mode.
2. Receive the 16-step grey scale computer signal with **Computer1 [RGB]** mode.
3. Connect an oscilloscope to test point "TP35G" (+) and chassis ground (-).
4. Select group no. "0", item no. "0" and change data value to adjust the pedestal level and black level to be the same level.
5. Connect an oscilloscope to test point "TP35R" (+) and chassis ground (-).
6. Select item no. "1" and change data value to adjust the pedestal level and black level to be the same level.
7. Connect an oscilloscope to test point "TP35B" (+) and chassis ground (-).
8. Select item no. "2" and change data value to adjust the pedestal level and black level to be the same level.



Gain adjustment [PC]

1. Enter the service mode.
2. Receive the 16-step grey scale computer signal with **Computer1 [RGB]** mode.
3. Connect an oscilloscope to test point "TP35G" (+) and chassis ground (-).
4. Select group no. "0", item no. "3" and adjust the amplitude "a" to be minimum by changing the Data value.
5. Connect an oscilloscope to test point "TP35R" (+) and chassis ground (-).
6. Select group no. "0", item no. "4" and adjust the amplitude "a" to be minimum by changing the Data value.
7. Connect an oscilloscope to test point "TP35B" (+) and chassis ground (-).
8. Select group no. "0", item no. "5" and adjust the amplitude "a" to be minimum by changing the Data value.



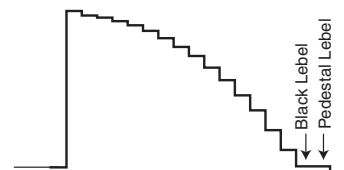
4 Auto Calibration adjustment [Component]

1. Enter the service mode.
2. Receive the 16-step grey scale 480i-component signal with **Computer2 [Component]** mode.
3. To start the auto-calibration for Component adjustment, select group no. "260", item no. "0" and then change data value from "0" to "1". After the auto-calibration completed, "OK" will appear on the screen.

Below adjustments are performed when the above auto calibration is failed.

Pedestal adjustment [Component]

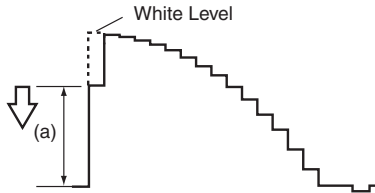
1. Enter the service mode.
2. Receive the 16-step grey scale 480i-component signal with **Computer2 [Component]** mode.
3. Connect an oscilloscope to test point "TP35G" (+) and chassis ground (-).
4. Select group no. "0", item no. "0" and change data value to adjust the pedestal level and black level to be the same level.
5. Connect an oscilloscope to test point "TP35R" (+) and chassis ground (-).
6. Select item no. "1" and change data value to adjust the pedestal level and black level to be the same level.
7. Connect an oscilloscope to test point "TP35B" (+) and chassis ground (-).
8. Select item no. "2" and change data value to adjust the pedestal level and black level to be the same level.



Electrical Adjustments

Gain adjustment [Component]

1. Enter the service mode.
2. Receive the 16-step grey scale 480i-component signal with **Computer2 [Component]** mode.
3. Connect an oscilloscope to test point "TP35G" (+) and chassis ground (-).
4. Select group no. "0", item no. "3" and adjust the amplitude "a" to be minimum by changing the Data value.



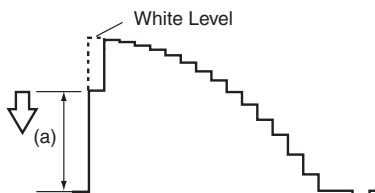
5 Auto Calibration adjustment [Video]

1. Enter the service mode.
2. Receive the 16-step grey scale composite video signal with **Video [Video]** mode.
3. To start the auto-calibration for Component adjustment, select group no. "260", item no. "0" and then change data value from "0" to "1". After the auto-calibration completed, "OK" will appear on the screen.

below adjustment is performed when the above auto calibration is failed.

Gain adjustment [Video]

1. Enter the service mode.
2. Receive the 16-step grey scale composite video signal with **Video [Video]** mode.
3. Connect an oscilloscope to test point "TP35G" (+) and chassis ground (-).
4. Select group no. "20", item no. "0" and adjust the amplitude "a" to be minimum by changing the Data value.

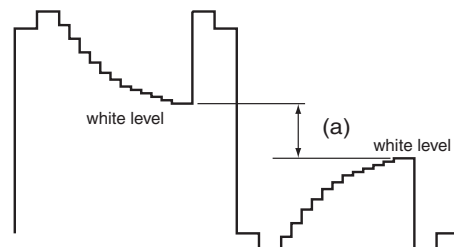


6 Common Center adjustment

1. Enter the service mode.
2. Receive the 50%-Whole Gray computer signal with **Computer1 [RGB]** mode.
3. Select group no. "100", item no. "92" and change data value to "2" to reduce the panel frequency.
4. Project only green light component to the screen.
5. Select group no. "101", item no. "1" and change data value to obtain the minimum flicker on the screen.
6. Project only red light component to the screen.
7. Select item no. "0" and change data value to obtain the minimum flicker on the screen.
8. Project only blue light component to the screen.
9. Select item no. "2" and change data value to obtain the minimum flicker on the screen.
10. Select group no. "100", item no. "92" and change data value to "0" to reset the panel frequency.

7 50% White adjustment [PC]

1. Enter the service mode.
2. Receive the 16-step grey scale computer signal with **Computer1 [RGB]** mode.
3. Connect an oscilloscope to test point "TP35G" (+) and chassis ground (-).
4. Select group no. "100", item no. "6" and change data value to adjust amplitude "a" to be $1.6 \pm 0.1V$.



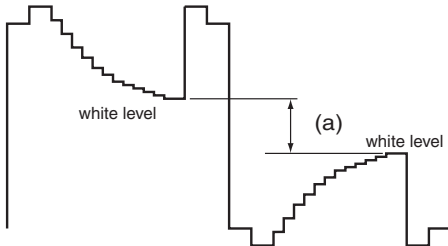
8 White Balance adjustment [PC]

1. Enter the service mode,
2. Receive the 16-step gray scale computer signal with **Computer1 [RGB]** mode.
3. Select group no. "100" item no. "7" (Red) or "8" (Blue), and change Data values respectively to make a proper white balance.

Confirm that the same white balance is obtained in video and computer input.

9 50% White adjustment [Video]

1. Enter the service mode.
2. Receive the 16-step grey scale composite video signal with **Video[Video]** mode.
3. Connect an oscilloscope to test point “**TP35G**” (+) and chassis ground (-).
4. Select group no. “**100**”, item no. “**6**” and change data value to adjust amplitude “**a**” to be **1.6 ±0.1V**.



11 Keystone Offset adjustment

After replacing the G-sensor circuit (IC3851, IC1802 and peripheral circuit), readjust the Keystone Offset adjustment as follows.

1. Put the projector on a horizontal place with the adjustable feet being minimum range and then enter the service mode.
2. Select group no. “**102**”, item no. “**3**” and set data value from “**0**” to “**5**”.
3. By pressing the **SELECT** button, the Keystone Offset adjustment will start.
4. When it has completed, the "OK" message will appear on the screen.
5. By pressing any button on the projector or the remote control, the "OK" message will disappear. (Data value of Group no. “102”, item no. “3” will be back from “5” to “0” for initial value.)

10 White Balance adjustment [Video]

1. Enter the service mode.
2. Receive the 16-step grey scale composite video signal with **Video[Video]** mode.
3. Select group no. “**100**” item no. “**7**” (Red) or “**8**” (Blue), and change Data values respectively to make a proper white balance.

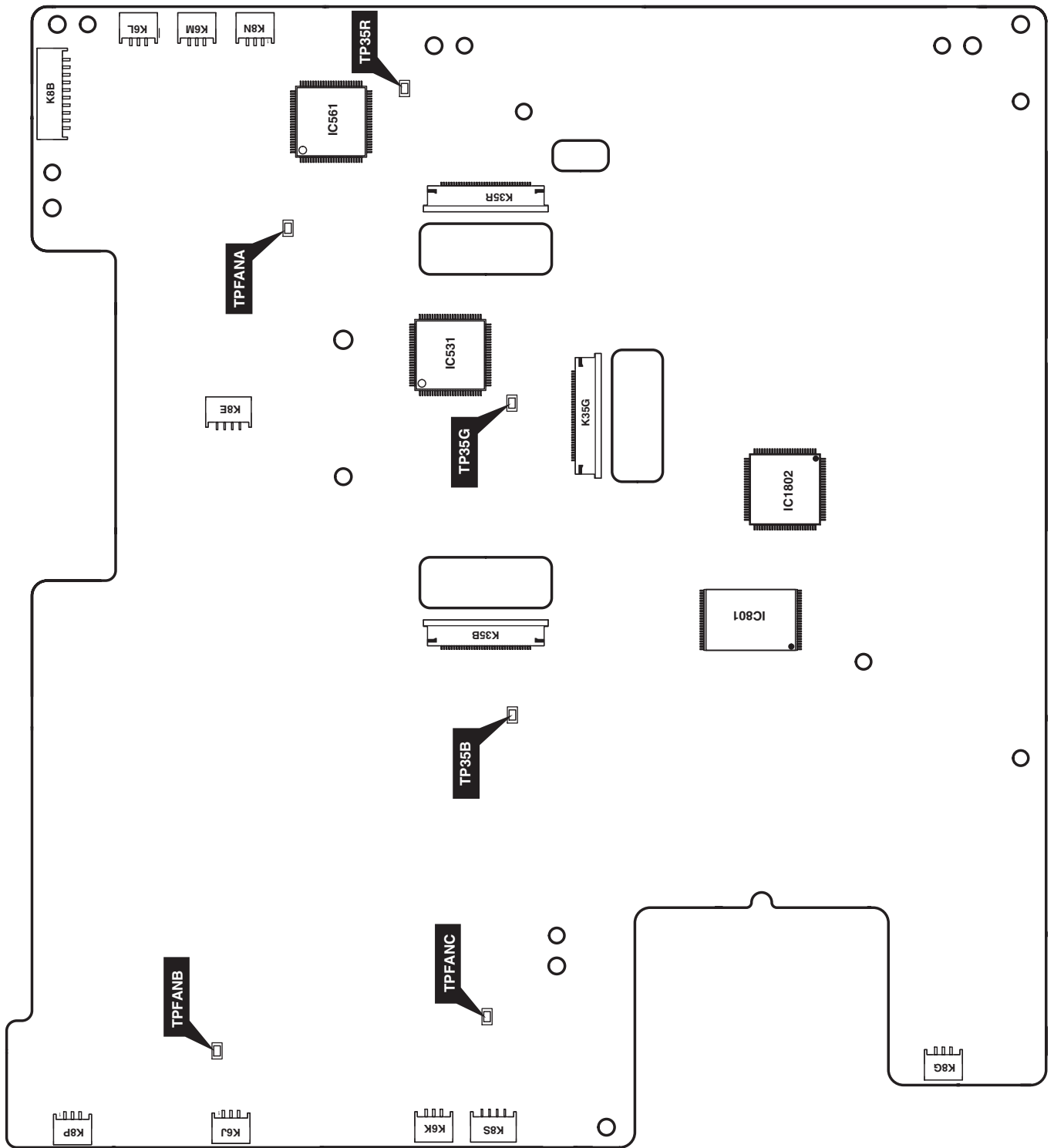
Confirm that the same white balance is obtained in video and computer input.

Note On White Uniformity Adjustment

If you find the color shading on the screen, please adjust the white uniformity by using the proper computer and “Color Shading Correction” software supplied separately.

Test Points and Locations

MAIN BOARD



Service Adjustment Data Table

These initial values are the reference data written from the CPU ROM to memory IC when replaced new memory IC. The adjustment items indicated with “:” are required to readjust following to the “Electrical adjustments”. Other items should be used with the initial data value.

Group/Item	Item Name	Function	Initial	Range	Note
Group 0	AD Converter (PW190)				
0	ADC G-OFFSET	PC / Component / SCART	128/120/128	0 - 255	* G-Pedestal Adjustment
1	ADC R-OFFSET	PC / Component / SCART	128/140/128	0 - 255	* R-Pedestal Adjustment
2	ADC B-OFFSET	PC / Component / SCART	128/140/128	0 - 255	* B-Pedestal Adjustment
3	ADC G-GAIN	PC / Component / SCART	50/50/50	0 - 255	* G-Gain Adjustmen
4	ADC R-GAIN	PC / Component / SCART	40/40/40	0 - 255	* R-Gain Adjustmen
5	ADC B-GAIN	PC / Component / SCART	40/40/40	0 - 255	* B-Gain Adjustmen
6	GRAAFLTR/RBAAFLTR	Green (Red and Blue) Anti-Alias Filter	4 / R / R	0 - 7	
7	GRNAADWNSMPL / RBAADWNSMPL	Green (Red and Blue) Anti-Alias Downsample	0 / R / R	0 - 3	Composite & S-Video / Component / PC
8	GRNAAHF / RBAAHF	Green (Red and Blue) Anti-Alias High Frequency	3 / R / R	0 - 3	*R: Read only value
10	SOGTH	PC / Component / SCART SyncOn Green Threhold	4 / 3 / 2	0 - 15	
11	SOGHYSDIS	PC / Component / SCART Sync On Green Hsystem Enable	0	0 - 1	
12	HS1TH		4	0 - 7	
13	HS0TH		4	0 - 7	
100	PreCoast PC Signal		3	0 - 63	
101	PostCoast PC Signal		8	0 - 63	
120	PreCoast PC Video 480i		7	0 - 63	
121	PostCoast PC Video 480i		13	0 - 63	
122	PreCoast PC Video 575i		7	0 - 63	
123	PostCoast PC Video 575i		13	0 - 63	
124	PreCoast PC Video 480p		7	0 - 63	
125	PostCoast PC Video 480p		13	0 - 63	
126	PreCoast PC Video 575p		7	0 - 63	
127	PostCoast PC Video 575p		13	0 - 63	
128	PreCoast PC Video 720p 60Hz		7	0 - 63	
129	PostCoast PC Video 720p 60Hz		13	0 - 63	
130	PreCoast PC Video 720p 50Hz		7	0 - 63	
131	PostCoast PC Video 720p 50Hz		13	0 - 63	
132	PreCoast PC Video 1080i 60Hz		7	0 - 63	
133	PostCoast PC Video 1080i 60Hz		13	0 - 63	
134	PreCoast PC Video 1080i 50Hz		7	0 - 63	
135	PostCoast PC Video 1080i 50Hz		13	0 - 63	
136	PreCoast PC Video 1035i		7	0 - 63	
137	PostCoast PC Video 1035i		13	0 - 63	
138	PreCoast PC Video 1080p 60Hz		7	0 - 63	
139	PostCoast PC Video 1080p 60Hz		13	0 - 63	
140	PreCoast PC Video 1080p 50Hz		7	0 - 63	
141	PostCoast PC Video 1080p 50Hz		13	0 - 63	
142	PreCoast PC Video 1080p 30Hz		7	0 - 63	
143	PostCoast PC Video 1080p 30Hz		13	0 - 63	
144	PreCoast PC Video 1080p 25Hz		7	0 - 63	
145	PostCoast PC Video 1080p 25Hz		13	0 - 63	
146	PreCoast PC Video 1080p 24Hz		7	0 - 63	
147	PostCoast PC Video 1080p 24Hz		13	0 - 63	
150	PreCoast YCbCr 480i		7	0 - 63	
151	PostCoast YCbCr 480i		13	0 - 63	
152	PreCoast YCbCr 575i		7	0 - 63	
153	PostCoast YCbCr 575i		13	0 - 63	
154	PreCoast YCbCr 480p		7	0 - 63	
155	PostCoast YCbCr 480p		13	0 - 63	
156	PreCoast YCbCr 575p		7	0 - 63	
157	PostCoast YCbCr 575p		13	0 - 63	
158	PreCoast YCbCr 720p 60Hz		7	0 - 63	
159	PostCoast YCbCr 720p 60Hz		13	0 - 63	
160	PreCoast YCbCr 720p 50Hz		7	0 - 63	
161	PostCoast YCbCr 720p 50Hz		13	0 - 63	

Electrical Adjustments

Group/Item	Item Name	Function	Initial	Range	Note
162	PreCoast YCbCr 1080i 60Hz		7	0 - 63	
163	PostCoast YCbCr 1080i 60Hz		13	0 - 63	
164	PreCoast YCbCr 1080i 50Hz		7	0 - 63	
165	PostCoast YCbCr 1080i 50Hz		13	0 - 63	
166	PreCoast YCbCr 1035i		7	0 - 63	
167	PostCoast YCbCr 1035i		13	0 - 63	
180	PreCoast SCART 480i		7	0 - 63	
181	PostCoast SCART 480i		13	0 - 63	
182	PreCoast SCART 575i		7	0 - 63	
183	PostCoast SCART 575i		13	0 - 63	
Group 10	Sync Processor				
0	SYNCAMPHLCKTOLW	Minimum sync amplitude threshold for HLCK 1 to 0 transition	0x1000	0 - 9999	
1	SYNCAMPHLCKTOHI	Minimum sync amplitude threshold for HLCK 0 to 1 transition	0x700	0 - 9999	
Group 20	Video Decoder *R : Read Only Value				
0	Y Level	Composite / S-Video - Y Level (ADC RGB Gain)	10 / 10	0 - 255	Composite / S-Video * Gain Adjustment [Video]
1	C Level	Composite / S-Video - C Level (ADC Saturation)	115 / 115	0 - 255	Composite / S-Video
2					
3	XCXL Level	Cross-Chroma, Cross-Luma Level	3	0 - 5	
4	C2DNBANDWIDTH	Comb 2D Narrow Bandwidth	3 / 3	0 - 3	NTSC/PAL
5	C2DWBANDWIDTH	Comb 2D Wide Bandwidth	4 / 4	0 - 7	NTSC/PAL
6	C2DCNMINLEAK	Comb 2D Chroma Narrow Band Minimum Leakage	0 / 3	0 - 3	Left Values are adjustable if CXCL Level = 5.
7	C2DCNSLOPELEAK	Comb 2D Narrow Band Slope Leakage	7 / 7	0 - 7	NTSC/PAL
8	C2DCWMINLEAK	Comb 2D Wide Band Minimum Leakage	1 / 3	0 - 3	NTSC/PAL
9	C2DCWSLOPELEAK	Comb 2D CW Slope Leakage	6 / 6	0 - 7	NTSC/PAL
10	COMBLEAK2BPGAIN	Comb Leak To Ban Pass Gain	1 / 0	0 - 3	NTSC/PAL
11	C2DBDIAGONALGAIN	Comb 2D Band Pass Diagonal Gain	1 / 3	0 - 3	NTSC/PAL
12	C2DNBCWBCLGAIN	Comb 2D Narrow Band Comb Wide Band Comb	1 / 1	0 - 3	NTSC/PAL
13	RLUMASETUP-Enable	7.5IRE Setup Enable	0	0 - 1	Effective only NTSC Signal
Group 40	General				
0	IP Mode	Sets for IP Off	1	0 - 1	0: IP Block not used 1: IP OFF used with IP Block
1	3:2 PullDown Mode		1	1 - 3	bit0 : Global Motion bit1 : Video Motion
2	Detect Film Mode Enable		0	0 - 2	0 : 2:3pull down & 2:2pull down 1 : 2:3pull down 2 : 2:2pull down
3	Force IP Mode		2	0 - 2	0 : IP Process Disable 1 : Force Normal IP Mode 2 : Force Film Mode Effective only for PSF Signal.
Group 41	Deinterlacer setting Effective only for Progressive ON-L1 mode.				
0	Motion Adaptive Weight Value	<KDEINT>	60	0 - 255	
1	Angle Interpolation Level	0 : Conservative <====> 4 : Aggressive	4	0 - 4	
2	CUE Low Pass Filter Enable	<CUELPFEN>	0	0 - 1	
Group 42	Deinterlacer setting Effective only for Progressive ON-L2 mode.				
0	Motion Adaptive Weight Value	<KDEINT>	0	0 - 255	
1	Angle Interpolation Level	0 : Conservative <====> 4 : Aggressive	2	0 - 4	
2	CUE Low Pass Filter Enable	<CUELPFEN>	0	0 - 1	
Group 43	Deinterlacer setting Effective only for Progressive ON/Film mode.				
0	Motion Adaptive Weight Value	<KDEINT>	30	0 - 255	
1	Angle Interpolation Level	0 : Conservative <====> 4 : Aggressive	4	0 - 4	
2	CUE Low Pass Filter Enable	<CUELPFEN>	0	0 - 1	
Group 45	Noise Reduction (Time) Effective only for N.R - Off				
0	Noise Pixel Range	<NSRANGEY> / <NSRANGEUV>	1	0 - 2	
1	Noise Region 0	<NSREGIONY0> / <NSREGIONUV0>	12	0 - 1023	
2	Noise Region 1	<NSREGIONY1> / <NSREGIONUV1>	24	0 - 1023	
3	Noise Region 2	<NSREGIONY2> / <NSREGIONUV2>	40	0 - 1023	
4	Noise Gain Level	<NSFILTERY**> / <NSFILTERUV**>	0	0 - 255	

Electrical Adjustments

Group/Item	Item Name	Function	Initial	Range	Note
Group 47	Noise Reduction (Time) Effective only for N.R L1				
0	Noise Pixel Range	<NSRANGEY> / <NSRANGEUV>	1	0 - 2	
1	Noise Region 0	<NSREGIONY0> / <NSREGIONUV0>	12	0 - 1023	
2	Noise Region 1	<NSREGIONY1> / <NSREGIONUV1>	24	0 - 1023	
3	Noise Region 2	<NSREGIONY2> / <NSREGIONUV2>	40	0 - 1023	
4	Noise Gain Level	<NSFILTERY**> / <NSFILTERUV**>	50	0 - 255	
Group 49	Noise Reduction (Time) Effective only for N.R L2				
0	Noise Pixel Range	<NSRANGEY> / <NSRANGEUV>	1	0 - 2	
1	Noise Region 0	<NSREGIONY0> / <NSREGIONUV0>	12	0 - 1023	
2	Noise Region 1	<NSREGIONY1> / <NSREGIONUV1>	24	0 - 1023	
3	Noise Region 2	<NSREGIONY2> / <NSREGIONUV2>	40	0 - 1023	
4	Noise Gain Level	<NSFILTERY**> / <NSFILTERUV**>	100	0 - 255	
Group 50	2:2pull down setting				
0	22Film Mode Sensitivity	Film Detection Sensitivity <FILMSTVT2>	4	1 - 5	
1	22Film Mode Threshold Low	<FILMTHRD22A>	80	0 - 32767	
2	22Film Mode Threshold High	<FILMTHRD22B>	120	0 - 32767	
3	VOFTHR13	<VOFTHR13>	124	0 - 1023	Read only
4	VOFTHR12	<VOFTHR12>	124	0 - 1023	Read only
5	VOFTHR23	<VOFTHR23>	124	0 - 1023	Read only
6	Video Motion Window Start X	<VOFSTARX>	10	0 - 2047	Range of detective for Film mode
7	Video Motion Window Stop X	<VOFSTOPX>	10	0 - 2047	Range of detective for Film mode
8	Video Motion Window Start Y	<VOFSTARY>	10	0 - 1023	Range of detective for Film mode
9	Video Motion Window Stop Y	<VOFSTOPY>	10	0 - 1023	Range of detective for Film mode
Group 51	2:3pull down setting				
0	Global Motion Sensitivity	Film Detection Sensitivity <FILMSTVT23>	4	1 - 5	
1	Video Motion Sensitivity	Film Detection Sensitivity <VOFSTVT>	4	1 - 5	
2	Video Motion Threshold Low	<VOFTHRDA>	120	0 - 32767	
3	Video Motion Threshold High	<VOFTHRDB>	180	0 - 32767	
4	Global Motion Threshold	<GMDTHRD>	124	0 - 1024	
5	23Film Mode Threshold	<FILMTHRD23>	100	0 - 32767	
6	Global Motion Window Start X	<GMDSTARX>	10	0 - 2047	Range of detective for Film mode
7	Global Motion Window Stop X	<GMDSTOPX>	10	0 - 2047	Range of detective for Film mode
8	Global Motion Window Start Y	<GMDSTARY>	10	0 - 1023	Range of detective for Film mode
9	Global Motion Window Stop Y	<GMDSTOPY>	10	0 - 1023	Range of detective for Film mode
Group 60	Image				
0	Center Contrast		512/556/534/534/492/492	0 - 1023	
1	Center Brightness		512/480/512/500/512/512	0 - 1023	Video(S-Video) / Component / SCART / ANALOG / DIGITAL / HDCP
2	Center Color		512/534/512/512/512/512	0 - 1023	Setting Value=
3	Center Tint		90/90/90/90/90/90	0-180	(MENU Value - MENU Center Value) x
4	Center Sharpness		16/16/16/16/16/16	7-49	Alpha / 10 + Center
5	Alpha Contrast		40/40/40/40/40/40	0-1000	[Setting Value to PW]
6	Alpha Brightness		140/140/140/140/140/140	0-1000	Contrast [Max] 1023 [Min] 0
7	Alpha Color		70/70/70/70/70/70	0-1000	Brightness [Max] 1023 [Min] 0
8	Alpha Tint		10/10/10/10/10/10	0-1000	Color [Max] 1023 [Min] 0
9	Alpha Sharpness		10/10/10/10/10/10	0-1000	Tint [Max] 180 [Min] 0
					Sharpness [Max] 57 [Min] 0
Group 100	Panel Service				
0	G-SubGain		512/524/472/472/512/524/472/472	0-1023	PCStandard/PCDynamic/PCReal/PCBlackBoard/AVStandard/AVDynamic/AVCinema/AVBlackBoard
1	R-SubGain		512/524/472/535/512/524/472/535	0-1023	
2	B-SubGain		512/524/472/472/512/524/472/472	0-1023	
3	G-SubBright		0/0/24/16/0/0/24/16	0-1023	PCStandard/PCDynamic/PCReal/PCBlackBoard/AVStandard/AVDynamic/AVCinema/AVBlackBoard
4	R-SubBright		0/0/24/16/0/0/24/16	0-1023	
5	B-SubBright		0/0/24/16/0/0/24/16	0-1023	
6	G-GammaShift		512/512	0-1023	PC/AV Center=512 [R] and [B] are linked with [G]
7	R-GammaShift		512/512	0-1023	
8	B-GammaShift		512/512	0-1023	
9	G-ReferH		1023/1023	0-1023	[R] and [B] are linked with [G] Scan Direction (Front/Rear)
10	G-ReferL		336/336	0-1023	[R] and [B] are linked with [G] Scan Direction (Front/Rear)
11	R-ReferH		1023/1023	0-1023	Scan Direction (Front/Rear)
12	R-ReferL		336/336	0-1023	Scan Direction (Front/Rear)

Electrical Adjustments

Group/Item	Item Name	Function	Initial	Range	Note
13	B-ReferH		1023/1023	0-1023	Scan Direction (Front/Rear)
14	B-ReferL		336/336	0-1023	Scan Direction (Front/Rear)
15	DXOutR		229	0-1023	
16	DXOutG		229	0-1023	
17	DXOutB		229	0-1023	
18	H_Change_Pos		15	0-256	
19	SH_Base		273	0-4095	
20	NRG_Pos		49	0-128	
21	NRG_Width		42	0-255	
22	OSD_Pos		2	0-3	
23	OSD_Ptn		0	0-7	
24	GammaCtrl		1	0-1	
25	REF_GatePos		5	0-1023	
26	REF_GateDur		145	0-1023	
27	R-BasePos		10	0-15	
28	G-BasePos		10	0-15	
29	B-BasePos		10	0-15	
30	RGB-Adjust		0	0-7	
31	RGB-AdjLv		0	0-1023	Operation STEP=256[0<->256<->512<->768<->1023]
32	LineR0		6	0-255	(MIN<->MAX Cyclic Operation)
33	LineR1		4	0-255	(MIN<->MAX Cyclic Operation)
34	LineR2		2	0-255	(MIN<->MAX Cyclic Operation)
35	LineR3		0	0-255	(MIN<->MAX Cyclic Operation)
36	LineR4		255	0-255	(MIN<->MAX Cyclic Operation)
37	LineG0		6	0-255	(MIN<->MAX Cyclic Operation)
38	LineG1		4	0-255	(MIN<->MAX Cyclic Operation)
39	LineG2		2	0-255	(MIN<->MAX Cyclic Operation)
40	LineG3		0	0-255	(MIN<->MAX Cyclic Operation)
41	LineG4		255	0-255	(MIN<->MAX Cyclic Operation)
42	LineB0		6	0-255	(MIN<->MAX Cyclic Operation)
43	LineB1		4	0-255	(MIN<->MAX Cyclic Operation)
44	LineB2		2	0-255	(MIN<->MAX Cyclic Operation)
45	LineB3		0	0-255	(MIN<->MAX Cyclic Operation)
46	LineB4		255	0-255	(MIN<->MAX Cyclic Operation)
47	GhostR-Pos		10	0-15	
48	GhostG-Pos		10	0-15	
49	GhostB-Pos		10	0-15	
50	GhostR-Cent		0	0-2047	
51	GhostR-Start		128	0-255	
52	GhostR-End		128	0-255	
53	GhostG-Cent		0	0-2047	
54	GhostG-Start		128	0-255	
55	GhostG-End		128	0-255	
56	GhostB-Cent		0	0-2047	
57	GhostB-Start		128	0-255	
58	GhostB-End		128	0-255	
59	BlockR1		0	0-2047	(MIN<->MAX Cyclic Operation)
60	BlockG1		0	0-2047	(MIN<->MAX Cyclic Operation)
61	BlockB1		0	0-2047	(MIN<->MAX Cyclic Operation)
62	BlockR2		0	0-2047	(MIN<->MAX Cyclic Operation)
63	BlockG2		0	0-2047	(MIN<->MAX Cyclic Operation)
64	BlockB2		0	0-2047	(MIN<->MAX Cyclic Operation)
65	ReverceR		0	0-2047	(MIN<->MAX Cyclic Operation)
66	ReverceG		0	0-2047	(MIN<->MAX Cyclic Operation)
67	ReverceB		0	0-2047	(MIN<->MAX Cyclic Operation)
68	BackCrossR-Cent		0	0-2047	
69	BackCrossR-Start		128	0-255	
70	BackCrossR-End		128	0-255	
71	BackCrossG-Cent		0	0-2047	
72	BackCrossG-Start		128	0-255	
73	BackCrossG-End		128	0-255	
74	BackCrossBR-Cent		0	0-2047	
75	BackCrossB-Start		128	0-255	
76	BackCrossB-End		128	0-255	
77	ColshdSelect		1	0-1	
78	R-Min		223	0-1023	
79	R-Mid2		417	0-1023	
80	R-Mid1		559	0-1023	
81	R-Max		671	0-1023	

Electrical Adjustments

Group/Item	Item Name	Function	Initial	Range	Note
82	G-Min		223	0-1023	
83	G-Mid2		417	0-1023	
84	G-Mid1		559	0-1023	
85	G-Max		671	0-1023	
86	B-Min		223	0-1023	
87	B-Mid2		417	0-1023	
88	B-Mid1		559	0-1023	
89	B-Max		671	0-1023	
90	H-OutPos		116	0-2047	
91	OutAreaLv		0	0-1023	
92	FlickerAdj		0	0/2	not used
93	FRC_Bit		2	0-2	
94	FrontCTalkR-Cent		0	0-2047	
95	FrontCTalkR-Start		126	0-255	
96	FrontCTalkR-End		129	0-255	
97	FrontCTalkG-Cent		0	0-2047	
98	FrontCTalkG-Start		126	0-255	
99	FrontCTalkG-End		129	0-255	
100	FrontCTalkB-Cent		0	0-2047	
101	FrontCTalkB-Start		126	0-255	
102	FrontCTalkB-End		129	0-255	
103	R-DCOffset-NGain		0/0	0-255	Scan Direction (Front/Rear)
104	R-DCOffset-N1		511 / 511	0-511	
105	R-DCOffset-N2		0/0	0-511	
106	R-DCOffset-N3		0/0	0-511	
107	R-DCOffset-N4		0/0	0-511	
108	R-DCOffset-N5		0/0	0-511	
109	R-DCOffset-N6		0/0	0-511	
110	R-DCOffset-N7		0/0	0-511	
111	R-DCOffset-N8		0/0	0-511	
112	R-DCOffset-N9		0/0	0-511	
113	R-DCOffset-N10		0/0	0-511	
114	R-DCOffset-N11		0/0	0-511	
115	R-DCOffset-N12		491 / 491	0-511	
116	G-DCOffset-NGain		0/0	0-255	
117	G-DCOffset-N1		511 / 511	0-511	
118	G-DCOffset-N2		0/0	0-511	
119	G-DCOffset-N3		0/0	0-511	
120	G-DCOffset-N4		0/0	0-511	
121	G-DCOffset-N5		0/0	0-511	
122	G-DCOffset-N6		0/0	0-511	
123	G-DCOffset-N7		0/0	0-511	
124	G-DCOffset-N8		0/0	0-511	
125	G-DCOffset-N9		0/0	0-511	
126	G-DCOffset-N10		0/0	0-511	
127	G-DCOffset-N11		0/0	0-511	
128	G-DCOffset-N12		491 / 491	0-511	
129	B-DCOffset-NGain		0/0	0-255	
130	B-DCOffset-N1		511 / 511	0-511	
131	B-DCOffset-N2		0/0	0-511	
132	B-DCOffset-N3		0/0	0-511	
133	B-DCOffset-N4		0/0	0-511	
134	B-DCOffset-N5		0/0	0-511	
135	B-DCOffset-N6		0/0	0-511	
136	B-DCOffset-N7		0/0	0-511	
137	B-DCOffset-N8		0/0	0-511	
138	B-DCOffset-N9		0/0	0-511	
139	B-DCOffset-N10		0/0	0-511	
140	B-DCOffset-N11		0/0	0-511	
141	B-DCOffset-N12		491 / 491	0-511	
142	R-DCOffset-PGain		0/0	0-255	
143	R-DCOffset-P1		4 / 4	0-511	
144	R-DCOffset-P2		0/0	0-511	
145	R-DCOffset-P3		0/0	0-511	
146	R-DCOffset-P4		0/0	0-511	
147	R-DCOffset-P5		0/0	0-511	
148	R-DCOffset-P6		0/0	0-511	
149	R-DCOffset-P7		0/0	0-511	
150	R-DCOffset-P8		0/0	0-511	

Electrical Adjustments

Group/Item	Item Name	Function	Initial	Range	Note
151	R-DCOffset-P9		0/0	0-511	
152	R-DCOffset-P10		0/0	0-511	
153	R-DCOffset-P11		0/0	0-511	
154	R-DCOffset-P12		22 / 22	0-511	
155	G-DCOffset-PGain		0/0	0-255	
156	G-DCOffset-P1		4 / 4	0-511	
157	G-DCOffset-P2		0/0	0-511	
158	G-DCOffset-P3		0/0	0-511	
159	G-DCOffset-P4		0/0	0-511	
160	G-DCOffset-P5		0/0	0-511	
161	G-DCOffset-P6		0/0	0-511	
162	G-DCOffset-P7		0/0	0-511	
163	G-DCOffset-P8		0/0	0-511	
164	G-DCOffset-P9		0/0	0-511	
165	G-DCOffset-P10		0/0	0-511	
166	G-DCOffset-P11		0/0	0-511	
167	G-DCOffset-P12		22 / 22	0-511	
168	B-DCOffset-PGain		0/0	0-255	
169	B-DCOffset-P1		4 / 4	0-511	
170	B-DCOffset-P2		0/0	0-511	
171	B-DCOffset-P3		0/0	0-511	
172	B-DCOffset-P4		0/0	0-511	
173	B-DCOffset-P5		0/0	0-511	
174	B-DCOffset-P6		0/0	0-511	
175	B-DCOffset-P7		0/0	0-511	
176	B-DCOffset-P8		0/0	0-511	
177	B-DCOffset-P9		0/0	0-511	
178	B-DCOffset-P10		0/0	0-511	
179	B-DCOffset-P11		0/0	0-511	
180	B-DCOffset-P12		22 / 22	0-511	Scan Direction (Front/Rear)
181	ENBX-R		0	0-127	
182	ENBX-G		0	0-127	
183	ENBX-B		0	0-127	
184	DXOutPos		0	0-1	
Group101 : Panel Service(6150/1060)					
0	R-LCCOM		335	0-511	
1	G-LCCOM		335	0-511	
2	B-LCCOM		335	0-511	
3	R-LCCOM-Gain		191	0-255	
4	G-LCCOM-Gain		191	0-255	
5	B-LCCOM-Gain		191	0-255	
6	R-LCCOM-Bright		0	0-255	
7	G-LCCOM-Bright		0	0-255	
8	B-LCCOM-Bright		0	0-255	
9	R-LCCOM-Cent		18	0-63	
10	G-LCCOM-Cent		18	0-63	
11	B-LCCOM-Cent		18	0-63	
12	R-ENBX-PW		11	0-127	
13	G-ENBX-PW		11	0-127	
14	B-ENBX-PW		11	0-127	
15	R-DXIN		8	0-255	Link with No.18
16	G-DXIN		8	0-255	Link with No.19
17	B-DXIN		8	0-255	Link with No.20
18	R-CLXIN		8	0-255	Link with No.15
19	G-CLXIN		8	0-255	Link with No.16
20	B-CLXIN		8	0-255	Link with No.17
21	R-ENBX1IN		27	0-255	
22	G-ENBX1IN		27	0-255	
23	B-ENBX1IN		27	0-255	
Group102 : Auto Keystone Setup Value					
0	OFFSET		0	-1056 - 1056	
1	OFFSET SWITCH		0	0 - 1	
2	DEBUG MODE		0	0 - 1	
3	SERVICE CALIBRATION		0	0 - 1	
4	LOCK COUNT		5	1 - 255	
5	DELT VERT RESULT		64	1 - 255	
6	ANGLE 1 COUNT		1	1 - 10	

Electrical Adjustments

Group/Item	Item Name	Function	Initial	Range	Note
7	ANGLE 2 COUNT		5	1 - 10	
8	BLIND SECTOR 1		160	0 - 1024	
9	BLIND SECTOR 3		32	0 - 1024	
10	BLIND SECTOR BIAS		61	0 - 1024	
Group 200	Option				
0	Logo Prohibition (Forced No Brand)	Logo Prohibition (0: Menu, 1: Forced, 2: China, 3-9: not used)	0	0 - 2	Effective after AC On
1	RS232C Baudrate	Baud Rate	0	0 - 2	0: 19200bps, 1: 9600bps, 2: 115200bps
2	PJLink Enable	PJLink	0	0 - 1	0: Disable 1: Enable
3	Shipping Setting		0	0 - 20	Default set when the value is set to 10
4	CABLE SW	Long Cable	0	0 - 10	0: Disable, 1: Enable
5	PW Debug Command Enable		0	0 - 1	0:Disable (Serial Command Enable) 1: Enable (PW Debug Mode)
6	Device Refresh Disable		0	0 - 1	0:Enable, 1:Disable No last memory
7	Device Access Disable		0	0 - 1	0:Enable (Normal), 1:Disable No last memory
20	Projector Time Reset		0	0 - 20	Projector Time is cleared when the value is set to 10
21	Lamp Warning Time (NORMAL)	Lamp Life at Normal Mode (Warning Time at Normal)		500 - 8000	
22	Lamp Warning Time (ECO)	Lamp Life at Eco Mode (Warning Time at Eco)		500 - 8000	
23	Lamp Warning Time (HIGH)	Lamp Life at High Mode (Warning Time at High)		500 - 8000	
30	Lamp life test enable				0:Disable 1:Enable, for safety test only
31	Lmap On time(for life test)	For test purpose			
32	Lamp Off time(for life test)	For test purpose			
33	Lamp total time(for life test)	For test purpose			
40	PreScaler		n/a	0-255	n/a
41	Htime		n/a	0-65535	n/a
50	Lamp Replacement Display	Lamp Warning Display On / Off	1	0 - 1	1: On, 0: Off
51	Filter Warning Display	Filter Warning Display On / Off	1	0 - 1	1: On, 0: Off
52	Lamp Counter reset Times	Reset Times of Lamp Counter	0	0 - 255	Read only
54	Factory Default Execute Times	Reset times of Fanctory Default	0	0 - 255	Read only
55	Motor Disable	Motors Disable	0	0 - 1	0: On, 1: Off
56	Menu Position	Move menu (X axis)	0	0 - 1024	
57	Menu Position	Move menu (Y axis)	0	0 - 1024	
58	Lamp Go Out		n/a	0 - 1	
Group 201	Option (signal)				
0	FrameLock Option		1	0 - 1	0: FrameLockOFF at PC signal 1: FrameLockON at PC signal and 47Hz (Vfreq) ~ Panel frequency of input signal
2	Field Sense Invert Enable		0	0 - 1	Reverse Processing of FLDINV Setting Value 0: Disable - Used FLDINV Setting Value 1: Enable - Used Reversed FLDINV Setting Value
3					
4	Sub Image Enable		1	0 - 1	0:Disable (Service Adjustment Dsiable, Used all the Center Values 1:Enable (Service Adjustment Enable)
6	Zoom Accelerator Enable		0	0 - 1	0:Zoom Accelerator OFF, 1:Zoom Accelerator ON No last memory
7	DZoom Reset by Keystone		0	0 - 1	0:Enable (Normal), 1:Disable (Dzoo is not cancelled even if Keystone is cancelled) No last memory
8	Stability Count	Count Value of V-missing	5	0 - 255	
9	Sensivity for Signal Lost (HSYNC)	Only used this value for No Signal Judgement(Hz)	350	0 - 65535	
10	Sensivity for Signal Lost (VSYNC)	Only used this value for No Signal Judgement(Line)	3	0 - 255	
11	Keystone Filter Center Value	Reference Value	16	0 - 30	
Group 202	Option (MCI model only)				
0	Memory Viewer OSD	Memory Viewer OSD Display (1:Yes, 0: No)	1	0 - 1	
Group 210	LampContorl				
0	DIMMER_CTRL_LEVEL1	Luminance Level 1 Data for Dimmer: Dim Level 1 at the less than the Value		0 - 255	
1	DIMMER_CTRL_LEVEL2	Luminance Level 2 Data for Dimmer: Dim Level 2 at the less than the Value		0 - 255	
2	DIMMER_CTRL_LEVEL3	Luminance Level 3 Data for Dimmer: Dim Level 3 at the less than the Value		0 - 255	
3	DIMMER_CTRL_LEVEL4	Luminance Level 4 Data for Dimmer: Dim Level 4 at the less than the Value		0 - 255	

Electrical Adjustments

Group/Item	Item Name	Function	Initial				Range	Note
4	DIMMER_CTRL_LEVEL5	Luminance Level 5 Data for Dimmer: Dim Level 5 at the less than the Value					0 - 255	
5	DIMMER_CTRL_LEVEL6	Luminance Level 6 Data for Dimmer: Dim Level 6 at the less than the Value					0 - 255	
6	DIMMER_CTRL_LEVEL7	Luminance Level 7 Data for Dimmer: Dim Level 7 at the less than the Value					0 - 255	
7	DIMMER_CTRL_LEVEL8	Luminance Level 8 Data for Dimmer: Dim Level 8 at the less than the Value					0 - 255	
8	DIMMER_CTRL_LEVEL9	Luminance Level 9 Data for Dimmer: Dim Level 9 at the less than the Value					0 - 255	
9	DIMMER_CTRL_LEVEL10	Luminance Level 10 Data for Dimmer: Dim Level 10 at the less than the Value					0 - 255	
10	DIMMER_CTRL_LEVEL11	Luminance Level 11 Data for Dimmer: Dim Level 11 at the less than the Value					0 - 255	
11	DIMMER_CTRL_LEVEL12	Luminance Level 12 Data for Dimmer: Dim Level 12 at the less than the Value					0 - 255	
12	DIMMER_CTRL_LEVEL13	Luminance Level 13 Data for Dimmer: Dim Level 13 at the less than the Value					0 - 255	
13	DIMMER_CTRL_LEVEL14	Luminance Level 14 Data for Dimmer: Dim Level 14 at the less than the Value					0 - 255	
14	DIMMER_CTRL_LEVEL15	Luminance Level 15 Data for Dimmer: Dim Level 15 at the less than the Value					0 - 255	
15	DIMMER_AVERAGE_POINT	Luminance Data Avarage Point for Mimmer					0 - 16	
16	DIMMER_AVERAGE_DATA	Luminance Data Avarage Value for Dimmer					-	* Read only
17	DIMMER_LEVEL_AUTO	Current Dimmer Level					-	* Read only
18	DIMMER_LEVEL_NORMAL	Normal Dimmer Level					0 - 15	
19	DIMMER_LEVEL_ECO	Eco Dimmer Level					0 - 15	
20	Lamp check enable							0: Lamp Failure Detection OFF (White 50% Back), 1 : ON (Blue 100% Back)
21	VOLTAGE_LEVEL	Lamp Voltage						Unit: 8bit(Raw Data) * Read only
22	DIMMER_LEVEL_HIGH	Dimmer level High					0 - 15	
Group 250	FAN Cntorol							
0	FAN1 MIN ADJUST (DAC)	DAC Output for Fan Adjust the tolerance of DAC and Fan Volage. * Lamp mode is forced Eco	10				0 - 255	
1	FAN1 MAX ADJUST (DAC)		225				0 - 255	
2	FAN2 MIN ADJUST (DAC)		10				0 - 255	
3	FAN2 MAX ADJUST (DAC)		225				0 - 255	
4	FAN3 MIN ADJUST (DAC)		10				0 - 255	
5	FAN3 MAX ADJUST (DAC)		225				0 - 255	
6	Not used							
7	Not used							
Group 251								
	Not used							
Group 252	Fan Option							
0	HI-LAND SWITCH	0: Normal, 1: Hi-Land, 2-4: Hi-Land 1-3	0				0 - 5	
1	SAFETY SWITCH	For test purpose	0				0 - 6	
2	FAN MANUAL SWITCH	0: Auto, 1: Manual	0				0 - 3	
3	FAN1 MANUAL VOLTAGE	Fan Voltage (unit : 0.1V) Effective only when Fan Mauul switch is 1	100				0 - 255	
4	FAN2 MANUAL VOLTAGE		100				0 - 255	
5	FAN3 MANUAL VOLTAGE		100				0 - 255	
6	Not used							
Group 253	Fan Tem Error Setting (Memorized)		Normal	Ceiling	HiLand-Normal	HiLand-Ceiling		
0	Temp A Warning (High)	Temp. A to judge the Temp Error at High (Room)	53	53	51	51	30-100	
1	Temp B Warning (High)	Temp. B to judge the Temp Error at High (Panel)	63	63	62	62	30-100	
2	Temp C Warning (High)	Temp. C to judge the Temp Error at High (Lamp)	67	67	68	68	30-100	
3	Temp B-A Warning (High)	Temp. B-A to judge the Temp Error at High (Clogging Det.)	100	100	100	100	0-100	
4	Temp C-A Warning (High)	Temp. C-A to judge the Temp Error at High (Clogging Det.)	100	100	100	100	0-100	
5	Temp A Warning (Normal)	Temp. A to judge the Temp Error at Normal (Room)	52	52	50	50	30-100	
6	Temp B Warning (Normal)	Temp. B to judge the Temp Error at Normal (Panel)	63	63	62	62	30-100	
7	Temp C Warning (Normal)	Temp. C to judge the Temp Error at Normal (Lamp)	67	67	67	67	30-100	
8	Temp B-A Warning (Normal)	Temp. B-A to judge the Temp Error at Normal (Clogging Det.)	100	100	100	100	0-100	
9	Temp C-A Warning (Normal)	Temp. C-A to judge the Temp Error at Normal (Clogging Det.)	100	100	100	100	0-100	
10	Temp A Warning (Eco)	Temp. A to judge the Temp Error at Eco (Room)	51	51	49	49	30-100	
11	Temp B Warning (Eco)	Temp. B to judge the Temp Error at Eco (Panel)	62	62	61	61	30-100	
12	Temp C Warning (Eco)	Temp. C to judge the Temp Error at Eco (Lamp)	67	67	66	66	30-100	
13	Temp B-A Warning (Eco)	Temp. B-A to judge the Temp Error at Normal (Clogging Det.)	100	100	100	100	0-100	

Electrical Adjustments

Group/Item	Item Name	Function	Initial				Range	Note	
14	Temp C-A Warning (Eco)	Temp. C-A to judge the Temp Error at Normal (Clogging Det.)	100	100	100	100	0-100		
15	Temp A Warning Offset (Temp)	Offset of Temp Error (Temp.)			5		0-100		
16	Temp B Warning Offset (Temp)	Error Setting Value is increased XC at the below condition			5		0-100		
17	Temp C Warning Offset (Temp)	* Standby			15		0-100		
18	Temp B-A Warning Offset (Temp)	* Right to turn on the lamp			0		0-100		
19	Temp C-A Warning Offset (Temp)	*Right to change the Lamp mode			0		0-100		
20	Temp A Warning Offset (Time)	Offset of Temp Error (Minutes)			5		0-100		
21	Temp B Warning Offset (Time)	Error Setting Value is increased X minute at the below condition			5		0-100		
22	Temp C Warning Offset (Time)	* Standby			18		0-100		
23	Temp B-A Warning Offset (Time)	* Right to turn on the lamp			1		0-100		
24	Temp C-A Warning Offset (Time)	*Right to change the Lamp mode			1		0-100		
25	Factory Mode	For factor use			0		0-1		
Group 254	Fan Control Range Setting (Temp./Voltage)		Normal	Ceiling	HiLand-Normal	HiLand-Ceiling			
0	High Fan Control Min Temp	Temp Senser Control Start/End Temp. at High	47	47	44	44	20-100		
1	High Fan Control Max Temp		50	50	44	44	20-100		
2	High Fan1 Min	Fan voltage value at High (unit: 0.1V)	75	75	135	135	0-255		
3	High Fan1 Max		135	135	135	135	0-255		
4	High Fan2 Min		85	85	130	130	0-255		
5	High Fan2 Max		130	130	130	130	0-255		
6	High Fan3 Min		75	80	80	85	0-255		
7	High Fan3 Max		80	85	80	85	0-255		
8	High Fan4 Min		9999		9999		-		
9	High Fan4 Max		9999		9999		-		
10	Normal Fan Control Min Temp		Temp Senser Control Start/End Temp. at Normal	47	47	44	44	20-100	
11	Normal Fan Control Max Temp			49	49	44	44	20-100	
12	Normal Fan1 Min	Fan voltage value at Normal (unit: 0.1V)	67	67	125	125	0-255		
13	Normal Fan1 Max		125	125	125	125	0-255		
14	Normal Fan2 Min		75	75	120	120	0-255		
15	Normal Fan2 Max		120	120	120	120	0-255		
16	Normal Fan3 Min		70	65	75	70	0-255		
17	Normal Fan3 Max		75	70	75	70	0-255		
18	Normal Fan4 Min		9999		9999		-		
19	Normal Fan4 Max		9999		9999		-		
20	Eco Fan Control Min Temp		Temp Senser Control Start/End Temp. at Eco	46	46	44	44	20-100	
21	Eco Fan Control Max Temp			48	48	44	44	20-100	
22	Eco Fan1 Min	Fan voltage value at Eco (unit: 0.1V)	57	57	115	115	0-255		
23	Eco Fan1 Max		115	115	115	115	0-255		
24	Eco Fan2 Min		70	70	110	110	0-255		
25	Eco Fan2 Max		110	110	110	110	0-255		
26	Eco Fan3 Min		55	55	55	55	0-255		
27	Eco Fan3 Max		55	55	55	55	0-255		
28	Eco Fan4 Min		9999		9999		-		
29	Eco Fan4 Max		9999		9999		-		
Group 255	Fan Start/Cooling Setting								
0	Fan1 Initial Volt		Fan Start Voltage (0.1V)		70			0-255	
1	Fan2 Initial Volt			70			0-255		
2	Fan3 Initial Volt			70			0-255		
3	Not used		9999				-		
4	Fan1 Cooling Speed	Fan Voltage at Power Off (0.1V)		130			0-255		
5	Fan2 Cooling Speed			130			0-255		
6	Fan3 Cooling Speed			130			0-255		
7	Not used			9999				-	
8	Cooling Time L1	Cooling Time stting at Fan Mode L1 (x 30 sec) 1: 30, 3: 90, 15: 450 sec.		2			1-15		
9	Cooling Time L2	Cooling Time stting at Fan Mode L2 (x 30 sec) 1: 30, 3: 90, 15: 450 sec.		3			1-15		
10	Temp Error Cooling Time	Cooling Time setting at Temp Erro (x 30 sec)		3			1-15		
11	OnStart Cooling Start Threshold			38			0-100		
12	After shutdown cooling	Cooling after shutdown (0: No, 1: Yes)		1			0-1		
Group 256	Fan Lamp Voltage Down Setting								
0	Lamp Voltage	Current Lamp Voltage (0.1V)(Read only)		-			0-255		
1	Lamp Vol Threshold	Threshold to judge Lamp Voltage Down (Vx 10)					30-90		

Electrical Adjustments

Group/Item	Item Name	Function	Initial	Range	Note
2	Fan1 Speed Gain			0-255	
3	Fan2 Speed Gain	Additional Fan Speed of Min at Lamp Voltage Down (unit: 0.1V)		0-255	
4	Fan3 Speed Gain			0-255	
5	Not used		9999	0-255	
Group 257	Fan Dimmer Setting				
0	Dimmer Average Check Period	Dimmer Average measurement Time (0:10sec, 1:30sec, 2:6sec, 90sec...10:300sec)	1	0-10	
1	Dimmer Average	Dimmer Average Value (Read only)	-		
2	Last Voltage Difference		-		
3	Voltate Difference Goal				
Group 258	Fan IC Temp for Netowrk model				
0	Standby Cooling Check Cycle	Temp A check cycle at Standby	5		
1	Standby Cooling Start Threshold	Cooling start threshold temp A	46		
2	Standby Cooling Enable	Cooling in standby Enable	1		
Group 260	Auto Calibration (Commn) * Auto Calibration				
0	Execute Calibration		0	0 - 1	Executes Auto-Calibration when changiing the Value (PC White 100%)
1	Loop Count	Maximum Execution Times (OFFSET->GAIN)	10	1 - 30	
2	Auto Status	Result of Auto-Calibration (Last Memory)	0	0 / 1 / 9	0: OK, 1: Adjusting,9: Error * ReadOnly
3	AutoWait	Wait Value for each setting	1	1 - 20	
4	CHECK -Tolerance	Tolerance of OFFSET	2	1 - 255	
Group 261	Auto Calibration (RGB)				
0	OFFSET AREA H START	Black Level Acquiring Area H-Start Position	975	0 - 1000	
1	OFFSET AREA V START	Black Level Acquiring Area V-Start Position	500	0 - 1000	
2	GAIN AREA H START	White Level Acquiring Area H-Start Position	25	0 - 1000	
3	GAIN AREA V START	White Level Acquiring Area V-Start Position	500	0 - 1000	
4	Image AREA H WIDTH	Black/White Level Acquiring Area	13	0 - 4095	
5	Image AREA V HIGHT	Black/White Level Acquiring Area Height	9	0 - 4095	
6	OFFSET target	Target Value of Black Level Adj.	3	0 - 127	
7	OFFSET tolerance	Tolerance of Black Level Adj.	1	1 - 127	
8	GAIN target	Target Value of White Level Adj.	238	0 - 255	
9	GAIN tolerance	Tolerance of White Level Adj.	1	1 - 255	
Group 262	Auto Calibration (CVBS/SVIDEO)				
0	Y Image Area Start X	Y Acquiring Area H-Start Position	20	0 - 1000	
1	Y Image Area Start Y	Y Acquiring Area V-Start Position	500	0 - 1000	
6	Image Area H Width	Image Level Acquiring Area	13	0 - 4095	
7	Image Area V Hight	Image Level Acquiring Area Height	20	0 - 4095	
8	Y Target Level	Target Value of Y Level Adj.	217	0 - 255	
11	Gain Tolerance	Tolerance of Level Adj.	1	0 - 255	
12	Delta Gain	Deviation Width of Gain Value	9	0 - 255	
Group 264	Auto Calibration (YCbCr)				
0	Y-OFFSET AREA H START	Y - Offset Acquiring Area H-Start Position	925	0 - 1000	
1	Y-OFFSET AREA V START	Y - Offset Acquiring Area V-Start Position	500	0 - 1000	
2	CB - OFFSET AREA H START	CB - Offset Acquiring Area H-Start Position	925	0 - 1000	If not used: use Y's value
3	CB - OFFSET AREA V START	CB - Offset Acquiring Area V-Start Position	500	0 - 1000	If not used: use Y's value
4	CR - OFFSET AREA H START	CR - Offset Acquiring Area H-Start Position	925	0 - 1000	If not used: use Y's value
5	CR - OFFSET AREA V START	CR - Offset Acquiring Area V-Start Position	500	0 - 1000	If not used: use Y's value
6	Y - GAIN AREA H START	Y	50	0 - 1000	
7	Y - GAIN AREA V START		500	0 - 1000	
8	CB - GAIN AREA H START		800	0 - 1000	
9	CB - GAIN AREA V START		500	0 - 1000	
10	CR - GAIN AREA H START		700	0 - 1000	
11	CR - GAIN AREA V START		500	0 - 1000	
12	Image AREA H WIDTH	YCBCR Level Acquiring Area	8	0 - 4095	
13	Image AREA V HIGHT	YCBCR Level Acquiring Area Height	9	0 - 4095	
14	Y - OFFSET TARTGET		4	0 - 255	
15	CB OFFSET TARGET		128	0 - 255	
16	CR OFFSET TARGET		128	0 - 255	
17	Y - GAIN TARGET		217	0 - 255	
18	CB - GAIN TARGET		237	0 - 255	
19	CR - GAIN TARGET		237	0 - 255	
20	OFFSET tolerance	Tolerance of OFFSET Adj.	1	1 - 255	
21	GAIN tolerance	Tolerance of GAIN Adj.	1	1 - 255	
Group 280	AutoPC Adjsut				
0	AutoPCAdjustEnable	Auto-PC Adj Operation Enable if Un-supported Signal Input	0	0 - 1	0: Enable, 1: Disable
1	Frequency Step	Frequency Steps of TotalDot	1	0-3	
2	Frequency Threshold	Total Dot Frequency Threshold	5	0 - 10	0 [] <--- ----> 10[Not matched]

Electrical Adjustments

Group/Item	Item Name	Function	Initial	Range	Note
3	Fine Phase	Do Phase Adj after Total Dot Adj.	1	0 - 1	0: Executes Fine Phase, 1: Not Execute
4	BLKDET	Black Level Detection Area	1	0 - 3	
5	PHASEMSK	Phase Detection Filter	0	0 - 3	0: Effective All Bit, 1: Disable Lower 1 bit 2: Disable Lower 2 bit, 3: Disable Lower 3 bit
Group 290 PanelType * Panel Type Check					
0	GammaL/R-View	Current Setting Check	0	0-20	0: Gamma for L-Turn 20: Gamma for R-Turn * Read only
1	GammaL/R-Change	Setting of Gamma	10	0-20	Sets L-Turn Gamma if the Value is set to 0. Sets R-Turn Gamma if the Value is set to 20.
Group 500 Composite (NTSC) Composite / S-Video					
0					
1	Disp Dots		668	0 ~ 4095	
2	H Back Porch		28	0 ~ 4095	
3	V Back Porch		34	0 ~ 4095	
4	Disp Line		458	0 ~ 4095	
Group 501 Composite (PAL) Composite / S-Video					
0					
1	Disp Dots		658	0 ~ 4095	
2	H Back Porch		34	0 ~ 4095	
3	V Back Porch		22	0 ~ 4095	
4	Disp Line		536	0 ~ 4095	
Group 502 Composite (SECAM) Composite / S-Video					
0					
1	Disp Dots		652	0 ~ 4095	
2	H Back Porch		28	0 ~ 4095	
3	V Back Porch		22	0 ~ 4095	
4	Disp Line		536	0 ~ 4095	
Group 510 SCART(480i)					
0					
1	Disp Dots		662	0 ~ 4095	
2	H Back Porch		142	0 ~ 4095	
3	V Back Porch		48	0 ~ 4095	
4	Disp Line		456	0 ~ 4095	
Group 511 SCART (575i)					
0					
1	Disp Dots		458	0 ~ 4095	
2	H Back Porch		162	0 ~ 4095	
3	V Back Porch		64	0 ~ 4095	
4	Disp Line		534	0 ~ 4095	
Group 520 YCbCr (480i)					
0	Total Dots		890	0 ~ 4095	
1	Disp Dots		696	0 ~ 4095	
2	H Back Porch		150	0 ~ 4095	
3	V Back Porch		48	0 ~ 4095	
4	Disp Line		485	0 ~ 4095	
Group 521 YCbCr (575i)					
0	Total Dots		920	0 ~ 4095	
1	Disp Dots		704	0 ~ 4095	
2	H Back Porch		170	0 ~ 4095	
3	V Back Porch		62	0 ~ 4095	
4	Disp Line		542	0 ~ 4095	
Group 522 YCbCr (480P)					
0	Total Dots		858	0 ~ 4095	* Read only
1	Disp Dots		684	0 ~ 4095	
2	H Back Porch		138	0 ~ 4095	
3	V Back Porch		46	0 ~ 4095	
4	Disp Line		460	0 ~ 4095	
Group 523 YCbCr (575P)					
0	Total Dots		862	0 ~ 4095	* Read only
1	Disp Dots		680	0 ~ 4095	
2	H Back Porch		148	0 ~ 4095	
3	V Back Porch		60	0 ~ 4095	
4	Disp Line		538	0 ~ 4095	
Group 524 YCbCr (720P - 60)					
0	Total Dots		1650	0 ~ 4095	* Read only
1	Disp Dots		1248	0 ~ 4095	
2	H Back Porch		314	0 ~ 4095	
3	V Back Porch		34	0 ~ 4095	

Electrical Adjustments

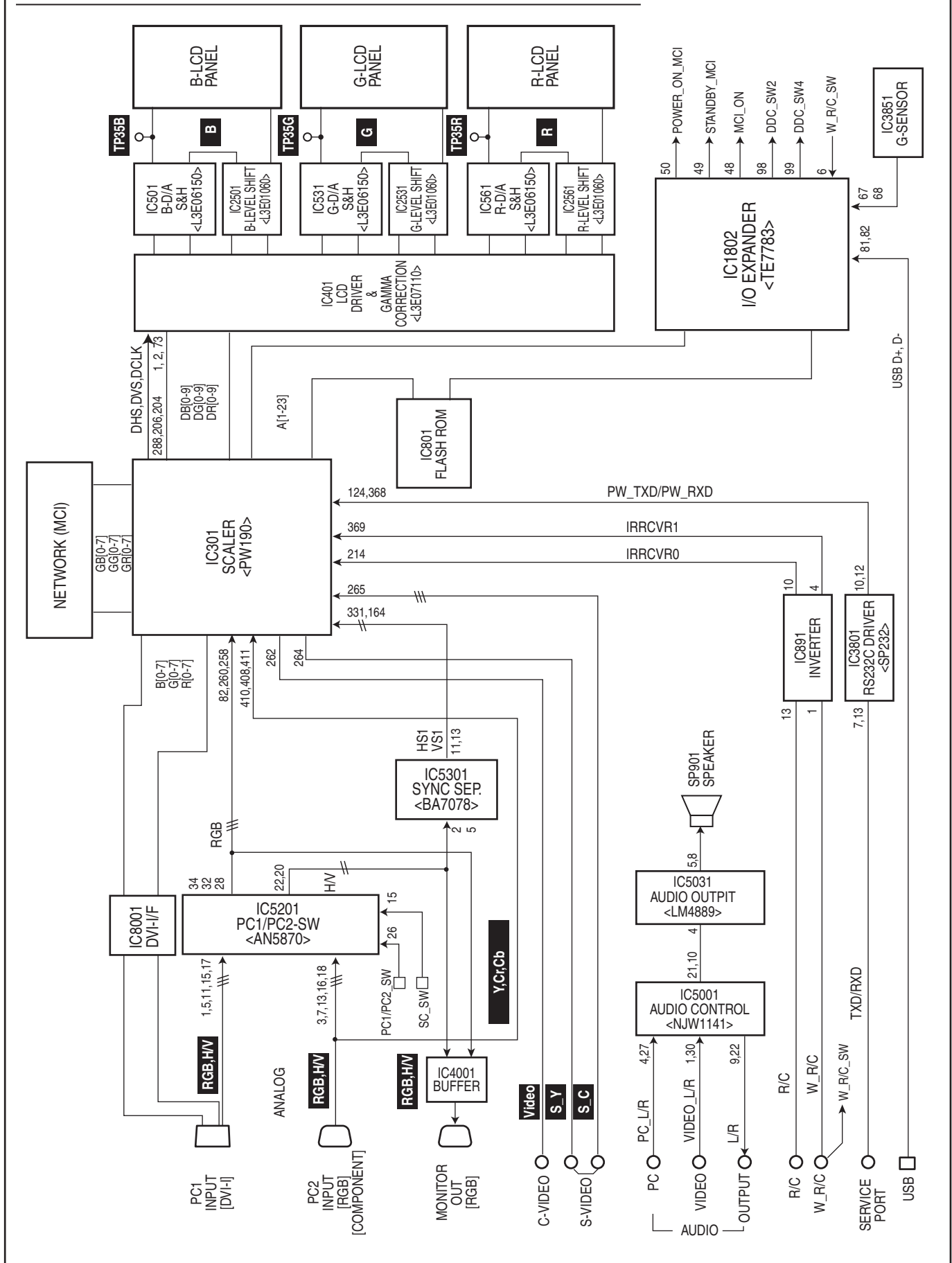
Group/Item	Item Name	Function	Initial	Range	Note
4	Disp Line		700	0 ~ 4095	
Group 525	YCbCr (720P - 50)				
0	Total Dots		1980	0 ~ 4095	* Read only
1	Disp Dots		1248	0 ~ 4095	
2	H Back Porch		338	0 ~ 4095	
3	V Back Porch		36	0 ~ 4095	
4	Disp Line		700	0 ~ 4095	
Group 526	YCbCr (1080i - 60)				
0	Total Dots		2200	0 ~ 4095	* Read only
1	Disp Dots		1872	0 ~ 4095	
2	H Back Porch		258	0 ~ 4095	
3	V Back Porch		54	0 ~ 4095	
4	Disp Line		1052	0 ~ 4095	
Group 527	YCbCr (1080i - 50)				
0	Total Dots		2640	0 ~ 4095	* Read only
1	Disp Dots		1870	0 ~ 4095	
2	H Back Porch		258	0 ~ 4095	
3	V Back Porch		54	0 ~ 4095	
4	Disp Line		1052	0 ~ 4095	
Group 528	YCbCr (1035i)				
0	Total Dots		2200	0 ~ 4095	* Read only
1	Disp Dots		1872	0 ~ 4095	
2	H Back Porch		258	0 ~ 4095	
3	V Back Porch		88	0 ~ 4095	
4	Disp Line		1012	0 ~ 4095	
Group 540	RGB Video (480i)				
0	Total Dots		960	0 ~ 4095	
1	Disp Dots		752	0 ~ 4095	
2	H Back Porch		166	0 ~ 4095	
3	V Back Porch		48	0 ~ 4095	
4	Disp Line		460	0 ~ 4095	
5	Clamp		1	0 ~ 255	
6	Clamp Width		31	0 ~ 255	
Group 541	RGB Video (575i)				
0	Total Dots		966	0 ~ 4095	
1	Disp Dots		736	0 ~ 4095	
2	H Back Porch		182	0 ~ 4095	
3	V Back Porch		66	0 ~ 4095	
4	Disp Line		536	0 ~ 4095	
5	Clamp		1	0 ~ 255	
6	Clamp Width		31	0 ~ 255	
Group 542	RGB Video (480P)				
0	Total Dots		960	0 ~ 4095	
1	Disp Dots		766	0 ~ 4095	
2	H Back Porch		156	0 ~ 4095	
3	V Back Porch		46	0 ~ 4095	
4	Disp Line		460	0 ~ 4095	
5	Clamp		1	0 ~ 255	
6	Clamp Width		31	0 ~ 255	
Group 543	RGB Video (575P)				
0	Total Dots		986	0 ~ 4095	
1	Disp Dots		774	0 ~ 4095	
2	H Back Porch		174	0 ~ 4095	
3	V Back Porch		62	0 ~ 4095	
4	Disp Line		540	0 ~ 4095	
5	Clamp		1	0 ~ 255	
6	Clamp Width		31	0 ~ 255	
Group 544	RGB Video (720P - 60)				
0	Total Dots		1650	0 ~ 4095	
1	Disp Dots		1248	0 ~ 4095	
2	H Back Porch		310	0 ~ 4095	
3	V Back Porch		34	0 ~ 4095	
4	Disp Line		702	0 ~ 4095	
5	Clamp		1	0 ~ 255	
6	Clamp Width		31	0 ~ 255	

Electrical Adjustments

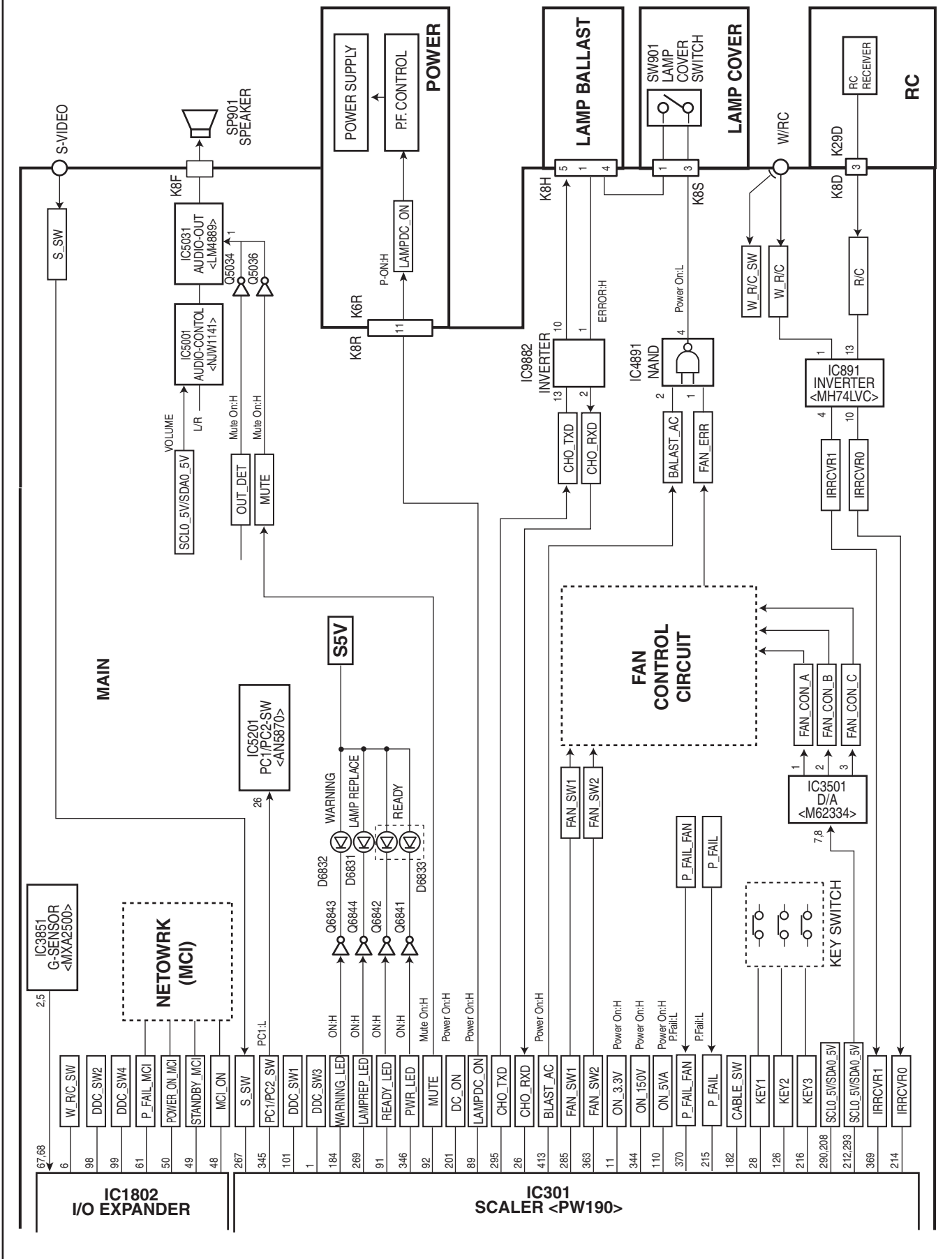
Group/Item	Item Name	Function	Initial	Range	Note
Group 545	RGB Video (720P - 50)				
0	Total Dots		1980	0 ~ 4095	
1	Disp Dots		1246	0 ~ 4095	
2	H Back Porch		310	0 ~ 4095	
3	V Back Porch		34	0 ~ 4095	
4	Disp Line		702	0 ~ 4095	
5	Clamp		1	0 ~ 255	
6	Clamp Width		31	0 ~ 255	
Group 546	RGB Video (1080i - 60)				
0	Total Dots		2200	0 ~ 4095	
1	Disp Dots		1872	0 ~ 4095	
2	H Back Porch		254	0 ~ 4095	
3	V Back Porch		56	0 ~ 4095	
4	Disp Line		1052	0 ~ 4095	
5	Clamp		1	0 ~ 255	
6	Clamp Width		31	0 ~ 255	
Group 547	RGB Video (1080i - 50)				
0	Total Dots		2640	0 ~ 4095	
1	Disp Dots		1868	0 ~ 4095	
2	H Back Porch		258	0 ~ 4095	
3	V Back Porch		54	0 ~ 4095	
4	Disp Line		1052	0 ~ 4095	
5	Clamp		1	0 ~ 255	
6	Clamp Width		31	0 ~ 255	
Group 548	RGB Video (1035i)				
0	Total Dots		2200	0 ~ 4095	
1	Disp Dots		1868	0 ~ 4095	
2	H Back Porch		258	0 ~ 4095	
3	V Back Porch		92	0 ~ 4095	
4	Disp Line		1012	0 ~ 4095	
Group 560	HDCP (480P)				
7	Over Scan	Over Scan Rate (0 ~ 25.5% at 0.1% steps)	0	0 - 255	
8	VSBEQ		2	0 - 15	
Group 561	HDCP (575P)				
7	Over Scan	Over Scan Rate (0 ~ 25.5% at 0.1% steps)	0	0 - 255	
8	VSBEQ		2	0 - 15	
Group 562	HDCP (720P-60)				
7	Over Scan	Over Scan Rate (0 ~ 25.5% at 0.1% steps)		0 - 255	
8	VSBEQ		2	0 - 15	
Group 563	HDCP (720P-50)				
7	Over Scan	Over Scan Rate (0 ~ 25.5% at 0.1% steps)	0	0 - 255	
8	VSBEQ		2	0 - 15	
Group 564	HDCP (1080i-60)				
7	Over Scan	Over Scan Rate (0 ~ 25.5% at 0.1% steps)	0	0 - 255	
8	VSBEQ		2	0 - 15	
Group 565	HDCP (1080i-50)				
7	Over Scan	Over Scan Rate (0 ~ 25.5% at 0.1% steps)	0	0 - 255	
8	VSBEQ		2	0 - 15	
Group 566	HDCP (1035i)				
7	Over Scan	Over Scan Rate (0 ~ 25.5% at 0.1% steps)	0	0 - 255	
8	VSBEQ		2	0 - 15	
Group 981	Color Shading Adj Offset				
0	R-Max		0/0	0-255	
1	R-Mid1		0/0	0-255	
2	R-Mid2		0/0	0-255	
3	R-Min		0/0	0-255	
4	G-Max		0/0	0-255	
5	G-Mid1		0/0	0-255	
6	G-Mid2		0/0	0-255	
7	G-Min		0/0	0-255	
8	B-Max		0/0	0-255	
9	B-Mid1		0/0	0-255	
10	B-Mid2		0/0	0-255	
11	B-Min		0/0	0-255	

Chassis Block Diagrams

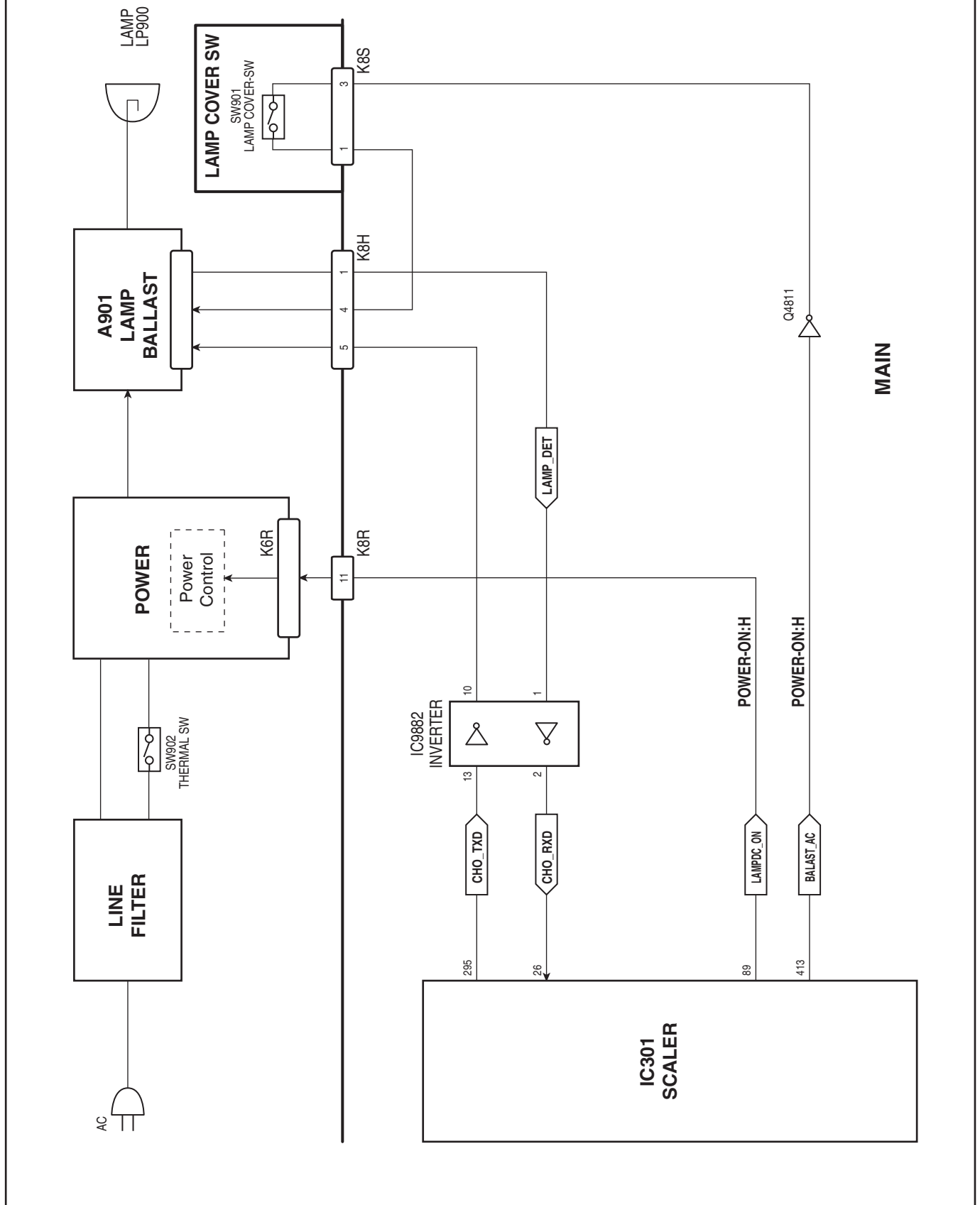
Chassis over view



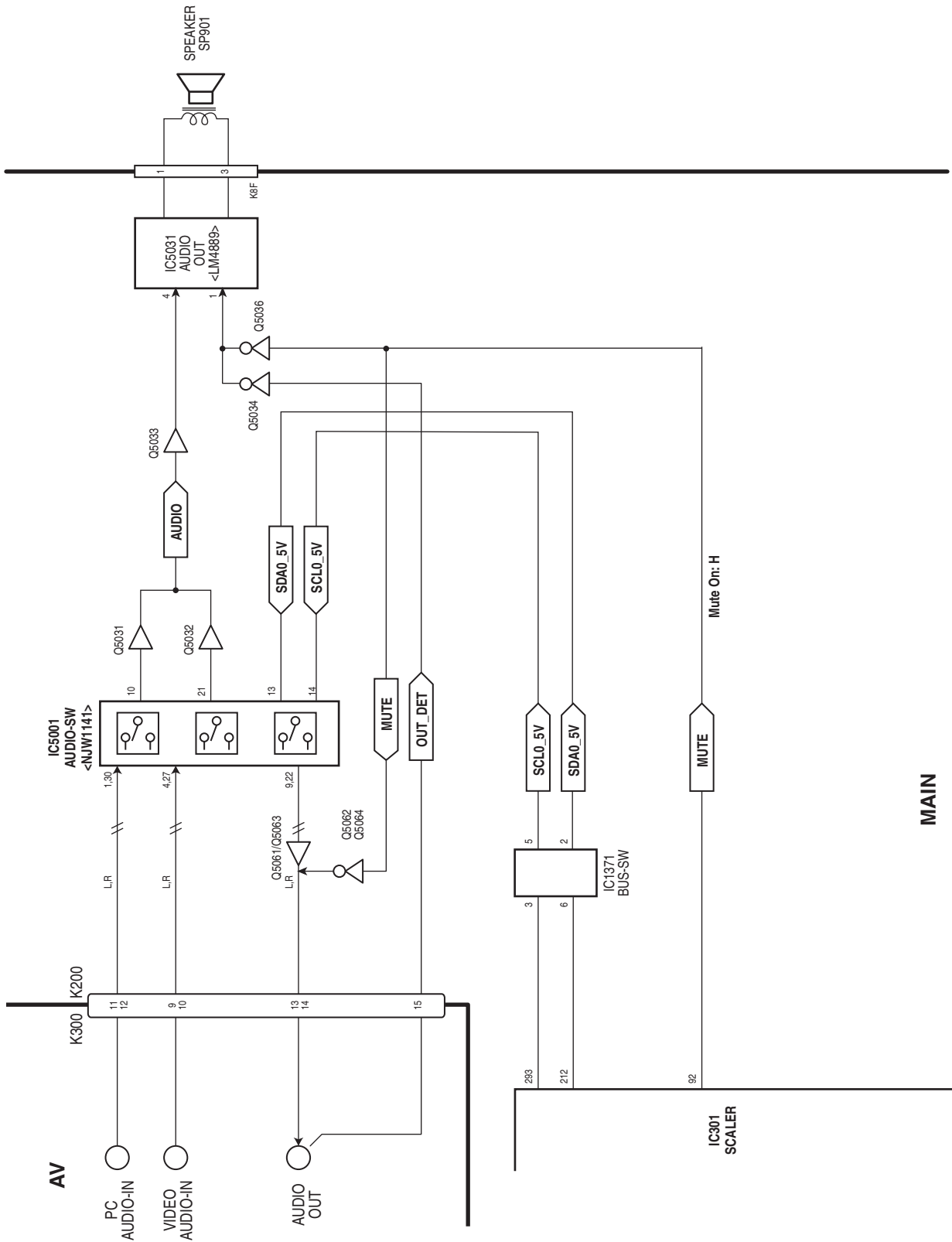
System control



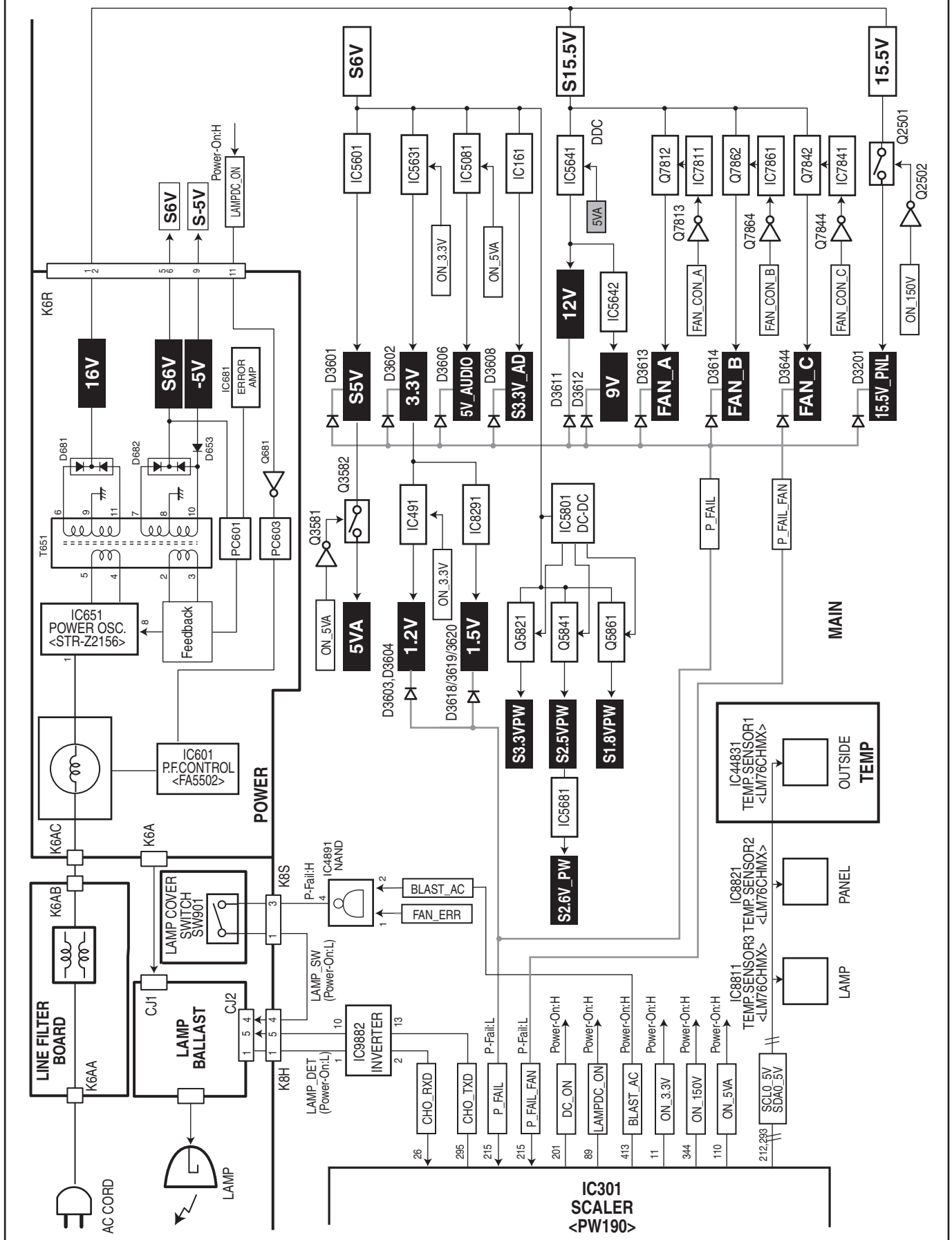
Lamp control



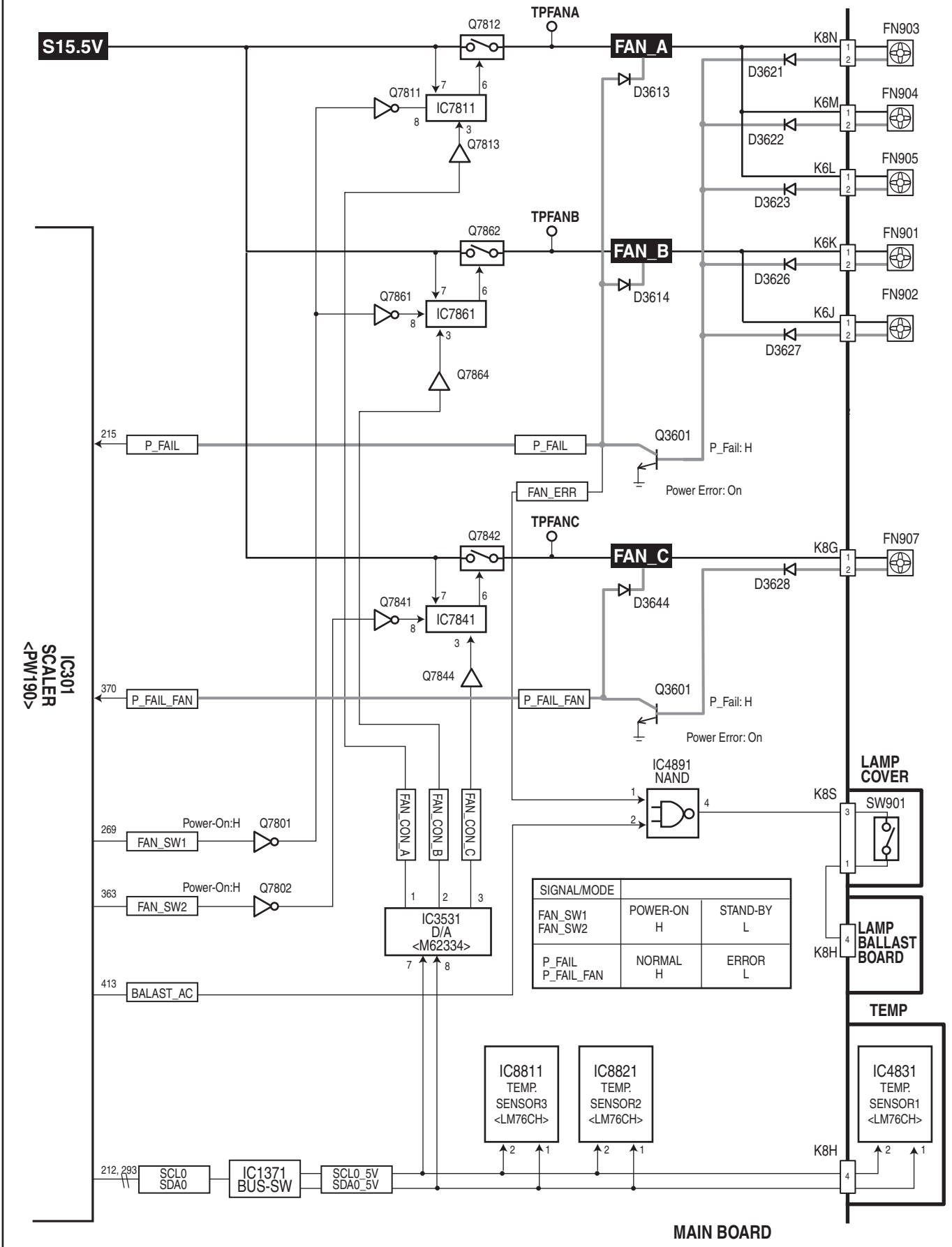
Audio circuit



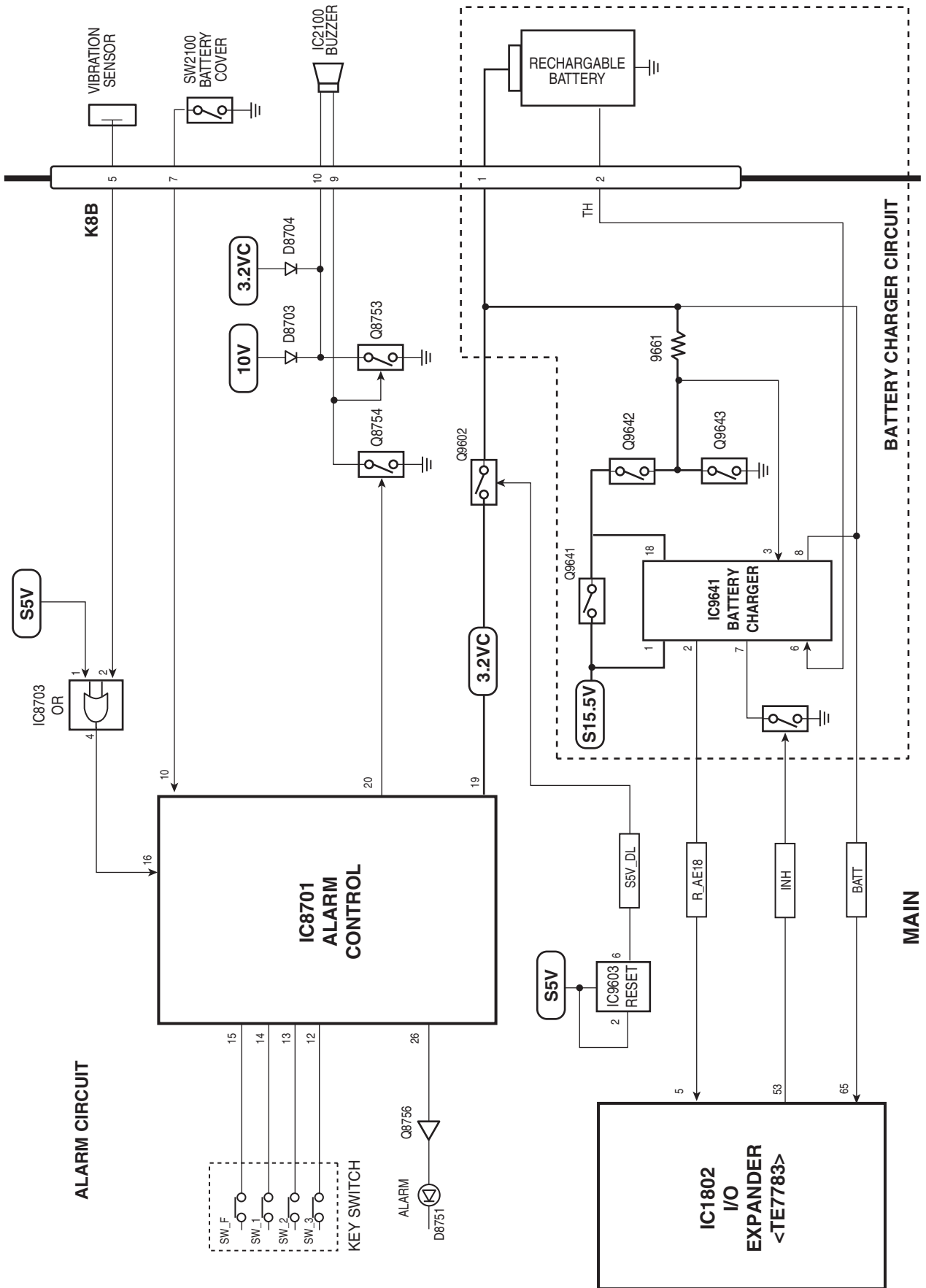
Power supply & protection circuit



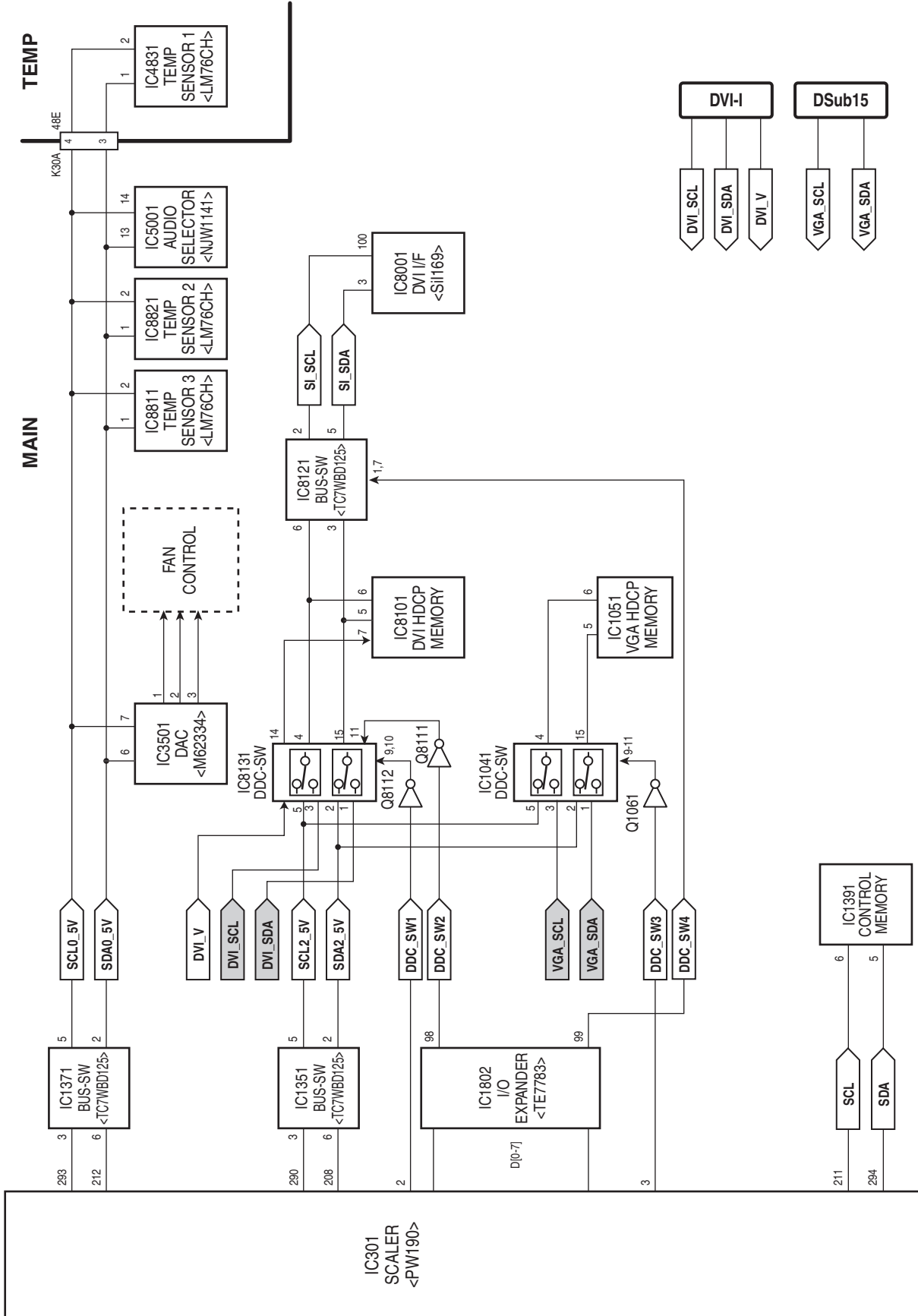
Fan control circuit



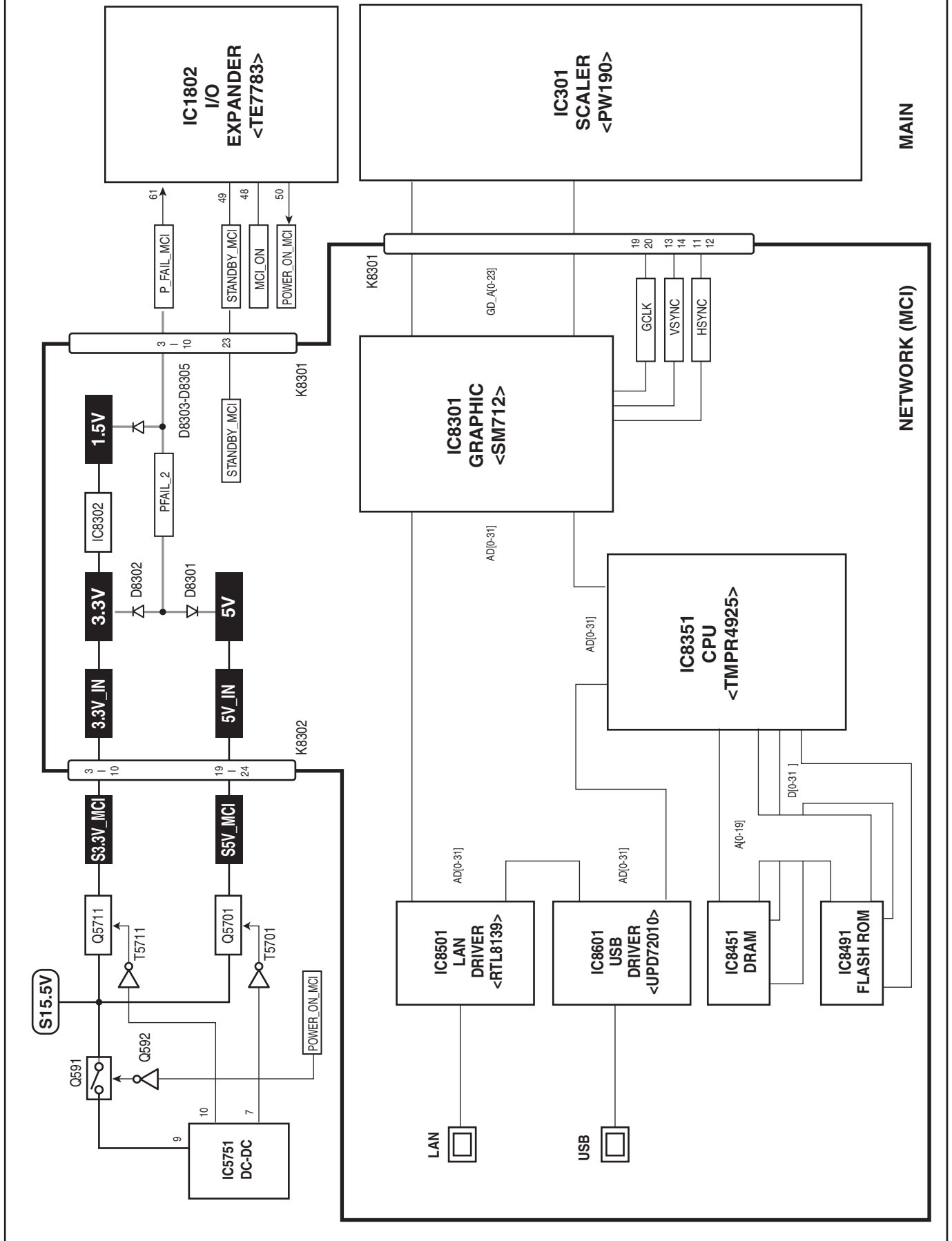
Alarm circuit



IIC bus control circuit






























Network (MCI) circuit



Troubleshooting

Indicators and Projector Condition

Check the indicators for projector condition.

Indicators			Projector Condition
POWER red/green	WARNING red	LAMP REPLACE yellow	
			The projector is off. (The AC power cord is unplugged.)
			The projector is preparing for stand-by or the projection lamp is being cooled down. The projector cannot be turned on until cooling is completed and the POWER indicator stops blinking.
			The projector is ready to be turned on with the POWER ON-OFF button.
			The projector is operating normally.
			The projector is in the Power management mode.
			The temperature inside the projector is abnormally high. The projector cannot be turned on. When the projector is cooled down enough and the temperature returns to normal, the POWER indicator emits a red light and the projector can be turned on. (The WARNING indicator keeps blinking.) Check and clean the air filter.
			The projector has been cooled down enough and the temperature returns to normal. When turning on the projector, the WARNING indicator stops blinking. Check and clean the air filter.
			The projector detects an abnormal condition and cannot be turned on. Check power supply circuit and fans control circuit.
			The projector's Network or Memory viewer function is in an abnormal condition.

 ••• green.

 ••• red

 ••• off

 ••• blinks green.

 ••• blinks red.

* When the life of the projection lamp draws to an end, the LAMP REPLACE indicator lights yellow. When this indicator lights yellow, replace the projection lamp with a new one promptly. Reset the lamp replacement counter after replacement of the lamp.

Troubleshooting

No Power

This projector provides a function which can be specified a defective area simply by indicating the LEDs. Connect the AC cord and press the Power button once and then check the LED indication.

- **When all of LED indicators are not lighting** the symptom indicates that the primary power supply circuit does not operate properly. Check the power primary circuit and parts as follow;

AC cord, F601 (Fuse), Power board,

SW902 (Thermal sw.) short in normal

SW902 opens when the surrounding temperature of the switch exceeds 100°C.

- **When the WARNING (red) and POWER(red) indicators are flashing**, the symptom indicates that the projector detected an abnormal temperature risen inside the projector. Check the air filters and remove the object near the intake and exhaust fan openings, and wait until the POWER indicator stops flashing, and then try to turn on the projector.

The internal temperature is monitored by sensor ICs, IC8811(Lamp), IC8821 (Panel) on the Main board and IC4831 (Room) on the Temp. board

- **When the WARNING indicator lights red**, the symptom indicates that the projector detected an abnormality in the cooling fan operation or in the power supply secondary circuits. Check fan operation and power supply lines, and the driving signal status.

The P_FAIL signal (Error: L) is sent to pin 215 of IC301<SCALER> when the abnormality occurs inside the projector, and then the IC301 sends the shutdown signal, LAMPDC_ON, to the power supply circuit to stop its operation, and signal BALAST_AC to the lamp ballast board via IC4891 and SW901<lamp cover switch> to stop operation of the lamp circuit.

An abnormality occurs on the secondary power supply;

Check power supplies 15.5V, S6V, S-5V. P_FAIL signal becomes "Low" when the abnormality occurs on any of the power supply lines.

An abnormality occurs on the fan control circuit;

Check FN901, FN902, FN903, FN904, FN905, FN907 and peripheral circuit.

If any of the fans has an error, the fan lock signal drives Q3601 or Q3644 becomes on. As the result, signal FAN_ERR becomes Low and is sent to lamp ballast board to stop lamp circuit.

An abnormality occurs on the drive signals;

ON_150V signal (Power-on: H) is output from pin 344 of IC301 and switches Q2501, 15.5V supply circuit.

ON_5VA signal (Power-on: H) is output from pin 110 of IC301 and switches Q3582, 5VA supply circuit and switches IC5081, 5V_AUDIO supply circuit. ON_3.3V signal (Power-on: H) is output from pin 11 of IC301 and switches IC5631, 3.3V supply circuit and IC491, 1.2V supply circuit.

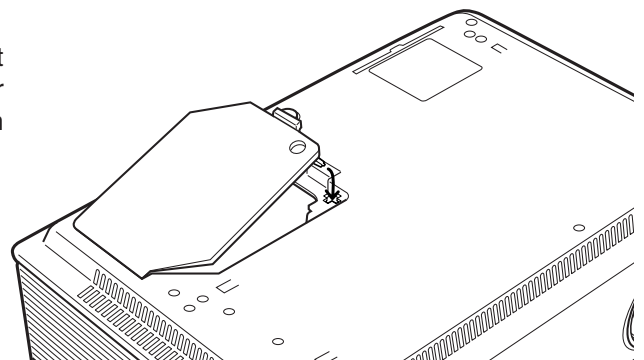
LAMPDC_ON signal (Power-on: H) is output from pin 89 of IC301 and supplied to the P.F Control IC, IC601, on the power supply board through Q681, and PC603.

BALAST_AC signal (Power-on: H) is output from pin 413 of IC301 and applied to pin 2 of IC4891 and output pin 4 and then supplied to the lamp ballast board through SW901<Lamp Cover SW>.

CHO_RXD signal at pin 26 of IC301 is applied from the lamp ballast unit. If the abnormality occurred on the lamp ballast unit, LAMP_DET/CHO_RXD signal becomes "High" and then IC301 shuts down the power supply circuit.

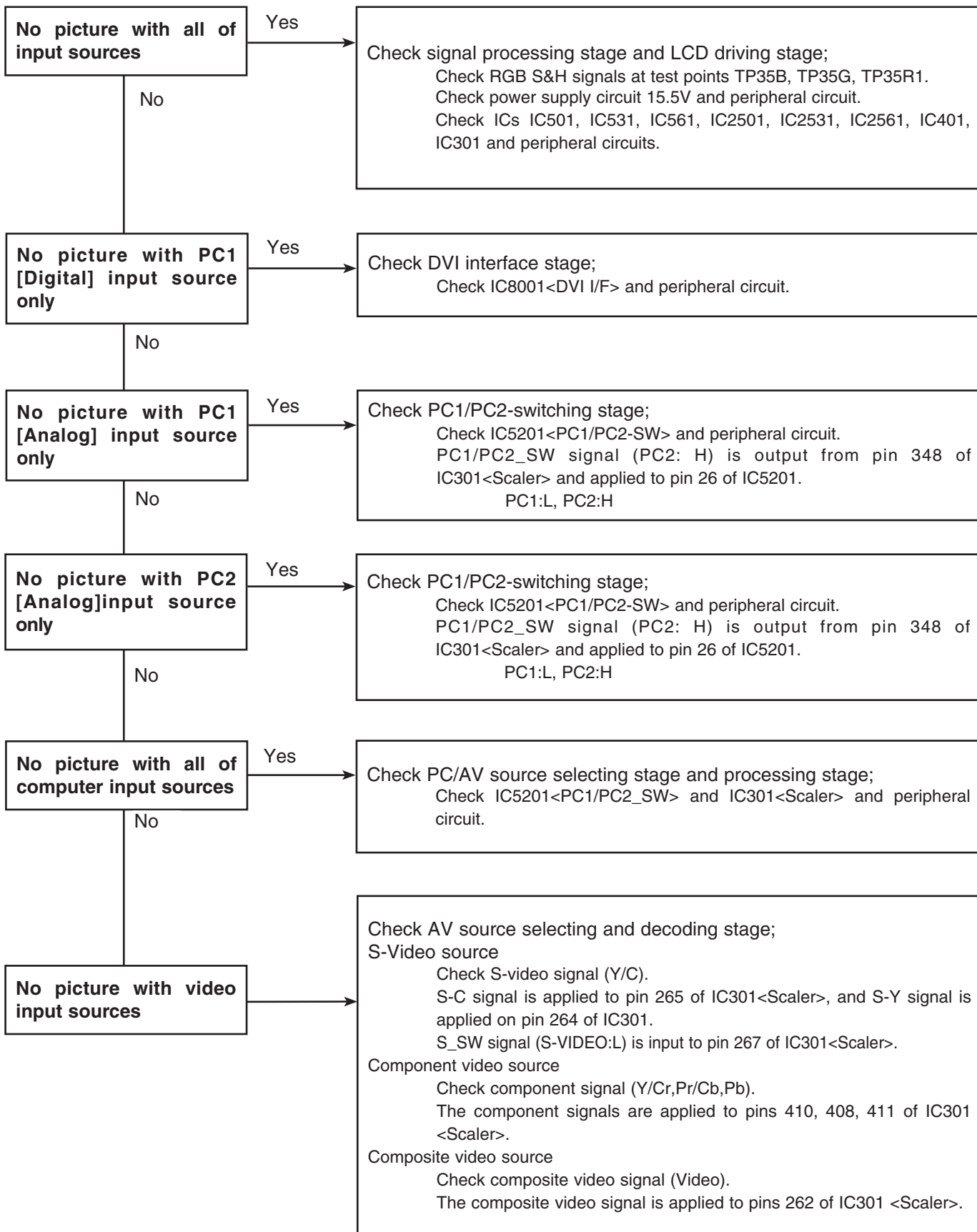
Lamp Cover switch

Make sure that the lamp cover is mounted correctly. If not or the lamp cover removed, the lamp does not light on for the safety. Check the lamp cover and lamp cover switch (SW901).



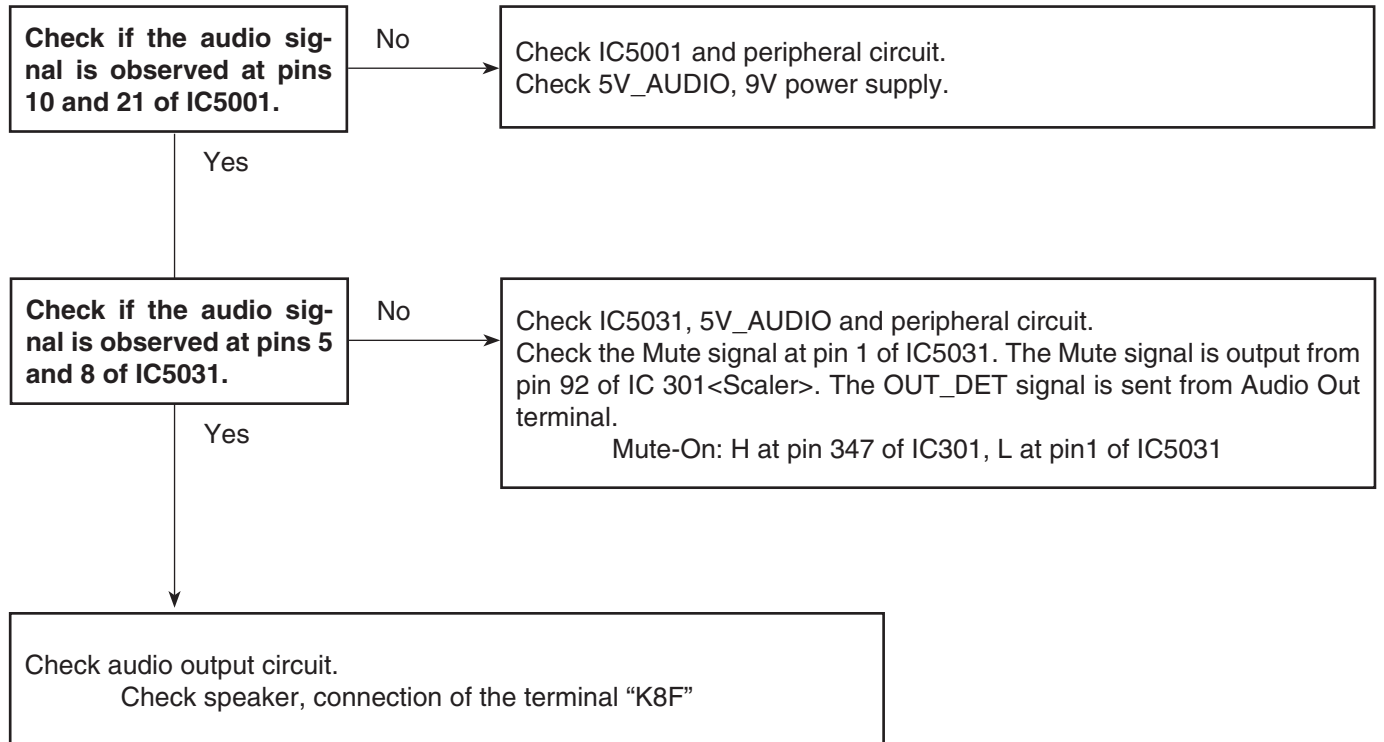
No Picture

Check following steps.



No Sound

Check following steps.



Control Port Functions

Scaler I/O Port Functions (PW190)

PIN NO.	PORT NO.	PORT NAME	FUNCTION	SIGNAL NAME	DESCRIPTION	I/O
1	A1	PORTD7	DDC_SW3	DDC_SW3	DDC_SW3	O
2	A2	VS_MCI	V-Sync for MCI	VS_MCI	V-Sync. Input for MCI	I
11	A11	PORTC5		ON_3.3V	3.3V Power Drive, Power On: H	O
101	B2	PORTD6	DDC_SW1	DDC_SW1	DDC_SW1	O
102	B3	HS_MCI		HS_MCI	H-Sync. Input for MCI	I
110	B11	PORTC6		ON_5VA	5VA Drive On/Off, On: H	O
111	B12	PORTC1		SCS	3-Wired Serial Control	O
124	B25	TXD_PW		TXD_PW	Serial Control RXD	O
193	C3	CK_MCI		CK_MCI	Clock for MCI	O
201	C11	PORTC7		DC_ON	Power Control, Power On: H	O
202	C12	PORTC2		SDATA	3-Wired Serial Control Data	O
204	C14	DCLKOUT	DCLKOUT	DCLK	IIC Bus Control Clock	O
206	C16	DVS	DVS	DVS	V-Sync. Output	O
208	C18	TWOWSD2	2-Wire Serial Data 2	SDA2	IIC Bus Control Data	O
211	C21	TWOWSC1	2-Wire Serial Clock 1	SCL	IIC Bus Control Clock	O
212	C22	TWOWSD0	2-Wire Serial Data 0	SDA	IIC Bus Control Data	O
214	C24	IRRCVR0	IRRCVR0	IRRCVR0	Remote Control In Signal Input	I
28	C26	ADC1	ADC1	KEY-1	Key Control Input	I
277	D4	ME_MCI		ME_MCI	DE for MCI	O
278	D5	PORTD5		SIHS	H-Sync. Input from DVI	I
285	D12	PORTC3		FAN_SW1	Fan Control Switch-1	O
288	D15	DHS	DHS	DHS	H-Sync. Output	O
290	D17	TWOWSC2	2-Wire Serial Clock 2	SCL2	IIC Bus Control Clock	O
293	D20	TWOWSC0	2-Wire Serial Clock 0	SCL0	IIC Bus Control Clock	O
294	D21	TWOWSD1	2-Wire Serial Data 1	SDA1	IIC Bus Control Data	O
295	D22	CHO_TXD		CHO_TXD	Serial Control TXD	O
215	D24	ADC0	ADC0	P_FAIL	Power Failure Signal Input, Failure:L	I
126	D25	ADC2	ADC2	KEY-2	Key Control Input	I
29	D26	ADC6	ADC6	LAMP Option	Lamp Option	I
354	E6	SIVS		SIVS	V-Sync. Input for DVI	I
362	E14	PORTC4		IRM_RST		O
363	E15	PORTC0		FAN_SW2	Fan Control Switch-2	O
367	E19	THRWSC	3-Wire Serial Clock	SCLK	3-Wired Serial Control Clock	O
368	E20	RXD_PW		RXD_PW	Serial Control RXD	I
369	E21	IRRCVR1		IRRCVR1	Wired Remote Control Input	I
370	E22	ADC5		P_FAIL_FAN	Power Failure Signal Input, Failure:L	I
216	E24	ADC3	ADC3	KEY-3	Key Control Input	I
127	E25	ADC7	ADC7	LENS Option	Option Switch LENS	I
30	E26	DAC1	DAC1	FAN_CON_B	Not used	O
298	F23	ADC4	ADC4	BRAND Option	Option Switch BRAND	I
128	F25	DAC2	DAC2	FAN_CON_C	Not used	O
92	K1	PORTB3		MUTE	Sound Mute Drive, Mute On: H	O
270	K3	SICLK		SICLK	Clock for DVI	I
347	K4	SIDEN		SIDEN	SIDEN for DVI	I
91	L1	PORTB5		READY_LED	READY LED Drive, On: H	O
184	L2	PORTB6		WARNING_LED	WARNING LED Drive On: H	O
269	L3	PORTB7		LAMPREP_LED	LAMP REPLACE LED Drive, On: H	O
346	L4	PORTB4		PWR_LED	POWER LED Drive, On: H	O
90	M1	PORTA0		XSTDBYEN	for I/O Expander	O
183	M2	PORTA1		SRESET	for I/O Expander	O
345	M4	PORTB2		PC1/PC2_SW	PC1/PC2 Switch Output, PC1: H	O
89	N1	PORTA3		LAMPDC_ON	Power Control, Power On: H	O
192	N2	PORTA5		CABLE_SW	Cable Switch Output SCART: Hi	O
267	N3	PORTA6		S_SW	S-Video Input Switch	I
344	N4	PORTA7		ON_150V	15V Power Drive, Power On: H	O
413	N5	PORTA4		BLAST_AC	Lamp Control, Lamp On: H	O
474	N6	PORTA2		WAKEUP	for I/O Expander	O
265	R3	S_C		S_C	S-Chroma Signal Input	I

Control Port Functions

PIN NO.	PORT NO.	PORT NAME	FUNCTION	SIGNAL NAME	DESCRIPTION	I/O
411	R5	CR_IN		CR_IN	Component Video (CR) Input	I
86	T1	SCART_CV		SCART_CV	Composite Video Signal Input for SCART	I
264	T3	S_Y		S_Y	S-Y Signal Input	I
410	T5	Y_IN		Y_IN	Component Video (Y) Input	I
283	U3	SMUXIN1	SOG MUX input Ch1	SOG	Sync on Green Signal Input	I
409	U5	SMUXIN0	SOG MUX input Ch0	Y_IN	Y Signal Input (Not used)	I
282	V3	BMUXIN1	Blue MUX input Ch1	VIDEO	Video Signal Input	I
408	V5	BMUXIN0	Blue MUX input Ch0	CB_IN	Component Video (CB) Input	I
140	V25	MREFIN1	Memory Voltage Reference			
82	Y1	RAI1	Ch1 Analog Input	R	R Signal Input	I
280	Y3	GAI1	Ch1 Analog Input	G	G Signal Input	I
174	AA2	SOG1	SOG Ch1	SOG Ch1	Sync on Green ch1 Input	I
258	AB3	BAI1	Ch1 Analog Input	B	B Signal Input	I
331	AC7	HS1		HS1	H-Sync Input	I
166	AE6	ADCXOUT	Crystal oscillator	X'TAL OUT		
165	AE7	AFETEST3	TestPin	TAFETST3		
162	AE10	RESETB	Reset	PW_RESET	Reset Input	I
161	AE11	VS1	Channel 1 VSync	VS1	V-Sync Input	I
50	AE26	NMI	NMI	NMI	NMI Input	I
72	AF5	ADCXIN	Crystal oscillator	X'TAL IN		

IIC Bus D/A Converter Port Functions (M62334)

PIN	PORT	NAME	DESCRIPTION	I/O
1	A1	FAN_DAC1	Fan Control Analog Output	AO
2	A2	FAN_DAC2	Fan Control Analog Output	AO
3	A3	FAN_DAC3	Fan Control Analog Output	AO
4	A4	FAN_DAC4	Fan Control Analog Output	AO
5	GND	GND	-	-
6	SDA	SDA	IIC BUS SDA(5V)	I/O
7	SCL	SCL	IIC BUS SCL(5V)	I/O
8	Vcc	Vcc	-	-

Control Port Functions

I/O Expander Port Functions (TE7783)

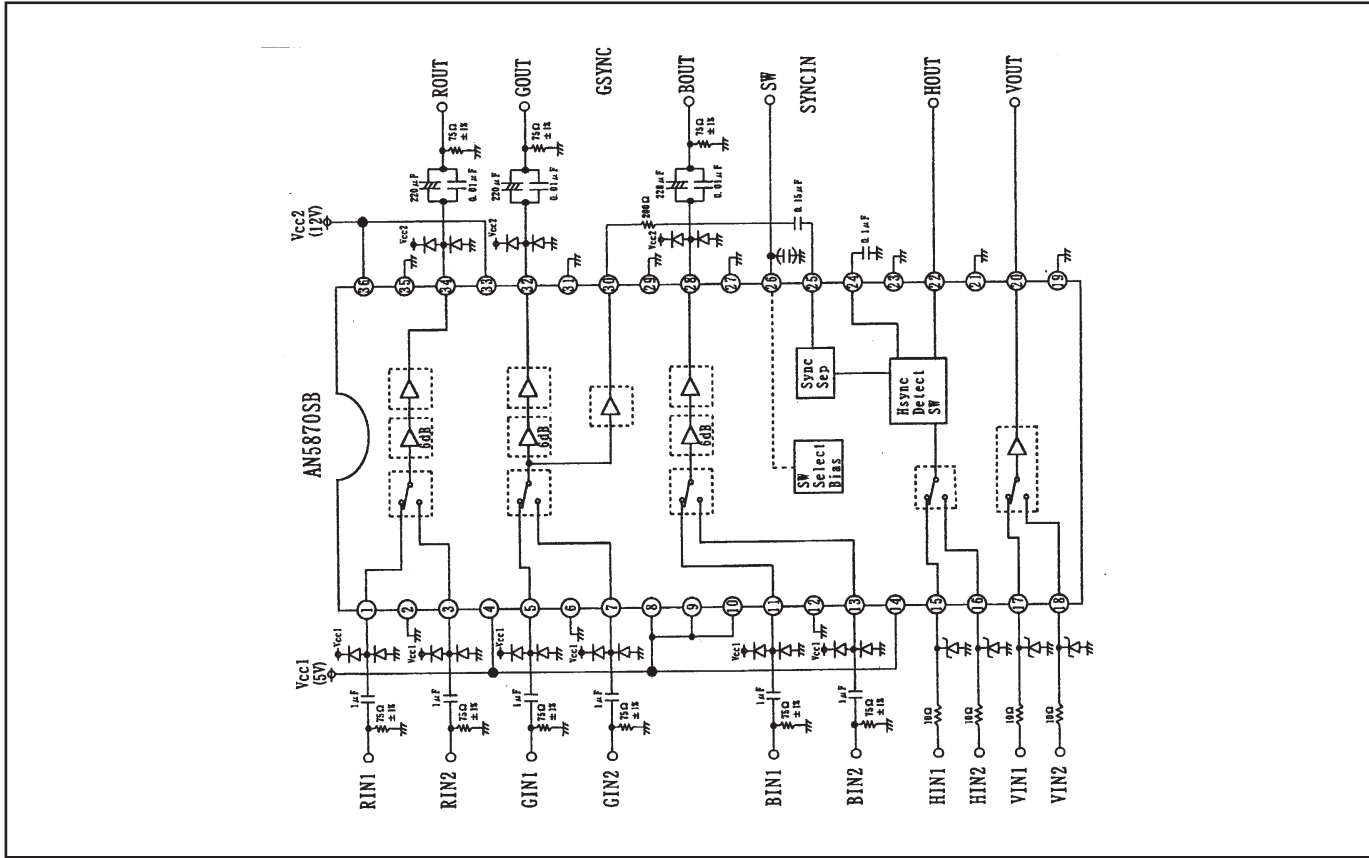
PIN NO.	NAME	FUNCTION	ACTION	I/O
2	P1	I/O_TXD0	For Alarm	O
3	P2	I/O_AN3	For Alarm	I
4	P3	I/O_ALARM_OUT	For Alarm	I
5	P4	R_AE18		I
6	P5	W_R/C_SW	L: Wired R/C	I
7	P6	CARD_IN		I
34	WAKEUP	WAKEUP		I
36	RST	REST		I
38	XI	XI	X'TAL IN	I
39	XO	XO	X'TAL OUT	O
43	XSTDBYE	XSTDBYEN		O
48	P21	MCI_ON	H: MCI ON	O
49	P22	STANDBY_MCI	H: MCI STANDBY	O
50	P23	POWER_ON_MCI	H: MCI ON	O
53	P26	INH	INH from Battery Charging Circuit	I
54	P27	USB_VBUS		
55	P28	USB_D-		I/O
61	AIN1	P_FAIL_MCI	Fpower Fail Signal Input for MCI Circuit	I
65	AIN5	BATT	BATT from Battery Charging Circuit	I
67	AIN7		G-Sensor Input	I
68	AIN8		G-Sensor Input	I
72	P31	TXD_MCI	For MCI	O
73	P32	RXD_MCI	For MCI	I
74	P33	TXD2_MCI	For MCI	I
75	P34	RXD2_MCI	For MCI	O
76	P35	I/O_RXD0	For Alarm	O
77	P36	I/O_CLK0	For Alarm	O
78	P37	I/O_TC	For Alarm	
81	DMNUS	USD_D-		I/O
91	P11	SIPD	For DVI	O
92	P12	SIPD0	For DVI	O
93	P13	DVI_HPD	For DVI	O
94	P14	SIRST	For DVI	O
98	DDC_SW2	DDC_SW2	Switch for DDC IC	O
99	DDC_SW4	DDC_SW4	Switch for DDC IC	O

Waveform

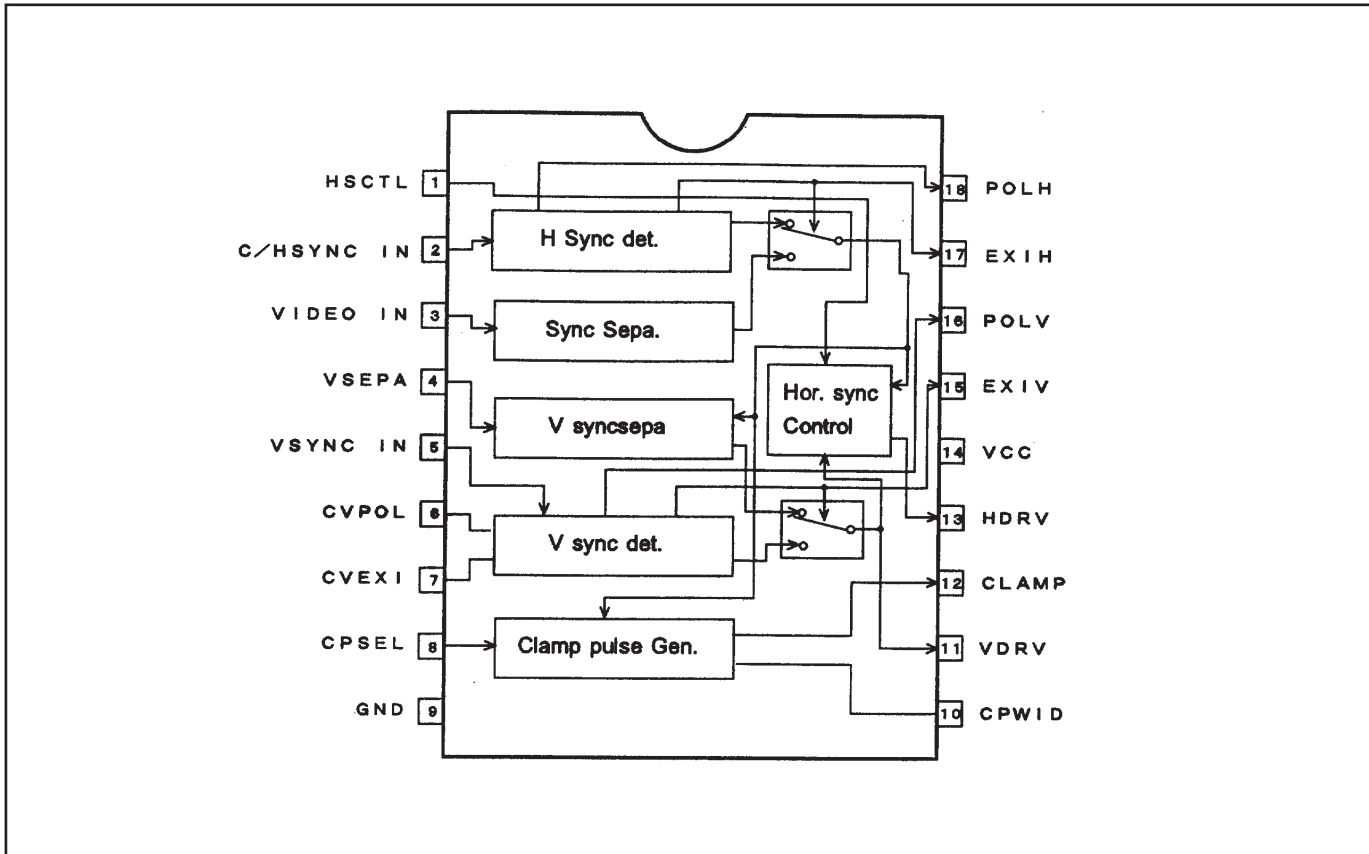
VIDEO signal <VIDEO>	HSYNC signal	VSYNC signal
HSYNC signal <TPDHS>	VSYNC signal <TPDVS>	
R-S&H signal <TP35R>	G-S&H signal <TP35G>	B-S&H signal <TP35B>

IC Block Diagrams

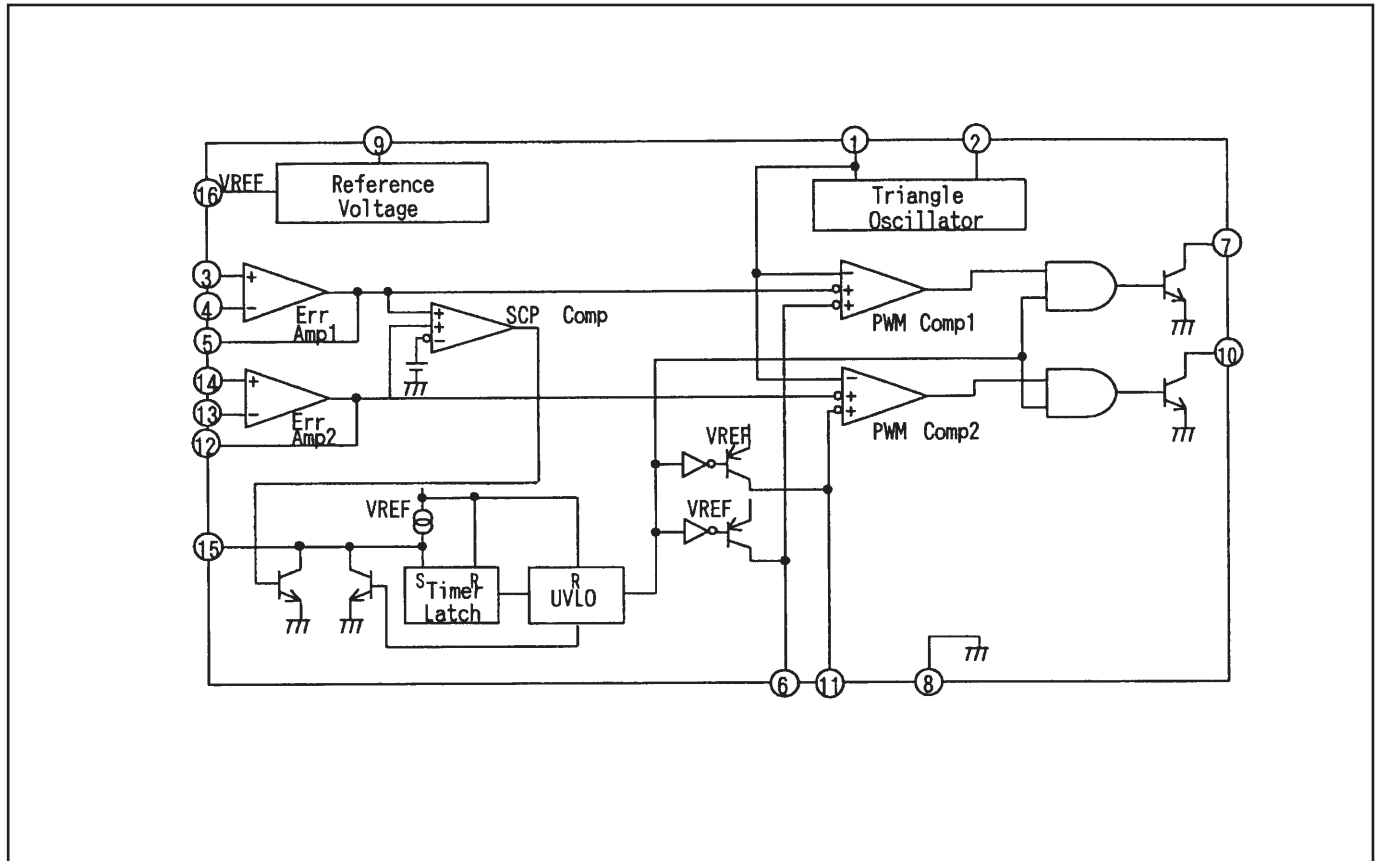
● AN5870 <Signal Switch, IC5201>



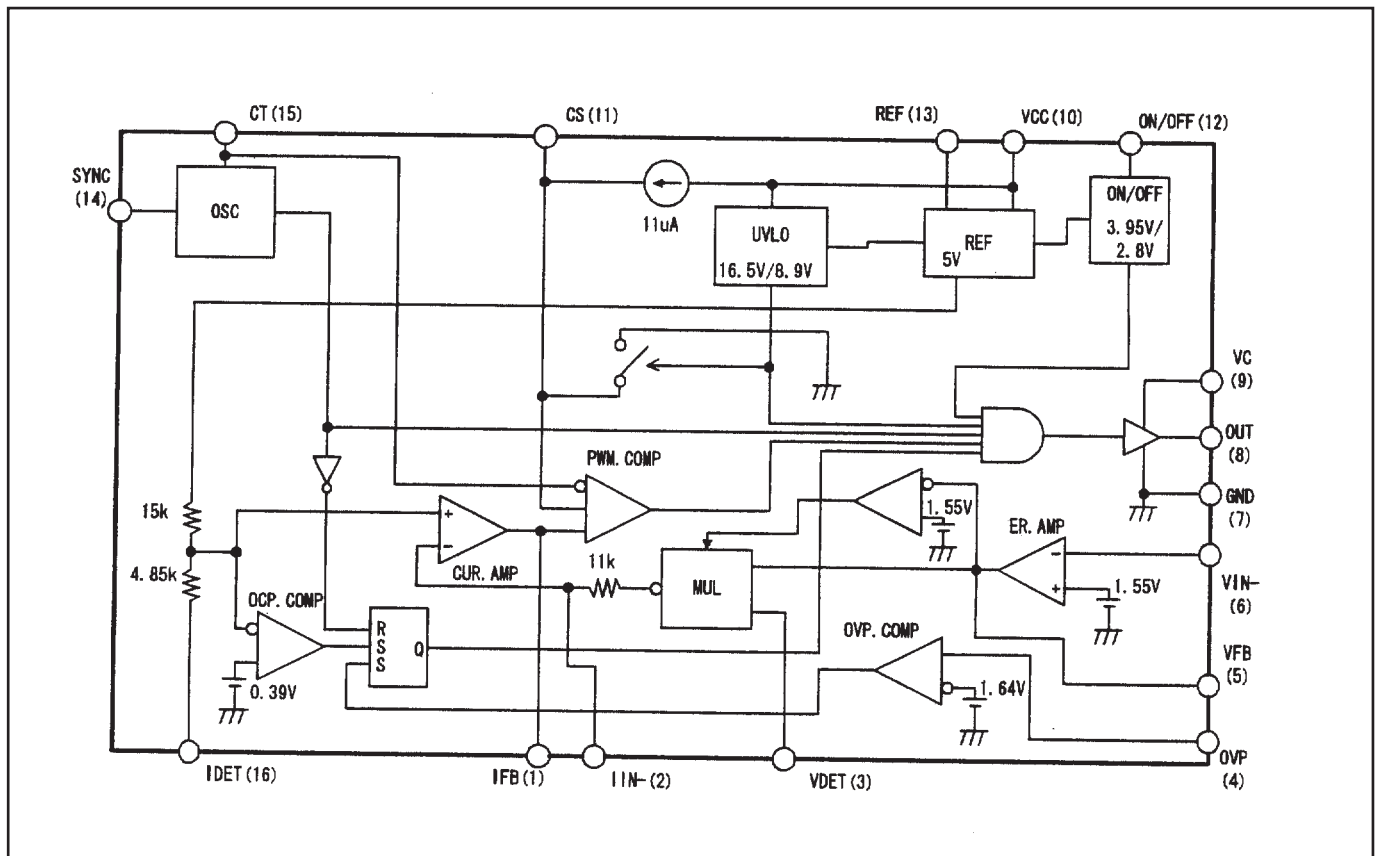
● BA7078 <Sync Separator, IC5301>



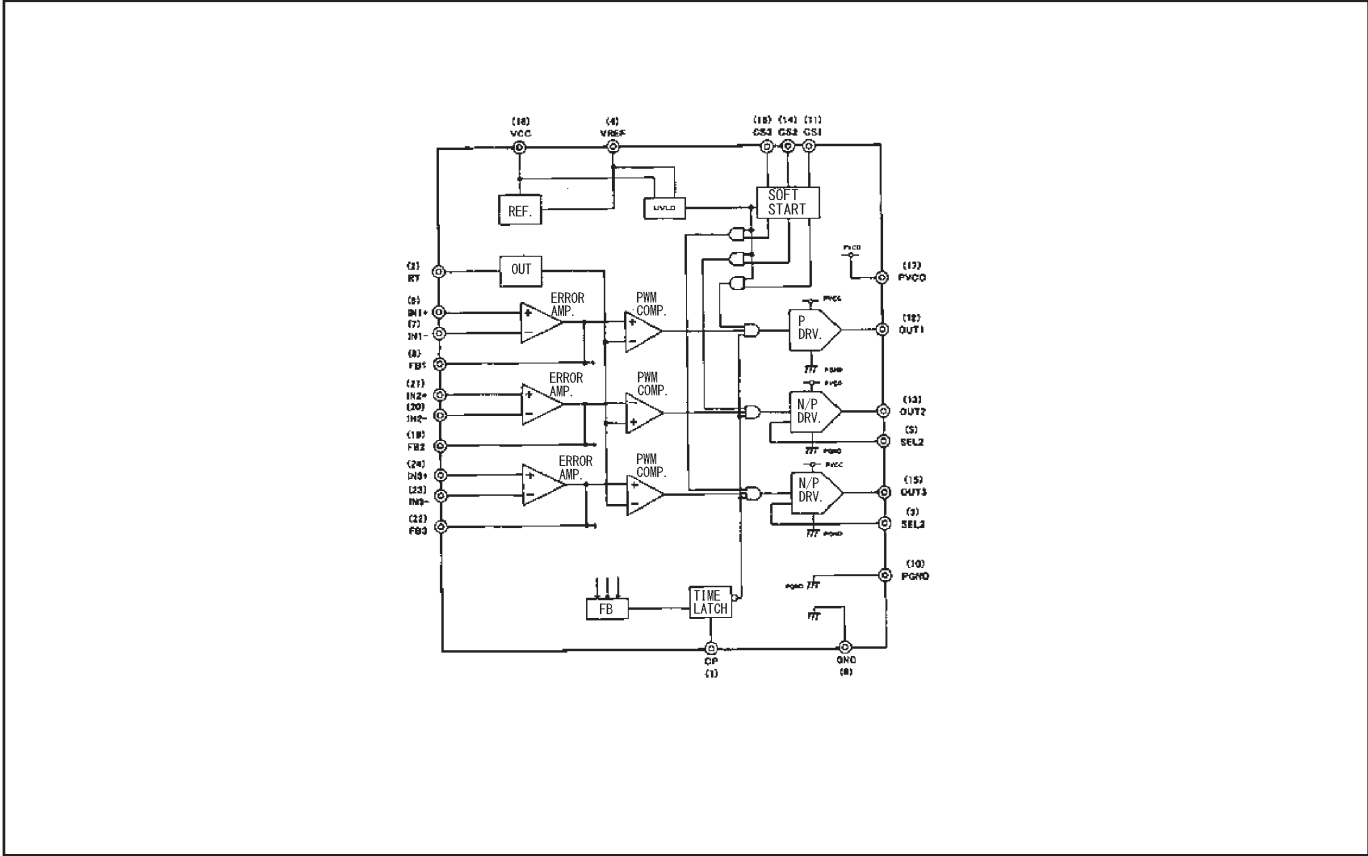
● BA9743 <DDC Control, IC5751>



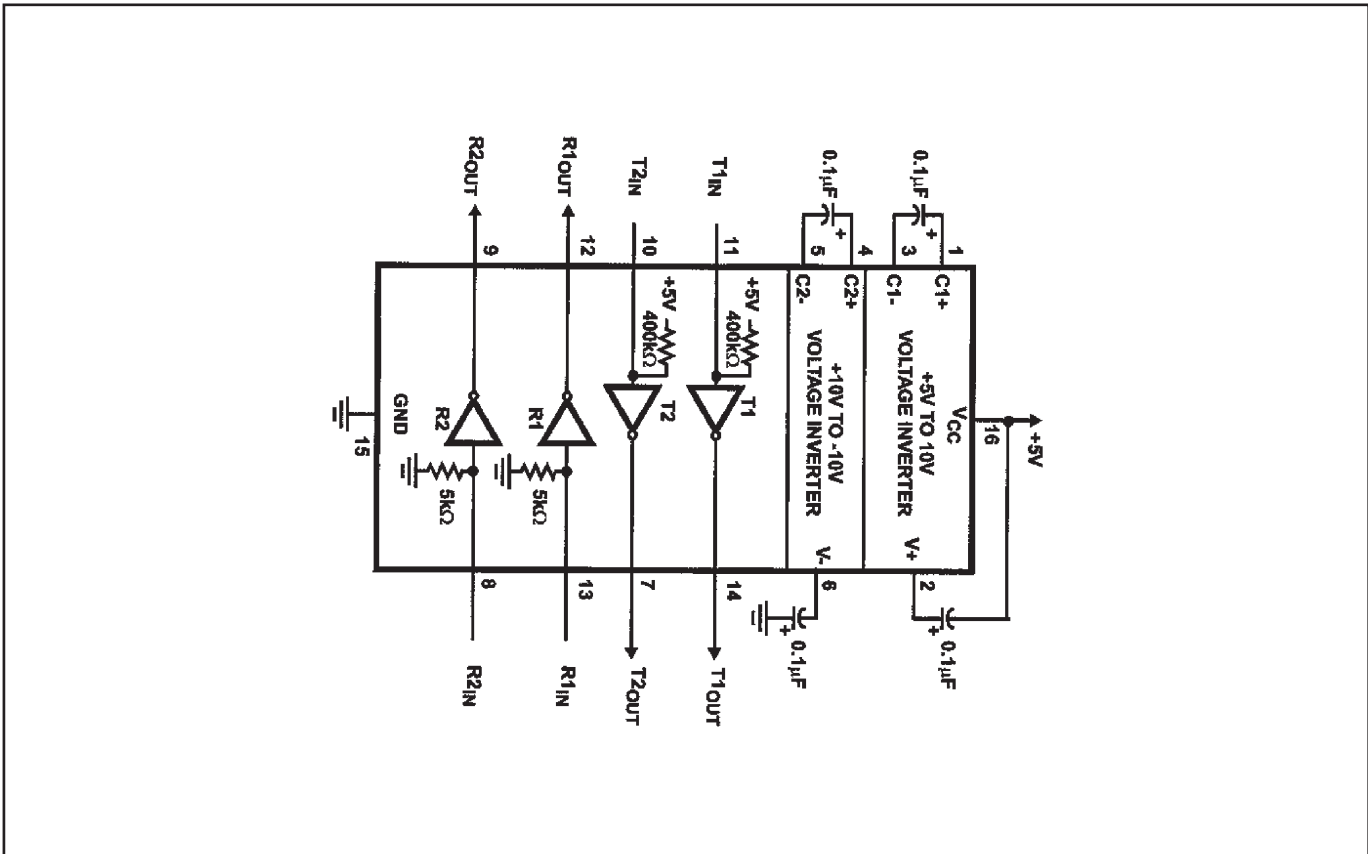
● FA5502 <P.F. Control, IC601>



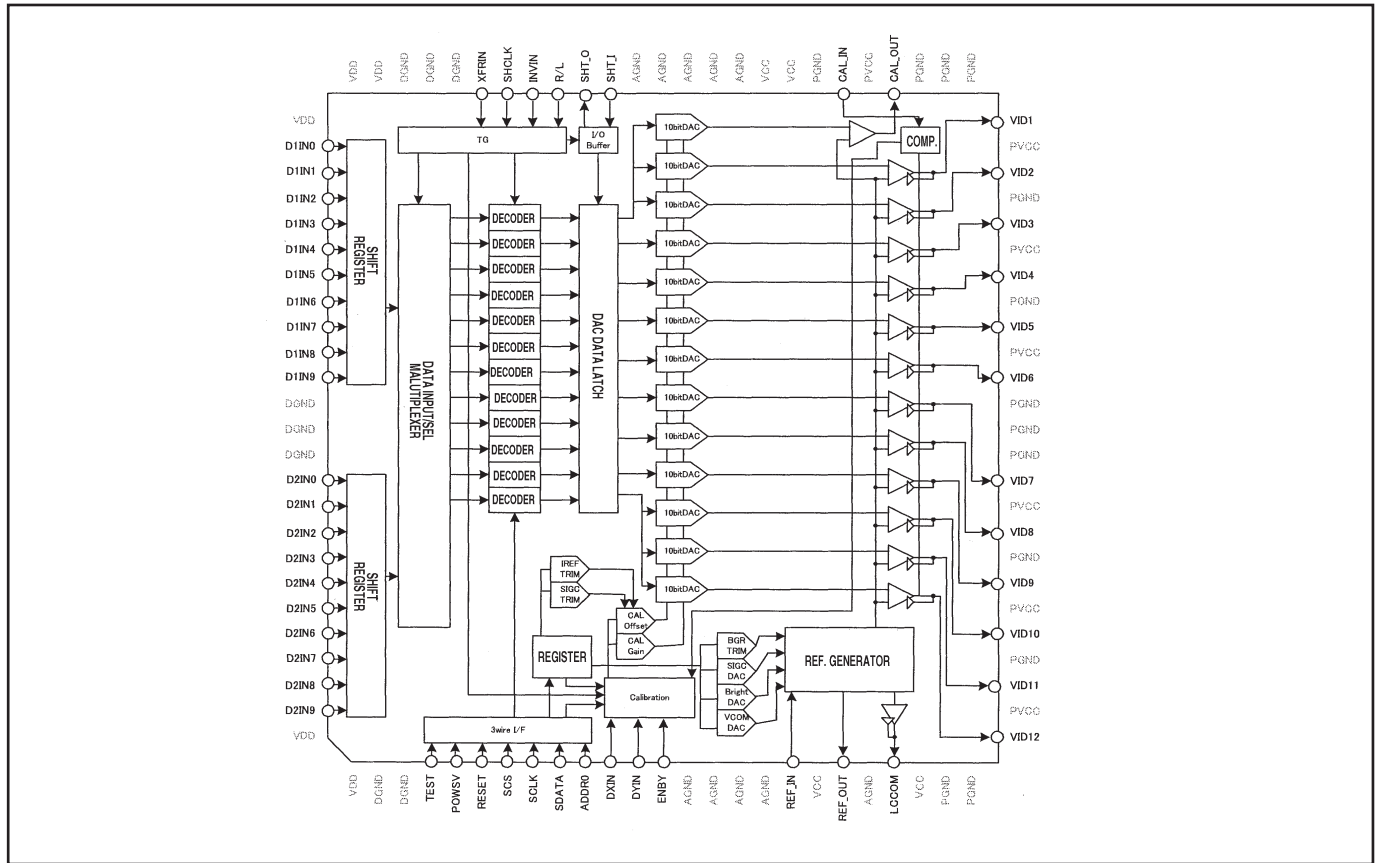
● FA7711 <DC-DC Converter, IC5801>



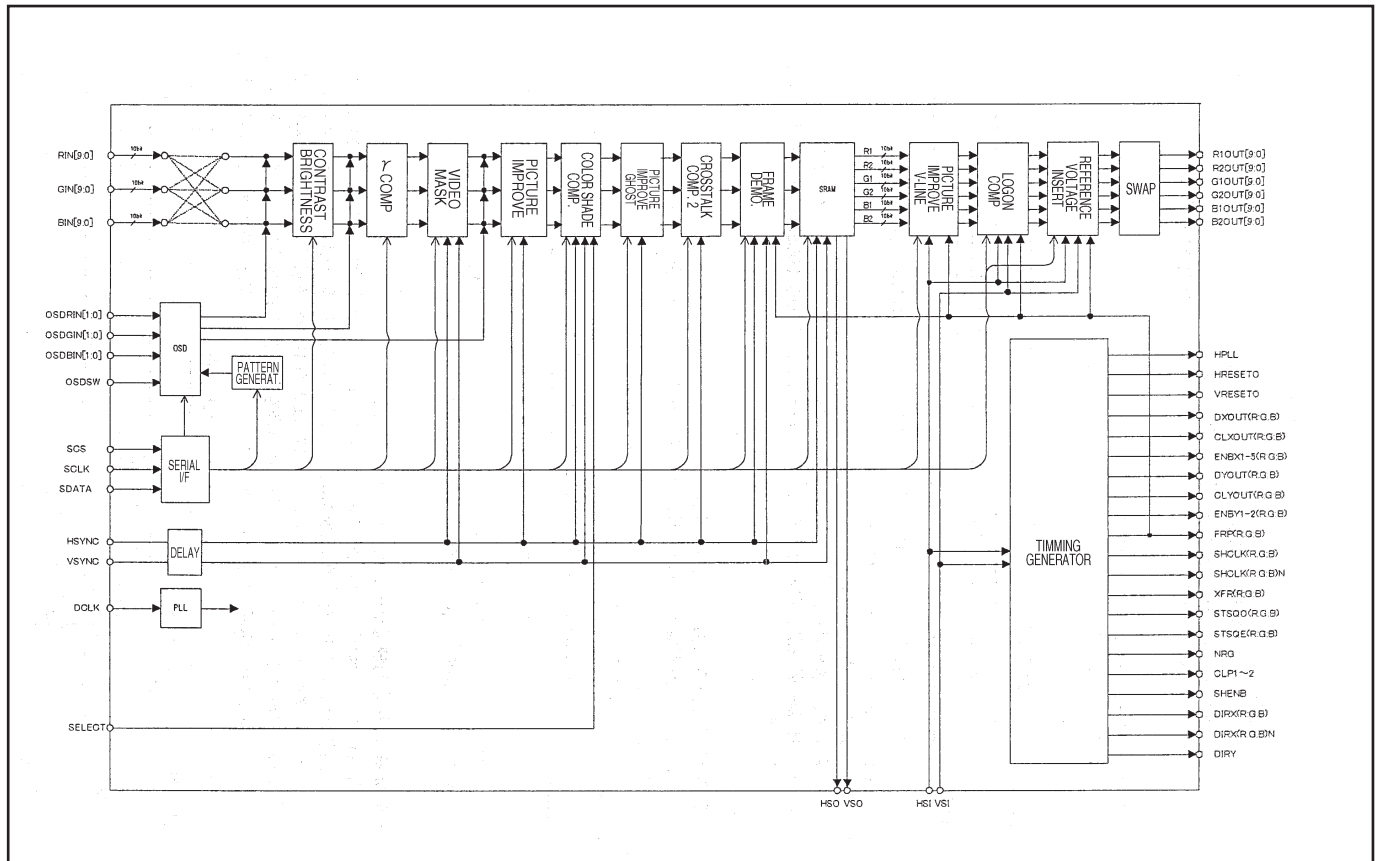
● HIN202EIB <RS-232C Driver, IC3801>



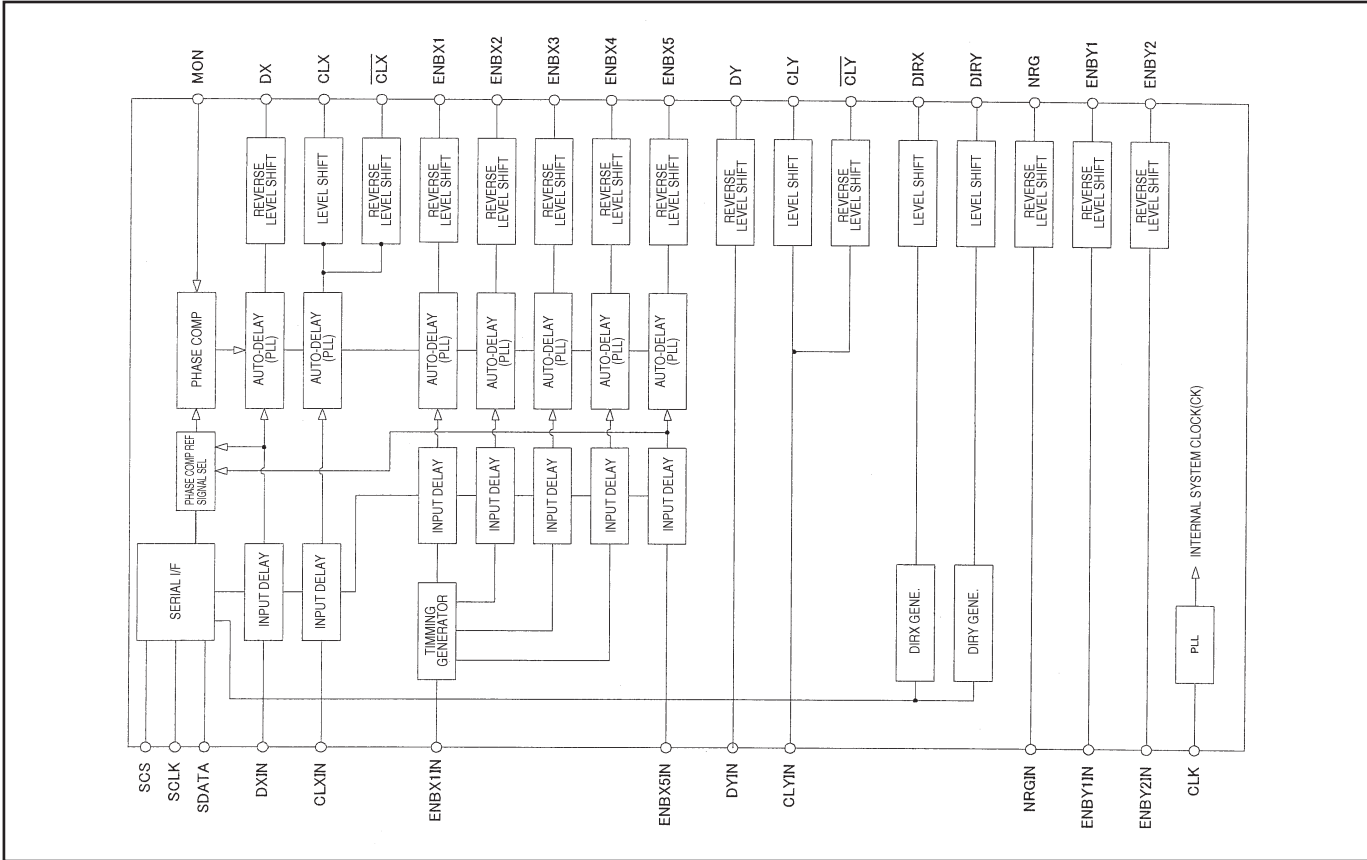
● L3E06150 <D/A, S/H-LCD Driver, IC501, IC531, IC561>



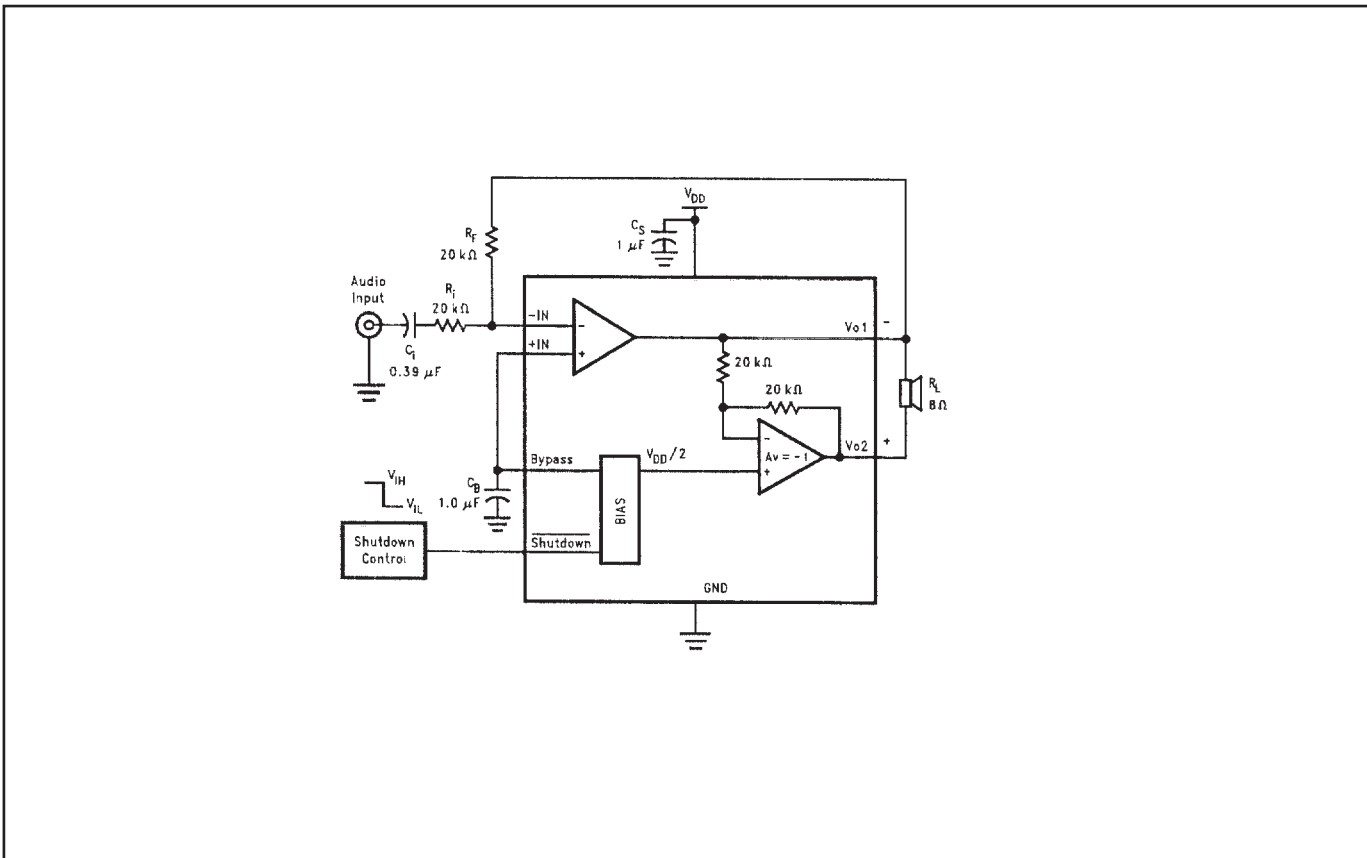
● L3E07110 <LCD Driver & Gamma Correction, IC401>



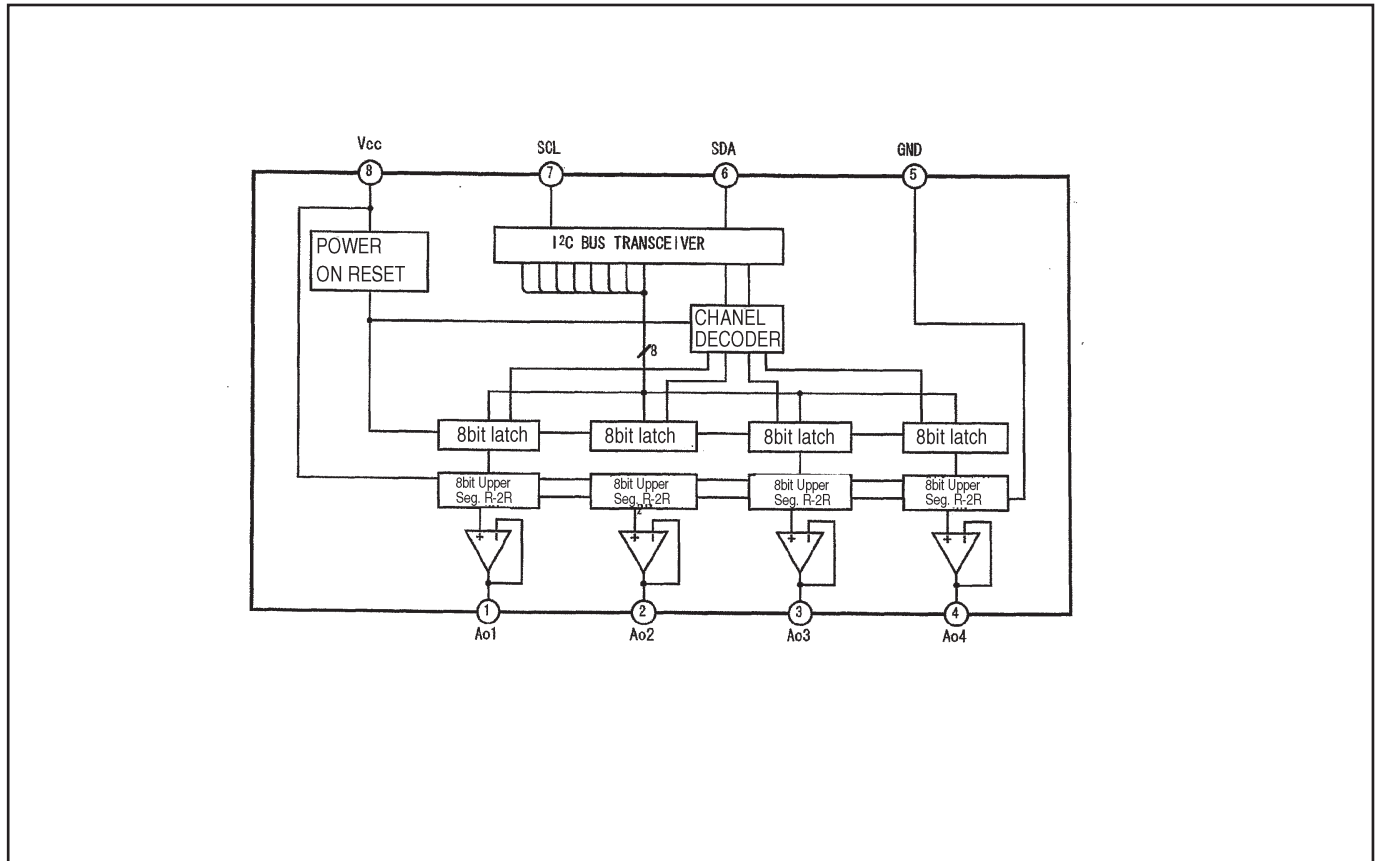
● L3E01060 <Level Shift, IC2501, IC2531, IC2561>



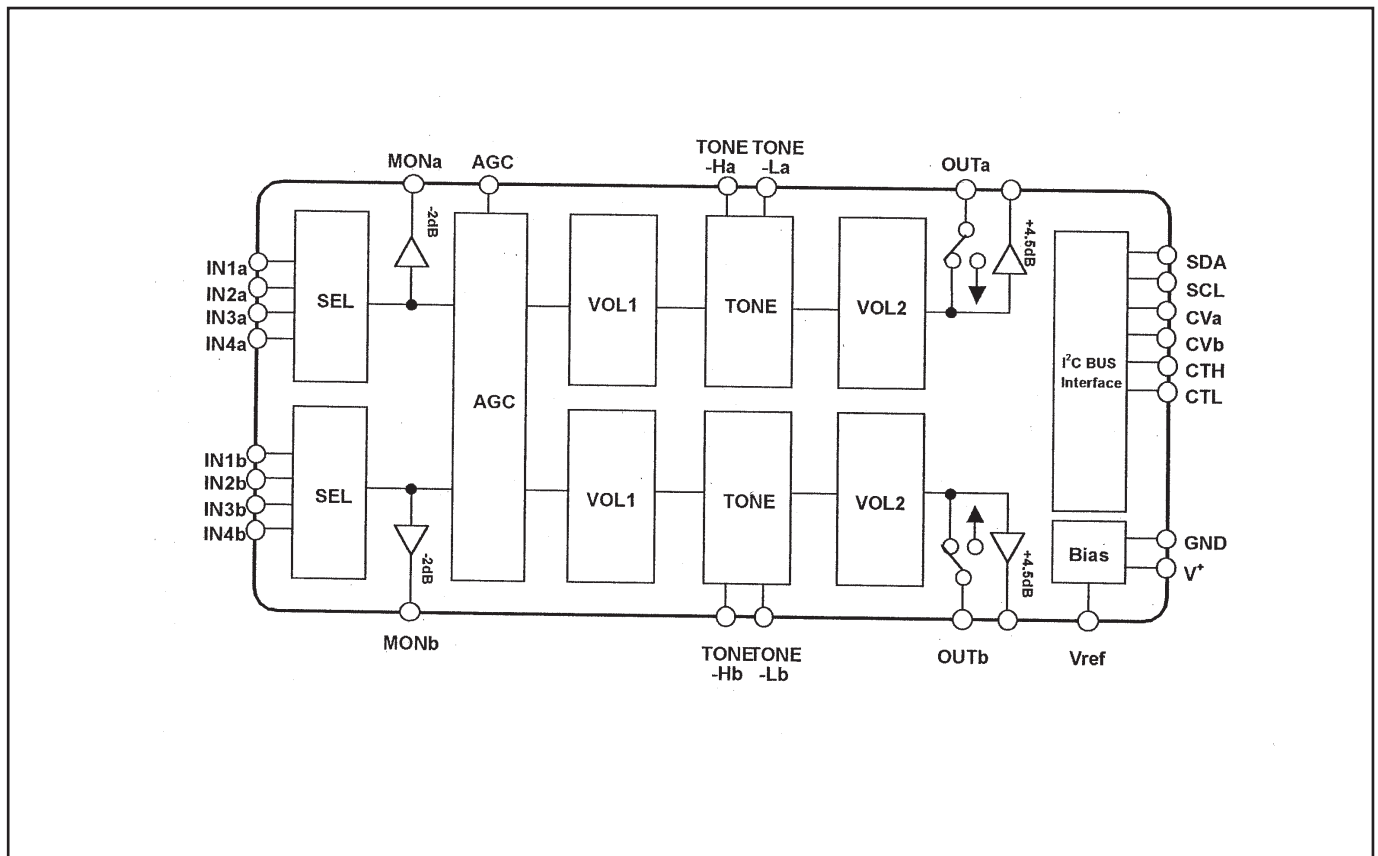
● LM4889 <Audio Output, IC5031>



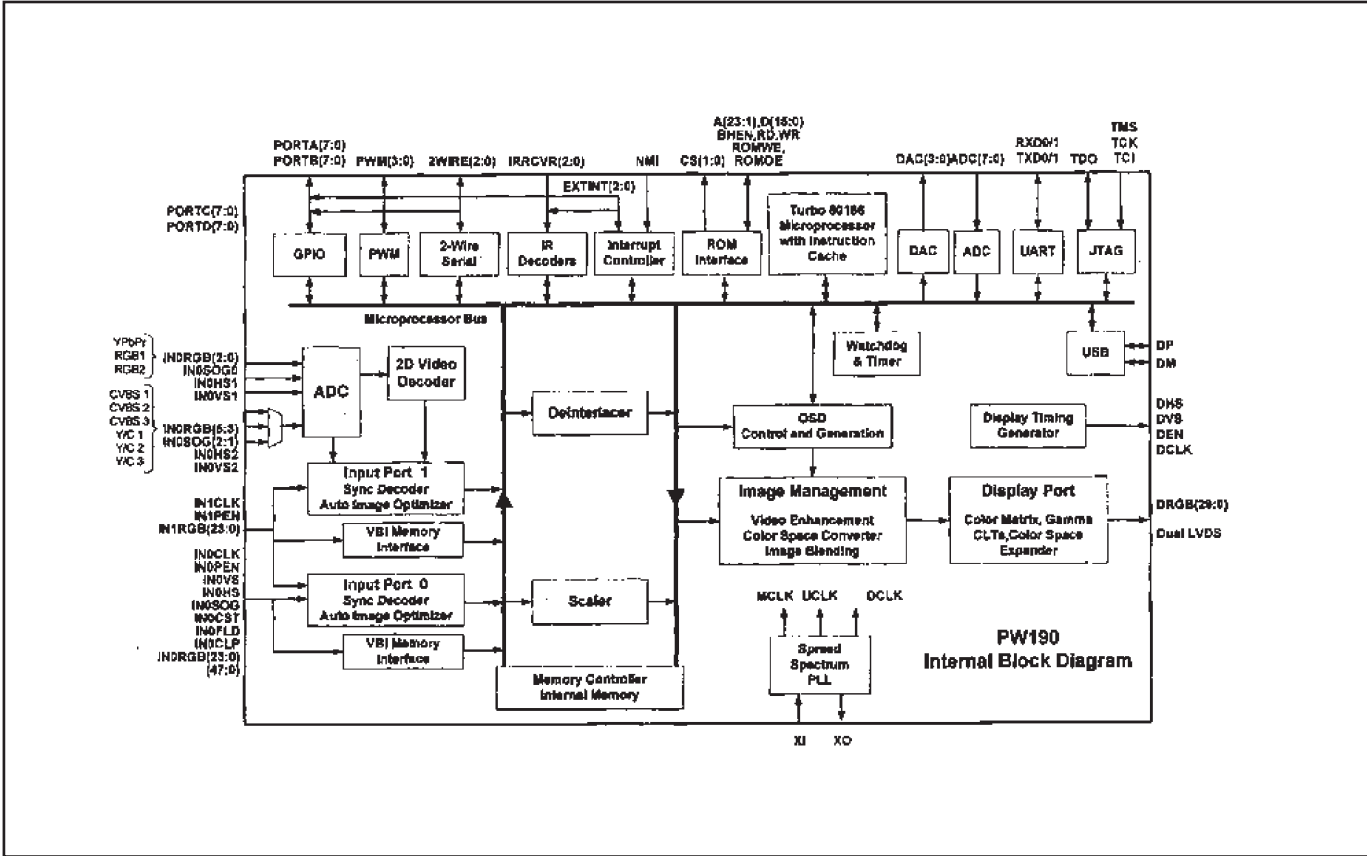
● M62334 <DAC, IC3501>



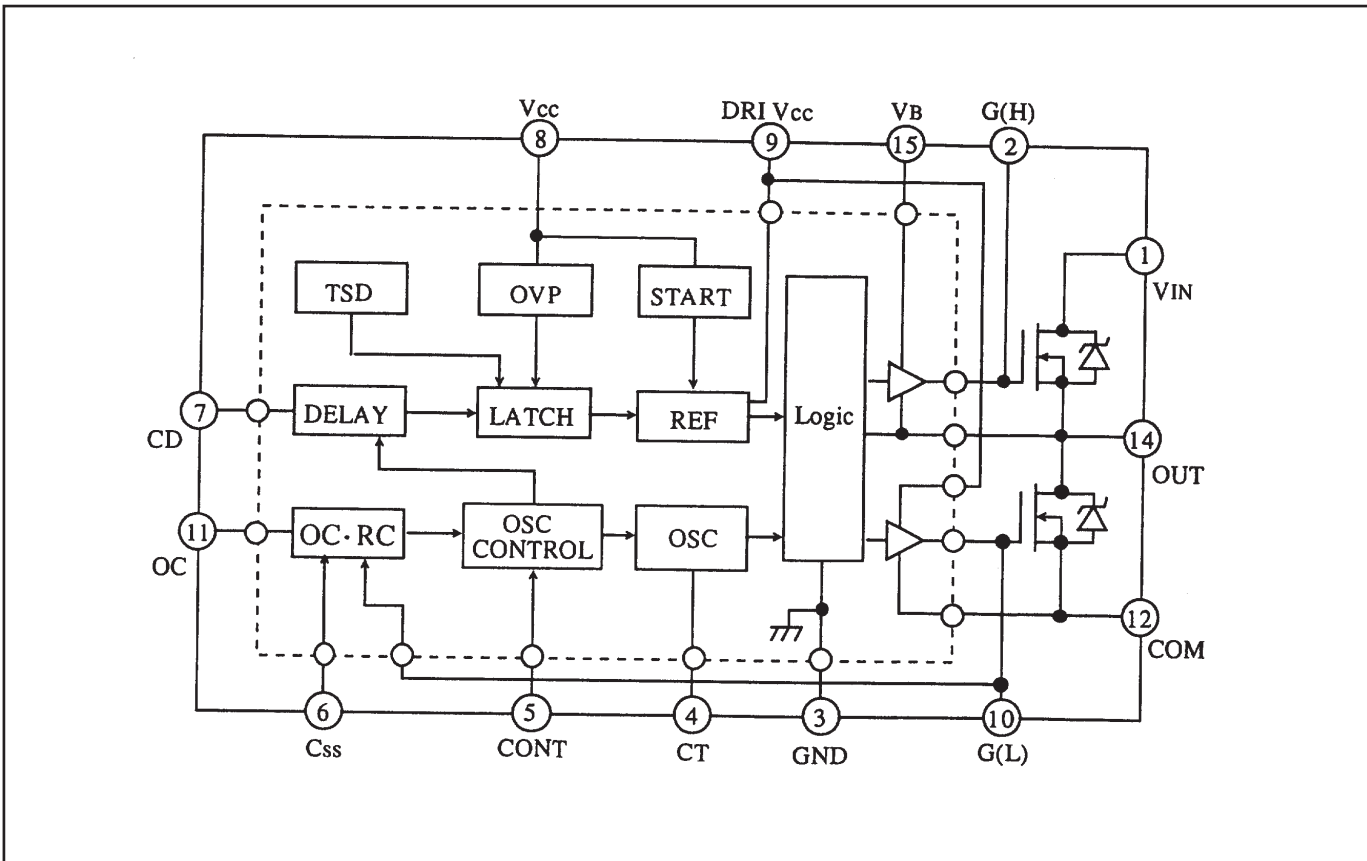
● NJW1141 <Audio Control, IC5001>



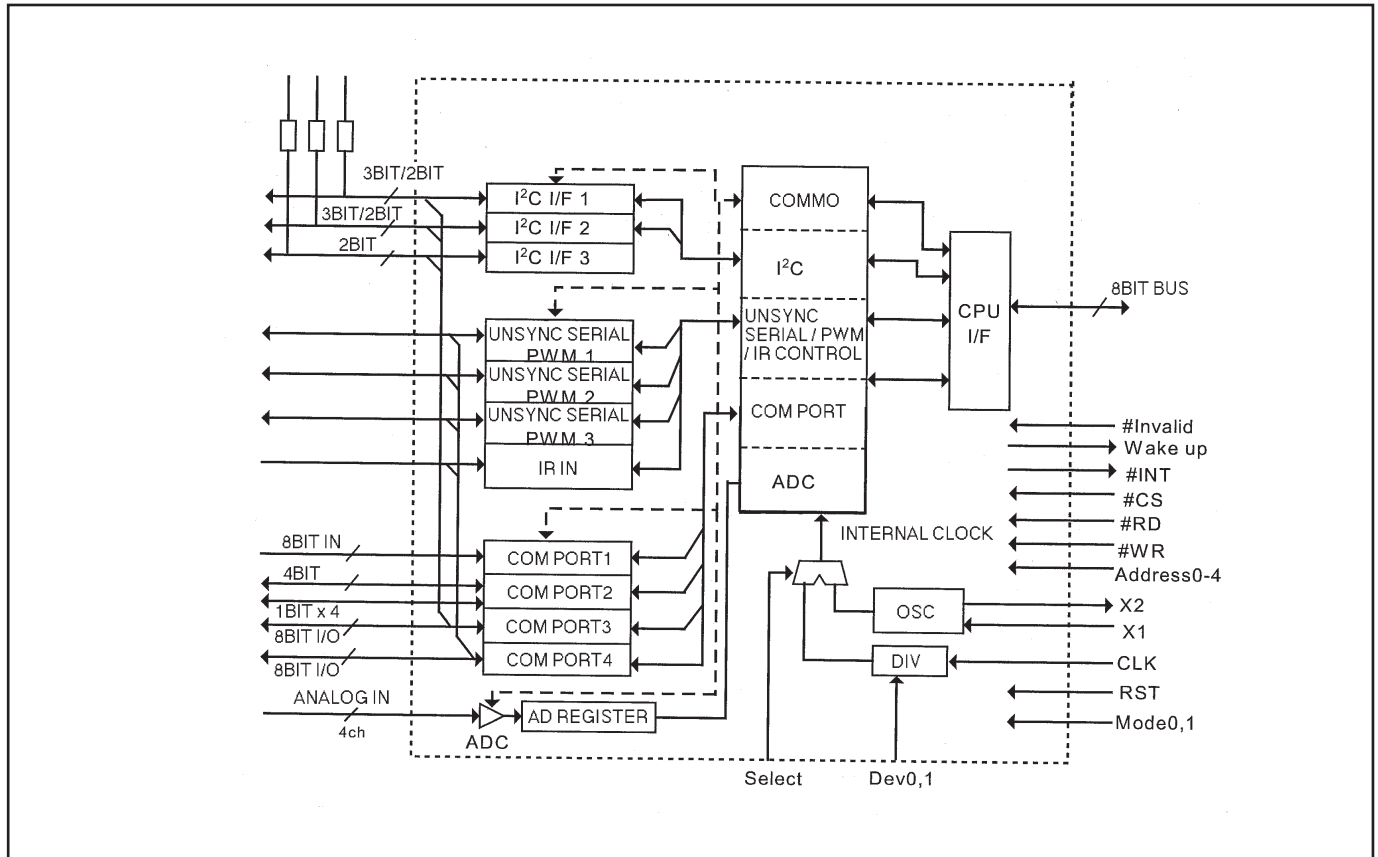
● PW190 <Scaler, IC301>



● STR-Z2156 <Power OSC, IC651>



● TE7783 <Parallel I/O Expander, IC1802>

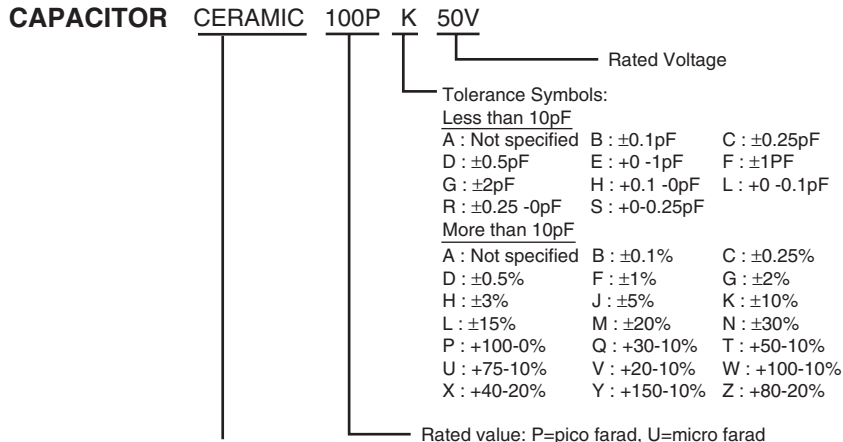


Electrical Parts List

Product safety should be considered when a component replacement is made in any area of a projector. Components indicated by a Δ mark in this parts list and the circuit diagram show components whose value have special significance to product safety. It is particularly recommended that only parts specified on the following parts list be used for components replacement pointed out by the mark.

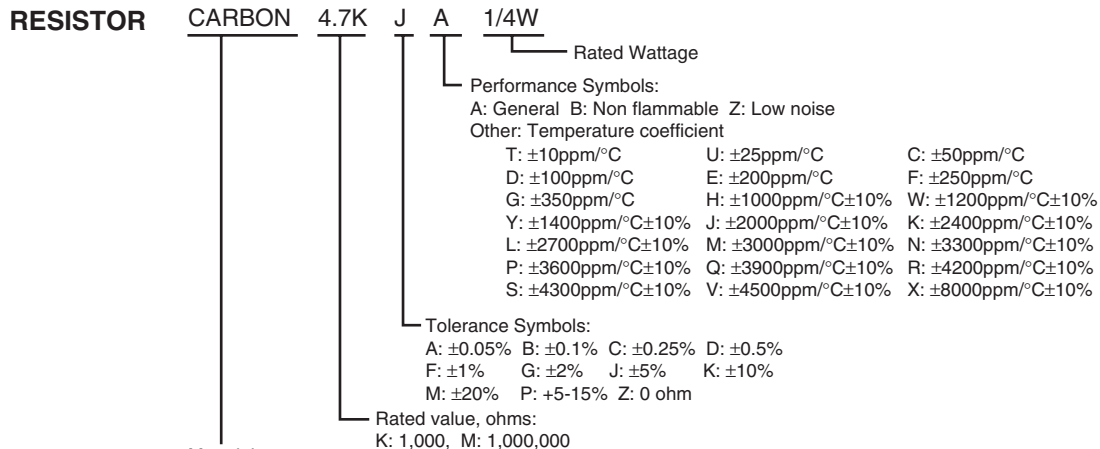
● Read Description in the parts list

Read description in the Capacitor and Resistor as follows:



Material:

- CERAMIC..... Ceramic
- MT-PAPER..... Metallized Paper
- POLYESTER..... Polyester
- MT-POLYEST.....Metallized Polyester
- POLYPRO..... Polypropylene
- MT-POLYPRO.....Metallized Polypropylene
- COMPO FILM..... Composite film
- MT-COMPO.....Metallized Composite
- STYRENE.....Styrene
- TA-SOLID..... Tantalum Oxide Solid Electrolytic
- AL-SOLID..... Aluminium Solid Electrolytic
- ELECT..... Aluminum Foil Electrolytic
- NP-ELECT..... Non-polarised Electrolytic
- OS-SOLID..... Aluminium Solid with Organic Semiconductive Electrolytic
- POS-SOLID..... Polymerized Organic Semiconductive
- DL-ELECT..... Double Layered Electrolytic
- PPS-FILM.....Polyphenylene Sulfide Film
- MT-PPS-FILM.....Metalized Polyphenylene Sulfide Film
- MT-PEN-FILM.....Metalized Polyethylenenaphthalate Film
- CAPACITOR.....Other



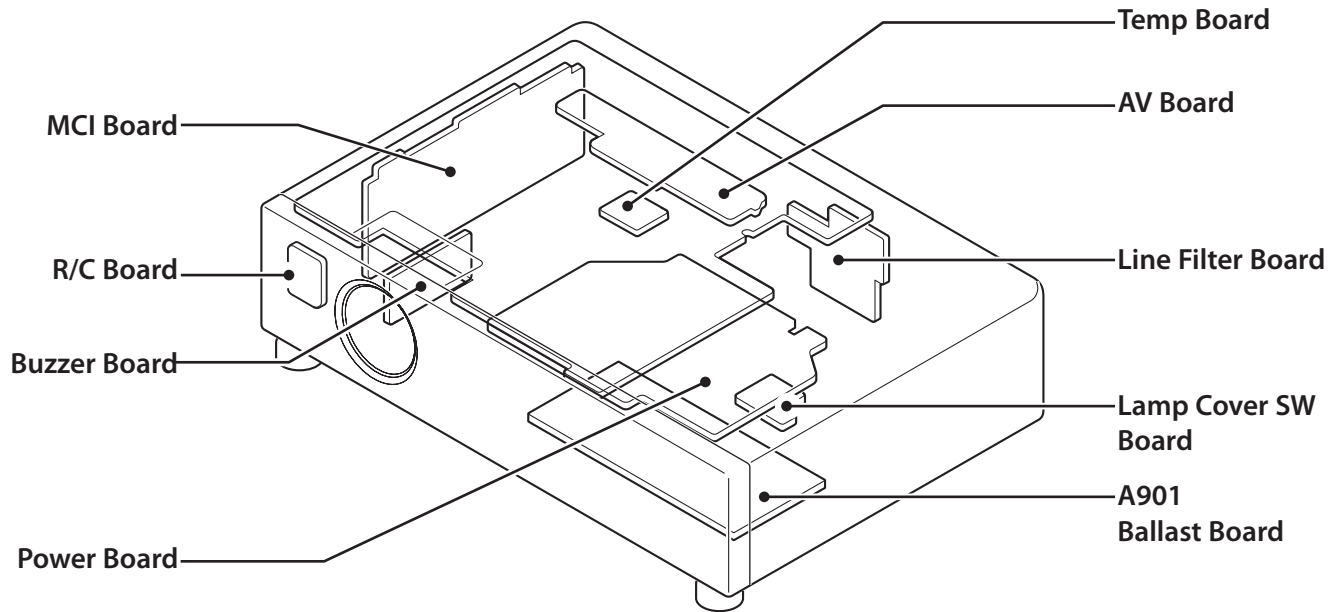
Material:

- CARBON..... Carbon
- MT-FILM..... Metal Film
- OXIDE-MT..... Oxide Metal Film
- SOLID..... Composition
- MT-GLAZE..... Metal Glaze
- WIRE WOUND... Wire Wound
- CERAMIC RES.. Ceramic
- FUSIBLE RES.... Fusible
- RESISTOROther

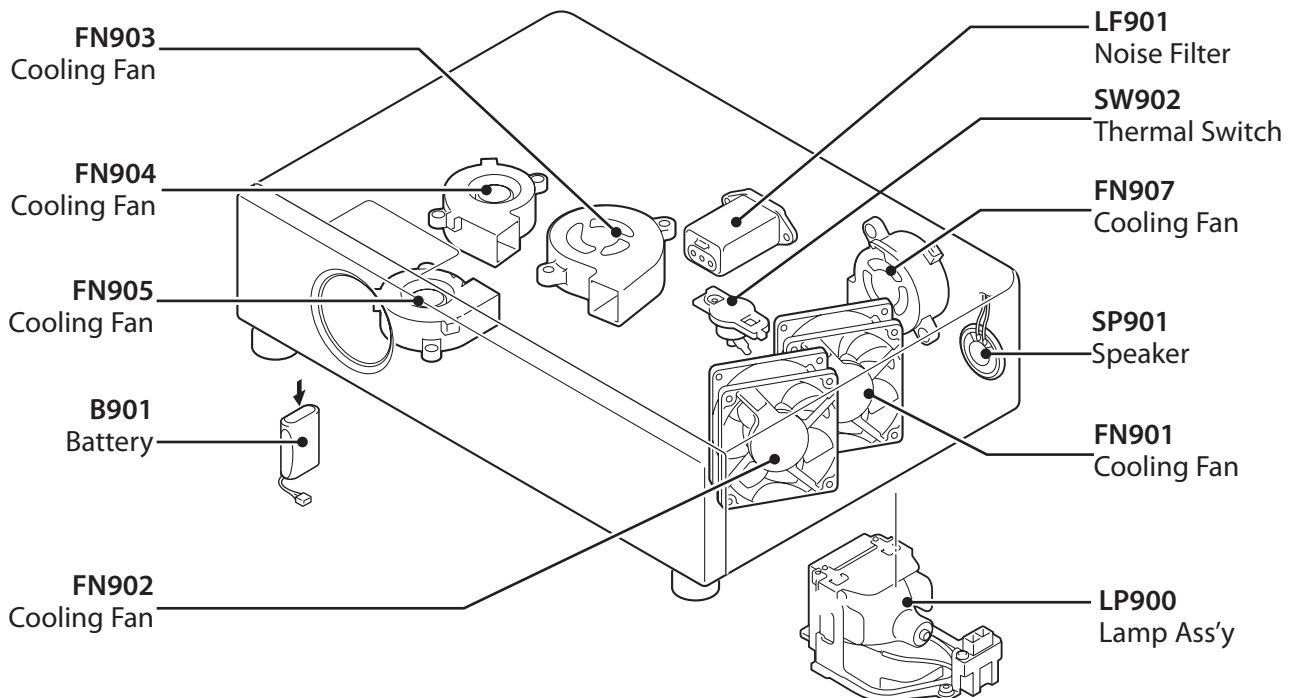
Electrical Parts List

Electrical Parts Location

● Assembled Boards



● Out Of Circuit Board



Electrical Parts List

Electrical Parts List

Note: Parts order must contain Chassis No., Part No., and Descriptions.

Key No.	Part No.	Description	Key No.	Part No.	Description			
ASSEMBLED BOARDS								
△	610 333 8125	ASSY,PWB,MCI KM6AC		305 173 9618	TR 2SA1235A1E			
△	610 333 8187	ASSY,PWB,POWER KM6AC		305 173 9717	TR 2SA1235A1F			
△	610 333 8224	ASSY,PWB,LINE FILTER KM6AC	INTEGRATED CIRCUIT					
△	610 333 8217	ASSY,PWB,AV KM6AC	IC8301	309 644 2115	IC SM712GF4			
△	610 333 8194	ASSY,PWB,BUZZER KM6AC	IC8302	309 546 9816	IC PQ015EZ01ZPH			
△	610 333 8101	ASSY,PWB,LAMP COVER SW. KM6AC	IC8351	310 569 1609	IC TMPR4925XBG-200			
△	610 333 7807	ASSY,PWB,R/CS. KM6AC	IC8451	310 592 2901	IC EDS1232AAASE-75-E			
△	610 333 7715	ASSY,PWB,TEMP. KM6AC		310 592 9306	IC IS42532400B-6BL			
△	610 333 7760	ASSY,PWB,MAIN KM6BC	IC8491	410 636 2000	IC S29AL016D70TFI020-0802			
			IC8492	309 651 6925	IC S-80930CLMC-60T2G			
			IC8493	309 395 5915	IC TC75H00FU-(TE85L)			
			IC8494	309 394 9310	IC TC75H14FU(TE85L)			
			IC8501	309 643 8316	IC RTL8139CL-LF			
			IC8511	310 592 5704	IC S-93C46BD0I-T8T1G			
			IC8601	310 569 3504	IC UPD720101F1-EA8-A			
			IC8611	309 485 9212	IC LM3525MX-H			
OUT OF CIRCUIT BOARD			CAPACITOR					
△	A901	645 093 3134	UNIT,BALLAST+CV	C8301	303 342 3313	CERAMIC	0.1U K	25V
	L901	945 023 4959	CORE,CLAMP		304 095 0809	CERAMIC	0.1U K	25V
△	LF901	645 091 5765	UNIT,NOISE FILTER	C8302	303 342 3313	CERAMIC	0.1U K	25V
△	LP900	610 333 9740	LAMP, POA-LMP111		304 095 0809	CERAMIC	0.1U K	25V
△	B901	645 089 8587	BATTERY,RECHARGE,COMP.	C8303	303 342 3313	CERAMIC	0.1U K	25V
△	FN901	645 091 3693	MOTOR,FAN DC 2.40W		304 095 0809	CERAMIC	0.1U K	25V
△	FN902	645 091 3693	MOTOR,FAN DC 2.40W	C8304	303 342 3313	CERAMIC	0.1U K	25V
△	FN903	945 072 0957	MOTOR,FAN DC 2.76W		304 095 0809	CERAMIC	0.1U K	25V
△	FN904	945 088 7674	MOTOR,BLW DC 2.88W	C8306	303 342 3313	CERAMIC	0.1U K	25V
△	FN905	945 088 7674	MOTOR,BLW DC 2.88W		304 095 0809	CERAMIC	0.1U K	25V
△	FN907	945 087 8948	MOTOR,BLW DC 2.88W	C8307	303 342 3313	CERAMIC	0.1U K	25V
	SP901	952 001 6157	SPEAKER,8		304 095 0809	CERAMIC	0.1U K	25V
		652 002 3055	SPEAKER,8	C8308	303 342 3313	CERAMIC	0.1U K	25V
△	SW902	945 048 3159	SWITCH,THERMAL(100DEG)		304 095 0809	CERAMIC	0.1U K	25V
				C8309	303 342 3313	CERAMIC	0.1U K	25V
					304 095 0809	CERAMIC	0.1U K	25V
				C8311	303 342 3313	CERAMIC	0.1U K	25V
					304 095 0809	CERAMIC	0.1U K	25V
				C8312	303 342 3313	CERAMIC	0.1U K	25V
					304 095 0809	CERAMIC	0.1U K	25V
				C8313	303 342 3313	CERAMIC	0.1U K	25V
					304 095 0809	CERAMIC	0.1U K	25V
				C8314	303 342 3313	CERAMIC	0.1U K	25V
					304 095 0809	CERAMIC	0.1U K	25V
				C8316	303 342 3313	CERAMIC	0.1U K	25V
					304 095 0809	CERAMIC	0.1U K	25V
				C8317	303 113 3818	CERAMIC	1000P K	50V
					304 090 1108	CERAMIC	1000P K	50V
				C8318	303 342 3313	CERAMIC	0.1U K	25V
					304 095 0809	CERAMIC	0.1U K	25V
				C8319	303 342 3313	CERAMIC	0.1U K	25V
					304 095 0809	CERAMIC	0.1U K	25V
				C8321	303 342 3313	CERAMIC	0.1U K	25V
					304 095 0809	CERAMIC	0.1U K	25V
				C8322	303 113 3818	CERAMIC	1000P K	50V
					304 090 1108	CERAMIC	1000P K	50V
				C8323	303 342 3313	CERAMIC	0.1U K	25V
					304 095 0809	CERAMIC	0.1U K	25V
				C8326	303 342 3313	CERAMIC	0.1U K	25V
					304 095 0809	CERAMIC	0.1U K	25V
				C8327	303 342 3313	CERAMIC	0.1U K	25V
					304 095 0809	CERAMIC	0.1U K	25V
				C8328	303 342 3313	CERAMIC	0.1U K	25V
					304 095 0809	CERAMIC	0.1U K	25V
				C8329	303 113 3818	CERAMIC	1000P K	50V

Electrical Parts List

Key No.	Part No.	Description	Key No.	Part No.	Description
	304 090 1108	CERAMIC		304 095 0809	CERAMIC
C8331	303 113 3818	CERAMIC	C8379	303 342 3313	CERAMIC
	304 090 1108	CERAMIC		304 095 0809	CERAMIC
C8332	303 113 3818	CERAMIC	C8381	303 342 3313	CERAMIC
	304 090 1108	CERAMIC		304 095 0809	CERAMIC
C8333	303 342 3313	CERAMIC	C8382	303 342 3313	CERAMIC
	304 095 0809	CERAMIC		304 095 0809	CERAMIC
C8334	303 157 3614	CERAMIC	C8383	303 342 3313	CERAMIC
	304 094 6406	CERAMIC		304 095 0809	CERAMIC
C8336	303 341 3918	POS-SOLID	C8384	303 342 3313	CERAMIC
C8337	303 342 3313	CERAMIC		304 095 0809	CERAMIC
	304 095 0809	CERAMIC	C8386	303 342 3313	CERAMIC
C8338	303 368 7319	CERAMIC		304 095 0809	CERAMIC
	303 370 7611	CERAMIC	C8387	303 342 3313	CERAMIC
C8339	303 341 3918	POS-SOLID		304 095 0809	CERAMIC
C8341	303 368 7319	CERAMIC	C8388	303 342 3313	CERAMIC
	303 370 7611	CERAMIC		304 095 0809	CERAMIC
C8342	303 342 3313	CERAMIC	C8389	303 342 3313	CERAMIC
	304 095 0809	CERAMIC		304 095 0809	CERAMIC
C8343	403 455 9018	CERAMIC	C8391	303 342 3313	CERAMIC
	303 379 6714	CERAMIC		304 095 0809	CERAMIC
C8344	303 342 3313	CERAMIC	C8392	303 342 3313	CERAMIC
	304 095 0809	CERAMIC		304 095 0809	CERAMIC
C8346	303 341 3918	POS-SOLID	C8393	303 342 3313	CERAMIC
C8351	303 342 3313	CERAMIC		304 095 0809	CERAMIC
	304 095 0809	CERAMIC	C8394	303 342 3313	CERAMIC
C8352	303 342 3313	CERAMIC		304 095 0809	CERAMIC
	304 095 0809	CERAMIC	C8396	303 342 3313	CERAMIC
C8353	303 342 3313	CERAMIC		304 095 0809	CERAMIC
	304 095 0809	CERAMIC	C8397	303 342 3313	CERAMIC
C8354	303 342 3313	CERAMIC		304 095 0809	CERAMIC
	304 095 0809	CERAMIC	C8398	303 342 3313	CERAMIC
C8356	303 342 3313	CERAMIC		304 095 0809	CERAMIC
	304 095 0809	CERAMIC	C8399	303 342 3313	CERAMIC
C8357	303 342 3313	CERAMIC		304 095 0809	CERAMIC
	304 095 0809	CERAMIC	C8401	303 145 9918	CERAMIC
C8358	303 342 3313	CERAMIC		304 094 7601	CERAMIC
	304 095 0809	CERAMIC	C8402	303 157 3614	CERAMIC
C8359	303 342 3313	CERAMIC		304 094 6406	CERAMIC
	304 095 0809	CERAMIC	C8403	303 342 3313	CERAMIC
C8361	303 342 3313	CERAMIC		304 095 0809	CERAMIC
	304 095 0809	CERAMIC	C8404	303 215 2214	CERAMIC
C8362	303 342 3313	CERAMIC		304 090 1207	CERAMIC
	304 095 0809	CERAMIC	C8406	303 342 3313	CERAMIC
C8363	303 342 3313	CERAMIC		304 095 0809	CERAMIC
	304 095 0809	CERAMIC	C8407	303 364 5814	CERAMIC
C8364	303 342 3313	CERAMIC		304 106 7803	CERAMIC
	304 095 0809	CERAMIC	C8451	303 342 3313	CERAMIC
C8366	303 342 3313	CERAMIC		304 095 0809	CERAMIC
	304 095 0809	CERAMIC	C8452	303 157 3614	CERAMIC
C8367	303 342 3313	CERAMIC		304 094 6406	CERAMIC
	304 095 0809	CERAMIC	C8453	303 342 3313	CERAMIC
C8368	303 342 3313	CERAMIC		304 095 0809	CERAMIC
	304 095 0809	CERAMIC	C8454	303 157 3614	CERAMIC
C8371	303 342 3313	CERAMIC		304 094 6406	CERAMIC
	304 095 0809	CERAMIC	C8456	303 342 3313	CERAMIC
C8372	303 342 3313	CERAMIC		304 095 0809	CERAMIC
	304 095 0809	CERAMIC	C8457	303 157 3614	CERAMIC
C8373	303 342 3313	CERAMIC		304 094 6406	CERAMIC
	304 095 0809	CERAMIC	C8458	303 342 3313	CERAMIC
C8374	303 342 3313	CERAMIC		304 095 0809	CERAMIC
	304 095 0809	CERAMIC	C8459	303 157 3614	CERAMIC
C8376	303 342 3313	CERAMIC		304 094 6406	CERAMIC
	304 095 0809	CERAMIC	C8461	303 342 3313	CERAMIC
C8377	303 342 3313	CERAMIC		304 095 0809	CERAMIC
	304 095 0809	CERAMIC	C8462	303 157 3614	CERAMIC
C8378	303 342 3313	CERAMIC		304 094 6406	CERAMIC

Electrical Parts List

Key No.	Part No.	Description	Key No.	Part No.	Description
C8463	303 342 3313	CERAMIC 0.1U K 25V		304 090 1207	CERAMIC 0.01U K 50V
	304 095 0809	CERAMIC 0.1U K 25V	C8534	303 155 4217	CERAMIC 15P J 50V
C8464	303 157 3614	CERAMIC 100P J 50V		304 094 7007	CERAMIC 15P J 50V
	304 094 6406	CERAMIC 100P J 50V	C8535	303 155 4217	CERAMIC 15P J 50V
C8466	303 342 3313	CERAMIC 0.1U K 25V		304 094 7007	CERAMIC 15P J 50V
	304 095 0809	CERAMIC 0.1U K 25V	C8536	303 157 2518	CERAMIC 27P J 50V
C8467	303 157 3614	CERAMIC 100P J 50V		304 094 7809	CERAMIC 27P J 50V
	304 094 6406	CERAMIC 100P J 50V	C8537	303 342 3313	CERAMIC 0.1U K 25V
C8491	303 342 3313	CERAMIC 0.1U K 25V		304 095 0809	CERAMIC 0.1U K 25V
	304 095 0809	CERAMIC 0.1U K 25V	C8538	303 215 2214	CERAMIC 0.01U K 50V
C8492	303 342 3313	CERAMIC 0.1U K 25V		304 090 1207	CERAMIC 0.01U K 50V
	304 095 0809	CERAMIC 0.1U K 25V	C8601	303 342 3313	CERAMIC 0.1U K 25V
C8493	303 215 2214	CERAMIC 0.01U K 50V		304 095 0809	CERAMIC 0.1U K 25V
	304 090 1207	CERAMIC 0.01U K 50V	C8602	303 342 3313	CERAMIC 0.1U K 25V
C8494	303 342 3313	CERAMIC 0.1U K 25V		304 095 0809	CERAMIC 0.1U K 25V
	304 095 0809	CERAMIC 0.1U K 25V	C8603	303 342 3313	CERAMIC 0.1U K 25V
C8496	303 364 5814	CERAMIC 1U K 10V		304 095 0809	CERAMIC 0.1U K 25V
	304 106 7803	CERAMIC 1U K 10V	C8604	303 342 3313	CERAMIC 0.1U K 25V
C8497	303 342 3313	CERAMIC 0.1U K 25V		304 095 0809	CERAMIC 0.1U K 25V
	304 095 0809	CERAMIC 0.1U K 25V	C8606	303 342 3313	CERAMIC 0.1U K 25V
C8501	303 342 3313	CERAMIC 0.1U K 25V		304 095 0809	CERAMIC 0.1U K 25V
	304 095 0809	CERAMIC 0.1U K 25V	C8607	303 342 3313	CERAMIC 0.1U K 25V
C8502	303 342 3313	CERAMIC 0.1U K 25V		304 095 0809	CERAMIC 0.1U K 25V
	304 095 0809	CERAMIC 0.1U K 25V	C8608	303 157 1917	CERAMIC 10P D 50V
C8503	303 342 3313	CERAMIC 0.1U K 25V		303 157 1917	CERAMIC 10P D 50V
	304 095 0809	CERAMIC 0.1U K 25V	C8609	303 342 3313	CERAMIC 0.1U K 25V
C8504	303 342 3313	CERAMIC 0.1U K 25V		304 095 0809	CERAMIC 0.1U K 25V
	304 095 0809	CERAMIC 0.1U K 25V	C8611	303 342 3313	CERAMIC 0.1U K 25V
C8506	303 342 3313	CERAMIC 0.1U K 25V		304 095 0809	CERAMIC 0.1U K 25V
	304 095 0809	CERAMIC 0.1U K 25V	C8612	303 342 3313	CERAMIC 0.1U K 25V
C8507	303 342 3313	CERAMIC 0.1U K 25V		304 095 0809	CERAMIC 0.1U K 25V
	304 095 0809	CERAMIC 0.1U K 25V	C8613	303 113 3818	CERAMIC 1000P K 50V
C8508	303 342 3313	CERAMIC 0.1U K 25V		304 090 1108	CERAMIC 1000P K 50V
	304 095 0809	CERAMIC 0.1U K 25V	C8614	303 113 3818	CERAMIC 1000P K 50V
C8509	303 342 3313	CERAMIC 0.1U K 25V		304 090 1108	CERAMIC 1000P K 50V
	304 095 0809	CERAMIC 0.1U K 25V	C8616	303 342 3313	CERAMIC 0.1U K 25V
C8511	303 113 3818	CERAMIC 1000P K 50V		304 095 0809	CERAMIC 0.1U K 25V
	304 090 1108	CERAMIC 1000P K 50V	C8617	303 342 3313	CERAMIC 0.1U K 25V
C8512	303 342 3313	CERAMIC 0.1U K 25V		304 095 0809	CERAMIC 0.1U K 25V
	304 095 0809	CERAMIC 0.1U K 25V	C8618	303 342 3313	CERAMIC 0.1U K 25V
C8513	303 113 3818	CERAMIC 1000P K 50V		304 095 0809	CERAMIC 0.1U K 25V
	304 090 1108	CERAMIC 1000P K 50V	C8621	303 342 3313	CERAMIC 0.1U K 25V
C8514	303 342 3313	CERAMIC 0.1U K 25V		304 095 0809	CERAMIC 0.1U K 25V
	304 095 0809	CERAMIC 0.1U K 25V	C8622	303 281 2415	CERAMIC 0.22U K 16V
C8516	303 113 3818	CERAMIC 1000P K 50V		303 342 3313	CERAMIC 0.1U K 25V
	304 090 1108	CERAMIC 1000P K 50V	C8623	303 342 3313	CERAMIC 0.1U K 25V
C8517	303 342 3313	CERAMIC 0.1U K 25V		304 095 0809	CERAMIC 0.1U K 25V
	304 095 0809	CERAMIC 0.1U K 25V	C8624	303 342 3313	CERAMIC 0.1U K 25V
C8518	303 113 3818	CERAMIC 1000P K 50V		304 095 0809	CERAMIC 0.1U K 25V
	304 090 1108	CERAMIC 1000P K 50V	C8626	303 342 3313	CERAMIC 0.1U K 25V
C8519	303 342 3313	CERAMIC 0.1U K 25V		304 095 0809	CERAMIC 0.1U K 25V
	304 095 0809	CERAMIC 0.1U K 25V	C8628	303 342 3313	CERAMIC 0.1U K 25V
C8521	303 342 3313	CERAMIC 0.1U K 25V		304 095 0809	CERAMIC 0.1U K 25V
	304 095 0809	CERAMIC 0.1U K 25V	C8631	303 342 3313	CERAMIC 0.1U K 25V
C8522	303 342 3313	CERAMIC 0.1U K 25V		304 095 0809	CERAMIC 0.1U K 25V
	304 095 0809	CERAMIC 0.1U K 25V	C8641	303 215 2214	CERAMIC 0.01U K 50V
C8524	303 342 3313	CERAMIC 0.1U K 25V		304 090 1207	CERAMIC 0.01U K 50V
	304 095 0809	CERAMIC 0.1U K 25V	C8651	303 394 1312	ELECT 100U M 6.3V
C8528	303 342 3313	CERAMIC 0.1U K 25V		303 387 4917	ELECT 100U M 6.3V
	304 095 0809	CERAMIC 0.1U K 25V	C8652	303 342 3313	CERAMIC 0.1U K 25V
C8529	303 215 2214	CERAMIC 0.01U K 50V		304 095 0809	CERAMIC 0.1U K 25V
	304 090 1207	CERAMIC 0.01U K 50V	C8653	303 342 3313	CERAMIC 0.1U K 25V
C8531	303 342 3313	CERAMIC 0.1U K 25V		304 095 0809	CERAMIC 0.1U K 25V
	304 095 0809	CERAMIC 0.1U K 25V			
C8532	303 215 2214	CERAMIC 0.01U K 50V	RESISTOR		
	304 090 1207	CERAMIC 0.01U K 50V	R8301	301 150 6212	MT-GLAZE 1K JA 1/10W
C8533	303 215 2214	CERAMIC 0.01U K 50V	R8302	301 150 6212	MT-GLAZE 1K JA 1/10W
			R8303	301 255 8715	MT-GLAZE 22 JA 1/10W
			R8306	301 150 6014	MT-GLAZE 0.000 ZA 1/10W
			R8307	301 162 2219	MT-GLAZE 10 JA 1/10W

Electrical Parts List

Key No.	Part No.	Description	Key No.	Part No.	Description
R8308	301 162 2219	MT-GLAZE 10 JA 1/10W	R8512	301 150 6014	MT-GLAZE 0.000 ZA 1/10W
R8309	301 162 2219	MT-GLAZE 10 JA 1/10W	R8513	301 150 6014	MT-GLAZE 0.000 ZA 1/10W
R8311	301 162 2219	MT-GLAZE 10 JA 1/10W	R8514	301 150 6014	MT-GLAZE 0.000 ZA 1/10W
R8313	301 150 6014	MT-GLAZE 0.000 ZA 1/10W	R8516	301 311 3319	MT-GLAZE 49.9 FA 1/10W
R8314	301 150 6014	MT-GLAZE 0.000 ZA 1/10W	R8517	301 311 3319	MT-GLAZE 49.9 FA 1/10W
R8316	301 150 6014	MT-GLAZE 0.000 ZA 1/10W	R8518	301 311 3319	MT-GLAZE 49.9 FA 1/10W
R8318	301 150 6014	MT-GLAZE 0.000 ZA 1/10W	R8519	301 311 3319	MT-GLAZE 49.9 FA 1/10W
R8319	301 150 6014	MT-GLAZE 0.000 ZA 1/10W	R8521	301 256 6512	MT-GLAZE 68 JA 1/10W
R8321	301 150 6014	MT-GLAZE 0.000 ZA 1/10W	R8522	301 162 3117	MT-GLAZE 3.3K JA 1/10W
R8322	301 150 6014	MT-GLAZE 0.000 ZA 1/10W	R8523	301 150 6014	MT-GLAZE 0.000 ZA 1/10W
R8324	301 150 6014	MT-GLAZE 0.000 ZA 1/10W	R8524	301 162 3711	MT-GLAZE 4.7K JA 1/10W
R8325	301 150 5918	MT-GLAZE 10K JA 1/10W	R8526	301 150 6014	MT-GLAZE 0.000 ZA 1/10W
R8351	301 150 6014	MT-GLAZE 0.000 ZA 1/10W	R8527	301 256 6512	MT-GLAZE 68 JA 1/10W
R8352	301 150 6014	MT-GLAZE 0.000 ZA 1/10W	R8528	301 162 3117	MT-GLAZE 3.3K JA 1/10W
R8353	301 150 6014	MT-GLAZE 0.000 ZA 1/10W	R8529	301 162 3711	MT-GLAZE 4.7K JA 1/10W
R8354	301 150 6014	MT-GLAZE 0.000 ZA 1/10W	R8533	301 150 6212	MT-GLAZE 1K JA 1/10W
R8356	301 150 6014	MT-GLAZE 0.000 ZA 1/10W	R8534	301 256 3610	MT-GLAZE 15K JA 1/10W
R8357	301 150 6014	MT-GLAZE 0.000 ZA 1/10W	R8602	301 150 6212	MT-GLAZE 1K JA 1/10W
R8358	301 150 6014	MT-GLAZE 0.000 ZA 1/10W	R8604	301 150 6014	MT-GLAZE 0.000 ZA 1/10W
R8359	301 150 6014	MT-GLAZE 0.000 ZA 1/10W	R8606	301 150 5918	MT-GLAZE 10K JA 1/10W
R8361	301 150 6014	MT-GLAZE 0.000 ZA 1/10W	R8607	301 150 5918	MT-GLAZE 10K JA 1/10W
R8362	301 162 2219	MT-GLAZE 10 JA 1/10W	R8608	301 150 5918	MT-GLAZE 10K JA 1/10W
R8363	301 150 6014	MT-GLAZE 0.000 ZA 1/10W	R8609	301 150 5918	MT-GLAZE 10K JA 1/10W
R8364	301 256 5614	MT-GLAZE 47 JA 1/10W	R8611	301 150 5918	MT-GLAZE 10K JA 1/10W
R8366	301 162 2219	MT-GLAZE 10 JA 1/10W	R8612	301 162 3711	MT-GLAZE 4.7K JA 1/10W
R8367	301 255 9019	MT-GLAZE 82 JA 1/10W	R8613	301 256 0718	MT-GLAZE 33 JA 1/10W
R8368	301 162 3711	MT-GLAZE 4.7K JA 1/10W	R8614	301 256 0718	MT-GLAZE 33 JA 1/10W
R8371	301 162 3711	MT-GLAZE 4.7K JA 1/10W	R8621	301 256 3818	MT-GLAZE 1.5K JA 1/10W
R8378	301 256 5614	MT-GLAZE 47 JA 1/10W	R8622	301 256 3818	MT-GLAZE 1.5K JA 1/10W
R8379	301 162 3711	MT-GLAZE 4.7K JA 1/10W	R8623	301 256 3818	MT-GLAZE 1.5K JA 1/10W
R8381	301 150 5918	MT-GLAZE 10K JA 1/10W	R8624	301 256 3818	MT-GLAZE 1.5K JA 1/10W
R8382	301 150 6014	MT-GLAZE 0.000 ZA 1/10W	R8626	301 255 6513	MT-GLAZE 100 JA 1/10W
R8383	301 150 6014	MT-GLAZE 0.000 ZA 1/10W	R8627	301 150 6014	MT-GLAZE 0.000 ZA 1/10W
R8384	301 150 6014	MT-GLAZE 0.000 ZA 1/10W	R8628	301 265 6312	MT-GLAZE 9.1K FA 1/10W
R8386	301 150 6212	MT-GLAZE 1K JA 1/10W	R8629	301 264 9611	MT-GLAZE 36 FA 1/10W
R8387	301 150 6014	MT-GLAZE 0.000 ZA 1/10W	R8631	301 256 3610	MT-GLAZE 15K JA 1/10W
R8388	301 150 6014	MT-GLAZE 0.000 ZA 1/10W	R8632	301 256 3610	MT-GLAZE 15K JA 1/10W
R8389	301 150 6014	MT-GLAZE 0.000 ZA 1/10W	R8633	301 264 9611	MT-GLAZE 36 FA 1/10W
R8391	301 256 4112	MT-GLAZE 56 JA 1/10W	R8634	301 150 5918	MT-GLAZE 10K JA 1/10W
R8392	301 256 4112	MT-GLAZE 56 JA 1/10W	R8636	301 256 3818	MT-GLAZE 1.5K JA 1/10W
R8396	301 150 6014	MT-GLAZE 0.000 ZA 1/10W	R8637	301 150 5918	MT-GLAZE 10K JA 1/10W
R8397	301 150 6014	MT-GLAZE 0.000 ZA 1/10W	R8639	301 255 8715	MT-GLAZE 22 JA 1/10W
R8398	301 150 6014	MT-GLAZE 0.000 ZA 1/10W	R8641	301 256 4112	MT-GLAZE 56 JA 1/10W
R8399	301 162 2219	MT-GLAZE 10 JA 1/10W	R8642	301 162 3117	MT-GLAZE 3.3K JA 1/10W
R8401	301 150 6014	MT-GLAZE 0.000 ZA 1/10W	R8643	301 162 3711	MT-GLAZE 4.7K JA 1/10W
R8402	301 256 5614	MT-GLAZE 47 JA 1/10W	R8644	301 150 6014	MT-GLAZE 0.000 ZA 1/10W
R8403	301 150 6014	MT-GLAZE 0.000 ZA 1/10W	RB8301	945 036 0979	R-NETWORK 10KX4 1/32W
R8404	301 150 6014	MT-GLAZE 0.000 ZA 1/10W		945 028 0710	R-NETWORK 10KX4 1/16W
R8406	301 150 6014	MT-GLAZE 0.000 ZA 1/10W	RB8302	945 036 0979	R-NETWORK 10KX4 1/32W
R8407	301 150 6014	MT-GLAZE 0.000 ZA 1/10W		945 028 0710	R-NETWORK 10KX4 1/16W
R8408	301 150 6014	MT-GLAZE 0.000 ZA 1/10W	RB8303	945 036 0979	R-NETWORK 10KX4 1/32W
R8409	301 150 6014	MT-GLAZE 0.000 ZA 1/10W		945 028 0710	R-NETWORK 10KX4 1/16W
R8411	301 256 5614	MT-GLAZE 47 JA 1/10W	RB8304	945 036 0979	R-NETWORK 10KX4 1/32W
R8412	301 256 5614	MT-GLAZE 47 JA 1/10W		945 028 0710	R-NETWORK 10KX4 1/16W
R8413	301 256 5614	MT-GLAZE 47 JA 1/10W	RB8306	945 036 0979	R-NETWORK 10KX4 1/32W
R8416	301 150 5918	MT-GLAZE 10K JA 1/10W		945 028 0710	R-NETWORK 10KX4 1/16W
R8417	301 150 6014	MT-GLAZE 0.000 ZA 1/10W	RB8307	945 036 0979	R-NETWORK 10KX4 1/32W
R8418	301 150 6014	MT-GLAZE 0.000 ZA 1/10W		945 028 0710	R-NETWORK 10KX4 1/16W
R8491	301 162 3711	MT-GLAZE 4.7K JA 1/10W	RB8308	645 058 6422	R-NETWORK 68X4 1/32W
R8492	301 162 3018	MT-GLAZE 22K JA 1/10W		945 054 1118	R-NETWORK 68X4 1/16W
R8501	301 255 8715	MT-GLAZE 22 JA 1/10W	RB8309	645 058 6422	R-NETWORK 68X4 1/32W
R8502	301 150 5918	MT-GLAZE 10K JA 1/10W		945 054 1118	R-NETWORK 68X4 1/16W
R8504	301 150 5918	MT-GLAZE 10K JA 1/10W	RB8311	645 058 6422	R-NETWORK 68X4 1/32W
R8506	301 150 5918	MT-GLAZE 10K JA 1/10W		945 054 1118	R-NETWORK 68X4 1/16W
R8507	301 255 6513	MT-GLAZE 100 JA 1/10W	RB8312	645 058 6422	R-NETWORK 68X4 1/32W
R8509	301 333 5711	MT-GLAZE 1.69K FA 1/10W		945 054 1118	R-NETWORK 68X4 1/16W
R8511	301 150 6014	MT-GLAZE 0.000 ZA 1/10W	RB8313	645 058 6422	R-NETWORK 68X4 1/32W

Electrical Parts List

Key No.	Part No.	Description	Key No.	Part No.	Description
	945 054 1118	R-NETWORK 68X4 1/16W	RB8389	945 036 0979	R-NETWORK 10KX4 1/32W
RB8314	645 058 6422	R-NETWORK 68X4 1/32W		945 028 0710	R-NETWORK 10KX4 1/16W
	945 054 1118	R-NETWORK 68X4 1/16W	RB8391	945 036 0979	R-NETWORK 10KX4 1/32W
RB8351	645 059 2546	R-NETWORK 82X4 1/32W		945 028 0710	R-NETWORK 10KX4 1/16W
	945 059 2554	R-NETWORK 82X4 1/32W	RB8392	945 036 0979	R-NETWORK 10KX4 1/32W
RB8352	645 059 2546	R-NETWORK 82X4 1/32W		945 028 0710	R-NETWORK 10KX4 1/16W
	945 059 2554	R-NETWORK 82X4 1/32W	RB8393	945 036 0979	R-NETWORK 10KX4 1/32W
RB8353	645 059 2546	R-NETWORK 82X4 1/32W		945 028 0710	R-NETWORK 10KX4 1/16W
	945 059 2554	R-NETWORK 82X4 1/32W	RB8394	945 036 0979	R-NETWORK 10KX4 1/32W
RB8354	645 059 2546	R-NETWORK 82X4 1/32W		945 028 0710	R-NETWORK 10KX4 1/16W
	945 059 2554	R-NETWORK 82X4 1/32W	RB8396	945 036 0979	R-NETWORK 10KX4 1/32W
RB8355	945 029 5783	R-NETWORK 100X4 1/32W		945 028 0710	R-NETWORK 10KX4 1/16W
	945 028 0697	R-NETWORK 100X4 1/16W	RB8451	945 029 5783	R-NETWORK 100X4 1/32W
RB8356	645 059 2546	R-NETWORK 82X4 1/32W		945 028 0697	R-NETWORK 100X4 1/16W
	945 059 2554	R-NETWORK 82X4 1/32W			
RB8357	645 059 2546	R-NETWORK 82X4 1/32W	COIL		
	945 059 2554	R-NETWORK 82X4 1/32W	L8301	645 051 5545	FILTER,EMI 220000PF
RB8358	645 059 2546	R-NETWORK 82X4 1/32W	L8302	645 049 1672	IMPEDANCE,330 OHM P
	945 059 2554	R-NETWORK 82X4 1/32W	L8303	645 049 1672	IMPEDANCE,330 OHM P
RB8359	645 059 2546	R-NETWORK 82X4 1/32W	L8304	645 049 1672	IMPEDANCE,330 OHM P
	945 059 2554	R-NETWORK 82X4 1/32W	L8306	645 049 1672	IMPEDANCE,330 OHM P
RB8361	645 059 2546	R-NETWORK 82X4 1/32W	L8307	645 049 1672	IMPEDANCE,330 OHM P
	945 059 2554	R-NETWORK 82X4 1/32W	L8308	645 051 5545	FILTER,EMI 220000PF
RB8362	645 059 2546	R-NETWORK 82X4 1/32W	L8309	645 049 1672	IMPEDANCE,330 OHM P
	945 059 2554	R-NETWORK 82X4 1/32W	L8311	645 041 1960	INDUCTOR,220 OHM
RB8363	645 059 2546	R-NETWORK 82X4 1/32W	L8312	945 036 3895	INDUCTOR,220 OHM
	945 059 2554	R-NETWORK 82X4 1/32W	L8351	645 051 5545	FILTER,EMI 220000PF
RB8364	645 059 2546	R-NETWORK 82X4 1/32W	L8352	645 049 1672	IMPEDANCE,330 OHM P
	945 059 2554	R-NETWORK 82X4 1/32W	L8353	645 049 1672	IMPEDANCE,330 OHM P
RB8366	945 036 0979	R-NETWORK 10KX4 1/32W	L8354	645 051 5545	FILTER,EMI 220000PF
	945 028 0710	R-NETWORK 10KX4 1/16W	L8451	645 049 1672	IMPEDANCE,330 OHM P
RB8367	945 036 0979	R-NETWORK 10KX4 1/32W	L8501	645 051 5545	FILTER,EMI 220000PF
	945 028 0710	R-NETWORK 10KX4 1/16W	L8502	645 049 1672	IMPEDANCE,330 OHM P
RB8368	945 036 0979	R-NETWORK 10KX4 1/32W	L8503	645 049 1672	IMPEDANCE,330 OHM P
	945 028 0710	R-NETWORK 10KX4 1/16W	L8504	645 049 1672	IMPEDANCE,330 OHM P
RB8369	945 036 0979	R-NETWORK 10KX4 1/32W	L8506	645 049 1672	IMPEDANCE,330 OHM P
	945 028 0710	R-NETWORK 10KX4 1/16W	L8601	645 051 5545	FILTER,EMI 220000PF
RB8371	945 036 0979	R-NETWORK 10KX4 1/32W	L8602	645 049 1672	IMPEDANCE,330 OHM P
	945 028 0710	R-NETWORK 10KX4 1/16W	L8603	645 049 1672	IMPEDANCE,330 OHM P
RB8372	945 036 0979	R-NETWORK 10KX4 1/32W	L8606	945 049 1680	IMPEDANCE,60 OHM P
	945 028 0710	R-NETWORK 10KX4 1/16W	L8607	645 059 7596	IMPEDANCE,90 OHM P
RB8373	945 036 0979	R-NETWORK 10KX4 1/32W	L8608	945 049 1680	IMPEDANCE,60 OHM P
	945 028 0710	R-NETWORK 10KX4 1/16W	L8641	645 049 1672	IMPEDANCE,330 OHM P
RB8374	945 036 0979	R-NETWORK 10KX4 1/32W			
	945 028 0710	R-NETWORK 10KX4 1/16W	DIODE		
RB8376	645 059 2546	R-NETWORK 82X4 1/32W	D8301	307 163 0414	DIODE 1SS352-(TPH3)
	945 059 2554	R-NETWORK 82X4 1/32W		307 149 0810	DIODE 1SS355-TE-17
RB8377	645 058 6422	R-NETWORK 68X4 1/32W	D8302	307 163 0414	DIODE 1SS352-(TPH3)
	945 054 1118	R-NETWORK 68X4 1/16W		307 149 0810	DIODE 1SS355-TE-17
RB8378	645 058 6422	R-NETWORK 68X4 1/32W	D8303	307 163 0414	DIODE 1SS352-(TPH3)
	945 054 1118	R-NETWORK 68X4 1/16W		307 149 0810	DIODE 1SS355-TE-17
RB8379	645 058 6422	R-NETWORK 68X4 1/32W	D8304	307 163 0414	DIODE 1SS352-(TPH3)
	945 054 1118	R-NETWORK 68X4 1/16W		307 149 0810	DIODE 1SS355-TE-17
RB8381	645 058 6422	R-NETWORK 68X4 1/32W	D8305	307 163 0414	DIODE 1SS352-(TPH3)
	945 054 1118	R-NETWORK 68X4 1/16W		307 149 0810	DIODE 1SS355-TE-17
RB8382	645 058 6422	R-NETWORK 68X4 1/32W	D8501	307 203 7915	LED SML-210MT T86 M
	945 054 1118	R-NETWORK 68X4 1/16W	D8502	307 209 7513	LED SML-210YT T86 L
RB8383	645 058 6422	R-NETWORK 68X4 1/32W	D8601	307 203 7915	LED SML-210MT T86 M
	945 054 1118	R-NETWORK 68X4 1/16W			
RB8384	645 058 6422	R-NETWORK 68X4 1/32W	MISCELLANEOUS		
	945 054 1118	R-NETWORK 68X4 1/16W	K8501	945 078 9947	JACK,MODULAR 8(W/LED)
RB8386	645 058 6422	R-NETWORK 68X4 1/32W	K8601	945 037 6291	SOCKET,USB 8P
	945 054 1118	R-NETWORK 68X4 1/16W	SC8503	945 076 3503	SURGE-ABSORBER
RB8387	945 036 0979	R-NETWORK 10KX4 1/32W	SC8504	945 076 3503	SURGE-ABSORBER
	945 028 0710	R-NETWORK 10KX4 1/16W	SC8601	945 076 3503	SURGE-ABSORBER
RB8388	945 036 0979	R-NETWORK 10KX4 1/32W	SC8602	945 076 3503	SURGE-ABSORBER
	945 028 0710	R-NETWORK 10KX4 1/16W	SC8603	945 076 3503	SURGE-ABSORBER
			SC8641	945 076 3503	SURGE-ABSORBER

Electrical Parts List

Key No.	Part No.	Description	Key No.	Part No.	Description	
X8301	945 079 6372	OSC,CRYSTAL 14.31818MHZ	C608	303 222 1326	CERAMIC 1000P K 1K	
X8351	945 081 7688	OSC,CRYSTAL(PROGRAMABLE)	C609	303 222 1326	CERAMIC 1000P K 1K	
X8501	945 078 5697	OSC,CRYSTAL 25MHZ	C611	303 371 8518	MT-POLYEST 1U K 400V	
X8601	945 078 6199	OSC,CRYSTAL 30MHZ		303 427 2019	MT-POLYEST 1U K 400V	
610 333 8187 ASSY,PWB,POWER KM6AC				303 451 4119	MT-POLYEST 1U K 450V	
				C612	303 433 2812	ELECT 220U M 35V
				C613	303 410 7113	ELECT 100U M 25V
				C614	303 410 7113	ELECT 100U M 25V
				C616	404 115 2704	ELECT 330U M 420V
					404 115 6306	ELECT 330U M 420V
				C618	303 427 1814	MT-POLYEST 0.1U K 450V
				C619	303 298 9612	CERAMIC 0.1U K 16V
				C621	303 205 2811	CERAMIC 0.047U K 25V
				C622	303 157 6417	CERAMIC 330P K 50V
				C623	303 215 2214	CERAMIC 0.01U K 50V
				C624	303 342 3313	CERAMIC 0.1U K 25V
				C625	303 402 3918	ELECT 4.7U M 50V
				C626	303 342 3313	CERAMIC 0.1U K 25V
				C627	303 342 3313	CERAMIC 0.1U K 25V
				C628	303 157 3317	CERAMIC 68P J 50V
				C629	303 157 6615	CERAMIC 470P K 50V
	C631	303 298 9612	CERAMIC 0.1U K 16V			
	C632	303 342 3313	CERAMIC 0.1U K 25V			
	C633	303 342 3313	CERAMIC 0.1U K 25V			
	C636	303 427 1814	MT-POLYEST 0.1U K 450V			
	C650	303 342 3313	CERAMIC 0.1U K 25V			
	C651	303 268 7013	TA-SOLID 2.2U M 35V			
	C652	303 256 2419	CERAMIC 0.22U Z 50V			
	C653	303 113 3818	CERAMIC 1000P K 50V			
	C654	303 247 3319	CERAMIC 330P K 2K			
	C656	303 342 3313	CERAMIC 0.1U K 25V			
	C657	303 218 8817	CERAMIC 220P K 2K			
	C658	303 083 4310	POLYPRO 0.022U J 400V			
	C659	303 157 6813	CERAMIC 680P K 50V			
	C661	303 208 1415	TA-SOLID 1U M 25V			
		303 411 5712	TA-SOLID 1U M 25V			
	C662	303 411 1823	ELECT 220U M 35V			
	C663	303 342 3313	CERAMIC 0.1U K 25V			
	C664	303 281 5218	CERAMIC 0.22U Z 16V			
	C681	303 410 7509	ELECT 4700U M 25V			
	C682	303 342 3313	CERAMIC 0.1U K 25V			
	C683	303 445 3903	ELECT 3900U M 10V			
	C684	303 342 3313	CERAMIC 0.1U K 25V			
	C685	303 399 2126	ELECT 220U M 16V			
	C686	303 348 5826	CERAMIC 0.47U K 10V			
	C688	303 342 3313	CERAMIC 0.1U K 25V			
	C691	303 224 5015	CERAMIC 0.15U Z 16V			
	C692	303 323 8818	CERAMIC 2.2U Z 16V			
	C693	304 073 4508	CERAMIC 2200P K 250V			
			RESISTOR			
			R602	301 242 3914	MT-GLAZE 240K JA 1/2W	
			R603	301 242 3914	MT-GLAZE 240K JA 1/2W	
			R604	301 258 8217	MT-GLAZE 680 JA 1/3W	
			R606	302 080 8809	MT-GLAZE 680 KA 1W	
			R612	301 256 2613	MT-GLAZE 2.4K JA 1/10W	
			R613	402 109 8206	RESISTER 0.15 JB 5W	
			R614	402 109 8206	RESISTER 0.15 JB 5W	
			R615	301 255 6513	MT-GLAZE 100 JA 1/10W	
			R618	301 162 3711	MT-GLAZE 4.7K JA 1/10W	
			R619	301 150 6014	MT-GLAZE 0.000 ZA 1/10W	
			R620	301 255 6513	MT-GLAZE 100 JA 1/10W	
			R621	301 255 8715	MT-GLAZE 22 JA 1/10W	
			R622	301 264 9918	MT-GLAZE 36K FA 1/10W	
R624	301 162 2714	MT-GLAZE 180 JA 1/10W				
R625	301 265 0914	MT-GLAZE 4.7 JA 1/10W				
R626	301 152 3219	MT-GLAZE 330 JA 1/10W				
TRANSISTOR						
Q601	405 218 6002	TR 2SK3934 LBS1				
Q602	405 218 6002	TR 2SK3934 LBS1				
Q621	305 014 4512	TR 2SC2412K T146 R				
	305 014 4611	TR 2SC2412K T146 S				
	305 015 8727	TR 2SC2812-L6-TB				
	305 015 8925	TR 2SC2812-L7-TB				
	305 163 1615	TR 2SC2812N-L6-TB0				
	305 173 9816	TR 2SC3928A1R				
	305 173 9915	TR 2SC3928A1S				
Q622	305 134 5928	TR 2SA1037AK-T146-R				
	305 147 2218	TR 2SA1037AK-S-T146				
	305 002 0311	TR 2SA1037K T146 R				
	305 002 0410	TR 2SA1037K T146 S				
	305 002 6729	TR 2SA1179-M6-TB				
	305 002 6927	TR 2SA1179-M7-TB				
	305 163 1516	TR 2SA1179N-M6-TB				
	305 173 9618	TR 2SA1235A1E				
	305 173 9717	TR 2SA1235A1F				
Q651	305 134 5928	TR 2SA1037AK-T146-R				
	305 147 2218	TR 2SA1037AK-S-T146				
	305 002 0311	TR 2SA1037K T146 R				
	305 002 0410	TR 2SA1037K T146 S				
	305 002 6729	TR 2SA1179-M6-TB				
	305 002 6927	TR 2SA1179-M7-TB				
	305 163 1516	TR 2SA1179N-M6-TB				
	305 173 9618	TR 2SA1235A1E				
	305 173 9717	TR 2SA1235A1F				
Q652	305 014 4512	TR 2SC2412K T146 R				
	305 014 4611	TR 2SC2412K T146 S				
	305 015 8727	TR 2SC2812-L6-TB				
	305 015 8925	TR 2SC2812-L7-TB				
	305 163 1615	TR 2SC2812N-L6-TB0				
	305 173 9816	TR 2SC3928A1R				
	305 173 9915	TR 2SC3928A1S				
Q681	305 014 4512	TR 2SC2412K T146 R				
	305 014 4611	TR 2SC2412K T146 S				
	305 015 8727	TR 2SC2812-L6-TB				
	305 015 8925	TR 2SC2812-L7-TB				
	305 163 1615	TR 2SC2812N-L6-TB0				
	305 173 9816	TR 2SC3928A1R				
	305 173 9915	TR 2SC3928A1S				
Q682	305 014 4512	TR 2SC2412K T146 R				
	305 014 4611	TR 2SC2412K T146 S				
	305 015 8727	TR 2SC2812-L6-TB				
	305 015 8925	TR 2SC2812-L7-TB				
	305 163 1615	TR 2SC2812N-L6-TB0				
	305 173 9816	TR 2SC3928A1R				
	305 173 9915	TR 2SC3928A1S				
INTEGRATED CIRCUIT						
IC601	309 523 1413	IC FA5502M				
IC651	309 558 4202	IC STR-Z2156A				
IC681	309 344 6522	IC UPC1093T-E1				
CAPACITOR						
C607	303 371 8518	MT-POLYEST	1U K	400V		
	303 427 2019	MT-POLYEST	1U K	400V		
	303 451 4119	MT-POLYEST	1U K	450V		

Electrical Parts List

Key No. Part No. Description				Key No. Part No. Description			
R627	301 265 0914	MT-GLAZE	4.7 JA 1/10W		307 149 0810	DIODE 1SS355-TE-17	
R628	301 255 6513	MT-GLAZE	100 JA 1/10W	D607	307 163 0414	DIODE 1SS352-(TPH3)	
R630	301 256 7519	MT-GLAZE	390 JA 1/10W		307 149 0810	DIODE 1SS355-TE-17	
R631	301 150 5918	MT-GLAZE	10K JA 1/10W	D608	307 163 0414	DIODE 1SS352-(TPH3)	
R632	301 150 6410	MT-GLAZE	4.3K JA 1/10W		307 149 0810	DIODE 1SS355-TE-17	
R633	301 162 3810	MT-GLAZE	470K JA 1/10W	D609	307 163 0414	DIODE 1SS352-(TPH3)	
R634	301 256 5812	MT-GLAZE	270K JA 1/10W		307 149 0810	DIODE 1SS355-TE-17	
R635	301 255 6513	MT-GLAZE	100 JA 1/10W	D610	307 164 4015	DIODE RB160L-40-TE25	
R636	301 152 3110	MT-GLAZE	620 JA 1/10W		307 149 6327	DIODE SFPB-54V	
R637	301 264 2810	MT-GLAZE	1.2K FA 1/10W	D615	307 163 0414	DIODE 1SS352-(TPH3)	
R638	301 259 9015	MT-GLAZE	150K FA 1/2W		307 149 0810	DIODE 1SS355-TE-17	
R639	301 259 9015	MT-GLAZE	150K FA 1/2W	D651	307 247 8827	DIODE RF101L2S	
R641	301 259 9015	MT-GLAZE	150K FA 1/2W	D652	407 256 3213	DIODE CRF03(TE85L)	
R642	301 259 9015	MT-GLAZE	150K FA 1/2W	D653	307 223 0514	ZENER DIODE 02DZ12Y(TPH3)	
R647	301 256 6611	MT-GLAZE	68K JA 1/10W		307 221 7119	ZENER DIODE UDZS-TE-1712B	
R648	301 162 2417	MT-GLAZE	1.2K JA 1/10W	D654	307 163 0414	DIODE 1SS352-(TPH3)	
R649	301 255 9514	MT-GLAZE	220K JA 1/10W		307 149 0810	DIODE 1SS355-TE-17	
R650	301 255 8517	MT-GLAZE	9.1K JA 1/10W	D681	307 202 9801	DIODE FMB-26L	
R651	301 237 0010	MT-GLAZE	47K JA 1W		307 253 7504	DIODE RB085T-60	
R652	301 237 0010	MT-GLAZE	47K JA 1W	D682	307 202 9801	DIODE FMB-26L	
R653	301 237 0010	MT-GLAZE	47K JA 1W		307 253 7504	DIODE RB085T-60	
R654	301 237 0010	MT-GLAZE	47K JA 1W	D683	307 247 8827	DIODE RF101L2S	
R655	301 162 4015	MT-GLAZE	560 JA 1/10W	D686	307 223 1115	ZENER DIODE 02DZ6.2Y(TPH3)	
R656	301 237 0010	MT-GLAZE	47K JA 1W		307 209 1214	ZD UDZS-TE-176.2B	
R657	301 237 0010	MT-GLAZE	47K JA 1W	D687	307 210 5416	DIODE RB551V-30-TE-17	
△ R658	302 081 2905	FUSIBLE RES	22 JH 1/2W	DB601	307 143 6006	DIODE RBV-1506	
R659	301 238 4512	MT-GLAZE	47 JA 1/3W		308 045 4909	DIODE RBV-1506 LF-B	
△ R660	302 081 2905	FUSIBLE RES	22 JH 1/2W	DS601	307 219 0808	THYRISTOR TF861S	
△ R661	324 006 1305	FUSE	250V 2.5A	MISCELLANEOUS			
R671	301 150 6212	MT-GLAZE	1K JA 1/10W	FB601	910 244 3975	CORE	
R672	301 257 7419	MT-GLAZE	120 JA 1/3W	FB602	910 244 3975	CORE	
R673	301 162 3711	MT-GLAZE	4.7K JA 1/10W	△ PC601	307 223 7315	PC TLP421F(D4-GB-TP4)	
R674	301 256 2613	MT-GLAZE	2.4K JA 1/10W		307 223 8312	PC TLP421F(D4-GR-TP4)	
R679	301 264 6511	MT-GLAZE	2.2K FA 1/10W	△ PC602	307 223 7315	PC TLP421F(D4-GB-TP4)	
R681	301 150 5918	MT-GLAZE	10K JA 1/10W		307 223 8312	PC TLP421F(D4-GR-TP4)	
R682	301 256 6215	MT-GLAZE	270 JA 1/10W	PTH601	308 037 5600	THERMISTOR NTH11D8ROL	
R683	301 150 6212	MT-GLAZE	1K JA 1/10W	PTH652	308 061 3900	TH PRF18BC471QB1RB	
R684	301 150 5918	MT-GLAZE	10K JA 1/10W	610 333 8224 ASSY,PWB,LINE FILTER KM6AC			
R686	301 162 3414	MT-GLAZE	39K JA 1/10W	CAPACITOR			
R687	301 265 2611	MT-GLAZE	5.1K FA 1/10W	△ C601	304 079 5608	MT-POLYEST	0.47U M 275V
R688	301 150 5918	MT-GLAZE	10K JA 1/10W		304 094 2002	MT-POLYEST	0.47U K 275V
R692	301 150 6212	MT-GLAZE	1K JA 1/10W	△ C602	404 113 2904	MT-POLYEST	0.33U K 275V
R693	301 150 5918	MT-GLAZE	10K JA 1/10W	RESISTOR			
R694	301 162 3711	MT-GLAZE	4.7K JA 1/10W	△ R600	301 238 1016	MT-GLAZE	120K JA 1/2W
R699	301 238 4215	MT-GLAZE	1.5K JA 1/3W	△ R601	301 238 1016	MT-GLAZE	120K JA 1/2W
VARIABLE RESISTOR				VARIABLE RESISTOR			
VR601	945 025 7415	VR,SEMI,1K S		△ VA601	308 061 5607	VARISTOR ENE471D-14A-S6	
TRANSFORMER				COIL			
T601	645 089 2561	INDUCTOR,700U		△ L601	945 050 2232	LINE FILTER	
△ T651	945 085 7035	TRANS,POWER,PULSE		MISCELLANEOUS			
COIL				△ F601	323 025 1204	FUSE	250V 8A
△ L603	945 081 4878	LINE FILTER		610 333 8217 ASSY,PWB,AV KM6AC			
L611	645 089 2677	FILTER,EMI 1500PF		CAPACITOR			
L614	645 089 2677	FILTER,EMI 1500PF		C2031	303 367 0410	CERAMIC	0.1U K 50V
L616	645 089 2677	FILTER,EMI 1500PF			303 370 1510	CERAMIC	0.1U K 50V
DIODE				C2061	303 157 3614	CERAMIC	100P J 50V
D601	307 247 8827	DIODE RF101L2S		C2062	303 157 3614	CERAMIC	100P J 50V
D602	307 247 8827	DIODE RF101L2S					
D603	307 164 4015	DIODE RB160L-40-TE25					
	307 149 6327	DIODE SFPB-54V					
D604	307 225 4401	DIODE FMX-G26S					
D605	307 223 0811	ZENER DIODE 02DZ22Y(TPH3)					
	307 221 7218	ZENER DIODE UDZS-TE-1722B					
D606	307 163 0414	DIODE 1SS352-(TPH3)					

Electrical Parts List

Key No. Part No.	Description	Key No. Part No.	Description
RESISTOR		MISCELLANEOUS	
R2001	301 260 4115 MT-GLAZE 75 JA 1/3W	IC2100	420 002 2602 PZ BZR PKM22EPPH4012
R2003	301 150 6014 MT-GLAZE 0.000 ZA 1/10W	IC8710	945 081 3857 SWITCH,SENSOR 2P-2T
R2008	301 150 6014 MT-GLAZE 0.000 ZA 1/10W	SW2100	945 063 5176 SWITCH,PUSH 2P-2TX3
R2011	301 260 4115 MT-GLAZE 75 JA 1/3W	610 333 8101 ASSY,PWB,LAMP COVER SW. KM6AC	
R2012	301 150 6014 MT-GLAZE 0.000 ZA 1/10W	SW901	945 063 5176 SWITCH,PUSH 2P-2TX3
R2021	301 260 4115 MT-GLAZE 75 JA 1/3W	610 333 7807 ASSY,PWB,R/CS. KM6AC	
R2022	301 150 6014 MT-GLAZE 0.000 ZA 1/10W	CAPACITOR	
R2031	301 255 6513 MT-GLAZE 100 JA 1/10W	C2901	403 455 1012 CERAMIC 1U K 10V
R2051	301 150 5819 MT-GLAZE 100K JA 1/10W		303 433 1112 CERAMIC 1U K 10V
R2052	301 150 5819 MT-GLAZE 100K JA 1/10W	C2902	303 453 8719 CERAMIC 470P K 50V
R2056	301 150 5819 MT-GLAZE 100K JA 1/10W		303 453 9211 CERAMIC 470P K 50V
R2057	301 150 5819 MT-GLAZE 100K JA 1/10W		303 282 5118 CERAMIC 470P K 50V
R2061	301 255 6513 MT-GLAZE 100 JA 1/10W	C2903	403 457 3311 CERAMIC 47U M 6.3V
R2062	301 255 6513 MT-GLAZE 100 JA 1/10W		303 380 0114 CERAMIC 47U M 6.3V
R2063	301 150 5819 MT-GLAZE 100K JA 1/10W	RESISTOR	
R2064	301 150 5819 MT-GLAZE 100K JA 1/10W	R2901	301 225 1814 MT-GLAZE 47 JA 1/16W
COIL		R2902	301 224 8814 MT-GLAZE 100 JA 1/16W
L2001	945 086 7461 FILTER,EMI 100MHZ	MISCELLANEOUS	
L2011	945 086 7461 FILTER,EMI 100MHZ	A2901	945 084 1997 UNIT,REMOCON RECEIVER
L2021	945 086 7461 FILTER,EMI 100MHZ	610 333 7715 ASSY,PWB,TEMP. KM6AC	
L2031	945 086 7461 FILTER,EMI 100MHZ	INTEGRATED CIRCUIT	
L2051	945 086 7454 FILTER,EMI 50MHZ	IC4831	309 481 8615 IC LM76CHMX-5
L2052	945 086 7454 FILTER,EMI 50MHZ	CAPACITOR	
L2056	945 086 7454 FILTER,EMI 50MHZ	C4831	303 453 7019 CERAMIC 33P J 50V
L2057	945 086 7454 FILTER,EMI 50MHZ		303 453 9617 CERAMIC 33P J 50V
L2061	945 086 7454 FILTER,EMI 50MHZ		303 276 3113 CERAMIC 33P J 50V
L2062	945 086 7454 FILTER,EMI 50MHZ	C4832	303 453 7019 CERAMIC 33P J 50V
DIODE			303 453 9617 CERAMIC 33P J 50V
D2031	307 223 0514 ZENER DIODE 02DZ12Y(TPH3)		303 276 3113 CERAMIC 33P J 50V
	307 221 7119 ZENER DIODE UDZS-TE-1712B	C4833	303 453 8917 CERAMIC 0.1U K 16V
MISCELLANEOUS			303 453 8610 CERAMIC 0.1U K 16V
K20A	945 045 8478 SOCKET,DIN 4P		303 409 3426 CERAMIC 0.1U K 16V
	645 089 9041 SOCKET,DIN 4P	C4834	403 455 9018 CERAMIC 10U K 16V
K20B	945 068 3740 JACK,RCA-3		303 379 6714 CERAMIC 10U K 16V
K20C	945 006 4792 JACK,PHONE D3.6	RESISTOR	
	952 001 0971 JACK,PHONE D3.5	R4831	301 225 8110 MT-GLAZE 10 JA 1/16W
K20D	945 006 4792 JACK,PHONE D3.6	R4832	301 225 8110 MT-GLAZE 10 JA 1/16W
	952 001 0971 JACK,PHONE D3.5	R4833	301 224 9019 MT-GLAZE 10K JA 1/16W
SC2001	945 076 3503 SURGE-ABSORBER	610 333 7760 ASSY,PWB,MAIN KM6BC	
SC2011	945 076 3503 SURGE-ABSORBER	TRANSISTOR	
SC2021	945 076 3503 SURGE-ABSORBER	Q1011	305 014 4512 TR 2SC2412K T146 R
SC2031	945 076 3503 SURGE-ABSORBER		305 014 4611 TR 2SC2412K T146 S
SC2051	945 076 3503 SURGE-ABSORBER		305 015 8727 TR 2SC2812-L6-TB
SC2052	945 076 3503 SURGE-ABSORBER		305 015 8925 TR 2SC2812-L7-TB
SC2056	945 076 3503 SURGE-ABSORBER		305 163 1615 TR 2SC2812N-L6-TB0
SC2057	945 076 3503 SURGE-ABSORBER		305 173 9816 TR 2SC3928A1R
SC2058	945 076 3503 SURGE-ABSORBER		305 173 9915 TR 2SC3928A1S
SC2059	945 076 3503 SURGE-ABSORBER	Q1031	305 217 4913 TR RN1111 TE85L
SC8751	945 076 3503 SURGE-ABSORBER	Q1032	305 217 4913 TR RN1111 TE85L
SC8752	945 076 3503 SURGE-ABSORBER	Q1033	305 217 4913 TR RN1111 TE85L
SC8753	945 076 3503 SURGE-ABSORBER	610 333 8194 ASSY,PWB,BUZZER KM6AC	
SC8754	945 076 3503 SURGE-ABSORBER	RESISTOR	
SW8751	910 011 4433 SWITCH,PUSH	R2100	301 255 6513 MT-GLAZE 100 JA 1/10W
SW8752	910 011 4433 SWITCH,PUSH	R8731	301 150 5918 MT-GLAZE 10K JA 1/10W
SW8753	910 011 4433 SWITCH,PUSH		
SW8754	910 011 4433 SWITCH,PUSH		

Electrical Parts List

Key No.	Part No.	Description	Key No.	Part No.	Description
Q1034	305 217 4913	TR RN1111 TE85L		305 015 8727	TR 2SC2812-L6-TB
Q1036	305 217 4913	TR RN1111 TE85L		305 015 8925	TR 2SC2812-L7-TB
Q1037	305 217 4913	TR RN1111 TE85L		305 163 1615	TR 2SC2812N-L6-TB0
Q1061	305 014 4512	TR 2SC2412K T146 R		305 173 9816	TR 2SC3928A1R
	305 014 4611	TR 2SC2412K T146 S		305 173 9915	TR 2SC3928A1S
	305 015 8727	TR 2SC2812-L6-TB	Q3801	305 191 5814	TR 3LN01C-TB-E
	305 015 8925	TR 2SC2812-L7-TB	Q5031	305 014 4512	TR 2SC2412K T146 R
	305 163 1615	TR 2SC2812N-L6-TB0		305 014 4611	TR 2SC2412K T146 S
	305 173 9816	TR 2SC3928A1R		305 015 8727	TR 2SC2812-L6-TB
	305 173 9915	TR 2SC3928A1S		305 015 8925	TR 2SC2812-L7-TB
Q1801	305 191 5814	TR 3LN01C-TB-E		305 163 1615	TR 2SC2812N-L6-TB0
Q1802	305 191 5814	TR 3LN01C-TB-E		305 173 9816	TR 2SC3928A1R
Q1803	305 014 4512	TR 2SC2412K T146 R		305 173 9915	TR 2SC3928A1S
	305 014 4611	TR 2SC2412K T146 S	Q5032	305 014 4512	TR 2SC2412K T146 R
	305 015 8727	TR 2SC2812-L6-TB		305 014 4611	TR 2SC2412K T146 S
	305 015 8925	TR 2SC2812-L7-TB		305 015 8727	TR 2SC2812-L6-TB
	305 163 1615	TR 2SC2812N-L6-TB0		305 015 8925	TR 2SC2812-L7-TB
	305 173 9816	TR 2SC3928A1R		305 163 1615	TR 2SC2812N-L6-TB0
	305 173 9915	TR 2SC3928A1S		305 173 9816	TR 2SC3928A1R
Q2001	305 014 4512	TR 2SC2412K T146 R		305 173 9915	TR 2SC3928A1S
	305 014 4611	TR 2SC2412K T146 S	Q5033	305 014 4512	TR 2SC2412K T146 R
	305 015 8727	TR 2SC2812-L6-TB		305 014 4611	TR 2SC2412K T146 S
	305 015 8925	TR 2SC2812-L7-TB		305 015 8727	TR 2SC2812-L6-TB
	305 163 1615	TR 2SC2812N-L6-TB0		305 015 8925	TR 2SC2812-L7-TB
	305 173 9816	TR 2SC3928A1R		305 163 1615	TR 2SC2812N-L6-TB0
	305 173 9915	TR 2SC3928A1S		305 173 9816	TR 2SC3928A1R
Q2011	305 014 4512	TR 2SC2412K T146 R		305 173 9915	TR 2SC3928A1S
	305 014 4611	TR 2SC2412K T146 S	Q5034	305 014 4512	TR 2SC2412K T146 R
	305 015 8727	TR 2SC2812-L6-TB		305 014 4611	TR 2SC2412K T146 S
	305 015 8925	TR 2SC2812-L7-TB		305 015 8727	TR 2SC2812-L6-TB
	305 163 1615	TR 2SC2812N-L6-TB0		305 015 8925	TR 2SC2812-L7-TB
	305 173 9816	TR 2SC3928A1R		305 163 1615	TR 2SC2812N-L6-TB0
	305 173 9915	TR 2SC3928A1S		305 173 9816	TR 2SC3928A1R
Q2021	305 014 4512	TR 2SC2412K T146 R		305 173 9915	TR 2SC3928A1S
	305 014 4611	TR 2SC2412K T146 S	Q5036	305 014 4512	TR 2SC2412K T146 R
	305 015 8727	TR 2SC2812-L6-TB		305 014 4611	TR 2SC2412K T146 S
	305 015 8925	TR 2SC2812-L7-TB		305 015 8727	TR 2SC2812-L6-TB
	305 163 1615	TR 2SC2812N-L6-TB0		305 015 8925	TR 2SC2812-L7-TB
	305 173 9816	TR 2SC3928A1R		305 163 1615	TR 2SC2812N-L6-TB0
	305 173 9915	TR 2SC3928A1S		305 173 9816	TR 2SC3928A1R
Q2071	305 014 4512	TR 2SC2412K T146 R		305 173 9915	TR 2SC3928A1S
	305 014 4611	TR 2SC2412K T146 S	Q5061	305 014 4512	TR 2SC2412K T146 R
	305 015 8727	TR 2SC2812-L6-TB		305 014 4611	TR 2SC2412K T146 S
	305 015 8925	TR 2SC2812-L7-TB		305 015 8727	TR 2SC2812-L6-TB
	305 163 1615	TR 2SC2812N-L6-TB0		305 015 8925	TR 2SC2812-L7-TB
	305 173 9816	TR 2SC3928A1R		305 163 1615	TR 2SC2812N-L6-TB0
	305 173 9915	TR 2SC3928A1S		305 173 9816	TR 2SC3928A1R
Q2501	305 002 8327	TR 2SA1203-Y-TE12L		305 173 9915	TR 2SC3928A1S
Q2502	305 217 5019	TR RN1117 TE85L	Q5062	305 014 4512	TR 2SC2412K T146 R
Q331	305 191 5814	TR 3LN01C-TB-E		305 014 4611	TR 2SC2412K T146 S
Q3581	305 014 4512	TR 2SC2412K T146 R		305 015 8727	TR 2SC2812-L6-TB
	305 014 4611	TR 2SC2412K T146 S		305 015 8925	TR 2SC2812-L7-TB
	305 015 8727	TR 2SC2812-L6-TB		305 163 1615	TR 2SC2812N-L6-TB0
	305 015 8925	TR 2SC2812-L7-TB		305 173 9816	TR 2SC3928A1R
	305 163 1615	TR 2SC2812N-L6-TB0		305 173 9915	TR 2SC3928A1S
	305 173 9816	TR 2SC3928A1R	Q5063	305 014 4512	TR 2SC2412K T146 R
	305 173 9915	TR 2SC3928A1S		305 014 4611	TR 2SC2412K T146 S
Q3582	305 002 8327	TR 2SA1203-Y-TE12L		305 015 8727	TR 2SC2812-L6-TB
Q3601	305 014 4512	TR 2SC2412K T146 R		305 015 8925	TR 2SC2812-L7-TB
	305 014 4611	TR 2SC2412K T146 S		305 163 1615	TR 2SC2812N-L6-TB0
	305 015 8727	TR 2SC2812-L6-TB		305 173 9816	TR 2SC3928A1R
	305 015 8925	TR 2SC2812-L7-TB		305 173 9915	TR 2SC3928A1S
	305 163 1615	TR 2SC2812N-L6-TB0	Q5064	305 014 4512	TR 2SC2412K T146 R
	305 173 9816	TR 2SC3928A1R		305 014 4611	TR 2SC2412K T146 S
	305 173 9915	TR 2SC3928A1S		305 015 8727	TR 2SC2812-L6-TB
Q3602	305 014 4512	TR 2SC2412K T146 R		305 015 8925	TR 2SC2812-L7-TB
	305 014 4611	TR 2SC2412K T146 S		305 163 1615	TR 2SC2812N-L6-TB0

Electrical Parts List

Key No.	Part No.	Description	Key No.	Part No.	Description
Q5081	305 173 9816	TR 2SC3928A1R	Q5333	305 002 6927	TR 2SA1179N-M7-TB
	305 173 9915	TR 2SC3928A1S		305 163 1516	TR 2SA1179N-M6-TB
	305 014 4512	TR 2SC2412K T146 R		305 173 9618	TR 2SA1235A1E
	305 014 4611	TR 2SC2412K T146 S		305 173 9717	TR 2SA1235A1F
	305 015 8727	TR 2SC2812-L6-TB		305 134 5928	TR 2SA1037AK-T146-R
Q5201	305 015 8925	TR 2SC2812-L7-TB	305 147 2218	TR 2SA1037AK-S-T146	
	305 163 1615	TR 2SC2812N-L6-TB0	305 002 0311	TR 2SA1037K T146 R	
	305 173 9816	TR 2SC3928A1R	305 002 0410	TR 2SA1037K T146 S	
	305 173 9915	TR 2SC3928A1S	305 002 6729	TR 2SA1179-M6-TB	
	305 014 4512	TR 2SC2412K T146 R	305 002 6927	TR 2SA1179-M7-TB	
Q5202	305 014 4611	TR 2SC2412K T146 S	305 002 6927	TR 2SA1179N-M6-TB	
	305 015 8727	TR 2SC2812-L6-TB	305 002 6927	TR 2SA1179N-M7-TB	
	305 015 8925	TR 2SC2812-L7-TB	305 163 1516	TR 2SA1235A1E	
	305 163 1615	TR 2SC2812N-L6-TB0	305 173 9618	TR 2SA1235A1F	
	305 173 9816	TR 2SC3928A1R	305 173 9717	TR 2SA1235A1F	
Q5202	305 173 9915	TR 2SC3928A1S	Q5334	305 014 4512	TR 2SC2412K T146 R
	305 014 4512	TR 2SC2412K T146 R	305 014 4611	TR 2SC2412K T146 S	
	305 014 4611	TR 2SC2412K T146 S	305 015 8727	TR 2SC2812-L6-TB	
	305 015 8727	TR 2SC2812-L6-TB	305 015 8925	TR 2SC2812-L7-TB	
	305 015 8925	TR 2SC2812-L7-TB	305 163 1615	TR 2SC2812N-L6-TB0	
Q5301	305 163 1615	TR 2SC2812N-L6-TB0	305 173 9816	TR 2SC3928A1R	
	305 163 1615	TR 2SC2812N-L6-TB0	305 173 9915	TR 2SC3928A1S	
	305 173 9816	TR 2SC3928A1R	Q5336	305 134 5928	TR 2SA1037AK-T146-R
	305 173 9915	TR 2SC3928A1S	305 147 2218	TR 2SA1037AK-S-T146	
	305 014 4512	TR 2SC2412K T146 R	305 002 0311	TR 2SA1037K T146 R	
Q5302	305 014 4611	TR 2SC2412K T146 S	305 002 0410	TR 2SA1037K T146 S	
	305 015 8727	TR 2SC2812-L6-TB	305 002 6729	TR 2SA1179-M6-TB	
	305 015 8925	TR 2SC2812-L7-TB	305 002 6927	TR 2SA1179-M7-TB	
	305 163 1615	TR 2SC2812N-L6-TB0	305 163 1516	TR 2SA1235A1E	
	305 173 9816	TR 2SC3928A1R	305 173 9618	TR 2SA1235A1F	
Q5303	305 173 9915	TR 2SC3928A1S	Q5701	305 217 8515	TR RSQ025P03-TR
	305 134 5928	TR 2SA1037AK-T146-R	Q5711	305 217 8515	TR RSQ025P03-TR
	305 147 2218	TR 2SA1037AK-S-T146	Q5821	306 017 8405	TR RTQ025P02-TR
	305 002 0311	TR 2SA1037K T146 R	Q5841	306 017 8405	TR RTQ025P02-TR
	305 002 0410	TR 2SA1037K T146 S	Q5861	306 017 8405	TR RTQ025P02-TR
Q5304	305 002 6729	TR 2SA1179-M6-TB	Q591	305 002 8327	TR 2SA1203-Y-TE12L
	305 002 6927	TR 2SA1179-M7-TB	Q592	305 014 4512	TR 2SC2412K T146 R
	305 163 1516	TR 2SA1179N-M6-TB	305 014 4611	TR 2SC2412K T146 S	
	305 173 9618	TR 2SA1235A1E	305 015 8727	TR 2SC2812-L6-TB	
	305 173 9717	TR 2SA1235A1F	305 015 8925	TR 2SC2812-L7-TB	
Q5304	305 134 5928	TR 2SA1037AK-T146-R	305 163 1615	TR 2SC2812N-L6-TB0	
	305 147 2218	TR 2SA1037AK-S-T146	305 173 9816	TR 2SC3928A1R	
	305 002 0311	TR 2SA1037K T146 R	305 173 9915	TR 2SC3928A1S	
	305 002 0410	TR 2SA1037K T146 S	Q684	305 014 4512	TR 2SC2412K T146 R
	305 002 6729	TR 2SA1179-M6-TB	305 014 4611	TR 2SC2412K T146 S	
Q5331	305 002 6927	TR 2SA1179-M7-TB	305 015 8727	TR 2SC2812-L6-TB	
	305 163 1516	TR 2SA1179N-M6-TB	305 015 8925	TR 2SC2812-L7-TB	
	305 173 9618	TR 2SA1235A1E	305 163 1615	TR 2SC2812N-L6-TB0	
	305 173 9717	TR 2SA1235A1F	305 173 9816	TR 2SC3928A1R	
	305 014 4512	TR 2SC2412K T146 R	305 173 9915	TR 2SC3928A1S	
Q5332	305 014 4611	TR 2SC2412K T146 S	Q6841	305 014 4512	TR 2SC2412K T146 R
	305 015 8727	TR 2SC2812-L6-TB	305 014 4611	TR 2SC2412K T146 S	
	305 015 8925	TR 2SC2812-L7-TB	305 015 8727	TR 2SC2812-L6-TB	
	305 163 1615	TR 2SC2812N-L6-TB0	305 015 8925	TR 2SC2812-L7-TB	
	305 173 9816	TR 2SC3928A1R	305 163 1615	TR 2SC2812N-L6-TB0	
Q5332	305 173 9915	TR 2SC3928A1S	305 173 9816	TR 2SC3928A1R	
	305 014 4512	TR 2SC2412K T146 R	305 173 9915	TR 2SC3928A1S	
	305 014 4611	TR 2SC2412K T146 S	Q6842	305 014 4512	TR 2SC2412K T146 R
	305 015 8727	TR 2SC2812-L6-TB	305 014 4611	TR 2SC2412K T146 S	
	305 015 8925	TR 2SC2812-L7-TB	305 015 8727	TR 2SC2812-L6-TB	
Q5332	305 163 1615	TR 2SC2812N-L6-TB0	305 015 8925	TR 2SC2812-L7-TB	
	305 173 9816	TR 2SC3928A1R	305 163 1615	TR 2SC2812N-L6-TB0	
	305 173 9915	TR 2SC3928A1S	305 173 9816	TR 2SC3928A1R	
	305 134 5928	TR 2SA1037AK-T146-R	305 173 9915	TR 2SC3928A1S	
	305 147 2218	TR 2SA1037AK-S-T146	Q6843	305 014 4512	TR 2SC2412K T146 R
Q5332	305 002 0311	TR 2SA1037K T146 R	305 014 4611	TR 2SC2412K T146 S	
	305 002 0410	TR 2SA1037K T146 S	305 015 8727	TR 2SC2812-L6-TB	
	305 002 6729	TR 2SA1179-M6-TB	305 015 8925	TR 2SC2812-L7-TB	

Electrical Parts List

Key No.	Part No.	Description	Key No.	Part No.	Description
	305 163 1615	TR 2SC2812N-L6-TB0		305 014 4611	TR 2SC2412K T146 S
	305 173 9816	TR 2SC3928A1R		305 015 8727	TR 2SC2812-L6-TB
	305 173 9915	TR 2SC3928A1S		305 015 8925	TR 2SC2812-L7-TB
Q6844	305 014 4512	TR 2SC2412K T146 R		305 163 1615	TR 2SC2812N-L6-TB0
	305 014 4611	TR 2SC2412K T146 S		305 173 9816	TR 2SC3928A1R
	305 015 8727	TR 2SC2812-L6-TB		305 173 9915	TR 2SC3928A1S
	305 015 8925	TR 2SC2812-L7-TB	Q8753	305 191 5814	TR 3LN01C-TB-E
	305 163 1615	TR 2SC2812N-L6-TB0	Q8754	305 191 5814	TR 3LN01C-TB-E
	305 173 9816	TR 2SC3928A1R	Q8756	305 134 5928	TR 2SA1037AK-T146-R
	305 173 9915	TR 2SC3928A1S		305 147 2218	TR 2SA1037AK-S-T146
Q6846	305 002 8327	TR 2SA1203-Y-TE12L		305 002 0311	TR 2SA1037K T146 R
Q6847	305 014 4512	TR 2SC2412K T146 R		305 002 0410	TR 2SA1037K T146 S
	305 014 4611	TR 2SC2412K T146 S		305 002 6729	TR 2SA1179-M6-TB
	305 015 8727	TR 2SC2812-L6-TB		305 002 6927	TR 2SA1179-M7-TB
	305 015 8925	TR 2SC2812-L7-TB		305 163 1516	TR 2SA1179N-M6-TB
	305 163 1615	TR 2SC2812N-L6-TB0		305 173 9618	TR 2SA1235A1E
	305 173 9816	TR 2SC3928A1R		305 173 9717	TR 2SA1235A1F
	305 173 9915	TR 2SC3928A1S	Q8757	305 191 5814	TR 3LN01C-TB-E
Q7801	305 217 5019	TR RN1117 TE85L	Q8758	305 191 5814	TR 3LN01C-TB-E
Q7802	305 217 5019	TR RN1117 TE85L	Q8759	305 191 5814	TR 3LN01C-TB-E
Q7811	305 217 5019	TR RN1117 TE85L	Q9602	406 021 3301	TR XP162A12A6PR
Q7812	305 217 8515	TR RSQ025P03-TR	Q9641	305 217 8515	TR RSQ025P03-TR
Q7813	305 139 7719	TR IMZ1A-T108	Q9642	305 217 8515	TR RSQ025P03-TR
Q7841	305 217 5019	TR RN1117 TE85L	Q9643	405 219 1610	TR RTQ020N03-TR
Q7842	305 217 8515	TR RSQ025P03-TR	Q9644	305 191 5814	TR 3LN01C-TB-E
Q7844	305 139 7719	TR IMZ1A-T108			
Q7861	305 217 5019	TR RN1117 TE85L	INTEGRATED CIRCUIT		
Q7862	305 217 8515	TR RSQ025P03-TR	IC1041	310 517 6809	IC TC74LVX4053FT
Q7864	305 139 7719	TR IMZ1A-T108	IC1051	309 462 0327	IC 24LC21AT/SN
Q8111	305 014 4512	TR 2SC2412K T146 R	IC1301	310 616 3402	IC PST413A300NR
	305 014 4611	TR 2SC2412K T146 S	IC1351	310 479 4004	IC TC7WBD125AFK
	305 015 8727	TR 2SC2812-L6-TB	IC1371	310 479 4004	IC TC7WBD125AFK
	305 015 8925	TR 2SC2812-L7-TB	IC1391	310 538 4907	IC 24LC64T-I/SNG
	305 163 1615	TR 2SC2812N-L6-TB0	IC1802	309 671 7817	IC TE7783APF
	305 173 9816	TR 2SC3928A1R		309 633 6117	IC TE7783PF
	305 173 9915	TR 2SC3928A1S	IC1821	309 482 7518	IC BA25BC0FP
Q8112	305 014 4512	TR 2SC2412K T146 R	IC213	309 487 5727	IC TC7SZ125FU
	305 014 4611	TR 2SC2412K T146 S	IC214	309 487 5727	IC TC7SZ125FU
	305 015 8727	TR 2SC2812-L6-TB	IC301	309 670 8419	IC PW190-10L
	305 015 8925	TR 2SC2812-L7-TB	IC3501	309 431 4424	IC M62334FP-DF5Q
	305 163 1615	TR 2SC2812N-L6-TB0	IC3801	309 652 0714	IC HIN202EIBNZ-T
	305 173 9816	TR 2SC3928A1R	IC3851	309 644 3310	IC MXA2500EL
	305 173 9915	TR 2SC3928A1S	IC4001	409 677 4619	IC EL5308IUZ
Q8701	305 014 4512	TR 2SC2412K T146 R	IC4011	310 348 7501	IC TC7WT241FU(TE12L)
	305 014 4611	TR 2SC2412K T146 S	IC4891	309 404 7213	IC TC7SET00FU-(TE85L)
	305 015 8727	TR 2SC2812-L6-TB	IC491	310 576 6406	IC PQ012FZ01ZPH
	305 015 8925	TR 2SC2812-L7-TB	IC5001	309 564 1519	IC NJW1141M
	305 163 1615	TR 2SC2812N-L6-TB0	IC5031	309 594 1916	IC LM4889MM
	305 173 9816	TR 2SC3928A1R	IC5081	309 398 1914	IC L88MS05TL-TL
	305 173 9915	TR 2SC3928A1S	IC5201	309 530 7217	IC AN5870SB-E1V
Q8702	305 014 4512	TR 2SC2412K T146 R	IC5301	309 484 2016	IC BA7078AF-E2
	305 014 4611	TR 2SC2412K T146 S	IC5302	309 439 8919	IC TC7WH125FU
	305 015 8727	TR 2SC2812-L6-TB	IC5304	309 461 7317	IC AD8057ARTZ-REEL7
	305 015 8925	TR 2SC2812-L7-TB	IC5601	309 416 6518	IC BA05FP-E2
	305 163 1615	TR 2SC2812N-L6-TB0		309 591 8611	IC BA50BC0FP
	305 173 9816	TR 2SC3928A1R	IC5631	309 555 6516	IC SI-3033ZD-TL
	305 173 9915	TR 2SC3928A1S	IC5641	309 563 9615	IC SI-3012KS-TL
Q8751	305 134 5928	TR 2SA1037AK-T146-R	IC5642	409 684 3414	IC BA90BC0FP
	305 147 2218	TR 2SA1037AK-S-T146	IC5751	309 555 6318	IC BA9743AFV-E2
	305 002 0311	TR 2SA1037K T146 R	IC5801	309 567 3213	IC FA7701V-TE1
	305 002 0410	TR 2SA1037K T146 S	IC7811	309 531 6229	IC FA7701V-TE1
	305 002 6729	TR 2SA1179-M6-TB	IC7841	309 531 6229	IC FA7701V-TE1
	305 002 6927	TR 2SA1179-M7-TB	IC7861	309 531 6229	IC FA7701V-TE1
	305 163 1516	TR 2SA1179N-M6-TB	IC8002	309 416 6419	IC BA033FP-E2
	305 173 9618	TR 2SA1235A1E		309 588 6316	IC BA33BC0FP
	305 173 9717	TR 2SA1235A1F	IC801	410 636 2208	IC S29GL032A90TFIR30-0800
Q8752	305 014 4512	TR 2SC2412K T146 R	IC8101	309 675 3815	IC 24LC522AT-I/SN

Electrical Parts List

Key No.	Part No.	Description	Key No.	Part No.	Description
IC8121	310 479 4004	IC TC7WBD125AFK	C1544	303 276 1911	CERAMIC 22P J 50V
IC8131	310 517 6809	IC TC74LVX4053FT	C1546	303 276 1911	CERAMIC 22P J 50V
IC8701	410 636 2109	IC R5F21134FP-C849B	C1547	303 276 1911	CERAMIC 22P J 50V
IC8702	309 137 9010	IC TC4S81F-TE85R	C1548	303 276 1911	CERAMIC 22P J 50V
IC8703	309 155 7329	IC TC4S71F-TE85R	C1549	303 276 1911	CERAMIC 22P J 50V
IC8708	310 596 5205	IC S-1000C27-M5T1G	C1551	303 276 1911	CERAMIC 22P J 50V
IC8712	309 482 3817	IC NJM2360AM(TE2)	C1552	303 276 1911	CERAMIC 22P J 50V
IC8811	309 481 8615	IC LM76CHMX-5	C1553	303 276 1911	CERAMIC 22P J 50V
IC8821	309 481 8615	IC LM76CHMX-5	C1554	303 276 1911	CERAMIC 22P J 50V
IC891	310 337 0605	IC HD74LVC14T	C1556	303 276 1911	CERAMIC 22P J 50V
IC9603	309 074 9626	IC M51957BFP	C1557	303 276 1911	CERAMIC 22P J 50V
IC9882	309 464 1411	IC TC74ACT14FT	C1558	303 276 1911	CERAMIC 22P J 50V
CAPACITOR			C1571	303 276 1911	CERAMIC 22P J 50V
C1001	303 453 8917	CERAMIC 0.1U K 16V	C1572	303 276 1911	CERAMIC 22P J 50V
	303 453 8610	CERAMIC 0.1U K 16V	C1573	303 276 1911	CERAMIC 22P J 50V
	303 409 3426	CERAMIC 0.1U K 16V	C1574	303 276 1911	CERAMIC 22P J 50V
C1038	303 453 8917	CERAMIC 0.1U K 16V	C1576	303 276 1911	CERAMIC 22P J 50V
	303 453 8610	CERAMIC 0.1U K 16V	C1577	303 276 1911	CERAMIC 22P J 50V
	303 409 3426	CERAMIC 0.1U K 16V	C1578	303 276 1911	CERAMIC 22P J 50V
C1039	303 453 8917	CERAMIC 0.1U K 16V	C1579	303 276 1911	CERAMIC 22P J 50V
	303 453 8610	CERAMIC 0.1U K 16V	C1581	303 276 1911	CERAMIC 22P J 50V
	303 409 3426	CERAMIC 0.1U K 16V	C1582	303 276 1911	CERAMIC 22P J 50V
C1041	303 453 8917	CERAMIC 0.1U K 16V	C1583	303 276 1911	CERAMIC 22P J 50V
	303 453 8610	CERAMIC 0.1U K 16V	C1584	303 276 1911	CERAMIC 22P J 50V
	303 409 3426	CERAMIC 0.1U K 16V	C1586	303 276 1911	CERAMIC 22P J 50V
C1051	303 453 8917	CERAMIC 0.1U K 16V	C1587	303 276 1911	CERAMIC 22P J 50V
	303 453 8610	CERAMIC 0.1U K 16V	C1588	303 276 1911	CERAMIC 22P J 50V
	303 409 3426	CERAMIC 0.1U K 16V	C1801	303 453 8917	CERAMIC 0.1U K 16V
C1091	303 358 3215	CERAMIC 10U K 6.3V		303 453 8610	CERAMIC 0.1U K 16V
	303 368 7319	CERAMIC 10U K 6.3V		303 409 3426	CERAMIC 0.1U K 16V
C1301	303 392 1215	ELECT 47U M 6.3V	C1804	303 453 8917	CERAMIC 0.1U K 16V
	303 387 5310	ELECT 47U M 6.3V		303 453 8610	CERAMIC 0.1U K 16V
C1302	403 455 1012	CERAMIC 1U K 10V		303 409 3426	CERAMIC 0.1U K 16V
	303 433 1112	CERAMIC 1U K 10V	C1806	303 394 9318	ELECT 220U M 6.3V
C1303	303 454 0613	CERAMIC 0.01U K 50V		303 387 5112	ELECT 220U M 6.3V
	303 441 9810	CERAMIC 0.01U K 50V	C1807	303 453 8917	CERAMIC 0.1U K 16V
C1304	303 453 8511	CERAMIC 1000P K 50V		303 453 8610	CERAMIC 0.1U K 16V
	303 454 1214	CERAMIC 1000P K 50V		303 409 3426	CERAMIC 0.1U K 16V
	303 276 1317	CERAMIC 1000P K 50V	C1808	303 453 8917	CERAMIC 0.1U K 16V
C1351	303 453 8917	CERAMIC 0.1U K 16V		303 453 8610	CERAMIC 0.1U K 16V
	303 453 8610	CERAMIC 0.1U K 16V		303 409 3426	CERAMIC 0.1U K 16V
	303 409 3426	CERAMIC 0.1U K 16V	C1811	303 453 8917	CERAMIC 0.1U K 16V
C1371	303 453 8917	CERAMIC 0.1U K 16V		303 453 8610	CERAMIC 0.1U K 16V
	303 453 8610	CERAMIC 0.1U K 16V		303 409 3426	CERAMIC 0.1U K 16V
	303 409 3426	CERAMIC 0.1U K 16V	C1812	303 453 8917	CERAMIC 0.1U K 16V
C1391	303 453 8917	CERAMIC 0.1U K 16V		303 453 8610	CERAMIC 0.1U K 16V
	303 453 8610	CERAMIC 0.1U K 16V		303 409 3426	CERAMIC 0.1U K 16V
	303 409 3426	CERAMIC 0.1U K 16V	C1813	303 314 5314	CERAMIC 5P C 50V
C1511	303 276 1911	CERAMIC 22P J 50V	C1814	301 226 1516	MT-GLAZE 0.000 ZA 1/16W
C1512	303 276 1911	CERAMIC 22P J 50V	C1816	303 314 5314	CERAMIC 5P C 50V
C1513	303 276 1911	CERAMIC 22P J 50V	C1817	303 453 8917	CERAMIC 0.1U K 16V
C1514	303 276 1911	CERAMIC 22P J 50V		303 453 8610	CERAMIC 0.1U K 16V
C1516	303 276 1911	CERAMIC 22P J 50V		303 409 3426	CERAMIC 0.1U K 16V
C1517	303 276 1911	CERAMIC 22P J 50V	C1818	303 453 8917	CERAMIC 0.1U K 16V
C1518	303 276 1911	CERAMIC 22P J 50V		303 453 8610	CERAMIC 0.1U K 16V
C1519	303 276 1911	CERAMIC 22P J 50V		303 409 3426	CERAMIC 0.1U K 16V
C1521	303 276 1911	CERAMIC 22P J 50V	C1819	303 453 8917	CERAMIC 0.1U K 16V
C1522	303 276 1911	CERAMIC 22P J 50V		303 453 8610	CERAMIC 0.1U K 16V
C1523	303 276 1911	CERAMIC 22P J 50V		303 409 3426	CERAMIC 0.1U K 16V
C1524	303 276 1911	CERAMIC 22P J 50V	C1821	303 453 8917	CERAMIC 0.1U K 16V
C1526	303 276 1911	CERAMIC 22P J 50V		303 453 8610	CERAMIC 0.1U K 16V
C1527	303 276 1911	CERAMIC 22P J 50V		303 409 3426	CERAMIC 0.1U K 16V
C1528	303 276 1911	CERAMIC 22P J 50V	C1822	303 453 8917	CERAMIC 0.1U K 16V
C1541	303 276 1911	CERAMIC 22P J 50V		303 453 8610	CERAMIC 0.1U K 16V
C1542	303 276 1911	CERAMIC 22P J 50V		303 409 3426	CERAMIC 0.1U K 16V
C1543	303 276 1911	CERAMIC 22P J 50V	C1823	303 453 8917	CERAMIC 0.1U K 16V
				303 453 8610	CERAMIC 0.1U K 16V

Electrical Parts List

Key No.	Part No.	Description	Key No.	Part No.	Description
	303 409 3426	CERAMIC 0.1U K 16V		303 453 8610	CERAMIC 0.1U K 16V
C1824	303 453 8917	CERAMIC 0.1U K 16V		303 409 3426	CERAMIC 0.1U K 16V
	303 453 8610	CERAMIC 0.1U K 16V	C2512	403 455 1012	CERAMIC 1U K 10V
	303 409 3426	CERAMIC 0.1U K 16V		303 433 1112	CERAMIC 1U K 10V
C1826	303 447 5519	POS-SOLID 47U M 6.3V	C2513	303 367 0410	CERAMIC 0.1U K 50V
C1827	303 453 8917	CERAMIC 0.1U K 16V		303 370 1510	CERAMIC 0.1U K 50V
	303 453 8610	CERAMIC 0.1U K 16V	C2514	303 401 3810	ELECT 10U M 25V
	303 409 3426	CERAMIC 0.1U K 16V		303 424 1510	ELECT 10.0U M 25V
C1828	303 447 5519	POS-SOLID 47U M 6.3V	C252	303 453 8917	CERAMIC 0.1U K 16V
C1829	303 453 8917	CERAMIC 0.1U K 16V		303 453 8610	CERAMIC 0.1U K 16V
	303 453 8610	CERAMIC 0.1U K 16V		303 409 3426	CERAMIC 0.1U K 16V
	303 409 3426	CERAMIC 0.1U K 16V	C253	303 453 8511	CERAMIC 1000P K 50V
C1831	303 453 8917	CERAMIC 0.1U K 16V		303 454 1214	CERAMIC 1000P K 50V
	303 453 8610	CERAMIC 0.1U K 16V		303 276 1317	CERAMIC 1000P K 50V
	303 409 3426	CERAMIC 0.1U K 16V	C2534	303 453 8917	CERAMIC 0.1U K 16V
C1832	303 453 8917	CERAMIC 0.1U K 16V		303 453 8610	CERAMIC 0.1U K 16V
	303 453 8610	CERAMIC 0.1U K 16V		303 409 3426	CERAMIC 0.1U K 16V
	303 409 3426	CERAMIC 0.1U K 16V	C2535	303 401 3810	ELECT 10U M 25V
C2001	303 358 3215	CERAMIC 10U K 6.3V		303 424 1510	ELECT 10.0U M 25V
	303 368 7319	CERAMIC 10U K 6.3V	C2536	303 367 0410	CERAMIC 0.1U K 50V
C2002	303 453 8917	CERAMIC 0.1U K 16V		303 370 1510	CERAMIC 0.1U K 50V
	303 453 8610	CERAMIC 0.1U K 16V	C2537	303 367 0410	CERAMIC 0.1U K 50V
	303 409 3426	CERAMIC 0.1U K 16V		303 370 1510	CERAMIC 0.1U K 50V
C2003	403 457 2512	CERAMIC 0.47U K 10V	C2538	303 135 0710	CERAMIC 1U K 25V
	303 376 6311	CERAMIC 0.47U K 10V	C2539	303 453 8917	CERAMIC 0.1U K 16V
C2011	303 453 8917	CERAMIC 0.1U K 16V		303 453 8610	CERAMIC 0.1U K 16V
	303 453 8610	CERAMIC 0.1U K 16V		303 409 3426	CERAMIC 0.1U K 16V
	303 409 3426	CERAMIC 0.1U K 16V	C254	303 397 5416	ELECT 470U M 4V
C2012	303 453 8917	CERAMIC 0.1U K 16V	C2541	303 453 8917	CERAMIC 0.1U K 16V
	303 453 8610	CERAMIC 0.1U K 16V		303 453 8610	CERAMIC 0.1U K 16V
	303 409 3426	CERAMIC 0.1U K 16V		303 409 3426	CERAMIC 0.1U K 16V
C2013	403 457 2512	CERAMIC 0.47U K 10V	C2542	403 455 1012	CERAMIC 1U K 10V
	303 376 6311	CERAMIC 0.47U K 10V		303 433 1112	CERAMIC 1U K 10V
C2021	303 358 3215	CERAMIC 10U K 6.3V	C2543	303 367 0410	CERAMIC 0.1U K 50V
	303 368 7319	CERAMIC 10U K 6.3V		303 370 1510	CERAMIC 0.1U K 50V
C2022	303 453 8917	CERAMIC 0.1U K 16V	C2544	303 401 3810	ELECT 10U M 25V
	303 453 8610	CERAMIC 0.1U K 16V		303 424 1510	ELECT 10.0U M 25V
	303 409 3426	CERAMIC 0.1U K 16V	C256	303 453 8917	CERAMIC 0.1U K 16V
C2023	403 457 2512	CERAMIC 0.47U K 10V		303 453 8610	CERAMIC 0.1U K 16V
	303 376 6311	CERAMIC 0.47U K 10V		303 409 3426	CERAMIC 0.1U K 16V
C2071	303 453 8917	CERAMIC 0.1U K 16V	C2564	303 453 8917	CERAMIC 0.1U K 16V
	303 453 8610	CERAMIC 0.1U K 16V		303 453 8610	CERAMIC 0.1U K 16V
	303 409 3426	CERAMIC 0.1U K 16V		303 409 3426	CERAMIC 0.1U K 16V
C2072	303 372 7510	CERAMIC 2.2U K 6.3V	C2565	303 401 3810	ELECT 10U M 25V
C2073	303 453 8917	CERAMIC 0.1U K 16V		303 424 1510	ELECT 10.0U M 25V
	303 453 8610	CERAMIC 0.1U K 16V	C2566	303 367 0410	CERAMIC 0.1U K 50V
	303 409 3426	CERAMIC 0.1U K 16V		303 370 1510	CERAMIC 0.1U K 50V
C2096	303 453 8917	CERAMIC 0.1U K 16V	C2567	303 367 0410	CERAMIC 0.1U K 50V
	303 453 8610	CERAMIC 0.1U K 16V		303 370 1510	CERAMIC 0.1U K 50V
	303 409 3426	CERAMIC 0.1U K 16V	C2568	303 135 0710	CERAMIC 1U K 25V
C2504	303 453 8917	CERAMIC 0.1U K 16V	C2569	303 453 8917	CERAMIC 0.1U K 16V
	303 453 8610	CERAMIC 0.1U K 16V		303 453 8610	CERAMIC 0.1U K 16V
	303 409 3426	CERAMIC 0.1U K 16V		303 409 3426	CERAMIC 0.1U K 16V
C2505	303 401 3810	ELECT 10U M 25V	C257	303 453 8917	CERAMIC 0.1U K 16V
	303 424 1510	ELECT 10.0U M 25V		303 453 8610	CERAMIC 0.1U K 16V
C2506	303 367 0410	CERAMIC 0.1U K 50V		303 409 3426	CERAMIC 0.1U K 16V
	303 370 1510	CERAMIC 0.1U K 50V	C2571	303 453 8917	CERAMIC 0.1U K 16V
C2507	303 367 0410	CERAMIC 0.1U K 50V		303 453 8610	CERAMIC 0.1U K 16V
	303 370 1510	CERAMIC 0.1U K 50V		303 409 3426	CERAMIC 0.1U K 16V
C2508	303 135 0710	CERAMIC 1U K 25V	C2572	403 455 1012	CERAMIC 1U K 10V
C2509	303 453 8917	CERAMIC 0.1U K 16V		303 433 1112	CERAMIC 1U K 10V
	303 453 8610	CERAMIC 0.1U K 16V	C2573	303 367 0410	CERAMIC 0.1U K 50V
	303 409 3426	CERAMIC 0.1U K 16V		303 370 1510	CERAMIC 0.1U K 50V
C251	303 453 8917	CERAMIC 0.1U K 16V	C2574	303 401 3810	ELECT 10U M 25V
	303 453 8610	CERAMIC 0.1U K 16V		303 424 1510	ELECT 10.0U M 25V
	303 409 3426	CERAMIC 0.1U K 16V	C258	303 453 8511	CERAMIC 1000P K 50V
C2511	303 453 8917	CERAMIC 0.1U K 16V		303 454 1214	CERAMIC 1000P K 50V

Electrical Parts List

Key No.	Part No.	Description	Key No.	Part No.	Description
C3500	303 398 5415	ELECT 47U M 25V	C3562	303 367 0410	CERAMIC 0.1U K 50V
	303 387 7314	ELECT 47U M 25V		303 370 1510	CERAMIC 0.1U K 50V
C3501	303 453 8917	CERAMIC 0.1U K 16V	C3563	303 367 0410	CERAMIC 0.1U K 50V
	303 453 8610	CERAMIC 0.1U K 16V		303 370 1510	CERAMIC 0.1U K 50V
	303 409 3426	CERAMIC 0.1U K 16V	C3564	303 453 8917	CERAMIC 0.1U K 16V
C3502	303 367 0410	CERAMIC 0.1U K 50V		303 453 8610	CERAMIC 0.1U K 16V
	303 370 1510	CERAMIC 0.1U K 50V		303 409 3426	CERAMIC 0.1U K 16V
C3503	303 367 0410	CERAMIC 0.1U K 50V	C3566	303 391 5115	ELECT 100U M 16V
	303 370 1510	CERAMIC 0.1U K 50V		303 296 9515	ELECT 100U M 16V
C3504	303 453 8917	CERAMIC 0.1U K 16V	C3568	303 398 5415	ELECT 47U M 25V
	303 453 8610	CERAMIC 0.1U K 16V		303 387 7314	ELECT 47U M 25V
	303 409 3426	CERAMIC 0.1U K 16V	C3569	303 135 0710	CERAMIC 1U K 25V
C3506	303 391 5115	ELECT 100U M 16V	C357	303 453 8917	CERAMIC 0.1U K 16V
	303 296 9515	ELECT 100U M 16V		303 453 8610	CERAMIC 0.1U K 16V
C3508	303 398 5415	ELECT 47U M 25V		303 409 3426	CERAMIC 0.1U K 16V
	303 387 7314	ELECT 47U M 25V	C358	303 453 8917	CERAMIC 0.1U K 16V
C3509	303 135 0710	CERAMIC 1U K 25V		303 453 8610	CERAMIC 0.1U K 16V
C351	303 453 8917	CERAMIC 0.1U K 16V		303 409 3426	CERAMIC 0.1U K 16V
	303 453 8610	CERAMIC 0.1U K 16V	C3581	303 394 1312	ELECT 100U M 6.3V
	303 409 3426	CERAMIC 0.1U K 16V		303 387 4917	ELECT 100U M 6.3V
C3511	303 453 8917	CERAMIC 0.1U K 16V	C361	303 453 8917	CERAMIC 0.1U K 16V
	303 453 8610	CERAMIC 0.1U K 16V		303 453 8610	CERAMIC 0.1U K 16V
	303 409 3426	CERAMIC 0.1U K 16V		303 409 3426	CERAMIC 0.1U K 16V
C3512	303 453 8917	CERAMIC 0.1U K 16V	C362	303 453 8917	CERAMIC 0.1U K 16V
	303 453 8610	CERAMIC 0.1U K 16V		303 453 8610	CERAMIC 0.1U K 16V
	303 409 3426	CERAMIC 0.1U K 16V		303 409 3426	CERAMIC 0.1U K 16V
C3513	303 453 8917	CERAMIC 0.1U K 16V	C363	303 453 8917	CERAMIC 0.1U K 16V
	303 453 8610	CERAMIC 0.1U K 16V		303 453 8610	CERAMIC 0.1U K 16V
	303 409 3426	CERAMIC 0.1U K 16V		303 409 3426	CERAMIC 0.1U K 16V
C3514	303 453 8917	CERAMIC 0.1U K 16V	C364	303 453 8917	CERAMIC 0.1U K 16V
	303 453 8610	CERAMIC 0.1U K 16V		303 453 8610	CERAMIC 0.1U K 16V
	303 409 3426	CERAMIC 0.1U K 16V		303 409 3426	CERAMIC 0.1U K 16V
C352	303 453 8917	CERAMIC 0.1U K 16V	C365	303 453 8917	CERAMIC 0.1U K 16V
	303 453 8610	CERAMIC 0.1U K 16V		303 453 8610	CERAMIC 0.1U K 16V
	303 409 3426	CERAMIC 0.1U K 16V		303 409 3426	CERAMIC 0.1U K 16V
C353	303 453 8917	CERAMIC 0.1U K 16V	C366	303 453 8917	CERAMIC 0.1U K 16V
	303 453 8610	CERAMIC 0.1U K 16V		303 453 8610	CERAMIC 0.1U K 16V
	303 409 3426	CERAMIC 0.1U K 16V		303 409 3426	CERAMIC 0.1U K 16V
C3530	303 398 5415	ELECT 47U M 25V	C367	303 453 8917	CERAMIC 0.1U K 16V
	303 387 7314	ELECT 47U M 25V		303 453 8610	CERAMIC 0.1U K 16V
C3531	303 453 8917	CERAMIC 0.1U K 16V		303 409 3426	CERAMIC 0.1U K 16V
	303 453 8610	CERAMIC 0.1U K 16V	C368	303 453 8917	CERAMIC 0.1U K 16V
	303 409 3426	CERAMIC 0.1U K 16V		303 453 8610	CERAMIC 0.1U K 16V
C3532	303 367 0410	CERAMIC 0.1U K 50V		303 409 3426	CERAMIC 0.1U K 16V
	303 370 1510	CERAMIC 0.1U K 50V	C369	303 358 3215	CERAMIC 10U K 6.3V
C3533	303 367 0410	CERAMIC 0.1U K 50V		303 368 7319	CERAMIC 10U K 6.3V
	303 370 1510	CERAMIC 0.1U K 50V	C371	303 453 8917	CERAMIC 0.1U K 16V
C3534	303 453 8917	CERAMIC 0.1U K 16V		303 453 8610	CERAMIC 0.1U K 16V
	303 453 8610	CERAMIC 0.1U K 16V		303 409 3426	CERAMIC 0.1U K 16V
	303 409 3426	CERAMIC 0.1U K 16V	C372	303 453 8917	CERAMIC 0.1U K 16V
C3536	303 391 5115	ELECT 100U M 16V		303 453 8610	CERAMIC 0.1U K 16V
	303 296 9515	ELECT 100U M 16V		303 409 3426	CERAMIC 0.1U K 16V
C3538	303 398 5415	ELECT 47U M 25V	C373	303 453 8917	CERAMIC 0.1U K 16V
	303 387 7314	ELECT 47U M 25V		303 453 8610	CERAMIC 0.1U K 16V
C3539	303 135 0710	CERAMIC 1U K 25V		303 409 3426	CERAMIC 0.1U K 16V
C354	303 453 8917	CERAMIC 0.1U K 16V	C374	303 276 3113	CERAMIC 33P J 50V
	303 453 8610	CERAMIC 0.1U K 16V	C375	303 276 3113	CERAMIC 33P J 50V
	303 409 3426	CERAMIC 0.1U K 16V	C3801	303 372 7510	CERAMIC 2.2U K 6.3V
C3555	303 341 3918	POS-SOLID 100U M 6.3V	C3802	303 372 7510	CERAMIC 2.2U K 6.3V
C356	303 453 8917	CERAMIC 0.1U K 16V	C3803	303 372 7510	CERAMIC 2.2U K 6.3V
	303 453 8610	CERAMIC 0.1U K 16V	C3804	303 372 7510	CERAMIC 2.2U K 6.3V
	303 409 3426	CERAMIC 0.1U K 16V	C3806	403 455 1012	CERAMIC 1U K 10V
C3560	303 398 5415	ELECT 47U M 25V		303 433 1112	CERAMIC 1U K 10V
	303 387 7314	ELECT 47U M 25V	C381	303 454 0415	CERAMIC 0.068U K 16V
C3561	303 453 8917	CERAMIC 0.1U K 16V		303 442 0519	CERAMIC 0.068U K 16V
	303 453 8610	CERAMIC 0.1U K 16V	C382	303 454 0415	CERAMIC 0.068U K 16V
	303 409 3426	CERAMIC 0.1U K 16V		303 442 0519	CERAMIC 0.068U K 16V

Electrical Parts List

Key No.	Part No.	Description	Key No.	Part No.	Description
C383	303 454 0613	CERAMIC 0.01U K 50V		303 453 8610	CERAMIC 0.1U K 16V
	303 441 9810	CERAMIC 0.01U K 50V		303 409 3426	CERAMIC 0.1U K 16V
C384	303 454 0415	CERAMIC 0.068U K 16V	C416	303 453 8917	CERAMIC 0.1U K 16V
	303 442 0519	CERAMIC 0.068U K 16V		303 453 8610	CERAMIC 0.1U K 16V
C3851	303 453 8917	CERAMIC 0.1U K 16V		303 409 3426	CERAMIC 0.1U K 16V
	303 453 8610	CERAMIC 0.1U K 16V	C417	303 453 8917	CERAMIC 0.1U K 16V
	303 409 3426	CERAMIC 0.1U K 16V		303 453 8610	CERAMIC 0.1U K 16V
C3852	303 453 8917	CERAMIC 0.1U K 16V		303 409 3426	CERAMIC 0.1U K 16V
	303 453 8610	CERAMIC 0.1U K 16V	C421	303 453 8917	CERAMIC 0.1U K 16V
	303 409 3426	CERAMIC 0.1U K 16V		303 453 8610	CERAMIC 0.1U K 16V
C3853	303 336 3510	CERAMIC 0.47U K 16V		303 409 3426	CERAMIC 0.1U K 16V
	304 110 9800	CERAMIC 0.47U K 16V	C422	303 453 8917	CERAMIC 0.1U K 16V
C3854	303 336 3510	CERAMIC 0.47U K 16V		303 453 8610	CERAMIC 0.1U K 16V
	304 110 9800	CERAMIC 0.47U K 16V		303 409 3426	CERAMIC 0.1U K 16V
C386	303 454 0613	CERAMIC 0.01U K 50V	C423	303 453 8917	CERAMIC 0.1U K 16V
	303 441 9810	CERAMIC 0.01U K 50V		303 453 8610	CERAMIC 0.1U K 16V
C387	403 455 1012	CERAMIC 1U K 10V		303 409 3426	CERAMIC 0.1U K 16V
	303 433 1112	CERAMIC 1U K 10V	C424	303 453 8917	CERAMIC 0.1U K 16V
C388	403 455 1012	CERAMIC 1U K 10V		303 453 8610	CERAMIC 0.1U K 16V
	303 433 1112	CERAMIC 1U K 10V		303 409 3426	CERAMIC 0.1U K 16V
C389	403 455 1012	CERAMIC 1U K 10V	C426	303 453 8917	CERAMIC 0.1U K 16V
	303 433 1112	CERAMIC 1U K 10V		303 453 8610	CERAMIC 0.1U K 16V
C391	303 453 8917	CERAMIC 0.1U K 16V		303 409 3426	CERAMIC 0.1U K 16V
	303 453 8610	CERAMIC 0.1U K 16V	C427	303 453 8917	CERAMIC 0.1U K 16V
	303 409 3426	CERAMIC 0.1U K 16V		303 453 8610	CERAMIC 0.1U K 16V
C392	303 453 8917	CERAMIC 0.1U K 16V		303 409 3426	CERAMIC 0.1U K 16V
	303 453 8610	CERAMIC 0.1U K 16V	C431	303 453 8917	CERAMIC 0.1U K 16V
	303 409 3426	CERAMIC 0.1U K 16V		303 453 8610	CERAMIC 0.1U K 16V
C4006	303 453 8917	CERAMIC 0.1U K 16V		303 409 3426	CERAMIC 0.1U K 16V
	303 453 8610	CERAMIC 0.1U K 16V	C432	303 453 8917	CERAMIC 0.1U K 16V
	303 409 3426	CERAMIC 0.1U K 16V		303 453 8610	CERAMIC 0.1U K 16V
C4007	303 372 7510	CERAMIC 2.2U K 6.3V		303 409 3426	CERAMIC 0.1U K 16V
C4008	303 453 8917	CERAMIC 0.1U K 16V	C433	303 453 8917	CERAMIC 0.1U K 16V
	303 453 8610	CERAMIC 0.1U K 16V		303 453 8610	CERAMIC 0.1U K 16V
	303 409 3426	CERAMIC 0.1U K 16V		303 409 3426	CERAMIC 0.1U K 16V
C4009	303 372 7510	CERAMIC 2.2U K 6.3V	C434	303 453 8917	CERAMIC 0.1U K 16V
C401	303 453 8917	CERAMIC 0.1U K 16V		303 453 8610	CERAMIC 0.1U K 16V
	303 453 8610	CERAMIC 0.1U K 16V		303 409 3426	CERAMIC 0.1U K 16V
	303 409 3426	CERAMIC 0.1U K 16V	C436	303 453 8917	CERAMIC 0.1U K 16V
C4011	303 453 8917	CERAMIC 0.1U K 16V		303 453 8610	CERAMIC 0.1U K 16V
	303 453 8610	CERAMIC 0.1U K 16V		303 409 3426	CERAMIC 0.1U K 16V
	303 409 3426	CERAMIC 0.1U K 16V	C437	303 453 8917	CERAMIC 0.1U K 16V
C402	303 453 8917	CERAMIC 0.1U K 16V		303 453 8610	CERAMIC 0.1U K 16V
	303 453 8610	CERAMIC 0.1U K 16V		303 409 3426	CERAMIC 0.1U K 16V
	303 409 3426	CERAMIC 0.1U K 16V	C438	303 394 1312	ELECT 100U M 6.3V
C403	303 453 8917	CERAMIC 0.1U K 16V		303 387 4917	ELECT 100U M 6.3V
	303 453 8610	CERAMIC 0.1U K 16V	C439	403 455 1012	CERAMIC 1U K 10V
	303 409 3426	CERAMIC 0.1U K 16V		303 433 1112	CERAMIC 1U K 10V
C404	303 453 8917	CERAMIC 0.1U K 16V	C471	403 455 1012	CERAMIC 1U K 10V
	303 453 8610	CERAMIC 0.1U K 16V		303 433 1112	CERAMIC 1U K 10V
	303 409 3426	CERAMIC 0.1U K 16V	C478	303 392 1215	ELECT 47U M 6.3V
C406	303 453 8917	CERAMIC 0.1U K 16V		303 387 5310	ELECT 47U M 6.3V
	303 453 8610	CERAMIC 0.1U K 16V	C479	303 392 1215	ELECT 47U M 6.3V
	303 409 3426	CERAMIC 0.1U K 16V		303 387 5310	ELECT 47U M 6.3V
C407	303 453 8917	CERAMIC 0.1U K 16V	C4808	403 457 3311	CERAMIC 47U M 6.3V
	303 453 8610	CERAMIC 0.1U K 16V		303 380 0114	CERAMIC 47U M 6.3V
	303 409 3426	CERAMIC 0.1U K 16V	C4891	303 453 8917	CERAMIC 0.1U K 16V
C411	303 453 8917	CERAMIC 0.1U K 16V		303 453 8610	CERAMIC 0.1U K 16V
	303 453 8610	CERAMIC 0.1U K 16V		303 409 3426	CERAMIC 0.1U K 16V
	303 409 3426	CERAMIC 0.1U K 16V	C491	303 453 8917	CERAMIC 0.1U K 16V
C412	303 453 8917	CERAMIC 0.1U K 16V		303 453 8610	CERAMIC 0.1U K 16V
	303 453 8610	CERAMIC 0.1U K 16V		303 409 3426	CERAMIC 0.1U K 16V
	303 409 3426	CERAMIC 0.1U K 16V	C492	303 453 8917	CERAMIC 0.1U K 16V
C413	303 453 8917	CERAMIC 0.1U K 16V		303 453 8610	CERAMIC 0.1U K 16V
	303 453 8610	CERAMIC 0.1U K 16V		303 409 3426	CERAMIC 0.1U K 16V
	303 409 3426	CERAMIC 0.1U K 16V	C493	303 394 1312	ELECT 100U M 6.3V
C414	303 453 8917	CERAMIC 0.1U K 16V		303 387 4917	ELECT 100U M 6.3V

Electrical Parts List

Key No.	Part No.	Description	Key No.	Part No.	Description				
C5001	303 453 8917	CERAMIC	0.1U K	16V	C5061	303 391 5511	ELECT	10U M	16V
	303 453 8610	CERAMIC	0.1U K	16V		303 175 7212	ELECT	10U M	16V
	303 409 3426	CERAMIC	0.1U K	16V	C5069	303 391 5511	ELECT	10U M	16V
C5002	303 454 0613	CERAMIC	0.01U K	50V		303 175 7212	ELECT	10U M	16V
	303 441 9810	CERAMIC	0.01U K	50V	C507	303 367 0410	CERAMIC	0.1U K	50V
C5003	303 454 0613	CERAMIC	0.01U K	50V		303 370 1510	CERAMIC	0.1U K	50V
	303 441 9810	CERAMIC	0.01U K	50V	C508	303 367 0410	CERAMIC	0.1U K	50V
C5004	303 453 8917	CERAMIC	0.1U K	16V		303 370 1510	CERAMIC	0.1U K	50V
	303 453 8610	CERAMIC	0.1U K	16V	C5081	403 455 9018	CERAMIC	10U K	16V
	303 409 3426	CERAMIC	0.1U K	16V		303 379 6714	CERAMIC	10U K	16V
C5006	303 453 8917	CERAMIC	0.1U K	16V	C5083	303 394 1312	ELECT	100U M	6.3V
	303 453 8610	CERAMIC	0.1U K	16V		303 387 4917	ELECT	100U M	6.3V
	303 409 3426	CERAMIC	0.1U K	16V	C5084	303 453 8917	CERAMIC	0.1U K	16V
C5007	303 454 0613	CERAMIC	0.01U K	50V		303 453 8610	CERAMIC	0.1U K	16V
	303 441 9810	CERAMIC	0.01U K	50V		303 409 3426	CERAMIC	0.1U K	16V
C5008	303 454 0613	CERAMIC	0.01U K	50V	C5086	303 394 1312	ELECT	100U M	6.3V
	303 441 9810	CERAMIC	0.01U K	50V		303 387 4917	ELECT	100U M	6.3V
C5009	303 453 8917	CERAMIC	0.1U K	16V	C5087	303 394 9318	ELECT	220U M	6.3V
	303 453 8610	CERAMIC	0.1U K	16V		303 387 5112	ELECT	220U M	6.3V
	303 409 3426	CERAMIC	0.1U K	16V	C5088	303 394 9318	ELECT	220U M	6.3V
C501	403 455 1012	CERAMIC	1U K	10V		303 387 5112	ELECT	220U M	6.3V
	303 433 1112	CERAMIC	1U K	10V	C509	303 367 0410	CERAMIC	0.1U K	50V
C5011	303 071 8115	CERAMIC	2200P K	50V		303 370 1510	CERAMIC	0.1U K	50V
C5012	303 453 8917	CERAMIC	0.1U K	16V	C511	303 367 0410	CERAMIC	0.1U K	50V
	303 453 8610	CERAMIC	0.1U K	16V		303 370 1510	CERAMIC	0.1U K	50V
	303 409 3426	CERAMIC	0.1U K	16V	C512	303 453 8511	CERAMIC	1000P K	50V
C5013	403 455 1012	CERAMIC	1U K	10V		303 454 1214	CERAMIC	1000P K	50V
	303 433 1112	CERAMIC	1U K	10V		303 276 1317	CERAMIC	1000P K	50V
C5014	403 455 1012	CERAMIC	1U K	10V	C513	303 367 0410	CERAMIC	0.1U K	50V
	303 433 1112	CERAMIC	1U K	10V		303 370 1510	CERAMIC	0.1U K	50V
C5016	303 071 8115	CERAMIC	2200P K	50V	C514	303 367 0410	CERAMIC	0.1U K	50V
C5017	303 453 8917	CERAMIC	0.1U K	16V		303 370 1510	CERAMIC	0.1U K	50V
	303 453 8610	CERAMIC	0.1U K	16V	C515	303 453 8917	CERAMIC	0.1U K	16V
	303 409 3426	CERAMIC	0.1U K	16V		303 453 8610	CERAMIC	0.1U K	16V
C5018	303 279 4315	CERAMIC	0.33U K	16V		303 409 3426	CERAMIC	0.1U K	16V
C5019	403 455 1012	CERAMIC	1U K	10V	C516	303 453 8917	CERAMIC	0.1U K	16V
	303 433 1112	CERAMIC	1U K	10V		303 453 8610	CERAMIC	0.1U K	16V
C502	303 367 0410	CERAMIC	0.1U K	50V		303 409 3426	CERAMIC	0.1U K	16V
	303 370 1510	CERAMIC	0.1U K	50V	C517	303 453 8917	CERAMIC	0.1U K	16V
C5021	403 455 1012	CERAMIC	1U K	10V		303 453 8610	CERAMIC	0.1U K	16V
	303 433 1112	CERAMIC	1U K	10V		303 409 3426	CERAMIC	0.1U K	16V
C5022	403 455 1012	CERAMIC	1U K	10V	C518	303 453 8917	CERAMIC	0.1U K	16V
	303 433 1112	CERAMIC	1U K	10V		303 453 8610	CERAMIC	0.1U K	16V
C5023	403 455 1012	CERAMIC	1U K	10V		303 409 3426	CERAMIC	0.1U K	16V
	303 433 1112	CERAMIC	1U K	10V	C519	303 453 8917	CERAMIC	0.1U K	16V
C5024	403 455 9018	CERAMIC	10U K	16V		303 453 8610	CERAMIC	0.1U K	16V
	303 379 6714	CERAMIC	10U K	16V		303 409 3426	CERAMIC	0.1U K	16V
C503	303 367 0410	CERAMIC	0.1U K	50V	C5200	403 455 9018	CERAMIC	10U K	16V
	303 370 1510	CERAMIC	0.1U K	50V		303 379 6714	CERAMIC	10U K	16V
C5031	303 355 9913	CERAMIC	2.2U K	10V	C5201	303 372 7510	CERAMIC	2.2U K	6.3V
C5032	303 314 5918	CERAMIC	0.47U K	16V	C5202	303 372 7510	CERAMIC	2.2U K	6.3V
C5033	403 455 1012	CERAMIC	1U K	10V	C5203	303 372 7510	CERAMIC	2.2U K	6.3V
	303 433 1112	CERAMIC	1U K	10V	C5204	303 372 7510	CERAMIC	2.2U K	6.3V
C5037	403 455 1012	CERAMIC	1U K	10V	C5206	303 372 7510	CERAMIC	2.2U K	6.3V
	303 433 1112	CERAMIC	1U K	10V	C5207	303 372 7510	CERAMIC	2.2U K	6.3V
C5038	303 454 0613	CERAMIC	0.01U K	50V	C5208	303 381 5613	ELECT	220U M	16V
	303 441 9810	CERAMIC	0.01U K	50V		303 423 8916	ELECT	220U M	16V
C5039	303 454 0613	CERAMIC	0.01U K	50V	C5209	303 453 8917	CERAMIC	0.1U K	16V
	303 441 9810	CERAMIC	0.01U K	50V		303 453 8610	CERAMIC	0.1U K	16V
C504	303 367 0410	CERAMIC	0.1U K	50V		303 409 3426	CERAMIC	0.1U K	16V
	303 370 1510	CERAMIC	0.1U K	50V	C5211	303 453 8917	CERAMIC	0.1U K	16V
C5041	303 454 0613	CERAMIC	0.01U K	50V		303 453 8610	CERAMIC	0.1U K	16V
	303 441 9810	CERAMIC	0.01U K	50V		303 409 3426	CERAMIC	0.1U K	16V
C505	303 367 0410	CERAMIC	0.1U K	50V	C5212	303 453 8917	CERAMIC	0.1U K	16V
	303 370 1510	CERAMIC	0.1U K	50V		303 453 8610	CERAMIC	0.1U K	16V
C506	303 367 0410	CERAMIC	0.1U K	50V		303 409 3426	CERAMIC	0.1U K	16V
	303 370 1510	CERAMIC	0.1U K	50V	C5213	303 453 8917	CERAMIC	0.1U K	16V

Electrical Parts List

Key No.	Part No.	Description	Key No.	Part No.	Description
	303 453 8610	CERAMIC 0.1U K 16V	C5317	303 453 8917	CERAMIC 0.1U K 16V
	303 409 3426	CERAMIC 0.1U K 16V		303 453 8610	CERAMIC 0.1U K 16V
C5214	303 453 8917	CERAMIC 0.1U K 16V		303 409 3426	CERAMIC 0.1U K 16V
	303 453 8610	CERAMIC 0.1U K 16V	C5318	303 453 6319	CERAMIC 100P J 50V
	303 409 3426	CERAMIC 0.1U K 16V		303 454 0910	CERAMIC 100P J 50V
C5216	303 381 5316	ELECT 100U M 16V		303 294 6110	CERAMIC 100P J 50V
	303 369 3211	ELECT 100U M 16V	C532	303 367 0410	CERAMIC 0.1U K 50V
C5217	403 455 1012	CERAMIC 1U K 10V		303 370 1510	CERAMIC 0.1U K 50V
	303 433 1112	CERAMIC 1U K 10V	C5321	303 355 9913	CERAMIC 2.2U K 10V
C5218	303 453 8917	CERAMIC 0.1U K 16V	C5322	303 372 7510	CERAMIC 2.2U K 6.3V
	303 453 8610	CERAMIC 0.1U K 16V	C5323	303 453 8917	CERAMIC 0.1U K 16V
	303 409 3426	CERAMIC 0.1U K 16V		303 453 8610	CERAMIC 0.1U K 16V
C5219	303 453 8917	CERAMIC 0.1U K 16V		303 409 3426	CERAMIC 0.1U K 16V
	303 453 8610	CERAMIC 0.1U K 16V	C5324	303 453 8917	CERAMIC 0.1U K 16V
	303 409 3426	CERAMIC 0.1U K 16V		303 453 8610	CERAMIC 0.1U K 16V
C5221	303 454 0613	CERAMIC 0.01U K 50V		303 409 3426	CERAMIC 0.1U K 16V
	303 441 9810	CERAMIC 0.01U K 50V	C5325	303 372 7510	CERAMIC 2.2U K 6.3V
C5222	303 453 8917	CERAMIC 0.1U K 16V	C5326	303 314 5314	CERAMIC 5P C 50V
	303 453 8610	CERAMIC 0.1U K 16V	C533	303 367 0410	CERAMIC 0.1U K 50V
	303 409 3426	CERAMIC 0.1U K 16V		303 370 1510	CERAMIC 0.1U K 50V
C5227	303 381 9918	ELECT 470U M 16V	C5332	403 455 1012	CERAMIC 1U K 10V
C5228	303 454 0613	CERAMIC 0.01U K 50V		303 433 1112	CERAMIC 1U K 10V
	303 441 9810	CERAMIC 0.01U K 50V	C5333	303 314 5918	CERAMIC 0.47U K 16V
C5229	303 381 9918	ELECT 470U M 16V	C5334	303 453 6814	CERAMIC 68P J 50V
C5231	303 454 0613	CERAMIC 0.01U K 50V		303 454 0019	CERAMIC 68P J 50V
	303 441 9810	CERAMIC 0.01U K 50V		303 320 0419	CERAMIC 68P J 50V
C5232	303 381 9918	ELECT 470U M 16V	C5336	303 309 2519	CERAMIC 27P J 50V
C5233	303 454 0613	CERAMIC 0.01U K 50V	C5337	303 453 6319	CERAMIC 100P J 50V
	303 441 9810	CERAMIC 0.01U K 50V		303 454 0910	CERAMIC 100P J 50V
C5241	403 457 2512	CERAMIC 0.47U K 10V		303 294 6110	CERAMIC 100P J 50V
	303 376 6311	CERAMIC 0.47U K 10V	C534	303 367 0410	CERAMIC 0.1U K 50V
C5243	403 457 2512	CERAMIC 0.47U K 10V		303 370 1510	CERAMIC 0.1U K 50V
	303 376 6311	CERAMIC 0.47U K 10V	C5341	303 299 1615	CERAMIC 1U K 16V
C5244	303 355 9913	CERAMIC 2.2U K 10V		403 457 2611	CERAMIC 1U M 16V
C526	303 401 3810	ELECT 10U M 25V	C535	303 367 0410	CERAMIC 0.1U K 50V
	303 424 1510	ELECT 10.0U M 25V		303 370 1510	CERAMIC 0.1U K 50V
C527	403 455 1012	CERAMIC 1U K 10V	C536	303 367 0410	CERAMIC 0.1U K 50V
	303 433 1112	CERAMIC 1U K 10V		303 370 1510	CERAMIC 0.1U K 50V
C528	303 401 3810	ELECT 10U M 25V	C537	303 367 0410	CERAMIC 0.1U K 50V
	303 424 1510	ELECT 10.0U M 25V		303 370 1510	CERAMIC 0.1U K 50V
C529	303 135 0710	CERAMIC 1U K 25V	C538	303 367 0410	CERAMIC 0.1U K 50V
C5301	303 453 8917	CERAMIC 0.1U K 16V		303 370 1510	CERAMIC 0.1U K 50V
	303 453 8610	CERAMIC 0.1U K 16V	C539	303 367 0410	CERAMIC 0.1U K 50V
	303 409 3426	CERAMIC 0.1U K 16V		303 370 1510	CERAMIC 0.1U K 50V
C5302	303 070 0912	CERAMIC 0.1U K 50V	C541	303 367 0410	CERAMIC 0.1U K 50V
C5303	403 455 1012	CERAMIC 1U K 10V		303 370 1510	CERAMIC 0.1U K 50V
	303 433 1112	CERAMIC 1U K 10V	C542	303 453 8511	CERAMIC 1000P K 50V
C5306	303 453 8917	CERAMIC 0.1U K 16V		303 454 1214	CERAMIC 1000P K 50V
	303 453 8610	CERAMIC 0.1U K 16V		303 276 1317	CERAMIC 1000P K 50V
	303 409 3426	CERAMIC 0.1U K 16V	C543	303 367 0410	CERAMIC 0.1U K 50V
C5307	303 372 7510	CERAMIC 2.2U K 6.3V		303 370 1510	CERAMIC 0.1U K 50V
C5308	303 453 8917	CERAMIC 0.1U K 16V	C544	303 367 0410	CERAMIC 0.1U K 50V
	303 453 8610	CERAMIC 0.1U K 16V		303 370 1510	CERAMIC 0.1U K 50V
	303 409 3426	CERAMIC 0.1U K 16V	C545	303 453 8917	CERAMIC 0.1U K 16V
C5309	403 457 2512	CERAMIC 0.47U K 10V		303 453 8610	CERAMIC 0.1U K 16V
	303 376 6311	CERAMIC 0.47U K 10V		303 409 3426	CERAMIC 0.1U K 16V
C531	403 455 1012	CERAMIC 1U K 10V	C546	303 453 8917	CERAMIC 0.1U K 16V
	303 433 1112	CERAMIC 1U K 10V		303 453 8610	CERAMIC 0.1U K 16V
C5311	403 457 2512	CERAMIC 0.47U K 10V		303 409 3426	CERAMIC 0.1U K 16V
	303 376 6311	CERAMIC 0.47U K 10V	C547	303 453 8917	CERAMIC 0.1U K 16V
C5312	403 455 1012	CERAMIC 1U K 10V		303 453 8610	CERAMIC 0.1U K 16V
	303 433 1112	CERAMIC 1U K 10V		303 409 3426	CERAMIC 0.1U K 16V
C5313	303 372 7510	CERAMIC 2.2U K 6.3V	C548	303 453 8917	CERAMIC 0.1U K 16V
C5314	403 455 1012	CERAMIC 1U K 10V		303 453 8610	CERAMIC 0.1U K 16V
	303 433 1112	CERAMIC 1U K 10V		303 409 3426	CERAMIC 0.1U K 16V
C5316	303 394 1312	ELECT 100U M 6.3V	C549	303 453 8917	CERAMIC 0.1U K 16V
	303 387 4917	ELECT 100U M 6.3V		303 453 8610	CERAMIC 0.1U K 16V

Electrical Parts List

Key No.	Part No.	Description	Key No.	Part No.	Description
	303 409 3426	CERAMIC		303 367 0410	CERAMIC
	303 401 3810	ELECT		303 370 1510	CERAMIC
C556	303 424 1510	ELECT	C566	303 367 0410	CERAMIC
	403 455 1012	CERAMIC		303 370 1510	CERAMIC
	303 433 1112	CERAMIC	C567	303 367 0410	CERAMIC
C558	303 401 3810	ELECT		303 370 1510	CERAMIC
	303 424 1510	ELECT	C568	303 367 0410	CERAMIC
C559	303 135 0710	CERAMIC		303 370 1510	CERAMIC
C5601	303 397 5713	ELECT	C569	303 367 0410	CERAMIC
	303 387 5617	ELECT		303 370 1510	CERAMIC
C5602	303 453 8917	CERAMIC	C5701	303 417 9912	CERAMIC
	303 453 8610	CERAMIC	C5702	303 417 9912	CERAMIC
	303 409 3426	CERAMIC	C571	303 367 0410	CERAMIC
C5603	303 394 9318	ELECT		303 370 1510	CERAMIC
	303 387 5112	ELECT	C572	303 453 8511	CERAMIC
C5604	303 453 8917	CERAMIC		303 454 1214	CERAMIC
	303 453 8610	CERAMIC		303 276 1317	CERAMIC
	303 409 3426	CERAMIC	C573	303 367 0410	CERAMIC
C5605	303 397 4211	POS-SOLID		303 370 1510	CERAMIC
C5606	303 398 5415	ELECT	C574	303 367 0410	CERAMIC
	303 387 7314	ELECT		303 370 1510	CERAMIC
C5607	303 398 5415	ELECT	C575	303 453 8917	CERAMIC
	303 387 7314	ELECT		303 453 8610	CERAMIC
C5608	303 394 9318	ELECT		303 409 3426	CERAMIC
	303 387 5112	ELECT	C5751	303 453 6913	CERAMIC
C5609	303 398 5415	ELECT		303 305 4715	CERAMIC
	303 387 7314	ELECT	C5752	303 454 1016	CERAMIC
C561	403 455 1012	CERAMIC		303 306 6510	CERAMIC
	303 433 1112	CERAMIC	C5753	403 457 2512	CERAMIC
C5611	303 398 5415	ELECT		303 376 6311	CERAMIC
	303 387 7314	ELECT	C5754	303 453 8917	CERAMIC
C5612	303 398 5415	ELECT		303 453 8610	CERAMIC
	303 387 7314	ELECT		303 409 3426	CERAMIC
C5613	303 398 5415	ELECT	C5755	303 453 9815	CERAMIC
	303 387 7314	ELECT		303 369 0527	CERAMIC
C5616	303 417 9912	CERAMIC	C5756	303 453 8917	CERAMIC
C5617	303 417 9912	CERAMIC		303 453 8610	CERAMIC
C5618	303 417 9912	CERAMIC		303 409 3426	CERAMIC
C5619	403 455 1012	CERAMIC	C5757	303 376 6212	CERAMIC
	303 433 1112	CERAMIC	C5758	303 454 1818	CERAMIC
C562	303 367 0410	CERAMIC		303 283 5711	CERAMIC
	303 370 1510	CERAMIC	C5759	303 454 1917	CERAMIC
C5624	303 454 1016	CERAMIC		303 379 7315	CERAMIC
	303 306 6510	CERAMIC	C576	303 453 8917	CERAMIC
C563	303 367 0410	CERAMIC		303 453 8610	CERAMIC
	303 370 1510	CERAMIC		303 409 3426	CERAMIC
C5632	303 378 9112	POS-SOLID	C5760	303 454 1917	CERAMIC
C5633	303 347 5510	POS-SOLID		303 379 7315	CERAMIC
C5634	303 394 1312	ELECT	C5761	303 398 5415	ELECT
	303 387 4917	ELECT		303 387 7314	ELECT
C5635	303 453 8917	CERAMIC	C5766	303 454 1016	CERAMIC
	303 453 8610	CERAMIC		303 306 6510	CERAMIC
	303 409 3426	CERAMIC	C5767	303 394 9318	ELECT
C564	303 367 0410	CERAMIC		303 387 5112	ELECT
	303 370 1510	CERAMIC	C5769	303 453 8917	CERAMIC
C5640	303 391 5115	ELECT		303 453 8610	CERAMIC
	303 296 9515	ELECT		303 409 3426	CERAMIC
C5641	303 374 8416	OS-SOLID	C577	303 453 8917	CERAMIC
C5642	303 453 8917	CERAMIC		303 453 8610	CERAMIC
	303 453 8610	CERAMIC		303 409 3426	CERAMIC
	303 409 3426	CERAMIC	C5770	303 378 2717	POS-SOLID
C5643	303 391 5115	ELECT	C5771	303 398 5415	ELECT
	303 296 9515	ELECT		303 387 7314	ELECT
C5646	303 398 4715	ELECT	C5776	303 454 1016	CERAMIC
	303 184 8316	ELECT		303 306 6510	CERAMIC
C5647	303 367 0410	CERAMIC	C578	303 453 8917	CERAMIC
	303 370 1510	CERAMIC		303 453 8610	CERAMIC

Electrical Parts List

Key No.	Part No.	Description	Key No.	Part No.	Description
	303 409 3426	CERAMIC		303 409 3426	CERAMIC
C5781	303 347 5510	POS-SOLID		303 358 3215	CERAMIC
C5782	303 453 8917	CERAMIC	C687	303 368 7319	CERAMIC
	303 453 8610	CERAMIC		303 314 6212	CERAMIC
	303 409 3426	CERAMIC	C7811	303 381 5316	ELECT
C579	303 453 8917	CERAMIC	C7813	303 369 3211	ELECT
	303 453 8610	CERAMIC		303 381 5316	ELECT
	303 409 3426	CERAMIC	C7814	303 369 3211	ELECT
C5801	303 325 6317	CERAMIC		303 453 8917	CERAMIC
C5802	403 455 1012	CERAMIC		303 453 8610	CERAMIC
	303 433 1112	CERAMIC		303 409 3426	CERAMIC
C5803	303 453 8917	CERAMIC	C7818	303 454 1917	CERAMIC
	303 453 8610	CERAMIC		303 379 7315	CERAMIC
	303 409 3426	CERAMIC	C7841	303 314 6212	CERAMIC
C5804	303 454 1917	CERAMIC	C7843	303 381 5316	ELECT
	303 379 7315	CERAMIC		303 369 3211	ELECT
C5805	403 455 9018	CERAMIC	C7844	303 381 5316	ELECT
	303 379 6714	CERAMIC		303 369 3211	ELECT
C5806	403 455 1012	CERAMIC	C7847	303 453 8917	CERAMIC
	303 433 1112	CERAMIC		303 453 8610	CERAMIC
C5807	303 454 1917	CERAMIC		303 409 3426	CERAMIC
	303 379 7315	CERAMIC	C7848	303 454 1917	CERAMIC
C5808	303 454 1917	CERAMIC		303 379 7315	CERAMIC
	303 379 7315	CERAMIC	C7861	303 314 6212	CERAMIC
C5809	303 453 8917	CERAMIC	C7863	303 381 5316	ELECT
	303 453 8610	CERAMIC		303 369 3211	ELECT
	303 409 3426	CERAMIC	C7864	303 381 5316	ELECT
C5811	303 337 9511	CERAMIC		303 369 3211	ELECT
C5821	403 455 1012	CERAMIC	C7867	303 453 8917	CERAMIC
	303 433 1112	CERAMIC		303 453 8610	CERAMIC
C5822	303 347 5510	POS-SOLID		303 409 3426	CERAMIC
C5823	303 453 8917	CERAMIC	C7868	303 454 1917	CERAMIC
	303 453 8610	CERAMIC		303 379 7315	CERAMIC
	303 409 3426	CERAMIC	C7870	303 398 5415	ELECT
C5841	403 455 1012	CERAMIC		303 387 7314	ELECT
	303 433 1112	CERAMIC	C8001	303 358 3215	CERAMIC
C5842	303 347 5510	POS-SOLID		303 368 7319	CERAMIC
C5843	303 453 8917	CERAMIC	C8002	303 358 3215	CERAMIC
	303 453 8610	CERAMIC		303 368 7319	CERAMIC
	303 409 3426	CERAMIC	C8003	303 358 3215	CERAMIC
C5844	303 454 1016	CERAMIC		303 368 7319	CERAMIC
	303 306 6510	CERAMIC	C8004	303 453 8917	CERAMIC
C586	303 401 3810	ELECT		303 453 8610	CERAMIC
	303 424 1510	ELECT		303 409 3426	CERAMIC
C5861	403 455 1012	CERAMIC	C8006	303 358 3215	CERAMIC
	303 433 1112	CERAMIC		303 368 7319	CERAMIC
C5862	303 347 5510	POS-SOLID	C8007	303 453 8917	CERAMIC
C5863	303 453 8917	CERAMIC		303 453 8610	CERAMIC
	303 453 8610	CERAMIC		303 409 3426	CERAMIC
	303 409 3426	CERAMIC	C8008	303 453 8511	CERAMIC
C5864	303 454 1016	CERAMIC		303 454 1214	CERAMIC
	303 306 6510	CERAMIC		303 276 1317	CERAMIC
C587	403 455 1012	CERAMIC	C8009	303 358 3215	CERAMIC
	303 433 1112	CERAMIC		303 368 7319	CERAMIC
C588	303 401 3810	ELECT	C801	303 453 8917	CERAMIC
	303 424 1510	ELECT		303 453 8610	CERAMIC
C589	303 135 0710	CERAMIC		303 409 3426	CERAMIC
C591	303 453 9815	CERAMIC	C8011	303 453 8511	CERAMIC
	303 369 0527	CERAMIC		303 454 1214	CERAMIC
C6801	303 453 8917	CERAMIC		303 276 1317	CERAMIC
	303 453 8610	CERAMIC	C8012	303 453 8511	CERAMIC
	303 409 3426	CERAMIC		303 454 1214	CERAMIC
C6802	303 453 8917	CERAMIC		303 276 1317	CERAMIC
	303 453 8610	CERAMIC	C8013	303 453 8511	CERAMIC
	303 409 3426	CERAMIC		303 454 1214	CERAMIC
C6803	303 453 8917	CERAMIC		303 276 1317	CERAMIC
	303 453 8610	CERAMIC	C8014	303 453 8511	CERAMIC

Electrical Parts List

Key No.	Part No.	Description	Key No.	Part No.	Description
	303 454 1214	CERAMIC		303 368 7319	CERAMIC
	303 276 1317	CERAMIC		303 364 5814	CERAMIC
C8021	303 453 8511	CERAMIC	C8700	304 106 7803	CERAMIC
	303 454 1214	CERAMIC	C8701	303 453 8917	CERAMIC
	303 276 1317	CERAMIC		303 453 8610	CERAMIC
C8022	303 453 8917	CERAMIC		303 409 3426	CERAMIC
	303 453 8610	CERAMIC	C8702	403 455 1012	CERAMIC
	303 409 3426	CERAMIC		303 433 1112	CERAMIC
C8023	303 453 8511	CERAMIC	C8703	303 453 8917	CERAMIC
	303 454 1214	CERAMIC		303 453 8610	CERAMIC
	303 276 1317	CERAMIC		303 409 3426	CERAMIC
C8024	303 453 8917	CERAMIC	C8704	303 453 8917	CERAMIC
	303 453 8610	CERAMIC		303 453 8610	CERAMIC
	303 409 3426	CERAMIC		303 409 3426	CERAMIC
C8026	303 453 8917	CERAMIC	C8705	303 398 4111	ELECT
	303 453 8610	CERAMIC		303 387 6515	ELECT
	303 409 3426	CERAMIC	C8706	303 305 9918	CERAMIC
C8027	303 453 8511	CERAMIC	C8707	303 398 3817	ELECT
	303 454 1214	CERAMIC		303 423 8916	ELECT
	303 276 1317	CERAMIC	C8811	303 453 7019	CERAMIC
C8028	303 453 8917	CERAMIC		303 453 9617	CERAMIC
	303 453 8610	CERAMIC		303 276 3113	CERAMIC
	303 409 3426	CERAMIC	C8812	303 453 7019	CERAMIC
C8029	303 453 8511	CERAMIC		303 453 9617	CERAMIC
	303 454 1214	CERAMIC		303 276 3113	CERAMIC
	303 276 1317	CERAMIC	C8813	303 453 8917	CERAMIC
C8031	303 453 8917	CERAMIC		303 453 8610	CERAMIC
	303 453 8610	CERAMIC		303 409 3426	CERAMIC
	303 409 3426	CERAMIC	C8821	303 453 7019	CERAMIC
C8032	303 453 8511	CERAMIC		303 453 9617	CERAMIC
	303 454 1214	CERAMIC		303 276 3113	CERAMIC
	303 276 1317	CERAMIC	C8822	303 453 7019	CERAMIC
C8033	303 453 8917	CERAMIC		303 453 9617	CERAMIC
	303 453 8610	CERAMIC		303 276 3113	CERAMIC
	303 409 3426	CERAMIC	C8823	303 453 8917	CERAMIC
C8034	303 453 8511	CERAMIC		303 453 8610	CERAMIC
	303 454 1214	CERAMIC		303 409 3426	CERAMIC
	303 276 1317	CERAMIC	C891	303 453 8917	CERAMIC
C8036	303 453 8511	CERAMIC		303 453 8610	CERAMIC
	303 454 1214	CERAMIC		303 409 3426	CERAMIC
	303 276 1317	CERAMIC	C9603	403 455 1012	CERAMIC
C8037	303 453 8917	CERAMIC		303 433 1112	CERAMIC
	303 453 8610	CERAMIC	C9604	303 307 7011	CERAMIC
	303 409 3426	CERAMIC		303 342 3313	CERAMIC
C8038	303 453 8917	CERAMIC	C9641	303 453 8917	CERAMIC
	303 453 8610	CERAMIC		303 453 8610	CERAMIC
	303 409 3426	CERAMIC		303 409 3426	CERAMIC
C8039	303 453 8511	CERAMIC	C9643	303 453 8917	CERAMIC
	303 454 1214	CERAMIC		303 453 8610	CERAMIC
	303 276 1317	CERAMIC		303 409 3426	CERAMIC
C8041	303 453 8917	CERAMIC	C9644	303 453 8917	CERAMIC
	303 453 8610	CERAMIC		303 453 8610	CERAMIC
	303 409 3426	CERAMIC		303 409 3426	CERAMIC
C8042	303 379 0217	POS-SOLID	C9646	303 437 4614	CERAMIC
C8043	303 453 8917	CERAMIC	C9647	403 455 9018	CERAMIC
	303 453 8610	CERAMIC		303 379 6714	CERAMIC
	303 409 3426	CERAMIC	C9882	303 453 8917	CERAMIC
C8101	303 453 8917	CERAMIC		303 453 8610	CERAMIC
	303 453 8610	CERAMIC		303 409 3426	CERAMIC
	303 409 3426	CERAMIC			
C8106	303 453 8917	CERAMIC	RESISTOR		
	303 453 8610	CERAMIC	R1000	301 238 4512	MT-GLAZE
	303 409 3426	CERAMIC	R1001	301 225 1319	MT-GLAZE
C8121	303 453 8917	CERAMIC	R1002	301 225 1319	MT-GLAZE
	303 453 8610	CERAMIC	R1003	301 225 1319	MT-GLAZE
	303 409 3426	CERAMIC	R1004	301 225 1319	MT-GLAZE
C8161	303 358 3215	CERAMIC	R1006	301 225 1319	MT-GLAZE

Electrical Parts List

Key No.	Part No.	Description	Key No.	Part No.	Description
R1007	301 225 1319	MT-GLAZE 470 JA 1/16W	R1847	301 224 9019	MT-GLAZE 10K JA 1/16W
R1008	301 225 1319	MT-GLAZE 470 JA 1/16W	R1848	301 224 9019	MT-GLAZE 10K JA 1/16W
R1009	301 225 1319	MT-GLAZE 470 JA 1/16W	R1906	303 376 6212	CERAMIC 0.22U K 10V
R1011	301 225 8110	MT-GLAZE 10 JA 1/16W	R1907	301 224 9316	MT-GLAZE 1K JA 1/16W
R1013	301 224 9514	MT-GLAZE 2.2K JA 1/16W	R1908	301 224 9316	MT-GLAZE 1K JA 1/16W
R1014	301 225 1418	MT-GLAZE 47K JA 1/16W	R1909	301 224 9316	MT-GLAZE 1K JA 1/16W
R1016	301 224 9316	MT-GLAZE 1K JA 1/16W	R1911	303 376 6212	CERAMIC 0.22U K 10V
R1020	301 226 1516	MT-GLAZE 0.000 ZA 1/16W	R1913	303 376 6212	CERAMIC 0.22U K 10V
R1021	301 260 4115	MT-GLAZE 75 JA 1/3W	R1914	303 376 6212	CERAMIC 0.22U K 10V
R1022	301 260 4115	MT-GLAZE 75 JA 1/3W	R1917	303 376 6212	CERAMIC 0.22U K 10V
R1023	301 260 4115	MT-GLAZE 75 JA 1/3W	R1918	303 376 6212	CERAMIC 0.22U K 10V
R1024	301 225 1418	MT-GLAZE 47K JA 1/16W	R1919	301 226 1516	MT-GLAZE 0.000 ZA 1/16W
R1026	301 225 1418	MT-GLAZE 47K JA 1/16W	R1920	301 226 1516	MT-GLAZE 0.000 ZA 1/16W
R1031	301 260 4115	MT-GLAZE 75 JA 1/3W	R1922	303 453 8917	CERAMIC 0.1U K 16V
R1032	301 260 4115	MT-GLAZE 75 JA 1/3W		303 453 8610	CERAMIC 0.1U K 16V
R1033	301 260 4115	MT-GLAZE 75 JA 1/3W		303 409 3426	CERAMIC 0.1U K 16V
R1034	301 225 1418	MT-GLAZE 47K JA 1/16W	R1924	303 376 6212	CERAMIC 0.22U K 10V
R1036	301 225 1418	MT-GLAZE 47K JA 1/16W	R1925	303 376 6212	CERAMIC 0.22U K 10V
R1037	301 224 9316	MT-GLAZE 1K JA 1/16W	R1926	303 376 6212	CERAMIC 0.22U K 10V
R1038	301 224 9514	MT-GLAZE 2.2K JA 1/16W	R1930	301 226 1516	MT-GLAZE 0.000 ZA 1/16W
R1039	301 224 9316	MT-GLAZE 1K JA 1/16W	R1931	301 226 1516	MT-GLAZE 0.000 ZA 1/16W
R1040	301 224 9514	MT-GLAZE 2.2K JA 1/16W	R1932	301 226 1516	MT-GLAZE 0.000 ZA 1/16W
R1041	301 226 1516	MT-GLAZE 0.000 ZA 1/16W	R1939	301 226 1516	MT-GLAZE 0.000 ZA 1/16W
R1042	301 226 1516	MT-GLAZE 0.000 ZA 1/16W	R1940	301 225 0213	MT-GLAZE 3.3K JA 1/16W
R1043	301 226 1516	MT-GLAZE 0.000 ZA 1/16W	R1943	301 226 1516	MT-GLAZE 0.000 ZA 1/16W
R1044	301 224 9019	MT-GLAZE 10K JA 1/16W	R1944	301 226 1516	MT-GLAZE 0.000 ZA 1/16W
R1046	301 226 1516	MT-GLAZE 0.000 ZA 1/16W	R2000	301 150 6014	MT-GLAZE 0.000 ZA 1/10W
R1047	301 226 1516	MT-GLAZE 0.000 ZA 1/16W	R2002	301 225 1418	MT-GLAZE 47K JA 1/16W
R1051	301 225 1210	MT-GLAZE 4.7K JA 1/16W	R2003	301 225 0718	MT-GLAZE 56K JA 1/16W
R1052	301 225 1210	MT-GLAZE 4.7K JA 1/16W	R2004	301 225 1319	MT-GLAZE 470 JA 1/16W
R1061	301 224 9019	MT-GLAZE 10K JA 1/16W	R2006	301 224 9316	MT-GLAZE 1K JA 1/16W
R1062	301 224 9316	MT-GLAZE 1K JA 1/16W	R2007	301 224 8814	MT-GLAZE 100 JA 1/16W
R1301	301 226 1516	MT-GLAZE 0.000 ZA 1/16W	R2008	301 225 0015	MT-GLAZE 270 JA 1/16W
R1306	301 224 9316	MT-GLAZE 1K JA 1/16W	R2012	301 225 1418	MT-GLAZE 47K JA 1/16W
R1351	301 224 9019	MT-GLAZE 10K JA 1/16W	R2013	301 225 0718	MT-GLAZE 56K JA 1/16W
R1352	301 224 9019	MT-GLAZE 10K JA 1/16W	R2014	301 225 1319	MT-GLAZE 470 JA 1/16W
R1353	301 225 0213	MT-GLAZE 3.3K JA 1/16W	R2016	301 224 9316	MT-GLAZE 1K JA 1/16W
R1354	301 225 0213	MT-GLAZE 3.3K JA 1/16W	R2017	301 224 8814	MT-GLAZE 100 JA 1/16W
R1376	301 225 1210	MT-GLAZE 4.7K JA 1/16W	R2022	301 225 1418	MT-GLAZE 47K JA 1/16W
R1378	301 225 1210	MT-GLAZE 4.7K JA 1/16W	R2023	301 225 0718	MT-GLAZE 56K JA 1/16W
R1391	301 226 1516	MT-GLAZE 0.000 ZA 1/16W	R2024	301 225 1319	MT-GLAZE 470 JA 1/16W
R1392	301 226 1516	MT-GLAZE 0.000 ZA 1/16W	R2026	301 224 9316	MT-GLAZE 1K JA 1/16W
R1393	301 225 0213	MT-GLAZE 3.3K JA 1/16W	R2027	301 224 8814	MT-GLAZE 100 JA 1/16W
R1394	301 225 0213	MT-GLAZE 3.3K JA 1/16W	R2028	301 225 0015	MT-GLAZE 270 JA 1/16W
R1801	301 224 8814	MT-GLAZE 100 JA 1/16W	R2032	301 224 9019	MT-GLAZE 10K JA 1/16W
R1804	301 224 8814	MT-GLAZE 100 JA 1/16W	R2033	301 224 9217	MT-GLAZE 15K JA 1/16W
R1808	301 259 7823	MT-GLAZE 20K JA 1/16W	R2036	301 225 8110	MT-GLAZE 10 JA 1/16W
R1809	301 224 9019	MT-GLAZE 10K JA 1/16W	R2037	301 225 8110	MT-GLAZE 10 JA 1/16W
R1811	301 224 9019	MT-GLAZE 10K JA 1/16W	R2038	301 225 8110	MT-GLAZE 10 JA 1/16W
R1813	301 224 9019	MT-GLAZE 10K JA 1/16W	R2039	301 225 8110	MT-GLAZE 10 JA 1/16W
R1814	301 226 1516	MT-GLAZE 0.000 ZA 1/16W	R2041	301 225 8110	MT-GLAZE 10 JA 1/16W
R1816	301 225 0213	MT-GLAZE 3.3K JA 1/16W	R2042	301 225 8110	MT-GLAZE 10 JA 1/16W
R1817	301 225 0015	MT-GLAZE 270 JA 1/16W	R2043	301 225 8110	MT-GLAZE 10 JA 1/16W
R1818	301 224 9415	MT-GLAZE 1M JA 1/16W	R2044	301 225 8110	MT-GLAZE 10 JA 1/16W
R1819	301 224 9019	MT-GLAZE 10K JA 1/16W	R2046	301 225 8110	MT-GLAZE 10 JA 1/16W
R1821	301 225 0213	MT-GLAZE 3.3K JA 1/16W	R2047	301 225 8110	MT-GLAZE 10 JA 1/16W
R1822	301 224 9019	MT-GLAZE 10K JA 1/16W	R2071	301 224 8913	MT-GLAZE 100K JA 1/16W
R1823	301 225 0213	MT-GLAZE 3.3K JA 1/16W	R2072	301 224 8913	MT-GLAZE 100K JA 1/16W
R1829	301 224 9019	MT-GLAZE 10K JA 1/16W	R2073	301 224 9415	MT-GLAZE 1M JA 1/16W
R1831	301 224 9019	MT-GLAZE 10K JA 1/16W	R2074	301 224 9910	MT-GLAZE 22K JA 1/16W
R1833	301 224 9019	MT-GLAZE 10K JA 1/16W	R2076	301 224 8814	MT-GLAZE 100 JA 1/16W
R1834	301 224 9019	MT-GLAZE 10K JA 1/16W	R2091	301 224 9019	MT-GLAZE 10K JA 1/16W
R1837	301 224 9019	MT-GLAZE 10K JA 1/16W	R2092	301 224 8814	MT-GLAZE 100 JA 1/16W
R1838	301 225 3818	MT-GLAZE 1.5K JA 1/16W	R2093	301 224 8814	MT-GLAZE 100 JA 1/16W
R1839	301 035 4111	MT-GLAZE 0.000 ZA 1/8W	R2096	301 224 9019	MT-GLAZE 10K JA 1/16W
R1842	301 224 9217	MT-GLAZE 15K JA 1/16W	R2097	301 224 9217	MT-GLAZE 15K JA 1/16W
R1843	301 224 9019	MT-GLAZE 10K JA 1/16W	R2501	301 224 8814	MT-GLAZE 100 JA 1/16W

Electrical Parts List

Key No.	Part No.	Description	Key No.	Part No.	Description
R2502	301 224 8814	MT-GLAZE 100 JA 1/16W	R337	301 225 0213	MT-GLAZE 3.3K JA 1/16W
R2503	301 224 8814	MT-GLAZE 100 JA 1/16W	R339	301 225 0213	MT-GLAZE 3.3K JA 1/16W
R2504	301 037 5017	MT-GLAZE 0.000 ZA 1/10W	R342	301 224 9019	MT-GLAZE 10K JA 1/16W
R2505	301 226 1516	MT-GLAZE 0.000 ZA 1/16W	R343	301 225 8110	MT-GLAZE 10 JA 1/16W
R2514	301 037 5017	MT-GLAZE 0.000 ZA 1/10W	R344	301 224 8913	MT-GLAZE 100K JA 1/16W
R2516	301 226 1516	MT-GLAZE 0.000 ZA 1/16W	R347	301 225 8110	MT-GLAZE 10 JA 1/16W
R2517	301 226 1516	MT-GLAZE 0.000 ZA 1/16W	R348	301 225 0213	MT-GLAZE 3.3K JA 1/16W
R2521	301 224 8913	MT-GLAZE 100K JA 1/16W	R3501	301 224 8913	MT-GLAZE 100K JA 1/16W
R253	301 226 1516	MT-GLAZE 0.000 ZA 1/16W	R3502	301 226 1516	MT-GLAZE 0.000 ZA 1/16W
R2531	301 224 8814	MT-GLAZE 100 JA 1/16W	R3503	301 225 1418	MT-GLAZE 47K JA 1/16W
R2532	301 224 8814	MT-GLAZE 100 JA 1/16W	R3504	301 226 1516	MT-GLAZE 0.000 ZA 1/16W
R2533	301 224 8814	MT-GLAZE 100 JA 1/16W	R3509	301 037 5017	MT-GLAZE 0.000 ZA 1/10W
R2534	301 037 5017	MT-GLAZE 0.000 ZA 1/10W	R3511	301 224 8814	MT-GLAZE 100 JA 1/16W
R2535	301 226 1516	MT-GLAZE 0.000 ZA 1/16W	R3512	301 224 8814	MT-GLAZE 100 JA 1/16W
R254	301 226 1516	MT-GLAZE 0.000 ZA 1/16W	R3513	301 226 1516	MT-GLAZE 0.000 ZA 1/16W
R2544	301 037 5017	MT-GLAZE 0.000 ZA 1/10W	R3514	301 226 1516	MT-GLAZE 0.000 ZA 1/16W
R2546	301 226 1516	MT-GLAZE 0.000 ZA 1/16W	R3515	301 226 1516	MT-GLAZE 0.000 ZA 1/16W
R2547	301 226 1516	MT-GLAZE 0.000 ZA 1/16W	R352	301 226 1516	MT-GLAZE 0.000 ZA 1/16W
R2551	301 224 8913	MT-GLAZE 100K JA 1/16W	R3531	301 224 8913	MT-GLAZE 100K JA 1/16W
R256	301 226 1516	MT-GLAZE 0.000 ZA 1/16W	R3532	301 226 1516	MT-GLAZE 0.000 ZA 1/16W
R2561	301 224 8814	MT-GLAZE 100 JA 1/16W	R3533	301 225 1418	MT-GLAZE 47K JA 1/16W
R2562	301 224 8814	MT-GLAZE 100 JA 1/16W	R3534	301 226 1516	MT-GLAZE 0.000 ZA 1/16W
R2563	301 224 8814	MT-GLAZE 100 JA 1/16W	R3539	301 037 5017	MT-GLAZE 0.000 ZA 1/10W
R2564	301 037 5017	MT-GLAZE 0.000 ZA 1/10W	R3561	301 224 8913	MT-GLAZE 100K JA 1/16W
R2565	301 226 1516	MT-GLAZE 0.000 ZA 1/16W	R3562	301 226 1516	MT-GLAZE 0.000 ZA 1/16W
R2574	301 037 5017	MT-GLAZE 0.000 ZA 1/10W	R3563	301 225 1418	MT-GLAZE 47K JA 1/16W
R2576	301 226 1516	MT-GLAZE 0.000 ZA 1/16W	R3564	301 226 1516	MT-GLAZE 0.000 ZA 1/16W
R2577	301 226 1516	MT-GLAZE 0.000 ZA 1/16W	R3569	301 037 5017	MT-GLAZE 0.000 ZA 1/10W
R258	301 226 1516	MT-GLAZE 0.000 ZA 1/16W	R3581	301 224 9316	MT-GLAZE 1K JA 1/16W
R2581	301 224 8913	MT-GLAZE 100K JA 1/16W	R3582	301 225 1210	MT-GLAZE 4.7K JA 1/16W
R259	301 226 1516	MT-GLAZE 0.000 ZA 1/16W	R3583	301 225 1210	MT-GLAZE 4.7K JA 1/16W
R2591	301 225 3818	MT-GLAZE 1.5K JA 1/16W	R3584	301 225 3818	MT-GLAZE 1.5K JA 1/16W
R2592	301 225 1210	MT-GLAZE 4.7K JA 1/16W	R3601	301 224 9316	MT-GLAZE 1K JA 1/16W
R261	301 226 1516	MT-GLAZE 0.000 ZA 1/16W	R3602	301 225 0619	MT-GLAZE 5.6K JA 1/16W
R262	301 226 1516	MT-GLAZE 0.000 ZA 1/16W	R3603	301 224 9316	MT-GLAZE 1K JA 1/16W
R263	301 037 5017	MT-GLAZE 0.000 ZA 1/10W	R3604	301 225 0619	MT-GLAZE 5.6K JA 1/16W
R264	301 225 0312	MT-GLAZE 33 JA 1/16W	R361	301 339 9614	MT-GLAZE 23.2K FA 1/10W
R266	301 225 0312	MT-GLAZE 33 JA 1/16W	R362	301 302 3410	MT-GLAZE 13K JA 1/16W
R267	301 225 0312	MT-GLAZE 33 JA 1/16W	R3621	301 224 9019	MT-GLAZE 10K JA 1/16W
R268	301 224 9019	MT-GLAZE 10K JA 1/16W	R3622	301 224 9019	MT-GLAZE 10K JA 1/16W
R269	301 224 8814	MT-GLAZE 100 JA 1/16W	R3623	301 224 9019	MT-GLAZE 10K JA 1/16W
R272	301 225 0312	MT-GLAZE 33 JA 1/16W	R3626	301 224 9019	MT-GLAZE 10K JA 1/16W
R2890	301 224 9712	MT-GLAZE 22 JA 1/16W	R3627	301 224 9019	MT-GLAZE 10K JA 1/16W
R2891	301 224 9712	MT-GLAZE 22 JA 1/16W	R3628	301 224 9019	MT-GLAZE 10K JA 1/16W
R2892	301 224 8814	MT-GLAZE 100 JA 1/16W	R371	301 224 9415	MT-GLAZE 1M JA 1/16W
R301	301 224 9316	MT-GLAZE 1K JA 1/16W	R3801	301 224 9019	MT-GLAZE 10K JA 1/16W
R302	301 224 9316	MT-GLAZE 1K JA 1/16W	R3802	301 225 0213	MT-GLAZE 3.3K JA 1/16W
R303	301 224 9316	MT-GLAZE 1K JA 1/16W	R381	301 263 7420	MT-GLAZE 75 JA 1/16W
R304	301 224 9316	MT-GLAZE 1K JA 1/16W	R3851	301 227 5612	MT-GLAZE 8.2K JA 1/16W
R306	301 224 9712	MT-GLAZE 22 JA 1/16W	R3853	301 256 6215	MT-GLAZE 270 JA 1/10W
R307	301 224 9712	MT-GLAZE 22 JA 1/16W	R3854	301 227 5612	MT-GLAZE 8.2K JA 1/16W
R308	301 339 9515	MT-GLAZE 12.1K FA 1/10W	R386	301 263 7420	MT-GLAZE 75 JA 1/16W
R311	301 224 9019	MT-GLAZE 10K JA 1/16W	R391	301 224 9316	MT-GLAZE 1K JA 1/16W
R312	301 224 9019	MT-GLAZE 10K JA 1/16W	R392	301 224 9019	MT-GLAZE 10K JA 1/16W
R314	301 226 1516	MT-GLAZE 0.000 ZA 1/16W	R4001	301 265 4912	MT-GLAZE 75 FA 1/10W
R316	301 226 1516	MT-GLAZE 0.000 ZA 1/16W	R4002	301 265 4912	MT-GLAZE 75 FA 1/10W
R318	301 226 1516	MT-GLAZE 0.000 ZA 1/16W	R4003	301 265 4912	MT-GLAZE 75 FA 1/10W
R321	301 225 0213	MT-GLAZE 3.3K JA 1/16W	R4004	301 265 4912	MT-GLAZE 75 FA 1/10W
R322	301 225 0213	MT-GLAZE 3.3K JA 1/16W	R4006	301 265 4912	MT-GLAZE 75 FA 1/10W
R324	301 256 6017	MT-GLAZE 27K JA 1/10W	R4007	301 150 6014	MT-GLAZE 0.000 ZA 1/10W
R325	301 150 5918	MT-GLAZE 10K JA 1/10W	R4008	301 150 6014	MT-GLAZE 0.000 ZA 1/10W
R326	301 256 6611	MT-GLAZE 68K JA 1/10W	R401	301 225 1814	MT-GLAZE 47 JA 1/16W
R327	301 150 5918	MT-GLAZE 10K JA 1/10W	R4011	301 150 6014	MT-GLAZE 0.000 ZA 1/10W
R328	301 162 3711	MT-GLAZE 4.7K JA 1/10W	R402	301 225 1814	MT-GLAZE 47 JA 1/16W
R329	301 150 5918	MT-GLAZE 10K JA 1/10W	R4031	301 225 8110	MT-GLAZE 10 JA 1/16W
R333	301 224 9019	MT-GLAZE 10K JA 1/16W	R4032	301 225 8110	MT-GLAZE 10 JA 1/16W
R334	301 225 8110	MT-GLAZE 10 JA 1/16W	R404	301 226 1516	MT-GLAZE 0.000 ZA 1/16W

Electrical Parts List

Key No.	Part No.	Description	Key No.	Part No.	Description
R4041	301 225 8110	MT-GLAZE 10 JA 1/16W	R5041	301 224 9316	MT-GLAZE 1K JA 1/16W
R4042	301 225 8110	MT-GLAZE 10 JA 1/16W	R5042	301 224 9316	MT-GLAZE 1K JA 1/16W
R406	301 226 1516	MT-GLAZE 0.000 ZA 1/16W	R5043	301 276 4710	MT-GLAZE 0.000 ZA 1/3W
R407	301 226 1516	MT-GLAZE 0.000 ZA 1/16W	R5044	301 224 9019	MT-GLAZE 10K JA 1/16W
R408	301 226 1516	MT-GLAZE 0.000 ZA 1/16W	R5046	301 224 9019	MT-GLAZE 10K JA 1/16W
R409	301 226 1516	MT-GLAZE 0.000 ZA 1/16W	R5047	301 224 9613	MT-GLAZE 2.7K JA 1/16W
R411	301 225 1814	MT-GLAZE 47 JA 1/16W	R5048	301 224 9316	MT-GLAZE 1K JA 1/16W
R412	301 225 1814	MT-GLAZE 47 JA 1/16W	R5051	301 224 9019	MT-GLAZE 10K JA 1/16W
R414	301 225 1814	MT-GLAZE 47 JA 1/16W	R5052	301 301 8416	MT-GLAZE 16K FA 1/16W
R421	301 225 1814	MT-GLAZE 47 JA 1/16W	R5053	301 294 3313	MT-GLAZE 15K FA 1/16W
R422	301 225 1814	MT-GLAZE 47 JA 1/16W	R5056	301 226 1516	MT-GLAZE 0.000 ZA 1/16W
R424	301 226 1516	MT-GLAZE 0.000 ZA 1/16W	R5058	301 226 1516	MT-GLAZE 0.000 ZA 1/16W
R426	301 226 1516	MT-GLAZE 0.000 ZA 1/16W	R5061	301 224 9316	MT-GLAZE 1K JA 1/16W
R427	301 226 1516	MT-GLAZE 0.000 ZA 1/16W	R5062	301 235 1415	MT-GLAZE 1.2K JA 1/16W
R428	301 226 1516	MT-GLAZE 0.000 ZA 1/16W	R5063	301 224 9316	MT-GLAZE 1K JA 1/16W
R429	301 226 1516	MT-GLAZE 0.000 ZA 1/16W	R5064	301 224 9316	MT-GLAZE 1K JA 1/16W
R431	301 225 1814	MT-GLAZE 47 JA 1/16W	R5066	301 235 1415	MT-GLAZE 1.2K JA 1/16W
R432	301 225 1814	MT-GLAZE 47 JA 1/16W	R5067	301 224 9316	MT-GLAZE 1K JA 1/16W
R434	301 225 1814	MT-GLAZE 47 JA 1/16W	R5068	301 235 1415	MT-GLAZE 1.2K JA 1/16W
R437	301 226 1516	MT-GLAZE 0.000 ZA 1/16W	R5069	301 224 9316	MT-GLAZE 1K JA 1/16W
R438	301 226 1516	MT-GLAZE 0.000 ZA 1/16W	R5071	301 235 1415	MT-GLAZE 1.2K JA 1/16W
R439	301 224 8814	MT-GLAZE 100 JA 1/16W	R5081	301 224 9019	MT-GLAZE 10K JA 1/16W
R441	301 225 1814	MT-GLAZE 47 JA 1/16W	R5082	301 224 9316	MT-GLAZE 1K JA 1/16W
R442	301 225 1814	MT-GLAZE 47 JA 1/16W	R5083	301 225 1210	MT-GLAZE 4.7K JA 1/16W
R444	301 226 1516	MT-GLAZE 0.000 ZA 1/16W	R511	301 224 8814	MT-GLAZE 100 JA 1/16W
R446	301 226 1516	MT-GLAZE 0.000 ZA 1/16W	R512	301 224 8814	MT-GLAZE 100 JA 1/16W
R447	301 226 1516	MT-GLAZE 0.000 ZA 1/16W	R513	301 224 8814	MT-GLAZE 100 JA 1/16W
R448	301 226 1516	MT-GLAZE 0.000 ZA 1/16W	R520	301 037 5017	MT-GLAZE 0.000 ZA 1/10W
R449	301 226 1516	MT-GLAZE 0.000 ZA 1/16W	R5201	301 225 8110	MT-GLAZE 10 JA 1/16W
R451	301 225 1814	MT-GLAZE 47 JA 1/16W	R5202	301 225 8110	MT-GLAZE 10 JA 1/16W
R452	301 225 1814	MT-GLAZE 47 JA 1/16W	R5203	301 225 8110	MT-GLAZE 10 JA 1/16W
R454	301 225 1814	MT-GLAZE 47 JA 1/16W	R5204	301 225 8110	MT-GLAZE 10 JA 1/16W
R456	301 226 1516	MT-GLAZE 0.000 ZA 1/16W	R5206	301 225 8110	MT-GLAZE 10 JA 1/16W
R461	301 224 8814	MT-GLAZE 100 JA 1/16W	R5207	301 225 8110	MT-GLAZE 10 JA 1/16W
R462	301 224 8814	MT-GLAZE 100 JA 1/16W	R5208	301 224 8814	MT-GLAZE 100 JA 1/16W
R463	301 224 8814	MT-GLAZE 100 JA 1/16W	R5209	301 224 8814	MT-GLAZE 100 JA 1/16W
R472	301 226 1516	MT-GLAZE 0.000 ZA 1/16W	R521	301 226 1516	MT-GLAZE 0.000 ZA 1/16W
R4803	301 226 1516	MT-GLAZE 0.000 ZA 1/16W	R5211	301 224 8814	MT-GLAZE 100 JA 1/16W
R481	301 226 1516	MT-GLAZE 0.000 ZA 1/16W	R5212	301 224 8814	MT-GLAZE 100 JA 1/16W
R482	301 226 1516	MT-GLAZE 0.000 ZA 1/16W	R5213	301 225 1814	MT-GLAZE 47 JA 1/16W
R483	301 226 1516	MT-GLAZE 0.000 ZA 1/16W	R5215	301 225 3818	MT-GLAZE 1.5K JA 1/16W
R4834	301 224 9514	MT-GLAZE 2.2K JA 1/16W	R5218	945 040 6448	INDUCTOR,3.3U M
R4860	301 226 1516	MT-GLAZE 0.000 ZA 1/16W	R522	301 226 1516	MT-GLAZE 0.000 ZA 1/16W
R4861	301 226 1516	MT-GLAZE 0.000 ZA 1/16W	R5223	301 224 9316	MT-GLAZE 1K JA 1/16W
R4862	301 037 5215	MT-GLAZE 100 JA 1/10W	R5224	301 226 1516	MT-GLAZE 0.000 ZA 1/16W
R4863	301 224 8814	MT-GLAZE 100 JA 1/16W	R5226	301 226 1516	MT-GLAZE 0.000 ZA 1/16W
R5001	301 276 4314	MT-GLAZE 4.7 JA 1/3W	R5228	301 224 9316	MT-GLAZE 1K JA 1/16W
R5002	301 224 9118	MT-GLAZE 150 JA 1/16W	R5229	301 036 9610	MT-GLAZE 56 JA 1/8W
R5003	301 224 9118	MT-GLAZE 150 JA 1/16W	R5231	301 036 9610	MT-GLAZE 56 JA 1/8W
R5004	301 224 8814	MT-GLAZE 100 JA 1/16W	R5232	301 036 9610	MT-GLAZE 56 JA 1/8W
R5006	301 224 8814	MT-GLAZE 100 JA 1/16W	R5233	301 150 6014	MT-GLAZE 0.000 ZA 1/10W
R5007	301 224 8814	MT-GLAZE 100 JA 1/16W	R5234	301 150 6014	MT-GLAZE 0.000 ZA 1/10W
R5008	301 224 8814	MT-GLAZE 100 JA 1/16W	R5236	301 150 6014	MT-GLAZE 0.000 ZA 1/10W
R501	301 224 9316	MT-GLAZE 1K JA 1/16W	R5238	301 226 1516	MT-GLAZE 0.000 ZA 1/16W
R5011	301 225 1418	MT-GLAZE 47K JA 1/16W	R5239	301 226 1516	MT-GLAZE 0.000 ZA 1/16W
R5012	301 225 1418	MT-GLAZE 47K JA 1/16W	R524	301 226 1516	MT-GLAZE 0.000 ZA 1/16W
R5013	301 225 1418	MT-GLAZE 47K JA 1/16W	R5240	301 150 6014	MT-GLAZE 0.000 ZA 1/10W
R5014	301 225 1418	MT-GLAZE 47K JA 1/16W	R5241	301 226 1516	MT-GLAZE 0.000 ZA 1/16W
R502	301 225 8110	MT-GLAZE 10 JA 1/16W	R5248	301 150 6014	MT-GLAZE 0.000 ZA 1/10W
R5031	301 225 1319	MT-GLAZE 470 JA 1/16W	R5251	301 150 6014	MT-GLAZE 0.000 ZA 1/10W
R5032	301 225 1319	MT-GLAZE 470 JA 1/16W	R5253	301 150 6014	MT-GLAZE 0.000 ZA 1/10W
R5033	301 235 1415	MT-GLAZE 1.2K JA 1/16W	R5254	301 226 1516	MT-GLAZE 0.000 ZA 1/16W
R5034	301 224 9316	MT-GLAZE 1K JA 1/16W	R5255	301 226 1516	MT-GLAZE 0.000 ZA 1/16W
R5036	301 235 1415	MT-GLAZE 1.2K JA 1/16W	R5256	301 226 1516	MT-GLAZE 0.000 ZA 1/16W
R5037	301 224 9316	MT-GLAZE 1K JA 1/16W	R526	301 226 1516	MT-GLAZE 0.000 ZA 1/16W
R5038	301 224 9019	MT-GLAZE 10K JA 1/16W	R5302	301 240 9710	MT-GLAZE 820K JA 1/16W
R5039	301 229 7218	MT-GLAZE 18K JA 1/16W	R5303	301 224 9316	MT-GLAZE 1K JA 1/16W

Electrical Parts List

Key No.	Part No.	Description	Key No.	Part No.	Description
R5304	301 224 9316	MT-GLAZE 1K JA 1/16W	R5761	301 237 2915	MT-GLAZE 51 JA 1/16W
R5306	301 162 2219	MT-GLAZE 10 JA 1/10W	R5762	301 225 8011	MT-GLAZE 330 JA 1/16W
R5307	301 224 9019	MT-GLAZE 10K JA 1/16W	R5763	301 225 0213	MT-GLAZE 3.3K JA 1/16W
R5308	301 224 9316	MT-GLAZE 1K JA 1/16W	R5764	301 225 0718	MT-GLAZE 56K JA 1/16W
R5309	301 226 1516	MT-GLAZE 0.000 ZA 1/16W	R5766	301 229 7218	MT-GLAZE 18K JA 1/16W
R531	301 224 9316	MT-GLAZE 1K JA 1/16W	R5771	301 237 2915	MT-GLAZE 51 JA 1/16W
R5311	301 226 1516	MT-GLAZE 0.000 ZA 1/16W	R5772	301 225 8011	MT-GLAZE 330 JA 1/16W
R5312	301 224 9316	MT-GLAZE 1K JA 1/16W	R5773	301 225 0213	MT-GLAZE 3.3K JA 1/16W
R5313	301 224 8814	MT-GLAZE 100 JA 1/16W	R5774	301 286 4717	MT-GLAZE 30K JA 1/16W
R5314	301 224 9415	MT-GLAZE 1M JA 1/16W	R5776	301 229 7218	MT-GLAZE 18K JA 1/16W
R5316	301 150 6014	MT-GLAZE 0.000 ZA 1/10W	R580	301 037 5017	MT-GLAZE 0.000 ZA 1/10W
R5317	301 226 1516	MT-GLAZE 0.000 ZA 1/16W	R5801	301 294 3511	MT-GLAZE 27K FA 1/16W
R5318	301 225 1517	MT-GLAZE 3.9K JA 1/16W	R5802	301 224 8913	MT-GLAZE 100K JA 1/16W
R5319	301 226 1516	MT-GLAZE 0.000 ZA 1/16W	R5803	301 294 3016	MT-GLAZE 10K FA 1/16W
R532	301 225 8110	MT-GLAZE 10 JA 1/16W	R5804	301 224 9019	MT-GLAZE 10K JA 1/16W
R5331	301 240 9710	MT-GLAZE 820K JA 1/16W	R5806	301 225 2118	MT-GLAZE 12K JA 1/16W
R5332	301 224 9316	MT-GLAZE 1K JA 1/16W	R5807	301 037 5017	MT-GLAZE 0.000 ZA 1/10W
R5333	301 224 9316	MT-GLAZE 1K JA 1/16W	R5808	301 224 9019	MT-GLAZE 10K JA 1/16W
R5334	301 224 9019	MT-GLAZE 10K JA 1/16W	R5809	301 224 9019	MT-GLAZE 10K JA 1/16W
R5336	301 224 9316	MT-GLAZE 1K JA 1/16W	R581	301 226 1516	MT-GLAZE 0.000 ZA 1/16W
R5337	301 224 9316	MT-GLAZE 1K JA 1/16W	R5811	301 224 8913	MT-GLAZE 100K JA 1/16W
R5338	301 226 2414	MT-GLAZE 560 JA 1/16W	R5812	301 224 8913	MT-GLAZE 100K JA 1/16W
R5341	301 162 2219	MT-GLAZE 10 JA 1/10W	R5813	301 294 3511	MT-GLAZE 27K FA 1/16W
R5342	301 037 5017	MT-GLAZE 0.000 ZA 1/10W	R5814	301 294 3016	MT-GLAZE 10K FA 1/16W
R5344	301 225 0718	MT-GLAZE 56K JA 1/16W	R582	301 226 1516	MT-GLAZE 0.000 ZA 1/16W
R5345	301 224 9316	MT-GLAZE 1K JA 1/16W	R5821	301 225 1418	MT-GLAZE 47K JA 1/16W
R5346	301 224 9019	MT-GLAZE 10K JA 1/16W	R5822	301 037 5017	MT-GLAZE 0.000 ZA 1/10W
R5347	301 224 9019	MT-GLAZE 10K JA 1/16W	R5823	301 225 0213	MT-GLAZE 3.3K JA 1/16W
R5348	301 224 9019	MT-GLAZE 10K JA 1/16W	R5824	301 287 2227	MT-GLAZE 22K FA 1/16W
R541	301 224 8814	MT-GLAZE 100 JA 1/16W	R5826	301 338 8113	MT-GLAZE 1.2K FA 1/16W
R542	301 224 8814	MT-GLAZE 100 JA 1/16W	R5827	301 294 3016	MT-GLAZE 10K FA 1/16W
R543	301 224 8814	MT-GLAZE 100 JA 1/16W	R5828	301 037 5017	MT-GLAZE 0.000 ZA 1/10W
R550	301 037 5017	MT-GLAZE 0.000 ZA 1/10W	R584	301 226 1516	MT-GLAZE 0.000 ZA 1/16W
R551	301 226 1516	MT-GLAZE 0.000 ZA 1/16W	R5841	301 225 1418	MT-GLAZE 47K JA 1/16W
R552	301 226 1516	MT-GLAZE 0.000 ZA 1/16W	R5842	301 037 5017	MT-GLAZE 0.000 ZA 1/10W
R554	301 226 1516	MT-GLAZE 0.000 ZA 1/16W	R5843	301 225 0213	MT-GLAZE 3.3K JA 1/16W
R556	301 226 1516	MT-GLAZE 0.000 ZA 1/16W	R5844	301 294 3313	MT-GLAZE 15K FA 1/16W
R5601	301 190 1710	MT-GLAZE 0.000 ZA 1W	R5846	301 226 1516	MT-GLAZE 0.000 ZA 1/16W
R561	301 224 9316	MT-GLAZE 1K JA 1/16W	R5847	301 294 3016	MT-GLAZE 10K FA 1/16W
R562	301 225 8110	MT-GLAZE 10 JA 1/16W	R5848	301 037 5017	MT-GLAZE 0.000 ZA 1/10W
R5620	301 190 1710	MT-GLAZE 0.000 ZA 1W	R586	301 226 1516	MT-GLAZE 0.000 ZA 1/16W
R5621	301 190 1710	MT-GLAZE 0.000 ZA 1W	R5861	301 225 1418	MT-GLAZE 47K JA 1/16W
R5625	301 198 7912	MT-GLAZE 47 JA 1W	R5862	301 037 5017	MT-GLAZE 0.000 ZA 1/10W
R5626	301 198 7912	MT-GLAZE 47 JA 1W	R5863	301 225 0213	MT-GLAZE 3.3K JA 1/16W
R5627	301 198 7912	MT-GLAZE 47 JA 1W	R5864	301 294 2613	MT-GLAZE 4.7K FA 1/16W
R5631	301 224 8814	MT-GLAZE 100 JA 1/16W	R5866	301 301 8119	MT-GLAZE 3.9K FA 1/16W
R5632	301 225 5614	MT-GLAZE 2.2 JA 1W	R5867	301 294 3016	MT-GLAZE 10K FA 1/16W
R5633	301 225 5614	MT-GLAZE 2.2 JA 1W	R5868	301 035 4111	MT-GLAZE 0.000 ZA 1/8W
R5641	301 226 1516	MT-GLAZE 0.000 ZA 1/16W	R591	301 224 9019	MT-GLAZE 10K JA 1/16W
R5642	301 259 2313	MT-GLAZE 200K JA 1/16W	R592	301 225 0213	MT-GLAZE 3.3K JA 1/16W
R5643	301 261 1113	MT-GLAZE 24K JA 1/16W	R593	301 224 9019	MT-GLAZE 10K JA 1/16W
R5644	301 276 4710	MT-GLAZE 0.000 ZA 1/3W	R594	301 225 1210	MT-GLAZE 4.7K JA 1/16W
R5646	301 162 3711	MT-GLAZE 4.7K JA 1/10W	R6800	301 225 1517	MT-GLAZE 3.9K JA 1/16W
R5647	301 162 3711	MT-GLAZE 4.7K JA 1/10W	R6801	301 225 0213	MT-GLAZE 3.3K JA 1/16W
R571	301 224 8814	MT-GLAZE 100 JA 1/16W	R6802	301 226 1516	MT-GLAZE 0.000 ZA 1/16W
R572	301 224 8814	MT-GLAZE 100 JA 1/16W	R6803	301 224 9019	MT-GLAZE 10K JA 1/16W
R573	301 224 8814	MT-GLAZE 100 JA 1/16W	R6804	301 225 0213	MT-GLAZE 3.3K JA 1/16W
R5750	301 259 7823	MT-GLAZE 20K JA 1/16W	R6806	301 224 9217	MT-GLAZE 15K JA 1/16W
R5751	301 261 2011	MT-GLAZE 9.1K JA 1/16W	R6807	301 234 9917	MT-GLAZE 6.8K JA 1/16W
R5752	301 261 2011	MT-GLAZE 9.1K JA 1/16W	R6808	301 225 1517	MT-GLAZE 3.9K JA 1/16W
R5753	301 241 6619	MT-GLAZE 62K JA 1/16W	R6809	301 225 0213	MT-GLAZE 3.3K JA 1/16W
R5754	301 225 1715	MT-GLAZE 39K JA 1/16W	R6811	301 226 1516	MT-GLAZE 0.000 ZA 1/16W
R5755	301 150 6014	MT-GLAZE 0.000 ZA 1/10W	R6812	301 225 0213	MT-GLAZE 3.3K JA 1/16W
R5756	301 241 6619	MT-GLAZE 62K JA 1/16W	R6813	301 224 9019	MT-GLAZE 10K JA 1/16W
R5757	301 225 1715	MT-GLAZE 39K JA 1/16W	R6818	301 225 1517	MT-GLAZE 3.9K JA 1/16W
R5758	301 261 2011	MT-GLAZE 9.1K JA 1/16W	R6819	301 225 0213	MT-GLAZE 3.3K JA 1/16W
R5759	301 261 2011	MT-GLAZE 9.1K JA 1/16W	R6821	301 226 1516	MT-GLAZE 0.000 ZA 1/16W

Electrical Parts List

Key No.	Part No.	Description	Key No.	Part No.	Description
R6822	301 225 0213	MT-GLAZE 3.3K JA 1/16W	R801	301 224 9019	MT-GLAZE 10K JA 1/16W
R6823	301 224 9019	MT-GLAZE 10K JA 1/16W	R8012	301 226 1516	MT-GLAZE 0.000 ZA 1/16W
R683	301 035 4111	MT-GLAZE 0.000 ZA 1/8W	R8013	301 224 9019	MT-GLAZE 10K JA 1/16W
R6841	301 225 8011	MT-GLAZE 330 JA 1/16W	R8016	301 225 0312	MT-GLAZE 33 JA 1/16W
R6843	301 225 8011	MT-GLAZE 330 JA 1/16W	R8017	301 225 0312	MT-GLAZE 33 JA 1/16W
R6846	301 225 1210	MT-GLAZE 4.7K JA 1/16W	R8018	301 225 0312	MT-GLAZE 33 JA 1/16W
R6848	301 225 2019	MT-GLAZE 680 JA 1/16W	R8019	301 225 0312	MT-GLAZE 33 JA 1/16W
R6849	301 225 2019	MT-GLAZE 680 JA 1/16W	R802	301 226 1516	MT-GLAZE 0.000 ZA 1/16W
R6851	301 225 1210	MT-GLAZE 4.7K JA 1/16W	R803	301 226 1516	MT-GLAZE 0.000 ZA 1/16W
R6853	301 225 1319	MT-GLAZE 470 JA 1/16W	R804	301 224 9019	MT-GLAZE 10K JA 1/16W
R6854	301 225 1210	MT-GLAZE 4.7K JA 1/16W	R807	301 224 9019	MT-GLAZE 10K JA 1/16W
R6857	301 225 1616	MT-GLAZE 390 JA 1/16W	R808	301 224 9019	MT-GLAZE 10K JA 1/16W
R6858	301 225 1616	MT-GLAZE 390 JA 1/16W	R809	301 225 8516	MT-GLAZE 1.8K JA 1/16W
R6859	301 225 1210	MT-GLAZE 4.7K JA 1/16W	R8101	301 225 1210	MT-GLAZE 4.7K JA 1/16W
R6863	301 225 3818	MT-GLAZE 1.5K JA 1/16W	R8102	301 225 1210	MT-GLAZE 4.7K JA 1/16W
R6864	301 225 1210	MT-GLAZE 4.7K JA 1/16W	R8103	301 226 1516	MT-GLAZE 0.000 ZA 1/16W
R6865	301 224 9316	MT-GLAZE 1K JA 1/16W	R8104	301 226 1516	MT-GLAZE 0.000 ZA 1/16W
R6866	301 225 1210	MT-GLAZE 4.7K JA 1/16W	R8106	301 224 9019	MT-GLAZE 10K JA 1/16W
R691	301 230 8013	MT-GLAZE 1K JA 1/3W	R8108	301 226 1516	MT-GLAZE 0.000 ZA 1/16W
R696	301 225 1210	MT-GLAZE 4.7K JA 1/16W	R8111	301 224 9019	MT-GLAZE 10K JA 1/16W
R699	301 226 1516	MT-GLAZE 0.000 ZA 1/16W	R8112	301 224 9316	MT-GLAZE 1K JA 1/16W
R7801	301 224 9019	MT-GLAZE 10K JA 1/16W	R8113	301 224 9019	MT-GLAZE 10K JA 1/16W
R7803	301 224 9019	MT-GLAZE 10K JA 1/16W	R8114	301 224 9316	MT-GLAZE 1K JA 1/16W
R7813	301 224 9415	MT-GLAZE 1M JA 1/16W	R812	301 224 9019	MT-GLAZE 10K JA 1/16W
R7816	301 237 2915	MT-GLAZE 51 JA 1/16W	R8121	301 226 1516	MT-GLAZE 0.000 ZA 1/16W
R7818	301 276 3010	MT-GLAZE 75K JA 1/16W	R8122	301 226 1516	MT-GLAZE 0.000 ZA 1/16W
R7819	301 224 8913	MT-GLAZE 100K JA 1/16W	R8123	301 225 0213	MT-GLAZE 3.3K JA 1/16W
R7820	301 286 4717	MT-GLAZE 30K JA 1/16W	R8124	301 225 0213	MT-GLAZE 3.3K JA 1/16W
R7821	301 294 3511	MT-GLAZE 27K FA 1/16W	R8130	301 226 1516	MT-GLAZE 0.000 ZA 1/16W
R7824	301 294 4419	MT-GLAZE 1.8K FA 1/16W	R8131	301 226 1516	MT-GLAZE 0.000 ZA 1/16W
R7828	301 224 9019	MT-GLAZE 10K JA 1/16W	R8132	301 226 1516	MT-GLAZE 0.000 ZA 1/16W
R7829	301 235 1415	MT-GLAZE 1.2K JA 1/16W	R8133	301 226 1516	MT-GLAZE 0.000 ZA 1/16W
R7831	301 224 9316	MT-GLAZE 1K JA 1/16W	R8134	301 226 1516	MT-GLAZE 0.000 ZA 1/16W
R7832	301 224 9019	MT-GLAZE 10K JA 1/16W	R839	301 225 0213	MT-GLAZE 3.3K JA 1/16W
R7833	301 224 9613	MT-GLAZE 2.7K JA 1/16W	R8700	301 035 4111	MT-GLAZE 0.000 ZA 1/8W
R7843	301 224 9415	MT-GLAZE 1M JA 1/16W	R8701	301 224 9019	MT-GLAZE 10K JA 1/16W
R7846	301 237 2915	MT-GLAZE 51 JA 1/16W	R8702	301 224 9019	MT-GLAZE 10K JA 1/16W
R7848	301 276 3010	MT-GLAZE 75K JA 1/16W	R8703	301 224 9019	MT-GLAZE 10K JA 1/16W
R7849	301 224 8913	MT-GLAZE 100K JA 1/16W	R8704	301 224 9019	MT-GLAZE 10K JA 1/16W
R7850	301 286 4717	MT-GLAZE 30K JA 1/16W	R8706	301 259 7922	MT-GLAZE 5.1K JA 1/16W
R7851	301 294 3511	MT-GLAZE 27K FA 1/16W	R8707	301 224 9019	MT-GLAZE 10K JA 1/16W
R7854	301 294 4419	MT-GLAZE 1.8K FA 1/16W	R8708	301 225 1319	MT-GLAZE 470 JA 1/16W
R7858	301 224 9019	MT-GLAZE 10K JA 1/16W	R8711	301 224 9019	MT-GLAZE 10K JA 1/16W
R7859	301 235 1415	MT-GLAZE 1.2K JA 1/16W	R8712	301 224 9019	MT-GLAZE 10K JA 1/16W
R7863	301 224 9415	MT-GLAZE 1M JA 1/16W	R8713	301 224 9019	MT-GLAZE 10K JA 1/16W
R7866	301 237 2915	MT-GLAZE 51 JA 1/16W	R8714	301 225 0213	MT-GLAZE 3.3K JA 1/16W
R7868	301 276 3010	MT-GLAZE 75K JA 1/16W	R8715	301 225 0213	MT-GLAZE 3.3K JA 1/16W
R7869	301 224 8913	MT-GLAZE 100K JA 1/16W	R8716	301 225 0213	MT-GLAZE 3.3K JA 1/16W
R7870	301 286 4717	MT-GLAZE 30K JA 1/16W	R8717	301 224 9019	MT-GLAZE 10K JA 1/16W
R7871	301 294 3511	MT-GLAZE 27K FA 1/16W	R8718	301 224 9019	MT-GLAZE 10K JA 1/16W
R7873	301 190 1710	MT-GLAZE 0.000 ZA 1W	R8719	301 224 9019	MT-GLAZE 10K JA 1/16W
R7874	301 294 4419	MT-GLAZE 1.8K FA 1/16W	R8721	301 224 9019	MT-GLAZE 10K JA 1/16W
R7878	301 224 9019	MT-GLAZE 10K JA 1/16W	R8722	301 224 9316	MT-GLAZE 1K JA 1/16W
R7879	301 235 1415	MT-GLAZE 1.2K JA 1/16W	R8723	301 225 1319	MT-GLAZE 470 JA 1/16W
R7881	301 224 9316	MT-GLAZE 1K JA 1/16W	R8724	301 224 9019	MT-GLAZE 10K JA 1/16W
R7882	301 224 9019	MT-GLAZE 10K JA 1/16W	R8726	301 224 9019	MT-GLAZE 10K JA 1/16W
R7883	301 224 9613	MT-GLAZE 2.7K JA 1/16W	R8732	301 224 8913	MT-GLAZE 100K JA 1/16W
R7891	301 224 9316	MT-GLAZE 1K JA 1/16W	R8733	301 224 8814	MT-GLAZE 100 JA 1/16W
R7892	301 224 9019	MT-GLAZE 10K JA 1/16W	R8746	301 224 8913	MT-GLAZE 100K JA 1/16W
R7893	301 224 9613	MT-GLAZE 2.7K JA 1/16W	R8747	301 225 9018	MT-GLAZE 470K JA 1/16W
R8001	301 226 1516	MT-GLAZE 0.000 ZA 1/16W	R8748	301 224 8913	MT-GLAZE 100K JA 1/16W
R8002	301 225 1616	MT-GLAZE 390 JA 1/16W	R8749	301 237 2410	MT-GLAZE 270K JA 1/16W
R8003	301 224 9019	MT-GLAZE 10K JA 1/16W	R8751	301 261 1410	MT-GLAZE 430 JA 1/16W
R8004	301 225 0312	MT-GLAZE 33 JA 1/16W	R8752	301 234 4714	MT-GLAZE 3.3 JA 1W
R8006	301 225 0312	MT-GLAZE 33 JA 1/16W	R8754	301 225 8714	MT-GLAZE 120K JA 1/16W
R8007	301 226 1516	MT-GLAZE 0.000 ZA 1/16W	R8755	301 234 4714	MT-GLAZE 3.3 JA 1W
R8008	301 224 9019	MT-GLAZE 10K JA 1/16W	R8756	301 301 3510	MT-GLAZE 200 JA 1/16W

Electrical Parts List

Key No.	Part No.	Description	Key No.	Part No.	Description
R8757	301 225 0817	MT-GLAZE 68K JA 1/16W	RB302	945 034 5051	R-NETWORK 22X4 1/32W
R8758	301 261 2011	MT-GLAZE 9.1K JA 1/16W		945 037 0824	R-NETWORK 22X4 1/16W
R8759	301 225 8714	MT-GLAZE 120K JA 1/16W	RB303	945 034 5051	R-NETWORK 22X4 1/32W
R8760	301 226 1516	MT-GLAZE 0.000 ZA 1/16W		945 037 0824	R-NETWORK 22X4 1/16W
R8761	301 224 9514	MT-GLAZE 2.2K JA 1/16W	RB304	945 034 5051	R-NETWORK 22X4 1/32W
R8762	301 224 9316	MT-GLAZE 1K JA 1/16W		945 037 0824	R-NETWORK 22X4 1/16W
R8763	301 224 9316	MT-GLAZE 1K JA 1/16W	RB306	945 034 5051	R-NETWORK 22X4 1/32W
R8764	301 259 7922	MT-GLAZE 5.1K JA 1/16W		945 037 0824	R-NETWORK 22X4 1/16W
R8771	301 234 4714	MT-GLAZE 3.3 JA 1W	RB307	945 034 5051	R-NETWORK 22X4 1/32W
R8772	301 234 4714	MT-GLAZE 3.3 JA 1W		945 037 0824	R-NETWORK 22X4 1/16W
R8773	301 225 0213	MT-GLAZE 3.3K JA 1/16W	RB308	945 034 5051	R-NETWORK 22X4 1/32W
R8776	301 225 0213	MT-GLAZE 3.3K JA 1/16W		945 037 0824	R-NETWORK 22X4 1/16W
R8777	301 224 9316	MT-GLAZE 1K JA 1/16W	RB309	945 034 5051	R-NETWORK 22X4 1/32W
R8778	301 224 9811	MT-GLAZE 220K JA 1/16W		945 037 0824	R-NETWORK 22X4 1/16W
R8779	301 224 9811	MT-GLAZE 220K JA 1/16W	RB401	945 036 0986	R-NETWORK 47X4 1/32W
R8782	301 226 1516	MT-GLAZE 0.000 ZA 1/16W		945 037 0831	R-NETWORK 47X4 1/16W
R8784	301 226 1516	MT-GLAZE 0.000 ZA 1/16W	RB402	945 036 0986	R-NETWORK 47X4 1/32W
R8787	301 226 1516	MT-GLAZE 0.000 ZA 1/16W		945 037 0831	R-NETWORK 47X4 1/16W
R8811	301 225 8110	MT-GLAZE 10 JA 1/16W	RB403	945 036 0986	R-NETWORK 47X4 1/32W
R8812	301 225 8110	MT-GLAZE 10 JA 1/16W		945 037 0831	R-NETWORK 47X4 1/16W
R8813	301 224 9019	MT-GLAZE 10K JA 1/16W	RB404	945 036 0986	R-NETWORK 47X4 1/32W
R8821	301 225 8110	MT-GLAZE 10 JA 1/16W		945 037 0831	R-NETWORK 47X4 1/16W
R8822	301 225 8110	MT-GLAZE 10 JA 1/16W	RB406	945 036 0986	R-NETWORK 47X4 1/32W
R8823	301 224 9019	MT-GLAZE 10K JA 1/16W		945 037 0831	R-NETWORK 47X4 1/16W
R8824	301 224 9019	MT-GLAZE 10K JA 1/16W	RB421	945 036 0986	R-NETWORK 47X4 1/32W
R891	301 224 8814	MT-GLAZE 100 JA 1/16W		945 037 0831	R-NETWORK 47X4 1/16W
R892	301 224 8814	MT-GLAZE 100 JA 1/16W	RB422	945 036 0986	R-NETWORK 47X4 1/32W
R9621	301 224 9415	MT-GLAZE 1M JA 1/16W		945 037 0831	R-NETWORK 47X4 1/16W
R9622	301 225 1210	MT-GLAZE 4.7K JA 1/16W	RB423	945 036 0986	R-NETWORK 47X4 1/32W
R9624	301 226 1516	MT-GLAZE 0.000 ZA 1/16W		945 037 0831	R-NETWORK 47X4 1/16W
R9626	301 226 1516	MT-GLAZE 0.000 ZA 1/16W	RB424	945 036 0986	R-NETWORK 47X4 1/32W
R9627	301 225 0114	MT-GLAZE 27K JA 1/16W		945 037 0831	R-NETWORK 47X4 1/16W
R9628	301 224 9019	MT-GLAZE 10K JA 1/16W	RB426	945 036 0986	R-NETWORK 47X4 1/32W
R9629	301 224 9019	MT-GLAZE 10K JA 1/16W		945 037 0831	R-NETWORK 47X4 1/16W
R9630	301 226 1516	MT-GLAZE 0.000 ZA 1/16W	RB441	945 036 0986	R-NETWORK 47X4 1/32W
△ R9640	423 033 5703	FUSE 32V 1.25A		945 037 0831	R-NETWORK 47X4 1/16W
R9641	301 226 1516	MT-GLAZE 0.000 ZA 1/16W	RB442	945 036 0986	R-NETWORK 47X4 1/32W
R9642	301 259 7823	MT-GLAZE 20K JA 1/16W		945 037 0831	R-NETWORK 47X4 1/16W
R9643	301 226 1516	MT-GLAZE 0.000 ZA 1/16W	RB443	945 036 0986	R-NETWORK 47X4 1/32W
R9644	301 294 3016	MT-GLAZE 10K FA 1/16W		945 037 0831	R-NETWORK 47X4 1/16W
R9646	301 224 9019	MT-GLAZE 10K JA 1/16W	RB444	945 036 0986	R-NETWORK 47X4 1/32W
R9647	301 225 0114	MT-GLAZE 27K JA 1/16W		945 037 0831	R-NETWORK 47X4 1/16W
R9649	301 224 9316	MT-GLAZE 1K JA 1/16W	RB446	945 036 0986	R-NETWORK 47X4 1/32W
R9651	301 224 8913	MT-GLAZE 100K JA 1/16W		945 037 0831	R-NETWORK 47X4 1/16W
R9652	301 224 9019	MT-GLAZE 10K JA 1/16W	RB501	945 036 3529	R-NETWORK 0X4 1/32W
R9653	301 259 7823	MT-GLAZE 20K JA 1/16W		945 037 0817	R-NETWORK 0X4 1/16W
R9654	301 225 1418	MT-GLAZE 47K JA 1/16W	RB502	945 036 3529	R-NETWORK 0X4 1/32W
R9656	301 226 1516	MT-GLAZE 0.000 ZA 1/16W		945 037 0817	R-NETWORK 0X4 1/16W
R9657	301 264 0311	MT-GLAZE 1 JA 1/10W	RB503	945 036 3529	R-NETWORK 0X4 1/32W
R9658	301 264 0311	MT-GLAZE 1 JA 1/10W		945 037 0817	R-NETWORK 0X4 1/16W
R9659	301 264 0311	MT-GLAZE 1 JA 1/10W	RB531	945 036 3529	R-NETWORK 0X4 1/32W
R9661	301 264 0311	MT-GLAZE 1 JA 1/10W		945 037 0817	R-NETWORK 0X4 1/16W
R9882	301 226 1516	MT-GLAZE 0.000 ZA 1/16W	RB532	945 036 3529	R-NETWORK 0X4 1/32W
RB221	645 049 0668	R-NETWORK 10X4 1/32W		945 037 0817	R-NETWORK 0X4 1/16W
	945 049 0683	R-NETWORK 10X4 1/16W	RB533	945 036 3529	R-NETWORK 0X4 1/32W
RB222	645 049 0668	R-NETWORK 10X4 1/32W		945 037 0817	R-NETWORK 0X4 1/16W
	945 049 0683	R-NETWORK 10X4 1/16W	RB561	945 036 3529	R-NETWORK 0X4 1/32W
RB223	645 049 0668	R-NETWORK 10X4 1/32W		945 037 0817	R-NETWORK 0X4 1/16W
	945 049 0683	R-NETWORK 10X4 1/16W	RB562	945 036 3529	R-NETWORK 0X4 1/32W
RB224	645 049 0668	R-NETWORK 10X4 1/32W		945 037 0817	R-NETWORK 0X4 1/16W
	945 049 0683	R-NETWORK 10X4 1/16W	RB563	945 036 3529	R-NETWORK 0X4 1/32W
RB226	645 049 0668	R-NETWORK 10X4 1/32W		945 037 0817	R-NETWORK 0X4 1/16W
	945 049 0683	R-NETWORK 10X4 1/16W	RB8001	645 049 0675	R-NETWORK 33X4 1/32W
RB227	645 049 0668	R-NETWORK 10X4 1/32W		945 049 0690	R-NETWORK 33X4 1/16W
	945 049 0683	R-NETWORK 10X4 1/16W	RB8002	645 049 0675	R-NETWORK 33X4 1/32W
RB301	945 034 5051	R-NETWORK 22X4 1/32W		945 049 0690	R-NETWORK 33X4 1/16W
	945 037 0824	R-NETWORK 22X4 1/16W	RB8003	645 049 0675	R-NETWORK 33X4 1/32W

Electrical Parts List

Key No.	Part No.	Description	Key No.	Part No.	Description
	945 049 0690	R-NETWORK 33X4 1/16W	L5711	945 062 2855	INDUCTOR,33U M
RB8004	645 049 0675	R-NETWORK 33X4 1/32W	L5821	645 092 8826	INDUCTOR,33U M
	945 049 0690	R-NETWORK 33X4 1/16W	L5841	645 092 8819	INDUCTOR,100U M
RB8006	645 049 0675	R-NETWORK 33X4 1/32W	L5861	945 062 2930	INDUCTOR,10U M
	945 049 0690	R-NETWORK 33X4 1/16W	L6801	945 033 7995	INDUCTOR,100U M
RB8007	645 049 0675	R-NETWORK 33X4 1/32W	L7811	945 062 2855	INDUCTOR,33U M
	945 049 0690	R-NETWORK 33X4 1/16W	L7841	945 062 2855	INDUCTOR,33U M
			L7861	945 062 2855	INDUCTOR,33U M
TRANSFORMER			L8001	945 004 6644	INDUCTOR,220 OHM
T5701	305 139 7719	TR IMZ1A-T108	L8002	945 004 6644	INDUCTOR,220 OHM
T5711	305 139 7719	TR IMZ1A-T108	L8003	945 004 6644	INDUCTOR,220 OHM
COIL			L8004	945 004 6644	INDUCTOR,220 OHM
L1091	945 004 6644	INDUCTOR,220 OHM	L8161	945 004 6644	INDUCTOR,220 OHM
L1801	301 150 6014	MT-GLAZE 0.000 ZA 1/10W	L8801	945 086 5368	IMPEDANCE,220 OHM P
L1803	945 059 1748	INDUCTOR,2.2U J	L8802	945 086 5368	IMPEDANCE,220 OHM P
L2091	945 086 7454	FILTER,EMI 50MHZ	L8803	945 086 5368	IMPEDANCE,220 OHM P
L2093	945 086 7454	FILTER,EMI 50MHZ	L9641	945 033 7964	INDUCTOR,47U M
L2891	945 086 5368	IMPEDANCE,220 OHM P	DIODE		
L2892	945 086 5368	IMPEDANCE,220 OHM P	D1001	307 223 1115	ZENER DIODE 02DZ6.2Y(TPH3
L2893	945 086 5368	IMPEDANCE,220 OHM P		307 209 1214	ZD UDZS-TE-176.2B
L341	301 037 5017	MT-GLAZE 0.000 ZA 1/10W	D1002	307 223 1115	ZENER DIODE 02DZ6.2Y(TPH3
L351	301 037 5017	MT-GLAZE 0.000 ZA 1/10W		307 209 1214	ZD UDZS-TE-176.2B
L352	301 037 5017	MT-GLAZE 0.000 ZA 1/10W	D1003	307 223 1115	ZENER DIODE 02DZ6.2Y(TPH3
L353	301 037 5017	MT-GLAZE 0.000 ZA 1/10W		307 209 1214	ZD UDZS-TE-176.2B
L354	301 037 5017	MT-GLAZE 0.000 ZA 1/10W	D1011	307 223 1115	ZENER DIODE 02DZ6.2Y(TPH3
L356	301 037 5017	MT-GLAZE 0.000 ZA 1/10W		307 209 1214	ZD UDZS-TE-176.2B
L357	301 037 5017	MT-GLAZE 0.000 ZA 1/10W	D1024	307 223 1115	ZENER DIODE 02DZ6.2Y(TPH3
L3581	945 062 2824	INDUCTOR,3.3U M		307 209 1214	ZD UDZS-TE-176.2B
L361	301 037 5017	MT-GLAZE 0.000 ZA 1/10W	D1026	307 223 1115	ZENER DIODE 02DZ6.2Y(TPH3
L362	301 037 5017	MT-GLAZE 0.000 ZA 1/10W		307 209 1214	ZD UDZS-TE-176.2B
L3620	945 086 5368	IMPEDANCE,220 OHM P	D1034	307 223 1115	ZENER DIODE 02DZ6.2Y(TPH3
L3621	945 086 5368	IMPEDANCE,220 OHM P		307 209 1214	ZD UDZS-TE-176.2B
L3622	945 086 5368	IMPEDANCE,220 OHM P	D1036	307 223 1115	ZENER DIODE 02DZ6.2Y(TPH3
L3624	945 086 5368	IMPEDANCE,220 OHM P		307 209 1214	ZD UDZS-TE-176.2B
L3626	945 086 5368	IMPEDANCE,220 OHM P	D1041	307 223 0514	ZENER DIODE 02DZ12Y(TPH3)
L3627	945 086 5368	IMPEDANCE,220 OHM P		307 221 7119	ZENER DIODE UDZS-TE-1712B
L363	301 037 5017	MT-GLAZE 0.000 ZA 1/10W	D1042	307 223 0514	ZENER DIODE 02DZ12Y(TPH3)
L3630	945 086 5368	IMPEDANCE,220 OHM P		307 221 7119	ZENER DIODE UDZS-TE-1712B
L3631	945 086 5368	IMPEDANCE,220 OHM P	D1091	307 205 5216	DIODE RB521S-30-TE61
L3632	945 086 5368	IMPEDANCE,220 OHM P	D1092	307 205 5216	DIODE RB521S-30-TE61
L3634	945 086 5368	IMPEDANCE,220 OHM P	D2071	307 163 0414	DIODE 1SS352-(TPH3)
L3636	945 086 5368	IMPEDANCE,220 OHM P		307 149 0810	DIODE 1SS355-TE-17
L3637	945 086 5368	IMPEDANCE,220 OHM P	D2091	307 223 7315	PC TLP421F(D4-GB-TP4)
L366	301 037 5017	MT-GLAZE 0.000 ZA 1/10W	D2092	307 223 1115	ZENER DIODE 02DZ6.2Y(TPH3
L368	301 037 5017	MT-GLAZE 0.000 ZA 1/10W		307 209 1214	ZD UDZS-TE-176.2B
L4001	945 086 7577	FILTER,EMI 400MHZ	D2093	307 223 1115	ZENER DIODE 02DZ6.2Y(TPH3
L4002	945 086 7577	FILTER,EMI 400MHZ		307 209 1214	ZD UDZS-TE-176.2B
L4003	945 086 7577	FILTER,EMI 400MHZ	D2097	307 223 1115	ZENER DIODE 02DZ6.2Y(TPH3
L4004	945 086 7577	FILTER,EMI 400MHZ		307 209 1214	ZD UDZS-TE-176.2B
L4006	945 086 7577	FILTER,EMI 400MHZ	D2501	307 163 0414	DIODE 1SS352-(TPH3)
L401	945 086 5368	IMPEDANCE,220 OHM P		307 149 0810	DIODE 1SS355-TE-17
L402	945 086 5368	IMPEDANCE,220 OHM P	D2891	307 223 1115	ZENER DIODE 02DZ6.2Y(TPH3
L4031	945 086 7454	FILTER,EMI 50MHZ		307 209 1214	ZD UDZS-TE-176.2B
L4032	945 086 7454	FILTER,EMI 50MHZ	D2892	307 223 1115	ZENER DIODE 02DZ6.2Y(TPH3
L4801	945 086 5368	IMPEDANCE,220 OHM P		307 209 1214	ZD UDZS-TE-176.2B
L4802	945 086 5368	IMPEDANCE,220 OHM P	D3601	307 163 0414	DIODE 1SS352-(TPH3)
L4803	945 086 5368	IMPEDANCE,220 OHM P		307 149 0810	DIODE 1SS355-TE-17
L4804	945 086 5368	IMPEDANCE,220 OHM P	D3602	307 163 0414	DIODE 1SS352-(TPH3)
L4861	945 086 5368	IMPEDANCE,220 OHM P		307 149 0810	DIODE 1SS355-TE-17
L4862	945 086 5368	IMPEDANCE,220 OHM P	D3603	307 163 0414	DIODE 1SS352-(TPH3)
L5001	945 086 5368	IMPEDANCE,220 OHM P		307 149 0810	DIODE 1SS355-TE-17
L5002	945 086 5368	IMPEDANCE,220 OHM P	D3604	307 163 0414	DIODE 1SS352-(TPH3)
L5031	945 062 2824	INDUCTOR,3.3U M		307 149 0810	DIODE 1SS355-TE-17
L5200	301 037 5017	MT-GLAZE 0.000 ZA 1/10W	D3606	307 163 0414	DIODE 1SS352-(TPH3)
L5332	945 032 8344	INDUCTOR,39U J		307 149 0810	DIODE 1SS355-TE-17
L5601	945 086 5368	IMPEDANCE,220 OHM P	D3611	307 163 0414	DIODE 1SS352-(TPH3)
L5701	945 033 7940	INDUCTOR,33U M			

Electrical Parts List

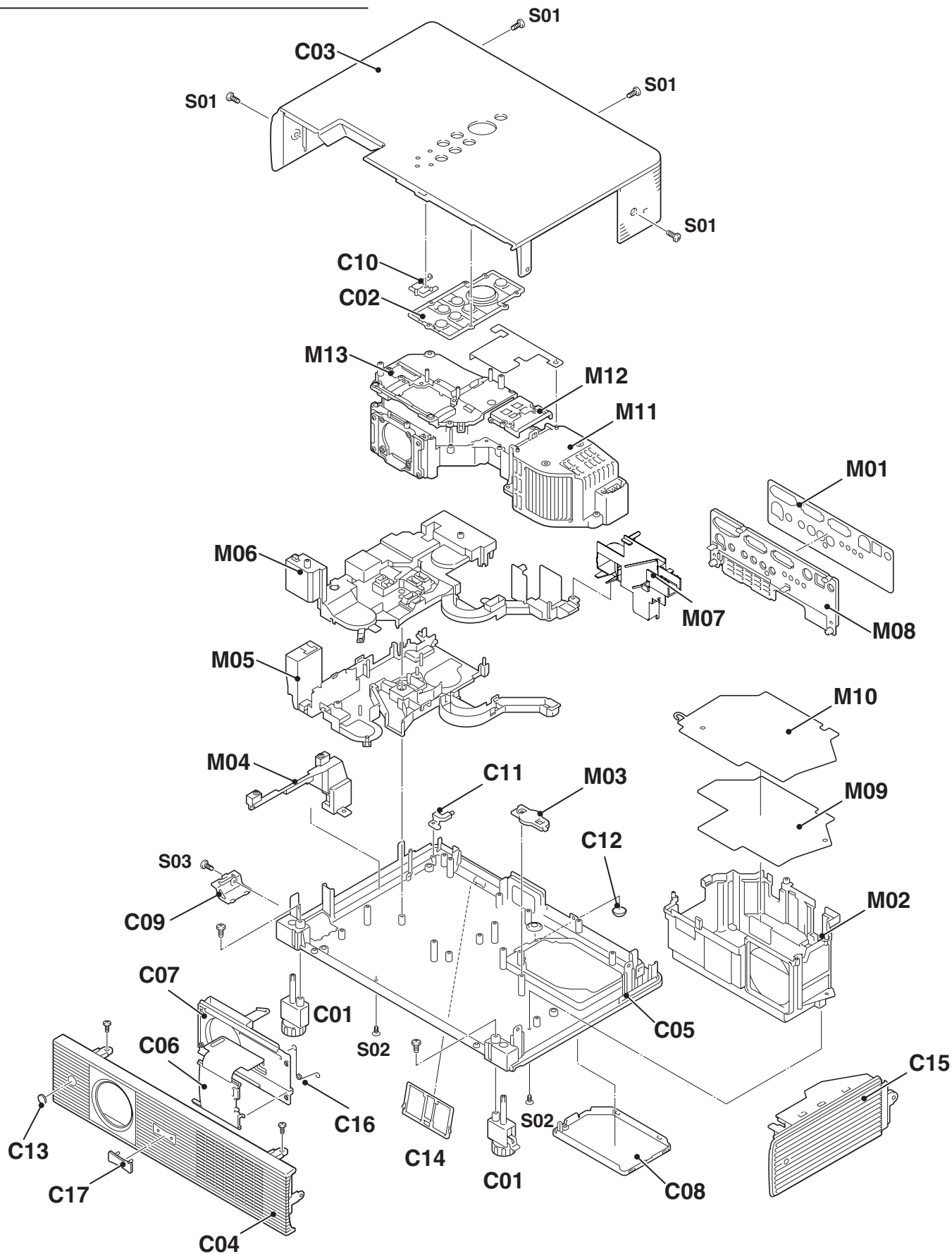
Key No.	Part No.	Description	Key No.	Part No.	Description
	307 149 0810	DIODE 1SS355-TE-17		307 221 7119	ZENER DIODE UDZS-TE-1712B
D3612	307 163 0414	DIODE 1SS352-(TPH3)	D6844	307 223 0514	ZENER DIODE 02DZ12Y(TPH3)
	307 149 0810	DIODE 1SS355-TE-17		307 221 7119	ZENER DIODE UDZS-TE-1712B
D3613	307 163 0414	DIODE 1SS352-(TPH3)	D7812	307 254 2716	DIODE CMS16
	307 149 0810	DIODE 1SS355-TE-17	D7842	307 254 2716	DIODE CMS16
D3614	307 163 0414	DIODE 1SS352-(TPH3)	D7862	307 254 2716	DIODE CMS16
	307 149 0810	DIODE 1SS355-TE-17	D8001	307 163 0414	DIODE 1SS352-(TPH3)
D3617	307 163 0414	DIODE 1SS352-(TPH3)		307 149 0810	DIODE 1SS355-TE-17
	307 149 0810	DIODE 1SS355-TE-17	D8161	307 205 5216	DIODE RB5215-30-TE61
D3618	307 163 0414	DIODE 1SS352-(TPH3)	D8162	307 205 5216	DIODE RB5215-30-TE61
	307 149 0810	DIODE 1SS355-TE-17	D8163	307 223 1115	ZENER DIODE 02DZ6.2Y(TPH3)
D3621	307 163 0414	DIODE 1SS352-(TPH3)		307 209 1214	ZD UDZS-TE-176.2B
	307 149 0810	DIODE 1SS355-TE-17	D8700	307 210 5416	DIODE RB551V-30-TE-17
D3622	307 163 0414	DIODE 1SS352-(TPH3)	D8701	307 163 0414	DIODE 1SS352-(TPH3)
	307 149 0810	DIODE 1SS355-TE-17		307 149 0810	DIODE 1SS355-TE-17
D3623	307 163 0414	DIODE 1SS352-(TPH3)	D8702	307 210 5416	DIODE RB551V-30-TE-17
	307 149 0810	DIODE 1SS355-TE-17	D8703	307 210 5416	DIODE RB551V-30-TE-17
D3626	307 163 0414	DIODE 1SS352-(TPH3)	D8704	307 210 5416	DIODE RB551V-30-TE-17
	307 149 0810	DIODE 1SS355-TE-17	D8708	307 210 5416	DIODE RB551V-30-TE-17
D3627	307 163 0414	DIODE 1SS352-(TPH3)	D8709	307 210 5416	DIODE RB551V-30-TE-17
	307 149 0810	DIODE 1SS355-TE-17	D8711	307 210 5416	DIODE RB551V-30-TE-17
D3628	307 163 0414	DIODE 1SS352-(TPH3)	D8751	307 204 0014	LED SML-210LT T86 L
	307 149 0810	DIODE 1SS355-TE-17		307 203 7816	LED SML-210LT T86 M
D3644	307 163 0414	DIODE 1SS352-(TPH3)	D9641	307 254 2716	DIODE CMS16
	307 149 0810	DIODE 1SS355-TE-17			
D4041	307 223 1115	ZENER DIODE 02DZ6.2Y(TPH3)			
	307 209 1214	ZD UDZS-TE-176.2B	MISCELLANEOUS		
D4812	307 223 1115	ZENER DIODE 02DZ6.2Y(TPH3)	FB2891	945 086 6037	IMPEDANCE,330 OHM P
	307 209 1214	ZD UDZS-TE-176.2B	FB3620	945 086 6037	IMPEDANCE,330 OHM P
D4813	307 223 1115	ZENER DIODE 02DZ6.2Y(TPH3)	FB3621	945 086 6037	IMPEDANCE,330 OHM P
	307 209 1214	ZD UDZS-TE-176.2B	FB3622	945 086 6037	IMPEDANCE,330 OHM P
D5001	307 223 1115	ZENER DIODE 02DZ6.2Y(TPH3)	FB3624	945 086 6037	IMPEDANCE,330 OHM P
	307 209 1214	ZD UDZS-TE-176.2B	FB3626	945 086 6037	IMPEDANCE,330 OHM P
D5002	307 223 1115	ZENER DIODE 02DZ6.2Y(TPH3)	FB3627	945 086 6037	IMPEDANCE,330 OHM P
	307 209 1214	ZD UDZS-TE-176.2B	FB4801	945 086 6037	IMPEDANCE,330 OHM P
D5061	307 163 0414	DIODE 1SS352-(TPH3)	FB602	945 041 1978	INDUCTOR,330 OHM
	307 149 0810	DIODE 1SS355-TE-17	FB603	945 041 1978	INDUCTOR,330 OHM
D5062	307 163 0414	DIODE 1SS352-(TPH3)	FB606	945 041 1978	INDUCTOR,330 OHM
	307 149 0810	DIODE 1SS355-TE-17	FB607	945 041 1978	INDUCTOR,330 OHM
D5201	307 210 5416	DIODE RB551V-30-TE-17	FB609	945 041 1978	INDUCTOR,330 OHM
D5202	307 210 5416	DIODE RB551V-30-TE-17	FB8801	945 086 6037	IMPEDANCE,330 OHM P
D5203	307 210 5416	DIODE RB551V-30-TE-17	K10A	945 076 2698	SOCKET,DVI 29P
D5204	307 210 5416	DIODE RB551V-30-TE-17	K10B	645 089 7696	SOCKET,D-SUB 15P
D5641	307 233 1023	DIODE D1F60A	K20D	945 006 4792	JACK,PHONE D3.6
D56841	307 254 2716	DIODE CMS16		952 001 0971	JACK,PHONE D3.5
D5701	307 254 2716	DIODE CMS16	K40A	645 089 7702	SOCKET,D-SUB 15P
D5702	307 254 2914	ZENER DIODE 02DZ6.8Y(TPH3)	K40B	945 078 1613	SOCKET,DIN 8P
	307 209 4512	ZD UDZS-TE-176.8B	K40C	645 075 1752	SOCKET,USB 4P
D5711	307 254 2716	DIODE CMS16	SC1021	945 076 3503	SURGE-ABSORBER
D5712	307 254 2914	ZENER DIODE 02DZ6.8Y(TPH3)	SC1022	945 076 3503	SURGE-ABSORBER
	307 209 4512	ZD UDZS-TE-176.8B	SC1023	945 076 3503	SURGE-ABSORBER
D5821	307 254 2716	DIODE CMS16	SC1031	945 076 3503	SURGE-ABSORBER
D5861	307 254 2716	DIODE CMS16	SC1032	945 076 3503	SURGE-ABSORBER
D6801	307 223 1115	ZENER DIODE 02DZ6.2Y(TPH3)	SC1033	945 076 3503	SURGE-ABSORBER
	307 209 1214	ZD UDZS-TE-176.2B	SC4001	945 076 3503	SURGE-ABSORBER
D6802	307 223 1115	ZENER DIODE 02DZ6.2Y(TPH3)	SC4002	945 076 3503	SURGE-ABSORBER
	307 209 1214	ZD UDZS-TE-176.2B	SC4003	945 076 3503	SURGE-ABSORBER
D6803	307 223 1115	ZENER DIODE 02DZ6.2Y(TPH3)	SC4004	945 076 3503	SURGE-ABSORBER
	307 209 1214	ZD UDZS-TE-176.2B	SC4006	945 076 3503	SURGE-ABSORBER
D6831	307 209 7513	LED SML-210YT T86 L	SC4031	945 076 3503	SURGE-ABSORBER
D6832	307 203 7816	LED SML-210LT T86 M	SC4032	945 076 3503	SURGE-ABSORBER
D6833	307 222 4810	LED SML-521MUW T86	SC4033	945 076 3503	SURGE-ABSORBER
D6841	307 223 0514	ZENER DIODE 02DZ12Y(TPH3)	SC4034	945 076 3503	SURGE-ABSORBER
	307 221 7119	ZENER DIODE UDZS-TE-1712B	SC5608	945 076 3503	SURGE-ABSORBER
D6842	307 223 0514	ZENER DIODE 02DZ12Y(TPH3)	SW6800	945 026 2792	SWITCH,PUSH 1P-1TX1
	307 221 7119	ZENER DIODE UDZS-TE-1712B	SW6801	945 026 2792	SWITCH,PUSH 1P-1TX1
D6843	307 223 0514	ZENER DIODE 02DZ12Y(TPH3)	SW6802	945 026 2792	SWITCH,PUSH 1P-1TX1
			SW6803	945 026 2792	SWITCH,PUSH 1P-1TX1

Electrical Parts List

Key No.	Part No.	Description	Key No.	Part No.	Description
SW6804	945 026 2792	SWITCH,PUSH 1P-1TX1			
SW6806	945 026 2792	SWITCH,PUSH 1P-1TX1			
SW6807	945 026 2792	SWITCH,PUSH 1P-1TX1			
SW6808	945 026 2792	SWITCH,PUSH 1P-1TX1			
SW6809	945 026 2792	SWITCH,PUSH 1P-1TX1			
SW6811	945 026 2792	SWITCH,PUSH 1P-1TX1			
X1801	645 092 8857	OSC,CRYSTAL 48MHZ			
X341	945 088 7179	OSC,CRYSTAL 27.0MHZ			
XL1021	945 086 7577	FILTER,EMI 400MHZ			
XL1022	945 086 7577	FILTER,EMI 400MHZ			
XL1023	945 086 7577	FILTER,EMI 400MHZ			
XL1024	945 086 7560	FILTER,EMI 200MHZ			
XL1026	945 086 7560	FILTER,EMI 200MHZ			
XL1031	945 086 7577	FILTER,EMI 400MHZ			
XL1032	945 086 7577	FILTER,EMI 400MHZ			
XL1033	945 086 7577	FILTER,EMI 400MHZ			
XL1034	945 086 7560	FILTER,EMI 200MHZ			
XL1036	945 086 7560	FILTER,EMI 200MHZ			
PACKING MATERIALS					
	610 334 0135	CARTON CASE-KM6BC			
	610 333 9313	CUSHION SPACER-KM6AC			
	610 333 9511	CUSHION BTM-KM6AC			
	610 333 8934	CUSHION TOP-KM6AC			
	610 336 7033	INSTALLATION SHEET KL6AC			
	945 068 6864	POLY BAG-0440X0480*NC			
ACCESSORIES					
OWNER'S MANUAL					
	610 333 9399	CD-ROM,OWNERS MANUAL-KM6BC			
	610 333 8903	SETUP INST MANUAL-KM6BC			
REMOTE CONTROL					
	645 089 4862	ASSY,REMOCON CXVK			
	910 319 1820	RC-BATTERY LID-CXSP			
⚠ AC CORD					
	US 945 064 6363	CORD,POWER-3.0MK,US			
	EU 945 054 1156	CORD,POWER-3.0MK			
	HK 945 054 1148	CORD,POWER-3.138MK			
MISCELLANEOUS					
	610 334 0296	CD-ROM,(KM6AC V1.0)			
	610 332 2957	CARRY BAG-KL6A			
	945 083 1349	ADAPTOR,WIRELESS LAN			
	945 073 4855	CABLE,INTERFACE VGA			
	945 003 3835	CORE,FERRITE			

Mechanical Parts List

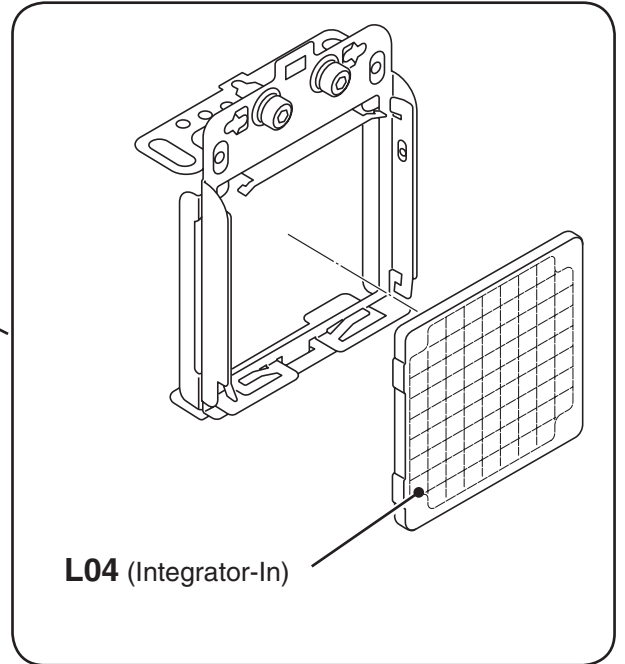
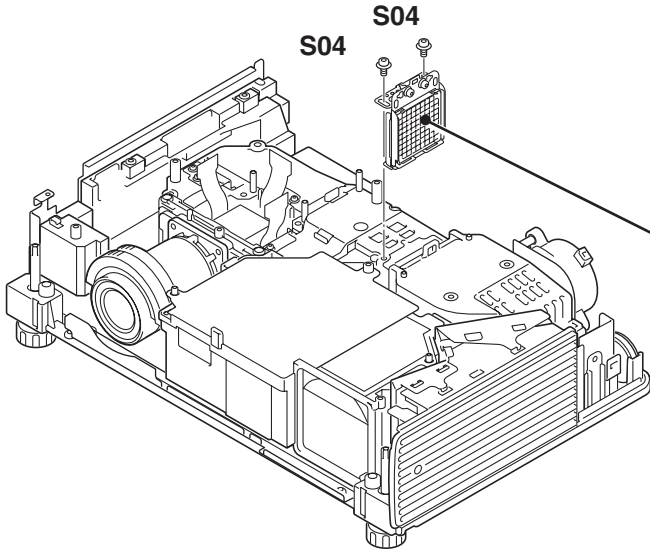
Cabinet Parts Location



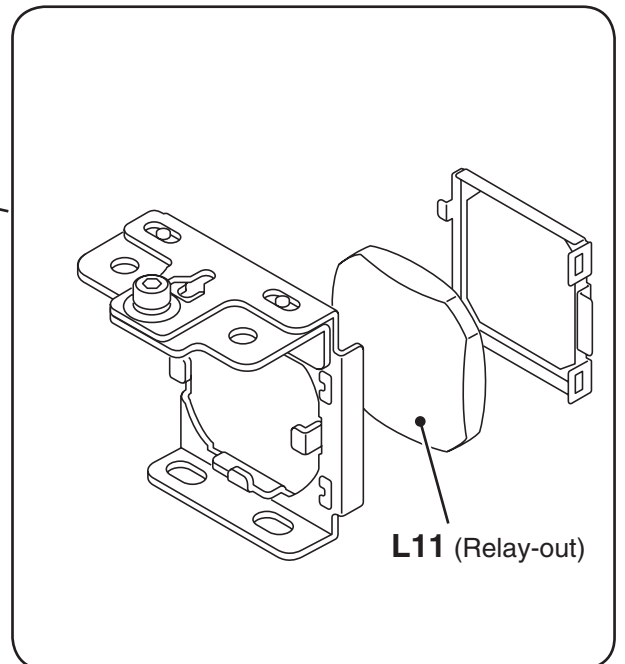
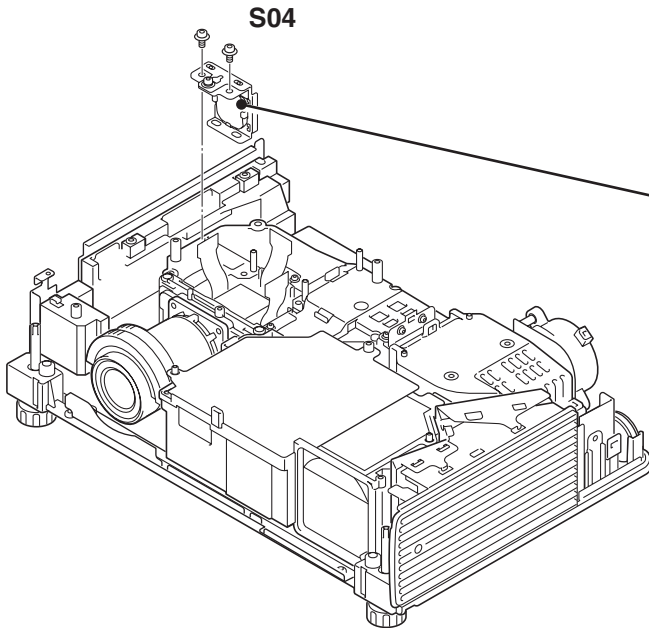
Mechanical Parts List

Optical Parts Location

Integrator Lens-In

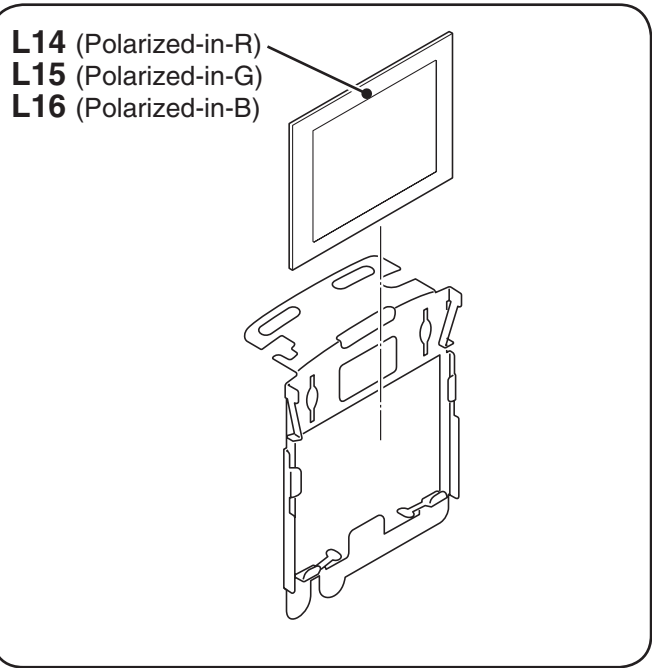
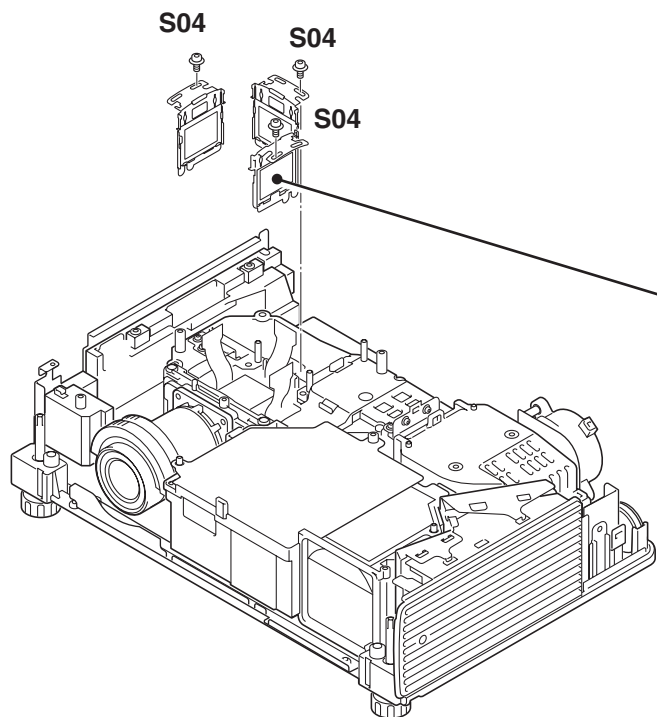


Relay Lens-Out

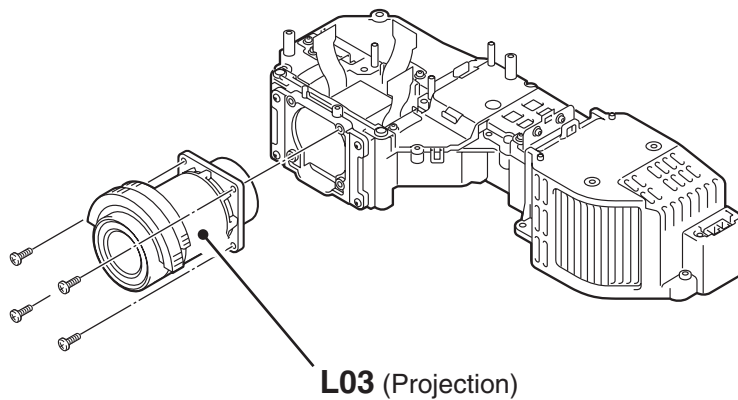


Mechanical Parts List

Polarized Glass-In

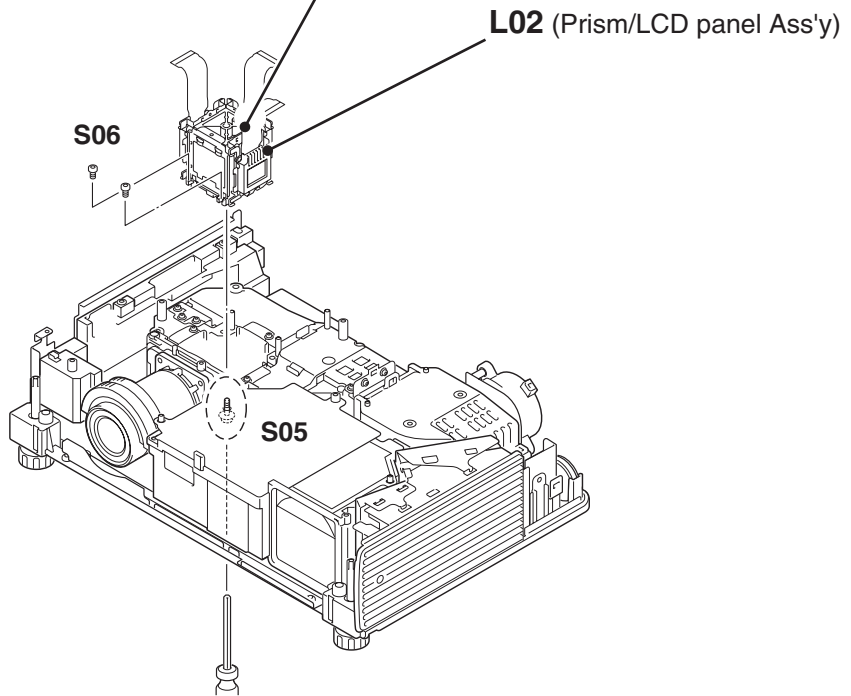
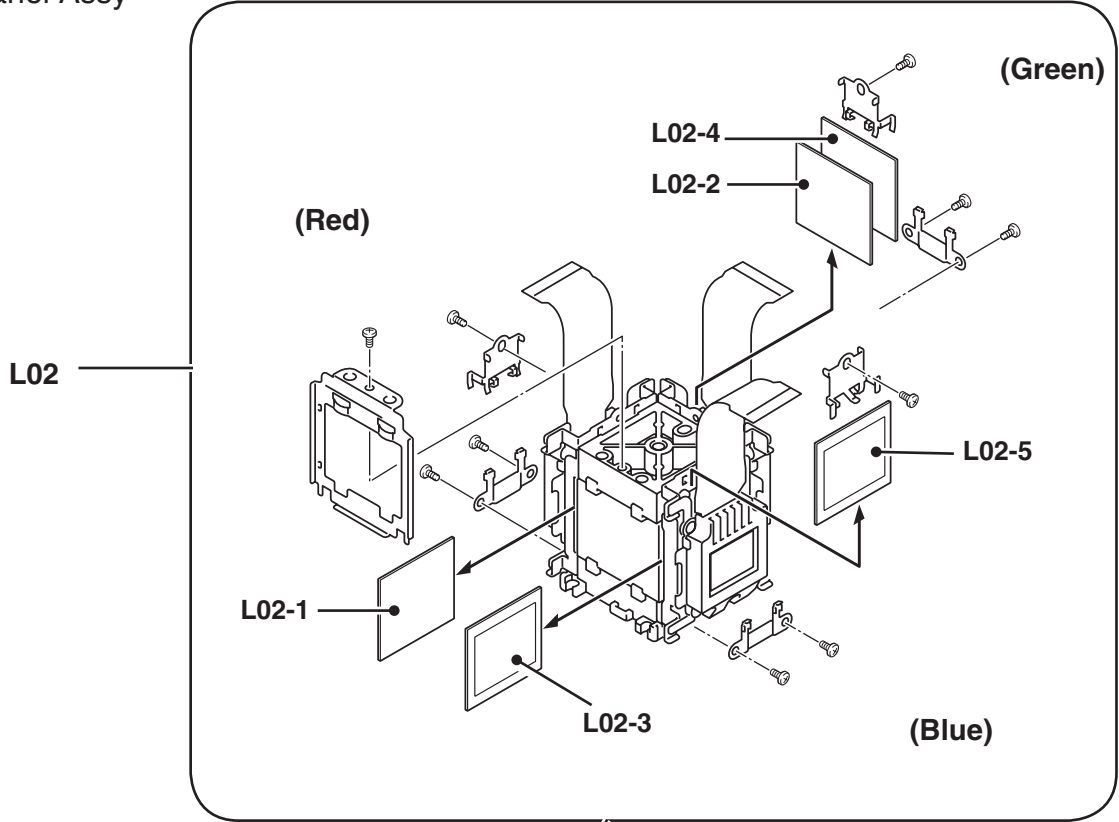


Projection Lens



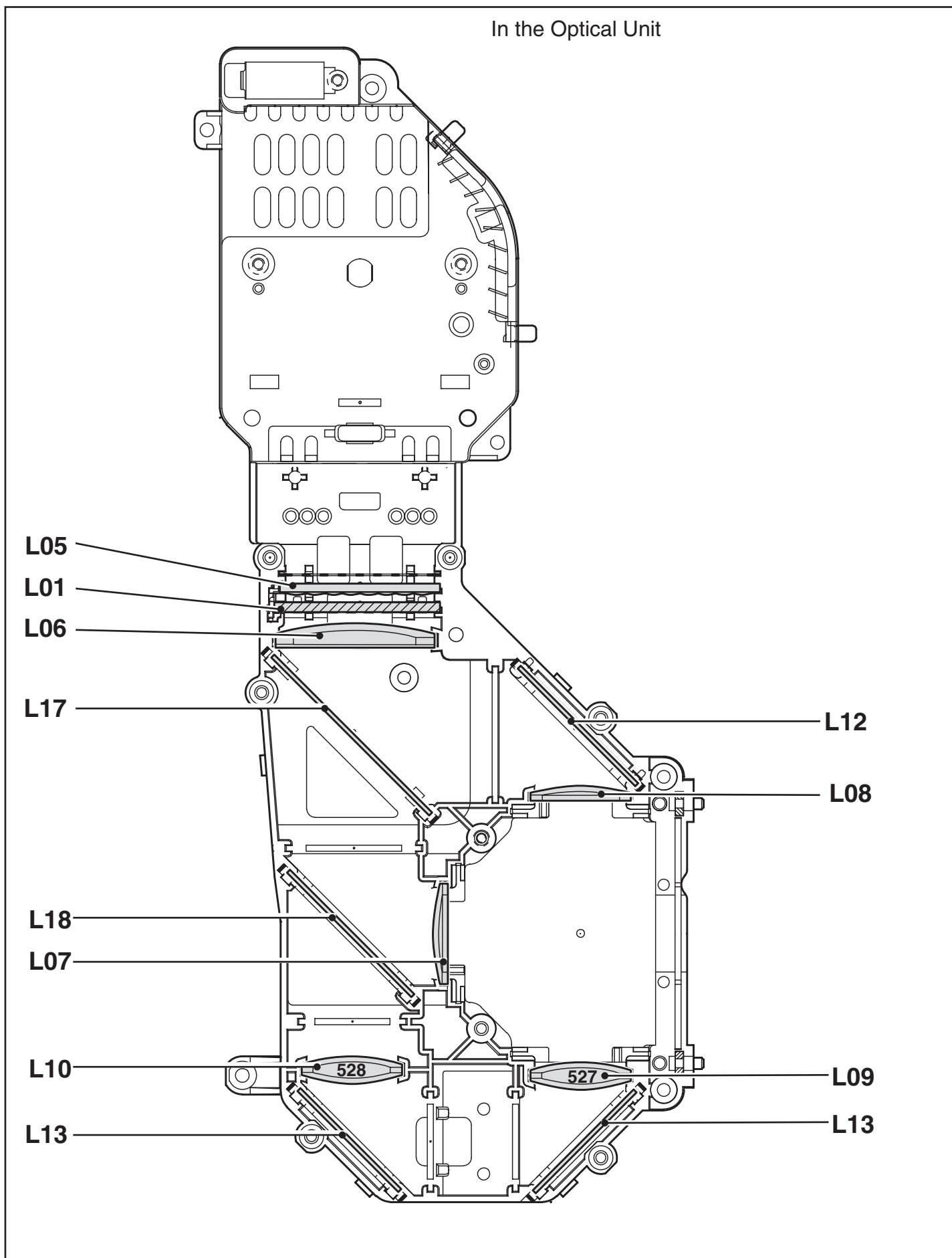
Mechanical Parts List

Prism/LCD Panel Assy



Mechanical Parts List

In the Optical Unit



Mechanical Parts List

Mechanical Parts List

Note: Parts order must contain Chassis No., Part No., and Descriptions.

Key No.	Part No.	Description	Key No.	Part No.	Description
CABINET PARTS			L16	645 089 3490	POLARIZED GLASS(IN/B)
C01	610 332 1301	ASSY,STAND LEG-KM6B	L17	945 088 7902	DICHROIC MIRROR (B)
C02	610 333 9214	BUTTON-KM6BC	L18	945 088 7919	DICHROIC MIRROR (G)
C03	610 333 9405	CABINET TOP-KM6BC			
C04	610 333 8538	CABINET FRONT-KM6BC			
C05	610 333 9474	CABINET BOTTOM-KM6BC			
C06	610 333 8729	CAP LENS-KM6AC			
C07	610 333 9368	CAP LENS BASE-KM6BC			
C08	610 333 8750	COVER ,LP SERVICE-KM6BC			
C09	610 333 8774	COVER BAT-KM6BC			
C10	610 333 8859	DEC INLAY LED-KM6AC			
C11	610 333 8767	DEC INLAY LED #MCI-KM6AC			
C12	910 325 2477	DEC LEG-PT5EC			
C13	910 302 5613	DEC SHEET-M4JA			
C14	610 333 9290	FILTER BASE-KM6AC			
C15	610 333 8699	GRILLE-KM6BC			
C16	610 333 9344	SPRING CAP-KM6AC			
C17	910 327 3748	BADGE EIKI-MT5BC			
CHASSIS PARTS					
M01	610 333 9481	DEC AV SHEET-KM6BC			
M02	610 334 4348	HOLDER POWER PWB BTM-KM6AC			
M03	610 334 5895	HOLDER T SW-KM6AC			
M04	610 333 8835	MOUNTING MCI-KM6AC			
M05	610 334 0265	MOUNTING DUCT BTM-KM6AC			
M06	610 334 0258	MOUNTING DUCT TOP-KM6AC			
M07	610 334 4386	MOUNTING DUCT LP-KM6AC			
M08	610 333 9467	PANEL AV-KM6BC			
M09	610 334 0067	SPACER SHEET#POWER T-KM6AC			
M10	610 334 7097	SPACER SHEET#POW T TOP-KM6AC			
M11	610 331 1692	OPTICAL BASE BTM-KM6A			
M12	610 331 1715	OPTICAL BASE TOP A-KM6A			
M13	610 331 1722	OPTICAL BASE TOP B-KM6A			
SCREWS					
S01	411 190 5001	SCR S-TPG BIN 3X10			
S02	411 200 2808	SCR TPG FLT 3X8			
S03	411 214 2801	SCR PAN 3X10			
S04	411 189 6507	BOLT HEX-SCT+SW+W 2.5X5			
S05	312 070 3400	SPECIAL SCREW-3.0X10V			
S06	312 069 7105	SPECIAL SCREW V			
OPTICAL PARTS					
L01	645 092 9892	PRISM(PBS)			
L02	610 335 2084	ASSY,LCD PNL/PRISM -KM6AC (Including Key No. L02-1 to L02-5 and LCD Panels)			
L02-1	645 089 3506	POLARIZED GLASS(OUT/R)			
L02-2	645 089 3513	POLARIZED GLASS(OUT/G)			
L02-3	645 089 3520	POLARIZED GLASS(OUT/B)			
L02-4	645 089 4091	PREPOLARIZED GLASS(OUT/G)			
L02-5	645 089 4107	PREPOLARIZED GLASS(OUT/B)			
L03	945 061 3945	LENS,PROJECTION			
L04	945 088 7797	LENS,INTEGRATOR(IN)			
L05	945 088 7803	LENS,INTEGRATOR(OUT)			
L06	945 088 7827	LENS,CONDENSER(OUT)			
L07	945 088 7834	LENS,CONDENSER(G)			
L08	945 088 7841	LENS,CONDENSER(B)			
L09	945 088 7858	LENS,CONDENSER(R)			
L10	945 088 7865	LENS,RELAY(IN)			
L11	945 088 7872	LENS,RELAY(OUT)			
L12	945 088 7889	MIRROR(B)			
L13	945 088 7896	MIRROR(R)			
L14	645 089 3476	POLARIZED GLASS(IN/R)			
L15	645 089 3483	POLARIZED GLASS(IN/G)			

EIKI

A-key to better communications

Diagrams & Drawings

Schematic Diagrams Printed Wiring Board Drawings

Model	Chassis No.
LC-XB41N	KM6-XB41N00

These schematic diagrams and printed wiring board drawings are part of the service manual original for chassis No. KM6-XB41N00, model LC-XB41N. File with the service manual No. SM5110858-00

Note:

All the information of part numbers and values indicated on these diagrams are at the beginning of production. To improve the performance, there may be some differences to the actual set. When you order the service parts, use service parts code mentioned on the parts list in this service manual.

Parts description and reading in schematic diagram

1. The parts specification of resistors, capacitors and coils are expressed in designated code. Please check the parts description by the following code table.
2. Some of transistors and diodes are indicated in mark for the substitution of parts name. Please check the parts name by the following code table.
3. Voltages and waveforms were taken with a video color bar signal (1Vp-p at 75 ohms terminated) and controls to normal.
4. Voltages were taken with a high-impedance digital voltmeter.

Capacitor Reading

Example 2000 K K 1000 BG

Example 160 E M 10

Characteristic

Capacitance value
Excepting electric capacitors, all capacitance values of less than 1 are expressed in μF and more than 1 are in pF.

Tolerance

Type

Rated voltage

Material table

Mark	Material
E	Electrolytic
P	Electrolytic (non-polarized)
C	Ceramic (temperature compensation)
K	Ceramic
F	Polyester
N	Polypropylene
M	Metalized polypropylene
H	Metalized polypropylar
B	Ceramic (semiconductor)
G	Metalized polyester
Y	Composite film
S	Styrol
T	Tantalum oxide solid electrolytic
U	Organic semiconductive electrolyte
D	Electric double layer electrolytic

Tolerance table

Mark	Tolerance
A	not specified
B	± 0.1
C	± 0.25
D	± 0.5
F	± 1
G	± 2
E	± 2.5
H	± 3
J	± 5
K	± 10
M	± 20
N	± 30
P	+100 -0
Q	+30 -10
T	+50 -10
U	+75 -10
V	+20 -10
W	+100 -10
X	+40 -20
Y	+150 -10
Z	+80 -20

Coil Reading

Example L2 C1 4R7 K N

Tolerance

Inductance value

Manufacture code

Unique code

Mark	Tolerance (nH)	Mark	Tolerance (%)
C	± 0.25	G	± 2
D	± 0.5	J	± 5
S	± 0.3	K	± 10
A	± 0.2	L	± 15
		M	± 20

Resistor Reading

Example 1/2 D J 10K B

Example 6 W K 8.2

Example 1/2 C K 1M

Characteristic

Z (Carbon fuse)

B (Non-burnable)

K indicates in $\text{K}\Omega$

M indicate in $\text{M}\Omega$

Resistance value

Tolerance (see below table)

Material (see below table)

Rated wattage (W)

Note: Resistor which is indicated with resistance value only are 1/6W carbon resistor. Resistor which is indicated with material, tolerance and value are 1/4W rated wattage.

Material table

Mark	Material
D	Carbon
N	Metal film
S	Oxide metal film
C	Solid
G	Metal glaze
W	Wire winding or cement
H	Ceramic
F	Fusible

Tolerance table

Mark	Tolerance
A	± 0.05
B	± 0.1
C	± 0.25
D	± 0.5
F	± 1
G	± 2
J	± 5
K	± 10
M	± 20
P	+5 -15
Z	used in 0 ohm

Diode/Transistor Type Reading

Diode

Mark	Type number
R	1S2076A,1S2473,1N4148
AA	1S2076A,1S2473,1SS133,1N4148

Transistor (1) NPN type

Mark	Type number			
--	2SC536	2SC945A	2SC1815	2SC1740S
AD	NF, NG	PA, QA	Y, GR	Q, R, S
AE	NF, NG	PA, QA, RA	O, Y, GR	Q, R, S

(2) PNP type

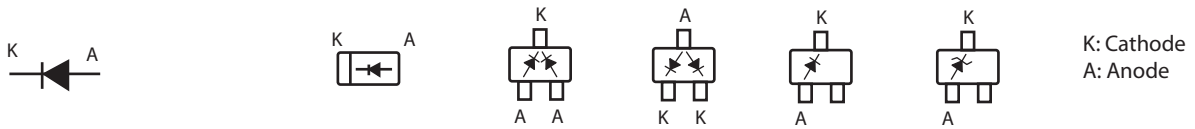
Mark	Type number			
--	2SA608	2SA564A	2SA1015	2SA933S
AB	NF	R	Y, GR	R
AC	NF	Q, R	O, Y, GR	Q, R

(3) Chip type

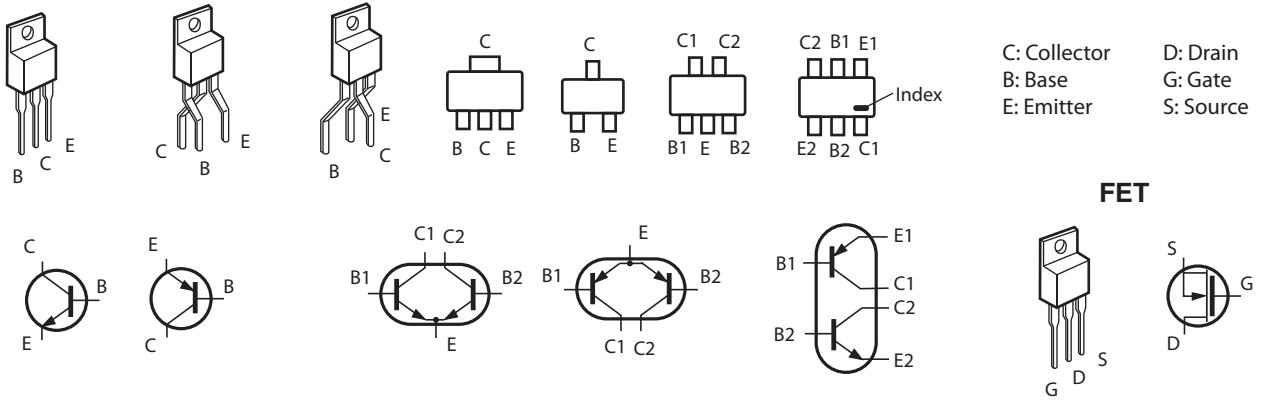
Mark	Type number				
--	2SA1179N	2SA1037K	2SA1037AK	2SC2812/N	2SC2412K
AJ	M6, M7	R, S	R, S		
AH				L6, L7	R, S

Pin description of diode, transistor and IC

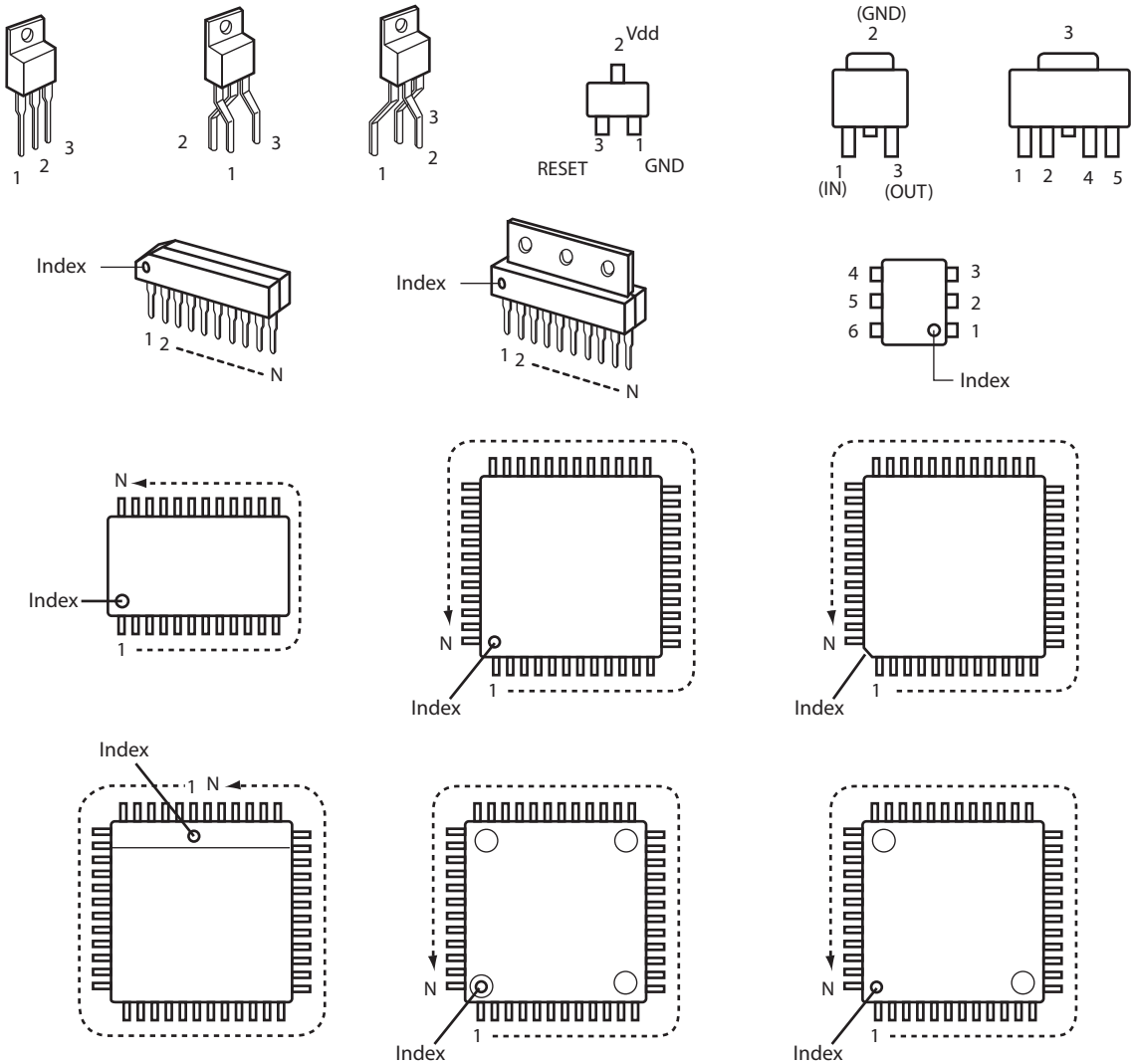
● Diode



● Transistor/FET



● IC



Note on Soldering

Do not use solder containing lead.

This product has been manufactured using lead-free solder in order to help preserve the environment.

Because of this, be sure to use lead-free solder when carrying out repair work, and never use solder containing lead.

Lead-free solder has a melting point that is 30–40 °C (86–104 °F) higher than solder containing lead, and moreover it does not contain lead which attaches easily to other metals. As a result, it does not melt as easily as solder containing lead, and soldering will be more difficult even if the temperature of the soldering iron is increased.

The extra difficulty in soldering means that soldering time will increase and damage to the components or the circuit board may easily occur.

Because of this, you should use a soldering iron and solder that satisfy the following conditions when carrying out repair work. Also, soldering work must be done in a short time.

Soldering iron

Use a soldering iron which is 70 W or equivalent, and which lets you adjust the tip temperature up to 450 °C (842 °F) It should also have as good temperature recovery characteristics as possible.

Solder

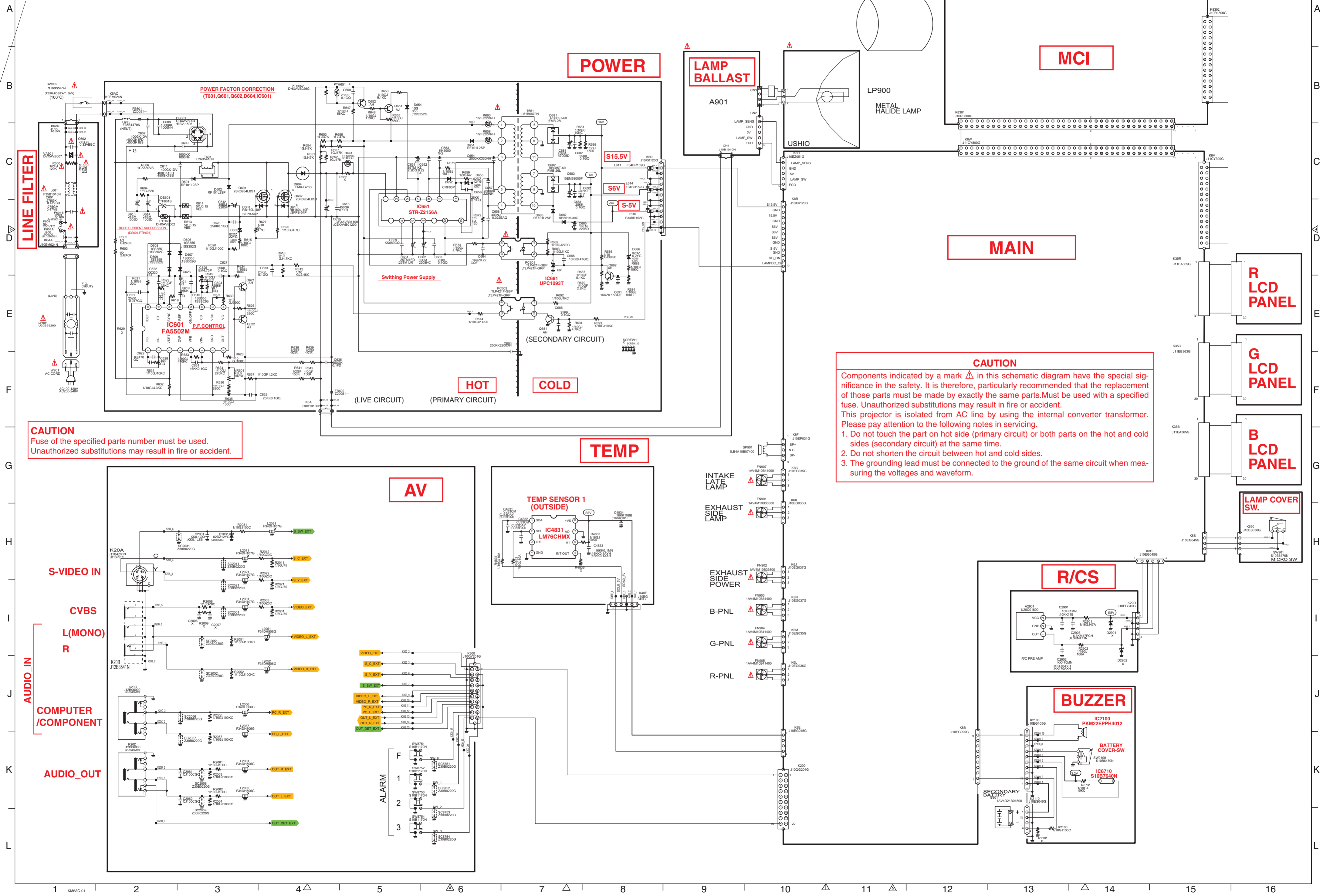
Use solder with the metal content and composition ratio by weight given in the table below. Do not use solders which do not meet these conditions.

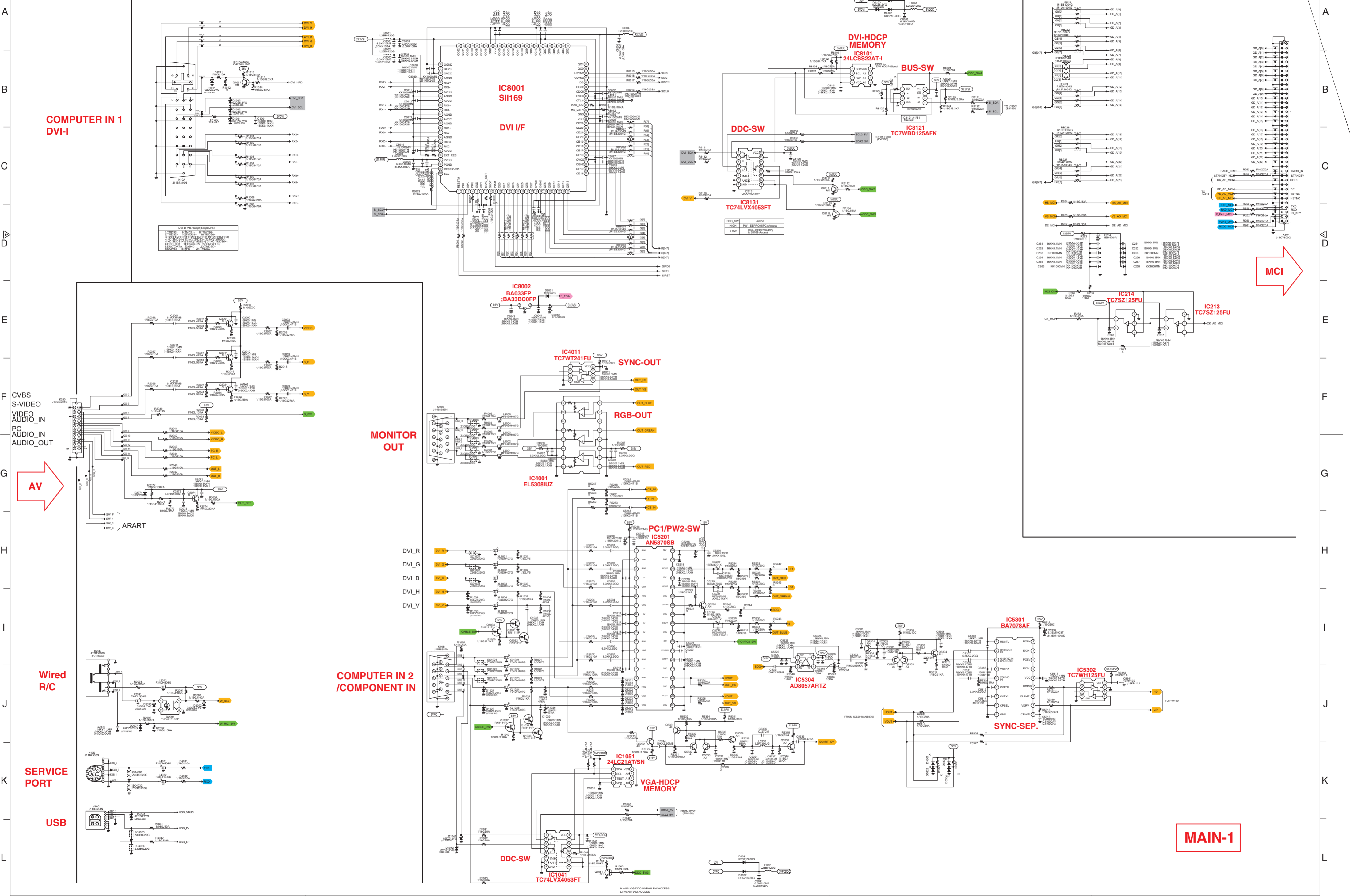
Metal content	Tin (Sn)	Silver (Ag)	Copper (Cu)
Composition ratio by weight	96.5 %	3.0 %	0.5 %

Note:

If replacing existing solder containing lead with lead-free solder in the soldered parts of products that have been manufactured up until now, remove all of the existing solder at those parts before applying the lead-free solder.

Schematic Diagrams





COMPUTER IN 1
DVI-I

IC8001
SII169
DVI I/F

DVI-HDCP
MEMORY
IC80101
24LCS22AT-I

BUS-SW
IC18121
TC7WBD125AFK

DDC-SW
IC18131
TC74LVX4053FT

DDC-SW
IC18101
24LCS22AT-I

DDC-SW
IC18111
TC74LVX4053FT

IC8002
BA033FP
:BA33BC0FP
DVI I/F

IC4011
TC7WT241FU
SYNC-OUT

RGB-OUT
IC4001
EL5308IUZ

MONITOR
OUT

PC1/PW2-SW
IC5201
AN5870SB

VGA-HDCP
MEMORY
IC1051
24LC21AT/SN

DDC-SW
IC1041
TC74LVX4053FT

IC5304
AD8057ARTZ

IC5301
BA7078AF
SYNC-SEP.

IC5302
TC7WH125FU

MAIN-1

MCI

CVBS
S-VIDEO
VIDEO
AUDIO_IN
PC
AUDIO_IN
AUDIO_OUT

AV

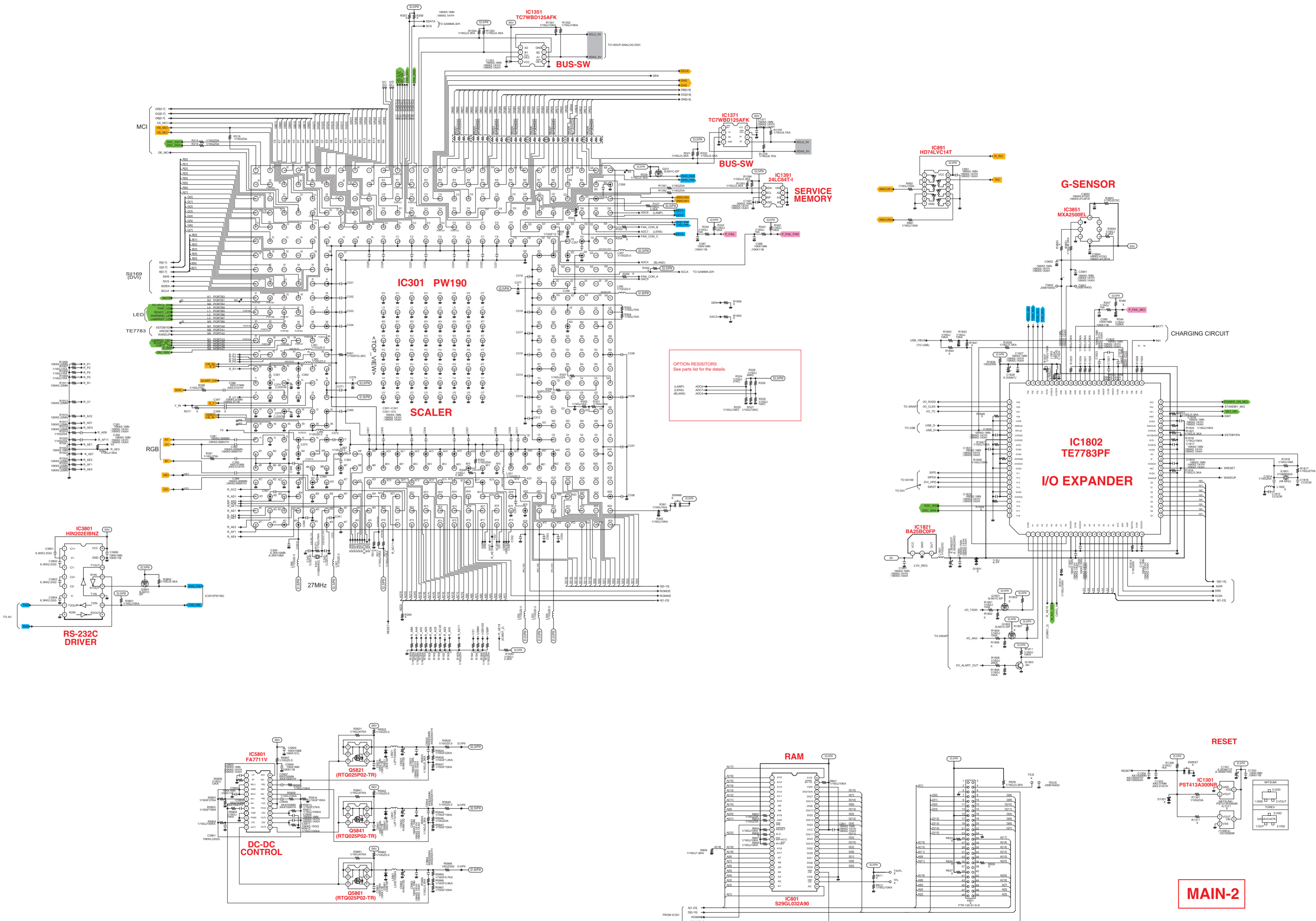
Wired
R/C

SERVICE
PORT

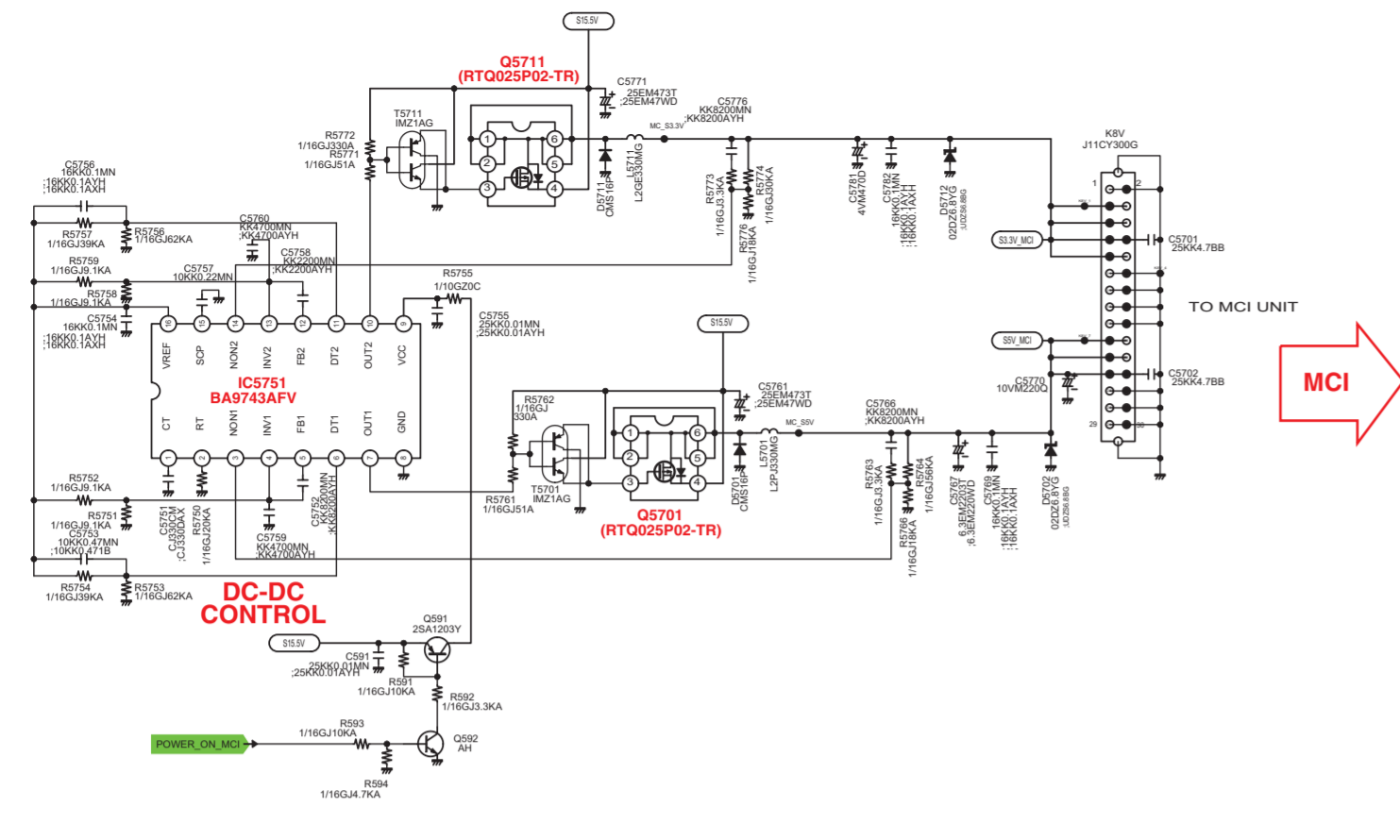
USB

A
B
C
D
E
F
G
H
I
J
K
L

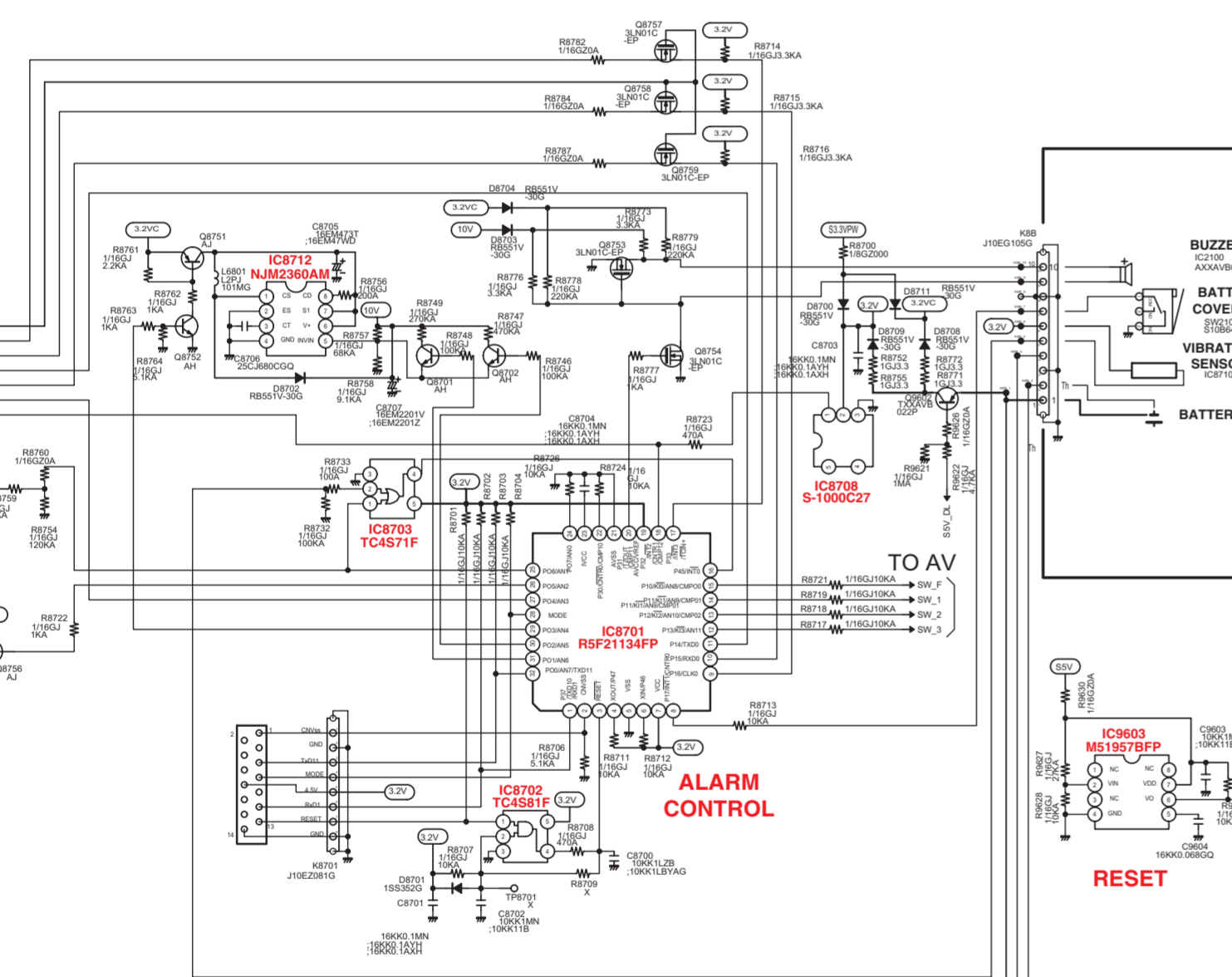
A
B
C
D
E
F
G
H
I
J
K
L



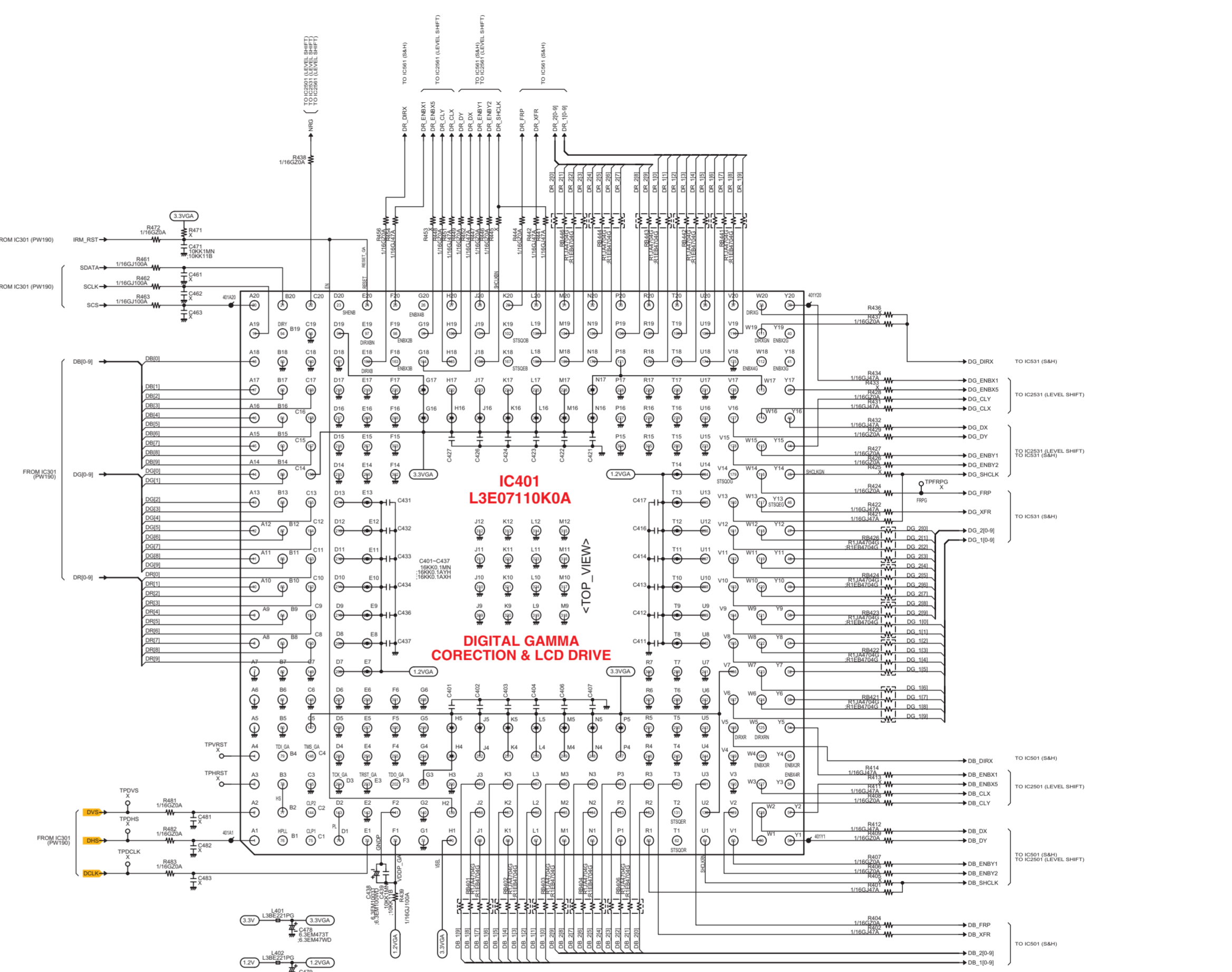
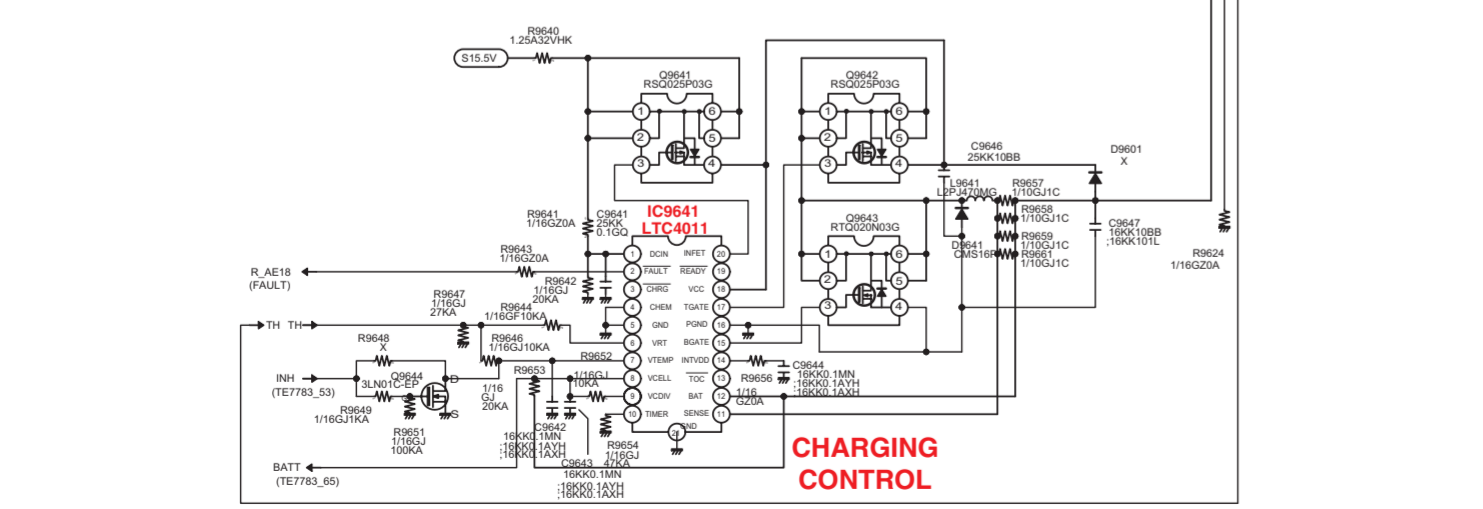
power for MCI



ALARM CIRCUIT



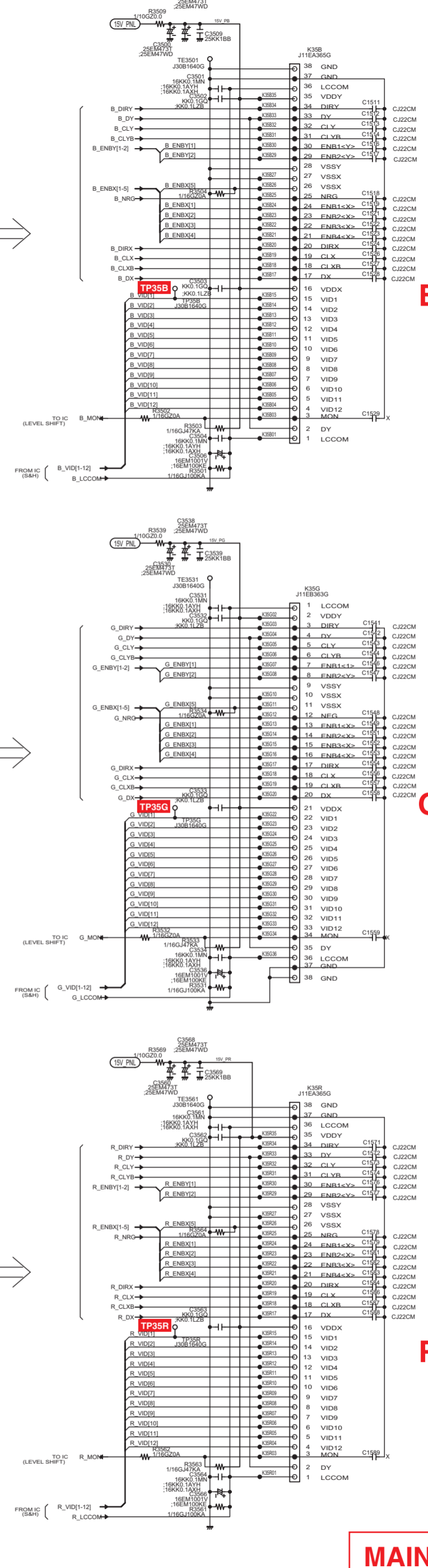
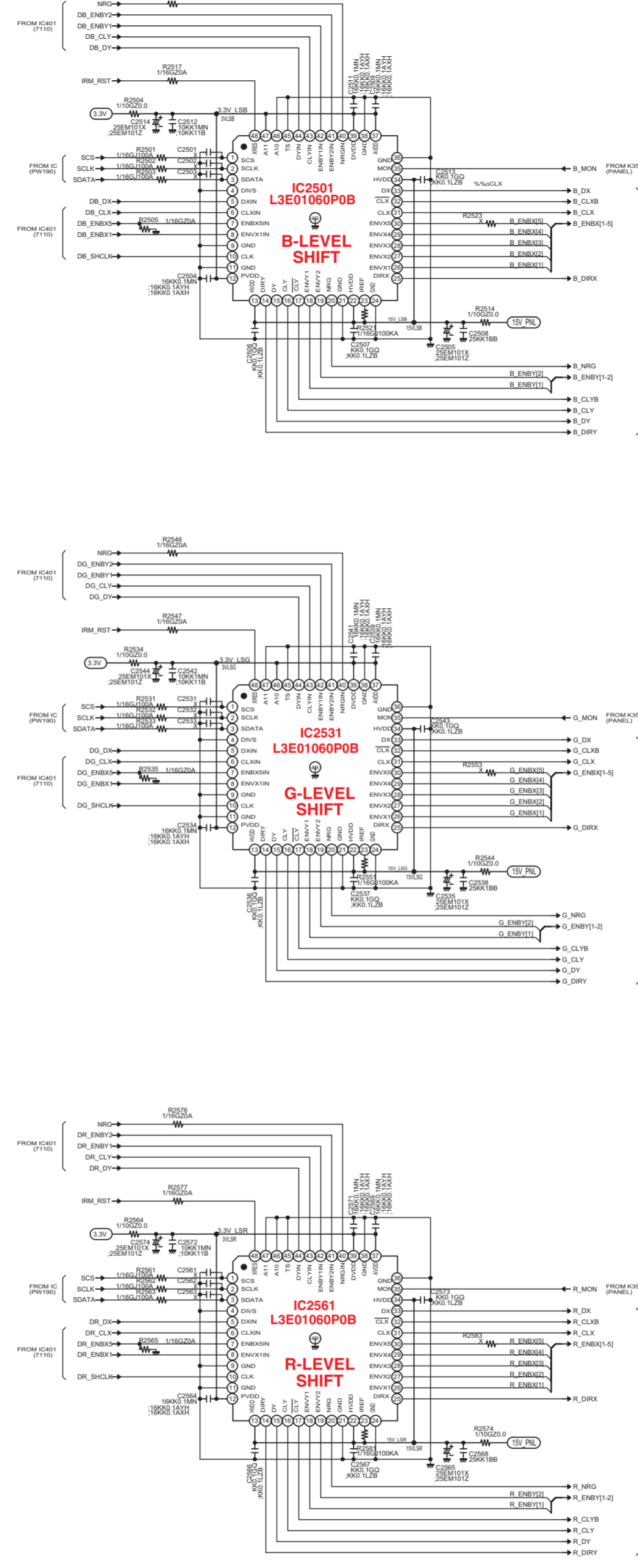
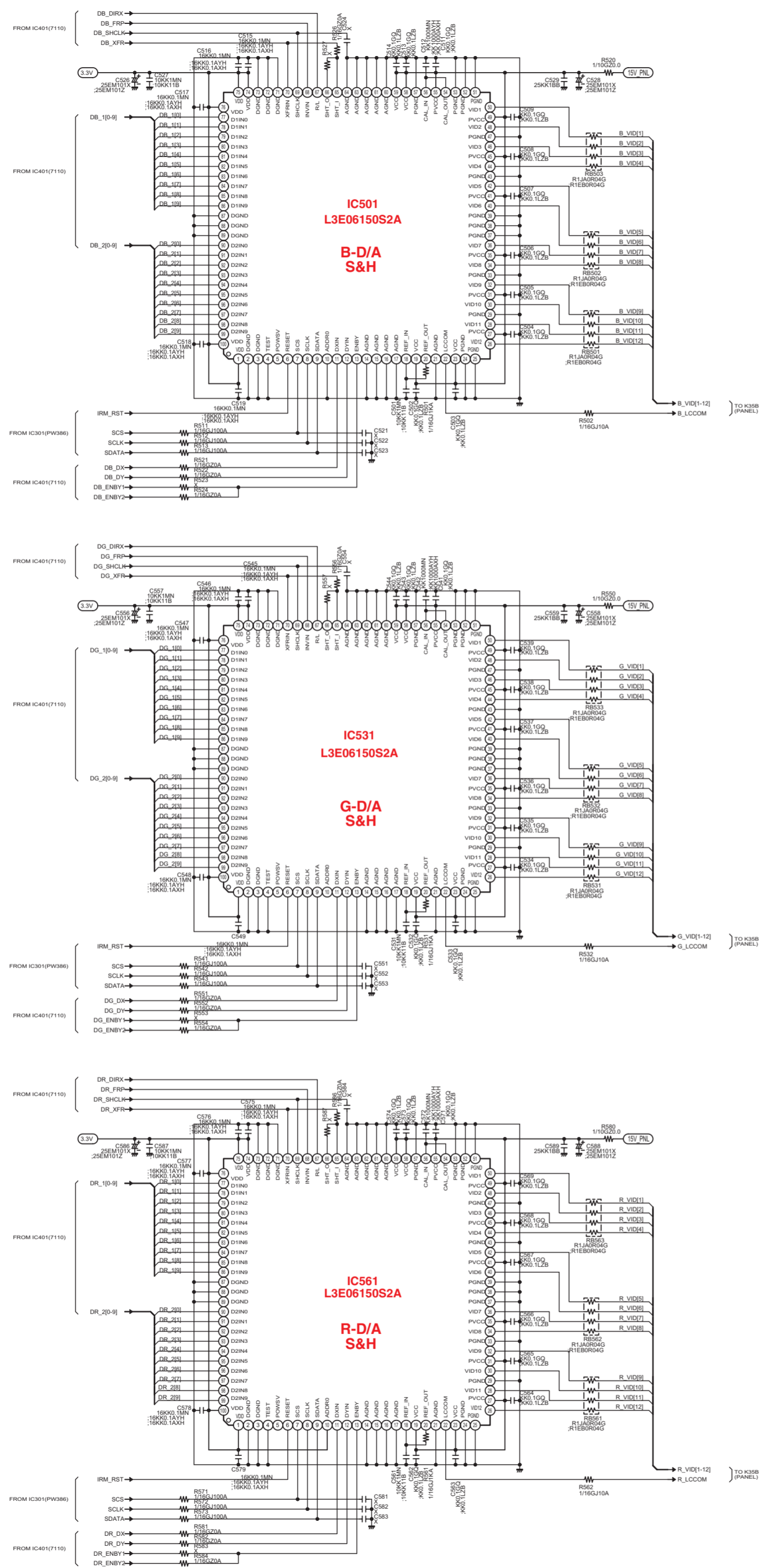
BATTERY CHARGING CIRCUIT



MAIN-3

A B C D E F G H I J K L

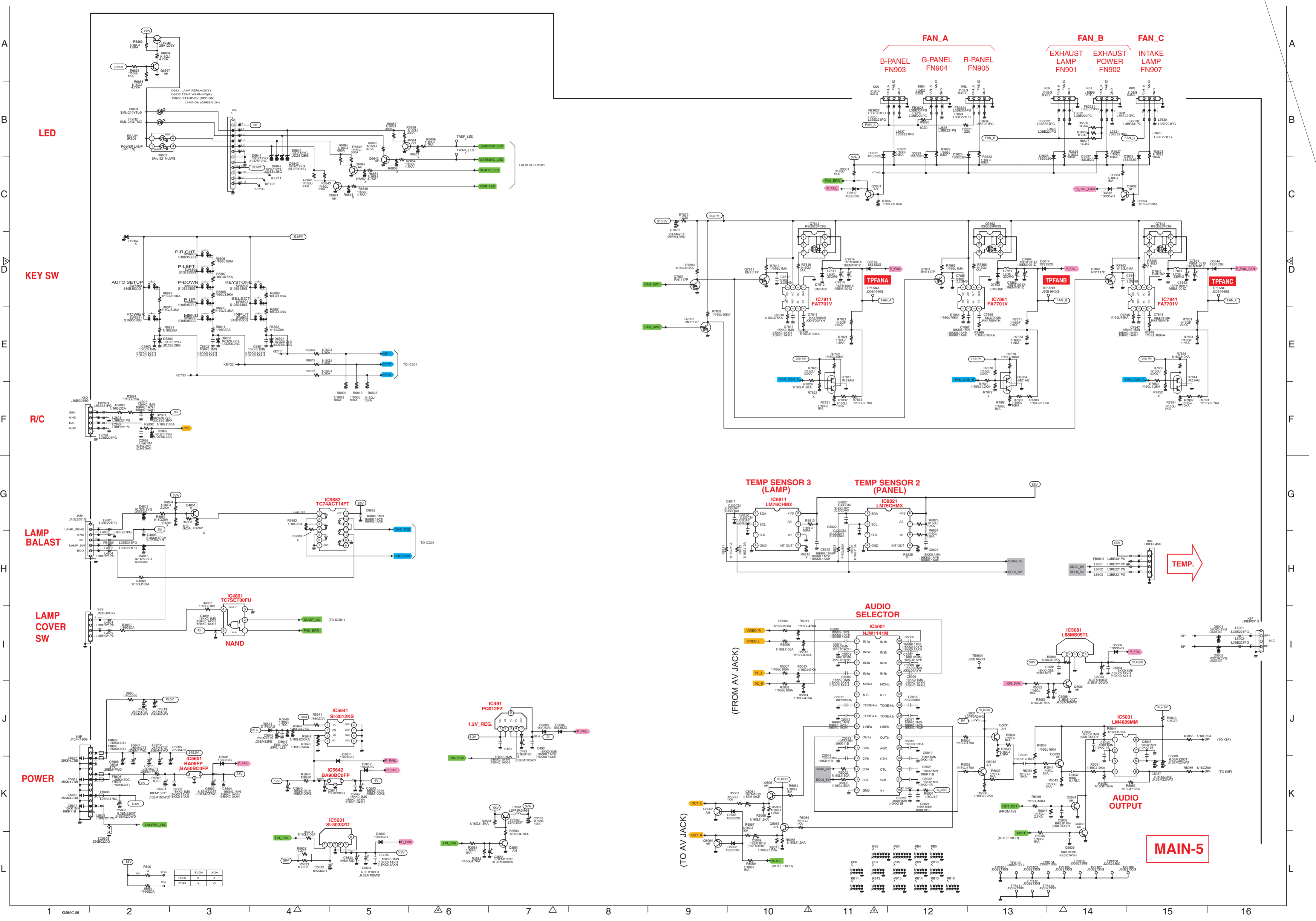
A B C D E F G H I J K L

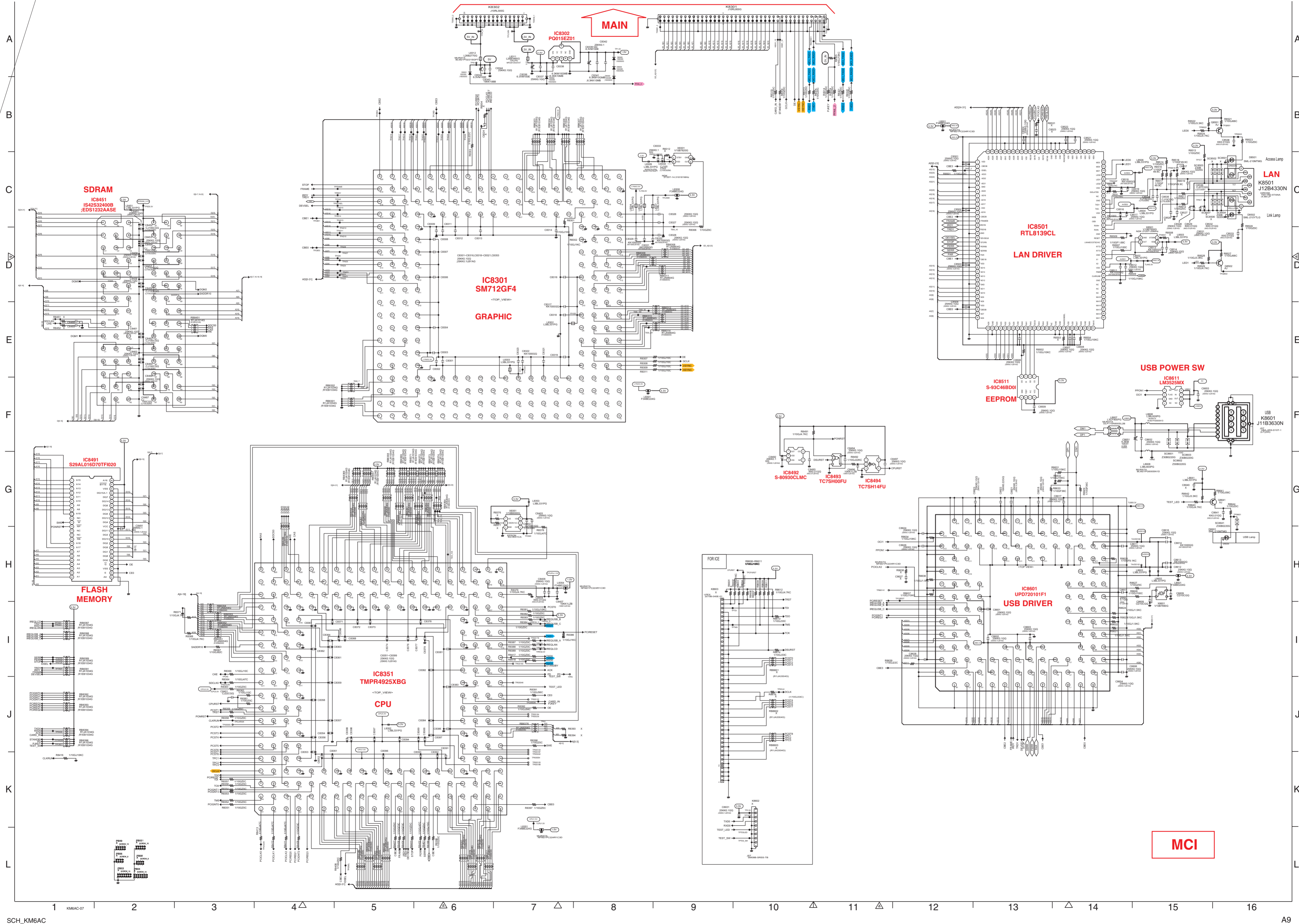


MAIN-4

A
B
C
D
E
F
G
H
I
J
K
L

A
B
C
D
E
F
G
H
I
J
K
L





MAIN

SDRAM

**IC8301
SM712GF4
GRAPHIC**

**IC8501
RTL8139CL
LAN DRIVER**

USB POWER SW

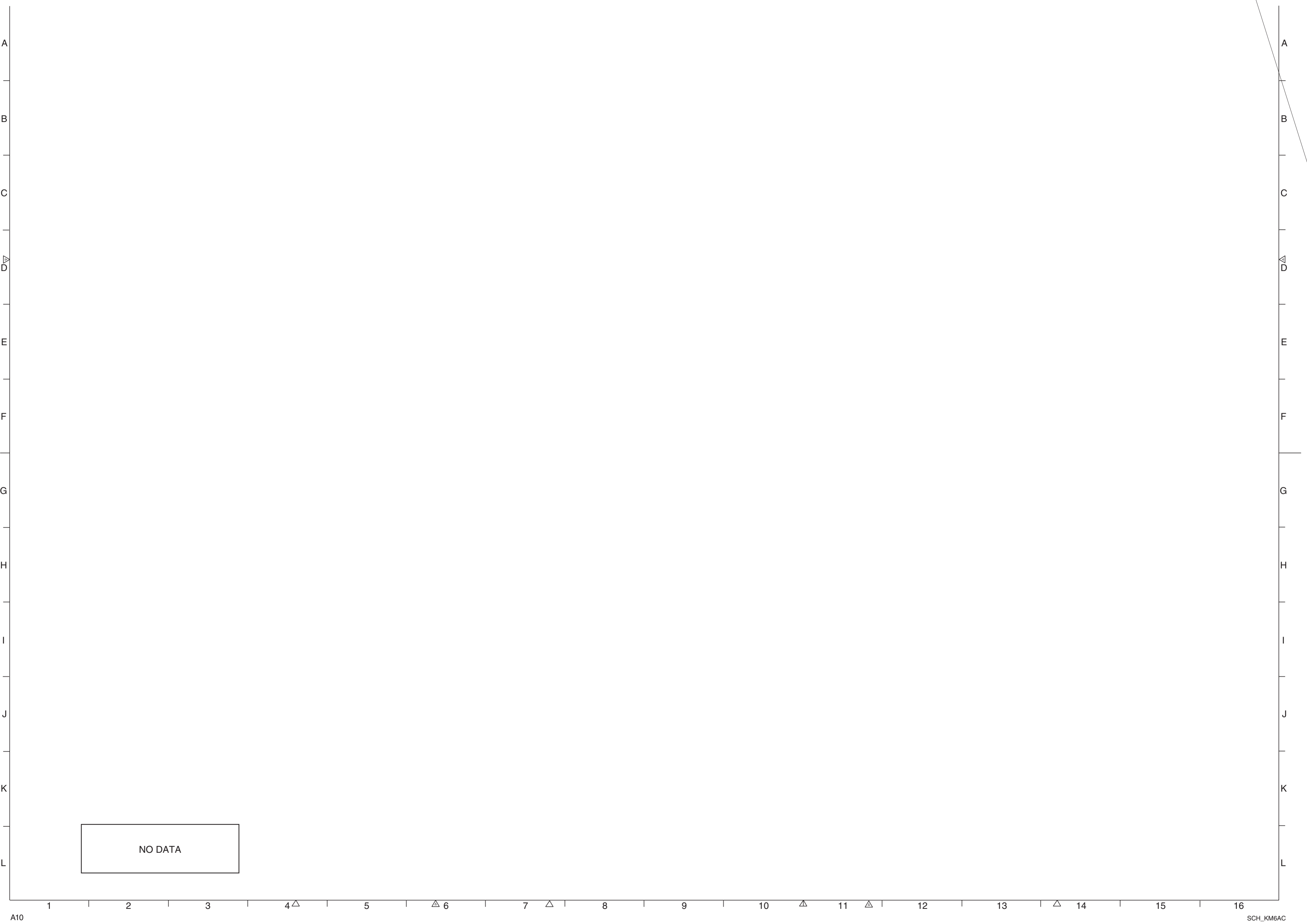
**IC8511
S-93C46BD01
EEPROM**

**FLASH
MEMORY**

**IC8351
TMPR4925XBG
CPU**

**IC8601
UPD720101F1
USB DRIVER**

MCI



A

B

C

D

E

F

G

H

I

J

K

L

1

2

3

4

5

6

7

8

9

10

11

12

13

14

15

16

A10

SCH_KM6AC

NO DATA

A

B

C

D

E

F

G

H

I

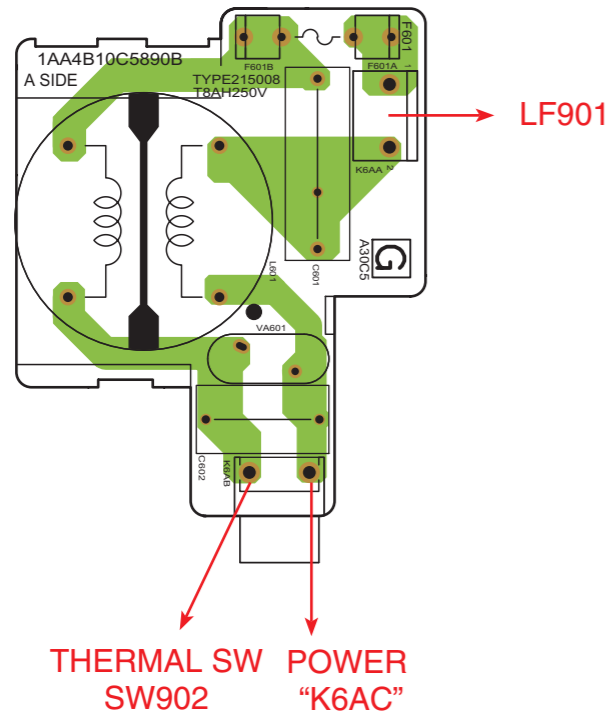
J

K

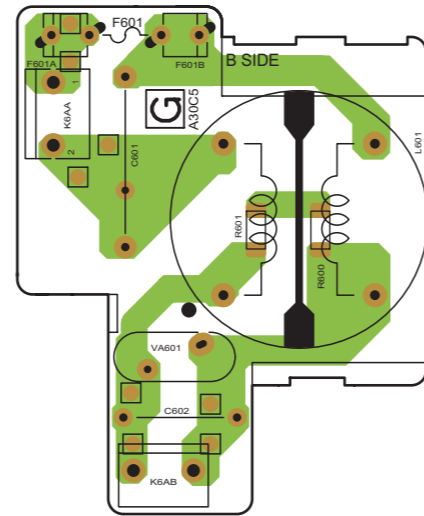
L

Printed Wiring Board Diagrams

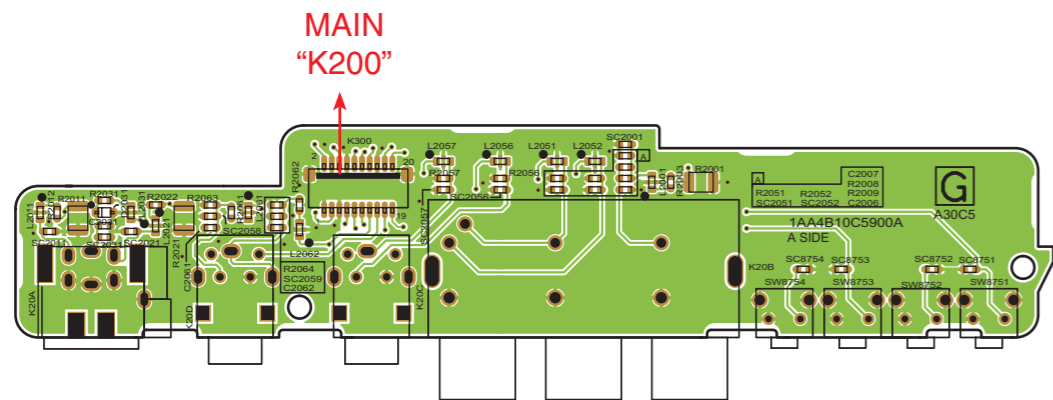
LINE FILTER (SIDE:A)



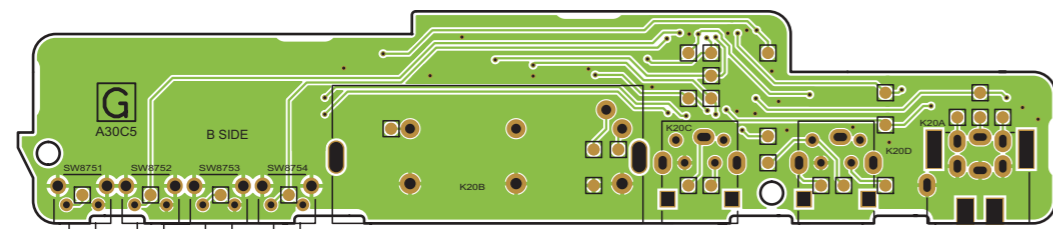
LINE FILTER (SIDE:B)



AV (SIDE:A)



AV (SIE:B)

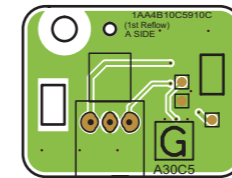


⚠ CAUTION

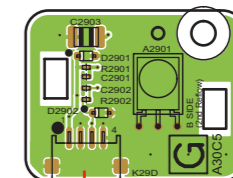
This projector is isolated from AC line by using the internal converter transformer. Please pay attention to the following notes in servicing

1. Do not touch the part on hot side (primary circuit) or both parts on hot and cold sides (secondary circuit) at the same time.
2. Do not shorten the circuit between hot and cold sides.
3. The grounding lead must be connected to the ground of the same circuit when measuring of voltages and waveforms.

R/CS (SIDE:A)

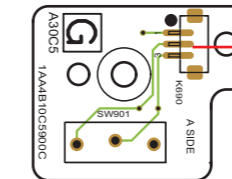


R/CS (SIE:B)



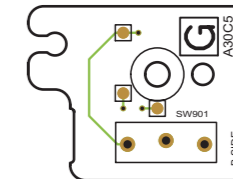
MAIN "K8D"

LAMP COVER SW (SIDE:A)

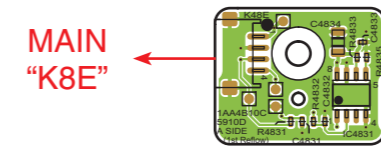


MAIN "K8S"

LAMP COVER SW (SIDE:B)

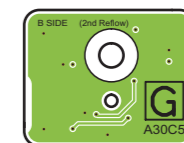


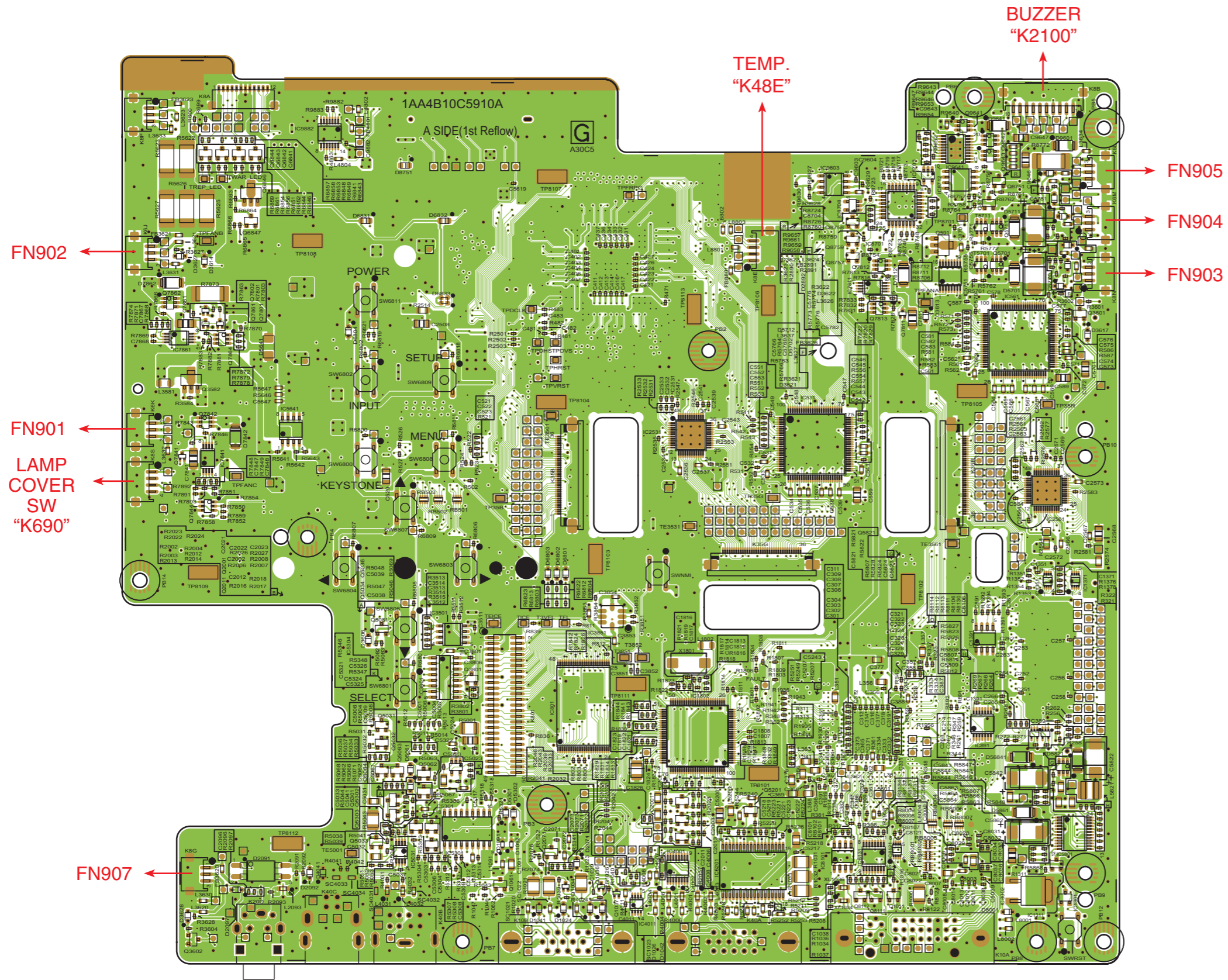
TEMP. (SIDE:A)



MAIN "K8E"

TEMP. (SIDE:B)





MAIN (SIDE:B)

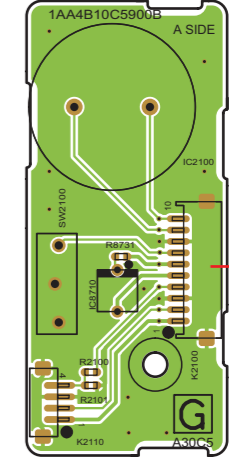
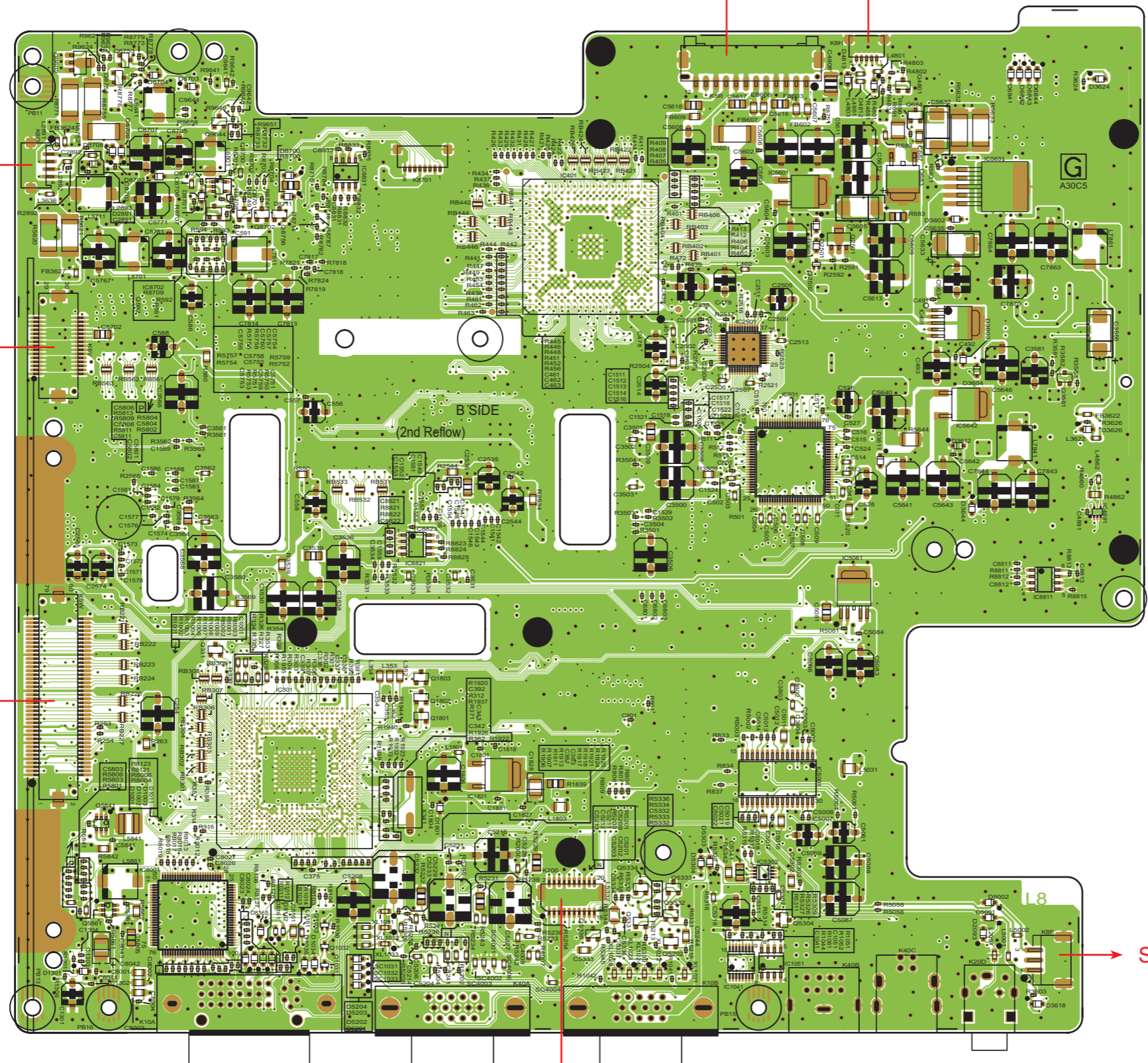
POWER LAMP BALLAST UNIT
"K6R"

BUUZZER (SIDE:B)

R/CS
"K29D"

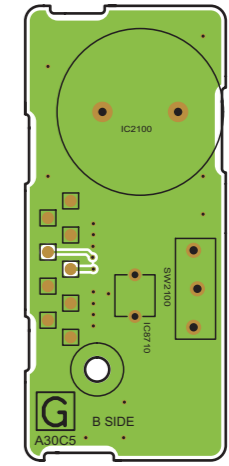
MCI
"K8302"

MCI
"K8301"



MAIN
"K8B"

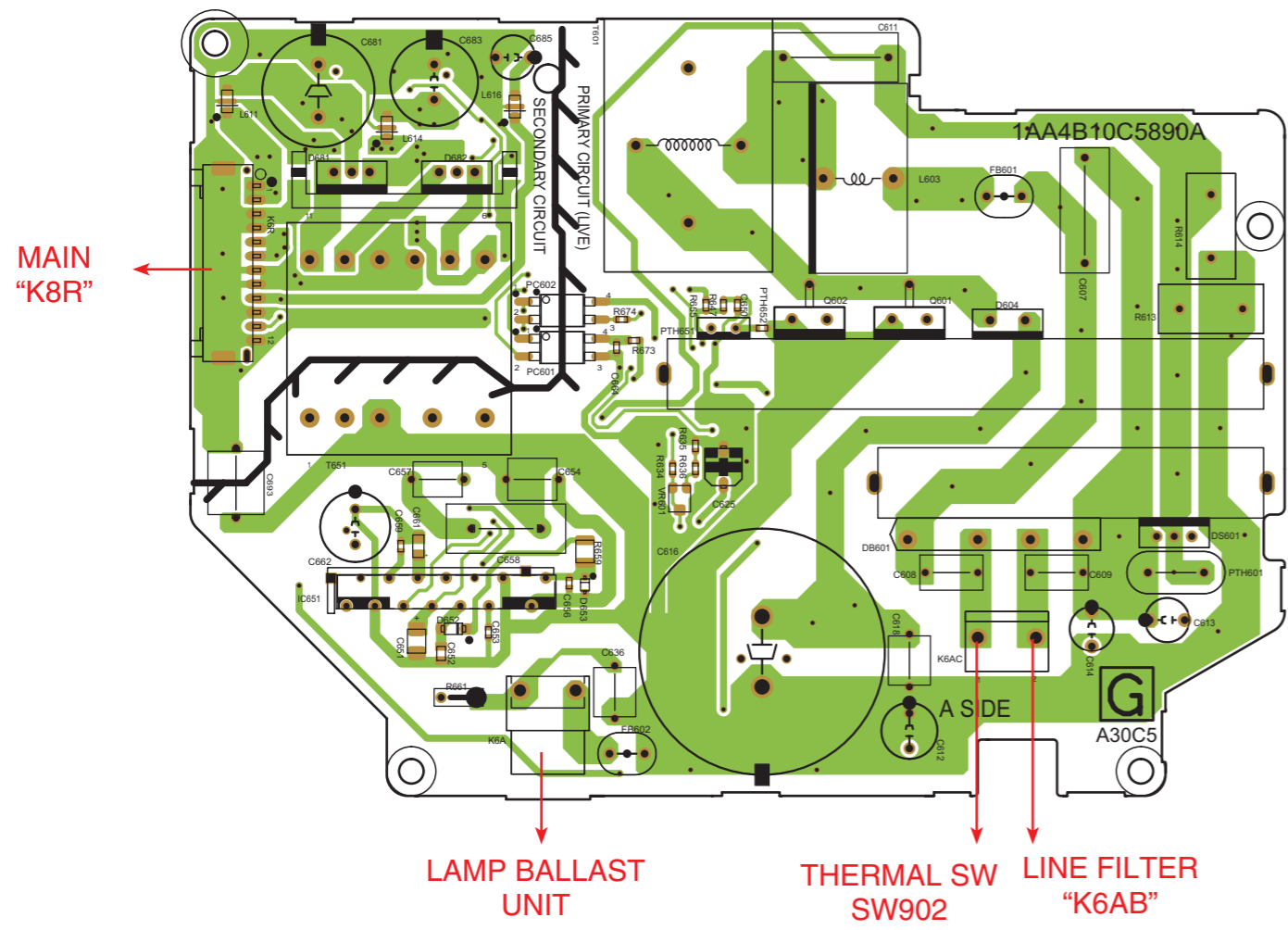
BUUZZER (SIDE:B)



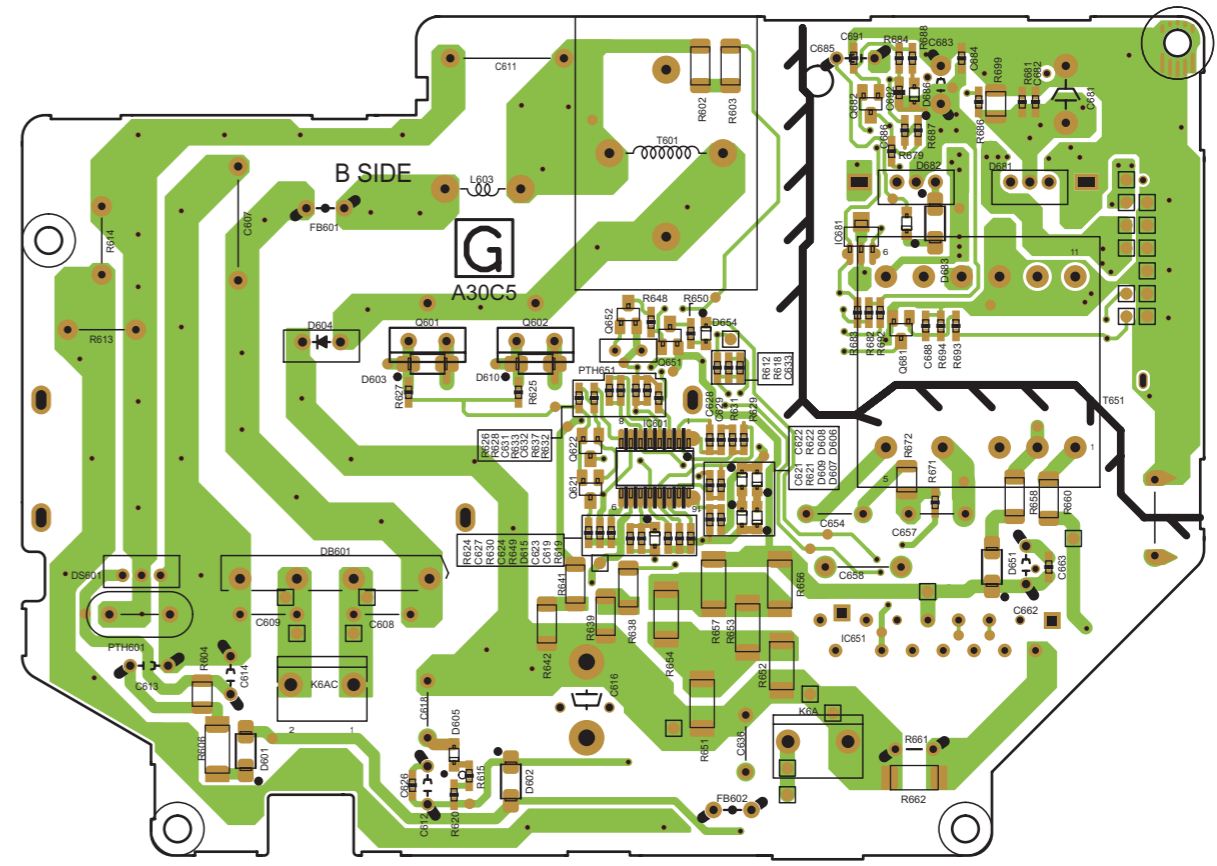
SP901

AV
"K300"

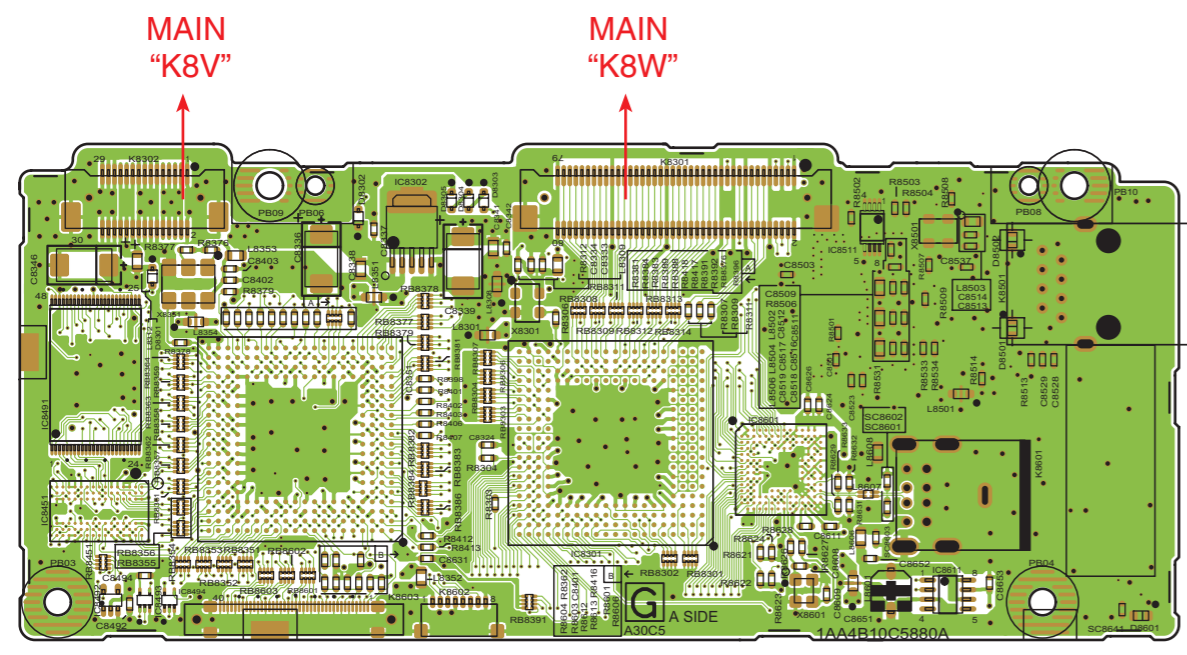
POWER (SIDE:A)



POWER (SIDE:B)



MCI (SIDE:A)



MCI (SIDE:B)

