

Complete outdoor enclosure for beta and SHARP monitors

Enclosure provides full weather protection for the model 5014i Beta monitor or the model 5030i SHARP monitor

The Thermo Scientific™ Complete Outdoor Enclosure for the Model 5014i Beta Monitor or the Model 5030i SHARP Monitor is designed to protect your instrument from extreme climates.

Features

- Full weather protection withstands extreme climates
- Adaptable to both the Model 5014i Beta Monitor and the Model 5030i
- SHARP Monitor Cost effective alternative to permanent shelters
- Front and rear hinged doors for full access

Introduction

Outfitted with a combination heating and air conditioning unit, the housing provides the proper weather-proof environment to ensure long-term performance.

The complete outdoor enclosure is a cost-effective alternative to permanent shelters, especially in locations where a fixed shelter is not available for installation.



The complete outdoor enclosure is comprised of corrosion-free aluminum and 2" thick insulation. The integrated roof flange allows for 5/8" outer diameter sample tubing.

Additionally, the enclosure features front and rear hinged doors for full access, locking door latches, ventilated vacuum pump housing, vibration-free mounting for the sample pump, and is rail-mounted with standard 19" slides.

Finally, this shelter will also accommodate the Thermo Scientific FH 62 C14 monitor, 5030 SHARP monitor or the Model 5012 MAAP configured with a bench or floor mount installation.



Thermo Scientific Complete Outdoor Enclosure for Beta and SHARP Monitors

Specifications	
Power Requirements	20A @120VAC (60Hz), 15' Exterior power cord 16A @ 220 VAC (50Hz), 15' Exterior power cord
Output	6 way outlet strip with power surge protector (Quantity 1)
Exterior Dimensions	70 1/4" (178.4cm) H x 26" (66.04cm) W x 41"(104.14cm) D
Air Conditioning / Heater	HVAC temperature controlled with 2000BTU AC Cold-weather thermostate controlled 500 Watt heater
Weight	200lbs

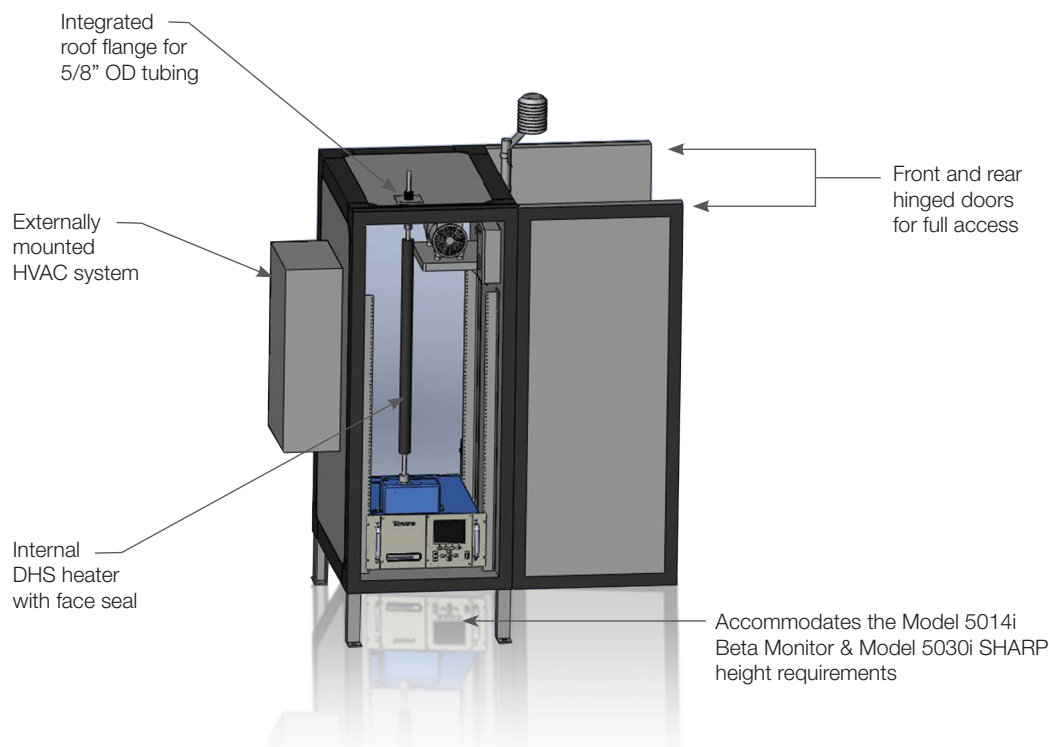
Ordering information

109976-01

5014i/5030i Enclosure with Heater & A/C – 120V, 60hz

109976-02

5014i/5030i Enclosure with Heater & A/C – 220/240V, 50hz



To maintain optimal product performance, you need immediate access to experts worldwide, as well as priority status when your air quality equipment needs repair or replacement. We offer comprehensive, flexible support solutions for all phases of the product life cycle. Through predictable, fixed-cost pricing, our services help protect the return on investment and total cost of ownership of your Thermo Scientific products.

USA

27 Forge Parkway
Franklin, MA 02038
Ph: (508) 520-0430
Fax: (508) 520-2800
orders.aqi@thermofisher.com

India

C/327, TTC Industrial Area
MIDC Pawane
New Mumbai 400 705, India
Ph: +91 22 4157 8800
india@thermofisher.com

China

+Units 702-715, 7th Floor
Tower West, Yonghe
Beijing, China 100007
Ph: +86 10 84193588
info.eid.china@thermofisher.com

Europe

Ion Path, Road Three,
Winsford, Cheshire CW73GA UK
Ph: +44 1606 548700
Fax: +44 1606 548711
sales.epm.uk@thermofisher.com

Find out more at thermofisher.com

ThermoFisher
SCIENTIFIC