

Siemens.com/mobility

QR1 RELAY

Special Relay (see description)

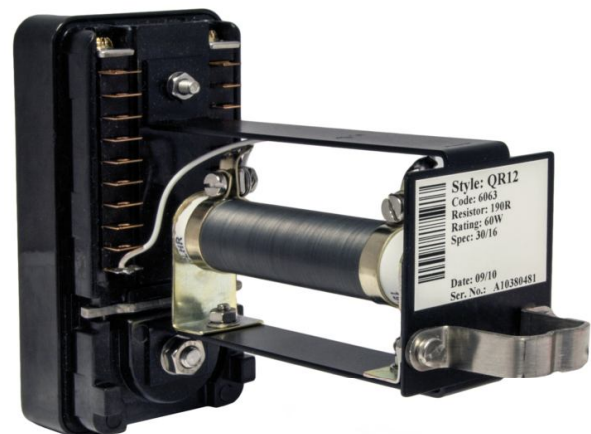
General data

Resistor Power Rating:	45 W
Rectifier Type:	Single phase bridge: 25A 400V (B18529/3-series unit)
Selenium Plate :	30 V ac rms (B18529/6 only)
Approximate Weight:	0.51 kg

Note: Refer to the following data sheets:

- 7-1-1 for general information and contact ratings.
- 7-2-1 for dimensions.
- 8.2 for tools.
- 8.3 for plugboard and connector details.

Refer overleaf for specific data.



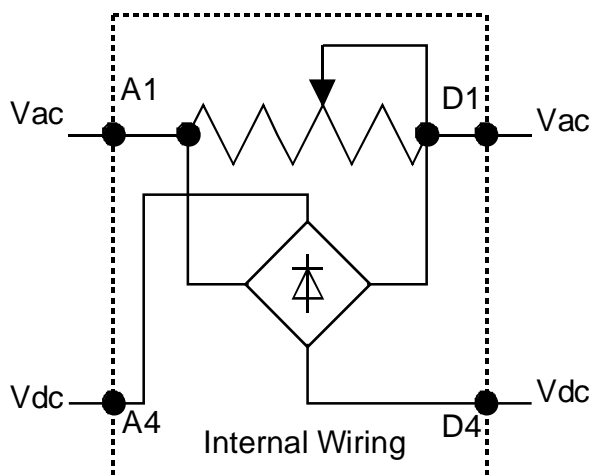
NOTE: QR12 Relay for representational purposes

Description

A relay unit used to rectify the supply for an associated lamp proving relay.

An adjustable resistor is positioned in series with the load and set so that the required proportion of current is shunted to the relay via the rectifier. The resistor value (several are available) governs the sensitivity of the arrangement.

Internal Wiring



Packaging

Q-Relays are packed in a carton holding ten relays; the same container is used for quantities of four to nine relays. Quantities less than four are packed individually in cardboard boxes, as are all train-carried relays. Each container has a bar-coded label affixed to the outside, stating details of the packaged relay(s) and the quantity therein.

EMC Compliance

Q-Relays comply with the relevant emission requirements of EN 55014. It is considered that these relays have inherent immunity to in-service electro-magnetic disturbance.

A Technical Certificate for EU Directive on EMC (89/336/EEC) has been obtained.

Technical data

SIEMENS Part No. (PAD No.)	RESISTOR VALUE (Ohms)	PIN CODE	PLUGBOARD	REQD No. OF CONNECTORS J4137/3	REMARKS
B18529/3	LESS RESISTOR	020 ABDEH	J4138/110	4	----
B18529/3A	6	020 ABDEH	J4138/110	4	----
B18529/3B	7.8	020 ABDEH	J4138/110	4	----
B18529/3C	9	020 ABDEH	J4138/110	4	----
B18529/3D	10	020 ABDEH	J4138/110	4	----
B18529/3E (88/047217)	14	020 ABDEH	J4138/110	4	----
B18529/3F	15	020 ABDEH	J4138/110	4	----
B18529/3G (88/047011)	18	020 ABDEH	J4138/110	4	----
B18529/3H	22	020 ABDEH	J4138/110	4	----
B18529/3J (88/030749)	32	020 ABDEH	J4138/110	4	----
B18529/3K (88/030832)	51	020 ABDEH	J4138/110	4	----
B18529/3L (88/047089)	64	020 ABDEH	J4138/110	4	----
B18529/3M	81	020 ABDEH	J4138/110	4	----
B18529/3N	105	020 ABDEH	J4138/110	4	----
B18529/3P	150	020 ABDEH	J4138/110	4	----
B18529/6	14	AEFJX	J4138/208	4	----