



LK-LVCM | **JANUARY 2024**
Replaces May 2023

LOW VELOCITY CENTER MOUNT EVAPORATOR

Technical Guide
Including models meeting DOE minimum AWEF

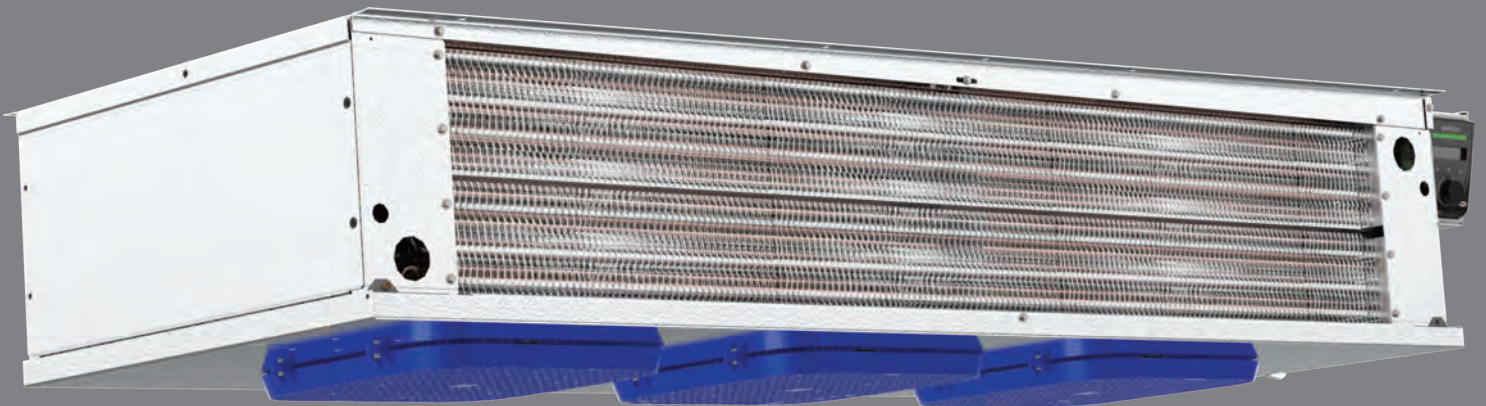


TABLE OF CONTENTS

- 3** Features & Benefits
- 4** Outstanding Features
- 5** Nomenclature
- 6** Preferred Option Packages
- 7** Air Defrost
 - 7** Performance Data
 - 7** Application Capacity: Air Defrost- 60 Hz
 - 9** Unit Specifications
- 10** Electric Defrost
 - 10** Performance Data
 - 10** Application Capacity: Medium Temperature Electric Defrost- 60 Hz
 - 12** Unit Specifications
- 13** Hot Gas Defrost
 - 13** Performance Data
 - 13** Application Capacity: Medium Temperature Hot Gas Defrost- 60 Hz
 - 14** Unit Specifications
- 15** Physical Data
- 17** Dimensional Drawings
- 18** Dimensional Data
- 19** DOE Rated AWEF
 - 19** AWEF Data
 - 19** Air Defrost
 - 19** Electric Defrost
 - 20** Hot Gas Defrost
- 21** Hot Gas Defrost Cycle Kits
- 22** Replacement Parts
- 23** Standard Nozzle Selection
 - 23** Air Defrost
 - 23** Electric Defrost
 - 23** Hot Gas Defrost



FEATURES & BENEFITS

CABINET

- Low height makes it ideal for low ceiling coolers - all models are only 14.5 inches tall, allowing for maximum headroom and more product storage
- Air moves across the ceiling in both directions providing even air distribution throughout the cooler
- Unit designed to be mounted flush against the ceiling or suspended on rods
- Heavy-gauge grained aluminum cabinet cleans easily and looks attractive
- Cabinet design features improved access panels on each end for easy access to electrical and refrigeration components
- Captive stainless steel screws for easy service which prevent dropping/loss and prevent rust streaks or staining
- Improved wire management and routing
- Quick disconnect, waterproof plug and receptacle for each motor in all models
- Molded fan guard is made of strong, durable, NSF and UL Sanitation rated lightweight and damage resistant plastic material
- Liquid line solenoid wire harness is factory-installed for quick installation

COIL

- High-efficiency aluminum fins with full collars cover mechanically expanded copper tubes
- Coils are dehydrated and sealed at the factory
- Electric defrost models incorporate high quality tubular heaters and a standard fixed defrost termination thermostat
- Generous coil surface gives proper compressor balance
- Internally enhanced tubing and fin design for higher efficiency
- Optimized heater placement with reduced heater wattages
- Fixed defrost termination for electric

DRAIN PAN

- Hinged drain pan for faster, easier and safer access and serviceability
- Tapered mounting provides proper slope for condensate drainage to one end of the unit
- Double drain pan eliminates drain pan sweating

MOTOR

- Motor rail is design for maximum strength and durability
- Motors are life lubricated and thermal overload protected
- 2 Speed EC Motors are factory-installed

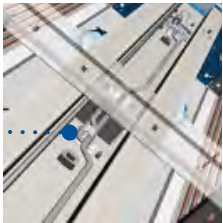
CONTROL OPTIONS

- intelliGen™ Refrigeration Controller (IRC) units come with a factory mounted controller, tested and calibrated with an electronic expansion valve, pressure transducer, temperature sensors, control board and user interface. Standard features include Door Sensor, Product Load Input and Alarm Output.
- Optional factory or field installable intelliGen Webserver Card (iWC) enables local and remote monitoring on any phone, tablet or PC.
- Optional factory or field installable intelliGen Integration Card (iIC) enables connectivity to BACnet and Modbus.

OTHER OPTIONS

- Units available with stainless steel housing and drain pan
- Air defrost units are available with various coil coatings options

OUTSTANDING FEATURES

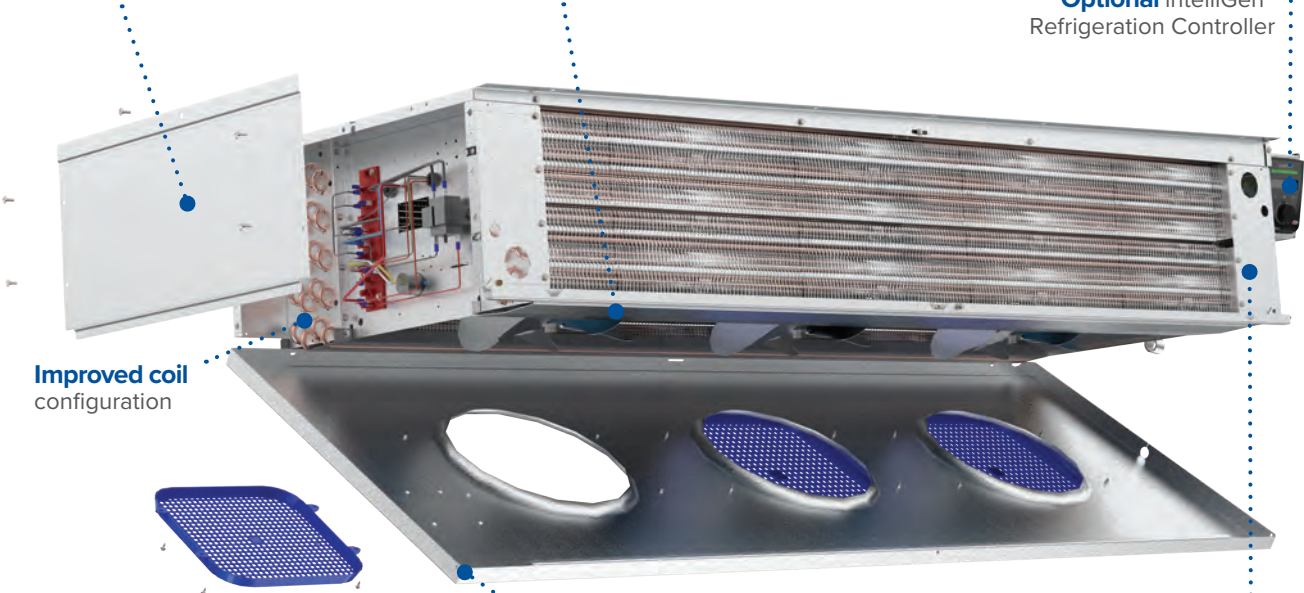


Improved **wire management** and routing

Easily removable end access panel with captive fasteners

2 Speed EC motor standard

Optional IntelliGen™ Refrigeration Controller



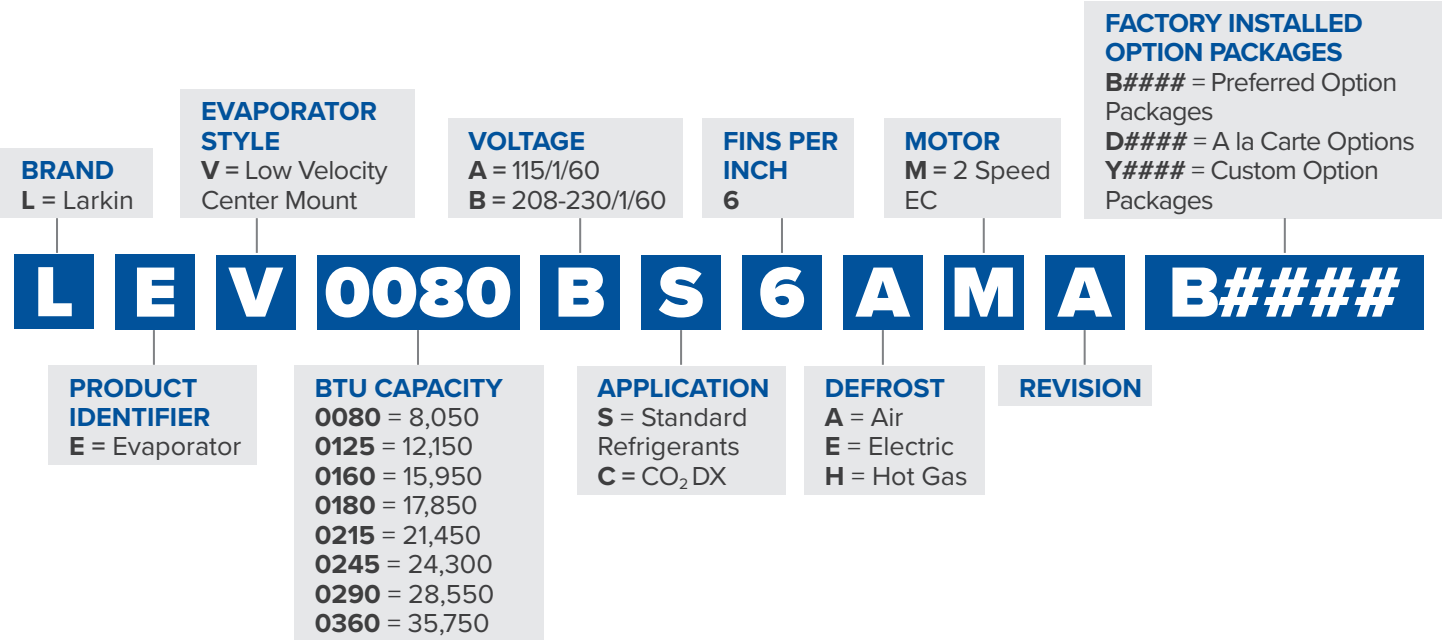
Improved coil configuration



Hinged drain pan

Painted White finish

NOMENCLATURE



PREFERRED OPTION PACKAGES

(HFC Refrigerants)

Preferred Options	Package Description
B0000	Standard Base
Standard Base + indicated options below	
B0200	intelliGen™ Refrigeration Controller (R-404A/R-448A/R-449A)
B0201	intelliGen™ Refrigeration Controller (R-407A/C/F)

PREFERRED OPTION PACKAGES

(CO₂ DX)

Package	Description (standard base model features + indicated options below)
B0500 Standard Base	Danfoss EEV (120V) with 1/4" MPT Transducer Connection (Pressure Transducer not included)
B0501	Danfoss EEV (120V) with 1/4" MPT Transducer Connection (Pressure Transducer not included) + Filter Drier
B0502	Sporlan EEV (120V) with 1/4" MPT Transducer Connection (Pressure Transducer not included)
B0503	Danfoss EEV (120V) with Danfoss Pressure Transducer
B0504	Danfoss EEV (120V) with Danfoss Pressure Transducer + Filter Drier
B0505	Danfoss EEV (120V) with CPC Pressure Transducer
B0506	Danfoss EEV (120V) with CPC Pressure Transducer + Filter Drier
B0507	Sporlan EEV (120V) with Microthermo Pressure Transducer + Filter Drier

PERFORMANCE DATA

Application Capacity: Air Defrost- 60 Hz

Please consult AWEF table on page 19 to confirm model meets DOE minimum AWEF

New Model	Legacy Model	R-404A/R-507A		R-448A/R-449A		Fan Data		
		Application Capacity ¹		Application Capacity ¹				
		10°F TD/25°F SST	6°C TD/4°C SST	10°F TD/25°F SST	6°C TD/4°C SST	No. of Fans	CFM	m ³ H
		BTUH	Watts	BTUH	Watts			
LEV0055*S6AMA	LWA050	5,000	1,465	5,500	1,612	1	725	1,232
LEV0080*S6AMA	LWA075	7,500	2,198	8,400	2,461	1	725	1,232
LEV0125*S6AMA	LWA100	10,000	2,930	11,600	3,399	2	1,450	2,464
LEV0160*S6AMA	LWA130	13,000	3,809	14,300	4,190	2	1,450	2,464
LEV0180*S6AMA	LWA155‡	15,500	4,542	17,360	5,086	3	2,175	3,695
LEV0215*S6AMA	LWA180	18,000	5,274	20,880	6,118	3	2,175	3,695
LEV0245*S6AMA	LWA210	21,000	6,153	23,940	7,014	4	2,900	4,927
LEV0290*S6AMA	LWA270	27,000	7,911	31,860	9,335	4	2,900	4,927
LEV0360*S6AMA	LWA340	34,000	9,962	40,120	11,755	5	3,625	6,159

New Model	Legacy Model	R-407A/R-407F		R-407C		Fan Data		
		Application Capacity ¹		Application Capacity ¹				
		10°F TD/25°F SST	6°C TD/4°C SST	10°F TD/25°F SST	6°C TD/4°C SST	No. of Fans	CFM	m ³ H
		BTUH	Watts	BTUH	Watts			
LEV0055*S6AMA	LWA050	5,500	1,612	5,500	1,612	1	725	1,232
LEV0080*S6AMA	LWA075	8,400	2,461	8,400	2,461	1	725	1,232
LEV0125*S6AMA	LWA100	11,600	3,399	11,600	3,399	2	1,450	2,464
LEV0160*S6AMA	LWA130	14,300	4,190	14,300	4,190	2	1,450	2,464
LEV0180*S6AMA	LWA155‡	17,360	5,086	17,360	5,086	3	2,175	3,695
LEV0215*S6AMA	LWA180	20,880	6,118	20,880	6,118	3	2,175	3,695
LEV0245*S6AMA	LWA210	23,940	7,014	23,940	7,014	4	2,900	4,927
LEV0290*S6AMA	LWA270	31,860	9,335	31,860	9,335	4	2,900	4,927
LEV0360*S6AMA	LWA340	40,120	11,755	40,120	11,755	5	3,625	6,159

Notes:
¹ = Capacities shown are Application Capacities reflecting nominal operation at 10°F TD. For models within the scope of the DOE AWEF (Annual Walk-in Energy Factor) standard, the Net Capacity is determined by the AHRI 1250 test method. DOE will publish this compliance data at www.regulations.doe.gov
 * = Electrical Code Designator (see Nomenclature details)
 ‡ = Number of fans increases from 2 in legacy to 3 in new model
 Net Capacity is available upon request

PERFORMANCE DATA

Application Capacity: Air Defrost- 60 Hz

Please consult AWEF table on page 19 to confirm model meets DOE minimum AWEF

New Model	Legacy Model	CO ₂ DX		Fan Data		
		Application Capacity ¹				
		10°F TD/25°F SST	6°C TD/4°C SST	No. of Fans	CFM	m ³ H
		BTUH	Watts			
LEV0055*C6A^A	N/A	5,500	1,612	1	725	1,232
LEV0080*C6A^A	N/A	8,400	2,462	1	725	1,232
LEV0125*C6A^A	N/A	11,600	3,400	2	1,450	2,464
LEV0160*C6A^A	N/A	14,300	4,191	2	1,450	2,464
LEV0180*C6A^A	N/A	17,360	5,088	3	2,175	3,695
LEV0215*C6A^A	N/A	20,880	6,119	3	2,175	3,695
LEV0245*C6A^A	N/A	23,940	7,016	4	2,900	4,927
LEV0290*C6A^A	N/A	31,860	9,337	4	2,900	4,927
LEV0360*C6A^A	N/A	40,120	11,758	5	3,625	6,159

Notes:

¹ = Capacities shown are Application Capacities reflecting nominal operation at 10°F TD. For models within the scope of the DOE AWEF (Annual Walk-in Energy Factor) standard, the Net Capacity is determined by the AHRI 1250 test method. DOE will publish this compliance data at www.regulations.doe.gov

* = Electrical Code Designator (see Nomenclature details)

‡ = Number of fans increases from 2 in legacy to 3 in new model

Net Capacity is available upon request

± = Refrigerant Designator (see Nomenclature details)

SPECIFICATIONS

Air Defrost- 60 Hz

Please consult AWEF table on page 19 to confirm model meets DOE minimum AWEF

New Model	HP	2 Speed EC Motor							
		115/1/60				208-230/1/60			
		Amps	Watts	MCA	MOPD	Amps	Watts	MCA	MOPD
LEV0055*±6AMA	1/20	0.8	55	1.1	20	0.4	55	0.6	15
LEV0080*±6AMA	1/20	0.8	55	1.1	20	0.4	55	0.6	15
LEV0125*±6AMA	1/20	1.7	110	2.0	20	0.8	110	1.1	15
LEV0160*±6AMA	1/20	1.7	110	2.0	20	0.8	110	1.1	15
LEV0180*±6AMA	1/20	2.5	165	2.9	20	1.3	165	1.6	15
LEV0215*±6AMA	1/20	2.5	165	2.9	20	1.3	165	1.6	15
LEV0245*±6AMA	1/20	3.4	220	3.8	20	1.7	220	2.1	15
LEV0290*±6AMA	1/20	3.4	220	3.8	20	1.7	220	2.1	15
LEV0360*±6AMA	1/20	4.2	275	4.7	20	2.1	275	2.6	15

Notes:

* = Electrical Code Designator (see Nomenclature details)

± = Refrigerant Designator (see Nomenclature details)

PERFORMANCE DATA

Application Capacity: Medium Temperature Electric Defrost- 60 Hz

Please consult AWEF table on page 19 to confirm model meets DOE minimum AWEF

New Model	Legacy Model	R-404A/R-507A		R-448A/R-449A		Fan Data		
		Application Capacity ¹		Application Capacity ¹				
		10°F TD/25°F SST	6°C TD/4°C SST	10°F TD/25°F SST	6°C TD/4°C SST	No. of Fans	CFM	m ³ H
		BTUH	Watts	BTUH	Watts			
LEV0055BS6EMA	LWEE050	5,000	1,465	5,500	1,612	1	725	1,232
LEV0080BS6EMA	LWEE075	7,500	2,198	8,400	2,461	1	725	1,232
LEV0125BS6EMA	LWEE100	10,000	2,930	11,600	3,399	2	1,450	2,464
LEV0160BS6EMA	LWEE130	13,000	3,809	14,300	4,190	2	1,450	2,464
LEV0180BS6EMA	LWEE155‡	15,500	4,542	17,360	5,086	3	2,175	3,695
LEV0215BS6EMA	LWEE180	18,000	5,274	20,880	6,118	3	2,175	3,695
LEV0245BS6EMA	LWEE210	21,000	6,153	23,940	7,014	4	2,900	4,927
LEV0290BS6EMA	LWEE270	27,000	7,911	31,860	9,335	4	2,900	4,927
LEV0360BS6EMA	LWEE340	34,000	9,962	40,120	11,755	5	3,625	6,159

New Model	Legacy Model	R-407A/R-407F		R-407C		Fan Data		
		Application Capacity ¹		Application Capacity ¹				
		10°F TD/25°F SST	6°C TD/4°C SST	10°F TD/25°F SST	6°C TD/4°C SST	No. of Fans	CFM	m ³ H
		BTUH	Watts	BTUH	Watts			
LEV0055BS6EMA	LWEE050	5,500	1,612	5,500	1,612	1	725	1,232
LEV0080BS6EMA	LWEE075	8,400	2,461	8,400	2,461	1	725	1,232
LEV0125BS6EMA	LWEE100	11,600	3,399	11,600	3,399	2	1,450	2,464
LEV0160BS6EMA	LWEE130	14,300	4,190	14,300	4,190	2	1,450	2,464
LEV0180BS6EMA	LWEE155‡	17,360	5,086	17,360	5,086	3	2,175	3,695
LEV0215BS6EMA	LWEE180	20,880	6,118	20,880	6,118	3	2,175	3,695
LEV0245BS6EMA	LWEE210	23,940	7,014	23,940	7,014	4	2,900	4,927
LEV0290BS6EMA	LWEE270	31,860	9,335	31,860	9,335	4	2,900	4,927
LEV0360BS6EMA	LWEE340	40,120	11,755	40,120	11,755	5	3,625	6,159

Notes:
¹ = Capacities shown are Application Capacities reflecting nominal operation at 10°F TD. For models within the scope of the DOE AWEF (Annual Walk-in Energy Factor) standard, the Net Capacity is determined by the AHRI 1250 test method. DOE will publish this compliance data at www.regulations.doe.gov
 * = Electrical Code Designator (see Nomenclature details)
 ‡ = Number of fans increases from 2 in legacy to 3 in new model
 Net Capacity is available upon request

PERFORMANCE DATA

Application Capacity: Medium Temperature Electric Defrost- 60 Hz

Please consult AWEF table on page 19 to confirm model meets DOE minimum AWEF

New Model	Legacy Model	CO ₂ DX		Fan Data		
		Application Capacity ¹				
		10°F TD/25°F SST	6°C TD/4°C SST	No. of Fans	CFM	m ³ H
		BTUH	Watts			
LEV0055°C6E^A	N/A	5,500	1,612	1	725	1,232
LEV0080°C6E^A	N/A	8,400	2,462	1	725	1,232
LEV0125°C6E^A	N/A	11,600	3,400	2	1,450	2,464
LEV0160°C6E^A	N/A	14,300	4,191	2	1,450	2,464
LEV0180°C6E^A	N/A	17,360	5,088	3	2,175	3,695
LEV0215°C6E^A	N/A	20,880	6,119	3	2,175	3,695
LEV0245°C6E^A	N/A	23,940	7,016	4	2,900	4,927
LEV0290°C6E^A	N/A	31,860	9,337	4	2,900	4,927
LEV0360°C6E^A	N/A	40,120	11,758	5	3,625	6,159

Notes:
¹ = Capacities shown are Application Capacities reflecting nominal operation at 10°F TD. For models within the scope of the DOE AWEF (Annual Walk-in Energy Factor) standard, the Net Capacity is determined by the AHRI 1250 test method. DOE will publish this compliance data at www.regulations.doe.gov
 * = Electrical Code Designator (see Nomenclature details)
 † = Number of fans increases from 2 in legacy to 3 in new model
 Net Capacity is available upon request
 ± = Refrigerant Designator (see Nomenclature details)

SPECIFICATIONS

Electric Defrost- 60 Hz

Please consult AWEF table on page 19 to confirm model meets DOE minimum AWEF

New Model	HP	2 Speed EC Motor				Defrost Heaters	
		208-230/1/60					
		Amps	Watts	MCA	MOPD	Watts	Total Amps
LEV0055B±6EMA	1/20	0.4	55	0.6	15	1,600	7.0
LEV0080B±6EMA	1/20	0.4	55	0.6	15	1,600	7.0
LEV0125B±6EMA	1/20	0.8	55	1.1	15	2,800	12.2
LEV0160B±6EMA	1/20	0.8	110	1.1	15	2,800	12.2
LEV0180B±6EMA	1/20	1.3	110	1.1	15	4,000	17.0
LEV0215B±6EMA	1/20	1.3	165	1.6	15	4,000	17.4
LEV0245B±6EMA	1/20	1.7	165	2.1	15	5,200	22.6
LEV0290B±6EMA	1/20	1.7	220	2.1	15	5,200	22.6
LEV0360B±6EMA	1/20	2.1	220	2.6	15	7,000	30.4

Notes:

* = Electrical Code Designator (see Nomenclature details)

± = Refrigerant Designator (see Nomenclature details)

PERFORMANCE DATA

Selection Capacity: Medium Temperature Hot Gas Defrost- 60 Hz

Please consult AWEF table on page 20 to confirm model meets DOE minimum AWEF

New Model	Legacy Model	R-404A/R-507A		R-448A/R-449A		Fan Data		
		Application Capacity ¹		Application Capacity ¹				
		10°F TD/25°F SST	6°C TD/4°C SST	10°F TD/25°F SST	6°C TD/4°C SST	No. of Fans	CFM	m ³ H
		BTUH	Watts	BTUH	Watts			
LEV0080*S6HMA	NA	7,500	2,198	8,400	2,461	1	725	1,232
LEV0125*S6HMA	LWG100	10,000	2,930	11,600	3,399	2	1,450	2,464
LEV0160*S6HMA	LWG130	13,000	3,809	14,300	4,190	2	1,450	2,464
LEV0180*S6HMA	LWG155‡	15,500	4,542	17,360	5,086	3	2,175	3,695
LEV0215*S6HMA	LWG180	18,000	5,274	20,880	6,118	3	2,175	3,695
LEV0245*S6HMA	LWG210	21,000	6,153	23,940	7,014	4	2,900	4,927
LEV0290*S6HMA	LWG270	27,000	7,911	31,860	9,335	4	2,900	4,927
LEV0360*S6HMA	LWG340	34,000	9,962	40,120	11,755	5	3,625	6,159

New Model	Legacy Model	R-407A/R-407F		R-407C		Fan Data		
		Application Capacity ¹		Application Capacity ¹				
		10°F TD/25°F SST	6°C TD/4°C SST	10°F TD/25°F SST	6°C TD/4°C SST	No. of Fans	CFM	m ³ H
		BTUH	Watts	BTUH	Watts			
LEV0080*S6HMA	NA	8,400	2,461	8,400	2,461	1	725	1,232
LEV0125*S6HMA	LWG100	11,600	3,399	11,600	3,399	2	1,450	2,464
LEV0160*S6HMA	LWG130	14,300	4,190	14,300	4,190	2	1,450	2,464
LEV0180*S6HMA	LWG155‡	17,360	5,086	17,360	5,086	3	2,175	3,695
LEV0215*S6HMA	LWG180	20,880	6,118	20,880	6,118	3	2,175	3,695
LEV0245*S6HMA	LWG210	23,940	7,014	23,940	7,014	4	2,900	4,927
LEV0290*S6HMA	LWG270	31,860	9,335	31,860	9,335	4	2,900	4,927
LEV0360*S6HMA	LWG340	40,120	11,755	40,120	11,755	5	3,625	6,159

Notes:

¹ = Capacities shown are Application Capacities reflecting nominal operation at 10°F TD. For models within the scope of the DOE AWEF (Annual Walk-in Energy Factor) standard, the Net Capacity is determined by the AHRI 1250 test method. DOE will publish this compliance data at www.regulations.doe.gov

* = Electrical Code Designator (see Nomenclature details)

‡ = Number of fans increases from 2 in legacy to 3 in new model

Net Capacity is available upon request

SPECIFICATIONS

Hot Gas Defrost- 60 Hz

Please consult AWEF table on page 20 to confirm model meets DOE minimum AWEF

New Model	HP	2-Speed EC Motor				Drain Pan Heaters	
		115/1/60				Watts	115/1/60
		Amps	Watts	MCA	MOPD		Total Amps
LEV0080*S6HMA	1/20	0.8	55	1.1	20	200	1.7
LEV0125*S6HMA	1/20	1.7	110	2.0	20	350	3
LEV0160*S6HMA	1/20	1.7	110	2.0	20	350	3
LEV0180*S6HMA	1/20	2.5	165	2.9	20	500	4
LEV0215*S6HMA	1/20	2.5	165	2.9	20	500	4
LEV0245*S6HMA	1/20	3.4	220	3.8	20	650	6
LEV0290*S6HMA	1/20	3.4	220	3.8	20	650	6
LEV0360*S6HMA	1/20	4.2	275	4.7	20	875	8

New Model	HP	2-Speed EC Motor				Drain Pan Heaters	
		208-230/1/60				Watts	208-230/1/60
		Amps	Watts	MCA	MOPD		Total Amps
LEV0080*S6HMA	1/20	0.4	55	0.6	15	200	0.9
LEV0125*S6HMA	1/20	0.8	110	1.1	15	350	1.5
LEV0160*S6HMA	1/20	0.8	110	1.1	15	350	1.5
LEV0180*S6HMA	1/20	1.3	165	1.6	15	500	2.2
LEV0215*S6HMA	1/20	1.3	165	1.6	15	500	2.2
LEV0245*S6HMA	1/20	1.7	220	2.1	15	650	2.8
LEV0290*S6HMA	1/20	1.7	220	2.1	15	650	2.8
LEV0360*S6HMA	1/20	2.1	275	2.6	15	875	3.8

Notes:

* = Electrical Code Designator (see Nomenclature details)

PHYSICAL DATA

Air Defrost (R-404A/R-507A, R-448A/R-449A, R-407A/R-407F, R-407C)

Model	No. of Fans	Coil Inlet OD	Suction OD	Equalizer OD	Drain MPT	Approx. Net Weight	
						lb	kg
LEV0055*S6AMA	1	1/2	1 - 3/8	1/4	3/4	84	38
LEV0080*S6AMA	1	1/2	1 - 3/8	1/4	3/4	84	38
LEV0125*S6AMA	2	1/2	1 - 3/8	1/4	3/4	117	53
LEV0160*S6AMA	2	1 - 1/8	1 - 3/8	1/4	3/4	164	74
LEV0180*S6AMA	3	1 - 1/8	1 - 3/8	1/4	3/4	179	81
LEV0215*S6AMA	3	1 - 1/8	1 - 3/8	1/4	3/4	192	87
LEV0245*S6AMA	4	1 - 1/8	1 - 3/8	1/4	3/4	232	105
LEV0290*S6AMA	4	1 - 1/8	1 - 3/8	1/4	3/4	240	109
LEV0360*S6AMA	5	1 - 1/8	1 - 3/8	1/4	3/4	291	132

Air Defrost (CO₂ DX)

Model	No. of Fans	Coil Inlet ²	Suction OD ²	Drain MPT	Approx. Net Weight	
					lb	kg
LEV0055*C6AMA	1	3/8	3/8	3/4	84	38
LEV0080*C6AMA	1	3/8	3/8	3/4	84	38
LEV0125*C6AMA	2	3/8	3/8	3/4	117	53
LEV0160*C6AMA	2	3/8	3/8	3/4	164	74
LEV0180*C6AMA	3	3/8	3/8	3/4	179	81
LEV0215*C6AMA	3	3/8	3/8	3/4	192	87
LEV0245*C6AMA	4	3/8	1/2	3/4	232	105
LEV0290*C6AMA	4	3/8	1/2	3/4	240	109
LEV0360*C6AMA	5	1/2	1/2	3/4	291	132

Notes:

* = Electrical Code Designator (see Nomenclature details)

All connections are in “

² = Connection sizes may vary, if TD is lesser or greater than 10°F

PHYSICAL DATA

Electric Defrost (R-404A/R-507A, R-448A/R-449A, R-407A/R-407F, R-407C)

Model	No. of Fans	Coil Inlet OD	Suction OD	Equalizer OD	Drain MPT	Approx. Net Weight	
						lb	kg
LEV0055BS6EMA	1	1/2	1 - 3/8	1/4	3/4	90	41
LEV0080BS6EMA	1	1/2	1 - 3/8	1/4	3/4	90	41
LEV0125BS6EMA	2	1/2	1 - 3/8	1/4	3/4	124	56
LEV0160BS6EMA	2	1 - 1/8	1 - 3/8	1/4	3/4	180	82
LEV0180BS6EMA	3	1 - 1/8	1 - 3/8	1/4	3/4	185	84
LEV0215BS6EMA	3	1 - 1/8	1 - 3/8	1/4	3/4	189	86
LEV0245BS6EMA	4	1 - 1/8	1 - 3/8	1/4	3/4	244	111
LEV0290BS6EMA	4	1 - 1/8	1 - 3/8	1/4	3/4	250	113
LEV0360BS6EMA	5	1 - 3/8	1 - 3/8	1/4	3/4	300	136

Electric Defrost (CO₂ DX)

Model	No. of Fans	Coil Inlet ²	Suction ²	Drain MPT	Approx. Net Weight	
					lb	kg
LEV0055*C6EMA	1	3/8	3/8	3/4	90	41
LEV0080*C6EMA	1	3/8	3/8	3/4	90	41
LEV0125*C6EMA	2	3/8	3/8	3/4	124	56
LEV0160*C6EMA	2	3/8	3/8	3/4	180	82
LEV0180*C6EMA	3	3/8	3/8	3/4	185	84
LEV0215*C6EMA	3	3/8	3/8	3/4	189	86
LEV0245*C6EMA	4	3/8	1/2	3/4	244	111
LEV0290*C6EMA	4	3/8	1/2	3/4	250	113
LEV0360*C6EMA	5	3/8	1/2	3/4	300	136

Hot Gas Defrost

Model	No. of Fans	Coil Inlet OD	Suction OD	Equalizer OD	Drain MPT	Side Port OD	Approx. Net Weight	
							lb	kg
LEV0080*S6HMA	1	3/8	1 - 3/8	1/4	3/4	0.5	90	41
LEV0125*S6HMA	2	1/2	1 - 3/8	1/4	3/4	0.5	148	67
LEV0160*S6HMA	2	1 - 1/8	1 - 3/8	1/4	3/4	0.625	176	80
LEV0180*S6HMA	3	1 - 1/8	1 - 3/8	1/4	3/4	0.625	209	95
LEV0215*S6HMA	3	1 - 1/8	1 - 3/8	1/4	3/4	0.625	222	101
LEV0245*S6HMA	4	1 - 1/8	1 - 3/8	1/4	3/4	0.625	268	122
LEV0290*S6HMA	4	1 - 1/8	1 - 3/8	1/4	3/4	0.625	274	124
LEV0360*S6HMA	5	1 - 1/8	1 - 3/8	1/4	3/4	0.875	324	147

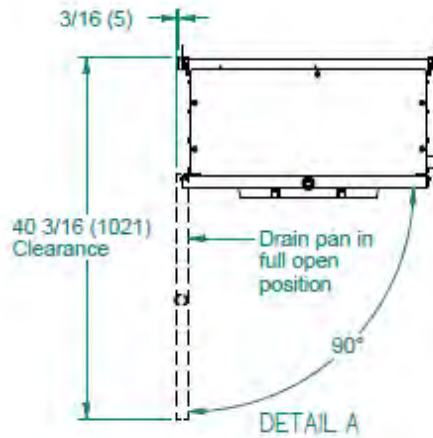
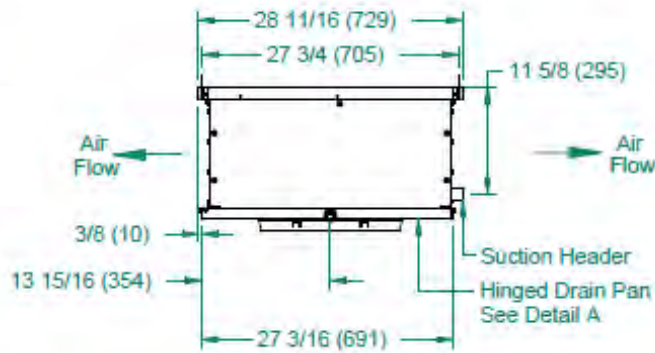
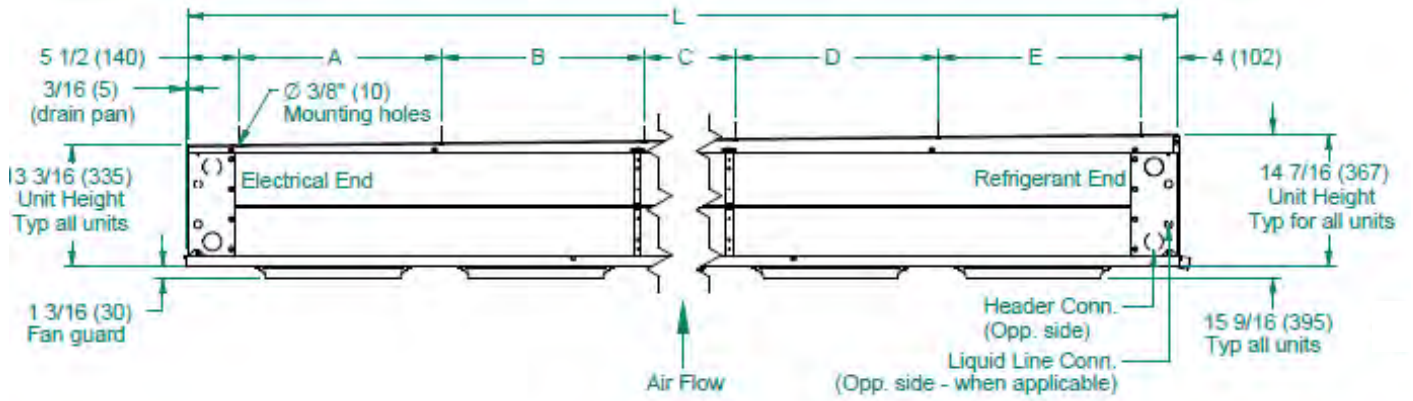
Notes:

* = Electrical Code Designator (see Nomenclature details)

All connections are in "

² = Connection sizes may vary, if TD is lesser or greater than 10⁰F

DIMENSIONAL DRAWINGS



DIMENSIONAL DATA

Air Defrost

Model	No. of Fans	L	A	B	C	D	E
		Inches (mm)	Inches (mm)	Inches (mm)	Inches (mm)	Inches (mm)	Inches (mm)
LEV0055*±6AMA	1	31 1/2 (800)	22 (559)	-	-	-	-
LEV0080*±6AMA	1	31 1/2 (800)	22 (559)	-	-	-	-
LEV0125*±6AMA	2	53 1/2 (1359)	22 (559)	22 (559)	-	-	-
LEV0160*±6AMA	2	53 1/2 (1359)	22 (559)	22 (559)	-	-	-
LEV0180*±6AMA	3	75 1/2 (1918)	22 (559)	22 (559)	22 (559)	-	-
LEV0215*±6AMA	3	75 1/2 (1918)	22 (559)	22 (559)	22 (559)	-	-
LEV0245*±6AMA	4	97 1/2 (2477)	22 (559)	22 (559)	22 (559)	22 (559)	-
LEV0290*±6AMA	4	97 1/2 (2477)	22 (559)	22 (559)	22 (559)	22 (559)	-
LEV0360*±6AMA	5	119 1/2 (3035)	22 (559)	22 (559)	22 (559)	22 (559)	22 (559)

Electric Defrost

Model	No. of Fans	L	A	B	C	D	E
		Inches (mm)	Inches (mm)	Inches (mm)	Inches (mm)	Inches (mm)	Inches (mm)
LEV0055B±6EMA	1	31 1/2 (800)	22 (559)	-	-	-	-
LEV0080B±6EMA	1	31 1/2 (800)	22 (559)	-	-	-	-
LEV0125B±6EMA	2	53 1/2 (1359)	22 (559)	22 (559)	-	-	-
LEV0160B±6EMA	2	53 1/2 (1359)	22 (559)	22 (559)	-	-	-
LEV0180B±6EMA	3	75 1/2 (1918)	22 (559)	22 (559)	22 (559)	-	-
LEV0215B±6EMA	3	75 1/2 (1918)	22 (559)	22 (559)	22 (559)	-	-
LEV0245B±6EMA	4	97 1/2 (2477)	22 (559)	22 (559)	22 (559)	22 (559)	-
LEV0290B±6EMA	4	97 1/2 (2477)	22 (559)	22 (559)	22 (559)	22 (559)	-
LEV0360B±6EMA	5	119 1/2 (3035)	22 (559)	22 (559)	22 (559)	22 (559)	22 (559)

Hot Gas Defrost

Model	No. of Fans	L	A	B	C	D	E
		Inches (mm)	Inches (mm)	Inches (mm)	Inches (mm)	Inches (mm)	Inches (mm)
LEV0080*S6HMA	1	31 1/2 (800)	22 (559)	-	-	-	-
LEV0125*S6HMA	2	53 1/2 (1359)	22 (559)	22 (559)	-	-	-
LEV0160*S6HMA	2	53 1/2 (1359)	22 (559)	22 (559)	-	-	-
LEV0180*S6HMA	3	75 1/2 (1918)	22 (559)	22 (559)	-	-	-
LEV0215*S6HMA	3	75 1/2 (1918)	22 (559)	22 (559)	22 (559)	-	-
LEV0245*S6HMA	4	97 1/2 (2477)	22 (559)	22 (559)	22 (559)	22 (559)	-
LEV0290*S6HMA	4	97 1/2 (2477)	22 (559)	22 (559)	22 (559)	22 (559)	-
LEV0360*S6HMA	5	119 1/2 (3035)	22 (559)	22 (559)	22 (559)	22 (559)	22 (559)

Notes:

* = Electrical Code Designator (see Nomenclature details)

DOE Rated AWEF

AWEF DATA

Air Defrost

FPI	Model	Cooler				
		R-404A/ R-507A	R-448A/ R-449A	R-407A/ R-407F	R-407C	CO ₂ DX
		AWEF	AWEF	AWEF	AWEF	AWEF
6	LEV0055*±6AMA	9.0	9.0	9.0	9.0	9.0
6	LEV0080*±6AMA	9.0	9.0	9.0	9.0	9.0
6	LEV0125*±6AMA	9.0	9.0	9.0	9.0	9.0
6	LEV0160*±6AMA	9.0	9.0	9.0	9.0	9.0
6	LEV0180*±6AMA	9.0	9.0	9.0	9.0	9.0
6	LEV0215*±6AMA	9.0	9.0	9.0	9.0	9.0
6	LEV0245*±6AMA	9.0	9.0	9.0	9.0	9.0
6	LEV0290*±6AMA	9.0	9.0	9.0	9.0	9.0
6	LEV0360*±6AMA	9.0	9.0	9.0	9.0	9.0

Electric Defrost

FPI	Model	Cooler				
		R-404A/ R-507A	R-448A/ R-449A	R-407A/ R-407F	R-407C	CO ₂ DX
		AWEF	AWEF	AWEF	AWEF	AWEF
6	LEV0055B±6EMA	9.0	9.0	9.0	9.0	9.0
6	LEV0080B±6EMA	9.0	9.0	9.0	9.0	9.0
6	LEV0125B±6EMA	9.0	9.0	9.0	9.0	9.0
6	LEV0160B±6EMA	9.0	9.0	9.0	9.0	9.0
6	LEV0180B±6EMA	9.0	9.0	9.0	9.0	9.0
6	LEV0215B±6EMA	9.0	9.0	9.0	9.0	9.0
6	LEV0245B±6EMA	9.0	9.0	9.0	9.0	9.0
6	LEV0290B±6EMA	9.0	9.0	9.0	9.0	9.0
6	LEV0360B±6EMA	9.0	9.0	9.0	9.0	9.0

Notes:

* = Electrical Code Designator (see Nomenclature details)

± = Refrigerant Designator (see Nomenclature details)

DOE Rated AWEF

AWEF DATA

Hot Gas Defrost

FPI	Model	Cooler			
		R-404A/ R-507A	R-448A/ R-449A	R-407A/ R-407F	R-407C
		AWEF	AWEF	AWEF	AWEF
6	LEV0080*S6HMA	9.0	9.0	9.0	9.0
6	LEV0125*S6HMA	9.0	9.0	9.0	9.0
6	LEV0160*S6HMA	9.0	9.0	9.0	9.0
6	LEV0180*S6HMA	9.0	9.0	9.0	9.0
6	LEV0215*S6HMA	9.0	9.0	9.0	9.0
6	LEV0245*S6HMA	9.0	9.0	9.0	9.0
6	LEV0290*S6HMA	9.0	9.0	9.0	9.0
6	LEV0360*S6HMA	9.0	9.0	9.0	9.0

Notes:

* = Electrical Code Designator (see Nomenclature details)

HOT GAS REVERSE CYCLE KITS

(Hot Gas Models Only)

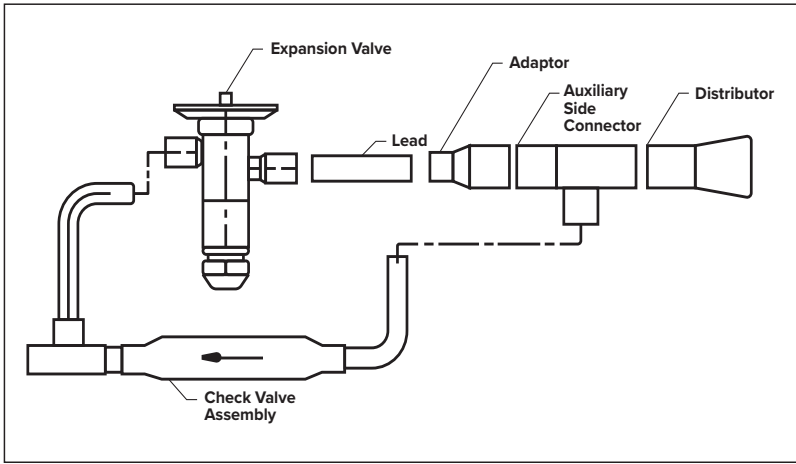
The hot gas defrost Low Velocity Center Mount units may be field piped for hot gas defrost using the optional bypass kit.

When compressor vapor, in reverse cycle defrosting, is directed back into the evaporator at the suction connection, it flows through the defrosting coil, heating the finned surface and melting frost.

As heat is transferred to the coil fins, hot refrigerant gas condenses to a liquid state. The refrigerant then exits the coil at the distributor side port, passes around the expansion valve through the bypass check valve and flows into the liquid refrigerant line.

Kits include one check valve and piping for liquid bypass around expansion valve and instructions for field installation.

TXV Bypass Kits		
Models Used On	TXV Type	Bypass Kit Assy
LEV0125	EG, EGSE	50747611
LEV0125	SBF	50747612
LEV0125	SQE	50747613
LEV0125	BBI	50747614
LEV0160 to LEV0290	SBF, SQE	50747511
LEV0160 to LEV0290	BBI	50747512
LEV0160 to LEV0290	EG,EGSE	50747513
LEV0160 to LEV0245	EGSE-1-ZP, EGSE-2-ZP	50747515
LEV0360	SBF, SQE	50747311
LEV0360	BBI	50747312
LEV0360	EG	50747313
LEV0290	EBF	50747411



REPLACEMENT PARTS

Cabinet Components

Part #	Description	No. of Fans
40420101	Drain Pan - Stucco	1
40420201	Drain Pan - Stucco	2
40420301	Drain Pan - Stucco	3
40420401	Drain Pan - Stucco	4
40420501	Drain Pan - Stucco	5
40420102	Drain Pan - White	1
40420202	Drain Pan - White	2
40420302	Drain Pan - White	3
40420402	Drain Pan - White	4
40420502	Drain Pan - White	5

Electrical Components

Part #	Description
22597101	Terminal Board - Air Defrost
22597701	Terminal Board - Electric & Hot Gas Defrost
22598201	2SP RELAY 24V
22598202	2SP RELAY 120V
22598203	2SP RELAY 240V
5521R	Defrost Termination
4267W	Defrost Termination/Fan Delay Thermostat

Motor/Fan Blade/Fan Guards

Part #	Description
25329001S	Motor 115/1/60 - 2 Speed EC
25329101S	Motor 208-230/1/60 - 2 Speed EC
5110E	Fan Blade
23106201	Fan Guard - Plastic
5055F	Fan Guard - Metal
41417501	Motor Mount Plate

Electric Defrost

Part #	Description	No. of Fans
4548B	Coil Heater	1
4549B	Coil Heater	2
4544B	Coil Heater	3
4545B	Coil Heater	4
4546B	Coil Heater	5

STANDARD NOZZLE SELECTION

Air Defrost

Medium Temperature (25°F SST)								
Model	No. of Fans	Distributor Tube (in.)		No. of Circuits	Nozzle Selections			
		OD	Length		R-404A/R-507A	R-448A/R-449A	R-407A/R-407F	R-407C
LEV0055*S6AMA	1	3/16	24	4	L - 1/3	L - 1/2	L - 1/3	L - 1/3
LEV0080*S6AMA	1	3/16	24	4	L - 1/2	L - 3/4	L - 1/2	L - 1/2
LEV0125*S6AMA	2	3/16	24	6	L - 3/4	L - 1	L - 3/4	L - 3/4
LEV0160*S6AMA	2	3/16	24	12	E - 1	E - 1 1/2	E - 3/4	E - 3/4
LEV0180*S6AMA	3	3/16	24	10	E - 1	E - 1 1/2	E - 1	E - 1
LEV0215*S6AMA	3	3/16	24	12	E - 1 1/2	E - 2	E - 1 1/2	E - 1 1/2
LEV0245*S6AMA	4	3/16	24	10	E - 1 1/2	E - 2	E - 1 1/2	E - 1 1/2
LEV0290*S6AMA	4	3/16	24	12	E - 2	E - 2 1/2	E - 2	E - 2
LEV0360*S6AMA	5	3/16	24	20	C - 2 1/2	C - 3	C - 2 1/2	C - 2 1/2

Electric Defrost

Medium Temperature (25°F SST)								
Model	No. of Fans	Distributor Tube (in.)		No. of Circuits	Nozzle Selections			
		OD	Length		R-404A/R-507A	R-448A/R-449A	R-407A/R-407F	R-407C
LEV0055BS6EMA	1	3/16	24	4	L - 1/3	L - 1/2	L - 1/3	L - 1/3
LEV0080BS6EMA	1	3/16	24	4	L - 1/2	L - 3/4	L - 1/2	L - 1/2
LEV0125BS6EMA	2	3/16	24	6	L - 3/4	L - 1	L - 3/4	L - 3/4
LEV0160BS6EMA	2	3/16	24	12	E - 1	E - 1 1/2	E - 3/4	E - 3/4
LEV0180BS6EMA	3	3/16	24	10	E - 1	E - 1 1/2	E - 1	E - 1
LEV0215BS6EMA	3	3/16	24	12	E - 1 1/2	E - 2	E - 1 1/2	E - 1 1/2
LEV0245BS6EMA	4	3/16	24	10	E - 1 1/2	E - 2	E - 1 1/2	E - 1 1/2
LEV0290BS6EMA	4	3/16	24	12	E - 2	E - 2 1/2	E - 2	E - 2
LEV0360BS6EMA	5	3/16	24	20	C - 2 1/2	C - 3	C - 2 1/2	C - 2 1/2

Hot Gas Defrost

Medium Temperature (25°F SST)								
Model	No. of Fans	Distributor Tube (in.)		No. of Circuits	Nozzle Selections			
		OD	Length		R-404A/R-507A	R-448A/R-449A	R-407A/R-407F	R-407C
LEV0080*S6HMA	1	3/16	24	4	L - 1/2	L - 3/4	L - 1/2	L - 1/2
LEV0125*S6HMA	1	3/16	24	4	L - 3/4	L - 1	L - 3/4	L - 3/4
LEV0160*S6HMA	2	3/16	24	6	E - 1	E - 1 1/2	E - 3/4	E - 3/4
LEV0180*S6HMA	2	3/16	24	12	E - 1	E - 1 1/2	E - 1	E - 1
LEV0215*S6HMA	3	3/16	24	10	E - 1 1/2	E - 2	E - 1 1/2	E - 1 1/2
LEV0245*S6HMA	3	3/16	24	12	E - 1 1/2	E - 2	E - 1 1/2	E - 1 1/2
LEV0290*S6HMA	4	3/16	24	10	E - 2	E - 2 1/2	E - 2	E - 2
LEV0360*S6HMA	4	3/16	24	12	C - 2 1/2	C - 3	C - 2 1/2	C - 2 1/2

Notes:

* = Electrical Code Designator (see Nomenclature details)



2175 West Park Place Blvd.

Stone Mountain, GA 30087

Phone: 800.537.7775 · Fax: 770.465.5900

heatcraftspd.com

Since product improvement is a continuing effort, we reserve the right to make changes in specifications without notice.

LK-LVCM-0124 | Version 008

©2024 Heatcraft Refrigeration Products LLC