



# BODY HARDWARE & MIRRORS





## BODY HARDWARE & MIRRORS

E3 Gudgeons / Taildoor Catch

E4 Rope Hooks / Lashing Rings

E5 Lashing Rings

E6 Catches, Pins Lashing Rings

E7 Two Way Tail Door Kits / Hinge Kits

### CAB & BODY FITTINGS

E8 - E10 Telescopic Lid Stay / Overcentre Fasteners

E11 Steps / Bonnet Fasteners

E12 Ventilators

E13 Rubber Buffers / Bonnet Catches / Vents

### HINGES

E14 Coach Hinges

E15 Pressed & Lift Off Hinges

E16 Pressed Hinges

E17 Pressed Hinges / Rear Van Door Hinges

E18 Centaflex-Continuous Hinges

### LOCKS & HANDLES

E19 Slam Locks

E20 Paddle Locks

E21 Luggage Locks

E22 Rod Lock / 'T' Key / Escutcheon

E23 Budget Locks / Sliding Door Locks

E24 Compartment Locks / Lever Handles

E25 Lever Handles / Dish Handles

E26 Pull & Dish Handles

E27 Pull Handle / Rod Latches / Spring Bolts

### DOOR & WINDOW FITTINGS

E28 - E29 Door Retainers

E30 Door Gear

E31 Door Seal

### PASTORE & LOMBARDI

E32 Rear Door Hinges & Brackets

E33 External Door Lock / Lever

E34 Components

### MIRRORS

E35 BRITAX Electric Mirrors

E36 - E37 BRITAX Plastic Body Mirror Heads

E38 BRITAX Steel Mirror Heads & Accessories

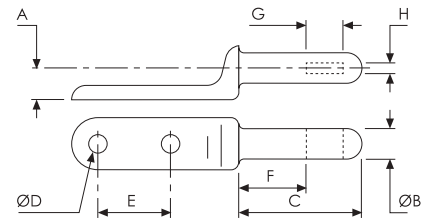
E39 BRITAX Mirror Arms & Brackets

E40 Assorted Mirrors

### BOLT ON GUDGEONS

Self Colour Steel

	A	B	C	D	E	F	G	H	
<b>AJ1016/001</b>	Self-Colour Steel					Weight 190g/6.7oz			
Metric (mm)	18	12.5	48	8.5	38	NA	NA	NA	
Imperial (in)	0.71	0.50	1.89	0.34	1.5	NA	NA	NA	

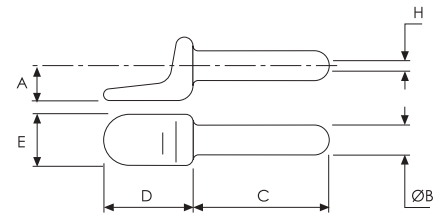


Left to Right: AJ1016/003, AJ1016/001

### WELD ON GUDGEONS

Self Colour Steel

	A	B	C	D	E	F	G	H	
<b>AJ1037/010</b>						Weight 140g/4.9oz			
Metric (mm)	17.5	12.5	52	46	28	NA	NA	NA	
Imperial (in)	0.69	0.50	2.05	1.81	1.10	NA	NA	NA	
<b>AJ1037/003</b>						Weight 200g/7.1oz			
Metric (mm)	20	16	60	48	30	NA	NA	NA	
Imperial (in)	0.79	0.63	2.36	1.89	1.18	NA	NA	NA	

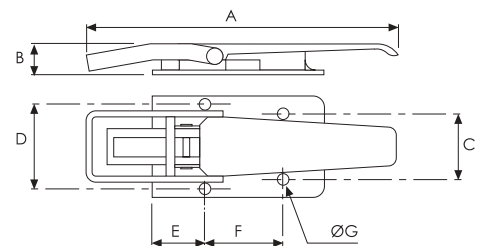


Left to Right: AJ1037/003, AJ1037/010

### LIGHTWEIGHT TAILDOOR CATCH

Spring loaded, overcentre action. Zinc Plated Finish

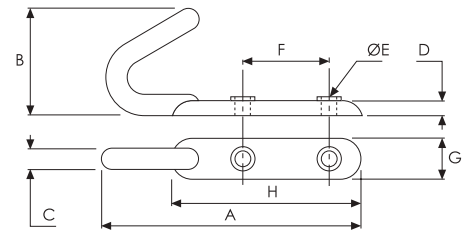
	A	B	C	D	E	F	G	H	
<b>AJ5482/011</b>						Weight 1kg/2.3lb			
Metric (mm)	260	29	58	75	49	70	8.5	NA	
Imperial (in)	10.2	1.14	2.28	2.95	1.93	2.76	0.34	NA	



### ROPE HOOK

Bolt on.

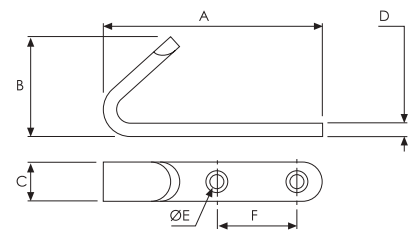
	A	B	C	D	E	F	G	H	
<b>AJ2125/002</b>	Zinc Plated					Weight 210g/7.4oz			
Metric (mm)	138	74	13	8	8.5	48	23	94	
Imperial (in)	5.43	2.91	0.51	0.32	0.33	1.89	0.91	3.70	



### ROPE HOOK

Screw fixing. Half-round, self colour mild steel.

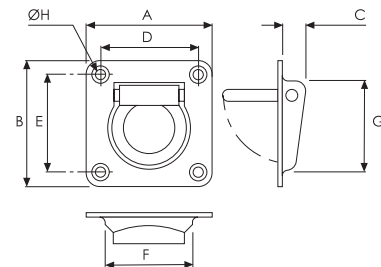
	A	B	C	D	E	F	G	H	
<b>AJ1021/001</b>						Weight 170g/6oz			
Metric (mm)	89	40	20	5	7	32	NA	NA	
Imperial (in)	3.50	1.58	0.79	0.20	0.28	1.26	NA	NA	



### LASHING RING

Pressed, mild-steel, pan with zinc plated, forged steel ring. 500kg S.W.L..

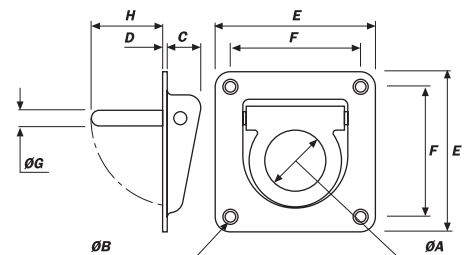
	A	B	C	D	E	F	G	H	
<b>AJ1057/001</b>						Weight 370g/13.1oz			
Metric (mm)	95	101	22	73	79	63	70	7	
Imperial (in)	3.74	3.98	0.87	2.87	3.11	2.48	2.76	0.28	



### LASHING RING

Pressed, mild-steel, pan and a forged steel ring, both with a galvanised finish. 500kg S.W.L. Conforms to DIN 75410.

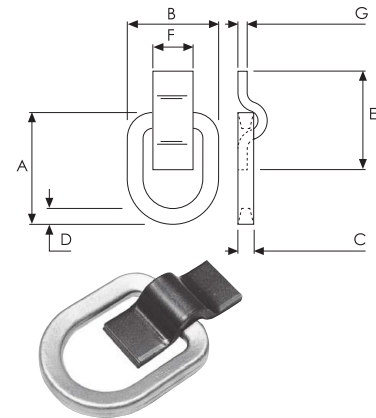
	A	B	C	D	E	F	G	H	
<b>AJ1057/011</b>						Weight 470g/1.04lb			
Metric (mm)	41	6.8	21	3	105	85	11	49	
Imperial (in)	1.62	0.27	0.83	0.12	4.13	3.35	0.43	1.93	



### HEAVY DUTY LASHING RING

Self-colour, mild-steel cleat with a galvanised, forged steel D-ring.  
5 tonne S.W.L.

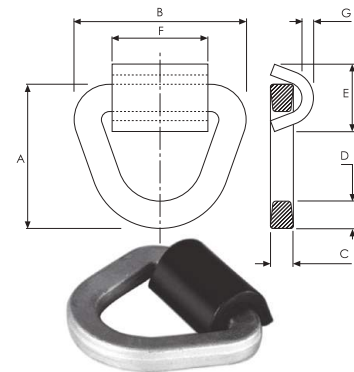
	A	B	C	D	E	F	G	H	
<b>AJ1060/001</b>							Weight 1.5kg/3.3lb		
Metric (mm)	140	115	20	20	120	50	NA	NA	
Imperial (in)	5.51	4.53	0.79	0.79	4.72	1.97	NA	NA	



### FERRY LASHING RING

Self colour, mild steel cleat with a forged steel, galvanised triangular ring.  
Conforms to EN29367 (ISO9367). 12 tonne S.W.L.

	A	B	C	D	E	F	G	H	
<b>AJ1060/002</b>							Weight 2.95kg/6.5lb		
Metric (mm)	151	176	25	28	70	100	12	NA	
Imperial (in)	5.95	6.93	1.00	1.10	2.76	3.94	0.47	NA	



- Meets all Maritime NZ requirements
- IS09367-1 Exceeds 80mm inide diametre
- Weld-on for permanent fixture
- Galvanised ring for long life

### LOAD ANCHORS

Stronger, safer, Faster! Easy to install, Armour load anchors are flush mounted, self-cleaning, and certified.

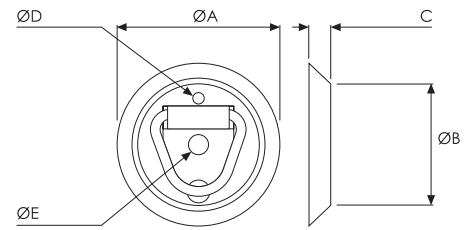
Part No.	Description	Capacity
<b>2.5T</b>	Suits light trucks and trailers. Including backing plate and screws. 105 x 108 x 26 (mm).	LC2,500 kg
<b>6T</b>	Top seller. Used on all types of truck decks and trailers. 104 x 130 x 37 (mm) .	LC6,000 kg
<b>12T</b>	Heavy-duty flip-over model. Multi-dimensional pull. 120 x 140 x 140 (mm).	LC12,000 kg



### TIE DOWN RING

Zinc plated ring and cleat with a black, polypropylene circular base.  
362kg S.W.L.

	A	B	C	D	E	F	G	H
<b>AJ5589/515</b>						Weight 100g/73.5oz		
Metric (mm)	104	73	12.7	6.5	11	NA	NA	NA
Imperial (in)	4.10	2.87	0.50	0.26	0.43	NA	NA	NA



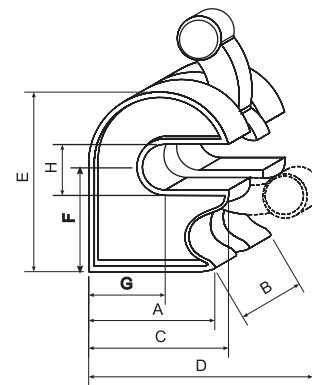
### DOUBLE OPENING SIDE BOARD CATCHES

Self-Colour Steel.

	A	B	C	D	E	F	G	H
<b>020542</b>	30mm							
Metric (mm)	78	44	93	136	122	71	52	31
Imperial (in)	3.07	1.73	3.66	5.35	4.80	2.80	2.05	1.22

	A	B	C	D	E	F	G	H
<b>020546</b>	40mm							
Metric (mm)	98	50	108	168	140	82	60	40
Imperial (in)	3.86	1.97	4.25	6.60	5.51	3.23	2.36	1.57

	A	B	C	D	E	F	G	H
<b>020683</b>	20mm							
Metric (mm)	50	35	76	74	85	50	41	21
Imperial (in)	1.97	1.38	2.99	2.91	3.35	1.97	1.61	0.83



020542



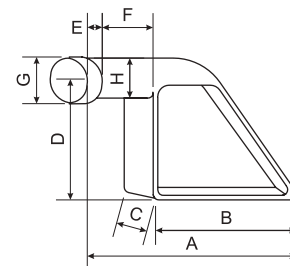
### DOUBLE OPENING SIDE BOARD PINS

Self-Colour Steel.

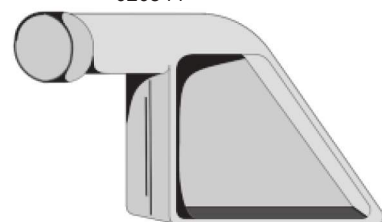
	A	B	C	D	E	F	G	H
<b>020544</b>	30mm							
Metric (mm)	187	130	35	100	12	45	41	30
Imperial (in)	7.36	5.12	1.38	3.94	0.47	1.77	1.61	1.18

	A	B	C	D	E	F	G	H
<b>020547</b>	40mm							
Metric (mm)	208	135	32	102	14	55	52	40
Imperial (in)	8.19	5.31	1.26	4.00	0.55	2.17	2.00	1.57

	A	B	C	D	E	F	G	H
<b>020682</b>	20mm							
Metric (mm)	134	91	25	60	10	32	30	20
Imperial (in)	5.28	3.58	1	2.36	0.39	1.26	1.18	0.79



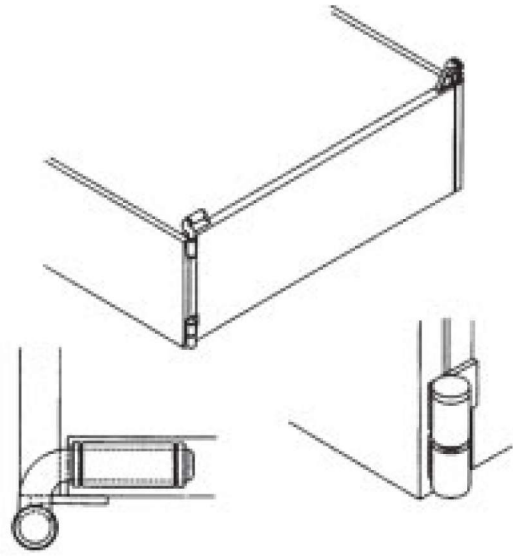
020544



### TWO-WAY TAIL DOOR KITS

Zinc plated steel.

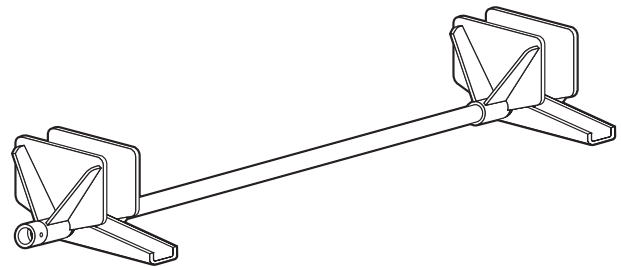
1952	20mm Catch
1953	30mm Catch
1954	40mm Catch
1955	50mm Catch



### REAR HINGE KITS

Quality NZ manufactured Hinge Gear kits in 3 common sizes. Kit includes the required bar. A range of spares is available.

PART NO.	Description
HK1	32 mm Rear Hinge Kit complete
HK2	35 mm Rear Hinge Kit Complete
HK3	45 mm Rear Hinge Kit Complete



### HK1 SPARE PARTS

PART NO.	Description	Qty per kit
HG32-1	32mm Hinge Bar	1
HG32-2	32mm Shaft Collar	2
HG32-3	32mm Body Bracket	2
HG32-4	32mm Chassis Bracket	2



### HK2 SPARE PARTS

PART NO.	Description	Qty per kit
HG35-1	35mm Hinge Bar	1
HG35-2	35mm Shaft Collar	2
HG35-3	35mm Body Bracket	4
HG35-4	35mm Chassis Bracket	2

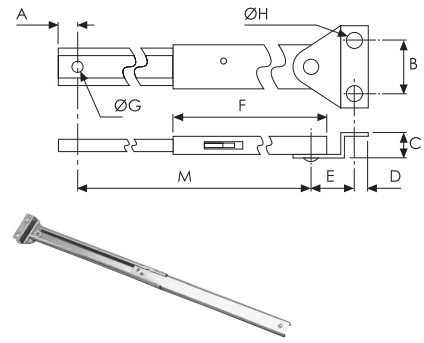
### HK3 SPARE PARTS

PART NO.	Description	Qty per kit
HG45-1	45 mm Hinge Bar	1
HG45-2	45mm Shaft Collar	2
HG45-3	45mm Body Bracket	4
HG45-4	45mm Chassis Bracket	2

### TELESCOPIC LID STAY

Pressed, mild-steel, zinc plated & yellow passivated. Centres 'M' = 285mm (11.2") closed. 490mm (19.3") open.

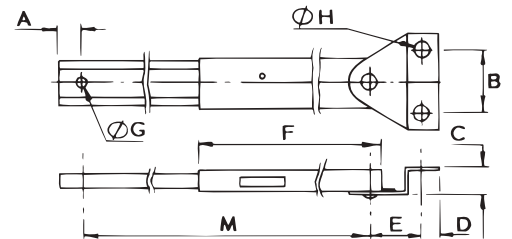
	A	B	C	D	E	F	G	H	
<b>AJ2522/001</b>						Weight 300g/10.6oz			
Metric (mm)	13	35	15	9	29	287	6.4	8.5	
Imperial (in)	0.51	1.38	0.59	0.35	1.14	11.3	0.25	0.34	



### TELESCOPIC LID STAY

Pressed, mild-steel, zinc plated & yellow passivated. Centres 'M' = 410mm (16.25") closed. 710mm (28") open.

	A	B	C	D	E	F	G	H	
<b>AJ2522/101S</b>						Weight 300g/10.6oz			
Metric (mm)	13	35	15	9	29	405	6.4	8.5	
Imperial (in)	0.51	1.38	0.59	0.35	1.14	16	0.25	0.34	



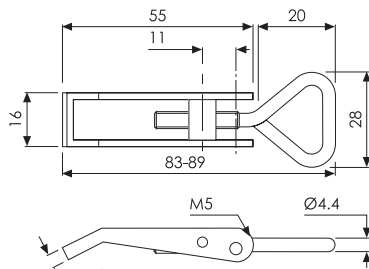
### 701 SERIES OVERCENTRE FASTENERS

Recommended Maximum Load: 100kg / 220lbs

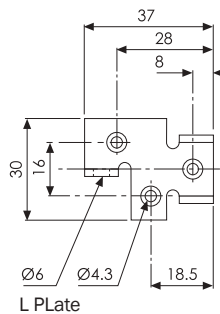
<b>AJ9100/701LC</b>	Zinc Plated, Locking	Weight 40g / 1.3oz
<b>AJ9100/30C</b>	Zinc Plated, Triangular	Weight ?



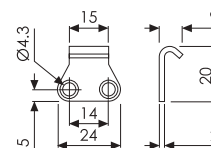
All Dimensions in mm



701 Fastener



L Plate



30 Hook

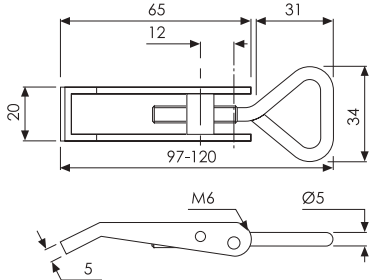


### 702 SERIES OVERCENTRE FASTENERS

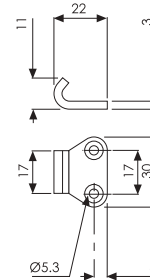
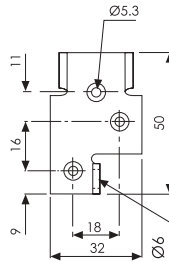
Recommended Maximum Load: 300kg / 660lbs

AJ9100/702LC	Zinc Plated, Locking	Weight 80g / 2.8oz
AJ9100/31C	Zinc Plated, Triangular	Weight 10g / 0.3oz

All Dimensions in mm



702 Fastener



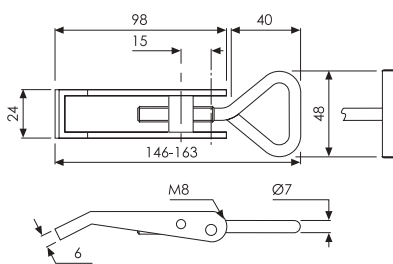
31 Hook

### 703 SERIES OVERCENTRE FASTENERS

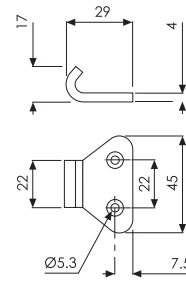
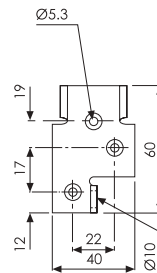
Recommended Maximum Load: 500kg / 1100lbs

AJ9100/703RC	Zinc Plated, Non-locking	Weight 210g / 7.2oz
AJ9100/703RLC	Zinc Plated, Locking	Weight 200g / 7oz
AJ9100/41C	Zinc Plated, Triangular	Weight 30g / 1oz

All Dimensions in mm



703 Fastener

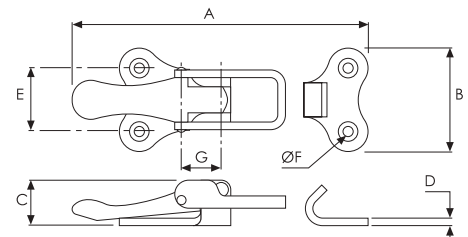


41 Hook

### OVERCENTRE TOGGLE FASTENER

C/W Hook. Chrome plated (dimension A=fixed length).

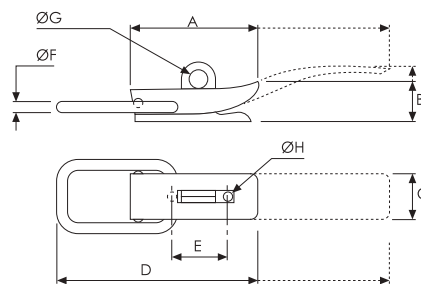
	A	B	C	D	E	F	G	H
AJ2695/003								Weight 60g/2.10Z
Metric (mm)	90	34	15	2.5	22	4	10	NA
Imperial (in)	3.54	1.34	0.59	0.1	0.87	0.16	0.39	NA



### OVERCENTRE TOGGLE FASTENER

Pressed steel with various finishes. 1338 = small toggles. 2676 = short toggles. 2665 = long toggles

	A	B	C	D	E	F	G	H
<b>AJ1338/003</b>	Locking Chrome Plated				Weight 50g/1.8oz			
Metric (mm)	52	15	18	68	27	4	8	4
Imperial (in)	2.10	0.59	0.71	2.68	1.06	0.16	0.32	0.16
<b>AJ2676/003</b>	Locking Chrome Plated				Weight 90g/3.2oz			
Metric (mm)	62	22	25.4	94	35	4	11	5.5
Imperial (in)	2.44	0.87	1.00	3.70	1.38	0.22	0.45	0.22
<b>AJ2665/001</b>	Locking Powder Coated				Weight 140g/4.5oz			
<b>AJ2665/002</b>	Non-locking Powder Coated							
Metric (mm)	129	27	25.4	170	35	5.5	11.5	5.5
Imperial (in)	5.10	1.06	1.00	6.70	1.38	0.22	0.45	0.22

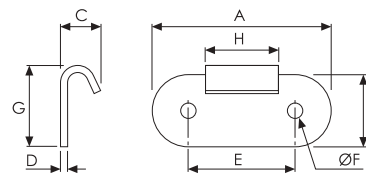


Top left - 2676/004  
 Top right - 2676/003  
 Bottom left - 2665/001  
 Bottom right - 2665/003

### HOOK

Pressed mild steel.

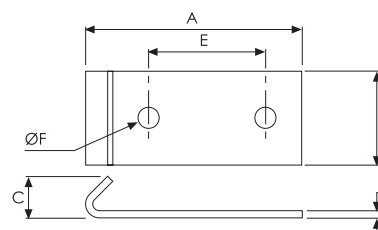
	A	B	C	D	E	F	G	H
<b>AJ1338/004</b>	Chrome Plated				Weight 10g/0.4oz			
Metric (mm)	44.5	13	11	2	31.5	3.7	15	19
Imperial (in)	1.75	0.51	0.43	0.08	1.24	0.15	0.59	0.75
<b>AJ2676/004</b>	Chrome Plated				Weight 30g/1.1oz			
Metric (mm)	59	22	12	2	36.5	5.5	26	23
Imperial (in)	2.32	0.87	0.47	0.08	1.44	0.22	1.02	0.91



### HOOK

Pressed mild steel.

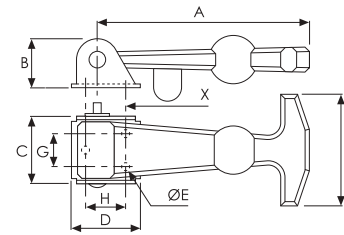
	A	B	C	D	E	F	G	H
<b>AJ2665/003</b>	Black Powder Coated				Weight 30g/1.1oz			
Metric (mm)	66	26	12	2	35	5	NA	NA
Imperial (in)	2.60	1.02	0.42	0.08	1.38	0.2	NA	NA



### RUBBER BONNET FASTENER - LARGE

Rubber hook with zinc plated bracket & clip. Maximum extension from relaxed to tension should be 10%. Hence, the distance between centres should be between 28 - 34 mm.

	A	B	C	D	E	F	G	H	
<b>AJ5300/001</b>	Complete Assembly					Weight 100g/3.5oz			
Metric (mm)	112	25	34	34	4	57	15	18	
Imperial (in)	4.41	1.00	1.34	1.34	0.16	2.25	0.59	0.71	

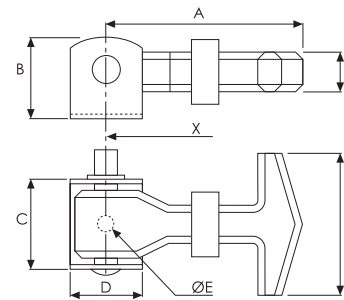


AJ5300/001 complete

### RUBBER BONNET FASTENER - SMALL

Rubber hook with steel bracket & clip. Maximum extension from relaxed to tension should be 10%. The distance between centres should be between 16 - 19mm.

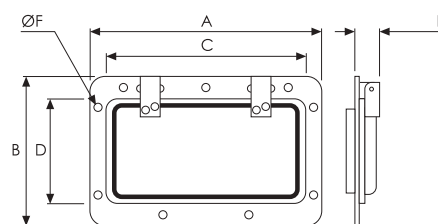
	A	B	C	D	E	F	G	H	
<b>AJ5301/001</b>	Zinc Plated					Weight 150g/1.8oz			
Metric (mm)	54.5	21	23	20	5	39	10	NA	
Imperial (in)	2.15	0.83	0.91	0.80	0.20	1.54	0.40	NA	



### SOLID TOP VENTILATOR

Self-colour diecast frame with black polycoated, spring hinged top.

	A	B	C	D	E	F	G	H	
<b>AJ0623/001</b>	Complete Assembly					Weight 870g/1.9lb			
Metric (mm)	264	213	219	167	23	4.5	NA	NA	
Imperial (in)	10.4	8.4	8.62	6.58	0.91	0.18	NA	NA	
<b>AJ0623/002</b>	Complete Assembly					Weight 1.21kg/2.7lb			
Metric (mm)	337	261	280	203	23	4.5	NA	NA	
Imperial (in)	13.3	10.3	11.02	8.00	0.91	0.18	NA	NA	
<b>AJ0623/003</b>	Complete Assembly					Weight 590g/1.3lb			
Metric (mm)	238	147	193	102	23	5	NA	NA	
Imperial (in)	9.4	5.8	7.60	4.00	0.91	0.20	NA	NA	

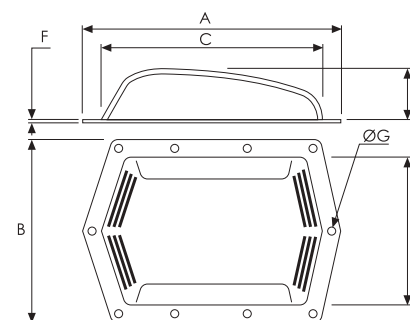


AJ0623/001

### “FLOWMATIC” VENTILATOR

Black primed finish. Ø76mm (3”) twin aperture.

	A	B	C	D	E	F	G	H	
<b>AJ4468/001</b>						Weight 920g/2.03lb			
Metric (mm)	275	205	239	169	56	2	4.5	NA	
Imperial (in)	10.8	8.1	9.4	6.65	2.21	0.08	0.18	NA	

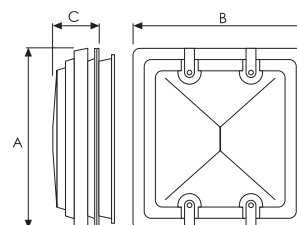


AJ4468/001

### ROOF LIGHT & VENTILATOR

Cream plastic base with opalescent plastic top projection: open = 127mm (5”)  
Closed (shown) = Dim C. Cut out = 360mm (14.2”) x 320mm (12.6”).

	A	B	C	D	E	F	G	H	
<b>AJ0638/004</b>						Weight 1.31kg/2.9lb			
Metric (mm)	420	380	76	NA	NA	NA	NA	NA	
Imperial (in)	16.5	15	3	NA	NA	NA	NA	NA	
<b>AJ0638/005</b>	Fly screen								



AJ0638/001

### ROTARY VENT

White Plastic.

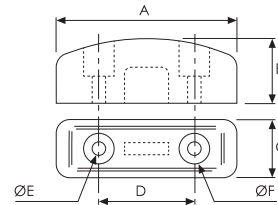
<b>RV11W</b>	Plastic							
Speed (MPH)	10	20	30	40	50	60	70	NA
Disp CFM	45	44	78	106	140	165	192	NA



### TAILBOARD BUFFERS

Black synthetic rubber.

<b>AJ2500/002</b>	2 Bolt holes						Weight 180g/6.4oz	
Metric (mm)	125	47	40	65	8	18.5	NA	NA
Imperial (in)	4.92	1.85	1.58	2.56	0.32	0.73	NA	NA
<b>20065</b>	2 Bolt holes							
Metric (mm)	200	43	65	130	10	24	NA	NA
Imperial (in)	8	1.69	2.5	5.1	0.39	0.94	NA	NA

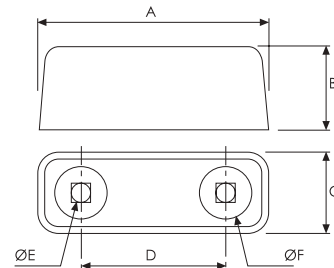


20065

### SQUARE SECTION BUFFERS

Black synthetic rubber.

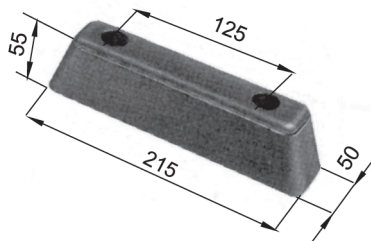
<b>AJ2503/001</b>	2 Bolt holes						Weight 510g/1.1lb	
Metric (mm)	195	50.8	50.8	115	10	30	NA	NA
Imperial (in)	7.68	2.00	2.00	4.53	0.40	1.18	NA	NA
<b>AJ2503/002</b>	2 Bolt holes						Weight 310g/11oz	
Metric (mm)	149	50.8	50.8	74	11	30	NA	NA
Imperial (in)	5.87	2.00	2.00	2.91	0.43	1.18	NA	NA



AJ2503/001

### RUBBER DOCK BUFFER

PART NO. 082819534B

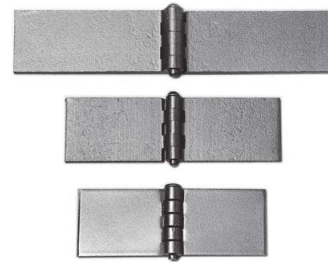
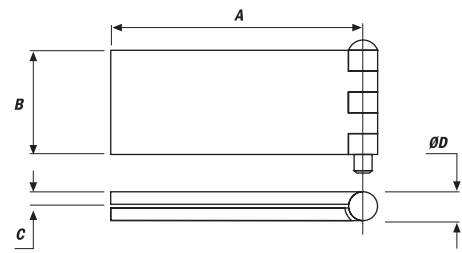


### COACH HINGES

Self colour steel.

	A	B	C	D	E	F	G	H
<b>AJ0430/001</b>	260° opening				Weight 330g/11.7oz			
Metric (mm)	80	50	5	12	NA	NA	NA	NA
Imperial (in)	3.15	1.97	0.2	0.47	NA	NA	NA	NA
<b>AJ0430/002</b>	260° opening				Weight 590g/1.3lb			
Metric (mm)	120	50	6	15	NA	NA	NA	NA
Imperial (in)	4.72	1.97	0.24	0.60	NA	NA	NA	NA
<b>AJ0991/001</b>	280° opening				Weight 240g/8.5oz			
Metric (mm)	70	51	3.5	14	NA	NA	NA	NA
Imperial (in)	2.75	2.00	0.14	0.55	NA	NA	NA	NA
<b>AJ0991/002</b>	280° opening				Weight 170g/8.5oz			
Metric (mm)	50	50	3.5	14	NA	NA	NA	NA
Imperial (in)	1.97	1.97	0.14	0.55	NA	NA	NA	NA

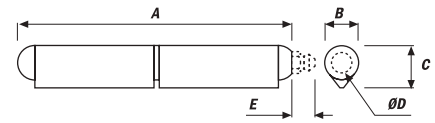
\* Pressed steel with rolled joint.



### LIFT - OFF HINGES

Weld - on. Carbon steel = rounded ends & brass washer. Stainless steel = flat ends & stainless washer.

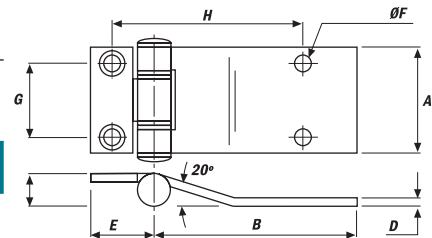
	A	B	C	D	E	F	G	H
<b>AJ2217/003</b>	Carbon Steel				Weight 40g/1.1oz			
Metric (mm)	60	10	12	6	NA	NA	NA	NA
Imperial (in)	2.36	0.4	0.47	0.24	NA	NA	NA	NA
<b>AJ2217/005</b>	Carbon Steel				Weight 170g/6oz			
Metric (mm)	100	16	20	10	NA	NA	NA	NA
Imperial (in)	3.94	0.63	0.8	0.4	NA	NA	NA	NA
<b>AJ2217/026</b>	Stainless Steel				Weight 200g/7.1oz			
Metric (mm)	120	16	20	11	NA	NA	NA	NA
Imperial (in)	4.72	0.63	0.8	0.3	NA	NA	NA	NA
<b>AJ2219/006</b>	Carbon Steel				Weight 190g/6.7oz			
Metric (mm)	120	16	20	11	10	NA	NA	NA
Imperial (in)	4.12	0.63	0.8	0.43	0.4	NA	NA	NA



### CANOPY HINGE

Pressed steel c/w nylon bush & stainless steel pin. 300° opening. 002, 003 - bracket holes are countersunk.

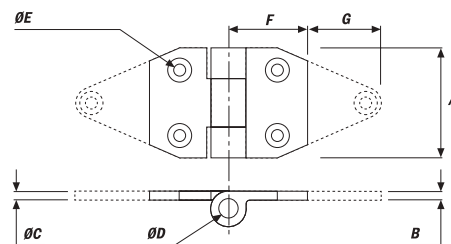
	A	B	C	D	E	F	G	H
<b>AJ0948/002</b>	Zinc plated				Weight 200g/7.1oz			
Metric (mm)	51	96	16	3	28	6	34	88
Imperial (in)	2	3.78	0.63	0.12	1.10	0.24	1.34	3.47



### MAINTENANCE FREE HINGES

Zinc plated solid drawn steel. 260° opening. 'Metoplast' bush gives a smooth operation & requires no lubrication.

	A	B	C	D	E	F	G	H	
<b>AJ2218/001</b>	Long - long flaps					Weight 170g/6oz			
Metric (mm)	50	3.5	13	6	6	35	35	NA	
Imperial (in)	1.97	0.14	0.51	0.24	0.24	1.38	1.38	NA	
<b>AJ2218/002</b>	Long - short flaps					Weight 150g/5.3oz			
Metric (mm)	50	3.5	13	6	6	35	35	NA	
Imperial (in)	1.97	0.14	0.51	0.24	0.24	1.38	1.38	NA	
<b>AJ2218/003</b>	Short - short flaps					Weight 130g/4.6oz			
Metric (mm)	50	3.5	13	6	6	35	NA	NA	
Imperial (in)	1.97	0.14	0.51	0.24	0.24	1.38	NA	NA	



### HINGE

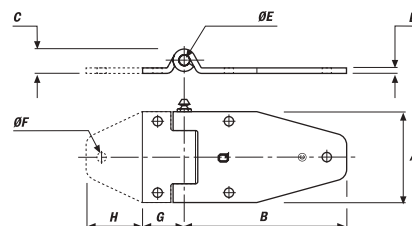
Pressed steel. 270° opening. c/w grease nipple (Grade 316 stainless steel where applicable).

	A	B	C	D	E	F	G	H	
<b>AJ2216/004</b>	Stainless Steel					Weight 380g/13.4oz			
Metric (mm)	65	116	16	4	8	6.7	30	40	
Imperial (in)	2.56	4.57	0.63	0.16	0.32	0.26	1.18	1.58	

Long - medium flaps

	A	B	C	D	E	F	G	H	
<b>AJ2216/005</b>	Stainless Steel					Weight 310g/11oz			
Metric (mm)	65	116	16	4	8	6.7	30	NA	
Imperial (in)	2.56	4.57	0.63	0.16	0.32	0.26	1.18	NA	

Long - short flaps

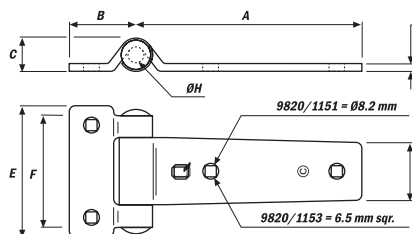


**316<sup>GRADE</sup> stainless**

### HINGE

316 Stainless steel, polished.

	A	B	C	D	E	F	G	H	
<b>AJ9820/1151</b>	Round Holes					Weight 240g / 8.5oz			
Metric (mm)	116	35	17	4	68	58	30	8	
Imperial (in)	4.60	1.38	0.70	0.16	2.70	2.28	1.18	0.32	

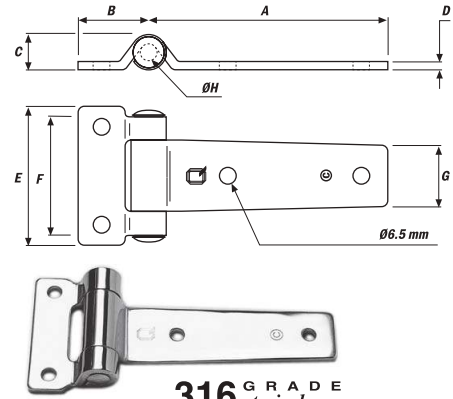




### DOOR HINGE

Pressed steel. 180° opening.

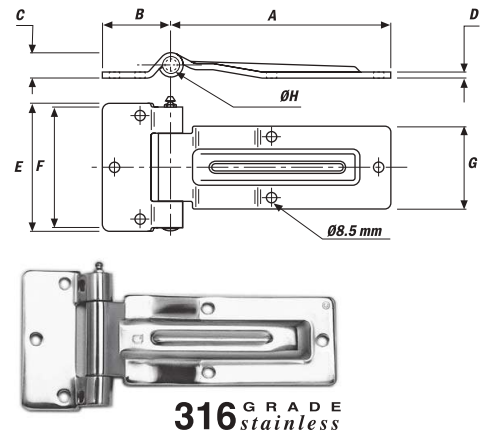
	A	B	C	D	E	F	G	H
AJ9820/1061	316 Stainless steel		Weight 210g/7.4oz					
AJ9820/1062	Zinc plated		Weight 200g/7.1oz					
Metric (mm)	106	31	17	4	60	55	25	8
Imperial (in)	4.17	1.22	0.67	0.16	2.36	2.17	0.98	0.32



### DOOR HINGE

Pressed steel. 180° opening. c/w grease nipple.

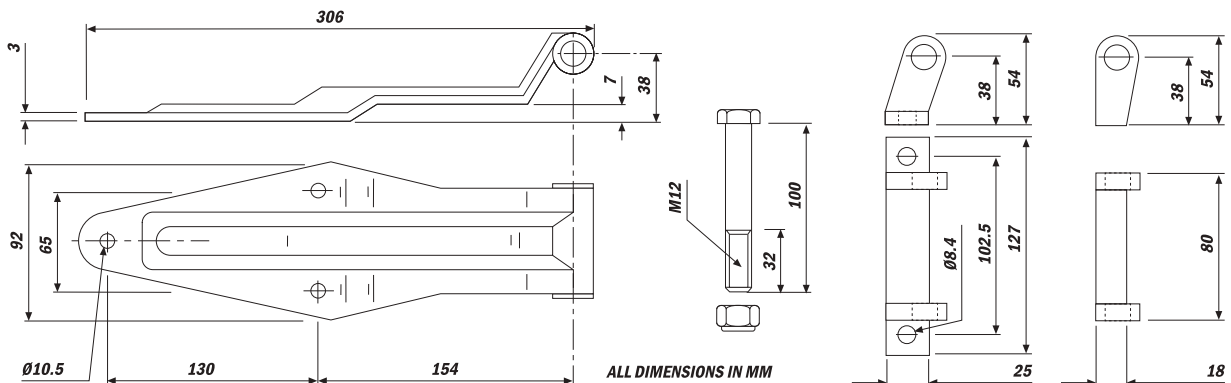
	A	B	C	D	E	F	G	H
AJ9820/1181	316 Stainless steel		Weight 800g/1.94lb					
AJ9820/1182	Zinc plated		Weight 870g/1.92lb					
Metric (mm)	181	56	21.5	5	105	100	68	10
Imperial (in)	7.13	2.21	0.85	0.20	4.13	3.93	2.68	0.39



### REAR VAN DOOR HINGES

Complete, 'Pre-packed' assemblies.

AJ2052/300	Zinc-plated	Weight 970g/2.1lb
Complete with bolt-on bracket.		
AJ2052/311	Zinc plated	Weight 970g/2.1lb
Complete with weld-on bracket.		

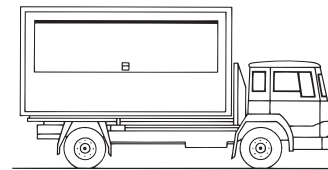
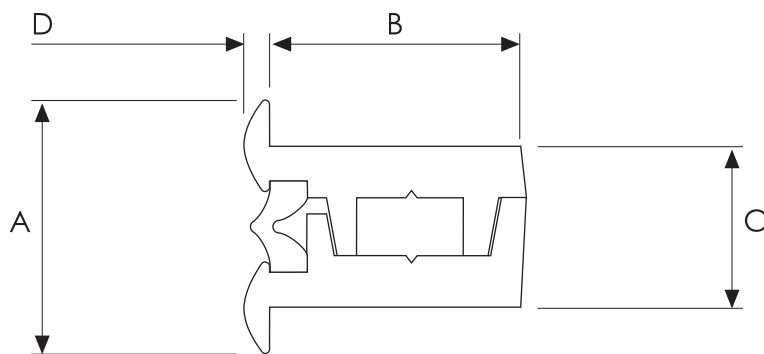


### 'CENTAFLEX'

Continuous hinge. Black PVC profiles fused together with a flexible membrane.

	A	B	C	D	E	F	G	H	
AJ2231/025	2.5m Lengths					Weight 575g/ 1.27oz			
AJ2231/030	3m Lengths					Weight 690g/ 1.5lb			
Metric (mm)	28	23	16	4	NA	NA	NA	NA	
Imperial (in)	1.10	0.91	0.63	0.16	NA	NA	NA	NA	

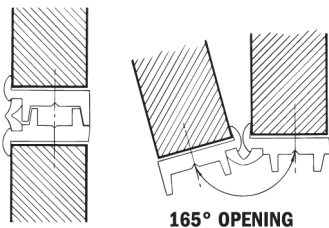
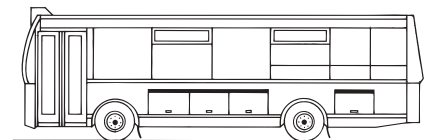
*165° opening, 28mm face*



### 23MM HINGE

Centaflex hinges are designed for HORIZONTAL, maintenance-free use, so the use of lubricants/grease is not necessary. In fact, they can be detrimental to the hinge membrane.

Painting of the PVC blades is possible, but care must be taken, as contact between any solvents and the membrane can seriously impair the hinge's performance.

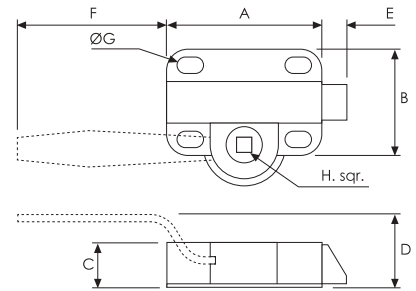


**165° OPENING**

### PLANT-ON SLAM LOCK

Zinc plated pressed steel case with plastic back plate and nylon tongue.  
Plastic dip-coated handle. (Type B shown).

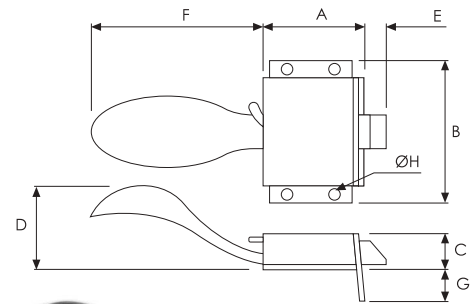
	A	B	C	D	E	F	G	H
AJ2410/001	Type A - with handle			Weight 280g/ 10oz				
AJ2410/002	Type B - with handle							
Metric (mm)	92	65	27	46	17	90	8	8
Imperial (in)	3.62	2.6	1.06	1.81	0.67	3.54	0.32	0.32



### PLANT-ON SLAM LOCK

Pressed steel case and handle. Malleable iron tongue.

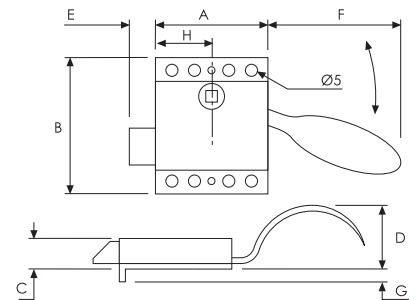
	A	B	C	D	E	F	G	H
AJ2121/002	Self colour, non locking			Weight 310g/ 11oz				
Metric (mm)	51	84	20	38	10	104	19	5
Imperial (in)	2	3.31	0.8	1.5	0.39	4.1	0.75	0.2



### PLANT-ON SLAM LOCK

Pressed steel case with malleable iron tongue and PVC dip-coated handle.  
(Left hand shown).

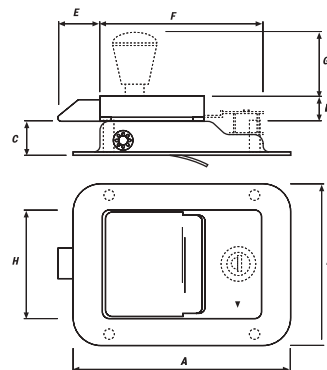
	A	B	C	D	E	F	G	H
AJ2115/001	Zinc plated, left hand			Weight 370g/ 13.1oz				
AJ2115/002	Zinc plated, right hand							
Metric (mm)	70	87	16	42	16	80	7	5
Imperial (in)	2.76	3.43	0.63	1.65	0.63	3.15	0.28	0.2



### PADDLE LOCKS

Flush fitting pressed steel body and mechanism. Fixing = Ø4mm holes or M5 x 20mm studs (see descriptions).

	A	B	C	D	E	F	G	H
<b>AJ0907</b>	FOR PART NUMBERS SEE BELOW							
Metric (mm)	140	89	22	16	23	110	42	60
Imperial (in)	5.51	3.5	0.87	0.63	0.91	4.33	1.65	2.36



PART NO.	Finish	Locking Release	Internal	Fixing	Weight
<b>AJ0907/001</b>	Zinc Plated	No	No	Blank	350g/12.4oz
<b>AJ0907/510</b>	Black & Stainless	Keyed in pairs	No	Blank	420g/14.8oz
<b>AJ0907/511</b>	Black & Stainless	Keyed 64001	No	Blank	420g/14.8oz
<b>AJ0907/514</b>	Black & Stainless	Keyed in pairs	Yes	Blank	460g/1.02lb

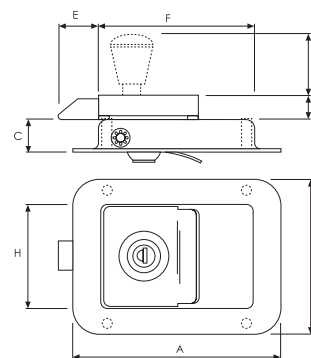
N.B.All paddle locks are supplied with zinc plated, pressed steel tongues.



### PADDLE LOCKS

Flush fitting pressed steel body and mechanism. Fixing = Ø4mm holes or M5 x 20mm studs (see descriptions) Clamp plate is zinc plated, mild steel.

	A	B	C	D	E	F	G	H
<b>AJ0910</b>	FOR PART NUMBERS SEE BELOW							
Metric (mm)	140	108	22	16	23	110	42	78
Imperial (in)	5.51	4.25	0.87	0.63	0.91	4.33	1.65	3.07



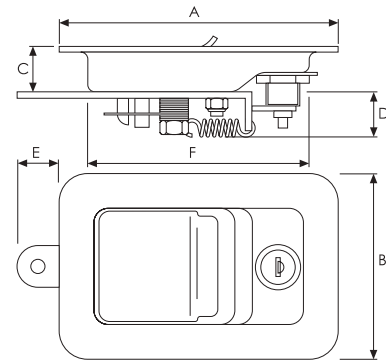
PART NO.	Finish	Locking Release	Internal	Fixing	Clamp Plate	Weight
<b>AJ0910/410</b>	Stainless steel	Keyed in pairs	No	Holes	No	460g/1.01lb
<b>AJ0910/411</b>	Stainless steel	Keyed 64001	No	Holes	No	460g/1.01lb
<b>AJ0910/415</b>	Stainless steel	Keyed in pairs	Yes	Holes	No	460g/1.01lb



### LUGGAGE COMPARTMENT LOCKS

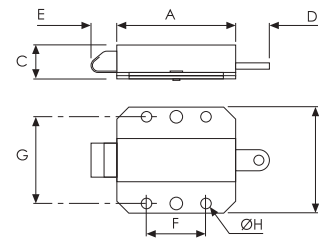
To suit 1235 mm door width. Use with AJ2477/001 end slam.

	A	B	C	D	E	F	G	H
<b>AJ0881/510</b>	Centre lock only. Black & stainless (locking)							
Metric (mm)	140	89	20	20	20	110	NA	NA
Imperial (in)	5.51	3.5	0.8	0.8	0.8	4.33	NA	NA



### END SLAM

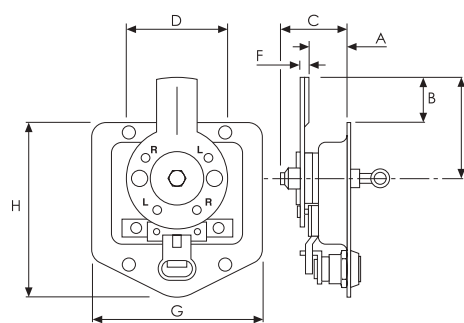
	A	B	C	D	E	F	G	H	
<b>AJ2477/001</b>	Zinc Plated					Weight 140g/5oz			
Metric (mm)	67	54	17	19	14	33	45	5	
Imperial (in)	2.64	2.13	0.67	0.75	0.55	1.3	1.77	0.2	



### 3-WAY ROD LOCK

C/w recessed drop 'T' handle & zinc plated, mild steel rod & guides. Throw = 25mm (1") Tip to tip dim. (engaged) = 2340mm (92"). Adjustable for left or right hand operation.

	A	B	C	D	E	F	G	H
AJ5589/610	Stainless steel					Weight 1.5kg/3.3lb		
AJ5589/612	Zinc Plated ( Locking, keyed alike)							
Metric (mm)	27	30	40	52	70	5	NA	NA
Imperial (in)	1.06	1.18	1.58	2.05	2.76	0.2	NA	NA

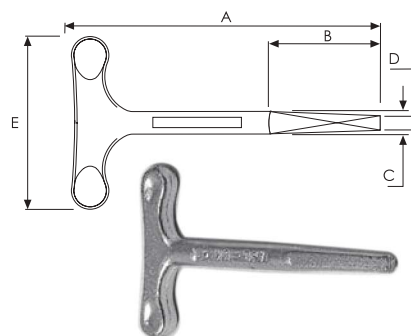


BODY HARDWARE & MIRRORS

### 'T' KEY

Zinc plated, steel. For use with budget locks.

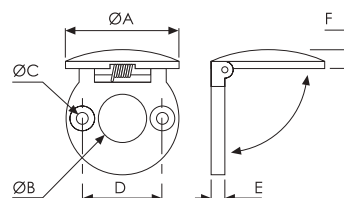
	A	B	C	D	E	F	G	H
AJ2257/004	Zinc Plated					Weight 120g/4.2oz		
Metric (mm)	27.6	12.7	3.18	20	3.6	4	NA	NA
Imperial (in)	1.09	0.5	0.13	0.79	0.14	0.16	NA	NA



### SPRING LIDDED ESCUTCHEON

Die cast body.

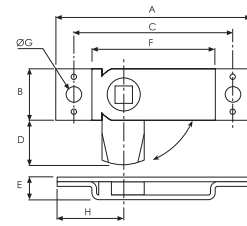
	A	B	C	D	E	F	G	H
AJ0130/001						Weight 20g/.7oz		
Metric (mm)	125	45	9	6	70	NA	NA	NA
Imperial (in)	4.92	1.77	0.35	0.24	2.76	NA	NA	NA



### BUDGET LOCKS

Left hand shown. All operated by 'T'- key or 8mm square drive.

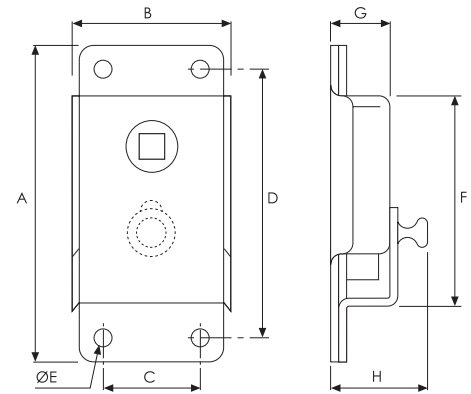
	A	B	C	D	E	F	G	H	
<b>AJ0748/001</b>	Universal					Weight 60g/2.1oz			
Metric (mm)	85	22	66	17	9.5	56	6.5	29	
Imperial (in)	3.35	0.87	2.3	0.67	0.37	2.2	0.26	1.14	
<b>AJ0750/002</b>	Universal (zinc plated case & pressed steel tongue)					Weight 140g/5oz			
Metric (mm)	126	27	101	20	13.5	75	5	50.5	
Imperial (in)	4.96	1.06	3.98	0.79	0.53	2.95	0.2	1.99	



### SLIDING DOOR LOCK

Zinc plated and gold passivated.

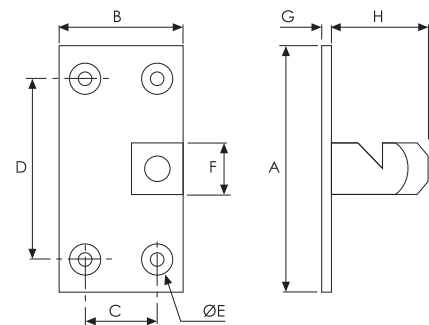
	A	B	C	D	E	F	G	H	
<b>AJ2092/005</b>	Locking					Weight 310g/11oz			
<b>AJ2092/006</b>	Non-Locking					Weight 300g/10.6oz			
Metric (mm)	106	52	34.5	92	6.5	70	21	31	
Imperial (in)	4.17	2	1.36	3.62	0.26	2.76	0.83	1.22	



### STRIKER

Zinc plated and gold passivated.

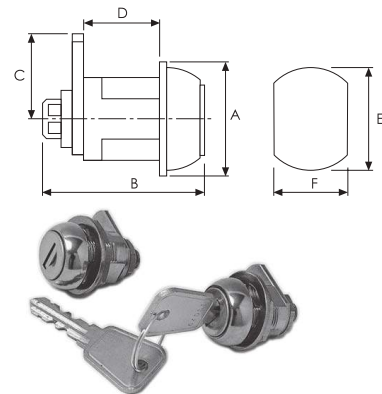
	A	B	C	D	E	F	G	H	
<b>AJ2092/003</b>	Left Hand (shown)					Weight 110g/3.9oz			
Metric (mm)	77	40	20	55	5.5	16	3	24	
Imperial (in)	3.03	1.58	0.79	2.17	0.22	0.63	0.12	0.95	



### COMPARTMENT LOCK

Chrome plated. c/w 2 keys and fixing nut. Straight cam.

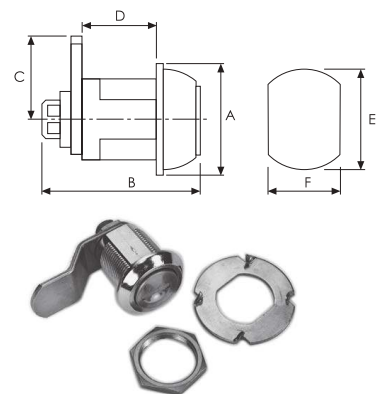
	A	B	C	D	E	F	G	H	
<b>AJ2244/102</b>	Keyed alike					Weight 60g/2.1oz			
Metric (mm)	26	33	20	15	19	16	NA	NA	
Imperial (in)	1.02	1.30	0.79	0.60	0.75	0.63	NA	NA	



### COMPARTMENT LOCK

Chrome plated. c/w spiked washer, fixing nut and 2 keys. Packed in pairs. Cranked cam.

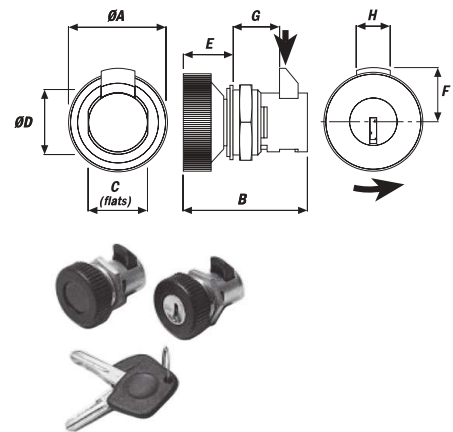
	A	B	C	D	E	F	G	H	
<b>AJ2245/101</b>	keyed in pairs					Weight 75g/2.7oz			
<b>AJ2245/102</b>	Keyed alike								
Metric (mm)	25	34	36	12	19	16	NA	NA	
Imperial (in)	1	1.34	1.42	0.47	0.75	0.63	NA	NA	



### COMPARTMENT LOCK

Twist-action. Black plastic grip and striker with a die-cast body. c/w lock-nut. Max. panel = 2 mm. Striker retraction = 5mm max.

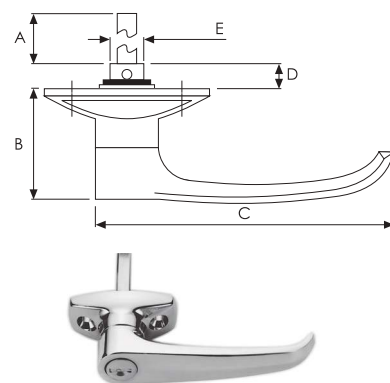
	A	B	C	D	E	F	G	H	
<b>AJ2246/201</b>	Locking					Weight 80g/2.8oz			
Metric (mm)	31	40	19.5	21	16	17.5	14	11	
Imperial (in)	1.22	1.58	0.78	0.83	0.63	0.69	0.55	0.43	



### LEVER HANDLE

360° rotation, no stops and not spring loaded.

	A	B	C	D	E	F	G	H	
<b>AJ4222</b>	Descriptions below					Weight 240g/8.5oz			
Metric (mm)	100	45	113	9	15	NA	NA	NA	
Imperial (in)	3.94	1.77	4.45	0.35	0.59	NA	NA	NA	
PART NO.	Finish		Hole Centres		Keyed				
<b>AJ4222/404</b>	Chrome Plate		44.5mm (1.75")		No				
<b>AJ4222/505</b>	Chrome Plate		44.5mm (1.75")		Random				
<b>AJ4222/707</b>	Chrome Plate		44.5mm (1.75")		Alike				

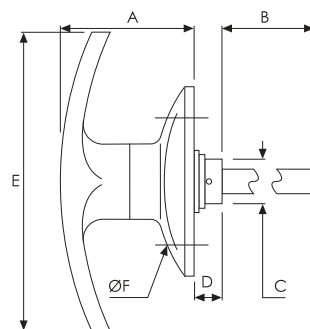




### 'T' HANDLE

360° rotation.

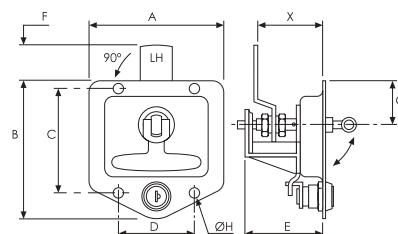
	A	B	C	D	E	F	G	H	
<b>AJ5224/</b>	For full description					Weight 250g/8.8oz			
Metric (mm)	45	100	15	9	101	5	NA	NA	
Imperial (in)	1.77	3.94	0.59	0.35	3.98	0.2	NA	NA	
<b>PART NO.</b>	<b>Finish</b>		<b>Hole Centres</b>			<b>Keyed</b>			
<b>AJ5224/001</b>	Chrome		44.5mm (1.75")			Random			
<b>AJ5224/002</b>	Chrome		44.5mm (1.75")			Alike			



### RECESSED DROP-'T' HANDLE

Dimension X is variable from 42mm to 58mm.

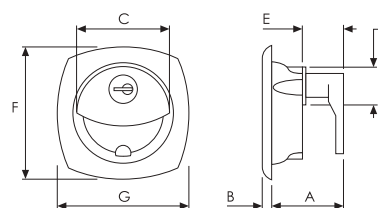
	A	B	C	D	E	F	G	H	
<b>AJ5589/548</b>	Zinc plated					Weight 730g/1.6lb			
Locking, Keyed Random									
Metric (mm)	120	125	95	69	68	30	40	7.51	
Imperial (in)	4.72	7.92	3.74	2.72	2.68	1.18	1.58	0.30	



### RECESSED COMPARTMENT LOCK

Black plastic case, die cast cam. c/w inside cover plate, sponge seal and 2 keys.

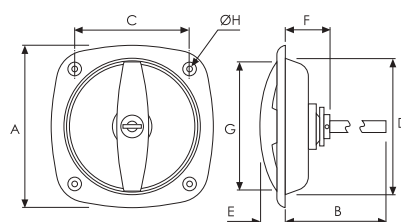
	A	B	C	D	E	F	G	H	
<b>AJ1199/001</b>	Locking					Weight 140g/5oz			
Metric (mm)	44	3	61	19	24	80	80	NA	
Imperial (in)	1.73	0.12	2.4	0.75	0.95	3.15	3.15	NA	



### RECESSED 'T' HANDLE

Die cast chrome plated handle with black powder coated finish.

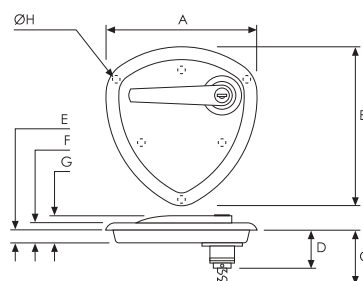
	A	B	C	D	E	F	G	H	
<b>AJ5589/576</b>	Locking, random					Weight 520g/ 1.2lb			
<b>AJ5589/378</b>	Locking, alike								
Metric (mm)	124	101	89	106.5	15	32	101	5	
Imperial (in)	4.25	1.34	0.51	1.72	1.78	2.71	4	0.2	



### DISH HANDLES

Chrome plated handle with black powder coated dish. 8mm spindle. Fixing holes in flange. Universal (not handed). Locking versions c/w 2 keys. Cut-out details available on request.

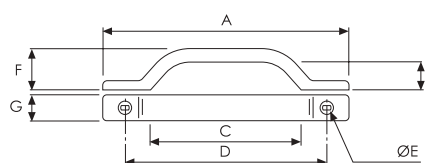
	A	B	C	D	E	F	G	H	
<b>AJ4212/002</b>	Locking (Random keyed)					Weight 460g/ 1lb			
<b>AJ4212/707</b>	Locking (Keyed alike)								
Metric (mm)	165	165	145	41	15	20	27	4.7	
Imperial (in)	6.5	6.5	5.71	1.61	0.59	0.79	1.06	0.19	



### PULL HANDLE

Rigid black plastic.

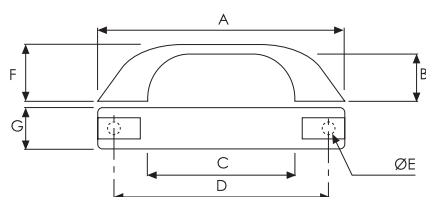
	A	B	C	D	E	F	G	H	
<b>AJ0790/001</b>	Locking (Random keyed)					Weight 50g/ 1.8oz			
Metric (mm)	246	28	155	203	6.5	41	24	NA	
Imperial (in)	9.70	1.10	6.1	8	0.26	1.61	0.95	NA	



### PULL HANDLE

Black polypropylene with clip-on hole covers.

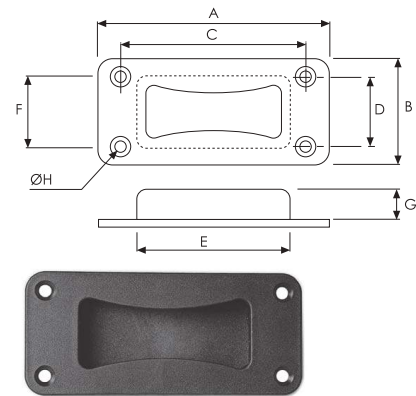
	A	B	C	D	E	F	G	H	
<b>AJ0847/001</b>						Weight 40g/ 1.4oz			
Metric (mm)	170	32	105	137	5	40	28	NA	
Imperial (in)	6.70	1.26	4.13	5.40	0.2	1.58	1.10	NA	



### PULL HANDLE

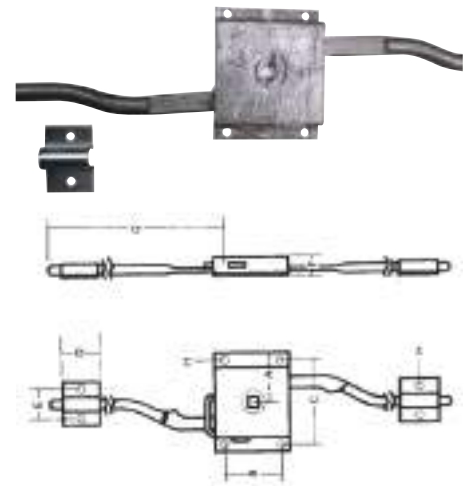
Moulded black, glass-filled nylon, textured finish.

	A	B	C	D	E	F	G	H
<b>AJ5596/400</b>								
Metric (mm)	133	21	60	41	114	95	45	6
Imperial (in)	5.24	0.83	2.36	1.61	4.49	3.74	1.77	0.24



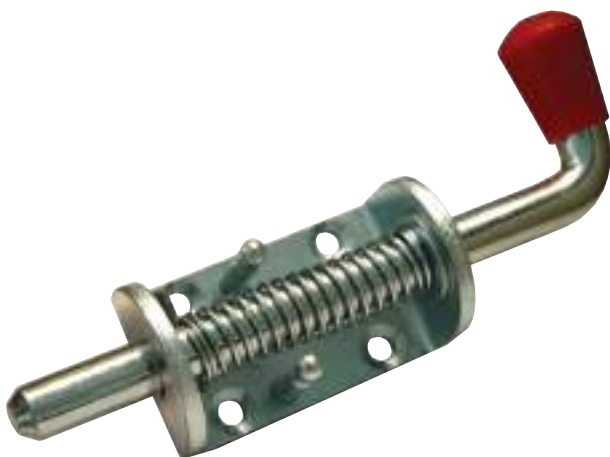
### TWO WAY ROD LATCH

	A	B	C	D	E	F	G	H
<b>3/18794</b>								
Metric (mm)	33	38	57	25.5	22	14	1092	4.5



### SPRING BOLTS

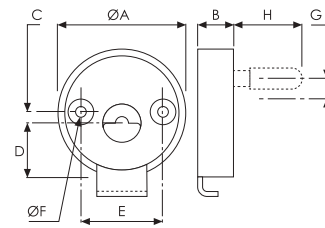
PART NO.	Material	Finish	Pin Diameter (mm)	Body Size (mm)	Mounting holes	Overall length (mm)	Throw (mm)
<b>AJ837NZ</b>	Mild Steel	Zinc Plated	12	75 L x 40 W x 5 Thick	4 @ 6.5mm	150	26
<b>AJ840NZ</b>	Stainless Steel	Mill	12	75 L x 40 W x 3 Thick	4 @ 6.5mm	150	28
<b>AJ841NZ</b>	Mild Steel	Zinc Plated	12	119 L x 40 W x 5 Thick	4 @ 6 mm	160	45
<b>AJ863NZ</b>	Mild Steel	Zinc Plated	16	102 L x 50 W x 5 thick	4 @ 6.5mm	195	33



### SERIES 500 FEMALE DOOR RETAINER

Polished stainless steel face-plate with a stainless steel release catch and spring encased by black, nylon 66 moulded body.

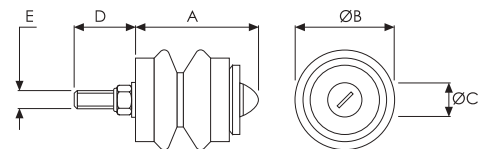
	A	B	C	D	E	F	G	H
<b>AJ0500/004</b>	Ext. & Int. release					Weight 120g/4.2oz		
Metric (mm)	63	18	5	26	40	6	7	35
Imperial (in)	2.50	0.71	0.20	1.02	1.58	0.24	0.28	1.38



### SERIES 500 MALE DOOR RETAINER

Spring loaded striker pin encased in black nitrile bellows. Black nylon 66 impact washer.

	A	B	C	D	E	F	G	H
<b>AJ0500/003</b>	Ext. & Int. release					Weight 50g/1.8oz		
Metric (mm)	45	38	12.5	23	6	NA	NA	NA
Imperial (in)	1.77	1.5	0.5	0.91	.24	NA	NA	NA



### PLASTIC DOOR HOLDER

PART NO.	Description
<b>AJ555Nzb</b>	65mm long x 25mm wide x 42mm high - Black
<b>AJ555NzW</b>	65 mm long x 25mm wide x 42mm high - White



### RUBBER DOOR HOLDER

Female	Moulded-in steel fixing plate with plain or tapped M6 hole.
Male	Polypropylene with recessed hexagon to take M6 bolt.
Dims	Female = 35mm (1.38") x Ø40mm (1.57")
	Male = 27mm (1.06") x Ø25mm (1")



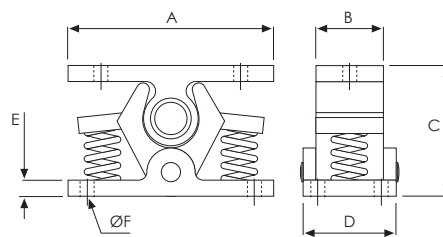
The figures given below are for guidance only, as large variations occur due to ambient conditions and applications.

PART NO.	Male/Female	Rubber Type	Minimum Load	Typical Load
<b>AJ0666/001</b>	Female	Hard (black)	20kg	25kg
<b>AJ0666/002</b>	Male	Polypropylene		

### DOOR RETAINER

304 Stainless Steel.

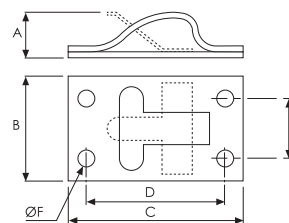
	A	B	C	D	E	F	G	H	
<b>AJ2132/1000</b>	Complete					Weight 80g/2.8oz			
Metric (mm)	64	19	40	29	5	4.30	NA	NA	
Imperial (in)	2.52	0.75	1.58	1.14	0.20	0.17	NA	NA	



### DOOR RETAINER

Zinc-plated, pressed steel. For use with 0550/001 & 0553/001.

	A	B	C	D	E	F	G	H	
<b>AJ0554/001</b>	Without Spring					Weight 80g/2.8oz			
<b>AJ0551/001</b>	With Spring								
Metric (mm)	18	45	77	59	25.4	5.5	NA	NA	
Imperial (in)	0.71	1.77	3.03	2.32	1.00	0.22	NA	NA	

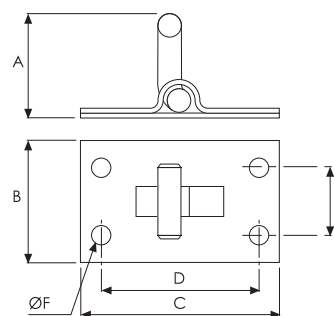


AJ0554/001

### DOOR HOOK

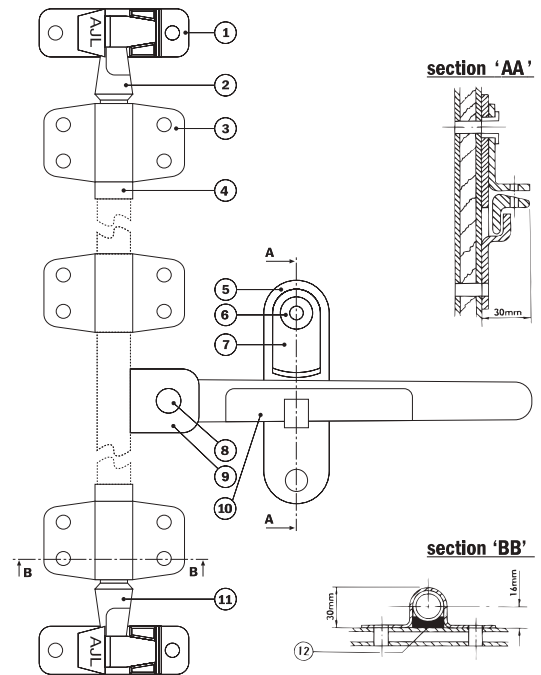
Zinc-plated, cast, malleable iron hook with a zinc plated, pressed steel back-plate.

	A	B	C	D	E	F	G	H	
<b>AJ0550/001</b>						Weight 160g/5.7oz			
Metric (mm)	105	45	77	59	25.4	5.5	NA	NA	
Imperial (in)	4.13	1.77	3.03	2.32	1.00	0.22	NA	NA	
<b>AJ0553/001</b>						Weight 200g/7.1oz			
Metric (mm)	155	45	77	59	25.4	5.5	NA	NA	
Imperial (in)	6.10	1.77	3.03	2.32	1.00	0.22	NA	NA	



### CENTAUR LIGHTWEIGHT, DOOR GEAR

<b>AJ15/001</b>	Left hand, complete kit	Weight 1.8kg/4lb
	<i>For Ø15mm tubing with I.D. = Ø21.2mm (not supplied)</i>	
<b>AJ15/002</b>	Right hand, complete kit	Weight 1.8kg/4lb
	<i>Zinc Plated</i>	
Kit Comprised of:	1/ 2 x universal keepers 2/ 1 x right hand cam 3/ 3 x outer tube guide supports 4/ 2 x anti-rack collars 5/ 1 x retainer plate 6/ 1 x bush 7/ 1 x swivel catch 8/ 1 x rivet 9/ 1 x lever mount 10/ 1 x lever handle (left or right hand) 11/ 1 x left hand cam 12/ 3 x inner tube guide supports	

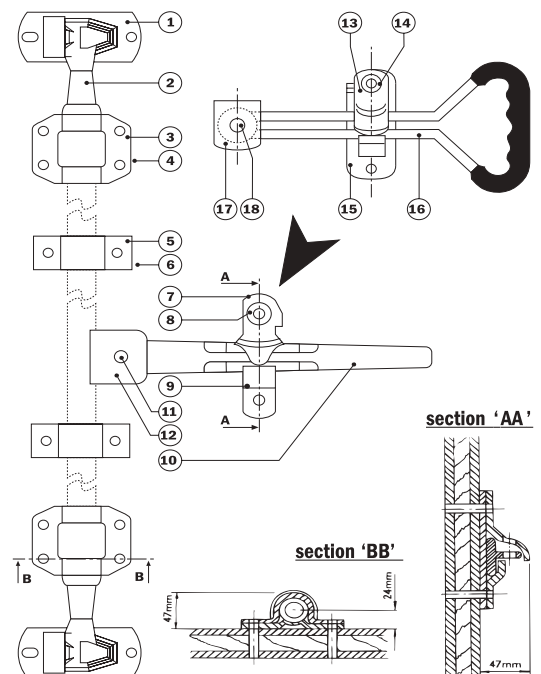


BODY HARDWARE & MIRRORS

### UNIVERSAL BE 2000 DOOR GEAR

*For Ø27mm tubing with I.D. = Ø20mm (not supplied)*

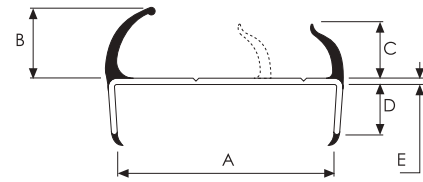
<b>AJ2000/2000</b>	Left hand, complete kit	Weight 1.8kg/4lb
	<i>Stainless steel with 'D' grip handle (with moulded grip).</i>	
Kit Comprised of:	1.2 x universal keepers 2.2 x universal cams 3.2 x large outer bearing brackets 4.2 x large inner bearing brackets 5.2 x small outer bearing brackets 6.2 x small inner bearing brackets 7 or 13.1 x swivel catch 8 or 14.1 x bush 9 or 15.1 x retainer plate 10 or 16.1 x handle (ie. 10 = forged, 16 = 'D' grip) 11 or 17.1 x rivet 12 or 18.1 x lever mount	



### CONTAINER DOOR SEAL

P.V.C., rigid carrier with flexible lips

	A	B	C	D	E	F	G	H
<b>AJ0535/019</b>	Complete assembly					Weight 1.4kg/3.1lb		
Metric (mm)	19	25.4	10	18	3	NA	NA	NA
Imperial (in)	0.75	1.00	0.40	0.71	0.12	NA	NA	NA



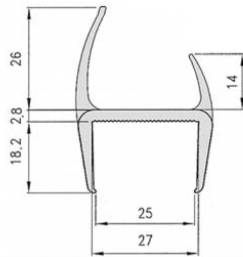
### DOOR SEAL

PART NO.	Description	Length
<b>58R-12-12</b>	3/4 DOOR SEAL 3657MM	3657 mm
<b>58R-12-9</b>	3/4 DOOR SEAL 2946MM	2946 mm
<b>58R-16-9</b>	1 inch DOOR SEAL 2946MM	2946 mm
<b>58T2</b>	CORNER TAB (inide)	9/16 inch
<b>58T3</b>	CORNER TAB OUTSIDE 2-1/2 LONG	2-1/2 inch
<b>B15210</b>	CORNER TAB 92MM 3-1/2 LONG	3-1/2 inch



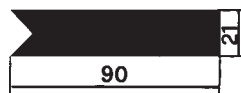
#### PART NO. 072021421A

- PVC Grey
- 2.7 metre length
- 1.15 kg



#### PART NO. 0720 22343

- Grey PVC joint for angular connections
- hardness profiles
- 4 grams



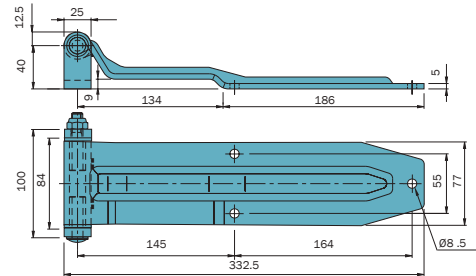
### REAR DOOR HINGES & BRACKETS

**PART NO. 070215127**

**REAR DOOR HINGE**

- Zinc Plated
- Hinge assembly
- 270 degree rotation
- 1.475 kg

Heavy-duty hinge with 5 mm thick plate. Comes mounted complete with bracket to weld, pin and nut. Very suitable for vans in sheet metal or refrigerated vans with rear metal panel.

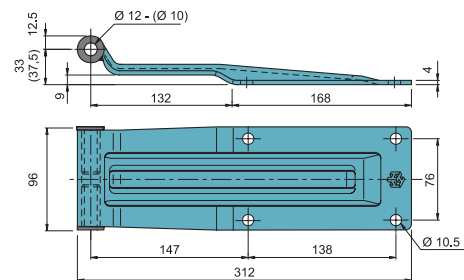


**PART NO. 070120776**

**REAR DOOR HINGE**

- Stainless Steel
- Heavy Duty hinge blade
- 1.1 kg

Large-sized hinge suitable for doors over 2.30 m in height (semi-trailers, large tractors). The reduced overhang of the neck (33 mm) makes this hinge suitable for recessing into rear profiles.

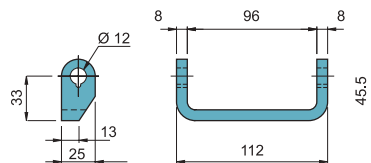


**PART NO. 070322207**

**REAR DOOR BRACKET**

- Bracket to weld on with pin and nut to suit 070120776
- 0.306 kg

For body sides with 30-100 mm thickness. Can be used for radial body sides by turning 180°.

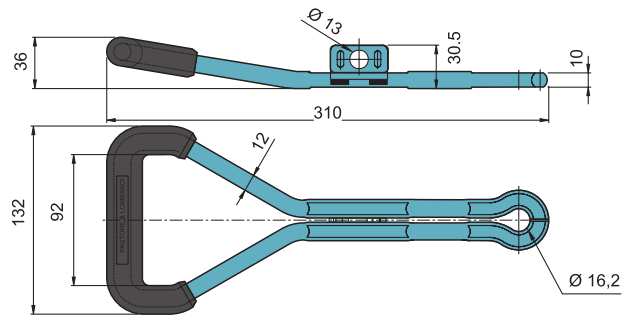




### EXTERNAL DOOR LEVER - Ø 16MM TUBE

PART NO. 071322176

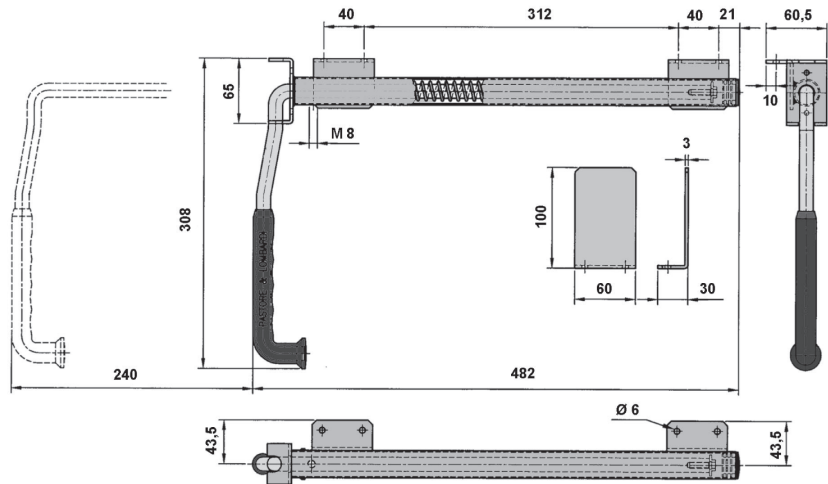
- Zinc Plated
- Lever stay and clamp kit



### DOOR RETAINERS

PART NO. 072321891

- Stainless Steel
- Door retainer with stainless steel spring
- 1.14 kg



PART NO. 072325818

- Zinc Plated
- Under chassis door retainer with square and bezinal protected spring
- 2.13 kg

PART NO. 072310944

- Stainless Steel
- Male part of door stay
- 104mm - 0.03 kg



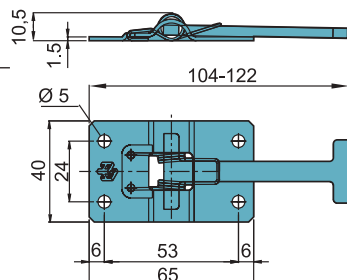
PART NO. 072322748

- Stainless Steel
- Flush female part
- 0.042 kg



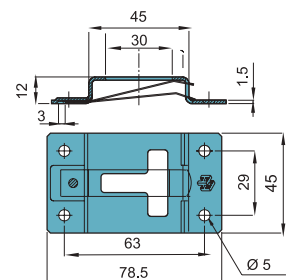
PART NO. 072310946

- Zinc Plated
- Male part of door stay
- 104mm - 0.05 kg



PART NO. 072322749

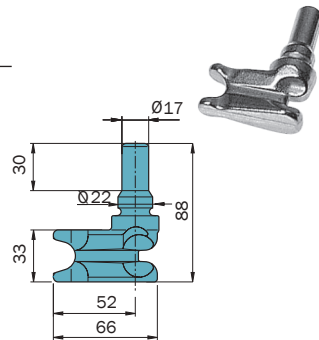
- Zinc Plated
- Flush female part
- 0.042 kg



### COMPONENTS - CAMS / KEEPERS

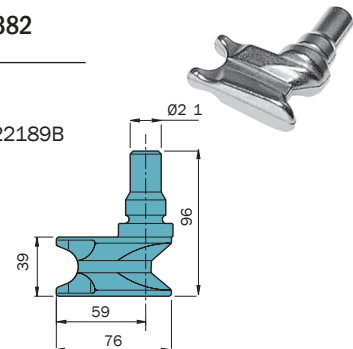
#### PART NO. 071921024

- Stainless steel
- Cam to suit 021921024
- 0.33 kg



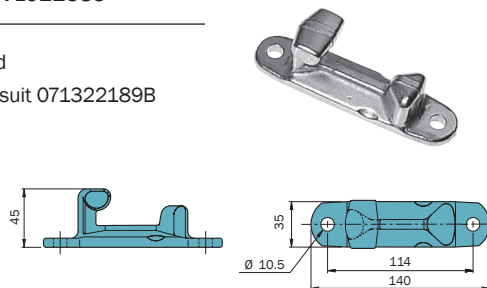
#### PART NO. 071922382

- Zinc plated
- Cam to suit 071322189B
- 0.0532 kg
- 27mm dia



#### PART NO. 071922383

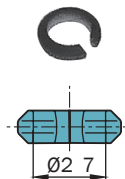
- Zinc Plated
- Keeper to suit 071322189B
- 0.5 kg
- 27mm dia



### COMPONENTS - TUBE CLAMPS & BUSHES

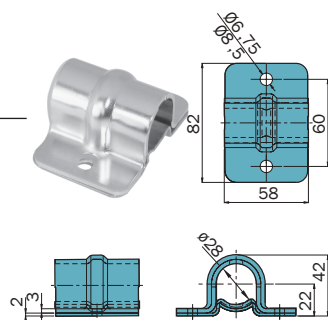
#### PART NO. 071924131 Ø 22MM & 27MM TUBE

- Nylon bush to suit 071222188A, 071322189B
- 2 grams



#### PART NO. 071924341 Ø 22MM & 27MM TUBE

- Zinc Plated
- Tube clamp to suit 071322189B
- 6.75mm holes
- 0.28 kg



### BRITAX ELECTRIC HEATED ELECTRIC MIRROR

- Black ABS body electric mirror head
- Top and bottom glass heated, 24V
- Electric adjust flat glass top mirror
- Manual adjust R400 convex spotter
- 6 Pin O-ring sealed plug, 2m cable
- Fits 19, 22 or 28mm tubular bracket
- Approvals: E Approved, ADR 14-00
- H 420mm x D x 135mm x W 200mm

### SPLIT MIRROR HEAD

PART NO.	Description
147300E24H	Split, Top Flat, Bottom R400 Convex, Left or Right Side Mount, Electric, Heated 24V



### WIRING HARNESS

- Will suit two mirrors
- 3 metre wiring total
- Sold separately

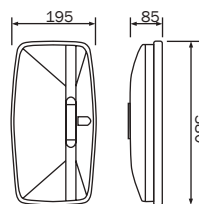
PART NO.	Description
147HARNESS	Wiring Harness Kit 12V/24V



### JAPANESE STYLE 380 SERIES MIRROR HEADS

- Available in flat or convex glass, or split glass with independently adjustable convex spotter
- Fits Ø19mm tubular bracket as standard

PART NO.	Description			
147380F	Flat	Left or Right		
147380C	Convex	Left or Right		
147380SL	Split	Left		
147380SR	Split	Right		



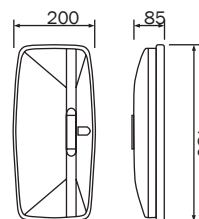
For 24V heater option change the end of part number from "12MH" to "24MH"



### JAPANESE STYLE 430 SERIES MIRROR HEADS

- Available in flat or convex glass, or split glass with independently adjustable convex spotter
- Fits Ø19mm tubular bracket as standard

PART NO.	Description			
147430F	Flat	Left or Right		
147430C	Convex	Left or Right		
147430SL	Split	Left		
147430SR	Split	Right		



For 24V heater option change the end of part number from "12MH" to "24MH"



### JAPANESE STYLE WEST COAST ADAPTOR TUBES

1470015	West Coast SS Adaptor Tube 15" M19
1470018	West Coast SS Adaptor Tube 18" M19

These Ø19mm stainless steel tubes enable Britax Japanese Style mirror heads to be adapted to West Coast bracket mounting applications. Also available in black.



### JAPANESE STYLE UNIVERSAL APPLICATION ADAPTORS

1471022	Adaptor 10-22mm 147380/430 series
1471625	Adaptor 16-25mm 147380/430 series

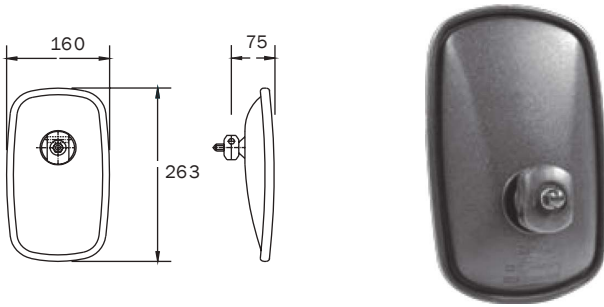
These mirror heads suits a Ø19mm tubular bracket as standard. However, this universal adaptor enables mirror heads to be fitted to Ø10-25mm brackets.



### PLASTIC BODY SINGLE PIECE MIRROR HEADS

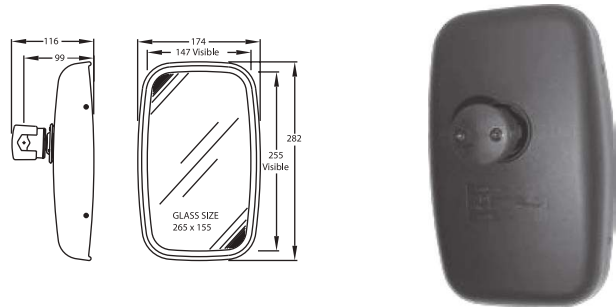
- Plastic moulded body • Clamp suits 16mm
- E Approved, ADR 14-00

PART NO.	Description
7181-301	Plastic Flat H263 W160 M16
7182-301	Plastic Convex H263 W160 M16



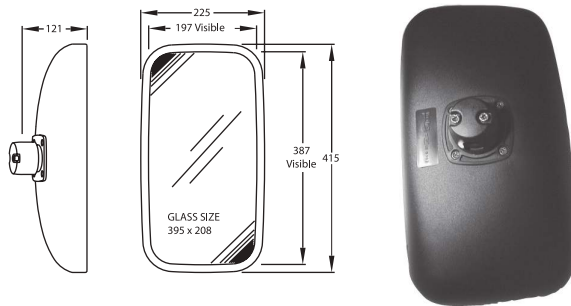
- Plastic moulded body • Clamp suits 10-22mm
- E Approved, ADR 14-00

PART NO.	Description
7112-023	Plastic Flat H282 W174 M22
7112-022	Plastic Convex H282 M22



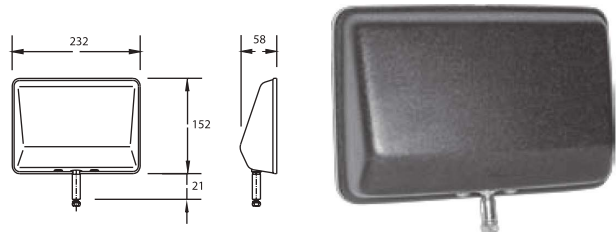
- Plastic moulded body • Clamp suits 14-25mm
- E Approved, ADR 14-00

PART NO.	Description
1423100	Euro Style 415x225 Flat 14-22mm Bracket
1423125	Euro Style 415x225 Convex 14-22mm Bracket
1423635	Heater Element
7400-001-05	Replacement Glass to suit 1423100
1423325	Replacement Glass to suit 1423125



- Plastic moulded body
- Suits utility door mirror bracket, 8mm hole

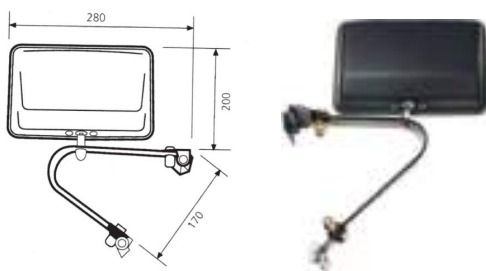
PART NO.	Description
1441122	Plastic Flat H232 W152



### DOOR MOUNT STEEL BRACKET PLASTIC MIRROR HEADS

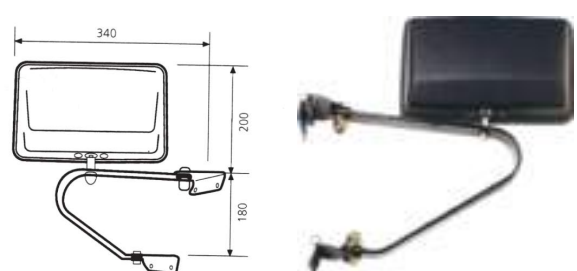
- High corrosion resistant properties, Hinged door brackets
- Heavy duty pivot point hardware includes nylon washers, spring washers for pivot point rigidity and zinc coated fittings
- Reversible design to suit contour of vehicle cabin

PART NO.	Description
1441011	Steel Flat H232 W152 M280 Single



- High corrosion resistant properties, Hinged door brackets
- Heavy duty pivot point hardware includes nylon washers, spring washers for pivot point rigidity and zinc coated fittings
- Spare single head: 1441122

PART NO.	Description
1441012	Steel Flat H232 W152 M340 Single



### STEEL WEST COAST MIRROR HEADS

- West Coast style mirror head
- Corrosion resistant black steel housing
- Unique extrusion to hold glass

#### SINGLE MIRROR HEAD

PART NO.	Description
1421101	Steel Flat H292 W163 M11"
1421131	Steel Flat H379 W163 M14.6"
1421106	Steel Flat H418 W163 M16"
1421100	Steel Flat H463 W163 M18"
1423631	Heater Element



### STAINLESS STEEL WEST COAST MIRROR HEADS

- West Coast style mirror head
- Stainless steel body and fittings
- Gasket sealed housing design to firmly retain mirror glass

#### ROUNDED CORNER MODELS

PART NO.	Description
1421759	Stainless Steel Split H415 W188 M16"
1421758	Stainless Steel Flat H415 W188 M16"
1421756C	Stainless Steel Flat H415 M16" Marker Heater

#### SQUARE CORNER MODELS

1421778	Stainless Steel Flat H415 W188 M16"
---------	-------------------------------------



### SPOTTER CLAMP-ON CONVEX MIRRORS

- Supplied with tubular mount and angle bracket and separate clamp
- Rectangular: H 150mm x D 95mm x W 110mm
- Round: H 125mm x D 80mm

PART NO.	Description
1421014	Rectangular Convex H150 W110 Steel
1441030	Round Convex D125 Steel



### SPOTTER SELF ADHESIVE MIRRORS

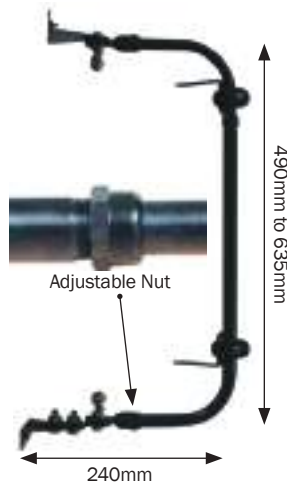
- Fits directly onto the surface of an existing mirror
- Assists with blind spots and reverse parking

PART NO.	Description
1441015	Round Convex D100 Self Adhesive
1441016	Rectangular Convex W140 Self Adhesive



### MIRROR WEST COAST BRACKET

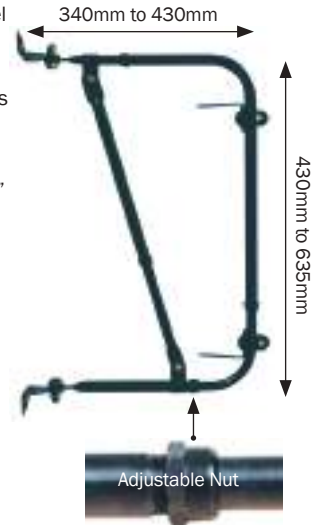
- Galvanised powder coated steel frame and mounting brackets
- Suits West Coast Mirror heads and other universal applications
- Universal mounting brackets, position locking
- Adjustable height for 11" to 18"



**PART NO. 1422006**  
W/Coast Bracket H Adjust  
W240

### MIRROR WEST COAST BRACKET

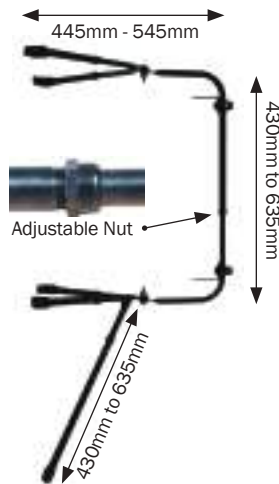
- Galvanised powder coated steel frame and mounting brackets
- Suits West Coast Mirror heads and other universal applications
- Universal mounting brackets, position locking
- Adjustable height for 11" to 18"



**PART NO. 1422026**  
W/Coast Bracket H&W Adjust  
W340 - 430

### MIRROR WEST COAST BRACKET

- Galvanised powder coated steel frame and mounting brackets
- Suits West Coast Mirror heads and other universal applications
- Universal mounting brackets
- Adjustable brace length 510-720mm
- Adjustable height for 11" to 18"



**PART NO. 1422000**  
W/Coast Bracket w/Brace  
H&W Adjust W445 - 545

### MIRROR CLAMP ASSEMBLY

- Allows fitment to tubular frames
- Suits West Coast mirror heads
- H 22mm x D 47mm x W 112mm



**PART NO. 1441185**  
Clamp assembly Right Angle  
M16 tube

**PART NO. 1441187**  
Clamp assembly Right Angle  
M19 tube

### UNIVERSAL MIRROR BRACKET ARM ASSEMBLY

- Galvanised powder coated steel frame and mounting brackets
- High corrosion resistant properties
- Adjustable in length 350 - 540mm
- Mirror arm adjusts telescopically
- Suits universal mirror heads



**PART NO. 1410591**  
Universal Arm Assembly  
Adjust W350 - 540

### EXTERIOR REVERSING SAFETY MIRROR

- Easy to install (no holes required to be drilled to install unit)
- Suitable for vans, wagons and 4WDs
- Angle adjustable, Wide and safety view
- Caravan or trailer aid
- Clamp on 300mm arm



**PART NO. 1441017**  
Exterior Reversing Convex  
H172 W142

## MIRRORS

### PART NO. AJ9600/003S

AJ9600/002 Flat mirror head  
 AJ9600/003 Convex mirror head  
 Nominal Size: 254 x 152 mm  
 AJ9600/022 Flat mirror glass.  
 Pressed steel back with protective black finish. Supplied with 16mm zinc plated clamp.  
 'E' Approval, class III where applicable.



### PART NO. TH1609C

Size: 305 x 150 mm  
 Convex.  
 Grey finish. Clamp mount  
 16mm diameter rod. Convex glass.



### PART NO. AJ9730/002S

Flat mirror head  
 Nominal Size: 178 x 127 mm  
 Pressed steel back with protective black finish. Supplied with 16mm zinc clamp. 'E' Approved.



### PART NO. TH1613 DAIHATSU / TOYOTA

Size: 275 x 185 mm  
 Convex.  
 Convex mirror head. Black finish. Fits 17mm ball.



### PART NO. TH1602 MERCEDES

Size: 370 x 180 mm  
 Convex.  
 Black finish. Convex mirror head offset fits 16mm arm.



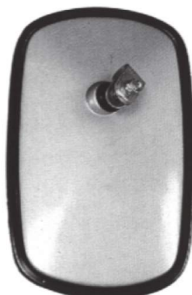
### PART NO. TH1618 DAIHATSU

Size: 275 x 190 mm  
 Convex.  
 Convex mirror head. Black finish. Fits 16mm ball.



### PART NO. TH1607

Size: 255 x 155 mm  
 Flat glass.  
 Grey finish. Clamp mount  
 16mm arm. Flat glass.



### PART NO. TH1621

Size: 250 x 135 mm  
 Convex  
 Fits 16mm ball.  
 Black finish. Mazda/Ford Trader; early model.



### PART NO. TH1628 NISSAN

Head Size: 265 x 165 mm  
 Convex.  
 Convex mirror head. Black finish. Right or left hand mount fits 20mm arm. 25mm ball or 15mm arm with plastic sleeve (supplied).





**PART NO. TH1629B  
MITSUBISHI**

Size: Head Size: 245 x 130mm.  
Convex.

Black finish.  
Fits 16mm ball.



**PART NO. TH1658C  
SCANIA**

Head Size: 255 x 160 mm  
Convex.

Black finish. Convex mirrorhead, offset fit, 18mm arm.



**PART NO. TH1650**

Size: 175 x 125 mm  
Flat glass.  
Grey finish. Clamp mount  
16mm arm. Flat glass.



**PART NO. TH1659  
SCANIA**

Size: 430 x 230 mm  
Convex.

Fits 18mm arm.

Black finish. Convex Truck Mirror Head Clamp Mount.



**PART NO. TH1652B  
ISUZU**

Size: 260 x 165 mm  
Convex.  
Black finish.  
Convex Truck Mirror Head Balljoint Mount, Isuzu.



**PART NO. TH1660  
MAZDA / FORD**

Size: 320 x 165 mm  
Convex.  
Fits 16mm ball.

Black finish. Mazda/Ford Trader; late model.



**PART NO. TH1653C  
ISUZU**

Size: 330 x 175 mm  
Convex  
Centre mount. C/W 17mm ball and 12 - 15mm clamp.



**PART NO. TH1662  
MITSUBISHI**

Size: 325 x 240 mm  
Convex.  
Fits 30mm ball. Left or right hand fitting. Black finish.  
Convex Truck Mirror Head Ball Joint Mount.



**PART NO. TH1657  
MITSUBISHI**

Size: 280 x 175 mm  
Convex.  
Fits 16mm ball mount.  
Bottom centre mount.  
Convex glass.



**PART NO. TH1663  
MITSUBISHI**

Size: 230 x 210 mm  
Convex.  
Fits 30mm ball. Left or right hand fitting. Black finish.  
Convex Truck Mirror Head Ball Joint Mount.



## MIRRORS

BODY HARDWARE & MIRRORS

**PART NO. TH1669**  
**TOYOTA/HINO/ISUZU**

Size: 330 x 185 mm  
Convex.

Fits 38mm ball or 19mm arm with plastic sleeve inert supplied. Black finish. Convex Truck Mirror Head.



**PART NO. TH1697**

Head Size: 320 x 185 mm  
Convex.

Convex head. Black finish. Offset mount, 16mm arm.



**PART NO. TH1673**  
**ISUZU / HINO**

Size: 330 x 180 mm  
Convex.

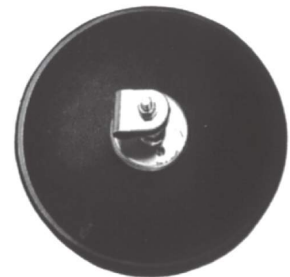
Convex head. Black finish. 22mm arm.



**PART NO. TH1772**

Size: 210mm  
Spotter.

Wide angle convex, black finish. Clamps to suit 16mm arm.



**PART NO. TH1690**  
**ISUZU**

Size: 255 x 155 mm  
Convex

Convex head. Black finish. 28mm ball.



**PART NO. TH1773**

Mirror head round  
Size 150mm



**PART NO. TH1691**

Mirror head  
Mazda T2000  
NPR Isuzu  
Size 185x323mm  
Fits 28mm ball



**PART NO. TH1775**

Head: 150mm Arm: 110mm  
Spotter.  
Fits 20mm or 16mm arm.  
Black finish. Wide Angle  
Convex Mirror with Arm -  
Clamp On.



**PART NO. TH1692**

Mirror head  
Toyota DYNA  
Size 172 x 280mm  
Fits 20mm ball



**PART NO. TH1900H**  
**TOYOTA**

Size: 180 x 145 mm  
Convex

Fits 17mm ball.  
Black finish.





**Spafax VM Series mirrors won't break, shatter or splinter, providing the ultimate in safety for drivers, operators, pedestrians, service and military personnel.**



**PART NO. VM1**

Size: 305 x 205 mm  
Flat Glass.

**THE ULTIMATE UNBREAKABLE MIRROR**

10 year glass warranty.  
Perfect image definition. Fits  
16 - 24 mm diameter arm.



**PART NO. VM2**

Size: 205 x 150 mm  
Flat Glass.

**THE ULTIMATE UNBREAKABLE MIRROR**

10 year glass warranty.  
Perfect image definition. Fits  
10 - 18 mm diameter arm.



**PART NO. VM3**

Size: 205 x 150 mm  
Convex.

**The Ultimate Unbreakable Mirror**

10 year glass warranty.  
Perfect image definition. Fits  
10 - 18mm diameter arm.

