

# H4 Video Intercom



The H4 Video Intercom integrates a 3 MP fisheye camera with a high-performance intercom and features exceptional wide dynamic range, low-light, noise reduction, and echo-cancelling technologies for clear viewing and two-way communication with visitors. Combined with Avigilon Control Center (ACC) video management software, this secured entry system enables operators to quickly and easily identify and communicate with a visitor before remotely granting access. The H4 Video Intercom also supports Avigilon Appearance Search<sup>TM</sup> technology, which enables security operators to locate a specific person of interest quickly across all cameras on a site.

The H4 Video Intercom serves as a first line of defense for facilities where securing main entry points is critical. It can help schools verify campus access, provide parking entry to approved guests at hotels, and offer after-hours entry to retail staff. By providing and restricting access, the H4 Video Intercom helps enhance security while also maintaining convenience.

The innovative weather-, vandal-, and tamper-resistant, aluminum housing and adapter easily fit installations on walls and door frames, both indoors and outdoors. Its 3 MP wide-angle camera provides exceptional image quality even under challenging conditions with LightCatcher<sup>TM</sup> technology, triple exposure, true Wide Dynamic Range (WDR), and adaptive infrared (IR) technologies. The integrated, single-button intercom provides an easy way to communicate with your Avigilon Control Center<sup>TM</sup> client for entry control. Digital inputs and outputs can easily interface to any door locks. The camera uses HDSM SmartCodec<sup>TM</sup>, Idle Scene Mode, and patented High Definition Stream Management (HDSM)<sup>TM</sup> technologies to reduce bandwidth and storage while maintaining high image quality.

## KEY FEATURES

- 3 MP 170 degree wide-angle fisheye lens offers extended field of view to clearly capture individuals of different heights.
- Provides high quality clear bi-directional communication using noise reduction and echo-cancellation.
- Weather-, vandal-, and tamper-resistant, aluminum housing together with physical tamper detection offers reliable strength and durability.
- LightCatcher technology provides exceptional image quality in low light environments.
- Triple exposure Wide Dynamic Range for complex lighting environments.
- Integrated IR LEDs provide uniform illumination in the dark, even at 0 lux.
- Input and outputs for remote control of door locks and other equipment.
- Avigilon Appearance Search technology for fast video search across all cameras.
- Avigilon Facial Recognition technology to help with caller verification.
- Single network connection for video and audio using PoE.
- Easy door grant access via ACC<sup>TM</sup>, ACC mobile 3 app, and ACM<sup>TM</sup> integration.
- HDSM SmartCodec technology reduces bandwidth and storage requirements.
- Session Initiation Protocol (SIP) support for peer to peer and PBX voice calls.

# Specifications

## 3.0 MP

<b>IMAGE PERFORMANCE</b>	Image Sensor	1/2.8" Progressive Scan CMOS			
	Aspect Ratio	4:3			
	Active Pixels (H x V)	2048 (H) x 1536 (V)			
	Imaging Area (H x V)	3.7 mm x 3.0 mm, 0.145" x 0.118"			
	Imaging Rate	30 fps			
	Minimum Illumination	With IR	0 lux		
		Without IR	0.14 lux (F2.4) in color mode; 0.03 lux (F2.4) in monochrome mode		
	IR Illumination	5 m (15 ft) max. distance at 0 lux			
	Dynamic Range	100 dB			
	Dynamic Range (WDR enabled)	120 dB triple exposure (20 fps or less); 100 dB dual exposure (30 fps)			
	Resolution Scaling	Down to 384 x 216			
	3D Noise Reduction Filter	Yes			
	<b>LENS</b>	Lens	1.83mm, F2.4, IR Corrected		
		Angle of View (H x V)	170° x 120°		
<b>IMAGE CONTROL</b>	Image Compression Method	H.264 (MPEG-4 Part 10/AVC), Motion JPEG			
	Streaming	Multi-stream H.264 and Motion JPEG			
	Bandwidth Management	HDSM SmartCodec technology; Idle scene mode			
	Video Compression	H.264/MJPEG/HDSM SmartCodec technology			
	Motion Detection	Pixel			
	Tamper Detection	Yes			
	Electronic Shutter Control	Automatic, Manual (1/6 to 1/8000 sec)			
	Iris Control	Fixed			
	Day/Night Control	Automatic, Manual			
	Flicker Control	50 Hz, 60 Hz			
	White Balance	Automatic, Manual			
	Backlight Compensation	Adjustable			
	Privacy Zones	Up to 64 zones			
<b>AUDIO CONTROL</b>	Audio Streaming	Two-way, Full Duplex			
	Audio Compression Method	Opus, G.711			
	Audio Output	90 dB at 1m (3.3")			
	Audio Input/Output	Built-in microphone with hardware disable / Built-in speaker			
	Echo Cancellation	Yes			
	Noise Reduction	Yes			
<b>NETWORK</b>	Network	100BASE-TX			
	Cabling Type	CAT5			
	Connector	RJ-45			
	ONVIF®	ONVIF compliant with version 1.02, 2.00, Profile S, Profile G			
	Security	Password protection, HTTPS encryption, digest authentication, WS authentication, user access log, 802.1x port based authentication			
	Protocols	IPv6, IPv4, HTTP, HTTPS, SOAP, DNS, NTP, RTSP, RTP, TCP, UDP, IGMP, ICMP, DHCP, Zeroconf, ARP, HSTS			
	Streaming Protocols	RTP/UDP, RTP/UDP multicast, RTP/RTSP/TCP, RTP/RTSP/HTTP/TCP, RTP/RTSP/HTTPS/TCP, HTTP			
	Session Initiation Protocol (SIP)	Integration support for Peer to Peer and PBX voice only calls			
	Device Management Protocols	SNMP v2c, SNMP v3			
	<b>PERIPHERALS</b>	External I/O Terminals	Alarm In (1), Alarm Out (2), Tamper Out (1)		
Onboard Storage		microSD/microSDHC/microSDXC slot – video speed class card required. Class V10 or better recommended.			
Tamper Detection Switch		Yes			
<b>MECHANICAL</b>	Dimensions (LxWxH)	<b>RECESSED MOUNT</b>		<b>SURFACE MOUNT</b>	
		227 mm x 120 mm x 75.9 mm (35.8mm proud of wall) 8.94" x 4.72" x 2.99" (1.41" proud of wall)		227 mm x 120 mm x 99.6 mm 8.94" x 4.72" x 3.92"	
	Weight	1,230 g; 2.71 lb		2,450 g; 5.40 lb	
	Body	Aluminum; Bubble: Polycarbonate			
	Housing	Recessed Mount, Tamper Resistant		Surface Mount, Tamper Resistant	
	Finish	Powder Coat, Silver			
<b>ELECTRICAL</b>	Power Consumption	10W			
	Power Source	PoE: IEEE802.3af Class 3 compliant	VDC: 12V +/- 10%, 10W min		
	RTC Backup Battery	3V manganese lithium			
<b>ENVIRONMENTAL</b>	Operating Temperature	-40 °C to 60 °C (-40 °F to 140 °F)			
	Storage Temperature	-10 °C to 70 °C (14 °F to 158 °F)			
	Humidity	0-95% non-condensing			
<b>CERTIFICATIONS</b>	Certifications/Directives	UL, cUL, CE, UKCA, ROHS, RCM, KC			
	Safety	UL 62368-1	CSA 62368-1	IEC/EN 62368-1	IEC 62471
	Environmental	IK10 Impact Rating on enclosure and IK08 on bubble		IP66 Rating	
	Electromagnetic Emissions	FCC Part 15 Subpart B Class B	IC ICES-003 Class B	EN 55032 Class B	EN 61000-6-3    EN 61000-3-2    EN 61000-3-3
	Electromagnetic Immunity	EN 55024		EN 61000-6-1	

**AVIGILON  
CONTROL CENTER  
VERSIONS  
SUPPORTED  
FEATURES\***

Minimum:  
ACC Version 6.10.2.8  
or higher  
ACC Version 7.0.0.28  
or higher

Initial support for the intercom workflow and Opus codec.  
All supported analytic events with two types of classified objects: person or vehicle.  
Appearance search when paired with appropriate server hardware.

Recommended:  
ACC Version 7.8.0.32  
or higher

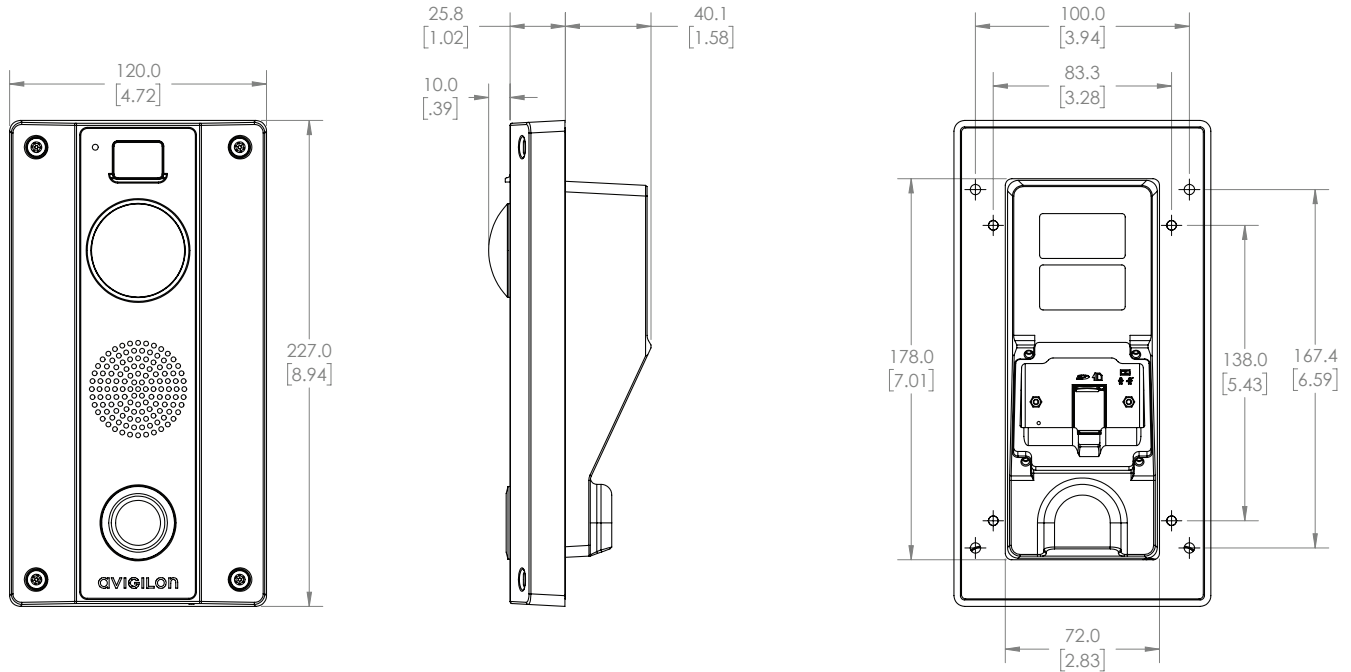
Adds the intercom call workflow support with ACC Mobile.  
All supported analytic events with people and vehicles and all vehicle sub-types as classified objects.  
Appearance search when paired with appropriate server hardware.

\* Standard or Enterprise edition is required.

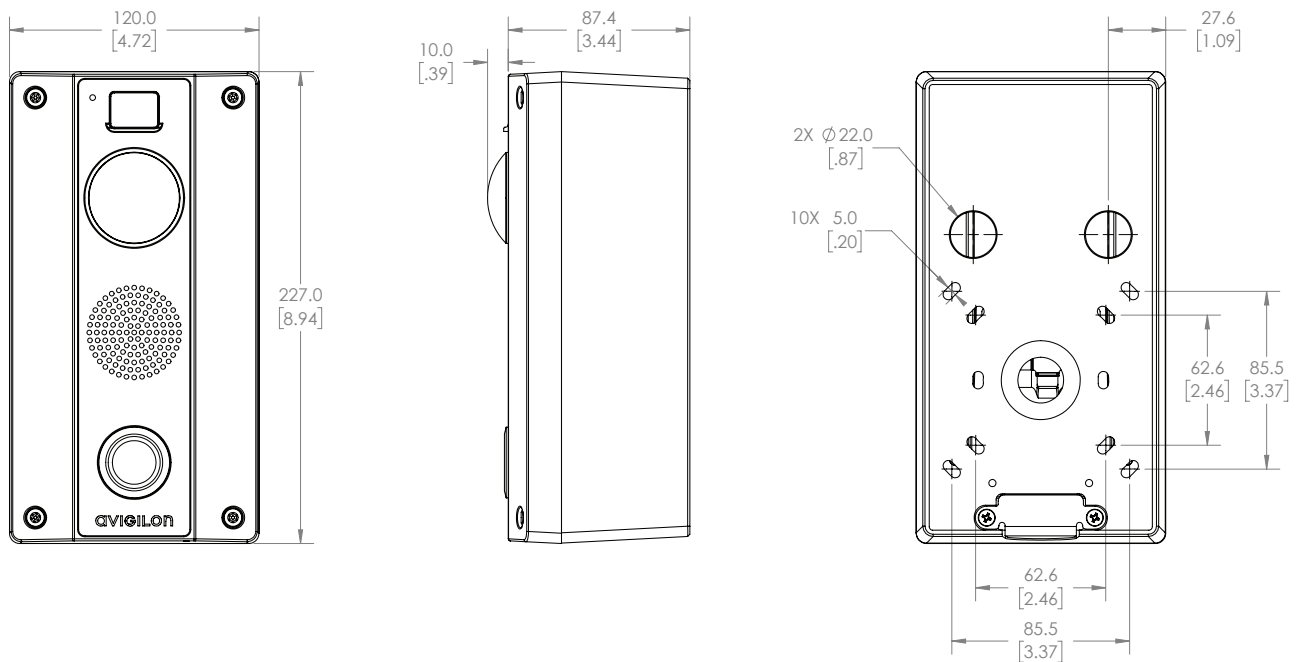
## Outline Dimensions

[X.X]	INCHES
X	MM

### Recessed Mount



### Surface Mount



# Ordering Information

	MP	WDR	LightCatcher Technology	IR	HDSM SmartCodec Technology
3.0C-H4VI-RO1-IR	3.0	✓	✓	✓	✓

## Accessories Part Numbers

H4VI-AC-RELY1	Safety Relay for H4 Video Intercom
H4VI-MT-SURF1	Surface mount adapter for H4 Video Intercom
H4VI-RO-CVER1	Replacement dome cover for the H4VI camera, package of 5