

Sensor, Series ST6-HT

- 6 mm T-slot
- with cable
- open cable ends, 2-pin
- Heat resistant
- UL certification
- Reed
- Direct mounting for series PRA, PRE, CCI, KPZ, SSI, GPC, CVI
- Indirect mounting for series TRB, ITS, CCL-IS, MNI, CSL-RD, ICM, KHZ, TRR



Certificates

Ambient temperature min./max.

Protection class

Switching point precision

Min./max. DC operating voltage

Min./max. AC operating voltage

Switching logic

Switching capacity

Vibration resistance

Shock resistance

CE declaration of conformity RoHS

-4 ... 248 °F

IP65 IP67

±0,1 mT

0 ... 30 V DC

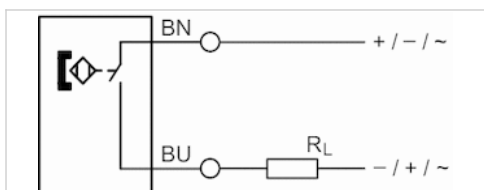
0 ... 30 V AC

NO (make contact)

Reed, 2-pin: max. 10 W

10 - 55 Hz, 1 mm

30 g / 11 ms



Technical data

Part No.	for	Type of contact	Cable length L
R412022865	PRA, PRE, CCI, KPZ, SSI, GPC, CVI	Reed	9.84 ft.
R412022867	PRA, PRE, CCI, KPZ, SSI, GPC, CVI	Reed	32.81 ft.

Part No.	Voltage drop U at I _{max}	DC switching current, max.
R412022865	≤ 3,5 V	0.13 A
R412022867	≤ 3,5 V	0.13 A

Part No.	AC switching current, max.	Max. switching frequency
R412022865	0.13 A	400 Hz
R412022867	0.13 A	400 Hz

Part No.	Version	Temperature resistance
R412022865	Protected against polarity reversal	Heat resistant

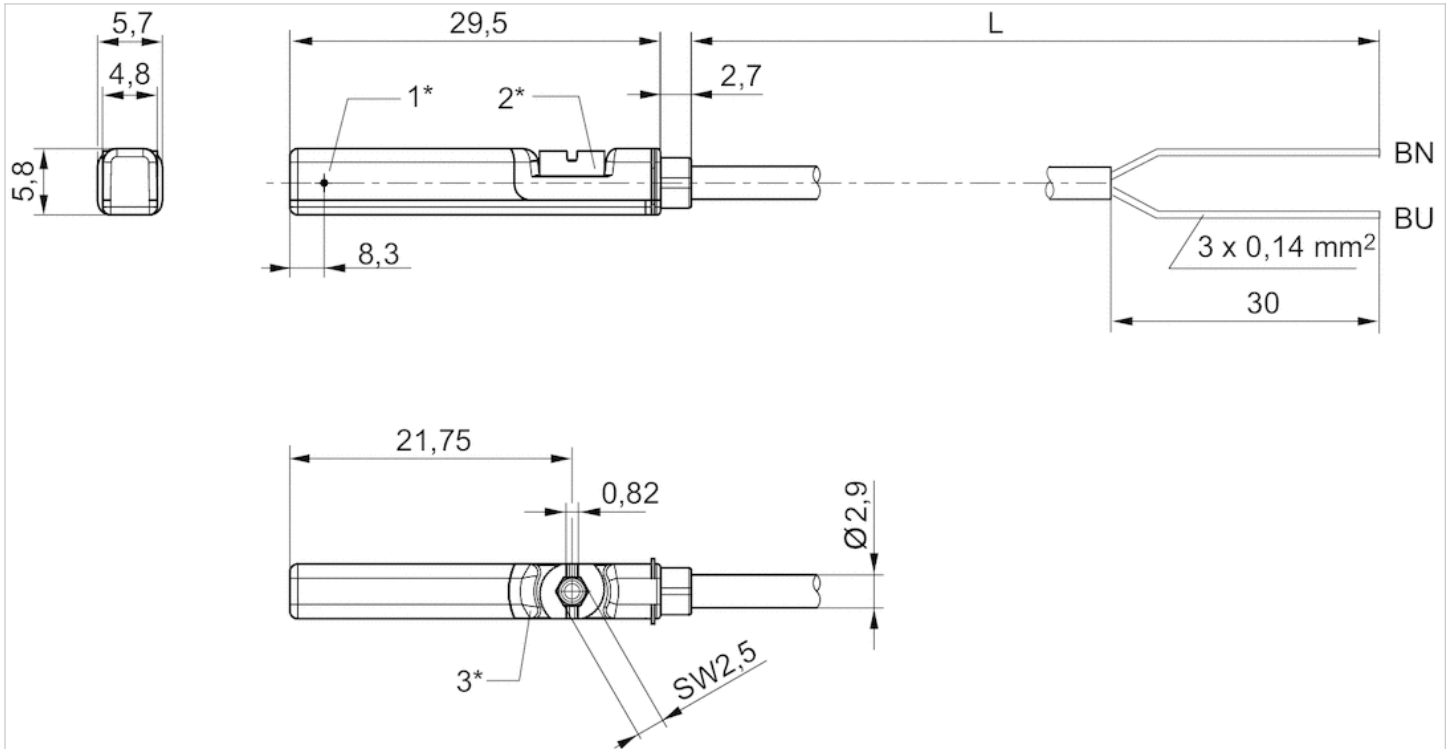
Part No.	Version	Temperature resistance
R412022867	Protected against polarity reversal	Heat resistant

Technical information

Material	
Housing	Polyamide
Cable sheath	Polyurethane
Locking screw	Stainless steel

Dimensions

Dimensions



1* = switching point 2* = locking screw 3* = LED window, transparent
 L = cable length
 BN=brown, BU=blue