



PRODUCT DIMENSIONS & SPECIFICATIONS

AAN DOWNFLOW MANUFACTURED HOME ELECTRIC FURNACE

STANDARD FEATURES

APPLICATION VERSATILITY

Downflow only application. Can be installed in closet and alcove.

CABINET

Sturdy, galvanized steel cabinet with painted front panels. Cabinet fully insulated with 1/2" faced insulation to prevent sweating and mold growth, to encapsulate glass fibers, and to provide excellent R-value. Stick pins ensure insulation remains in place.

MODULAR HEAT KITS

Heat kits available with either circuit breakers or terminal blocks. Available from 3 to 20 KW. Models with electric heat include sequencers and temperature limit switches for safe, efficient operation. Modules are easily installed in the field using molex plugs or can be ordered factory-installed. Controls are accessible from the front for easy service. Disconnect does not protrude through the wall panel.

ELECTRONIC CIRCUIT BOARD

Electronic circuit board provides 30 secs ON/OFF blower time delay extracting more heat/cool from the coil.

BLOWER

Direct drive multi-speed blowers circulate air quietly and efficiently. 3-speed motor allows for precise air volume selection. Motor speeds can be easily selected via motor terminals. Blowers mounted on rails so they can be easily removed for service.

WARRANTY

Five-year limited parts warranty.

OPTIONS

See options menu.



Representative image only. Some models may vary in appearance. Due to continuous product improvement, specifications are subject to change without notice.



Phone: 281.441.6500
Toll Free: 800.423.9007
Fax: 281.441.6510
www.aspenmfg.com



* For complete warranty details visit www.aspenmfg.com.

Revised 8/17/15. In keeping with its policy of continuous progress and product improvement, Aspen reserves the right to make changes without notice and incurring obligation. © 2015

HEATING AND COOLING PERFORMANCE AND ELECTRICAL DATA

MODEL	HEAT KIT	PERFORMANCE DATA						ELECTRICAL DATA			
		NOMINAL COOLING (TONS)	FAN AMPS	HEATING [KW]		TOTAL UNIT AMPS		MIN-CIRCUIT AMPACITY		MAX FUSE OR CIRCUIT BREAKER	
				208V	240V	208V	240V	208V	240V	208V	240V
AAN 24	FCL00	2	3	0.0	0.0	2.7	3.0	3.4	3.8	15.0	15.0
	FCL03			2.3	3.0	13.8	15.5	17.2	19.4	20.0	20.0
	FCL05			3.8	5.0	21.0	23.8	26.2	29.8	30.0	30.0
	FCL08			6.1	8.0	32.0	36.3	40.0	45.4	40.0	45.0
	FCL10			6.8	9.0	35.4	40.5	44.2	50.6	50.0	60.0
AAN 30	FCL00	2.5	3	0.0	0.0	2.7	3.0	3.4	3.8	10.0	10.0
	FCL03			2.3	3.0	13.8	15.5	17.2	19.4	20.0	20.0
	FCL05			3.8	5.0	21.0	23.8	26.2	29.8	30.0	30.0
	FCL08			6.1	8.0	32.0	36.3	40.0	45.4	40.0	45.0
	FCL10			6.8	9.0	35.4	40.5	44.2	50.6	50.0	60.0
	FCL15			10.6	14.0	35.4/18.3	40.5/20.8	44.2/22.8	50.6/26.0	45.0/25.0	60.0/30.0
AAN 36	FCL00	3.0	3	0.0	0.0	2.7	3.0	3.4	3.8	10.0	10.0
	FCL03			2.3	3.0	13.8	15.5	17.2	19.4	20.0	20.0
	FCL05			3.8	5.0	21.0	23.8	26.2	29.8	30.0	30.0
	FCL08			6.1	8.0	32.0	36.3	40.0	45.4	40.0	45.0
	FCL10			6.8	9.0	35.4	40.5	44.2	50.6	50.0	60.0
	FCL15			10.6	14.0	35.4/18.3	40.5/20.8	44.2/22.8	50.6/26.0	45.0/25.0	60.0/30.0
AAN 42	FCL00	3.5	4.4	0.0	0.0	4.0	4.4	5.0	5.5	10	10
	FCL05			3.8	5.0	22.2	25.2	27.8	31.5	30	35
	FCL10			6.8	9.0	36.7	41.9	45.8	52.4	45	60
	FCL15			10.6	14.0	36.7/18.3	41.9/20.8	45.8/22.8	52.4/26.0	60/25	60/30
	FCL20			13.7	18.0	36.7/32.7	41.9/37.5	45.8/40.9	52.4/46.9	60/45	60/60
AAN 48	FCL00	4.0	4.4	0.0	0.0	4.0	4.4	5.0	5.5	10	10
	FCL05			3.8	5.0	22.2	25.2	27.8	31.5	30	35
	FCL10			6.8	9.0	36.7	41.9	45.8	52.4	45	60
	FCL15			10.6	14.0	36.7/18.3	41.9/20.8	45.8/22.8	52.4/26.0	60/25	60/30
	FCL20			13.7	18.0	36.7/32.7	41.9/37.5	45.8/40.9	52.4/46.9	60/45	60/60
AAN 60	FCL00	5.0	4.4	0.0	0.0	4.0	4.4	5.0	5.5	10	10
	FCL05			3.8	5.0	22.2	25.2	27.8	31.5	30	35
	FCL10			6.8	9.0	36.7	41.9	45.8	52.4	45	60
	FCL15			10.6	14.0	36.7/18.3	41.9/20.8	45.8/22.8	52.4/26.0	60/25	60/30
	FCL20			13.7	18.0	36.7/32.7	41.9/37.5	45.8/40.9	52.4/46.9	60/45	60/60

BLOWER DATA

MODEL	MOTOR SPEED	MOTOR HP	MOTOR AMPS	MOTOR VOLTAGE	CFM V. EXTERNAL STATIC*				
					0.10	0.20	0.30	0.40	0.50
AAN 24/30/36	LOW	1/2	3	240	860	840	820	780	740
	HIGH				1260	1240	1220	1180	1140
AAN 42/48/60	LOW	3/4	4.4		1580	1520	1480	1440	1380
	MED				1700	1640	1560	1520	1460
	HIGH			1800	1720	1660	1620	1560	

*Wet Coil

AIR HANDLER CHASSIS NOMENCLATURE

AAN	18	-001
AAN = 240V PSC Motor Manufactured Housing Downflow Electric Furnace	Nominal tonnage (MBTUH)	Option Code

ELECTRIC HEAT KIT NOMENCLATURE

F	C	L	O3
Electric Heat	<u>Interruption</u> C = Circuit Breaker T = Terminal Block P = Circuit Breaker w/Single Point 3 = 3-Phase Circuit Breaker 4 = 3-Phase Terminal Block	L = 42-61	<u>Heat Strip</u> 00 = 0 KW 03 = 3 KW 05 = 5 KW 08 = 8 KW 10 = 10 KW 15 = 15 KW 20 = 20 KW

Fig 1

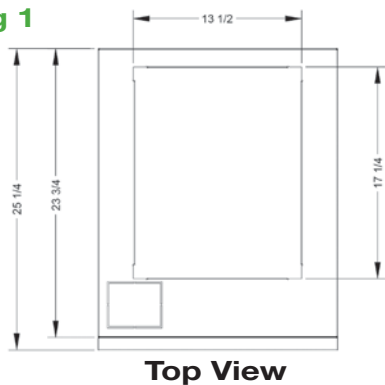


Fig 2

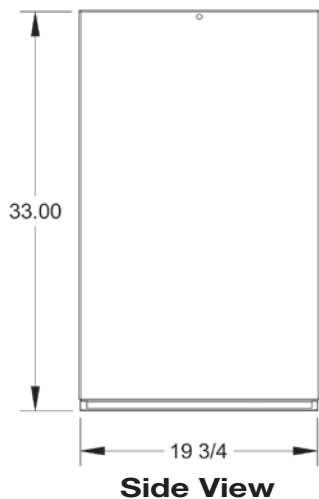
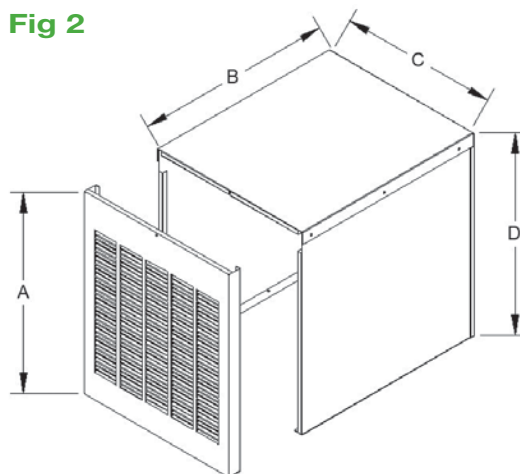
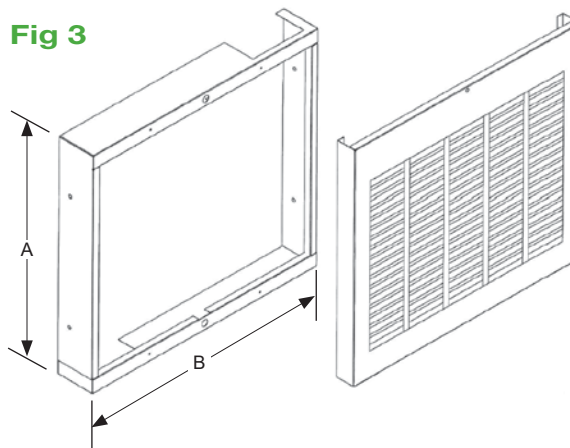


Fig 3



Cabinet Dimensions and Specifications (Fig 2)

PANEL MODEL	FOR USE WITH	A	B	C	D
MAD-01(L/S)	AAN	24	23-1/2	19-3/4	24
MAD-02(L/S)	AAN	36			36

Door with Frame Kit Dimensions (Fig 3)

PANEL MODEL	FOR USE WITH	A	B
MAD-03(L)	AAN	18	19-3/4
MAD-04(L)	AAN	24	19-3/4