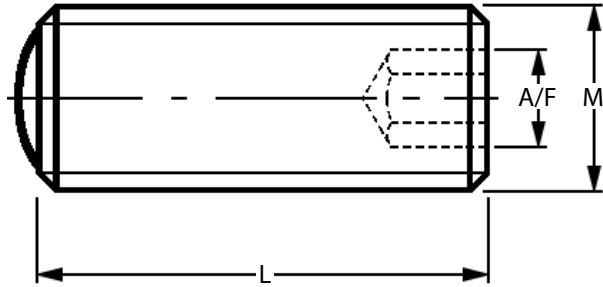


STM

FASTENERS

Silver Solder Tipped Set Screws

Stainless Steel : DIN 916 : M2 - M10



Part Number	Thread M	L	A/F
STM2-3	M2	3	0.9
STM2-4	M2	4	0.9
STM2-5	M2	5	0.9
STM2-6	M2	6	0.9
STM3-3	M3	3	1.5
STM3-4	M3	4	1.5
STM3-5	M3	5	1.5
STM3-6	M3	6	1.5
STM3-8	M3	8	1.5
STM4-4	M4	4	2.0
STM4-6	M4	6	2.0
STM4-10	M4	10	2.0
STM4-14	M4	14	2.0
STM5-6	M5	6	2.5
STM5-10	M5	10	2.5
STM5-14	M5	14	2.5
STM5-20	M5	20	2.5
STM6-6	M6	6	3.0
STM6-10	M6	10	3.0
STM6-16	M6	16	3.0
STM6-25	M6	25	3.0
STM8-6	M8	6	4.0
STM8-10	M8	10	4.0
STM8-16	M8	16	4.0
STM8-25	M8	20	4.0
STM10-12	M10	12	5.0
STM10-20	M10	20	5.0
STM10-30	M10	30	5.0

Material

Body: A2 Stainless Steel.

Tip: Silver Solder.

Extras

Other Stainless Steel grades available on request, P.O.A.

Larger sizes up to M10 available subject to minimum order quantities, P.O.A.

Inch sizes available subject to minimum order quantities, P.O.A.

Slotted grub screws available subject to minimum order quantities, P.O.A.

Other Info.

Silver solder tipped screws allow for fine adjustment and spreading over the contacting surface preventing marking or deformity of the surface of the shaft or surface they are contacting.

When removed the contacted surface is left unmarked.

Can be reused over and over again.



+44 (0)1246 455500



+44 (0)1246 455522

ondrives



sales@ondrives.com



www.ondrives.com

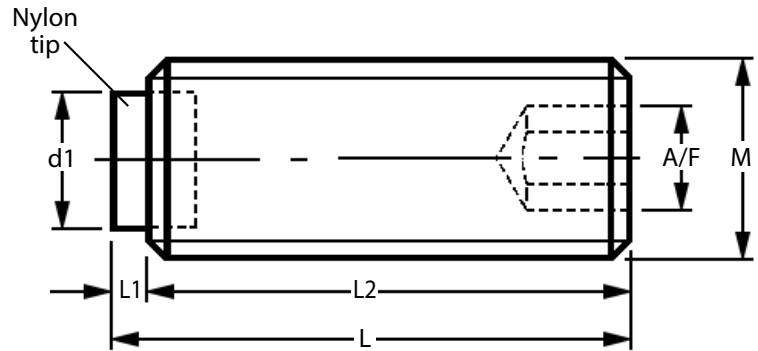
Product information updated April 2017 and subject to change. Please click the product links for prices and availability.

NTM

FASTENERS

Nylon Tipped Set Screws

Stainless Steel : DIN 916 : M2 - M10



Part Number	Thread M	Overall Length L	Body Length L2	Tip Length L1	Tip Dia. d1	A/F
NTM2-4	M2	3.8	3	0.8	0.8	0.9
NTM2-5	M2	4.8	4	0.8	0.8	0.9
NTM2-6	M2	5.8	5	0.8	0.8	0.9
NTM2-7	M2	6.8	6	0.8	0.8	0.9
NTM3-4	M3	3.8	3	0.8	1.6	1.5
NTM3-5	M3	4.8	4	0.8	1.6	1.5
NTM3-6	M3	5.8	5	0.8	1.6	1.5
NTM4-5	M4	5.2	4	1.2	2.4	2.0
NTM4-7	M4	7.2	6	1.2	2.4	2.0
NTM4-11	M4	11.2	10	1.2	2.4	2.0
NTM4-15	M4	15.2	14	1.2	2.4	2.0
NTM5-7	M5	7.2	6	1.2	2.4	2.5
NTM5-11	M5	11.2	10	1.2	2.4	2.5
NTM5-15	M5	15.2	14	1.2	2.4	2.5
NTM5-17	M5	17.2	16	1.2	2.4	2.5
NTM5-21	M5	21.2	20	1.2	2.4	2.5
NTM6-7.5	M6	7.6	6	1.6	3.2	3.0
NTM6-11.5	M6	11.6	10	1.6	3.2	3.0
NTM6-17.5	M6	17.6	16	1.6	3.2	3.0
NTM6-26.5	M6	26.6	25	1.6	3.2	3.0
NTM10-14.5	M10	14.4	12	2.4	4.8	5.0
NTM10-22.5	M10	22.4	20	2.4	4.8	5.0
NTM10-32.5	M10	32.2	30	2.4	4.8	5.0

Material

Body: A2 Stainless Steel.

Tip: Nylon.

Extras

Other Stainless Steel grades available on request, P.O.A.
Inch sizes available subject to minimum order quantities, P.O.A.

Other Info.

These self-locking screws will not mar or damage the shaft or surface they contact. The nylon conforms to the surface of the shaft.

Extra holding power is developed by full face contact over regular set screws. Can be used over and over again.



+44 (0)1246 455500



+44 (0)1246 455522

ondrives



sales@ondrives.com



www.ondrives.com

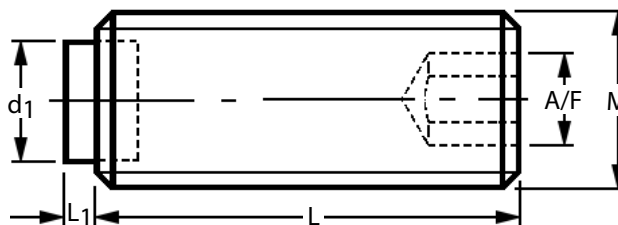
Product information updated April 2017 and subject to change. Please click the product links for prices and availability.

GN.13

FASTENERS

Acetal Tipped Set Screws

Steel : M4 - M12



Part Number	Thread M 6g	L	d1	L1	A/F	Mass g
GN.13701	M4	6	2.0	1.0	2.0	1
GN.13702	M4	8	2.0	1.0	2.0	1
GN.13703	M4	10	2.0	1.0	2.0	1
GN.13704	M4	12	2.0	1.0	2.0	1
GN.13705	M4	16	2.0	1.0	2.0	1
GN.13706	M4	20	2.0	1.0	2.0	1
GN.13711	M5	8	3.0	1.0	2.5	1
GN.13712	M5	10	3.0	1.0	2.5	1
GN.13713	M5	12	3.0	1.0	2.5	1
GN.13714	M5	16	3.0	1.0	2.5	2
GN.13715	M5	20	3.0	1.0	2.5	2
GN.13716	M5	25	3.0	1.0	2.5	3
GN.13721	M6	10	3.5	1.3	3.0	1
GN.13722	M6	12	3.5	1.3	3.0	1
GN.13723	M6	16	3.5	1.3	3.0	2
GN.13724	M6	20	3.5	1.3	3.0	3
GN.13725	M6	25	3.5	1.3	3.0	4
GN.13726	M6	32	3.5	1.3	3.0	5
GN.13727	M6	40	3.5	1.3	3.0	6
GN.13728	M6	50	3.5	1.3	3.0	8
GN.13731	M8	12	5.0	1.6	4.0	2
GN.13732	M8	16	5.0	1.6	4.0	4
GN.13733	M8	20	5.0	1.6	4.0	5
GN.13734	M8	25	5.0	1.6	4.0	7
GN.13735	M8	32	5.0	1.6	4.0	9
GN.13736	M8	40	5.0	1.6	4.0	11
GN.13737	M8	50	5.0	1.6	4.0	14
GN.13738	M8	63	5.0	1.6	4.0	18
GN.13741	M10	16	6.5	1.9	5.0	5
GN.13742	M10	20	6.5	1.9	5.0	7
GN.13743	M10	25	6.5	1.9	5.0	9
GN.13744	M10	32	6.5	1.9	5.0	13
GN.13745	M10	40	6.5	1.9	5.0	16
GN.13746	M10	50	6.5	1.9	5.0	21
GN.13747	M10	63	6.5	1.9	5.0	28
GN.13748	M10	80	6.5	1.9	5.0	36
GN.13751	M12	20	8.0	2.1	6.0	9
GN.13752	M12	25	8.0	2.1	6.0	13
GN.13753	M12	32	8.0	2.1	6.0	18
GN.13754	M12	40	8.0	2.1	6.0	24
GN.13755	M12	50	8.0	2.1	6.0	31
GN.13756	M12	63	8.0	2.1	6.0	40
GN.13757	M12	80	8.0	2.1	6.0	52
GN.13758	M12	100	8.0	2.1	6.0	66

Material

Body: Black-oxide Steel, Class 5.8 with hexagon socket head.

Tip: Acetal resin based (POM) technopolymer bolt, natural colour.

Tensile Strength: 500 N/mm².

Other Info.

These set screws prevent the contact surface from being damaged.



+44 (0)1246 455500



+44 (0)1246 455522

ondrives



sales@ondrives.com



www.ondrives.com

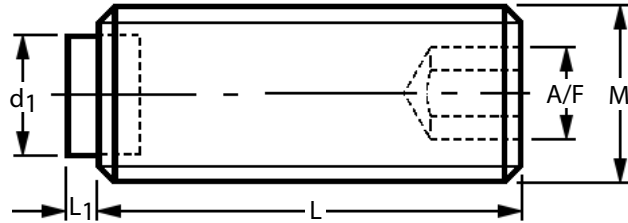
Product information updated April 2017 and subject to change. Please click the product links for prices and availability.

GN.13

FASTENERS

Acetal Tipped Set Screws

Stainless Steel : M4 - M12



Part Number	Thread M 6g	L	d1	L1	A/F	Mass g
GN.13871	M4	6	2.0	1.0	2.0	1
GN.13872	M4	8	2.0	1.0	2.0	1
GN.13873	M4	10	2.0	1.0	2.0	1
GN.13874	M4	12	2.0	1.0	2.0	1
GN.13875	M4	16	2.0	1.0	2.0	1
GN.13881	M5	8	3.0	1.0	2.5	1
GN.13882	M5	10	3.0	1.0	2.5	1
GN.13883	M5	12	3.0	1.0	2.5	1
GN.13884	M5	16	3.0	1.0	2.5	2
GN.13885	M5	20	3.0	1.0	2.5	2
GN.13891	M6	10	3.5	1.3	3.0	1
GN.13892	M6	12	3.5	1.3	3.0	1
GN.13893	M6	16	3.5	1.3	3.0	2
GN.13894	M6	20	3.5	1.3	3.0	3
GN.13895	M6	25	3.5	1.3	3.0	4
GN.13896	M6	32	3.5	1.3	3.0	5
GN.13901	M8	12	5.0	1.6	4.0	2
GN.13902	M8	16	5.0	1.6	4.0	4
GN.13903	M8	20	5.0	1.6	4.0	5
GN.13904	M8	25	5.0	1.6	4.0	7
GN.13905	M8	32	5.0	1.6	4.0	9
GN.13906	M8	40	5.0	1.6	4.0	11
GN.13911	M10	16	6.5	1.9	5.0	5
GN.13912	M10	20	6.5	1.9	5.0	7
GN.13913	M10	25	6.5	1.9	5.0	9
GN.13914	M10	32	6.5	1.9	5.0	13
GN.13915	M10	40	6.5	1.9	5.0	16
GN.13916	M10	50	6.5	1.9	5.0	21
GN.13921	M12	20	8.0	2.1	6.0	9
GN.13922	M12	25	8.0	2.1	6.0	13
GN.13923	M12	32	8.0	2.1	6.0	18
GN.13924	M12	40	8.0	2.1	6.0	24
GN.13925	M12	50	8.0	2.1	6.0	31
GN.13926	M12	63	8.0	2.1	6.0	40

Material

Body: 303 Stainless Steel with hexagon socket head.

Tip: Acetal resin based (POM) technopolymer bolt, natural colour.

Other Info.

These set screws prevent the contact surface from being damaged.

Different threads and lengths available on request, P.O.A.



+44 (0)1246 455500



+44 (0)1246 455522

ondrives



sales@ondrives.com



www.ondrives.com

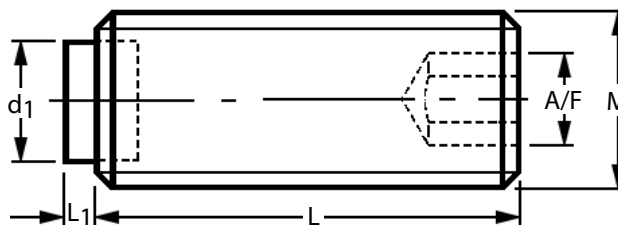
Product information updated April 2017 and subject to change. Please click the product links for prices and availability.

GN.13

FASTENERS

Brass Tipped Set Screws

Steel : M4 - M12



Part Number	Thread M 6g	L	d1	L1	A/F	Mass g
GN.13801	M4	6	2.5	0.5	2.0	1
GN.13802	M4	8	2.5	0.5	2.0	1
GN.13803	M4	10	2.5	0.5	2.0	1
GN.13804	M4	12	2.5	0.5	2.0	1
GN.13805	M4	16	2.5	0.5	2.0	1
GN.13806	M4	20	2.5	0.5	2.0	1
GN.13811	M5	8	3.0	0.5	2.5	1
GN.13812	M5	10	3.0	0.5	2.5	1
GN.13813	M5	12	3.0	0.5	2.5	1
GN.13814	M5	16	3.0	0.5	2.5	2
GN.13815	M5	20	3.0	0.5	2.5	2
GN.13816	M5	25	3.0	0.5	2.5	3
GN.13821	M6	10	4.0	1.0	3.0	1
GN.13822	M6	12	4.0	1.0	3.0	2
GN.13823	M6	16	4.0	1.0	3.0	2
GN.13824	M6	20	4.0	1.0	3.0	3
GN.13825	M6	25	4.0	1.0	3.0	4
GN.13826	M6	32	4.0	1.0	3.0	5
GN.13827	M6	40	4.0	1.0	3.0	6
GN.13828	M6	50	4.0	1.0	3.0	8
GN.13831	M8	12	6.0	1.5	4.0	3
GN.13832	M8	16	6.0	1.5	4.0	5
GN.13833	M8	20	6.0	1.5	4.0	6
GN.13834	M8	25	6.0	1.5	4.0	7
GN.13835	M8	32	6.0	1.5	4.0	10
GN.13836	M8	40	6.0	1.5	4.0	12
GN.13837	M8	50	6.0	1.5	4.0	15
GN.13838	M8	63	6.0	1.5	4.0	19
GN.13841	M10	16	8.0	2.0	5.0	7
GN.13842	M10	20	8.0	2.0	5.0	9
GN.13843	M10	25	8.0	2.0	5.0	11
GN.13844	M10	32	8.0	2.0	5.0	15
GN.13845	M10	40	8.0	2.0	5.0	18
GN.13846	M10	50	8.0	2.0	5.0	23
GN.13847	M10	63	8.0	2.0	5.0	30
GN.13848	M10	80	8.0	2.0	5.0	38
GN.13851	M12	20	10.0	2.0	6.0	12
GN.13852	M12	25	10.0	2.0	6.0	16
GN.13853	M12	32	10.0	2.0	6.0	21
GN.13854	M12	40	10.0	2.0	6.0	27
GN.13855	M12	50	10.0	2.0	6.0	34
GN.13856	M12	63	10.0	2.0	6.0	43
GN.13857	M12	80	10.0	2.0	6.0	56
GN.13858	M12	100	10.0	2.0	6.0	70

Material

Body: Black-oxide Steel, Class 5.8 with hexagon socket head.

Tip: Brass bolt.

Tensile Strength: 500 N/mm².

Other Info.

These set screws prevent the contact surface from being damaged.



+44 (0)1246 455500

+44 (0)1246 455522

ondrives



sales@ondrives.com

www.ondrives.com



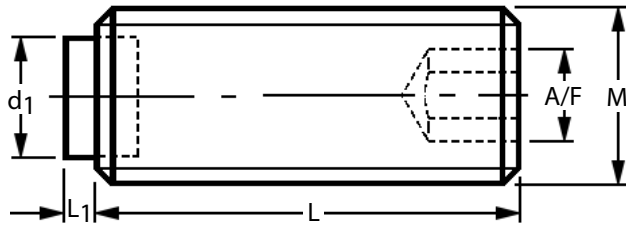
Product information updated April 2017 and subject to change. Please click the product links for prices and availability.

GN.13

FASTENERS

Brass Tipped Set Screws

Stainless Steel : M4 - M12



Part Number	Thread M 6g	L	d1	L1	A/F	Mass g
GN.13941	M4	6	2.5	0.5	2.0	1
GN.13942	M4	8	2.5	0.5	2.0	1
GN.13943	M4	10	2.5	0.5	2.0	1
GN.13944	M4	12	2.5	0.5	2.0	1
GN.13945	M4	16	2.5	0.5	2.0	1
GN.13951	M5	8	3.0	0.5	2.5	1
GN.13952	M5	10	3.0	0.5	2.5	1
GN.13953	M5	12	3.0	0.5	2.5	1
GN.13954	M5	16	3.0	0.5	2.5	2
GN.13955	M5	20	3.0	0.5	2.5	2
GN.13961	M6	10	4.0	1.0	3.0	1
GN.13962	M6	12	4.0	1.0	3.0	2
GN.13963	M6	16	4.0	1.0	3.0	2
GN.13964	M6	20	4.0	1.0	3.0	3
GN.13965	M6	25	4.0	1.0	3.0	4
GN.13966	M6	32	4.0	1.0	3.0	5
GN.13971	M8	12	6.0	1.5	4.0	3
GN.13972	M8	16	6.0	1.5	4.0	5
GN.13973	M8	20	6.0	1.5	4.0	6
GN.13974	M8	25	6.0	1.5	4.0	7
GN.13975	M8	32	6.0	1.5	4.0	10
GN.13976	M8	40	6.0	1.5	4.0	12
GN.13981	M10	16	8.0	2.0	5.0	7
GN.13982	M10	20	8.0	2.0	5.0	9
GN.13983	M10	25	8.0	2.0	5.0	11
GN.13984	M10	32	8.0	2.0	5.0	15
GN.13985	M10	40	8.0	2.0	5.0	18
GN.13986	M10	50	8.0	2.0	5.0	23
GN.13991	M12	20	10.0	2.0	6.0	12
GN.13992	M12	25	10.0	2.0	6.0	16
GN.13993	M12	32	10.0	2.0	6.0	21
GN.13994	M12	40	10.0	2.0	6.0	27
GN.13995	M12	50	10.0	2.0	6.0	34
GN.13996	M12	63	10.0	2.0	6.0	43

Material

Body: 303 Stainless Steel with hexagon socket head.

Tip: Brass bolt.

Other Info.

These set screws prevent the contact surface from being damaged.

Different threads and lengths available on request, P.O.A.



+44 (0)1246 455500
+44 (0)1246 455522

ondrives

sales@ondrives.com
www.ondrives.com

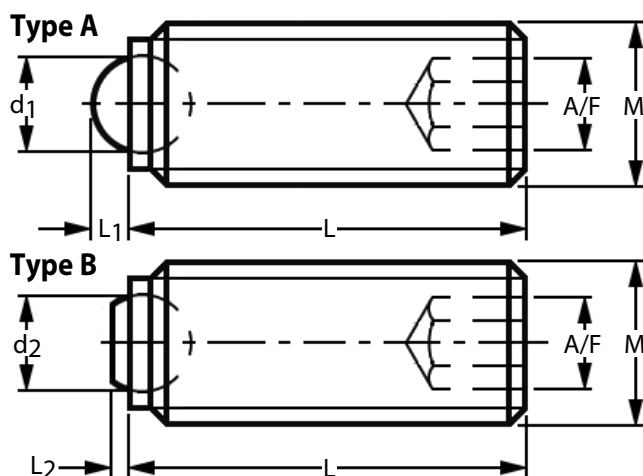
Product information updated April 2017 and subject to change. Please click the product links for prices and availability.

FASTENERS

GN.14

Set Screws with Ball Terminal

Steel : M4 - M16



Part Number Type A	Thread M	L	L1	d1	A/F	Mass g	Part Number Type B	Thread M	L	L1	d1	A/F	Mass g
GN.14001	M4	6	0.8	2.5	2.0	1							
GN.14003	M4	10	0.8	2.5	2.0	1							
GN.14006	M4	16	0.8	2.5	2.0	1							
GN.14011	M5	8	0.9	3.0	2.5	1							
GN.14013	M5	12	0.9	3.0	2.5	1							
GN.14016	M5	20	0.9	3.0	2.5	2							
GN.14021	M6	10	1.4	4.0	3.0	2	GN.14321	M6	10	0.6	3.2	3	2
GN.14023	M6	16	1.4	4.0	3.0	3	GN.14323	M6	16	0.6	3.2	3	3
GN.14026	M6	25	1.4	4.0	3.0	4	GN.14326	M6	25	0.6	3.2	3	4
GN.14031	M8	10	1.7	5.5	4.0	3	GN.14331	M8	10	0.7	4.2	4	3
GN.14033	M8	12	1.7	5.5	4.0	3	GN.14333	M8	12	0.7	4.2	4	3
GN.14036	M8	20	1.7	5.5	4.0	6	GN.14336	M8	20	0.7	4.2	4	6
GN.14038	M8	30	1.7	5.5	4.0	9	GN.14338	M8	30	0.7	4.2	4	9
GN.14041	M10	12	2.3	7.0	5.0	5	GN.14341	M10	12	0.8	5.7	5	5
GN.14043	M10	16	2.3	7.0	5.0	7	GN.14343	M10	16	0.8	5.7	5	7
GN.14046	M10	25	2.3	7.0	5.0	11	GN.14346	M10	25	0.8	5.7	5	11
GN.14048	M10	35	2.3	7.0	5.0	16	GN.14348	M10	35	0.8	5.7	5	16
GN.14051	M12	16	2.8	8.0	6.0	10	GN.14351	M12	16	0.9	7.1	6	10
GN.14053	M12	20	2.8	8.0	6.0	13	GN.14353	M12	20	0.9	7.1	6	13
GN.14056	M12	30	2.8	8.0	6.0	20	GN.14356	M12	30	0.9	7.1	6	20
GN.14058	M12	40	2.8	8.0	6.0	28	GN.14358	M12	40	0.9	7.1	6	28
GN.14061	M16	20	4.0	12.0	8.0	22	GN.14361	M16	20	1.5	9.7	8	22
GN.14063	M16	25	4.0	12.0	8.0	28	GN.14363	M16	25	1.5	9.7	8	28
GN.14066	M16	35	4.0	12.0	8.0	41	GN.14366	M16	35	1.5	9.7	8	41
GN.14068	M16	50	4.0	12.0	8.0	48	GN.14368	M16	50	1.5	9.7	8	48

Material

Body: Black-oxide Steel with hexagon socket head.

Ball: Hardened Steel.

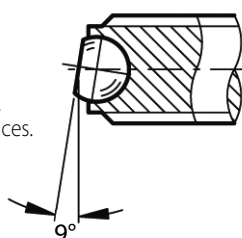
Hardness: 45 HRC.

Application

Suitable for locking pieces to be machined.

Type A: Ball for applications requiring a single point contact.

Type B: Reversible flat-faced ball for fitting non-parallel surfaces.
Maximum ball plane inclination = 9°.



Options

Screws with non-reversible flat-faced ball available on request, P.O.A.

Screws with non-reversible knurled flat-faced ball available on request, P.O.A.



+44 (0)1246 455500



+44 (0)1246 455522

ondrives



sales@ondrives.com



www.ondrives.com



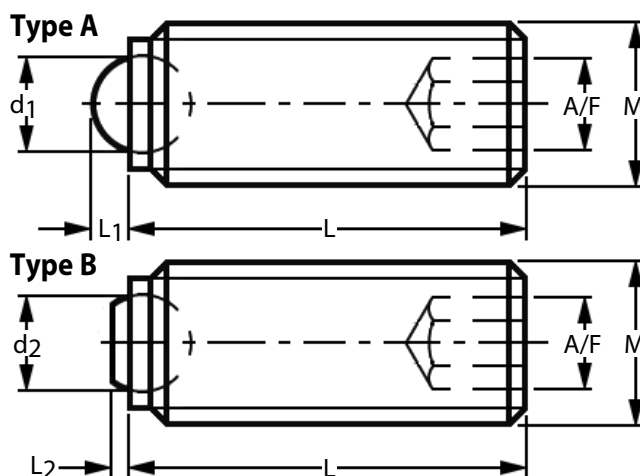
Product information updated April 2017 and subject to change. Please click the product links for prices and availability.

FASTENERS

GN.14

Set Screws with Ball Terminal

Stainless Steel : M4 - M16



Part Number Type A	Thread M	L	L1	d1	A/F	Mass g	Part Number Type B	Thread M	L	L1	d1	A/F	Mass g
GN.14101	M4	6	0.8	2.5	2.0	1							
GN.14103	M4	10	0.8	2.5	2.0	1							
GN.14106	M4	16	0.8	2.5	2.0	1							
GN.14111	M5	8	0.9	3.0	2.5	1							
GN.14113	M5	12	0.9	3.0	2.5	1							
GN.14116	M5	20	0.9	3.0	2.5	2							
GN.14121	M6	10	1.4	4.0	3.0	2	GN.14421	M6	10	0.6	3.2	3	1
GN.14123	M6	16	1.4	4.0	3.0	3	GN.14423	M6	16	0.6	3.2	3	2
GN.14126	M6	25	1.4	4.0	3.0	4	GN.14426	M6	25	0.6	3.2	3	4
GN.14131	M8	10	1.7	5.5	4.0	3	GN.14431	M8	10	0.7	4.2	4	2
GN.14133	M8	12	1.7	5.5	4.0	3	GN.14433	M8	12	0.7	4.2	4	3
GN.14136	M8	20	1.7	5.5	4.0	6	GN.14436	M8	20	0.7	4.2	4	5
GN.14138	M8	30	1.7	5.5	4.0	9	GN.14438	M8	30	0.7	4.2	4	8
GN.14141	M10	12	2.3	7.0	5.0	5	GN.14441	M10	12	0.8	5.7	5	4
GN.14143	M10	16	2.3	7.0	5.0	7	GN.14443	M10	16	0.8	5.7	5	6
GN.14146	M10	25	2.3	7.0	5.0	11	GN.14446	M10	25	0.8	5.7	5	10
GN.14148	M10	35	2.3	7.0	5.0	16	GN.14448	M10	35	0.8	5.7	5	15
GN.14151	M12	16	2.8	8.0	6.0	10	GN.14451	M12	16	0.9	7.1	6	8
GN.14153	M12	20	2.8	8.0	6.0	13	GN.14453	M12	20	0.9	7.1	6	11
GN.14156	M12	30	2.8	8.0	6.0	20	GN.14456	M12	30	0.9	7.1	6	19
GN.14158	M12	40	2.8	8.0	6.0	28	GN.14458	M12	40	0.9	7.1	6	25
GN.14161	M16	20	4.0	12.0	8.0	22	GN.14461	M16	20	1.5	9.7	8	20
GN.14163	M16	25	4.0	12.0	8.0	28	GN.14463	M16	25	1.5	9.7	8	27
GN.14166	M16	35	4.0	12.0	8.0	41	GN.14466	M16	35	1.5	9.7	8	40
GN.14168	M16	50	4.0	12.0	8.0	48	GN.14468	M16	50	1.5	9.7	8	59

Material

Body: 304 Stainless Steel with hexagon socket head

Ball: Hardened Stainless Steel.

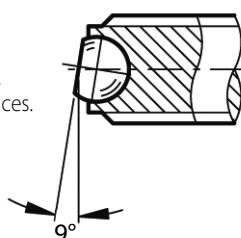
Application

Suitable for locking pieces to be machined.

Type A: Ball for applications requiring a single point contact.

Type B: Reversible flat-faced ball for fitting non-parallel surfaces.

Maximum ball plane inclination = 9°.



Options

Screws with non-reversible flat-faced ball available on request, P.O.A.

Screws with non-reversible knurled flat-faced ball available on request, P.O.A.



+44 (0)1246 455500



+44 (0)1246 455522

ondrives



sales@ondrives.com



www.ondrives.com



Product information updated April 2017 and subject to change. Please click the product links for prices and availability.