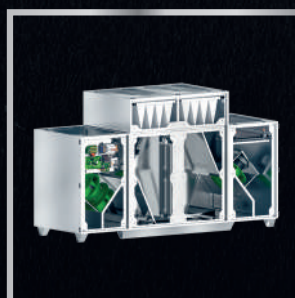
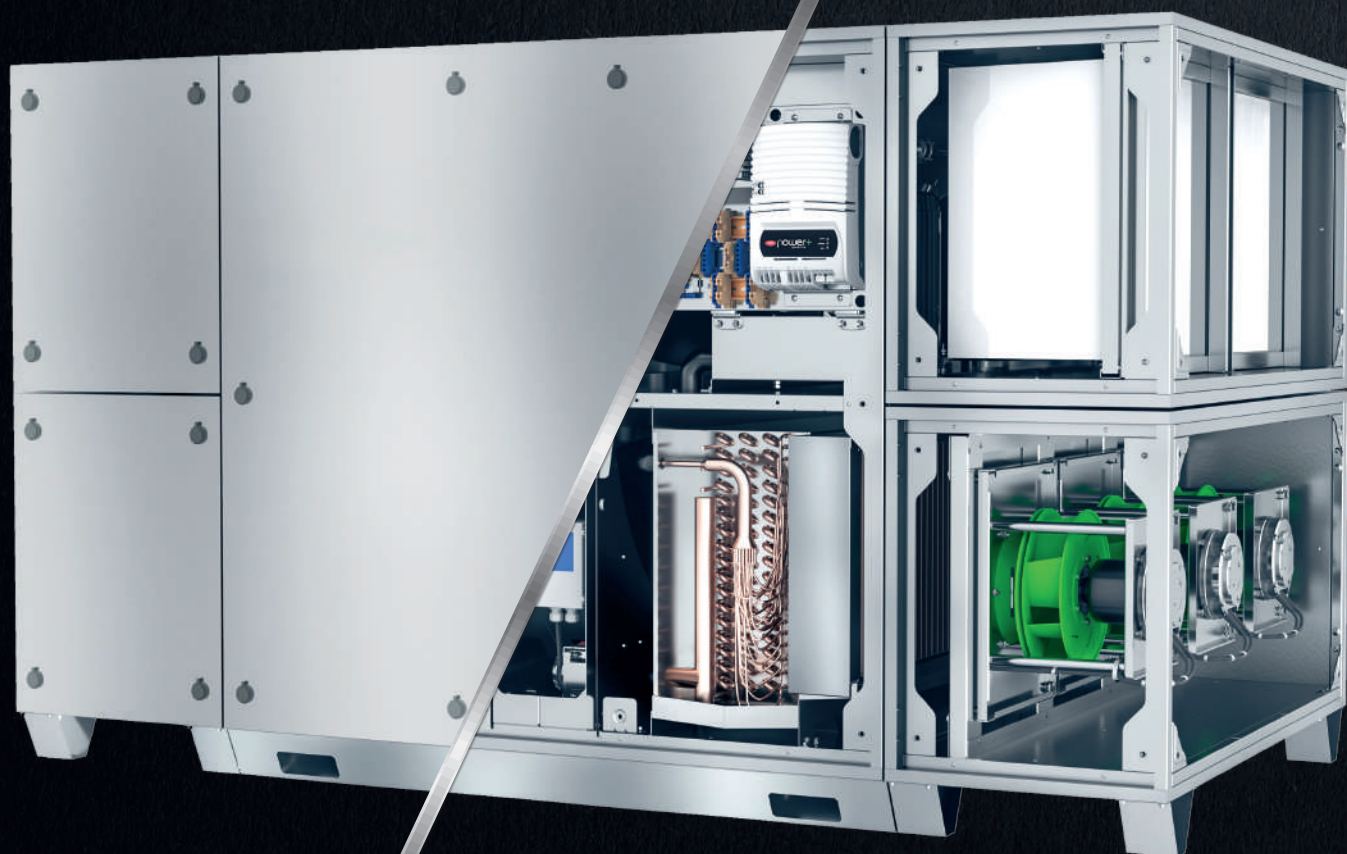




Mycond BreezMe
2023



SUSPENDED AIR HANDLING UNITS

■ with counter-flow heat exchanger (hex)



← **150 m³/h – airflow range – 3300 m³/h** →

ADDITIONAL AIR



Mini-Pleat
air filter



Bag filter



Heater



Cooler



Heater, Cooler



Sound
attenuator



Additional
empty space

FLOOR MOUNTED AIR HANDLING UNITS

■ with rotary heat exchanger or hex counter-flow heat exchanger



■ with rotary heat exchanger and heat pump



■ TOP with counter-flow heat exchanger (hex)



TREATMENT FUNCTIONS



Mini-Pleat air filter



Bag filter



Heater



Cooler



Heater, Cooler



Sound attenuator



Additional empty space

MYCOND BREEZME CL SUSPENDED AIR HANDLING UNITS



up to **90%**
recovery efficiency



MINERAL WOOL
INSULATION



HIGHLY EFFICIENT
HEX COUNTER-FLOW
HEAT RECOVERY



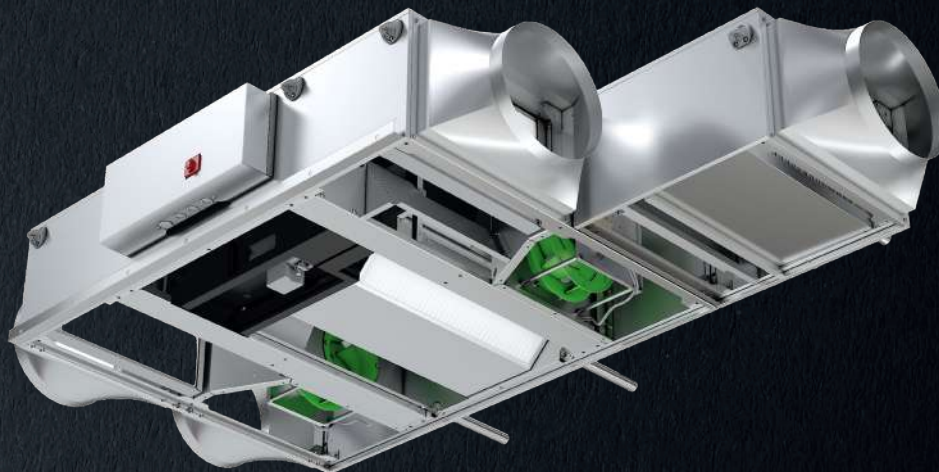
ENERGY SAVING
AND SILENT FANS
WITH EC MOTORS



PLUG&PLAY
PRODUCT



INTEGRATED
MULTIFUNCTIONAL
CONTROLS



MYCOND BREEZME FLOOR MOUNTED AIR HANDLING UNITS



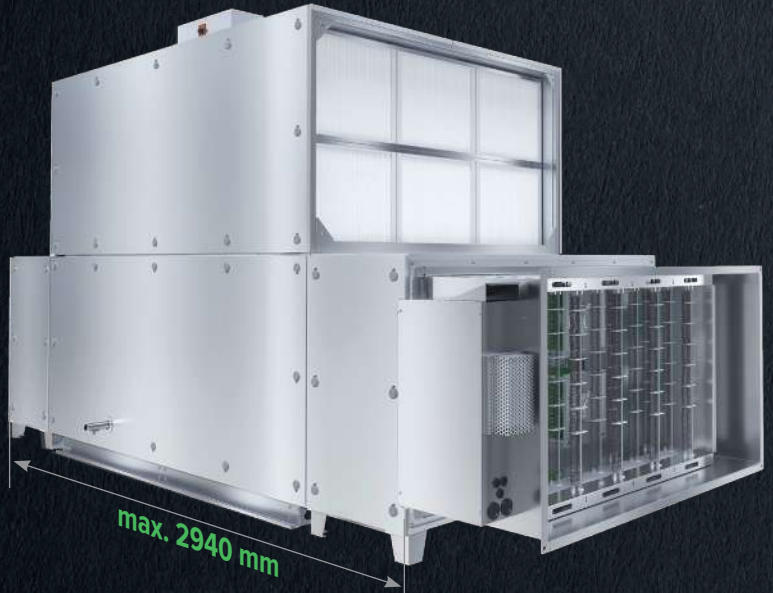
up to **90%**
recovery efficiency



up to **90%**
recovery efficiency



Mycond BreezMe FT
with **hex counter-flow**
heat exchanger



Mycond BreezMe FC
with **rotary heat exchanger**
or **hex counter-flow** heat exchanger



MINERAL WOOL
INSULATION



HIGHLY EFFICIENT
ROTARY AND HEX
COUNTER-FLOW
HEAT EXCHANGER



ENERGY SAVING
AND SILENT FANS
WITH EC MOTORS

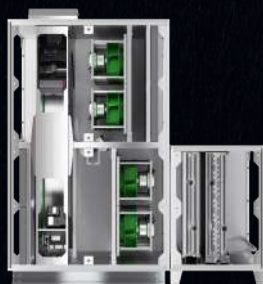
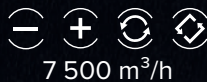


PLUG&PLAY
PRODUCT



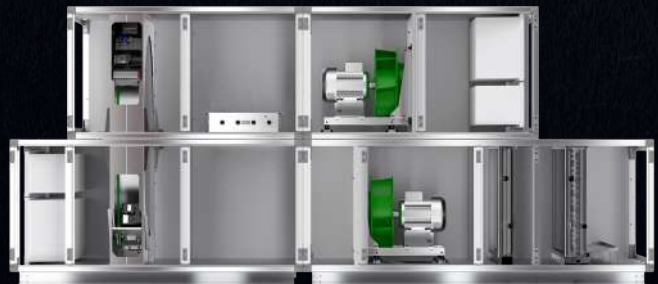
INTEGRATED
MULTIFUNCTIONAL
CONTROLS

■ Mycond BreezMe



0,5L

■ Standard Air Handling Units

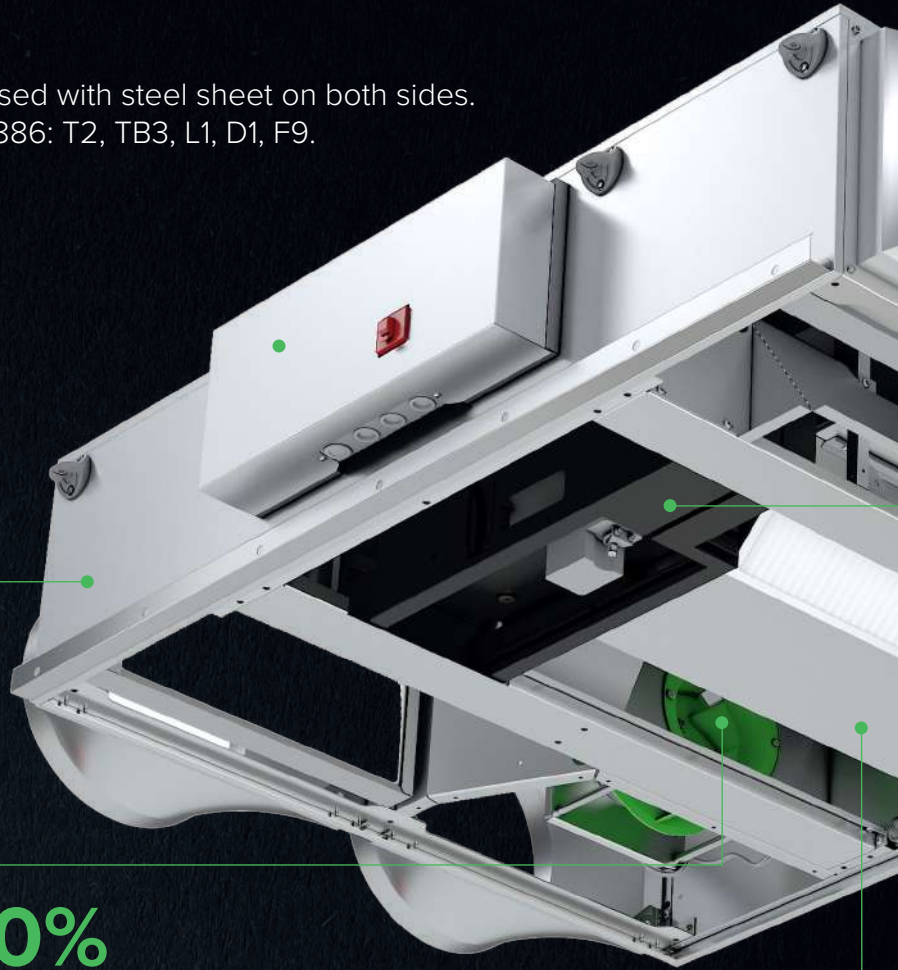
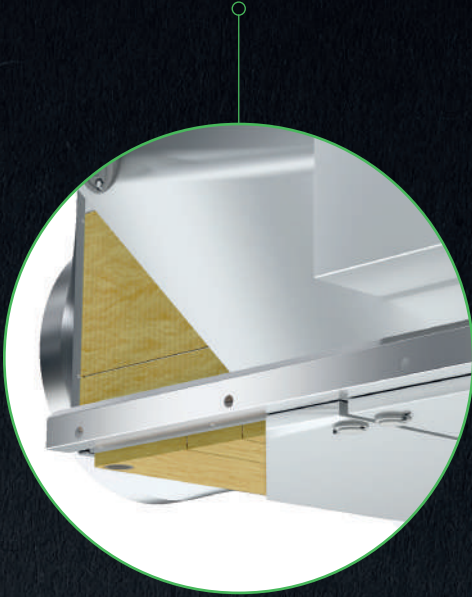


1L

MYCOND BREEZME CL SUSPENDED AIR HANDLING UNITS

CASING

- Panels filled with mineral wool, enclosed with steel sheet on both sides.
- Casing parameters according to EN 1886: T2, TB3, L1, D1, F9.

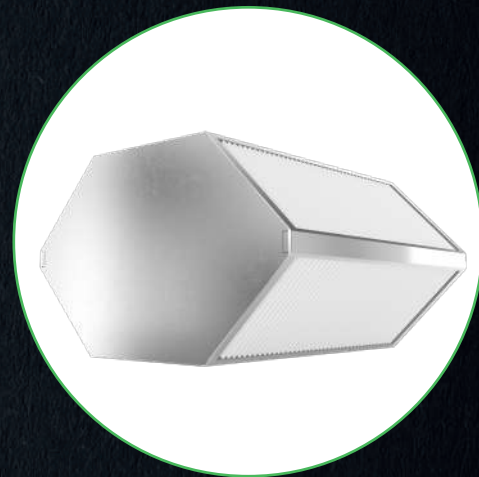


up to **90%**
recovery efficiency



EC MOTORS

- Efficient, silent and low vibrations fan with electronically commutated motor in a IE4 class



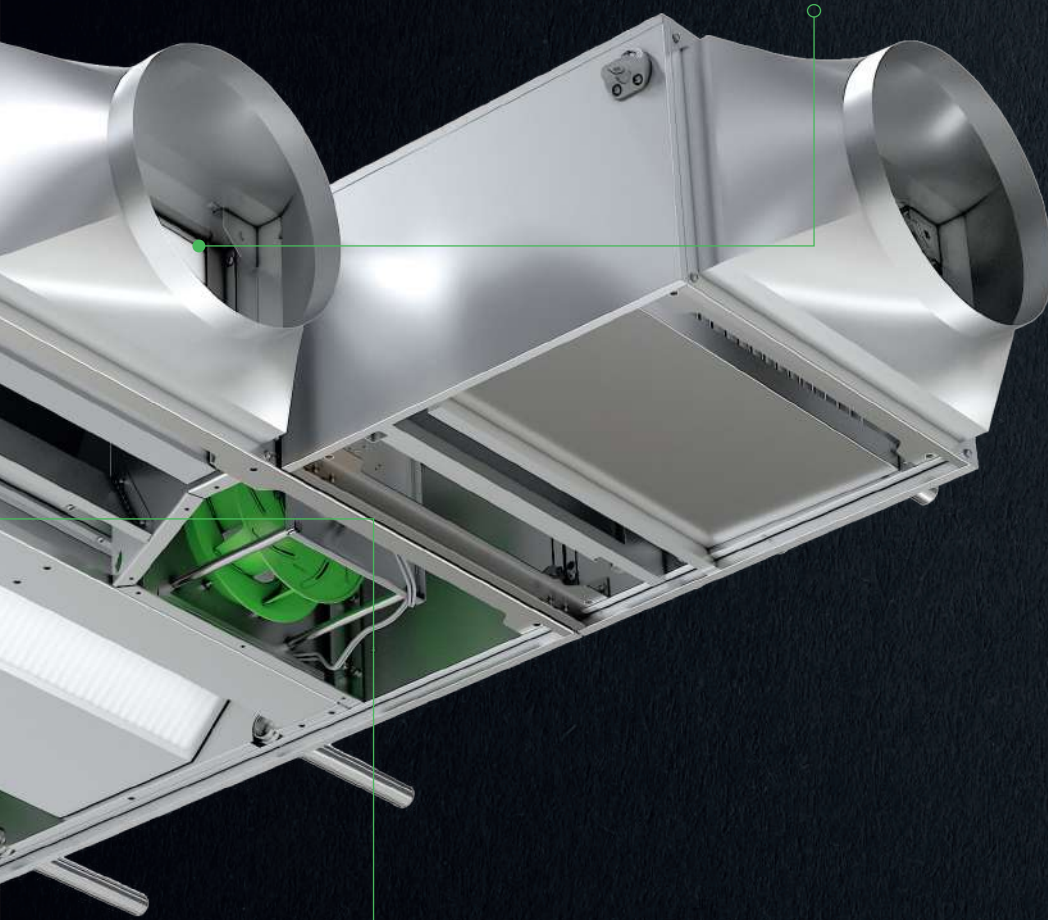
ENERGY RECOVERY

- Highly efficient counterflow hex recovery with by-pass.
- Recovery efficiency reaching 90%.

MINI-PLEAT FILTERS

Air filters with extended high efficiency filtration surface.

- Supply - EU7 (ePM2,5 65%)
- Exhaust - EU5 (ePM10 50%)



RECUPERATOR BY-PASS

- Stepless adjustment of heat recovery capacity.
- Passive cooling function.
- Recuperator frost protection.



CONTROLS

- Multifunctional controls, integrated with the unit – fully pre-configured and ready to run.

MYCOND BREEZME FT FLOOR-MOUNTED UNITS WITH VERTICAL DUCT CONNECTION

CASING

- Panels filled with mineral wool, enclosed with steel sheet on both sides.
- Casing parameters according to EN 1886: T2, TB3, L1, D1, F9.
- Fan and filter section panels fitted with hinges.



DIMENSIONS

- Unit width 88 cm - can be transported through the opening of 90 cm without disassembling the device.



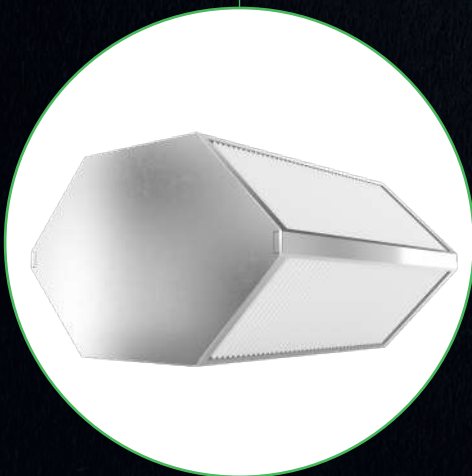
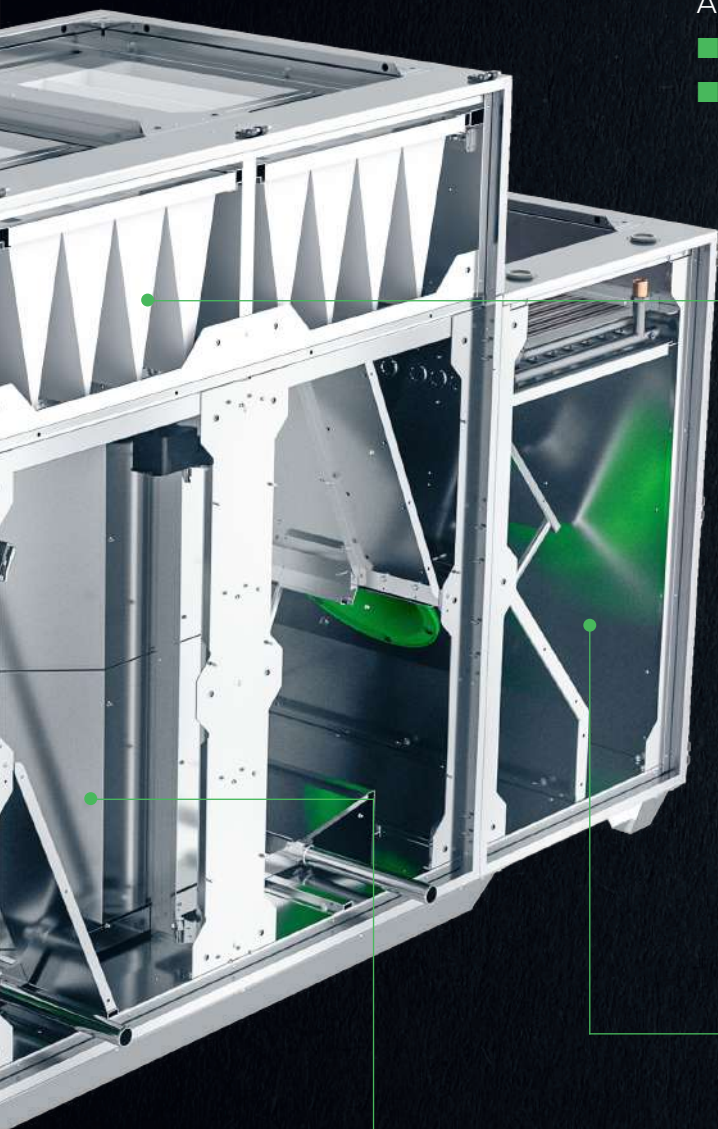
CONTROLS

- Multifunctional controls, integrated with the unit – fully pre-configured and ready to run.

MINI-PLEAT OR BAG FILTERS

Air filters with extended high efficiency filtration surface.

- Supply - EU7
- Exhaust - EU5



ENERGY RECOVERY

- Highly efficient counterflow hex recovery with by-pass.
- Recovery efficiency reaching 90%.



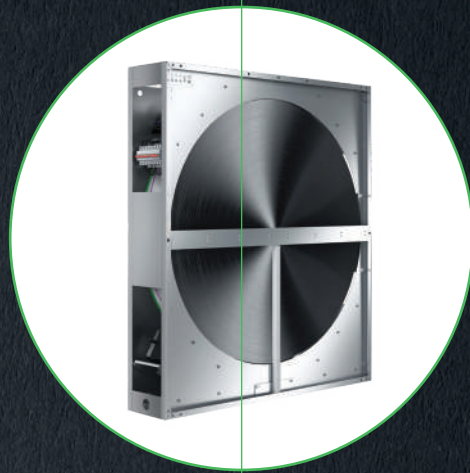
EC MOTORS

- Efficient, silent and low vibrations fan with electronically commutated motor in a IE4 class.

MYCOND BREEZME FC FLOOR MOUNTED AIR HANDLING UNITS

CASING

- Panels filled with mineral wool, enclosed with steel sheet on both sides.
- Casing parameters according to EN 1886: T2, TB3, L1, D1, F9.



ENERGY RECOVERY

- Highly efficient heat wheel driven by EC motor.
- Recovery efficiency reaching 86%.



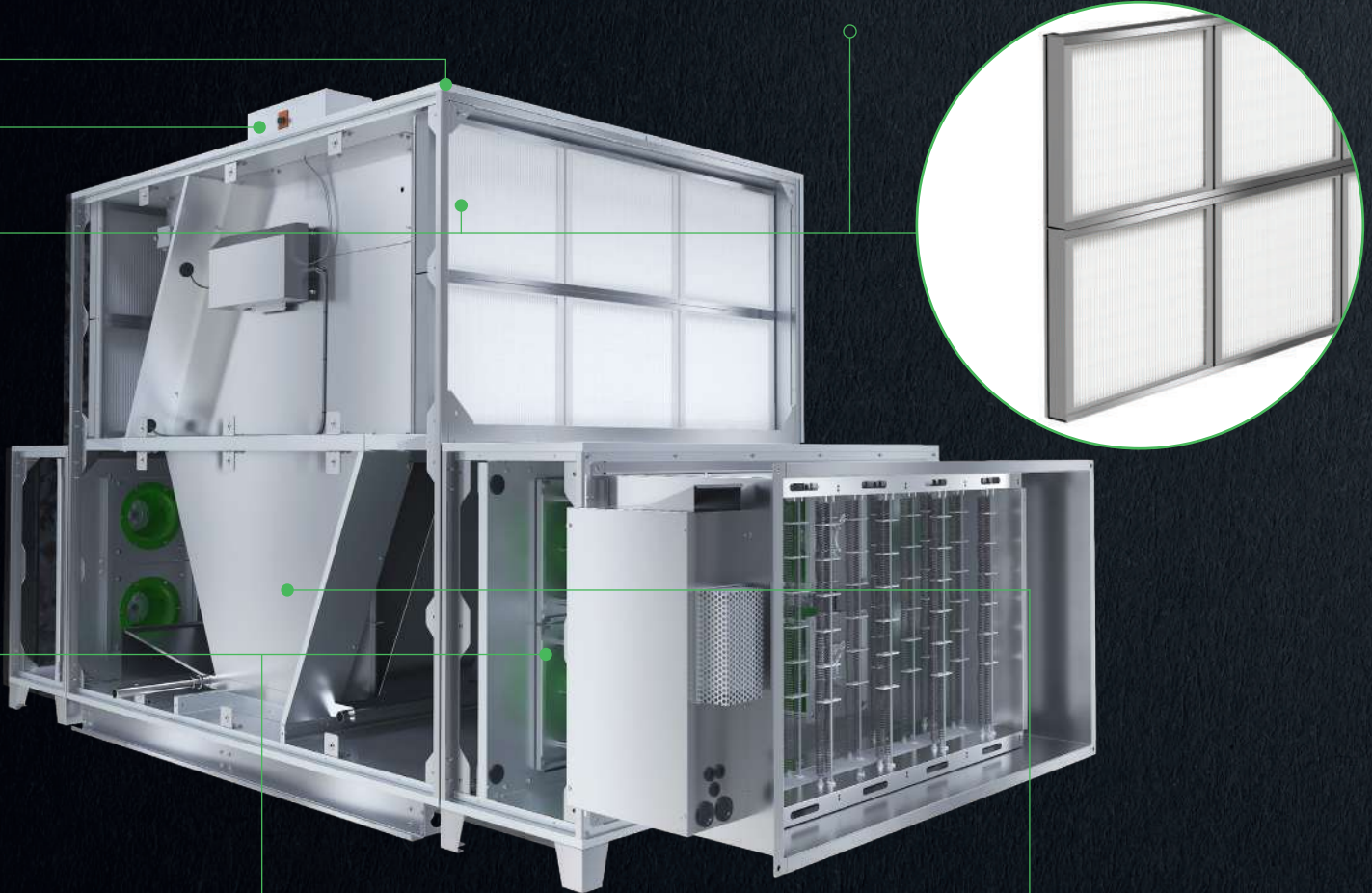
CONTROLS

- Multifunctional controls, integrated with the unit– fully pre-configured and ready to run.

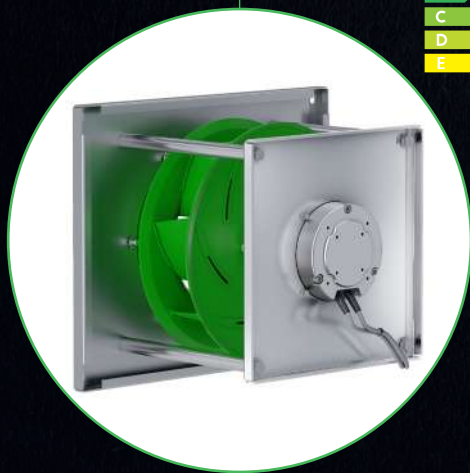
MINI-PLEAT FILTERS

Air filters with extended high efficiency filtration surface.

- Supply - EU7 (ePM2,5 65%)
- Exhaust - EU5 (ePM10 50%)

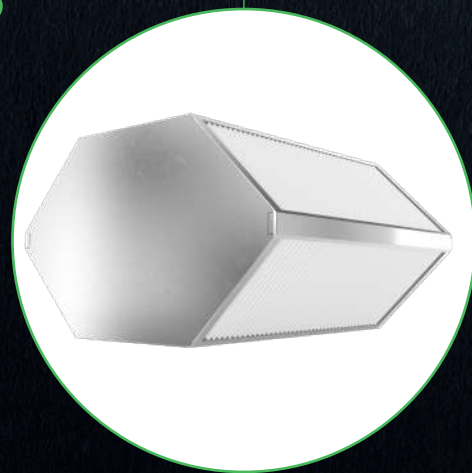


up to **93%**
drive efficiency



EC MOTORS

- Efficient, silent and low vibrations fan with electronically commutated motor in a IE4 class.



ENERGY RECOVERY

- Highly efficient counterflow hex recovery with by-pass
- Recovery efficiency reaching 90%

MYCOND BREEZME HP FLOOR MOUNTED UNITS WITH HEAT PUMP

FOR USE IN ANY FACILITY

- No external refrigeration equipment taking up space in your facility
- No external noise sources

OPTIMUM MATCHING

- Factory fit of heat pump and air handling unit components
- Manufacturer's warranty on the final air handling unit and heat pump product

HIGH ENERGY EFFICIENCY

- High efficiency sorption rotary regenerator for excellent heat and moisture recovery
- Installation of multi-row condensers and evaporators on both sides of the regenerator ensures the most efficient operation of the heat pump



CONVENIENT TRANSPORT, QUICK INSTALLATION

- The unit is divided into easy to transport and easy to assemble complete functional modules

EASY COMMISSIONING

- Multifunctional factory assembled controls ready to work as soon as the unit is assembled
- Easy commissioning without service



COHERENT CONTROL SYSTEM

- Integrated control system for air handling unit and heat pump
- Full monitoring and remote diagnostics of all components

HEAT PUMP FUNCTIONS

- Supply air cooling in summer
- Reduction of supply air heating costs during other periods of the year

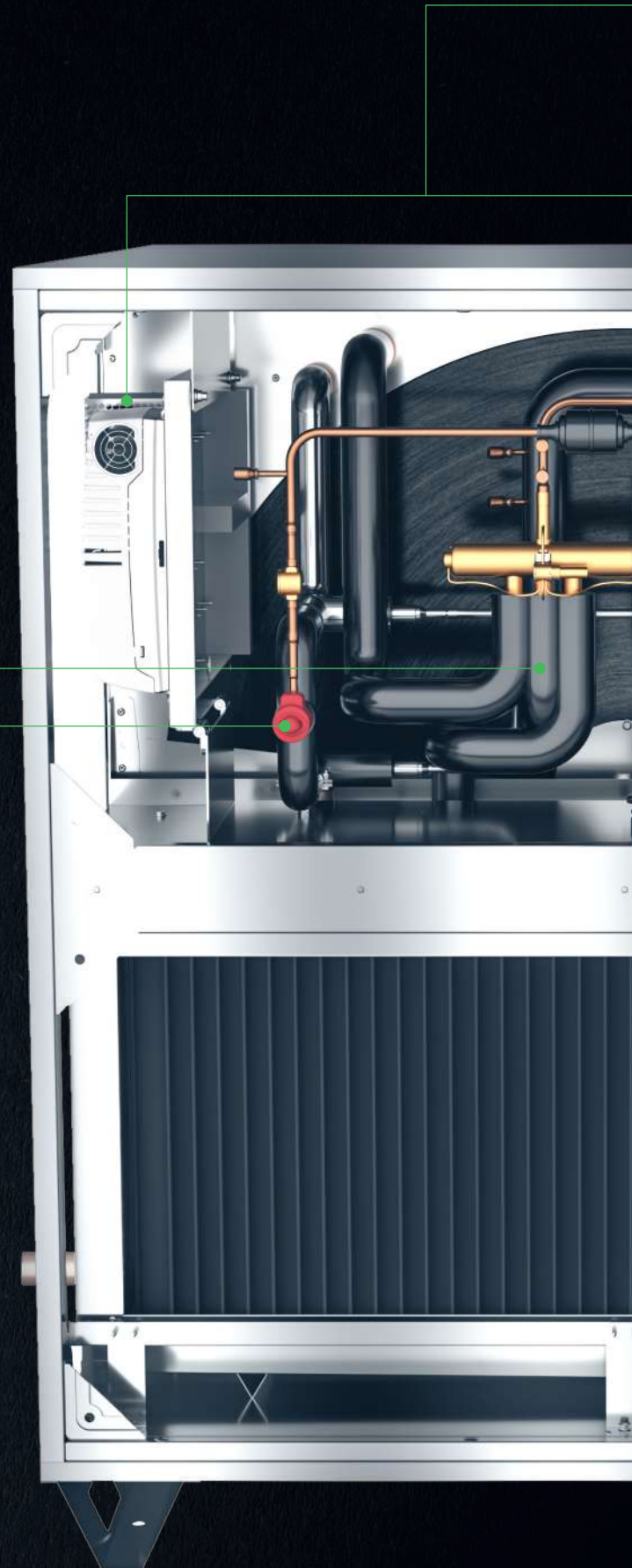
MYCOND BREEZME HP FLOOR MOUNTED UNITS WITH HEAT PUMP


HEATING AND COOLING FUNCTION

- Four-way valve automatically switches reverse operation modes
- Automatic defrosting function in winter

OPTIMISATION OF COOLING PARAMETERS

- Electronic expansion valve dynamically adjusts fluid flow to current air handling unit parameters





SMOOTH REGULATION OF HEATING AND COOLING POWER

- Inverter compressor with DC motor smoothly adjusts cooling and heating power
- Controller equipped with sensors fully controls cooling parameters of the heat pump system

MULTI-STAGE HEAT PUMP QUALITY CONTROL

- Ongoing monitoring of the production process
- Individual leakage and operational check confirmed by electronic report

SMOOTH REGULATION OF HEAT RECOVERY POWER

- Electronically controlled stepper motor of the rotary heat exchanger smoothly regulates heat recovery capacity
- In winter time the automation system ensures three-stage frost protection for the rotary heat exchanger

MYCOND BREEZME CL SUSPENDED AIR HANDLING UNITS

Base unit overall data

Unit size	Nominal airflow	Airflow range	Height	Width	Duct connection height	Duct connection width
	[m ³ /h]	[m ³ /h]	[mm]	[mm]	[mm]	[mm]
MVS005s	500	150 - 650	400	790	318	335
MVS010s	1000	300 - 1100	400	1150	318	515
MVS015s	1500	450 - 1650	400	1550	318	715
MVS020s	2000	600 - 2200	490	1610	408	743
MVS030s	3000	900 - 3300	490	2160	408	1018

Section length

Unit size		F	H	C	HC
	Base unit	Additional air treatment functions			
	[mm]	[mm]	[mm]	[mm]	[mm]
MVS005s	1230	200	200 - 460	370 - 460	460 - 920
MVS010s	1500	200	200 - 460	370 - 460	460 - 920
MVS015s	1500	200	200 - 460	370 - 460	460 - 920
MVS020s	1828	200	200 - 460	370 - 460	460 - 920
MVS030s	1828	200	200 - 460	370 - 460	460 - 920

Duct accessories

Dimension WxH [mm]	MVS005s	MVS010s	MVS015s	MVS020s	MVS030s
Flexible connection	305x288	485x288	685x288	730x375	1005x375
Air damper	305x288	485x288	685x288	730x375	1005x375
Rectangle spigot	330x310/300x300	510x310/400x350	710x310/400x350	740x400/500x400	1015x400/800x400
Rounded spigot	330x310/355	510x310/355	710x310/355	740x400/450	1015x400/450

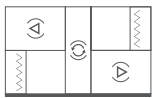
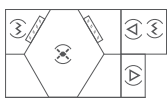
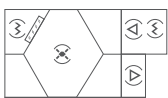
MYCOND BREEZME FC FLOOR MOUNTED AIR HANDLING UNITS

Base unit overall data

Unit size	Nominal airflow	Airflow range	Height	Width	Duct connection height	Duct connection width
	[m ³ /h]	[m ³ /h]	[mm]	[mm]	[mm]	[mm]
MVS021c	2100	840 - 2310	991	967	345	860
MVS030c	3000	900 - 3300	1255	967	480	860
MVS040c	4000	1200 - 4400	1255	1174	480	1065
MVS055c	5500	1650 - 6050	1525	1345	615	1235
MVS075c	7500	2250 - 8250	1765	1486	735	1380
MVS100c	10000	3000 - 11000	1965	1666	835	1560
MVS120c	12000	3600 - 13200	2039	1897	870	1790
MVS150c	15000	4500 - 16500	2241	2091	970	1985

Height includes 90 mm base rail

Base unit lengths

Unit size						
	[mm]	[mm]	[mm]	[mm]	[mm]	[mm]
MVS021c	1240	1080	1080	2 230	2 230	2 500
MVS030c	1240	1080	1080	2 230	2 230	2 500
MVS040c	1240	1080	1080	2 230	2 230	2 500
MVS055c	1240	1080	1080	2 290	2 290	2 560
MVS075c	1240	1080	1080	2 530	2 530	2 800
MVS100c	1300	1300	1080	2 570	2 570	2 800
MVS120c	1300	1300	1080	2 670	2 670	2 900
MVS150c	1300	1300	1080	2 730	2 730	2 940

Additional section length

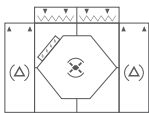
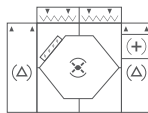
Unit size	F	H	C	HC	S
	[mm]	[mm]	[mm]	[mm]	[mm]
MVS021c	310	310 - 710	370 - 710	710	1080
MVS030c	310	310 - 710	370 - 710	710	1080
MVS040c	310	310 - 710	370 - 710	710	1080
MVS055c	310	310 - 630	450 - 790	790	1080
MVS075c	310	310 - 630	450 - 790	790	1080
MVS100c	310	310 - 630	890	890	1080
MVS120c	310	310 - 630	890	890	1080
MVS150c	310	310 - 630	920	920	1080

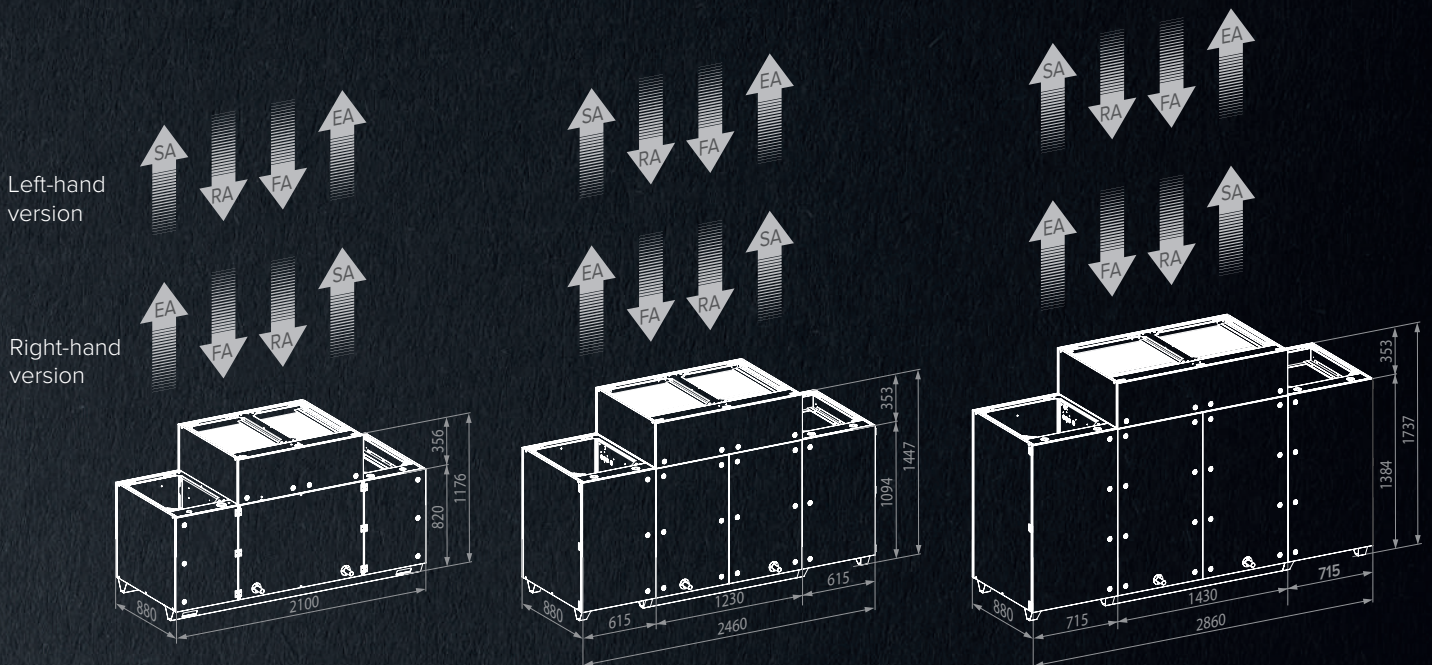
MYCOND BREEZME FT – FLOOR-MOUNTED UNITS WITH VERTICAL DUCT CONNECTION

Base unit overall data

Unit size	Nominal airflow	Airflow range	Height	Width	Duct connection
	[m ³ /h]	[m ³ /h]	[mm]	[mm]	[mm]
MVS023c	2100	1250-2100	1176	880	700x445
MVS033c	3000	1800-3000	1447	880	700x513
MVS043c	4000	2400-4000	1737	880	700x613

Base unit lengths

Unit size		
	[mm]	[mm]
MVS023c	2100	2100
MVS033c	2460	2460
MVS043c	2860	2860



FA - fresh air intake
SA - fresh air supply to the room
RA - return air intake from the room
EA - exhaust air ejection from the room

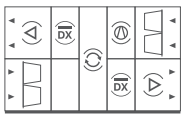
MYCOND BREEZME HP FLOOR MOUNTED UNITS WITH HEAT PUMP

Base unit overall data

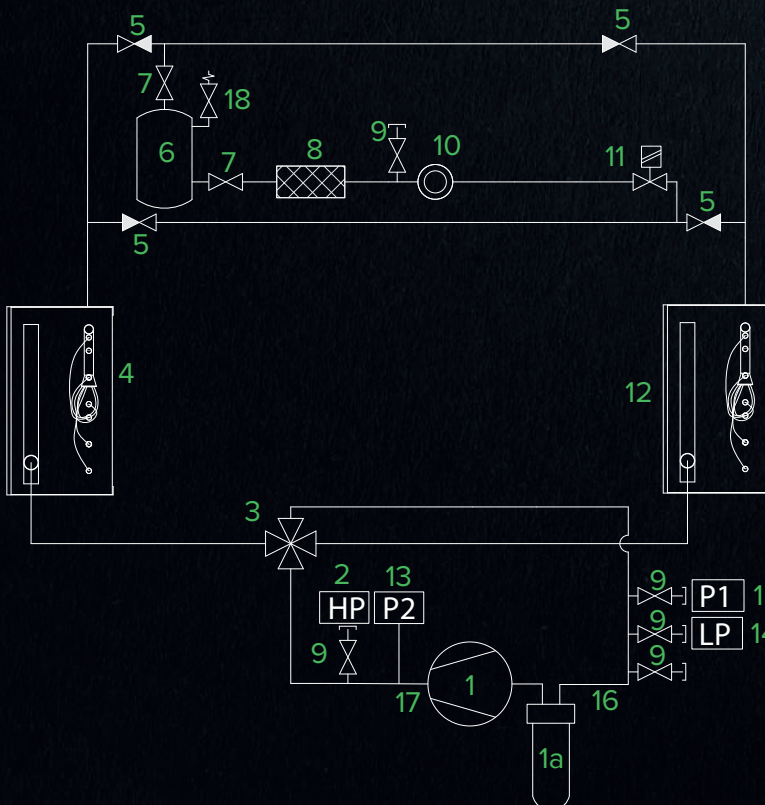
Unit size	Nominal airflow	Airflow range	Height	Width	Duct connection height	Duct connection width
	[m³/h]	[m³/h]	[mm]	[mm]	[mm]	[mm]
MVS021c	2100	1200-2100	991	967	345	860
MVS030c	3000	1500-3000	1255	967	480	860
MVS040c	4000	2000-4000	1255	1174	480	1065
MVS055c	5000	2500-5500	1525	1345	615	1235
MVS075c	7500	3750-7500	1765	1486	735	1380

* - the range of the heat pump function depends on the outdoor air parameters

Base unit lengths

Unit size				
	[mm]		[mm]	
MVS021c	2140		2140	
MVS030c	2140		2140	
MVS040c	2140		2140	
MVS055c	2140		2140	
MVS075c	2140		2140	

Heat pump refrigeration system



Refrigeration components

- 1 Compressor
- 1a Liquid separator
- 2 High pressure switch
- 3 4-way valve
- 4 Evaporator/Condenser
- 5 Check valve
- 6 Liquid medium tank
- 7 Shut-off valve (Rotalock)
- 8 Filter drier
- 9 Service valve
- 10 Sight glass
- 11 Electronic expansion valve
- 12 Evaporator/Condenser
- 13 High-pressure transducer
- 14 Low-pressure transducer
- 15 Low-pressure switch
- 16 Suction temperature sensor
- 17 Discharge temperature sensor
- 18 Safety valve

Main office

MYCOND LIMITED

Percy Street 5, Building 1, Fitzrovia District,
London, W1T 1DG, England, Great Britain
+44 745 814 8214 info@mycond.eu
mycond.eu



Executive distributor

AKLIMA POLSKA

+48 502 121 436
info@aklimapolska.pl
aklimapolska.pl