
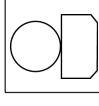
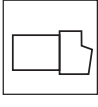
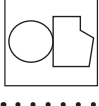
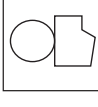
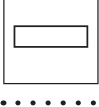
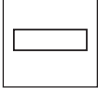
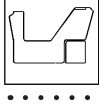
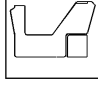
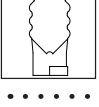
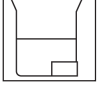
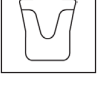


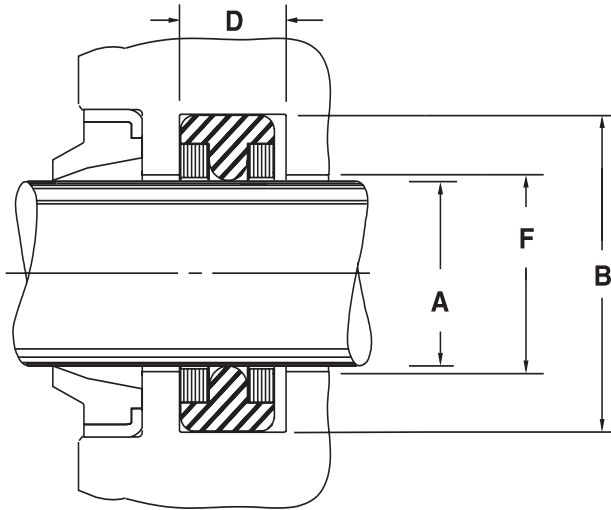
Rod Seal Section Contents

Rod Seal Section

TR Rod T-Seals - Inch.....	66
AS7 Series Double-Acting Rod Seal - Metric	68
CAT® Stepped TFE Buffer Rings - Inch	68
AS2 Stepped TFE Buffer Rings - Inch	69
AS2 Stepped TFE Buffer Rings - Metric	70
Rectangular Buffer Rings - Inch.....	72
MBRU Rectangular Buffer Rings - Metric.....	73
MBR U-Cup Type Buffer Rings - Metric.....	74
CTB/CBR U-Cup Type Buffer Rings - Inch.....	74
SM Ribbed 3 Piece Rod Seals - Metric.....	75
MD Rod Squeeze Seals - Metric	76
S8 Rod Squeeze Seals - Metric.....	77
	Notes	78

TR Rod T-Seals - Inch

TR Rod T-Seals - Inch



Rod T-seals were originally developed to replace o-rings, and retrofit into standard commercial o-ring grooves. This development ended two serious reliability problems:

1. Extrusion through the clearance gap.
2. Spiral or twisting failure due to instability in their groove.

T-seal back-ups are hydraulically or pneumatically driven against the dynamic surface when system pressure forces the elastomer into the space beneath the back-up. This immediate response to pressure makes them very effective wipers, keeping contaminants away from the sealing line.

Standard material for our T-seals is 75 durometer nitrile with moly-filled nylon back-up rings. Other materials are available upon request.

Temperature: -40° to 225°F.

Pressure: 0 to 5,000 PSI

For piston T-seals, see piston seal section.

Part Number	Nominal Size			Rod Dia. A	Groove Dia. B	Groove Height D	Clearance Dia. F	O-ring Size	Price
	I.D.	O.D.	Width						
				$\pm .001$	$\begin{matrix} +.000 \\ -.002 \end{matrix}$	$\begin{matrix} +.005 \\ -.000 \end{matrix}$	$\pm .001$		
TR001	3/16	3/8	5/32	0.186	0.370	0.140	0.189	-106	\$7.05
TR002	1/4	7/16	5/32	0.248	0.433	0.140	0.251	-108	\$7.49
TR003	5/16	1/2	5/32	0.310	0.495	0.140	0.313	-109	\$7.91
TR004	3/8	5/8	3/16	0.373	0.618	0.187	0.376	-204	\$5.00
TR005	7/16	11/16	3/16	0.435	0.680	0.187	0.438	-205	\$8.29
TR006	1/2	3/4	3/16	0.498	0.743	0.187	0.501	-206	\$8.42
TR007	9/16	13/16	3/16	0.560	0.805	0.187	0.563	-207	\$8.69
TR008	5/8	7/8	3/16	0.623	0.868	0.187	0.626	-208	\$6.21
TR009	11/16	15/16	3/16	0.685	0.930	0.187	0.688	-209	\$6.23
TR010	3/4	1	3/16	0.747	0.992	0.187	0.750	-210	\$6.57
TR011	13/16	1-1/16	3/16	0.809	1.054	0.187	0.812	-211	\$9.49
TR012	7/8	1-1/8	3/16	0.872	1.117	0.187	0.875	-212	\$7.45
TR013	15/16	1-3/16	3/16	0.934	1.179	0.187	0.937	-213	\$9.85
TR014	1	1-1/4	3/16	0.997	1.242	0.187	1.000	-214	\$6.54
TR015	1-1/16	1-5/16	3/16	1.059	1.304	0.187	1.062	-215	\$6.77
TR016	1-1/8	1-3/8	3/16	1.122	1.367	0.187	1.125	-216	\$7.43
TR017	1-3/16	1-7/16	3/16	1.184	1.429	0.187	1.187	-217	\$12.79
TR018	1-1/4	1-1/2	3/16	1.247	1.492	0.187	1.250	-218	\$6.70
TR019	1-5/16	1-9/16	3/16	1.309	1.554	0.187	1.312	-219	\$10.69
TR020	1-3/8	1-5/8	3/16	1.372	1.617	0.187	1.375	-220	\$8.94
TR021	1-7/16	1-11/16	3/16	1.434	1.679	0.187	1.437	-221	\$11.74

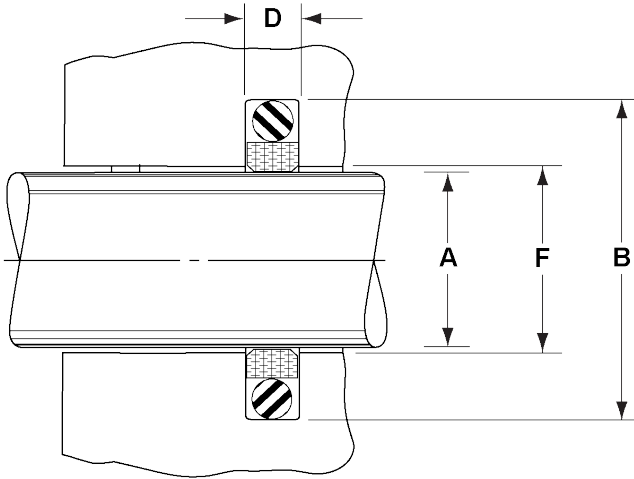
TR Rod T-Seals - Inch, cont'd.

Part Number	Nominal Size			Rod Dia. A	Groove Dia. B	Groove Height D	Clearance Dia. F	O-ring Size	Price
	I.D.	O.D.	Width						
TR022	1-1/2	1-3/4	3/16	1.497	1.742	0.187	1.500	-222	\$7.45
TR023	1-1/2	1-7/8	9/32	1.497	1.871	0.281	1.500	-325	\$6.12
TR024	1-5/8	2	9/32	1.622	1.996	0.281	1.625	-326	\$9.18
TR025	1-3/4	2-1/8	9/32	1.747	2.121	0.281	1.750	-327	\$6.89
TR026	1-7/8	2-1/4	9/32	1.872	2.246	0.281	1.875	-328	\$9.48
TR027	2	2-3/8	9/32	1.997	2.371	0.281	2.000	-329	\$7.68
TR028	2-1/8	2-1/2	9/32	2.122	2.496	0.281	2.125	-330	\$8.13
TR029	2-1/4	2-5/8	9/32	2.247	2.613	0.281	2.250	-331	\$9.05
				$\pm .002$	$\begin{matrix} +.001 \\ -.002 \end{matrix}$		$\pm .002$		
TR030	2-3/8	2-3/4	9/32	2.372	2.746	0.281	2.377	-332	\$9.48
TR031	2-1/2	2-7/8	9/32	2.497	2.871	0.281	2.502	-333	\$9.54
TR032	2-5/8	3	9/32	2.622	2.996	0.281	2.627	-334	\$9.59
TR033	2-3/4	3-1/8	9/32	2.747	3.121	0.281	2.752	-335	\$10.88
TR034	2-7/8	3-1/4	9/32	2.872	3.246	0.281	2.877	-336	\$11.16
TR035	3	3-3/8	9/32	2.996	3.370	0.281	3.001	-337	\$11.67
				$\pm .002$	$\begin{matrix} +.000 \\ -.003 \end{matrix}$	$\begin{matrix} +.005 \\ -.000 \end{matrix}$	$\pm .002$		
TR036	3-1/8	3-1/2	9/32	3.121	3.495	0.281	3.126	-338	\$32.74
TR037	3-1/4	3-5/8	9/32	3.246	3.620	0.281	3.251	-339	\$13.27
TR038	3-3/8	3-3/4	9/32	3.371	3.746	0.281	3.376	-340	\$13.79
TR039	3-1/2	3-7/8	9/32	3.496	3.870	0.281	3.501	-341	\$14.75
TR040	3-5/8	4	9/32	3.621	3.995	0.281	3.626	-342	\$15.54
TR041	3-3/4	4-1/8	9/32	3.746	4.120	0.281	3.751	-343	\$16.45
TR042	3-7/8	4-1/4	9/32	3.871	4.245	0.281	3.876	-344	\$17.06
TR043	4	4-3/8	9/32	3.996	4.370	0.281	4.001	-345	\$17.96
TR044	4-1/8	4-1/2	9/32	4.121	4.495	0.281	4.126	-346	\$45.11
TR045	4-1/4	4-5/8	9/32	4.246	4.620	0.281	4.251	-347	\$19.59
TR046	4-3/8	4-3/4	9/32	4.371	4.745	0.281	4.376	-348	\$22.28
TR047	4-1/2	4-7/8	9/32	4.496	4.870	0.281	4.501	-349	\$22.32
TR048	5	5-1/2	3/8	4.996	5.475	0.375	5.001	-429	\$28.14
TR049	5-1/4	5-3/4	3/8	5.246	5.725	0.375	5.251	-431	\$35.81
TR050	5-1/2	6	3/8	5.496	5.975	0.375	5.501	-433	\$59.26
TR051	5-5/8	6-1/8	3/8	5.621	6.100	0.375	5.626	-434	\$77.62
				$\pm .003$	$\begin{matrix} +.002 \\ -.004 \end{matrix}$		$\pm .003$		
TR052	6	6-1/2	3/8	5.996	6.475	0.375	6.003	-437	\$35.66
TR053	6-1/4	6-3/4	3/8	6.246	6.725	0.375	6.253	-438	\$87.63
TR054	6-1/2	7	3/8	6.496	6.975	0.375	6.503	-439	\$59.99
TR055	6-3/4	7-1/4	3/8	6.746	7.225	0.375	6.753	-440	\$94.05
TR056	7	7-1/2	3/8	6.996	7.475	0.375	7.003	-441	\$63.55
TR057	7-1/4	7-3/4	3/8	7.246	7.725	0.375	7.253	-442	\$101.43
TR058	7-1/2	8	3/8	7.500	7.984	0.375	7.507	-443	\$64.15
TR059	8	8-1/2	3/8	7.996	8.475	0.375	8.003	-445	\$97.24
TR060	9	9-1/2	3/8	8.996	9.475	0.375	9.003	-447	\$139.04
TR061	9-1/2	10	3/8	9.496	9.975	0.375	9.503	-448	\$170.39
TR062	10	10-1/2	3/8	9.996	10.475	0.375	10.003	-449	\$193.38
TR063	11	11-1/2	3/8	10.996	11.475	0.375	11.003	-451	\$245.43

TR Rod T-Seals - Inch

AS7 Series Double-Acting Rod Seal - Metric

AS7 Series Double-Acting Rod Seals



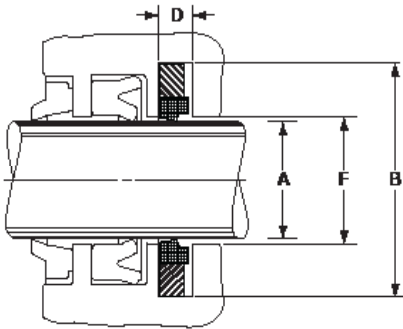
Most of our AS7 series rod seals are machined from bronze filled TFE for the most severe applications. Standard expander rings on this series rod seal are round cross section high memory 70 durometer nitrile; however, viton expanders are available. Consult sales for pricing and delivery of special compounds.

Temperature: -40° to 225°F

Pressure: 0 to 5,000 PSI

Part Number	Rod Diameter A f8	Groove Diameter B s11	Groove Height D	Price
AS729E-10MM	10	14.9	2.2	\$14.99
AS731E-19MMB	19	26.3	3.2	\$13.35
AS735E-35MMB	35	45.7	4.2	\$19.72
AS735E-36MMB	36	46.7	4.2	\$20.29
AS739E-63MMB	63	78.5	6.3	\$26.29
AS735E-65MMC	65	75.7	4.2	\$27.00
AS735E-70MMB	70	80.7	4.2	\$27.91
AS739E-75MMB	75	90.5	6.3	\$35.75
AS739E-90MMB	90	105.5	6.3	\$42.34
AS739E-100MMC	100	115.5	6.3	\$44.81
AS739E-120MMB	120	135.5	6.3	\$53.79

CAT® Stepped TFE Buffer Rings - Inch

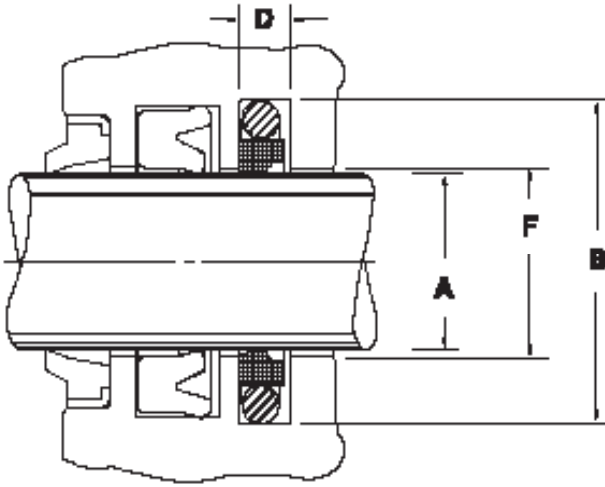


Part Number	Rod Diameter A f8	Groove Diameter B H9	Groove Height D +0.008/-0	Price
9X3568	2-1/8	2.627	0.140	\$18.30
8C9125	2-1/4	2.891	0.220	\$21.41
8C9138	2-3/8	3.016	0.220	\$24.10
8C3839	2-1/2	3.141	0.220	\$20.18
9T9363	2-5/8	3.266	0.220	\$28.67
8C3841	2-3/4	3.391	0.220	\$25.51
8C9126	3	3.641	0.220	\$23.11
8C9121	3-1/4	3.891	0.220	\$24.47
8C9127	3-1/2	4.141	0.220	\$28.73
8C9128	3-3/4	4.391	0.220	\$30.61
8C9129	4	4.641	0.220	\$31.82
6E0425	4-1/4	5.225	0.250	\$50.08
8C9144	4-1/2	5.475	0.250	\$51.83
9X7261	4-3/4	5.725	0.250	\$54.41
9X3581	5	5.96	0.250	\$57.21
9X7267	5-1/4	6.21	0.250	\$60.26
9X3572	5-1/2	6.116	0.250	\$62.33
9X3575	5-3/4	6.725	0.250	\$66.81
9X3614	6	6.619	0.250	\$65.05
9X7322	6-1/2	7.502	0.250	\$71.72
8C9145	6-3/4	7.695	0.250	\$74.76
8C9130	7	7.945	0.250	\$78.86

Part Number	Rod Diameter A f8	Groove Diameter B H9	Groove Height D +0.008/-0	Price
1353251	1-1/4	1.783	0.140	\$13.44
8C9122	1-1/2	2.033	0.140	\$14.01
8C9117	1-5/8	2.158	0.140	\$16.87
8C9123	1-3/4	2.283	0.140	\$15.16
9X3566	1-7/8	2.252	0.140	\$17.45
8C9124	2	2.533	0.140	\$16.73

AS2 Stepped TFE Buffer Rings - Inch

AS2 Buffer Rings



Stepped seals are used to “buffer” pressure spikes from the primary rod seal, and are sometimes used in tandem. Combined with an unloaded U-cup, pressure builds between the step seal and primary seal and helps “load” the U-cup. Seals are machined from bronze filled teflon®. Expanders are 70 durometer high memory nitrile, also available with viton expander rings. Part numbers that contain a P63D suffix are made from 63D shore urethane.

Temperature: -40°F to 225°F

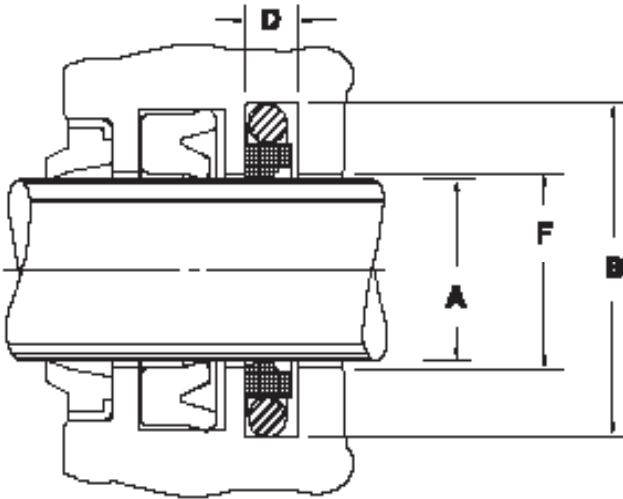
Pressure: 0 to 3,500 PSI

Part Number	Rod Diameter A f8	Groove Diameter B H9	Groove Height D +.008/-0	Price
AS231E-10B	5/8	.912	.126	\$9.57
AS231E-12B	3/4	1.037	.126	\$10.79
AS231E-14B	7/8	1.162	.126	\$12.93
AS231E-16B	1	1.287	.126	\$12.99
AS235E-16B	1	1.424	.166	\$11.32
AS231E-18B	1-1/8	1.412	.126	\$12.49
AS235E-18B	1-1/8	1.549	.166	\$12.71
AS231E-20B	1-1/4	1.537	.126	\$18.70
AS235E-20B	1-1/4	1.674	.166	\$19.31
AS231E-22B	1-3/8	1.662	.126	\$21.11
AS235E-22B	1-3/8	1.799	.166	\$21.97
AS231E-24B	1-1/2	1.787	.126	\$18.21
AS235E-24B	1-1/2	1.924	.166	\$21.50
AS239E-24B	1-1/2	2.116	.247	\$16.60
AS231E-28B	1-3/4	2.037	.126	\$22.17
AS235E-28B	1-3/4	2.174	.166	\$22.49
AS239E-28B	1-3/4	2.366	.247	\$23.96
AS235E-30B	1-7/8	2.299	.166	\$21.55
AS231E-32B	2	2.287	.126	\$23.77
AS235E-32B	2	2.424	.166	\$24.14
AS239E-32B	2	2.616	.247	\$25.90
AS235E-34B	2-1/8	2.549	.166	\$25.42
AS235E-36B	2-1/4	2.674	.166	\$26.93
AS239E-36B	2-1/4	2.866	.247	\$27.99
AS235E-40B	2-1/2	2.924	.166	\$24.33
AS239E-40B	2-1/2	3.116	.247	\$31.92
AS239E-42B	2-5/8	3.241	.247	\$32.59
AS235E-44B	2-3/4	3.174	.166	\$28.95
AS239E-44B	2-3/4	3.366	.247	\$28.45
AS235E-48B	3	3.424	.166	\$29.95
AS239E-48B	3	3.616	.247	\$37.19
AS239E-48P63D	3	3.616	.247	\$49.98
AS239E-52B	3-1/4	3.866	.247	\$38.34
AS235E-56B	3-1/2	3.924	.166	\$35.23
AS239E-56B	3-1/2	4.116	.247	\$38.67

Part Number	Rod Diameter A f8	Groove Diameter B H9	Groove Height D +.008/-0	Price
AS239E-58B	3-5/8	4.241	.247	\$44.73
AS239E-60B	3-3/4	4.366	.247	\$47.27
AS241E-60B	3-3/4	4.580	.320	\$52.41
AS235E-64B	4	4.424	.166	\$44.53
AS239E-64B	4	4.616	.247	\$48.56
AS239E-64P63D	4	4.616	.247	\$66.97
AS241E-64B	4	4.830	.320	\$49.88
AS239E-68B	4-1/4	4.866	.247	\$51.86
AS239E-72B	4-1/2	5.116	.247	\$56.29
AS241E-72B	4-1/2	5.33	.320	\$59.90
AS239E-76B	4-3/4	5.366	.247	\$60.32
AS239E-80B	5	5.616	.247	\$62.72
AS241E-80B	5	5.830	.320	\$65.59
AS239E-82B	5-1/8	5.741	.247	\$78.59
AS239E-86B	5-3/8	5.991	.247	\$82.63
AS239E-88B	5-1/2	6.116	.247	\$67.05
AS241E-88B	5-1/2	6.330	.320	\$72.96
AS241E-92B	5-3/4	6.580	.320	\$73.99
AS239E-96B	6	6.616	.247	\$67.91
AS241E-96B	6	6.830	.320	\$72.17
AS239E-104B	6-1/2	7.116	.247	\$68.61
AS241E-104B	6-1/2	7.330	.320	\$77.34
AS241E-108B	6-3/4	7.580	.320	\$80.34
AS239E-112B	7	7.616	.247	\$75.27
AS241E-112B	7	7.830	.320	\$88.87
AS241E-116B	7-1/4	8.080	.320	\$112.68
AS239E-128B	8	8.616	.247	\$79.63
AS241E-128B	8	8.830	.320	\$121.51
AS241E-132B	8-1/4	9.080	.320	\$125.19
AS241E-136B	8-1/2	9.330	.320	\$130.07
AS241E-144B	9	9.830	.320	\$132.48
AS241E-160B	10	10.830	.320	\$156.65
AS241E-168B	10-1/2	11.330	.320	\$159.26
AS241E-208B	13	13.830	.320	\$382.92

AS2 Stepped TFE Buffer Rings - Metric

AS2 Buffer Rings



Stepped seals are used to “buffer” pressure spikes from the primary rod seal, and are sometimes used in tandem. Combined with an unloaded U-cup, pressure builds between the step seal and primary seal and helps “load” the U-cup. Seals are machined from bronze-filled teflon® and urethane. Expanders are 70 durometer high memory nitrile, also available with viton expander rings.

Temperature: -40°F to 225°F
Pressure: 0 to 3,500 PSI

Parts with a “P” are made from 55D shore urethane
Parts with a “-1” suffix are used in John Deere® cylinders.

Part Number	Rod Diameter A mm f8	Groove Diameter B mm H9	Groove Height D mm +./-0	Price
AS231E-8MMB	8	15.3	3.2	\$11.82
AS231E-10MMB	10	17.3	3.2	\$14.85
AS231E-12MMB	12	19.3	3.2	\$10.29
AS231E-14MMB	14	21.3	3.2	\$10.33
AS231E-15MMB	15	22.3	3.2	\$10.33
AS229E-16MMB	16	20.9	2.2	\$11.29
AS231E-16MMB	16	23.3	3.2	\$10.33
AS229E-18MMB	18	22.9	2.2	\$9.97
AS231E-18MMB	18	25.3	3.2	\$10.54
AS231E-20MMB	20	27.5	3.2	\$10.33
AS235E-20MMB	20	30.7	4.2	\$10.73
AS231E-22MMB	22	29.5	3.2	\$10.39
AS235E-22MMB	22	32.7	4.2	\$10.92
AS231E-25MMB	25	32.5	3.2	\$10.78
AS235E-25MMB	25	35.7	4.2	\$12.19
AS231E-28MMB	28	35.5	3.2	\$11.56
AS235E-28MMB	28	38.7	4.2	\$12.52
AS231E-30MMB	30	37.5	3.2	\$12.40
AS235E-30MMB	30	40.7	4.2	\$20.27
AS235E-30MMP	30	40.7	4.2	\$22.97
AS231E-32MMB	32	39.5	3.2	\$16.82
AS235E-32MMB	32	42.7	4.2	\$18.03
AS231E-35MMB	35	42.5	3.2	\$19.58
AS235E-35MMB	35	45.7	4.2	\$19.72
AS231E-36MMB	36	43.5	3.2	\$18.76
AS235E-36MMB	36	46.7	4.2	\$20.06
AS235E-40MMB	40	50.7	4.2	\$20.32
AS235E-40MMB-1	40	52.6	4.2	\$24.16
AS239E-40MMB	40	55.5	6.3	\$24.98
AS235E-42MMB	42	52.7	4.2	\$26.75
AS239E-42MMB	42	57.5	6.3	\$31.00
AS231E-45MMB	45	52.7	3.2	\$26.81
AS235E-45MMB	45	55.7	4.2	\$20.69

Part Number	Rod Diameter A mm f8	Groove Diameter B mm H9	Groove Height D mm +./-0	Price
AS235E-45MMB-1	45	57.6	4.2	\$23.15
AS239E-45MMB	45	60.5	6.3	\$18.53
AS239E-48MMB	48	63.5	6.3	\$24.74
AS235E-50MMB	50	60.7	4.2	\$22.27
AS235E-50MMB-1	50	62.6	4.2	\$29.02
AS239E-50MMB	50	65.5	6.3	\$20.19
AS239E-52MMB	52	67.5	6.3	\$26.02
AS235E-55MMB	55	65.7	4.2	\$24.36
AS239E-55MMB	55	70.5	6.3	\$26.16
AS235E-56MMB-1	56	68.6	4.2	\$27.56
AS235E-56MMB	56	66.7	4.2	\$28.60
AS239E-56MMB	56	71.5	6.3	\$23.46
AS235E-60MMB	60	70.7	4.2	\$22.99
AS239E-60MMB	60	75.5	6.3	\$27.83
AS235E-63MMB	63	73.7	4.2	\$29.06
AS235E-63MMB-1	63	75.6	4.2	\$28.83
AS239E-63MMB	63	78.5	6.3	\$26.29
AS235E-65MMB	65	75.7	4.2	\$29.59
AS239E-65MMB	65	80.5	6.3	\$29.27
AS235E-70MMB	70	80.7	4.2	\$27.91
AS239E-70MMB	70	85.5	6.3	\$32.40
AS239E-70MMP	70	85.5	6.3	\$34.73
AS239E-75MMB	75	90.5	6.3	\$35.75
AS235E-80MMB	80	90.7	4.2	\$39.53
AS239E-80MMB	80	95.5	6.3	\$36.45
AS241E-80MMB	80	101	8.1	\$48.45
AS241E-80MMP	80	101	8.1	\$54.77
AS239E-85MMB	85	100.5	6.3	\$36.82
AS239E-85MMP	85	100.5	6.3	\$43.54
AS241E-85MMB	85	106	8.1	\$54.41
AS241E-85MMP	85	106	8.1	\$62.75
AS235E-90MMB	90	100.7	4.2	\$45.22
AS239E-90MMB	90	105.5	6.3	\$41.82

AS2 Stepped TFE Buffer Rings - Metric, cont'd.

Part Number	Rod Diameter A mm f8	Groove Diameter B mm H9	Groove Height D mm +.2/-0	Price
AS239E-90MMP	90	105.5	6.3	\$47.10
AS241E-90MMB	90	111	8.1	\$60.70
AS241E-90MMP	90	111	8.1	\$64.65
AS239E-95MMB	95	110.5	6.3	\$41.89
AS239E-95MMP	95	110.5	6.3	\$47.23
AS241E-95MMB	95	116	8.1	\$65.44
AS241E-95MMP	95	116	8.1	\$74.59
AS239E-97MMB	97	112.5	6.3	\$58.69
AS239E-100MMB	100	115.5	6.3	\$43.93
AS241E-100MMB	100	121	8.1	\$67.22
AS241E-100MMP	100	121	8.1	\$72.24
AS239E-105MMB	105	120.5	6.3	\$48.94
AS239E-105MMP	105	120.5	6.3	\$50.46
AS241E-105MMB	105	126	8.1	\$65.98
AS241E-105MMP	105	126	8.1	\$74.78
AS239E-110MMB	110	125.5	6.3	\$50.58
AS241E-110MMB	110	131	8.1	\$76.01
AS241E-110MMP	110	131	8.1	\$78.25
AS239E-115MMB	115	130.5	6.3	\$51.98
AS241E-115MMB	115	136	8.1	\$79.64
AS239E-120MMB	120	135.5	6.3	\$53.79
AS239E-120MMP	120	135.5	6.3	\$55.31
AS241E-120MMB	120	141	8.1	\$87.97
AS241E-120MMP	120	141	8.1	\$89.52
AS239E-125MMB	125	140.5	6.3	\$56.16
AS239E-125MMP	125	140.5	6.3	\$60.01
AS241E-125MMB	125	146	8.1	\$91.33
AS241E-125MMP	125	146	8.1	\$93.76
AS239E-130MMB	130	145.5	6.3	\$57.54
AS241E-130MMB	130	151	8.1	\$94.64
AS239E-135MMB	135	150.5	6.3	\$58.46

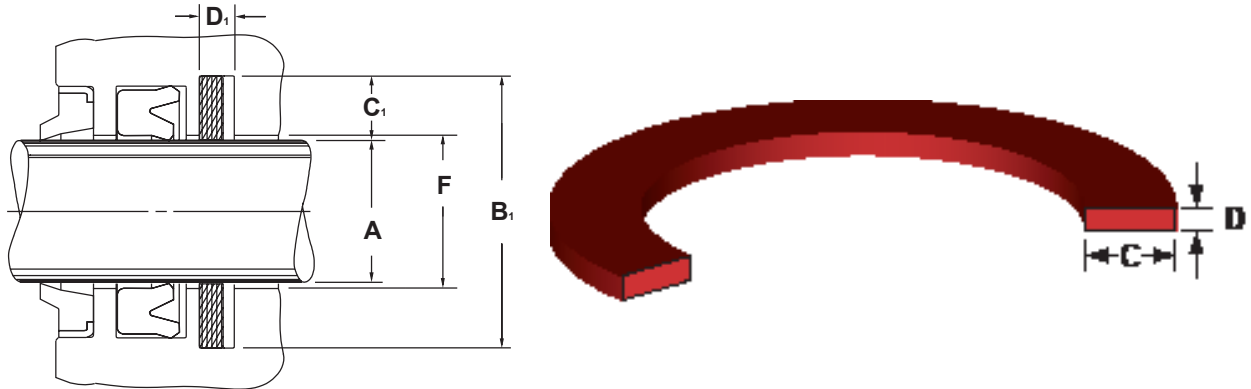
Part Number	Rod Diameter A mm f8	Groove Diameter B mm H9	Groove Height D mm +.2/-0	Price
AS241E-135MMB	135	156	8.1	\$95.80
AS239E-140MMB	140	155.5	6.3	\$58.79
AS241E-140MMB	140	161	8.1	\$96.75
AS241E-140MMP	140	161	8.1	\$109.67
AS239E-150MMB	150	165.5	6.3	\$59.64
AS241E-150MMB	150	171	8.1	\$100.53
AS239E-160MMB	160	175.5	6.3	\$60.30
AS241E-160MMB	160	181	8.1	\$104.09
AS239E-165MMB	165	180.5	6.3	\$71.20
AS239E-170MMB	170	185.5	6.3	\$72.68
AS241E-170MMB	170	191	8.1	\$108.65
AS239E-175MMB	175	190.5	6.3	\$77.00
AS239E-180MMB	180	195.5	6.3	\$93.57
AS241E-180MMB	180	201	8.1	\$115.85
AS241E-185MMB	185	206	8.1	\$134.67
AS239E-190MMB	190	205.5	6.3	\$106.55
AS241E-190MMB	190	211	8.1	\$133.59
AS241E-200MMB	200	221	8.1	\$133.90
AS239E-210MMB	210	225.5	6.3	\$132.94
AS241E-220MMB	220	241	8.1	\$151.74
AS239E-235MMB	235	250.5	6.3	\$180.80
AS241E-235MMB	235	255.6	8.1	\$195.69
AS241E-240MMB	240	261	8.1	\$198.52
AS241E-250MMB	250	271	8.1	\$203.73
AS241E-260MMHB	260	284	8.1	\$217.63
AS241E-275MMHB	275	299	8.1	\$223.82
AS241E-300MMHB	300	324	8.1	\$233.59
AS241E-320MMHB	320	344	8.1	\$257.36
AS241E-360MMHB	360	384	8.1	\$300.55
AS241E-380MMHB	380	404	8.1	\$312.60
AS241E-460MMHB	460	484	8.1	\$374.95
AS241E-520MMHB	520	544	8.1	\$507.28

AS2 Buffer Rings

AY Seal and Packing stocks over 1,000 sizes and styles of rod seals!

Rectangular Buffer Rings - Inch

Rectangular Buffer Rings



These buffer rings are rectangular shaped in profile. They are most commonly used in combination with a U-cup as a rod seal. Their purpose is to protect the rod seal from contaminants as well as to apply a hydraulic “load” to the U-cup. Some of these rings are used as a backup ring combined with a rubber sealing ring in suspension cylinder applications. Part numbers starting with a G are used in Case® equipment; the others are typically used in Caterpillar® equipment.

Temperature: -40°F to 225°F

Pressure: 0 to 5,000 PSI

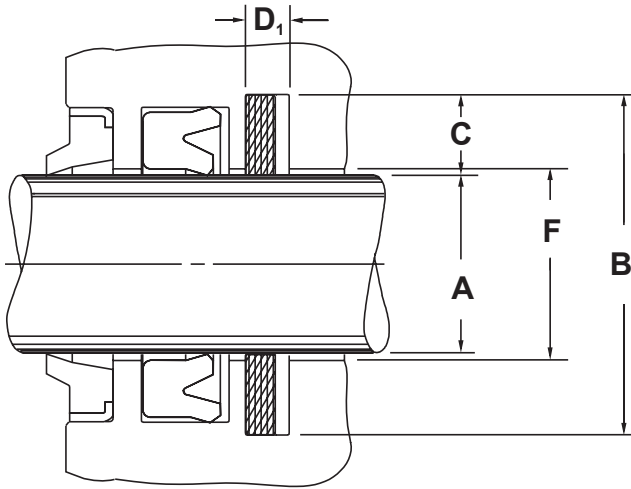
Part Number	Rod Dia. A	Seal C/S C	Seal Height D	Material	Price
G109092	1-1/4	.253	.117	URE	\$4.77
9J3497	1-1/4	.285	.117	URE	\$8.47
G109093	1-1/2	.253	.117	URE	\$5.04
6J9733	1-1/2	.285	.117	URE	\$7.71
G109094	1-3/4	.251	.117	URE	\$5.41
6J9178	1-3/4	.285	.117	URE	\$11.10
4T6778	1-7/8	.200	.113	URE	\$17.71
G107997	2	.258	.115	URE	\$5.93
6J6917	2	.285	.117	URE	\$11.40
4T6127	2-1/8	.268	.113	URE	\$12.15
G109086	2-1/4	.312	.186	URE	\$6.64
5J3616	2-1/4	.340	.187	URE	\$16.58
6J6916	2-3/8	.340	.187	URE	\$16.88
G107998	2-1/2	.340	.187	URE	\$7.25
5J3620	2-1/2	.340	.187	URE	\$16.39
8J9454	2-1/2	.325	.188	NBR	\$21.17
1U4020	2-5/8	.340	.187	URE	\$18.56
G107999	2-3/4	.340	.187	URE	\$14.26
6J6553	2-3/4	.340	.187	URE	\$16.96
G109015	3	.310	.187	URE	\$17.13
6J6915	3	.342	.187	URE	\$17.53
6J7167	3-1/4	.340	.187	URE	\$18.21
6J6736	3-1/2	.343	.187	URE	\$17.49
8J6070	3-3/4	.340	.187	URE	\$19.04
7J3863	4	.367	.183	NBR	\$20.68

Part Number	Rod Dia. A	Seal C/S C	Seal Height D	Material	Price
7J3864	4	.358	.168	URE	\$22.75
8J4627	4	.340	.188	URE	\$19.63
7J8943	4-1/4	.506	.219	URE	\$23.63
3G5055	4-3/8	.437	.220	URE	\$24.38
7J9257	4-3/4	.500	.220	URE	\$25.06
8J4509	5	.504	.219	URE	\$26.06
9J2548	5	.353	.166	URE	\$29.12
4T5717	5-1/4	.504	.220	URE	\$29.88
8J9450	5-1/2	.353	.166	URE	\$30.06
9J5468	5-3/4	.495	.219	URE	\$35.11
7J3865	6-1/8	.367	.185	NBR	\$30.90
7J3866	6-1/8	.351	.169	URE	\$31.46
6J8631	6-1/2	.523	.217	URE	\$29.81
5J1731	7	.352	.167	URE	\$38.14
9J2495	7	.485	.219	URE	\$39.09
4T4803	7-1/4	.372	.184	URE	\$37.03
4T4804	7-1/4	.370	.170	NBR	\$39.78
7J3867	7-1/2	.351	.169	URE	\$31.82
7J3868	7-1/2	.368	.185	NBR	\$29.74
9J4753	9	.378	.187	NBR	\$35.89
6J7693	9	.351	.170	URE	\$39.48
4T4806	10-1/2	.380	.183	NBR	\$40.85
4T4807	10-1/2	.360	.170	NBR	\$50.22
1U4623	11	.375	.191	URE	\$56.81
1U4624	11	.360	.170	URE	\$60.84

We do not imply that these seals are a product of Cat® or Case®. Part numbers are used for reference purposes only.

MBRU Rectangular Buffer Rings - Metric

Rectangular Buffer Rings



These buffer rings are rectangular shaped in profile. They are most commonly used in combination with a U-cup as a rod seal. Their purpose is to protect the rod seal from contaminants as well as to apply a hydraulic “load” to the U-cup. Some of these urethane rings are used as a backup ring combined with a rubber sealing ring in suspension cylinder applications.

Temperature: -40°F to 225°F

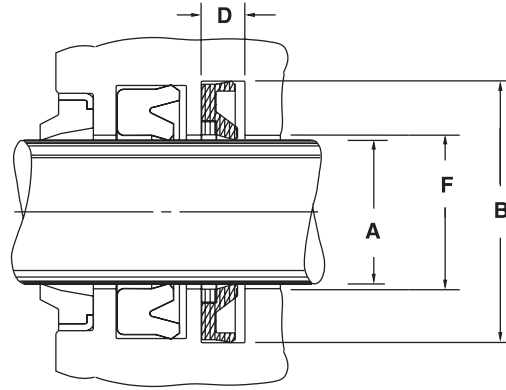
Pressure: 0 to 5,000 PSI

Part Number					Price
Prefix	Rod Dia A	Seal O.D. B	Seal Height D		
MBRU	- 25	x 33.6	x 2.3		\$16.23
MBRU	- 30	x 41	x 2.9		\$17.89
MBRU	- 35	x 46	x 2.9		\$12.89
MBRU	- 35	x 46	x 3.1		\$12.98
MBRU	- 35	x 48	x 3		\$13.40
MBRU	- 40	x 48	x 3		\$13.78
MBRU	- 45	x 57	x 3.5		\$13.97
MBRU	- 50	x 58	x 3		\$13.97
MBRU	- 50	x 63	x 4		\$14.20
MBRU	- 56	x 68	x 4		\$18.14
MBRU	- 56	x 70	x 3		\$17.03
MBRU	- 56	x 73	x 4.8		\$19.72
MBRU	- 56	x 74	x 5		\$19.84
MBRU	- 63	x 76	x 4.2		\$20.83
MBRU	- 63	x 77	x 3		\$20.45

Part Number					Price
Prefix	Rod Dia A	Seal O.D. B	Seal Height D		
MBRU	- 63	x 80	x 4.8		\$20.13
MBRU	- 63	x 81	x 5		\$21.39
MBRU	- 65	x 78	x 4		\$19.56
MBRU	- 70	x 83	x 4		\$20.77
MBRU	- 70	x 83.5	x 3		\$20.67
MBRU	- 70	x 84	x 3		\$21.01
MBRU	- 75	x 88	x 4		\$21.41
MBRU	- 80	x 93	x 4		\$22.59
MBRU	- 80	x 95.5	x 6.3		\$28.46
MBRU	- 90	x 103	x 4		\$25.69
MBRU	- 90	x 104	x 4		\$25.70
MBRU	- 90	x 107	x 5.1		\$36.80
MBRU	- 95	x 110.5	x 6.3		\$38.99
MBRU	- 100	x 113	x 4		\$31.60
MBRU	- 100	x 118	x 5		\$37.30

U-Cup Type Buffer Rings

U-Cup Type Buffer Rings



U-cup type buffer rings are made in sizes to retrofit many Caterpillar® and Case® grooves, and are easy to install. They are designed for systems running high pressures, or susceptible to pressure spikes. The sealing element is made from 90 durometer urethane, and the anti-extrusion ring is made from POM. Metric sizes retrofit the stepped buffer ring grooves.

Temperature: -22°F to 230°F

Pressure: 0 to 5,800 PSI

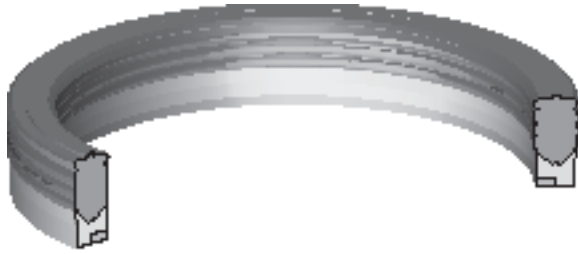
Inch size

Part Number	Rod Dia. A mm	Groove Dia. B mm	Groove Height D mm	Price
CAT®				
CTB-1500	1.500	2.033	0.140	\$7.41
CTB-1750	1.750	2.283	0.140	\$7.86
CTB-1875	1.875	2.252	0.140	\$10.05
CTB-2000	2.000	2.533	0.140	\$9.52
CTB-2125	2.125	2.627	0.140	\$10.40
CTB-2250	2.250	2.891	0.220	\$11.00
CTB-2375	2.375	3.016	0.220	\$12.87
CTB-2500	2.500	3.141	0.220	\$15.07
CTB-2750	2.750	3.391	0.220	\$28.57
CTB-3000	3.000	3.641	0.220	\$16.75
CTB-3250	3.250	3.891	0.220	\$19.89
CTB-3500	3.500	4.141	0.220	\$19.06
CTB-3750	3.750	4.391	0.220	\$23.98
CTB-4000	4.000	4.641	0.220	\$24.51
Case®				
CBR-1250	1.250	1.812	0.140	\$5.99
CBR-1500	1.500	2.062	0.140	\$6.50
CBR-1750	1.750	2.312	0.140	\$7.87
CBR-2000	2.000	2.562	0.140	\$9.54
CBR-2250	2.250	2.937	0.234	\$15.29
CBR-2500	2.500	3.187	0.234	\$14.47
CBR-2750	2.750	3.375	0.234	\$14.98
CBR-3000	3.000	3.625	0.234	\$15.40
CBR-3500	3.500	4.185	0.234	\$17.55
CBR-4000	4.000	4.625	0.234	\$18.09

Metric size

Part Number					Price
Prefix	Rod Dia. A mm	Groove Dia. B mm	Groove Height D mm		
MBR -	22	x 32.7	x 4.2		\$7.12
MBR -	28	x 38.7	x 4.2		\$9.77
MBR -	40	x 55.5	x 6.3		\$11.22
MBR -	45	x 55.7	x 4.2		\$22.68
MBR -	45	x 60.5	x 6.3		\$10.46
MBR -	50	x 65.5	x 6.3		\$11.50
MBR -	55	x 70.5	x 6.3		\$11.60
MBR -	56	x 71.5	x 6.3		\$12.02
MBR -	60	x 75.5	x 6.3		\$12.55
MBR -	63	x 78.5	x 6.3		\$14.40
MBR -	65	x 80.5	x 6.3		\$14.91
MBR -	70	x 85.5	x 6.3		\$15.25
MBR -	75	x 90.5	x 6.3		\$16.30
MBR -	80	x 95.5	x 6.3		\$17.44
MBR -	85	x 100.5	x 6.3		\$18.16
MBR -	90	x 105.5	x 6.3		\$19.42
MBR -	95	x 110.5	x 6.3		\$20.77
MBR -	100	x 115.5	x 6.3		\$22.30
MBR -	105	x 120.5	x 6.3		\$23.64
MBR -	110	x 125.5	x 6.3		\$25.27
MBR -	115	x 130.5	x 6.3		\$26.51
MBR -	120	x 135.5	x 6.3		\$28.34
MBR -	125	x 140.5	x 6.3		\$30.03
MBR -	130	x 145.5	x 6.3		\$31.85
MBR -	135	x 150.5	x 6.3		\$33.46
MBR -	140	x 155.5	x 6.3		\$35.38
MBR -	150	x 165.5	x 6.3		\$38.51
MBR -	155	x 170.5	x 6.3		\$39.96
MBR -	160	x 175.5	x 6.3		\$41.44
MBR -	170	x 185.5	x 6.3		\$45.10
MBR -	180	x 195.5	x 6.3		\$48.59
MBR -	190	x 205.5	x 6.3		\$54.90
MBR -	200	x 221	x 8.1		\$63.31

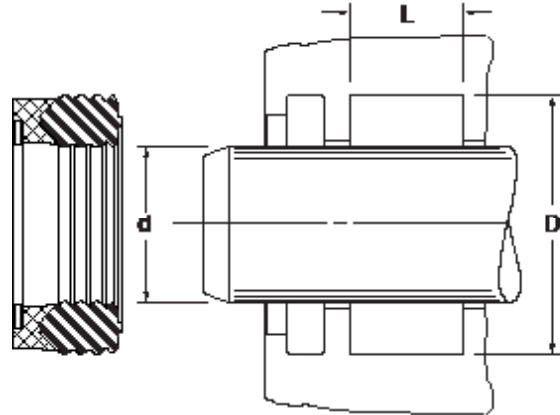
SM Ribbed 3 Piece Rod Seals - Metric



Our ribbed 3 piece rod seal is used as an alternative to vee packing in a rod application. This 3 piece seal offers excellent low pressure sealing due to its multi-lip NBR design. The header is made from urethane and Hytrel® and incorporates a POM anti-extrusion ring which enables this seal to withstand up to 10,000 PSI.

Temperature: -22°F to 248°F

Pressure: 0 to 10,000 PSI



Selemaster Rod Seals

Part Number	Rod Dia. d mm	Groove Dia. D mm	Groove Height L mm	Price
SM129078/1AX	20	33	20	\$25.05
SM137086/1AX	22	35	20	\$25.06
SM161110/1AX	28	41	20	\$33.50
SM169118/1AX	30	43	20	\$33.50
SM185125/1AX	32	47	22.5	\$15.97
SM177137/1AX	35	45	25.59	\$33.50
SM185137/1AX	35	47	22.5	\$33.50
SM196137/1AX	35	50	22.5	\$33.50
SM196157/1AX	40	50	17.5	\$33.50
SM204157/1AX	40	52	22.5	\$33.50
SM216157/1AX	40	55	22.62	\$16.67
SM236157/1AX	40	60	30	\$37.65
SM236177/1AX	45	60	22.5	\$20.54
SM255177/1AX	45	65	28	\$37.65
SM248196/1AX	50	63	20	\$50.17
SM255196/1BX	50	65	22.5	\$18.99
SM255196/1AX	50	65	24.5	\$20.54
SM275196/1BX	50	70	30	\$41.82
SM275196/1AX	50	70	31.9	\$41.82
SM275216/2AX	55	70	22.5	\$34.81
SM275216/1AX	55	70	25	\$48.32
SM295216/2AX	55	75	30	\$50.17
SM295216/1AX	55	75	32	\$50.17
SM279220/2AX	56	71	22.5	\$50.17
SM279220/1AX	56	71	25	\$50.17
SM299220/1AX	56	76	28	\$50.17
SM295236/2AX	60	75	22.5	\$20.16
SM295236/1AX	60	75	25	\$46.00
SM303236/1AX	60	77	27	\$46.00
SM314236/1BX	60	80	30	\$47.80
SM314236/3BX	60	80	32	\$47.80
SM315236/1AX	60	80	34.9	\$50.17
SM326236/1BX	60	83	27	\$50.83
SM326236/1AX	60	83	29	\$50.17
SM326248/1BX	63	83	30	\$50.17
SM334255/1AX	65	85	29	\$50.17

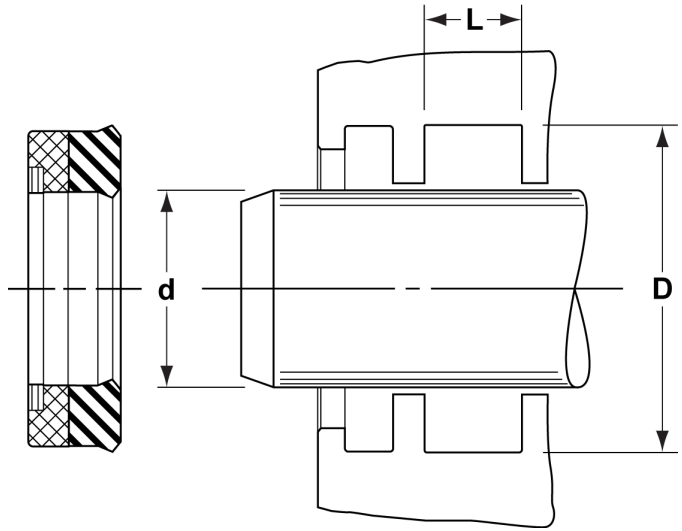
Part Number	Rod Dia. d mm	Groove Dia. D mm	Groove Height L mm	Price
SM334275/1AX	70	85	22.5	\$22.17
SM354275/1AX	70	90	30	\$29.98
SM354275/2AX	70	90	31.9	\$54.35
SM374295/2AX	75	95	28	\$58.53
SM374295/2CX	75	95	30	\$58.53
SM379301/1AX	76.5	96.5	32.5	\$58.53
SM374314/1AX	80	95	22.5	\$58.53
SM393314/1BXS	80	100	30	\$31.90
SM385334/1AX	85	98	25	\$96.73
SM413334/1AX	85	105	30	\$58.53
SM413354/1AX	90	105	22.5	\$62.70
SM413354/3AX	90	105	25	\$62.70
SM433354/2AX	90	110	30	\$32.79
SM452374/1AX	95	115	28	\$63.26
SM450393/1AX	100	114.3	24.2	\$66.88
SM472393/2AX	100	120	30	\$66.88
SM464413/1AX	105	118	25	\$87.49
SM492413/2AX	105	125	30	\$87.40
SM511433/1AX	110	130	32.5	\$87.40
SM551472/2AX	120	140	30	\$87.40
SM570492/2AX	125	145	29.62	\$49.20
SM590511/1AX	130	150	28	\$96.18
SM629551/1AX	140	160	28	\$109.27
SM629551/1BX	140	160	30	\$65.27
SM669590/1AX	150	170	28	\$109.27
SM708629/1AX	160	180	28	\$131.14
SM767669/1AX	170	195	35	\$174.87
SM807708/1AX	180	205	35	\$83.65
SM826728/1AX	185	210	35	\$196.74
SM846748/1AX	190	215	35	\$196.74
SM885787/1AX	200	225	35	\$262.27
SM925826/1AX	210	235	30	\$284.14
SM964866/1AX	220	245	35	\$284.14
SM100905/1AX	230	255	35	\$306.01
SM104944/1AX	240	265	35	\$306.01
SM108984/1AX	250	275	35	\$349.67
SM118108/1AX	275	300	35	\$393.41
SM120110/1AX	280	305	35	\$393.41
SM127118/1AX	300	325	35	\$438.70

ORDER FAX 888-496-7526 • ORDER DESK 800-258-3851

75

MD Rod Squeeze Seals - Metric

MD Rod Squeeze Seals



Style MD rod seals utilize a fabric-reinforced rubber base combined with a POM backup for extrusion resistance, and a homogenous nitrile sealing lip, enabling this seal to handle higher pressures than most other all-rubber seals. The "squeeze" design provides for good low pressure sealability.

Temperature: -22°F to 248°F

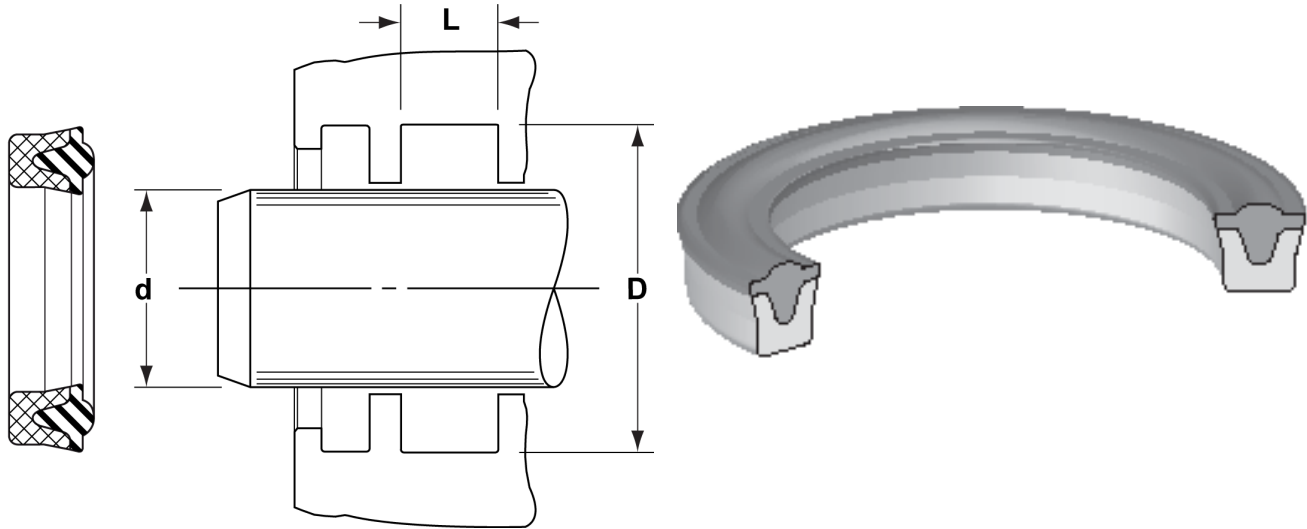
Pressure: 0 to 6,000 PSI

Part Number	Rod Diameter d f8	Groove Diameter D s11	Height L	Price
MD-16x24x6.5-E	16	24	6.5	\$13.60
MD-18x30x7-E	18	30	7	\$9.25
MD-18x30x7.5-E	18	30	7.5	\$9.43
MD-25x33x6.3-E	25	33	6.3	\$10.11
MD-25x35x8.5-E	25	35	8.5	\$10.47
MD-30x40x7.5-E	30	40	7.5	\$9.76
MD-32x45x10-E	32	45	10	\$9.27
MD-35x43x6.4-E	35	43	6.4	\$15.22
MD-35x45x0-E	35	45	10	\$9.69
MD-40x50x10-E	35	45	10	\$9.90
MD-40x50x10.5-E	40	50	10.5	\$9.90
MD-45x60x10.5-E	45	60	10.5	\$10.68
MD-50x60x8-E	50	60	8	\$14.10
MD-50x60x10-E	50	60	10	\$11.99
MD-50x62x10-E	50	62	10	\$12.15
MD-50x65x11-E	50	65	11	\$12.52
MD-50x70x14-E	50	70	14	\$12.94
MD-50x70x14.5-E	50	70	14.5	\$20.88
MD-55x65x10.5-E	55	65	10.5	\$13.23
MD-60x72x10-E	60	72	10	\$14.20
MD-60x75x13-E	60	75	13	\$15.83
MD-60x80x14-E	60	80	14	\$16.77

Part Number	Rod Diameter d f8	Groove Diameter D s11	Height L	Price
MD-60x80x14.5-E	60	80	14.5	\$22.71
MD-65x80x12.5-E	65	80	12.5	\$22.71
MD-70x80x8-E	70	80	8	\$16.24
MD-70x84x12.5-E	70	84	12.5	\$17.12
MD-75x95x14.5-E	75	95	14.5	\$18.41
MD-80x95X12-E	80	95	12	\$17.94
MD-80x100x14.5-E	80	100	14.5	\$19.49
MD-85x100x12-E	85	100	12	\$19.91
MD-90x100x11-E	90	100	11	\$24.56
MD-95x105x11-E	95	105	11	\$25.92
MD-95x115x14-E	95	115	14	\$26.10
MD-95x115x14.5-E	95	115	14.5	\$31.58
MD-100x113x13-E	100	113	13	\$26.83
MD-100x113x13.5-E	100	113	13.5	\$30.45
MD-100x120x14.5-E	100	120	14.5	\$34.48
MD-120x132x9.5-E	120	132	9.5	\$26.95
MD-120x132.7x10-E	120	132.7	10	\$37.90
MD-120x140x12-E	120	140	12	\$32.24
MD-120x140x12.5-E	120	140	12.5	\$29.18
MD-130x145x9-E	130	145	9	\$29.18
MD-130x145x9.5-E	130	145	9.5	\$79.90
MD-140x160x12.5-E	140	160	12.5	\$41.21

S8 Rod Squeeze Seals - Metric

S8 Rod Squeeze Seals



The S8 style seal utilizes a U-cup type base with a bonded NBR expander. The NBR expander provides an excellent sealing contact with a fabric reinforced base providing high-pressure support. Also available in viton.

Temperature: -22°F to 212°F

Pressure: 0 to 3,200 PSI

Part Number					Price
Prefix	Rod Diameter d f8	Groove Diameter D s11	Height L		
S8 -	10	x 17	x 6.4		\$12.67
S8 -	14	x 22	x 6.4		\$14.49
S8 -	16	x 24	x 6.4		\$14.49
S8 -	20	x 28	x 6.4		\$14.92
S8 -	22	x 30	x 6.4		\$14.92
S8 -	25	x 33	x 6.4		\$15.08
S8 -	28	x 36	x 6.4		\$15.56
S8 -	35	x 43	x 6.4		\$15.90
S8 -	36	x 44	x 6.4		\$16.88
S8 -	40	x 48	x 6.4		\$17.62
S8 -	45	x 55	x 8		\$19.87

Part Number					Price
Prefix	Rod Diameter d f8	Groove Diameter D s11	Height L		
S8 -	50	x 60	x 8		\$21.33
S8 -	55	x 65	x 8		\$22.98
S8 -	60	x 70	x 8		\$24.82
S8 -	65	x 77	x 9.6		\$25.60
S8 -	70	x 82	x 9.6		\$25.99
S8 -	75	x 87	x 9.6		\$33.67
S8 -	80	x 92	x 9.6		\$34.46
S8 -	85	x 97	x 9.6		\$35.10
S8 -	90	x 102	x 9.6		\$36.32
S8 -	100	x 115	x 12		\$45.27
S8 -	110	x 125	x 12		\$46.73
S8 -	200	x 220	x 16		\$84.97






















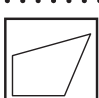



Your seals are just a click away.

www.alleghenyyork.com

Notes

Notes




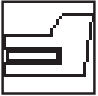











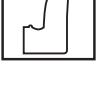











Wiper Section Contents

	940 AN Urethane Wipers - Inch.....	81
	U Type Universal Urethane Wipers - Inch.....	83
	U Wiper Nitrile Cord.....	85
	K Wiper Nitrile Cord.....	85
	U-R Wiper w/ Ribbed Heel - Inch.....	86
	AN Type Non-Stand. Urethane Wipers - Inch.....	87
	Special Enerpac® Wiper - Inch.....	87
	U Type Non-Stand. Urethane Wipers - Inch.....	87
	A40 Wipers - Metric.....	88
	A37 Urethane Wipers - Metric.....	94
	A39 Nitrile Wipers - Metric.....	94
	NW Nylon Wipers - Inch and Metric.....	95
	K Double Lip Urethane Wipers - Inch.....	96
	KB Urethane Wipers - Inch.....	97
	7580 Double Lip Nitrile Wipers - Inch.....	98
	H Double Lip Urethane Wipers - Inch.....	99
	Special High Lip H Wipers - Inch.....	100
	8600 Double Lip Nitrile Wipers - Inch.....	101
	ORK Urethane Wipers - Inch.....	102
	AY Double Lip Urethane Wipers - Metric.....	103
	O.D. Lip Urethane Wiper - Inch and Metric.....	104
	ASC Wipers - Inch.....	105
	A41 Wipers - Metric.....	106
	DA17 Nitrile Wipers - Metric.....	107
	DA24 Urethane Wipers - Metric.....	108

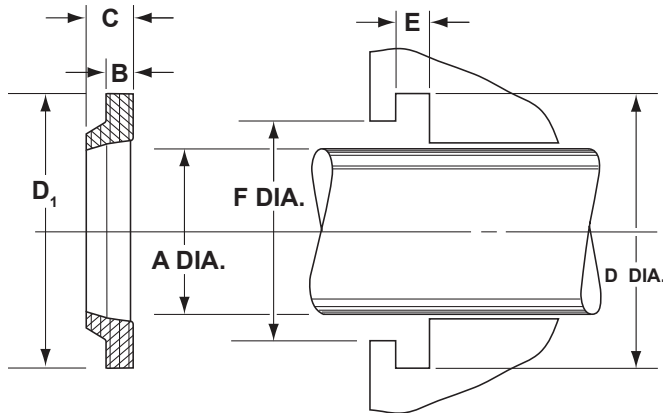
Wiper Section Contents

Wiper Section Contents

Wiper Section Contents

	Seal-Guard® Wipers - Inch.....	108
	SC Wiper / Scrapers - Inch	110
	MS28776 AN Style Metal Scrapers - Inch	111
	ME Metal Encased Wipers - Inch	113
	ME, CAT® Type, Double Lip Wipers - Inch	116
	AMJ Wipers - Metric.....	117
	AMH Wipers - Metric.....	119
	AM43 Wipers - Metric.....	120
	AM44 Wipers - Metric.....	122
	AM46 Wipers - Metric.....	124
	AM47 Pin Wipers - Metric.....	125
	AM48 Pin Wipers - Metric.....	126
	TW 100 Series Excluders - Metric.....	127
	TW 500 Series Excluders - Metric.....	129
	Style 33 Rectangular Base Nitrile Wiper - Inch	131
		Notes	132

940 AN Urethane Wipers - Inch



"AN" (940) wipers are supplied in a high durometer urethane or hytrel® material as standard. Also available in polymyte, fluoromyte, and viton. Consult sales for special compound pricing.

Groove dimensions given meet ANSI/B93.35 1978 specifications (NFPA-T3-197.3 RI).

Temperature: -65° to 200°F

940 AN Wipers

Part Number	Wiper Dimensions				Groove Dimensions			Price
	A Rod Dia.	D ₁ Outside Dia.	B Base Height	C Max. Length	D +.004 - .000	E +.003 - .000	F +.005 - .000	
940-1	0.500	0.766	.104	3/16	0.760	.107	0.647	\$1.14
940-2	0.562	0.829	.104	3/16	0.823	.107	0.710	\$1.14
940-3	0.625	0.891	.104	3/16	0.885	.107	0.772	\$1.14
940-4	0.687	0.954	.104	3/16	0.948	.107	0.834	\$1.14
940-5	0.750	1.016	.104	3/16	1.010	.107	0.897	\$1.14
940-6	0.812	1.090	.104	3/16	1.084	.107	0.960	\$1.14
940-7	0.875	1.153	.104	3/16	1.147	.107	1.023	\$1.14
940-8	0.937	1.215	.104	3/16	1.209	.107	1.085	\$1.14
940-9-1	1.000	1.249	.104	3/16	1.241	.107	1.125	\$1.29
940-9	1.000	1.278	.104	3/16	1.272	.107	1.148	\$1.19
940-10	1.062	1.340	.104	3/16	1.334	.107	1.210	\$1.22
940-11	1.125	1.403	.104	3/16	1.397	.107	1.273	\$1.26
940-12	1.187	1.465	.104	3/16	1.459	.107	1.335	\$1.26
940-13	1.250	1.528	.104	3/16	1.522	.107	1.398	\$1.26
940-14	1.312	1.622	.104	3/16	1.614	.107	1.480	\$1.35
940-15	1.375	1.685	.104	3/16	1.677	.107	1.542	\$1.48
940-16	1.437	1.747	.104	3/16	1.739	.107	1.605	\$1.66
940-17	1.500	1.810	.104	3/16	1.802	.107	1.668	\$1.69
940-17A	1.500	1.738	.104	3/16	1.730	.107	1.620	\$3.65
940-M	1.562	1.873	.104	3/16	1.865	.107	1.731	\$7.76
940-18	1.625	1.935	.104	3/16	1.927	.107	1.793	\$1.87
940-19	1.750	2.060	.104	3/16	2.052	.107	1.918	\$1.90
940-A	1.812	2.123	.104	3/16	2.115	.107	1.981	\$8.59
940-20	1.875	2.185	.104	3/16	2.177	.107	2.043	\$1.92
940-21	2.000	2.310	.104	3/16	2.302	.107	2.178	\$1.92
993988	2.000	2.500	.120	1/4	2.500	.125	2.250	\$5.07
940-B	2.062	2.373	.104	3/16	2.365	.107	2.241	\$9.70
940-22	2.125	2.435	.104	3/16	2.427	.107	2.303	\$2.03
940-23	2.250	2.560	.104	3/16	2.552	.107	2.428	\$2.07
940-C	2.312	2.623	.104	3/16	2.615	.107	2.491	\$10.10
940-24	2.375	2.685	.104	3/16	2.677	.107	2.553	\$2.19
940-CC	2.437	2.747	.104	3/16	2.732	.107	2.615	\$10.34
940-25	2.500	2.810	.104	3/16	2.802	.107	2.678	\$2.27
994110	2.500	3.000	.120	1/4	3.000	.125	2.750	\$5.26
940-D	2.562	2.873	.104	3/16	2.865	.107	2.741	\$10.56
940-26	2.625	2.999	.119	.211	2.989	.122	2.834	\$2.44
940-27	2.750	3.124	.119	.211	3.114	.122	2.959	\$2.48
940-28	2.875	3.249	.119	.211	3.239	.122	3.084	\$2.85
940-29	3.000	3.374	.119	.211	3.364	.122	3.209	\$2.90

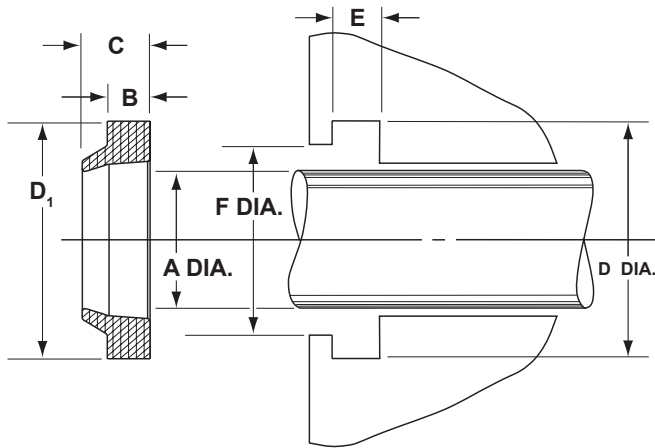
ORDER FAX 888-496-7526 • ORDER DESK 800-258-3851

940 AN Urethane Wipers - Inch, cont'd.

940 AN Wipers

Part Number	Wiper Dimensions				Groove Dimensions			Price
	A Rod Dia.	D ₁ Outside Dia.	B Base Height	C Max. Length	D +.004 -.000	E +.003 -.000	F +.005 -.000	
690211A	3.000	3.500	.120	1/4	3.500	.125		\$5.54
940-30	3.125	3.499	.119	.211	3.489	.122	3.334	\$3.03
940-31	3.250	3.624	.119	.211	3.614	.122	3.459	\$3.32
940-32	3.375	3.749	.119	.211	3.739	.122	3.584	\$3.42
940-33	3.500	3.874	.119	.211	3.864	.122	3.709	\$3.44
940-34	3.625	3.999	.119	.211	3.989	.122	3.834	\$3.57
71-AN-S-5	3.750	4.000	.120	7/32	4.000	.125		\$8.27
940-35	3.750	4.124	.119	.211	4.114	.122	3.959	\$3.65
940-36	3.875	4.249	.119	.211	4.239	.122	4.084	\$3.79
940-37	4.000	4.439	.135	.238	4.427	.138	4.240	\$3.85
940-38	4.125	4.564	.135	.238	4.552	.138	4.365	\$4.02
940-39	4.250	4.689	.135	.238	4.677	.138	4.490	\$4.11
940-40	4.375	4.814	.135	.238	4.802	.138	4.615	\$4.15
940-41	4.500	4.939	.135	.238	4.927	.138	4.740	\$4.22
940-42	4.625	5.064	.135	.238	5.052	.138	4.865	\$4.26
71-AN-S-6	4.750	5.000	.120	7/32	5.000	.125		\$9.06
940-43	4.750	5.189	.135	.238	5.177	.138	4.990	\$4.35
940-44	4.875	5.314	.135	.238	5.302	.138	5.115	\$6.99
940-45	5.000	5.439	.135	.238	5.427	.138	5.240	\$4.79
940-46	5.125	5.564	.135	.238	5.552	.138	5.365	\$4.96
940-47	5.250	5.689	.135	.238	5.677	.138	5.490	\$5.15
940-48	5.375	5.814	.135	.238	5.802	.138	5.615	\$5.27
940-49	5.500	5.939	.135	.238	5.927	.138	5.740	\$5.38
940-50	5.625	6.128	.151	.264	6.114	.154	5.896	\$6.01
71-AN-S-7	5.750	6.000	.120	7/32	6.000	.125		\$10.89
940-51	5.750	6.254	.151	.264	6.239	.154	6.022	\$6.04
940-52	5.875	6.379	.151	.264	6.364	.154	6.146	\$6.15
940-53	6.000	6.504	.151	.264	6.489	.154	6.272	\$6.31
940-54	6.250	6.754	.151	.264	6.739	.154	6.522	\$6.53
940-55	6.500	7.004	.151	.264	6.989	.154	6.772	\$6.67
71-AN-S-8	6.750	7.000	.120	7/32	6.750	.125		\$12.60
940-56	6.750	7.254	.151	.264	7.239	.154	7.022	\$6.92
940-57	7.000	7.504	.151	.264	7.489	.154	7.272	\$6.99
940-58	7.250	7.754	.151	.264	7.739	.154	7.522	\$15.12
940-L	7.375	7.879	.151	.264	7.864	.154	7.647	\$31.30
940-59	7.500	8.004	.151	.264	7.989	.154	7.772	\$12.59
940-60	7.750	8.254	.151	.264	8.239	.154	8.022	\$19.94
940-61	8.000	8.504	.151	.264	8.489	.154	8.272	\$13.56
940-DD	8.125	8.629	.151	.264	8.614	.154	8.397	\$32.83
940-61.5	8.250	8.754	.151	.264	8.739	.154	8.522	\$19.62
940-62	8.500	9.004	.151	.264	8.989	.154	8.772	\$26.81
940-62.5	8.750	9	.151	.264	9.239	.154	9.022	\$26.38
940-63	9.000	9.504	.151	.264	9.489	.154	9.272	\$15.06
940-E	9.250	9.754	.151	.264	9.739	.154	9.522	\$23.90
940-64	9.500	10.004	.151	.264	9.989	.154	9.772	\$30.98
940-65	10.000	10.504	.151	.264	10.489	.154	10.272	\$28.21
940-66	10.500	11.004	.151	.264	10.989	.154	10.772	\$33.72
940-F	10.750	11.254	.151	.264	11.239	.154	11.022	\$44.15
940-67	11.000	11.504	.151	.264	11.489	.154	11.272	\$41.98
940-FF	11.250	11.759	.166	.289	11.739	.169	11.522	\$53.49
940-68	11.500	12.009	.166	.289	11.989	.169	11.772	\$56.29
940-69	12.000	12.509	.166	.289	12.489	.169	12.272	\$58.22
940-71	13.000	13.509	.166	.289	13.489	.169	13.272	\$85.26
940-K	13.750	14.259	.166	.289	14.239	.169	14.022	\$91.76

U Type Universal Urethane Wipers - Inch



The standard materials for universal wipers (U, D or ST) are high durometer urethane or hytrel®. They are also available in molythane, polymyte, fluoromyte, nitroxile, and viton. Consult sales for price and availability.

Temperature: -65° to 200°F

U Wipers

Part Number	Wiper Dimensions				Groove Dimensions			Price
	A Rod Dia.	D ₁ Outside Dia.	B Base Height	C Max. Length	D +.006 -.000	E +.004 -.000	F +.010 -.000	
U-0250	0.250	1/2	1/8	.210	0.497	.124	0.410	\$2.23
U-0312	0.312	9/16	1/8	.210	0.560	.124	0.475	\$2.23
U-0375	0.375	5/8	1/8	.210	0.622	.124	0.535	\$2.23
U-0437	0.437	11/16	1/8	.210	0.685	.124	0.600	\$2.29
U-0500	0.500	3/4	1/8	.210	0.747	.124	0.660	\$2.36
U-0562	0.562	13/16	1/8	.210	0.810	.124	0.725	\$2.44
U-0625	0.625	7/8	1/8	.210	0.872	.124	0.785	\$2.51
U-0687	0.687	15/16	1/8	.210	0.935	.124	0.850	\$2.57
U-0750	0.750	1-1/8	3/16	.305	1.122	.187	0.995	\$2.51
U-0812	0.812	1-3/16	3/16	.305	1.185	.187	1.060	\$2.57
U-0875	0.875	1-1/4	3/16	.305	1.247	.187	1.120	\$2.57
U-0937	0.937	1-5/16	3/16	.305	1.310	.187	1.185	\$2.41
U-0984	0.984	1.359	3/16	.305	1.357	.187	1.185	\$5.40
U-1000	1.000	1-3/8	3/16	.305	1.372	.187	1.245	\$2.57
U-1062	1.062	1-7/16	3/16	.305	1.435	.187	1.310	\$3.19
U-1102	1.102	1.477	3/16	.305	1.474	.187	1.370	\$5.43
U-1125	1.125	1-1/2	3/16	.305	1.497	.187	1.370	\$2.57
U-1187	1.187	1-9/16	3/16	.305	1.560	.187	1.435	\$2.61
U-1250	1.250	1-5/8	3/16	.305	1.622	.187	1.495	\$2.64
U-1312	1.312	1-11/16	3/16	.305	1.685	.187	1.560	\$2.88
U-1375	1.375	1-3/4	3/16	.305	1.747	.187	1.620	\$2.88
U-1437	1.437	1-13/16	3/16	.305	1.810	.187	1.685	\$3.76
U-1500	1.500	1-7/8	3/16	.305	1.872	.187	1.745	\$3.09
U-1625	1.625	2	3/16	.305	1.997	.187	1.870	\$3.21
U-1750	1.750	2-1/8	3/16	.305	2.122	.187	1.995	\$3.53
U-1812	1.812	2-3/16	3/16	.305	2.185	.187	2.060	\$5.73
U-1875	1.875	2-1/4	3/16	.305	2.247	.187	2.120	\$3.64
3670-200	2.000	2-3/8	3/16	.340	2.375	.343		\$17.02
U-2000-187S	2.000	2-1/2	3/16	.305	2.497	.187	2.327	\$11.69
U-2000	2.000	2-1/2	1/4	.395	2.497	.249	2.327	\$3.63
U-2125	2.125	2-5/8	1/4	.395	2.622	.249	2.452	\$3.89
U-2250	2.250	2-3/4	1/4	.395	2.747	.249	2.577	\$3.95
U-2312	2.312	2-13/16	1/4	.395	2.810	.249	2.640	\$8.09
U-2375	2.375	2-7/8	1/4	.395	2.872	.249	2.702	\$4.29
U-2500	2.500	3	1/4	.395	2.997	.249	2.827	\$4.29

ORDER FAX 888-496-7526 • ORDER DESK 800-258-3851

U Type Universal Urethane Wipers - Inch, cont'd.

U Wipers

Part Number	Wiper Dimensions				Groove Dimensions			Price
	A Rod Dia.	D ₁ Outside Dia.	B Base Height	C Max. Length	D +.006 -.000	E +.004 -.000	F +.010 -.000	
U-2562	2.562	3-1/16	1/4	.395	3.060	.249	2.890	\$8.71
U-2625	2.625	3-1/8	1/4	.395	3.122	.249	2.952	\$4.38
U-2750	2.750	3-1/4	1/4	.395	3.247	.249	3.077	\$4.52
U-2875	2.875	3-3/8	1/4	.395	3.372	.249	3.202	\$5.85
U-3000	3.000	3-1/2	1/4	.395	3.497	.249	3.327	\$4.59
U-3125	3.125	3-5/8	1/4	.395	3.622	.249	3.452	\$5.11
U-3250	3.250	3-3/4	1/4	.395	3.747	.249	3.577	\$5.18
U-3375	3.375	3-7/8	1/4	.395	3.872	.249	3.702	\$6.11
U-3500	3.500	4	1/4	.395	3.997	.249	3.827	\$5.33
U-3625	3.625	4-1/8	1/4	.395	4.122	.249	3.952	\$6.56
U-3750	3.750	4-1/4	1/4	.395	4.247	.249	4.077	\$6.37
U-3875	3.875	4-3/8	1/4	.395	4.372	.249	4.202	\$7.24
U-4000	4.000	4-1/2	1/4	.395	4.497	.249	4.327	\$7.05
U-4125	4.125	4-5/8	1/4	.395	4.622	.249	4.452	\$7.48
U-4250	4.250	4-3/4	1/4	.395	4.747	.249	4.577	\$7.49
U-4375	4.375	4-7/8	1/4	.395	4.872	.249	4.702	\$14.42
U-4500-250	4.500	5	1/4	.395	4.947	.249	4.827	\$8.30
U-4500	4.500	5-1/4	3/8	.585	5.247	.374	4.993	\$8.30
U-4625	4.625	5-3/8	3/8	.585	5.372	.374	5.118	\$17.70
U-4750	4.750	5-1/2	3/8	.585	5.497	.374	5.243	\$8.50
U-4875	4.875	5-5/8	3/8	.585	5.622	.374	5.368	\$20.55
U-5000-250	5.000	5-1/2	1/4	.395	5.497	.249	5.327	\$18.63
U-5000	5.000	5-3/4	3/8	.585	5.747	.374	5.493	\$11.15
U-5125	5.125	5-7/8	3/8	.585	5.872	.374	5.618	\$24.93
U-5250	5.250	6	3/8	.585	5.997	.374	5.743	\$13.52
U-5375	5.375	6-1/8	3/8	.585	6.122	.374	5.868	\$27.38
U-5500	5.500	6-1/4	3/8	.585	6.247	.374	5.993	\$13.79
U-5625	5.625	6-3/8	3/8	.585	6.372	.374	6.118	\$29.37
U-5750	5.750	6-1/2	3/8	.585	6.497	.374	6.243	\$15.20
U-5875	5.875	6-5/8	3/8	.585	6.622	.374	6.368	\$31.34
U-6000	6.000	6-3/4	3/8	.585	6.747	.374	6.493	\$16.26
U-6250	6.250	7	3/8	.585	6.997	.374	6.743	\$17.06
U-6500	6.500	7-1/4	3/8	.585	7.247	.374	6.993	\$17.56
U-6500-500	6.500	7-1/2	1/2	.750	7.500	.499	7.159	\$57.58
U-6625	6.625	7-3/8	3/8	.585	7.372	.374	7.118	\$39.21
U-6750	6.750	7-1/2	3/8	.585	7.497	.374	7.243	\$18.30
U-7000	7.000	7-3/4	3/8	.585	7.747	.374	7.493	\$19.66
U-7000-500	7.000	8	1/2	.750	8.000	.499	7.659	\$57.95
U-7250	7.250	8	3/8	.585	7.997	.374	7.743	\$20.49
U-7250-500	7.250	8-1/4	1/2	.750	8.250	.500		\$59.64
U-7500	7.500	8-1/4	3/8	.585	8.247	.374	7.993	\$20.61
U-7500-375-1	7.500	8-1/2	3/8	.585	8.497	.374	8.243	\$125.96
U-7500-500	7.500	8-1/2	1/2	.750	8.500	.500		\$125.96
U-7750	7.750	8-1/2	3/8	.585	8.497	.374	8.243	\$43.93
959-60.7SA	7.925	8.425	1/4	.375	8.425	.250		\$34.86
959-61SA	8.000	8.500	1/4	.375	8.500	.250		\$41.49
U-8000	8.000	8-3/4	3/8	.585	8.747	.374	8.493	\$22.91
959-61.5SA	8.250	8-3/4	1/4	.375	8.747	.250		\$61.78
U-8250	8.250	9	3/8	.585	8.997	.374	8.743	\$23.40
959-62SA	8.500	9	1/4	.375	8.997	.250		\$48.59
U-8500	8.500	9-1/4	3/8	.585	9.247	.374	8.993	\$23.94
U-8750	8.750	9-1/2	3/8	.585	9.497	.374	9.243	\$49.02
U-8875	8.875	9-5/8	3/8	.585	9.622	.374	9.368	\$49.64

U Type Universal Urethane Wipers - Inch, cont'd.

Part Number	Wiper Dimensions				Groove Dimensions			Price
	A Rod Dia.	D ₁ Outside Dia.	B Base Height	C Max. Length	D +.006 -.000	E +.004 -.000	F +.010 -.000	
U-9000	9.000	9-3/4	3/8	.585	9.747	.374	9.493	\$27.37
U-9000-500	9.000	10	1/2	.775	10.000	.499	9.659	\$125.83
U-9250	9.250	10	3/8	.585	9.997	.374	9.743	\$51.43
U-9500	9.500	10-1/4	3/8	.585	10.247	.374	9.993	\$52.75
U-9500-500	9.500	10-1/2	1/2	.775	10.497	.499	10.159	\$125.96
U-9750	9.750	10-1/2	3/8	.585	10.497	.374	10.243	\$53.93
959-65SA	10.000	10-1/2	1/4	.375	10.497	.250		\$51.54
U-10000	10.000	11	1/2	.775	10.997	.499	10.659	\$64.40
U-10250	10.250	11-1/4	1/2	.775	11.247	.499	10.909	\$65.93
U-10500	10.500	11-1/2	1/2	.775	11.497	.499	11.159	\$67.50
U-10625	10.625	11-5/8	1/2	.775	11.622	.499	11.284	\$68.27
U-10750	10.750	11-3/4	1/2	.775	11.747	.499	11.409	\$78.93
U-11000	11.000	12	1/2	.775	11.997	.499	11.659	\$80.79
U-11250	11.250	12-1/4	1/2	.775	12.247	.499	11.909	\$100.52
U-11500	11.500	12-1/2	1/2	.775	12.497	.499	12.159	\$103.89
U-11750	11.750	12-3/4	1/2	.775	12.747	.499	12.409	\$110.34
U-12000	12.000	13	1/2	.775	12.997	.499	12.659	\$99.13
U-12500	12.500	13-1/2	1/2	.775	13.497	.499	13.159	\$114.47
U-13000	13.000	14	1/2	.775	13.997	.499	13.659	\$122.38
U-13500	13.500	14-1/2	1/2	.775	14.497	.499	14.159	\$133.57
U-13750	13.750	14-3/4	1/2	.775	14.747	.499	14.409	\$136.82
U-14750	14.750	15-3/4	1/2	.775	15.747	.499	15.409	\$146.94
U-15000	15.000	16	1/2	.775	15.997	.499	15.659	\$149.45
U-16500	16.500	17-1/2	1/2	.775	17.447	.499	17.159	\$160.26
U-17375	17.375	18-3/8	1/2	.775	18.322	.499	18.034	\$171.36
U-18000	18.000	19	1/2	.775	18.997	.499	18.659	\$163.22
U-20000	20.000	21	1/2	.775	20.997	.499	20.659	\$196.41
U-30000	30.000	31	1/2	.775	30.997	.499	30.659	\$577.98

U Wipers

U Wiper Nitrile Cord

This 70 durometer nitrile extrusion is available for those non-standard rod applications and some telescopic cylinders and will interchange into a standard U-wiper groove.

Temperature: -40° to 250°F

Part Number	Cross Section/Base Height B	Price/ft.
187UCORD N70	3/16	\$2.85

K Wiper Nitrile Cord

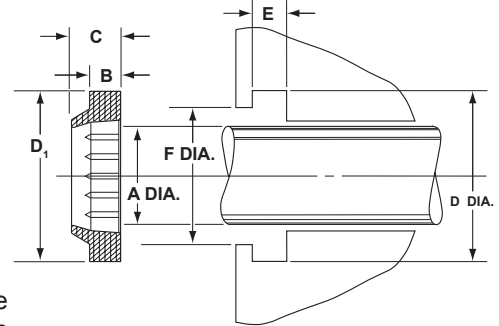
This 70 durometer nitrile extrusion is available in two cross sections for those non-standard rod applications and will interchange into standard K and 7580 wiper grooves.

Temperature: -40° to 250°F

Part Number	Cross Section	Price/ft.
187KCORD N70	3/16	\$3.40
250KCORD N70	1/4	\$4.38

*Contact
our problem
solving sales
team to
learn more.*

U-R Wiper w/ Ribbed Heel - Inch



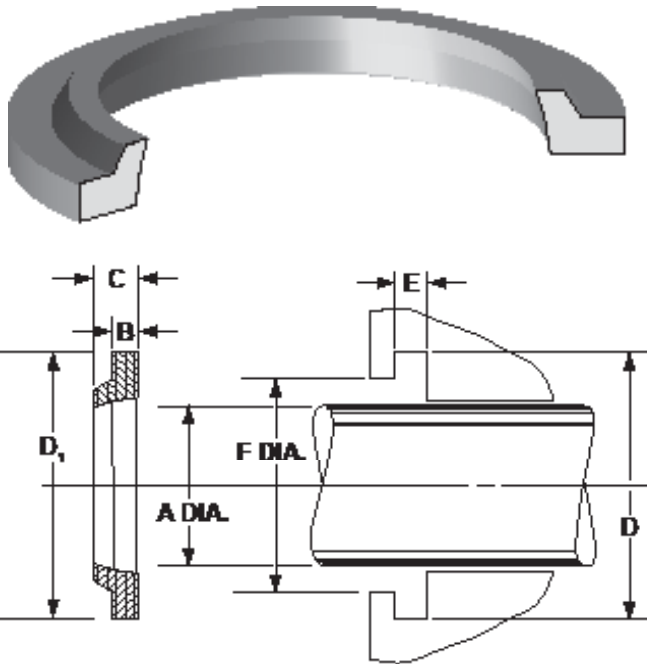
U Wipers

The ribbed heel snap-in rod wiper has been designed to fit "universal" type housings. The proportions of the wiping lip ensure that contact is maintained with the surface of the rod to remove heavily deposited mud, ice, etc. The outside of the wiper has snug contact with the inside of the housing and has a wiping lip to prevent contaminants from entering the groove. The molded ribs on the inside provide extra stability to the wiper and help prevent pressure trapping.

Temperature: -40° to 230°F

Part Number	Wiper Dimensions				Groove Dimensions			Price
	A Rod Dia.	D ₁ Outside Dia.	B Base Height	C Max. Length	D +.006 -.000	E +.004 -.000	F +.010 -.000	
U-0500R	0.500	3/4	1/8	.210	0.747	.124	0.660	\$1.67
U-0625R	0.625	7/8	1/8	.210	0.872	.124	0.785	\$1.67
U-0750R	0.750	1-1/8	3/16	.305	1.122	.187	0.995	\$1.72
U-0875R	0.875	1-1/4	3/16	.305	1.247	.187	1.120	\$1.79
U-1000R	1.000	1-3/8	3/16	.305	1.372	.187	1.245	\$1.92
U-1125R	1.125	1-1/2	3/16	.305	1.497	.187	1.370	\$2.01
U-1250R	1.250	1-5/8	3/16	.305	1.622	.187	1.495	\$2.14
U-1375R	1.375	1-3/4	3/16	.305	1.747	.187	1.620	\$2.36
U-1500R	1.500	1-7/8	3/16	.305	1.872	.187	1.745	\$2.55
U-1625R	1.625	2	3/16	.305	1.997	.187	1.870	\$2.67
U-1750R	1.750	2-1/8	3/16	.305	2.122	.187	1.995	\$2.90
U-2000R	2.000	2-1/2	1/4	.395	2.497	.249	2.327	\$3.22
U-2250R	2.250	2-3/4	1/4	.395	2.747	.249	2.577	\$3.46
U-2375R	2.375	2-7/8	1/4	.395	2.872	.249	2.702	\$3.66
U-2500R	2.500	3	1/4	.395	2.997	.249	2.827	\$4.04
U-2750R	2.750	3-1/4	1/4	.395	3.247	.249	3.077	\$4.32
U-3000R	3.000	3-1/2	1/4	.395	3.497	.249	3.327	\$5.12
U-3250R	3.250	3-3/4	1/4	.395	3.747	.249	3.577	\$5.67
U-3500R	3.500	4	1/4	.395	3.997	.249	3.827	\$6.21
U-3750R	3.750	4-1/4	1/4	.395	4.247	.249	4.077	\$7.06
U-4000-187R	4.000	4-3/8	3/16	.275	4.497	.187	4.370	\$7.33
U-4000R	4.000	4-1/2	1/4	.395	4.497	.249	4.327	\$7.68
U-4250R	4.250	4-3/4	1/4	.395	4.747	.249	4.577	\$8.56
U-4500R	4.500	5-1/4	3/8	.585	5.247	.374	4.993	\$11.30
U-4750-187R	4.750	5-1/8	3/16	.275	4.747	.187	4.620	\$14.53
U-4750R	4.750	5-1/2	3/8	.585	5.497	.374	5.243	\$14.18
U-5000R	5.000	5-3/4	3/8	.585	5.747	.374	5.493	\$15.61
U-5250R	5.250	6	3/8	.585	5.997	.374	5.743	\$16.92
U-5500-187R	5.500	5-7/8	3/16	.275	5.872	.187	5.745	\$17.08
U-5500R	5.500	6-1/4	3/8	.585	6.247	.374	5.993	\$17.44
U-6000-250R	6.000	6-1/2	1/4	.375	6.497	.250	6.332	\$18.77
U-6000R	6.000	6-3/4	3/8	.585	6.747	.374	6.493	\$19.92
U-6375-250R	6.375	6-7/8	1/4	.375	6.872	.249	6.702	\$23.04
U-7000-250R	7.000	7-1/2	1/4	.375	7.497	.250	7.332	\$24.13
U-7000R	7.000	7-3/4	3/8	.585	7.747	.374	7.493	\$24.85
U-7250-250R	7.250	7-3/4	1/4	.375	7.747	.249	7.577	\$26.00
U-8000R	8.000	8-3/4	3/8	.585	8.747	.374	8.493	\$30.10
U-8125-250R	8.125	8-5/8	1/4	.375	8.122	.250	8.452	\$31.37
U-8500R 361	8.500	9-1/4	3/8	.585	9.247	.374	8.993	\$35.25

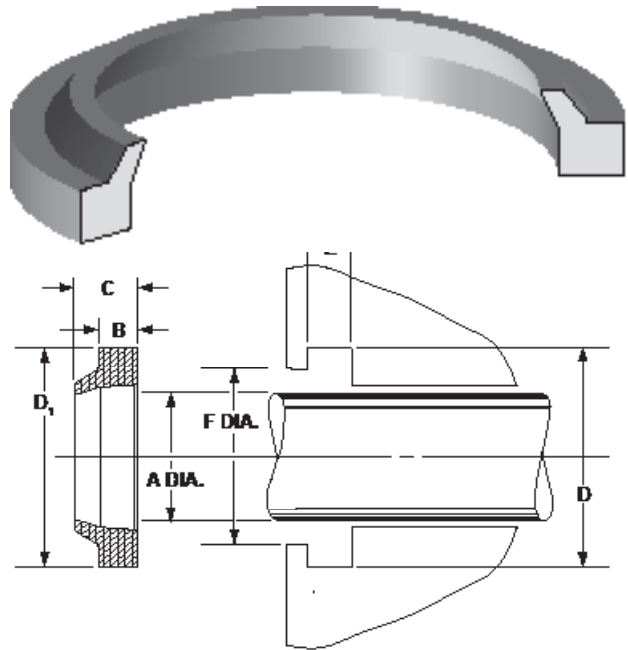
AN Type Non-Stand. Urethane Wipers - Inch



Temperature: -65° to 200°F

Part Number	A Rod Dia.	D ₁ Outside Dia.	B Base Height	C Overall Height	Price
993988	2	2-1/2	1/8	1/4	\$5.07
994110	2-1/2	3	1/8	1/4	\$5.26
690211A	3	3-1/2	1/8	1/4	\$5.54
71-AN-S-5	3-3/4	4	1/8	7/32	\$8.27
71-AN-S-6	4-3/4	5	1/8	7/32	\$9.06
71-AN-S-7	5-3/4	6	1/8	7/32	\$10.89
71-AN-S-8	6-3/4	7	1/8	7/32	\$12.60

U Type Non-Stand. Urethane Wipers - Inch



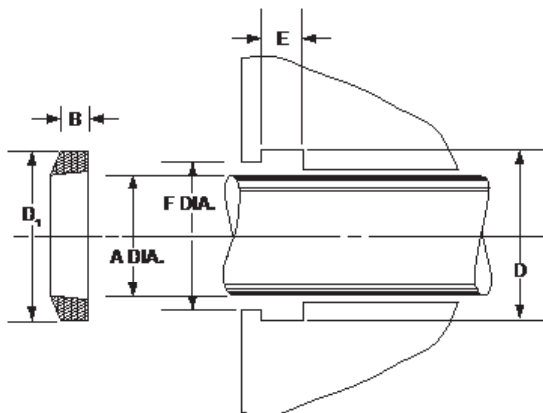
Non Stand. AN / U Wipers

These wipers are used in mobile hydraulic applications.

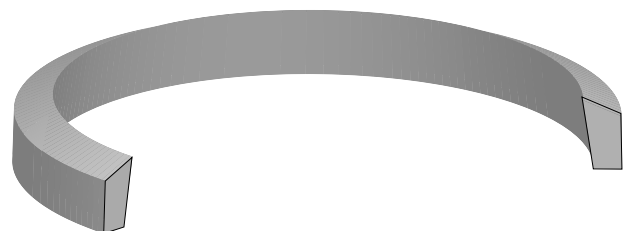
Temperature: -65° to 200°F

Part Number	A Rod Dia.	D ₁ Outside Dia.	B Base Height	C Overall Height	Price
3670-200	2	2-3/8	3/16	11/32	\$17.02
959-60.7SA	7.925	8.425	1/4	3/8	\$34.86
959-61SA	8	8-1/2	1/4	3/8	\$41.49
959-61.5SA	8-1/4	8-3/4	1/4	3/8	\$61.78
959-62SA	8-1/2	9	1/4	3/8	\$48.59
959-65SA	10	10-1/2	1/4	3/8	\$51.54

Special Enerpac® Wiper - Inch



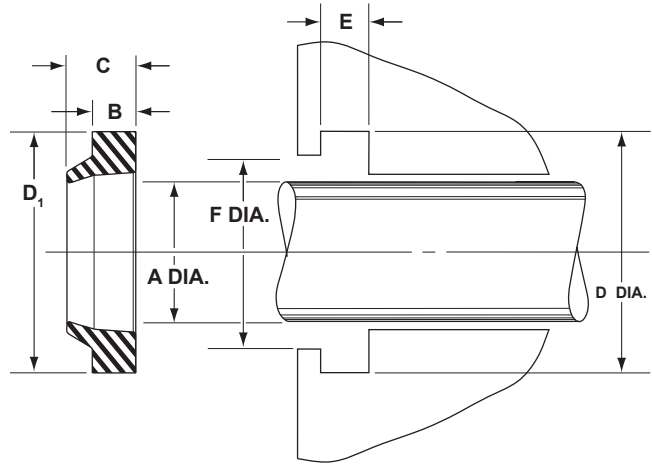
Temperature: -65° to 200°F



Part Number	A Rod Dia.	D ₁ Outside Dia.	B Base Height	Overall Height	Price
996132	1	1-1/8	1/8	5/32	\$4.37
993014	1-1/2	1-5/8	1/8	5/32	\$5.45
996076	2	2-1/8	1/8	5/32	\$5.67

ORDER FAX 888-496-7526 • ORDER DESK 800-258-3851

A40 Wipers - Metric



Profile A40 wipers are manufactured from 90 durometer nitrile or 90 durometer urethane, (designated by P90 in part number). These rings can easily be snapped into grooves of relatively simple design. No close tolerances are needed.

Temperature: -40° to 230°F

A40 Wipers

Prefix	Part Number						Groove Dimensions			Price
	A mm Rod Dia.	D ₁ mm Outside Dia.	B mm Base Height	C mm Total Height	Material	D mm H11	E mm +0.1 -0.0	F mm H11		
A40-	5	x 12	x 2.5	x 4	P90				\$2.96	
A40-	8	x 14	x 3.5	x 4.5	P90				\$3.20	
A40-	10	x 16	x 3.5	x 5	P90	16.6	3.8	13	\$3.40	
A40-	10	x 16	x 3.5	x 5					\$1.85	
A40-	12	x 18	x 3.4	x 5					\$2.61	
A40-	12	x 18	x 4	x 6	P90				\$7.12	
A40-	12	x 18	x 4	x 7		18.6	4	15	\$3.91	
A40-	12	x 20	x 4	x 6	P90	20	4	14	\$6.14	
A40-	14	x 20	x 3.5	x 5	P90				\$3.68	
A40-	15	x 21	x 3.4	x 5					\$2.70	
A40-	15	x 21.6	x 3.8	x 5	P90				\$3.90	
A40-	16	x 20	x 3	x 4					\$4.27	
A40-	16	x 22	x 3.4	x 5.5					\$2.76	
A40-	16	x 22	x 3.5	x 5.5					\$2.76	
A40-	16	x 22	x 3.5	x 5	P90				\$3.97	
A40-	16	x 22	x 3.8	x 5					\$6.83	
A40-	16	x 22.5	x 2.7	x 4	P90				\$3.90	
A40-	16	x 22.6	x 3.8	x 5	P90				\$4.20	
A40-	16	x 24	x 5	x 7	P90				\$3.33	
A40-	16	x 26	x 5	x 8	RIBBED				\$25.11	
A40-	18	x 24	x 3.4	x 5.5					\$2.76	
A40-	18	x 24	x 3.5	x 5.5	P90				\$3.42	
A40-	18	x 24	x 3.5	x 5	P90				\$3.31	
A40-	18	x 26	x 4	x 6	P90	26	4	20	\$3.13	
A40-	18	x 26	x 4	x 7					\$3.87	
A40-	18	x 30	x 5	x 7					\$2.61	
A40-	19	x 28	x 5	x 7					\$2.61	
A40-	20	x 28	x 5	x 7					\$2.61	
A40-	20	x 28	x 5	x 7	P90	28.6	5.3	23	\$2.99	
A40-	22	x 30	x 5	x 7		30.6	5.3	25	\$3.48	
A40-	22	x 30	x 5	x 7	P90				\$3.78	
A40-	22	x 30.6	x 5.3	x 7	P90				\$4.21	
A40-	24	x 32	x 5	x 7					\$2.80	
A40-	24	x 32	x 5	x 7	P90	32.6	5.3	27	\$4.22	
A40-	24	x 32.6	x 5.3	x 7	P90				\$4.36	
A40-	25	x 33	x 4	x 6		33	4	27	\$9.63	

A40 Wipers - Metric, cont'd.

Part Number									Groove Dimensions			Price
Prefix	A mm Rod Dia.	D ₁ mm Outside Dia.	B mm Base Height	C mm Total Height	Material	D mm H11	E mm +0.1 -0.0	F mm H11				
A40-	25	x	33	x	4	x	6	P90	33	4	27	\$3.91
A40-	25	x	33	x	5	x	6.4	P90	33	5	27	\$4.28
A40-	25	x	33	x	5	x	7		33.6	5.3	28	\$4.47
A40-	25	x	33	x	5	x	7	P90				\$3.65
A40-	27	x	35	x	5	x	7					\$2.80
A40-	28	x	36	x	5	x	6.4	P90	36	5	30	\$3.57
A40-	28	x	36	x	5	x	7					\$2.80
A40-	28	x	36	x	5	x	7	P90				\$3.75
A40-	28	x	36.6	x	5.3	x	7	P90				\$4.46
A40-	30	x	38	x	5	x	7					\$2.80
A40-	30	x	38	x	5	x	7	P90	38.6	5.3	33	\$4.13
A40-	30	x	40	x	7	x	10	N85				\$10.76
A40-	30	x	42	x	6	x	9					\$6.68
A40-	30	x	42	x	6	x	9	P90	42	6	32	\$4.17
A40-	30	x	45	x	5	x	7					\$3.65
A40-	32	x	40	x	3.5	x	5	P90				\$5.07
A40-	32	x	40	x	5	x	7		40.6	5.3	35	\$6.06
A40-	32	x	40	x	5	x	7	P90				\$3.53
A40-	32	x	44	x	6	x	9					\$7.94
A40-	32	x	44	x	6	x	9	P90	44	6	34	\$4.17
A40-	33	x	42	x	5	x	7					\$3.98
A40-	35	x	43	x	5	x	7					\$3.52
A40-	35	x	43	x	5	x	7	P90	43.6	5.3	38	\$4.96
A40-	35	x	45	x	3.8	x	6	P90				\$4.24
A40-	35	x	47	x	4	x	7					\$4.69
A40-	35	x	47	x	6	x	9					\$7.87
A40-	35	x	47	x	6	x	9	P90	47	6	37	\$4.24
A40-	36	x	44	x	5	x	7		44.6	5.3	39	\$6.06
A40-	36	x	44	x	5	x	7	P90				\$5.42
A40-	36	x	48	x	6	x	9	P90	48	6	38	\$4.30
A40-	38	x	44	x	4.3	x	5.6					\$29.89
A40-	38	x	46	x	5	x	7					\$4.50
A40-	38	x	46	x	5	x	7	P90	46.6	5	41	\$5.67
A40-	40	x	48	x	4	x	6	P90				\$4.76
A40-	40	x	48	x	4	x	7					\$3.34
A40-	40	x	48	x	5	x	6.4	P90	48	5	42	\$5.28
A40-	40	x	48	x	5	x	7		48.6	5.3	43	\$6.06
A40-	40	x	48	x	5	x	7	P90				\$3.42
A40-	40	x	50	x	5	x	7					\$3.42
A40-	40	x	52	x	5	x	8	P90				\$4.19
A40-	40	x	52	x	6	x	8					\$3.60
A40-	40	x	52	x	6	x	9					\$4.24
A40-	40	x	52	x	6	x	9	P90	52	6	42	\$4.37
A40-	42	x	50	x	5	x	7		50.6	5.3	45	\$6.06
A40-	42	x	50	x	5	x	7	P90				\$5.09
A40-	42	x	54	x	6	x	9	P90	54	6	44	\$4.37
A40-	45	x	53	x	5	x	6.4					\$7.06
A40-	45	x	53	x	5	x	6.4	P90	53	5	47	\$5.10
A40-	45	x	53	x	5	x	7					\$3.98
A40-	45	x	53	x	5	x	7	P90				\$5.75
A40-	45	x	55	x	5	x	7		55.6	5.3	52.6	\$6.30
A40-	45	x	55	x	5	x	7	P90				\$3.81
A40-	45	x	57	x	6	x	9	P90	57	6	47	\$6.72
A40-	45	x	60	x	4	x	7	P90				\$4.33
A40-	46	x	54	x	5	x	7					\$5.69

A40 Wipers

A40 Wipers - Metric, cont'd.

Prefix	Part Number					Groove Dimensions			Price
	A mm Rod Dia.	D ₁ mm Outside Dia.	B mm Base Height	C mm Total Height	Material	D mm H11	E mm +0.1 -0.0	F mm H11	
A40-	46	x 54	x 5	x 7	P90	54.6	5.3	49	\$6.52
A40-	47	x 53	x 5	x 7	P90				\$5.09
A40-	48	x 56	x 5	x 7					\$4.20
A40-	48	x 56	x 5.3	x 7	P90				\$6.94
A40-	48	x 56	x 6.5	x 8.5					\$26.36
A40-	50	x 58	x 5	x 6.4	P90	58	5	52	\$6.34
A40-	50	x 58	x 5	x 7					\$3.60
A40-	50	x 58	x 5	x 7	P90				\$4.33
A40-	50	x 58.6	x 5.3	x 7	P90				\$6.57
A40-	50	x 60	x 5	x 7		60.6	5.3	57.6	\$6.98
A40-	50	x 60	x 5	x 7	P90				\$5.86
A40-	50	x 62	x 6	x 9	P90	62	6	52	\$5.87
A40-	50	x 65	x 4	x 7	P90	65.5	4.2	58	\$6.26
A40-	53	x 61	x 5	x 7	P90	61.6	5.3	56	\$7.43
A40-	55	x 63	x 5	x 7					\$4.69
A40-	55	x 63	x 5	x 7	P90	63.6	5.3	58	\$8.22
A40-	55	x 65	x 5	x 7					\$4.69
A40-	55	x 65	x 5	x 7	P90	65.6	5.3	62.6	\$7.43
A40-	55	x 65	x 5	x 8					\$8.83
A40-	55	x 65	x 7	x 10					\$32.85
A40-	55	x 67	x 6	x 9	P90	67	6	57	\$6.46
A40-	55	x 67	x 7	x 12	P90				\$5.96
A40-	56	x 64	x 5	x 7	P90	64.6	5.3	59	\$6.19
A40-	56	x 66	x 5	x 7		66.6	5.3	63.6	\$5.89
A40-	56	x 66	x 5	x 7	P90				\$7.82
A40-	56	x 66	x 6.3	x 8.1					\$11.82
A40-	56	x 66	x 6.3	x 8.1	P90	66	6.3	58	\$11.82
A40-	56	x 66	x 6.3	x 10	P90				\$13.04
A40-	56	x 68	x 6	x 9					\$14.41
A40-	56	x 68	x 6	x 9	P90	68	6	58	\$11.61
A40-	60	x 68	x 5	x 7		68.6	5.3	63	\$7.62
A40-	60	x 70	x 5	x 7		70.6	5.3	67.6	\$5.61
A40-	60	x 70	x 5	x 7	P90				\$5.33
A40-	60	x 72	x 6	x 9	P90	72	6	62	\$7.63
A40-	63	x 71	x 5	x 7		71.6	5.3	66	\$7.43
A40-	63	x 71	x 5	x 7	P90				\$7.43
A40-	63	x 73	x 5	x 7					\$5.67
A40-	63	x 73	x 5	x 7	P90				\$8.02
A40-	63	x 73	x 6.3	x 8.1					\$13.20
A40-	63	x 73	x 6.3	x 8.1	P90	73	6.3	65	\$13.20
A40-	63	x 73.6	x 5.3	x 7	P90				\$9.41
A40-	63	x 75	x 6	x 9	P90	75	6	65	\$11.55
A40-	65	x 73	x 5	x 7		73.6	5.3	68	\$8.63
A40-	65	x 73	x 5	x 7	P90				\$8.32
A40-	65	x 75	x 5	x 7		75.6	5.3	72.6	\$5.75
A40-	65	x 75	x 5	x 7	P90				\$7.08
A40-	65	x 76	x 5.8	x 7					\$8.22
A40-	65	x 77	x 6	x 9	P90	77	6	67	\$7.50
A40-	65	x 77	x 7	x 12	P90				\$8.22
A40-	70	x 78	x 5	x 7					\$5.67
A40-	70	x 78	x 5	x 7	P90	78.6	5.3	73	\$7.50
A40-	70	x 80	x 5	x 7		80.6	5.3	77.6	\$5.24
A40-	70	x 80	x 5	x 7	P90				\$6.52
A40-	70	x 80	x 6.3	x 8.1					\$18.67
A40-	70	x 80	x 6.3	x 8.1	P90	80	6.3	77	\$12.32

A40 Wipers - Metric, cont'd.

Part Number						Groove Dimensions			Price			
Prefix	A mm Rod Dia.	D ₁ mm Outside Dia.	B mm Base Height	C mm Total Height	Material	D mm H11	E mm +0.1 -0.0	F mm H11				
A40-	70	x	80	x	6.3	x	10	P90		\$11.11		
A40-	70	x	82	x	6	x	9			\$11.22		
A40-	70	x	82	x	6	x	9	P90	82	6	77	\$9.06
A40-	70	x	82	x	7	x	12					\$6.91
A40-	70	x	82	x	7	x	12	P90				\$6.59
A40-	70	x	82.6	x	7.1	x	12	P90				\$7.42
A40-	75	x	83	x	5	x	7		83.6	5.3	78	\$6.39
A40-	75	x	83	x	5	x	7	P90	83.6	5.3	78	\$7.43
A40-	75	x	85	x	5	x	7					\$6.85
A40-	75	x	87	x	7	x	12					\$6.85
A40-	75	x	87.2	x	7.1	x	12	P90				\$7.80
A40-	76	x	84.6	x	5.3	x	7	P90				\$8.39
A40-	78	x	86	x	5	x	7	P90	86.6	5.3	81	\$9.28
A40-	78	x	88	x	5.2	x	7	P90				\$8.67
A40-	78	x	92	x	7	x	12	P90				\$8.93
A40-	80	x	88	x	5	x	7		88.6	5.3	83	\$9.87
A40-	80	x	88	x	5	x	7	P90				\$8.41
A40-	80	x	90	x	6.3	x	8.1	P90	90	6.3	87	\$9.52
A40-	80	x	90	x	6.3	x	10					\$8.28
A40-	80	x	92	x	7	x	12					\$6.32
A40-	80	x	92	x	7	x	12	P90	92.2	7.1	86	\$8.33
A40-	85	x	93	x	5	x	7					\$6.92
A40-	85	x	93	x	5	x	7	P90	93.6	5.3	88	\$8.27
A40-	85	x	97	x	7	x	12					\$6.69
A40-	85	x	97	x	7	x	12	P90	97.2	7.1	91	\$7.19
A40-	88	x	96.6	x	5.3	x	7	P90				\$9.17
A40-	90	x	98	x	5	x	7		98.6	5.3	93	\$10.84
A40-	90	x	100	x	6.3	x	8.1	P90	100	6.3	97	\$9.56
A40-	90	x	100	x	6.3	x	10					\$19.35
A40-	90	x	100	x	7	x	12					\$8.02
A40-	90	x	102	x	6	x	8					\$15.61
A40-	90	x	102	x	6	x	8	P90				\$7.73
A40-	90	x	102	x	7	x	12	P90				\$7.73
A40-	90	x	102	x	7	x	12		102.2	7.1	96	\$6.56
A40-	90	x	102	x	7.2	x	12	P90				\$9.17
A40-	90	x	106	x	8	x	12		106	8	97	\$16.50
A40-	91	x	99.6	x	5.3	x	7	P90				\$9.17
A40-	95	x	103	x	5	x	7					\$8.69
A40-	95	x	107	x	7	x	12					\$9.74
A40-	95	x	107	x	7	x	12	P90				\$9.74
A40-	97	x	105	x	4.7	x	7	P90				\$11.08
A40-	97	x	105	x	5	x	7	P90	105.6	5.3	100	\$10.82
A40-	100	x	108	x	5	x	7		108.6	5.3	103	\$12.19
A40-	100	x	110	x	5	x	7					\$9.67
A40-	100	x	112	x	7	x	12		112.2	7.1	106	\$7.48
A40-	100	x	112	x	7	x	12	P90	112.2	7.1	106	\$10.82
A40-	100	x	115	x	6.3	x	8.1	P90	115	6.3	103	\$13.50
A40-	100	x	115	x	9.5	x	12	P90				\$11.79
A40-	100	x	115	x	9.5	x	14	P90				\$12.90
A40-	100	x	116	x	8	x	12					\$15.18
A40-	100	x	116	x	8	x	12	P90	116	8	106	\$11.02
A40-	105	x	113	x	5	x	7					\$10.86
A40-	105	x	113.6	x	5.3	x	7	P90				\$14.05
A40-	105	x	117	x	7	x	12					\$10.03

A40 Wipers

A40 Wipers - Metric, cont'd.

Prefix	Part Number					Groove Dimensions			Price
	A mm Rod Dia.	D ₁ mm Outside Dia.	B mm Base Height	C mm Total Height	Material	D mm H11	E mm +0.1 -0.0	F mm H11	
A40-	105	x 117	x 7	x 12	P90				\$9.82
A40-	105	x 117.2	x 7.1	x 12	P90				\$10.53
A40-	105	x 121	x 8	x 12	P90	121	8	111	\$11.87
A40-	107	x 115.6	x 5.3	x 7	P90				\$10.85
A40-	110	x 118	x 5	x 7		118.6	5.3	113	\$11.41
A40-	110	x 122	x 7	x 12		122.2	7.1	116	\$9.30
A40-	110	x 122	x 7	x 12	P90	122.2	7.1	116	\$9.74
A40-	110	x 125	x 9.5	x 12.5	P90	125	9.5	116	\$18.26
A40-	110	x 125	x 9.5	x 14	P90				\$15.94
A40-	110	x 126	x 8	x 12					\$23.86
A40-	115	x 123	x 5	x 7					\$10.03
A40-	115	x 125	x 5	x 7					\$11.09
A40-	115	x 127	x 7	x 12	P90				\$10.74
A40-	118	x 126.6	x 5.3	x 7	P90				\$12.16
A40-	120	x 128	x 5	x 7	P90				\$12.36
A40-	120	x 128.6	x 5.3	x 7					\$13.07
A40-	120	x 132	x 7	x 12					\$11.00
A40-	120	x 132	x 7	x 12	P90	132.2	7.1	126	\$11.53
A40-	120	x 135	x 9.5	x 14		135	9.6	126	\$29.93
A40-	120	x 135	x 9.5	x 14	P90				\$33.02
A40-	125	x 133	x 5	x 7					\$13.78
A40-	125	x 137	x 7	x 12	P90	137.2	7.1	N/A	\$12.36
A40-	125	x 140	x 9.5	x 12.5	P90	140	9.5	131	\$20.74
A40-	125	x 140	x 9.5	x 14	P90				\$24.28
A40-	125	x 140	x 10	x 16		140	10.2	132.6	\$18.19
A40-	125	x 140	x 10	x 16	P90				\$12.98
A40-	126	x 134.6	x 5.3	x 7	P90				\$14.37
A40-	128	x 140	x 7	x 12	P90	140.2	7.1	134	\$14.18
A40-	128	x 143.4	x 7.5	x 10	P90				\$22.82
A40-	130	x 142	x 7	x 12					\$12.56
A40-	130	x 142	x 7	x 12	P90	142.2	7.1	136	\$12.66
A40-	130	x 145	x 10	x 16					\$13.49
A40-	135	x 147.2	x 7.1	x 12	P90				\$15.67
A40-	135	x 150	x 7	x 12	P90				\$45.83
A40-	140	x 148	x 5	x 7		152.2	5.3	146	\$17.22
A40-	140	x 148	x 5	x 7	P90				\$15.81
A40-	140	x 152	x 7	x 12					\$12.03
A40-	140	x 152	x 7	x 12	P90	152.2	7.1	146	\$12.60
A40-	140	x 155	x 8.7	x 15	P90				\$16.70
A40-	140	x 155	x 9.5	x 12.5	P90	155	9.5	146	\$20.79
A40-	140	x 155	x 10	x 16		155	10.2	147.6	\$11.95
A40-	140	x 156	x 8	x 12	P90	156	8	146	\$21.00
A40-	143	x 151	x 5.5	x 8	P90	151.6	5.3	146	\$14.72
A40-	145	x 157	x 7	x 12	P90				\$17.64
A40-	145	x 157.2	x 7.1	x 12	P90				\$16.97
A40-	150	x 162	x 7	x 12		162	7.1	157.6	\$22.16
A40-	150	x 162	x 7.1	x 12	P90				\$15.87
A40-	150	x 165	x 10	x 16		165	10.2	157.6	\$19.59
A40-	150	x 165	x 10	x 16	P90				\$15.20
A40-	150	x 166	x 8	x 12	P90	166	8	156	\$39.97
A40-	155	x 167	x 7	x 12					\$16.69
A40-	160	x 172	x 7	x 12	P90				\$22.17
A40-	160	x 175	x 9.5	x 13	P90				\$25.64
A40-	160	x 175	x 10	x 16					\$22.40

A40 Wipers - Metric, cont'd.

Part Number						Groove Dimensions			Price			
Prefix	A mm Rod Dia.	D ₁ mm Outside Dia.	B mm Base Height	C mm Total Height	Material	D mm H11	E mm +0.1 -0.0	F mm H11				
A40-	160	x	175	x	10	x	16	P90	175	10.2	167.6	\$25.64
A40-	160	x	176	x	8	x	12	P90	176	8	166	\$37.95
A40-	165	x	173	x	5	x	7		173	5.3	168	\$36.38
A40-	165	x	177.2	x	7.1	x	10	P90				\$32.64
A40-	165	x	180	x	10	x	16					\$28.02
A40-	170	x	179.6	x	6.5	x	3.7	P90				\$34.39
A40-	170	x	182	x	7	x	12		182.2	7.1	176	\$28.49
A40-	170	x	185	x	10	x	16					\$28.49
A40-	170	x	185.2	x	10.1	x	16	P90				\$34.39
A40-	175	x	190	x	10	x	16		190.6	10.2	181	\$69.05
A40-	180	x	195	x	9.5	x	12.5	P90	195	9.5	186	\$41.14
A40-	180	x	195	x	10	x	16					\$37.75
A40-	180	x	195.2	x	10.10	x	12	P90				\$38.73
A40-	180	x	195.4	x	7.5	x	10	P90				\$44.21
A40-	180	x	200	x	10	x	15	P90	200	10.2	186	\$40.82
A40-	180	x	200	x	10	x	18					\$32.21
A40-	185	x	197	x	7	x	12					\$36.71
A40-	190	x	210	x	10	x	15	P90	210	10.2	196	\$45.64
A40-	200	x	215	x	9.5	x	12.5	P90	215	9.5	206	\$37.23
A40-	200	x	215	x	10	x	16	P90				\$35.47
A40-	200	x	220	x	10	x	15	P90	220	10.2	207	\$47.80
A40-	200	x	220	x	10	x	18					\$35.28
A40-	200	x	220	x	10	x	18	P90				\$46.63
A40-	210	x	225	x	10	x	16	P90				\$51.58
A40-	210	x	225	x	10	x	18					\$58.81
A40-	210	x	230	x	10	x	18	P90				\$47.93
A40-	212	x	227.4	x	7.5	x	10	P90				\$60.25
A40-	220	x	240	x	10	x	18					\$53.08
A40-	220	x	240	x	10	x	18	P90	240	10.2	230	\$65.86
A40-	220	x	240	x	12	x	18	P90	240	12.5	227	\$77.76
A40-	225	x	245	x	10	x	18	P90				\$79.63
A40-	230	x	250	x	10	x	16		250	10.2	240	\$81.24
A40-	230	x	250	x	10	x	18					\$34.53
A40-	235	x	255	x	10.2	x	18	P90				\$123.18
A40-	238	x	258	x	10.2	x	12	P90				\$129.78
A40-	240	x	248	x	5	x	7					\$105.65
A40-	240	x	255	x	10	x	16	P90				\$65.80
A40-	240	x	260	x	10	x	18		260	10.2	250	\$48.48
A40-	250	x	270	x	10	x	18		270	10.2	260	\$52.21
A40-	250	x	270	x	12.5	x	18	P90	270	12.5	257	\$92.30
A40-	260	x	280	x	10	x	18		280	10.2	270	\$63.17
A40-	270	x	290	x	10	x	18		290	10.2	280	\$65.29
A40-	280	x	300	x	10	x	16	P90				\$75.85
A40-	280	x	300	x	10	x	18					\$67.47
A40-	280	x	300	x	10	x	18	P90				\$97.67
A40-	290	x	302	x	7	x	12		302.6	7.1	N/A	\$213.71
A40-	290	x	310	x	10	x	18	P90				\$116.60
A40-	300	x	320	x	10	x	18		320	10.2	310	\$69.46
A40-	320	x	340	x	10	x	18	P90	340	10.2	330	\$146.48
A40-	330	x	346	x	10	x	16					\$72.18
A40-	350	x	374	x	8	x	18		374.6	8	N/A	\$257.17
A40-	380	x	400	x	10	x	18	P90				\$93.56
A40-	450	x	470	x	10	x	18	P90				\$128.33

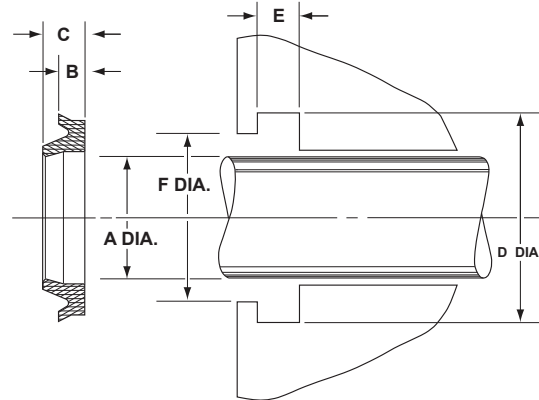
A40 Wipers

A37 Urethane Wipers - Metric



A37 style wipers are made from 90 durometer urethane and are commonly found in Japanese hydraulics. The outer lip keeps contaminants from entering the system from the outside of the wiper groove.

Temperature: -40° to 230°F



A37/A39 Wiper

		Part Number						
Prefix	A Rod Dia.	D mm O.D./ Bore	B Base Height	C Total Height	E mm Groove Height		Price	
A37 -	45	x 55	x 6	x 8	7		\$7.22	
A37 -	50	x 58	x 5	x 7	6		\$8.25	
A37 -	50	x 60	x 6	x 8	7		\$7.51	
A37 -	50	x 63	x 7	x 9.5	8		\$8.56	
A37 -	55	x 65	x 6	x 8	7		\$9.99	
A37 -	55	x 68	x 7	x 9.5	8		\$10.89	
A37 -	60	x 73	x 7	x 9.5	8		\$11.16	
A37 -	65	x 78	x 7	x 10	8		\$11.78	
A37 -	70	x 80	x 6	x 8	7		\$12.85	
A37 -	70	x 83	x 7	x 9.5	8		\$13.31	
A37 -	75	x 88	x 7	x 10	8.5		\$13.75	

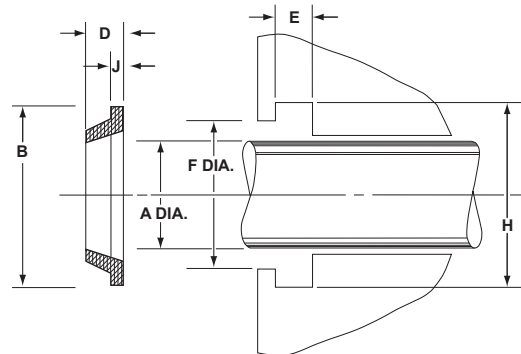
		Part Number						
Prefix	A Rod Dia.	D mm O.D./ Bore	B Base Height	C Total Height	E mm Groove Height		Price	
A37 -	80	x 93	x 7	x 9.5	8		\$14.26	
A37 -	85	x 98	x 7	x 9.5	8		\$14.75	
A37 -	90	x 103	x 7	x 9.5	8		\$14.97	
A37 -	95	x 108	x 7	x 9.5	8		\$18.81	
A37 -	100	x 113	x 7	x 9.5	8		\$19.93	
A37 -	105	x 118	x 7	x 9.5	8		\$22.79	
A37 -	110	x 123	x 7	x 9.5	8		\$22.79	
A37 -	120	x 133	x 7	x 9.5	8		\$24.10	
A37 -	125	x 138	x 7	x 9.5	8		\$25.64	
A37 -	130	x 143	x 7	x 9.5	8		\$26.98	
A37 -	140	x 155	x 7	x 9.5	8		\$27.89	

A39 Nitrile Wipers - Metric



A39 profile wipers are made of 90 durometer nitrile and can easily be snapped into grooves.

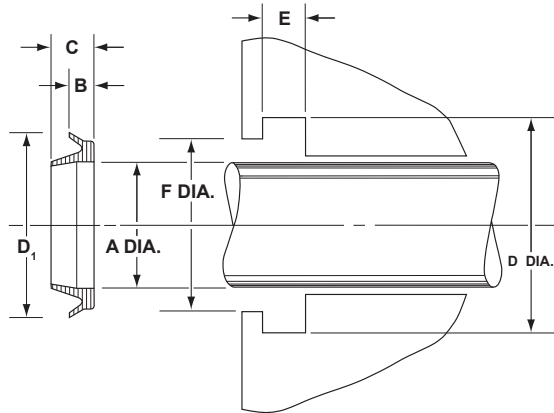
Temperature: -40°F to 250°F



		Part Number						
Prefix	A Rod Dia.	D mm O.D./ Bore	B Base Height	C Total Height	E mm Groove Height		Price	
A39-	25	x 32.5	x 1.5	x 4	1.6		\$6.49	
A39-	30	x 37.5	x 1.5	x 4	1.6		\$8.61	
A39-	32	x 39.5	x 1.5	x 4	1.6		\$10.88	
A39-	35	x 42.5	x 1.5	x 4	1.6		\$11.52	
A39-	45	x 52.5	x 1.5	x 4	1.6		\$14.31	
A39-	55	x 65	x 2	x 6	2.15		\$16.96	
A39-	60	x 70	x 2	x 6	2.15		\$17.95	

		Part Number						
Prefix	A Rod Dia.	D mm O.D./ Bore	B Base Height	C Total Height	E mm Groove Height		Price	
A39-	63	x 73	x 2	x 6	2.15		\$18.72	
A39-	70	x 80	x 2	x 6	2.15		\$19.63	
A39-	75	x 85	x 2	x 6	2.15		\$19.89	
A39-	80	x 90	x 2	x 6	2.15		\$20.91	
A39-	90	x 100	x 2	x 6	2.15		\$23.56	
A39-	100	x 110	x 2	x 6	2.15		\$25.24	
A39-	140	x 150	x 2	x 6	2.15		\$56.87	

NW Nylon Wipers - Inch and Metric



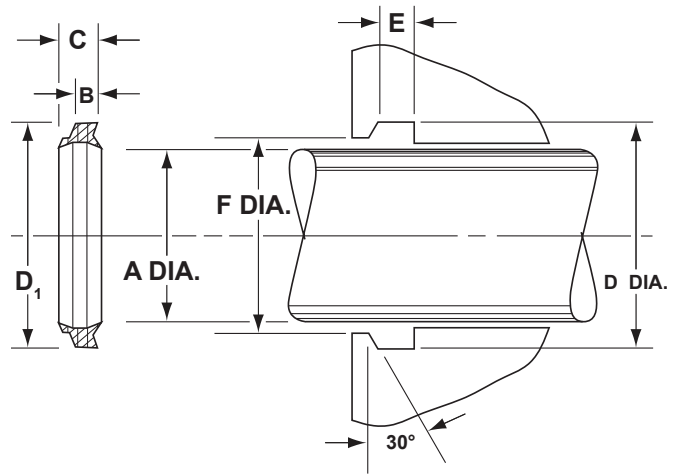
NW wipers are made from a moly-filled nylon material and more properly referred to as scrapers. The tough material is great for removing slag and other harmful contaminants from the rod.

Temperature: -22° to 248°F

Nylon Wipers / Scrapers

Part No.	Wiper Dimensions				Groove Dimensions			Price
	Rod Dia. A +.000 -.001	D ₁ Out. Dia.	B Base Height	C Max.Length	D +.002 -.000	E +.005 -.000	F +.002 -.000	
Inch Sizes								
NW-0500	0.500	7/8	5/32	1/4	0.875	.172	0.812	\$9.59
NW-0625	0.625	1	5/32	1/4	1.000	.172	0.940	\$9.59
NW-0750	0.750	1-1/4	7/32	11/32	1.250	.234	1.188	\$9.75
NW-0875	0.875	1-3/8	7/32	11/32	1.375	.234	1.312	\$10.28
NW-1000	1.000	1-1/2	7/32	11/32	1.500	.234	1.438	\$11.99
NW-1125	1.125	1-5/8	7/32	11/32	1.625	.234	1.563	\$12.07
NW-1250	1.250	1-3/4	7/32	11/32	1.750	.234	1.688	\$12.80
NW-1375	1.375	1-7/8	7/32	11/32	1.875	.234	1.812	\$13.55
NW-1500	1.500	2	7/32	11/32	2.000	.234	1.938	\$13.97
NW-1625	1.625	2-1/8	7/32	11/32	2.125	.234	2.063	\$14.70
NW-1750	1.750	2-1/4	7/32	11/32	2.250	.234	2.188	\$14.70
NW-2000	2.000	2-1/2	7/32	11/32	2.500	.234	2.438	\$14.97
NW-2125	2.125	2-5/8	7/32	11/32	2.625	.234	2.563	\$15.17
NW-2250	2.250	2-3/4	7/32	11/32	2.750	.234	2.690	\$15.21
NW-2500	2.500	3	7/32	11/32	3.000	.234	2.938	\$16.75
NW-2750	2.750	3-1/4	7/32	11/32	3.250	.234	3.188	\$18.02
NW-3000	3.000	3-1/2	7/32	11/32	3.500	.234	3.438	\$19.35
NW-3250	3.250	3-3/4	7/32	11/32	3.750	.234	3.688	\$20.99
NW-3500	3.500	4	7/32	11/32	4.000	.234	3.938	\$22.95
NW-4000	4.000	4-1/2	7/32	11/32	4.500	.234	4.438	\$26.77
Metric Sizes								
NW-16MM	16	26	4.5	6.5	26	4.5	24.5	\$10.01
NW-20MM	20	33	5.3	8.5	33	6	31.5	\$10.23
NW-25MM	25	38	5.3	8.5	38	6	36.5	\$10.23
NW-28MM	28	41	5.3	8.5	41	6	39.5	\$10.92
NW-30MM	30	43	5.3	8.5	43	6	41.5	\$11.08
NW-32MM	32	45	5.3	8.5	45	6	43.5	\$11.08
NW-36MM	36	49	5.3	8.5	49	6	47.5	\$11.55
NW-40MM	40	53	5.3	8.5	53	6	51.5	\$11.77
NW-45MM	45	58	5.3	8.5	58	6	56.5	\$12.93
NW-50MM	50	63	5.3	8.5	63	6	61.5	\$13.57
NW-55MM	55	68	5.3	8.5	68	6	66.5	\$15.21
NW-56MM	56	69	5.3	8.5	69	6	67.5	\$15.21
NW-60MM	60	73	5.3	8.5	73	6	71.5	\$15.53
NW-63MM	63	76	5.3	8.5	76	6	74.5	\$16.75
NW-70MM	70	83	5.3	8.5	83	6	81.5	\$18.02
NW-75MM	75	88	5.3	8.5	88	6	86.5	\$19.91
NW-80MM	80	93	5.3	8.5	93	6	91.5	\$20.99
NW-85MM	85	98	5.3	8.5	98	6	96.5	\$44.00
NW-90MM	90	103	5.3	8.5	103	6	101.5	\$26.95
NW-100MM	100	114	5.3	8.5	114	6	111.5	\$29.77
NW-110MM	110	124	5.3	8.5	124	6	121.5	\$68.45

K Double Lip Urethane Wipers - Inch



K type double lip wiper seal rings are one piece snap-in type rod wipers made from 90 durometer urethane. They fit grooves with a 30° tapered top surface. As the external lip scrapes dust and dirt from the rod, the secondary lip traps slight leakage that may pass the rod seal.

Temperature: -65° to 200°F

K Wipers

Part Number	Wiper Dimensions				Groove Dimensions			Price
	A Rod Dia.	D ₁ Outside Dia.	B Base Height	C Max. Length	D +.005 - .000	E +.005 - .000	F +.000 - .005	
K-0500	0.500	3/4	.150	.315	0.760	.155	0.625	\$2.57
K-0625	0.625	7/8	.150	.315	0.885	.155	0.750	\$2.65
K-0687	0.687	15/16	.150	.315	0.947	.155	0.812	\$2.65
K-0750	0.750	1-1/8	.190	.361	1.135	.195	0.832	\$2.65
K-0875	0.875	1-1/4	.190	.361	1.260	.195	0.957	\$2.65
K-1000	1.000	1-3/8	.190	.361	1.385	.195	1.082	\$2.70
K-1125	1.125	1-1/2	.190	.361	1.510	.195	1.207	\$2.86
K-1250	1.250	1-5/8	.190	.361	1.635	.195	1.332	\$3.00
K-1375	1.375	1-3/4	.190	.361	1.760	.195	1.457	\$3.18
K-1437	1.437	1-13/16	.190	.361	1.822	.195	1.519	\$3.35
K-1500	1.500	1-7/8	.190	.361	1.885	.195	1.582	\$3.46
K-1750	1.750	2-1/8	.190	.361	2.135	.195	1.832	\$3.78
K-1875	1.875	2-1/4	.190	.361	2.260	.195	1.957	\$4.90
K-1937	1.937	2-5/16	.190	.361	2.322	.195	2.019	\$4.94
K-2000	2.000	2-3/8	.190	.361	2.385	.195	2.083	\$4.20
K-2125	2.125	2-1/2	.190	.361	2.510	.195	2.207	\$5.34
K-2187	2.187	2-9/16	.190	.361	2.572	.195	2.269	\$10.09
K-2250-187	2.250	2-5/8	.190	.361	2.635	.195	2.332	\$7.60
K-2250	2.250	2-3/4	.250	.478	2.760	.255	2.407	\$5.33
K-2500-187	2.500	2-7/8	.190	.361	2.885	.195	2.582	\$7.76
K-2500	2.500	3	.250	.478	3.010	.255	2.657	\$6.52
K-2625	2.625	3-1/8	.250	.478	3.135	.255	2.782	\$7.00
K-2750-187	2.750	3-1/8	.190	.361	3.135	.195	2.832	\$9.60
K-2750	2.750	3-1/4	.250	.478	3.260	.255	2.907	\$8.36
K-2875	2.875	3-3/8	.250	.478	3.385	.255	3.032	\$11.58
K-3000-187	3.000	3-3/8	.190	.361	3.385	.195	3.082	\$8.94
K-3000	3.000	3-1/2	.250	.478	3.510	.255	3.157	\$7.98
K-3250	3.250	3-3/4	.250	.478	3.760	.255	3.407	\$8.06
K-3375	3.375	3-7/8	.250	.478	3.885	.255	3.532	\$11.09
K-3500-187	3.500	3-7/8	.190	.361	3.875	.195	3.582	\$11.49
K-3500	3.500	4	.250	.478	4.010	.255	3.657	\$9.21
K-3625	3.625	4-1/8	.250	.478	4.135	.255	3.782	\$12.02
K-3687	3.687	4-3/16	.250	.478	4.197	.255	3.488	\$12.22
K-3750-187	3.750	4-1/8	.190	.361	4.135	.195	3.832	\$12.22
K-3750	3.750	4-1/4	.250	.478	4.260	.255	3.907	\$9.95
K-3970	3.970	4.470	.250	.478	4.480	.255	4.127	\$12.77

K Double Lip Urethane Wipers - Inch, cont'd.

Part Number	Wiper Dimensions				Groove Dimensions			Price
	A Rod Dia.	D ₁ Outside Dia.	B Base Height	C Max. Length	D +.005 - .000	E +.005 - .000	F +.000 - .005	
K-4000	4.000	4-1/2	.250	.478	4.510	.255	4.157	\$10.57
K-4062	4.062	4-9/16	.250	.478	4.572	.255	4.219	\$12.90
K-4125	4.125	4-5/8	.250	.478	4.635	.255	4.282	\$15.39
K-4250	4.250	4-3/4	.250	.478	4.760	.255	4.407	\$15.95
K-4437	4.437	4-15/16	.250	.478	4.947	.255	4.594	\$16.15
K-4500	4.500	5	.250	.478	5.010	.255	4.657	\$14.20
K-4625	4.625	5-1/8	.250	.478	5.135	.255	4.782	\$17.66
K-4750	4.750	5-1/4	.250	.478	5.260	.255	4.907	\$18.46
K-4875	4.875	5-3/8	.250	.478	5.385	.255	5.032	\$18.49
K-5000	5.000	5-1/2	.250	.478	5.510	.255	5.157	\$15.58
K-5250	5.250	5-3/4	.250	.478	5.760	.255	5.407	\$20.89
K-5500	5.500	6	.250	.478	6.010	.255	5.657	\$24.57
K-5950	5.950	6.450	.250	.478	6.460	.255	6.107	\$18.71
K-6000	6.000	6-1/2	.250	.478	6.510	.255	6.157	\$22.39
K-7000	7.000	7-1/2	.250	.478	7.510	.255	7.157	\$23.42
K-8000	8.000	8-1/2	.250	.478	8.510	.255	8.157	\$25.64
K-8125	8.125	8-5/8	.250	.478	8.635	.255	8.282	\$78.84
K-9125	9.125	9-5/8	.250	.478	9.635	.255	9.282	\$27.88
K-9375 4700	9.375	9-7/8	.250	.478	10.385	.255	9.532	\$86.34

K/KB Wipers

KB Urethane Wipers - Inch

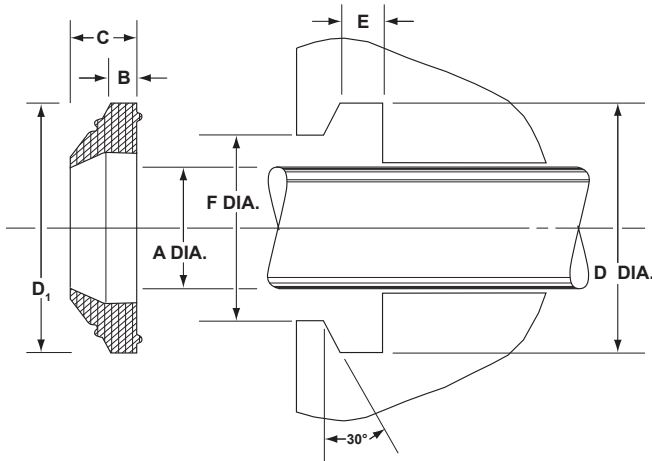


KB style wipers resemble a K type wiper but with a single lip and a heavier base. They do not interchange grooves. Standard material is 94 durometer polyurethane.

Temperature: -65° to 200°F

KB style wipers are also available in nitrile. Please consult sales for pricing and availability.

Temperature: -22° to 212°F



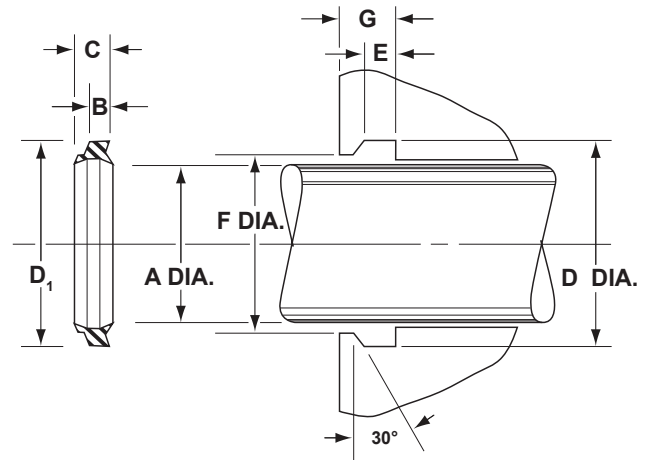
Part No.	Wiper Dimensions		Groove Dimensions			Price
	A Rod Dia.	D ₁ Outside Dia.	D ± .005	E ± .005	F ± .005	
KB-1000	1.000	1-1/2	1.500	.208	1.250	\$11.21
KB-1125	1.125	1-5/8	1.625	.208	1.375	\$11.72
KB-1250	1.250	1-3/4	1.750	.208	1.500	\$13.85
KB-1500	1.500	2	2.000	.208	1.750	\$14.66
KB-1750	1.750	2-1/4	2.250	.208	2.000	\$13.51
KB-2000	2.000	2-1/2	2.500	.208	2.250	\$13.76
KB-2125	2.125	2-5/8	2.625	.208	2.375	\$16.76

7580 Double Lip Nitrile Wipers - Inch



7580 type double lip wiper seal rings are one piece snap-in rod wipers made from 80 durometer nitrile. They fit grooves with a 30° tapered top surface. As the external lip scrapes dust and dirt from the rod, the secondary lip traps slight leakage that may pass the rod seal.

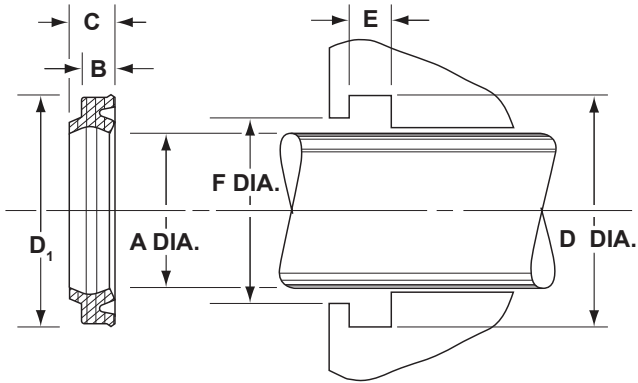
Temperature: -40° to 250°F



7580 Wipers

Part Number	Wiper Dimensions		Groove Dimensions				Price
	A Rod Dia.	D ₁ Outside Dia.	D +.005 - .000	E +.005 - .000	F +.005 - .000	G +.005 - .000	
7580-00840	0.500	3/4	0.760	.155	0.621	0.250	\$6.09
7580-01260	0.750	1-1/8	1.135	.195	0.827	0.345	\$6.56
7580-10060	1.000	1-3/8	1.385	.195	1.077	0.345	\$6.74
7580-10460	1.250	1-5/8	1.635	.195	1.327	0.345	\$6.88
7580-10860	1.500	1-7/8	1.885	.195	1.577	0.345	\$7.03
7580-11260	1.750	2-1/8	2.135	.195	1.827	0.345	\$7.43
7580-11561	1.937	2-5/16	2.322	.195	2.014	0.345	\$13.80
7580-20060	2.000	2-3/8	2.385	.195	2.077	0.345	\$8.77
7580-20481	2.210	2-3/4	2.760	.255	2.452	0.400	\$11.86
7580-20460	2.250	2-5/8	2.635	.195	2.327	0.345	\$17.10
7580-20781	2.437	3	3.010	.286	2.633	0.468	\$14.61
7580-20880	2.450	3	3.010	.286	2.646	0.468	\$14.91
7580-20881	2.500	3	3.010	.255	2.652	0.443	\$8.37
7580-21081	2.625	3-1/8	3.135	.255	2.777	0.443	\$9.70
7580-21281	2.750	3-1/4	3.260	.255	2.902	0.443	\$14.67
7580-30080	2.950	3-1/2	3.510	.286	3.126	0.468	\$18.04
7580-30061	2.980	3.355	3.365	.195	3.057	0.345	\$11.35
7580-30381	3.165	3.734	3.744	.255	3.317	0.443	\$15.04
7580-30880	3.450	4	4.010	.280	3.646	0.463	\$18.48
7580-30862	3.500	3-7/8	3.885	.195	3.577	0.345	\$17.60
7580-40080	3.950	4-1/2	4.510	.280	4.146	0.463	\$18.17
7580-40081	4.000	4-1/2	4.510	.255	4.152	0.443	\$13.22
7580-40880	4.450	5	5.010	.280	4.646	0.463	\$16.42
7580-40881	4.500	5	5.010	.255	4.652	0.443	\$18.23
7580-41280	4.700	5-1/4	5.260	.280	4.896	0.463	\$14.00
7580-41581	4.925	5.489	5.499	.286	5.121	0.468	\$20.45
7580-50081	5.000	5-1/2	5.499	.255	5.157	0.443	\$18.32
7580-51280	5.700	6-1/4	6.260	.280	5.896	0.463	\$20.97
7580-80081	8.000	8-1/2	8.510	.255	8.152	0.443	\$25.66

H Double Lip Urethane Wipers - Inch



H type double lip wipers are one piece snap-in type rod wipers made from 90 durometer urethane. Wiping and sealing functions can be performed from a single component in low pressure systems. As the external lip scrapes foreign matter from the rod, the other lip acts as an effective pressure seal in low pressure pneumatic applications and a secondary seal to trap slight leakage in hydraulic systems.

Temperature: -65° to 200°F

H Wipers

Part Number	Wiper Dimensions				Groove Dimensions			Price
	A Rod Dia.	D ₁ Outside Dia.	B Base Height	C Max. Length	D +.002 - .000	E +.005 - .000	F +.002 - .000	
H-0250	0.250	9/16	.194	.245	0.552	.203	0.370	\$2.26
H-0312	0.312	5/8	.194	.245	0.615	.203	0.432	\$2.26
H-0375	0.375	11/16	.194	.245	0.677	.203	0.495	\$2.26
H-0500	0.500	13/16	.194	.245	0.802	.203	0.620	\$2.50
H-0625	0.625	15/16	.194	.245	0.927	.203	0.745	\$2.69
H-0750	0.750	1-1/16	.194	.245	1.052	.203	0.870	\$2.81
H-0875	0.875	1-1/4	.212	.275	1.240	.218	1.010	\$2.97
H-0937	0.937	1-5/16	.212	.275	1.302	.218	1.072	\$6.79
H-1000	1.000	1-3/8	.212	.275	1.365	.218	1.135	\$3.04
H-1125	1.125	1-1/2	.212	.275	1.490	.218	1.260	\$3.17
H-1250	1.250	1-5/8	.212	.275	1.615	.218	1.385	\$3.24
					[+.003]		[+.003]	
H-1375	1.375	1-3/4	.212	.275	1.740	.218	1.510	\$3.45
H-1500	1.500	1-7/8	.212	.275	1.865	.218	1.635	\$3.65
H-1625	1.625	2	.212	.275	1.990	.218	1.760	\$3.93
H-1750	1.750	2-1/8	.212	.275	2.115	.218	1.885	\$4.06
H-1875	1.875	2-1/4	.212	.275	2.240	.218	2.010	\$5.93
H-2000	2.000	2-3/8	.212	.275	2.365	.218	2.135	\$4.61
H-2125	2.125	2-1/2	.212	.275	2.490	.218	2.260	\$4.70
H-2187	2.187	2-11/16	.275	.351	2.683	.281	2.323	\$4.85
H-2250	2.250	2-3/4	.275	.351	2.745	.281	2.385	\$4.87
H-2375	2.375	2-7/8	.275	.351	2.870	.281	2.510	\$7.52
H-2500	2.500	3	.275	.351	2.995	.281	2.635	\$5.21
H-2500-1	2.500	3	.290	.375	2.995	.295	2.635	\$5.21
H-2625	2.625	3-1/8	.275	.351	3.120	.281	2.760	\$5.37
H-2750	2.750	3-1/4	.275	.351	3.245	.281	2.885	\$5.64
H-2750-1	2.750	3-1/4	.290	.375	3.245	.295	2.885	\$5.64
H-3000	3.000	3-1/2	.275	.351	3.495	.281	3.135	\$6.37
H-3250	3.250	3-3/4	.275	.351	3.745	.281	3.385	\$7.17
H-3500	3.500	4	.275	.351	3.995	.281	3.635	\$7.36
H-3500-1	3.500	4	.290	.375	3.995	.295	3.635	\$7.36

ORDER FAX 888-496-7526 • ORDER DESK 800-258-3851

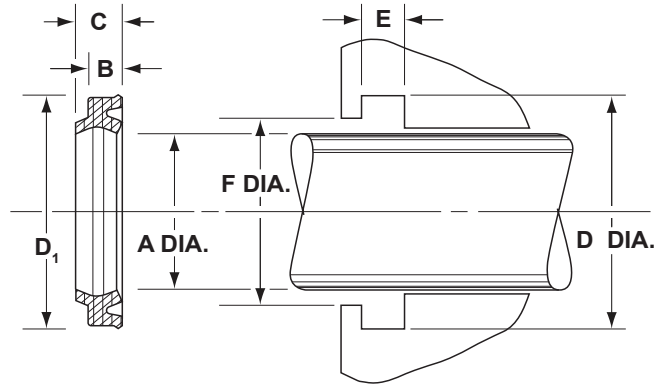
99

H Double Lip Urethane Wipers - Inch, cont'd.

H Wipers

Part Number	Wiper Dimensions				Groove Dimensions			Price
	A Rod Dia.	D ₁ Outside Dia.	B Base Height	C Max. Length	D +.003 -.000	E +.005 -.000	F +.003 -.000	
H-3625	3.625	4-1/8	.275	.351	4.120	.281	3.760	\$9.76
H-3750	3.750	4-1/4	.275	.351	4.245	.281	3.885	\$10.15
H-3875	3.875	4-3/8	.275	.351	4.370	.281	4.010	\$10.57
H-4000	4.000	4-1/2	.275	.351	4.495	.281	4.135	\$9.32
H-4500	4.500	5	.275	.351	4.995	.281	4.635	\$10.18
H-4500-1	4.500	5	.275	.375	4.995	.281	4.635	\$10.18
H-4750	4.750	5-1/4	.275	.351	5.245	.281	4.885	\$12.08
H-5000	5.000	5-1/2	.275	.351	5.495	.281	5.135	\$12.32
H-5125	5.125	5-5/8	.275	.351	5.620	.281	5.260	\$16.05
H-5250	5.250	5-3/4	.275	.351	5.745	.281	5.385	\$16.91
H-5500	5.500	6	.275	.351	5.995	.281	5.635	\$17.30
H-6000	6.000	6-1/2	.275	.351	6.495	.281	6.135	\$20.65
H-6500	6.500	7	.275	.351	6.995	.281	6.635	\$23.10
H-7000	7.000	7-1/2	.275	.351	7.495	.281	7.135	\$24.14
H-8000	8.000	8-1/2	.275	.351	8.495	.281	8.135	\$28.33
H-8500	8.500	9	.275	.351	8.995	.281	8.635	\$32.89
H-10000	10.000	10-1/2	.275	.351	10.495	.281	10.135	\$39.87
H-17500	17.500	18	.275	.351	17.995	.281	17.635	\$125.92

Special High Lip H Wipers - Inch

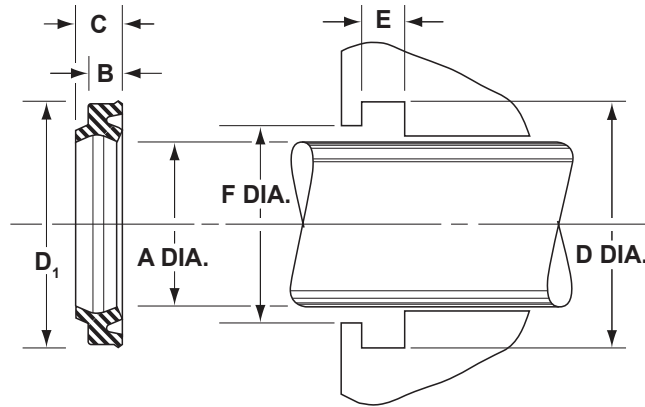


Part Number	A Rod Dia.	D ₁ Outside Dia.	B Base Height	C Overall Height	Price
2537-150	1-1/2	1-7/8	7/32	13/32	\$4.17
2537-200	2	2-3/8	7/32	13/32	\$5.13

These urethane wipers are used in car carrier cylinder applications.

Temperature: -65° to 200°F

8600 Double Lip Nitrile Wipers - Inch



8600 type double lip wipers are one piece snap-in type rod wipers made from 90 durometer nitrile. Wiping and sealing functions can be performed from a single component in low pressure systems. As the outer lip scrapes foreign matter from the rod, the inner lip acts as an effective pressure seal in low pressure pneumatic applications and a secondary seal to trap slight leakage in hydraulic systems. We recommend the use of the 8600 type nitrile wiper over the H type urethane wiper when using a nitrile rod seal.

Temperature: -40° to 250°F

8600 Wipers

Part Number	Wiper Dimensions				Groove Dimensions			Price
	A Rod Dia.	D ₁ Outside Dia.	B Base Height	C Total Length	D +.002 - .000	E +.005 - .000	F +.002 - .000	
8600-0037	0.375	11/16	0.194	.245	0.677	.203	0.495	\$2.84
8600-0050	0.500	13/16	0.194	.245	0.802	.203	0.620	\$2.69
8600-0062	0.625	15/16	0.194	.245	0.927	.203	0.745	\$2.95
8600-0068	0.688	1	0.194	.245	0.990	.203	0.808	\$9.33
8600-0075	0.750	1-1/16	0.194	.245	1.052	.203	0.870	\$5.38
8600-0087	0.875	1-1/4	0.212	.275	1.240	.218	1.010	\$5.53
					[+.003]		[+.003]	
8600-0100	1.000	1-3/8	0.212	.275	1.365	.218	1.135	\$3.86
8600-0112	1.125	1-1/2	0.212	.275	1.490	.218	1.260	\$4.22
8600-0125	1.250	1-5/8	0.212	.275	1.615	.218	1.385	\$5.71
8600-0137	1.375	1-3/4	0.212	.275	1.740	.218	1.510	\$3.91
8600-0150	1.500	1-7/8	0.212	.275	1.865	.218	1.635	\$5.57
8600-0162	1.625	2	0.212	.275	1.990	.218	1.760	\$5.07
8600-0175	1.750	2-1/8	0.212	.275	2.115	.218	1.885	\$5.16
8600-0187	1.875	2-1/4	0.212	.275	2.240	.218	2.010	\$9.36
8600-0200	2.000	2-3/8	0.212	.275	2.365	.218	2.135	\$5.42
8600-0212	2.125	2-1/2	0.212	.275	2.490	.218	2.260	\$20.03
8600-0218	2.188	2-11/16	0.212	.275	2.683	.218	2.323	\$20.78
8600-0225	2.250	2-3/4	0.275	.351	2.745	.281	2.385	\$17.28
8600-0250	2.500	3	0.275	.351	2.995	.281	2.635	\$4.77
8600-0268	2.688	3-3/16	0.275	.351	3.183	.281	2.823	\$29.41
8600-0275	2.750	3-1/4	0.275	.351	3.245	.281	2.885	\$17.59
8600-0293	2.937	3-7/16	0.275	.351	3.433	.281	3.073	\$17.97
8600-0300	3.000	3-1/2	0.275	.351	3.495	.281	3.135	\$15.41
8600-0325	3.250	3-3/4	0.275	.351	3.745	.281	3.385	\$21.73
8600-0343	3.437	3-15/16	0.275	.351	3.932	.281	3.572	\$22.12
8600-0350	3.500	4	0.275	.351	3.995	.281	3.635	\$15.67
8600-0368	3.688	4-3/16	0.275	.351	4.183	.281	3.823	\$23.17
8600-0375	3.750	4-1/4	0.275	.351	4.245	.281	3.885	\$18.35
8600-0400	4.000	4-1/2	0.275	.351	4.495	.281	4.135	\$18.19

ORDER FAX 888-496-7526 • ORDER DESK 800-258-3851

8600 Double Lip Nitrile Wipers - Inch, cont'd.

8600 Wipers

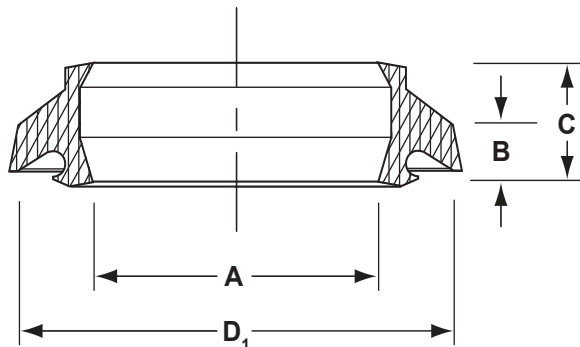
Part Number	Wiper Dimensions				Groove Dimensions			Price
	A Rod Dia.	D ₁ Outside Dia.	B Base Height	C Total Length	D +.002 - .000	E +.005 - .000	F +.002 - .000	
8600-0425	4.250	4-3/4	0.275	.351	4.745	.281	4.385	\$22.35
8600-0443	4.438	4-15/16	0.275	.351	4.933	.281	4.573	\$23.35
8600-0450	4.500	5	0.275	.351	4.995	.281	4.635	\$22.50
8600-0475	4.750	5-1/4	0.275	.351	5.245	.281	4.885	\$22.42
8600-0500	5.000	5-1/2	0.275	.351	5.495	.281	5.135	\$22.04
8600-0518	5.188	5-11/16	0.275	.351	5.683	.281	5.323	\$38.93
8600-0550	5.500	6	0.275	.351	5.995	.281	5.635	\$25.35
8600-0600	6.000	6-1/2	0.275	.351	6.495	.281	6.135	\$33.59
8600-0637	6.375	6-7/8	0.275	.351	6.870	.281	6.510	\$37.39
8600-0675	6.750	7-1/4	0.275	.351	7.245	.281	6.885	\$38.91
8600-0700	7.000	7-1/2	0.275	.351	7.495	.281	7.135	\$29.71
8600-0725	7.250	7-3/4	0.275	.351	7.745	.281	7.385	\$35.61
8600-0800	8.000	8-1/2	0.275	.351	8.495	.281	8.135	\$31.04
8600-0900	9.000	9-1/2	0.275	.351	9.495	.281	9.135	\$34.20
8600-0975	9.750	10-1/4	0.275	.351	10.245	.281	9.885	\$48.15
8600-1000	10.000	10-1/2	0.275	.351	10.495	.281	10.135	\$54.66

ORK Urethane Wipers - Inch

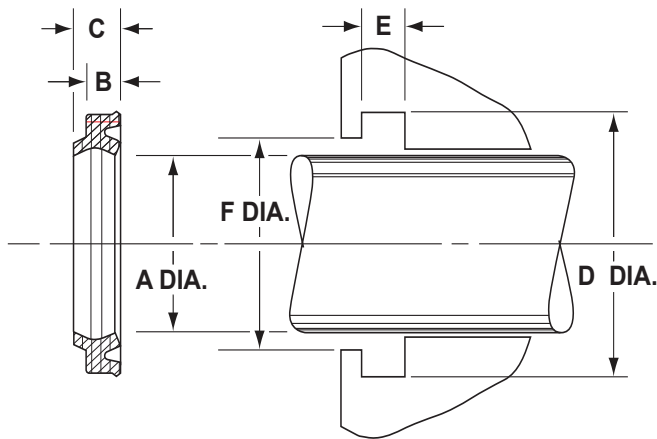
Used mainly in forklift applications, these double lip wipers when used with an o-ring garter provide good low pressure sealing in vented single acting applications.

Temperature: -65° to 200°F

Part Number	OEM Ref.	Rod Dia. A	Outside Dia. D ₁	Base Height B	Overall Height C	Price
994694	605606	1.950	2-9/16	3/16	1/2	\$63.14
994112	605607	2.200	2-13/16	3/16	1/2	\$66.31
994113	605609	2.700	3-5/16	3/16	1/2	\$29.53
994114	605610	2.900	3-1/2	3/16	1/2	\$56.04
994115	605611	3.200	3-13/16	3/16	1/2	\$18.24
994291	605035	3.690	4-5/16	3/16	1/2	\$69.43
993387	605613	3.700	4-5/16	3/16	1/2	\$55.81
994116	605615	4.200	4-13/16	3/16	1/2	\$114.50
994117	605616	4.400	5	3/16	1/2	\$67.32
993385	605617	4.700	5-5/16	3/16	1/2	\$67.32
996095	605620	5.450	6-1/16	3/16	1/2	\$65.35
996514	624452	6.075	6-11/16	3/16	1/2	\$104.09



AY Double Lip Urethane Wipers - Metric



AY type double lip are one piece snap-in type rod wipers made from 90 durometer urethane. Wiping and sealing functions can be performed from a single component in low pressure systems. As the outside lip scrapes foreign matter from the rod, the other lip acts as an effective pressure seal in low pressure pneumatic applications and a secondary seal to trap slight leakage in hydraulic systems.

Temperature: -40° to 230°F

Prefix	Part Number				Groove Dimensions		Price
	Rod Dia. A mm	O.D./ D mm +0.2/-0.0	Base Height B mm	Total Height C mm	E mm ±0.2	F mm ±0.1	
AY - 12	x 18	x 3.6	x 4.8	4		\$3.80	
AY - 14	x 22	x 4.5	x 6	5		\$2.53	
AY - 14	x 24	x 5	x 6.5	5.5		\$10.67	
AY - 16	x 22	x 3.25	x 4.5	3.7		\$11.77	
AY - 16	x 22	x 3.6	x 5	4		\$2.58	
AY - 16	x 24	x 4.5	x 6	5	20.3	\$2.62	
AY - 18	x 26	x 4	x 7	4.5		\$2.62	
AY - 18	x 26	x 4.5	x 6	5	22.3	\$2.62	
AY - 20	x 26	x 4	x 6	4.5		\$2.69	
AY - 20	x 26	x 4.5	x 6	5		\$19.01	
AY - 20	x 27	x 4	x 5	4.5		\$2.67	
AY - 20	x 28	x 4	x 7	4.5		\$2.67	
AY - 20	x 28	x 4.5	x 6	5	24.3	\$2.67	
AY - 22	x 28	x 3.6	x 4.8	4	24.5	\$6.11	
AY - 22	x 30	x 4.5	x 6	5	24.5	\$4.57	
AY - 22	x 30	x 5	x 6.5	5.5	26.3	\$4.64	
AY - 22	x 31	x 3.7	x 7.6	4.3		\$2.83	
AY - 22.4	x 30.4	x 4.5	x 6	5	26.4	\$2.83	
AY - 23.5	x 31.5	x 4.5	x 6	5		\$2.83	
AY - 25	x 31	x 3.6	x 4.8	4	27.5	\$4.87	
AY - 25	x 33	x 4	x 7	4.5		\$2.97	
AY - 25	x 33	x 4.5	x 6	5	29.3	\$2.97	
AY - 26	x 32	x 2.5	x 4.2	3		\$2.99	
AY - 28	x 36	x 4.5	x 6	5	32.3	\$2.99	
AY - 30	x 38	x 4.5	x 5.8	5	34	\$14.61	
AY - 30	x 38	x 5	x 6.5	5.5	34.3	\$3.12	
AY - 30	x 38.6	x 5.3	x 7	6		\$4.11	
AY - 31.5	x 39.5	x 5	x 6.5	5.5	35.8	\$3.19	
AY - 32	x 40	x 4	x 7	4.5		\$3.19	
AY - 32	x 40	x 5	x 6.5	5.5	36.3	\$3.74	
AY - 32	x 40.5	x 5	x 6.5	5.5		\$3.74	
AY - 35	x 43	x 4	x 8	4.5		\$3.74	
AY - 35	x 43	x 5	x 6.5	5.5	39.3	\$3.74	
AY - 35.5	x 43.5	x 5	x 6.5	5.5	39.8	\$3.85	

Prefix	Part Number				Groove Dimensions		Price
	Rod Dia. A mm	O.D./ D mm +0.2/-0.0	Base Height B mm	Total Height C mm	E mm ±0.2	F mm ±0.1	
AY - 35	x 44	x 4	x 6	4.5		\$3.99	
AY - 36	x 44	x 4.5	x 5.8	5.5	40	\$7.70	
AY - 36	x 44	x 5	x 6.5	5.5	40.3	\$8.88	
AY - 36	x 44	x 5	x 7	5.5		\$5.50	
AY - 38	x 46	x 5	x 6.5	5.5		\$4.66	
AY - 40	x 48	x 5	x 6.5	5.5	44.3	\$4.27	
AY - 40	x 48.6	x 5.3	x 7	6		\$14.96	
AY - 40	x 50	x 4	x 7	4.5		\$4.73	
AY - 40	x 50	x 7	x 9	8		\$4.75	
AY - 42	x 50	x 4.5	x 5.8	5		\$13.37	
AY - 44.5	x 52.5	x 5.5	x 7.5	6		\$5.08	
AY - 45	x 53	x 4	x 7	4.5		\$5.12	
AY - 45	x 53	x 5	x 6.5	5.5	49.3	\$4.72	
AY - 50	x 58	x 4	x 7	4.5		\$4.91	
AY - 50	x 58	x 4.5	x 5.8	5.5	54	\$8.68	
AY - 50	x 58	x 5	x 6.5	5.5	54.3	\$4.61	
AY - 53	x 61	x 5	x 6.5	5.5	57.3	\$5.06	
AY - 55	x 63	x 4	x 7	4.5		\$4.94	
AY - 55	x 63	x 5	x 6.5	5.5	59.3	\$5.12	
AY - 55	x 63.6	x 5.3	x 7	6		\$9.32	
AY - 55	x 65	x 5	x 7	5.5		\$5.43	
AY - 56	x 64	x 5	x 6.5	5.5	60.3	\$5.17	
AY - 56	x 66	x 5.5	x 7	6		\$6.21	
AY - 60	x 70	x 5	x 7	5.5		\$5.89	
AY - 60	x 70	x 5	x 6.5	5.5	65	\$5.89	
AY - 63	x 71	x 5	x 6.5	5.5	67.3	\$5.39	
AY - 63	x 73	x 5.3	x 6.8	5.8		\$10.74	
AY - 65	x 73	x 4	x 7	4.5		\$5.09	
AY - 65	x 73	x 5	x 6.5	5.5	69.3	\$5.39	
AY - 65	x 75	x 5	x 7	5.5		\$6.69	
AY - 67	x 75	x 5	x 6.5	5.5	71.3	\$5.48	
AY - 70	x 78.6	x 5.3	x 7	6		\$10.67	
AY - 70	x 80	x 5	x 7	5.5		\$6.62	
AY - 70	x 80	x 6	x 8	7	75	\$6.80	

ORDER FAX 888-496-7526 • ORDER DESK 800-258-3851

103

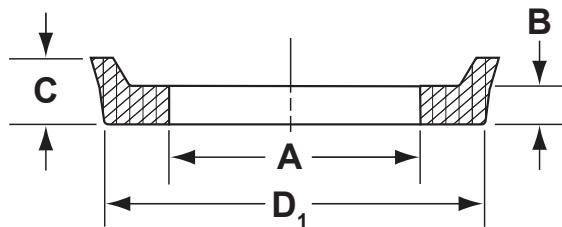
AY Double Lip Metric Urethane Wipers - Metric, cont'd.

AY Wipers

Part Number					Groove Dimensions		Price
Prefix	Rod Dia. A mm	O.D./D mm +0.2/-0.0	Base Height B mm	Total Height C mm	E mm ±0.2	F mm ±0.1	
AY - 71	x 81	x 6	x 8		7	76	\$6.88
AY - 75	x 83.6	x 5.3	x 7		6		\$10.67
AY - 75	x 85	x 5	x 7		5.5		\$6.99
AY - 75	x 85	x 6	x 8		7	80	\$7.22
AY - 75	x 87	x 7	x 12		8		\$6.99
AY - 80	x 88.6	x 5	x 7		5.5		\$13.31
AY - 80	x 88.6	x 5.3	x 7		6		\$16.07
AY - 80	x 90	x 5	x 6.5		5.5	85	\$8.22
AY - 80	x 90	x 6	x 8		7	85	\$7.29
AY - 80	x 90	x 7	x 12		8		\$8.07
AY - 80	x 92	x 7	x 10		8		\$13.56
AY - 80	x 92	x 7	x 12		8		\$7.29
AY - 85	x 95	x 6	x 8		7	90	\$11.36
AY - 90	x 100	x 6	x 8		7	95	\$8.02
AY - 90	x 102.2	x 7.1	x 9		7.1		\$11.41
AY - 90	x 102	x 7	x 12		8		\$7.30
AY - 95	x 105	x 6	x 8		7	100	\$12.25
AY - 95	x 107	x 7	x 12		7.5		\$7.54
AY - 98	x 108	x 6	x 8		7	103	\$11.20
AY - 100	x 110	x 6	x 8		7	105	\$12.08
AY - 100	x 112.2	x 7.1	x 9		7.1		\$12.76
AY - 105	x 115	x 6	x 8		7	110	\$16.72
AY - 106	x 116	x 6	x 8		7	111	\$17.66
AY - 107	x 117	x 5	x 8.5		5.5		\$18.22
AY - 110	x 120	x 6	x 8		7	115	\$11.19
AY - 110	x 122.2	x 7.1	x 9		7.1		\$15.09
AY - 112	x 122	x 6	x 8		7	117	\$12.87
AY - 115	x 125	x 6	x 8		7	120	\$22.37
AY - 118	x 128	x 6	x 8		7	123	\$23.74
AY - 120	x 130	x 6	x 8		7	125	\$23.74
AY - 120	x 133	x 7	x 9.65		8		\$14.17

Part Number					Groove Dimensions		Price
Prefix	Rod Dia. A mm	O.D./D mm +0.2/-0.0	Base Height B mm	Total Height C mm	E mm ±0.2	F mm ±0.1	
AY - 120	x 136	x 9	x 12		19		\$19.45
AY - 125	x 138	x 7	x 9.5		8	132	\$13.54
AY - 130	x 143	x 7	x 9.5		8	137	\$12.93
AY - 132	x 145	x 7	x 9.5		8		\$13.70
AY - 136	x 149	x 7	x 9.5		8	143	\$14.30
AY - 140	x 153	x 7	x 9.5		8	147	\$14.67
AY - 140	x 157	x 6	x 10		7		\$15.01
AY - 150	x 163	x 7	x 9.5		8	157	\$28.03
AY - 155	x 168	x 7	x 9.5		8	162	\$43.61
AY - 160	x 173	x 7	x 9.5		8	167	\$32.70
AY - 160	x 174	x 7	x 9.5		8	167	\$17.44
AY - 165	x 178	x 7	x 9.5		8	172	\$30.78
AY - 165	x 179	x 7	x 9.5		8	172	\$16.75
AY - 170	x 183	x 7	x 9.5		8	177	\$50.23
AY - 175	x 188	x 7	x 9.5		8	182	\$52.48
AY - 180	x 193	x 7	x 9.5		8	187	\$52.65
AY - 180	x 194	x 7	x 9.5		8	187	\$18.89
AY - 190	x 203	x 7	x 9.5		8	197	\$19.66
AY - 200	x 213	x 7	x 9.5		8	207	\$57.02
AY - 200	x 214	x 7	x 9.5		8	207	\$20.56
AY - 204	x 218	x 7	x 9.5		8	211	\$21.06
AY - 205	x 215	x 7	x 9.5		8	212	\$22.20
AY - 210	x 223	x 7	x 9.5		8	217	\$59.11
AY - 220	x 233	x 7	x 9.5		8	227	\$60.84
AY - 230	x 243	x 9	x 11.5		10	234	\$67.25
AY - 240	x 256	x 9	x 11.5		10	248	\$104.69
AY - 250	x 263	x 7	x 9.5		8	257	\$28.15
AY - 250	x 265	x 9	x 11.5		10	258	\$109.83
AY - 260	x 275	x 9	x 11.5		10	268	\$122.95
AY - 270	x 285	x 9	x 11.5		10	278	\$127.69

O.D. Lip Urethane Wiper - Inch and Metric



Temperature: -65° to 200°F



Part Number	Outside Dia./Bore D ₁	Inside Dia. A	Base Height B	Overall Height C	Price
994480	60MM	50MM	3MM	8MM	\$11.73
993902	3	2.687	.115	.225	\$13.79
994422	3-5/8	3.125	.125	.250	\$13.88

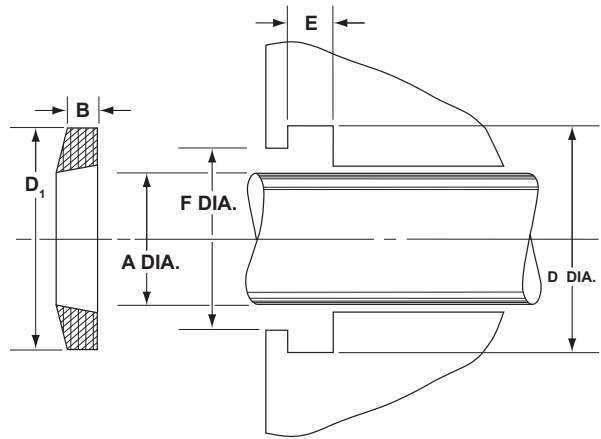
Part Number	Outside Dia./Bore D ₁	Inside Dia. A	Base Height B	Overall Height C	Price
994553	4	3.500	.125	.205	\$12.38
994554	5	4.500	.125	.205	\$12.68
994481	175MM	165MM	3MM	8MM	\$26.80

ASC Wipers - Inch



ASC style wipers are normally found in lighter duty applications for reciprocating rods. Standard material is 90 durometer polyurethane, but may also be supplied in 94 durometer nitrile

Temperature: -40° to 230°F

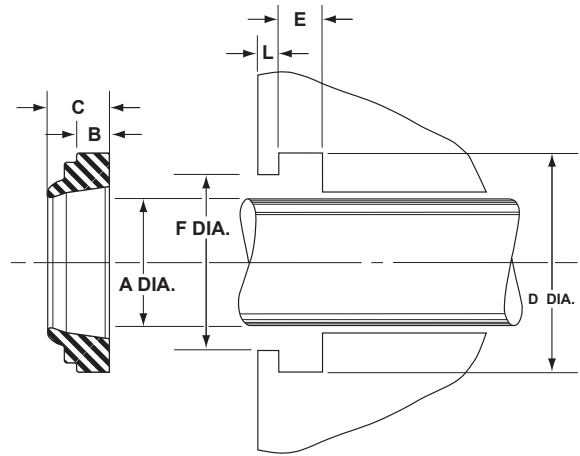


ASC Typr Wipers

Inch Sizes							
Part Number	Wiper Dimensions		Groove Dimensions			Material	Price
	A Rod Dia.	D ₁ Outside Dia.	D ±.005	E ±.010	F ±.005		
ASC-1	0.500	0.680	0.680	.130	0.560	Urethane	\$7.60
ASC-3	0.625	0.820	0.820	.140	0.700	Urethane	\$7.60
ASC-5N	0.750	0.950	0.950	.140	0.820	Nitrile	\$7.85
ASC-7	0.875	1.075	1.075	.150	0.950	Urethane	\$8.41
ASC-9	1.000	1.240	1.240	.160	1.080	Urethane	\$8.41
ASC-11	1.125	1.360	1.360	.160	1.210	Urethane	\$8.55
ASC-13	1.250	1.475	1.475	.170	1.330	Urethane	\$8.55
ASC-15	1.375	1.625	1.625	.170	1.460	Urethane	\$9.16
ASC-17	1.500	1.770	1.770	.180	1.590	Urethane	\$9.96
ASC-21	1.750	2.030	2.030	.190	1.850	Urethane	\$10.22
ASC-25	2.000	2.300	2.300	.200	2.100	Urethane	\$10.93
ASC-26	2.125	2.430	2.430	.210	2.230	Urethane	\$11.68
ASC-27	2.250	2.570	2.570	.210	2.360	Urethane	\$11.85
ASC-28	2.375	2.700	2.700	.220	2.490	Urethane	\$12.06
ASC-31	2.750	3.102	3.102	.230	2.850	Urethane	\$12.34
ASC-33	3.000	3.380	3.380	.240	3.130	Urethane	\$12.58
ASC-34	3.125	3.510	3.510	.250	3.260	Urethane	\$13.56
ASC-35	3.250	3.646	3.646	.250	3.390	Urethane	\$14.42
ASC-37	3.500	3.920	3.920	.270	3.640	Urethane	\$15.47

Other sizes are available upon request.

A41 Wipers - Metric



A41 Wipers

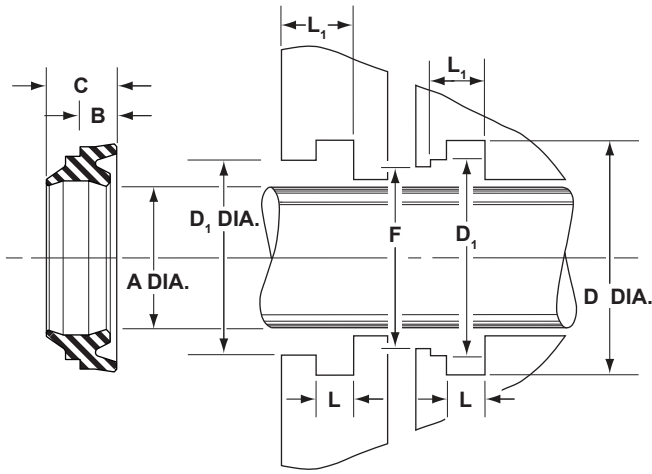
A41 series European wipers are made from either 90 durometer nitrile or urethane. The function of the A41 style wiper is to keep dust, dirt, grains of sand, and metal chips from penetrating the rod gland. This is achieved by a special design which prevents the development of chamfers, protects the guiding parts, and extends the working life of the seals. Oversized diameters ensure a tight fit in the groove recess, thus preventing the penetration of foreign particles and dampness.

Temperature: -40° to 230°F

Part Number					Groove Dimensions		Material	Price
Prefix	Rod Dia. A mm	Outside Dia. D mm H11	Groove Height E mm	Height C mm	F mm ±0.1	L mm ±0.2		
A41 - 8	x 16	x 4	x 7	14	1	Nitrile	\$2.16	
A41 - 10	x 18	x 4	x 7	16	1	Nitrile	\$2.16	
A41 - 12	x 18	x 2.6	x 5	16	1	Nitrile	\$2.16	
A41 - 12	x 20	x 4	x 7	18	1	Nitrile	\$2.18	
A41 - 14	x 22	x 4	x 7	20	1	Nitrile	\$2.19	
A41 - 15	x 23	x 4	x 7	21	1	Nitrile	\$2.20	
A41 - 16	x 24	x 4	x 7	22	1	Nitrile	\$2.20	
A41 - 16	x 24	x 4	x 7	22	1	Urethane	\$2.56	
A41 - 18	x 26	x 4	x 7	24	1	Nitrile	\$2.20	
A41 - 20	x 28	x 4	x 7	26	1	Nitrile	\$2.20	
A41 - 22	x 30	x 4	x 7	28	1	Nitrile	\$2.20	
A41 - 24	x 32	x 4	x 7	30	1	Nitrile	\$2.20	
A41 - 25	x 33	x 4	x 7	31	1	Nitrile	\$2.20	
A41 - 28	x 36	x 4	x 7	34	1	Nitrile	\$2.46	
A41 - 28	x 36	x 4	x 7	34	1	Urethane	\$2.46	
A41 - 30	x 38	x 4	x 7	36	1	Nitrile	\$2.46	
A41 - 32	x 40	x 4	x 7	38	1	Nitrile	\$2.75	
A41 - 32	x 40	x 4	x 7	38	1	Urethane	\$2.75	
A41 - 35	x 43	x 4	x 7	41	1	Nitrile	\$2.75	
A41 - 36	x 44	x 4	x 7	42	1	Nitrile	\$2.85	
A41 - 38	x 46	x 4	x 7	44	1	Nitrile	\$2.85	
A41 - 40	x 48	x 4	x 7	46	1	Nitrile	\$2.85	
A41 - 40	x 48	x 4	x 7	46	1	Urethane	\$2.95	
A41 - 42	x 50	x 4	x 7	48	1	Nitrile	\$3.11	
A41 - 44	x 52	x 4	x 7	50	1	Nitrile	\$11.99	
A41 - 45	x 53	x 4	x 7	51	1	Nitrile	\$3.11	
A41 - 45	x 53	x 4	x 7	51	1	Urethane	\$3.11	
A41 - 48	x 56	x 4	x 7	54	1	Nitrile	\$3.43	
A41 - 50	x 58	x 4	x 7	56	1	Nitrile	\$3.49	
A41 - 50	x 62	x 5.5	x 10	59	1.5	Nitrile	\$3.69	
A41 - 52	x 60	x 4	x 7	58	1	Nitrile	\$3.75	
A41 - 54	x 62	x 4	x 7	60	1	Nitrile	\$3.75	
A41 - 55	x 63	x 4	x 7	61	1	Nitrile	\$3.88	
A41 - 56	x 64	x 4	x 7	62	1	Nitrile	\$3.88	
A41 - 60	x 68	x 4	x 7	66	1	Nitrile	\$3.88	

Part Number					Groove Dimensions		Material	Price
Prefix	Rod Dia. A mm	Outside Dia. D mm H11	Groove Height E mm	Height C mm	F mm ±0.1	L mm ±0.2		
A41 - 60	x 72	x 5.5	x 10	69	1.5	Nitrile	\$3.94	
A41 - 62	x 70	x 4	x 7	68	1	Nitrile	\$3.94	
A41 - 62	x 70	x 4	x 7	68	1	Urethane	\$3.94	
A41 - 63	x 71	x 4	x 7	69	1	Nitrile	\$4.14	
A41 - 63	x 71	x 4	x 7	69	1	Urethane	\$4.14	
A41 - 65	x 73	x 4	x 7	71	1	Nitrile	\$4.14	
A41 - 70	x 78	x 4	x 7	76	1	Nitrile	\$4.53	
A41 - 70	x 78	x 4	x 7	76	1	Urethane	\$4.53	
A41 - 75	x 83	x 4	x 7	81	1	Nitrile	\$4.75	
A41 - 80	x 88	x 4	x 7	86	1	Nitrile	\$4.90	
A41 - 85	x 93	x 4	x 7	91	1	Nitrile	\$7.12	
A41 - 90	x 98	x 4	x 7	96	1	Nitrile	\$7.37	
A41 - 100	x 108	x 4	x 7	106	1	Nitrile	\$7.44	
A41 - 110	x 118	x 4	x 7	116	1	Nitrile	\$8.55	
A41 - 110	x 122	x 5.5	x 10	119	1.5	Nitrile	\$9.64	
A41 - 115	x 127	x 5.5	x 10	124	1.5	Nitrile	\$9.64	
A41 - 120	x 132	x 5.5	x 10	129	1.5	Nitrile	\$10.69	
A41 - 125	x 137	x 5.5	x 10	134	1.5	Nitrile	\$10.69	
A41 - 130	x 142	x 5.5	x 10	140	1.5	Nitrile	\$10.86	
A41 - 140	x 152	x 5.5	x 10	149	1.5	Nitrile	\$13.12	
A41 - 150	x 162	x 5.5	x 10	159	1.5	Nitrile	\$17.06	
A41 - 160	x 172	x 5.5	x 10	169	1.5	Nitrile	\$21.04	
A41 - 170	x 182	x 5.5	x 10	180	1.5	Nitrile	\$54.32	
A41 - 170	x 182	x 5.5	x 10	180	1.5	Urethane	\$61.11	
A41 - 180	x 192	x 5.5	x 10	189	1.5	Nitrile	\$23.34	
A41 - 180	x 192	x 5.5	x 10	189	2	Urethane	\$25.70	
A41 - 190	x 202	x 5.5	x 10	199	1.5	Nitrile	\$33.49	
A41 - 200	x 212	x 5.5	x 10	209	1.5	Nitrile	\$34.18	
A41 - 210	x 225	x 6.5	x 13	221	2	Nitrile	\$35.08	
A41 - 220	x 235	x 6.5	x 13	231	2	Nitrile	\$39.31	
A41 - 240	x 255	x 6.5	x 13	251	2	Nitrile	\$95.90	
A41 - 250	x 265	x 6.5	x 13	261	2	Nitrile	\$71.06	
A41 - 260	x 275	x 6.5	x 13	273	2	Nitrile	\$73.68	
A41 - 300	x 315	x 6.5	x 13	311	2	Nitrile	\$83.54	
A41 - 305	x 320	x 6.5	x 13	316	2	Nitrile	\$106.08	
A41 - 310	x 325	x 6.5	x 13	321	2	Nitrile	\$153.69	
A41 - 400	x 415	x 6.5	x 13	411	2	Nitrile	\$87.36	
A41 - 450	x 465	x 6.5	x 13	461	2	Nitrile	\$89.92	

DA17 Nitrile Wipers - Metric



DA17 Wipers

The DA17 wiper utilizes an extra step on the heel that adds extra stability, helps maintain consistent wiping pressure, and ensures wiper retention. The u-cup base keeps excess oil inside the cylinder.

Standard material is nitrile, but may be available in 90 durometer urethane. Consult sales for sizes not listed.

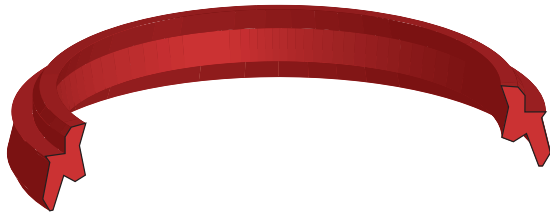
Temperature: -40° to 230°F

Part No.	Rod Dia. A	Groove Dia. D	Groove Length L	L ₁	C	D ₁	F	Price
DA17-0100	10	18	4	6	8	16	13.5	\$3.38
DA17-0120	12	20	4	6	8	18	15.5	\$3.68
DA17-0140	14	22	4	6	8	20	17.5	\$3.68
DA17-0150	15	23	4	6	8	21	18.5	\$3.68
DA17-0160	16	24	4	6	8	22	19.5	\$3.68
DA17-0180	18	26	4	6	8	24	21.5	\$3.68
DA17-0200	20	28	4	6	8	26	23.5	\$3.68
DA17-0220	22	30	4	6	8	28	25.5	\$3.74
DA17-0250	25	33	4	6	8	31	28.5	\$3.74
DA17-0280	28	36	4	6	8	34	31.5	\$4.29
DA17-0300	30	38	4	6	8	36	33.5	\$4.29
DA17-0320	32	40	4	6	8	38	35.5	\$4.41
DA17-0350	35	43	4	6	8	41	38.5	\$4.41
DA17-0360	36	44	4	6	8	42	39.5	\$4.41
DA17-0380	38	46	4	6	8	44	41.5	\$4.50
DA17-0400	40	48	4	6	8	46	43.5	\$4.95
DA17-0420	42	50	4	6	8	48	45.5	\$5.55
DA17-0450	45	53	4	6	8	51	48.5	\$5.55
DA17-0500	50	58	4	6	8	56	53.5	\$5.68
DA17-0550	55	63	4	6	8	61	58.5	\$6.22
DA17-0560	56	64	4	6	8	62	59.5	\$6.64
DA17-0600	60	68	4	6	8	66	63.5	\$6.76
DA17-0630	63	71	4	6	8	69	66.5	\$7.25
DA17-0650	65	73	4	6	8	71	68.5	\$7.25
DA17-0700	70	78	4	6	8	76	73.5	\$7.31
DA17-0750	75	83	4	6	8	81	78.5	\$8.09
DA17-0800	80	88	4	6	8	86	83.5	\$8.09
DA17-0850	85	93	4	6	8	91	88.5	\$11.35
DA17-0900	90	98	4	6	8	96	93.5	\$11.35
DA17-0950	95	103	4	6	8	101	98.5	\$12.80
DA17-1000	100	108	4	6	8	106	103.5	\$16.06
DA17-1050	105	117	5.5	8.2	11	114	110	\$19.32
DA17-1100	110	122	5.5	8.2	11	119	115	\$23.12

Part No.	Rod Dia. A	Groove Dia. D	Groove Length L	L ₁	C	D ₁	F	Price
DA17-1150	115	127	5.5	8.2	11	124	120	\$23.06
DA17-1200	120	132	5.5	8.2	11	129	125	\$27.29
DA17-1250	125	137	5.5	8.2	11	134	130	\$27.35
DA17-1300	130	142	5.5	8.2	11	139	135	\$27.35
DA17-1350	135	147	5.5	8.2	11	144	140	\$27.41
DA17-1400	140	152	5.5	8.2	11	149	145	\$33.45
DA17-1450	145	157	5.5	8.2	11	154	150	\$33.51
DA17-1500	150	162	5.5	8.2	11	159	155	\$33.57
DA17-1550	155	167	5.5	8.2	11	164	160	\$33.63
DA17-1600	160	172	5.5	8.2	11	169	165	\$39.24
DA17-1650	165	177	5.5	8.2	11	174	170	\$39.24
DA17-1700	170	182	5.5	8.2	11	179	175	\$50.90
DA17-1750	175	187	5.5	8.2	11	184	180	\$27.17
DA17-1800	180	192	5.5	8.2	11	189	185	\$51.02
DA17-1850	185	197	5.5	8.2	11	194	190	\$51.08
DA17-1900	190	202	5.5	8.2	11	199	195	\$62.55
DA17-1950	195	207	5.5	8.2	11	204	200	\$62.61
DA17-2000	200	212	5.5	8.2	11	209	205	\$62.67
DA17-2050	205	220	6.4	9.5	13	216	212	\$64.12
DA17-2100	210	225	6.4	9.5	13	221	217	\$64.24
DA17-2200	220	235	6.4	9.5	13	231	227	\$81.84
DA17-2250	225	240	6.4	9.5	13	236	232	\$64.54
DA17-2300	230	245	6.4	9.5	13	241	237	\$88.81
DA17-2400	240	255	6.4	9.5	13	251	247	\$91.53
DA17-2500	250	265	6.4	9.5	13	261	257	\$91.71
DA17-2600	260	275	6.4	9.5	13	271	267	\$91.95
DA17-2750	275	290	6.4	9.5	13	286	282	\$92.25
DA17-2800	280	295	6.4	9.5	13	291	287	\$92.31
DA17-2900	290	305	6.4	9.5	13	301	297	\$118.09
DA17-3000	300	315	6.4	9.5	13	311	307	\$118.09
DA17-3200	320	335	6.4	9.5	13	331	327	\$118.46
DA17-3500	350	365	6.4	9.5	13	361	357	\$119.06

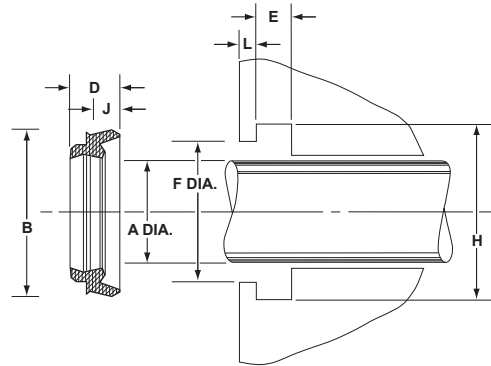
ORDER FAX 888-496-7526 • ORDER DESK 800-258-3851

DA24 Urethane Wipers - Metric



The DA24 scraper, made of polyurethane, is double acting. The dynamic scraping lip has an extra sealing edge to keep the oil film in the system while the static sealing lip provides protection against the egress of dirt and fluids.

Temperature: -40°F to 230°F

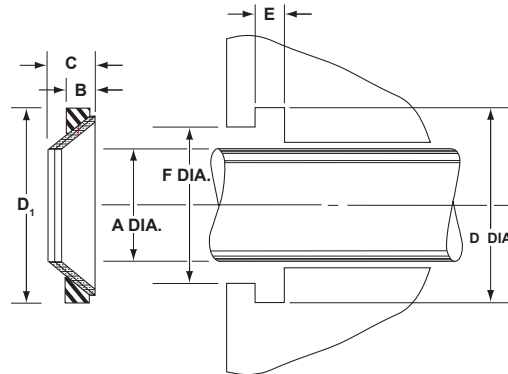


Seal Guard® Wipers/Scrapers

		Part Number			Throat	Price
Prefix	Rod Dia. A	Groove Dia. D	Groove Height E			
DA24	- 70	x 82.2	x 8.1	76	\$46.65	
DA24	- 85	x 97.2	x 8.1	91	\$56.25	
DA24	- 90	x 102.2	x 8.1	96	\$58.34	
DA24	- 95	x 107.2	x 8.1	101	\$61.22	
DA24	- 100	x 112.2	x 8.1	106	\$63.65	

		Part Number			Throat	Price
Prefix	Rod Dia. A	Groove Dia. D	Groove Height E			
DA24	- 105	x 117.2	x 8.1	111	\$65.80	
DA24	- 110	x 122.2	x 8.1	116	\$68.55	
DA24	- 125	x 137.2	x 8.1	131	\$73.96	
DA24	- 140	x 156.0	x 9.5	148	\$113.45	

Seal-Guard® Wipers - Inch



For heavy-duty protection against hard contaminants such as ice, mud or metal spattering, the self-adjusting Seal-Guard® “scraper” is an ideal exclusion ring. Seal-Guard® consists of two knife-like bronze rings and a nitrile cushion ring. To eliminate the clogging and caking of contaminants under the ring, the conically tapered bronze rings act as blades to remove and dispose of foreign matter away from the rod and ring. The notches in the bronze rings provide flexibility, allow for expansion and produce a spring effect resulting in constant contact with the rod, full circle. When compressed, the cushion ring preloads the wiper rings for wiper edge contact with the rod and it absorbs shock and side loads; therefore, it's self-adjusting.

To install the Seal-Guard® wiper, cut a groove in the gland, install the bronze rings, staggering the notches. Then using a dull tool and a light film of oil, push the cushion ring into the counterbore under the retaining ring.

Temperature: -40° to 250°F.

Part Number	Wiper Dimensions				Groove Dimensions			Price
	A Rod Dia.	D ₁ Outside Dia.	B Base Height	C Total Length	D +.006 -.000	E +.003 -.000	F +.010 -.000	
S34-8	0.250	1/2	1/8	3/16	0.500	.125	0.470	\$18.73
S34-9	0.312	9/16	1/8	3/16	0.562	.125	0.532	\$18.52
S34-10	0.375	5/8	1/8	3/16	0.625	.125	0.595	\$17.58
S34-12	0.500	3/4	1/8	3/16	0.750	.125	0.720	\$17.26
S34-13	0.562	13/16	1/8	3/16	0.812	.125	0.782	\$16.35

Seal-Guard® Wipers - Inch, cont'd.

Part Number	Wiper Dimensions				Groove Dimensions			Price
	A Rod Dia.	D ₁ Outside Dia.	B Base Height	C Total Length	D +.006 -.000	E +.003 -.000	F +.010 -.000	
S34-14	0.625	7/8	1/8	3/16	0.875	.125	0.845	\$16.35
3435-.750	0.750	1	1/8	3/16	1.000	.125	0.970	\$17.19
S34-16	0.750	1-1/8	3/16	9/32	1.126	.188	1.082	\$17.26
3436-.812	0.812	1-1/16	3/16	9/32	1.188	.188	1.144	\$17.74
S34-18	0.875	1-1/4	3/16	9/32	1.251	.188	1.207	\$17.74
S34-19	0.937	1-5/16	3/16	9/32	1.313	.188	1.269	\$18.86
3435-1	1.000	1-1/4	1/8	3/16	1.250	.125	1.220	\$18.86
S34-20	1.000	1-3/8	3/16	9/32	1.376	.188	1.332	\$18.86
S34-21	1.062	1-7/16	3/16	9/32	1.438	.188	1.394	\$19.57
S34-22	1.125	1-1/2	3/16	9/32	1.501	.188	1.457	\$20.22
S34-24	1.250	1-5/8	3/16	9/32	1.626	.188	1.582	\$22.93
S34-26	1.375	1-3/4	3/16	9/32	1.751	.188	1.707	\$23.61
S34-27	1.500	1-7/8	3/16	9/32	1.876	.188	1.832	\$26.82
S34-28	1.625	2	3/16	9/32	2.000	.188	1.957	\$30.53
S34-29	1.750	2-1/8	3/16	9/32	2.126	.188	2.082	\$33.60
S34-30	1.875	2-1/4	3/16	9/32	2.251	.188	2.207	\$36.68
3436-1.937	1.937	2-5/16	3/16	9/32	2.313	.188	2.269	\$39.96
3436-2	2.000	2-3/8	3/16	9/32	2.376	.188	2.332	\$39.96
S34-31	2.000	2-1/2	1/4	3/8	2.500	.250	2.440	\$39.96
S34-32	2.125	2-5/8	1/4	3/8	2.625	.250	2.565	\$45.06
S34-33	2.250	2-3/4	1/4	3/8	2.750	.250	2.690	\$48.38
S34-34	2.375	2-7/8	1/4	3/8	2.875	.250	2.815	\$53.27
3436-2.500	2.500	2-7/8	3/16	9/32	2.876	.188	2.832	\$50.24
S34-35	2.500	3	1/4	3/8	3.000	.250	2.940	\$51.24
S34-38	2.750	3-1/4	1/4	3/8	3.250	.250	3.190	\$67.00
S34-40	3.000	3-1/2	1/4	3/8	3.500	.250	3.440	\$68.34
S34-42	3.250	3-3/4	1/4	3/8	3.750	.250	3.690	\$98.46
S34-44	3.500	4	1/4	3/8	4.000	.250	3.940	\$103.02
S34-49	4.000	4-1/2	1/4	3/8	4.500	.250	4.440	\$138.28
S34-50	4.250	4-3/4	1/4	3/8	4.750	.250	4.690	\$203.55
S34-51	4.500	5-1/4	3/8	9/16	5.250	.375	5.160	\$273.92
S34-52	4.750	5-1/2	3/8	9/16	5.500	.375	5.410	\$318.20
S34-53	5.000	5-3/4	3/8	9/16	5.750	.375	5.660	\$378.43
S34-54	5.250	6	3/8	9/16	6.000	.375	5.910	\$408.55
S34-55	5.500	6-1/4	3/8	9/16	6.250	.375	6.160	\$438.67
S34-57	5.750	6-1/2	3/8	9/16	6.500	.375	6.410	\$468.78
S34-58	6.000	6-3/4	3/8	9/16	6.750	.375	6.660	\$498.90
S34-59	6.250	7	3/8	9/16	7.000	.375	6.910	\$528.36
S34-60	6.500	7-1/4	3/8	9/16	7.250	.375	7.160	\$557.83
S34-61	6.750	7-1/2	3/8	9/16	7.500	.375	7.410	\$587.29
S34-62	7.000	7-3/4	3/8	9/16	7.750	.375	7.660	\$616.87
S34-63	7.250	8	3/8	9/16	8.000	.375	7.910	\$646.21
S34-64	7.500	8-1/4	3/8	9/16	8.250	.375	8.160	\$675.68
S34-65	7.750	8-1/2	3/8	9/16	8.500	.375	8.410	\$706.59
S34-66	8.000	8-3/4	3/8	9/16	8.750	.375	8.660	\$734.60

Also available in Viton

Seal Guard® Wipers/Scrapers

SC Wiper / Scrapers - Inch

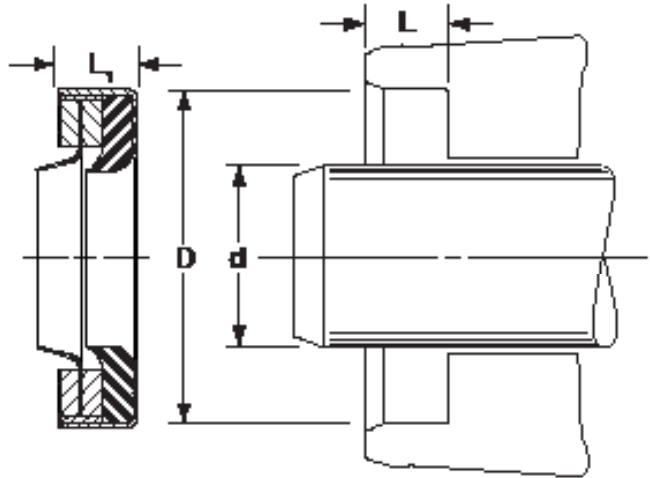
SC Wipers / Scrapers



The SC style wiper / scraper consists of a self-aligning brass scraper and a nitrile wiping lip assembled together and securely clamped into a steel shell.

This scraper removes sticky and abrasive contaminants such as ice, mud, and tar from cylinder rods, while the nitrile lip removes water, dust, and other abrasive matter too small to be blocked by the scraper.

Temperature: -40° to 250°F.

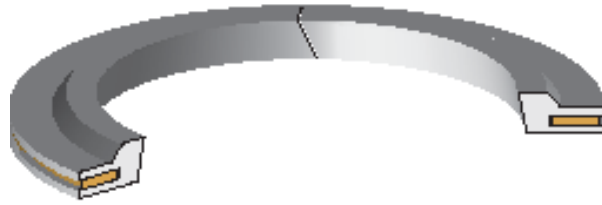
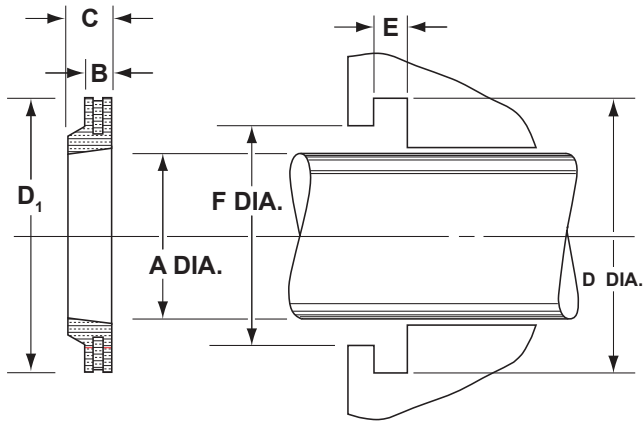


Part Number	d Rod Dia. f8	D Outside Dia. H8	L ₁ Base Height	Price
504260	0.500	1.000	0.281	\$27.98
504261	0.625	1.125	0.281	\$31.20
504262	0.750	1.250	0.281	\$35.62
504263	0.875	1.375	0.281	\$40.26
504264	1.000	1.500	0.281	\$41.65
504265	1.125	1.625	0.281	\$22.37
504266	1.250	1.750	0.281	\$23.76
504267	1.375	1.875	0.281	\$41.46
504268	1.500	2.000	0.281	\$24.52
504269	1.625	2.125	0.281	\$67.41
509543	1.687	2.183	0.281	\$53.04
504270	1.750	2.250	0.281	\$25.71
504271	1.875	2.375	0.281	\$54.95
504272	2.000	2.500	0.281	\$26.20

Part Number	d Rod Dia. f8	D Outside Dia. H8	L ₁ Base Height	Price
504273	2.000	2.625	0.281	\$58.61
504275	2.250	2.750	0.281	\$59.58
504277	2.500	3.000	0.281	\$27.71
505774	2.500	3.125	0.281	\$70.19
504279	2.750	3.250	0.281	\$51.27
504281	3.000	3.500	0.281	\$59.28
504283	3.250	3.875	0.328	\$92.39
504285	3.500	4.125	0.328	\$41.97
504287	3.750	4.375	0.328	\$108.89
504289	4.000	4.625	0.328	\$60.65
504291	4.250	4.875	0.328	\$188.40
504293	4.500	5.125	0.328	\$186.59
504297	5.500	6.125	0.359	\$273.55

*Same Day
Custom Machined Parts
available upon request.*

MS28776 AN Style Metal Scrapers - Inch



MS28776 series wiper rings are made from a copper based alloy and will not scratch the rod. Operating temperatures are from -65° to 500°F, making them a good choice for extreme temperature use.

MS28776 AN Metal Scrapers

Part Number	Wiper Dimensions				Groove Dimensions			Price
	A Rod Dia.	D ₁ Outside Dia.	B Base Height	C Max. Length	D +.004 -.000	E ±.003	F +.005 -.000	
MS28776M2-1	0.498	0.766	0.094	0.187	0.760	0.107	0.647	\$18.97
MS28776M2-2	0.560	0.829	0.094	0.187	0.823	0.107	0.710	\$19.28
MS28776M2-3	0.623	0.891	0.094	0.187	0.885	0.107	0.772	\$18.99
MS28776M2-4	0.685	0.954	0.094	0.187	0.948	0.107	0.834	\$20.67
MS28776M2-5	0.748	1.016	0.094	0.187	1.010	0.107	0.897	\$21.54
MS28776M2-6	0.810	1.090	0.094	0.187	1.084	0.107	0.960	\$23.75
MS28776M2-7	0.873	1.153	0.094	0.187	1.147	0.107	1.023	\$23.75
MS28776M2-8	0.935	1.215	0.094	0.187	1.209	0.107	1.085	\$24.83
MS28776M2-9	0.998	1.278	0.094	0.187	1.272	0.107	1.148	\$22.68
MS28776M2-10	1.060	1.340	0.094	0.187	1.334	0.107	1.210	\$24.83
MS28776M2-11	1.123	1.403	0.094	0.187	1.397	0.107	1.273	\$25.24
MS28776M2-12	1.185	1.465	0.094	0.187	1.459	0.107	1.335	\$26.39
MS28776M2-13	1.248	1.528	0.094	0.187	1.522	0.107	1.398	\$25.38
MS28776M2-14	1.310	1.622	0.094	0.187	1.614	0.107	1.480	\$30.51
MS28776M2-15	1.373	1.685	0.094	0.187	1.677	0.107	1.542	\$31.26
MS28776M2-16	1.435	1.747	0.094	0.187	1.739	0.107	1.605	\$33.70
MS28776M2-17	1.498	1.810	0.094	0.187	1.802	0.107	1.668	\$32.34
MS28776M2-18	1.623	1.935	0.094	0.187	1.927	0.107	1.793	\$36.06
MS28776M2-19	1.748	2.060	0.094	0.187	2.052	0.107	1.918	\$37.56
MS28776M2-20	1.873	2.185	0.094	0.187	2.177	0.107	2.043	\$44.94
MS28776M2-21	1.998	2.310	0.094	0.187	2.302	0.107	2.178	\$35.82
MS28776M2-22	2.123	2.435	0.094	0.187	2.427	0.107	2.303	\$36.08
MS28776M2-23	2.248	2.560	0.094	0.187	2.552	0.107	2.428	\$33.35
MS28776M2-24	2.373	2.685	0.094	0.187	2.677	0.107	2.553	\$49.14
MS28776M2-25	2.498	2.810	0.094	0.187	2.802	0.107	2.678	\$44.27
MS28776M2-26	2.623	2.999	0.109	0.211	2.989	0.122	2.834	\$47.06
MS28776M2-27	2.748	3.124	0.109	0.211	3.114	0.122	2.959	\$54.21
MS28776M2-28	2.873	3.249	0.109	0.211	3.239	0.122	3.084	\$56.81
MS28776M2-29	2.997	3.374	0.109	0.211	3.364	0.122	3.209	\$47.13
MS28776M2-30	3.122	3.499	0.109	0.211	3.489	0.122	3.334	\$59.28
MS28776M2-31	3.247	3.624	0.109	0.211	3.614	0.122	3.459	\$60.97
MS28776M2-32	3.372	3.749	0.109	0.211	3.739	0.122	3.584	\$66.17
MS28776M2-33	3.497	3.874	0.109	0.211	3.864	0.122	3.709	\$59.40
MS28776M2-34	3.622	3.999	0.109	0.211	3.989	0.122	3.834	\$69.36
MS28776M2-35	3.747	4.124	0.109	0.211	4.114	0.122	3.959	\$79.37

ORDER FAX 888-496-7526 • ORDER DESK 800-258-3851

111

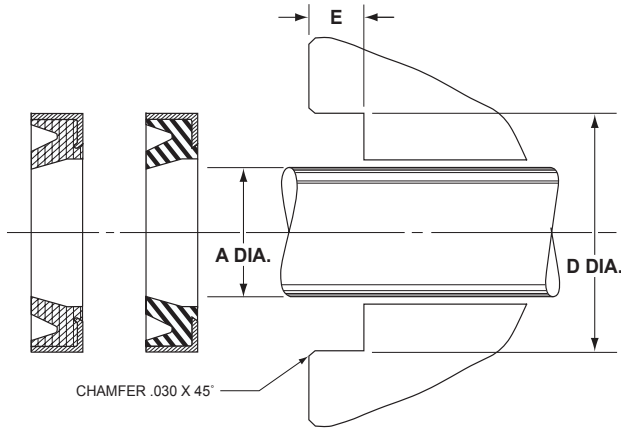
MS28776 AN Style Metal Scrapers - Inch, cont'd.

MS28776 AN Metal Scraper

Part Number	Wiper Dimensions				Groove Dimensions			Price
	A Rod Dia.	D ₁ Outside Dia.	B Base Height	C Max. Length	D +.004 -.000	E ±.003	F +.005 -.000	
MS28776M2-36	3.872	4.249	0.109	0.211	4.239	0.122	4.084	\$81.38
MS28776M2-37	3.997	4.439	0.125	0.238	4.427	0.138	4.240	\$65.70
MS28776M2-38	4.122	4.564	0.125	0.238	4.552	0.138	4.365	\$73.13
MS28776M2-39	4.247	4.689	0.125	0.238	4.677	0.138	4.490	\$74.56
MS28776M2-41	4.497	4.939	0.125	0.238	4.927	0.138	4.740	\$72.78
MS28776M2-42	4.622	5.064	0.125	0.238	5.052	0.138	4.865	\$81.77
MS28776M2-43	4.747	5.189	0.125	0.238	5.177	0.138	4.990	\$83.98
MS28776M2-45	4.997	5.439	0.125	0.238	5.427	0.138	5.240	\$82.26
MS28776M2-46	5.122	5.564	0.125	0.238	5.552	0.138	5.365	\$91.85
MS28776M2-47	5.247	5.689	0.125	0.238	5.677	0.138	5.490	\$97.70
MS28776M2-49	5.497	5.939	0.125	0.238	5.927	0.138	5.740	\$91.74
MS28776M2-51	5.747	6.254	0.141	0.264	6.239	0.154	6.022	\$106.47
MS28776M2-52	5.872	6.379	0.141	0.264	6.364	0.154	6.146	\$113.49
MS28776M2-53	5.997	6.504	0.141	0.264	6.489	0.154	6.272	\$121.84
MS28776M2-54	6.247	6.754	0.141	0.264	6.739	0.154	6.522	\$125.99
MS28776M2-55	6.497	7.004	0.141	0.264	6.989	0.154	6.772	\$137.43
MS28776M2-56	6.747	7.254	0.141	0.264	7.239	0.154	7.022	\$154.16
MS28776M2-57	6.997	7.504	0.141	0.264	7.489	0.154	7.272	\$163.92
MS28776M2-58	7.247	7.754	0.141	0.264	7.739	0.154	7.522	\$174.56
MS28776M2-59	7.497	8.004	0.141	0.264	7.989	0.154	7.772	\$187.21
MS28776M2-60	7.747	8.254	0.141	0.264	8.239	0.154	8.022	\$199.76
MS28776M2-61	7.997	8.504	0.141	0.264	8.489	0.154	8.272	\$212.54
MS28776M2-62	8.497	9.004	0.141	0.264	8.989	0.154	8.772	\$233.35
MS28776M2-63	8.997	9.504	0.141	0.264	9.489	0.154	9.272	\$241.98
MS28776M2-64	9.497	10.004	0.141	0.264	9.989	0.154	9.772	\$248.56
MS28776M2-65	9.997	10.504	0.141	0.264	10.489	0.154	10.272	\$253.23
MS28776M2-66	10.497	11.004	0.141	0.264	10.989	0.154	10.772	\$264.31
MS28776M2-67	10.997	11.504	0.141	0.264	11.489	0.154	11.272	\$268.77
MS28776M2-68	11.497	12.009	0.156	0.289	11.989	0.169	11.772	\$275.18
MS28776M2-69	11.997	12.509	0.156	0.289	12.489	0.169	12.272	\$279.42

*Allegheny York stocks over
2,300 sizes and styles of
wipers!*

ME Metal Encased Wipers - Inch



ME Wipers

Metal encased wipers are manufactured from a corrosion-resistant carbon steel case with either a urethane or nitrile lip chemically bonded to it.

These wipers are designed with a slightly oversized diameter, thus ensuring a secure fit in the recess after installation.

N = Nitrile P = Polyurethane

Polyurethane temperature: -40° to 212°F

Nitrile temperature: -40° to 250°F

Part No.	Rod Diameter A +.000 -.002	Groove Dimensions		Price
		D +.001	E +.015 -.000	
ME0250DD-N	0.250	0.437	0.125	\$2.84
ME0250HH-N	0.250	0.750	0.250	\$8.94
ME0375DD-N	0.375	0.625	0.125	\$5.05
ME0375FH-N	0.375	0.750	0.250	\$6.52
ME0375HH-N	0.375	0.875	0.250	\$7.29
ME0375JH-N	0.375	1.000	0.250	\$11.19
ME0437CD-N	0.437	0.625	0.125	\$7.79
ME0437FF-N	0.437	0.836	0.187	\$5.91
ME0500CC-N	0.500	0.687	0.093	\$4.27
ME0500DD-N	0.500	0.750	0.125	\$3.02
ME0500FD-N	0.500	0.875	0.125	\$6.38
ME0500FH-N	0.500	0.875	0.250	\$8.70
ME0500JH-N	0.500	1.125	0.250	\$2.34
ME0562DD-N	0.562	0.812	0.125	\$4.15
ME0625CC-N	0.625	0.812	0.093	\$7.42
ME0625DD-N	0.625	0.875	0.125	\$2.80
ME0625EF-N	0.625	0.937	0.187	\$2.80
ME0625FD-N	0.625	1.000	0.125	\$8.51
ME0625GH-N	0.625	1.062	0.250	\$3.24
ME0625HH-N	0.625	1.125	0.250	\$8.90
ME0625HJ-P	0.625	1.125	0.312	\$6.54
ME0625JH-N	0.625	1.250	0.250	\$2.55
ME0687DD-N	0.687	0.937	0.125	\$2.84
ME0687EF-N	0.687	1.000	0.187	\$2.59
ME0687GH-N	0.687	1.125	0.250	\$7.92
ME0687KD-N	0.687	1.375	0.125	\$5.90
ME0750DD-N	0.750	1.000	0.125	\$3.25
ME0750EF-N	0.750	1.062	0.187	\$8.71

Part No.	Rod Diameter A +.000 -.002	Groove Dimensions		Price
		D +.001	E +.015 -.000	
ME0750FF-N	0.750	1.125	0.187	\$8.39
ME0750HH-N	0.750	1.250	0.250	\$2.81
ME0750HJ-P	0.750	1.250	0.312	\$5.99
ME0812MF-N	0.812	1.625	0.187	\$5.88
ME0875DD-N	0.875	1.125	0.125	\$2.85
ME0875EE-N	0.875	1.187	0.156	\$5.99
ME0875EF-N	0.875	1.187	0.187	\$7.33
ME0875FF-N	0.875	1.250	0.187	\$11.95
ME0875GH-N	0.875	1.312	0.250	\$5.97
ME0875HJ-P	0.875	1.375	0.312	\$6.59
ME1000DD-N	1.000	1.250	0.125	\$3.30
ME1000ED-N	1.000	1.312	0.125	\$6.03
ME1000EE-N	1.000	1.312	0.156	\$5.98
ME1000FF-N	1.000	1.375	0.187	\$3.35
ME1000GH-N	1.000	1.437	0.250	\$4.18
ME1000GJ-N	1.000	1.437	0.312	\$23.27
ME1000HF-N	1.000	1.500	0.187	\$2.70
ME1000HJ-P	1.000	1.500	0.312	\$5.88
ME1000JH-N	1.000	1.625	0.250	\$8.60
ME1062DD-N	1.062	1.312	0.125	\$4.74
ME1062FF-N	1.062	1.437	0.187	\$5.10
ME1062GF-N	1.062	1.500	0.187	\$3.69
ME1125DD-N	1.125	1.375	0.125	\$3.59
ME1125FF-N	1.125	1.500	0.187	\$3.45
ME1125GH-N	1.125	1.562	0.250	\$3.19
ME1125EF-N	1.125	1.625	0.187	\$3.96
ME1125HH-N	1.125	1.625	0.250	\$3.07
ME1125HJ-P	1.125	1.625	0.312	\$7.33

ME Wipers - Inch, cont'd.

ME Wipers

Part No.	Rod Diameter A +.000 -.002	Groove Dimensions		Price
		D +.001	E +.015 -.000	
ME1125JH-N	1.125	1.750	0.250	\$16.89
ME1187FF-N	1.187	1.562	0.187	\$3.71
ME1187GH-N	1.187	1.625	0.250	\$4.57
ME1187HH-P	1.187	1.625	0.250	\$8.20
ME1219LK-N	1.219	1.979	0.343	\$7.03
ME1250DD-N	1.250	1.500	0.125	\$7.12
ME1250FF-N	1.250	1.625	0.187	\$27.43
ME1250FH-N	1.250	1.625	0.250	\$3.05
ME1250GF-N	1.250	1.687	0.187	\$3.05
ME1250HH-N	1.250	1.750	0.250	\$4.99
ME1250HH-P	1.250	1.750	0.250	\$6.16
ME1250HJ-P	1.250	1.750	0.312	\$6.85
ME1250JH-N	1.250	1.875	0.250	\$4.31
ME1250LH-N	1.250	1.983	0.250	\$12.61
ME1250JJ-P	1.250	2.062	0.312	\$10.71
ME1250ML-P	1.250	2.062	0.375	\$10.52
ME1312DD-N	1.312	1.562	0.125	\$6.83
ME1312HH-N	1.312	1.812	0.250	\$7.22
ME1375DD-N	1.375	1.625	0.125	\$4.90
ME1375FF-N	1.375	1.750	0.187	\$4.29
ME1375HH-N	1.375	1.875	0.250	\$4.29
ME1375HJ-P	1.375	1.875	0.312	\$8.19
ME1375IH-N	1.375	1.937	0.250	\$9.27
ME1375JJ-N	1.375	2.000	0.312	\$9.56
ME1375OH-N	1.375	2.282	0.250	\$19.60
ME1437ID-N	1.437	2.000	0.125	\$6.40
ME1500DL-N	1.500	1.750	0.375	\$7.29
ME1500EF-N	1.500	1.812	0.187	\$4.98
ME1500FF-N	1.500	1.875	0.187	\$3.07
ME1500FF-P	1.500	1.875	0.187	\$10.20
ME1500FH-N	1.500	1.875	0.250	\$3.34
ME1500HH-N	1.500	2.000	0.250	\$3.42
ME1500HH-P	1.500	2.000	0.250	\$9.42
ME1500HJ-N	1.500	2.000	0.312	\$9.79
ME1500HJ-P	1.500	2.000	0.312	\$10.65
ME1500IH-N	1.500	2.062	0.250	\$16.62
ME1500JJ-P	1.500	2.125	0.312	\$9.35
ME1500LH-N	1.500	2.250	0.250	\$11.07
ME1500LL-P	1.500	2.250	0.375	\$8.87
ME1500MK-N	1.500	2.327	0.343	\$16.39
ME1500OH-N	1.500	2.437	0.250	\$7.99
ME1500PH-N	1.500	2.500	0.250	\$45.51
ME1500RH-N	1.500	2.625	0.250	\$11.27
ME1562OH-N	1.562	2.500	0.250	\$12.46
ME1562RL-N	1.562	2.688	0.375	\$25.05
ME1625DD-N	1.625	1.875	0.109	\$10.12
ME1625FF-N	1.625	2.000	0.187	\$9.96
ME1625HH-N	1.625	2.125	0.250	\$4.35
ME1625HJ-P	1.625	2.125	0.312	\$10.29
ME1687JP-N	1.687	2.328	0.500	\$11.09
ME1687MI-N	1.687	2.500	0.281	\$14.37
ME1687OL-N	1.687	2.625	0.375	\$15.67

Part No.	Rod Diameter A +.000 -.002	Groove Dimensions		Price
		D +.001	E +.015 -.000	
ME1750FF-N	1.750	2.125	0.187	\$4.75
ME1750HF-N	1.750	2.250	0.187	\$6.27
ME1750HH-N	1.750	2.250	0.250	\$6.89
ME1750HH-P	1.750	2.250	0.250	\$9.58
ME1750HJ-P	1.750	2.250	0.312	\$9.72
ME1750JH-N	1.750	2.375	0.250	\$4.93
ME1750KL-P	1.750	2.437	0.375	\$8.58
ME1750LL-P	1.750	2.500	0.375	\$9.72
ME1750MH-N	1.750	2.562	0.250	\$13.24
ME1750NH-N	1.750	2.625	0.250	\$5.22
ME1812LN-N	1.812	2.562	0.437	\$15.27
ME1875FF-N	1.875	2.250	0.187	\$5.40
ME1875HJ-P	1.875	2.375	0.312	\$12.06
ME1875JH-N	1.875	2.500	0.250	\$5.58
ME1875KL-P	1.875	2.563	0.375	\$7.74
ME1875LH-N	1.875	2.625	0.250	\$17.93
ME1875RH-N	1.875	3.000	0.250	\$18.34
ME1875RP-N	1.875	3.000	0.500	\$14.92
ME1937II-N	1.937	2.506	0.281	\$17.50
ME2000FF-N	2.000	2.375	0.187	\$5.33
ME2000FH-N	2.000	2.375	0.250	\$9.33
ME2000HH-N	2.000	2.500	0.250	\$7.43
ME2000HH-P	2.000	2.500	0.250	\$12.06
ME2000HJ-N	2.000	2.500	0.312	\$8.91
ME2000HJ-P	2.000	2.500	0.312	\$11.63
ME2000JH-N	2.000	2.623	0.250	\$5.33
ME2000JJ-N	2.000	2.625	0.312	\$7.21
ME2000KH-N	2.000	2.687	0.250	\$10.31
ME2000KL-P	2.000	2.687	0.375	\$11.50
ME2000LH-N	2.000	2.750	0.250	\$10.38
ME2000LL-P	2.000	2.750	0.375	\$14.10
ME2062OJ-N	2.062	3.000	0.312	\$20.48
ME2125FF-N	2.125	2.500	0.187	\$5.96
ME2125HH-P	2.125	2.625	0.250	\$14.03
ME2125HJ-P	2.125	2.625	0.312	\$12.99
ME2125LH-N	2.125	2.875	0.250	\$19.99
ME2125LL-P	2.125	2.875	0.375	\$10.61
ME2125TL-N	2.125	3.372	0.375	\$12.03
ME2250FF-N	2.250	2.625	0.187	\$5.82
ME2250FH-N	2.250	2.625	0.250	\$5.97
ME2250HH-N	2.250	2.750	0.250	\$6.10
ME2250HJ-P	2.250	2.750	0.312	\$12.11
ME2250JH-N	2.250	2.875	0.250	\$8.16
ME2250LH-N	2.250	2.996	0.250	\$16.34
ME2250LL-P	2.250	3.000	0.375	\$12.20
ME2250RL-N	2.250	3.375	0.375	\$25.85
ME2250SH-N	2.250	3.442	0.250	\$18.23
ME2312KH-N	2.312	3.000	0.250	\$13.18
ME2312KL-N	2.312	3.000	0.375	\$20.40
ME2375HH-N	2.375	2.875	0.250	\$10.98
ME2375HJ-P	2.375	2.875	0.312	\$11.27
ME2375LL-P	2.375	3.125	0.375	\$11.87

ME Wipers - Inch, cont'd.

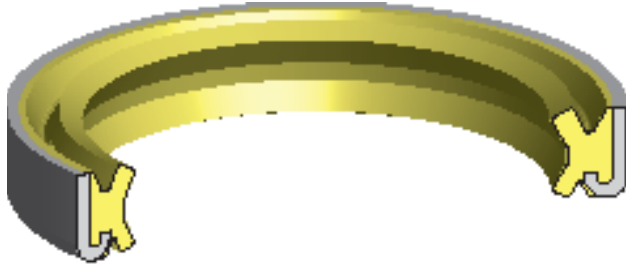
Part No.	Rod Diameter A +.000 -.002	Groove Dimensions		Price
		D +.001	E +.015 -.000	
ME2500FD-P	2.500	2.875	0.125	\$41.67
ME2500HF-P	2.500	3.000	0.187	\$12.87
ME2500HH-N	2.500	3.000	0.250	\$6.34
ME2500HH-P	2.500	3.000	0.250	\$10.53
ME2500HJ-P	2.500	3.000	0.312	\$13.71
ME2500JH-N	2.500	3.125	0.250	\$8.29
ME2500LL-P	2.500	3.250	0.375	\$13.56
ME2500PH-N	2.500	3.500	0.250	\$25.49
ME2500PL-P	2.500	3.500	0.375	\$19.53
ME2500PP-N	2.500	3.500	0.500	\$16.98
ME2625HH-N	2.625	3.125	0.250	\$11.41
ME2625HH-P	2.625	3.125	0.250	\$14.07
ME2660IL-N	2.660	3.250	0.375	\$11.65
ME2750FF-N	2.750	3.125	0.187	\$10.45
ME2750HH-N	2.750	3.250	0.250	\$7.30
ME2750HJ-P	2.750	3.250	0.312	\$14.58
ME2750LL-P	2.750	3.500	0.375	\$27.32
ME2750PL-N	2.750	3.750	0.375	\$15.35
ME2750PP-P	2.750	3.750	0.500	\$18.98
ME2875HH-N	2.875	3.371	0.250	\$9.85
ME2875NH-N	2.875	3.751	0.250	\$11.09
ME3000HH-N	3.000	3.500	0.250	\$7.10
ME3000HJ-P	3.000	3.500	0.312	\$14.63
ME3000LH-N	3.000	3.750	0.250	\$7.88
ME3000LL-P	3.000	3.750	0.375	\$17.91
ME3000PP-P	3.000	4.000	0.500	\$18.26
ME3125JL-P	3.125	3.750	0.375	\$15.54
ME3250HJ-P	3.250	3.750	0.312	\$17.31
ME3250JJ-N	3.250	3.875	0.312	\$12.95
ME3250JJ-P	3.250	3.875	0.312	\$17.31
ME3250PP-P	3.250	4.250	0.500	\$19.79
ME3375JJ-P	3.375	4.000	0.312	\$19.56
ME3500FF-N	3.500	3.875	0.187	\$10.75
ME3500HH-N	3.500	4.000	0.250	\$9.65
ME3500HJ-P	3.500	4.000	0.312	\$17.38
ME3500JJ-P	3.500	4.125	0.312	\$21.07
ME3500LJ-P	3.500	4.250	0.312	\$21.07
ME3500PP-P	3.500	4.500	0.500	\$23.43
ME3750JH-N	3.750	4.375	0.250	\$27.82
ME3750JJ-P	3.750	4.375	0.312	\$24.65

Part No.	Rod Diameter A +.000 -.002	Groove Dimensions		Price
		D +.001	E +.015 -.000	
ME3750PP-P	3.750	4.750	0.500	\$22.26
ME3937KJ-P	3.937	4.625	0.312	\$31.73
ME4000HJ-P	4.000	4.500	0.312	\$20.76
ME4000JJ-P	4.000	4.625	0.312	\$23.89
ME4000LJ-P	4.000	4.750	0.312	\$29.68
ME4000NH-N	4.000	4.875	0.250	\$67.83
ME4000PP-P	4.000	5.000	0.500	\$25.97
ME4250HF-P	4.250	4.750	0.187	\$32.70
ME4250HJ-P	4.250	4.750	0.312	\$28.64
ME4250JJ-P	4.250	4.875	0.312	\$28.66
ME4250PP-P	4.250	5.250	0.500	\$38.70
ME4375JJ-P	4.375	5.000	0.312	\$45.32
ME4500JJ-P	4.500	5.125	0.312	\$31.73
ME4500LJ-P	4.500	5.250	0.312	\$30.65
ME4500PP-P	4.500	5.500	0.500	\$39.66
ME4750JJ-P	4.750	5.375	0.312	\$37.42
ME4750PP-P	4.750	5.750	0.500	\$42.85
ME5000JJ-P	5.000	5.625	0.312	\$38.06
ME5000LJ-P	5.000	5.750	0.312	\$39.89
ME5000PP-P	5.000	6.000	0.500	\$44.71
ME5250HJ-P	5.250	5.750	0.312	\$46.74
ME5500JL-P	5.500	6.125	0.375	\$46.48
ME5500LJ-P	5.500	6.250	0.312	\$49.89
ME5750JL-P	5.750	6.375	0.375	\$49.81
ME5750PP-P	5.750	6.750	0.500	\$59.73
ME6000JL-P	6.000	6.625	0.375	\$54.96
ME6000LL-P	6.000	6.750	0.375	\$48.53
ME6000PP-P	6.000	7.000	0.500	\$66.96
ME6500LJ-P	6.500	7.250	0.312	\$57.65
ME6500PT-P	6.500	7.500	0.625	\$73.59
ME6750HJ-P	6.750	7.250	0.312	\$61.43
ME6750PP-P	6.750	7.750	0.500	\$65.48
ME7000LJ-P	7.000	7.750	0.312	\$72.06
ME7000PP-P	7.000	8.000	0.500	\$85.78
ME7000RT-P	7.000	8.125	0.625	\$165.91
ME7250LJ-P	7.250	8.000	0.312	\$137.43
ME7250PP-P	7.250	8.250	0.500	\$138.48
ME8000LL-P	8.000	8.750	0.375	\$80.64
ME8125HJ-P	8.125	8.625	0.312	\$145.99
ME9750HJ-P	9.750	10.250	0.312	\$158.57

ME Wipers

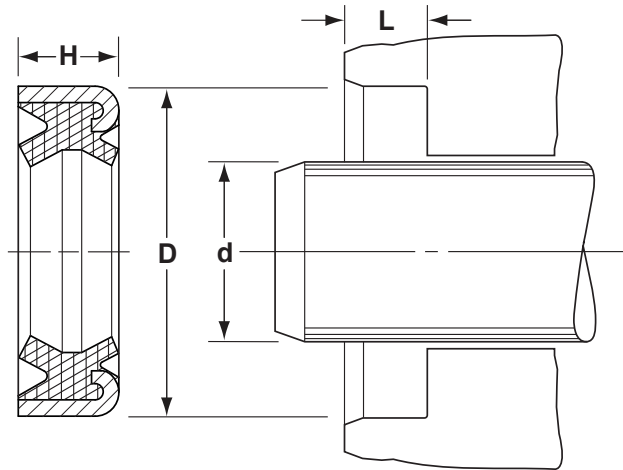
ME, CAT® Type, Double Lip Wipers - Inch

ME Double Lip Wipers



These heavy duty metal encased double lip urethane wipers are used mainly for severe applications on Caterpillar® equipment. When used with a multi-lip sealing system they provide a dry clean rod.

Temperature: -65° to 220°F

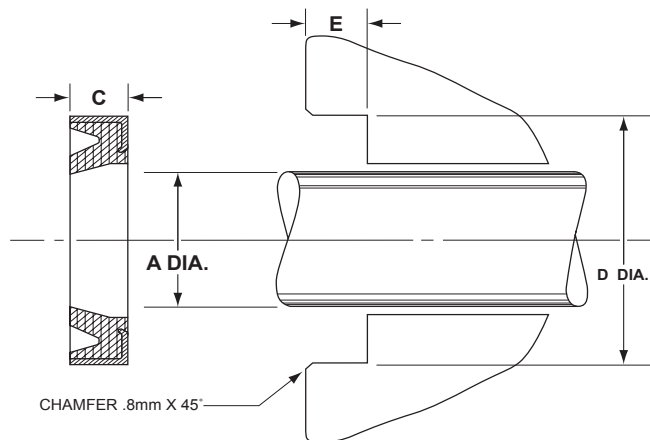


Part Number	d Rod Dia. f8	D Bore s11	H Base Height	Price
8C9131	1-1/2	2-1/4	.430	\$24.98
8C9132	1-3/4	2-7/16	.430	\$25.39
9X3565	1-7/8	2-9/16	.430	\$25.90
8C9133	2	2-11/16	.430	\$26.48
9X3567	2-1/8	2-7/8	.430	\$27.51
8C9134	2-1/4	3	.430	\$27.93
9X7259	2-3/8	3-1/8	.430	\$28.20
8C3840	2-1/2	3-1/4	.430	\$29.45
9X3569	2-5/8	3-3/8	.430	\$30.99
8C3842	2-3/4	3-3/4	.550	\$31.59
8C5218	3	4	.550	\$33.74
8T8389	3-1/4	4-1/4	.550	\$34.49

Part Number	d Rod Dia. f8	D Bore s11	H Base Height	Price
8C5219	3-1/2	4-1/2	.550	\$35.57
8C9135	3-3/4	4-3/4	.550	\$36.41
8C5220	4	5	.550	\$37.13
6E0426	4-1/4	5-1/4	.550	\$44.70
9X7262	4-3/4	5-3/4	.550	\$49.35
9X3582	5	6	.550	\$59.97
9X7268	5-1/4	6-1/4	.550	\$62.99
9X3573	5-1/2	6-1/2	.550	\$59.94
9X3574	5-3/4	6-3/4	.550	\$68.53
8C9146	6-3/4	7-3/4	.550	\$84.25
8C9136	7	8	.550	\$98.30

In-house machining, manufacturing and die cutting capabilities are just some of the additional services that Allegheny York has to offer.

AMJ Wipers - Metric



AMJ Wipers

AMJ metric J-type wipers consist of a polyurethane scraper element, encased in a metal shell to enable it to be pressed into an open faced gland without the aid of other retention devices such as snap rings or face plates. The elastomeric element is bonded to the metal shell by adhesive means. The metal shell is carbon steel which has been treated to prevent corrosion.

Temperature: -40° to 230°F

Many of these wipers are used for grease seals in hinge pin applications.

Part Number		Groove Dimensions		Price
Prefix	A mm Rod Dia.	D mm Bore H8	E mm Groove Height +0.4/+0.6	
AMJ	- 16	x 24	x 2.8	\$6.75
AMJ	- 19	x 27	x 4.5	\$7.80
AMJ	- 20	x 28	x 2.6	\$7.91
AMJ	- 20	x 28	x 5	\$8.52
AMJ	- 25	x 32	x 5	\$8.63
AMJ	- 25	x 32	x 7	\$8.74
AMJ	- 25	x 35	x 4	\$7.91
AMJ	- 25	x 35	x 5	\$8.99
AMJ	- 28	x 42	x 7	\$11.97
AMJ	- 30	x 40	x 7	\$8.51
AMJ	- 30	x 45	x 4	\$8.58
AMJ	- 35	x 47	x 7	\$10.97
AMJ	- 35	x 50	x 7.5	\$9.10
AMJ	- 35	x 50	x 9	\$18.66
AMJ	- 36	x 46	x 7	\$11.79
AMJ	- 40	x 50	x 3.18	\$7.79
AMJ	- 40	x 50	x 4	\$7.90
AMJ	- 40	x 50	x 5	\$9.40
AMJ	- 40	x 50	x 7	\$9.40
AMJ	- 40	x 50	x 9	\$9.40
AMJ	- 40	x 52	x 7	\$11.78
AMJ	- 40	x 55	x 9	\$10.00
AMJ	- 40	x 60	x 3.2	\$10.07
AMJ	- 45	x 55	x 3.18	\$8.77
AMJ	- 45	x 55	x 3.2	\$8.77
AMJ	- 45	x 55	x 4	\$10.15
AMJ	- 45	x 55	x 4.5	\$10.15
AMJ	- 45	x 55	x 5	\$9.43

Part Number		Groove Dimensions		Price
Prefix	A mm Rod Dia.	D mm Bore H8	E mm Groove Height +0.4/+0.6	
AMJ	- 45	x 55	x 6	\$10.15
AMJ	- 45	x 55	x 7	\$19.73
AMJ	- 45	x 57	x 7	\$8.83
AMJ	- 45	x 60	x 5	\$10.45
AMJ	- 45	x 60	x 7.5	\$10.45
AMJ	- 50	x 60	x 4.5	\$10.60
AMJ	- 50	x 60	x 5	\$10.60
AMJ	- 50	x 60	x 6	\$10.60
AMJ	- 50	x 60	x 7	\$10.60
AMJ	- 50	x 62	x 7	\$11.12
AMJ	- 50	x 64	x 8	\$10.67
AMJ	- 50	x 65	x 5	\$10.97
AMJ	- 50	x 65	x 6	\$10.97
AMJ	- 50	x 65	x 9	\$12.91
AMJ	- 55	x 63	x 7	\$9.21
AMJ	- 55	x 65	x 3.18	\$9.56
AMJ	- 55	x 65	x 3.2	\$9.56
AMJ	- 55	x 65	x 5	\$11.57
AMJ	- 55	x 65	x 7	\$11.64
AMJ	- 55	x 68	x 6	\$12.31
AMJ	- 55	x 69	x 8	\$11.56
AMJ	- 55	x 70	x 5	\$12.46
AMJ	- 55	x 70	x 7	\$13.10
AMJ	- 56	x 68	x 7	\$11.66
AMJ	- 56	x 70	x 7.5	\$13.28
AMJ	- 56	x 71	x 9	\$14.43
AMJ	- 60	x 70	x 7	\$13.33
AMJ	- 60	x 70	x 8	\$13.65

ORDER FAX 888-496-7526 • ORDER DESK 800-258-3851

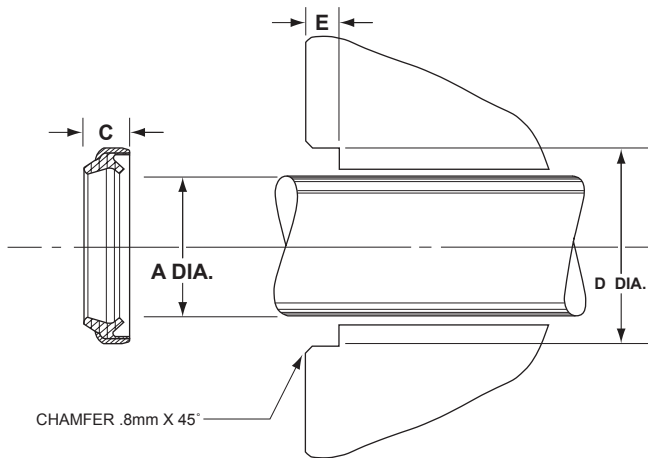
117

AMJ Wipers - Metric, cont'd.

	Part Number					Price	
	Prefix	A mm Rod Dia.	Groove Dimensions		E mm Groove Height +0.4/+0.6		
			D mm Bore H8				
AMJ	-	60	x	73	x	6	\$14.90
AMJ	-	60	x	73	x	8	\$13.54
AMJ	-	60	x	74	x	8	\$12.49
AMJ	-	60	x	75	x	5	\$12.84
AMJ	-	60	x	75	x	7	\$12.99
AMJ	-	60	x	75	x	8	\$11.92
AMJ	-	63	x	75	x	7	\$13.43
AMJ	-	63.5	x	76.5	x	8	\$29.40
AMJ	-	63	x	78	x	9	\$17.39
AMJ	-	63	x	83	x	10	\$18.18
AMJ	-	65	x	75	x	7	\$11.49
AMJ	-	65	x	79	x	8	\$12.97
AMJ	-	65	x	80	x	5	\$19.91
AMJ	-	65	x	80	x	7	\$18.20
AMJ	-	65	x	80	x	8	\$12.04
AMJ	-	70	x	80	x	4	\$11.99
AMJ	-	70	x	80	x	5	\$12.23
AMJ	-	70	x	80	x	7	\$12.79
AMJ	-	70	x	84	x	8	\$14.37
AMJ	-	70	x	85	x	5	\$15.00
AMJ	-	70	x	85	x	6	\$13.78
AMJ	-	70	x	85	x	7	\$14.87
AMJ	-	70	x	85	x	8	\$27.00
AMJ	-	71	x	86	x	5	\$15.15
AMJ	-	71	x	86	x	6	\$16.03
AMJ	-	75	x	89	x	8	\$14.19
AMJ	-	75	x	90	x	6	\$15.60
AMJ	-	75	x	90	x	8	\$21.86
AMJ	-	80	x	90	x	3.18	\$16.64
AMJ	-	80	x	90	x	4.5	\$16.64
AMJ	-	80	x	90	x	5	\$15.46
AMJ	-	80	x	90	x	7	\$15.84
AMJ	-	80	x	93	x	8	\$16.44
AMJ	-	80	x	94	x	8	\$14.01
AMJ	-	80	x	95	x	5	\$17.16
AMJ	-	80	x	95	x	6	\$17.16
AMJ	-	80	x	95	x	7	\$16.79
AMJ	-	80	x	95	x	8	\$17.16
AMJ	-	80	x	100	x	10	\$29.00
AMJ	-	85	x	95	x	5	\$17.61
AMJ	-	85	x	95	x	7	\$17.61
AMJ	-	85	x	99	x	8	\$16.80
AMJ	-	85	x	100	x	8	\$17.46
AMJ	-	90	x	100	x	7	\$13.13
AMJ	-	90	x	104	x	8	\$17.60

	Part Number					Price	
	Prefix	A mm Rod Dia.	Groove Dimensions		E mm Groove Height +0.4/+0.6		
			D mm Bore H8				
AMJ	-	90	x	105	x	6	\$18.97
AMJ	-	90	x	105	x	7	\$15.46
AMJ	-	90	x	105	x	8	\$18.95
AMJ	-	90	x	106	x	8	\$19.85
AMJ	-	90	x	110	x	7	\$20.15
AMJ	-	90	x	110	x	10	\$20.30
AMJ	-	95	x	109	x	8	\$24.87
AMJ	-	95	x	110	x	4	\$18.34
AMJ	-	95	x	110	x	6	\$19.15
AMJ	-	95	x	110	x	7	\$22.66
AMJ	-	95	x	110	x	8	\$18.07
AMJ	-	100	x	110	x	7	\$35.69
AMJ	-	100	x	114	x	4	\$18.31
AMJ	-	100	x	114	x	8	\$19.89
AMJ	-	100	x	115	x	6	\$22.83
AMJ	-	100	x	115	x	7	\$21.63
AMJ	-	100	x	115	x	9	\$26.53
AMJ	-	100	x	116	x	8	\$23.66
AMJ	-	100	x	120	x	4	\$23.66
AMJ	-	100	x	120	x	10	\$23.80
AMJ	-	105	x	115	x	7	\$17.83
AMJ	-	105	x	120	x	7	\$24.70
AMJ	-	105	x	120	x	8	\$24.68
AMJ	-	105	x	121	x	9	\$34.21
AMJ	-	110	x	125	x	4	\$24.70
AMJ	-	110	x	125	x	5	\$25.01
AMJ	-	110	x	125	x	8	\$26.81
AMJ	-	110	x	125	x	9	\$25.37
AMJ	-	110	x	126	x	9	\$25.35
AMJ	-	110	x	130	x	8	\$35.72
AMJ	-	110	x	130	x	10	\$35.72
AMJ	-	115	x	131	x	9	\$26.78
AMJ	-	120	x	135	x	7	\$25.57
AMJ	-	120	x	135	x	8	\$33.97
AMJ	-	120	x	136	x	9	\$37.83
AMJ	-	120	x	140	x	10	\$59.89
AMJ	-	120	x	150	x	12	\$74.96
AMJ	-	125	x	140	x	9	\$34.85
AMJ	-	130	x	145	x	7.5	\$34.50
AMJ	-	130	x	146	x	9	\$31.77
AMJ	-	130	x	150	x	9	\$41.48
AMJ	-	130	x	150	x	10	\$52.03
AMJ	-	130	x	154	x	8	\$53.84
AMJ	-	140	x	160	x	10	\$49.25
AMJ	-	150	x	165	x	7	\$33.98

AMH Wipers - Metric



AMH wipers are available in metric sizes only. They consist of a corrosive resistant carbon steel shell chemically bonded to a 90 durometer shore A polyurethane*. The double lip design works very well at keeping dirt and contaminants out as well as excess oil in. This design is used extensively in Japanese heavy equipment and mobile hydraulics.

Temperature: -40° to 230°F

AMH Wipers

Prefix	Part Number					Price		
	A mm Rod Dia.	Groove Dimensions			C mm Overall Height			
		D mm Bore H8	E mm Groove Depth +0.4/+0.6					
AMH-	16	x	28	x	6	x	9 N90	\$10.29
AMH-	18	x	30	x	6	x	9	\$8.32
AMH-	19	x	27	x	4	x	6	\$8.32
AMH-	20	x	32	x	6	x	9	\$8.32
AMH-	22	x	34	x	6	x	9	\$11.15
AMH-	25	x	37	x	6	x	9	\$8.58
AMH-	28	x	40	x	6	x	9	\$8.58
AMH-	30	x	40	x	5	x	8	\$10.09
AMH-	30	x	42	x	6	x	9	\$8.58
AMH-	32	x	44	x	7	x	10	\$8.58
AMH-	32	x	52	x	8	x	11	\$10.42
AMH-	34	x	46	x	7	x	10	\$11.12
AMH-	35	x	45	x	7	x	10	\$10.39
AMH-	35	x	47	x	7	x	10	\$8.58
AMH-	36	x	48	x	7	x	10	\$18.97
AMH-	38	x	50	x	7	x	10	\$10.94
AMH-	40	x	50	x	5	x	8	\$12.89
AMH-	40	x	52	x	7	x	10	\$12.89
AMH-	40	x	60	x	7	x	10	\$13.41
AMH-	45	x	57	x	7	x	10	\$13.41
AMH-	50	x	62	x	7	x	10	\$13.73
AMH-	55	x	69	x	8	x	11	\$14.45
AMH-	56	x	66	x	5	x	8	\$23.98
AMH-	56	x	70	x	8	x	11	\$15.00
AMH-	60	x	74	x	8	x	11	\$16.34
AMH-	63	x	77	x	8	x	11	\$16.70
AMH-	65	x	79	x	8	x	11	\$16.98
AMH-	70	x	83	x	8	x	11	\$17.85
AMH-	70	x	84	x	8	x	11	\$17.85

*Part numbers with a N90 suffix denote a 90 Durometer nitrile sealing lip.

Prefix	Part Number					Price		
	A mm Rod Dia.	Groove Dimensions			C mm Overall Height			
		D mm Bore H8	E mm Groove Depth +0.4/+0.6					
AMH-	75	x	89	x	8	x	11	\$19.18
AMH-	78	x	92	x	8	x	11 N90	\$52.92
AMH-	80	x	94	x	8	x	11	\$22.83
AMH-	85	x	99	x	8	x	11	\$25.18
AMH-	90	x	100	x	7	x	9.5	\$27.34
AMH-	90	x	104	x	8	x	11	\$26.00
AMH-	95	x	109	x	8	x	11	\$26.90
AMH-	98	x	112	x	8	x	11 N90	\$73.76
AMH-	100	x	114	x	8	x	11	\$28.66
AMH-	105	x	121	x	9	x	12	\$30.82
AMH-	110	x	126	x	9	x	12	\$36.46
AMH-	115	x	131	x	9	x	12	\$38.81
AMH-	120	x	136	x	9	x	12	\$41.03
AMH-	125	x	141	x	9	x	12	\$51.48
AMH-	130	x	146	x	9	x	12	\$46.43
AMH-	135	x	155	x	10	x	14	\$59.36
AMH-	140	x	160	x	10	x	14	\$52.77
AMH-	145	x	160	x	10	x	14	\$60.58
AMH-	145	x	165	x	10	x	14	\$58.28
AMH-	150	x	170	x	10	x	14	\$67.26
AMH-	160	x	180	x	10	x	14	\$76.61
AMH-	165	x	185	x	10	x	14	\$78.00
AMH-	170	x	190	x	10	x	14	\$86.85
AMH-	180	x	200	x	10	x	14	\$88.65
AMH-	200	x	220	x	12	x	17	\$91.69
AMH-	210	x	230	x	12	x	15	\$114.44
AMH-	230	x	255	x	12	x	15	\$113.00
AMH-	260	x	285	x	12	x	17	\$140.18

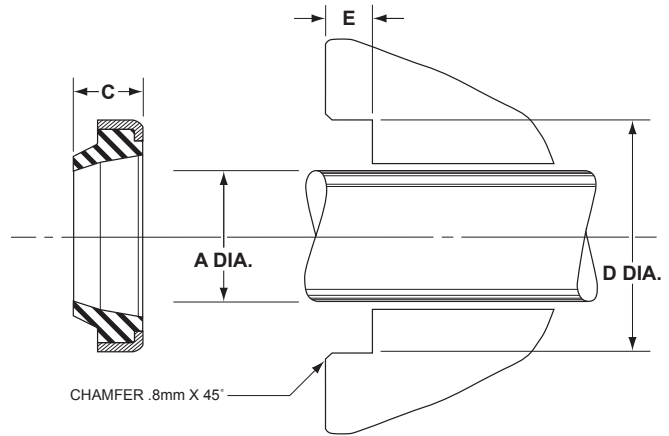
AM43 Wipers - Metric

AM43 Wipers



AM43 series press in-wipers are made from a hard nitrile material chemically bonded to a corrosion resistant carbon steel shell. As with other press-in wipers, there is no need for additional retention devices.

Temperature: -40° to 250°F



Prefix	Part Number					Price		
	A mm Rod Dia.	Groove Dimensions			C mm Overall Height			
		D mm Bore H8	E mm Groove Depth +0.5/-0.0					
AM43-	6	x	13	x	3	x	5	\$2.39
AM43-	8	x	14	x	3.5	x	5	\$2.93
AM43-	8	x	22	x	3	x	4	\$4.24
AM43-	10	x	16	x	3	x	5	\$2.60
AM43-	10	x	16	x	5	x	8	\$3.16
AM43-	10	x	18	x	5	x	8	\$6.68
AM43-	10	x	20	x	5	x	8	\$3.91
AM43-	12	x	18	x	3.5	x	5	\$2.44
AM43-	12	x	18	x	4	x	6	\$2.44
AM43-	12	x	20	x	4	x	6	\$2.37
AM43-	12	x	22	x	5	x	8	\$2.39
AM43-	12	x	25	x	5	x	8	\$2.40
AM43-	14	x	20	x	3	x	4	\$3.91
AM43-	14	x	20	x	4	x	6	\$2.93
AM43-	14	x	22	x	3	x	4	\$3.67
AM43-	14	x	25	x	5	x	8	\$3.67
AM43-	15	x	21	x	3.5	x	5	\$2.93
AM43-	15	x	25	x	5	x	8	\$2.99
AM43-	15	x	25	x	7	x	10	\$3.15
AM43-	16	x	22	x	3	x	4	\$3.91
AM43-	16	x	22	x	3.5	x	5	\$3.91
AM43-	16	x	24	x	5	x	8	\$8.06
AM43-	16	x	26	x	5	x	8	\$3.50
AM43-	16	x	26	x	7	x	10	\$4.24
AM43-	17	x	22	x	5	x	8	\$4.24
AM43-	18	x	26	x	3	x	4	\$2.43
AM43-	18	x	26	x	5	x	7	\$3.26
AM43-	18	x	28	x	5	x	7	\$5.97
AM43-	18	x	28	x	7	x	10	\$3.30
AM43-	18	x	32	x	5	x	9	\$4.24
AM43-	20	x	26	x	4	x	7	\$4.22
AM43-	20	x	26	x	5	x	8	\$3.91

Prefix	Part Number					Price		
	A mm Rod Dia.	Groove Dimensions			C mm Overall Height			
		D mm Bore H8	E mm Groove Depth +0.5/-0.0					
AM43-	20	x	28	x	3.5	x	5	\$3.91
AM43-	20	x	28	x	5	x	8	\$3.91
AM43-	20	x	30	x	4	x	6	\$3.91
AM43-	20	x	30	x	5	x	8	\$3.16
AM43-	20	x	30	x	7	x	10	\$3.91
AM43-	20	x	35	x	7	x	10	\$4.24
AM43-	21	x	28	x	3.5	x	5	\$3.91
AM43-	22	x	28	x	5	x	9	\$2.22
AM43-	22	x	30	x	4	x	5	\$3.98
AM43-	22	x	32	x	5	x	8	\$2.97
AM43-	22	x	32	x	7	x	10	\$4.01
AM43-	22	x	35	x	5	x	8	\$4.24
AM43-	23	x	33	x	5	x	8	\$4.24
AM43-	24	x	32	x	5	x	7	\$4.24
AM43-	24	x	35	x	5	x	8	\$9.96
AM43-	24	x	35	x	7	x	10	\$2.82
AM43-	25	x	31	x	5	x	7	\$3.15
AM43-	25	x	35	x	5	x	8	\$3.68
AM43-	25	x	35	x	7	x	10	\$4.29
AM43-	26	x	34	x	5	x	8	\$5.00
AM43-	26	x	35	x	7	x	10	\$4.45
AM43-	28	x	34	x	5	x	8	\$5.00
AM43-	28	x	36	x	5	x	7	\$17.34
AM43-	28	x	38	x	5	x	8	\$2.70
AM43-	28	x	38	x	7	x	10	\$3.51
AM43-	28	x	40	x	7	x	10	\$4.99
AM43-	30	x	40	x	5	x	8	\$7.22
AM43-	30	x	40	x	7	x	10	\$5.56
AM43-	30	x	42	x	7	x	10	\$6.41
AM43-	30	x	45	x	5	x	10	\$4.24
AM43-	32	x	40	x	4	x	7	\$3.54
AM43-	32	x	40	x	7	x	10	\$5.43

AM43 Wipers - Metric, cont'd.

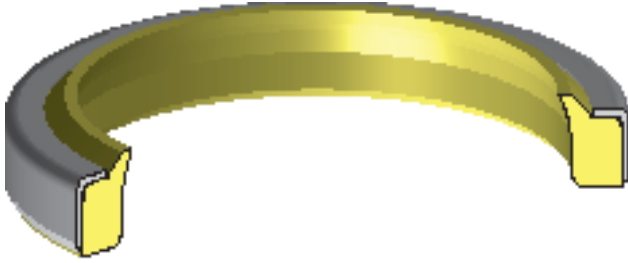
Part Number								
Prefix	A mm Rod Dia.	Groove Dimensions				C mm Overall Height	Price	
		D mm Bore H8	E mm Groove Depth +0.5/-0.0					
AM43-	32	x	42	x	5	x	7	\$3.23
AM43-	32	x	42	x	7	x	10	\$4.99
AM43-	32	x	45	x	4	x	8	\$3.05
AM43-	32	x	45	x	7	x	10	\$4.03
AM43-	32	x	50	x	7	x	10	\$13.26
AM43-	35	x	45	x	7	x	10	\$3.68
AM43-	35	x	47	x	7	x	10	\$6.69
AM43-	35	x	50	x	9	x	12	\$5.21
AM43-	35	x	52	x	7	x	10	\$9.14
AM43-	36	x	45	x	7	x	10	\$5.43
AM43-	36	x	46	x	5	x	7	\$4.75
AM43-	36	x	46	x	5	x	8	\$3.29
AM43-	36	x	46	x	7	x	10	\$5.43
AM43-	38	x	48	x	7	x	10	\$8.76
AM43-	40	x	50	x	5	x	8	\$5.68
AM43-	40	x	50	x	7	x	10	\$5.88
AM43-	40	x	52	x	7	x	10	\$6.63
AM43-	40	x	55	x	9	x	12	\$7.82
AM43-	42	x	52	x	7	x	10	\$3.75
AM43-	44	x	55	x	5	x	8	\$4.74
AM43-	45	x	55	x	7	x	10	\$3.71
AM43-	45	x	57	x	7	x	10	\$4.16
AM43-	45	x	60	x	7	x	10	\$4.95
AM43-	48	x	60	x	7	x	10	\$6.12
AM43-	50	x	56	x	5	x	7	\$3.95
AM43-	50	x	60	x	5	x	7	\$5.43
AM43-	50	x	60	x	7	x	10	\$8.48
AM43-	50	x	65	x	5	x	8	\$6.83
AM43-	50	x	65	x	7	x	10	\$4.81
AM43-	50	x	72	x	8	x	11	\$19.97
AM43-	52	x	62	x	7	x	10	\$5.44
AM43-	55	x	63	x	7	x	10	\$5.91
AM43-	55	x	65	x	7	x	10	\$4.75
AM43-	55	x	85	x	5	x	8	\$28.99
AM43-	56	x	65	x	7	x	10	\$4.14
AM43-	56	x	66	x	7	x	10	\$4.48
AM43-	60	x	70	x	7	x	10	\$4.70
AM43-	60	x	74	x	5	x	8	\$9.62
AM43-	60	x	75	x	7	x	10	\$5.20
AM43-	60	x	80	x	7	x	10	\$9.34
AM43-	63	x	73	x	5	x	7	\$9.13
AM43-	63	x	73	x	7	x	10	\$9.12
AM43-	63	x	75	x	7	x	10	\$5.20
AM43-	63	x	83	x	5	x	8	\$11.90
AM43-	65	x	75	x	7	x	10	\$5.20
AM43-	67	x	83	x	7	x	10	\$10.43
AM43-	70	x	80	x	7	x	10	\$5.66
AM43-	72	x	82	x	7	x	10	\$10.43

Part Number								
Prefix	A mm Rod Dia.	Groove Dimensions				C mm Overall Height	Price	
		D mm Bore H8	E mm Groove Depth +0.5/-0.0					
AM43-	73	x	89	x	7	x	10	\$8.91
AM43-	75	x	85	x	7	x	10	\$6.27
AM43-	75	x	87	x	5	x	7	\$10.97
AM43-	78	x	88	x	7	x	10	\$7.42
AM43-	80	x	88	x	7	x	10	\$10.97
AM43-	80	x	90	x	7	x	10	\$6.65
AM43-	82	x	92	x	7	x	10	\$12.38
AM43-	84	x	94	x	5	x	8	\$13.03
AM43-	85	x	95	x	7	x	10	\$10.19
AM43-	90	x	100	x	7	x	10	\$12.85
AM43-	95	x	105	x	7	x	10	\$11.99
AM43-	95	x	106	x	7	x	10	\$19.17
AM43-	100	x	110	x	7	x	10	\$11.15
AM43-	100	x	115	x	9	x	12	\$28.65
AM43-	105	x	115	x	7	x	10	\$15.10
AM43-	110	x	120	x	7	x	10	\$15.82
AM43-	115	x	125	x	7	x	10	\$16.86
AM43-	120	x	130	x	7	x	10	\$12.51
AM43-	123	x	147	x	9	x	12	\$22.91
AM43-	125	x	135	x	7	x	10	\$23.24
AM43-	125	x	140	x	9	x	12	\$16.54
AM43-	130	x	145	x	9	x	12	\$21.66
AM43-	135	x	145	x	7	x	10	\$35.85
AM43-	135	x	150	x	9	x	12	\$27.46
AM43-	140	x	150	x	7	x	10	\$28.56
AM43-	140	x	155	x	9	x	12	\$17.54
AM43-	145	x	160	x	9	x	12	\$31.49
AM43-	150	x	165	x	9	x	12	\$26.03
AM43-	150	x	166	x	8	x	12	\$35.03
AM43-	160	x	175	x	9	x	12	\$29.41
AM43-	160	x	176	x	8	x	12	\$40.08
AM43-	163	x	175	x	7	x	10	\$41.05
AM43-	165	x	180	x	12	x	16	\$40.18
AM43-	170	x	185	x	10	x	14	\$48.11
AM43-	180	x	195	x	10	x	14	\$54.24
AM43-	185	x	200	x	10	x	14	\$57.09
AM43-	200	x	215	x	7	x	10	\$69.94
AM43-	200	x	215	x	9	x	12	\$54.79
AM43-	200	x	220	x	12	x	16	\$56.08
AM43-	210	x	230	x	12	x	16	\$69.50
AM43-	220	x	240	x	12	x	16	\$77.86
AM43-	240	x	260	x	12	x	16	\$87.70
AM43-	250	x	270	x	12	x	16	\$115.84
AM43-	270	x	295	x	12	x	16	\$261.92
AM43-	275	x	300	x	12	x	16	\$144.50
AM43-	280	x	300	x	12	x	16	\$149.62
AM43-	320	x	340	x	12	x	16	\$176.83

AM43 Wipers

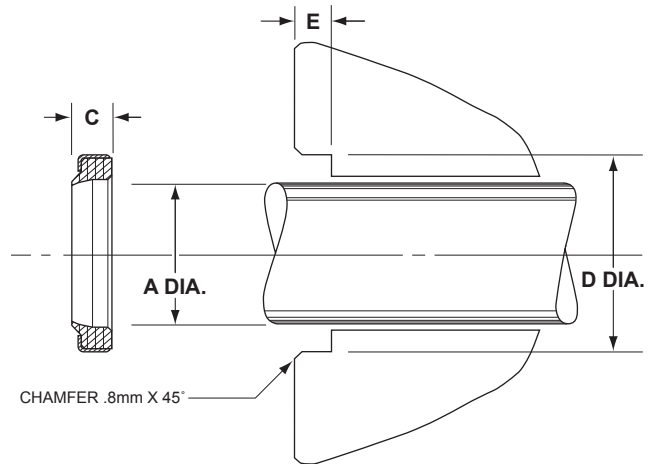
AM44 Wipers - Metric

AM44 Wipers



AM44 series press-in wipers are made from a urethane material bonded to a corrosion resistant carbon steel shell. These wipers may be interchanged, in many cases, with AMH series wipers when the double lip is not desirable.

Temperature: -40° to 230°F



Prefix	Part Number					Price		
	A mm Rod Dia.	Groove Dimensions		C mm Overall Height				
		D mm Bore H8	E mm Groove Depth +0.5/-0.0					
AM44-	12	x	20	x	4.5	x	6	\$7.24
AM44-	12	x	22	x	5	x	7	\$6.32
AM44-	14	x	20	x	3.5	x	5	\$7.14
AM44-	15	x	21	x	3.5	x	5	\$8.16
AM44-	15	x	25	x	5	x	7	\$7.44
AM44-	16	x	22	x	3	x	5	\$6.02
AM44-	16	x	26	x	5	x	7	\$7.24
AM44-	17	x	24	x	3.5	x	5	\$6.22
AM44-	18	x	28	x	5	x	7	\$9.08
AM44-	18	x	30	x	6	x	9	\$9.08
AM44-	20	x	28	x	3.5	x	5	\$6.63
AM44-	20	x	30	x	4	x	6	\$7.89
AM44-	20	x	32	x	6	x	9	\$9.48
AM44-	22	x	32	x	5	x	7	\$9.69
AM44-	22	x	32	x	6	x	9	\$13.09
AM44-	25	x	35	x	5	x	7	\$9.48
AM44-	25	x	37	x	6	x	9	\$10.24
AM44-	28	x	38	x	5	x	7	\$8.36
AM44-	28	x	40	x	7	x	10	\$7.07
AM44-	30	x	40	x	5	x	7	\$7.39
AM44-	30	x	42	x	6	x	9	\$9.18
AM44-	30	x	45	x	5	x	7	\$12.14
AM44-	30	x	45	x	7	x	10	\$16.37
AM44-	32	x	42	x	5	x	7	\$12.14
AM44-	32	x	44	x	7	x	10	\$12.79
AM44-	32	x	45	x	4	x	6	\$10.98
AM44-	32	x	52	x	8	x	11	\$25.32
AM44-	33	x	43	x	7	x	10	\$15.51
AM44-	35	x	45	x	7	x	10	\$12.16
AM44-	35	x	47	x	7	x	10	\$15.48
AM44-	36	x	45	x	7	x	10	\$13.51

Prefix	Part Number					Price		
	A mm Rod Dia.	Groove Dimensions		C mm Overall Height				
		D mm Bore H8	E mm Groove Depth +0.5/-0.0					
AM44-	36	x	46	x	7	x	10	\$18.29
AM44-	36	x	50	x	7	x	10	\$12.14
AM44-	38	x	48	x	7	x	10	\$12.35
AM44-	38	x	50	x	7	x	10	\$14.84
AM44-	40	x	50	x	5	x	8	\$15.51
AM44-	40	x	50	x	7	x	10	\$12.99
AM44-	40	x	52	x	7	x	10	\$15.51
AM44-	40	x	60	x	7	x	10	\$15.52
AM44-	42	x	52	x	7	x	10	\$14.00
AM44-	45	x	55	x	7	x	10	\$10.59
AM44-	45	x	57	x	7	x	10	\$15.51
AM44-	45	x	60	x	7	x	10	\$12.98
AM44-	47	x	59	x	7	x	10	\$15.52
AM44-	48	x	60	x	7	x	10	\$14.93
AM44-	48	x	62	x	7	x	10	\$14.30
AM44-	50	x	56	x	5	x	7	\$15.53
AM44-	50	x	60	x	7	x	10	\$11.93
AM44-	50	x	62	x	7	x	10	\$14.25
AM44-	53	x	67	x	8	x	11	\$14.62
AM44-	55	x	63	x	7	x	10	\$17.20
AM44-	55	x	65	x	5	x	7	\$17.20
AM44-	55	x	69	x	8	x	11	\$16.48
AM44-	56	x	66	x	7	x	10	\$14.78
AM44-	56	x	70	x	8	x	11	\$18.81
AM44-	60	x	70	x	7	x	10	\$20.16
AM44-	60	x	74	x	8	x	11	\$20.05
AM44-	63	x	75	x	7	x	10	\$14.93
AM44-	63	x	77	x	8	x	11	\$17.68
AM44-	64	x	78	x	8	x	11	\$23.26
AM44-	65	x	75	x	7	x	10	\$18.41
AM44-	65	x	79	x	8	x	11	\$21.42

AM44 Wipers - Metric, cont'd.

Part Number						Price		
Prefix	A mm Rod Dia.	Groove Dimensions			C mm Overall Height			
		D mm Bore H8	E mm Groove Depth +0.5/-0.0					
AM44-	70	x	80	x	7	x	10	\$18.83
AM44-	70	x	84	x	8	x	11	\$22.48
AM44-	75	x	83	x	7	x	10	\$31.14
AM44-	75	x	85	x	7	x	10	\$17.84
AM44-	75	x	89	x	8	x	11	\$23.75
AM44-	80	x	90	x	7	x	10	\$19.27
AM44-	80	x	94	x	8	x	11	\$25.01
AM44-	82	x	92	x	7	x	10	\$25.01
AM44-	85	x	99	x	8	x	11	\$26.91
AM44-	90	x	100	x	7	x	10	\$22.48
AM44-	90	x	104	x	8	x	11	\$28.60
AM44-	95	x	105	x	7	x	10	\$24.97
AM44-	95	x	109	x	8	x	11	\$25.12
AM44-	100	x	110	x	7	x	10	\$25.75
AM44-	100	x	114	x	8	x	11	\$26.60
AM44-	100	x	115	x	8	x	11	\$25.75
AM44-	105	x	115	x	7	x	10	\$27.44
AM44-	105	x	121	x	9	x	12	\$39.55
AM44-	110	x	120	x	7	x	10	\$25.65
AM44-	110	x	126	x	9	x	12	\$34.49
AM44-	114	x	140	x	8	x	12	\$43.41
AM44-	115	x	125	x	7	x	10	\$33.75
AM44-	115	x	131	x	9	x	12	\$35.60
AM44-	120	x	130	x	7	x	10	\$31.98

Part Number						Price		
Prefix	A mm Rod Dia.	Groove Dimensions			C mm Overall Height			
		D mm Bore H8	E mm Groove Depth +0.5/-0.0					
AM44-	120	x	136	x	9	x	12	\$38.24
AM44-	125	x	140	x	9	x	12	\$34.19
AM44-	125	x	141	x	9	x	12	\$45.70
AM44-	130	x	145	x	9	x	12	\$45.70
AM44-	130	x	146	x	9	x	12	\$45.59
AM44-	132	x	148	x	9	x	12	\$43.59
AM44-	135	x	150	x	9	x	12	\$47.39
AM44-	140	x	155	x	9	x	12	\$40.42
AM44-	140	x	160	x	10	x	14	\$54.56
AM44-	145	x	165	x	10	x	14	\$54.56
AM44-	150	x	165	x	9	x	12	\$54.56
AM44-	150	x	170	x	10	x	14	\$60.79
AM44-	160	x	180	x	10	x	14	\$72.72
AM44-	165	x	185	x	10	x	14	\$81.05
AM44-	170	x	190	x	10	x	14	\$74.71
AM44-	180	x	195	x	10	x	14	\$75.57
AM44-	180	x	205	x	12	x	16	\$77.29
AM44-	190	x	215	x	12	x	16	\$97.61
AM44-	200	x	220	x	12	x	16	\$97.42
AM44-	200	x	225	x	12	x	16	\$107.01
AM44-	210	x	235	x	12	x	16	\$117.44
AM44-	212	x	237	x	12	x	16	\$132.66
AM44-	224	x	249	x	12	x	16	\$130.23
AM44-	225	x	250	x	12	x	16	\$155.43

AM44 Wipers

*New Seals
are being added to our
inventory every day.*

AM46 Wipers - Metric

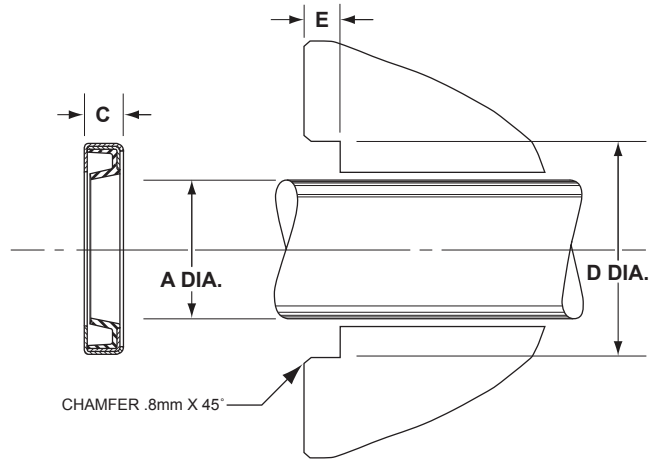
AM46 Pin Wipers



AM46 series wipers have a double metal can making them rigid. They are used mainly for hinge pin applications.

Temperature: -40° to 230°F

Material: Nitrile/Steel

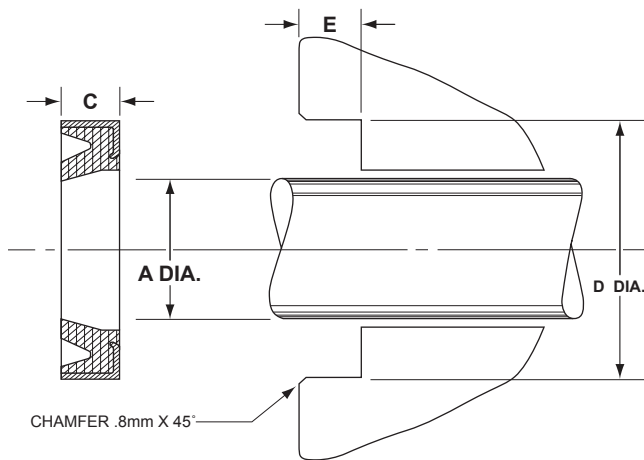


Part Number					Price
Prefix	A mm Rod Dia.	Groove Dimensions			
		D mm Bore H8	E mm Groove Height +0.4/+0.6		
AM46	- 30	x 40	x 4	\$6.16	
AM46	- 35	x 45	x 4	\$5.32	
AM46	- 38	x 52	x 6	\$13.16	
AM46	- 40	x 50	x 4	\$8.55	
AM46	- 45	x 55	x 4	\$10.13	
AM46	- 50	x 60	x 4	\$10.80	
AM46	- 50	x 60	x 5	\$19.28	
AM46	- 55	x 65	x 4	\$12.25	
AM46	- 55	x 68	x 4	\$12.70	
AM46	- 55	x 70	x 6	\$19.22	
AM46	- 60	x 75	x 4	\$14.54	
AM46	- 65	x 80	x 4	\$12.89	
AM46	- 70	x 85	x 4	\$9.55	
AM46	- 70	x 90	x 4	\$23.34	
AM46	- 70	x 90	x 9.5	\$30.54	
AM46	- 70	x 95	x 9.5	\$38.34	
AM46	- 75	x 90	x 4	\$18.11	

Part Number					Price
Prefix	A mm Rod Dia.	Groove Dimensions			
		D mm Bore H8	E mm Groove Height +0.4/+0.6		
AM46	- 75	x 90	x 5	\$27.49	
AM46	- 75	x 90	x 9.5	\$33.20	
AM46	- 75	x 95	x 9.5	\$35.54	
AM46	- 80	x 95	x 4	\$24.49	
AM46	- 80	x 95	x 6	\$29.08	
AM46	- 85	x 100	x 4	\$21.42	
AM46	- 90	x 105	x 4	\$16.35	
AM46	- 100	x 115	x 4	\$27.98	
AM46	- 100	x 115	x 8	\$39.96	
AM46	- 100	x 120	x 4	\$40.05	
AM46	- 110	x 125	x 4	\$33.75	
AM46	- 110	x 125	x 9.5	\$52.65	
AM46	- 110	x 130	x 8	\$62.22	
AM46	- 110	x 130	x 9.5	\$56.90	
AM46	- 110	x 135	x 8	\$66.84	
AM46	- 110	x 140	x 8	\$71.33	
AM46	- 160	x 180	x 9.5	\$102.70	

Always open at
www.alleghenyork.com

AM47 Pin Wipers - Metric



This listing of AM47 style seals cover the most popular link pin seal sizes found on European equipment. They are made from 90 durometer nitrile bonded to a corrosive-resistant steel can.

Temperature: -40° to 230°F

Material: Nitrile/Steel

AM47 Pin Wipers

Part Number						Price
Prefix	A mm Rod Dia.	Groove Dimensions			E mm Groove Height +0.4/+0.6	
		D mm Bore H8				
AM47-	4	x	8	x	2	\$3.06
AM47-	5	x	9	x	2	\$3.54
AM47-	5	x	10	x	2	\$3.72
AM47-	6	x	10	x	2	\$3.58
AM47-	6	x	12	x	2	\$3.88
AM47-	7	x	11	x	2	\$3.06
AM47-	7	x	14	x	2	\$3.06
AM47-	8	x	12	x	3	\$5.50
AM47-	8	x	15	x	3	\$4.12
AM47-	9	x	13	x	3	\$4.12
AM47-	10	x	14	x	3	\$4.12
AM47-	10	x	17	x	3	\$4.17
AM47-	12	x	18	x	3	\$4.27
AM47-	12	x	19	x	3	\$4.27
AM47-	13	x	19	x	3	\$4.27
AM47-	14	x	22	x	4	\$4.34
AM47-	15	x	21	x	2	\$4.34
AM47-	15	x	21	x	3	\$4.34
AM47-	18	x	24	x	3	\$4.50
AM47-	20	x	26	x	4	\$6.30
AM47-	22	x	28	x	4	\$5.15

Part Number						Price
Prefix	A mm Rod Dia.	Groove Dimensions			E mm Groove Height +0.4/+0.6	
		D mm Bore H8				
AM47-	22	x	30	x	4	\$6.46
AM47-	25	x	32	x	4	\$5.28
AM47-	25	x	35	x	4	\$11.48
AM47-	28	x	35	x	4	\$7.36
AM47-	28	x	37	x	4	\$10.17
AM47-	30	x	37	x	4	\$7.35
AM47-	30	x	40	x	4	\$11.85
AM47-	32	x	38	x	4	\$10.19
AM47-	32	x	42	x	4	\$7.35
AM47-	32.5	x	38.5	x	2.5	\$7.35
AM47-	34	x	42	x	4	\$7.50
AM47-	35	x	42	x	4	\$7.35
AM47-	35	x	45	x	4	\$6.96
AM47-	38	x	48	x	4	\$7.13
AM47-	40	x	47	x	4	\$7.69
AM47-	40	x	48	x	4	\$7.69
AM47-	40	x	50	x	4	\$13.19
AM47-	42	x	52	x	4	\$11.93
AM47-	50	x	58	x	4	\$9.43
AM47-	50	x	62	x	5	\$10.58
AM47-	50	x	65	x	4	\$10.78

AM48 Pin Wipers - Metric

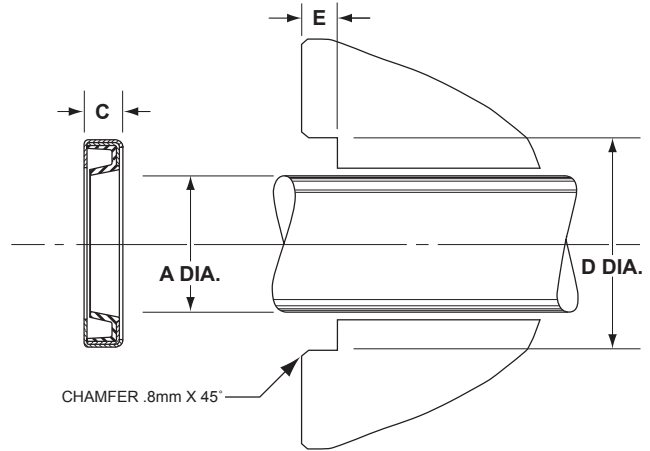
AM48 Pin Wipers



AM48 series wipers have a double metal can making them rigid. They are used mainly for hinge pin applications.

Material: Urethane/Steel

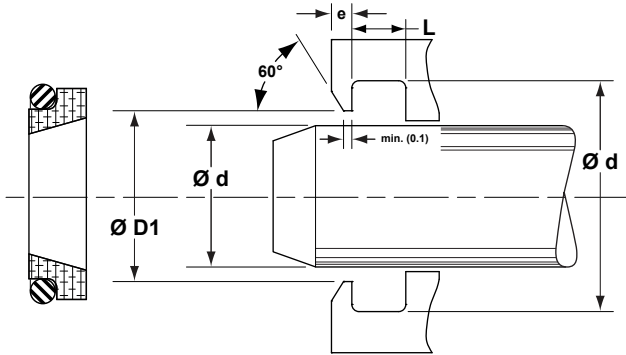
Temperature: -40° to 230°F



Prefix	Part Number		Groove Dimensions			Price
	A mm Rod Dia.	x	D mm Bore H8	E mm Groove Height +0.4/+0.6		
				x		
AM48	- 35	x	45	x	4	\$13.45
AM48	- 40	x	50	x	4	\$13.45
AM48	- 40	x	50	x	6	\$13.45
AM48	- 45	x	55	x	4	\$13.97
AM48	- 50	x	60	x	4	\$14.21
AM48	- 50	x	60	x	5	\$16.07
AM48	- 50	x	60	x	6	\$16.76
AM48	- 50	x	65	x	6	\$18.28
AM48	- 55	x	68	x	4	\$17.76
AM48	- 55	x	70	x	6	\$20.17
AM48	- 55	x	75	x	6	\$20.17
AM48	- 60	x	75	x	4	\$20.17
AM48	- 60	x	75	x	6	\$21.06
AM48	- 65	x	80	x	4	\$22.12
AM48	- 65	x	80	x	6	\$23.64
AM48	- 65	x	85	x	5	\$24.53
AM48	- 65	x	85	x	6	\$25.74
AM48	- 70	x	80	x	6	\$23.64
AM48	- 70	x	85	x	4	\$22.12
AM48	- 70	x	85	x	6	\$25.53
AM48	- 70	x	90	x	9.5	\$28.84
AM48	- 70	x	95	x	9.5	\$30.89
AM48	- 75	x	90	x	5	\$26.58
AM48	- 75	x	90	x	9.5	\$32.10
AM48	- 75	x	95	x	7	\$30.89
AM48	- 75	x	95	x	9.5	\$34.35
AM48	- 80	x	95	x	4	\$28.84

Prefix	Part Number		Groove Dimensions			Price
	A mm Rod Dia.	x	D mm Bore H8	E mm Groove Height +0.4/+0.6		
				x		
AM48	- 80	x	95	x	6	\$30.57
AM48	- 80	x	100	x	6	\$31.57
AM48	- 85	x	100	x	4	\$32.60
AM48	- 90	x	105	x	4	\$33.67
AM48	- 90	x	105	x	6	\$33.67
AM48	- 90	x	110	x	9.5	\$42.44
AM48	- 95	x	110	x	9.5	\$45.23
AM48	- 95	x	115	x	9.5	\$45.23
AM48	- 100	x	115	x	4	\$42.13
AM48	- 100	x	115	x	8	\$42.13
AM48	- 100	x	120	x	6	\$42.13
AM48	- 100	x	120	x	8	\$44.02
AM48	- 100	x	120	x	9.5	\$47.96
AM48	- 110	x	125	x	4	\$42.13
AM48	- 110	x	125	x	8	\$47.28
AM48	- 110	x	125	x	9.5	\$50.90
AM48	- 110	x	130	x	8	\$52.64
AM48	- 110	x	130	x	9.5	\$53.84
AM48	- 110	x	140	x	8	\$57.47
AM48	- 120	x	135	x	8	\$52.64
AM48	- 120	x	135	x	9.5	\$56.94
AM48	- 120	x	140	x	9.5	\$60.25
AM48	- 130	x	155	x	9.5	\$70.08
AM48	- 140	x	155	x	8	\$61.30
AM48	- 160	x	180	x	9.5	\$107.90
AM48	- 190	x	220	x	8	\$133.95

TW 100 Series Excluders - Metric



TW 100 Excluders

The TW100 series TFE wipers are designed for those applications that necessitate a high sliding speed rate. With a PTFE excluder lip, these wipers offer a low friction alternative to traditional snap-in wipers. Standard material is bronze-filled teflon® with nitrile energizers, but can be made from any TFE compound. Temperature ranges can be increased by using viton o-rings.

Temperature: -40° to 225°F

Part No.	d Rod Dia.	D Groove Dia.	L Groove Length	D ₁ Throat Dia.	e	O-Ring	Price
TW101E-12MMB	12	18.8	5	15.5	2	113	\$26.03
TW101E-14MMB	14	20.8	5	17.5	2	114	\$26.67
TW101E-15MMB	15	21.8	5	18.5	2	115	\$27.14
TW101E-16MMB	16	22.8	5	19.5	2	116	\$27.85
TW101E-18MMB	18	24.8	5	21.5	2	117	\$28.20
TW101E-20MMB	20	26.8	5	23.5	2	118	\$28.94
TW101E-22MMB	22	28.8	5	25.5	2	119	\$30.02
TW101E-24MMB	24	30.8	5	27.5	2	120	\$30.76
TW101E-25MMB	25	31.8	5	28.5	2	121	\$32.06
TW101E-26MMB	26	32.8	5	29.5	2	122	\$32.24
TW101E-28MMB	28	34.8	5	31.5	2	123	\$32.62
TW101E-30MMB	30	36.8	5	33.5	2	124	\$32.89
TW101E-32MMB	32	38.8	5	35.5	2	126	\$33.26
TW101E-35MMB	35	41.8	5	38.5	2	127	\$33.63
TW101E-36MMB	36	42.8	5	39.5	2	129	\$33.63
TW101E-38MMB	38	44.8	5	41.5	2	130	\$33.82
TW101E-40MMB	40	46.8	5	43.5	2	131	\$34.01
TW101E-42MMB	42	48.8	5	45.5	2	132	\$34.19
TW101E-45MMB	45	51.8	5	48.5	2	134	\$34.47
TW101E-48MMB	48	54.8	5	51.5	2	136	\$34.75
TW101E-50MMB	50	56.8	5	53.5	2	137	\$34.75
TW101E-52MMB	52	58.8	5	55.5	2	138	\$35.02
TW101E-55MMB	55	61.8	5	58.5	2	140	\$34.93
TW101E-56MMB	56	62.8	5	59.5	2	140	\$35.02
TW101E-58MMB	58	64.8	5	61.5	2	142	\$35.21
TW101E-60MMB	60	66.8	5	63.5	2	143	\$35.30
TW102E-65MMB	65	73.8	6	69	3	231	\$39.51
TW102E-70MMB	70	78.8	6	74	3	233	\$41.83
TW102E-75MMB	75	83.8	6	79	3	234	\$43.09
TW102E-80MMB	80	88.8	6	84	3	236	\$44.54
TW102E-85MMB	85	93.8	6	89	3	237	\$45.99
TW102E-88.9MMB	88.9	98.8	6	92.9	3	239	\$44.93

ORDER FAX 888-496-7526 • ORDER DESK 800-258-3851

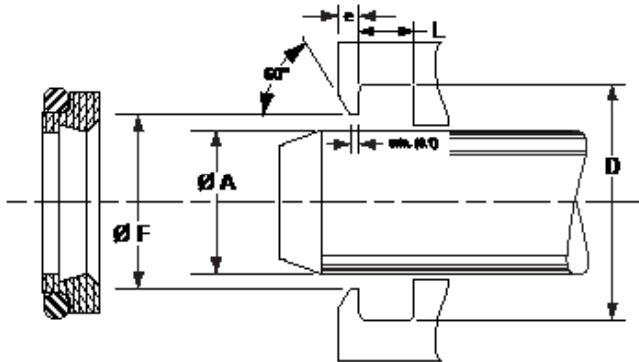
127

TW 100 Series Excluders - Metric, cont'd.

Part No.	d Rod Dia.	D Groove Dia.	L Groove Length	D ₁ Throat Dia.	e	O-Ring	Price
TW102E-90MMB	90	98.8	6	94	3	239	\$47.15
TW102E-95MMB	95	103.8	6	99	3	241	\$49.29
TW102E-100MMB	100	108.8	6	104	3	242	\$51.12
TW102E-105MMB	105	113.8	6	109	3	244	\$55.29
TW102E-110MMB	110	118.8	6	114	3	245	\$55.29
TW102E-120MMB	120	128.8	6	124	3	249	\$59.26
TW102E-125MMB	125	133.8	6	129	3	250	\$61.49
TW102E-130MMB	130	138.8	6	134	3	252	\$63.52
TW102E-140MMB	140	148.8	6	144	3	255	\$68.26
TW102E-150MMB	150	158.8	6	154	3	258	\$72.91
TW102E-155MMB	155	163.8	6	159	3	259	\$75.62
TW102E-160MMB	160	168.8	6	164	3	259	\$78.04
TW102E-165MMB	165	173.8	6	169	3	261	\$99.76
TW102E-170MMB	170	178.8	6	174	3	261	\$85.75
TW102E-175MMB	175	183.8	6	179	3	262	\$99.96
TW102E-180MMB	180	188.8	6	184	3	263	\$100.98
TW102E-185MMB	185	193.8	6	189	3	263	\$104.14
TW102E-190MMB	190	198.8	6	194	3	264	\$107.30
TW102E-195MMB	195	203.8	6	199	3	265	\$109.96
TW102E-200MMB	200	208.8	6	204	3	266	\$113.81
TW102E-210MMB	210	218.8	6	214	3	267	\$118.00
TW102E-220MMB	220	228.8	6	224	3	269	\$120.09
TW102E-225MMB	225	233.8	6	229	3	270	\$126.63
TW102E-230MMB	230	238.8	6	234	3	271	\$131.17
TW102E-240MMB	240	248.8	6	244	3	272	\$146.85
TW102E-250MMB	250	258.8	6	254	3	274	\$174.10
TW103E-260MMB	260	272.2	8.4	264.5	4	378	\$250.73
TW103E-270MMB	270	282.2	8.4	274.5	4	379	\$261.39
TW103E-280MMB	280	292.2	8.4	284.5	4	379	\$272.14
TW103E-290MMB	290	302.2	8.4	294.5	4	380	\$286.40
TW103E-300MMB	300	312.2	8.4	304.5	4	381	\$297.06
TW103E-310MMB	310	322.2	8.4	314.5	4	381	\$307.07
TW103E-320MMB	320	332.2	8.4	324.5	4	382	\$316.98
TW103E-330MMB	330	342.2	8.4	334.5	4	382	\$326.90
TW103E-340MMB	340	352.2	8.4	344.5	4	382	\$336.72
TW103E-350MMB	350	362.2	8.4	354.5	4	383	\$346.63
TW103E-360MMB	360	372.2	8.4	364.5	4	383	\$356.45
TW103E-370MMB	370	382.2	8.4	374.5	4	383	\$366.46
TW103E-380MMB	380	392.2	8.4	384.5	4	384	\$376.28
TW103E-390MMB	390	402.2	8.4	394.5	4	384	\$386.29
TW103E-400MMB	400	412.2	8.4	404.5	4	385	\$396.20
TW103E-410MMB	410	422.2	8.4	414.5	4	385	\$406.03
TW103E-420MMB	420	432.2	8.4	424.5	4	386	\$415.94
TW104E-430MMB	430	446	11	435.2	4	463	\$501.00
TW104E-440MMB	440	456	11	445.2	4	464	\$512.56
TW104E-450MMB	450	466	11	455.2	4	465	\$524.22
TW104E-460MMB	460	476	11	465.2	4	466	\$536.00
TW104E-470MMB	470	486	11	475.2	4	466	\$547.55
TW104E-480MMB	480	496	11	485.2	4	467	\$559.22
TW104E-490MMB	490	506	11	495.2	4	468	\$570.88
TW104E-500MMB	500	516	11	505.2	4	469	\$582.54

TW 100 Excluders

TW 500 Series Excluders - Metric



TW 500 Excluders

The TW500 series TFE wipers are designed for those applications that necessitate a high sliding speed rate. They offer great wear resistance and are a good low friction alternative to traditional snap-in wipers. These wipers also incorporate a secondary lip that aids stability and helps maintain a pocket of oil between wiping surfaces. This aids in dissipating any heat buildup that may occur. Standard material is bronze-filled TFE. Temperature range can be increased by using a viton o-ring energizer. Other materials are available.

Temperature: -40° to 225°F

Part Number	A Rod Dia. (f8)	D Groove Dia. (js11)	L Groove Length	F Throat Dia. (h11)	e	O-Ring	Price
TW501E-20MMB	20	27.6	4.2	21	2	118	\$25.70
TW501E-22MMB	22	29.6	4.2	23	2	120	\$26.05
TW501E-24MMB	24	31.6	4.2	25	2	121	\$26.62
TW501E-25MMB	25	32.6	4.2	26	2	122	\$27.76
TW501E-28MMB	28	35.6	4.2	29	2	123	\$28.25
TW501E-30MMB	30	37.6	4.2	31	2	125	\$28.50
TW501E-32MMB	32	39.6	4.2	33	2	126	\$28.82
TW501E-35MMB	35	42.6	4.2	36	2	128	\$27.85
TW501E-36MMB	36	43.6	4.2	37	2	129	\$29.47
TW501E-38MMB	38	45.6	4.2	39	2	130	\$29.39
TW501E-40MMB	40	48.8	6.3	41.5	2	132	\$33.12
TW501E-42MMB	42	50.8	6.3	43.5	2	133	\$33.40
TW501E-45MMB	45	53.8	6.3	46.5	2	135	\$33.58
TW501E-48MMB	48	56.8	6.3	49.5	2	137	\$33.76
TW501E-50MMB	50	58.8	6.3	51.5	2	137	\$33.76
TW501E-52MMB	52	60.8	6.3	53.5	2	139	\$33.95
TW501E-55MMB	55	63.8	6.3	56.5	2	141	\$34.04
TW501E-56MMB	56	64.8	6.3	57.5	2	142	\$35.87
TW501E-58MMB	58	66.8	6.3	59.5	2	143	\$36.31
TW501E-60MMB	60	68.8	6.3	61.5	2	144	\$37.50
TW501E-63MMB	63	71.8	6.3	64.5	2	146	\$39.68
TW501E-65MMB	65	73.8	6.3	66.5	2	147	\$42.17
TW501E-100MMB	100	108.8	6.3	101.5	2	155	\$64.70
TW502E-70MMB	70	82.2	8.1	72	3	234	\$45.16
TW502E-75MMB	75	87.2	8.1	77	3	235	\$44.45
TW502E-80MMB	80	92.2	8.1	82	3	237	\$45.87
TW502E-85MMB	85	97.2	8.1	87	3	239	\$47.28
TW502E-90MMB	90	102.2	8.1	92	3	240	\$48.59
TW502E-95MMB	95	107.2	8.1	97	3	242	\$50.70
TW502E-100MMB	100	112.2	8.1	102	3	243	\$52.62

ORDER FAX 888-496-7526 • ORDER DESK 800-258-3851

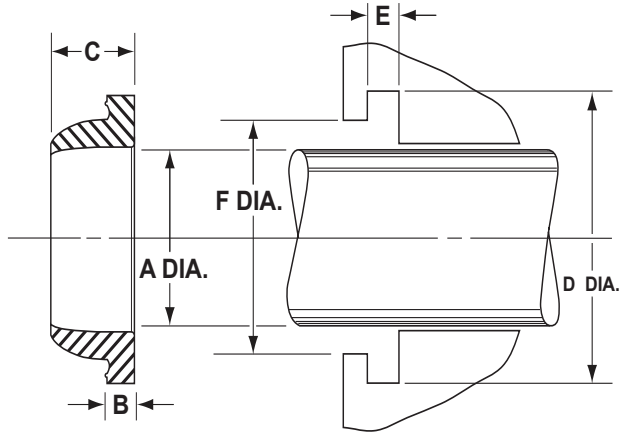
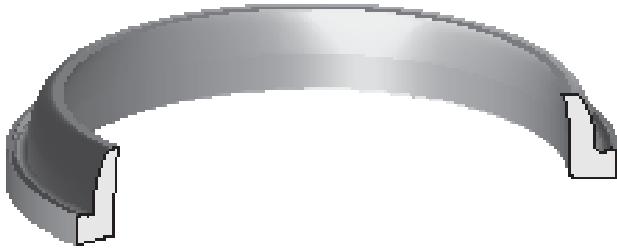
129

TW 500 Series Excluders - Metric, cont'd.

TW 500 Excluders

Part Number	A Rod Dia. (f8)	D Groove Dia. (js11)	L Groove Length	F Throat Dia. (h11)	e	O-Ring	Price
TW502E-105MMB	105	117.2	8.1	107	3	245	\$54.74
TW502E-110MMB	110	122.2	8.1	112	3	246	\$56.75
TW502E-115MMB	115	127.2	8.1	117	3	248	\$58.77
TW502E-120MMB	120	132.2	8.1	122	3	249	\$60.99
TW502E-125MMB	125	137.2	8.1	127	3	251	\$63.20
TW502E-130MMB	130	142.2	8.1	132	3	253	\$65.42
TW502E-135MMB	135	147.2	8.1	137	3	254	\$68.45
TW503E-140MMB	140	156	9.5	142.5	3	359	\$82.31
TW503E-145MMB	145	161	9.5	147.5	3	360	\$86.61
TW503E-150MMB	150	166	9.5	152.5	3	361	\$89.25
TW503E-155MMB	155	171	9.5	157.5	3	362	\$92.61
TW503E-160MMB	160	176	9.5	162.5	3	363	\$95.62
TW503E-170MMB	170	186	9.5	172.5	3	365	\$102.94
TW503E-180MMB	180	196	9.5	182.5	3	366	\$109.19
TW503E-190MMB	190	206	9.5	192.5	3	368	\$116.88
TW503E-200MMB	200	216	9.5	202.5	3	369	\$124.56
TW503E-210MMB	210	226	9.5	212.5	3	371	\$133.93
TW503E-220MMB	220	236	9.5	222.5	3	373	\$144.26
TW503E-225MMB	225	241	9.5	227.5	3	373	\$149.79
TW503E-230MMB	230	246	9.5	232.5	3	374	\$155.32
TW503E-240MMB	240	256	9.5	242.5	3	376	\$170.57
TW503E-250MMB	250	266	9.5	252.5	3	377	\$201.20
TW503E-260MMB	260	276	9.5	262.5	4	378	\$248.65
TW503E-270MMB	270	286	9.5	272.5	4	379	\$266.13
TW503E-280MMB	280	296	9.5	282.5	4	379	\$281.26
TW503E-290MMB	290	306	9.5	292.5	4	380	\$300.23
TW503E-300MMB	300	316	9.5	302.5	4	381	\$316.22
TW503E-310MMB	310	326	9.5	312.5	4	381	\$330.03
TW503E-320MMB	320	336	9.5	322.5	4	382	\$343.96
TW503E-330MMB	330	346	9.5	332.5	4	382	\$357.78
TW503E-340MMB	340	356	9.5	342.5	4	382	\$371.71
TW503E-350MMB	350	366	9.5	352.5	4	383	\$385.65
TW503E-360MMB	360	376	9.5	362.5	4	383	\$399.46
TW503E-370MMB	370	386	9.5	372.5	4	384	\$413.39
TW503E-380MMB	380	396	9.5	382.5	4	384	\$427.33
TW503E-390MMB	390	406	9.5	392.5	4	384	\$441.14
TW504E-400MMB	400	424	14	405.2	4	461	\$517.62
TW504E-410MMB	410	434	14	415.2	4	462	\$532.99
TW504E-420MMB	420	444	14	425.2	4	462	\$548.49
TW504E-430MMB	430	454	14	435.2	4	463	\$564.02
TW504E-440MMB	440	464	14	445.2	4	464	\$572.37
TW504E-450MMB	450	474	14	455.2	4	465	\$584.60
TW504E-460MMB	460	484	14	465.2	4	465	\$599.24
TW504E-470MMB	470	494	14	475.2	4	466	\$609.87
TW504E-480MMB	480	504	14	485.2	4	467	\$641.25
TW504E-490MMB	490	514	14	495.2	4	468	\$656.62
TW504E-500MMB	500	524	14	505.2	4	469	\$671.86

Style 33 Rectangular Base Nitrile Wiper - Inch



Style 33 Wiper

This general purpose wiper has a lip designed to remove lightly adhered dirt, dust, and moisture from the rod. Manufactured from a hard nitrile rubber, suitable for installing in grooved housings, creates an effective seal on housings as well as rods.

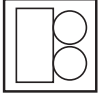

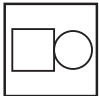
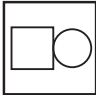
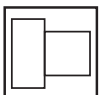
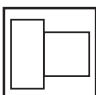
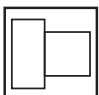
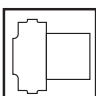
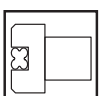
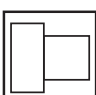


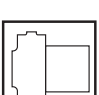
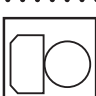




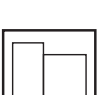
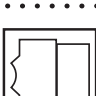
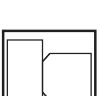








Temperature: -22°F to 212°F

Part Number	A Shaft Size	D Groove Dia.	B Base Height	C Overall Height	F Throat	E Groove Ht.	Price
33-10001375-125	1.000	1.375	0.125	0.250	1.200	0.140	\$7.31
33-11251625-125	1.125	1.625	0.125	0.375	1.425	0.140	\$7.74
33-12501750-125	1.250	1.750	0.125	0.375	1.550	0.140	\$8.18
33-13751875-125	1.375	1.875	0.125	0.375	1.675	0.140	\$8.30
33-15002000-125	1.500	2.000	0.125	0.375	1.800	0.140	\$8.40
33-16252125-125	1.625	2.125	0.125	0.375	1.925	0.140	\$8.54
33-17502250-125	1.750	2.250	0.125	0.375	2.050	0.140	\$8.77
33-20002500-125	2.000	2.500	0.125	0.375	2.300	0.140	\$8.95
33-22502750-125	2.250	2.750	0.125	0.375	2.550	0.140	\$9.83
33-25003000-125	2.500	3.000	0.125	0.375	2.800	0.140	\$10.24
33-27503250-125	2.750	3.250	0.125	0.375	3.050	0.140	\$10.34
33-30003500-125	3.000	3.500	0.125	0.375	3.300	0.140	\$10.76
33-32504000-187	3.250	4.000	0.187	0.500	3.650	0.202	\$13.56
33-35004250-187	3.500	4.250	0.187	0.500	3.900	0.202	\$15.40
33-40004750-187	4.000	4.750	0.187	0.500	4.400	0.202	\$16.83
33-45005250-187	4.500	5.250	0.187	0.500	4.900	0.202	\$22.90
33-50005750-187	5.000	5.750	0.187	0.500	5.400	0.202	\$48.82
33-60006750-187	6.000	6.750	0.187	0.500	6.400	0.202	\$28.24

Notes

Wiper Section

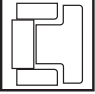


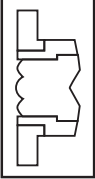
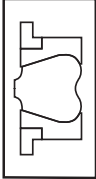
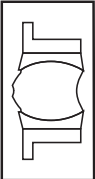
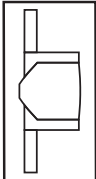
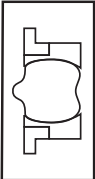
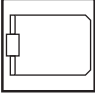



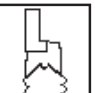
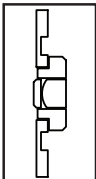
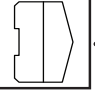

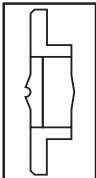

Piston Seal Section Contents

	 AS700 2pc. TFE Piston Seals - Inch	135
	 AS880 3pc. TFE Piston Seals - Inch	136
	 AS800 2pc. TFE Piston Seals - Inch	137
	 AS800-P 2pc. Polyurethane Piston Seals - Inch.....	139
	 AS900 2pc. TFE Piston Seals - Inch	140
	 AS900-B 2pc. BTFE Piston Seals - Inch.....	141
	 AS600 2pc. Hytrel® Piston Seals - Inch	142
	 AS9 Series 2pc. TFE Piston Seals - Inch	143
	 AS980 2pc. TFE Piston Seals - Inch	144
	 ASQ 3pc. TFE Piston Seals - Inch and Metric	145
	 ASQ5 TFE Piston Seals - Inch and Metric	146
	 AS7 Series 2pc. TFE Piston Seals - Inch.....	147
	 AS7 Series 2pc. TFE Piston Seals - Metric	148
	 2pc. Urethane Piston Seals - Metric	150
	 AS990 2pc. Piston Seals - Metric	151
	 TP Piston T Seals - Inch.....	152
	 3pc. Wide Base T Seals - Inch	154
	 PSP Piston Seals - Inch	155
	 PSP-A Piston Seals - Inch.....	155
	 714 2pc. Nylon Piston Seals - Inch.....	156
	 914 2pc. Chemcast® Piston Seals - Inch.....	157
	 OK 2pc. Nylon Piston Seals - Metric.....	158

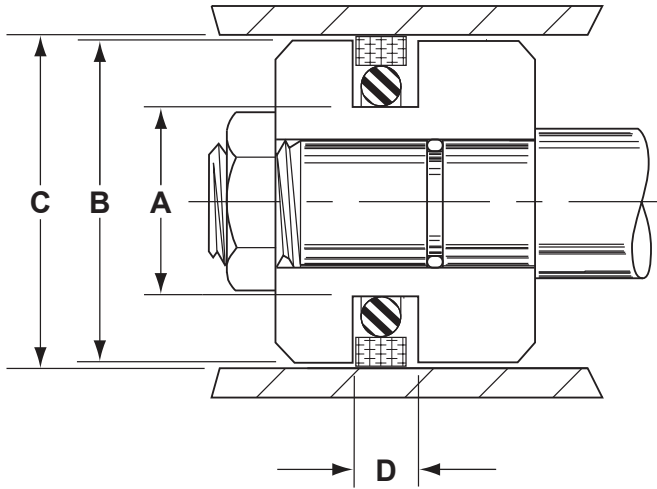
Piston Seal Section

Piston Seal Section Contents

Piston Seal Section

	4pc. CAT®-Type TFE Piston Seals - Inch.....	159
	4pc. TFE Piston Seals - Inch	160
	4pc. TFE Piston Seals - Metric.....	161
	DAS 5pc. Piston Seals - Inch	162
	DAS 5pc. Piston Seals - Metric	164
		
		
		
	Unitized Pistons - Inch.....	168
	Cast Iron Piston Rings - Inch.....	169
	M4 3pc. Piston Seals - Metric.....	175
	NO 2pc. Fabric Rubber Piston Seals w/ Backups - Metric ..	176
	DSM 5pc. Piston Seals - Metric	177
	GD1KK 6pc. Piston Seals - Metric	178
	Urethane Uni-Ring Seals - Inch	179
	3pc. Delta Seals - Inch and Metric.....	180
	MDL 3pc. Piston Seals - Metric	181
	AS2 2pc. Piston Step Seals - Inch and Metric	182

AS700 2pc. TFE Piston Seals - Inch



AS700 style rectangular piston seal assemblies are manufactured from glass filled TFE and include a 70 durometer nitrile o-ring energizer. This medium duty seal is found in many forklift and agricultural applications and can be considered in applications requiring a compact seal and ease of installation.

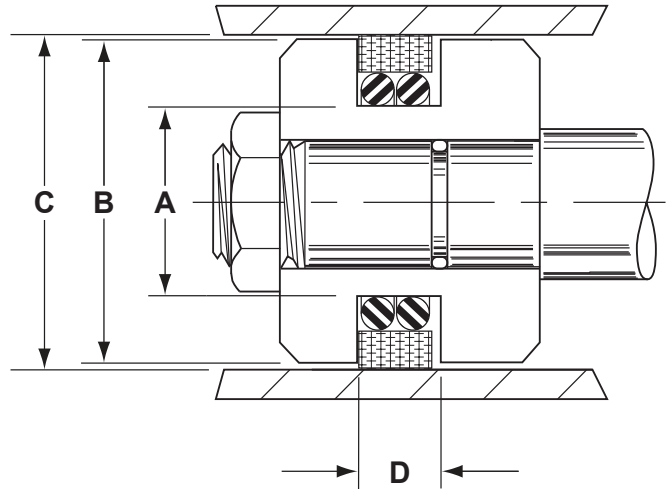
Temperature: -40° to 225°F

Pressure: 0 to 3,000 PSI

AS700 - TFE - Inch

Part Number	Bore Dia. C +0.002 -0.000	Groove Dia. A ±0.002	Groove Width D ±0.002	Seal Width D ₁	Seal Wall	Expander Cross Section	Price
AS700E-16	1.000	0.787	0.094	0.088	0.055	0.070	\$6.45
AS700E-18	1.125	0.912	0.094	0.088	0.055	0.070	\$6.60
AS700E-20	1.250	1.037	0.094	0.088	0.055	0.070	\$6.76
AS700E-22	1.375	1.162	0.094	0.088	0.055	0.070	\$6.92
AS700E-24	1.500	1.287	0.094	0.088	0.055	0.070	\$7.25
AS700E-26	1.625	1.412	0.094	0.088	0.055	0.070	\$7.44
AS700E-28	1.750	1.473	0.126	0.120	0.055	0.103	\$8.18
AS700E-30	1.875	1.598	0.126	0.120	0.055	0.103	\$8.54
AS700E-32	2.000	1.723	0.126	0.120	0.055	0.103	\$9.12
AS700E-36	2.250	1.973	0.126	0.120	0.055	0.103	\$9.70
AS700E-40	2.500	2.223	0.126	0.120	0.055	0.103	\$10.15
AS700E-44	2.750	2.348	0.157	0.150	0.085	0.139	\$12.21
AS700E-48	3.000	2.603	0.157	0.150	0.085	0.139	\$14.98
AS700E-52	3.250	2.853	0.157	0.150	0.085	0.139	\$15.80
AS700E-56	3.500	3.103	0.157	0.150	0.085	0.139	\$16.52
AS700E-60	3.750	3.353	0.157	0.150	0.085	0.139	\$16.68
AS700E-64	4.000	3.603	0.157	0.150	0.085	0.139	\$16.95
AS700E-68	4.250	3.853	0.157	0.150	0.085	0.139	\$18.02
AS700E-72	4.500	4.103	0.157	0.150	0.085	0.139	\$19.91
AS700E-76	4.750	4.353	0.157	0.150	0.085	0.139	\$25.54
AS700E-80	5.000	4.603	0.157	0.150	0.085	0.139	\$27.52
AS700E-84	5.250	4.853	0.157	0.150	0.085	0.139	\$28.77
AS700E-86	5.375	4.978	0.157	0.150	0.085	0.139	\$47.93
AS700E-88	5.500	5.103	0.157	0.150	0.085	0.139	\$29.65
AS700E-92	5.750	5.353	0.157	0.150	0.085	0.139	\$34.19
AS700E-96	6.000	5.305	0.294	0.287	0.120	0.210	\$41.70

AS880 3pc. TFE Piston Seals - Inch



AS880 style rectangular piston seal assemblies are basically double wide AS800 seals. They are manufactured from glass filled TFE and include two 70 durometer nitrile o-ring energizers. They are used in some mobile hydraulic applications including drilling equipment and boom trucks.

Temperature: -40° to 225°F

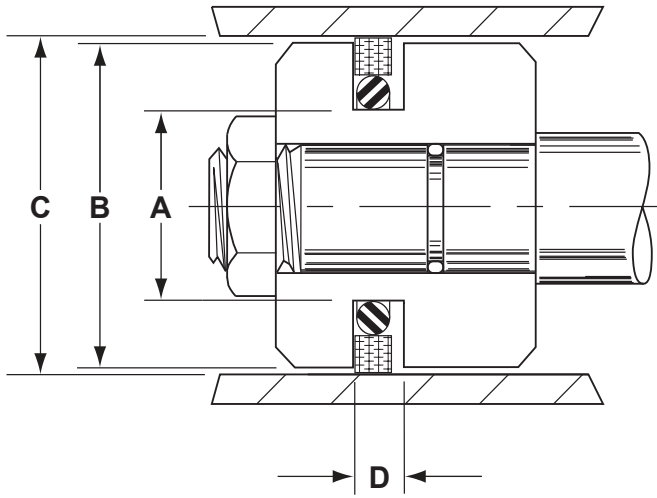
Pressure: 0 to 3,000 PSI

AS880 Piston Seals

Part Number	Bore Dia. C ±.001	Piston Dia. B ±.001	Groove Dia. A ±.002	Groove Width D ±.005/- .000	Seal Width D ₁	Seal Wall	Expander Cross Section	Price
AS880E-48	3.000	2.996	2.482	0.312	0.295	0.143	0.139	\$26.04
AS880E-64	4.000	3.996	3.482	0.312	0.295	0.143	0.139	\$26.17
AS880E-68	4.250	4.246	3.732	0.312	0.295	0.143	0.139	\$28.31
AS880E-72	4.500	4.496	3.982	0.312	0.295	0.143	0.139	\$29.02
AS880E-80	5.000	4.996	4.482	0.312	0.295	0.143	0.139	\$36.13
AS880E-88	5.500	5.496	4.982	0.312	0.295	0.143	0.139	\$44.38
AS880E-96	6.000	5.996	5.482	0.312	0.295	0.143	0.139	\$51.16
AS880E-104	6.500	6.496	5.982	0.312	0.295	0.143	0.139	\$71.53
AS880E-112	7.000	6.996	6.482	0.312	0.295	0.143	0.139	\$73.79
AS880E-132	8.250	8.246	7.732	0.312	0.295	0.143	0.139	\$79.27
AS880E-160	10.000	9.996	9.482	0.312	0.295	0.143	0.139	\$102.82
AS880E-176	11.000	10.996	10.482	0.312	0.295	0.143	0.139	\$109.54
AS880E-192	12.000	11.996	11.482	0.312	0.295	0.143	0.139	\$121.54
AS880E-208	13.000	12.996	12.482	0.312	0.295	0.143	0.139	\$123.84
AS880E-224	14.000	13.996	13.482	0.312	0.295	0.143	0.139	\$134.43

Contact our problem solving sales team to learn more.

AS800 2pc. TFE Piston Seals - Inch



AS800 style square piston seal assemblies are made from glass filled TFE and include an o-ring energizer. This popular medium duty assembly assures dependable service to a wide variety of sealing applications from rotary swivels to reciprocating cylinders.

Temperature: -40° to 225°F

Pressure: 0 to 3,000 PSI

AS800 - TFE - Inch

Part Number	Bore Dia. C ±.001	Piston Dia. B ±.001	Groove Dia. A ±.002	Groove Width D ±.002	Wall & Width D ₁	Expander Cross Section	Price
AS800E-8	0.500	0.497	0.241	0.083	.070	0.070	\$3.20
AS800E-10	0.625	0.622	0.366	0.083	.070	0.070	\$3.20
AS800E-12	0.750	0.747	0.491	0.083	.070	0.070	\$3.24
AS800E-14	0.875	0.872	0.616	0.083	.070	0.070	\$3.63
AS800E-16	1.000	0.997	0.741	0.083	.070	0.070	\$3.78
AS800E-18	1.125	1.122	0.866	0.083	.070	0.070	\$3.95
AS800E-20	1.250	1.247	0.991	0.083	.070	0.070	\$4.07
AS800E-22	1.375	1.372	1.116	0.083	.070	0.070	\$5.28
AS800E-24	1.500	1.497	1.241	0.083	.070	0.070	\$4.10
AS800E-25	1.562	1.559	1.172	0.122	.109	0.103	\$5.48
AS800E-26	1.625	1.622	1.235	0.122	.109	0.103	\$4.16
AS800E-27	1.687	1.684	1.297	0.122	.109	0.103	\$5.60
AS800E-28	1.750	1.747	1.360	0.122	.109	0.103	\$4.22
AS800E-29	1.812	1.809	1.422	0.122	.109	0.103	\$5.68
AS800E-30	1.875	1.872	1.485	0.122	.109	0.103	\$5.91
AS800E-31	1.938	1.935	1.548	0.122	.109	0.103	\$6.07
AS800E-32	2.000	1.996	1.606	0.130	.115	0.103	\$4.32
AS800E-34	2.125	2.121	1.731	0.130	.115	0.103	\$6.66
AS800E-36	2.250	2.246	1.856	0.130	.115	0.103	\$4.63
AS800E-38	2.375	2.371	1.981	0.130	.115	0.103	\$5.95
AS800E-40	2.500	2.496	2.106	0.130	.115	0.103	\$4.48
AS800E-42	2.625	2.621	2.231	0.130	.115	0.103	\$6.29
AS800E-44	2.750	2.746	2.356	0.130	.115	0.103	\$4.71
AS800E-46	2.875	2.871	2.481	0.130	.115	0.103	\$6.44
AS800E-48	3.000	2.996	2.606	0.130	.115	0.103	\$4.79
AS800E-52	3.250	3.246	2.856	0.130	.115	0.103	\$4.91
AS800E-54	3.375	3.371	2.981	0.130	.115	0.103	\$8.19
AS800E-56	3.500	3.496	3.106	0.130	.115	0.103	\$4.98
AS800E-58	3.625	3.621	3.231	0.130	.115	0.103	\$8.23
AS800E-60	3.750	3.746	3.356	0.130	.115	0.103	\$5.45
AS800E-64	4.000	3.996	3.606	0.130	.115	0.103	\$5.51
AS800E-68	4.250	4.246	3.856	0.130	.115	0.103	\$5.73
AS800E-72	4.500	4.496	4.106	0.130	.115	0.103	\$5.96

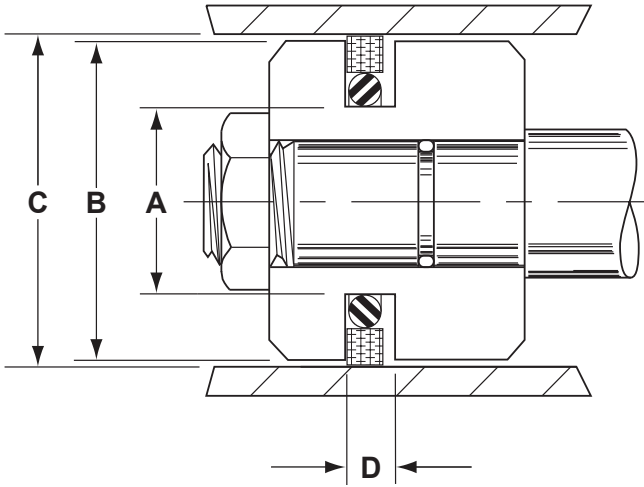
AS800 2pc. TFE Piston Seals - Inch, cont'd.

AS800 - TFE - Inch

Part Number	Bore Dia. C ±.001	Piston Dia. B ±.001	Groove Dia. A ±.002	Groove Width D ±.002	Wall & Width D ₁	Expander Cross Section	Price
AS800E-76	4.750	4.746	4.356	0.130	.115	0.103	\$9.18
AS800E-78	4.875	4.871	4.481	0.130	.115	0.103	\$11.92
AS800E-80	5.000	4.996	4.606	0.130	.115	0.103	\$7.47
AS800E-84	5.250	5.246	4.856	0.130	.115	0.103	\$7.80
AS800E-88	5.500	5.496	5.106	0.130	.115	0.103	\$7.92
AS800E-92	5.750	5.746	5.232	0.159	.143	0.139	\$8.10
AS800E-94	5.875	5.871	5.357	0.159	.143	0.139	\$18.49
AS800E-96	6.000	5.996	5.482	0.159	.143	0.139	\$8.78
AS800E-100	6.250	6.246	5.732	0.159	.143	0.139	\$9.25
AS800E-104	6.500	6.496	5.982	0.159	.143	0.139	\$10.78
AS800E-108	6.750	6.746	6.232	0.159	.143	0.139	\$16.93
AS800E-112	7.000	6.996	6.482	0.159	.143	0.139	\$11.11
AS800E-114	7.125	7.121	6.607	0.159	.143	0.139	\$34.43
AS800E-116	7.250	7.246	6.732	0.159	.143	0.139	\$11.13
AS800E-120	7.500	7.496	6.982	0.159	.143	0.139	\$11.90
AS800E-124	7.750	7.746	7.232	0.159	.143	0.139	\$19.60
AS800E-128	8.000	7.996	7.482	0.159	.143	0.139	\$12.19
AS800E-132	8.250	8.246	7.732	0.159	.143	0.139	\$25.91
AS800E-136	8.500	8.496	7.982	0.159	.143	0.139	\$27.16
AS800E-140	8.750	8.746	8.232	0.159	.143	0.139	\$30.36
AS800E-144	9.000	8.996	8.482	0.159	.143	0.139	\$32.27
AS800E-148	9.250	9.246	8.732	0.159	.143	0.139	\$40.93
AS800E-152	9.500	9.496	8.982	0.159	.143	0.139	\$45.49
AS800E-156	9.750	9.746	9.232	0.159	.143	0.139	\$78.79
AS800E-160	10.000	9.996	9.482	0.159	.143	0.139	\$55.01
AS800E-164	10.250	10.246	9.732	0.159	.143	0.139	\$85.27
AS800E-168	10.500	10.496	9.982	0.159	.143	0.139	\$61.40
AS800E-172	10.750	10.746	10.232	0.159	.143	0.139	\$93.41
AS800E-176	11.000	10.996	10.482	0.159	.143	0.139	\$63.87
AS800E-184	11.500	11.496	10.982	0.159	.143	0.139	\$66.91
AS800E-192	12.000	11.996	11.482	0.159	.143	0.139	\$69.48
AS800E-200	12.500	12.496	11.982	0.159	.143	0.139	\$72.69
AS800E-208	13.000	12.996	12.482	0.159	.143	0.139	\$84.03
AS800E-224	14.000	13.996	13.482	0.159	.143	0.139	\$97.77
AS800E-240	15.000	14.996	14.482	0.159	.143	0.139	\$124.32
AS800E-256	16.000	15.996	15.482	0.159	.143	0.139	\$145.88

Save time; Order online!
www.alleghenyork.com

AS800-P 2pc. Polyurethane Piston Seals - Inch



AS800P square piston seal assemblies are made from polyurethane and include an o-ring energizer. They install easier than teflon® and because they snap back into the groove they require no re-sizing. The wear properties are good due to the high durometer of urethane used.

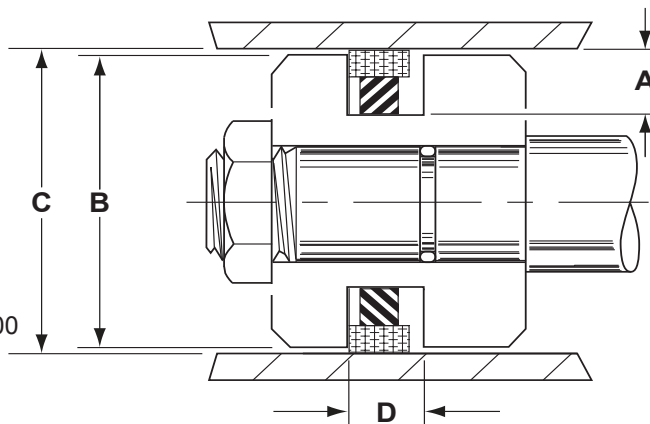
Temperature: -65° to 220°F

Pressure: 0 to 5,000 PSI

AS800-P - Polyurethane - Inch

Part Number	Bore Dia. C ±.001	Piston Dia. B ±.001	Groove Dia. A ±.002	Groove Width D ±.002	Wall & Width D ₁	Expander Cross Section	Price
AS800E-16P	1.000	0.997	0.741	0.083	.070	0.070	\$3.78
AS800E-18P	1.125	1.122	0.866	0.083	.070	0.070	\$3.88
AS800E-20P	1.250	1.247	0.991	0.083	.070	0.070	\$3.99
AS800E-22P	1.375	1.372	1.116	0.083	.070	0.070	\$4.12
AS800E-24P	1.500	1.497	1.241	0.083	.070	0.070	\$4.25
AS800E-26P	1.625	1.622	1.235	0.122	.109	0.103	\$4.35
AS800E-28P	1.750	1.747	1.360	0.122	.109	0.103	\$4.40
AS800E-30P	1.875	1.872	1.485	0.122	.109	0.103	\$4.53
AS800E-32P	2.000	1.996	1.606	0.130	.115	0.103	\$4.57
AS800E-36P	2.250	2.246	1.856	0.130	.115	0.103	\$4.65
AS800E-40P	2.500	2.496	2.106	0.130	.115	0.103	\$4.75
AS800E-44P	2.750	2.746	2.356	0.130	.115	0.103	\$4.88
AS800E-48P	3.000	2.996	2.606	0.130	.115	0.103	\$4.93
AS800E-52P	3.250	3.246	2.856	0.130	.115	0.103	\$5.06
AS800E-56P	3.500	3.496	3.106	0.130	.115	0.103	\$5.20
AS800E-60P	3.750	3.746	3.356	0.130	.115	0.103	\$5.31
AS800E-64P	4.000	3.996	3.606	0.130	.115	0.103	\$5.50
AS800E-68P	4.250	4.246	3.856	0.130	.115	0.103	\$5.77
AS800E-72P	4.500	4.496	4.106	0.130	.115	0.103	\$6.17
AS800E-76P	4.750	4.746	4.356	0.130	.115	0.103	\$6.75
AS800E-80P	5.000	4.996	4.606	0.130	.115	0.103	\$6.98
AS800E-84P	5.250	5.246	4.856	0.130	.115	0.103	\$7.27
AS800E-88P	5.500	5.496	5.106	0.130	.115	0.103	\$7.59
AS800E-92P	5.750	5.746	5.232	0.159	.143	0.139	\$8.97
AS800E-96P	6.000	5.996	5.482	0.159	.143	0.139	\$10.75
AS800E-104P	6.500	6.496	5.982	0.159	.143	0.139	\$11.75
AS800E-112P	7.000	6.996	6.482	0.159	.143	0.139	\$12.26
AS800E-120P	7.500	7.496	6.982	0.159	.143	0.139	\$14.15
AS800E-128P	8.000	7.996	7.482	0.159	.143	0.139	\$15.31
AS800E-136P	8.500	8.496	7.982	0.159	.143	0.139	\$15.96

AS900 2pc. TFE Piston Seals - Inch



AS900 style rectangular piston seal assemblies are supplied with 70 durometer nitrile square cut energizers and glass or bronze-filled teflon® outer rings for extra heavy duty applications and larger clearance gaps. AS900 style seals provide many cycles of drift-free service to medium and heavy duty cylinder applications.

Temperature: -40° to 225°F Pressure: 0 to 3,000 PSI

Material: Glass-filled Teflon® Bronze-filled Teflon®

AS900 - Glass Filled - Inch

Glass - Filled TFE

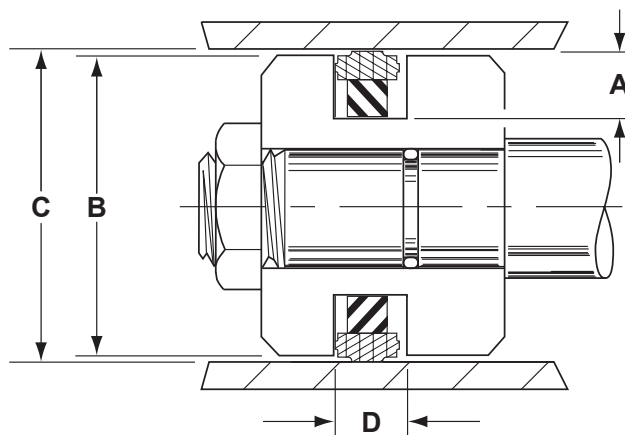
Part Number	Bore Dia. C +0.005/-0.000	Groove Depth A +0.002/-0.000	Groove Width D +0.005/-0.000	Seal Width D ₁ ±0.002	Seal Wall	Expander Cross Section	Price
AS900E-16	1.000	0.155	0.125	0.121	0.070	0.099	\$5.04
AS900E-20	1.250	0.155	0.125	0.121	0.070	0.099	\$5.18
AS900E-22	1.375	0.155	0.125	0.121	0.070	0.099	\$11.77
AS900E-24	1.500	0.155	0.125	0.121	0.070	0.099	\$5.30
AS900E-28	1.750	0.155	0.125	0.121	0.070	0.099	\$5.86
AS900E-32	2.000	0.155	0.125	0.121	0.070	0.099	\$6.51
AS900E-34	2.125	0.155	0.125	0.121	0.070	0.099	\$8.86
AS900E-36	2.250	0.155	0.125	0.121	0.070	0.099	\$8.90
AS900E-40	2.500	0.155	0.125	0.121	0.070	0.099	\$8.96
AS900E-44	2.750	0.155	0.125	0.121	0.070	0.099	\$9.05
AS900E-48	3.000	0.278	0.278	0.274	0.090	0.203	\$10.00
AS900E-50.5	3.150 (80mm)	0.278	0.278	0.274	0.090	0.203	\$19.60
AS900E-52	3.250	0.278	0.278	0.274	0.090	0.203	\$11.13
AS900E-53.5	3.346 (85mm)	0.278	0.278	0.274	0.090	0.203	\$22.89
AS900E-56	3.500	0.278	0.278	0.274	0.090	0.203	\$12.28
AS900E-56.7	3.543 (90mm)	0.278	0.278	0.274	0.090	0.203	\$19.89
AS900E-60	3.750	0.278	0.278	0.274	0.090	0.203	\$14.17
AS900E-63	3.937 (100mm)	0.278	0.278	0.274	0.090	0.203	\$19.99
AS900E-64	4.000	0.278	0.278	0.274	0.090	0.203	\$15.98
AS900E-66	4.125	0.278	0.278	0.274	0.090	0.203	\$19.70
AS900E-68	4.250	0.278	0.278	0.274	0.090	0.203	\$16.94
AS900E-69.3	4.330(110mm)	0.278	0.278	0.274	0.090	0.203	\$26.30
AS900E-72	4.500	0.278	0.278	0.274	0.090	0.203	\$19.56
AS900E-72.5	4.527 (115mm)	0.278	0.278	0.274	0.090	0.203	\$22.55
AS900E-76	4.750	0.278	0.278	0.274	0.090	0.203	\$20.08
AS900E-78	4.875	0.278	0.278	0.274	0.090	0.203	\$35.76
AS900E-78.7	4.921 (125mm)	0.278	0.278	0.274	0.090	0.203	\$24.65
AS900E-80	5.000	0.278	0.278	0.274	0.090	0.203	\$20.72
AS900E-82	5.125	0.278	0.278	0.274	0.090	0.203	\$36.34
AS900E-84	5.250	0.387	0.375	0.367	0.142	0.265	\$24.29
AS900E-88	5.500	0.387	0.375	0.367	0.142	0.265	\$28.46
AS900E-92	5.750	0.387	0.375	0.367	0.142	0.265	\$30.84
AS900E-96	6.000	0.387	0.375	0.367	0.142	0.265	\$32.98
AS900E-98	6.125	0.387	0.375	0.367	0.142	0.265	\$54.54
AS900E-100	6.250	0.387	0.375	0.367	0.142	0.265	\$34.25
AS900E-104	6.500	0.387	0.375	0.367	0.142	0.265	\$35.03
AS900E-108	6.750	0.387	0.375	0.367	0.142	0.265	\$56.28
AS900E-112	7.000	0.387	0.375	0.367	0.142	0.265	\$36.30
AS900E-116	7.250	0.387	0.375	0.367	0.142	0.265	\$38.38
AS900E-120	7.500	0.387	0.375	0.367	0.142	0.265	\$39.97
AS900E-124	7.750	0.387	0.375	0.367	0.142	0.265	\$56.58

AS900 2pc. TFE Piston Seals - Inch, cont'd.

Part Number	Bore Dia. C +0.005-.000	Groove Depth A +0.002-.000	Groove Width D +0.005-.000	Seal Width D ₁ ±.002	Seal Wall	Expander Cross Section	Price
Glass - Filled TFE							
AS900E-128	8.000	0.387	0.375	0.367	0.142	0.265	\$40.55
AS900E-130	8.125	0.387	0.375	0.367	0.142	0.265	\$57.62
AS900E-132	8.250	0.387	0.375	0.367	0.142	0.265	\$43.40
AS900E-136	8.500	0.387	0.375	0.367	0.142	0.265	\$45.39
AS900E-144	9.000	0.445	0.375	0.367	0.202	0.265	\$57.53
AS900E-152	9.500	0.445	0.375	0.367	0.202	0.265	\$59.75
AS900E-160	10.000	0.445	0.375	0.367	0.202	0.265	\$69.01
AS900E-168	10.500	0.445	0.375	0.367	0.202	0.265	\$127.91
AS900E-176	11.000	0.445	0.375	0.367	0.202	0.265	\$138.25
AS900E-192	12.000	0.445	0.375	0.367	0.202	0.265	\$145.88
AS900E-208	13.000	0.445	0.375	0.367	0.202	0.265	\$150.15
AS900E-212	13.250	0.445	0.375	0.367	0.202	0.265	\$257.90
AS900E-224	14.000	0.445	0.375	0.367	0.202	0.265	\$155.61
AS900-B 2pc. BTFE Piston Seals - Inch							
AS900E-24B	1.500	0.155	0.125	0.121	0.070	0.099	\$8.99
AS900E-28B	1.750	0.155	0.125	0.121	0.070	0.099	\$9.47
AS900E-32B	2.000	0.155	0.125	0.121	0.070	0.099	\$10.88
AS900E-40B	2.500	0.155	0.125	0.121	0.070	0.099	\$11.97
AS900E-48B	3.000	0.278	0.278	0.274	0.090	0.203	\$14.61
AS900E-52B	3.250	0.278	0.278	0.274	0.090	0.203	\$16.72
AS900E-53.5B	3.346 (85mm)	0.278	0.278	0.274	0.090	0.203	\$26.53
AS900E-56B	3.500	0.278	0.278	0.274	0.090	0.203	\$18.37
AS900E-60B	3.750	0.278	0.278	0.274	0.090	0.203	\$20.57
AS900E-64B	4.000	0.278	0.278	0.274	0.090	0.203	\$22.69
AS900E-68B	4.250	0.278	0.278	0.274	0.090	0.203	\$26.47
AS900E-72B	4.500	0.278	0.278	0.274	0.090	0.203	\$27.73
AS900E-80B	5.000	0.278	0.278	0.274	0.090	0.203	\$29.36
AS900E-84B	5.250	0.387	0.375	0.367	0.142	0.265	\$33.99
AS900E-88B	5.500	0.387	0.375	0.367	0.142	0.265	\$38.11
AS900E-92B	5.750	0.387	0.375	0.367	0.142	0.265	\$43.25
AS900E-96B	6.000	0.387	0.375	0.367	0.142	0.265	\$45.47
AS900E-100B	6.250	0.387	0.375	0.367	0.142	0.265	\$46.91
AS900E-104B	6.500	0.387	0.375	0.367	0.142	0.265	\$47.18
AS900E-108B	6.750	0.387	0.375	0.367	0.142	0.265	\$79.88
AS900E-112B	7.000	0.387	0.375	0.367	0.142	0.265	\$47.51
AS900E-116B	7.250	0.387	0.375	0.367	0.142	0.265	\$50.68
AS900E-120B	7.500	0.387	0.375	0.367	0.142	0.265	\$51.16
AS900E-126B	7.875	0.387	0.375	0.367	0.142	0.265	\$82.68
AS900E-128B	8.000	0.387	0.375	0.367	0.142	0.265	\$58.64
AS900E-132B	8.250	0.387	0.375	0.367	0.142	0.265	\$63.91
AS900E-135B	8.437	0.387	0.375	0.367	0.142	0.265	\$86.63
AS900E-136B	8.500	0.387	0.375	0.367	0.142	0.265	\$71.14
AS900E-144B	9.000	0.445	0.375	0.367	0.202	0.265	\$81.20
AS900E-148B	9.250	0.445	0.375	0.367	0.202	0.265	\$150.34
AS900E-152B	9.500	0.445	0.375	0.367	0.202	0.265	\$96.22
AS900E-156B	9.750	0.445	0.375	0.367	0.202	0.265	\$184.35
AS900E-158B	9.875	0.445	0.375	0.367	0.202	0.265	\$188.18
AS900E-160B	10.000	0.445	0.375	0.367	0.202	0.265	\$113.68
AS900E-164B	10.250	0.445	0.375	0.367	0.202	0.265	\$265.02
AS900E-168B	10.500	0.445	0.375	0.367	0.202	0.265	\$180.21
AS900E-176B	11.000	0.445	0.375	0.367	0.202	0.265	\$189.13
AS900E-184B	11.500	0.445	0.375	0.367	0.202	0.265	\$234.86
AS900E-189B	11.812	0.445	0.375	0.367	0.202	0.265	\$310.44
AS900E-192B	12.000	0.445	0.375	0.367	0.202	0.265	\$203.46
AS900E-196B	12.250	0.445	0.375	0.367	0.202	0.265	\$318.56
AS900E-200B	12.500	0.445	0.375	0.367	0.202	0.265	\$248.01
AS900E-208B	13.000	0.445	0.375	0.367	0.202	0.265	\$209.58
AS900E-224B	14.000	0.445	0.375	0.367	0.202	0.265	\$224.79
AS900E-232B	14.500	0.445	0.375	0.367	0.202	0.265	\$336.95
AS900E-256B	16.000	0.445	0.375	0.367	0.202	0.265	\$418.18

AS900 - TFE Piston Seals

AS600 2pc. Hytrel® Piston Seals - Inch



These compact seal assemblies are molded from a specially blended hytrel® material and include a 70 durometer nitrile o-ring expander. They are interchangeable with the AS900 TFE piston seal grooves and offer easier installation and better resistance to cold flow and extrusion.

Temperature: -40° to 225°F

Pressure: 0 to 5,000 PSI

AS600 - Hytrel - Inch

Part Number	Bore Dia. C +.005/--.000	Groove Depth A +.002/--.000	Groove Width D +.005/--.000	Seal Width D ₁	Seal Wall	Expander Cross Section	Price
AS600E-16	1.000	0.155	0.125	0.121	0.070	0.099	\$5.13
AS600E-20	1.250	0.155	0.125	0.121	0.070	0.099	\$5.17
AS600E-24	1.500	0.155	0.125	0.121	0.070	0.099	\$5.45
AS600E-28	1.750	0.155	0.125	0.121	0.070	0.099	\$5.60
AS600E-32	2.000	0.155	0.125	0.121	0.070	0.099	\$5.83
AS600E-36	2.250	0.155	0.125	0.121	0.070	0.099	\$6.36
AS600E-40	2.500	0.155	0.125	0.121	0.070	0.099	\$6.55
AS600E-44	2.750	0.155	0.125	0.121	0.070	0.099	\$6.68
AS600E-48	3.000	0.278	0.278	0.274	0.090	0.203	\$8.20
AS600E-52	3.250	0.278	0.278	0.274	0.090	0.203	\$9.29
AS600E-56	3.500	0.278	0.278	0.274	0.090	0.203	\$9.93
AS600E-60	3.750	0.278	0.278	0.274	0.090	0.203	\$10.18
AS600E-64	4.000	0.278	0.278	0.274	0.090	0.203	\$10.41
AS600E-68	4.250	0.278	0.278	0.274	0.090	0.203	\$10.76
AS600E-72	4.500	0.278	0.278	0.274	0.090	0.203	\$11.22
AS600E-76	4.750	0.278	0.278	0.274	0.090	0.203	\$11.59
AS600E-80	5.000	0.278	0.278	0.274	0.090	0.203	\$14.15
AS600E-84	5.250	0.387	0.375	0.367	0.142	0.265	\$18.07
AS600E-88	5.500	0.387	0.375	0.367	0.142	0.265	\$18.95
AS600E-92	5.750	0.387	0.375	0.367	0.142	0.265	\$20.33
AS600E-96	6.000	0.387	0.375	0.367	0.142	0.265	\$20.74
AS600E-100	6.250	0.387	0.375	0.367	0.142	0.265	\$21.30
AS600E-104	6.500	0.387	0.375	0.367	0.142	0.265	\$21.73
AS600E-112	7.000	0.387	0.375	0.367	0.142	0.265	\$22.24
AS600E-116	7.250	0.387	0.375	0.367	0.142	0.265	\$22.97
AS600E-120	7.500	0.387	0.375	0.367	0.142	0.265	\$23.58
AS600E-128	8.000	0.387	0.375	0.367	0.142	0.265	\$24.74
AS600E-135	8.437	0.387	0.375	0.367	0.142	0.265	\$27.50
AS600E-136	8.500	0.387	0.375	0.367	0.142	0.265	\$28.11
AS600E-144	9.000	0.445	0.375	0.367	0.202	0.265	\$34.42
AS600E-152	9.500	0.445	0.375	0.367	0.202	0.265	\$38.99
AS600E-160	10.000	0.445	0.375	0.367	0.202	0.265	\$55.61

Material Is 5% Glass / 5% PTFE Filled Hytrel®