



Policies and Procedures

Table of Contents

<i>Terms of Sale</i>	2
<i>Credits</i>	2
<i>Order Processing</i>	2-3
<i>Ordering Instructions</i>	3-4
<i>Custom Quotes</i>	4
<i>Packaging/Cartoning</i>	4
<i>Freight Terms</i>	5
<i>Delivery</i>	5
<i>Dealer Responsibility</i>	5
<i>Storage Conditions</i>	5
<i>Defective/Damaged Material</i>	6
<i>Returned Merchandise</i>	6
<i>Lead Time</i>	6
<i>Showroom Displays</i>	7
<i>Cooperative Advertising</i>	7
<i>Limited Lifetime Warranty</i>	8
<i>Wood/Finish Awareness Form</i>	9
<i>Gloss/Finish Awareness Form</i>	10



Terms of Sale Dura Supreme's terms of sale for Open Account dealers are Net 30 Days from date of invoice. All shipments are invoiced the day of departure from Dura Supreme's factory.

Any account with open invoices beyond 30 days will be considered delinquent. Scheduling, production, and/or shipment of orders for delinquent accounts may be put on hold until the account is made current unless prior arrangements have been made with Dura Supreme's Credit Department.

A Finance Charge of 1.33% per month (16% annual percentage rate) will be assessed on all invoices that are delinquent on the last day of each month. Any finance charges assessed will show on the monthly statement and must be paid (separate invoices for finance charges are not mailed out.)

Credits In the event a credit must be issued against an order, a Credit Request Form must be completed and sent to Dura Supreme for processing. All credit requests must be in writing and give all pertinent details to allow for processing.

Order Processing Submit orders on approved Dura Supreme order forms by fax (toll free 800-242-3872), e-mail (orders@durasupreme.com) or mail. Telephone orders are not accepted due to the potential for miscommunication. Please provide all the necessary information when completing the order form to avoid delays in the processing and production of your order.

1. Order Processing:

- ◆ Orders are assigned a Dura Supreme job number upon receipt at Dura Supreme.
- ◆ The dealer name, purchase order number and product description is then entered into our order entry system.
- ◆ All orders are verified with the Credit Department to confirm that the account is current and in good standing. Upon verification, the order is forwarded to the Order Writing Department.
- ◆ Job Completion Orders (JCO) receive priority status and are written within 24 - 48 hours of receipt in the Order Writing Department (unless there are questions, sketches, or quotes with the order.) An acknowledgement is faxed to the dealer the same day the order is written.
- ◆ Orders are processed in the order they are received in the Order Writing Department. Generally, an Acknowledgement is faxed to the dealer within 6 days of order receipt. Depending on the complexity of the order and whether or not there are sketches, quotes and/or questions, this process may take longer. Please note that your lead time is based on the order receipt date in the Order Writing Department and is not affected by the length of time it takes to generate an Order Acknowledgement.
- ◆ Orders sent in via email or fax receive an "auto-reply" as confirmation that your order was received at Dura Supreme. For email, submit orders to orders@durasupreme.com. For faxed orders, the auto-reply is a snapshot of the first page and lists the total number of pages received. In order to receive the auto-reply, your fax machine must be programmed with your correct fax number.

If there are questions with an order and the order cannot be processed, an Order Analyst will contact the dealer to request the necessary information. Delays in returning the requested information may affect your lead time.

2. Order Acknowledgement:

An Acknowledgement is sent via fax or email, verifying our interpretation of your order. **The dealer is responsible for verifying the accuracy of the acknowledgement and any shop drawings for discrepancies, within 2 working days.** If a discrepancy is found, immediately submit a Change Order Form to make the appropriate corrections. Contact Customer Service if additional assistance is needed.

3. Order Changes:

Communicate all changes as soon as you become aware of them. If an Order Acknowledgement has not been generated, do not wait for the Acknowledgement. Communicate any changes immediately.

All changes and cancellations must be submitted in writing on a Dura Supreme Change Order. Exception: If the change or correction is due to Dura Supreme's error, a Customer Service Representative will accept the change verbally by phone. The error will be corrected and the order will be re-acknowledged for the dealer to verify. Although we will accept a verbal correction, Dura Supreme does encourage all change orders to be submitted in writing due to the risk of misinterpretation.



**Order
Processing
(continued)**

Order Acknowledgement - 2 Day Change Window (Non-JCOs):

- A. It is very important to review your Order Acknowledgement for accuracy and correct any discrepancies immediately. Changes or corrections to an Order Acknowledgement can be made within **2 working days** of the receipt of the Order Acknowledgement without affecting lead times or incurring change charges. Example: An Acknowledgement issued on Friday would be allowed changes, at no charge, until the end of the day, the following Tuesday.
- B. When changes are made, the order will be re-acknowledged with the new information.
- C. After the 2-day change window, no further changes can be made without costs being incurred. Changes after this 2-day window will be made at Dura Supreme's discretion depending upon the complexity of the change and the status of the order in the production cycle. Contact Customer Service with a change request. Production Control will assess the level of difficulty and assign the parts and labor charges for those changes. Please note that any change made after the 2-day Acknowledgement "window" may affect lead times.
- D. Order Acknowledgements with a Dura Supreme error will be corrected at no charge.
- E. As a general rule, the following schedule will be used to assess charges for changed items occurring after the 2-day window:
 - a. If no parts are cut, there will be no charge for the change.
 - b. If doors, frames, and/or parts have been cut but not assembled, charges will be 30% of the cost of the item.
 - c. If doors, frames, and/or parts have been assembled but not finished, charges will be 50% of the cost of the item.
 - d. If the doors, frames, and/or parts are in finish, the items will be completed and the charges will be 100%. Finished cabinets will be shipped with the rest of the order.

4. Additions to an order:

Once an order has been Acknowledged, additions to an order must be submitted on a separate Job Completion Order (JCO) form. Dura Supreme cannot always ensure that the additional items will be produced and shipped at the same time as the original order, but every effort will be made to do so. Please include the requested ship date on your JCO.

5. Job Completion Orders (JCO): Additional cabinetry needed to complete a job that has already been acknowledged or delivered should be submitted on a JCO form to receive "Rush" status. Job Completion Orders (JCO) are Acknowledged but there is not a 2-day window for making changes because they are given automatic priority "Rush" status. The 2-day change window is not built into the lead time so that we are able to process and ship a JCO faster than our normal lead time.

Ordering Instructions Please read these instructions before writing an order, and use this checklist to ensure that your order is complete.

1. All orders **must** be submitted on a Dura Supreme Order Form (available on our website), on a "Supreme Pricing" Order Form, or a 20-20 Order Form. 20/20 orders must include a Dura Supreme Cover Sheet.
2. With your cabinetry order, please submit a floor plan and elevations showing all dimensions and cabinets to be ordered. Although we do not assume responsibility for verifying dimensions, a floor plan will help us identify potential problems or answer questions about the order.
3. The dealer/salesperson's name and phone number (including area code) **must** be on the order so we know who to contact with questions. Please include dealer P.O. and/or customer name on all pages of order.
4. Complete an Order Cover Sheet and specify door style, edge treatment, drawer front style (if other than standard), wood species, and finish color.
5. List groups of cabinets together - wall and tall cabinets first, then base and vanity units, following the sequence of the layout.



**Ordering
Instructions**

6. Use the correct cabinet codes from our specification manual (which are also included in Supreme Pricing and 20-20 software) to avoid errors.
7. Specify hinging on all single door units. If **not** specified, hinge **left** is standard hinging procedure.
8. Specify finished ends where desired, as follows:
FER - finished end right
FEL - finished end left
FEB - finished end both
9. Include all necessary appliance cutout specifications on a template form when ordering oven, warming drawer, dishwasher or microwave cabinets. Also include appliance front panel information when ordering matching refrigerator, dishwasher or compactor fronts. Supply a sketch if applicable.
10. Is the delivery address specified and complete? For job site deliveries, complete the Job Site Delivery Request Form and include a map to the location with your order. See "Delivery" section for additional information.
11. Include a signed Wood/Finish Awareness Form with every order (except JCOs). A Wood/Finish Awareness Form is an educational tool for your customer and it establishes appropriate expectations for naturally occurring variations with woods and finishes. This form is included on our dealer website and is required with every order.
12. A color sample is required for custom color finishes or Personal Paint Match finishes. Normal processing time begins after the color sample is approved by the dealer and customer. Please refer to the specification catalogs for additional information. Once a custom color has been matched, it is assigned a custom color number which must be referenced on your order.

Check your Acknowledgement immediately upon receipt. It is the dealer's responsibility to verify that the order is correct.

Custom Quotes Occasionally, an item is requested that cannot be found in the Dura Supreme catalogs or priced using our standard modifications. In these instances, complete a Custom Quote Request Form and include a sketch with all pertinent details and dimensions, and forward to our Quoting Department. Allow a 24-48 hour turn around time for quotes.

Quotes are e-mailed or faxed back to the dealer with a quote number. Reference the quote number when placing your order. (You do not need to send in the quote request form - just reference the Quote Number and we will reference our copy.) If the quote number is not received with your order, your production date and/or ship date may be delayed to allow time for a re-quote. Quotes are honored for 90 days. If a quote is older than 90 days, please contact Customer Service for a re-quote, or verification that the original quote is still valid.

**Packaging /
Cartoning**

Dura Supreme shipments are packaged and turned over to the transportation company in good condition. According to the terms of the Bill of Lading, the shipment should arrive in the same condition.

Acceptance of shipments by the transportation company is acknowledgement that material was received by them in good condition. If goods appear to be **damaged in transit**, it should not be accepted until the transportation agent has noted the nature and extent of the damage on all copies of the Freight Bill. If the shipment is not in accordance with quantities on the Bill of Lading and Freight Bill, do **not** accept until shortages are noted on all copies of the Freight Bill.

If you discover concealed damage when opening the cartons, report all claims to the Traffic Department at Dura Supreme **within 60 days from receipt** of merchandise.



Freight Terms F.O.B. Origin, Freight Prepaid. Dealer multiplier includes delivery to a standard dealer delivery location.

Delivery Dura Supreme provides tailgate delivery to the dealer shipping address maintained in our company files. Upon request, Dura Supreme will consider job site deliveries to locations other than the dealer's normal place of business. A drop charge applies for each job site delivery. A Job Site Delivery Request Form and map must be submitted with the order. The following guidelines must be adhered to for all deliveries:

1. The dealer **must** make a job site visit to assess whether a 75' semi can reasonably be expected to back into the delivery area and/or turn around, without damage to the equipment. A tractor and trailer require 40 feet to turn 90 degrees and requires a turning radius of 85 feet. Please check the route and delivery area for low hanging branches, power lines, and other obstructions. A truck requires a minimum clearance height of 14'. The delivery driver has the option to refuse to enter questionable or unsafe loading zones. A \$350.00 net charge may be assessed for delays due to unacceptable arrangements. **The truck driver will make the final decision as to whether reasonable access is available and charges are applicable.**
2. **The driver's responsibility is to deliver the goods to the tailgate of the truck. Dealers are required to have adequate personnel at the job site to unload the truck.** Drivers may refuse to unload the truck without adequate help and a **\$350.00** net charge may be assessed for delays due to unacceptable arrangements. **The truck driver will make the final decision as to whether reasonable help was provided and charges are applicable.**
3. **If a job-site delivery is requested, a map to the site along with written directions from the nearest major highway/interstate must be provided with the order.** Use online mapping software (e.g. Googlemaps, Mapquest, etc.) to map the location and indicate the route, based on your inspection of the delivery site, that can be safely reached by our semi. If an order is being prepared for shipment and our Traffic Department has not received a map, the order may be scheduled for delivery to the dealer's regular delivery location or put on hold until the map is received.
4. **Changes in delivery sites must be received by Dura Supreme two working days before the load date.** A \$350.00 net charge per stop may be assessed (in addition to job site delivery charges of \$350) for delays due to unacceptable arrangements.

Dealer Responsibility

1. Inspect all products upon delivery and report any problems to Dura Supreme's Traffic Department immediately.
2. Note any shortages or damage on the Bill of Lading and call Dura Supreme's Traffic Department at once. Do not rely on the driver to be responsible for notifying us or re-ordering parts.
3. Service minor damage which may occur in shipping.
4. Final touch-up and adjustments including doors and drawers.
5. Notify Dura Supreme's Traffic Department of any concealed damage within 60 days of delivery.
6. Back-ordered parts to be installed by dealership.
7. If installation will not be started for 2 weeks or more, inform clients of the importance of storing cabinetry in a climate-controlled space (35-40% relative humidity) and away from "extreme" heat and direct sunlight.

Storage Conditions Cabinets that must be in storage prior to installation must be stored in a controlled climate of approximately 35-40% relative humidity, and away from "extreme" heat and direct sunlight. Excessive humidity or the absence of adequate humidity may void Dura Supreme's Lifetime Limited Warranty.



Defective/ All items must be visually inspected by an authorized representative of the dealership prior to installation.

Damaged Installing the product signifies acceptance of the product as free of warranty issues. Please note that the

Material Dura Supreme warranty covers the repair or replacement of damaged or defective materials only and does not cover the cost of installation or re-installation. Poor cabinetry installation or failure to follow the installation instructions (i.e. failure to use the supplied installation screws) will void the warranty.

Dura Trucks:

Freight damage must be reported within 60 days of receipt of merchandise. If items are to be stored longer than 60 days, please notify Customer Service in advance. If damage is obvious at time of delivery, it should be noted on the delivery paperwork and the item should immediately be unpackaged and inspected for damage.

UPS or FedEx:

If a UPS/FedEx shipment arrives with concealed damage, the dealer must submit a re-order on a Warranty/Replacement Order Form for the damaged items, including the original job number. A replacement order will be entered on a rush basis at no charge. The shipper (Dura Supreme) must file all claims with UPS.

Defective materials covered in the Dura Supreme warranty will be replaced as follows:

1. **Doors:** Doors that are warped ¼” or less must be allowed to hang **through one heating cycle** before replacement at no charge will be considered. Experience has shown that some cabinet doors will warp slightly after installation in new construction because of high moisture, and in older remodeled homes because of low humidity. In most situations, the door(s) will return to its normal (flat) position after going through the heating cycle. Before replacing, please be certain that the door is warped rather than the cabinet itself being racked out of square due to installation.
2. **Cabinets:** Cabinets or parts will be replaced on a rush basis. **All orders must be submitted in writing on a Warranty/Replacement Order Form.** Telephone orders will not be accepted. Please use the toll-free fax number (800-242-3872) or email to orders@durasupreme.com when placing Warranty orders. The rush order will ship via UPS, or on a Dura Supreme truck, if available. Please be sure to include the original Dura Supreme Job Number. A reason for the “no charge” must be specified. (For “no charge” items, the replacement must be ordered EXACTLY like the original order.)
3. **Finish:** Any complaint regarding finish must be inspected by a field representative. We reserve the option of approving field repair or returning the product to the factory for refinishing or replacement. If a field repair is possible, an accurate estimate of the cost must be given. No action can be taken by the dealer **without prior written approval** from Dura Supreme.
4. **Field Repairs:** Many times a product can be repaired in the field with prior authorization from Dura Supreme. Dura Supreme reserves the right to approve a field repair or arrange for its return to the factory for re-work. Labor allowances **must always** be pre-approved **in writing** from Dura Supreme. Forms are available from your Sales Representative.

Returned Merchandise Any items considered defective may be required to be returned to Dura Supreme before replacing at no charge. When items are to be returned, **written authorization** must be obtained from the Traffic Department for the return. Returned material will not be accepted at Dura Supreme **without prior written authorization.**



Showroom Displays Active dealers must have a minimum of one display that measures 8 lineal feet at the face of the base cabinets, 12 door samples, and a set of current color blocks. It is recommended that this minimum be expanded to at least one display of each product line and approximately 24 door samples to adequately demonstrate the breadth of the cabinets and door styles available, variation in wood species, and spectrum of finishes.

A display is defined as a group of cabinets installed in the dealer's showroom, for public display, and for the sole purpose of aiding in the sale of Dura Supreme products. An eligible display will demonstrate both the design capabilities of the dealer as well as the workmanship and quality of Dura Supreme cabinetry.

Dura Supreme reserves the right to change product specifications and update styling at anytime which may affect the longevity or the usefulness of a display to the sales process. Color chips and door samples should be replaced annually to assure accuracy.

Dura Supreme invests in the success of those dealers who commit to actively sell Dura Supreme products. Contact your Dura Supreme Sales Representative to discuss display discount structure.

Special circumstances such as personal use cabinetry, remote displays, home show displays, parade homes, model homes, and displays for special events will be considered for discount on an individual basis. These requests along with the sales objectives and justification for discount should be communicated to your Dura Supreme Sales Representative for consideration with Dura Supreme sales management.

Before discounts are given, all displays must be inspected by the Dura Supreme sales representative to verify completion and adherence to the display definitions described above. A Display Allowance Application must be submitted by the Rep with the display information, the applicable discount, and the Dura job numbers to be discounted. The Display Allowance Application is submitted to Dura sales management for approval and the account must be current and in good standing. Display invoices should be paid in full and all discounts are given by credit memo.

Cooperative Advertising Dura Supreme offers our dealers the opportunity to participate in a cooperative advertising program for the promotion of Dura Supreme products to prospective customers and to increase customer awareness.

Cooperative advertising accrued funds are shown on your monthly statement. To file a claim, submit a completed Dura Supreme Cooperating Advertising Claim Form with appropriate documentation to the Customer Service department within 60 days after invoicing. A credit memo will be issued within 60 days if co-op funds are available. **To qualify for current year co-op funds, claims must be submitted by December 31 with an invoice date of December 31 or earlier.** Claims are accepted and processed throughout the year. Accrued co-op funds must be used within the same year the ad was placed. Funds cannot be carried into the following year.

Refer to the Cooperative Advertising Specifications and Claim Form on our dealer website for details.



Limited Lifetime Warranty

Effective with orders received on or after January 1, 2001

We warrant to the original consumer purchaser of our products that, for as long as they own their home where our products are initially installed, our products will be free from defects in material and workmanship under normal home use and service at the original site of installation. This warranty is only applicable to our products used in residential applications within the United States and the Province of Ontario, Canada and is not transferable to subsequent owners. Our obligation under this warranty shall be limited to the repair or replacement of any part or parts of our products which may prove to be defective under normal home use and service within the warranty period, and which our examination shall disclose to our satisfaction to be defective.

This warranty does not apply to the mellowing and aging of wood products due to photo degradation to its finished appearance (i.e., the effect of natural and artificial light to woods and finishes), variation in the wood grain or color; fading or visible cracking around joint areas. This warranty does not cover countertops, appliances, plumbing fixtures, etc. or the costs and expenses, including labor, incurred in removing or installing our products and related components. This warranty shall not apply to the effects of normal wear and tear or any product or part thereof which has been subject to accident, alteration, acts of God, abuse, misuse, improper installation, improper storage, excessive humidity or fluctuations in humidity, excessive exposure to direct sunlight, exposure to moisture or exposure to extreme temperatures. We make no warranty whatsoever with respect to accessories or parts not supplied or manufactured by us.

THIS WARRANTY IS EXPRESSLY IN LIEU OF ALL OTHER WARRANTIES AND CONDITIONS, EXPRESS OR IMPLIED, INCLUDING ANY IMPLIED WARRANTIES AND CONDITIONS OF MERCHANTABILITY AND FITNESS FOR A PARTICULAR PURPOSE OR USE AND OF ALL OTHER OBLIGATIONS OR LIABILITIES ON OUR PART. WE NEITHER ASSUME, NOR AUTHORIZE ANY OTHER PERSON, INCLUDING OUR SALES REPRESENTATIVES, DEALERS AND DISTRIBUTORS, TO EXTEND OR ASSUME FOR US ANY OTHER WARRANTY, CONDITION OR LIABILITY IN CONNECTION WITH THE SALE OF OUR PRODUCTS. THE REPAIR OR REPLACEMENT OF DEFECTIVE PRODUCTS WILL BE THE PURCHASER'S EXCLUSIVE REMEDY AND THE PURCHASER HEREBY WAIVES ALL OTHER REMEDIES, WARRANTIES, CONDITIONS, GUARANTEES, AND/OR LIABILITIES (EXPRESS OR IMPLIED) ARISING BY LAW OF OTHERWISE, INCLUDING, WITHOUT LIMITATION, ALL IMPLIED WARRANTIES AND CONDITIONS PROVIDED FOR IN THE SALE OF GOODS ACT ONTARIO, AND ALL CLAIMS AGAINST DURA SUPREME FOR CONSEQUENTIAL OR INCIDENTAL DAMAGES.

Dura Supreme reserves the right to alter design, specifications and material without obligation to make similar changes to products previously manufactured. If a warranty claim is filed after a style is no longer being manufactured by Dura Supreme, Dura Supreme reserves the right to honor the warranty by either replacing the affected component with a new component of the same style, or replacing the affected component and any other components in the residential application to achieve a uniform appearance with a similar and comparable product style of the original purchased style. If components are replaced, Dura Supreme cannot guarantee that the finish of these replacements will exactly match the finish and appearance of the components in the residential application. This is due to the changes that occur during the wood's natural aging process, affecting its color and grain.

This warranty gives you specific legal rights and you may have other rights, which vary from state to state and province to province. Some states or provinces may not allow the exclusion or limitation of consequential or incidental damages, so the above limitations or exclusions may not apply to you.

To file a warranty claim, contact your locally authorized Dura Supreme dealer or distributor; who will arrange for inspection of our products. A dated receipt as proof of purchase is required to obtain benefits from this warranty. The authorized dealer or distributor will obtain the information necessary to make a claim decision and forward such information in writing to Dura Supreme, Inc. for action on the claim. Warranty claims must include a complete description of how the defect occurred. If you have difficulty obtaining assistance, please write to Dura Supreme, Inc. at the above address.

Issued to _____

Address _____

Date _____ Job No. _____



DURASUPREME
C A B I N E T R Y
300 Dura Drive • Howard Lake, MN 55349

© Dura Supreme 2010 (0810)



WOOD/FINISH AWARENESS FORM

Office Use Only: Job # _____

This form must be submitted with all orders.

We are dedicated to customer satisfaction! We take pride in hand-crafting beautiful cabinetry for your home using the finest woods and finishes. We feel it is important to explain some of the natural characteristics of woods and finishes which will have variations simply because of their hand-application and their natural origins. Perfection and consistency can be achieved with synthetic products like laminates and plastics, but with natural woods and hand-applied finishes, variations are inevitable and part of their unique beauty and charm. The variations outlined below are natural characteristics and should not be considered reason for product replacement or warranty.

CHARACTERISTICS OF WOOD:

Color, Grain & Texture: Wood is a product of nature and will vary in color, texture and grain. This natural variation is part of the beauty, character and charm of wood – no two pieces are exactly alike. Cabinetry is crafted with many different types and cuts of wood - solid wood, veneer and plywood – and each can affect the final look of the finish. Even the soil and climate in which a tree grew, can affect the color and graining and how the wood accepts a finish.

Age/Mellowing: As wood ages and with exposure to sunlight and other elements, it will change slightly in color – this is called “mellowing”. In most species, the color will darken slightly but with Alder, it will actually become a shade lighter. This color change is subtle and occurs over time but can occur rapidly with intense, direct exposure to sunlight. (See below.)

Moisture/Humidity: All woods are affected by moisture and seasonal changes in humidity. In high humidity conditions, wood will expand, and in low humidity, wood will contract. This normal wood movement is more noticeable with mitered joints (some door styles) and “Inset” cabinetry. It is important to maintain year-round humidity levels (during storage, installation and use) at approximately 35%. Cabinetry (and any wood product) should not be exposed to extreme fluctuations in temperature and/or humidity.

CHARACTERISTICS OF FINISH: Hand-applied finishes (stains, paints, glazes and various distressing techniques), enhance the natural beauty of the wood. As with any hand-application, there can be subtle variations in the application, the absorption of the stain, and the glaze detailing. Glazes and hand-distressing techniques require an especially artistic application and are meant to be random. For all woods and finishes, it is important to view door samples and displays to see the full spectrum of color and wood variation that can occur. This is especially important for any glazed or distressed finishes due to their artistic application. Selections should not be based off a small color chip alone.

- ◆ **Natural Finish** - All woods in a natural finish will exhibit some color change (mellowing) when exposed to light. Any natural color variation within the wood will be more pronounced with a natural finish.
- ◆ **Dark stains on Maple or Knotty Alder** (i.e. Butternut, Java, etc.) Because of the “density” of Maple, and softness of Alder, these wood species have varying areas of density that may absorb stains differently within the same area and create an inconsistent appearance.
- ◆ **Paint Finishes** - Hairline cracks may appear at the joints due to natural wood movement with seasonal changes in humidity. Joint cracks will be especially noticeable on mitered doors and will not be considered reason for warranty replacement. Mitered doors are not recommended with paint finishes for this reason and should be used with caution in high humidity regions.
- ◆ **Glaze/Accent Finishes** - Glaze is applied and wiped by hand creating a “build up” in corners and profiles. Glaze is an artistic application and is intended to be random and unique for each application.
- ◆ **Distressed and/or Rub-Thru Finishes** - Multi-step finishes that use hand-detailing (distressing, rub-thru, etc.) require an artistic application and are intended to be random and unique for each application.
- ◆ **Exotic Veneers (Bria Only)** - Exotic veneers are available with a natural finish only. Natural variations in grain pattern and color will be visible and are an expected characteristic.
- ◆ **Rustic Hickory and Knotty Alder** - Will exhibit large open knots and color variations. Review specs and photos online in the Dealer Login area under “Specs”.
- ◆ **Primed or Unfinished** - We warrant only the primer coat as it is supplied by our finish department. Primer coat must be field sanded and filled before final finish is applied. Unfinished parts are not covered under our warranty. Warpage of door and drawer fronts are not warranted. Field applied finishes are not covered under the warranty. This is in lieu of all other warranties, expressed or implied.
- ◆ **“Mellowing”** - All wood species will change color with age and exposure to sunlight, heat and other elements. Some species are more susceptible to mellowing than others. Cherry will significantly darken as it ages. New cabinetry will be noticeably lighter in color than displays and aged samples, but will eventually mellow. Cherry can also exhibit areas of light and dark wood (heartwood and sapwood) within the same panel. Hard Maple will darken and slightly yellow as it ages. Knotty Alder will lighten as it ages.
- ◆ **Custom Color Match Finish or Personal Paint Match** - A Custom Color match is provided to the customer for approval of the general appearance and color of the finish. Natural wood variations grain, profiles and edge shapes may affect the final overall look.
 Custom Color # _____ 1/2 Door Ack# _____
 Personal Paint Match # _____

The characteristics listed above have been discussed with our customer and they have been shown a representative sample of their applicable wood and/or finish. For Rustic Hickory and Knotty Alder, the customer has reviewed the specs and photos online. The customer understands this information and agrees not to hold the manufacturer, or the dealer responsible if they later determine these natural characteristics are not acceptable.

DEALERSHIP NAME _____

Customer Code: _____

CONTACT NAME _____

P. O. # _____

(please print)

Dealer Signature _____

Date _____

CUSTOMER NAME _____

(please print)

Customer Signature _____

Date _____

DEALER NOTE: Orders will be held until a signed Wood/Finish Awareness Form is received. All selections must be made from current samples dated within the last 12 months. Refer to Specification Catalogs for available woods and finishes.



GLOSS FINISH AWARENESS FORM

Office Use Only: Job # _____

This form must be submitted with all Gloss Foil or Acrylic orders.

We are dedicated to customer satisfaction! We take pride in crafting beautiful cabinetry for your home using the finest materials and finishes. For this reason, we feel it is important to explain the special characteristics of high-gloss materials and their care. We advise viewing several samples and displays (even in different colors) of the material you are considering, to become familiar with the characteristics. The variations and care instructions below are expected characteristics and should not be considered reason for product replacement or warranty.

- ◆ All high gloss finishes will magnify minute variations in the substrate and application of the adhesive. We utilize state-of-the-art, computerized sanding and machining equipment, but small variations may still occur. Gloss finishes, especially when viewed at angles, may magnify these inherent variations. In addition, machined profiles and edges may exhibit slight textural variations from the substrate. We carefully inspect our products in the natural viewing conditions of an installed kitchen – with doors and cabinetry in a vertical position at arms’ length for any apparent imperfections.
- ◆ Cabinetry with a gloss foil or acrylic finish is shipped with a protective peel coat, supplied by the foil or acrylic manufacturer. This peel coat protects the surface during manufacturing, shipping and installation, and should only be removed after final installation is complete. The peel coat should be removed by gently peeling back the edge with your fingernail and pulling away from the door (do not use tools or a knife to cut the peel coat as it will scratch the surface).
- ◆ Slight elevations or depressions (dimples) may be evident with any high-gloss material.
- ◆ Foils are “wrapped” over corners and edges to create seamless color on the face and all edges of a door. This process may result in slight pinched corners where the foil was compressed to wrap a corner, or a slight stretch mark on outside corners which will look slightly lighter than the face. These are natural and expected characteristics of foil materials.
- ◆ The edgbanding process may leave slight adhesive residue under the edge of the peel coat that will need to be carefully cleaned with mineral spirits after the peel coat is removed.
- ◆ All high-gloss materials require extra care during installation and daily use, to not scratch the surface. Always use a clean, soft cloth (no paper towels) for cleaning and dusting, and never use abrasive cleansers. **Scratches will not be considered reason for product replacement.**
- ◆ Acrylic surfaces require extra care and must be polished with our Acrylic Polish Kit to accelerate hardening of the surface and protect it from scratches.

Specific Care of Acrylic Finishes: An Acrylic Polish Kit is required with every acrylic cabinet order. If acrylic surfaces are not polished according to the included instructions, the warranty is void.

- ◆ **CAUTION:** Acrylic surfaces are especially susceptible to scratching. **The protective peel coat should not be removed until installation is complete and fine dust has been removed.**
- ◆ Immediately after removing the peel coat, apply Ultra-Gloss Superpolish to protect the surfaces, prevent scratches and accelerate hardening of the acrylic.
- ◆ An Acrylic Polish Kit is provided with your acrylic cabinetry. Follow instructions carefully:
 - △ Ultra-Gloss Superpolish: Shake well before each use. Keep out of reach of children.
 - △ Apply the polish to the foam polishing pad and apply equally to all acrylic surfaces using a circular motion. Press lightly to avoid scratching the surface with the polishing pad.
 - △ Superpolish is extremely concentrated and should be applied sparingly.
 - △ Immediately after applying Superpolish, lightly buff the surface using the soft, yellow polishing cloth (provided) with straight movements.
 - △ Re-apply polish at least every 12 months (or whenever the surface does not feel as smooth and slick to the touch) to maintain surface protection and scratch resistance.

The characteristics listed above have been reviewed with our customer. The customer understands this information and agrees to **not** hold the manufacturer, or the dealer, responsible if they later determine these natural characteristics are not acceptable. **For acrylic finishes, I agree to the purchase of an Acrylic Polish Kit with each cabinet order and if it is not applied properly, I understand that the warranty is void.**

DEALERSHIP NAME _____

Customer Code: _____

CONTACT NAME _____

P. O. # _____

(please print)

Dealer Signature _____

Date _____

CUSTOMER NAME _____

(please print)

Customer Signature _____

Date _____

DEALER NOTE: Orders will be held until a signed Gloss Finish Awareness Form is received.



Section Item	Code	Page
11270 135° Angle Cabinet with Doors	135AWCD	4-32
83555 Accent Pens	ACNTPEN	10-28
-- Acrylic and Foil Design Considerations		2-10
90765 Acrylic and Foil Pre-Finished Panels	CP_	11-30
83505 Acrylic Polish Kit	ALCRYLICPK	10-28
71800 Add Partition to a Drawer or Roll-Out Shelf	DWRP, DWRPSS	9-14
71705 Additional Drawer	ADWR	9-13
81750 Additional Toe Board Molding	TBMCHG, TBEHWCHG	10-13
32020 Adjustable Drawer Partitions	ADWRP	5-38
70005 All Plywood Construction	PLYCASE	9-1
02030 Aluminum Frame Doors	ALFRM_	3-50 - 3-52
72900 Angle Modification 1	AM1	9-18
72950 Angle Modification 2	AM2	9-18
73000 Angle Modification 3	AM3	9-19
73050 Angle Modification 4	AM4	9-19
73100 Angle Modification 5	AM5	9-19
73150 Angle Modification 6	AM6	9-20
90300 Angled End Panels	_AEP_	11-14
90050 Angled Fillers - 45 Degrees	A_F_	11-2
90100 Angled Fillers - 45 Degrees	_AF_	11-3
30300 Angled Sink Base	ASB	5-7
30300 Angled Sink Base Fluted	ASBF	5-7
30929 Apothecary with Drawers, Base	BAD	5-30
11800 Apothecary with Drawers, Wall	WE_D	4-33
10600 Appliance Cabinet	ACT, ACD	4-13
10410 Appliance Corner Cabinet	ACCT, ACCD	4-10
90550 Appliance Panels	API_, APB_	11-27
82350 Arched Panel Valance	APV	10-17
31400 Base Angled End Cabinet	BAEC	5-31
30929 Base Apothecary with Drawers	BAD	5-30
62200 Base Bookcase	_BB	8-8
30000 Base Cabinet	B	5-1
30860 Base Cabinet Pantry	BCP	5-25
31650 Base End Corner Cabinet Door	BECCD	5-32
31700 Base End Shelf	BES	5-33
30050 Base Full Door	BFD	5-1
30100 Base Full Door Shallow	BFDS	5-2
30516 Base Oven Cabinet	BOC	5-11
30770 Base Pot and Pan Roll-Out	BPPRO	5-24
30865 Base Pull-Out Bottle Storage Rack Cabinet	BPOBR, BPOFDBR	5-25
30874 Base Pull-Out Cabinet	BPOC	5-27
30872 Base Pull-Out Fillers	BPOF	5-26
30876 Base Pull-Out Pantry	BPOP	5-28
30880 Base Pull-Out Pantry - Wire	BPOPW	5-28
30911 Base Pull-Out Tray Divider Cabinet	BPOTD, BPOFDTD	5-29
30900 Base Pull-Out Utensil Cups	BPOUC	5-28
30755 Base Recycling Center	BRC, BRCSEVERO	5-21
30760 Base Recycling Center Full Door	BRCFD, BRCFDSERVO	5-22
30765 Base Roll-Out Cabinet	B1ROS, B2ROS	5-23
81800 Base Shoe Molding	BSM	10-13
81802 Base Shoe Molding Square	BSMS	10-13
30882 Base Swing-Up Mixer Shelf Cabinet	BMSC	5-28
30910 Base Tray Divider Cabinet	BTD, BTDFD	5-29
82450 Base Turned Posts - Loose	_QTP_	10-19
30520 Base Warming Drawer	BWD	5-12
30920 Base Wicker Basket Cabinet	BWBD, BWB	5-29b
30925 Base Wine Rack	BWR	5-30

Section Item	Code	Page
30120 Base with Two Drawers	BD	5-2
81950 Bead Board Molding	BBM	10-14
81350 Bead Molding	BM	10-12
81220 Beveled Bottom Molding	BVBM	10-11
71250 Bi-Fold Doors	BIFD1	9-10
30600 Blind Corner Base	BCB	5-15
30670 Blind Corner Base with Baskets	BCBB	5-16
30650 Blind Corner Base with Swing-Out Shelves	BCSOSW	5-15
30660 Blind Corner Swing-Out	BCSO	5-15
10150 Blind Corner Wall Cabinet	BCW	4-6/4-7
62250 Bookcase	_B	8-9
62300 Bookcase Vanity Door	_BVD	8-10 - 8-12
62350 Bookcase Wall/Vanity Door	_BWVD	8-13 - 8-15
62825 Boot Bench Drawer with Open Bottom	BENCH_DO	8-26
62820 Boot Bench with Decorative Panel	BENCH-DEC	8-26
62830 Boot Bench with Drawers	BENCH_D	8-27
32005 Bottle Rack in Deep Roll-Out Shelf	ROSBR	5-35
32105 Bread Drawer Cover	BDC	5-39
81700 Broad Scribe Toe	BST	10-13
82550 Bunfoot	BUNFOOT_	10-20
20050 Canopy Hood	CH_MCRM, CH_MCVE	4-36
70552 Centered Partition	_P	9-5
81100 Chair Rail/Light Valance Molding	CRLVM	10-11
32100 Chop Block Drawer	CBD	5-39
81230 Classic Bottom Molding	CLBM	10-11
70030 Clipped Corner Modification	CCM_	9-2
83405 Coat Hook (Extra/Loose)	801_	10-27
62900 Coat Hook Rack	CHRACK	8-36
62910 Coat Rack Organizer	CRO_D, CRO_O	8-37/8-38
82650 Columns	_CLMN	10-22
82660 Columns, Decorative	_CLMN_	10-22b/10-22c
32050 Concealed Bread Board	BBC	5-38
71825 Convert Drawer or Roll-Out Shelf to Plumbing Drawer	PLUM_	9-14
71650 Convert Drawer to False Drawer Front	FD	9-12
71660 Convert False Front to a Working Drawer	CFDWR	9-12
71835 Convert Plumbing Drawer to Non-Standard Plumbing Drawer	CPLUMDWRNS	9-14
71830 Convert Plumbing Drawer to Standard Drawer	CPLUMDWRSTD	9-14
71460 Convert Shelves to Flush Furniture Shelf	FFSW, FFSH	9-12
71450 Convert Shelves to Shelf and Rail	SRW, SRH	9-11
30775 Cook Center Base	CK3DB, CKB	5-24
87000 Corbels	CBL_	10-33
81232 Cottage Bead Bottom Molding	CBBMB	10-11
70555 Cottage Bead Interior Back	CBB, CBTB	9-5
82145 Cottage Bead Nosing Molding	CBNB	10-14
90355 Cottage Bead Overlay End panel	CBOEP_	11-24
90640 Cottage Bead Panel (Wainscot)	CPB_	11-27
82600 Cottage Bead Spacer	CBS	10-21
62100 Counter Bookcase	_CB	8-4
62150 Counter Bookcase Wall Doors	_CBWD	8-5 - 8-7
83820 Countertop Support	CSUPA	10-31
81000 Cove Molding	CM	10-10
30725 Curved Corner Base	CCB	5-20
10350 Curved Corner Wall	CCW	4-8
32012 Cutlery Divider	CD	5-36
32670 Cutlery Divider for Stainless Steel Drawer	CDSS	5-42



Section Item	Code	Page
32014 Cutlery Tray, Two-Tier Wood	TTWCT	5-37
90310 Decorative Angled End Panels	D_AEP	11-15
90650 Decorative Base Panel (Wainscoting)	DBP, DBPS	11-28
80950 Decorative Cove Molding	DCM	10-10
83840 Decorative End Bracket	DEBA, DEBB, DEBC	10-32
90260 Decorative End Panels	D_EP	11-9
02000 Decorative Glass		3-41
81550 Decorative Outside Corner Molding	DOSCM	10-12
90350 Decorative Overlay End Panels	DOEP_	11-23
82275 Decorative Toe Loose	DTL	10-15
72150 Decorative Toe Surface	DTS_	9-16
70400 Decrease Dimension Modifications	CDW_, CDD_, CDH_	9-3
32690 Deep Drawer Organizer / Stainless Steel Drawers	DDOSS	5-42
10100 Deep Wall Cabinet	DW	4-4/4-5b
10120 Deep Wall Cabinet for Sub Zero Refrigerators	DWSZ	4-5b
32017 Deluxe Drawer Organizer	DDO_	5-37
80650 Dentil Molding	DM	10-10
62600 Desk Base	_DB	8-18/8-19
62400 Desk Drawer	_DD	8-16
62550 Desk Drawer Bracket End	_DBBE	8-17
62650 Desk Full Door	_DFD	8-20/8-21
10850 Desk Organizer Cabinet	DOC, DDCD	4-22/4-23
62700 Desk Three Drawer File	_D3DF	8-22
62750 Desk Two Drawer File	_D2DF	8-23
31820 Diagonal Base End Shelf	DBES	5-33
10400 Diagonal Corner Appliance Cabinet	DCAT, DCATWS, DCAD, DCADWS	4-9
30712 Diagonal Corner Base	DCB, DCBFD	5-19
-- Diagonal Corner Cabinet Specifications		5-19
30720 Diagonal Corner Sink Base	DCSB, DCSBFD	5-20
30400 Diagonal Corner Sink Front	DCSF	5-8
10300 Diagonal Corner Wall Cabinet	DCW, DCWWS	4-8
40400 Diagonal End Shelf, Tall	_TEDES	6-25
30705 Diagonal Four-Drawer Base	DC4DB	5-18
30702 Diagonal Three-Drawer Base	DC3DB	5-18
11420 Diagonal Wall End Shelf	DWES	4-33
83630 Dish Storage Drawer Kit (Extra/Loose)	DSD_	10-29
32180 Dish Storage Drawer Posts	DSD	5-39
30480 Dishwasher Base, Raised	RDBD, RDB	5-10
-- Distressing		2-11
83640 Divider Base Kit, Tray	TDBSCM	10-29
73260 Door and Jamb Modification	CDJ	9-22
72850 Door and/or Drawer Locks	LOCK	9-17
70020 Door Applied to Finished Cabinet End	DA_	9-2
00400 Door Edge Profiles		3-2
70015 Door on End of Cabinet, Working	_ED	9-1
82850 Door Only (Extra/Loose)	DR, DRC, DRSS	10-24
11900 Door Spice Rack	DSR	4-34
-- Door Styling		3-1 - 3-54
90660 Doors Applied to Panel	DAP_	11-28
30510 Down Draft Range Base	DDRB	5-11
83100 Drawer Box (Extra/Loose)	DWR_, DWB_	10-25
32664 Drawer Charging Station	_CHGS	5-42
00405 Drawer Front Configuration Option		3-4
70807 Drawer Front Configuration Option		9-7
83050 Drawer Front Only (Extra/Loose)	DFR_, DFRSS	10-24
83200 Drawer Guide - Side Mount Full Extension	FEGSM	10-25
32110 Drawer K-Cup Organizer	DKCUP	5-39
32015 Drawer Knife Holder	DKH	5-37
71850 Drawer Modification	DM3	9-14

Section Item	Code	Page
83150 Drawer or Roll-Out Guide - (Extra/Loose)	BMOTFEG	10-25
32017 Drawer Organizer, Deluxe	DDO_	5-37
71800 Drawer Partition	DWRP	9-14
32020 Drawer Partitions, Adjustable	ADWRP	5-38
32180 Drawer Posts, Dish Storage	DSD	5-39
32664 Drawer Power Station	_PWRS	5-42
32019 Drawer Spice Rack	DWSR	5-37
32178 Drawer, Plate Rack	PRDWR_	5-39
20550 Ductless Ventilation	DCK	4-37
90750 Edgebanding, Loose or Applied	EBA, EBL	11-29
80750 Egg and Dart Molding	EDRT	10-10
90250 End Panels	_EP_	11-8
90270 End Panels - Two Sided	_EPW2S, _EPP2S	11-10
40300 End Shelf, Tall	_TES	6-24
62930 Entertainment Base	EB	8-42
62930 Entertainment Base One Drawer	E1DB	8-42
-- Entertainment Centers		8-39 - 8-56
62970 Entertainment Component Cabinet	ECOMP	8-56
62920 Entertainment Console	EC_	8-40/8-41
62950 Entertainment Tall	ET_	8-44 - 8-49
62950 Entertainment Tall Pull-Out	ETP_	8-46, 8-48
62960 Entertainment Tower	ETWR_	8-50 - 8-55
62960 Entertainment Tower Pull-Out	ETWRP_	8-50, 8-52, 8-54
62930 Entertainment Two Drawer Base	E2DB	8-42
62940 Entertainment Wall	EW_	8-43
80620 Exotic Veneer Ceiling/Light Valance Molding	EVCLV	10-8
80638 Exotic Veneer Outside Corner Molding	EVOSCM	10-8
90760 Exotic Veneer Pre-Finished Panels	EVP_	11-30
80640 Exotic Veneer Trim Molding	EVTM	10-8
32060 Exposed Bread Board	BBE	5-38
70040 Extend Side Down	ESD, EBD	9-3
70035 Extended Side Back	ESB, TESB	9-2
80530 Extra Large Beaded Cove Molding	XLBCVE	10-5
80420 Extra Large Cove Molding	XLCVE	10-4
80160 Extra Large Crown Molding	XLCRM	10-2
81450 Face Molding	FM	10-12
90000 Fillers	_F_, _CF90_, _CF135_	11-1
70610 Finished Back		9-6
70700 Finished Bottom (or Top)	FBT, FT	9-6
70000 Finished Ends	FE_	9-1
-- Fireplace Mantels		8-57 - 8-64
30230 Five Drawer Base	SDB	5-4
80200 Flex Crown Molding	FLXCRM	10-2
83375 Floating Shelf	FS	10-27
83360 Flush Furniture Shelf, Wood or High Pressure Laminate		
(Add'l to Match Order - Loose)	FFSW, FFSH	10-26
71900 Flush Toe	FTS	9-15
90200 Fluted Overlay & Fluted Overlay with Applied Rosette	F_O3, F_OR3_	11-6
72520 Fluting Modifications	_FLTA, ROSE_FLTA	9-17
80641 Foil and Acrylic Ceiling/Light Valance	CCLV	10-9
80644 Foil Cove	CVFOIL	10-9
80642 Foil Crown	CRMFOIL	10-9
80646 Foil Outside Corner Molding	OSCMFOIL	10-9
80648 Foil Trim Molding	TMFOIL	10-9
30200 Four Drawer Base	4DB	5-3
70835 Frame and Glass (or Mirror)	FG	9-8



Section Item	Code	Page
70840 Frame No Glass	FNG, CGC_	9-8
70850 Full Height Door	FHD	9-8
81820 Furniture Base Cove Molding	FBCVE	10-13
81810 Furniture Base Crown Molding	FBCRM	10-13
81850 Furniture Base Molding	FBM	10-13
30730 Giant Susan Curved Corner Base	GSCCB	5-20
30715 Giant Susan Diagonal Corner Base	GSDCB	5-19
30695 Giant Susan Square Corner Base (Wood)	GSSCB	5-17
50590 Grooming Cabinet, Vanity	VGC, TVGC	7-12
31560 Half Round Base Cabinet	HRBC	5-32
62890 Hall Trees	HLTR, HLTR-CB	8-36
80610 High Pressure Laminate Ceiling/Light Valance	HCLV_	10-7
83010 Hinge Angle Restriction Clip	HARC	10-24
71000 Hinge Top/Stay Lift	HT, SLH, SL_V	9-9
62810 Hinged Wood Top	HWT_	8-25
83000 Hinges (Extra/Loose)	H_	10-24
21300 Hood Frieze	HOODFRZ	4-46/4-46a
21510 Hood Information, General		4-48
21350 Hood Platform Frieze	HOODPFRZ	4-46b/4-46c
20050 Hood, Canopy	CH_MCRM, CH_MCVE	4-36
21000 Hood, Independent	IHOOD	4-42/4-43
21200 Hood, Independent Platform	IPHOOD	4-44/4-45
20850 Hood, Integral	INTHOOD	4-40/4-41
20800 Hood, Integral Canopy	ICHOOD	4-38/4-39
21400 Hood, Mantel	MHOOD	4-46d/4-47
-- Hoods		4-35 - 4-48
11000 Horizontal Wine Rack, Wall	VWRH	4-26
70450 Increase Depth	ID	9-4
70455 Increase Depth 1" (13" System Depth)	INCD1	9-4
70500 Increase Height	IH	9-4
21000 Independent Hood	IHOOD	4-42/4-43
21200 Independent Platform Hood	IPHOOD	4-44/4-45
20800 Integral Canopy Hood	ICHOOD	4-38/4-39
20850 Integral Hood	INTHOOD	4-40/4-41
32800 Island End Cap Style A	ISLECA	5-44/5-45
32850 Island End Cap Style B	ISLECB	5-46/5-47
32900 Island End Cap Style C	ISLECC	5-48 - 5-50
-- Island End Caps		5-43 - 5-50
90287 J End Panel with One Decorative End	J_EPDP	11-13
90285 J End Panels	J_EPP	11-12
62450 Keyboard Drawer	_KD	8-16
62500 Keyboard Drawer with Tip Down Drawer Front	_KDTPDF	8-17
-- Keystone Block	KEYB	10-16
82300 Keystone Panel Valance	KPV	10-16
32015 Knife Holder, Drawer	DKH	5-37
80520 Large Beaded Cove Molding	LBCVE	10-5
80410 Large Cove Molding	LCVE	10-4
80310 Large Craftsman Crown Molding	LCCM	10-3
80150 Large Crown Molding	LCRM	10-2
02020 Leaded Glass		3-48/3-49
32009 Lid Storage Partition	LSP_	5-35
71005 Lift Door	LIFTD	9-9
10815 Lift Door, Wall	WLD_	4-18

Section Item	Code	Page
81150 Light Shield Classic Molding	LSCL	10-11
81210 Light Shield Profiled	LSPRO	10-11
81160 Light Shield Transitional Molding	LSTR	10-11
51400 Linen Storage Cabinet	_LSC_	7-26 - 7-30
51450 Linen Storage Hamper	_LSHV, _LSHTV	7-38
51403 Linen Storage One Drawer	_LSTD	7-31
51410 Linen Storage Three Drawer	_LSV3D, _LSTV3D	7-34 - 7-37
51406 Linen Storage Two Drawer	_LS2D	7-32/7-33
62840 Locker Style A	LKR_A	8-28/8-29
62850 Locker Style B	LKR_B	8-30/8-31
62860 Locker Style C	LKR_C	8-32/8-33
62870 Locker Style D	LKR_D	8-34
11910 Loose Wood Susan	WLS	4-34
70820 Louvered Doors	LOUVR1	9-7b
63000 Mantel A - Corbel	MNTLA	8-58/8-59
63010 Mantel B - Plain	MNTLB	8-60/8-61
63020 Mantel C - Decorative	MNTLC	8-62/8-63
21400 Mantel Hood	MHOOD	4-46d/4-47
63030 Mantel Shelf	MNTLS	8-64
-- Mantels		8-57 - 8-64
70550 Matching Finished Interior	MFI	9-5
62980 Media Storage Drawer	MSD	8-56
50800 Medicine Cabinet	MCD, MCM	7-15
80510 Medium Beaded Cove Molding	MBCVE	10-5
80400 Medium Cove Molding	MCVE	10-4
80300 Medium Craftsman Crown Molding	MCCM	10-3
80100 Medium Crown Molding	MCRM	10-2
83470 Metal Heat Shield (Loose)	MHS_	10-27
30530 Microwave Base with Drawer	MBD	5-14
40142 Microwave Cabinet Three Drawer	MC3D	6-21
40130 Microwave Oven Cabinet	MOC	6-19
10700 Microwave Wall	MW	4-14
10750 Microwave Wall Appliance Cabinet	MWACT, MWACD	4-15
10650 Microwave Wall Shelf	MWS	4-13e
10720 Microwave Wall with Drawer	MWD	4-14
80350 Mini Cove Molding	XSCVE	10-4
80000 Mini Crown Molding	XSCRM	10-2
83800 Mini Molding Corbels	MMCA	10-31
82150 Mirror Frame Molding	MFRM	10-14
50904 Mirror with Shelf and Molding	MSM	7-17
50905 Mirror with Shelf and Molding Frame	MSMF	7-17
62880 Mirrored Hall Tree	HLTR-MR	8-35
30882 Mixer Shelf Cabinet	BMSC	5-28
71210 Modify Cabinet (Reconfigure Existing Cabinet)	MODCAB	9-10
70310 Molding Apron	MA	9-3
80550 Molding Extension	ME	10-5
-- Moldings - General Information		10-1
02010 Mullions		3-42 - 3-47
70801 Omit Bottom Rail and Floor (Wall)	OB	9-7
70900 Omit Door(s)	OD	9-8
71700 Omit Drawer and/or Drawer Front	ODW, ODF	9-12
71400 Omit Shelves	OS, ODS	9-11
72050 Omit Toe Space	OTS	9-15
10130 Open Wall Cabinet	OW	4-5c
81500 Outside Corner Molding	OSCM	10-12
81560 Outside Corner Molding 135°	OSCM135	10-12
-- Oven Cabinet Custom Cut-Out Template		6-23
40100 Oven Cabinet with Doors Below	OCA	6-16



Section Item	Code	Page
40110 Oven Cabinet with Drawer Below	OCD	6-17
40120 Oven Cabinet with Two Drawers Below	OC2D	6-18
40150 Oven Closer Panels	OCP	6-22
40145 Oven Panel Cut-Out Options	CSP_	6-22
40140 Oven Warming Drawer	OWD	6-20
90340 Overlay End Panels	OEPW_, OEPP_	11-21
90342 Overlay End Panels - Horizontal Grain for Foils	OEPH_	11-22
90210 Overlays & Fillers (Attached)	_OF_, _OF90_, _OF135_	11-7
-- Overlays for Blind Corner Cabinets	WOBC, BOBC	11-4
90160 Overlays for Corner Fillers	_CO90_, _CO135	11-5
90150 Overlays for Fillers / End Panels	_O_	11-4
90750 Panel - Pre-finished Wood, Cut To Size	PW_	11-29
82130 Panel Molding - Chapel Hill or Vintage	PMCHV	10-14
82120 Panel Molding - Cottage Bead	PMCB	10-14
82110 Panel Molding - St Augustine	PMSA	10-14
30850 Pantry Cabinet Base	PCB	5-25
40050 Pantry Storage Cabinet	_PSC	6-14
30750 Peninsula Base Starter	PBS	5-21
71180 Peninsula Modification	P_	9-9
90318 Pilaster Decorative End Panels	PD_EP	11-18
90316 Pilaster End Panels	P_EPP	11-17
90314 Pilaster Fillers	P_F	11-16
82500 Pilasters - Loose	PIL, PILT	10-20
73250 Pipe Chase Three Sided	PC_3	9-21
73200 Pipe Chase Two Sided	PC_2	9-21
32178 Plate Rack Drawer	PRDWR_	5-39
71825 Plumbing Drawer, Convert Drawer or Roll-Out Shelf to	PLUMDWR	9-14
71300 Pocket Doors	PD_	9-11
90750 Pre-finished Panels - Cut To Size	P_	11-29
71725 Premium Maple Drawer Box	PM	9-13
70840 Prepare Door for Glass	FNG, CGC_	9-8
32415 Pull-Out Caddy, Sink Base	SBPOC	5-40
40640 Pull-Out Pantry - Wire, Tall	_TPOPW	6-28
40630 Pull-Out Pantry, Tall	_TPOP	6-27
11080 Pull-Out Pantry, Wall	WPOP	4-30
31500 Quarter Round Base Cabinet	QRBC	5-31
40200 Quarter Round Tall Cabinet	_QRTC	6-24
11250 Quarter Round Wall Cabinet	QRWC	4-32
30480 Raised Dishwasher Base	RDBD, RDB	5-10
30535 Raised Microwave Base	RMB	5-14
30500 Range Base	RB	5-10
30515 Range Top Two Drawer	RT2D	5-11
70810 Rattan Inserts	RATN1	9-7b
70800 Recessed Bottom (Wall)	RB	9-6
30470 Recessed Corner Sink Base	RCSB	5-9
50850 Recessed Medicine Cabinet	RMCD, RMCM	7-15
71950 Recessed Toe Space on Side or Back	RTSS, RTSB	9-15
30755 Recycling Center, Base	BRC, BRCSERVO	5-21
71860 Reduce Depth of Drawer Box	RDD_	9-15
71860 Reduce Depth of Roll-Out	RDR_	9-15
90500 Refrigerator Door Panels	RDP, RDPNS	11-26
90400 Refrigerator End Closer Panel	RECP_	11-25
90425 Refrigerator End Panel	REP_	11-25
00410 Reveals		3-4
32002 Roll-Out Shelf	ROS, ROSD, SSROS, SSROSD	5-34
40600 Roll-Out Shelf	ROS, ROSD, SSROS, SSROSD	6-26
50750 Roll-Out Shelf	ROS, ROSD, SSROS, SSROSD	7-14
32007 Roll-Out Shelf Flat	ROSF	5-35

Section Item	Code	Page
83650 Roll-Out Shelf Kit, Flat (Loose)	ROSF	10-29
83700 Roll-Out Shelf Kits	ROSK, ROSDK	10-30
32010 Roll-Out Shelf, Shallow, Above Drawer	ROSAD	5-36
80850 Rope Molding	RM	10-10
71750 Shallow Drawer	SD	9-13
32010 Shallow Roll-Out Above Drawer	ROSAD	5-36
82750 Shaping Charge (Solid Stock)	SHPCHG	10-22d
83250 Shelf (Additional Supreme Coat - Loose)	ASSCM, AS	10-25
83300 Shelf (Additional Wood or Veneer - Loose)	ASW, ASH	10-26
83350 Shelf and Rail (Additional, to Match Order - Loose)	SRW	10-26
71450 Shelf and Rail, Convert to	SRW, SRH	9-11
83400 Shelf Clips, Acrylic (Extra/Loose)	SC	10-27
81960 Ship Lap Molding	SLM	10-14
72100 Ship Toe Loose	STL	9-15
30250 Sink Base	SB	5-5
30310 Sink Base Bow Front Apron Cabinet	SBFA	5-8
32405 Sink Base Door Rack	SBDR	5-40
30270 Sink Base Full Door	SBFD	5-6
32410 Sink Base Organizer, Two-Tiered	SBO	5-40
32415 Sink Base Pull-Out Caddy	SBPOC	5-40
30290 Sink Base Wide Apron	SBWA	5-7
30260 Sink Base with Drawer Below	SBD	5-5
30280 Sink Base with Recessed Doors	SBRD	5-6
30350 Sink Front	SF	5-8
32460 Sink Mat	SBFM	5-41
32660 Sliding Wicker Basket	SWB	5-41
80500 Small Beaded Cove Molding	SMBCVE	10-5
80250 Small Craftsman Crown Molding	SCCM	10-3
80050 Small Crown Molding	SMCRM	10-2
-- Soft Close for Doors		2-3
82750 Solid Stock	SS, SSXL	10-22d
70830 Speaker Cloth	SC	9-7b
32019 Spice Rack, Drawer	DWSR	5-37
30675 Square Corner Base	SCB	5-16
-- Square Corner Base Specifications		5-16
30690 Square Corner Base Spin Tray (Plastic)	SCBST	5-17
30475 Square Corner Sink Base	SCSB, SCSBFD	5-9
10250 Square Corner Wall Cabinet	SCW	4-7
11350 Square Top What Not Shelf	SWNS	4-32
71200 Stack Cabinet	SC_	9-10
10614 Stacked Corner Wall Cabinet	SSCW	4-13d
10616 Stacked Diagonal Corner Wall Cabinet	SDCW	4-13d
10610 Stacked Wall Cabinet	SW4-13b/4-13c	
83550 Stain (Sent Loose)	STN_	10-28
71730 Stainless Steel Drawer Box	SS	9-13
80600 Starter Molding Profiled	SMPF_, MP	10-6
90450 Sub-zero (Side) Panel	SZP	11-25b
40400 Tall Diagonal End Shelf	_TDES	6-25
40300 Tall End Shelf	_TES	6-24
40630 Tall Pull-Out Pantry	_TPOP	6-27
40640 Tall Pull-Out Pantry - Wire	_TPOPW	6-28
40010 Tall Storage Cabinet	TSC	6-9/6-11
40020 Tall Storage Cabinet Three Drawer	_TSC3D	6-12/6-13
40550 Tall Wine Rack	_TWR	6-25
30150 Three Drawer Base	3DB	5-3
30525 Three Drawer Base Warming Drawer	3DBWD	5-13
32400 Tip Down Front	TDFS, TDF	5-40
81750 Toe Board, Additional	TBMCHG, TBEHWCHG	10-13



Section Item	Code	Page
32662 Toe Space Drawer	TSDWR	5-42
83600 Touch-Up Aerosol Cans	SPRAYCAN_	10-29
83500 Touch-Up Kit (Extra)	TKCHG	10-27
32450 Towel Bar	TB3	5-41
83830 Transitional Corbels	CRBL_	10-32
83640 Tray Divider Base Kit	TDBSCM	10-29
30910 Tray Divider Cabinet, Base	BTD, BTDFD	5-29
32500 Tray Divider Kit	TDK	5-41
32510 Tray Divider Pull-Out	TDPO	5-41
31450 Triangular Base Cabinet	TBC	5-31
11200 Triangular Wall Cabinet	TWC	4-31
81400 Trim Molding	TM	10-12
50860 Tri-View Mirror Cabinet	TVM	7-16
50870 Tri-View Mirror Cabinet Extended	TVME	7-16
90326 Turned Post Base End Panels	TP_BEPP	11-19
90324 Turned Post Base Filler	TP_BF	11-19
90328 Turned Post Decorative Base End Panels	TP_DBEP	11-20
82400 Turned Post Style Options		10-18
30130 Two Drawer Base	2DB, 2DBW	5-3
90280 Two Sided End Panel with One Decorative End	_EP2SD	11-11
32014 Two-Tier Wood Cutlery Tray	TTWCT	5-37
32410 Two-Tiered Sink Base Organizer	SBO	5-40
70551 Two-Tone Finish Combination	CC	9-5
72120 Universal Access Cabinet	UAC	9-15
32680 Utensil Organizer for Stainless Steel Drawer	UOSS	5-42
40000 Utility Cabinet	UC	6-1/6-3
40060 Utility Cabinet Pantry	_UCP	6-15
40007 Utility Cabinet with Roll-Out Shelves	UC4ROS	6-7/6-8
40005 Utility Cabinet with Shelves	UCS	6-4/6-6
50902 Valance Mirror	VLM	7-17
50903 Valance Mirror Frame	VLMF	7-17
82250 Valances	VAL_	10-15
61905 Valances for use with Bookcase Units	VALBK_	8-1
50300 Vanity Angled Sink Bases	VASB, TVASB, VASBF, TVASBF	7-7
50000 Vanity Base	VB, TVB	7-1
50600 Vanity Clothes Hamper	VCHFD, TVCH	7-14
50450 Vanity Console Sink	VCS, TVCS	7-10
50555 Vanity Console Sink Four Drawer	VCS4D, TVCS4D	7-11
50565 Vanity Console Sink Full Door Four Drawer	VCSFD4D, TVCSFD4D	7-12
50560 Vanity Console Sink Full Door Three Drawer	VCSFD3D, TVCSFD3D	7-11
50550 Vanity Console Sink Three Drawer	VCS3D, TVCS3D	7-10
51079 Vanity Counter One Drawer	_VC1D	7-22/7-23
51077 Vanity Counter Storage Tambour or Door	_VCST, _VCSD	7-20/7-21
51080 Vanity Counter Three Drawer	_VC3D	7-24/7-25
50200 Vanity Four Drawer Base	V4DB, TV4DB	7-4
50900 Vanity Framed Mirror	VFM	7-16
50050 Vanity Full Door	VFD, TVFD	7-2
50100 Vanity Full Door Shallow	VFDS	7-2
50590 Vanity Grooming Cabinet	VGC, TVGC	7-12
50901 Vanity Mirror Frame	VMF	7-16
50210 Vanity Multi-Drawer Base	V7MDB, TV7MDB	7-4
50593 Vanity Pull-Out Storage	VPOS, TVPOS	7-13
50250 Vanity Sink Base	VS, TVSB	7-5
50260 Vanity Sink Base with Drawer Below	VSBD, TVSBD	7-6
50340 Vanity Sink Bow Front Apron Cabinet	VSBBFA, TVSBBFA	7-8
50350 Vanity Sink Drawer	VSD, TVSD, VSDO	7-8

Section Item	Code	Page
50410 Vanity Sink Four Drawer	VS4D, TVS4D	7-9
50400 Vanity Sink Three Drawer	VS3D, TVS3D	7-9
50150 Vanity Three Drawer Base	V3DB, TV3DB	7-3
50140 Vanity Two Drawer Base	V2DB, TV2DB	7-3
51060 Vanity Wall Attached Shelf	VWAS	7-18
51070 Vanity Wall Attached Shelf/Towel Bar	VWASTB	7-18
50950 Vanity Wall Cabinet	VWC	7-18
51075 Vanity Wall Open Shelf	VWOS	7-18
50596 Vanity Waste Basket	VWBF, TVWB, VWBFDSERVO, TVWB SERVO	7-13
80615 Veneer Ceiling/Light Valance Molding	VCLV_	10-7
21500 Vent-A-Hood Liner/Blower Info	BH_SLD, BH_PSLD	4-48
20600 Ventilation Unit	INT	4-37
70600 V-Grooved Back	VGW2B, VGW2BT	9-6
90800 V-Grooved Wood Panels - Cut To Size	VGW2P_	11-31
11800 Wall Apothecary with Drawers	WE_D	4-33
11820 Wall Apothecary with Vertical Drawers	WE_VD	4-33
10500 Wall Appliance Cabinet	WACT, WACD	4-11/4-12
10820 Wall Bi-Fold	WBFD-V, WBFD-H	4-21
62000 Wall Bookcase	WB	8-2
62050 Wall Bookcase with Drawers	WBD	8-3
10000 Wall Cabinet	W	4-1 - 4-4
10800 Wall Cabinet Drawer	WCD	4-16
10805 Wall Cabinet Three Drawers	WC3D	4-17
72300 Wall Cabinet with Drawer Modification	WCDM_	9-16
11780 Wall Element Shelf	WES_	4-33
11150 Wall End Corner Cabinet with Doors	WECCD	4-31
11100 Wall End Corner Cabinet without Doors	WECC	4-31
11400 Wall End Shelf	WES	4-33
51488 Wall Hung Linen Storage Cabinet	_WHLSC	7-43/7-44
51460 Wall Hung Vanity Base Full Door	WHVBF	7-39
51465 Wall Hung Vanity Base Two-Drawer	WHVB2D	7-39
51472 Wall Hung Vanity Configuration "A" Offset Sink	WHVBOA	7-40
51470 Wall Hung Vanity Configuration "A" Single Sink	WHVBSA	7-40
51477 Wall Hung Vanity Configuration "C" Offset Sink	WHVBOC	7-41
51475 Wall Hung Vanity Configuration "C" Single Sink	WHVBSC	7-41
51480 Wall Hung Vanity Configuration "D" Single Sink	WHVBSD	7-42
51485 Wall Hung Vanity Configuration "E" Single Sink	WHVBSE	7-42
10815 Wall Lift Door	WLD_	4-18
10900 Wall Pigeon Hole Cabinet	WPH, WPHD	4-24
10940 Wall Plate Display Rack	WPDR	4-25
11080 Wall Pull-Out Pantry	WPOP	4-30
72250 Wall Shelf Cabinet Modification	WSC_	9-16
11075 Wall Spice Rack Cabinet	WSRC	4-28/4-29
10819 Wall Stay Lift Cabinet - Horizontal	WSLC-H	4-20
10817 Wall Stay Lift Cabinet - Vertical	WSLC-V	4-19
11000 Wall Wine Rack	WWR, WWRH	4-26
11300 What Not Shelf	WNS	4-32
30920 Wicker Basket Cabinet	BWB, BWBD	5-29b
30290 Wide Apron Sink Base	SBWA	5-7
11050 Wine Glass Holder	WGH	4-26
30927 Wine Rack Base, X	XBD, XB	5-30
10950 Wine Rack Cabinet Diamond	WRCD	4-25
11060 Wine Rack Cube, X Wall	XW	4-27
11070 Wine Rack Wall (Bottom), X	XWB	4-27
30925 Wine Rack, Base	BWR	5-30
40550 Wine Rack, Tall	_TWR	6-25
11000 Wine Rack, Wall	WWR, WWRH	4-26
90510 Wine Storage Frame Only	WSFO	11-26
71600 Wire Chase Scooped Shelf	WCSB_	9-12



Specifications Index

Acrylics	2-9
Cabinet Construction	2-2
Cabinetry Specifications	2-5
Corner Planning Tips	2-18
Custom Color	2-11
Diagonal Front / Angle Calculations	2-15
Distressing	2-11
Door and Drawer Sizes	2-4
Exotic Veneers	2-7
Finish Charts	2-12
Finish Descriptions	2-8
Foils	2-9
Heirloom Finishes	2-14
Heritage Paint Finishes	2-14
High Pressure Laminate	2-11
Patina Finishes	2-14
Personal Paint Match	2-11
Rub-Thru	2-11
Top Coat Sheen	2-11
Weathered Finishes	2-14
Wood Species	2-6



Bria Cabinetry Construction

Construction:

Bria cabinetry is available with 2 choices for construction:

Furniture Board Construction:

Column pricing is based on Furniture Board construction

Cabinets specified with Furniture Board construction have 3/4" furniture board sides, bottom, top and shelves with a 1/4" MDF back - all with a "Supreme Coat" interior.

Plywood Construction:

For plywood construction modification, see section #70005.

Cabinets specified with Plywood construction have 3/4" plywood sides, bottom, top and shelves with a 1/4" thick MDF-core plywood back - all with a Natural Maple veneer interior. **Exception: Exotic Veneers, High Pressure Laminate, some Foils, and Acrylic cabinets are available with Furniture-board construction only. See chart below.**

Cabinet Interior:

Cabinetry with Furniture Board construction has a durable "Supreme Coat" interior. See chart below for specific color availability. This material is permanently laminated to interior surfaces with thermal adhesives and provides a durable, non-porous, abrasion-resistant surface. It is highly resistant to most household products (e.g. boiling liquids, fruit juices, cosmetics, alcohol) and can be easily cleaned with a damp cloth. Bria Cabinetry with Plywood Construction has a Maple veneer interior with a Natural finish.

Cabinet Construction: Interior Options							
Finish	Furniture Board		Plywood	Species	Furniture Board		Plywood
	Supreme Coat Interior		Maple Veneer Interior		Supreme Coat Interior		Maple Veneer Interior
	Wood Grain	White**			Wood Grain	White	
Stain	X		X	Standard Wood Species	X		X
Stain/Glaze	X		X	Horizontal Grain QSRO	X		
Stain/Accent	X		X	Exotic Veneers	X		
Heirloom/Patina	X		X				
Weathered	X		X				
Paint	X	X*	X				
Paint/Accent	X	X*	X				
Paint/Glaze	X	X*	X				
Heritage Paint	X		X				
High-Pressure Laminate		X					
Satin Foil	X	X*	X				
All other Foils and Acrylics		X					

* Wood grain interior standard, White optional.

** White interior is not available on cabinets over 96"

Cabinet Sides:

3/4" thick end panels are doweled to the cabinet top and bottom and dadoed to receive the cabinet back. Top and bottom edges have a PVC edgeband to match the cabinet top or bottom. Front edge has PVC edgeband to coordinate with job color.

Unfinished Ends - Furniture Board sides have a "Supreme Coat" interior and exterior. Plywood sides have a Maple, veneer interior and exterior. (Exterior of end panel is intended for concealed installation.)

Finished Ends - For wood or veneer doors, Finished Ends will be a matching, finished wood species veneer. For Satin Foil doors, Finished Ends will be a complementary paint. For all other Foils and for Acrylics and Laminates, Finished Ends will match the door face material. Horizontal Grain Foils will have vertical grain Finished Ends.

Edgeband:

Cabinets are edgebanded on the face (sides, top, bottom, fixed shelves) with a PVC edgeband to coordinate with job color. Optional wood edgebanding is available. [See Section #70007.](#)

Back:

Cabinets with Furniture Board construction have a 1/4" MDF back with a vinyl laminate interior (Maple wood-grain or White) and an uncoated exterior. Cabinets with Plywood construction have a 1/4" MDF-core plywood back with a Maple veneer interior and a veneer exterior. The cabinet back is let into a dado in the top, bottom and end panels and secured with adhesive. A hanger rail is installed behind the cabinet back to increase cabinet stability.

Stretchers:

All Base cabinets have a 3/4" thick front and rear horizontal stretcher to provide strength and stability.



Bria Cabinetry Construction

Top, Bottom and Fixed Shelves:

3/4" thick Furniture Board has a "Supreme Coat" interior and exterior. 3/4" Plywood has Maple veneer interior and exterior with a Natural finish. Front edge has a PVC edgeband to complement the job color. Top and bottom are doweled to the end panels and dadoed to receive the cabinet back. All joints are secured with adhesive.

Adjustable Shelves:

Furniture Board shelves are 3/4" thick with a "Supreme Coat" surface on both sides. Plywood shelves have Maple veneer on both sides with a Natural finish. Front edge of shelf is banded with a PVC edgeband. Shelf supports are nylon-coated, steel pins and are adjustable in 1-1/4" increments.

Edgebanding:

Front edge of sides, top, bottom and fixed shelves is PVC edgeband to complement job color. Optional wood edgebanding is available with wood and finish to match job color. [See Modification Section #70007](#) for wood edgeband option. (*Exception: Exotic veneers and Collection Finishes have wood edgebanding as standard on the cabinet.*)

Drawers and Roll-Out Shelves:

Wood Drawer Box & Roll-Out Shelves:

Drawer box is 5/8" thick solid wood (sides, back and front) with a clear topcoat and dovetailed joinery at the corners. Top edges of the drawer box have an eased edge. Captive drawer bottom is 1/4" thick, veneered on both surfaces and dadoed into the drawer box sides, back and front. The drawer slide is a full-extension, self closing, concealed, undermount slide with the soft-close feature. Load capacity is 100 pounds (static) or 75 pounds (dynamic). Cabinets requiring side-mount slides are noted throughout the catalog.

For a premium Maple drawer box, [see Modification Section #71725](#).

To specify Premium Maple Drawers, select the option on your Order Cover Sheet for an upcharge (applies to the entire order for standard drawers).

Roll-Out Shelves must be selected as either Wood or Premium Maple for each cabinet. (ROS or PMROS)

Stainless Steel Drawers & Roll-Out Shelves (Option):

Sleek, contemporary Stainless Steel Drawers and Roll-Out Shelves can be selected for an upcharge.

Stainless Steel drawer box has 1/2" thick double wall Stainless Steel sides with a 5/8" thick coordinating metallic patterned melamine back and bottom. Undermount drawer glides are integrated into the sides and are self-closing with the soft-close feature.

Drawer front attaches directly to the drawer sides with built-in height, side-to-side and tilt adjustment. For Roll-Out Shelves, the front is the same melamine as the drawer bottom and back (with Stainless Steel sides). Load capacity is 100 pounds (static) or 88 pounds (dynamic).

For specific details and limitations, [see Modifications Section #71730](#).

To specify Stainless Steel Drawers, select the option on your Order Cover Sheet for an upcharge (applies to the entire order for standard drawers).

Roll-Out Shelves must be selected as either Wood or Stainless Steel for each cabinet. (ROS or SSROS)

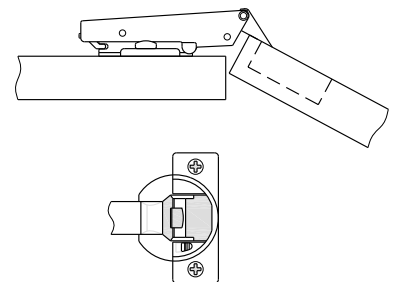
Toe Board:

Toe space is 4 1/2" high and 3" deep (after 3/4" thick toeboard is installed). 8' lengths of finished toeboard are automatically included for field installation. Each end of the toeboard is finished for exposed end application. Sufficient amount of toe board is sent at No Charge to complete the installation of cabinetry ordered with recessed toe space **only**. Wood species and color match the primary species and color on the order. (There is an **upcharge** for toe board ordered in a contrasting color or species.) Grain direction runs horizontal.

Soft-Close Hinges:

Soft-close mechanism is integrated into the hinge. The hinge includes a "switch" to turn the soft-close feature on or off.

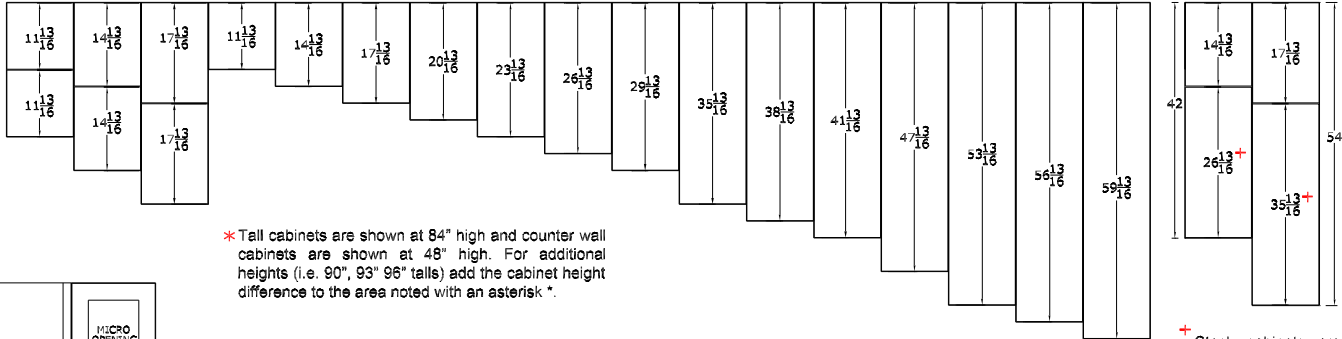
The soft-close mechanism is not available for the following cabinetry: Square Corner Wall and Base cabinets, Tip Down Drawer Fronts and Tri-View Mirror Cabinets (TVM, TVME).



Dura Supreme reserves the right to change design, specifications and materials as conditions require, and as improvements are developed. Dura Supreme has no obligation to incorporate such changes in products previously manufactured.

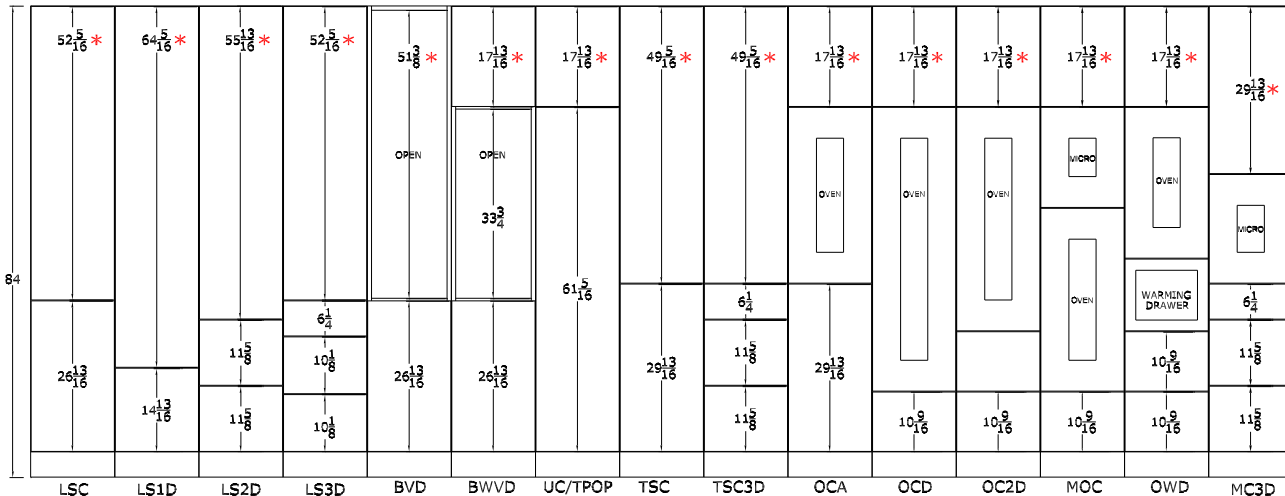
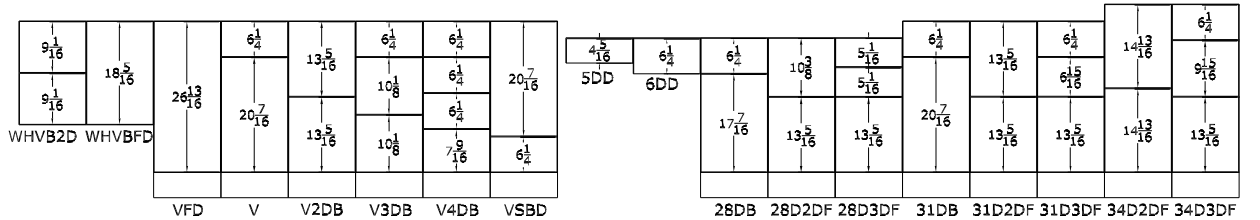
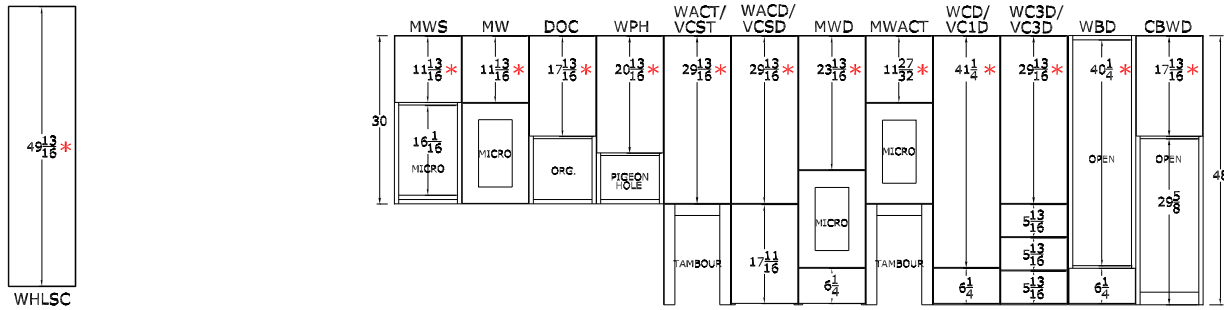
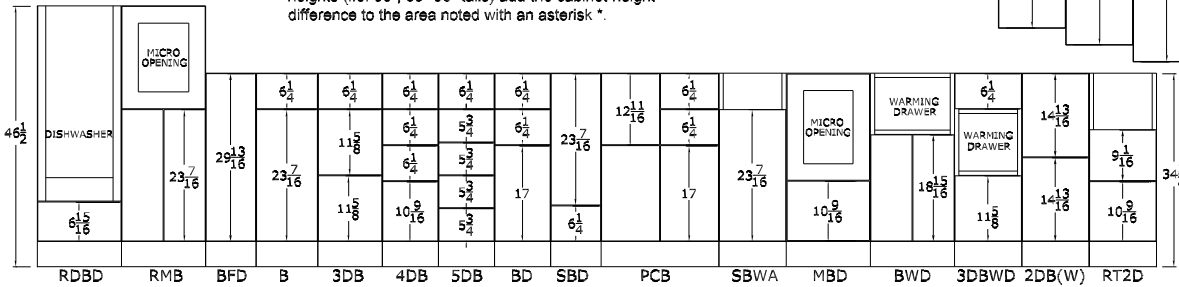
Bria Door and Drawer Sizes

WBFD-24 WBFD-30 WBFD-36 W-12 W-15 W-18 W-21 W-24 W-27 W-30 W-36 W-39 W-42 W-48 W-54 W-57 W-60 SW/SSCW/SDCW



* Tall cabinets are shown at 84" high and counter wall cabinets are shown at 48" high. For additional heights (i.e. 90", 93" 96" tall) add the cabinet height difference to the area noted with an asterisk.

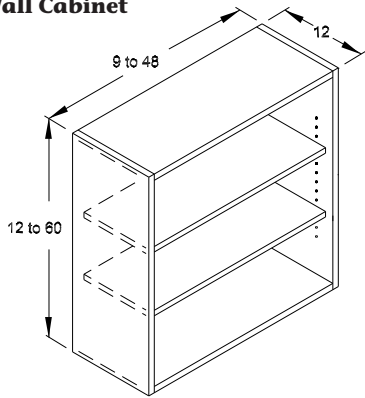
+ Stack cabinets are shown at 42" (top matches W15) and 54" (top matches W18). For additional heights (48/57/60) add the cabinet height difference to the area noted area.



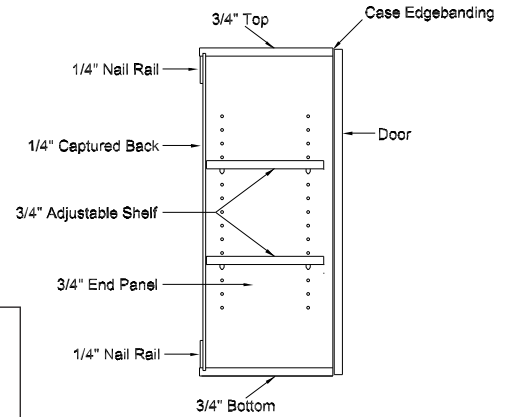


Cabinetry Specifications

Typical Wall Cabinet

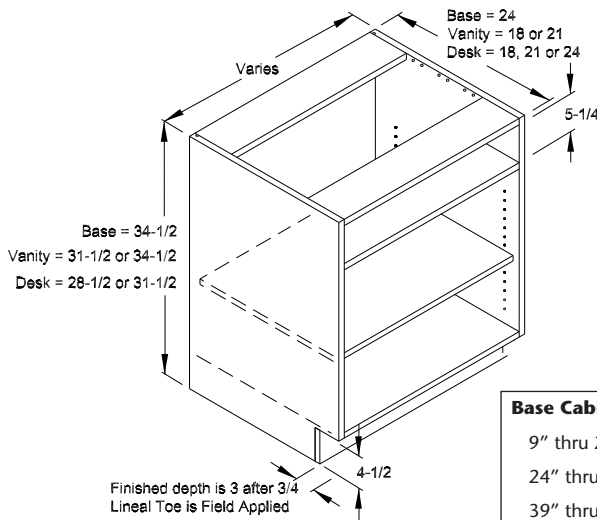


Wall Cabinet Widths:
 9" thru 24" have one door
 24" thru 36" have two doors
 39" thru 48" have two doors and a center partition

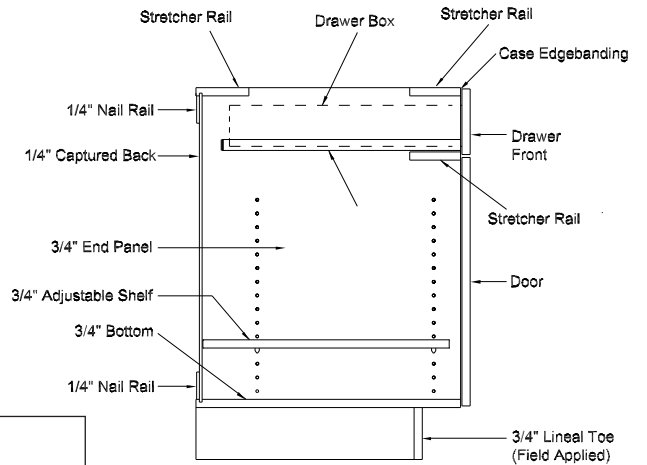


Wall Cabinet Section View

Typical Base, Vanity or Desk Cabinet

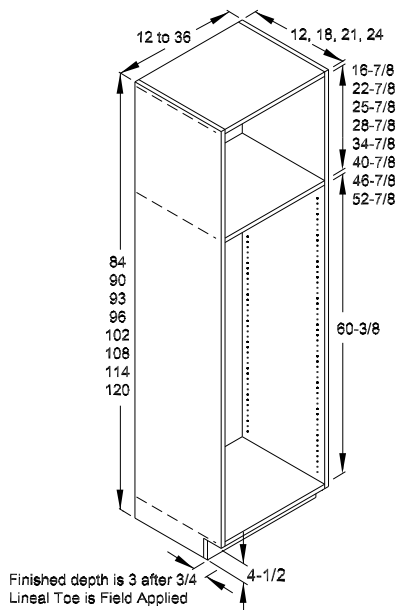


Base Cabinet Widths:
 9" thru 24" have one door
 24" thru 36" have two doors
 39" thru 48" have two doors

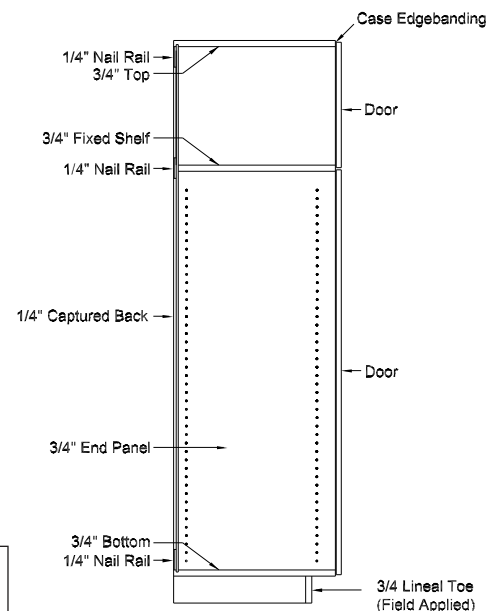


Base Cabinet Section View

Typical Tall Cabinet



Tall Cabinet Widths:
 12" thru 24" have one door
 24" thru 36" have two doors



Tall Cabinet Section View



Wood Species

Dura Supreme's Bria cabinetry is available in a variety of premium wood species, each with its own unique characteristics. Cabinetry is crafted with many different types and cuts of wood (solid wood and veneers) and each will influence the look of the finish. The soil and climate in which the tree grew can affect the color, graining and character of the wood. Even the finest of woods will exhibit unique burls, knots, mineral streaks and/or worm tracks. In addition, as wood ages and with exposure to sunlight, it will change color slightly - this is called "mellowing". This color change is subtle and occurs over time but can occur rapidly with intense, direct exposure to sunlight. These natural variations are part of the natural beauty and charm of real wood. Dura Supreme recommends that several samples (door samples and displays) be viewed to see the full range of color and grain characteristics that may be present in the finished product.

Dura Supreme selects kiln-dried hardwoods and softwoods with a specific moisture content. Wood naturally exchanges moisture with the environment, expanding during humid months and contracting during dry months. It is important to maintain humidity conditions in your home at approximately 35% at all times (including during storage and installation of your cabinetry) to minimize natural wood movement. Extreme variations in temperature and humidity are likely to cause problems.

Cherry is a premium hardwood admired for its rich, beautiful color, satiny smooth texture and uniform grain pattern. Color ranges from red to brown to vanilla. Small mineral streaks, pitch pockets and sap wood will occur naturally and are part of the distinctive nature of this wood species. Cherry may show some burling or darker areas when stained, due to a higher absorption rate at the burls. Over time and with exposure to natural sunlight, cherry will noticeably darken (mellow) in color. To minimize this natural darkening, care should be taken to protect cabinetry from excessive exposure to direct sunlight.

Hard Maple is a premium hardwood known for its creamy white color, smooth texture, and uniform grain. Color is consistent overall but may exhibit subtle variations from creamy white to a light tan. Worm tracks and mineral streaks (dark mineral deposits absorbed from the soil in which the tree grew) are naturally occurring characteristics. Maple hardwoods have varying areas of density that will absorb stain differently, creating a mottled appearance with darker stain colors (therefore lighter stain colors are recommended). Over time and with exposure to sunlight, maple will darken (mellow) and slightly yellow at it ages.

Hickory hardwood is known for its prominent grain and dramatic color variation which can range from creamy white to dark brown/black within the same panel. This color variation is characteristic of the species and is completely random. Mineral streaks and dark brown, sound knots are sometimes prevalent in this exceptionally dense and strong hardwood. Dura Supreme recommends viewing several samples to become familiar with the wide variation in color and grain that will be present in a cabinet order.

Knotty Alder is a smooth hardwood with a straight grain pattern and coloring similar to cherry, ranging from a light honey color to a reddish-brown hue. Because of the prevalence of knots, it is appreciated for its rustic, informal appearance. Knots will vary in size and distribution and will include tight, sound knots as well as rustic, open and split knots. Some knots may have open cracks that allow light to show through. Alder may have some areas of burling which will appear darker when stained. Over time and with exposure to sunlight, Alder will actually become a shade lighter (mellowing) in color as the wood ages.

Northern Red Oak is a hardwood recognized for its prominent grain pattern and texture which will vary from a tight, straight grain to a distinctive arched pattern. Color can range from light to medium brown with red hues. Occasional pin knots and mineral streaks may also occur.

Quarter-Sawn Red Oak is a premium hardwood that is admired for its distinctive grain pattern which became especially popular with Arts and Crafts furniture design. "Quarter-sawn" refers to the manner in which the wood is cut from the log that creates a consistent, straight grain pattern with an intriguing "fleck" across the grain. This slicing method is more costly but it produces a very distinctive and desirable grain pattern. Color may range from light to medium brown with red hues.

Rustic Hickory is chosen for its dramatic, rustic appearance and is known for its color variation as well as its knots, burls, mineral streaks and pitch pockets. Hickory is an exceptionally dense hardwood with a prominent grain pattern and color that varies from creamy white to dark brown within the same panel. Knots and character marks will be completely random and will be prevalent in all shapes and sizes, both open and closed. (Large open knots will be "filled" so that they do not allow light to show through.) The appeal of Rustic Hickory is the prevalence and variety of "character" marks including color variation and knots.

"Paintable" is a combination of Maple hardwoods and superior-grade HDF designed to ensure a smooth surface and an excellent finished surface. Door components may be manufactured of Maple or HDF, for quality and smoothness of the surface. Some moldings may also be manufactured of HDF. Panel components (Finished Ends, Finished Interior, etc.) have a smooth, resin-overlay crafted specifically for painted finishes.

*Wood, with all its variables, brings a unique beauty to the home. The natural variations in grain, color and character marks of these wood products are **not** considered reason for replacement.*

Wood Species Upcharges	
	Premium
Cherry	12%
Hickory	0%
Knotty Alder	0%
Maple	9%
Paintable	0%
Quarter-Sawn Red Oak	10%
Quarter-Sawn Red Oak Horizontal*	10% +5%
Red Oak	0%
Rustic Hickory	0%

*Moda-H and Moxie-H door styles are available with Horizontal Grain for an additional 5% upcharge.



Exotic Veneers (Metro and Moderne Door Styles)

GENERAL INFORMATION:

1. Dura Supreme offers two veneered door styles (Metro and Moderne) in Exotic wood species.
2. Doors and drawer fronts are available with a vertical or horizontal grain (adjacent parts are not grain-matched.) Grain direction of cabinet parts (Finished Ends, Matching Finished Interior, etc.) will match the door style.
3. Doors and drawer fronts are constructed of MDF core with a 2mm thick, matching species, solid wood edgeband on all 4 sides. The front of the door/drawer front is then veneered with a vertical or horizontal grain exotic species. Standard cabinet interior is Maple wood-grain Supreme Coat. **Optional White Supreme Coat interior is not available.**
4. Cabinets specified with an Exotic Veneer are available in Furniture-Board construction only with matching wood edgebanding. **Plywood construction is not available.**
5. Curved doors and mullions are **not** available. See individual door descriptions for specific information.
6. Exotic veneers are available as veneered panel parts only. Solid wood components and moldings are **not** available. Please note that specific cabinets made with solid wood components are **not** available. (e.g. Solid wood wine rack material, glass racks, apothecary drawers, plate rack cabinets with wood dowels, fluted solid wood fillers.) Limitations are noted throughout the catalog where applicable.
7. Cabinet panel components (e.g. Finished Ends, Finished Interiors, Toe Board) are available in matching Exotic veneers and normal catalog pricing applies. Exception: [See page 10-8 for veneered moldings](#), [see Section #90760 for pre-finished wood panels](#).

EXOTIC WOOD SPECIES DESCRIPTIONS: With the exception of Bamboo and Walnut, which are natural veneers, our Exotic Veneer program utilizes engineered real-wood veneers to achieve consistent color and graining. Natural veneers exhibit color and grain variations which are not always appreciated for contemporary design themes which require sleek, consistent color. For this reason, engineered veneers have been developed, specifically to address this need and desire for very consistent veneers. Additionally, engineered veneers are an environmentally friendly choice because they utilize sustainable wood species that are in abundant supply and readily available.

Many of our engineered veneers are produced from plantation-grown, European Poplar. With its overall light coloring and subtle grain pattern, it is ideally suited to create distinctive colors and patterns for engineered veneers.

To create the engineered veneers, logs are processed as usual for veneers. A rotary lathe peels the log, and then the sheet of veneer is clipped into shorter sections called "leaves". The leaves are then processed through a dyeing vat to create the various colors for the specific engineered veneer. Depending on the particular color and pattern being produced, the veneers are stacked with alternating colors and then glued together into a large block of wood. Once the veneers have been pressed into a large block, they can be re-sliced to create the desired grain pattern, texture and color.

Shale (Engineered Exotic Veneer) Shale is an engineered veneer with a straight, consistent "combed" grain pattern. Color range includes medium browns and grays with an attractive black grain pattern. Available with a Natural finish only. With age and exposure to sunlight, Shale will lighten slightly.

Walnut (Exotic Veneer) Walnut is a real-wood veneer with an attractive flowing grain pattern and rich brown coloring. Color can range from a medium brown to a dark chocolate brown, sometimes with streaks of purple and green hues. With age and exposure to sunlight, Walnut will lighten significantly. Available with a stained finish which helps make the color variation more consistent.

White Oak (Engineered Exotic Veneer) Engineered White Oak is very consistent in color, with a straight, "combed" grain pattern characteristic of "rift" or "quarter-cut" veneers. An attractive golden-brown in color, the veneers offer a pleasing range of light to medium brown tones within the distinctive texture of the grain. With age and exposure to sunlight, the color of White Oak will slightly mellow over time. Available with a Natural finish **only**.

Bamboo - Narrow Stave Carmelized (Exotic Veneer) Bamboo veneers are known for their characteristic color and graining, with the recognizable knuckles at the growth joints. Our Bamboo veneers are sliced to feature a straight, narrow-stave grain pattern, and are steamed to create a warm, brown color (carmelized). The steaming process naturally darkens the sugar compounds present in the plant to create a warm, brown shade without the use of stains or dyes. Bamboo is an extremely fast growing grass, reaching maturity in 5 to 7 years for sustainable harvesting. Considered a rapidly, renewable resource, Bamboo stalks regenerate from the same root system within 3 to 7 years. During regeneration, the root system remains intact preventing soil erosion. Bamboo is an extremely stable, dense and strong material (25% harder than oak, 12% harder than maple), that remains very color stable with age and exposure to sunlight. Available with a Natural finish **only**.

Exotic Veneer Upcharges	Premium	Horizontal Premium
Bamboo	15%	15% + 5%*
Shale	15%	15% + 5%*
Walnut	15%	N/A
White Oak	15%	15% + 5%*

Exotic Veneers can be specified with Horizontal Grain for a 5% upcharge on the order. When Horizontal Grain is specified, doors, drawer fronts and exposed cabinet parts (i.e. Finished Ends, Matching Finished Interior, etc.) will be horizontal grain.

*** Horizontal Grain Add 5% to Species Upcharge.**



Finish Descriptions

Stained Finishes

Stain is sprayed over the surface and then wiped by hand to create deep, rich color and enhance the grain. Stained finishes are protected with an oven-cured, catalyzed conversion varnish sealer and topcoat chosen for its exceptional durability (impervious to most household chemicals) and beauty.

Painted Finishes

Our full-coverage, opaque enamel, painted finishes are available on "Paintable" species (a combination of Maple hardwoods and smooth, superior-grade HDF surfaces) for excellent adhesion and a smooth surface. Painted finishes have natural characteristics that should be reviewed with your customers. **Wood will naturally expand and contract with seasonal changes in humidity. This normal wood movement is more apparent with painted finishes and is most noticeable at joints which will look like a seam or hairline crack. This is a natural and expected characteristic of painted finishes and should not be considered reason for product replacement.** See door style section for door limitations.

Stain/Glaze Finishes

Glaze is designed to "build-up" in corners and profiles to accentuate carved details and create rich color and depth. Glaze adds a subtle wash of tint to the base stain color as well as highlighting the details of the door style. Glazing is an artistic, hand-detailing technique and will have unique, subtle variations with each application.

Stain/Accent Finish

Once stain is applied by hand and sealed, an "Accent" glaze is applied with a small brush around the profiles of the doors – outside edge, panel, etc. Accent Glaze is designed to accentuate the carved details of the door and does not affect the base color. It is an artistic, hand-detailing technique and will have unique, subtle variations with each application.

Paint/Glaze Finish

Glaze is designed to "build-up" in corners and profiles to accentuate carved details and create rich color and depth. Glazing adds a subtle colorwash to the base finish as well as highlighting the details of the door style. Normal wood movement at joints may be apparent with this finish. Glazing is an artistic, hand-detailing technique and will have unique, subtle variations with each application.

Paint/Accent Finishes

Accent Finishes are created with a base paint color and a special "Accent" glaze. An Accent glaze is applied to specific areas of the door to accentuate carved details and does not affect the base paint color. Glazing is an artistic, hand-detailing technique and will have unique, subtle variations with each application. Normal wood movement (expansion and contraction with seasonal changes in humidity) may be more apparent with this type of finish and will look like a "seam" or hairline crack at the joints.

Heritage Paint

"Heritage Paint" is a collection created with layers of finish colors, glaze and hand-distressing techniques to create an especially artistic series of olde-world finish looks. The top layer of finish (paint) is chipped and worn to reveal the underlying base stain coat. Glaze and spatter then create a subtle, aged wash over the surface. This finish collection employs artistic, hand-detailing techniques that will have unique, subtle variations with each application. [See page 2-14 for more information.](#) Maple or Alder is required because of the chipping.

Heirloom

"Heirloom" is a collection of finishes created with a specific stain/glaze color and a variety of hand-detailing techniques. Glaze is designed to "build-up" in corners and profiles to accentuate the carved details of the door. Heirloom is available with two different levels of distressing – Standard or Heavy. This finish collection employs artistic, hand-detailing techniques that will have unique, subtle variations with each application. [See Page 2-14 for more information.](#)

Patina

"Patina" is a collection of finishes created with a specific stain/glaze color and a variety of hand-detailing techniques. Glaze is designed to "build up" in corners and profiles to accentuate the carved details of the door. Shading is applied to outer edges and along the panel to create an aged look. Patina is available with two different levels of distressing – Standard or Heavy. This finish collection employs artistic, hand-detailing techniques that will have unique subtle variations with each application. [See Page 2-14 for more information.](#)

Weathered

Our "Weathered" collection is designed to look like wood that has been exposed to years of sun, wind and rain. Our special finishing process raises the grain to create a uniquely textured surface. This finish collection employs artistic, hand-detailing techniques that will have unique, subtle variations with each application. [See page 2-14 for more information.](#)

Primed Finish

By special request, Dura Supreme will supply Paintable or Maple cabinetry with one coat of pigmented catalyzed primer on exterior. Primer is off-white in color and is intended for a field-applied painted finish. Interiors, interior accessories, and bottoms of wall cabinets will be finished per standard finishing methods. **Finish limits the effects of temperature and humidity on cabinetry. Cabinetry supplied without a finish (primed) is not warranted for door/drawer warpage nor is the field-applied finish covered under the warranty.**

Unfinished

By special request, Dura Supreme will supply cabinetry with the exteriors unfinished (no stain, sealer or top coat) for No Charge. Interiors, interior accessories, and bottoms of wall cabinets will be finished per standard finishing methods. **Finish limits the effects of temperature and humidity on cabinetry. Cabinetry supplied without a finish is not warranted for door/drawer warpage nor is the field-applied finish covered under the warranty.**

Dura Supreme uses hand-applied finishes so that the natural beauty of the wood and the grain is fully enhanced. As with any hand-application, there can be subtle variations in the application, the absorption of the stain and the glaze detailing. Finish selections should not be based off a small color chip alone. It is important to view full door samples and displays to become familiar with the full spectrum of variations.

NOTE: A "Wood/Finish Awareness Form" must be signed by the customer and submitted with every order. Orders will not be processed without this form.



Material Descriptions (for Acrylics and Foils)

ACRYLIC GLOSS

COLORS: See [Ava](#) door style for availability.

Acrylic doors and drawer fronts feature an ABS colored layer that is permanently fused with a clear, ultra-high gloss acrylic, flat laminated to a stable MDF core and edgebanded. The back of the door is a matte melamine in a complementary color.

Door Edgeband Options: 2T (2 Tone), Matching (M), Aluminum Finish (A), Brushed Steel Finish (B). See individual door description for specific availability and samples. Cabinet case parts are always edgebanded to match the front of the door.

Note: Acrylic is a high gloss surface and is very susceptible to scratching. The surface must be polished with our “Acrylic Polish” immediately after the protective peel-coat is removed (after final installation) and as needed throughout the lifetime of the product. Use caution when cleaning or touching the surface (use a soft cloth and no paper towels) to avoid scratches.

Note: Acrylic orders require the purchase of an [Acrylic Polish kit](#). Failure to follow polish instructions will void the warranty.

WIRED GLOSS FOIL

COLORS: See [Talia](#) door style for availability.

Wired Foil doors and drawer fronts are a high gloss foil with a directional “wired” pattern, flat laminated to a stable MDF core and edgebanded. Available in horizontal or vertical grain direction (with no grain match between adjacent surfaces). The back of the door is a matte melamine in a complementary color. Edgeband options are available (see samples).

Door Edgeband Options: Matching (M), Aluminum Finish (A), Brushed Steel Finish (B). Cabinet case parts are always edgebanded to match the front of the door.

Note: Wired Gloss Foil is a high gloss surface and is susceptible to scratching. The protective peel-coat should not be removed until after final installation. Use caution when cleaning or touching the surface (use a soft cloth and no paper towels) to avoid scratches.

GLOSS FOIL

COLORS: See [Soho](#) and [Tribeca](#) door styles for availability.

Gloss Foil doors and drawer fronts feature a high gloss foil permanently fused to a stable MDF core, and wrapped over the edges for seamless color. Directional patterns are available in horizontal or vertical grain direction (with no grain match between adjacent surfaces). The back of the door is a black (for directional patterns) or white (for solid colors) matte melamine.

Notes: Gloss Foil is a high gloss surface and is susceptible to scratching. Some slight telegraphing from the underlayment may be evident on the surface and edges and is a normal characteristic of Gloss Foils. The protective peel-coat should not be removed until after final installation. Use caution when cleaning or touching the surface (use a soft cloth and no paper towels) to avoid scratches.

TEXTURED FOIL

COLORS: See [Icon](#) and [Urbana](#) door styles for availability.

Textured Foil doors and drawer fronts feature a textured foil permanently fused to a stable MDF core, and wrapped over the edges for seamless color. Available in horizontal or vertical grain direction (with no grain match between adjacent surfaces). The back of the door is a white melamine.

Note: Use caution when cleaning the surface (use a soft cloth and no paper towels) to avoid scratches.

SATIN FOIL

COLOR: See [page 3-2/3-3](#) for available door styles and see individual door descriptions.

Satin Foil doors and drawer fronts feature a durable foil permanently fused to a stable MDF core, and wrapped over the edges for seamless color. The back of the door is a white melamine. All cabinet panel components (Finished Ends, Finished Interior, etc.) are a coordinating paint (with no paint upcharge required for the cabinets.) For painted loose panels and painted moldings, the paint upcharge will apply.

NOTE: In areas where high heat is produced, heat shields are recommended to avoid de-lamination.

NOTE: Acrylic and Foil orders may require one additional week lead time.

NOTE: Some Foils and Acrylics are available with Furniture Board construction only. See [chart on page 2-2](#).



Acrylic and Foil Design Considerations

This section should be reviewed carefully before designing and placing an order from our Acrylic and Foil collection. Each category (Foils, Wired Foils, Acrylics, etc.) includes specific limitations due to availability of materials. Any product with Horizontal Grain should be carefully reviewed against the specs listed below to confirm availability and any design limitations.

Categories:

- Acrylics
- Gloss Foils – Patterns (Vertical Grain and Horizontal Grain)
- Gloss Foils – Solid Colors
- Textured Foils (Vertical Grain and Horizontal Grain)
- Wired Gloss Foils (Vertical Grain and Horizontal Grain)

Limitations:

The following limitations apply to **ALL** Contemporary Door categories:

- The backs of doors are not the same material as the face. See individual door descriptions for specific details.
- **Maximum** height = 96”.
- Gloss surfaces are especially susceptible to scratches and must be cleaned and cared for properly. A signed Gloss Awareness Form is required with every order. Products are shipped with a peel coat from the factory to protect the surface during manufacturing, shipment and installation. Peel coat should be removed only after final installation.
- Door Styles indicated with –H are available with Horizontal Grain. Foil doors and Foil panels with Horizontal Grain have specific sizing and design limitations that should be carefully reviewed before your order is placed. See information below.
- 15% Gloss Upcharge applies to any door style in a high-gloss finish.
- For glass doors, we recommend Aluminum Frame Doors.
- See page 10-9 for specific molding availability.
- Cabinets with solid wood components (e.g. Desk Organizer, Diamond Wine Rack Cabinet, Plate Rack Cabinet, Apothecary Drawer Cabinet, Louver Doors) are **not** available.
- **Not** available with:

Mullion Doors	Curved Doors	Appliance Panel API-C	Flat Roll-Out Shelves
Islands	Fireplace Mantels	Finished Ends or Matching Finished Interior on triangular cabinets	
Cottage Bead	Medicine Cabinets	Pull-Outs with Turned Posts or Columns	
Vanity Wall Shelf	Exposed Bread Board	Vanity Diagonal Corner Wall Shelf	
Hoods	Fluting	Matching Finished Interior for Angle Modifications	
Floating Shelf	Tri-View Mirror Cabinets	Decorative Valances - however straight valances (BVAL6 and BVAL8) are available	

Gloss Upcharges	
Acrylic	15%
Gloss Foils	15%
Wired Gloss Foils	15%

Acrylic Doors and Wired Gloss Foil Doors:

- It is imperative that Acrylic surfaces be cleaned and polished (according to the “Gloss Care Instructions”) after the peel coat is removed. An Acrylic polish kit is required to be purchased and will be shipped with each Acrylic order for this purpose.
- Matching Finished Interior modification is not available. Open cabinets that include a Finished Interior are not available.
- The back of the door is a complementary matte color.
- For Acrylic and Wired Gloss, Frame Doors and doors with a cut-out are not available (including Mirrored Doors, Wine Rack Doors, speaker cloth, etc.). We recommend Aluminum Frame Doors (with an obscure glass because Finished Interiors are not available).
- Tambour Doors and/or Tambour Panels are not available.
- Shelf and Rail Modification is **not** available.
- Edgeband options are available, see individual door descriptions. Edgebanding on case always matches the door face.

Horizontal Grain:

- For Veneer Doors (Moda, Moxie, Metro and Moderne), Finished Ends and Matching Finished Interior will be horizontal grain. 5% Horizontal Grain upcharge applies to order.
- **For Foil Doors (Textured Foil, Gloss Foil, Wired Foil, etc.) with Horizontal Grain**, there are specific size and product limitations to be aware of. Maximum panel or door height is 48”.

Horizontal Grain Upcharges	
Exotic Veneers	5% on order
Veneers	5% on order
Foil Doors	See Price Group

1. Horizontal Grain applies to doors, panels and overlays for fillers only. Cabinet parts are standard vertical grain. For this reason, open cabinets are not recommended.
2. Any door over 48” is manufactured as 2 doors and attached together to function as one door.
3. Finished Ends will be vertical grain. If Horizontal Grain is needed for a cabinet side, we recommend using [Doors Applied to a Finished Cabinet End \(Section #70020\)](#) or [Overlay End Panels-Horizontal Grain Foils \(Section #90342\)](#). See appropriate section for details.
4. Overlays for Fillers have similar size limitations of 48” maximum height. Any Overlay over 48” high is equally split and includes a normal reveal. If a specific size is needed to align with a specific cabinet, specify the cabinet and we will size the Overlay to match the door sizes of that cabinet and ship loose.
5. Horizontal Grain applies to the doors only. Horizontal Grain charge is reflected in the Price Group only. [See pricing on page 3-3.](#)
6. Oven overlays are not available over 48” high (OCD is not available.)



Miscellaneous Specifications

High Pressure Laminate

1. The "Alpine" door style is available with a selection of solid colors and woodgrain textures from Wilsonart®. These colors/patterns are standard at Dura Supreme and available in normal lead times. See individual door description for specific information and laminate color availability.
2. When a grain pattern is present, door and drawer front are vertical grain (non-grain matched).
3. Back of door is always white laminate (Frosty White).
4. When a laminate door style is specified, all cabinet panel components (Finished Ends, Finished Interior, etc.) are a matching laminate with a coordinating PVC edgeband. Solid wood components (e.g. wine rack material, apothecary drawers, fluted fillers, etc.) are not available.
5. Optional PVC edgebanding for door and drawer front is available: Matching (M), Aluminum Finish (A), Brushed Steel Finish (B).
6. High Pressure Laminate Ceiling/Light Valance is available in [section #80610](#).
7. Optional MATTE laminates (solid color, woodgrain textures, patterns, etc.) can be selected from Wilsonart® or Formica® only for no additional charge. **Additional lead time may apply.** Edgebanding options (Matching, Aluminum, Brushed Steel) are available but in some cases, matching PVC edgebanding may not be available and then stripbanding will be supplied. (Please note, stripbanding creates slight black lines along edges). **Laminates other than standard matte require prior approval.**

Top Coat Sheen (Satin Sheen or Low Sheen)

Dura Supreme's topcoat is formulated with two different sheen levels as noted in the Finish Charts on [page 2-12 - 2-14](#).

Satin Sheen is formulated at an approximate 35° sheen and **Low Sheen** offers an approximate 15° sheen. Alder, as well as glazes and multi-step finishes are standardly formulated with a Low Sheen. Finishes formulated with a Low Sheen cannot be modified, however, any finish with a Satin Sheen may be modified to a Low Sheen for no charge. Be sure to clearly indicate "Low Sheen" on the Cover Sheet Order Form. Painted finishes standardly have a "soft" Satin Sheen (approximately 20°) that blends with both the Satin Sheen or Low Sheen topcoats.

Custom Color (In addition to the standard finish upcharge, add 10% for custom stain or paint, or custom multi-step.)

Dura Supreme can supply a custom color-matched finish on a per sample basis. Please furnish a representative solid wood sample (minimum of 6"x6"), showing the desired finish on the same wood species as the final product. The Dura Supreme finish department will furnish a color match on a door sample for customer approval. The Wood Finish Awareness Form is to be signed by the customer and submitted with the order to constitute approval of the color match. Custom color matches should be arranged before a cabinet order is submitted so that the order is not delayed while the color match and approval are pending. Due to variations in woods, colors, and finish processes, Dura Supreme cannot guarantee that a finish match can be created for all requests. Color per sample orders must be placed within 9 months of sample preparation for approval.

NOTE: There is a \$150.00 NET development fee for the color match sample. The \$150.00 NET fee is **not refundable**.

Personal Paint Match Program (in addition to the Standard Paint upcharge, add 5% for Personal Paint Match)

Select a color from the Sherwin-Williams paint collection and submit the Custom Color Request Form with the Sherwin-Williams' paint color specified. Dura Supreme's paint lab will match the color and provide a color chip for customer approval. The Personal Paint Match should be submitted and approved before the cabinet order is placed so that the order is not delayed while the paint match and approval are pending. Due to variations in pigments and formulations, Dura Supreme will match the color as close as possible but some variation may occur. Paint Match cabinet orders **must** be placed within 9 months of sample preparation. When the cabinet order is submitted, please include the Paint Match Number and a signed Wood/Finish Awareness Form to constitute approval of the paint match.

- Sherwin-Williams paint colors only
- Complete the Custom Color Form and indicate the Sherwin-Williams color
- \$150 NET Development Fee
- Standard paint upcharge applies.
- Lead time for color chip: 8-10 days for delivery
- Paint match is sent directly from our paint lab on a color chip
- Distressing allowed but not shown on chip.

NOTE: There is a \$150.00 NET development fee for the Personal Paint Match. The \$150.00 NET fee is **not refundable**.

Curated Color Collection

Dura Supreme's Curated Color Collection is a selection of trending paint colors that will be updated annually as color trends shift. This offering of colors will always be fresh and current, and reflective of popular color trends for home interiors and cabinetry. These 6 colors are available under our Personal Paint Match program and pricing, and can be designed and ordered without creating a color match (or paying the color match fee) each time. See our website (www.durasupreme.com) for current Curated Color Collection options.

Distressing

Distressing is applied to all surfaces that are job color. Available for all wood door styles in all wood species. Specify "distressed" on your Order Cover Sheet next to the finish information. Distressing is a No Charge option.

Rub-Thru

Rub-thru on corners and edges creates a charming, time-worn look and will have unique, subtle variations with each application. This technique is available on any painted finish (Paints, Paint/Glaze or Paint/Accent). When Rub-Thru is desired, doors must be specified with Maple wood species. Rub-Thru will reveal raw wood along corners and edges and then the entire door and drawer front receives a clear topcoat. 10% upcharge in addition to normal finish upcharge.

Rub-Thru Add 10% to Normal Finish Upcharge

Stained Finishes	Alder	Cherry	Hickory & Rustic Hickory	Maple	Quarter-Sawn Red Oak/ Red Oak	Exotic Veneer Metro & Moderne door styles only
						Walnut
Stains	Low Sheen	Satin Sheen	Satin Sheen	Satin Sheen	Satin Sheen	Satin Sheen
Allspice		X	X	X		
Butternut	X	X	X	X	X	
Brindle	X					
Cappuccino	X	X	X			
Caraway	X	X	X			
Cashew	X	X		X	X	
Chestnut		X				
Cider		X				
Clove		X	X	X	X	
Cocoa Brown		X		X	X	
Coriander	X	X				
Feather	X	X			X	
Harbor	X	X			X	
Harvest		X				
Hazelnut	X	X			X	X
Heather	X	X			X	
Java		X		X		
Mission	X	X			X	
Mocha	X	X	X			
Morel	X	X	X		X	X
Natural	X	X	X	X		
Pebble	X	X			X	
Peppercorn	X	X				
Poppy Seed	X	X		X	X	
Praline	X	X			X	
Sesame	X	X			X	
Shell Gray	X	X		X		
Smoke		X		X	X	
Toast	X	X	X	X	X	X

Stain/Glaze Finishes	Alder	Cherry	Maple
Coffee Glaze	Low Sheen		
Butternut/Coffee Glaze		X	X
Cashew/Coffee Glaze	X	X	X
Toast/Coffee Glaze	X	X	X
Charcoal Glaze	Low Sheen		
Cappuccino/Charcoal Glaze	X	X	
Caraway/Charcoal Glaze	X	X	
Mission/Charcoal Glaze	X	X	
Morel/Charcoal Glaze		X	
Praline/Charcoal Glaze	X	X	
Shadow Glaze	Low Sheen		
Shell Gray/Shadow Glaze	X	X	X
Smoke/Shadow Glaze			X

Stain/Accent Finishes	Alder	Cherry	Maple
Black Accent	Low Sheen		
Allspice/Black Accent		X	X
Clove/Black Accent	X	X	X
Feather/Black Accent	X	X	
Mission/Black Accent	X	X	

Finish Upcharges	Premium
Standard Stain	0%
Stain/Accent	12%
Stain/Glaze	15%
Paint Finish	15%
Paint/Accent	18%
Paint/Glaze	20%
Heritage Paint	35%
Heirloom Collection (Standard)	25%
Heavy Heirloom Collection (heavy detailing)	40%
Patina Collection (Standard)	30%
Heavy Patina Collection (heavy detailgin)	45%
Weathered	35%
Primed	0%
Unfinished	0%
Low Sheen Topcoat	0%
Satin Foil	See Page 2-9
Custom Color	See Page 2-11
Distressing	0%
Rub-Thru (Available on any painted finish)	10% †
Personal Paint Match Program	See Page 2-11

Low Sheen = 15° Soft Satin = 20° Satin = 35°

See page 2-13 and 2-14 for more finish charts > > >

NOTE: Finishes indicated in the charts are available as color blocks within our Color Sample Set. (Exception: Refer to Hickory color blocks for Rustic Hickory - a sample door is recommended.) Color blocks should be stored away from heat and light to ensure color accuracy and they should be replaced annually. Color selections should **NOT** be made from samples more than **12** months old.

†Plus appropriate Paint upcharge. **NOTE:** When Rub-Thru is desired, raised panel doors **must** be specified with Maple wood species.

Paint Finishes (Soft Satin Sheen)	Paintable
Antique White	X
Black	X
Cashmere	X
Classic White	X
Graphite	X
Latte	X
Linen White	X
Moonstone	X
Pearl	X
Silver Mist	X
Storm Gray	X
White	X
Zinc	X

Paint/Accent Finishes (Low Sheen)	Paintable
Brown Accents	
Latte/Brown Accent	X
Pewter Accents	
Classic White/Pewter Accent	X
Linen White/Pewter Accent	X
White/Pewter Accent	X
Sienna Accents	
Classic White/Sienna Accent	X
White/Sienna Accent	X
Slate Accents	
Cashmere/Slate Accent	X
Pearl/Slate Accent	X
Storm Gray/Slate Accent	X
Zinc/Slate Accent	X

Paint/Glaze Finishes (Low Sheen)	Paintable
Espresso Glaze	
Antique White/Espresso Glaze	X
Cashmere/Espresso Glaze	X
White/Espresso Glaze	X
Platinum Glaze	
Classic White/Platinum Glaze	X
Linen White/Platinum Glaze	X
White/Platinum Glaze	X
Shadow Glaze	
Cashmere/Shadow Glaze	X
Zinc/Shadow Glaze	X

Foils, Acrylics and Laminates
Please see individual door descriptions and Foil, Acrylic or Laminate Swatch books.

Low Sheen = 15° Soft Satin = 20° Satin = 35°

[See page 2-14 for more finish charts > > >](#)

NOTE: Finishes indicated in the charts are available as color blocks within our Color Sample Set. (Exception: Refer to Hickory color blocks for Rustic Hickory - a sample door is recommended.) Color blocks should be stored away from heat and light to ensure color accuracy and they should be replaced annually. Color selections should NOT be made from samples more than 12 months old.

NOTE: Color blocks are provided for color reference only. Any finish including glaze, accent, or other artisan effects should be reviewed as a sample door to see the effect of hand detailing!

NOTE: Painted finishes can also be specified on Maple and the Maple upcharge will apply. Available only for Raised Panel doors or Panel Plus Flat Panel doors. Panel components (Finished Ends, Finished Interiors, etc.) have a smooth, resin overlay crafted specifically for painted finishes



Heirloom Finishes (Low Sheen)	Alder	Cherry	Red Oak QSRO
"K" - Mission/Charcoal Glaze	X	X	
"L" - Butternut/Coffee Glaze	X	X	
"N" - Morel/Charcoal Glaze	X	X	X
"O" - Cappuccino/Charcoal Glaze	X	X	X

Patina Finishes (Low Sheen)	Alder	Cherry
"D" - Mocha/Shadow Glaze	X	X
"E" - Mission/Shadow Glaze	X	X
"F" - Allspice/Shadow Glaze	X	X
"G" - Cappuccino/Shadow Glaze	X	X

Heritage Paint Finishes (Low Sheen)	Alder	Maple
"A" Cashew/Antique White/Coffee Glaze	X	X
"B" Hazelnut/Black/Shadow Glaze	X	X
"E" Hazelnut/Storm Gray/Coffee Glaze	X	X
"F" Praline/Latte/Shadow Glaze	X	X
"H" Morel/Zinc/Shadow Glaze	X	X
"J" Cashew/Pearl/Shadow Glaze	X	X

Weathered Finishes (Low Sheen) <i>For flat panel doors, Panel Plus is required.</i>	Alder	Cherry	Red Oak
"A" - Cashew/Platinum Glaze	X	X	X
"B" - Cashew/Shadow Glaze	X	X	X
"D" - Cashew Toner/Shadow Glaze	X	X	X
"E" - Morel/Shadow Glaze	X	X	X

HEIRLOOM OR PATINA FINISHES

Heirloom and Patina finishes start with a specific stain/glaze color with hand-detailing to create an antiqued appearance. An optional "Heavy Heirloom" or "Heavy Patina" option is available which includes a much more rustic look with additional distressing.

Be sure to clearly specify "Heirloom" or "Heavy Heirloom" ("Patina" or "Heavy Patina") on your order.

Techniques Used		
Standard Heirloom or Patina	Heavy Heirloom or Heavy Patina	
Distressing	Bird-Peck*	Rasping*
Wormhole	Chisel Marks*	Spatter
Soften Corners/Edges	Dry-Brush	Soften Corners/Edges
Shading (For Patina finishes only)	Heavy Distressing*	Knife Cuts*
	Shading (For Patina finishes only)	

*Not applied to moldings, corbels or panel material.

HERITAGE PAINT FINISHES

Heritage Paint is a collection of "painted" finishes that are designed to look like a family antique that has been refinished. A base stain color is covered with a paint and then the edges are chipped to reveal the underlying stain color.

Techniques Used		
Bird-Peck	Chipped Paint	Spatter

WEATHERED FINISHES

Weathered finishes are designed to emulate wood that has been exposed to the elements and has developed a uniquely textured surface over time. Weathered finishes include a stain and glaze with specialized weathering techniques.

When a flat panel door is selected, Panel Plus is required due to the weathering process.

Techniques Used		
Bird-Peck	Glaze	Weathering Process

Hand-Detailing Techniques:

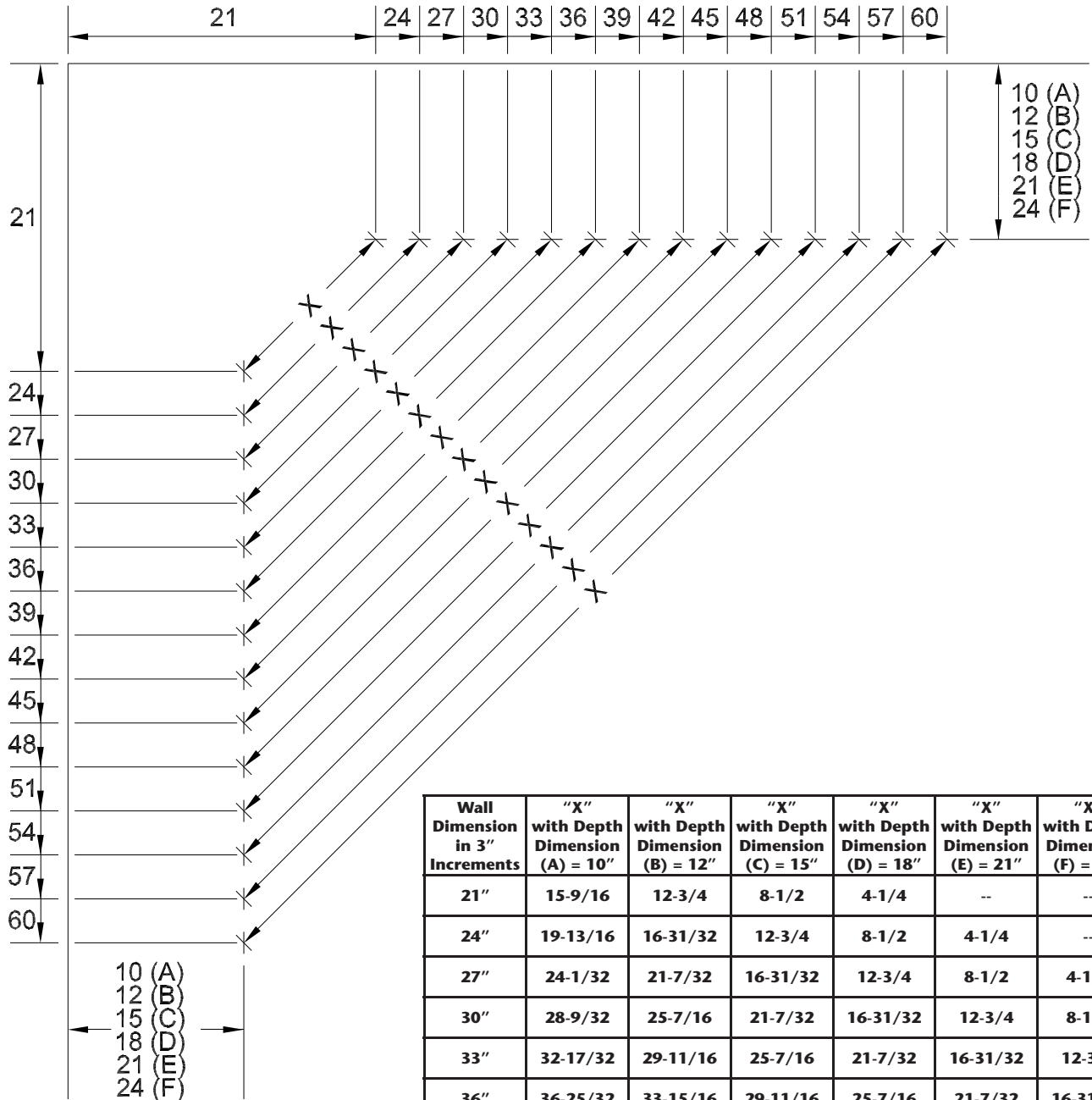
Dura Supreme offers several finish collections that use a variety of hand-detailing techniques to create an artistic, antiqued look. The various hand-detailing techniques are outlined below. The specific detailing techniques used for each finish collection are available as a "package" only and cannot be modified.

Accent Glaze	Bird-Peck	Chipped Paint	Chisel Marks	Distressing
Accent glaze is <u>not</u> a full-coverage glaze. Accent glaze is applied by hand only to the profiles of the door (and exposed cabinet parts and moldings) to create a "shadow-line" and then it is softened and wiped by hand. Accent glaze highlights only the profiles leaving the base stain color unaffected on the flat surfaces.	A special tool is used to create a heavier pattern of "wormhole" for the heavily distressed finishes.	Painted finishes are chipped and worn on the edges to reveal the underlying finish color.	Chisel marks are gouged into the surface of the wood and then smoothed with a sander to create a heavily distressed look.	A special tool is used to create random dents and nicks in the surface to give an aged, timeworn appearance.
Dry-Brush	Glaze (Full-coverage)		Knife Cuts	Rasping
A small brush is used to highlight the edges with the glaze color.	A full-coverage glaze is sprayed over the entire surface of the door and exposed cabinet parts. The glaze is then hand-wiped and allowed to "build-up" in corners and profiles to accentuate details. A full-coverage glaze gives a subtle tint to the stain undercoat (e.g. Charcoal Glaze applied over a stain creates a darker color overall.)		Knife cuts are cut into the wood to create the appearance of cracks and splits in the wood from age.	A rasp is used to "rough-up" the edges to create a heavily distressed look.
Shading	Spatter	Soften Corners/Edges		Wormhole
An air-brush is used to apply a dark shader around the outside edges of the door and the panel for "Patina" finishes.	Spatter is sprayed over the final surface to create an aged appearance and "fly-speck"	Corners and edges are sanded and worn away to create the appearance of age and repeated use.		Random clusters of small holes are scattered across the surface to create the appearance of age.



Calculation of 45° Diagonal Front

Wall dimensions shown in 3" increments. See chart for diagonal front measurement for 10", 12", 15", 18", 21", or 24" deep wall or base cabinet.

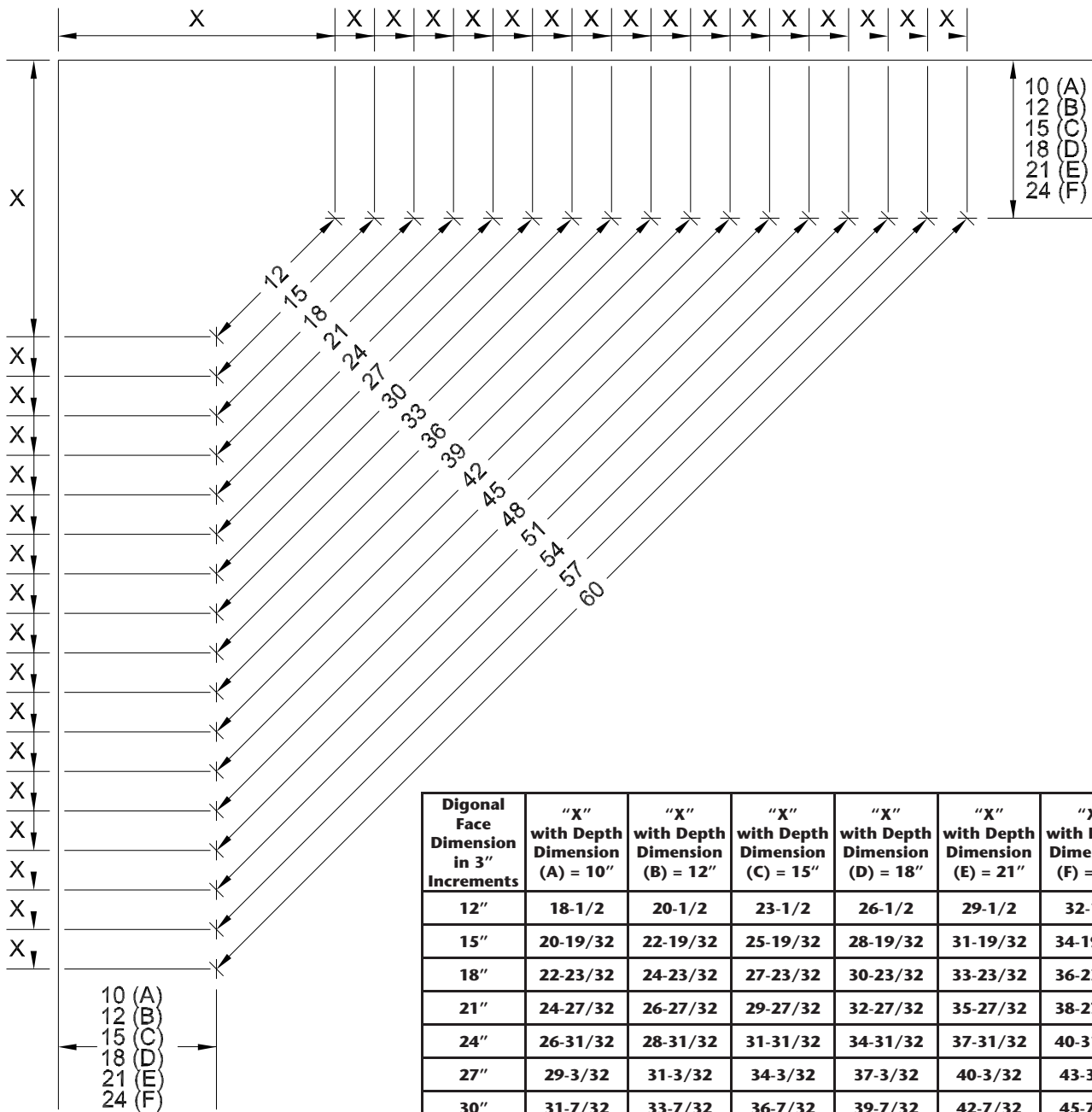


Wall Dimension in 3" Increments	"X" with Depth Dimension (A) = 10"	"X" with Depth Dimension (B) = 12"	"X" with Depth Dimension (C) = 15"	"X" with Depth Dimension (D) = 18"	"X" with Depth Dimension (E) = 21"	"X" with Depth Dimension (F) = 24"
21"	15-9/16	12-3/4	8-1/2	4-1/4	--	--
24"	19-13/16	16-31/32	12-3/4	8-1/2	4-1/4	--
27"	24-1/32	21-7/32	16-31/32	12-3/4	8-1/2	4-1/4
30"	28-9/32	25-7/16	21-7/32	16-31/32	12-3/4	8-1/2
33"	32-17/32	29-11/16	25-7/16	21-7/32	16-31/32	12-3/4
36"	36-25/32	33-15/16	29-11/16	25-7/16	21-7/32	16-31/32
39"	41	38-3/16	33-15/16	29-11/16	25-7/16	21-7/32
42"	45-1/4	42-7/16	38-3/16	33-15/16	29-11/16	25-7/16
45"	49-1/2	46-21/32	42-7/16	38-3/16	33-15/16	29-11/16
48"	53-3/4	50-29/32	46-21/32	42-7/16	38-3/16	33-15/16
51"	57-31/32	55-5/32	50-29/32	46-21/32	42-7/16	38-3/16
54"	62-7/32	59-3/8	55-5/32	50-29/32	46-21/32	42-7/16
57"	66-15/32	63-5/8	59-3/8	55-5/32	50-29/32	46-21/32
60"	70-23/32	67-7/8	63-5/8	59-3/8	55-5/32	50-29/32



Calculation of Wall Dimension When Using 45° Diagonal Front

Diagonal front dimensions shown in 3" increments. See chart for wall measurements for 10", 12", 15", 18", 21", or 24" deep wall or base cabinet



Diagonal Face Dimension in 3" Increments	"X" with Depth Dimension (A) = 10"	"X" with Depth Dimension (B) = 12"	"X" with Depth Dimension (C) = 15"	"X" with Depth Dimension (D) = 18"	"X" with Depth Dimension (E) = 21"	"X" with Depth Dimension (F) = 24"
12"	18-1/2	20-1/2	23-1/2	26-1/2	29-1/2	32-1/2
15"	20-19/32	22-19/32	25-19/32	28-19/32	31-19/32	34-19/32
18"	22-23/32	24-23/32	27-23/32	30-23/32	33-23/32	36-23/32
21"	24-27/32	26-27/32	29-27/32	32-27/32	35-27/32	38-27/32
24"	26-31/32	28-31/32	31-31/32	34-31/32	37-31/32	40-31/32
27"	29-3/32	31-3/32	34-3/32	37-3/32	40-3/32	43-3/32
30"	31-7/32	33-7/32	36-7/32	39-7/32	42-7/32	45-7/32
33"	33-11/32	35-11/32	38-11/32	41-11/32	44-11/32	47-11/32
36"	35-15/32	37-15/32	40-15/32	43-15/32	46-15/32	49-15/32
39"	37-9/16	39-9/16	42-9/16	45-9/16	48-9/16	51-9/16
42"	39-11/16	41-11/16	44-11/16	47-11/16	50-11/16	53-11/16
45"	41-13/16	43-13/16	46-13/16	49-13/16	52-13/16	55-13/16
48"	43-15/16	45-15/16	48-15/16	51-15/16	54-15/16	57-15/16
51"	46-1/16	48-1/16	51-1/16	54-15/16	57-15/16	60-15/16
54"	48-3/16	50-3/16	53-3/16	56-3/16	59-3/16	62-3/16
57"	50-5/16	52-5/16	55-5/16	58-5/16	61-5/16	64-5/16
60"	52-7/16	54-7/16	57-7/16	60-7/16	63-7/16	66-7/16



Calculating Angles

I. Fraction/Decimal Equivalents

Fraction	Decimal
1/32	.03125
1/16	.0625
3/32	.09375
1/8	.125
5/32	.15625
3/16	.1875
7/32	.21875
1/4	.250

Fraction	Decimal
9/32	.28125
5/16	.3125
11/32	.34375
3/8	.375
13/32	.40625
7/16	.4375
15/32	.46875
1/2	.50

Fraction	Decimal
17/32	.53125
9/16	.5625
19/32	.59375
5/8	.625
21/32	.65625
11/16	.6875
23/32	.71875
3/4	.750

Fraction	Decimal
25/32	.78125
13/16	.8125
27/32	.84375
7/8	.875
29/32	.90625
15/16	.9375
31/32	.96875
1	1.00

Metric Conversion Formula

1 inch = 25.4 millimeters

Examples:

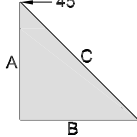
$$\frac{\text{Decimal}}{.375} \times 25.4 = \frac{\text{mm}}{9.525}$$

$$\frac{\text{mm}}{9.525} \div 25.4 = \frac{\text{Decimal}}{.375}$$

II. Right Triangles

Any triangle with a 90° corner is called a RIGHT TRIANGLE. On right triangles, the short sides are customarily labeled "A" and "B"; the long side "C". On ALL RIGHT TRIANGLES, $A^2 + B^2 = C^2$.

45 / 45 Right Triangles

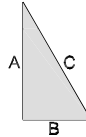


$$A = B : B = A$$

$$A \text{ or } B = .7071 \times C$$

$$C = A \text{ or } B / .7071$$

30 / 60 Right Triangles



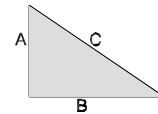
$$A = B \times \sqrt{3}$$

$$B = A / \sqrt{3}$$

$$B = \frac{1}{2}C$$

$$C = 2 \times B$$

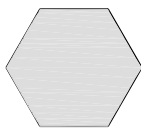
Special Right Triangles



$$A^2 + B^2 = C^2$$

Example: if the short sides of the triangle are 17 and 23-1/2, multiply each by itself (17 x 17; 23.5 x 23.5), and add the results (841.25). Determine the square root of 841.25 to determine the length of the long side (29" in this example).

Regular Hexagons



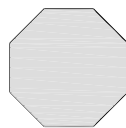
$$S = R : R = S$$

$$D = 2S, D = 2R$$

$$d = 1.732 \times S$$

$$S = 1.155 \times r$$

Regular Octagons

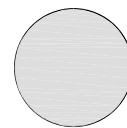


$$D = 2.614 \times S$$

$$d = 2.414 \times S$$

$$S = \frac{D}{2.614} \text{ or } \frac{d}{2.414}$$

Regular Circles



$$\pi = 3.1415926535$$

$$\text{Circumference} = D \times \pi$$

$$D = \frac{\text{Circumference}}{\pi}$$



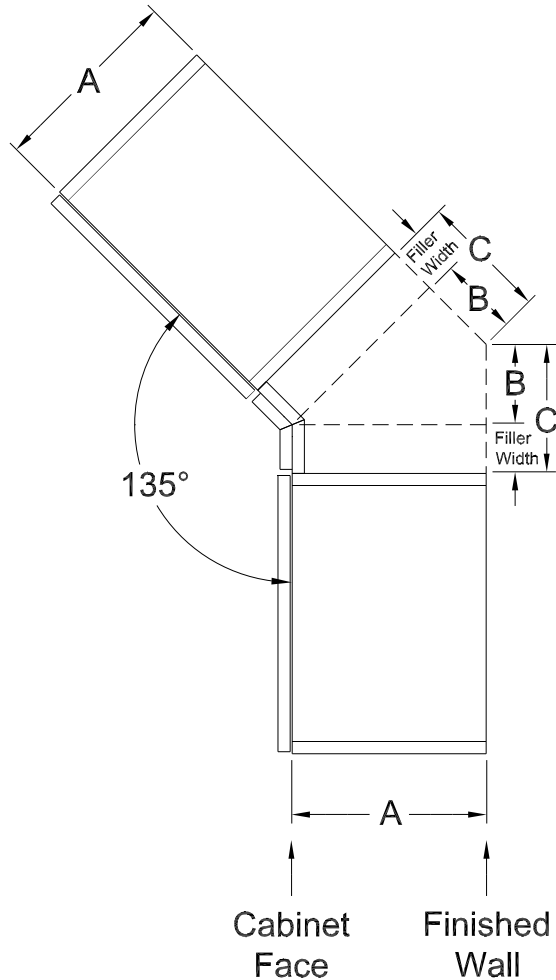
Corner Planning Tips

Calculating 135° Angled Corners

When installing cabinets that meet at a 135° angled corner, the chart and drawing shows how to determine the distance the cabinets should be located out from the corner.

All calculations are made assuming both adjoining cabinets are the same depth. Verify cabinet depth and see drawing and chart to determine installation location.

If in the example shown both cabinets are 12" deep, distance from the corner (Dimension "B") would be 4.971 inches, or 4-31/32". If a standard 3" filler is used, the dimension C is 4.971 plus 3, 7.971 (9-7/32).



A	B	C
9"	3.728 (3-23/32)	Dimension B Plus Filler Width
10"	4.142 (4-5/32)	
12"	4.971 (4-31/32)	
13"	5.385 (5-17/32)	
15"	6.213 (6-7/32)	
16"	6.628 (6-5/8)	
18"	7.456 (7-15/32)	
21"	8.698 (8-11/16)	
24"	9.941 (9-15/16)	
For depths not shown, use the following formula: (Depth divided by 2.414) equals dimension "B"		



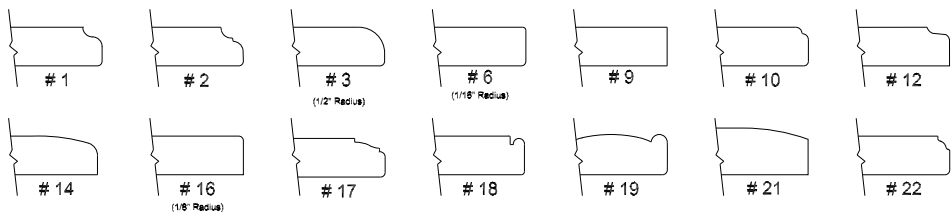
Door Styling Index

"Arch" Door Style Configurations	3-5
Aluminum Frame Doors	3-50
Aluminum Frame Hardware Template	3-52
Decorative Sheet Glass	3-41
Door & Drawer Front General Information	3-3
Door & Drawer Front Reveals	3-4
Door Edge Profiles	3-2
Door Style Chart	3-2
Leaded Glass Insert Patterns	3-49
Leaded Glass Inserts	3-48
Mullions	3-42
Panel Plus	3-3
Reveals	3-4
Drawer Front Configuration Option	3-4
Tall Door Construction	3-5



Door Styles		Price Group	Edge Profiles		Red Oak	Hickory & Rustic Hickory	Knotty Alder	Paintable or Maple ²	Quarter Sawn Red Oak	Cherry
Page	Door Style Name		Std.	Optional						
3-7	Arcadia Classic	4	#1	#2, 6, 10, 17, 22	X	X	X	X	X	X
3-7	Arcadia Panel	2	#1	#2, 6, 10, 17, 22	X	X	X	X	X	X
3-9	Avery	4	#6	#1, 2, 10, 17, 22	X	X	X	X	X	X
3-9	Bainbridge (Satin Foil)	3	#16							
3-10	Bella	8	#17	#1, 2, 6, 10, 22	X	X	X	X	X	X
3-10	Breckenridge Panel	4	#6	#1, 2, 10, 17, 22			X	X	X	X
3-11	Carson	4 (2 ⁴)	#6	#1, 2, 10, 17, 22	X	X	X	X	X	X
3-12	Carson V-Groove	5	#6	#1, 2, 10, 17, 22	X	X	X	X	X	X
3-12	Chapel Hill Classic	9	#10	#1, 2, 6, 17, 22	X	X	X	X	X	X
3-13	Chapel Hill Panel	6	#10	#1, 2, 6, 17, 22	X	X	X	X	X	X
3-13	Chelsea	6	#10	#1, 2, 6, 17, 22	X	X	X	X	X	X
3-14	Craftsman Beaded Panel	7	#6	#1, 2, 10, 17, 22	X	X	X	X	X	X
3-15	Craftsman Panel	4	#6	#1, 2, 10, 17, 22	X	X	X	X	X	X
3-15	Dempsey	6	#6	#1, 2, 10, 17, 22				X		X
3-16	Hampton Classic	5	#1	#2, 6, 10, 17, 22	X	X	X	X		X
3-16	Hampton Panel	2	#1	#2, 6, 10, 17, 22	X	X	X	X		X
3-17	Hanover (Satin Foil)	3	#16					X		
3-17	Hawthorne	6	#6	#1, 2, 10, 17, 22	X		X	X	X	X
3-18	Highland	4	#6	#1, 2, 10, 17, 22	X	X	X	X	X	X
3-18	Homestead Panel	2	#6	#1, 2, 10, 17, 22	X	X	X	X	X	X
3-19	Hudson	2 (1 ⁴)	#6	#1, 2, 10, 17, 22	X	X	X	X	X	X
3-21	Integra (Satin Foil)	3	#12					X		
3-21	Kendall	4	#10	#1, 2, 6, 17, 22	X	X	X	X	X	X
3-22	Kendall Panel	2	#10	#1, 2, 6, 17, 22	X	X	X	X	X	X
3-22	Lancaster	6	#6	#1, 2, 10, 17, 22	X	X	X	X	X	X
3-23	Lauren	6	#6	#1, 2, 10, 17, 22				X		X
3-23	Madison	5	#18					X		X
3-24	Marley	6	#22	#1, 2, 6, 10, 17	X	X	X	X		X
3-24	Meridien	4	#6	#1, 2, 10, 17, 22	X	X	X	X	X	X
3-26	Middleton	6	#10	#1, 2, 6, 17, 22	X	X	X	X		X
3-29	Montego	8	#22	#1, 2, 6, 10, 17	X		X	X		X
3-29	Monterey	6	#17	#1, 2, 6, 10, 22	X	X	X	X	X	X
3-31	Napa Panel	6	#6	#1, 2, 10, 17, 22	X	X	X	X	X	X
3-32	Nob Hill	8	#17	#1, 2, 6, 10, 22	X	X	X	X	X	X
3-33	St. Augustine	6	#17	#1, 2, 6, 10, 22	X	X	X	X	X	X
3-33	Silverton	5	#6	#1, 2, 10, 17, 22			X	X		X
3-35	Sonoma ³	7	#6	#1, 2, 10, 17, 22					X	
3-36	Sophia	5	#19					X		X
3-36	Sunbury House	9	#17	#1, 2, 6, 10, 22	X	X	X	X	X	X
3-39	Valencia Classic	8	#3					X		X
3-40	Valencia Panel	5	#3					X		X
3-40	Venice	8	#19					X		X

Door Edge Profiles - 00400



• See individual door styling pages for edge profile availability.

Optional Outer Edge Profile, **PRO** \$18 per door & drawer front

Slab & Metal Door Styles

Page	Door Style Name	Price Group	Edge Profile	Page	Door Style Name	Price Group	Edge Profile
3-6	Alpine (Laminate) ¹	1	#9	3-28	Moderne - V ("Exotic" Veneer) ¹	9	#21
	Aluminum Frame Doors	See Pages 3-50 - 3-51		3-30	Moxie - H (Veneer) ¹	5	#21
3-8	Ava - 2T (Acrylic w/2-tone edgeband) ¹	8	#9	3-30	Moxie - V (Veneer) ¹	5	#21
3-8	Ava (Acrylic) ¹	7	#9	3-31	Naples (Satin Foil)	3	#14
3-11	Camden (Solid Wood)	4	#6	3-34	Soho - H (Gloss Foil) ¹	6	#6
3-14	Chroma (Painted HDF)	1	#16	3-34	Soho - V (Gloss Foil) ¹	5	#6
3-20	Icon - H (Textured Foil) ¹	5	#14	3-35	Sonata (Satin Foil)	3	#16
3-20	Icon - V (Textured Foil) ¹	4	#14	3-37	Talia - H (Wired Foil) ¹	8	#9
3-25	Metro - H ("Exotic" Veneer) ¹	9	#9	3-37	Talia - V (Wired Foil) ¹	7	#9
3-24	Metro - V ("Exotic" Veneer) ¹	9	#9	3-38	Tribeca (Gloss Foil) ¹	5	#6
3-27	Moda - H (Veneer) ¹	5	#9	3-38	Urbana - H (Textured Foil) ¹	5	#6
3-27	Moda - V (Veneer) ¹	5	#9	3-39	Urbana - V (Textured Foil) ¹	4	#6
3-28	Moderne - H ("Exotic" Veneer) ¹	9	#21				

- H These door styles have a horizontal grain.

- V These door styles have a vertical grain.

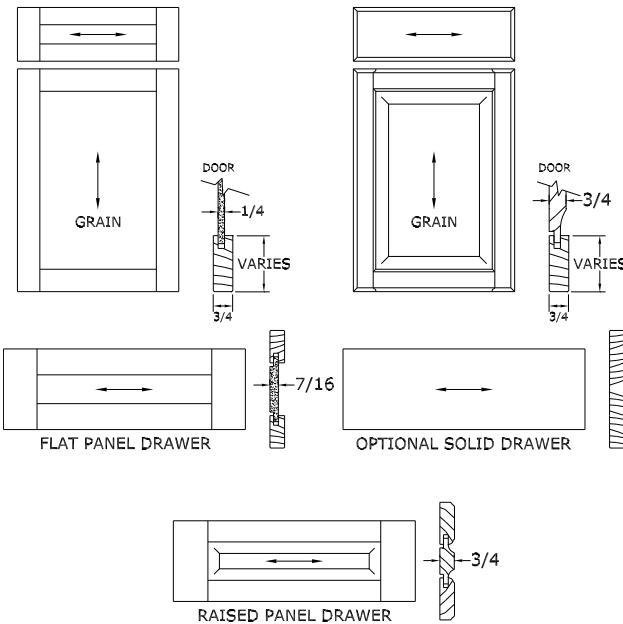
1. These door styles are available with Furniture Board construction only.
2. For painted finishes, doors can be specified with "Paintable" species (no upcharge) or Maple (upcharge).

3. Sonoma door style is available with 1/4" veneer panel only.

4. Through June 30, 2019 the Hudson and the Carson door styles are available at Promotional Pricing. Specify "Hudson Promo" or "Carson Promo" door style.

NOTE: Wood species, finish, gloss and/or horizontal upcharges may apply where applicable. See individual door style description.

WOOD DOOR & DRAWER FRONTS GENERAL INFORMATION



- Raised panels are solid wood with vertical grain in doors and horizontal grain in drawer fronts. **Exception:** Paint finishes have a superior-grade HDF panel.
- Flat (recessed) panels are veneered panels with vertical grain in doors and horizontal grain in drawer fronts.
Exceptions: Sonoma door style has a horizontal grain panel. Paint finishes have a superior-grade HDF panel. Knotty Alder and Rustic Hickory are available with "Panel Plus" inserts only (solid wood). Knotty Alder and Rustic Hickory flat panel doors must be priced with "Panel Plus" inserts.
- Each door style is manufactured with a specific drawer front unless an optional drawer front is clearly specified on your Order Cover Sheet. See individual door descriptions for available drawer front options.
- Minimum and maximum sizes are indicated for each door and drawer front. **Stiles and/or rails may be reduced to achieve minimum sizes while maintaining the raised or flat panel for that door style. Raised panel doors/drawer fronts below the minimum size will have a flat panel. Doors/drawer fronts that are too small for a flat panel will be a slab. See individual door descriptions for sizing limitations.**

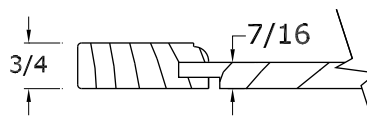
OUTER EDGE PROFILE:

- Each door style is manufactured with a specific outer edge profile. Optional outer edge profiles are available for an upcharge.

"PANEL PLUS" INSERT OPTION

• Flat panel door styles standardly include a 1/4" thick, veneered insert panel. A 7/16" solid wood panel is available as an option for all wood species except "Paintable" ("Paintable Panel Plus" is 7/16" superior-grade HDF). Specify "Panel Plus" on your Order Cover Sheet and use the appropriate Price Group.

• When "Panel Plus" is specified, the insert becomes 7/16" solid wood (7/16 superior-grade HDF for "Paintable").



Vertical grain doors
Horizontal grain drawers

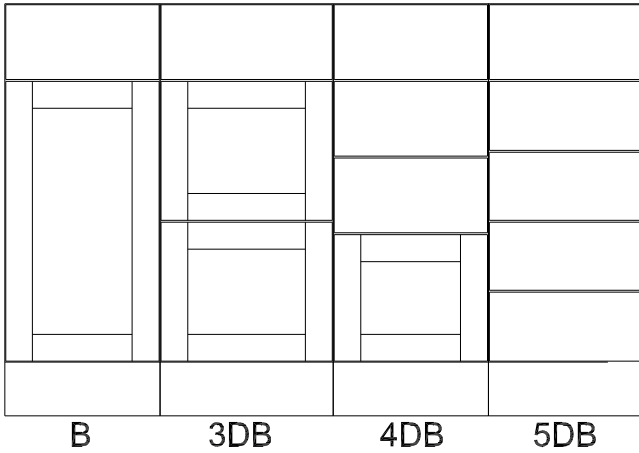
NOTE: Panel Plus is required for flat panel doors when a "Weathered" finish is selected.

NOTE: Knotty Alder and Rustic Hickory are only available with Panel Plus (Panel Plus price group applies.)



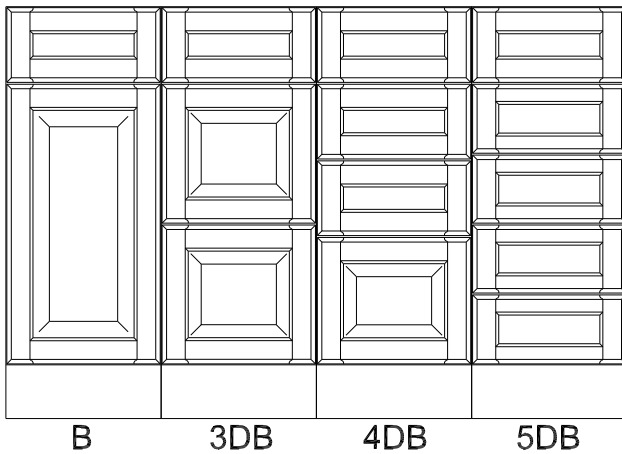
Drawer Front Configuration Option - 00405

• Specify for entire order on your Order Cover Sheet.



SLAB DRAWERS (6-1/4" OR LESS)

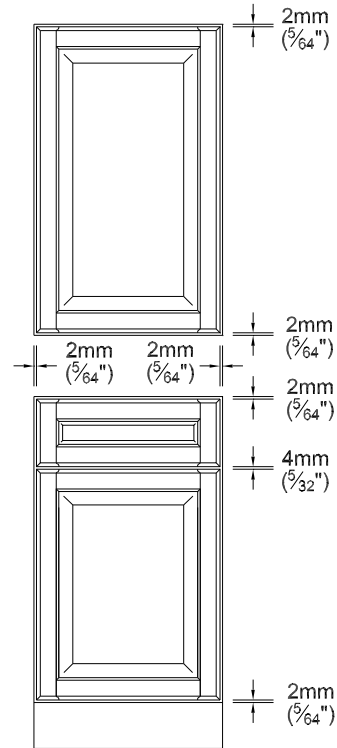
- Any 5 piece drawer front 6-1/4" or less in height will be converted to a slab.
- Drawer fronts over 6-1/4" in height will remain 5 piece.



FLAT PANEL DRAWERS (6-1/4" OR LESS)

- Any raised panel drawer front 6-1/4" or less in height will be converted to a flat panel.
- Drawer fronts over 6-1/4" in height will remain raised panel.

Reveals - 00410



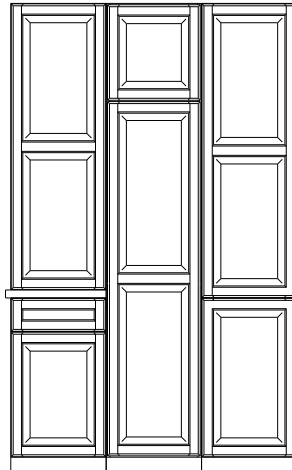
- Doors and drawer fronts are sized to leave a 2mm reveal on sides, top and bottom and a 4mm reveal between doors and drawer fronts. See drawing.
- Bria cabinetry utilizes a "clip" hinge with a 110° opening and 3-way independent adjustment and Soft-Close.

TALL DOOR CONSTRUCTION

STILE & RAIL DOORS

Stile and Rail doors over 48" tall have an intermediate rail with 2 equally sized panels. Refer to individual door descriptions for sizing limitations.

Stile & Rail Doors



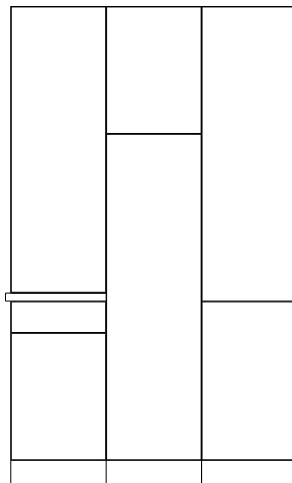
W54/B18 90UC18 90TSC18

SLAB DOORS

Slab door styles, including Horizontal Grain Veneer doors, are built as a single, full-height door.

Exception: Horizontal Grain Foil doors are not available over 48" tall. See below.

Slab Doors

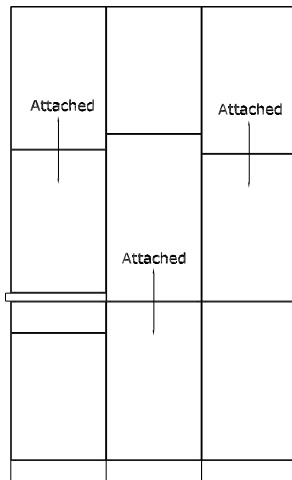


W54/B18 90UC18 90TSC18

HORIZONTAL GRAIN FOIL DOORS

Horizontal Grain Foil doors (i.e. Icon-H, Soho-H, Talia-H, Urbana-H, etc.) over 48" tall are built as 2 doors and attached together to swing as one door. Doors are attached with positioning pins only and caution should be used whenever doors are removed from the cabinet.

Horizontal Grain Foil Doors



W54/B18 90UC18 90TSC18

UPPER/LOWER DOOR CONFIGURATIONS with "ARCH" DOOR STYLES

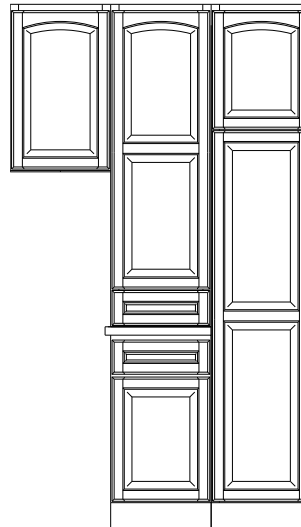


Diagram A

Upper = Hampton Classic (arch)
Lower = Arcadia Classic (square)

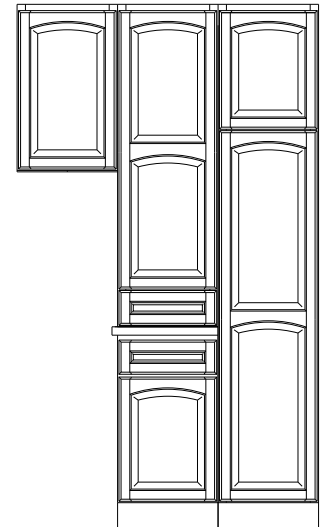


Diagram B

Upper = Hampton Classic (arch)
Lower = Hampton Classic (arch)

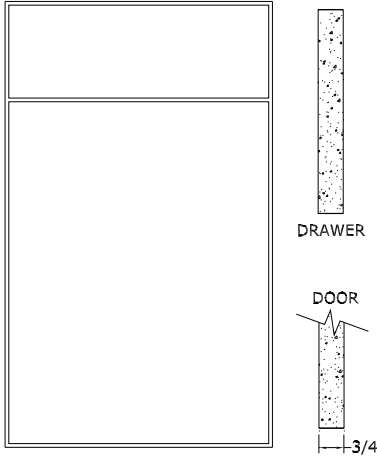
Typical door configurations are shown below for cabinetry specified with an "arched" door style.

When an "arched" door is specified for upper units and a "square" door is specified for lower units, refer to Diagram "A" for standard configuration. For tall cabinets, use the "arched" door pricing.

When an "arched" door is specified for both the upper and lower units, every panel receives an arch. See Diagram "B".



Alpine (Laminate) - 00550



Species Available:

- Boardwalk Oak (7983K-12)
- Designer White (D354-60)
- Frosty White (1573-60)
- Loft Oak (7968K-12)
- Platinum (D315-60)
- Skyline Walnut (7964K-12)
- Sterling Ash (7995K-12)
- White (1570-60)
- White Barn (7977K-12)
- White Cypress (7976K-12)

Door Sizing		
Height	Minimum	Maximum
Door	2-3/16"	64-1/2"
Cabinet	N/A	--
Width	Minimum	Maximum
Door	2-3/16"	24"
Cabinet	N/A	--

PVC Edgeband Options:

- Matching
- Aluminum Finish
- Brushed Steel Finish

Price Group **1**

Edge Profile
Standard #9
Optional #N/A

Option	Available?
Mullions	No
Decorative Panels	No ¹
Curved Doors	No

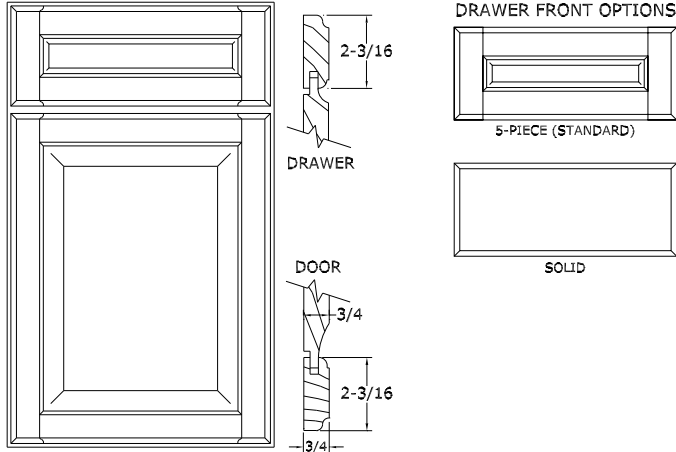
¹See [Modifications section](#) for other "End" options, or see [section 90660](#) for Doors Applied to Panel.

Special Considerations:

1. See [page 2-11](#) for High Pressure Laminate information.
2. The back of the door is a white laminate (Frosty White).
3. When a grain pattern is present in the High Pressure Laminate, door and drawer front are vertical grain (non-grain matched.)
4. Cabinet interior is white.
5. Cabinet case is banded with matching PVC edgeband, door and drawer front have edgeband options.
6. Optional Matte laminate can be specified from Wilsonart® and Formica® only. Additional lead time may apply. See [page 2.11](#) for more information.



Arcadia Classic - 00560



Species Available:

- Cherry
- Hickory
- Knotty Alder
- Maple
- QSRO
- Red Oak
- Rustic Hickory
- Paintable

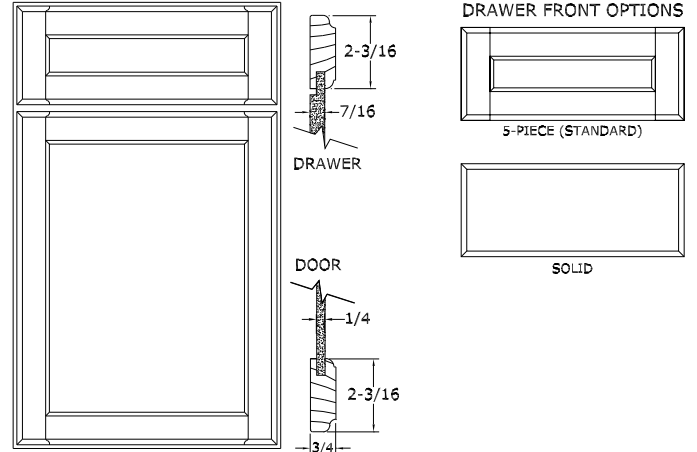
Price Group 4

Edge Profile
 Standard #1
 Optional #2, 6, 10, 17, 22

Door Sizing		
Height	Minimum	Maximum
Door	4-3/4"	64-1/2"
Cabinet	4-15/16"	--
Width	Minimum	Maximum
Door	4-3/4"	24"
Cabinet	4-15/16"	--
Stiles or rails may be reduced to achieve minimum size doors. ° Doors below 4-3/4" high are Flat Panel. ° Doors below 4-3/4" wide or 3-7/8" high are Slab.		
Option	Available?	
Mullions	Integral	
Decorative Panels	Yes	
Curved Doors	Yes	

*Doors over 48" high have 2 equal height panels.

Arcadia Panel - 00570



Species Available:

- Cherry
- Hickory
- Knotty Alder
- Maple
- QSRO
- Red Oak
- Rustic Hickory
- Paintable

Price Group 2*

Panel Plus 4*
 *For Knotty Alder or Rustic Hickory choose Panel Plus
Edge Profile
 Standard #1
 Optional #2, 6, 10, 17, 22

Door Sizing		
Height	Minimum	Maximum
Door	3-7/8"	64-1/2"
Cabinet	4-1/16"	--
Width	Minimum	Maximum
Door	4-3/4"	24"
Cabinet	4-15/16"	--
Stiles or rails may be reduced to achieve minimum size doors. ° Doors below the minimum size are Slab.		
Option	Available?	
Mullions	Integral	
Decorative Panels	Yes	
Curved Doors	Yes	

*Doors over 48" high have 2 equal height panels.

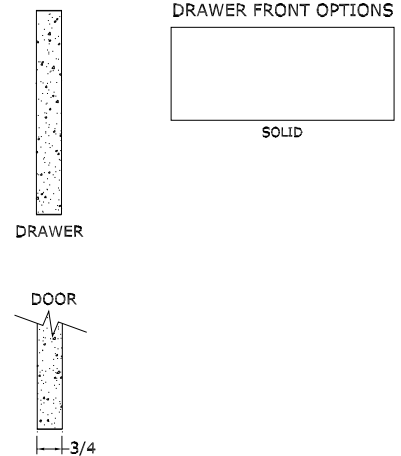
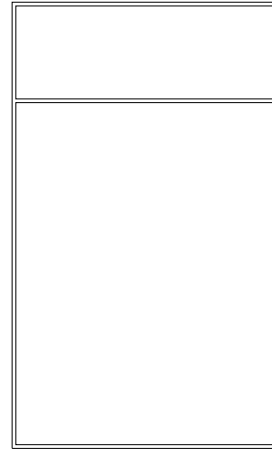
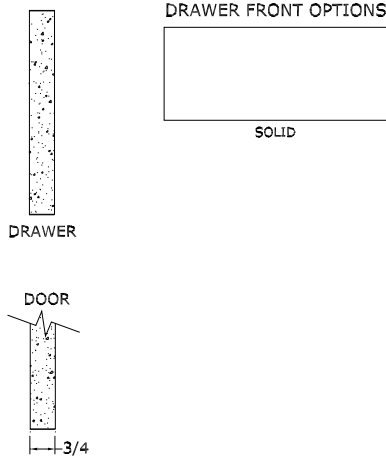
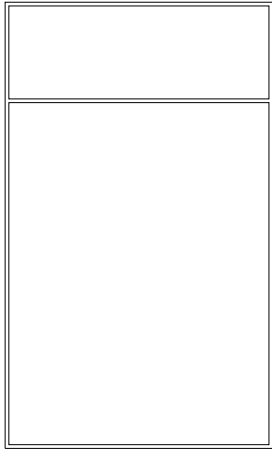
DRAWER SIZING	
BELOW 3-1/4"	
3-1/4" UP TO 4-3/4"	
4-3/4" UP TO 5-3/4"	
5-3/4" & HIGHER	

DRAWER SIZING	
BELOW 3-1/4"	
3-1/4" UP TO 5-1/4"	
5-1/4" & HIGHER	



Ava - 2T (Acrylic w/2-Tone Edgebanding) - 00580

Ava (Acrylic) - 00590



Acrylic Colors Available:

- Black
- Garnet
- Grey
- White

Edgeband Option:

- Two-Tone

Price Group **8**

Edge Profile
Standard #9
Optional N/A

Door Sizing		
Height	Minimum	Maximum
Door	4"	64-1/2"
Cabinet	4-3/16"	--
Width	Minimum	Maximum
Door	4"	24"
Cabinet	4-3/16"	--



Option	Available?
Mullions	No
Decorative Panels	No ¹
Curved Doors	No

¹See [Modifications section](#) for other "End" options, or see [section 90660](#) for Doors Applied to Panel.

Special Considerations:

1. Door back is a complementary matte melamine color.
2. Cabinet case parts are always edgebanded to match the front of the door.
3. Gloss upcharge applies. See [page 2-10](#) for more information.
4. Cabinets with a Matching Finished Interior are **not** available with this door style.
5. **Minimum** width of a 4-sided overlay = 4".
6. Mullions and/or Cut-out For Glass are **not** available.
7. An Acrylic Polish kit is required to be purchased with every order. Acrylic cabinets must be polished to protect the surface immediately after the protective peel coat is removed.

Acrylic Colors Available:

- Bisque
- Black
- Crema
- Garnet
- Gray
- White

Edgeband Options:

- Matching (M)
- Aluminum (A)
- Brushed Steel (B)

Price Group **7**

Edge Profile
Standard #9
Optional N/A

Door Sizing		
Height	Minimum	Maximum
Door	4"	64-1/2"
Cabinet	4-3/16"	--
Width	Minimum	Maximum
Door	4"	24"
Cabinet	4-3/16"	--



Option	Available?
Mullions	No
Decorative Panels	No ¹
Curved Doors	No

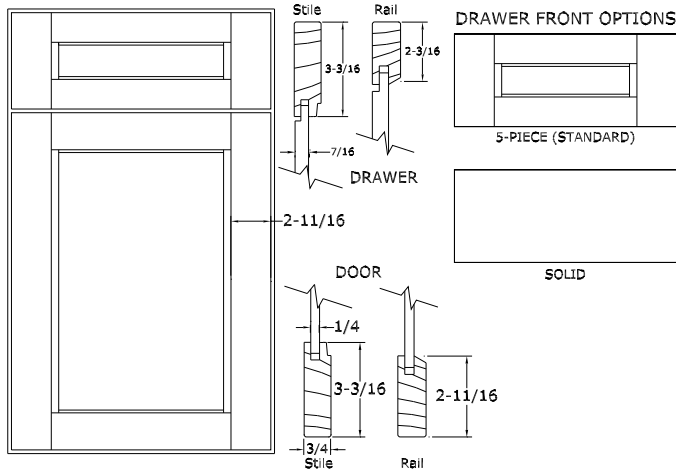
¹See [Modifications section](#) for other "End" options, or see [section 90660](#) for Doors Applied to Panel.

Special Considerations:

1. Door back is a complementary matte melamine color.
2. Cabinet case parts are always edgebanded to match the front of the door.
3. Gloss upcharge applies. See [page 2-10](#) for more information.
4. Cabinets with a Matching Finished Interior are **not** available with this door style.
5. **Minimum** width of a 4-sided overlay = 4".
6. Mullions and/or Cut-out For Glass are **not** available.
7. An Acrylic Polish kit is required to be purchased with every order. Acrylic cabinets must be polished to protect the surface immediately after the protective peel coat is removed.



Avery - 00595



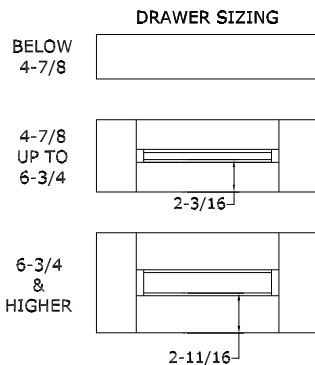
Species Available:

- Cherry
- QSRO
- Hickory
- Red Oak
- Knotty Alder
- Rustic Hickory
- Maple
- Paintable

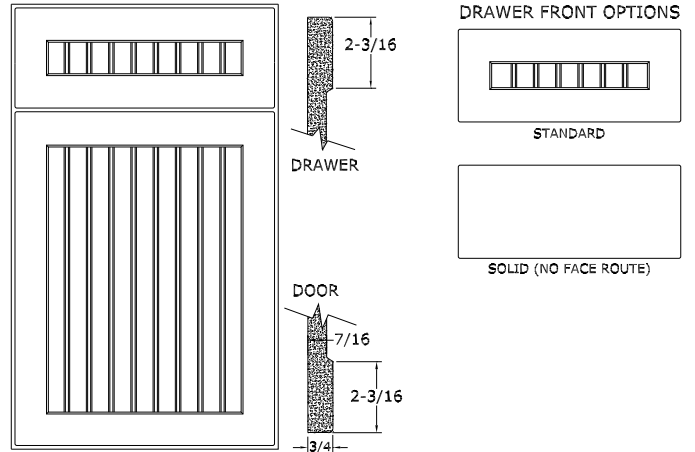
Price Group	4*
Panel Plus	6*
*For Knotty Alder or Rustic Hickory choose Panel Plus	
Edge Profile	
Standard #6	
Optional #1, 2, 10, 17, 22	

Door Sizing		
Height	Minimum	Maximum
Door	4-7/8"	64-1/2"*
Cabinet	5-1/16"	--
Width	Minimum	Maximum
Door	5-13/16"	24"
Cabinet	6-1/16"	--
Stiles or rails may be reduced to achieve minimum size doors. ° Doors below the minimum size are Slab.		
Option	Available?	
Mullions	Drop-In	
Decorative Panels	Yes	
Curved Doors	No	

*Doors over 48" high have 2 equal height panels.



Bainbridge (Satin Foil) - 00600



Satin Foil Available:

- Satin White¹

Price Group	3
-------------	---

¹ Face Frame and Finished Ends are painted with Satin White to match the Thermofoil.

Edge Profile	
Standard #16	
Optional #N/A	

Door Sizing		
Height	Minimum	Maximum
Door	9-1/4"	64-1/2"*
Cabinet	9-7/16"	--
Width	Minimum	Maximum
Door	7-1/2"	24"
Cabinet	7-11/16"	--
° Doors below the minimum size are Slab.		
Option	Available?	
Mullions	Integral ¹	
Decorative Panels	No ²	
Curved Doors	No	

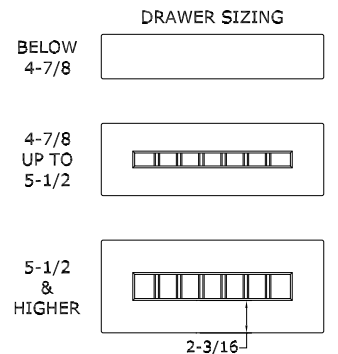
*Doors over 48" high have 2 equal height panels.

¹Available with Mullion Pattern #1 **only**.

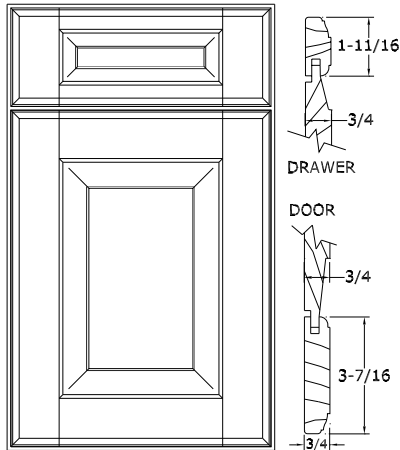
²See Modifications section for other "End" options, or see section 90660 for Doors Applied to Panel.

Special Considerations:

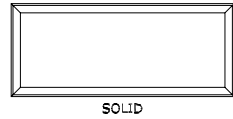
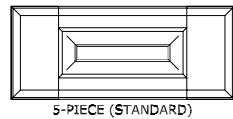
1. Door back is white melamine.
2. Finished Ends have an MDO surface for a coordinating paint. Paint upcharges are not applied on any cabinet with a Satin Foil door.
3. Loose accessory items are Maple with a coordinating paint (i.e. Moldings, Fillers, Valances, etc.) These items receive a paint upcharge. See page 10-9 for specific Foil molding availability.
4. Cabinets without Foil doors (e.g. Hoods, End Shelves, Wine Rack, Bookcase, etc.) receive a paint upcharge.



Bella - 00610



DRAWER FRONT OPTIONS



Species Available:

- Cherry
- QSRO
- Hickory
- Red Oak
- Knotty Alder
- Rustic Hickory
- Maple
- Paintable

Price Group **8**

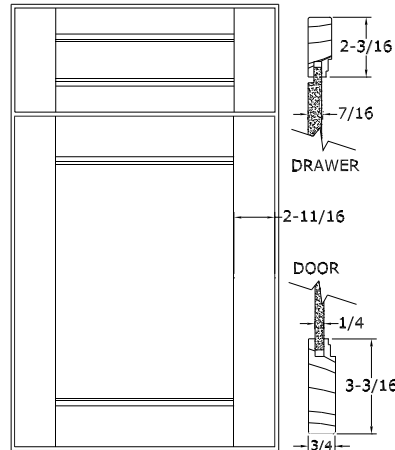
Edge Profile
Standard #17
 Optional #1, 2, 6, 10, 22

Door Sizing		
Height	Minimum	Maximum
Door	6-3/8"	64-1/2"*
Cabinet	6-9/16"	--
Width	Minimum	Maximum
Door	6-3/8"	24"
Cabinet	6-9/16"	--
Stiles or rails may be reduced to achieve minimum size doors. ° Doors below the minimum size are Flat Panel. ° Doors below 4-3/4" wide or 3-7/8" high are Slab.		
Option	Available?	
Mullions	Integral	
Decorative Panels	Yes	
Curved Doors	No	

*Doors over 48" high have 2 equal height panels.

DRAWER SIZING	
BELOW 3-1/4"	
3-1/4" UP TO 5-3/8"	
FLAT PANEL	
5-3/8" UP TO 11-3/4"	
11-3/4" & HIGHER	
	3-7/16"

Breckenridge Panel - 00620



DRAWER FRONT OPTIONS



Species Available:

- Cherry
- QSRO
- Hickory
- Red Oak
- Knotty Alder
- Rustic Hickory
- Maple
- Paintable

Price Group **4***

Panel Plus 6*
 *For Knotty Alder choose Panel Plus
 Edge Profile
Standard #6
 Optional #1, 2, 10, 17, 22

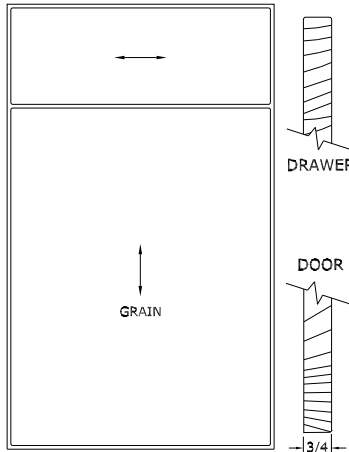
Door Sizing		
Height	Minimum	Maximum
Door	3-7/8"	64-1/2"*
Cabinet	4-1/16"	--
Width	Minimum	Maximum
Door	4-3/4"	24"
Cabinet	4-15/16"	--
Stiles or rails may be reduced to achieve minimum size doors. ° Doors below the minimum size are Slab.		
Option	Available?	
Mullions	Drop-In	
Decorative Panels	Yes	
Curved Doors	Yes	

*Doors over 48" high have 2 equal height panels.

DRAWER SIZING	
BELOW 3-1/4"	
3-1/4" UP TO 9-1/4"	
9-1/4" & HIGHER	
	3-3/16"



Camden (Solid Wood) - 00630



DRAWER FRONT OPTIONS



SOLID

Species Available:

- Cherry
- Hickory
- Knotty Alder
- Maple
- QSRO
- Red Oak
- Rustic Hickory
- Paintable

Price Group **4**

Edge Profile
Standard #6
Optional N/A

Door Sizing		
Height	Minimum	Maximum
Door	2"	64-1/2"
Cabinet	N/A	--
Width	Minimum	Maximum
Door	2"	24"
Cabinet	N/A	--
Option	Available?	
Mullions	Integral ¹	
Decorative Panels	No ²	
Curved Doors	Yes	

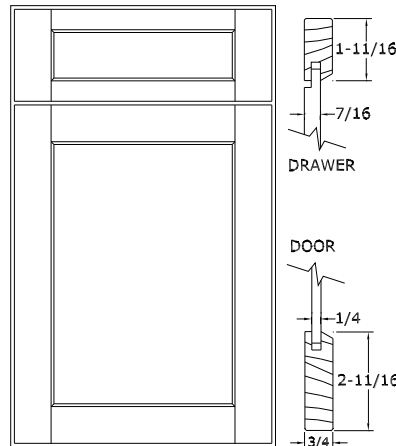
¹Built as a "Homestead" door when mullions are specified.

²See [Modifications](#) section for other "End" options, or see [section 90660](#) for Doors Applied to Panel.

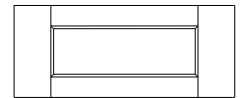
Special Considerations:

- When cut-out for glass, mullions or speaker cloth are specified, a Homestead Panel door is supplied with a #6 edge profile.
- For a Paintable slab door see "Chroma".
- Warranty:** Because this door is a solid wood "Slab" construction, proper humidity levels must be maintained at all times to avoid expansion or warpage. See "Moda" or "Moxie" for a veneer slab door.

Carson - 00645



DRAWER FRONT OPTIONS



5-PIECE (STANDARD)



SOLID

Carson Promotional Pricing

Species Available:

- Cherry
- Hickory
- Knotty Alder
- Maple
- QSRO
- Red Oak
- Rustic Hickory
- Paintable

Price Group **4**

Panel Plus **6***

*For Knotty Alder or Rustic Hickory choose Panel Plus

Edge Profile
Standard #6
Optional #1, 2, 10, 17, 22

Door Sizing		
Height	Minimum	Maximum
Door	3-7/8"	64-1/2"*
Cabinet	4-1/16"	--
Width	Minimum	Maximum
Door	4-3/4"	24"
Cabinet	4-15/16"	--
Option	Available?	
Mullions	Integral	
Decorative Panels	Yes	
Curved Doors	No	

Stiles or rails may be reduced to achieve minimum size doors.
*Doors below the minimum size are Slab.

*Doors over 48" high have 2 equal height panels.

Carson Promotional Pricing

DRAWER SIZING (5-PIECE)

BELOW 3-1/4"	
3-1/4" UP TO 4"	
4" UP TO 6-3/4"	
6-3/4" & HIGHER	

Through June 30, 2019 the Carson door style is available at Promotional Pricing. Specify "Carson Promo" door style

Promotional Pricing

Price Group **2***

Panel Plus **4***

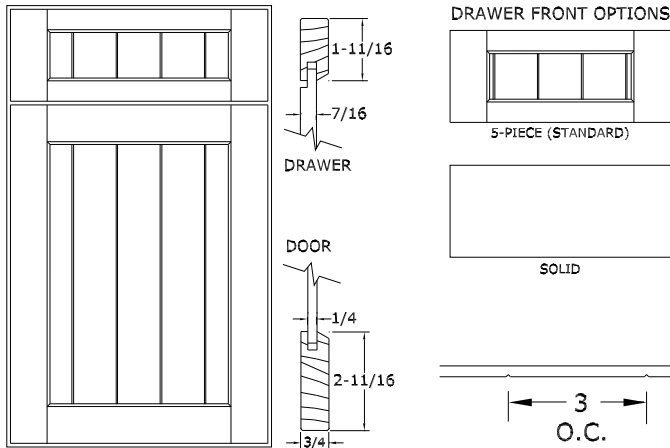
*For Knotty Alder or Rustic Hickory choose Panel Plus

Edge Profile

Standard #6

Optional #1, 2, 10, 17, 22

Carson V-Groove (Full Overlay) - 00646



Species Available:

- Cherry
- QSRO
- Hickory
- Red Oak
- Knotty Alder
- Rustic Hickory
- Maple
- Paintable

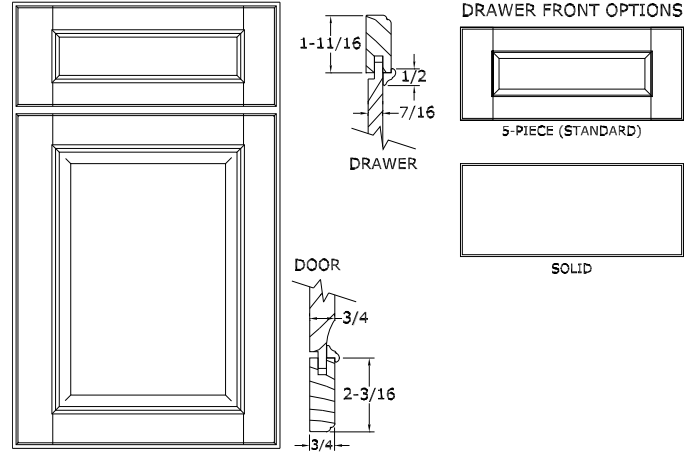
Price Group	5*
Panel Plus	7*
*For Knotty Alder or Rustic Hickory choose Panel Plus	
Edge Profile	
Standard #6	
Optional #1, 2, 10, 17, 22	

Door Sizing		
Height	Minimum	Maximum
Door	3-7/8"	64-1/2"
Cabinet	4-1/16"	--
Width	Minimum	Maximum
Door	4-3/4"	24"
Cabinet	4-15/16"	--
Stiles or rails may be reduced to achieve minimum size doors. ° Doors below the minimum size are Slab.		
Option	Available?	
Mullions	Integral	
Decorative Panels	Yes	
Curved Doors	No	

*Doors over 48" high have 2 equal height panels.

DRAWER SIZING (5-PIECE)	
BELOW 3-1/4	
3-1/4 UP TO 4	
4 UP TO 6-3/4	
6-3/4 & HIGHER	

Chapel Hill Classic - 00660



Species Available:

- Cherry
- QSRO
- Hickory
- Red Oak
- Knotty Alder
- Rustic Hickory
- Maple
- Paintable

Price Group	9
--------------------	----------

Edge Profile
Standard #10
Optional #1, 2, 6, 17, 22

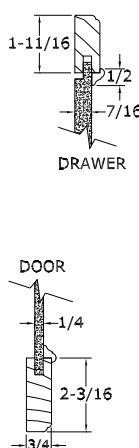
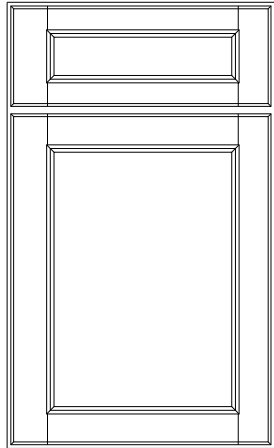
Door Sizing		
Height	Minimum	Maximum
Door	6-3/8"	64-1/2"
Cabinet	6-9/16"	--
Width	Minimum	Maximum
Door	6-3/8"	24"
Cabinet	6-9/16"	--
Stiles or rails may be reduced to achieve minimum size doors. ° Doors below the minimum size are Flat Panel. ° Doors below 5-1/8" wide or high are Slab.		
Option	Available?	
Mullions	Drop-In	
Decorative Panels	Yes	
Curved Doors	No	

*Doors over 48" high have 2 equal height panels.

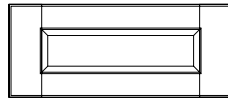
DRAWER SIZING	
BELOW 4-1/2	
4-1/2 UP TO 6-1/2	
6-1/2 UP TO 7-1/2	
7-1/2 & HIGHER	



Chapel Hill Panel - 00670



DRAWER FRONT OPTIONS



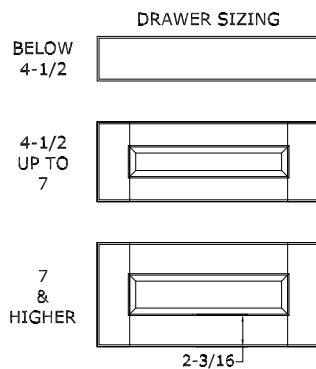
Species Available:

- Cherry
- Hickory
- Knotty Alder
- Maple
- QSRO
- Red Oak
- Rustic Hickory
- Paintable

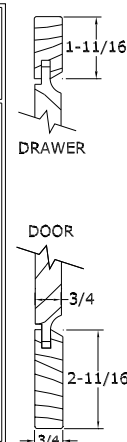
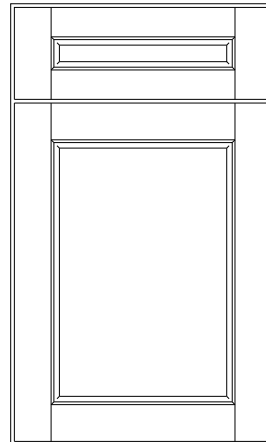
Price Group	6*
Panel Plus	8*
*For Knotty Alder or Rustic Hickory choose Panel Plus	
Edge Profile	
Standard #10	
Optional #1, 2, 6, 17, 22	

Door Sizing		
Height	Minimum	Maximum
Door	5-1/8"	64-1/2"*
Cabinet	5-5/16"	--
Width	Minimum	Maximum
Door	5-1/8"	24"
Cabinet	5-5/16"	--
Stiles or rails may be reduced to achieve minimum size doors. ° Doors below the minimum size are Slab.		
Option	Available?	
Mullions	Drop-In	
Decorative Panels	Yes	
Curved Doors	No	

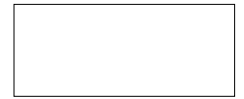
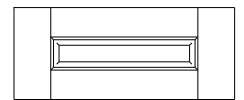
*Doors over 48" high have 2 equal height panels.



Chelsea (Full Overlay) - 00675



DRAWER FRONT OPTIONS



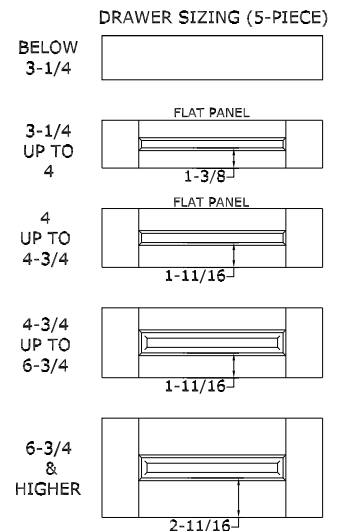
Species Available:

- Cherry
- Hickory
- Knotty Alder
- Maple
- QSRO
- Red Oak
- Rustic Hickory
- Paintable

Price Group	6
Edge Profile	
Standard #10	
Optional #1, 2, 6, 17, 22	

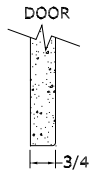
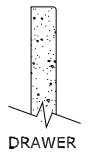
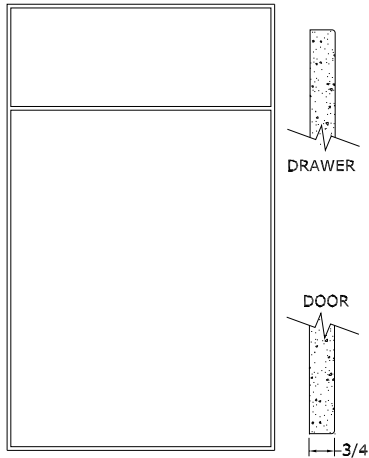
Door Sizing		
Height	Minimum	Maximum
Door	4-3/4"	64-1/2"*
Cabinet	4-15/16"	--
Width	Minimum	Maximum
Door	4-3/4"	24"
Cabinet	4-15/16"	--
Stiles or rails may be reduced to achieve minimum size doors. ° Doors below the minimum size are Flat Panel. ° Doors below 4-3/4" wide or 3-7/8" high are Slab.		
Option	Available?	
Mullions	Integral	
Decorative Panels	Yes	
Curved Doors	No	

*Doors over 48" high have 2 equal height panels.

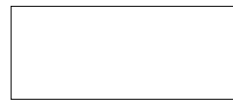




Chroma (Painted HDF) - 00680



DRAWER FRONT OPTIONS



SOLID

Species Available:

- Paintable

Price Group **1**

Edge Profile
Standard #16
Optional N/A

Door Sizing		
Height	Minimum	Maximum
Door	2"	64-1/2"
Cabinet	N/A	--
Width	Minimum	Maximum
Door	2"	24"
Cabinet	N/A	--

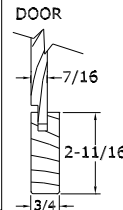
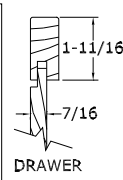
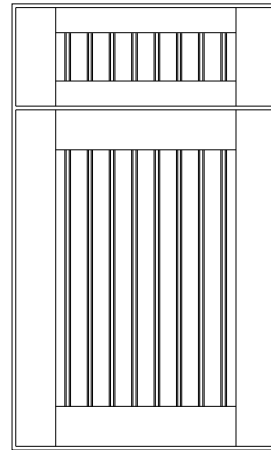
Option	Available?
Mullions	Integral
Decorative Panels	No ¹
Curved Doors	No

¹See [Modifications section](#) for other "End" options, or see [section 90660](#) for Doors Applied to Panel.

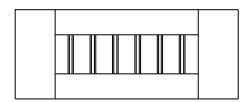
Special Considerations:

- Constructed of superior-grade HDF to create an exceptionally smooth and stable surface for painted finishes.
- Available with solid "paint" finishes only. **Paint upcharge is applicable.** (Glaze and/or Accent finishes are **not** available.)
- When cut-out for glass is specified, door frame will have 2-1/2" wide "stiles" and "rails".

Craftsman Beaded Panel - 00690



DRAWER FRONT OPTIONS



5-PIECE (STANDARD)



SOLID

Species Available:

- Cherry
- Hickory
- Knotty Alder
- Maple
- QSRO
- Red Oak
- Rustic Hickory
- Paintable

Price Group **7**

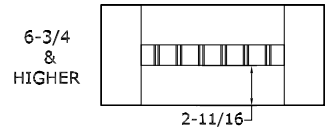
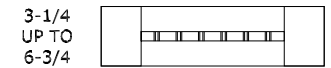
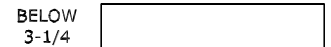
Edge Profile
Standard #6
Optional #1, 2, 10, 17, 22

Door Sizing		
Height	Minimum	Maximum
Door	3-7/8"	64-1/2"*
Cabinet	4-1/16"	--
Width	Minimum	Maximum
Door	4-3/4"	24"
Cabinet	4-15/16"	--

Option	Available?
Mullions	Integral
Decorative Panels	Yes
Curved Doors	No

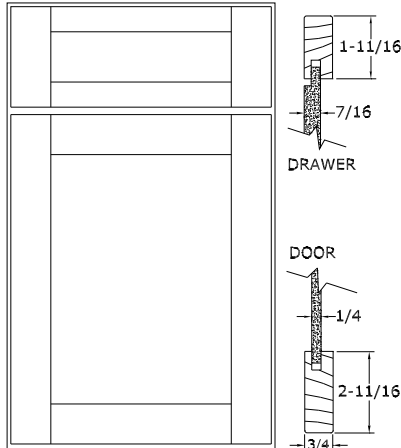
*Doors over 48" high have 2 equal height panels.

DRAWER SIZING

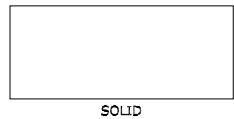
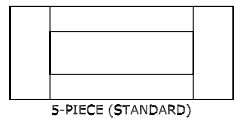




Craftsman Panel - 00700



DRAWER FRONT OPTIONS



Species Available:

- Cherry
- QSRO
- Hickory
- Red Oak
- Knotty Alder
- Rustic Hickory
- Maple
- Paintable

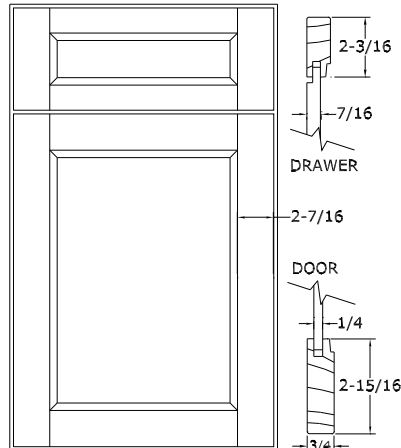
Price Group	4*
Panel Plus	6*
*For Knotty Alder or Rustic Hickory choose Panel Plus	
Edge Profile	
Standard #6	
Optional #1, 2, 10, 17, 22	

Door Sizing		
Height	Minimum	Maximum
Door	3-7/8"	64-1/2"*
Cabinet	4-1/16"	--
Width	Minimum	Maximum
Door	4-3/4"	24"
Cabinet	4-15/16"	--
Stiles or rails may be reduced to achieve minimum size doors. ° Doors below the minimum size are Slab.		
Option	Available?	
Mullions	Integral	
Decorative Panels	Yes	
Curved Doors	Yes	

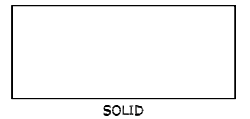
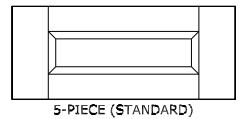
*Doors over 48" high have 2 equal height panels.

DRAWER SIZING	
BELOW 3-1/4"	
3-1/4" UP TO 6-3/4"	
6-3/4" & HIGHER	

Dempsey - 00711



DRAWER FRONT OPTIONS



Species Available:

- Cherry
- QSRØ
- Hickory
- Red Oak
- Knotty Alder
- Rustic Hickory
- Maple
- Paintable

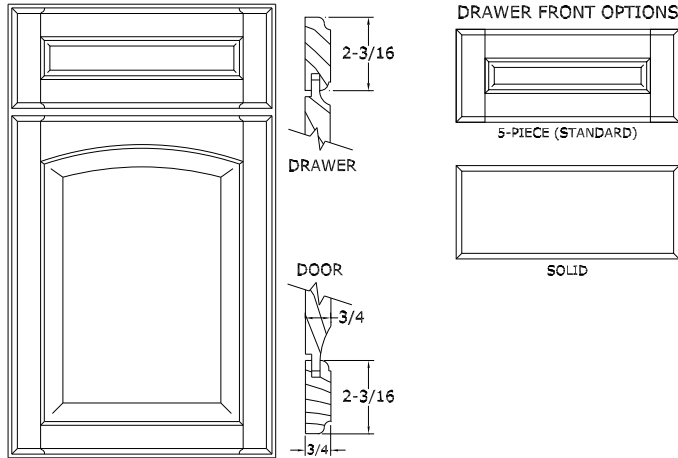
Price Group	6
Panel Plus	8
Edge Profile	
Standard #6	
Optional #1, 2, 10, 17, 22	

Door Sizing		
Height	Minimum	Maximum
Door	4-7/8"	64-1/2"*
Cabinet	5-1/16"	--
Width	Minimum	Maximum
Door	5-13/16"	24"
Cabinet	6"	--
Stiles or rails may be reduced to achieve minimum size doors. ° Doors below the minimum size are Slab.		
Option	Available?	
Mullions	Drop-In	
Decorative Panels	Yes	
Curved Doors	No	

*Doors over 48" high have 2 equal height panels.

DRAWER SIZING	
BELOW 4-7/8"	
4-7/8" UP TO 10-1/4"	
10-1/4" & HIGHER	

Hampton Classic - 00720



Species Available:

- Cherry
- QSRØ
- Hickory
- Red Oak
- Knotty Alder
- Rustic Hickory
- Maple
- Paintable

Price Group **5**

Edge Profile
Standard #1
 Optional #2, 6, 10, 17, 22

Door Sizing		
Height	Minimum	Maximum
Door	8-1/4"	64-1/2"*
Cabinet	8-7/16"	--
Width	Minimum	Maximum
Door	7-1/4"	24"
Cabinet	7-7/16"	--
Stiles or rails may be reduced to achieve minimum size doors. ° Doors below the minimum size are square (no arch). ° Doors below 4-3/4" wide or 3-7/8" high are Slab.		
Option	Available?	
Mullions	Integral ¹	
Decorative Panels	Yes	
Curved Doors	Yes	

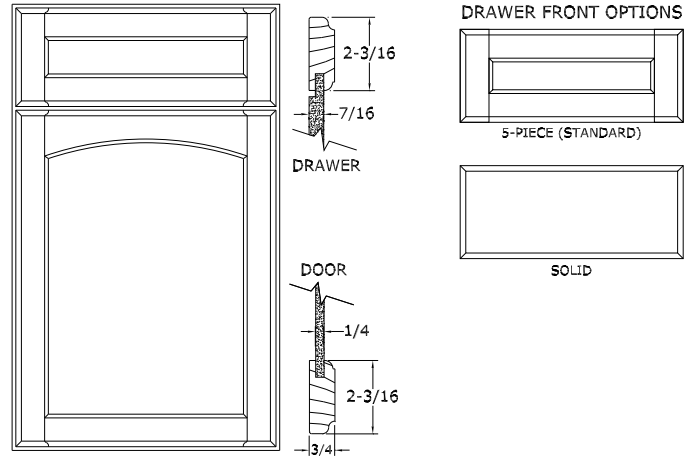
*Doors over 48" high have 2 equal height panels.

¹ Arched doors are not available with all mullion styles. See section 02010.

Special Considerations:

- Door top rail is 3-1/4" wide with a 1" high arch.

Hampton Panel - 00730



Species Available:

- Cherry
- QSRØ
- Hickory
- Red Oak
- Knotty Alder
- Rustic Hickory
- Maple
- Paintable

Price Group **2***

Panel Plus **4***
 *For Knotty Alder or Rustic Hickory choose Panel Plus
 Edge Profile
Standard #1
 Optional #2, 6, 10, 17, 22

Door Sizing		
Height	Minimum	Maximum
Door	7"	64-1/2"*
Cabinet	7-3/16"	--
Width	Minimum	Maximum
Door	7-1/4"	24"
Cabinet	7-7/16"	--
Stiles or rails may be reduced to achieve minimum size doors. ° Doors below the minimum size are square (no arch). ° Doors below 4-3/4" wide or 3-7/8" high are Slab.		
Option	Available?	
Mullions	Integral ¹	
Decorative Panels	Yes	
Curved Doors	Yes	

*Doors over 48" high have 2 equal height panels.

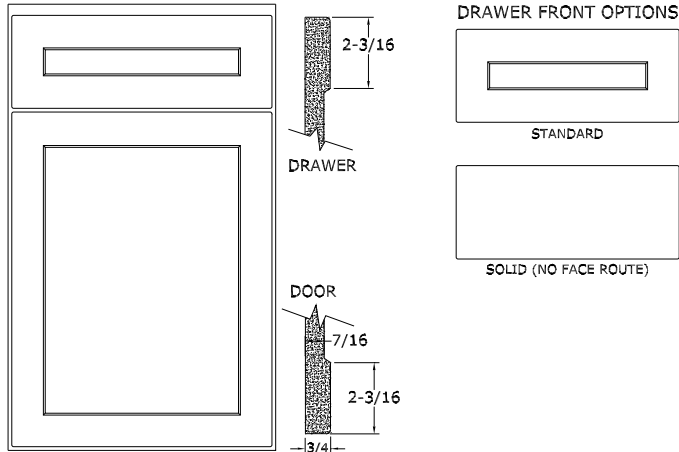
¹ Arched doors are not available with all mullion styles. See section 02010.

Special Considerations:

- Door top rail is 3-1/4" wide with a 1" high arch.



Hanover (Satin Foil) - 00740



Thermofoil Available:

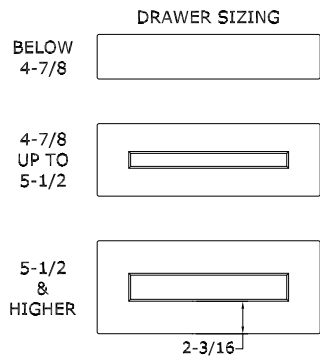
- Satin White Thermofoil

¹ Face Frame and Finished Ends are painted with Satin White to match the Thermofoil.

Price Group **3**

Edge Profile
Standard #16
Optional N/A

Door Sizing		
Height	Minimum	Maximum
Door	9-1/4"	64-1/2"*
Cabinet	9-7/16"	--
Width	Minimum	Maximum
Door	7-1/2"	24"
Cabinet	7-11/16"	--
Stiles or rails may be reduced to achieve minimum size doors. ° Doors below the minimum size are Slab.		
Option	Available?	
Mullions	Integral ¹	
Decorative Panels	No ²	
Curved Doors	No	



*Doors over 48" high have 2 equal height panels.

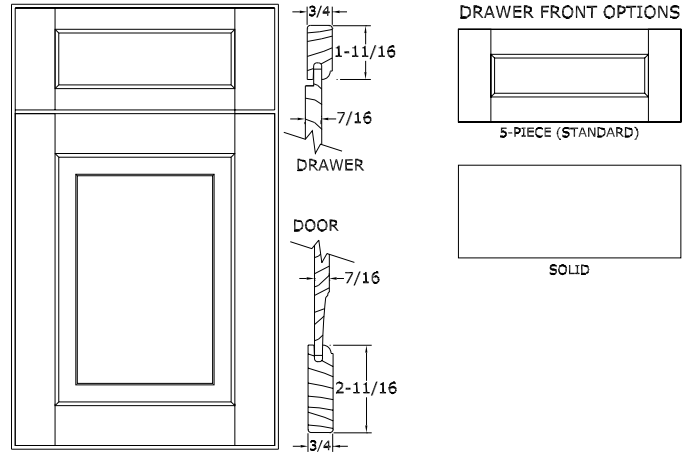
¹ Available with Mullion Pattern #1 **only**.

² See Modifications section for other "End" options, or see section 90660 for Doors Applied to Panel.

Special Considerations:

1. Door has a Thermofoil face and edges with white melamine back.
2. Face Frame is Maple with coordinating paint. Finished Ends have an MDO surface for paint. Paint upcharges are **not** applied on any cabinet with a Thermofoil door.
3. Loose accessory items are Maple with a coordinating paint (i.e. Moldings, Fillers, Valances, etc.) These items receive a paint upcharge. See page 10-9 for specific Foil molding availability.
4. Cabinets without Thermofoil doors (e.g. Hoods, End Shelves, Wine Rack, Bookcase) receive a paint upcharge.

Hawthorne - 00750



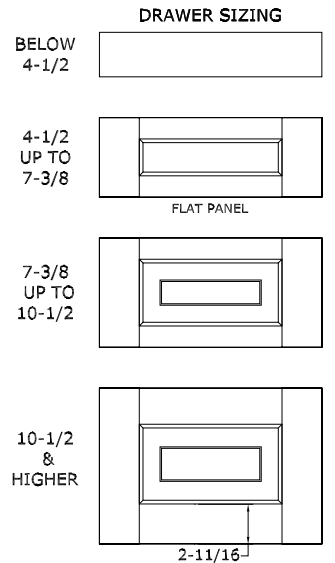
Species Available:

- Cherry
- QSRO
- Hickory
- Red Oak
- Knotty Alder
- Rustic Hickory
- Maple
- Paintable

Price Group **6**

Edge Profile
Standard #6
Optional #1, 2, 10, 17, 22

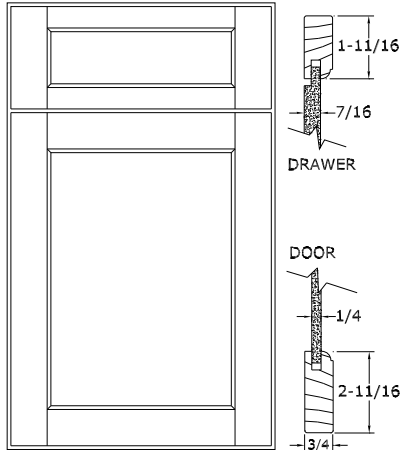
Door Sizing		
Height	Minimum	Maximum
Door	7-3/8"	64-1/2"*
Cabinet	7-9/16"	--
Width	Minimum	Maximum
Door	7-3/8"	24"
Cabinet	7-9/16"	--
Stiles or rails may be reduced to achieve minimum size doors. ° Doors below the minimum size are Flat Panel ° Doors below 5-1/8" wide or high are Slab.		
Option	Available?	
Mullions	Integral	
Decorative Panels	Yes	
Curved Doors	No	



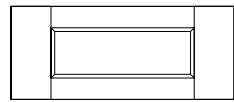
*Doors over 48" high have 2 equal height panels.



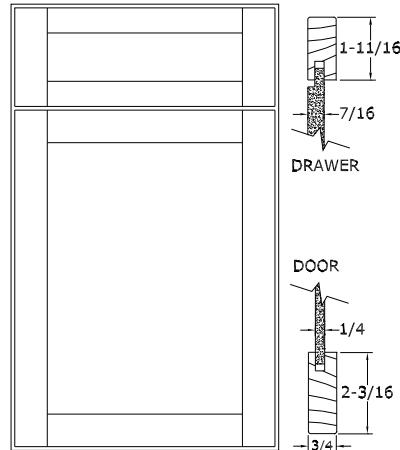
Highland - 00760



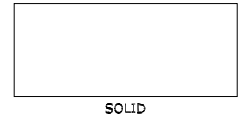
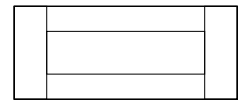
DRAWER FRONT OPTIONS



Homestead Panel - 00770



DRAWER FRONT OPTIONS



Species Available:

- Cherry
- Hickory
- Knotty Alder
- Maple
- QSRO
- Red Oak
- Rustic Hickory
- Paintable

Price Group	4*
Panel Plus	6*
*For Knotty Alder or Rustic Hickory choose Panel Plus	
Edge Profile	
Standard #6	
Optional #1, 2, 10, 17, 22	

Species Available:

- Cherry
- Hickory
- Knotty Alder
- Maple
- QSRO
- Red Oak
- Rustic Hickory
- Paintable

Price Group	2*
Panel Plus	4*
*For Knotty Alder or Rustic Hickory choose Panel Plus	
Edge Profile	
Standard #6	
Optional #1, 2, 10, 17, 22	

Door Sizing		
Height	Minimum	Maximum
Door	3-7/8"	64-1/2"*
Cabinet	4-1/16"	--
Width	Minimum	Maximum
Door	4-3/4"	24"
Cabinet	4-15/16"	--
Stiles or rails may be reduced to achieve minimum size doors. ° Doors below the minimum size are Slab.		
Option	Available?	
Mullions	Integral	
Decorative Panels	Yes	
Curved Doors	Yes	

DRAWER SIZING	
BELOW 3-1/4"	
3-1/4" UP TO 6-3/4"	
6-3/4" & HIGHER	

Door Sizing		
Height	Minimum	Maximum
Door	3-7/8"	64-1/2"*
Cabinet	4-1/16"	--
Width	Minimum	Maximum
Door	4-3/4"	24"
Cabinet	4-15/16"	--
Stiles or rails may be reduced to achieve minimum size doors. ° Doors below the minimum size are Slab.		
Option	Available?	
Mullions	Integral	
Decorative Panels	Yes	
Curved Doors	Yes	

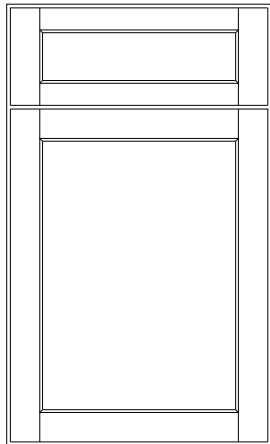
DRAWER SIZING	
BELOW 3-1/4"	
3-1/4" UP TO 6-3/4"	
6-3/4" & HIGHER	

*Doors over 48" high have 2 equal height panels.

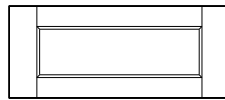
*Doors over 48" high have 2 equal height panels.



Hudson - 00772



DRAWER FRONT OPTIONS



Hudson Promotional Pricing

Species Available:

- Cherry
- QSRO
- Hickory
- Red Oak
- Knotty Alder
- Rustic Hickory
- Maple
- Paintable

Price Group	2*
Panel Plus	4*
*For Knotty Alder or Rustic Hickory choose Panel Plus	
Edge Profile	
Standard #6	
Optional #1, 2, 10, 17, 22	

Door Sizing		
Height	Minimum	Maximum
Door	3-7/8"	64-1/2"
Cabinet	4-1/16"	--
Width	Minimum	Maximum
Door	4-3/4"	24"
Cabinet	4-15/16"	--

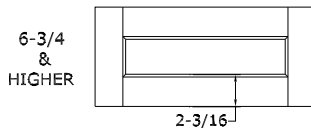
Stiles or rails may be reduced to achieve minimum size doors.
 *Doors below the minimum size are Slab.

Option	Available?
Mullions	Integral
Decorative Panels	Yes
Curved Doors	No

*Doors over 48" high have 2 equal height panels.

Hudson Promotional Pricing

DRAWER SIZING (5-PIECE)



Through June 30, 2019 the Hudson door style is available at Promotional Pricing. Specify "Hudson Promo" door style

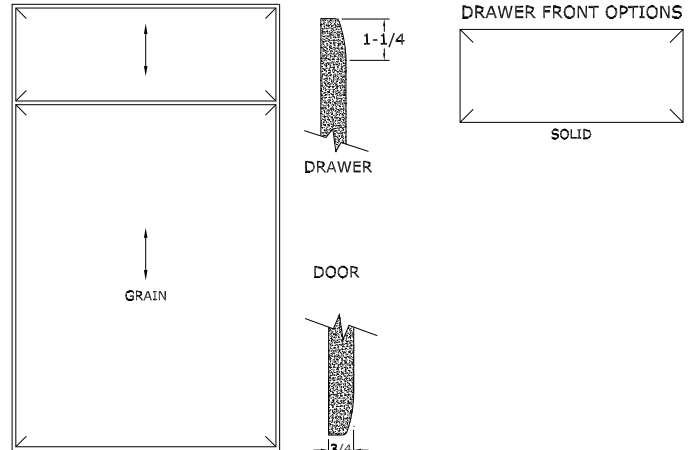
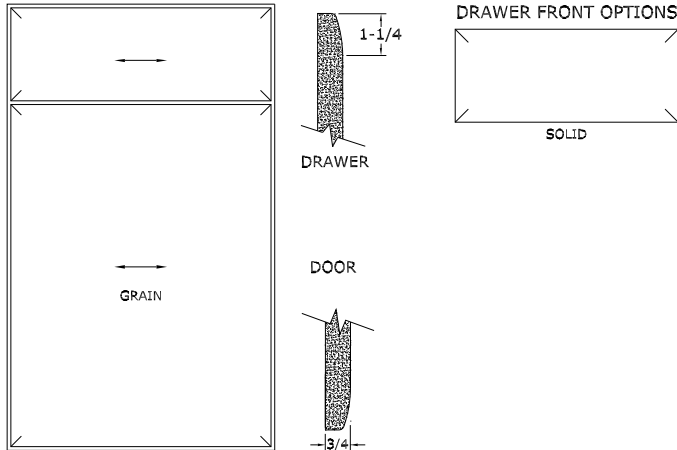
Promotional Pricing

Price Group	1*
Panel Plus	2*
*For Knotty Alder or Rustic Hickory choose Panel Plus	
Edge Profile	
Standard #6	
Optional #1, 2, 10, 17, 22	



Icon-H (Horizontal Grain Textured Foil) - 00780

Icon-V (Vertical Grain Textured Foil) - 00790



Textured Foil Available:

- Caviar
- Cinder
- Greige
- Nutshell
- Oyster
- Sand
- Sea Salt
- Timber
- Truffle
- Twig

Price Group **5**

Edge Profile
Standard #14
Optional #N/A

Textured Foil Available:

- Caviar
- Cinder
- Greige
- Nutshell
- Oyster
- Sand
- Sea Salt
- Timber
- Truffle
- Twig

Price Group **4**

Edge Profile
Standard #14
Optional #N/A

Door Sizing		
Height	Minimum	Maximum
Door	3-1/2"	48"*
Cabinet	3-11/16"	--
Width	Minimum	Maximum
Door	3-1/2"	24"
Cabinet	3-11/16"	--
Option	Available?	
Mullions	No	
Decorative Panels	No ¹	
Curved Doors	No	

Door Sizing		
Height	Minimum	Maximum
Door	3-1/2"	64-1/2"
Cabinet	3-11/16"	--
Width	Minimum	Maximum
Door	3-1/2"	24"
Cabinet	3-11/16"	--
Option	Available?	
Mullions	No	
Decorative Panels	No ¹	
Curved Doors	No	

¹See [Modifications section](#) for other "End" options, or see [section 90660](#) for Doors Applied to Panel.

¹See [Modifications section](#) for other "End" options, or see [section 90660](#) for Doors Applied to Panel.

Special Considerations:

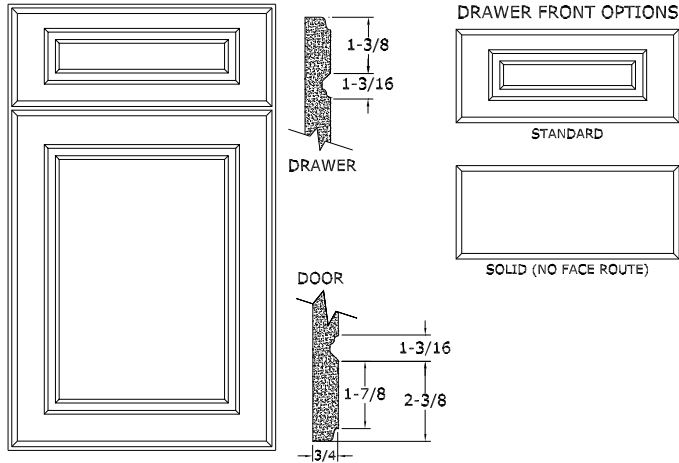
1. Door back is white melamine.
2. Door and drawer front have horizontal grain (non-grain matched.)
3. **All case parts are vertical grain** (Finished Ends, Matching Finished Interior, etc.). For Horizontal Grain see [section 70020](#) (Doors Applied to Finished Ends) or [section 90342](#) (Overlay End Panels - Horizontal Grain)
4. **Minimum** width of a 4-sided overlay = 3-1/2".
5. See [page 10-9](#) for specific Foil molding availability.

Special Considerations:

1. Door back is white melamine.
2. Door and drawer front have vertical grain (non-grain matched.)
3. **Minimum** width of a 4-sided overlay = 3-1/2".
4. See [page 10-9](#) for specific Foil molding availability.



Integra (Satin Foil) - 00800



Satin Foil Available:

- Satin White

¹ Face Frame and Finished Ends are painted with Satin White to match the Thermofoil.

Price Group **3**

Edge Profile
Standard #12
Optional #N/A

Door Sizing		
Height	Minimum	Maximum
Door	9-1/4"	64-1/2"*
Cabinet	9-7/16"	--
Width	Minimum	Maximum
Door	7-1/2"	24"
Cabinet	7-11/16"	--
* Doors below the minimum size are Slab.		
Option	Available?	
Mullions	Integral ¹	
Decorative Panels	No ²	
Curved Doors	No	

*Doors over 48" high have 2 equal height panels.

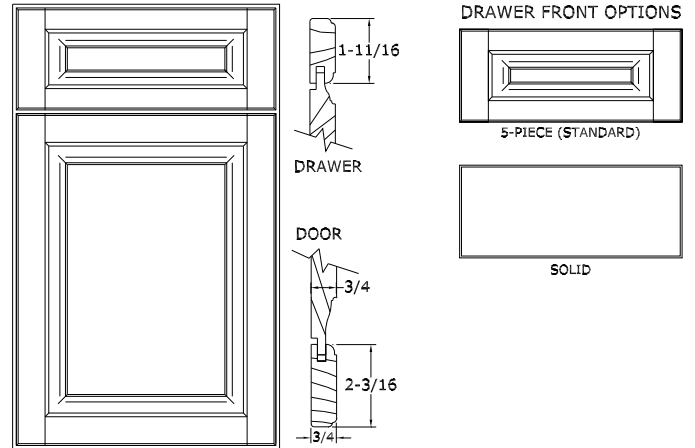
¹ Available with Mullion Pattern #1 **only**.

² See Modifications section for other "End" options, or see section 90660 for Doors Applied to Panel.

Special Considerations:

1. Door back is white melamine.
2. Finished Ends have an MDO surface for a coordinating paint. Paint upcharges are **not** applied on any cabinet with a Foil door.
3. Loose accessory items are Maple with a coordinating paint (i.e. Mouldings, Fillers, Valances, etc.) These items receive a paint upcharge. See page 10-9 for specific Foil molding availability.
4. Cabinets without Foil doors (e.g. Hoods, End Shelves, Wine Rack, Bookcase, etc.) receive a paint upcharge.

Kendall - 00810



Species Available:

- Cherry
- Hickory
- Knotty Alder
- Maple
- QSRO
- Red Oak
- Rustic Hickory
- Paintable

Price Group **4**

Edge Profile
Standard #10
Optional #1, 2, 6, 17, 22

Door Sizing		
Height	Minimum	Maximum
Door	6"	64-1/2"*
Cabinet	6-3/16"	--
Width	Minimum	Maximum
Door	6"	24"
Cabinet	6-3/16"	--
Stiles or rails may be reduced to achieve minimum size doors.		
* Doors below the minimum size are Flat Panel.		
* Doors below 4-3/4" wide or 7-3/8" high are Slab.		
Option	Available?	
Mullions	Integral	
Decorative Panels	Yes	
Curved Doors	No	

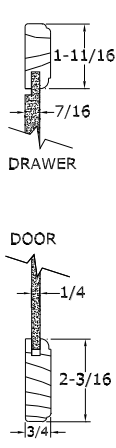
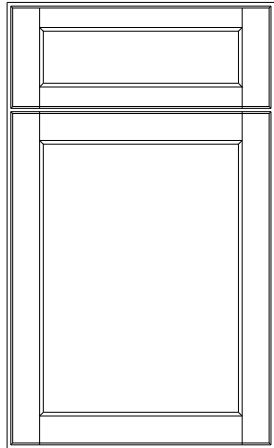
*Doors over 48" high have 2 equal height panels.

DRAWER SIZING	
BELOW 4-7/8	
4-7/8 UP TO 6	
6 & HIGHER	

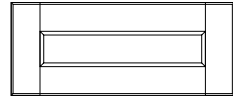
DRAWER SIZING	
BELOW 3-1/4	
3-1/4 UP TO 5-3/8	
5-3/8 UP TO 7	
7 & HIGHER	



Kendall Panel - 00820



DRAWER FRONT OPTIONS



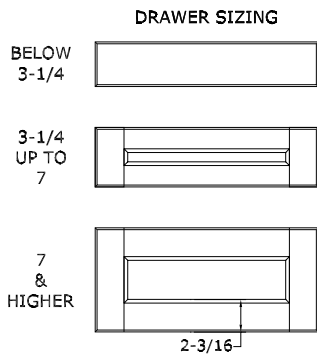
Species Available:

- Cherry
- QSRO
- Hickory
- Red Oak
- Knotty Alder
- Rustic Hickory
- Maple
- Paintable

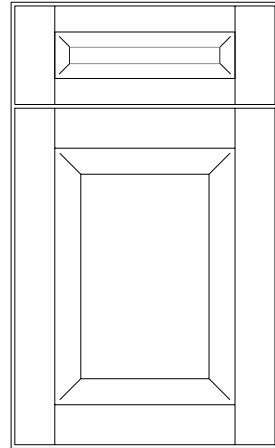
Price Group	2*
Panel Plus	4*
*For Knotty Alder or Rustic Hickory choose Panel Plus	
Edge Profile	
Standard #10	
Optional #1, 2, 6, 17, 22	

Door Sizing		
Height	Minimum	Maximum
Door	3-7/8"	64-1/2"**
Cabinet	4-1/16"	--
Width	Minimum	Maximum
Door	4-3/4"	24"
Cabinet	4-15/16"	--
Stiles or rails may be reduced to achieve minimum size doors. ° Doors below the minimum size are Slab.		
Option	Available?	
Mullions	Integral	
Decorative Panels	Yes	
Curved Doors	Yes	

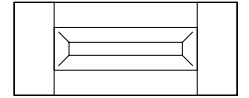
*Doors over 48" high have 2 equal height panels.



Lancaster - 00830



DRAWER FRONT OPTIONS



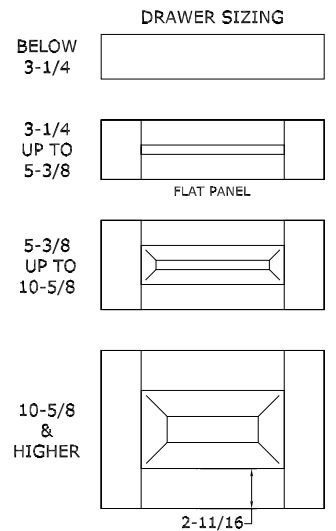
Species Available:

- Cherry
- QSRO
- Hickory
- Red Oak
- Knotty Alder
- Rustic Hickory
- Maple
- Paintable

Price Group	6
Edge Profile	
Standard #6	
Optional #1, 2, 10, 17, 22	

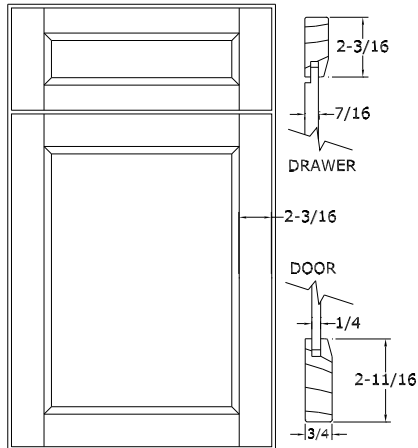
Door Sizing		
Height	Minimum	Maximum
Door	6-3/8"	64-1/2"**
Cabinet	6-9/16"	--
Width	Minimum	Maximum
Door	6-3/8"	24"
Cabinet	6-9/16"	--
Stiles or rails may be reduced to achieve minimum size doors. ° Doors below the minimum size are Flat Panel. ° Doors below 4-3/4" wide or 3-7/8" high are Slab.		
Option	Available?	
Mullions	Integral	
Decorative Panels	Yes	
Curved Doors	No	

*Doors over 48" high have 2 equal height panels.

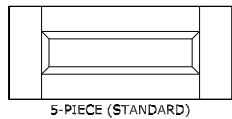




Lauren - 00832



DRAWER FRONT OPTIONS



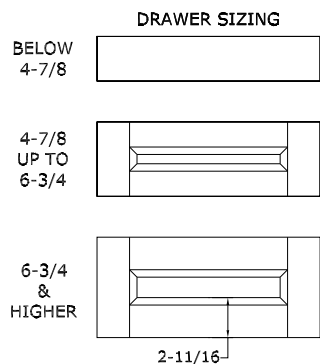
Species Available:

- Cherry
- QSRØ
- Hickory
- Red Oak
- Knotty Alder
- Rustic Hickory
- Maple
- Paintable

Price Group	6
Panel Plus	8

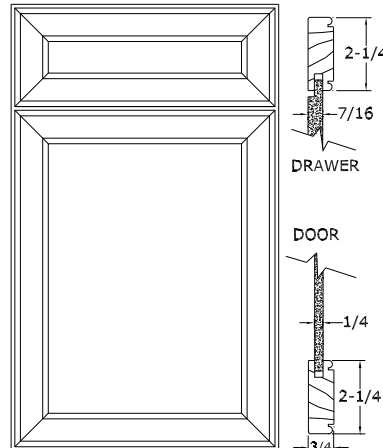
Edge Profile
Standard #6
Optional #1, 2, 10, 17, 22

Door Sizing		
Height	Minimum	Maximum
Door	4-7/8"	64-1/2**
Cabinet	5-1/16"	--
Width	Minimum	Maximum
Door	5-13/16"	24"
Cabinet	6"	--
Stiles or rails may be reduced to achieve minimum size doors. ° Doors below the minimum size are Slab.		
Option	Available?	
Mullions	Drop-In	
Decorative Panels	Yes	
Curved Doors	No	

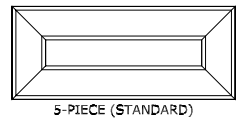


*Doors over 48" high have 2 equal height panels.

Madison - 00850



DRAWER FRONT OPTIONS



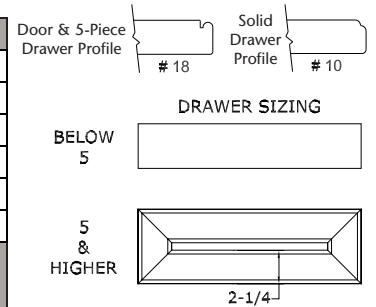
Species Available:

- Cherry
- QSRØ
- Hickory
- Red Oak
- Knotty Alder
- Rustic Hickory
- Maple
- Paintable

Price Group	5
Panel Plus	7

Edge Profile
Standard #18 / #10
Optional N/A

Door Sizing		
Height	Minimum	Maximum
Door	5"	64-1/2**
Cabinet	5-3/16"	--
Width	Minimum	Maximum
Door	5"	24"
Cabinet	5-13/16"	--
Stiles or rails may be reduced to achieve minimum size doors. ° Doors below 5" wide or high are Slab with an eased edge.		
Option	Available?	
Mullions	Drop-In	
Decorative Panels	No ¹	
Curved Doors	No	



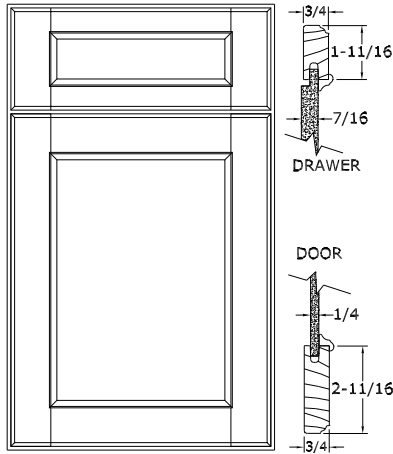
*Doors over 48" high have 2 equal height panels.

¹ See [Modifications](#) section for other "End" options, or see [section 90660](#) for Doors Applied to Panel.

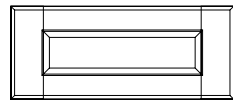
Special Considerations:

1. Solid (Slab) drawer, solid stock and overlays receive a #10 profile.
2. **Warranty:** Proper humidity levels (35%) must be maintained at all times for mitered doors.

Marley - 00860



DRAWER FRONT OPTIONS



Species Available:

- Cherry
- QSRO
- Hickory
- Red Oak
- Knotty Alder
- Rustic Hickory
- Maple
- Paintable

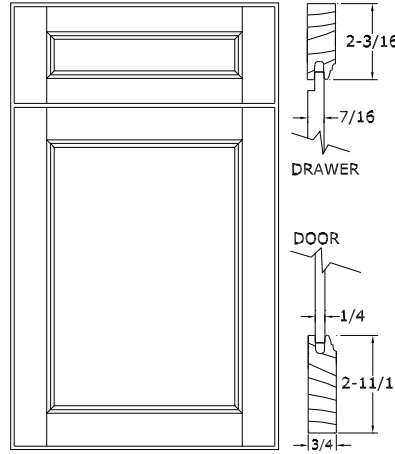
Price Group	6*
Panel Plus	8*
*For Knotty Alder or Rustic Hickory choose Panel Plus	
Edge Profile	
Standard #22	
Optional #1, 2, 6, 10, 17	

Door Sizing		
Height	Minimum	Maximum
Door	5-1/8"	64-1/2"**
Cabinet	5-5/16"	--
Width	Minimum	Maximum
Door	5-1/8"	24"
Cabinet	5-5/16"	--
Stiles or rails may be reduced to achieve minimum size doors. *Doors below the minimum size are Slab.		
Option	Available?	
Mullions	Drop-In	
Decorative Panels	Yes	
Curved Doors	No	

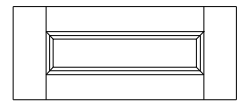
*Doors over 48" high have 2 equal height panels.

DRAWER SIZING	
BELOW 4-1/2"	
4-1/2" UP TO 7-5/8"	
7-5/8" & HIGHER	

Meridien (Full Overlay) - 00885



DRAWER FRONT OPTIONS



Species Available:

- Cherry
- QSRO
- Hickory
- Red Oak
- Knotty Alder
- Rustic Hickory
- Maple
- Paintable

Price Group	4*
Panel Plus	6*
*For Knotty Alder or Rustic Hickory choose Panel Plus	
Edge Profile	
Standard #6	
Optional #1, 2, 10, 17, 22	

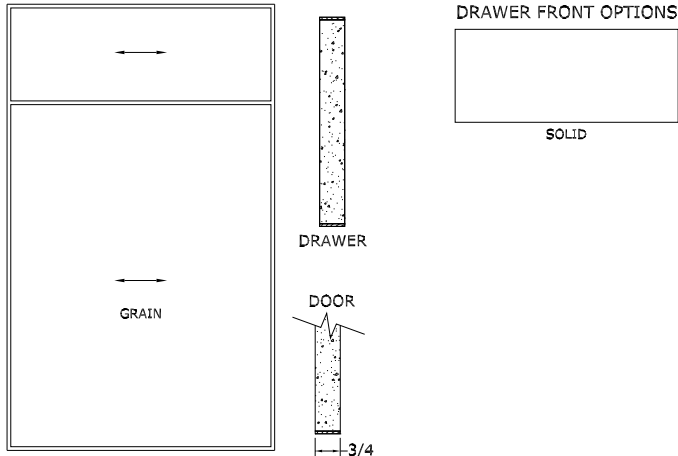
Door Sizing		
Height	Minimum	Maximum
Door	3-7/8"	64-1/2"**
Cabinet	4-1/16"	--
Width	Minimum	Maximum
Door	4-3/4"	24"
Cabinet	4-15/16"	--
Stiles or rails may be reduced to achieve minimum size doors. *Doors below the minimum size are Slab.		
Option	Available?	
Mullions	Drop-In	
Decorative Panels	Yes	
Curved Doors	No	

*Doors over 48" high have 2 equal height panels.

DRAWER SIZING	
BELOW 3-1/4"	
3-1/4" UP TO 4-7/8"	
4-7/8" UP TO 6-3/4"	
6-3/4" & HIGHER	



Metro-H (Horizontal Grain) - 00890



Exotic Veneers Available:

- Bamboo (Natural Finish only)
- Shale (Natural Finish only)
- White Oak (Natural Finish only)

Price Group **9**

Edge Profile
Standard #9
Optional #N/A

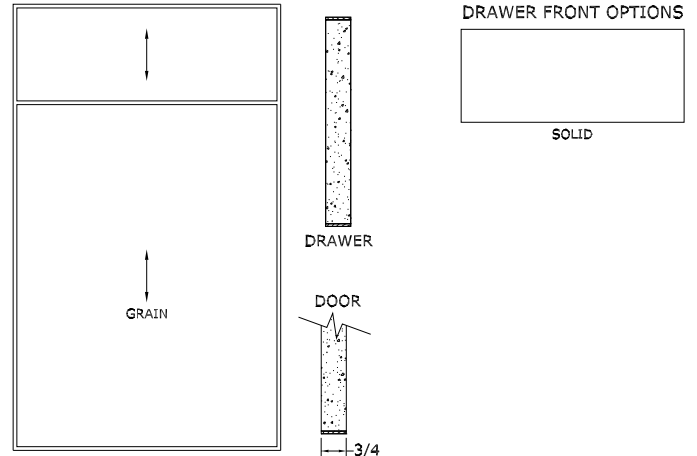
Door Sizing		
Height	Minimum	Maximum
Door	3"	64-1/2"
Cabinet	3-3/16"	--
Width	Minimum	Maximum
Door	3"	24"
Cabinet	3-3/16"	--
Option	Available?	
Mullions	No	
Decorative Panels	No ¹	
Curved Doors	No	

¹See Modifications section for other "End" options, or see section 90660 for Doors Applied to Panel.

Special Considerations:

1. Constructed of MDF core with 2mm edge band on four edges, then veneered on front and back.
2. Door and drawer front have horizontal grain (non-grain matched.)
3. Case parts are horizontal grain (Finished Ends, Matching Finished Interior, etc.).
4. Horizontal Grain upcharge applies to entire order. See page 2-7 for details.
5. Exotic Veneers are available with a "Natural" finish only.
6. When cut-out for glass is specified, door frame has 2-1/2" wide "stiles" and "rails". Inside edge of cut-out is "banded" with a complementing solid wood.
7. **Not** available with Plywood construction modification.

Metro-V (Vertical Grain) - 00900



Exotic Veneers Available:

- Bamboo (Natural Finish only)
- Shale (Natural Finish only)
- White Oak (Natural Finish only)
- Walnut (See finish charts for available stain colors.)

Price Group **9**

Edge Profile
Standard #9
Optional #N/A

Door Sizing		
Height	Minimum	Maximum
Door	3"	64-1/2"
Cabinet	3-3/16"	--
Width	Minimum	Maximum
Door	3"	24"
Cabinet	3-3/16"	--
Option	Available?	
Mullions	No	
Decorative Panels	No ¹	
Curved Doors	No	

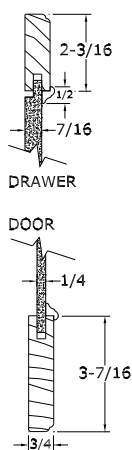
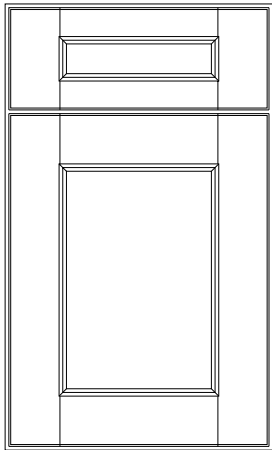
¹See Modifications section for other "End" options, or see section 90660 for Doors Applied to Panel.

Special Considerations:

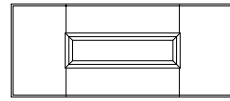
1. Constructed of MDF core with 2mm edge band on four edges, then veneered on front and back.
2. Door and drawer front have vertical grain (non-grain matched.)
3. Exotic Veneers (except Walnut) are available with a "Natural" finish only.
4. When cut-out for glass is specified, door frame has 2-1/2" wide "stiles" and "rails". Inside edge of cut-out is "banded" with a complementing solid wood.
5. **Not** available with Plywood construction modification.



Middleton - 00910



DRAWER FRONT OPTIONS



Species Available:

- Cherry
- QSRØ
- Hickory
- Red Oak
- Knotty Alder
- Rustic Hickory
- Maple
- Paintable

Price Group	6*
Panel Plus	8*
*For Knotty Alder or Rustic Hickory choose Panel Plus	
Edge Profile	
Standard #10	
Optional #1, 2, 6, 17, 22	

Door Sizing

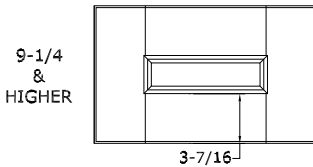
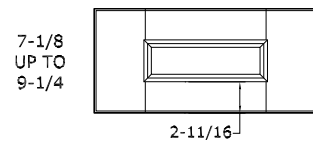
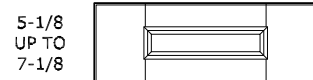
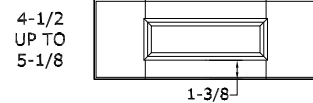
Height	Minimum	Maximum
Door	5-1/8"	64-1/2"*
Cabinet	5-5/16"	--
Width	Minimum	Maximum
Door	5-1/8"	24"
Cabinet	5-5/16"	--

Stiles or rails may be reduced to achieve minimum size doors.
 *Doors below the minimum size are Slab.

Option	Available?
Mullions	Drop-In
Decorative Panels	Yes
Curved Doors	No

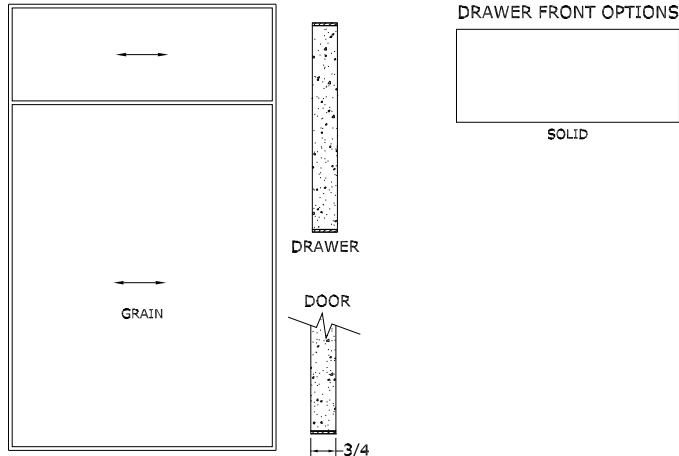
*Doors over 48" high have 2 equal height panels.

DRAWER SIZING





Moda-H (Horizontal Grain) - 00920



Species Available:

- Cherry
- Hickory
- Knotty Alder
- Maple
- QSRO
- Red Oak
- Rustic Hickory
- Paintable

Price Group **5**

Edge Profile
Standard #9
Optional N/A

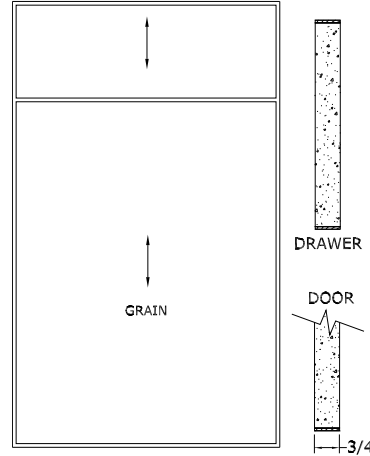
Door Sizing		
Height	Minimum	Maximum
Door	3"	64-1/2"
Cabinet	3-3/16"	--
Width	Minimum	Maximum
Door	3"	24"
Cabinet	3-3/16"	--
Option Available?		
Mullions	No	
Decorative Panels	No ¹	
Curved Doors	No	

¹ See [Modifications section](#) for other "End" options, or see [section 90660](#) for Doors Applied to Panel, or [section 90342](#) for Horizontal Overlay End Panels.

Special Considerations:

- Constructed of MDF core with 2mm edge band on four edges, then veneered on front and back.
- Door and drawer front have horizontal grain (non-grain matched.)
- Case parts are horizontal grain (Finished Ends, Matching Finished Interior, etc.).
- Horizontal Grain upcharge applies to entire order. See [page 2-6](#) for details.
- When cut-out for glass is specified, door frame has 2-1/2" wide "stiles" and "rails".
- Not** available with Plywood construction modification.

Moda-V (Vertical Grain) - 00930



Species Available:

- Cherry
- Hickory
- Knotty Alder
- Maple
- QSRO
- Red Oak
- Rustic Hickory
- Paintable

Price Group **5**

Edge Profile
Standard #9
Optional N/A

Door Sizing		
Height	Minimum	Maximum
Door	3"	64-1/2"
Cabinet	3-3/16"	--
Width	Minimum	Maximum
Door	3"	24"
Cabinet	3-3/16"	--
Option Available?		
Mullions	No	
Decorative Panels	No ¹	
Curved Doors	No	

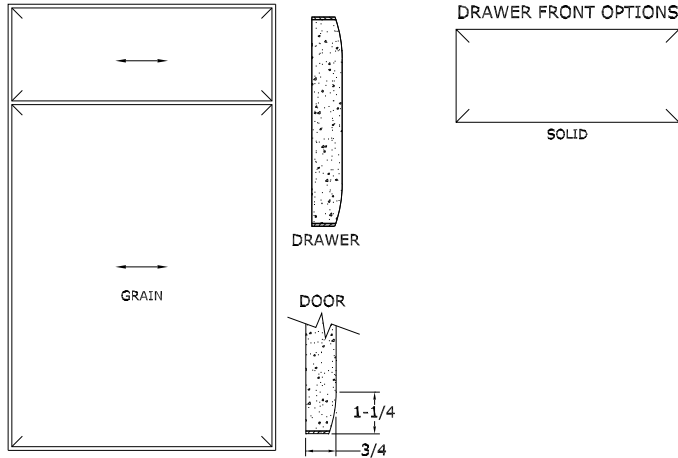
¹ See [Modifications section](#) for other "End" options, or see [section 90660](#) for Doors Applied to Panel.

Special Considerations:

- Constructed of MDF core with 2mm edge band on four edges, then veneered on front and back.
- Door and drawer front have vertical grain (non-grain matched.)
- When cut-out for glass is specified, door frame has 2-1/2" wide "stiles" and "rails".



Moderne-H (Horizontal Grain) - 00940



Exotic Veneers Available:

- Bamboo (Natural Finish only)
- Shale (Natural Finish only)
- White Oak (Natural Finish only)

Price Group **9**

Edge Profile
Standard #21
Optional N/A

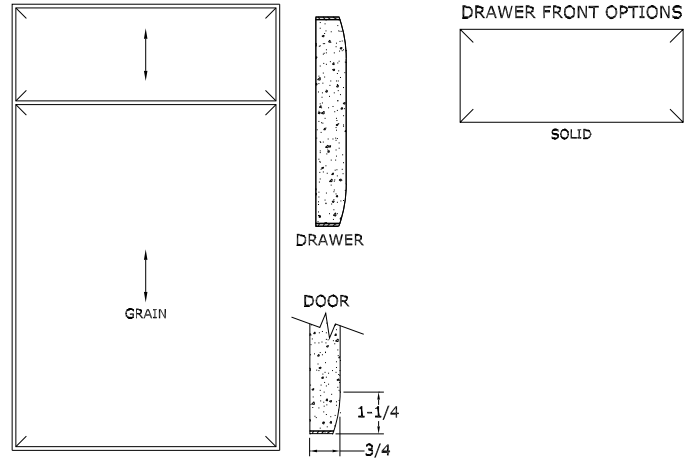
Door Sizing		
Height	Minimum	Maximum
Door	3"	64-1/2"
Cabinet	3-3/16"	--
Width	Minimum	Maximum
Door	3"	24"
Cabinet	3-3/16"	--
Option	Available?	
Mullions	No	
Decorative Panels	No ¹	
Curved Doors	No	

¹ See Modifications section for other "End" options, or see section 90660 for Doors Applied to Panel.

Special Considerations:

1. Constructed of MDF core with 2mm edge band on four edges, then veneered on front and back.
2. Door and drawer front have horizontal grain (non-grain matched.)
3. Case parts are horizontal grain (Finished Ends, Matching Finished Interior, etc.).
4. Horizontal Grain upcharge applies to entire order. See page 2-7 for details.
5. Exotic Veneers are available with a "Natural" finish only.
6. Minimum width of a 3-sided overlay = 1-1/2". Minimum width of a 4-sided overlay = 2-3/4".
7. When cut-out for glass is specified, door frame has 2-1/2" wide "stiles" and "rails". Inside edge of cut-out is "banded" with a complementing solid wood.
8. **Not** available with Plywood construction modification.

Moderne-V (Vertical Grain) - 00950



Exotic Veneers Available:

- Bamboo (Natural Finish only)
- Shale (Natural Finish only)
- White Oak (Natural Finish only)
- Walnut (See finish charts for available stain colors.)

Price Group **9**

Edge Profile
Standard #21
Optional N/A

Door Sizing		
Height	Minimum	Maximum
Door	3"	64-1/2"
Cabinet	3-3/16"	--
Width	Minimum	Maximum
Door	3"	24"
Cabinet	3-3/16"	--
Option	Available?	
Mullions	No	
Decorative Panels	No ¹	
Curved Doors	No	

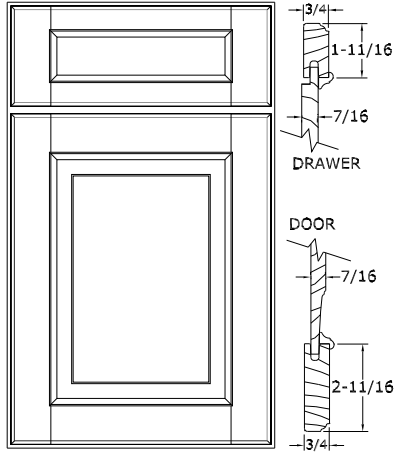
¹ See Modifications section for other "End" options, or see section 90660 for Doors Applied to Panel.

Special Considerations:

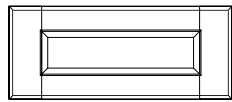
1. Constructed of MDF core with 2mm edge band on four edges, then veneered on front and back.
2. Door and drawer front have vertical grain (non-grain matched.)
3. Exotic Veneers (except Walnut) are available with a "Natural" finish only.
4. Minimum width of a 3-sided overlay = 1-1/2". Minimum width of a 4-sided overlay = 2-3/4".
5. When cut-out for glass is specified, door frame has 2-1/2" wide "stiles" and "rails". Inside edge of cut-out is "banded" with a complementing solid wood.
6. **Not** available with Plywood construction modification.



Montego - 00960



DRAWER FRONT OPTIONS



Species Available:

- Cherry
- QSRO
- Hickory
- Red Oak
- Knotty Alder
- Rustic Hickory
- Maple
- Paintable

Price Group **8**

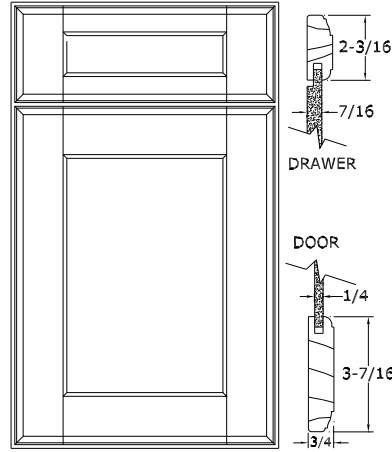
Edge Profile
Standard #22
 Optional #1, 2, 6, 10, 17

Door Sizing		
Height	Minimum	Maximum
Door	7-7/8"	64-1/2"
Cabinet	8-1/16"	--
Width	Minimum	Maximum
Door	7-7/8"	24"
Cabinet	8-1/16"	--
Stiles or rails may be reduced to achieve minimum size doors. ° Doors below the minimum size are Flat Panel. ° Doors below 5-1/8" wide or high are Slab.		
Option	Available?	
Mullions	Drop-In	
Decorative Panels	Yes	
Curved Doors	No	

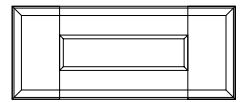
*Doors over 48" high have 2 equal height panels.

DRAWER SIZING	
BELOW 4-1/2"	
4-1/2" UP TO 7-3/8"	
7-3/8" UP TO 10-1/2"	
10-1/2" & HIGHER	

Monterey - 00970



DRAWER FRONT OPTIONS



Species Available:

- Cherry
- QSRO
- Hickory
- Red Oak
- Knotty Alder
- Rustic Hickory
- Maple
- Paintable

Price Group **6***

Panel Plus **8***
 *For Knotty Alder or Rustic Hickory choose Panel Plus
 Edge Profile
Standard #17
 Optional #1, 2, 6, 10, 22

Door Sizing		
Height	Minimum	Maximum
Door	3-7/8"	64-1/2"
Cabinet	4-1/16"	--
Width	Minimum	Maximum
Door	4-3/4"	24"
Cabinet	4-15/16"	--
Stiles or rails may be reduced to achieve minimum size doors. ° Doors below the minimum size are Slab.		
Option	Available?	
Mullions	Integral	
Decorative Panels	Yes	
Curved Doors	Yes	

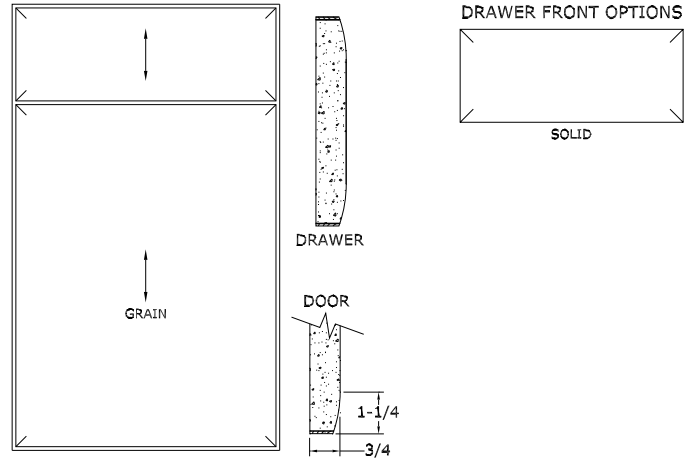
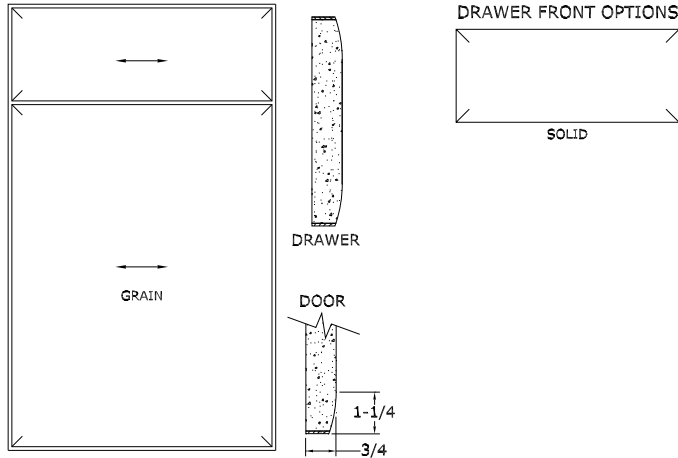
*Doors over 48" high have 2 equal height panels.

DRAWER SIZING	
BELOW 3-1/4"	
3-1/4" UP TO 9-1/4"	
9-1/4" & HIGHER	



Moxie - H (Horizontal Grain) - 00980

Moxie - V (Vertical Grain) - 00990



Species Available:

- Cherry
- Hickory
- Knotty Alder
- Maple
- QSRO
- Red Oak
- Rustic Hickory
- Paintable

Price Group **5**

Edge Profile
Standard #21
Optional N/A

Species Available:

- Cherry
- Hickory
- Knotty Alder
- Maple
- QSRO
- Red Oak
- Rustic Hickory
- Paintable

Price Group **5**

Edge Profile
Standard #21
Optional N/A

Door Sizing		
Height	Minimum	Maximum
Door	3"	64-1/2"
Cabinet	3-3/16"	--
Width	Minimum	Maximum
Door	3"	24"
Cabinet	3-3/16"	--

Door Sizing		
Height	Minimum	Maximum
Door	3"	64-1/2"
Cabinet	3-3/16"	--
Width	Minimum	Maximum
Door	3"	24"
Cabinet	3-3/16"	--

Option	Available?
Mullions	No
Decorative Panels	No ¹
Curved Doors	No

Option	Available?
Mullions	No
Decorative Panels	No ¹
Curved Doors	No

¹ See [Modifications](#) section for other "End" options, or see [section 90660](#) for Doors Applied to Panel.

¹ See [Modifications](#) section for other "End" options, or see [section 90660](#) for Doors Applied to Panel.

Special Considerations:

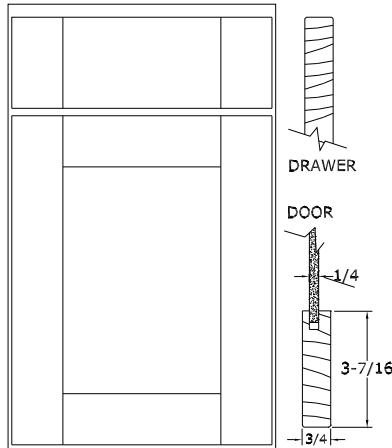
- Constructed of MDF core with 2mm edge band on four edges, then veneered on front and back.
- Door and drawer front have horizontal grain (non-grain matched.)
- Case parts are horizontal grain (Finished Ends, Matching Finished Interior, etc.).
- Horizontal Grain upcharge applies to entire order. See [page 2-6](#) for details.
- Minimum width of a 3-sided overlay = 1/1/2". Minimum width of a 4-sided overlay = 2-3/4"
- When cut-out for glass is specified, door frame has 2-1/2" wide "stiles" and "rails". Inside edge of cut-out is "banded" with a complementing solid wood.
- Not** available with Plywood construction modification.

Special Considerations:

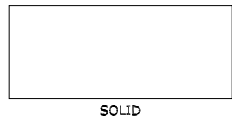
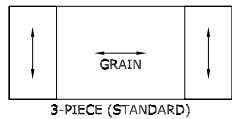
- Constructed of MDF core with 2mm edge band on four edges, then veneered on front and back.
- Door and drawer front have vertical grain (non grain-matched.)
- Minimum width of a 3-sided overlay = 1/1/2". Minimum width of a 4-sided overlay = 2-3/4"
- When cut-out for glass is specified, door frame has 2-1/2" wide "stiles" and "rails". Inside edge of cut-out is "banded" with a complementing solid wood.



Napa Panel - 01000



DRAWER FRONT OPTIONS



Species Available:

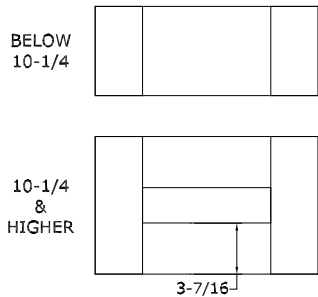
- Cherry
- QSRO
- Hickory
- Red Oak
- Knotty Alder
- Rustic Hickory
- Maple
- Paintable

Price Group	6*
Panel Plus	8*
*For Knotty Alder or Rustic Hickory choose Panel Plus	
Edge Profile	
Standard #6	
Optional #1, 2, 10, 17, 22	

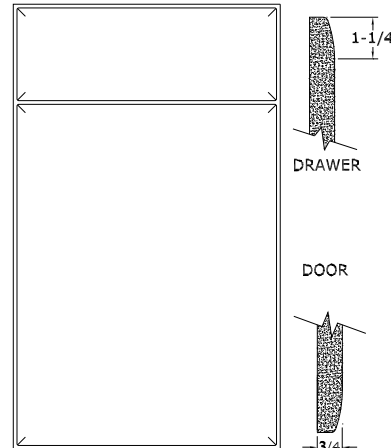
Door Sizing		
Height	Minimum	Maximum
Door	3-7/8"	64-1/2"*
Cabinet	4-1/16"	--
Width	Minimum	Maximum
Door	4-3/4"	24"
Cabinet	4-15/16"	--
Stiles or rails may be reduced to achieve minimum size doors. ° Doors below the minimum size are Slab.		
Option	Available?	
Mullions	Integral	
Decorative Panels	Yes	
Curved Doors	Yes	

*Doors over 48" high have 2 equal height panels.

DRAWER SIZING



Naples (Satin Foil) - 01010



DRAWER FRONT OPTIONS



Satin Foil Available:

- Satin White

Price Group	3
-------------	---

¹ Face Frame and Finished Ends are painted with Satin White to match the Thermofoil.

Edge Profile	
Standard #14	
Optional #N/A	

Door Sizing		
Height	Minimum	Maximum
Door	3-1/2"	64-1/2"
Cabinet	3-11/16"	--
Width	Minimum	Maximum
Door	3-1/2"	24"
Cabinet	3-11/16"	--
Option	Available?	
Mullions	Integral ¹	
Decorative Panels	No ²	
Curved Doors	No	

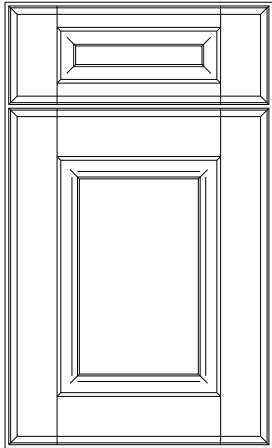
¹ Available with Mullion Pattern #1 **only**.

² See Modifications section for other "End" options, or see section 90660 for Doors Applied to Panel.

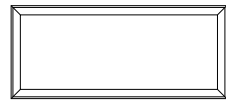
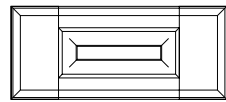
Special Considerations:

1. Door back is white melamine.
2. Finished Ends have an MDO surface for a coordinating paint. Paint upcharges are **not** applied on any cabinet with a Foil door.
3. Loose accessory items are Maple with a coordinating paint (i.e. Moldings, Fillers, Valances, etc.) These items receive a paint upcharge. See page 10-9 for specific Foil molding availability.
4. Cabinets without Foil doors (i.e. Hoods, End Shelves, Wine Rack, Bookcase, etc.) receive a paint upcharge.
5. **Minimum** width of a 4-sided overlay = 3-1/2".

Nob Hill - 01020



DRAWER FRONT OPTIONS



Species Available:

- Cherry
- Hickory
- Knotty Alder
- Maple
- QSRO
- Red Oak
- Rustic Hickory
- Paintable

Price Group 8

Edge Profile
Standard #17
Optional #1, 2, 6, 10, 22

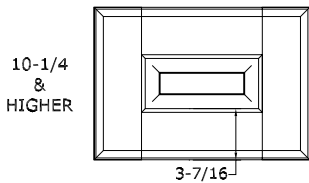
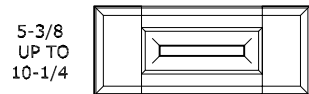
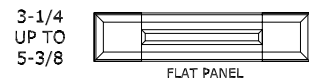
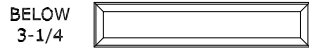
Door Sizing		
Height	Minimum	Maximum
Door	6"	64-1/2"*
Cabinet	6-3/16"	--
Width	Minimum	Maximum
Door	6"	24"
Cabinet	6-3/16"	--

Stiles or rails may be reduced to achieve minimum size doors.
 ° Doors below the minimum size are Flat Panel.
 ° Doors below 4-3/4" wide or 3-7/8" high are Slab.

Option	Available?
Mullions	Integral
Decorative Panels	Yes
Curved Doors	No

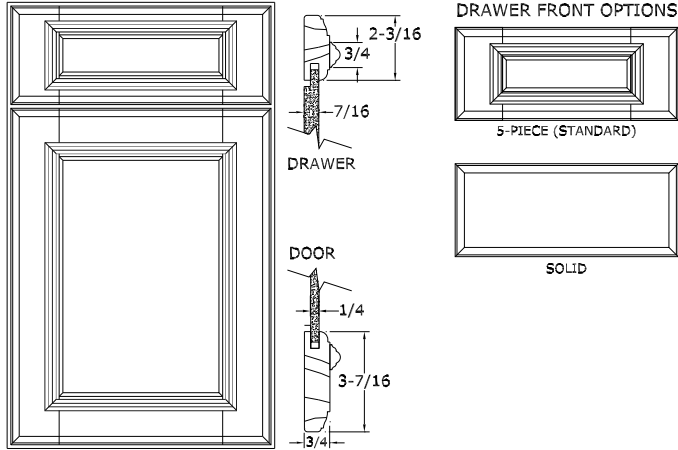
*Doors over 48" high have 2 equal height panels.

DRAWER SIZING





St. Augustine - 01040



Species Available:

- Cherry
- QSRO
- Hickory
- Red Oak
- Knotty Alder
- Rustic Hickory
- Maple
- Paintable

Price Group	6*
Panel Plus	8*
*For Knotty Alder or Rustic Hickory choose Panel Plus	
Edge Profile	
Standard #17	
Optional #1, 2, 6, 10, 22	

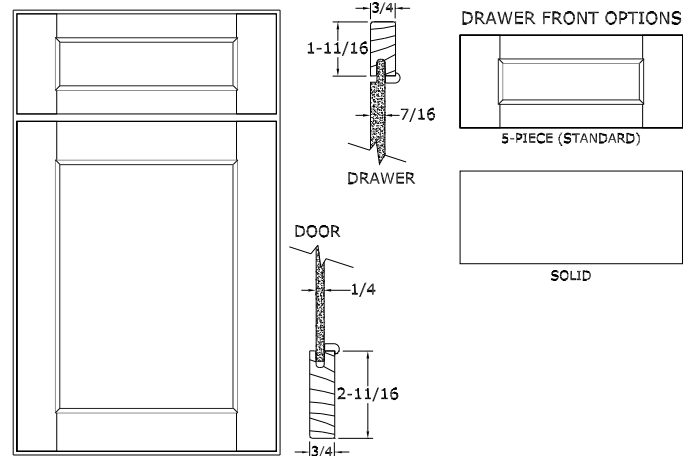
Door Sizing		
Height	Minimum	Maximum
Door	5-3/4"	64-1/2**
Cabinet	5-15/16"	--
Width	Minimum	Maximum
Door	5-3/4"	24"
Cabinet	5-15/16"	--
Stiles or rails may be reduced to achieve minimum size doors. ° Doors below the minimum size are Slab.		
Option	Available?	
Mullions	Integral	
Decorative Panels	Yes	
Curved Doors	No	

*Doors over 48" high have 2 equal height panels.

Special Considerations:

1. Door or drawer locks are **not** available.

Silverton - 01050



Species Available:

- Cherry
- QSRO
- Hickory
- Red Oak
- Knotty Alder
- Rustic Hickory
- Maple
- Paintable

Price Group	5*
Panel Plus	7*
*For Knotty Alder choose Panel Plus	
Edge Profile	
Standard #6	
Optional #1, 2, 10, 17, 22	

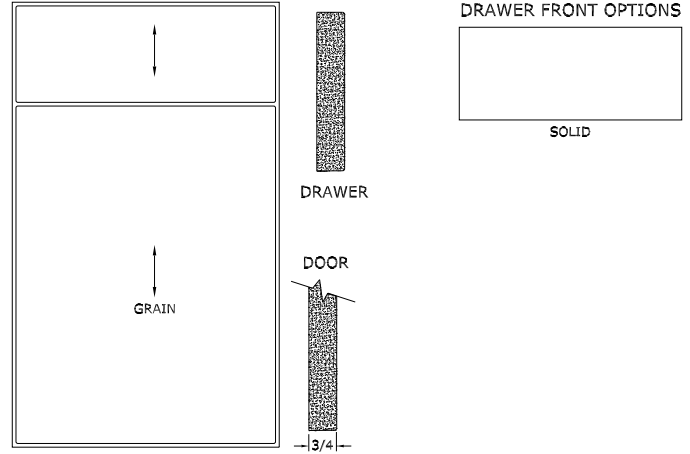
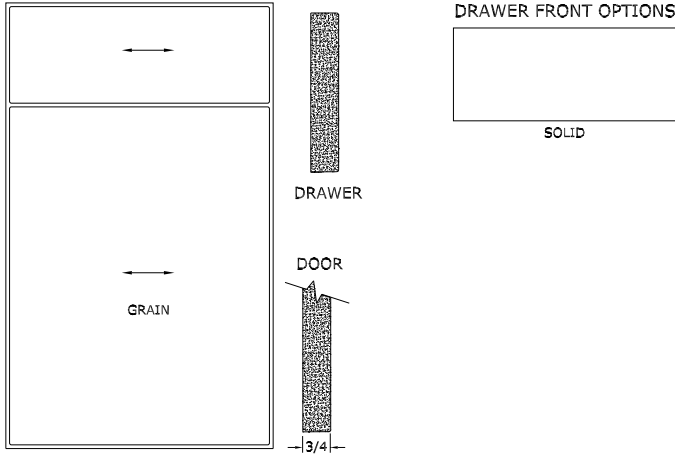
Door Sizing		
Height	Minimum	Maximum
Door	5-1/8"	64-1/2**
Cabinet	5-5/16"	--
Width	Minimum	Maximum
Door	5-1/8"	24"
Cabinet	5-5/16"	--
Stiles or rails may be reduced to achieve minimum size doors. ° Doors below the minimum size are Slab.		
Option	Available?	
Mullions	Drop-In	
Decorative Panels	Yes	
Curved Doors	No	

*Doors over 48" high have 2 equal height panels.



Soho - H (Gloss Foil-Horizontal) - 01060

Soho - V (Gloss Foil-Vertical) - 01070



Gloss Foil Available:

- Carbon Gloss
- Macchiato Gloss
- Nutmeg Gloss
- Wenge Gloss

Price Group **6**

Edge Profile
Standard #6
Optional N/A

Gloss Foil Available:

- Carbon Gloss
- Macchiato Gloss
- Nutmeg Gloss
- Wenge Gloss

Price Group **5**

Edge Profile
Standard #6
Optional N/A

Door Sizing		
Height	Minimum	Maximum
Door	3"	64-1/2"
Cabinet	3-3/16"	--
Width	Minimum	Maximum
Door	3"	24"
Cabinet	3-3/16"	--
Option	Available?	
Mullions	No	
Decorative Panels	No ¹	
Curved Doors	No	

Door Sizing		
Height	Minimum	Maximum
Door	3"	64-1/2"
Cabinet	3-3/16"	--
Width	Minimum	Maximum
Door	3"	24"
Cabinet	3-3/16"	--
Option	Available?	
Mullions	No	
Decorative Panels	No ¹	
Curved Doors	No	

¹ See [Modifications](#) section for other "End" options, or see [section 90660](#) for Doors Applied to Panel.

¹ See [Modifications](#) section for other "End" options, or see [section 90660](#) for Doors Applied to Panel.

Special Considerations:

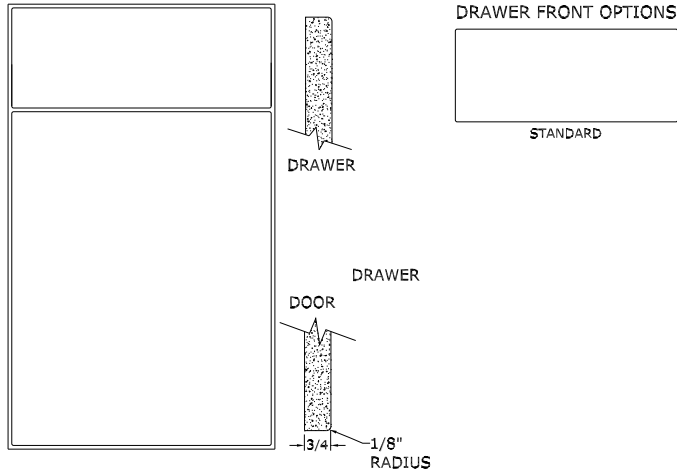
1. Door back is black matte melamine.
2. Door and drawer front have horizontal grain (non-grain matched.)
3. **All case parts are vertical grain** (Finished Ends, Matching Finished Interior, etc.). For Horizontal Grain see section 70020 (Doors Applied to Finished Ends) or section 90342 (Overlay End Panels - Horizontal Grain)
4. **Minimum** width of a 3-sided overlay = 3".
5. Gloss upcharge applies. See [page 2-10](#)
6. See [page 2-10](#) for more information.
7. See [page 10-9](#) for specific Foil molding availability.

Special Considerations:

1. Door back is black matte melamine.
2. Door and drawer front have vertical grain (non-grain matched.)
3. **Minimum** width of a 3-sided overlay = 3".
4. Gloss upcharge applies. See [page 2-10](#)
5. See [page 2-10](#) for more information.
6. See [page 10-9](#) for specific Foil molding availability.



Sonata (Satin Foil) - 01080



Satin Foil Available:

- Satin White

¹ Face Frame and Finished Ends are painted with Satin White to match the Thermofoil.

Price Group **3**

Edge Profile
Standard #16
Optional #N/A

Door Sizing		
Height	Minimum	Maximum
Door	5"	64-1/2"
Cabinet	5-3/16"	--
Width	Minimum	Maximum
Door	5"	24"
Cabinet	5-3/16"	--
Option	Available?	
Mullions	Integral ¹	
Decorative Panels	No ¹	
Curved Doors	No	

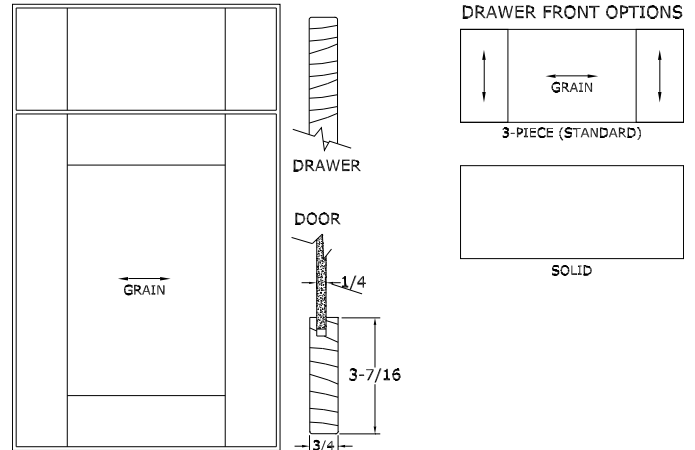
¹ Available with Mullion Pattern #1 **only**.

² See Modifications section for other "End" options, or see section 90660 for Doors Applied to Panel.

Special Considerations:

1. Door back is white melamine.
2. Finished Ends have an MDO surface for a coordinating paint. Paint upcharges are **not** applied on any cabinet with a Foil door.
3. Loose accessory items are Maple with a coordinating paint (i.e. Mouldings, Fillers, Valances, etc.) These items receive a paint upcharge. See page 10-9 for specific Foil molding availability.
4. Cabinets without Foil doors (e.g. Hoods, End Shelves, Wine Rack, Bookcase) receive a paint upcharge.

Sonoma - 01090



Species Available:

- Cherry
- Hickory
- Knotty Alder
- Maple
- QSRO
- Red Oak
- Rustic Hickory
- Paintable

Price Group **7**

Edge Profile
Standard #6
Optional #1, 2, 10, 17, 22

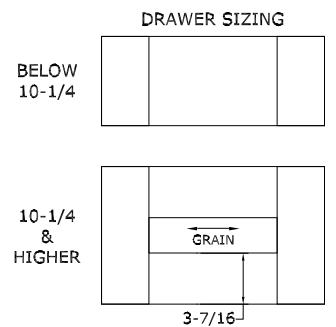
Door Sizing		
Height	Minimum	Maximum
Door	3-7/8"	64-1/2"*
Cabinet	4-1/16"	--
Width	Minimum	Maximum
Door	4-3/4"	24"
Cabinet	4-15/16"	--
Option	Available?	
Mullions	Integral	
Decorative Panels	Yes	
Curved Doors	No	

Stiles or rails may be reduced to achieve minimum size doors.
^o Doors below the minimum size are Slab.

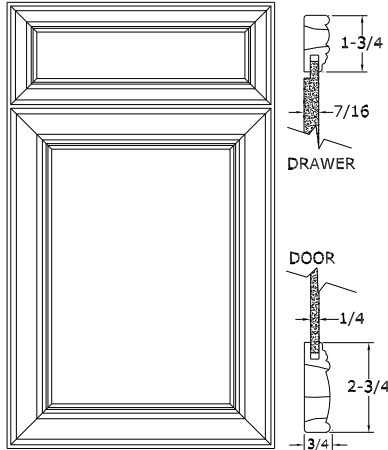
*Doors over 48" high have 2 equal height panels.

Special Considerations:

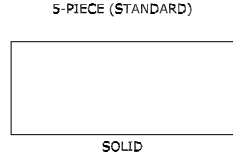
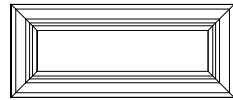
1. Center panel is 1/4" veneer panel **only**.
2. **Maximum** door height with a single panel insert is 48".



Sophia - 01100



DRAWER FRONT OPTIONS



Species Available:

- Cherry
- QSRØ
- Hickory
- Red Oak
- Knotty Alder
- Rustic Hickory
- Maple
- Paintable

Price Group	5
Panel Plus	7
Edge Profile	Standard #19
	Optional N/A

Door Sizing		
Height	Minimum	Maximum
Door	4"	64-1/2"*
Cabinet	4-3/16"	--
Width	Minimum	Maximum
Door	4"	24"
Cabinet	4-3/16"	--
Stiles or rails may be reduced to achieve minimum size doors. ° Doors below the minimum size are Slab.		
Option	Available?	
Mullions	Drop-In	
Decorative Panels	No ¹	
Curved Doors	No	

DRAWER SIZING	
BELOW 4	
4 UP TO 10-1/4	
10-1/4 & HIGHER	

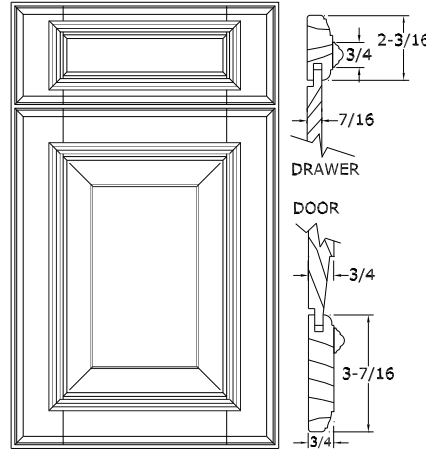
*Doors over 48" high have 2 equal height panels.

¹ See [Modifications](#) section for other "End" options, or see [section 90660](#) for Doors Applied to Panel.

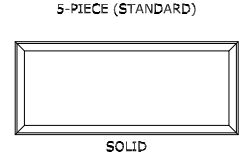
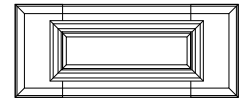
Special Considerations:

1. Door or drawer locks are **not** available.
2. Solid stock and overlays receive a #16 profile.
3. **Warranty:** Proper humidity levels (35%) must be maintained at all times for mitered doors.

Sunbury House - 01130



DRAWER FRONT OPTIONS



Species Available:

- Cherry
- QSRØ
- Hickory
- Red Oak
- Knotty Alder
- Rustic Hickory
- Maple
- Paintable

Price Group	9
Edge Profile	Standard #17
	Optional #1, 2, 6, 10, 22

Door Sizing		
Height	Minimum	Maximum
Door	7-3/8"	64-1/2"*
Cabinet	7-9/16"	--
Width	Minimum	Maximum
Door	7-3/8"	24"
Cabinet	7-9/16"	--
Stiles or rails may be reduced to achieve minimum size doors. ° Doors below the minimum size are Flat Panel. ° Doors below 5-3/4" wide or high are Slab.		
Option	Available?	
Mullions	Integral	
Decorative Panels	Yes	
Curved Doors	No	

DRAWER SIZING	
BELOW 4-7/8	
4-7/8 UP TO 7	
7 UP TO 11-3/4	
11-3/4 & HIGHER	

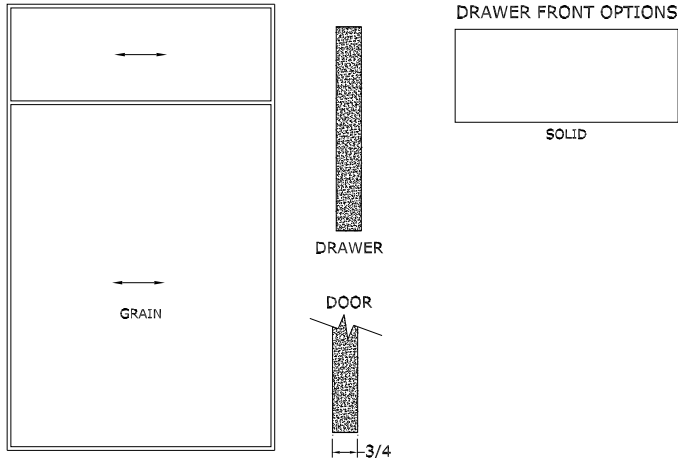
*Doors over 48" high have 2 equal height panels.

Special Considerations:

1. Door or drawer locks are **not** available.



Talia - H (Wired Gloss Foil)- 01140



Wired Gloss Foil Available: **Edgebanding Options** **Price Group** **8**

- Wired Bronze
- Wired Cobalt
- Wired Mercury
- Wired Onyx
- Aluminum (A)
- Brushed Steel (B)
- Matching (M)

Edge Profile
Standard #6
Optional N/A

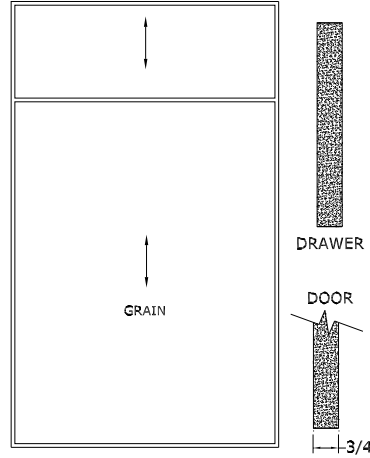
Door Sizing		
Height	Minimum	Maximum
Door	4"	64-1/2"
Cabinet	4-3/16"	--
Width	Minimum	Maximum
Door	4"	24"
Cabinet	4-3/16"	--
Option	Available?	
Mullions	No	
Decorative Panels	No ¹	
Curved Doors	No	

¹ See [Modifications](#) section for other "End" options, or see [section 90660](#) for Doors Applied to Panel.

Special Considerations:

- Door back is a complementary matte melamine.
- Door and drawer front have horizontal grain (non-grain matched)
- Specify edgebanding option (M) Matching, (A) Aluminum, or (B) Brushed steel. Cabinet case parts are always edgebanded to match the front of the door.
- All case parts are vertical grain** (Finished Ends, Matching Finished Interior, etc.). For Horizontal Grain see [section 70020](#) (Doors Applied to Finished Ends) or [section 90342](#) (Overlay End Panels - Horizontal Grain)
- Gloss upcharge applies. See [page 2-10](#)
- Cabinets with a Matching Finished Interior are not available with this door style.
- Cut-out For Glass is **not** available.
- Minimum** width of a 4-sided overlay = 4".
- See [page 2-10](#) for more information.
- See [page 10-9](#) for specific Foil molding availability.

Talia - V (Wired Gloss Foil)- 01150



Wired Gloss Foil Available: **Edgebanding Options** **Price Group** **7**

- Wired Bronze
- Wired Cobalt
- Wired Mercury
- Wired Onyx
- Aluminum (A)
- Brushed Steel (B)
- Matching (M)

Edge Profile
Standard #6
Optional N/A

Door Sizing		
Height	Minimum	Maximum
Door	4"	64-1/2"
Cabinet	4-3/16"	--
Width	Minimum	Maximum
Door	4"	24"
Cabinet	4-3/16"	--
Option	Available?	
Mullions	No	
Decorative Panels	No ¹	
Curved Doors	No	

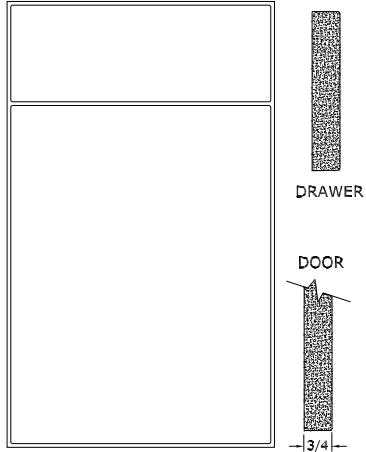
¹ See [Modifications](#) section for other "End" options, or see [section 90660](#) for Doors Applied to Panel.

Special Considerations:

- Door back is a complementary matte melamine.
- Door and drawer front have vertical grain (non-grain matched.)
- Specify edgebanding option (M) Matching, (A) Aluminum, or (B) Brushed steel. Cabinet case parts are always edgebanded to match the front of the door.
- Gloss upcharge applies. See [page 2-10](#)
- Cabinets with a Matching Finished Interior are not available with this door style.
- Cut-out For Glass is **not** available.
- Minimum** width of a 4-sided overlay = 4".
- See [page 2-10](#) for more information.
- See [page 10-9](#) for specific Foil molding availability.



Tribeca (Gloss Foil) - 01160



DRAWER

DOOR

3/4"

Gloss Foil Available:

- Fog Gloss
- Steel Gloss
- Ruby Gloss
- White Gloss

Price Group **5**

Edge Profile
Standard #6
Optional N/A

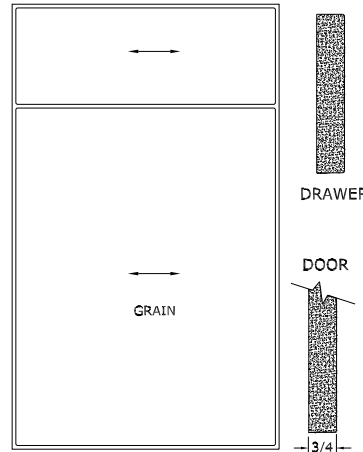
Door Sizing		
Height	Minimum	Maximum
Door	3"	64-1/2"
Cabinet	3-3/16"	--
Width	Minimum	Maximum
Door	3"	24"
Cabinet	3-3/16"	--
Option	Available?	
Mullions	No	
Decorative Panels	No ¹	
Curved Doors	No	

¹ See [Modifications](#) section for other "End" options, or see [section 90660](#) for Doors Applied to Panel.

Special Considerations:

1. Back of door is white melamine.
2. Gloss upcharge applies. See [page 2-10](#)
3. **Minimum** width of a 4-sided overlay = 3".
4. See [page 10-9](#) for specific Foil molding availability

Urbana - H (Horizontal Grain Textured Foil) - 01161



DRAWER

DOOR

3/4"

DRAWER FRONT OPTIONS



SOLID

Gloss Foil Available:

- Caviar
- Cinder
- Greige
- Nutshell
- Oyster
- Sand
- Sea Salt
- Timber
- Truffle
- Twig

Price Group **5**

Edge Profile
Standard #6
Optional N/A

Door Sizing		
Height	Minimum	Maximum
Door	3"	64-1/2"
Cabinet	3-3/16"	--
Width	Minimum	Maximum
Door	3"	24"
Cabinet	3-3/16"	--
Option	Available?	
Mullions	No	
Decorative Panels	No ¹	
Curved Doors	No	

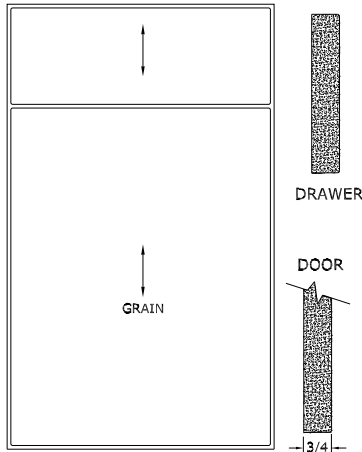
¹ See [Modifications](#) section for other "End" options, or see [section 90660](#) for Doors Applied to Panel.

Special Considerations:

1. Door back is white melamine.
2. Door and drawer front have horizontal grain (non grain- matched.)
3. **All case parts are vertical grain** (Finished Ends, Matching Finished Interior, etc.). For Horizontal Grain see [section 70020](#) (Doors Applied to Finished Ends) or [section 90342](#) (Overlay End Panels - Horizontal Grain)
4. See [page 10-9](#) for specific Foil molding availability.
5. **Minimum** width of a 4-sided overlay = 3".



Urbana - V (Vertical Grain Textured Foil) - 01180



DRAWER FRONT OPTIONS



SOLID

Gloss Foil Available:

- Caviar
- Cinder
- Greige
- Nutshell
- Oyster
- Sand
- Sea Salt
- Timber
- Truffle
- Twig

Price Group **4**

Edge Profile
Standard #6
Optional N/A

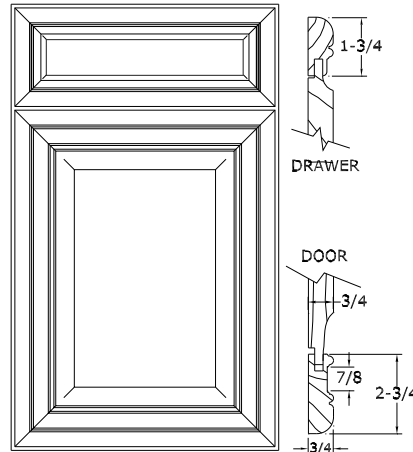
Door Sizing		
Height	Minimum	Maximum
Door	3"	64-1/2"
Cabinet	3-3/16"	--
Width	Minimum	Maximum
Door	3"	24"
Cabinet	3-3/16"	--
Option	Available?	
Mullions	No	
Decorative Panels	No ¹	
Curved Doors	No	

¹ See [Modifications section](#) for other "End" options, or see [section 90660](#) for Doors Applied to Panel.

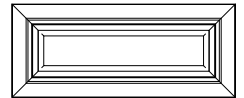
Special Considerations:

1. Door back is white melamine.
2. Door and drawer front have vertical grain (non grain-matched.)
3. See [page 10-9](#) for specific Foil molding availability.
4. **Minimum** width of a 4-sided overlay = 3".

Valencia Classic - 01190



DRAWER FRONT OPTIONS



5-PIECE (STANDARD)



SOLID

Species Available:

- Cherry
- Hickory
- Knotty Alder
- Maple
- QSRØ
- Red Oak
- Rustic Hickory
- Paintable

Price Group **8**

Edge Profile
Standard #3
Optional N/A

Door Sizing		
Height	Minimum	Maximum
Door	4-7/8"	64-1/2"*
Cabinet	5-1/16"	--
Width	Minimum	Maximum
Door	4-7/8"	24"
Cabinet	5-1/16"	--
Option	Available?	
Mullions	Drop-In	
Decorative Panels	No ¹	
Curved Doors	No	

Stiles or rails may be reduced to achieve minimum size doors.
^o Doors below the minimum size are Flat Panel.
^o Doors below 4" wide or high are Slab.

*Doors over 48" high have 2 equal height panels.

¹ See [Modifications section](#) for other "End" options, or see [section 90660](#) for Doors Applied to Panel.

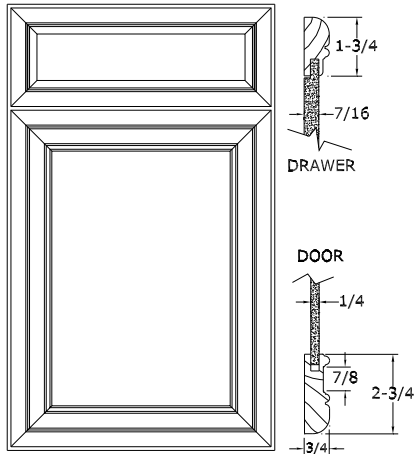
Special Considerations:

1. Door or drawer locks are **not** available.
2. **Warranty:** Proper humidity levels (35%) must be maintained at all times for mitered doors.

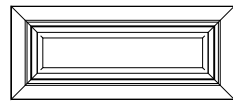
DRAWER SIZING	
BELOW 4"	
4" UP TO 4-7/8"	
4-7/8" UP TO 10-1/4"	
10-1/4" & HIGHER	

2-3/4"

Valencia Panel - 01200



DRAWER FRONT OPTIONS



Species Available:

- Cherry
- QSRØ
- Hickory
- Red Oak
- Knotty Alder
- Rustic Hickory
- Maple
- Paintable

Price Group	5
Panel Plus	7
Edge Profile	Standard #3
	Optional N/A

Door Sizing		
Height	Minimum	Maximum
Door	4"	64-1/2"*
Cabinet	4-3/16"	--
Width	Minimum	Maximum
Door	4"	24"
Cabinet	4-3/16"	--
Stiles or rails may be reduced to achieve minimum size doors. ° Doors below the minimum size are Slab.		
Option	Available?	
Mullions	Drop-In	
Decorative Panels	No ¹	
Curved Doors	No	

DRAWER SIZING	
BELOW 4	
4 UP TO 9-1/4	
9-1/4 & HIGHER	

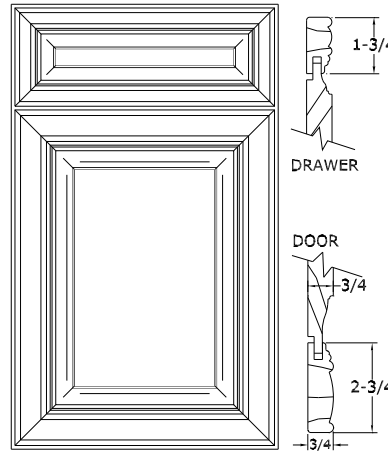
*Doors over 48" high have 2 equal height panels.

¹ See [Modifications section](#) for other "End" options, or see [section 90660](#) for Doors Applied to Panel.

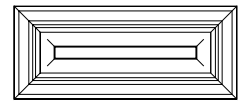
Special Considerations:

1. Door or drawer locks are **not** available.
2. **Warranty:** Proper humidity levels (35%) must be maintained at all times for mitered doors.

Venice - 01210



DRAWER FRONT OPTIONS



Species Available:

- Cherry
- QSRØ
- Hickory
- Red Oak
- Knotty Alder
- Rustic Hickory
- Maple
- Paintable

Price Group	8
Edge Profile	Standard #19
	Optional N/A

Door Sizing		
Height	Minimum	Maximum
Door	8-1/8"	64-1/2"*
Cabinet	8-5/16"	--
Width	Minimum	Maximum
Door	8-1/8"	24"
Cabinet	8-5/16"	--
Stiles or rails may be reduced to achieve minimum size doors. ° Doors below the minimum size are Flat Panel. ° Doors below 4" wide or high are Slab.		
Option	Available?	
Mullions	Integral	
Decorative Panels	No ¹	
Curved Doors	No	

DRAWER SIZING	
BELOW 4	
4 UP TO 6-1/8	
6-1/8 UP TO 10-1/4	
10-1/4 & HIGHER	

*Doors over 48" high have 2 equal height panels.

¹ See [Modifications section](#) for other "End" options, or see [section 90660](#) for Doors Applied to Panel.

Special Considerations:

1. Door or drawer locks are **not** available.
2. Solid (Slab) drawer, solid stock and overlays receive a #16 profile.
3. **Warranty:** Proper humidity levels (35%) must be maintained at all times for mitered doors.



02000 - Decorative Sheet Glass and Mirror

Doors Prepared for Glass (Frame No Glass - FNG)

- Dura Supreme will omit the center panel and prepare the frame to receive glass (glass to be supplied by others and field installed). There is no mounting system supplied for installation of the glass. See Modification Section #70840 for additional information and pricing.

Decorative Glass or Mirror Installed in Door Frame (Frame and Glass - FG)

- Dura Supreme will omit the center panel and install Decorative Glass (Sheet Glass or Leaded Glass) or Mirror into cabinet door frames. See Section 70835. Glass is secured in door frame with a continuous bead of silicone caulk. Refer to Decorative Glass Sample Kit for available glass and mirror patterns.
- Standardly, doors over 48" high are built with an intermediate rail and 2 panels. When specified with glass, both panels are omitted and glass is installed. Specify **FHDNIR** (Full Height Door, No Intermediate Rail) for No Charge to convert the door to a single panel. (Full Height doors without an intermediate rail are non-warranty.)
- Beveled Clear Glass and Beveled Mirrors are 1/4" thick with a 1-1/4" bevel around the perimeter. After installation, approximately 1" of the bevel shows. Beveled glass is **only** available in **square door styles**.

Decorative Sheet Glass and Mirror Pricing (for glass doors or mullion doors)

- Decorative Sheet Glass and mirror for glass doors or mullion doors is priced per door. Pricing is based on cabinet height and the insert selection. Pricing for cabinet heights over 48" include two glass inserts, or one full height insert if the **FHDNIR** option is specified.

NOTE: Matching Finished Interior (MFI) is **not** included and must be specified separately.

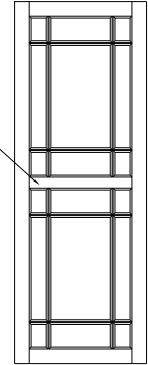
NOTE: For the safety of Dura Supreme customers, doors with glass or mirror **will not** be installed in cabinetry below countertop level.

Decorative Sheet Glass and Mirror - Pricing Table
(For glass doors and mullion doors)

Decorative Glass Patterns	12" through 24"	Over 24" through 36"	Over 36" through 48"	Over 48" through 60"	Available in Mullion Doors
Antique Clear Glass	221	340	459	571	X
Backpainted Glass - Black	286	455	627	797	X
Backpainted Glass - White	286	455	627	797	X
Beveled Glass (Clear)	191	256	318	441	NO
Clear Glass (Domestic)	143	174	236	294	X
Furniture Seedy Glass	208	318	430	541	X
Reeded Glass (Horizontal or Vertical)	199	305	417	518	X
Satin Glass	208	318	430	544	X
Thin Reeded Glass (Horizontal or Vertical)	199	311	417	522	X
Decorative Mirror	12" through 24"	Over 24" through 36"	Over 36" through 48"	Over 48" through 60"	Available in Mullion Doors
Antique Mirror	259	412	566	720	X
Beveled Mirror	223	283	361	574	NO
Bronze Mirror	192	297	396	500	X
Gray Mirror	192	297	396	500	X
Standard Mirror	143	174	236	294	X

02010 - Mullions for Wood Doors

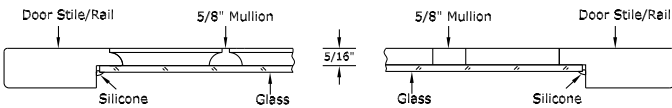
- All solid wood door styles can be specified with a mullion pattern, however, mullions are not available in curved doors.
- Doors over 48" tall have an intermediate rail and receive 2 equal size mullion patterns above and below. ➤➤ Pattern #1, #9, #10, #11, #12, #13, #14, #15, and #18 can be specified as a single full height mullion - **FHDNIR** (Full Height Door, No Intermediate Rail) for No Charge (non-warranty.) Check glass sizes for availability.
- Glass is not included with mullions. Specify the mullion pattern and then specify the decorative glass pattern (priced separately). See Decorative Sheet Glass price chart on [page 3-43](#) for Decorative Glass or mirror available with mullions.
- **Arch doors** are available with Pattern #1, #6, #7 and #18 **only**.
- **Satin Foil doors** are available with Pattern #1, **only, with "Integral" (-I) mullions**.
- **Not** available with Contemporary Collection doors (e.g. Acrylic, Wired Foil, Textured Foil, Gloss Foil, Exotic Veneers)



NOTE: Matching Finished Interior (MFI) is not included and must be specified separately.

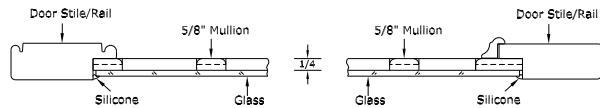
NOTE: Mullions (horizontal) are not designed to align with cabinet shelves.

Mortise & Tenon Doors (Integral Mullions)



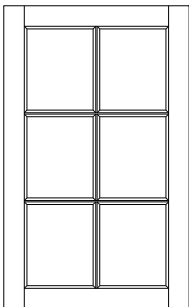
- The door construction determines if a door receives Integral or Drop-In Mullions. See individual door style page for mullion type.
- Integral Mullions are profiled to complement the door style.

Mitered Doors ("Drop-In" Mullion Frame)



- The door construction determines if a door receives Integral or Drop-In Mullions. See individual door style page for mullion type.

Mullion Pattern #1



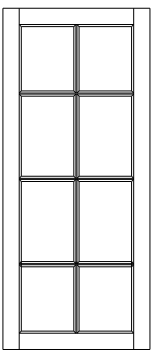
Integral Mullion:

- **Minimum** door height = 7" (**minimum** arched door = 10").
- **Minimum** door width = 7" (**minimum** arched door = 8-1/4").

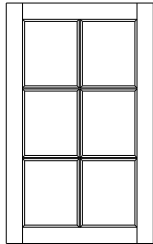
Drop-In Mullion:

- **Minimum** door height = 8-7/8".
- **Minimum** door width = 8-7/8".
- Stiles and/or rails may be reduced in width to achieve minimum sizes.
- Doors over 48" tall have an intermediate rail. **FHDNIR** option **is** available.
- Available for arched door styles.

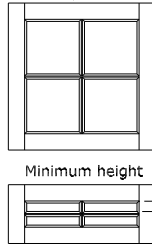
Over 36" up to 48" high



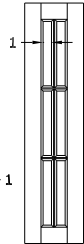
Over 24" up to 36" high



24" high or less

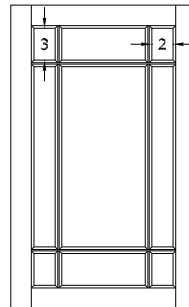


Minimum width



MUL1-I (Integral)	\$285 each door
MUL1-I48 (Integral over 48" high)	\$570 each door
MUL1-D (Drop-In)	\$285 each door
MUL1-D48 (Drop-In over 48" high)	\$570 each door

Mullion Pattern #2



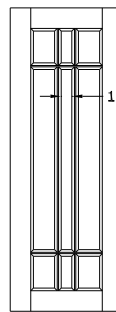
Integral Mullion:

- **Minimum** door height = 12-5/8".
- **Minimum** door width = 10-5/8".

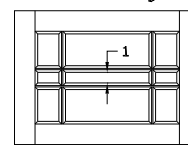
Drop-In Mullion:

- **Minimum** door height = 14-1/2".
- **Minimum** door width = 12-1/2".
- Stiles and/or rails may be reduced in width to achieve minimum sizes.
- Doors over 48" tall have an intermediate rail. **FHDNIR** option is **not** available.
- **Not** available for arched door styles.

Minimum width



Minimum height

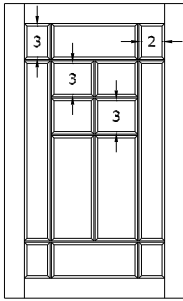


MUL2-I (Integral)	\$285 each door
MUL2-I48 (Integral over 48" high)	\$570 each door
MUL2-D (Drop-In)	\$285 each door
MUL2-D48 (Drop-In over 48" high)	\$570 each door



02010 - Mullions for Wood Doors

Mullion Pattern #3



Integral Mullion:

Minimum door height = 18-1/4".

Minimum door width = 10-5/8".

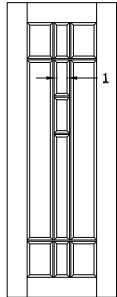
Drop-In Mullion:

Minimum door height = 19-7/8".

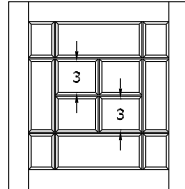
Minimum door width = 12-1/2".

- Stiles and/or rails may be reduced in width to achieve minimum sizes.
- Doors over 48" tall have an intermediate rail. **FHDNIR** option is **not** available.
- **Not** available for arched door styles.

Minimum width

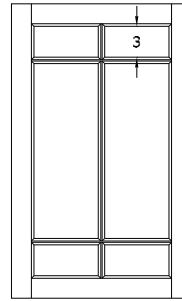


Minimum height



MUL3-I (Integral)	\$454 each door
MUL3-I48 (Integral over 48" high)	\$908 each door
MUL3-D (Drop-In)	\$454 each door
MUL3-D48 (Drop-In over 48" high)	\$908 each door

Mullion Pattern #6



Integral Mullion:

Minimum door height = 12-5/8"
(**minimum** arched door = 12-5/8").

Minimum door width = 7"
(**minimum** arched door = 8-1/4").

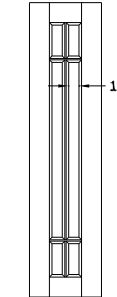
Drop-In Mullion:

Minimum door height = 14-1/2".

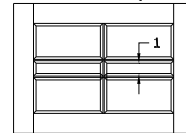
Minimum door width = 8-7/8".

- Stiles and/or rails may be reduced in width to achieve minimum sizes.
- Doors over 48" tall have an intermediate rail. **FHDNIR** option is **not** available.
- Available for arched door styles.

Minimum width

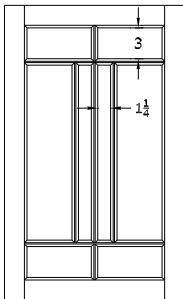


Minimum height



MUL6-I (Integral)	\$285 each door
MUL6-I48 (Integral over 48" high)	\$570 each door
MUL6-D (Drop-In)	\$285 each door
MUL6-D48 (Drop-In over 48" high)	\$570 each door

Mullion Pattern #7



Integral Mullion:

Minimum door height = 12-5/8".

Minimum door width = 10-3/4".

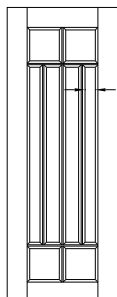
Drop-In Mullion:

Minimum door height = 14-1/2".

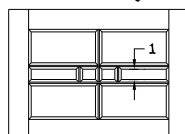
Minimum door width = 12-5/8".

- Stiles and/or rails may be reduced in width to achieve minimum sizes.
- Doors over 48" tall have an intermediate rail. **FHDNIR** option is **not** available.
- Available for arched door styles.

Minimum width

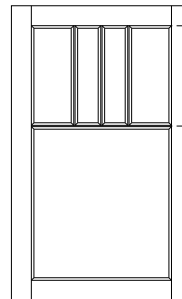


Minimum height



MUL7-I (Integral)	\$285 each door
MUL7-I48 (Integral over 48" high)	\$570 each door
MUL7-D (Drop-In)	\$285 each door
MUL7-D48 (Drop-In over 48" high)	\$570 each door

Mullion Pattern #9



Integral Mullion:

Minimum door height = 17-3/16".

Minimum door width = 12-1/4".

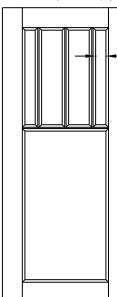
Drop-In Mullion:

Minimum door height = 19-1/16".

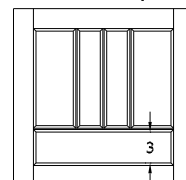
Minimum door width = 14-1/8".

- Stiles and/or rails may be reduced in width to achieve minimum sizes.
- Doors over 48" tall have an intermediate rail. **FHDNIR** option **is** available.
- **Not** available for arched door styles.

Minimum width



Minimum height



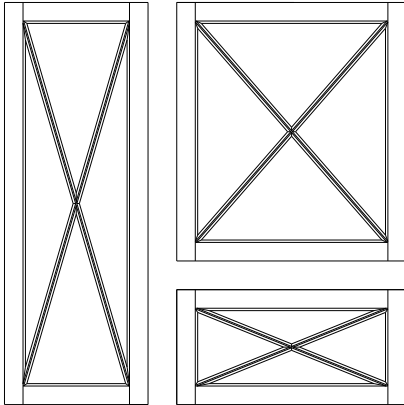
MUL9-I (Integral)	\$285 each door
MUL9-I48 (Integral over 48" high)	\$570 each door
MUL9-D (Drop-In)	\$285 each door
MUL9-D48 (Drop-In over 48" high)	\$570 each door



02010 - Mullions for Wood Doors

Mullion Pattern #10

Sizing Examples



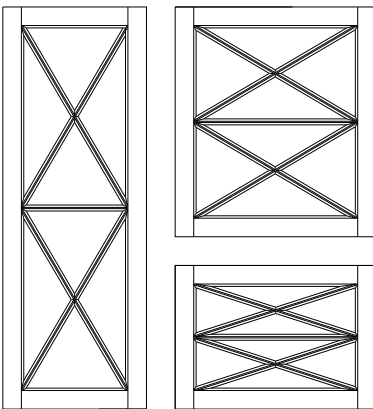
- Stiles and/or rails may be reduced in width to achieve minimum sizes.
- Doors over 48" tall have an intermediate rail. **FHDNIR** option **is** available.
- **Not** available for arched door styles.

MUL10-I (Integral)	\$570 each door
MUL10-I48 (Integral over 48" high)	\$1140 each door
MUL10-D (Drop-In)	\$570 each door
MUL10-D48 (Drop-In over 48" high).....	\$1140 each door

Cabinet Height	Door Stile Widths up to 2-3/4"		Door Stile Widths over 2-3/4"	
	Minimum Cabinet Width		Minimum Cabinet Width	
	Single Door	Double Door	Single Door	Double Door
12	12	24	15	27
15	9	24	12	24
18	12	24	12	24
21	12	24	12	24
24	12	24	12	24
27	12	27	15	27
30	12	24	15	27
33	15	27	15	27
36	15	27	15	30
39	15	30	15	30
42	15	30	18	33
45	18	33	18	33
48	18	33	18	36
54	12	24	15	27
57	12	24	15	27
60	15	27	15	27
54 FHD	18	36	18	36
57 FHD	18	36	21	39
60 FHD	21	39	21	39
Maximum single door width for cabinets with lift doors or hinged top				
12	30		24	
15	42		39	
18	48		48	
21	48		48	

Mullion Pattern #11

Sizing Examples



- Stiles and/or rails may be reduced in width to achieve minimum sizes.
- Doors over 48" tall have an intermediate rail. **FHDNIR** option **is** available.
- **Not** available for arched door styles.

MUL11-I (Integral)	\$759 each door
MUL11-I48 (Integral over 48" high)	\$1518 each door
MUL11-D (Drop-In)	\$759 each door
MUL11-D48 (Drop-In over 48" high).....	\$1518 each door

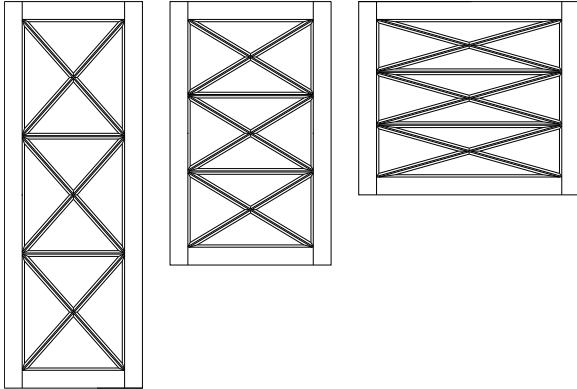
Cabinet Height	Door Stile Widths up to 2-3/4"		Door Stile Widths over 2-3/4"	
	Minimum Cabinet Width		Minimum Cabinet Width	
	Single Door	Double Door	Single Door	Double Door
12	N/A	N/A	N/A	N/A
15	12	24	15	27
18	12	24	15	27
21	12	24	12	24
24	12	24	12	24
27	12	24	12	24
30	12	24	12	24
33	12	24	12	24
36	12	24	12	24
39	12	24	12	24
42	12	24	12	24
45	12	24	15	27
48	12	24	15	27
54	12	24	15	27
57	12	24	15	27
60	15	27	15	27
54 FHD	15	24	15	27
57 FHD	15	27	15	27
60 FHD	15	27	15	30
Maximum single door width for cabinets with lift doors or hinged top				
12	N/A		N/A	
15	21		21	
18	27		27	
21	33		33	



02010 - Mullions for Wood Doors

Mullion Pattern #12

Sizing Examples



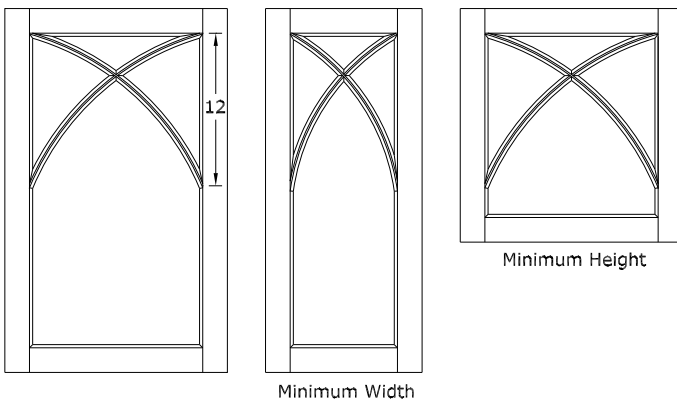
- Stiles and/or rails may be reduced in width to achieve minimum sizes.
- Doors over 48" tall have an intermediate rail. **FHDNIR** option **is** available.
- **Not** available for arched door styles.

MUL12-I (Integral)	\$948 each door
MUL12-I48 (Integral over 48" high)	\$1896 each door
MUL12-D (Drop-In)	\$948 each door
MUL12-D48 (Drop-In over 48" high).....	\$1896 each door

Cabinet Height	Door Stile Widths up to 2-3/4"		Door Stile Widths over 2-3/4"	
	Minimum Cabinet Width		Minimum Cabinet Width	
	Single Door	Double Door	Single Door	Double Door
12	N/A	N/A	N/A	N/A
15	N/A	N/A	N/A	N/A
18	15	27	15	30
21	12	24	15	27
24	12	24	15	27
27	12	24	12	24
30	12	24	12	24
33	12	24	12	24
36	12	24	12	24
39	12	24	12	24
42	12	24	12	24
45	12	24	12	24
48	12	24	12	24
54	12	24	12	24
57	12	24	12	24
60	12	24	15	24
54 FHD	12	24	12	24
57 FHD	12	24	12	24
60 FHD	12	24	12	24
Maximum single door width for cabinets with lift doors or hinged top				
12	N/A		N/A	
15	N/A		N/A	
18	21		21	
21	24		24	

Mullion Pattern #13

Sizing Examples



Integral Mullion:

- Minimum** door height = 18-3/8".
- Minimum** door width = 12-5/16".
- Maximum** door width = 29-1/2".

Drop-In Mullion:

- Minimum** door height = 20-1/4".
- Minimum** door width = 14-3/16".
- Maximum** door width = 29-7/16".

- Stiles and/or rails may be reduced in width to achieve minimum sizes.
- Doors over 48" tall have an intermediate rail. **FHDNIR** option **is** available.
- **Not** available for arched door styles.

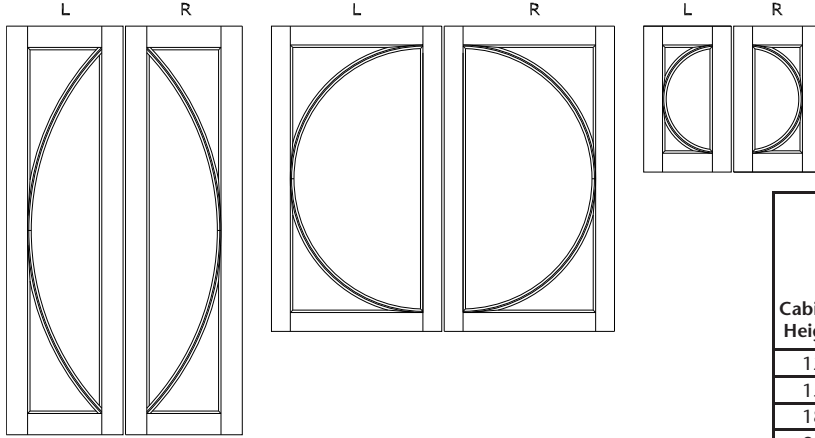
MUL13-I (Integral)	\$570 each door
MUL13-I48 (Integral over 48" high)	\$1140 each door
MUL13-D (Drop-In)	\$570 each door
MUL13-D48 (Drop-In over 48" high).....	\$1140 each door



02010 - Mullions for Wood Doors

Mullion Pattern #14

Sizing Examples

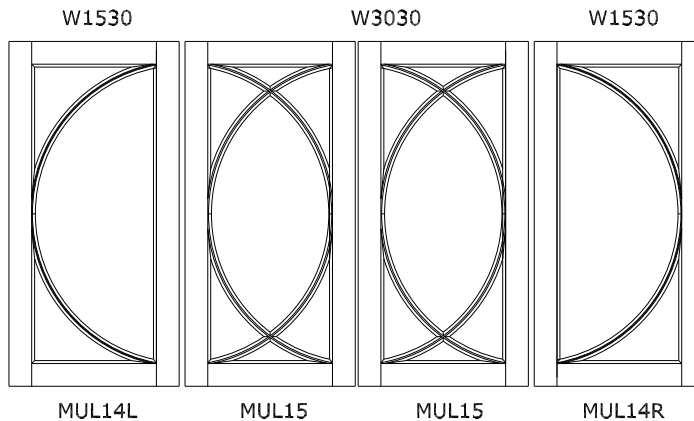


- Specify Left or Right pattern for **each** door.
- Stiles and/or rails may be reduced in width to achieve minimum sizes.
- Doors over 48" tall have an intermediate rail. **FHDNIR** option **is** available.
- **Not** available for arched door styles.

Cabinet Height	Door Stile Widths up to 2-3/4"		Door Stile Widths over 2-3/4"	
	Maximum Cabinet Width		Maximum Cabinet Width	
	Single Door	Double Door	Single Door	Double Door
12	N/A	N/A	9	N/A
15	9	N/A	9	N/A
18	9	N/A	12	24
21	12	24	12	27
24	12	27	15	30
27	15	30	15	33
30	15	33	18	36
33	18	36	18	39
36	18	39	21	42
39	21	42	21	45
42	21	45	24	48
45	24	48	24	48
48	24	48	24	48
54	15	33	15	33
57	15	33	18	36
60	18	36	18	36
54 FHD	24	48	24	48
57 FHD	24	48	24	48
60 FHD	24	48	24	48

MUL14-I (Integral) L/R/B	\$570 each door
MUL14-I48 (Integral over 48" high) L/R/B	\$1140 each door
MUL14-D (Drop-In) L/R/B	\$570 each door
MUL14-D48 (Drop-In over 48" high) L/R/B	\$1140 each door

Configuration Example

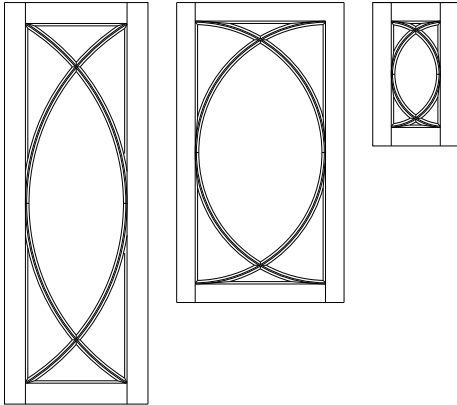




02010 - Mullions for Wood Doors

Mullion Pattern #15

Sizing Examples

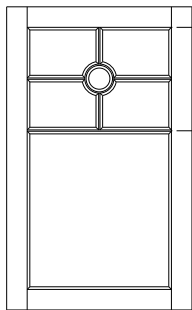


- Stiles and/or rails may be reduced in width to achieve minimum sizes.
- Doors over 48" tall have an intermediate rail. **FHDNIR** option **is** available.
- **Not** available for arched door styles.

MUL15-I (Integral)	\$948 each door
MUL15-I48 (Integral over 48" high)	\$1896 each door
MUL15-D (Drop-In)	\$948 each door
MUL15-D48 (Drop-In over 48" high).....	\$1896 each door

Cabinet Height	Door Stile Widths up to 2-3/4"		Door Stile Widths over 2-3/4"	
	Maximum Cabinet Width		Maximum Cabinet Width	
	Single Door	Double Door	Single Door	Double Door
12	N/A	N/A	9	N/A
15	9	N/A	9	N/A
18	9	N/A	12	24
21	12	24	12	27
24	12	27	15	30
27	15	30	15	33
30	15	33	18	36
33	18	36	18	39
36	18	39	21	42
39	21	42	21	45
42	21	45	24	48
45	24	48	24	48
48	24	48	24	48
54	15	33	15	33
57	15	33	18	36
60	18	36	18	36
54 FHD	24	48	24	48
57 FHD	24	48	24	48
60 FHD	24	48	24	48

Mullion Pattern #18



Integral Mullion:

Minimum door height = 19".

Minimum door width = 10-1/8".

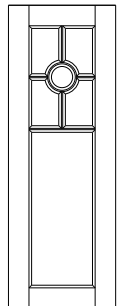
Drop-In Mullion:

Minimum door height = 20-7/8".

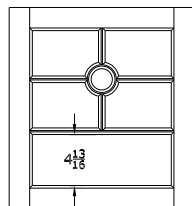
Minimum door width = 12".

- Stiles and/or rails may be reduced in width to achieve minimum sizes.
- Doors over 48" tall have an intermediate rail. **FHDNIR** option **is** available.
- Available for arched door styles.

Minimum width



Minimum height



MUL18-I (Integral)	\$664 each door
MUL18-I48 (Integral over 48" high)	\$1328 each door
MUL18-D (Drop-In)	\$664 each door
MUL18-D48 (Drop-In over 48" high).....	\$1328 each door



02020 - Leaded Glass

- Glass patterns listed below can be specified for our Leaded Glass Inserts.
- Doors over 48" tall have an intermediate rail and 2 panel areas for the Leaded Glass Insert. A single full height panel (**FHDNIR**) can be specified for No Charge (non-warranty). All Leaded Glass Insert Panels are available with Full Height Door, No Intermediate Rail (**FHDNIR**) at the same price.
- Some Leaded Glass Inserts (LG-40, LG-41, LG-46) have a clear beveled glass accent. The beveled glass accent is a standard part of the design and cannot be changed.
- Leaded Glass Inserts are available for all "square" door styles. Slab door styles will be built as a "Homestead" door to accommodate a glass insert. Arch door styles are available with a limited selection of Leaded Glass Patterns (see below).

Arch door styles are available with the following Leaded Glass Patterns only: LG-20, LG-40, LG-41 and LG-46

- Leaded Glass Inserts standardly include a "pewter finish" on the comes. Optional Brass, Copper or Nickel coming is also available. Some states (California) require "lead-free" comes for all Leaded Glass Inserts. Lead-Free coming is available with a pewter finish only.

Brass Caming	Add \$341 per Leaded Glass Insert
Copper Caming (Not available on LG50 and LG51)	Add \$441 per Leaded Glass Insert
Nickel Caming	N/C
Lead-Free Caming (Pewter finish only)	Add \$460 per Leaded Glass Insert

Price Column "A"	Price Column "B"
Clear (Domestic)	Antique Clear
	Furniture Seedy

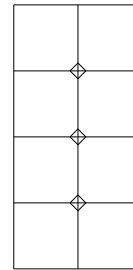
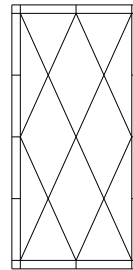
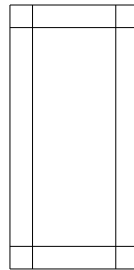
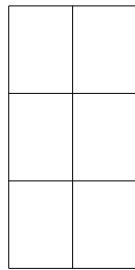
Note: For the safety of Dura Supreme customers, glass doors **will not** be installed in cabinetry below countertop level.

Note: Matching Finished Interior (**MFI**) is **not** included and must be specified separately.

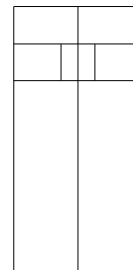
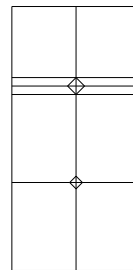
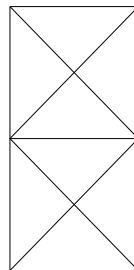
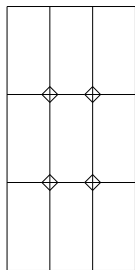


02020 - Leaded Glass (continued)

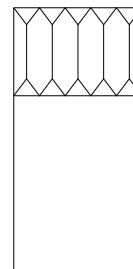
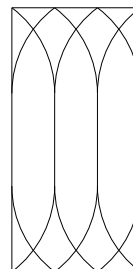
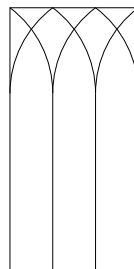
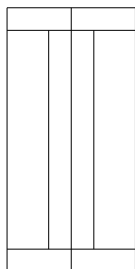
All solid wood door styles can be specified with a Leaded Glass Insert in place of the panel. Inserts are fastened to the door frame with a continuous bead of silicone caulk. Refer to the chart on [page 3-50](#) for glass patterns available in Leaded Glass Inserts. Your Decorative Glass Sample Kit designates which patterns are available for Leaded (L) Glass Inserts and/or as Sheet (S) Glass.



Cabinet Height	LG-20 Minimum Insert : Width = 2 Height = 2		LG-23 Minimum Insert : Width = 5 Height = 5		LG-27 Minimum Insert : Width = 8 Height = 8		LG-40 Minimum Insert : Width = 2 Height = 2	
	A	B	A	B	A	B	A	B
12" - 24"	727	828	805	896	1136	1218	912	987
Over 24" - 36"	850	998	920	1061	1242	1398	1048	1180
Over 36" - 48"	977	1153	1033	1223	1374	1559	1158	1341
Over 48" - 60"	1697	1993	1838	2118	2482	2795	2091	2357



Cabinet Height	LG-41 Minimum Insert : Width = 5 Height = 5		LG-45 Minimum Insert : Width = 2 Height = 2		LG-46 Minimum Insert : Width = 2-3/4 Height = 2-3/4		LG-48 Minimum Insert : Width = 5 Height = 9-1/4	
	A	B	A	B	A	B	A	B
12" - 24"	940	1018	940	1026	998	1096	864	957
Over 24" - 36"	1074	1214	1083	1195	1088	1223	982	1109
Over 36" - 48"	1201	1382	1195	1362	1209	1398	1096	1272
Over 48" - 60"	2146	2427	2166	2387	2174	2443	1963	2216



*Inserts less than 12-1/4" high have a full height pattern.

Cabinet Height	LG-49 Minimum Insert : Width = 4 Height = 5		LG-50* Minimum Insert : Width = 5 Height = 8		LG-51* Minimum Insert : Width = 5 Height = 23		LG-52* Minimum Insert : Width = 5 Height = 4*	
	A	B	A	B	A	B	A	B
12" - 24"	864	957	1153	1244	N/A	N/A	1130	1223
Over 24" - 36"	982	1109	1222	1348	1426	1552	1334	1461
Over 36" - 48"	1096	1272	1376	1552	1545	1721	1461	1643
Over 48" - 60"	1963	2216	2443	2694	2849	3099	2666	2919

*Number of lites will vary on smaller widths for LG-50, LG-51 and LG-52.



02030 - Aluminum Frame Doors

- Dura Supreme offers Aluminum Frame/Glass doors for use as accent doors. Available as doors only (no drawer fronts). Each door is available with Anodized Aluminum or Powder Coat finish (see pricing below). A variety of insert materials (5/32" thick) are available (see pricing below). Aluminum Frame doors are available as a "modification" to substitute for specific doors within a cabinet order. (An Aluminum Frame Door Kit of samples is available.)
- To order - clearly specify the code, the frame finish and the insert selection, and indicate the door(s) to be replaced (Example: ALFRM5, NA, Charcoal Matte, Top Doors).
- Drilling for hardware can be done in the field for all styles except ALFRM2, ALFRM4, ALFRM6, ALFRM 8 and ALFRM10. Hardware locations must be indicated at the time of the order for ALFRM2, ALFRM4, ALFRM6, ALFRM8, and ALFRM10 because the glass must be drilled before it is tempered and installed. (Please complete the ALFRM template and submit with your order.) The door is pre-drilled for hardware and a plastic sleeve is installed. The sleeve must remain in place when the hardware is installed to act as a cushion between the hardware screw and the glass.

Aluminum Frame Finish Options	
Anodized Aluminum (AA)	Powder Coat (PC)*
Natural Aluminum (NA)	Black (BK)
Brushed Stainless Steel Look (BS)	Oil Rubbed Bronze (ORB)
Other	
Chrome (CH)†	White (WHT)

† Available with ALFRM3 and ALFRM 10 only - use PC pricing

*Allow an additional 1 - 2 week lead time for Powder Coat frames.

NOTE: Curved doors are not available.

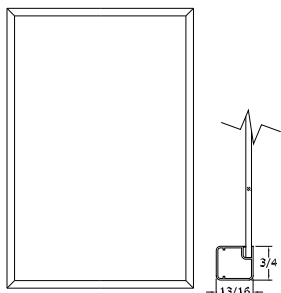
Not available on the following cabinets: TWC, WECCD, TBC, BECCD.

Not available with the following modifications: AM2, AM3.

Aluminum Frame Door Insert Options

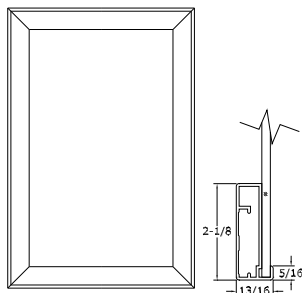
Standard	3Form Resin	Back Painted Glass*	Parapan® High Gloss		Metal Laminate
Included in door price	Add \$550 per door Over 48" Add \$825 per door	Add \$342 per door Over 48" Add \$514 per door	Add \$191 per door Over 48" Add \$286 per door		Add \$191 per door Over 48" Add \$286 per door
<ul style="list-style-type: none"> 5/32" thick Tempered safety glass Etched Pattern side faces in unless otherwise specified 	<ul style="list-style-type: none"> 5/32" thick Sandstone finish on both sides Inserts containing organic materials may vary in color & density due to natural conditions 	<ul style="list-style-type: none"> 5/32" thick Painted side faces in unless otherwise specified Backlighting is not recommended 	<ul style="list-style-type: none"> 5/32" thick High gloss reflective solid surface Parapan® material UV and fade resistant 		<ul style="list-style-type: none"> 5/32" thick Double-sided metal laminate with hardboard core
Clear Glass	Bear Grass	Black Gloss	Alpine White	Mint	Anodized Aluminum
Listral-D Glass	Fossil Leaf	Black Matte	Black	Opal White	Brushed Stainless Steel Look
Master Carre Glass	Linea Ivory	Charcoal Gloss	Bordeaux	Orange	
Reeded Glass	Quattro Carbon	Charcoal Matte	Brown	Oxide Red	
Satin Glass	Thatch	Sand Gloss	Cappuccino	Pale Ivory	
Platinum Ice Acrylic	Wisp Silver	Sand Matte	Cobalt Blue	Signal Red	
		White Gloss	Kiwi	Stone Grey	
		White Matte	Latte	Turquoise	
		*Allow an additional 1 - 2 week lead time for Back Painted Glass	Light Grey	White	

Insert material is available for Aluminum Frame doors only. Glass is tempered and can be used below countertop level.



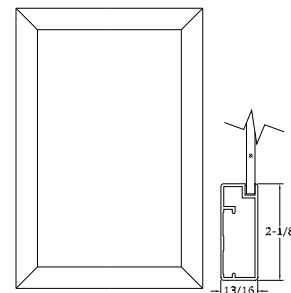
ALFRM1

Minimum Width/Height - 5-1/2"



ALFRM2

Minimum Width/Height - 5-1/2"



ALFRM3

Minimum Width/Height - 5-1/2"

*A template form with hardware location is required for this door. (See page 3-52)

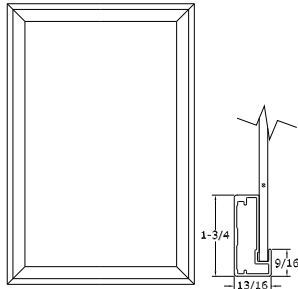
Anodized Aluminum Frame Finish:	
ALFRM1*	\$1103 each door*
Powder Coat Frame Finish:	
ALFRM1PC*	\$1278 each door*
*See chart for insert pricing.	

Anodized Aluminum Frame Finish:	
ALFRM2*	\$1103 each door*
ALFRM2-48*	\$1655 each door* (doors over 48" high)
Powder Coat Frame Finish:	
ALFRM2PC*	\$1278 each door*
ALFRM2PC-48*	\$1917 each door* (doors over 48" high)
*See chart for insert pricing.	

Anodized Aluminum Frame Finish:	
ALFRM3*	\$990 each door*
ALFRM3-48*	\$1484 each door* (doors over 48" high)
Powder Coat and Chrome Frame Finish:	
ALFRM3PC*	\$1179 each door*
ALFRM3PC-48*	\$1768 each door* (doors over 48" high)
*See chart for insert pricing.	



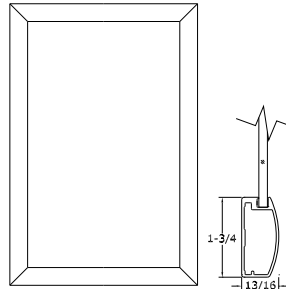
02030 - Aluminum Frame Doors (continued)



ALFRM4

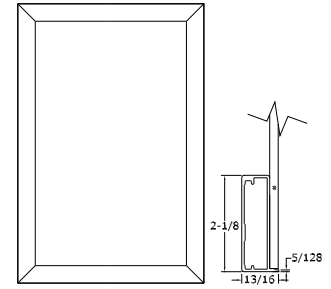
Minimum Width/Height - 5-1/2"

*A template form with hardware location is required for this door. (See page 3-52)



ALFRM5

Minimum Width/Height - 5-1/2"



ALFRM6

Minimum Width/Height - 5-1/2"

*A template form with hardware location is required for this door. (See page 3-52)

*Available with Back Painted Glass **only**. Inserts are permanently adhered to frame.

Anodized Aluminum Frame Finish:

ALFRM4* \$1172 each door[†]

ALFRM4-48* \$1757 each door[†]
(doors over 48" high)

Powder Coat Frame Finish:

ALFRM4PC* \$1297 each door[†]

ALFRM4PC-48* \$1945 each door[†]
(doors over 48" high)

*See chart for insert pricing.

Anodized Aluminum Frame Finish:

ALFRM5* \$1133 each door[†]

ALFRM5-48* \$1700 each door[†]
(doors over 48" high)

Powder Coat Frame Finish:

ALFRM5PC* \$1285 each door[†]

ALFRM5PC-48* \$1928 each door[†]
(doors over 48" high)

*See chart for insert pricing.

Anodized Aluminum Frame Finish:

ALFRM6* \$1042 each door[†]

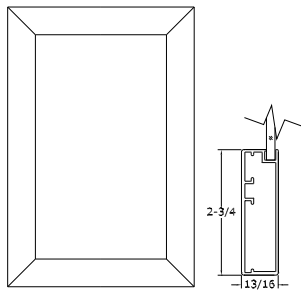
ALFRM6-48* \$1564 each door[†]
(doors over 48" high)

Powder Coat Frame Finish:

ALFRM6PC* \$1209 each door[†]

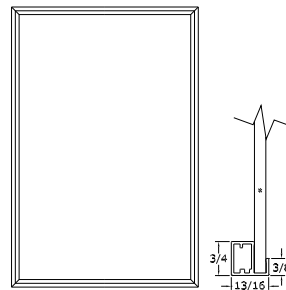
ALFRM6PC-48* \$1813 each door[†]
(doors over 48" high)

*See chart for insert pricing.



ALFRM7

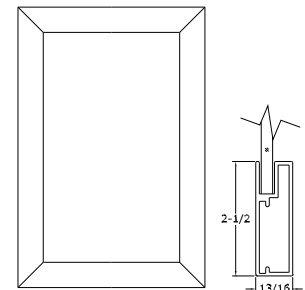
Minimum Width/Height - 6"



ALFRM8

Minimum Width/Height - 5-1/2"

*A template form with hardware location is required for this door. (See page 3-52)



ALFRM9

Minimum Width/Height - 5-1/2"

*Available in Clear or Satin Glass **only**.

Anodized Aluminum Frame Finish:

ALFRM7* \$1096 each door[†]

ALFRM7-48* \$1644 each door[†]
(doors over 48" high)

Powder Coat Frame Finish:

ALFRM7PC* \$1217 each door[†]

ALFRM7PC-48* \$1826 each door[†]
(doors over 48" high)

*See chart for insert pricing.

Anodized Aluminum Frame Finish:

ALFRM8* \$1033 each door[†]

ALFRM8-48* \$1550 each door[†]
(doors over 48" high)

Powder Coat Frame Finish:

ALFRM8PC* \$1259 each door[†]

*See chart for insert pricing.

Anodized Aluminum Frame Finish:

ALFRM9* \$1221 each door[†]

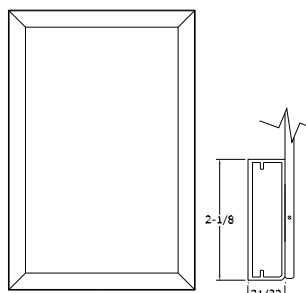
ALFRM9-48* \$1831 each door[†]
(doors over 48" high)

Powder Coat Frame Finish:

ALFRM9PC* \$1357 each door[†]

ALFRM9PC-48* \$2036 each door[†]
(doors over 48" high)

*See chart for insert pricing.



ALFRM10

Minimum Width/Height - 5-1/2"

*A template form with hardware location is required for this door. (See page 3-52)

*Available with Back Painted Glass **only**. Inserts are permanently adhered to frame.

Anodized Aluminum Frame Finish:

ALFRM10* \$1248 each door[†]

ALFRM10-48* \$1872 each door[†]
(doors over 48" high)

Powder Coat and Chrome Frame Finish:

ALFRM10PC* \$1361 each door[†]

ALFRM10PC-48* \$2041 each door[†]
(doors over 48" high)

*See chart for insert pricing.

ALFRM Hardware Location Template

Use this form to specify the hardware location for the Aluminum Frame Door Styles 2, 4, 6, 8, and 10.

Please photocopy, provide the necessary information, and include with cabinet order.

Dealer Name _____ P.O./Job Name _____

Item # on Job _____ Indicate Frame Style: ALFRM2 ALFRM4 ALFRM6 ALFRM8 ALFRM10

Indicate Frame Finish _____

Indicate Insert selection _____

HINGED LEFT DOOR

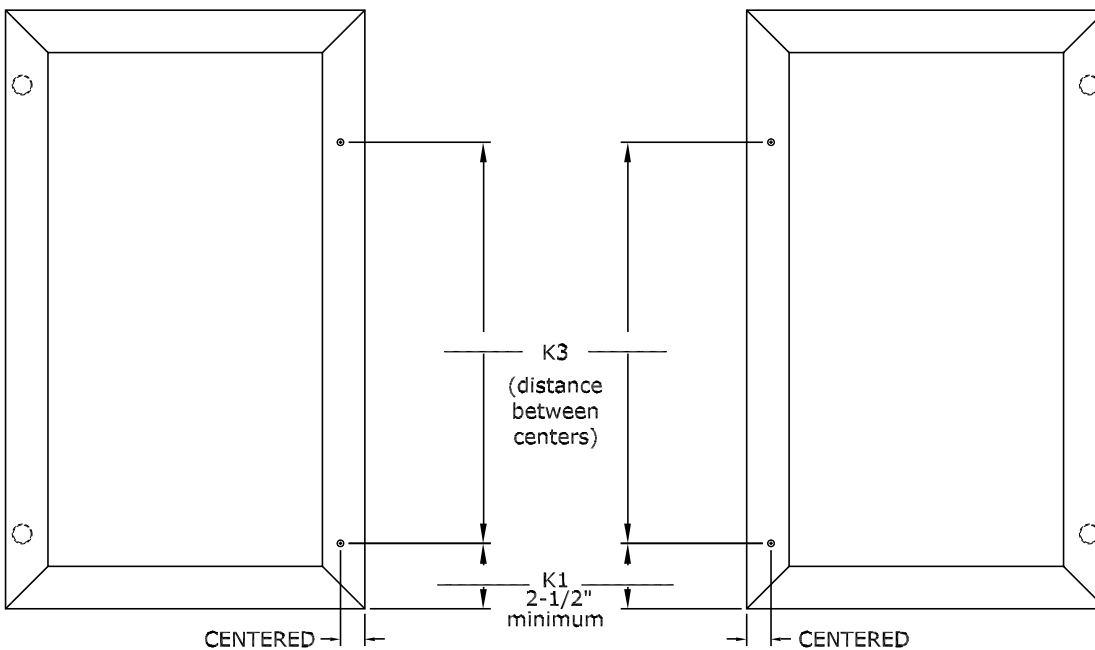
Knob (indicate K1)

Pull (indicate K1 & K3)

HINGED RIGHT DOOR

Knob (indicate K1)

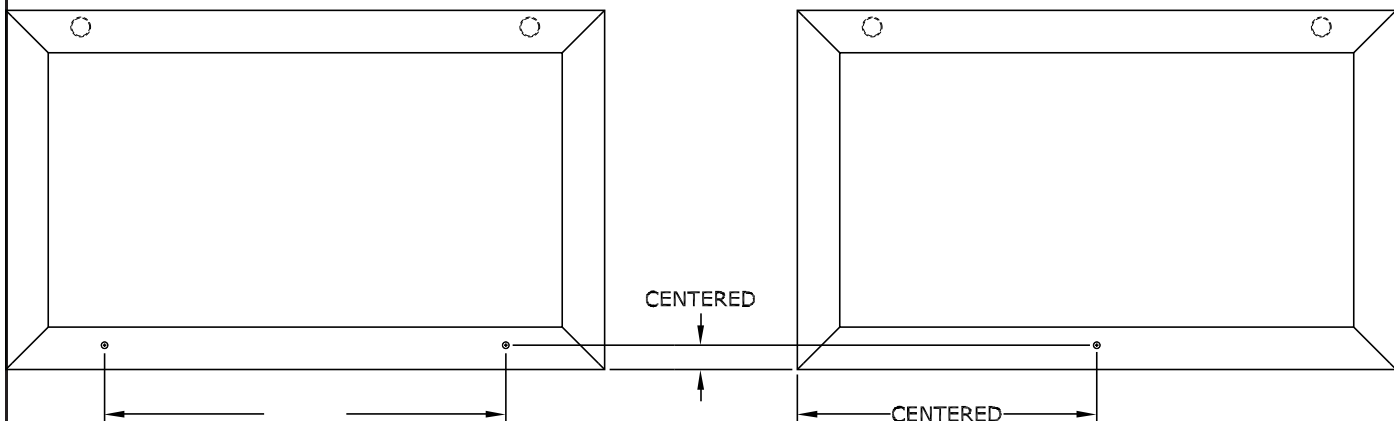
Pull (indicate K1 & K3)



HINGED TOP
Pull or 2 Knobs

HINGED TOP DOOR

HINGED TOP
Single Knob



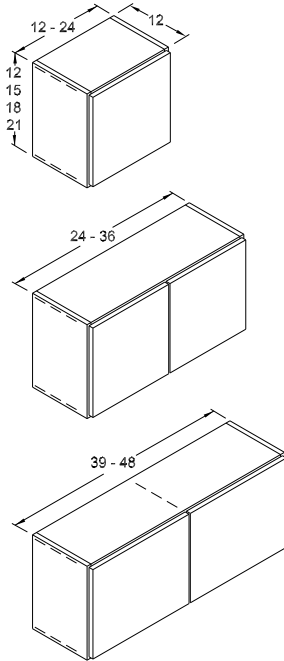


Wall Index

Apothecary Drawers	4-33
Appliance Cabinets	4-9
Bi-Fold Cabinet	4-21
Blind Corner Wall Cabinet	4-6
Curved Corner Wall Cabinet	4-8
Deep Wall Cabinets	4-4
Desk Organizer Cabinet	4-22
Diagonal Corner Wall Cabinet	4-8
Door Spice Rack	4-34
End Cabinets (Corner, Triangle, Quarter Round)	4-31
End Shelves/What Not Shelves	4-32
Hoods	4-35
Lift Door	4-18
Microwave Wall Cabinets	4-13e
Open Wall Cabinet	4-5c
Pigeon Hole Cabinet	4-24
Pull-Out Pantry	4-30
Spice Rack Cabinet	4-28
Square Corner Wall Cabinet	4-7
Stacked Wall Cabinets	4-13b
Stay Lift Cabinets	4-19
Wall Cabinet	4-1
Wall Cabinet with Drawer(s)	4-16
Wall Plate Display Rack	4-25
Wine Rack Cabinets	4-26
Wood Susan	4-34



10000 - Wall Cabinets



Center Partition

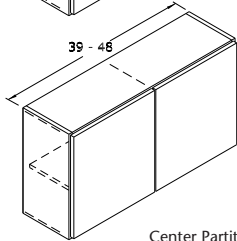
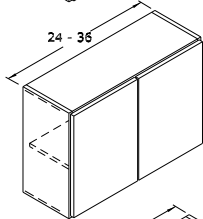
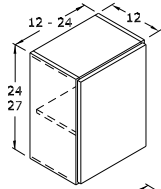
NOTE*: Hinge Top - HT is standard for the following 12" high cabinets: 21, 24-1, 39, 42, 45 & 48" wide.
For Wall Stay Lift Cabinets see Sections 10817 and 10819.

Cat. Code	1	2	3	4	5	6	7	8	9	10	11
12"High - No Shelf											
W1212	262	301	328	350	363	387	398	416	426	444	459
W1512	280	327	360	385	399	423	439	466	479	499	517
W1812	306	362	397	424	439	464	476	497	513	535	552
W2112	331	396	433	461	478	508	517	535	549	572	592
W2412-1*	395	478	515	542	563	597	612	640	656	684	707
W2412	395	478	515	542	563	597	612	640	656	684	707
W2712	399	494	551	595	616	657	672	702	719	751	777
W3012	403	497	555	600	621	661	677	706	724	755	782
W3312	416	515	571	615	639	677	695	724	742	776	802
W3612	427	530	585	629	653	693	710	741	761	795	822
W3912*	527	626	684	728	752	791	811	846	867	907	938
W4212*	539	644	702	747	772	812	832	868	892	930	962
W4512*	552	661	720	770	794	835	856	894	917	957	989
W4812*	565	678	739	790	814	856	878	919	941	982	1017
W4812-4	578	713	788	846	874	928	951	993	1019	1063	1099
15"High - No Shelf											
W1215	272	313	342	364	378	403	415	432	443	461	478
W1515	292	341	373	401	416	440	457	485	497	521	538
W1815	318	377	415	441	457	482	496	520	534	556	574
W2115	345	411	451	480	497	530	539	556	570	594	615
W2415-1	410	497	536	565	585	621	639	665	682	712	737
W2415	410	497	536	565	585	621	639	665	682	712	737
W2715	416	516	573	620	643	683	700	731	749	783	810
W3015	430	531	590	637	660	699	717	747	769	802	830
W3315	445	546	606	654	677	716	734	768	788	821	850
W3615	469	570	632	682	705	747	769	802	822	858	889
W3915	494	600	664	714	739	783	803	838	859	900	929
W4215	525	637	703	758	781	825	849	893	915	956	987
W4515	541	658	726	783	811	859	884	922	944	985	1020
W4815	558	676	749	809	837	888	910	950	975	1018	1053
W4815-4	670	811	900	969	1003	1064	1091	1141	1169	1221	1264
18"High - No Shelf											
W1218	284	326	355	381	395	419	430	448	460	480	496
W1518	304	354	389	417	432	458	475	507	520	542	560
W1818	332	395	430	459	475	502	517	541	555	578	598
W2118	361	427	467	500	518	551	560	578	593	619	641
W2418-1	430	521	558	587	608	648	664	693	710	741	769
W2418	430	521	558	587	608	648	664	693	710	741	769
W2718	445	535	601	654	677	716	734	768	788	821	850
W3018	467	567	628	679	703	745	766	800	819	854	886
W3318	483	583	649	702	726	773	793	826	847	885	915
W3618	514	615	684	738	763	809	829	865	888	927	958
W3918	531	649	718	774	800	849	870	909	931	971	1005
W4218	546	664	733	790	817	867	891	929	952	994	1031
W4518	564	684	758	816	845	896	920	959	983	1027	1062
W4818	583	703	780	840	871	926	948	989	1015	1060	1096
W4818-4	698	844	936	1011	1045	1109	1138	1188	1218	1272	1315
21"High - No Shelf											
W1221	297	336	373	402	417	441	453	472	483	503	522
W1521	318	373	410	438	454	481	494	517	531	553	572
W1821	348	415	453	482	500	531	545	569	584	608	629
W2121	381	451	494	529	548	579	591	608	625	653	676
W2421-1	490	587	634	671	696	739	759	793	812	847	875
W2421	490	587	634	671	696	739	759	793	812	847	875
W2721	527	629	691	741	769	815	835	871	894	933	964
W3021	552	664	733	790	817	867	891	929	952	994	1031
W3321	567	684	753	809	836	887	909	949	973	1017	1052
W3621	598	723	801	863	894	949	973	1017	1041	1088	1125
W3921	627	754	840	912	944	1001	1027	1074	1101	1151	1189
W4221	660	794	888	964	999	1062	1089	1137	1166	1217	1260
W4521	691	831	938	1024	1060	1125	1154	1204	1235	1291	1334
W4821	727	872	989	1083	1123	1193	1223	1278	1309	1367	1414
W4821-4	872	1049	1187	1300	1347	1432	1467	1533	1571	1640	1697

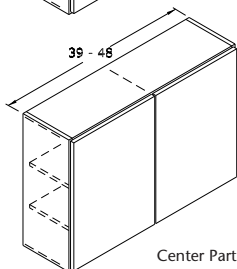
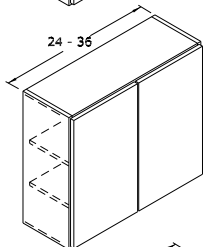
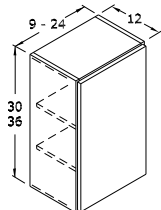
WALL CABINETS CONTINUED ON NEXT PAGE



10000 - Wall Cabinets (continued)



Center Partition

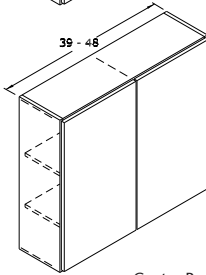
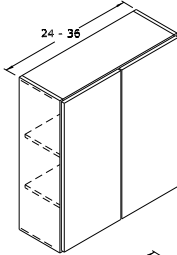
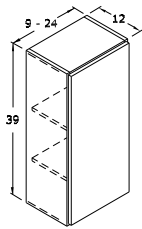


Center Partition

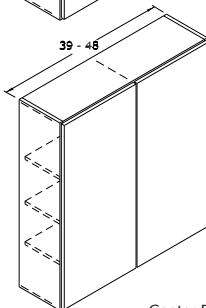
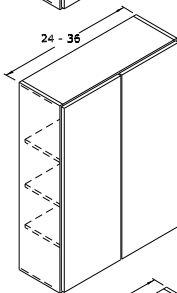
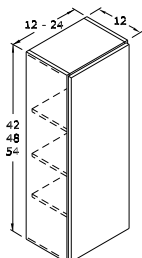
Cat. Code	1	2	3	4	5	6	7	8	9	10	11
24" High - One Adjustable Shelf											
W1224	297	336	373	402	417	441	453	472	483	503	522
W1524	318	373	410	438	454	481	494	517	531	553	572
W1824	348	415	453	482	500	531	545	569	584	608	629
W2124	381	451	494	529	548	579	591	608	625	653	676
W2424-1	490	587	634	671	696	739	759	793	812	847	875
W2424	490	587	634	671	696	739	759	793	812	847	875
W2724	527	629	698	753	781	830	851	888	910	950	983
W3024	552	664	733	790	817	867	891	929	952	994	1031
W3324	567	684	753	809	836	887	909	949	973	1017	1052
W3624	598	723	801	863	894	949	973	1017	1041	1088	1125
W3924	627	754	840	912	944	1001	1027	1074	1101	1151	1189
W4224	662	794	888	964	999	1062	1089	1137	1166	1217	1260
W4524	697	836	940	1024	1060	1125	1154	1204	1235	1291	1334
W4824	731	875	990	1083	1123	1193	1223	1278	1309	1367	1414
W4824-4	877	1054	1189	1300	1347	1432	1467	1533	1571	1640	1697
27" High - One Adjustable Shelf											
W1227	325	382	418	445	461	489	501	525	538	560	579
W1527	353	416	454	485	502	536	550	573	588	613	635
W1827	387	459	502	537	556	588	604	629	647	676	698
W2127	423	499	548	586	607	644	661	689	706	737	763
W2427-1	552	668	718	758	784	833	854	893	915	956	987
W2427	552	668	718	758	784	833	854	893	915	956	987
W2727	592	712	787	846	875	930	955	996	1021	1067	1102
W3027	623	747	828	891	922	979	1004	1049	1075	1120	1161
W3327	663	796	877	944	977	1038	1063	1110	1139	1189	1230
W3627	705	846	930	998	1034	1098	1126	1176	1206	1258	1302
W3927	739	888	978	1052	1089	1157	1186	1237	1269	1325	1370
W4227	776	933	1027	1104	1144	1214	1244	1300	1333	1391	1440
W4527	814	979	1080	1161	1202	1277	1307	1365	1399	1462	1512
W4827	853	1031	1132	1217	1260	1339	1372	1433	1468	1535	1586
W4827-4	1024	1232	1358	1461	1512	1606	1648	1720	1763	1840	1904
30" High - Two Adjustable Shelves											
W930	270	336	370	399	415	439	451	471	482	502	521
W1230	325	382	418	445	461	489	501	525	538	560	579
W1530	353	416	454	485	502	536	550	573	588	613	635
W1830	387	459	502	537	556	588	604	629	647	676	698
W2130	423	499	548	586	607	644	661	689	706	737	763
W2430-1	552	668	718	758	784	833	854	893	915	956	987
W2430	552	668	718	758	784	833	854	893	915	956	987
W2730	592	712	787	846	875	930	955	996	1021	1067	1102
W3030	623	747	828	891	922	979	1004	1049	1075	1120	1161
W3330	663	796	877	944	977	1038	1063	1110	1139	1189	1230
W3630	705	846	930	998	1034	1098	1126	1176	1206	1258	1302
W3930	739	888	978	1052	1089	1157	1186	1237	1269	1325	1370
W4230	776	933	1027	1104	1144	1214	1244	1300	1333	1391	1440
W4530	814	979	1080	1161	1202	1277	1307	1365	1399	1462	1512
W4830	853	1031	1132	1217	1260	1339	1372	1433	1468	1535	1586
W4830-4	1024	1232	1358	1461	1512	1606	1648	1720	1763	1840	1904
36" High - Two Adjustable Shelves											
W936	368	444	483	517	536	570	585	609	626	654	677
W1236	440	503	542	571	591	626	643	671	688	718	742
W1536	469	545	587	621	643	682	699	728	747	782	809
W1836	521	597	646	684	707	749	770	803	824	859	891
W2136	558	649	700	741	769	817	837	873	896	937	969
W2436-1	703	826	886	933	965	1025	1050	1096	1124	1174	1214
W2436	703	826	886	933	965	1025	1050	1096	1124	1174	1214
W2736	732	872	959	1029	1063	1129	1158	1209	1239	1295	1339
W3036	808	952	1040	1110	1150	1220	1250	1306	1339	1397	1446
W3336	867	1021	1112	1186	1227	1304	1336	1395	1430	1491	1544
W3636	913	1067	1161	1237	1281	1362	1397	1460	1496	1563	1616
W3936	948	1111	1211	1294	1340	1425	1460	1524	1561	1630	1687
W4236	984	1168	1272	1355	1404	1490	1529	1596	1637	1708	1768
W4536	1035	1222	1334	1425	1474	1565	1603	1676	1717	1795	1855
W4836	1081	1278	1395	1489	1542	1637	1678	1752	1797	1875	1941
W4836-4	1298	1531	1673	1788	1851	1966	2015	2104	2156	2251	2329

WALL CABINETS CONTINUED ON NEXT PAGE

10000 - Wall Cabinets (continued)



Center Partition



Center Partition

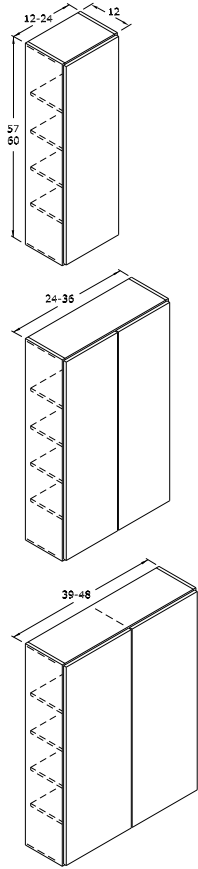
Cat. Code	1	2	3	4	5	6	7	8	9	10	11
39" High - Two Adjustable Shelves											
W939	409	490	535	570	590	625	642	670	686	717	741
W1239	494	563	604	637	660	699	717	747	769	802	830
W1539	545	621	667	703	727	775	795	829	850	887	919
W1839	590	679	732	775	802	851	872	912	934	976	1011
W2139	647	739	798	846	875	930	955	996	1021	1067	1102
W2439-1	790	927	990	1041	1076	1143	1171	1222	1253	1309	1354
W2439	790	927	990	1041	1076	1143	1171	1222	1253	1309	1354
W2739	845	987	1081	1155	1195	1270	1301	1358	1393	1454	1504
W3039	923	1074	1166	1238	1283	1363	1412	1498	1537	1603	1659
W3339	973	1136	1236	1318	1363	1447	1483	1549	1587	1658	1714
W3639	1013	1192	1298	1382	1432	1522	1559	1628	1669	1742	1803
W3939	1073	1258	1370	1461	1511	1603	1645	1717	1760	1838	1902
W4239	1127	1318	1437	1533	1586	1686	1727	1804	1848	1931	1997
W4539	1173	1375	1498	1598	1655	1757	1802	1880	1928	2012	2083
W4839	1213	1434	1563	1666	1724	1829	1874	1957	2006	2095	2168
W4839-4	1455	1720	1873	1997	2068	2196	2250	2349	2407	2513	2602
42" High - Three Adjustable Shelves											
W942	409	490	535	570	590	625	642	670	686	717	741
W1242	494	563	604	637	660	699	717	747	769	802	830
W1542	545	621	667	703	727	775	795	829	850	887	919
W1842	590	679	732	775	802	851	872	912	934	976	1011
W2142	647	739	798	846	875	930	955	996	1021	1067	1102
W2442-1	790	927	990	1041	1076	1143	1171	1222	1253	1309	1354
W2442	790	927	990	1041	1076	1143	1171	1222	1253	1309	1354
W2742	845	987	1081	1155	1195	1270	1301	1358	1393	1454	1504
W3042	923	1074	1166	1238	1283	1363	1398	1461	1497	1564	1617
W3342	973	1136	1236	1318	1363	1447	1483	1549	1587	1658	1714
W3642	1013	1192	1298	1382	1432	1522	1559	1628	1669	1742	1803
W3942	1073	1258	1370	1461	1511	1603	1645	1717	1760	1838	1902
W4242	1127	1318	1437	1533	1586	1686	1727	1804	1848	1931	1997
W4542	1173	1375	1498	1598	1655	1757	1802	1880	1928	2012	2083
W4842	1213	1434	1563	1666	1724	1829	1874	1957	2006	2095	2168
W4842-4	1455	1720	1873	1997	2068	2196	2250	2349	2407	2513	2602
48" High - Three Adjustable Shelves											
W1248	593	676	724	763	790	838	859	900	922	962	996
W1548	654	745	800	844	873	929	952	994	1020	1064	1101
W1848	706	815	878	929	962	1022	1048	1094	1120	1172	1211
W2148	776	888	958	1015	1052	1116	1146	1195	1225	1280	1323
W2448-1	947	1111	1187	1248	1292	1370	1405	1467	1503	1571	1623
W2448	947	1111	1187	1248	1292	1370	1405	1467	1503	1571	1623
W2748	1014	1187	1297	1386	1434	1524	1561	1630	1671	1745	1805
W3048	1108	1288	1398	1486	1539	1637	1678	1752	1797	1875	1941
W3348	1168	1362	1483	1581	1637	1735	1780	1857	1903	1987	2057
W3648	1214	1431	1558	1661	1720	1826	1872	1955	2004	2091	2165
W3948	1287	1509	1645	1752	1815	1927	1973	2062	2113	2207	2284
W4248	1354	1581	1724	1838	1903	2023	2072	2165	2218	2317	2398
W4548	1407	1651	1799	1918	1986	2109	2161	2256	2313	2417	2498
W4848	1455	1721	1873	1997	2067	2195	2249	2348	2406	2512	2601
W4848-4	1747	2064	2247	2398	2481	2635	2700	2819	2888	3016	3121
54" High - Three Adjustable Shelves											
W1254	713	810	868	917	948	1005	1033	1078	1106	1155	1194
W1554	784	896	961	1013	1049	1113	1144	1194	1224	1279	1322
W1854	849	977	1053	1113	1154	1225	1257	1313	1344	1406	1453
W2154	930	1067	1151	1218	1262	1340	1374	1434	1469	1536	1587
W2454-1	1137	1334	1426	1498	1550	1645	1686	1760	1804	1882	1949
W2454	1137	1334	1426	1498	1550	1645	1686	1760	1804	1882	1949
W2754	1216	1425	1557	1664	1722	1829	1874	1957	2006	2095	2168
W3054	1329	1546	1677	1784	1847	1965	2014	2103	2155	2250	2328
W3354	1400	1635	1781	1897	1964	2084	2135	2229	2285	2384	2468
W3654	1459	1715	1867	1992	2063	2193	2246	2345	2404	2510	2597
W3954	1545	1813	1973	2103	2176	2310	2368	2474	2536	2648	2739
W4254	1623	1897	2068	2207	2285	2429	2488	2597	2662	2779	2875
W4554	1690	1981	2159	2302	2382	2531	2593	2709	2776	2900	2999
W4854	1747	2065	2249	2398	2480	2632	2699	2818	2887	3015	3120
W4854-4	2097	2476	2698	2877	2978	3162	3239	3383	3467	3619	3745

NOTE: The 48", 54", 57" and 60" high cabinets in this section are not intended for countertop installation due to insufficient clearance at bottom of door.

WALL CABINETS CONTINUED ON NEXT PAGE



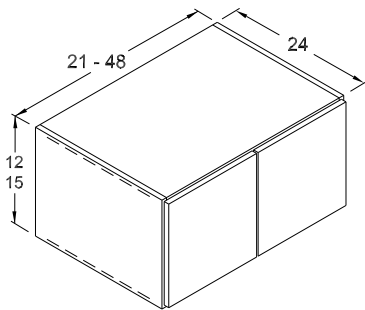
10000 - Wall Cabinets (continued)



Cat. Code	1	2	3	4	5	6	7	8	9	10	11
57" High - Four Adjustable Shelves											
W1257	785	891	955	1009	1043	1106	1137	1186	1217	1271	1314
W1557	863	986	1058	1115	1154	1225	1259	1314	1347	1407	1455
W1857	934	1075	1159	1225	1270	1348	1383	1445	1479	1547	1599
W2157	1023	1174	1267	1340	1389	1474	1512	1578	1616	1690	1746
W2457-1	1251	1468	1569	1648	1705	1810	1855	1936	1985	2071	2144
W2457	1251	1468	1569	1648	1705	1810	1855	1936	1985	2071	2144
W2757	1338	1568	1713	1831	1895	2012	2062	2153	2207	2305	2385
W3057	1462	1701	1845	1963	2032	2162	2216	2314	2371	2475	2561
W3357	1540	1799	1960	2087	2161	2293	2349	2452	2514	2623	2715
W3657	1605	1887	2054	2192	2270	2413	2471	2580	2645	2761	2857
W3957	1700	1995	2171	2314	2394	2541	2605	2722	2790	2913	3013
W4257	1786	2087	2275	2428	2514	2672	2737	2857	2929	3057	3163
W4557	1859	2180	2375	2533	2621	2785	2853	2980	3054	3190	3299
W4857	1922	2272	2474	2638	2728	2896	2969	3100	3176	3317	3432
W4857-4	2307	2724	2968	3165	3276	3479	3563	3722	3814	3981	4120
60" High - Four Adjustable Shelves											
W1260	785	891	955	1009	1043	1106	1137	1186	1217	1271	1314
W1560	863	986	1058	1115	1154	1225	1259	1314	1347	1407	1455
W1860	934	1075	1159	1225	1270	1348	1383	1445	1479	1547	1599
W2160	1023	1174	1267	1340	1389	1474	1512	1578	1616	1690	1746
W2460-1	1251	1468	1569	1648	1705	1810	1855	1936	1985	2071	2144
W2460	1251	1468	1569	1648	1705	1810	1855	1936	1985	2071	2144
W2760	1338	1568	1713	1831	1895	2012	2062	2153	2207	2305	2385
W3060	1462	1701	1845	1963	2032	2162	2216	2314	2371	2475	2561
W3360	1540	1799	1960	2087	2161	2293	2349	2452	2514	2623	2715
W3660	1605	1887	2054	2192	2270	2413	2471	2580	2645	2761	2857
W3960	1700	1995	2171	2314	2394	2541	2605	2722	2790	2913	3013
W4260	1786	2087	2275	2428	2514	2672	2737	2857	2929	3057	3163
W4560	1859	2180	2375	2533	2621	2785	2853	2980	3054	3190	3299
W4860	1922	2272	2474	2638	2728	2896	2969	3100	3176	3317	3432
W4860-4	2307	2724	2968	3165	3276	3479	3563	3722	3814	3981	4120

NOTE: The 48", 54", 57" and 60" high cabinets in this section are not intended for countertop installation due to insufficient clearance at bottom of door.

10100 - Deep Wall Cabinets



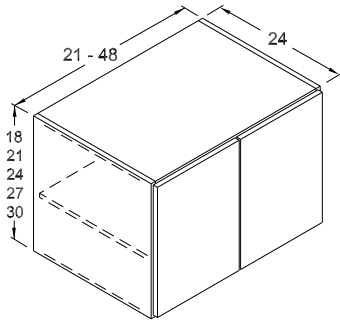
- Roll-out shelves are **not** available for this cabinet.
- **Maximum** height = 36".
- Cabinets over 36" wide have a center partition.

NOTE*: Hinge Top - HT is standard for the following 12" high cabinets: 21, 24-1, 37, 39, 45 & 48" wide.

Cat. Code	1	2	3	4	5	6	7	8	9	10	11
12" High - No Shelf											
DW2112*	438	525	572	611	634	675	686	709	726	759	787
DW2412-1*	492	592	648	691	718	765	787	819	840	877	909
DW2412	492	592	648	691	718	765	787	819	840	877	909
DW2712	508	606	663	709	734	782	801	835	857	894	927
DW3012	523	619	678	724	749	796	816	851	872	912	942
DW3312	544	643	700	746	775	822	844	880	905	943	976
DW3612	564	668	724	770	798	849	870	908	930	971	1004
DW3712	668	776	832	878	909	961	985	1027	1054	1101	1139
DW3912*	668	776	832	878	909	961	985	1027	1054	1101	1139
DW4212*	699	815	874	924	955	1008	1035	1080	1108	1155	1197
DW4512*	735	854	919	969	1000	1060	1085	1132	1164	1213	1256
DW4812*	772	896	963	1018	1052	1112	1141	1190	1220	1274	1319
DW4812-4	808	943	1013	1068	1102	1167	1195	1249	1281	1337	1384
15" High - No Shelf											
DW2115	457	546	597	637	661	702	716	738	758	791	817
DW2415-1	544	637	695	740	770	821	840	873	896	937	969
DW2415	544	637	695	740	770	821	840	873	896	937	969
DW2715	550	650	709	755	787	837	857	894	919	958	992
DW3015	559	665	725	774	801	851	872	912	934	976	1008
DW3315	581	685	746	796	824	873	896	937	959	1001	1038
DW3615	609	714	780	830	859	913	936	977	1000	1046	1081
DW3715	639	742	810	864	894	948	973	1015	1041	1087	1124
DW3915	639	742	810	864	894	948	973	1015	1041	1087	1124
DW4215	670	782	851	907	938	996	1021	1067	1094	1141	1181
DW4515	703	819	893	951	985	1046	1071	1118	1147	1199	1239
DW4815	738	859	937	999	1035	1097	1125	1175	1204	1257	1301
DW4815-4	849	987	1076	1148	1188	1262	1294	1351	1384	1446	1496

DEEP WALL CABINETS CONTINUED ON NEXT PAGE

10100 - Deep Wall Cabinets (continued)



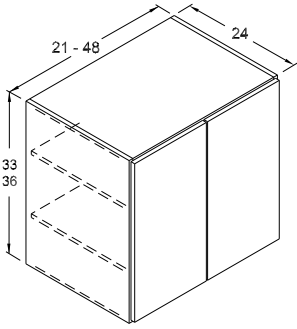
- Roll-out shelves are **not** available for this cabinet.
- **Maximum** height = 36".
- Cabinets over 36" wide have a center partition.

Cat. Code	1	2	3	4	5	6	7	8	9	10	11
18" High - No Shelf											
DW2118	479	567	621	665	688	731	742	766	788	821	850
DW2418-1	570	686	738	779	807	857	878	920	942	983	1018
DW2418	570	686	738	779	807	857	878	920	942	983	1018
DW2718	591	702	766	817	845	894	917	955	979	1021	1057
DW3018	607	712	777	828	857	909	931	973	997	1042	1077
DW3318	627	733	800	852	884	937	959	1001	1027	1074	1111
DW3618	668	770	839	895	928	984	1011	1055	1080	1127	1168
DW3718	703	858	949	1022	1060	1126	1154	1206	1237	1292	1335
DW3918	703	858	949	1022	1060	1126	1154	1206	1237	1292	1335
DW4218	739	902	997	1074	1112	1183	1211	1265	1298	1355	1400
DW4518	776	947	1048	1127	1169	1242	1273	1329	1362	1423	1470
DW4818	815	993	1098	1185	1227	1305	1336	1395	1430	1493	1545
DW4818-4	937	1143	1264	1361	1410	1500	1537	1602	1643	1715	1776
21" High - No Shelf											
DW2121	503	596	653	699	723	768	780	805	828	863	893
DW2421-1	599	721	775	818	848	900	922	966	990	1033	1069
DW2421	599	721	775	818	848	900	922	966	990	1033	1069
DW2721	621	738	805	858	888	939	963	1003	1028	1073	1110
DW3021	688	828	913	983	1019	1080	1108	1157	1186	1237	1280
DW3321	719	866	955	1026	1057	1113	1144	1193	1223	1278	1321
DW3621	763	920	1015	1090	1129	1200	1229	1284	1315	1372	1421
DW3721	801	963	1067	1151	1190	1265	1297	1353	1388	1448	1497
DW3921	801	963	1067	1151	1190	1265	1297	1353	1388	1448	1497
DW4221	840	1011	1118	1207	1249	1326	1360	1421	1455	1521	1573
DW4521	885	1061	1175	1269	1313	1393	1428	1491	1529	1596	1652
DW4821	928	1112	1232	1330	1376	1462	1498	1565	1603	1676	1732
DW4821-4	1064	1280	1417	1529	1584	1683	1724	1801	1845	1927	1992
24" High - One Adjustable Shelf											
DW2124	529	626	685	734	759	806	819	845	869	906	938
DW2424-1	629	757	814	859	890	945	968	1015	1039	1084	1123
DW2424	629	757	814	859	890	945	968	1015	1039	1084	1123
DW2724	652	774	845	901	932	986	1011	1053	1080	1126	1166
DW3024	718	864	952	1026	1063	1127	1157	1208	1238	1293	1337
DW3324	751	906	997	1071	1105	1165	1193	1245	1278	1334	1379
DW3624	797	961	1060	1139	1180	1251	1284	1341	1374	1434	1483
DW3724	836	1005	1113	1202	1243	1321	1354	1413	1448	1512	1564
DW3924	836	1005	1113	1202	1243	1321	1354	1413	1448	1512	1564
DW4224	878	1055	1168	1262	1305	1386	1421	1483	1521	1587	1642
DW4524	923	1108	1227	1323	1370	1455	1491	1558	1596	1668	1725
DW4824	968	1164	1287	1390	1438	1528	1565	1635	1676	1749	1810
DW4824-4	1183	1423	1574	1698	1759	1867	1915	1998	2049	2140	2214
27" High - One Adjustable Shelf											
DW2127	555	657	719	770	797	847	859	887	913	951	984
DW2427-1	718	866	931	984	1020	1083	1110	1160	1188	1239	1283
DW2427	718	866	931	984	1020	1083	1110	1160	1188	1239	1283
DW2727	769	926	1022	1099	1139	1208	1239	1295	1328	1386	1434
DW3027	811	971	1075	1158	1199	1272	1302	1360	1395	1455	1505
DW3327	861	1035	1143	1227	1270	1348	1381	1444	1480	1545	1598
DW3627	915	1099	1209	1299	1344	1430	1465	1530	1567	1637	1693
DW3727	961	1155	1273	1368	1416	1503	1542	1609	1650	1722	1782
DW3927	961	1155	1273	1368	1416	1503	1542	1609	1650	1722	1782
DW4227	1006	1211	1335	1434	1486	1579	1617	1690	1732	1809	1872
DW4527	1057	1274	1404	1507	1560	1658	1699	1774	1818	1899	1965
DW4827	1109	1337	1472	1581	1638	1740	1783	1861	1909	1992	2062
DW4827-4	1330	1602	1767	1899	1965	2088	2140	2233	2289	2392	2474
30" High - Two Adjustable Shelves											
DW2130	566	670	734	784	812	862	883	922	947	987	1020
DW2430-1	740	892	959	1014	1051	1116	1144	1195	1224	1277	1322
DW2430	740	892	959	1014	1051	1116	1144	1195	1224	1277	1322
DW2730	793	954	1053	1132	1174	1245	1277	1334	1368	1428	1478
DW3030	836	1001	1108	1193	1235	1311	1342	1401	1437	1499	1551
DW3330	887	1067	1178	1264	1309	1389	1423	1488	1525	1592	1646
DW3630	943	1132	1246	1338	1385	1473	1509	1576	1615	1687	1744
DW3730	1009	1213	1337	1436	1486	1578	1619	1690	1733	1809	1871
DW3930	990	1190	1312	1410	1459	1549	1589	1658	1700	1774	1836
DW4230	1037	1248	1376	1478	1531	1627	1666	1741	1784	1864	1929
DW4530	1089	1313	1447	1553	1607	1708	1750	1828	1873	1956	2024
DW4830	1143	1378	1517	1629	1688	1793	1837	1917	1967	2052	2124
DW4830-4	1370	1651	1821	1956	2024	2151	2205	2300	2358	2464	2549

DEEP WALL CABINETS CONTINUED ON NEXT PAGE



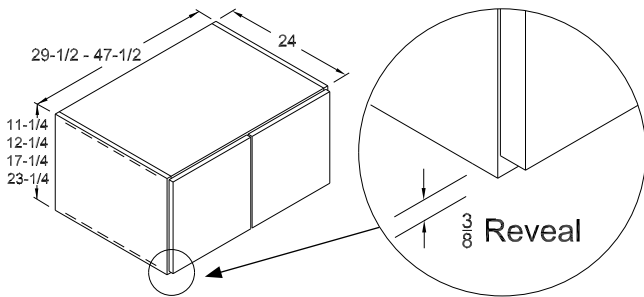
10100 - Deep Wall Cabinets



- Roll-out shelves are **not** available for this cabinet.
- **Maximum** height = 36".
- Cabinets over 36" wide have a center partition.

Cat. Code	1	2	3	4	5	6	7	8	9	10	11
33" High - No Shelf											
DW2133	694	822	899	963	997	1059	1074	1109	1142	1189	1230
DW2433-1	898	1083	1164	1230	1275	1354	1388	1450	1485	1549	1604
DW2433	898	1083	1164	1230	1275	1354	1388	1450	1485	1549	1604
DW2733	962	1158	1278	1374	1424	1510	1549	1619	1660	1733	1793
DW3033	1014	1214	1344	1448	1499	1590	1628	1700	1744	1819	1882
DW3333	1077	1294	1429	1534	1588	1685	1727	1805	1850	1932	1998
DW3633	1144	1374	1512	1624	1680	1788	1832	1913	1959	2047	2117
DW3733	1202	1444	1592	1710	1770	1879	1928	2012	2063	2153	2228
DW3933	1202	1444	1592	1710	1770	1879	1928	2012	2063	2153	2228
DW4233	1258	1514	1669	1793	1858	1974	2022	2113	2165	2262	2340
DW4533	1322	1593	1755	1884	1950	2073	2124	2218	2273	2374	2457
DW4833	1387	1672	1840	1977	2048	2175	2229	2327	2387	2490	2578
DW4833-4	1663	2003	2209	2374	2457	2610	2675	2792	2862	2990	3093
36" High - No Shelf											
DW2136	694	822	899	963	997	1059	1074	1109	1142	1189	1230
DW2436-1	898	1083	1164	1230	1275	1354	1388	1450	1485	1549	1604
DW2436	898	1083	1164	1230	1275	1354	1388	1450	1485	1549	1604
DW2736	962	1158	1278	1374	1424	1510	1549	1619	1660	1733	1793
DW3036	1014	1214	1344	1448	1499	1590	1628	1700	1744	1819	1882
DW3336	1077	1294	1429	1534	1588	1685	1727	1805	1850	1932	1998
DW3636	1144	1374	1512	1624	1680	1788	1832	1913	1959	2047	2117
DW3736	1202	1444	1592	1710	1770	1879	1928	2012	2063	2153	2228
DW3936	1202	1444	1592	1710	1770	1879	1928	2012	2063	2153	2228
DW4236	1258	1514	1669	1793	1858	1974	2022	2113	2165	2262	2340
DW4536	1322	1593	1755	1884	1950	2073	2124	2218	2273	2374	2457
DW4836	1387	1672	1840	1977	2048	2175	2229	2327	2387	2490	2578
DW4836-4	1663	2003	2209	2374	2457	2610	2675	2792	2862	2990	3093

10120 - Deep Wall Cabinets for Sub Zero Refrigerators



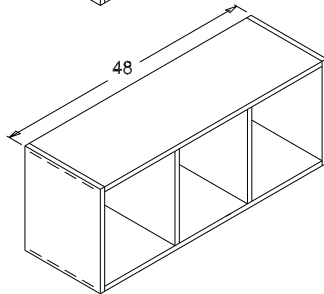
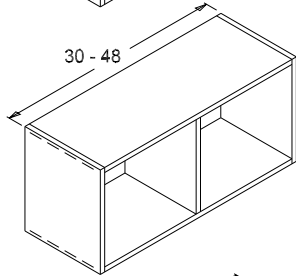
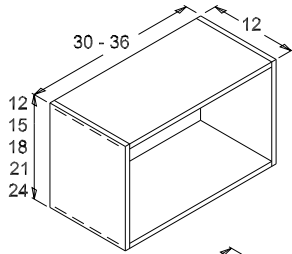
- Reveal at bottom of cabinet is 3/8" to allow refrigerator trim to overlay cabinet face at bottom.
- **Maximum** height = 36".
- Roll-out shelves are **not** available for this cabinet.
- Cabinets over 36" wide have a center partition.

NOTE*: Hinge Top - HT is standard for DWSZ4113 and DWSZ4713

Cat. Code	1	2	3	4	5	6	7	8	9	10	11	Sub Zero Refrigerator Series	Cabinet Width	Cabinet Height
DWSZ3512	681	781	836	881	909	958	982	1026	1052	1097	1136	601	35-1/2"	11-1/4"
DWSZ2913	677	779	837	885	912	961	984	1029	1054	1099	1138	611	29-1/2"	12-1/4"
DWSZ3513	725	826	891	941	969	1021	1046	1092	1119	1171	1210	650/661	35-1/2"	12-1/4"
DWSZ4113*	880	990	1060	1116	1148	1206	1236	1292	1323	1381	1430	642/685	41-1/2"	12-1/4"
DWSZ4713*	952	1074	1150	1210	1244	1307	1340	1398	1433	1496	1547	632/695	47-1/2"	12-1/4"
DWSZ3518	817	968	1057	1129	1166	1230	1263	1318	1350	1411	1459	601	35-1/2"	17-1/4"
DWSZ3524	919	1080	1180	1258	1299	1371	1406	1468	1504	1572	1624	601	35-1/2"	23-1/4"



10130 - Open Wall Cabinet



- Finished Bottom is standard and included in price.
- Matching Finished Interior is standard and included in price.
- **Maximum** height = 24".

Cat. Code	1
-----------	---

12" High - No Adjustable Shelves	
OW1812	719
OW2412	756
OW3012	795
OW3012-2	902
OW3612	841
OW3612-2	948
OW4212	904
OW4212-2	1011
OW4812	947
OW4812-2	1054
OW4812-3	1161

15" High - No Adjustable Shelves	
OW1815	756
OW2415	795
OW3015	836
OW3015-2	949
OW3615	885
OW3615-2	997
OW4215	951
OW4215-2	1064
OW4815	996
OW4815-2	1109
OW4815-3	1222

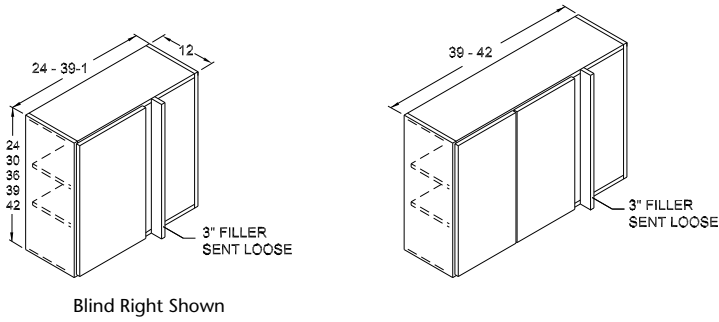
18" High - No Adjustable Shelves	
OW1818	798
OW2418	840
OW3018	884
OW3018-2	996
OW3618	940
OW3618-2	1053
OW4218	979
OW4218-2	1092
OW4818	1025
OW4818-2	1138
OW4818-3	1250

21" High - No Adjustable Shelves	
OW1821	838
OW2421	882
OW3021	929
OW3021-2	1046
OW3621	987
OW3621-2	1106
OW4221	1028
OW4221-2	1147
OW4821	1077
OW4821-2	1195
OW4821-3	1313

24" High - No Adjustable Shelves	
OW1824	878
OW2424	924
OW3024	973
OW3024-2	1096
OW3624	1034
OW3624-2	1159
OW4224	1077
OW4224-2	1202
OW4824	1128
OW4824-2	1252
OW4824-3	1375



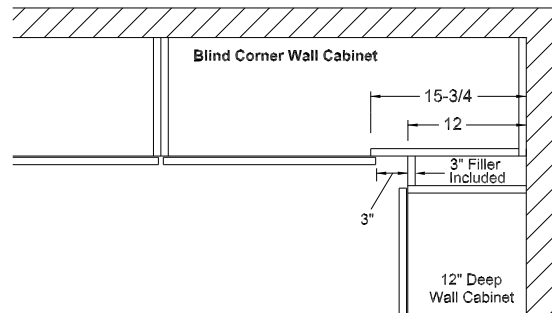
10150 - Blind Corner Wall Cabinets



- Specify blind left or right.
- BCW has a 15" wide finished blind panel and does **not** need to be pulled from corner. See drawing above right. Can be pulled up to 12" for additional clearance.
- Door is hinged on blind panel

PRICING FOR BLIND CORNER WALL CABINETS IS ON NEXT PAGE

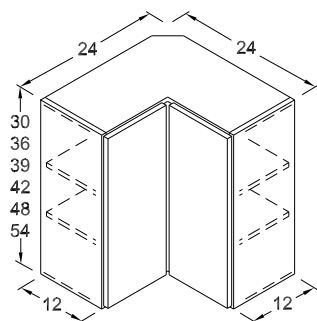
Modify width of blind area, **MODCAB**..... **Add 20% to cabinet price**



10150 - Blind Corner Wall Cabinets (continued)

Cat. Code	1	2	3	4	5	6	7	8	9	10	11	
24" High - One Adjustable Shelf												
BCW2424	L/R	523	584	625	658	679	719	739	772	791	825	854
BCW2724	L/R	539	602	644	678	700	741	761	795	815	850	880
BCW3024	L/R	569	648	689	723	747	794	814	849	870	909	941
BCW3324	L/R	608	686	735	775	802	851	872	912	934	976	1011
BCW3624	L/R	744	863	913	952	986	1049	1075	1120	1151	1201	1242
BCW3924	L/R	811	940	1018	1080	1117	1187	1217	1270	1301	1358	1407
BCW4224	L/R	847	971	1052	1115	1155	1227	1258	1314	1347	1407	1454
30" High - Two Adjustable Shelves												
BCW2430	L/R	536	598	638	668	692	736	754	787	807	841	873
BCW2730	L/R	552	616	657	688	713	758	777	811	831	867	899
BCW3030	L/R	583	658	699	733	760	807	826	863	886	924	956
BCW3330	L/R	620	699	746	787	814	864	887	926	948	989	1025
BCW3630	L/R	759	872	926	966	1000	1062	1089	1137	1166	1217	1260
BCW3930	L/R	822	952	1029	1090	1129	1200	1229	1285	1316	1374	1423
BCW4230	L/R	858	983	1063	1129	1168	1239	1272	1328	1361	1423	1470
36" High - Two Adjustable Shelves												
BCW2436	L/R	621	696	736	767	793	841	865	902	924	965	1001
BCW2736	L/R	640	717	758	790	817	867	891	929	952	994	1031
BCW3036	L/R	668	742	794	833	864	917	940	980	1005	1050	1087
BCW3336	L/R	714	809	861	903	934	992	1018	1062	1089	1137	1176
BCW3636	L/R	865	989	1050	1098	1138	1207	1237	1293	1325	1382	1431
BCW3936	L/R	944	1083	1169	1237	1281	1362	1397	1460	1496	1563	1616
BCW4236	L/R	975	1124	1209	1279	1322	1405	1440	1502	1540	1608	1664
39" High - Two Adjustable Shelves												
BCW2439	L/R	710	787	832	868	899	951	975	1019	1044	1090	1128
BCW2739	L/R	731	811	857	894	926	980	1005	1050	1076	1123	1162
BCW3039	L/R	776	871	924	966	1000	1062	1089	1137	1166	1217	1260
BCW3339	L/R	830	929	989	1039	1074	1139	1168	1220	1250	1306	1351
BCW3639	L/R	979	1119	1185	1236	1280	1360	1395	1455	1491	1559	1613
BCW3939	L/R	1089	1237	1330	1405	1453	1544	1581	1651	1692	1767	1827
BCW4239	L/R	1131	1285	1378	1455	1507	1600	1641	1713	1755	1834	1897
42" High - Three Adjustable Shelves												
BCW2442	L/R	710	787	832	868	899	951	975	1019	1044	1090	1128
BCW2742	L/R	731	811	857	894	926	980	1005	1050	1076	1123	1162
BCW3042	L/R	776	871	924	966	1000	1062	1089	1137	1166	1217	1260
BCW3342	L/R	830	929	989	1039	1074	1139	1168	1220	1250	1306	1351
BCW3642	L/R	979	1119	1185	1236	1280	1360	1395	1455	1491	1559	1613
BCW3942	L/R	1089	1237	1330	1405	1453	1544	1581	1651	1692	1767	1827
BCW4242	L/R	1131	1285	1378	1455	1507	1600	1641	1713	1755	1834	1897

10250 - Square Corner Wall



For Width Modifications:

- If **Decrease Width** is specified, see individual door description for size limitations. Specify Left, Right, or Both backs. Minimum width = 21"
- For **Increase Width**, specify width of Left, Right or Both backs. Maximum width = 27"

Increase **one** back in width, **IWSCW**Add 35%
 Increase **both** backs in width, **IWSCW2**Add 45%

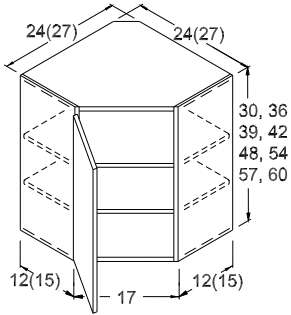
Cat. Code	1	2	3	4	5	6	7	8	9	10	11	Adj. Shelves
SCW2430	739	836	893	938	971	1033	1060	1106	1132	1183	1224	2
SCW2436	926	1046	1089	1124	1164	1235	1265	1320	1354	1413	1461	2
SCW2439	1025	1146	1214	1269	1314	1393	1428	1489	1528	1594	1650	2
SCW2442	1025	1146	1214	1269	1314	1393	1428	1489	1528	1594	1650	3
SCW2448	1228	1375	1456	1524	1575	1671	1713	1788	1833	1914	1978	3
SCW2454	1474	1650	1747	1826	1892	2005	2054	2145	2198	2295	2375	3
SCW2457	1622	1815	1922	2009	2082	2206	2260	2360	2418	2525	2613	4
SCW2460	1622	1815	1922	2009	2082	2206	2260	2360	2418	2525	2613	4

NOTE: Aluminum door options 1 (ALFRM1), 5 (ALFRM5), and 8 (ALFRM8) are **not** available.

NOTE: The 48", 54", 57" and 60" high cabinets in this section are not intended for countertop installation due to insufficient clearance at bottom of door.



10300 - Diagonal Corner Wall

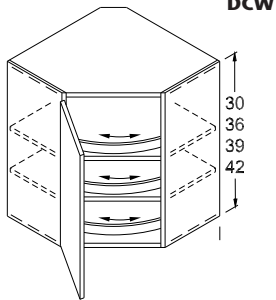


- 24" wide cabinets are 12" deep. 27" wide cabinets are 15" deep.
- *Finished Ends are standard and included at N/C on 27" units.*

ANY MODIFICATION THAT AFFECTS FACE ANGLE MUST BE QUOTED

NOTE: The 48", 54", 57" and 60" high cabinets in this section are not intended for countertop installation due to insufficient clearance at bottom of door.

Cat. Code	1	2	3	4	5	6	7	8	9	10	11	Adj. Shelves
24" DCW												
DCW2430	576	650	696	731	758	803	825	859	881	921	952	2
DCW2436	707	789	836	873	906	962	985	1029	1055	1101	1139	2
DCW2439	798	892	944	986	1021	1083	1110	1160	1189	1241	1285	2
DCW2442	798	892	944	986	1021	1083	1110	1160	1189	1241	1285	3
DCW2448	959	1070	1132	1183	1224	1299	1332	1392	1427	1489	1542	3
DCW2454	1152	1284	1358	1419	1468	1559	1598	1671	1712	1788	1848	3
DCW2457	1268	1413	1494	1561	1615	1715	1758	1839	1884	1967	2033	4
DCW2460	1268	1413	1494	1561	1615	1715	1758	1839	1884	1967	2033	4
27" DCW												
DCW2730	776	877	938	985	1021	1083	1110	1160	1189	1241	1285	2
DCW2736	956	1063	1127	1179	1221	1297	1329	1389	1424	1486	1537	2
DCW2739	1077	1203	1274	1332	1377	1461	1497	1563	1601	1673	1729	2
DCW2742	1077	1203	1274	1332	1377	1461	1497	1563	1601	1673	1729	3
DCW2748	1294	1444	1529	1598	1654	1752	1797	1876	1923	2008	2078	3
DCW2754	1553	1732	1836	1917	1983	2102	2155	2251	2308	2411	2494	3
DCW2757	1709	1906	2020	2109	2182	2313	2371	2477	2539	2653	2744	4
DCW2760	1709	1906	2020	2109	2182	2313	2371	2477	2539	2653	2744	4

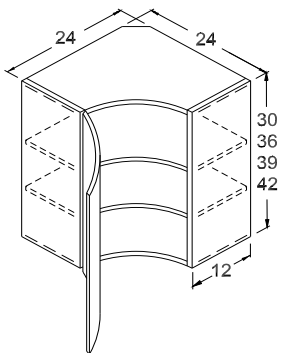


DCWWS

18" diameter Wood Susans are shipped loose for field placement on adjustable shelves and floor.

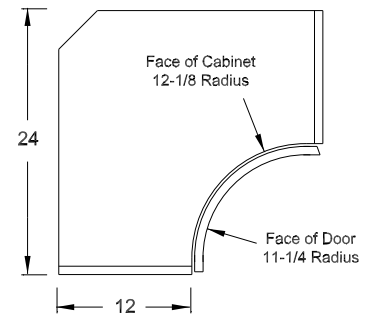
Cat. Code	1	2	3	4	5	6	7	8	9	10	11	Wood Susans
24" DCWWS												
DCWWS2430	1137	1211	1257	1292	1319	1364	1386	1420	1442	1482	1513	3
DCWWS2436	1268	1350	1397	1434	1467	1523	1546	1590	1616	1662	1700	3
DCWWS2439	1359	1453	1505	1547	1582	1644	1671	1721	1750	1802	1846	3
DCWWS2442	1546	1640	1692	1734	1769	1831	1858	1908	1937	1989	2033	4
27" DCWWS												
DCWWS2730	1337	1438	1499	1546	1582	1644	1671	1721	1750	1802	1846	3
DCWWS2736	1704	1811	1875	1927	1969	2045	2077	2137	2172	2234	2285	3
DCWWS2739	1825	1951	2022	2080	2125	2209	2245	2311	2349	2421	2477	3
DCWWS2742	1825	1951	2022	2080	2125	2209	2245	2311	2349	2421	2477	4

10350 - Curved Corner Wall



- Wood Susans are **not** available for this cabinet.

NO MODIFICATIONS THAT AFFECT CURVED CABINET FACE AND/OR DOOR RADIUS.



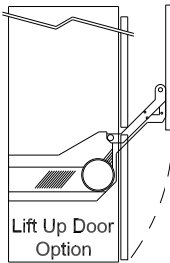
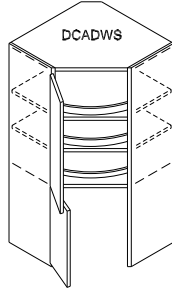
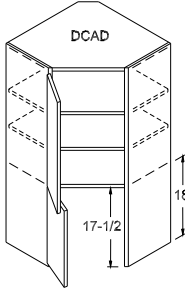
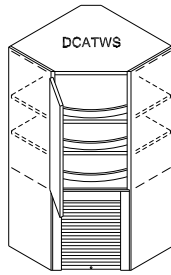
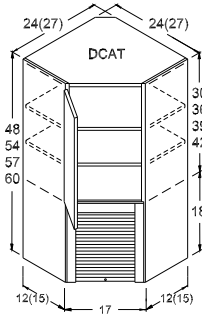
NOTE: Not available in Rustic Hickory, Acrylics, Foils, Laminates, Exotics or Veneers . See [Door Style](#) section for other limitations.

NOTE: CCW and adjacent cabinet should **not** have surface mounted hardware beside each other for proper operation of CCW door.

Cat. Code	1	2	3	4	5	6	7	8	9	10	11	Adj. Shelves
CCW2430	2432	2529	2567	2599	2623	2667	2734	2854	2925	3056	3162	2
CCW2436	2531	2625	2665	2697	2721	2765	2834	2960	3034	3168	3279	2
CCW2439	2635	2729	2769	2799	2825	2868	2940	3071	3147	3286	3401	2
CCW2442	2635	2729	2769	2799	2825	2868	2940	3071	3147	3286	3401	3



10400 - Diagonal Corner Appliance



- Specify Chrome or Brass knob on tambour door. If not specified, Chrome is supplied.
- **Finished Ends are standard and included for N/C.**
- A three-sided tambour frame (2" wide stiles and 2-1/2" wide top rail) is installed on face of cabinet.
- 24" wide cabinet is 12" deep.
27" wide cabinet is 15" deep.
- Tambour door opening height clearance = 14-7/16".
Clearance width = 11-11/16.
- Appliance door opening width clearance = 15-1/4".
- Appliance door has a 1/4" reveal at bottom to provide clearance.
- No back or bottom in lower section.
- Height modifications affect upper section unless otherwise specified.
- Tambour Door cabinets are **not** available as a peninsula unit.
- Lower working door may be converted to a Lift Door, specify "**LIFTD-1V**".
Opening height clearance = 16".
Clearance width = 12".
Minimum opening height = 10-1/2".

18" diameter Wood Susans are shipped loose for field placement on adjustable shelves and floor.

ANY MODIFICATION THAT AFFECTS FACE ANGLE MUST BE QUOTED

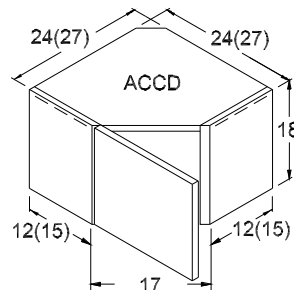
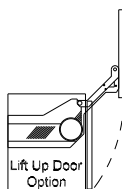
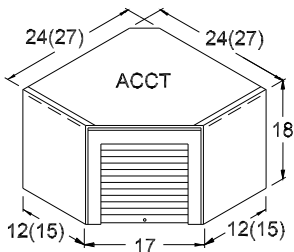
Cat. Code	1	2	3	4	5	6	7	8	9	10	11	Adj. Shelves
24" DCAT												
DCAT2448	1273	1349	1391	1425	1470	1556	1591	1656	1697	1771	1833	2
DCAT2454	1447	1535	1579	1614	1666	1761	1803	1876	1923	2008	2079	2
DCAT2457	1581	1680	1732	1774	1832	1937	1983	2064	2116	2209	2286	2
DCAT2460	1581	1680	1732	1774	1832	1937	1983	2064	2116	2209	2286	3
27" DCAT												
DCAT2748	1673	1776	1832	1876	1939	2054	2102	2190	2244	2343	2424	2
DCAT2754	1908	2026	2086	2135	2205	2333	2387	2488	2550	2663	2755	2
DCAT2757	2089	2225	2294	2350	2427	2569	2629	2740	2809	2933	3034	2
DCAT2760	2089	2225	2294	2350	2427	2569	2629	2740	2809	2933	3034	3
24" DCAD												
DCAD2448	1208	1286	1328	1360	1407	1490	1526	1592	1631	1704	1763	2
DCAD2454	1382	1469	1516	1552	1602	1698	1740	1815	1859	1941	2007	2
DCAD2457	1518	1616	1670	1711	1769	1873	1918	2000	2050	2141	2215	2
DCAD2460	1518	1616	1670	1711	1769	1873	1918	2000	2050	2141	2215	3
27" DCAD												
DCAD2748	1609	1712	1769	1815	1875	1990	2039	2125	2179	2275	2355	2
DCAD2754	1843	1963	2025	2072	2142	2270	2324	2425	2485	2594	2684	2
DCAD2757	2026	2162	2231	2287	2363	2505	2566	2678	2743	2865	2964	2
DCAD2760	2026	2162	2231	2287	2363	2505	2566	2678	2743	2865	2964	3

Cat. Code	1	2	3	4	5	6	7	8	9	10	11	Wood Susans
24" DCATWS												
DCATWS2448	1834	1910	1952	1986	2031	2117	2152	2217	2258	2332	2394	3
DCATWS2454	2008	2096	2140	2175	2227	2322	2364	2437	2484	2569	2640	3
DCATWS2457	2142	2241	2293	2335	2393	2498	2544	2625	2677	2770	2847	3
DCATWS2460	2329	2428	2480	2522	2580	2685	2731	2812	2864	2957	3034	4
27" DCATWS												
DCATWS2748	2234	2337	2393	2437	2500	2615	2663	2751	2805	2904	2985	3
DCATWS2754	2469	2587	2647	2696	2766	2894	2948	3049	3111	3224	3316	3
DCATWS2757	2650	2786	2855	2911	2988	3130	3190	3301	3370	3494	3595	3
DCATWS2760	2837	2973	3042	3098	3175	3317	3377	3488	3557	3681	3782	4
24" DCADWS												
DCADWS2448	1769	1847	1889	1921	1968	2051	2087	2153	2192	2265	2324	3
DCADWS2454	1943	2030	2077	2113	2163	2259	2301	2376	2420	2502	2568	3
DCADWS2457	2079	2177	2231	2272	2330	2434	2479	2561	2611	2702	2776	3
DCADWS2460	2266	2364	2418	2459	2517	2621	2666	2748	2798	2889	2963	4
27" DCADWS												
DCADWS2748	2170	2273	2330	2376	2436	2551	2600	2686	2740	2836	2916	3
DCADWS2754	2404	2524	2586	2633	2703	2831	2885	2986	3046	3155	3245	3
DCADWS2757	2587	2723	2792	2848	2924	3066	3127	3239	3304	3426	3525	3
DCADWS2760	2774	2910	2979	3035	3111	3253	3314	3426	3491	3613	3712	4

Convert Working Door to Lift Door with Vertical-grain Panel, **LIFTD-1V** **\$881**



10410 - Appliance Corner Cabinets



- Specify Chrome or Brass knob on tambour door. If not specified, Chrome is supplied.
- A three-sided tambour frame (2" wide stiles and 2-1/2" wide top rail) is installed on face of cabinet.
- **Finished Ends are standard and included for N/C.**
- Cabinet is designed to install below standard DCW cabinet.
- 24" wide cabinet is 12" deep.
27" wide cabinet is 15" deep.
- Tambour opening height clearance = 14-7/16".
Tambour width clearance = 11-11/16".
- Cabinet has no back or floor
- **Minimum** ACCT depth = 6".
Minimum height = 9".
Maximum height = 24".
- Extended stiles are **not** available.
- Working door may be converted to a Lift Door, specify "**LIFTD-1V**".
Opening clearance = 15-3/4".
Clearance width = 12".
Minimum height = 11-1/4".

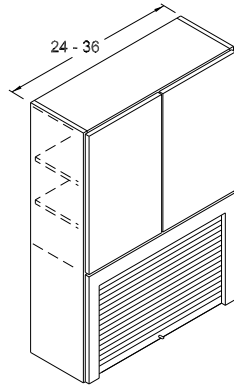
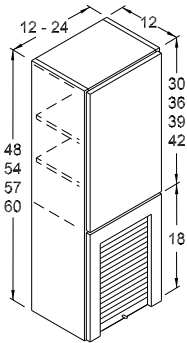
ALL OTHER DIMENSIONAL MODIFICATIONS MUST BE QUOTED

Catalog Code	1
ACCT2424	817
ACCT2727	994

Catalog Code	1	2	3	4	5	6	7	8	9	10	11
ACCD2424	497	564	601	632	654	695	712	744	763	797	825
ACCD2727	671	725	795	851	881	937	961	1001	1027	1074	1110

Convert Working Door to Lift Door with Vertical-grain Panel, **LIFTD-1V**. **\$881**

10500 - Wall Appliance Cabinet with Tambour Door

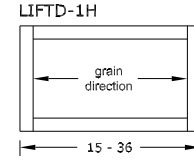
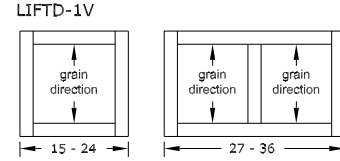
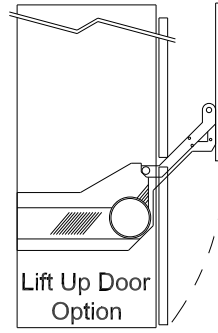
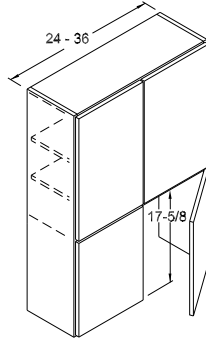
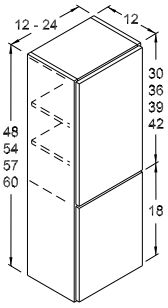


- Specify Chrome or Brass knob on tambour door. If not specified, Chrome is supplied.
- A three-sided tambour frame (2" wide stiles and 2-1/2" wide top rail) is installed on face of cabinet.
- **Finished Ends are standard and included for N/C.**
- Tambour opening height clearance - 14-7/16".
- No back or floor in lower section.
- Height modifications affect the upper section unless otherwise specified.
Minimum opening height of lower section = 9"
- **Minimum** WACT depth = 6".

Cat. Code	1	2	3	4	5	6	7	8	9	10	11
48" High - Two Adjustable Shelves											
WACT1248	973	1039	1077	1109	1137	1189	1220	1274	1304	1364	1410
WACT1548	1003	1071	1110	1143	1172	1225	1257	1313	1344	1406	1453
WACT1848	1038	1115	1160	1193	1224	1283	1314	1371	1406	1468	1519
WACT2148	1113	1199	1245	1285	1319	1379	1416	1479	1517	1582	1638
WACT2448-1	1284	1410	1459	1497	1539	1615	1656	1728	1771	1851	1915
WACT2448	1284	1410	1459	1497	1539	1615	1656	1728	1771	1851	1915
WACT2748	1354	1487	1565	1627	1672	1754	1799	1878	1925	2009	2081
WACT3048	1440	1573	1652	1714	1763	1851	1897	1979	2029	2119	2194
WACT3348	1519	1661	1743	1810	1860	1953	2002	2090	2142	2237	2315
WACT3648	1600	1750	1836	1903	1957	2057	2107	2201	2256	2356	2438
54" High - Two Adjustable Shelves											
WACT1254	1085	1165	1206	1240	1273	1331	1365	1425	1460	1526	1579
WACT1554	1118	1201	1243	1278	1312	1372	1407	1469	1505	1573	1627
WACT1854	1169	1253	1301	1340	1376	1444	1480	1545	1584	1655	1711
WACT2154	1250	1348	1399	1441	1481	1556	1594	1665	1706	1782	1843
WACT2454-1	1435	1566	1627	1675	1722	1808	1853	1935	1983	2070	2142
WACT2454	1435	1566	1627	1675	1722	1808	1853	1935	1983	2070	2142
WACT2754	1508	1659	1745	1813	1864	1958	2007	2096	2147	2243	2321
WACT3054	1623	1777	1864	1935	1991	2093	2145	2239	2295	2398	2480
WACT3354	1724	1886	1977	2050	2109	2217	2273	2373	2433	2539	2627
WACT3654	1808	1972	2067	2142	2205	2321	2378	2482	2545	2657	2749
57" High - Two Adjustable Shelves											
WACT1257	1158	1240	1283	1318	1356	1423	1457	1521	1560	1629	1684
WACT1557	1193	1278	1322	1358	1397	1466	1502	1568	1608	1679	1736
WACT1857	1239	1334	1389	1431	1470	1543	1624	1777	1820	1901	1967
WACT2157	1336	1440	1498	1546	1589	1669	1710	1785	1829	1911	1976
WACT2457-1	1521	1666	1729	1782	1832	1923	1971	2058	2109	2202	2278
WACT2457	1521	1666	1729	1782	1832	1923	1971	2058	2109	2202	2278
WACT2757	1620	1774	1865	1939	1995	2099	2152	2246	2302	2404	2488
WACT3057	1740	1897	1990	2065	2125	2235	2291	2393	2452	2561	2649
WACT3357	1829	2002	2103	2183	2247	2363	2422	2530	2592	2707	2800
WACT3657	1908	2097	2203	2289	2356	2478	2541	2653	2719	2840	2938
60" High - Three Adjustable Shelves											
WACT1260	1158	1240	1283	1318	1356	1423	1457	1521	1560	1629	1684
WACT1560	1193	1278	1322	1358	1397	1466	1502	1568	1608	1679	1736
WACT1860	1239	1334	1389	1431	1470	1543	1580	1650	1691	1766	1826
WACT2160	1336	1440	1498	1546	1589	1669	1710	1785	1829	1911	1976
WACT2460-1	1521	1666	1729	1782	1832	1923	1971	2058	2109	2202	2278
WACT2460	1521	1666	1729	1782	1832	1923	1971	2058	2109	2202	2278
WACT2760	1620	1774	1865	1939	1995	2099	2152	2246	2302	2404	2488
WACT3060	1740	1897	1990	2065	2125	2235	2291	2393	2452	2561	2649
WACT3360	1829	2002	2103	2183	2247	2363	2422	2530	2592	2707	2800
WACT3660	1908	2097	2203	2289	2356	2478	2541	2653	2719	2840	2938



10500 - Wall Appliance Cabinet with Cabinet Door



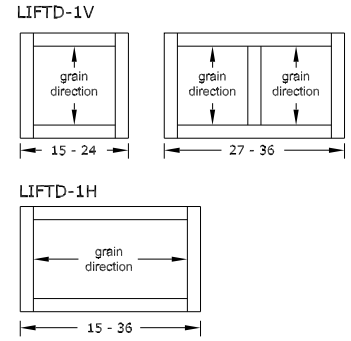
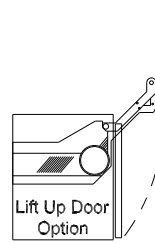
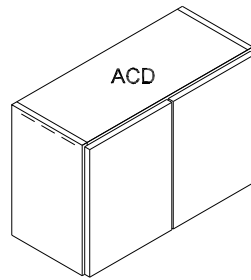
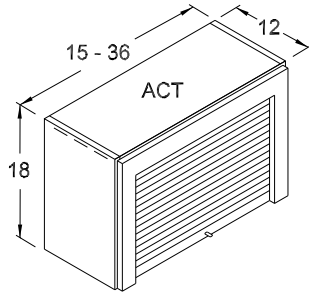
- **Finished Ends are standard and included for N/C.**
- Reveal below lower door(s) is 1/4" to provide clearance for door swing.
- No back or floor in lower section.
- Height modifications affect the upper section unless otherwise specified. **Minimum** opening height of lower section = 9"

- Lower working door(s) may be converted to a Lift Door, specify "**LIFTD-1V**" (for vertical-grain door insert) or "**LIFTD-1H**" (For horizontal-grain door insert) on order.
- Minimum** opening height - 16".
 Interior height = opening height minus 1-1/2".
 Interior width - opening width minus 3".
Minimum depth = 11-1/2".

Cat. Code	1	2	3	4	5	6	7	8	9	10	11
48" High - Two Adjustable Shelves											
WACD1248	912	976	1017	1046	1076	1130	1157	1206	1238	1293	1336
WACD1548	940	1006	1048	1078	1109	1164	1192	1243	1276	1332	1377
WACD1848	973	1053	1095	1129	1161	1218	1249	1305	1337	1396	1445
WACD2148	1050	1134	1182	1221	1255	1318	1350	1411	1446	1508	1561
WACD2448-1	1155	1283	1332	1370	1412	1488	1526	1593	1633	1705	1764
WACD2448	1155	1283	1332	1370	1412	1488	1526	1593	1633	1705	1764
WACD2748	1225	1360	1438	1500	1545	1628	1669	1742	1785	1864	1930
WACD3048	1312	1446	1525	1587	1635	1724	1767	1844	1892	1973	2042
WACD3348	1391	1535	1616	1684	1733	1826	1872	1955	2004	2091	2165
WACD3648	1472	1623	1708	1777	1830	1930	1977	2065	2117	2210	2287
54" High - Two Adjustable Shelves											
WACD1254	1024	1091	1139	1177	1209	1272	1302	1362	1395	1456	1508
WACD1554	1055	1124	1174	1213	1246	1311	1342	1404	1438	1501	1554
WACD1854	1105	1190	1238	1278	1314	1378	1413	1475	1515	1580	1634
WACD2154	1187	1285	1336	1376	1417	1490	1529	1596	1637	1708	1768
WACD2454-1	1307	1440	1500	1547	1595	1680	1722	1799	1844	1927	1992
WACD2454	1307	1440	1500	1547	1595	1680	1722	1799	1844	1927	1992
WACD2754	1379	1533	1617	1686	1736	1832	1876	1959	2008	2097	2170
WACD3054	1496	1650	1736	1808	1864	1966	2015	2104	2156	2251	2329
WACD3354	1595	1760	1851	1923	1983	2090	2142	2237	2293	2396	2477
WACD3654	1679	1845	1939	2015	2078	2194	2247	2347	2405	2511	2599
57" High - Two Adjustable Shelves											
WACD1257	1096	1177	1223	1259	1294	1362	1395	1456	1493	1558	1613
WACD1557	1129	1213	1260	1297	1334	1404	1438	1501	1539	1606	1662
WACD1857	1175	1270	1323	1367	1407	1479	1517	1582	1622	1694	1752
WACD2157	1273	1375	1434	1482	1525	1603	1645	1717	1760	1838	1902
WACD2457-1	1392	1539	1602	1655	1705	1797	1840	1922	1970	2057	2126
WACD2457	1392	1539	1602	1655	1705	1797	1840	1922	1970	2057	2126
WACD2757	1491	1648	1739	1813	1869	1972	2022	2110	2163	2258	2338
WACD3057	1612	1770	1862	1938	1998	2107	2161	2256	2313	2417	2498
WACD3357	1701	1875	1976	2057	2120	2236	2292	2394	2453	2562	2650
WACD3657	1780	1970	2077	2162	2229	2351	2411	2517	2580	2694	2788
60" High - Three Adjustable Shelves											
WACD1260	1096	1177	1223	1259	1294	1362	1395	1456	1493	1558	1613
WACD1560	1129	1213	1260	1297	1334	1404	1438	1501	1539	1606	1662
WACD1860	1175	1270	1323	1367	1407	1479	1517	1582	1622	1694	1752
WACD2160	1273	1375	1434	1482	1525	1603	1645	1717	1760	1838	1902
WACD2460-1	1392	1539	1602	1655	1705	1797	1840	1922	1970	2057	2126
WACD2460	1392	1539	1602	1655	1705	1797	1840	1922	1970	2057	2126
WACD2760	1491	1648	1739	1813	1869	1972	2022	2110	2163	2258	2338
WACD3060	1612	1770	1862	1938	1998	2107	2161	2256	2313	2417	2498
WACD3360	1701	1875	1976	2057	2120	2236	2292	2394	2453	2562	2650
WACD3660	1780	1970	2077	2162	2229	2351	2411	2517	2580	2694	2788

Convert Working Door to Lift Door with Vertical-grain Panel, **LIFTD-1V** **\$881**
 Convert Working Door to Lift Door with Horizontal-grain Panel, **LIFTD-1H** **\$881**

10600 - Appliance Cabinets



- Specify Chrome or Brass knob on tambour door. If not specified, Chrome is supplied.
- A three-sided tambour frame (2" wide stiles and 2-1/2" wide top rail) is installed on face of cabinet.
- **Finished Ends are standard and included for N/C.**
- Cabinet is designed to install below standard wall cabinet.
- Tambour opening height clearance = 14-7/16".
Tambour width clearance = case dimension minus 4".
- Cabinet has no back or floor
- **Minimum** depth of ACT = 6". **Minimum** height = 9".
Maximum height = 24". **Maximum** width of ACT = 36".

- Lower working door(s) may be converted to a Lift Door, specify "**LIFTD-1V**" (for vertical-grain door insert) or "**LIFTD-1H**" (For horizontal-grain door insert) on order.
Minimum cabinet height = 18".
Interior height = opening height minus 1-1/2".
Interior width - opening width minus 3".
Minimum depth = 11-1/2".

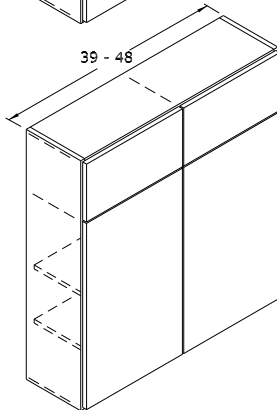
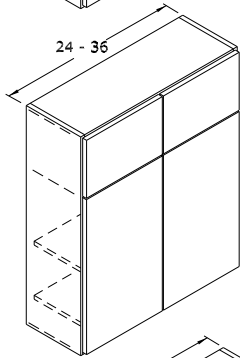
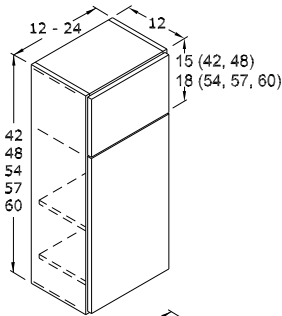
Cat. Code	1
ACT15	620
ACT18	651
ACT21	695
ACT24	735
ACT27	780
ACT30	817
ACT33	859
ACT36	899

Cat. Code	1	2	3	4	5	6	7	8	9	10	11
ACD15	377	448	466	480	497	529	542	565	579	605	626
ACD18	398	472	490	503	522	555	569	593	608	635	658
ACD21	433	514	536	552	571	605	615	635	651	681	704
ACD24	517	623	637	647	670	712	728	761	781	815	843
ACD24-1	517	623	637	647	670	712	728	761	781	815	843
ACD27	535	642	684	718	742	788	808	843	864	903	933
ACD30	560	681	717	745	773	821	843	878	902	942	975
ACD33	581	698	739	773	800	849	870	909	931	971	1005
ACD36	615	739	780	812	839	889	912	951	976	1020	1055

Convert Working Door to Lift Door with Vertical-grain Panel, LIFTD-1V	\$881
Convert Working Door to Lift Door with Horizontal-grain Panel, LIFTD-1H	\$881



10610 - Stacked Wall Cabinet

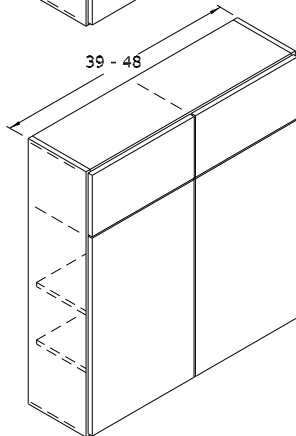
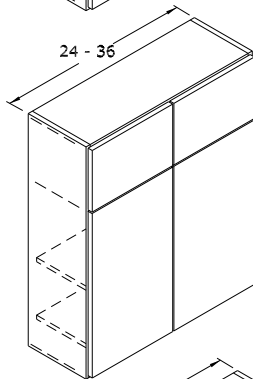
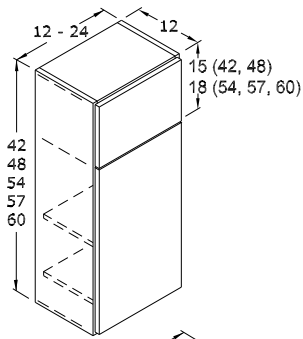


Cat. Code	1	2	3	4	5	6	7	8	9	10	11
42" High - One Adjustable Shelf											
SW1242	618	704	755	797	825	874	897	934	962	1003	1038
SW1542	682	777	834	879	909	969	994	1037	1063	1109	1149
SW1842	738	849	915	969	1003	1064	1090	1140	1168	1220	1264
SW2142	809	924	998	1058	1094	1163	1194	1245	1277	1334	1378
SW2442-1	988	1159	1238	1302	1345	1429	1464	1528	1567	1637	1693
SW2442	988	1159	1238	1302	1345	1429	1464	1528	1567	1637	1693
SW2742	1057	1234	1352	1444	1494	1588	1627	1698	1742	1818	1880
SW3042	1154	1343	1458	1548	1604	1704	1748	1827	1872	1955	2022
SW3342	1217	1420	1545	1648	1704	1809	1854	1937	1984	2073	2143
SW3642	1267	1490	1623	1728	1790	1903	1949	2035	2087	2178	2254
SW3942	1342	1573	1713	1827	1889	2004	2057	2147	2200	2298	2378
SW4242	1409	1648	1797	1917	1983	2108	2159	2255	2310	2414	2497
SW4542	1467	1719	1873	1998	2069	2197	2253	2350	2410	2515	2604
SW4842	1517	1793	1954	2083	2155	2287	2343	2447	2508	2619	2710
SW4842-4	1819	2150	2342	2497	2585	2745	2813	2937	3009	3142	3253
48" High - Two Adjustable Shelves											
SW1248	742	845	905	954	988	1048	1074	1125	1153	1203	1245
SW1548	818	932	1000	1055	1092	1162	1190	1243	1275	1330	1377
SW1848	883	1019	1098	1162	1203	1278	1310	1368	1400	1465	1514
SW2148	970	1110	1198	1269	1315	1395	1433	1494	1532	1600	1654
SW2448-1	1184	1389	1484	1560	1615	1713	1757	1834	1879	1964	2029
SW2448	1184	1389	1484	1560	1615	1713	1757	1834	1879	1964	2029
SW2748	1268	1484	1622	1733	1793	1905	1952	2038	2089	2182	2257
SW3048	1385	1610	1748	1858	1924	2047	2098	2190	2247	2344	2427
SW3348	1460	1703	1854	1977	2047	2169	2225	2322	2379	2484	2572
SW3648	1518	1789	1948	2077	2150	2283	2340	2444	2505	2614	2707
SW3948	1609	1887	2057	2190	2269	2409	2467	2578	2642	2759	2855
SW4248	1693	1977	2155	2298	2379	2529	2590	2707	2773	2897	2998
SW4548	1759	2064	2249	2398	2483	2637	2702	2820	2892	3022	3123
SW4848	1819	2152	2342	2497	2584	2744	2812	2935	3008	3140	3252
SW4848-4	2184	2580	2809	2998	3102	3294	3375	3524	3610	3770	3902
54" High - Two Adjustable Shelves											
SW1254	892	1013	1085	1147	1185	1257	1292	1348	1383	1444	1493
SW1554	980	1120	1202	1267	1312	1392	1430	1493	1530	1599	1653
SW1854	1062	1222	1317	1392	1443	1532	1572	1642	1680	1758	1817
SW2154	1163	1334	1439	1523	1578	1675	1718	1793	1837	1920	1984
SW2454-1	1422	1668	1783	1873	1938	2057	2108	2200	2255	2353	2437
SW2454	1422	1668	1783	1873	1938	2057	2108	2200	2255	2353	2437
SW2754	1520	1782	1947	2080	2153	2287	2343	2447	2508	2619	2710
SW3054	1662	1933	2097	2230	2309	2457	2518	2629	2694	2813	2910
SW3354	1750	2044	2227	2372	2455	2605	2669	2787	2857	2980	3085
SW3654	1824	2144	2334	2490	2579	2742	2808	2932	3005	3138	3247
SW3954	1932	2267	2467	2629	2720	2888	2960	3093	3170	3310	3424
SW4254	2029	2372	2585	2759	2857	3037	3110	3247	3328	3474	3594
SW4554	2113	2477	2699	2878	2978	3164	3242	3387	3470	3625	3749
SW4854	2184	2582	2812	2998	3100	3290	3374	3523	3609	3769	3900
SW4854-4	2622	3095	3373	3597	3723	3953	4049	4229	4334	4524	4682

- For 42" and 48" high cabinets, top door(s) align with standard 15" high wall cabinets (12" high opening.)
- For 54" high cabinets, top door(s) align with standard 18" high wall cabinets (15" high opening.)
- Height modifications affect the lower section **only**.
- To modify the opening height of the upper section (case opening), specify **MSCO** and the opening height desired. Overall cabinet height does not change.
- **Minimum** height = 30".
- If frame or glass doors are needed, clearly specify which doors.

Modify Stack Cabinet Opening, **MSCO** **Add 5% to each cabinet**

10610 - Stacked Wall Cabinet (continued)



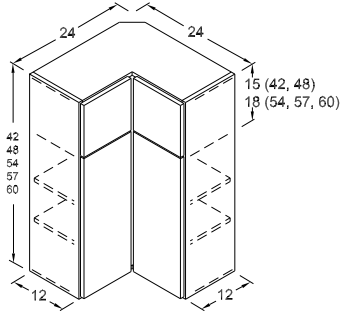
Cat. Code	1	2	3	4	5	6	7	8	9	10	11
57" High - Two Adjustable Shelves											
SW1257	982	1114	1194	1262	1304	1383	1422	1483	1522	1589	1643
SW1557	1079	1233	1323	1394	1443	1532	1574	1643	1684	1759	1819
SW1857	1168	1344	1449	1532	1588	1685	1729	1807	1849	1934	1999
SW2157	1279	1468	1584	1675	1737	1843	1890	1973	2020	2113	2183
SW2457-1	1564	1835	1962	2060	2132	2263	2319	2420	2482	2589	2680
SW2457	1564	1835	1962	2060	2132	2263	2319	2420	2482	2589	2680
SW2757	1673	1960	2142	2289	2369	2515	2578	2692	2759	2882	2982
SW3057	1828	2127	2307	2454	2540	2703	2770	2893	2964	3094	3202
SW3357	1925	2249	2450	2609	2702	2867	2937	3065	3143	3279	3394
SW3657	2007	2359	2568	2740	2838	3017	3089	3225	3307	3452	3572
SW3957	2125	2494	2714	2893	2993	3177	3257	3403	3488	3642	3767
SW4257	2233	2609	2844	3035	3143	3340	3422	3572	3662	3822	3954
SW4557	2324	2725	2969	3167	3277	3482	3567	3725	3818	3988	4124
SW4857	2403	2840	3093	3298	3410	3620	3712	3875	3970	4147	4290
SW4857-4	2884	3405	3710	3957	4095	4349	4454	4653	4768	4977	5150
60" High - Three Adjustable Shelves											
SW1260	982	1114	1194	1262	1304	1383	1137	1186	1217	1271	1314
SW1560	1079	1233	1323	1394	1443	1532	1574	1643	1684	1759	1819
SW1860	1168	1344	1449	1532	1588	1685	1729	1807	1849	1934	1999
SW2160	1279	1468	1584	1675	1737	1843	1890	1973	2020	2113	2183
SW2460-1	1564	1835	1962	2060	2132	2263	2319	2420	2482	2589	2680
SW2460	1564	1835	1962	2060	2132	2263	2319	2420	2482	2589	2680
SW2760	1673	1960	2142	2289	2369	2515	2578	2692	2759	2882	2982
SW3060	1828	2127	2307	2454	2540	2703	2770	2893	2964	3094	3202
SW3360	1925	2249	2450	2609	2702	2867	2937	3065	3143	3279	3394
SW3660	2007	2359	2568	2740	2838	3017	3089	3225	3307	3452	3572
SW3960	2125	2494	2714	2893	2993	3177	3257	3403	3488	3642	3767
SW4260	2233	2609	2844	3035	3143	3340	3422	3572	3662	3822	3954
SW4560	2324	2725	2969	3167	3277	3482	3567	3725	3818	3988	4124
SW4860	2403	2840	3093	3298	3410	3620	3712	3875	3970	4147	4290
SW4860-4	2884	3405	3710	3957	4095	4349	4454	4653	4768	4977	5150

- For 42" and 48" high cabinets, top door(s) align with standard 15" high wall cabinets (12" high opening.)
- For 54" high cabinets, top door(s) align with standard 18" high wall cabinets (15" high opening.)
- Height modifications affect the lower section **only**.
- To modify the opening height of the upper section (case opening), specify **MSCO** and the opening height desired. Overall cabinet height does not change.
- **Minimum** height = 30".
- If frame or glass doors are needed, clearly specify which doors.

Modify Stack Cabinet Opening, **MSCO** **Add 5% to each cabinet**



10614 - Stacked Square Corner Wall Cabinet



- For 42" and 48" high cabinets, top door(s) align with standard 15" high wall cabinets (12" high opening).
- For 54", 57" and 60" high cabinets, top door(s) align with standard 18" high wall cabinets (15" high opening).
- Height modifications affect the lower section **only**.
- To modify the opening height of the upper section (case opening), specify **MSCO** and the opening height desired. Overall cabinet height does not change.
- **Minimum** height = 30".
- If frame or glass doors are needed, clearly specify which doors.

For Width Modifications:

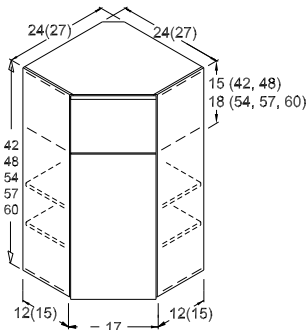
- If **Decrease Width** is specified, see individual door description for size limitations. Specify Left, Right, or Both backs.
Minimum width = 21"
- For **Increase Width**, specify width of Left, Right or Both backs.
Maximum width = 27"

Increase **one** back in width, **IWSCW** **Add 35%**
 Increase **both** backs in width, **IWSCW2** **Add 45%**

Cat. Code	1	2	3	4	5	6	7	8	9	10	11	Adj. Shelves
SSCW2442	1282	1433	1518	1587	1643	1742	1785	1862	1910	1993	2063	1
SSCW2448	1535	1719	1820	1905	1969	2089	2142	2235	2292	2393	2473	2
SSCW2454	1843	2063	2184	2283	2365	2507	2568	2682	2748	2869	2969	2
SSCW2457	2028	2269	2403	2512	2603	2758	2825	2950	3023	3157	3267	2
SSCW2460	2028	2269	2403	2512	2603	2758	2825	2950	3023	3157	3267	3

Modify Stack Cabinet Opening, **MSCO** **Add 5% to each cabinet**

10616 - Stacked Diagonal Corner Wall Cabinet



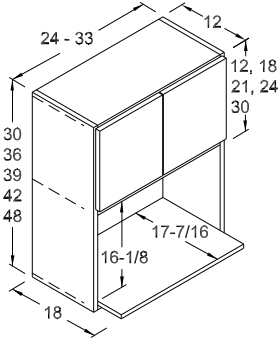
- 24" wide cabinets are 12" deep. 27" wide cabinets are 15" deep.
- **Finished Ends are standard on 27" units.**
- For 42" and 48" high cabinets, top door(s) align with standard 15" high wall cabinets (12" high opening).
- For 54", 57" and 60" high cabinets, top door(s) align with standard 18" high wall cabinets (15" high opening).
- Height modifications affect the lower section **only**.
- To modify the opening height of the upper section (case opening), specify **MSCO** and the opening height desired. Overall cabinet height does not change.
- **Minimum** height = 30".
- If frame or glass doors are needed, clearly specify which doors.

ANY MODIFICATION THAT AFFECTS FACE ANGLE MUST BE QUOTED

Cat. Code	1	2	3	4	5	6	7	8	9	10	11	Adj. Shelves
24" DCW												
SDCW2442	998	1115	1180	1233	1277	1354	1388	1450	1487	1552	1607	1
SDCW2448	1199	1338	1415	1479	1530	1624	1665	1740	1784	1862	1928	2
SDCW2454	1440	1605	1698	1774	1835	1949	1998	2089	2140	2235	2310	2
SDCW2457	1585	1767	1868	1952	2019	2144	2198	2299	2355	2459	2542	2
SDCW2460	1585	1767	1868	1952	2019	2144	2198	2299	2355	2459	2542	3
27" DCW												
SDCW2742	1347	1504	1593	1665	1722	1827	1872	1954	2002	2092	2162	1
SDCW2748	1618	1805	1912	1998	2068	2190	2247	2345	2404	2510	2598	2
SDCW2754	1942	2165	2295	2397	2479	2628	2694	2814	2885	3014	3118	2
SDCW2757	2137	2383	2525	2637	2728	2892	2964	3097	3174	3317	3430	2
SDCW2760	2137	2383	2525	2637	2728	2892	2964	3097	3174	3317	3430	3

Modify Stack Cabinet Opening, **MSCO** **Add 5% to each cabinet**

10650 - Microwave Wall Shelf



- **Matching Finish Interior is standard.**
- 3/4" thick fixed shelf extends 6" and is banded on exposed edges.
- Extended shelf may be decreased in depth, specify **CTS** and depth.
- Extended shelf may be omitted for no charge. Specify "omit extended shelf" on order.
- Height modifications affect upper section unless otherwise specified.

MWS Openings	
Cabinet Width	Opening Width
24"	22-1/2"
27"	25-1/2"
30"	28-1/2"
33"	31-1/2"

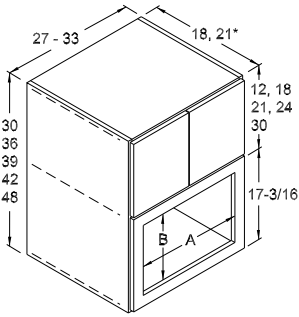
NOTE: Not available with Acrylics or Wired Foils.

Cut To Size, **CTS** **N/C**

Cat. Code	1	2	3	4	5	6	7	8	9	10	11
30" High - No Shelves											
MWS2430	672	782	833	874	908	965	990	1035	1060	1106	1146
MWS2730	709	814	873	922	955	1014	1039	1085	1112	1162	1202
MWS3030	744	854	917	966	1000	1062	1089	1137	1166	1217	1260
MWS3330	781	887	956	1013	1048	1110	1139	1189	1220	1274	1318
36" High - No Shelves											
MWS2436	789	884	950	1005	1041	1105	1132	1183	1213	1266	1311
MWS2736	828	933	1001	1059	1096	1165	1193	1245	1278	1334	1379
MWS3036	867	979	1053	1110	1151	1222	1253	1309	1341	1403	1449
MWS3336	908	1031	1104	1164	1204	1281	1313	1370	1405	1467	1518
39" High - No Shelves											
MWS2439	893	1013	1080	1136	1175	1246	1279	1335	1369	1430	1479
MWS2739	940	1064	1137	1193	1236	1313	1344	1406	1441	1503	1557
MWS3039	985	1116	1192	1251	1297	1376	1411	1473	1511	1578	1631
MWS3339	1033	1172	1249	1312	1357	1442	1479	1544	1581	1651	1708
42" High - One Adjustable Shelf											
MWS2442	893	1013	1080	1136	1175	1246	1279	1335	1369	1430	1479
MWS2742	940	1064	1137	1193	1236	1313	1344	1406	1441	1503	1557
MWS3042	985	1116	1192	1251	1297	1376	1411	1473	1511	1578	1631
MWS3342	1033	1172	1249	1312	1357	1442	1479	1544	1581	1651	1708
48" High - Two Adjustable Shelves											
MWS2448	1076	1200	1266	1320	1363	1446	1482	1547	1586	1657	1713
MWS2748	1123	1250	1322	1378	1426	1509	1547	1616	1657	1731	1791
MWS3048	1169	1304	1378	1440	1487	1575	1614	1686	1727	1804	1865
MWS3348	1214	1355	1434	1498	1549	1640	1680	1754	1799	1878	1944



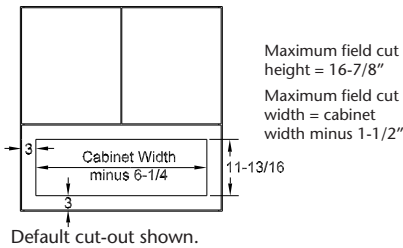
10700 - Microwave Wall



- Specify cutout A & B dimensions (included in price). If not specified, default cutout is supplied for jobsite trimming. **Appliance specification sheets will not be accepted for specification of cutouts.**
- Oven opening has a 4-sided frame with edge profile to coordinate with door style. When custom cutout is specified, **minimum** stile width on oven panel is 1" (1-1/2" for Acrylic, Foil and Veneer door styles) and **minimum** rail width on oven panel is 1-1/2". Inside edge of cutout is **not** finished.
- **Finished Ends are standard and included for N/C.**
- **Maximum** depth = 24".
- 21" deep units are available at the same price as 18" deep. Specify **IDMIC21** on order.
- Height modifications affect upper section unless otherwise specified.
- Oven panel may be omitted for no charge. Specify "omit oven panel" on order.

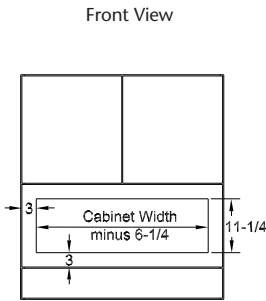
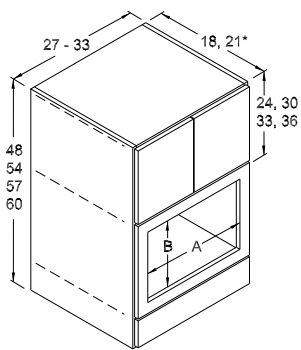
* 21" deep units are available at the same price as 18" deep. Specify **IDMIC21** on order.

Cat. Code	1	2	3	4	5	6	7	8	9	10	11
30" High - No Shelves											
MW2730	899	1000	1060	1106	1141	1201	1230	1286	1318	1375	1424
MW3030	936	1043	1105	1155	1189	1251	1284	1340	1374	1434	1483
MW3330	973	1085	1151	1202	1238	1305	1337	1396	1431	1493	1545
36" High - No Shelves											
MW2736	1021	1120	1190	1246	1286	1355	1390	1451	1487	1553	1605
MW3036	1063	1168	1242	1302	1342	1416	1451	1515	1552	1620	1677
MW3336	1106	1214	1294	1356	1398	1474	1512	1579	1617	1690	1747
39" High - No Shelves											
MW2739	1162	1288	1360	1417	1461	1543	1580	1650	1691	1766	1826
MW3039	1210	1343	1419	1481	1528	1610	1651	1724	1767	1844	1909
MW3339	1262	1400	1481	1545	1593	1679	1721	1798	1841	1923	1990
42" High - One Adjustable Shelf											
MW2742	1162	1288	1360	1417	1461	1543	1580	1650	1691	1766	1826
MW3042	1210	1343	1419	1481	1528	1610	1651	1724	1767	1844	1909
MW3342	1262	1400	1481	1545	1593	1679	1721	1798	1841	1923	1990
48" High - Two Adjustable Shelves											
MW2748	1361	1490	1563	1619	1669	1759	1803	1881	1929	2014	2084
MW3048	1411	1547	1622	1685	1734	1827	1873	1956	2005	2093	2166
MW3348	1461	1602	1684	1747	1801	1896	1944	2029	2079	2173	2246



*21" Deep Unit, **IDMIC21** N/C

10720 - Microwave Wall with Drawer



Default cut-out shown.

- Specify cutout A & B dimensions (included in price). If not specified, default cutout is supplied for jobsite trimming. **Appliance specification sheets will not be accepted for specification of cutouts.**
- Oven opening has a 4-sided frame with edge profile to coordinate with door style. When custom cutout is specified, **minimum** stile width on oven panel is 1" (1-1/2" for Acrylic, Foil and Veneer door styles) and **minimum** rail width on oven panel is 1-1/2". Inside edge of cutout is **not** finished.
- **Finished Ends are standard and included for N/C.**

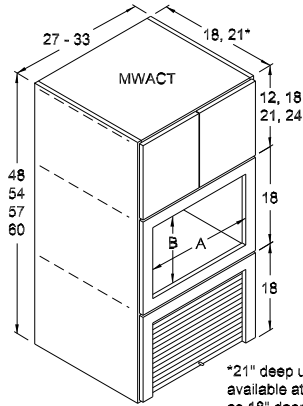
* 21" deep units are available at the same price as 18" deep. Specify **IDMIC21** on order.

Cat. Code	1	2	3	4	5	6	7	8	9	10	11
48" High - One Adjustable Shelf											
MWD2748	1467	1556	1606	1649	1678	1733	1777	1855	1902	1986	2056
MWD3048	1539	1629	1685	1729	1777	1860	1908	1990	2040	2128	2203
MWD3348	1616	1710	1769	1816	1847	1909	1956	2042	2091	2184	2259
54" High - Two Adjustable Shelves											
MWD2754	1579	1664	1725	1776	1810	1873	1920	2004	2054	2145	2218
MWD3054	1655	1741	1809	1862	1900	1965	2014	2103	2155	2250	2328
MWD3354	1735	1826	1899	1955	1992	2061	2112	2207	2261	2361	2442
57" High - Two Adjustable Shelves											
MWD2757	1705	1813	1876	1929	1969	2042	2091	2184	2238	2338	2419
MWD3057	1788	1900	1969	2025	2081	2183	2237	2336	2394	2498	2586
MWD3357	1875	1992	2065	2123	2166	2244	2300	2401	2461	2571	2660
60" High - Two Adjustable Shelves											
MWD2760	1705	1813	1876	1929	1969	2042	2091	2184	2238	2338	2419
MWD3060	1788	1900	1969	2025	2081	2183	2237	2336	2394	2498	2586
MWD3360	1875	1992	2065	2123	2166	2244	2300	2401	2461	2571	2660

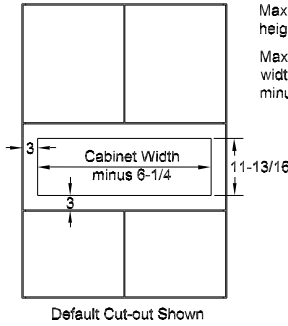
- Reveal below lower drawer is 1/4" to provide clearance during operation.
- 21" deep units are available at the same price as 18" deep. Specify **IDMIC21** on order.
- Cabinet is designed for countertop installation **only**.
- Height modifications affect upper section unless otherwise specified.
- Oven panel may be omitted for no charge. Specify "omit oven panel" on order.
- **Minimum** depth = 12"

*21" Deep Unit, **IDMIC21** N/C

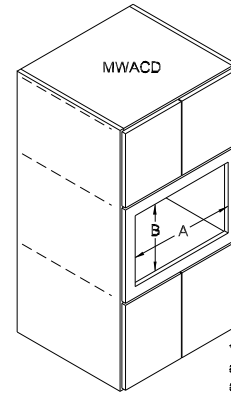
10750 - Microwave Wall Appliance Cabinets



*21" deep units are available at the same price as 18" deep. Specify **IDMIC21** on order.



Maximum field cut height = 17-1/4"
Maximum field cut width = cabinet width minus 1-1/2"



*21" deep units are available at the same price as 18" deep. Specify **IDMIC21** on order.

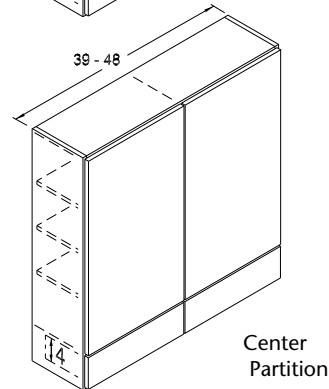
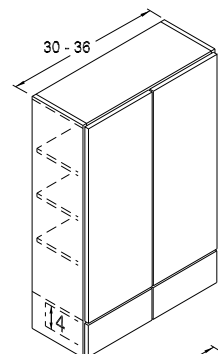
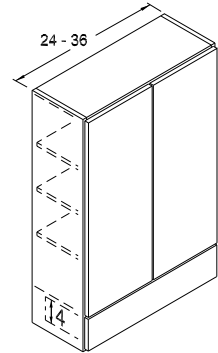
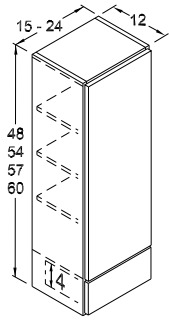
- Specify chrome or brass knob on tambour door. If not specified, chrome is supplied.
- Specify cutout A & B dimensions (included in price). If not specified, default cutout is supplied for jobsite trimming. **Appliance specification sheets will not be accepted for specification of cutouts.**
- Oven opening has a 4-sided frame with edge profile to coordinate with door style. When custom cutout is specified, **minimum** stile width on oven panel is 1" (1-1/2" for Acrylic, Foil and Veneer door styles) and **minimum** rail width on oven panel is 1-1/2". Inside edge of cutout is **not** finished.
- **Finished Ends are standard and included for N/C.**
- Tambour opening height clearance = 14-7/16".
- No back or floor in lower section. Cabinet is designed for countertop installation **only**.
- Height modifications affect upper section.
- **Minimum** MWACT depth = 6".
- Oven panel may be omitted for no charge. Specify "omit oven panel" on order.

Cat. Code	1	2	3	4	5	6	7	8	9	10	11
48" High - No Adjustable Shelf											
MWACT2748	1759	1853	1913	1958	1992	2053	2104	2197	2252	2351	2434
MWACT3048	1838	1937	1998	2049	2100	2194	2247	2347	2405	2511	2599
MWACT3348	1922	2026	2090	2142	2179	2245	2301	2403	2462	2572	2662
54" High - No Adjustable Shelf											
MWACT2754	1881	1973	2043	2099	2138	2208	2263	2362	2421	2529	2616
MWACT3054	1966	2062	2135	2196	2236	2309	2366	2471	2533	2645	2736
MWACT3354	2057	2155	2233	2299	2340	2417	2476	2586	2650	2767	2863
57" High - No Adjustable Shelf											
MWACT2757	2022	2140	2211	2268	2312	2394	2453	2562	2625	2741	2837
MWACT3057	2113	2237	2313	2375	2438	2552	2614	2730	2798	2922	3023
MWACT3357	2211	2341	2421	2485	2533	2620	2685	2805	2873	3000	3105
60" High - One Adjustable Shelf											
MWACT2760	2022	2140	2211	2268	2312	2394	2453	2562	2625	2741	2837
MWACT3060	2113	2237	2313	2375	2438	2552	2614	2730	2798	2922	3023
MWACT3360	2211	2341	2421	2485	2533	2620	2685	2805	2873	3000	3105
48" High - No Adjustable Shelf											
MWACD2748	1630	1726	1785	1832	1865	1927	1973	2062	2113	2207	2284
MWACD3048	1710	1810	1872	1922	1973	2067	2118	2211	2267	2365	2448
MWACD3348	1795	1899	1964	2015	2051	2118	2172	2267	2323	2426	2509
54" High - No Adjustable Shelf											
MWACD2754	1753	1846	1916	1972	2011	2081	2132	2226	2282	2382	2464
MWACD3054	1838	1935	2008	2069	2109	2182	2236	2336	2394	2498	2586
MWACD3354	1929	2028	2106	2172	2212	2289	2345	2450	2510	2621	2712
57" High - No Adjustable Shelf											
MWACD2757	1894	2012	2084	2141	2184	2267	2323	2426	2487	2595	2685
MWACD3057	1985	2110	2187	2247	2310	2425	2485	2594	2659	2776	2872
MWACD3357	2083	2214	2294	2358	2406	2492	2554	2667	2734	2854	2954
60" High - One Adjustable Shelf											
MWACD2760	1894	2012	2084	2141	2184	2267	2323	2426	2487	2595	2685
MWACD3060	1985	2110	2187	2247	2310	2425	2485	2594	2659	2776	2872
MWACD3360	2083	2214	2294	2358	2406	2492	2554	2667	2734	2854	2954

*21" Deep Unit, **IDMIC21** **N/C**



10800 - Wall Cabinet Drawer



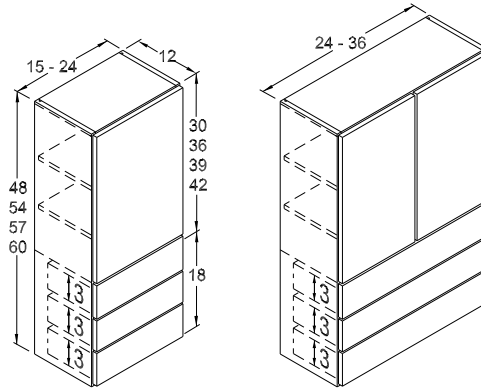
- **Finished Ends are standard and included for N/C.**
- Reveal below lower drawer is 1/4" to provide clearance during operation. Cabinet has no bottom below drawers and is designed for countertop installation.
- **Minimum** cabinet depth = 12".
- Height modifications affect upper section unless otherwise specified.

Cat. Code	1	2	3	4	5	6	7	8	9	10	11
48" High - Two Adjustable Shelves											
WCD1548	857	952	1003	1042	1070	1119	1150	1200	1229	1285	1329
WCD1848	921	1015	1074	1119	1151	1206	1236	1292	1323	1381	1430
WCD2148	982	1082	1148	1201	1232	1293	1325	1382	1418	1481	1533
WCD2448-1	1139	1288	1358	1416	1454	1525	1563	1631	1672	1746	1806
WCD2448	1139	1288	1358	1416	1454	1525	1563	1631	1672	1746	1806
WCD2748	1201	1356	1459	1540	1585	1668	1708	1784	1827	1910	1974
WCD3048	1287	1446	1549	1633	1680	1769	1813	1894	1941	2027	2097
WCD3348	1341	1518	1628	1718	1769	1860	1908	1991	2041	2131	2205
WCD3648	1386	1580	1697	1791	1845	1944	1992	2081	2132	2226	2303
WCD3048-2DWR	1287	1446	1549	1633	1680	1769	1813	1894	1941	2027	2097
WCD3348-2DWR	1341	1518	1628	1718	1769	1860	1908	1991	2041	2131	2205
WCD3648-2DWR	1386	1580	1697	1791	1845	1944	1992	2081	2132	2226	2303
WCD3948	1456	1659	1782	1881	1938	2042	2092	2186	2239	2338	2419
WCD4248	1530	1743	1872	1976	2036	2145	2197	2295	2351	2456	2540
WCD4548	1607	1831	1966	2075	2139	2252	2308	2411	2469	2580	2667
WCD4848	1687	1923	2065	2179	2246	2365	2424	2532	2593	2709	2802
54" High - Three Adjustable Shelves											
WCD1554	930	1022	1076	1118	1151	1206	1236	1292	1323	1381	1430
WCD1854	984	1090	1154	1206	1239	1300	1333	1391	1426	1488	1540
WCD2154	1053	1165	1236	1294	1329	1395	1430	1491	1530	1598	1654
WCD2454-1	1227	1390	1467	1530	1573	1651	1692	1767	1810	1892	1956
WCD2454	1227	1390	1467	1530	1573	1651	1692	1767	1810	1892	1956
WCD2754	1294	1466	1577	1668	1715	1806	1852	1934	1981	2069	2141
WCD3054	1389	1567	1678	1769	1822	1920	1967	2054	2105	2198	2274
WCD3354	1448	1642	1764	1862	1918	2020	2069	2162	2216	2314	2394
WCD3654	1497	1711	1839	1944	2002	2110	2163	2258	2315	2419	2501
WCD3054-2DWR	1389	1567	1678	1769	1822	1920	1967	2054	2105	2198	2274
WCD3354-2DWR	1448	1642	1764	1862	1918	2020	2069	2162	2216	2314	2394
WCD3654-2DWR	1497	1711	1839	1944	2002	2110	2163	2258	2315	2419	2501
WCD3954	1573	1797	1931	2042	2103	2216	2272	2371	2432	2540	2627
WCD4254	1652	1887	2028	2145	2209	2327	2386	2490	2554	2667	2758
WCD4554	1735	1981	2130	2252	2320	2443	2506	2615	2683	2802	2897
WCD4854	1823	2081	2237	2365	2436	2566	2632	2747	2817	2943	3043
57" High - Three Adjustable Shelves											
WCD1557	996	1096	1157	1204	1238	1300	1333	1391	1426	1488	1540
WCD1857	1055	1173	1243	1300	1336	1404	1438	1501	1539	1606	1662
WCD2157	1130	1251	1332	1396	1435	1507	1545	1614	1655	1727	1788
WCD2457-1	1321	1501	1586	1656	1704	1790	1834	1916	1964	2050	2120
WCD2457	1321	1501	1586	1656	1704	1790	1834	1916	1964	2050	2120
WCD2757	1396	1585	1707	1806	1860	1959	2008	2097	2149	2244	2322
WCD3057	1500	1697	1820	1920	1977	2084	2135	2230	2286	2385	2469
WCD3357	1566	1780	1914	2022	2083	2195	2249	2348	2406	2512	2601
WCD3657	1619	1854	2009	2135	2193	2295	2351	2456	2517	2628	2720
WCD3057-2DWR	1500	1697	1820	1920	1977	2084	2135	2230	2286	2385	2469
WCD3357-2DWR	1566	1780	1914	2022	2083	2195	2249	2348	2406	2512	2601
WCD3657-2DWR	1619	1854	2009	2135	2193	2295	2351	2456	2517	2628	2720
WCD3957	1700	1948	2111	2243	2302	2411	2469	2580	2643	2760	2856
WCD4257	1785	2046	2217	2356	2418	2532	2593	2709	2776	2898	3000
WCD4557	1875	2148	2328	2474	2539	2659	2723	2846	2915	3044	3150
WCD4857	1970	2257	2445	2597	2666	2792	2860	2988	3061	3197	3308
60" High - Three Adjustable Shelves											
WCD1560	996	1096	1157	1204	1238	1300	1333	1391	1426	1488	1540
WCD1860	1055	1173	1243	1300	1336	1404	1438	1501	1539	1606	1662
WCD2160	1130	1251	1332	1396	1435	1507	1545	1614	1655	1727	1788
WCD2460-1	1321	1501	1586	1656	1704	1790	1834	1916	1964	2050	2120
WCD2460	1321	1501	1586	1656	1704	1790	1834	1916	1964	2050	2120
WCD2760	1396	1585	1707	1806	1860	1959	2008	2097	2149	2244	2322
WCD3060	1500	1697	1820	1920	1977	2084	2135	2230	2286	2385	2469
WCD3360	1566	1780	1914	2022	2083	2195	2249	2348	2406	2512	2601
WCD3660	1619	1854	2009	2135	2193	2295	2351	2456	2517	2628	2720
WCD3060-2DWR	1500	1697	1820	1920	1977	2084	2135	2230	2286	2385	2469
WCD3360-2DWR	1566	1780	1914	2022	2083	2195	2249	2348	2406	2512	2601
WCD3660-2DWR	1619	1854	2009	2135	2193	2295	2351	2456	2517	2628	2720
WCD3960	1700	1948	2111	2243	2302	2411	2469	2580	2643	2760	2856
WCD4260	1785	2046	2217	2356	2418	2532	2593	2709	2776	2898	3000
WCD4560	1875	2148	2328	2474	2539	2659	2723	2846	2915	3044	3150
WCD4860	1970	2257	2445	2597	2666	2792	2860	2988	3061	3197	3308

NOTE: See door/drawer front specifications for styling limitations due to drawer front height.



10805 - Wall Cabinet Three Drawer



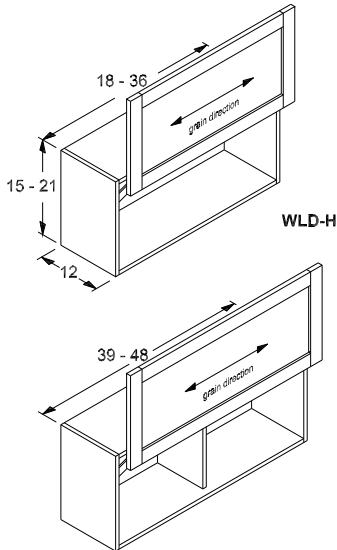
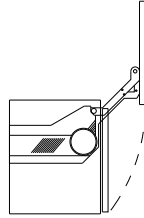
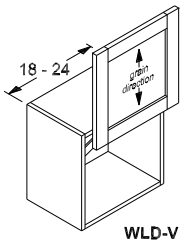
- Drawers have a 1/4" reveal at bottom to provide clearance.
- No back or floor in lower section. Cabinet is designed for countertop installation **only**.
- **Finished Ends are standard and included for N/C.**
- **Minimum** depth = 12".
- Height modifications affect upper section.

NOTE: See door/drawer front specifications for styling limitations due to drawer front height.

Cat. Code	1	2	3	4	5	6	7	8	9	10	11
48" High - Two Adjustable Shelves											
WC3D1548	1355	1530	1631	1713	1774	1883	1931	2016	2067	2159	2233
WC3D1848	1418	1600	1707	1795	1858	1973	2023	2112	2165	2259	2340
WC3D2148	1518	1713	1827	1920	1987	2110	2163	2258	2315	2419	2501
WC3D2448-1	1684	1900	2027	2127	2203	2342	2400	2506	2569	2684	2777
WC3D2448	1684	1900	2027	2127	2203	2342	2400	2506	2569	2684	2777
WC3D2748	1768	1994	2127	2235	2314	2460	2520	2631	2698	2818	2916
WC3D3048	1855	2096	2233	2347	2431	2583	2648	2763	2833	2959	3061
WC3D3348	1950	2201	2347	2464	2552	2713	2779	2903	2974	3106	3215
WC3D3648	2047	2312	2463	2588	2680	2848	2919	3049	3124	3261	3374
54" High - Two Adjustable Shelves											
WC3D1554	1428	1612	1720	1806	1871	1987	2037	2126	2180	2277	2356
WC3D1854	1482	1673	1784	1873	1939	2062	2113	2207	2261	2361	2442
WC3D2154	1595	1803	1922	2020	2090	2221	2277	2377	2436	2545	2631
WC3D2454-1	1770	1998	2132	2238	2319	2463	2525	2636	2701	2823	2919
WC3D2454	1770	1998	2132	2238	2319	2463	2525	2636	2701	2823	2919
WC3D2754	1840	2098	2238	2351	2435	2587	2651	2769	2837	2963	3065
WC3D3054	1934	2203	2326	2424	2527	2716	2784	2907	2979	3111	3219
WC3D3354	2030	2314	2442	2546	2655	2852	2923	3054	3128	3266	3379
WC3D3654	2133	2432	2566	2674	2788	2995	3070	3206	3286	3432	3551
57" High - Two Adjustable Shelves											
WC3D1557	1493	1686	1798	1889	1955	2078	2128	2224	2280	2379	2462
WC3D1857	1553	1752	1869	1964	2021	2121	2175	2271	2327	2432	2515
WC3D2157	1680	1897	2025	2125	2201	2340	2398	2502	2565	2679	2771
WC3D2457-1	1865	2105	2245	2358	2441	2594	2659	2776	2845	2971	3073
WC3D2457	1865	2105	2245	2358	2441	2594	2659	2776	2845	2971	3073
WC3D2757	1958	2211	2358	2476	2565	2725	2792	2916	2987	3120	3227
WC3D3057	2058	2322	2476	2601	2693	2862	2933	3062	3136	3276	3390
WC3D3357	2161	2439	2601	2732	2828	3005	3079	3216	3295	3442	3560
WC3D3657	2226	2561	2730	2868	2971	3157	3234	3376	3461	3614	3740
60" High - Three Adjustable Shelves											
WC3D1560	1493	1686	1798	1889	1955	2078	2128	2224	2280	2379	2462
WC3D1860	1553	1752	1869	1964	2021	2121	2175	2271	2327	2432	2515
WC3D2160	1680	1897	2025	2125	2201	2340	2398	2502	2565	2679	2771
WC3D2460-1	1865	2105	2245	2358	2441	2594	2659	2776	2845	2971	3073
WC3D2460	1865	2105	2245	2358	2441	2594	2659	2776	2845	2971	3073
WC3D2760	1958	2211	2358	2476	2565	2725	2792	2916	2987	3120	3227
WC3D3060	2058	2322	2476	2601	2693	2862	2933	3062	3136	3276	3390
WC3D3360	2161	2439	2601	2732	2828	3005	3079	3216	3295	3442	3560
WC3D3660	2226	2561	2730	2868	2971	3157	3234	3376	3461	3614	3740



10815 - Wall Lift Door



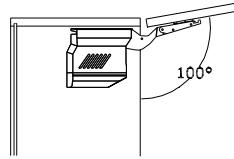
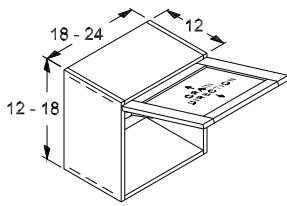
- Door insert grain direction:
WLD-V = vertical,
WLD-H = horizontal.
Exception: Veneer and Foil door styles will follow the grain direction specified for the door style.
WLD-H is not available with arched door style.
- Interior height = opening height minus 1-1/2".
Interior width = opening width minus 3".
- **Minimum** height = 12.
Minimum width = 11-1/2".
Minimum depth = 11-1/2"
Maximum height = 21".
- Cabinets over 36" wide have a center partition. For doors with glass, the center partition will be visible unless an opaque glass is used.
- Door extends above cabinet approximately:
20-3/8" for 21" high cabinet
16-3/4" for 18" high cabinet
13-1/4" for 15" high cabinet
- For detailed information see specs online.

WLD-V											
Cat. Code	1	2	3	4	5	6	7	8	9	10	11
Vertical Grain - 15" High											
WLD-V1815	1139	1190	1225	1253	1269	1297	1309	1332	1365	1426	1474
WLD-V2115	1166	1223	1263	1294	1312	1341	1351	1368	1403	1465	1516
WLD-V2415	1230	1312	1348	1376	1398	1434	1449	1477	1516	1581	1635
Vertical Grain - 18" High											
WLD-V1818	1152	1206	1242	1272	1287	1316	1330	1353	1388	1448	1498
WLD-V2118	1182	1239	1281	1314	1332	1362	1372	1391	1426	1488	1540
WLD-V2418	1250	1333	1370	1400	1423	1460	1475	1504	1543	1610	1668
Vertical Grain - 21" High											
WLD-V1821	1169	1225	1265	1297	1313	1342	1356	1379	1416	1479	1530
WLD-V2121	1201	1263	1306	1340	1358	1392	1404	1423	1456	1522	1574
WLD-V2421	1312	1400	1447	1483	1508	1553	1572	1603	1645	1717	1777

WLD-H											
Cat. Code	1	2	3	4	5	6	7	8	9	10	11
Horizontal Grain - 15" High											
WLD-H1815	1139	1190	1225	1253	1269	1297	1309	1332	1365	1426	1474
WLD-H2115	1166	1223	1263	1294	1312	1341	1351	1368	1403	1465	1516
WLD-H2415	1230	1312	1348	1376	1398	1434	1449	1477	1516	1581	1635
WLD-H2715	1236	1328	1388	1433	1455	1494	1512	1544	1581	1651	1708
WLD-H3015	1250	1342	1403	1449	1472	1511	1529	1561	1600	1671	1728
WLD-H3315	1266	1357	1418	1466	1488	1529	1546	1579	1617	1690	1747
WLD-H3615	1291	1381	1444	1493	1518	1561	1580	1614	1655	1727	1788
WLD-H3915	1437	1535	1596	1648	1672	1715	1735	1771	1816	1896	1963
WLD-H4215	1466	1571	1637	1691	1714	1757	1782	1825	1871	1953	2022
WLD-H4515	1483	1591	1659	1715	1743	1795	1816	1854	1901	1985	2054
WLD-H4815	1501	1608	1683	1741	1770	1822	1844	1882	1930	2015	2085
Horizontal Grain - 18" High											
WLD-H1818	1152	1206	1242	1272	1287	1316	1330	1353	1388	1448	1498
WLD-H2118	1182	1239	1281	1314	1332	1362	1372	1391	1426	1488	1540
WLD-H2418	1250	1333	1370	1400	1423	1460	1475	1504	1543	1610	1668
WLD-H2718	1266	1347	1413	1466	1488	1529	1546	1579	1617	1690	1747
WLD-H3018	1288	1378	1441	1490	1516	1559	1578	1612	1652	1725	1785
WLD-H3318	1305	1395	1461	1515	1539	1584	1603	1638	1679	1753	1816
WLD-H3618	1334	1430	1497	1552	1577	1620	1642	1678	1720	1797	1858
WLD-H3918	1472	1581	1651	1706	1733	1783	1804	1841	1889	1971	2040
WLD-H4218	1488	1596	1666	1722	1750	1802	1823	1861	1909	1992	2062
WLD-H4518	1505	1616	1690	1748	1778	1829	1852	1893	1939	2026	2096
WLD-H4818	1524	1635	1712	1774	1804	1858	1881	1923	1971	2058	2127
Horizontal Grain - 21" High											
WLD-H1821	1169	1225	1265	1297	1313	1342	1356	1379	1416	1479	1530
WLD-H2121	1201	1263	1306	1340	1358	1392	1404	1423	1456	1522	1574
WLD-H2421	1312	1400	1447	1483	1508	1553	1572	1603	1645	1717	1777
WLD-H2721	1344	1444	1504	1556	1580	1627	1649	1685	1726	1803	1864
WLD-H3021	1372	1475	1545	1601	1630	1680	1703	1741	1784	1862	1928
WLD-H3321	1389	1496	1565	1620	1650	1699	1722	1761	1805	1885	1951
WLD-H3621	1419	1537	1614	1676	1706	1761	1785	1829	1874	1957	2026
WLD-H3921	1571	1689	1776	1844	1876	1936	1960	2006	2057	2147	2222
WLD-H4221	1600	1726	1820	1897	1932	1994	2022	2070	2121	2216	2293
WLD-H4521	1634	1764	1871	1956	1992	2060	2086	2137	2190	2287	2365
WLD-H4821	1671	1806	1922	2016	2056	2125	2156	2210	2266	2364	2446

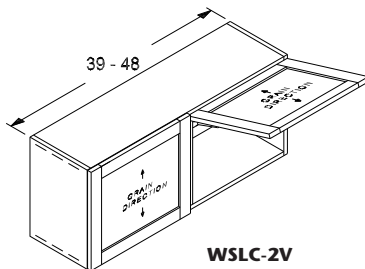
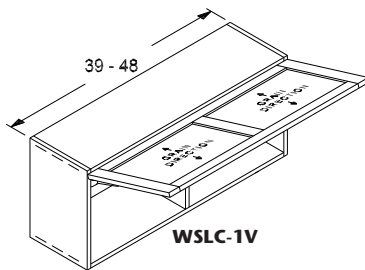
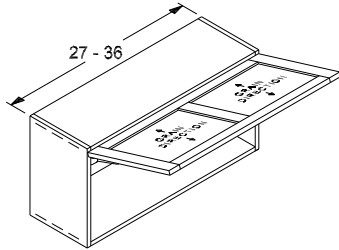


10817 - Wall Stay Lift Cabinet - Vertical



- Door insert grain direction is vertical. For cabinets 27" - 36" wide the door will have an intermediate stile and 2 panels. For cabinets 39" - 48" wide, a choice of a single door or two doors is available.
Exception: Veneer and Foil door styles will follow the grain direction specified for the door style.

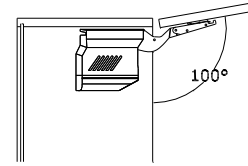
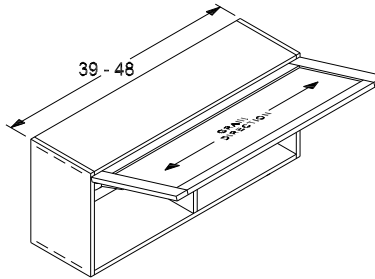
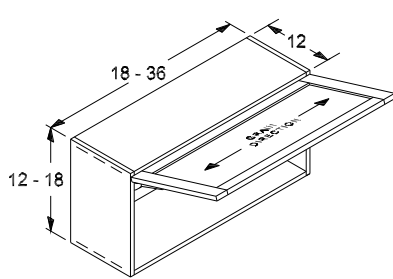
- **Minimum** height = 7-1/2". **Maximum** height = 18".
Minimum width = 9-1/2". **Minimum** depth = 9-3/4".
- Cabinets over 24" wide are **not** available with solid wood slab doors.
- Single door cabinets over 24" wide with arched doors are **not** available.
- For detailed information see specs online.



Cat. Code	1	2	3	4	5	6	7	8	9	10	11
Vertical Grain - 12" High											
WSLC-V1812	546	634	634	662	679	709	719	735	754	789	815
WSLC-1V4212	570	669	669	699	716	744	754	773	793	826	854
WSLC-V2412	633	752	752	780	800	835	850	874	899	938	970
WSLC-V2712	639	789	789	833	854	894	910	940	963	1004	1040
WSLC-V3012	642	793	793	837	858	899	914	944	968	1011	1045
WSLC-V3312	656	809	809	853	874	914	931	962	985	1031	1064
WSLC-V3612	668	822	822	867	891	930	948	979	1004	1049	1085
Vertical Grain - 12" High - 1 Door											
WSLC-1V3912	765	922	922	966	989	1029	1049	1083	1111	1161	1201
WSLC-1V4212	780	940	940	985	1008	1050	1070	1106	1134	1185	1224
WSLC-1V4512	793	958	958	1005	1031	1073	1094	1130	1160	1210	1251
WSLC-1V4812	805	977	977	1027	1052	1094	1116	1155	1185	1236	1279
Vertical Grain - 12" High - 2 Doors											
WSLC-2V3912	962	1127	1127	1179	1202	1245	1266	1302	1335	1393	1442
WSLC-2V4212	992	1148	1148	1186	1222	1287	1309	1347	1379	1442	1491
WSLC-2V4512	1008	1188	1188	1243	1267	1311	1332	1368	1403	1465	1516
WSLC-2V4812	1026	1207	1207	1264	1287	1332	1353	1392	1427	1489	1542
Vertical Grain - 15" High											
WSLC-V1815	558	651	651	679	695	720	733	755	776	810	837
WSLC-V2115	585	688	688	718	735	768	777	794	814	849	878
WSLC-V2415	650	774	774	802	822	858	874	903	926	965	999
WSLC-V2715	656	811	811	857	880	921	938	968	993	1038	1073
WSLC-V3015	670	828	828	873	896	937	955	985	1012	1056	1092
WSLC-V3315	927	1081	1081	1129	1152	1192	1209	1242	1274	1330	1376
WSLC-V3615	949	1108	1108	1158	1182	1224	1244	1279	1311	1368	1416
Vertical Grain - 15" High - 1 Door											
WSLC-1V3915	976	1141	1141	1190	1214	1258	1279	1315	1348	1409	1455
WSLC-1V4215	1004	1180	1180	1232	1257	1301	1325	1368	1403	1465	1516
WSLC-1V4515	1021	1202	1202	1258	1286	1336	1357	1397	1432	1494	1546
WSLC-1V4815	1040	1225	1225	1285	1314	1363	1388	1427	1462	1528	1580
Vertical Grain - 15" High - 2 Doors											
WSLC-2V3915	976	1141	1141	1190	1214	1258	1279	1315	1348	1409	1455
WSLC-2V4215	1004	1180	1180	1232	1257	1301	1325	1368	1403	1465	1516
WSLC-2V4515	1021	1202	1202	1258	1286	1336	1357	1397	1432	1494	1546
WSLC-2V4815	1040	1225	1225	1285	1314	1363	1388	1427	1462	1528	1580
Vertical Grain - 18" High											
WSLC-V1818	571	668	668	697	713	740	754	779	798	832	861
WSLC-V2118	601	705	705	738	755	789	798	816	836	872	903
WSLC-V2418	670	795	795	825	846	885	901	930	955	996	1032
WSLC-V2718	927	1076	1076	1129	1152	1192	1209	1242	1274	1330	1376
WSLC-V3018	948	1105	1105	1155	1180	1222	1242	1279	1311	1368	1416
WSLC-V3318	965	1125	1125	1179	1203	1246	1267	1302	1335	1393	1442
WSLC-V3618	994	1161	1161	1214	1239	1285	1305	1341	1375	1435	1484
Vertical Grain - 18" High - 1 Door											
WSLC-1V3918	1012	1193	1193	1248	1277	1325	1347	1384	1419	1482	1535
WSLC-1V4218	1026	1208	1208	1265	1294	1343	1367	1406	1441	1503	1557
WSLC-1V4518	1045	1232	1232	1293	1321	1371	1395	1435	1472	1538	1591
WSLC-1V4818	1062	1256	1256	1318	1348	1403	1425	1466	1502	1568	1622
Vertical Grain - 18" High - 2 Doors											
WSLC-2V3918	1012	1193	1193	1248	1277	1325	1347	1384	1419	1482	1535
WSLC-2V4218	1026	1208	1208	1265	1294	1343	1367	1406	1441	1503	1557
WSLC-2V4518	1045	1232	1232	1293	1321	1371	1395	1435	1472	1538	1591
WSLC-2V4818	1062	1256	1256	1318	1348	1403	1425	1466	1502	1568	1622



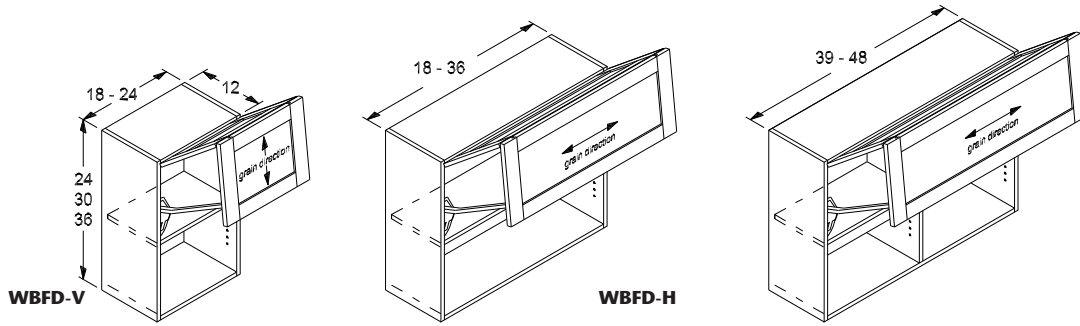
10819 - Wall Stay Lift Cabinet - Horizontal



- Door insert grain direction is horizontal. **Exception:** WSLC-H is not available with arched door style.
Exception: Veneer and Foil door styles will follow the grain direction specified for the door style.
- **Minimum** height = 7-1/2".
Maximum height = 18".
Minimum width = 9-1/2".
Minimum depth = 9-3/4".
- Cabinets over 36" wide have a center partition. For doors with glass, the center partition will be visible unless an opaque glass is used.
- For detailed information see specs online.

Cat. Code	1	2	3	4	5	6	7	8	9	10	11
Horizontal Grain - 12" High											
WSLC-H1812	546	600	634	662	679	709	719	735	754	789	815
WSLC-H2112	570	632	669	699	716	744	754	773	793	826	854
WSLC-H2412	633	716	752	780	800	835	850	874	899	938	970
WSLC-H2712	639	732	789	833	854	894	910	940	963	1004	1040
WSLC-H3012	642	735	793	837	858	899	914	944	968	1011	1045
WSLC-H3312	656	751	809	853	874	914	931	962	985	1031	1064
WSLC-H3612	668	768	822	867	891	930	948	979	1004	1049	1085
WSLC-H3912	765	864	922	966	989	1029	1049	1083	1111	1161	1201
WSLC-H4212	780	880	940	985	1008	1050	1070	1106	1134	1185	1224
WSLC-H4512	793	899	958	1005	1031	1073	1094	1130	1160	1210	1251
WSLC-H4812	805	915	977	1027	1052	1094	1116	1155	1185	1236	1279
Horizontal Grain - 15" High											
WSLC-H1815	558	614	651	679	695	720	733	755	776	810	837
WSLC-H2115	585	649	688	718	735	768	777	794	814	849	878
WSLC-H2415	650	735	774	802	822	858	874	903	926	965	999
WSLC-H2715	656	752	811	857	880	921	938	968	993	1038	1073
WSLC-H3015	670	769	828	873	896	937	955	985	1012	1056	1092
WSLC-H3315	927	1022	1081	1129	1152	1192	1209	1242	1274	1330	1376
WSLC-H3615	949	1046	1108	1158	1182	1224	1244	1279	1311	1368	1416
WSLC-H3915	976	1076	1141	1190	1214	1258	1279	1315	1348	1409	1455
WSLC-H4215	1004	1112	1180	1232	1257	1301	1325	1368	1403	1465	1516
WSLC-H4515	1021	1132	1202	1258	1286	1336	1357	1397	1432	1494	1546
WSLC-H4815	1040	1152	1225	1285	1314	1363	1388	1427	1462	1528	1580
Horizontal Grain - 18" High											
WSLC-H1818	571	629	668	697	713	740	754	779	798	832	861
WSLCH2118	601	665	705	738	755	789	798	816	836	872	903
WSLC-H2418	670	758	795	825	846	885	901	930	955	996	1032
WSLC-H2718	927	1011	1076	1129	1152	1192	1209	1242	1274	1330	1376
WSLC-H3018	948	1043	1105	1155	1180	1222	1242	1277	1307	1365	1413
WSLC-H3318	965	1059	1125	1179	1203	1246	1267	1302	1335	1393	1442
WSLC-H3618	994	1092	1161	1214	1239	1285	1305	1341	1375	1435	1484
WSLC-H3918	1012	1124	1193	1248	1277	1325	1347	1384	1419	1482	1535
WSLC-H4218	1026	1139	1208	1265	1294	1343	1367	1406	1441	1503	1557
WSLC-H4518	1045	1161	1232	1293	1321	1371	1395	1435	1472	1538	1591
WSLC-H4818	1062	1180	1256	1318	1348	1403	1425	1466	1502	1568	1622

10820 - Wall Bi-Fold



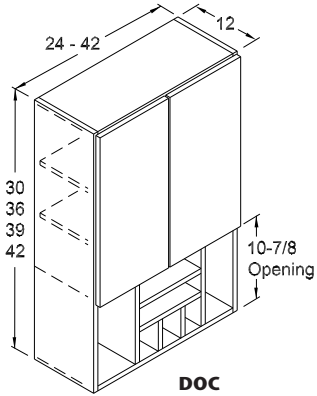
- Door insert grain direction:
WBFD-V = vertical,
WBFD-H = horizontal.
Exception: Veneer and Foil door styles will follow the grain direction specified for the door style.
- **Exception:** WBFD-H is not available with arched door styles.
- **Minimum** height = 22."
Maximum height = 36".
Minimum depth = 11-1/2".
Minimum width = 11-1/2".
- Cabinets over 36" wide have a center partition. For doors with glass, the center partition will be visible unless an opaque glass is used.
- Door extends above cabinet approximately:
7-1/4" for 36" high cabinet
7" for 30" high cabinet
4-3/4" for 24" high cabinet
- For detailed information see specs online.

WBFD-V											
Cat. Code	1	2	3	4	5	6	7	8	9	10	11
Vertical Grain - 24" High - One Adjustable Shelf											
WBFD-V1824	1183	1274	1320	1356	1381	1426	1445	1477	1516	1581	1635
WBFD-V2124	1235	1323	1370	1409	1432	1475	1494	1529	1566	1635	1692
WBFD-V2424	1286	1374	1421	1459	1483	1528	1546	1579	1617	1690	1747
Vertical Grain - 30" High - Two Adjustable Shelves											
WBFD-V1830	1254	1351	1400	1438	1464	1512	1532	1566	1607	1676	1734
WBFD-V2130	1310	1403	1453	1494	1518	1564	1584	1621	1660	1734	1794
WBFD-V2430	1364	1457	1507	1547	1572	1620	1639	1674	1715	1792	1852
Vertical Grain - 36" High - Two Adjustable Shelves											
WBFD-V1836	1315	1384	1432	1470	1494	1538	1557	1591	1630	1703	1761
WBFD-V2136	1354	1435	1488	1530	1557	1603	1624	1662	1704	1778	1839
WBFD-V2436	1498	1613	1672	1720	1752	1811	1837	1882	1930	2015	2085

WBFD-H											
Cat. Code	1	2	3	4	5	6	7	8	9	10	11
Horizontal Grain - 24" High - One Adjustable Shelf											
WBFD-H1824	1183	1274	1320	1356	1381	1426	1445	1477	1516	1581	1635
WBFD-H2124	1235	1323	1370	1409	1432	1475	1494	1529	1566	1635	1692
WBFD-H2424	1286	1374	1421	1459	1483	1528	1546	1579	1617	1690	1747
WBFD-H2724	1320	1418	1486	1542	1567	1616	1638	1676	1717	1795	1855
WBFD-H3024	1347	1451	1521	1577	1605	1656	1677	1715	1759	1837	1901
WBFD-H3324	1362	1470	1540	1595	1623	1675	1697	1735	1780	1858	1922
WBFD-H3624	1393	1509	1587	1650	1680	1735	1760	1804	1848	1931	1997
WBFD-H3924	1628	1745	1832	1901	1934	1992	2019	2064	2116	2209	2286
WBFD-H4224	1661	1784	1878	1955	1990	2053	2079	2126	2180	2277	2356
WBFD-H4524	1697	1826	1930	2012	2049	2116	2145	2195	2249	2348	2431
WBFD-H4824	1729	1866	1981	2075	2113	2183	2214	2267	2323	2426	2509
Horizontal Grain - 30" High - Two Adjustable Shelves											
WBFD-H1830	1254	1351	1400	1438	1464	1512	1532	1566	1607	1676	1734
WBFD-H2130	1310	1403	1453	1494	1518	1564	1584	1621	1660	1734	1794
WBFD-H2430	1364	1457	1507	1547	1572	1620	1639	1674	1715	1792	1852
WBFD-H2730	1400	1504	1576	1635	1662	1713	1737	1777	1821	1903	1967
WBFD-H3030	1428	1539	1613	1672	1702	1756	1778	1818	1865	1948	2016
WBFD-H3330	1444	1559	1633	1691	1721	1776	1799	1840	1887	1970	2038
WBFD-H3630	1477	1600	1683	1749	1781	1840	1866	1913	1959	2047	2117
WBFD-H3930	1726	1850	1942	2016	2051	2112	2141	2188	2243	2342	2424
WBFD-H4230	1761	1892	1991	2073	2110	2177	2204	2254	2311	2414	2498
WBFD-H4530	1799	1936	2046	2133	2172	2243	2274	2327	2384	2489	2577
WBFD-H4830	1833	1978	2100	2200	2240	2314	2347	2404	2463	2572	2660
Horizontal Grain - 36" High - Two Adjustable Shelves											
WBFD-H1836	1315	1384	1432	1470	1494	1538	1557	1591	1630	1703	1761
WBFD-H2136	1354	1435	1488	1530	1557	1603	1624	1662	1704	1778	1839
WBFD-H2436	1498	1613	1672	1720	1752	1811	1837	1882	1930	2015	2085
WBFD-H2736	1526	1661	1746	1816	1852	1917	1946	1995	2046	2135	2210
WBFD-H3036	1601	1740	1826	1897	1936	2006	2039	2093	2145	2239	2319
WBFD-H3336	1662	1808	1900	1972	2014	2090	2123	2182	2236	2336	2417
WBFD-H3636	1707	1853	1948	2025	2068	2151	2183	2245	2301	2403	2487
WBFD-H3936	1949	2102	2202	2284	2329	2414	2449	2513	2576	2692	2785
WBFD-H4236	1984	2158	2261	2345	2394	2481	2519	2586	2650	2767	2863
WBFD-H4536	2034	2212	2323	2414	2463	2555	2594	2665	2732	2852	2952
WBFD-H4836	2082	2267	2384	2480	2532	2627	2667	2741	2810	2936	3036



10850 - Desk Organizer Cabinet

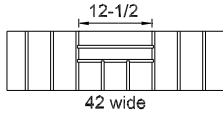
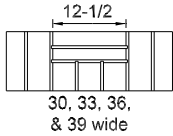
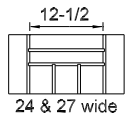


- Matching Finished Interior is standard for entire DOC cabinet.
- Cabinets over 36" wide have a center partition in upper section.
- Height modifications affect upper section.
- Organizer dividers may be omitted for No Charge. Specify "OOD" on order.

WIDTH MODIFICATIONS MUST BE QUOTED

NOTE: If recessed bottom is desired, desk organizer area is decreased in height by 1-1/2" to a 9-3/8" high opening.

NOTE: Not available with Acrylics or Wired Foils.

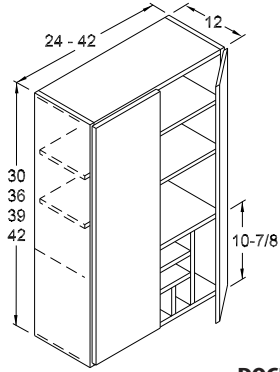


Cat. Code	1	2	3	4	5	6	7	8	9	10	11
30" High - No Shelf											
DOC2430	1179	1287	1351	1403	1452	1544	1581	1651	1692	1767	1827
DOC2730	1230	1340	1405	1455	1507	1600	1641	1713	1755	1834	1897
DOC3030	1284	1395	1456	1507	1561	1659	1701	1776	1819	1900	1966
DOC3330	1375	1487	1554	1606	1664	1767	1810	1892	1938	2025	2095
DOC3630	1465	1581	1650	1705	1766	1875	1922	2007	2058	2149	2224
DOC3930	1580	1698	1767	1822	1883	2000	2050	2141	2194	2292	2370
DOC4230	1694	1816	1882	1938	2004	2123	2176	2272	2328	2433	2517
36" High - One Adjustable Shelf											
DOC2436	1351	1472	1545	1602	1659	1763	1806	1886	1934	2020	2089
DOC2736	1404	1528	1600	1658	1715	1822	1866	1950	1998	2086	2159
DOC3036	1455	1581	1654	1710	1769	1878	1925	2009	2061	2152	2226
DOC3336	1540	1673	1747	1808	1871	1985	2034	2124	2177	2274	2352
DOC3636	1624	1764	1841	1903	1970	2090	2142	2237	2293	2396	2477
DOC3936	1741	1880	1958	2021	2082	2196	2250	2349	2407	2513	2602
DOC4236	1853	1997	2075	2135	2208	2340	2398	2502	2565	2679	2771
39" High - One Adjustable Shelf											
DOC2439	1516	1650	1731	1797	1860	1976	2026	2114	2168	2263	2342
DOC2739	1568	1705	1785	1851	1916	2035	2085	2179	2232	2330	2412
DOC3039	1622	1759	1839	1903	1970	2090	2142	2237	2293	2396	2477
DOC3339	1706	1855	1938	2005	2075	2202	2257	2357	2415	2523	2609
DOC3639	1789	1952	2039	2105	2180	2314	2371	2476	2538	2650	2741
DOC3939	1903	2069	2156	2226	2302	2440	2499	2610	2676	2793	2889
DOC4239	2019	2187	2272	2340	2419	2565	2628	2743	2812	2938	3040
42" High - Two Adjustable Shelves											
DOC2442	1516	1650	1731	1797	1860	1976	2026	2114	2168	2263	2342
DOC2742	1568	1705	1785	1851	1916	2035	2085	2179	2232	2330	2412
DOC3042	1622	1759	1839	1903	1970	2090	2142	2237	2293	2396	2477
DOC3342	1706	1855	1938	2005	2075	2202	2257	2357	2415	2523	2609
DOC3642	1789	1952	2039	2105	2180	2314	2371	2476	2538	2650	2741
DOC3942	1903	2069	2156	2226	2302	2440	2499	2610	2676	2793	2889
DOC4242	2019	2187	2272	2340	2419	2565	2628	2743	2812	2938	3040

Omit Organizer Dividers, **OOD** **N/C**



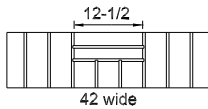
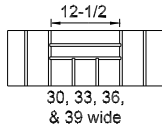
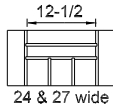
10850 - Desk Organizer Cabinet Door



DOCD

- Height modifications affect upper section.
- Cabinets over 36" wide have a center partition in upper section.

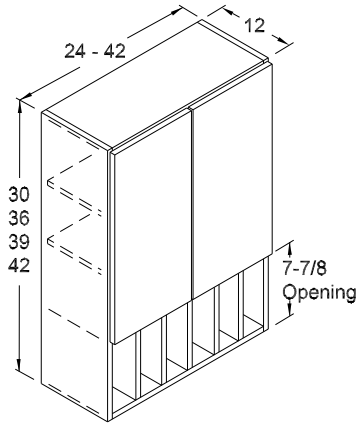
WIDTH MODIFICATIONS MUST BE QUOTED



Cat. Code	1	2	3	4	5	6	7	8	9	10	11
30" High - No Shelf											
DOCD2430	1306	1414	1479	1529	1579	1671	1708	1778	1822	1902	1969
DOCD2730	1358	1467	1531	1582	1634	1727	1768	1840	1886	1970	2039
DOCD3030	1412	1522	1584	1634	1689	1787	1827	1902	1950	2037	2106
DOCD3330	1503	1614	1680	1733	1790	1894	1937	2019	2068	2160	2235
DOCD3630	1593	1708	1777	1832	1893	2002	2049	2134	2188	2285	2363
DOCD3930	1708	1825	1894	1949	2011	2126	2177	2268	2324	2427	2510
DOCD4230	1823	1942	2009	2065	2131	2250	2303	2399	2459	2568	2657
36" High - One Adjustable Shelf											
DOCD2436	1480	1599	1672	1729	1787	1890	1934	2014	2064	2155	2230
DOCD2736	1531	1655	1727	1785	1843	1949	1993	2077	2127	2222	2300
DOCD3036	1584	1708	1781	1837	1896	2005	2051	2137	2190	2287	2365
DOCD3336	1669	1801	1874	1935	1997	2112	2161	2251	2308	2411	2494
DOCD3636	1753	1892	1969	2030	2097	2217	2270	2364	2424	2531	2618
DOCD3936	1869	2007	2085	2147	2209	2323	2377	2476	2538	2650	2741
DOCD4236	1981	2124	2201	2263	2334	2467	2525	2629	2695	2814	2911
39" High - One Adjustable Shelf											
DOCD2439	1643	1777	1858	1923	1987	2103	2153	2240	2296	2399	2481
DOCD2739	1697	1832	1913	1977	2043	2162	2212	2306	2362	2467	2552
DOCD3039	1750	1885	1966	2030	2097	2217	2270	2364	2424	2531	2618
DOCD3339	1834	1983	2065	2132	2201	2329	2384	2483	2546	2658	2750
DOCD3639	1917	2079	2165	2232	2307	2441	2497	2602	2666	2785	2881
DOCD3939	2032	2196	2284	2352	2429	2567	2627	2737	2806	2930	3031
DOCD4239	2146	2313	2399	2467	2546	2692	2755	2870	2943	3073	3180
42" High - Two Adjustable Shelves											
DOCD2442	1643	1777	1858	1923	1987	2103	2153	2240	2296	2399	2481
DOCD2742	1697	1832	1913	1977	2043	2162	2212	2306	2362	2467	2552
DOCD3042	1750	1885	1966	2030	2097	2217	2270	2364	2424	2531	2618
DOCD3342	1834	1983	2065	2132	2201	2329	2384	2483	2546	2658	2750
DOCD3642	1917	2079	2165	2232	2307	2441	2497	2602	2666	2785	2881
DOCD3942	2032	2196	2284	2352	2429	2567	2627	2737	2806	2930	3031
DOCD4242	2146	2313	2399	2467	2546	2692	2755	2870	2943	3073	3180



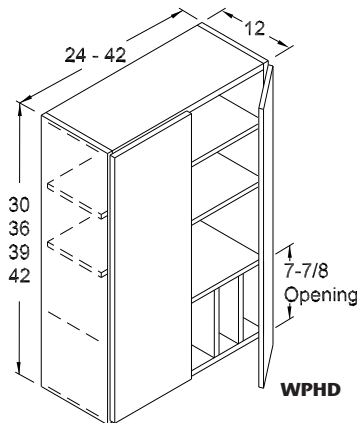
10900 - Wall Pigeon Hole Cabinet



WPH

Cabinet Width	Pigeon Holes
24" or 27"	5
30"	6
33" or 36"	7
39"	8
42"	9

Cat. Code	1	2	3	4	5	6	7	8	9	10	11
30" High - No Shelf											
WPH2430	1179	1287	1351	1403	1452	1544	1581	1651	1692	1767	1827
WPH2730	1230	1340	1405	1455	1507	1600	1641	1713	1755	1834	1897
WPH3030	1284	1395	1456	1507	1561	1659	1701	1776	1819	1900	1966
WPH3330	1375	1487	1554	1606	1664	1767	1810	1892	1938	2025	2095
WPH3630	1465	1581	1650	1705	1766	1875	1922	2007	2058	2149	2224
WPH3930	1580	1698	1767	1822	1883	2000	2050	2141	2194	2292	2370
WPH4230	1694	1816	1882	1938	2004	2123	2176	2272	2328	2433	2517
36" High - One Adjustable Shelf											
WPH2436	1351	1472	1545	1602	1659	1763	1806	1886	1934	2020	2089
WPH2736	1404	1528	1600	1658	1715	1822	1866	1950	1998	2086	2159
WPH3036	1455	1581	1654	1710	1769	1878	1925	2009	2061	2152	2226
WPH3336	1540	1673	1747	1808	1871	1985	2034	2124	2177	2274	2352
WPH3636	1624	1764	1841	1903	1970	2090	2142	2237	2293	2396	2477
WPH3936	1741	1880	1958	2021	2082	2196	2250	2349	2407	2513	2602
WPH4236	1853	1997	2075	2135	2208	2340	2398	2502	2565	2679	2771
39" High - Two Adjustable Shelves											
WPH2439	1516	1650	1731	1797	1860	1976	2026	2114	2168	2263	2342
WPH2739	1568	1705	1785	1851	1916	2035	2085	2179	2232	2330	2412
WPH3039	1622	1759	1839	1903	1970	2090	2142	2237	2293	2396	2477
WPH3339	1706	1855	1938	2005	2075	2202	2257	2357	2415	2523	2609
WPH3639	1789	1952	2039	2105	2180	2314	2371	2476	2538	2650	2741
WPH3939	1903	2069	2156	2226	2302	2440	2499	2610	2676	2793	2889
WPH4239	2019	2187	2272	2340	2419	2565	2628	2743	2812	2938	3040
42" High - Two Adjustable Shelves											
WPH2442	1516	1650	1731	1797	1860	1976	2026	2114	2168	2263	2342
WPH2742	1568	1705	1785	1851	1916	2035	2085	2179	2232	2330	2412
WPH3042	1622	1759	1839	1903	1970	2090	2142	2237	2293	2396	2477
WPH3342	1706	1855	1938	2005	2075	2202	2257	2357	2415	2523	2609
WPH3642	1789	1952	2039	2105	2180	2314	2371	2476	2538	2650	2741
WPH3942	1903	2069	2156	2226	2302	2440	2499	2610	2676	2793	2889
WPH4242	2019	2187	2272	2340	2419	2565	2628	2743	2812	2938	3040



WPHD

- Matching Finished Interior is standard for entire WPH cabinet.
- Height modifications affect upper section.
- Cabinets over 36" wide have a center partition in upper section.
- Pigeon Hole dividers may be omitted for No Charge. Specify "OPHD" on order.

WIDTH MODIFICATIONS MUST BE QUOTED

NOTE: If recessed bottom is desired, desk organizer area is decreased in height by 1-1/2" to a 6-3/8" high opening.

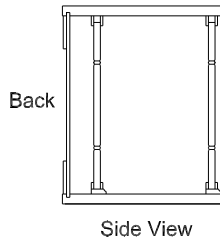
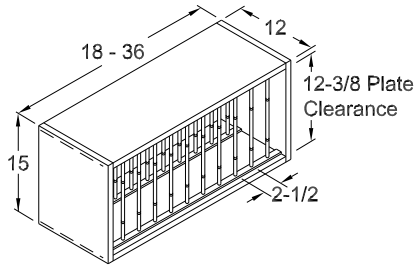
NOTE: Not available with Acrylics or Wired Foils.

Cat. Code	1	2	3	4	5	6	7	8	9	10	11
30" High - No Shelf											
WPHD2430	1306	1414	1479	1529	1581	1677	1712	1778	1822	1902	1969
WPHD2730	1358	1467	1531	1582	1634	1727	1768	1840	1886	1970	2039
WPHD3030	1412	1522	1584	1634	1689	1787	1827	1902	1950	2037	2106
WPHD3330	1503	1614	1680	1733	1790	1894	1937	2019	2068	2160	2235
WPHD3630	1593	1708	1777	1832	1893	2002	2049	2134	2188	2285	2363
WPHD3930	1708	1825	1894	1949	2011	2126	2177	2268	2324	2427	2510
WPHD4230	1823	1942	2009	2065	2131	2250	2303	2399	2459	2568	2657
36" High - One Adjustable Shelf											
WPHD2436	1480	1599	1672	1729	1787	1890	1934	2014	2064	2155	2230
WPHD2736	1531	1655	1727	1785	1843	1949	1993	2077	2127	2222	2300
WPHD3036	1584	1714	1817	1900	1937	2005	2051	2137	2190	2287	2365
WPHD3336	1669	1801	1874	1935	1997	2112	2161	2251	2308	2411	2494
WPHD3636	1753	1892	1969	2030	2097	2217	2270	2364	2424	2531	2618
WPHD3936	1869	2007	2085	2147	2209	2323	2377	2476	2538	2650	2741
WPHD4236	1981	2124	2201	2263	2334	2467	2525	2629	2695	2814	2911
39" High - Two Adjustable Shelves											
WPHD2439	1643	1777	1900	1998	2037	2103	2153	2240	2296	2399	2481
WPHD2739	1697	1832	1913	1977	2043	2162	2212	2306	2362	2467	2552
WPHD3039	1750	1885	1966	2030	2097	2217	2270	2364	2424	2531	2618
WPHD3339	1834	1983	2065	2132	2201	2329	2384	2483	2546	2658	2750
WPHD3639	1917	2079	2165	2232	2307	2441	2498	2603	2667	2786	2882
WPHD3939	2032	2196	2284	2352	2429	2567	2627	2737	2806	2930	3031
WPHD4239	2146	2313	2399	2467	2546	2692	2755	2870	2943	3073	3180
42" High - Two Adjustable Shelves											
WPHD2442	1643	1777	1900	1998	2037	2103	2153	2240	2296	2399	2481
WPHD2742	1697	1832	1913	1977	2043	2162	2212	2306	2362	2467	2552
WPHD3042	1750	1885	1966	2030	2097	2217	2270	2364	2424	2531	2618
WPHD3342	1834	1983	2065	2132	2201	2329	2384	2483	2546	2658	2750
WPHD3642	1917	2079	2165	2232	2307	2441	2498	2603	2667	2786	2882
WPHD3942	2032	2196	2284	2352	2429	2567	2627	2737	2806	2930	3031
WPHD4242	2146	2313	2399	2467	2546	2692	2755	2870	2943	3073	3180

Omit Pigeon Hole Dividers, OPHD N/C



10940 - Wall Plate Display Rack



- **Matching Finished Interior is standard and included for N/C.**
- Maximum plate diameter = 12-3/8".

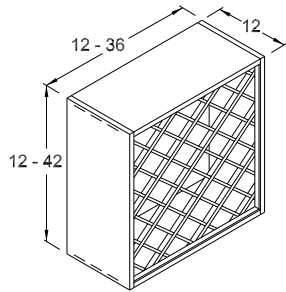
DIMENSIONAL MODIFICATIONS MUST BE QUOTED

NOTE: Removable decorative dowels are available in standard wood species **only**.

Cabinet Width	Plate Capacity
18"	6
21"	7
24"	8
27"	9
30"	10
33"	11
36"	12

Cat. Code	Price
15" High	
WPDR1815	1110
WPDR2115	1169
WPDR2415	1229
WPDR2715	1297
WPDR3015	1365
WPDR3315	1431
WPDR3615	1501

10950 - Wine Rack Cabinet Diamond



- WRCD modification converts a standard wall cabinet (**minimum** 12" wide, **minimum** 12" high, **maximum** 36" wide and **maximum** of 42" high) (section #10000) to a diamond patterned wine rack cabinet with **no doors**.
- **Maximum** depth = 18". Specify Wine Rack location (held to back or front). If not specified, held to back is the standard.
- **Matching Finished Interior is standard and included for N/C.**

NOTE: Grids are available in standard wood species **only**.

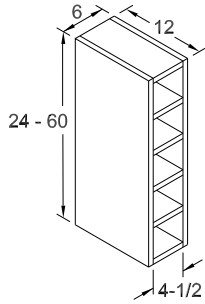
WRCD* Multiply cabinet price times 3 cabinet size in price Group #1.

*Price includes cabinet, matching interior **and** omit door credit.

		Wine Bottle Storage Capacity								
Cabinet Size		Width								
		12	15	18	21	24	27	30	33	36
Height	12	N/A	N/A	N/A	3	3	3	3	5	5
	15	N/A	5	5	7	7	11	11	13	13
	18	N/A	5	5	7	7	11	11	13	13
	21	3	7	7	13	13	17	17	23	23
	24	3	7	7	13	13	17	17	23	23
	27	3	11	11	17	17	25	25	31	31
	30	3	11	11	17	17	25	25	31	31
	36	5	13	13	23	23	31	31	41	41
	39	5	17	17	27	27	39	39	49	49
	42	5	17	17	27	27	39	39	49	49



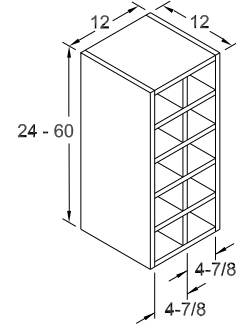
11000 - Wall Wine Rack



- Matching Finished Interior is standard and included for N/C.
- Finished back is **not** available.
- **Minimum** depth = 6"

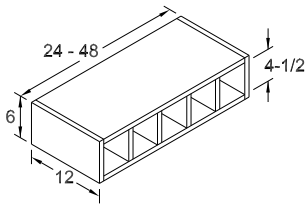
**DEPTH MODIFICATIONS ONLY
ALL OTHER MODIFICATIONS MUST BE QUOTED**

NOTE: Not available for Acrylics or Wired Foils.

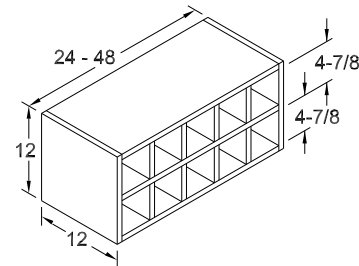


Cat. Code	Price	# Bottles
6" Wide Wine Rack		
WWR624	713	4
WWR630	817	5
WWR636	955	6
WWR639	1083	7
WWR642	1083	7
WWR648	1221	8
WWR654	1356	9
WWR657	1490	10
WWR660	1490	10

Cat. Code	Price	# Bottles
12" Wide Wine Rack		
WWR1224	787	8
WWR1230	894	10
WWR1236	1043	12
WWR1239	1190	14
WWR1242	1190	14
WWR1248	1343	16
WWR1254	1470	18
WWR1257	1645	20
WWR1260	1645	20

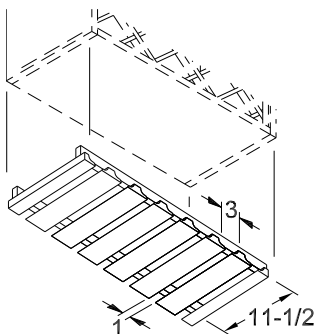


Cat. Code	Price	# Bottles
6" High Wine Rack		
WWRH246	713	4
WWRH306	817	5
WWRH366	955	6
WWRH396	1083	7
WWRH426	1083	7
WWRH486	1221	8



Cat. Code	Price	# Bottles
12" High Wine Rack		
WWRH2412	787	8
WWRH3012	894	10
WWRH3612	1043	12
WWRH3912	1190	14
WWRH4212	1190	14
WWRH4812	1343	16

11050 - Wine Glass Holder



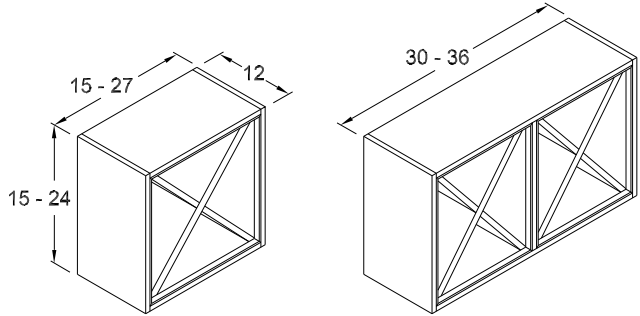
- Shipped loose for field installation.
- Available in Oak, Maple, and Cherry. Oak is used for Hickory and Rustic Hickory orders, Cherry is used for Knotty Alder orders.

NO MODIFICATIONS

Cat. Code	Price	Glass Slots	Holder Length
WGH15	392	3	13"
WGH18	392	4	16-11/16"
WGH21	392	4	16-11/16"
WGH24	494	5	21"
WGH27	555	6	25"
WGH30	595	7	28-11/16"
WGH33	595	7	28-11/16"
WGH36	712	8	33"



11060 - "X" Wall Wine Cube



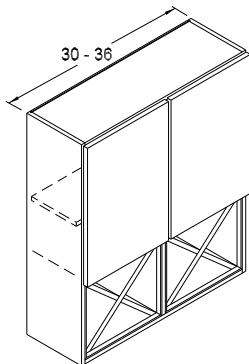
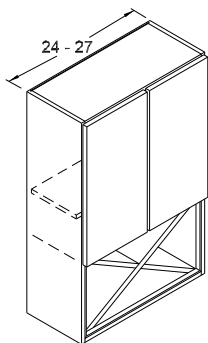
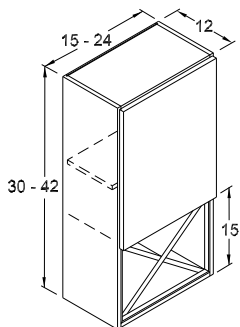
- **Matching Finished Interior is standard and included for N/C.**
- **Minimum** height = 15". **Maximum** height = 24".
Minimum width = 15". **Maximum** depth = 24".

NOTE: Not available for Acrylics or Wired Foils.

Cat. Code	Price
15" High	
XW1515	894
XW1815	940
XW2115	997
XW2415	1106
XW2715	1214
XW3015	1656
XW3315	1714
XW3615	1768
18" High	
XW1518	912
XW1818	958
XW2118	1018
XW2418	1127
XW2718	1238
XW3018	1689
XW3318	1748
XW3618	1803

Cat. Code	Price
21" High	
XW1521	929
XW1821	977
XW2121	1038
XW2421	1151
XW2721	1264
XW3021	1722
XW3321	1784
XW3621	1839
24" High	
XW1524	948
XW1824	996
XW2124	1057
XW2424	1173
XW2724	1288
XW3024	1755
XW3324	1819
XW3624	1875

11070 - "X" Wine Rack Wall (Bottom)



- **Wine rack area has Matching Finished Interior as standard.**
- **Minimum** width = 15".
Maximum depth = 24".
- Height modifications affect the door area.

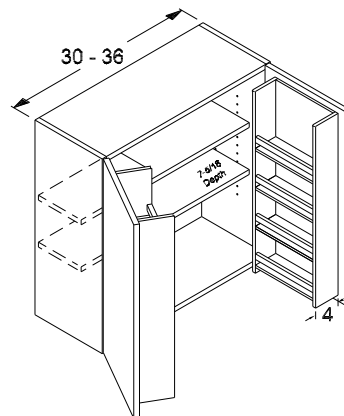
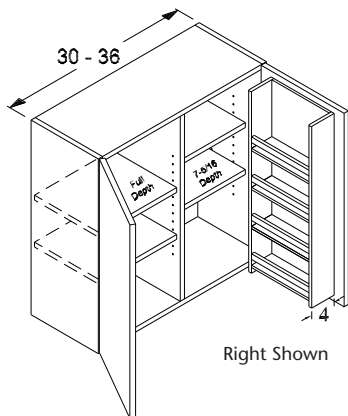
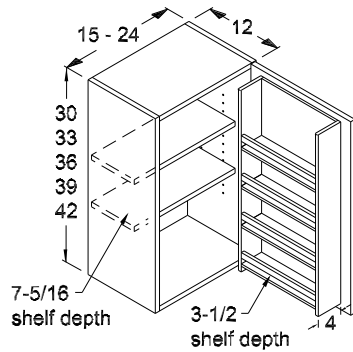
NOTE: Not available for Acrylics or Wired Foils.

Cat. Code	1	2	3	4	5	6	7	8	9	10	11
30" High - No Shelf											
XWB1530	1164	1266	1328	1376	1426	1517	1554	1622	1664	1736	1798
XWB1830	1210	1320	1386	1437	1487	1580	1619	1691	1733	1810	1873
XWB2130	1263	1374	1442	1496	1549	1645	1686	1761	1805	1885	1951
XWB2430-1	1315	1431	1502	1559	1614	1714	1757	1836	1881	1965	2033
XWB2430	1368	1490	1564	1621	1679	1787	1830	1910	1957	2044	2114
XWB2730	1417	1540	1613	1672	1729	1837	1882	1967	2016	2105	2179
XWB3030	1640	1761	1833	1892	1951	2061	2107	2194	2247	2347	2429
XWB3330	1714	1847	1922	1983	2046	2160	2210	2301	2357	2461	2547
XWB3630	1789	1935	2012	2075	2141	2261	2313	2408	2469	2579	2667
36" High - No Shelf											
XWB1536	1223	1333	1398	1449	1501	1595	1635	1708	1750	1829	1893
XWB1836	1274	1389	1455	1511	1565	1664	1705	1780	1823	1903	1970
XWB2136	1328	1446	1518	1574	1629	1731	1774	1853	1900	1984	2053
XWB2436-1	1382	1504	1579	1640	1697	1804	1848	1931	1978	2067	2138
XWB2436	1440	1568	1647	1707	1768	1878	1925	2008	2060	2151	2225
XWB2736	1490	1619	1697	1759	1820	1934	1983	2070	2121	2216	2293
XWB3036	1725	1853	1929	1990	2053	2169	2217	2308	2365	2470	2555
XWB3336	1805	1945	2025	2086	2153	2273	2326	2421	2481	2590	2680
XWB3636	1882	2037	2117	2182	2251	2379	2435	2534	2597	2713	2807
39" High - One Adjustable Shelf											
XWB1539	1287	1404	1470	1525	1580	1679	1721	1798	1841	1923	1990
XWB1839	1340	1461	1533	1591	1648	1748	1792	1872	1918	2004	2072
XWB2139	1397	1521	1595	1657	1714	1822	1866	1950	1998	2086	2159
XWB2439-1	1454	1584	1662	1725	1785	1897	1945	2030	2081	2174	2247
XWB2439	1516	1650	1731	1797	1860	1976	2026	2114	2168	2263	2342
XWB2739	1568	1705	1785	1851	1916	2035	2085	2179	2232	2330	2412
XWB3039	1816	1950	2030	2095	2160	2281	2333	2429	2489	2599	2688
XWB3339	1899	2047	2128	2196	2266	2393	2448	2548	2610	2726	2821
XWB3639	1981	2142	2228	2296	2369	2504	2562	2666	2733	2853	2953
42" High - Two Adjustable Shelves											
XWB1542	1287	1404	1470	1525	1580	1679	1721	1798	1841	1923	1990
XWB1842	1340	1461	1533	1591	1648	1748	1792	1872	1918	2004	2072
XWB2142	1397	1521	1595	1657	1714	1822	1866	1950	1998	2086	2159
XWB2442-1	1454	1584	1662	1725	1785	1897	1945	2030	2081	2174	2247
XWB2442	1516	1650	1731	1797	1860	1976	2026	2114	2168	2263	2342
XWB2742	1568	1705	1785	1851	1916	2035	2085	2179	2232	2330	2412
XWB3042	1816	1950	2030	2095	2160	2281	2333	2429	2489	2599	2688
XWB3342	1899	2047	2128	2196	2266	2393	2448	2548	2610	2726	2821
XWB3642	1981	2142	2228	2296	2369	2504	2562	2666	2733	2853	2953



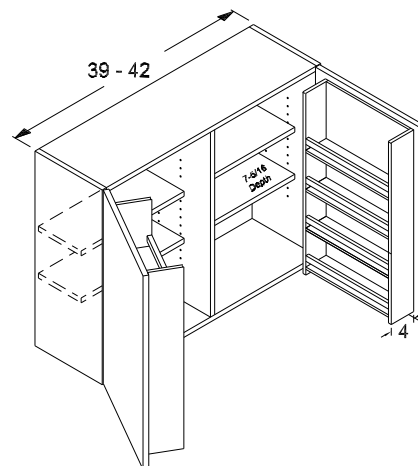
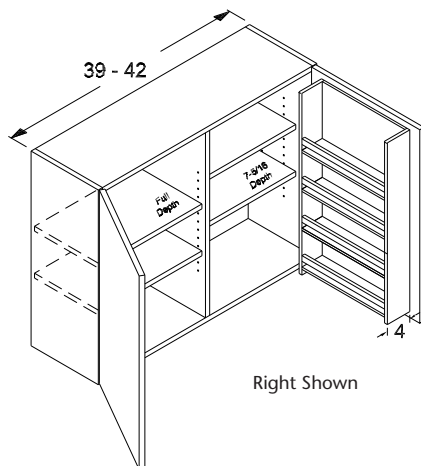
11075 - Wall Spice Rack Cabinet

- Spice rack is natural maple with fixed shelves and is attached to back of cabinet door.
- **Minimum** cabinet height = 24".
- **Minimum** cabinet width = 15".
- **Maximum** cabinet height = 42".



- When spice rack is specified for left or right side, cabinet includes a center partition with shallow shelves on the side with the spice rack.

- When spice rack is specified for both sides (B), shallow shelves are included for entire cabinet.



- Cabinets over 36" wide have a Center Partition. Shallow shelves are installed on the side with a spice rack or entire cabinet if both sides are specified.



11075 - Wall Spice Rack Cabinet

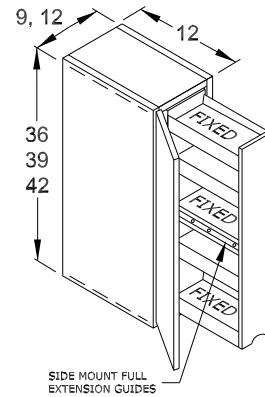
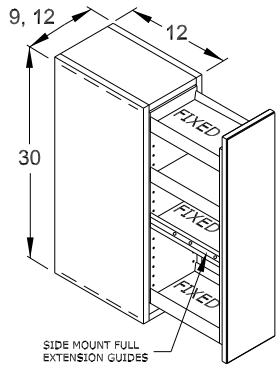
Cat. Code	1	2	3	4	5	6	7	8	9	10	11
30" High - Two Adjustable Shelves											
WSRC1530	681	744	782	813	830	864	878	901	916	941	963
WSRC1830	715	787	830	865	884	916	932	957	975	1004	1026
WSRC2130	751	827	876	914	935	972	989	1017	1034	1065	1091
WSRC2430-1	880	996	1046	1086	1112	1161	1182	1221	1243	1284	1315
WSRC3030 L/R	1072	1196	1277	1340	1371	1428	1453	1498	1524	1569	1610
WSRC3030 B	1279	1403	1484	1547	1578	1635	1660	1705	1731	1776	1817
WSRC3330 L/R	1112	1245	1326	1393	1426	1487	1512	1559	1588	1638	1679
WSRC3330 B	1319	1452	1533	1600	1633	1694	1719	1766	1795	1845	1886
WSRC3630 L/R	1154	1295	1379	1447	1483	1547	1575	1625	1655	1707	1751
WSRC3630 B	1361	1502	1586	1654	1690	1754	1782	1832	1862	1914	1958
WSRC3930 L/R	1188	1337	1427	1501	1538	1606	1635	1686	1718	1774	1819
WSRC3930 B	1395	1544	1634	1708	1745	1813	1842	1893	1925	1981	2026
WSRC4230 L/R	1225	1382	1476	1553	1593	1663	1693	1749	1782	1840	1889
WSRC4230 B	1432	1589	1683	1760	1800	1870	1900	1956	1989	2047	2096
36" High - Two Adjustable Shelves											
WSRC1536	797	873	915	949	971	1010	1027	1056	1075	1110	1137
WSRC1836	849	925	974	1012	1035	1077	1098	1131	1152	1187	1219
WSRC2136	886	977	1028	1069	1097	1145	1165	1201	1224	1265	1297
WSRC2436-1	1031	1154	1214	1261	1293	1353	1378	1424	1452	1502	1542
WSRC3036 L/R	1257	1401	1489	1559	1599	1669	1699	1755	1788	1846	1895
WSRC3036 B	1464	1608	1696	1766	1806	1876	1906	1962	1995	2053	2102
WSRC3336 L/R	1316	1470	1561	1635	1676	1753	1785	1844	1879	1940	1993
WSRC3336 B	1523	1677	1768	1842	1883	1960	1992	2051	2086	2147	2200
WSRC3636 L/R	1362	1516	1610	1686	1730	1811	1846	1909	1945	2012	2065
WSRC3636 B	1569	1723	1817	1893	1937	2018	2053	2116	2152	2219	2272
WSRC3936 L/R	1397	1560	1660	1743	1789	1874	1909	1973	2010	2079	2136
WSRC3936 B	1604	1767	1867	1950	1996	2081	2116	2180	2217	2286	2343
WSRC4236 L/R	1433	1617	1721	1804	1853	1939	1978	2045	2086	2157	2217
WSRC4236 B	1640	1824	1928	2011	2060	2146	2185	2252	2293	2364	2424
39" High - Two Adjustable Shelves											
WSRC1539	873	949	995	1031	1055	1103	1123	1157	1178	1215	1247
WSRC1839	918	1007	1060	1103	1130	1179	1200	1240	1262	1304	1339
WSRC2139	975	1067	1126	1174	1203	1258	1283	1324	1349	1395	1430
WSRC2439-1	1118	1255	1318	1369	1404	1471	1499	1550	1581	1637	1682
WSRC3039 L/R	1372	1523	1615	1687	1732	1812	1861	1947	1986	2052	2108
WSRC3039 B	1579	1730	1822	1894	1939	2019	2068	2154	2193	2259	2315
WSRC3339 L/R	1422	1585	1685	1767	1812	1896	1932	1998	2036	2107	2163
WSRC3339 B	1629	1792	1892	1974	2019	2103	2139	2205	2243	2314	2370
WSRC3639 L/R	1462	1641	1747	1831	1881	1971	2008	2077	2118	2191	2252
WSRC3639 B	1669	1848	1954	2038	2088	2178	2215	2284	2325	2398	2459
WSRC3939 L/R	1522	1707	1819	1910	1960	2052	2094	2166	2209	2287	2351
WSRC3939 B	1729	1914	2026	2117	2167	2259	2301	2373	2416	2494	2558
WSRC4239 L/R	1576	1767	1886	1982	2035	2135	2176	2253	2297	2380	2446
WSRC4239 B	1783	1974	2093	2189	2242	2342	2383	2460	2504	2587	2653
42" High - Three Adjustable Shelves											
WSRC1542	873	949	995	1031	1055	1103	1123	1157	1178	1215	1247
WSRC1842	918	1007	1060	1103	1130	1179	1200	1240	1262	1304	1339
WSRC2142	975	1067	1126	1174	1203	1258	1283	1324	1349	1395	1430
WSRC2442-1	1118	1255	1318	1369	1404	1471	1499	1550	1581	1637	1682
WSRC3042 L/R	1372	1523	1615	1687	1732	1812	1847	1910	1946	2013	2066
WSRC3042 B	1579	1730	1822	1894	1939	2019	2054	2117	2153	2220	2273
WSRC3342 L/R	1422	1585	1685	1767	1812	1896	1932	1998	2036	2107	2163
WSRC3342 B	1629	1792	1892	1974	2019	2103	2139	2205	2243	2314	2370
WSRC3642 L/R	1462	1641	1747	1831	1881	1971	2008	2077	2118	2191	2252
WSRC3642 B	1669	1848	1954	2038	2088	2178	2215	2284	2325	2398	2459
WSRC3942 L/R	1522	1707	1819	1910	1960	2052	2094	2166	2209	2287	2351
WSRC3942 B	1729	1914	2026	2117	2167	2259	2301	2373	2416	2494	2558
WSRC4242 L/R	1576	1767	1886	1982	2035	2135	2176	2253	2297	2380	2446
WSRC4242 B	1783	1974	2093	2189	2242	2342	2383	2460	2504	2587	2653



11080 - Wall Pull-Out Pantry

- Pantry shelves are Maple with a Natural finish.

QUOTED MODIFICATIONS ONLY

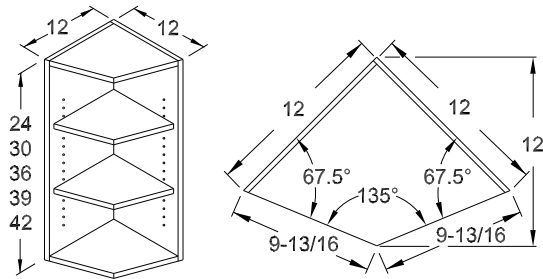


◀ Specify Left or Right hinge direction.

Cat. Code	1	2	3	4	5	6	7	8	9	10	11
WPOP930	819	884	917	944	959	984	1011	1054	1080	1126	1166
WPOP936	921	989	1031	1062	1081	1115	1130	1157	1186	1237	1280
WPOP939	959	1038	1081	1115	1136	1172	1188	1216	1245	1301	1347
WPOP942	959	1038	1081	1115	1136	1172	1188	1216	1245	1301	1347
WPOP1230	874	928	963	990	1006	1036	1061	1108	1136	1186	1225
WPOP1236	992	1052	1088	1116	1137	1173	1189	1217	1246	1302	1348
WPOP1239	1046	1108	1150	1183	1206	1244	1263	1295	1328	1386	1434
WPOP1242	1046	1108	1150	1183	1206	1244	1263	1295	1328	1386	1434



11100 - Wall End Corner Cabinet without Doors



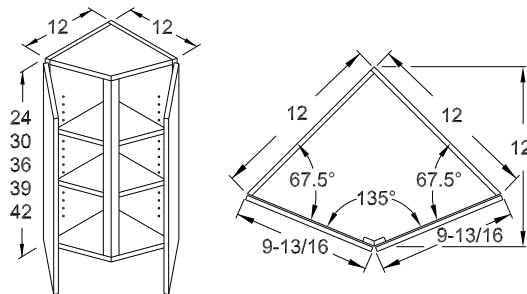
- Matching Finished Interior is standard and included for N/C.
- Finished Ends are **not** available.

HEIGHT MODIFICATIONS ONLY
ALL OTHER MODIFICATIONS MUST BE QUOTED

NOTE: **Not** available for Acrylics or Wired Foils.

Cat. Code	Price	Adj. Shelves
WECC24	660	1
WECC30	709	2
WECC36	805	2
WECC39	1003	2
WECC42	1003	3

11150 - Wall End Corner Cabinet with Doors



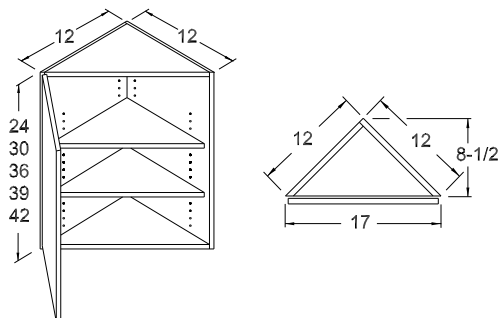
- Finished Ends are **not** available.

HEIGHT MODIFICATIONS ONLY
ALL OTHER MODIFICATIONS MUST BE QUOTED

NOTE: **Not** available with Aluminum doors.

Cat. Code	1	2	3	4	5	6	7	8	9	10	11	Adj. Shelves
WECCD24	538	633	691	739	772	828	849	886	908	948	980	1
WECCD30	578	683	754	812	847	910	933	975	999	1043	1078	2
WECCD36	657	780	865	934	975	1046	1073	1118	1148	1199	1239	2
WECCD39	817	979	1094	1186	1236	1328	1361	1423	1456	1522	1574	2
WECCD42	817	979	1094	1186	1236	1328	1361	1423	1456	1522	1574	3

11200 - Triangular Wall Cabinet



- Finished Ends are **not** available.

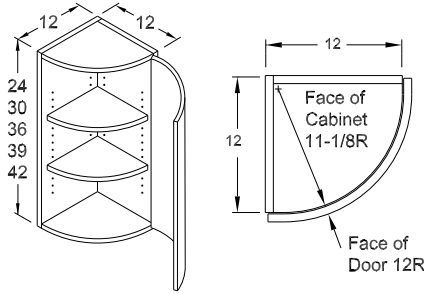
HEIGHT MODIFICATIONS ONLY
ALL OTHER MODIFICATIONS MUST BE QUOTED

NOTE: **Not** available with Aluminum doors.

Cat. Code	1	2	3	4	5	6	7	8	9	10	11	Adj. Shelves
TWC1224	460	542	592	634	661	709	726	760	779	814	839	1
TWC1230	496	585	647	696	725	780	800	835	854	893	924	2
TWC1236	563	667	739	798	832	895	919	958	982	1025	1061	2
TWC1239	700	838	936	1014	1059	1143	1169	1222	1251	1307	1353	2
TWC1242	700	838	936	1014	1059	1143	1169	1222	1251	1307	1353	3



11250 - Quarter Round Wall Cabinet



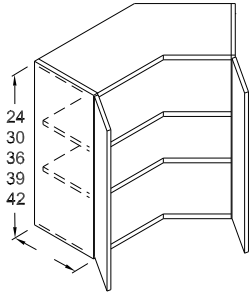
- Finished Ends are **not** available.

HEIGHT MODIFICATIONS ONLY
ALL OTHER MODIFICATIONS MUST BE QUOTED

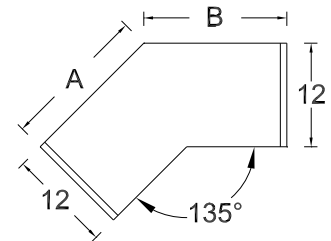
NOTE: Available in standard wood species **only**. **Exception:** Not available in Rustic Hickory. See [Door Style section](#) for other limitations.

Cat. Code	1	2	3	4	5	6	7	8	9	10	11	Adj. Shelves
QRWC1224	1837	1939	1978	2008	2034	2079	2131	2225	2281	2380	2463	1
QRWC1230	1932	2033	2071	2103	2127	2174	2228	2326	2383	2489	2575	2
QRWC1236	2032	2132	2172	2202	2228	2272	2328	2433	2492	2602	2693	2
QRWC1239	2239	2340	2378	2408	2434	2478	2541	2653	2719	2840	2938	2
QRWC1242	2239	2340	2378	2408	2434	2478	2541	2653	2719	2840	2938	3

11270 - 135° Angle Cabinet with Doors



- Specify size of cabinet backs (dimension "A" and "B") when ordering. **Minimum** of "A" or "B" is 15", **maximum** of "A" or "B" is 24". "A" and/or "B" dimensional modification is included in price.
- Face dimension is 5" less than back dimension.
- Minimum** depth is 6"

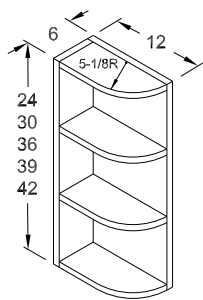


HEIGHT MODIFICATIONS ONLY
ALL OTHER MODIFICATIONS MUST BE QUOTED

NOTE: Adjustable shelves may or may not be removable depending on cabinet size.

Cat. Code	1	2	3	4	5	6	7	8	9	10	11	Adj. Shelves
135AWCD24	632	713	763	802	829	881	905	944	966	1008	1045	1
135AWCD30	741	839	895	942	973	1035	1063	1110	1136	1188	1228	2
135AWCD36	929	1048	1092	1127	1167	1239	1269	1323	1357	1418	1466	2
135AWCD39	1028	1150	1217	1272	1318	1397	1432	1494	1532	1599	1655	2
135AWCD42	1028	1150	1217	1272	1318	1397	1432	1494	1532	1599	1655	3

11300 - What Not Shelf



- Matching Finished Interior is standard.**
- Finished Ends are **not** available.

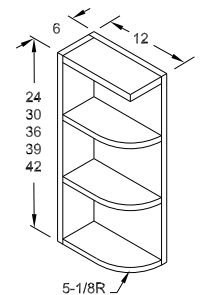
QUOTED MODIFICATIONS ONLY

NOTE: Not available for Acrylics or Wired Foils.

NOTE: Curved moldings to match radius are **not** available.

Cat. Code	Price	Adj. Shelves
WNS24	340	1
WNS30	383	2
WNS36	439	2
WNS39	507	2
WNS42	507	3

11350 - Square Top What Not Shelf



- Specify left or right SWNS on order. SWNS is **not** reversible.
- Matching Finished Interior is standard and included for N/C.**
- Finished Ends are **not** available.

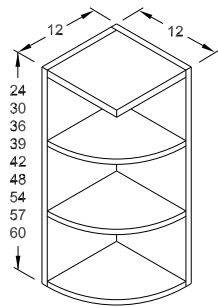
QUOTED MODIFICATIONS ONLY

NOTE: Not available for Acrylics or Wired Foils.

Cat. Code	Price	Adj. Shelves
SWNS24	L/R 389	1
SWNS30	L/R 439	2
SWNS36	L/R 503	2
SWNS39	L/R 584	2
SWNS42	L/R 584	3



11400 - Wall End Shelf



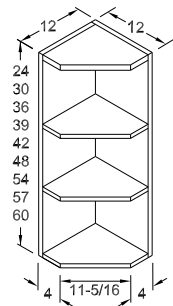
- Matching Finished Interior is standard.
- Finished Ends and Backs are **not** available.

QUOTED MODIFICATIONS ONLY

NOTE: Not available for Acrylics or Wired Foils.

Cat. Code	Price	Adj. Shelves
WES24	642	1
WES30	737	2
WES36	832	2
WES39	982	2
WES42	982	3
WES48	1179	3
WES54	1261	3
WES57	1350	4
WES60	1350	4

11420 - Diagonal Wall End Shelf



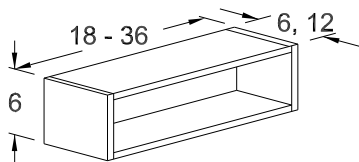
- Matching Finished Interior is standard.
- Finished Ends and Backs are **not** available.

QUOTED MODIFICATIONS ONLY

NOTE: Not available for Acrylics or Wired Foils.

Cat. Code	Price	Adj. Shelves
DWES24	604	1
DWES30	737	2
DWES36	832	2
DWES39	982	3
DWES42	982	3
DWES48	1179	3
DWES54	1261	3
DWES57	1350	4
DWES60	1350	4

11780 - Wall Element Shelf

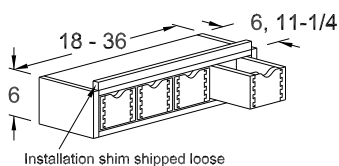


- Matching Finished Interior is standard.

NOTE: Not available for Acrylics or Wired Foils.

Cat. Code	Price
WES18-6	208
WES24-6	221
WES30-6	249
WES36-6	284
WES18-12	334
WES24-12	354
WES30-12	398
WES36-12	495

11800 - Wall Apothecary with Drawers



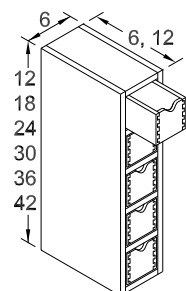
- Dovetailed drawers are 5/8" thick solid wood finished to match order. Drawers do **not** have drawer guides or stops.
- Finger pull on drawers may be omitted for no charge. Specify "Omit Finger pulls" on order.
- Finished Ends and Finished Bottom are standard and included for N/C.

NOTE: Available in standard wood species **only**.

QUOTED MODIFICATIONS ONLY

Cat. Code	Price
WE3D18-6	614
WE4D24-6	874
WE5D30-6	1141
WE6D36-6	1406
WE3D18-12	922
WE4D24-12	1318
WE5D30-12	1713
WE6D36-12	2107

11820 - Wall Apothecary with Vertical Drawers



- Matching Finished Interior and Finished Drawers are standard.
- Drawers do **not** have drawer guides or stops.
- Finger pull on drawers may be omitted for no charge. Specify "Omit Finger pulls" on order.

QUOTED MODIFICATIONS ONLY

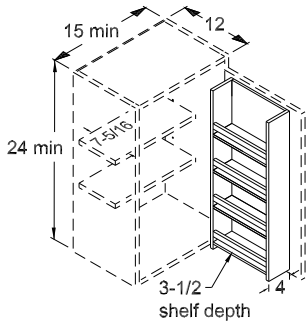
Cat. Code	Price
WE2VD12-6	423
WE3VD18-6	676
WE4VD24-6	928
WE5VD30-6	1181
WE6VD36-6	1435
WE7VD42-6	1689

Cat. Code	Price
WE2VD12-12	588
WE3VD18-12	978
WE4VD24-12	1356
WE5VD30-12	1735
WE6VD36-12	2117
WE7VD42-12	2498

NOTE: Available in standard wood species **only**.



11900 - Door Spice Rack



- DSR is installed on the back of wall cabinet door **only**.
- DSR is natural maple material. DSR shelves are fixed.
- Wall cabinet shelves are reduced in depth to accommodate DSR.
- If only one DSR is desired on a two door cabinet, specify centered wall partition, **WP** and which door DSR is to be attached to. Only the shelves behind the DSR will be reduced in depth.
- **Minimum** cabinet height = 24".
Minimum cabinet width = 15".
Maximum cabinet height = 42".
- **Not** available in corner units (e.g. DCW, BCW, SCW, etc).
- Cabinet is **not** included in the price.

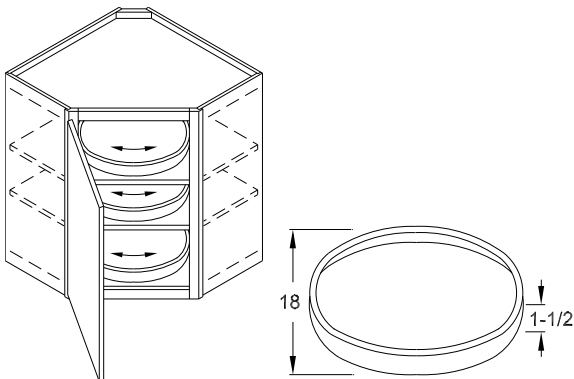
QUOTED MODIFICATIONS ONLY

NOTE: Not available with the AM3 angle modification.

Catalog Code	Price
DSR	328

Centered Wall Partition, **WP** Add \$121 for centered wall partition for DSR

11910 - Loose Wood Susan



- Loose WLS may be ordered for any standard diagonal corner wall cabinet.
- WLS is constructed of wood with a natural finish and rotates on a metal bearing.
- WLS is shipped loose. Cabinet is **not** included in price.

Wood Susan, **WLS** \$187 ea.

Wood Susan and Adjustable Shelf*, **WLSAS** \$416 ea.

* Specify 24" or 27" Diagonal Corner Wall for size of shelf.



Hoods

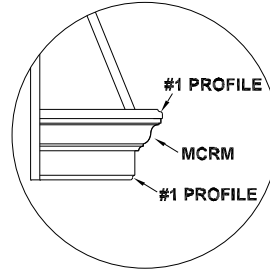
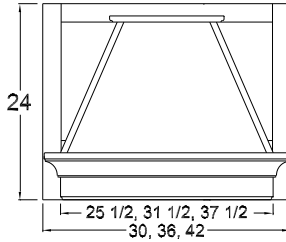
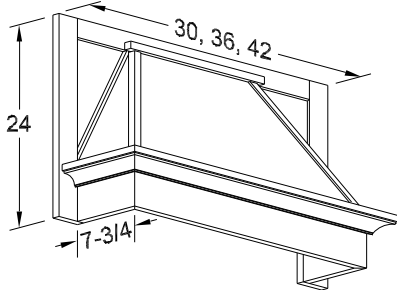




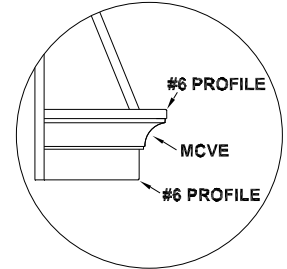
Hoods

Dealers are responsible for verifying compliance with local building codes (clearance, ventilation and installation.) Canopy Hoods are supplied with gray powder coated liner. Ventilation systems must be specified separately, and are available through Dura Supreme on a Direct Ship Basis from the appliance manufacturer. See [sections # 20550-20600](#) for additional information.

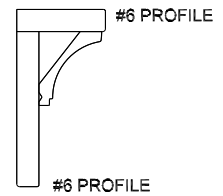
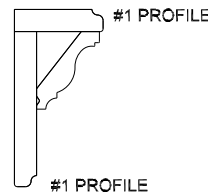
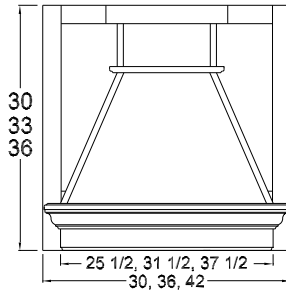
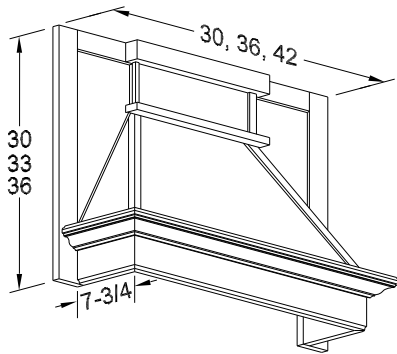
20050 - Canopy Hood



CH-MCRM



CH-MCVE



- Specify Medium Crown (MCRM) or Medium Cove (MCVE) molding below the shelf.
- Gray powder coated liner is included. Ventilation system is **not** included. (See [Section 20550 - 20600](#).)
- **Not** available as a peninsula hood.

QUOTED MODIFICATIONS ONLY

Cat. Code	Price
CH MCRM 24" High	
CH3024MCRM	1928
CH3624MCRM	2110
CH4224MCRM	2294
CH MCRM 30" High	
CH3030MCRM	2407
CH3630MCRM	2632
CH4230MCRM	2862
CH MCRM 33" High	
CH3033MCRM	2886
CH3633MCRM	3162
CH4233MCRM	3434
CH MCRM 36" High	
CH3036MCRM	2886
CH3636MCRM	3162
CH4236MCRM	3434

Cat. Code	Price
CH MCVE 24" High	
CH3024MCVE	1928
CH3624MCVE	2110
CH4224MCVE	2294
CH MCVE 30" High	
CH3030MCVE	2407
CH3630MCVE	2632
CH4230MCVE	2862
CH MCVE 33" High	
CH3033MCVE	2886
CH3633MCVE	3162
CH4233MCVE	3434
CH MCVE 36" High	
CH3036MCVE	2886
CH3636MCVE	3162
CH4236MCVE	3434

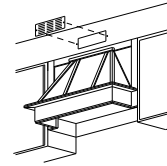
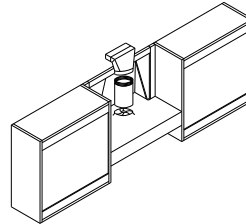
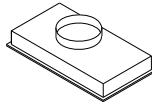
NOTE: Available in standard wood species **only**.



Ventilation Systems

Canopy Hoods (CH) are supplied with a gray powder coated liner. Ventilation systems must be specified separately. All ventilation systems offered by Dura Supreme are U.L. approved for normal use as supplied by manufacturer. These units are available through Dura Supreme on a Direct Ship Basis from the appliance manufacturer to the "Ship To" address, as specified on the order, for the purposes of pre-installation of ductwork, electrical work, and construction of soffits. RH and CH can be specified with any of the ventilation systems shown below based on the type of ventilation and CFMs needed.

20550 - Ductless Ventilation (Through Soffit)

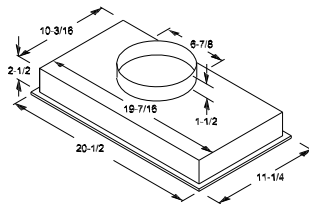


"Through Soffit" installation shown

- Gray powder coated finish.
- Ductless unit with two speed (250 CFM), axial fan and rocker switches.
- Unit has one 40 watt candelabra light bulb capacity with light diffuser and on/off switch. Light bulb **not** included.
- Washable aluminum filters.
- For "Through Soffit" installation.
- Ductless conversion kit included.

Catalog Code	Price
DCK250	1238

20600 - Ventilation Unit (Vented Outside)

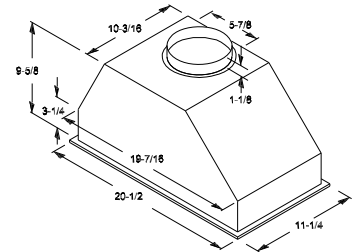


Both internal power ventilation units have:

- Silver metallic powder coated finish.
- Two 40 watt candelabra light bulb capacity with light diffuser and on/off switch. Light bulb **not** included.
- Washable aluminum filters.

- Two speed (250 CFM), axial fan and rocker switches.
- 7" round ductwork for external exhaust required.
No ductwork included.

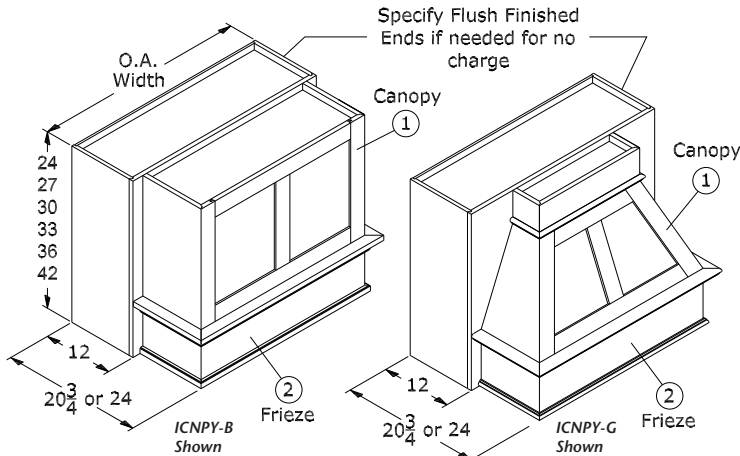
Catalog Code	Price
INT250	949
INT390	1861



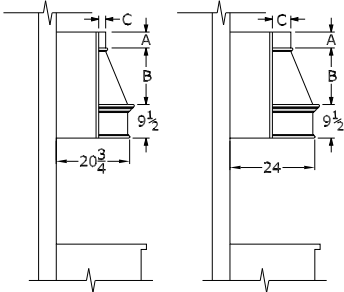
- Twin Squirrel cage blower (390 CFM) and variable speed control.
- Discharge may be either vertical or horizontal through 3-1/4" x 10" damper.
- 6" ductwork for external exhaust required. **No transition or ductwork included.**



20800 - Integral Canopy Hoods - ICHOOD



Recommendation: Leave space above the hood for molding application. Top rail of hood matches the width of top rail of door.



▲ ICHOODs are available in 2 depths. 24" deep hoods use "Professional Series" blowers.

Face frame and plywood construction			
ICHOOD	Dim A	Dim B	Dim C
20 3/4" Depth			
24" High	1 1/2"	13"	3 1/4"
27" High	3"	14 1/2"	2 1/2"
30" High	4 1/2"	16"	2"
33" High	6"	17 1/2"	1 5/8"
36" High	7 1/2"	19"	3/4"
24" Depth			
30" High	4 1/2"	16"	5 1/4"
36" High	7 1/2"	19"	4"
42" High	10 1/2"	22"	2 3/4"

"BASE PRICE" & SIZE CHART ICHOOD (20 3/4" Deep)

Cat. Code	Base Price	CFM	Liner (PG 4-48)
24" High			
ICHOOD3024-21	4521	300	A
ICHOOD3624-21	5047	300/600	B
ICHOOD4224-21	5120	300/600	C
ICHOOD4824-21	5473	300/600	D
27" High			
ICHOOD3027-21	4617	300	A
ICHOOD3627-21	5150	300/600	B
ICHOOD4227-21	5224	300/600	C
ICHOOD4827-21	5570	300/600	D
30" High			
ICHOOD3030-21	4617	300	A
ICHOOD3630-21	5150	300/600	B
ICHOOD4230-21	5224	300/600	C
ICHOOD4830-21	5570	300/600	D
33" High			
ICHOOD3033-21	4713	300	A
ICHOOD3633-21	5263	300/600	B
ICHOOD4233-21	5320	300/600	C
ICHOOD4833-21	5667	300/600	D
36" High			
ICHOOD3036-21	4713	300	A
ICHOOD3636-21	5263	300/600	B
ICHOOD4236-21	5320	300/600	C
ICHOOD4836-21	5667	300/600	D

Pricing shown in charts is a "base" price. Use the worksheet on the facing page to ensure accurate ordering and pricing. The ICHOOD will appear on your acknowledgement in the following itemized format.

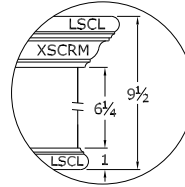
Example: ICHOOD4230-24
"CLASSIC"
ICNPY-B
FRZ-A

NOTE: Available in standard wood species only.

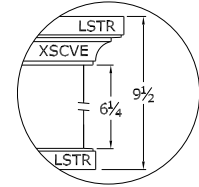
Integral Canopy Hoods (ICHOOD) are designed for installation between wall cabinets. ICHOODs have two (2) components that can be selected from several options:

1. Canopy
2. Frieze

Moldings affect the overall "styling" of the hood. Specify "Classic" or "Transitional" styling on your order. See worksheet. >>>



"Classic"



"Transitional">

- **Stainless steel, Vent-A-Hood liner/blower is included (shipped loose).** See liner chart on [page 4-48](#).

COMPONENT DETAILS:

Canopy & Frieze: Inserts (ICNPY-B, ICNPY-G, FRZ-B) will match the door style specified for the order.

(Exception: For mitered doors, only the insert panel will match.) Square panels only (arch panels not available).

Hood Width	# of Panels
30", 36", 42"	2
48", 54", 60"	3
66, 72"	4

QUOTED MODIFICATIONS ONLY

Dealers are responsible for verifying compliance with local building codes (ventilation, installation and clearances).

"BASE PRICE" & SIZE CHART ICHOOD (24" Deep)

Cat. Code	Base Price	CFM	Liner (PG 4-48)
30" High			
ICHOOD3630-24	5217	300/600	E
ICHOOD4230-24	5633	300/600	F
ICHOOD4830-24	5612	300/600	G
ICHOOD5430-24	7501	300/600/900	H
ICHOOD6030-24	9516	300/600/900/1200	I
ICHOOD6630-24	10232	300/600/900/1200	J
ICHOOD7230-24	10786	300/600/900/1200	K
36" High			
ICHOOD3636-24	5320	300/600	E
ICHOOD4236-24	5376	300/600	F
ICHOOD4836-24	5730	300/600	G
ICHOOD5436-24	7622	300/600/900	H
ICHOOD6036-24	9645	300/600/900/1200	I
ICHOOD6636-24	10359	300/600/900/1200	J
ICHOOD7236-24	10924	300/600/900/1200	K
42" High			
ICHOOD3642-24	5418	300/600	E
ICHOOD4242-24	5491	300/600	F
ICHOOD4842-24	5843	300/600	G
ICHOOD5442-24	7742	300/600/900	H
ICHOOD6042-24	9767	300/600/900/1200	I
ICHOOD6642-24	10489	300/600/900/1200	J
ICHOOD7242-24	11060	300/600/900/1200	K



20800 - Integral Canopy Hoods - ICHOOD

INTEGRAL CANOPY HOOD (ICHOOD) WORKSHEET/ORDER FORM*

(Please COPY, complete and send with your order.)

*Available on our website:
www.durasupreme.com

1. Specify Size: **ICHOOD-** _____ - _____ - _____
(from price chart on page 4-38) (width) (height) (depth)

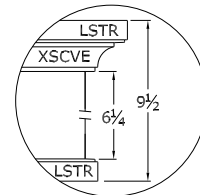
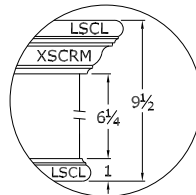
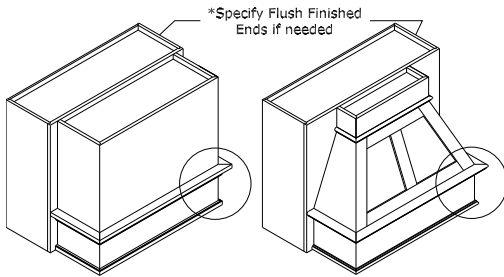
\$ _____

2. Specify "Styling": (check one)

Classic

Transitional

\$ N/C
(Styling options are No Charge)



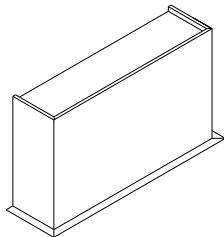
Moldings affect the overall "styling" of the hood.
Specify "Classic" or "Transitional" styling.

* Specify Finished Ends if needed: Left Right Both

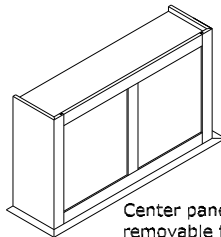
\$ N/C
Finished Ends (if applicable)

3. Specify "Canopy": (check one) A B F G

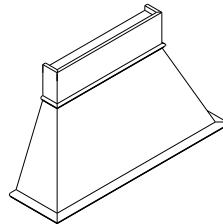
\$ _____
Canopy Upcharge (if applicable)



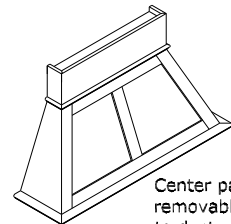
ICNPY-A
Add \$0



ICNPY-B
Add \$501



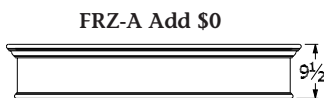
ICNPY-F
Add \$993



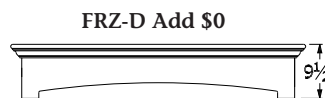
ICNPY-G
Add \$1703

4. Specify "Frieze": (check one) A B C D E F G _____
(Specify G1 - G4)

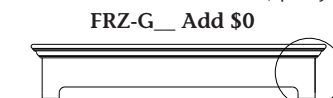
\$ _____
Frieze Upcharge (if applicable)



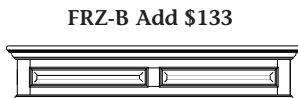
FRZ-A Add \$0



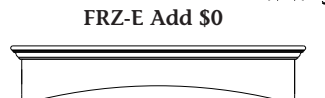
FRZ-D Add \$0



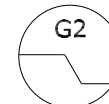
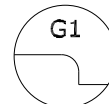
FRZ-G Add \$0



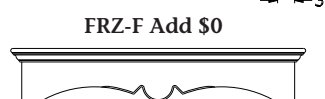
FRZ-B Add \$133



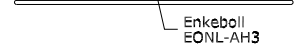
FRZ-E Add \$0



FRZ-C Add \$688



FRZ-F Add \$0

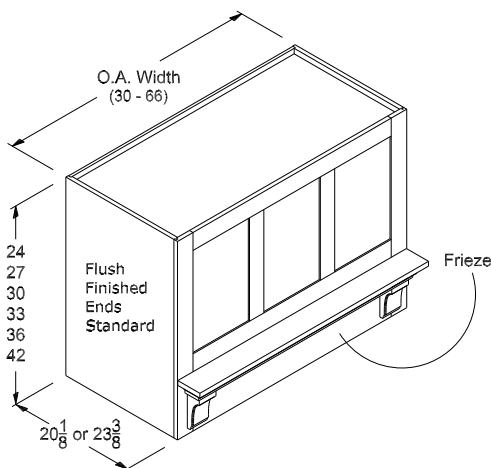


* Only available in Oak, Maple, Cherry.

Total List \$ _____
Add appropriate wood species and finish upcharge (if applicable)



20850 - Integral Hoods - INTHOOD



▲ INTHOODs are available in 2 depths. 23-3/8" deep hoods use "Professional Series" blowers.

Recommendation: Leave space above the hood for molding application. Top rail of hood matches the width of top rail of door.

NOTE: Available in standard wood species only.

Integral Hoods (INTHOOD) are designed for installation between wall cabinets. INTHOODs have a "frieze" that can be selected from several options.

Moldings (on the shelf) and corbels affect the overall "styling" of the hood. Specify "Classic" or "Transitional" styling on your order. See worksheet. ➤ ➤ ➤

- **Stainless steel, Vent-A-Hood liner/blower is included (shipped loose). See liner chart on page 4-48.**

Hood Width	# of Panels
30", 36"	2
42", 48", 54", 60"	3
66"	4

COMPONENT DETAILS:

Canopy and Frieze: Inserts in the canopy and the frieze (FRZ-B and FRZ-H) will match the door style specified for the order.

(**Exception:** For mitered doors, only the insert panel will match.) Square panels only.

QUOTED MODIFICATIONS ONLY

Dealers are responsible for verifying compliance with local building codes (ventilation, installation and clearances).

"BASE PRICE" & SIZE CHART INTHOOD (20-1/8" Deep)

Cat. Code	Base Price	CFM	Liner (PG 4-48)
24" High			
INTHOOD3024-21	5719	300/600	B
INTHOOD3624-21	5828	300/600	C
INTHOOD4224-21	5903	300/600	D
27" High			
INTHOOD3027-21	5815	300/600	B
INTHOOD3627-21	5903	300/600	C
INTHOOD4227-21	5971	300/600	D
30" High			
INTHOOD3030-21	5815	300/600	B
INTHOOD3630-21	5903	300/600	C
INTHOOD4230-21	5971	300/600	D
33" High			
INTHOOD3033-21	5906	300/600	B
INTHOOD3633-21	5971	300/600	C
INTHOOD4233-21	6022	300/600	D
36" High			
INTHOOD3036-21	5906	300/600	B
INTHOOD3636-21	5971	300/600	C
INTHOOD4236-21	6022	300/600	D

"BASE PRICE" & SIZE CHART INTHOOD (23-3/8" Deep)

Cat. Code	Base Price	CFM	Liner (PG 4-48)
30" High			
INTHOOD3030-24	5941	300/600	E
INTHOOD3630-24	6027	300/600	F
INTHOOD4230-24	6279	300/600	G
INTHOOD4830-24	7310	300/600/900	H
INTHOOD5430-24	9418	300/600/900/1200	I
INTHOOD6030-24	10610	300/600/900/1200	J
INTHOOD6630-24	11105	300/600/900/1200	K
36" High			
INTHOOD3036-24	5978	300/600	E
INTHOOD3636-24	6047	300/600	F
INTHOOD4236-24	6299	300/600	G
INTHOOD4836-24	7427	300/600/900	H
INTHOOD5436-24	9538	300/600/900/1200	I
INTHOOD6036-24	10740	300/600/900/1200	J
INTHOOD6636-24	11233	300/600/900/1200	K
42" High			
INTHOOD3042-24	6027	300/600	E
INTHOOD3642-24	6085	300/600	F
INTHOOD4242-24	6387	300/600	G
INTHOOD4842-24	7539	300/600/900	H
INTHOOD5442-24	9659	300/600/900/1200	I
INTHOOD6042-24	10860	300/600/900/1200	J
INTHOOD6642-24	11322	300/600/900/1200	K

Pricing shown in charts is a "base" price. Use the worksheet on the facing page to ensure accurate ordering and pricing. The INTHOOD will appear on your acknowledgement in the following itemized format.

Example: INTHOOD4230-24
"CLASSIC"
FRZ-A



20850 - Integral Hoods - INTHOOD

INTEGRAL HOOD (INTHOOD) WORKSHEET/ORDER FORM*

(Please COPY, complete and send with your order.)

*Available on our website:
www.durasupreme.com

1. Specify Size: **INTHOOD**- _____ - _____ - _____
(from price chart on page 4-40) (width) (height) (depth)

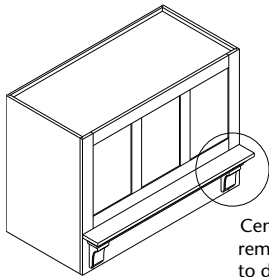
\$ _____

2. Specify "Styling": (check one)

Classic

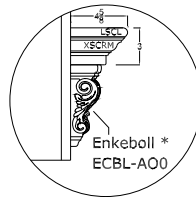
Transitional

\$ N/C
(Styling options are No Charge)

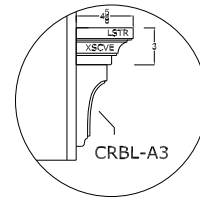


Moldings (on the shelf) and Corbels affect the overall "styling" of the hood. Specify "Classic" or "Transitional" styling.

Center panel(s) are removable for access to ductwork.



Corbel is available in Oak, Maple, Cherry.



Corbel is available in all wood species.

3. Specify "Frieze": (check one)

A

B

D

E

F

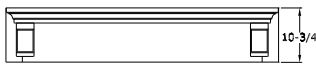
G

H

(Specify G1 - G4)

\$ _____
Frieze Upcharge (if applicable)

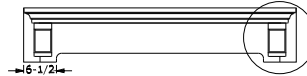
FRZ-A Add \$0



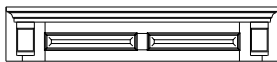
FRZ-E Add \$0



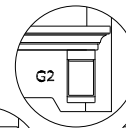
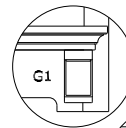
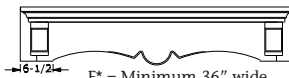
FRZ-G Add \$0



FRZ-B Add \$133



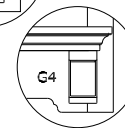
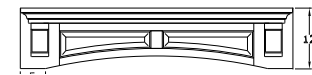
FRZ-F Add \$0



FRZ-D Add \$0



FRZ-H* Add \$352



Total List \$ _____
Add appropriate wood species and finish upcharge (if applicable)

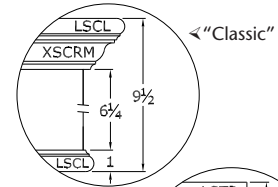
21000 - Independent Hood - IHOOD

Independent Hoods (IHOOD) are designed as a free-standing hood with two (2) components that can be selected from several options:

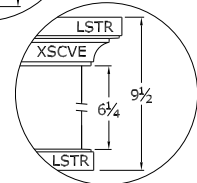
1. Canopy
2. Frieze

Moldings affect the overall "styling" of the hood. Specify "Classic" or "Transitional" styling on your order.

SEE WORKSHEET. ➤ ➤ ➤



"Transitional" ➤



- IHOODs are designed for 30" installation height (professional series) over the cooking surface.

- Stainless steel, Vent-A-Hood liner/blower is included (shipped loose). See liner chart on page 4-48.

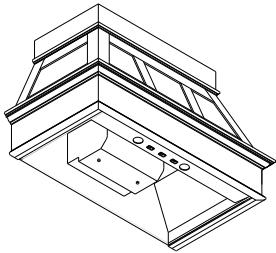
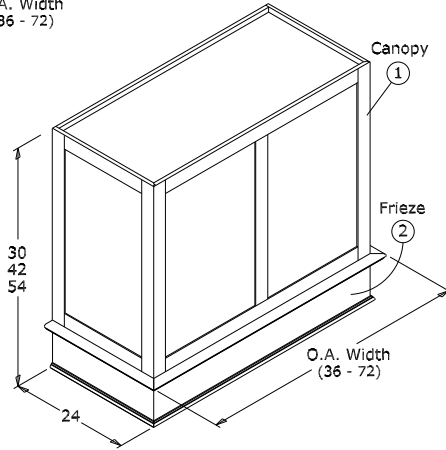
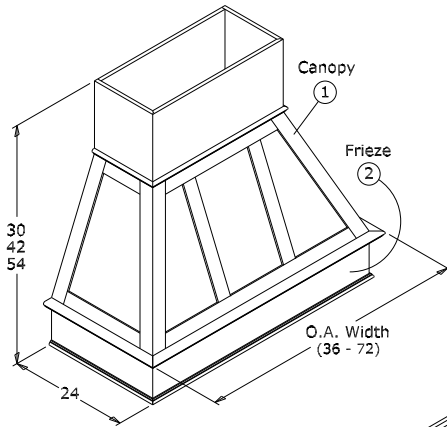
Hood Width	# of Panels
36", 42"	2
48", 54", 60"	3
66", 72"	4

COMPONENT DETAILS:

Canopy & Frieze: Inserts (CNPY-B, FRZ-B) will match the door style specified for the order. (**Exception:** For mitered doors, only the insert panel will match.) Square panels only (arch panels not available).

QUOTED MODIFICATIONS ONLY

Dealers are responsible for verifying compliance with local building codes (ventilation, installation and clearances).

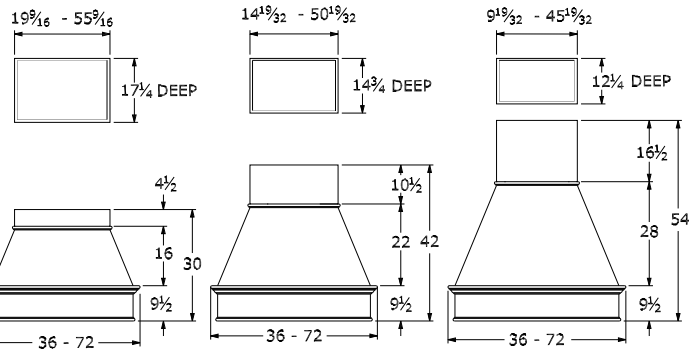


Bottom view of hood with liner/blower.

NOTE: Available in standard wood species only.

"BASE PRICE" & SIZE CHART

Cat. Code	Base Price	CFM	Liner (PG 4-48)
96" (8') System Height			
IHOOD3630	6187	300/600	E
IHOOD4230	6240	300/600	F
IHOOD4830	6569	300/600	G
IHOOD5430	8445	300/600/900	H
IHOOD6030	10444	300/600/900/1200	I
IHOOD6630	11134	300/600/900/1200	J
IHOOD7230	11674	300/600/900/1200	K
108" (9') System Height			
IHOOD3642	6360	300/600	E
IHOOD4242	6425	300/600	F
IHOOD4842	6769	300/600	G
IHOOD5442	8654	300/600/900	H
IHOOD6042	10677	300/600/900/1200	I
IHOOD6642	11392	300/600/900/1200	J
IHOOD7242	11939	300/600/900/1200	K
120" (10') System Height			
IHOOD3654	6529	300/600	E
IHOOD4254	6611	300/600	F
IHOOD4854	6972	300/600	G
IHOOD5454	9217	300/600/900	H
IHOOD6054	10911	300/600/900/1200	I
IHOOD6654	11648	300/600/900/1200	J
IHOOD7254	12206	300/600/900/1200	K



- Standard hood heights and chimney depths are shown above.
- Chimney is removable for ductwork installation and inspection.

Pricing shown in charts is a "base" price. Use the worksheet on the facing page to ensure accurate ordering and pricing. The IHOOD will appear on your acknowledgement in the following itemized format.

Example: IHOOD4830
"TRANSITIONAL"
CNPY-B
FRZ-A



21000 - Independent Hood - IHOOD

INDEPENDENT HOOD (IHOOD) WORKSHEET/ORDER FORM*

(Please COPY, complete and send with your order.)

*Available on our website:
www.durasupreme.com

1. Specify Size: **IHOOD-** _____
(from price chart on page 4-42) (width) (height)

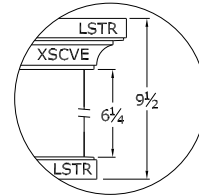
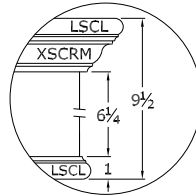
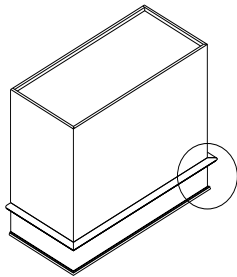
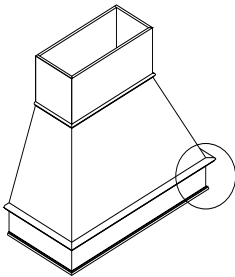
\$ _____

2. Specify "Styling": (check one)

Classic

Transitional

\$ N/C
(Styling options are No Charge)



Moldings affect the overall "styling" of the hood.
Specify "Classic" or "Transitional" styling.

3. Specify "Canopy": (check one)

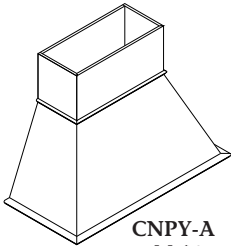
A

B

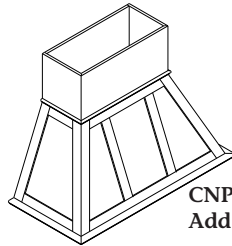
C

D

\$ _____
Canopy Upcharge (if applicable)

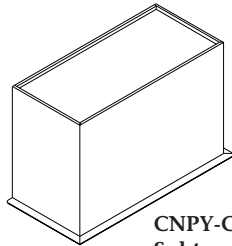


CNPY-A
Add \$0

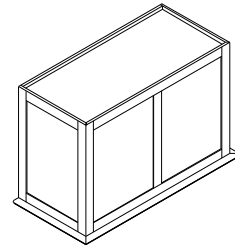


CNPY-B
Add \$1468

Center panel(s) are removable for access to ductwork



CNPY-C
Subtract \$-2053



CNPY-D
Subtract \$-1017

Center panel(s) are removable for access to ductwork

4. Specify "Frieze": (check one)

A

B

C

D

E

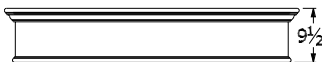
F

G

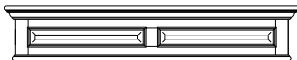
(Specify G1 - G4)

\$ _____
Frieze Upcharge (if applicable)

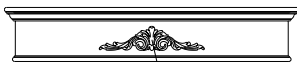
FRZ-A Add \$0



FRZ-B Add \$133



FRZ-C Add \$688



Enkeboll*
EONL-AH3

* Only available in Oak, Maple, Cherry.

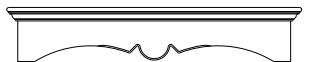
FRZ-D Add \$0



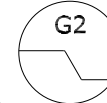
FRZ-E Add \$0



FRZ-F Add \$0

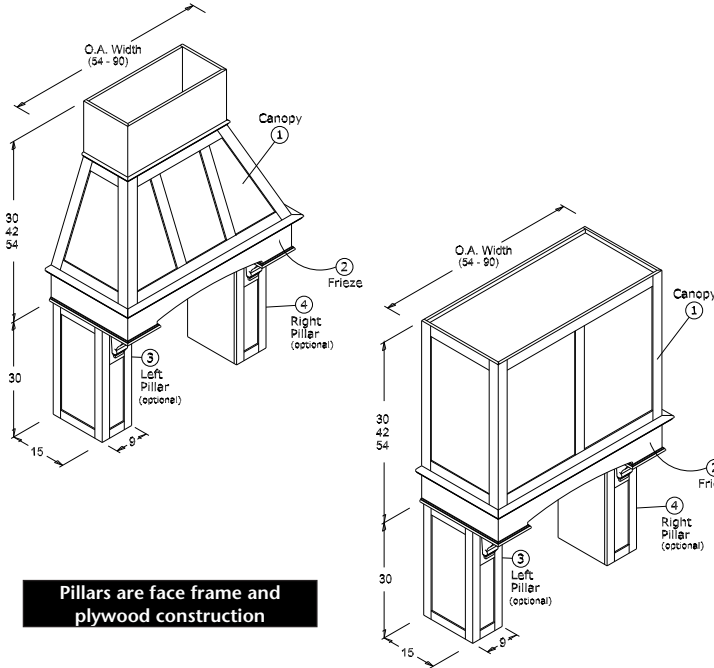


FRZ-G_ Add \$0



Total List \$ _____
Add appropriate wood species and finish upcharge (if applicable)

21200 - Independent Platform Hood - IPHOOD



Pillars are face frame and plywood construction

NOTE: Available in standard wood species **only**.

Independent Platform Hoods (IPHOOD) are designed as a free-standing hood with a "platform" on both sides to accommodate pillars or corbels. IPHOODs have two (2) components that can be selected from several options along with optional Pillars (left and right):

1. Canopy
2. Frieze
3. Left Pillar (optional)
4. Right Pillar (optional)

Moldings and corbels affect the overall "styling" of the hood. Specify "Classic" or "Transitional" styling on your order.

SEE WORKSHEET. >>>

- IPHOODs are designed for 30" installation height (professional series) over the cooking surface.
- **Stainless steel, Vent-A-Hood liner/blower is included (shipped loose).** See liner chart on [page 4-50](#).

COMPONENT DETAILS:

Pillars: Pillars include a Decorative End on the outside and a Flush Finished End inside. Check [door style section](#) for specific door/drw size limitations for Pillars E - J.

Canopy & Frieze: Inserts (CNPY-B, FRZ-B) will match the door style specified for the order. (Exception: For mitered doors, only the insert panel will match.) Square panels only (arch panels not available).

Hood Width	# of Panels
54", 60"	3
66", 72", 78"	4
84", 90"	5

QUOTED MODIFICATIONS ONLY

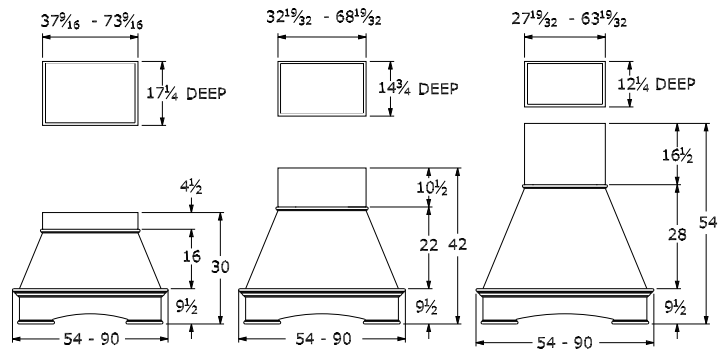
Dealers are responsible for verifying compliance with local building codes (ventilation, installation and clearances).

Pricing shown in charts is a "base" price. Use the worksheet on the facing page to ensure accurate ordering and pricing. The IPHOOD will appear on your acknowledgement in the following itemized format.

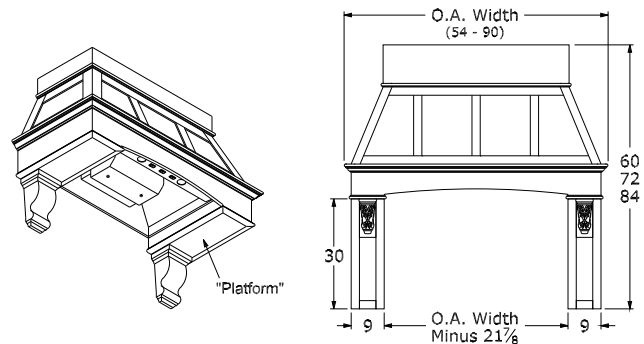
Example: IPHOOD6030
"TRANSITIONAL"
ICNPY-B
FRZ-D
PLR-B-L
PLR-B-R

"BASE PRICE" & SIZE CHART

Cat. Code	Base Price	CFM	Liner (PG 4-48)
96" (8') System Height			
IPHOOD5430	6594	300/600	E
IPHOOD6030	6650	300/600	F
IPHOOD6630	6988	300/600	G
IPHOOD7230	8862	300/600/900	H
IPHOOD7830	10855	300/600/900/1200	I
IPHOOD8430	11634	300/600/900/1200	J
IPHOOD9030	12254	300/600/900/1200	K
108" (9') System Height			
IPHOOD5442	6811	300/600	E
IPHOOD6042	6884	300/600	F
IPHOOD6642	7247	300/600	G
IPHOOD7242	9128	300/600/900	H
IPHOOD7842	11136	300/600/900/1200	I
IPHOOD8442	11883	300/600/900/1200	J
IPHOOD9042	12473	300/600/900/1200	K
120" (10') System Height			
IPHOOD5454	7028	300/600	E
IPHOOD6054	7125	300/600	F
IPHOOD6654	7495	300/600	G
IPHOOD7254	9396	300/600/900	H
IPHOOD7854	11410	300/600/900/1200	I
IPHOOD8454	12133	300/600/900/1200	J
IPHOOD9054	12689	300/600/900/1200	K



- Standard hood heights and chimney depths are shown above.
- Chimney is removable for ductwork installation and inspection.



IPHOODs have "platforms" to accommodate pillar or corbel applications. Drawing above shows IPHOOD with customer-supplied corbels.

Platform will accommodate a corbel or pillar up to 9" wide.



21200 - Independent Platform Hood - IPHOOD

INDEPENDENT PLATFORM HOOD (IPHOOD) WORKSHEET/ORDER FORM*

(Please COPY, complete and send with your order.)

*Available on our website:
www.durasupreme.com

1. Specify Size: **IPHOOD-** _____
(from price chart on page 4-44) (width) (height)

\$ _____

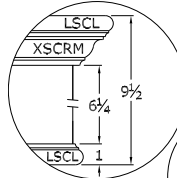
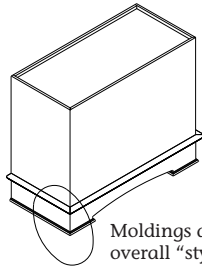
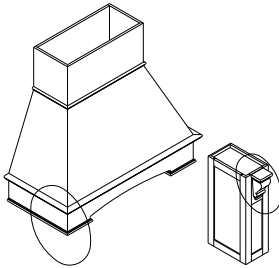
2. Specify "Styling": (check one)

Classic

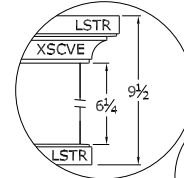
Transitional

\$ N/C

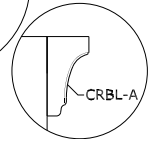
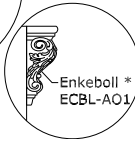
(Styling options are No Charge)



* Corbel is available in Oak, Maple, Cherry.



Corbel is available in all wood species.



Moldings and Corbels affect the overall "styling" of the hood. Specify "Classic" or "Transitional" styling.

3. Specify "Canopy": (check one)

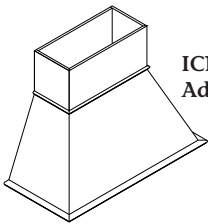
A

B

C

D

\$ _____
Canopy Upcharge (if applicable)

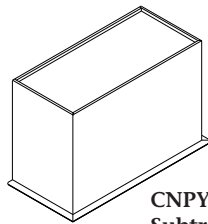


ICNPY-A
Add \$0

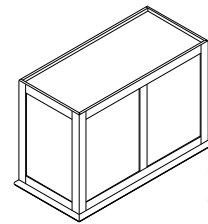


ICNPY-B
Add \$1468

Center panel(s) are removable for access to ductwork



CNPY-C
Subtract \$-2053



CNPY-D
Subtract \$-1017

Center panel(s) are removable for access to ductwork

4. Specify "Frieze": (check one)

A

B

C

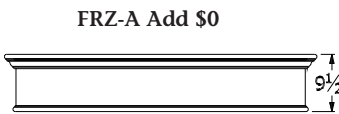
D

F

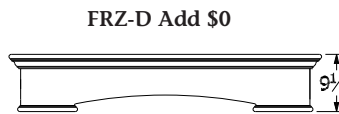
G

\$ _____
(Specify G1 or G3)

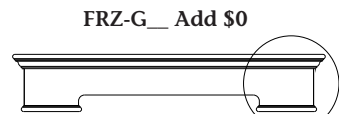
Frieze Upcharge (if applicable)



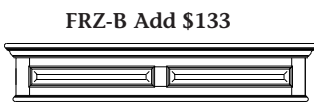
FRZ-A Add \$0



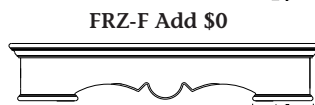
FRZ-D Add \$0



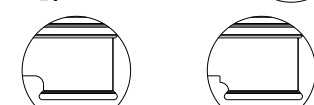
FRZ-G Add \$0



FRZ-B Add \$133



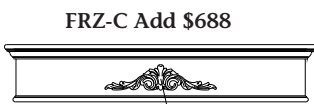
FRZ-F Add \$0



G1



G3

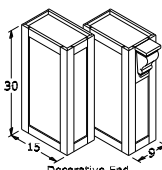


FRZ-C Add \$688

Onlay available in Oak, Maple, Cherry.

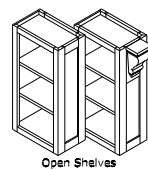
5. Specify Pillars (Left and Right): *optional*

Decorative End is standard on exterior side.
Flush Finished End is standard on interior side.



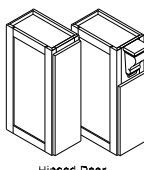
Decorative End (left shown)

PIL-A Add \$650



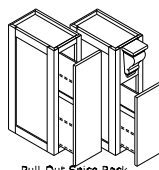
Open Shelves Matching Finished Interior (right shown)

PIL-B Add \$1722



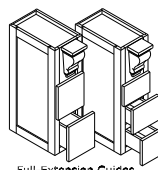
Hinged Door (left shown)

PIL-E Add \$801



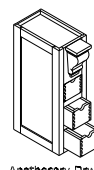
Pull-Out Spice Rack (left shown)

PIL-G Add \$1124



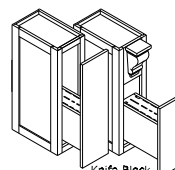
Full-Extension Guides (left shown)

PIL-I Add \$2104



Apothecary Drws. (left shown)

PIL-K Add \$2154



Knife Block (left shown)

PIL-L Add \$1323

Left Pillar

- A B C D
 E F G H
 I J K L
 M

\$ _____
Left Pillar Upcharge (if applicable)

Right Pillar

- A B C D
 E F G H
 I J K L
 M

\$ _____
Right Pillar Upcharge (if applicable)

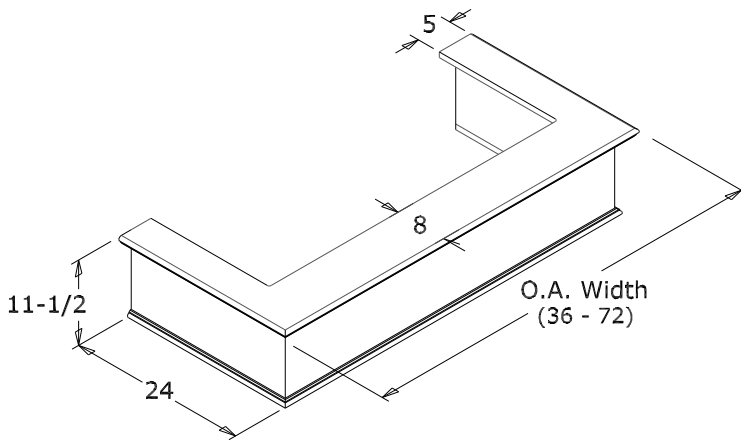
• Corbels are included with the Pillar. If Pillar is not ordered, corbel needs to be ordered separately if desired.

Total List \$ _____

Add appropriate wood species and finish upcharge (if applicable)



21300 - Hood Frieze- HOODFRZ



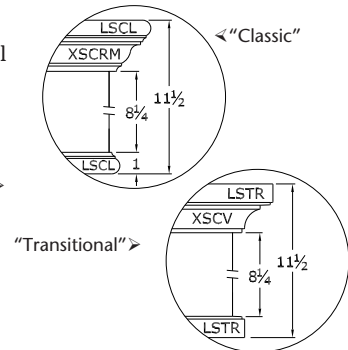
NOTE: Available in standard wood species only.

Hood Frieze (HOODFRZ) is designed as a base for a canopy (tile, brick, metal, etc.) to be installed on-site.

Hood Frieze **must** be attached to ceiling through the job built canopy.

Moldings affect the overall "styling" of the hood. Specify "Classic" or "Transitional" styling on your order.

SEE WORKSHEET. ➤ ➤ ➤



- **Stainless steel, Vent-A-Hood liner/blower is included (shipped loose).** See liner chart on [page 4-50](#).

COMPONENT DETAILS:

Frieze: Inserts (if specified) will match the door style specified for the order. (**Exception:** For mitered doors, only the insert panel will match.)

QUOTED MODIFICATIONS ONLY

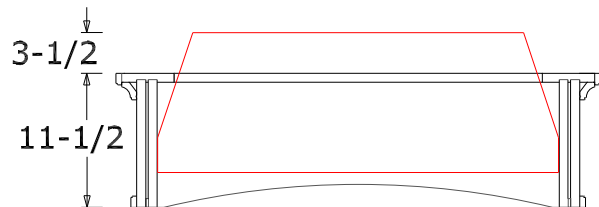
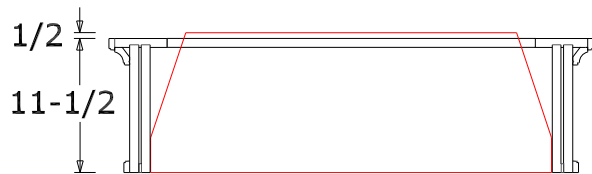
Dealers are responsible for verifying compliance with local building codes (ventilation, installation and clearances).

"BASE PRICE" & SIZE CHART

Cat. Code	Base Price	CFM	Liner (PG 4-50)
Hood Frieze			
HOODFRZ36	4230	300/600	E
HOODFRZ42	4267	300/600	F
HOODFRZ48	4491	300/600	G
HOODFRZ54	5774	300/600/900	H
HOODFRZ60	7141	300/600/900/1200	I
HOODFRZ66	7613	300/600/900/1200	J
HOODFRZ72	7982	300/600/900/1200	K

Pricing shown in charts is a "base" price. Use the worksheet on the facing page to ensure accurate ordering and pricing. The HOODFRZ will appear on your acknowledgement in the following itemized format.

Example: HOODFRZ48
FRZ-A



Liner will extend above canopy area by 1/2". For arched friezes, liner will extend 3-1/2".



21300 - Hood Frieze- HOODFRZ

HOOD (HOODFRZ) WORKSHEET/ORDER FORM*

(Please COPY, complete and send with your order.)

*Available on our website:
www.durasupreme.com

1. Specify Size: **HOODFRZ-** _____
(from price chart on page 4-46) (width) (height)

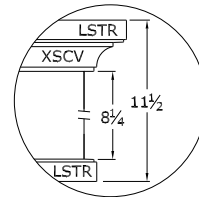
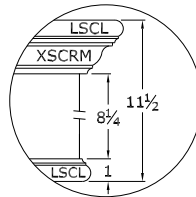
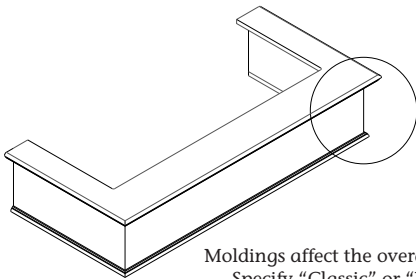
\$ _____

2. Specify "Styling": (check one)

Classic

Transitional

\$ N/C
(Styling options are No Charge)



Moldings affect the overall "styling" of the hood.
Specify "Classic" or "Transitional" styling.

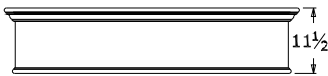
2. Specify "Frieze": (check one)



(Specify G1 - G4)

\$ _____
Frieze Upcharge (if applicable)

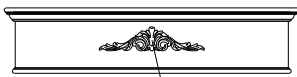
FRZ-A Add \$0



FRZ-B Add \$133



FRZ-C Add \$688



* Only available in Oak, Maple, Cherry.

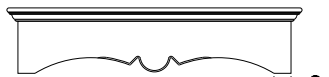
FRZ-D Add \$0



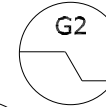
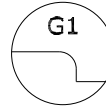
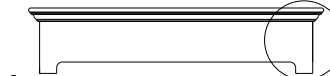
FRZ-E Add \$0



FRZ-F Add \$0



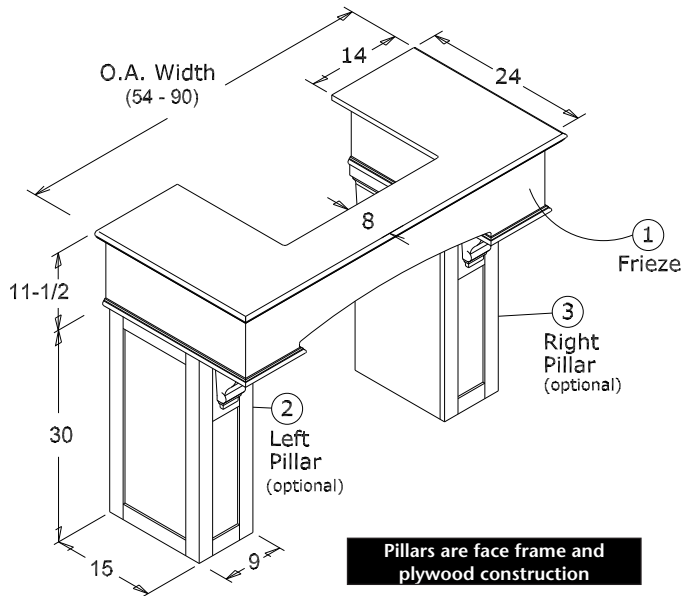
FRZ-G__ Add \$0



Total List \$ _____
Add appropriate wood species and finish upcharge (if applicable)



21350 - Hood Platform Frieze- HOODPFRZ



NOTE: Available in standard wood species only.

"BASE PRICE" & SIZE CHART

Cat. Code	Base Price	CFM	Liner (PG 4-50)
Hood Platform Frieze			
HOODPFRZ54	5051	300/600	E
HOODPFRZ60	5093	300/600	F
HOODPFRZ66	5352	300/600	G
HOODPFRZ72	6788	300/600/900	H
HOODPFRZ78	8314	300/600/900/1200	I
HOODPFRZ84	8911	300/600/900/1200	J
HOODPFRZ90	9386	300/600/900/1200	K

Pricing shown in charts is a "base" price. Use the worksheet on the facing page to ensure accurate ordering and pricing. The HOODPFRZ will appear on your acknowledgement in the following itemized format.

Example: HOODPFRZ6030
FRZ-D
PLR-B-L
PLR-B-R

Hood Platform Frieze (HOODPFRZ) is designed as a base for a canopy (tile, brick, metal, etc.) to be installed on-site, and includes a "platform" on both sides beneath the Frieze to accommodate pillars or corbels. Pillars are optional.

Moldings and corbels affect the overall "styling" of the hood. Specify "Classic" or "Transitional" styling on your order. SEE WORKSHEET. >>>

- IPHOODs are designed for 30" installation height (professional series) over the cooking surface.
- **Stainless steel, Vent-A-Hood liner/blower is included (shipped loose).** See liner chart on [page 4-50](#).

COMPONENT DETAILS:

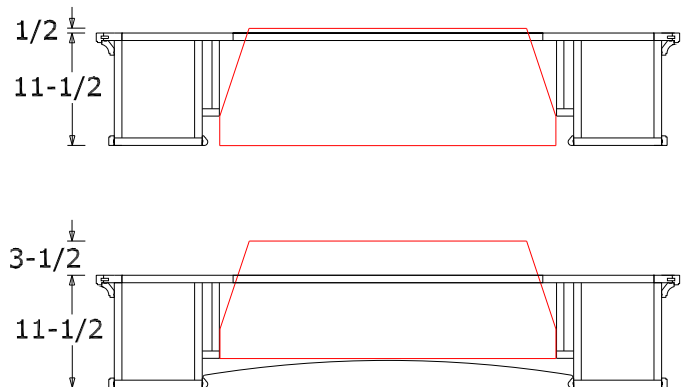
Pillars: Pillars include a Decorative End on the outside and a Flush Finished End inside. Check [door style section](#) for specific door/dwr size limitations for Pillars E - J.

Frieze: Inserts (if specified) will match the door style specified for the order.

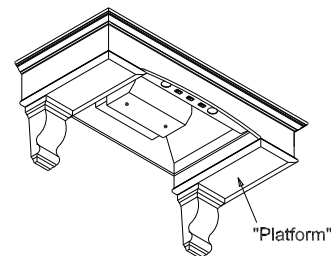
(Exception: For mitered doors, only the insert panel will match.)
Square panels only (arch panels not available).

QUOTED MODIFICATIONS ONLY

Dealers are responsible for verifying compliance with local building codes (ventilation, installation and clearances).



Liner will extend above canopy area by 1/2". For arched friezes, liner will extend 3-1/2".



HOODPFRZs have "platforms" to accommodate pillar or corbel applications. Drawing above shows HOODPFRZ with customer-supplied corbels.

Platform will accommodate a corbel or pillar up to 9" wide.



21350 - Hood Platform Frieze- HOODPFRZ

HOOD (HOODPFRZ) WORKSHEET/ORDER FORM*

(Please COPY, complete and send with your order.)

*Available on our website:
www.durasupreme.com

1. Specify Size: **HOODPFRZ-** _____
(from price chart on page 4-46b) (width) (height)

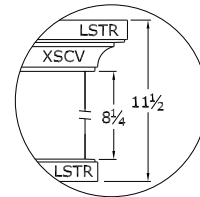
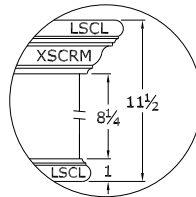
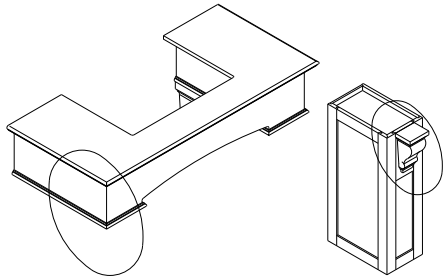
\$ _____

2. Specify "Styling": (check one)

Classic

Transitional

\$ N/C
(Styling options are No Charge)



Moldings affect the overall "styling" of the hood. Specify "Classic" or "Transitional" styling.

3. Specify "Frieze": (check one)

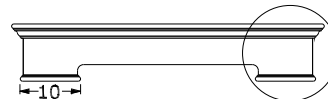
A B C D F G \$
(Specify G1 or G3)

Frieze Upcharge (if applicable)

FRZ-A Add \$0

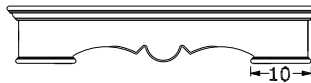
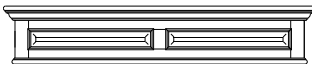
FRZ-D Add \$0

FRZ-G \$ Add \$0



FRZ-B Add \$133

FRZ-F Add \$0



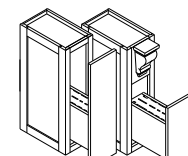
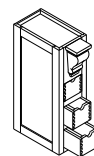
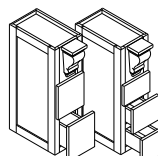
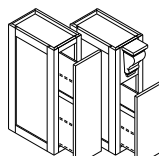
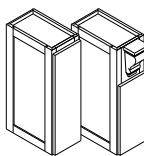
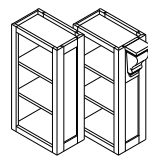
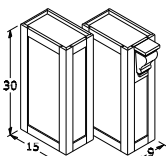
FRZ-C Add \$688



* Only available in Oak, Maple, Cherry.

4. Specify Pillars (Left and Right): *optional*

Decorative End is standard on exterior side. Flush Finished End is standard on interior side.



PIL-A

PIL-B

PIL-C

PIL-D

PIL-E

PIL-F

PIL-G

PIL-H

PIL-I

PIL-J

PIL-K

PIL-L

PIL-M

Add \$650

Add \$1722

Add \$881

Add \$1951

Add \$801

Add \$1899

Add \$1124

Add \$2217

Add \$2104

Add \$2197

Add \$2154

Add \$1323

Add \$2425

• Corbels are included with the Pillar. If Pillar is not ordered, corbel needs to be ordered separately if desired.

Left Pillar

A B C D
 E F G H
 I J K L
 M

\$ _____
Left Pillar Upcharge (if applicable)

Right Pillar

A B C D
 E F G H
 I J K L
 M

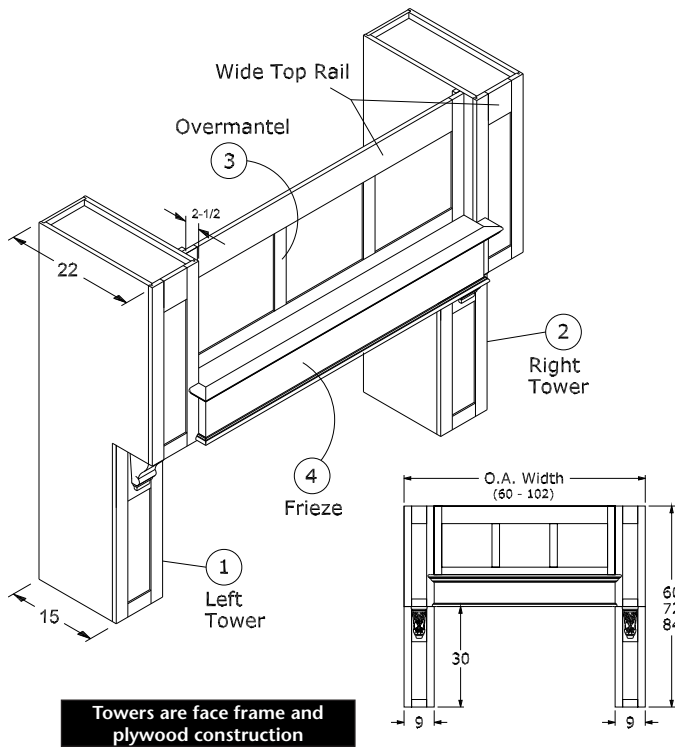
\$ _____
Right Pillar Upcharge (if applicable)

Total List \$ _____

Add appropriate wood species and finish upcharge (if applicable)



21400 - Mantel Hood - MHOOD



Mantel Hoods (MHOOD) are comprised of four (4) component parts:

1. Left Tower
2. Right Tower
3. Overmantel
4. Frieze

Each "component" is available in a number of different configurations which must be clearly specified on your order. Each component ships loose for jobsite installation.

Moldings and corbels dramatically affect the overall "styling" of the hood. Specify "Classic" or "Transitional" styling on your order.

SEE WORKSHEET. >>>

- MHOODs are designed for 30" installation height (professional series) over the cooking surface.
- **Stainless steel, Vent-A-Hood liner/blower is included (shipped loose).** See liner chart on [page 4-48](#).

COMPONENT DETAILS:

Overmantel: Decorative Panel (OVMNTL-B) will match the door style specified for the order. (**Exception:** For mitered door styles, only the insert panel will match.) Square panels only (arch panels are not available). The top rail will match the door style + 3" for molding application.

Hood Width	# of Panels
60", 66", 72", 78"	2
84", 90", 96"	3
102"	4

NOTE: Available in standard wood species only.

"BASE PRICE" & SIZE CHART

Cat. Code	Base Price	CFM	Liner (PG 4-48)
96" (8') System Height			
MHOOD6060	10421	300/600	G
MHOOD6660	12308	300/600/900	H
MHOOD7260	14289	300/600/900/1200	I
MHOOD7860	14947	300/600/900/1200	J
MHOOD8460	15488	300/600/900/1200	K
MHOOD9060	15698	300/600/900/1200	K
MHOOD9660	15925	300/600/900/1200	K
MHOOD10260	16145	300/600/900/1200	K
108" (9') System Height			
MHOOD6072	10720	300/600	G
MHOOD6672	12619	300/600/900	H
MHOOD7272	14606	300/600/900/1200	I
MHOOD7872	15278	300/600/900/1200	J
MHOOD8472	15827	300/600/900/1200	K
MHOOD9072	16054	300/600/900/1200	K
MHOOD9672	16334	300/600/900/1200	K
MHOOD10272	16530	300/600/900/1200	K
120" (10') System Height			
MHOOD6084	11002	300/600	G
MHOOD6684	12912	300/600/900	H
MHOOD7284	14912	300/600/900/1200	I
MHOOD7884	15591	300/600/900/1200	J
MHOOD8484	16160	300/600/900/1200	K
MHOOD9084	16390	300/600/900/1200	K
MHOOD9684	16639	300/600/900/1200	K
MHOOD10284	16889	300/600/900/1200	K

Frieze: See panel limitations above.

Towers: Flush Finished Ends are included on both sides of each Tower. (Mitered Finished Ends are not available. Decorative Panel at top will match the insert panel of the door style specified for the order. (Square panels only.) For lower section of Tower (C-F), check door style section for specific door/dwr size limitations. All Towers include a corbel.

Dealers are responsible for verifying compliance with local building codes (ventilation, installation and clearances).

QUOTED MODIFICATIONS ONLY

*** MHOODS are priced as one unit. If individual components are needed, call for quote.**

Pricing shown in charts is a "base" price. Use the worksheet on the facing page to ensure accurate ordering and pricing. The MHOOD will appear on your acknowledgement in the following itemized format.

Example: MHOOD6060*
 "CLASSIC"
 TOWR-B-L
 TOWR-B-R
 OVMNTL-B
 FRZ-A

*Specify the overall size of the MHOOD. Component parts will be sized accordingly.



21400 - Mantel Hood - MHOOD

MANTEL HOOD (MHOOD) WORKSHEET/ORDER FORM*

(Please COPY, complete and send with your order.)

*Available on our website:
www.durasupreme.com

1. Specify Size: **MHOOD-** _____
(from price chart on page 4-46d) (width) (height)

\$ _____

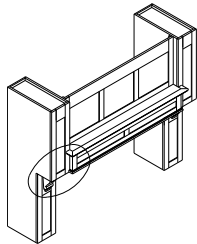
2. Specify "Styling": (check one)

Classic

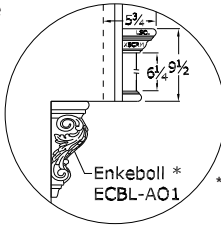
Transitional

\$ N/C

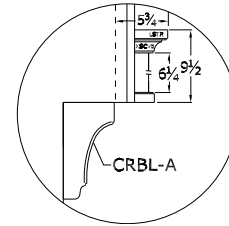
(Styling options are No Charge)



Moldings and Corbels affect the overall "styling" of the hood. Specify "Classic" or "Transitional" styling.

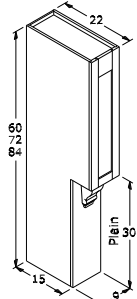


* Corbel is available in Oak, Maple, Cherry.

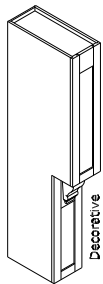


Corbel is available in all wood species.

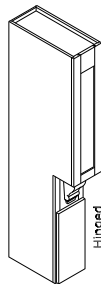
3. Specify "Tower" (Left and Right): right tower shown below



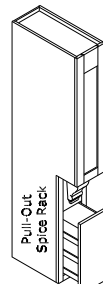
TOWR-A Add \$0



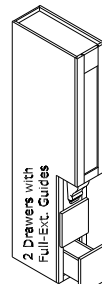
TOWR-B Add \$0



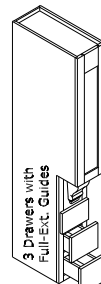
TOWR-C Add \$0



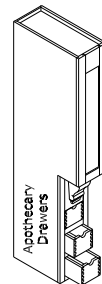
TOWR-D Add \$361



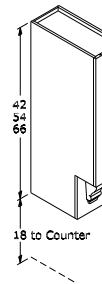
TOWR-E Add \$361



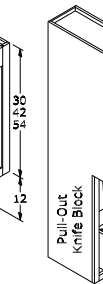
TOWR-F Add \$361



TOWR-G Add \$353



TOWR-H Add \$0



TOWR-J Add \$605

Left Tower

- A B C
 D E F
 G H J

\$ _____
Left Tower Upcharge (if applicable)

Right Tower

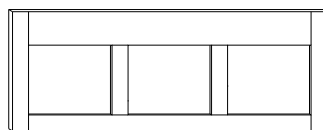
- A B C
 D E F
 G H J

\$ _____
Right Tower Upcharge (if applicable)

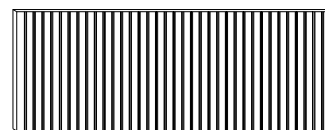
4. Specify "Overmantel": (check one) A B C



OVMNTL-A Add \$0 (Plain - Vertical Grain)



OVMNTL-B Add \$986 (Decorative)



OVMNTL-C Add \$1390 (Cottage Bead)

\$ _____
Overmantel Upcharge (if applicable)

5. Specify "Frieze": (check one) A B C D E F G _____

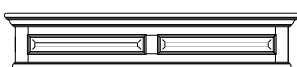
(Specify G1 - G4)

\$ _____
Frieze Upcharge (if applicable)

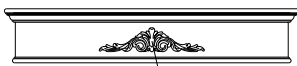
FRZ-A Add \$0



FRZ-B Add \$133



FRZ-C Add \$688



Enkeboll * EONL-AH3

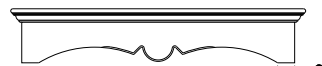
FRZ-D Add \$0



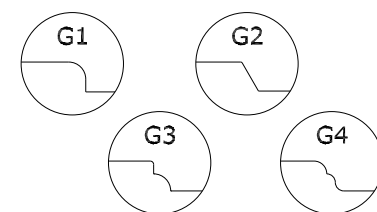
FRZ-E Add \$0



FRZ-F Add \$0



FRZ-G_ Add \$0



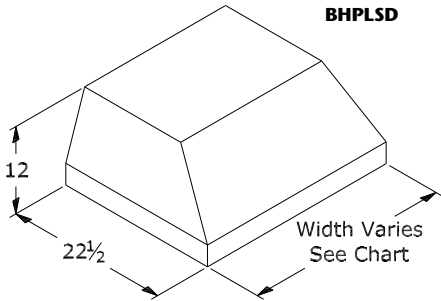
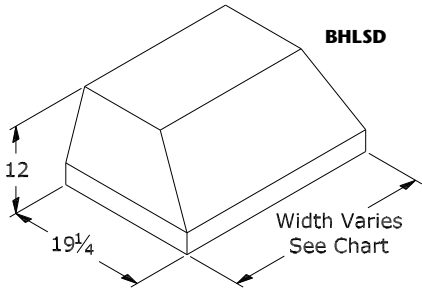
* Only available in Oak, Maple, Cherry.

Total List \$ _____

Add appropriate wood species and finish upcharge (if applicable)



21500 - Vent-A-Hood Liner/Blower Information



Reference Number	Liner Code	CFM	LED Lights	Width	Depth	Duct Size	No Blower Credit**
A	BH124SLD	300	2	24-3/8	19-1/4	6"	-1721
B*	BH228SLD	300 or 300/600	2	28-3/8	19-1/4	8"	-2351
C*	BH234SLD	300 or 300/600	2	34-3/8	19-1/4	8"	-2351
D*	BH240SLD	300 or 300/600	2	40-3/8	19-1/4	8"	-2545
E*	BH228PSLD	300 or 300/600	2	28-3/8	22-1/2	8"	-2351
F*	BH234PSLD	300 or 300/600	2	34-3/8	22-1/2	8"	-2351
G*	BH240PSLD	300 or 300/600	2	40-3/8	22-1/2	8"	-2545
H*	BH346PSLD	300/600/900	3	46-3/8	22-1/2	6" & 8"	-3625
I	BH452PSLD	300/600/900/1200	3	52-3/8	22-1/2	2 - 8"	-4902
J	BH458PSLD	300/600/900/1200	4	58-3/8	22-1/2	2 - 8"	-5433
K	BH464PSLD	300/600/900/1200	4	64-3/8	22-1/2	2 - 8"	-5768

*300 CFM blower is available for units B - H for no charge. Specify **300CFM** after the code.

** Liner and Blower can be omitted and credit applied. Specify "omit liner/blower".

- Hoods shown on pages 4-38 – 4-47 have been designed and sized for use with a specific Vent-A-Hood Liner/Blower (as shown in the chart below). The Liner is stainless steel with LED lights. **The liner/blower is included in the price of the hood and is shipped loose for jobsite installation.**
- **Dealers are responsible for verifying compliance with local building codes (ventilation requirements, installation and clearances). Refer to appliance specifications for required mounting height. A liner should never be narrower than the appliance it covers. Depth of liner should fully cover all burners.**
- Vent-A-Hood Liners are shipped complete with an inner canopy, LED lights, blowers, and switches and are pre-wired, pre-assembled and ready to install.

- The standard ventilation of the BHLSD model is intended for use over standard cooking equipment. (See Liners A-D in chart.) The extra size and blower capacity of the BHPSLD model can be used above professional-style cooking equipment (See Liners E-K in chart.)
- 300 CFM units are a single blower system (B100). 300/600 CFM units are a dual blower system (B200). 300/600/900 CFM units include a single blower (B100) and a dual speed blower (B200). (Dual blower is on the left.) 300/600/900/1200 CFM units include two, dual blowers (2-B200). Units B - G may be specified with a 300 CFM single blower system for no charge. Specify **300 CFM** after the code.
- For more information, refer to the Vent-A-Hood website. www.ventahood.com
- Consult with a qualified HVAC professional to determine if air-makeup is required with the blower unit specified.

21510 - General Information

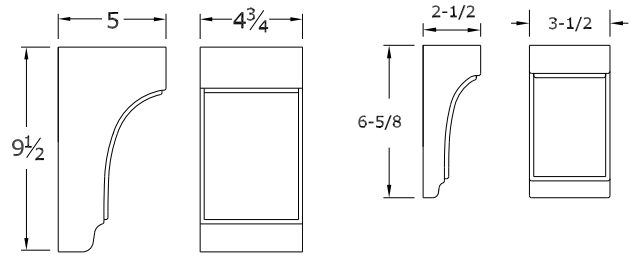
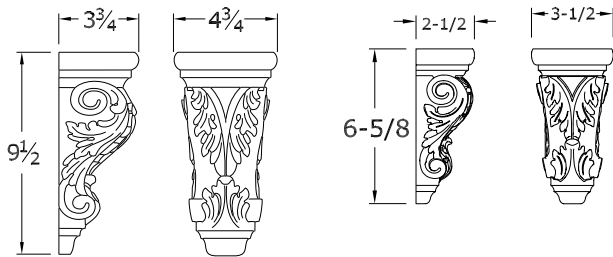
Hood codes reference width and height. If different depths are available the depth is referenced in the code. >>>

ICHOOD3024-21 MHOOD6072
 ↑ width ↑ height ↑ depth ↑ width ↑ height

Some hoods include a corbel based on your selection of "Classic" or "Transitional" styling. See corbel details below.

When "**Classic**" styling is selected a specific corbel from Enkeboll is included. **This corbel is available in Oak, Maple and Cherry only. For other species, we will use closest match. (i.e. Cherry corbel with Alder hood, Oak corbel with Hickory hood, etc.)**

When "**Transitional**" styling is selected, a corbel (designed by Dura) is included. This corbel is available in all wood species.



ECBL-AO1
Independent Platform Hoods
Mantel Hoods

ECBL-AO0
Integral Hoods

CRBL-A
Independent Platform Hoods
Mantel Hoods

CRBL-A3
Integral Hoods

Cat. Code	Price
Loose Corbel Pricing	
ECBL-AO1	857
ECBL-AO0	401

Cat. Code	Price
Loose Corbel Pricing	
CRBL-A	454
CRBL-A3	366



Base Index

Cabinets

Apothecary Drawers	5-30
Base Cabinets (Base, Base Full Door, Shallow)	5-1
Blind Corner Bases	5-15
Cook Center Base	5-24
Curved Corner Bases	5-20
Diagonal Corner Bases	5-18
Dishwasher Base	5-9
Drawer Cabinets (2, 3, 4, & 5 Drawer)	5-3
End Cabinets (Angled, Triangular, etc.)	5-31
End Shelves (Round, Diagonal)	5-33
Island End Caps	5-44
Microwave Bases	5-14
Mixer Shelf Cabinet	5-28
Pantry Cabinets	5-25
Peninsula Starter Base	5-21
Pull-Outs	5-25
Range Bases	5-10
Recycling Center	5-21
Roll-Out Cabinets	5-23
Sink Bases	5-5
Square Corner Bases	5-16
Tray Divider Cabinet	5-29
Warming Drawers	5-12
Wicker Basket Cabinet	5-29
Wine Rack Bases	5-30

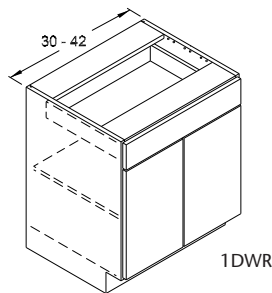
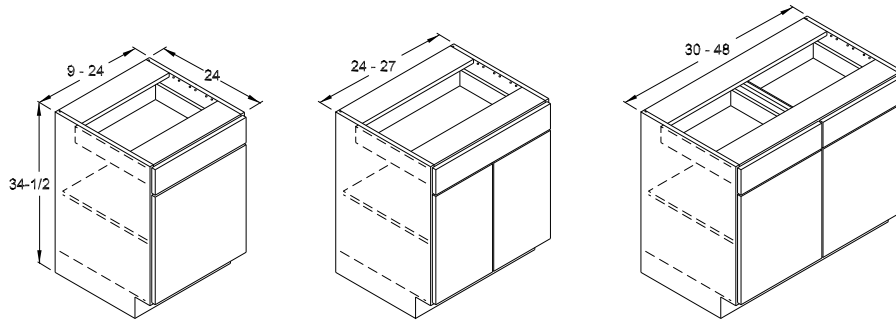
Accessories

Bread Board	5-38
Bread Cover	5-39
Charging/Power Station	5-42
Chop Block	5-39
Cutlery Dividers	5-36
Drawer Organizer	5-37
Drawer Partition	5-38
Knife Holder	5-37
Lid Storage	5-35
Plate/Dish Storage	5-39
Roll-Outs	5-34
Shallow Roll-Out	5-34
Sink Base Accessories	5-40
Sink Mat	5-41
Spice Rack	5-37
Sliding Wicker Basket	5-41
Stainless Steel Drawer Accessories	5-42
Tip Down Front	5-40
Toe Space Drawer	5-42
Towel Bar	5-41
Tray Divider Kits	5-41





30000 - Base Cabinet

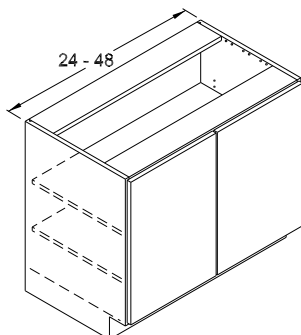
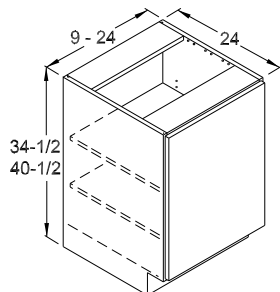


Cat. Code	1	2	3	4	5	6	7	8	9	10	11
B9	437	489	522	549	568	602	617	645	662	689	714
B12	459	514	549	577	597	633	649	678	696	725	751
B15	497	560	595	625	647	684	702	732	751	784	811
B18	530	600	640	669	691	734	753	788	808	843	871
B21	585	662	703	737	762	808	829	864	887	927	958
B24-1	714	818	863	896	927	982	1006	1053	1078	1125	1165
B24	714	818	863	896	927	982	1006	1053	1078	1125	1165
B27	758	877	944	998	1034	1097	1125	1175	1204	1257	1301
B30	872	990	1061	1117	1155	1224	1256	1312	1343	1405	1453
B33	917	1035	1106	1166	1206	1279	1311	1369	1404	1465	1516
B36	950	1077	1153	1214	1256	1330	1362	1425	1460	1524	1577
B39	999	1132	1211	1277	1320	1400	1435	1500	1538	1605	1661
B42	1035	1176	1256	1320	1367	1449	1486	1552	1591	1662	1718
B45	1080	1223	1306	1374	1423	1505	1545	1613	1654	1725	1785
B48	1120	1270	1355	1425	1472	1560	1599	1670	1711	1788	1848
B48-4* (4 doors)	1286	1455	1554	1633	1689	1790	1834	1915	1963	2049	2119

*B48-4 has 4 doors and a center partition.

Cat. Code	1	2	3	4	5	6	7	8	9	10	11
B30-1DWR	872	990	1061	1117	1155	1224	1256	1312	1343	1405	1453
B33-1DWR	917	1035	1106	1166	1206	1279	1311	1369	1404	1465	1516
B36-1DWR	950	1077	1153	1214	1256	1330	1362	1425	1460	1524	1577
B39-1DWR	999	1132	1211	1277	1320	1400	1435	1500	1538	1605	1661
B42-1DWR	1035	1176	1256	1320	1367	1449	1486	1552	1591	1662	1718

30050 - Base Full Door



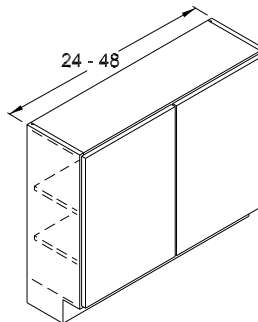
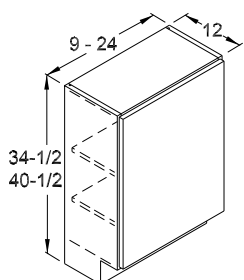
• **40-1/2"** high BFD is available, specify **-40** after the code and add \$291 per cabinet (i.e. BFD36-40)

Cat. Code	1	2	3	4	5	6	7	8	9	10	11
BFD9	418	494	528	553	571	602	619	646	662	691	714
BFD12	447	502	539	569	590	625	642	669	685	717	740
BFD15	488	552	588	616	641	678	696	725	744	776	803
BFD18	520	592	629	661	685	728	747	781	801	836	865
BFD21	576	653	697	731	755	802	824	858	880	919	949
BFD24-1	695	800	843	875	908	963	986	1032	1056	1102	1143
BFD24	695	800	843	875	908	963	986	1032	1056	1102	1143
BFD27	738	858	926	979	1015	1078	1106	1155	1185	1236	1279
BFD30	861	982	1055	1112	1153	1224	1256	1312	1343	1405	1452
BFD33	907	1029	1102	1164	1204	1280	1312	1369	1404	1466	1517
BFD36	941	1073	1151	1213	1256	1333	1367	1427	1462	1528	1580
BFD39	990	1127	1210	1278	1322	1406	1441	1503	1542	1609	1665
BFD42	1027	1174	1256	1322	1370	1455	1491	1559	1598	1669	1726
BFD45	1074	1223	1309	1376	1426	1515	1552	1620	1661	1734	1796
BFD48	1117	1270	1357	1430	1480	1571	1609	1680	1722	1799	1860
BFD48-4* (4 doors)	1287	1462	1563	1645	1703	1806	1852	1934	1981	2069	2141

*B48-4 has 4 doors and a center partition.



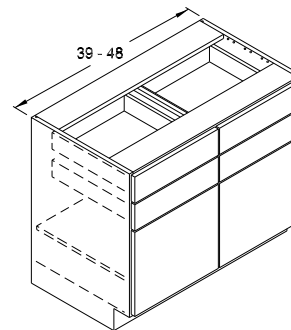
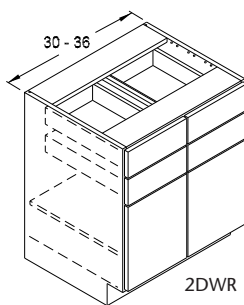
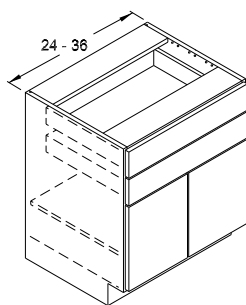
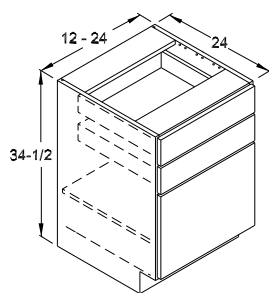
30100 - Base Full Door Shallow



- **40-1/2"** high BFDS is available, specify **-40** after the code and add \$291 per cabinet (i.e. BFDS36-40)

Cat. Code	1	2	3	4	5	6	7	8	9	10	11
BFDS9	399	448	481	506	524	556	570	596	611	638	660
BFDS12	426	479	514	541	560	594	609	637	653	682	705
BFDS15	464	527	559	587	608	646	662	690	707	738	765
BFDS18	494	564	600	628	653	695	712	742	762	796	824
BFDS21	549	621	663	696	719	763	783	817	837	873	905
BFDS24-1	695	800	843	875	908	963	986	1032	1056	1102	1143
BFDS24	695	800	843	875	908	963	986	1032	1056	1102	1143
BFDS27	738	858	926	979	1015	1078	1106	1155	1185	1236	1279
BFDS30	861	982	1055	1112	1153	1224	1256	1312	1343	1405	1452
BFDS33	907	1029	1102	1164	1204	1280	1312	1369	1404	1466	1517
BFDS36	941	1073	1151	1213	1256	1333	1367	1427	1462	1528	1580
BFDS39	990	1127	1210	1278	1322	1406	1441	1503	1542	1609	1665
BFDS42	1027	1174	1256	1322	1370	1455	1491	1559	1598	1669	1726
BFDS45	1074	1223	1309	1376	1426	1515	1552	1620	1661	1734	1796
BFDS48	1117	1270	1357	1430	1480	1571	1609	1680	1722	1799	1860
BFDS48-4 (4 doors)	1287	1462	1563	1645	1703	1806	1852	1934	1981	2069	2141

30120 - Base with Two Drawers



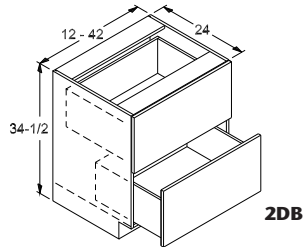
- Two standard stacked drawers may be converted to one deep drawer for no charge. Specify **DM3** on order.

Cat. Code	1	2	3	4	5	6	7	8	9	10	11
BD12	688	698	719	735	745	762	782	816	837	872	905
BD15	739	751	772	787	800	824	844	881	905	944	976
BD18	793	805	826	843	856	880	903	943	966	1011	1043
BD21	845	857	880	896	912	938	962	1003	1029	1075	1112
BD24-1	906	919	943	963	978	1006	1032	1077	1104	1153	1193
BD24	906	919	943	963	978	1006	1032	1077	1104	1153	1193
BD27	1070	1087	1113	1136	1154	1186	1216	1272	1302	1360	1407
BD30	1175	1189	1222	1245	1265	1300	1333	1392	1426	1489	1542
BD33	1225	1242	1274	1298	1319	1357	1392	1452	1489	1556	1609
BD36	1276	1292	1326	1353	1372	1412	1447	1511	1549	1617	1673
BD30-2DWR	1175	1189	1222	1245	1265	1300	1333	1392	1426	1489	1542
BD33-2DWR	1225	1242	1274	1298	1319	1357	1392	1452	1489	1556	1609
BD36-2DWR	1276	1292	1326	1353	1372	1412	1447	1511	1549	1617	1673
BD39	1337	1343	1378	1406	1427	1467	1503	1571	1609	1680	1739
BD42	1392	1397	1433	1462	1486	1526	1565	1633	1675	1748	1808
BD45	1447	1466	1503	1536	1553	1587	1627	1698	1740	1818	1881
BD48	1504	1525	1574	1612	1627	1652	1693	1767	1810	1892	1955
BD48-4 (4 doors)	1729	1753	1809	1853	1869	1899	1946	2032	2082	2175	2250

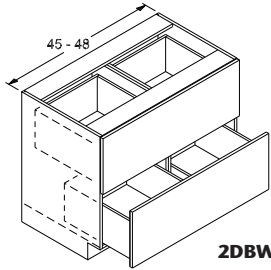
Convert Two Standard Stacked Drawers to One Deep Drawer in Height, **DM3** **N/C**



30130 - Two Drawer Base



2DB



2DBW

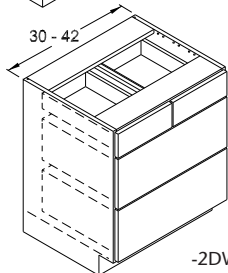
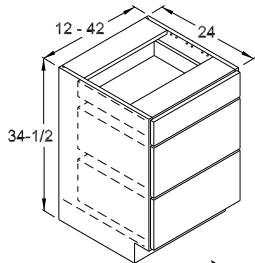
- 2DBW has Center Partition between drawers for strength and stability. Full-width drawer front is attached to two drawer boxes.
- **Maximum** height = 34-1/2".

Cat. Code	1	2	3	4	5	6	7	8	9	10	11
2DB12	719	731	731	731	754	797	817	852	874	913	944
2DB15	774	784	784	784	811	861	881	921	944	984	1020
2DB18	829	839	839	839	867	921	943	983	1008	1054	1090
2DB21	886	896	896	896	926	979	1004	1049	1075	1120	1161
2DB24	947	1000	1000	1000	1019	1053	1078	1125	1154	1206	1248
2DB27	1011	1025	1025	1025	1057	1119	1148	1199	1228	1283	1326
2DB30	1108	1120	1120	1120	1161	1230	1263	1318	1349	1409	1459
2DB33	1155	1171	1171	1171	1211	1286	1319	1374	1410	1472	1523
2DB36	1202	1218	1218	1218	1262	1336	1370	1431	1466	1531	1584
2DB39	1263	1279	1279	1279	1322	1404	1438	1501	1540	1606	1662
2DB42	1323	1343	1343	1343	1391	1473	1509	1578	1616	1687	1746

Two Drawer Base Wide

Cat. Code	1	2	3	4	5	6	7	8	9	10	11
2DBW45	2285	2364	2364	2364	2425	2536	2600	2715	2782	2905	3003
2DBW48	2362	2495	2495	2495	2543	2625	2692	2810	2880	3008	3112

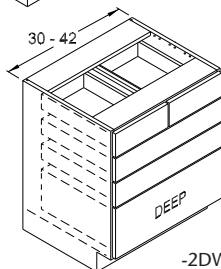
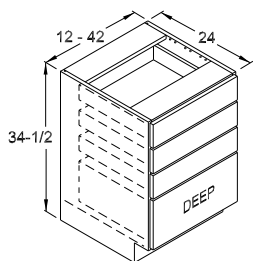
30150 - Three Drawer Base



-2DWR

Cat. Code	1	2	3	4	5	6	7	8	9	10	11
3DB12	734	744	744	744	770	814	833	871	893	931	963
3DB15	790	801	801	801	829	877	901	940	963	1006	1041
3DB18	845	857	857	857	887	938	962	1005	1032	1076	1112
3DB21	902	914	914	914	945	1000	1026	1071	1097	1147	1186
3DB24	965	979	979	979	1014	1074	1099	1150	1179	1229	1273
3DB27	1031	1043	1043	1043	1078	1145	1172	1224	1255	1312	1356
3DB30	1127	1146	1146	1146	1185	1255	1287	1343	1377	1440	1488
3DB33	1179	1194	1194	1194	1237	1312	1343	1404	1438	1501	1554
3DB36	1227	1242	1242	1242	1286	1363	1397	1460	1496	1560	1615
3DB39	1287	1306	1306	1306	1350	1432	1467	1531	1568	1640	1696
3DB42	1350	1369	1369	1369	1417	1502	1542	1608	1650	1722	1782
3DB30-2DWR	1127	1146	1146	1146	1185	1255	1287	1343	1377	1440	1488
3DB33-2DWR	1179	1194	1194	1194	1237	1312	1343	1404	1438	1501	1554
3DB36-2DWR	1227	1242	1242	1242	1286	1363	1397	1460	1496	1560	1615
3DB39-2DWR	1287	1306	1306	1306	1350	1432	1467	1531	1568	1640	1696
3DB42-2DWR	1350	1369	1369	1369	1417	1502	1542	1608	1650	1722	1782

30200 - Four Drawer Base

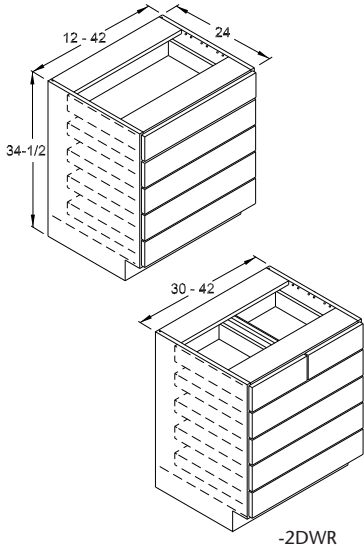


-2DWR

Cat. Code	1	2	3	4	5	6	7	8	9	10	11
4DB12	840	851	851	851	878	928	951	993	1019	1063	1099
4DB15	895	908	908	908	937	990	1017	1061	1088	1136	1174
4DB18	955	965	965	965	996	1053	1078	1125	1154	1206	1248
4DB21	1017	1029	1029	1029	1062	1120	1150	1202	1231	1287	1332
4DB24	1073	1087	1087	1087	1123	1188	1217	1272	1302	1360	1407
4DB27	1143	1158	1158	1158	1195	1265	1298	1355	1390	1451	1500
4DB30	1253	1269	1269	1269	1312	1386	1421	1484	1522	1589	1643
4DB33	1307	1325	1325	1325	1369	1448	1484	1549	1589	1659	1717
4DB36	1358	1377	1377	1377	1424	1505	1544	1612	1652	1725	1784
4DB39	1427	1447	1447	1447	1494	1581	1620	1691	1733	1811	1874
4DB42	1498	1519	1519	1519	1567	1659	1701	1777	1822	1901	1967
4DB30-2DWR	1253	1269	1269	1269	1312	1386	1421	1484	1522	1589	1643
4DB33-2DWR	1307	1325	1325	1325	1369	1448	1484	1549	1589	1659	1717
4DB36-2DWR	1358	1377	1377	1377	1424	1505	1544	1612	1652	1725	1784
4DB39-2DWR	1427	1447	1447	1447	1494	1581	1620	1691	1733	1811	1874
4DB42-2DWR	1498	1519	1519	1519	1567	1659	1701	1777	1822	1901	1967



30230 - Five Drawer Base

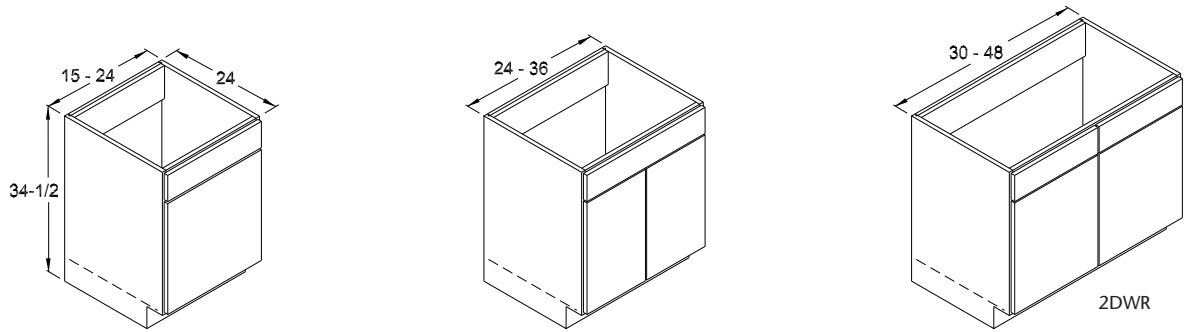


- Height modifications affect lower 4 drawers equally.
Minimum height = 25-7/8".

Cat. Code	1	2	3	4	5	6	7	8	9	10	11
5DB12	1056	1064	1064	1064	1092	1144	1167	1207	1238	1294	1336
5DB15	1110	1119	1119	1119	1150	1204	1229	1274	1306	1363	1412
5DB18	1169	1180	1180	1180	1209	1265	1292	1339	1372	1434	1483
5DB21	1230	1241	1241	1241	1276	1335	1363	1414	1449	1515	1566
5DB24	1287	1300	1300	1300	1335	1400	1430	1484	1522	1589	1643
5DB27	1356	1370	1370	1370	1409	1479	1511	1568	1608	1678	1736
5DB30	1469	1483	1483	1483	1525	1600	1635	1697	1740	1817	1880
5DB33	1523	1538	1538	1538	1581	1661	1697	1764	1806	1886	1952
5DB36	1575	1592	1592	1592	1637	1720	1755	1824	1869	1952	2020
5DB39	1642	1659	1659	1659	1707	1795	1834	1907	1953	2040	2109
5DB42	1713	1732	1732	1732	1782	1873	1914	1988	2039	2127	2202
5DB30-2DWR	1469	1483	1483	1483	1525	1600	1635	1697	1740	1817	1880
5DB33-2DWR	1523	1538	1538	1538	1581	1661	1697	1764	1806	1886	1952
5DB36-2DWR	1575	1592	1592	1592	1637	1720	1755	1824	1869	1952	2020
5DB39-2DWR	1642	1659	1659	1659	1707	1795	1834	1907	1953	2040	2109
5DB42-2DWR	1713	1732	1732	1732	1782	1873	1914	1988	2039	2127	2202

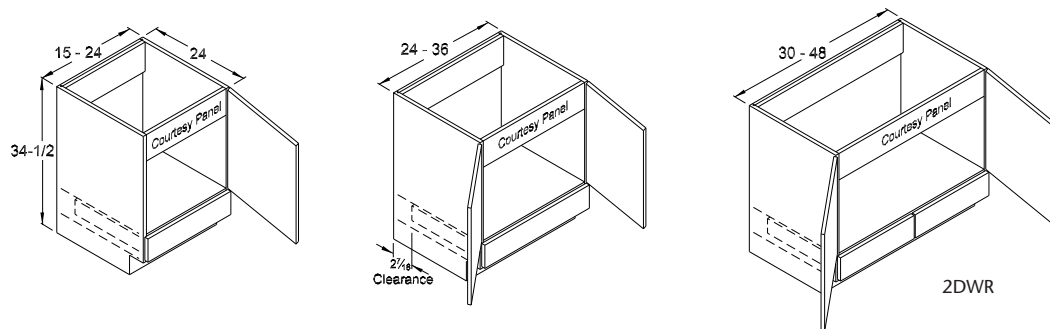


30250 - Sink Base



Cat. Code	1	2	3	4	5	6	7	8	9	10	11
SB15	448	507	538	565	584	616	634	662	678	707	733
SB18	488	553	588	614	639	678	695	725	742	777	803
SB21	539	608	649	679	702	742	762	796	816	851	880
SB24-1	657	761	805	838	870	926	948	989	1015	1060	1096
SB24	657	761	805	838	870	926	948	989	1015	1060	1096
SB27	699	821	888	942	977	1041	1068	1113	1144	1193	1235
SB30	770	889	961	1018	1056	1126	1155	1206	1236	1292	1335
SB33	812	933	1005	1064	1106	1180	1209	1264	1295	1351	1398
SB36	847	977	1053	1113	1157	1231	1263	1319	1353	1413	1461
SB30-2DWR	770	889	961	1018	1056	1126	1155	1206	1236	1292	1335
SB33-2DWR	812	933	1005	1064	1106	1180	1209	1264	1295	1351	1398
SB36-2DWR	847	977	1053	1113	1157	1231	1263	1319	1353	1413	1461
SB39	896	1033	1111	1176	1222	1302	1336	1396	1430	1491	1544
SB42	931	1076	1157	1222	1269	1353	1386	1447	1483	1549	1602
SB45	978	1125	1209	1277	1323	1411	1446	1509	1546	1614	1671
SB48	1021	1172	1257	1326	1375	1465	1501	1567	1606	1678	1735

30260 - Sink Base with Drawer Below

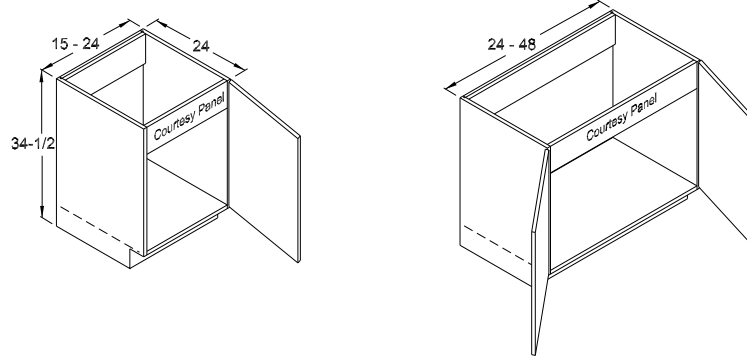


• Cabinet includes a "courtesy panel" to conceal the sink.

Cat. Code	1	2	3	4	5	6	7	8	9	10	11
SBD15	517	583	620	649	670	709	726	760	780	814	840
SBD18	550	622	663	695	718	762	782	817	837	873	905
SBD21	607	685	728	763	790	837	858	899	921	961	993
SBD24-1	763	874	922	958	990	1052	1077	1125	1154	1204	1245
SBD24	763	874	922	958	990	1052	1077	1125	1154	1204	1245
SBD27	810	940	1012	1069	1106	1174	1204	1257	1288	1347	1393
SBD30	962	1091	1169	1230	1274	1351	1386	1446	1482	1547	1600
SBD33	1011	1141	1221	1285	1329	1411	1446	1508	1546	1615	1672
SBD36	1048	1188	1272	1339	1384	1466	1503	1571	1609	1680	1739
SBD30-2DWR	962	1091	1169	1230	1274	1351	1386	1446	1482	1547	1600
SBD33-2DWR	1011	1141	1221	1285	1329	1411	1446	1508	1546	1615	1672
SBD36-2DWR	1048	1188	1272	1339	1384	1466	1503	1571	1609	1680	1739
SBD39	1101	1246	1335	1407	1455	1544	1582	1652	1693	1768	1829
SBD42	1141	1298	1386	1455	1505	1598	1638	1711	1753	1832	1895
SBD45	1190	1349	1441	1515	1565	1661	1703	1778	1822	1902	1969
SBD48	1237	1400	1494	1571	1622	1721	1764	1841	1889	1971	2040



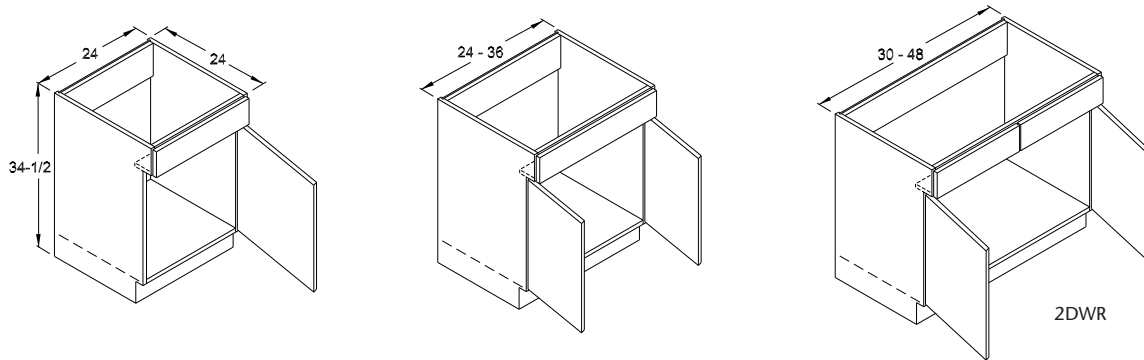
30270 - Sink Base Full Door



- Cabinet includes a "courtesy panel" to conceal the sink.

Cat. Code	1	2	3	4	5	6	7	8	9	10	11
SBFD15	448	507	538	565	584	616	634	662	678	707	733
SBFD18	488	553	588	614	639	678	695	725	742	777	803
SBFD21	539	608	649	679	702	742	762	796	816	851	880
SBFD24-1	657	761	805	838	870	926	948	989	1015	1060	1096
SBFD24	657	761	805	838	870	926	948	989	1015	1060	1096
SBFD27	699	821	888	942	977	1041	1068	1113	1144	1193	1235
SBFD30	770	889	961	1018	1056	1126	1155	1206	1236	1292	1335
SBFD33	812	933	1005	1064	1106	1180	1209	1264	1295	1351	1398
SBFD36	847	977	1053	1113	1157	1231	1263	1319	1353	1413	1461
SBFD39	896	1033	1111	1176	1222	1302	1336	1396	1430	1491	1544
SBFD42	931	1076	1157	1222	1269	1353	1386	1447	1483	1549	1602
SBFD45	978	1125	1209	1277	1323	1411	1446	1509	1546	1614	1671
SBFD48	1021	1172	1257	1326	1375	1465	1501	1567	1606	1678	1735

30280 - Sink Base with Recessed Doors

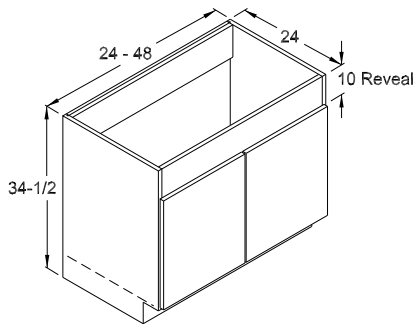


- Door area is recessed 2". Toe area has normal recess from front of cabinet to align with toe space of adjacent cabinets.
- Finished Ends are required on adjacent cabinets due to recessed door area. A Spacer or an End panel may also be used.

Cat. Code	1	2	3	4	5	6	7	8	9	10	11
SBRD24-1	1241	1344	1389	1421	1453	1509	1531	1572	1599	1643	1679
SBRD24	1241	1344	1389	1421	1453	1509	1531	1572	1599	1643	1679
SBRD27	1283	1404	1472	1525	1560	1624	1651	1697	1727	1776	1818
SBRD30-1DWR	1354	1473	1544	1601	1640	1710	1739	1789	1819	1875	1918
SBRD33-1DWR	1396	1516	1588	1648	1748	1763	1792	1851	1879	1935	1981
SBRD36-1DWR	1431	1560	1636	1697	1740	1815	1846	1902	1936	1997	2044
SBRD30-2DWR	1354	1473	1544	1601	1640	1710	1739	1789	1819	1875	1918
SBRD33-2DWR	1396	1516	1588	1648	1748	1763	1792	1851	1879	1935	1981
SBRD36-2DWR	1431	1560	1636	1697	1740	1815	1846	1902	1936	1997	2044
SBRD39	1480	1616	1694	1760	1805	1886	1920	1979	2013	2075	2127
SBRD42	1515	1659	1740	1805	1852	1936	1970	2030	2067	2132	2186
SBRD45	1561	1708	1792	1860	1907	1994	2029	2092	2130	2197	2254
SBRD48	1605	1755	1840	1909	1958	2048	2084	2151	2189	2261	2319



30290 - Sink Base Wide Apron



- Specify **CRWA** to modify the standard reveal.

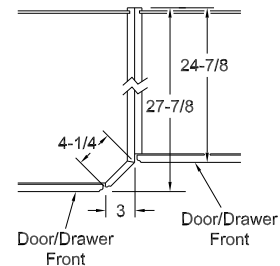
NOTE: Doors on SBWA will not align with adjacent base cabinet doors in height.

Cat. Code	1	2	3	4	5	6	7	8	9	10	11
SBWA24	721	837	886	923	957	1018	1042	1089	1116	1166	1206
SBWA27	770	905	977	1036	1075	1145	1173	1224	1256	1312	1356
SBWA30	863	996	1076	1141	1185	1264	1295	1353	1388	1448	1498
SBWA33	913	1048	1129	1195	1241	1323	1356	1417	1452	1516	1567
SBWA36	950	1096	1182	1249	1297	1381	1417	1480	1518	1584	1640
SBWA39	1004	1158	1248	1321	1371	1462	1498	1565	1603	1676	1733
SBWA42	1046	1208	1298	1370	1423	1518	1556	1623	1665	1739	1799
SBWA45	1097	1263	1355	1431	1483	1581	1621	1693	1735	1813	1875
SBWA48	1145	1314	1411	1488	1544	1643	1685	1759	1803	1881	1948

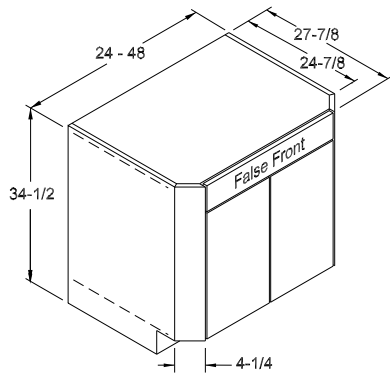
Change Reveal of Wide Apron, **CRWA** (Specify reveal, i.e. 11" reveal) **Add \$172 to cabinet price**

30300 - Angled Sink Base

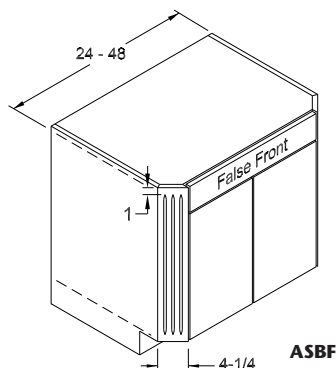
- Finished Ends are standard and included for N/C.**
- Cabinet face is 6" narrower than overall cabinet width.
- Toe Space is set back 6" from face to align with adjacent cabinetry.
- Roll out shelves are **not** available.
- For a Full Height Door and a "Courtesy Panel" to hide the sink, specify **FHDCP** for no charge.



NOTE: ASBF is available in standard wood species only.



ASB



ASBF

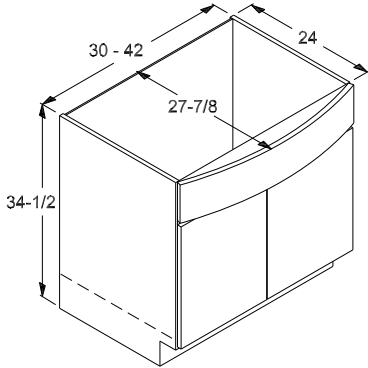
Cat. Code	1	2	3	4	5	6	7	8	9	10	11
One Door - Full Width False Front											
ASB24	1259	1363	1407	1440	1472	1528	1550	1591	1617	1662	1698
ASB27	1301	1423	1490	1544	1579	1643	1670	1715	1746	1795	1837
Two Doors - Full-Width False Front											
ASB30	1372	1491	1563	1620	1658	1728	1757	1808	1838	1894	1937
ASB33	1414	1535	1607	1666	1708	1782	1811	1866	1897	1953	2000
ASB36	1449	1579	1655	1715	1759	1833	1865	1921	1955	2015	2063
ASB39	1498	1635	1713	1778	1824	1904	1938	1998	2032	2093	2146
ASB42	1533	1678	1759	1824	1871	1955	1988	2049	2085	2151	2204
Two Doors - Two False Fronts											
ASB36-2DWR	1449	1579	1655	1715	1759	1833	1865	1921	1955	2015	2063
ASB39-2DWR	1498	1635	1713	1778	1824	1904	1938	1998	2032	2093	2146
ASB42-2DWR	1533	1678	1759	1824	1871	1955	1988	2049	2085	2151	2204
ASB45	1580	1727	1811	1879	1925	2013	2048	2111	2148	2216	2273
ASB48	1623	1774	1859	1928	1977	2067	2103	2169	2208	2280	2337

Cat. Code	1	2	3	4	5	6	7	8	9	10	11
One Door - Full Width False Front											
ASBF24	1543	1647	1691	1724	1756	1812	1834	1875	1901	1946	1982
ASBF27	1585	1707	1774	1828	1863	1927	1954	1999	2030	2079	2121
Two Doors - Full-Width False Front											
ASBF30	1656	1775	1847	1904	1942	2012	2041	2092	2122	2178	2221
ASBF33	1698	1819	1891	1950	1992	2066	2095	2150	2181	2237	2284
ASBF36	1733	1863	1939	1999	2043	2117	2149	2205	2239	2299	2347
ASBF39	1782	1919	1997	2062	2108	2188	2222	2282	2316	2377	2430
ASBF42	1817	1962	2043	2108	2155	2239	2272	2333	2369	2435	2488
Two Doors - Two False Fronts											
ASBF36-2DWR	1733	1863	1939	1999	2043	2117	2149	2205	2239	2299	2347
ASBF39-2DWR	1782	1919	1997	2062	2108	2188	2222	2282	2316	2377	2430
ASBF42-2DWR	1817	1962	2043	2108	2155	2239	2272	2333	2369	2435	2488
ASBF45	1864	2011	2095	2163	2209	2297	2332	2395	2432	2500	2557
ASBF48	1907	2058	2143	2212	2261	2351	2387	2453	2492	2564	2621

Full Height Door Courtesy Panel, **FHDCP** **N/C**



30310 - Sink Base Bow Front Apron Cabinet

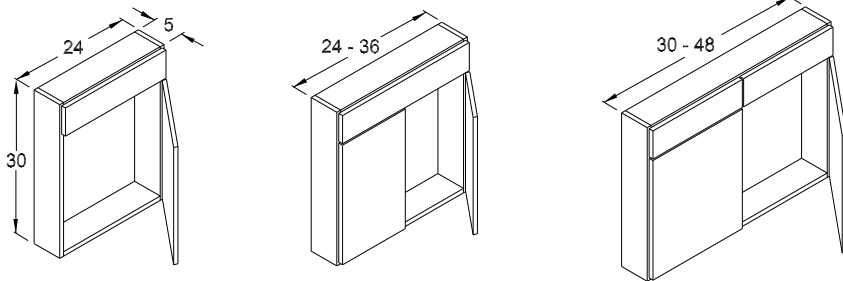


- Available with slab drawer front **only**.
- Outside edge profile will match the door.
- **Minimum** width = 30".

NOTE: Available in standard wood species **only**.

Cat. Code	1	2	3	4	5	6	7	8	9	10	11
SBBFA30	1416	1535	1606	1663	1701	1771	1801	1851	1881	1937	1980
SBBFA33	1458	1578	1650	1710	1752	1825	1854	1909	1941	1997	2043
SBBFA36	1493	1622	1698	1759	1802	1876	1908	1964	1998	2058	2106
SBBFA39	1542	1678	1756	1822	1867	1948	1981	2041	2075	2137	2189
SBBFA42	1577	1721	1802	1867	1914	1998	2032	2092	2128	2194	2247

30350 - Sink Front

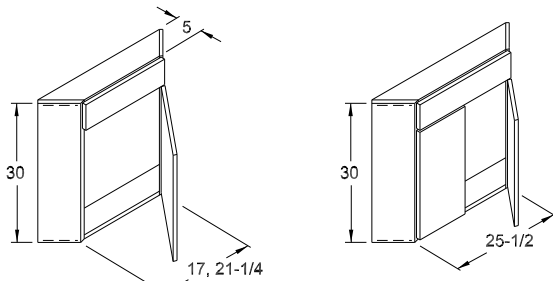


- For a Full Height Door and a "Courtesy Panel" to hide the sink, specify **FHDCP** for no charge.

Cat. Code	1	2	3	4	5	6	7	8	9	10	11
SF24-1	527	602	637	663	685	726	745	779	798	832	861
SF24	527	602	637	663	685	726	745	779	798	832	861
SF27	557	649	699	738	765	812	832	868	892	930	962
SF30	653	742	797	840	871	926	948	989	1015	1060	1096
SF33	685	779	832	875	908	964	989	1034	1059	1105	1145
SF36	713	811	870	917	948	1004	1031	1076	1104	1153	1192
SF30-2DWR	653	742	797	840	871	926	948	989	1015	1060	1096
SF33-2DWR	685	779	832	875	908	964	989	1034	1059	1105	1145
SF36-2DWR	713	811	870	917	948	1004	1031	1076	1104	1153	1192
SF39	759	872	942	997	1035	1102	1130	1181	1209	1263	1306
SF42	790	913	980	1036	1075	1147	1175	1227	1258	1314	1358
SF45	828	952	1024	1080	1119	1194	1224	1279	1311	1368	1416
SF48	864	992	1064	1123	1165	1241	1273	1329	1362	1424	1472

Full Height Door Courtesy Panel, **FHDCP**N/C

30400 - Diagonal Corner Sink Front



- For a Full Height Door and a "Courtesy Panel" to hide the sink, specify **FHDCP** for no charge.

DCSF36
DCSF39

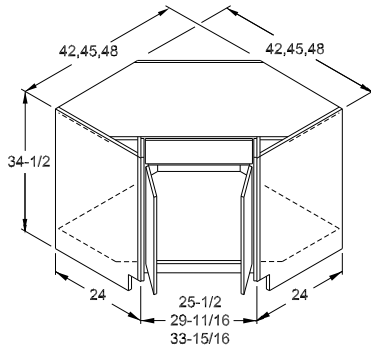
DCSF42-2

Cat. Code	1	2	3	4	5	6	7	8	9	10	11
DCSF36	454	521	557	586	607	644	661	689	706	737	763
DCSF39	605	702	761	808	835	886	908	949	973	1017	1052
DCSF42-2	755	881	963	1029	1063	1129	1158	1209	1239	1295	1339

Full Height Door Courtesy Panel, **FHDCP**N/C

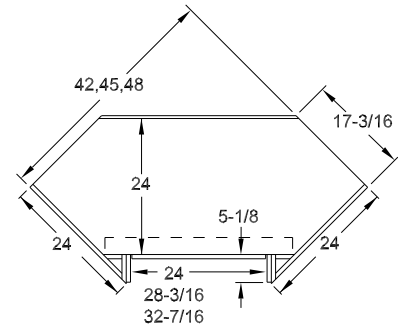


30470 - Recessed Corner Sink Base



- Roll-out shelves are **not** available.
- Finished ends are **not** available.
- For a Full Height Door and a "Courtesy Panel" to hide the sink, specify **FHDCP** for no charge.

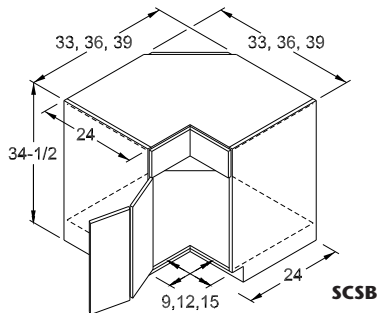
QUOTED MODIFICATIONS ONLY



Cat. Code	1	2	3	4	5	6	7	8	9	10	11
RCSB42	1389	1582	1679	1759	1822	1936	1984	2070	2121	2216	2293
RCSB45	1459	1662	1763	1847	1914	2033	2084	2174	2228	2327	2408
RCSB48	1459	1662	1763	1847	1914	2033	2084	2174	2228	2327	2408

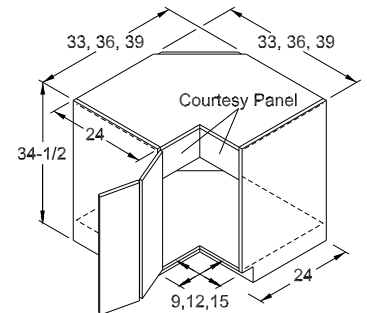
Full Height Door Courtesy Panel, **FHDCP**N/C

30475 - Square Corner Sink Base



- Tip down fronts are **not** available for this cabinet.
- SCSBFD has a courtesy panel to conceal the sink.

QUOTED MODIFICATIONS ONLY

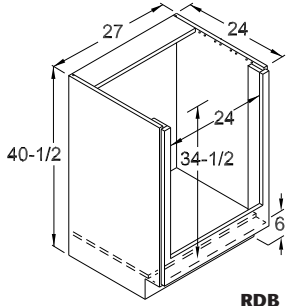


Cat. Code	1	2	3	4	5	6	7	8	9	10	11
SCSB33	984	1127	1210	1276	1322	1403	1437	1500	1537	1606	1662
SCSB36	1038	1187	1273	1344	1390	1476	1515	1580	1622	1693	1752
SCSB39	1087	1246	1339	1411	1463	1553	1589	1661	1701	1777	1839

Cat. Code	1	2	3	4	5	6	7	8	9	10	11
SCSBFD33	984	1127	1210	1276	1322	1403	1437	1500	1537	1606	1662
SCSBFD36	1038	1187	1273	1344	1390	1476	1515	1580	1622	1693	1752
SCSBFD39	1087	1246	1339	1411	1463	1553	1589	1661	1701	1777	1839

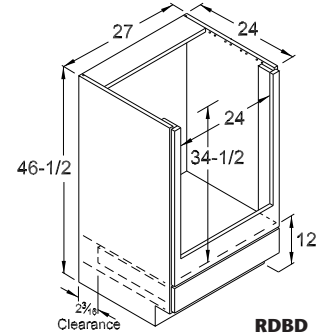


30480 - Raised Dishwasher Bases



RDB

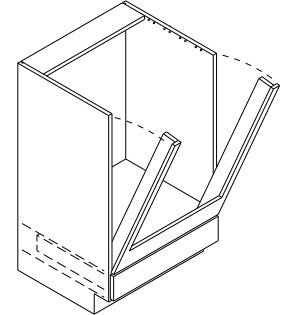
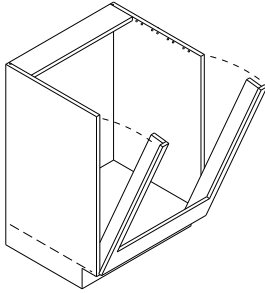
- Cabinet has standard toe space with raised floor for dishwasher. 46-1/2" cabinet has a working drawer.
- 34-1/2" high top opening with hinged bottom "U" frame to allow for raised installation of dishwasher.
- Hinge bottom "U" frame extends 4" into top opening to cover toe space of dishwasher.
- Reinforced floor for additional support of dishwasher.
- **Finished Ends are standard.**



RDBD

MODIFICATIONS MUST BE QUOTED

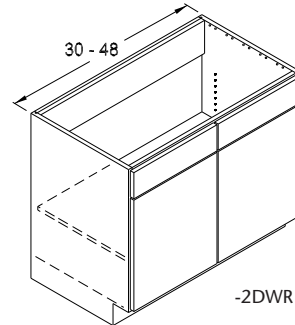
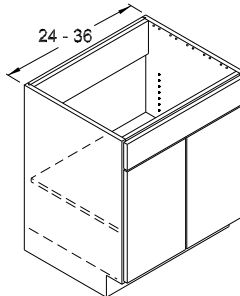
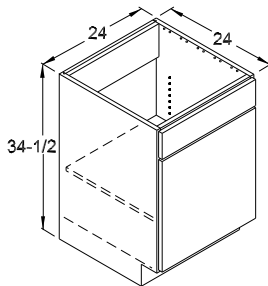
NOTE: Not available with Acrylic or Foil finishes.



Cat. Code	Price
RDB27	1064

Cat. Code	1	2	3	4	5	6	7	8	9	10	11
RDBD27	1419	1419	1419	1419	1461	1537	1574	1643	1685	1759	1820

30500 - Range Base

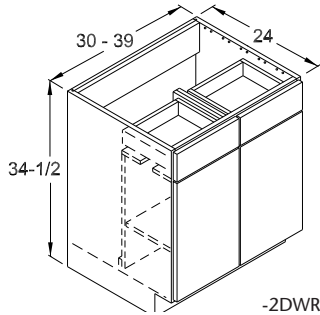


Cat. Code	1	2	3	4	5	6	7	8	9	10	11
RB24-1	676	781	824	857	889	944	968	1011	1035	1081	1118
RB24	676	781	824	857	889	944	968	1011	1035	1081	1118
RB27	719	839	907	961	996	1060	1087	1134	1164	1214	1256
RB30	822	944	1018	1075	1115	1187	1217	1270	1301	1358	1407
RB33	867	989	1063	1124	1166	1241	1273	1329	1362	1424	1472
RB36	903	1035	1112	1175	1218	1295	1328	1386	1421	1483	1536
RB30-2DWR	822	944	1018	1075	1115	1187	1217	1270	1301	1358	1407
RB33-2DWR	867	989	1063	1124	1166	1241	1273	1329	1362	1424	1472
RB36-2DWR	903	1035	1112	1175	1218	1295	1328	1386	1421	1483	1536
RB39	951	1090	1172	1238	1284	1367	1400	1463	1500	1566	1620
RB42	989	1136	1218	1285	1333	1418	1453	1518	1556	1623	1680
RB45	1036	1186	1272	1339	1389	1475	1515	1580	1620	1692	1749
RB48	1078	1231	1320	1391	1441	1533	1571	1640	1680	1754	1817
RB48-4* (4 doors)	1248	1425	1525	1606	1664	1768	1811	1893	1939	2026	2096

* RB48-4 has center partition.

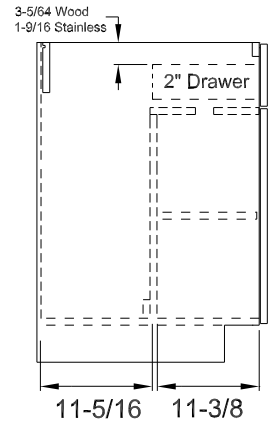


30510 - Down Draft Range Base



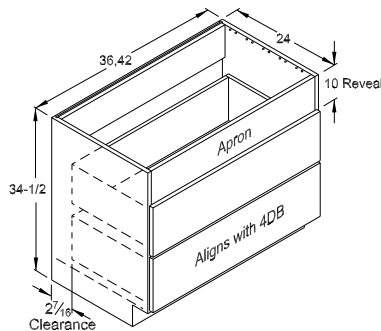
-2DWR Shown

- Down draft ventilation system is accessible by removing interior partition.
- Roll-out shelves are **not** available.

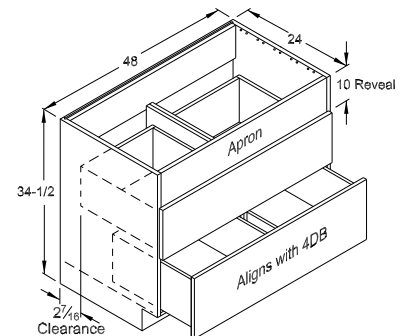


Cat. Code	1	2	3	4	5	6	7	8	9	10	11
DDRB30-1DWR	1508	1622	1696	1753	1795	1865	1897	1955	2004	2091	2165
DDRB33-1DWR	1554	1670	1743	1804	1845	1921	1953	2012	2063	2154	2229
DDRB36-1DWR	1587	1713	1791	1854	1897	1973	2007	2070	2121	2216	2293
DDRB30-2DWR	1508	1622	1696	1753	1795	1865	1897	1955	2004	2091	2165
DDRB33-2DWR	1554	1670	1743	1804	1845	1921	1953	2012	2063	2154	2229
DDRB36-2DWR	1587	1713	1791	1854	1897	1973	2007	2070	2121	2216	2293
DDRB39	1638	1769	1852	1918	1964	2047	2082	2147	2201	2300	2378

30515 - Range Top Two Drawer



- 48" wide cabinet has one full-width drawer front attached to 2 drawer boxes. A center partition provides strength.

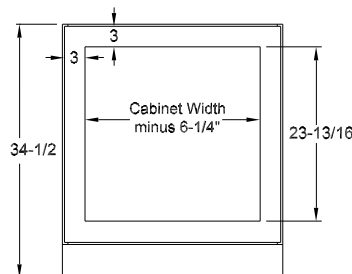
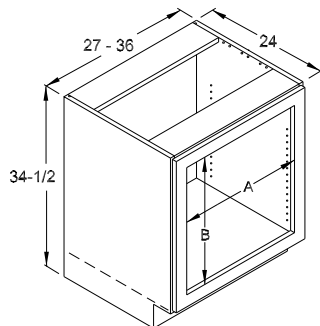


Cat. Code	1	2	3	4	5	6	7	8	9	10	11
RT2D36	1162	1175	1175	1175	1217	1292	1322	1381	1416	1477	1529
RT2D42	1279	1297	1297	1297	1341	1423	1459	1523	1561	1630	1686
RT2D48	2235	2362	2362	2362	2406	2485	2547	2659	2725	2847	2945

Change Reveal of Wide Apron, **CRWA*** (Specify reveal, e.g. 11" reveal)..... **Add \$172 to cabinet price**

*CRWA affects both drawers equally unless otherwise specified.

30516 - Base Oven Cabinet



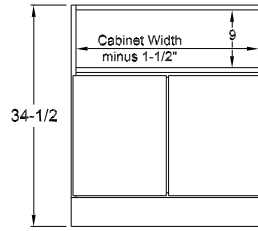
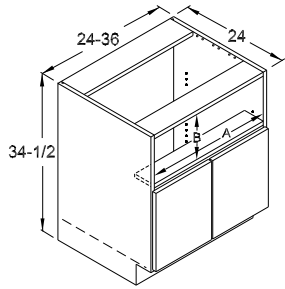
- Specify cutout A & B dimension (included in price). If not specified, default cutout is supplied for jobsite trimming. **Appliance manufacturers specification sheets will not be accepted for specification of cutout.**
- Oven opening has a 4-sided frame with edge profile to coordinate with doorstyle. When custom cutout is specified, **minimum** stile width is 1" (1-1/2" for Acrylic, Foil and Veneer door styles door styles) and **minimum** rail width is 1-1/2".
- The Flush Installation Kit removes the oven panel and includes three fillers (3" x 72") to be jobsite installed for oven installation.

Cat. Code	Price
BOC27	726
BOC30	851
BOC31 (31-1/2" wide)	895
BOC33	895
BOC36	929

Include Flush Installation Kit, **IFIK**..... **N/C**



30520 - Base Warming Drawer



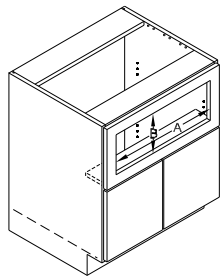
Default cut-out shown

Top stretcher can be removed in field for an additional 3/4". (9-3/4" high cut out.)
Maximum field-cut width = cabinet width minus 1-1/2"

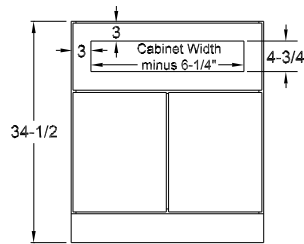
- Specify cutout A & B dimension (included in price). If not specified, default cutout is supplied for jobsite trimming.

Appliance manufacturers specification sheets will not be accepted for specification of cutout.

- If fixed shelf is desired under warming drawer, specify **FSWD**.
- OVNPNL** is a 4-sided frame with edge profile to coordinate with doorstyle. When custom cutout is specified, **minimum** stile width is 1" (1-1/2" for Acrylic, Foil and Veneer door styles) and **minimum** rail width is 1-1/2".



OVNPNL option shown



Default cut-out shown

Maximum Field Cut height = 9-3/4" with top stretcher removed.
Maximum field cut width = cabinet width minus 1-1/2"

Cat. Code	Price/SQ. FT.
Oven Panel Overlay Frame	
OVNPNL	61*

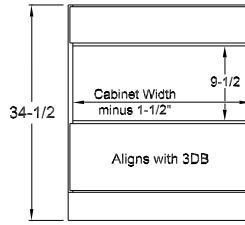
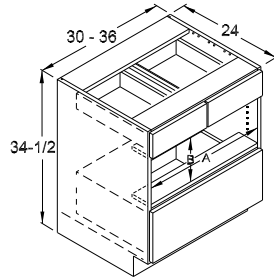
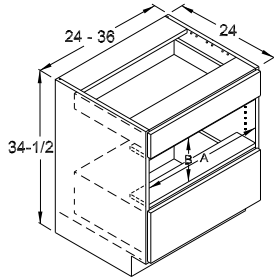
*Square footage is based on overall dimension of **OVNPNL**.

Cat. Code	1	2	3	4	5	6	7	8	9	10	11
BWD24-1	737	844	889	924	956	1013	1038	1085	1111	1160	1200
BWD24	737	844	889	924	956	1013	1038	1085	1111	1160	1200
BWD27	781	905	973	1029	1064	1131	1160	1211	1241	1295	1341
BWD30	927	1053	1127	1187	1195	1209	1241	1297	1329	1390	1437
BWD33	973	1098	1175	1237	1246	1265	1297	1356	1391	1452	1501
BWD36	1011	1145	1224	1288	1301	1320	1354	1416	1451	1517	1568

Fixed Shelf in Warming Drawer Opening, **FSWD**..... **\$126**

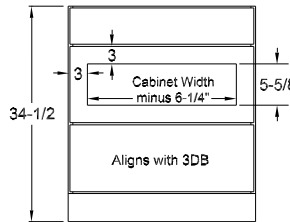
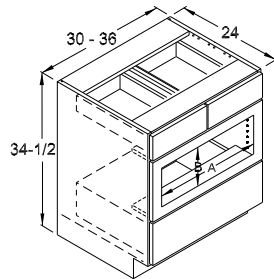
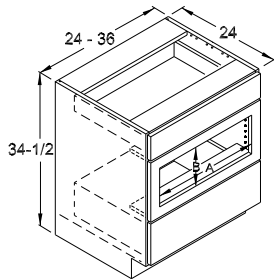


30525 - Three Drawer Base Warming Drawer



Maximum field cut height = 10-1/2"
Maximum field cut width = cabinet width minus 1-1/2"

Default cut-out shown



Maximum field cut height = 10-1/2"
Maximum field cut width = cabinet width minus 1-1/2"

OVNPNL option shown

Default cut-out shown

- Specify cutout A & B dimension (included in price). If not specified, default cutout is supplied for jobsite trimming. **Appliance manufacturers specification sheets will not be accepted for specification of cutout.** Custom cut-outs affect height of bottom drawer.
- If fixed shelf is desired in warming drawer opening, specify **FSWD** on order.

Cat. Code	1	2	3	4	5	6	7	8	9	10	11
3DBWD24	985	999	999	999	1033	1092	1118	1169	1199	1250	1294
3DBWD27	1050	1064	1064	1064	1099	1164	1193	1245	1278	1334	1378
3DBWD30-1DWR	1153	1167	1167	1167	1206	1276	1307	1365	1399	1461	1511
3DBWD33-1DWR	1202	1220	1220	1220	1260	1332	1365	1425	1461	1526	1579
3DBWD36-1DWR	1249	1267	1267	1267	1309	1386	1419	1482	1521	1586	1641
3DBWD30-2DWR	1153	1167	1167	1167	1206	1276	1307	1365	1399	1461	1511
3DBWD33-2DWR	1202	1220	1220	1220	1260	1332	1365	1425	1461	1526	1579
3DBWD36-2DWR	1249	1267	1267	1267	1309	1386	1419	1482	1521	1586	1641

Fixed Shelf in Warming Drawer Opening, **FSWD**. \$126

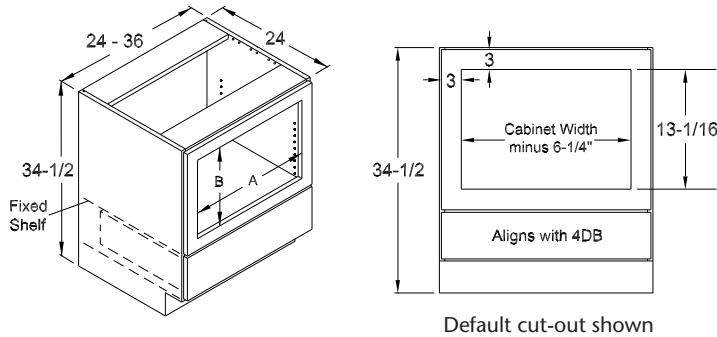
- OVNPNL** is a 4-sided frame with edge profile to coordinate with doorstyle. When custom cutout is specified, **minimum** stile width is 1" (1-1/2" for Acrylic, Foil and Veneer door styles) and **minimum** rail width is 1-1/2".

Cat. Code	Price/SQ. FT.
Oven Panel Overlay Frame	
OVNPNL	61*

*Square footage is based on overall dimension of **OVNPNL**.



30530 - Microwave Base with Drawer

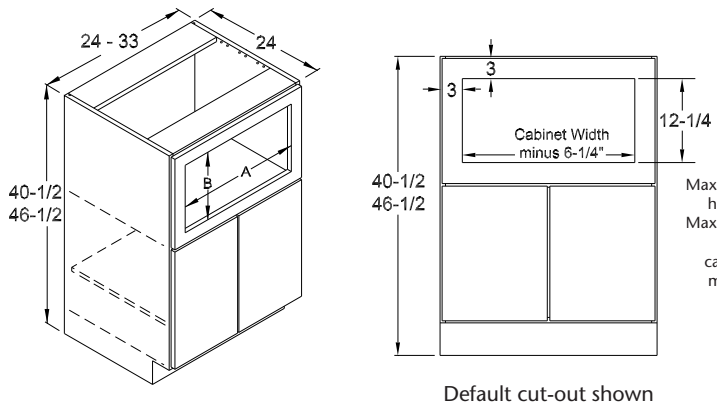


Maximum field cut height = 17-1/2"
Maximum field cut width = cabinet width minus 1-1/2"

- Specify cutout A & B dimension (included in price). If not specified, default cutout is supplied for jobsite trimming. **Appliance manufacturers specification sheets will not be accepted for specification of cutout.**
- Oven opening has a 4-sided frame with edge profile to coordinate with doorstyle. When custom cutout is specified, **minimum** stile width is 1" (1-1/2" for Acrylic, Foil and Veneer door styles) and **minimum** rail width is 1-1/2".

Cat. Code	1	2	3	4	5	6	7	8	9	10	11
MBD24	877	877	877	877	909	962	986	1032	1056	1104	1143
MBD27	922	922	922	922	955	1013	1038	1083	1110	1161	1201
MBD30	1074	1074	1074	1074	1111	1181	1209	1264	1295	1351	1398
MBD33	1130	1130	1130	1130	1171	1242	1274	1329	1361	1423	1472
MBD36	1172	1172	1172	1172	1214	1287	1320	1378	1413	1474	1526

30535 - Raised Microwave Base



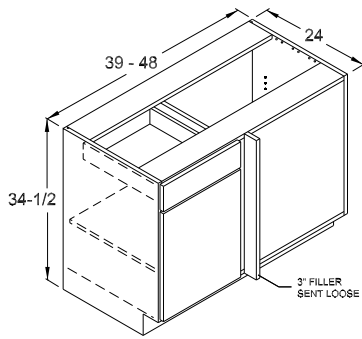
Maximum field cut height = 18"
Maximum field cut width = cabinet width minus 1-1/2"

- Specify cutout A & B dimension (included in price). If not specified, default cutout is supplied for jobsite trimming. **Appliance manufacturers specification sheets will not be accepted for specification of cutout.**
- Finished Ends are standard and included for N/C.**
- Oven opening has a 4-sided frame with edge profile to coordinate with doorstyle. When custom cutout is specified, **minimum** stile width is 1" (1-1/2" for Acrylic, Foil and Veneer door styles) and **minimum** rail width is 1-1/2".

Cat. Code	1	2	3	4	5	6	7	8	9	10	11
RMB2440-1	948	1088	1146	1192	1231	1306	1339	1398	1433	1496	1547
RMB2440	948	1088	1146	1192	1231	1306	1339	1398	1433	1496	1547
RMB2740	1005	1168	1256	1328	1374	1460	1496	1563	1601	1673	1731
RMB3040	1067	1237	1332	1409	1456	1547	1586	1657	1698	1773	1834
RMB3340	1124	1302	1403	1481	1533	1628	1670	1743	1788	1866	1932
RMB2446-1	998	1145	1204	1253	1297	1374	1410	1472	1509	1577	1630
RMB2446	998	1145	1204	1253	1297	1374	1410	1472	1509	1577	1630
RMB2746	1060	1228	1321	1397	1446	1537	1575	1645	1686	1760	1822
RMB3046	1130	1312	1411	1490	1544	1640	1680	1754	1799	1878	1944
RMB3346	1190	1379	1486	1571	1624	1726	1769	1847	1895	1977	2047

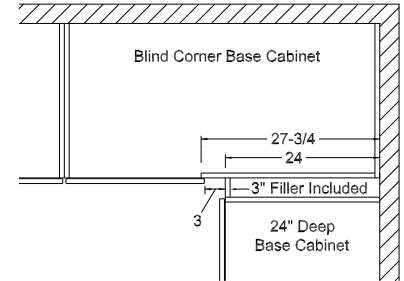


30600 - Blind Corner Base



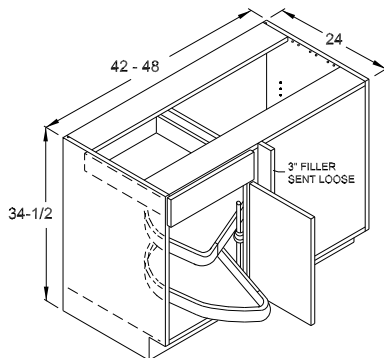
Blind Right Shown

- Specify blind left or right.
- Blind Corner Base cabinet has a 27" wide finished blind panel and does **not** need to be pulled from corner. See drawing at right. Can be pulled up to 24" for additional clearance.
- Door is hinged on blind panel.
- Width modifications affect the door area.



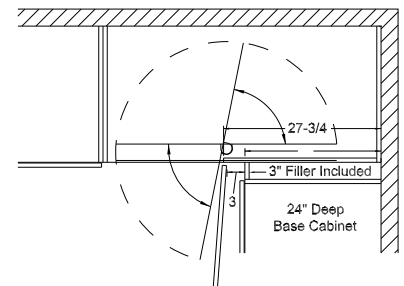
Cat. Code		1	2	3	4	5	6	7	8	9	10	11
BCB39	L/R	880	948	982	1011	1045	1110	1139	1189	1220	1274	1318
BCB42	L/R	922	992	1031	1060	1096	1164	1192	1243	1276	1332	1377
BCB45	L/R	999	1083	1124	1155	1195	1269	1300	1357	1392	1453	1503
BCB48	L/R	1188	1299	1341	1375	1424	1511	1549	1617	1658	1732	1792

30650 - Blind Corner Base with Swing-Out Shelves (Wood)



Blind Right Shown

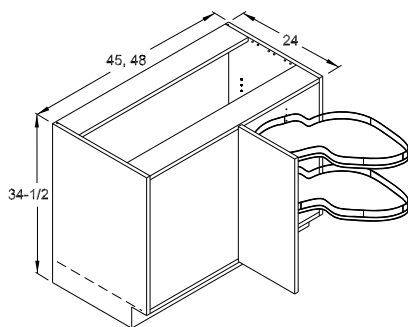
- Specify blind left or right.
- Door is hinged on blind panel.
- Two wood swing-out shelves with a natural finish. Shelves pivot and slide.
- Blind Corner Base cabinet has a 27" wide finished blind panel and does **not** need to be pulled from corner. See drawing at right.
- Swing-Out shelf capacity: 38 pounds each for 42", 40 pounds each for 45", 69 pounds each for 48".
- 24" deep cabinet **only**.
- **Minimum** width = 42"



QUOTED MODIFICATIONS ONLY

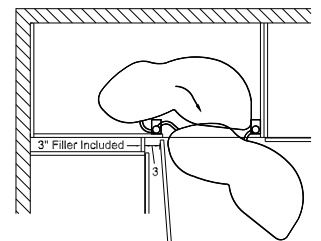
Cat. Code		1	2	3	4	5	6	7	8	9	10	11
BCSOSW42	L/R	1717	1728	1750	1768	1804	1871	1917	2002	2053	2144	2217
BCSOSW45	L/R	1824	1900	1939	1971	2011	2085	2137	2231	2287	2386	2470
BCSOSW48	L/R	2137	2237	2282	2315	2363	2452	2511	2623	2688	2809	2905

30660 - Blind Corner Swing-Out



Blind Left Shown

- Specify blind left or right.
- Door is hinged on blind panel.
- Two pivoting shelves swing-out and extend independently for easy access to blind area. Swing-Out capacity: 65 pounds for each shelf.
- Blind Corner Base cabinet has a 27" wide finished blind panel and does **not** need to be pulled from corner. See drawing at right.
- 24" deep cabinet **only**.
- **Minimum** width = 45"

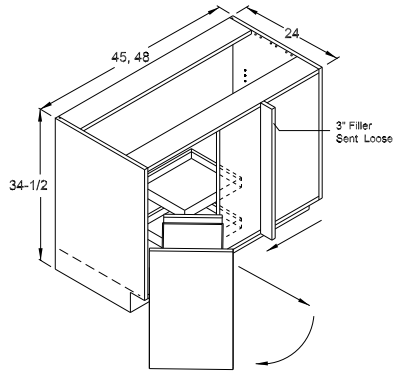


ALL OTHER DIMENSIONAL MODIFICATIONS MUST BE QUOTED

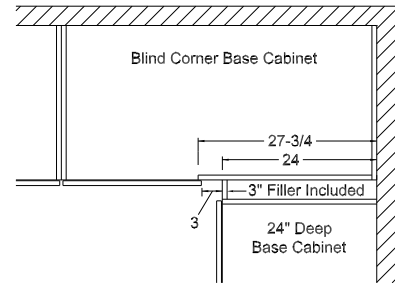
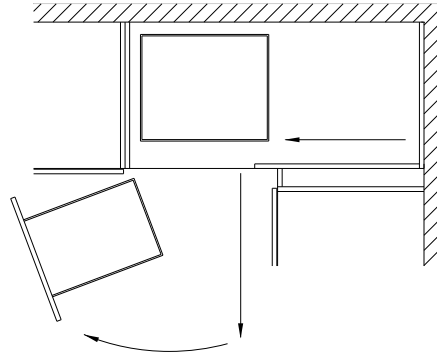
Cat. Code		1	2	3	4	5	6	7	8	9	10	11
BCSO45	L/R	3725	3799	3841	3871	3914	3996	4030	4094	4196	4380	4532
BCSO48	L/R	4048	4129	4174	4207	4254	4343	4380	4450	4560	4760	4926



30670 - Blind Corner Base with Baskets



Blind Right Shown

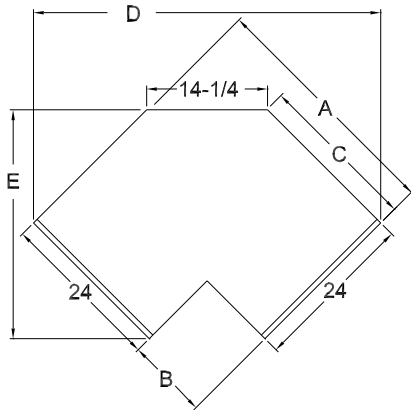


- Specify blind left or right.
- Two wire surround baskets slide and pivot for access to the blind storage area.
- Blind Corner Base cabinet has a 27" wide finished blind panel and does **not** need to be pulled from corner. See drawing at right.

QUOTED MODIFICATIONS ONLY

Cat. Code		1	2	3	4	5	6	7	8	9	10	11
BCBB45	L/R	4366	4438	4479	4512	4560	4641	4678	4742	4860	5074	5250
BCBB48	L/R	4596	4673	4716	4750	4798	4885	4924	4991	5114	5343	5526

Square Corner Cabinet Specifications

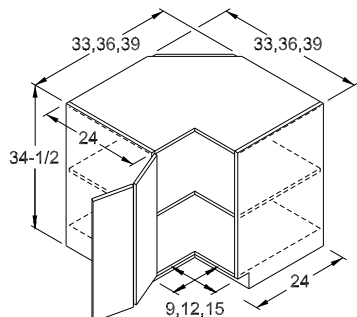


SCB DIMENSIONS				
A	B	C	D	E
33	9	22-15/16	46-11/16	33-3/16
36	12	25-15/16	50-15/16	35-5/16
39	15	28-15/16	55-1/8	37-7/16

Door width on 33" cabinet is 8". See Door Style Section for size and styling limitations.

NOTE: Aluminum door style options 1 (ALFRM1), 5 (ALFRM5), and 8 (ALFRM8) are **not** available.

30675 - Square Corner Base



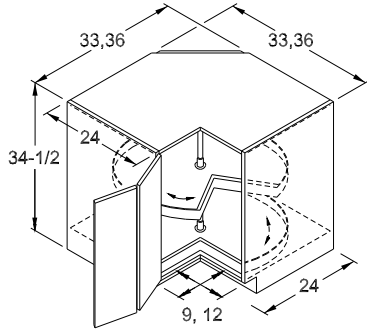
- One full depth fixed shelf is centered in door opening. To remove the shelf for no charge, specify "omit fixed shelf" on order.
- SCB36 and SCB39 may have each back dimension decreased in width by up to 3". Specify the dimension of each back modified. Any change to a back dimension will also change the face frame.

Cat. Code	1	2	3	4	5	6	7	8	9	10	11
SCB33	856	980	1052	1109	1150	1220	1249	1304	1336	1396	1445
SCB36	902	1032	1106	1168	1208	1284	1316	1374	1410	1472	1523
SCB39	944	1083	1164	1227	1272	1350	1382	1444	1479	1545	1599

Cut Down Width of Square Corner Back, **CDWSCB** **N/C**
 Cut Down Width of Square Corner Back - Both, **CDWSCB2** **N/C**



30690 - Square Corner Base Spin Tray (Plastic)



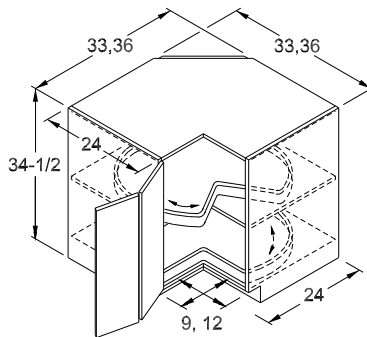
- Cabinet has two white plastic spin trays (28" or 32" diameter) on a metal post. Top tray is adjustable in height. 64 pound capacity per 28" diameter spin tray, 84 pound capacity per 32" diameter spin tray.
- 36" units may have each back dimension decreased in width by up to 3". Specify the dimension of each back modified. Wood Susans will be from the 33" unit. Any change to a back dimension will also change the face frame.

OTHER DIMENSIONAL MODIFICATIONS MUST BE QUOTED

Cat. Code	1	2	3	4	5	6	7	8	9	10	11
SCBST33	1320	1440	1505	1558	1603	1691	1732	1809	1854	1936	2004
SCBST36	1360	1487	1557	1612	1668	1767	1810	1890	1936	2023	2093

Cut Down Width of Square Corner Back, **CDWSCB**. **N/C**
 Cut Down Width of Square Corner Back - Both, **CDWSCB2**. **N/C**

30695 - Giant Susan Square Corner Base (Wood)



- Two natural finished Wood Susan shelves (28" or 32" diameter) are attached to bottom of cabinet and centered fixed shelf. 100 pound capacity per Wood Susan.
- 36" units may have each back dimension decreased in width by up to 3". Specify the dimension of each back modified. Wood Susans will be from the 33" unit. Any change to a back dimension will also change the face frame.

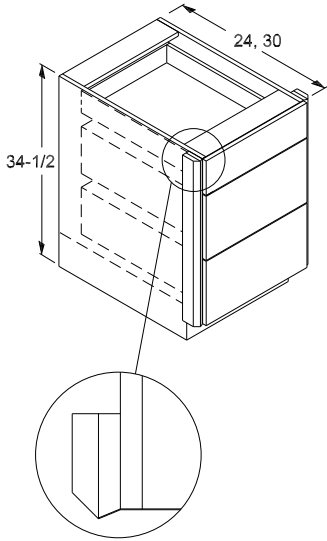
OTHER DIMENSIONAL MODIFICATIONS MUST BE QUOTED

Cat. Code	1	2	3	4	5	6	7	8	9	10	11
GSSCB33	1946	2082	2152	2207	2271	2385	2445	2554	2617	2733	2827
GSSCB36	1986	2128	2202	2261	2328	2449	2509	2620	2685	2805	2902

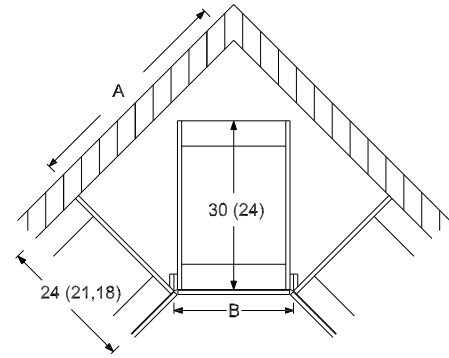
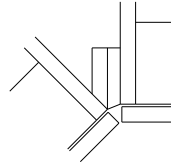
Cut Down Width of Square Corner Back, **CDWSCB**. **N/C**
 Cut Down Width of Square Corner Back - Both, **CDWSCB2**. **N/C**



30702 - Diagonal Three-Drawer Base

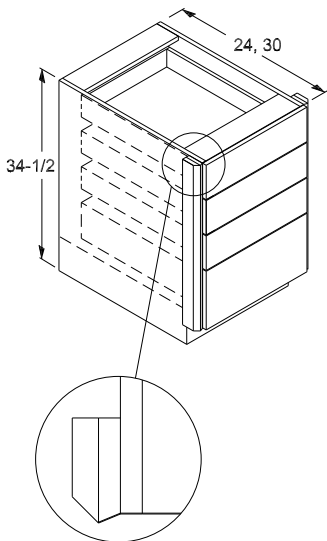


- 24" and 30" depth fit in standard 24" deep run of cabinets. 30" includes a deeper drawer with heavy duty slides.
- For 18" or 21" deep vanity runs, use the 24" deep Diagonal Three-Drawer Base.

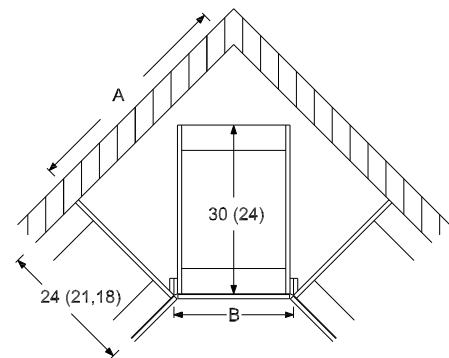
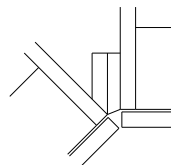


Cat. Code	1	2	3	4	5	6	7	8	9	10	11
24" Deep											
DC3DB3324	891	900	900	900	923	966	986	1024	1049	1095	1132
DC3DB3624	928	949	949	949	976	1022	1043	1081	1109	1158	1197
DC3DB3924	1048	1059	1059	1059	1089	1143	1166	1209	1239	1295	1339
DC3DB4224	1105	1115	1115	1115	1147	1204	1230	1278	1309	1367	1414
30" Deep											
DC3DB3330	1600	1601	1601	1601	1627	1671	1691	1726	1769	1847	1913
DC3DB3630	1638	1652	1652	1652	1678	1725	1746	1785	1829	1911	1976
DC3DB3930	1757	1761	1761	1761	1791	1845	1869	1914	1960	2048	2118
DC3DB4230	1816	1819	1819	1819	1851	1909	1934	1979	2029	2119	2194

30705 - Diagonal Four-Drawer Base



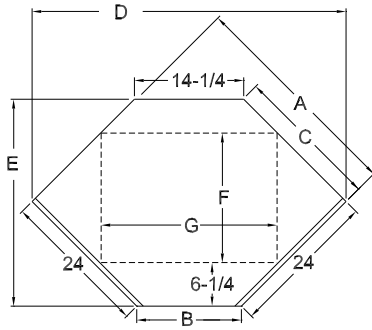
- 24" and 30" depth fit in standard 24" deep run of cabinets. 30" includes a deeper drawer with heavy duty slides.
- For 18" or 21" deep vanity runs, use the 24" deep Diagonal Four-Drawer Base.



Cat. Code	1	2	3	4	5	6	7	8	9	10	11
24" Deep											
DC4DB3324	984	1004	1004	1004	1027	1069	1095	1143	1171	1222	1265
DC4DB3624	1033	1045	1045	1045	1076	1134	1158	1201	1230	1286	1330
DC4DB3924	1144	1154	1154	1154	1186	1243	1270	1319	1351	1412	1460
DC4DB4224	1204	1217	1217	1217	1250	1314	1342	1393	1428	1490	1543
30" Deep											
DC4DB3330	1844	1857	1857	1857	1879	1921	1948	1993	2043	2133	2208
DC4DB3630	1882	1896	1896	1896	1929	1986	2009	2053	2104	2197	2273
DC4DB3930	2004	2005	2005	2005	2039	2096	2121	2172	2225	2323	2404
DC4DB4230	2065	2069	2069	2069	2103	2166	2195	2245	2301	2403	2487

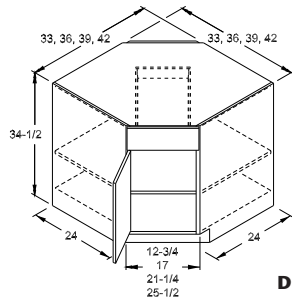


Diagonal Corner and Curved Corner Specifications



DCB DIMENSIONS				
A	B	C	D	E
33	12-3/4	22-15/16	46-11/16	33-3/16
36	17	25-15/16	50-15/16	35-5/16
39	21-1/4	28-15/16	55-1/8	37-7/16
42	25-1/2	31-15/16	59-3/8	39-9/16

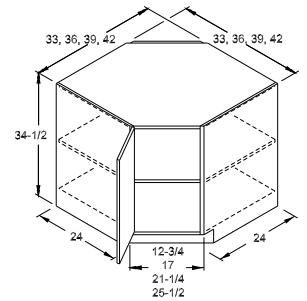
30712 - Diagonal Corner Base



DCB

- One fixed shelf is centered in door opening. To remove the shelf, specify "omit fixed shelf" for no charge.

ANY MODIFICATIONS THAT AFFECTS FACE ANGLE MUST BE QUOTED.

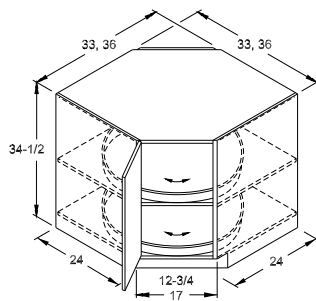


DCBFD

Cat. Code	1	2	3	4	5	6	7	8	9	10	11
DCB33	1008	1132	1201	1255	1297	1370	1405	1467	1503	1571	1623
DCB36	1050	1176	1249	1307	1350	1428	1463	1529	1566	1635	1692
DCB39	1154	1211	1332	1428	1475	1563	1601	1673	1714	1791	1853
DCB42-2 (2 doors)	1260	1412	1487	1547	1600	1696	1739	1816	1860	1942	2008

Cat. Code	1	2	3	4	5	6	7	8	9	10	11
DCBFD33	857	963	1021	1067	1103	1165	1195	1247	1278	1336	1380
DCBFD36	893	1000	1062	1111	1148	1214	1244	1300	1332	1390	1439
DCBFD39	981	1030	1133	1214	1254	1329	1361	1423	1457	1523	1576
DCBFD42-2	1071	1201	1264	1315	1360	1442	1479	1544	1581	1651	1707

30715 - Giant Susan Diagonal Corner Base



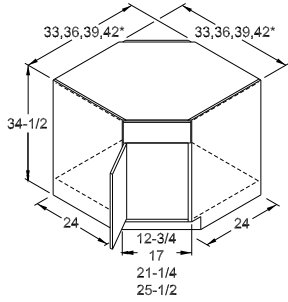
- Two full-round natural finished Wood Susan shelves (28" diameter) are attached to bottom of cabinet and centered fixed shelf. 100 pound capacity per Wood Susan.
- **Minimum** height = 24".

OTHER DIMENSIONAL MODIFICATIONS MUST BE QUOTED.

Cat. Code	1	2	3	4	5	6	7	8	9	10	11
GSDCB33	1953	2063	2124	2175	2238	2352	2412	2518	2581	2695	2788
GSDCB36	1991	2103	2170	2224	2288	2404	2463	2573	2636	2753	2848



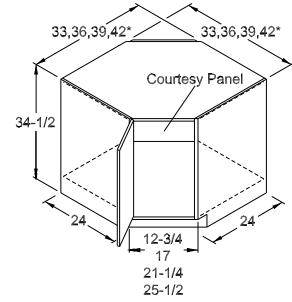
30720 - Diagonal Corner Sink Base



DCSB

- DCSBFD has a courtesy panel to conceal the sink
- Minimum height = 24"

OTHER DIMENSIONAL MODIFICATIONS
MUST BE QUOTED

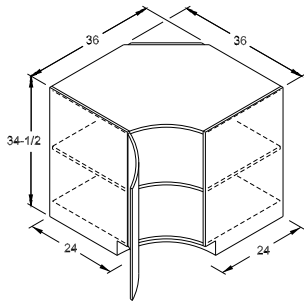


DCSBFD

Cat. Code	1	2	3	4	5	6	7	8	9	10	11
DCSB33	733	828	888	936	966	1025	1050	1096	1124	1174	1214
DCSB36	843	949	1015	1067	1104	1173	1202	1255	1286	1343	1391
DCSB39	955	1083	1153	1209	1253	1333	1367	1427	1462	1528	1580
DCSB42-2	1068	1217	1293	1353	1400	1488	1526	1593	1633	1705	1764

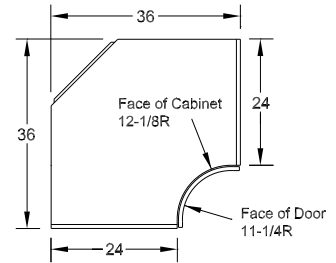
Cat. Code	1	2	3	4	5	6	7	8	9	10	11
DCSBFD33	733	828	888	936	966	1025	1050	1096	1124	1174	1214
DCSBFD36	843	949	1015	1067	1104	1173	1202	1255	1286	1343	1391
DCSBFD39	955	1083	1153	1209	1253	1333	1367	1427	1462	1528	1580
DCSBFD42-2	1068	1217	1293	1353	1400	1488	1526	1593	1633	1705	1764

30725 - Curved Corner Base



- One full depth fixed shelf is centered in door opening. To remove the shelf for no charge, specify "omit fixed shelf" on order.
- Factory installed curved toe space is finished to match cabinet.
- May be reduced in height **only**.

NO MODIFICATIONS THAT AFFECT CURVED
FACE FRAME AND/OR DOOR RADIUS

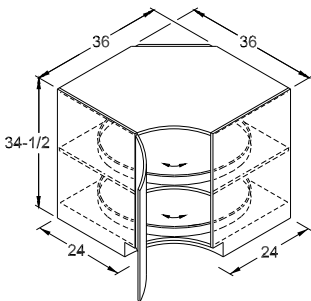


NOTE: CCB and adjacent cabinet should **not** have surface mounted hardware beside each other for proper operation of CCB door.

NOTE: Available in standard wood species only. **Exception:** **Not** available in Rustic Hickory. See [door style section](#) for other limitations

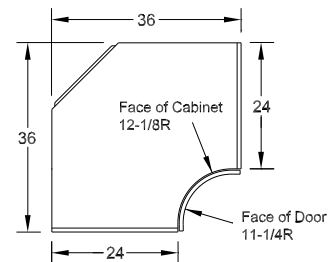
Cat. Code	1	2	3	4	5	6	7	8	9	10	11
CCB36	3819	3943	3993	4036	4076	4149	4251	4440	4549	4751	4917

30730 - Giant Susan Curved Corner Base



- Two natural finished Wood Susan shelves (28" diameter) are attached to bottom of cabinet and centered fixed shelf. 100 pound capacity per Wood Susan.
- May be reduced in height **only**.
- Factory installed curved toe space is finished to match cabinet.
- Extended stiles are **not** available.

NO MODIFICATIONS THAT AFFECT CURVED
FACE FRAME AND/OR DOOR RADIUS



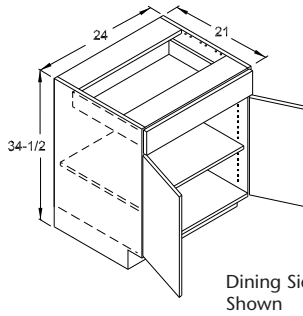
NOTE: GSCCB and adjacent cabinet should **not** have surface mounted hardware beside each other for proper operation of GSCCB door.

NOTE: **Not** available in Rustic Hickory wood species. See [door style section](#) for other limitations

Cat. Code	1	2	3	4	5	6	7	8	9	10	11
GSCCB36	4424	4542	4595	4636	4676	4750	4867	5084	5208	5439	5627



30750 - Peninsula Base Starter

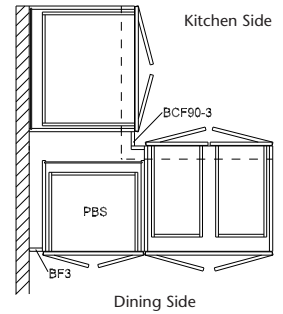


Dining Side Shown

- Can be used to begin a peninsula in either direction.
- A corner filler (BCF90-3) and a filler (BF3) are included (sent loose) for proper installation. See drawing at right.

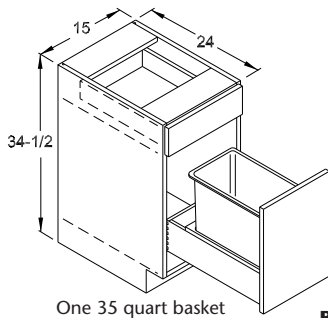
NOTE: If overlays are desired for the BF3 or BCF90-3, see Sections [90150](#) and [90160](#).

NOTE: For a peninsula modification to any standard base cabinet see Modification [section 71180](#).



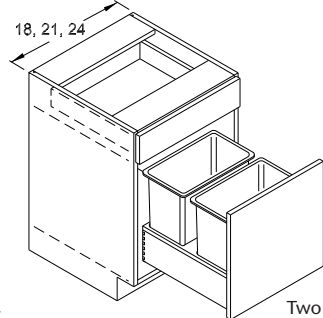
Cat. Code	1	2	3	4	5	6	7	8	9	10	11
PBS24	860	965	1027	1075	1112	1177	1207	1261	1291	1350	1395
PBS24-FD (Full Door)	843	948	1010	1058	1094	1161	1189	1243	1274	1328	1376

30755 - Base Recycling Center



One 35 quart basket

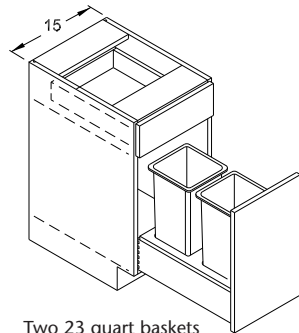
BRC



Two 35 quart baskets

- 24" deep cabinets **only**.
- Full-extension, undermount guides with Touch Latch.
- Removable recycling baskets.
- Base Recycling Center cabinets are also available with a SERVO drive included. SERVO mechanism is field installed in the cabinet to push the unit open when the door is touched. Includes 110V power supply with a 6' universal cable.

QUOTED MODIFICATIONS ONLY



Two 23 quart baskets

BRC15D

Base Recycling Center - Includes Touch Latch											
Cat. Code	1	2	3	4	5	6	7	8	9	10	11
BRC15	1394	1459	1494	1524	1557	1619	1652	1709	1749	1821	1881
BRC15D	1592	1657	1692	1722	1755	1817	1850	1907	1947	2019	2079
BRC18	1526	1599	1638	1667	1701	1767	1800	1860	1904	1982	2049
BRC21	1702	1784	1825	1858	1900	1975	2015	2086	2136	2224	2297
BRC24-1	1863	1974	2019	2054	2100	2182	2227	2309	2362	2462	2544

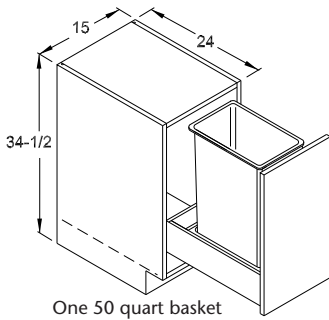
Base Recycling Center with SERVO-DRIVE											
Cat. Code	1	2	3	4	5	6	7	8	9	10	11
BRCSERVO15	2293	2358	2393	2423	2456	2518	2551	2608	2648	2720	2780
BRCSERVO15D	2491	2556	2591	2621	2654	2716	2749	2806	2846	2918	2978
BRCSERVO18	2425	2498	2537	2566	2600	2666	2699	2759	2803	2881	2948
BRCSERVO21	2601	2683	2724	2757	2799	2874	2914	2985	3035	3123	3196
BRCSERVO24-1	2762	2873	2918	2953	2999	3081	3126	3208	3261	3361	3443



30760 - Base Recycling Center Full Door

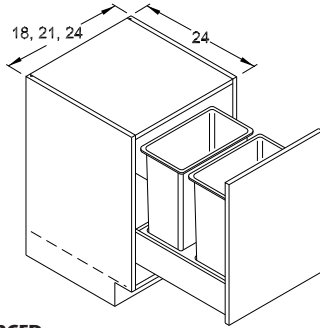
- 24" deep cabinets **only**.
- Full-extension, undermount guides with Touch Latch.
- Removable recycling baskets.
- Base Recycling Center Full Door cabinets are also available with a SERVO drive included. SERVO mechanism is field installed in the cabinet to push the unit open when the door is touched. Includes 110V power supply with a 6' universal cable.

QUOTED MODIFICATIONS ONLY

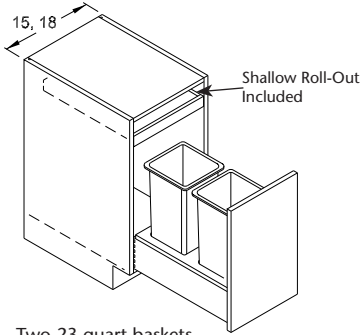


One 50 quart basket

BRCFD



Two 50 quart baskets



Two 23 quart baskets

BRCFD15D

Base Recycling Center Full Door - Includes Touch Latch

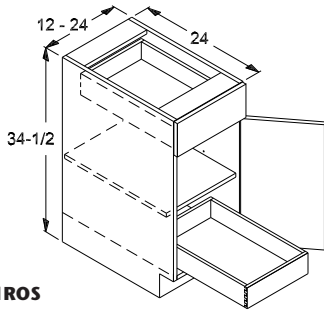
Cat. Code	1	2	3	4	5	6	7	8	9	10	11
BRCFD15	1394	1459	1494	1524	1557	1619	1652	1709	1749	1821	1881
BRCFD15D	1831	1896	1931	1961	1994	2056	2089	2146	2186	2258	2318
BRCFD18	1526	1599	1638	1667	1701	1767	1800	1860	1904	1982	2049
BRCFD18D	1969	2042	2081	2110	2144	2210	2243	2303	2347	2425	2492
BRCFD21	1702	1784	1825	1858	1900	1975	2015	2086	2136	2224	2297
BRCFD24-1	1863	1974	2019	2054	2100	2182	2227	2309	2362	2462	2544

Base Recycling Center Full Door with SERVO-DRIVE

Cat. Code	1	2	3	4	5	6	7	8	9	10	11
BRCFDSERVO15	2293	2358	2393	2423	2456	2518	2551	2608	2648	2720	2780
BRCFDSERVO15D	2730	2795	2830	2860	2893	2955	2988	3045	3085	3157	3217
BRCFDSERVO18	2425	2498	2537	2566	2600	2666	2699	2759	2803	2881	2948
BRCFDSERVO18D	2862	2935	2974	3003	3037	3103	3136	3196	3240	3318	3385
BRCFDSERVO21	2601	2683	2724	2757	2799	2874	2914	2985	3035	3123	3196
BRCFDSERVO24-1	2762	2873	2918	2953	2999	3081	3126	3208	3261	3361	3443

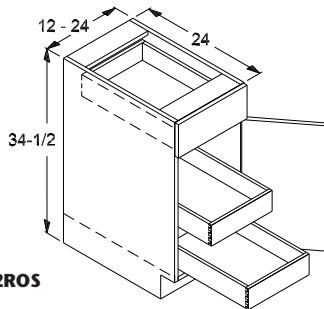
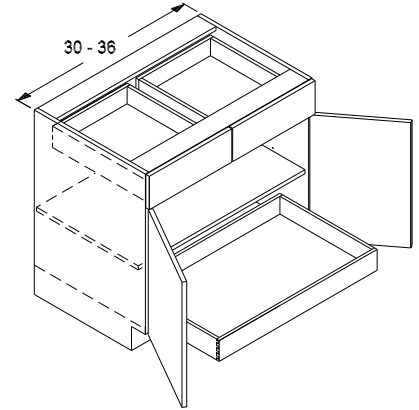
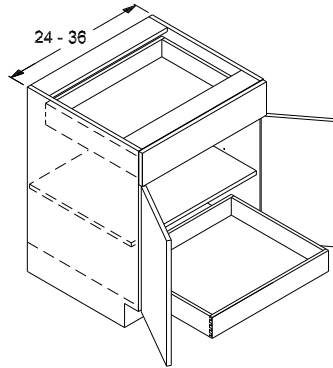


30765 - Base Roll-Out Cabinet



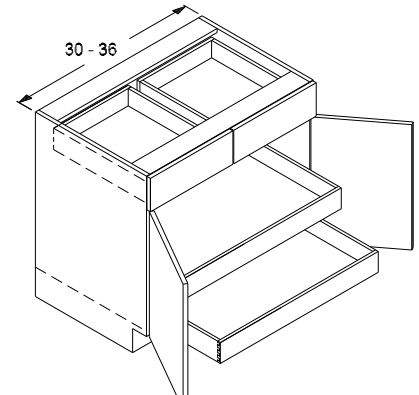
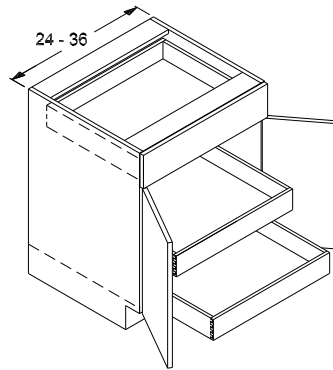
B1ROS

- One 4" high ROS is included below standard shelf



B2ROS

- Includes two 4" high ROS.



- **Minimum** cabinet depth is 12".
- **Minimum** cabinet width is 7-3/4" (8-1/2" for Stainless Steel).
- Roll-out Shelves operate on Full-Extension, soft-close undermount guides.

One Roll-Out Shelf

Cat. Code	1	2	3	4	5	6	7	8	9	10	11
B1ROS12	692	747	782	810	830	866	882	911	929	958	984
B1ROS15	742	805	840	870	892	929	947	977	996	1029	1056
B1ROS18	775	845	885	914	936	979	998	1033	1053	1088	1116
B1ROS21	854	931	972	1006	1031	1077	1098	1133	1156	1196	1227
B1ROS24-1	983	1087	1132	1165	1196	1251	1275	1322	1347	1394	1434
B1ROS24	983	1087	1132	1165	1196	1251	1275	1322	1347	1394	1434
B1ROS27	1063	1182	1249	1303	1339	1402	1430	1480	1509	1562	1606
B1ROS30	1177	1295	1366	1422	1460	1529	1561	1617	1648	1710	1758
B1ROS33	1246	1364	1435	1495	1535	1608	1640	1698	1733	1794	1845
B1ROS36	1279	1406	1482	1543	1585	1659	1691	1754	1789	1853	1906

Cat. Code	1	2	3	4	5	6	7	8	9	10	11
B1ROS30-1DWR	1177	1295	1366	1422	1460	1529	1561	1617	1648	1710	1758
B1ROS33-1DWR	1246	1364	1435	1495	1535	1608	1640	1698	1733	1794	1845
B1ROS36-1DWR	1279	1406	1482	1543	1585	1659	1691	1754	1789	1853	1906

Two Roll-Out Shelves

Cat. Code	1	2	3	4	5	6	7	8	9	10	11
B2ROS12	925	980	1015	1043	1063	1099	1115	1144	1162	1191	1217
B2ROS15	987	1050	1085	1115	1137	1174	1192	1222	1241	1274	1301
B2ROS18	1020	1090	1130	1159	1181	1224	1243	1278	1298	1333	1361
B2ROS21	1123	1200	1241	1275	1300	1346	1367	1402	1425	1465	1496
B2ROS24-1	1252	1356	1401	1434	1465	1520	1544	1591	1616	1663	1703
B2ROS24	1252	1356	1401	1434	1465	1520	1544	1591	1616	1663	1703
B2ROS27	1368	1487	1554	1608	1644	1707	1735	1785	1814	1867	1911
B2ROS30	1482	1600	1671	1727	1765	1834	1866	1922	1953	2015	2063
B2ROS33	1575	1693	1764	1824	1864	1937	1969	2027	2062	2123	2174
B2ROS36	1608	1735	1811	1872	1914	1988	2020	2083	2118	2182	2235

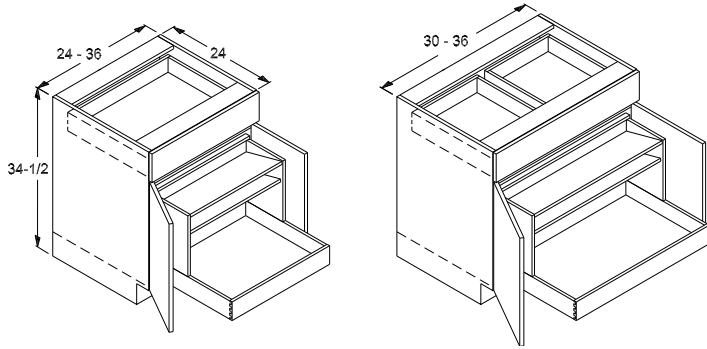
Cat. Code	1	2	3	4	5	6	7	8	9	10	11
B2ROS30-1DWR	1482	1600	1671	1727	1765	1834	1866	1922	1953	2015	2063
B2ROS33-1DWR	1575	1693	1764	1824	1864	1937	1969	2027	2062	2123	2174
B2ROS36-1DWR	1608	1735	1811	1872	1914	1988	2020	2083	2118	2182	2235

For **Premium Maple Roll-Out Shelves**, add \$144 per Roll-Out Shelf and specify PM in the code.
Example: B1PMROS12

For **Stainless Steel Roll-Out Shelves**, add \$247 per Roll-Out Shelf and specify SS in the code.
Example: B1SSROS12



30770 - Base Pot and Pan Roll-Out

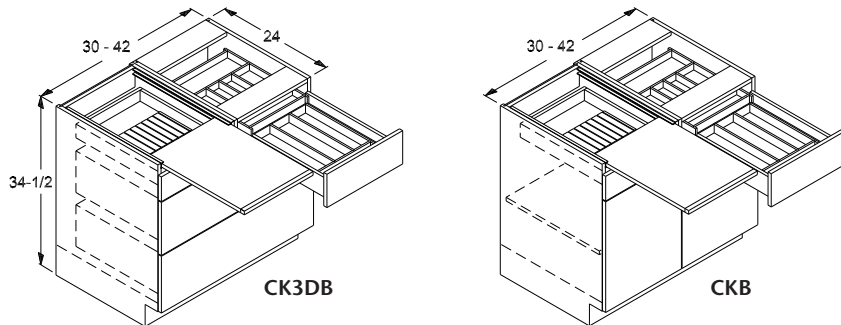


- Wood Roll-Out is designed for pot and pan storage with lid storage above.

For **Premium Maple Roll-Out Shelves**, add \$144 per Roll-Out Shelf and specify PM at the front of the code.
Example: **PMBPPRO24**

Cat. Code	1	2	3	4	5	6	7	8	9	10	11
BPPRO24-1	1396	1500	1545	1578	1609	1664	1688	1735	1760	1807	1847
BPPRO24	1396	1500	1545	1578	1609	1664	1688	1735	1760	1807	1847
BPPRO27	1467	1586	1653	1707	1743	1806	1834	1884	1913	1966	2010
BPPRO30-2DWR	1581	1699	1770	1826	1864	1933	1965	2021	2052	2114	2162
BPPRO33-2DWR	1664	1782	1853	1913	1953	2026	2058	2116	2151	2212	2263
BPPRO36-2DWR	1697	1824	1900	1961	2003	2077	2109	2172	2207	2271	2324
BPPRO30-1DWR	1581	1699	1770	1826	1864	1933	1965	2021	2052	2114	2162
BPPRO33-1DWR	1664	1782	1853	1913	1953	2026	2058	2116	2151	2212	2263
BPPRO36-1DWR	1697	1824	1900	1961	2003	2077	2109	2172	2207	2271	2324

30775 - Cook Center Base



- 2 full-width drawers below accessories.

- 2 doors below accessories.

- Specify Left or Right placement for Breadboard and Drawer Knife Holder (left shown). Two-Tier Wood Cutlery Tray will be placed in opposite drawer.
- Front edge of Bread Board is finished to match job color.
- Bread Board is Maple

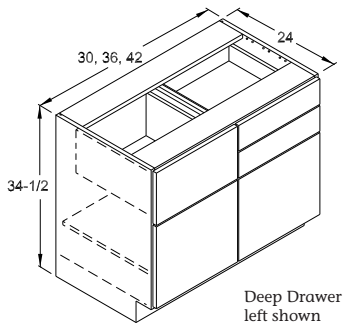
NOTE: Available in standard wood species **only**.

Cat. Code		1	2	3	4	5	6	7	8	9	10	11
CK3DB30	L/R	2308	2327	2327	2327	2366	2436	2468	2524	2558	2621	2669
CK3DB33	L/R	2360	2375	2375	2375	2418	2493	2524	2585	2619	2682	2735
CK3DB36	L/R	2408	2423	2423	2423	2467	2544	2578	2641	2677	2741	2796
CK3DB39	L/R	2468	2487	2487	2487	2531	2613	2648	2712	2749	2821	2877
CK3DB42	L/R	2531	2550	2550	2550	2598	2683	2723	2789	2831	2903	2963

Cat. Code		1	2	3	4	5	6	7	8	9	10	11
CKB30	L/R	2053	2171	2242	2298	2336	2405	2437	2493	2524	2586	2634
CKB33	L/R	2098	2216	2287	2347	2387	2460	2492	2550	2585	2646	2697
CKB36	L/R	2131	2258	2334	2395	2437	2511	2543	2606	2641	2705	2758
CKB39	L/R	2180	2313	2392	2458	2501	2581	2616	2681	2719	2786	2842
CKB42	L/R	2216	2357	2437	2501	2548	2630	2667	2733	2772	2843	2899



30850 - Pantry Cabinet Base

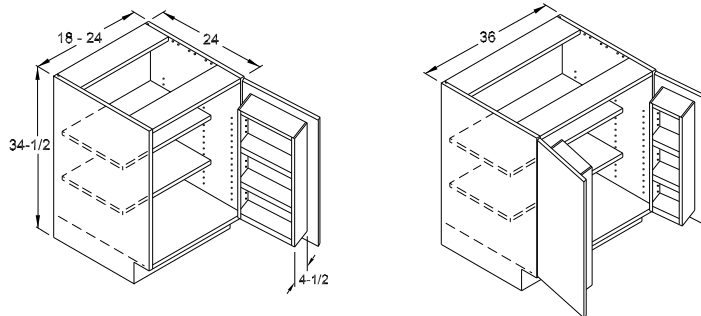


- Specify deep drawer left or right. If not specified, deep drawer is on the left.
- Height reduction affects the door area.
- Width reduction affects left and right drawers equally.

Cat. Code		1	2	3	4	5	6	7	8	9	10	11
PCB30	L/R	1115	1264	1353	1426	1473	1560	1599	1670	1711	1787	1847
PCB36	L/R	1214	1374	1469	1546	1599	1696	1739	1816	1860	1942	2008
PCB42	L/R	1320	1500	1601	1684	1740	1843	1890	1972	2022	2110	2183

Convert Two Standard Stacked Drawers to One Deep Drawer in Height, **DM3** **N/C**

30860 - Base Cabinet Pantry

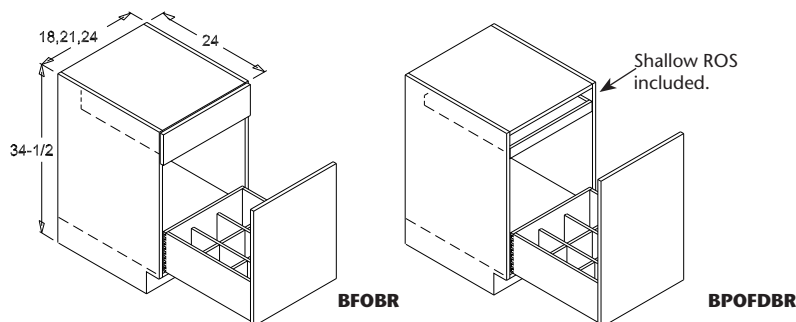


- Roll-out shelves are **not** available.

**WIDTH AND HEIGHT MODIFICATIONS
MUST BE QUOTED**

Cat. Code	1	2	3	4	5	6	7	8	9	10	11
BCP18	1067	1129	1167	1195	1218	1260	1278	1311	1342	1404	1451
BCP21	1119	1188	1228	1262	1286	1330	1349	1382	1418	1481	1533
BCP24-1	1314	1413	1455	1489	1522	1577	1600	1643	1685	1759	1820
BCP36	2084	2205	2284	2345	2387	2464	2498	2560	2622	2737	2832

30865 - Base Pull-Out Bottle Storage Rack Cabinet



- Bottle drawer is 8" deep with 6" high bottle rack dividers sized to accept two liter bottles.

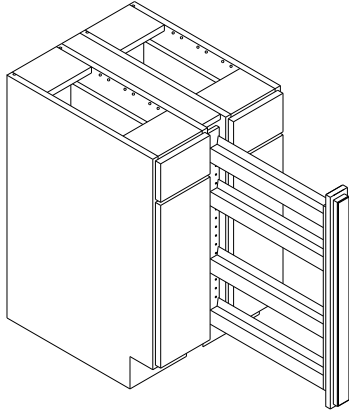
**WIDTH AND DEPTH MODIFICATIONS
AFFECT THE BOTTLE SPACING**

Cat. Code	1	2	3	4	5	6	7	8	9	10	11	# Bottles
BPOBR18	1615	1688	1727	1756	1790	1856	1889	1949	1993	2071	2138	9
BPOBR21	1797	1879	1920	1953	1995	2070	2110	2181	2231	2319	2392	9
BPOBR24	1958	2069	2114	2149	2195	2277	2322	2404	2457	2557	2639	9

Cat. Code	1	2	3	4	5	6	7	8	9	10	11	# Bottles
BPOFDBR18	1847	1920	1959	1988	2022	2088	2121	2181	2225	2303	2370	9
BPOFDBR21	2053	2135	2176	2209	2251	2326	2366	2437	2487	2575	2648	9
BPOFDBR24	2214	2325	2370	2405	2451	2533	2578	2660	2713	2813	2895	9



30872 - Base Pull-out Fillers



- Specify internal accessory (SR, KB, TB, TS) and decorative front treatment (Overlay, Column, Door or 1/2 Post/Pilaster). Check size availability before ordering.
- Pull-out Filler must be mounted between two cabinets (or between a cabinet and a wall or panel). Installation instructions included.

QUOTED MODIFICATIONS ONLY

Cat. Code	Price
BPOF3	844
BPOF4	894
BPOF6	943

Sample Pull-out Filler

Code:

BPOF3-KB-P-L

Choose Filler Size

Indicate Internal Accessory

Indicate Decorative Front Treatment

(When option "P" is chosen, indicate Pilaster/Post style and add the appropriate upcharge.)

Price:

BPOF3 \$

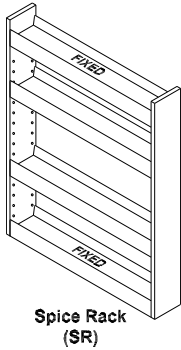
KB \$

P-L \$

Total \$

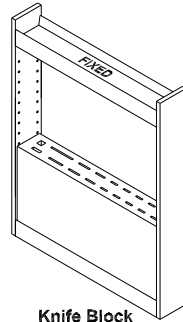
Internal Accessory Options

- Spice Rack shelves are adjustable.

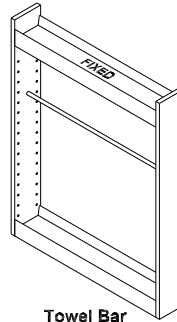


Spice Rack (SR)

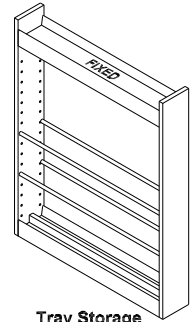
Caution!
Knife Storage below countertop level is not recommended for households with young children.



Knife Block (KB)



Towel Bar (TB)



Tray Storage (TS)

Available sizes: 3", 4", 6"

Add: \$0

Available sizes: 3", 4", 6"

Add: \$364

Available sizes: 3", 4", 6"

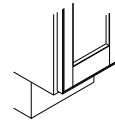
Add: \$0

Available sizes: 3", 4", 6"

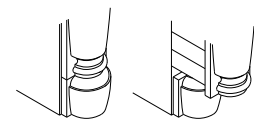
Add: \$0

Decorative Front Treatment Options

- When a Door (D) or Overlay (O) is specified, filler has a recessed toe.
- When a Column (C) or Post/Pilaster (P) is specified, filler has a flush toe.
- Overlay (O) and Door (D) Front Treatment options are not available in Inset.

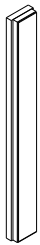


Overlay/Door

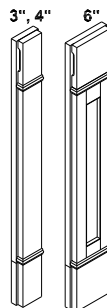


Column/Post

- Overlay (O) is profiled on the outer edge to match the door style specified on the order.

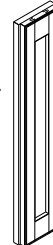


Overlay (O)

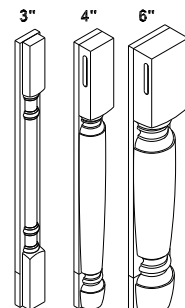


Column (C)

- Refer to individual door descriptions for size limitations.



Door (D)



Pilaster / Post (P*)

Available sizes: 3", 4", 6"

Add: \$0

Available sizes: 3", 4", 6"

Add: \$236

Available sizes: 6"

Add: \$172

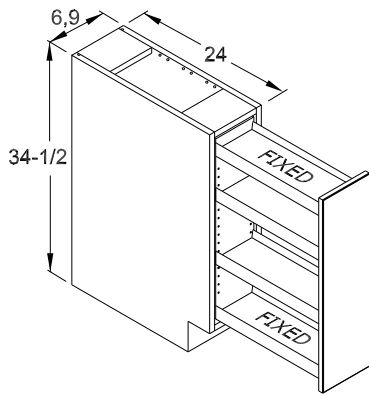
3" - Pilaster* Add \$413
4" - 3-1/2" Post* Add \$473+
6" - 5-1/2" Post* Add \$724+

+ Post upcharge (when applicable)*

*Post options are found in [section 82400](#) of the Molding & Misc Chapter.



30874 - Base Pull-Out Cabinet



- Specify internal accessory (SR, KB, TB, TS) and decorative front treatment (Overlay, Column, Door, or 1/2 Post). Check size availability before ordering.

QUOTED MODIFICATIONS ONLY

Cat. Code	Price
BPOC6	1158
BPOC9	1202

Sample Pull-out cabinet

Code:

BPOC6-KB-P-A6

Choose Cabinet Size

Indicate Internal Accessory

Indicate Decorative Front Treatment

Price:

BPOC3 \$

KB \$

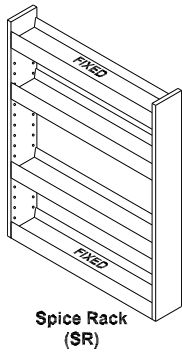
P-A6 \$

Total \$

(When option "P" is chosen, indicate Post style and add the appropriate upcharge.)

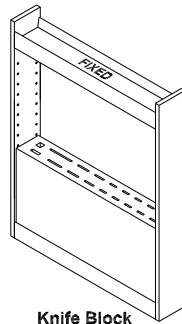
Internal Accessory Options

- Spice Rack shelves are adjustable.

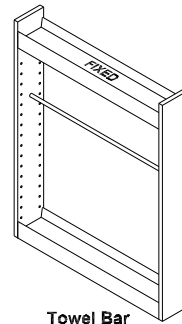


Spice Rack (SR)

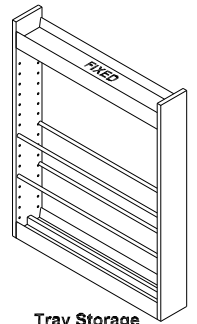
Caution!
Knife Storage below countertop level is not recommended for households with young children.



Knife Block (KB)



Towel Bar (TB)

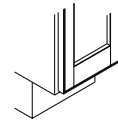


Tray Storage (TS)

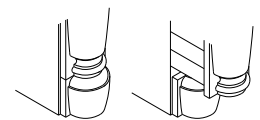
Available sizes:	6", 9"	6", 9"	6", 9"	6", 9"
Add:	\$0	\$364	\$0	\$0

Decorative Front Treatment Options

- When a Door (D) or Overlay (O) is specified, filler has a recessed toe.
- When a Column (C) or Post/Pilaster (P) is specified, filler has a flush toe.



Overlay/Door



Column/Post

- Overlay (O) is profiled on the outer edge to match the door style specified on the order.



Overlay (O)



Column (C)

- Refer to individual door descriptions for size limitations.



Door (D)



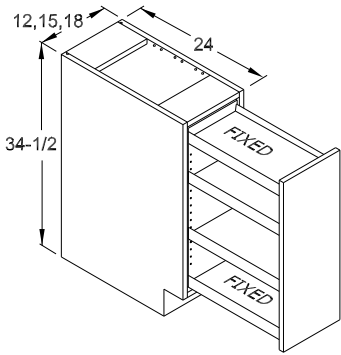
Post (P*)

Available sizes:	6"	6"	6", 9"	6" - 5-1/2" Post* Add \$724+
Add:	\$0	\$236	\$172	+ Post upcharge (when applicable)*

*Post options are found in [section 82400](#) of the Molding & Misc Chapter.



30876 - Base Pull-Out Pantry

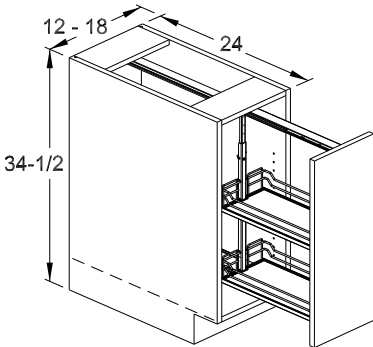


- **Minimum** depth = 18".
- Pantry shelves are adjustable and are Maple with a Natural finish.

HEIGHT MODIFICATIONS
MUST BE QUOTED

Cat. Code	1	2	3	4	5	6	7	8	9	10	11
BPOP12	1210	1256	1291	1318	1337	1371	1388	1414	1449	1512	1565
BPOP15	1248	1302	1336	1363	1386	1423	1438	1467	1503	1571	1623
BPOP18	1279	1340	1377	1407	1430	1470	1488	1521	1558	1627	1684

30880 - Base Pull-Out Pantry - Wire

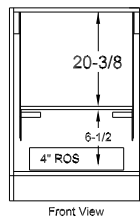
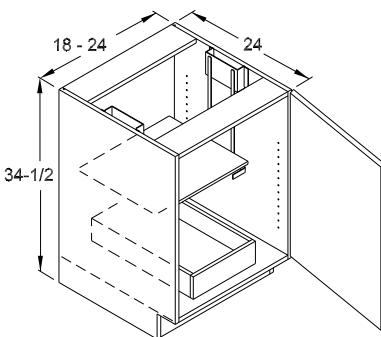


- Pull-Out unit has 2 adjustable shelves with wire surround.

NO DIMENSIONAL MODIFICATIONS

Cat. Code	1	2	3	4	5	6	7	8	9	10	11
BPOPW12	2280	2314	2348	2375	2396	2431	2445	2471	2533	2645	2736
BPOPW15	2340	2382	2418	2445	2464	2501	2518	2548	2610	2726	2821
BPOPW18	2392	2441	2477	2506	2531	2572	2589	2621	2686	2806	2903

30882 - Base Swing-up Mixer Shelf Cabinet



- A 3/4" thick maple shelf with a natural finish is attached to swing-up hardware system to support a mixer (60 lb capacity).
- **Minimum** depth = 21".
- Roll-Out shelf is included in cabinet price.
- Height modifications are **not** available.

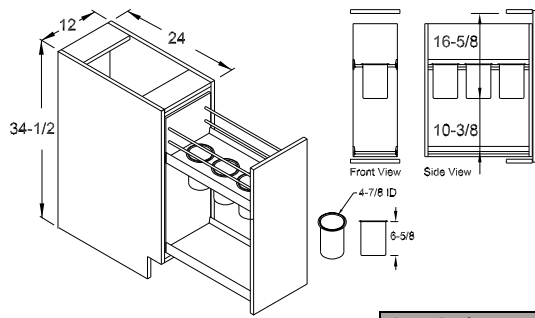
Cat. Code	1	2	3	4	5	6	7	8	9	10	11
BMSC18	1465	1524	1561	1591	1614	1656	1673	1705	1747	1824	1886
BMSC21	1519	1582	1623	1657	1680	1725	1743	1778	1822	1902	1969
BMSC24	1665	1760	1804	1838	1869	1925	1949	1991	2041	2131	2205

For Premium Maple Roll-Out Shelves, add \$144 per Roll-Out Shelf and specify PM in the code.
Example: BMSCPM18

For Stainless Steel Roll-Out Shelves, add \$247 per Roll-Out Shelf and specify SS in the code.
Example: BMSCSS18



30900 - Base Pull-Out Utensil Cups

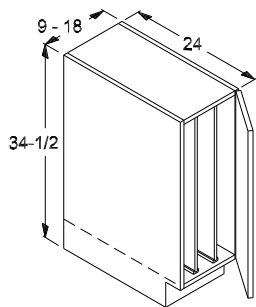


- Maple pull-out has 3 stainless steel cups for convenient utensil storage. Lower shelf for spice storage.

QUOTED MODIFICATIONS ONLY

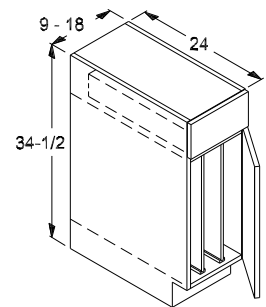
Cat. Code	1	2	3	4	5	6	7	8	9	10	11
BPOUC12	1478	1524	1559	1586	1605	1639	1656	1682	1717	1780	1833

30910 - Base Tray Divider Cabinet



- Removable tray dividers are 1/2" thick wood grain maple.
- **Minimum** width = 8".

BTDFD

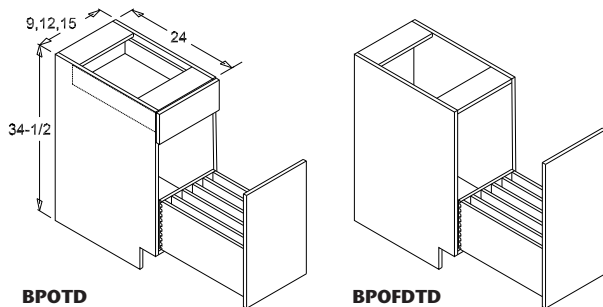


BTD

Cat. Code	1	2	3	4	5	6	7	8	9	10	11	Dividers
BTDFD9	454	534	571	601	621	658	675	704	721	754	780	1
BTDFD12	591	647	683	712	734	770	787	816	837	873	903	2
BTDFD15	744	808	845	874	896	936	955	986	1012	1055	1091	3
BTDFD18	892	962	1001	1033	1057	1102	1120	1154	1185	1237	1279	4

Cat. Code	1	2	3	4	5	6	7	8	9	10	11	Dividers
BTDFD9	613	691	734	766	788	825	840	871	893	931	964	1
BTDFD12	761	814	850	878	901	937	955	984	1008	1053	1089	2
BTDFD15	914	976	1013	1042	1064	1104	1120	1153	1183	1236	1278	3
BTDFD18	1061	1129	1168	1200	1224	1269	1287	1322	1356	1417	1466	4

30911 - Base Pull-Out Tray Divider Cabinet



BPOTD

BPOFDTD

- 5/8" thick tray dividers are adjustable.
- BPOTD accepts trays 19" x 19".
BPOFDTD accepts trays 19" x 25".

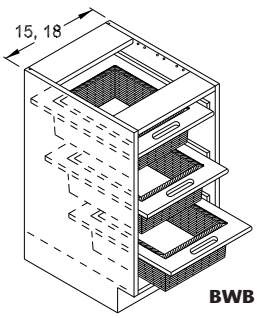
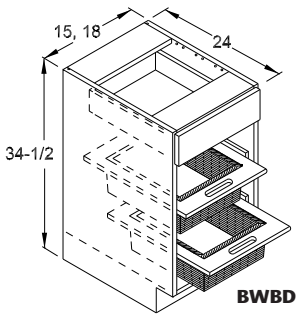
WIDTH MODIFICATIONS AFFECT THE TRAY SPACING

Cat. Code	1	2	3	4	5	6	7	8	9	10	11	Dividers
BPOTD9	1320	1387	1423	1454	1488	1552	1586	1645	1686	1760	1822	2
BPOTD12	1386	1457	1495	1527	1563	1630	1666	1728	1771	1849	1914	3
BPOTD15	1501	1577	1618	1654	1692	1765	1804	1871	1918	2002	2073	4

Cat. Code	1	2	3	4	5	6	7	8	9	10	11	Dividers
BPOFDTD9	1320	1387	1423	1454	1488	1552	1586	1645	1686	1760	1822	2
BPOFDTD12	1386	1457	1495	1527	1563	1630	1666	1728	1771	1849	1914	3
BPOFDTD15	1501	1577	1619	1654	1693	1765	1804	1871	1918	2002	2073	4



30920 - Wicker Basket Cabinets



- Wicker baskets have a wood frame with a natural finish and slide on hardwood rails with a natural finish.
- *Matching Finished Interior is standard.*

HEIGHT MODIFICATIONS ONLY

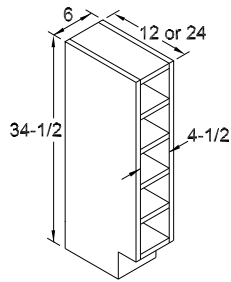
NOTE: Not available with Acrylics and Wired Foils.

Cat. Code		Price
BWBD15	(2 Baskets)	2088
BWBD18	(2 Baskets)	2202
BWB15	(3 Baskets)	2626
BWB18	(3 Baskets)	2717





30925 - Base Wine Rack

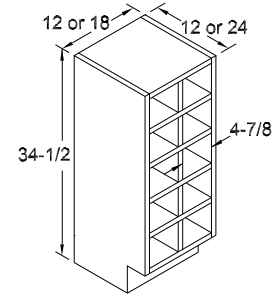


- Matching Finished Interior is standard.
- **Minimum** depth = 6"

**ALL OTHER MODIFICATIONS
MUST BE QUOTED**

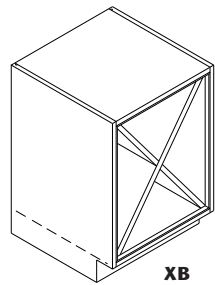
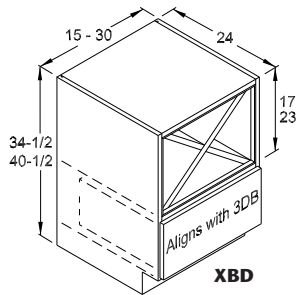
NOTE: Not available in Acrylics or Wired Foils.

Cat. Code	Price	# Bottles
12" Deep		
BWR612	844	5
BWR1212	1020	10
BWR1812	1326	15
24" Deep		
BWR624	1139	5
BWR1224	1467	10
BWR1824	1950	15



(12" wide shown, 18" wide has three vertical rows for wine bottle storage.)

30927 - "X" Wine Rack Base

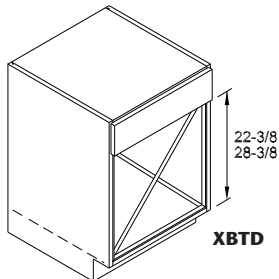


- Wine rack area has Matching Finished Interior as standard.
- **Maximum** depth = 24
- **40-1/2" high** cabinet is available, specify **-40** after the code and add \$291 per cabinet (i.e. XB21-40)
- When **-40** is specified, **minimum** width of XB is 16-5/8".

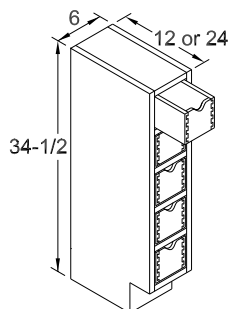
**HEIGHT AND WIDTH MODIFICATIONS
MUST BE QUOTED**

NOTE: Not available for Acrylics or Wired Foils.

Cat. Code	Price
Wine Rack Base with Drawer	
XBD15	1357
XBD18	1409
XBD21	1523
XBD24	1715
XBD27	1792
XBD30	1844
Wine Rack Base	
XB15	1063
XB18	1113
XB21	1229
XB24	1424
XB27	1498
XB30	1550
Wine Rack Base Top Drawer	
XBTD15	1357
XBTD18	1409
XBTD21	1523
XBTD24	1715
XBTD27	1792
XBTD30	1844



30929 - Base Apothecary with Drawers



- Matching Finished Interior and Finished Drawers are standard.
- Drawers do not have drawer guides or drawer stops.
- Finger pull on drawers may be omitted for no charge. Specify "omit finger pulls" on order.
- **Minimum** depth = 6".

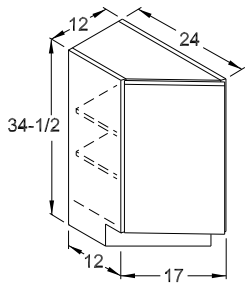
Cat. Code	Price
BAD612	1867
BAD624	2163

ALL OTHER DIMENSIONAL MODIFICATIONS MUST BE QUOTED

NOTE: Base Apothecary is available in standard wood species only.

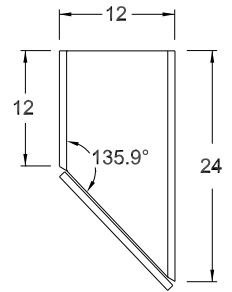


31400 - Base Angled End Cabinet



Left Shown

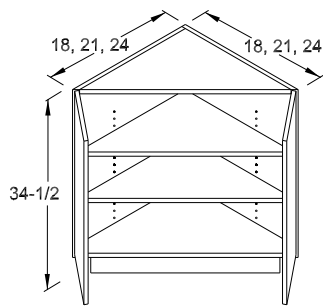
- Specify angle left or right.
- 45° angle **only**.
- Door is hinged left on angled left cabinet and hinged right on angled right cabinet.
- Finished end available on 12" deep end **only**.
- **Minimum** depth = 17".
- **Matching Finished Interior is available with standard wood species only.**



WIDTH MODIFICATIONS MUST BE QUOTED

Cat. Code	1	2	3	4	5	6	7	8	9	10	11	
BAEC12	L/R	818	884	920	948	979	1035	1060	1106	1134	1185	1224

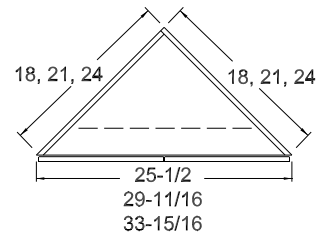
31450 - Triangular Base Cabinet



- Finished Ends are **not** available.

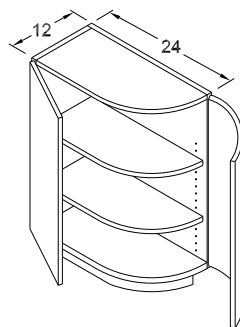
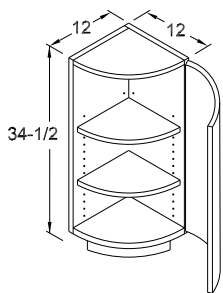
WIDTH AND DEPTH MODIFICATIONS MUST BE QUOTED

NOTE: Not available with Aluminum doors.



Cat. Code	1	2	3	4	5	6	7	8	9	10	11
TBC1818	900	990	1049	1094	1126	1183	1213	1266	1299	1355	1403
TBC2121	945	1042	1102	1151	1186	1250	1280	1333	1365	1427	1475
TBC2424	996	1097	1161	1211	1246	1312	1342	1403	1437	1500	1553

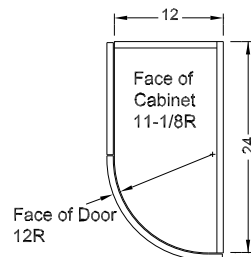
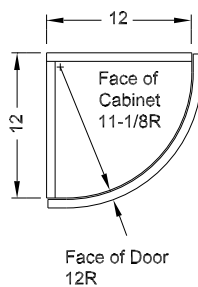
31500 - Quarter Round Base Cabinet



- Factory installed curved toe space is finished to match cabinet.
- Finished ends are **not** available.

NO MODIFICATIONS THAT AFFECT CURVED FACE FRAME AND/OR DOOR RADIUS

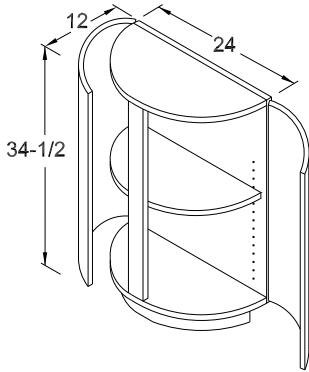
NOTE: Not available in Rustic Hickory, Acrylics, Foils, Laminates, Exotics or Veneers . See Door Style section for other limitations.



Cat. Code	1	2	3	4	5	6	7	8	9	10	11
QRBC12	2812	2945	2996	3038	3078	3153	3230	3373	3457	3610	3734
QRBC24	L/R	3582	3721	3765	3801	3841	3916	4011	4190	4293	4638

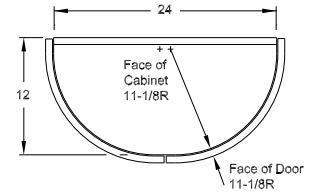


31560 - Half Round Base Cabinet



- Factory installed curved toe space is finished to match cabinet.

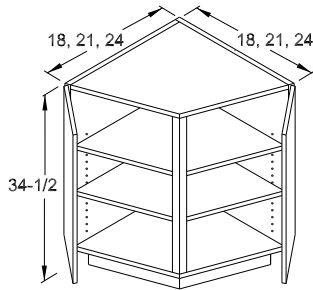
NO MODIFICATIONS THAT AFFECT CURVED FACE FRAME AND/OR DOOR RADIUS



NOTE: Available in standard wood species only. **Exception:** Not available in Rustic Hickory. See [Door Style section](#) for other limitations.

Cat. Code	1	2	3	4	5	6	7	8	9	10	11
HRBC	4298	4465	4519	4562	4610	4700	4814	5029	5151	5151	5565

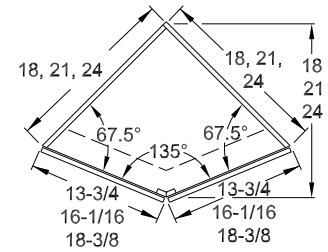
31650 - Base End Corner Cabinet Door



- Finished Ends are **not** available.

HEIGHT MODIFICATIONS ALLOWED ALL OTHER MODIFICATIONS MUST BE QUOTED

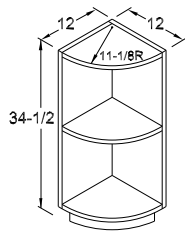
NOTE: **Not** available with Aluminum doors.



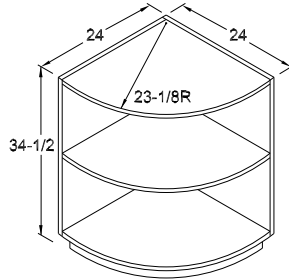
Cat. Code	1	2	3	4	5	6	7	8	9	10	11
BECCD1818	1096	1185	1241	1287	1320	1376	1412	1474	1511	1578	1633
BECCD2121	1153	1246	1307	1355	1390	1449	1486	1552	1591	1661	1718
BECCD2424	1213	1313	1376	1427	1462	1526	1564	1633	1675	1747	1808



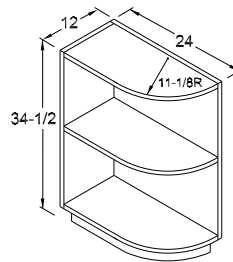
31700 - Base End Shelf



BES12



BES2424



BES24

Specify left or right.
(Left shown.)

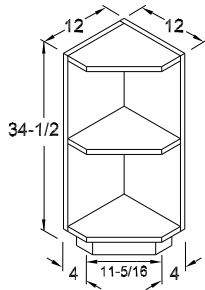
- *Matching Finished Interior is standard.*
- Factory installed curved toe space is finished to match cabinet.
- Finished Ends are **not** available.

QUOTED MODIFICATIONS ONLY

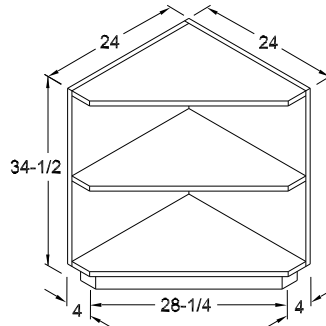
Cat. Code	Price
BES12	661
BES2424	1111
BES24	L/R 779

NOTE: Not available in Acrylics and Wired Foils.

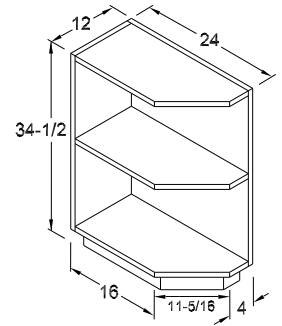
31820 - Diagonal Base End Shelf



DBES12



DBES2424



DBES24

Specify left or right.
(Left shown.)

- *Matching Finished Interior is standard.*
- Finished Ends are **not** available.

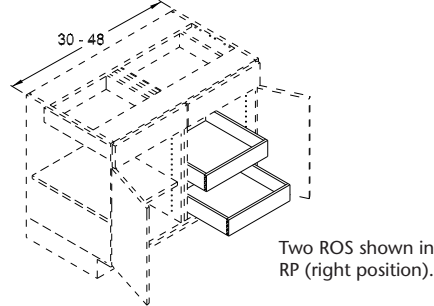
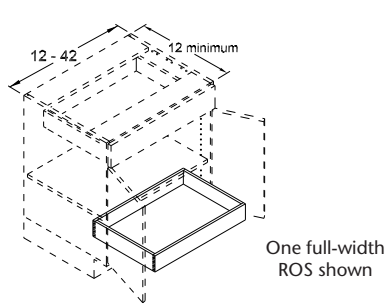
QUOTED MODIFICATIONS ONLY

NOTE: Not available in Acrylics and Wired Foils.

Cat. Code	Price
DBES12	777
DBES24	L/R 902
DBES2424	1235



32002 - Roll-Out Shelf



- Dovetailed Roll-Out shelves with a natural finish are available 2", 4" or 8" high. Also available in premium Maple or Stainless Steel (3-1/2 or 7-1/8" high). Available installed in Base or Base Full Door cabinets.
- **Minimum** cabinet depth is 12".
Minimum cabinet width is 7-3/4 (8-1/2 for Stainless Steel.)
- Roll-out Shelves are priced as single units. Specify quantity and cabinet for installation.
Example: B30
2, ROS30
- **Maximum** 4 ROS (2" high) per standard Base cabinet and 6 ROS per **BFD**.
Maximum 3 ROS (4" high) per standard Base cabinet and 5 ROS per **BFD**.
Maximum 2 ROSD (8" high) per Base or **BFD**.
- Roll-out Shelves operate on Full-Extension, undermount guides with soft-close feature.
- Specify left placement (LP) or right placement (RP) for Roll-out Shelves in cabinets 30" to 48" wide. A centered partition is included for no charge. Adjustable shelf is included on one side if no Roll-out Shelf is specified.
- When 1 ROS is specified, it is installed at the bottom of the opening and the adjustable shelf is installed above. Cabinets with more than 1 ROS will not have an adjustable shelf.

Cat. Code	Price
Wood - 2" High*	
ROS2-12	233
ROS2-15	245
ROS2-18	245
ROS2-21	269
ROS2-24	269
ROS2-27	305
ROS2-30	305
ROS2-33	329
ROS2-36	329
ROS2-39	362
ROS2-42	362
ROS2-30 LP/RP	362
ROS2-33 LP/RP	362
ROS2-36 LP/RP	362
ROS2-39 LP/RP	385
ROS2-42 LP/RP	385
ROS2-45 LP/RP	385
ROS2-48 LP/RP	385

***Not** available in Stainless Steel

Cat. Code	Price
Wood - 4" High*	
ROS12	233
ROS15	245
ROS18	245
ROS21	269
ROS24	269
ROS27	305
ROS30	305
ROS33	329
ROS36	329
ROS39	362
ROS42	362
ROS30 LP/RP	362
ROS33 LP/RP	362
ROS36 LP/RP	362
ROS39 LP/RP	385
ROS42 LP/RP	385
ROS45 LP/RP	385
ROS48 LP/RP	385

*When Stainless Steel is specified, ROS is 3-1/2" high.

Cat. Code	Price
Wood - 8"* High*	
ROSD12	392
ROSD15	413
ROSD18	413
ROSD21	446
ROSD24	446
ROSD27	494
ROSD30	494
ROSD33	530
ROSD36	530
ROSD39	583
ROSD42	583
ROSD30 LP/RP	530
ROSD33 LP/RP	530
ROSD36 LP/RP	530
ROSD39 LP/RP	564
ROSD42 LP/RP	564
ROSD45 LP/RP	564
ROSD48 LP/RP	564

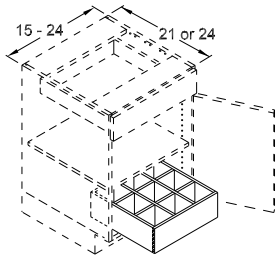
*When Stainless Steel is specified, ROS is 7" high.

For **Premium Maple Roll-Out Shelves**, add \$144 per Roll-Out Shelf and specify PM at the front of the code. **Example: PMROS42**

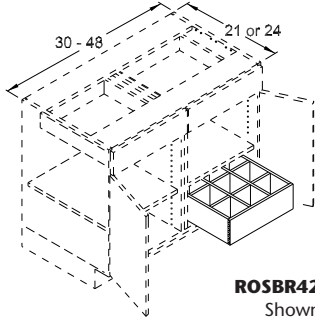
For **Stainless Steel Roll-Out Shelves**, add \$247 per Roll-Out Shelf and specify SS in the code. **Example: SSROS12**



32005 - Bottle Rack in Deep Roll-Out Shelf



ROSBR24
Shown



ROSBR42RP-
Shown

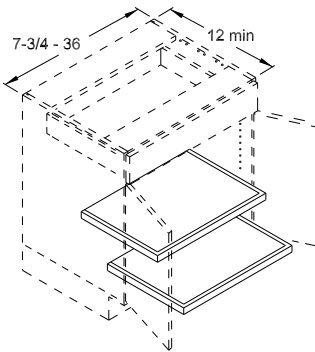
- 8" deep roll-out shelf with a partitioned divider sized to accept two liter bottles.
- **Minimum** cabinet depth = 21".

QUOTED MODIFICATIONS ONLY

For **Premium Maple Roll-Out Shelves**, add \$144 per Roll-Out Shelf and specify PM at the front of the code. **Example: PMROSBR18**

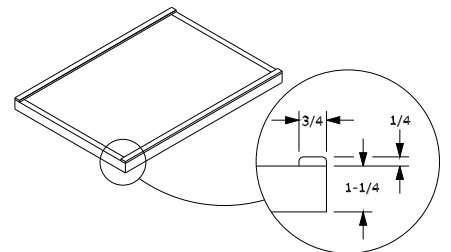
Cat. Code	Price	# Bottles
Deep Sides - 8" High		
ROSBR15	703	6
ROSBR18	703	6
ROSBR21	742	9
ROSBR24	742	9
ROSBR30 LP/RP	976	6
ROSBR33 LP/RP	976	9
ROSBR36 LP/RP	976	6
ROSBR39 LP/RP	976	6
ROSBR42 LP/RP	976	9
ROSBR45 LP/RP	976	6
ROSBR48 LP/RP	976	9

32007 - Roll-Out Shelf Flat



Two ROSF shown

- ROSF is constructed with wood species and finish to match cabinet interior.
- **Maximum** of 3 ROSF per standard base, vanity base, or desk base cabinet, 4 ROSF per BFD, VFD, or DFD cabinet, and 11 FAROS in standard utility cabinet opening.
- **Minimum** cabinet depth = 12".
Minimum cabinet width = 9-3/8"
Maximum cabinet width = 36".
- Flat Adjustable Roll-out Shelves operate on Full-Extension, undermount guides.
- When 1 ROSF is specified, it is installed at the bottom of the opening and the adjustable shelf is installed above. Cabinets with more than 1 ROSF will not have an adjustable shelf.



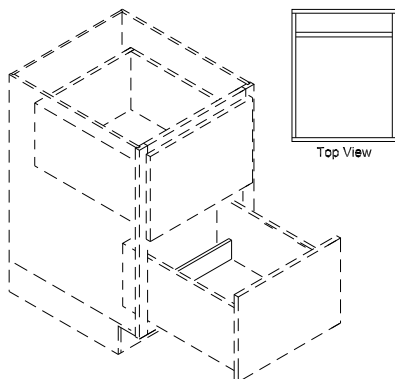
- An optional horizontal Component Lip is available for the front and back edge (surface) to keep items from sliding off the shelf during operation. "Component lip" is supplied in species and finish to match cabinet interior. Specify **COMPLIP** on order.

Cat. Code	Price
ROSF	329

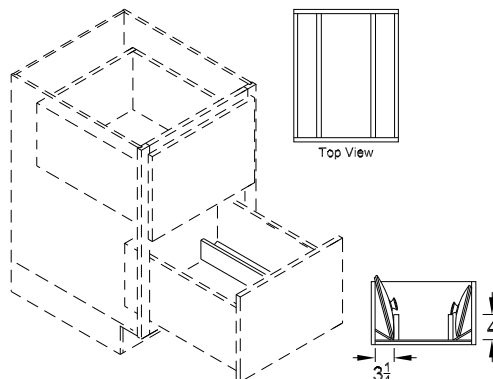
NOTE: Available in standard wood species **only**.

Component Lip, **COMPLIP** **Add \$40 per ROSF**

32009 - Lid Storage Partition



LSP-B (back of drawer) shown



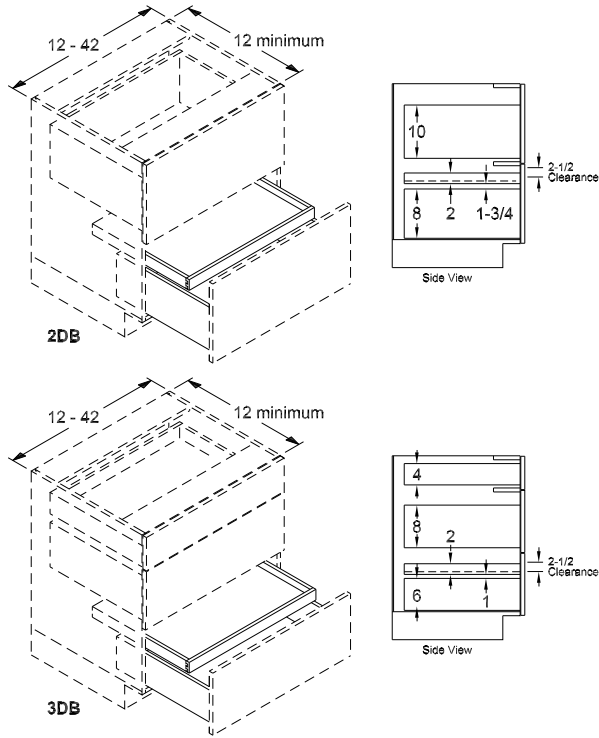
LSP-S (sides of drawer) shown

- Specify drawer location (e.g. bottom drawer).
- Partitions with an angled bottom are added to deep drawer for lid storage.
- Lid storage can be specified at back (B) of drawer or sides (S) of drawer.

Cat. Code	Price
LSP-B (Back)	178
LSP-S (Sides)	178



32010 - Shallow Roll-Out Above Drawer

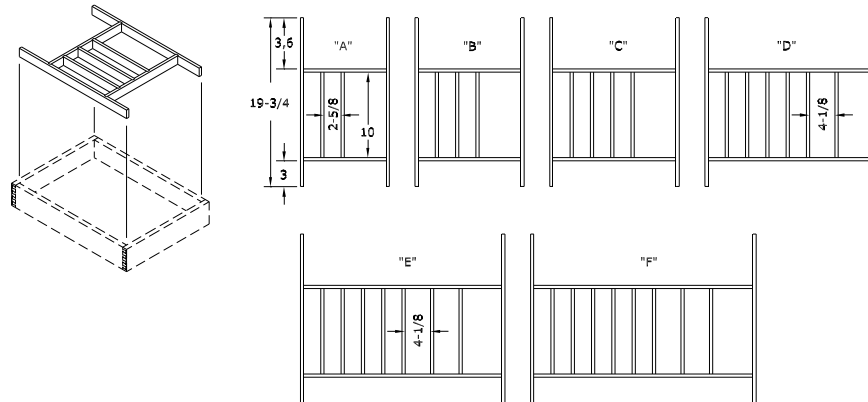


- Specify drawer location (e.g. bottom drawer).
- Deep drawer box is reduced in height to accommodate shallow roll-out above drawer for storage of lids, linens, napkins, etc.
- Available for deep drawer in 2DB and 3DB.
- **Minimum** depth = 12"."

For **Premium Maple Roll-Out Shelves**, add \$144 per Roll-Out Shelf and specify PM at the front of the code. **Example: PMROSAD42**

Cat. Code	Price
ROSAD12	233
ROSAD15	245
ROSAD18	245
ROSAD21	269
ROSAD24	269
ROSAD27	305
ROSAD30	305
ROSAD33	329
ROSAD36	329
ROSAD39	362
ROSAD42	362

32012 - Cutlery Divider



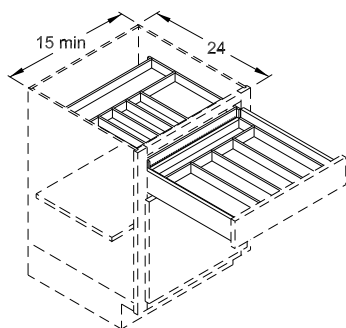
Cabinet Width	Configuration
15, 30-2DWR, 33-2DWR	A
18, 36-2DWR, 39-2DWR	B
21, 24, 27, 42-2DWR 45-2DWR, 48-2DWR	C
30, 33	D
36-1DWR	E
39, 42	F

Cat. Code	Price
CD (for 15" - 27" wide)	178
CD30 (full-width drawers over 27")	241

- Available for standard 4" deep or 3" deep (shallow) drawers.
- 1-3/4" high dividers, natural finished maple.
- Available in 15" - 42" wide drawers, or in left or right drawer of 2-DWR cabinet.
- Available for drawers in 21" and 24" deep cabinets **only**.
- CD is removable. CD30 is fixed and not removable.



32014 - Two-Tier Wood Cutlery Tray

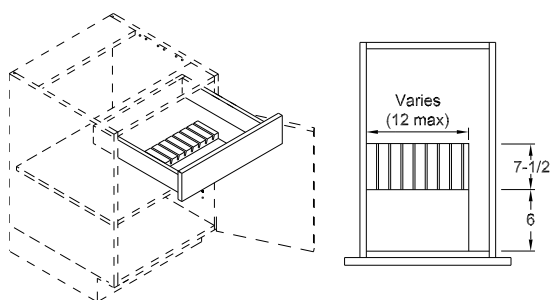


- Fits standard 4" deep drawers only.
- 1-3/8" high dividers, natural finished maple. Divider is removable as one piece. Top tray is mounted on drawer guides.
- Available in 15" - 42", or in the left or right drawer of 2-drawer cabinets. Specify Left or Right drawer for 2-drawer cabinets.
- Available for drawers in 24" deep cabinets only.

NO MODIFICATIONS

Cat. Code	Price
TTWCT-A (for 15" - 27" cabinets)	501
TTWCT30-A (for cabinets over 27")	668

32015 - Drawer Knife Holder

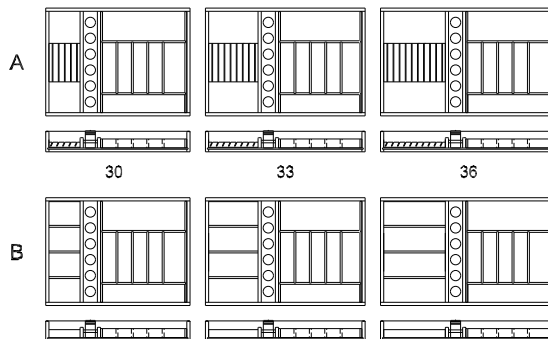
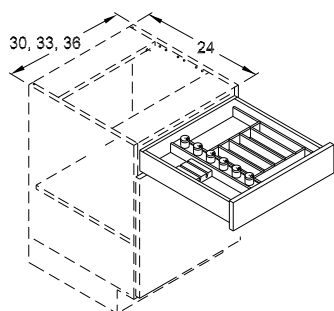


- Fits standard 4" high drawers.
- 1" thick, solid maple with cork pad below knife handles is **permanently** installed in specified drawer.
- DKH is installed in top drawer (top left drawer for cabinets over 27" wide) unless otherwise specified.
- **Always** installed on the left side of specified drawer.

Cat. Code	Price
DKH	229

Knife Holder Capacity	
Cabinet Width	Knife Capacity
12"	5
15", 30"-2DWR	7
33"-2DWR	8
All Others	10

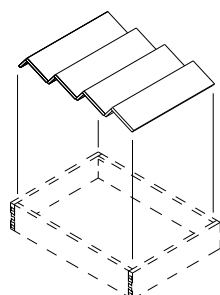
32017 - Deluxe Drawer Organizer



- Available for top full-width drawer of 30", 33", and 36" wide cabinets **only**.
- Organizer "A" includes Knife Holder, Spice Tray with six lidded containers, and a Cutlery Divider.
- Organizer "B" includes Spice Rack, Spice Tray with six lidded containers, and a Cutlery Divider.
- 24" deep cabinets **only**.

Cat. Code	Price
DDOA	863
DDOB	863

32019 - Drawer Spice Rack

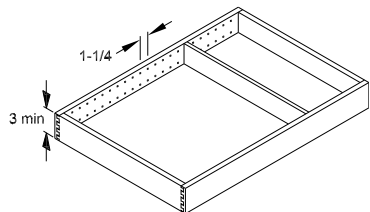


- Fits all drawer widths
- Natural finished maple.
- DWSR is installed in top drawer (top left drawer of 2 drawer wide cabinets) unless otherwise specified.
- Available for drawers in 24" deep cabinets **only**.

Cat. Code	Price
DWSR	228



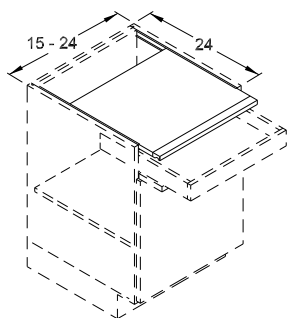
32020 - Adjustable Drawer or Roll-Out Shelf Partition



- Specify number of adjustable partitions and drawer (or roll-out shelf) location (i.e. top drawer, middle drawer, etc.) Partitions are 5/8" solid wood.
- Drawer box is drilled in 1-1/4" increments for adjustable pins.
- Partitions are same height as drawer box.
- May be used in Roll-Outs.

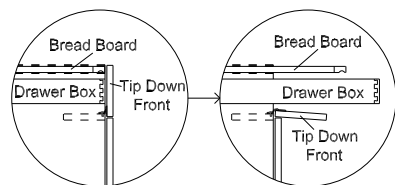
Cat. Code	Price
ADWRP	81

32050 - Concealed Bread Board



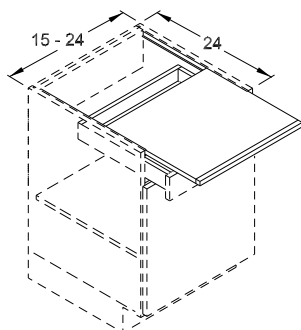
- For 2-drawer width cabinets, BBC is installed above top, left drawer unless otherwise specified.
- Bread board and 3" high drawer box are "concealed" behind a tip-down drawer front.
- 3/4" thick maple veneered bread board is installed above top drawer. (**Not** available in a full-height door cabinet.)
- DKH and single CD accessory will fit in drawer below BBC.
- Available for 24" deep cabinets **only**.
- **Minimum** cabinet width = 15". **Maximum** cabinet width = 24" (single drawer cabinet.)
- Mineral Oil will prevent cracking or splitting of Bread Board. Apply a light coat of oil with a clean cloth and repeat 2-3 times to build a seal. Repeat after every washing.

AVAILABLE FOR STANDARD WIDTH CABINETS ONLY



Cat. Code	Price
BBC	391

32060 - Exposed Bread Board



- For 2-drawer width cabinets, BBE is installed above top, left drawer unless otherwise specified.
- 3/4" thick maple veneered bread board is installed above the top drawer. (**Not** available in a full-height door cabinet.)
- Front edge of BBE overlays the cabinet face. The drawer front below the BBE is reduced 1" in height with a 3" high drawer box.
- DKH and single CD accessory will fit in drawer below BBE.
- Available for 24" deep cabinets **only**.
- **Minimum** cabinet width = 15". **Maximum** cabinet width = 24" (single drawer cabinet.)
- Mineral Oil will prevent cracking or splitting of Bread Board. Apply a light coat of oil with a clean cloth and repeat 2-3 times to build a seal. Repeat after every washing.

AVAILABLE FOR STANDARD WIDTH CABINETS ONLY

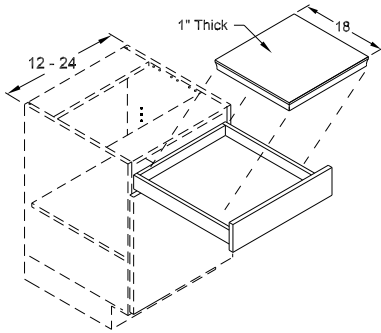
NOTE: Exposed edge of bread board is finished to match exterior of cabinet.

NOTE: Available in standard wood species **only**.

Cat. Code	Price
BBE	451



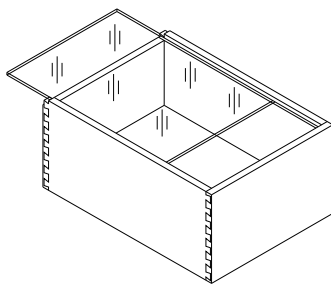
32100 - Chop Block with Drawer



- Removable, solid maple chop block rests on 3" high drawer and has rubber feet for countertop use.
- CBD is installed in top drawer (top left drawer for cabinets over 27" wide) unless otherwise specified.
- **DKH** or **CD** will fit in drawer beneath chop block.
- **Not** available in 27" - 42" wide cabinets with one full-width drawer.
- Mineral Oil will prevent cracking and splitting of Chop Block. Apply a light coat of oil with a clean cloth or paper towel. Repeat 2 or 3 times to build a seal. Repeat after every washing.

Cat. Code	Price
CBD	511

32105 - Bread Drawer Cover

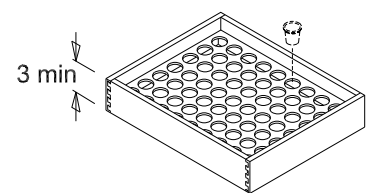


- Clear acrylic lid is installed into sides of deep drawer.
- BDC is installed in bottom drawer of 3DB unless otherwise specified.
- Available for drawers in 24" deep cabinets **only**, in 12" - 27" widths **only**.

Cat. Code	Price
BDC	210

32110 - Drawer K-Cup Organizer

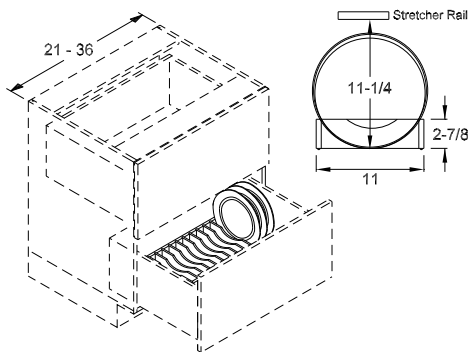
- Available for cabinets 12 - 30" wide.
- Natural finished maple.
- Installed in top drawer (top left drawer of 2 drawer wide cabinets.)



Minimum cabinet depth = 12".

Cat. Code	Price
DKCUP	160

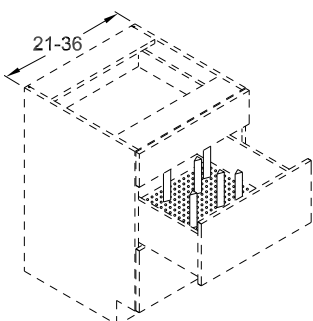
32178 - Plate Rack Drawer



- Removable Plate Rack is Birch with a natural finish.
- Designed for use in 2DB for adequate plate clearance.
- Recommended for 11-1/4" maximum diameter plates.

Cat. Code	Price	# Bottles
PRDWR18	433	8
PRDWR21	466	9
PRDWR24	579	11
PRDWR27	646	13
PRDWR30	737	15
PRDWR33	802	17
PRDWR36	867	19

32180 - Dish Storage Drawer

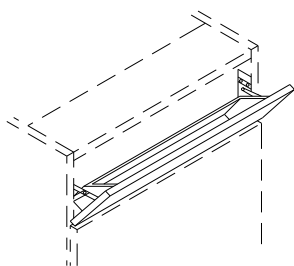


- Drawer boxes must be 8" deep or more (**3DB** - middle & lower drawers, **PCB**, **TSC3D** - middle and lower drawers). If applicable, specify which drawer to receive DSD.
Example: **3DB30**
DSD - Middle Drawer
- **Includes a "pegboard" drawer insert and 8 posts.** Posts can be mounted in any of the pre-drilled holes (1-1/4" spacing) and secured with a fastening nut. Posts secure stacks of dishware for storage in drawers.
- **Additional** posts are available in packages of 4. Specify **DSD-POSTS**.

Cat. Code	Price
DSD	828

Additional Package of 4 Dish Storage Drawer Posts, **DSD-POSTS** **\$216**

32400 - Tip Down Front

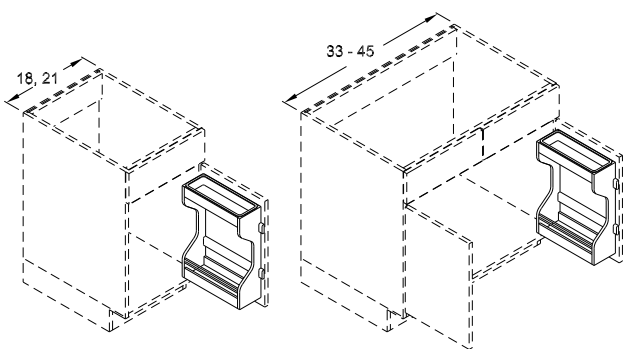


- **Single Tray (TDFS):** Available for single drawer cabinets 18"-24" wide including SB18-24, DCSB36-42, RCSB42, ASB24-33, RSB42.
- **Double Trays (TDF):** Available for all double drawer cabinets 30"-48" wide and all full-width, single drawer cabinets 27" - 42" wide including SB27, SB30-42-1DWR, SB30-48-2DWR, ASB36-48, RSB45.
- Removable, white plastic tray(s) are 3-3/4" high x 1-3-4" deep and are attached to tip down false drawer front(s).
- **Minimum** cabinet width for a single tip down front and tray is 14-1/2".

NO MODIFICATIONS

Cat. Code	Price
TDFS	109
TDF	178

32405 - Sink Base Door Rack

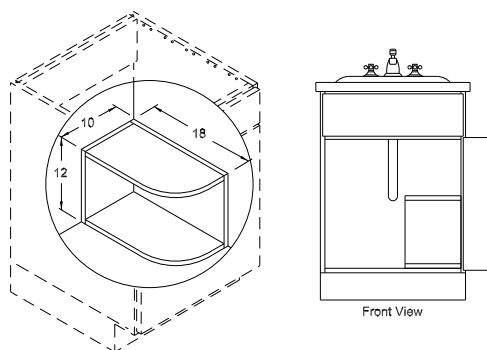


- Specify placement (Left, Right or Both) placement for double door cabinets. If Both is specified, **double** the price shown.
- Maple door rack conveniently stores cleaning supplies below sink.
- Removable polymer tray on top.
- Single door cabinets available 18" and 21" wide. Double door cabinets available 33", 36", 39", 42" and 45" wide.
- **Limitation: Will not fit in DCSB42-2 or SBWA.**

NO MODIFICATIONS

Cat. Code	Price
SBDR	L/R 264

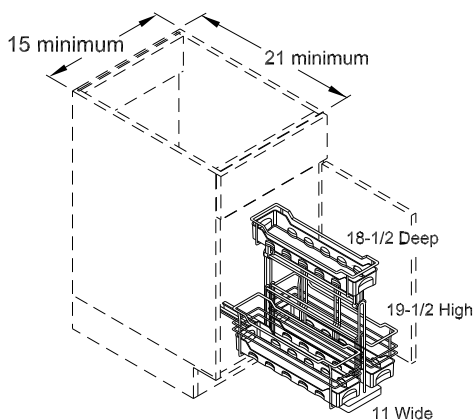
32410 - Two-Tiered Sink Base Organizer



- Natural Maple Two-Tiered shelf provides additional storage under a sink to the left or right of plumbing.
- Dealer should verify plumbing clearances.
- Shipped loose for field installation.

Cat. Code	Price
SBO	307

32415 - Sink Base Pull-Out Caddy

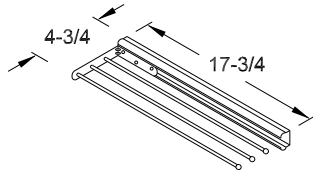


- Specify left or right placement.
- Pull-out storage for cleaning supplies.
- Removable caddy on right side makes your cleaning supplies portable.
- Dealer should verify plumbing clearances.
- **Limitation: Will not fit in SBD, SBRD or SBWA.**

Cat. Code	Price
SBPOC	1132



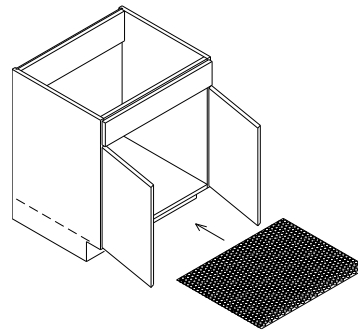
32450 - Towel Bar



- Shipped loose for field installation.
- **Minimum** 20" deep cabinet.

Cat. Code	Price
TB3	110

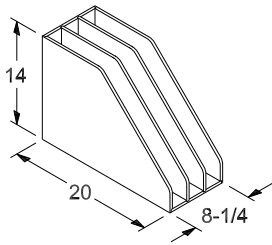
32460 - Sink Mat



- Gray, rubber mat, 45-1/4" x 24-5/8", with dimpled texture to protect bottom of cabinet from water drips and spills.
- Cut to size with scissors and lay flat (can warm slightly with a blow dryer, if needed, to lay flat.)

Cat. Code	Price
SBFM	222

32500 - Tray Divider Kit



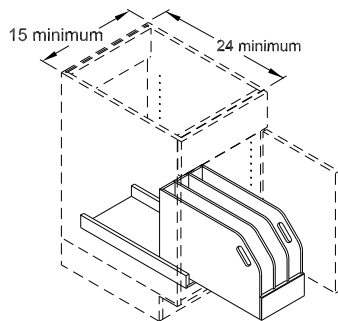
- TDK is centered unless otherwise specified. If more than one is ordered for the same opening in a cabinet, tray dividers are equally spaced.
- Tray divider is Birch veneered material finished natural.
- Shelf is omitted when tray divider is installed.
- Designed for 24" deep cabinets with **minimum** opening height of 14-1/2".
- Minimum cabinet width = 12".

Minimum Width Requirements	
Kits	Cabinet Width
1	12"
2	21"
3	30"

NO MODIFICATIONS

Cat. Code	Price
TDK	368

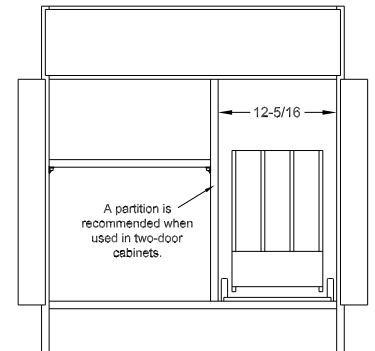
32510 - Tray Divider Pull-Out



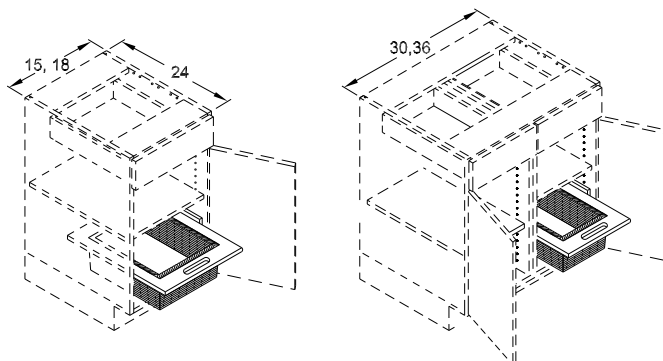
- Tray Pull-Out is Birch veneer with a natural finish.
- Shelf is omitted when Tray Divider is installed.
- When **TDPO** is specified for a single door cabinet, a **B15** is recommended. When specified for a two-door cabinet, specify Left or Right for installation (27" wide or over).

NO MODIFICATIONS

Cat. Code	Price
TDPO	656



32660 - Sliding Wicker Basket

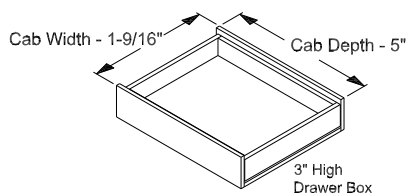


- Sliding Wicker Baskets have a wood frame with a natural finish and slide on hardwood rails with a natural finish.
- Specify number of SWB to be installed. Maximum 2 SWB in Base cabinet, maximum 3 SWB in Base Full Door. When 1 SWB is specified an adjustable shelf is installed above.
- For 30" or 36" wide cabinets specify a center partition and indicate left or right side for SWB.

Cat. Code	Price
SWB15	672
SWB18	701
SWB30	LP/RP 906
SWB36	LP/RP 935



32662 - Toe Space Drawer

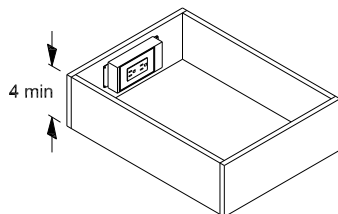


- Specify the size based on cabinet size TSDWR will be installed in. Available for 24", 21", or 18" deep base cabinets. Specify cabinet depth after code.
Example: TSDWR1524 is for 15" wide X 24" deep cabinet.
- Subtoe of cabinet must be removed at jobsite. TSDWR slides into the toe space (between cabinet sides).
- Includes touchlatch mechanism so drawer can be opened with a touch. No knob or pull required.
- Installation instructions are included.

Cat. Code	Price
TSDWR15	408
TSDWR18	424
TSDWR21	441
TSDWR24	458
TSDWR27	474

Cat. Code	Price
TSDWR30	490
TSDWR33	508
TSDWR36	524
TSDWR39	541
TSDWR42	558

32664 - Drawer Charging Station & Drawer Power Station



- Installed at the factory in the back of the drawer or roll-out shelf (for wall, base, tall or vanity applications). Includes in-drawer electrical outlet or charging outlet. UL and ETL listed.
- Charging outlet includes a standard plug. Power outlet must be hardwired.
- Charging outlet has (2) USB ports with 3.6 amp charging capacity and (2) 120V plugs with 3 amp capacity.
- Power outlet has (2) 120V plugs with 20 amp capacity, GFCI and interlocking thermostatic cut off.
- Minimum Drawer or Roll Out Shelf height is 4". Not available in loose drawers or roll-out shelves.
- Wide stile or clipped corner modification may affect minimum cabinet width.

Charging Outlet

For Drawers:

- **Minimum** cabinet depth = 12"
- **Minimum** cabinet width = 21"
(**Minimum** opening width = 19-1/2")
- **Minimum** Wall cabinet width = 18"
(**Minimum** opening width = 16-1/2")

For Roll Out Shelves:

- **Minimum** cabinet depth = 18"
- **Minimum** cabinet width = 21"
(**Minimum** opening width = 19-1/2")

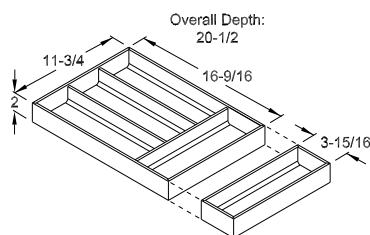
Power Outlet

For Drawers & Roll Out Shelves:

- **Minimum** cabinet depth = 18"
- **Minimum** cabinet width = 18"
(**Minimum** opening width = 16-1/2")

Cat. Code	Price
Charging Station	
DCHGS (Drawer)	1095
RCHGS (Roll-out)	1095
Power Station	
DPWRS (Drawer)	1244
RPWRS (Roll-out)	1244

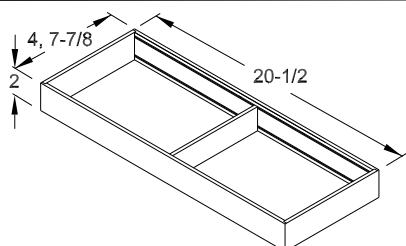
32670 - Cutlery Divider for Stainless Steel Drawer



- Cutlery insert is designed for Stainless Steel drawers.
- Available in one size only made from ABS molded plastic with "soft-touch" coating.
- For use in wider drawer boxes, a drawer partition may be specified to hold the Cutlery Divider in place. See [Section #71800](#)

Cat. Code	Price
CDSS	513

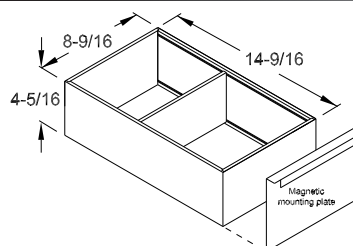
32680 - Utensil Organizer for Stainless Steel Drawer



- Utensil Organizer is available in two widths.
- Gray steel frame with adjustable interval divider.
- For use in wider drawer boxes, a drawer partition may be specified to hold the Utensil Organizer in place. See [Section #71800](#)

Cat. Code	Price
UOSS100	142
UOSS200	154

32690 - Deep Drawer Organizer for Stainless Steel Drawers



- Deep Drawer Organizer is available to divide a deep drawer.
- Available in one size only with gray steel frame and adjustable interval divider. Magnetic sleeve attaches to back of drawer box and divider attaches to sleeve.

Cat. Code	Price
DDOSS	251

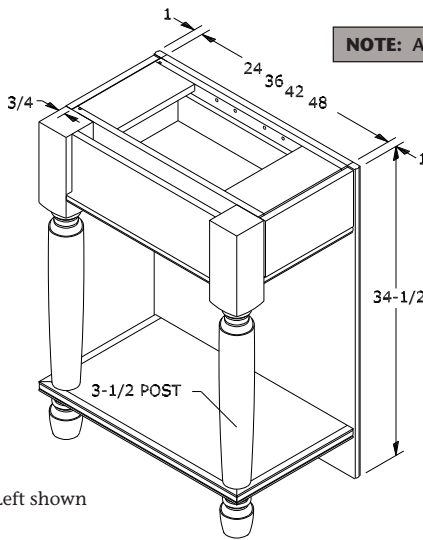


Island End Caps



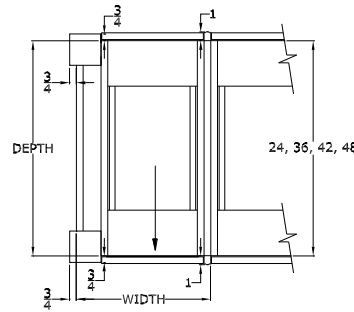


32800 - Island End Cap Style A



Left shown

NOTE: Available in standard wood species **only**.



Island End Caps are used to create a freestanding island. See drawing below for recommended use and design ideas.

ISLECA1542

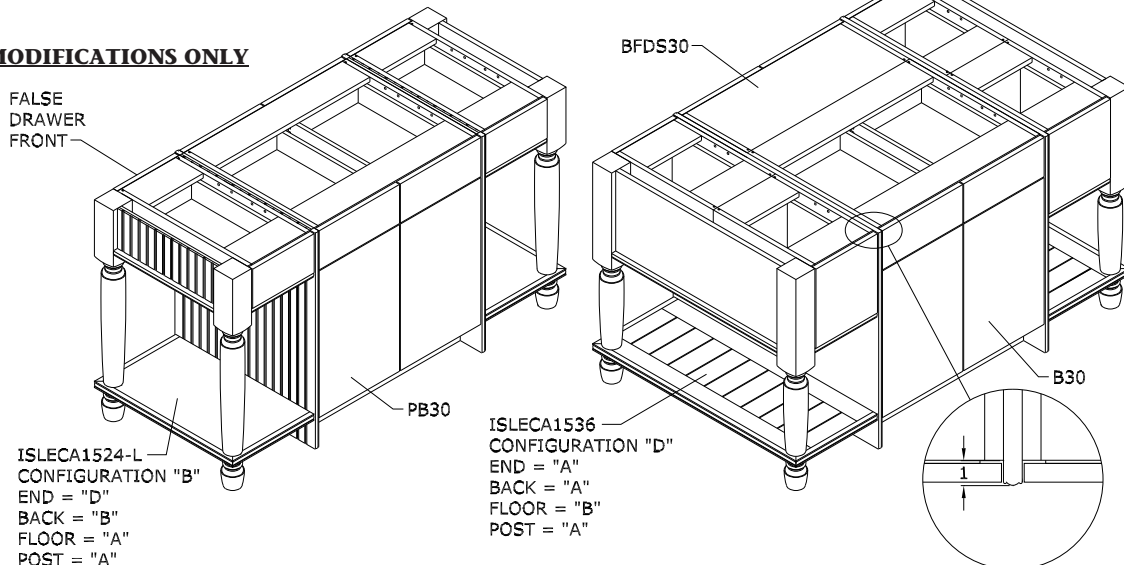
Width Depth

Cat. Code	Price
24" Deep Peninsula	
ISLECA924	L/R 1809
ISLECA1224	L/R 1854
ISLECA1524	L/R 1900
ISLECA1824	L/R 1945
ISLECA2124	L/R 1990
ISLECA2424	L/R 2035
ISLECA2724	L/R 2079
ISLECA3024	L/R 2125
36" Deep Island	
ISLECA936	1964
ISLECA1236	2019
ISLECA1536	2071
ISLECA1836	2126
ISLECA2136	2181
ISLECA2436	2235
ISLECA2736	2287
ISLECA3036	2343
42" Deep Island	
ISLECA942	2040
ISLECA1242	2098
ISLECA1542	2158
ISLECA1842	2216
ISLECA2142	2275
ISLECA2442	2333
ISLECA2742	2393
ISLECA3042	2452
48" Deep Island	
ISLECA948	2131
ISLECA1248	2195
ISLECA1548	2257
ISLECA1848	2321
ISLECA2148	2384
ISLECA2448	2448
ISLECA2748	2510
ISLECA3048	2574

- Depth of Island End Caps are designed for 24" deep peninsula applications or 36", 42" or 48" deep Islands
- "Dining side" of End Cap will match the configuration specified for the "Kitchen side".
- For configurations B, C, D, and E:
Peninsula End Cap (24" deep) has false drawer front(s) on the dining side.
All other End Caps (36", 42" & 48" depths) have equal-depth working drawers on both sides.
- Back side of back panel is finished on front edges and toe space areas only.
- Cottage Bead "B" profile is used on vertical and horizontal details.
- Standard height is 34-1/2". Optional heights of 31-1/2" or 40-1/2" high are available on the Order Form Worksheet.
- Island End Caps have a variety of optional design elements. (Use the Worksheet/Order Form on [page 5-45](#))
 - Specify a "Configuration"
 - Specify an "End" (side) option.
 - Specify Plain or Cottage Bead "Back Panel".
 - Specify Plain or Slatted "Floor".
 - Specify a 3-1/2" "Post" option.
 - Specify height.
- Be sure to clearly specify each option on your order form. Your acknowledgement will be itemized as shown in the examples below.

Pricing shown above is a "base price". See [page 5-45](#) for complete pricing information, size availability and the Order Form Worksheet.

QUOTED MODIFICATIONS ONLY



ISLAND END CAP STYLE A (ISLECA) WORKSHEET/ORDER FORM

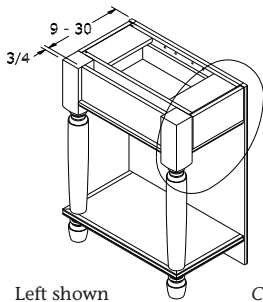
(Please COPY, complete and send with your order.)
Use one worksheet for each Island End Cap

Specify Size

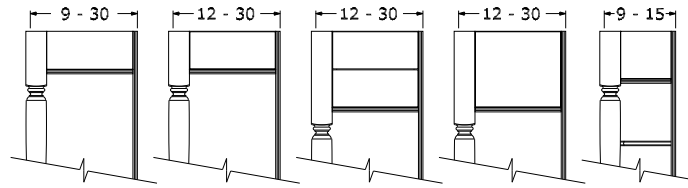
(from price chart on page 5-44)

ISLECA _____ \$ _____
(width) (depth) Indicate L or R (if applicable) (base price)

1. Specify Configuration:



Left shown



Config-A Add \$0
Config-B Add \$448
Config-C Add \$951
Config-D Add \$951
Config-G Add \$951

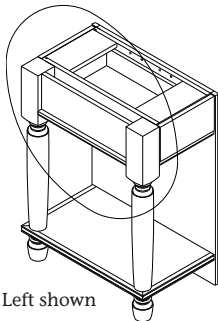
Configuration will be the same for Kitchen Side and Dining Side. Peninsula End Cap has false drawer front(s) on Dining Side. 36", 42", and 48" End Caps have equal depth working drawers.

Configuration

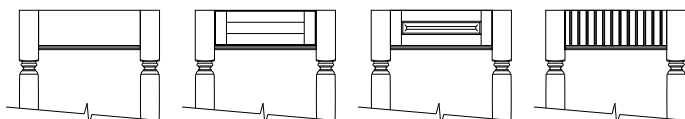
- A - Apron
- B - Single Drawer
- C - Double Drawer
- D - Deep Drawer
- G - Apron & Shelf

\$ _____

2. Specify End Option:



Left shown



End-A Add \$0
End-B Add \$368
End-C Add \$459
End-D Add \$378

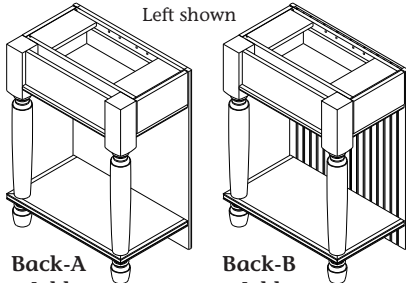
End Options

- A - Plain
- B - False Drawer Front
- C - Decorative Panel
- D - Cottage Bead Panel

\$ _____

3. Specify Back Panel Option:

Left shown



Back-A Add \$0
Back-B Add \$656

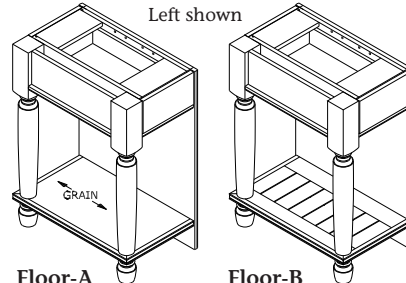
Back Panel Options

- A - Plain
- B - Cottage Bead

\$ _____

4. Specify Floor Option:

Left shown



Floor-A Floor-B

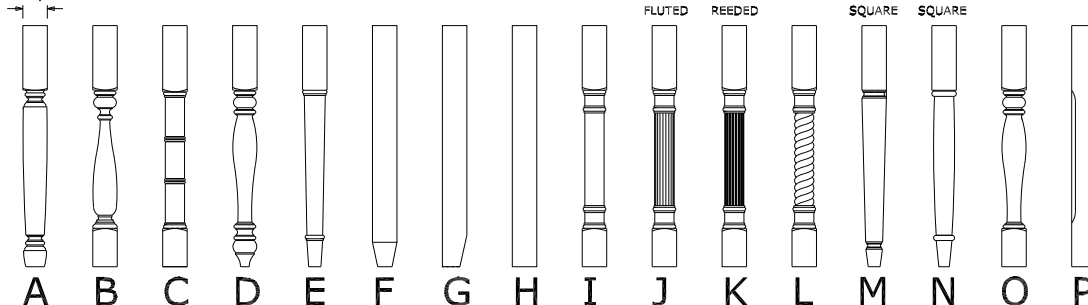
Floor Options

- A - Plain (Add \$0)
- B - Slatted
9" - 15" wide (Add \$378)
18" - 24" wide (Add \$605)
27" - 30" wide (Add \$755)

\$ _____

5. Specify Post

3-1/2"



A B C D E F G H I J K L M N O P

Post Options

(price includes two posts)

No Charge Options

- A B C D
- E F G H
- I M N O
- P

Upcharge Options

- J (Add \$252)
- K (Add \$252)
- L (Add \$252)

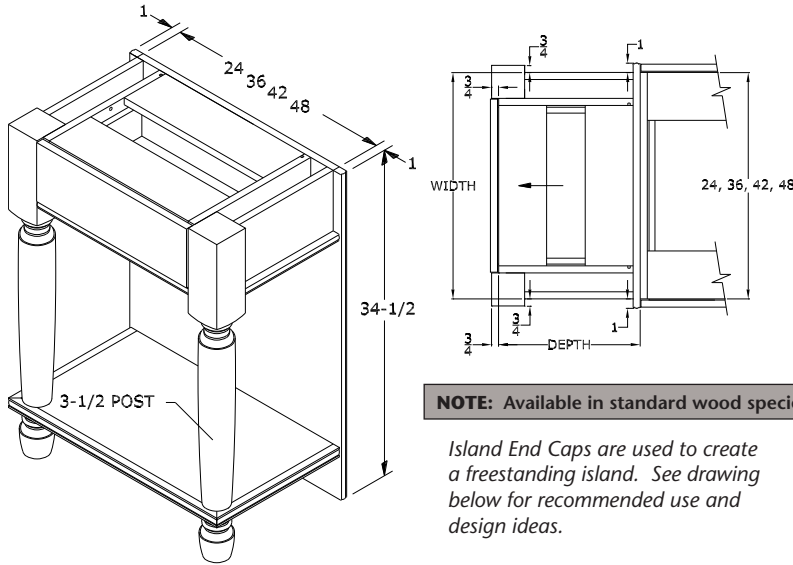
6. Specify Height (34-1/2" high is standard unless otherwise specified.)

- 34-1/2" High Add \$0
- 31-1/2" High Add \$0
- 40-1/2" High Add \$240

Total List \$ _____
Add appropriate wood species and finish upcharge (if applicable)



32850 - Island End Cap Style B



NOTE: Available in standard wood species **only**.

Island End Caps are used to create a freestanding island. See drawing below for recommended use and design ideas.

- Depth of Island End Caps are designed for 24" deep peninsula applications or 36", 42" or 48" deep Islands
- Back side of back panel is finished on front edges and toe space areas only.
- Cottage Bead "B" profile is used on vertical and horizontal details.
- Standard height is 34-1/2". Optional heights of 31-1/2" or 40-1/2" high are available on the Order Form Worksheet.
- Island End Caps have a variety of optional design elements. (Use the Worksheet/Order Form on [page 5-47](#))
 - Specify a "Configuration"
 - Specify an "End" (side) option.
 - Specify Plain or Cottage Bead "Back Panel".
 - Specify Plain or Slatted "Floor".
 - Specify a 3-1/2" "Post" option.
 - Specify height.
- Be sure to clearly specify each option on your order form. Your acknowledgement will be itemized as shown in the examples below.

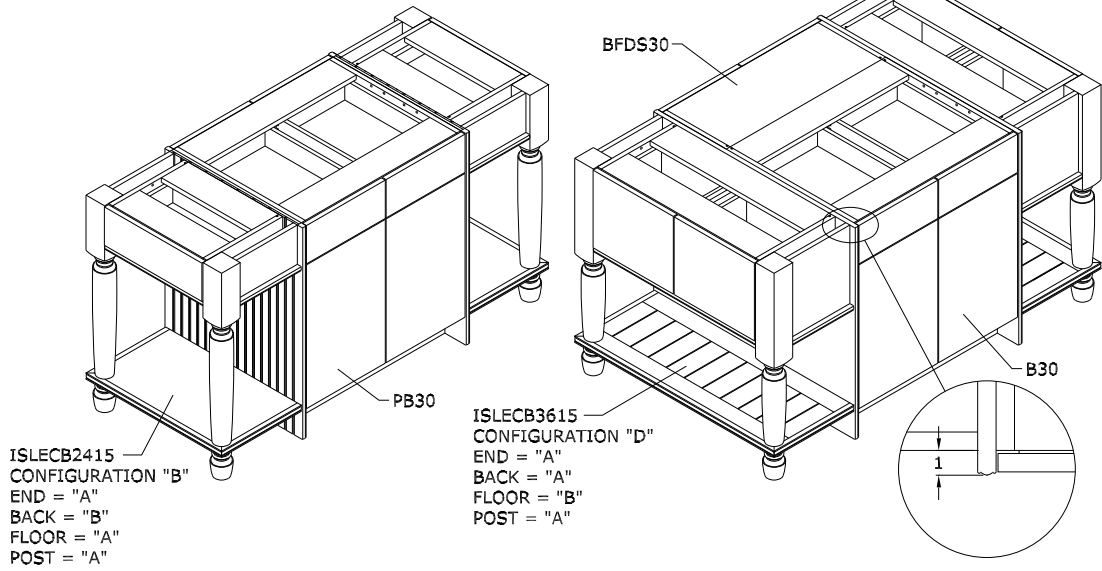
ISLECB4215

Width Depth

Cat. Code	Price
24" Deep Peninsula	
ISLECB249	1809
ISLECB2412	1854
ISLECB2415	1900
ISLECB2418	1945
ISLECB2421	1990
ISLECB2424	2035
36" Deep Island	
ISLECB369	2209
ISLECB3612	2263
ISLECB3615	2317
ISLECB3618	2369
ISLECB3621	2424
ISLECB3624	2477
42" Deep Island	
ISLECB429	2281
ISLECB4212	2341
ISLECB4215	2401
ISLECB4218	2461
ISLECB4221	2523
ISLECB4224	2581
48" Deep Island	
ISLECB489	2371
ISLECB4812	2436
ISLECB4815	2501
ISLECB4818	2567
ISLECB4821	2631
ISLECB4824	2698

Pricing shown above is a "base price". See [page 5-47](#) for complete pricing information, size availability and the Order Form Worksheet.

QUOTED MODIFICATIONS ONLY



ISLECB2415
CONFIGURATION "B"
END = "A"
BACK = "B"
FLOOR = "A"
POST = "A"

ISLECB3615
CONFIGURATION "D"
END = "A"
BACK = "A"
FLOOR = "B"
POST = "A"

ISLAND END CAP STYLE B (ISLECB) WORKSHEET/ORDER FORM

(Please COPY, complete and send with your order.)

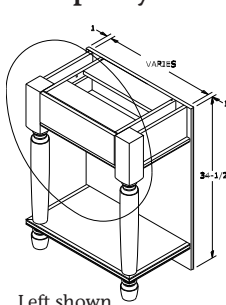
Use one worksheet for each Island End Cap

Specify Size

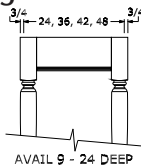
(from price chart on page 5-46)

ISLECB _____ \$ _____
(width) (depth) (base price)

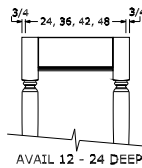
1. Specify Configuration:



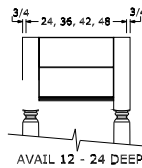
Left shown



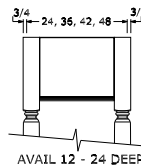
Config-A
Add \$0



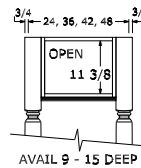
Config-B
Add \$745
36, 42" & 48" have 2 drawers



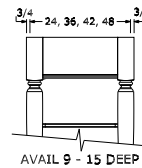
Config-C
Add \$1525
36, 42" & 48" have 4 drawers



Config-D
Add \$1525
36, 42" & 48" have 2 drawers



Config-F
Add \$809
Finished Interior

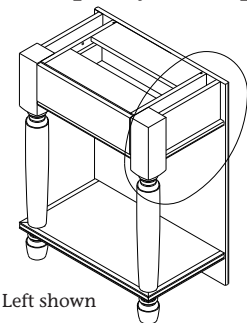


Config-G
Add \$951

- Configuration**
- A - Apron
 - B - Single Drawer
 - C - Double Drawer
 - D - Deep Drawer
 - F - Open
 - G - Apron & Shelf

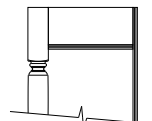
\$ _____

2. Specify End Option:

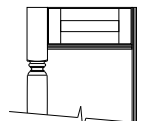


Left shown

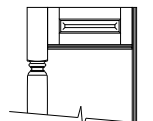
End option is applied to both sides (kitchen and dining).
For B & C, refer to door descriptions for possible size limitations.



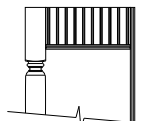
End-A
Add \$0



End-B
Add \$368



End-C
Add \$459



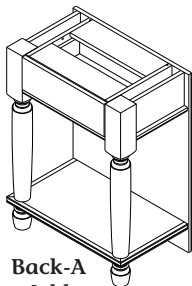
End-D
Add \$378

End Options

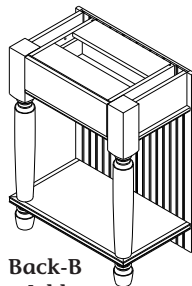
- A - Plain
- B - False Drawer Front
- C - Decorative Panel
- D - Cottage Bead Panel

\$ _____

3. Specify Back Panel Option:



Back-A
Add \$0



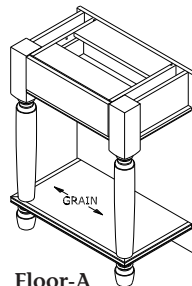
Back-B
Add \$656

Back Panel Options

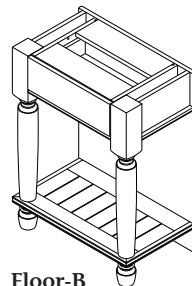
- A - Plain
- B - Cottage Bead

\$ _____

4. Specify Floor Option:



Floor-A



Floor-B

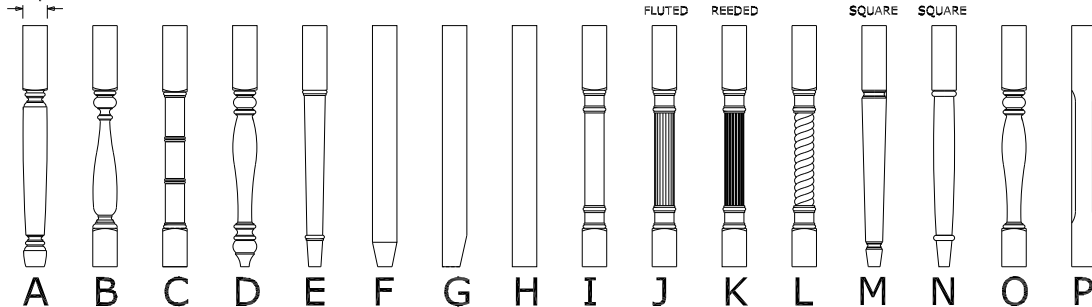
Floor Options

- A - Plain (Add \$0)
- B - Slatted
 - 24" wide (Add \$420)
 - 36" wide (Add \$454)
 - 42" wide (Add \$605)
 - 48" wide (Add \$605)

\$ _____

5. Specify Post

3-1/2"



A

B

C

D

E

F

G

H

I

J

K

L

M

N

O

P

Post Options

(price includes two posts)

No Charge Options

- A B C D
- E F G H
- I M N O
- P

Upcharge Options

- J (Add \$252)
- K (Add \$252)
- L (Add \$252)

6. Specify Height (34-1/2" high is standard unless otherwise specified.)

34-1/2" High

Add \$0

31-1/2" High

Add \$0

40-1/2" High

Add \$240

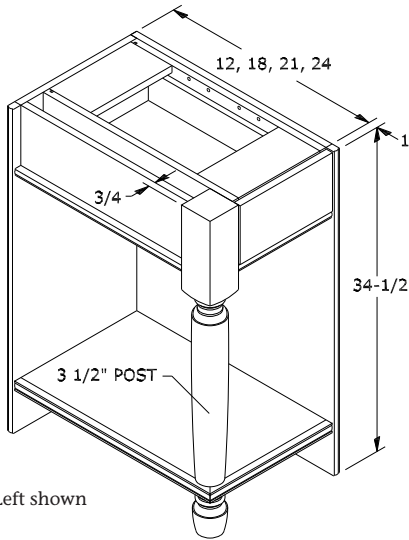
\$ _____

Total List \$ _____

Add appropriate wood species and finish upcharge (if applicable)

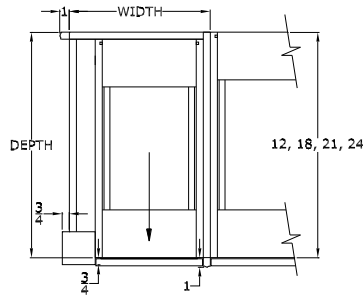


32900 - Island End Cap Style C



Left shown

NOTE: Available in standard wood species **only**.



See drawing below for recommended use and design ideas.

ISLECC1542-L

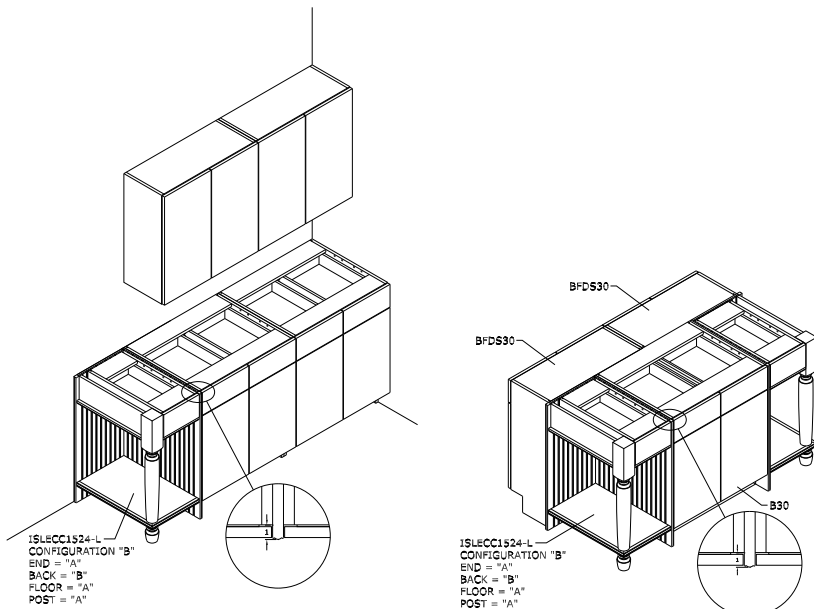
Width Depth

Cat. Code		Price
12" Deep Island		
ISLECC912	L/R	1389
ISLECC1212	L/R	1449
ISLECC1512	L/R	1509
ISLECC1812	L/R	1571
ISLECC2112	L/R	1630
ISLECC2412	L/R	1691
ISLECC2712	L/R	1746
ISLECC3012	L/R	1811
18" Deep Island		
ISLECC918	L/R	1519
ISLECC1218	L/R	1584
ISLECC1518	L/R	1649
ISLECC1818	L/R	1711
ISLECC2118	L/R	1778
ISLECC2418	L/R	1840
ISLECC2718	L/R	1902
ISLECC3018	L/R	1970
21" Deep Island		
ISLECC921	L/R	1649
ISLECC1221	L/R	1717
ISLECC1521	L/R	1785
ISLECC1821	L/R	1854
ISLECC2121	L/R	1922
ISLECC2421	L/R	1991
ISLECC2721	L/R	2060
ISLECC3021	L/R	2127
24" Deep Island		
ISLECC924	L/R	1748
ISLECC1224	L/R	1825
ISLECC1524	L/R	1895
ISLECC1824	L/R	1963
ISLECC2124	L/R	2032
ISLECC2424	L/R	2099
ISLECC2724	L/R	2169
ISLECC3024	L/R	2236

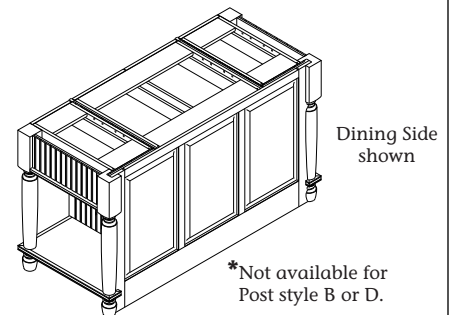
- Depth of Island End Caps are designed for 12", 18", 21" or 24" applications.
- Back side of back panel is finished on front edges and toe space areas only.
- Cottage Bead "B" profile is used on vertical and horizontal details.
- Standard height is 34-1/2". Optional heights of 31-1/2" or 40-1/2" high are available on the Order Form Worksheet.
- Island End Caps have a variety of optional design elements. (Use the Worksheet/Order Form on [page 5-49](#))
 - Specify a "Configuration"
 - Specify an "End" (side) option.
 - Specify Plain or Cottage Bead "Back Panel".
 - Specify Plain or Slatted "Floor".
 - Specify a 3-1/2" "Post" option.
 - Specify height.
- Be sure to clearly specify each option on your order form. Your acknowledgement will be itemized as shown in the examples below.

Pricing shown above is a "base price". See [page 5-49](#) for complete pricing information, size availability and the Order Form Worksheet.

QUOTED MODIFICATIONS ONLY



Notch Post for Back Panel
 Island End Cap - C can be configured to accommodate an Island Back Panel. Upon request, a post with a "notch" can be built into the Island End Cap. See drawings for recommended use. Order back panel separately. Specify **NPOST**. See details and specifications on [page 5-49](#).



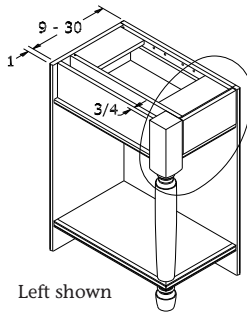
ISLAND END CAP STYLE C (ISLECC) WORKSHEET/ORDER FORM

(Please COPY, complete and send with your order.)
Use one worksheet for each Island End Cap

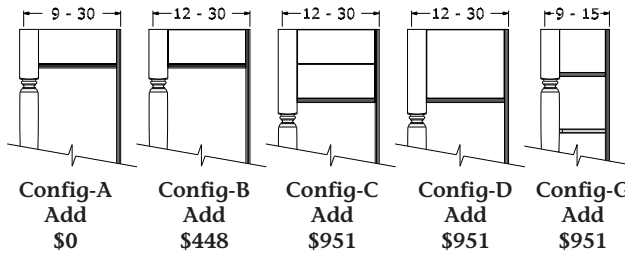
Specify Size
(from price chart on page 5-48)

ISLECC _____ \$ _____
(width) (depth) Indicate L or R (base price)

1. Specify Configuration:



Left shown



Config-A Add \$0
Config-B Add \$448
Config-C Add \$951
Config-D Add \$951
Config-G Add \$951

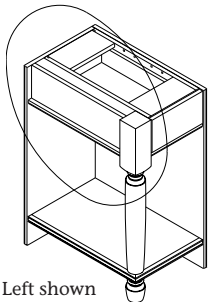
Configuration

- A - Apron
- B - Single Drawer
- C - Double Drawer
- D - Deep Drawer
- G - Apron & Shelf

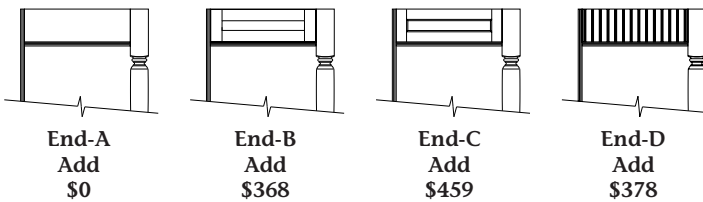
\$ _____

2. Specify End Option:

For B & C, refer to door descriptions for possible size limitations.



Left shown



End-A Add \$0
End-B Add \$368
End-C Add \$459
End-D Add \$378

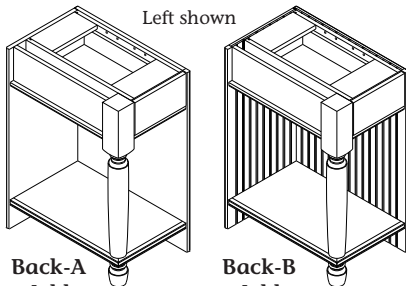
End Options

- A - Plain
- B - False Drawer Front
- C - Decorative Panel
- D - Cottage Bead Panel

\$ _____

3. Specify Back Panel Option:

Left shown



Back-A Add \$0
Back-B Add \$737

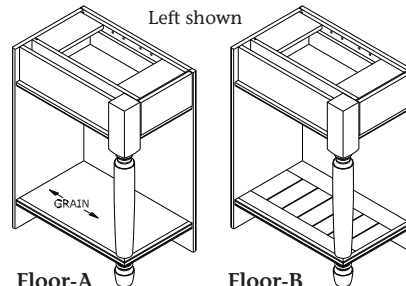
Back Panel Options

- A - Plain
- B - Cottage Bead

\$ _____

4. Specify Floor Option:

Left shown



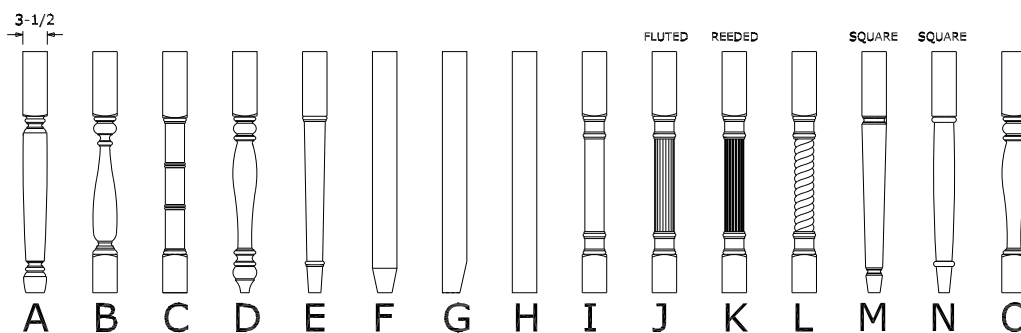
Floor-A Floor-B

Floor Options

- A - Plain (Add \$0)
- B - Slatted
- 9" - 15" wide (Add \$192)
- 18" - 24" wide (Add \$304)
- 27" - 30" wide (Add \$378)

\$ _____

5. Specify Post



6. Specify Height (34-1/2" high is standard unless otherwise specified.)

- 34-1/2" High Add \$0
- 31-1/2" High Add \$0
- 40-1/2" High Add \$240

Post Options

(price includes one post)

No Charge Options

- A B C D
- E F G H
- I M N O
- P

Upcharge Options

- J (Add \$126)
- K (Add \$126)
- L (Add \$126)

Total List \$ _____
Add appropriate wood species and finish upcharge (if applicable)

32900 - Island End Cap Style C (continued)

Modify ISLECC for Island Back Panel

Island End Cap - C (ISLECC) can be configured to accommodate an Island Back Panel up to 3/4" thick. (i.e. Decorative Base Panel, Plywood Panel, Cottage Bead Panel, etc.) Upon request, a Post with a "notch" can be built into the End Cap. See drawings for recommended use. Order Island Back Panel separately. (See sizing formula below.) Specify **NPOST**.

- Available for ISLECC only.
- Not available for use with Post "B" or "D".

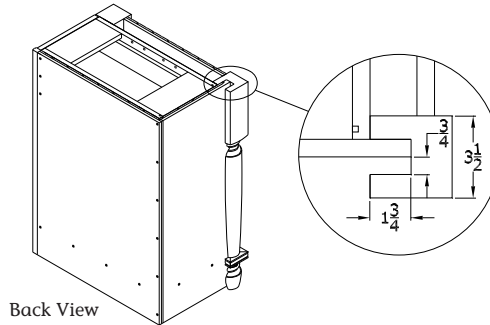
QUOTED MODIFICATIONS ONLY

Sizing Formula for Island Back Panel: When ordering a panel for use with the Notched Post, the following formula can be used to compute the overall size.

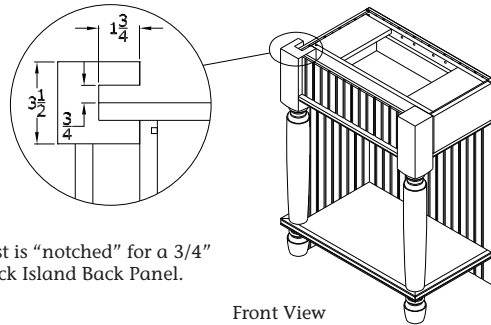
Total Width of cabinet(s) between End Cap(s): _____
 Left Island End Cap Width - 1": + _____
 Right Island End Cap Width - 1": + _____
 Total: = _____
 (Overall Size of Back Panel)

Example (from drawing below): Cabinet between End Caps is 30". End caps are each 15" wide - 1" = 14".
 30+14+14 = 58"

The panel will insert 1-3/4" into each Turned Post. When ordering a Decorative Panel, we recommend increasing the width of each outside stile 1 3/4".
 Example: DBPS 58" w x 34-1/2" h (increase width of outside stiles 1-3/4" - overall width of panel to be 58")

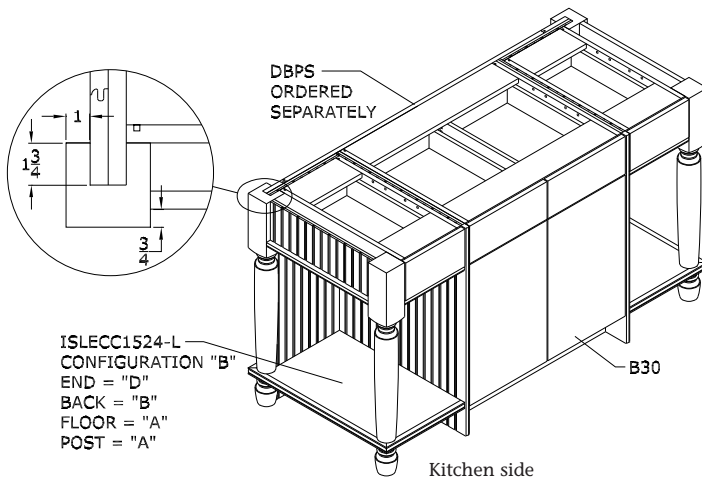


Back View

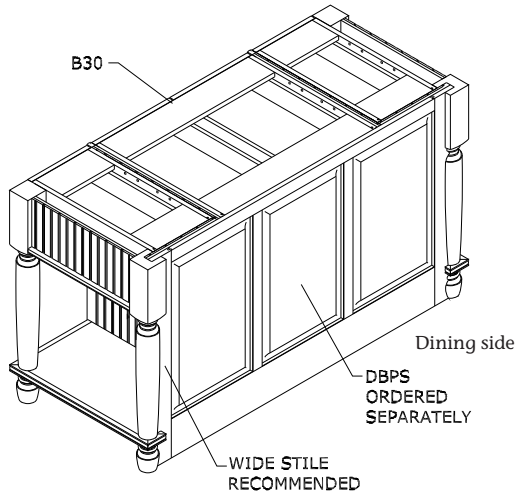


Post is "notched" for a 3/4" thick Island Back Panel.

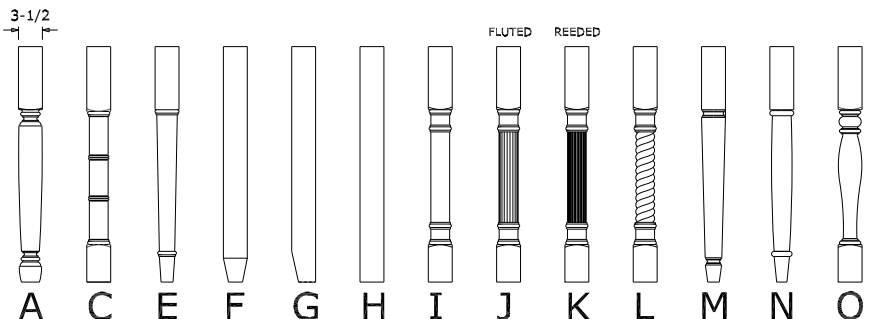
Front View



Kitchen side



WIDE STILE RECOMMENDED



Post Options (price includes one post)

No Charge Options

- A C E F G H
 I M N O P

Upcharge Options

- J (Add \$126) L (Add \$126)
 K (Add \$126)

\$ _____

Add 3-1/2" Post and notch for Island Back Panel, **NPOST** **Add \$683 + Post Price Above to ISLECC**



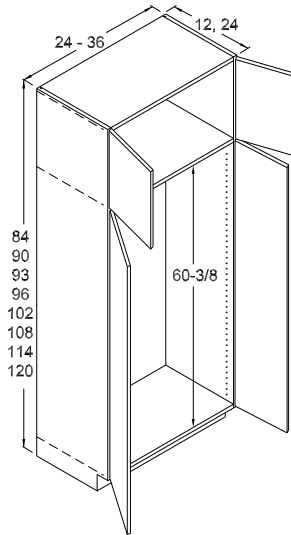
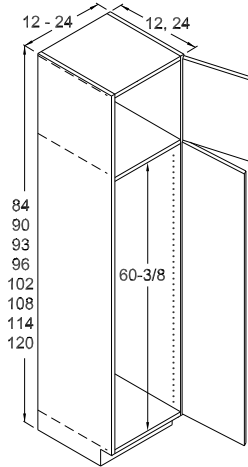
Tall Index

End Shelves	6-24
Microwave Oven Cabinets	6-19
Oven Cabinets	6-16
Oven Cabinet Template	6-23
Oven Closer Panels	6-22
Oven Warming Drawer	6-20
Pantry Storage Cabinet	6-14
Roll-Out Shelf	6-26
Pull-Out Pantry	6-27
Quarter Round Tall Cabinet	6-24
Storage Cabinets	6-9
Utility Cabinets (Pantry, Shelves, Roll-Out Shelves)	6-1
Wine Rack	6-25





40000 - Utility Cabinet



- Height modifications affect upper section unless otherwise specified.

NOTE: Cabinets over 96" high are **not** available in Rustic Hickory.

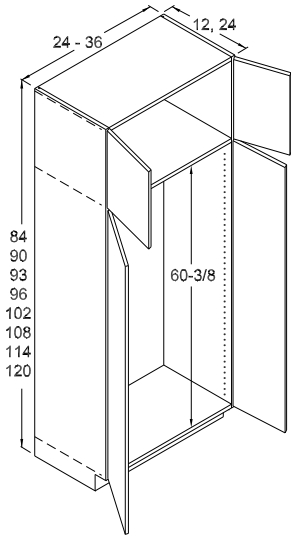
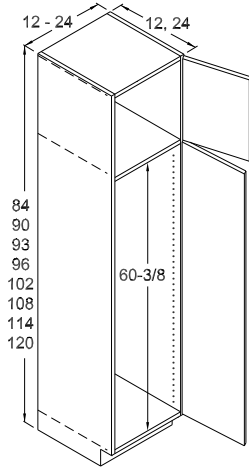
Cat. Code	1	2	3	4	5	6	7	8	9	10	11
84" High - 12" Deep/No Shelf in Top Area											
84UC1212	945	1098	1188	1262	1306	1390	1425	1487	1525	1592	1648
84UC1512	1005	1168	1264	1340	1390	1479	1517	1582	1622	1694	1752
84UC1812	1080	1256	1358	1442	1493	1587	1628	1699	1742	1819	1881
84UC2112	1280	1512	1629	1725	1787	1899	1946	2032	2082	2175	2249
84UC2412-1	1480	1769	1901	2007	2078	2208	2263	2362	2421	2529	2616
84UC2412	1480	1769	1901	2007	2078	2208	2263	2362	2421	2529	2616
84UC2712	1539	1840	1976	2086	2161	2296	2352	2457	2518	2629	2721
84UC3012	1596	1913	2053	2168	2244	2384	2443	2553	2616	2732	2826
84UC3312	1725	2064	2216	2341	2424	2576	2641	2756	2825	2950	3052
84UC3612	1862	2228	2393	2527	2617	2782	2851	2978	3052	3188	3297
84" High - 24" Deep/No Shelf in Top Area											
84UC1224	1061	1217	1309	1382	1431	1518	1556	1623	1665	1739	1799
84UC1524	1129	1295	1392	1470	1523	1615	1656	1728	1771	1851	1915
84UC1824	1213	1393	1497	1581	1637	1735	1780	1858	1904	1988	2058
84UC2124	1418	1655	1771	1865	1931	2051	2102	2195	2249	2348	2431
84UC2424-1	1619	1914	2044	2151	2225	2364	2424	2531	2593	2709	2803
84UC2424	1619	1914	2044	2151	2225	2364	2424	2531	2593	2709	2803
84UC2724	1745	2040	2200	2329	2412	2561	2624	2740	2809	2933	3034
84UC3024	1867	2162	2351	2506	2594	2755	2824	2949	3022	3155	3264
84UC3324	2015	2334	2539	2706	2800	2975	3050	3184	3261	3407	3525
84UC3624	2063	2412	2617	2786	2883	3065	3140	3279	3359	3507	3630
90" High - 12" Deep/No Shelf in Top Area											
90UC1212	1146	1307	1400	1474	1526	1621	1662	1735	1780	1858	1922
90UC1512	1218	1390	1488	1568	1623	1726	1769	1847	1895	1977	2047
90UC1812	1312	1494	1601	1689	1747	1855	1902	1986	2035	2125	2200
90UC2112	1523	1766	1885	1983	2051	2180	2233	2333	2392	2496	2583
90UC2412-1	1734	2037	2170	2277	2356	2501	2564	2678	2743	2865	2964
90UC2412	1734	2037	2170	2277	2356	2501	2564	2678	2743	2865	2964
90UC2712	1885	2191	2355	2487	2573	2732	2799	2924	2996	3128	3237
90UC3012	2035	2344	2538	2695	2790	2961	3035	3169	3246	3391	3509
90UC3312	2123	2457	2660	2824	2923	3104	3181	3322	3405	3555	3678
90UC3612	2208	2571	2782	2954	3057	3247	3329	3476	3561	3720	3848
90" High - 24" Deep/No Shelf in Top Area											
90UC1224	1207	1375	1474	1554	1608	1707	1749	1827	1873	1956	2025
90UC1524	1284	1465	1567	1652	1710	1817	1861	1945	1993	2082	2154
90UC1824	1379	1574	1685	1776	1838	1953	2002	2090	2142	2237	2315
90UC2124	1602	1858	1985	2086	2161	2295	2351	2456	2517	2628	2720
90UC2424-1	1825	2141	2282	2397	2480	2636	2701	2823	2890	3020	3124
90UC2424	1825	2141	2282	2397	2480	2636	2701	2823	2890	3020	3124
90UC2724	1985	2306	2476	2616	2707	2875	2947	3078	3154	3294	3408
90UC3024	2145	2470	2673	2837	2936	3115	3192	3335	3419	3569	3692
90UC3324	2233	2586	2798	2972	3075	3265	3346	3495	3581	3740	3869
90UC3624	2324	2705	2928	3108	3218	3419	3502	3658	3748	3915	4050
93" High - 12" Deep/One Shelf in Top Area											
93UC1212	1146	1307	1400	1474	1526	1621	1662	1735	1780	1858	1922
93UC1512	1218	1390	1488	1568	1623	1726	1769	1847	1895	1977	2047
93UC1812	1312	1494	1601	1689	1747	1855	1902	1986	2035	2125	2200
93UC2112	1523	1766	1885	1983	2051	2180	2233	2333	2392	2496	2583
93UC2412-1	1734	2037	2170	2277	2356	2501	2564	2678	2743	2865	2964
93UC2412	1734	2037	2170	2277	2356	2501	2564	2678	2743	2865	2964
93UC2712	1885	2191	2355	2487	2573	2732	2799	2924	2996	3128	3237
93UC3012	2035	2344	2538	2695	2790	2961	3035	3169	3246	3391	3509
93UC3312	2123	2457	2660	2824	2923	3104	3181	3322	3405	3555	3678
93UC3612	2208	2571	2782	2954	3057	3247	3329	3476	3561	3720	3848
93" High - 24" Deep/One Shelf in Top Area											
93UC1224	1207	1375	1474	1554	1608	1707	1749	1827	1873	1956	2025
93UC1524	1284	1465	1567	1652	1710	1817	1861	1945	1993	2082	2154
93UC1824	1379	1574	1685	1776	1838	1953	2002	2090	2142	2237	2315
93UC2124	1602	1858	1985	2086	2161	2295	2351	2456	2517	2628	2720
93UC2424-1	1825	2141	2282	2397	2480	2636	2701	2823	2890	3020	3124
93UC2424	1825	2141	2282	2397	2480	2636	2701	2823	2890	3020	3124
93UC2724	1985	2306	2476	2616	2707	2875	2947	3078	3154	3294	3408
93UC3024	2145	2470	2673	2837	2936	3115	3192	3335	3419	3569	3692
93UC3324	2233	2586	2798	2972	3075	3265	3346	3495	3581	3740	3869
93UC3624	2324	2705	2928	3108	3218	3419	3502	3658	3748	3915	4050



40000 - Utility Cabinet (continued)

- Height modifications affect upper section unless otherwise specified.

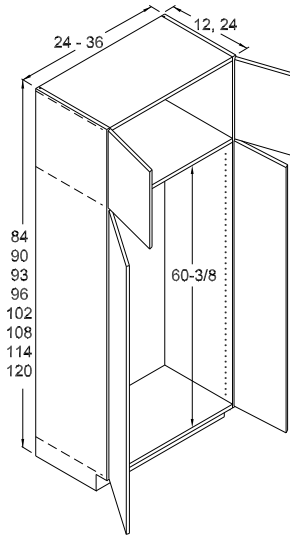
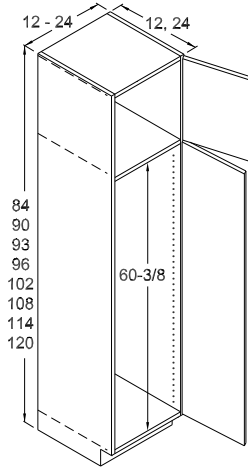
NOTE: Cabinets over 96" high are **not** available in Rustic Hickory.



Cat. Code	1	2	3	4	5	6	7	8	9	10	11
96" High - 12" Deep/One Shelf in Top Area											
96UC1212	1146	1307	1400	1474	1526	1621	1662	1735	1780	1858	1922
96UC1512	1218	1390	1488	1568	1623	1726	1769	1847	1895	1977	2047
96UC1812	1312	1494	1601	1689	1747	1855	1902	1986	2035	2125	2200
96UC2112	1523	1766	1885	1983	2051	2180	2233	2333	2392	2496	2583
96UC2412-1	1734	2037	2170	2277	2356	2501	2564	2678	2743	2865	2964
96UC2412	1734	2037	2170	2277	2356	2501	2564	2678	2743	2865	2964
96UC2712	1885	2191	2355	2487	2573	2732	2799	2924	2996	3128	3237
96UC3012	2035	2344	2538	2695	2790	2961	3035	3169	3246	3391	3509
96UC3312	2123	2457	2660	2824	2923	3104	3181	3322	3405	3555	3678
96UC3612	2208	2571	2782	2954	3057	3247	3329	3476	3561	3720	3848
96" High - 24" Deep/One Shelf in Top Area											
96UC1224	1207	1375	1474	1554	1608	1707	1749	1827	1873	1956	2025
96UC1524	1284	1465	1567	1652	1710	1817	1861	1945	1993	2082	2154
96UC1824	1379	1574	1685	1776	1838	1953	2002	2090	2142	2237	2315
96UC2124	1602	1858	1985	2086	2161	2295	2351	2456	2517	2628	2720
96UC2424-1	1825	2141	2282	2397	2480	2636	2701	2823	2890	3020	3124
96UC2424	1825	2141	2282	2397	2480	2636	2701	2823	2890	3020	3124
96UC2724	1985	2306	2476	2616	2707	2875	2947	3078	3154	3294	3408
96UC3024	2145	2470	2673	2837	2936	3115	3192	3335	3419	3569	3692
96UC3324	2233	2586	2798	2972	3075	3265	3346	3495	3581	3740	3869
96UC3624	2324	2705	2928	3108	3218	3419	3502	3658	3748	3915	4050
102" High - 12" Deep/Two Shelves in Top Area											
102UC1212	1604	1830	1960	2064	2136	2269	2327	2429	2492	2601	2691
102UC1512	1705	1946	2083	2195	2272	2416	2477	2586	2653	2768	2866
102UC1812	1837	2092	2241	2365	2446	2597	2663	2780	2849	2975	3080
102UC2112	2132	2472	2639	2776	2871	3052	3126	3266	3349	3494	3616
102UC2412-1	2428	2852	3038	3188	3298	3501	3590	3749	3840	4011	4150
102UC2412	2428	2852	3038	3188	3298	3501	3590	3749	3840	4011	4150
102UC2712	2639	3067	3297	3482	3602	3825	3919	4094	4194	4379	4532
102UC3012	2849	3282	3553	3773	3906	4145	4249	4437	4544	4747	4913
102UC3312	2972	3440	3724	3954	4092	4346	4453	4651	4767	4977	5149
102UC3612	3091	3599	3895	4136	4280	4546	4661	4866	4985	5208	5387
102" High - 24" Deep/Two Shelves in Top Area											
102UC1224	1690	1925	2064	2176	2251	2390	2449	2558	2622	2738	2835
102UC1524	1798	2051	2194	2313	2394	2544	2605	2723	2790	2915	3016
102UC1824	1931	2204	2359	2486	2573	2734	2803	2926	2999	3132	3241
102UC2124	2243	2601	2779	2920	3025	3213	3291	3438	3524	3679	3808
102UC2424-1	2555	2997	3195	3356	3472	3690	3781	3952	4046	4228	4374
102UC2424	2555	2997	3195	3356	3472	3690	3781	3952	4046	4228	4374
102UC2724	2779	3228	3466	3662	3790	4025	4126	4309	4416	4612	4771
102UC3024	3003	3458	3742	3972	4110	4361	4469	4669	4787	4997	5169
102UC3324	3126	3620	3917	4161	4305	4571	4684	4893	5013	5236	5417
102UC3624	3254	3787	4099	4351	4505	4787	4903	5121	5247	5481	5670
108" High - 12" Deep/Two Shelves in Top Area											
108UC1212	1604	1830	1960	2064	2136	2269	2327	2429	2492	2601	2691
108UC1512	1705	1946	2083	2195	2272	2416	2477	2586	2653	2768	2866
108UC1812	1837	2092	2241	2365	2446	2597	2663	2780	2849	2975	3080
108UC2112	2132	2472	2639	2776	2871	3052	3126	3266	3349	3494	3616
108UC2412-1	2428	2852	3038	3188	3298	3501	3590	3749	3840	4011	4150
108UC2412	2428	2852	3038	3188	3298	3501	3590	3749	3840	4011	4150
108UC2712	2639	3067	3297	3482	3602	3825	3919	4094	4194	4379	4532
108UC3012	2849	3282	3553	3773	3906	4145	4249	4437	4544	4747	4913
108UC3312	2972	3440	3724	3954	4092	4346	4453	4651	4767	4977	5149
108UC3612	3091	3599	3895	4136	4280	4546	4661	4866	4985	5208	5387
108" High - 24" Deep/Two Shelves in Top Area											
108UC1224	1690	1925	2064	2176	2251	2390	2449	2558	2622	2738	2835
108UC1524	1798	2051	2194	2313	2394	2544	2605	2723	2790	2915	3016
108UC1824	1931	2204	2359	2486	2573	2734	2803	2926	2999	3132	3241
108UC2124	2243	2601	2779	2920	3025	3213	3291	3438	3524	3679	3808
108UC2424-1	2555	2997	3195	3356	3472	3690	3781	3952	4046	4228	4374
108UC2424	2555	2997	3195	3356	3472	3690	3781	3952	4046	4228	4374
108UC2724	2779	3228	3466	3662	3790	4025	4126	4309	4416	4612	4771
108UC3024	3003	3458	3742	3972	4110	4361	4469	4669	4787	4997	5169
108UC3324	3126	3620	3917	4161	4305	4571	4684	4893	5013	5236	5417
108UC3624	3254	3787	4099	4351	4505	4787	4903	5121	5247	5481	5670



40000 - Utility Cabinet (continued)



* Tall cabinets over 108" high are only available with all-plywood construction (PLYCASE) which must be specified and upcharged.

- Height modifications affect upper section unless otherwise specified.

NOTE: Cabinets over 96" high are **not** available in Rustic Hickory.

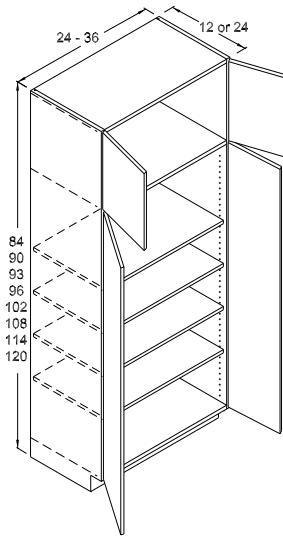
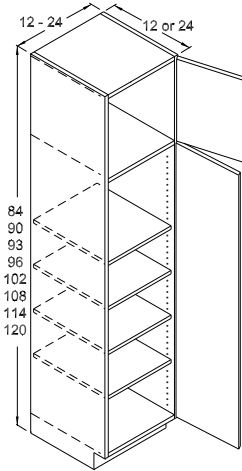
Cat. Code	1	2	3	4	5	6	7	8	9	10	11
* 114" High - 12" Deep/Two Shelves in Top Area											
114UC1212	1604	1830	1960	2064	2136	2269	2327	2429	2492	2601	2691
114UC1512	1705	1946	2083	2195	2272	2416	2477	2586	2653	2768	2866
114UC1812	1837	2092	2241	2365	2446	2597	2663	2780	2849	2975	3080
114UC2112	2132	2472	2639	2776	2871	3052	3126	3266	3349	3494	3616
114UC2412-1	2428	2852	3038	3188	3298	3501	3590	3749	3840	4011	4150
114UC2412	2428	2852	3038	3188	3298	3501	3590	3749	3840	4011	4150
114UC2712	2639	3067	3297	3482	3602	3825	3919	4094	4194	4379	4532
114UC3012	2849	3282	3553	3773	3906	4145	4249	4437	4544	4747	4913
114UC3312	2972	3440	3724	3954	4092	4346	4453	4651	4767	4977	5149
114UC3612	3091	3599	3895	4136	4280	4546	4661	4866	4985	5208	5387
* 114" High - 24" Deep/Two Shelves in Top Area											
114UC1224	1690	1925	2064	2176	2251	2390	2449	2558	2622	2738	2835
114UC1524	1798	2051	2194	2313	2394	2544	2605	2723	2790	2915	3016
114UC1824	1931	2204	2359	2486	2573	2734	2803	2926	2999	3132	3241
114UC2124	2243	2601	2779	2920	3025	3213	3291	3438	3524	3679	3808
114UC2424-1	2555	2997	3195	3356	3472	3690	3781	3952	4046	4228	4374
114UC2424	2555	2997	3195	3356	3472	3690	3781	3952	4046	4228	4374
114UC2724	2779	3228	3466	3662	3790	4025	4126	4309	4416	4612	4771
114UC3024	3003	3458	3742	3972	4110	4361	4469	4669	4787	4997	5169
114UC3324	3126	3620	3917	4161	4305	4571	4684	4893	5013	5236	5417
114UC3624	3254	3787	4099	4351	4505	4787	4903	5121	5247	5481	5670
* 120" High - 12" Deep/Three Shelves in Top Area											
120UC1212	1604	1830	1960	2064	2136	2269	2327	2429	2492	2601	2691
120UC1512	1705	1946	2083	2195	2272	2416	2477	2586	2653	2768	2866
120UC1812	1837	2092	2241	2365	2446	2597	2663	2780	2849	2975	3080
120UC2112	2132	2472	2639	2776	2871	3052	3126	3266	3349	3494	3616
120UC2412-1	2428	2852	3038	3188	3298	3501	3590	3749	3840	4011	4150
120UC2412	2428	2852	3038	3188	3298	3501	3590	3749	3840	4011	4150
120UC2712	2639	3067	3297	3482	3602	3825	3919	4094	4194	4379	4532
120UC3012	2849	3282	3553	3773	3906	4145	4249	4437	4544	4747	4913
120UC3312	2972	3440	3724	3954	4092	4346	4453	4651	4767	4977	5149
120UC3612	3091	3599	3895	4136	4280	4546	4661	4866	4985	5208	5387
* 120" High - 24" Deep/Three Shelves in Top Area											
120UC1224	1690	1925	2064	2176	2251	2390	2449	2558	2622	2738	2835
120UC1524	1798	2051	2194	2313	2394	2544	2605	2723	2790	2915	3016
120UC1824	1931	2204	2359	2486	2573	2734	2803	2926	2999	3132	3241
120UC2124	2243	2601	2779	2920	3025	3213	3291	3438	3524	3679	3808
120UC2424-1	2555	2997	3195	3356	3472	3690	3781	3952	4046	4228	4374
120UC2424	2555	2997	3195	3356	3472	3690	3781	3952	4046	4228	4374
120UC2724	2779	3228	3466	3662	3790	4025	4126	4309	4416	4612	4771
120UC3024	3003	3458	3742	3972	4110	4361	4469	4669	4787	4997	5169
120UC3324	3126	3620	3917	4161	4305	4571	4684	4893	5013	5236	5417
120UC3624	3254	3787	4099	4351	4505	4787	4903	5121	5247	5481	5670



40005 - Utility Cabinet with Shelves

- Height modifications affect upper section unless otherwise specified.

NOTE: Cabinets over 96" high are **not** available in Rustic Hickory.

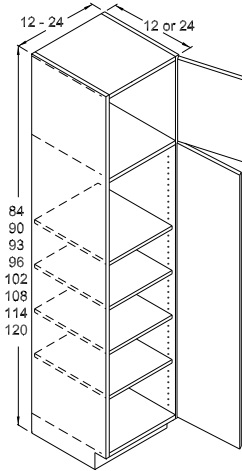


Cat. Code	1	2	3	4	5	6	7	8	9	10	11
84" High - 12" Deep/No Shelf in Top Area											
84UCS1212	1001	1154	1241	1313	1358	1444	1480	1545	1584	1655	1711
84UCS1512	1081	1241	1335	1412	1461	1552	1592	1662	1704	1780	1840
84UCS1812	1173	1348	1448	1531	1584	1680	1724	1799	1845	1927	1992
84UCS2112	1392	1621	1735	1829	1894	2008	2058	2151	2202	2300	2379
84UCS2412-1	1608	1896	2026	2128	2202	2337	2396	2501	2564	2677	2770
84UCS2412	1608	1896	2026	2128	2202	2337	2396	2501	2564	2677	2770
84UCS2712	1675	1972	2105	2215	2291	2432	2491	2601	2666	2785	2881
84UCS3012	1740	2050	2190	2302	2382	2527	2589	2705	2774	2897	2995
84UCS3312	1880	2217	2365	2488	2573	2730	2798	2923	2995	3128	3237
84UCS3612	2034	2398	2558	2688	2781	2953	3024	3160	3237	3381	3498
84" High - 24" Deep/No Shelf in Top Area											
84UCS1224	1124	1280	1369	1442	1490	1580	1619	1691	1732	1809	1872
84UCS1524	1224	1390	1483	1561	1614	1711	1753	1832	1876	1959	2028
84UCS1824	1341	1519	1619	1703	1760	1865	1913	1997	2047	2138	2212
84UCS2124	1581	1816	1930	2025	2091	2217	2273	2373	2433	2539	2627
84UCS2424-1	1819	2109	2237	2342	2422	2569	2632	2750	2818	2943	3045
84UCS2424	1819	2109	2237	2342	2422	2569	2632	2750	2818	2943	3045
84UCS2724	1946	2237	2397	2525	2608	2767	2834	2959	3034	3168	3278
84UCS3024	2071	2363	2550	2701	2793	2961	3036	3170	3248	3392	3510
84UCS3324	2209	2529	2722	2881	2979	3160	3237	3381	3464	3618	3743
84UCS3624	2344	2693	2896	3059	3163	3353	3437	3589	3678	3840	3973
90" High - 12" Deep/No Shelf in Top Area											
90UCS1212	1200	1356	1448	1523	1575	1672	1714	1789	1834	1915	1981
90UCS1512	1291	1459	1557	1635	1692	1795	1839	1920	1969	2054	2125
90UCS1812	1400	1581	1686	1771	1832	1944	1991	2081	2132	2225	2303
90UCS2112	1628	1867	1985	2081	2153	2284	2341	2443	2504	2614	2706
90UCS2412-1	1857	2158	2288	2394	2474	2624	2691	2809	2877	3005	3108
90UCS2412	1857	2158	2288	2394	2474	2624	2691	2809	2877	3005	3108
90UCS2712	2016	2317	2476	2606	2695	2856	2929	3058	3133	3273	3386
90UCS3012	2170	2475	2664	2818	2915	3091	3168	3309	3388	3540	3663
90UCS3312	2273	2602	2800	2960	3064	3251	3330	3477	3563	3721	3850
90UCS3612	2370	2730	2938	3105	3211	3409	3493	3649	3738	3905	4041
90" High - 24" Deep/No Shelf in Top Area											
90UCS1224	1270	1435	1578	1692	1748	1853	1901	1984	2034	2124	2197
90UCS1524	1375	1556	1657	1739	1798	1909	1956	2042	2093	2184	2259
90UCS1824	1503	1696	1806	1896	1959	2078	2128	2222	2280	2379	2461
90UCS2124	1764	2016	2140	2238	2315	2456	2518	2629	2695	2813	2910
90UCS2424-1	2023	2334	2471	2585	2673	2834	2905	3035	3110	3247	3359
90UCS2424	2023	2334	2471	2585	2673	2834	2905	3035	3110	3247	3359
90UCS2724	2183	2499	2669	2806	2901	3076	3152	3292	3372	3523	3644
90UCS3024	2342	2664	2863	3024	3127	3315	3397	3547	3635	3797	3929
90UCS3324	2473	2823	3030	3201	3309	3509	3595	3756	3848	4018	4158
90UCS3624	2601	2980	3199	3376	3490	3701	3793	3961	4060	4240	4385
93" High - 12" Deep/One Shelf in Top Area											
93UCS1212	1200	1356	1448	1523	1575	1672	1714	1789	1834	1915	1981
93UCS1512	1291	1459	1557	1635	1692	1795	1839	1920	1969	2054	2125
93UCS1812	1400	1581	1686	1771	1832	1944	1991	2081	2132	2225	2303
93UCS2112	1628	1867	1985	2081	2153	2284	2341	2443	2504	2614	2706
93UCS2412-1	1857	2158	2288	2394	2474	2624	2691	2809	2877	3005	3108
93UCS2412	1857	2158	2288	2394	2474	2624	2691	2809	2877	3005	3108
93UCS2712	2016	2317	2476	2606	2695	2856	2929	3058	3133	3273	3386
93UCS3012	2170	2475	2664	2818	2915	3091	3168	3309	3388	3540	3663
93UCS3312	2273	2602	2800	2960	3064	3251	3330	3477	3563	3721	3850
93UCS3612	2370	2730	2938	3105	3211	3409	3493	3649	3738	3905	4041
93" High - 24" Deep/One Shelf in Top Area											
93UCS1224	1270	1435	1578	1692	1748	1853	1901	1984	2034	2124	2197
93UCS1524	1375	1556	1657	1739	1798	1909	1956	2042	2093	2184	2259
93UCS1824	1503	1696	1806	1896	1959	2078	2128	2222	2280	2379	2461
93UCS2124	1764	2016	2140	2238	2315	2456	2518	2629	2695	2813	2910
93UCS2424-1	2023	2334	2471	2585	2673	2834	2905	3035	3110	3247	3359
93UCS2424	2023	2334	2471	2585	2673	2834	2905	3035	3110	3247	3359
93UCS2724	2183	2499	2669	2806	2901	3076	3152	3292	3372	3523	3644
93UCS3024	2342	2664	2863	3024	3127	3315	3397	3547	3635	3797	3929
93UCS3324	2473	2823	3030	3201	3309	3509	3595	3756	3848	4018	4158
93UCS3624	2601	2980	3199	3376	3490	3701	3793	3961	4060	4240	4385



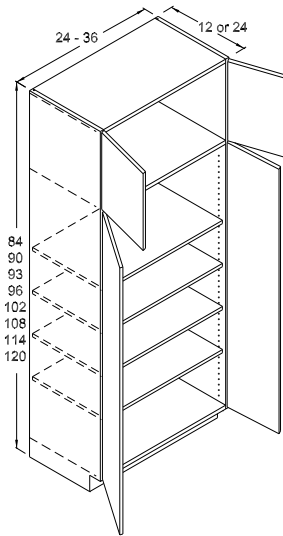
40005 - Utility Cabinet with Shelves (continued)

- Height modifications affect upper section unless otherwise specified.



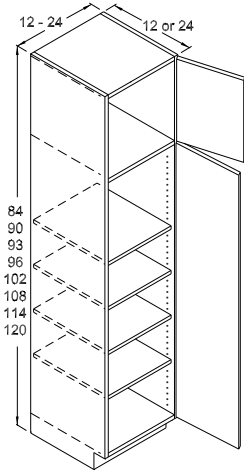
NOTE: Cabinets over 96" high are **not** available in Rustic Hickory.

Cat. Code	1	2	3	4	5	6	7	8	9	10	11
96" High - 12" Deep/One Shelf in Top Area											
96UCS1212	1200	1356	1448	1523	1575	1672	1714	1789	1834	1915	1981
96UCS1512	1291	1459	1557	1635	1692	1795	1839	1920	1969	2054	2125
96UCS1812	1400	1581	1686	1771	1832	1944	1991	2081	2132	2225	2303
96UCS2112	1628	1867	1985	2081	2153	2284	2341	2443	2504	2614	2706
96UCS2412-1	1857	2158	2288	2394	2474	2624	2691	2809	2877	3005	3108
96UCS2412	1857	2158	2288	2394	2474	2624	2691	2809	2877	3005	3108
96UCS2712	2016	2317	2476	2606	2695	2856	2929	3058	3133	3273	3386
96UCS3012	2170	2475	2664	2818	2915	3091	3168	3309	3388	3540	3663
96UCS3312	2273	2602	2800	2960	3064	3251	3330	3477	3563	3721	3850
96UCS3612	2370	2730	2938	3105	3211	3409	3493	3649	3738	3905	4041
96" High - 24" Deep/One Shelf in Top Area											
96UCS1224	1270	1435	1578	1692	1748	1853	1901	1984	2034	2124	2197
96UCS1524	1375	1556	1657	1739	1798	1909	1956	2042	2093	2184	2259
96UCS1824	1503	1696	1806	1896	1959	2078	2128	2222	2280	2379	2461
96UCS2124	1764	2016	2140	2238	2315	2456	2518	2629	2695	2813	2910
96UCS2424-1	2023	2334	2471	2585	2673	2834	2905	3035	3110	3247	3359
96UCS2424	2023	2334	2471	2585	2673	2834	2905	3035	3110	3247	3359
96UCS2724	2183	2499	2669	2806	2901	3076	3152	3292	3372	3523	3644
96UCS3024	2342	2664	2863	3024	3127	3315	3397	3547	3635	3797	3929
96UCS3324	2473	2823	3030	3201	3309	3509	3595	3756	3848	4018	4158
96UCS3624	2601	2980	3199	3376	3490	3701	3793	3961	4060	4240	4385
102" High - 12" Deep/Two Shelves in Top Area											
102UCS1212	1680	1898	2027	2132	2205	2341	2400	2505	2568	2681	2773
102UCS1512	1807	2043	2180	2289	2369	2513	2575	2688	2757	2876	2975
102UCS1812	1960	2213	2360	2479	2565	2722	2787	2913	2985	3115	3224
102UCS2112	2279	2614	2779	2913	3014	3198	3277	3420	3506	3660	3788
102UCS2412-1	2600	3021	3203	3352	3464	3674	3767	3933	4028	4207	4351
102UCS2412	2600	3021	3203	3352	3464	3674	3767	3933	4028	4207	4351
102UCS2712	2822	3244	3466	3648	3773	3998	4101	4281	4386	4582	4740
102UCS3012	3038	3465	3730	3945	4081	4327	4435	4633	4743	4956	5128
102UCS3312	3182	3643	3920	4144	4290	4551	4662	4868	4988	5209	5390
102UCS3612	3318	3822	4113	4347	4495	4773	4890	5109	5233	5467	5657
102" High - 24" Deep/Two Shelves in Top Area											
102UCS1224	1778	2009	2209	2369	2447	2594	2661	2778	2848	2974	3076
102UCS1524	1925	2178	2320	2435	2517	2673	2738	2859	2930	3058	3163
102UCS1824	2104	2374	2528	2654	2743	2909	2979	3111	3192	3331	3445
102UCS2124	2470	2822	2996	3133	3241	3438	3525	3681	3773	3938	4074
102UCS2424-1	2832	3268	3459	3619	3742	3968	4067	4249	4354	4546	4703
102UCS2424	2832	3268	3459	3619	3742	3968	4067	4249	4354	4546	4703
102UCS2724	3056	3499	3737	3928	4061	4306	4413	4609	4721	4932	5102
102UCS3024	3279	3730	4008	4234	4378	4641	4756	4966	5089	5316	5501
102UCS3324	3462	3952	4242	4481	4633	4913	5033	5258	5387	5625	5821
102UCS3624	3641	4172	4479	4726	4886	5181	5310	5545	5684	5936	6139
108" High - 12" Deep/Two Shelves in Top Area											
108UCS1212	1680	1898	2027	2132	2205	2341	2400	2505	2568	2681	2773
108UCS1512	1807	2043	2180	2289	2369	2513	2575	2688	2757	2876	2975
108UCS1812	1960	2213	2360	2479	2565	2722	2787	2913	2985	3115	3224
108UCS2112	2279	2614	2779	2913	3014	3198	3277	3420	3506	3660	3788
108UCS2412-1	2600	3021	3203	3352	3464	3674	3767	3933	4028	4207	4351
108UCS2412	2600	3021	3203	3352	3464	3674	3767	3933	4028	4207	4351
108UCS2712	2822	3244	3466	3648	3773	3998	4101	4281	4386	4582	4740
108UCS3012	3038	3465	3730	3945	4081	4327	4435	4633	4743	4956	5128
108UCS3312	3182	3643	3920	4144	4290	4551	4662	4868	4988	5209	5390
108UCS3612	3318	3822	4113	4347	4495	4773	4890	5109	5233	5467	5657
108" High - 24" Deep/Two Shelves in Top Area											
108UCS1224	1778	2009	2209	2369	2447	2594	2661	2778	2848	2974	3076
108UCS1524	1925	2178	2320	2435	2517	2673	2738	2859	2930	3058	3163
108UCS1824	2104	2374	2528	2654	2743	2909	2979	3111	3192	3331	3445
108UCS2124	2470	2822	2996	3133	3241	3438	3525	3681	3773	3938	4074
108UCS2424-1	2832	3268	3459	3619	3742	3968	4067	4249	4354	4546	4703
108UCS2424	2832	3268	3459	3619	3742	3968	4067	4249	4354	4546	4703
108UCS2724	3056	3499	3737	3928	4061	4306	4413	4609	4721	4932	5102
108UCS3024	3279	3730	4008	4234	4378	4641	4756	4966	5089	5316	5501
108UCS3324	3462	3952	4242	4481	4633	4913	5033	5258	5387	5625	5821
108UCS3624	3641	4172	4479	4726	4886	5181	5310	5545	5684	5936	6139





40005 - Utility Cabinet with Shelves (continued)

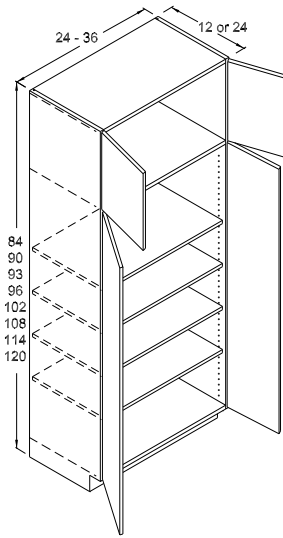


* Tall cabinets over 108" high are only available with all-plywood construction (PLYCASE) which must be specified and upcharged.

- Height modifications affect upper section unless otherwise specified.

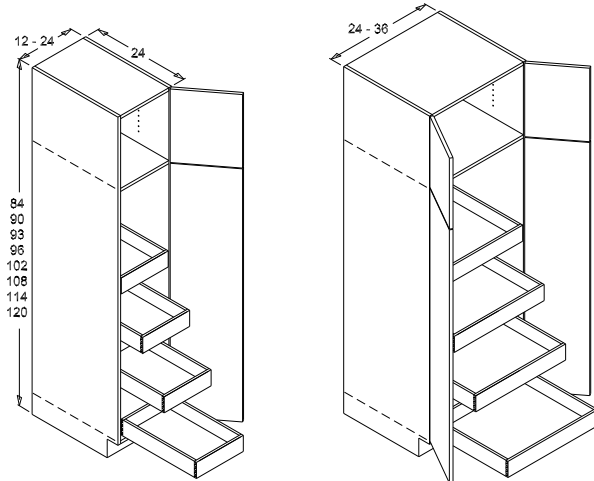
NOTE: Cabinets over 96" high are **not** available in Rustic Hickory.

Cat. Code	1	2	3	4	5	6	7	8	9	10	11
* 114" High - 12" Deep/Two Shelves in Top Area											
114UCS1212	1680	1898	2027	2132	2205	2341	2400	2505	2568	2681	2773
114UCS1512	1807	2043	2180	2289	2369	2513	2575	2688	2757	2876	2975
114UCS1812	1960	2213	2360	2479	2565	2722	2787	2913	2985	3115	3224
114UCS2112	2279	2614	2779	2913	3014	3198	3277	3420	3506	3660	3788
114UCS2412-1	2600	3021	3203	3352	3464	3674	3767	3933	4028	4207	4351
114UCS2412	2600	3021	3203	3352	3464	3674	3767	3933	4028	4207	4351
114UCS2712	2822	3244	3466	3648	3773	3998	4101	4281	4386	4582	4740
114UCS3012	3038	3465	3730	3945	4081	4327	4435	4633	4743	4956	5128
114UCS3312	3182	3643	3920	4144	4290	4551	4662	4868	4988	5209	5390
114UCS3612	3318	3822	4113	4347	4495	4773	4890	5109	5233	5467	5657
* 114" High - 24" Deep/Two Shelves in Top Area											
114UCS1224	1778	2009	2209	2369	2447	2594	2661	2778	2848	2974	3076
114UCS1524	1925	2178	2320	2435	2517	2673	2738	2859	2930	3058	3163
114UCS1824	2104	2374	2528	2654	2743	2909	2979	3111	3192	3331	3445
114UCS2124	2470	2822	2996	3133	3241	3438	3525	3681	3773	3938	4074
114UCS2424-1	2832	3268	3459	3619	3742	3968	4067	4249	4354	4546	4703
114UCS2424	2832	3268	3459	3619	3742	3968	4067	4249	4354	4546	4703
114UCS2724	3056	3499	3737	3928	4061	4306	4413	4609	4721	4932	5102
114UCS3024	3279	3730	4008	4234	4378	4641	4756	4966	5089	5316	5501
114UCS3324	3462	3952	4242	4481	4633	4913	5033	5258	5387	5625	5821
114UCS3624	3641	4172	4479	4726	4886	5181	5310	5545	5684	5936	6139
* 120" High - 12" Deep/Three Shelves in Top Area											
120UCS1212	1680	1898	2027	2132	2205	2341	2400	2505	2568	2681	2773
120UCS1512	1807	2043	2180	2289	2369	2513	2575	2688	2757	2876	2975
120UCS1812	1960	2213	2360	2479	2565	2722	2787	2913	2985	3115	3224
120UCS2112	2279	2614	2779	2913	3014	3198	3277	3420	3506	3660	3788
120UCS2412-1	2600	3021	3203	3352	3464	3674	3767	3933	4028	4207	4351
120UCS2412	2600	3021	3203	3352	3464	3674	3767	3933	4028	4207	4351
120UCS2712	2822	3244	3466	3648	3773	3998	4101	4281	4386	4582	4740
120UCS3012	3038	3465	3730	3945	4081	4327	4435	4633	4743	4956	5128
120UCS3312	3182	3643	3920	4144	4290	4551	4662	4868	4988	5209	5390
120UCS3612	3318	3822	4113	4347	4495	4773	4890	5109	5233	5467	5657
* 120" High - 24" Deep/Three Shelves in Top Area											
120UCS1224	1778	2009	2209	2369	2447	2594	2661	2778	2848	2974	3076
120UCS1524	1925	2178	2320	2435	2517	2673	2738	2859	2930	3058	3163
120UCS1824	2104	2374	2528	2654	2743	2909	2979	3111	3192	3331	3445
120UCS2124	2470	2822	2996	3133	3241	3438	3525	3681	3773	3938	4074
120UCS2424-1	2832	3268	3459	3619	3742	3968	4067	4249	4354	4546	4703
120UCS2424	2832	3268	3459	3619	3742	3968	4067	4249	4354	4546	4703
120UCS2724	3056	3499	3737	3928	4061	4306	4413	4609	4721	4932	5102
120UCS3024	3279	3730	4008	4234	4378	4641	4756	4966	5089	5316	5501
120UCS3324	3462	3952	4242	4481	4633	4913	5033	5258	5387	5625	5821
120UCS3624	3641	4172	4479	4726	4886	5181	5310	5545	5684	5936	6139





40007 - Utility Cabinet with Roll-Out Shelves



- Four Roll-out Shelves (4" high) are included and operate on Full-Extension, undermount guides.
- **Minimum** cabinet depth is 12".
Minimum cabinet width is 7-3/4".
- Height modifications affect upper section unless otherwise specified.

NOTE: Cabinets over 96" high are **not** available in Rustic Hickory.

For **Premium Maple Roll-Out Shelves**, add \$144 per Roll-Out Shelf and specify PM in the code. **Example:** 84UC4**PM**ROS1224

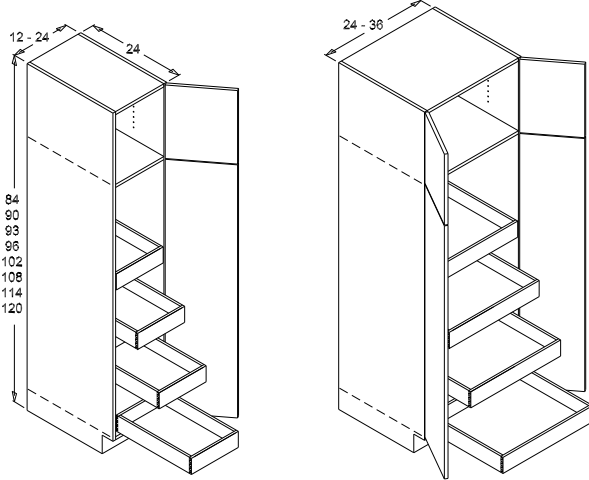
For **Stainless Steel Roll-Out Shelves**, add \$247 per Roll-Out Shelf and specify SS in the code. **Example:** 84UC4**SS**ROS1224

Stainless Steel Roll-Outs are 3-1/2" high.

Cat. Code	1	2	3	4	5	6	7	8	9	10	11
84" High - 24" Deep/No Shelf in Top Area											
84UC4ROS1224	1993	2149	2241	2314	2363	2450	2488	2555	2597	2671	2731
84UC4ROS1524	2109	2275	2372	2450	2503	2595	2636	2708	2751	2831	2895
84UC4ROS1824	2193	2373	2477	2561	2617	2715	2760	2838	2884	2968	3038
84UC4ROS2124	2494	2731	2847	2941	3007	3127	3178	3271	3325	3424	3507
84UC4ROS2424-1	2695	2990	3120	3227	3301	3440	3500	3607	3669	3785	3879
84UC4ROS2424	2695	2990	3120	3227	3301	3440	3500	3607	3669	3785	3879
84UC4ROS2724	2965	3260	3420	3549	3632	3781	3844	3960	4029	4153	4254
84UC4ROS3024	3087	3382	3571	3726	3814	3975	4044	4169	4242	4375	4484
84UC4ROS3324	3331	3650	3855	4022	4116	4291	4366	4500	4577	4723	4841
84UC4ROS3624	3379	3728	3933	4102	4199	4381	4456	4595	4675	4823	4946
90" High - 24" Deep/No Shelf in Top Area											
90UC4ROS1224	2139	2307	2406	2486	2540	2639	2681	2759	2805	2888	2957
90UC4ROS1524	2264	2445	2547	2632	2690	2797	2841	2925	2973	3062	3134
90UC4ROS1824	2359	2554	2665	2756	2818	2933	2982	3070	3122	3217	3295
90UC4ROS2124	2678	2934	3061	3162	3237	3371	3427	3532	3593	3704	3796
90UC4ROS2424-1	2901	3217	3358	3473	3556	3712	3777	3899	3966	4096	4200
90UC4ROS2424	2901	3217	3358	3473	3556	3712	3777	3899	3966	4096	4200
90UC4ROS2724	3205	3526	3696	3836	3927	4095	4167	4298	4374	4514	4628
90UC4ROS3024	3365	3690	3893	4057	4156	4335	4412	4555	4639	4789	4912
90UC4ROS3324	3549	3902	4114	4288	4391	4581	4662	4811	4897	5056	5185
90UC4ROS3624	3640	4021	4244	4424	4534	4735	4818	4974	5064	5231	5366
93" High - 24" Deep/One Shelf in Top Area											
93UC4ROS1224	2139	2307	2406	2486	2540	2639	2681	2759	2805	2888	2957
93UC4ROS1524	2264	2445	2547	2632	2690	2797	2841	2925	2973	3062	3134
93UC4ROS1824	2359	2554	2665	2756	2818	2933	2982	3070	3122	3217	3295
93UC4ROS2124	2678	2934	3061	3162	3237	3371	3427	3532	3593	3704	3796
93UC4ROS2424-1	2901	3217	3358	3473	3556	3712	3777	3899	3966	4096	4200
93UC4ROS2424	2901	3217	3358	3473	3556	3712	3777	3899	3966	4096	4200
93UC4ROS2724	3205	3526	3696	3836	3927	4095	4167	4298	4374	4514	4628
93UC4ROS3024	3365	3690	3893	4057	4156	4335	4412	4555	4639	4789	4912
93UC4ROS3324	3549	3902	4114	4288	4391	4581	4662	4811	4897	5056	5185
93UC4ROS3624	3640	4021	4244	4424	4534	4735	4818	4974	5064	5231	5366
96" High - 24" Deep/One Shelf in Top Area											
96UC4ROS1224	2139	2307	2406	2486	2540	2639	2681	2759	2805	2888	2957
96UC4ROS1524	2264	2445	2547	2632	2690	2797	2841	2925	2973	3062	3134
96UC4ROS1824	2359	2554	2665	2756	2818	2933	2982	3070	3122	3217	3295
96UC4ROS2124	2678	2934	3061	3162	3237	3371	3427	3532	3593	3704	3796
96UC4ROS2424-1	2901	3217	3358	3473	3556	3712	3777	3899	3966	4096	4200
96UC4ROS2424	2901	3217	3358	3473	3556	3712	3777	3899	3966	4096	4200
96UC4ROS2724	3205	3526	3696	3836	3927	4095	4167	4298	4374	4514	4628
96UC4ROS3024	3365	3690	3893	4057	4156	4335	4412	4555	4639	4789	4912
96UC4ROS3324	3549	3902	4114	4288	4391	4581	4662	4811	4897	5056	5185
96UC4ROS3624	3640	4021	4244	4424	4534	4735	4818	4974	5064	5231	5366



40007 - Utility Cabinet with Roll-Out Shelves



* Tall cabinets over 108" high are only available with all-plywood construction (PLYCASE) which must be specified and upcharged.

- Four Roll-out Shelves (4" high) are included and operate on Full-Extension, undermount guides.
- **Minimum** cabinet depth is 12".
Minimum cabinet width is 7-3/4".
- Height modifications affect upper section unless otherwise specified.

NOTE: Cabinets over 96" high are **not** available in Rustic Hickory.

For Premium Maple Roll-Out Shelves, add \$144 per Roll-Out Shelf and specify PM in the code. **Example:** 84UC4PMROS1224

For Stainless Steel Roll-Out Shelves, add \$247 per Roll-Out Shelf and specify SS in the code. **Example:** 84UC4SSROS1224

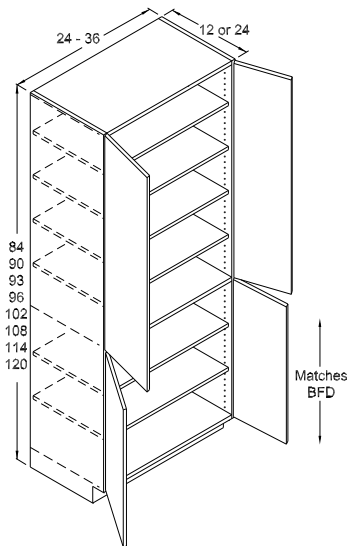
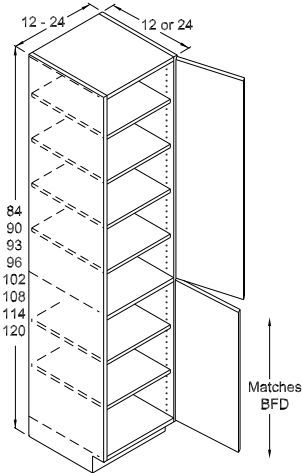
Stainless Steel Roll-Outs are 3-1/2" high.

Cat. Code	1	2	3	4	5	6	7	8	9	10	11
102" High - 24" Deep/Two Shelves in Top Area											
102UC4ROS1224	2622	2857	2996	3108	3183	3322	3381	3490	3554	3670	3767
102UC4ROS1524	2778	3031	3174	3293	3374	3524	3585	3703	3770	3895	3996
102UC4ROS1824	2911	3184	3339	3466	3553	3714	3783	3906	3979	4112	4221
102UC4ROS2124	3319	3677	3855	3996	4101	4289	4367	4514	4600	4755	4884
102UC4ROS2424-1	3631	4073	4271	4432	4548	4766	4857	5028	5122	5304	5450
102UC4ROS2424	3631	4073	4271	4432	4548	4766	4857	5028	5122	5304	5450
102UC4ROS2724	3999	4448	4686	4882	5010	5245	5346	5529	5636	5832	5991
102UC4ROS3024	4223	4678	4962	5192	5330	5581	5689	5889	6007	6217	6389
102UC4ROS3324	4442	4936	5233	5477	5621	5887	6000	6209	6329	6552	6733
102UC4ROS3624	4570	5103	5415	5667	5821	6103	6219	6437	6563	6797	6986
108" High - 24" Deep/Two Shelves in Top Area											
108UC4ROS1224	2622	2857	2996	3108	3183	3322	3381	3490	3554	3670	3767
108UC4ROS1524	2778	3031	3174	3293	3374	3524	3585	3703	3770	3895	3996
108UC4ROS1824	2911	3184	3339	3466	3553	3714	3783	3906	3979	4112	4221
108UC4ROS2124	3319	3677	3855	3996	4101	4289	4367	4514	4600	4755	4884
108UC4ROS2424-1	3631	4073	4271	4432	4548	4766	4857	5028	5122	5304	5450
108UC4ROS2424	3631	4073	4271	4432	4548	4766	4857	5028	5122	5304	5450
108UC4ROS2724	3999	4448	4686	4882	5010	5245	5346	5529	5636	5832	5991
108UC4ROS3024	4223	4678	4962	5192	5330	5581	5689	5889	6007	6217	6389
108UC4ROS3324	4442	4936	5233	5477	5621	5887	6000	6209	6329	6552	6733
108UC4ROS3624	4570	5103	5415	5667	5821	6103	6219	6437	6563	6797	6986
* 114" High - 24" Deep/Two Shelves in Top Area											
114UC4ROS1224	2622	2857	2996	3108	3183	3322	3381	3490	3554	3670	3767
114UC4ROS1524	2778	3031	3174	3293	3374	3524	3585	3703	3770	3895	3996
114UC4ROS1824	2911	3184	3339	3466	3553	3714	3783	3906	3979	4112	4221
114UC4ROS2124	3319	3677	3855	3996	4101	4289	4367	4514	4600	4755	4884
114UC4ROS2424-1	3631	4073	4271	4432	4548	4766	4857	5028	5122	5304	5450
114UC4ROS2424	3631	4073	4271	4432	4548	4766	4857	5028	5122	5304	5450
114UC4ROS2724	3999	4448	4686	4882	5010	5245	5346	5529	5636	5832	5991
114UC4ROS3024	4223	4678	4962	5192	5330	5581	5689	5889	6007	6217	6389
114UC4ROS3324	4442	4936	5233	5477	5621	5887	6000	6209	6329	6552	6733
114UC4ROS3624	4570	5103	5415	5667	5821	6103	6219	6437	6563	6797	6986
* 120" High - 24" Deep/Three Shelves in Top Area											
120UC4ROS1224	2622	2857	2996	3108	3183	3322	3381	3490	3554	3670	3767
120UC4ROS1524	2778	3031	3174	3293	3374	3524	3585	3703	3770	3895	3996
120UC4ROS1824	2911	3184	3339	3466	3553	3714	3783	3906	3979	4112	4221
120UC4ROS2124	3319	3677	3855	3996	4101	4289	4367	4514	4600	4755	4884
120UC4ROS2424-1	3631	4073	4271	4432	4548	4766	4857	5028	5122	5304	5450
120UC4ROS2424	3631	4073	4271	4432	4548	4766	4857	5028	5122	5304	5450
120UC4ROS2724	3999	4448	4686	4882	5010	5245	5346	5529	5636	5832	5991
120UC4ROS3024	4223	4678	4962	5192	5330	5581	5689	5889	6007	6217	6389
120UC4ROS3324	4442	4936	5233	5477	5621	5887	6000	6209	6329	6552	6733
120UC4ROS3624	4570	5103	5415	5667	5821	6103	6219	6437	6563	6797	6986



40010 - Tall Storage Cabinet

- Height modifications affect upper section unless otherwise specified.



NOTE: Cabinets over 96" high are **not** available in Rustic Hickory.

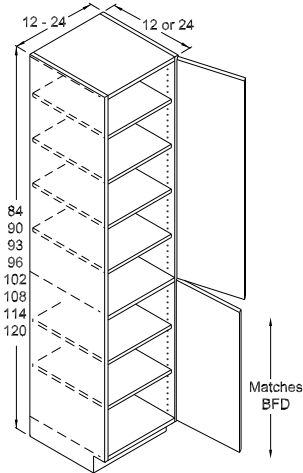
Cat. Code	1	2	3	4	5	6	7	8	9	10	11
84" High - 12" Deep/Three Shelves in Top Area											
84TSC1212	1074	1236	1330	1407	1455	1546	1585	1656	1697	1771	1833
84TSC1512	1158	1330	1431	1511	1565	1664	1705	1780	1823	1903	1970
84TSC1812	1257	1445	1553	1640	1697	1802	1846	1929	1976	2064	2135
84TSC2112	1490	1736	1860	1959	2028	2152	2205	2303	2359	2463	2550
84TSC2412-1	1722	2030	2169	2281	2358	2502	2566	2680	2747	2867	2966
84TSC2412	1722	2030	2169	2281	2358	2502	2566	2680	2747	2867	2966
84TSC2712	1795	2114	2256	2371	2454	2604	2669	2788	2855	2982	3086
84TSC3012	1865	2197	2345	2467	2552	2707	2775	2898	2968	3101	3208
84TSC3312	2015	2375	2536	2665	2756	2926	2999	3131	3209	3351	3467
84TSC3612	2177	2568	2740	2880	2979	3163	3240	3384	3468	3621	3747
84" High - 24" Deep/Three Shelves in Top Area											
84TSC1224	1204	1370	1467	1545	1598	1693	1734	1811	1857	1938	2005
84TSC1524	1312	1487	1591	1673	1729	1833	1879	1963	2011	2100	2174
84TSC1824	1437	1624	1734	1824	1885	1998	2049	2140	2193	2291	2369
84TSC2124	1693	1945	2068	2169	2240	2375	2434	2544	2606	2721	2816
84TSC2424-1	1950	2259	2399	2510	2595	2753	2821	2946	3020	3153	3261
84TSC2424	1950	2259	2399	2510	2595	2753	2821	2946	3020	3153	3261
84TSC2724	2085	2398	2567	2704	2796	2964	3037	3170	3247	3392	3510
84TSC3024	2219	2532	2732	2894	2992	3173	3252	3397	3481	3635	3761
84TSC3324	2364	2709	2917	3086	3190	3384	3468	3621	3710	3875	4009
84TSC3624	2512	2884	3101	3278	3388	3594	3684	3846	3941	4115	4256
90" High - 12" Deep/Four Shelves in Top Area											
90TSC1212	1284	1454	1552	1630	1689	1792	1837	1917	1965	2051	2121
90TSC1512	1381	1563	1668	1750	1811	1922	1970	2058	2109	2202	2278
90TSC1812	1500	1694	1806	1897	1963	2082	2133	2229	2285	2384	2468
90TSC2112	1745	2001	2126	2229	2306	2446	2506	2618	2684	2804	2901
90TSC2412-1	1988	2312	2452	2565	2651	2812	2881	3008	3083	3219	3331
90TSC2412	1988	2312	2452	2565	2651	2812	2881	3008	3083	3219	3331
90TSC2712	2160	2481	2653	2792	2887	3062	3136	3276	3357	3505	3628
90TSC3012	2326	2653	2854	3020	3122	3314	3394	3544	3631	3793	3925
90TSC3312	2434	2789	2999	3171	3281	3482	3568	3726	3818	3987	4125
90TSC3612	2541	2926	3148	3328	3442	3652	3742	3909	4004	4182	4328
90" High - 24" Deep/Four Shelves in Top Area											
90TSC1224	1360	1539	1690	1813	1874	1986	2035	2125	2179	2275	2355
90TSC1524	1473	1668	1776	1862	1928	2044	2095	2188	2240	2341	2421
90TSC1824	1612	1818	1935	2030	2099	2226	2282	2382	2441	2551	2638
90TSC2124	1890	2159	2292	2399	2480	2630	2697	2817	2886	3014	3118
90TSC2424-1	2166	2499	2649	2769	2862	3037	3112	3251	3331	3479	3600
90TSC2424	2166	2499	2649	2769	2862	3037	3112	3251	3331	3479	3600
90TSC2724	2340	2679	2859	3005	3107	3295	3376	3526	3612	3775	3905
90TSC3024	2510	2853	3068	3240	3350	3552	3638	3800	3894	4067	4209
90TSC3324	2650	3023	3246	3428	3545	3758	3852	4022	4121	4304	4454
90TSC3624	2788	3195	3427	3616	3740	3966	4064	4245	4349	4542	4699
93" High - 12" Deep/Four Shelves in Top Area											
93TSC1212	1284	1454	1552	1630	1689	1792	1837	1917	1965	2051	2121
93TSC1512	1381	1563	1668	1750	1811	1922	1970	2058	2109	2202	2278
93TSC1812	1500	1694	1806	1897	1963	2082	2133	2229	2285	2384	2468
93TSC2112	1745	2001	2126	2229	2306	2446	2506	2618	2684	2804	2901
93TSC2412-1	1988	2312	2452	2565	2651	2812	2881	3008	3083	3219	3331
93TSC2412	1988	2312	2452	2565	2651	2812	2881	3008	3083	3219	3331
93TSC2712	2160	2481	2653	2792	2887	3062	3136	3276	3357	3505	3628
93TSC3012	2326	2653	2854	3020	3122	3314	3394	3544	3631	3793	3925
93TSC3312	2434	2789	2999	3171	3281	3482	3568	3726	3818	3987	4125
93TSC3612	2541	2926	3148	3328	3442	3652	3742	3909	4004	4182	4328
93" High - 24" Deep/Four Shelves in Top Area											
93TSC1224	1360	1539	1690	1813	1874	1986	2035	2125	2179	2275	2355
93TSC1524	1473	1668	1776	1862	1928	2044	2095	2188	2240	2341	2421
93TSC1824	1612	1818	1935	2030	2099	2226	2282	2382	2441	2551	2638
93TSC2124	1890	2159	2292	2399	2480	2630	2697	2817	2886	3014	3118
93TSC2424-1	2166	2499	2649	2769	2862	3037	3112	3251	3331	3479	3600
93TSC2424	2166	2499	2649	2769	2862	3037	3112	3251	3331	3479	3600
93TSC2724	2340	2679	2859	3005	3107	3295	3376	3526	3612	3775	3905
93TSC3024	2510	2853	3068	3240	3350	3552	3638	3800	3894	4067	4209
93TSC3324	2650	3023	3246	3428	3545	3758	3852	4022	4121	4304	4454
93TSC3624	2788	3195	3427	3616	3740	3966	4064	4245	4349	4542	4699



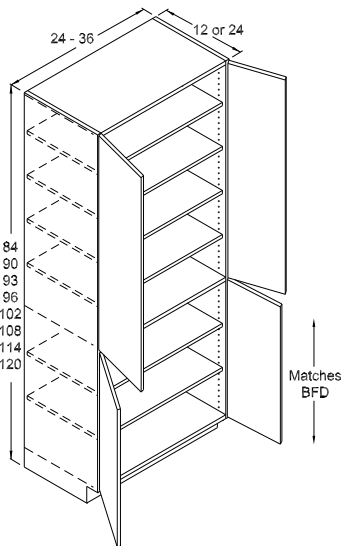
40010 - Tall Storage Cabinet

- Height modifications affect upper section unless otherwise specified.

NOTE: Cabinets over 96" high are **not** available in Rustic Hickory.



- Height modifications affect upper section unless otherwise specified.

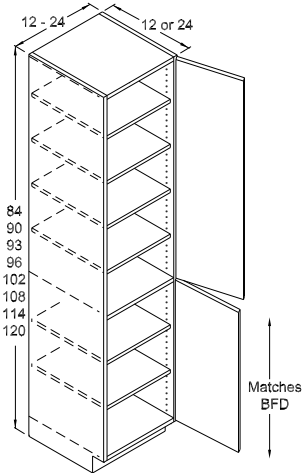


- Height modifications affect upper section unless otherwise specified.

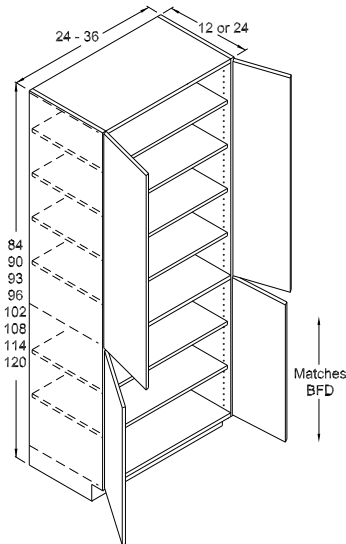
Cat. Code	1	2	3	4	5	6	7	8	9	10	11
96" High - 12" Deep/Four Shelves in Top Area											
96TSC1212	1284	1454	1552	1630	1689	1792	1837	1917	1965	2051	2121
96TSC1512	1381	1563	1668	1750	1811	1922	1970	2058	2109	2202	2278
96TSC1812	1500	1694	1806	1897	1963	2082	2133	2229	2285	2384	2468
96TSC2112	1745	2001	2126	2229	2306	2446	2506	2618	2684	2804	2901
96TSC2412-1	1988	2312	2452	2565	2651	2812	2881	3008	3083	3219	3331
96TSC2412	1988	2312	2452	2565	2651	2812	2881	3008	3083	3219	3331
96TSC2712	2160	2481	2653	2792	2887	3062	3136	3276	3357	3505	3628
96TSC3012	2326	2653	2854	3020	3122	3314	3394	3544	3631	3793	3925
96TSC3312	2434	2789	2999	3171	3281	3482	3568	3726	3818	3987	4125
96TSC3612	2541	2926	3148	3328	3442	3652	3742	3909	4004	4182	4328
96" High - 24" Deep/Four Shelves in Top Area											
96TSC1224	1360	1539	1690	1813	1874	1986	2035	2125	2179	2275	2355
96TSC1524	1473	1668	1776	1862	1928	2044	2095	2188	2240	2341	2421
96TSC1824	1612	1818	1935	2030	2099	2226	2282	2382	2441	2551	2638
96TSC2124	1890	2159	2292	2399	2480	2630	2697	2817	2886	3014	3118
96TSC2424-1	2166	2499	2649	2769	2862	3037	3112	3251	3331	3479	3600
96TSC2424	2166	2499	2649	2769	2862	3037	3112	3251	3331	3479	3600
96TSC2724	2340	2679	2859	3005	3107	3295	3376	3526	3612	3775	3905
96TSC3024	2510	2853	3068	3240	3350	3552	3638	3800	3894	4067	4209
96TSC3324	2650	3023	3246	3428	3545	3758	3852	4022	4121	4304	4454
96TSC3624	2788	3195	3427	3616	3740	3966	4064	4245	4349	4542	4699
102" High - 12" Deep/Five Shelves in Top Area											
102TSC1212	1798	2036	2173	2282	2365	2509	2572	2684	2751	2871	2969
102TSC1512	1933	2188	2335	2450	2535	2691	2758	2881	2953	3083	3189
102TSC1812	2100	2372	2528	2656	2748	2915	2986	3121	3199	3338	3455
102TSC2112	2443	2801	2976	3121	3228	3424	3508	3665	3758	3926	4061
102TSC2412-1	2783	3237	3433	3591	3711	3937	4033	4211	4316	4507	4663
102TSC2412	2783	3237	3433	3591	3711	3937	4033	4211	4316	4507	4663
102TSC2712	3024	3473	3714	3909	4042	4287	4390	4586	4700	4907	5079
102TSC3012	3256	3714	3996	4228	4371	4640	4752	4962	5083	5310	5495
102TSC3312	3408	3905	4199	4439	4593	4875	4995	5216	5345	5582	5775
102TSC3612	3557	4096	4407	4659	4819	5113	5239	5473	5606	5855	6059
102" High - 24" Deep/Five Shelves in Top Area											
102TSC1224	1904	2155	2366	2538	2624	2780	2849	2975	3051	3185	3297
102TSC1524	2062	2335	2486	2607	2699	2862	2933	3063	3136	3277	3389
102TSC1824	2257	2545	2709	2842	2939	3116	3195	3335	3417	3571	3693
102TSC2124	2646	3023	3209	3359	3472	3682	3776	3944	4040	4220	4365
102TSC2424-1	3032	3499	3709	3877	4007	4252	4357	4551	4663	4871	5040
102TSC2424	3032	3499	3709	3877	4007	4252	4357	4551	4663	4871	5040
102TSC2724	3276	3751	4003	4207	4350	4613	4726	4936	5057	5285	5467
102TSC3024	3514	3994	4295	4536	4690	4973	5093	5320	5452	5694	5893
102TSC3324	3710	4232	4544	4799	4963	5261	5393	5631	5769	6026	6236
102TSC3624	3903	4473	4798	5062	5236	5552	5690	5943	6089	6359	6579
108" High - 12" Deep/Five Shelves in Top Area											
108TSC1212	1798	2036	2173	2282	2365	2509	2572	2684	2751	2871	2969
108TSC1512	1933	2188	2335	2450	2535	2691	2758	2881	2953	3083	3189
108TSC1812	2100	2372	2528	2656	2748	2915	2986	3121	3199	3338	3455
108TSC2112	2443	2801	2976	3121	3228	3424	3508	3665	3758	3926	4061
108TSC2412-1	2783	3237	3433	3591	3711	3937	4033	4211	4316	4507	4663
108TSC2412	2783	3237	3433	3591	3711	3937	4033	4211	4316	4507	4663
108TSC2712	3024	3473	3714	3909	4042	4287	4390	4586	4700	4907	5079
108TSC3012	3256	3714	3996	4228	4371	4640	4752	4962	5083	5310	5495
108TSC3312	3408	3905	4199	4439	4593	4875	4995	5216	5345	5582	5775
108TSC3612	3557	4096	4407	4659	4819	5113	5239	5473	5606	5855	6059
108" High - 24" Deep/Five Shelves in Top Area											
108TSC1224	1904	2155	2366	2538	2624	2780	2849	2975	3051	3185	3297
108TSC1524	2062	2335	2486	2607	2699	2862	2933	3063	3136	3277	3389
108TSC1824	2257	2545	2709	2842	2939	3116	3195	3335	3417	3571	3693
108TSC2124	2646	3023	3209	3359	3472	3682	3776	3944	4040	4220	4365
108TSC2424-1	3032	3499	3709	3877	4007	4252	4357	4551	4663	4871	5040
108TSC2424	3032	3499	3709	3877	4007	4252	4357	4551	4663	4871	5040
108TSC2724	3276	3751	4003	4207	4350	4613	4726	4936	5057	5285	5467
108TSC3024	3514	3994	4295	4536	4690	4973	5093	5320	5452	5694	5893
108TSC3324	3710	4232	4544	4799	4963	5261	5393	5631	5769	6026	6236
108TSC3624	3903	4473	4798	5062	5236	5552	5690	5943	6089	6359	6579



40010 - Tall Storage Cabinet



- Height modifications affect upper section unless otherwise specified.



- Height modifications affect upper section unless otherwise specified.

* Tall cabinets over 108" high are only available with all-plywood construction (PLYCASE) which must be specified and upcharged.

- Height modifications affect upper section unless otherwise specified.

NOTE: Cabinets over 96" high are **not** available in Rustic Hickory.

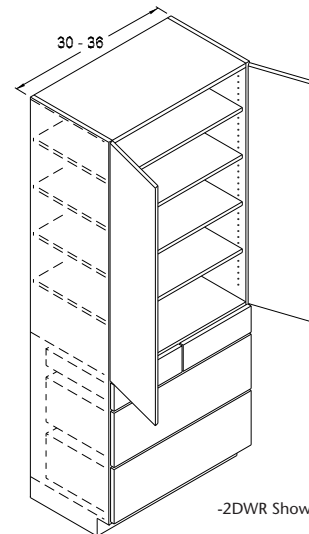
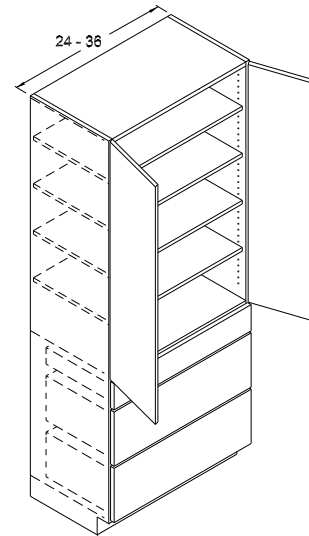
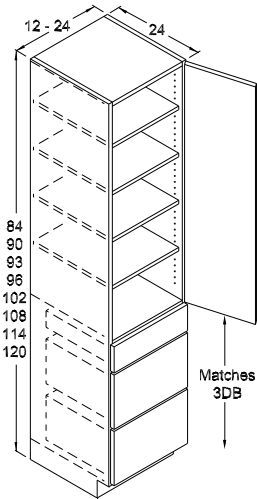
Cat. Code	1	2	3	4	5	6	7	8	9	10	11
* 114" High - 12" Deep/Six Shelves in Top Area											
114TSC1212	1798	2036	2173	2282	2365	2509	2572	2684	2751	2871	2969
114TSC1512	1933	2188	2335	2450	2535	2691	2758	2881	2953	3083	3189
114TSC1812	2100	2372	2528	2656	2748	2915	2986	3121	3199	3338	3455
114TSC2112	2443	2801	2976	3121	3228	3424	3508	3665	3758	3926	4061
114TSC2412-1	2783	3237	3433	3591	3711	3937	4033	4211	4316	4507	4663
114TSC2412	2783	3237	3433	3591	3711	3937	4033	4211	4316	4507	4663
114TSC2712	3024	3473	3714	3909	4042	4287	4390	4586	4700	4907	5079
114TSC3012	3256	3714	3996	4228	4371	4640	4752	4962	5083	5310	5495
114TSC3312	3408	3905	4199	4439	4593	4875	4995	5216	5345	5582	5775
114TSC3612	3557	4096	4407	4659	4819	5113	5239	5473	5606	5855	6059
* 114" High - 24" Deep/Six Shelves in Top Area											
114TSC1224	1904	2155	2366	2538	2624	2780	2849	2975	3051	3185	3297
114TSC1524	2062	2335	2486	2607	2699	2862	2933	3063	3136	3277	3389
114TSC1824	2257	2545	2709	2842	2939	3116	3195	3335	3417	3571	3693
114TSC2124	2646	3023	3209	3359	3472	3682	3776	3944	4040	4220	4365
114TSC2424-1	3032	3499	3709	3877	4007	4252	4357	4551	4663	4871	5040
114TSC2424	3032	3499	3709	3877	4007	4252	4357	4551	4663	4871	5040
114TSC2724	3276	3751	4003	4207	4350	4613	4726	4936	5057	5285	5467
114TSC3024	3514	3994	4295	4536	4690	4973	5093	5320	5452	5694	5893
114TSC3324	3710	4232	4544	4799	4963	5261	5393	5631	5769	6026	6236
114TSC3624	3903	4473	4798	5062	5236	5552	5690	5943	6089	6359	6579
* 120" High - 12" Deep/Six Shelves in Top Area											
120TSC1212	1798	2036	2173	2282	2365	2509	2572	2684	2751	2871	2969
120TSC1512	1933	2188	2335	2450	2535	2691	2758	2881	2953	3083	3189
120TSC1812	2100	2372	2528	2656	2748	2915	2986	3121	3199	3338	3455
120TSC2112	2443	2801	2976	3121	3228	3424	3508	3665	3758	3926	4061
120TSC2412-1	2783	3237	3433	3591	3711	3937	4033	4211	4316	4507	4663
120TSC2412	2783	3237	3433	3591	3711	3937	4033	4211	4316	4507	4663
120TSC2712	3024	3473	3714	3909	4042	4287	4390	4586	4700	4907	5079
120TSC3012	3256	3714	3996	4228	4371	4640	4752	4962	5083	5310	5495
120TSC3312	3408	3905	4199	4439	4593	4875	4995	5216	5345	5582	5775
120TSC3612	3557	4096	4407	4659	4819	5113	5239	5473	5606	5855	6059
* 120" High - 24" Deep/Six Shelves in Top Area											
120TSC1224	1904	2155	2366	2538	2624	2780	2849	2975	3051	3185	3297
120TSC1524	2062	2335	2486	2607	2699	2862	2933	3063	3136	3277	3389
120TSC1824	2257	2545	2709	2842	2939	3116	3195	3335	3417	3571	3693
120TSC2124	2646	3023	3209	3359	3472	3682	3776	3944	4040	4220	4365
120TSC2424-1	3032	3499	3709	3877	4007	4252	4357	4551	4663	4871	5040
120TSC2424	3032	3499	3709	3877	4007	4252	4357	4551	4663	4871	5040
120TSC2724	3276	3751	4003	4207	4350	4613	4726	4936	5057	5285	5467
120TSC3024	3514	3994	4295	4536	4690	4973	5093	5320	5452	5694	5893
120TSC3324	3710	4232	4544	4799	4963	5261	5393	5631	5769	6026	6236
120TSC3624	3903	4473	4798	5062	5236	5552	5690	5943	6089	6359	6579



40020 - Tall Storage Cabinet Three Drawer

- Height modifications affect upper section unless otherwise specified.

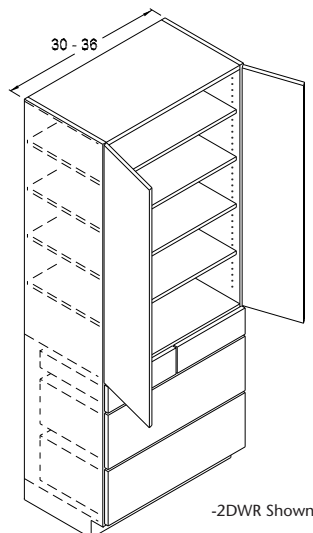
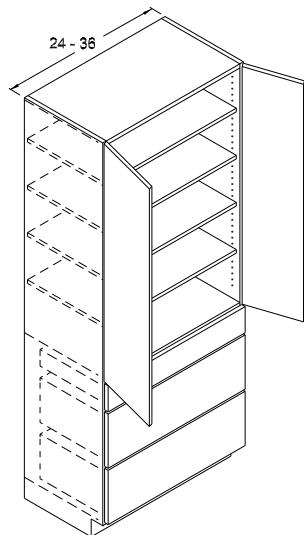
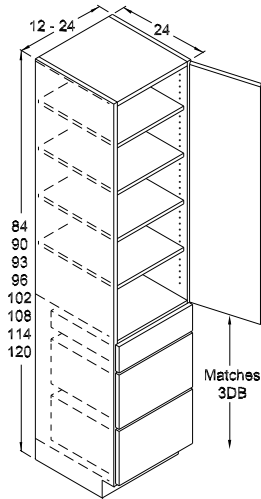
NOTE: Cabinets over 96" high are **not** available in Rustic Hickory.



Cat. Code	1	2	3	4	5	6	7	8	9	10	11
84" High - 24" Deep - 3 Adjustable Shelves											
84TSC3D1224	2384	2538	2635	2713	2765	2861	2903	2979	3054	3189	3299
84TSC3D1524	2490	2656	2757	2841	2898	3000	3048	3129	3208	3350	3465
84TSC3D1824	2616	2793	2903	2992	3054	3167	3217	3309	3390	3540	3664
84TSC3D2124	3028	3264	3387	3488	3561	3695	3755	3862	3958	4133	4277
84TSC3D2424-1	3283	3581	3720	3832	3917	4074	4141	4266	4372	4566	4723
84TSC3D2424	3283	3581	3720	3832	3917	4074	4141	4266	4372	4566	4723
84TSC3D2724	3420	3719	3887	4023	4115	4284	4357	4491	4602	4806	4973
84TSC3D3024	3733	4030	4230	4392	4490	4672	4750	4895	5015	5238	5420
84TSC3D3324	3877	4207	4415	4584	4689	4882	4966	5120	5246	5479	5669
84TSC3D3624	4025	4382	4599	4774	4886	5092	5182	5345	5477	5719	5917
84TSC3D3024-2DWR	3733	4030	4230	4392	4490	4672	4750	4895	5015	5238	5420
84TSC3D3324-2DWR	3877	4207	4415	4584	4689	4882	4966	5120	5246	5479	5669
84TSC3D3624-2DWR	4025	4382	4599	4774	4886	5092	5182	5345	5477	5719	5917
90" High - 24" Deep - 4 Adjustable Shelves											
90TSC3D1224	2539	2706	2856	2980	3042	3154	3203	3294	3374	3525	3646
90TSC3D1524	2655	2834	2943	3031	3094	3211	3261	3355	3439	3590	3714
90TSC3D1824	2791	2985	3104	3199	3267	3393	3449	3551	3637	3799	3931
90TSC3D2124	3223	3479	3612	3720	3801	3952	4017	4136	4238	4427	4580
90TSC3D2424-1	3499	3821	3969	4088	4184	4358	4434	4570	4683	4890	5061
90TSC3D2424	3499	3821	3969	4088	4184	4358	4434	4570	4683	4890	5061
90TSC3D2724	3673	3999	4179	4326	4429	4616	4697	4847	4966	5186	5366
90TSC3D3024	4022	4352	4566	4738	4848	5050	5137	5298	5429	5670	5866
90TSC3D3324	4162	4521	4745	4926	5044	5256	5350	5520	5655	5907	6113
90TSC3D3624	4301	4692	4925	5114	5238	5464	5562	5743	5884	6145	6358
90TSC3D3024-2DWR	4022	4352	4566	4738	4848	5050	5137	5298	5429	5670	5866
90TSC3D3324-2DWR	4162	4521	4745	4926	5044	5256	5350	5520	5655	5907	6113
90TSC3D3624-2DWR	4301	4692	4925	5114	5238	5464	5562	5743	5884	6145	6358
93" High - 24" Deep - 4 Adjustable Shelves											
93TSC3D1224	2539	2706	2856	2980	3042	3154	3203	3294	3374	3525	3646
93TSC3D1524	2655	2834	2943	3031	3094	3211	3261	3355	3439	3590	3714
93TSC3D1824	2791	2985	3104	3199	3267	3393	3449	3551	3637	3799	3931
93TSC3D2124	3223	3479	3612	3720	3801	3952	4017	4136	4238	4427	4580
93TSC3D2424-1	3499	3821	3969	4088	4184	4358	4434	4570	4683	4890	5061
93TSC3D2424	3499	3821	3969	4088	4184	4358	4434	4570	4683	4890	5061
93TSC3D2724	3673	3999	4179	4326	4429	4616	4697	4847	4966	5186	5366
93TSC3D3024	4022	4352	4566	4738	4848	5050	5137	5298	5429	5670	5866
93TSC3D3324	4162	4521	4745	4926	5044	5256	5350	5520	5655	5907	6113
93TSC3D3624	4301	4692	4925	5114	5238	5464	5562	5743	5884	6145	6358
93TSC3D3024-2DWR	4022	4352	4566	4738	4848	5050	5137	5298	5429	5670	5866
93TSC3D3324-2DWR	4162	4521	4745	4926	5044	5256	5350	5520	5655	5907	6113
93TSC3D3624-2DWR	4301	4692	4925	5114	5238	5464	5562	5743	5884	6145	6358
96" High - 24" Deep - 4 Adjustable Shelves											
96TSC3D1224	2539	2706	2856	2980	3042	3154	3203	3294	3374	3525	3646
96TSC3D1524	2655	2834	2943	3031	3094	3211	3261	3355	3439	3590	3714
96TSC3D1824	2791	2985	3104	3199	3267	3393	3449	3551	3637	3799	3931
96TSC3D2124	3223	3479	3612	3720	3801	3952	4017	4136	4238	4427	4580
96TSC3D2424-1	3499	3821	3969	4088	4184	4358	4434	4570	4683	4890	5061
96TSC3D2424	3499	3821	3969	4088	4184	4358	4434	4570	4683	4890	5061
96TSC3D2724	3673	3999	4179	4326	4429	4616	4697	4847	4966	5186	5366
96TSC3D3024	4022	4352	4566	4738	4848	5050	5137	5298	5429	5670	5866
96TSC3D3324	4162	4521	4745	4926	5044	5256	5350	5520	5655	5907	6113
96TSC3D3624	4301	4692	4925	5114	5238	5464	5562	5743	5884	6145	6358
96TSC3D3024-2DWR	4022	4352	4566	4738	4848	5050	5137	5298	5429	5670	5866
96TSC3D3324-2DWR	4162	4521	4745	4926	5044	5256	5350	5520	5655	5907	6113
96TSC3D3624-2DWR	4301	4692	4925	5114	5238	5464	5562	5743	5884	6145	6358



40020 - Tall Storage Cabinet Three Drawer



* Tall cabinets over 108" high are only available with all-plywood construction (PLYCASE) which must be specified and upcharged.

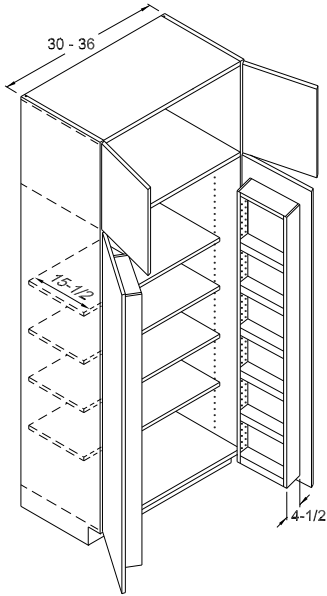
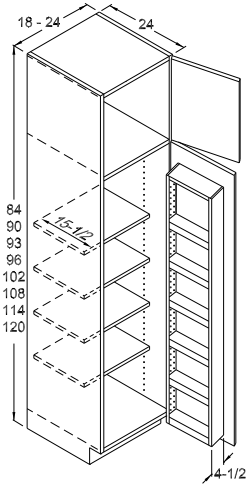
- Height modifications affect upper section unless otherwise specified.

NOTE: Cabinets over 96" high are **not** available in Rustic Hickory.

Cat. Code	1	2	3	4	5	6	7	8	9	10	11
102" High - 24" Deep - 5 Adjustable Shelves											
102TSC3D1224	3555	3788	3998	4172	4259	4416	4484	4612	4724	4935	5104
102TSC3D1524	3717	3968	4120	4243	4332	4495	4565	4697	4815	5026	5200
102TSC3D1824	3907	4179	4346	4479	4574	4750	4829	4971	5092	5319	5503
102TSC3D2124	4512	4871	5057	5208	5321	5533	5624	5790	5933	6198	6412
102TSC3D2424-1	4899	5349	5557	5723	5858	6101	6208	6398	6556	6846	7085
102TSC3D2424	4899	5349	5557	5723	5858	6101	6208	6398	6556	6846	7085
102TSC3D2724	5142	5599	5851	6056	6201	6462	6576	6786	6952	7260	7512
102TSC3D3024	5631	6093	6392	6633	6787	7070	7192	7417	7601	7938	8212
102TSC3D3324	5827	6329	6643	6896	7062	7358	7490	7728	7917	8270	8558
102TSC3D3024-2DWR	5631	6093	6392	6633	6787	7070	7192	7417	7601	7938	8212
102TSC3D3324-2DWR	5827	6329	6643	6896	7062	7358	7490	7728	7917	8270	8558
102TSC3D3624-2DWR	6021	6569	6895	7160	7333	7650	7787	8040	8238	8603	8901
108" High - 24" Deep - 5 Adjustable Shelves											
108TSC3D1224	3555	3788	3998	4172	4259	4416	4484	4612	4724	4935	5104
108TSC3D1524	3717	3968	4120	4243	4332	4495	4565	4697	4815	5026	5200
108TSC3D1824	3907	4179	4346	4479	4574	4750	4829	4971	5092	5319	5503
108TSC3D2124	4512	4871	5057	5208	5321	5533	5624	5790	5933	6198	6412
108TSC3D2424-1	4899	5349	5557	5723	5858	6101	6208	6398	6556	6846	7085
108TSC3D2424	4899	5349	5557	5723	5858	6101	6208	6398	6556	6846	7085
108TSC3D2724	5142	5599	5851	6056	6201	6462	6576	6786	6952	7260	7512
108TSC3D3024	5631	6093	6392	6633	6787	7070	7192	7417	7601	7938	8212
108TSC3D3324	5827	6329	6643	6896	7062	7358	7490	7728	7917	8270	8558
108TSC3D3024-2DWR	5631	6093	6392	6633	6787	7070	7192	7417	7601	7938	8212
108TSC3D3324-2DWR	5827	6329	6643	6896	7062	7358	7490	7728	7917	8270	8558
108TSC3D3624-2DWR	6021	6569	6895	7160	7333	7650	7787	8040	8238	8603	8901
114" High - 24" Deep - 6 Adjustable Shelves											
114TSC3D1224	3555	3788	3998	4172	4259	4416	4484	4612	4724	4935	5104
114TSC3D1524	3717	3968	4120	4243	4332	4495	4565	4697	4815	5026	5200
114TSC3D1824	3907	4179	4346	4479	4574	4750	4829	4971	5092	5319	5503
114TSC3D2124	4512	4871	5057	5208	5321	5533	5624	5790	5933	6198	6412
114TSC3D2424-1	4899	5349	5557	5723	5858	6101	6208	6398	6556	6846	7085
114TSC3D2424	4899	5349	5557	5723	5858	6101	6208	6398	6556	6846	7085
114TSC3D2724	5142	5599	5851	6056	6201	6462	6576	6786	6952	7260	7512
114TSC3D3024	5631	6093	6392	6633	6787	7070	7192	7417	7601	7938	8212
114TSC3D3324	5827	6329	6643	6896	7062	7358	7490	7728	7917	8270	8558
114TSC3D3624	6021	6569	6895	7160	7333	7650	7787	8040	8238	8603	8901
114TSC3D3024-2DWR	5631	6093	6392	6633	6787	7070	7192	7417	7601	7938	8212
114TSC3D3324-2DWR	5827	6329	6643	6896	7062	7358	7490	7728	7917	8270	8558
114TSC3D3624-2DWR	6021	6569	6895	7160	7333	7650	7787	8040	8238	8603	8901
120" High - 24" Deep - 6 Adjustable Shelves											
120TSC3D1224	3555	3788	3998	4172	4259	4416	4484	4612	4724	4935	5104
120TSC3D1524	3717	3968	4120	4243	4332	4495	4565	4697	4815	5026	5200
120TSC3D1824	3907	4179	4346	4479	4574	4750	4829	4971	5092	5319	5503
120TSC3D2124	4512	4871	5057	5208	5321	5533	5624	5790	5933	6198	6412
120TSC3D2424-1	4899	5349	5557	5723	5858	6101	6208	6398	6556	6846	7085
120TSC3D2424	4899	5349	5557	5723	5858	6101	6208	6398	6556	6846	7085
120TSC3D2724	5142	5599	5851	6056	6201	6462	6576	6786	6952	7260	7512
120TSC3D3024	5631	6093	6392	6633	6787	7070	7192	7417	7601	7938	8212
120TSC3D3324	5827	6329	6643	6896	7062	7358	7490	7728	7917	8270	8558
120TSC3D3624	6021	6569	6895	7160	7333	7650	7787	8040	8238	8603	8901
120TSC3D3024-2DWR	5631	6093	6392	6633	6787	7070	7192	7417	7601	7938	8212
120TSC3D3324-2DWR	5827	6329	6643	6896	7062	7358	7490	7728	7917	8270	8558
120TSC3D3624-2DWR	6021	6569	6895	7160	7333	7650	7787	8040	8238	8603	8901



40050 - Pantry Storage Cabinet



* Tall cabinets over 108" high are only available with all-plywood construction (PLYCASE) which must be specified and upcharged.

- A door storage unit with five adjustable shelves is attached to each lower door. Door storage shelves have an interior depth of 3-9/16".
- Height modifications affect upper section unless otherwise specified.
Any modification affecting the Door Storage unit must be quoted.
- **Minimum** depth = 12".

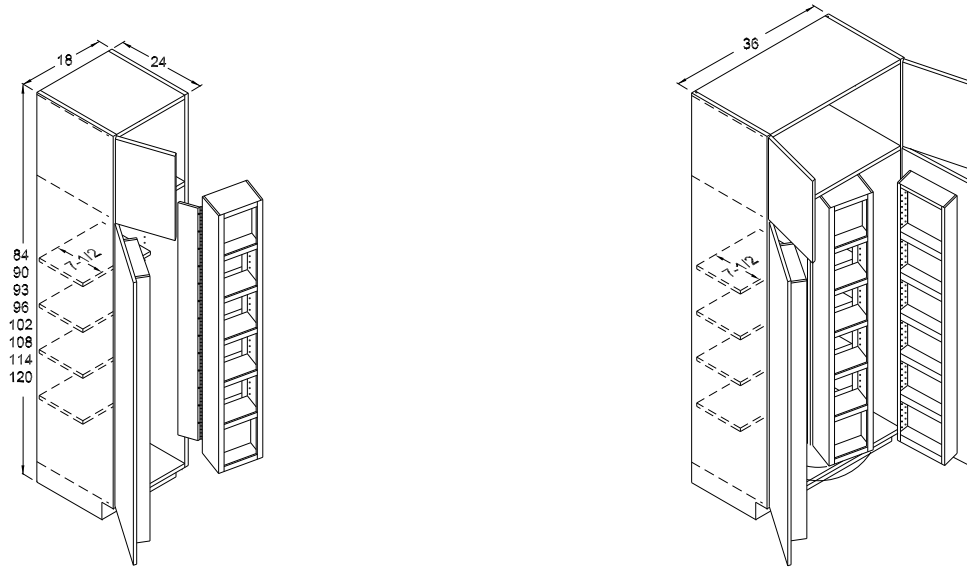
NOTE: Cabinets over 96" high are **not** available in Rustic Hickory.

NOTE: Roll-out shelves are **not** available for this cabinet.

Cat. Code	1	2	3	4	5	6	7	8	9	10	11
84" High - 24" Deep/No Shelf in Top Area											
84PSC1824	1804	1979	2084	2169	2228	2336	2394	2498	2561	2676	2767
84PSC2124	2048	2284	2400	2495	2566	2694	2760	2882	2954	3085	3191
84PSC2424-1	2292	2585	2715	2823	2904	3054	3128	3266	3349	3497	3617
84PSC3024	2985	3275	3464	3618	3713	3885	3981	4158	4261	4451	4604
84PSC3624	3262	3610	3817	3985	4091	4286	4391	4587	4700	4907	5077
90" High - 24" Deep/No Shelf in Top Area											
90PSC1824	1970	2162	2274	2364	2432	2552	2614	2730	2798	2922	3023
90PSC2124	2233	2488	2614	2716	2795	2938	3010	3142	3220	3364	3481
90PSC2424-1	2497	2813	2954	3069	3160	3325	3408	3559	3646	3807	3939
90PSC3024	3260	3581	3785	3950	4055	4245	4349	4542	4654	4861	5029
90PSC3624	3525	3905	4125	4307	4423	4639	4753	4965	5087	5312	5497
93" High - 24" Deep/One Shelf in Top Area											
93PSC1824	1970	2162	2274	2364	2432	2552	2614	2730	2798	2922	3023
93PSC2124	2233	2488	2614	2716	2795	2938	3010	3142	3220	3364	3481
93PSC2424-1	2497	2813	2954	3069	3160	3325	3408	3559	3646	3807	3939
93PSC3024	3260	3581	3785	3950	4055	4245	4349	4542	4654	4861	5029
93PSC3624	3525	3905	4125	4307	4423	4639	4753	4965	5087	5312	5497
96" High - 24" Deep/One Shelf in Top Area											
96PSC1824	1970	2162	2274	2364	2432	2552	2614	2730	2798	2922	3023
96PSC2124	2233	2488	2614	2716	2795	2938	3010	3142	3220	3364	3481
96PSC2424-1	2497	2813	2954	3069	3160	3325	3408	3559	3646	3807	3939
96PSC3024	3260	3581	3785	3950	4055	4245	4349	4542	4654	4861	5029
96PSC3624	3525	3905	4125	4307	4423	4639	4753	4965	5087	5312	5497
549/102" High - 24" Deep/Two Shelves in Top Area											
102PSC1824	2758	3027	3184	3310	3405	3573	3660	3822	3917	4091	4232
102PSC2124	3126	3483	3660	3802	3913	4113	4214	4399	4508	4710	4873
102PSC2424-1	3496	3938	4136	4297	4424	4655	4771	4983	5104	5330	5515
102PSC3024	4564	5013	5299	5530	5677	5943	6089	6359	6516	6805	7041
102PSC3624	4935	5467	5775	6030	6192	6495	6654	6951	7122	7437	5497
108" High - 24" Deep/Two Shelves in Top Area											
108PSC1824	2758	3027	3184	3310	3405	3573	3660	3822	3917	4091	4232
108PSC2124	3126	3483	3660	3802	3913	4113	4214	4399	4508	4710	4873
108PSC2424-1	3496	3938	4136	4297	4424	4655	4771	4983	5104	5330	5515
108PSC3024	4564	5013	5299	5530	5677	5943	6089	6359	6516	6805	7041
108PSC3624	4935	5467	5775	6030	6192	6495	6654	6951	7122	7437	5497
* 114" High - 24" Deep/Two Shelves in Top Area											
114PSC1824	2758	3027	3184	3310	3405	3573	3660	3822	3917	4091	4232
114PSC2124	3126	3483	3660	3802	3913	4113	4214	4399	4508	4710	4873
114PSC2424-1	3496	3938	4136	4297	4424	4655	4771	4983	5104	5330	5515
114PSC3024	4564	5013	5299	5530	5677	5943	6089	6359	6516	6805	7041
114PSC3624	4935	5467	5775	6030	6192	6495	6654	6951	7122	7437	5497
* 120" High - 24" Deep/Three Shelves in Top Area											
120PSC1824	2758	3027	3184	3310	3405	3573	3660	3822	3917	4091	4232
120PSC2124	3126	3483	3660	3802	3913	4113	4214	4399	4508	4710	4873
120PSC2424-1	3496	3938	4136	4297	4424	4655	4771	4983	5104	5330	5515
120PSC3024	4564	5013	5299	5530	5677	5943	6089	6359	6516	6805	7041
120PSC3624	4935	5467	5775	6030	6192	6495	6654	6951	7122	7437	7696



40060 - Utility Cabinet Pantry



- * Tall cabinets over 108" high are only available with all-plywood construction (PLYCASE) which must be specified and upcharged.
- A door storage unit with five adjustable shelves is attached to each lower door. Door storage shelves have an interior depth of 3-9/16".
- Height modifications affect upper section unless otherwise specified.
Any modification affecting the Door Storage unit must be quoted.
- **Minimum** depth = 16".

NOTE: Cabinets over 96" high are **not** available in Rustic Hickory.

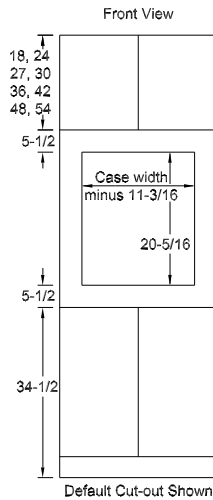
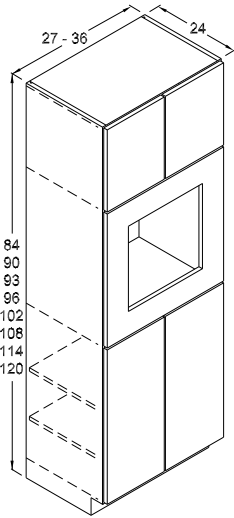
NOTE: Roll-out shelves are **not** available for this cabinet.

NOTE: 18" wide UCP requires a minimum of 3" clearance from wall to allow proper clearance of swing-out storage unit. 36" wide UCP operates within its own width dimension.

Cat. Code	1	2	3	4	5	6	7	8	9	10	11
84" High - 24" Deep/No Shelf in Top Area											
84UCP1824	3054	3218	3321	3406	3464	3574	3631	3737	3829	3999	4136
84UCP3624	5168	5495	5702	5870	5976	6171	6276	6471	6631	6925	7164
90" High - 24" Deep/No Shelf in Top Area											
90UCP1824	3220	3400	3512	3602	3668	3789	3853	3968	4066	4246	4393
90UCP3624	5429	5791	6010	6192	6309	6524	6639	6849	7017	7329	7584
93" High - 24" Deep/One Shelf in Top Area											
93UCP1824	3220	3400	3512	3602	3668	3789	3853	3968	4066	4246	4393
93UCP3624	5429	5791	6010	6192	6309	6524	6639	6849	7017	7329	7584
96" High - 24" Deep/One Shelf in Top Area											
96UCP1824	3220	3400	3512	3602	3668	3789	3853	3968	4066	4246	4393
96UCP3624	5429	5791	6010	6192	6309	6524	6639	6849	7017	7329	7584
102" High - 24" Deep/Two Shelves in Top Area											
102UCP1824	4508	4760	4917	5043	5135	5305	5394	5555	5692	5944	6150
102UCP3624	7601	8107	8414	8669	8833	9134	9295	9589	9824	10261	10618
108" High - 24" Deep/Two Shelves in Top Area											
108UCP1824	4508	4760	4917	5043	5135	5305	5394	5555	5692	5944	6150
108UCP3624	7601	8107	8414	8669	8833	9134	9295	9589	9824	10261	10618
* 114" High - 24" Deep/Two Shelves in Top Area											
114UCP1824	4508	4760	4917	5043	5135	5305	5394	5555	5692	5944	6150
114UCP3624	7601	8107	8414	8669	8833	9134	9295	9589	9824	10261	10618
* 120" High - 24" Deep/Three Shelves in Top Area											
120UCP1824	4508	4760	4917	5043	5135	5305	5394	5555	5692	5944	6150
120UCP3624	7601	8107	8414	8669	8833	9134	9295	9589	9824	10261	10618



40100 - Oven Cabinet with Doors Below (OCA)



Maximum field cut height = 30-11/16 (based on 2" rails)
Maximum field cut width = cabinet width minus 1-1/2"

- Specify custom cutout (included in price). If not specified, default cutout is supplied for jobsite trimming.
Appliance manufacturers specification sheets will not be accepted for specification of cutout.
- Available depth for oven is 23-7/16". Back may be cut out in field to maximize available depth to 24".
- Oven Panel is included and is a 4-sided frame with an edge profile to coordinate with door style. Inside edge of cut-out is not finished. For custom cut-outs, minimum stile width is 1" (1-1/2" for Acrylic, Foil or Veneer door styles), minimum rail width is 1-1/2". Additional trimming can be done in field.
- * **Tall cabinets over 108" high are only available with all-plywood construction (PLYCASE) which must be specified and upcharged.**
- The Flush Installation Kit removes the oven panel and includes three fillers (3" x 72") to be jobsite installed for oven installation.

NOTE: Cabinets over 96" high are **not** available in Rustic Hickory.

NOTE: Specify "Omit Oven Panel" for no charge to remove Oven Panel.

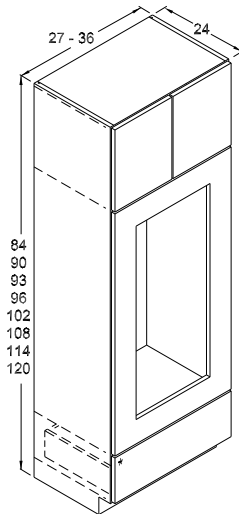
NOTE: See page 6-18 for Custom Cutout Template Form. For custom cut-outs, template must be completed and submitted with order.

Cat. Code	1	2	3	4	5	6	7	8	9	10	11
84" High - 24" Deep/No Shelf in Top Area											
OCA2784	1981	2217	2370	2495	2575	2722	2790	2912	2984	3115	3225
OCA3084	2107	2348	2497	2620	2705	2861	2931	3061	3136	3278	3390
OCA3184 (31-1/2" wide)	2229	2471	2621	2741	2831	2992	3066	3201	3280	3425	3544
OCA3384	2229	2471	2621	2741	2831	2992	3066	3201	3280	3425	3544
OCA3684	2299	2550	2704	2830	2919	3083	3160	3297	3378	3531	3653
90" High - 24" Deep/No Shelf in Top Area											
OCA2790	2336	2621	2805	2952	3049	3225	3304	3450	3537	3693	3821
OCA3090	2487	2779	2957	3101	3203	3391	3475	3629	3719	3883	4017
OCA3190 (31-1/2" wide)	2636	2929	3107	3252	3357	3553	3639	3801	3895	4069	4210
OCA3390	2636	2929	3107	3252	3357	3553	3639	3801	3895	4069	4210
OCA3690	2715	3022	3203	3349	3458	3663	3752	3919	4016	4193	4339
93" High - 24" Deep/One Shelf in Top Area											
OCA2793	2336	2621	2805	2952	3049	3225	3304	3450	3537	3693	3821
OCA3093	2487	2779	2957	3101	3203	3391	3475	3629	3719	3883	4017
OCA3193 (31-1/2" wide)	2636	2929	3107	3252	3357	3553	3639	3801	3895	4069	4210
OCA3393	2636	2929	3107	3252	3357	3553	3639	3801	3895	4069	4210
OCA3693	2715	3022	3203	3349	3458	3663	3752	3919	4016	4193	4339
96" High - 24" Deep/One Shelf in Top Area											
OCA2796	2336	2621	2805	2952	3049	3225	3304	3450	3537	3693	3821
OCA3096	2487	2779	2957	3101	3203	3391	3475	3629	3719	3883	4017
OCA3196 (31-1/2" wide)	2636	2929	3107	3252	3357	3553	3639	3801	3895	4069	4210
OCA3396	2636	2929	3107	3252	3357	3553	3639	3801	3895	4069	4210
OCA3696	2715	3022	3203	3349	3458	3663	3752	3919	4016	4193	4339
102" High - 24" Deep/Two Shelves in Top Area											
OCA27102	3270	3669	3927	4133	4269	4515	4626	4830	4952	5170	5349
OCA30102	3482	3891	4140	4341	4484	4747	4865	5081	5207	5436	5624
OCA31102 (31-1/2" wide)	3690	4101	4350	4553	4700	4974	5095	5321	5453	5697	5894
OCA33102	3690	4101	4350	4553	4700	4974	5095	5321	5453	5697	5894
OCA36102	3801	4231	4484	4689	4841	5128	5253	5487	5622	5870	6075
108" High - 24" Deep/Two Shelves in Top Area											
OCA27108	3270	3669	3927	4133	4269	4515	4626	4830	4952	5170	5349
OCA30108	3482	3891	4140	4341	4484	4747	4865	5081	5207	5436	5624
OCA31108 (31-1/2" wide)	3690	4101	4350	4553	4700	4974	5095	5321	5453	5697	5894
OCA33108	3690	4101	4350	4553	4700	4974	5095	5321	5453	5697	5894
OCA36108	3801	4231	4484	4689	4841	5128	5253	5487	5622	5870	6075
* 114" High - 24" Deep/Two Shelves in Top Area											
OCA27114	3270	3669	3927	4133	4269	4515	4626	4830	4952	5170	5349
OCA30114	3482	3891	4140	4341	4484	4747	4865	5081	5207	5436	5624
OCA31114 (31-1/2" wide)	3690	4101	4350	4553	4700	4974	5095	5321	5453	5697	5894
OCA33114	3690	4101	4350	4553	4700	4974	5095	5321	5453	5697	5894
OCA36114	3801	4231	4484	4689	4841	5128	5253	5487	5622	5870	6075
* 120" High - 24" Deep/Three Shelves in Top Area											
OCA27120	3270	3669	3927	4133	4269	4515	4626	4830	4952	5170	5349
OCA30120	3482	3891	4140	4341	4484	4747	4865	5081	5207	5436	5624
OCA31120 (31-1/2" wide)	3690	4101	4350	4553	4700	4974	5095	5321	5453	5697	5894
OCA33120	3690	4101	4350	4553	4700	4974	5095	5321	5453	5697	5894
OCA36120	3801	4231	4484	4689	4841	5128	5253	5487	5622	5870	6075

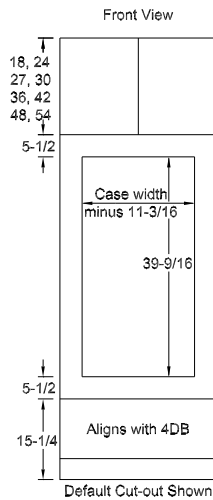
Include Flush Installation Kit, **IFIK**.....N/C



40110 - Oven Cabinet with Drawer Below (OCD)



*Drawer can be converted to warming drawer cut-out



Maximum field cut height = 49-15/16 (based on 2" rails)
Maximum field cut width = cabinet width minus 1-1/2

- Specify custom cutout (included in price). If not specified, default cut-out is supplied for jobsite trimming.
Appliance manufacturers specification sheets will not be accepted for specification of cutout.
- Available depth for oven is 23-7/16". Back may be cut out in field to maximize available depth to 24".
- Oven Panel is included and is a 4-sided frame with an edge profile to coordinate with door style. Inside edge of cut-out is not finished. For custom cut-outs, **minimum** stile width is 1" (1-1/2" for Acrylic, Foil or Veneer door styles), **minimum** rail width is 1-1/2". Additional trimming can be done in field.
- To convert a drawer to a warming drawer cut-out, specify **CTWD** and indicate cut-out width and height. If not specified, height is 9" and width is default size.
- * Tall cabinets over 108" high are only available with all-plywood construction (PLYCASE) which must be specified and upcharged.**
- The Flush Installation Kit removes the oven panel and includes three fillers (3" x 72") to be jobsite installed for oven installation.

NOTE: Specify "Omit Oven Panel" for no charge to remove Oven Panel.

NOTE: See page 6-18 for Custom Cutout Template Form. For custom cut-outs, template must be completed and submitted with order.

NOTE: Cabinets over 96" high are **not** available in Rustic Hickory.

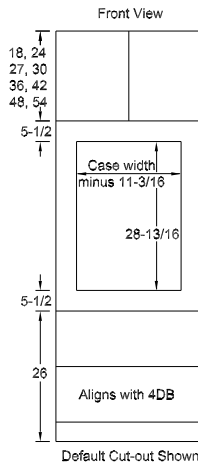
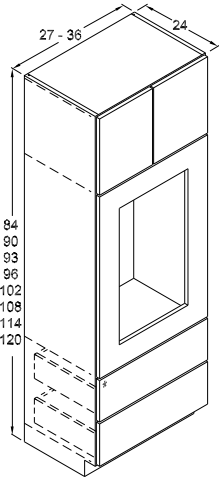
Cat. Code	1	2	3	4	5	6	7	8	9	10	11
84" High - 24" Deep/No Shelf in Top Area											
OCD2784	1778	1883	1952	2007	2071	2188	2240	2341	2399	2504	2592
OCD3084	1827	1948	2012	2065	2128	2250	2307	2411	2469	2579	2666
OCD3184 (31-1/2" wide)	1882	2005	2070	2121	2188	2309	2366	2471	2532	2645	2736
OCD3384	1882	2005	2070	2121	2188	2309	2366	2471	2532	2645	2736
OCD3684	1941	2069	2135	2189	2257	2382	2441	2550	2611	2728	2821
90" High - 24" Deep/No Shelf in Top Area											
OCD2790	2085	2218	2301	2364	2440	2579	2641	2758	2828	2953	3055
OCD3090	2147	2291	2371	2438	2515	2657	2722	2844	2915	3043	3149
OCD3190 (31-1/2" wide)	2203	2347	2426	2491	2571	2716	2785	2908	2979	3111	3218
OCD3390	2203	2347	2426	2491	2571	2716	2785	2908	2979	3111	3218
OCD3690	2271	2422	2504	2569	2651	2803	2870	2998	3072	3209	3320
93" High - 24" Deep/One Shelf in Top Area											
OCD2793	2085	2218	2301	2364	2440	2579	2641	2758	2828	2953	3055
OCD3093	2147	2291	2371	2438	2515	2657	2722	2844	2915	3043	3149
OCD3193 (31-1/2" wide)	2203	2347	2426	2491	2571	2716	2785	2908	2979	3111	3218
OCD3393	2203	2347	2426	2491	2571	2716	2785	2908	2979	3111	3218
OCD3693	2271	2422	2504	2569	2651	2803	2870	2998	3072	3209	3320
96" High - 24" Deep/One Shelf in Top Area											
OCD2796	2085	2218	2301	2364	2440	2579	2641	2758	2828	2953	3055
OCD3096	2147	2291	2371	2438	2515	2657	2722	2844	2915	3043	3149
OCD3196 (31-1/2" wide)	2203	2347	2426	2491	2571	2716	2785	2908	2979	3111	3218
OCD3396	2203	2347	2426	2491	2571	2716	2785	2908	2979	3111	3218
OCD3696	2271	2422	2504	2569	2651	2803	2870	2998	3072	3209	3320
102" High - 24" Deep/Two Shelves in Top Area											
OCD27102	2919	3105	3221	3310	3416	3611	3697	3861	3959	4134	4277
OCD30102	3006	3207	3319	3413	3521	3720	3811	3982	4081	4260	4409
OCD31102 (31-1/2" wide)	3084	3286	3396	3487	3599	3802	3899	4071	4171	4355	4505
OCD33102	3084	3286	3396	3487	3599	3802	3899	4071	4171	4355	4505
OCD36102	3179	3391	3506	3597	3711	3924	4018	4197	4301	4493	4648
108" High - 24" Deep/Two Shelves in Top Area											
OCD27108	2919	3105	3221	3310	3416	3611	3697	3861	3959	4134	4277
OCD30108	3006	3207	3319	3413	3521	3720	3811	3982	4081	4260	4409
OCD31108 (31-1/2" wide)	3084	3286	3396	3487	3599	3802	3899	4071	4171	4355	4505
OCD33108	3084	3286	3396	3487	3599	3802	3899	4071	4171	4355	4505
OCD36108	3179	3391	3506	3597	3711	3924	4018	4197	4301	4493	4648
* 114" High - 24" Deep/Two Shelves in Top Area											
OCD27114	2919	3105	3221	3310	3416	3611	3697	3861	3959	4134	4277
OCD30114	3006	3207	3319	3413	3521	3720	3811	3982	4081	4260	4409
OCD31114 (31-1/2" wide)	3084	3286	3396	3487	3599	3802	3899	4071	4171	4355	4505
OCD33114	3084	3286	3396	3487	3599	3802	3899	4071	4171	4355	4505
OCD36114	3179	3391	3506	3597	3711	3924	4018	4197	4301	4493	4648
* 120" High - 24" Deep/Three Shelves in Top Area											
OCD27120	2919	3105	3221	3310	3416	3611	3697	3861	3959	4134	4277
OCD30120	3006	3207	3319	3413	3521	3720	3811	3982	4081	4260	4409
OCD31120 (31-1/2" wide)	3084	3286	3396	3487	3599	3802	3899	4071	4171	4355	4505
OCD33120	3084	3286	3396	3487	3599	3802	3899	4071	4171	4355	4505
OCD36120	3179	3391	3506	3597	3711	3924	4018	4197	4301	4493	4648

Include Flush Installation Kit, **IFIK** N/C
Convert Oven Drawer to Warming Drawer, **CTWD** N/C
Fixed Shelf in Warming Drawer opening, **FSDW** \$126

† See Section #40145 for Oven Panel cut-out options.



40120 - Oven Cabinet with Two Drawers Below (OC2D)



Maximum field cut height = 39-3/16 (based on 2" rails)
Maximum field cut width = cabinet width minus 1-1/2"

- Specify custom cutout (included in price). If not specified, default cutout is supplied for jobsite trimming.
Appliance manufacturers specification sheets will not be accepted for specification of cutout.
- Available depth for oven is 23-7/16". Back may be cut out in field to maximize available depth to 24".
- Oven Panel is included and is a 4-sided frame with an edge profile to coordinate with door style. Inside edge of cut-out is not finished. For custom cut-outs, **minimum** stile width is 1" (1-1/2" for Acrylic, Foil or Veneer door styles), **minimum** rail width is 1-1/2". Additional trimming can be done in field.
- To convert a drawer to a warming drawer cut-out, specify **CTWD** and indicate cut-out width and height. If not specified, height is 9" and width is default size.
- * Tall cabinets over 108" high are only available with all-plywood construction (PLYCASE) which must be specified and upcharged.**
- The Flush Installation Kit removes the oven panel and includes three fillers (3" x 72") to be jobsite installed for oven installation.

*Drawer can be converted to warming drawer cut-out

NOTE: Specify "Omit Oven Panel" for no charge to remove Oven Panel.

NOTE: See page 6-18 for Custom Cutout Template Form. For custom cut-outs, template must be completed and submitted with order.

NOTE: Cabinets over 96" high are **not** available in Rustic Hickory.

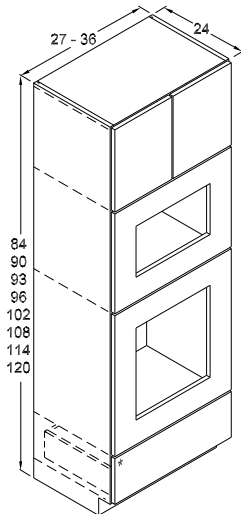
Cat. Code	1	2	3	4	5	6	7	8	9	10	11
84" High - 24" Deep/No Shelf in Top Area											
OC2D2784	2315	2418	2487	2543	2604	2720	2776	2873	2945	3076	3182
OC2D3084	2365	2480	2546	2599	2663	2784	2840	2943	3015	3149	3258
OC2D3184 (31-1/2" wide)	2421	2539	2603	2656	2720	2842	2901	3003	3078	3216	3327
OC2D3384	2421	2539	2603	2656	2720	2842	2901	3003	3078	3216	3327
OC2D3684	2478	2602	2670	2722	2791	2916	2974	3083	3160	3297	3413
90" High - 24" Deep/No Shelf in Top Area											
OC2D2790	2624	2753	2833	2898	2973	3111	3176	3293	3373	3524	3644
OC2D3090	2685	2824	2905	2971	3049	3189	3255	3376	3460	3614	3738
OC2D3190 (31-1/2" wide)	2741	2881	2960	3024	3104	3251	3317	3441	3526	3682	3811
OC2D3390	2741	2881	2960	3024	3104	3251	3317	3441	3526	3682	3811
OC2D3690	2810	2956	3037	3103	3184	3335	3405	3532	3617	3780	3911
93" High - 24" Deep/One Shelf in Top Area											
OC2D2793	2624	2753	2833	2898	2973	3111	3176	3293	3373	3524	3644
OC2D3093	2685	2824	2905	2971	3049	3189	3255	3376	3460	3614	3738
OC2D3193 (31-1/2" wide)	2741	2881	2960	3024	3104	3251	3317	3441	3526	3682	3811
OC2D3393	2741	2881	2960	3024	3104	3251	3317	3441	3526	3682	3811
OC2D3693	2810	2956	3037	3103	3184	3335	3405	3532	3617	3780	3911
96" High - 24" Deep/One Shelf in Top Area											
OC2D2796	2624	2753	2833	2898	2973	3111	3176	3293	3373	3524	3644
OC2D3096	2685	2824	2905	2971	3049	3189	3255	3376	3460	3614	3738
OC2D3196 (31-1/2" wide)	2741	2881	2960	3024	3104	3251	3317	3441	3526	3682	3811
OC2D3396	2741	2881	2960	3024	3104	3251	3317	3441	3526	3682	3811
OC2D3696	2810	2956	3037	3103	3184	3335	3405	3532	3617	3780	3911
102" High - 24" Deep/Two Shelves in Top Area											
OC2D27102	3674	3854	3966	4057	4162	4355	4446	4610	4722	4934	5102
OC2D30102	3759	3954	4067	4159	4269	4465	4557	4726	4844	5060	5233
OC2D31102 (31-1/2" wide)	3837	4033	4144	4234	4346	4551	4644	4817	4936	5155	5335
OC2D33102	3837	4033	4144	4234	4346	4551	4644	4817	4936	5155	5335
OC2D36102	3934	4138	4252	4344	4458	4669	4767	4945	5064	5292	5475
108" High - 24" Deep/Two Shelves in Top Area											
OC2D27108	3674	3854	3966	4057	4162	4355	4446	4610	4722	4934	5102
OC2D30108	3759	3954	4067	4159	4269	4465	4557	4726	4844	5060	5233
OC2D31108 (31-1/2" wide)	3837	4033	4144	4234	4346	4551	4644	4817	4936	5155	5335
OC2D33108	3837	4033	4144	4234	4346	4551	4644	4817	4936	5155	5335
OC2D36108	3934	4138	4252	4344	4458	4669	4767	4945	5064	5292	5475
* 114" High - 24" Deep/Two Shelves in Top Area											
OC2D27114	3674	3854	3966	4057	4162	4355	4446	4610	4722	4934	5102
OC2D30114	3759	3954	4067	4159	4269	4465	4557	4726	4844	5060	5233
OC2D31114 (31-1/2" wide)	3837	4033	4144	4234	4346	4551	4644	4817	4936	5155	5335
OC2D33114	3837	4033	4144	4234	4346	4551	4644	4817	4936	5155	5335
OC2D36114	3934	4138	4252	4344	4458	4669	4767	4945	5064	5292	5475
* 120" High - 24" Deep/Three Shelves in Top Area											
OC2D27120	3674	3854	3966	4057	4162	4355	4446	4610	4722	4934	5102
OC2D30120	3759	3954	4067	4159	4269	4465	4557	4726	4844	5060	5233
OC2D31120 (31-1/2" wide)	3837	4033	4144	4234	4346	4551	4644	4817	4936	5155	5335
OC2D33120	3837	4033	4144	4234	4346	4551	4644	4817	4936	5155	5335
OC2D36120	3934	4138	4252	4344	4458	4669	4767	4945	5064	5292	5475

- Include Flush Installation Kit, **IFIK** N/C
- Convert Oven Drawer to Warming Drawer, **CTWD** N/C
- Convert to Single Panel with 2 Openings, **CSP2** \$224
- Fixed Shelf in Warming Drawer opening, **FSWD** \$126

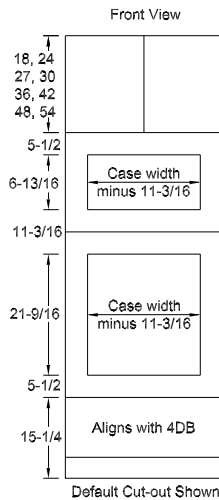
† See Section #40145 for Oven Panel cut-out options.



40130 - Microwave Oven Cabinet (MOC)



*Drawer can be converted to warming drawer cut-out



Maximum field cut height for microwave area = 17-3/16 (based on 2" rails)

Maximum field cut height for oven area = 31-15/16 (based on 2" rails)

Maximum field cut width = cabinet width minus 1-1/2"

- Specify custom cutout (included in price). If not specified, default cutout is supplied for jobsite trimming. **Appliance manufacturers specification sheets will not be accepted for specification of cutout.**
- Available depth for oven is 23-7/16". Back may be cut out in field to maximize available depth to 24".
- Oven Panel is included and is a 4-sided frame with an edge profile to coordinate with door style. Inside edge of cut-out is not finished. For custom cut-outs, **minimum** stile width is 1" (1-1/2" for Acrylic, Foil or Veneer door styles), **minimum** rail width is 1-1/2". Additional trimming can be done in field.
- To convert a drawer to a warming drawer cut-out, specify **CTWD** and indicate cut-out width and height. If not specified, height is 9" and width is default size.
- * Tall cabinets over 108" high are only available with all-plywood construction (PLYCASE) which must be specified and upcharged.**
- The Flush Installation Kit removes the oven panel and includes three fillers (3" x 72") to be jobsite installed for oven installation.

NOTE: Cabinets over 96" high are **not** available in Rustic Hickory.

NOTE: Specify "Omit Oven Panel" for no charge to remove Oven Panel.

NOTE: See page 6-18 for Custom Cutout Template Form. For custom cut-outs, template must be completed and submitted with order.

Cat. Code	1	2	3	4	5	6	7	8	9	10	11
84" High - 24" Deep/No Shelf in Top Area											
MOC2784	1994	2103	2172	2224	2295	2426	2485	2595	2660	2778	2873
MOC3084	2046	2168	2230	2282	2355	2489	2552	2664	2730	2849	2950
MOC3184 (31-1/2" wide)	2107	2233	2296	2345	2421	2558	2621	2736	2805	2929	3031
MOC3384	2107	2233	2296	2345	2421	2558	2621	2736	2805	2929	3031
MOC3684	2175	2305	2366	2420	2496	2638	2704	2824	2891	3021	3125
90" High - 24" Deep/No Shelf in Top Area											
MOC2790	2347	2481	2562	2625	2711	2866	2938	3069	3143	3285	3397
MOC3090	2411	2560	2636	2697	2784	2943	3014	3149	3226	3370	3485
MOC3190 (31-1/2" wide)	2475	2623	2700	2761	2849	3012	3087	3223	3303	3449	3569
MOC3390	2475	2623	2700	2761	2849	3012	3087	3223	3303	3449	3569
MOC3690	2552	2702	2784	2846	2936	3101	3178	3318	3401	3553	3675
93" High - 24" Deep/One Shelf in Top Area											
MOC2793	2347	2483	2564	2625	2711	2866	2938	3069	3143	3285	3397
MOC3093	2411	2560	2636	2697	2784	2943	3014	3149	3226	3370	3485
MOC3193 (31-1/2" wide)	2475	2623	2700	2761	2849	3012	3087	3223	3303	3449	3569
MOC3393	2475	2623	2700	2761	2849	3012	3087	3223	3303	3449	3569
MOC3693	2552	2702	2784	2846	2936	3101	3178	3318	3401	3553	3675
96" High - 24" Deep/One Shelf in Top Area											
MOC2796	2347	2483	2564	2625	2711	2866	2938	3069	3143	3285	3397
MOC3096	2411	2560	2636	2697	2784	2943	3014	3149	3226	3370	3485
MOC3196 (31-1/2" wide)	2475	2623	2700	2761	2849	3012	3087	3223	3303	3449	3569
MOC3396	2475	2623	2700	2761	2849	3012	3087	3223	3303	3449	3569
MOC3696	2552	2702	2784	2846	2936	3101	3178	3318	3401	3553	3675
102" High - 24" Deep/Two Shelves in Top Area											
MOC27102	3286	3476	3590	3675	3795	4012	4113	4297	4400	4599	4756
MOC30102	3375	3584	3690	3776	3898	4120	4220	4409	4516	4718	4879
MOC31102 (31-1/2" wide)	3465	3672	3780	3865	3989	4217	4322	4512	4624	4829	4997
MOC33102	3465	3672	3780	3865	3989	4217	4322	4512	4624	4829	4997
MOC36102	3573	3783	3898	3984	4110	4341	4449	4645	4761	4974	5145
108" High - 24" Deep/Two Shelves in Top Area											
MOC27108	3286	3476	3590	3675	3795	4012	4113	4297	4400	4599	4756
MOC30108	3375	3584	3690	3776	3898	4120	4220	4409	4516	4718	4879
MOC31108 (31-1/2" wide)	3465	3672	3780	3865	3989	4217	4322	4512	4624	4829	4997
MOC33108	3465	3672	3780	3865	3989	4217	4322	4512	4624	4829	4997
MOC36108	3573	3783	3898	3984	4110	4341	4449	4645	4761	4974	5145
* 114" High - 24" Deep/Two Shelves in Top Area											
MOC27114	3286	3476	3590	3675	3795	4012	4113	4297	4400	4599	4756
MOC30114	3375	3584	3690	3776	3898	4120	4220	4409	4516	4718	4879
MOC31114 (31-1/2" wide)	3465	3672	3780	3865	3989	4217	4322	4512	4624	4829	4997
MOC33114	3465	3672	3780	3865	3989	4217	4322	4512	4624	4829	4997
MOC36114	3573	3783	3898	3984	4110	4341	4449	4645	4761	4974	5145
* 120" High - 24" Deep/Three Shelves in Top Area											
MOC27120	3286	3476	3590	3675	3795	4012	4113	4297	4400	4599	4756
MOC30120	3375	3584	3690	3776	3898	4120	4220	4409	4516	4718	4879
MOC31120 (31-1/2" wide)	3465	3672	3780	3865	3989	4217	4322	4512	4624	4829	4997
MOC33120	3465	3672	3780	3865	3989	4217	4322	4512	4624	4829	4997
MOC36120	3573	3783	3898	3984	4110	4341	4449	4645	4761	4974	5145

Include Flush Installation Kit, IFIK N/C

Convert Oven Drawer to Warming Drawer, CTWD N/C

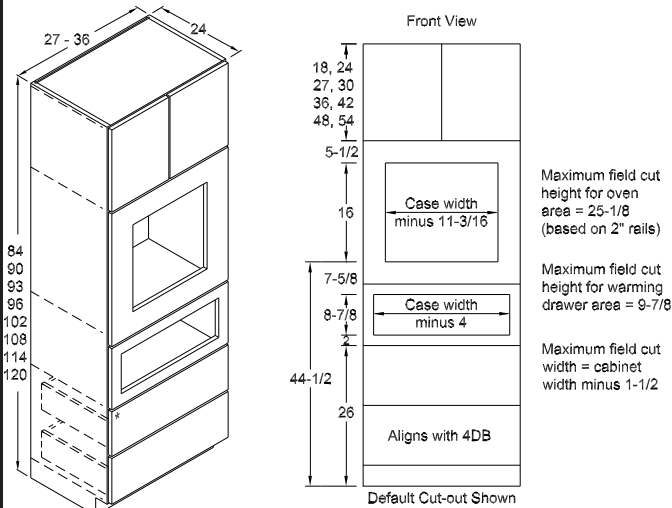
Convert to Single Panel with 2 Openings, CSP2 \$224

Convert to Single Panel with 3 Openings, CSP3† \$336

† See Section #40145 for Oven Panel cut-out options.



40140 - Oven Warming Drawer (OWD)



*Drawer can be converted to warming drawer cut-out

NOTE: Cabinets over 96" high are **not** available in Rustic Hickory.

NOTE: Specify "Omit Oven Panel" for no charge to remove Oven Panel.

NOTE: See page 6-18 for Custom Cutout Template Form. For custom cut-outs, template must be completed and submitted with order.

Include Flush Installation Kit, **FIK** N/C

Convert Oven Drawer to Warming Drawer, **CTWD** N/C

Convert to Single Panel with 2 Openings, **CSP2†** \$224

Convert to Single Panel with 2 Openings, **CSP3†** \$336

Fixed Shelf in Warming Drawer opening, **FSWD** \$126

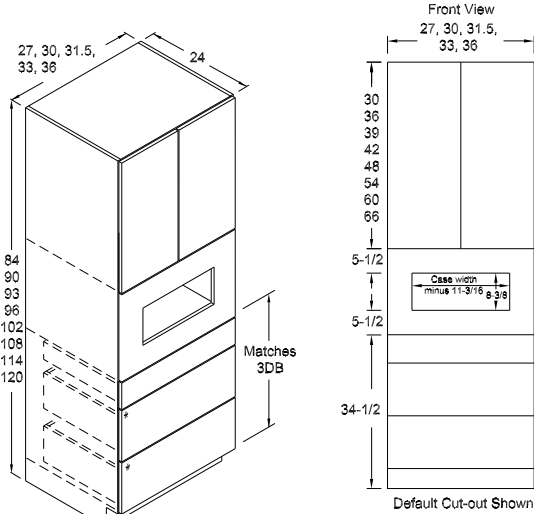
† See Section #40145 for Oven Panel cut-out options.

- Specify custom cutout (included in price) If not specified, default cut-out is supplied for jobsite trimming.
Appliance manufacturers specification sheets will not be accepted for specification of cutout.
- Available depth for oven is 23-7/16". Back may be cut out in field to maximize available depth to 24".
- Oven Panel is included and is a 4-sided frame with an edge profile to coordinate with door style. Inside edge of cut-out is not finished. For custom cut-outs, **minimum** stile width is 1" (1-1/2" for Acrylic, Foil or Veneer door styles), **minimum** rail width is 1-1/2". Additional trimming can be done in field.
- To convert a drawer to a warming drawer cut-out, specify **CTWD** and indicate cut-out width and height. If not specified, height is 9" and width is default size.
- * Tall cabinets over 108" high are only available with all-plywood construction (PLYCASE) which must be specified and upcharged.
- The Flush Installation Kit removes the oven panel and includes three fillers (3" x 72") to be jobsite installed for oven installation.

Cat. Code	1	2	3	4	5	6	7	8	9	10	11
84" High - 24" Deep/No Shelf in Top Area											
OWD2784	2524	2625	2694	2747	2818	2949	3008	3118	3197	3337	3451
OWD3084	2573	2691	2753	2805	2877	3012	3075	3187	3265	3411	3528
OWD3184 (31-1/2" wide)	2637	2756	2819	2868	2944	3080	3143	3259	3339	3488	3609
OWD3384	2637	2756	2819	2868	2944	3080	3143	3259	3339	3488	3609
OWD3684	2702	2827	2889	2943	3020	3162	3226	3346	3429	3580	3705
90" High - 24" Deep/No Shelf in Top Area											
OWD2790	2874	3003	3085	3149	3233	3388	3461	3591	3681	3843	3976
OWD3090	2939	3083	3160	3219	3307	3465	3538	3673	3763	3931	4066
OWD3190 (31-1/2" wide)	3002	3147	3223	3286	3373	3535	3610	3745	3839	4008	4148
OWD3390	3002	3147	3223	3286	3373	3535	3610	3745	3839	4008	4148
OWD3690	3079	3225	3307	3370	3460	3624	3701	3841	3937	4112	4253
93" High - 24" Deep/One Shelf in Top Area											
OWD2793	2874	3006	3086	3149	3233	3388	3461	3591	3681	3843	3976
OWD3093	2939	3083	3160	3219	3307	3465	3538	3673	3763	3931	4066
OWD3193 (31-1/2" wide)	3002	3147	3223	3286	3373	3535	3610	3745	3839	4008	4148
OWD3393	3002	3147	3223	3286	3373	3535	3610	3745	3839	4008	4148
OWD3693	3079	3225	3307	3370	3460	3624	3701	3841	3937	4112	4253
96" High - 24" Deep/One Shelf in Top Area											
OWD2796	2874	3006	3086	3149	3233	3388	3461	3591	3681	3843	3976
OWD3096	2939	3083	3160	3219	3307	3465	3538	3673	3763	3931	4066
OWD3196 (31-1/2" wide)	3002	3147	3223	3286	3373	3535	3610	3745	3839	4008	4148
OWD3396	3002	3147	3223	3286	3373	3535	3610	3745	3839	4008	4148
OWD3696	3079	3225	3307	3370	3460	3624	3701	3841	3937	4112	4253
102" High - 24" Deep/Two Shelves in Top Area											
OWD27102	4024	4208	4320	4409	4526	4743	4845	5027	5153	5380	5566
OWD30102	4115	4316	4424	4507	4630	4851	4953	5142	5268	5503	5692
OWD31102 (31-1/2" wide)	4203	4406	4512	4600	4722	4949	5054	5243	5375	5611	5807
OWD33102	4203	4406	4512	4600	4722	4949	5054	5243	5375	5611	5807
OWD36102	4311	4515	4630	4718	4844	5074	5181	5377	5512	5757	5954
108" High - 24" Deep/Two Shelves in Top Area											
OWD27108	4024	4208	4320	4409	4526	4743	4845	5027	5153	5380	5566
OWD30108	4115	4316	4424	4507	4630	4851	4953	5142	5268	5503	5692
OWD31108 (31-1/2" wide)	4203	4406	4512	4600	4722	4949	5054	5243	5375	5611	5807
OWD33108	4203	4406	4512	4600	4722	4949	5054	5243	5375	5611	5807
OWD36108	4311	4515	4630	4718	4844	5074	5181	5377	5512	5757	5954
* 114" High - 24" Deep/Two Shelves in Top Area											
OWD27114	4024	4208	4320	4409	4526	4743	4845	5027	5153	5380	5566
OWD30114	4115	4316	4424	4507	4630	4851	4953	5142	5268	5503	5692
OWD31114 (31-1/2" wide)	4203	4406	4512	4600	4722	4949	5054	5243	5375	5611	5807
OWD33114	4203	4406	4512	4600	4722	4949	5054	5243	5375	5611	5807
OWD36114	4311	4515	4630	4718	4844	5074	5181	5377	5512	5757	5954
* 120" High - 24" Deep/Three Shelves in Top Area											
OWD27120	4024	4208	4320	4409	4526	4743	4845	5027	5153	5380	5566
OWD30120	4115	4316	4424	4507	4630	4851	4953	5142	5268	5503	5692
OWD31120 (31-1/2" wide)	4203	4406	4512	4600	4722	4949	5054	5243	5375	5611	5807
OWD33120	4203	4406	4512	4600	4722	4949	5054	5243	5375	5611	5807
OWD36120	4311	4515	4630	4718	4844	5074	5181	5377	5512	5757	5954



40142 - Microwave Cabinet Three Drawer (MC3D)



*Drawer can be converted to warming drawer cut-out

NOTE: Cabinets over 96" high are not available in Rustic Hickory.

NOTE: Specify "Omit Oven Panel" for no charge to remove Oven Panel.

NOTE: See page 6-18 for Custom Cutout Template Form. For custom cut-outs, template must be completed and submitted with order.

Include Flush Installation Kit, **IFIK** N/C

Convert Oven Drawer to Warming Drawer, **CTWD** N/C

Fixed Shelf in Warming Drawer opening, **FSWD** \$126

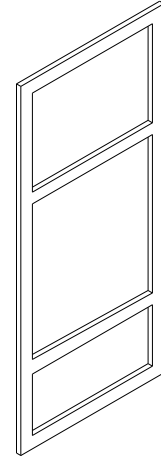
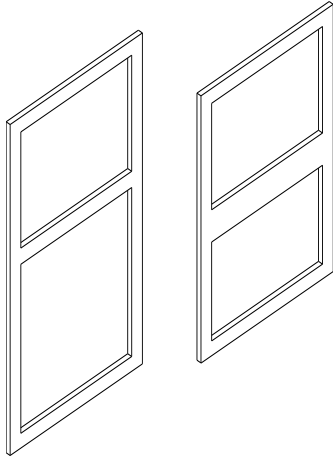
† See Section #40145 for Oven Panel cut-out options.

- Specify custom cutout (included in price) If not specified, default cutout is supplied for jobsite trimming. **Appliance manufacturers specification sheets will not be accepted for specification of cutout.**
- Available depth for oven is 23-7/16". Back may be cut out in field to maximize available depth to 24".
- Oven Panel is included and is a 4-sided frame with an edge profile to coordinate with door style. Inside edge of cut-out is not finished. For custom cut-outs, **minimum** stile width is 1" (1-1/2" for Acrylic, Foil or Veneer door styles), **minimum** rail width is 1-1/2". Additional trimming can be done in field.
- To convert a drawer to a warming drawer cut-out, specify **CTWD** and indicate cut-out width and height. If not specified, height is 9" and width is default size.
- * Tall cabinets over 108" high are only available with all-plywood construction (PLYCASE) which must be specified and upcharged.
- The Flush Installation Kit removes the oven panel and includes three fillers (3" x 72") to be jobsite installed for oven installation.

Cat. Code	1	2	3	4	5	6	7	8	9	10	11
84" High - 24" Deep/One Shelf in Top Area											
MC3D2784	2548	2651	2720	2776	2838	2953	3009	3106	3178	3309	3415
MC3D3084-1DWR	2599	2713	2779	2832	2896	3017	3073	3176	3248	3383	3491
MC3D3184-1DWR	2655	2772	2837	2889	2953	3076	3134	3237	3311	3449	3560
MC3D3384-1DWR	2655	2772	2837	2889	2953	3076	3134	3237	3311	3449	3560
MC3D3684-1DWR	2712	2835	2903	2956	3024	3149	3208	3316	3393	3531	3646
90" High - 24" Deep/Two Shelves in Top Area											
MC3D2790	2834	2986	3066	3132	3206	3344	3409	3526	3607	3757	3877
MC3D3090-1DWR	2918	3057	3139	3204	3282	3422	3489	3609	3693	3847	3972
MC3D3190-1DWR	2974	3114	3194	3258	3337	3484	3551	3674	3759	3916	4044
MC3D3390-1DWR	2974	3114	3194	3258	3337	3484	3551	3674	3759	3916	4044
MC3D3690-1DWR	3043	3189	3271	3336	3418	3568	3638	3765	3850	4014	4144
93" High - 24" Deep/Two Shelves in Top Area											
MC3D2793	2834	2986	3066	3132	3206	3344	3409	3526	3607	3757	3877
MC3D3093-1DWR	2918	3057	3139	3204	3282	3422	3489	3609	3693	3847	3972
MC3D3193-1DWR	2974	3114	3194	3258	3337	3484	3551	3674	3759	3916	4044
MC3D3393-1DWR	2974	3114	3194	3258	3337	3484	3551	3674	3759	3916	4044
MC3D3693-1DWR	3043	3189	3271	3336	3418	3568	3638	3765	3850	4014	4144
96" High - 24" Deep/Two Shelves in Top Area											
MC3D2796	2834	2986	3066	3132	3206	3344	3409	3526	3607	3757	3877
MC3D3096-1DWR	2918	3057	3139	3204	3282	3422	3489	3609	3693	3847	3972
MC3D3196-1DWR	2974	3114	3194	3258	3337	3484	3551	3674	3759	3916	4044
MC3D3396-1DWR	2974	3114	3194	3258	3337	3484	3551	3674	3759	3916	4044
MC3D3696-1DWR	3043	3189	3271	3336	3418	3568	3638	3765	3850	4014	4144
102" High - 24" Deep/Two Shelves in Top Area											
MC3D27102	3968	4180	4292	4385	4488	4682	4773	4936	5050	5260	5428
MC3D30102-1DWR	4085	4280	4395	4486	4595	4791	4885	5053	5170	5386	5561
MC3D31102-1DWR	4164	4360	4472	4561	4672	4878	4971	5144	5263	5482	5662
MC3D33102-1DWR	4164	4360	4472	4561	4672	4878	4971	5144	5263	5482	5662
MC3D36102-1DWR	4260	4465	4579	4670	4785	4995	5093	5271	5390	5620	5802
108" High - 24" Deep/Three Shelves in Top Area											
MC3D27108	3968	4180	4292	4385	4488	4682	4773	4936	5050	5260	5428
MC3D30108-1DWR	4085	4280	4395	4486	4595	4791	4885	5053	5170	5386	5561
MC3D31108-1DWR	4164	4360	4472	4561	4672	4878	4971	5144	5263	5482	5662
MC3D33108-1DWR	4164	4360	4472	4561	4672	4878	4971	5144	5263	5482	5662
MC3D36108-1DWR	4260	4465	4579	4670	4785	4995	5093	5271	5390	5620	5802
114" High - 24" Deep/Three Shelves in Top Area											
MC3D27114	3968	4180	4292	4385	4488	4682	4773	4936	5050	5260	5428
MC3D30114-1DWR	4085	4280	4395	4486	4595	4791	4885	5053	5170	5386	5561
MC3D31114-1DWR	4164	4360	4472	4561	4672	4878	4971	5144	5263	5482	5662
MC3D33114-1DWR	4164	4360	4472	4561	4672	4878	4971	5144	5263	5482	5662
MC3D36114-1DWR	4260	4465	4579	4670	4785	4995	5093	5271	5390	5620	5802
120" High - 24" Deep/Four Shelves in Top Area											
MC3D27120	3968	4180	4292	4385	4488	4682	4773	4936	5050	5260	5428
MC3D30120-1DWR	4085	4280	4395	4486	4595	4791	4885	5053	5170	5386	5561
MC3D31120-1DWR	4164	4360	4472	4561	4672	4878	4971	5144	5263	5482	5662
MC3D33120-1DWR	4164	4360	4472	4561	4672	4878	4971	5144	5263	5482	5662
MC3D36120-1DWR	4260	4465	4579	4670	4785	4995	5093	5271	5390	5620	5802



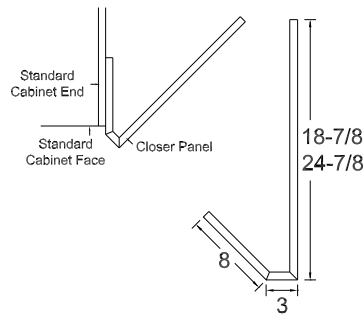
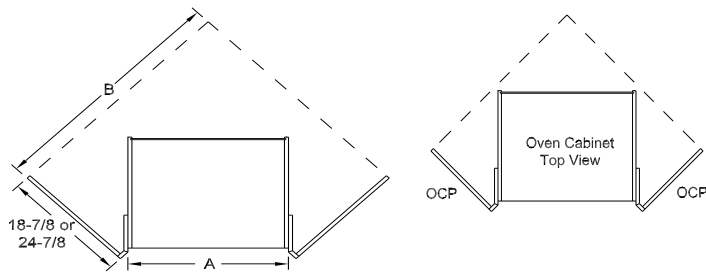
40145 - Oven Panel Cut-Out Options



Convert to Single Panel with Two Openings,
CSP2.Add \$224 to MOC price

Convert to Single Panel with Three Openings,
CSP3.Add \$336 to MOC price

40150 - Oven Closer Panels



Specifications	
"A" Cabinet Width	"B" Panel Location From Corner
18" Deep	
27	40-31/32"
30	43-3/32"
31-1/2	44-5/32
33	45-7/32"
36	47-11/32"
24" Deep	
27	46-31/32"
30	49-3/32"
31-1/2	50-5/32
33	51-7/32"
36	53-11/32"

- Price is per single panel. If both is specified, **double** the price shown.
- Panels are shipped **loose** for field installation.
- Panels are **not** notched for toespace, must be cut in the field.

NOTE: Oven closer panel is designed and sized to be installed flush with the face of the doors/drawers on the oven cabinet and the adjacent cabinetry during installation.

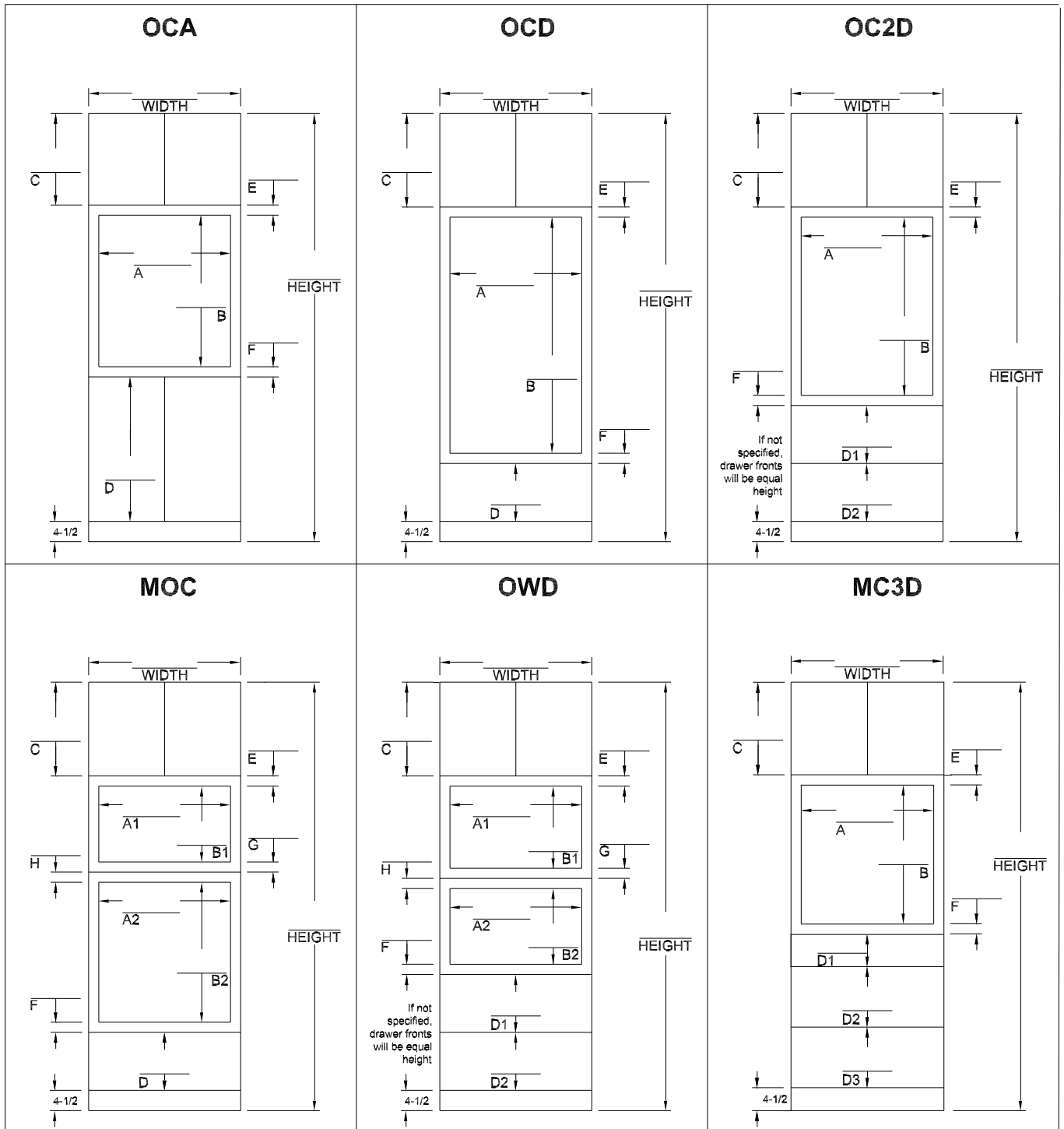
FURNITURE BOARD			
Cat. Code	Price	Cat. Code	Price
18-7/8" Deep		24-7/8" Deep	
OCPW1884	499	OCPW2484	556
OCPW1890	573	OCPW2490	635
OCPW1893	573	OCPW2493	635
OCPW1896	573	OCPW2496	635
OCPW18102	716	OCPW24102	794
OCPW18108	716	OCPW24108	794

PLYWOOD			
Cat. Code	Price	Cat. Code	Price
18-7/8" Deep		24-7/8" Deep	
OCPP1884	605	OCPP2484	662
OCPP1890	679	OCPP2490	740
OCPP1893	679	OCPP2493	740
OCPP1896	679	OCPP2496	740
OCPP18102	849	OCPP24102	925
OCPP18108	849	OCPP24108	925
OCPP18114	1018	OCPP24114	1110
OCPP18120	1018	OCPP24120	1110



Custom Cutout Template Form

Dealer Name _____ P.O./Job Name _____



- Specify "A" and "B" dimension of cut-out. If no other dimensions are indicated, the lower section (Dim "D") is supplied at the standard height (see drawing). Intermediate rails (Dim. E, F & G) are supplied at 2". The top section (Dim "C") is based on the remainder.
- If top and/or bottom section (Dim "C" & "D") are to align with the door height of adjacent cabinetry, please indicate them on the template.
- See [door style section](#) for size limitations.

NOTE: Working drawer may be converted to a warming drawer cutout for no charge. Specify **CTWD** and warming drawer opening dimensions on order. If fixed shelf is desired in Warming Drawer opening, specify **FSWD** and add \$126.

Include Flush Installation Kit, **IFIK** **N/C**

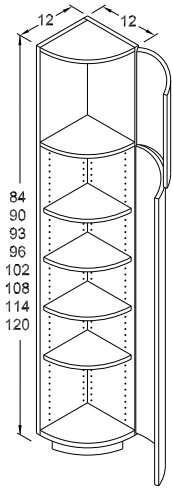
40200 - Quarter Round Tall Cabinet

* Tall cabinets over 108" high are only available with all-plywood construction (PLYCASE) which must be specified and upcharged.

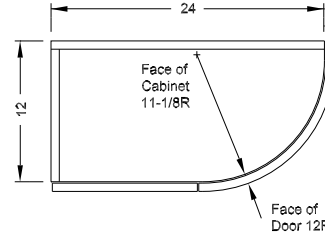
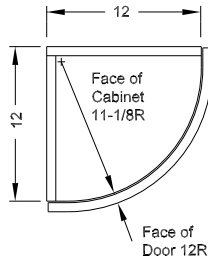
- Finished Ends are **not** available.
- Height modifications affect upper section unless otherwise specified.

NO MODIFICATIONS THAT AFFECT CURVED CABINET FACE AND/OR DOOR RADIUS

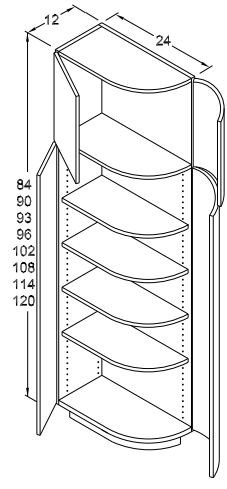
NOTE: Available in standard wood species **only**. **Exception:** **Not** available in Rustic Hickory wood species. See **door style section** for other limitations.



QRTC12



QRTC24



- Specify left or right. (Left shown.)

Cat. Code	1	2	3	4	5	6	7	8	9	10	11	Adj. Shelves
12" Deep												
84QRTC12	5644	5911	6013	6097	6178	6328	6482	6769	6939	7245	7494	4
90QRTC12	5926	6207	6314	6404	6487	6645	6807	7110	7286	7608	7868	4
93QRTC12	5926	6207	6314	6404	6487	6645	6807	7110	7286	7608	7868	5
96QRTC12	5926	6207	6314	6404	6487	6645	6807	7110	7286	7608	7868	5
102QRTC12	8296	8690	8840	8966	9082	9303	9530	9954	10200	10651	11015	6
108QRTC12	8296	8690	8840	8966	9082	9303	9530	9954	10200	10651	11015	6
* 114QRTC12	8296	8690	8840	8966	9082	9303	9530	9954	10200	10651	11015	6
* 120QRTC12	8296	8690	8840	8966	9082	9303	9530	9954	10200	10651	11015	7
24" Deep												
84QRTC24 L/R	7189	7468	7557	7629	7709	7858	8050	8409	8615	8999	9308	4
90QRTC24 L/R	7549	7840	7935	8011	8096	8252	8454	8831	9046	9450	9775	4
93QRTC24 L/R	7549	7840	7935	8011	8096	8252	8454	8831	9046	9450	9775	5
96QRTC24 L/R	7549	7840	7935	8011	8096	8252	8454	8831	9046	9450	9775	5
102QRTC24 L/R	10569	10976	11109	11215	11334	11553	11836	12363	12664	13230	13685	6
108QRTC24 L/R	10569	10976	11109	11215	11334	11553	11836	12363	12664	13230	13685	6
* 114QRTC24 L/R	10569	10976	11109	11215	11334	11553	11836	12363	12664	13230	13685	6
* 120QRTC24 L/R	10569	10976	11109	11215	11334	11553	11836	12363	12664	13230	13685	7

40300 - Tall End Shelf

• Matching Finished Interior is standard.
 * Tall cabinets over 108" high are only available with all-plywood construction (PLYCASE) which must be specified and upcharged.

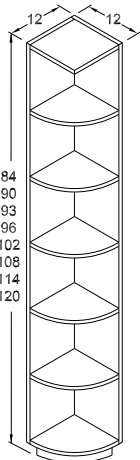
- Finished Ends are **not** available.

- Specify left or right. (Left shown.)

QUOTED MODIFICATIONS ONLY

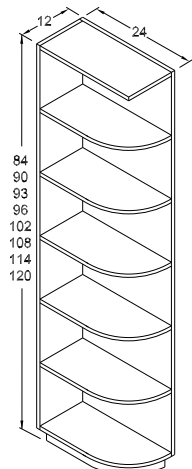
NOTE: Not available for Acrylics or Wired Foils.

NOTE: TES over 96" high is **not** available in Rustic Hickory.



TES12

Cat. Code	Price	Adj. Shelves
12" Deep		
84TES12	1483	5
90TES12	1705	5
93TES12	1705	6
96TES12	1705	6
102TES12	2387	6
108TES12	2387	7
* 114TES12	2387	7
* 120TES12	2387	8

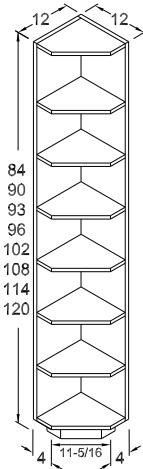


TES24

Cat. Code	Price	Adj. Shelves
24" Deep		
84TES24 L/R	1749	5
90TES24 L/R	2015	5
93TES24 L/R	2015	6
96TES24 L/R	2015	6
102TES24 L/R	2821	6
108TES24 L/R	2821	7
* 114TES24 L/R	2821	7
* 120TES24 L/R	2821	8



40400 - Tall Diagonal End Shelf



TDES12

- Matching Finished Interior is standard and included for N/C.
- * Tall cabinets over 108" high are only available with all-plywood construction (PLYCASE) which must be specified and upcharged.
- Finished Ends are **not** available.

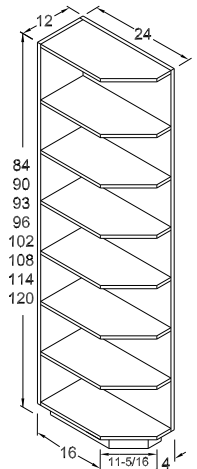
QUOTED MODIFICATIONS ONLY

NOTE: Not available for Acrylics or Wired Foils.

NOTE: TDES over 96" high is **not** available in Rustic Hickory.

Cat. Code	Price	Adj. Shelves
12" Deep		
84TDES12	1483	5
90TDES12	1705	5
93TDES12	1705	6
96TDES12	1705	6
102TDES12	2387	6
108TDES12	2387	7
* 114TDES12	2387	7
* 120TDES12	2387	8

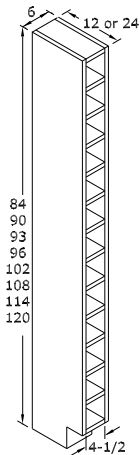
Cat. Code	Price	Adj. Shelves
24" Deep		
84TDES24 L/R	1749	5
90TDES24 L/R	2015	5
93TDES24 L/R	2015	6
96TDES24 L/R	2015	6
102TDES24 L/R	2821	6
108TDES24 L/R	2821	7
* 114TDES24 L/R	2821	7
* 120TDES24 L/R	2821	8



TDES24

- Specify left or right. (Left shown.)

40550 - Tall Wine Rack



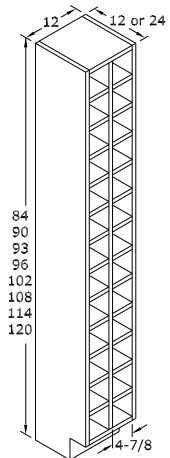
TWR6

- Matching Finished Interior is standard.
- * Tall cabinets over 108" high are only available with all-plywood construction (PLYCASE) which must be specified and upcharged.
- **Minimum** depth = 6".

WIDTH AND HEIGHT MODIFICATIONS MUST BE QUOTED

NOTE: Not available for Acrylics or Wired Foils.

NOTE: TWR over 96" high is **not** available in Rustic Hickory.



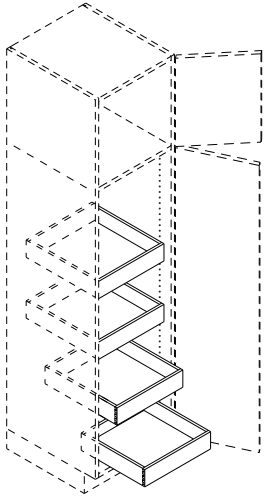
TWR12

Cat. Code	Price	Shelves
12" Deep		
84TWR612	2411	12
90TWR612	2755	13
93TWR612	2755	13
96TWR612	2755	14
102TWR612	3857	15
108TWR612	3857	16
114TWR612	3857	17
120TWR612	3857	18
24" Deep		
84TWR624	3133	12
90TWR624	3590	13
93TWR624	3590	13
96TWR624	3590	14
102TWR624	5026	15
108TWR624	5026	16
* 114TWR624	5026	17
* 120TWR624	5026	18

Cat. Code	Price	Shelves
12" 12" Deep		
84TWR1212	2639	12
90TWR1212	3017	13
93TWR1212	3017	13
96TWR1212	3017	14
102TWR1212	4224	15
108TWR1212	4224	16
114TWR1212	4224	17
120TWR1212	4224	18
24" Deep		
84TWR1224	3450	12
90TWR1224	3931	13
93TWR1224	3931	13
96TWR1224	3931	14
102TWR1224	5503	15
108TWR1224	5503	16
* 114TWR1224	5503	17
* 120TWR1224	5503	18



40600 - Roll-Out Shelf



- Specify upper or lower section for ROS when applicable.
- Dovetailed Roll-Out shelves with a natural finish are available 2", 4" or 8" high. Also available in premium Maple or Stainless Steel (3-1/2" or 7" high).
- Available in 12" through 24" deep cabinets **only**.
- Adjustable Roll-out Shelves are priced as single units. Specify quantity and cabinet for installation.
Example: **84UC3012**
4, ROS30
- **Maximum** 11 ROS (4" high) per standard **UC** opening height.
Maximum 5 ROSD (8" high) per standard **UC** opening height.
- Roll-out Shelves operate on Full-Extension, with soft-close feature.
- When 1 ROS is specified, it is installed at the bottom of the opening and adjustable shelves are installed above. For each additional ROS added, one adjustable shelf is removed.

QUOTED MODIFICATIONS ONLY

Cat. Code	Price
2" High*	
ROS2-12	233
ROS2-15	245
ROS2-18	245
ROS2-21	269
ROS2-24	269
ROS2-27	305
ROS2-30	305
ROS2-33	329
ROS2-36	329

***Not** available in Stainless Steel

Cat. Code	Price
4" High*	
ROS12	233
ROS15	245
ROS18	245
ROS21	269
ROS24	269
ROS27	305
ROS30	305
ROS33	329
ROS36	329

*When Stainless Steel is specified, ROS is 3-1/2" high.

Cat. Code	Price
Deep Sides - 8" High*	
ROSD12	392
ROSD15	413
ROSD18	413
ROSD21	446
ROSD24	446
ROSD27	494
ROSD30	494
ROSD33	530
ROSD36	530

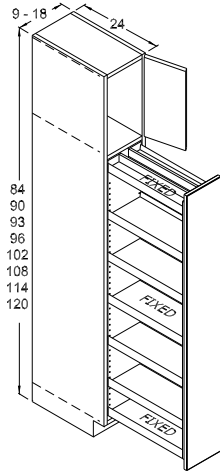
*When Stainless Steel is specified, ROS is 7" high.

For **Premium Maple Roll-Out Shelves**, add \$144 per Roll-Out Shelf and specify PM at the front of the code. **Example: PMROS42**

For **Stainless Steel Roll-Out Shelves**, add \$247 per Roll-Out Shelf and specify SS at the front of the code. **Example: SSROS12**



40630 - Tall Pull-Out Pantry



* Tall cabinets over 108" high are only available with all-plywood construction (PLYCASE) which must be specified and upcharged.

- **Minimum** depth = 24". **Minimum** width = 7-1/2".
- Pantry shelves are adjustable and are Maple with a Natural finish.
- Heavy duty, full-extension, undermount hardware is included.
- Height modifications affect upper section unless otherwise specified.

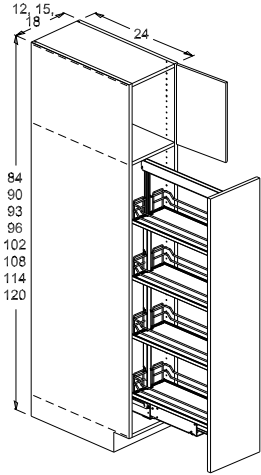
ANY MODIFICATION AFFECTING THE PULL-OUT UNIT MUST BE QUOTED.-

NOTE: Cabinets over 96" high are **not** available in Rustic Hickory.

Cat. Code	1	2	3	4	5	6	7	8	9	10	11
84" High - No Shelf in Top Area											
84TPOP924	4163	4281	4367	4438	4483	4563	4601	4667	4784	4995	5168
84TPOP1224	4216	4342	4434	4507	4555	4641	4680	4749	4865	5082	5257
84TPOP1524	4284	4419	4515	4596	4646	4739	4781	4853	4973	5193	5373
84TPOP1824	4368	4517	4622	4707	4760	4861	4903	4982	5105	5331	5515
90" High - No Shelf in Top Area											
90TPOP924	4303	4431	4525	4601	4652	4746	4787	4861	4980	5200	5381
90TPOP1224	4363	4499	4598	4678	4732	4832	4875	4952	5073	5298	5481
90TPOP1524	4440	4589	4693	4776	4834	4940	4984	5068	5194	5424	5612
90TPOP1824	4535	4697	4809	4899	4962	5077	5126	5215	5344	5579	5773
93" High - 1 Shelf in Top Area											
93TPOP924	4303	4431	4525	4601	4652	4746	4787	4861	4980	5200	5381
93TPOP1224	4363	4499	4598	4678	4732	4832	4875	4952	5073	5298	5481
93TPOP1524	4440	4589	4693	4776	4834	4940	4984	5068	5194	5424	5612
93TPOP1824	4535	4697	4809	4899	4962	5077	5126	5215	5344	5579	5773
96" High - 1 Shelf in Top Area											
96TPOP924	4303	4431	4525	4601	4652	4746	4787	4861	4980	5200	5381
96TPOP1224	4363	4499	4598	4678	4732	4832	4875	4952	5073	5298	5481
96TPOP1524	4440	4589	4693	4776	4834	4940	4984	5068	5194	5424	5612
96TPOP1824	4535	4697	4809	4899	4962	5077	5126	5215	5344	5579	5773
102" High - 2 Shelves in Top Area											
102TPOP924	6024	6203	6335	6441	6513	6644	6702	6805	6972	7280	7533
102TPOP1224	6108	6299	6437	6549	6625	6765	6825	6933	7102	7417	7673
102TPOP1524	6216	6425	6570	6686	6768	6916	6978	7095	7272	7594	7857
102TPOP1824	6349	6576	6733	6859	6947	7108	7176	7301	7482	7811	8082
108" High - 2 Shelves in Top Area											
108TPOP924	6024	6203	6335	6441	6513	6644	6702	6805	6972	7280	7533
108TPOP1224	6108	6299	6437	6549	6625	6765	6825	6933	7102	7417	7673
108TPOP1524	6216	6425	6570	6686	6768	6916	6978	7095	7272	7594	7857
108TPOP1824	6349	6576	6733	6859	6947	7108	7176	7301	7482	7811	8082
* 114" High - 2 Shelves in Top Area											
114TPOP924	6024	6203	6335	6441	6513	6644	6702	6805	6972	7280	7533
114TPOP1224	6108	6299	6437	6549	6625	6765	6825	6933	7102	7417	7673
114TPOP1524	6216	6425	6570	6686	6768	6916	6978	7095	7272	7594	7857
114TPOP1824	6349	6576	6733	6859	6947	7108	7176	7301	7482	7811	8082
* 120" High - 3 Shelves in Top Area											
120TPOP924	6024	6203	6335	6441	6513	6644	6702	6805	6972	7280	7533
120TPOP1224	6108	6299	6437	6549	6625	6765	6825	6933	7102	7417	7673
120TPOP1524	6216	6425	6570	6686	6768	6916	6978	7095	7272	7594	7857
120TPOP1824	6349	6576	6733	6859	6947	7108	7176	7301	7482	7811	8082



40640 - Tall Pull-Out Pantry - Wire



* Tall cabinets over 108" high are only available with all-plywood construction (PLYCASE) which must be specified and upcharged.

- Pull-Out unit have 4 adjustable shelves with wire surround.
- Height modifications affect the upper section unless otherwise specified.

NO MODIFICATIONS THAT AFFECT THE PULL-OUT UNIT

NOTE: Cabinets over 96" high are **not** available in Rustic Hickory.

Cat. Code	1	2	3	4	5	6	7	8	9	10	11
84" High - No Shelf in Top Area											
84TPOPW1224	4301	4429	4523	4598	4647	4734	4774	4844	4963	5184	5363
84TPOPW1524	4370	4508	4606	4688	4739	4834	4877	4951	5073	5297	5481
84TPOPW1824	4456	4608	4715	4802	4856	4959	5002	5082	5208	5438	5626
90" High - No Shelf in Top Area											
90TPOPW1224	4451	4589	4690	4772	4827	4929	4973	5052	5175	5404	5591
90TPOPW1524	4529	4681	4787	4872	4931	5039	5084	5170	5298	5533	5725
90TPOPW1824	4626	4791	4906	4997	5062	5179	5229	5320	5451	5691	5889
93" High - 1 Shelf in Top Area											
93TPOPW1224	4451	4589	4690	4772	4827	4929	4973	5052	5175	5404	5591
93TPOPW1524	4529	4681	4787	4872	4931	5039	5084	5170	5298	5533	5725
93TPOPW1824	4626	4791	4906	4997	5062	5179	5229	5320	5451	5691	5889
96" High - 1 Shelf in Top Area											
96TPOPW1224	4451	4589	4690	4772	4827	4929	4973	5052	5175	5404	5591
96TPOPW1524	4529	4681	4787	4872	4931	5039	5084	5170	5298	5533	5725
96TPOPW1824	4626	4791	4906	4997	5062	5179	5229	5320	5451	5691	5889
102" High - 2 Shelves in Top Area											
102TPOPW1224	6231	6425	6566	6681	6758	6901	6962	7073	7245	7566	7827
102TPOPW1524	6341	6553	6702	6821	6903	7055	7118	7238	7417	7746	8015
102TPOPW1824	6476	6707	6868	6996	7087	7251	7321	7448	7631	7967	8245
108" High - 2 Shelves in Top Area											
108TPOPW1224	6231	6425	6566	6681	6758	6901	6962	7073	7245	7566	7827
108TPOPW1524	6341	6553	6702	6821	6903	7055	7118	7238	7417	7746	8015
108TPOPW1824	6476	6707	6868	6996	7087	7251	7321	7448	7631	7967	8245
* 114" High - 2 Shelves in Top Area											
114TPOPW1224	6231	6425	6566	6681	6758	6901	6962	7073	7245	7566	7827
114TPOPW1524	6341	6553	6702	6821	6903	7055	7118	7238	7417	7746	8015
114TPOPW1824	6476	6707	6868	6996	7087	7251	7321	7448	7631	7967	8245
* 120" High - 3 Shelves in Top Area											
120TPOPW1224	6231	6425	6566	6681	6758	6901	6962	7073	7245	7566	7827
120TPOPW1524	6341	6553	6702	6821	6903	7055	7118	7238	7417	7746	8015
120TPOPW1824	6476	6707	6868	6996	7087	7251	7321	7448	7631	7967	8245



Vanity Index

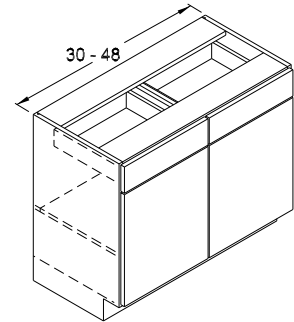
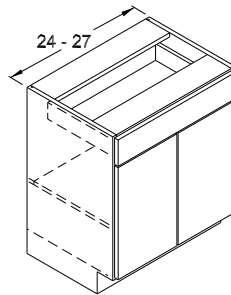
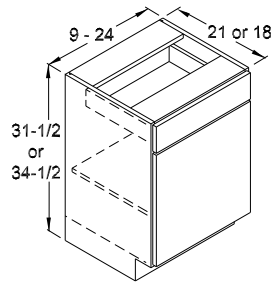
Base Cabinets (Vanity Base, Full Door, Shallow)	7-1
Clothes Hamper	7-14
Counter Cabinets	7-20
Drawer Bases (2, 3, 4, & Multi-Drawer)	7-3
Grooming Cabinet	7-12
Linen Storage Cabinets	7-26
Linen Storage Hamper	7-38
Medicine Cabinets	7-15
Mirrors	7-16
Pull-Out Storage, Vanity	7-13
Roll-Out Shelf	7-14
Sink Bases (Full Door, Angled, Apron, etc.)	7-5
Wall Cabinets	7-18
Wall Hung Cabinets	7-39
Waste Basket	7-13
X Cabinet	7-12



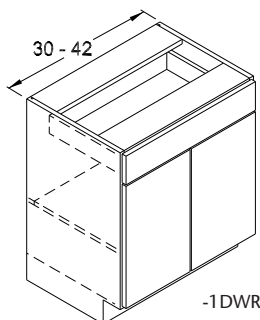


Vanity Base cabinets are available 21" or 18" deep, at the same price. If not specified, 21" depth is standard. For 18" depth, add the suffix 18 after the code. Example: VB3018

50000 - Vanity Base



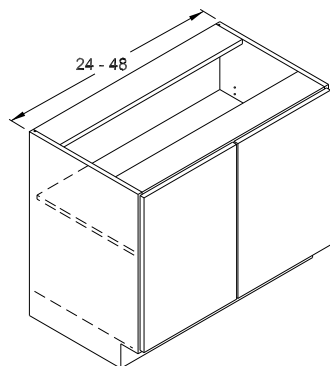
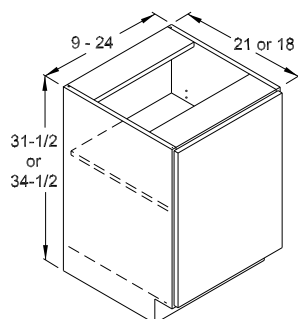
Cat. Code	1	2	3	4	5	6	7	8	9	10	11
31-1/2" High											
VB9	416	465	497	522	540	573	587	614	630	655	679
VB12	437	489	522	549	568	602	617	645	662	690	714
VB15	473	533	566	595	616	651	668	696	714	746	771
VB18	504	571	609	636	657	698	716	750	769	802	828
VB21	557	630	669	701	725	769	789	822	844	882	911
VB24-1	679	778	821	852	882	934	957	1001	1025	1070	1108
VB24	679	778	821	852	882	934	957	1001	1025	1070	1108
VB27	721	834	898	949	983	1043	1070	1117	1145	1195	1237
34-1/2" High											
TVB9	429	480	512	539	557	590	605	633	649	676	700
TVB12	450	504	539	566	586	621	637	665	683	711	736
TVB15	488	549	584	613	635	671	688	718	736	769	795
TVB18	520	588	628	656	678	720	738	773	792	827	854
TVB21	574	649	689	723	747	792	813	847	870	909	939
TVB24-1	700	802	846	879	909	963	986	1032	1057	1103	1142
TVB24	700	802	846	879	909	963	986	1032	1057	1103	1142
TVB27	743	860	926	979	1014	1076	1103	1152	1180	1232	1275
31-1/2" High											
VB30	829	942	1009	1062	1098	1164	1194	1248	1277	1336	1382
VB33	872	984	1052	1109	1147	1216	1247	1302	1335	1393	1442
VB36	904	1024	1097	1155	1194	1265	1295	1355	1388	1449	1500
VB39	950	1077	1152	1214	1255	1331	1365	1426	1463	1526	1579
VB42	984	1118	1194	1255	1300	1378	1413	1476	1513	1580	1634
VB45	1027	1163	1242	1307	1353	1431	1469	1534	1573	1640	1697
VB48	1065	1208	1289	1355	1400	1483	1521	1588	1627	1700	1757
VB48-4*	1223	1384	1478	1553	1606	1702	1744	1821	1867	1948	2015
34-1/2" High											
TVB30	855	971	1040	1095	1132	1200	1231	1286	1317	1377	1424
TVB33	899	1015	1084	1143	1182	1254	1285	1342	1376	1436	1486
TVB36	931	1056	1130	1190	1231	1304	1335	1397	1431	1494	1546
TVB39	980	1110	1187	1252	1294	1372	1407	1470	1508	1573	1628
TVB42	1015	1153	1231	1294	1340	1421	1457	1521	1560	1629	1684
TVB45	1059	1199	1280	1347	1395	1475	1515	1581	1621	1691	1750
TVB48	1098	1245	1328	1397	1443	1529	1568	1637	1677	1753	1812
TVB48-4*	1261	1426	1523	1601	1656	1755	1798	1877	1924	2009	2077
31-1/2" High											
VB30-1DWR	829	942	1009	1062	1098	1164	1194	1248	1277	1336	1382
VB33-1DWR	872	984	1052	1109	1147	1216	1247	1302	1335	1393	1442
VB36-1DWR	904	1024	1097	1155	1194	1265	1295	1355	1388	1449	1500
VB39-1DWR	950	1077	1152	1214	1255	1331	1365	1426	1463	1526	1579
VB42-1DWR	984	1118	1194	1255	1300	1378	1413	1476	1513	1580	1634
34-1/2" High											
TVB30-1DWR	855	971	1040	1095	1132	1200	1231	1286	1317	1377	1424
TVB33-1DWR	899	1015	1084	1143	1182	1254	1285	1342	1376	1436	1486
TVB36-1DWR	931	1056	1130	1190	1231	1304	1335	1397	1431	1494	1546
TVB39-1DWR	980	1110	1187	1252	1294	1372	1407	1470	1508	1573	1628
TVB42-1DWR	1015	1153	1231	1294	1340	1421	1457	1521	1560	1629	1684



*VB48-4 and TVB48-4 have a center partition.



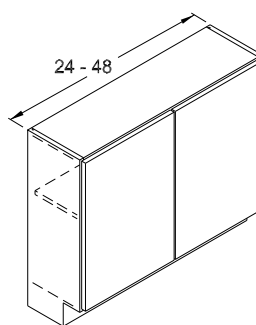
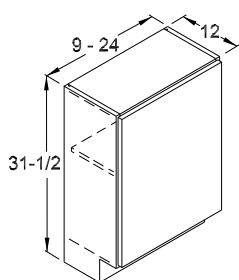
50050 - Vanity Full Door



Cat. Code	1	2	3	4	5	6	7	8	9	10	11
31-1/2" High - One Shelf											
VFD9	398	470	502	526	543	573	589	615	630	657	679
VFD12	425	478	513	541	561	595	611	636	652	682	704
VFD15	464	525	559	586	610	645	662	690	708	738	764
VFD18	495	563	598	629	652	693	711	743	762	795	823
VFD21	548	621	663	695	718	763	784	816	837	874	903
VFD24	661	761	802	832	864	916	938	982	1004	1048	1087
VFD24-1	661	761	802	832	864	916	938	982	1004	1048	1087
VFD27	702	816	881	931	965	1025	1052	1098	1127	1175	1216
VFD30	819	934	1003	1058	1097	1164	1194	1248	1277	1336	1381
VFD33	863	979	1048	1107	1145	1217	1248	1302	1335	1394	1443
VFD36	895	1020	1095	1154	1194	1268	1300	1357	1390	1453	1502
VFD39	942	1072	1151	1215	1257	1337	1370	1429	1466	1530	1583
VFD42	977	1117	1194	1257	1303	1384	1418	1482	1520	1587	1641
VFD45	1021	1163	1245	1309	1356	1441	1476	1540	1579	1649	1708
VFD48	1062	1208	1290	1360	1407	1494	1530	1598	1637	1711	1769
VFD48-4*	1224	1390	1486	1564	1619	1717	1761	1839	1884	1967	2036
34-1/2" High - Two Shelves											
TVFD9	410	485	518	542	560	590	607	634	649	678	700
TVFD12	439	492	529	558	579	613	630	656	672	703	726
TVFD15	479	541	577	604	629	665	683	711	730	761	787
TVFD18	510	581	617	648	672	714	733	766	785	820	848
TVFD21	565	640	684	717	740	786	808	841	863	901	931
TVFD24-1	682	784	827	858	890	944	967	1012	1035	1080	1121
TVFD24	682	784	827	858	890	944	967	1012	1035	1080	1121
TVFD27	724	841	908	960	995	1057	1084	1132	1162	1212	1254
TVFD30	844	963	1034	1090	1130	1200	1231	1286	1317	1377	1423
TVFD33	889	1009	1080	1141	1180	1255	1286	1342	1376	1437	1487
TVFD36	923	1052	1128	1189	1231	1307	1340	1399	1433	1498	1549
TVFD39	971	1105	1186	1253	1296	1378	1413	1473	1512	1577	1632
TVFD42	1007	1151	1231	1296	1343	1426	1462	1528	1567	1636	1692
TVFD45	1053	1199	1283	1349	1398	1485	1521	1588	1628	1700	1761
TVFD48	1095	1245	1330	1402	1451	1540	1577	1647	1688	1764	1823
TVFD48-4*	1262	1433	1532	1613	1669	1770	1815	1896	1942	2028	2099

*VFD48-4 and TVFD48-4 have a center partition.

50100 - Vanity Full Door Shallow



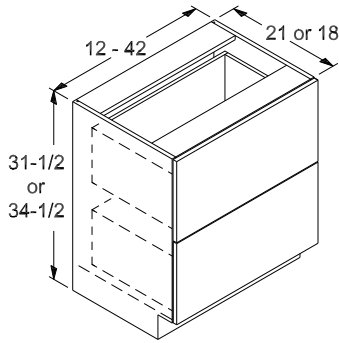
• For 34-1/2 high VFDS, see [section 30100](#) and use BFDS codes.

Cat. Code	1	2	3	4	5	6	7	8	9	10	11
VFDS9	380	426	458	482	499	529	542	567	581	607	628
VFDS12	405	456	489	515	533	565	579	606	621	649	671
VFDS15	442	501	532	559	578	615	630	656	673	702	728
VFDS18	470	537	571	597	621	661	677	706	725	757	784
VFDS21	522	591	631	662	684	726	745	777	796	830	861
VFDS24-1	661	761	802	832	864	916	938	982	1004	1048	1087
VFDS24	661	761	802	832	864	916	938	982	1004	1048	1087
VFDS27	702	816	881	931	965	1025	1052	1098	1127	1175	1216
VFDS30	819	934	1003	1058	1097	1164	1194	1248	1277	1336	1381
VFDS33	863	979	1048	1107	1145	1217	1248	1302	1335	1394	1443
VFDS36	895	1020	1095	1154	1194	1268	1300	1357	1390	1453	1502
VFDS39	942	1072	1151	1215	1257	1337	1370	1429	1466	1530	1583
VFDS42	977	1117	1194	1257	1303	1384	1418	1482	1520	1587	1641
VFDS45	1021	1163	1245	1309	1356	1441	1476	1540	1579	1649	1708
VFDS48	1062	1208	1290	1360	1407	1494	1530	1598	1637	1711	1769
VFDS48-4*	1224	1390	1486	1564	1619	1717	1761	1839	1884	1967	2036

*VFDS48-4 has a center partition.

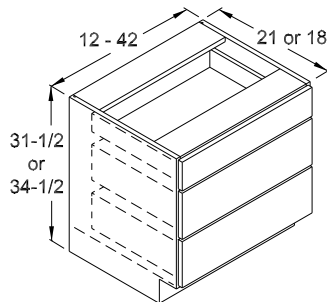


50140 - Vanity Two Drawer Base

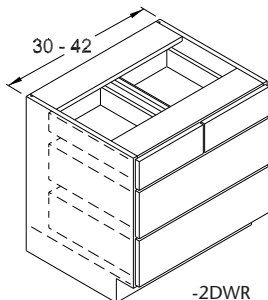


Cat. Code	1	2	3	4	5	6	7	8	9	10	11
31-1/2" High											
V2DB12	684	695	695	695	717	758	777	810	831	868	898
V2DB15	736	746	746	746	771	819	838	876	898	936	970
V2DB18	789	798	798	798	825	876	897	935	959	1002	1037
V2DB21	843	852	852	852	881	931	955	998	1022	1065	1104
V2DB24	901	951	951	951	969	1001	1025	1070	1097	1147	1187
V2DB27	962	975	975	975	1005	1064	1092	1140	1168	1220	1261
V2DB30	1054	1065	1065	1065	1104	1170	1201	1253	1283	1340	1387
V2DB33	1098	1114	1114	1114	1152	1223	1254	1307	1341	1400	1448
V2DB36	1143	1158	1158	1158	1200	1271	1303	1361	1394	1456	1506
V2DB39	1201	1216	1216	1216	1257	1335	1367	1427	1464	1527	1580
V2DB42	1258	1277	1277	1277	1323	1401	1435	1501	1537	1604	1660
34-1/2" High											
TV2DB12	705	717	717	717	739	782	801	835	857	895	926
TV2DB15	759	769	769	769	795	844	864	903	926	965	1000
TV2DB18	813	823	823	823	850	903	925	964	988	1033	1069
TV2DB21	869	879	879	879	908	960	984	1029	1054	1098	1138
TV2DB24	929	980	980	980	999	1032	1057	1103	1131	1182	1224
TV2DB27	991	1005	1005	1005	1036	1097	1126	1176	1204	1258	1300
TV2DB30	1086	1098	1098	1098	1138	1206	1238	1292	1323	1381	1430
TV2DB33	1132	1148	1148	1148	1187	1261	1293	1347	1382	1443	1493
TV2DB36	1178	1194	1194	1194	1237	1310	1343	1403	1437	1501	1553
TV2DB39	1238	1254	1254	1254	1296	1376	1410	1471	1510	1574	1629
TV2DB42	1297	1317	1317	1317	1364	1444	1479	1547	1584	1654	1712

50150 - Vanity Three Drawer Base

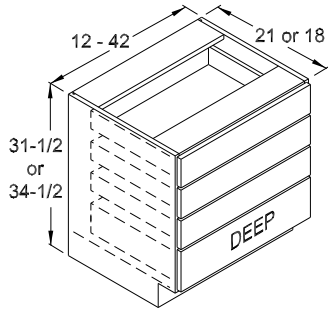


Cat. Code	1	2	3	4	5	6	7	8	9	10	11
31-1/2" High											
V3DB12	698	708	708	708	732	774	792	828	849	886	916
V3DB15	751	762	762	762	789	834	857	894	916	957	990
V3DB18	804	815	815	815	844	892	915	956	982	1023	1058
V3DB21	858	869	869	869	899	951	976	1019	1043	1091	1128
V3DB24	918	931	931	931	964	1021	1045	1094	1121	1169	1211
V3DB27	981	992	992	992	1025	1089	1115	1164	1194	1248	1290
V3DB30	1072	1090	1090	1090	1127	1194	1224	1277	1309	1369	1415
V3DB33	1121	1136	1136	1136	1176	1248	1277	1335	1367	1427	1478
V3DB36	1167	1181	1181	1181	1223	1296	1328	1388	1423	1483	1536
V3DB39	1224	1242	1242	1242	1284	1362	1395	1456	1491	1559	1613
V3DB42	1284	1302	1302	1302	1348	1428	1466	1529	1569	1637	1694
34-1/2" High											
TV3DB12	720	730	730	730	755	798	817	854	876	913	944
TV3DB15	775	785	785	785	813	860	883	922	944	986	1021
TV3DB18	829	840	840	840	870	920	943	985	1012	1055	1090
TV3DB21	884	896	896	896	927	980	1006	1050	1076	1125	1163
TV3DB24	946	960	960	960	994	1053	1078	1127	1156	1205	1248
TV3DB27	1011	1023	1023	1023	1057	1123	1149	1200	1230	1286	1329
TV3DB30	1105	1124	1124	1124	1162	1230	1262	1317	1350	1412	1459
TV3DB33	1156	1171	1171	1171	1213	1286	1317	1376	1410	1471	1523
TV3DB36	1203	1218	1218	1218	1261	1336	1370	1431	1467	1529	1583
TV3DB39	1262	1280	1280	1280	1323	1404	1438	1501	1537	1608	1663
TV3DB42	1323	1342	1342	1342	1389	1472	1512	1576	1617	1688	1747
31-1/2" High -2DWR											
V3DB30-2DWR	1072	1090	1090	1090	1127	1194	1224	1277	1309	1369	1415
V3DB33-2DWR	1121	1136	1136	1136	1176	1248	1277	1335	1367	1427	1478
V3DB36-2DWR	1167	1181	1181	1181	1223	1296	1328	1388	1423	1483	1536
V3DB39-2DWR	1224	1242	1242	1242	1284	1362	1395	1456	1491	1559	1613
V3DB42-2DWR	1284	1302	1302	1302	1348	1428	1466	1529	1569	1637	1694
34-1/2" High -2DWR											
TV3DB30-2DWR	1105	1124	1124	1124	1162	1230	1262	1317	1350	1412	1459
TV3DB33-2DWR	1156	1171	1171	1171	1213	1286	1317	1376	1410	1471	1523
TV3DB36-2DWR	1203	1218	1218	1218	1261	1336	1370	1431	1467	1529	1583
TV3DB39-2DWR	1262	1280	1280	1280	1323	1404	1438	1501	1537	1608	1663
TV3DB42-2DWR	1323	1342	1342	1342	1389	1472	1512	1576	1617	1688	1747

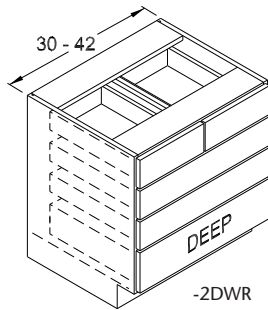




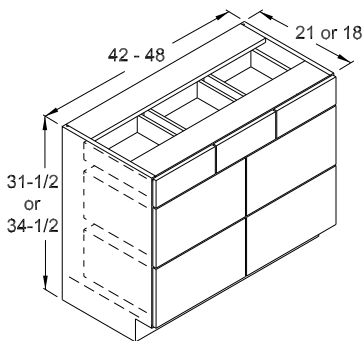
50200 - Vanity Four Drawer Base



Cat. Code	1	2	3	4	5	6	7	8	9	10	11
31-1/2" High											
V4DB12	799	809	809	809	835	883	905	944	969	1011	1045
V4DB15	851	864	864	864	891	942	967	1009	1035	1080	1117
V4DB18	908	918	918	918	947	1001	1025	1070	1097	1147	1187
V4DB21	967	979	979	979	1010	1065	1094	1143	1171	1224	1267
V4DB24	1020	1034	1034	1034	1068	1130	1157	1210	1238	1293	1338
V4DB27	1087	1101	1101	1101	1136	1203	1234	1289	1322	1380	1426
V4DB30	1192	1207	1207	1207	1248	1318	1351	1411	1447	1511	1562
V4DB33	1243	1260	1260	1260	1302	1377	1411	1473	1511	1578	1633
V4DB36	1291	1309	1309	1309	1354	1431	1468	1533	1571	1640	1696
V4DB39	1357	1376	1376	1376	1421	1503	1540	1608	1648	1722	1782
V4DB42	1424	1444	1444	1444	1490	1578	1617	1690	1732	1808	1870
34-1/2" High											
TV4DB12	824	834	834	834	861	910	932	974	999	1042	1078
TV4DB15	878	890	890	890	919	971	997	1040	1067	1114	1151
TV4DB18	936	946	946	946	977	1032	1057	1103	1131	1182	1224
TV4DB21	997	1009	1009	1009	1041	1098	1127	1178	1207	1262	1306
TV4DB24	1052	1066	1066	1066	1101	1165	1193	1247	1276	1333	1379
TV4DB27	1121	1135	1135	1135	1172	1240	1273	1328	1363	1422	1470
TV4DB30	1228	1244	1244	1244	1286	1359	1393	1455	1492	1558	1611
TV4DB33	1281	1299	1299	1299	1342	1420	1455	1519	1558	1626	1683
TV4DB36	1331	1350	1350	1350	1396	1475	1514	1580	1619	1691	1749
TV4DB39	1399	1419	1419	1419	1465	1550	1588	1658	1699	1775	1837
TV4DB42	1469	1489	1489	1489	1536	1626	1667	1742	1786	1863	1928
31-1/2" High											
V4DB30-2DWR	1192	1207	1207	1207	1248	1318	1351	1411	1447	1511	1562
V4DB33-2DWR	1243	1260	1260	1260	1302	1377	1411	1473	1511	1578	1633
V4DB36-2DWR	1291	1309	1309	1309	1354	1431	1468	1533	1571	1640	1696
V4DB39-2DWR	1357	1376	1376	1376	1421	1503	1540	1608	1648	1722	1782
V4DB42-2DWR	1424	1444	1444	1444	1490	1578	1617	1690	1732	1808	1870
34-1/2" High											
TV4DB30-2DWR	1228	1244	1244	1244	1286	1359	1393	1455	1492	1558	1611
TV4DB33-2DWR	1281	1299	1299	1299	1342	1420	1455	1519	1558	1626	1683
TV4DB36-2DWR	1331	1350	1350	1350	1396	1475	1514	1580	1619	1691	1749
TV4DB39-2DWR	1399	1419	1419	1419	1465	1550	1588	1658	1699	1775	1837
TV4DB42-2DWR	1469	1489	1489	1489	1536	1626	1667	1742	1786	1863	1928

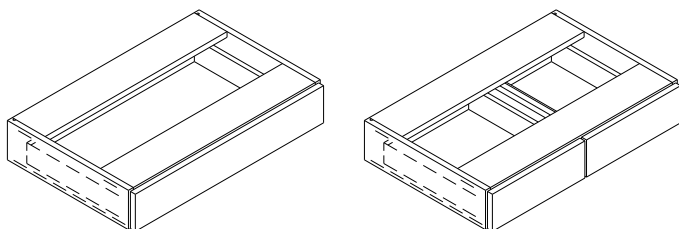


50210 - Vanity Multi-Drawer Base



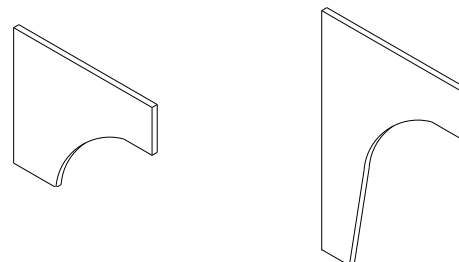
Cat. Code	1	2	3	4	5	6	7	8	9	10	11
31-1/2" High											
V7MDB42	1680	1701	1701	1701	1756	1857	1903	1987	2040	2130	2203
V7MDB45	1732	1754	1754	1754	1811	1915	1964	2051	2105	2198	2274
V7MDB48	1784	1808	1808	1808	1866	1973	2023	2113	2169	2265	2342
34-1/2" High											
TV7MDB42	1749	1771	1771	1771	1829	1934	1983	2070	2125	2219	2295
TV7MDB45	1803	1826	1826	1826	1886	1994	2044	2135	2191	2288	2366
TV7MDB48	1859	1882	1882	1882	1943	2054	2105	2198	2256	2356	2436

Desk Drawer



NOTE: See [section #62400](#) in the Furniture chapter for Desk Drawer specifications and pricing information.

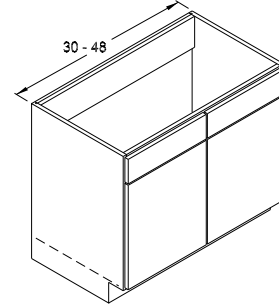
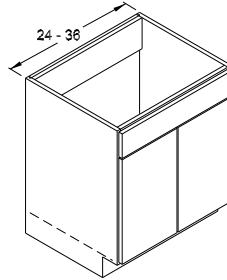
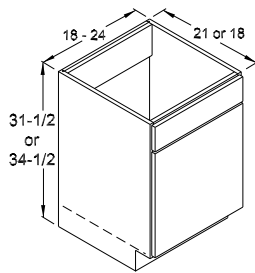
Desk Drawer Bracket End



NOTE: See [section #62550](#) in the Furniture chapter for Desk Drawer Bracket End specifications and pricing information.



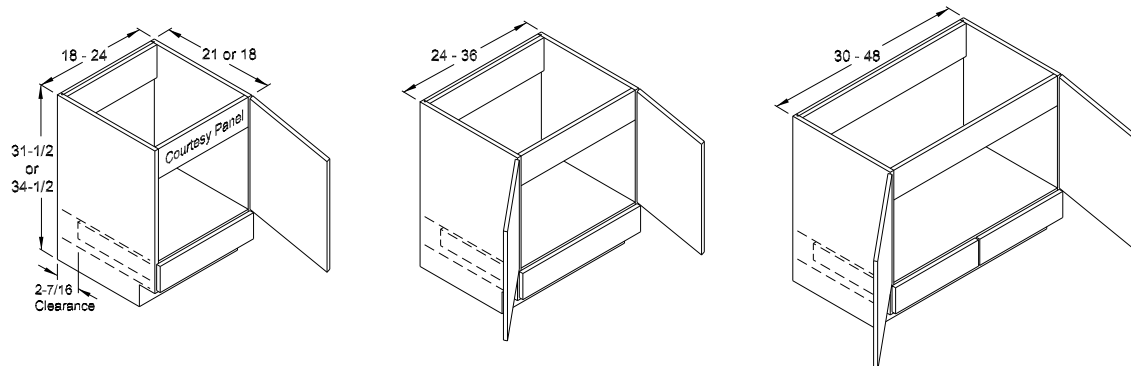
50250 - Vanity Sink Base



Cat. Code	1	2	3	4	5	6	7	8	9	10	11
31-1/2" High											
VSB18	464	526	559	584	608	645	661	690	706	739	764
VSB21	513	578	617	646	668	706	725	757	776	809	837
VSB24-1	625	724	766	797	828	881	902	941	965	1008	1042
VSB24	625	724	766	797	828	881	902	941	965	1008	1042
VSB27	665	781	845	896	929	990	1016	1059	1088	1135	1174
VSB30	732	846	914	968	1004	1071	1098	1147	1175	1229	1270
VSB33	772	887	956	1012	1052	1122	1150	1202	1232	1285	1329
VSB36	806	929	1001	1059	1100	1171	1201	1254	1287	1344	1389
34-1/2" High											
TVSB18	479	542	577	602	627	665	682	711	728	762	787
TVSB21	529	596	637	666	688	728	747	781	800	834	863
TVSB24-1	644	746	789	822	853	908	930	970	995	1039	1075
TVSB24	644	746	789	822	853	908	930	970	995	1039	1075
TVSB27	686	805	871	924	958	1021	1047	1091	1122	1170	1211
TVSB30	755	872	942	998	1035	1104	1132	1182	1212	1267	1309
TVSB33	796	915	985	1043	1084	1157	1185	1239	1270	1324	1371
TVSB36	831	958	1032	1091	1134	1207	1238	1293	1326	1385	1432
31-1/2" High											
VSB30-2DWR	732	846	914	968	1004	1071	1098	1147	1175	1229	1270
VSB33-2DWR	772	887	956	1012	1052	1122	1150	1202	1232	1285	1329
VSB36-2DWR	806	929	1001	1059	1100	1171	1201	1254	1287	1344	1389
VSB39	852	982	1057	1118	1162	1238	1271	1328	1360	1418	1468
VSB42	886	1023	1100	1162	1207	1287	1318	1376	1410	1473	1523
VSB45	930	1070	1150	1214	1258	1342	1375	1435	1470	1535	1589
VSB48	971	1115	1195	1261	1308	1393	1427	1490	1527	1596	1650
34-1/2" High											
TVSB30-2DWR	755	872	942	998	1035	1104	1132	1182	1212	1267	1309
TVSB33-2DWR	796	915	985	1043	1084	1157	1185	1239	1270	1324	1371
TVSB36-2DWR	831	958	1032	1091	1134	1207	1238	1293	1326	1385	1432
TVSB39	879	1013	1089	1153	1198	1276	1310	1369	1402	1462	1514
TVSB42	913	1055	1134	1198	1244	1326	1359	1419	1454	1519	1570
TVSB45	959	1103	1185	1252	1297	1383	1418	1479	1516	1582	1638
TVSB48	1001	1149	1232	1300	1348	1436	1471	1536	1574	1645	1701



50260 - Vanity Sink Base with Drawer Below

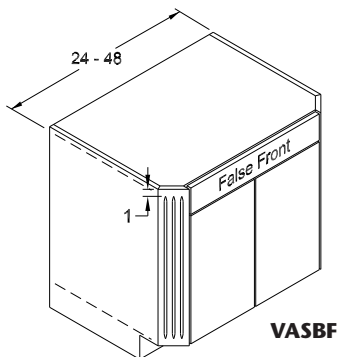
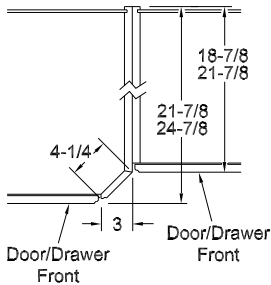
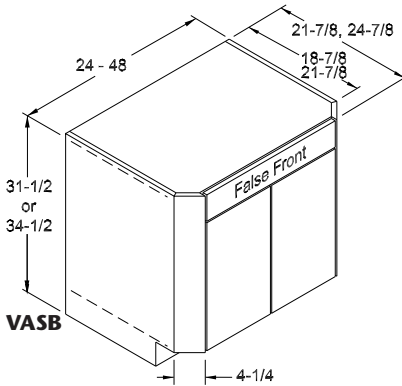


Cat. Code	1	2	3	4	5	6	7	8	9	10	11
31-1/2" High											
VSBD18	523	592	631	661	683	725	744	777	796	830	861
VSBD21	578	652	693	726	751	796	816	855	876	914	944
VSBD24-1	726	831	877	911	942	1001	1024	1070	1097	1145	1184
VSBD24	726	831	877	911	942	1001	1024	1070	1097	1145	1184
VSBD27	770	894	963	1017	1052	1117	1145	1195	1225	1281	1325
VSBD30	915	1038	1112	1170	1212	1285	1318	1375	1409	1471	1521
VSBD33	962	1085	1161	1222	1264	1342	1375	1434	1470	1536	1590
VSBD36	997	1130	1210	1273	1316	1394	1429	1494	1530	1598	1654
34-1/2" High											
TVSBD18	539	610	650	682	704	747	767	801	821	856	887
TVSBD21	595	672	714	748	775	821	841	882	903	942	974
TVSBD24-1	748	857	904	939	971	1031	1056	1103	1131	1180	1221
TVSBD24	748	857	904	939	971	1031	1056	1103	1131	1180	1221
TVSBD27	794	922	992	1048	1084	1151	1180	1232	1263	1321	1366
TVSBD30	943	1070	1146	1206	1249	1324	1359	1418	1453	1517	1568
TVSBD33	991	1119	1197	1260	1303	1383	1418	1478	1516	1583	1639
TVSBD36	1028	1165	1247	1313	1357	1437	1473	1540	1577	1647	1705
31-1/2" High											
VSBD30-2DWR	915	1038	1112	1170	1212	1285	1318	1375	1409	1471	1521
VSBD33-2DWR	962	1085	1161	1222	1264	1342	1375	1434	1470	1536	1590
VSBD36-2DWR	997	1130	1210	1273	1316	1394	1429	1494	1530	1598	1654
VSBD39	920	1041	1113	1172	1211	1286	1318	1375	1410	1472	1524
VSBD42	951	1081	1154	1211	1253	1330	1363	1425	1460	1524	1577
VSBD45	1132	1283	1370	1441	1488	1579	1619	1691	1732	1809	1872
VSBD48	1176	1331	1421	1494	1542	1636	1677	1751	1796	1874	1940
34-1/2" High											
TVSBD30-2DWR	943	1070	1146	1206	1249	1324	1359	1418	1453	1517	1568
TVSBD33-2DWR	991	1119	1197	1260	1303	1383	1418	1478	1516	1583	1639
TVSBD36-2DWR	1028	1165	1247	1313	1357	1437	1473	1540	1577	1647	1705
TVSBD39	1005	1139	1220	1285	1329	1410	1445	1507	1545	1614	1671
TVSBD42	1043	1185	1265	1329	1374	1456	1493	1560	1599	1670	1727
TVSBD45	1167	1323	1413	1485	1534	1628	1669	1743	1786	1864	1930
TVSBD48	1213	1372	1465	1540	1590	1687	1729	1805	1852	1932	2000



50300 - Vanity Angled Sink Bases

- Cabinet face is 6" narrower than overall cabinet width.
- Toe Space is set back 6" from face to align with adjacent cabinetry.
- Roll out shelves are **not** available.
- **Finished Ends are standard and included for N/C**
- For a Full Height Door and a "Courtesy Panel" to hide the sink, specify **FHDCP** for no charge



NOTE: Fluting is available in standard wood species **only**.

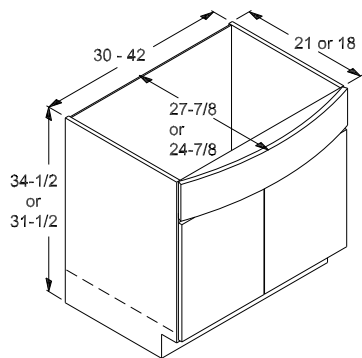
VASB											
Cat. Code	1	2	3	4	5	6	7	8	9	10	11
31-1/2" High One Door - Full-Width False Front											
VASB24	1227	1326	1368	1399	1430	1483	1504	1543	1567	1610	1644
VASB27	1267	1383	1447	1498	1531	1592	1618	1661	1690	1737	1776
31-1/2" High Two Doors - Full-Width False Front											
VASB30	1334	1448	1516	1570	1606	1673	1700	1749	1777	1831	1872
VASB33	1374	1489	1558	1614	1654	1724	1752	1804	1834	1887	1931
VASB36	1408	1531	1603	1661	1702	1773	1803	1856	1889	1946	1991
VASB39	1454	1584	1659	1720	1764	1840	1873	1930	1962	2020	2070
VASB42	1488	1625	1702	1764	1809	1889	1920	1978	2012	2075	2125
31-1/2" High Two Doors - Two False Fronts											
VASB36-2DWR	1408	1531	1603	1661	1702	1773	1803	1856	1889	1946	1991
VASB39-2DWR	1454	1584	1659	1720	1764	1840	1873	1930	1962	2020	2070
VASB42-2DWR	1488	1625	1702	1764	1809	1889	1920	1978	2012	2075	2125
VASB45	1532	1672	1752	1816	1860	1944	1977	2037	2072	2137	2191
VASB48	1573	1717	1797	1863	1910	1995	2029	2092	2129	2198	2252
34-1/2" High One Door - Full-Width False Front											
TVASB24	1246	1348	1391	1424	1455	1510	1532	1572	1597	1641	1677
TVASB27	1288	1407	1473	1526	1560	1623	1649	1693	1724	1772	1813
34-1/2" High Two Doors - Full-Width False Front											
TVASB30	1357	1474	1544	1600	1637	1706	1734	1784	1814	1869	1911
TVASB33	1398	1517	1587	1645	1686	1759	1787	1841	1872	1926	1973
TVASB36	1433	1560	1634	1693	1736	1809	1840	1895	1928	1987	2034
TVASB39	1481	1615	1691	1755	1800	1878	1912	1971	2004	2064	2116
TVASB42	1515	1657	1736	1800	1846	1928	1961	2021	2056	2121	2172
34-1/2" High Two Doors - Two False Fronts											
TVASB36-2DWR	1433	1560	1634	1693	1736	1809	1840	1895	1928	1987	2034
TVASB39-2DWR	1481	1615	1691	1755	1800	1878	1912	1971	2004	2064	2116
TVASB42-2DWR	1515	1657	1736	1800	1846	1928	1961	2021	2056	2121	2172
TVASB45	1561	1705	1787	1854	1899	1985	2020	2081	2118	2184	2240
TVASB48	1603	1751	1834	1902	1950	2038	2073	2138	2176	2247	2303

VASBF											
Cat. Code	1	2	3	4	5	6	7	8	9	10	11
31-1/2" High One Door - Full-Width False Front											
VASBF24	1511	1610	1652	1683	1714	1767	1788	1827	1851	1894	1928
VASBF27	1551	1667	1731	1782	1815	1876	1902	1945	1974	2021	2060
31-1/2" High Two Doors - Full-Width False Front											
VASBF30	1618	1732	1800	1854	1890	1957	1984	2033	2061	2115	2156
VASBF33	1658	1773	1842	1898	1938	2008	2036	2088	2118	2171	2215
VASBF36	1692	1815	1887	1945	1986	2057	2087	2140	2173	2230	2275
VASBF39	1738	1868	1943	2004	2048	2124	2157	2214	2246	2304	2354
VASBF42	1772	1909	1986	2048	2093	2173	2204	2262	2296	2359	2409
31-1/2" High Two Doors - Two False Fronts											
VASBF36-2DWR	1692	1815	1887	1945	1986	2057	2087	2140	2173	2230	2275
VASBF39-2DWR	1738	1868	1943	2004	2048	2124	2157	2214	2246	2304	2354
VASBF42-2DWR	1772	1909	1986	2048	2093	2173	2204	2262	2296	2359	2409
VASBF45	1816	1956	2036	2100	2144	2228	2261	2321	2356	2421	2475
VASBF48	1857	2001	2081	2147	2194	2279	2313	2376	2413	2482	2536
34-1/2" High One Door - Full-Width False Front											
TVASBF24	1530	1632	1675	1708	1739	1794	1816	1856	1881	1925	1961
TVASBF27	1572	1691	1757	1810	1844	1907	1933	1977	2008	2056	2097
34-1/2" High Two Doors - Full-Width False Front											
TVASBF30	1641	1758	1828	1884	1921	1990	2018	2068	2098	2153	2195
TVASBF33	1682	1801	1871	1929	1970	2043	2071	2125	2156	2210	2257
TVASBF36	1717	1844	1918	1977	2020	2093	2124	2179	2212	2271	2318
TVASBF39	1765	1899	1975	2039	2084	2162	2196	2255	2288	2348	2400
TVASBF42	1799	1941	2020	2084	2130	2212	2245	2305	2340	2405	2456
34-1/2" High Two Doors - Two False Fronts											
TVASBF36-2DWR	1717	1844	1918	1977	2020	2093	2124	2179	2212	2271	2318
TVASBF39-2DWR	1765	1899	1975	2039	2084	2162	2196	2255	2288	2348	2400
TVASBF42-2DWR	1799	1941	2020	2084	2130	2212	2245	2305	2340	2405	2456
TVASBF45	1845	1989	2071	2138	2183	2269	2304	2365	2402	2468	2524
TVASBF48	1887	2035	2118	2186	2234	2322	2357	2422	2460	2531	2587

Full Height Door Courtesy Panel, **FHDCP** **N/C**



50340 - Vanity Sink Base Bow Front Apron



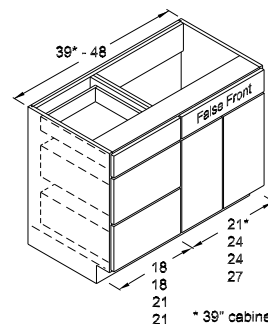
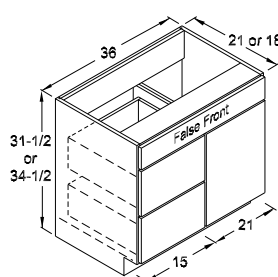
- Available with slab drawer front **only**.
- Outside edge profile will match the door.
- **Minimum** width = 30".

NOTE: Available in standard wood species **only**.

Cat. Code	1	2	3	4	5	6	7	8	9	10	11
31-1/2" High											
VSBBFA30	1347	1460	1527	1581	1617	1684	1713	1760	1789	1842	1883
VSBBFA33	1386	1501	1569	1626	1666	1735	1763	1815	1846	1899	1943
VSBBFA36	1420	1542	1615	1673	1713	1784	1814	1867	1900	1957	2002
VSBBFA39	1466	1596	1670	1732	1775	1852	1884	1941	1973	2032	2081
VSBBFA42	1500	1636	1713	1775	1820	1900	1932	1989	2023	2086	2136
34-1/2" High											
TVSBBFA30	1388	1505	1574	1630	1667	1736	1765	1814	1844	1899	1941
TVSBBFA33	1429	1547	1617	1676	1717	1789	1817	1871	1903	1958	2003
TVSBBFA36	1464	1590	1665	1724	1766	1839	1870	1925	1959	2017	2064
TVSBBFA39	1512	1645	1721	1786	1830	1910	1942	2001	2034	2095	2146
TVSBBFA42	1546	1687	1766	1830	1876	1959	1992	2051	2086	2151	2203

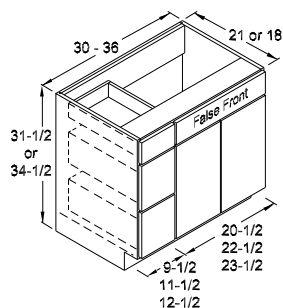
50350 - Vanity Sink Drawer

- Drawers on left side unless otherwise specified.
- Door is hinged opposite of drawer stack.
- No shelf in door area.
- Reduce width affects drawer stack unless sink area is specified. Reduce width modification can be applied to one area only unless MODCAB (see [Section #71210](#)) is used.
- No partition in this cabinet.



* 39" cabinet has one door

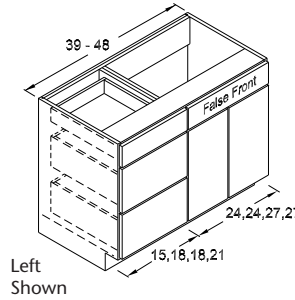
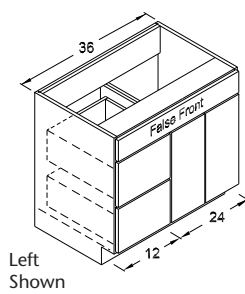
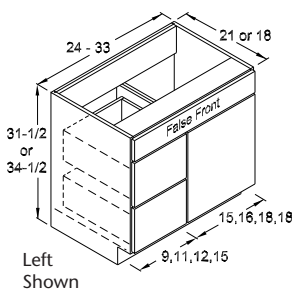
Cat. Code	1	2	3	4	5	6	7	8	9	10	11	
31-1/2" High												
VSD36	L/R	969	1039	1071	1097	1137	1207	1237	1293	1325	1382	1431
VSD39	L/R	1274	1341	1377	1406	1445	1517	1547	1603	1645	1717	1777
VSD42	L/R	1307	1375	1413	1442	1483	1558	1589	1648	1689	1763	1824
VSD45	L/R	1341	1414	1453	1483	1525	1601	1635	1696	1739	1816	1878
VSD48	L/R	1375	1451	1490	1524	1566	1647	1679	1742	1785	1864	1930
34-1/2" High												
TVSD36	L/R	1064	1141	1179	1207	1249	1326	1360	1421	1455	1521	1573
TVSD39	L/R	1374	1447	1486	1518	1561	1641	1675	1736	1781	1859	1923
TVSD42	L/R	1410	1496	1531	1559	1603	1686	1726	1798	1841	1923	1990
TVSD45	L/R	1447	1528	1571	1603	1651	1734	1771	1838	1883	1967	2035
TVSD48	L/R	1484	1567	1613	1649	1696	1784	1822	1890	1937	2023	2093



Cat. Code	1	2	3	4	5	6	7	8	9	10	11	
31-1/2" High												
VSDO30	L/R	1094	1151	1181	1207	1239	1301	1327	1375	1411	1473	1524
VSDO33	L/R	1151	1210	1243	1270	1305	1370	1397	1448	1486	1550	1605
VSDO36	L/R	1211	1274	1308	1336	1374	1441	1470	1524	1564	1631	1689
34-1/2" High												
TVSDO30	L/R	1179	1242	1274	1302	1340	1407	1437	1489	1528	1594	1649
TVSDO33	L/R	1241	1307	1341	1371	1410	1481	1512	1567	1608	1678	1736
TVSDO36	L/R	1306	1375	1412	1442	1484	1559	1592	1650	1692	1767	1827



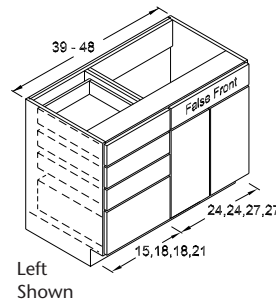
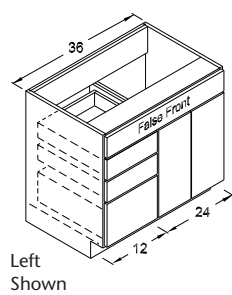
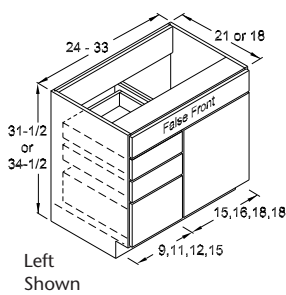
50400 - Vanity Sink Three Drawer



- Drawers on left side unless otherwise specified.
- Door is hinged opposite of drawer stack.
- No shelf in door area.
- Reduce width affects drawer stack unless sink area is specified. Reduce width modification can be applied to one area only unless MODCAB (see [Section #71210](#)) is used.

Cat. Code		1	2	3	4	5	6	7	8	9	10	11
31-1/2" High												
VS3D24	L/R	832	885	917	942	975	1034	1059	1105	1132	1183	1223
VS3D27	L/R	868	922	955	980	1014	1074	1101	1151	1180	1230	1274
VS3D30	L/R	893	949	983	1011	1043	1106	1134	1185	1214	1267	1312
VS3D33	L/R	931	993	1027	1055	1091	1158	1187	1238	1270	1326	1371
VS3D36	L/R	969	1039	1071	1097	1137	1207	1237	1293	1325	1382	1431
VS3D39	L/R	1274	1341	1377	1406	1445	1517	1547	1603	1645	1717	1777
VS3D42	L/R	1307	1375	1413	1442	1483	1558	1589	1648	1689	1763	1824
VS3D45	L/R	1341	1414	1453	1483	1525	1601	1635	1696	1739	1816	1878
VS3D48	L/R	1375	1451	1490	1524	1566	1647	1679	1742	1785	1864	1930
34-1/2" High												
TVS3D24	L/R	915	971	1008	1036	1071	1136	1165	1216	1245	1301	1347
TVS3D27	L/R	952	1013	1049	1077	1115	1182	1211	1265	1297	1354	1400
TVS3D30	L/R	982	1043	1081	1110	1148	1217	1246	1302	1335	1393	1442
TVS3D33	L/R	1024	1092	1130	1160	1200	1272	1302	1360	1395	1455	1505
TVS3D36	L/R	1064	1141	1179	1207	1249	1326	1360	1421	1455	1521	1573
TVS3D39	L/R	1374	1447	1486	1518	1561	1641	1675	1736	1781	1859	1923
TVS3D42	L/R	1410	1496	1531	1559	1603	1686	1726	1798	1841	1923	1990
TVS3D45	L/R	1447	1528	1571	1603	1651	1734	1771	1838	1883	1967	2035
TVS3D48	L/R	1484	1567	1613	1649	1696	1784	1822	1890	1937	2023	2093

50410 - Vanity Sink Four Drawer

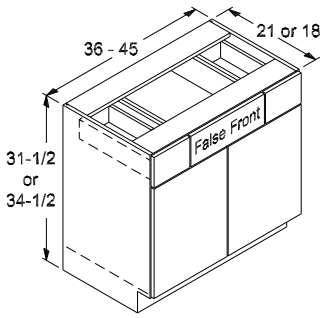


- Drawers on left side unless otherwise specified.
- Door is hinged opposite of drawer stack.
- No shelf in door area.
- Reduce width affects drawer stack unless sink area is specified. Reduce width modification can be applied to one area only unless MODCAB (see [Section #71210](#)) is used.

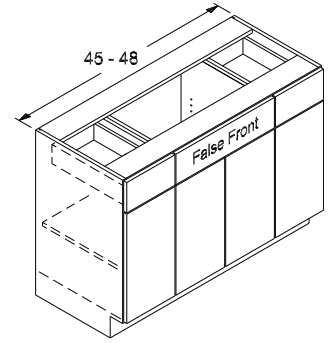
Cat. Code		1	2	3	4	5	6	7	8	9	10	11
31-1/2" High												
VS4D24	L/R	984	1036	1069	1094	1126	1186	1210	1257	1284	1335	1375
VS4D27	L/R	1020	1074	1106	1132	1166	1225	1252	1302	1332	1382	1426
VS4D30	L/R	1045	1101	1134	1162	1195	1258	1286	1336	1365	1419	1463
VS4D33	L/R	1083	1145	1179	1207	1243	1309	1339	1390	1421	1477	1523
VS4D36	L/R	1120	1190	1223	1249	1288	1358	1389	1445	1476	1533	1582
VS4D39	L/R	1426	1493	1529	1558	1596	1669	1699	1755	1797	1868	1929
VS4D42	L/R	1459	1526	1565	1594	1635	1710	1699	1799	1840	1915	1976
VS4D45	L/R	1493	1566	1605	1635	1677	1753	1787	1847	1890	1967	2029
VS4D48	L/R	1526	1602	1642	1676	1718	1798	1831	1894	1937	2015	2082
34-1/2" High												
TVS4D24	L/R	1067	1123	1160	1188	1223	1287	1316	1368	1397	1453	1498
TVS4D27	L/R	1104	1165	1201	1229	1266	1334	1363	1417	1448	1505	1552
TVS4D30	L/R	1133	1195	1232	1262	1300	1369	1398	1454	1487	1545	1594
TVS4D33	L/R	1175	1244	1281	1312	1351	1424	1454	1511	1546	1607	1657
TVS4D36	L/R	1216	1293	1330	1358	1400	1477	1511	1573	1607	1672	1725
TVS4D39	L/R	1525	1599	1637	1670	1713	1792	1826	1888	1932	2011	2075
TVS4D42	L/R	1561	1648	1683	1711	1755	1838	1878	1950	1993	2075	2141
TVS4D45	L/R	1599	1679	1722	1755	1803	1886	1923	1990	2035	2119	2187
TVS4D48	L/R	1636	1719	1764	1801	1847	1936	1973	2042	2089	2175	2245



50450 - Vanity Console Sink

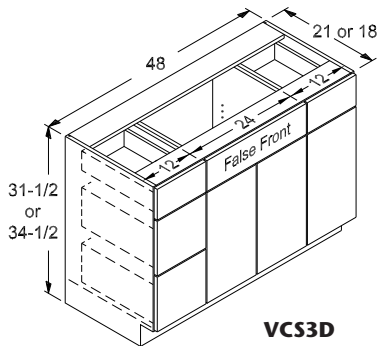


- Reduce width affects Left and Right sides equally unless sink area is specified. Reduce width modification can be applied to one area only unless MODCAB (see [Section #71210](#)) is used.



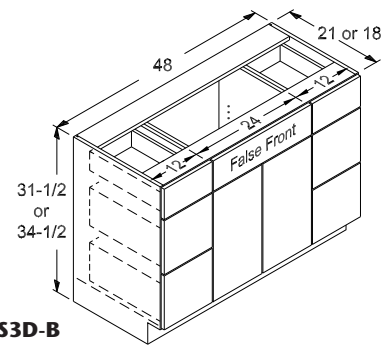
Cat. Code	1	2	3	4	5	6	7	8	9	10	11	Sink Area
31-1/2" High												
VCS36	887	1005	1073	1126	1167	1238	1270	1326	1360	1421	1469	16-1/2" wide
VCS39	907	1031	1101	1160	1200	1272	1304	1361	1396	1456	1507	19-1/2" wide
VCS42	924	1052	1129	1190	1230	1305	1337	1396	1431	1493	1545	16-1/2" wide
VCS45	1003	1147	1236	1307	1353	1434	1470	1537	1574	1643	1701	19-1/2" wide
VCS45-4 (4 doors)	1049	1204	1301	1382	1430	1517	1554	1624	1664	1739	1799	19-1/2" wide
VCS48	1081	1241	1341	1424	1473	1564	1602	1675	1715	1792	1854	22-1/2" wide
34-1/2" High												
TVCS36	976	1106	1180	1238	1283	1361	1396	1456	1493	1560	1614	16-1/2" wide
TVCS39	996	1130	1210	1276	1319	1398	1433	1496	1535	1601	1657	19-1/2" wide
TVCS42	1015	1155	1241	1309	1353	1434	1469	1536	1573	1642	1699	16-1/2" wide
TVCS45	1102	1260	1357	1437	1486	1577	1615	1687	1728	1805	1866	19-1/2" wide
TVCS45-4 (4 doors)	1154	1322	1431	1517	1571	1666	1708	1784	1829	1910	1977	19-1/2" wide
TVCS48	1189	1363	1474	1564	1619	1718	1761	1839	1885	1969	2037	22-1/2" wide

50550 - Vanity Console Sink Three Drawer



VCS3D
Left Shown

- Drawer stack is on left side unless otherwise specified.
- Reduce width affects left and right sides equally, or it can be applied to sink area only, unless MODCAB (see [Section #71210](#)) is used.
- **Minimum** width of drawer area = 6-3/4".

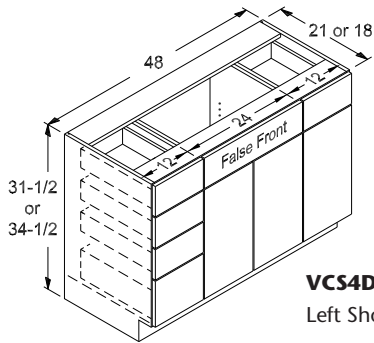


VCS3D-B
Both Shown

Single Drawer Stack													
Cat. Code	1	2	3	4	5	6	7	8	9	10	11	Sink Area	
31-1/2" High													
VCS3D48	L/R	1428	1547	1615	1670	1726	1830	1875	1958	2007	2096	2169	22-1/2" wide
34-1/2" High													
TVCS3D48	L/R	1571	1701	1776	1836	1897	2011	2062	2153	2207	2305	2383	22-1/2" wide
Double Drawer Stack													
Cat. Code	1	2	3	4	5	6	7	8	9	10	11	Sink Area	
31-1/2" High													
VCS3D48	B	1728	1846	1911	1960	2028	2147	2200	2299	2356	2460	2545	22-1/2" wide
34-1/2" High													
TVCS3D48	B	1901	2030	2100	2156	2228	2361	2419	2526	2588	2702	2796	22-1/2" wide

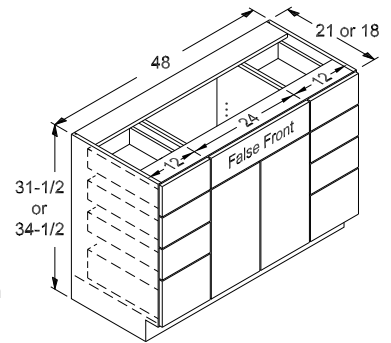


50555 - Vanity Console Sink Four Drawer



VCS4D
Left Shown

- Drawer stack is on left side unless otherwise specified.
- Reduce width affects left and right sides equally, or it can be applied to sink area only, unless MODCAB (see [Section #71210](#)) is used.
- **Minimum** width of drawer area = 6-3/4".

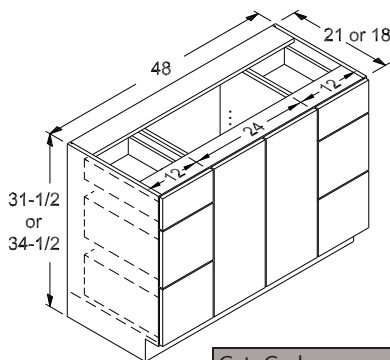


VCS4D-B
Both Shown

Single Drawer Stack													
Cat. Code	1	2	3	4	5	6	7	8	9	10	11	Sink Area	
31-1/2" High													
VCS4D48	L/R	1580	1699	1767	1822	1878	1981	2027	2110	2159	2247	2321	22-1/2" wide
34-1/2" High													
TVCS4D48	L/R	1722	1853	1928	1987	2049	2162	2214	2305	2358	2456	2534	22-1/2" wide

Double Drawer Stack													
Cat. Code	1	2	3	4	5	6	7	8	9	10	11	Sink Area	
31-1/2" High													
VCS4D48	B	2032	2149	2215	2264	2331	2450	2503	2602	2659	2763	2848	22-1/2" wide
34-1/2" High													
TVCS4D48	B	2204	2334	2404	2460	2531	2664	2722	2830	2891	3006	3099	22-1/2" wide

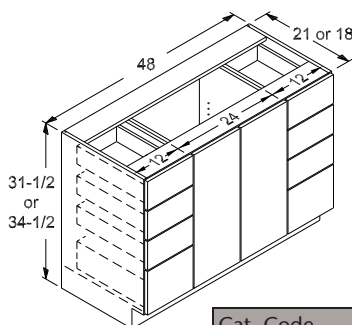
50560 - Vanity Console Sink Full Door / Three Drawer



- Cabinet includes a "courtesy panel" to conceal the sink.
- Reduce width affects drawer stacks equally or it can be applied to the sink area only, unless MODCAB (see [Section #71210](#)) is used.
- **Minimum** width of drawer area = 6-3/4".

Cat. Code	1	2	3	4	5	6	7	8	9	10	11	Sink Area	
31-1/2" High													
VCSFD3D48		1677	1792	1854	1903	1966	2083	2134	2229	2285	2385	2468	22-1/2" wide
34-1/2" High													
TVCSFD3D48		1844	1970	2039	2093	2162	2291	2347	2452	2511	2623	2714	22-1/2" wide

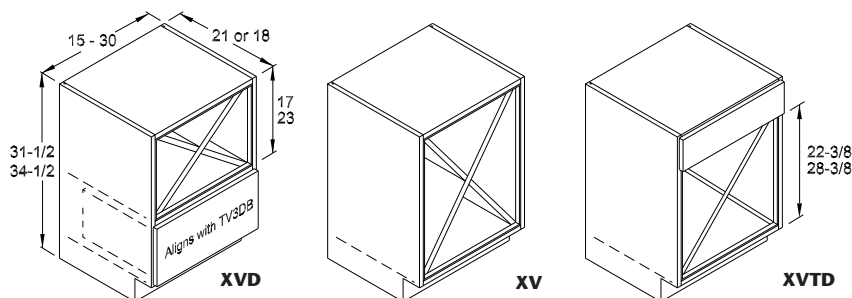
50565 - Vanity Console Sink Full Door / Four Drawer



- Cabinet includes a "courtesy panel" to conceal the sink.
- Reduce width affects drawer stacks equally or it can be applied to the sink area only, unless MODCAB (see [Section #71210](#)) is used.
- **Minimum** width of drawer area = 6-3/4".

Cat. Code	1	2	3	4	5	6	7	8	9	10	11	Sink Area	
31-1/2" High													
VCSFD4D48		1980	2096	2158	1980	2270	2386	2438	2532	2588	2688	2771	22-1/2" wide
34-1/2" High													
TVCSFD4D48		2147	2273	2342	2147	2466	2594	2650	2755	2814	2926	3017	22-1/2" wide

50580 - "X" Vanity Cabinet



- Matching Finished Interior is standard in open area.
- **Maximum** depth = 24".

HEIGHT AND WIDTH MODIFICATIONS MUST BE QUOTED.

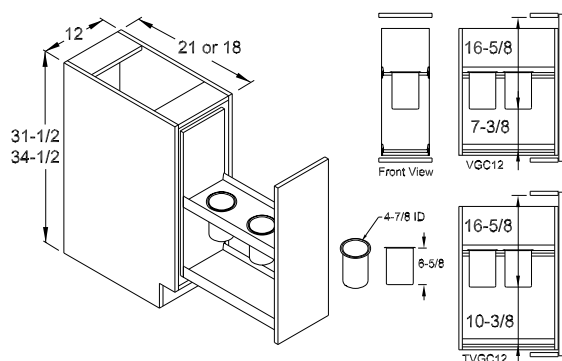
NOTE: Not available for Acrylics or Wired Foils.

Cat. Code	Price
31-1/2" High with Drawer	
XVD15	1290
XVD18	1340
XVD21	1448
XVD24	1631
XVD27	1704
XVD30	1753
34-1/2" High with Drawer	
TXVD15	1330
TXVD18	1381
TXVD21	1493
TXVD24	1681
TXVD27	1757
TXVD30	1808

Cat. Code	Price
31-1/2" High	
XV15	1011
XV18	1059
XV21	1169
XV24	1354
XV27	1424
XV30	1474
34-1/2" High	
TXV15	1042
TXV18	1091
TXV21	1205
TXV24	1396
TXV27	1469
TXV30	1519

Cat. Code	Price
31-1/2" High with Drawer	
XVTD15	1290
XVTD18	1340
XVTD21	1448
XVTD24	1631
XVTD27	1704
XVTD30	1753
34-1/2" High with Drawer	
TXVTD15	1330
TXVTD18	1381
TXVTD21	1493
TXVTD24	1681
TXVTD27	1757
TXVTD30	1808

50590 - Vanity Grooming Cabinet



- Maple Pull-Out has stainless steel cups for hot storage of curling irons and blow dryers. Lower shelf for storage of bathroom items.
- **Minimum** depth = 18".
- **Minimum** width = 10".

QUOTED MODIFICATIONS ONLY

VGCP0 and TVGCP0

- Includes in-drawer electrical outlet to power personal care products such as a blow dryer or curling iron.
- Available in 21" cabinet depth **only**.
- Outlet includes two 125v plugs, GFCI, thermostat shut-off and installation manual.
- UL and ETL listed.
- 20 amp.
- Hardwired electrical installation required.

Vanity Grooming Cabinet

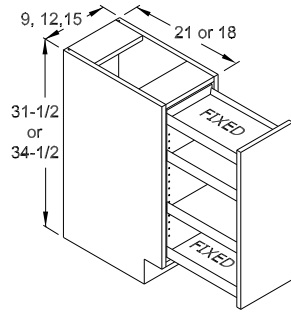
Cat. Code	1	2	3	4	5	6	7	8	9	10	11
31-1/2" High											
VGC12	1347	1379	1410	1432	1448	1477	1489	1512	1550	1619	1676
34-1/2" High											
TVGC12	1381	1421	1452	1475	1493	1525	1539	1564	1602	1675	1732

Vanity Grooming Cabinet with Power Outlet

Cat. Code	1	2	3	4	5	6	7	8	9	10	11
31-1/2" High											
VGCP01221	2591	2623	2654	2676	2692	2721	2733	2756	2794	2863	2920
34-1/2" High											
TVGCP01221	2625	2665	2696	2719	2737	2769	2783	2808	2846	2919	2976



50593 - Vanity Pull-Out Storage

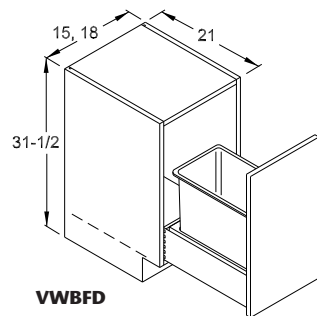


- **Minimum** depth = 18".
- Shelves are adjustable and are Maple with a Natural finish.

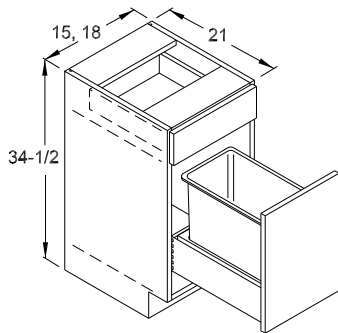
HEIGHT MODIFICATIONS MUST BE QUOTED

Cat. Code	1	2	3	4	5	6	7	8	9	10	11
31-1/2" High											
VPOS9	1093	1135	1166	1191	1208	1239	1254	1277	1309	1366	1414
VPOS12	1151	1194	1228	1253	1271	1304	1320	1345	1378	1438	1488
VPOS15	1187	1238	1271	1296	1318	1353	1367	1395	1429	1494	1543
34-1/2" High											
TVPOS9	1127	1170	1202	1228	1245	1277	1293	1317	1350	1408	1458
TVPOS12	1186	1231	1266	1292	1311	1344	1361	1386	1421	1482	1534
TVPOS15	1224	1276	1310	1336	1359	1395	1410	1438	1473	1540	1591

50596 - Vanity Waste Basket



VWBFD



TVWB

- 21" deep cabinets **only**.
- Full-extension, undermount guides with Touch Latch.
- Removable, 35 quart basket.
- Vanity Waste Basket cabinets are also available with a SERVO drive included. SERVO mechanism is field installed in the cabinet to push the unit open when the door is touched. Includes 110V power supply with a 6' universal cable.

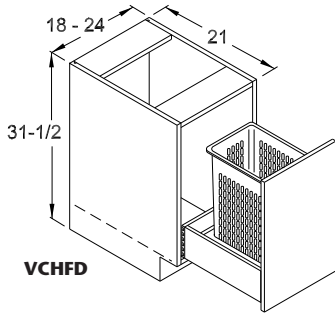
QUOTED MODIFICATIONS ONLY

Vanity Waste Basket											
Cat. Code	1	2	3	4	5	6	7	8	9	10	11
31-1/2" High											
VWBFD15	1216	1278	1311	1339	1371	1430	1461	1515	1552	1621	1678
VWBFD18	1341	1411	1447	1475	1508	1571	1601	1658	1700	1774	1838
34-1/2" High											
TVWB15	1279	1344	1379	1409	1442	1504	1537	1594	1634	1706	1766
TVWB18	1343	1412	1449	1480	1515	1580	1614	1675	1715	1792	1854

Vanity Waste Basket with SERVO-DRIVE											
Cat. Code	1	2	3	4	5	6	7	8	9	10	11
31-1/2" High											
VWBFDSERVO15	2230	2292	2324	2352	2385	2443	2475	2529	2566	2635	2692
VWBFDSERVO18	2355	2425	2461	2489	2522	2585	2615	2672	2714	2788	2852
34-1/2" High											
TVWBSERVO15	2293	2358	2393	2423	2456	2518	2551	2608	2648	2720	2780
TVWBSERVO18	2357	2426	2463	2494	2529	2594	2628	2689	2729	2806	2868

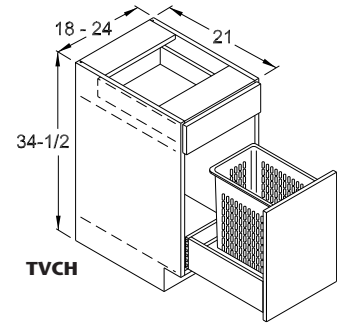


50600 - Vanity Clothes Hamper



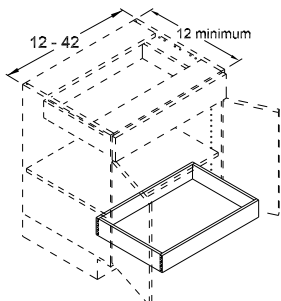
- Removable, ventilated, 2.13 cubic foot hamper basket pulls forward (in drawer box like BRC).
- **Minimum** height of cabinet with a drawer is 33", without a drawer is 27".

NO WIDTH OR DEPTH MODIFICATIONS

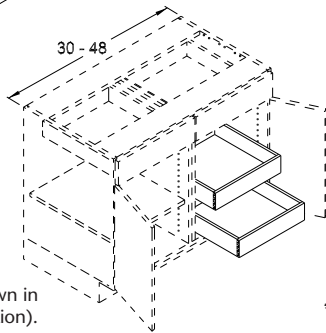


Cat. Code	1	2	3	4	5	6	7	8	9	10	11
31-1/2" High											
VCHFD1821	1231	1282	1312	1336	1354	1389	1419	1470	1501	1557	1603
VCHFD2121	1275	1329	1363	1391	1410	1447	1477	1533	1566	1624	1672
VCHFD2421-1	1396	1476	1513	1540	1566	1611	1646	1708	1746	1813	1867
34-1/2" High											
TVCH1821	1371	1426	1459	1485	1508	1546	1577	1639	1674	1736	1790
TVCH2121	1420	1478	1517	1547	1569	1608	1643	1704	1741	1808	1862
TVCH2421-1	1552	1641	1680	1711	1739	1791	1829	1900	1941	2017	2078

50750 - Roll-out Shelf



One full-width ROS shown



Two ROS shown in RP (right position).

Cat. Code	Price
2" High Sides*	
ROS2-12	233
ROS2-15	245
ROS2-18	245
ROS2-21	269
ROS2-24	269
ROS2-27	305
ROS2-30	305
ROS2-33	329
ROS2-36	329
ROS2-39	362
ROS2-42	362
ROS2-30 LP/RP	362
ROS2-33 LP/RP	362
ROS2-36 LP/RP	362
ROS2-39 LP/RP	385
ROS2-39 LP/RP	385
ROS2-42 LP/RP	385
ROS2-45 LP/RP	385
ROS2-48 LP/RP	385

***Not** available in Stainless Steel

Cat. Code	Price
4" High Sides*	
ROS12	233
ROS15	245
ROS18	245
ROS21	269
ROS24	269
ROS27	305
ROS30	305
ROS33	329
ROS36	329
ROS39	362
ROS42	362
ROS30 LP/RP	362
ROS33 LP/RP	362
ROS36 LP/RP	362
ROS39 LP/RP	385
ROS39 LP/RP	385
ROS42 LP/RP	385
ROS45 LP/RP	385
ROS48 LP/RP	385

*When Stainless Steel is specified, ROS is 3-1/2" high.

Cat. Code	Price
8" High Sides*	
ROSD12	392
ROSD15	413
ROSD18	413
ROSD21	446
ROSD24	446
ROSD27	494
ROSD30	494
ROSD33	530
ROSD36	530
ROSD39	583
ROSD42	583
ROSD30 LP/RP	530
ROSD33 LP/RP	530
ROSD36 LP/RP	530
ROSD39 LP/RP	564
ROSD39 LP/RP	564
ROSD42 LP/RP	564
ROSD45 LP/RP	564
ROSD48 LP/RP	564

*When Stainless Steel is specified, ROS is 7-1/2" high.

- Dovetailed Roll-out Shelves with a natural finish are available 2", 4" or 8" high in wood, or 3 1/2" or 7" in Stainless Steel.

- **Minimum** cabinet depth = 12".
Minimum cabinet width = 7-3/4" (8-1/2" for Stainless Steel.)

- Adjustable Roll-out Shelves are priced as single units. Specify quantity and cabinet for installation.
Example: VB30
2, ROS30

- **Maximum** 4 ROS (2" high) per standard Vanity cabinet and 5 per **VFD**.
Maximum 3 ROS (4" high) per standard Vanity cabinet and 5 per **VFD**.
Maximum 2 ROSD (8" high) per Vanity or **VFD**.

- Roll-out Shelves operate on Full-Extension, soft close, undermount guides.

- Specify left placement (**LP**) or right placement (**RP**) for Roll-out Shelves in cabinets 33" to 48" wide. A centered partition is included for no charge and installed behind the center mullion. Adjustable shelf is included on one side if no Roll-out Shelf is specified.

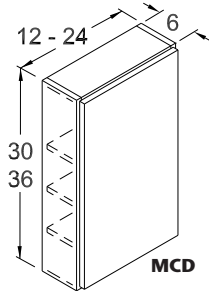
- When 1 ROS is specified, it is installed at the bottom of the opening and the adjustable shelf is installed above. Cabinets with more than 1 ROS will not have an adjustable shelf.

For Premium Maple Roll-Out Shelves, add \$144 per Roll-Out Shelf and specify PM at the front of the code. Example: PMROS42

For Stainless Steel Roll-Out Shelves, add \$247 per Roll-Out Shelf and specify SS at the front of the code. Example: SSROS12

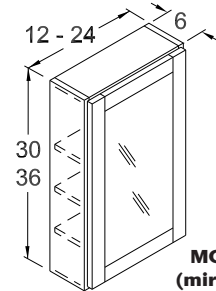


50800 - Medicine Cabinet (Door or Mirror)



MCD

- Designed for surface installation.
- *Finished Ends are standard and included at No Charge.*
- For MCM, center panel of door is replaced with a mirror.



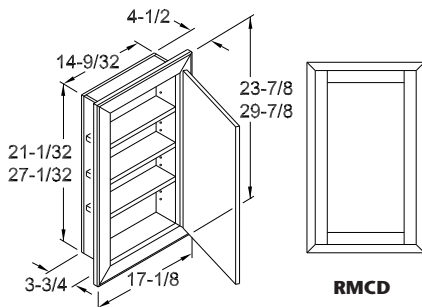
MCM (mirror)

NOTE: MCM is not available with Acrylic or Wired Foils.

MCD											
Cat. Code	1	2	3	4	5	6	7	8	9	10	11
30" High - 3 Adjustable Shelves											
MCD1230	276	324	382	382	396	418	429	446	458	478	494
MCD1530	301	353	415	415	427	452	462	482	495	518	536
MCD1830	331	392	454	454	471	500	515	537	551	574	594
MCD2130	359	427	497	497	515	545	558	583	597	622	646
MCD2430-1	373	445	520	520	537	567	581	606	622	650	671
36" High - 3 Adjustable Shelves											
MCD1236	331	389	458	458	473	500	515	537	551	574	594
MCD1536	361	424	495	495	513	542	556	579	594	620	642
MCD1836	398	471	546	546	566	601	616	646	662	690	714
MCD2136	430	514	598	598	619	654	670	699	717	747	775
MCD2436-1	447	535	622	622	644	681	697	726	745	779	805

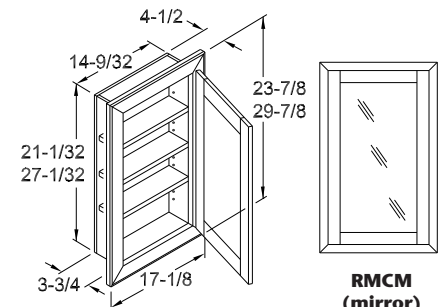
MCM											
Cat. Code	1	2	3	4	5	6	7	8	9	10	11
30" High - 3 Adjustable Shelves											
MCM1230	404	451	482	509	522	545	556	573	588	613	635
MCM1530	429	480	515	541	555	578	590	609	626	654	677
MCM1830	459	520	553	581	597	627	642	664	681	710	735
MCM2130	486	555	593	625	642	671	685	709	726	759	784
MCM2430-1	501	572	613	647	664	695	707	733	752	787	812
36" High - 3 Adjustable Shelves											
MCM1236	459	516	555	585	600	627	642	664	681	710	735
MCM1536	489	551	591	622	640	669	683	706	724	755	782
MCM1836	527	597	640	672	693	727	744	773	793	826	854
MCM2136	558	641	688	725	745	781	797	826	847	885	915
MCM2436-1	576	662	710	749	772	808	824	853	874	914	945

50850 - Recessed Medicine Cabinet (Door or Mirror)



RMCD

- Designed for recessed installation. Rough opening to be 14-1/2" wide.
- Face frame manufactured from 2" wide material with mitred corners and #1 edge profile on outside edges **only**.
- Finished ends are **not** available.



RMCM (mirror)

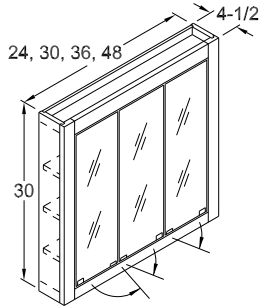
QUOTED MODIFICATIONS ONLY

NOTE: Available in standard wood species **only**.

Cat. Code	1	2	3	4	5	6	7	8	9	10	11
RMCD - 24" High - 2 Adjustable Shelves, 30" High - 3 Adjustable Shelves											
RMCD24	439	509	548	577	597	633	649	678	696	725	751
RMCD30	513	583	622	654	676	712	728	762	782	816	844
RMCM - 24" High - 2 Adjustable Shelves, 30" High - 3 Adjustable Shelves											
RMCM24	567	635	675	704	724	760	776	805	825	861	892
RMCM30	641	709	749	781	802	838	856	889	912	951	984



50860 - Tri-View Mirror Cabinet



- Touch latch and hinges are Chrome.
- Designed for surface installation.
- **Finished Ends are standard and included at No Charge.**

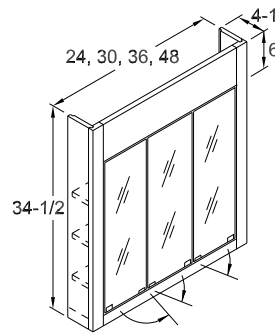
NO HEIGHT OR WIDTH MODIFICATIONS

Cat. Code	Price
TVM24	872
TVM30	992
TVM36	1123
TVM48	1258

NOTE: Available in standard wood species **only**.

NOTE: White interior is **not** available with this cabinet.

50870 - Tri-View Mirror Cabinet Extended



- Touch latch and hinges are Chrome.
- Designed for surface installation.
- **Finished Ends are standard and included at No Charge.**
- 6" top rail for mounting light fixtures (not included).

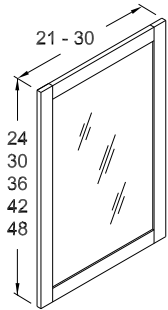
NO HEIGHT OR WIDTH MODIFICATIONS

Cat. Code	Price
TVME24	998
TVME30	1130
TVME36	1274
TVME48	1423

NOTE: Available in standard wood species **only**.

NOTE: White interior is **not** available with this cabinet.

50900 - Vanity Framed Mirror



- Frame matches door style specified for the order unless otherwise specified.
- For additional sizes, start with larger size and specify Cut To Size (**CTS**) for no charge.
- Maximum size with mirror included is 30" X 48". For frame only see Section #50901

NOTE: Arched doors are **not** available with **VMF**.

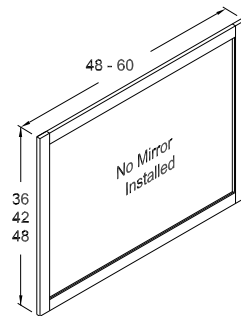
NOTE: Available in standard wood species **only**.

Cat. Code	Price
24" High	
VFM2124	469
VFM2424	490
VFM2724	513
VFM3024	536
30" High	
VFM2130	499
VFM2430	536
VFM2730	557
VFM3030	578

Cat. Code	Price
36" High	
VFM2136	536
VFM2436	557
VFM2736	578
VFM3036	602
42" High	
VFM2142	578
VFM2442	602
VFM2742	623
VFM3042	647
48" High	
VFM2148	622
VFM2448	648
VFM2748	670
VFM3048	696

Cut to Size, **CTS** **N/C**

50901 - Vanity Mirror Frame



- Frame **only**. Frame is prepared to receive mirror.
- Frame matches door style specified for the order unless otherwise specified.
- **Maximum** height = 48"
Maximum width = 60"
- For additional sizes, start with larger size and specify Cut To Size (**CTS**) for no charge.

NOTE: Arched doors are **not** available with **VMF**.

NOTE: Available in standard wood species **only**.

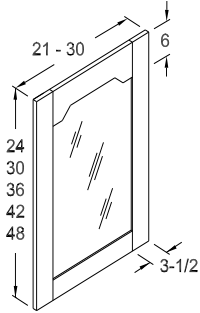
Cat. Code	Price
36" High	
VMF4836	404
VMF5136	412
VMF5436	419
VMF5736	426
VMF6036	433
42" High	
VMF4842	419
VMF5142	426
VMF5442	432
VMF5742	438
VMF6042	444

Cat. Code	Price
48" High	
VMF4848	432
VMF5148	439
VMF5448	445
VMF5748	452
VMF6048	458

Cut to Size, **CTS** **N/C**



50902 - Valance Mirror



- Specify top valance option: D, E, H, G1, G2, G3, G4. See Section #72200
- Outside edge is profiled to match the door style specified for the order, unless otherwise specified.
- For additional sizes, start with larger size and specify Cut To Size (CTS) for no charge.
- Maximum size with mirror included is 30" X 48". For frame only see Section #50903

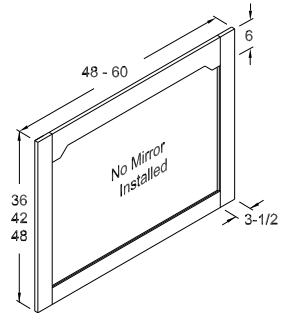
Cat. Code	Price
24" High	
VLM2124	604
VLM2424	625
VLM2724	647
VLM3024	670
30" High	
VLM2130	633
VLM2430	670
VLM2730	691
VLM3030	712

Cat. Code	Price
36" High	
VLM2136	670
VLM2436	691
VLM2736	712
VLM3036	737
42" High	
VLM2142	712
VLM2442	737
VLM2742	758
VLM3042	781
48" High	
VLM2148	756
VLM2448	782
VLM2748	804
VLM3048	830

NOTE: Available in standard wood species **only**.

Cut to Size, **CTS** **N/C**

50903 - Valance Mirror Frame



- Frame **only**. Frame is prepared to receive mirror.
- Specify top valance option: D, E, H, G1, G2, G3, G4. See Section #72200
- Outside edge is profiled to match the door style specified for the order, unless otherwise specified.
- **Maximum** height = 48"
Maximum width = 60"
- For additional sizes, start with larger size and specify Cut To Size (CTS) for no charge.

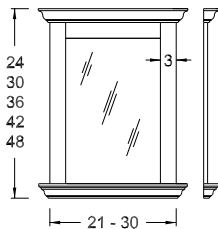
Cat. Code	Price
36" High	
VLMF4836	556
VLMF5136	566
VLMF5436	577
VLMF5736	587
VLMF6036	597
42" High	
VLMF4842	571
VLMF5142	580
VLMF5442	590
VLMF5742	599
VLMF6042	607

NOTE: Available in standard wood species **only**.

Cat. Code	Price
48" High	
VLMF4848	584
VLMF5148	593
VLMF5448	602
VLMF5748	612
VLMF6048	621

Cut to Size, **CTS** **N/C**

50904 - Mirror with Shelf and Molding



- Includes molding at top and bottom of mirror. Available with Crown (MCRM), Cove (MCVE), Craftsman (MCCM) or Beaded Cove (MBCVE) molding. Crown (MCRM) is standard unless otherwise specified.
- For additional sizes, start with larger size and specify Cut To Size (CTS) for no charge.
- Maximum size with mirror included is 30" X 48". For frame only see Section #50905
- See **Molding section** for species availability.

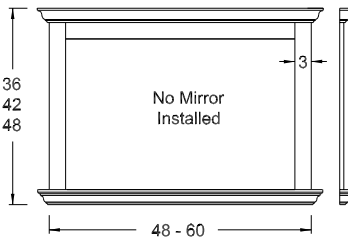
Cat. Code	Price
24" High	
MSM2124	1158
MSM2424	1179
MSM2724	1201
MSM3024	1224
30" High	
MSM2130	1187
MSM2430	1224
MSM2730	1245
MSM3030	1266

Cat. Code	Price
36" High	
MSM2136	1224
MSM2436	1245
MSM2736	1266
MSM3036	1291
42" High	
MSM2142	1266
MSM2442	1291
MSM2742	1312
MSM3042	1335
48" High	
MSM2148	1311
MSM2448	1336
MSM2748	1358
MSM3048	1384

NOTE: Available in standard wood species **only**.

Cut to Size, **CTS** **N/C**

50905 - Mirror with Shelf and Molding Frame



- Frame **only** includes molding at top and bottom. Available with Crown (MCRM), Cove (MCVE), Craftsman (MCCM) or Beaded Cove (MBCVE) molding. Crown (MCRM) is standard unless otherwise specified. Frame is prepared to receive mirror.
- **Maximum** height = 48"
Maximum width = 60"
- For additional sizes, start with larger size and specify Cut To Size (CTS) for no charge.
- See **Molding section** for species availability.

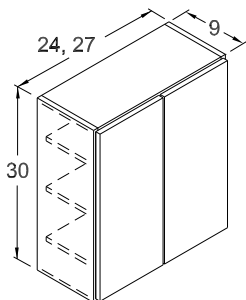
Cat. Code	Price
36" High	
MSMF4836	1092
MSMF5136	1101
MSMF5436	1108
MSMF5736	1115
MSMF6036	1122
42" High	
MSMF4842	1108
MSMF5142	1115
MSMF5442	1120
MSMF5742	1126
MSMF6042	1132

Cat. Code	Price
48" High	
MSMF4848	1120
MSMF5148	1127
MSMF5448	1133
MSMF5748	1140
MSMF6048	1146

Cut to Size, **CTS** **N/C**

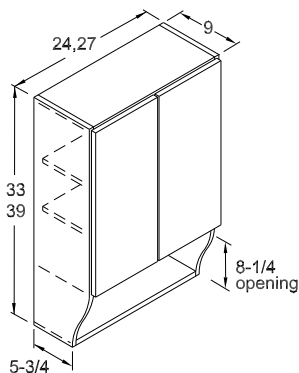


50950 - Vanity Wall Cabinet



Cat. Code	1	2	3	4	5	6	7	8	9	10	11
VWC2430	496	600	647	684	707	749	770	803	824	859	891
VWC2730	521	633	702	758	784	833	854	893	915	956	987

51060 - Vanity Wall Attached Shelf

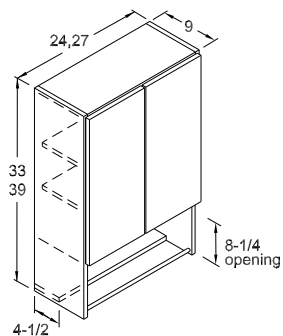


- Open shelf, bottom, interior and both ends are finished as standard and included at No Charge.

NOTE: Not available with Acrylic or Wired Foils.

Cat. Code	1	2	3	4	5	6	7	8	9	10	11
VWAS2433	1369	1546	1649	1731	1792	1904	1952	2040	2089	2182	2257
VWAS2733	1438	1622	1731	1819	1882	2001	2051	2142	2196	2294	2373
VWAS2439	1531	1729	1845	1938	2006	2132	2184	2282	2338	2442	2527
VWAS2739	1600	1808	1928	2025	2096	2228	2284	2383	2442	2552	2639

51070 - Vanity Wall Attached Shelf/Towel Bar

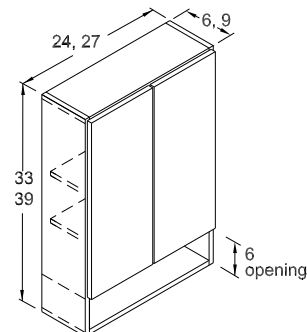


- Open shelf, bottom, interior and both ends are finished as standard and included at No Charge.

NOTE: Not available with Acrylic or Wired Foils.

Cat. Code	1	2	3	4	5	6	7	8	9	10	11
VWASTB2433	1441	1627	1734	1823	1886	2005	2056	2146	2200	2299	2377
VWASTB2733	1509	1705	1818	1910	1977	2100	2153	2247	2303	2405	2489
VWASTB2439	1602	1810	1930	2027	2098	2230	2286	2385	2445	2554	2643
VWASTB2739	1676	1892	2016	2118	2194	2330	2387	2494	2555	2670	2761

51075 - Vanity Wall Open Shelf



- Open shelf, bottom, interior and both ends are finished as standard and included at No Charge.

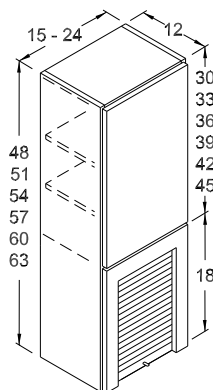
NOTE: Not available with Acrylic or Wired Foils.

Cat. Code	1	2	3	4	5	6	7	8	9	10	11
VWOS2433-6	1369	1546	1649	1731	1792	1904	1952	2040	2089	2182	2257
VWOS2733-6	1438	1622	1731	1819	1882	2001	2051	2142	2196	2294	2373
VWOS2439-6	1531	1729	1845	1938	2006	2132	2184	2282	2338	2442	2527
VWOS2739-6	1600	1808	1928	2025	2096	2228	2284	2383	2442	2552	2639
Cat. Code	1	2	3	4	5	6	7	8	9	10	11
VWOS2433-9	1369	1546	1649	1731	1792	1904	1952	2040	2089	2182	2257
VWOS2733-9	1438	1622	1731	1819	1882	2001	2051	2142	2196	2294	2373
VWOS2439-9	1531	1729	1845	1938	2006	2132	2184	2282	2338	2442	2527
VWOS2739-9	1600	1808	1928	2025	2096	2228	2284	2383	2442	2552	2639





51077 - Vanity Counter Storage / Tambour Door



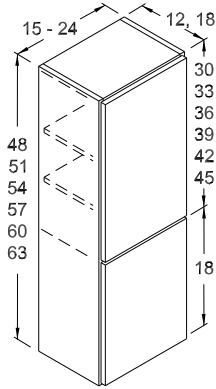
- Specify chrome or brass knob on tambour door. If not specified, chrome is supplied.
- A three-sided tambour frame (2" wide stiles and 2-1/2" wide top rail) is installed on face of cabinet.
- **Finished Ends are standard and included at No Charge.**
- Tambour opening height clearance = 14-7/16".
- No back or floor in lower section.
- Height modifications affect upper section unless otherwise specified.
Minimum opening height of lower section = 9".
- **Minimum** VWCT depth = 6".

NOTE: Not available with Wired Foils or Acrylics.

Cat. Code	1	2	3	4	5	6	7	8	9	10	11
48" High - Two Adjustable Shelves											
48VCST1512	1003	1071	1110	1143	1172	1225	1257	1313	1344	1406	1453
48VCST1812	1038	1115	1160	1193	1224	1283	1314	1371	1406	1468	1519
48VCST2112	1113	1199	1245	1285	1319	1379	1416	1479	1517	1582	1638
48VCST2412-1	1284	1410	1459	1497	1539	1615	1656	1728	1771	1851	1915
48VCST2412	1284	1410	1459	1497	1539	1615	1656	1728	1771	1851	1915
48VCST1518	1304	1393	1443	1486	1524	1593	1635	1707	1748	1828	1889
48VCST1818	1350	1450	1508	1551	1592	1668	1709	1783	1828	1909	1975
48VCST2118	1447	1559	1619	1671	1715	1793	1841	1923	1973	2057	2130
48VCST2418-1	1670	1833	1897	1947	2001	2100	2153	2247	2303	2407	2490
48VCST2418	1670	1833	1897	1947	2001	2100	2153	2247	2303	2407	2490
51" High - Two Adjustable Shelves											
51VCST1512	1118	1201	1243	1278	1312	1372	1407	1469	1505	1573	1627
51VCST1812	1169	1253	1301	1340	1376	1444	1480	1545	1584	1655	1711
51VCST2112	1250	1348	1399	1441	1481	1556	1594	1665	1706	1782	1843
51VCST2412-1	1435	1566	1627	1675	1722	1808	1853	1935	1983	2070	2142
51VCST2412	1435	1566	1627	1675	1722	1808	1853	1935	1983	2070	2142
51VCST1518	1454	1562	1616	1662	1706	1784	1830	1910	1957	2045	2116
51VCST1818	1520	1629	1692	1742	1789	1878	1924	2009	2060	2152	2225
51VCST2118	1625	1753	1819	1874	1926	2023	2073	2165	2218	2317	2396
51VCST2418-1	1866	2036	2116	2178	2239	2351	2409	2516	2578	2691	2785
51VCST2418	1866	2036	2116	2178	2239	2351	2409	2516	2578	2691	2785
54" High - Two Adjustable Shelves											
54VCST1512	1118	1201	1243	1278	1312	1372	1407	1469	1505	1573	1627
54VCST1812	1169	1253	1301	1340	1376	1444	1480	1545	1584	1655	1711
54VCST2112	1250	1348	1399	1441	1481	1556	1594	1665	1706	1782	1843
54VCST2412-1	1435	1566	1627	1675	1722	1808	1853	1935	1983	2070	2142
54VCST2412	1435	1566	1627	1675	1722	1808	1853	1935	1983	2070	2142
54VCST1518	1454	1562	1616	1662	1706	1784	1830	1910	1957	2045	2116
54VCST1818	1520	1629	1692	1742	1789	1878	1924	2009	2060	2152	2225
54VCST2118	1625	1753	1819	1874	1926	2023	2073	2165	2218	2317	2396
54VCST2418-1	1866	2036	2116	2178	2239	2351	2409	2516	2578	2691	2785
54VCST2418	1866	2036	2116	2178	2239	2351	2409	2516	2578	2691	2785
57" High - Two Adjustable Shelves											
57VCST1512	1193	1278	1322	1358	1397	1466	1502	1568	1608	1679	1736
57VCST1812	1239	1334	1389	1431	1470	1543	1624	1777	1820	1901	1967
57VCST2112	1336	1440	1498	1546	1589	1669	1710	1785	1829	1911	1976
57VCST2412-1	1521	1666	1729	1782	1832	1923	1971	2058	2109	2202	2278
57VCST2412	1521	1666	1729	1782	1832	1923	1971	2058	2109	2202	2278
57VCST1518	1551	1662	1719	1766	1817	1906	1953	2039	2091	2183	2257
57VCST1818	1611	1735	1806	1861	1911	2006	2112	2311	2366	2472	2558
57VCST2118	1737	1872	1948	2010	2066	2170	2223	2321	2378	2485	2569
57VCST2418-1	1978	2166	2248	2317	2382	2500	2563	2676	2742	2863	2962
57VCST2418	1978	2166	2248	2317	2382	2500	2563	2676	2742	2863	2962
60" High - Three Adjustable Shelves											
60VCST1512	1193	1278	1322	1358	1397	1466	1502	1568	1608	1679	1736
60VCST1812	1239	1334	1389	1431	1470	1543	1580	1650	1691	1766	1826
60VCST2112	1336	1440	1498	1546	1589	1669	1710	1785	1829	1911	1976
60VCST2412-1	1521	1666	1729	1782	1832	1923	1971	2058	2109	2202	2278
60VCST2412	1521	1666	1729	1782	1832	1923	1971	2058	2109	2202	2278
60VCST1518	1551	1662	1719	1766	1817	1906	1953	2039	2091	2183	2257
60VCST1818	1611	1735	1806	1861	1911	2006	2054	2145	2199	2296	2374
60VCST2118	1737	1872	1948	2010	2066	2170	2223	2321	2378	2485	2569
60VCST2418-1	1978	2166	2248	2317	2382	2500	2563	2676	2742	2863	2962
60VCST2418	1978	2166	2248	2317	2382	2500	2563	2676	2742	2863	2962
63" High - Three Adjustable Shelves											
63VCST1512	1253	1342	1389	1426	1467	1540	1578	1647	1689	1763	1823
63VCST1812	1301	1401	1459	1503	1544	1621	1659	1733	1776	1855	1918
63VCST2112	1403	1512	1573	1624	1669	1753	1796	1875	1921	2007	2075
63VCST2412-1	1598	1750	1816	1872	1924	2020	2070	2161	2215	2313	2392
63VCST2412	1598	1750	1816	1872	1924	2020	2070	2161	2215	2313	2392
63VCST1518	1629	1745	1805	1854	1907	2002	2051	2141	2195	2292	2370
63VCST1818	1692	1821	1896	1954	2007	2107	2157	2253	2309	2411	2493
63VCST2118	1824	1966	2045	2111	2169	2279	2335	2437	2497	2609	2698
63VCST2418-1	2077	2275	2361	2433	2501	2625	2691	2810	2879	3006	3110
63VCST2418	2077	2275	2361	2433	2501	2625	2691	2810	2879	3006	3110



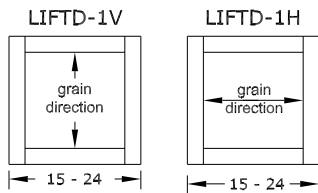
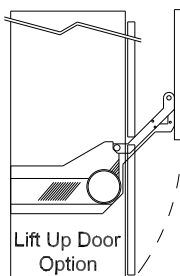
51077 - Vanity Counter Storage / Door



- **Finished Ends are standard and included at No Charge.**
- Reveal below lower door(s) is 1/4" to provide clearance for door swing.
- No back or floor in lower section.
- Height modifications affect upper section unless otherwise specified.
Minimum opening height of lower section = 9".
- Lower working door(s) may be converted to a Lift Door, specify "LIFTD-1V" (for vertical-grain door insert) or "LIFTD-1H" (for horizontal-grain door insert) on order. **Exception:** Horizontal grain door insert is not available with arched door styles

Minimum opening height = 16".
Interior height = opening height minus 1-1/2".
Interior width = opening width minus 3".

Minimum depth = 11-1/2"



Cat. Code	1	2	3	4	5	6	7	8	9	10	11
48" High - Two Adjustable Shelves											
48VCSD1512	940	1006	1048	1078	1109	1164	1192	1243	1276	1332	1377
48VCSD1812	973	1053	1095	1129	1161	1218	1249	1305	1337	1396	1445
48VCSD2112	1050	1134	1182	1221	1255	1318	1350	1411	1446	1508	1561
48VCSD2412-1	1155	1283	1332	1370	1412	1488	1526	1593	1633	1705	1764
48VCSD2412	1155	1283	1332	1370	1412	1488	1526	1593	1633	1705	1764
48VCSD1518	1222	1308	1363	1402	1442	1514	1550	1616	1659	1732	1791
48VCSD1818	1265	1369	1424	1468	1510	1584	1624	1697	1739	1815	1879
48VCSD2118	1365	1475	1537	1588	1632	1714	1755	1835	1880	1961	2030
48VCSD2418-1	1502	1668	1732	1781	1836	1935	1984	2071	2123	2217	2294
48VCSD2418	1502	1668	1732	1781	1836	1935	1984	2071	2123	2217	2294

Cat. Code	1	2	3	4	5	6	7	8	9	10	11
51" High - Two Adjustable Shelves											
51VCSD1512	1055	1124	1174	1213	1246	1311	1342	1404	1438	1501	1554
51VCSD1812	1105	1190	1238	1278	1314	1378	1413	1475	1515	1580	1634
51VCSD2112	1187	1285	1336	1376	1417	1490	1529	1596	1637	1708	1768
51VCSD2412-1	1307	1440	1500	1547	1595	1680	1722	1799	1844	1927	1992
51VCSD2412	1307	1440	1500	1547	1595	1680	1722	1799	1844	1927	1992
51VCSD1518	1372	1462	1527	1577	1620	1705	1745	1826	1870	1952	2021
51VCSD1818	1437	1547	1610	1662	1709	1792	1837	1918	1970	2054	2125
51VCSD2118	1544	1671	1737	1789	1843	1937	1988	2075	2129	2221	2299
51VCSD2418-1	1700	1872	1950	2012	2074	2184	2239	2339	2398	2506	2590
51VCSD2418	1700	1872	1950	2012	2074	2184	2239	2339	2398	2506	2590

Cat. Code	1	2	3	4	5	6	7	8	9	10	11
54" High - Two Adjustable Shelves											
54VCSD1512	1055	1124	1174	1213	1246	1311	1342	1404	1438	1501	1554
54VCSD1812	1105	1190	1238	1278	1314	1378	1413	1475	1515	1580	1634
54VCSD2112	1187	1285	1336	1376	1417	1490	1529	1596	1637	1708	1768
54VCSD2412-1	1307	1440	1500	1547	1595	1680	1722	1799	1844	1927	1992
54VCSD2412	1307	1440	1500	1547	1595	1680	1722	1799	1844	1927	1992
54VCSD1518	1372	1462	1527	1577	1620	1705	1745	1826	1870	1952	2021
54VCSD1818	1437	1547	1610	1662	1709	1792	1837	1918	1970	2054	2125
54VCSD2118	1544	1671	1737	1789	1843	1937	1988	2075	2129	2221	2299
54VCSD2418-1	1700	1872	1950	2012	2074	2184	2239	2339	2398	2506	2590
54VCSD2418	1700	1872	1950	2012	2074	2184	2239	2339	2398	2506	2590

Cat. Code	1	2	3	4	5	6	7	8	9	10	11
57" High - Two Adjustable Shelves											
57VCSD1512	1129	1213	1260	1297	1334	1404	1438	1501	1539	1606	1662
57VCSD1812	1175	1270	1323	1367	1407	1479	1517	1582	1622	1694	1752
57VCSD2112	1273	1375	1434	1482	1525	1603	1645	1717	1760	1838	1902
57VCSD2412-1	1392	1539	1602	1655	1705	1797	1840	1922	1970	2057	2126
57VCSD2412	1392	1539	1602	1655	1705	1797	1840	1922	1970	2057	2126
57VCSD1518	1468	1577	1638	1687	1735	1826	1870	1952	2001	2088	2161
57VCSD1818	1528	1651	1720	1778	1830	1923	1973	2057	2109	2203	2278
57VCSD2118	1655	1788	1865	1927	1983	2084	2139	2233	2288	2390	2473
57VCSD2418-1	1810	2001	2083	2152	2217	2337	2392	2499	2561	2675	2764
57VCSD2418	1810	2001	2083	2152	2217	2337	2392	2499	2561	2675	2764

Cat. Code	1	2	3	4	5	6	7	8	9	10	11
60" High - Three Adjustable Shelves											
60VCSD1512	1129	1213	1260	1297	1334	1404	1438	1501	1539	1606	1662
60VCSD1812	1175	1270	1323	1367	1407	1479	1517	1582	1622	1694	1752
60VCSD2112	1273	1375	1434	1482	1525	1603	1645	1717	1760	1838	1902
60VCSD2412-1	1392	1539	1602	1655	1705	1797	1840	1922	1970	2057	2126
60VCSD2412	1392	1539	1602	1655	1705	1797	1840	1922	1970	2057	2126
60VCSD1518	1468	1577	1638	1687	1735	1826	1870	1952	2001	2088	2161
60VCSD1818	1528	1651	1720	1778	1830	1923	1973	2057	2109	2203	2278
60VCSD2118	1655	1788	1865	1927	1983	2084	2139	2233	2288	2390	2473
60VCSD2418-1	1810	2001	2083	2152	2217	2337	2392	2499	2561	2675	2764
60VCSD2418	1810	2001	2083	2152	2217	2337	2392	2499	2561	2675	2764

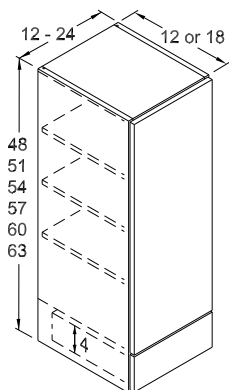
Cat. Code	1	2	3	4	5	6	7	8	9	10	11
63" High - Three Adjustable Shelves											
63VCSD1512	1186	1274	1323	1362	1401	1475	1510	1577	1616	1687	1746
63VCSD1812	1234	1334	1390	1436	1478	1553	1593	1662	1704	1779	1840
63VCSD2112	1337	1444	1506	1557	1602	1684	1728	1803	1848	1930	1998
63VCSD2412-1	1462	1616	1683	1738	1791	1887	1932	2019	2069	2160	2233
63VCSD2412	1462	1616	1683	1738	1791	1887	1932	2019	2069	2160	2233
63VCSD1518	1542	1656	1720	1771	1821	1917	1963	2049	2101	2193	2269
63VCSD1818	1604	1734	1806	1866	1921	2019	2071	2160	2215	2313	2392
63VCSD2118	1738	1877	1958	2023	2082	2189	2246	2344	2403	2509	2597
63VCSD2418-1	1901	2101	2187	2260	2328	2453	2512	2624	2690	2808	2902
63VCSD2418	1901	2101	2187	2260	2328	2453	2512	2624	2690	2808	2902

Convert Working Door to Lift Door with Vertical-grain panel, **LIFTD-1V** Add \$881

Convert Working Door to Lift Door with Horizontal-grain panel, **LIFTD-1H** Add \$881



51079 - Vanity Counter One Drawer



- **Finished Ends are standard and included at No Charge.**
- Reveal below drawer is 1/4" to provide clearance during operation. Cabinet has no bottom below drawer and is designed for countertop installation.
- **Minimum** depth = 12", **Maximum** depth = 24".
- Height modifications affect upper section unless otherwise specified.

Cat. Code	1	2	3	4	5	6	7	8	9	10	11
48" High - Two Adjustable Shelves											
48VC1D1212	815	905	953	990	1017	1064	1093	1140	1168	1221	1263
48VC1D1512	857	952	1003	1042	1070	1119	1150	1200	1229	1285	1329
48VC1D1812	921	1015	1074	1119	1151	1206	1236	1292	1323	1381	1430
48VC1D2112	982	1082	1148	1201	1232	1293	1325	1382	1418	1481	1533
48VC1D2412-1	1139	1288	1358	1416	1454	1525	1563	1631	1672	1746	1806
48VC1D2412	1139	1288	1358	1416	1454	1525	1563	1631	1672	1746	1806
48VC1D1218	1059	1176	1239	1287	1322	1382	1421	1482	1518	1587	1642
48VC1D1518	1115	1238	1304	1355	1391	1455	1495	1560	1598	1671	1728
48VC1D1818	1198	1320	1397	1455	1497	1568	1607	1680	1720	1796	1859
48VC1D2118	1277	1407	1493	1562	1602	1681	1723	1797	1844	1926	1993
48VC1D2418-1	1481	1675	1766	1841	1891	1983	2032	2121	2174	2270	2348
48VC1D2418	1481	1675	1766	1841	1891	1983	2032	2121	2174	2270	2348
51" High - Three Adjustable Shelves											
51VC1D1212	884	971	1023	1063	1094	1146	1175	1228	1257	1312	1359
51VC1D1512	930	1022	1076	1118	1151	1206	1236	1292	1323	1381	1430
51VC1D1812	984	1090	1154	1206	1239	1300	1333	1391	1426	1488	1540
51VC1D2112	1053	1165	1236	1294	1329	1395	1430	1491	1530	1598	1654
51VC1D2412-1	1227	1390	1467	1530	1573	1651	1692	1767	1810	1892	1956
51VC1D2412	1227	1390	1467	1530	1573	1651	1692	1767	1810	1892	1956
51VC1D1218	1149	1263	1329	1381	1422	1490	1527	1596	1634	1706	1767
51VC1D1518	1209	1329	1399	1454	1497	1568	1607	1680	1720	1796	1859
51VC1D1818	1280	1417	1501	1568	1611	1690	1733	1809	1854	1935	2002
51VC1D2118	1369	1515	1607	1683	1728	1814	1859	1939	1989	2078	2151
51VC1D2418-1	1596	1807	1908	1989	2045	2147	2200	2298	2353	2460	2543
51VC1D2418	1596	1807	1908	1989	2045	2147	2200	2298	2353	2460	2543
54" High - Three Adjustable Shelves											
54VC1D1212	884	971	1023	1063	1094	1146	1175	1228	1257	1312	1359
54VC1D1512	930	1022	1076	1118	1151	1206	1236	1292	1323	1381	1430
54VC1D1812	984	1090	1154	1206	1239	1300	1333	1391	1426	1488	1540
54VC1D2112	1053	1165	1236	1294	1329	1395	1430	1491	1530	1598	1654
54VC1D2412-1	1227	1390	1467	1530	1573	1651	1692	1767	1810	1892	1956
54VC1D2412	1227	1390	1467	1530	1573	1651	1692	1767	1810	1892	1956
54VC1D1218	1149	1263	1329	1381	1422	1490	1527	1596	1634	1706	1767
54VC1D1518	1209	1329	1399	1454	1497	1568	1607	1680	1720	1796	1859
54VC1D1818	1280	1417	1501	1568	1611	1690	1733	1809	1854	1935	2002
54VC1D2118	1369	1515	1607	1683	1728	1814	1859	1939	1989	2078	2151
54VC1D2418-1	1596	1807	1908	1989	2045	2147	2200	2298	2353	2460	2543
54VC1D2418	1596	1807	1908	1989	2045	2147	2200	2298	2353	2460	2543

NOTE: See door/drawer front specifications for styling limitations due to drawer front height.

CONTINUED ON NEXT PAGE

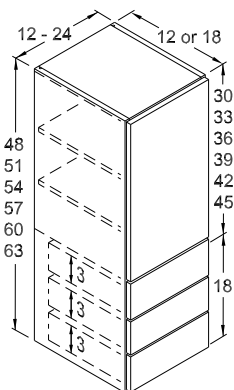


51079 - Vanity Counter One Drawer (continued)

Cat. Code	1	2	3	4	5	6	7	8	9	10	11
57" High - Three Adjustable Shelves											
57VC1D1212	947	1042	1100	1144	1177	1235	1267	1322	1355	1414	1463
57VC1D1512	996	1096	1157	1204	1238	1300	1333	1391	1426	1488	1540
57VC1D1812	1055	1173	1243	1300	1336	1404	1438	1501	1539	1606	1662
57VC1D2112	1130	1251	1332	1396	1435	1507	1545	1614	1655	1727	1788
57VC1D2412-1	1321	1501	1586	1656	1704	1790	1834	1916	1964	2050	2120
57VC1D2412	1321	1501	1586	1656	1704	1790	1834	1916	1964	2050	2120
57VC1D1218	1231	1354	1429	1487	1529	1606	1647	1718	1762	1838	1902
57VC1D1518	1295	1425	1505	1566	1610	1690	1733	1809	1854	1935	2002
57VC1D1818	1372	1525	1616	1690	1737	1826	1870	1952	2001	2088	2161
57VC1D2118	1469	1627	1732	1815	1866	1960	2009	2099	2152	2246	2325
57VC1D2418-1	1718	1952	2062	2153	2216	2327	2385	2491	2554	2665	2756
57VC1D2418	1718	1952	2062	2153	2216	2327	2385	2491	2554	2665	2756
60" High - Three Adjustable Shelves											
60VC1D1212	947	1042	1100	1144	1177	1235	1267	1322	1355	1414	1463
60VC1D1512	996	1096	1157	1204	1238	1300	1333	1391	1426	1488	1540
60VC1D1812	1055	1173	1243	1300	1336	1404	1438	1501	1539	1606	1662
60VC1D2112	1130	1251	1332	1396	1435	1507	1545	1614	1655	1727	1788
60VC1D2412-1	1321	1501	1586	1656	1704	1790	1834	1916	1964	2050	2120
60VC1D2412	1321	1501	1586	1656	1704	1790	1834	1916	1964	2050	2120
60VC1D1218	1231	1354	1429	1487	1529	1606	1647	1718	1762	1838	1902
60VC1D1518	1295	1425	1505	1566	1610	1690	1733	1809	1854	1935	2002
60VC1D1818	1372	1525	1616	1690	1737	1826	1870	1952	2001	2088	2161
60VC1D2118	1469	1627	1732	1815	1866	1960	2009	2099	2152	2246	2325
60VC1D2418-1	1718	1952	2062	2153	2216	2327	2385	2491	2554	2665	2756
60VC1D2418	1718	1952	2062	2153	2216	2327	2385	2491	2554	2665	2756
63" High - Four Adjustable Shelves											
63VC1D1212	994	1094	1155	1201	1235	1297	1330	1388	1423	1485	1537
63VC1D1512	1046	1151	1215	1265	1300	1365	1400	1461	1498	1563	1617
63VC1D1812	1108	1232	1306	1365	1403	1475	1510	1577	1616	1687	1746
63VC1D2112	1187	1314	1399	1466	1507	1583	1623	1695	1738	1814	1878
63VC1D2412-1	1388	1577	1666	1739	1790	1880	1926	2012	2063	2153	2226
63VC1D2412	1388	1577	1666	1739	1790	1880	1926	2012	2063	2153	2226
63VC1D1218	1292	1422	1501	1562	1606	1686	1729	1804	1850	1930	1997
63VC1D1518	1360	1497	1580	1644	1690	1775	1820	1899	1947	2032	2103
63VC1D1818	1441	1602	1697	1775	1824	1917	1963	2049	2101	2193	2269
63VC1D2118	1543	1708	1819	1906	1959	2058	2109	2204	2260	2358	2441
63VC1D2418-1	1804	2049	2165	2261	2326	2444	2504	2616	2681	2799	2894
63VC1D2418	1804	2049	2165	2261	2326	2444	2504	2616	2681	2799	2894



51080 - Vanity Counter Three Drawer



- **Finished Ends are standard and included at No Charge.**
- Reveal below drawer is 1/4" to provide clearance during operation. Cabinet has no bottom below drawer and is designed for countertop installation.
- **Minimum** depth = 12", **Maximum** depth = 24".
- Height modifications affect upper section unless otherwise specified.

Cat. Code	1	2	3	4	5	6	7	8	9	10	11
48" High - Two Adjustable Shelves											
48VC3D1212	1288	1454	1550	1628	1686	1789	1835	1916	1964	2052	2122
48VC3D1512	1355	1530	1631	1713	1774	1883	1931	2016	2067	2159	2233
48VC3D1812	1418	1600	1707	1795	1858	1973	2023	2112	2165	2259	2340
48VC3D2112	1518	1713	1827	1920	1987	2110	2163	2258	2315	2419	2501
48VC3D2412-1	1684	1900	2027	2127	2203	2342	2400	2506	2569	2684	2777
48VC3D2412	1684	1900	2027	2127	2203	2342	2400	2506	2569	2684	2777
48VC3D1218	1674	1890	2015	2116	2191	2326	2385	2490	2553	2667	2758
48VC3D1518	1762	1989	2121	2227	2307	2448	2511	2621	2688	2807	2903
48VC3D1818	1844	2080	2220	2334	2416	2565	2630	2746	2815	2937	3042
48VC3D2118	1974	2227	2376	2496	2584	2743	2812	2936	3010	3145	3252
48VC3D2418-1	2190	2470	2636	2766	2864	3045	3120	3258	3340	3490	3611
48VC3D2418	2190	2470	2636	2766	2864	3045	3120	3258	3340	3490	3611
51" High - Two Adjustable Shelves											
51VC3D1212	1357	1532	1634	1716	1778	1888	1936	2020	2071	2164	2239
51VC3D1512	1428	1612	1720	1806	1871	1987	2037	2126	2180	2277	2356
51VC3D1812	1482	1673	1784	1873	1939	2062	2113	2207	2261	2361	2442
51VC3D2112	1595	1803	1922	2020	2090	2221	2277	2377	2436	2545	2631
51VC3D2412-1	1770	1998	2132	2238	2319	2463	2525	2636	2701	2823	2919
51VC3D2412	1770	1998	2132	2238	2319	2463	2525	2636	2701	2823	2919
51VC3D1218	1764	1991	2125	2231	2311	2454	2516	2626	2693	2813	2910
51VC3D1518	1857	2096	2236	2348	2433	2584	2649	2764	2834	2961	3063
51VC3D1818	1927	2175	2320	2435	2521	2681	2747	2870	2940	3070	3175
51VC3D2118	2074	2344	2499	2626	2717	2888	2961	3091	3167	3309	3421
51VC3D2418-1	2301	2598	2772	2910	3015	3202	3283	3427	3512	3670	3795
51VC3D2418	2301	2598	2772	2910	3015	3202	3283	3427	3512	3670	3795
54" High - Two Adjustable Shelves											
54VC3D1212	1357	1532	1634	1716	1778	1888	1936	2020	2071	2164	2239
54VC3D1512	1428	1612	1720	1806	1871	1987	2037	2126	2180	2277	2356
54VC3D1812	1482	1673	1784	1873	1939	2062	2113	2207	2261	2361	2442
54VC3D2112	1595	1803	1922	2020	2090	2221	2277	2377	2436	2545	2631
54VC3D2412-1	1770	1998	2132	2238	2319	2463	2525	2636	2701	2823	2919
54VC3D2412	1770	1998	2132	2238	2319	2463	2525	2636	2701	2823	2919
54VC3D1218	1764	1991	2125	2231	2311	2454	2516	2626	2693	2813	2910
54VC3D1518	1857	2096	2236	2348	2433	2584	2649	2764	2834	2961	3063
54VC3D1818	1927	2175	2320	2435	2521	2681	2747	2870	2940	3070	3175
54VC3D2118	2074	2344	2499	2626	2717	2888	2961	3091	3167	3309	3421
54VC3D2418-1	2301	2598	2772	2910	3015	3202	3283	3427	3512	3670	3795
54VC3D2418	2301	2598	2772	2910	3015	3202	3283	3427	3512	3670	3795

NOTE: See door/drawer front specifications for styling limitations due to drawer front height.

CONTINUED ON NEXT PAGE

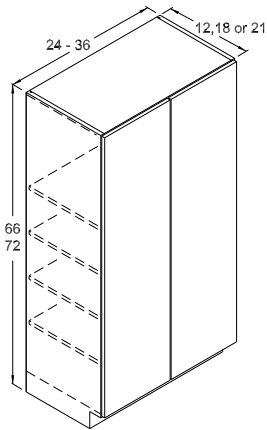
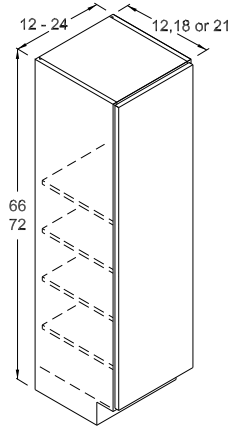


51080 - Vanity Counter Three Drawer

Cat. Code	1	2	3	4	5	6	7	8	9	10	11
57" High - Two Adjustable Shelves											
57VC3D1212	1419	1602	1709	1795	1858	1975	2022	2113	2166	2261	2339
57VC3D1512	1493	1686	1798	1889	1955	2078	2128	2224	2280	2379	2462
57VC3D1812	1553	1752	1869	1964	2021	2121	2175	2271	2327	2432	2515
57VC3D2112	1680	1897	2025	2125	2201	2340	2398	2502	2565	2679	2771
57VC3D2412-1	1865	2105	2245	2358	2441	2594	2659	2776	2845	2971	3073
57VC3D2412	1865	2105	2245	2358	2441	2594	2659	2776	2845	2971	3073
57VC3D1218	1844	2083	2221	2333	2415	2567	2629	2747	2816	2939	3041
57VC3D1518	1941	2192	2338	2456	2542	2702	2767	2892	2964	3093	3201
57VC3D1818	2019	2278	2430	2554	2628	2758	2828	2953	3026	3162	3270
57VC3D2118	2184	2467	2633	2763	2862	3042	3118	3253	3335	3483	3603
57VC3D2418-1	2425	2737	2919	3066	3174	3373	3457	3609	3699	3863	3995
57VC3D2418	2425	2737	2919	3066	3174	3373	3457	3609	3699	3863	3995
60" High - Three Adjustable Shelves											
60VC3D1212	1419	1602	1709	1795	1858	1975	2022	2113	2166	2261	2339
60VC3D1512	1493	1686	1798	1889	1955	2078	2128	2224	2280	2379	2462
60VC3D1812	1553	1752	1869	1964	2021	2121	2175	2271	2327	2432	2515
60VC3D2112	1680	1897	2025	2125	2201	2340	2398	2502	2565	2679	2771
60VC3D2412-1	1865	2105	2245	2358	2441	2594	2659	2776	2845	2971	3073
60VC3D2412	1865	2105	2245	2358	2441	2594	2659	2776	2845	2971	3073
60VC3D1218	1844	2083	2221	2333	2415	2567	2629	2747	2816	2939	3041
60VC3D1518	1941	2192	2338	2456	2542	2702	2767	2892	2964	3093	3201
60VC3D1818	2019	2278	2430	2554	2628	2758	2828	2953	3026	3162	3270
60VC3D2118	2184	2467	2633	2763	2862	3042	3118	3253	3335	3483	3603
60VC3D2418-1	2425	2737	2919	3066	3174	3373	3457	3609	3699	3863	3995
60VC3D2418	2425	2737	2919	3066	3174	3373	3457	3609	3699	3863	3995
63" High - Three Adjustable Shelves											
63VC3D1212	1490	1682	1794	1885	1951	2073	2123	2219	2275	2374	2456
63VC3D1512	1568	1771	1888	1984	2053	2182	2235	2336	2394	2498	2586
63VC3D1812	1631	1840	1963	2063	2123	2228	2284	2385	2444	2554	2641
63VC3D2112	1764	1992	2127	2232	2312	2457	2518	2628	2694	2813	2910
63VC3D2412-1	1959	2211	2358	2476	2564	2724	2792	2915	2988	3120	3227
63VC3D2412	1959	2211	2358	2476	2564	2724	2792	2915	2988	3120	3227
63VC3D1218	1936	2187	2332	2450	2536	2695	2760	2884	2957	3085	3193
63VC3D1518	2038	2302	2455	2579	2669	2837	2905	3036	3113	3248	3361
63VC3D1818	2120	2392	2552	2681	2759	2896	2969	3100	3177	3320	3433
63VC3D2118	2294	2590	2765	2901	3005	3195	3274	3416	3502	3657	3783
63VC3D2418-1	2546	2874	3065	3219	3332	3541	3630	3790	3884	4056	4195
63VC3D2418	2546	2874	3065	3219	3332	3541	3630	3790	3884	4056	4195



51400 - Linen Storage Cabinet

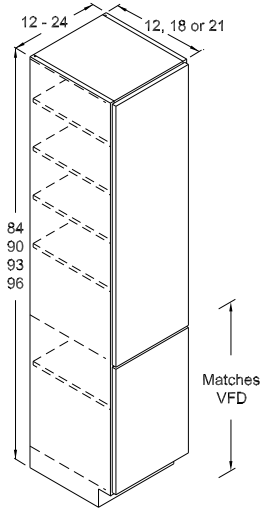


• **Maximum** height = 72".

Cat. Code	1	2	3	4	5	6	7	8	9	10	11
66" High - 12" Deep - 4 Adjustable Shelves											
66LSC1212	859	990	1064	1126	1165	1237	1269	1326	1358	1418	1467
66LSC1512	927	1064	1145	1209	1252	1332	1364	1424	1459	1523	1577
66LSC1812	1006	1157	1243	1312	1358	1442	1477	1544	1581	1652	1708
66LSC2112	1193	1390	1489	1568	1623	1722	1764	1844	1888	1971	2040
66LSC2412-1	1378	1624	1736	1825	1887	2002	2054	2145	2198	2294	2373
66LSC2412	1378	1624	1736	1825	1887	2002	2054	2145	2198	2294	2373
66LSC2712	1437	1692	1805	1897	1964	2084	2135	2231	2285	2386	2469
66LSC3012	1493	1759	1876	1974	2042	2166	2221	2320	2376	2482	2567
66LSC3312	1613	1900	2029	2133	2205	2342	2399	2505	2567	2681	2774
66LSC3612	1742	2055	2193	2305	2384	2531	2593	2707	2775	2897	2998
66" High - 18" Deep - 4 Adjustable Shelves											
66LSC1218	1019	1153	1230	1292	1336	1418	1453	1518	1557	1624	1680
66LSC1518	1071	1214	1293	1358	1406	1491	1530	1596	1637	1708	1769
66LSC1818	1127	1276	1362	1431	1480	1571	1609	1680	1722	1798	1861
66LSC2118	1306	1481	1578	1657	1717	1825	1869	1952	2000	2089	2161
66LSC2418-1	1578	1825	1932	2021	2091	2221	2275	2376	2435	2544	2631
66LSC2418	1578	1825	1932	2021	2091	2221	2275	2376	2435	2544	2631
66LSC2718	1656	1904	2012	2100	2173	2305	2362	2467	2527	2638	2730
66LSC3018	1735	1983	2091	2179	2252	2387	2447	2557	2618	2734	2830
66LSC3318	1889	2141	2250	2337	2413	2558	2622	2737	2804	2930	3030
66LSC3618	2044	2298	2407	2494	2576	2726	2792	2917	2989	3121	3230
66" High - 21" Deep - 4 Adjustable Shelves											
66LSC1221	1019	1153	1230	1292	1336	1418	1453	1518	1557	1624	1680
66LSC1521	1071	1214	1293	1358	1406	1491	1530	1596	1637	1708	1769
66LSC1821	1127	1276	1362	1431	1480	1571	1609	1680	1722	1798	1861
66LSC2121	1306	1481	1578	1657	1717	1825	1869	1952	2000	2089	2161
66LSC2421-1	1578	1825	1932	2021	2091	2221	2275	2376	2435	2544	2631
66LSC2421	1578	1825	1932	2021	2091	2221	2275	2376	2435	2544	2631
66LSC2721	1656	1904	2012	2100	2173	2305	2362	2467	2527	2638	2730
66LSC3021	1735	1983	2091	2179	2252	2387	2447	2557	2618	2734	2830
66LSC3321	1889	2141	2250	2337	2413	2558	2622	2737	2804	2930	3030
66LSC3621	2044	2298	2407	2494	2576	2726	2792	2917	2989	3121	3230
72" High - 12" Deep - 4 Adjustable Shelves											
72LSC1212	966	1113	1197	1267	1311	1392	1427	1491	1528	1595	1650
72LSC1512	1042	1197	1288	1361	1409	1498	1535	1602	1641	1713	1774
72LSC1812	1132	1301	1398	1476	1528	1622	1662	1736	1778	1859	1922
72LSC2112	1342	1564	1675	1764	1826	1937	1985	2074	2124	2217	2295
72LSC2412-1	1551	1827	1953	2054	2123	2252	2310	2413	2473	2581	2670
72LSC2412	1551	1827	1953	2054	2123	2252	2310	2413	2473	2581	2670
72LSC2712	1616	1903	2030	2134	2209	2344	2403	2510	2571	2685	2778
72LSC3012	1679	1978	2111	2221	2298	2436	2498	2609	2672	2792	2888
72LSC3312	1815	2138	2282	2399	2481	2635	2699	2818	2888	3016	3120
72LSC3612	1960	2312	2467	2593	2681	2847	2917	3045	3121	3259	3372
72" High - 18" Deep - 4 Adjustable Shelves											
72LSC1218	1146	1298	1384	1453	1503	1595	1635	1708	1752	1827	1890
72LSC1518	1206	1365	1455	1529	1582	1678	1721	1796	1841	1922	1990
72LSC1818	1269	1435	1532	1609	1664	1767	1810	1890	1938	2023	2093
72LSC2118	1469	1666	1775	1865	1931	2053	2103	2196	2250	2350	2432
72LSC2418-1	1775	2053	2174	2274	2352	2498	2560	2672	2740	2861	2960
72LSC2418	1775	2053	2174	2274	2352	2498	2560	2672	2740	2861	2960
72LSC2718	1862	2142	2264	2363	2445	2593	2657	2775	2844	2968	3071
72LSC3018	1952	2230	2352	2450	2533	2686	2753	2876	2946	3076	3183
72LSC3318	2125	2408	2531	2629	2715	2877	2950	3079	3154	3296	3409
72LSC3618	2300	2585	2708	2805	2898	3066	3141	3281	3363	3511	3633
72" High - 21" Deep - 4 Adjustable Shelves											
72LSC1221	1146	1298	1384	1453	1503	1595	1635	1708	1752	1827	1890
72LSC1521	1206	1365	1455	1529	1582	1678	1721	1796	1841	1922	1990
72LSC1821	1269	1435	1532	1609	1664	1767	1810	1890	1938	2023	2093
72LSC2121	1469	1666	1775	1865	1931	2053	2103	2196	2250	2350	2432
72LSC2421-1	1775	2053	2174	2274	2352	2498	2560	2672	2740	2861	2960
72LSC2421	1775	2053	2174	2274	2352	2498	2560	2672	2740	2861	2960
72LSC2721	1862	2142	2264	2363	2445	2593	2657	2775	2844	2968	3071
72LSC3021	1952	2230	2352	2450	2533	2686	2753	2876	2946	3076	3183
72LSC3321	2125	2408	2531	2629	2715	2877	2950	3079	3154	3296	3409
72LSC3621	2300	2585	2708	2805	2898	3066	3141	3281	3363	3511	3633



51400 - Linen Storage Cabinet

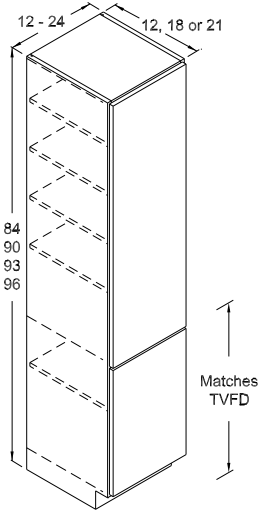


- Height modifications affect the upper section unless otherwise specified.

Cat. Code	1	2	3	4	5	6	7	8	9	10	11
84" High - 12" Deep - 4 Adjustable Shelves, Lower Door 31-1/2" High											
84LSCV1212	1053	1212	1304	1379	1426	1516	1554	1623	1664	1736	1797
84LSCV1512	1135	1304	1403	1481	1534	1631	1671	1745	1787	1865	1931
84LSCV1812	1232	1417	1522	1608	1664	1766	1810	1891	1937	2023	2093
84LSCV2112	1461	1702	1823	1920	1988	2109	2161	2257	2312	2414	2499
84LSCV2412-1	1688	1990	2126	2236	2311	2452	2515	2627	2693	2810	2907
84" High - 18" Deep - 4 Adjustable Shelves, Lower Door 31-1/2" High											
84LSCV1218	1180	1343	1438	1515	1567	1660	1700	1775	1820	1900	1965
84LSCV1518	1286	1458	1560	1640	1695	1797	1842	1924	1971	2058	2131
84LSCV1818	1409	1592	1700	1788	1848	1959	2009	2098	2150	2246	2322
84LSCV2118	1660	1907	2027	2126	2196	2328	2386	2494	2554	2667	2760
84LSCV2418-1	1911	2214	2352	2460	2544	2698	2765	2888	2960	3090	3196
84" High - 21" Deep - 4 Adjustable Shelves, Lower Door 31-1/2" High											
84LSCV1221	1180	1343	1438	1515	1567	1660	1700	1775	1820	1900	1965
84LSCV1521	1286	1458	1560	1640	1695	1797	1842	1924	1971	2058	2131
84LSCV1821	1409	1592	1700	1788	1848	1959	2009	2098	2150	2246	2322
84LSCV2121	1660	1907	2027	2126	2196	2328	2386	2494	2554	2667	2760
84LSCV2421-1	1911	2214	2352	2460	2544	2698	2765	2888	2960	3090	3196
90" High - 12" Deep - 5 Adjustable Shelves, Lower Door 31-1/2" High											
90LSCV1212	1259	1425	1521	1598	1656	1757	1801	1879	1926	2010	2079
90LSCV1512	1354	1532	1635	1715	1775	1884	1931	2017	2067	2158	2233
90LSCV1812	1470	1661	1770	1860	1924	2041	2091	2185	2240	2337	2419
90LSCV2112	1711	1961	2084	2185	2260	2398	2456	2566	2631	2748	2843
90LSCV2412-1	1949	2266	2403	2514	2598	2756	2824	2948	3022	3155	3265
90" High - 18" Deep - 5 Adjustable Shelves, Lower Door 31-1/2" High											
90LSCV1218	1333	1509	1657	1777	1837	1947	1995	2083	2136	2230	2308
90LSCV1518	1444	1635	1741	1825	1890	2004	2054	2145	2196	2295	2373
90LSCV1818	1580	1782	1897	1990	2058	2182	2237	2335	2393	2500	2586
90LSCV2118	1853	2116	2247	2352	2431	2578	2644	2761	2829	2954	3056
90LSCV2418-1	2123	2450	2597	2714	2805	2977	3050	3186	3265	3410	3528
90" High - 21" Deep - 5 Adjustable Shelves, Lower Door 31-1/2" High											
90LSCV1221	1333	1509	1657	1777	1837	1947	1995	2083	2136	2230	2308
90LSCV1521	1444	1635	1741	1825	1890	2004	2054	2145	2196	2295	2373
90LSCV1821	1580	1782	1897	1990	2058	2182	2237	2335	2393	2500	2586
90LSCV2121	1853	2116	2247	2352	2431	2578	2644	2761	2829	2954	3056
90LSCV2421-1	2123	2450	2597	2714	2805	2977	3050	3186	3265	3410	3528
93" High - 12" Deep - 5 Adjustable Shelves, Lower Door 31-1/2" High											
93LSCV1212	1259	1425	1521	1598	1656	1757	1801	1879	1926	2010	2079
93LSCV1512	1354	1532	1635	1715	1775	1884	1931	2017	2067	2158	2233
93LSCV1812	1470	1661	1770	1860	1924	2041	2091	2185	2240	2337	2419
93LSCV2112	1711	1961	2084	2185	2260	2398	2456	2566	2631	2748	2843
93LSCV2412-1	1949	2266	2403	2514	2598	2756	2824	2948	3022	3155	3265
93" High - 18" Deep - 5 Adjustable Shelves, Lower Door 31-1/2" High											
93LSCV1218	1333	1509	1657	1777	1837	1947	1995	2083	2136	2230	2308
93LSCV1518	1444	1635	1741	1825	1890	2004	2054	2145	2196	2295	2373
93LSCV1818	1580	1782	1897	1990	2058	2182	2237	2335	2393	2500	2586
93LSCV2118	1853	2116	2247	2352	2431	2578	2644	2761	2829	2954	3056
93LSCV2418-1	2123	2450	2597	2714	2805	2977	3050	3186	3265	3410	3528
93" High - 21" Deep - 5 Adjustable Shelves, Lower Door 31-1/2" High											
93LSCV1221	1333	1509	1657	1777	1837	1947	1995	2083	2136	2230	2308
93LSCV1521	1444	1635	1741	1825	1890	2004	2054	2145	2196	2295	2373
93LSCV1821	1580	1782	1897	1990	2058	2182	2237	2335	2393	2500	2586
93LSCV2121	1853	2116	2247	2352	2431	2578	2644	2761	2829	2954	3056
93LSCV2421-1	2123	2450	2597	2714	2805	2977	3050	3186	3265	3410	3528
96" High - 12" Deep - 5 Adjustable Shelves, Lower Door 31-1/2" High											
96LSCV1212	1259	1425	1521	1598	1656	1757	1801	1879	1926	2010	2079
96LSCV1512	1354	1532	1635	1715	1775	1884	1931	2017	2067	2158	2233
96LSCV1812	1470	1661	1770	1860	1924	2041	2091	2185	2240	2337	2419
96LSCV2112	1711	1961	2084	2185	2260	2398	2456	2566	2631	2748	2843
96LSCV2412-1	1949	2266	2403	2514	2598	2756	2824	2948	3022	3155	3265
96" High - 18" Deep - 5 Adjustable Shelves, Lower Door 31-1/2" High											
96LSCV1218	1333	1509	1657	1777	1837	1947	1995	2083	2136	2230	2308
96LSCV1518	1444	1635	1741	1825	1890	2004	2054	2145	2196	2295	2373
96LSCV1818	1580	1782	1897	1990	2058	2182	2237	2335	2393	2500	2586
96LSCV2118	1853	2116	2247	2352	2431	2578	2644	2761	2829	2954	3056
96LSCV2418-1	2123	2450	2597	2714	2805	2977	3050	3186	3265	3410	3528
96" High - 21" Deep - 5 Adjustable Shelves, Lower Door 31-1/2" High											
96LSCV1221	1333	1509	1657	1777	1837	1947	1995	2083	2136	2230	2308
96LSCV1521	1444	1635	1741	1825	1890	2004	2054	2145	2196	2295	2373
96LSCV1821	1580	1782	1897	1990	2058	2182	2237	2335	2393	2500	2586
96LSCV2121	1853	2116	2247	2352	2431	2578	2644	2761	2829	2954	3056
96LSCV2421-1	2123	2450	2597	2714	2805	2977	3050	3186	3265	3410	3528



51400 - Linen Storage Cabinet

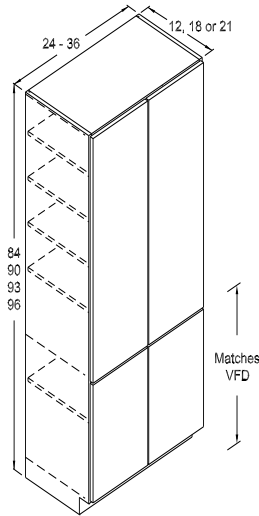


• Height modifications affect the upper section unless otherwise specified.

Cat. Code	1	2	3	4	5	6	7	8	9	10	11
84" High - 12" Deep - 4 Adjustable Shelves, Lower Door 34-1/2" High											
84LSCTV1212	1053	1212	1304	1379	1426	1516	1554	1623	1664	1736	1797
84LSCTV1512	1135	1304	1403	1481	1534	1631	1671	1745	1787	1865	1931
84LSCTV1812	1232	1417	1522	1608	1664	1766	1810	1891	1937	2023	2093
84LSCTV2112	1461	1702	1823	1920	1988	2109	2161	2257	2312	2414	2499
84LSCTV2412-1	1688	1990	2126	2236	2311	2452	2515	2627	2693	2810	2907
84" High - 18" Deep - 4 Adjustable Shelves, Lower Door 34-1/2" High											
84LSCTV1218	1180	1343	1438	1515	1567	1660	1700	1775	1820	1900	1965
84LSCTV1518	1286	1458	1560	1640	1695	1797	1842	1924	1971	2058	2131
84LSCTV1818	1409	1592	1700	1788	1848	1959	2009	2098	2150	2246	2322
84LSCTV2118	1660	1907	2027	2126	2196	2328	2386	2494	2554	2667	2760
84LSCTV2418-1	1911	2214	2352	2460	2544	2698	2765	2888	2960	3090	3196
84" High - 21" Deep - 4 Adjustable Shelves, Lower Door 34-1/2" High											
84LSCTV1221	1180	1343	1438	1515	1567	1660	1700	1775	1820	1900	1965
84LSCTV1521	1286	1458	1560	1640	1695	1797	1842	1924	1971	2058	2131
84LSCTV1821	1409	1592	1700	1788	1848	1959	2009	2098	2150	2246	2322
84LSCTV2121	1660	1907	2027	2126	2196	2328	2386	2494	2554	2667	2760
84LSCTV2421-1	1911	2214	2352	2460	2544	2698	2765	2888	2960	3090	3196
90" High - 12" Deep - 5 Adjustable Shelves, Lower Door 34-1/2" High											
90LSCTV1212	1259	1425	1521	1598	1656	1757	1801	1879	1926	2010	2079
90LSCTV1512	1354	1532	1635	1715	1775	1884	1931	2017	2067	2158	2233
90LSCTV1812	1470	1661	1770	1860	1924	2041	2091	2185	2240	2337	2419
90LSCTV2112	1711	1961	2084	2185	2260	2398	2456	2566	2631	2748	2843
90LSCTV2412-1	1949	2266	2403	2514	2598	2756	2824	2948	3022	3155	3265
90" High - 18" Deep - 5 Adjustable Shelves, Lower Door 34-1/2" High											
90LSCTV1218	1333	1509	1657	1777	1837	1947	1995	2083	2136	2230	2308
90LSCTV1518	1444	1635	1741	1825	1890	2004	2054	2145	2196	2295	2373
90LSCTV1818	1580	1782	1897	1990	2058	2182	2237	2335	2393	2500	2586
90LSCTV2118	1853	2116	2247	2352	2431	2578	2644	2761	2829	2954	3056
90LSCTV2418-1	2123	2450	2597	2714	2805	2977	3050	3186	3265	3410	3528
90" High - 21" Deep - 5 Adjustable Shelves, Lower Door 34-1/2" High											
90LSCTV1221	1333	1509	1657	1777	1837	1947	1995	2083	2136	2230	2308
90LSCTV1521	1444	1635	1741	1825	1890	2004	2054	2145	2196	2295	2373
90LSCTV1821	1580	1782	1897	1990	2058	2182	2237	2335	2393	2500	2586
90LSCTV2121	1853	2116	2247	2352	2431	2578	2644	2761	2829	2954	3056
90LSCTV2421-1	2123	2450	2597	2714	2805	2977	3050	3186	3265	3410	3528
93" High - 12" Deep - 5 Adjustable Shelves, Lower Door 34-1/2" High											
93LSCTV1212	1259	1425	1521	1598	1656	1757	1801	1879	1926	2010	2079
93LSCTV1512	1354	1532	1635	1715	1775	1884	1931	2017	2067	2158	2233
93LSCTV1812	1470	1661	1770	1860	1924	2041	2091	2185	2240	2337	2419
93LSCTV2112	1711	1961	2084	2185	2260	2398	2456	2566	2631	2748	2843
93LSCTV2412-1	1949	2266	2403	2514	2598	2756	2824	2948	3022	3155	3265
93" High - 18" Deep - 5 Adjustable Shelves, Lower Door 34-1/2" High											
93LSCTV1218	1333	1509	1657	1777	1837	1947	1995	2083	2136	2230	2308
93LSCTV1518	1444	1635	1741	1825	1890	2004	2054	2145	2196	2295	2373
93LSCTV1818	1580	1782	1897	1990	2058	2182	2237	2335	2393	2500	2586
93LSCTV2118	1853	2116	2247	2352	2431	2578	2644	2761	2829	2954	3056
93LSCTV2418-1	2123	2450	2597	2714	2805	2977	3050	3186	3265	3410	3528
93" High - 21" Deep - 5 Adjustable Shelves, Lower Door 34-1/2" High											
93LSCTV1221	1333	1509	1657	1777	1837	1947	1995	2083	2136	2230	2308
93LSCTV1521	1444	1635	1741	1825	1890	2004	2054	2145	2196	2295	2373
93LSCTV1821	1580	1782	1897	1990	2058	2182	2237	2335	2393	2500	2586
93LSCTV2121	1853	2116	2247	2352	2431	2578	2644	2761	2829	2954	3056
93LSCTV2421-1	2123	2450	2597	2714	2805	2977	3050	3186	3265	3410	3528
96" High - 12" Deep - 5 Adjustable Shelves, Lower Door 34-1/2" High											
96LSCTV1212	1259	1425	1521	1598	1656	1757	1801	1879	1926	2010	2079
96LSCTV1512	1354	1532	1635	1715	1775	1884	1931	2017	2067	2158	2233
96LSCTV1812	1470	1661	1770	1860	1924	2041	2091	2185	2240	2337	2419
96LSCTV2112	1711	1961	2084	2185	2260	2398	2456	2566	2631	2748	2843
96LSCTV2412-1	1949	2266	2403	2514	2598	2756	2824	2948	3022	3155	3265
96" High - 18" Deep - 5 Adjustable Shelves, Lower Door 34-1/2" High											
96LSCTV1218	1333	1509	1657	1777	1837	1947	1995	2083	2136	2230	2308
96LSCTV1518	1444	1635	1741	1825	1890	2004	2054	2145	2196	2295	2373
96LSCTV1818	1580	1782	1897	1990	2058	2182	2237	2335	2393	2500	2586
96LSCTV2118	1853	2116	2247	2352	2431	2578	2644	2761	2829	2954	3056
96LSCTV2418-1	2123	2450	2597	2714	2805	2977	3050	3186	3265	3410	3528
96" High - 21" Deep - 5 Adjustable Shelves, Lower Door 34-1/2" High											
96LSCTV1221	1333	1509	1657	1777	1837	1947	1995	2083	2136	2230	2308
96LSCTV1521	1444	1635	1741	1825	1890	2004	2054	2145	2196	2295	2373
96LSCTV1821	1580	1782	1897	1990	2058	2182	2237	2335	2393	2500	2586
96LSCTV2121	1853	2116	2247	2352	2431	2578	2644	2761	2829	2954	3056
96LSCTV2421-1	2123	2450	2597	2714	2805	2977	3050	3186	3265	3410	3528



51400 - Linen Storage Cabinet

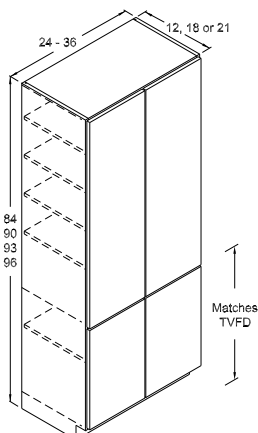


- Height modifications affect the upper section unless otherwise specified.

Cat. Code	1	2	3	4	5	6	7	8	9	10	11
84" High - 12" Deep - 4 Adjustable Shelves, Lower Door 31-1/2" High											
84LSCV2412	1688	1990	2126	2236	2311	2452	2515	2627	2693	2810	2907
84LSCV2712	1760	2072	2211	2324	2405	2552	2616	2733	2798	2923	3025
84LSCV3012	1828	2154	2299	2418	2501	2653	2720	2841	2909	3039	3144
84LSCV3312	1975	2328	2486	2612	2701	2868	2940	3069	3145	3284	3398
84LSCV3612	2134	2517	2686	2823	2920	3100	3176	3317	3399	3549	3673
84" High - 18" Deep - 4 Adjustable Shelves, Lower Door 31-1/2" High											
84LSCV2418	1911	2214	2352	2460	2544	2698	2765	2888	2960	3090	3196
84LSCV2718	2044	2351	2516	2650	2741	2905	2977	3107	3183	3325	3440
84LSCV3018	2175	2482	2678	2837	2933	3110	3187	3330	3412	3563	3686
84LSCV3318	2317	2655	2859	3025	3127	3317	3399	3549	3636	3798	3929
84LSCV3618	2462	2827	3039	3213	3321	3523	3611	3770	3863	4033	4171
84" High - 21" Deep - 4 Adjustable Shelves, Lower Door 31-1/2" High											
84LSCV2421	1911	2214	2352	2460	2544	2698	2765	2888	2960	3090	3196
84LSCV2721	2044	2351	2516	2650	2741	2905	2977	3107	3183	3325	3440
84LSCV3021	2175	2482	2678	2837	2933	3110	3187	3330	3412	3563	3686
84LSCV3321	2317	2655	2859	3025	3127	3317	3399	3549	3636	3798	3929
84LSCV3621	2462	2827	3039	3213	3321	3523	3611	3770	3863	4033	4171
90" High - 12" Deep - 5 Adjustable Shelves, Lower Door 31-1/2" High											
90LSCV2412	1949	2266	2403	2514	2598	2756	2824	2948	3022	3155	3265
90LSCV2712	2117	2432	2600	2737	2830	3001	3074	3211	3290	3435	3556
90LSCV3012	2280	2600	2797	2960	3060	3248	3327	3474	3559	3718	3847
90LSCV3312	2386	2734	2940	3108	3216	3413	3497	3652	3742	3908	4043
90LSCV3612	2491	2868	3086	3262	3374	3579	3668	3831	3924	4099	4242
90" High - 18" Deep - 5 Adjustable Shelves, Lower Door 31-1/2" High											
90LSCV2418	2123	2450	2597	2714	2805	2977	3050	3186	3265	3410	3528
90LSCV2718	2294	2626	2802	2945	3045	3230	3309	3456	3540	3700	3827
90LSCV3018	2460	2796	3007	3176	3283	3481	3566	3724	3817	3986	4125
90LSCV3318	2597	2963	3182	3360	3475	3683	3775	3942	4039	4218	4365
90LSCV3618	2733	3132	3359	3544	3666	3887	3983	4161	4263	4452	4606
90" High - 21" Deep - 5 Adjustable Shelves, Lower Door 31-1/2" High											
90LSCV2421	2123	2450	2597	2714	2805	2977	3050	3186	3265	3410	3528
90LSCV2721	2294	2626	2802	2945	3045	3230	3309	3456	3540	3700	3827
90LSCV3021	2460	2796	3007	3176	3283	3481	3566	3724	3817	3986	4125
90LSCV3321	2597	2963	3182	3360	3475	3683	3775	3942	4039	4218	4365
90LSCV3621	2733	3132	3359	3544	3666	3887	3983	4161	4263	4452	4606
93" High - 12" Deep - 5 Adjustable Shelves, Lower Door 31-1/2" High											
93LSCV2412	1949	2266	2403	2514	2598	2756	2824	2948	3022	3155	3265
93LSCV2712	2117	2432	2600	2737	2830	3001	3074	3211	3290	3435	3556
93LSCV3012	2280	2600	2797	2960	3060	3248	3327	3474	3559	3718	3847
93LSCV3312	2386	2734	2940	3108	3216	3413	3497	3652	3742	3908	4043
93LSCV3612	2491	2868	3086	3262	3374	3579	3668	3831	3924	4099	4242
93" High - 18" Deep - 5 Adjustable Shelves, Lower Door 31-1/2" High											
93LSCV2418	2123	2450	2597	2714	2805	2977	3050	3186	3265	3410	3528
93LSCV2718	2294	2626	2802	2945	3045	3230	3309	3456	3540	3700	3827
93LSCV3018	2460	2796	3007	3176	3283	3481	3566	3724	3817	3986	4125
93LSCV3318	2597	2963	3182	3360	3475	3683	3775	3942	4039	4218	4365
93LSCV3618	2733	3132	3359	3544	3666	3887	3983	4161	4263	4452	4606
93" High - 21" Deep - 5 Adjustable Shelves, Lower Door 31-1/2" High											
93LSCV2421	2123	2450	2597	2714	2805	2977	3050	3186	3265	3410	3528
93LSCV2721	2294	2626	2802	2945	3045	3230	3309	3456	3540	3700	3827
93LSCV3021	2460	2796	3007	3176	3283	3481	3566	3724	3817	3986	4125
93LSCV3321	2597	2963	3182	3360	3475	3683	3775	3942	4039	4218	4365
93LSCV3621	2733	3132	3359	3544	3666	3887	3983	4161	4263	4452	4606
96" High - 12" Deep - 5 Adjustable Shelves, Lower Door 31-1/2" High											
96LSCV2412	1949	2266	2403	2514	2598	2756	2824	2948	3022	3155	3265
96LSCV2712	2117	2432	2600	2737	2830	3001	3074	3211	3290	3435	3556
96LSCV3012	2280	2600	2797	2960	3060	3248	3327	3474	3559	3718	3847
96LSCV3312	2386	2734	2940	3108	3216	3413	3497	3652	3742	3908	4043
96LSCV3612	2491	2868	3086	3262	3374	3579	3668	3831	3924	4099	4242
96" High - 18" Deep - 5 Adjustable Shelves, Lower Door 31-1/2" High											
96LSCV2418	2123	2450	2597	2714	2805	2977	3050	3186	3265	3410	3528
96LSCV2718	2294	2626	2802	2945	3045	3230	3309	3456	3540	3700	3827
96LSCV3018	2460	2796	3007	3176	3283	3481	3566	3724	3817	3986	4125
96LSCV3318	2597	2963	3182	3360	3475	3683	3775	3942	4039	4218	4365
96LSCV3618	2733	3132	3359	3544	3666	3887	3983	4161	4263	4452	4606
96" High - 21" Deep - 5 Adjustable Shelves, Lower Door 31-1/2" High											
96LSCV2421	2123	2450	2597	2714	2805	2977	3050	3186	3265	3410	3528
96LSCV2721	2294	2626	2802	2945	3045	3230	3309	3456	3540	3700	3827
96LSCV3021	2460	2796	3007	3176	3283	3481	3566	3724	3817	3986	4125
96LSCV3321	2597	2963	3182	3360	3475	3683	3775	3942	4039	4218	4365
96LSCV3621	2733	3132	3359	3544	3666	3887	3983	4161	4263	4452	4606



51400 - Linen Storage Cabinet

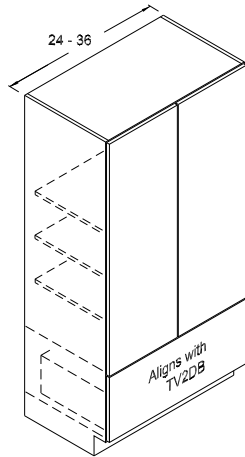
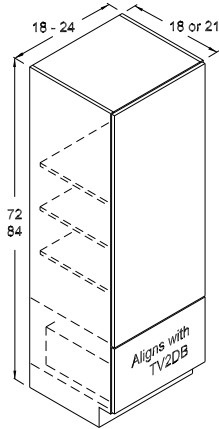


• Height modifications affect the upper section unless otherwise specified.

Cat. Code	1	2	3	4	5	6	7	8	9	10	11
84" High - 12" Deep - 4 Adjustable Shelves, Lower Door 34-1/2" High											
84LSCTV2412	1688	1990	2126	2236	2311	2452	2515	2627	2693	2810	2907
84LSCTV2712	1760	2072	2211	2324	2405	2552	2616	2733	2798	2923	3025
84LSCTV3012	1828	2154	2299	2418	2501	2653	2720	2841	2909	3039	3144
84LSCTV3312	1975	2328	2486	2612	2701	2868	2940	3069	3145	3284	3398
84LSCTV3612	2134	2517	2686	2823	2920	3100	3176	3317	3399	3549	3673
84" High - 18" Deep - 4 Adjustable Shelves, Lower Door 34-1/2" High											
84LSCTV2418	1911	2214	2352	2460	2544	2698	2765	2888	2960	3090	3196
84LSCTV2718	2044	2351	2516	2650	2741	2905	2977	3107	3183	3325	3440
84LSCTV3018	2175	2482	2678	2837	2933	3110	3187	3330	3412	3563	3686
84LSCTV3318	2317	2655	2859	3025	3127	3317	3399	3549	3636	3798	3929
84LSCTV3618	2462	2827	3039	3213	3321	3523	3611	3770	3863	4033	4171
84" High - 21" Deep - 4 Adjustable Shelves, Lower Door 34-1/2" High											
84LSCTV2421	1911	2214	2352	2460	2544	2698	2765	2888	2960	3090	3196
84LSCTV2721	2044	2351	2516	2650	2741	2905	2977	3107	3183	3325	3440
84LSCTV3021	2175	2482	2678	2837	2933	3110	3187	3330	3412	3563	3686
84LSCTV3321	2317	2655	2859	3025	3127	3317	3399	3549	3636	3798	3929
84LSCTV3621	2462	2827	3039	3213	3321	3523	3611	3770	3863	4033	4171
90" High - 12" Deep - 5 Adjustable Shelves, Lower Door 34-1/2" High											
90LSCTV2412	1949	2266	2403	2514	2598	2756	2824	2948	3022	3155	3265
90LSCTV2712	2117	2432	2600	2737	2830	3001	3074	3211	3290	3435	3556
90LSCTV3012	2280	2600	2797	2960	3060	3248	3327	3474	3559	3718	3847
90LSCTV3312	2386	2734	2940	3108	3216	3413	3497	3652	3742	3908	4043
90LSCTV3612	2491	2868	3086	3262	3374	3579	3668	3831	3924	4099	4242
90" High - 18" Deep - 5 Adjustable Shelves, Lower Door 34-1/2" High											
90LSCTV2418	2123	2450	2597	2714	2805	2977	3050	3186	3265	3410	3528
90LSCTV2718	2294	2626	2802	2945	3045	3230	3309	3456	3540	3700	3827
90LSCTV3018	2460	2796	3007	3176	3283	3481	3566	3724	3817	3986	4125
90LSCTV3318	2597	2963	3182	3360	3475	3683	3775	3942	4039	4218	4365
90LSCTV3618	2733	3132	3359	3544	3666	3887	3983	4161	4263	4452	4606
90" High - 21" Deep - 5 Adjustable Shelves, Lower Door 34-1/2" High											
90LSCTV2421	2123	2450	2597	2714	2805	2977	3050	3186	3265	3410	3528
90LSCTV2721	2294	2626	2802	2945	3045	3230	3309	3456	3540	3700	3827
90LSCTV3021	2460	2796	3007	3176	3283	3481	3566	3724	3817	3986	4125
90LSCTV3321	2597	2963	3182	3360	3475	3683	3775	3942	4039	4218	4365
90LSCTV3621	2733	3132	3359	3544	3666	3887	3983	4161	4263	4452	4606
93" High - 12" Deep - 5 Adjustable Shelves, Lower Door 34-1/2" High											
93LSCTV2412	1949	2266	2403	2514	2598	2756	2824	2948	3022	3155	3265
93LSCTV2712	2117	2432	2600	2737	2830	3001	3074	3211	3290	3435	3556
93LSCTV3012	2280	2600	2797	2960	3060	3248	3327	3474	3559	3718	3847
93LSCTV3312	2386	2734	2940	3108	3216	3413	3497	3652	3742	3908	4043
93LSCTV3612	2491	2868	3086	3262	3374	3579	3668	3831	3924	4099	4242
93" High - 18" Deep - 5 Adjustable Shelves, Lower Door 34-1/2" High											
93LSCTV2418	2123	2450	2597	2714	2805	2977	3050	3186	3265	3410	3528
93LSCTV2718	2294	2626	2802	2945	3045	3230	3309	3456	3540	3700	3827
93LSCTV3018	2460	2796	3007	3176	3283	3481	3566	3724	3817	3986	4125
93LSCTV3318	2597	2963	3182	3360	3475	3683	3775	3942	4039	4218	4365
93LSCTV3618	2733	3132	3359	3544	3666	3887	3983	4161	4263	4452	4606
93" High - 21" Deep - 5 Adjustable Shelves, Lower Door 34-1/2" High											
93LSCTV2421	2123	2450	2597	2714	2805	2977	3050	3186	3265	3410	3528
93LSCTV2721	2294	2626	2802	2945	3045	3230	3309	3456	3540	3700	3827
93LSCTV3021	2460	2796	3007	3176	3283	3481	3566	3724	3817	3986	4125
93LSCTV3321	2597	2963	3182	3360	3475	3683	3775	3942	4039	4218	4365
93LSCTV3621	2733	3132	3359	3544	3666	3887	3983	4161	4263	4452	4606
96" High - 12" Deep - 5 Adjustable Shelves, Lower Door 34-1/2" High											
96LSCTV2412	1949	2266	2403	2514	2598	2756	2824	2948	3022	3155	3265
96LSCTV2712	2117	2432	2600	2737	2830	3001	3074	3211	3290	3435	3556
96LSCTV3012	2280	2600	2797	2960	3060	3248	3327	3474	3559	3718	3847
96LSCTV3312	2386	2734	2940	3108	3216	3413	3497	3652	3742	3908	4043
96LSCTV3612	2491	2868	3086	3262	3374	3579	3668	3831	3924	4099	4242
96" High - 18" Deep - 5 Adjustable Shelves, Lower Door 34-1/2" High											
96LSCTV2418	2123	2450	2597	2714	2805	2977	3050	3186	3265	3410	3528
96LSCTV2718	2294	2626	2802	2945	3045	3230	3309	3456	3540	3700	3827
96LSCTV3018	2460	2796	3007	3176	3283	3481	3566	3724	3817	3986	4125
96LSCTV3318	2597	2963	3182	3360	3475	3683	3775	3942	4039	4218	4365
96LSCTV3618	2733	3132	3359	3544	3666	3887	3983	4161	4263	4452	4606
96" High - 21" Deep - 5 Adjustable Shelves, Lower Door 34-1/2" High											
96LSCTV2421	2123	2450	2597	2714	2805	2977	3050	3186	3265	3410	3528
96LSCTV2721	2294	2626	2802	2945	3045	3230	3309	3456	3540	3700	3827
96LSCTV3021	2460	2796	3007	3176	3283	3481	3566	3724	3817	3986	4125
96LSCTV3321	2597	2963	3182	3360	3475	3683	3775	3942	4039	4218	4365
96LSCTV3621	2733	3132	3359	3544	3666	3887	3983	4161	4263	4452	4606



51403 - Linen Storage One Drawer



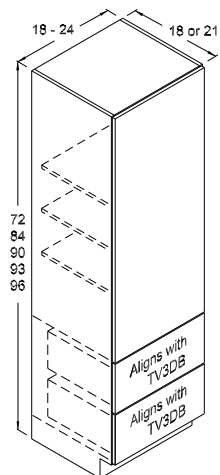
- Decrease height modification affects upper section unless otherwise specified.
- **Maximum** height = 84".

Cat. Code	1	2	3	4	5	6	7	8	9	10	11
72" High - 18" Deep - Three Adjustable Shelves											
72LS1D1818	1796	1917	1993	2054	2096	2174	2209	2270	2326	2429	2513
72LS1D2118	2077	2242	2326	2394	2443	2536	2576	2651	2715	2837	2936
72LS1D2418-1	2253	2456	2552	2629	2687	2795	2842	2928	3000	3133	3240
72" High - 21" Deep - Three Adjustable Shelves											
72LS1D1821	1796	1917	1993	2054	2096	2174	2209	2270	2326	2429	2513
72LS1D2121	2077	2242	2326	2394	2443	2536	2576	2651	2715	2837	2936
72LS1D2421-1	2253	2456	2552	2629	2687	2795	2842	2928	3000	3133	3240
84" High - 18" Deep - Three Adjustable Shelves											
84LS1D1818	1924	2055	2135	2201	2245	2329	2366	2432	2492	2602	2692
84LS1D2118	2225	2401	2491	2566	2618	2716	2761	2840	2909	3038	3145
84LS1D2418-1	2414	2632	2734	2817	2880	2994	3045	3136	3213	3357	3472
84" High - 21" Deep - Three Adjustable Shelves											
84LS1D1821	1924	2055	2135	2201	2245	2329	2366	2432	2492	2602	2692
84LS1D2121	2225	2401	2491	2566	2618	2716	2761	2840	2909	3038	3145
84LS1D2421-1	2414	2632	2734	2817	2880	2994	3045	3136	3213	3357	3472

Cat. Code	1	2	3	4	5	6	7	8	9	10	11
72" High - 18" Deep - Four Adjustable Shelves											
72LS1D2418	2253	2456	2552	2629	2687	2795	2842	2928	3000	3133	3240
72LS1D2718	2347	2552	2669	2762	2826	2940	2989	3083	3159	3299	3412
72LS1D3018	2562	2767	2902	3014	3080	3206	3260	3358	3442	3594	3719
72LS1D3318	2662	2887	3029	3145	3218	3351	3407	3512	3600	3759	3890
72LS1D3618	2763	3008	3156	3276	3353	3493	3554	3667	3757	3924	4059
72" High - 21" Deep - Four Adjustable Shelves											
72LS1D2421	2253	2456	2552	2629	2687	2795	2842	2928	3000	3133	3240
72LS1D2721	2347	2552	2669	2762	2826	2940	2989	3083	3159	3299	3412
72LS1D3021	2562	2767	2902	3014	3080	3206	3260	3358	3442	3594	3719
72LS1D3321	2662	2887	3029	3145	3218	3351	3407	3512	3600	3759	3890
72LS1D3621	2763	3008	3156	3276	3353	3493	3554	3667	3757	3924	4059
84" High - 18" Deep - Four Adjustable Shelves											
84LS1D2418	2414	2632	2734	2817	2880	2994	3045	3136	3213	3357	3472
84LS1D2718	2513	2734	2859	2959	3028	3150	3203	3302	3384	3534	3654
84LS1D3018	2744	2964	3108	3229	3301	3435	3493	3598	3687	3850	3983
84LS1D3318	2852	3092	3245	3370	3448	3590	3651	3763	3856	4028	4168
84LS1D3618	2960	3223	3381	3511	3593	3743	3808	3929	4025	4204	4350
84" High - 21" Deep - Four Adjustable Shelves											
84LS1D2421	2414	2632	2734	2817	2880	2994	3045	3136	3213	3357	3472
84LS1D2721	2513	2734	2859	2959	3028	3150	3203	3302	3384	3534	3654
84LS1D3021	2744	2964	3108	3229	3301	3435	3493	3598	3687	3850	3983
84LS1D3321	2852	3092	3245	3370	3448	3590	3651	3763	3856	4028	4168
84LS1D3621	2960	3223	3381	3511	3593	3743	3808	3929	4025	4204	4350



51406 - Linen Storage Two Drawer

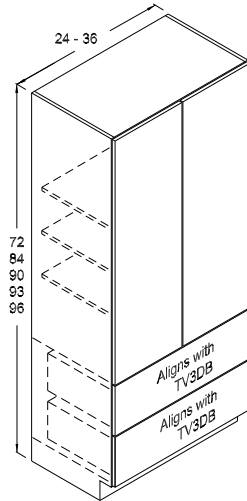


- Decrease height modification affects upper section unless otherwise specified.
- **Maximum** height = 96".

Cat. Code	1	2	3	4	5	6	7	8	9	10	11
72" High 18" Deep - Three Adjustable Shelves											
72LS2D1818	2053	2191	2278	2348	2394	2484	2524	2594	2658	2776	2872
72LS2D2118	2373	2561	2657	2736	2792	2897	2945	3029	3104	3241	3355
72LS2D2418-1	2575	2807	2917	3005	3071	3194	3248	3345	3428	3580	3703
72" High 21" Deep - Three Adjustable Shelves											
72LS2D1821	2053	2191	2278	2348	2394	2484	2524	2594	2658	2776	2872
72LS2D2121	2373	2561	2657	2736	2792	2897	2945	3029	3104	3241	3355
72LS2D2421-1	2575	2807	2917	3005	3071	3194	3248	3345	3428	3580	3703
84" High 18" Deep - Four Adjustable Shelves											
84LS2D1818	2181	2328	2420	2494	2545	2639	2681	2756	2824	2950	3051
84LS2D2118	2522	2721	2824	2908	2967	3078	3128	3219	3297	3444	3565
84LS2D2418-1	2736	2982	3099	3192	3264	3393	3451	3554	3643	3804	3934
84" High 21" Deep - Four Adjustable Shelves											
84LS2D1821	2181	2328	2420	2494	2545	2639	2681	2756	2824	2950	3051
84LS2D2121	2522	2721	2824	2908	2967	3078	3128	3219	3297	3444	3565
84LS2D2421-1	2736	2982	3099	3192	3264	3393	3451	3554	3643	3804	3934
90" High 18" Deep - Four Adjustable Shelves											
90LS2D1818	2326	2488	2586	2665	2723	2830	2875	2959	3031	3167	3275
90LS2D2118	2686	2900	3009	3099	3168	3293	3346	3447	3532	3689	3815
90LS2D2418-1	2916	3183	3307	3406	3485	3630	3694	3808	3903	4076	4217
90" High 21" Deep - Four Adjustable Shelves											
90LS2D1821	2326	2488	2586	2665	2723	2830	2875	2959	3031	3167	3275
90LS2D2121	2686	2900	3009	3099	3168	3293	3346	3447	3532	3689	3815
90LS2D2421-1	2916	3183	3307	3406	3485	3630	3694	3808	3903	4076	4217
93" High 18" Deep - Four Adjustable Shelves											
93LS2D1818	2326	2488	2586	2665	2723	2830	2875	2959	3031	3167	3275
93LS2D2118	2686	2900	3009	3099	3168	3293	3346	3447	3532	3689	3815
93LS2D2418-1	2916	3183	3307	3406	3485	3630	3694	3808	3903	4076	4217
93" High 21" Deep - Four Adjustable Shelves											
93LS2D1821	2326	2488	2586	2665	2723	2830	2875	2959	3031	3167	3275
93LS2D2121	2686	2900	3009	3099	3168	3293	3346	3447	3532	3689	3815
93LS2D2421-1	2916	3183	3307	3406	3485	3630	3694	3808	3903	4076	4217
96" High 18" Deep - Five Adjustable Shelves											
96LS2D1818	2326	2488	2586	2665	2723	2830	2875	2959	3031	3167	3275
96LS2D2118	2686	2900	3009	3099	3168	3293	3346	3447	3532	3689	3815
96LS2D2418-1	2916	3183	3307	3406	3485	3630	3694	3808	3903	4076	4217
96" High 21" Deep - Five Adjustable Shelves											
96LS2D1821	2326	2488	2586	2665	2723	2830	2875	2959	3031	3167	3275
96LS2D2121	2686	2900	3009	3099	3168	3293	3346	3447	3532	3689	3815
96LS2D2421-1	2916	3183	3307	3406	3485	3630	3694	3808	3903	4076	4217



51406 - Linen Storage Two Drawer (continued)

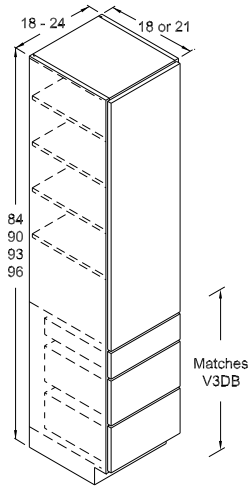


- Decrease height modification affects upper section unless otherwise specified.
- **Maximum** height = 96".

Cat. Code	1	2	3	4	5	6	7	8	9	10	11
72" High 18" Deep - Three Adjustable Shelves											
72LS2D2418	2575	2807	2917	3005	3071	3194	3248	3345	3428	3580	3703
72LS2D2718	2681	2916	3049	3156	3230	3360	3416	3523	3609	3770	3898
72LS2D3018	2928	3161	3316	3444	3520	3664	3726	3838	3933	4107	4249
72LS2D3318	3042	3299	3462	3594	3678	3829	3894	4014	4113	4296	4445
72LS2D3618	3157	3437	3607	3744	3832	3993	4062	4191	4294	4485	4639
72" High 21" Deep - Three Adjustable Shelves											
72LS2D2421	2575	2807	2917	3005	3071	3194	3248	3345	3428	3580	3703
72LS2D2721	2681	2916	3049	3156	3230	3360	3416	3523	3609	3770	3898
72LS2D3021	2928	3161	3316	3444	3520	3664	3726	3838	3933	4107	4249
72LS2D3321	3042	3299	3462	3594	3678	3829	3894	4014	4113	4296	4445
72LS2D3621	3157	3437	3607	3744	3832	3993	4062	4191	4294	4485	4639
84" High 18" Deep - Four Adjustable Shelves											
84LS2D2418	2736	2982	3099	3192	3264	3393	3451	3554	3643	3804	3934
84LS2D2718	2849	3098	3240	3353	3432	3570	3630	3743	3835	4006	4142
84LS2D3018	3111	3359	3524	3659	3741	3894	3959	4078	4179	4364	4515
84LS2D3318	3232	3505	3678	3819	3908	4069	4137	4265	4371	4564	4723
84LS2D3618	3355	3652	3832	3979	4072	4242	4316	4452	4562	4765	4930
84" High 21" Deep - Four Adjustable Shelves											
84LS2D2421	2736	2982	3099	3192	3264	3393	3451	3554	3643	3804	3934
84LS2D2721	2849	3098	3240	3353	3432	3570	3630	3743	3835	4006	4142
84LS2D3021	3111	3359	3524	3659	3741	3894	3959	4078	4179	4364	4515
84LS2D3321	3232	3505	3678	3819	3908	4069	4137	4265	4371	4564	4723
84LS2D3621	3355	3652	3832	3979	4072	4242	4316	4452	4562	4765	4930
90" High 18" Deep - Four Adjustable Shelves											
90LS2D2418	2916	3183	3307	3406	3485	3630	3694	3808	3903	4076	4217
90LS2D2718	3061	3332	3483	3604	3689	3846	3913	4038	4137	4322	4470
90LS2D3018	3352	3625	3804	3947	4039	4207	4280	4415	4522	4724	4886
90LS2D3318	3469	3768	3954	4106	4202	4379	4457	4601	4714	4924	5093
90LS2D3618	3582	3910	4104	4261	4364	4552	4634	4785	4902	5120	5297
90" High 21" Deep - Four Adjustable Shelves											
90LS2D2421	2916	3183	3307	3406	3485	3630	3694	3808	3903	4076	4217
90LS2D2721	3061	3332	3483	3604	3689	3846	3913	4038	4137	4322	4470
90LS2D3021	3352	3625	3804	3947	4039	4207	4280	4415	4522	4724	4886
90LS2D3321	3469	3768	3954	4106	4202	4379	4457	4601	4714	4924	5093
90LS2D3621	3582	3910	4104	4261	4364	4552	4634	4785	4902	5120	5297
93" High 18" Deep - Four Adjustable Shelves											
93LS2D2418	2916	3183	3307	3406	3485	3630	3694	3808	3903	4076	4217
93LS2D2718	3061	3332	3483	3604	3689	3846	3913	4038	4137	4322	4470
93LS2D3018	3352	3625	3804	3947	4039	4207	4280	4415	4522	4724	4886
93LS2D3318	3469	3768	3954	4106	4202	4379	4457	4601	4714	4924	5093
93LS2D3618	3582	3910	4104	4261	4364	4552	4634	4785	4902	5120	5297
93" High 21" Deep - Four Adjustable Shelves											
93LS2D2421	2916	3183	3307	3406	3485	3630	3694	3808	3903	4076	4217
93LS2D2721	3061	3332	3483	3604	3689	3846	3913	4038	4137	4322	4470
93LS2D3021	3352	3625	3804	3947	4039	4207	4280	4415	4522	4724	4886
93LS2D3321	3469	3768	3954	4106	4202	4379	4457	4601	4714	4924	5093
93LS2D3621	3582	3910	4104	4261	4364	4552	4634	4785	4902	5120	5297
96" High 18" Deep - Five Adjustable Shelves											
96LS2D2418	2916	3183	3307	3406	3485	3630	3694	3808	3903	4076	4217
96LS2D2718	3061	3332	3483	3604	3689	3846	3913	4038	4137	4322	4470
96LS2D3018	3352	3625	3804	3947	4039	4207	4280	4415	4522	4724	4886
96LS2D3318	3469	3768	3954	4106	4202	4379	4457	4601	4714	4924	5093
96LS2D3618	3582	3910	4104	4261	4364	4552	4634	4785	4902	5120	5297
96" High 21" Deep - Five Adjustable Shelves											
96LS2D2421	2916	3183	3307	3406	3485	3630	3694	3808	3903	4076	4217
96LS2D2721	3061	3332	3483	3604	3689	3846	3913	4038	4137	4322	4470
96LS2D3021	3352	3625	3804	3947	4039	4207	4280	4415	4522	4724	4886
96LS2D3321	3469	3768	3954	4106	4202	4379	4457	4601	4714	4924	5093
96LS2D3621	3582	3910	4104	4261	4364	4552	4634	4785	4902	5120	5297

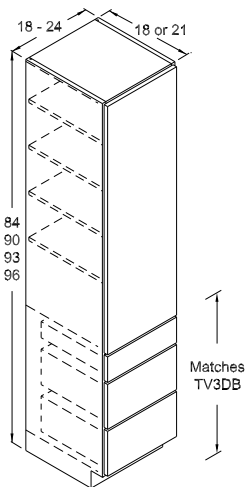


51410 - Linen Storage Three Drawer



• Height modifications affect the upper section unless otherwise specified.

Cat. Code	1	2	3	4	5	6	7	8	9	10	11
84" High - 18" Deep - 3 Adjustable Shelves, Drawers Align with 31-1/2" V3DB											
84LSV3D1818	2564	2738	2845	2933	2993	3104	3153	3243	3323	3470	3591
84LSV3D2118	2968	3199	3320	3419	3490	3622	3680	3785	3879	4051	4192
84LSV3D2418-1	3218	3510	3646	3756	3839	3993	4059	4181	4285	4475	4629
84" High - 21" Deep - 3 Adjustable Shelves, Drawers Align with 31-1/2" V3DB											
84LSV3D1821	2564	2738	2845	2933	2993	3104	3153	3243	3323	3470	3591
84LSV3D2121	2968	3199	3320	3419	3490	3622	3680	3785	3879	4051	4192
84LSV3D2421-1	3218	3510	3646	3756	3839	3993	4059	4181	4285	4475	4629
90" High - 18" Deep - 4 Adjustable Shelves, Drawers Align with 31-1/2" V3DB											
90LSV3D1818	2736	2926	3042	3136	3202	3326	3381	3480	3565	3724	3853
90LSV3D2118	3159	3410	3540	3646	3725	3873	3937	4054	4154	4339	4489
90LSV3D2418-1	3430	3745	3890	4007	4101	4271	4346	4479	4590	4793	4960
90" High - 21" Deep - 4 Adjustable Shelves, Drawers Align with 31-1/2" V3DB											
90LSV3D1821	2736	2926	3042	3136	3202	3326	3381	3480	3565	3724	3853
90LSV3D2121	3159	3410	3540	3646	3725	3873	3937	4054	4154	4339	4489
90LSV3D2421-1	3430	3745	3890	4007	4101	4271	4346	4479	4590	4793	4960
93" High - 18" Deep - 4 Adjustable Shelves, Drawers Align with 31-1/2" V3DB											
93LSV3D1818	2736	2926	3042	3136	3202	3326	3381	3480	3565	3724	3853
93LSV3D2118	3159	3410	3540	3646	3725	3873	3937	4054	4154	4339	4489
93LSV3D2418-1	3430	3745	3890	4007	4101	4271	4346	4479	4590	4793	4960
93" High - 21" Deep - 4 Adjustable Shelves, Drawers Align with 31-1/2" V3DB											
93LSV3D1821	2736	2926	3042	3136	3202	3326	3381	3480	3565	3724	3853
93LSV3D2121	3159	3410	3540	3646	3725	3873	3937	4054	4154	4339	4489
93LSV3D2421-1	3430	3745	3890	4007	4101	4271	4346	4479	4590	4793	4960
96" High - 18" Deep - 4 Adjustable Shelves, Drawers Align with 31-1/2" V3DB											
96LSV3D1818	2736	2926	3042	3136	3202	3326	3381	3480	3565	3724	3853
96LSV3D2118	3159	3410	3540	3646	3725	3873	3937	4054	4154	4339	4489
96LSV3D2418-1	3430	3745	3890	4007	4101	4271	4346	4479	4590	4793	4960
96" High - 21" Deep - 4 Adjustable Shelves, Drawers Align with 31-1/2" V3DB											
96LSV3D1821	2736	2926	3042	3136	3202	3326	3381	3480	3565	3724	3853
96LSV3D2121	3159	3410	3540	3646	3725	3873	3937	4054	4154	4339	4489
96LSV3D2421-1	3430	3745	3890	4007	4101	4271	4346	4479	4590	4793	4960

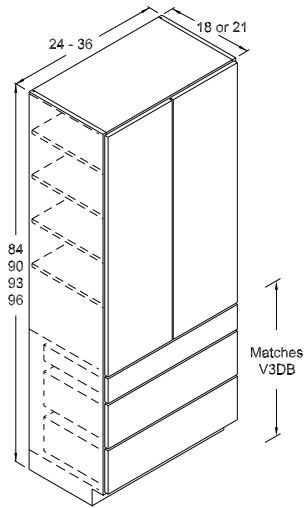


• Height modifications affect the upper section unless otherwise specified.

Cat. Code	1	2	3	4	5	6	7	8	9	10	11
84" High - 18" Deep - 3 Adjustable Shelves, Drawers Align with 34-1/2" TV3DB											
84LSTV3D1818	2564	2738	2845	2933	2993	3104	3153	3243	3323	3470	3591
84LSTV3D2118	2968	3199	3320	3419	3490	3622	3680	3785	3879	4051	4192
84LSTV3D2418-1	3218	3510	3646	3756	3839	3993	4059	4181	4285	4475	4629
84" High - 21" Deep - 3 Adjustable Shelves, Drawers Align with 34-1/2" TV3DB											
84LSTV3D1821	2564	2738	2845	2933	2993	3104	3153	3243	3323	3470	3591
84LSTV3D2121	2968	3199	3320	3419	3490	3622	3680	3785	3879	4051	4192
84LSTV3D2421-1	3218	3510	3646	3756	3839	3993	4059	4181	4285	4475	4629
90" High - 18" Deep - 4 Adjustable Shelves, Drawers Align with 34-1/2" TV3DB											
90LSTV3D1818	2736	2926	3042	3136	3202	3326	3381	3480	3565	3724	3853
90LSTV3D2118	3159	3410	3540	3646	3725	3873	3937	4054	4154	4339	4489
90LSTV3D2418-1	3430	3745	3890	4007	4101	4271	4346	4479	4590	4793	4960
90" High - 21" Deep - 4 Adjustable Shelves, Drawers Align with 34-1/2" TV3DB											
90LSTV3D1821	2736	2926	3042	3136	3202	3326	3381	3480	3565	3724	3853
90LSTV3D2121	3159	3410	3540	3646	3725	3873	3937	4054	4154	4339	4489
90LSTV3D2421-1	3430	3745	3890	4007	4101	4271	4346	4479	4590	4793	4960
93" High - 18" Deep - 4 Adjustable Shelves, Drawers Align with 34-1/2" TV3DB											
93LSTV3D1818	2736	2926	3042	3136	3202	3326	3381	3480	3565	3724	3853
93LSTV3D2118	3159	3410	3540	3646	3725	3873	3937	4054	4154	4339	4489
93LSTV3D2418-1	3430	3745	3890	4007	4101	4271	4346	4479	4590	4793	4960
93" High - 21" Deep - 4 Adjustable Shelves, Drawers Align with 34-1/2" TV3DB											
93LSTV3D1821	2736	2926	3042	3136	3202	3326	3381	3480	3565	3724	3853
93LSTV3D2121	3159	3410	3540	3646	3725	3873	3937	4054	4154	4339	4489
93LSTV3D2421-1	3430	3745	3890	4007	4101	4271	4346	4479	4590	4793	4960
96" High - 18" Deep - 4 Adjustable Shelves, Drawers Align with 34-1/2" TV3DB											
96LSTV3D1818	2736	2926	3042	3136	3202	3326	3381	3480	3565	3724	3853
96LSTV3D2118	3159	3410	3540	3646	3725	3873	3937	4054	4154	4339	4489
96LSTV3D2418-1	3430	3745	3890	4007	4101	4271	4346	4479	4590	4793	4960
96" High - 21" Deep - 4 Adjustable Shelves, Drawers Align with 34-1/2" TV3DB											
96LSTV3D1821	2736	2926	3042	3136	3202	3326	3381	3480	3565	3724	3853
96LSTV3D2121	3159	3410	3540	3646	3725	3873	3937	4054	4154	4339	4489
96LSTV3D2421-1	3430	3745	3890	4007	4101	4271	4346	4479	4590	4793	4960



51410 - Linen Storage Three Drawer

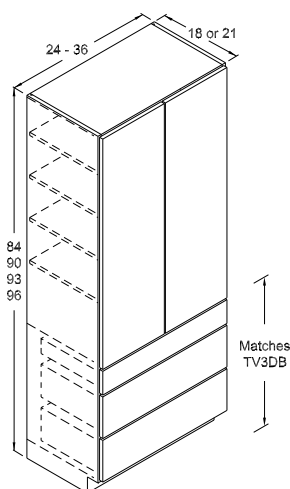


- Height modifications affect the upper section unless otherwise specified.

Cat. Code	1	2	3	4	5	6	7	8	9	10	11
84" High - 18" Deep - 3 Adjustable Shelves, Drawers Align with 31-1/2" V3DB											
84LSV3D2418	3218	3510	3646	3756	3839	3993	4059	4181	4285	4475	4629
84LSV3D2718	3352	3645	3810	3943	4033	4199	4270	4402	4510	4710	4874
84LSV3D3018	3659	3950	4146	4305	4401	4579	4655	4798	4915	5134	5312
84LSV3D3318	3800	4123	4327	4493	4596	4785	4867	5018	5142	5370	5556
84LSV3D3618	3945	4295	4508	4679	4789	4991	5079	5239	5368	5605	5799
84" High - 21" Deep - 3 Adjustable Shelves, Drawers Align with 31-1/2" V3DB											
84LSV3D2421	3218	3510	3646	3756	3839	3993	4059	4181	4285	4475	4629
84LSV3D2721	3352	3645	3810	3943	4033	4199	4270	4402	4510	4710	4874
84LSV3D3021	3659	3950	4146	4305	4401	4579	4655	4798	4915	5134	5312
84LSV3D3321	3800	4123	4327	4493	4596	4785	4867	5018	5142	5370	5556
84LSV3D3621	3945	4295	4508	4679	4789	4991	5079	5239	5368	5605	5799
90" High - 18" Deep - 4 Adjustable Shelves, Drawers Align with 31-1/2" V3DB											
90LSV3D2418	3430	3745	3890	4007	4101	4271	4346	4479	4590	4793	4960
90LSV3D2718	3600	3920	4096	4240	4341	4524	4604	4751	4867	5083	5259
90LSV3D3018	3942	4265	4475	4644	4752	4949	5035	5193	5321	5557	5749
90LSV3D3318	4079	4431	4651	4828	4944	5151	5243	5410	5542	5789	5991
90LSV3D3618	4215	4599	4827	5012	5134	5355	5451	5629	5767	6023	6231
90" High - 21" Deep - 4 Adjustable Shelves, Drawers Align with 31-1/2" V3DB											
90LSV3D2421	3430	3745	3890	4007	4101	4271	4346	4479	4590	4793	4960
90LSV3D2721	3600	3920	4096	4240	4341	4524	4604	4751	4867	5083	5259
90LSV3D3021	3942	4265	4475	4644	4752	4949	5035	5193	5321	5557	5749
90LSV3D3321	4079	4431	4651	4828	4944	5151	5243	5410	5542	5789	5991
90LSV3D3621	4215	4599	4827	5012	5134	5355	5451	5629	5767	6023	6231
93" High - 18" Deep - 4 Adjustable Shelves, Drawers Align with 31-1/2" V3DB											
93LSV3D2418	3430	3745	3890	4007	4101	4271	4346	4479	4590	4793	4960
93LSV3D2718	3600	3920	4096	4240	4341	4524	4604	4751	4867	5083	5259
93LSV3D3018	3942	4265	4475	4644	4752	4949	5035	5193	5321	5557	5749
93LSV3D3318	4079	4431	4651	4828	4944	5151	5243	5410	5542	5789	5991
93LSV3D3618	4215	4599	4827	5012	5134	5355	5451	5629	5767	6023	6231
93" High - 21" Deep - 4 Adjustable Shelves, Drawers Align with 31-1/2" V3DB											
93LSV3D2421	3430	3745	3890	4007	4101	4271	4346	4479	4590	4793	4960
93LSV3D2721	3600	3920	4096	4240	4341	4524	4604	4751	4867	5083	5259
93LSV3D3021	3942	4265	4475	4644	4752	4949	5035	5193	5321	5557	5749
93LSV3D3321	4079	4431	4651	4828	4944	5151	5243	5410	5542	5789	5991
93LSV3D3621	4215	4599	4827	5012	5134	5355	5451	5629	5767	6023	6231
96" High - 18" Deep - 4 Adjustable Shelves, Drawers Align with 31-1/2" V3DB											
96LSV3D2418	3430	3745	3890	4007	4101	4271	4346	4479	4590	4793	4960
96LSV3D2718	3600	3920	4096	4240	4341	4524	4604	4751	4867	5083	5259
96LSV3D3018	3942	4265	4475	4644	4752	4949	5035	5193	5321	5557	5749
96LSV3D3318	4079	4431	4651	4828	4944	5151	5243	5410	5542	5789	5991
96LSV3D3618	4215	4599	4827	5012	5134	5355	5451	5629	5767	6023	6231
96" High - 21" Deep - 4 Adjustable Shelves, Drawers Align with 31-1/2" V3DB											
96LSV3D2421	3430	3745	3890	4007	4101	4271	4346	4479	4590	4793	4960
96LSV3D2721	3600	3920	4096	4240	4341	4524	4604	4751	4867	5083	5259
96LSV3D3021	3942	4265	4475	4644	4752	4949	5035	5193	5321	5557	5749
96LSV3D3321	4079	4431	4651	4828	4944	5151	5243	5410	5542	5789	5991
96LSV3D3621	4215	4599	4827	5012	5134	5355	5451	5629	5767	6023	6231



51410 - Linen Storage Three Drawer

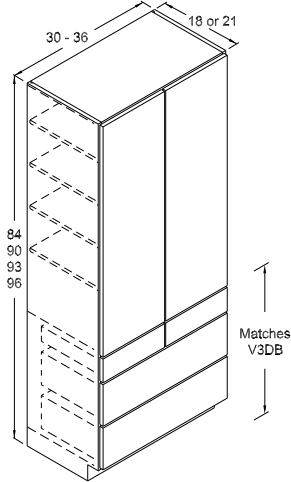


- Height modifications affect the upper section unless otherwise specified.

Cat. Code	1	2	3	4	5	6	7	8	9	10	11
84" High - 18" Deep - 3 Adjustable Shelves, Drawers Align with 34-1/2" TV3DB											
84LSTV3D2418	3218	3510	3646	3756	3839	3993	4059	4181	4285	4475	4629
84LSTV3D2718	3352	3645	3810	3943	4033	4199	4270	4402	4510	4710	4874
84LSTV3D3018	3659	3950	4146	4305	4401	4579	4655	4798	4915	5134	5312
84LSTV3D3318	3800	4123	4327	4493	4596	4785	4867	5018	5142	5370	5556
84LSTV3D3618	3945	4295	4508	4679	4789	4991	5079	5239	5368	5605	5799
84" High - 21" Deep - 3 Adjustable Shelves, Drawers Align with 34-1/2" TV3DB											
84LSTV3D2421	3218	3510	3646	3756	3839	3993	4059	4181	4285	4475	4629
84LSTV3D2721	3352	3645	3810	3943	4033	4199	4270	4402	4510	4710	4874
84LSTV3D3021	3659	3950	4146	4305	4401	4579	4655	4798	4915	5134	5312
84LSTV3D3321	3800	4123	4327	4493	4596	4785	4867	5018	5142	5370	5556
84LSTV3D3621	3945	4295	4508	4679	4789	4991	5079	5239	5368	5605	5799
90" High - 18" Deep - 4 Adjustable Shelves, Drawers Align with 34-1/2" TV3DB											
90LSTV3D2418	3430	3745	3890	4007	4101	4271	4346	4479	4590	4793	4960
90LSTV3D2718	3600	3920	4096	4240	4341	4524	4604	4751	4867	5083	5259
90LSTV3D3018	3942	4265	4475	4644	4752	4949	5035	5193	5321	5557	5749
90LSTV3D3318	4079	4431	4651	4828	4944	5151	5243	5410	5542	5789	5991
90LSTV3D3618	4215	4599	4827	5012	5134	5355	5451	5629	5767	6023	6231
90" High - 21" Deep - 4 Adjustable Shelves, Drawers Align with 34-1/2" TV3DB											
90LSTV3D2421	3430	3745	3890	4007	4101	4271	4346	4479	4590	4793	4960
90LSTV3D2721	3600	3920	4096	4240	4341	4524	4604	4751	4867	5083	5259
90LSTV3D3021	3942	4265	4475	4644	4752	4949	5035	5193	5321	5557	5749
90LSTV3D3321	4079	4431	4651	4828	4944	5151	5243	5410	5542	5789	5991
90LSTV3D3621	4215	4599	4827	5012	5134	5355	5451	5629	5767	6023	6231
93" High - 18" Deep - 4 Adjustable Shelves, Drawers Align with 34-1/2" TV3DB											
93LSTV3D2418	3430	3745	3890	4007	4101	4271	4346	4479	4590	4793	4960
93LSTV3D2718	3600	3920	4096	4240	4341	4524	4604	4751	4867	5083	5259
93LSTV3D3018	3942	4265	4475	4644	4752	4949	5035	5193	5321	5557	5749
93LSTV3D3318	4079	4431	4651	4828	4944	5151	5243	5410	5542	5789	5991
93LSTV3D3618	4215	4599	4827	5012	5134	5355	5451	5629	5767	6023	6231
93" High - 21" Deep - 4 Adjustable Shelves, Drawers Align with 34-1/2" TV3DB											
93LSTV3D2421	3430	3745	3890	4007	4101	4271	4346	4479	4590	4793	4960
93LSTV3D2721	3600	3920	4096	4240	4341	4524	4604	4751	4867	5083	5259
93LSTV3D3021	3942	4265	4475	4644	4752	4949	5035	5193	5321	5557	5749
93LSTV3D3321	4079	4431	4651	4828	4944	5151	5243	5410	5542	5789	5991
93LSTV3D3621	4215	4599	4827	5012	5134	5355	5451	5629	5767	6023	6231
96" High - 18" Deep - 4 Adjustable Shelves, Drawers Align with 34-1/2" TV3DB											
96LSTV3D2418	3430	3745	3890	4007	4101	4271	4346	4479	4590	4793	4960
96LSTV3D2718	3600	3920	4096	4240	4341	4524	4604	4751	4867	5083	5259
96LSTV3D3018	3942	4265	4475	4644	4752	4949	5035	5193	5321	5557	5749
96LSTV3D3318	4079	4431	4651	4828	4944	5151	5243	5410	5542	5789	5991
96LSTV3D3618	4215	4599	4827	5012	5134	5355	5451	5629	5767	6023	6231
96" High - 21" Deep - 4 Adjustable Shelves, Drawers Align with 34-1/2" TV3DB											
96LSTV3D2421	3430	3745	3890	4007	4101	4271	4346	4479	4590	4793	4960
96LSTV3D2721	3600	3920	4096	4240	4341	4524	4604	4751	4867	5083	5259
96LSTV3D3021	3942	4265	4475	4644	4752	4949	5035	5193	5321	5557	5749
96LSTV3D3321	4079	4431	4651	4828	4944	5151	5243	5410	5542	5789	5991
96LSTV3D3621	4215	4599	4827	5012	5134	5355	5451	5629	5767	6023	6231

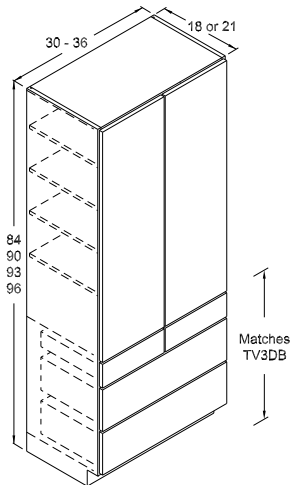


51410 - Linen Storage Three Drawer



- Height modifications affect the upper section unless otherwise specified.

Cat. Code	1	2	3	4	5	6	7	8	9	10	11
84" High - 18" Deep - 3 Adjustable Shelves, Drawers Align with 31-1/2" V3DB											
84LSV3D3018-2DWR	3659	3950	4146	4305	4401	4579	4655	4798	4915	5134	5312
84LSV3D3318-2DWR	3800	4123	4327	4493	4596	4785	4867	5018	5142	5370	5556
84LSV3D3618-2DWR	3945	4295	4508	4679	4789	4991	5079	5239	5368	5605	5799
84" High - 21" Deep - 3 Adjustable Shelves, Drawers Align with 31-1/2" V3DB											
84LSV3D3021-2DWR	3659	3950	4146	4305	4401	4579	4655	4798	4915	5134	5312
84LSV3D3321-2DWR	3800	4123	4327	4493	4596	4785	4867	5018	5142	5370	5556
84LSV3D3621-2DWR	3945	4295	4508	4679	4789	4991	5079	5239	5368	5605	5799
90" High - 18" Deep - 4 Adjustable Shelves, Drawers Align with 31-1/2" V3DB											
90LSV3D3018-2DWR	3942	4265	4475	4644	4752	4949	5035	5193	5321	5557	5749
90LSV3D3318-2DWR	4079	4431	4651	4828	4944	5151	5243	5410	5542	5789	5991
90LSV3D3618-2DWR	4215	4599	4827	5012	5134	5355	5451	5629	5767	6023	6231
90" High - 21" Deep - 4 Adjustable Shelves, Drawers Align with 31-1/2" V3DB											
90LSV3D3021-2DWR	3942	4265	4475	4644	4752	4949	5035	5193	5321	5557	5749
90LSV3D3321-2DWR	4079	4431	4651	4828	4944	5151	5243	5410	5542	5789	5991
90LSV3D3621-2DWR	4215	4599	4827	5012	5134	5355	5451	5629	5767	6023	6231
93" High - 18" Deep - 4 Adjustable Shelves, Drawers Align with 31-1/2" V3DB											
93LSV3D3018-2DWR	3942	4265	4475	4644	4752	4949	5035	5193	5321	5557	5749
93LSV3D3318-2DWR	4079	4431	4651	4828	4944	5151	5243	5410	5542	5789	5991
93LSV3D3618-2DWR	4215	4599	4827	5012	5134	5355	5451	5629	5767	6023	6231
93" High - 21" Deep - 4 Adjustable Shelves, Drawers Align with 31-1/2" V3DB											
93LSV3D3021-2DWR	3942	4265	4475	4644	4752	4949	5035	5193	5321	5557	5749
93LSV3D3321-2DWR	4079	4431	4651	4828	4944	5151	5243	5410	5542	5789	5991
93LSV3D3621-2DWR	4215	4599	4827	5012	5134	5355	5451	5629	5767	6023	6231
96" High - 18" Deep - 4 Adjustable Shelves, Drawers Align with 31-1/2" V3DB											
96LSV3D3018-2DWR	3942	4265	4475	4644	4752	4949	5035	5193	5321	5557	5749
96LSV3D3318-2DWR	4079	4431	4651	4828	4944	5151	5243	5410	5542	5789	5991
96LSV3D3618-2DWR	4215	4599	4827	5012	5134	5355	5451	5629	5767	6023	6231
96" High - 21" Deep - 4 Adjustable Shelves, Drawers Align with 31-1/2" V3DB											
96LSV3D3021-2DWR	3942	4265	4475	4644	4752	4949	5035	5193	5321	5557	5749
96LSV3D3321-2DWR	4079	4431	4651	4828	4944	5151	5243	5410	5542	5789	5991
96LSV3D3621-2DWR	4215	4599	4827	5012	5134	5355	5451	5629	5767	6023	6231

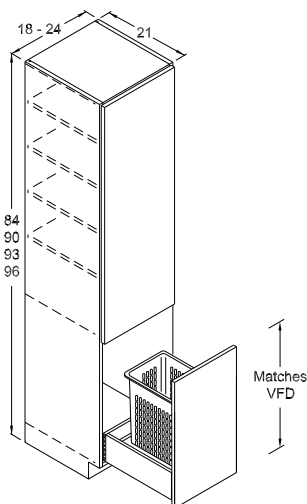


- Height modifications affect the upper section unless otherwise specified.

Cat. Code	1	2	3	4	5	6	7	8	9	10	11
84" High - 18" Deep - 3 Adjustable Shelves, Drawers Align with 34-1/2" TV3DB											
84LSTV3D3018-2DWR	3659	3950	4146	4305	4401	4579	4655	4798	4915	5134	5312
84LSTV3D3318-2DWR	3800	4123	4327	4493	4596	4785	4867	5018	5142	5370	5556
84LSTV3D3618-2DWR	3945	4295	4508	4679	4789	4991	5079	5239	5368	5605	5799
84" High - 21" Deep - 3 Adjustable Shelves, Drawers Align with 34-1/2" TV3DB											
84LSTV3D3021-2DWR	3659	3950	4146	4305	4401	4579	4655	4798	4915	5134	5312
84LSTV3D3321-2DWR	3800	4123	4327	4493	4596	4785	4867	5018	5142	5370	5556
84LSTV3D3621-2DWR	3945	4295	4508	4679	4789	4991	5079	5239	5368	5605	5799
90" High - 18" Deep - 4 Adjustable Shelves, Drawers Align with 34-1/2" TV3DB											
90LSTV3D3018-2DWR	3942	4265	4475	4644	4752	4949	5035	5193	5321	5557	5749
90LSTV3D3318-2DWR	4079	4431	4651	4828	4944	5151	5243	5410	5542	5789	5991
90LSTV3D3618-2DWR	4215	4599	4827	5012	5134	5355	5451	5629	5767	6023	6231
90" High - 21" Deep - 4 Adjustable Shelves, Drawers Align with 34-1/2" TV3DB											
90LSTV3D3021-2DWR	3942	4265	4475	4644	4752	4949	5035	5193	5321	5557	5749
90LSTV3D3321-2DWR	4079	4431	4651	4828	4944	5151	5243	5410	5542	5789	5991
90LSTV3D3621-2DWR	4215	4599	4827	5012	5134	5355	5451	5629	5767	6023	6231
93" High - 18" Deep - 4 Adjustable Shelves, Drawers Align with 34-1/2" TV3DB											
93LSTV3D3018-2DWR	3942	4265	4475	4644	4752	4949	5035	5193	5321	5557	5749
93LSTV3D3318-2DWR	4079	4431	4651	4828	4944	5151	5243	5410	5542	5789	5991
93LSTV3D3618-2DWR	4215	4599	4827	5012	5134	5355	5451	5629	5767	6023	6231
93" High - 21" Deep - 4 Adjustable Shelves, Drawers Align with 34-1/2" TV3DB											
93LSTV3D3021-2DWR	3942	4265	4475	4644	4752	4949	5035	5193	5321	5557	5749
93LSTV3D3321-2DWR	4079	4431	4651	4828	4944	5151	5243	5410	5542	5789	5991
93LSTV3D3621-2DWR	4215	4599	4827	5012	5134	5355	5451	5629	5767	6023	6231
96" High - 18" Deep - 4 Adjustable Shelves, Drawers Align with 34-1/2" TV3DB											
96LSTV3D3018-2DWR	3942	4265	4475	4644	4752	4949	5035	5193	5321	5557	5749
96LSTV3D3318-2DWR	4079	4431	4651	4828	4944	5151	5243	5410	5542	5789	5991
96LSTV3D3618-2DWR	4215	4599	4827	5012	5134	5355	5451	5629	5767	6023	6231
96" High - 21" Deep - 4 Adjustable Shelves, Drawers Align with 34-1/2" TV3DB											
96LSTV3D3021-2DWR	3942	4265	4475	4644	4752	4949	5035	5193	5321	5557	5749
96LSTV3D3321-2DWR	4079	4431	4651	4828	4944	5151	5243	5410	5542	5789	5991
96LSTV3D3621-2DWR	4215	4599	4827	5012	5134	5355	5451	5629	5767	6023	6231



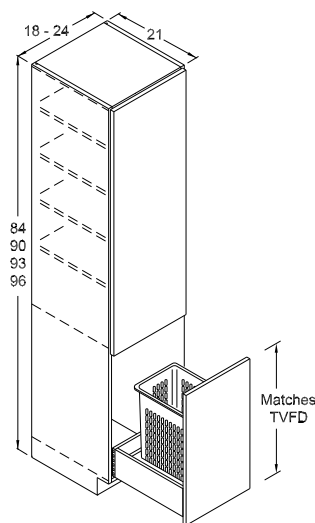
51450 - Linen Storage Hamper



- Removable, ventilated, 2.13 cubic foot hamper basket.
- Height modifications affect the upper section **only**.

NO OTHER DIMENSIONAL MODIFICATIONS

Cat. Code	1	2	3	4	5	6	7	8	9	10	11
84" High - 3 Adjustable Shelves, Door Aligns with 31-1/2" VFD											
84LSHV1821	2259	2442	2550	2636	2709	2841	2911	3040	3114	3253	3366
84LSHV2121	2482	2698	2823	2924	3005	3157	3234	3377	3462	3615	3741
84LSHV2421-1	2694	2984	3112	3216	3304	3468	3554	3712	3804	3972	4109
90" High - 4 Adjustable Shelves, Door Aligns with 31-1/2" VFD											
90LSHV1821	2594	2817	2944	3047	3132	3294	3374	3525	3611	3771	3904
90LSHV2121	2861	3118	3269	3392	3490	3671	3761	3929	4025	4205	4349
90LSHV2421-1	3117	3464	3616	3740	3848	4045	4144	4329	4436	4632	4793
93" High - 4 Adjustable Shelves, Door Aligns with 31-1/2" VFD											
93LSHV1821	2594	2817	2944	3047	3132	3294	3374	3525	3611	3771	3904
93LSHV2121	2861	3118	3269	3392	3490	3671	3761	3929	4025	4205	4349
93LSHV2421-1	3117	3464	3616	3740	3848	4045	4144	4329	4436	4632	4793
96" High - 4 Adjustable Shelves, Door Aligns with 31-1/2" VFD											
96LSHV1821	2594	2817	2944	3047	3132	3294	3374	3525	3611	3771	3904
96LSHV2121	2861	3118	3269	3392	3490	3671	3761	3929	4025	4205	4349
96LSHV2421-1	3117	3464	3616	3740	3848	4045	4144	4329	4436	4632	4793



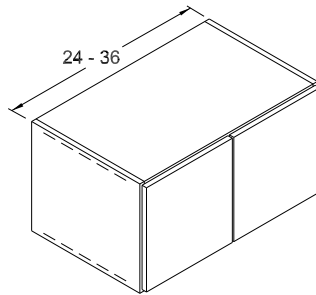
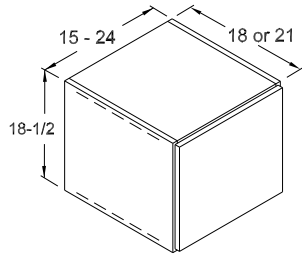
- Removable, ventilated, 2.13 cubic foot hamper basket.
- Height modifications affect the upper section **only**.

NO OTHER DIMENSIONAL MODIFICATIONS

Cat. Code	1	2	3	4	5	6	7	8	9	10	11
84" High - 3 Adjustable Shelves, Door Aligns with 34-1/2" TVFD											
84LSHTV1821	2259	2442	2550	2636	2709	2841	2911	3040	3114	3253	3366
84LSHTV2121	2482	2698	2823	2924	3005	3157	3234	3377	3462	3615	3741
84LSHTV2421-1	2694	2984	3112	3216	3304	3468	3554	3712	3804	3972	4109
90" High - 4 Adjustable Shelves, Door Aligns with 34-1/2" TVFD											
90LSHTV1821	2594	2817	2944	3047	3132	3294	3374	3525	3611	3771	3904
90LSHTV2121	2861	3118	3269	3392	3490	3671	3761	3929	4025	4205	4349
90LSHTV2421-1	3117	3464	3616	3740	3848	4045	4144	4329	4436	4632	4793
93" High - 4 Adjustable Shelves, Door Aligns with 34-1/2" TVFD											
93LSHTV1821	2594	2817	2944	3047	3132	3294	3374	3525	3611	3771	3904
93LSHTV2121	2861	3118	3269	3392	3490	3671	3761	3929	4025	4205	4349
93LSHTV2421-1	3117	3464	3616	3740	3848	4045	4144	4329	4436	4632	4793
96" High - 4 Adjustable Shelves, Door Aligns with 34-1/2" TVFD											
96LSHTV1821	2594	2817	2944	3047	3132	3294	3374	3525	3611	3771	3904
96LSHTV2121	2861	3118	3269	3392	3490	3671	3761	3929	4025	4205	4349
96LSHTV2421-1	3117	3464	3616	3740	3848	4045	4144	4329	4436	4632	4793



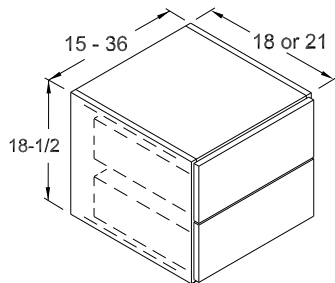
51460 - Wall Hung Vanity Base Full Door



Cat. Code	1	2	3	4	5	6	7	8	9	10	11
18-1/2" High - No Shelf											
WHVBFD15	347	392	418	438	453	482	494	515	529	551	571
WHVBFD18	370	420	448	472	488	517	531	553	569	594	614
WHVBFD21	410	465	495	518	536	570	585	611	627	653	676
WHVBFD24-1	517	598	629	653	677	719	737	768	788	823	851
WHVBFD24	517	598	629	653	677	719	737	768	788	823	851
WHVBFD27	550	641	692	731	756	804	824	861	882	922	954
WHVBFD30	643	733	787	830	860	914	935	977	1001	1047	1082
WHVBFD33	675	767	822	866	896	954	977	1019	1047	1092	1130
WHVBFD36	703	800	858	903	936	992	1018	1063	1089	1137	1176

- Cabinet has full top as standard.
- Cabinet is constructed with interior metal gussets for structural support.
- Dealer is responsible for proper installation according to Wall Hung Installation Instructions. Prior to cabinet installation, stud wall must be reinforced with a horizontal beam (2x6 or larger) between the vertical studs.
- Reduce height modification is **not** available.
- **Maximum** depth = 21".

51465 - Wall Hung Vanity Base Two-Drawer

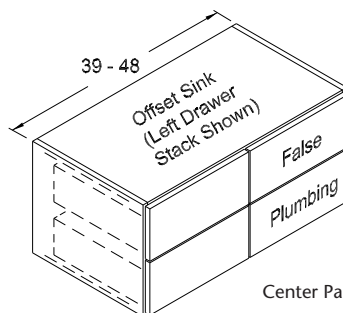
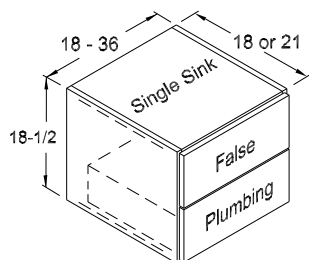


Cat. Code	1	2	3	4	5	6	7	8	9	10	11
18-1/2" High											
WHVB2D15	662	672	672	672	695	738	755	788	809	842	873
WHVB2D18	710	719	719	719	742	788	808	840	863	902	934
WHVB2D21	759	767	767	767	793	839	859	899	920	958	994
WHVB2D24	810	857	857	857	872	901	923	963	987	1032	1068
WHVB2D27	865	878	878	878	905	958	983	1026	1050	1098	1134
WHVB2D30	948	958	958	958	994	1053	1081	1127	1155	1206	1249
WHVB2D33	989	1001	1001	1001	1038	1101	1129	1176	1207	1259	1302
WHVB2D36	1029	1042	1042	1042	1080	1144	1173	1224	1255	1311	1355

- Cabinet has full top as standard.
- Cabinet is constructed with interior metal gussets for structural support.
- Dealer is responsible for proper installation according to Wall Hung Installation Instructions. Prior to cabinet installation, stud wall must be reinforced with a horizontal beam (2x6 or larger) between the vertical studs.
- Reduce height modification is **not** available.
- **Maximum** depth = 21".
- Drawers do **not** align with standard vanities. See [page 2-4](#) for sizing details.



51470 - 51472 - Wall Hung Vanity - Configuration "A"



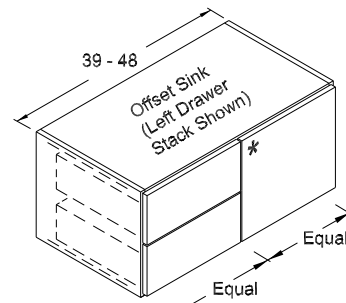
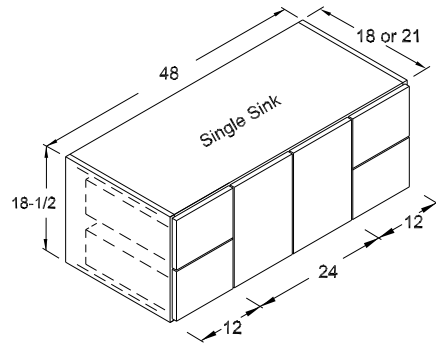
- Cabinet has full top as standard.
- Cabinet is constructed with interior metal gussets for structural support.
- Dealer is responsible for proper installation according to Wall Hung Installation Instructions. Prior to cabinet installation, stud wall must be reinforced with a horizontal beam (2x6 or larger) between the vertical studs.
- Reduce height modification is **not** available.
- **Maximum** depth = 21".
- Plumbing Drawer is included where indicated which includes a pipe chase for plumbing. For dimensions and details, see [Section 71825](#).
- Drawers do **not** align with standard vanities. See [page 2-4](#) for sizing details.
- Reduce width does **not** affect the sink area unless otherwise specified.

51470 - Single Sink											
Cat. Code	1	2	3	4	5	6	7	8	9	10	11
18-1/2" High											
WHVBSA18	712	720	720	720	744	787	806	843	863	899	932
WHVBSA21	759	767	767	767	793	839	859	899	920	958	994
WHVBSA24	810	857	857	857	872	901	923	963	987	1032	1068
WHVBSA27	865	878	878	878	905	958	983	1026	1050	1098	1134
WHVBSA30	948	958	958	958	994	1053	1081	1127	1155	1206	1249
WHVBSA33	989	1001	1001	1001	1038	1101	1129	1176	1207	1259	1302
WHVBSA36	1029	1042	1042	1042	1080	1144	1173	1224	1255	1311	1355

51472 - Offset Sink (Specify Left or Right for Drawer Stack)												
Cat. Code	1	2	3	4	5	6	7	8	9	10	11	
18-1/2" High												
WHVBOA39	L/R	1390	1405	1405	1405	1452	1536	1573	1645	1684	1755	1820
WHVBOA42	L/R	1433	1448	1448	1448	1496	1584	1621	1697	1736	1810	1878
WHVBOA45	L/R	1484	1568	1568	1568	1598	1650	1690	1763	1810	1890	1956
WHVBOA48	L/R	1530	1617	1617	1617	1647	1700	1742	1818	1865	1949	2016



51475 - 51477 - Wall Hung Vanity - Configuration "C"



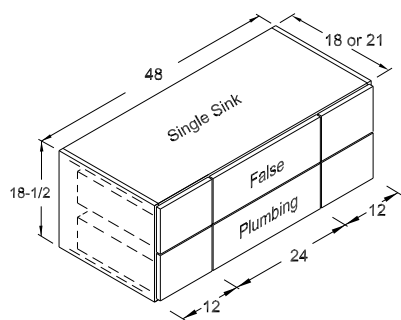
- Cabinet has full top as standard.
- Cabinet is constructed with interior metal gussets for structural support.
- Dealer is responsible for proper installation according to Wall Hung Installation Instructions. Prior to cabinet installation, stud wall must be reinforced with a horizontal beam (2x6 or larger) between the vertical studs.
- Partition is included.
- Reduce width affects the drawer stack equally, or it can be applied to sink area. Reduce width modification can be applied to one area only unless MODCAB (see [Section #71210](#)) is used.
- Reduce height modification is **not** available.
- **Maximum** depth = 21".
- Specify hinging for single door cabinets. If not specified, door is hinged opposite of drawer stack.
- Drawers do **not** align with standard vanities. See [page 2-4](#) for sizing details.

51475 - Single Sink											
Cat. Code	1	2	3	4	5	6	7	8	9	10	11
18-1/2" High - No Shelf											
WHVBS48	1651	1745	1774	1797	1858	1966	2015	2103	2156	2251	2329

51477 - Offset Sink (Specify Left or Right for Drawer Stack)												
Cat. Code		1	2	3	4	5	6	7	8	9	10	11
18-1/2" High - No Shelf												
WHVBOC39	L/R	1146	1221	1250	1272	1315	1393	1428	1493	1529	1594	1652
WHVBOC42	L/R	1182	1258	1288	1311	1356	1437	1473	1539	1575	1643	1704
WHVBOC45	L/R	1216	1332	1361	1382	1419	1483	1519	1585	1626	1699	1757
WHVBOC48	L/R	1253	1372	1403	1425	1462	1529	1567	1634	1676	1752	1812



51480 - Wall Hung Vanity - Configuration "D"

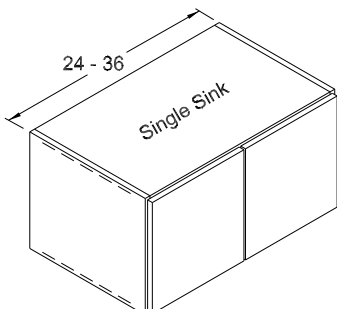
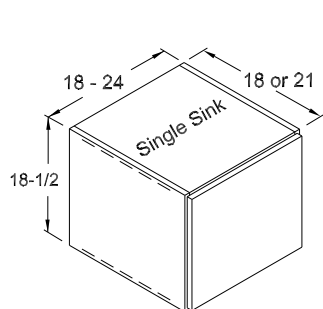


- Cabinet has full top as standard.
- Cabinet is constructed with interior metal gussets for structural support.
- Dealer is responsible for proper installation according to Wall Hung Installation Instructions. Prior to cabinet installation, stud wall must be reinforced with a horizontal beam (2x6 or larger) between the vertical studs.
- Partition is installed between door and drawers.
- Reduce width affects the drawer stack equally, or it can be applied to the sink area only. Reduce width modification can be applied to one area only unless MODCAB (see [Section #71210](#)) is used.
- Reduce height modification is **not** available.
- **Maximum** depth = 21".
- Plumbing Drawer is included where indicated which includes a pipe chase for plumbing. For dimensions and details, see [Section 71825](#).
- Drawers do **not** align with standard vanities. See [page 2-4](#) for sizing details.

51480 - Single Sink

Cat. Code	1	2	3	4	5	6	7	8	9	10	11
18-1/2" High - No Shelf											
WHVBSD48	1928	1990	1990	1990	2042	2138	2190	2286	2345	2448	2533

51485 - Wall Hung Vanity - Configuration "E"



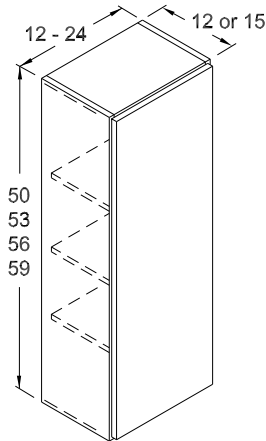
- Cabinet has full top as standard.
- Cabinet is constructed with interior metal gussets for structural support.
- Dealer is responsible for proper installation according to Wall Hung Installation Instructions. Prior to cabinet installation, stud wall must be reinforced with a horizontal beam (2x6 or larger) between the vertical studs.
- Reduce height modification is **not** available.
- **Maximum** depth = 21".

51485 - Single Sink

Cat. Code	1	2	3	4	5	6	7	8	9	10	11
18-1/2" High - No Shelf											
WHVBSE18	370	420	448	472	488	517	531	553	569	594	614
WHVBSE21	410	465	495	518	536	570	585	611	627	653	676
WHVBSE24-1	517	598	629	653	677	719	737	768	788	823	851
WHVBSE24	517	598	629	653	677	719	737	768	788	823	851
WHVBSE27	550	641	692	731	756	804	824	861	882	922	954
WHVBSE30	643	733	787	830	860	914	935	977	1001	1047	1082
WHVBSE33	675	767	822	866	896	954	977	1019	1047	1092	1130
WHVBSE36	703	800	858	903	936	992	1018	1063	1089	1137	1176



51488 - Wall Hung Linen Storage Cabinet



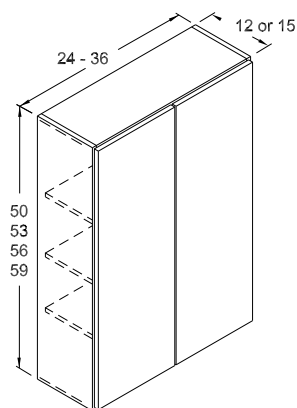
- Constructed like a standard wall cabinet.

Cat. Code	1	2	3	4	5	6	7	8	9	10	11
50" High - 12" Deep - Three Adjustable Shelves											
50WHLSC1212	653	744	796	840	870	922	945	991	1014	1059	1096
50WHLSC1512	719	819	880	929	961	1022	1048	1095	1123	1172	1211
50WHLSC1812	777	896	966	1022	1059	1125	1153	1203	1232	1290	1333
50WHLSC2112	854	978	1055	1117	1158	1228	1262	1315	1348	1409	1456
50WHLSC2412-1	1042	1223	1306	1372	1421	1508	1546	1614	1654	1728	1787
50" High - 15" Deep - Three Adjustable Shelves											
50WHLSC1215	719	819	876	924	957	1015	1040	1091	1116	1165	1206
50WHLSC1515	791	901	968	1022	1058	1125	1153	1205	1236	1290	1333
50WHLSC1815	855	986	1063	1125	1165	1238	1269	1324	1356	1419	1467
50WHLSC2115	940	1076	1161	1229	1274	1351	1389	1447	1483	1550	1602
50WHLSC2415-1	1147	1346	1437	1510	1564	1659	1701	1776	1820	1901	1966
53" High - 12" Deep - Three Adjustable Shelves											
53WHLSC1212	713	810	868	917	948	1005	1033	1078	1106	1155	1194
53WHLSC1512	784	896	961	1013	1049	1113	1144	1194	1224	1279	1322
53WHLSC1812	849	977	1053	1113	1154	1225	1257	1313	1344	1406	1453
53WHLSC2112	930	1067	1151	1218	1262	1340	1374	1434	1469	1536	1587
53WHLSC2412-1	1137	1334	1426	1498	1550	1645	1686	1760	1804	1882	1949
53" High - 15" Deep - Three Adjustable Shelves											
53WHLSC1215	785	891	955	1009	1043	1106	1137	1186	1217	1271	1314
53WHLSC1515	863	986	1058	1115	1154	1225	1259	1314	1347	1407	1455
53WHLSC1815	934	1075	1159	1225	1270	1348	1383	1445	1479	1547	1599
53WHLSC2115	1023	1174	1267	1340	1389	1474	1512	1578	1616	1690	1746
53WHLSC2415-1	1251	1468	1569	1648	1705	1810	1855	1936	1985	2071	2144
56" High - 12" Deep - Four Adjustable Shelves											
56WHLSC1212	786	892	956	1010	1043	1106	1137	1187	1217	1271	1314
56WHLSC1512	864	986	1057	1115	1154	1225	1258	1314	1347	1407	1455
56WHLSC1812	934	1075	1159	1225	1270	1348	1383	1445	1480	1547	1599
56WHLSC2112	1024	1174	1266	1341	1389	1474	1511	1578	1616	1690	1746
56WHLSC2412-1	1251	1468	1570	1649	1705	1810	1855	1936	1985	2071	2144
56" High - 15" Deep - Four Adjustable Shelves											
56WHLSC1215	865	982	1052	1111	1148	1217	1251	1306	1339	1399	1446
56WHLSC1515	951	1085	1163	1227	1270	1348	1384	1446	1482	1548	1601
56WHLSC1815	1028	1183	1275	1348	1397	1483	1522	1590	1628	1702	1759
56WHLSC2115	1127	1292	1393	1476	1528	1622	1663	1736	1778	1859	1921
56WHLSC2415-1	1377	1615	1727	1814	1876	1991	2041	2130	2184	2279	2359
59" High - 12" Deep - Four Adjustable Shelves											
59WHLSC1212	786	892	956	1010	1043	1106	1137	1187	1217	1271	1314
59WHLSC1512	864	986	1057	1115	1154	1225	1258	1314	1347	1407	1455
59WHLSC1812	934	1075	1159	1225	1270	1348	1383	1445	1480	1547	1599
59WHLSC2112	1024	1174	1266	1341	1389	1474	1511	1578	1616	1690	1746
59WHLSC2412-1	1251	1468	1570	1649	1705	1810	1855	1936	1985	2071	2144
59" High - 15" Deep - Four Adjustable Shelves											
59WHLSC1215	865	982	1052	1111	1148	1217	1251	1306	1339	1399	1446
59WHLSC1515	951	1085	1163	1227	1270	1348	1384	1446	1482	1548	1601
59WHLSC1815	1028	1183	1275	1348	1397	1483	1522	1590	1628	1702	1759
59WHLSC2115	1127	1292	1393	1476	1528	1622	1663	1736	1778	1859	1921
59WHLSC2415-1	1377	1615	1727	1814	1876	1991	2041	2130	2184	2279	2359

CONTINUED ON NEXT PAGE



51488 - Wall Hung Linen Storage Cabinet (continued)



- Constructed like a standard wall cabinet.

Cat. Code	1	2	3	4	5	6	7	8	9	10	11
50" High - 12" Deep - Three Adjustable Shelves											
50WHLSC2412	1042	1223	1306	1372	1421	1508	1546	1614	1654	1728	1787
50WHLSC2712	1116	1306	1427	1525	1578	1677	1718	1794	1839	1920	1986
50WHLSC3012	1218	1418	1538	1635	1693	1802	1846	1928	1977	2063	2135
50WHLSC3312	1286	1498	1633	1740	1802	1909	1958	2043	2095	2187	2264
50WHLSC3612	1335	1574	1714	1827	1893	2009	2060	2151	2204	2301	2382
50" High - 15" Deep - Three Adjustable Shelves											
50WHLSC2415	1147	1346	1437	1510	1564	1659	1701	1776	1820	1901	1966
50WHLSC2715	1228	1437	1570	1678	1736	1845	1890	1974	2023	2112	2185
50WHLSC3015	1340	1560	1692	1799	1863	1983	2031	2121	2175	2270	2349
50WHLSC3315	1415	1648	1797	1914	1983	2100	2154	2248	2305	2406	2491
50WHLSC3615	1469	1732	1886	2010	2083	2210	2266	2367	2425	2532	2621
53" High - 12" Deep - Three Adjustable Shelves											
53WHLSC2412	1137	1334	1426	1498	1550	1645	1686	1760	1804	1882	1949
53WHLSC2712	1216	1425	1557	1664	1722	1829	1874	1957	2006	2095	2168
53WHLSC3012	1329	1546	1677	1784	1847	1965	2014	2103	2155	2250	2328
53WHLSC3312	1400	1635	1781	1897	1964	2084	2135	2229	2285	2384	2468
53WHLSC3612	1459	1715	1867	1992	2063	2193	2246	2345	2404	2510	2597
53" High - 15" Deep - Three Adjustable Shelves											
53WHLSC2415	1251	1468	1569	1648	1705	1810	1855	1936	1985	2071	2144
53WHLSC2715	1338	1568	1713	1831	1895	2012	2062	2153	2207	2305	2385
53WHLSC3015	1462	1701	1845	1963	2032	2162	2216	2314	2371	2475	2561
53WHLSC3315	1540	1799	1960	2087	2161	2293	2349	2452	2514	2623	2715
53WHLSC3615	1605	1887	2054	2192	2270	2413	2471	2580	2645	2761	2857
56" High - 12" Deep - Four Adjustable Shelves											
56WHLSC2412	1251	1468	1570	1649	1705	1810	1855	1936	1985	2071	2144
56WHLSC2712	1339	1568	1713	1831	1895	2012	2062	2153	2207	2305	2385
56WHLSC3012	1462	1701	1845	1963	2033	2162	2216	2314	2371	2475	2561
56WHLSC3312	1540	1799	1959	2088	2161	2293	2349	2452	2513	2623	2715
56WHLSC3612	1605	1887	2054	2191	2270	2412	2471	2580	2644	2762	2858
56" High - 15" Deep - Four Adjustable Shelves											
56WHLSC2415	1377	1615	1727	1814	1876	1991	2041	2130	2184	2279	2359
56WHLSC2715	1473	1725	1885	2015	2085	2214	2269	2369	2428	2536	2624
56WHLSC3015	1609	1872	2030	2160	2237	2379	2438	2546	2609	2723	2818
56WHLSC3315	1694	1979	2155	2297	2378	2523	2584	2698	2765	2886	2987
56WHLSC3615	1766	2076	2260	2411	2497	2654	2719	2838	2909	3039	3144
59" High - 12" Deep - Four Adjustable Shelves											
59WHLSC2412	1251	1468	1570	1649	1705	1810	1855	1936	1985	2071	2144
59WHLSC2712	1339	1568	1713	1831	1895	2012	2062	2153	2207	2305	2385
59WHLSC3012	1462	1701	1845	1963	2033	2162	2216	2314	2371	2475	2561
59WHLSC3312	1540	1799	1959	2088	2161	2293	2349	2452	2513	2623	2715
59WHLSC3612	1605	1887	2054	2191	2270	2412	2471	2580	2644	2762	2858
59" High - 15" Deep - Four Adjustable Shelves											
59WHLSC2415	1377	1615	1727	1814	1876	1991	2041	2130	2184	2279	2359
59WHLSC2715	1473	1725	1885	2015	2085	2214	2269	2369	2428	2536	2624
59WHLSC3015	1609	1872	2030	2160	2237	2379	2438	2546	2609	2723	2818
59WHLSC3315	1694	1979	2155	2297	2378	2523	2584	2698	2765	2886	2987
59WHLSC3615	1766	2076	2260	2411	2497	2654	2719	2838	2909	3039	3144

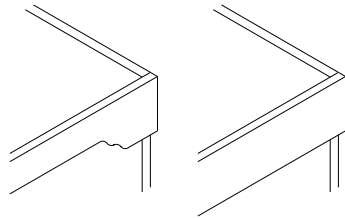
**Furniture Index**

Base Bookcase	8-8
Bookcase	8-9
Bookcase Vanity/Wall Door	8-10
Boot Benches	8-26
Coat Hook Rack	8-36
Coat Rack Organizer	8-37
Counter Bookcases	8-4
Counter Bookcase Wall Doors	8-5
Desk Bases (2 Drawer, 3 Drawer, Full Door)	8-18
Drawers (Desk, Keyboard)	8-16
Desk Drawer Bracket End	8-17
Entertainment Base	8-42
Entertainment Console	8-40
Entertainment Tall/Pull-outs	8-44
Entertainment Towers/Pull-outs	8-50
Entertainment Wall	8-43
Hall Trees	8-35
Hinged Wood Top	8-25
Lockers	8-28
Mantels	8-57
Mantel Shelf	8-64
Media Storage Drawer	8-56
Valances for Bookcases	8-1
Wall Bookcases	8-2

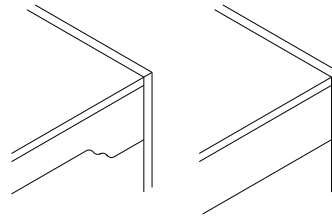




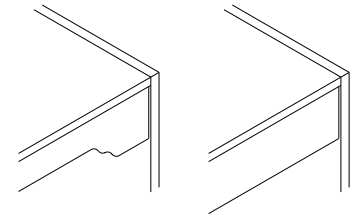
61905 - Valances for use with Bookcase Units



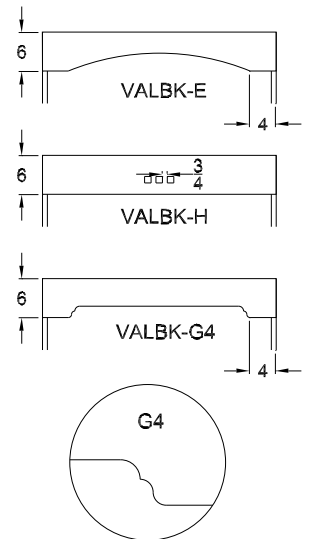
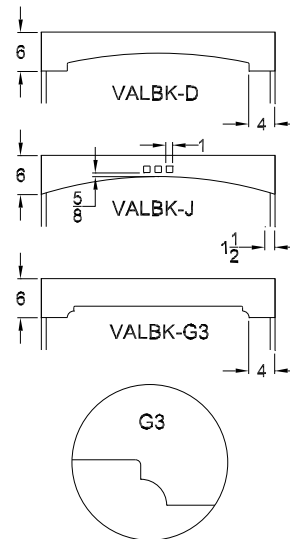
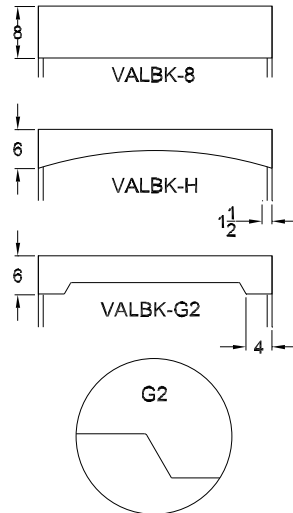
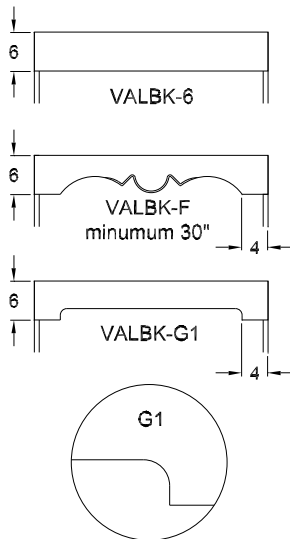
Overlay Install



Flush Install



Recess Install



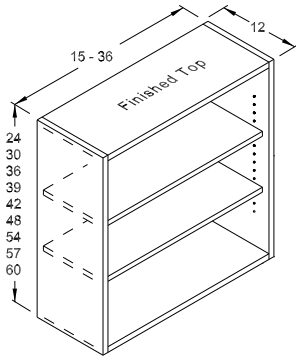
- Specify width of valance based on overall width of bookcase. Example: WB1848, VALBK-D18
Maximum width = 36". **Minimum** width = 15". Exception: **Minimum** width of VALBK-F = 30"
- Valance is ordered separately and sent exact size (for Overlay applications) with ends finished and includes installation brackets and screws. Valance may be trimmed for Flush or Recessed applications
- To add an edge profile to the bottom edge of a straight valance, see [section #82750](#). Available for standard wood species only.

NOTE: All valances are available in standard wood species. For Laminate, Exotics and Foil orders, the straight valance (VALBK-6 and VALBK-8) is available.

VALBK-6, VALBK-8, VALBK-D, VALBK-E, VALBK-F, VALBK-G, VALBK-H, VALBK-J, VALBK-K, \$266 per bookcase cabinet



62000 - Wall Bookcase



- **Matching Finished Interior and Finished Top are standard.**
- Optional valances may be ordered (for an upcharge) for use on bookcases. See [section #61905](#) for valance options, installation instructions and available widths.
- Finished Bottom is available for No Charge. Specify "Finished Bottom" on order.

NOTE: The Shelf and Rail modification is recommended to give additional shelf support on units 30" wide or wider. See Modifications [section #71450](#).

NOTE: Not available for Acrylics or Wired Foils.

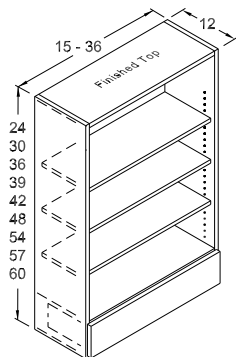
Cat. No.	Price
24" High - 1 Adj. Shelf	
WB1524	460
WB1824	502
WB2124	546
WB2424	593
WB2724	635
WB3024	681
WB3324	725
WB3624	766
30" High - 2 Adj. Shelves	
WB1530	552
WB1830	604
WB2130	656
WB2430	713
WB2730	769
WB3030	821
WB3330	878
WB3630	928
36" High - 2 Adj. Shelves	
WB1536	598
WB1836	657
WB2136	714
WB2436	776
WB2736	833
WB3036	892
WB3336	952
WB3636	1004

Cat. No.	Price
39" High - 2 Adj. Shelves	
WB1539	695
WB1839	760
WB2139	825
WB2439	896
WB2739	964
WB3039	1033
WB3339	1105
WB3639	1168
42" High - 3 Adj. Shelves	
WB1542	695
WB1842	760
WB2142	825
WB2442	896
WB2742	964
WB3042	1033
WB3342	1105
WB3642	1168
48" High - 3 Adj. Shelves	
WB1548	790
WB1848	867
WB2148	945
WB2448	1024
WB2748	1097
WB3048	1168
WB3348	1242
WB3648	1312

Cat. No.	Price
54" High - 3 Adj. Shelves	
WB1554	885
WB1854	971
WB2154	1060
WB2454	1147
WB2754	1229
WB3054	1307
WB3354	1392
WB3654	1468
57" High - 4 Adj. Shelves	
WB1557	936
WB1857	1029
WB2157	1120
WB2457	1214
WB2757	1302
WB3057	1386
WB3357	1474
WB3657	1556
60" High - 4 Adj. Shelves	
WB1560	936
WB1860	1029
WB2160	1120
WB2460	1214
WB2760	1302
WB3060	1386
WB3360	1474
WB3660	1556



62050 - Wall Bookcase with Drawers



- **Matching Finished Interior and Finished Top are standard.**
- Optional valances may be ordered (for an upcharge) for use on bookcases. See [section #61905](#) for valance options, installation instructions and available widths.
- Finished Bottom is available for No Charge. Specify "Finished Bottom" on order.
- Drawer(s) have a 1/4" reveal at bottom for countertop clearance.
- **Minimum** depth = 12".

NOTE: The Shelf and Rail modification is recommended to give additional shelf support on units 30" wide or wider. See Modifications [section #71450](#).

NOTE: Not available for Acrylics or Wired Foils.

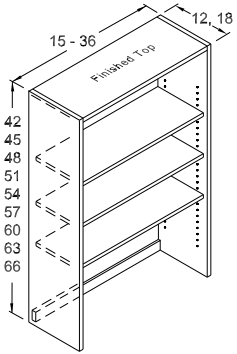
Cat. No.	Price
24" High - No Shelf	
WBD1524	800
WBD1824	843
WBD2124	886
WBD2424	933
WBD2724	975
WBD3024-1DWR	1232
WBD3324-1DWR	1279
WBD3624-1DWR	1319
WBD3024-2DWR	1232
WBD3324-2DWR	1279
WBD3624-2DWR	1319
30" High - One Adj. Shelf	
WBD1530	892
WBD1830	943
WBD2130	994
WBD2430	1053
WBD2730	1108
WBD3030-1DWR	1374
WBD3330-1DWR	1432
WBD3630-1DWR	1481
WBD3030-2DWR	1374
WBD3330-2DWR	1432
WBD3630-2DWR	1481
36" High - Two Adj. Shelves	
WBD1536	936
WBD1836	996
WBD2136	1054
WBD2436	1115
WBD2736	1173
WBD3036-1DWR	1445
WBD3336-1DWR	1505
WBD3636-1DWR	1558
WBD3036-2DWR	1445
WBD3336-2DWR	1505
WBD3636-2DWR	1558

Cat. No.	Price
39" High - Two Adj. Shelves	
WBD1539	1034
WBD1839	1098
WBD2139	1165
WBD2439	1236
WBD2739	1297
WBD3039-1DWR	1587
WBD3339-1DWR	1658
WBD3639-1DWR	1721
WBD3039-2DWR	1587
WBD3339-2DWR	1658
WBD3639-2DWR	1721
42" High - Two Adj. Shelves	
WBD1542	1034
WBD1842	1098
WBD2142	1165
WBD2442	1236
WBD2742	1297
WBD3042-1DWR	1587
WBD3342-1DWR	1658
WBD3642-1DWR	1721
WBD3042-2DWR	1587
WBD3342-2DWR	1658
WBD3642-2DWR	1721
48" High - Three Adj. Shelves	
WBD1548	1129
WBD1848	1207
WBD2148	1285
WBD2448	1362
WBD2748	1437
WBD3048-1DWR	1721
WBD3348-1DWR	1796
WBD3648-1DWR	1864
WBD3048-2DWR	1721
WBD3348-2DWR	1796
WBD3648-2DWR	1864

Cat. No.	Price
54" High - Three Adj. Shelves	
WBD1554	1223
WBD1854	1312
WBD2154	1399
WBD2454	1486
WBD2754	1568
WBD3054-1DWR	1860
WBD3354-1DWR	1945
WBD3654-1DWR	2022
WBD3054-2DWR	1860
WBD3354-2DWR	1945
WBD3654-2DWR	2022
57" High - Three Adj. Shelves	
WBD1557	1276
WBD1857	1368
WBD2157	1461
WBD2457	1554
WBD2757	1642
WBD3057-1DWR	1938
WBD3357-1DWR	2028
WBD3657-1DWR	2107
WBD3057-2DWR	1938
WBD3357-2DWR	2028
WBD3657-2DWR	2107
60" High - Three Adj. Shelves	
WBD1560	1276
WBD1860	1368
WBD2160	1461
WBD2460	1554
WBD2760	1642
WBD3060-1DWR	1938
WBD3360-1DWR	2028
WBD3660-1DWR	2107
WBD3060-2DWR	1938
WBD3360-2DWR	2028
WBD3660-2DWR	2107



62100 - Counter Bookcase



- **Matching Finished Interior and Finished Top are standard.**
- Optional valances may be ordered (for an upcharge) for use on bookcases. See [section #61905](#) for valance options, installation instructions and available widths.
- Specify **IHCB** to increase height up to a **maximum** of 78". Number of shelves will **not** change.

NOTE: The Shelf and Rail modification is recommended to give additional shelf support on units 30" wide or wider. See Modifications [section #71450](#).

NOTE: Not available for Acrylics or Wired Foils.

Cat. No.	Price
42" High - 3 Adj. Shelves	
42CB1512	709
42CB1812	780
42CB2112	850
42CB2412	920
42CB2712	984
42CB3012	1049
42CB3312	1116
42CB3612	1179
42CB1518	798
42CB1818	924
42CB2118	1050
42CB2418	1147
42CB2718	1227
42CB3018	1309
42CB3318	1391
42CB3618	1470
45" High - 3 Adj. Shelves	
45CB1512	752
45CB1812	826
45CB2112	901
45CB2412	975
45CB2712	1045
45CB3012	1111
45CB3312	1183
45CB3612	1248
45CB1518	846
45CB1818	979
45CB2118	1112
45CB2418	1214
45CB2718	1300
45CB3018	1389
45CB3318	1474
45CB3618	1560
48" High - 3 Adj. Shelves	
48CB1512	752
48CB1812	826
48CB2112	901
48CB2412	975
48CB2712	1045
48CB3012	1111
48CB3312	1183
48CB3612	1248
48CB1518	846
48CB1818	979
48CB2118	1112
48CB2418	1214
48CB2718	1300
48CB3018	1389
48CB3318	1474
48CB3618	1560

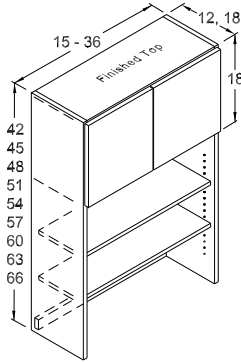
Cat. No.	Price
51" High - 3 Adj. Shelves	
51CB1512	843
51CB1812	926
51CB2112	1008
51CB2412	1091
51CB2712	1171
51CB3012	1244
51CB3312	1325
51CB3612	1398
51CB1518	949
51CB1818	1097
51CB2118	1245
51CB2418	1358
51CB2718	1455
51CB3018	1556
51CB3318	1652
51CB3618	1747
54" High - 4 Adj. Shelves	
54CB1512	843
54CB1812	926
54CB2112	1008
54CB2412	1091
54CB2712	1171
54CB3012	1244
54CB3312	1325
54CB3612	1398
54CB1518	949
54CB1818	1097
54CB2118	1245
54CB2418	1358
54CB2718	1455
54CB3018	1556
54CB3318	1652
54CB3618	1747
57" High - 4 Adj. Shelves	
57CB1512	892
57CB1812	979
57CB2112	1068
57CB2412	1157
57CB2712	1239
57CB3012	1319
57CB3312	1405
57CB3612	1481
57CB1518	1000
57CB1818	1162
57CB2118	1322
57CB2418	1444
57CB2718	1543
57CB3018	1647
57CB3318	1750
57CB3618	1852

Cat. No.	Price
60" High - 4 Adj. Shelves	
60CB1512	892
60CB1812	979
60CB2112	1068
60CB2412	1157
60CB2712	1239
60CB3012	1319
60CB3312	1405
60CB3612	1481
60CB1518	1000
60CB1818	1162
60CB2118	1322
60CB2418	1444
60CB2718	1543
60CB3018	1647
60CB3318	1750
60CB3618	1852
63" High - 4 Adj. Shelves	
63CB1512	945
63CB1812	1039
63CB2112	1131
63CB2412	1227
63CB2712	1314
63CB3012	1398
63CB3312	1488
63CB3612	1571
63CB1518	1062
63CB1818	1231
63CB2118	1403
63CB2418	1530
63CB2718	1635
63CB3018	1745
63CB3318	1857
63CB3618	1964
66" High - 4 Adj. Shelves	
66CB1512	945
66CB1812	1039
66CB2112	1131
66CB2412	1227
66CB2712	1314
66CB3012	1398
66CB3312	1488
66CB3612	1571
66CB1518	1062
66CB1818	1231
66CB2118	1403
66CB2418	1530
66CB2718	1635
66CB3018	1745
66CB3318	1857
66CB3618	1964

Increase Height Counter Bookcase, **IHCB** **Add 20% per cabinet**



62150 - Counter Bookcase Wall Doors



NOTE: The Shelf and Rail modification is recommended to give additional shelf support on units 30" wide or wider. See Modifications section #71450.

NOTE: Not available for Acrylics or Wired Foils.

- Matching Finished Interior and Finished Top are standard.
- Height modifications affect the lower area unless otherwise specified.
- Optional valances may be ordered (for an upcharge) for use on bookcases under the door. See section #61905 for valance options, installation instructions and available widths.
- Specify **IHCB** to increase height up to a **maximum** of 78". Number of shelves will **not** change.

Cat. Code	1	2	3	4	5	6	7	8	9	10	11
42" High - 1 Adjustable Shelf											
42CBWD1512	837	913	936	952	983	1039	1064	1111	1141	1190	1231
42CBWD1812	933	1008	1032	1048	1080	1141	1169	1221	1251	1307	1353
42CBWD2112	1031	1105	1125	1141	1176	1243	1276	1332	1365	1426	1474
42CBWD2412-1	1090	1229	1270	1301	1342	1418	1453	1518	1556	1623	1680
42CBWD2412	1090	1229	1270	1301	1342	1418	1453	1518	1556	1623	1680
42CBWD2712	1182	1322	1362	1396	1440	1522	1559	1628	1669	1742	1803
42CBWD3012	1272	1413	1453	1484	1533	1617	1658	1732	1776	1854	1918
42CBWD3312	1361	1504	1545	1577	1627	1718	1761	1839	1885	1969	2037
42CBWD3612	1452	1596	1638	1671	1724	1820	1865	1949	1997	2085	2158
42CBWD1518	1013	1076	1097	1113	1151	1216	1245	1301	1334	1392	1441
42CBWD1818	1120	1201	1221	1237	1278	1349	1382	1445	1481	1546	1599
42CBWD2118	1230	1325	1344	1360	1404	1482	1521	1586	1627	1698	1757
42CBWD2418-1	1332	1473	1516	1547	1596	1687	1728	1805	1851	1932	1998
42CBWD2418	1332	1473	1516	1547	1596	1687	1728	1805	1851	1932	1998
42CBWD2718	1435	1579	1620	1655	1707	1803	1847	1930	1977	2065	2137
42CBWD3018	1539	1686	1725	1755	1813	1916	1964	2050	2100	2194	2270
42CBWD3318	1641	1791	1830	1860	1920	2028	2078	2172	2225	2323	2404
42CBWD3618	1743	1894	1934	1966	2029	2144	2197	2295	2351	2456	2541
45" High - 2 Adjustable Shelves											
45CBWD1512	894	969	993	1012	1043	1102	1130	1181	1209	1263	1306
45CBWD1812	993	1071	1094	1111	1147	1211	1242	1298	1330	1389	1437
45CBWD2112	1091	1173	1195	1211	1250	1321	1354	1414	1449	1512	1565
45CBWD2412-1	1160	1306	1349	1382	1427	1507	1545	1614	1655	1727	1788
45CBWD2412	1160	1306	1349	1382	1427	1507	1545	1614	1655	1727	1788
45CBWD2712	1255	1406	1448	1482	1530	1615	1656	1728	1771	1851	1915
45CBWD3012	1351	1502	1545	1579	1629	1721	1764	1841	1889	1971	2040
45CBWD3312	1446	1598	1690	1764	1820	1923	1971	2058	2109	2202	2278
45CBWD3612	1543	1697	1739	1773	1829	1934	1981	2069	2120	2214	2291
45CBWD1518	1062	1145	1167	1185	1222	1291	1321	1378	1413	1475	1528
45CBWD1818	1192	1277	1299	1315	1356	1433	1468	1535	1572	1641	1698
45CBWD2118	1321	1407	1430	1446	1491	1577	1615	1687	1728	1805	1866
45CBWD2418-1	1416	1566	1610	1645	1697	1795	1838	1920	1967	2054	2124
45CBWD2418	1416	1566	1610	1645	1697	1795	1838	1920	1967	2054	2124
45CBWD2718	1525	1680	1724	1757	1815	1917	1965	2051	2102	2195	2271
45CBWD3018	1634	1791	1834	1867	1929	2039	2088	2181	2235	2334	2415
45CBWD3318	1743	1901	1953	1994	2056	2165	2218	2317	2375	2478	2565
45CBWD3618	1852	2011	2054	2088	2155	2275	2331	2436	2496	2607	2698
48" High - 2 Adjustable Shelves											
48CBWD1512	894	969	993	1012	1043	1102	1130	1181	1209	1263	1306
48CBWD1812	993	1071	1094	1111	1147	1211	1242	1298	1330	1389	1437
48CBWD2112	1091	1173	1195	1211	1250	1321	1354	1414	1449	1512	1565
48CBWD2412-1	1160	1306	1349	1382	1427	1507	1545	1614	1655	1727	1788
48CBWD2412	1160	1306	1349	1382	1427	1507	1545	1614	1655	1727	1788
48CBWD2712	1255	1406	1448	1482	1530	1615	1656	1728	1771	1851	1915
48CBWD3012	1351	1502	1545	1579	1629	1721	1764	1841	1889	1971	2040
48CBWD3312	1446	1598	1690	1764	1820	1923	1971	2058	2109	2202	2278
48CBWD3612	1543	1697	1739	1773	1829	1934	1981	2069	2120	2214	2291
48CBWD1518	1062	1145	1167	1185	1222	1291	1321	1378	1413	1475	1528
48CBWD1818	1192	1277	1299	1315	1356	1433	1468	1535	1572	1641	1698
48CBWD2118	1321	1407	1430	1446	1491	1577	1615	1687	1728	1805	1866
48CBWD2418-1	1416	1566	1610	1645	1697	1795	1838	1920	1967	2054	2124
48CBWD2418	1416	1566	1610	1645	1697	1795	1838	1920	1967	2054	2124
48CBWD2718	1525	1680	1724	1757	1815	1917	1965	2051	2102	2195	2271
48CBWD3018	1634	1791	1834	1867	1929	2039	2088	2181	2235	2334	2415
48CBWD3318	1743	1901	1945	1978	2042	2158	2211	2309	2366	2471	2557
48CBWD3618	1852	2011	2054	2088	2155	2275	2331	2436	2496	2607	2698

Increase Height Counter Bookcase, **IHCB** Add 20% per cabinet

Counter Bookcase Wall Doors continued on next page



62150 - Counter Bookcase Wall Drawers (continued)

Cat. Code	1	2	3	4	5	6	7	8	9	10	11
51" High - 2 Adjustable Shelves											
51CBWD1512	992	1071	1089	1102	1138	1203	1232	1288	1320	1377	1426
51CBWD1812	1076	1157	1175	1190	1229	1299	1332	1390	1425	1487	1539
51CBWD2112	1162	1241	1263	1279	1319	1393	1428	1490	1529	1596	1652
51CBWD2412-1	1214	1355	1396	1428	1473	1557	1595	1666	1707	1783	1844
51CBWD2412	1214	1355	1396	1428	1473	1557	1595	1666	1707	1783	1844
51CBWD2712	1315	1455	1496	1528	1577	1665	1706	1782	1825	1907	1972
51CBWD3012	1412	1556	1595	1627	1678	1774	1818	1899	1946	2032	2102
51CBWD3312	1511	1656	1694	1725	1781	1880	1928	2012	2063	2154	2229
51CBWD3612	1603	1752	1795	1826	1883	1991	2041	2131	2183	2281	2359
51CBWD1518	1171	1250	1270	1284	1323	1398	1433	1496	1535	1601	1657
51CBWD1818	1281	1362	1381	1397	1441	1523	1560	1629	1670	1743	1804
51CBWD2118	1393	1474	1494	1511	1559	1648	1689	1763	1806	1886	1952
51CBWD2418-1	1470	1615	1656	1687	1741	1839	1885	1969	2019	2106	2180
51CBWD2418	1470	1615	1656	1687	1741	1839	1885	1969	2019	2106	2180
51CBWD2718	1584	1727	1768	1801	1858	1963	2011	2100	2153	2247	2326
51CBWD3018	1693	1839	1879	1913	1972	2084	2135	2230	2286	2385	2469
51CBWD3318	1805	1952	1991	2023	2088	2207	2261	2361	2420	2527	2614
51CBWD3618	1913	2063	2103	2135	2203	2329	2386	2492	2554	2667	2760
54" High - 2 Adjustable Shelves											
54CBWD1512	992	1071	1089	1102	1138	1203	1232	1288	1320	1377	1426
54CBWD1812	1076	1157	1175	1190	1229	1299	1332	1390	1425	1487	1539
54CBWD2112	1162	1241	1263	1279	1319	1393	1428	1490	1529	1596	1652
54CBWD2412-1	1214	1355	1396	1428	1473	1557	1595	1666	1707	1783	1844
54CBWD2412	1214	1355	1396	1428	1473	1557	1595	1666	1707	1783	1844
54CBWD2712	1315	1455	1496	1528	1577	1665	1706	1782	1825	1907	1972
54CBWD3012	1412	1556	1595	1627	1678	1774	1818	1899	1946	2032	2102
54CBWD3312	1511	1656	1694	1725	1781	1880	1928	2012	2063	2154	2229
54CBWD3612	1603	1752	1795	1826	1883	1991	2041	2131	2183	2281	2359
54CBWD1518	1171	1250	1270	1284	1323	1398	1433	1496	1535	1601	1657
54CBWD1818	1253	1396	1403	1406	1446	1521	1556	1617	1658	1732	1792
54CBWD2118	1393	1474	1494	1511	1559	1648	1689	1763	1806	1886	1952
54CBWD2418-1	1470	1615	1656	1687	1741	1839	1885	1969	2019	2106	2180
54CBWD2418	1470	1615	1656	1687	1741	1839	1885	1969	2019	2106	2180
54CBWD2718	1584	1727	1768	1801	1858	1963	2011	2100	2153	2247	2326
54CBWD3018	1693	1839	1879	1913	1972	2084	2135	2230	2286	2385	2469
54CBWD3318	1805	1952	1991	2023	2088	2207	2261	2361	2420	2527	2614
54CBWD3618	1913	2063	2103	2135	2203	2329	2386	2492	2554	2667	2760
57" High - 3 Adjustable Shelves											
57CBWD1512	1062	1148	1168	1185	1222	1292	1323	1381	1417	1480	1531
57CBWD1812	1155	1239	1263	1279	1319	1393	1428	1490	1529	1596	1652
57CBWD2112	1249	1333	1355	1371	1416	1496	1535	1601	1642	1714	1774
57CBWD2412-1	1306	1455	1500	1536	1584	1673	1714	1791	1836	1917	1983
57CBWD2412	1306	1455	1500	1536	1584	1673	1714	1791	1836	1917	1983
57CBWD2712	1412	1564	1606	1641	1693	1790	1834	1916	1964	2050	2120
57CBWD3012	1516	1669	1712	1747	1803	1904	1952	2040	2089	2182	2257
57CBWD3312	1659	1776	1819	1854	1914	2022	2071	2165	2218	2317	2398
57CBWD3612	1725	1880	1925	1959	2022	2135	2189	2286	2342	2446	2531
57CBWD1518	1257	1343	1365	1381	1426	1507	1545	1614	1655	1727	1788
57CBWD1818	1376	1465	1486	1502	1550	1638	1679	1753	1798	1876	1942
57CBWD2118	1496	1585	1606	1622	1675	1769	1813	1894	1941	2027	2097
57CBWD2418-1	1580	1732	1777	1811	1869	1974	2025	2113	2166	2261	2341
57CBWD2418	1580	1732	1777	1811	1869	1974	2025	2113	2166	2261	2341
57CBWD2718	1699	1855	1900	1934	1994	2106	2160	2254	2312	2414	2497
57CBWD3018	1817	1974	2020	2053	2118	2237	2293	2396	2454	2564	2651
57CBWD3318	1937	2097	2141	2175	2244	2369	2429	2536	2599	2714	2809
57CBWD3618	2053	2216	2259	2294	2366	2499	2562	2677	2742	2863	2963

Increase Height Counter Bookcase, **IHC** **Add 20% per cabinet**

Counter Bookcase Wall Doors continued on next page



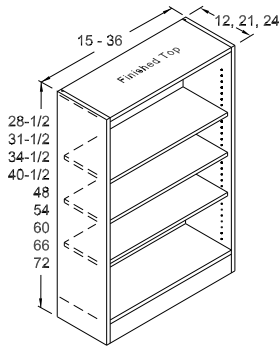
62150 - Counter Bookcase Wall Drawers (continued)

Cat. Code	1	2	3	4	5	6	7	8	9	10	11
60" High - 3 Adjustable Shelves											
60CBWD1512	1062	1148	1168	1185	1222	1292	1323	1381	1417	1480	1531
60CBWD1812	1155	1239	1263	1279	1319	1393	1428	1490	1529	1596	1652
60CBWD2112	1249	1333	1355	1371	1416	1496	1535	1601	1642	1714	1774
60CBWD2412-1	1306	1455	1500	1536	1584	1673	1714	1791	1836	1917	1983
60CBWD2412	1306	1455	1500	1536	1584	1673	1714	1791	1836	1917	1983
60CBWD2712	1412	1564	1606	1641	1693	1790	1834	1916	1964	2050	2120
60CBWD3012	1516	1669	1712	1747	1803	1904	1952	2040	2089	2182	2257
60CBWD3312	1659	1776	1819	1854	1914	2022	2071	2165	2218	2317	2398
60CBWD3612	1725	1880	1925	1959	2022	2135	2189	2286	2342	2446	2531
60CBWD1518	1257	1343	1365	1381	1426	1507	1545	1614	1655	1727	1788
60CBWD1818	1376	1465	1486	1502	1550	1638	1679	1753	1798	1876	1942
60CBWD2118	1496	1585	1606	1622	1675	1769	1813	1894	1941	2027	2097
60CBWD2418-1	1580	1732	1777	1811	1869	1974	2025	2113	2166	2261	2341
60CBWD2418	1580	1732	1777	1811	1869	1974	2025	2113	2166	2261	2341
60CBWD2718	1699	1855	1900	1934	1994	2106	2160	2254	2312	2414	2497
60CBWD3018	1817	1974	2020	2053	2118	2237	2293	2396	2454	2564	2651
60CBWD3318	1937	2097	2141	2175	2244	2369	2429	2536	2599	2714	2809
60CBWD3618	2053	2216	2259	2294	2366	2499	2562	2677	2742	2863	2963
63" High - 3 Adjustable Shelves											
63CBWD1512	1125	1217	1239	1256	1297	1368	1403	1465	1501	1567	1621
63CBWD1812	1225	1315	1337	1355	1398	1477	1516	1581	1621	1693	1750
63CBWD2112	1325	1413	1437	1454	1501	1586	1627	1698	1741	1818	1880
63CBWD2412-1	1384	1544	1591	1627	1678	1773	1817	1897	1945	2030	2100
63CBWD2412	1384	1544	1591	1627	1678	1773	1817	1897	1945	2030	2100
63CBWD2712	1497	1658	1704	1740	1796	1897	1945	2030	2081	2174	2247
63CBWD3012	1606	1768	1816	1853	1913	2020	2069	2162	2216	2314	2394
63CBWD3312	1760	1881	1929	1966	2029	2144	2197	2295	2351	2456	2541
63CBWD3612	1829	1993	2041	2078	2144	2264	2321	2424	2483	2593	2683
63CBWD1518	1334	1427	1448	1465	1512	1599	1640	1712	1754	1833	1896
63CBWD1818	1460	1554	1577	1593	1645	1736	1781	1859	1907	1990	2060
63CBWD2118	1585	1680	1704	1721	1777	1875	1922	2007	2058	2149	2224
63CBWD2418-1	1676	1837	1882	1921	1983	2095	2146	2240	2296	2399	2481
63CBWD2418	1676	1837	1882	1921	1983	2095	2146	2240	2296	2399	2481
63CBWD2718	1803	1967	2014	2050	2116	2233	2289	2392	2450	2560	2648
63CBWD3018	1925	2095	2140	2176	2245	2371	2432	2538	2601	2716	2811
63CBWD3318	2053	2222	2270	2306	2378	2511	2574	2688	2755	2877	2977
63CBWD3618	2176	2349	2397	2433	2509	2650	2716	2837	2908	3036	3141
66" High - 3 Adjustable Shelves											
66CBWD1512	1125	1217	1239	1256	1297	1368	1403	1465	1501	1567	1621
66CBWD1812	1225	1315	1337	1355	1398	1477	1516	1581	1621	1693	1750
66CBWD2112	1325	1413	1437	1454	1501	1586	1627	1698	1741	1818	1880
66CBWD2412-1	1384	1544	1591	1627	1678	1773	1817	1897	1945	2030	2100
66CBWD2412	1384	1544	1591	1627	1678	1773	1817	1897	1945	2030	2100
66CBWD2712	1497	1658	1704	1740	1796	1897	1945	2030	2081	2174	2247
66CBWD3012	1606	1768	1816	1853	1913	2020	2069	2162	2216	2314	2394
66CBWD3312	1760	1881	1929	1966	2029	2144	2197	2295	2351	2456	2541
66CBWD3612	1829	1993	2041	2078	2144	2264	2321	2424	2483	2593	2683
66CBWD1518	1334	1427	1448	1465	1512	1599	1640	1712	1754	1833	1896
66CBWD1818	1460	1554	1577	1593	1645	1736	1781	1859	1907	1990	2060
66CBWD2118	1585	1680	1704	1721	1777	1875	1922	2007	2058	2149	2224
66CBWD2418-1	1676	1837	1882	1921	1983	2095	2146	2240	2296	2399	2481
66CBWD2418	1676	1837	1882	1921	1983	2095	2146	2240	2296	2399	2481
66CBWD2718	1803	1967	2014	2050	2116	2233	2289	2392	2450	2560	2648
66CBWD3018	1925	2095	2140	2176	2245	2371	2432	2538	2601	2716	2811
66CBWD3318	2053	2222	2270	2306	2378	2511	2574	2688	2755	2877	2977
66CBWD3618	2176	2349	2397	2433	2509	2650	2716	2837	2908	3036	3141

Increase Height Counter Bookcase, **IHC** **Add 20% per cabinet**



62200 - Base Bookcase



- **Matching Finished Interior, Finished Top and Flush Toe are standard.** For a Recessed Toe Space Front, specify **RTSFNC** for No Charge.
- Optional valances may be ordered (for an upcharge) for use on bookcases. See [section #61905](#) for valance options, installation instructions and available widths.

NOTE: The Shelf and Rail modification is recommended to give additional shelf support on units 30" wide or wider. See Modifications [section #71450](#).

NOTE: The top of 28-1/2", 31-1/2" or 34-1/2" BB does not line up with the fixed shelf location of the "Tall" Bookcase cabinets.

NOTE: Not available for Acrylics or Wired Foils.

Cat. No.	Price
28-1/2" High 1 Adj. Shelf	
28BB1512	614
28BB1812	656
28BB2112	696
28BB2412	739
28BB2712	788
28BB3012	836
28BB3312	891
28BB3612	948
28BB1521	852
28BB1821	910
28BB2121	968
28BB2421	1032
28BB2721	1095
28BB3021	1165
28BB3321	1239
28BB3621	1319
28BB1524	930
28BB1824	990
28BB2124	1052
28BB2424	1119
28BB2724	1189
28BB3024	1267
28BB3324	1344
28BB3624	1433
31-1/2" High 1 Adj. Shelf	
31BB1512	614
31BB1812	656
31BB2112	696
31BB2412	739
31BB2712	788
31BB3012	836
31BB3312	891
31BB3612	948
31BB1521	852
31BB1821	910
31BB2121	968
31BB2421	1032
31BB2721	1095
31BB3021	1165
31BB3321	1239
31BB3621	1319
31BB1524	930
31BB1824	990
31BB2124	1052
31BB2424	1119
31BB2724	1189
31BB3024	1267
31BB3324	1344
31BB3624	1433

Cat. No.	Price
34-1/2" High 2 Adj. Shelves	
34BB1512	725
34BB1812	776
34BB2112	826
34BB2412	875
34BB2712	933
34BB3012	992
34BB3312	1056
34BB3612	1123
34BB1521	1013
34BB1821	1080
34BB2121	1148
34BB2421	1222
34BB2721	1300
34BB3021	1382
34BB3321	1469
34BB3621	1564
34BB1524	1098
34BB1824	1173
34BB2124	1246
34BB2424	1328
34BB2724	1412
34BB3024	1501
34BB3324	1598
34BB3624	1699
40-1/2" High 2 Adj. Shelves	
40BB1512	776
40BB1812	828
40BB2112	878
40BB2412	934
40BB2712	993
40BB3012	1057
40BB3312	1124
40BB3612	1197
40BB1521	1082
40BB1821	1153
40BB2121	1223
40BB2421	1301
40BB2721	1384
40BB3021	1472
40BB3321	1565
40BB3621	1666
40BB1524	1173
40BB1824	1250
40BB2124	1329
40BB2424	1416
40BB2724	1504
40BB3024	1599
40BB3324	1703
40BB3624	1811

Cat. No.	Price
48" High 3 Adj. Shelves	
48BB1512	921
48BB1812	980
48BB2112	1041
48BB2412	1108
48BB2712	1179
48BB3012	1251
48BB3312	1334
48BB3612	1417
48BB1521	1273
48BB1821	1361
48BB2121	1451
48BB2421	1542
48BB2721	1641
48BB3021	1745
48BB3321	1855
48BB3621	1974
48BB1524	1388
48BB1824	1481
48BB2124	1575
48BB2424	1677
48BB2724	1784
48BB3024	1896
48BB3324	2019
48BB3624	2147
54" High 3 Adj. Shelves	
54BB1512	965
54BB1812	1032
54BB2112	1096
54BB2412	1167
54BB2712	1242
54BB3012	1320
54BB3312	1404
54BB3612	1491
54BB1521	1344
54BB1821	1435
54BB2121	1526
54BB2421	1623
54BB2721	1728
54BB3021	1838
54BB3321	1956
54BB3621	2081
54BB1524	1465
54BB1824	1563
54BB2124	1661
54BB2424	1768
54BB2724	1878
54BB3024	1998
54BB3324	2124
54BB3624	2261

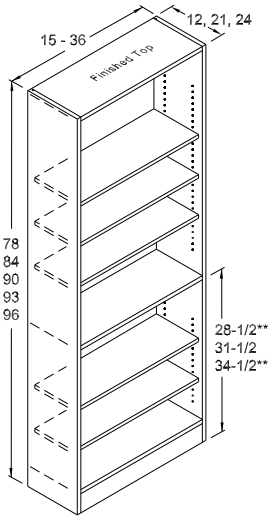
Cat. No.	Price
60" High 4 Adj. Shelves	
60BB1512	1089
60BB1812	1164
60BB2112	1237
60BB2412	1316
60BB2712	1399
60BB3012	1489
60BB3312	1584
60BB3612	1686
60BB1521	1516
60BB1821	1619
60BB2121	1724
60BB2421	1833
60BB2721	1950
60BB3021	2072
60BB3321	2205
60BB3621	2345
60BB1524	1648
60BB1824	1760
60BB2124	1873
60BB2424	1992
60BB2724	2120
60BB3024	2252
60BB3324	2397
60BB3624	2551
66" High 4 Adj. Shelves	
66BB1512	1136
66BB1812	1211
66BB2112	1288
66BB2412	1371
66BB2712	1456
66BB3012	1550
66BB3312	1651
66BB3612	1754
66BB1521	1584
66BB1821	1690
66BB2121	1796
66BB2421	1911
66BB2721	2033
66BB3021	2163
66BB3321	2302
66BB3621	2445
66BB1524	1722
66BB1824	1837
66BB2124	1951
66BB2424	2077
66BB2724	2210
66BB3024	2350
66BB3324	2498
66BB3624	2659

Cat. No.	Price
72" High 4 Adj. Shelves	
72BB1512	1258
72BB1812	1342
72BB2112	1427
72BB2412	1517
72BB2712	1614
72BB3012	1717
72BB3312	1827
72BB3612	1945
72BB1521	1739
72BB1821	1871
72BB2121	1990
72BB2421	2117
72BB2721	2252
72BB3021	2396
72BB3321	2548
72BB3621	2712
72BB1524	1902
72BB1824	2033
72BB2124	2163
72BB2424	2302
72BB2724	2449
72BB3024	2604
72BB3324	2771
72BB3624	2947

Recessed Toe Space Front No Charge, **RTSFNC** **N/C**



62250 - Bookcase



- **Matching Finished Interior, Finished Top and Flush Toe are standard.** For a Recessed Toe Space Front, specify **RTSFNC** for No Charge.
- Height modifications affect the upper area unless otherwise specified.
- Optional valances may be ordered (for an upcharge) for use on bookcases. See [section #61905](#) for valance options, installation instructions and available widths.

NOTE: The Shelf and Rail modification is recommended to give additional shelf support on units 30" wide or wider. See Modifications [section #71450](#).

****** Fixed shelf can be moved to line up with 28-1/2" high desk cabinets or 34-1/2" high base cabinets, for No Charge. Specify **FIX28** for 28-1/2" high fixed shelf or **FIX34** for 34-1/2" high fixed shelf.

NOTE: Not available for Acrylics or Wired Foils.

Cat. No.	Price
78" High - 4 Adj. Shelves	
78B1512	1337
78B1812	1455
78B2112	1574
78B2412	1694
78B2712	1813
78B3012	1934
78B3312	2054
78B3612	2173
78B1521	1816
78B1821	1978
78B2121	2142
78B2421	2303
78B2721	2467
78B3021	2635
78B3321	2798
78B3621	2964
78B1524	1976
78B1824	2154
78B2124	2330
78B2424	2504
78B2724	2683
78B3024	2861
78B3324	3041
78B3624	3218

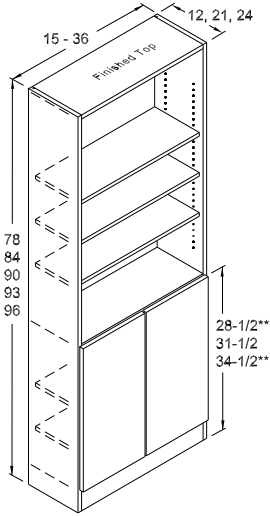
Cat. No.	Price
84" High - 4 Adj. Shelves	
84B1512	1337
84B1812	1455
84B2112	1574
84B2412	1694
84B2712	1813
84B3012	1934
84B3312	2054
84B3612	2173
84B1521	1816
84B1821	1978
84B2121	2142
84B2421	2303
84B2721	2467
84B3021	2635
84B3321	2798
84B3621	2964
84B1524	1976
84B1824	2154
84B2124	2330
84B2424	2504
84B2724	2683
84B3024	2861
84B3324	3041
84B3624	3218
90" High - 5 Adj. Shelves	
90B1512	1446
90B1812	1565
90B2112	1685
90B2412	1803
90B2712	1938
90B3012	2071
90B3312	2205
90B3612	2340
90B1521	1974
90B1821	2145
90B2121	2314
90B2421	2485
90B2721	2655
90B3021	2827
90B3321	2996
90B3621	3167
90B1524	2155
90B1824	2340
90B2124	2525
90B2424	2706
90B2724	2889
90B3024	3073
90B3324	3257
90B3624	3441

Cat. No.	Price
93" High - 5 Adj. Shelves	
93B1512	1446
93B1812	1565
93B2112	1685
93B2412	1803
93B2712	1938
93B3012	2071
93B3312	2205
93B3612	2340
93B1521	1974
93B1821	2145
93B2121	2314
93B2421	2485
93B2721	2655
93B3021	2827
93B3321	2996
93B3621	3167
93B1524	2155
93B1824	2340
93B2124	2525
93B2424	2706
93B2724	2889
93B3024	3073
93B3324	3257
93B3624	3441
96" High - 5 Adj. Shelves	
96B1512	1446
96B1812	1565
96B2112	1685
96B2412	1803
96B2712	1938
96B3012	2071
96B3312	2205
96B3612	2340
96B1521	1974
96B1821	2145
96B2121	2314
96B2421	2485
96B2721	2655
96B3021	2827
96B3321	2996
96B3621	3167
96B1524	2155
96B1824	2340
96B2124	2525
96B2424	2706
96B2724	2889
96B3024	3073
96B3324	3257
96B3624	3441

Recessed Toe Space Front No Charge, **RTSFNC** **N/C**



62300 - Bookcase Vanity Door



NOTE: The Shelf and Rail modification is recommended to give additional shelf support on units 30" wide or wider. See Modifications [section #71450](#).

****** Fixed shelf can be moved to line up with 28-1/2" high desk cabinets or 34-1/2" high base cabinets, for No Charge. Specify **FIX28** for 28-1/2" high fixed shelf or **FIX34** for 34-1/2" high fixed shelf.

NOTE: Not available for Acrylics or Wired Foils.

- **Matching Finished Interior, Finished Top and Flush Toe are standard.** For a Recessed Toe Space Front, specify **RTSFNC** for No Charge.
- Height modifications affect the upper area unless otherwise specified.
- Optional valances may be ordered (for an upcharge) for use on bookcases. See [section #61905](#) for valance options, installation instructions and available widths.

Cat. Code	1	2	3	4	5	6	7	8	9	10	11
78" High - 4 Adjustable Shelves											
78BVD1512	1594	1686	1706	1722	1760	1826	1872	1955	2004	2091	2165
78BVD1812	1742	1834	1855	1872	1913	1985	2034	2124	2177	2274	2352
78BVD2112	1890	1983	2005	2022	2064	2144	2197	2295	2351	2456	2541
78BVD2412-1	2002	2162	2205	2238	2287	2373	2433	2539	2602	2718	2812
78BVD2412	2002	2162	2205	2238	2287	2373	2433	2539	2602	2718	2812
78BVD2712	2165	2328	2371	2406	2457	2552	2614	2730	2798	2922	3023
78BVD3012	2330	2496	2539	2573	2628	2728	2796	2919	2992	3124	3232
78BVD3312	2494	2663	2706	2741	2799	2907	2979	3111	3188	3330	3444
78BVD3612	2660	2830	2872	2907	2967	3083	3159	3297	3378	3528	3652
78BVD1521	2113	2210	2232	2249	2296	2383	2442	2552	2614	2730	2825
78BVD1821	2292	2392	2414	2432	2482	2576	2641	2756	2825	2950	3052
78BVD2121	2470	2573	2595	2611	2667	2770	2838	2964	3037	3171	3282
78BVD2421-1	2613	2785	2827	2861	2922	3034	3108	3246	3328	3475	3595
78BVD2421	2613	2785	2827	2861	2922	3034	3108	3246	3328	3475	3595
78BVD2721	2831	3001	3047	3079	3146	3264	3345	3493	3580	3738	3868
78BVD3021	3043	3219	3261	3296	3366	3495	3581	3740	3833	4002	4140
78BVD3321	3259	3440	3482	3516	3590	3727	3819	3988	4086	4267	4416
78BVD3621	3475	3657	3701	3734	3814	3960	4058	4237	4342	4534	4692
78BVD1524	2284	2377	2401	2419	2470	2565	2628	2743	2812	2938	3040
78BVD1824	2474	2575	2599	2614	2670	2772	2841	2966	3040	3174	3285
78BVD2124	2665	2774	2796	2812	2870	2980	3055	3190	3267	3413	3532
78BVD2424-1	2823	2996	3040	3073	3139	3258	3338	3486	3574	3731	3861
78BVD2424	2823	2996	3040	3073	3139	3258	3338	3486	3574	3731	3861
78BVD2724	3052	3230	3274	3308	3377	3505	3593	3751	3845	4014	4155
78BVD3024	3281	3460	3502	3537	3611	3748	3841	4010	4111	4293	4442
78BVD3324	3509	3694	3737	3770	3852	3999	4098	4280	4384	4580	4737
78BVD3624	3740	3926	3969	4003	4088	4245	4349	4542	4654	4861	5029
84" High - 4 Adjustable Shelves											
84BVD1512	1594	1686	1706	1722	1760	1826	1872	1955	2004	2091	2165
84BVD1812	1742	1834	1855	1872	1913	1985	2034	2124	2177	2274	2352
84BVD2112	1890	1983	2005	2022	2064	2144	2197	2295	2351	2456	2541
84BVD2412-1	2002	2162	2205	2238	2287	2373	2433	2539	2602	2718	2812
84BVD2412	2002	2162	2205	2238	2287	2373	2433	2539	2602	2718	2812
84BVD2712	2165	2328	2371	2406	2457	2552	2614	2730	2798	2922	3023
84BVD3012	2330	2496	2539	2573	2628	2728	2796	2919	2992	3124	3232
84BVD3312	2494	2663	2706	2741	2799	2907	2979	3111	3188	3330	3444
84BVD3612	2660	2830	2872	2907	2967	3083	3159	3297	3378	3528	3652
84BVD1521	2113	2210	2232	2249	2296	2383	2442	2552	2614	2730	2825
84BVD1821	2292	2392	2414	2432	2482	2576	2641	2756	2825	2950	3052
84BVD2121	2470	2573	2595	2611	2667	2770	2838	2964	3037	3171	3282
84BVD2421-1	2613	2785	2827	2861	2922	3034	3108	3246	3328	3475	3595
84BVD2421	2613	2785	2827	2861	2922	3034	3108	3246	3328	3475	3595
84BVD2721	2831	3001	3047	3079	3146	3264	3345	3493	3580	3738	3868
84BVD3021	3043	3219	3261	3296	3366	3495	3581	3740	3833	4002	4140
84BVD3321	3259	3440	3482	3516	3590	3727	3819	3988	4086	4267	4416
84BVD3621	3475	3657	3701	3734	3814	3960	4058	4237	4342	4534	4692
84BVD1524	2284	2377	2401	2419	2470	2565	2628	2743	2812	2938	3040
84BVD1824	2474	2575	2599	2614	2670	2772	2841	2966	3040	3174	3285
84BVD2124	2665	2774	2796	2812	2870	2980	3055	3190	3267	3413	3532
84BVD2424-1	2823	2996	3040	3073	3139	3258	3338	3486	3574	3731	3861
84BVD2424	2823	2996	3040	3073	3139	3258	3338	3486	3574	3731	3861
84BVD2724	3052	3230	3274	3308	3377	3505	3593	3751	3845	4014	4155
84BVD3024	3281	3460	3502	3537	3611	3748	3841	4010	4111	4293	4442
84BVD3324	3509	3694	3737	3770	3852	3999	4098	4280	4384	4580	4737
84BVD3624	3740	3926	3969	4003	4088	4245	4349	4542	4654	4861	5029

Recessed Toe Space Front No Charge, **RTSFNC** **N/C**

Bookcase Vanity Door continued on next page



62300 - Bookcase Vanity Door (continued)

Cat. Code	1	2	3	4	5	6	7	8	9	10	11
90" High - 5 Adjustable Shelves											
90BVD1512	1833	1935	1959	1979	2023	2099	2152	2246	2302	2404	2488
90BVD1812	2002	2106	2132	2153	2198	2282	2338	2442	2502	2613	2704
90BVD2112	2172	2280	2306	2326	2375	2464	2526	2637	2702	2824	2921
90BVD2412-1	2300	2483	2534	2573	2628	2728	2796	2919	2992	3124	3232
90BVD2412	2300	2483	2534	2573	2628	2728	2796	2919	2992	3124	3232
90BVD2712	2488	2677	2723	2762	2823	2930	3002	3134	3213	3355	3470
90BVD3012	2678	2866	2918	2958	3021	3134	3213	3355	3439	3590	3714
90BVD3312	2866	3061	3108	3148	3215	3337	3421	3572	3659	3821	3953
90BVD3612	3055	3252	3302	3341	3412	3541	3629	3790	3882	4056	4196
90BVD1521	2425	2538	2564	2582	2637	2736	2805	2929	3001	3133	3243
90BVD1821	2632	2748	2772	2791	2849	2959	3033	3167	3244	3388	3506
90BVD2121	2841	2958	2981	3000	3065	3182	3259	3405	3488	3643	3769
90BVD2421-1	3010	3201	3247	3286	3356	3484	3572	3729	3821	3990	4129
90BVD2421	3010	3201	3247	3286	3356	3484	3572	3729	3821	3990	4129
90BVD2721	3251	3451	3500	3540	3615	3752	3846	4016	4115	4298	4448
90BVD3021	3495	3700	3749	3790	3870	4017	4116	4300	4405	4601	4758
90BVD3321	3744	3953	4002	4042	4126	4284	4389	4585	4699	4906	5075
90BVD3621	3992	4203	4252	4291	4381	4549	4661	4868	4989	5211	5389
90BVD1524	2622	2737	2761	2781	2841	2950	3023	3157	3234	3377	3495
90BVD1824	2844	2960	2985	3005	3070	3188	3265	3411	3495	3650	3777
90BVD2124	3064	3183	3209	3230	3299	3425	3507	3665	3755	3920	4057
90BVD2424-1	3245	3446	3495	3534	3609	3745	3839	4008	4107	4289	4437
90BVD2424	3245	3446	3495	3534	3609	3745	3839	4008	4107	4289	4437
90BVD2724	3506	3710	3761	3800	3880	4029	4128	4311	4419	4615	4773
90BVD3024	3768	3975	4025	4064	4149	4308	4415	4610	4723	4934	5105
90BVD3324	4032	4246	4294	4331	4423	4591	4704	4914	5035	5257	5441
90BVD3624	4296	4511	4563	4603	4700	4879	5000	5221	5350	5586	5779
93" High - 5 Adjustable Shelves											
93BVD1512	1833	1935	1959	1979	2023	2099	2152	2246	2302	2404	2488
93BVD1812	2002	2106	2132	2153	2198	2282	2338	2442	2502	2613	2704
93BVD2112	2172	2280	2306	2326	2375	2464	2526	2637	2702	2824	2921
93BVD2412-1	2300	2483	2534	2573	2628	2728	2796	2919	2992	3124	3232
93BVD2412	2300	2483	2534	2573	2628	2728	2796	2919	2992	3124	3232
93BVD2712	2488	2677	2723	2762	2823	2930	3002	3134	3213	3355	3470
93BVD3012	2678	2866	2918	2958	3021	3134	3213	3355	3439	3590	3714
93BVD3312	2866	3061	3108	3148	3215	3337	3421	3572	3659	3821	3953
93BVD3612	3055	3252	3302	3341	3412	3541	3629	3790	3882	4056	4196
93BVD1521	2425	2538	2564	2582	2637	2736	2805	2929	3001	3133	3243
93BVD1821	2632	2748	2772	2791	2849	2959	3033	3167	3244	3388	3506
93BVD2121	2841	2958	2981	3000	3065	3182	3259	3405	3488	3643	3769
93BVD2421-1	3010	3201	3247	3286	3356	3484	3572	3729	3821	3990	4129
93BVD2421	3010	3201	3247	3286	3356	3484	3572	3729	3821	3990	4129
93BVD2721	3251	3451	3500	3540	3615	3752	3846	4016	4115	4298	4448
93BVD3021	3495	3700	3749	3790	3870	4017	4116	4300	4405	4601	4758
93BVD3321	3744	3953	4002	4042	4126	4284	4389	4585	4699	4906	5075
93BVD3621	3992	4203	4252	4291	4381	4549	4661	4868	4989	5211	5389
93BVD1524	2622	2737	2761	2781	2841	2950	3023	3157	3234	3377	3495
93BVD1824	2844	2960	2985	3005	3070	3188	3265	3411	3495	3650	3777
93BVD2124	3064	3183	3209	3230	3299	3425	3507	3665	3755	3920	4057
93BVD2424-1	3245	3446	3495	3534	3609	3745	3839	4008	4107	4289	4437
93BVD2424	3245	3446	3495	3534	3609	3745	3839	4008	4107	4289	4437
93BVD2724	3506	3710	3761	3800	3880	4029	4128	4311	4419	4615	4773
93BVD3024	3768	3975	4025	4064	4149	4308	4415	4610	4723	4934	5105
93BVD3324	4032	4246	4294	4331	4423	4591	4704	4914	5035	5257	5441
93BVD3624	4296	4511	4563	4603	4700	4879	5000	5221	5350	5586	5779

Recessed Toe Space Front No Charge, **RTSFNC** **N/C**

Bookcase Vanity Door continued on next page



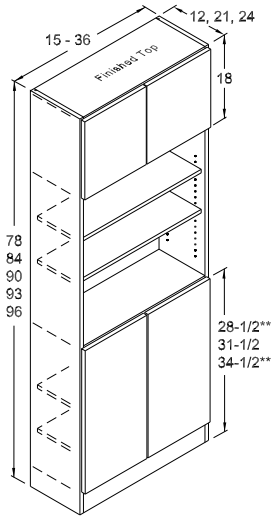
62300 - Bookcase Vanity Door (continued)

Cat. Code	1	2	3	4	5	6	7	8	9	10	11
96" High - 5 Adjustable Shelves											
96BVD1512	1833	1935	1959	1979	2023	2099	2152	2246	2302	2404	2488
96BVD1812	2002	2106	2132	2153	2198	2282	2338	2442	2502	2613	2704
96BVD2112	2172	2280	2306	2326	2375	2464	2526	2637	2702	2824	2921
96BVD2412-1	2300	2483	2534	2573	2628	2728	2796	2919	2992	3124	3232
96BVD2412	2300	2483	2534	2573	2628	2728	2796	2919	2992	3124	3232
96BVD2712	2488	2677	2723	2762	2823	2930	3002	3134	3213	3355	3470
96BVD3012	2678	2866	2918	2958	3021	3134	3213	3355	3439	3590	3714
96BVD3312	2866	3061	3108	3148	3215	3337	3421	3572	3659	3821	3953
96BVD3612	3055	3252	3302	3341	3412	3541	3629	3790	3882	4056	4196
96BVD1521	2425	2538	2564	2582	2637	2736	2805	2929	3001	3133	3243
96BVD1821	2632	2748	2772	2791	2849	2959	3033	3167	3244	3388	3506
96BVD2121	2841	2958	2981	3000	3065	3182	3259	3405	3488	3643	3769
96BVD2421-1	3010	3201	3247	3286	3356	3484	3572	3729	3821	3990	4129
96BVD2421	3010	3201	3247	3286	3356	3484	3572	3729	3821	3990	4129
96BVD2721	3251	3451	3500	3540	3615	3752	3846	4016	4115	4298	4448
96BVD3021	3495	3700	3749	3790	3870	4017	4116	4300	4405	4601	4758
96BVD3321	3744	3953	4002	4042	4126	4284	4389	4585	4699	4906	5075
96BVD3621	3992	4203	4252	4291	4381	4549	4661	4868	4989	5211	5389
96BVD1524	2622	2737	2761	2781	2841	2950	3023	3157	3234	3377	3495
96BVD1824	2844	2960	2985	3005	3070	3188	3265	3411	3495	3650	3777
96BVD2124	3064	3183	3209	3230	3299	3425	3507	3665	3755	3920	4057
96BVD2424-1	3245	3446	3495	3534	3609	3745	3839	4008	4107	4289	4437
96BVD2424	3245	3446	3495	3534	3609	3745	3839	4008	4107	4289	4437
96BVD2724	3506	3710	3761	3800	3880	4029	4128	4311	4419	4615	4773
96BVD3024	3768	3975	4025	4064	4149	4308	4415	4610	4723	4934	5105
96BVD3324	4032	4246	4294	4331	4423	4591	4704	4914	5035	5257	5441
96BVD3624	4296	4511	4563	4603	4700	4879	5000	5221	5350	5586	5779

Recessed Toe Space Front No Charge, **RTSFNC** **N/C**



62350 - Bookcase Wall/Vanity Door



- **Matching Finished Interior, Finished Top and Flush Toe are standard.** For a Recessed Toe Space Front, specify **RTSFNC** for No Charge.
- Height modifications affect the middle area unless otherwise specified.
- Optional valances may be ordered (for an upcharge) for use on bookcases. See [section #61905](#) for valance options, installation instructions and available widths.

NOTE: The Shelf and Rail modification is recommended to give additional shelf support on units 30" wide or wider. See Modifications [section #71450](#).

****** Fixed shelf can be moved to line up with 28-1/2" high desk cabinets or 34-1/2" high base cabinets, for No Charge. Specify **FIX28** for 28-1/2" high fixed shelf or **FIX34** for 34-1/2" high fixed shelf.

NOTE: Not available for Acrylics or Wired Foils.

Cat. Code	1	2	3	4	5	6	7	8	9	10	11
78" High - 4 Adjustable Shelves											
78BWVD1512	1754	1843	1874	1899	1938	2012	2063	2154	2208	2306	2384
78BWVD1812	1902	1995	2030	2058	2102	2182	2236	2336	2394	2498	2586
78BWVD2112	2049	2152	2188	2216	2264	2349	2407	2513	2576	2692	2785
78BWVD2412-1	2162	2271	2309	2340	2389	2480	2543	2655	2720	2841	2939
78BWVD2412	2323	2439	2478	2511	2565	2663	2729	2849	2921	3051	3157
78BWVD2712	2485	2609	2655	2688	2744	2849	2921	3051	3126	3264	3377
78BWVD3012	2651	2782	2828	2866	2926	3038	3113	3252	3332	3481	3601
78BWVD3312	2814	2956	3003	3043	3108	3226	3307	3453	3539	3695	3822
78BWVD3612	2980	3128	3182	3223	3282	3391	3476	3629	3719	3882	4017
78BWVD1521	2274	2386	2427	2460	2512	2608	2673	2791	2860	2986	3090
78BWVD1821	2453	2574	2616	2650	2706	2811	2880	3006	3080	3218	3329
78BWVD2121	2629	2760	2807	2845	2905	3015	3091	3227	3308	3454	3574
78BWVD2421-1	2775	2911	2960	2999	3064	3181	3258	3404	3486	3640	3768
78BWVD2421	2935	3080	3132	3173	3240	3364	3447	3600	3689	3853	3986
78BWVD2721	3152	3309	3364	3408	3481	3612	3702	3867	3962	4137	4282
78BWVD3021	3364	3532	3590	3637	3714	3856	3952	4126	4228	4416	4569
78BWVD3321	3580	3758	3821	3871	3953	4104	4206	4392	4501	4701	4863
78BWVD3621	3796	3983	4050	4104	4191	4350	4457	4655	4769	4981	5152
78BWVD1524	2443	2566	2608	2643	2699	2803	2870	2998	3072	3209	3320
78BWVD1824	2635	2765	2812	2849	2910	3021	3096	3233	3314	3461	3580
78BWVD2124	2826	2966	3016	3057	3122	3240	3321	3468	3554	3712	3840
78BWVD2424-1	2982	3131	3184	3225	3294	3420	3503	3659	3749	3916	4051
78BWVD2424	3142	3299	3353	3398	3470	3602	3692	3855	3951	4125	4268
78BWVD2724	3372	3540	3598	3646	3724	3867	3962	4137	4240	4429	4582
78BWVD3024	3601	3780	3843	3894	3976	4128	4230	4417	4526	4728	4890
78BWVD3324	3831	4021	4087	4141	4230	4391	4498	4697	4813	5026	5201
78BWVD3624	4060	4261	4333	4389	4483	4654	4767	4980	5102	5329	5513
84" High - 4 Adjustable Shelves											
84BWVD1512	1754	1843	1874	1899	1938	2012	2063	2154	2208	2306	2384
84BWVD1812	1902	1995	2030	2058	2102	2182	2236	2336	2394	2498	2586
84BWVD2112	2049	2152	2188	2216	2264	2349	2407	2513	2576	2692	2785
84BWVD2412-1	2162	2271	2309	2340	2389	2480	2543	2655	2720	2841	2939
84BWVD2412	2323	2439	2478	2511	2565	2663	2729	2849	2921	3051	3157
84BWVD2712	2485	2609	2655	2688	2744	2849	2921	3051	3126	3264	3377
84BWVD3012	2651	2782	2828	2866	2926	3038	3113	3252	3332	3481	3601
84BWVD3312	2814	2956	3003	3043	3108	3226	3307	3453	3539	3695	3822
84BWVD3612	2980	3128	3182	3223	3282	3391	3476	3629	3719	3882	4017
84BWVD1521	2274	2386	2427	2460	2512	2608	2673	2791	2860	2986	3090
84BWVD1821	2453	2574	2616	2650	2706	2811	2880	3006	3080	3218	3329
84BWVD2121	2629	2760	2807	2845	2905	3015	3091	3227	3308	3454	3574
84BWVD2421-1	2775	2911	2960	2999	3064	3181	3258	3404	3486	3640	3768
84BWVD2421	2935	3080	3132	3173	3240	3364	3447	3600	3689	3853	3986
84BWVD2721	3152	3309	3364	3408	3481	3612	3702	3867	3962	4137	4282
84BWVD3021	3364	3532	3590	3637	3714	3856	3952	4126	4228	4416	4569
84BWVD3321	3580	3758	3821	3871	3953	4104	4206	4392	4501	4701	4863
84BWVD3621	3796	3983	4050	4104	4191	4350	4457	4655	4769	4981	5152
84BWVD1524	2443	2566	2608	2643	2699	2803	2870	2998	3072	3209	3320
84BWVD1824	2635	2765	2812	2849	2910	3021	3096	3233	3314	3461	3580
84BWVD2124	2826	2966	3016	3057	3122	3240	3321	3468	3554	3712	3840
84BWVD2424-1	2982	3131	3184	3225	3294	3420	3503	3659	3749	3916	4051
84BWVD2424	3142	3299	3353	3398	3470	3602	3692	3855	3951	4125	4268
84BWVD2724	3372	3540	3598	3646	3724	3867	3962	4137	4240	4429	4582
84BWVD3024	3601	3780	3843	3894	3976	4128	4230	4417	4526	4728	4890
84BWVD3324	3831	4021	4087	4141	4230	4391	4498	4697	4813	5026	5201
84BWVD3624	4060	4261	4333	4389	4483	4654	4767	4980	5102	5329	5513



62350 - Bookcase Wall/Vanity Door (continued)

Cat. Code	1	2	3	4	5	6	7	8	9	10	11
90" High - 5 Adjustable Shelves											
90BWVD1512	1993	2093	2127	2156	2202	2286	2342	2446	2506	2617	2707
90BWVD1812	2162	2271	2309	2340	2389	2480	2543	2655	2720	2841	2939
90BWVD2112	2331	2449	2489	2523	2575	2676	2741	2862	2933	3064	3169
90BWVD2412-1	2460	2583	2625	2660	2716	2821	2889	3017	3093	3230	3342
90BWVD2412	2620	2750	2797	2833	2894	3002	3077	3215	3294	3441	3559
90BWVD2712	2809	2949	2998	3037	3103	3220	3300	3447	3533	3688	3815
90BWVD3012	2998	3148	3201	3243	3313	3440	3524	3680	3769	3937	4074
90BWVD3312	3187	3346	3404	3448	3520	3654	3744	3911	4007	4185	4330
90BWVD3612	3374	3542	3601	3650	3727	3869	3965	4140	4242	4431	4585
90BWVD1521	2586	2714	2760	2797	2855	2965	3038	3173	3251	3394	3513
90BWVD1821	2793	2933	2981	3021	3085	3203	3282	3427	3510	3667	3794
90BWVD2121	3000	3150	3203	3245	3315	3442	3526	3682	3775	3941	4077
90BWVD2421-1	3171	3330	3385	3429	3502	3635	3726	3890	3986	4163	4308
90BWVD2421	3331	3497	3556	3602	3680	3820	3915	4087	4189	4374	4525
90BWVD2721	3572	3749	3813	3862	3945	4095	4196	4381	4490	4689	4851
90BWVD3021	3815	4004	4072	4125	4212	4373	4480	4680	4795	5008	5182
90BWVD3321	4065	4267	4339	4395	4489	4660	4773	4987	5109	5336	5520
90BWVD3621	4312	4526	4602	4662	4760	4942	5065	5290	5421	5661	5856
90BWVD1524	2943	3090	3141	3183	3251	3373	3457	3610	3700	3862	3995
90BWVD1824	3002	3153	3205	3247	3317	3444	3531	3686	3778	3945	4080
90BWVD2124	3224	3384	3441	3485	3560	3695	3787	3954	4051	4231	4377
90BWVD2424-1	3407	3576	3635	3684	3761	3905	4001	4178	4282	4472	4626
90BWVD2424	3566	3743	3806	3856	3938	4088	4190	4375	4484	4682	4844
90BWVD2724	3827	4018	4085	4139	4227	4387	4496	4695	4811	5024	5199
90BWVD3024	4088	4293	4364	4422	4514	4688	4804	5016	5140	5368	5555
90BWVD3324	4353	4569	4645	4708	4807	4990	5113	5341	5472	5715	5913
90BWVD3624	4616	4846	4926	4991	5096	5291	5422	5662	5801	6059	6268
93" High - 5 Adjustable Shelves											
93BWVD1512	1993	2093	2127	2156	2202	2286	2342	2446	2506	2617	2707
93BWVD1812	2162	2271	2309	2340	2389	2480	2543	2655	2720	2841	2939
93BWVD2112	2331	2449	2489	2523	2575	2676	2741	2862	2933	3064	3169
93BWVD2412-1	2460	2583	2625	2660	2716	2821	2889	3017	3093	3230	3342
93BWVD2412	2620	2750	2797	2833	2894	3002	3077	3215	3294	3441	3559
93BWVD2712	2809	2949	2998	3037	3103	3220	3300	3447	3533	3688	3815
93BWVD3012	2998	3148	3201	3243	3313	3440	3524	3680	3769	3937	4074
93BWVD3312	3187	3346	3404	3448	3520	3654	3744	3911	4007	4185	4330
93BWVD3612	3374	3542	3601	3650	3727	3869	3965	4140	4242	4431	4585
93BWVD1521	2586	2714	2760	2797	2855	2965	3038	3173	3251	3394	3513
93BWVD1821	2793	2933	2981	3021	3085	3203	3282	3427	3510	3667	3794
93BWVD2121	3000	3150	3203	3245	3315	3442	3526	3682	3775	3941	4077
93BWVD2421-1	3171	3330	3385	3429	3502	3635	3726	3890	3986	4163	4308
93BWVD2421	3331	3497	3556	3602	3680	3820	3915	4087	4189	4374	4525
93BWVD2721	3572	3749	3813	3862	3945	4095	4196	4381	4490	4689	4851
93BWVD3021	3815	4004	4072	4125	4212	4373	4480	4680	4795	5008	5182
93BWVD3321	4065	4267	4339	4395	4489	4660	4773	4987	5109	5336	5520
93BWVD3621	4312	4526	4602	4662	4760	4942	5065	5290	5421	5661	5856
93BWVD1524	2943	3090	3141	3183	3251	3373	3457	3610	3700	3862	3995
93BWVD1824	3002	3153	3205	3247	3317	3444	3531	3686	3778	3945	4080
93BWVD2124	3224	3384	3441	3485	3560	3695	3787	3954	4051	4231	4377
93BWVD2424-1	3407	3576	3635	3684	3761	3905	4001	4178	4282	4472	4626
93BWVD2424	3566	3743	3806	3856	3938	4088	4190	4375	4484	4682	4844
93BWVD2724	3827	4018	4085	4139	4227	4387	4496	4695	4811	5024	5199
93BWVD3024	4088	4293	4364	4422	4514	4688	4804	5016	5140	5368	5555
93BWVD3324	4353	4569	4645	4708	4807	4990	5113	5341	5472	5715	5913
93BWVD3624	4616	4846	4926	4991	5096	5291	5422	5662	5801	6059	6268

Recessed Toe Space Front No Charge, **RTSFNC** **N/C**



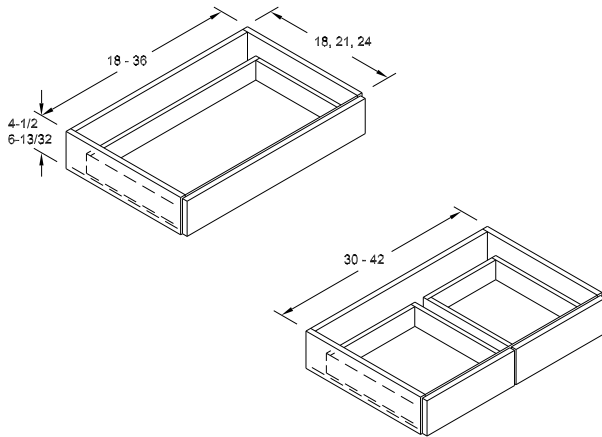
62350 - Bookcase Vanity Door (continued)

Cat. Code	1	2	3	4	5	6	7	8	9	10	11
96" High - 5 Adjustable Shelves											
96BWVD1512	1993	2093	2127	2156	2202	2286	2342	2446	2506	2617	2707
96BWVD1812	2162	2271	2309	2340	2389	2480	2543	2655	2720	2841	2939
96BWVD2112	2331	2449	2489	2523	2575	2676	2741	2862	2933	3064	3169
96BWVD2412-1	2460	2583	2625	2660	2716	2821	2889	3017	3093	3230	3342
96BWVD2412	2620	2750	2797	2833	2894	3002	3077	3215	3294	3441	3559
96BWVD2712	2809	2949	2998	3037	3103	3220	3300	3447	3533	3688	3815
96BWVD3012	2998	3148	3201	3243	3313	3440	3524	3680	3769	3937	4074
96BWVD3312	3187	3346	3404	3448	3520	3654	3744	3911	4007	4185	4330
96BWVD3612	3374	3542	3601	3650	3727	3869	3965	4140	4242	4431	4585
96BWVD1521	2586	2714	2760	2797	2855	2965	3038	3173	3251	3394	3513
96BWVD1821	2793	2933	2981	3021	3085	3203	3282	3427	3510	3667	3794
96BWVD2121	3000	3150	3203	3245	3315	3442	3526	3682	3775	3941	4077
96BWVD2421-1	3171	3330	3385	3429	3502	3635	3726	3890	3986	4163	4308
96BWVD2421	3331	3497	3556	3602	3680	3820	3915	4087	4189	4374	4525
96BWVD2721	3572	3749	3813	3862	3945	4095	4196	4381	4490	4689	4851
96BWVD3021	3815	4004	4072	4125	4212	4373	4480	4680	4795	5008	5182
96BWVD3321	4065	4267	4339	4395	4489	4660	4773	4987	5109	5336	5520
96BWVD3621	4312	4526	4602	4662	4760	4942	5065	5290	5421	5661	5856
96BWVD1524	2943	3090	3141	3183	3251	3373	3457	3610	3700	3862	3995
96BWVD1824	3002	3153	3205	3247	3317	3444	3531	3686	3778	3945	4080
96BWVD2124	3224	3384	3441	3485	3560	3695	3787	3954	4051	4231	4377
96BWVD2424-1	3407	3576	3635	3684	3761	3905	4001	4178	4282	4472	4626
96BWVD2424	3566	3743	3806	3856	3938	4088	4190	4375	4484	4682	4844
96BWVD2724	3827	4018	4085	4139	4227	4387	4496	4695	4811	5024	5199
96BWVD3024	4088	4293	4364	4422	4514	4688	4804	5016	5140	5368	5555
96BWVD3324	4353	4569	4645	4708	4807	4990	5113	5341	5472	5715	5913
96BWVD3624	4616	4846	4926	4991	5096	5291	5422	5662	5801	6059	6268

Recessed Toe Space Front No Charge, **RTSFNC** **N/C**



62400 - Desk Drawer



- Specify Finished Ends for No Charge.
- 5DD has 2-7/16" high inside drawer clearance. 6DD has 3-7/16" high inside drawer clearance.
- **Minimum** depth = 12".

NOTE: For 5DD units, see [door style section](#) for size and styling limitations.

NOTE: 5DD units are **not** available with Stainless Steel drawer option.

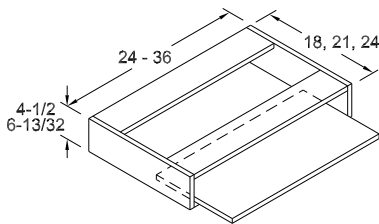
4-1/2" High Desk Drawer (Recommended for use with 28-1/2" high desk base cabinets.)

Cat. No.	Price
One Drawer	
5DD1818	259
5DD2118	277
5DD2418	369
5DD2718	406
5DD1821	259
5DD2121	277
5DD2421	369
5DD2721	406
5DD1824	284
5DD2124	304
5DD2424	405
5DD2724	445
Full-Width Drawer	
5DD3018-1DWR	454
5DD3318-1DWR	490
5DD3618-1DWR	525
5DD3021-1DWR	454
5DD3321-1DWR	490
5DD3621-1DWR	525
5DD3024-1DWR	497
5DD3324-1DWR	538
5DD3624-1DWR	574
Two Drawers	
5DD3018-2DWR	454
5DD3318-2DWR	490
5DD3618-2DWR	525
5DD3918	567
5DD4218	612
5DD3021-2DWR	454
5DD3321-2DWR	490
5DD3621-2DWR	525
5DD3921	567
5DD4221	612
5DD3024-2DWR	497
5DD3324-2DWR	538
5DD3624-2DWR	574
5DD3924	623
5DD4224	681

6-13/32" High Desk Drawer (Recommended for use with 31-1/2" and 34-1/2" high desk base cabinets.)

Cat. No.	Price
One Drawer	
6DD1818	259
6DD2118	277
6DD2418	369
6DD2718	406
6DD1821	259
6DD2121	277
6DD2421	369
6DD2721	406
6DD1824	284
6DD2124	304
6DD2424	405
6DD2724	445
Full-Width Drawer	
6DD3018-1DWR	454
6DD3318-1DWR	490
6DD3618-1DWR	525
6DD3021-1DWR	454
6DD3321-1DWR	490
6DD3621-1DWR	525
6DD3024-1DWR	497
6DD3324-1DWR	538
6DD3624-1DWR	574
Two Drawers	
6DD3018-2DWR	454
6DD3318-2DWR	490
6DD3618-2DWR	525
6DD3918	567
6DD4218	612
6DD3021-2DWR	454
6DD3321-2DWR	490
6DD3621-2DWR	525
6DD3921	567
6DD4221	612
6DD3024-2DWR	497
6DD3324-2DWR	538
6DD3624-2DWR	574
6DD3924	623
6DD4224	681

62450 - Keyboard Drawer



- Specify Finished Ends for No Charge.
- Keyboard shelf has side-mount, black, epoxy-coated drawer guides. Extends 11-1/8" from front of cabinet.
- **Interior and shelf are finished as standard.**
- 5KD has 1-5/8" clearance height for keyboard. 6KD has 3-5/16" clearance height.
- **Minimum** depth = 18".

4-1/2" High Keyboard Drawer (Recommended for use with 28-1/2" high desk base cabinets.)

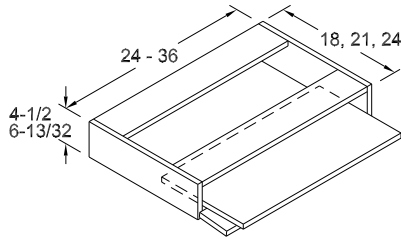
Cat. No.	Price
5KD2418	348
5KD2718	381
5KD3018	409
5KD3318	439
5KD3618	467
5KD2421	348
5KD2721	381
5KD3021	409
5KD3321	439
5KD3621	467
5KD2424	371
5KD2724	409
5KD3024	445
5KD3324	475
5KD3624	502

6-13/32" High Keyboard Drawer (Recommended for use with 31-1/2" and 34-1/2" high desk base cabinets.)

Cat. No.	Price
6KD2418	348
6KD2718	381
6KD3018	409
6KD3318	439
6KD3618	467
6KD2421	348
6KD2721	381
6KD3021	409
6KD3321	439
6KD3621	467
6KD2424	371
6KD2724	409
6KD3024	445
6KD3324	475
6KD3624	502



62500 - Keyboard Drawer with Tip Down Drawer Front



- Specify Finished Ends for No Charge.
- Keyboard shelf has side-mount, black, epoxy-coated drawer guides. Extends 11-1/8" from front of cabinet.
- **Interior and shelf are finished as standard.**
- 5KD has 1-5/8" clearance height for keyboard. 6KD has 3-5/16" clearance height.
- **Minimum** depth = 18".

4-1/2" High Keyboard Drawer
(Recommended for use with 28-1/2" high desk base cabinets.)

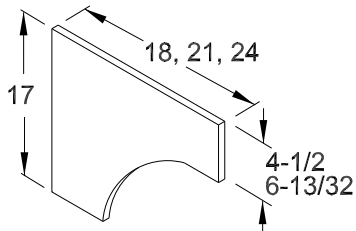
Cat. No.	Price
5KDTDF2418	637
5KDTDF2718	667
5KDTDF3018	695
5KDTDF3318	724
5KDTDF3618	753
5KDTDF2421	637
5KDTDF2721	667
5KDTDF3021	695
5KDTDF3321	724
5KDTDF3621	753
5KDTDF2424	660
5KDTDF2724	695
5KDTDF3024	731
5KDTDF3324	761
5KDTDF3624	789

6-13/32" High Keyboard Drawer
(Recommended for use with 31-1/2" and 34-1/2" high desk base cabinets.)

Cat. No.	Price
6KDTDF2418	637
6KDTDF2718	667
6KDTDF3018	695
6KDTDF3318	724
6KDTDF3618	753
6KDTDF2421	637
6KDTDF2721	667
6KDTDF3021	695
6KDTDF3321	724
6KDTDF3621	753
6KDTDF2424	660
6KDTDF2724	695
6KDTDF3024	731
6KDTDF3324	761
6KDTDF3624	789

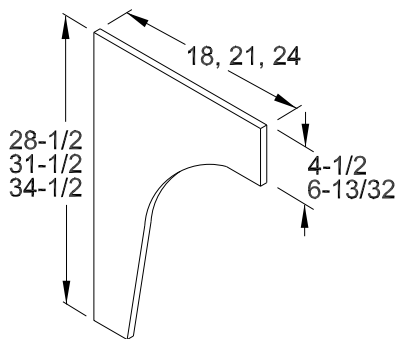
NOTE: For SKDTDF units, see [door style section](#) for size and styling limitations.

62550 - Desk Drawer Bracket End



- For use with 4-1/2" or 6-13/32" high desk drawer.
- 3/4" thick material is finished on both sides and front edge is banded.

QUOTED MODIFICATIONS ONLY

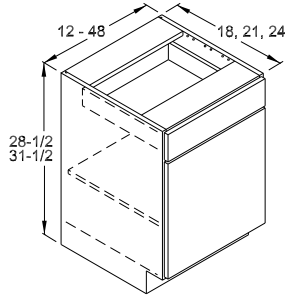


Cat. No.	Price
4-1/2" High	
17-5DDBE18	196
17-5DDBE21	196
17-5DDBE24	196
28-5DDBE18	341
28-5DDBE21	341
28-5DDBE24	341
31-5DDBE18	341
31-5DDBE21	341
31-5DDBE24	341
34-5DDBE18	341
34-5DDBE21	341
34-5DDBE24	341

Cat. No.	Price
6-13/32" High	
17-6DDBE18	196
17-6DDBE21	196
17-6DDBE24	196
28-6DDBE18	341
28-6DDBE21	341
28-6DDBE24	341
31-6DDBE18	341
31-6DDBE21	341
31-6DDBE24	341
34-6DDBE18	341
34-6DDBE21	341
34-6DDBE24	341



62600 - Desk Base



Cat. Code	1	2	3	4	5	6	7	8	9	10	11
28-1/2" High - 18" Deep											
28DB1218	384	429	459	481	499	530	544	567	583	607	628
28DB1518	417	467	499	523	541	571	586	611	627	656	678
28DB1818	443	501	534	558	578	613	629	658	675	704	727
28DB2118	488	552	587	614	637	675	691	721	740	774	800
28DB2418-1	613	704	741	772	797	845	866	906	928	968	1001
28DB2418	613	704	741	772	797	845	866	906	928	968	1001
28DB2718	676	735	797	847	867	903	926	965	990	1035	1070
28DB3018-1DWR	742	776	863	933	955	992	1018	1062	1089	1137	1176
28DB3318-1DWR	816	938	986	1026	1050	1091	1118	1169	1199	1250	1295
28DB3618-1DWR	899	1032	1083	1126	1153	1200	1229	1285	1316	1374	1423
28DB3018-2DWR	742	776	863	933	955	992	1018	1062	1089	1137	1176
28DB3318-2DWR	816	938	986	1026	1050	1091	1118	1169	1199	1250	1295
28DB3618-2DWR	899	1032	1083	1126	1153	1200	1229	1285	1316	1374	1423
28DB3918	982	1112	1167	1209	1236	1283	1314	1371	1406	1468	1519
28DB4218	1064	1195	1249	1293	1318	1363	1398	1461	1497	1564	1617
28DB4518	1148	1279	1332	1374	1400	1447	1483	1549	1587	1658	1714
28DB4818	1231	1360	1414	1456	1483	1530	1567	1637	1678	1752	1815
28-1/2" High - 21" Deep											
28DB1221	384	429	459	481	499	530	544	567	583	607	628
28DB1521	417	467	499	523	541	571	586	611	627	656	678
28DB1821	443	501	534	558	578	613	629	658	675	704	727
28DB2121	488	552	587	614	637	675	691	721	740	774	800
28DB2421-1	613	704	741	772	797	845	866	906	928	968	1001
28DB2421	613	704	741	772	797	845	866	906	928	968	1001
28DB2721	676	735	797	847	867	903	926	965	990	1035	1070
28DB3021-1DWR	742	776	863	933	955	992	1018	1062	1089	1137	1176
28DB3321-1DWR	816	938	986	1026	1050	1091	1118	1169	1199	1250	1295
28DB3621-1DWR	899	1032	1083	1126	1153	1200	1229	1285	1316	1374	1423
28DB3021-2DWR	742	776	863	933	955	992	1018	1062	1089	1137	1176
28DB3321-2DWR	816	938	986	1026	1050	1091	1118	1169	1199	1250	1295
28DB3621-2DWR	899	1032	1083	1126	1153	1200	1229	1285	1316	1374	1423
28DB3921	982	1112	1167	1209	1236	1283	1314	1371	1406	1468	1519
28DB4221	1064	1195	1249	1293	1318	1363	1398	1461	1497	1564	1617
28DB4521	1148	1279	1332	1374	1400	1447	1483	1549	1587	1658	1714
28DB4821	1231	1360	1414	1456	1483	1530	1567	1637	1678	1752	1815
28-1/2" High - 24" Deep											
28DB1224	443	495	530	557	577	611	627	656	671	700	724
28DB1524	480	542	576	604	625	662	678	707	725	758	783
28DB1824	511	579	616	647	669	710	727	761	781	815	843
28DB2124	565	640	679	712	737	781	801	835	856	894	924
28DB2424-1	712	816	859	894	924	979	1004	1049	1075	1120	1161
28DB2424	712	816	859	894	924	979	1004	1049	1075	1120	1161
28DB2724	776	889	937	975	1006	1068	1094	1143	1171	1222	1265
28DB3024-1DWR	845	976	1024	1061	1097	1164	1192	1243	1276	1332	1377
28DB3324-1DWR	922	1057	1112	1158	1197	1267	1299	1356	1391	1452	1502
28DB3624-1DWR	1003	1152	1211	1260	1302	1381	1417	1480	1518	1584	1640
28DB3024-2DWR	845	976	1024	1061	1097	1164	1192	1243	1276	1332	1377
28DB3324-2DWR	922	1057	1112	1158	1197	1267	1299	1356	1391	1452	1502
28DB3624-2DWR	1003	1152	1211	1260	1302	1381	1417	1480	1518	1584	1640
28DB3924	1087	1232	1294	1342	1386	1465	1501	1567	1606	1678	1735
28DB4224	1171	1316	1376	1426	1468	1547	1586	1657	1698	1773	1834
28DB4524	1253	1398	1459	1507	1550	1629	1670	1743	1788	1866	1932
28DB4824	1336	1481	1542	1591	1633	1712	1754	1833	1878	1960	2029

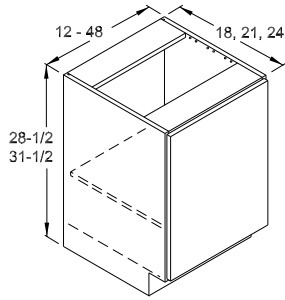


62600 - Desk Base (continued)

Cat. Code	1	2	3	4	5	6	7	8	9	10	11
31-1/2" High - 18" Deep											
31DB1218	384	429	459	481	499	530	544	567	583	607	628
31DB1518	417	467	499	523	541	571	586	611	627	656	678
31DB1818	443	501	534	558	578	613	629	658	675	704	727
31DB2118	488	552	587	614	637	675	691	721	740	774	800
31DB2418-1	613	704	741	772	797	845	866	906	928	968	1001
31DB2418	613	704	741	772	797	845	866	906	928	968	1001
31DB2718	676	735	797	847	867	903	926	965	990	1035	1070
31DB3018-1DWR	742	776	863	933	955	992	1018	1062	1089	1137	1176
31DB3318-1DWR	816	938	986	1026	1050	1091	1118	1169	1199	1250	1295
31DB3618-1DWR	899	1032	1083	1126	1153	1200	1229	1285	1316	1374	1423
31DB3018-2DWR	742	776	863	933	955	992	1018	1062	1089	1137	1176
31DB3318-2DWR	816	938	986	1026	1050	1091	1118	1169	1199	1250	1295
31DB3618-2DWR	899	1032	1083	1126	1153	1200	1229	1285	1316	1374	1423
31DB3918	982	1112	1167	1209	1236	1283	1314	1371	1406	1468	1519
31DB4218	1064	1195	1249	1293	1318	1363	1398	1461	1497	1564	1617
31DB4518	1148	1279	1332	1374	1400	1447	1483	1549	1587	1658	1714
31DB4818	1231	1360	1414	1456	1483	1530	1567	1637	1678	1752	1815
31-1/2" High - 21" Deep											
31DB1221	384	429	459	481	499	530	544	567	583	607	628
31DB1521	417	467	499	523	541	571	586	611	627	656	678
31DB1821	443	501	534	558	578	613	629	658	675	704	727
31DB2121	488	552	587	614	637	675	691	721	740	774	800
31DB2421-1	613	704	741	772	797	845	866	906	928	968	1001
31DB2421	613	704	741	772	797	845	866	906	928	968	1001
31DB2721	676	735	797	847	867	903	926	965	990	1035	1070
31DB3021-1DWR	742	776	863	933	955	992	1018	1062	1089	1137	1176
31DB3321-1DWR	816	938	986	1026	1050	1091	1118	1169	1199	1250	1295
31DB3621-1DWR	899	1032	1083	1126	1153	1200	1229	1285	1316	1374	1423
31DB3021-2DWR	742	776	863	933	955	992	1018	1062	1089	1137	1176
31DB3321-2DWR	816	938	986	1026	1050	1091	1118	1169	1199	1250	1295
31DB3621-2DWR	899	1032	1083	1126	1153	1200	1229	1285	1316	1374	1423
31DB3921	982	1112	1167	1209	1236	1283	1314	1371	1406	1468	1519
31DB4221	1064	1195	1249	1293	1318	1363	1398	1461	1497	1564	1617
31DB4521	1148	1279	1332	1374	1400	1447	1483	1549	1587	1658	1714
31DB4821	1231	1360	1414	1456	1483	1530	1567	1637	1678	1752	1815
31-1/2" High - 24" Deep											
31DB1224	443	495	530	557	577	611	627	656	671	700	724
31DB1524	480	542	576	604	625	662	678	707	725	758	783
31DB1824	511	579	616	647	669	710	727	761	781	815	843
31DB2124	565	640	679	712	737	781	801	835	856	894	924
31DB2424-1	712	816	859	894	924	979	1004	1049	1075	1120	1161
31DB2424	712	816	859	894	924	979	1004	1049	1075	1120	1161
31DB2724	776	889	937	975	1006	1068	1094	1143	1171	1222	1265
31DB3024-1DWR	845	976	1024	1061	1097	1164	1192	1243	1276	1332	1377
31DB3324-1DWR	922	1057	1112	1158	1197	1267	1299	1356	1391	1452	1502
31DB3624-1DWR	1003	1152	1211	1260	1302	1381	1417	1480	1518	1584	1640
31DB3024-2DWR	845	976	1024	1061	1097	1164	1192	1243	1276	1332	1377
31DB3324-2DWR	922	1057	1112	1158	1197	1267	1299	1356	1391	1452	1502
31DB3624-2DWR	1003	1152	1211	1260	1302	1381	1417	1480	1518	1584	1640
31DB3924	1087	1232	1294	1342	1386	1465	1501	1567	1606	1678	1735
31DB4224	1171	1316	1376	1426	1468	1547	1586	1657	1698	1773	1834
31DB4524	1253	1398	1459	1507	1550	1629	1670	1743	1788	1866	1932
31DB4824	1336	1481	1542	1591	1633	1712	1754	1833	1878	1960	2029



62650 - Desk Full Door



Cat. Code	1	2	3	4	5	6	7	8	9	10	11
28-1/2" High - 18" Deep											
28DFD1218	364	410	440	462	479	510	523	546	559	584	604
28DFD1518	398	448	479	502	521	552	566	591	606	633	656
28DFD1818	424	482	515	539	559	594	609	637	653	682	705
28DFD2118	469	534	569	595	616	656	671	700	718	749	776
28DFD2418-1	594	685	721	751	777	826	847	885	907	947	979
28DFD2418	594	685	721	751	777	826	847	885	907	947	979
28DFD2718	656	753	794	826	856	909	931	971	997	1041	1076
28DFD3018	720	829	873	909	942	999	1025	1071	1097	1147	1186
28DFD3318	791	913	961	999	1035	1098	1126	1176	1206	1258	1302
28DFD3618	870	1001	1056	1098	1138	1209	1239	1295	1328	1386	1434
28DFD3918	952	1085	1139	1182	1221	1293	1325	1382	1418	1481	1533
28DFD4218	1038	1168	1221	1264	1302	1374	1409	1470	1507	1574	1628
28DFD4518	1119	1249	1304	1347	1386	1456	1493	1560	1599	1670	1727
28DFD4818	1203	1333	1388	1430	1468	1540	1578	1648	1689	1763	1824
28-1/2" High - 21" Deep											
28DFD1221	364	410	440	462	479	510	523	546	559	584	604
28DFD1521	398	448	479	502	521	552	566	591	606	633	656
28DFD1821	424	482	515	539	559	594	609	637	653	682	705
28DFD2121	469	534	569	595	616	656	671	700	718	749	776
28DFD2421-1	594	685	721	751	777	826	847	885	907	947	979
28DFD2421	594	685	721	751	777	826	847	885	907	947	979
28DFD2721	656	753	794	826	856	909	931	971	997	1041	1076
28DFD3021	720	829	873	909	942	999	1025	1071	1097	1147	1186
28DFD3321	791	913	961	999	1035	1098	1126	1176	1206	1258	1302
28DFD3621	870	1001	1056	1098	1138	1209	1239	1295	1328	1386	1434
28DFD3921	952	1085	1139	1182	1221	1293	1325	1382	1418	1481	1533
28DFD4221	1038	1168	1221	1264	1302	1374	1409	1470	1507	1574	1628
28DFD4521	1119	1249	1304	1347	1386	1456	1493	1560	1599	1670	1727
28DFD4821	1203	1333	1388	1430	1468	1540	1578	1648	1689	1763	1824
28-1/2" High - 24" Deep											
28DFD1224	424	476	511	538	558	592	607	634	650	679	702
28DFD1524	461	523	557	585	606	643	660	688	705	735	762
28DFD1824	492	560	597	626	650	691	709	740	760	794	821
28DFD2124	546	619	661	693	717	761	781	815	835	871	902
28DFD2424-1	691	797	839	873	906	961	984	1029	1054	1099	1138
28DFD2424	691	797	839	873	906	961	984	1029	1054	1099	1138
28DFD2724	761	875	924	962	996	1057	1083	1131	1161	1211	1253
28DFD3024	837	964	1018	1059	1096	1164	1192	1243	1276	1332	1377
28DFD3324	922	1061	1118	1165	1204	1279	1311	1368	1403	1465	1516
28DFD3624	1013	1167	1229	1280	1325	1407	1442	1504	1543	1610	1668
28DFD3924	1096	1248	1312	1361	1407	1488	1526	1593	1633	1705	1764
28DFD4224	1180	1332	1395	1445	1489	1572	1610	1683	1724	1801	1861
28DFD4524	1263	1414	1477	1528	1573	1655	1696	1770	1815	1895	1960
28DFD4824	1344	1496	1559	1609	1655	1735	1780	1858	1904	1988	2058

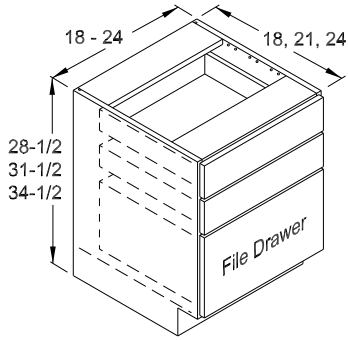


62650 - Desk Full Door (continued)

Cat. Code	1	2	3	4	5	6	7	8	9	10	11
31-1/2" High - 18" Deep											
31DFD1218	364	410	440	462	479	510	523	364	559	584	604
31DFD1518	398	448	479	502	521	552	566	398	606	633	656
31DFD1818	424	482	515	539	559	594	609	424	653	682	705
31DFD2118	469	534	569	595	616	656	671	469	718	749	776
31DFD2418-1	594	685	721	751	777	826	847	594	907	947	979
31DFD2418	594	685	721	751	777	826	847	594	907	947	979
31DFD2718	656	753	794	826	856	909	931	656	997	1041	1076
31DFD3018	720	829	873	909	942	999	1025	720	1097	1147	1186
31DFD3318	791	913	961	999	1035	1098	1126	791	1206	1258	1302
31DFD3618	870	1001	1056	1098	1138	1209	1239	870	1328	1386	1434
31DFD3918	952	1085	1139	1182	1221	1293	1325	952	1418	1481	1533
31DFD4218	1038	1168	1221	1264	1302	1374	1409	1038	1507	1574	1628
31DFD4518	1119	1249	1304	1347	1386	1456	1493	1119	1599	1670	1727
31DFD4818	1203	1333	1388	1430	1468	1540	1578	1203	1689	1763	1824
31-1/2" High - 21" Deep											
31DFD1221	364	410	440	462	479	510	523	364	559	584	604
31DFD1521	398	448	479	502	521	552	566	398	606	633	656
31DFD1821	424	482	515	539	559	594	609	424	653	682	705
31DFD2121	469	534	569	595	616	656	671	469	718	749	776
31DFD2421-1	594	685	721	751	777	826	847	594	907	947	979
31DFD2421	594	685	721	751	777	826	847	594	907	947	979
31DFD2721	656	753	794	826	856	909	931	656	997	1041	1076
31DFD3021	720	829	873	909	942	999	1025	720	1097	1147	1186
31DFD3321	791	913	961	999	1035	1098	1126	791	1206	1258	1302
31DFD3621	870	1001	1056	1098	1138	1209	1239	870	1328	1386	1434
31DFD3921	952	1085	1139	1182	1221	1293	1325	952	1418	1481	1533
31DFD4221	1038	1168	1221	1264	1302	1374	1409	1038	1507	1574	1628
31DFD4521	1119	1249	1304	1347	1386	1456	1493	1119	1599	1670	1727
31DFD4821	1203	1333	1388	1430	1468	1540	1578	1203	1689	1763	1824
31-1/2" High - 24" Deep											
31DFD1224	424	476	511	538	558	592	607	424	650	679	702
31DFD1524	461	523	557	585	606	643	660	461	705	735	762
31DFD1824	492	560	597	626	650	691	709	492	760	794	821
31DFD2124	546	619	661	693	717	761	781	546	835	871	902
31DFD2424-1	691	797	839	873	906	961	984	691	1054	1099	1138
31DFD2424	691	797	839	873	906	961	984	691	1054	1099	1138
31DFD2724	761	875	924	962	996	1057	1083	761	1161	1211	1253
31DFD3024	837	964	1018	1059	1096	1164	1192	837	1276	1332	1377
31DFD3324	922	1061	1118	1165	1204	1279	1311	922	1403	1465	1516
31DFD3624	1013	1167	1229	1280	1325	1407	1442	1013	1543	1610	1668
31DFD3924	1096	1248	1312	1361	1407	1488	1526	1096	1633	1705	1764
31DFD4224	1180	1332	1395	1445	1489	1572	1610	1180	1724	1801	1861
31DFD4524	1263	1414	1477	1528	1573	1655	1696	1263	1815	1895	1960
31DFD4824	1344	1496	1559	1609	1655	1735	1780	1344	1904	1988	2058



62700 - Desk Three Drawer File



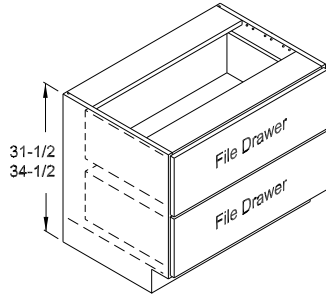
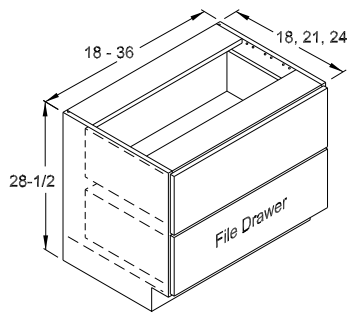
- Hanging file system includes 2 file bars and 4 mounting clips installed in the bottom drawer (no hanging files are supplied).
- File system is installed Standard (front-to-back).
- Installation may be changed by specifying **SFSL** (Send File System Loose) for field installation. When filing system is ordered loose, four (4) clips and two (2) 32-1/8" long files bars, for jobsite trimming and installation, are supplied for each file drawer in cabinet ordered.

Cat. Code	1	2	3	4	5	6	7	8	9	10	11
28-1/2" High											
28D3DF1818	1055	1067	1067	1067	1095	1145	1174	1225	1255	1308	1353
28D3DF2118	1102	1113	1113	1113	1144	1199	1228	1279	1312	1368	1416
28D3DF2418	1155	1169	1169	1169	1201	1258	1290	1346	1379	1438	1487
28D3DF1821	1055	1067	1067	1067	1095	1145	1174	1225	1255	1308	1353
28D3DF2121	1102	1113	1113	1113	1144	1199	1228	1279	1312	1368	1416
28D3DF2421	1155	1169	1169	1169	1201	1258	1290	1346	1379	1438	1487
28D3DF1824	1124	1137	1137	1137	1167	1222	1252	1306	1339	1396	1444
28D3DF2124	1175	1189	1189	1189	1220	1278	1311	1367	1400	1462	1511
28D3DF2424	1234	1248	1248	1248	1283	1344	1376	1435	1470	1533	1587
31-1/2" High											
31D3DF1818	1055	1067	1067	1067	1095	1145	1174	1225	1255	1308	1353
31D3DF2118	1102	1113	1113	1113	1144	1199	1228	1279	1312	1368	1416
31D3DF2418	1155	1169	1169	1169	1201	1258	1290	1346	1379	1438	1487
31D3DF1821	1055	1067	1067	1067	1095	1145	1174	1225	1255	1308	1353
31D3DF2121	1102	1113	1113	1113	1144	1199	1228	1279	1312	1368	1416
31D3DF2421	1155	1169	1169	1169	1201	1258	1290	1346	1379	1438	1487
31D3DF1824	1124	1137	1137	1137	1167	1222	1252	1306	1339	1396	1444
31D3DF2124	1175	1189	1189	1189	1220	1278	1311	1367	1400	1462	1511
31D3DF2424	1234	1248	1248	1248	1283	1344	1376	1435	1470	1533	1587
34-1/2" High											
34D3DF1818	1140	1153	1153	1153	1183	1239	1271	1326	1357	1417	1465
34D3DF2118	1204	1207	1207	1207	1237	1297	1329	1386	1421	1482	1532
34D3DF2418	1252	1266	1266	1266	1301	1363	1397	1459	1494	1558	1612
34D3DF1821	1140	1153	1153	1153	1183	1239	1271	1326	1357	1417	1465
34D3DF2121	1204	1207	1207	1207	1237	1297	1329	1386	1421	1482	1532
34D3DF2421	1252	1266	1266	1266	1301	1363	1397	1459	1494	1558	1612
34D3DF1824	1214	1230	1230	1230	1264	1325	1356	1416	1451	1512	1564
34D3DF2124	1271	1286	1286	1286	1323	1388	1423	1483	1519	1587	1641
34D3DF2424	1337	1353	1353	1353	1391	1460	1495	1559	1599	1668	1724

Send File System Loose, **SFSL** **N/C**



62750 - Desk Two Drawer File



- Hanging file system includes 2 file bars and 4 mounting clips installed in the bottom drawer (no hanging files are supplied).
- File system is installed either Standard (front-to-back) or Lateral (side-to-side), depending on the width of the cabinet. (See chart.)
- Installation may be changed by specifying **SFSL** (Send File System Loose) for field installation. When filing system is ordered loose, four (4) clips and two (2) 32-1/8" long files bars, for jobsite trimming and installation, are supplied for each file drawer in cabinet ordered.

Cabinet Width	Filing System Orientation
30", 33", 36"	Lateral
18", 21", 24", 27"	Standard

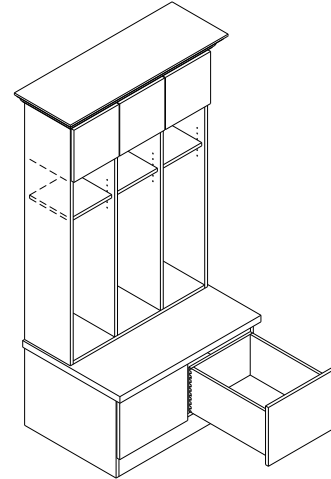
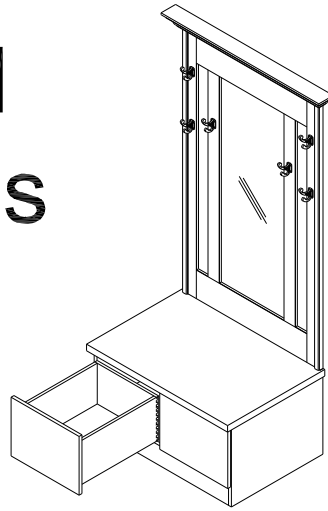
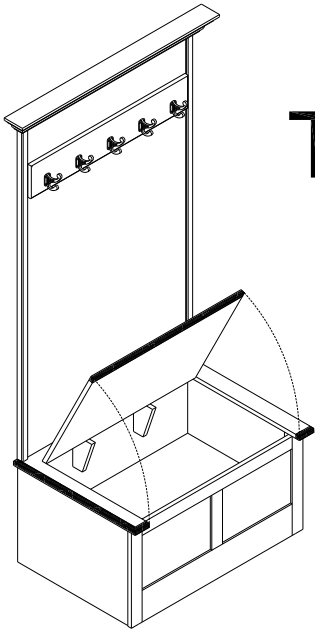
NOTE: Stainless Steel drawers are available with standard file configuration **only**.

Send File System Loose, **SFSL N/C**

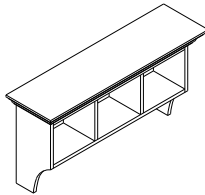
Cat. Code	1	2	3	4	5	6	7	8	9	10	11
28-1/2" High											
28D2DF1818	984	996	996	996	1022	1071	1097	1144	1173	1223	1265
28D2DF2118	1042	1053	1053	1053	1083	1137	1165	1215	1244	1297	1342
28D2DF2418	1103	1116	1116	1116	1147	1204	1234	1286	1320	1375	1421
28D2DF2718	1182	1196	1196	1196	1229	1288	1321	1376	1409	1472	1521
28D2DF3018	1232	1246	1246	1246	1281	1343	1375	1434	1469	1532	1586
28D2DF3318	1285	1300	1300	1300	1337	1399	1434	1495	1532	1600	1652
28D2DF3618	1341	1356	1356	1356	1393	1460	1495	1559	1599	1668	1724
28-1/2" High											
28D2DF1821	984	996	996	996	1022	1071	1097	1144	1173	1223	1265
28D2DF2121	1042	1053	1053	1053	1083	1137	1165	1215	1244	1297	1342
28D2DF2421	1103	1116	1116	1116	1147	1204	1234	1286	1320	1375	1421
28D2DF2721	1182	1196	1196	1196	1229	1288	1321	1376	1409	1472	1521
28D2DF3021	1232	1246	1246	1246	1281	1343	1375	1434	1469	1532	1586
28D2DF3321	1285	1300	1300	1300	1337	1399	1434	1495	1532	1600	1652
28D2DF3621	1341	1356	1356	1356	1393	1460	1495	1559	1599	1668	1724
28-1/2" High											
28D2DF1824	1048	1061	1061	1061	1089	1141	1171	1221	1251	1305	1349
28D2DF2124	1112	1124	1124	1124	1155	1215	1244	1297	1329	1386	1434
28D2DF2424	1176	1192	1192	1192	1225	1286	1320	1375	1407	1470	1518
28D2DF2724	1259	1274	1274	1274	1311	1375	1407	1470	1507	1571	1623
28D2DF3024	1314	1330	1330	1330	1367	1434	1469	1532	1572	1640	1694
28D2DF3324	1369	1385	1385	1385	1425	1496	1533	1601	1640	1711	1769
28D2DF3624	1427	1445	1445	1445	1484	1561	1600	1669	1711	1795	1845
31-1/2" High											
31D2DF1818	1313	1325	1325	1325	1356	1412	1447	1508	1544	1610	1664
31D2DF2118	1371	1384	1384	1384	1417	1480	1515	1579	1617	1686	1743
31D2DF2418	1445	1456	1456	1456	1493	1559	1599	1666	1706	1778	1838
31D2DF2718	1579	1591	1591	1591	1629	1699	1741	1815	1859	1937	2004
31D2DF3018	1614	1650	1650	1650	1691	1764	1806	1885	1930	2013	2081
31D2DF3318	1699	1712	1712	1712	1754	1833	1876	1957	2005	2090	2160
31D2DF3618	1764	1778	1778	1778	1824	1903	1951	2033	2083	2172	2246
31-1/2" High											
31D2DF1821	1313	1325	1325	1325	1356	1412	1447	1508	1544	1610	1664
31D2DF2121	1371	1384	1384	1384	1417	1480	1515	1579	1617	1686	1743
31D2DF2421	1445	1456	1456	1456	1493	1559	1599	1666	1706	1778	1838
31D2DF2721	1579	1591	1591	1591	1629	1699	1741	1815	1859	1937	2004
31D2DF3021	1614	1650	1650	1650	1691	1764	1806	1885	1930	2013	2081
31D2DF3321	1699	1712	1712	1712	1754	1833	1876	1957	2005	2090	2160
31D2DF3621	1764	1778	1778	1778	1824	1903	1951	2033	2083	2172	2246
31-1/2" High											
31D2DF1824	1377	1390	1390	1390	1424	1486	1521	1585	1623	1693	1749
31D2DF2124	1440	1454	1454	1454	1490	1556	1593	1659	1701	1773	1833
31D2DF2424	1517	1535	1535	1535	1573	1641	1680	1753	1796	1873	1934
31D2DF2724	1655	1672	1672	1672	1712	1784	1829	1907	1953	2035	2104
31D2DF3024	1718	1735	1735	1735	1777	1855	1899	1981	2028	2117	2188
31D2DF3324	1783	1803	1803	1803	1846	1928	1974	2060	2109	2201	2274
31D2DF3624	1853	1874	1874	1874	1921	2006	2054	2142	2194	2288	2365
34-1/2" High											
34D2DF1818	1411	1425	1425	1425	1460	1521	1558	1624	1664	1734	1792
34D2DF2118	1474	1489	1489	1489	1525	1593	1631	1701	1742	1816	1878
34D2DF2418	1553	1571	1571	1571	1599	1649	1689	1761	1803	1880	1942
34D2DF2718	1634	1654	1654	1654	1683	1733	1774	1851	1895	1976	2042
34D2DF3018	1713	1739	1739	1739	1766	1817	1861	1941	1990	2075	2144
34D2DF3318	1792	1823	1823	1823	1851	1901	1949	2030	2081	2169	2244
34D2DF3618	1873	1907	1907	1907	1935	1986	2033	2121	2172	2267	2343
34-1/2" High											
34D2DF1821	1411	1425	1425	1425	1460	1521	1558	1624	1664	1734	1792
34D2DF2121	1474	1489	1489	1489	1525	1593	1631	1701	1742	1816	1878
34D2DF2421	1553	1571	1571	1571	1599	1649	1689	1761	1803	1880	1942
34D2DF2721	1634	1654	1654	1654	1683	1733	1774	1851	1895	1976	2042
34D2DF3021	1713	1739	1739	1739	1766	1817	1861	1941	1990	2075	2144
34D2DF3321	1792	1823	1823	1823	1851	1901	1949	2030	2081	2169	2244
34D2DF3621	1873	1907	1907	1907	1935	1986	2033	2121	2172	2267	2343
34-1/2" High											
34D2DF1824	1482	1497	1497	1497	1531	1600	1637	1708	1749	1825	1886
34D2DF2124	1550	1565	1565	1565	1608	1679	1721	1795	1838	1915	1979
34D2DF2424	1636	1652	1652	1652	1697	1774	1817	1895	1941	2025	2093
34D2DF2724	1721	1736	1736	1736	1780	1859	1902	1986	2033	2121	2193
34D2DF3024	1805	1822	1822	1822	1865	1942	1991	2076	2125	2216	2289
34D2DF3324	1892	1904	1904	1904	1950	2027	2077	2165	2218	2313	2392
34D2DF3624	1976	1990	1990	1990	2032	2112	2161	2254	2309	2408	2490



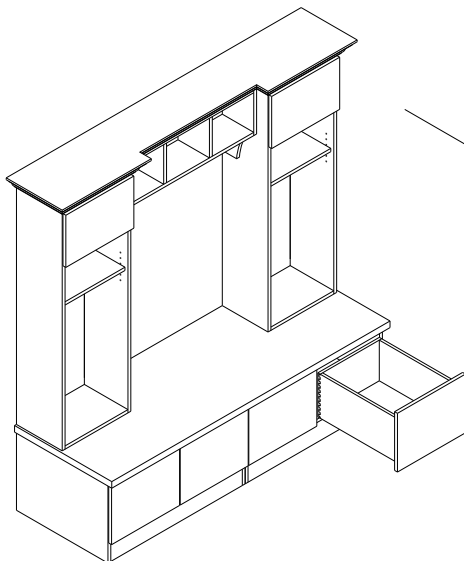
Hall Trees



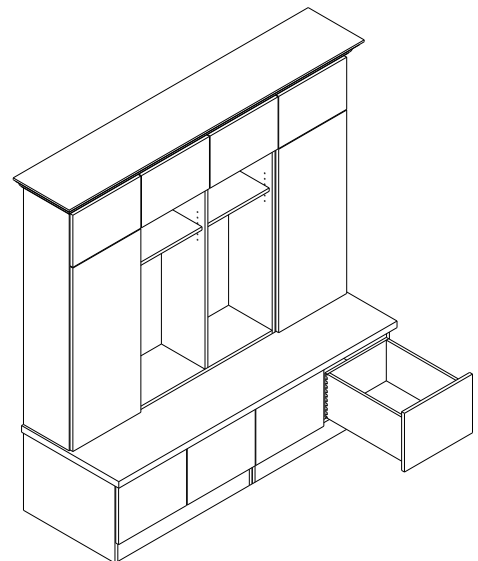
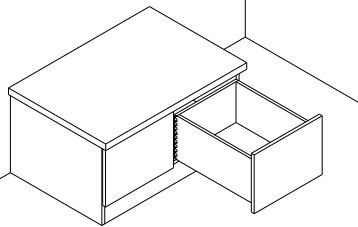
Coat Racks



Lockers

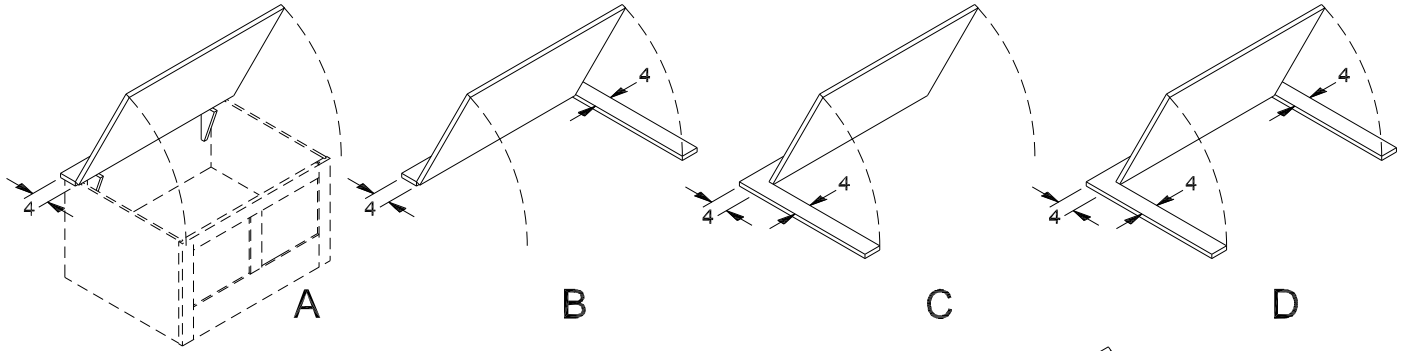


Boot Benches



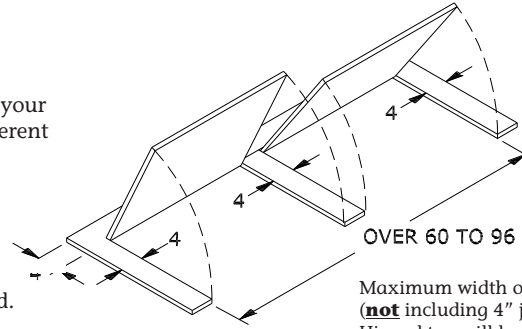


62810 - Hinged Wood Top



Hinged Wood Top - HWT

- HWT are available for use with a Boot Bench. Depending on your specific installation, Hinged Wood Tops are available in 4 different configurations (A-D, see above).
- HWT use "clip" hinges with a 95° opening.
- HWT over 60" in width will be split into two hinged tops. (See drawing at right)
- HWT are available 3/4" thick only (with 3/4" thick shaped solid stock applied). Specify profile and indicate edges to be shaped.

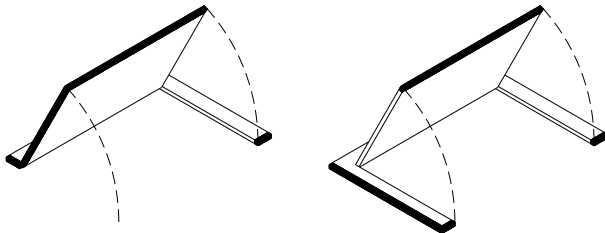


Maximum width of hinged top is 96" (not including 4" jamb on unit B, C, D). Hinged top will have 2 sections for units over 60" wide.

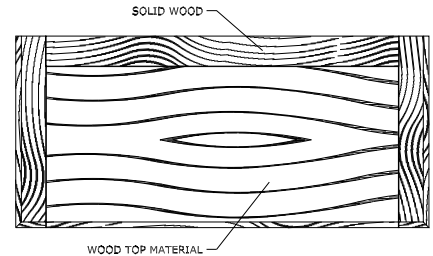
HWTD25 1/2" x 49"

Profile #2, Front & Left Edge (See examples below.)

QUOTED MODIFICATIONS ONLY



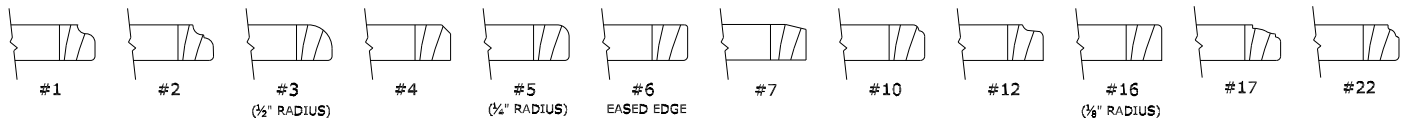
Example: Profile Front & Left Edge



4" jamba are solid wood. Grain directions will not match. See above.

NOTE: Available in standard wood species only.

Profiles Available



Hinged Wood Top "A", **HWTA**. \$310 + \$149 per square foot

Hinged Wood Top "B", **HWTB**. \$310 + \$149 per square foot

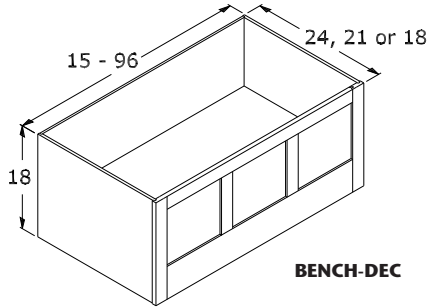
Hinged Wood Top "C", **HWTC**. \$310 + \$149 per square foot

Hinged Wood Top "D", **HWTD**. \$310 + \$149 per square foot

NOTE: An installation kit is included with every Hinged Wood Top. The kit contains a soft close lid support mechanism and support blocks. Onsite installation is required for proper use and function. Instructions are included.



62820 - Boot Bench with Decorative Panel



Bench Width	# of Panels
15" - 24"	1
Over 24" - 39"	2
Over 39" - 60"	3
Over 60" - 78"	4
Over 78" - 96"	5

Cat. No.	Price
BENCH-DEC15	381
BENCH-DEC18	411
BENCH-DEC21	443
BENCH-DEC24	472
BENCH-DEC27	496
BENCH-DEC30	522
BENCH-DEC33	548
BENCH-DEC36	570
BENCH-DEC39	611
BENCH-DEC42	653
BENCH-DEC45	695
BENCH-DEC48	735
BENCH-DEC51	777
BENCH-DEC54	818
BENCH-DEC57	859
BENCH-DEC60	902
BENCH-DEC63	927
BENCH-DEC66	951
BENCH-DEC69	977
BENCH-DEC72	1001
BENCH-DEC75	1046
BENCH-DEC78	1090
BENCH-DEC81	1134
BENCH-DEC84	1174
BENCH-DEC87	1209
BENCH-DEC90	1244
BENCH-DEC93	1280
BENCH-DEC96	1315

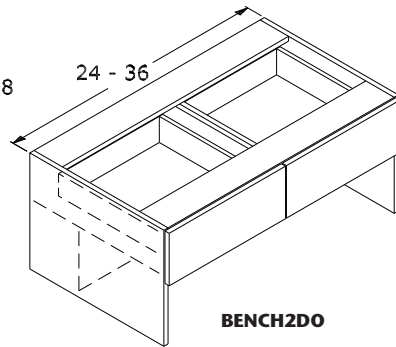
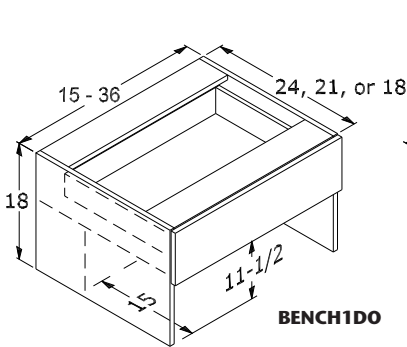
- Overall height is 18". Overall depth is 24". 21" or 18" depth is available for no charge. Specify **-21** or **-18** after the code. Example: BENCH-DEC48-18
- Space beneath floor is 4-1/2" high.

BENCH-DEC (Boot Bench with Decorative Panels)

- Bottom rail varies depending on the door style. Bottom rail is 4 1/2" high + width of standard door rail.
- Decorative Panel will match the door style specified for the order.
Exception: For mitered door styles, only the insert panel will match.
- **Maximum** height = 30".
Minimum height = 12".

NOTE: Available in standard wood species **only**.

62825 - Boot Bench Drawer with Open Bottom



- Overall Height is 18". Overall Depth is 24". 21 or 18" depth is available for no charge. Specify **-21** or **-18** after the code. Example: BENCH1DO30-18
- **Maximum** width = 36". For wider widths combine two or more Boot Benches.
- Width modifications affect drawers equally.
- **Interior of open area is finished as standard.**
- **Maximum** height = 30".
Minimum height = 12".

1 Drawer	
Cat. No.	Price
BENCH1DO15	985
BENCH1DO18	1046
BENCH1DO21	1106
BENCH1DO24	1165
BENCH1DO27	1213
BENCH1DO30	1263
BENCH1DO33	1312
BENCH1DO36	1356

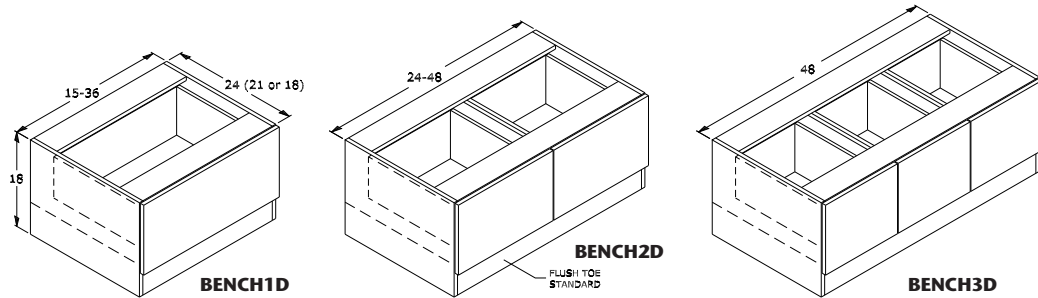
2 Drawers	
Cat. No.	Price
BENCH2DO24	1465
BENCH2DO27	1515
BENCH2DO30	1564
BENCH2DO33	1610
BENCH2DO36	1659

NOTE: Not available for Acrylics or Wired Foils.



62830 - Boot Bench with Drawers

- Overall Height is 18". Overall Depth is 24". 21 or 18" depth is available for no charge. Specify **-21** or **-18** after the code.
Example: **BENCH3D48-18**
- **Flush Toe is standard.** Recessed Toe can be specified for no charge. Specify Recessed Toe Space Front **RTSFNC** on order.
- For a 3" Flush Toe, specify **FTOE3** after the code (Example: **BENCH3D60-FTOE3**.) Overall height remains at 18". (Drawer boxes will increase in height to 10".)
- Space beneath floor is 4-1/2" high (3" high when 3" flush toe is specified).
- Width modifications affect all drawer openings equally.
- **Maximum** height = 30".
Minimum height = 12".



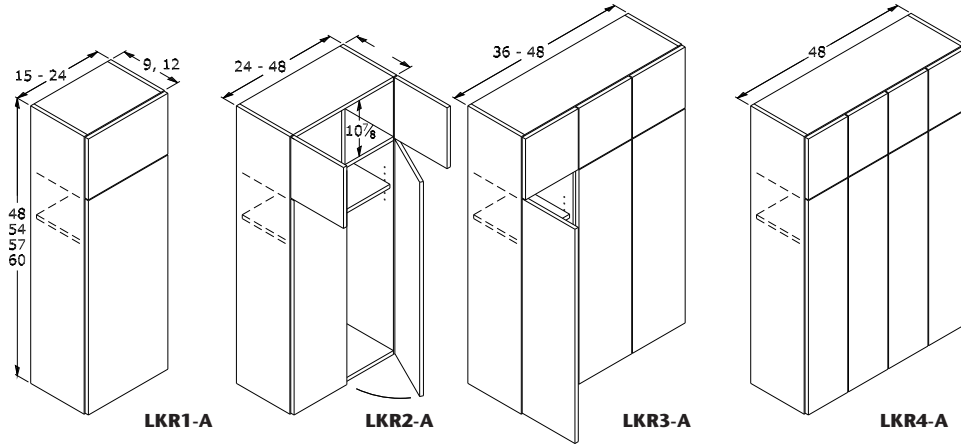
Cat. Code	1	2	3	4	5	6	7	8	9	10	11
1 Drawer											
BENCH1D15	679	760	807	844	871	921	943	984	1011	1055	1091
BENCH1D18	727	815	865	906	934	985	1012	1056	1082	1130	1171
BENCH1D21	777	868	923	965	997	1054	1080	1126	1155	1207	1248
BENCH1D24	824	923	979	1025	1057	1116	1146	1195	1225	1280	1323
BENCH1D27	864	966	1026	1074	1108	1171	1200	1251	1284	1340	1388
BENCH1D30	905	1012	1073	1123	1160	1224	1256	1312	1343	1405	1452
BENCH1D33	943	1056	1120	1173	1210	1279	1311	1368	1403	1465	1516
BENCH1D36	980	1097	1165	1218	1257	1329	1362	1424	1459	1523	1575
2 Drawers											
BENCH2D24	1069	1195	1269	1328	1370	1447	1483	1549	1587	1658	1714
BENCH2D27	1109	1239	1315	1376	1421	1501	1539	1606	1648	1720	1780
BENCH2D30	1148	1286	1365	1428	1473	1557	1595	1666	1707	1783	1844
BENCH2D33	1188	1329	1410	1474	1523	1608	1649	1721	1764	1841	1907
BENCH2D36	1228	1372	1455	1524	1573	1662	1704	1778	1822	1902	1969
BENCH2D39	1281	1434	1522	1592	1642	1734	1778	1857	1903	1987	2057
BENCH2D42	1335	1493	1585	1659	1712	1809	1854	1936	1984	2071	2144
BENCH2D45	1390	1556	1650	1726	1782	1881	1929	2014	2064	2155	2230
BENCH2D48	1442	1613	1712	1791	1847	1952	2001	2089	2141	2236	2314
3 Drawers											
BENCH3D48	1696	1897	2012	2105	2173	2295	2351	2456	2517	2628	2720

Reduce Height of Flush Toe to 3" (overall height of cabinet remains 18"), **FTOE3** **Add \$256**

Recessed Toe Space Front No Charge, **RTSFNC** **N/C**



62840 - Locker Style A



- Specify hinge direction for all units. If not specified, default is listed below.
LKR1 - HL
LKR2 - HL, HR
LKR3 - HL, HL, HR
LKR4 - HL, HR, HL, HR

- Specify Finished Ends for No Charge.

- Reveal below lower door is 1/4" to provide clearance for door swing.
- Overall Depth is 12". 9" depth is available for No Charge. Specify -9 after the code.
Example: LKR2-A3054-9

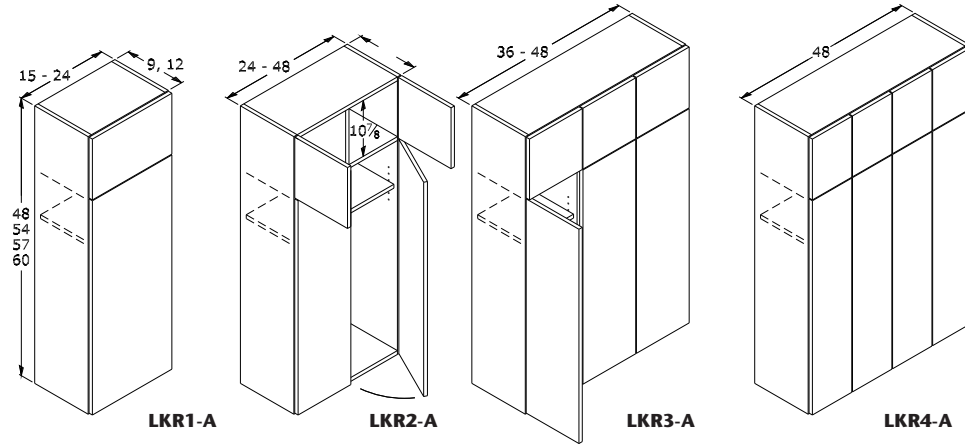
- Width modifications affect all openings equally. Height modifications affect the lower section.

- See section #83405 for coat hooks.

Cat. Code	1	2	3	4	5	6	7	8	9	10	11
48" High - One Door Wide											
LKR1-A1548	856	958	1018	1063	1097	1161	1189	1241	1273	1329	1375
LKR1-A1848	948	1061	1126	1179	1216	1285	1316	1374	1409	1470	1523
LKR1-A2148	1040	1165	1236	1293	1334	1410	1445	1507	1545	1614	1671
LKR1-A2448	1131	1266	1343	1407	1452	1535	1572	1641	1683	1755	1818
48" High - Two Doors Wide											
LKR2-A2448	1306	1462	1552	1622	1675	1769	1813	1894	1941	2027	2097
LKR2-A2748	1397	1564	1659	1735	1791	1893	1939	2026	2076	2169	2243
LKR2-A3048	1489	1668	1769	1851	1910	2019	2068	2160	2214	2312	2392
LKR2-A3348	1580	1769	1876	1965	2028	2142	2196	2294	2350	2455	2539
LKR2-A3648	1668	1865	1979	2071	2137	2257	2314	2418	2477	2587	2677
LKR2-A3948	1761	1971	2091	2189	2257	2384	2443	2553	2616	2732	2826
LKR2-A4248	1853	2075	2201	2303	2376	2510	2573	2687	2754	2875	2975
LKR2-A4548	1948	2180	2313	2420	2496	2637	2702	2824	2891	3021	3126
LKR2-A4848	2039	2281	2419	2532	2611	2760	2830	2956	3029	3162	3273
48" High - Three Doors Wide											
LKR3-A3648	1853	2075	2201	2303	2376	2510	2573	2687	2754	2875	2975
LKR3-A3948	1948	2180	2313	2420	2496	2637	2702	2824	2891	3021	3126
LKR3-A4248	2040	2282	2420	2533	2613	2761	2831	2957	3030	3163	3274
LKR3-A4548	2133	2386	2532	2650	2734	2888	2960	3092	3169	3310	3425
LKR3-A4848	2226	2491	2643	2765	2853	3014	3090	3226	3307	3453	3573
48" High - Four Doors Wide											
LKR4-A4848	2401	2687	2851	2982	3077	3252	3332	3481	3566	3724	3853
54" High - One Door Wide											
LKR1-A1554	933	1045	1109	1161	1199	1265	1297	1354	1389	1449	1500
LKR1-A1854	1024	1147	1217	1274	1314	1389	1424	1486	1524	1591	1647
LKR1-A2154	1113	1245	1321	1382	1427	1507	1545	1614	1655	1727	1788
LKR1-A2454	1203	1347	1428	1494	1543	1629	1670	1743	1788	1866	1932
54" High - Two Doors Wide											
LKR2-A2454	1231	1377	1463	1531	1580	1670	1711	1787	1830	1913	1977
LKR2-A2754	1480	1656	1755	1838	1897	2004	2054	2145	2198	2296	2376
LKR2-A3054	1578	1766	1873	1959	2022	2135	2189	2286	2342	2446	2531
LKR2-A3354	1678	1876	1991	2084	2152	2272	2328	2433	2492	2602	2693
LKR2-A3654	1774	1985	2105	2203	2274	2403	2462	2572	2636	2751	2847
LKR2-A3954	1873	2096	2224	2327	2401	2536	2599	2714	2781	2904	3003
LKR2-A4254	1970	2205	2340	2448	2526	2667	2734	2854	2925	3056	3162
LKR2-A4554	2069	2315	2456	2571	2653	2804	2872	2999	3073	3210	3321
LKR2-A4854	2166	2425	2572	2692	2777	2935	3006	3139	3217	3358	3475
54" High - Three Doors Wide											
LKR3-A3654	1970	2205	2340	2448	2526	2667	2734	2854	2925	3056	3162
LKR3-A3954	2069	2315	2456	2571	2653	2804	2872	2999	3073	3210	3321
LKR3-A4254	2169	2427	2575	2695	2781	2938	3010	3142	3220	3364	3481
LKR3-A4554	2267	2536	2691	2816	2905	3070	3146	3285	3366	3516	3637
LKR3-A4854	2364	2646	2809	2939	3033	3204	3283	3428	3512	3668	3796
54" High - Four Doors Wide											
LKR4-A4854	2551	2854	3029	3169	3269	3456	3541	3699	3790	3957	4094



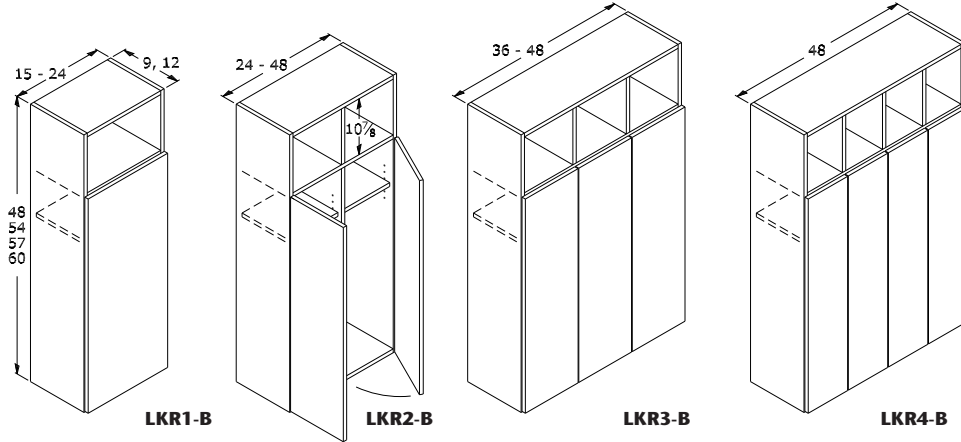
62840 - Locker Style A



Cat. Code	1	2	3	4	5	6	7	8	9	10	11
57" High - One Door Wide											
LKR1-A1557	1011	1130	1200	1255	1295	1368	1403	1465	1501	1567	1621
LKR1-A1857	1098	1229	1305	1365	1410	1488	1526	1593	1633	1705	1764
LKR1-A2157	1187	1329	1410	1474	1523	1608	1649	1721	1764	1841	1907
LKR1-A2457	1277	1430	1517	1586	1637	1729	1773	1852	1899	1981	2050
57" High - Two Doors Wide											
LKR2-A2457	1453	1627	1726	1806	1864	1969	2019	2106	2160	2254	2333
LKR2-A2757	1560	1745	1852	1938	2000	2113	2166	2261	2319	2421	2504
LKR2-A3057	1666	1864	1978	2070	2135	2256	2313	2417	2476	2586	2676
LKR2-A3357	1776	1986	2106	2205	2275	2404	2463	2573	2637	2753	2848
LKR2-A3657	1880	2104	2232	2337	2412	2548	2610	2726	2795	2918	3020
LKR2-A3957	1984	2219	2356	2464	2544	2687	2754	2875	2947	3078	3185
LKR2-A4257	2086	2336	2477	2593	2677	2827	2897	3024	3099	3237	3349
LKR2-A4557	2193	2454	2603	2723	2811	2968	3043	3178	3255	3401	3518
LKR2-A4857	2295	2569	2725	2852	2943	3110	3187	3329	3412	3562	3686
57" High - Three Doors Wide											
LKR3-A3657	2086	2336	2477	2593	2677	2827	2897	3024	3099	3237	3349
LKR3-A3957	2193	2454	2603	2723	2811	2968	3043	3178	3255	3401	3518
LKR3-A4257	2296	2571	2726	2853	2944	3111	3188	3330	3413	3563	3687
LKR3-A4557	2399	2684	2847	2979	3073	3247	3329	3476	3561	3720	3848
LKR3-A4857	2504	2803	2972	3110	3209	3390	3475	3628	3717	3881	4016
57" High - Four Doors Wide											
LKR4-A4857	2702	3023	3206	3356	3462	3658	3748	3915	4010	4189	4335
60" High - One Door Wide											
LKR1-A1560	1087	1216	1291	1350	1393	1472	1509	1577	1615	1687	1745
LKR1-A1860	1174	1314	1395	1459	1504	1591	1630	1703	1745	1822	1883
LKR1-A2160	1262	1412	1498	1567	1617	1708	1750	1829	1874	1957	2026
LKR1-A2460	1348	1508	1601	1676	1728	1826	1872	1955	2004	2091	2165
60" High - Two Doors Wide											
LKR2-A2460	1524	1706	1809	1894	1953	2065	2117	2210	2266	2364	2446
LKR2-A2760	1640	1836	1948	2039	2103	2221	2277	2377	2436	2545	2631
LKR2-A3060	1754	1964	2083	2180	2249	2376	2435	2544	2606	2721	2816
LKR2-A3360	1871	2093	2221	2324	2399	2533	2595	2712	2778	2902	3001
LKR2-A3660	1985	2222	2358	2468	2546	2691	2756	2879	2950	3080	3188
LKR2-A3960	2095	2344	2487	2602	2685	2837	2908	3036	3111	3248	3363
LKR2-A4260	2203	2467	2616	2737	2825	2984	3058	3195	3273	3416	3537
LKR2-A4560	2314	2589	2747	2874	2966	3133	3211	3353	3437	3589	3713
LKR2-A4860	2422	2712	2875	3009	3105	3281	3363	3510	3597	3757	3888
60" High - Three Doors Wide											
LKR3-A3660	2203	2467	2616	2737	2825	2984	3058	3195	3273	3416	3537
LKR3-A3960	2314	2589	2747	2874	2966	3133	3211	3353	3437	3589	3713
LKR3-A4260	2422	2712	2875	3009	3105	3281	3363	3510	3597	3757	3888
LKR3-A4560	2532	2833	3005	3146	3244	3428	3512	3668	3758	3926	4063
LKR3-A4860	2641	2956	3133	3280	3384	3576	3665	3827	3923	4095	4237
60" High - Four Doors Wide											
LKR4-A4860	2849	3189	3383	3540	3652	3859	3954	4129	4231	4419	4571



62850 - Locker Style B



- Specify hinge direction for all units. If not specified, default is listed below.
 - LKR1 - HL
 - LKR2 - HL, HR
 - LKR3 - HL, HL, HR
 - LKR4 - HL, HR, HL, HR

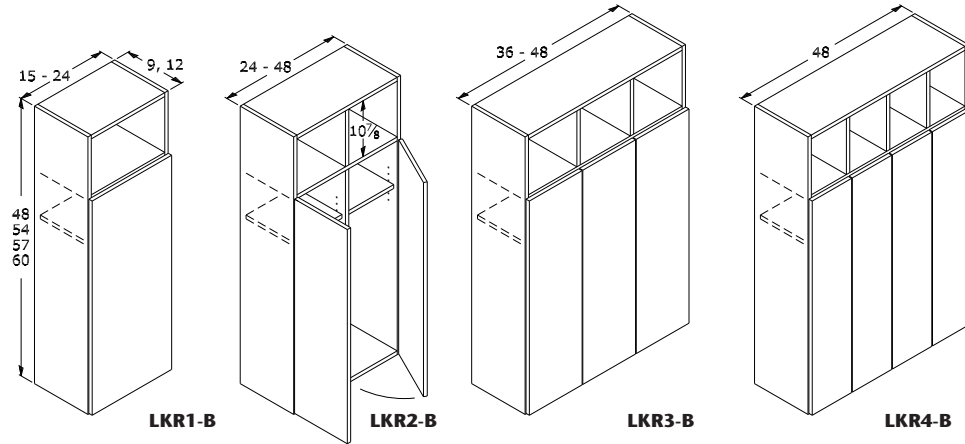
- Specify Finished Ends for No Charge.
- Matching Finished Interior is standard.
- Overall Depth is 12". 9" depth is available for No Charge. Specify -9 after the code. Example: LKR2-B3054-9
- Reveal below lower door is 1/4" to provide clearance for door swing
- Width modifications affect all openings equally. Height modifications affect the lower section.
- See section #83405 for coat hooks.

NOTE: Not available for Acrylics or Wired Foils.

Cat. Code	1	2	3	4	5	6	7	8	9	10	11
48" High - One Door Wide											
LKR1-B1548	849	949	1008	1055	1089	1151	1180	1230	1263	1318	1362
LKR1-B1848	959	1075	1141	1193	1231	1301	1334	1392	1427	1489	1542
LKR1-B2148	1063	1190	1264	1321	1363	1441	1477	1543	1580	1650	1707
LKR1-B2448	1165	1302	1381	1446	1491	1577	1615	1687	1728	1805	1866
48" High - Two Doors Wide											
LKR2-B2448	1372	1537	1629	1705	1759	1858	1904	1988	2039	2127	2202
LKR2-B2748	1462	1637	1736	1818	1875	1981	2030	2120	2174	2270	2348
LKR2-B3048	1553	1736	1844	1930	1991	2103	2155	2250	2306	2407	2491
LKR2-B3348	1642	1838	1951	2042	2106	2225	2281	2380	2440	2550	2637
LKR2-B3648	1732	1939	2057	2153	2221	2347	2405	2511	2574	2688	2782
LKR2-B3948	1837	2057	2181	2282	2355	2488	2550	2663	2729	2849	2947
LKR2-B4248	1992	2229	2364	2474	2553	2698	2763	2886	2958	3090	3197
LKR2-B4548	2047	2292	2432	2545	2624	2774	2842	2967	3041	3176	3286
LKR2-B4848	2085	2334	2476	2592	2676	2826	2896	3023	3098	3236	3348
48" High - Three Doors Wide											
LKR3-B3648	1909	2135	2266	2370	2446	2585	2649	2765	2834	2960	3062
LKR3-B3948	2014	2252	2389	2501	2581	2728	2796	2919	2992	3124	3232
LKR3-B4248	2117	2369	2513	2630	2715	2868	2940	3071	3147	3286	3401
LKR3-B4548	2222	2488	2638	2761	2849	3010	3085	3222	3301	3448	3568
LKR3-B4848	2324	2601	2758	2887	2979	3148	3225	3369	3451	3605	3729
48" High - Four Doors Wide											
LKR4-B4848	2487	2782	2952	3089	3187	3366	3449	3602	3692	3855	3988
54" High - One Door Wide											
LKR1-B1554	941	1054	1118	1171	1208	1277	1307	1365	1399	1462	1512
LKR1-B1854	1043	1168	1239	1297	1337	1413	1448	1511	1549	1617	1675
LKR1-B2154	1144	1280	1357	1421	1466	1549	1587	1658	1699	1774	1836
LKR1-B2454	1241	1389	1473	1543	1592	1683	1724	1801	1845	1928	1993
54" High - Two Doors Wide											
LKR2-B2454	1442	1613	1712	1791	1847	1952	2001	2089	2141	2236	2314
LKR2-B2754	1545	1728	1834	1920	1979	2091	2144	2238	2294	2397	2478
LKR2-B3054	1648	1843	1956	2047	2112	2230	2286	2385	2445	2554	2643
LKR2-B3354	1749	1958	2078	2175	2244	2369	2429	2536	2599	2714	2809
LKR2-B3654	1853	2075	2201	2303	2376	2510	2573	2687	2754	2875	2975
LKR2-B3954	1963	2196	2330	2439	2515	2658	2723	2845	2916	3043	3149
LKR2-B4254	2075	2322	2462	2576	2659	2810	2879	3005	3079	3217	3328
LKR2-B4554	2184	2445	2593	2714	2800	2959	3033	3167	3244	3388	3506
LKR2-B4854	2292	2566	2721	2848	2939	3105	3182	3323	3406	3556	3680
54" High - Three Doors Wide											
LKR3-B3654	2040	2282	2420	2533	2613	2761	2831	2957	3030	3163	3274
LKR3-B3954	2152	2406	2553	2673	2756	2912	2985	3117	3195	3336	3451
LKR3-B4254	2259	2529	2683	2807	2897	3059	3134	3274	3355	3503	3625
LKR3-B4554	2369	2653	2814	2945	3038	3210	3290	3435	3519	3675	3804
LKR3-B4854	2476	2771	2939	3076	3173	3352	3435	3588	3675	3839	3971
54" High - Four Doors Wide											
LKR4-B4854	2659	2975	3155	3302	3407	3600	3689	3853	3948	4122	4266



62850 - Locker Style B

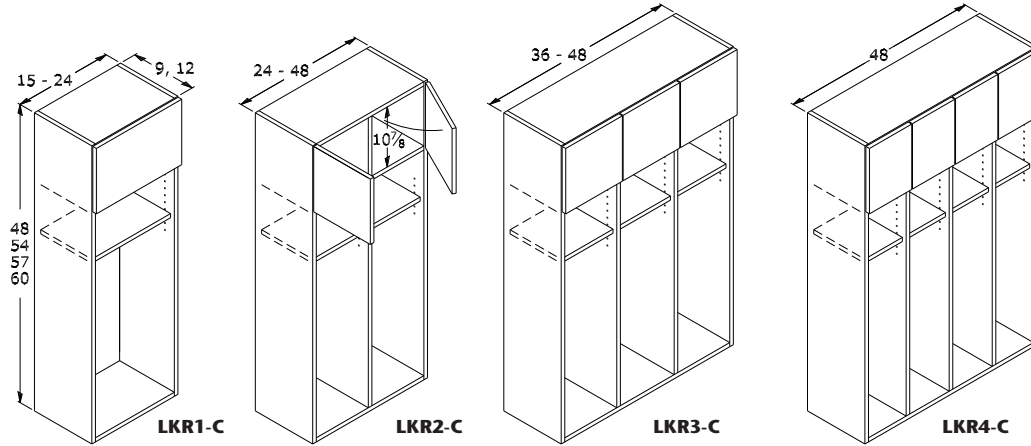


NOTE: Not available for Acrylics or Wired Foils.

Cat. Code	1	2	3	4	5	6	7	8	9	10	11
57" High - One Door Wide											
LKR1-B1557	1025	1148	1218	1276	1315	1390	1425	1487	1525	1592	1648
LKR1-B1857	1125	1258	1335	1397	1441	1523	1560	1629	1670	1743	1804
LKR1-B2157	1223	1368	1451	1519	1567	1657	1698	1773	1817	1897	1964
LKR1-B2457	1318	1474	1564	1637	1690	1785	1829	1911	1958	2046	2116
57" High - Two Doors Wide											
LKR2-B2457	1511	1692	1796	1878	1938	2049	2099	2193	2246	2345	2427
LKR2-B2757	1628	1822	1932	2022	2086	2205	2259	2359	2418	2525	2611
LKR2-B3057	1741	1949	2068	2163	2232	2358	2417	2524	2586	2701	2795
LKR2-B3357	1858	2081	2208	2310	2383	2518	2581	2695	2761	2883	2984
LKR2-B3657	1974	2211	2345	2455	2533	2677	2742	2863	2935	3065	3170
LKR2-B3957	2088	2337	2478	2594	2678	2828	2898	3027	3101	3238	3350
LKR2-B4257	2205	2468	2617	2739	2826	2986	3061	3197	3276	3421	3540
LKR2-B4557	2322	2599	2755	2883	2975	3143	3222	3365	3448	3601	3726
LKR2-B4857	2435	2725	2889	3024	3120	3297	3378	3528	3615	3777	3908
57" High - Three Doors Wide											
LKR3-B3657	2172	2431	2579	2698	2784	2942	3014	3148	3225	3369	3485
LKR3-B3957	2288	2561	2716	2842	2933	3098	3176	3316	3398	3547	3671
LKR3-B4257	2403	2688	2852	2984	3078	3253	3334	3482	3568	3726	3854
LKR3-B4557	2519	2819	2991	3129	3229	3412	3496	3652	3742	3909	4044
LKR3-B4857	2629	2944	3122	3266	3371	3562	3651	3813	3908	4080	4221
57" High - Four Doors Wide											
LKR4-B4857	2831	3167	3358	3516	3628	3834	3929	4102	4205	4391	4543
60" High - One Door Wide											
LKR1-B1560	1109	1241	1316	1377	1423	1502	1540	1608	1649	1721	1781
LKR1-B1860	1204	1348	1430	1496	1544	1630	1671	1745	1789	1867	1934
LKR1-B2160	1301	1455	1544	1615	1668	1761	1805	1885	1932	2019	2088
LKR1-B2460	1395	1561	1657	1733	1789	1890	1937	2023	2072	2166	2239
60" High - Two Doors Wide											
LKR2-B2460	1579	1767	1874	1960	2023	2137	2190	2287	2343	2448	2532
LKR2-B2760	1707	1911	2027	2120	2189	2313	2370	2475	2537	2649	2740
LKR2-B3060	1836	2054	2179	2280	2351	2485	2547	2659	2725	2846	2944
LKR2-B3360	1965	2200	2334	2442	2519	2662	2728	2848	2919	3048	3153
LKR2-B3660	2091	2341	2482	2599	2681	2833	2904	3033	3107	3245	3357
LKR2-B3960	2214	2477	2628	2750	2837	2998	3072	3209	3289	3434	3553
LKR2-B4260	2336	2613	2772	2902	2993	3163	3240	3385	3469	3622	3748
LKR2-B4560	2456	2748	2916	3051	3148	3327	3409	3560	3649	3808	3941
LKR2-B4860	2576	2883	3059	3202	3303	3489	3576	3734	3826	3995	4134
60" High - Three Doors Wide											
LKR3-B3660	2301	2575	2732	2859	2949	3115	3192	3335	3419	3569	3692
LKR3-B3960	2422	2712	2875	3009	3105	3281	3363	3510	3597	3757	3888
LKR3-B4260	2544	2846	3017	3160	3259	3444	3531	3686	3778	3945	4080
LKR3-B4560	2665	2982	3166	3313	3416	3610	3700	3862	3958	4133	4277
LKR3-B4860	2784	3113	3303	3457	3566	3766	3860	4031	4130	4315	4464
60" High - Four Doors Wide											
LKR4-B4860	3000	3358	3562	3728	3846	4064	4165	4349	4456	4654	4814



62860 - Locker Style C



- Specify hinge direction for all units. If not specified, default is listed below.
LKR1 - HL
LKR2 - HL, HR
LKR3 - HL, HL, HR
LKR4 - HL, HR, HL, HR

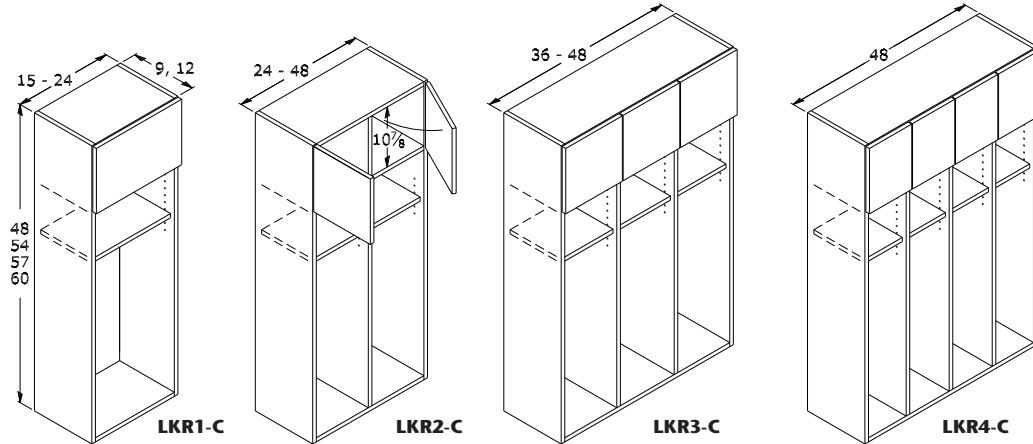
- Specify Finished Ends for No Charge.
- Matching Finished Interior is standard.
- Overall Depth is 12". 9" depth is available for No Charge. Specify -9 after the code. Example: LKR2-C3054-9
- Width modifications affect all openings equally. Height modifications affect the lower section.
- See section #83405 for coat hooks.

NOTE: Not available for Acrylics or Wired Foils.

Cat. Code	1	2	3	4	5	6	7	8	9	10	11
48" High - One Door Wide											
LKR1-C1548	727	815	865	906	934	985	1012	1056	1082	1130	1171
LKR1-C1848	789	881	936	979	1012	1069	1095	1144	1172	1223	1266
LKR1-C2148	863	965	1025	1073	1106	1169	1199	1250	1283	1339	1386
LKR1-C2448	933	1045	1109	1161	1199	1265	1297	1354	1389	1449	1500
48" High - Two Doors Wide											
LKR2-C2448	1152	1291	1369	1432	1479	1561	1600	1671	1712	1788	1848
LKR2-C2748	1211	1356	1440	1505	1554	1642	1684	1757	1802	1880	1946
LKR2-C3048	1273	1425	1511	1581	1631	1724	1767	1844	1892	1973	2042
LKR2-C3348	1334	1493	1585	1659	1712	1809	1854	1936	1984	2071	2144
LKR2-C3648	1393	1560	1655	1731	1787	1886	1934	2020	2069	2162	2236
LKR2-C3948	1467	1642	1742	1824	1881	1988	2039	2127	2181	2278	2357
LKR2-C4248	1544	1727	1833	1918	1978	2090	2142	2237	2293	2396	2477
LKR2-C4548	1619	1811	1921	2009	2075	2193	2246	2345	2404	2510	2597
LKR2-C4848	1690	1892	2006	2099	2166	2289	2345	2450	2510	2621	2712
48" High - Three Doors Wide											
LKR3-C3648	1568	1754	1861	1949	2009	2123	2176	2272	2328	2433	2517
LKR3-C3948	1642	1838	1951	2042	2106	2225	2281	2380	2440	2550	2637
LKR3-C4248	1715	1921	2039	2132	2200	2326	2383	2489	2551	2664	2756
LKR3-C4548	1790	2004	2125	2225	2295	2426	2487	2595	2660	2778	2874
LKR3-C4848	1864	2085	2212	2315	2387	2524	2586	2701	2769	2889	2991
48" High - Four Doors Wide											
LKR4-C4848	2039	2281	2419	2532	2611	2760	2830	2956	3029	3162	3273
54" High - One Door Wide											
LKR1-C1554	747	837	889	930	961	1014	1039	1085	1112	1162	1202
LKR1-C1854	822	922	978	1024	1056	1115	1145	1194	1224	1279	1322
LKR1-C2154	899	1004	1067	1115	1151	1216	1245	1301	1334	1392	1441
LKR1-C2454	970	1087	1153	1206	1244	1315	1348	1409	1444	1505	1559
54" High - Two Doors Wide											
LKR2-C2454	1182	1322	1404	1468	1516	1600	1641	1713	1755	1834	1897
LKR2-C2754	1257	1409	1493	1563	1613	1704	1746	1823	1867	1951	2020
LKR2-C3054	1318	1474	1564	1637	1690	1785	1829	1911	1958	2046	2116
LKR2-C3354	1386	1552	1647	1722	1778	1876	1923	2008	2060	2151	2225
LKR2-C3654	1452	1624	1725	1805	1862	1967	2016	2105	2158	2252	2330
LKR2-C3954	1529	1711	1816	1900	1959	2071	2123	2217	2273	2373	2456
LKR2-C4254	1606	1798	1908	1994	2060	2176	2230	2328	2385	2491	2579
LKR2-C4554	1683	1881	1995	2089	2156	2277	2333	2438	2497	2608	2699
LKR2-C4854	1755	1965	2085	2182	2251	2378	2438	2547	2609	2725	2819
54" High - Three Doors Wide											
LKR3-C3654	1638	1833	1945	2035	2100	2218	2274	2375	2434	2541	2628
LKR3-C3954	1714	1920	2037	2131	2198	2323	2380	2485	2547	2659	2751
LKR3-C4254	1790	2004	2125	2225	2295	2426	2487	2595	2660	2778	2874
LKR3-C4554	1865	2086	2214	2317	2392	2526	2588	2704	2771	2891	2993
LKR3-C4854	1941	2173	2303	2411	2487	2627	2693	2812	2881	3008	3112
54" High - Four Doors Wide											
LKR4-C4854	2131	2383	2529	2646	2730	2884	2957	3087	3164	3304	3420



62860 - Locker Style C

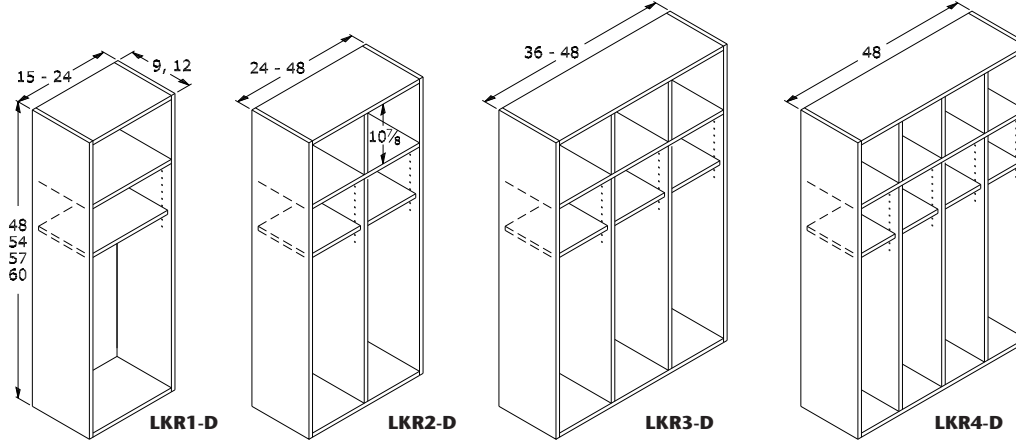


NOTE: Not available for Acrylics or Wired Foils.

Cat. Code	1	2	3	4	5	6	7	8	9	10	11
57" High - One Door Wide											
LKR1-C1557	783	875	930	973	1004	1061	1088	1136	1165	1216	1258
LKR1-C1857	856	958	1018	1063	1097	1161	1189	1241	1273	1329	1375
LKR1-C2157	933	1045	1109	1161	1199	1265	1297	1354	1389	1449	1500
LKR1-C2457	1006	1126	1195	1250	1292	1363	1398	1461	1497	1564	1617
57" High - Two Doors Wide											
LKR2-C2457	1210	1355	1438	1504	1553	1641	1683	1755	1801	1879	1945
LKR2-C2757	1287	1441	1529	1599	1651	1743	1788	1866	1914	1997	2067
LKR2-C3057	1361	1523	1615	1691	1745	1843	1890	1972	2022	2110	2183
LKR2-C3357	1437	1608	1707	1787	1843	1948	1995	2084	2135	2230	2307
LKR2-C3657	1511	1692	1796	1878	1938	2049	2099	2193	2246	2345	2427
LKR2-C3957	1589	1778	1885	1973	2037	2152	2205	2303	2359	2463	2550
LKR2-C4257	1668	1865	1979	2071	2137	2257	2314	2418	2477	2587	2677
LKR2-C4557	1746	1953	2072	2170	2238	2364	2424	2531	2593	2709	2803
LKR2-C4857	1823	2041	2163	2264	2337	2469	2531	2643	2707	2828	2926
57" High - Three Doors Wide											
LKR3-C3657	1707	1911	2027	2120	2189	2313	2370	2475	2537	2649	2740
LKR3-C3957	1787	1998	2120	2219	2291	2421	2481	2590	2656	2772	2868
LKR3-C4257	1864	2085	2212	2315	2387	2524	2586	2701	2769	2889	2991
LKR3-C4557	1941	2173	2303	2411	2487	2627	2693	2812	2881	3008	3112
LKR3-C4857	2019	2257	2396	2506	2586	2733	2800	2925	2998	3129	3238
57" High - Four Doors Wide											
LKR4-C4857	2221	2487	2637	2760	2848	3009	3084	3220	3300	3447	3566
60" High - One Door Wide											
LKR1-C1560	814	912	966	1012	1043	1102	1130	1181	1209	1263	1306
LKR1-C1860	891	997	1059	1108	1144	1208	1238	1294	1326	1384	1433
LKR1-C2160	968	1082	1150	1202	1241	1312	1343	1405	1440	1502	1556
LKR1-C2460	1043	1168	1239	1297	1337	1413	1448	1511	1549	1617	1675
60" High - Two Doors Wide											
LKR2-C2460	1241	1389	1473	1543	1592	1683	1724	1801	1845	1928	1993
LKR2-C2760	1323	1482	1573	1647	1698	1796	1839	1921	1969	2056	2125
LKR2-C3060	1406	1574	1670	1747	1803	1904	1952	2040	2089	2182	2257
LKR2-C3360	1489	1668	1769	1851	1910	2019	2068	2160	2214	2312	2392
LKR2-C3660	1568	1754	1861	1949	2009	2123	2176	2272	2328	2433	2517
LKR2-C3960	1649	1844	1957	2048	2113	2231	2287	2386	2446	2555	2644
LKR2-C4260	1727	1934	2050	2146	2215	2341	2399	2504	2566	2680	2772
LKR2-C4560	1808	2023	2146	2246	2319	2450	2510	2621	2686	2806	2903
LKR2-C4860	1886	2112	2239	2344	2420	2557	2620	2735	2804	2928	3029
60" High - Three Doors Wide											
LKR3-C3660	1777	1987	2109	2208	2278	2406	2467	2575	2639	2755	2851
LKR3-C3960	1857	2079	2207	2308	2380	2515	2579	2693	2758	2881	2981
LKR3-C4260	1937	2169	2300	2406	2482	2623	2688	2809	2877	3003	3108
LKR3-C4560	2016	2256	2394	2505	2585	2732	2799	2924	2996	3128	3237
LKR3-C4860	2095	2344	2487	2602	2685	2837	2908	3036	3111	3248	3363
60" High - Four Doors Wide											
LKR4-C4860	2314	2589	2747	28743	2542	2685	2752	2874	2946	3076	3182



62870 - Locker Style D



- Specify Finished Ends for No Charge.
- Matching Finished Interior is standard.
- Overall Depth is 12". 9" depth is available for No Charge. Specify -9 after the code.
Example: LKR2-D3054-9
- Width modifications affect all openings equally. Height modifications affect the lower section.
- See [section #83405](#) for coat hooks.

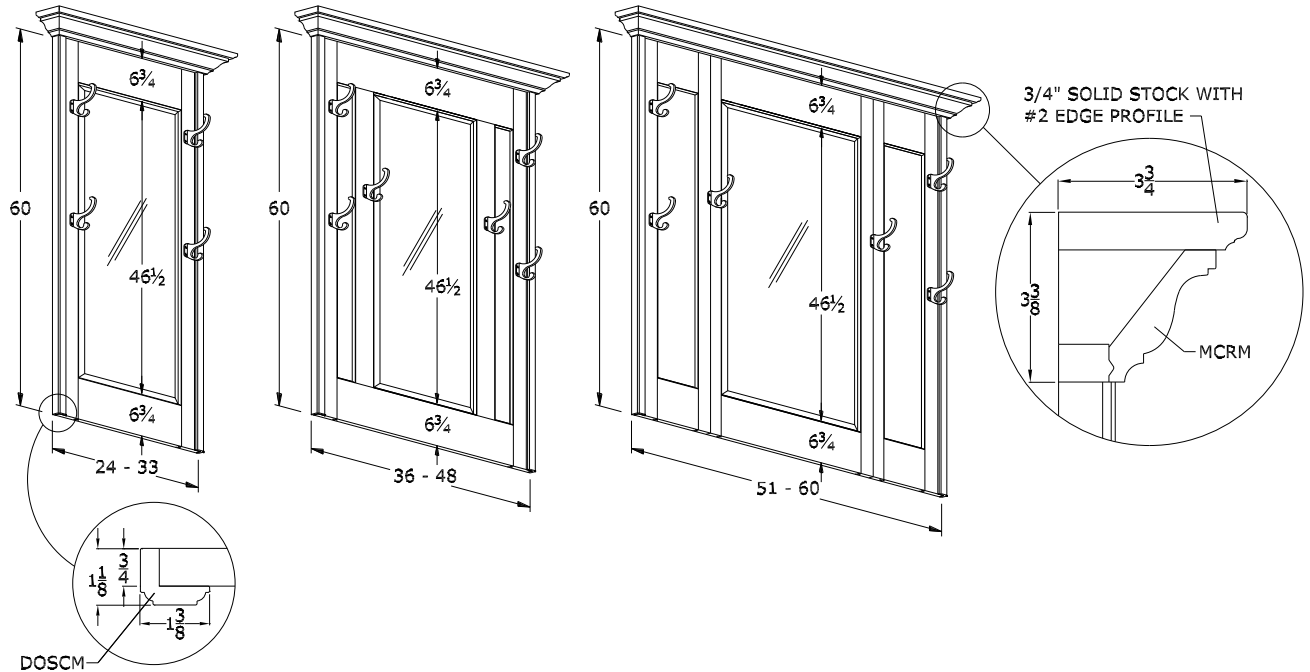
NOTE: Not available for Acrylics or Wired Foils.

Cat. Code	Price
48" High - One Opening Wide	
LKR1-D1548	602
LKR1-D1848	662
LKR1-D2148	719
LKR1-D2448	776
48" High - Two Openings Wide	
LKR2-D2448	958
LKR2-D2748	1005
LKR2-D3048	1054
LKR2-D3348	1101
LKR2-D3648	1151
LKR2-D3948	1207
LKR2-D4248	1264
LKR2-D4548	1320
LKR2-D4848	1375
48" High - Three Openings Wide	
LKR3-D3648	1292
LKR3-D3948	1350
LKR3-D4248	1410
LKR3-D4548	1469
LKR3-D4848	1526
48" High - Four Openings Wide	
LKR4-D4848	1676
54" High - One Opening Wide	
LKR1-D1554	637
LKR1-D1854	696
LKR1-D2154	758
LKR1-D2454	815
54" High - Two Openings Wide	
LKR2-D2454	989
LKR2-D2754	1045
LKR2-D3054	1099
LKR2-D3354	1153
LKR2-D3654	1208
LKR2-D3954	1266
LKR2-D4254	1326
LKR2-D4554	1384
LKR2-D4854	1441
54" High - Three Openings Wide	
LKR3-D3654	1361
LKR3-D3954	1424
LKR3-D4254	1483
LKR3-D4554	1543
LKR3-D4854	1600
54" High - Four Openings Wide	
LKR4-D4854	1763

Cat. Code	Price
57" High - One Opening Wide	
LKR1-D1557	670
LKR1-D1857	731
LKR1-D2157	795
LKR1-D2457	853
57" High - Two Openings Wide	
LKR2-D2457	1022
LKR2-D2757	1083
LKR2-D3057	1147
LKR2-D3357	1206
LKR2-D3657	1266
LKR2-D3957	1326
LKR2-D4257	1389
LKR2-D4557	1447
LKR2-D4857	1504
57" High - Three Openings Wide	
LKR3-D3657	1433
LKR3-D3957	1494
LKR3-D4257	1558
LKR3-D4557	1616
LKR3-D4857	1676
57" High - Four Openings Wide	
LKR4-D4857	1851
60" High - One Opening Wide	
LKR1-D1560	700
LKR1-D1860	766
LKR1-D2160	831
LKR1-D2460	893
60" High - Two Openings Wide	
LKR2-D2460	1054
LKR2-D2760	1120
LKR2-D3060	1189
LKR2-D3360	1257
LKR2-D3660	1322
LKR2-D3960	1386
LKR2-D4260	1447
LKR2-D4560	1509
LKR2-D4860	1568
60" High - Three Openings Wide	
LKR3-D3660	1503
LKR3-D3960	1566
LKR3-D4260	1628
LKR3-D4560	1691
LKR3-D4860	1750
60" High - Four Openings Wide	
LKR4-D4860	1935



62880 - Mirrored Hall Tree



Mirrored Hall Tree - HLTR-MR

- Decorative panel matches the door style specified on the order. **Exception:** For mitered door styles, only the insert panel will match. If the panels on the left and right side of the mirror are too small for raised panels, they will default to flat panels.
 - Crown molding assembly at top is included and shipped loose.
 - Units over 48" wide ship as 3 pieces for jobsite assembly.
 - Bevelled Mirror and Coat Hooks are included. Coat hooks are shipped loose for field installation.
 - Coat hooks have a Brushed Nickel finish as standard. If an alternative finish is preferred, specify finish for no charge.
- Example: HLTR-MR48-PB** (For additional, loose coat hooks, see [section #83405](#).)

- | | |
|-------------------------|-----------------------|
| Brushed Nickel (BN) | Satin Black (BLK) |
| Oil Rubbed Bronze (ORB) | Verona Bronze (VB) |
| Polished Brass (PB) | Weathered Iron (WI) |
| Polished Chrome (PC) | Weathered Nickel (WN) |

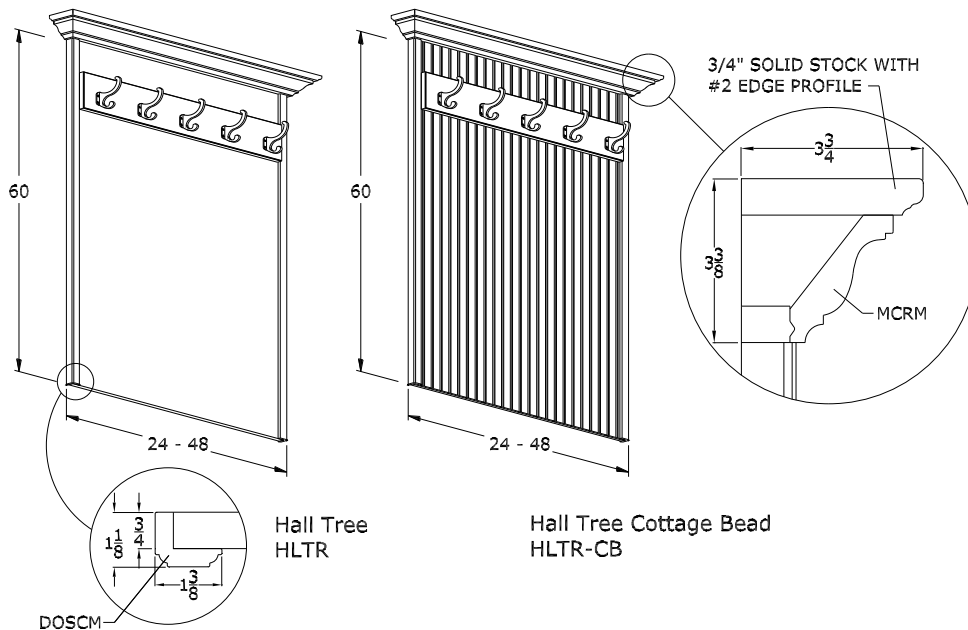
QUOTED MODIFICATIONS ONLY

NOTE: Available in standard wood species only.

Cat. No.	Price	# of Hooks	Mirror Width
HLTR-MR24	2064	4	16-1/2"
HLTR-MR27	2181	4	16-1/2"
HLTR-MR30	2296	4	22-1/2"
HLTR-MR33	2413	4	22-1/2"
HLTR-MR36	2525	6	16-1/2"
HLTR-MR39	2617	6	16-1/2"
HLTR-MR42	2709	6	16-1/2"
HLTR-MR45	2803	6	22-1/2"
HLTR-MR48	2890	6	22-1/2"
HLTR-MR51	2982	6	22-1/2"
HLTR-MR54	3076	6	22-1/2"
HLTR-MR57	3168	6	22-1/2"
HLTR-MR60	3258	6	22-1/2"



62890 - Hall Tree / Hall Tree Cottage Bead



- Hall Trees are designed for use with a Boot Bench.
- Crown molding assembly at top is included and shipped loose.
- Coat hooks are included and have a Brushed Nickel finish as standard. Coat hooks are shipped loose for field installation. If an alternative finish is preferred, specify finish for no charge. Example: HLTR36-**PB** (For additional, loose coat hooks, see [section #83405](#).)

- Oil Rubbed Bronze (ORB)
- Polished Brass (PB)
- Polished Chrome (PC)
- Satin Black (BLK)
- Verona Bronze (VB)
- Weathered Iron (WI)
- Weathered Nickel (WN)

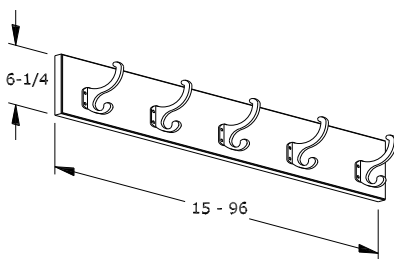
QUOTED MODIFICATIONS ONLY

NOTE: Available in standard wood species only.

Hall Tree		
Cat. No.	Price	# of Hooks
HLTR24	1225	3
HLTR27	1285	3
HLTR30	1343	4
HLTR33	1405	4
HLTR36	1461	4
HLTR39	1564	5
HLTR42	1666	5
HLTR45	1769	5
HLTR48	1867	6

Hall Tree Cottage Bead		
Cat. No.	Price	# of Hooks
HLTR-CB24	1504	3
HLTR-CB27	1612	3
HLTR-CB30	1717	4
HLTR-CB33	1823	4
HLTR-CB36	1928	4
HLTR-CB39	2050	5
HLTR-CB42	2173	5
HLTR-CB45	2295	5
HLTR-CB48	2417	6

62900 - Coat Hook Rack



- Coat hooks are included and have a Brushed Nickel finish as standard. Coat hooks are shipped loose for field installation. If an alternative finish is preferred, specify finish for no charge. Example: **CHRACK48-PB** (For additional, loose coat hooks, see [section #83405](#).)

- Oil Rubbed Bronze (ORB)
- Polished Brass (PB)
- Polished Chrome (PC)
- Satin Black (BLK)
- Verona Bronze (VB)
- Weathered Iron (WI)
- Weathered Nickel (WN)

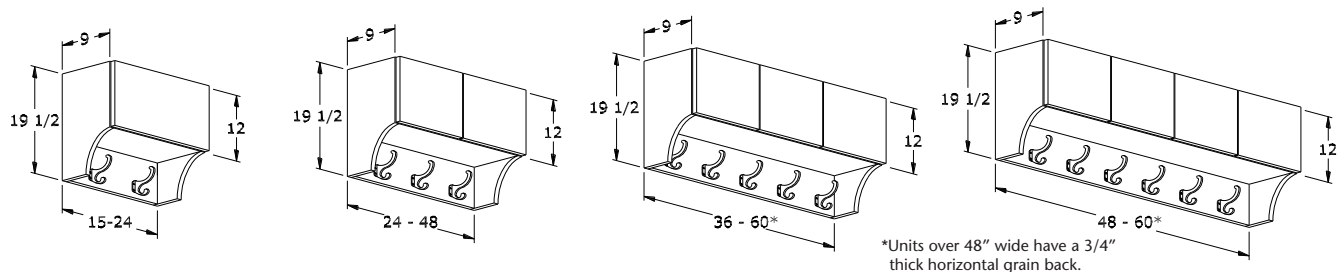
- Coat Hook Rack is profiled to match door style unless otherwise specified.

Cat. No.	Price	# of Hooks
CHRACK15	180	2
CHRACK18	209	2
CHRACK21	237	3
CHRACK24	265	3
CHRACK27	290	3
CHRACK30	313	4
CHRACK33	336	4
CHRACK36	357	4
CHRACK39	398	5
CHRACK42	439	5
CHRACK45	479	5
CHRACK48	517	6
CHRACK51	542	6
CHRACK54	566	6

Cat. No.	Price	# of Hooks
CHRACK57	590	7
CHRACK60	609	7
CHRACK63	637	7
CHRACK66	662	8
CHRACK69	688	8
CHRACK72	710	8
CHRACK75	749	9
CHRACK78	790	9
CHRACK81	829	9
CHRACK84	864	10
CHRACK87	891	10
CHRACK90	917	10
CHRACK93	942	11
CHRACK96	963	11



62910 - Coat Rack Organizer with Door

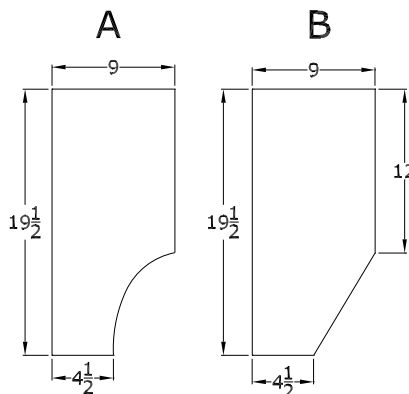


- Select a Styled End (A or B). Example: **CRO1D15-A**
- Specify hinge direction. If not specified default is:
CRO1D = HL CRO2D = HL, HR CRO3D = HL, HL, HR CRO4D = HL, HR, HL, HR
- **Matching Finished Ends and Finished Top are standard and included at No Charge.**
- Width modifications affect the openings equally.
- Coat hooks are included in a Brushed Nickel (BPN) finish as standard and shipped loose. If alternative finish is preferred, specify finish for no charge.

Example: CRO2D3-A6-PB (For additional, loose coat hooks, see [section #83405.](#))

- Oil Rubbed Bronze (ORB) Verona Bronze (VB)
- Polished Brass (PB) Weathered Iron (WI)
- Polished Chrome (PC) Weathered Nickel (WN)
- Satin Black (BLK)

ALL OTHER MODIFICATIONS MUST BE QUOTED



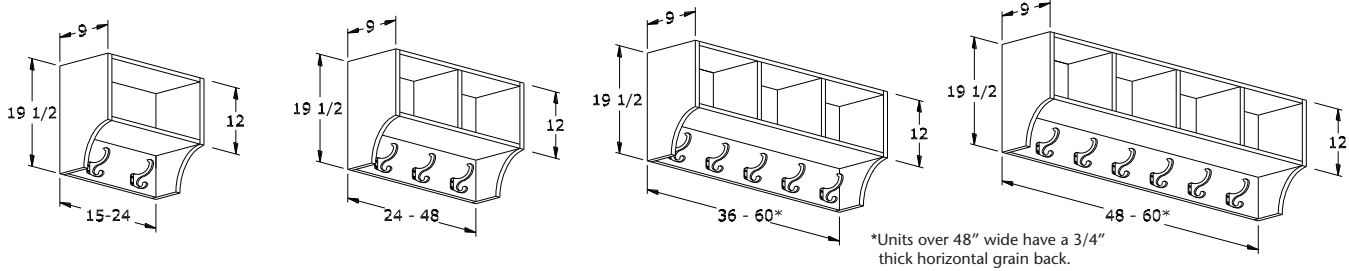
NOTE: Not available for Acrylics or Wired Foils.

Cat. Code		1	2	3	4	5	6	7	8	9	10	11	# of Hooks
One Door Wide													
CRO1D15	A or B	429	480	511	535	552	583	597	622	640	668	690	2
CRO1D18	A or B	490	550	584	609	629	667	683	713	731	763	790	2
CRO1D21	A or B	551	615	656	685	707	746	768	801	821	857	888	3
CRO1D24	A or B	609	683	724	758	782	826	847	885	907	947	979	3
Two Doors Wide													
CRO2D24	A or B	663	740	788	824	850	900	922	962	985	1031	1064	3
CRO2D27	A or B	717	802	851	891	920	970	996	1040	1067	1112	1152	4
CRO2D30	A or B	769	859	913	956	986	1042	1069	1115	1145	1194	1236	4
CRO2D33	A or B	822	922	978	1024	1056	1115	1145	1194	1224	1279	1322	4
CRO2D36	A or B	874	979	1040	1088	1123	1186	1216	1269	1300	1357	1406	5
CRO2D39	A or B	943	1056	1120	1173	1210	1279	1311	1368	1403	1465	1516	5
CRO2D42	A or B	1012	1131	1201	1256	1297	1369	1404	1466	1502	1568	1622	5
CRO2D45	A or B	1078	1208	1283	1341	1384	1462	1498	1565	1603	1676	1733	6
CRO2D48	A or B	1146	1283	1360	1424	1468	1552	1591	1661	1703	1777	1838	6
Three Doors Wide													
CRO3D36	A or B	936	1048	1111	1164	1201	1267	1299	1356	1391	1452	1502	4
CRO3D39	A or B	1003	1123	1192	1246	1287	1360	1395	1455	1491	1559	1613	5
CRO3D42	A or B	1071	1200	1273	1332	1374	1452	1488	1554	1593	1664	1720	5
CRO3D45	A or B	1139	1277	1354	1417	1462	1545	1584	1655	1696	1770	1832	5
CRO3D48	A or B	1203	1347	1428	1494	1543	1629	1670	1743	1788	1866	1932	6
CRO3D51	A or B	1269	1421	1507	1577	1627	1718	1761	1839	1885	1969	2037	6
CRO3D54	A or B	1333	1490	1582	1657	1710	1806	1852	1934	1981	2069	2141	6
CRO3D57	A or B	1398	1565	1661	1736	1792	1895	1942	2028	2078	2172	2245	7
CRO3D60	A or B	1463	1638	1739	1819	1876	1983	2032	2121	2175	2271	2349	7
60" High - Four Doors Wide													
CRO4D48	A or B	1262	1412	1498	1567	1617	1708	1750	1829	1874	1957	2026	6
CRO4D51	A or B	1329	1487	1578	1651	1704	1801	1845	1928	1974	2063	2134	6
CRO4D54	A or B	1397	1564	1659	1735	1791	1893	1939	2026	2076	2169	2243	6
CRO4D57	A or B	1465	1640	1740	1820	1878	1984	2033	2123	2176	2272	2350	7
CRO4D60	A or B	1533	1715	1820	1904	1965	2077	2127	2222	2278	2378	2461	7

COAT RACK ORGANIZER CONTINUED ON NEXT PAGE



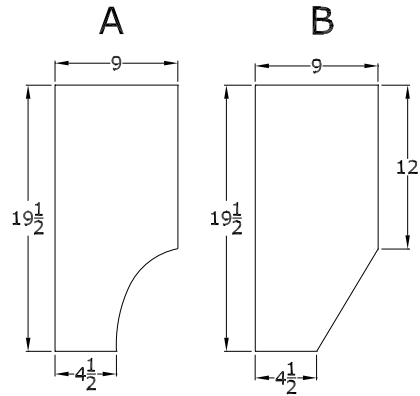
62910 - Coat Rack Organizer with Opening



- Select a Styled End (A or B). Example: **CRO1015-A**
- **Matching Finished Ends, Finished Top and Finished Interior are standard and included at No Charge.**
- Width modifications affect the openings equally.
- Coat hooks are included in a **Brushed Nickel (BPN)** finish as standard and shipped loose. If alternative finish is preferred, specify finish for no charge.

Example: **CRO2036-A-PB** (For additional, loose coat hooks, see [section #83405.](#))

Oil Rubbed Bronze (ORB) Verona Bronze (VB)
 Polished Brass (PB) Weathered Iron (WI)
 Polished Chrome (PC) Weathered Nickel (WN)
 Satin Black (BLK)



ALL OTHER MODIFICATIONS MUST BE QUOTED

NOTE: Not available for Acrylics or Wired Foils.

Cat. Code	Price	# of Hooks
One Opening		
CRO1015 A or B	364	2
CRO1018 A or B	416	2
CRO1021 A or B	466	3
CRO1024 A or B	517	3
Two Openings		
CRO2024 A or B	549	3
CRO2027 A or B	592	3
CRO2030 A or B	637	4
CRO2033 A or B	681	4
CRO2036 A or B	720	4
CRO2039 A or B	780	5
CRO2042 A or B	837	5
CRO2045 A or B	896	5
CRO2048 A or B	956	6
Three Openings		
CRO3036 A or B	758	4
CRO3039 A or B	815	5
CRO3042 A or B	873	5
CRO3045 A or B	933	5
CRO3048 A or B	990	6
CRO3051 A or B	1049	6
CRO3054 A or B	1108	6
CRO3057 A or B	1167	7
CRO3060 A or B	1225	7
Four Openings		
CRO4048 A or B	1024	6
CRO4051 A or B	1082	6
CRO4054 A or B	1143	6
CRO4057 A or B	1200	7
CRO4060 A or B	1258	7



Entertainment Centers



Entertainment Tall Style "A" (ETA), Entertainment Console Style "B" (ECB)
Crestwood plywood cabinetry shown.



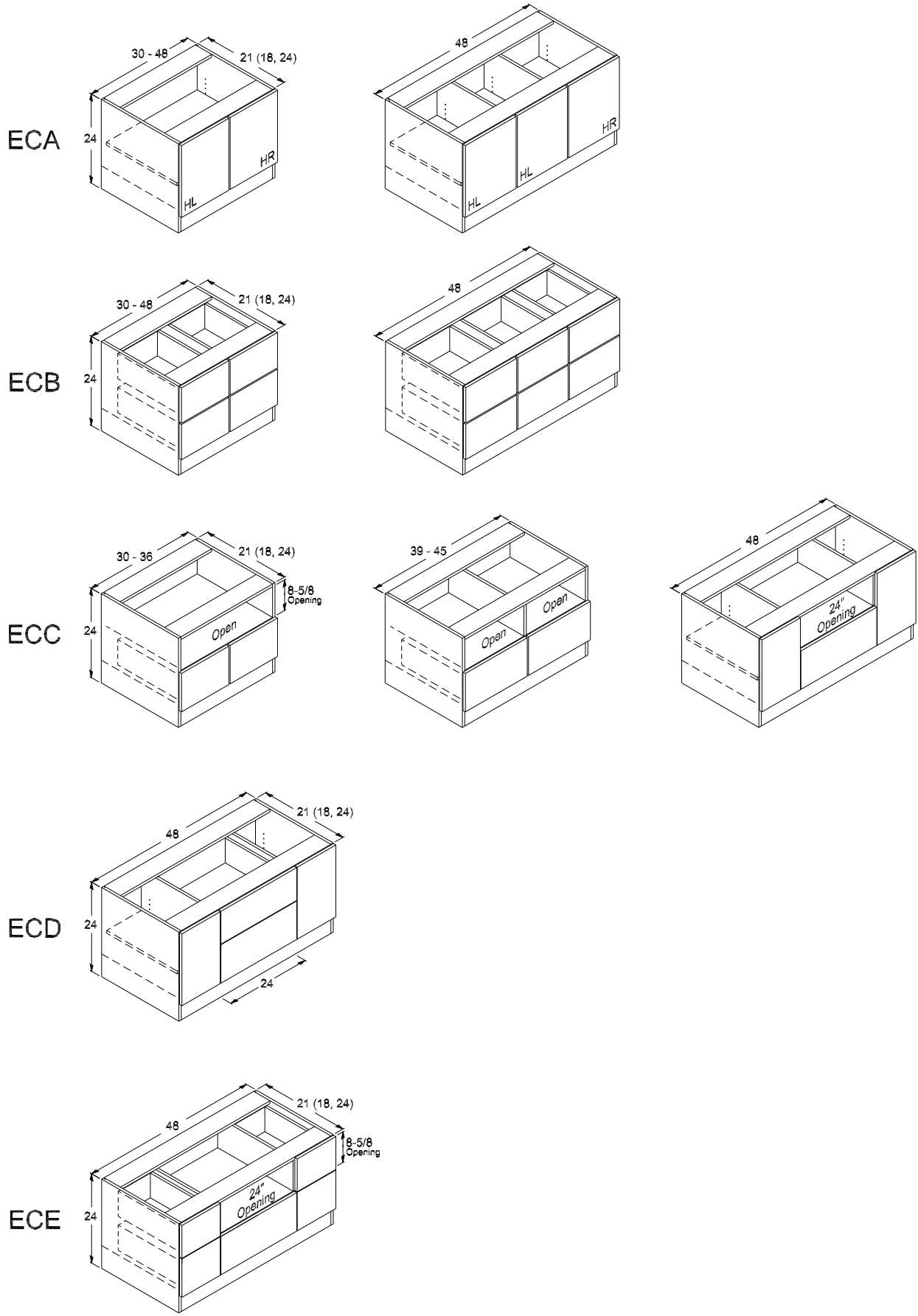
*Entertainment Wall Style "A" (EWA), Entertainment Tall Style "B" (ETB),
 Entertainment Console Style "C" (ECC)*
Crestwood plywood cabinetry shown.



*Entertainment Wall Style "C" (EWC), Entertainment Tower Pull-Out
 Style "B" (ETWRPB), Entertainment Console Style "D" (ECD)*
Crestwood plywood cabinetry shown.



62920 - Entertainment Console





62920 - Entertainment Console (continued)

- *Cabinets with open areas will have Matching Finished Interiors.*
- *Flush Toe is standard.* Recessed Toe can be specified for no charge. Specify Recessed Toe Space Front **RTSFNC** on order.
- For Style A, default hinge direction shown, specify alternative hinging if needed.
- For reduced widths, fixed dimensions are not affected. Cabinets with equal openings are affected equally.
- See [page 10-23 \(Section #82800\)](#) for Wood Tops.

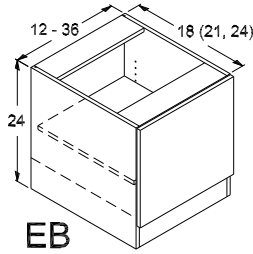
NOTE: 21" depth is standard. For 18" or 24" depth, add the suffix -18 or -24 after the code for no charge. Example: ECA48-18 or ECA48-24.

NOTE: Cabinets with an open area are **not** available with Acrylics or Wired Foils.

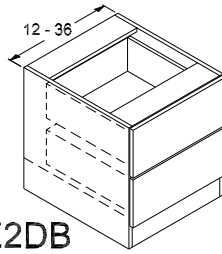
Cat. Code	1	2	3	4	5	6	7	8	9	10	11
ECA - 30" - 48" Wide											
ECA30	714	814	873	922	955	1014	1039	1085	1112	1162	1202
ECA33	749	851	913	962	996	1059	1085	1132	1162	1213	1255
ECA36	780	888	952	1004	1040	1102	1130	1181	1209	1263	1306
ECA39	819	934	1001	1056	1094	1164	1192	1243	1276	1332	1377
ECA42	851	971	1040	1094	1132	1204	1235	1291	1321	1378	1427
ECA45	888	1013	1082	1139	1180	1251	1284	1340	1374	1434	1483
ECA48	926	1053	1125	1183	1224	1299	1332	1390	1425	1487	1539
ECA - 48" Wide											
ECA48	1064	1209	1293	1360	1409	1493	1531	1599	1640	1712	1771
ECB - 30" - 48" Wide											
ECB30-4DWR	1483	1575	1635	1684	1715	1776	1801	1846	1894	1976	2044
ECB33-4DWR	1519	1613	1675	1724	1757	1820	1846	1895	1942	2028	2098
ECB36-4DWR	1549	1650	1714	1767	1802	1864	1893	1942	1990	2078	2151
ECB39-4DWR	1589	1696	1764	1818	1855	1925	1953	2005	2056	2146	2221
ECB42-4DWR	1620	1733	1802	1855	1895	1966	1995	2051	2102	2195	2271
ECB45-4DWR	1657	1774	1844	1901	1941	2014	2046	2102	2154	2249	2327
ECB48-4DWR	1694	1815	1886	1945	1986	2061	2093	2152	2205	2303	2382
ECB - 48" Wide											
ECB48-6DWR	2245	2359	2433	2490	2532	2606	2638	2698	2763	2886	2986
ECC - 30" - 36" Wide											
ECC30	1419	1511	1572	1619	1652	1712	1736	1784	1827	1910	1974
ECC33	1454	1550	1612	1661	1694	1755	1783	1832	1876	1959	2028
ECC36	1484	1586	1652	1704	1739	1802	1829	1878	1925	2009	2081
ECC - 39" - 45" Wide											
ECC39	1589	1696	1764	1818	1855	1925	1953	2005	2056	2146	2221
ECC42	1620	1733	1802	1855	1895	1966	1995	2051	2102	2195	2271
ECC45	1657	1774	1844	1901	1941	2014	2046	2102	2154	2249	2327
ECC - 48" Wide											
ECC48	1747	1871	1953	2022	2070	2160	2197	2267	2323	2426	2509
ECD - 48" Wide											
ECD48	1609	1747	1834	1903	1952	2041	2078	2147	2201	2300	2378
ECE - 48" Wide											
ECE48	2309	2424	2496	2554	2595	2670	2702	2760	2830	2956	3057



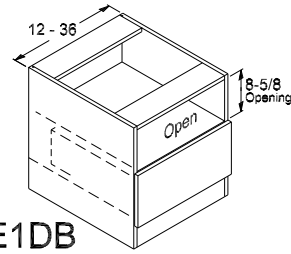
62930 - Entertainment Base



EB



E2DB



E1DB

- Cabinets with open areas will have Matching Finished Interiors.
- Flush Toe is standard. Recessed Toe can be specified for no charge. Specify Recessed Toe Space Front **RTSFNC** on order.

NOTE: 18" depth is standard. For 21" or 24" depth, add the suffix -21 or -24 after the code for no charge. Example: EB12-21 or EB12-24.

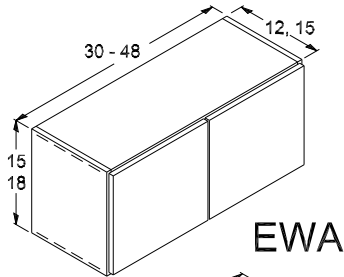
NOTE: Cabinets with an open area are **not** available with Acrylics or Wired Foils.

Cat. Code	1	2	3	4	5	6	7	8	9	10	11
Door											
EB12	353	398	425	447	464	493	508	530	544	567	587
EB15	385	436	464	486	503	535	549	572	587	612	634
EB18	411	466	497	523	542	574	590	614	632	660	682
EB21	455	518	551	576	595	633	649	678	696	725	751
EB24-1	574	663	698	725	752	798	818	853	874	914	945
EB24	574	663	698	725	752	798	818	853	874	914	945
EB27	603	697	733	762	790	838	859	896	918	960	993
EB30	633	731	770	800	830	880	902	941	964	1008	1042
EB33	665	768	809	840	871	925	948	988	1013	1059	1095
EB36	699	807	850	883	916	972	996	1039	1064	1113	1151
Two Drawer											
E2DB12	623	632	632	632	653	689	706	737	755	790	816
E2DB15	670	679	679	679	702	742	762	796	816	851	881
E2DB18	720	728	728	728	753	796	816	851	872	912	943
E2DB21	765	776	776	776	801	846	867	907	929	969	1003
E2DB24-1	819	831	831	831	859	910	933	975	999	1043	1078
E2DB24	819	831	831	831	859	910	933	975	999	1043	1078
E2DB27	860	873	873	873	902	956	980	1024	1049	1096	1132
E2DB30	903	917	917	917	948	1004	1029	1075	1102	1150	1189
E2DB33	949	963	963	963	995	1054	1081	1130	1157	1208	1249
E2DB36	997	1012	1012	1012	1046	1108	1136	1187	1216	1270	1312
One Drawer											
E1DB12	748	759	759	759	784	827	848	885	906	948	980
E1DB15	804	815	815	815	843	891	915	956	980	1022	1058
E1DB18	864	874	874	874	904	956	980	1022	1047	1095	1132
E1DB21	918	932	932	932	962	1016	1041	1089	1115	1163	1204
E1DB24-1	983	998	998	998	1031	1092	1120	1170	1199	1252	1294
E1DB24	983	998	998	998	1031	1092	1120	1170	1199	1252	1294
E1DB27	1032	1048	1048	1048	1083	1147	1176	1229	1259	1315	1359
E1DB30	1082	1097	1097	1097	1134	1202	1232	1287	1319	1377	1423
E1DB33	1139	1156	1156	1156	1195	1265	1297	1356	1389	1450	1499
E1DB36	1196	1214	1214	1214	1255	1329	1363	1424	1459	1523	1574

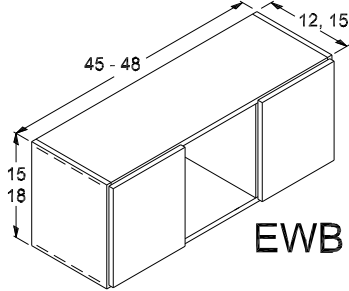
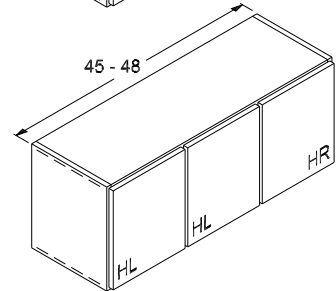
Recessed Toe Space Front No Charge, **RTSFNC**N/C



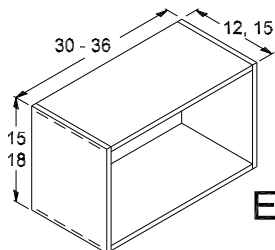
62940 - Entertainment Wall



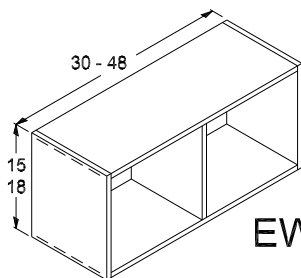
EWA



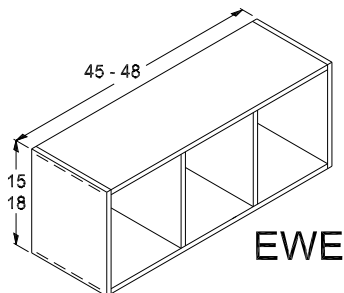
EWB



EWC



EWD



EWE

- Flush Finished Bottom is standard.
- Cabinets with open area will have Matching Finished Interior.
- Based on their height, Entertainment Towers and Tall cabinets have a 15" or 18" high upper section. Be sure to specify the appropriate EW height for proper alignment.
- See Section #61905 for Valance options.

NOTE: 15" depth is standard. For 12" depth, add the suffix -12 after the code for no charge.
Example: EWA3015-12.

NOTE: Cabinets with an open area are not available with Acrylics or Wired Foils.

Cat. Code	1	2	3	4	5	6	7	8	9	10	11
EWA - 15" High, 2 Doors											
EWA3015	741	849	914	965	990	1035	1055	1089	1116	1166	1206
EWA3315	759	865	931	984	1011	1054	1074	1109	1138	1188	1229
EWA3615	784	893	961	1015	1041	1089	1110	1148	1176	1228	1272
EWA3915	812	927	996	1053	1078	1126	1150	1188	1218	1272	1315
EWA4215	845	965	1040	1098	1125	1173	1200	1246	1279	1335	1381
EWA4515	863	987	1064	1126	1157	1211	1236	1280	1312	1369	1417
EWA4815	884	1006	1089	1155	1187	1242	1267	1312	1343	1405	1452

Cat. Code	1	2	3	4	5	6	7	8	9	10	11
EWA - 15" High, 3 Doors											
EWA4515-3	1017	1141	1218	1280	1311	1363	1389	1432	1467	1533	1585
EWA4815-3	1038	1161	1242	1307	1339	1395	1419	1463	1500	1566	1620

Cat. Code	1	2	3	4	5	6	7	8	9	10	11
EWA - 18" High, 2 Doors											
EWA3018	783	889	957	1013	1039	1087	1108	1145	1173	1224	1267
EWA3318	801	907	979	1039	1064	1113	1136	1174	1203	1256	1300
EWA3618	832	944	1019	1077	1105	1155	1179	1217	1246	1302	1348
EWA3918	852	978	1054	1115	1146	1200	1223	1265	1297	1354	1400
EWA4218	868	996	1071	1132	1165	1221	1244	1287	1319	1376	1425
EWA4518	888	1018	1098	1165	1195	1250	1277	1321	1354	1414	1463
EWA4818	909	1040	1124	1192	1224	1284	1309	1354	1389	1449	1500

Cat. Code	1	2	3	4	5	6	7	8	9	10	11
EWA - 18" High, 3 Doors											
EWA4518-3	1042	1171	1250	1316	1348	1405	1430	1473	1511	1578	1631
EWA4818-3	1062	1192	1277	1343	1376	1435	1461	1505	1544	1612	1669

Cat. Code	1	2	3	4	5	6	7	8	9	10	11
EWB - 15" High											
EWB4515	1593	1712	1789	1851	1880	1936	1959	2002	2053	2144	2217
EWB4815	1614	1731	1813	1878	1910	1966	1991	2035	2085	2179	2253
EWB - 18" High											
EWB4518	1619	1741	1822	1886	1918	1974	2000	2046	2096	2189	2264
EWB4818	1640	1763	1847	1916	1949	2006	2032	2078	2128	2224	2301

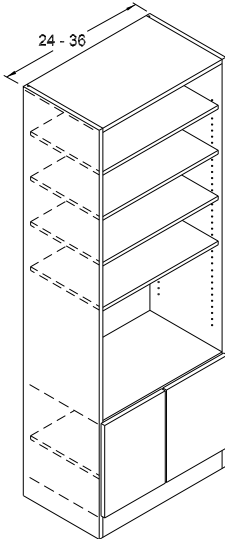
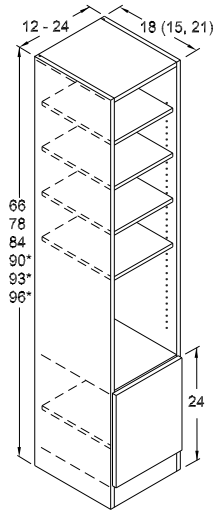
Cat. No.	Price
EWC - 15" High	
EWC3015	836
EWC3315	854
EWC3615	885
EWC - 18" High	
EWC3018	884
EWC3318	903
EWC3618	940

Cat. No.	Price
EWD - 15" High	
EWD3015	949
EWD3315	968
EWD3615	997
EWD3915	1027
EWD4215	1064
EWD4515	1085
EWD4815	1109
EWD - 18" High	
EWD3018	996
EWD3318	1017
EWD3618	1053
EWD3918	1074
EWD4218	1092
EWD4518	1113
EWD4818	1138

Cat. No.	Price
EWE - 15" High	
EWE4515	1199
EWE4815	1222
EWE - 18" High	
EWE4518	1227
EWE4818	1250



62950 - Entertainment Talls - ETA



Cat. Code	1	2	3	4	5	6	7	8	9	10	11
ETA - 66" High - 3 Adjustable Shelves											
66ETA12	1533	1615	1633	1648	1687	1761	1810	1901	1949	2035	2105
66ETA15	1613	1699	1718	1733	1777	1853	1904	2000	2050	2141	2215
66ETA18	1770	1859	1878	1894	1939	2023	2079	2181	2235	2334	2415
66ETA21	1928	2020	2040	2054	2103	2193	2252	2363	2422	2530	2617
66ETA24-1	2051	2207	2244	2273	2327	2425	2491	2611	2677	2795	2890
66ETA24	2051	2207	2244	2273	2327	2425	2491	2611	2677	2795	2890
66ETA27	2243	2397	2435	2464	2524	2627	2699	2830	2900	3028	3132
66ETA30	2431	2588	2625	2656	2716	2831	2907	3047	3121	3259	3372
66ETA33	2621	2781	2819	2849	2916	3035	3115	3264	3345	3493	3614
66ETA36	2810	2973	3010	3041	3111	3239	3327	3484	3572	3729	3859

Cat. Code	1	2	3	4	5	6	7	8	9	10	11
ETA - 78" High - 4 Adjustable Shelves											
78ETA12	1741	1836	1855	1872	1917	2000	2057	2159	2212	2310	2389
78ETA15	1832	1931	1953	1970	2019	2104	2163	2272	2328	2433	2517
78ETA18	2009	2112	2134	2152	2202	2299	2362	2477	2539	2651	2742
78ETA21	2189	2294	2317	2333	2387	2490	2560	2685	2751	2872	2972
78ETA24-1	2331	2505	2548	2582	2643	2754	2830	2967	3041	3176	3286
78ETA24	2331	2505	2548	2582	2643	2754	2830	2967	3041	3176	3286
78ETA27	2548	2722	2767	2800	2866	2985	3066	3215	3294	3441	3559
78ETA30	2761	2940	2982	3016	3087	3216	3302	3461	3546	3703	3832
78ETA33	2978	3160	3203	3237	3311	3448	3540	3709	3801	3969	4106
78ETA36	3191	3377	3422	3456	3535	3680	3778	3958	4057	4235	4382

Cat. Code	1	2	3	4	5	6	7	8	9	10	11
ETA - 84" High - 5 Adjustable Shelves											
84ETA12	1741	1836	1855	1872	1917	2000	2057	2159	2212	2310	2389
84ETA15	1832	1931	1953	1970	2019	2104	2163	2272	2328	2433	2517
84ETA18	2009	2112	2134	2152	2202	2299	2362	2477	2539	2651	2742
84ETA21	2189	2294	2317	2333	2387	2490	2560	2685	2751	2872	2972
84ETA24-1	2331	2505	2548	2582	2643	2754	2830	2967	3041	3176	3286
84ETA24	2331	2505	2548	2582	2643	2754	2830	2967	3041	3176	3286
84ETA27	2548	2722	2767	2800	2866	2985	3066	3215	3294	3441	3559
84ETA30	2761	2940	2982	3016	3087	3216	3302	3461	3546	3703	3832
84ETA33	2978	3160	3203	3237	3311	3448	3540	3709	3801	3969	4106
84ETA36	3191	3377	3422	3456	3535	3680	3778	3958	4057	4235	4382

Cat. Code	1	2	3	4	5	6	7	8	9	10	11
ETA - 90" High - 5 Adjustable Shelves											
90ETA12	2037	2147	2172	2189	2239	2336	2400	2517	2580	2694	2788
90ETA15	2144	2258	2285	2303	2358	2457	2526	2649	2714	2834	2933
90ETA18	2350	2469	2492	2511	2571	2680	2753	2887	2959	3091	3198
90ETA21	2558	2679	2702	2721	2786	2902	2980	3125	3203	3345	3461
90ETA24-1	2729	2921	2967	3006	3077	3205	3293	3450	3537	3693	3820
90ETA24	2729	2921	2967	3006	3077	3205	3293	3450	3537	3693	3820
90ETA27	2968	3171	3222	3260	3336	3475	3568	3737	3829	3999	4136
90ETA30	3213	3420	3470	3510	3591	3738	3838	4020	4119	4302	4451
90ETA33	3462	3673	3723	3762	3848	4004	4111	4305	4413	4608	4767
90ETA36	3709	3923	3972	4011	4102	4269	4381	4589	4702	4910	5080

Cat. Code	1	2	3	4	5	6	7	8	9	10	11
ETA - 93" High - 5 Adjustable Shelves											
93ETA12	2037	2147	2172	2189	2239	2336	2400	2517	2580	2694	2788
93ETA15	2144	2258	2285	2303	2358	2457	2526	2649	2714	2834	2933
93ETA18	2350	2469	2492	2511	2571	2680	2753	2887	2959	3091	3198
93ETA21	2558	2679	2702	2721	2786	2902	2980	3125	3203	3345	3461
93ETA24-1	2729	2921	2967	3006	3077	3205	3293	3450	3537	3693	3820
93ETA24	2729	2921	2967	3006	3077	3205	3293	3450	3537	3693	3820
93ETA27	2968	3171	3222	3260	3336	3475	3568	3737	3829	3999	4136
93ETA30	3213	3420	3470	3510	3591	3738	3838	4020	4119	4302	4451
93ETA33	3462	3673	3723	3762	3848	4004	4111	4305	4413	4608	4767
93ETA36	3709	3923	3972	4011	4102	4269	4381	4589	4702	4910	5080

Cat. Code	1	2	3	4	5	6	7	8	9	10	11
ETA - 96" High - 6 Adjustable Shelves											
96ETA12	2037	2147	2172	2189	2239	2336	2400	2517	2580	2694	2788
96ETA15	2144	2258	2285	2303	2358	2457	2526	2649	2714	2834	2933
96ETA18	2350	2469	2492	2511	2571	2680	2753	2887	2959	3091	3198
96ETA21	2558	2679	2702	2721	2786	2902	2980	3125	3203	3345	3461
96ETA24-1	2729	2921	2967	3006	3077	3205	3293	3450	3537	3693	3820
96ETA24	2729	2921	2967	3006	3077	3205	3293	3450	3537	3693	3820
96ETA27	2968	3171	3222	3260	3336	3475	3568	3737	3829	3999	4136
96ETA30	3213	3420	3470	3510	3591	3738	3838	4020	4119	4302	4451
96ETA33	3462	3673	3723	3762	3848	4004	4111	4305	4413	4608	4767
96ETA36	3709	3923	3972	4011	4102	4269	4381	4589	4702	4910	5080

NOTE: Not available with Acrylics or Wired Foils.

* 90" - 96" cabinets have two fixed shelves for stability.

- **Flush Toe is standard.** For a Recessed Toe Space Front, specify **RTSFNC** for No Charge.
- **Matching Finished Interior is standard.**
- See [Section #61905](#) for Valance options.

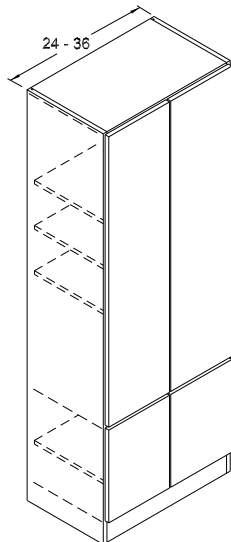
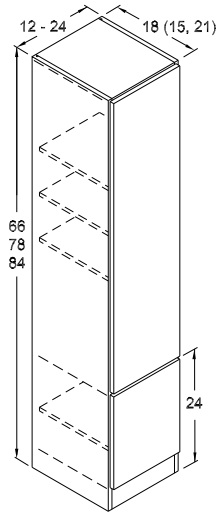
NOTE: The Shelf and Rail modification is recommended to give additional shelf support on units 30" wide or wider. See Modifications [section #71450](#).

NOTE: 18" depth is standard. For 15" or 21" depth, add the suffix -15 or -21 after the code for no charge. Example: 66ETA15-15 or 66ETA15-21.

Recessed Toe Space Front No Charge, **RTSFNC**N/C



62950 - Entertainment Talls - ETB / ETPB



• **Flush Toe is standard.** For a Recessed Toe Space Front, specify **RTSFNC** for No Charge.

NOTE: The Shelf and Rail modification is recommended to give additional shelf support on units 30" wide or wider. See Modifications [section #71450](#).

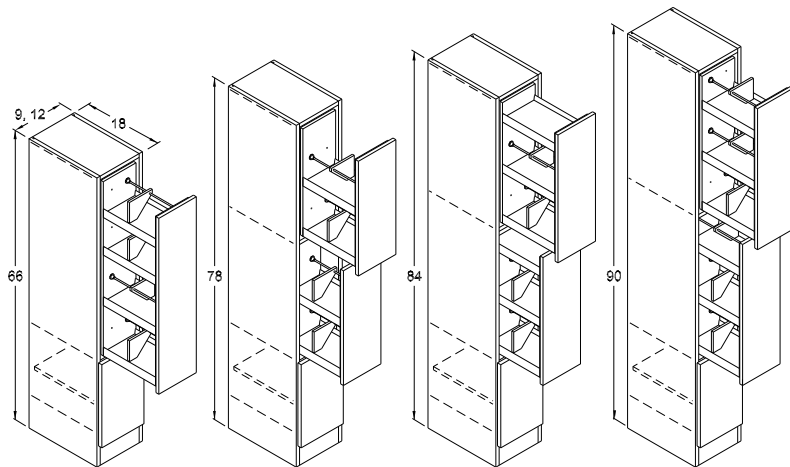
NOTE: 18" depth is standard. For 15" or 21" depth, add the suffix -15 or -21 after the code for no charge. Example: 66ETB15-15 or 66ETB15-21.

Cat. Code	1	2	3	4	5	6	7	8	9	10	11
ETB - 66" High - 3 Adjustable Shelves											
66ETB12	1175	1314	1393	1455	1502	1586	1623	1691	1733	1810	1873
66ETB15	1230	1374	1456	1525	1574	1665	1703	1771	1816	1896	1963
66ETB18	1288	1440	1528	1599	1651	1743	1784	1858	1904	1988	2058
66ETB21	1470	1651	1752	1836	1896	2006	2053	2138	2191	2289	2368
66ETB24-1	1753	2006	2119	2210	2284	2418	2474	2576	2641	2756	2852
66ETB24	1753	2006	2119	2210	2284	2418	2474	2576	2641	2756	2852
66ETB27	1834	2089	2202	2293	2366	2504	2564	2672	2737	2859	2958
66ETB30	1915	2173	2284	2373	2450	2590	2651	2762	2832	2958	3059
66ETB33	2076	2333	2446	2537	2617	2765	2831	2952	3024	3159	3266
66ETB36	2236	2497	2609	2700	2785	2940	3009	3135	3215	3356	3471
ETB - 78" High - 4 Adjustable Shelves											
78ETB12	1334	1490	1581	1655	1707	1803	1844	1921	1969	2056	2125
78ETB15	1397	1561	1656	1732	1788	1890	1934	2012	2063	2154	2229
78ETB18	1462	1634	1734	1817	1874	1981	2028	2110	2163	2258	2338
78ETB21	1672	1875	1991	2084	2154	2280	2331	2431	2490	2600	2691
78ETB24-1	1992	2280	2407	2510	2593	2744	2810	2928	3000	3132	3240
78ETB24	1992	2280	2407	2510	2593	2744	2810	2928	3000	3132	3240
78ETB27	2083	2373	2501	2604	2688	2845	2911	3034	3108	3246	3359
78ETB30	2175	2467	2593	2697	2784	2943	3012	3139	3217	3358	3475
78ETB33	2357	2650	2778	2882	2974	3141	3216	3352	3435	3588	3712
78ETB36	2541	2837	2964	3068	3163	3339	3420	3563	3652	3814	3946
ETB - 84" High - 5 Adjustable Shelves											
84ETB12	1419	1585	1680	1759	1816	1917	1960	2043	2093	2187	2261
84ETB15	1486	1661	1761	1843	1902	2008	2056	2141	2194	2292	2370
84ETB18	1556	1739	1845	1932	1993	2106	2156	2245	2301	2403	2487
84ETB21	1778	1994	2117	2216	2291	2425	2481	2585	2649	2765	2861
84ETB24-1	2119	2425	2561	2672	2757	2919	2987	3113	3190	3332	3448
84ETB24	2119	2425	2561	2672	2757	2919	2987	3113	3190	3332	3448
84ETB27	2215	2525	2660	2770	2860	3024	3096	3226	3307	3453	3573
84ETB30	2314	2622	2757	2867	2959	3128	3203	3338	3422	3573	3695
84ETB33	2508	2819	2956	3066	3163	3341	3421	3566	3654	3817	3948
84ETB36	2702	3016	3153	3261	3364	3552	3635	3790	3882	4056	4196

Recessed Toe Space Front No Charge, **RTSFNC**N/C



62950 - Entertainment Talls - ETB / ETPB (continued)



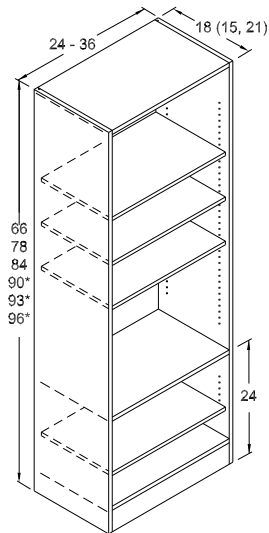
- Pull-Out Media (CD/DVD/etc.) units are maple with a natural finish, and accessible from both sides.
- Media rod is adjustable for left or right access.
- **Minimum** width = 9"
Depth = 18" only

Media Configurations	
Pull-Out Height	# DVD/CD Shelves
66	2 DVD shelves + 2 CD Shelves or 3 DVD shelves*
78	4 DVD shelves
84	4 DVD shelves
90	4 DVD shelves + 2 CD shelves

*66" high unit has an adjustable shelf that can be removed to accommodate DVD's on 3rd shelf

Cat. Code	1	2	3	4	5	6	7	8	9	10	11
ETPB - Pull-Outs 9" Wide											
66ETPB9	2243	2364	2439	2498	2544	2622	2659	2722	2790	2913	3013
78ETPB9	3022	3154	3239	3308	3359	3449	3489	3561	3649	3810	3944
84ETPB9	3101	3243	3334	3409	3461	3557	3600	3677	3768	3934	4072
90ETPB9	3281	3430	3527	3607	3662	3764	3809	3891	3987	4162	4308
ETPB - Pull-Outs 12" Wide											
66ETPB12	2361	2488	2567	2629	2677	2760	2798	2865	2936	3066	3171
78ETPB12	3181	3320	3409	3482	3535	3630	3672	3748	3841	4010	4151
84ETPB12	3264	3413	3509	3588	3643	3744	3789	3870	3966	4141	4286
90ETPB12	3453	3610	3712	3796	3854	3962	4009	4095	4196	4381	4534

62950 - Entertainment Talls - ETC



- **Flush Toe is standard.** For a Recessed Toe Space Front, specify **RTSFNC** for No Charge.
- **Matching Finished Interior is standard.**
- See [Section #61905](#) for Valance options.

NOTE: Not available with Acrylics or Wired Foils.

NOTE: The Shelf and Rail modification is recommended to give additional shelf support on units 30" wide or wider. See Modifications [section #71450](#).

NOTE: 18" depth is standard. For 15" or 21" depth, add the suffix -15 or -21 after the code for no charge. Example: 66ETC15-15 or 66ETC15-21.

* 90" - 96" cabinets have two fixed shelves for stability.

Cat. Code	Price
ETC - 66" High - 3 Adj. Shelves	
66ETC12	1288
66ETC15	1355
66ETC18	1498
66ETC21	1643
66ETC24	1784
66ETC27	1929
66ETC30	2076
66ETC33	2219
66ETC36	2365
ETC - 78" High - 4 Adj. Shelves	
78ETC12	1462
78ETC15	1539
78ETC18	1703
78ETC21	1865
78ETC24	2027
78ETC27	2190
78ETC30	2358
78ETC33	2523
78ETC36	2687

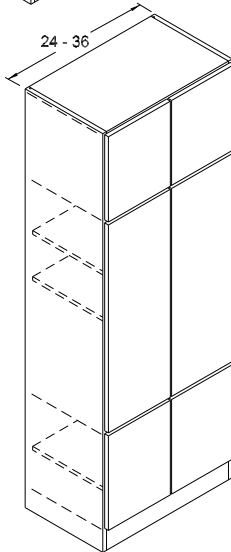
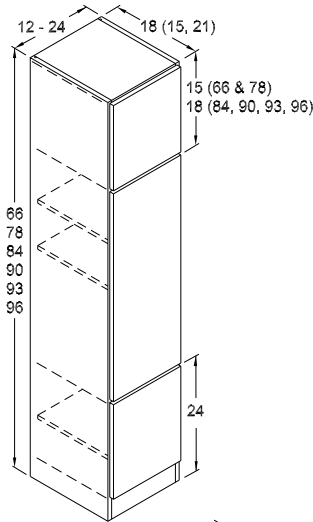
Cat. Code	Price
ETC - 84" High - 5 Adj. Shelves	
84ETC12	1462
84ETC15	1539
84ETC18	1703
84ETC21	1865
84ETC24	2027
84ETC27	2190
84ETC30	2358
84ETC33	2523
84ETC36	2687
ETC - 90" High - 5 Adj. Shelves	
90ETC12	1614
90ETC15	1698
90ETC18	1867
90ETC21	2039
90ETC24	2209
90ETC27	2377
90ETC30	2551
90ETC33	2720
90ETC36	2889

Cat. Code	Price
ETC - 93" High - 5 Adj. Shelves	
93ETC12	1614
93ETC15	1698
93ETC18	1867
93ETC21	2039
93ETC24	2209
93ETC27	2377
93ETC30	2551
93ETC33	2720
93ETC36	2889
ETC - 96" High - 6 Adj. Shelves	
96ETC12	1614
96ETC15	1698
96ETC18	1867
96ETC21	2039
96ETC24	2209
96ETC27	2377
96ETC30	2551
96ETC33	2720
96ETC36	2889

Recessed Toe Space Front No Charge, **RTSFNC**N/C



62950 - Entertainment Talls - ETD



- **Flush Toe is standard.** For a Recessed Toe Space Front, specify **RTSFNC** for No Charge.

Cat. Code	1	2	3	4	5	6	7	8	9	10	11
ETD - 66" High - 2 Adjustable Shelves											
66ETD12	1304	1441	1521	1582	1629	1713	1750	1818	1862	1946	2012
66ETD15	1358	1501	1584	1652	1701	1791	1829	1899	1946	2032	2102
66ETD18	1417	1566	1655	1726	1778	1871	1911	1985	2034	2124	2198
66ETD21	1599	1778	1879	1963	2023	2133	2180	2266	2322	2425	2508
66ETD24-1	1881	2133	2246	2337	2411	2545	2601	2704	2771	2891	2993
66ETD24	1881	2133	2246	2337	2411	2545	2601	2704	2771	2891	2993
66ETD27	1963	2216	2329	2420	2494	2630	2691	2798	2867	2994	3098
66ETD30	2043	2300	2411	2499	2576	2718	2778	2889	2961	3093	3201
66ETD33	2203	2460	2573	2664	2743	2891	2958	3078	3154	3294	3408
66ETD36	2364	2624	2736	2827	2911	3068	3135	3262	3344	3491	3612
ETD - 78" High - 3 Adjustable Shelves											
78ETD12	1462	1617	1708	1782	1834	1930	1971	2048	2098	2191	2267
78ETD15	1525	1689	1783	1859	1915	2016	2061	2140	2193	2291	2369
78ETD18	1591	1761	1861	1944	2001	2107	2155	2237	2293	2396	2477
78ETD21	1801	2002	2118	2211	2281	2406	2459	2557	2620	2735	2830
78ETD24-1	2120	2406	2534	2637	2720	2872	2937	3055	3129	3267	3381
78ETD24	2120	2406	2534	2637	2720	2872	2937	3055	3129	3267	3381
78ETD27	2211	2499	2628	2732	2816	2972	3038	3161	3238	3383	3499
78ETD30	2303	2593	2720	2824	2910	3070	3139	3265	3346	3495	3615
78ETD33	2485	2777	2905	3009	3101	3267	3342	3479	3565	3723	3852
78ETD36	2669	2964	3091	3195	3290	3467	3546	3691	3783	3950	4085
ETD - 84" High - 3 Adjustable Shelves											
84ETD12	1547	1712	1808	1885	1942	2044	2088	2170	2224	2322	2403
84ETD15	1614	1788	1889	1970	2029	2135	2182	2268	2324	2427	2510
84ETD18	1684	1865	1972	2060	2120	2233	2284	2371	2432	2538	2625
84ETD21	1907	2121	2244	2343	2418	2552	2608	2712	2778	2902	3001
84ETD24-1	2247	2552	2687	2798	2884	3047	3114	3240	3321	3468	3588
84ETD24	2247	2552	2687	2798	2884	3047	3114	3240	3321	3468	3588
84ETD27	2343	2651	2788	2897	2986	3152	3223	3353	3437	3589	3713
84ETD30	2442	2749	2884	2994	3086	3255	3330	3465	3552	3708	3836
84ETD33	2636	2946	3083	3192	3290	3468	3547	3693	3785	3952	4087
84ETD36	2831	3143	3280	3388	3490	3678	3762	3917	4013	4191	4337
ETD - 90" High - 4 Adjustable Shelves											
90ETD12	1641	1816	1917	2000	2060	2168	2215	2301	2357	2461	2547
90ETD15	1711	1895	2001	2088	2151	2264	2314	2405	2464	2574	2664
90ETD18	1784	1978	2091	2183	2249	2368	2420	2515	2579	2693	2786
90ETD21	2022	2250	2379	2483	2562	2705	2765	2874	2946	3077	3183
90ETD24-1	2383	2705	2849	2966	3059	3229	3302	3437	3520	3677	3805
90ETD24	2383	2705	2849	2966	3059	3229	3302	3437	3520	3677	3805
90ETD27	2483	2812	2956	3071	3167	3341	3416	3555	3643	3804	3936
90ETD30	2589	2915	3057	3174	3273	3451	3531	3673	3763	3931	4067
90ETD33	2795	3124	3266	3384	3486	3675	3759	3915	4010	4189	4335
90ETD36	3000	3334	3477	3594	3702	3899	3988	4154	4254	4443	4598
ETD - 93" High - 4 Adjustable Shelves											
93ETD12	1740	1925	2033	2120	2183	2299	2348	2439	2498	2609	2700
93ETD15	1815	2008	2121	2214	2280	2400	2453	2551	2613	2729	2824
93ETD18	1893	2098	2218	2315	2384	2510	2566	2666	2733	2853	2953
93ETD21	2144	2385	2524	2632	2716	2867	2931	3048	3122	3260	3373
93ETD24-1	2527	2867	3021	3146	3243	3423	3500	3643	3733	3897	4035
93ETD24	2527	2867	3021	3146	3243	3423	3500	3643	3733	3897	4035
93ETD27	2635	2980	3132	3255	3356	3541	3621	3768	3861	4032	4172
93ETD30	2744	3090	3241	3365	3468	3659	3742	3894	3989	4168	4311
93ETD33	2963	3313	3464	3588	3696	3896	3986	4149	4251	4440	4595
93ETD36	3182	3534	3686	3808	3924	4134	4228	4403	4512	4713	4875
ETD - 96" High - 4 Adjustable Shelves											
96ETD12	1740	1925	2033	2120	2183	2299	2348	2439	2498	2609	2700
96ETD15	1815	2008	2121	2214	2280	2400	2453	2551	2613	2729	2824
96ETD18	1893	2098	2218	2315	2384	2510	2566	2666	2733	2853	2953
96ETD21	2144	2385	2524	2632	2716	2867	2931	3048	3122	3260	3373
96ETD24-1	2527	2867	3021	3146	3243	3423	3500	3643	3733	3897	4035
96ETD24	2527	2867	3021	3146	3243	3423	3500	3643	3733	3897	4035
96ETD27	2635	2980	3132	3255	3356	3541	3621	3768	3861	4032	4172
96ETD30	2744	3090	3241	3365	3468	3659	3742	3894	3989	4168	4311
96ETD33	2963	3313	3464	3588	3696	3896	3986	4149	4251	4440	4595
96ETD36	3182	3534	3686	3808	3924	4134	4228	4403	4512	4713	4875

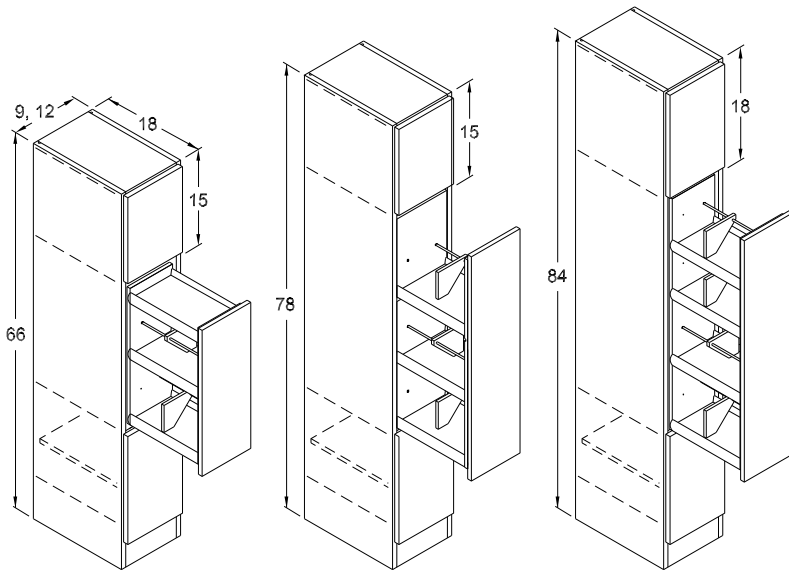
NOTE: The Shelf and Rail modification is recommended to give additional shelf support on units 30" wide or wider. See Modifications section #71450.

NOTE: 18" depth is standard. For 15" or 21" depth, add the suffix -15 or -21 after the code for no charge. Example: 66ETD15-15 or 66ETD15-21.

Recessed Toe Space Front No Charge, **RTSFNC**/N/C



62950 - Entertainment Tall Pull-Outs - ETPD



- Pull-Out Media (CD/DVD/etc.) units are maple with a natural finish, and accessible from both sides.
- Media rod is adjustable for left or right access.
- **Minimum** width = 9"
- **Depth** = 18" only

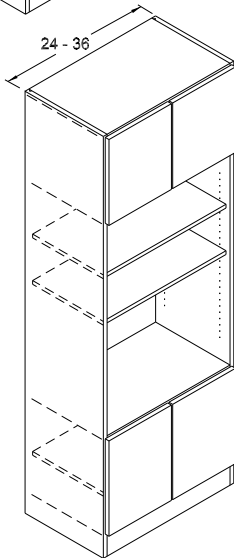
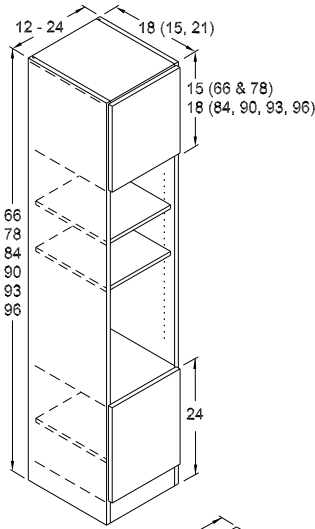
Media Configurations	
Pull-Out Height	# DVD/CD Shelves
66	2 DVD shelves
78	2 DVD shelves + 2 CD Shelves or 3 DVD shelves*
84	3 DVD shelves + 1 CD Shelf

*78" high unit has an adjustable shelf that can be removed to accommodate DVD's on 3rd shelf

Cat. Code	1	2	3	4	5	6	7	8	9	10	11
ETPD - Pull-Outs - 9" Wide											
66ETPD9	2054	2178	2252	2313	2356	2437	2471	2534	2598	2712	2807
78ETPD9	2394	2532	2618	2687	2737	2829	2867	2940	3013	3148	3256
84ETPD9	2474	2621	2713	2789	2840	2937	2978	3057	3132	3271	3383
ETPD - Pull-Outs - 12" Wide											
66ETPD12	2162	2292	2370	2434	2480	2565	2601	2667	2734	2854	2954
78ETPD12	2520	2665	2755	2828	2881	2977	3017	3094	3171	3313	3427
84ETPD12	2604	2758	2855	2935	2989	3091	3134	3217	3296	3443	3561



62950 - Entertainment Talls - ETE



- **Flush Toe is standard.** For a Recessed Toe Space Front, specify **RTSFNC** for No Charge.
- **Matching Finished Interior is standard.**
- See [Section #61905](#) for Valance options.

NOTE: Not available with Acrylics or Wired Foils.

Cat. Code	1	2	3	4	5	6	7	8	9	10	11
ETE - 66" High - 2 Adjustable Shelves											
66ETE12	1666	1764	1798	1825	1869	1949	2002	2102	2154	2249	2327
66ETE15	1753	1855	1893	1921	1967	2051	2107	2211	2267	2365	2448
66ETE18	1911	2021	2058	2088	2137	2228	2289	2401	2461	2571	2660
66ETE21	2068	2184	2225	2257	2310	2408	2475	2595	2660	2778	2874
66ETE24-1	2194	2319	2361	2396	2452	2554	2623	2749	2817	2943	3045
66ETE24	2334	2467	2511	2548	2607	2715	2790	2924	2996	3128	3237
66ETE27	2526	2665	2715	2754	2818	2936	3013	3159	3236	3379	3497
66ETE30	2713	2862	2916	2957	3024	3149	3233	3386	3470	3624	3749
66ETE33	2904	3064	3117	3162	3234	3366	3456	3619	3709	3874	4008
66ETE36	3092	3260	3320	3366	3443	3583	3678	3852	3947	4121	4265
ETE - 78" High - 3 Adjustable Shelves											
78ETE12	1894	2004	2043	2072	2123	2214	2275	2386	2446	2555	2644
78ETE15	1992	2107	2149	2181	2233	2329	2394	2511	2574	2688	2782
78ETE18	2170	2295	2337	2370	2427	2531	2600	2728	2796	2919	3021
78ETE21	2348	2481	2529	2566	2625	2736	2812	2949	3022	3155	3264
78ETE24-1	2491	2631	2681	2720	2785	2901	2979	3124	3202	3344	3460
78ETE24	2653	2803	2853	2894	2961	3085	3168	3321	3404	3553	3675
78ETE27	2868	3029	3084	3128	3202	3334	3423	3588	3675	3839	3971
78ETE30	3083	3252	3311	3358	3435	3577	3673	3848	3944	4118	4260
78ETE33	3299	3479	3542	3593	3674	3825	3927	4113	4214	4400	4553
78ETE36	3512	3705	3770	3825	3912	4072	4178	4375	4484	4682	4844
ETE - 84" High - 3 Adjustable Shelves											
84ETE12	1894	2004	2043	2072	2123	2214	2275	2386	2446	2555	2644
84ETE15	1992	2107	2149	2181	2233	2329	2394	2511	2574	2688	2782
84ETE18	2170	2295	2337	2370	2427	2531	2600	2728	2796	2919	3021
84ETE21	2348	2481	2529	2566	2625	2736	2812	2949	3022	3155	3264
84ETE24-1	2491	2631	2681	2720	2785	2901	2979	3124	3202	3344	3460
84ETE24	2653	2803	2853	2894	2961	3085	3168	3321	3404	3553	3675
84ETE27	2868	3029	3084	3128	3202	3334	3423	3588	3675	3839	3971
84ETE30	3083	3252	3311	3358	3435	3577	3673	3848	3944	4118	4260
84ETE33	3299	3479	3542	3593	3674	3825	3927	4113	4214	4400	4553
84ETE36	3512	3705	3770	3825	3912	4072	4178	4375	4484	4682	4844
ETE - 90" High - 4 Adjustable Shelves											
90ETE12	2190	2314	2357	2392	2449	2553	2622	2750	2818	2944	3047
90ETE15	2303	2435	2480	2517	2576	2686	2758	2894	2965	3097	3204
90ETE18	2511	2653	2702	2741	2806	2924	3002	3148	3225	3369	3485
90ETE21	2719	2870	2924	2966	3036	3162	3246	3404	3486	3640	3768
90ETE24-1	2889	3051	3106	3150	3223	3356	3447	3611	3701	3864	3999
90ETE24	3050	3218	3278	3323	3401	3540	3633	3807	3902	4076	4216
90ETE27	3290	3470	3534	3583	3666	3817	3917	4102	4205	4391	4543
90ETE30	3534	3726	3793	3846	3933	4094	4203	4400	4510	4710	4871
90ETE33	3783	3988	4060	4116	4210	4380	4494	4708	4823	5037	5212
90ETE36	4030	4247	4323	4382	4483	4664	4786	5010	5133	5362	5548
ETE - 93" High - 4 Adjustable Shelves											
93ETE12	2190	2314	2357	2392	2449	2553	2622	2750	2818	2944	3047
93ETE15	2303	2435	2480	2517	2576	2686	2758	2894	2965	3097	3204
93ETE18	2511	2653	2702	2741	2806	2924	3002	3148	3225	3369	3485
93ETE21	2719	2870	2924	2966	3036	3162	3246	3404	3486	3640	3768
93ETE24-1	2889	3051	3106	3150	3223	3356	3447	3611	3701	3864	3999
93ETE24	3050	3218	3278	3323	3401	3540	3633	3807	3902	4076	4216
93ETE27	3290	3470	3534	3583	3666	3817	3917	4102	4205	4391	4543
93ETE30	3534	3726	3793	3846	3933	4094	4203	4400	4510	4710	4871
93ETE33	3783	3988	4060	4116	4210	4380	4494	4708	4823	5037	5212
93ETE36	4030	4247	4323	4382	4483	4664	4786	5010	5133	5362	5548
ETE - 96" High - 4 Adjustable Shelves											
96ETE12	2190	2314	2357	2392	2449	2553	2622	2750	2818	2944	3047
96ETE15	2303	2435	2480	2517	2576	2686	2758	2894	2965	3097	3204
96ETE18	2511	2653	2702	2741	2806	2924	3002	3148	3225	3369	3485
96ETE21	2719	2870	2924	2966	3036	3162	3246	3404	3486	3640	3768
96ETE24-1	2889	3051	3106	3150	3223	3356	3447	3611	3701	3864	3999
96ETE24	3050	3218	3278	3323	3401	3540	3633	3807	3902	4076	4216
96ETE27	3290	3470	3534	3583	3666	3817	3917	4102	4205	4391	4543
96ETE30	3534	3726	3793	3846	3933	4094	4203	4400	4510	4710	4871
96ETE33	3783	3988	4060	4116	4210	4380	4494	4708	4823	5037	5212
96ETE36	4030	4247	4323	4382	4483	4664	4786	5010	5133	5362	5548

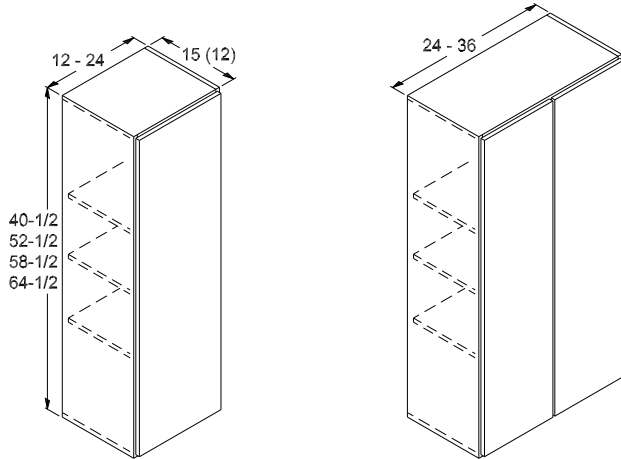
NOTE: The Shelf and Rail modification is recommended to give additional shelf support on units 30" wide or wider. See Modifications [section #71450](#).

NOTE: 18" depth is standard. For 15" or 21" depth, add the suffix -15 or -21 after the code for no charge. Example: 66ETE15-15 or 66ETE15-21.

Recessed Toe Space Front No Charge, **RTSFNC**/N/C



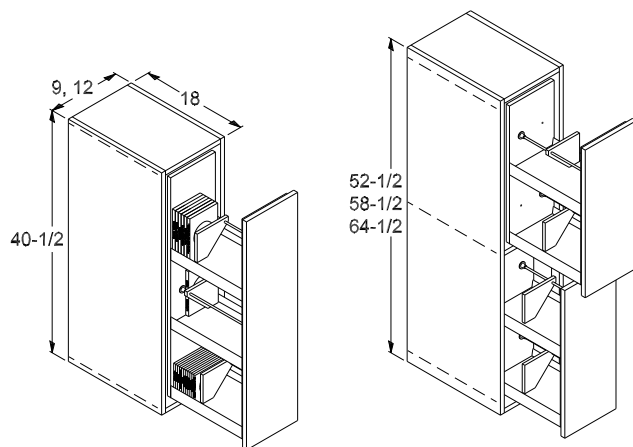
62960 - Entertainment Towers - ETWRA / ETWRPA



- When a Finished End is needed, use Wall Finished End pricing.
- See [Section #61905](#) for Valance options.
- 64-1/2" cabinet has two fixed shelves for stability.

NOTE: The Shelf and Rail modification is recommended to give additional shelf support on units 30" wide or wider. See Modifications [section #71450](#).

NOTE: 15" depth is standard. For 12" or 21" depth, add the suffix -12 or -21 after the code for no charge. Example: ETWRA15-12.



- Pull-Out Media (CD/DVD/etc.) units are maple with a natural finish, and accessible from both sides.
- Media rod is adjustable for left or right access.
- **Minimum** width = 9"
- **Depth** = 18" only

Media Configurations	
ETWRPA	# DVD/CD Shelves
40-1/2	3 DVD shelves
52-1/2	4 DVD shelves
58-1/2	4 DVD shelves
64-1/2	4 DVD shelves + 2 CD Shelves



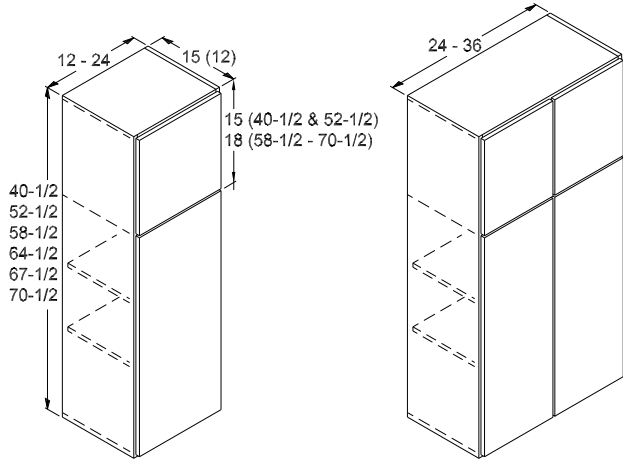
62960 - Entertainment Towers - ETWRA / ETWRPA

Cat. Code	1	2	3	4	5	6	7	8	9	10	11
ETWRA - 40-1/2" High - 2 Adjustable Shelves											
40ETWRA12	545	619	664	700	725	770	790	824	845	881	913
40ETWRA15	600	684	734	775	802	851	873	913	936	977	1012
40ETWRA18	649	746	805	851	881	937	961	1001	1027	1074	1110
40ETWRA21	712	815	880	931	964	1025	1050	1096	1124	1174	1214
40ETWRA24-1	868	1020	1089	1145	1185	1256	1287	1344	1378	1441	1489
40ETWRA24	868	1020	1089	1145	1185	1256	1287	1344	1378	1441	1489
40ETWRA27	929	1088	1188	1270	1315	1397	1432	1494	1533	1600	1656
40ETWRA30	1015	1182	1283	1362	1412	1501	1539	1606	1648	1720	1780
40ETWRA33	1070	1249	1360	1449	1500	1592	1631	1704	1746	1823	1885
40ETWRA36	1113	1312	1427	1522	1575	1675	1715	1792	1837	1918	1984
ETWRA - 52-1/2" High - 3 Adjustable Shelves											
52ETWRA12	654	741	796	839	870	923	947	987	1014	1059	1095
52ETWRA15	719	821	881	929	962	1022	1049	1095	1123	1173	1213
52ETWRA18	779	896	965	1022	1059	1124	1153	1203	1232	1288	1333
52ETWRA21	853	977	1055	1116	1157	1228	1260	1315	1348	1409	1455
52ETWRA24-1	1042	1223	1306	1374	1423	1507	1545	1614	1655	1727	1788
52ETWRA24	1042	1223	1306	1374	1423	1507	1545	1614	1655	1727	1788
52ETWRA27	1115	1306	1427	1524	1578	1677	1718	1796	1839	1921	1986
52ETWRA30	1218	1418	1538	1634	1693	1802	1846	1929	1976	2064	2135
52ETWRA33	1284	1500	1633	1740	1801	1911	1958	2046	2096	2189	2264
52ETWRA36	1336	1574	1713	1826	1892	2008	2060	2151	2203	2302	2380
ETWRA - 58-1/2" High - 4 Adjustable Shelves											
58ETWRA12	719	817	875	924	957	1015	1041	1088	1115	1165	1204
58ETWRA15	791	905	969	1022	1059	1124	1153	1206	1236	1292	1335
58ETWRA18	856	985	1062	1124	1165	1237	1269	1323	1356	1417	1466
58ETWRA21	940	1075	1161	1228	1273	1351	1386	1447	1483	1549	1601
58ETWRA24-1	1147	1347	1438	1512	1564	1659	1701	1776	1819	1900	1966
58ETWRA24	1147	1347	1438	1512	1564	1659	1701	1776	1819	1900	1966
58ETWRA27	1227	1437	1571	1677	1735	1844	1892	1974	2025	2113	2187
58ETWRA30	1340	1560	1692	1799	1862	1981	2030	2120	2174	2270	2348
58ETWRA33	1412	1650	1797	1915	1981	2102	2154	2249	2305	2406	2490
58ETWRA36	1470	1731	1883	2008	2081	2211	2267	2365	2425	2532	2620
ETWRA - 64-1/2" High - 4 Adjustable Shelves											
64ETWRA12	791	901	964	1017	1052	1116	1146	1197	1227	1281	1325
64ETWRA15	870	993	1067	1124	1165	1237	1269	1326	1360	1421	1469
64ETWRA18	942	1085	1169	1237	1281	1361	1396	1456	1493	1560	1614
64ETWRA21	1035	1183	1277	1351	1399	1487	1525	1592	1631	1704	1763
64ETWRA24-1	1263	1481	1582	1665	1721	1825	1871	1953	2002	2090	2163
64ETWRA24	1263	1481	1582	1665	1721	1825	1871	1953	2002	2090	2163
64ETWRA27	1350	1580	1726	1844	1910	2029	2081	2174	2228	2326	2406
64ETWRA30	1474	1715	1860	1978	2049	2180	2233	2333	2392	2496	2583
64ETWRA33	1554	1816	1976	2105	2179	2313	2369	2474	2536	2648	2739
64ETWRA36	1619	1904	2075	2211	2289	2433	2492	2603	2667	2786	2882

Cat. Code	1	2	3	4	5	6	7	8	9	10	11
ETWRPA - Pull-Outs 9" Wide											
40ETWRPA9	1454	1520	1566	1601	1625	1668	1690	1725	1767	1844	1907
52ETWRPA9	2280	2353	2408	2451	2479	2532	2557	2598	2663	2780	2877
58ETWRPA9	2334	2414	2472	2521	2551	2607	2634	2680	2745	2867	2966
64ETWRPA9	2387	2474	2539	2589	2622	2685	2712	2760	2830	2955	3058
ETWRPA - Pull-Outs 12" Wide											
40ETWRPA12	1530	1599	1648	1685	1710	1755	1778	1815	1859	1941	2007
52ETWRPA12	2400	2476	2534	2580	2609	2665	2691	2734	2803	2926	3028
58ETWRPA12	2456	2541	2602	2653	2685	2744	2772	2821	2889	3017	3122
64ETWRPA12	2512	2604	2672	2725	2760	2826	2854	2905	2978	3110	3218



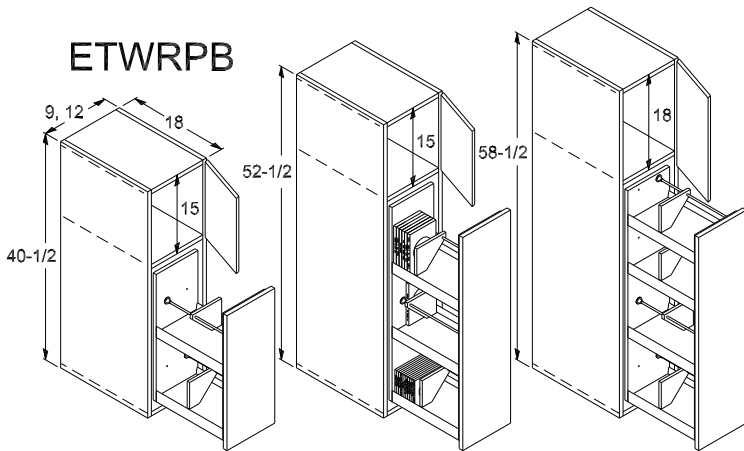
62960 - Entertainment Towers - ETWRB / ETWRPB



- When a Finished End is needed, use Wall Finished End pricing.

NOTE: The Shelf and Rail modification is recommended to give additional shelf support on units 30" wide or wider. See Modifications [section #71450](#).

NOTE: 15" depth is standard. For 12" or 21" depth, add the suffix -12 or -21 after the code for no charge. Example: ETWRB15-12.



- Pull-Out Media (CD/DVD/etc.) units are maple with a natural finish, and accessible from both sides.
- Media rod is adjustable for left or right access.
- **Minimum** width = 10-1/2"
Depth = 18" only

Media Configurations	
ETWRPB	# DVD/CD Shelves
40-1/2	2 DVD shelves
52-1/2	3 DVD shelves
58-1/2	3 DVD shelves or 2 DVD Shelves + 2 CD Shelves

Cat. Code	1	2	3	4	5	6	7	8	9	10	11
ETWRPB - Pull-Outs - 9" Wide											
40ETWRPB9	1520	1586	1629	1665	1676	1693	1727	1787	1833	1914	1980
52ETWRPB9	1727	1805	1859	1901	1932	1984	2008	2051	2101	2194	2268
58ETWRPB9	1882	1969	2028	2075	2108	2167	2192	2239	2294	2394	2478
ETWRPB - Pull-Outs - 12" Wide											
40ETWRPB12	1599	1669	1714	1752	1764	1782	1817	1881	1929	2014	2084
52ETWRPB12	1817	1899	1956	2001	2033	2088	2113	2158	2211	2309	2387
58ETWRPB12	1981	2072	2134	2184	2218	2281	2307	2356	2414	2520	2608

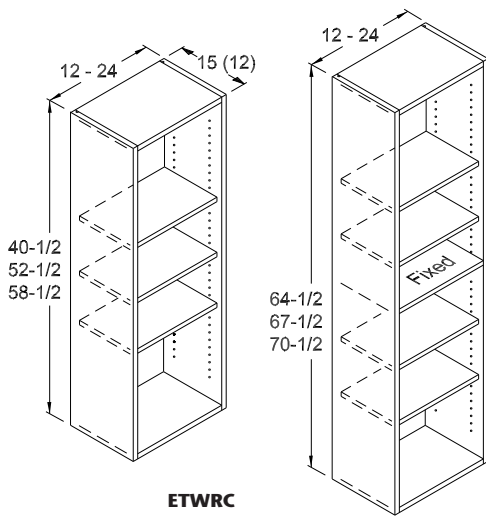


62960 - Entertainment Towers - ETWRB / ETWRPB

Cat. Code	1	2	3	4	5	6	7	8	9	10	11
ETWRB - 40-1/2" High - 1 Adjustable Shelf											
40ETWRB12	704	779	824	858	885	928	948	982	1006	1053	1089
40ETWRB15	760	843	893	933	961	1011	1033	1071	1097	1147	1186
40ETWRB18	809	907	964	1011	1040	1095	1118	1162	1190	1242	1285
40ETWRB21	871	973	1039	1090	1123	1183	1208	1255	1286	1343	1391
40ETWRB24-1	1031	1179	1246	1304	1343	1416	1447	1503	1542	1609	1665
40ETWRB24	1031	1179	1246	1304	1343	1416	1447	1503	1542	1609	1665
40ETWRB27	1089	1245	1348	1430	1474	1557	1592	1655	1696	1770	1832
40ETWRB30	1175	1340	1441	1522	1571	1661	1698	1766	1809	1890	1955
40ETWRB33	1230	1410	1519	1608	1658	1749	1790	1861	1909	1992	2062
40ETWRB36	1274	1469	1586	1680	1734	1833	1874	1951	2000	2088	2160
ETWRB - 52-1/2" High - 2 Adjustable Shelves											
52ETWRB12	814	902	956	998	1029	1081	1105	1148	1176	1228	1272
52ETWRB15	878	979	1040	1088	1119	1181	1207	1253	1285	1342	1390
52ETWRB18	938	1055	1124	1181	1217	1284	1312	1361	1396	1456	1507
52ETWRB21	1014	1136	1213	1277	1315	1388	1418	1473	1511	1578	1631
52ETWRB24-1	1202	1381	1466	1535	1581	1668	1705	1773	1817	1897	1964
52ETWRB24	1202	1381	1466	1535	1581	1668	1705	1773	1817	1897	1964
52ETWRB27	1276	1465	1585	1684	1736	1836	1876	1953	2002	2090	2163
52ETWRB30	1378	1577	1697	1795	1853	1959	2005	2086	2138	2232	2310
52ETWRB33	1445	1659	1791	1899	1958	2069	2117	2203	2258	2358	2440
52ETWRB36	1497	1732	1872	1985	2050	2169	2218	2309	2366	2471	2557
ETWRB - 58-1/2" High - 3 Adjustable Shelves											
58ETWRB12	878	976	1035	1082	1115	1174	1200	1245	1278	1334	1379
58ETWRB15	950	1062	1127	1181	1217	1284	1313	1363	1398	1461	1511
58ETWRB18	1017	1145	1222	1284	1323	1396	1427	1482	1521	1586	1642
58ETWRB21	1099	1232	1319	1388	1431	1509	1544	1605	1647	1718	1778
58ETWRB24-1	1307	1504	1598	1672	1724	1818	1859	1935	1983	2070	2142
58ETWRB24	1307	1504	1598	1672	1724	1818	1859	1935	1983	2070	2142
58ETWRB27	1388	1595	1728	1836	1895	2002	2049	2133	2187	2284	2362
58ETWRB30	1501	1718	1851	1957	2022	2140	2189	2280	2336	2440	2525
58ETWRB33	1573	1809	1955	2072	2140	2259	2312	2407	2468	2576	2666
58ETWRB36	1631	1890	2044	2169	2238	2369	2425	2525	2587	2702	2796
ETWRB - 64-1/2" High - 3 Adjustable Shelves											
64ETWRB12	950	1059	1124	1175	1210	1277	1305	1355	1390	1451	1501
64ETWRB15	1032	1153	1225	1284	1323	1396	1427	1484	1523	1589	1645
64ETWRB18	1102	1243	1328	1396	1440	1521	1554	1615	1656	1728	1789
64ETWRB21	1194	1341	1434	1509	1558	1647	1684	1749	1795	1873	1938
64ETWRB24-1	1424	1640	1741	1823	1879	1984	2029	2112	2165	2259	2340
64ETWRB24	1424	1640	1741	1823	1879	1984	2029	2112	2165	2259	2340
64ETWRB27	1509	1739	1883	2002	2068	2189	2238	2331	2389	2495	2582
64ETWRB30	1635	1874	2020	2137	2208	2338	2393	2491	2553	2666	2758
64ETWRB33	1713	1973	2134	2264	2337	2471	2529	2631	2698	2818	2916
64ETWRB36	1780	2064	2232	2369	2448	2590	2651	2761	2831	2957	3058
ETWRB - 67-1/2" High - 3 Adjustable Shelves											
67ETWRB12	1008	1120	1190	1245	1284	1353	1382	1437	1473	1539	1592
67ETWRB15	1094	1222	1299	1360	1404	1480	1515	1575	1614	1686	1743
67ETWRB18	1169	1319	1409	1480	1526	1612	1649	1713	1755	1834	1897
67ETWRB21	1266	1424	1523	1601	1652	1745	1784	1855	1902	1986	2056
67ETWRB24-1	1508	1739	1846	1934	1993	2103	2152	2238	2294	2397	2478
67ETWRB24	1508	1739	1846	1934	1993	2103	2152	2238	2294	2397	2478
67ETWRB27	1600	1844	1998	2123	2193	2321	2375	2473	2534	2646	2737
67ETWRB30	1734	1987	2141	2266	2341	2478	2537	2641	2706	2827	2925
67ETWRB33	1818	2093	2263	2400	2477	2620	2680	2791	2860	2986	3090
67ETWRB36	1886	2189	2366	2511	2594	2747	2811	2929	3001	3133	3243
ETWRB - 70-1/2" High - 3 Adjustable Shelves											
70ETWRB12	1070	1189	1263	1321	1361	1434	1466	1523	1560	1629	1686
70ETWRB15	1161	1297	1377	1444	1487	1568	1605	1671	1712	1788	1848
70ETWRB18	1239	1398	1491	1568	1619	1710	1747	1817	1861	1945	2011
70ETWRB21	1342	1508	1614	1698	1752	1851	1893	1967	2016	2105	2179
70ETWRB24-1	1599	1844	1958	2050	2114	2230	2281	2373	2433	2539	2627
70ETWRB24	1599	1844	1958	2050	2114	2230	2281	2373	2433	2539	2627
70ETWRB27	1697	1956	2119	2251	2326	2460	2517	2621	2686	2806	2903
70ETWRB30	1839	2106	2270	2401	2481	2628	2688	2800	2869	2996	3101
70ETWRB33	1928	2218	2399	2546	2627	2777	2841	2959	3033	3167	3278
70ETWRB36	2001	2321	2509	2663	2750	2911	2979	3105	3182	3323	3439



62960 - Entertainment Towers - ETWRC, ETWRD



ETWRC

Cat. Code	Price
ETWRC - 40-1/2" High - 2 Adj. Shelves	
40ETWRC12	726
40ETWRC15	765
40ETWRC18	836
40ETWRC21	908
40ETWRC24	986
ETWRC - 52-1/2" High - 3 Adj. Shelves	
52ETWRC12	926
52ETWRC15	973
52ETWRC18	1070
52ETWRC21	1167
52ETWRC24	1263
ETWRC - 58-1/2" High - 4 Adj. Shelves	
58ETWRC12	979
58ETWRC15	1031
58ETWRC18	1131
58ETWRC21	1235
58ETWRC24	1336

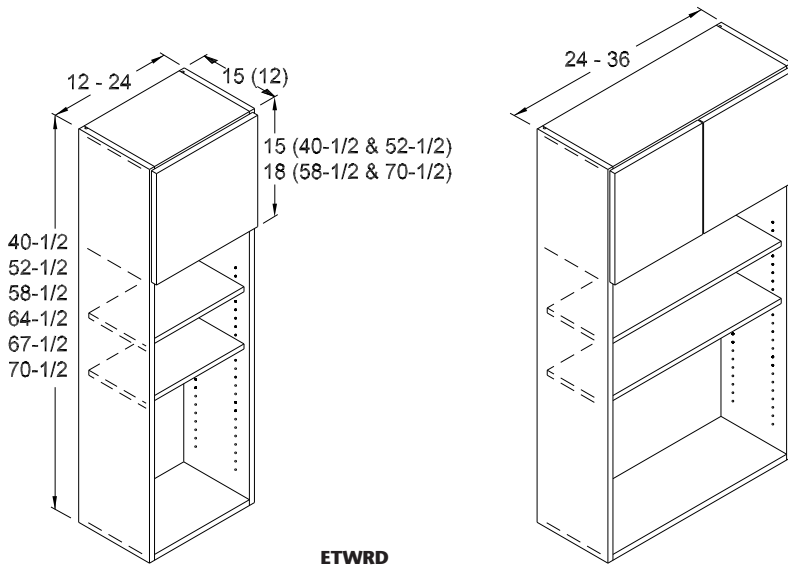
Cat. Code	Price
ETWRC - 64-1/2" High - 4 Adj. Shelves	
64ETWRC12	1029
64ETWRC15	1081
64ETWRC18	1188
64ETWRC21	1298
64ETWRC24	1405
ETWRC - 67-1/2" High - 4 Adj. Shelves	
67ETWRC12	1080
67ETWRC15	1136
67ETWRC18	1248
67ETWRC21	1362
67ETWRC24	1474
ETWRC - 70-1/2" High - 5 Adj. Shelves	
70ETWRC12	1134
70ETWRC15	1193
70ETWRC18	1312
70ETWRC21	1432
70ETWRC24	1549

- **Matching Finished Interior is standard.**
- When a Finished End is needed, use Wall Finished End pricing.
- See [Section #61905](#) for Valance options.

NOTE: The Shelf and Rail modification is recommended to give additional shelf support on units 30" wide or wider. See Modifications [section #71450](#).

NOTE: 15" depth is standard. For 12" or 21" depth, add the suffix -12 or -21 after the code for no charge. Example: ETWRC15-12.

NOTE: Not available with Acrylics or Wired Foils.



ETWRD

- **Matching Finished Interior is standard.**
- When a Finished End is needed, use Wall Finished End pricing.
- See [Section #61905](#) for Valance options.

NOTE: The Shelf and Rail modification is recommended to give additional shelf support on units 30" wide or wider. See Modifications [section #71450](#).

NOTE: 15" depth is standard. For 12" or 21" depth, add the suffix -12 or -21 after the code for no charge. Example: ETWRD15-12.

NOTE: Not available with Acrylics or Wired Foils.

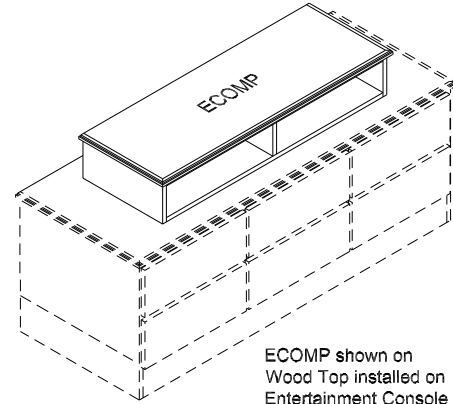
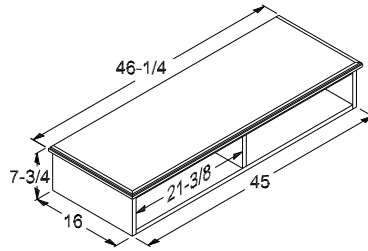
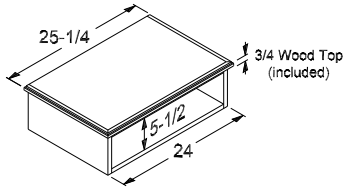


62960 - Entertainment Towers - ETWRD

Cat. Code	1	2	3	4	5	6	7	8	9	10	11
ETWRD - 40-1/2" High - 1 Adjustable Shelf											
40ETWRD1215	1089	1166	1189	1208	1239	1298	1325	1374	1409	1470	1523
40ETWRD1515	1146	1225	1250	1270	1304	1363	1393	1446	1482	1547	1600
40ETWRD1815	1250	1333	1356	1374	1411	1477	1508	1565	1603	1676	1733
40ETWRD2115	1357	1438	1461	1477	1518	1591	1623	1687	1728	1805	1866
40ETWRD2415-1	1425	1575	1619	1655	1699	1783	1822	1893	1939	2026	2096
40ETWRD2415	1425	1575	1619	1655	1699	1783	1822	1893	1939	2026	2096
40ETWRD2715	1524	1677	1722	1757	1806	1896	1937	2014	2064	2155	2230
40ETWRD3015	1622	1777	1820	1855	1908	2002	2047	2127	2181	2278	2357
40ETWRD3315	1721	1878	1922	1956	2011	2113	2160	2245	2301	2403	2487
40ETWRD3615	1823	1978	2025	2061	2118	2225	2275	2365	2425	2532	2620
ETWRD - 52-1/2" High - 2 Adjustable Shelves											
52ETWRD1215	1250	1332	1350	1363	1403	1469	1501	1559	1598	1669	1726
52ETWRD1515	1316	1403	1421	1435	1474	1546	1579	1640	1680	1754	1817
52ETWRD1815	1409	1493	1517	1533	1574	1651	1686	1750	1796	1874	1939
52ETWRD2115	1502	1587	1610	1628	1673	1754	1795	1862	1910	1993	2063
52ETWRD2415-1	1561	1713	1759	1795	1844	1935	1977	2054	2105	2198	2274
52ETWRD2415	1561	1713	1759	1795	1844	1935	1977	2054	2105	2198	2274
52ETWRD2715	1672	1824	1867	1902	1955	2053	2099	2182	2236	2336	2417
52ETWRD3015	1778	1934	1977	2011	2069	2175	2224	2312	2369	2474	2560
52ETWRD3315	1886	2044	2085	2119	2180	2292	2343	2438	2497	2608	2699
52ETWRD3615	1988	2151	2195	2231	2295	2413	2468	2567	2630	2747	2842
ETWRD - 58-1/2" High - 3 Adjustable Shelves											
58ETWRD1215	1323	1412	1433	1449	1489	1561	1595	1657	1698	1773	1834
58ETWRD1515	1393	1484	1507	1525	1566	1642	1677	1742	1785	1864	1930
58ETWRD1815	1496	1586	1610	1628	1673	1754	1795	1862	1910	1993	2063
58ETWRD2115	1599	1689	1712	1731	1781	1867	1910	1984	2033	2123	2197
58ETWRD2415-1	1661	1824	1872	1911	1965	2063	2109	2193	2246	2345	2427
58ETWRD2415	1661	1824	1872	1911	1965	2063	2109	2193	2246	2345	2427
58ETWRD2715	1778	1942	1990	2028	2085	2191	2239	2329	2386	2492	2580
58ETWRD3015	1892	2058	2105	2145	2207	2319	2369	2464	2526	2637	2729
58ETWRD3315	2050	2176	2224	2261	2327	2448	2502	2603	2667	2786	2882
58ETWRD3615	2123	2292	2340	2378	2448	2573	2630	2736	2805	2929	3030
ETWRD - 64-1/2" High - 3 Adjustable Shelves											
64ETWRD1215	1391	1483	1505	1524	1565	1642	1677	1742	1785	1864	1930
64ETWRD1515	1462	1561	1585	1603	1649	1727	1766	1834	1880	1964	2032
64ETWRD1815	1573	1670	1694	1713	1761	1847	1889	1963	2011	2100	2174
64ETWRD2115	1684	1777	1803	1823	1874	1967	2011	2090	2142	2237	2315
64ETWRD2415-1	1747	1921	1971	2011	2069	2174	2222	2310	2368	2473	2558
64ETWRD2415	1747	1921	1971	2011	2069	2174	2222	2310	2368	2473	2558
64ETWRD2715	1872	2047	2097	2135	2197	2310	2362	2456	2517	2628	2720
64ETWRD3015	1992	2169	2219	2259	2326	2443	2498	2601	2665	2784	2880
64ETWRD3315	2161	2294	2344	2384	2454	2581	2639	2747	2814	2940	3042
64ETWRD3615	2236	2417	2468	2508	2581	2714	2776	2887	2959	3091	3198
ETWRD - 67-1/2" High - 3 Adjustable Shelves											
67ETWRD1215	1460	1559	1582	1601	1645	1724	1763	1832	1876	1959	2028
67ETWRD1515	1536	1640	1666	1686	1731	1815	1854	1928	1974	2063	2134
67ETWRD1815	1652	1752	1780	1801	1851	1941	1984	2062	2113	2207	2284
67ETWRD2115	1768	1865	1894	1915	1969	2067	2113	2196	2250	2349	2432
67ETWRD2415-1	1836	2016	2070	2113	2173	2282	2333	2426	2487	2595	2685
67ETWRD2415	1836	2016	2070	2113	2173	2282	2333	2426	2487	2595	2685
67ETWRD2715	1965	2149	2201	2244	2308	2426	2480	2580	2644	2760	2855
67ETWRD3015	2091	2277	2330	2373	2441	2567	2624	2732	2799	2924	3024
67ETWRD3315	2271	2408	2461	2504	2576	2711	2772	2884	2957	3087	3195
67ETWRD3615	2349	2537	2590	2632	2711	2849	2915	3033	3107	3245	3357
ETWRD - 70-1/2" High - 3 Adjustable Shelves											
70ETWRD1215	1533	1637	1664	1684	1728	1811	1852	1923	1971	2058	2127
70ETWRD1515	1613	1722	1748	1770	1818	1904	1946	2023	2072	2166	2239
70ETWRD1815	1735	1840	1867	1890	1942	2040	2084	2166	2219	2319	2399
70ETWRD2115	1855	1959	1987	2009	2067	2172	2218	2307	2364	2469	2554
70ETWRD2415-1	1929	2118	2175	2219	2282	2397	2450	2548	2610	2726	2821
70ETWRD2415	1929	2118	2175	2219	2282	2397	2450	2548	2610	2726	2821
70ETWRD2715	2064	2256	2312	2357	2425	2548	2604	2709	2776	2900	2999
70ETWRD3015	2197	2392	2448	2492	2565	2695	2756	2868	2940	3071	3177
70ETWRD3315	2384	2530	2585	2629	2706	2846	2911	3030	3105	3241	3353
70ETWRD3615	2468	2664	2720	2765	2846	2993	3061	3185	3262	3408	3526



62970 - Entertainment Component Cabinet



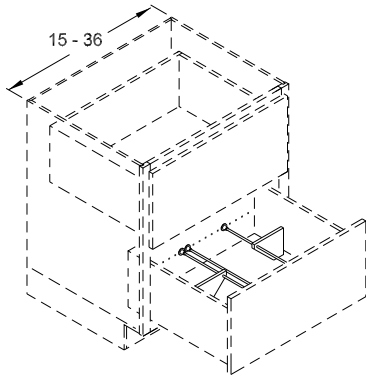
ECOMP shown on Wood Top installed on Entertainment Console

- **Finished Ends, Finished Top and Matching Finished Interior are standard.**
- Component Cabinet is designed to sit on top of Entertainment Console (see [Section #62920](#)).
- 3/4" Wood Top is profiled to match the door style.

NOTE: Available in standard wood species only.

Cat. Code	Price
ECOMP24	616
ECOMP45	1158

62980 - Media Storage Drawer



- Can be specified as a modification to any existing cabinet with a drawer.
- Adjustable steel rods run front to back for media storage.
- Drawer box is drilled to accept adjustable steel rods.
- **Minimum** drawer box height = 6" (e.g. ECE, 2DB, D2DF).

NOTE: Not available with Stainless Steel drawer box.

Cat. Code	Price	# of Rods
MSD15	119	1
MSD18	119	1
MSD21	236	2
MSD24	236	2
MSD27	353	3
MSD30	353	3
MSD33	472	4
MSD36	472	4



Mantels



Corbel
(Mantel A)

Mantel A (MNTLA) shown with Classic styling, Frieze B (FRZ-B) and Column B (CLMN-B).



Plain
(Mantel B)

Mantel B (MNTLB) shown with Craftsman styling, Frieze B (FRZ-B) and Column A (CLMN-A).

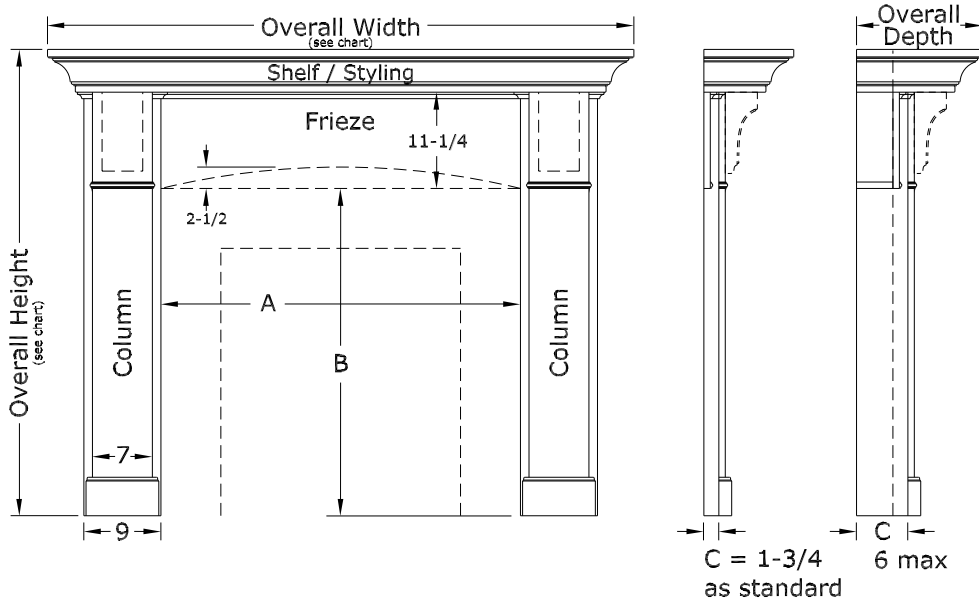


Decorative
(Mantel C)

← Mantel C (MNTLC) shown with Transitional styling, Frieze A (FRZ-A) and Column B (CLMN-B).

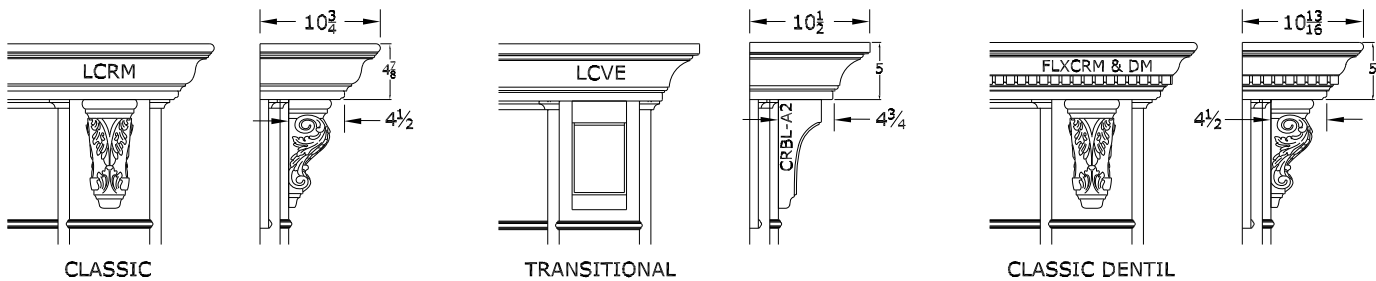


63000 - Mantel A - MNTLA



- Specify inside width (A) and inside height (B) (and inside depth (C) if required). Other Mantel components have fixed dimensions (i.e. Column width, Frieze height, etc.) unless a custom quote is requested.
- **Maximum** inside width (A) = 66"
Maximum inside height (B) = 48"
Maximum inside depth (C) = 6"
- Moldings and corbels affect the overall "styling" of the mantel. Specify "Classic", "Transitional" or "Classic Dentil" styling on your order. SEE WORKSHEET. >>>

Overall Sizes			
	Width	Height	Depth
Classic	A + 27	B + 16-1/8	C + 9
Transitional	A + 26-1/2	B + 16-1/4	C + 8-3/4
Classic Dentil	A + 27-1/8	B + 16-1/4	C + 9-1/16



- MNTLA has two (2) components that can be selected from several options:
 1. Frieze
 2. Column

Decorative insert panels will complement the door style specified for the order. **Exception: For mitered doors, only the insert panel will match. Square panels only (arched panels are not available).**

- Mantel is assembled at the factory, then disassembled and shipped as four components (Mantel Shelf, Frieze and 2 Columns).
- Mantel includes hanger rail for installation to wall.

QUOTED MODIFICATIONS ONLY

Cat. Code	Price
MNTLA*	4062

*Specify opening width and opening height.

NOTE: Available in standard wood species **only**.

NOTE: Dealers are responsible for verifying compliance with local building codes for distance from firebox opening to wood components of Mantel.

Pricing shown is a "base" price. Use the worksheet on the facing page to specify options and to ensure accurate ordering and pricing.

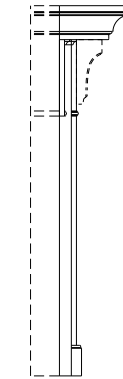
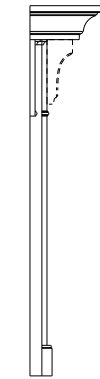
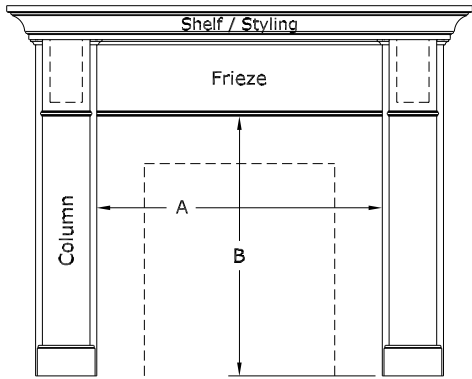


63000 - Mantel A - MNTLA

MANTEL (MNTLA) WORKSHEET/ORDER FORM

(Please COPY, complete and send with your order.)

1. Specify Size: **MNTLA-** _____ **\$** 4062
 (opening width) (opening height)

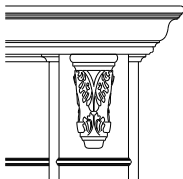


Increase Depth **\$** _____
 (if required)

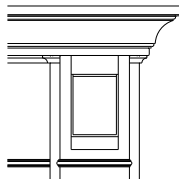
C (Inside depth)
+ \$492
 (List Price)

NOTE: Dealers are responsible for verifying compliance with local building codes for distance from firebox opening to wood components of Mantel.

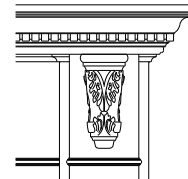
2. Specify "Styling": (check one, price includes both corbels) **\$** _____
 Moldings and Corbels affect the overall "styling" of the Mantel.



CLASSIC \$788

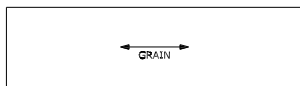


TRANSITIONAL \$0

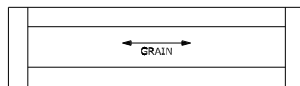


CLASSIC DENTIL \$788
 (N/A in QSRO)

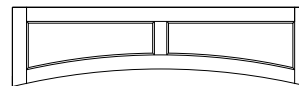
3. Specify "Frieze": (check one) **\$** _____



FRZ-A \$0



FRZ-B \$391

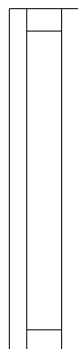


FRZ-C \$1126

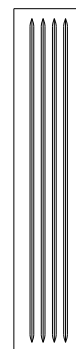
4. Specify "Column": (check one, price includes both columns) **\$** _____



CLMN-A \$0



CLMN-B \$492



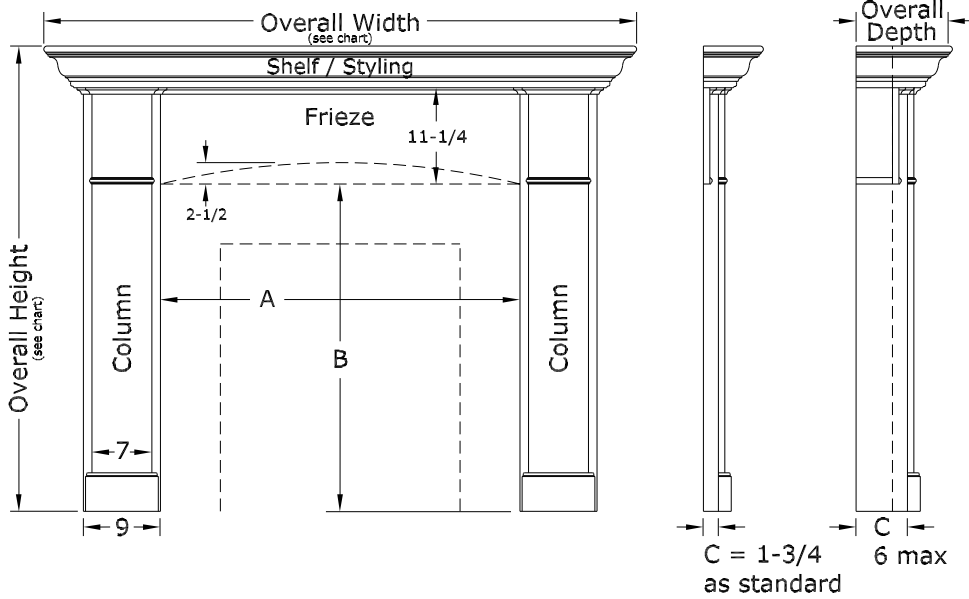
CLMN-C \$297

Total List \$ _____

Add appropriate wood species and finish upcharge (if applicable)

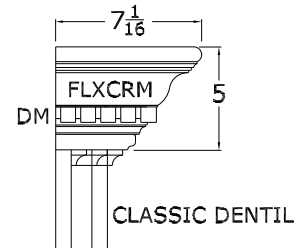
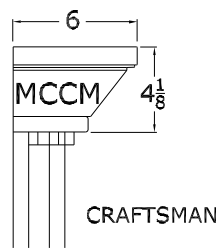
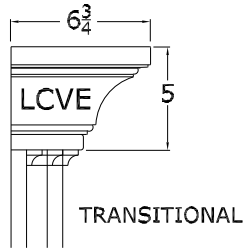
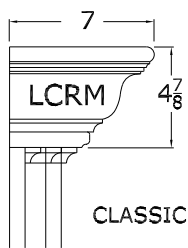


63010 - Mantel B - MNTLB



- Specify inside width (A) and inside height (B) (and depth (C) if required). Other Mantel components have fixed dimensions (i.e. Column width, Frieze height, etc.) unless a custom quote is requested.
- **Maximum** inside width (A) = 66"
Maximum inside height (B) = 48"
Maximum depth (C) = 6"
- Moldings affect the overall "styling" of the mantel. Specify "Classic", "Transitional", "Craftsman" or "Classic Dentil" styling on your order. SEE WORKSHEET. > > >

Overall Sizes			
	Width	Height	Depth
Classic	A + 27	B + 16-1/8	C + 5-1/4
Transitional	A + 26-1/2	B + 16-1/4	C + 5
Craftsman	A + 25	B + 15-3/8	C + 4-1/4
Classic Dentil	A + 27-1/8	B + 16-1/4	C + 5-5/16



- MNTLB has two (2) components that can be selected from several options:
 1. Frieze
 2. Column

Decorative insert panels will complement the door style specified for the order. **Exception: For mitered doors, only the insert panel will match. Square panels only (arched panels are not available.)**

- Mantel is assembled at the factory, then disassembled and shipped as four components (Mantel Shelf, Frieze and 2 Columns).
- Mantel includes hanger rail for installation to wall.

QUOTED MODIFICATIONS ONLY

Cat. Code	Price
MNTLB*	3232

*Specify opening width and opening height.

NOTE: Available in standard wood species **only**.

NOTE: Dealers are responsible for verifying compliance with local building codes for distance from firebox opening to wood components of Mantel.

Pricing shown is a "base" price. Use the worksheet on the facing page to specify options and to ensure accurate ordering and pricing.

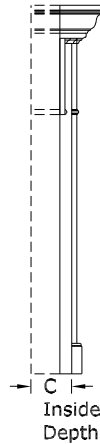
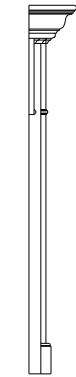
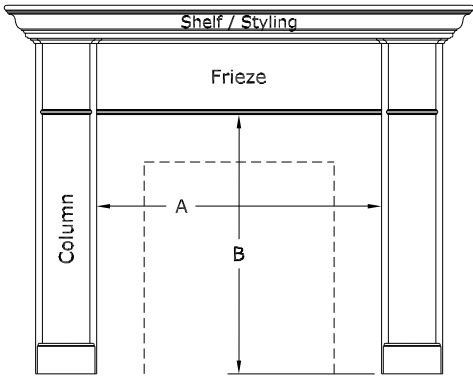


63010 - Mantel B - MNTLB

MANTEL (MNTLB) WORKSHEET/ORDER FORM

(Please COPY, complete and send with your order.)

1. Specify Size: **MNTLB-** _____ **\$** _____ 3232
 (opening width) (opening height)

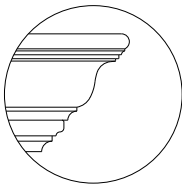


Increase Depth **\$** _____
 (if required)

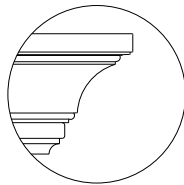
C (Inside depth)
+ \$492
 (List Price)

NOTE: Dealers are responsible for verifying compliance with local building codes for distance from firebox opening to wood components of Mantel.

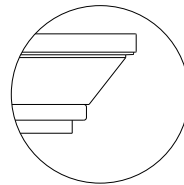
2. Specify "Styling": (check one, price includes both corbels) **\$** _____ N/C
 Moldings affect the overall "styling" of the Mantel.



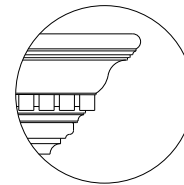
CLASSIC



TRANSITIONAL

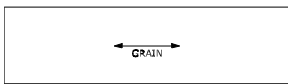


CRAFTSMAN

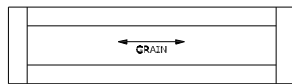


CLASSIC DENTIL
 (N/A in QSRO)

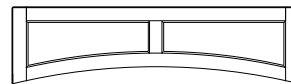
3. Specify "Frieze": (check one) **\$** _____



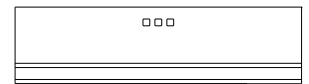
FRZ-A \$0



FRZ-B \$391



FRZ-C \$1126

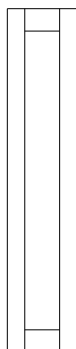


FRZ-D \$391

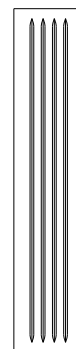
4. Specify "Column": (check one, price includes both columns) **\$** _____



CLMN-A \$0



CLMN-B \$492



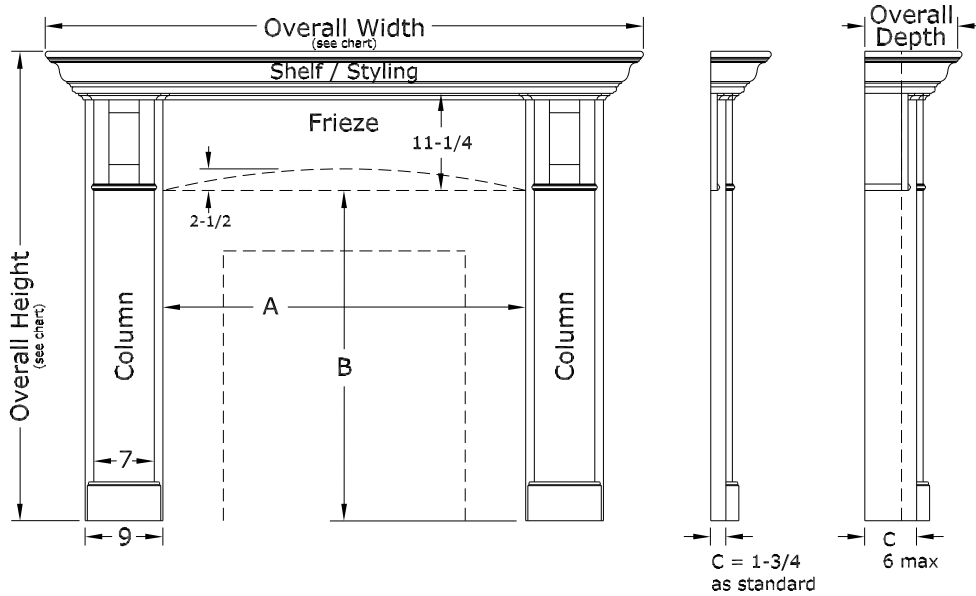
CLMN-C \$297

Total List \$ _____

Add appropriate wood species and finish upcharge (if applicable)

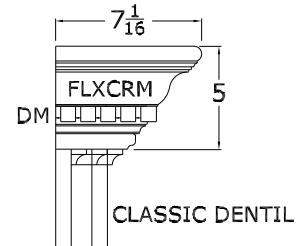
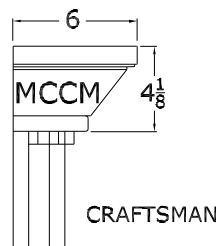
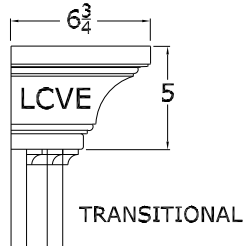
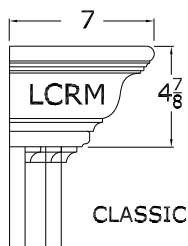


63020 - Mantel C - MNTLC



- Specify inside width (A) and inside height (B) (and depth (C) if required). Other Mantel components have fixed dimensions (i.e. Column width, Frieze height, etc.) unless a custom quote is requested.
- **Maximum** inside width (A) = 66"
Maximum inside height (B) = 48"
Maximum depth (C) = 6"
- Mouldings affect the overall "styling" of the mantel. Specify "Classic", "Transitional", "Craftsman" or "Classic Dentil" styling on your order. SEE WORKSHEET. > > >

Overall Sizes			
	Width	Height	Depth
Classic	A + 27	B + 16-1/8	C + 5-1/4
Transitional	A + 26-1/2	B + 16-1/4	C + 5
Craftsman	A + 25	B + 15-3/8	C + 4-1/4
Classic Dentil	A + 27-1/8	B + 16-1/4	C + 5-5/16



- MNTLC has two (2) components that can be selected from several options:
 1. Frieze
 2. Column

Decorative insert panels will match the door style specified for the order. **Exception: For mitered doors, only the insert panel will match. Square panels only (arched panels are not available.)**

- Mantel is assembled at the factory, then disassembled and shipped as four components (Mantel Shelf, Frieze and 2 Columns).
- Mantel includes hanger rail for installation to wall.

QUOTED MODIFICATIONS ONLY

Cat. Code	Price
MNTLC*	3565

*Specify opening width and opening height.

NOTE: Available in standard wood species **only**.

NOTE: Dealers are responsible for verifying compliance with local building codes for distance from firebox opening to wood components of Mantel.

Pricing shown is a "base" price. Use the worksheet on the facing page to specify options and to ensure accurate ordering and pricing.

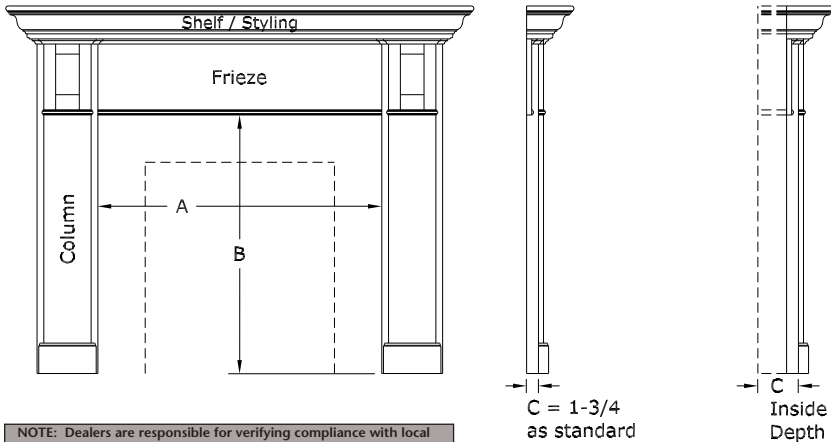


63020 - Mantel C - MNTLC

MANTEL (MNTLC) WORKSHEET/ORDER FORM

(Please COPY, complete and send with your order.)

1. Specify Size: MNTLC- _____ \$ 3565
A (opening width) B (opening height)

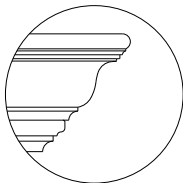


Increase Depth \$ _____
(if required)

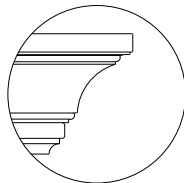
C (Inside depth)
 + \$492
 (List Price)

NOTE: Dealers are responsible for verifying compliance with local building codes for distance from firebox opening to wood components of Mantel.

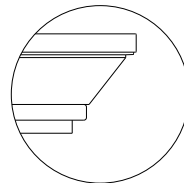
2. Specify "Styling": (check one, price includes both corbels) \$ N/C
 Moldings affect the overall "styling" of the Mantel.



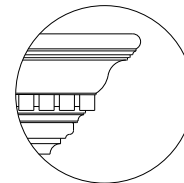
CLASSIC



TRANSITIONAL

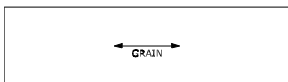


CRAFTSMAN

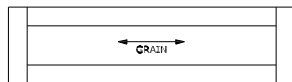


CLASSIC DENTIL
(N/A in QSRO)

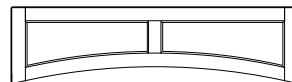
3. Specify "Frieze": (check one) \$ _____



FRZ-A \$0



FRZ-B \$391



FRZ-C \$1126

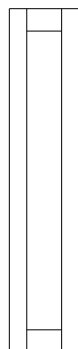


FRZ-D \$391

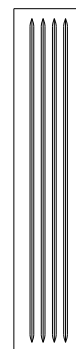
4. Specify "Column": (check one, price includes both columns) \$ _____



CLMN-A \$0



CLMN-B \$492



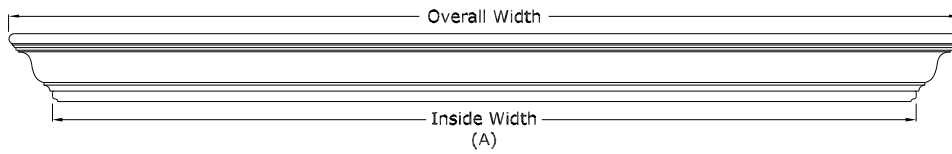
CLMN-C \$297

Total List \$ _____

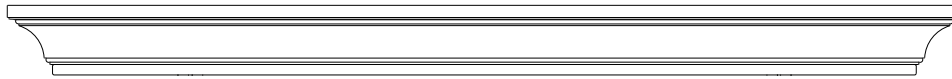
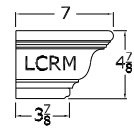
Add appropriate wood species and finish upcharge (if applicable)



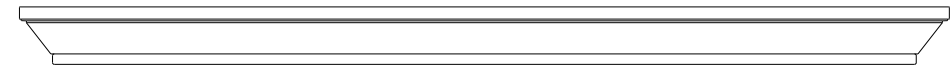
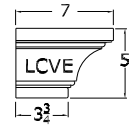
63030 - Mantel Shelf - MNTLS



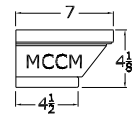
CLASSIC



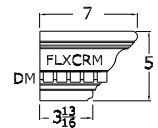
TRANSITIONAL



CRAFTSMAN



CLASSIC DENTIL



- Specify inside width (A). Mantel Shelf height and depth dimensions are fixed.
- Moldings affect the overall “styling” of the mantel.
- Specify “Classic”, “Transitional”, “Craftsman”, or “Classic Dentil” styling on your order.
- **Maximum** overall width = 96”.
- Mantel Shelf includes hanger rail for installation to wall.

QUOTED MODIFICATIONS ONLY

NOTE: Available in standard wood species **only**.

Overall Sizes		
	Overall Width	Maximum Inside Width
Classic	A + 6-1/4	89-3/4
Transitional	A + 6-1/2	89-1/2
Craftsman	A + 5	91
Classic Dentil	A + 6-3/8	89-5/8

Cat. Code	Price
Mantel Shelf	
MNTLS	1423



Modifications Index

Angle Modifications	9-18	Matching Finished Interior	9-5
Bi-Fold Doors	9-10	Molding Apron	9-3
Clipped Corner Modification	9-2	Omit Door(s)	9-8
Convert Drawers	9-12	Omit Drawer and/or Drawer Front	9-12
Convert Shelves	9-11	Omit Shelves	9-11
Cottage Bead Interior Back	9-5	Partition (Centered)	9-5
Decorative Toe Surface	9-16	Partition (to a Drawer or Roll-Out Shelf)	9-14
Dimension Modifications	9-3	Peninsula Modification	9-9
Door and/or Drawer Locks	9-17	Pipe Chase	9-21
Door and Jamb	9-26	Plumbing Drawers	9-14
Door on End/Door Applied	9-1	Plywood Construction	9-1
Drawer Modification	9-14	Pocket Doors	9-11
Drawer Partition	9-14	Prepare Door for Glass	9-8
Edgebanding (Wood)	9-1	Rattan Inserts	9-7
Extended Side Back/Down	9-2	Recessed Bottom	9-6
Face Modification	9-10	Reduce Depth of Drawer Box	9-15
Finished Back, Top or Bottom	9-6	Shallow Drawer	9-13
Finished Ends	9-1	Speaker Cloth	9-7
Fluting Modifications	9-17	Stack Cabinet	9-10
Frame and Glass (or Mirror)	9-8	Stainless Steel Drawer Box	9-13
Frame No Glass	9-8	Toe Modifications (Flush, Recessed, etc.)	9-15
Full Height Door	9-8	Two-Tone Finish Combination	9-5
Hinge Top/Stay Lift	9-9	Universal Access Cabinet	9-15
Lift Door Modification	9-9	V-Grooved Back	9-6
Louvered Doors	9-7	Wall Cabinet Modifications	9-16
Maple Drawer Box (Premium)	9-13	Wire Chase	9-12

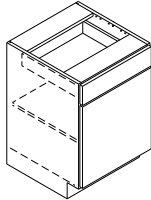


70000 - Finished Ends

- Specify Finished End Left, Right or Both. If **FEB** (both) is specified, **double** the price.
 - FER** - Finished End Right
 - FEL** - Finished End Left
 - FEB** - Finished Ends Both
- A Finished End is 3/4" furniture board with a matching wood species, Acrylic, Foil, or High Pressure Laminate.

Finished End (FE)		Price/End
Wall (all depths)	L/R	52
Base, Desk, Vanity (12" deep & less)	L/R	52
Base, Desk, Vanity (over 12" deep)	L/R	107
Tall (12" deep & less)	L/R	140
Tall (over 12" deep)	L/R	280

70005 - All Plywood Construction



- Cabinet (sides, top, bottom, and shelves) is veneer core plywood with a natural maple veneer interior.
- If a Finished End is needed it must be specified and Finished End charges apply.**
- 15% upcharge is applied to cabinets only (not panels, moldings, accessories, hoods or islands)

Plywood construction with natural maple veneer interior

NOTE: Available in standard wood species and Satin Foil **only**.

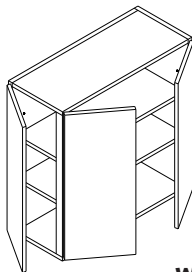
Plywood Case Construction, **PLYCASE** **Add 15% to standard case price**

70007 - Wood Edgebanding

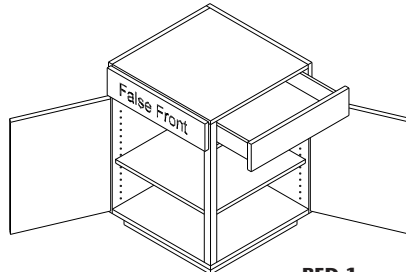
- Front edges of cabinet can be specified with a wood edgebanding (instead of PVC edgebanding) finished to match the door. For painted finishes, a smooth "paintable" edgebanding is finished to match.
- Wood edgebanding can be specified as a modification to individual cabinets or for the entire order using the Order Cover Sheet. Pricing is applied per cabinet.
- Available in standard wood species only.
- Exotic veneers already include Wood Edgebanding as standard. Collections finishes include Wood Edgebanding as standard.

Wood Edgebanding, **EBW** **Add 5% to standard case price**

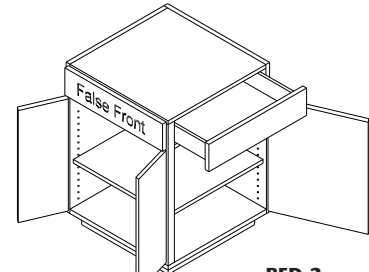
70015 - Working Door on End of Cabinet



WED-1



BED-1



BED-2

- End of cabinet is replaced with a "corner post system", and working door(s) and false drawer front if applicable.
- Available on one End per cabinet **only**. Specify Left or Right (**left shown**).
- Specify hinge direction on single End door. If not specified, door is hinged at **back of cabinet**.
- Minimum** depth of cabinet for two doors (in width) is 24". **Maximum** depth for single door cabinet (in width) is 24-1/2"
- When Door on End of Cabinet is specified, **Recessed Toe Space is standard** on end of cabinet. Specify **FTSE** for a Flush Toe Space on End.

NOTE: Due to the special construction requirements of this modification, some cabinets have specific limitations on their availability. Drawer Base, Peninsula and Tall cabinets are **not** available. Cabinetry with functional openings on the face (ie. MW, MWS, MWTD, DOC, WTD, WPH, Raised Microwave, Raised Dishwasher, Warming Drawers, etc.) are **not** available.

NOTE: Roll-out shelves and pocket doors are **not** available with this modification.

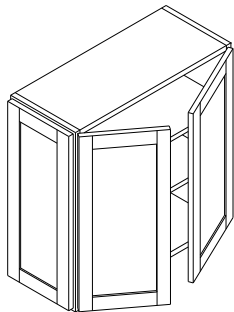
NOTE: Door configuration on End will match the door height configuration on front of cabinet. A false drawer front is used on the side if there is a working drawer on the front. A false door is used on the side if there is a tambour door on the front.

Cat. Code		Walls	Bases
WED-1	L/R	441	---
WED-2 (24" deep)	L/R	920	---
BED-1	L/R	---	591
BED-2 (24" deep)	L/R	---	1004

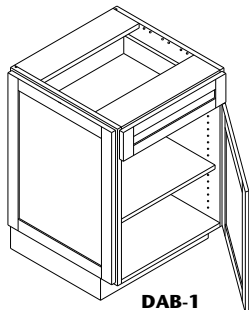
Flush Toe Space on End, **FTSE** L/R **Add \$153 to each Door on End price**



70020 - Door Applied to Finished Cabinet End



DAW-1



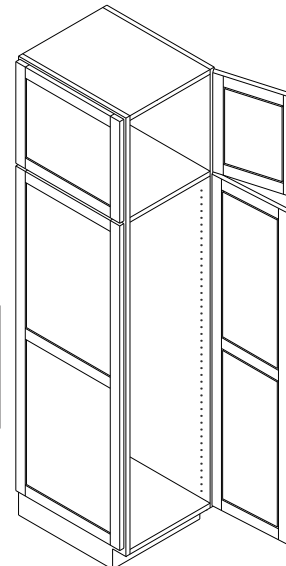
DAB-1

- Specify Left, Right, or Both. If **-B** (both) is specified, **double** the price shown.
- **Finished End** is required and must be specified. See Section #70000 for Finished End charges.
- Cabinet has an applied door (non-operational) to match the order.
- Door is sized to have normal reveals to match the order.
- **Maximum** depth for a single door cabinet (in width) is 24-1/2".
- Specify **DANS** for non-standard reveals or doors installed flush with face of doors on front of cabinet.
- **Flush Toe on End is standard** unless **RTSS** (Recessed Toe Space on End) is requested.

NOTE: Door configuration on End will match front configuration in height. Wall cabinets will have full-height door on end. (Exception: microwave & tambour cabinets will have 2 doors on End to align with front configuration.) Base cabinets (desk & vanity) will have full height door on end. Tall cabinets will match the configuration on the front.

Cat. Code	Walls	Bases	Talls
DAW-1	L/R/B	366*	---
DAW-2 (24" deep)	L/R/B	777*	---
DAB-1	L/R/B	---	460*
DAB-2 (24" deep)	L/R/B	---	917*
DAT12-1 (12" deep)	L/R/B	---	1085*
DAT24-1 (24" deep)	L/R/B	---	1342*
DAT24-2 (24" deep)	L/R/B	---	2443*

* Plus Finished End charge. See Section #70000

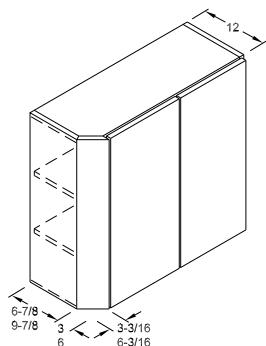


DAT-1

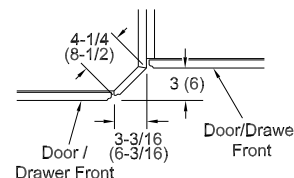
Recessed Toe Space on End, **RTSS** **Add \$145 to DA price**

Door Applied Non-Standard, **DANS** **Add \$89 to each door applied price.**

70030 - Clipped Corner Modification



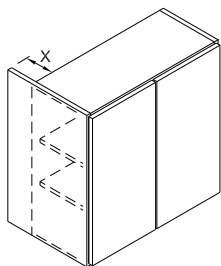
- Specify Left, Right, or Both. If **-B** (both) is specified, **double** the price shown.
- **Cabinet end with Clipped Corner includes a Finished End as standard.**
- Cabinet face is reduced by 3-3/16" or 6-3/16" with one clipped corner, 6-3/8" or 12-3/8" with both clipped corners.
- Face of stile adjacent to door(s) or drawer front(s) has an edge profile to match the door style. See drawing. This edge profile will reduce the useable face of the clipped corner.
- When Thermofoil, "Exotic" Veneer, Acrylics, or High Pressure Laminate doors are present, front edge of clipped corner is square and banded to match door species and color.
- Toe space on base and vanity base cabinetry is located in normal (3") set back position to align with adjacent cabinetry.
- Interior accessories are **not** available.
- If cabinet has a drawer, it must have a partition for fastening the drawer guide to.



NOTE: Clipped Corner is **NOT** available on Tall cabinets, or with Roll-out Shelves.

Clipped Corner Modification, **CCM3** or **CCM6** L/R/B **Add \$301 per clipped corner**

70035 - Extend Side Back



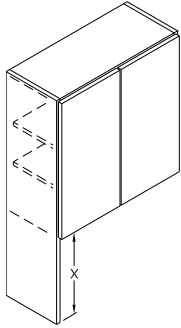
- Specify length of extension (dimension "X").
- Specify Left, Right, or Both. If **-B** (both) is specified, **double** the price shown.
- Cabinet End Panel can be extended up to 12" on wall, base, tall and vanity cabinets. **Finished End must be specified if needed.**
- Back edge of extension is not Edge Banded as standard. Specify **EBA** for Edge Banding Applied.

Cat. Code	Walls	Bases	Talls	Vanity
ESB	L/R/B	108	108	---
TESB	L/R/B	---	---	215

Edge Banding Applied, **EBA** **Add 10% per Edge to be Banded**



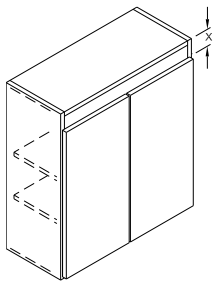
70040 - Extend Side Down



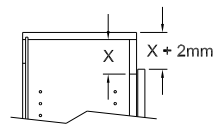
- Available for wall cabinets only. End panel is extended down and finished on both sides. **Maximum** extension = 30".
- Specify Left, Right, or Both. If **-B** (both) is specified, **double** the price shown.
- Both sides of extended end are finished in species and color to match exterior.
- Back of cabinet is **not** extended down. Specify **EBD** to Extend Back Down, only when both sides are extended down. (**MFI** is included)
- Cabinet bottom matches the standard interior. See [Section #70700](#) for a Finished Bottom.

Extend Side Down, **ESD L/R/B** Add \$240 to cabinet price per side
 Extend Back Down, **EBD** Add \$277 to cabinet price with both sides extended down

70310 - Molding Apron



- A molding apron is available on the top of wall and tall cabinets (for the installation of molding) by adding an apron into door opening below the standard 3/4" thick cabinet top.
- Overall height of the cabinet remains the same.
- Specify dimension "**X**" on order. **Maximum** "**X**" dimension = 8" high. **Minimum** "**X**" dimension = 3/4".
- When **MA** is specified, top door reveal is increased by the dimension of "**X**".
- If cabinet utilizing "Molding Apron" also has a Wall End Door (**WED**) or Door Applied (**DAW** or **DAT**), the top reveal on this end of the cabinet also increases by the "**X**" dimension.



Cat. No.	Price
MA	221

NOTE: When this modification is desired on curved cabinets, please contact Dura Supreme to discuss possible molding limitations.

NOTE: Remember to reduce exterior accessories, (eg: WNS, SWNS, DOEP, overlays for fillers, etc.) for cabinet end use when this modification is specified.

70400 - Decrease Dimension Modifications

- Most cabinets can be decreased in width, depth, and height (in 1/16" increments) for no charge. See individual cabinet specifications for availability and limitations. See [door style section](#) for door size limitations.
- Specify the decreased dimension. Example: CDWW, width = 14-3/4".
- **Minimum depth** of wall cabinets without a drawer is 4-1/2". **Minimum depth** of a cabinet with a drawer is 12". **Minimum depth** of a cabinet with a recessed toe and without a drawer is 6". Cabinets with a depth cut down always receive standard depth drawers (21", 18", 15", 12", or 9" deep drawer box).
- **Minimum width** of a cabinet with a drawer is 6-3/4" (7-1/2" for Stainless Steel). **Minimum width** without a drawer is 6".
- **Minimum height** of a base cabinet without a drawer is 15", with a single drawer is 20-7/16", 2 drawer base = 17-3/8", 3 drawer base is 23-3/4", 4 drawer base is 30-1/8", 5 drawer base = 25-7/8".
- When a cabinet with adjustable shelves is decreased in height, an appropriate number of adjustable shelves will be sent.
- **Decrease Height modification may affect shelf count.**

DECREASE WIDTH

Decrease Width on Wall/Countertop Unit, **CDWW**N/C
 Decrease Width on Base/Desk Base Unit, **CDWB**N/C
 Decrease Width on Tall Unit, **CDWT**N/C
 Decrease Width on Vanity Unit, **CDWV**N/C

DECREASE HEIGHT

Decrease Height on Wall/Countertop Unit, **CDHW**N/C
 Decrease Height on Base/Desk Base Unit, **CDHB**N/C
 Decrease Height on Tall Unit, **CDHT**N/C
 Decrease Height on Vanity Unit, **CDHV**N/C

DECREASE DEPTH

Decrease Depth on Wall/Countertop Unit, **CDDW**N/C
 Decrease Depth on Base/Desk Base Unit, **Cddb**N/C
 Decrease Depth on Tall Unit, **CDDT**N/C
 Decrease Depth on Vanity Unit, **CDDV**N/C

NOTE: Any modification affecting the face angle of a diagonal cabinet **must** be quoted.



70450 - Increase Depth

- Depth can be increased up to 30" for most wall or tall cabinets, up to 36" for most base and vanity cabinets. See individual cabinet specifications for availability and limitations.
- ID modification is not available for corner cabinets or cabinets with angle modifications.

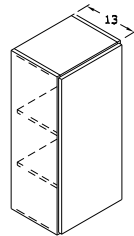
NOTE: Drawers and Roll-out Shelves (when present) are available standard depth only (they are **not** increased in depth with the cabinet).

Increase Depth, ID **Add 30% to Cabinet Price**

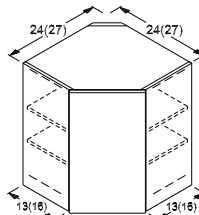
70455 - Increase Depth 1" (13" System Depth)

Increase Depth by 1"

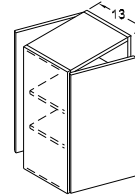
- This depth modification is designed to increase the depth of a 12" Wall cabinet to 13". Related cabinets and components may be increased by 1" to work with a 13" system depth. (For example, the standard Diagonal Corner Wall that is 27" wide x 15" deep would increase to 16" deep to maintain proportions.)



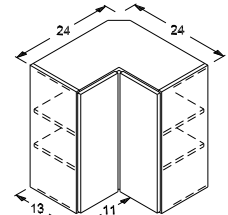
Standard Wall



Diagonal Corner Wall (DCW, DCAD/T, ACCT/D)

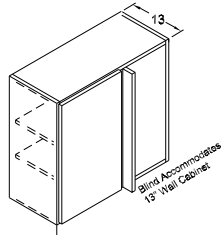


Peninsula Wall

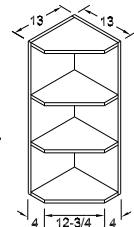


Square Corner Wall

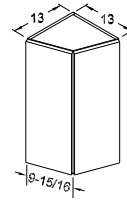
- 12" deep Wall cabinets and Peninsula Wall Cabinets become 13" deep.
- Diagonal Corner and Square Corner Walls maintain the standard width (24" or 27") and increase in depth to 13" (or 16" deep for DCW.)



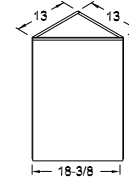
Blind Corner Wall*



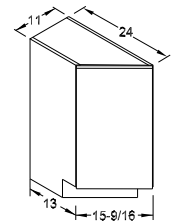
Diagonal Wall End Shelf



Wall End Corner Cabinet (w/ Doors)



Triangular Wall



Base Angled End Cabinet

- Blind Corner Cabinets increase to 13" deep and the blind area is adjusted to accommodate a 13" deep cabinet in the corner. If only the blind area needs to be modified to accommodate 12" or 13" deep cabinets, specify **BLIND12** or **BLIND13** for No Charge.
- All 12"x12" end cabinets become 13"x13" (WECC, WECCD, TWC, DWES.) Be aware of this 1" increase in width for your overall layout.
- Base Angled End Cabinet becomes 13" deep (on short end) x 11" wide to retain 44.2° face frame and 24" depth on long end.
- For Integral Canopy Hoods (Section 20800) the 12" deep cabinet box becomes 13" but the overall depth remains 20-3/4" or 24".
- Curved cabinets are not available 13" deep.
- Canopy Hoods (Section 20050) are not available 13" deep.
- For Island End Caps, if a 13" deep system depth is needed, Island End Caps "A" and "B" can be modified to increase by 1" as needed. Island End Cap "C" would require a width modification.
- Related components (i.e. End Panels, Decorative End Panels, etc.) increase by 1".

Design Note: Be aware of countertop depth whenever a 12" base cabinet is modified to 13".

Increase Depth by 1", INCD1 **5%**

70500 - Increase Height

- Wall cabinets can be increased in height to a **maximum of 60" tall**. Start with the tallest available cabinet and increase the height.
- Base and Vanity cabinets can be increased in height to a **maximum of 48" tall**.
- Tall cabinets can be increased in height to a **maximum of 120" tall**. For cabinets over 96" tall, cabinet ends will be plywood.
- Height is added to door area **only** (top drawer opening does not change). For a drawer base, lower drawer openings are increased in height equally. For tall cabinets, height is added to top door area.
- Increase Height over 96" is not available for Rustic Hickory, Horizontal Grain, Exotic Veneers, Acrylics, Foils, or Laminates, and may not be specified for cabinets with a white Supreme Coat interior.
- Cabinets with Increase Height over 96" may be a **maximum** of 36" wide.

Increase Height, IH **Add 40% to Cabinet Price**



70550 - Matching Finished Interior

- Entire interior will have wood species and finish to match cabinet exterior.
- When a wall cabinet is specified with a MFI, the exterior bottom can be finished for no charge. Specify "Finished Bottom".

NOTE: Drawer boxes, roll-out shelves and other internal accessories have a natural Maple finish only.

NOTE: **Not** available for Acrylics or Wired Foils.

Matching Finished Interior, **MFI** **Add 35% to Cabinet Price**

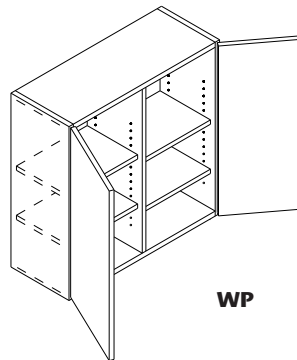
70551 - Two-Tone Finish Combination

- When the **interior back and/or shelves** are desired in a different species and/or finish than the face of the cabinet, specify CC (Color Combo) and add 15%. Example: Maple cabinet in Wheat with painted shelves and back.
- Specify MFI (Matching Finished Interior)
- When the **entire** interior (interior sides, floor, ceiling, shelves and back) are desired in a different species and/or finish than the face of the cabinet, a quote is required and cabinet cannot have finished ends. If a finished end is needed, a loose panel overlay must be specified. Drawer boxes and any accessories (like Spice Rack or Cutlery Divider) are natural maple **only**.

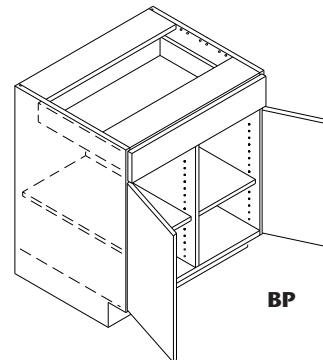
Color Combo, **CC** **Add 15% + MFI to Cabinet Price.**

70552 - Centered Partition

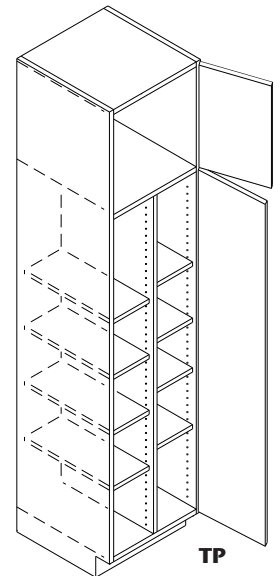
- Non-removable center partition is 3/4" thick and drilled on both sides for adjustable shelves.
- If shelves are present, they are trimmed to fit on each side of partition.
- Partition is centered in cabinet unless otherwise specified. To specify location, include a drawing showing dimension from edge of cabinet face.



WP



BP



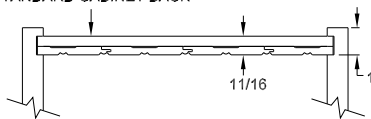
TP

Cat. Code	Price
12" Deep	
WP (Wall)	121
BPS (Base)	121
TPS (Tall)	307

Cat. Code	Price
24" Deep	
WPD (Deep Wall)	178
BP (Base)	234
TP (Tall)	423

70555 - Cottage Bead Interior Back

STANDARD CABINET BACK



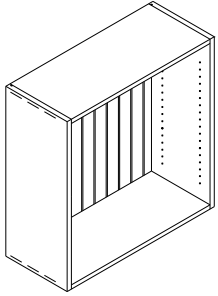
- 5/16" thick Bead Board Molding (BBM) is installed over the standard cabinet back and finished to match the exterior. **The Matching Finished Interior (MFI) modification must also be specified.**
- Available for cabinet back **only**. Not available for interior sides, top or bottom.
- For loose lengths of **Bead Board Molding (BBM)**, see the Molding section.

Cat. No.	12" - 24"	Over 24"
	Wide Cabinets	up to 48" Wide Cabinets
Wall/Base/Vanity Cabinets		
CBB-1	378	---
CBB-2	---	567
Tall Cabinets		
CBTB-1	755	---
CBTB-2	---	1132

NOTE: Cottage Bead Interior Back is available in standard wood species **only**.

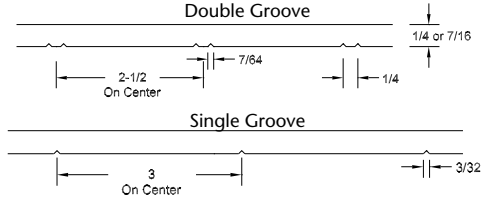


70600 - V-Grooved Back



Double Groove Shown

- V-grooves applied to the interior of a finished cabinet back **only**.
- **Matching Finished Interior (MFI) must also be specified.**
- **Not** available for cabinets over 48" wide.
- Single groove matches Carson V-Groove door styles. Double groove coordinates with Craftsman Beaded Panel door.

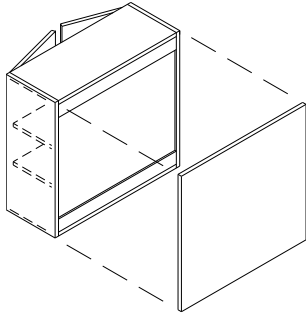


NOTE: Available in standard wood species **only**. Exception: Not available in Knotty Alder or Rustic Hickory.

Single V-Grooved Back for Wall, Base, or Vanity Cabinets, **VGW1B** Add \$342 to cabinet with MFI
 Double V-Grooved Back for Wall, Base, or Vanity Cabinets, **VGW2B** Add \$342 to cabinet with MFI

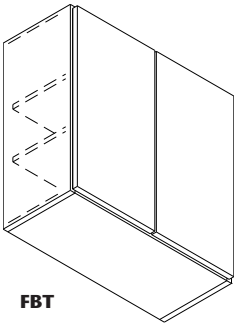
Single V-Grooved Back Tall Cabinets, **VGW1BT** Add \$629 to cabinet with MFI
 Double V-Grooved Back Tall Cabinets, **VGW2BT** Add \$629 to cabinet with MFI

70610 - Finished Back



- A finished back may be achieved by ordering a Pre-finished Panel with Edge Banding Applied from [section #90750](#) for field installation.

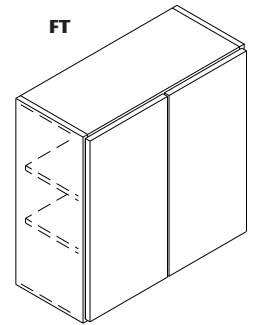
70700 - Finished Bottom or Top



FBT

- Available for top or bottom of wall cabinets or top of tall cabinets **only**.

FT

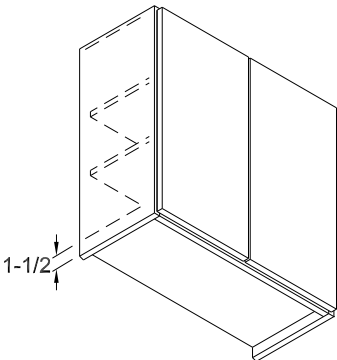


NOTE: When MFI is specified, this modification can be specified at no charge.

Finished Bottom, **FBT** Add \$181 to Wall cabinet price

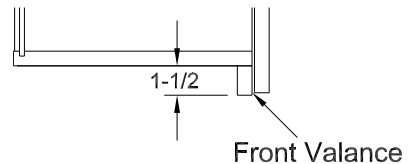
Finished Top, **FT** Add \$181 to Wall or Tall cabinet price

70800 - Recessed Bottom (Wall)



1-1/2"

- Standard wall cabinet bottom is recessed up into cabinet to create a 1-1/2" deep recess.
- Recessed bottom **does not** change door height or overall cabinet height.
- Doors overlay bottom valance to maintain standard reveals.



NOTE: When Finished Bottom and Recessed Bottom modifications are desired on the same cabinet, Matching Finished Interior (MFI) must be specified and Finished Bottom becomes a "no charge" (FBTNC) item.

Recessed Bottom, **RB** Add \$262 to cabinet price

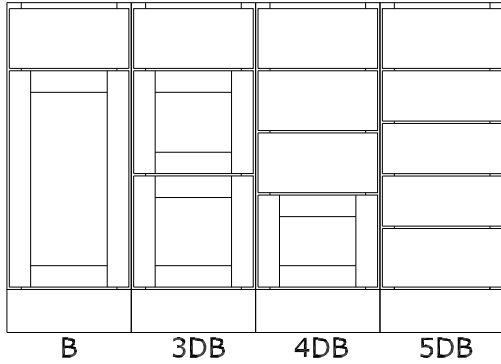


70801 - Omit Bottom (Wall)

- Bottom Rail and Floor are omitted.
- Shelves will remain. See section 71400 to omit shelves.
- Cabinets with doors will have 1/4" reveal at bottom. See section 70900 to omit doors.
- If a cabinet has a partition as standard, the partition will remain.
- Includes a book case back rail.

Omit Bottom, **OB** **N/C**

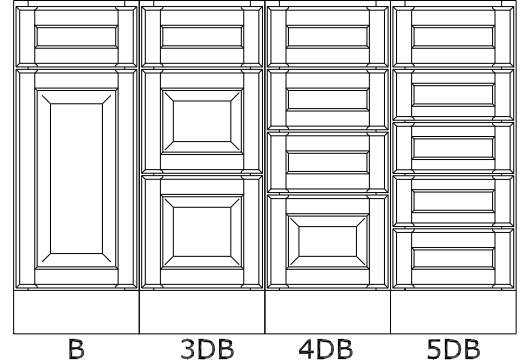
70807 - Drawer Front Configuration Options



SLAB DRAWERS (6-1/4" OR LESS)

- Any 5 piece drawer front 6-1/4" or less in height will be converted to a slab.
- Drawer fronts over 6-1/4" in height will remain 5 piece.

- Specify Optional Drawer Front Configuration on your Order Cover Sheet.

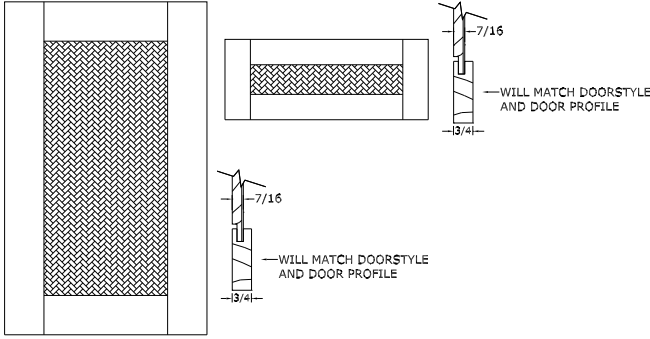


FLAT PANEL DRAWERS (6-1/4" OR LESS)

- Any raised panel drawer front 6-1/4" or less in height will be converted to a flat panel.
- Drawer fronts over 6-1/4" in height will remain raised panel.



70810 - Rattan Inserts

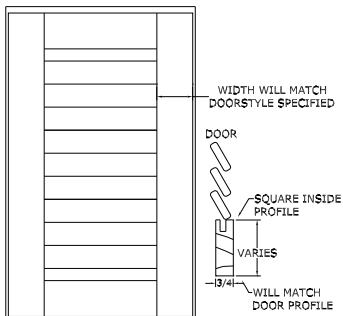


- Woven rattan material (herringbone pattern) is adhered to a flat panel and is available as an insert for all doors and/or drawer fronts with stile & rail construction. Rattan Inserts can also be specified for Decorative Panels.
- **Not** available for curved doors or doors with an arched panel.
- **Available with all finishes except "Paint/Accent" finishes.** Please note that the rattan insert will absorb finish differently than the wood frame.
- Doors over 48" will have intermediate rail and two equal sized areas for the Rattan Inserts.

NOTE: Available in standard wood species **only**.

RATN1	Add \$219/Door & Decorative Panel Insert
RATN1-48 (doors over 48" tall)	Add \$438/Door
RATN1-DRWF	Add \$219/Drawer Front

70820 - Louvered Doors

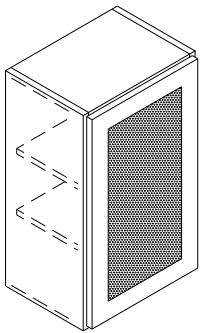


- A Louvered Door can be specified in place of some door styles and is available in all standard wood species. (Exception: Not available for mitered doors. When specified in place of a door with an applied molding, the Louvered Door will **not** have molding applied.)
- Doors have "true" (open) 1-1/2" wide, fixed louvers.
- Stile width will match the door style specified for the order. Top and bottom rail width will vary due to louver spacing. Outside edge profile will match the order. Inside edge profile will be "square". Doors over 48" will have intermediate rail and two equal sized areas for the louvers.

NOTE: Available in standard wood species **only**.

LOUVR1	Add \$1113/door
LOUVR1-48 (doors over 48" tall)	Add \$2226/door

70830 - Speaker Cloth



- Specify door to have speaker cloth installed.
- Insert panel is removed and speaker cloth is stretched and fastened into the opening.
- **Maximum** door height without an intermediate rail is 48".
- **Not** available with Acrylic or Wired Gloss Foil door styles.

NOTE: Speaker cloth is **not** available on curved door cabinets.

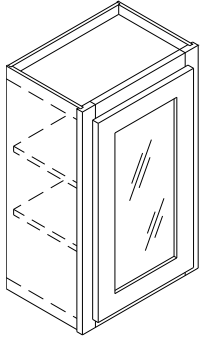
Speaker Cloth - Black, (standard wood door styles), SC-B	Add \$391 per door opening
Speaker Cloth - Black, (Thermofoil door styles), SC-B1	Add \$482 per door opening
Frame Only - No Speaker Cloth (includes unfinished dowels for speaker cloth installation), FNSC	N/C
Frame, No Speaker Cloth (Thermofoil door styles includes unfinished wood strips for speaker cloth installation), FNSC1	Add \$91 per door opening

* Doors over 48" high **must** have an intermediate rail. Speaker Cloth is priced per door opening.





70835 - Frame and Glass or Mirror



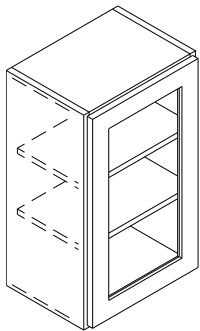
- Center Panel is omitted and Decorative Glass (sheet or leaded) or Mirror is installed by Dura Supreme.
- Refer to Section #02000.
- Glass is secured with a continuous bead of silicon caulk.
- Standardly, doors over 48" high are built with an intermediate rail and 2 panels. When specified with glass, both panels are omitted and glass is installed. Specify **FHDNIR** (Full Height Door, No Intermediate Rail) for No Charge to convert the door to a single panel. (Full Height doors without an intermediate rail are non-warranty.)

NOTE: This modification is **not** available with Acrylic or Wired Foil door styles.

NOTE: Matching Finished Interior (MFI) is **not** included and must be specified separately.

Frame and Glass, **FG** **\$0 + Applicable Glass or Mirror Charge**

70840 - Prepare Door for Glass

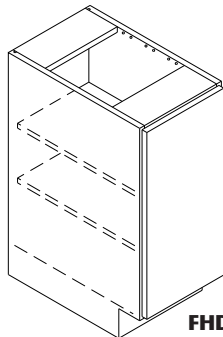
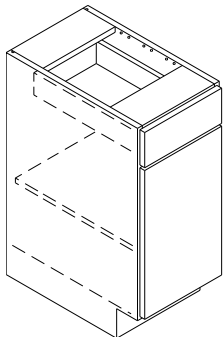


- Center panel is omitted and door frame is rabbeted to receive glass insert panel material **BY OTHERS**.
- **Matching Finished Interior (MFI) is not included and must be specified separately.**

NOTE: This modification is **not** available with Acrylic or Wired Foil door styles.

Frame, No Glass (standard wood door styles), **FNG** **N/C**
 Cutout for Glass (Foil, High Pressure Laminate, and Chroma door styles), **CGC** **\$70 per door cutout**
 Cutout for Glass (Veneered door styles - Moda, Moxie, Moderne and Metro), **CGCV** **\$320 per door cutout**

70850 - Full Height Door

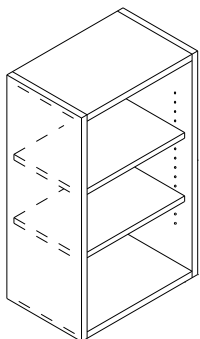


FHD

- Available for Base, Vanity or Desk units only.
- When specified for Peninsula units, both sides have a Full Height Door.

Full Height Door, **FHD** **N/C**

70900 - Omit Door(s)



- Doors or drawer fronts may be omitted from any cabinet. OD Modification omits **ALL** Doors or drawer fronts from a cabinet.
- Cabinet interior is supreme coat material, unless Matching Finished Interior (**MFI**) is specified.
- OD Modification applies to the doors only. If cabinet has drawers or tambour, only the doors are omitted.

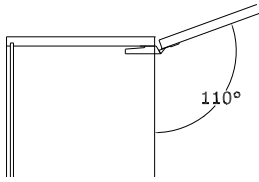
NOTE: When OD is specified, the cabinet is **not** prepared with hinge mounting plates for field installation of doors, unless otherwise specified. If hinge mounting plates are desired, Specify "install hinge mounting plates" on order for No Charge.

Omit Door (all widths), **OD** **Deduct -10%**

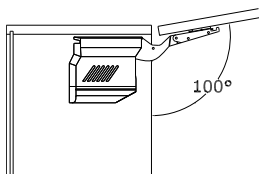


71000 - Hinge Top/Stay Lift

HT



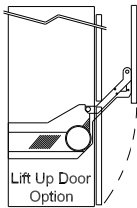
SL



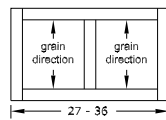
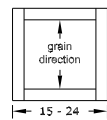
- HT (Hinge Top) modification moves the standard hinges from the side of the doors, to the top of the door. (A lift or stay mechanism is not included.)
- SL (Stay Lift) modification removes all hinges from the door and replaces them with a "Stay Lift" mechanism that lifts and holds the door in the open position.
- The Stay Lift hardware will hold the door open at 100°.
 - † Minimum height = 9. Maximum height = 18". Minimum depth = 9 3/4".
 - † Specify Horizontal (H) or Vertical (V) Grain for the door. See examples in section #10817
 - ‡ Horizontal grain doors are available for cabinets 18 – 48" wide. Please note that cabinets over 36" wide have a center mullion, and if the door has glass, the center mullion would be visible (unless an opaque glass is specified.)
 - ‡ Vertical grain doors are available for cabinets 18-24" wide. For cabinets over 24" wide – 48", the door is built as a single door with an intermediate stile and 2 panels. Please note that cabinets over 36" side have a center mullion – so for cabinets 39" – 48" wide, specify a single Vertical Grain door (SL1V) or 2 Vertical Grain doors (SLV2). If only 1 door of a 2 door cabinet needs the Stay Lift modification, specify SL1V and indicate left or right door.

Hinge Top, HT	\$83 per cabinet door
Stay Lift Horizontal Grain, SLH	Add \$473
Stay Lift One Door Vertical Grain, SL1V	Add \$473
Stay Lift Two Doors Vertical Grain, SL2V	Add \$946

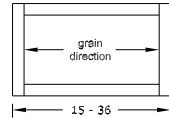
71005 - Lift Door



LIFTD-1V



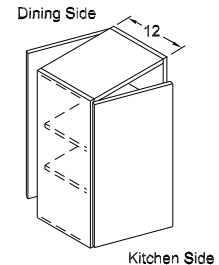
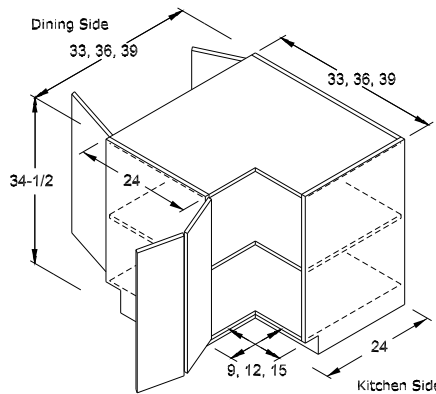
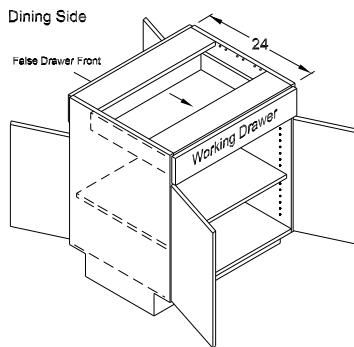
LIFTD-1H



- **Minimum** cabinet height = 13-1/2". **Maximum** cabinet height = 21".
- **Minimum** cabinet depth = 11-1/2". **Maximum** cabinet width = 36".
- Make sure adequate clearance is available above the door for full hinge opening.

Lift Door, LIFTD-1V	Add \$881 per cabinet door
Lift Door, LIFTD-1H	Add \$881 per cabinet door

71180 - Peninsula Modification



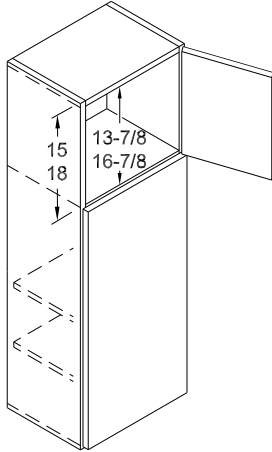
NOTE: All Peninsula Wall cabinets must be attached to soffit/ceiling or use a countertop support.

- To specify a Peninsula cabinet, choose a standard wall or base cabinet (standard cabinet Blind, Corner, Diagonal or Curved Corner). Specify "PW" for wall or "PB" for Base. **Example: W3030 PW**
- Wall cabinet is 12" deep, Base cabinet is 24" deep.
- For corner units, specify peninsula for dining side L or R. **Example: PDCW2430L**
Dining side will have 2 doors standard.

Peninsula Cabinet Wall, PW	Standard Cabinet + 75%
Peninsula Cabinet Base, PB	Standard Cabinet + 75%



71200 - Stack Cabinet



- Top door aligns with standard 15" and 18" high wall cabinets.
- Fixed shelf between doors.
- Available on wall cabinets 30" high or taller.
- Overall height of cabinet does **not** change.
- Specify **SCSH** to change standard top opening to a different height.

Stack Cabinet 15" High (matches 15" high cabinet), SC15	Add 30% to cabinet price
Stack Cabinet 18" High (matches 18" high cabinet), SC18	Add 30% to cabinet price
Stack Cabinet Special Height, SCSH	Add 35% to cabinet price

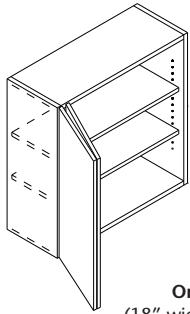
71210 - Modify Cabinet (Reconfigure Existing Cabinet)

The **MODCAB** code can be used to reconfigure an existing cabinet in the following ways:

- Resize an existing frame configuration (door/drawer configuration does not change)
- Move an existing fixed shelf (door sizes change)
- Add or remove a fixed shelf (door sizes/quantities do not change)
- See #71705 to add a drawer if needed
- Include a dimensioned drawing or details with your order
- Maximum opening height = 64 1/2"

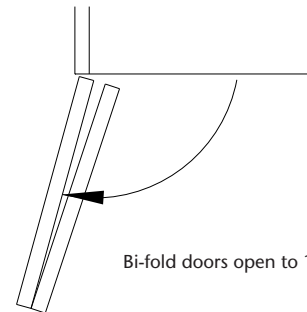
Modify Cabinet frame, MODCAB	Add 20% to cabinet price
---	--------------------------

71250 - Bi-Fold Doors



BIFD1
One Set Bi-fold Doors
(18" wide up to 36" wide cabinet)

- Available for Wall, Base, and Vanity cabinets.
- Doors are fastened together with a piano hinge.
- Specify hinge direction. If **not** specified, bi-fold doors are hinged left.



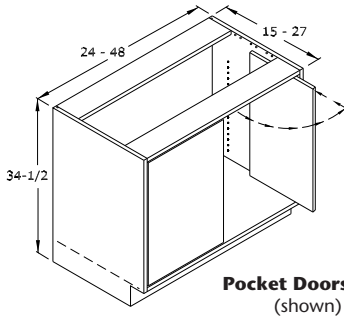
Bi-fold doors open to 120°.

NOTE: **Not** available with pocket doors.

One Set Bi-fold Doors, BIFD1	Add \$277 to cabinet price
---	----------------------------

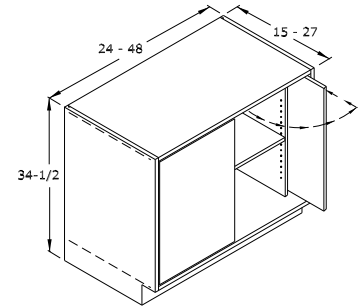


71300 - Pocket Doors



Pocket Doors - PD
(shown)

Cabinet Width	Cabinet Depth				
	15"	18"	21"	24"	27"
24"	3-9/16"	3"	3"	3"	3"
27"	5-1/16"	3"	3"	3"	3"
30"	6-9/16"	3"	3"	3"	3"
33"	8-1/16"	4-1/16"	3"	3"	3"
36"	9-9/16"	5-9/16"	3-9/16"	3"	3"
39"	11-1/16"	7-1/16"	5-1/16"	3"	3"
42"	12-9/16"	8-9/16"	6-9/16"	3"	3"
45"	14-1/16"	10-1/16"	8-1/16"	4-1/16"	3"
48"	15-9/16"	11-9/16"	9-9/16"	5-9/16"	3-9/16"



Pocket Doors with Partition - PDPW
and Adjustable Shelf - **PDS**
(shown)

- Pocket doors are inset. In the open position, pocket doors project from the face of the cabinet. See chart for amount of projection.
- Pocket doors reduce usable width by 4". (Useable width = Cabinet width minus 5-1/2".) When pocket door partitions are present, useable width is reduced by 5-1/2" (Useable width = Cabinet width minus 7").
- **Minimum** cabinet depth is 15".
- **Maximum** opening height is 48". **Minimum** opening height is 12-1/2".
- If partitions are to be drilled for adjustable shelving, specify **DSNC** (drill for shelves, no charge). Pocket door shelves can **only** be used when pocket door partitions are specified.
- **If a Matching Finished Interior (MFI) is desired it must be specified.**

NOTE: Available in standard wood species **only**.

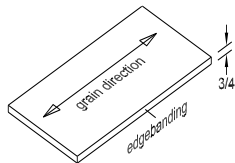
Pocket Doors Only, PD (openings up to 42" high)	Add \$1309 to cabinet price
Natural Maple Partitions with Pocket Doors, PDP (openings up to 42" high)	Add \$1645 to cabinet price
Pocket Door Shelf, PDS	Add \$61 per square foot
Pocket Doors Only, PD42 (openings over 42" high up to 48" high)	Add \$1609 to cabinet price
Natural Maple Partitions with Pocket Doors, PDP42 (openings over 42" high up to 48" high)	Add \$2239 to cabinet price
Drill for Shelves No Charge, DSNCN/C

71400 - Omit Shelves/Omit Drilling for Shelves

- Specify OS to omit ALL shelves from a cabinet.
- On standard interiors, cabinet sides **remain** drilled for shelving. On cabinet with Finished Interiors, specify **ODS** to omit shelf holes.

Omit Shelves, OS	N/C
Omit Drilling for Shelves, ODS	N/C

71425 - Extra Shelf Added to Cabinet

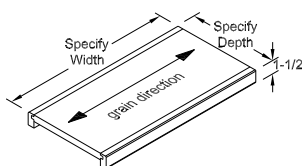


- Shelves are Edge Banded on front edge.
- Shelf clips **included**.
- Specify cabinet and additional shelf modification.

Example: W3030
AS

Cat. No.	Price
AS (natural maple)	125
ASH (high pressure laminate)	125
ASSCM (supreme coat)	90
ASSCW (white supreme coat)	90
ASW (wood veneer)	125

71450 - Convert Shelves to Shelf and Rail



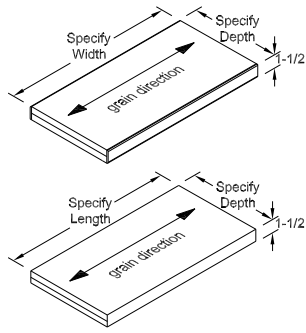
- 3/4" thick shelves with 3/4" x 1-1/2" solid stock attached to front and back of shelf. Shelves are finished on both sides, and front and back edges.
- Support rails are eased on top and bottom edges.
- **Minimum** cabinet depth is 6".
- All shelves in the specified cabinet are converted to Shelf and Rail, unless otherwise specified.

NOTE: **Not** available in Acrylics, Wired Foils, or curved or diagonal cabinets.

Shelf and Rail Wood, SRW	\$77 per shelf
Shelf and Rail High Pressure Laminate SRH	\$140 per shelf



71460 - Convert Shelves to Flush Furniture Shelf

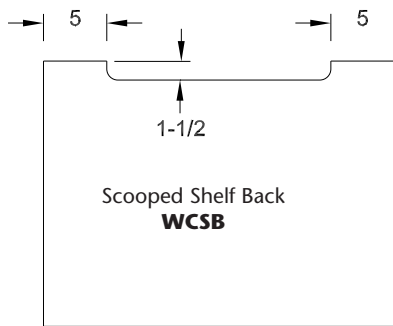


- Two 3/4" thick shelves are attached together, 3mm solid stock on front and back edges. Shelves are finished on top and bottom and both banded edges.
- Shelves have an eased edge on top and bottom edges.
- **Minimum** cabinet depth = 6".
- All shelves in the specified cabinet are converted to Flush Furniture Shelving, unless otherwise specified.

NOTE: Not available in Exotic Veneers, Acrylics, Foils, or in curved cabinets.

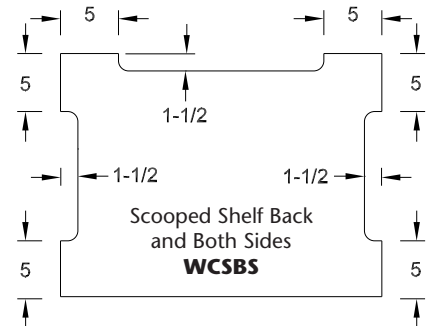
Flush Furniture Shelf Wood, FFSW	Add \$243 per shelf
Flush Furniture Shelf High Pressure Laminate, FFSH	Add \$174 per shelf

71600 - Wire Chase Scooped Shelf



- Standard adjustable shelf can be "scooped" for electrical wiring, connectors and ventilation.
- **WCSB** (Wire Chase Scooped Back) does **not** have edgebanding in scooped area.
- **WCSBS** (Wire Chase Scooped Sides & Back) is edgebanded in the side scoops only.
- If **SRW/SRH** (Shelf and Rail) is specified, Rail is added to front of shelf **only**.
- **Minimum** cabinet depth = 12".

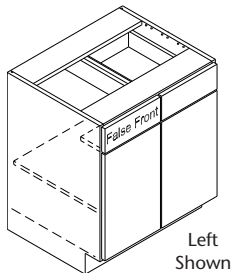
NOTE: Not available in Acrylics or Wired Foils.



NOTE: If high-pressure shelves are ordered, the scooped areas of the shelf(s) have "squared" corners to allow the application of PVC (Poly-Vinyl-Chloride) or high-pressure edge banding.

Wire Chase Scooped Shelf Back, WCSBW	\$77 per shelf
Wire Chase Scooped Shelf Back and Sides, WCSBSW	\$229 per shelf
Wire Chase Scooped Shelf Back High-Pressure Laminate, WCSBH	\$77 per shelf
Wire Chase Scooped Shelf Back and Sides High-Pressure Laminate, WCSBSH	\$283 per shelf

71650 - Convert Drawer to False Drawer Front



- A working drawer can be converted to a False Drawer Front.
- On cabinets with multiple drawers, specify which drawer to modify.

False Drawer, FD	N/C
-------------------------------	------------

71660 - Convert False Front to a Working Drawer

- Add a **standard** working drawer and guides to a False Front.

Convert False Front to Working Drawer, CFDWR	\$147 per drawer
---	-------------------------

71700 - Omit Drawer and Drawer Front

- Drawer box, drawer guides, and drawer front are omitted.
- On cabinets with multiple drawers, specify which drawer to omit.
- To omit the drawer front only, specify "**ODF**" on order.

Omit Drawer Front, Box and Guides, ODW	Deduct \$-162 per drawer
Omit Drawer Front, ODFN/C



71705 - Additional Drawer

- ADWR modification adds a **standard** working drawer to an existing cabinet. Must start with a cabinet that already has the maximum number of drawers.
- ADWR modification must be used in conjunction with Increase Height (IH) or the Modify Cabinet Configuration (MODCAB).
- Include a dimensioned sketch or description.

Additional Drawer, **ADWR**. **\$150 per Additional Drawer**

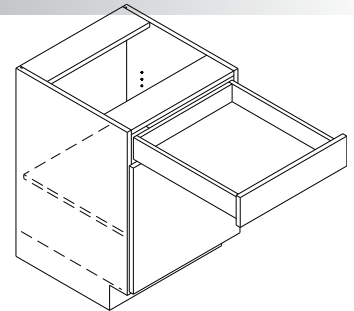
71725 - Premium Maple Drawer Box

- **To specify Premium Maple Drawer Box, select the option on your order cover sheet. Applies to entire order.**
- Upgrade the standard drawer box to a premium Maple dovetailed drawer box. Assembled and sanded before finish, the Premium Maple Drawer Box has a smooth, luxurious finish and eased edges.
- Roll-out shelves can be selected per cabinet as standard or Premium Maple.

Premium Maple Drawer Box Upgrade (select on Order Cover Sheet), **PM** **Add \$144 per drawer box**
 For Roll-Out Shelves specify PMROS. See Appropriate Base, Tall or Vanity section.

71730 - Stainless Steel Drawer Box

• **To specify Stainless Steel Drawers, select the option on your Order Cover Sheet (applies to the entire order). Roll-Out Shelves must be selected as either Wood or Stainless Steel for each cabinet. (ROS or SSROS)**



- Bria cabinetry standardly has solid wood, dovetailed Drawers and Roll-out Shelves. Sleek, contemporary Stainless Steel Drawers and Roll-Out Shelves can be selected for an upcharge.
- Stainless Steel drawer box has 1/2" thick double wall Stainless Steel sides with a 5/8" thick coordinating metallic patterned melamine back and bottom. Undermount drawer glides are integrated into the sides and are self-closing with the soft-close feature. Drawer front attaches directly to the drawer sides with built-in height, side-to-side and tilt adjustment. For Roll-Out Shelves, the front is the same melamine as the drawer bottom and back (with Stainless Steel sides).
- The Stainless Steel sides are available in specific drawer heights of 3-1/2", 7" and 9 1/2". The 9-1/2" high drawer box is only available for 24" or 21" deep cabinetry (for cabinet depths below 21", a 7" high drawer box is used in place of a 9-1/2".)
- Specific drawer accessories are available that are designed for the Stainless Steel Drawer and coordinate with the finish. See [page 5-42](#) for Cutlery Divider, Utensil Organizers and a Deep Drawer Divider. For additional storage options, our Maple accessories are available for insertion in the Stainless Steel Drawer Box. The following wood accessories are available:

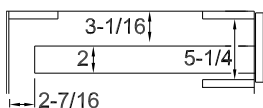
- Cutlery Divider, CD [#32012](#)
- Dish Storage Drawer, DSD [#32180](#)
- Drawer Knife Holder, DKH [#32015](#)
- Drawer Spice Rack, DWSR [#32019](#)
- Lid Storage Partition, LSP [#32009](#)
- Plate Rack, PRDWR [#32178](#)

• **The following limitations apply:**

- Shallow Stainless Steel drawer boxes are not available (less than 3-1/2" high). This applies to cabinets reduced in height that affect the drawer height, some desk drawer cabinets and the following accessories that use a shallow drawer box: Concealed Bread Board, Exposed Bread Board, Chop Block Drawer.
- Shallow drawer modification ([#71750](#)) is not available.
- Shallow Roll-Out Above Drawer (ROSAD, [#32010](#)) is not available.
- Bottle Rack in Deep Roll-out Shelf (ROSBR, [#32005](#)) is not available.
- Toe Space Drawer (TSDWR, [#32662](#)) is not available.
- Stainless Steel Drawer is not available for Pillars or Towers in the Hood section.
- Vanity Clothes Hamper ([#50600](#)) and Linen Storage Hamper ([#51450](#)) are not available with a stainless steel drawer.
- Minimum width of cabinet with Stainless Steel Drawer is 7-1/2" wide.

Stainless Steel Drawer Box Upgrade (select on Order Cover Sheet), **SS**. **Add \$247 per drawer box**
 For Roll-Out Shelves specify SSROS. See Appropriate Base, Tall or Vanity section.

71750 - Shallow Drawer



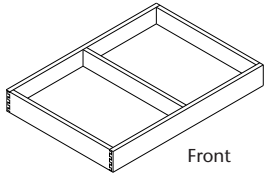
- Specified drawer has a 2" high drawer box in a 5-1/4" high opening (instead of the standard 4" high drawer box.)

NOTE: Not available with Stainless Steel Drawer modification.

Shallow Drawer, **SD**. **Add \$53 per drawer**



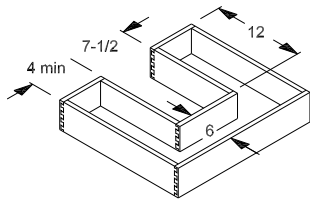
71800 - Add Partition to a Drawer or Roll-out Shelf



- Drawer Partition is 5/8" thick solid wood installed front-to-back, equally spaced in drawer or roll-out shelf. **Please include a diagram if other location or multiple partitions are specified.**
- Drawer partition is **not** removable.
- If cabinet has more than one drawer, specify which drawer for the partition. If not specified, partition will be installed in top drawer (or top left on 2DWR cabinets).

Drawer Partition Wood, **DWRP** **Add \$65 for each drawer partition**
 Drawer Partition Melamine (for Stainless Steel Drawers), **DWRPSS** **Add \$66 for each drawer partition**

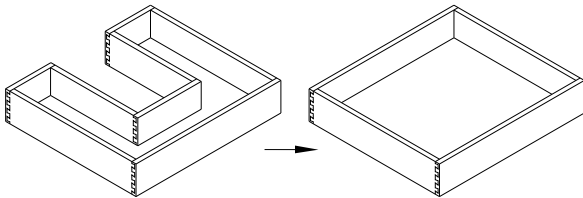
71825 - Convert Drawer or Roll-out Shelf to Plumbing Drawer



- Drawer or Roll-Out Shelf can be specified as a plumbing drawer with a pipe chase for plumbing.
- Specify which drawer or Roll-out to modify.
- For custom pipe chase dimensions specify **PLUMDWRNS** and indicate dimensions and submit drawing.
- **Minimum** cabinet opening = 16-1/2".
Minimum cabinet depth = 18".

Plumbing Drawer, **PLUMDWR** **Add \$105 to each drawer**
 Plumbing Drawer Non-Standard, **PLUMDWRNS** **Add \$158 to each drawer**
 Plumbing Roll-out Shelf, **PLUMROS** **Add \$105 to each Roll-out**
 Plumbing Roll-out Shelf Non-Standard, **PLUMROSNS** **Add \$158 to each Roll-out**

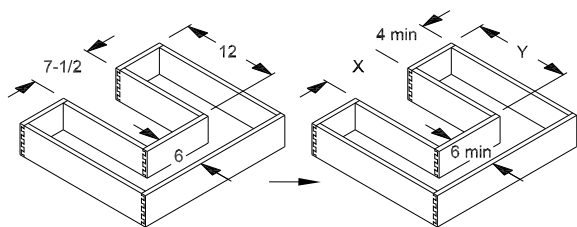
71830 - Convert Plumbing Drawer to Standard Drawer



- Where a Plumbing Drawer is standard, replace it with a standard drawer.

Convert Plumbing Drawer to Standard Drawer, **CPLUMDWRSTD** **N/C**

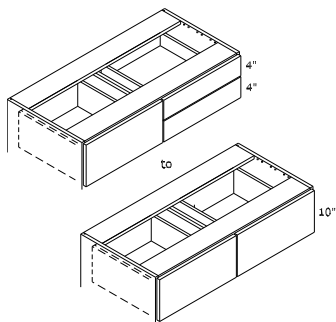
71835 - Convert Plumbing Drawer to Non-Standard Plumbing Drawer



- To change the standard dimensions of an existing Plumbing Drawer, specify **CPLUMDWRNS** and indicate dimensions.

Convert Plumbing Drawer to a Non Standard Plumbing Drawer, **CPLUMDWRNS** **\$53 per drawer**

71850 - Drawer Modification

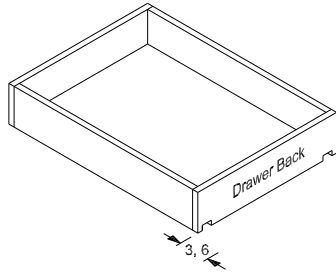


- Convert **two** standard stacked drawers into **one** standard large drawer on PCB or BD.

Drawer Modification, **DM3** **N/C**



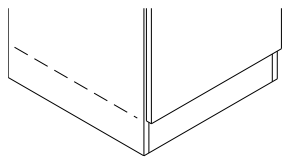
71860 - Reduce Depth of Drawer Box



- Reduce the depth of the drawer box by 3" or 6" to create a "pipe chase" behind the drawer box.
- Clearance from back of drawer to inside of cabinet = 5-3/8" or 8-3/8".
- For Roll-Out shelves, ALL roll-outs in that cabinet are reduced in depth and charged individually.

Reduce Depth of Drawer Box by 3", RDD3	\$84 per drawer box
Reduce Depth of Drawer Box by 6", RDD6	\$84 per drawer box
Reduce Depth of Roll-Out by 3", RDR3	\$84 per Roll-Out
Reduce Depth of Roll-Out by 6", RDR6	\$84 per Roll-Out

71900 - Flush Toe

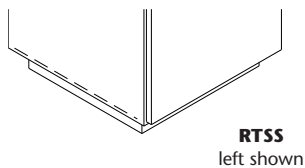


- Face of cabinet is extended down 4-1/2" to create a 5-1/4" Flush Toe Space.

NOTE: When this modification is desired on curved cabinets, please contact Dura Supreme to discuss possible molding limitations.

Flush Toe Space, **FTS** **Add \$145 to cabinet price**

71950 - Recessed Toe Space on Side or Back

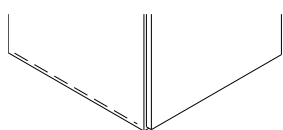


RTSS
left shown

- Specify Left, Right or Both.
- Standard toe space (4-1/2" high by 3-3/4" deep) is applied to the back or side of a cabinet. Entire toe space requires field installation of finished toe board.

Recessed Toe Space on Side, **RTSS** **Add \$145 per cabinet side**
 Recessed Toe Space Back, **RTSB** **Add \$145 to cabinet price**

72050 - Omit Toe Space

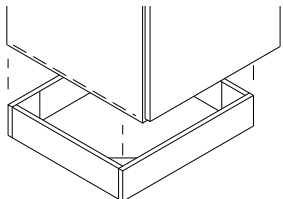


- Toe space on cabinet is removed and overall height of cabinet is reduced by 4-1/2".

NOTE: Designer/installer is responsible for ensuring an appropriate cabinet support system when OTS is specified.

Omit Toe Space, **OTS** **Add \$82 to cabinet price**

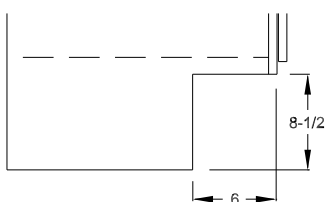
72100 - Ship Toe Loose



- Standard toe space is removed and a loose toe platform is supplied for field installation.

Ship Toe Loose, **STL** **\$145**

72120 - Universal Access Cabinet



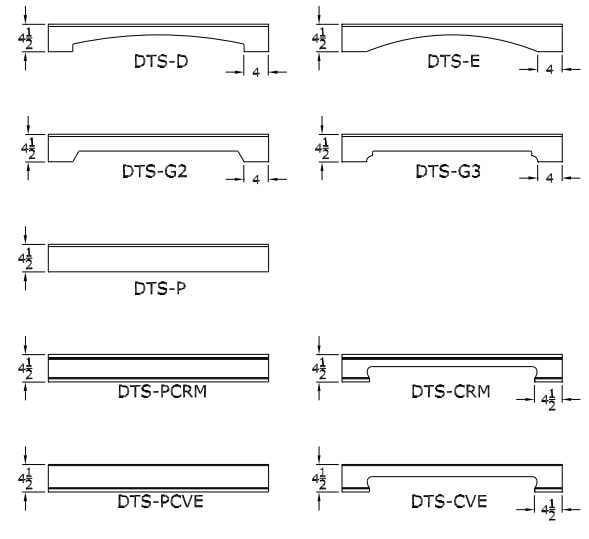
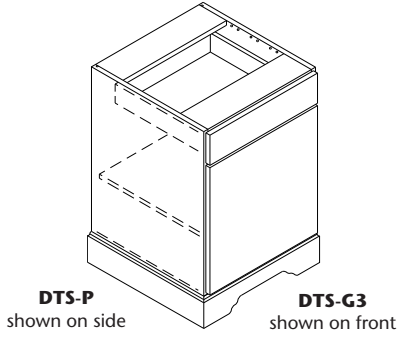
- Standard base cabinets are modified to 32-1/2" high and toe space is modified for "universal access" kitchen installation. Toe space is modified to 6" deep and 8-1/2" high.
- When specified for Vanity or Tall cabinets, only the toe space is modified.
- Finished toe board (8-1/2") is supplied and included in the price.

NOTE: This modification is not available on cabinets with tall accessories, ie SCBRC36, BRC, etc. Contact Dura Supreme to discuss before ordering.

Universal Access Cabinet, **UAC** **Add 15% to base, vanity base or tall cabinet**



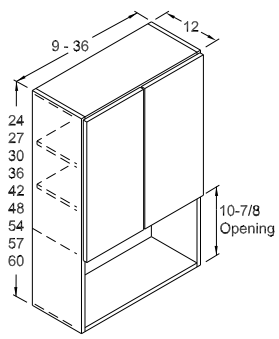
72150 - Decorative Toe Surface



- Specify DTS and the selected pattern on your order.
Example: DTS-G3, Front and Left.
- Specify installation for Front, Left, and/or Right of cabinet.
- Sub toe is included and will require finished toe board applied in the field. (Finished toe board is best applied prior to installation of the cabinet.)
- **Minimum** cabinet width or depth is 15".
- DTS is factory installed on the specified cabinet with mitered corners when Left and/or Right sides are requested. **When Left or Right sides are specified, Finished Ends are required and must be specified (see Section #70000).** If Front Only is requested, the DTS is not mitered and is sized to fit the surface it is applied to.
- The top edge of DTS is profiled to match the door edge profile.
- DTS is not available for cabinets with clipped corners, angle modifications, etc. For loose Decorative Toe for field installation, see #82275.
- Available in standard wood species only.

Decorative Toe Surface, **DTS** (specify pattern and locations - front, left and/or right) **\$334 per location**

72250 - Wall Shelf Cabinet Modification

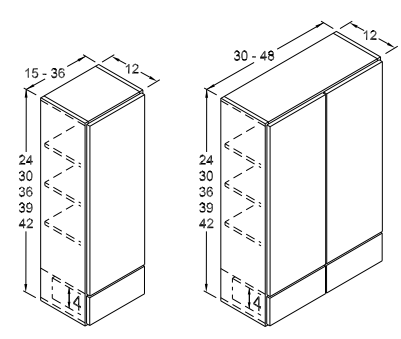


- Open Shelf Modification can be applied to standard "straight" wall cabinets. Overall height of cabinet does **not** change.
- **Matching Finished Interior is standard.**
- To modify height of Open Shelf area, specify **WSCM** and indicate opening height.

NOTE: Not available with Acrylics or Wired Foils.

Wall Shelf Cabinet, **WSC** **Add 25% to cabinet price**
 Wall Shelf Cabinet Modified, **WSCM** **Add 40% to cabinet price**

72300 - Wall Cabinet with Drawer Modification



- A working drawer (4" high drawer box) can be added to any standard wall cabinet 24" to 42" high, **except** corner cabinets.
- Overall height of cabinet does **not** change.
- 2mm reveal at bottom.
- **Minimum** cabinet depth = 12".
- 12" - 27" wide cabinets receive one drawer. 39" - 48" wide cabinets receive two drawers. Specify **1DWR** or **2DWR** for 30", 33" and 36" wide cabinets. If not specified, **1DWR** is supplied.
- See #10800 for 48", 54" or 60" high wall cabinets with drawer.

Wall Cabinet with Drawer Modification, **WCDM-1DWR** **Add \$405 to cabinet price**
 Wall Cabinet with Drawer Modification, **WCDM-2DWR** **Add \$607 to cabinet price**



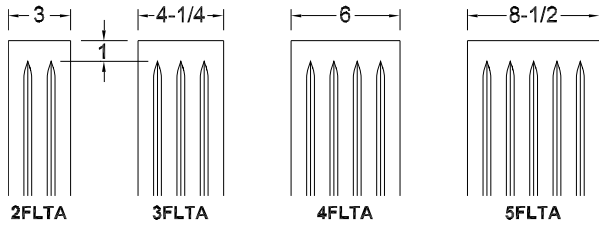
72520 - Fluting Modifications

- “Flutes Applied” or “Rosette and Flutes Applied” are available as a modification for the faces of 3” or 6” wide Fillers, Overlays for Fillers, End Panels, Angle Fillers, Clipped Corners and Columns. Available for 3” or 6” wide widths only.
- 3” Fillers or Overlays receive 2 flutes, 6” Fillers or Overlays receive 4 flutes. 3” Angle Fillers or Clipped Corners receive 3 flutes, 6” Angle Fillers or Clipped Corners receive 5 Flutes.
- Rosette is applied at top of Filler **only** and **minimum** 12” high.
- If fluting is applied to a filler with **FTSF**, flutes will stop 5-1/2” from bottom of **FTSF**.
- Fluting options are **not** available for Corner Fillers.

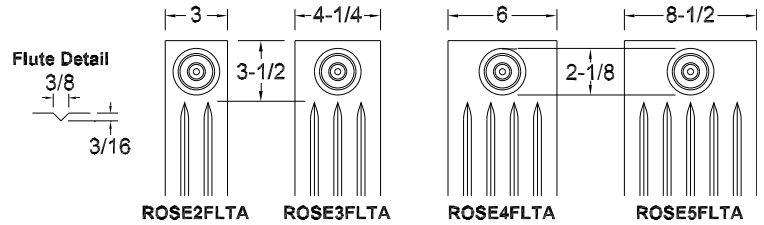
NOTE: Available in standard wood species **only**.

QUOTED MODIFICATIONS ONLY

Fluting Applied



Rosette and Fluting Applied



2FLTA\$142*/per application
*Application charge is for 2 flutes applied to **one** 3” Filler

ROSE2FLTA\$242*/per application
*Application charge is for Rosette and 2 flutes applied to **one** 3” Filler

3FLTA\$142*/per application
*Application charge is for 3 flutes applied to **one** 4-1/4” Angled Filler or Clipped Corner face.

ROSE3FLTA\$242*/per application
*Application charge is for Rosette and 3 flutes applied to **one** 4-1/4” Angled Filler or Clipped Corner face.

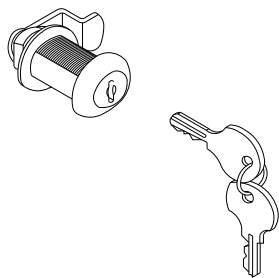
4FLTA\$142*/per application
*Application charge is for 4 flutes applied to **one** 6” face Filler

ROSE4FLTA\$242*/per application
*Application charge is for Rosette and 4 flutes applied to **one** 6” Filler

5FLTA\$142*/per application
*Application charge is for 5 flutes applied to **one** 8-1/2” Angled Filler or Clipped Corner face.

ROSE5FLTA\$242*/per application
*Application charge is for Rosette and 5 flutes applied to **one** 8-1/2” Angled Filler or Clipped Corner face.

72850 - Door and/or Drawer Locks



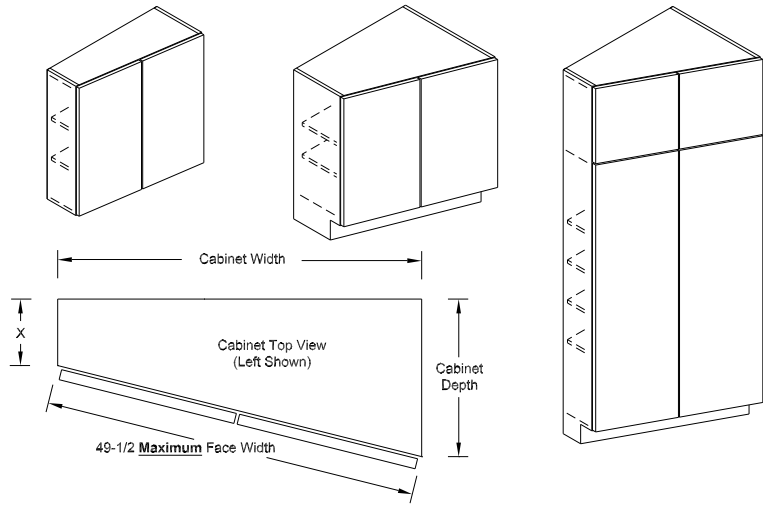
- Locks are available for “most” doors and drawers. See [door styling section](#) for lock limitations.
- Locks may be keyed alike or separately, please specify. If not specified, “keyed alike” will be supplied.

LOCK\$193 per lock



72900 - Angle Modification - AM1

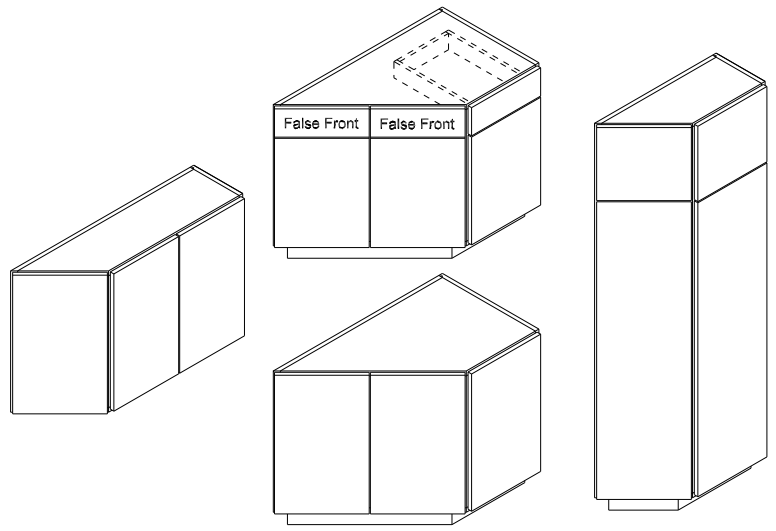
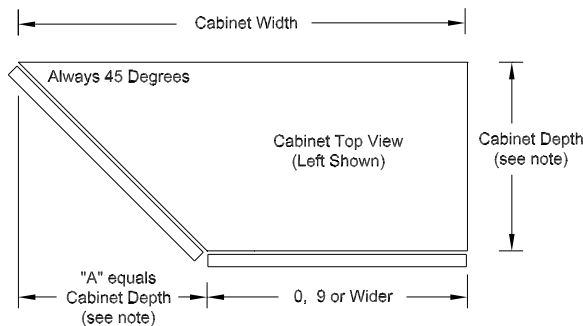
- **One** angle modification per cabinet.
- Specify angle Left or Right.
- Specify "X" dimension. **Minimum** "X" dimension = 4-1/2".
- Available for standard "straight" cabinets only (no diagonal or corner cabinets). **Not available** for cabinets with drawers or accessories. If specified for a cabinet with drawers, they will be converted to false drawer fronts.
- Cabinet size is based on overall back dimension.
- Deep end on AM1 is **not** available as a Finished End.



QUOTED MODIFICATIONS ONLY

Cat. Code	Walls	Bases	Talls	Vanity
AM1	L/R	455	455	455

72950 - Angle Modification - AM2



NOTE: Dimension "A" and cabinet depth **must** be equal.

NOTE: MFI is available with standard wood species **only**.

NOTE: **Not** available with Aluminum doors.

- **One** angle modification per cabinet.
- Specify angle Left or Right
- Available for standard "straight" cabinets only (no diagonal or corner cabinets). Configuration of angled side will match door/drawer configuration on front. Angled side will have false drawer fronts to match the working drawer on the front (internal accessories are not available). Angled side can be specified with a Finished End instead of doors. Specify **CAFFE** for No Charge.
- Cabinet size is based on overall back dimension.
- Single door on angled side is hinged at back of cabinet unless otherwise specified.
- Peninsula cabinets with AM2 are **not** available.
- **Not** available on cabinets over 96" tall..

QUOTED MODIFICATIONS ONLY

Cat. Code	Walls	Bases	Talls	Vanity
AM2	L/R	818	818	818

Convert Angled Face to Finished End, **CAFFE**N/C



73000 - Angle Modification - AM3

- Specify angle Left, Right or Both. If Both is specified, **double** the price shown. When "Both" is specified, **minimum** cabinet face is twice the cabinet depth.
- Available for standard "straight" cabinets only (no diagonal or corner cabinets). **Not available** for cabinets with drawers or accessories. If specified for a cabinet with drawers, they will be converted to false drawer fronts.
- Cabinet size is based on face dimension.
- Peninsula cabinets with AM3 are **not** available.
- Finished end on angle is **not** available.
- Not** available on cabinets over 96" tall..

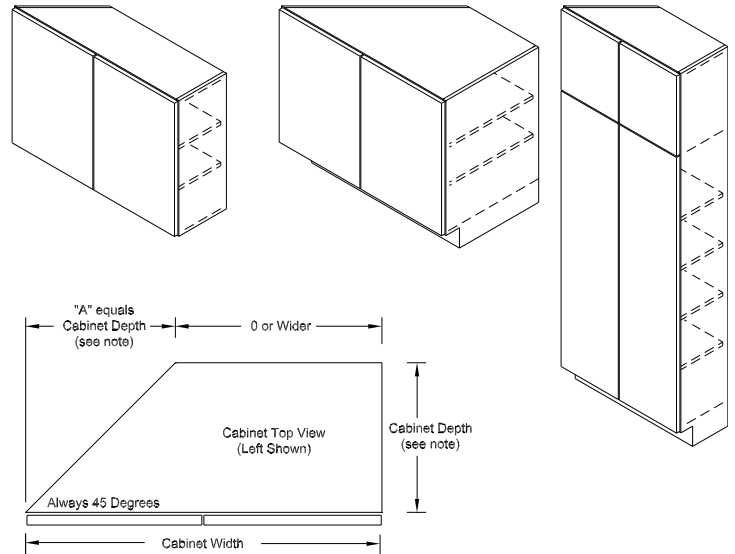
QUOTED MODIFICATIONS ONLY

NOTE: Dimension "A" and cabinet depth **must** be equal.

NOTE: MFI is available with standard wood species **only**.

NOTE: **Not** available with Aluminum doors.

Cat. Code	Walls	Bases	Talls	Vanity
AM3	L/R	723	723	723

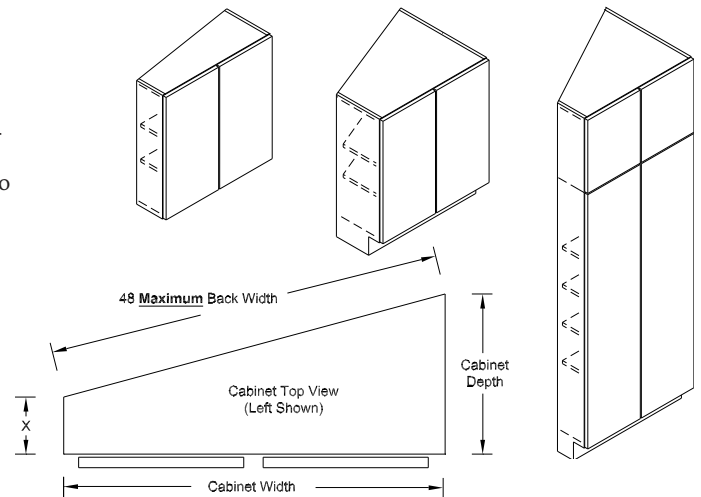


73050 - Angle Modification - AM4

- One** angle modification per cabinet.
- Specify angle Left or Right.
- Specify "X" dimension. **Minimum** "X" dimension = 4".
- Available for standard "straight" cabinets only (no diagonal or corner cabinets). **Not available** for cabinets with drawers or accessories. If specified for a cabinet with drawers, they will be converted to false drawer fronts.
- Cabinet size is based on face dimension.

QUOTED MODIFICATIONS ONLY

Cat. Code	Walls	Bases	Talls	Vanity
AM4	L/R	396	396	396



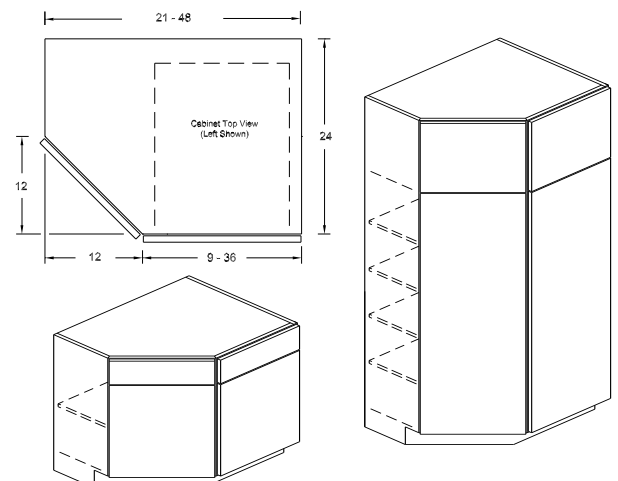
73100 - Angle Modification - AM5

- One** angle modification per cabinet.
- Specify angle Left or Right.
- Specify hinging for the single angled door cabinet face. If not specified, door will be hinged at back of angled face.
- Available for standard "straight" cabinets only (no diagonal or corner cabinets). Configuration of angled side will match door/drawer configuration on front. Angled side will have false drawer fronts to match the working drawer on the front (internal accessories are not available in angled area).
- Cabinet size is based on overall back dimension.

QUOTED MODIFICATIONS ONLY

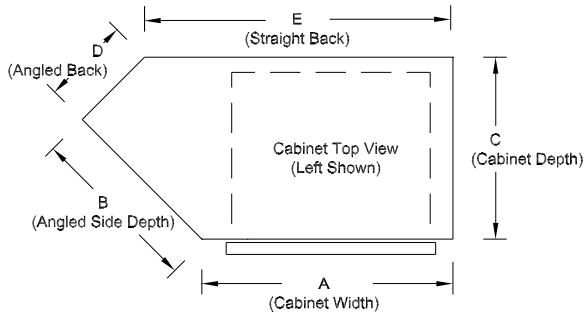
NOTE: MFI is available with standard wood species **only**.

Cat. Code	Walls	Bases	Talls	Vanity
AM5	L/R	818	818	818

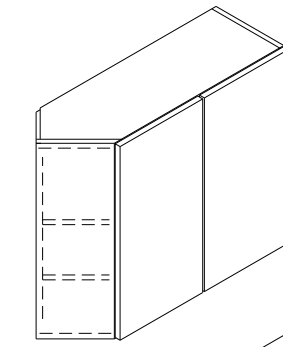




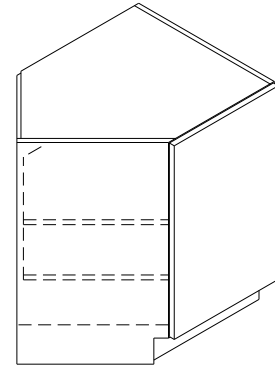
73150 - Angle Modification - AM6



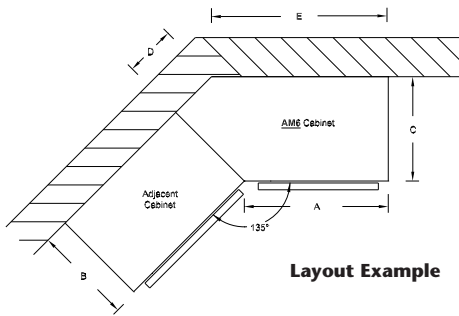
Required Specifications for AM6



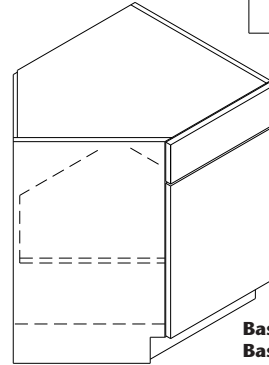
Wall Cabinet



BFD, BFDS, VFD, VFDS Cabinets



Layout Example



Base and Vanity Base Cabinet

- **One** angle modification per cabinet.
- Specify angle Left or Right (Left shown).
- Available for standard "straight" wall, base or vanity cabinets (no diagonal, corner or tall cabinets).
- Cabinet size is based on total "face" dimension ("A").
- Peninsula cabinets with AM6 are **not** available.

QUOTED MODIFICATIONS ONLY

AM6 L/R **\$836**

12" CABINET DEPTH				
DIMENSIONS				
A	B	C	D	E
12"	12"	12"	5-9/32"	16-31/32"
15"	12"	12"	5-9/32"	19-31/32"
18"	12"	12"	5-9/32"	22-31/32"
21"	12"	12"	5-9/32"	25-31/32"
24"	12"	12"	5-9/32"	28-31/32"
27"	12"	12"	5-9/32"	31-31/32"
30"	12"	12"	5-9/32"	34-31/32"
33"	12"	12"	5-9/32"	37-31/32"
36"	12"	12"	5-9/32"	40-31/32"
39"	12"	12"	5-9/32"	43-31/32"
42"	12"	12"	5-9/32"	46-31/32"

15" CABINET DEPTH				
DIMENSIONS				
A	B	C	D	E
12"	15"	15"	6-17/32"	18-7/32"
15"	15"	15"	6-17/32"	21-7/32"
18"	15"	15"	6-17/32"	24-7/32"
21"	15"	15"	6-17/32"	27-7/32"
24"	15"	15"	6-17/32"	30-7/32"
27"	15"	15"	6-17/32"	33-7/32"
30"	15"	15"	6-17/32"	36-7/32"
33"	15"	15"	6-17/32"	39-7/32"
36"	15"	15"	6-17/32"	42-7/32"
39"	15"	15"	6-17/32"	45-7/32"

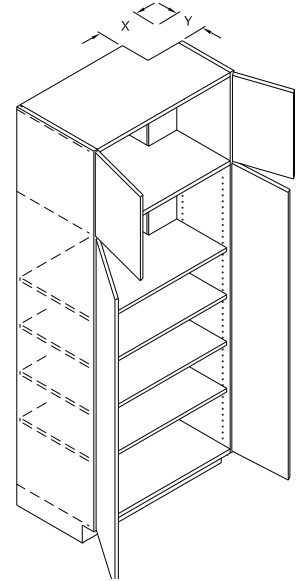
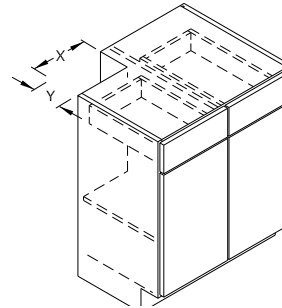
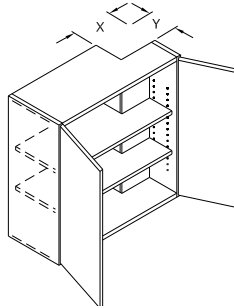
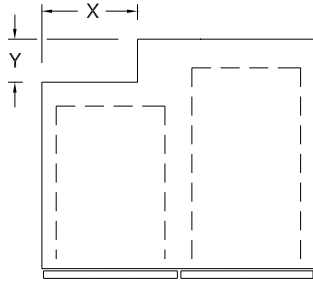
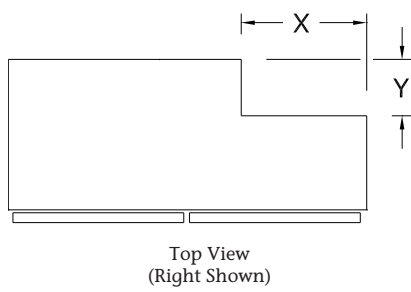
18" CABINET DEPTH				
DIMENSIONS				
A	B	C	D	E
12"	18"	18"	7-25/32"	19-15/32"
15"	18"	18"	7-25/32"	22-15/32"
18"	18"	18"	7-25/32"	25-15/32"
21"	18"	18"	7-25/32"	28-15/32"
24"	18"	18"	7-25/32"	31-15/32"
27"	18"	18"	7-25/32"	34-15/32"
30"	18"	18"	7-25/32"	37-15/32"
33"	18"	18"	7-25/32"	40-15/32"
36"	18"	18"	7-25/32"	43-15/32"
39"	18"	18"	7-25/32"	46-15/32"

21" CABINET DEPTH				
DIMENSIONS				
A	B	C	D	E
12"	21"	21"	9-1/32"	20-11/16"
15"	21"	21"	9-1/32"	23-11/16"
18"	21"	21"	9-1/32"	26-11/16"
21"	21"	21"	9-1/32"	29-11/16"
24"	21"	21"	9-1/32"	32-11/16"
27"	21"	21"	9-1/32"	35-11/16"
30"	21"	21"	9-1/32"	38-11/16"
33"	21"	21"	9-1/32"	41-11/16"
36"	21"	21"	9-1/32"	44-11/16"
39"	21"	21"	9-1/32"	47-11/16"

24" CABINET DEPTH				
DIMENSIONS				
A	B	C	D	E
12"	24"	24"	10-1/4"	21-15/16"
15"	24"	24"	10-1/4"	24-15/16"
18"	24"	24"	10-1/4"	27-15/16"
21"	24"	24"	10-1/4"	30-15/16"
24"	24"	24"	10-1/4"	33-15/16"
27"	24"	24"	10-1/4"	36-15/16"
30"	24"	24"	10-1/4"	39-15/16"
33"	24"	24"	10-1/4"	42-15/16"
36"	24"	24"	10-1/4"	45-15/16"



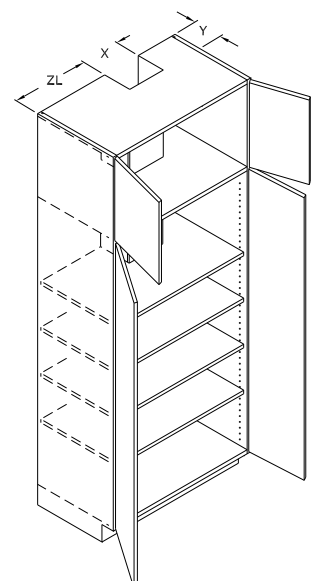
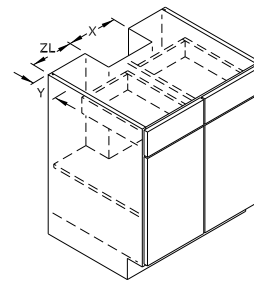
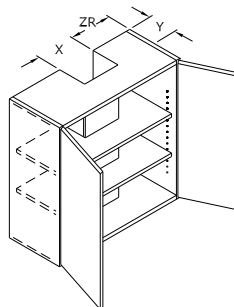
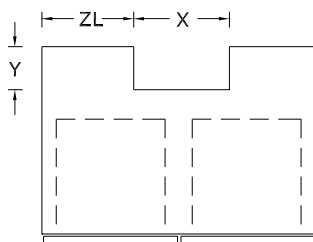
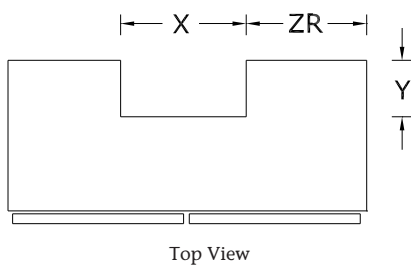
73200 - Pipe Chase Two Sided



- Specify pipe chase Left or Right.
- Specify "X" and "Y" dimension.
- Pipe chase is **not** removable.

Cat. Code	Walls	Bases	Talls	Vanity
PCW2	L/R	257	---	---
PCB2	L/R	---	335	335
PCT2	L/R	---	---	499

73250 - Pipe Chase Three Sided

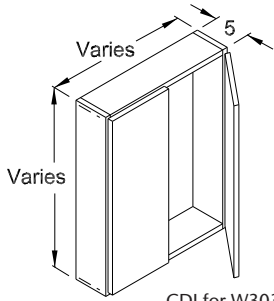


- Specify "X", "Y" dimensions, and "Z" Left (ZL) and Z Right (ZR) dimensions. **Minimum** of "Z" is 6".
- Pipe chase is **not** removable.

Cat. Code	Walls	Bases	Talls	Vanity
PCW3	326	---	---	---
PCB3	---	482	---	482
PCT3	---	---	730	---



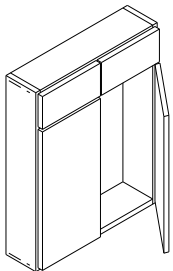
73260 - Convert to Door and Jamb



- Specify CDJ to Convert to Door and Jamb.
- Specify the standard cabinet and any applicable modifications.

**Example: W3042
MODCAB (include sketch)
CDWW to 29"
CDJ**

- If the standard unit includes a drawer, a false drawer is supplied.
- **When MODCAB is specified, include sketch to show any special configuration and all dimensions.**
- Front edge of jamb is edge banded.



CDJ for B30-2DWR Shown

Convert to Face Frame and Door, **CDJ** **Cabinet Price -45%**



Molding Index

Acrylic Polish Kit	10-28	Foil & Acrylic Ceiling/Light Valance	10-9
Base Shoe	10-13	Furniture Base Molding	10-13
Bead Board Molding	10-14	Heat Shield	10-27
Bead Molding	10-12	High Pressure Laminate Ceiling/Light Valance	10-7
Beaded Cove Molding	10-5	Hinges	10-24
Brackets	10-31	Light Shield Molding	10-11
Bunfoot	10-20	Mini Molding Corbels	10-31
Coat Hook (Extra/Loose)	10-27	Mirror Frame Molding	10-14
Columns	10-21	Panel Moldings	10-14
Corbels - Traditional	10-33	Panel Valances	10-16
Corbels - Transitional	10-32	Pilasters	10-20
Corner Moldings	10-12	Roll-Out Shelf Kits	10-30
Cottage Bead Molding	10-11	Roll-Out Shelf Kit (Flat)	10-29
Cottage Bead Spacer	10-21	Shelves	10-25
Countertop Support	10-31	Solid Stock	10-22
Cove Molding	10-4	Specialty Moldings	10-10
Craftsman Molding	10-3	Starter Molding	10-6
Crown Molding	10-2	Toe Board Molding	10-13
Decorative Toe Loose	10-15	Touch-Up Kits	10-27
Dish Storage Drawer Kit (Extra/Loose)	10-29	Touch-Up Materials (Stain, Accent, Aerosol)	10-28
Door Only (Extra/Loose)	10-24	Tray Divider Base Kit	10-29
Drawer Box (Extra/Loose)	10-25	Trim Molding	10-12
Drawer Front Only (Extra/Loose)	10-24	Turned Posts	10-18
Drawer or Roll-Out Guide (Extra/Loose)	10-25	Valances	10-15
Exotic Veneer Ceiling/Light Valance	10-8	Veneer Ceiling/Light Valance	10-7
Floating Shelf	10-27	Wood Tops	10-23



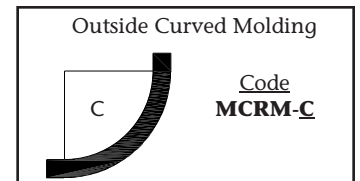
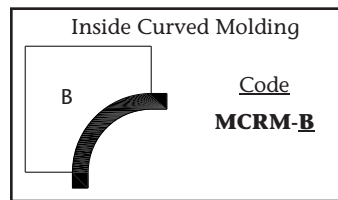
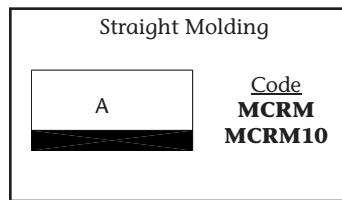


Moldings - General Information

1. All moldings are available in 8' lengths unless otherwise specified. Some Crown moldings (in Maple, Paintable and Cherry) are available in 10' lengths. **Please note, 10' lengths must ship via Dura Truck** (10' lengths are too long for UPS® or FedEx® shipments). To order 10' moldings, verify availability (per molding pattern) and specify code with **10** after it - i.e. **MCRM10**. **Dura Supreme will guarantee molding lengths good up to 7-1/2 feet or 9-1/2 feet to be free from "end defects"**.
2. All moldings are priced per piece.
3. Some moldings are available in "curves" to match inside and outside curved cabinets.
4. All moldings have horizontal grain.

Code Explanation for Straight and Curved Moldings

Example: Medium Crown Molding - MCRM



Descriptive Chart Shown with Each Molding Type

1

Species: A C H M O P Q RH

2

ME:

3

Applications: A B C

1

Identifies molding species availability.

A = Knotty Alder

C = Cherry (Plus Premium Upcharge)

H = Hickory

M = Maple (Plus Premium Upcharge)

O = Oak

P = Paintable* * Paintable moldings may be supplied in HDF or Maple, depending on the profile and most appropriate material. For best installation of HDF moldings, a 23-gauge headless pin nail is recommended

Q = Quarter-Sawn Red Oak (Plus Premium Upcharge)

RH = Rustic Hickory

2

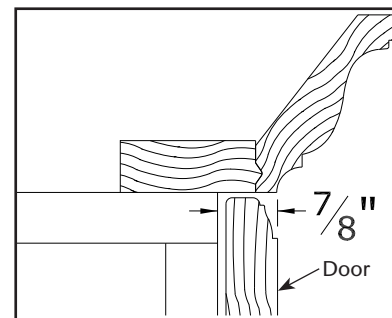
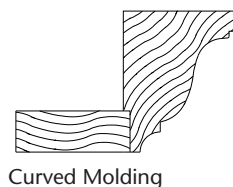
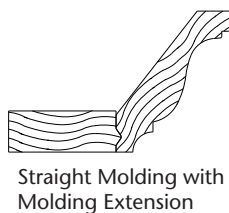
ME = Can be used with optional Molding Extension (ME) option. (Yes or No)

3

Applications = Indicates straight (A), inside (B), or outside (C) curved molding availability.

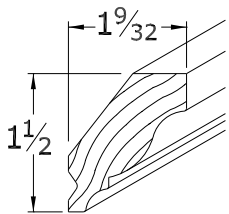
Details for Ordering and Installation of Curved Moldings

1. When ordering curved moldings, add the suffix "B" or "C" to the appropriate molding code.
2. When installing curved moldings, most straight pieces of molding will require the use of the Molding Extension (ME) to align with the curved molding. See individual molding profiles for specific information.





80000 - Mini Crown Molding - XSCRM

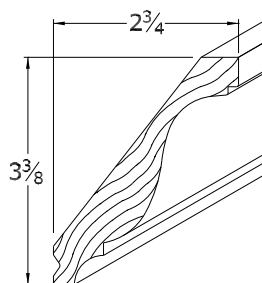


Species: A C H M O P Q	ME: YES
Applications: <input checked="" type="checkbox"/> A	

Cat. No.	Price
XSCRM	119
XSCRM10	161

NOTE: XSCRM10 is available in Cherry, Paintable and Maple **ONLY**.

80150 - Large Crown Molding - LCRM

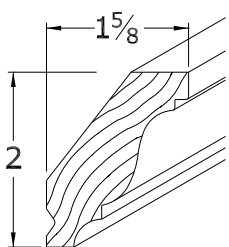


Species: A C H M O P RH	ME: YES
Applications: <input checked="" type="checkbox"/> A	

Cat. No.	Price
LCRM	213
LCRM10	334

NOTE: LCRM10 is available in Cherry, Paintable and Maple **ONLY**.

80050 - Small Crown Molding - SMCRM



Species: A C H M P O	ME: YES
Applications: <input checked="" type="checkbox"/> A <input type="checkbox"/> B <input type="checkbox"/> C	

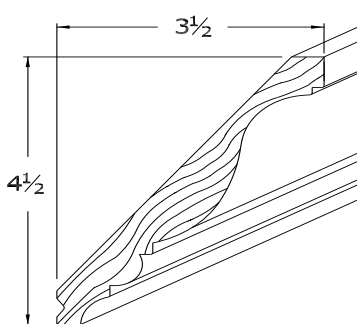
Cat. No.	Price
SMCRM	147
SMCRM10	201
SMCRM B	616
SMCRM C	707

NOTE: Curved SMCRM is manufactured with Molding Extension (ME) as one piece. Straight SMCRM must be ordered with ME when used with curved SMCRM.

NOTE: Curved SMCRM is **not** available in Hickory.

NOTE: SMCRM10 is available in Cherry, Paintable and Maple **ONLY**.

80160 - Extra Large Crown Molding - XLCRM

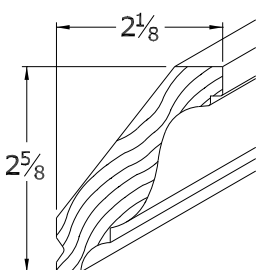


Species: A C M P	ME: YES
Applications: <input checked="" type="checkbox"/> A	

Cat. No.	Price
XLCRM	266
XLCRM10	399

NOTE: XLCRM10 is available in Cherry, Paintable and Maple **ONLY**.

80100 - Medium Crown Molding - MCRM



Species: A C H M O P RH	ME: YES
Applications: <input checked="" type="checkbox"/> A <input type="checkbox"/> B <input type="checkbox"/> C	

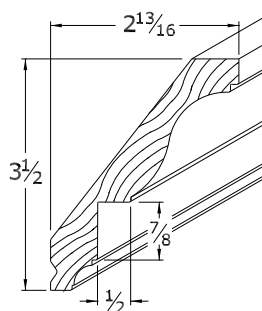
Cat. No.	Price
MCRM	191
MCRM10	262
MCRM B	616
MCRM C	707

NOTE: Curved MCRM is manufactured with Molding Extension (ME) as one piece. Straight MCRM must be ordered with ME when used with curved MCRM.

NOTE: Curved MCRM is **not** available in Hickory or Rustic Hickory.

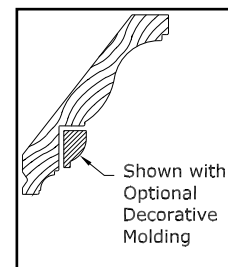
NOTE: MCRM10 is available in Cherry, Paintable and Maple **ONLY**.

80200 - Flex Crown Molding - FLXCRM



Species: C M O P	ME: YES
Applications: <input checked="" type="checkbox"/> A	

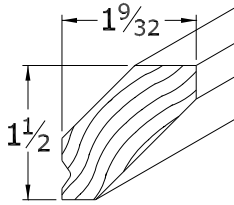
Cat. No.	Price
FLXCRM	227
FLXCRM10	333



NOTE: FLXCRM10 is available in Cherry, Paintable and Maple **ONLY**.



80250 - Small Craftsman Crown Molding - SCCM

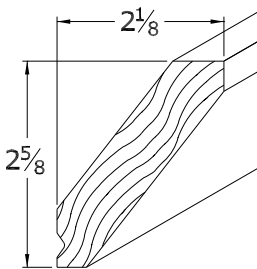


Species: A C H M O P Q	ME: YES
Applications: <input type="checkbox"/> A	

Cat. No.	Price
SCCM	133
SCCM10	159

NOTE: SCCM10 is available in Cherry, Paintable and Maple ONLY.

80300 - Medium Craftsman Crown Molding - MCCM

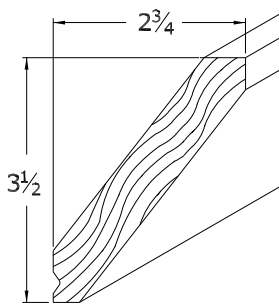


Species: A C H M O P Q	ME: YES
Applications: <input type="checkbox"/> A	

Cat. No.	Price
MCCM	173
MCCM10	247

NOTE: MCCM10 is available in Cherry, Paintable and Maple ONLY.

80310 - Large Craftsman Crown Molding - LCCM



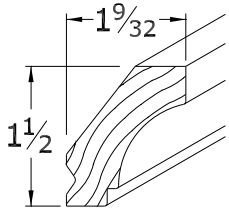
Species: A C M O P Q	ME: YES
Applications: <input type="checkbox"/> A	

Cat. No.	Price
LCCM	213
LCCM10	334

NOTE: LCCM10 is available in Cherry, Paintable and Maple ONLY.



80350 - Mini Cove Molding - XSCVE



Species: A C H M O P Q	ME: YES
Applications: <input type="checkbox"/> A <input type="checkbox"/> B <input type="checkbox"/> C	

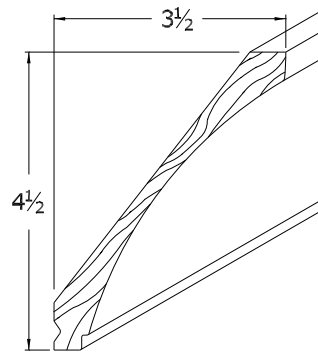
Cat. No.	Price
XSCVE	119
XSCVE10	161
XSCVEB	616
XSCVEC	707

NOTE: Curved XSCVE is manufactured with Molding Extension (ME) as one piece. Straight XSCVE must be ordered with ME when used with curved XSCVE.

NOTE: Curved XSCVE is not available in Hickory.

NOTE: XSCVE10 is available in Cherry, Paintable and Maple ONLY.

80420 - Extra Large Cove Molding - XLCVE

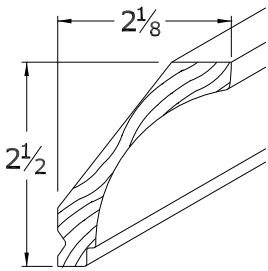


Species: A C M O P Q	ME: YES
Applications: <input type="checkbox"/> A	

Cat. No.	Price
XLCVE	266
XLCVE10	399

NOTE: XLCVE10 is available in Cherry, Paintable and Maple ONLY.

80400 - Medium Cove Molding - MCVE

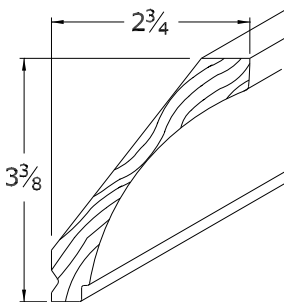


Species: A C H M O P Q	ME: YES
Applications: <input type="checkbox"/> A	

Cat. No.	Price
MCVE	191
MCVE10	262

NOTE: MCVE10 is available in Cherry, Paintable and Maple ONLY.

80410 - Large Cove Molding - LCVE



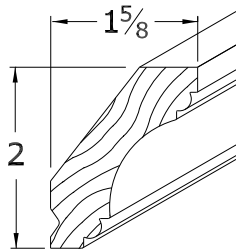
Species: A C H M O P Q RH	ME: YES
Applications: <input type="checkbox"/> A	

Cat. No.	Price
LCVE	213
LCVE10	334

NOTE: LCVE10 is available in Cherry, Paintable and Maple ONLY.



80500 - Small Beaded Cove Molding - SMBCVE

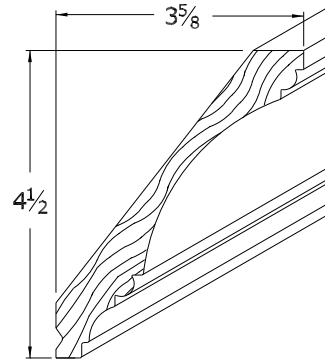


Species: A C M P	ME: YES
Applications: <input checked="" type="checkbox"/> A	

Cat. No.	Price
SMBCVE	147
SMBCVE10	201

NOTE: SMBCVE10 is available in Cherry, Paintable and Maple ONLY.

80530 - Extra Large Beaded Cove Molding - XLBCVE

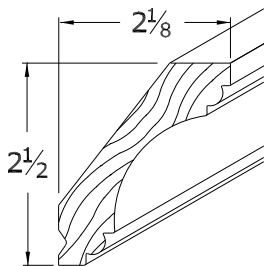


Species: A C M P	ME: YES
Applications: <input checked="" type="checkbox"/> A	

Cat. No.	Price
XLBCVE	266
XLBCVE10	399

NOTE: XLBCVE10 is available in Cherry, Paintable and Maple ONLY.

80510 - Medium Beaded Cove Molding - MBCVE

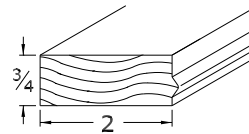


Species: A C M P	ME: YES
Applications: <input checked="" type="checkbox"/> A	

Cat. No.	Price
MBCVE	191
MBCVE10	262

NOTE: MBCVE10 is available in Cherry, Paintable and Maple ONLY.

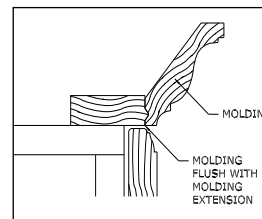
80550 - Molding Extension - ME



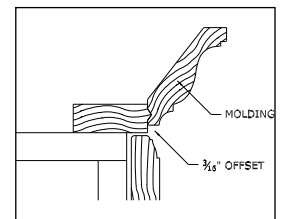
Species: A C H M O P Q	ME: --
Applications: <input checked="" type="checkbox"/> A	

- Molding Extension is finished on front, top and bottom only.
- Molding Extension is manufactured as part of curved moldings and does not need to be ordered separately. Straight moldings should be ordered with ME when used with curved moldings.

Details for Straight Installation Shown



Molding Flush With Bottom of Extension

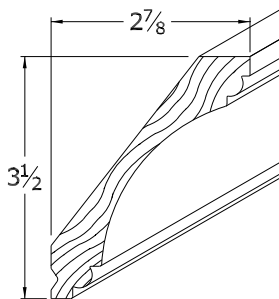


Molding 3/16" Offset From Bottom of Extension

ME is designed for two different applications depending on designer preference. Molding can be attached "Flush" with bottom of ME or with a 3/16" offset. See drawings above.

Cat. No.	Price
ME	104

80520 - Large Beaded Cove Molding - LBCVE



Species: A C M P	ME: YES
Applications: <input checked="" type="checkbox"/> A	

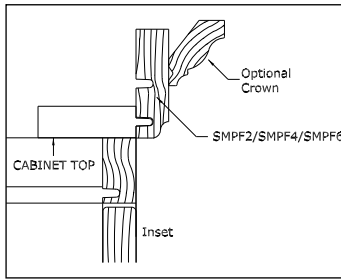
Cat. No.	Price
LBCVE	234
LBCVE10	342

NOTE: LBCVE10 is available in Cherry, Paintable and Maple ONLY.



80600 - Starter Molding Profiled

Details for Installation

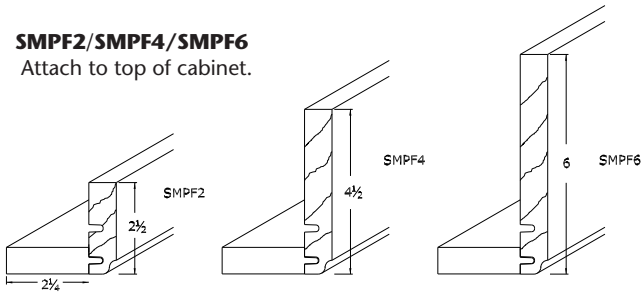


Species: A C H M O P Q	ME: NO
Applications: <input checked="" type="checkbox"/> A	

- Starter Molding is designed as a “build up” for attachment of Crown Molding to maintain reveals.
- SMPF is for Frameless cabinetry.
- Specify edge profile. If not specified, **#6 eased edge** is used.
- Horizontal grain.

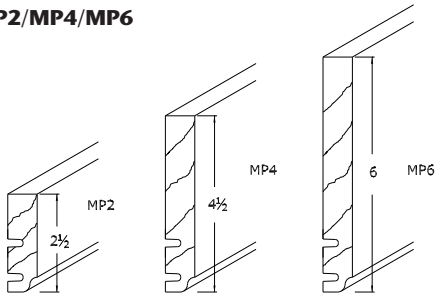
SMPF2/SMPF4/SMPF6

Attach to top of cabinet.

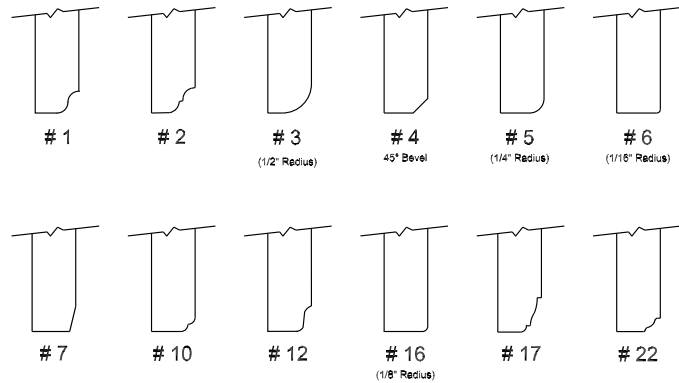


Cat. No.	Price
Starter Molding Profiled Flush	
SMPF2	245
SMPF4	339
SMPF6	433
Molding Profiled	
MP2	137
MP4	247
MP6	357

MP2/MP4/MP6

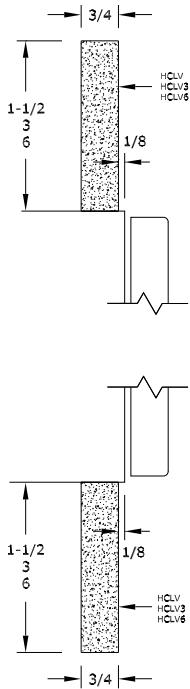


Profiles Available





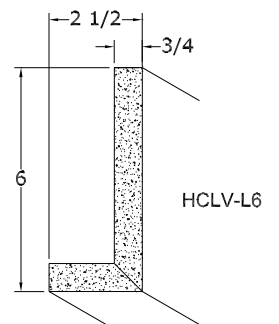
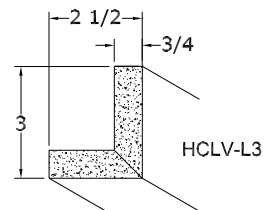
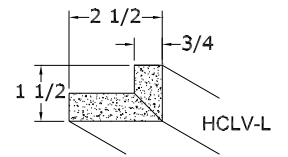
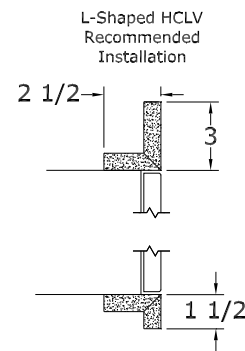
80610 - High Pressure Laminate Ceiling/Light Valance - HCLV



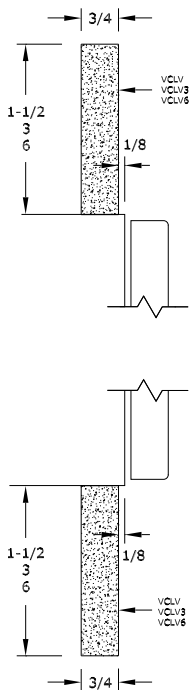
Species: High Pressure	ME: NO
Applications: <input checked="" type="checkbox"/> A	

- Straight and L-Shaped HCLV Moldings are available for use with laminate door styles (i.e. Alpine). Moldings are reversible for use as ceiling valance (top) or light valance (under-cabinet).
- Straight HCLV Molding is laminated on both faces and edgebanded on one long edge. L-Shaped HCLV is laminated on both faces and banded on both long edges.

Cat. No.	Price
Straight Molding	
HCLV	132
HCLV3	170
HCLV6	222
L-Shaped Mldg	
HCLV-L	399
HCLV-L3	444
HCLV-L6	488



80615 - Veneer Ceiling/Light Valance Molding - VCLV

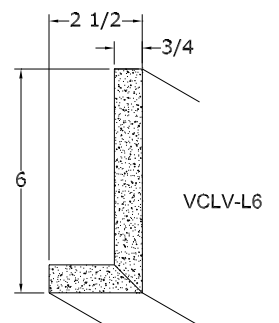
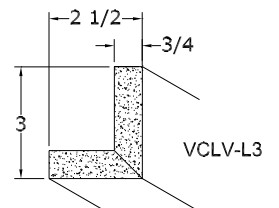
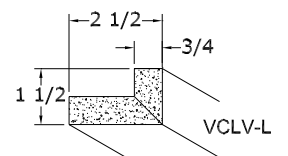
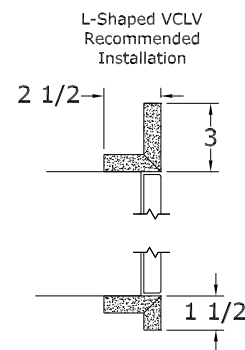


Species: Veneer	ME: NO
Applications: <input checked="" type="checkbox"/> A	

- Moldings are reversible for use as ceiling valance (top) or light valance (under-cabinet).
- Straight VCLV Molding is finished on both faces and edgebanded on one long edge. L-Shaped VCLV is finished on both faces and banded on both long edges.
- Horizontal grain.

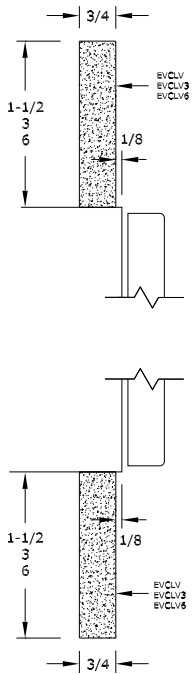
NOTE: Available in **standard** wood species only.

Cat. No.	Price
Straight Molding	
VCLV	168
VCLV3	168
VCLV6	304
L-Shaped Mldg	
VCLV-L	401
VCLV-L3	534
VCLV-L6	668





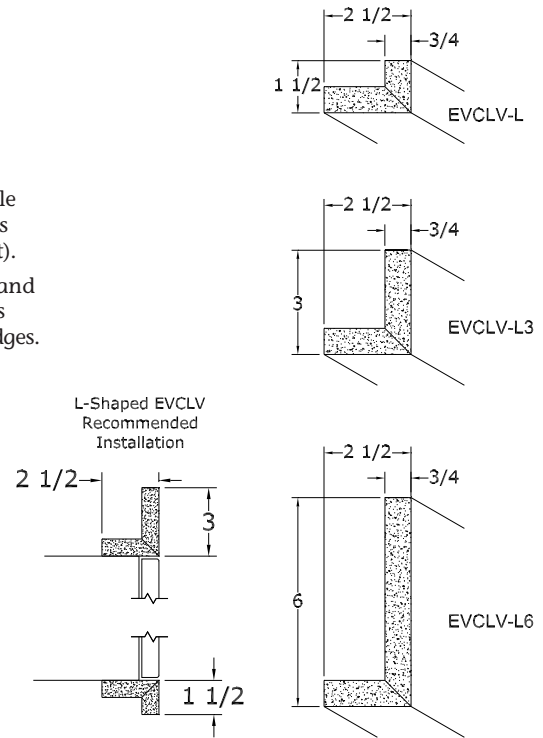
80620 - Exotic Veneer Ceiling/Light Valance Molding - EVCLV



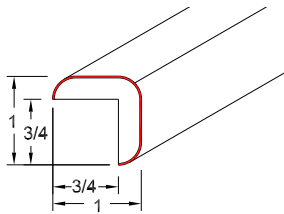
Species: All "Exotic" Veneers	ME: NO
Applications: <input checked="" type="checkbox"/> A	

- Straight and L-Shaped EVCLV Moldings are available for Exotic veneers. Moldings are reversible for use as ceiling valance (top) or light valance (under-cabinet).
- Straight EVCLV Molding is finished on both faces and edganded on one long edge. L-Shaped EVCLV is finished on both faces and banded on both long edges.
- Horizontal grain.

Cat. No.	Price
Straight Molding	
EVCLV	223
EVCLV3	266
EVCLV6	401
L-Shaped Mldg	
EVCLV-L	534
EVCLV-L3	712
EVCLV-L6	889



80638 - Exotic Veneer Outside Corner Molding - EVOSCM

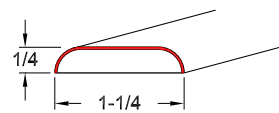


Species: All "Exotic" Veneers	ME: NO
Applications: <input checked="" type="checkbox"/> A	

Cat. No.	Price
EVOSCM	283

- Grain runs the length of the molding.

80640 - Exotic Veneer Trim Molding - EVTVM



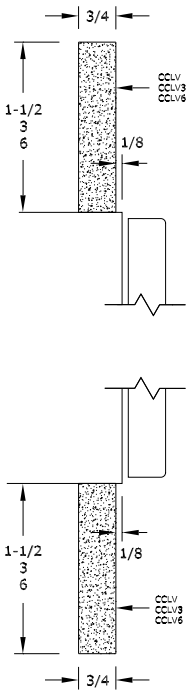
Species: All "Exotic" Veneers	ME: NO
Applications: <input checked="" type="checkbox"/> A	

Cat. No.	Price
EVTVM	200

- Grain runs the length of the molding.



80641 - Foil and Acrylic Ceiling/Light Valance Molding - CCLV

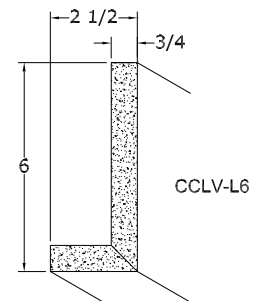
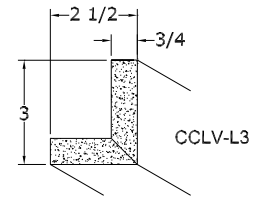
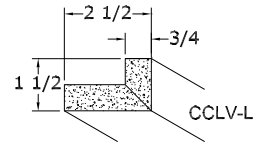
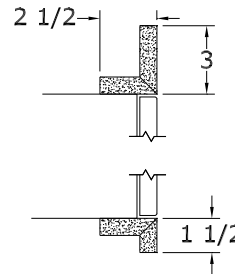


Species: All Foils & Acrylics	ME: NO
Applications: <input checked="" type="checkbox"/> A	

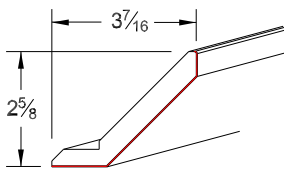
- **Straight** and **L-Shaped** CCLV Moldings are available for Acrylics and all Foils. Moldings are reversible for use as ceiling valance (top) or light valance (under-cabinet).
- Straight CCLV Molding is finished on both faces and edgedanded on one long edge. L-Shaped CCLV is finished on both faces and banded on both long edges.
- Grain runs the length of the molding when present.

Cat. No.	Price
Straight Molding	
CCLV	178
CCLV3	222
CCLV6	355
L-Shaped Mldg	
CCLV-L	444
CCLV-L3	532
CCLV-L6	621

L-Shaped CCLV Recommended Installation



80642 - Foil Crown Molding - CRMFOIL

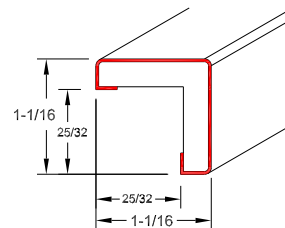


Species: Foil	ME: NO
Applications: <input checked="" type="checkbox"/> A	

Cat. No.	Price
CRMFOIL	293

- Grain runs the length of the molding when present.
- Not available with Acrylics or Wired Foils.

80646 - Foil Outside Corner Molding - OSCMFOIL

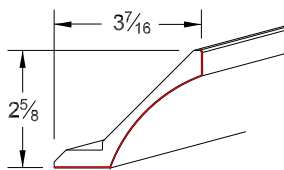


Species: Foil	ME: NO
Applications: <input checked="" type="checkbox"/> A	

Cat. No.	Price
OSCMFOIL	222

- Grain runs the length of the molding when present.
- Not available with Acrylics or Wired Foils.

80644 - Foil Cove - CVFOIL

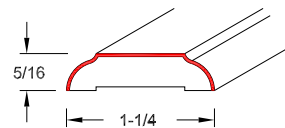


Species: Foil	ME: NO
Applications: <input checked="" type="checkbox"/> A	

Cat. No.	Price
CVFOIL	293

- Grain runs the length of the molding when present.
- Not available with Acrylics or Wired Foils.

80648 - Foil Trim Molding - TMFOIL



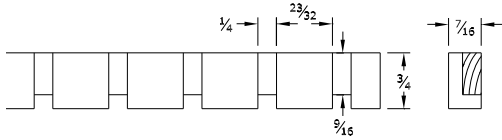
Species: Foil	ME: NO
Applications: <input checked="" type="checkbox"/> A	

Cat. No.	Price
TMFOIL	167

- Grain runs the length of the molding when present.
- Not available with Acrylics or Wired Foils.



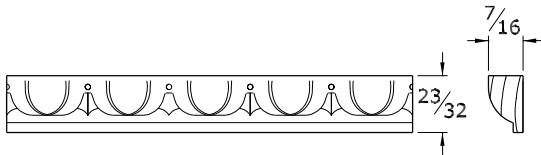
80650 - Dentil Molding - DM



Cat. No.	Price
DM	166

Species: C M P O	ME: NO
Applications: <input type="checkbox"/> A	

80750 - Egg and Dart Molding - EDRT



Cat. No.	Price
EDRT	205

Species: C M P	ME: NO
Applications: <input type="checkbox"/> A	

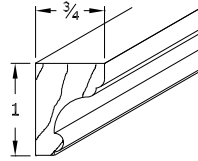
80850 - Rope Molding - RM



Cat. No.	Price
RM	116

Species: C M P	ME: NO
Applications: <input type="checkbox"/> A	

80950 - Decorative Cove Molding - DCM



Species: A C H M O P	ME: NO
Applications: <input type="checkbox"/> A <input type="checkbox"/> B <input type="checkbox"/> C	

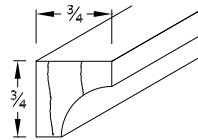
Cat. No.	Price
DCM	121
DCM10	172
DCMB	363
DCMC	363

NOTE: Curved DCM is designed for installation directly to the face of the cabinetry (when space allows.)

NOTE: Curved DCM is not available in Hickory or Rustic Hickory.

NOTE: DCM10 is available in Cherry, Paintable and Maple ONLY.

81000 - Cove Molding - CM



Species: A C H M O P	ME: NO
Applications: <input type="checkbox"/> A <input type="checkbox"/> B <input type="checkbox"/> C	

Cat. No.	Price
CM	89
CM10	102
CMB	363
CMC	363

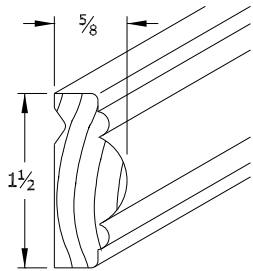
NOTE: Curved CM is designed for installation directly to the face of the cabinetry (when space allows.)

NOTE: Curved CM is not available in Hickory or Rustic Hickory.

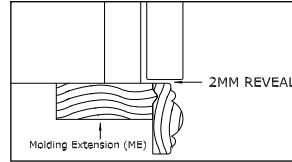
NOTE: CM10 is available in Cherry, Paintable and Maple ONLY.



81100 - Chair Rail/Light Valance Molding - CRLVM

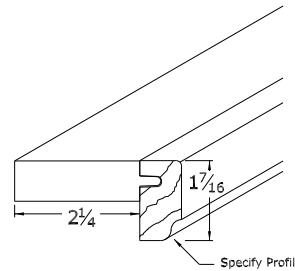


Species: A C M P	ME: YES
Applications: <input checked="" type="checkbox"/> A	

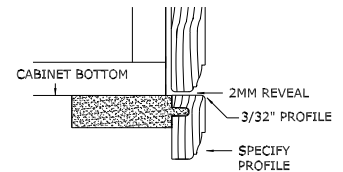


Cat. No.	Price
CRLVM	103

81210 - Light Shield Profiled - LSPRO

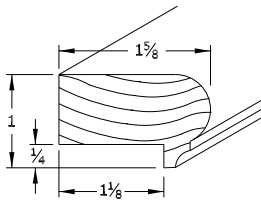


Species: A C H M O P Q	ME: NO
Applications: <input checked="" type="checkbox"/> A	

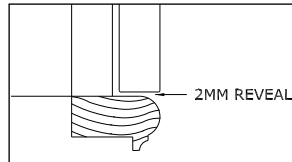


Cat. No.	Price
LSPRO	228

81150 - Light Shield Classic Molding - LSCL

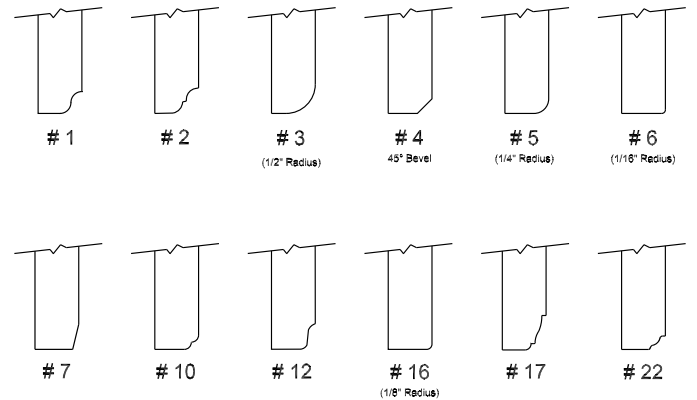


Species: A C M O P	ME: NO
Applications: <input checked="" type="checkbox"/> A <input type="checkbox"/> B <input type="checkbox"/> C	

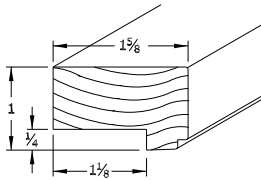


Cat. No.	Price
LSCL	133
LSCLB	472
LSCLC	472

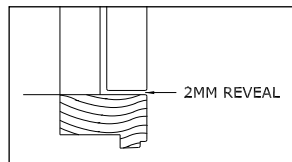
Profiles Available



81160 - Light Shield Transitional Molding - LSTR

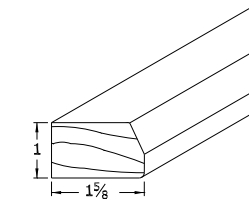


Species: A C M O P Q	ME: NO
Applications: <input checked="" type="checkbox"/> A <input type="checkbox"/> B <input type="checkbox"/> C	

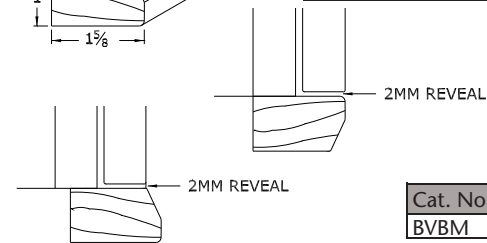


Cat. No.	Price
LSTR	133
LSTRB	472
LSTRC	472

81220 - Beveled Bottom Molding - BVBM

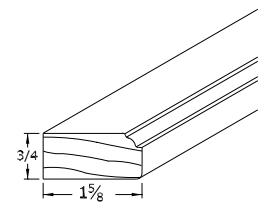


Species: C M O P Q	ME: NO
Applications: <input checked="" type="checkbox"/> A	

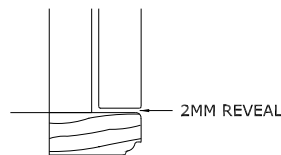


Cat. No.	Price
BVBM	133

81230 - Classic Bottom Molding - CLBM

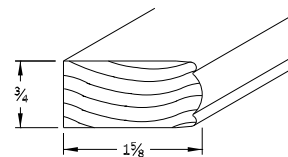


Species: A C H M O P Q	ME: NO
Applications: <input checked="" type="checkbox"/> A <input type="checkbox"/> B <input type="checkbox"/> C	



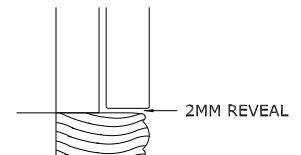
Cat. No.	Price
CLBM	108

81232 - Cottage Bead Bottom Molding - CBBMB



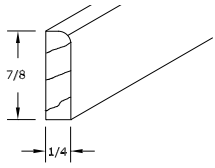
Species: A C H M O P Q	ME: NO
Applications: <input checked="" type="checkbox"/> A	

Cat. No.	Price
CBBMB	166





81350 - Bead Molding - BM



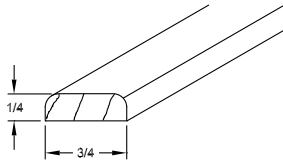
Species: A C H M O P Q	ME: NO
Applications: <input type="checkbox"/> A <input type="checkbox"/> B <input type="checkbox"/> C	

Cat. No.	Price
BM	79
BMB	363
BMC	363

NOTE: Curved BM is designed for installation directly to the face of the cabinetry (when space allows.)

NOTE: Curved BM is not available in Hickory.

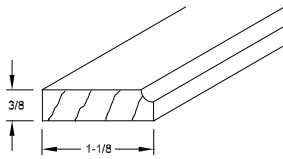
81400 - Trim Molding - TM



Species: A C H M O P Q	ME: NO
Applications: <input type="checkbox"/> A	

Cat. No.	Price
TM	79

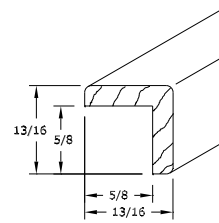
81450 - Face Molding - FM



Species: A C M O P Q	ME: NO
Applications: <input type="checkbox"/> A	

Cat. No.	Price
FM	87

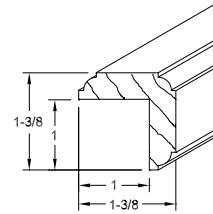
81500 - Outside Corner Molding - OSCM



Species: A C H M O P Q	ME: NO
Applications: <input type="checkbox"/> A	

Cat. No.	Price
OSCM	88

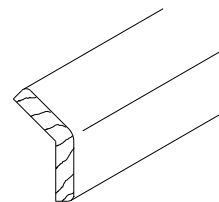
81550 - Decorative Outside Corner Molding - DOSCM



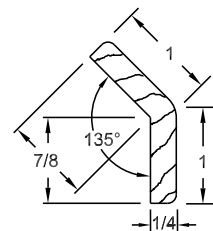
Species: A C H M O P	ME: NO
Applications: <input type="checkbox"/> A	

Cat. No.	Price
DOSCM	116

81560 - Outside Corner Molding 135° - OSCM135



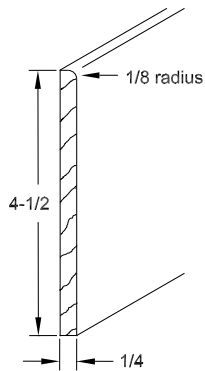
Species: A C H M O P	ME: NO
Applications: <input type="checkbox"/> A	



Cat. No.	Price
OSCM135	125



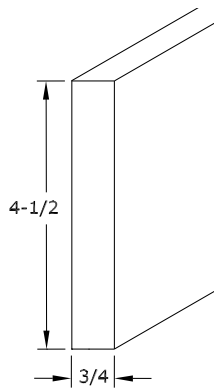
81700 - Broad Scribe Toe - BST



Species: A C H M O P Q	ME: NO
Applications: <input checked="" type="checkbox"/> A	

Cat. No.	Price
BST	147

81750 - Additional Toe Board Molding - TB_CHG



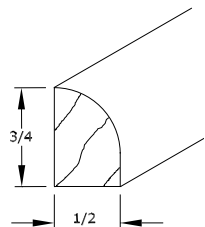
Species: A C H M O P Q	ME: NO
Applications: <input checked="" type="checkbox"/> A	

- Toe Board Molding in sufficient quantities is automatically included to complete a job. If additional lengths are required, order TBWCHG.
- 8 foot lengths only. Face and each end are finished. For heights up to 7" choose TBEHWCHG and specify height.

Cat. No.	Price
TBWCHG	101
TBEHWCHG*	222

*Up to 7" high

81800 - Base Shoe Molding - BSM



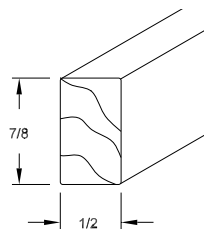
Species: A C H M O P	ME: NO
Applications: <input checked="" type="checkbox"/> A <input type="checkbox"/> B <input type="checkbox"/> C	

- Curved BSM fits radius of recessed toe **only**.

Cat. No.	Price
BSM	75
BSMB	363
BSMC	363

NOTE: Curved BSM is **not** available in Hickory.

81802 - Base Shoe Molding Square - BSMS

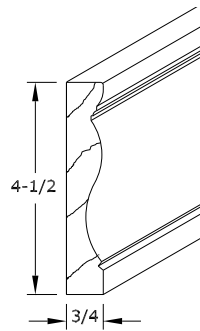


Species: A C H M O P	ME: NO
Applications: <input checked="" type="checkbox"/> A <input type="checkbox"/> B <input type="checkbox"/> C	

Cat. No.	Price
BSMS	75
BSMSB	363
BSMSC	363

NOTE: Curved BSMS is **not** available in Hickory.

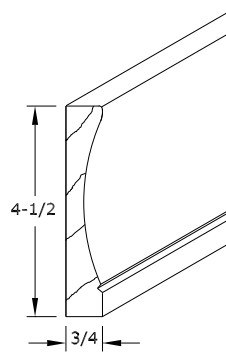
81810 - Furniture Base Crown Molding - FBCRM



Species: A C H M O P Q	ME: NO
Applications: <input checked="" type="checkbox"/> A	

Cat. No.	Price
FBCRM	247

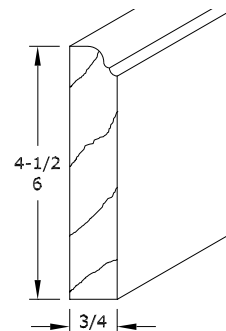
81820 - Furniture Base Cove Molding - FBCVE



Species: A C H M O P Q	ME: NO
Applications: <input checked="" type="checkbox"/> A	

Cat. No.	Price
FBCVE	247

81850 - Furniture Base Molding - FBM

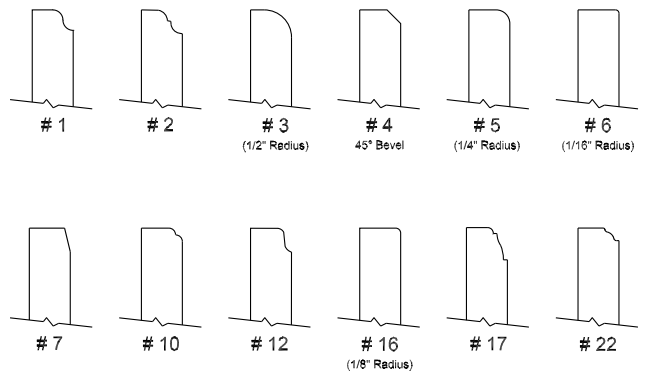


Species: A C H M O P Q RH	ME: NO
Applications: <input checked="" type="checkbox"/> A	

- Specify profile for one long edge.
Example: FBM#2

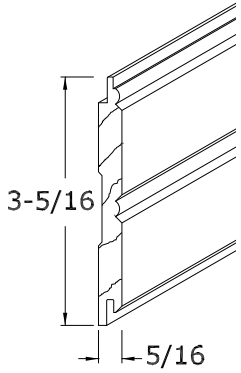
Cat. No.	Price
FBM	247
FBM6	345

Profiles Available





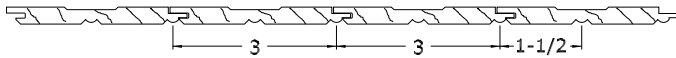
81950 - Bead Board Molding - BBM



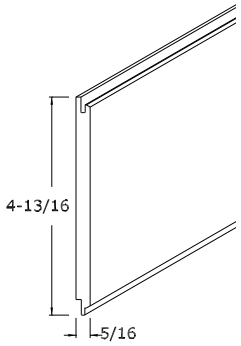
Species: A C H M O P Q RH	ME: NO
Applications: <input checked="" type="checkbox"/> A	

• Available in lengths of 36", 48" and 96" **only**.

Cat. No.	Price
BBM36	51
BBM48	59
BBM96	119

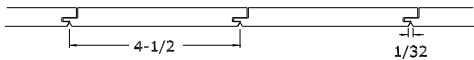


81960 - Ship Lap Molding - SLM

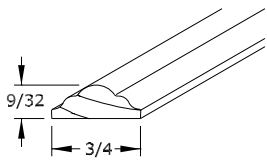


Species: A C M P	ME: NO
Applications: <input checked="" type="checkbox"/> A	

Cat. No.	Price
SLM	130



82110 - Panel Molding - St. Augustine - PMSA

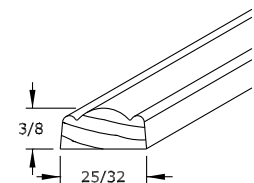


Species: A C M O P Q	ME: NO
Applications: <input checked="" type="checkbox"/> A	

• PMSA is the applied molding used for St. Augustine and Sunbury House door styles.

Cat. No.	Price
PMSA	112

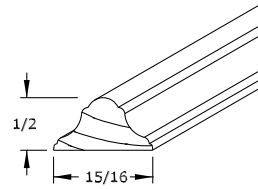
82120 - Panel Molding - Cottage Bead - PMCB



Species: A C H M O P Q	ME: NO
Applications: <input checked="" type="checkbox"/> A	

Cat. No.	Price
PMCB	112

82130 - Panel Molding - Chapel Hill - PMCHV

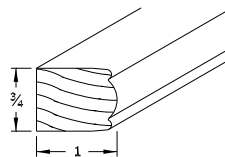


Species: A C M O P	ME: NO
Applications: <input checked="" type="checkbox"/> A	

• PMCHV coordinates with the applied molding used for Chapel Hill, Marley and Montego door styles.

Cat. No.	Price
PMCHV	112

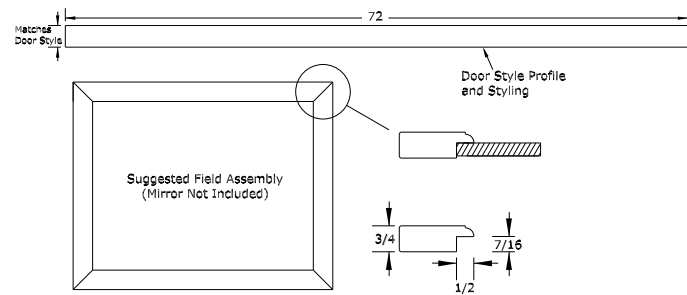
82145 - Cottage Bead Nosing Molding - CBNB



Species: A C H M O P Q	ME: NO
Applications: <input checked="" type="checkbox"/> A	

Cat. No.	Price
CBNB	129

82150 - Mirror Frame Molding - MFRM



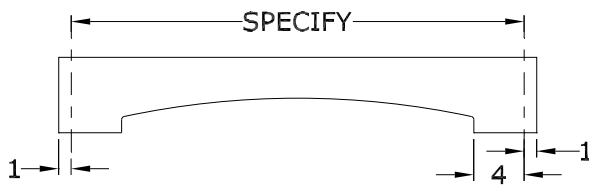
Cat. No.	Price
MFRM	161

- Mirror Frame Molding is available in 72" lengths to frame a mirror with a matching door style frame.
- Mirror Frame Molding matches the door style (profile and frame width) specified on the order unless otherwise specified.
- Back of Mirror Frame molding includes cut-out for mirror.
- Available in 72" lengths **only**.
- See door style for species availability.

NOTE: Available in standard wood species only.

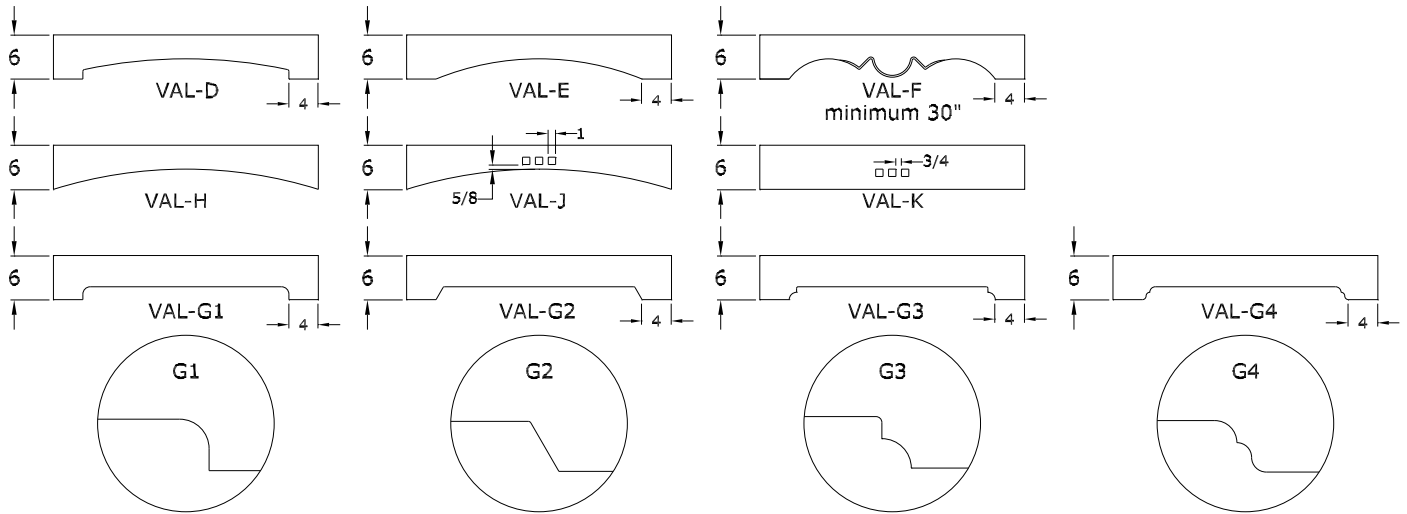


82250 - Valances



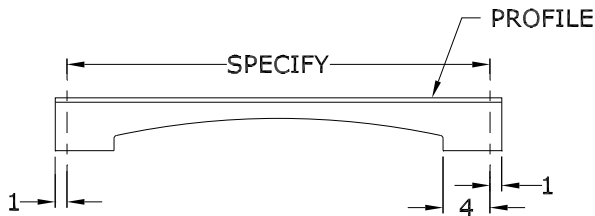
- Specify the pattern and indicate the width needed. **Valances automatically include a 1" extension on each end for trimming (2" extra overall).**
Example: VAL-D36 (supplied at 38" for field trim.)
- **Minimum** width = 15". **Maximum** width = 94".
Exception: VAL-F minimum width is 30".

NOTE: Available in standard wood species **only**.



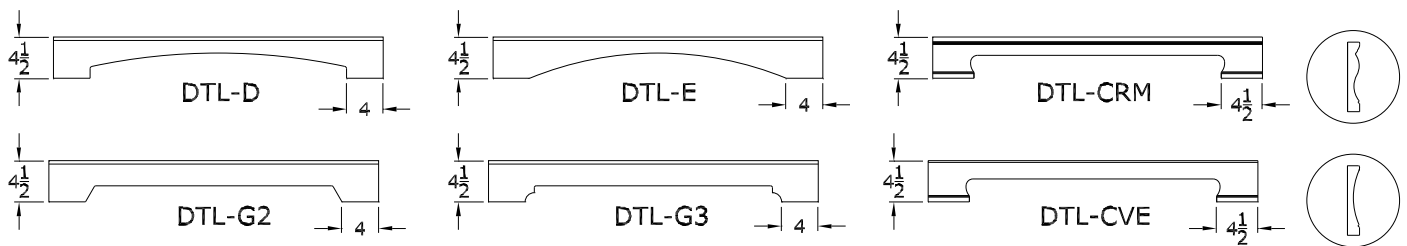
Loose Valance, **VAL-D, E, F, G, H, J, K** (specify pattern) **\$68 per lineal foot** (rounded up to the nearest **one foot increment**)

82275 - Decorative Toe Loose



- Specify the pattern and indicate the width needed. **DTL automatically includes a 1" extension on each end for trimming (2" extra overall).**
Example: DTL-D35 (supplied at 37" for field trim.)
- **Minimum** width = 15". **Maximum** width = 94".
Exception: DTL-F minimum width is 30".
- Top edge is profiled to match the door edge profile (for D, E, G2 and G3).
- For straight lengths of matching molding (no arch) see Sections [81810](#), [81820](#) and [81850](#).

NOTE: Available in standard wood species **only**.

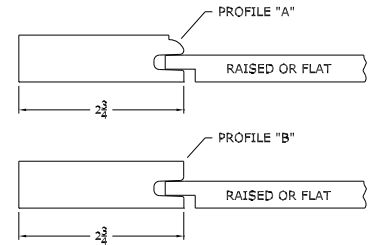


Decorative Toe Loose, **DTL** (specify pattern) **\$72 per lineal foot** (rounded up to the nearest **one foot increment**)



82300 - Keystone Panel Valance - KPV

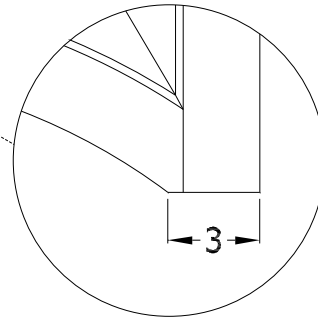
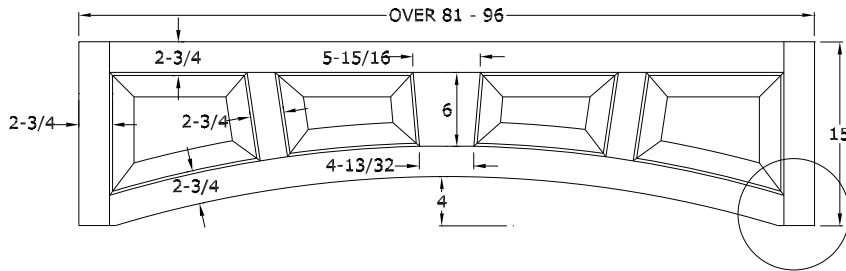
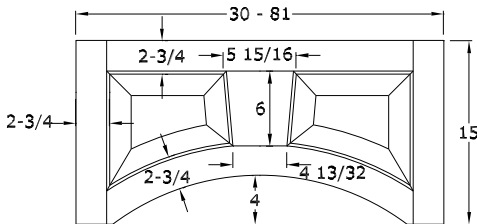
- KPV is 15" high and available in 3" increments from 30" - 96" wide.
- KPV is constructed with mortise & tenon joinery only (No miter joints). Inside edge profile is supplied with "A" or "B" profile only (whichever profile most closely coordinates with the door style specified.) Applied molding is **not** available.
- KPV has 2 3/4" stiles and rails. Raised or flat panels match the door style specified for the order.
- Center of KPV will accept optional Keystone Block (KEYB) or can be used for a carved applique (ordered separately).
- Panels have horizontal grain (except beaded panel).
- Back of KPV is finished. Method of assembly is visible on back side.
- May be reduced in width.



KPV is automatically constructed with an "A" or "B" inside edge profile (whichever profile best coordinates with the specified door style).

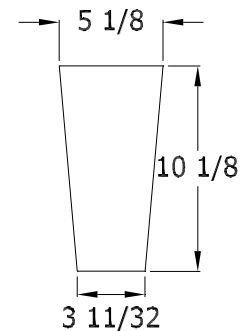
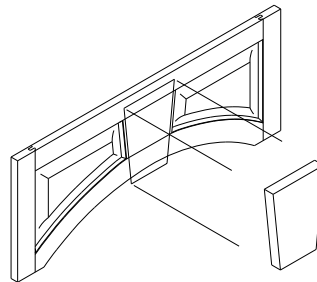
ALL OTHER MODIFICATIONS MUST BE QUOTED

NOTE: Available in standard wood species **only**.



Cat. No.	Price
KPV30	1654
KPV33	1668
KPV36	1711
KPV39	1741
KPV42	1770
KPV45	1799
KPV48	2011
KPV51	2222
KPV54	2435
KPV57	2653
KPV60	2859
KPV63	3070
KPV66	3282
KPV69	3493
KPV72	3706
KPV75	3917
KPV78	4129
KPV81	4340
KPV84	4553
KPV87	4764
KPV90	4976
KPV93	5184
KPV96	5404
KEYB	236

Optional Keystone Block

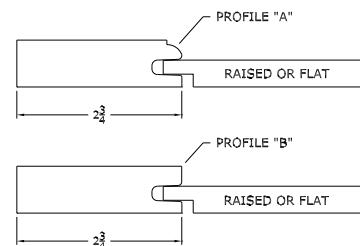


Outside edge of Keystone Block has a 1/8" radius.



82350 - Arched Panel Valance - APV

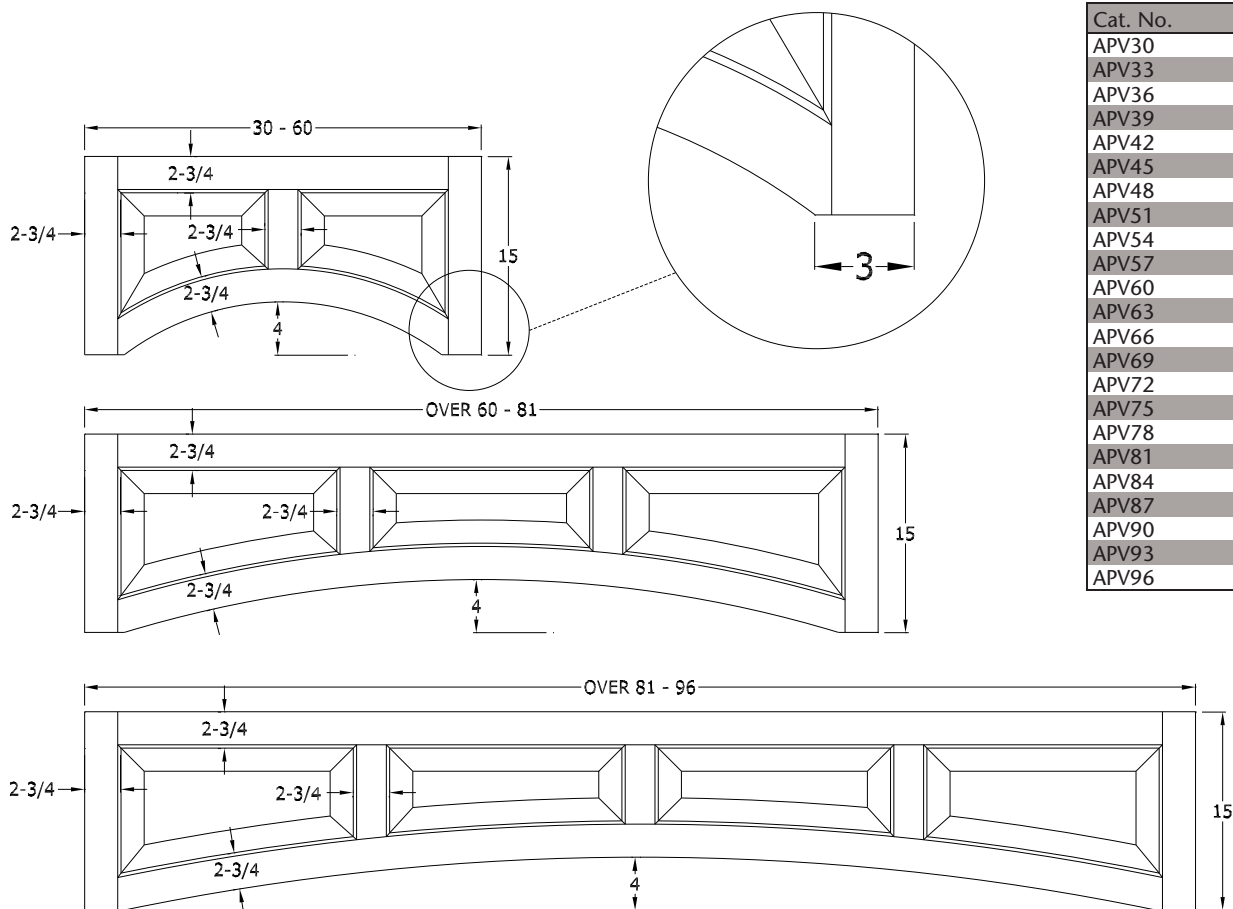
- APV is 15" high and available in 3" increments from 30" - 96 wide.
- APV is constructed with mortise & tenon joinery only (No miter joints). Inside edge profile is supplied with "A" or "B" profile only (whichever profile most closely coordinates with the door style specified.) Applied molding is **not** available.
- APV has 2 3/4" stiles and rails. Raised or flat panels match the door style specified for the order.
- Panels have horizontal grain (except beaded panel).
- Back of APV is finished. Method of assembly is visible on back side.
- Cut down in width is available.



APV is automatically constructed with an "A" or "B" inside edge profile (whichever profile best coordinates with the specified door style).

ALL OTHER MODIFICATIONS MUST BE QUOTED

NOTE: Available in standard wood species only.

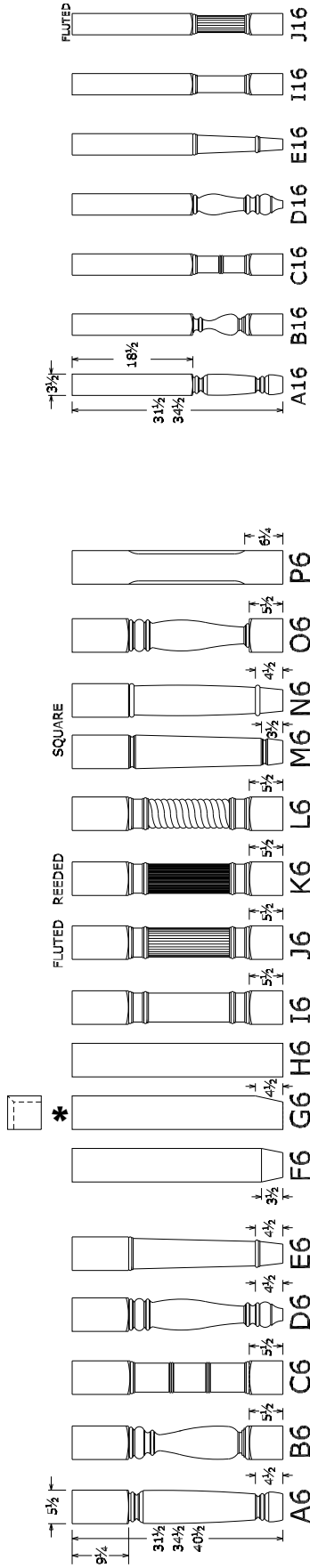
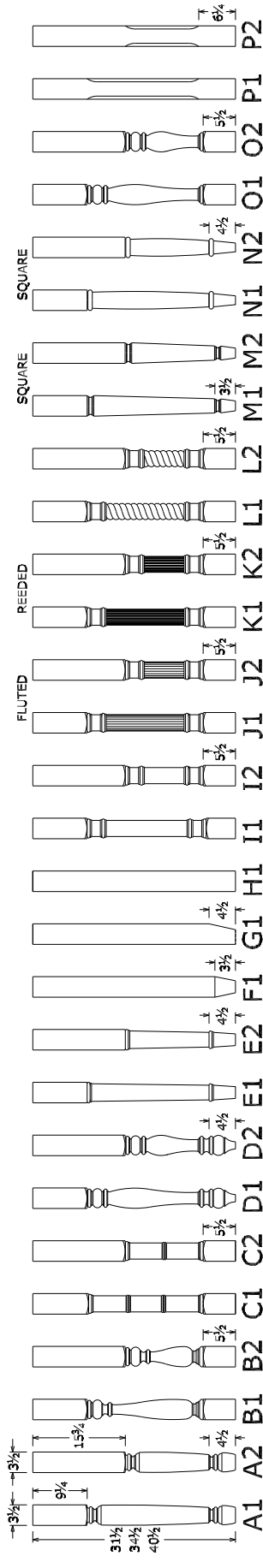


Cat. No.	Price
APV30	1587
APV33	1601
APV36	1643
APV39	1673
APV42	1699
APV45	1728
APV48	1931
APV51	2134
APV54	2338
APV57	2543
APV60	2743
APV63	2949
APV66	3150
APV69	3353
APV72	3558
APV75	3761
APV78	3965
APV81	4168
APV84	4371
APV87	4573
APV90	4776
APV93	4979
APV96	5190

82400 - Turned Post Style Options

- Turned Posts are available loose or attached to Fillers, End Panels and Decorative End Panels. Turned Posts are available in several different designs (see drawings below). Clearly specify the post style on your order and add the appropriate upcharge (if applicable).
- All Turned Posts are available 31-1/2", 34-1/2" and 40-1/2" high. For other heights, trim top block as needed during installation.

NOTE: Available in standard wood species **only**.



Style	Upcharge
A1	Add 0
A2	Add 0
A6	Add 0
B1	Add 0
B2	Add 0
B6	Add 0
C1	Add 0
C2	Add 0
C6	Add 0
D1	Add 0
D2	Add 0
D6	Add 0
E1	Add 0
E2	Add 0
E6	Add 0

Style	Upcharge
F1	Add 0
F6	Add 0
G1*	L/R Add 0
G6*	L/R Add 0
H1	Add 0
H6	Add 0
I1	Add 0
I2	Add 0
I6	Add 0
J1	Add 126
J2	Add 126
J6	Add 126
K1	Add 126
K2	Add 126
K6	Add 126

Style	Upcharge
L1	Add 126
L2	Add 126
L6	Add 126
M1	Add 0
M2	Add 0
M6	Add 0
N1	Add 0
N2	Add 0
N6	Add 0
O1	Add 0
O2	Add 0
O6	Add 0
P1	Add 0
P2	Add 0
P6	Add 0

Style	Upcharge
A16	Add 0
B16	Add 0
C16	Add 0
D16	Add 0
E16	Add 0
I16	Add 0
J16	Add 126
L16	Add 126
M16	Add 0
N16	Add 0
O16	Add 0
P16	Add 0

These posts coordinate with Furniture Vanities

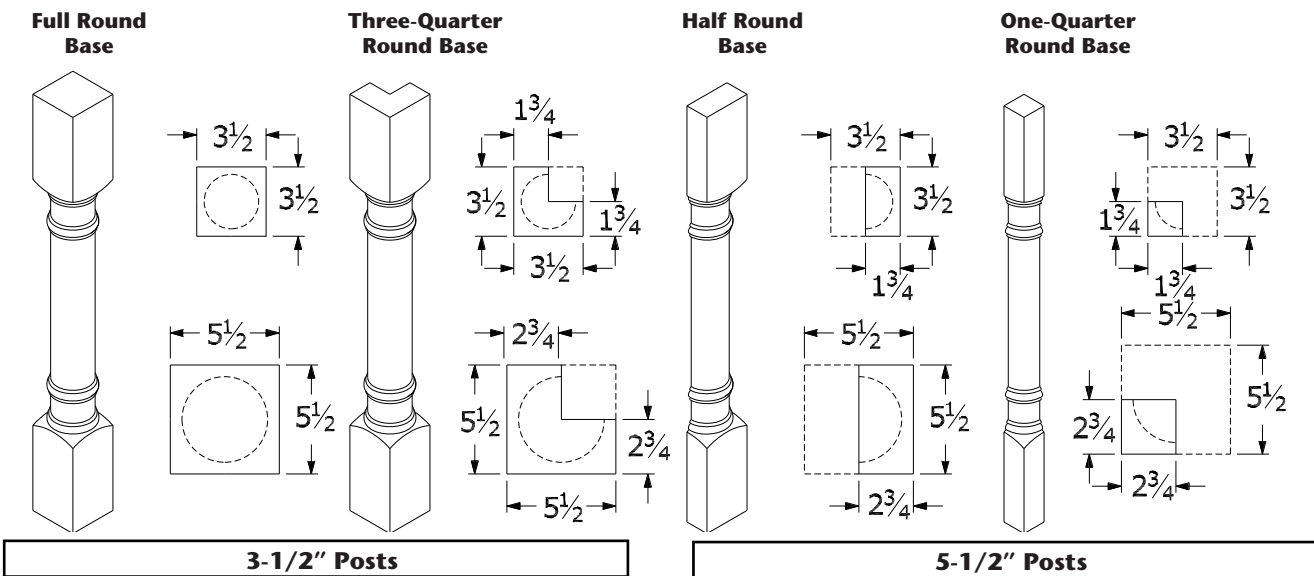


82450 - Base Turned Posts - Loose

- Specify a Turned Post style. Example: **4QTP3-34-A2**
- Loose Base Turned Posts (3-1/2" and 5-1/2" wide) are available as full round, 3/4-round, 1/2-round and 1/4-round.
- Loose turned posts are supplied with an additional 1/2" - 1" for field trimming. See drawing below.

QUOTED MODIFICATIONS ONLY

NOTE: Available in standard wood species only.



3-1/2" Posts

5-1/2" Posts

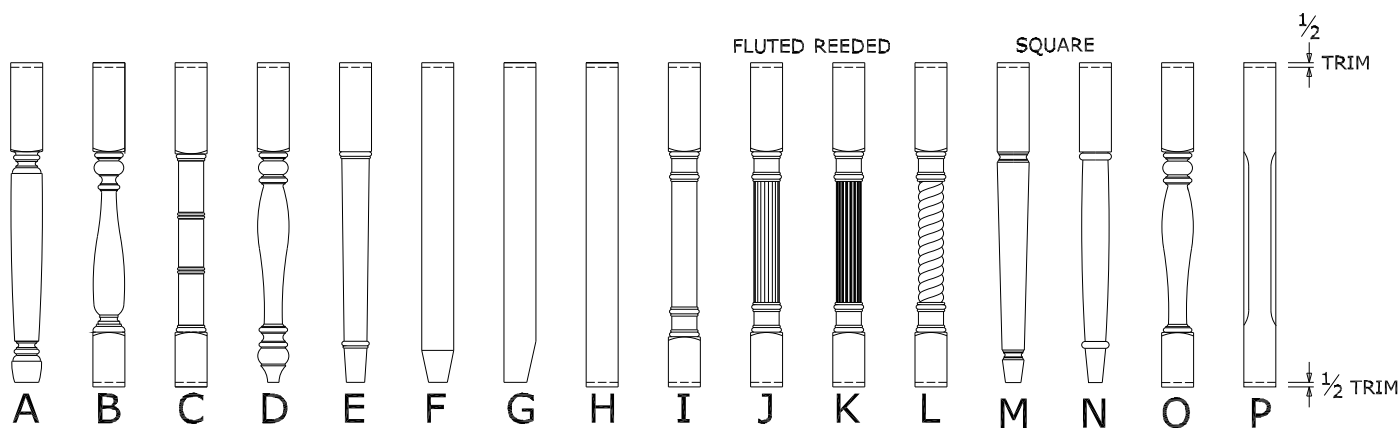
Cat. No.	Price
Full Round	
4QTP3-31	549*
4QTP3-34	567*
4QTP3-40	629*
Three-Quarter Round	
3QTP3-31	549*
3QTP3-34	567*
3QTP3-40	629*

Cat. No.	Price
Half Round	
2QTP3-31	360*
2QTP3-34	371*
2QTP3-40	410*
One-Quarter Round	
1QTP3-31	360*
1QTP3-34	371*
1QTP3-40	410*

Cat. No.	Price
Full Round	
4QTP5-31	944*
4QTP5-34	969*
4QTP5-40	1045*
Three-Quarter Round	
3QTP5-31	944*
3QTP5-34	969*
3QTP5-40	1045*

Cat. No.	Price
Half Round	
2QTP5-31	616*
2QTP5-34	637*
2QTP5-40	681*
One-Quarter Round	
1QTP5-31	616*
1QTP5-34	637*
1QTP5-40	681*

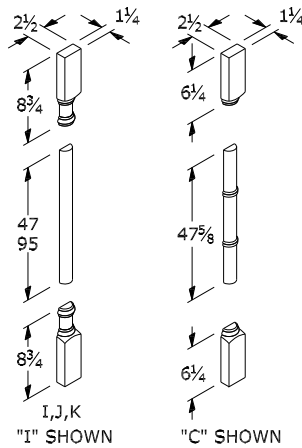
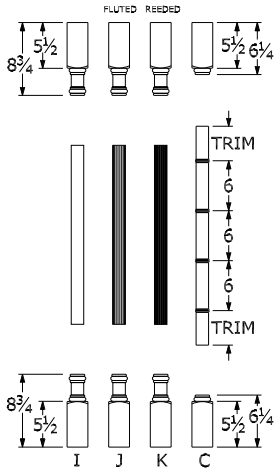
*Pricing shown is a "base price". Select a Turned Post style and add appropriate style upcharge from [Section #82400](#).



For a complete listing of Turned Posts available see [Section #82400](#)



82500 - Pilasters - Loose



- Specify style of Pilaster (I - Plain, J - Fluted, K - Reeded, C - Bamboo). Example: **PIL-I**
- Loose half-round Pilasters (2 1/2" wide) are shipped as a 3-piece kit for field assembly. Half-round molding is available in two lengths for field trimming and fitting between the top and bottom blocks.
- PIL includes a top and bottom block with a 47" length of half-round molding. PILT includes a top and bottom block with a 95" length of half-round molding. For tall applications, half-round molding for Style C (Bamboo) is sent in 2 lengths for field splicing.

QUOTED MODIFICATIONS ONLY

NOTE: Available in standard wood species **only**.

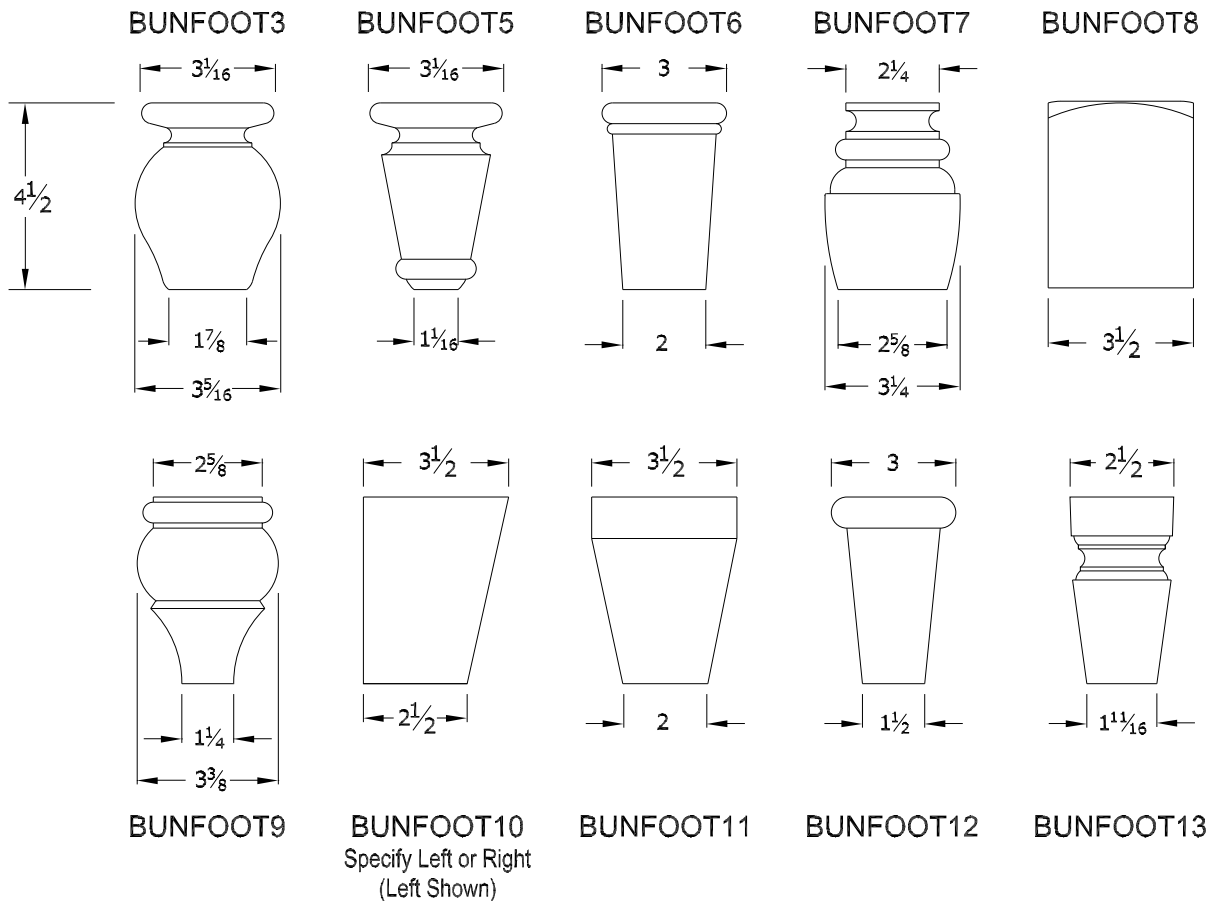
Cat. No.	Price
PIL	334
PILT	441

82550 - Bunfoot

- Standard cabinet toe space is 3" deep. Bunfeet wider than 3" will require jobsite trimming to fit within a standard toe space.

NOTE: Available in standard wood species **only**.

NO MODIFICATIONS



Cat. No.	Price
BUNFOOT3	205

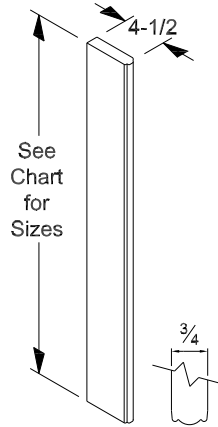
Cat. No.	Price
BUNFOOT5	205
BUNFOOT6	205
BUNFOOT7	205

Cat. No.	Price
BUNFOOT8	205
BUNFOOT9	205
BUNFOOT10	L/R 205

Cat. No.	Price
BUNFOOT11	205
BUNFOOT12	205
BUNFOOT13	205



82600 - Cottage Bead Spacer



- Cottage Bead Spacers are 3/4" thick solid stock with a Cottage Bead nosing profile on the front edge.
- Shipped loose for field installation.

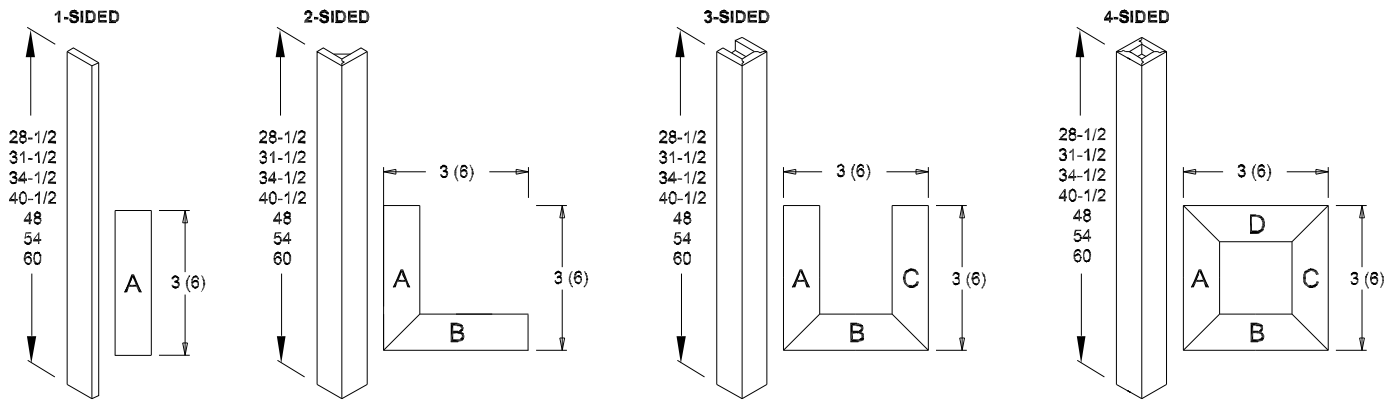
NOTE: Available in standard wood species **only**.

Cat. No.	Price
Wall Cabinet Spacers	
CBS30	119
CBS36	119
CBS39	157
CBS42	157
CBS48	157
CBS54	184
CBS57	184
CBS60	184
Base/Vanity/Desk Cabinet Spacers	
CBS28	119
CBS31	119
CBS34	119
CBS40	157
Tall Cabinet Spacers	
CBS84	184
CBS90	184
CBS93	184
CBS96	184

Cut to Size, **CTS** **N/C**



82650 - Columns (square)



- Constructed with 3/4" thick solid wood with mitered corners.
- Available in 3" x 3" or 6" x 6" dimensions.
- Specify CTS for width, depth and/or height cut downs for the and indicate needed dimension(s). **Minimum** width/depth is 3" x 3". **Minimum** height is 12".
- Columns are **not** intended for structural support.

Cat. No.	Price
3" x 3" 1-Sided Column	
1CLMN328 (28-1/2" high)	69
1CLMN331 (31-1/2" high)	77
1CLMN334 (34-1/2" high)	84
1CLMN340 (40-1/2" high)	98
1CLMN348	117
1CLMN354	131
1CLMN360	146
6" x 6" 1-Sided Column	
1CLMN628 (28-1/2" high)	138
1CLMN631 (31-1/2" high)	152
1CLMN634 (34-1/2" high)	167
1CLMN640 (40-1/2" high)	196
1CLMN648	232
1CLMN654	261
1CLMN660	290

Cat. No.	Price
3" x 3" 3-Sided Column	
3CLMN328 (28-1/2" high)	459
3CLMN331 (31-1/2" high)	459
3CLMN334 (34-1/2" high)	459
3CLMN340 (40-1/2" high)	503
3CLMN348	596
3CLMN354	671
3CLMN360	745
6" x 6" 3-Sided Column	
3CLMN628 (28-1/2" high)	649
3CLMN631 (31-1/2" high)	649
3CLMN634 (34-1/2" high)	649
3CLMN640 (40-1/2" high)	727
3CLMN648	862
3CLMN654	969
3CLMN660	1077

Cat. No.	Price
3" x 3" 2-Sided Column	
2CLMN328 (28-1/2" high)	346
2CLMN331 (31-1/2" high)	346
2CLMN334 (34-1/2" high)	346
2CLMN340 (40-1/2" high)	378
2CLMN348	448
2CLMN354	504
2CLMN360	560
6" x 6" 2-Sided Column	
2CLMN628 (28-1/2" high)	489
2CLMN631 (31-1/2" high)	489
2CLMN634 (34-1/2" high)	489
2CLMN640 (40-1/2" high)	548
2CLMN648	649
2CLMN654	731
2CLMN660	812

Cat. No.	Price
3" x 3" 4-Sided Column	
4CLMN328 (28-1/2" high)	573
4CLMN331 (31-1/2" high)	573
4CLMN334 (34-1/2" high)	573
4CLMN340 (40-1/2" high)	628
4CLMN348	744
4CLMN354	837
4CLMN360	930
6" x 6" 4-Sided Column	
4CLMN628 (28-1/2" high)	812
4CLMN631 (31-1/2" high)	812
4CLMN634 (34-1/2" high)	812
4CLMN640 (40-1/2" high)	910
4CLMN648	1079
4CLMN654	1213
4CLMN660	1348

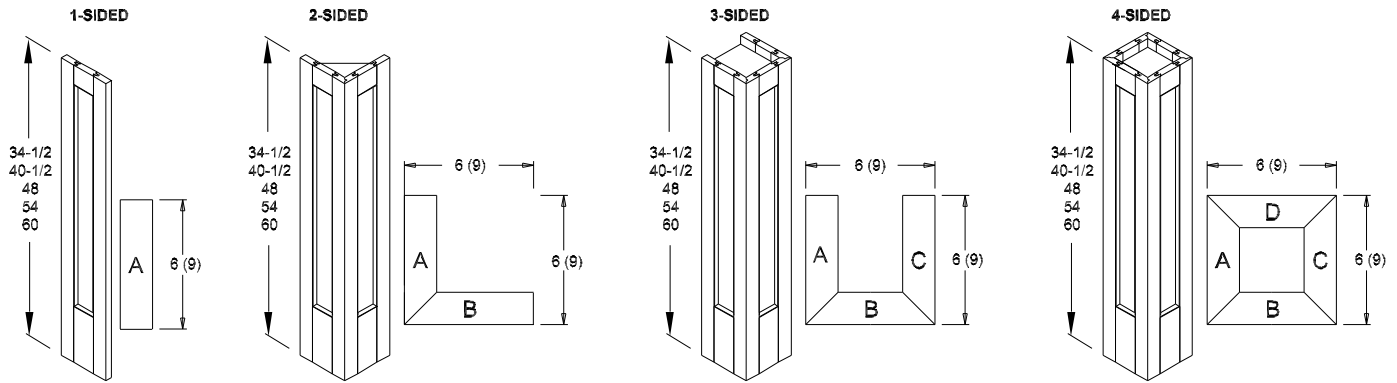
Cut to Size, CTS N/C





82660 - Decorative Columns

Decorative Columns - Style "A"

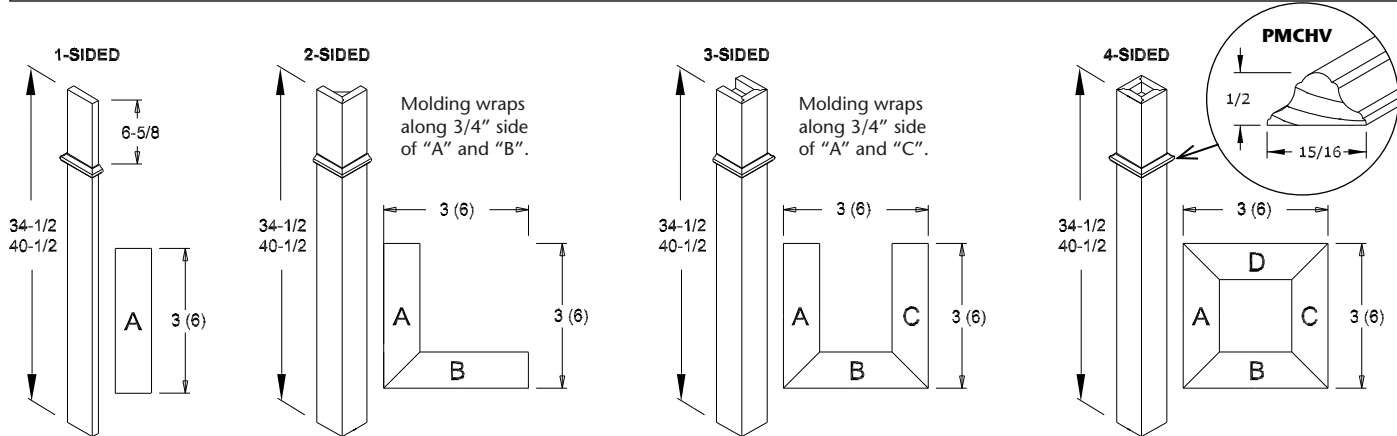


- 34-1/2" and 40-1/2" high columns have wide bottom rail. Bottom rail is sized as a "Flush Toe" (4 1/2" + rail width of selected door style).
- 48", 54", and 60" high columns have top and bottom rail to match door style.
- Stiles are 2" wide.
- 6" Columns available with flat panel **only**.
- 9" Columns match the door style panel (raised or flat).
- Columns are **not** intended for structural support.

ALL OTHER MODIFICATIONS MUST BE QUOTED

Cut to Size (Minimum 6" x 6"), CTS N/C

Decorative Columns - Style "B"



- Constructed with 3/4" thick solid wood with mitered corners.
- Columns are **not** intended for structural support.

ALL OTHER MODIFICATIONS MUST BE QUOTED

Cut to Size (Minimum 3" x 3"), CTS N/C



82660 - Decorative Columns

Column A - 6"

Cat. No.	Price	
6" x 6" 1-Sided Column		
1CLMNA634 (34-1/2" high)	290	
1CLMNA640 (40-1/2" high)	319	
1CLMNA648	355	
1CLMNA654	384	
1CLMNA660	413	
6" x 6" 2-Sided Column		
2CLMNA634 (34-1/2" high)	735	
2CLMNA640 (40-1/2" high)	794	
2CLMNA648	896	
2CLMNA654	977	
2CLMNA660	1058	
6" x 6" 3-Sided Column		
3CLMNA634 (34-1/2" high)	1019	
3CLMNA640 (40-1/2" high)	1097	
3CLMNA648	1231	
3CLMNA654	1339	
3CLMNA660	1447	
6" x 6" 4-Sided Column		
4CLMNA634 (34-1/2" high)	1305	
4CLMNA640 (40-1/2" high)	1403	
4CLMNA648	1571	
4CLMNA654	1706	
4CLMNA660	1841	

Column A - 9"

Cat. No.	Price	
9" x 9" 1-Sided Column		
1CLMNA934 (34-1/2" high)	373	
1CLMNA940 (40-1/2" high)	417	
1CLMNA948	471	
1CLMNA954	514	
1CLMNA960	558	
9" x 9" 2-Sided Column		
2CLMNA934 (34-1/2" high)	980	
2CLMNA940 (40-1/2" high)	1068	
2CLMNA948	1221	
2CLMNA954	1342	
2CLMNA960	1464	
9" x 9" 3-Sided Column		
3CLMNA934 (34-1/2" high)	1343	
3CLMNA940 (40-1/2" high)	1460	
3CLMNA948	1662	
3CLMNA954	1824	
3CLMNA960	1985	
9" x 9" 4-Sided Column		
4CLMNA934 (34-1/2" high)	1711	
4CLMNA940 (40-1/2" high)	1858	
4CLMNA948	2111	
4CLMNA954	2313	
4CLMNA960	2515	

Column B - 3"

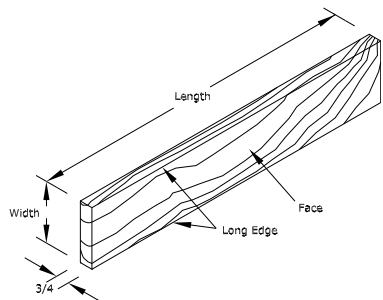
Cat. No.	Price	
3" x 3" 1-Sided Column		
1CLMNB334 (34-1/2" high)	222	
1CLMNB340 (40-1/2" high)	237	
3" x 3" 2-Sided Column		
2CLMNB334 (34-1/2" high)	484	
2CLMNB340 (40-1/2" high)	516	
3" x 3" 3-Sided Column		
3CLMNB334 (34-1/2" high)	597	
3CLMNB340 (40-1/2" high)	641	
3" x 3" 4-Sided Column		
4CLMNB334 (34-1/2" high)	711	
4CLMNB340 (40-1/2" high)	766	

Column B - 6"

Cat. No.	Price	
6" x 6" 1-Sided Column		
1CLMNB634 (34-1/2" high)	305	
1CLMNB640 (40-1/2" high)	334	
6" x 6" 2-Sided Column		
2CLMNB634 (34-1/2" high)	627	
2CLMNB640 (40-1/2" high)	686	
6" x 6" 3-Sided Column		
3CLMNB634 (34-1/2" high)	787	
3CLMNB640 (40-1/2" high)	865	
6" x 6" 4-Sided Column		
4CLMNB634 (34-1/2" high)	950	
4CLMNB640 (40-1/2" high)	1048	



82750 - Solid Stock - Shaping Charge



- **Always specify the "cross-grain" dimension first.** Specify the code, then specify width (cross-grain) x length (with the grain). Example: **SS3/4 x 3"** (cross grain) x **96"**. Grain will run in the same direction as the length dimension.
- Widths up to 6-5/8" wide may be ordered up to a **maximum** of 120" long. For lengths over 96" up to 120" specify SSSL. Widths over 6-5/8" up to 10-7/8" wide can be ordered up to a **maximum** of 84" long.
- **Minimum** width is 3/4".
- Solid Stock is finished **F1S** as standard (finished on one face and both long edges). Additional edges and the second face can be finished for an upcharge. See pricing chart below.

Cat. No.	Price/Sq Ft
Solid Stock	
SS	90
SSXL*	136

*Lengths over 96" to 120".
96" = **maximum** length for Rustic Hickory.

NOTE: Available in standard wood species **only**.

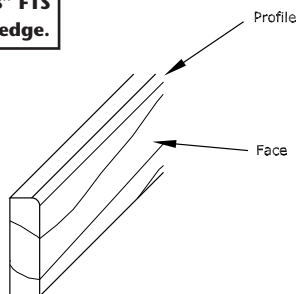
Finish One Face and All Edges, F1S-AE	Add 10% to Solid Stock Price
Finish Second Face, F2S	Add 50% to Solid Stock Price
Finish Second Face and All Edges, FAS	Add 60% to Solid Stock Price
Shaping Charge, SHPCHG	Add 50% to Solid Stock price

Optional Edge Profile Shaping

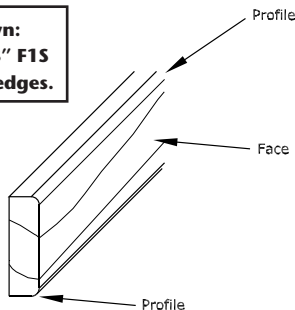
- Specify profile and indicate which edges to be profiled (long edge(s) or short edge(s) - and which face if applicable).
- One shaping charge applies (no matter how many edge are being profiled).
- Profiles are applied to **face** of solid stock unless back (second face) has been clearly specified.
- See Profile Chart for minimum sizes.
- Profiled edges are always finished. Appropriate finish upcharges must be specified and applied. **Example: SS 3/4" x 3" x 42"**, **F2S**, Profile two long edges.

Example shown:
SS 3/4" x 3" x 18" F1S
Profile one long edge.

NOTE: Available in standard wood species **only**.



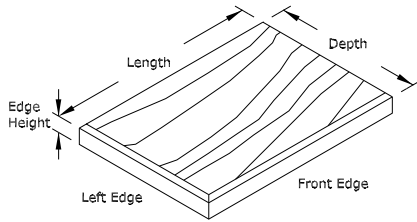
Example shown:
SS 3/4" x 3" x 18" F1S
Profile two long edges.



Profiles Available	Minimum Width for machining one edge	Minimum Width for machining two edges
# 1	3/4"	2"
# 2	3/4"	2"
# 3 (1/2" Radius)	3/4"	2"
# 4 (45° Bevel)	3/4"	1-1/2"
# 5 (1/4" Radius)	3/4"	1-1/2"
# 6 (1/16" Radius)	3/4"	1-1/2"
# 7	1"	2"
# 10	3/4"	1-1/2"
# 12	3/4"	2"
# 16 (1/8" Radius)	3/4"	1-1/2"
# 17	3/4"	2"
# 22	3/4"	2"



82800 - Wood Tops



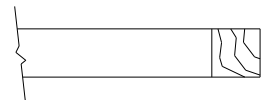
Example shows 1-1/2" high solid stock applied to front and left edge.

- Specify overall size (including applied solid stock or molding). **Always specify the cross-grain dimension before the width.** To order, indicate edge height x depth (cross-grain) x width (with the grain). **Example: WT1-1/2"** (edge height) **x 25"** (cross-grain) **x 48"** (with the grain)
- Wood tops are available with 3/4" plywood or furniture-board with solid stock or molding applied to the specified edges. Price includes panel and applied solid stock (3/4" or 1-1/2") or molding.
- **Maximum** panel size is 48" deep x 96" long excluding solid stock or moldings.
- **Maximum** nonstandard, "Extra Long" (*Veneer core only*) panel size is 25" x 120" **excluding** solid stock or moldings. **Exception: Not available in Rustic Hickory.**
- Non-Standard Wood Top code must be specified for any wood top with angles, notches or clipped corners, or for any Extra-Long top (over 96").

NOTE: Available in standard wood species **only**.

Specify edge treatments from selections below and indicate which edges of wood top that treatment is to be applied to - a sketch is recommended.

Flush Solid Stock Applied

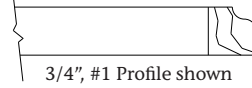


Solid stock applied to front edge.

Shaped Solid Stock Applied



3/4", #10 Profile shown



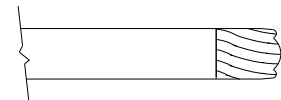
3/4", #1 Profile shown



1 1/2", #1 Profile shown

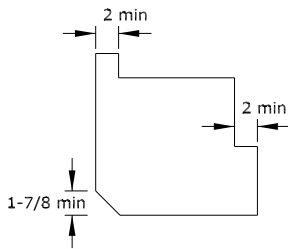
Solid stock applied to front edge with shaping. Shown with profile on top edge. If bottom edge is to be profiled, specify clearly. Specify profile from chart below.

Molding Applied



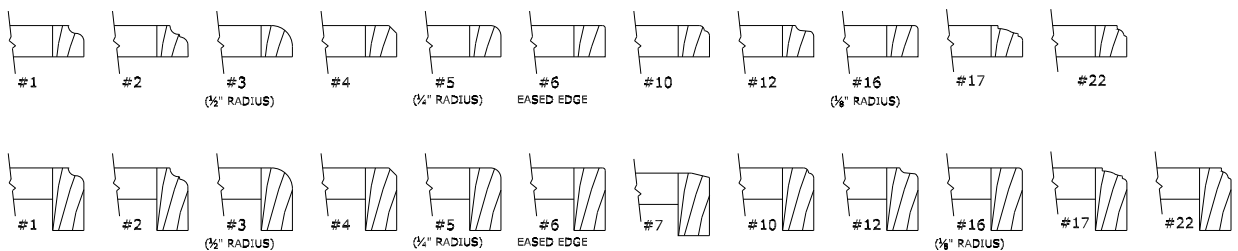
Cottage Bead Nosing Molding shown

Wood Top Non-Standard



Minimums for angles, notches and clipped corners.

Wood Top Profiles



NOTE: If wood tops are ordered over 96" long and the molding edge treatment is not available in lengths longer than 96", the molding will be spliced to match the countertop width.

Wood Tops are priced by the square foot, all styles the same price. Calculate overall square footage and add:

Wood Top with Furniture Board Core, (not available in Rustic Hickory) WT	\$90 per square foot
Wood Top with Veneer Core Plywood, WTV	\$104 per square foot
Non-Standard Wood Top with Furniture Board Core, (not available in Rustic Hickory) WTNS	\$124 per square foot
Non-Standard Wood Top with Veneer Core Plywood, WTVNS	\$139 per square foot



82850 - Doors Only (Extra/Loose)

- Specify door style and cabinet that door is to fit, or size of special door.
- Specify if doors are to be drilled for hinges, and hinge direction if applicable. Hinges **are included** in price. If hinges are not needed, specify "no hinges" on the order for no charge.
- Doors Only are **not** available for entire orders.

NOTE: When ordering Doors Only, remember to include all modifications to the doors and their prices (mullions, clear glass, leaded glass, etc.).

NOTE: No modifications that affect curved door radius.

Door Only (standard), DR	\$119 per square footage of door
Door Only (curved), DRC	\$1573 per door

83000 - Hinges (Extra/Loose)

- Supplied in pairs. Installation screws provided.
- Specify hinge and finish. When ordering concealed hinges, specify cabinet type. **Example:** DCW, BCW, etc..

Cat. No.		Price
HFOLASOFTC	(110° Integrated Soft Close Hinge)	56
HSC	(170° Square Corner outer hinge)	105
HBFB	(Bi-fold Hinges for connecting square corner doors - Nickel finish <u>only</u>)	100
HBC	(110° Blind Corner Cabinet Hinge)	53
HDCSOFTC	(Diagonal Corner Soft Close Hinge)	65
HPD	(Pocket Door Hinge)	69
HTDF	(Tip down front)	69
HAM	(Angle Modified Cabinet Hinge*)	65

83010 - Hinge Angle Restriction Clip

- Angle restriction clip is available for concealed overlay and full overlay Soft-Close® hinges to restrict the angle of opening to 86°.
- Loosen and remove the installation screws to detach the door from the frame. Click the hinge arm to the closed position. Insert the restriction clip into the base of the hinge arm. Rotate the hinge arm to the open position to secure the clip. Reattach the hinge to the frame.

Hinge Angle Restriction Clip, **HARC** **\$7 Each**

83050 - Drawer Front Only (Extra/Loose)

- Extra or replacement drawer fronts.
- Drawer fronts have been categorized into four (4) different price groups.
- Specify drawer/door style and cabinet that drawer front is to fit or size of drawer front.

NOTE: See door style section for drawer front size limitations.

Cat. No.	Price
DFR1	125
DFR2	228
DFR3	341
DFRSS	578

Group 1 - DFR1

Alpine
Camden
Chroma

Group 2 - DFR2

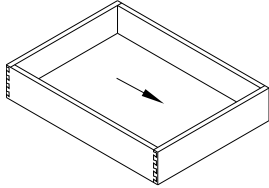
Arcadia Classic	Hampton Classic	Monterey
Arcadia Panel	Hampton Panel	Napa Panel
Ava & Ava - 2T	Hanover	Naples
Avery	Hawthorne	Nob Hill
Bainbridge	Highland	Soho
Bella	Homestead Panel	Sonata
Breckenridge Panel	Hudson	Sonoma
Icon	Integra	Sophia
Carson	Kendall	Talia
Carson V-Groove	Kendall Panel	Tribeca
Chelsea	Lancaster	Urbana
Craftsman Beaded Panel	Lauren	Valencia Classic
Craftsman Panel	Madison	Valencia Panel
Dempsey	Meridien	Venice

Group 3 - DFR3

Chapel Hill Classic	Moderne
Chapel Hill Panel	Montego
Marley	Moxie
Metro	St. Augustine
Middleton	Silverton
Moda	Sunbury House



83100 - Drawer Box (Extra/Loose)



- Dovetailed wood drawer box, full-extension soft-close drawer guides, and all screws for field installation. Drawer guides are installed to drawer box.
- Specify the width and depth of the cabinet the drawer is to be installed in and drawer location in the cabinet.
- If a Stainless Steel drawer box is desired, see Section #71730 for sizing and limitations.

THE FOLLOWING COMBINATIONS OF DRAWER BOXES MAY BE ORDERED:

WOOD:

- DWBW** Drawer box only.
- DWBWG** Drawer box with complete set of guides.
- DWRW1** Wood drawer box, complete set of guides, and drawer front from Group #1 (see Section #83050.)
- DWRW2** Wood drawer, complete set of guides, and drawer front from Group #2 (see Section #83050.)
- DWRW3** Wood drawer, complete set of guides, and drawer front from Group #3 (see Section #83050.)

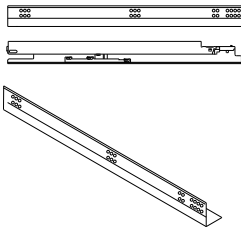
Cat. No.	Price
WOOD	
DWBW	187
DWBWG	399
DWRW1	524
DWRW2	627
DWRW3	740

QUOTED MODIFICATIONS ONLY

For **Premium Maple Drawer Boxes**, add \$144 per Drawer Box and specify PM in place of the "W". **Example:** DWBW becomes DWBPM

For **Stainless Steel Drawer Boxes**, add \$247 per Drawer Box and specify SS in place of the "W". **Example:** DWBW becomes DWBSS

83150 - Drawer or Roll-Out Shelf Guide - Undermount (Extra/Loose)



- Undermount full-extension drawer guides are sent as a sets and include left and right drawer members and case members for one (1) drawer or Roll-Out Shelf (with all screws for installation).
- Specify the cabinet the drawer guides are to be installed in. Guides available for 12", 15", 18", 21", and 24" deep cabinets.

Cat. No.	Price
BMOTFEG	212

83200 - Drawer Guide - Side Mount Full Extension - (Extra/Loose)

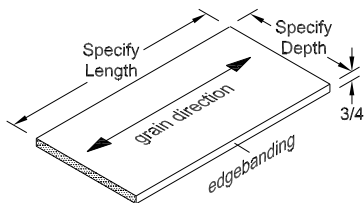
- 100 pound capacity, side mount, full extension guides are sent as a set and include left and right drawer members and case members for (1) drawer installation.
- Specify the cabinet the drawer guides are to be installed in. Guides available for 12" or 15" deep cabinets.

Side mount full extension guide is required and standard on the following cabinetry:

- Pull-out Spice Rack

Cat. No.	Price
FEGSM	168

83250 - Shelf (Additional to Match Standard Interior)



- ASSCM is a 3/4" thick, natural Maple supreme coat print shelf, matching PVC edge banding on front.
- AS is a 3/4" thick, natural Maple veneer plywood shelf with a natural finish and a matching PVC edgeband.
- Shelf clips **included**.
- Specify cabinet that shelf is to fit or the actual size of the shelf.

Cat. No.	Price/Sq Ft
Woodgrain	
ASSCM	29
White	
ASSCW	29
Maple Veneer	
ASW	44

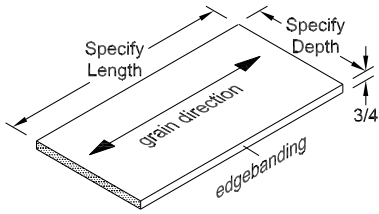
ADDITIONAL EDGE BANDING - EBA

- Specify which additional edges are to be banded.

Edge Banding Applied, **EBA** **Add 10% per Edge to be Banded**



83300 - Shelf (Additional Wood Veneer to Match Order- Loose)



- A 3/4" thick, wood (**ASW**) or High Pressure Laminate (**ASH**) veneer surface material to match order.
- Shelf clips **included**.
- Specify cabinet that shelf is to fit or the actual size of the shelf.

Cat. No.	Price / Sq Ft
ASW	44
ASH (high pressure laminate)	48

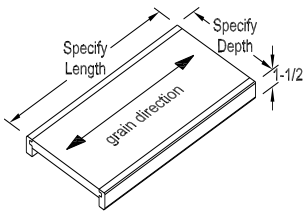
NOTE: Not available in Acrylics or Wired Foils.

ADDITIONAL EDGE BANDING - EBA

- Specify which additional edges are to be banded.

Edge Banding Applied, **EBA** **Add 10% per Edge to be Banded**

83350 - Shelf and Rail (Additional, to Match Order - Loose)



- 3/4" thick shelf with 3/4" x 1-1/2" solid stock rail attached to front and back of shelf. Shelves are finished on both sides.
- Support rails have an eased edge on top and bottom edges.
- **Minimum** shelf depth is for a 6" deep cabinet.
- Specify cabinet that shelf is to fit or the actual size of shelf. **Maximum** length = 60". **Maximum** depth = 24".

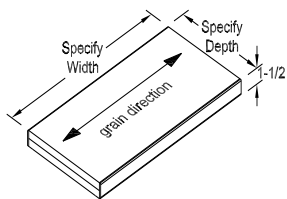
NOTE: Not available in Acrylics, Wired Foils, or curved or diagonal cabinets.

TO PRICE SHELF AND RAIL SHELVES LOOSE:

1. Calculate square footage of wood shelving to match order and use **ASW pricing**.
2. Add "**Convert Shelves to Shelf and Rail**" - **SRW** upcharge.

Additional Shelf Wood, ASW	\$42 per sq ft
	Plus (+)
Shelf and Rail, SRW	Add \$77 per shelf

83360 - Flush Furniture Shelf, Wood or High Pressure Laminate (Additional, to Match Order - Loose)



- Two 3/4" thick shelves are attached together, 3mm solid stock on front and back edges. Finished on top, bottom and both banded edges.
- Eased edge on the top and bottom edges.
- **Minimum** shelf depth = 6".
- Specify cabinet that shelf is to fit or the actual size of shelf. **Maximum** length = 60". **Maximum** depth = 24".

NOTE: Not available in Exotic Veneers, Acrylics and all Foils or curved cabinets.

TO PRICE FLUSH FURNITURE SHELVES LOOSE:

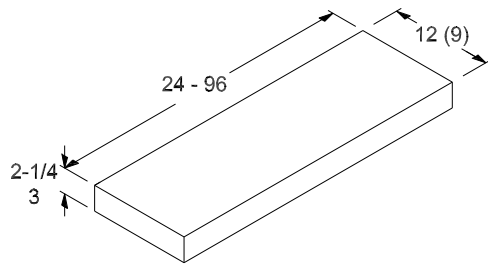
1. Calculate square footage of shelving to match order and use **ASW or ASH pricing**.
2. Add "**Convert Shelves to Flush Furniture Shelf**" - **FFSW or FFSH** upcharge.

Additional Shelf Wood, ASW	\$42 per sq ft
	Plus (+)
Convert Shelves to Flush Furniture Shelf, Wood, FFSW	Add \$243 per shelf

Additional Shelf High Pressure Laminate, ASH	\$46 per sq ft
	Plus (+)
Convert Shelves to Flush Furniture Shelf - High Pressure Laminate, FFSH	Add \$174 per shelf



83375 - Floating Shelf



- Standard Depth is 12". 9" depth is available for No Charge. Specify -9 after the code. **Example: 2FS24-9**
- Solid stock is attached to front and sides with an eased edge.
- Installation instructions are included for attachment to wall.
- Weight capacity = 5 lbs/lineal foot.
- Specify **CTS** to reduce depth or width.

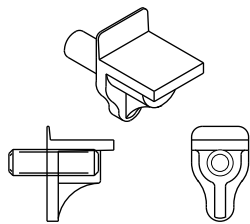
Cat. No.	Price
2-1/4" Thick	
2FS24-12	364
2FS36-12	415
2FS48-12	472
2FS60-12	591
2FS72-12	654
2FS84-12	699
2FS96-12	755

Cat. No.	Price
3" Thick	
3FS24-12	364
3FS36-12	415
3FS48-12	472
3FS60-12	591
3FS72-12	654
3FS84-12	699
3FS96-12	755

NOTE: Available in standard wood species only.

Cut to Size, **CTS** **N/C**

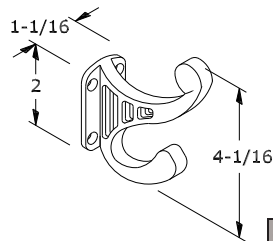
83400 - Shelf Clips, Acrylic (Extra/Loose)



- Extra adjustable shelf clips are supplied 4 clips per bag.

Shelf Clips, **SC** **\$12 per bag**

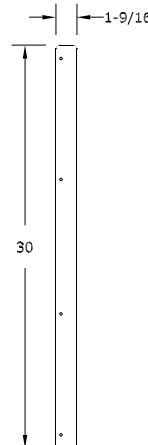
83405 - Coat Hook (Extra/Loose)



- Coat hooks are shipped loose for field installation.
- Screws (with matching finish) are included.

Cat. No.	Price
8010-03P (Polished Brass)	61
8011-26P (Polished Chrome)	44
8012-BPNP (Brushed Nickel)	48
8013-WNP (Weathered Nickel)	44
8014-55P (Satin Black)	44
8015-ORBP (Oil Rubbed Bronze)	65
8016-VBP (Verona Bronze)	70
8017-LWIP (Weathered Iron)	70

83470 - Metal Heat Shield (Loose)



Dura Supreme highly recommends the use of heat shields where ovens are adjacent to Foil and Acrylic doors. Heat shields protect the Foil and Acrylic from the heat escaping from the oven.

- White (MHSW) painted metal heat shield for installation between ovens and adjacent thermofoil doors. Installation screws included.
- Attaches to ends of face frame. Adds 1/16" per shield to cabinet dimension.
- Shipped loose.

Cat. No.	Price
MHSW	38

83500 - Touch-Up Kit (Extra)

- Specify wood species and finish color.

TOUCH-UP KIT INCLUDES:

- Bottle of touch-up material for stain or paint.
- Miscellaneous touch-up materials applicable to the particular finish (i.e. putty stick, topcoat, glaze, etc.)

Cat. No.	Price
TKCHG	47

NOTE: A Touch-Up Kit is included at no charge for each style line with a unique color.

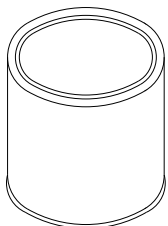


83505 - Acrylic Polish Kit

- An Acrylic Polish Kit is required to be purchased and automatically included with every Acrylic order. If a polish kit is not needed, dealer must specifically ask to have it excluded, otherwise it will be included and charged for each order.
- Acrylic surfaces are very susceptible to scratches and the specially formulated polish accelerates hardening and helps protect the surface. Failure to apply the polish according to the instructions in the kit will void the warranty.
- Acrylic Polish Kit includes:
 - One 8 oz. bottle of Ultra-Gloss Superpolish,
 - One foam polishing pad for application of polish.
After each use, rinse with warm water to remove particle residue which can cause surface scratches during next use.
 - One polishing cloth for use after polish application.
As needed, wash polishing cloth in washing machine. Do not use fabric softener.
- Follow instructions carefully:
 - Ultra-Gloss Superpolish: Shake well before each use. Keep out of reach of children.
 - Superpolish is extremely concentrated and should be applied sparingly. Apply the polish to the foam polishing pad and apply equally to all acrylic surfaces using a circular motion. Press lightly to avoid scratching the surface with the polishing pad.
 - Immediately after applying Superpolish, lightly buff the surface using the soft, yellow polishing cloth (provided) with straight movements.
 - Re-apply polish at least every 12 months (or whenever the surface does not feel as smooth and slick to the touch) to maintain surface protection and scratch resistance.

Cat. No.	Price
ACRYLICPK	193

83550 - Stain (Sent Loose)



- Standard stains are available in pints, quarts or gallons for use on job site.
- When a Glazed Finish is ordered, Stain and Glaze is supplied. For example, if a quart is specified, one quart of Stain and one quart of Glaze is supplied. The charge will be for two quarts.
- Allspice, Cappuccino, Caraway, Cashew, Chestnut, Cider, Clove, Cocoa Brown, Hazelnut, Java, Mission, Mocha, Morel, Peppercorn, Poppy Seed, Praline, Shell Gray, Smoke and Toast are classified as a toner-based finish. Toner is shipped in a separate container.

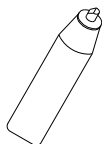
Product	Cat. No.	Price
Pint		
Stain Only	STNPT	52
Stain & Glaze	STNPTGLZ	104
Stain & Toner	STNPTTNR	104
Stain, Toner & Glaze	STNPTTNRGLZ	156
Quart		
Stain Only	STNQ	60
Stain & Glaze	STNQGLZ	120
Stain & Toner	STNQTTNR	120
Stain, Toner & Glaze	STNQTTNRGLZ	180
Gallon		
Stain Only	STNGL	167
Stain & Glaze	STNGLGLZ	334
Stain & Toner	STNGLTNR	334
Stain, Toner & Glaze	STNGLTNRGLZ	501

Finishes That Are **NOT** Available Loose

- | | | |
|-----------------------------|------------------------|--------------|
| -Paint Colors | -Natural | -Primer |
| -Conversion Varnish Topcoat | -Paint/Accent Finishes | -Paint/Glaze |

Dura Supreme finishes are applied with specialized equipment, therefore field application may result in a slightly different shade than factory finish. Dura Supreme recommends that stain be applied on various sample pieces before final application to develop a technique for field application that will assure a close color match.

83555 - Accent Pens



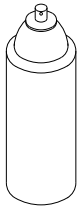
- Available for touch-up use for all Paint/Accent colors.
- Follow application instructions and then apply top coat.

Cat. No.	Price
ACNTPEN	52

Available Colors	
Black	Sienna
Brown	Slate
Pewter	



83600 - Touch-Up Aerosol Cans



- Lacquer-based touch up material supplied in 13 ounce aerosol can for field application.
- May be applied over our conversion varnish top coat.
- Follow application instructions.

NOTE: This material is recommended for use by experienced finishing technician only. For touch up use, existing top coat should be thoroughly scuff sanded before application to ensure adhesion. Test in an inconspicuous area first.

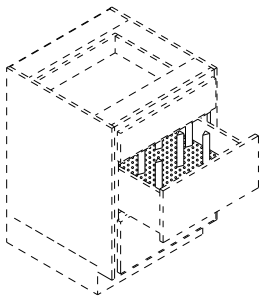
Available Colors	
Antique White	
Black	Moonstone
Cashmere	Pearl
Classic White	Silver Mist
Graphite	Storm Gray
Latte	White
Linen White	Zinc
+Curated Colors	

Cat. No.		Price
SPRAYCAN15CTP	Matte 15 degree clear touch up lacquer based top coat	102
SPRAYCAN35CTP	Gloss 35 degree clear touch up lacquer based top coat	102
SPRAYCANPNT*	Touch up lacquer based paint top coat - specify color	102

*Specify paint color from availability chart at above right.

NOTE: Not available with Custom Colors.

83630 - Dish Storage Drawer Kit (Extra/Loose)

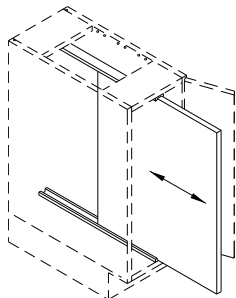


- Dish Storage Drawer Kit includes 8 posts, a pegboard base plate and large bumper pads for jobsite installation. Base plate can be cut to fit drawer boxes or deep roll-out shelves for cabinets up to 36" wide.
- Posts are solid wood with a clear topcoat and are 6-5/16" high.
- Posts can be mounted in any of the pre-drilled holes (1-1/4" spacing) of the base plate and secured with a fastening nut. Posts secure stacks of dishware for convenient storage in drawers.

Pegboard Base Plate 36 X 24 and 8 Posts, **DSD-KIT36** **\$828**

Additional Package of 4 posts, **DSD-POSTS** **\$216**

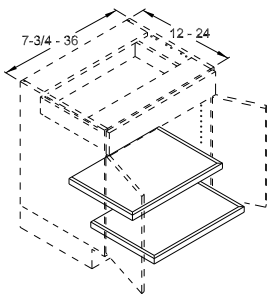
83640 - Tray Divider Base Kit



- Kit consists of mounting "U" tracks and one tray divider panel (1/2" thick natural Maple, 22-5/8" deep x 26-1/4" high). Sized for installation in 24 deep, BFD **only**.
- Divider is removable.
- Shipped loose for field installation.

Cat. No.	Price
TDBSCM	137

83650 - Roll-Out Shelf Kit, Flat (Sent Loose)



- ROSF is made in wood species and finish to match cabinet interior.
- **Maximum** of 3 ROSF per standard base, vanity base, or desk base cabinet, 4 ROSF per BFD, VFD, or DFD cabinet, and 11 ROSF in standard utility cabinet opening.

NOTE: Available in standard wood species **only**.

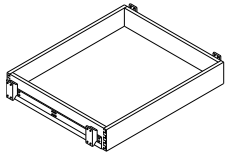
Flat Roll-out Shelf, **ROSF** **\$329 per ROSF**

Cut to Fit Flat Roll-Out Shelf (Width only), **CFROSW** **N/C**

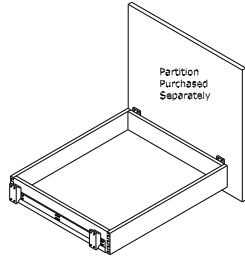
Component Lip, **COMPLIP** **Add \$40 per ROSF**



83700 - Roll-Out Shelf Kits - 2" High, 4" High or 8" High



Roll-Out Shelf Kit



Roll-Out Shelf Kit shown with Roll-Out Shelf Partition Kit

- Dovetailed Roll-out Shelves with a natural finish are available 2", 4" or 8" high in wood, or 3 1/2" or 7" in Stainless Steel.
- Roll-out Shelves are priced as single units. Specify quantity and cabinet for installation.
Example: 2, ROS30 for B30
- ROSK includes 1 Roll-out Shelf with Full-Extension undermount guides, 4 shim blocks, and installation materials for **field installation**.
- **Minimum** cabinet depth is 12". **Minimum** cabinet width is 7-3/4" (8-1/2" in Stainless Steel).
- For cabinets that are cut down in width, specify "Cut to Fit Roll-Out Shelf (width only)" - **CFROSW**
- 39" through 48" wide cabinets require a partition.

Cabinet	Maximum 2" ROS	Maximum 4" ROS	Maximum 8" ROS
Standard Base	5	3	2
BFD	7	5	2
Standard Vanity Base	4	3	1
VBFD	5	4	2
Tall	14	11	5

A PARTITION MUST BE ORDERED SEPARATELY (SEE BELOW) FOR ADJUSTABLE SHELF AND/OR ROS "SIDE-BY-SIDE" INSTALLATION.

NOTE: When a Roll-Out Shelf is desired in any cabinet to which an end modification has been applied, please contact Dura Supreme for sizing information.

2" High* Roll-Out Shelf 1 Kit

Cat. No.	Price
ROSKIT - 2" High	
ROSK2-12*	233
ROSK2-15*	245
ROSK2-18*	245
ROSK2-21*	269
ROSK2-24*	269
ROSK2-27*	305
ROSK2-30*	305
ROSK2-33*	329
ROSK2-36*	329
ROSK2-39*	362
ROSK2-42*	362
ROSK2-30*P	245
ROSK2-33*P	245
ROSK2-36*P	245
ROSK2-39*P	269
ROSK2-42*P	269
ROSK2-45*P	269
ROSK2-48*P	269

***Not** available in Stainless Steel

4" High* Roll-Out Shelf 1 Kit

Cat. No.	Price
ROSKIT - 4" High	
ROSK12*	233
ROSK15*	245
ROSK18*	245
ROSK21*	269
ROSK24*	269
ROSK27*	305
ROSK30*	305
ROSK33*	329
ROSK36*	329
ROSK39*	362
ROSK42*	362
ROSK30*P	245
ROSK33*P	245
ROSK36*P	245
ROSK39*P	269
ROSK42*P	269
ROSK45*P	269
ROSK48*P	269

*When Stainless Steel is specified, ROS is 3-1/2" high.

8" High* Roll-Out Shelf 1 Kit

Cat. No.	Price
ROSKIT - 8" High	
ROSDK12*	392
ROSDK15*	413
ROSDK18*	413
ROSDK21*	446
ROSDK24*	446
ROSDK27*	494
ROSDK30*	494
ROSDK33*	530
ROSDK36*	530
ROSDK39*	583
ROSDK42*	583
ROSDK30*P	413
ROSDK33*P	413
ROSDK36*P	413
ROSDK39*P	446
ROSDK42*P	446
ROSDK45*P	446
ROSDK48*P	446

*When Stainless Steel is specified, ROS is 7" high.

For **Premium Maple Roll-Out Shelves**, add \$144 per Roll-Out Shelf and specify PM at the front of the code.
Example: PMROSK42

For **Stainless Steel Roll-Out Shelves**, add \$247 per Roll-Out Shelf and specify SS at the front of the code.
Example: SSROSK12

* = Cabinet depth, specify 12, 18, 21 or 24, and remember to order the appropriate Roll-Out Shelf Partition Kit below.

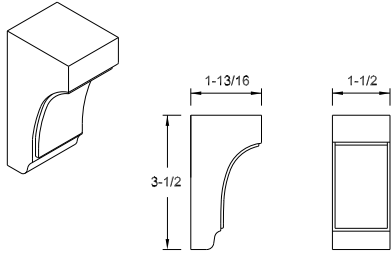
ROLL-OUT SHELF PARTITION KITS:

Roll-Out Shelf Partition Kit (Base cabinet height), BROSDP	\$234
Roll-Out Shelf Partition Kit (Base Full Door cabinet height), BFDROSDP	\$234
Roll-Out Shelf Partition Kit (Vanity Base cabinet height), VBROSDP	\$234
Roll-Out Shelf Partition Kit (Vanity Base Full Door cabinet height), VFDROSDP	\$234
Roll-Out Shelf Partition Kit (Tall Utility cabinet height), TROSDP	\$423

Cut to Fit Flat Roll-Out Shelf (Width only), **CFROSW** **.N/C**



83800 - Mini Molding Corbels - MMCA

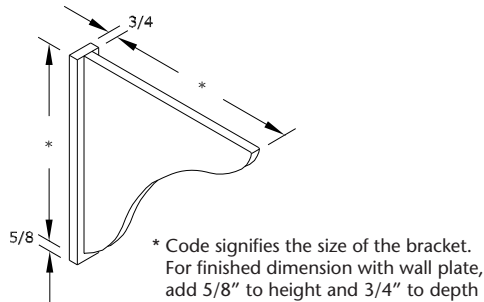


NO MODIFICATIONS

Cat. No.	Price
MMCA	217

NOTE: Available in standard wood species **only**.

83810 - Wood Brackets



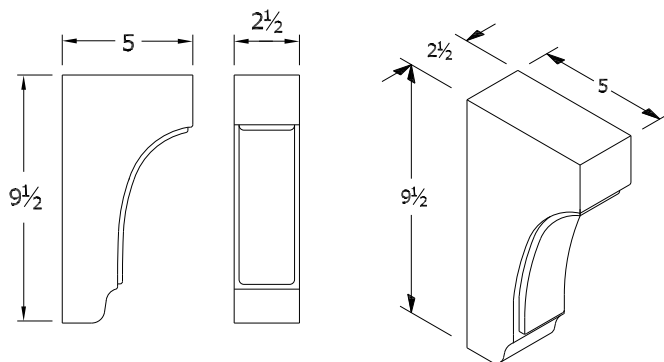
- 3/4" thick solid wood with 1/4" radius on both front curved edges. 2" wide wall plate has 1/4" radius on sides and bottom edge.
- To remove the wall plate, specify "no wall plate" for no charge.
- Grain direction is vertical.
- Sized depth X height. **Example:** WB3X4 = 3" deep X 4" high.

NO MODIFICATIONS

NOTE: Available in standard wood species **only**.

Cat. No.	Price
WB3X4	115
WB4X4	115
WB5X5	126
WB5X7	126
WB6X6	138
WB9X9	153
WB12X12	165

83820 - Countertop Support



NO MODIFICATIONS

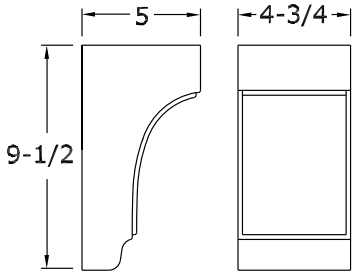
Cat. No.	Price
CSUPA	366

NOTE: Available in standard wood species **only**.

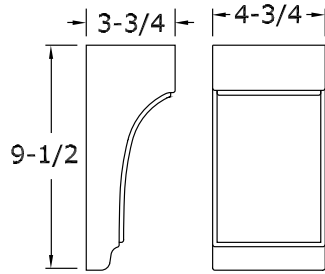


83830 - Transitional Corbels

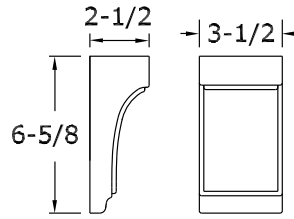
CRBL-A



CRBL-A2



CRBL-A3



- CRBL-A is used on "Pillars" on Independent Platform Hoods and some "Towers" on Mantel Hoods with "Transitional" styling.
- CRBL-A2 is used on Fireplace Mantels with "Transitional" styling.
- CRBL-A3 is used on Integral Hoods (INTHOOD) with "Transitional" styling.

NO MODIFICATIONS

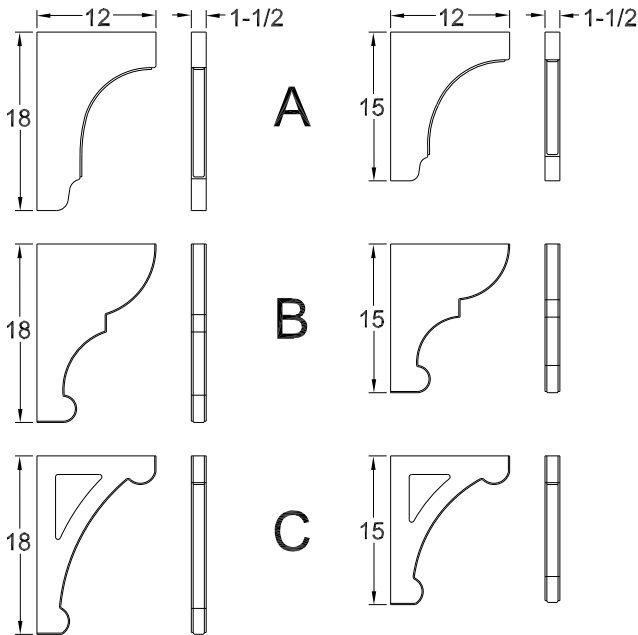
Cat. No.	Price
CRBL-A	454

Cat. No.	Price
CRBL-A2	454

Cat. No.	Price
CRBL-A3	366

NOTE: Available in standard wood species only.

83840 - Decorative End Bracket



- Top and back edges are square and may be trimmed for installation.

NO MODIFICATIONS

Cat. No.	Price
DEBA15	542
DEBA18	623
DEBB15	511
DEBB18	555
DEBC15	637
DEBC18	718

NOTE: Available in standard wood species only.



87000 - Corbels

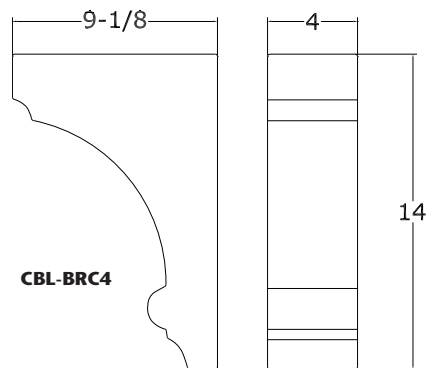
Dura Supreme offers a selection of carved corbels in our standard program. Carvings are ordered according to the dealer's selections and are shipped from Dura Supreme finished.

NOTE: If any carved product is ordered and later changed or cancelled by the dealer, the original order cannot be cancelled and will be finished, charged for and sent to the dealer as ordered.

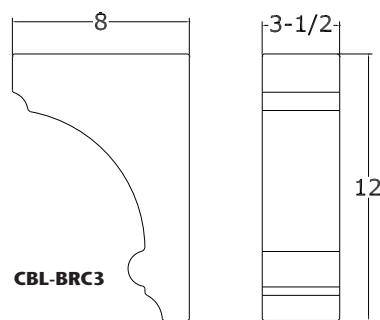
- Dura Supreme places all orders directly with the manufacturer for these products based on the dealer's orders.
- Availability of these products from the carving manufacturers may affect our order lead times.
- **Available in Maple and Cherry only.**
- Variations in color and appearance should be expected on some individual pieces and/or between similar pieces due to the carving process.

NO MODIFICATIONS

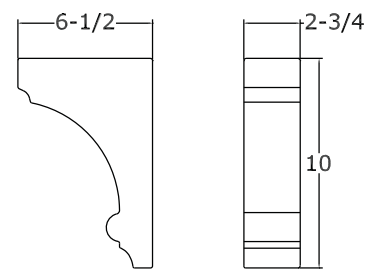
NOTE: For orders including distressing and hand detailing Dura Supreme will apply only subtle distressing/detailing to corbels.



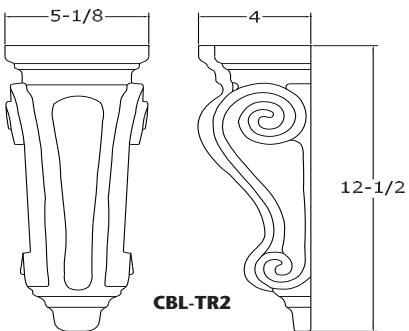
CBL-BRC4



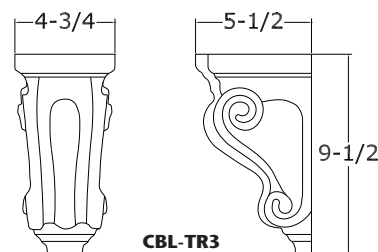
CBL-BRC3



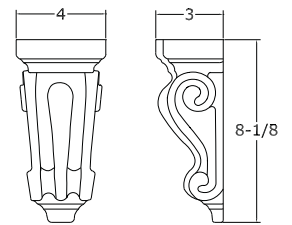
CBL-BRC2



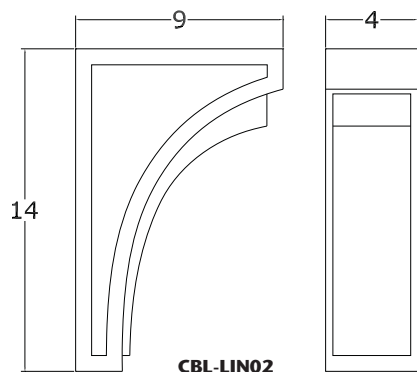
CBL-TR2



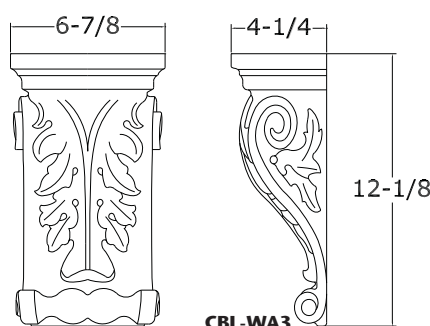
CBL-TR3



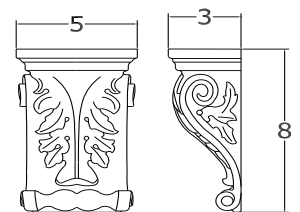
CBL-TR1



CBL-LIN02



CBL-WA3



CBL-WA2

Cat. No.	Loose
CBL-BRC2	658
CBL-BRC3	745
CBL-BRC4	873
CBL-LIN02	930
CBL-TR1	674
CBL-TR2	879
CBL-TR3	873
CBL-WA2	699
CBL-WA3	1018

* Specify wood species at end of code:
 * "M" = Maple,
 * "C" = Cherry



**Fillers & Panels Index**

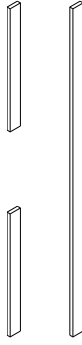
Angled End Panels	11-14
Appliance Panels	11-27
Cottage Bead Overlay End Panel	11-24
Cottage Bead Panel (Wainscot)	11-27
Decorative End Panels	11-9
Decorative Angled End Panels	11-15
Decorative Panels (Wainscot)	11-28
Decorative Overlay End Panels	11-23
Door Applied to Panel	11-28
Door and Jamb	11-31
Edgebanding, Loose or Applied	11-29
End Panels	11-8
Fillers (Fillers & Angled Fillers)	11-1
Fluted Overlays	11-6
J End Panels	11-12
Overlays & Fillers (Attached)	11-7
Overlay End Panels	11-21
Overlays for Fillers	11-4
Panels (Acrylic & Foil)	10-30
Panels (Exotic Veneer)	10-30
Panels (Prefinished)	11-29
Pilaster Fillers and End Panels	11-16
Refrigerator Panels	11-25
Refrigerator Door Panels	11-26
Turned Post Fillers & End Panels	11-19
Two Sided End Panels	11-10
V-Grooved Wood Panels	11-31
Wine Storage Frame	11-26





90000 - Fillers

Cat. Code	Price
Wall Fillers - 3" Wide	
WF3-12	73
WF3-15	73
WF3-18	73
WF3-21	73
WF3-24	73
WF3-27	73
WF3-30	73
WF3-36	93
WF3-39	117
WF3-42	117
WF3-48	149
WF3-54	156
WF3-57	161
WF3-60	161
Wall Fillers - 6" Wide	
WF6-12	87
WF6-15	87
WF6-18	87
WF6-21	87
WF6-24	87
WF6-27	87
WF6-30	87
WF6-36	117
WF6-39	156
WF6-42	156
WF6-48	175
WF6-54	201
WF6-57	213
WF6-60	213
Base Fillers - (34-1/2" High Cabinets)	
BF3 (30" High)	73
BF6 (30" High)	145
Base Fillers - (40-1/2" High Cabinets)	
BF3-40 (36" High)	93
BF6-40 (36" High)	165
Tall Fillers - 3" Wide	
TF3-84 (79-1/2" High)	182
TF3-90 (85-1/2" High)	210
TF3-93 (88-1/2" High)	210
TF3-96 (91-1/2" High)	210
TF3-102 (97-1/2" High)	273
TF3-108 (103-1/2" High)	273
TF3-120 (115-1/2" High)	294
Tall Fillers - 6" Wide	
TF6-84 (79-1/2" High)	252
TF6-90 (85-1/2" High)	280
TF6-93 (88-1/2" High)	280
TF6-96 (91-1/2" High)	280
TF6-102 (97-1/2" High)	364
TF6-108 (103-1/2" High)	364
TF6-120 (115-1/2" High)	392
Vanity Fillers (31-1/2" High Cabinets)	
VF3 (27" High)	73
VF6 (27" High)	145
Desk Fillers (28-1/2" High Cabinets)	
DF3 (24" High)	73
DF6 (24" High)	145
Desk Drawer Fillers 3" Wide	
5DDF3 (4-1/2" High)	73
6DDF3 (6-7/8" High)	73
Desk Drawer Fillers 6" Wide	
5DDF6 (4-1/2" High)	87
6DDF6 (6-7/8" High)	87
Boot Bench Fillers	
BBF3 (18" High)	73
BBF6 (18" High)	87

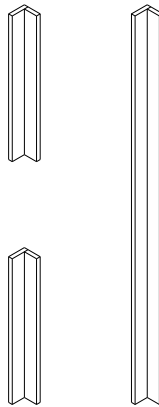


Filler

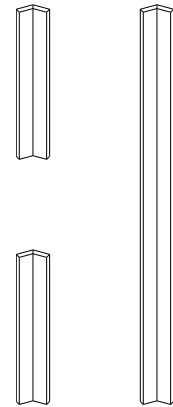
- Fillers are 3" or 6" wide. (No toe space included for base or tall fillers.)
- Finished on face and one short edge.
- Specify **FTSF** for Flush Toe on base, tall, vanity and desk Fillers. FTSF adds 4-1/2" to Filler height.
- Specify **CTS** to decrease width and/or height. For Corner Fillers, **minimum** width of face is 1" wide. Clearly specify left, right or both sides to be decreased.

NOTE: Rustic Hickory, Acrylics, Foils, Exotic Veneers, and High Pressure Laminates are **not** available in heights over 96".

90° Corner Filler



135° Corner Filler



Cat. Code	Price
90° Wall Corner Fillers	
WCF90-3-30	110
WCF90-3-36	131
WCF90-3-39	142
WCF90-3-42	142
WCF90-3-48	156
WCF90-3-54	172
WCF90-3-57	189
WCF90-3-60	189
90° Base Corner Fillers	
BCF90-3 (34-1/2" High)	112
90° Tall Corner Fillers	
TCF90-3-84	271
TCF90-3-90	305
TCF90-3-93	305
TCF90-3-96	305
TCF90-3-102	397
TCF90-3-108	397
TCF90-3-120	427
90° Vanity Corner Fillers	
VCF90-3	112
90° Desk Corner Fillers	
DCF90-3	112

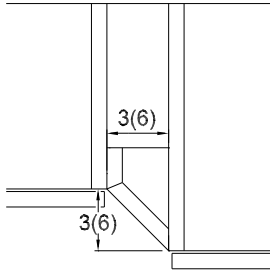
Cat. Code	Price
135° Wall Corner Fillers	
WCF135-3-30	159
WCF135-3-36	173
WCF135-3-39	189
WCF135-3-42	189
WCF135-3-48	202
WCF135-3-54	219
WCF135-3-57	236
WCF135-3-60	236
135° Base Corner Fillers	
BCF135-3 (34-1/2" High)	159
135° Tall Corner Fillers	
TCF135-3-84	328
TCF135-3-90	383
TCF135-3-93	383
TCF135-3-96	383
TCF135-3-102	499
TCF135-3-108	499
TCF135-3-120	537
135° Vanity Corner Fillers	
VCF135-3	159
135° Desk Corner Fillers	
DCF135-3	159

Flush Toe Space Filler, **FTSF** \$67

Filler Cut to Size, **CTS** N/C



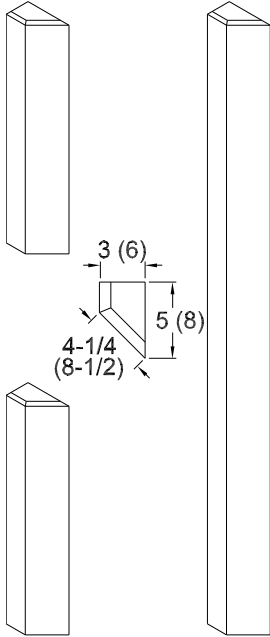
90050 - Angled Fillers - 45 Degrees



- Angle fillers are reversible. When Rosette or Fluting is applied (available for standard wood species only), specify left or right (left shown).
- Base and Tall Angle Fillers do not include a toe space.
- Specify **FTSF** for Flush Toe on base, tall, vanity and desk Fillers. FTSF adds 4-1/2" to Filler height.
- Overlays are **not** available.
- Specify **CTS** to decrease **height only** and indicated dimension.

ALL OTHER MODIFICATIONS MUST BE QUOTED

NOTE: Rustic Hickory, Acrylics, Foils, Exotic Veneers, and High Pressure Laminates are **not** available in heights over 96".



Cat. Code	Price
Angle Wall Filler 3"	
AWF3-30	150
AWF3-36	164
AWF3-39	175
AWF3-42	175
AWF3-48	185
AWF3-54	199
AWF3-57	213
AWF3-60	213
Angle Base Filler 3" (34-1/2" High Cabinets)	
ABF3 (30" High)	135
Angle Tall Filler 3"	
ATF3-84 (79-1/2" High)	441
ATF3-90 (85-1/2" High)	492
ATF3-93 (88-1/2" High)	492
ATF3-96 (91-1/2" High)	492
ATF3-102 (97-1/2" High)	640
ATF3-108 (103-1/2" High)	640
ATF3-120 (115-1/2" High)	689
Angle Vanity Filler 3" (31-1/2" High Cabinets)	
AVF3 (27" High)	135
Angle Desk Filler 3" (28-1/2" High Cabinets)	
ADF3 (24" High)	135
Boot Bench Filler 3"	
ABBF3 (18" High)	135

Cat. Code	Price
Angle Wall Filler 6"	
AWF6-30	298
AWF6-36	326
AWF6-39	348
AWF6-42	348
AWF6-48	368
AWF6-54	397
AWF6-57	424
AWF6-60	424
Angle Base Filler 6" (34-1/2" High Cabinets)	
ABF6 (30" High)	266
Angle Vanity Filler 6" (31-1/2" High Cabinets)	
AVF6 (27" High)	266
Angle Desk Filler 6" (28-1/2" High Cabinets)	
ADF6 (24" High)	266
Boot Bench Filler 6"	
ABBF6 (18" High)	266

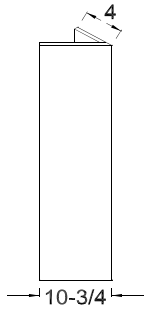
Flush Toe Space Filler, **FTSF** \$67

Filler Cut to Size, **CTS** N/C



90100 - Angled Fillers - 45 Degrees

WAF, BAF, VAF, DAF, TAF

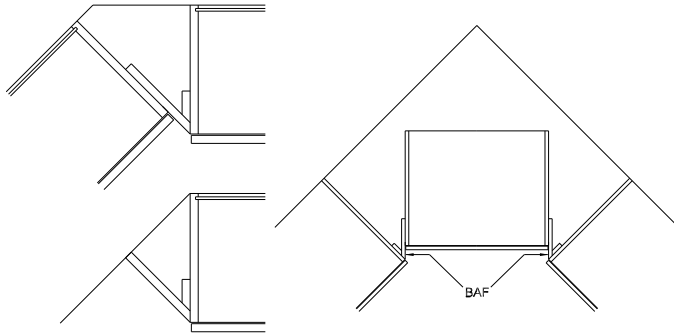
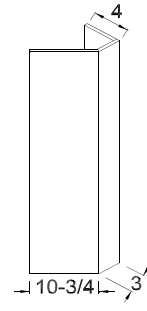


- Base and Tall Angle Fillers do not include a toe space.
- Specify **FTSF** for Flush Toe on base, tall, vanity and desk Fillers. FTSF adds 4-1/2" to Filler height.
- Specify **CTS** to decrease width or height and indicate dimensions.
- 10-3/4" face is finished. Specify **ISF**, Interior Side Finished, to finish the 4" face.
- Overlays are **not** available.
- Fluting and/or Rosette modification is **not** available.

ALL OTHER MODIFICATIONS MUST BE QUOTED

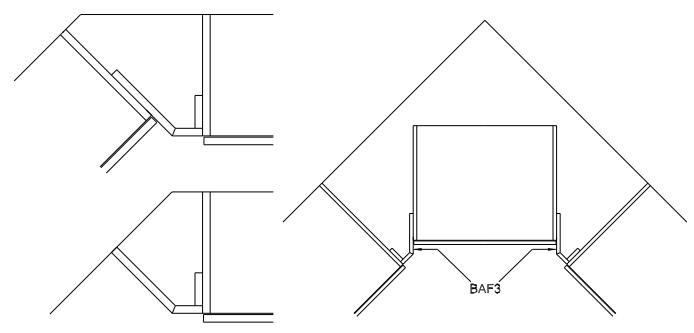
NOTE: Rustic Hickory, Acrylics, Foils, Exotic Veneers, and High Pressure Laminates are **not** available in heights over 96".

WAF3, BAF3, VAF3, DAF3, TAF3



Wall Applications

Base Applications



Wall Applications

Base Applications

Caution!

Doors or drawers may touch during operation with cabinet to cabinet installations.

Cat. Code	Price
Wall Angle Filler	
WAF-30	369
WAF-36	376
WAF-39	406
WAF-42	406
WAF-48	439
WAF-54	460
WAF-57	493
WAF-60	493
Base Angle Filler (34-1/2" High Cabinets)	
BAF (30" High)	452
Tall Angle Filler	
TAF-84 (79-1/2" High)	650
TAF-90 (85-1/2" High)	761
TAF-93 (88-1/2" High)	761
TAF-96 (91-1/2" High)	761
TAF-102 (97-1/2" High)	990
TAF-108 (103-1/2" High)	990
TAF-120 (115-1/2" High)	1066
Vanity Angle Filler (31-1/2" High Cabinets)	
VAF (27" High)	452
Desk Angle Filler (28-1/2" High Cabinets)	
DAF (24" High)	452

Cat. Code	Price
Wall Angle Filler 3"	
WAF3-30	409
WAF3-36	458
WAF3-39	503
WAF3-42	503
WAF3-48	545
WAF3-54	584
WAF3-57	669
WAF3-60	669
Base Angle Filler 3" (34-1/2" High Cabinets)	
BAF3 (30" High)	531
Tall Angle Filler 3"	
TAF3-84 (79-1/2" High)	828
TAF3-90 (85-1/2" High)	944
TAF3-93 (88-1/2" High)	944
TAF3-96 (91-1/2" High)	944
TAF3-102 (97-1/2" High)	1228
TAF3-108 (103-1/2" High)	1228
TAF3-120 (115-1/2" High)	1322
Vanity Angle Filler 3" (31-1/2" High Cabinets)	
VAF3 (27" High)	531
Desk Angle Filler 3" (28-1/2" High Cabinets)	
DAF3 (24" High)	531

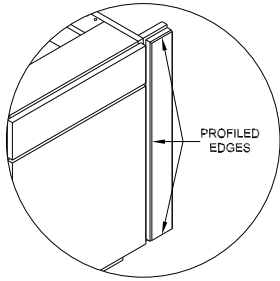
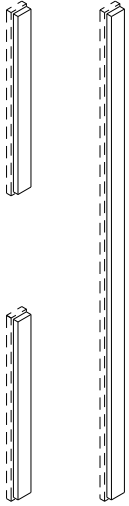
Flush Toe Space Filler, **FTSF** \$67

Filler Cut to Size, **CTS** N/C

Interior Side Finished, **ISF** \$261



90150 - Overlays for Fillers



Right Installation Shown

- Overlay is 2mm less than Filler width.
- Overlay is profiled to match door style on one long edge and two short edges. Specify **S4S** to profile all 4 edges - then Overlay is 4mm less than filler width. **Minimum** width of S4S Overlay is 2" on standard wood species. For Acrylic, Veneer and Foil minimums, see individual door descriptions.
- Overlay shipped loose for field installation.
- Specify **CTS** to decrease width and/or height and indicate needed dimension(s).
- For larger sizes, see Solid Stock and Profile Shaping.
- **Price is for Overlay only. Filler sold separately.**

ALL OTHER MODIFICATIONS MUST BE QUOTED

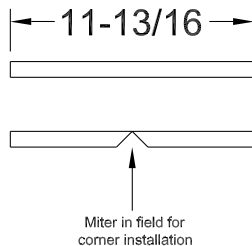
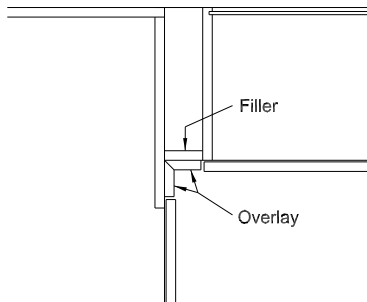
NOTE: Rustic Hickory, Acrylics, Foils, Exotic Veneers, and High Pressure Laminates are **not** available in heights over 96".

Cat. Code	Price
Wall Overlay for 3" Wide Application	
WO3-12 (for 12" high filler)	112
WO3-15 (for 15" high filler)	112
WO3-18 (for 18" high filler)	112
WO3-21 (for 21" high filler)	112
WO3-24 (for 24" high filler)	112
WO3-27 (for 27" high filler)	112
WO3-30 (for 30" high filler)	112
WO3-36 (for 36" high filler)	161
WO3-39 (for 39" high filler)	189
WO3-42 (for 42" high filler)	189
WO3-48 (for 48" high filler)	216
WO3-54 (for 54" high filler)	247
WO3-57 (for 57" high filler)	250
WO3-60 (for 60" high filler)	250
Base Overlay (for 34-1/2" High Cabinet)	
BO3 (for 30" high filler)	112
Base Overlay (for 40-1/2" High Cabinet)	
BO3-40 (for 36" high filler)	161
Tall Overlay	
TO3-84 (for 79-1/2" high filler)	275
TO3-90 (for 85-1/2" high filler)	315
TO3-93 (for 88-1/2" high filler)	315
TO3-96 (for 91-1/2" high filler)	315
TO3-102 (for 97-1/2" high filler)	410
TO3-108 (for 103-1/2" high filler)	410
TO3-120 (for 115-1/2" high filler)	441
Vanity Overlay	
VO3 (for 27" high filler)	112
Desk Overlay	
DO3 (for 24" high filler)	112
Desk Drawer Overlay	
5DDO3 (for 4-1/2" high filler)	112
6DDO3 (for 6-5/16" high filler)	112

Cat. Code	Price
Wall Overlay for 6" Wide Application	
WO6-12 (for 12" high filler)	144
WO6-15 (for 15" high filler)	144
WO6-18 (for 18" high filler)	144
WO6-21 (for 21" high filler)	144
WO6-24 (for 24" high filler)	144
WO6-27 (for 27" high filler)	144
WO6-30 (for 30" high filler)	144
WO6-36 (for 36" high filler)	209
WO6-39 (for 39" high filler)	247
WO6-42 (for 42" high filler)	247
WO6-48 (for 48" high filler)	266
WO6-54 (for 54" high filler)	311
WO6-57 (for 57" high filler)	325
WO6-60 (for 60" high filler)	325
Base Overlay (for 34-1/2" High Cabinet)	
BO6 (for 30" high filler)	200
Base Overlay (for 40-1/2" High Cabinet)	
BO6-40 (for 36" high filler)	209
Tall Overlay	
TO6-84 (for 79-1/2" high filler)	377
TO6-90 (for 85-1/2" high filler)	422
TO6-93 (for 88-1/2" high filler)	422
TO6-96 (for 91-1/2" high filler)	422
TO6-102 (for 97-1/2" high filler)	549
TO6-108 (for 103-1/2" high filler)	549
TO6-120 (for 115-1/2" high filler)	591
Vanity Overlay	
VO6 (for 27" high filler)	200
Desk Overlay	
DO6 (for 24" high filler)	200
Desk Drawer Overlay	
5DDO6 (for 4-1/2" high filler)	200
6DDO6 (for 6-5/16" high filler)	200

Overlay Cut to Size, **CTS**.....N/C

Overlays for Blind Corner Cabinets



- Overlay is profiled to match door style on four edges.
- Overlay must be mitered in the field to required width.
- Specify **CTS** to decrease width and/or height and indicate needed dimension(s).
- Price is for Blind Overlay only. Filler is **included** with Blind Corner cabinet.

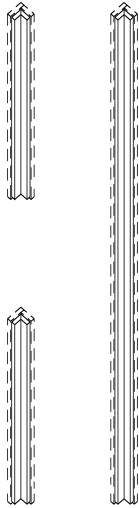
Cat. Code	Price
Walls	
WOBC24	121
WOBC30	152
WOBC36	179
WOBC39	210
WOBC42	210
Bases	
BOBC	161

Overlay Cut to Size, **CTS**.....N/C



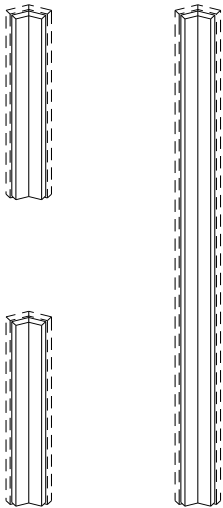
90160 - Overlays for Corner Fillers

90° Corner Overlay



(Filler **not** included with overlay.)

135° Corner Overlay



(Filler **not** included with overlay.)

- Overlay is 2mm less than corner filler width, and mitred on inside corner joint.
- Overlay is profiled (or edge banded) to match door style on both outside long edges and both short edges. See Solid Stock information ([section #82750](#)) for size limitations on profiling.
- Overlay is shipped loose for **field installation** to existing filler.
- Specify **CTS** to decrease width or height and indicate dimensions.
- For larger than standard sizes in wood species material, see Solid Stock information, [section #82750](#).
- For larger than standard sizes in High Pressure laminate material, see Panels, [section #90750](#).
- For larger than standard sizes in Acrylic or Foil material, see Panels, [section #90765](#).

ALL OTHER MODIFICATIONS MUST BE QUOTED

NOTE: Rustic Hickory, Acrylics, Foils, Exotic Veneers, and High Pressure Laminates are **not** available in heights over 96".

90° Corner Overlays

Cat. Code	Price
Wall Corner Overlay 90°	
WCO90-3-30 (for 30" high filler)	205
WCO90-3-36 (for 36" high filler)	289
WCO90-3-39 (for 39" high filler)	336
WCO90-3-42 (for 42" high filler)	336
WCO90-3-48 (for 48" high filler)	389
WCO90-3-54 (for 54" high filler)	443
WCO90-3-57 (for 57" high filler)	454
WCO90-3-60 (for 60" high filler)	454
Base Corner Overlay 90° (34-1/2" high cabinet)	
BCO90-3 (for 30" high filler)	205
Tall Corner Overlay 90°	
TCO90-3-84 (for 79-1/2" high filler)	489
TCO90-3-90 (for 85-1/2" high filler)	567
TCO90-3-93 (for 88-1/2" high filler)	567
TCO90-3-96 (for 91-1/2" high filler)	567
TCO90-3-102 (for 97-1/2" high filler)	738
TCO90-3-108 (for 103-1/2" high filler)	738
TCO90-3-120 (for 115-1/2" high filler)	795
Vanity Corner Overlay 90° (31-1/2" high cabinet)	
VCO90-3 (for 27" high filler)	205
Desk Corner Overlay 90° (28-1/2" high cabinet)	
DCO90-3 (for 24" high filler)	205
Desk Drawer Corner Overlay 90°	
5DDCO90-3 (for 4-1/2" high filler)	117
6DDCO90-3 (for 6-5/16" high filler)	117

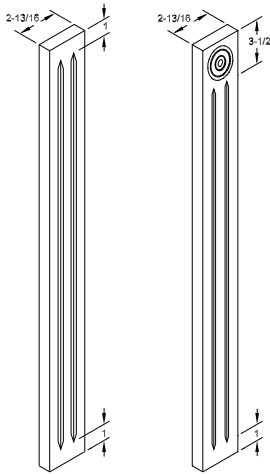
135° Corner Overlays

Cat. Code	Price
Wall Corner Overlay 135°	
WCO135-3-30 (for 30" high filler)	205
WCO135-3-36 (for 36" high filler)	289
WCO135-3-39 (for 39" high filler)	336
WCO135-3-42 (for 42" high filler)	336
WCO135-3-48 (for 48" high filler)	389
WCO135-3-54 (for 54" high filler)	443
WCO135-3-57 (for 57" high filler)	454
WCO135-3-60 (for 60" high filler)	454
Base Corner Overlay 135° (34-1/2" high cabinet)	
BCO135-3 (for 30" high filler)	205
Tall Corner Overlay 135°	
TCO135-3-84 (for 79-1/2" high filler)	489
TCO135-3-90 (for 85-1/2" high filler)	567
TCO135-3-93 (for 88-1/2" high filler)	567
TCO135-3-96 (for 91-1/2" high filler)	567
TCO135-3-102 (for 97-1/2" high filler)	738
TCO135-3-108 (for 103-1/2" high filler)	738
TCO135-3-120 (for 115-1/2" high filler)	795
Vanity Corner Overlay 135° (31-1/2" high cabinet)	
VCO135-3 (for 27" high filler)	205
Desk Corner Overlay 135° (28-1/2" high cabinet)	
DCO135-3 (for 24" high filler)	205
Desk Drawer Corner Overlay 135°	
5DDCO135-3 (for 4-1/2" high filler)	117
6DDCO135-3 (for 6-5/16" high filler)	117

Overlay Cut to Size, **CTS** **N/C**



90200 - Fluted Overlay & Fluted Overlay with Applied Rosette

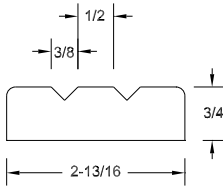


- Overlay is 4mm less than Filler width.
- Overlay has a (#16) 1/8" radius profile on all four edges **only**.
- 2-13/16" wide Fluted Overlay receives 2 flutes, 5-13-16" wide Fluted Overlay receives 4 flutes.
- Specify **CTS** to decrease height **only** and indicate needed dimension. **Minimum** height = 12".
- Specify **IWOF6** to increase Overlay to 5-1/2" wide with 4 flutes.
- Price is for Fluted Overlay only. **Filler sold separately.**

ALL OTHER MODIFICATIONS MUST BE QUOTED

NOTE: Available in standard wood species **only**.

NOTE: Rustic Hickory is **not** available in heights over 96".



Fluted Overlay

Cat. Code	Price
Wall Overlay	
FWO3-12 (for 12" high filler)	254
FWO3-15 (for 15" high filler)	254
FWO3-18 (for 18" high filler)	254
FWO3-21 (for 21" high filler)	254
FWO3-24 (for 24" high filler)	254
FWO3-27 (for 27" high filler)	254
FWO3-30 (for 30" high filler)	254
FWO3-36 (for 36" high filler)	303
FWO3-39 (for 39" high filler)	331
FWO3-42 (for 42" high filler)	331
FWO3-48 (for 48" high filler)	358
FWO3-54 (for 54" high filler)	389
FWO3-57 (for 57" high filler)	392
FWO3-60 (for 60" high filler)	392
Base Overlay (30" high filler for 34-1/2" high cabinet)	
FBO3	254
Base Overlay (36" high filler for 40-1/2" high cabinet)	
FBO3-40	303
Tall Overlay	
FTO3-84 (for 79-1/2" high filler)	417
FTO3-90 (for 85-1/2" high filler)	457
FTO3-93 (for 88-1/2" high filler)	457
FTO3-96 (for 91-1/2" high filler)	457
FTO3-102 (for 97-1/2" high filler)	552
FTO3-108 (for 103-1/2" high filler)	552
FTO3-120 (for 115-1/2" high filler)	583
Vanity Overlay (27" high filler for 31-1/2" high cabinet)	
FVO3	254
Desk Overlay (24" high filler for 28-1/2" high cabinet)	
FDO3	254

Fluted Overlay with Applied Rosette

Cat. Code	Price
Wall Overlay	
FWOR3-12 (for 12" high filler)	354
FWOR3-15 (for 15" high filler)	354
FWOR3-18 (for 18" high filler)	354
FWOR3-21 (for 21" high filler)	354
FWOR3-24 (for 24" high filler)	354
FWOR3-27 (for 27" high filler)	354
FWOR3-30 (for 30" high filler)	354
FWOR3-36 (for 36" high filler)	403
FWOR3-39 (for 39" high filler)	431
FWOR3-42 (for 42" high filler)	431
FWOR3-48 (for 48" high filler)	458
FWOR3-54 (for 54" high filler)	489
FWOR3-57 (for 57" high filler)	492
FWOR3-60 (for 60" high filler)	492
Base Overlay (30" high filler for 34-1/2" high cabinet)	
FBOR3	354
Base Overlay (36" high filler for 40-1/2" high cabinet)	
FBOR3-40	403
Tall Overlay	
FTOR3-84 (for 79-1/2" high filler)	517
FTOR3-90 (for 85-1/2" high filler)	557
FTOR3-93 (for 88-1/2" high filler)	557
FTOR3-96 (for 91-1/2" high filler)	557
FTOR3-102 (for 97-1/2" high filler)	652
FTOR3-108 (for 103-1/2" high filler)	652
FTOR3-120 (for 115-1/2" high filler)	683
Vanity Overlay (27" high filler for 31-1/2" high cabinet)	
FVOR3	354
Desk Overlay (24" high filler for 28-1/2" high cabinet)	
FDOR3	354

Increase Width of Fluted Overlay to 5-1/2", **IWOF6**.....\$135

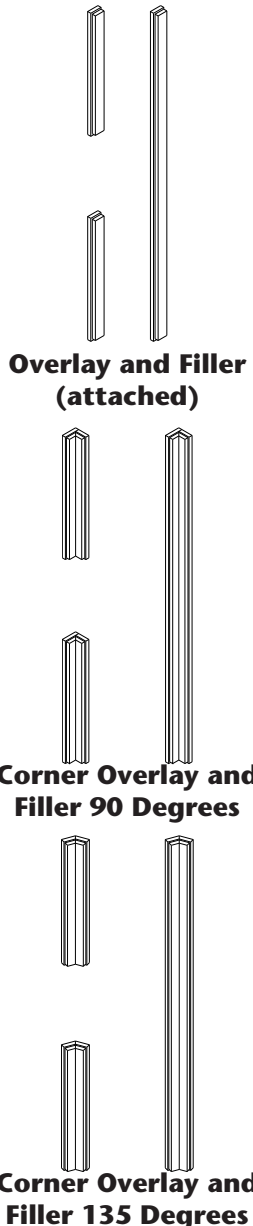
Overlay Cut to Size, **CTS**.....N/C



90210 - Overlays & Fillers (Attached)

- Attached Overlay is 2mm less than filler width.
- Fillers are 3" or 6" wide solid stock. (No toe space included for base or tall fillers.)
- Specify **FTSF** for Flush Toe on base, tall, vanity and desk Fillers. FTSF adds 4-1/2" to Filler height.
- Overlay is profiled to match door style on one long edge and two short edges. Specify **S4S** to profile all 4 edges. (Overlay is 4mm less than filler width.)
Minimum width of S4S Overlay is 2" on standard wood species. For Acrylic, Veneer and Foil minimums, see individual door descriptions.
- Specify **CTS** for width and/or height reduction and indicate needed dimension(s). For Corner Fillers/Overlays, **minimum** width of the Filler is 2" on each face. Clearly specify left, right or both legs for reduction.
- Price includes Filler with Overlay attached.

NOTE: Rustic Hickory, Acrylics, Foils, Exotic Veneers, and High Pressure Laminates are **not** available in heights over 96".



Shape 4 Sides, **S4S**N/C

Corner Overlay & Filler - 90°

Cat. Code	Price
Wall Corner Fillers & Overlays - 3" Wide App.	
WCOF90-3-30	315
WCOF90-3-36	420
WCOF90-3-39	478
WCOF90-3-42	478
WCOF90-3-48	545
WCOF90-3-54	615
WCOF90-3-57	643
WCOF90-3-60	643
Base Corner Fillers & Overlays	
BCOF90-3 (34-1/2" High)	317
Tall Corner Fillers & Overlays	
TCOF90-3-84 (84" High)	760
TCOF90-3-90 (90" High)	872
TCOF90-3-93 (93" High)	872
TCOF90-3-96 (96" High)	872
TCOF90-3-102 (102" High)	1135
TCOF90-3-108 (108" High)	1135
TCOF90-3-120 (120" High)	1222
Vanity Corner Fillers & Overlays	
VCOF90-3 (31-1/2" High)	317
Desk Corner Fillers & Overlays	
DCOF90-3 (28-1/2" High)	317

Corner Overlay & Filler - 135°

Cat. Code	Price
Wall Corner Fillers & Overlays - 3" Wide App.	
WCOF135-3-30	364
WCOF135-3-36	462
WCOF135-3-39	525
WCOF135-3-42	525
WCOF135-3-48	591
WCOF135-3-54	662
WCOF135-3-57	690
WCOF135-3-60	690
Base Corner Fillers & Overlays	
BCOF135-3 (34-1/2" High)	364
Tall Corner Fillers & Overlays	
TCOF135-3-84 (84" High)	817
TCOF135-3-90 (90" High)	950
TCOF135-3-93 (93" High)	950
TCOF135-3-96 (96" High)	950
TCOF135-3-102 (102" High)	1237
TCOF135-3-108 (108" High)	1237
TCOF135-3-120 (120" High)	1332
Vanity Corner Fillers & Overlays	
VCOF135-3 (31-1/2" High)	364
Desk Corner Fillers & Overlays	
DCOF135-3 (28-1/2" High)	364

Cat. Code		Price
Wall Fillers & Overlays - 3" Wide Application		
WOF3-12	L/R	185
WOF3-15	L/R	185
WOF3-18	L/R	185
WOF3-21	L/R	185
WOF3-24	L/R	185
WOF3-27	L/R	185
WOF3-30	L/R	185
WOF3-36	L/R	254
WOF3-39	L/R	306
WOF3-42	L/R	306
WOF3-48	L/R	365
WOF3-54	L/R	403
WOF3-57	L/R	411
WOF3-60	L/R	411
Wall Fillers & Overlays - 6" Wide Application		
WOF6-12	L/R	231
WOF6-15	L/R	231
WOF6-18	L/R	231
WOF6-21	L/R	231
WOF6-24	L/R	231
WOF6-27	L/R	231
WOF6-30	L/R	231
WOF6-36	L/R	326
WOF6-39	L/R	403
WOF6-42	L/R	403
WOF6-48	L/R	441
WOF6-54	L/R	512
WOF6-57	L/R	538
WOF6-60	L/R	538
Base Fillers & Overlays - 34-1/2" High Cabinet		
BOF3 (30" high)	L/R	185
BOF6 (30" high)	L/R	345
Base Fillers & Overlays - 40-1/2" High Cabinet		
BOF3-40 (36" high)	L/R	254
BOF6-40 (36" high)	L/R	374
Tall Fillers & Overlays - 3" Wide Application		
TOF3-84 (79-1/2" high)	L/R	457
TOF3-90 (85-1/2" high)	L/R	525
TOF3-93 (88-1/2" high)	L/R	525
TOF3-96 (91-1/2" high)	L/R	525
TOF3-102 (97-1/2" high)	L/R	683
TOF3-108 (103-1/2" high)	L/R	683
TOF3-120 (115-1/2" high)	L/R	735
Tall Fillers & Overlays - 6" Wide Application		
TOF6-84 (79-1/2" high)	L/R	629
TOF6-90 (85-1/2" high)	L/R	702
TOF6-93 (88-1/2" high)	L/R	702
TOF6-96 (91-1/2" high)	L/R	702
TOF6-102 (97-1/2" high)	L/R	913
TOF6-108 (103-1/2" high)	L/R	913
TOF6-120 (115-1/2" high)	L/R	983
Vanity Fillers & Overlays - 31-1/2" High Cabinet		
VOF3 (27" high)	L/R	185
VOF6 (27" high)	L/R	345
Desk Fillers & Overlays - 28-1/2" High Cabinet		
DOF3 (24" high)	L/R	185
DOF6 (24" high)	L/R	345
Desk Drawer Fillers & Overlays - 4-1/2" High Cabinet		
5DDOF3	L/R	185
5DDOF6	L/R	287
Desk Drawer Fillers & Overlays - 6-7/8" High Cabinet		
6DDOF3	L/R	185
6DDOF6	L/R	287

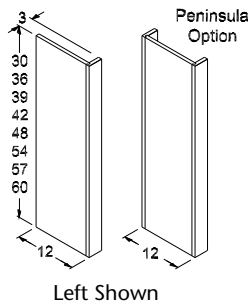
Flush Toe Space Filler, **FTSF** \$67

Overlay Cut to Size, **CTS**N/C

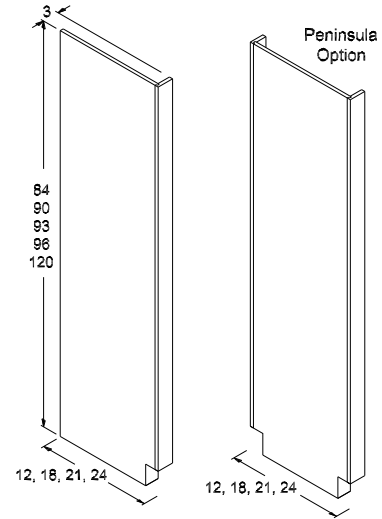
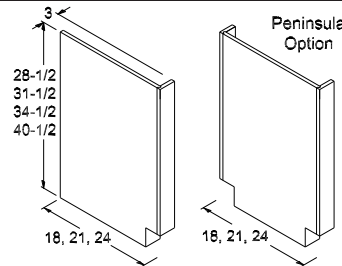


90250 - End Panels

- Specify Left or Right End Panel.
- Interior of End Panel is not finished. Specify **ISF**, Interior Side Finished, if needed. Unfinished glue blocks remain behind stile for assembly.
- Specify **FTSEP** for a Flush Toe Space if needed on base, tall, vanity, and desk End Panels.
- Specify **CTS** to decrease width, height or depth and indicate needed dimension(s). **Minimum** width of face for standard wood species, **except** Horizontal Grain, is 1". For Horizontal Grain, Exotic Veneers, Foils, Acrylics and High Pressure Laminates minimum width of face is 2-1/2".
- Specify **ID** to increase depth up to a **maximum** of 36".
- Specify **IWEP6** to increase width up to a **maximum** of 6".
- Specify **PEP**, Peninsula End Panel, to add a finished Filler on the back side.
- Panels over 96" high receive a 3/4" Veneer Core Finished End.
- Exotic Veneers, Foils, Acrylics, and High Pressure Laminates are **not** available in Plywood.



ALL OTHER MODIFICATIONS MUST BE QUOTED



Wall End Panel

Cat. Code		Price
Furniture Board		
WEPW30	L/R	143
WEPW36	L/R	158
WEPW39	L/R	177
WEPW42	L/R	177
WEPW48	L/R	196
WEPW54	L/R	217
WEPW57	L/R	241
WEPW60	L/R	241
Plywood		
WEPP30	L/R	173
WEPP36	L/R	199
WEPP39	L/R	217
WEPP42	L/R	217
WEPP48	L/R	241
WEPP54	L/R	269
WEPP57	L/R	298
WEPP60	L/R	298

Base End Panel

Cat. Code		Price
Furniture Board		
BEPW (34-1/2" high)	L/R	214
BEPW40 (40-1/2" high)	L/R	250
VEPW18 (31-1/2" high)	L/R	214
VEPW21 (31-1/2" high)	L/R	214
VEPW18 (34-1/2" high)	L/R	214
VEPW21 (34-1/2" high)	L/R	214
DEPW18 (28-1/2" high)	L/R	214
DEPW21 (28-1/2" high)	L/R	214
DEPW24 (28-1/2" high)	L/R	214
Plywood		
BEPP (34-1/2" high)	L/R	268
BEPP40 (40-1/2" high)	L/R	313
VEPP18 (31-1/2" high)	L/R	268
VEPP21 (31-1/2" high)	L/R	268
VEPP18 (34-1/2" high)	L/R	268
VEPP21 (34-1/2" high)	L/R	268
DEPP18 (28-1/2" high)	L/R	268
DEPP21 (28-1/2" high)	L/R	268
DEPP24 (28-1/2" high)	L/R	268

Tall End Panel

Cat. Code		Price
Furniture Board		
TEPW1284 (84" high)	L/R	262
TEPW1884 (84" high)	L/R	349
TEPW2184 (84" high)	L/R	437
TEPW2484 (84" high)	L/R	525
TEPW1290 (90" high)	L/R	278
TEPW1890 (90" high)	L/R	371
TEPW2190 (90" high)	L/R	464
TEPW2490 (90" high)	L/R	556
TEPW1293 (93" high)	L/R	297
TEPW1893 (93" high)	L/R	396
TEPW2193 (93" high)	L/R	493
TEPW2493 (93" high)	L/R	591
TEPW1296 (96" high)	L/R	297
TEPW1896 (96" high)	L/R	396
TEPW2196 (96" high)	L/R	493
TEPW2496 (96" high)	L/R	591
Plywood		
TEPP1284 (84" high)	L/R	336
TEPP1884 (84" high)	L/R	438
TEPP2184 (84" high)	L/R	546
TEPP2484 (84" high)	L/R	671
TEPP1290 (90" high)	L/R	353
TEPP1890 (90" high)	L/R	462
TEPP2190 (90" high)	L/R	578
TEPP2490 (90" high)	L/R	704
TEPP1293 (93" high)	L/R	371
TEPP1893 (93" high)	L/R	494
TEPP2193 (93" high)	L/R	615
TEPP2493 (93" high)	L/R	739
TEPP1296 (96" high)	L/R	371
TEPP1896 (96" high)	L/R	494
TEPP2196 (96" high)	L/R	615
TEPP2496 (96" high)	L/R	739
TEPP12120 (120" high)	L/R	557
TEPP18120 (120" high)	L/R	741
TEPP21120 (120" high)	L/R	923
TEPP24120 (120" high)	L/R	1109

NOTE: TEPP over 96" is **not** available in Rustic Hickory, Acrylics, Foils, Exotic Veneers or High Pressure Laminates.

Increase Width of End Panel up to 6", IWEP6	\$135
Interior Side Finished, ISF	\$261
Flush Toe Space End Panel, FTSEP	\$96
Cut to Size, CTS	N/C
Increase Depth, ID	Add 30% to Panel Price
Peninsula End Panel, PEP	Add \$140 to Panel Price

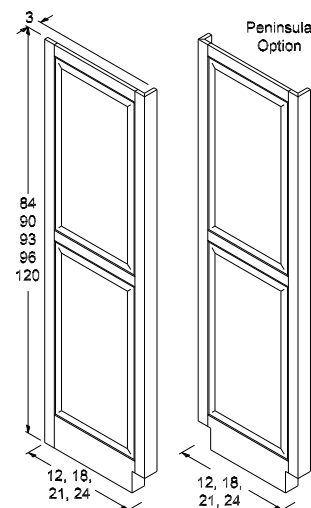
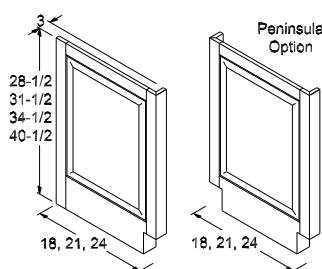
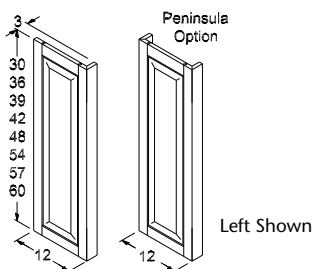


90260 - Decorative End Panels

- Specify Left or Right End Panel.
- Decorative End Panel has a **single-width insert panel** (flat or raised) to match the door style specified for the order, and a 3" wide front stile. **Exception: Mitered door styles will be mortise and tenon construction and only the insert panel will match.**
- Interior of End Panel has a natural finish. Specify **ISF**, Interior Side Finished, if needed. Unfinished glue blocks remain behind stile for assembly.
- Specify **FTSEP** for a Flush Toe Space if needed on base, tall, vanity, and desk End Panels.
- Specify **CTS** to decrease width, height or depth and indicate needed dimension(s). **Minimum** width of face, **except** Horizontal Grain, is 1". For Horizontal Grain, minimum width of face is 2-1/2". **Minimum** depth is 8-1/2".
- Specify **ID** to increase depth. **Maximum** depth of End Panel with single-width insert is 27".
- Specify **IWEP6** to increase width up to a **maximum** of 6".
- Specify **PEP**, Peninsula End Panel, to add a finished Filler on the back side.

ALL OTHER MODIFICATIONS MUST BE QUOTED

NOTE: Available in standard wood species **only**. See door style section for other limitations.



Decorative Wall End Panel

Cat. Code		Price
DWEP30	L/R	510
DWEP36	L/R	563
DWEP39	L/R	612
DWEP42	L/R	612
DWEP48	L/R	725
DWEP54	L/R	777
DWEP57	L/R	828
DWEP60	L/R	828

Decorative Base End Panel

Cat. Code		Price
DBEP (34-1/2" high)	L/R	839
DBEP40 (40-1/2" high)	L/R	985
DVEP18 (31-1/2" high)	L/R	839
DVEP21 (31-1/2" high)	L/R	839
DTVEP18 (34-1/2" high)	L/R	839
DTVEP21 (34-1/2" high)	L/R	839
DDEP18 (28-1/2" high)	L/R	839
DDEP21 (28-1/2" high)	L/R	839
DDEP24 (28-1/2" high)	L/R	839

Decorative Tall End Panel

Cat. Code		Price
DTEP1284 (84" high)	L/R	1032
DTEP1884 (84" high)	L/R	1561
DTEP2184 (84" high)	L/R	1561
DTEP2484 (84" high)	L/R	1740
DTEP1290 (90" high)	L/R	1130
DTEP1890 (90" high)	L/R	1650
DTEP2190 (90" high)	L/R	1650
DTEP2490 (90" high)	L/R	1941
DTEP1293 (93" high)	L/R	1130
DTEP1893 (93" high)	L/R	1650
DTEP2193 (93" high)	L/R	1650
DTEP2493 (93" high)	L/R	1941
DTEP1296 (96" high)	L/R	1130
DTEP1896 (96" high)	L/R	1650
DTEP2196 (96" high)	L/R	1650
DTEP2496 (96" high)	L/R	1941
DTEP12120 (120" high)	L/R	1694
DTEP18120 (120" high)	L/R	2474
DTEP21120 (120" high)	L/R	2474
DTEP24120 (120" high)	L/R	2911

NOTE: Panels over 96" high are **not** available in Rustic Hickory.

NOTE: Panels over 48" high have 2 equally sized insert panels.

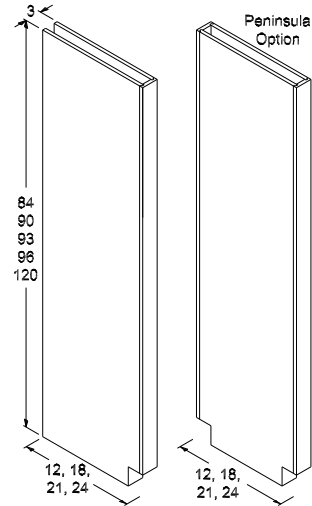
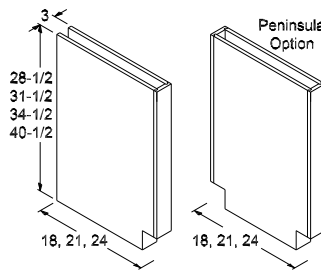
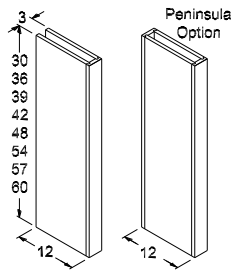
Increase Width of End Panel up to 6", IWEP6	\$135
Interior Side Finished, ISF	\$261
Flush Toe Space End Panel, FTSEP	\$96
Cut to Size, CTS	N/C
Increase Depth, ID	Add 30% to Panel Price
Peninsula End Panel, PEP	Add \$140 to Panel Price



90270 - End Panels - Two Sided

- Two-Sided End Panels are finished on both sides and front.
- Specify **FTSEP** for a Flush Toe Space if needed on base, tall, vanity, and desk End Panels.
- Specify **CTS** for width, height or depth decrease and indicate needed dimension(s). **Minimum** width of face for standard wood species, **except** Horizontal Grain, is 1". For Horizontal Grain, Exotic Veneers, Foils, Acrylics and High Pressure Laminates minimum width of face is 2-1/2".
- Specify **ID** to increase depth up to a **maximum** of 36".
- Specify **IWEP6** to increase width up to a **maximum** of 6".
- Specify **PEP**, Peninsula End Panel, to add a finished Filler on the back side.
- Panels over 96" high receive a 3/4" Veneer Core Finished End.
- Exotic Veneers, Foils, Acrylics, and High Pressure Laminates are **not** available in Plywood.

ALL OTHER MODIFICATIONS MUST BE QUOTED



Wall End Panel

Cat. Code	Price
Furniture Board	
WEPW2S30	248
WEPW2S36	275
WEPW2S39	308
WEPW2S42	308
WEPW2S48	343
WEPW2S54	381
WEPW2S57	423
WEPW2S60	423
Plywood	
WEPP2S30	301
WEPP2S36	347
WEPP2S39	381
WEPP2S42	381
WEPP2S48	423
WEPP2S54	467
WEPP2S57	521
WEPP2S60	521

Base End Panel

Cat. Code	Price
Furniture Board	
BEPW2S (34-1/2" high)	373
BEPW2S40 (40-1/2" high)	438
VEPW2S18 (31-1/2" high)	373
VEPW2S21 (31-1/2" high)	373
VEPW2S18 (34-1/2" high)	373
VEPW2S21 (34-1/2" high)	373
DEPW2S18 (28-1/2" high)	373
DEPW2S21 (28-1/2" high)	373
DEPW2S24 (28-1/2" high)	373
Plywood	
BEPP2S (34-1/2" high)	466
BEPP2S40 (40-1/2" high)	548
VEPP2S18 (31-1/2" high)	466
VEPP2S21 (31-1/2" high)	466
VEPP2S18 (34-1/2" high)	466
VEPP2S21 (34-1/2" high)	466
DEPP2S18 (28-1/2" high)	466
DEPP2S21 (28-1/2" high)	466
DEPP2S24 (28-1/2" high)	466

Tall End Panel

Cat. Code	Price	Cat. Code	Price
Furniture Board		Plywood	
TEPW2S1284(84" high)	458	TEPP2S1284 (84" high)	590
TEPW2S1884(84" high)	611	TEPP2S1884 (84" high)	766
TEPW2S2184(84" high)	763	TEPP2S2184 (84" high)	955
TEPW2S2484(84" high)	917	TEPP2S2484 (84" high)	1174
TEPW2S1290(90" high)	485	TEPP2S1290 (90" high)	616
TEPW2S1890(90" high)	651	TEPP2S1890 (90" high)	810
TEPW2S2190(90" high)	811	TEPP2S2190 (90" high)	1013
TEPW2S2490(90" high)	971	TEPP2S2490 (90" high)	1231
TEPW2S1293(93" high)	520	TEPP2S1293 (93" high)	651
TEPW2S1893(93" high)	690	TEPP2S1893 (93" high)	864
TEPW2S2193(93" high)	863	TEPP2S2193 (93" high)	1077
TEPW2S2493(93" high)	1034	TEPP2S2493 (93" high)	1293
TEPW2S1296(96" high)	520	TEPP2S1296 (96" high)	651
TEPW2S1896(96" high)	690	TEPP2S1896 (96" high)	864
TEPW2S2196(96" high)	863	TEPP2S2196 (96" high)	1077
TEPW2S2496(96" high)	1034	TEPP2S2496 (96" high)	1293
		TEPP2S12120 (120" high)	977
		TEPP2S18120 (120" high)	1295
		TEPP2S21120 (120" high)	1616
		TEPP2S24120 (120" high)	1939

NOTE: TEPP2S over 96" is **not** available in Rustic Hickory, Acrylics, Foils, Exotic Veneers, or High Pressure Laminates.

Increase Width of End Panel up to 6", IWEP6	\$135
Flush Toe Space End Panel, FTSEP	\$.82
Cut to Size, CTS	N/C
Increase Depth, IDAdd 30% to Panel Price
Peninsula End Panel, PEP	Add \$140 to Panel Price

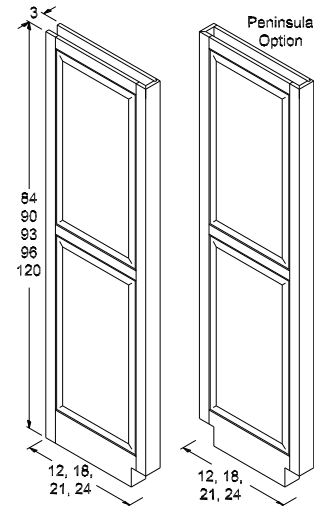
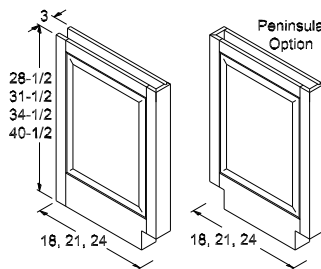
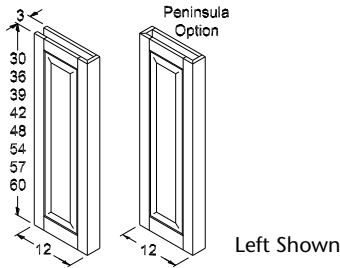


90280 - Two Sided End Panel with One Decorative End

- Specify Left or Right End Panel.
- **Finished End is standard and included at No Charge on non-decorative end.**
- End Panel has a **single-width insert panel** (flat or raised) to match the door style specified for the order, and a 3" wide front stile on one side. **Exception: Mitered door styles will be mortise and tenon construction and only the insert panel will match.** The other side will be a Finished End.
- Specify **FTSEP** for a Flush Toe Space if needed on base, tall, vanity, and desk End Panels.
- Specify **CTS** to decrease width, height or depth.
Minimum width of face, **except** Horizontal Grain, is 1-1/2". For Horizontal Grain, minimum width of face is 2-1/2".
Minimum depth is 8-1/2".
- Specify **ID** to increase depth. **Maximum** depth of End Panel with single-width insert is 27".
- Specify **IWEP6** to increase width up to a **maximum** of 6".
- Specify **PEP**, Peninsula End Panel, to add a finished Filler on the back side.

ALL OTHER MODIFICATIONS MUST BE QUOTED

NOTE: Available in standard wood species **only**. See door style section for other limitations.



Decorative Wall End Panel

Cat. Code		Price
WEP2SD30	L/R	640
WEP2SD36	L/R	700
WEP2SD39	L/R	770
WEP2SD42	L/R	770
WEP2SD48	L/R	902
WEP2SD54	L/R	963
WEP2SD57	L/R	1031
WEP2SD60	L/R	1031

Decorative Base End Panel

Cat. Code		Price
BEP2SD	(34-1/2" high)	1155
BEP2SD40	(40-1/2" high)	1356
VEP2SD18	(31-1/2" high)	1155
VEP2SD21	(31-1/2" high)	1155
TVEP2SD18	(34-1/2" high)	1155
TVEP2SD21	(34-1/2" high)	1155
DEP2SD18	(28-1/2" high)	1155
DEP2SD21	(28-1/2" high)	1155
DEP2SD24	(28-1/2" high)	1155

Decorative Tall End Panel

Cat. Code		Price
TEP2SD1284	(84" high)	1245
TEP2SD1884	(84" high)	2063
TEP2SD2184	(84" high)	2063
TEP2SD2484	(84" high)	2261
TEP2SD1290	(90" high)	1522
TEP2SD1890	(90" high)	2230
TEP2SD2190	(90" high)	2230
TEP2SD2490	(90" high)	2513
TEP2SD1293	(93" high)	1522
TEP2SD1893	(93" high)	2230
TEP2SD2193	(93" high)	2230
TEP2SD2493	(93" high)	2513
TEP2SD1296	(96" high)	1522
TEP2SD1896	(96" high)	2230
TEP2SD2196	(96" high)	2230
TEP2SD2496	(96" high)	2513
TEP2SD12120	(120" high)	2282
TEP2SD18120	(120" high)	3345
TEP2SD21120	(120" high)	3345
TEP2SD24120	(120" high)	3770

NOTE: Panels over 96" high are **not** available in Rustic Hickory.

NOTE: Panels over 48" high have 2 equally sized insert panels.

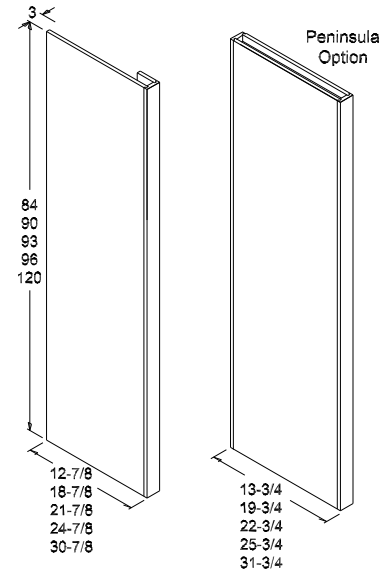
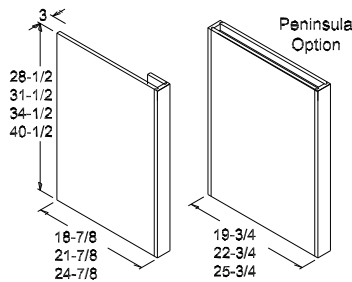
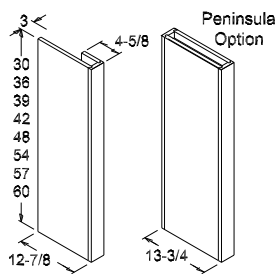
Increase Width of End Panel up to 6", IWEP6	\$135
Flush Toe Space End Panel, FTSEP	\$96
Cut to Size, CTS	N/C
Increase Depth, ID	Add 30% to Panel Price
Peninsula End Panel, PEP	Add \$140 to Panel Price



90285 - "J" End Panels

- "J" End Panels are finished on both sides and front stile.
- "J" End Panels are designed to be flush with the door and drawer front, and are 7/8" deeper than cabinet.
- Flush Toe is standard.
- **Finished Ends are standard and included at No Charge.**
- Specify **CTS** for width, height or depth decrease and indicate needed dimension(s).
Minimum width of face for standard wood species, **except** Horizontal Grain, is 1-1/2". For Horizontal Grain, Exotic Veneers, Foils, Acrylics and High Pressure Laminates minimum width of face is 2-1/2".
- Specify **ID** to increase depth up to a **maximum** of 36".
- Specify **PEP**, Peninsula End Panel, to add a finished Filler on the back side.
- Specify **IWEP6** to increase width up to a **maximum** of 6".

ALL OTHER MODIFICATIONS MUST BE QUOTED



"J" Wall End Panel

Cat. Code	Price
JWEPP30	301
JWEPP36	347
JWEPP39	381
JWEPP42	381
JWEPP48	423
JWEPP54	467
JWEPP57	521
JWEPP60	521

"J" Base End Panel

Cat. Code	Price
JBEP (34-1/2" high)	466
JBEP40 (40-1/2" high)	548
JVEPP18 (31-1/2" high)	466
JVEPP21 (31-1/2" high)	466
JTVEPP18 (34-1/2" high)	466
JTVEPP21 (34-1/2" high)	466
JDEPP18 (28-1/2" high)	466
JDEPP21 (28-1/2" high)	466
JDEPP24 (28-1/2" high)	466

"J" Tall End Panel

Cat. Code	Price
JTEPP1284 (84" high)	590
JTEPP1884 (84" high)	766
JTEPP2184 (84" high)	955
JTEPP2484 (84" high)	1174
JTEPP3084 (84" high)	1468
JTEPP1290 (90" high)	616
JTEPP1890 (90" high)	810
JTEPP2190 (90" high)	1013
JTEPP2490 (90" high)	1231
JTEPP3090 (90" high)	1539
JTEPP1293 (93" high)	651
JTEPP1893 (93" high)	864
JTEPP2193 (93" high)	1077
JTEPP2493 (93" high)	1293
JTEPP3093 (93" high)	1617
JTEPP1296 (96" high)	651
JTEPP1896 (96" high)	864
JTEPP2196 (96" high)	1077
JTEPP2496 (96" high)	1293
JTEPP3096 (96" high)	1617
JTEPP12120 (120" high)	977
JTEPP18120 (120" high)	1295
JTEPP21120 (120" high)	1616
JTEPP24120 (120" high)	1939
JTEPP30120 (120" high)	2424

NOTE: JTEPP over 96" is **not** available in Rustic Hickory, Acrylics, Foils, Exotic Veneers, or High Pressure Laminates.

Notch for Toe (Specify L or R panel), NFT (L or R)	\$.61
Cut to Size, CTSN/C
Increase Depth, IDAdd 30% to Panel Price
Peninsula End Panel, PEP/EP	Add \$140 to Panel Price
Increase Width of End Panel up to 6", IWEP6	\$.135

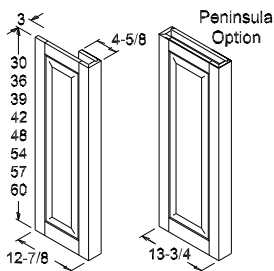


90287 - "J" End Panel with One Decorative End

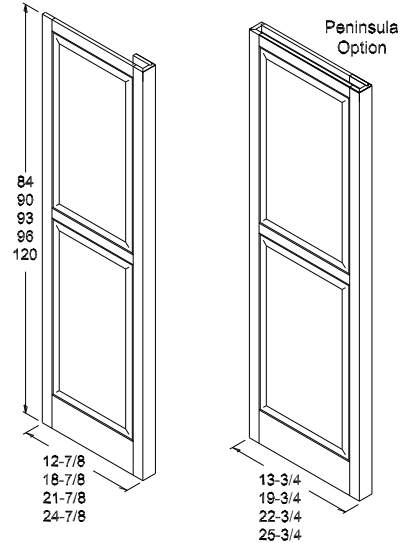
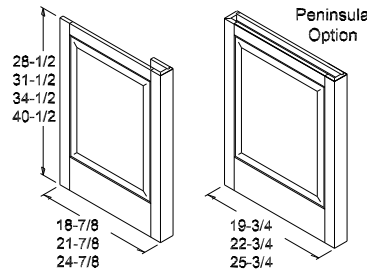
- Specify Left or Right End Panel.
- "J" End Panels are designed to be flush with the door and drawer front, and are 7/8" deeper than cabinet.
- **Flush Finished End is standard and included at No Charge on non-decorative side.**
- Flush Toe is standard.
- End Panel has a single-width insert panel (flat or raised) to match the door style specified for the order, and a 3" wide front stile on one side. **Exception: Mitered door styles will be mortise and tenon construction and only the insert panel will match.**
- Specify **CTS** for width, height or depth decrease and indicate needed dimension(s). **Minimum** width of face, **except** Horizontal Grain, is 1-1/2". For Horizontal Grain, minimum width of face is 2-1/2". **Minimum** depth is 8-1/2".
- Specify **ID** to increase depth up to a **maximum** of 27".
- Specify **PEP**, Peninsula End Panel, to add a finished Filler on the back side.
- Specify **IWEP6** to increase width up to a **maximum** of 6".

ALL OTHER MODIFICATIONS MUST BE QUOTED

NOTE: Available with standard wood species **only**.



Left Shown



Decorative "J" Wall End Panel

Cat. Code	L/R	Price
JWEPD30	L/R	640
JWEPD36	L/R	700
JWEPD39	L/R	770
JWEPD42	L/R	770
JWEPD48	L/R	902
JWEPD54	L/R	963
JWEPD57	L/R	1031
JWEPD60	L/R	1031

Decorative "J" Base End Panel

Cat. Code	Price
JBEPD (34-1/2" high)	L/R 1155
JBEPD40 (40-1/2" high)	L/R 1356
JVEPD18 (31-1/2" high)	L/R 1155
JVEPD21 (31-1/2" high)	L/R 1155
JTVEPD18 (34-1/2" high)	L/R 1155
JTVEPD21 (34-1/2" high)	L/R 1155
JDEPD18 (28-1/2" high)	L/R 1155
JDEPD21 (28-1/2" high)	L/R 1155
JDEPD24 (28-1/2" high)	L/R 1155

Decorative "J" Tall End Panel

Cat. Code	Price
JTEPD1284 (84" high)	L/R 1245
JTEPD1884 (84" high)	L/R 2063
JTEPD2184 (84" high)	L/R 2063
JTEPD2484 (84" high)	L/R 2261
JTEPD1290 (90" high)	L/R 1522
JTEPD1890 (90" high)	L/R 2230
JTEPD2190 (90" high)	L/R 2230
JTEPD2490 (90" high)	L/R 2513
JTEPD1293 (93" high)	L/R 1522
JTEPD1893 (93" high)	L/R 2230
JTEPD2193 (93" high)	L/R 2230
JTEPD2493 (93" high)	L/R 2513
JTEPD1296 (96" high)	L/R 1522
JTEPD1896 (96" high)	L/R 2230
JTEPD2196 (96" high)	L/R 2230
JTEPD2496 (96" high)	L/R 2513
JTEPD12120 (120" high)	L/R 2282
JTEPD18120 (120" high)	L/R 3345
JTEPD21120 (120" high)	L/R 3345
JTEPD24120 (120" high)	L/R 3770

NOTE: Panels over 96" high are **not** available in Rustic Hickory.

Notch for Toe (Specify L or R panel), NFT (L or R)	\$61
Cut to Size, CTS	N/C
Increase Depth, ID	Add 30% to Panel Price
Peninsula End Panel, PEP/PEP	Add \$140 to Panel Price
Increase Width of End Panel up to 6", IWEP6	\$135

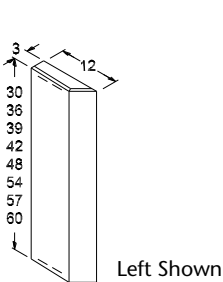


90300 - Angled End Panels

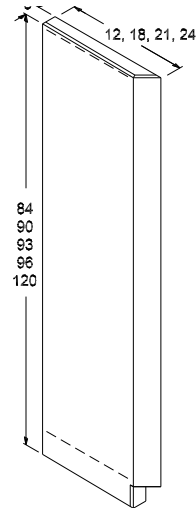
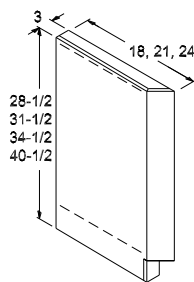
- Specify Left or Right application.
- Base, Tall, Vanity and Desk Angle End Panels have a recessed toe. Specify **FTSEP** for a Flush Toe.
- Interior side is unfinished.
- Specify **CTS** to decrease height and/or depth only and indicate needed dimension(s). **Minimum** depth is 4-1/2".
- Specify **ID** to increase depth up to 36" deep **maximum**.
- Panels over 96" high receive a 3/4" Plywood Finished End.
- Exotic Veneers, Foils, Acrylics, and High Pressure Laminates are **not** available in Plywood.

ALL OTHER MODIFICATIONS MUST BE QUOTED

NOTE: Angled End Panels are **not** designed for installation flush with the door and/or drawer face of the cabinetry.



Left Shown



Wall Angled End Panel

Base Angled End Panel

Tall Angled End Panel

Cat. Code		Price
Furniture Board		
WAEPW30	L/R	222
WAEPW36	L/R	237
WAEPW39	L/R	252
WAEPW42	L/R	252
WAEPW48	L/R	271
WAEPW54	L/R	290
WAEPW57	L/R	310
WAEPW60	L/R	310
Plywood		
WAEP30	L/R	278
WAEP36	L/R	297
WAEP39	L/R	315
WAEP42	L/R	315
WAEP48	L/R	339
WAEP54	L/R	362
WAEP57	L/R	388
WAEP60	L/R	388

Cat. Code		Price
Furniture Board		
BAEPW	(34-1/2" high) L/R	627
BAEPW40	(40-1/2" high) L/R	734
VAEPW18	(31-1/2" high) L/R	627
TVAEPW18	(34-1/2" high) L/R	627
TVAEPW21	(34-1/2" high) L/R	627
DAEPW18	(28-1/2" high) L/R	627
DAEPW21	(28-1/2" high) L/R	627
DAEPW24	(28-1/2" high) L/R	627
Plywood		
BAEPP	(34-1/2" high) L/R	737
BAEPP40	(40-1/2" high) L/R	863
VAEPP18	(31-1/2" high) L/R	737
VAEPP21	(31-1/2" high) L/R	737
TVAEPP18	(34-1/2" high) L/R	737
TVAEPP21	(34-1/2" high) L/R	737
DAEPP18	(28-1/2" high) L/R	737
DAEPP21	(28-1/2" high) L/R	737
DAEPP24	(28-1/2" high) L/R	737

Cat. Code		Price
Furniture Board		
TAEPW1284	(84" high) L/R	850
TAEPW1884	(84" high) L/R	915
TAEPW2184	(84" high) L/R	979
TAEPW2484	(84" high) L/R	1043
TAEPW1290	(90" high) L/R	910
TAEPW1890	(90" high) L/R	977
TAEPW2190	(90" high) L/R	1041
TAEPW2490	(90" high) L/R	1105
TAEPW1293	(93" high) L/R	910
TAEPW1893	(93" high) L/R	977
TAEPW2193	(93" high) L/R	1041
TAEPW2493	(93" high) L/R	1105
TAEPW1296	(96" high) L/R	910
TAEPW1896	(96" high) L/R	977
TAEPW2196	(96" high) L/R	1041
TAEPW2496	(96" high) L/R	1105

Cat. Code		Price
Plywood		
TAEPP1284	(84" high) L/R	1014
TAEPP1884	(84" high) L/R	1096
TAEPP2184	(84" high) L/R	1176
TAEPP2484	(84" high) L/R	1257
TAEPP1290	(90" high) L/R	1090
TAEPP1890	(90" high) L/R	1173
TAEPP2190	(90" high) L/R	1253
TAEPP2490	(90" high) L/R	1334
TAEPP1293	(93" high) L/R	1090
TAEPP1893	(93" high) L/R	1173
TAEPP2193	(93" high) L/R	1253
TAEPP2493	(93" high) L/R	1334
TAEPP1296	(96" high) L/R	1090
TAEPP1896	(96" high) L/R	1173
TAEPP2196	(96" high) L/R	1253
TAEPP2496	(96" high) L/R	1334
TAEPP12120	(120" high) L/R	1635
TAEPP18120	(120" high) L/R	1760
TAEPP21120	(120" high) L/R	1880
TAEPP24120	(120" high) L/R	2001

NOTE: TAEPP over 96" is **not** available in Rustic Hickory, Acrylics, Foils, Exotic Veneers, or High Pressure Laminates.

Flush Toe Space End Panel, FTSEP	\$.96
Cut to Size, CTSN/C
Increase Depth, IDAdd 30% to Panel Price



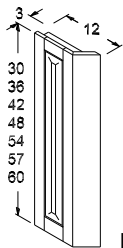
90310 - Decorative Angled End Panels

- Specify Left or Right End Panel (left shown).
- Decorative Angle End Panel has a **single-width insert panel** (flat or raised) to match the door style specified for the order, and a 3" wide front stile. **Exception: Mitered door styles will be mortise and tenon construction and only the insert panel will match.**
- Interior of End Panel is unfinished.
- Specify **FTSEP** for a Flush Toe Space if needed on base, tall, vanity, and desk End Panels.
- Specify **CTS** to decrease height or depth **only** and indicate needed dimension(s). **Minimum** depth is 11-1/2".
- Specify **ID** to increase depth. **Maximum** depth of End Panel with single-width insert is 27".

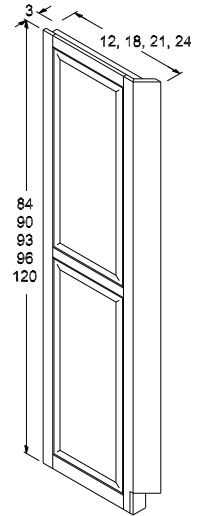
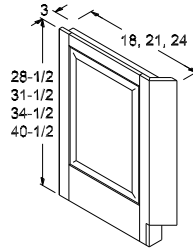
ALL OTHER MODIFICATIONS MUST BE QUOTED

NOTE: Decorative Angled End Panels are designed for installation flush with the face frame - not flush with the door/drawer front.

NOTE: Available in standard wood species **only**. See [door style section](#) for other limitations.



Left Shown



Decorative Wall End Panel

Cat. Code		Price
DWAEP30	L/R	700
DWAEP36	L/R	752
DWAEP39	L/R	800
DWAEP42	L/R	800
DWAEP48	L/R	915
DWAEP54	L/R	965
DWAEP57	L/R	1018
DWAEP60	L/R	1018

Decorative Base End Panel

Cat. Code		Price
DBAEP (34-1/2" high)		1297
DBAEP40 (40-1/2" high)		1518
DVAEP18 (31-1/2" high)		1297
DVAEP21 (31-1/2" high)		1297
DTVAEP18 (34-1/2" high)		1297
DTVAEP21 (34-1/2" high)		1297
DDAEP18 (28-1/2" high)		1297
DDAEP21 (28-1/2" high)		1297
DDAEP24 (28-1/2" high)		1297

Decorative Tall End Panel

Cat. Code		Price
DTAEP1284 (84" high)		1406
DTAEP1884 (84" high)		1938
DTAEP2184 (84" high)		1938
DTAEP2484 (84" high)		2114
DTAEP1290 (90" high)		1507
DTAEP1890 (90" high)		2027
DTAEP2190 (90" high)		2027
DTAEP2490 (90" high)		2319
DTAEP1293 (93" high)		1507
DTAEP1893 (93" high)		2027
DTAEP2193 (93" high)		2027
DTAEP2493 (93" high)		2319
DTAEP1296 (96" high)		1507
DTAEP1896 (96" high)		2027
DTAEP2196 (96" high)		2027
DTAEP2496 (96" high)		2319
DTAEP12120 (120" high)		2259
DTAEP18120 (120" high)		3040
DTAEP21120 (120" high)		3040
DTAEP24120 (120" high)		3477

NOTE: Panels over 96" high are **not** available in Rustic Hickory.

Flush Toe Space End Panel, FTSEP	\$.96
Cut to Size, CTS	N/C
Increase Depth, IDAdd 30% to Panel Price

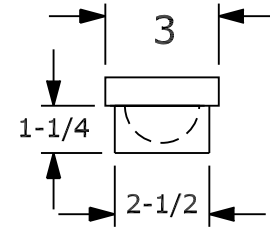


90314 - Pilaster Fillers

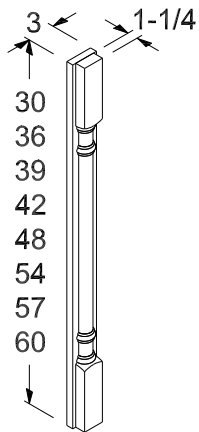
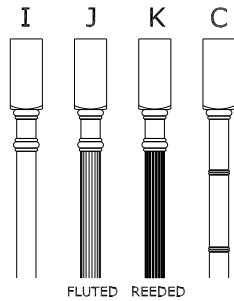
- Specify style of Pilaster (I - Plain, J - Fluted, K - Reeded, C - Bamboo). Example: PBF34-C
- Pilaster is centered on a 3" filler (1/4" reveal on both sides).

QUOTED MODIFICATIONS ONLY

NOTE: Pilasters are available in standard wood species only

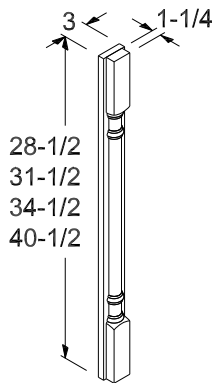


2-1/2" wide Pilaster is attached to a 3" Filler with a 1/4" reveal on both sides



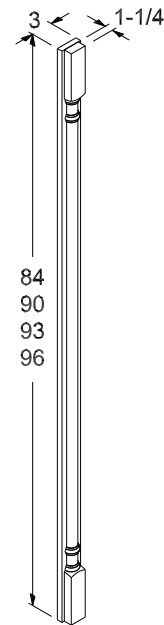
Wall Pilaster Filler

Cat. Code	Price
PWF30	483
PWF36	503
PWF39	529
PWF42	529
PWF48	604
PWF54	609
PWF57	615
PWF60	615



Base Pilaster Filler

Cat. Code	Price
PBF28 (28-1/2" high)	483
PBF31 (31-1/2" high)	483
PBF34 (34-1/2" high)	483
PBF40 (40-1/2" high)	529



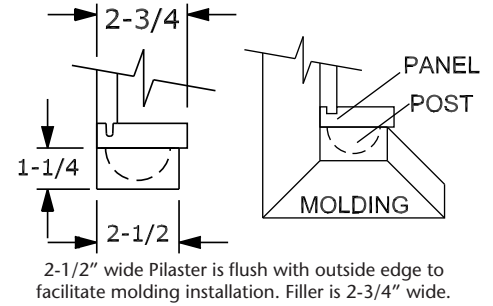
Tall Pilaster Filler

Cat. Code	Price
PTF84	747
PTF90	760
PTF93	760
PTF96	760



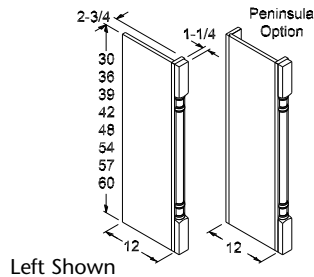
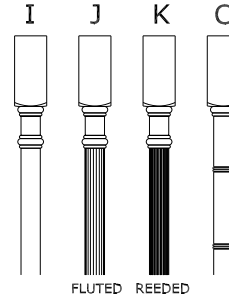
90316 - Pilaster End Panels

- Specify style of Pilaster (I - Plain, J - Fluted, K - Reeded, C - Bamboo)
Example: PWEPP30-I
- Specify Left or Right End Panel.
- Finished End is standard.**
- Flush toe space is standard for Base and Tall End Panels.**
- Interior side of End Panel is **not** finished. To finish interior side, specify **ISF**. Method of assembly is visible.
- Specify **CTS** to decrease height and/or depth **only** and indicate dimensions.
- Specify **ID** to increase depth up to 30" deep.
- Specify **PEP**, Peninsula End Panel, to add a finished Filler on the back side.
- Specify **PEPP** to add a finished Filler and Pilaster on back side.



ALL OTHER MODIFICATIONS MUST BE QUOTED

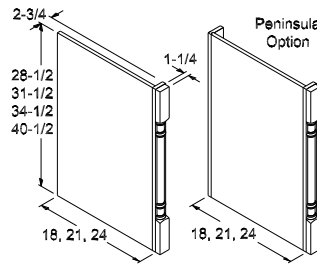
NOTE: Pilasters are available in standard wood species **only**



Left Shown

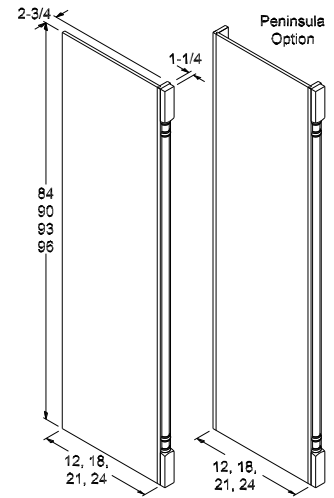
Wall Pilaster End Panel

Cat. Code	Price
PWEPP30	L/R 574
PWEPP36	L/R 590
PWEPP39	L/R 608
PWEPP42	L/R 608
PWEPP48	L/R 672
PWEPP54	L/R 695
PWEPP57	L/R 718
PWEPP60	L/R 718



Base Pilaster End Panel

Cat. Code	Price
28-1/2" High	
PBEPP28-18	L/R 667
PBEPP28-21	L/R 667
PBEPP28-24	L/R 667
31-1/2" High	
PBEPP31-18	L/R 667
PBEPP31-21	L/R 667
PBEPP31-24	L/R 667
34-1/2" High	
PBEPP34-18	L/R 667
PBEPP34-21	L/R 667
PBEPP34-24	L/R 667
40-1/2" High	
PBEPP40-18	L/R 681
PBEPP40-21	L/R 681
PBEPP40-24	L/R 681



Tall Pilaster End Panel

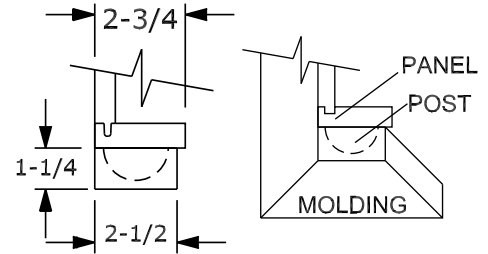
Cat. Code	Price
84" High	
PTEPP84-12	L/R 822
PTEPP84-18	L/R 910
PTEPP84-21	L/R 997
PTEPP84-24	L/R 1085
90" High	
PTEPP90-12	L/R 857
PTEPP90-18	L/R 956
PTEPP90-21	L/R 1054
PTEPP90-24	L/R 1152
93" High	
PTEPP93-12	L/R 857
PTEPP93-18	L/R 956
PTEPP93-21	L/R 1054
PTEPP93-24	L/R 1152
96" High	
PTEPP96-12	L/R 857
PTEPP96-18	L/R 956
PTEPP96-21	L/R 1054
PTEPP96-24	L/R 1152

Interior Side Finished, ISF	\$261
Cut to Size, CTS	N/C
Increase Depth, ID	Add 30% to Panel Price
Peninsula End Panel, PEP	Add \$140 to Panel Price
Peninsula End Panel with Pilaster, PEPP	Add \$567 to Panel Price



90318 - Pilaster Decorative End Panels

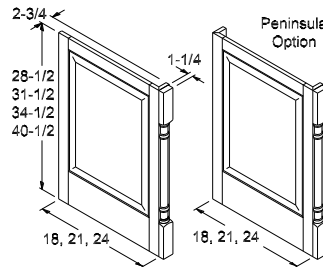
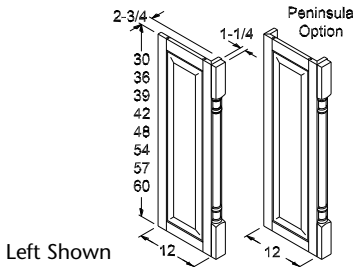
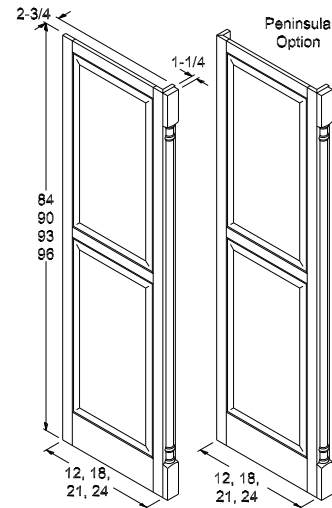
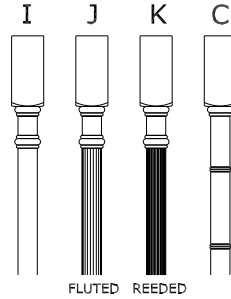
- Specify style of Pilaster (I - Plain, J - Fluted, K - Reeded, C - Bamboo)
Example: PDWEP30-I
- Specify Left or Right End Panel.
- Decorative panel insert will match the door style specified for the order.
Exception: Mitered door styles will be mortise and tenon construction and only the insert panel will match.
- Flush toe space is standard for Base and Tall End Panels.
- Interior side of End Panel is not finished. If interior side is to be finished, specify "Interior Side Finished" - **ISF** on order. Method of assembly is still visible.
- Specify **CTS** to decrease height or depth only and indicate needed dimension(s).
Minimum depth is 8-1/2".
- Specify **ID** to increase depth. **Maximum** depth of End Panel with single-width insert is 27".
- Specify **PEP**, Peninsula End Panel, to add a finished Filler on the back side.
- Specify **PEPP** to add a finished Filler and Pilaster on back side.



2-1/2" wide Pilaster is flush with outside edge to facilitate molding installation. Filler is 2-3/4" wide.

ALL OTHER MODIFICATIONS MUST BE QUOTED

NOTE: Pilasters are available in standard wood species only



Wall Pilaster End Panel

Cat. Code	Price
PDWEP30	L/R 894
PDWEP36	L/R 943
PDWEP39	L/R 990
PDWEP42	L/R 990
PDWEP48	L/R 1143
PDWEP54	L/R 1189
PDWEP57	L/R 1237
PDWEP60	L/R 1237

Base Pilaster End Panel

Cat. Code	Price
28-1/2" High	
PDBEP28-18	L/R 1203
PDBEP28-21	L/R 1203
PDBEP28-24	L/R 1203
31-1/2" High	
PDBEP31-18	L/R 1203
PDBEP31-21	L/R 1203
PDBEP31-24	L/R 1203
34-1/2" High	
PDBEP34-18	L/R 1203
PDBEP34-21	L/R 1203
PDBEP34-24	L/R 1203
40-1/2" High	
PDBEP40-18	L/R 1412
PDBEP40-21	L/R 1412
PDBEP40-24	L/R 1412

Tall Pilaster End Panel

Cat. Code	Price
84" High	
PDTEP84-12	L/R 1522
PDTEP84-18	L/R 2020
PDTEP84-21	L/R 2104
PDTEP84-24	L/R 2187
90" High	
PDTEP90-12	L/R 1615
PDTEP90-18	L/R 2194
PDTEP90-21	L/R 2238
PDTEP90-24	L/R 2375
93" High	
PDTEP93-12	L/R 1615
PDTEP93-18	L/R 2194
PDTEP93-21	L/R 2238
PDTEP93-24	L/R 2375
96" High	
PDTEP96-12	L/R 1615
PDTEP96-18	L/R 2194
PDTEP96-21	L/R 2238
PDTEP96-24	L/R 2375

NOTE: Panels over 48" high have 2 equally sized insert panels.

Interior Side Finished, ISF	\$261
Cut to Size, CTSN/C
Increase Depth, ID	Add 30% to Panel Price
Peninsula End Panel, PEP	Add \$140 to Panel Price
Peninsula End Panel with Pilaster, PEPP	Add \$567 to Panel Price



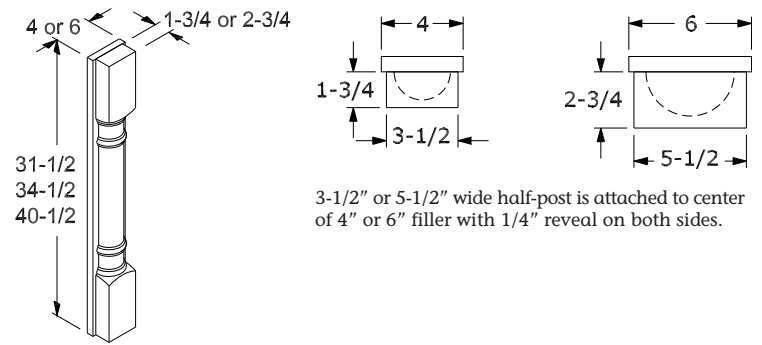
90324 - Turned Post Base Fillers

- Specify style of Turned Post from [Section #82400](#).
Example: TP3BF34-A2

QUOTED MODIFICATIONS ONLY

Cat. Code	Price
3-1/2"	
TP3BF31	600*
TP3BF34	619*
TP3BF40	691*
5-1/2"	
TP5BF31	928*
TP5BF34	955*
TP5BF40	1118*

*Pricing shown is a "base price". Select a Turned Post style (see [Section #82400](#)) and add appropriate style upcharge.



3-1/2" or 5-1/2" wide half-post is attached to center of 4" or 6" filler with 1/4" reveal on both sides.

NOTE: Turned Posts are available in standard wood species **only**

90326 - Turned Post Base End Panels

- Specify style of Turned Post from page [Section #82400](#). Example: TP3BEP31-18-A2
- Specify Left or Right End Panel.
- Flush toe space and Finished End are standard.**
- Interior side of End Panel is not finished. Specify **ISF** to finish interior side. Method of assembly is visible.
- Specify **CTS** for depth cut down **only** and indicate dimension.
- Specify **ID** to increase depth up to 36".
- Specify **PEP**, Peninsula End Panel, to add a finished Filler on the back side.
- Specify **PEPTP** to add a finished Filler and Turned Post on back side.

ALL OTHER MODIFICATIONS MUST BE QUOTED

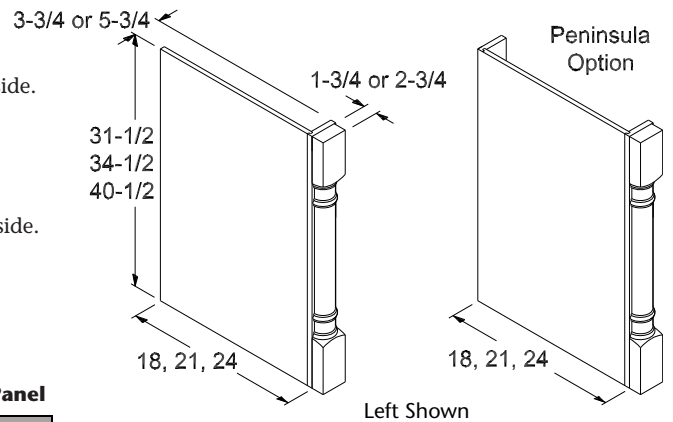
3-1/2" Turned Post Base End Panel

Cat. Code	Price
31-1/2" High	
TP3BEPP31-18	L/R 693*
TP3BEPP31-21	L/R 712*
TP3BEPP31-24	L/R 784*
34-1/2" High	
TP3BEPP34-18	L/R 712*
TP3BEPP34-21	L/R 731*
TP3BEPP34-24	L/R 803*
40-1/2" High	
TP3BEPP40-18	L/R 871*
TP3BEPP40-21	L/R 895*
TP3BEPP40-24	L/R 979*

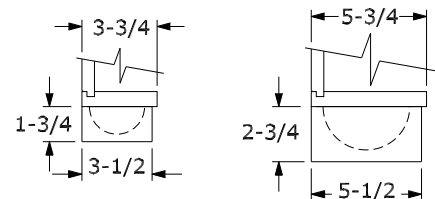
5-1/2" Turned Post Base End Panel

Cat. Code	Price
31-1/2" High	
TP5BEPP31-18	L/R 1042
TP5BEPP31-21	L/R 1060*
TP5BEPP31-24	L/R 1130*
34-1/2" High	
TP5BEPP34-18	L/R 1067*
TP5BEPP34-21	L/R 1085*
TP5BEPP34-24	L/R 1158*
40-1/2" High	
TP5BEPP40-18	L/R 1319*
TP5BEPP40-21	L/R 1343*
TP5BEPP40-24	L/R 1428*

*Pricing shown is a "base price". Select a Turned Post style (see [Section #82400](#)) and add appropriate style upcharge.



NOTE: Turned Posts are available in standard wood species **only**



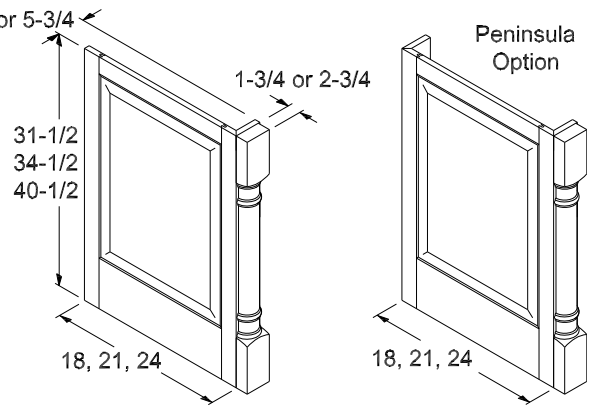
3-1/2" or 5-1/2" wide half-post is attached flush with outside edge to facilitate molding installation. Overall width of filler is 3-3/4" or 5-3/4"

Interior Side Finished, ISF	\$261
Cut to Size, CTS	N/C
Increase Depth, ID	Add 30% to Panel Price
Peninsula End Panel, PEP	Add \$140 to Panel Price
Peninsula End Panel with 3-1/2" Turned Post, PEPTP3	Add \$695 to Panel Price + Applicable Turned Post upcharge
Peninsula End Panel with 5-1/2" Turned Post, PEPTP5	Add \$1130 to Panel Price + Applicable Turned Post upcharge



90328 - Turned Post Decorative Base End Panels

- Specify style of Turned Post from [page 10-18](#). Example: TP3DBEP34-18-A2
- Specify Left or Right End Panel.
- Decorative panel insert will match the door style specified for the order.
Exception: Mitered door styles will be mortise and tennon construction and only the insert panel will match.
- Flush toe space is standard.
- Interior side of End Panel is not finished. Specify **ISF** to finish interior side. Method of assembly is still visible.
- Specify **CTS** for depth cut down **only** and indicate dimension.
Minimum depth is 8-1/2".
- Specify **ID** to increase depth. **Maximum** depth of Decorative End Panel with single panel width is 27".
- Specify **PEP**, Peninsula End Panel, to add a finished Filler on the back side.
- Specify **PEPTP** to add a finished Filler and Turned Post on back side.



Left Shown

ALL OTHER MODIFICATIONS MUST BE QUOTED

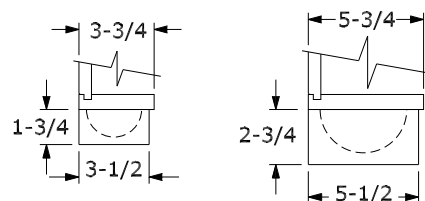
NOTE: Turned Posts are available in standard wood species **only**

3-1/2" Turned Post Base End Panel

Cat. Code	Price
31-1/2" High	
TP3DBEP31-18	L/R 1249*
TP3DBEP31-21	L/R 1297*
TP3DBEP31-24	L/R 1322*
34-1/2" High	
TP3DBEP34-18	L/R 1269*
TP3DBEP34-21	L/R 1315*
TP3DBEP34-24	L/R 1358*
40-1/2" High	
TP3DBEP40-18	L/R 1515*
TP3DBEP40-21	L/R 1567*
TP3DBEP40-24	L/R 1638*

5-1/2" Turned Post Base End Panel

Cat. Code	Price
31-1/2" High	
TP5DBEP31-18	L/R 1643*
TP5DBEP31-21	L/R 1687*
TP5DBEP31-24	L/R 1734*
34-1/2" High	
TP5DBEP34-18	L/R 1685*
TP5DBEP34-21	L/R 1731*
TP5DBEP34-24	L/R 1778*
40-1/2" High	
TP5DBEP40-18	L/R 2054*
TP5DBEP40-21	L/R 2082*
TP5DBEP40-24	L/R 2162*



3-1/2" or 5-1/2" wide half-post is attached flush with outside edge to facilitate molding installation. Overall width of filler is 3-3/4" or 5-3/4"

*Pricing shown is a "base price". Select a Turned Post style (see [page 10-18](#)) and add appropriate style upcharge.

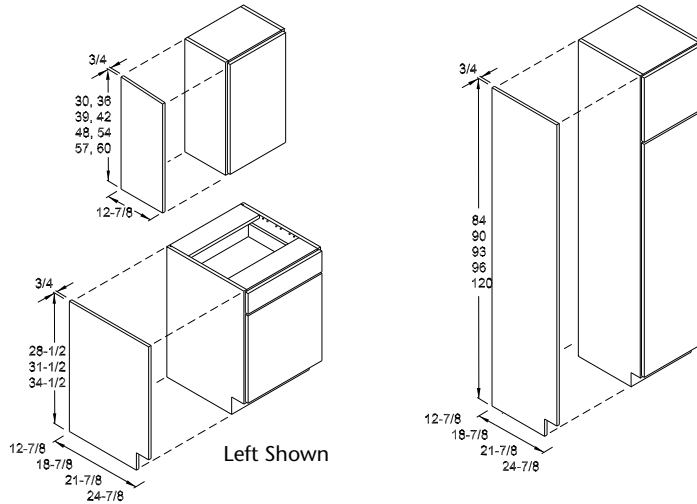
Interior Side Finished, ISF	\$261
Cut to Size, CTS	N/C
Increase Depth, ID	Add 30% to Panel Price
Peninsula End Panel, PEP	Add \$140 to Panel Price
Peninsula End Panel with 3-1/2" Turned Post, PEPTP3	Add \$695 to Panel Price + Applicable Turned Post upcharge
Peninsula End Panel with 5-1/2" Turned Post, PEPTP5	Add \$1130 to Panel Price + Applicable Turned Post upcharge



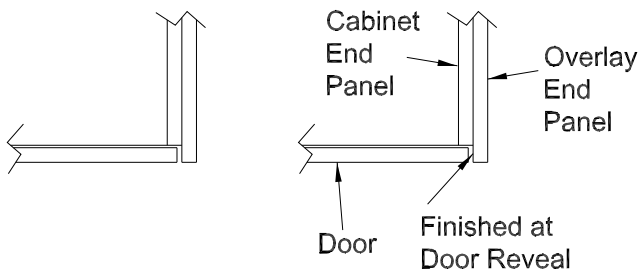
90340 - Overlay End Panels

- Specify Overlay End Panel left or right.
- **Maximum** width = 36".
- **Overlay End Panels are finished both sides as standard.**
- Overlay End Panel is designed for "flush with face" of door and/or drawer on cabinetry installation.
- Front edge of overlay end panel is edge banded and finished to match order.
- Recessed toe notch is standard. Specify **FTSNC** for a Flush Toe Space if needed.
- Specify **CTS** to decrease height or depth **only** and indicate needed dimension(s).
- Overlay end panels are shipped loose for **field installation**.
- Peninsula Overlay End Panel has a recessed toe notch on **both** the front and back edges of the panel. **Both** front and back edges of the panel and toe area are edge banded and finished to match order.

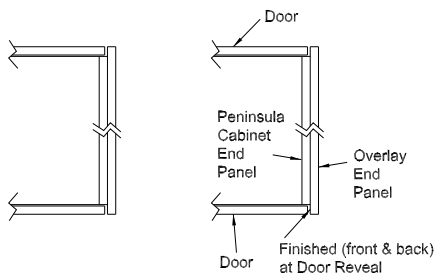
ALL OTHER MODIFICATIONS MUST BE QUOTED



Standard Overlay End Panel



Peninsula Overlay End Panel



Cabinet Depth	OEP Depth	POEP Depth
12"	12-7/8"	13-3/4"
18"	18-7/8"	19-3/4"
21"	21-7/8"	22-3/4"
24"	24-7/8"	25-3/4"

- For Peninsula applications, specify the letter **P** before the code. **Example: POEPWW30.**

Furniture Board

Cat. Code		Price
Overlay End Panels Wall		
OEPWW30	L/R	104
OEPWW36	L/R	123
OEPWW39	L/R	145
OEPWW42	L/R	145
OEPWW48	L/R	163
OEPWW54	L/R	186
OEPWW57	L/R	205
OEPWW60	L/R	205
Overlay End Panel Base		
OEPWB	L/R	237
OEPWBS	L/R	136
Overlay End Panel Tall		
OEPWT1284	L/R	286
OEPWT1884	L/R	499
OEPWT2184	L/R	499
OEPWT2484	L/R	570
OEPWT1290	L/R	322
OEPWT1890	L/R	563
OEPWT2190	L/R	563
OEPWT2490	L/R	644
OEPWT1293	L/R	322
OEPWT1893	L/R	563
OEPWT2193	L/R	563
OEPWT2493	L/R	644
OEPWT1296	L/R	322
OEPWT1896	L/R	563
OEPWT2196	L/R	563
OEPWT2496	L/R	644
Overlay End Panels Vanity		
OEPWV12	L/R	181
OEPWV18	L/R	181
OEPWV21	L/R	181
OEPWTV18	L/R	237
OEPWTV21	L/R	237
Overlay End Panels Desk		
OEPWD18	L/R	181
OEPWD21	L/R	181
OEPWD24	L/R	181

Plywood

Cat. Code		Price
Overlay End Panels Wall		
OEPPW30	L/R	126
OEPPW36	L/R	149
OEPPW39	L/R	175
OEPPW42	L/R	175
OEPPW48	L/R	198
OEPPW54	L/R	226
OEPPW57	L/R	248
OEPPW60	L/R	248
Overlay End Panel Base		
OEPPB	L/R	286
OEPPBS	L/R	164
Overlay End Panel Tall		
OEPTT1284	L/R	345
OEPTT1884	L/R	601
OEPTT2184	L/R	601
OEPTT2484	L/R	688
OEPTT1290	L/R	390
OEPTT1890	L/R	678
OEPTT2190	L/R	678
OEPTT2490	L/R	777
OEPTT1293	L/R	390
OEPTT1893	L/R	678
OEPTT2193	L/R	678
OEPTT2493	L/R	777
OEPTT1296	L/R	390
OEPTT1896	L/R	678
OEPTT2196	L/R	678
OEPTT2496	L/R	777
OEPTT12120	L/R	584
OEPTT18120	L/R	1019
OEPTT21120	L/R	1019
OEPTT24120	L/R	1165
Overlay End Panels Vanity		
OEPPV12	L/R	219
OEPPV18	L/R	219
OEPPV21	L/R	219
OEPPTV18	L/R	286
OEPPTV21	L/R	286
Overlay End Panels Desk		
OEPPD18	L/R	219
OEPPD21	L/R	219
OEPPD24	L/R	219

NOTE: Exotic Veneers, Foils, Acrylics and High Pressure Laminate are **not** available with plywood.

NOTE: Tall Overlay End Panels over 96" are manufactured with plywood **only** and are **not** available with Rustic Hickory, Acrylics, Foils or High Pressure Laminates.

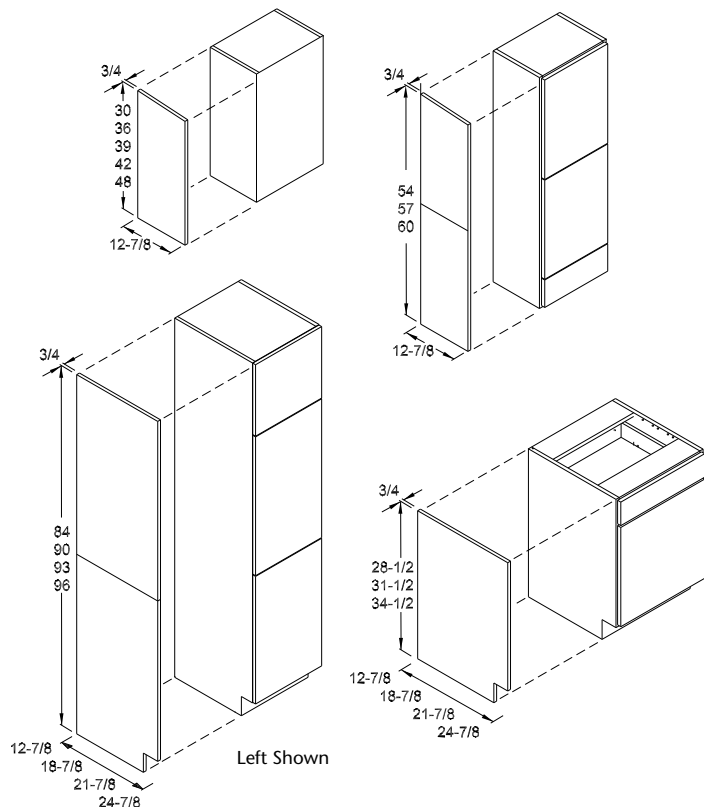
Flush Toe Space No Charge, **FTSNC**N/C
 Cut to Size, **CTS**N/C
 Increase Depth, **ID** **Add 30% to Panel Price**



90342 - Overlay End Panels - Horizontal Grain for Foils

- Foil doors or panels with horizontal grain are limited in height to 48". For all panels over 48", the Overlay End Panel is supplied equally split and banded on three sides with no reveal. (A Finished End on the cabinet is not needed since it will be covered by the Overlay End Panel.)
- For Horizontal Grain Veneers, order standard Overlay End Panels which are available full height in all standard sizes.
- Specify Overlay End Panel left or right.
- **Overlay End Panels are finished both sides as standard, except for Wired Foils and Acrylics which have a complementary matte color on the back side.**
- Overlay End Panel is designed for "flush with face" of door and/or drawer on cabinetry installation.
- Front edge of overlay end panel is edgebanded to match the case edgebanding.
- Recessed toe notch is standard. Specify **FTSNC** for a Flush Toe Space if needed. (Not recommended for Wired Foils and Acrylics because the complementary matte color on the back will be visible in the toe area.)
- Specify **CTS** to decrease height or depth **only** and indicate needed dimension(s).
- Overlay end panels are shipped loose for **field installation**.
- Peninsula Overlay End Panel has a recessed toe notch on **both** the front and back edges of the panel. **Both** front and back edges of the panel and toe area are edge banded in material and finish to match order.
- For any other configurations or sizes, order as loose panels (Section #90765).
- Core is Furniture Board or MDF. Plywood is **not** available.

ALL OTHER MODIFICATIONS MUST BE QUOTED

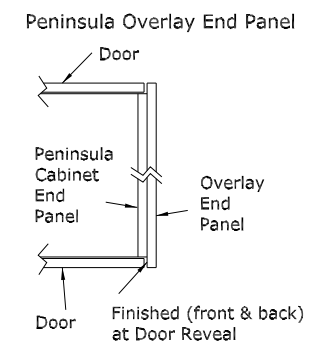
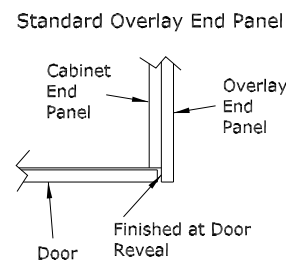


Cabinet Depth	OEP Depth	POEP Depth
12"	12-7/8"	13-3/4"
18"	18-7/8"	19-3/4"
21"	21-7/8"	22-3/4"
24"	24-7/8"	25-3/4"

Standard	
Cat. Code	Price
Overlay End Panels Wall	
OEPHW30	241
OEPHW36	286
OEPHW39	311
OEPHW42	334
OEPHW48	382
OEPHW54	430
OEPHW57	453
OEPHW60	478
Overlay End Panel Base	
OEPHB	529
OEPHBS	276
Overlay End Panel Tall	
OEPHT1284	668
OEPHT1884	978
OEPHT2184	1133
OEPHT2484	1288
OEPHT1290	716
OEPHT1890	1047
OEPHT2190	1214
OEPHT2490	1379
OEPHT1293	739
OEPHT1893	1082
OEPHT2193	1255
OEPHT2493	1426
OEPHT1296	763
OEPHT1896	1118
OEPHT2196	1295
OEPHT2496	1473
Overlay End Panels Vanity	
OEPHV12	251
OEPHV18	368
OEPHV21	426
OEPHTV18	403
OEPHTV21	467
Overlay End Panels Desk	
OEPHD18	333
OEPHD21	385
OEPHD24	439

Peninsula	
Cat. Code	Price
Overlay End Panels Wall	
POEPHW30	241
POEPHW36	286
POEPHW39	311
POEPHW42	334
POEPHW48	382
POEPHW54	430
POEPHW57	453
POEPHW60	478
Overlay End Panel Base	
POEPHB	529
POEPHBS	276
Overlay End Panel Tall	
POEPHT1284	668
POEPHT1884	978
POEPHT2184	1133
POEPHT2484	1288
POEPHT1290	716
POEPHT1890	1047
POEPHT2190	1214
POEPHT2490	1379
POEPHT1293	739
POEPHT1893	1082
POEPHT2193	1255
POEPHT2493	1426
POEPHT1296	763
POEPHT1896	1118
POEPHT2196	1295
POEPHT2496	1473
Overlay End Panels Vanity	
POEPHV12	251
POEPHV18	368
POEPHV21	426
POEPHTV18	403
POEPHTV21	467
Overlay End Panels Desk	
POEPHD18	333
POEPHD21	385
POEPHD24	439

Flush Toe Space No Charge, **FTSNC**N/C
 Cut to Size, **CTS**N/C
 Increase Depth, **ID** **Add 30% to Panel Price**



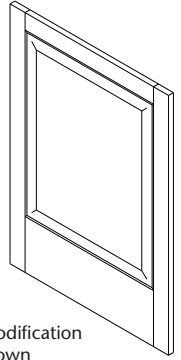


90350 - Decorative Overlay End Panels

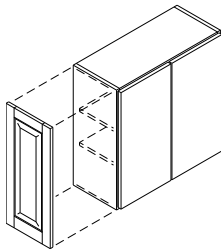
- Decorative Overlay End Panels have a **single-width** insert panel and match the door style specified for the order.
Exception: Mitered doors have mortise and tenon construction and only the insert panel matches the door style.
- Shipped **loose** for **field installation** to the end of a cabinet.
- Both vertical edge receive 1/8" radius. Top and bottom edges are squared and finished to match order.
- Non-standard sizes are available. **Maximum** depth of DOEP with a single panel in width is 27".
- Minimum** depth is 8-1/2". **Minimum** height is 9-1/4" with square inserts or 12-1/4" with arched inserts.
- For Peninsula wall or base applications, specify **P** before the code at no charge.
- On Base, Vanity, Tall, and Desk Decorative Overlay End Panels, lineal toe board must be returned back along side of cabinet to cover unfinished end of cabinet. Specify **FTSEP** to increase the bottom rail by 4-1/2" for a flush toe application. Toe notch must be field cut if needed.

NOTE: Available in standard wood species only

ALL OTHER MODIFICATIONS MUST BE QUOTED



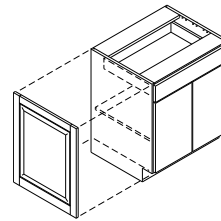
FTSEP modification shown



- For Peninsula applications, specify the letter **P** before the code. **PDOEPW** will be **13-3/4" DEEP**.

Wall Decorative Overlay End Panels

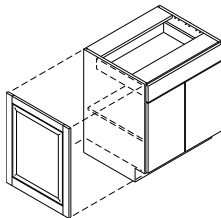
Cat. Code	Price
12-7/8" Deep	
DOEPW24	182
DOEPW30	229
DOEPW36	273
DOEPW39	320
DOEPW42	320
DOEPW48	403
DOEPW54	451
DOEPW57	500
DOEPW60	500
18-7/8" Deep	
DOEPW48-18	604
DOEPW54-18	676
DOEPW57-18	751
DOEPW60-18	751
21-7/8" Deep	
DOEPW48-21	704
DOEPW54-21	788
DOEPW57-21	874
DOEPW60-21	874



- For Peninsula applications, specify the letter **P** before the code. **PDOEPB** will be **25-3/4" DEEP**.

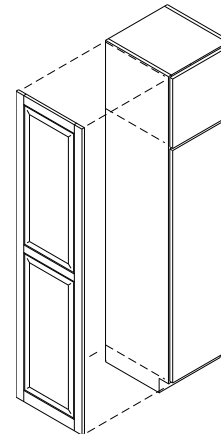
Base Decorative Overlay End Panels

Cat. Code	Price
12-7/8" Deep, 30" high (for 34-1/2" high base)	
DOEPBS	273
24-7/8" Deep, 30" high (for 34-1/2" high base)	
DOEPB	545
12-7/8" Deep, 36" high (for 40-1/2" high base)	
DOEPBS-40	273
24-7/8" Deep, 36" high (for 40-1/2" high base)	
DOEPB-40	545



Vanity/Desk Decorative Overlay End Panels

Cat. Code	Price
24" high for 28-1/2" desk cabinets	
DOEPD18	307
DOEPD21	359
DOEPD24	452
27" high for 31-1/2" vanity or desk cabinets	
DOEPV18	307
DOEPV21	359
DOEPV24	452
30" high for 34-1/2" tall vanity cabinets	
DOEPTV18	348
DOEPTV21	405



Tall and Linen Decorative Overlay End Panels

Cat. Code	Price
79-1/2" high for use on 84" tall cabinets	
DOEPT1284	635
DOEPT1884	908
DOEPT2184	1059
DOEPT2484	1270
85-1/2" high for use on 90" tall cabinets	
DOEPT1290	682
DOEPT1890	977
DOEPT2190	1138
DOEPT2490	1360
88-1/2" high for use on 93" tall cabinets	
DOEPT1293	725
DOEPT1893	1043
DOEPT2193	1218
DOEPT2493	1451
91-1/2" high for use on 96" tall cabinets	
DOEPT1296	725
DOEPT1896	1043
DOEPT2196	1218
DOEPT2496	1451
115-1/2" high (for use on 120" high applications)	
DOEPT12120	1088
DOEPT18120	1565
DOEPT21120	1826
DOEPT24120	2176

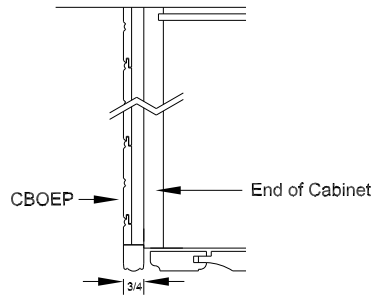
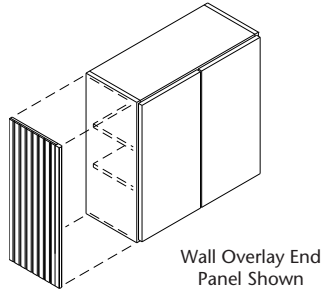
NOTE: Decorative Overlay End Panels over 48" high have 2 equal size panels in height.

Flush Toe Space End Panel (Specify Left or Right), FTSEP	\$96
Cut to Size, CTS	N/C
Increase Depth, ID	Add 30% to Panel Price

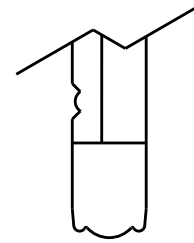


90355 - Cottage Bead Overlay End Panel

- CBOEP has Bead Board Molding (BBM) installed on **one** side. Panel depth is 7/8" deeper than the cabinet (including the nosing).
- For a Peninsula panel, specify **P** in front of the code. (Example: Peninsula Cottage Bead Overlay End Panel = **P**CBOEP).
- Peninsula CPOEP is 1-3/4" deeper than standard cabinet depth and has nosing on both edges.
- Interior side of panel is finished approximately 4" back from front edge. Specify **ISF** to finish entire interior side.
- Toe notch must be field cut by the installer.
- Non-standard sizes are available. **Maximum** depth = 36".
- Shipped loose for field installation.
- For loose pieces of **Bead Board Molding (BBM)**, see the Molding section.



Nosing Profile Pattern



Wall Cottage Bead Overlay End Panels

Cat. Code	Price
12-7/8" Deep	
CBOEPW24B	203
CBOEPW30B	249
CBOEPW36B	297
CBOEPW39B	343
CBOEPW42B	343
CBOEPW48B	391
CBOEPW54B	436
CBOEPW57B	481
CBOEPW60B	481
18-7/8" Deep	
CBOEPW48-18B	616
CBOEPW54-18B	689
CBOEPW57-18B	765
CBOEPW60-18B	765
21-7/8" Deep	
CBOEPW48-21B	718
CBOEPW54-21B	801
CBOEPW57-21B	889
CBOEPW60-21B	889

Base Cottage Bead Overlay End Panels

Cat. Code	Price
12-7/8" Deep, 34-1/2" high	
CBOEPBSB	287
24-7/8" Deep, 34-1/2" high	
CBOEPBB	558

Tall Cottage Bead Overlay End Panels

Cat. Code	Price
84" High	
CBOEPT1284B	649
CBOEPT1884B	922
CBOEPT2184B	1073
CBOEPT2484B	1284
90" High	
CBOEPT1290B	696
CBOEPT1890B	990
CBOEPT2190B	1152
CBOEPT2490B	1388
93" High	
CBOEPT1293B	739
CBOEPT1893B	1057
CBOEPT2193B	1231
CBOEPT2493B	1465
96" High	
CBOEPT1296B	739
CBOEPT1896B	1057
CBOEPT2196B	1231
CBOEPT2496B	1465

Vanity/Desk Cottage Bead Overlay End Panels

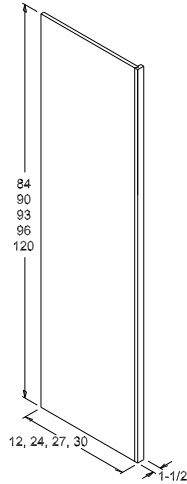
Cat. Code	Price
28-1/2" High	
CBOEPD18B	321
CBOEPD21B	371
CBOEPD24B	466
31-1/2" High	
CBOEPV18B	321
CBOEPV21B	371
CBOEPV24B	466
34-1/2" High	
CBOEPTV18B	362
CBOEPTV21B	419

NOTE: Available in standard wood species **only**

Interior Side Finished, ISFNCN/C
Peninsula Cottage Bead Overlay End Panels (P)N/C
Cut to Size, CTSN/C
Increase Depth, ID Add 30% to Panel Price



90400 - Refrigerator End Closer Panel



- Interior of end panels are Supreme Coat.
- Specify **ID** to increase depth up to 36".
- Specify **CTS** to decrease width, depth and/or height.
- **Minimum** width of face is 1" wide
- Panels over 96" high receive a 3/4" plywood Finished End and are not available in Rustic Hickory.

Furniture Board

Cat. Code	Price
84" Tall	
RECPW1284	345
RECPW2484	588
RECPW2784	647
RECPW3084	706
90" Tall	
RECPW1290	389
RECPW2490	662
RECPW2790	729
RECPW3090	795
93" Tall	
RECPW1293	389
RECPW2493	662
RECPW2793	729
RECPW3093	795
96" Tall	
RECPW1296	389
RECPW2496	662
RECPW2796	729
RECPW3096	795

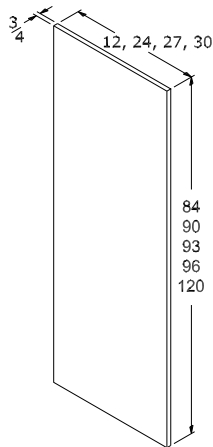
Plywood - Wood Veneer

Cat. Code	Price
84" Tall	
RECPP1284	430
RECPP2484	735
RECPP2784	809
RECPP3084	882
90" Tall	
RECPP1290	485
RECPP2490	826
RECPP2790	909
RECPP3090	992
93" Tall	
RECPP1293	485
RECPP2493	826
RECPP2793	909
RECPP3093	992
96" Tall	
RECPP1296	485
RECPP2496	826
RECPP2796	909
RECPP3096	992
120" Tall	
RECPP12120	727
RECPP24120	1239
RECPP27120	1363
RECPP30120	1487

NOTE: RECP over 96" tall are not available in Exotic Veneers, Acrylics or Foils.

Cut to Size, **CTS** N/C
 Increase Depth, **ID** Add 30% to Panel Price

90425 - Refrigerator End Panel



- 3/4" thick edgebanded panel is finished on both sides.
- Specify **ID** to increase depth up to 36".
- Specify **CTS** to decrease depth and/or height.
- Panels over 96" high are a 3/4" plywood.

NOTE: Available in standard wood species **only**. For Exotic Veneer, Acrylic and Foils use panels in section #90765.

Furniture Board

Cat. Code	Price
84" Tall	
REPW1284	341
REPW2484	587
REPW2784	649
REPW3084	710
90" Tall	
REPW1290	389
REPW2490	670
REPW2790	740
REPW3090	811
93" Tall	
REPW1293	389
REPW2493	670
REPW2793	740
REPW3093	811
96" Tall	
REPW1296	389
REPW2496	670
REPW2796	740
REPW3096	811

Plywood - Wood Veneer

Cat. Code	Price
84" Tall	
REPP1284	392
REPP2484	647
REPP2784	746
REPP3084	817
90" Tall	
REPP1290	447
REPP2490	772
REPP2790	852
REPP3090	933
93" Tall	
REPP1293	447
REPP2493	772
REPP2793	852
REPP3093	933
96" Tall	
REPP1296	447
REPP2496	772
REPP2796	852
REPP3096	933
120" Tall	
REPP12120	671
REPP24120	1158
REPP27120	1278
REPP30120	1399

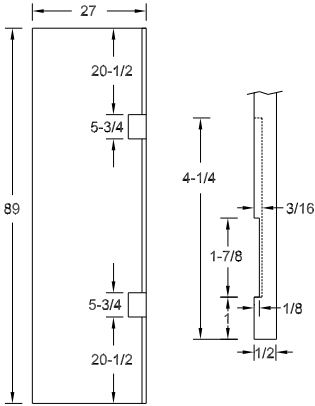
NOTE: REPP over 96" is **not** available in Rustic Hickory.

NOTE: For Exotic Veneers use panels in section #90760

Cut to Size, **CTS** N/C
 Increase Depth, **ID** Add 30% to Panel Price



90450 - Sub-zero(Side) Panel



- SZP is reversible for left or right side application.
- Designed for Sub-Zero Built-In Refrigeration Models (BI Series)
- Interior of end panel is Supreme Coat. Exterior is finished.
- Panel is oversized and may be trimmed in the field.

NOTE: Available in standard wood species only.

Cat. Code	Price
SZP89	598





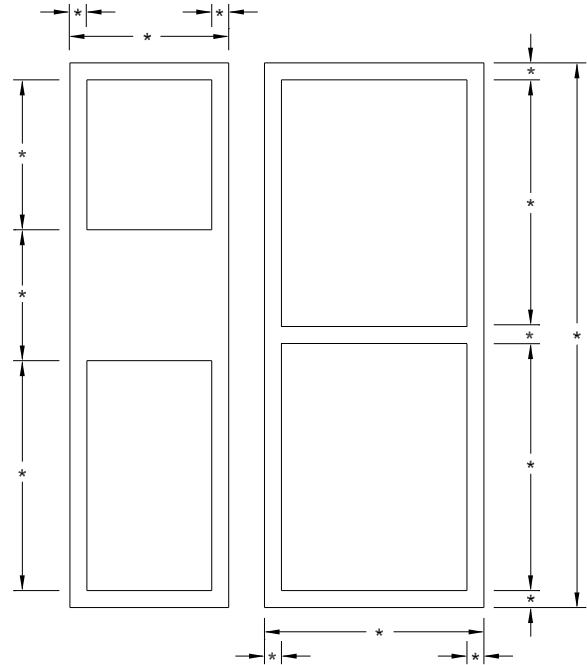
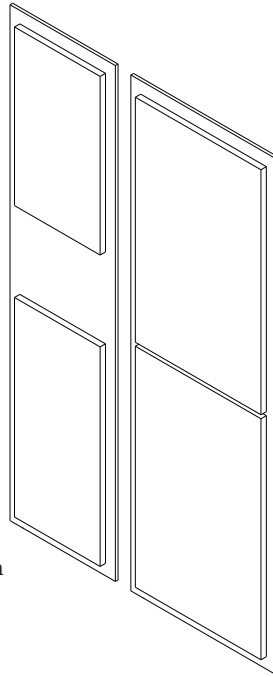
90500 - Refrigerator Door Panels

STANDARD RDP CONFIGURATION:

- Standard RDP has doors mounted on a 1/4" thick back panel.
- Grain direction on back panel is vertical.
- Specify door sizes, reveal around all sides of doors, and overall 1/4" back panel size. See specification example at far right.
- **Maximum** door width with single insert panel is 27".
- See [door style section](#) for door size limitations.

NON-STANDARD RDPNS CONFIGURATION:

1. Custom notches and notch locations in 1/4" back panel
2. Notch in door(s) for handle locations.
3. No reveals. Back panel may be flush with all or some door edges.
4. Negative reveals. Back panel is smaller in width and/or height of doors mounted to panel.
5. Bumpers used as spacers are applied between all doors and back panel.
6. 1/4" back panel may be "hand edge banded" if edges are visible.
7. Modify back panel to be 1/2" or 3/4" thick.
8. Door only.

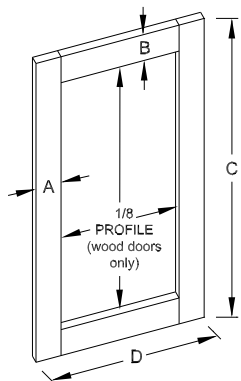


Cat. Code	Price/SQ. FT.
Standard RDP	
RDP	159
Non-standard RDPNS	
RDPNS	199

NOTE: Due to the variety of RDP configurations, all orders must have a specification drawing included (see sample above). All dimensions (indicated by an asterisk in the example) for the back panel, door and reveals must be specified.

NOTE: Appliance manufacturers specification sheets will not be accepted for specification of panel information.

90510 - Wine Storage Frame Only



- Specify overall width and height (dimension "C" and "D"). **Maximum** "C" dimension = 96". **Maximum** "D" dimension = 48".
- Standard frame is 2-1/4" wide stiles and rails unless otherwise specified ("A" and "B" dimensions). **Minimum** "A" or "B" dimension is 2".
- Satin Foil orders are Maple with a coordinating paint finish.
- WSFO is a face frame joint construction (butt joint with pocket screws, screws are visible on frame back) with no insert panel.
- Outside edge profile matches the door style specified for the order unless specified otherwise.
- Decorative hardware is not included or supplied.

QUOTED MODIFICATIONS ONLY

NOTE: Not available for Acrylics and Wired Gloss Foils.

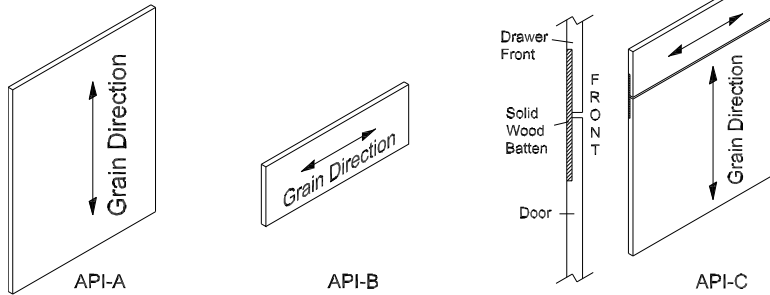
Cat. Code	Price/SQ. FT.
Wine Storage Frame Only	
WSFO	68*

*Square footage is based on "**overall**" dimensions of WSFO.



90550 - Appliance Panels

Integrated



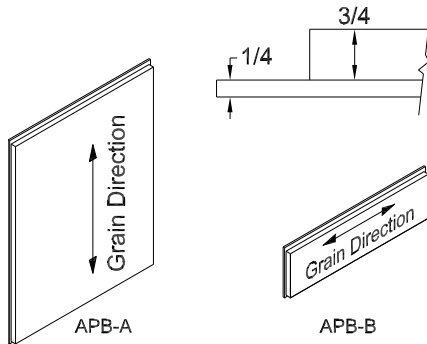
- Specify A, B, or C and overall size.
- 3/4" thick.
- Outside edge profile matches the order unless otherwise specified.
- **Maximum** door width with single insert = 27"
Maximum height = 36"

Cat. Code	Price/SQ. FT.
API-A	119
API-B	119
API-C	157

API-C is available in standard wood species **only**.

NOTE: Appliance manufacturers specification sheets will **not** be accepted for specification of panel information.

With Backer

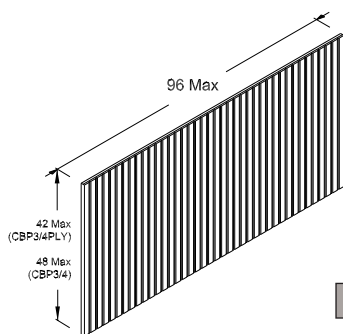


- Specify overall size of back panel and all reveals (i.e. APB-A 24 x 30 with 1/4" reveals all sides)
- Door/drawer front is mounted to a 1/4" finished backer panel.
- Overall thickness is 1" (3/4" door/drawer front + 1/4" back panel).
- Outside edge profile on door/drawer front matches the order unless otherwise specified.
- **Maximum** door width with single insert = 27"
Maximum height = 36"
- Specify Non-Standard (NS) for any configuration not shown and include a sketch.

Cat. Code	Price/SQ. FT.
APB-A	143
APB-B	143

NOTE: Appliance manufacturers specification sheets will **not** be accepted for specification of panel information.

90640 - Cottage Bead Panel (Wainscot)



- Cottage Bead Panels are 3/4" thick overall with Bead Board Molding (BBM) on **one** side. Cottage Bead is **NOT** available on both sides.
- Front side (cottage bead) is finished standard. To finish back side of panel (same species and finish as front side), specify "Back Side Finished", **BSF**.
- Nosing is available for **one** or **both** ends of panel. Overall panel size must include nosing if nosing is selected.
- For loose pieces of **Bead Board Molding (BBM)**, see the Molding section.

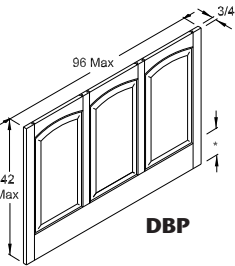
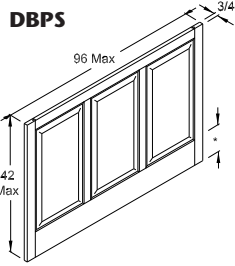
NOTE: Available in standard wood species **only**.

Back Side Finished, **BSF** **Add 10% to panel price**

Cottage Bead Panel (Wainscot), **CBP3/4**
(maximum 96 wide" x 48" high, **not** available in Rustic Hickory) (furniture board core) **\$77 /square foot**
Cottage Bead Panel (Wainscot), **CBP3/4PLY** (maximum 96 wide" x 42" high) (veneered plywood core) . **\$96 /square foot**
Nosing Added, One or Both Ends Same Price, **NOSING-B**..... **\$126/panel**



90650 - Decorative Base Panel (Wainscoting)



- Decorative Base Panels are 3/4" thick with flat or raised insert panel(s) to match the door style.
Exception: For mitered door styles, the size of stiles/rails and the insert panels will match, but the DBPS will be built with mortise and tenon construction.
- Top rail and stiles are sized to match the door style specified for the order. Bottom rail is sized as a "Flush Toe" (4 1/2" + rail width of selected door style). Specify **CSBR** for no charge to convert the bottom rail to match the door style (without the flush toe).
- Available 8-1/2" through 96" wide. Insert panels are equally spaced.
- Face and the two outside vertical edges are finished as standard.
- If **DBPS** or **DBP** is desired with a **variation in specifications**, contact Dura Supreme to verify potential limitations and additional costs.
- Specify **BSFDBP** to finish the back side. Method of assembly is visible on back side.
- Specify Non Standard (NS) to change stile and rail and/or rail dimensions and number or size of panels. For all other variations contact Dura Supreme to verify potential limitations.

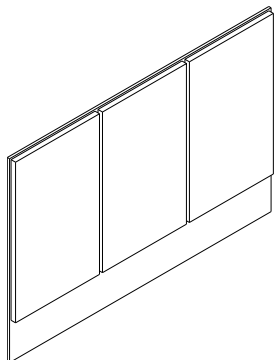
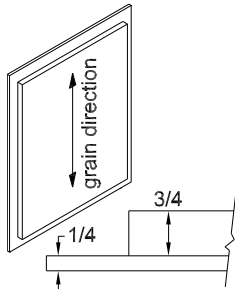
NOTE: Available in standard wood species only.

Panel Size	# of Inserts
Panels 8-1/2" wide up to 24" wide	1 insert
Panels over 24" wide up to 39" wide	2 inserts
Panels over 39" wide up to 60" wide	3 inserts
Panels over 60" wide up to 78" wide	4 inserts
Panels over 78" wide up to 96" wide	5 inserts

* Bottom rail is sized as a "flush toe" and varies to match the door style specified on the order (4 1/2" flush toe + rail width of door style).

Square Top Panel, DBPS	\$104 per square foot
Square Top Panel, Non-Standard DBPSNS	\$117 per square foot
Arched Top Panel, DBP	\$104 per square foot
Arched Top Panel, Non-Standard DBPNS	\$117 per square foot
Back Side Finished, BSFDBP	Add 10% to panel price
Convert to Standard Bottom Rail, CSBR	N/C

90660 - Doors Applied to Panel



- Include a drawing and specify door sizes, reveal around doors, and overall back panel size.
- Doors are mounted on 1/4", 1/2", or 3/4" thick back panels.
- Grain direction on back panel is vertical on 1/4" and 3/4" panels up to a **maximum** of 48" wide. Grain direction is vertical on 1/2" panels up to a **maximum** of 96" wide and 42" high.
- **Maximum** single door width with single insert in width to mount on backer panel is 27".
- See [door style section](#) for limitations in width and height.
- Optional edge banding is available on 1/2" and 3/4" thick panels only, specify **EBA** (Edge Banding Applied) on order.

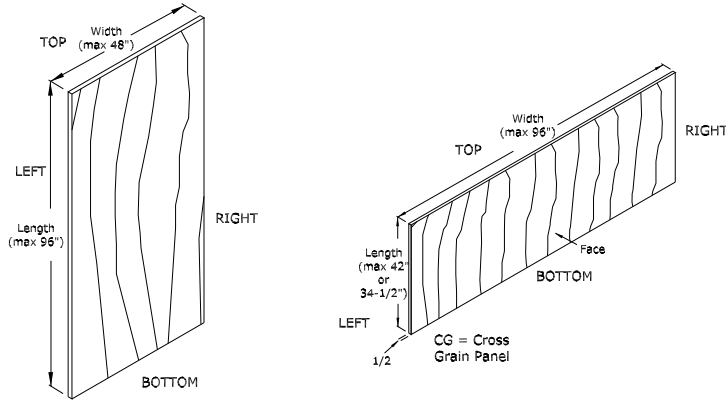
NOTE: All DAP orders **must** have a specification drawing included.

Cat. Code	Price/SQ. FT.
1/4" Backer Panel	
DAP1/4	149
1/2" Backer Panel	
DAP1/2	153
3/4" Backer Panel	
DAP3/4	162

Edge Banding Applied to 1/2" and 3/4" Thick Panels, **EBA** Add 10% per Edge to be Banded



90750 - Pre-finished Wood Panels - Cut To Size



- Specify dimensions in this order; thickness x width x length. **Example: PW 1/2"** (thickness) x **30"** (across grain) x **36"** (with the grain). Grain will run in the same direction as **length dimension**.
- Panels are finished **F1S** (finished on one face) as standard. Specify **F2S** (finish two faces) for an upcharge. If not specified, panels will be supplied **F1S**. Panels have #2 grade veneer on back side - appearance may vary from front "A" grade veneer.
- Optional edge banding is available on 1/2" and 3/4" thick panels **only**, specify **EBA** (Edge Banding Applied) or **EB** (Edge Banding sent loose). Edgebanded edges are always finished.

Wood Panels

- PW1/4** - A2 prefinished panel - MDF - (48" x 96" maximum)
- PW1/2** - A2 prefinished panel - Furniture Board Core - (48" x 96" maximum)
- PW1/2CG** - A2 **cross grain** prefinished panel - Furniture Board Core - (96" x 34-1/2" maximum)
- PW1/2CG42** - A2 **cross grain** prefinished plywood - plywood - (96" x 42" maximum)
- PW3/4** - A2 prefinished panel - Furniture Board Core - (48" x 96" maximum)
- PW3/4VC** - A2 prefinished panel - plywood - (48" x 120" maximum)
- PP32*** - prefinished panel - 1/32" thick veneer - (48" x 96" maximum) **F1S only**.

* this material is **NOT** available with painted finish.

White Supreme Coat Panels

- PSCW3/4** - prefinished panel - Furniture Board Core - (48" x 96" maximum). Supreme Coat two sides **only**.

Natural Maple Supreme Coat Panels

- PSCM3/4** - prefinished panel - Furniture Board Core - (48" x 96" maximum). Supreme Coat two sides **only**.

High Pressure Laminate and Vinyl Panels

- PVW1/4** - White vinyl/face only - Furniture Board Core - (48" x 96" maximum) **F1S only**.
- PVM1/4** - Maple Print vinyl/face only - Furniture Board Core - (48" x 96" maximum) **F1S only**.
- PH1/4** - High pressure/face only - Furniture Board Core - (48" x 96" maximum)
- PH3/4-1S** - High pressure/1 side - Furniture Board Core - (48" x 96" maximum) **F1S only**.
- PH3/4-2S** - High pressure/2 sides - Furniture Board Core - (48" x 96" maximum)
- LP32** - V32 High Pressure Laminate - (48" x 96" maximum)

Wood Panels	
Cat. Code	Price/SQ. FT.
1/32" Thick	
PP32*	32
1/4" Thick	
PW1/4	25
1/2" Thick	
PW1/2	29
PW1/2CG*	35
PW1/2CG42*	51
3/4" Thick	
PW3/4*	38
PW3/4VC	43

White Supreme Coat Panels	
Cat. Code	Price/SQ. FT.
3/4" Thick	
PSCW3/4	16

Natural Maple Print Supreme Coat Panels	
Cat. Code	Price/SQ. FT.
3/4" Thick	
PSCM3/4	16

Laminate or Vinyl Panels	
Cat. Code	Price/SQ. FT.
1/4" Thick	
PVW1/4	10
PVM1/4	10
PH1/4	38
3/4" Thick	
PH3/4-1S	41
PH3/4-2S	45
1/32" Thick	
LP32	23

Optional Edge Banding for 1/2" and 3/4" Thick Panels	
Cat. Code	Price/Lin. FT.
Edge Banding Loose	
EBL	10

***Not** available in Rustic Hickory.

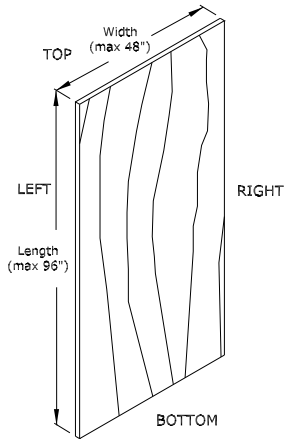
NOTE: See Section# 90765 for Acrylic and Foil panels. See Section# 90760 for Exotic Veneer panels.

Finish Second Face, **F2S** **Add 50% to Panel Price**

Edge Banding Applied to 1/2" and 3/4" Thick Panels, **EBA** **Add 10% per Edge to be Banded**



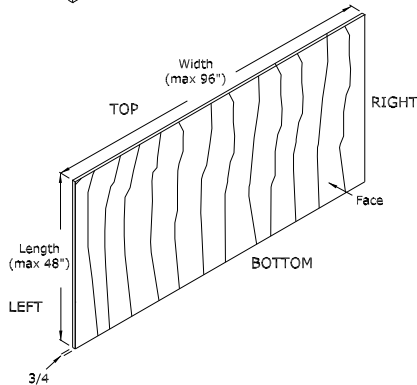
90760 - Exotic Veneer Pre-finished Wood Panels



- Specify dimensions in this order; thickness x width x length. **Example: EVP1/2"** (thickness) x **30"** (across grain) x **36"** (with the grain). Grain will run in the same direction as **length dimension**.
- Panels are priced with Exotic Species Veneer on one side (1S) or two sides (2S) where available (see below for availability). 1S Panels have Exotic Veneer on one face and a Maple veneer on the back. 2S panels have an Exotic Veneer on both faces and are finished on both sides.
- Optional edge banding is available on 1/2" and 3/4" thick panels **only**, specify **EBA** (Edge Banding Applied) or **EBL** (Edge Banding sent loose).
- **Not** available in Veneer Core plywood.

Exotic Veneer Panels

- EVP1/32** - Veneer with Phenolic Back - (48" x 96" maximum - **not** available 96 x 48)
- EVP1/2 -1S** - Veneer 1 Side - prefinished panel - Furniture Board Core - (48" x 96" maximum)
- EVP3/4 -1S** - Veneer 1 Side - prefinished panel - Furniture Board Core - (48" x 96" maximum)
- EVP3/4 -2S** - Veneer 2 Sides - prefinished panel - Furniture Board Core - (48" x 96" maximum)

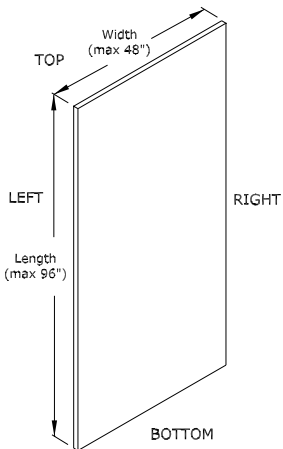


Cat. Code	Price/SQ. FT.
1/32" Thick Veneer with Phenolic Back	
EVP1/32	75
1/2" Thick Panels	
EVP1/2-1S	75
3/4" Thick Panels	
EVP3/4-1S	83
EVP3/4-2S	93

Optional Edge Banding for 1/2" and 3/4" Thick Panels	
Cat. Code	Price/Lin. FT.
Edge Banding Loose	
EBL	10

Edge Banding Applied to 1/2" and 3/4" Thick Panels, **EBA** **Add 10% per Edge to be Banded**

90765 - Acrylic and Foil Pre-finished Panels



- Specify dimensions in this order; thickness x width x length. **Example: CP1/4"** (thickness) x **30"** (across grain) x **36"** (with the grain). Grain will run in the same direction as **length dimension**.
- Panels are priced as one side (1S) or two sides (2S) where available (see below for availability). 1S Panels have material on one face and a Melamine on the back. 2S panels have material on both faces (check availability.)
- Optional edge banding is available on 3/4" thick panels **only**, specify **EBA** (Edge Banding Applied) or **EBL** (Edge Banding sent loose).
- Edge banding always matches face of panel. If contrasting edgeband is needed for Acrylic or Wired Foil, please specify clearly.
- **Not** available in Veneer Core plywood.

Acrylic and Foil Panels

- CP1/4 -1S** - Finished 1 Side - Furniture Board Core - (48" x 96" maximum)
- CP3/4 -1S** - Finished 1 Side - Furniture Board Core - (48" x 96" maximum)
- CP3/4 -2S** - Finished 2 Sides - Furniture Board Core - (48" x 96" maximum)

Cat. Code	Price/SQ. FT.
1/4" Thick Panels	
CP1/4-1S	75
3/4" Thick Panels	
CP3/4-1S	84
CP3/4-2S*	93

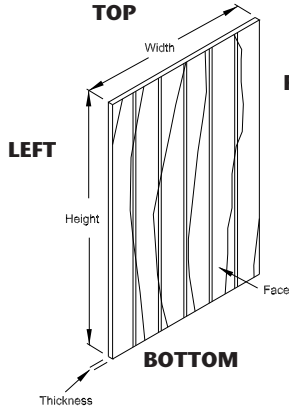
Optional Edge Banding for 3/4" Thick Panels	
Cat. Code	Price/Lin. FT.
Edge Banding Loose	
EBL	10

* **Not** available for Acrylics and Wired Gloss Foils.

Edge Banding Applied to 3/4" Thick Panels, **EBA** **Add 10% per Edge to be Banded**



90800 - V-Grooved Wood Panels - Cut To Size



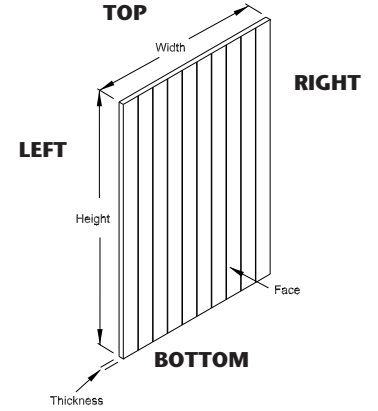
RIGHT

- V-grooved on one face only.
- **Always specify the "cross-grain" dimension first.** Specify the code to designate the thickness, then specify width (cross-grain) x length (with the grain). Example: **VGW2P1/4 x 30"** (cross grain) x **36"**. Grain will run in the same direction as the length dimension.
- Panels are standardly finished **F1S** (finished on one face) as standard. 1/4" Panel is available finished on 2 faces, Specify **F2S** for an upcharge. Panels have #2 grade veneer on back - appearance may vary from front "A" grade veneer.
- Single groove matches Carson V-Groove door.
Double groove coordinates with Craftsman Beaded Panel door.

V-Grooved Panels

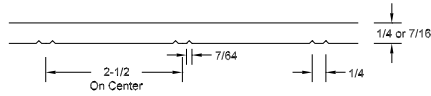
VGW2P1/4 - prefinished panel - MDF Core - (48" x 96" maximum) (**F1S or F2S**)

VGW2P7/16 - prefinished panel - MDF Core - (48" x 96" maximum) (**F1S only**)

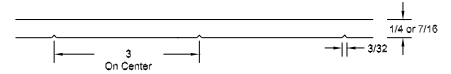


RIGHT

Double



Single



NOTE: "V-Grooved" panels are **not** available in Rustic Hickory.

NOTE: **VGW1P7/16** and **VGW2P7/16** are **not** available in Knotty Alder.

NOTE: "V-Grooved" panels are manufactured from veneered MDF (Medium Density Fiberboard) so that a uniform finish can be achieved in the v-grooves. (V-grooves are **not** available on a plywood panel.)

1/4" Thick V-Grooved GW1 Panel (Single V-Grooves 3" o.c.), VGW1P1/4	\$65 per square foot
7/16" Thick V-Grooved GW1 Panel (Single V-Grooves 3" o.c.), VGW1P7/16	\$65 per square foot
1/4" Thick V-Grooved GW2 Panel (Double V-Grooves 2-1/2" o.c.), VGW2P1/4	\$65 per square foot
7/16" Thick V-Grooved GW2 Panel (Double V-Grooves 2-1/2" o.c.), VGW2P7/16	\$65 per square foot
Finish Second Face, F2S	Add 50% to Panel Price

