

**Traditional Values.  
Contemporary Thinking.**

Your first choice for Stainless Steel Flexible Hose Assemblies



**ADT FLEXIBLES**

UK LIMITED

**PRODUCT & SERVICES**

## **ADT Flexibles UK Ltd was formed in 1982 under its previous name Specialist Hose Associates Ltd.**

**Initially the Company's main business was the supply of Industrial rubber and PVC hose, along with related fittings and couplings to a wide sector of Industries mainly in the local and surrounding Yorkshire areas.**

Andrew Taffinder is the current business owner and Andrew's journey in the industry began when he joined Specialist Hose Supplies Ltd as a 17 year old apprentice in 1986 after leaving school the same year.

Specialist Hose Supplies Ltd was the sister company of Specialist Hose Associates Ltd, the business which would later become ADT Flexibles (UK) Ltd.

Andrew's efforts and skills were fundamental in the growth of the business and his influence within it grew significantly, acquiring share capital which strengthened his position in the business going forward.

This valuable influence enabled him to negotiate a role for his father, David Taffinder, in the business with his co-shareholders. Following the appointment of David as Production Director of Specialist Hose Associates Ltd it gave the Company the expertise to able to manufacture stainless steel braided hose assemblies. David had worked within the metallic hose production sector for 20+ years before joining the Company and his skills and experience added value to the existing business.

Looking back this was the point when the business as we know it today began its real journey.

Production began on a very small scale, however, identifying an opportunity, in 1998 further investment was injected into the business which also resulted in Father and Son making the bold decision to take control of the company by acquiring the entire issued share capital of Specialist Hose Associates Ltd.

It was at this point that the Company changed its name and became ADT Flexibles (UK) Ltd.

Work quickly began, to develop and grow ADT to be one of the leaders in the market for the manufacture of stainless steel braided hose assemblies, and in 2005, following its successful early growth under the new ownership, the production facility underwent its first move to an 8,000 square foot site in Bradford. This was the first in a number of progressive moves and significant infrastructure expansions which bring ADT to where they are today.

Not only was 2005 an exciting year for the business due to the new production premises, progression was also achieved in the product range as ADT began manufacturing composite tanker hose assemblies following the closure of their current suppliers facility in Leeds.

**All technical data provided in this brochure should only be used for reference contact our sales office if in doubt.**

For technical details on any of our products please contact one of our sales offices or visit our web site at [www.adtflex.co.uk](http://www.adtflex.co.uk)

An arrangement to purchase the specialised equipment from their former trading partner was successfully brokered and key staff from the closed business were engaged to enable ADT to facilitate the smooth introduction of this new product type into the ADT product range.

The approach to product development was consistent with the approach to the development of metal braided hose assemblies, this being to manufacture a quality finished hose product on a quick turnaround while also remaining very competitively priced. Strongly believing that this formula has been the key to ADT's success.

Following the expansion of the infrastructure and product range, growth continued at a controlled rate over the next few years and in 2008 ADT took the opportunity to open a Service Centre in Grimsby. This 3,000 square foot facility gave the benefit of servicing North Lincolnshire and East Yorkshire clients much more effectively.

To service the growth of the business, ADT invested heavily into its stock holding. The ADT supply chain is an integral part of the operations and the quest to source competitively priced materials has involved tapping into supply chains globally.

By 2010 stockholdings were such that the team had to search for additional premises for both production activities and storage. They were able to secure a short term deal on premises adjacent to the facility in Bradford, although this was never going to be a long term solution it certainly helped with immediate issues regarding additional space.

The search was then on to secure additional square footage on a more permanent long term deal.

In 2012 ADT identified and secured a 13,000 square foot facility in Morley, Leeds which following some significant investment was transformed into a new production facility.

The production activities were split over two levels with metallic hose assembly production on the lower and PTFE hose assembly production on the upper level.

2014 brought a further extension of 3,500 square foot to create an additional floor of office space; this enabled them to move the headquarters into the same building.

During this period, 2013 saw the retirement of David Taffinder following an acquisition of his shares by the Company. Andrew Taffinder took total control of the Company moving forward.

Further controlled growth continued and in 2019 the next stage of expansion became necessary, this included the addition of two new

facilities both around 5,000 sq foot each, one unit being used solely for the storage of bulk stock, the other used exclusively for the production of rubber food hose assemblies and composite hose assemblies. The new production facility is a mirror of the main production facility at Morley including a full manufacturing capabilities and pressure testing line.

At the start of 2020 the footprint area for all ADT business premises is now approaching 40,000 square foot, and the value of stock levels are circa £1.5 million at cost.

Investment in the latest innovative machinery for welding, swaging, and testing facilities in recent years has also exceeded £300k.

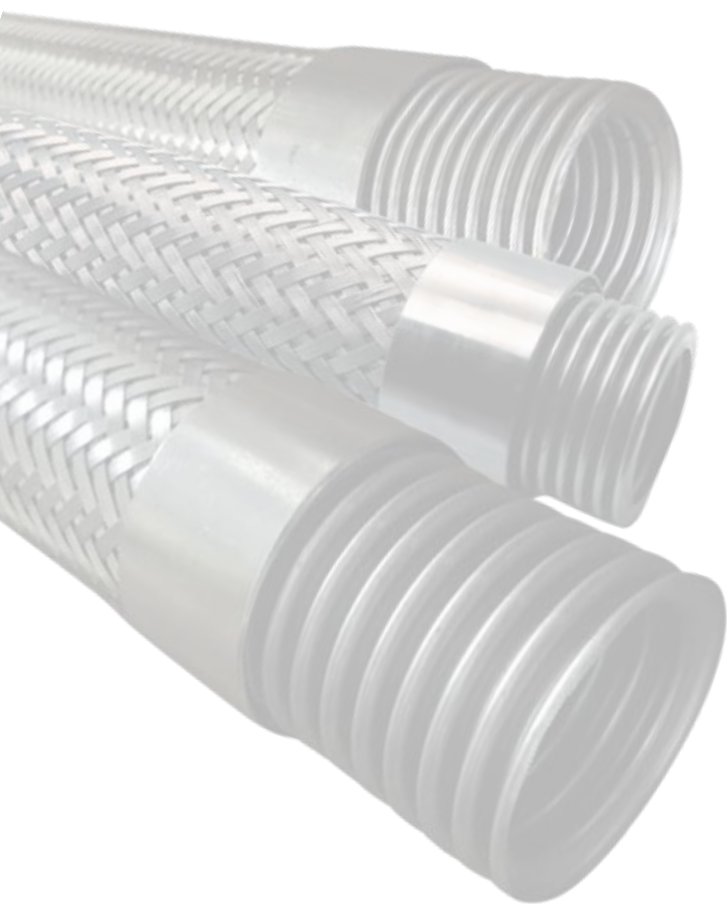
ADT believe that the highly dedicated and experienced team that they have built over a number of years, along with this latest investment, positions the Company strongly in the industry, giving it the ability to manufacture the full range of ADT quality hose products with a short lead time whilst also remaining competitively priced.

## Table of Contents

<b>02</b> Welcome to ADT Flexibles	<b>15</b> DNV GL Convoluted Multilayer PTFE
<b>04</b> Stainless Steel & Hose Assemblies	<b>16</b> Convoflex Convoluted PTFE
<b>06</b> Flex100 – Indiflex	<b>17</b> Composite Hose / Uni-Oil
<b>07</b> Flex200 – UFBX	<b>18</b> Uni-Zene / Uni-Chem
<b>08</b> Flex300 – UFC	<b>19</b> Uni-Flon
<b>09</b> Flex400 – 402X	<b>20</b> Food Grade Hose Assemblies
<b>09</b> Engineered Hose Assemblies	<b>21</b> Novaflex 6303 / 6300
<b>10</b> Metallic Hose End Fitting & Flanges	<b>22</b> Novaflex 6206 / 6404CU
<b>11</b> Additional Services, Cleaning and Quality	<b>23</b> Novaflex 6309 / 6430
<b>12</b> PTFE Hose & Assemblies	<b>24</b> Millennium LL & Supertop UPE LL
<b>12</b> PTFE Smooth Bore Hose	<b>25</b> Plutone Bio
<b>13</b> Hyperline FX PTFE Hose	<b>26</b> Airduc PUR350AS Ducting
<b>14</b> Easyflex Convoluted PTFE	<b>27</b> Extraflex Silicone S&D Hose

## Stainless Steel Metallic Hose Assemblies

A versatile hose choice suitable for a wide range of applications for conveying an even wider range of products at very high temperatures (550°C) to very low cryogenic temperatures (-250°C).



All our metallic hose products are suitable for full vacuum applications as well as a wide range of pressure capabilities.

Our range of stainless steel metallic hose assemblies are available in a range of materials including 321, 316, and 304 grades of stainless steel, as well as some exotic materials such as Hastelloy, Monel and Inconel for those highly corrosive applications.

Typical areas of applications include the chemical oil and gas Industries, Iron and Steel Manufacture, Paper and Board Manufacture, as well as Power and Generation to just name a few.

All our hose assemblies can be manufactured with a full range of end connections, once again a variety of materials to suit the application.

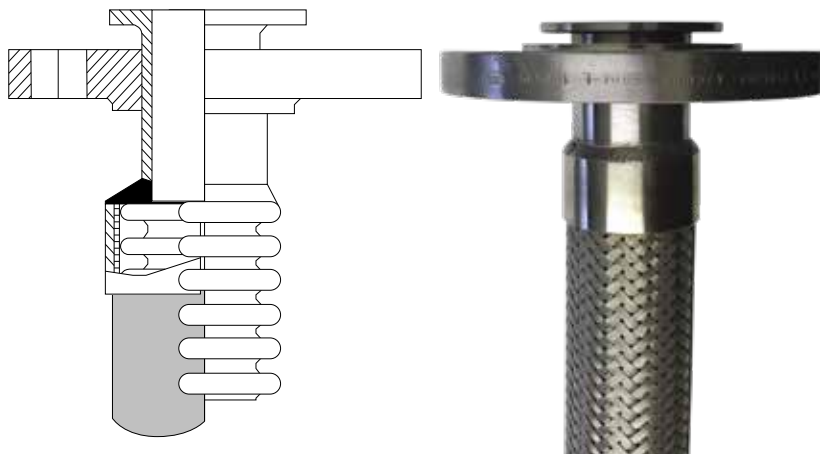
This Hose type is available in a wide range of sizes from 1/4"nb (6mm) through to 12"nb (300mm) with the options of un-braided (-0), single braided (-1), double braided (-2), and braided braid options, with a wide range of additional outer protection covers depending on the application.

All hose and braid options can be supplied either loose for self assembly or supplied as a finished hose assembly to the current BS EN 10380: 2012 specification currently accepted and approved worldwide.

All our hose assemblies are available with outer protection if required. We can offer: Stainless steel overbraid, spring guard, flat guard, heat shrink, silicone sheathing and Pyrojacket. Please contact our sales office to discuss the best solution for your application.

We currently offer a stock range of four mainstream product options from a worldwide supplier base, once again dependant on application.

See design specifications of our Flex100, Flex200, Flex300, and Flex400 products, along with full accompanying technical data sheets for each product.



### Flex100 – Indiflex

This is our entry level offering and as well as been our most cost effective product it is also by far our most commonly specified option for metal hose applications, suitable for a number of applications and available in a wide range of materials. It offers excellent flexibility, good mechanical strength and has great corrosion resistant characteristics, and is manufactured in accordance with BS EN 10380:2012.

### Flex200 – UFBX

Our second most popular product we produce and supply to Industry in similar characteristics as our Flex100 product but as it is manufactured under a different process longer lengths are achievable as standard, with 150mtr continuous lengths as standard on the smaller bore sizes. This product also meets the BS EN 10380:2012 Industry standard requirements and is available in a full range of materials.

### Flex300 – UFC

This is our high pressure, high flexibility product for those more demanding applications. This product is available from stock in most sizes with the options of both single and double braided variants depending on pressure requirements. Once again meeting the BS EN 10380:2012 Industry standard requirements.

### Flex400 – 402X

Our premium ultra high flexible hose is also available for those super high pressure applications. With pressure ratings of up to 365 Bar on the 1/4"nb, this product confirms that it is as good as it gets when a super high pressure application comes along. With sizes available from 1/4"nb through to 2"nb and available from stock in 316 core with a special 321 heavy double braid, and a full range of end connections to suit.

**All metallic hose data supplied is based on ambient (20°C) temperatures, should the application have elevated temperatures, then we need to calculate using our temp v pressure correction factor. This will reduce the working pressure if elevated temperatures are a factor. This calculation is part of the bs en 10380:2012 standard for metallic braided hose assemblies. Details available on request.**





# FLEX100 – INDIFLEX

## Medium Pressure Hose

				MIN BEND RADIUS		MAXIMUM PRESSURE				BURST PRESSURE		WEIGHT KG/M
NOMINAL BORE		HOSE TYPE	HOSE O/D MM	STATIC MM	DYNAMIC MM	WORKING		TEST		BAR	PSI	
MM	IN					BAR	PSI	BAR	PSI			
6	1/4"	INDIFLEX-0	10.8	12	100	22	319	33	478	–	–	0.1
		INDIFLEX-1	11.8	25		154	2236	231	3354	616	8944	0.18
		INDIFLEX-2	13	25		246	3567	369	5365	984	14268	0.26
10	3/8"	INDIFLEX-0	14.6	20	150	17	246	25	362	–	–	0.13
		INDIFLEX-1	15.8	40		105	1526	157	2289	420	6104	0.26
		INDIFLEX-2	17	40		168	2442	252	3663	672	9768	0.39
12	1/2"	INDIFLEX-0	18.2	25	200	12	174	18	261	–	–	0.18
		INDIFLEX-1	19.4	50		88	1279	132	1918	352	5116	0.38
		INDIFLEX-2	20.6	50		140	2035	210	3052	560	8140	0.58
16	5/8"	INDIFLEX-0	22.5	25	200	10	145	15	217	–	–	0.24
		INDIFLEX-1	23.7	50		73	1061	109	1591	292	4244	0.45
		INDIFLEX-2	25	50		116	1686	174	2529	464	6744	0.66
20	3/4"	INDIFLEX-0	27	30	200	3.5	51	5.25	76	–	–	0.29
		INDIFLEX-1	28.5	70		64	930	96	1395	256	3720	0.52
		INDIFLEX-2	29.7	70		102	1483	153	2224	408	5932	0.75
25	1"	INDIFLEX-0	34.4	45	200	4	58	6	87	–	–	0.42
		INDIFLEX-1	35.6	90		50	727	75	1090	200	2908	0.78
		INDIFLEX-2	36.9	90		80	1163	120	1744	320	4652	1.14
32	1 1/4"	INDIFLEX-0	42	60	250	3.5	51	5.25	76	–	–	0.56
		INDIFLEX-1	43.5	110		42	611	63	916	168	2444	0.98
		INDIFLEX-2	45	110		67	974	100	1461	268	3896	1.41
40	1 1/2"	INDIFLEX-0	52	80	250	3.5	51	5.25	76	–	–	0.68
		INDIFLEX-1	53.5	130		32	465	48	697	128	1860	1.23
		INDIFLEX-2	55	130		51	742	76	1113	204	2968	1.78
50	2"	INDIFLEX-0	65	100	350	2.8	40	4.2	61	–	–	0.9
		INDIFLEX-1	67	175		31	450	46	675	124	1800	1.75
		INDIFLEX-2	69	175		49	712	73	1068	196	2848	2.6
65	2 1/2"	INDIFLEX-0	81	115	410	1.5	22	2.25	32	–	–	1.17
		INDIFLEX-1	83	200		26	378	39	567	104	1512	2.29
		INDIFLEX-2	85	200		41	596	61	894	164	2384	3.42
80	3"	INDIFLEX-0	95	130	450	1.00	14.5	1.5	22	–	–	1.3
		INDIFLEX-1	97	205		18	262	27	393	72	1048	2.6
		INDIFLEX-2	99	205		28	407	42	610	112	1628	3.9
100	4"	INDIFLEX-0	117	160	560	0.80	11.6	1.2	17.40	–	–	1.9
		INDIFLEX-1	119	230		16	233	24	349	64	932	3.51
		INDIFLEX-2	121	230		26	378	39	567	104	1512	5.12
125	5"	INDIFLEX-0	145	–	660	1	14.5	1.5	22	–	–	2.85
		INDIFLEX-1	148	280		16	233	24	349	64	932	5.67
		INDIFLEX-2	151	280		25	364	37	546	100	1456	8.49
150	6"	INDIFLEX-0	175	–	815	0.60	8.7	0.90	13.00	–	–	3.8
		INDIFLEX-1	178	320		12	175	18	262	48	700	7.1
		INDIFLEX-2	181	320		20	291	30	436	80	1164	10.4
200	8"	INDIFLEX-0	228	–	1015	0.35	5.07	0.50	7.25	–	–	6.84
		INDIFLEX-1	231	435		10	145	15	217	40	580	11.14
		INDIFLEX-2	234	435		16	233	24	349	64	932	15.44
250	10"	INDIFLEX-0	281	–	1220	0.20	2.9	0.30	4.35	–	–	10.2
		INDIFLEX-1	284	560		6.5	95	10	143	26	380	16.2
		INDIFLEX-2	287	560		10.5	153	15	229	42	612	22.2

Burst pressure not applicable for (INDIFLEX-0) unbraided hoses.

# FLEX200 – UFBX

## Medium Pressure Hose



				MIN BEND RADIUS		MAXIMUM PRESSURE				BURST PRESSURE		WEIGHT KG/M
NOMINAL BORE		HOSE TYPE	HOSE O/D MM	STATIC MM	DYNAMIC MM	WORKING		TEST		BAR	PSI	
MM	IN					BAR	PSI	BAR	PSI			
6	1/4"	UFBX0	10	16	110	10	145	15	218	40	580	0.09
		UFBX1	11.4	25		167	2422	251	3633	668	9676	0.17
		UFBX2	12.8	25		220	3191	330	4786	880	12764	0.25
8	5/16"	UFBX0	12	20	130	10	145	15	218	40	580	0.13
		UFBX1	13.4	32		136	1973	204	2959	544	7892	0.23
		UFBX2	14.7	32		210	3046	315	4569	840	12184	0.33
10	3/8"	UFBX0	14.9	22	150	5.5	80	8	120	22	320	0.17
		UFBX1	16.3	38		100	1450	150	2176	400	5800	0.28
		UFBX2	17.6	38		178	2582	267	3873	712	10328	0.39
12	1/2"	UFBX0	19.3	24	165	5.5	80	8	120	22	320	0.17
		UFBX1	20.7	45		74	1073	111	1610	296	4292	0.36
		UFBX2	22.4	45		103	1494	155	2241	412	5976	0.53
15	5/8"	UFBX0	22	28	195	5	73	8	109	20	292	0.28
		UFBX1	23.3	50		70	1015	105	1523	280	4060	0.45
		UFBX2	24.6	50		125	1813	188	2719	500	7252	0.62
20	3/4"	UFBX0	25.8	30	200	4.1	59	6	89	16.4	236	0.3
		UFBX1	27.4	70		65	943	98	1414	260	3772	0.55
		UFBX2	29	70		86	1247	129	1871	344	4988	0.8
25	1"	UFBX0	33.7	44	200	4.1	59	6	89	16.4	236	0.32
		UFBX1	35.8	85		50	725	75	1088	200	2900	0.7
		UFBX2	37.9	85		76	1102	114	1653	304	4408	1.08
32	1 1/4"	UFBX0	41.1	55	250	3.4	49	5	74	13.6	196	0.4
		UFBX1	43.2	105		39	566	59	848	156	2264	0.86
		UFBX2	45.3	105		57	827	86	1240	228	3308	1.32
40	1 1/2"	UFBX0	47.9	70	250	2.4	35	4	52	9.6	140	0.67
		UFBX1	50	127		35	508	53	761	140	2032	1.18
		UFBX2	52.2	127		55	798	83	1197	220	3192	1.69
50	2"	UFBX0	62.1	90	350	1	15	2	22	4	60	0.82
		UFBX1	64.2	160		30	435	45	653	120	1740	1.52
		UFBX2	66.3	160		44	638	66	957	176	2552	2.22
65	2 1/2"	UFBX0	76.5	110	410	1	15	2	22	4	60	1.9
		UFBX1	78.6	200		26	377	39	566	104	1508	2.8
		UFBX2	80.7	200		46	667	69	1001	184	2668	3.7
80	3"	UFBX0	89.8	130	450	1	15	2	22	4	60	2.3
		UFBX1	91.9	230		22	319	33	479	88	1276	3.4
		UFBX2	94.1	230		40	580	60	870	160	2320	4.5
100	4"	UFBX0	127	200	560	0.69	10	1	15	2.76	40	3
		UFBX1	129	230		21.5	312	32	468	86	1248	4.9
		UFBX2	132	230		34	490	51	735	136	1960	6.8
125	5"	UFBX0	149	343	711	0.21	3	0.3	4	0.84	12	3.38
		UFBX1	151	343		20	290	30	435	80	1160	5.32
		UFBX2	154	343		30	435	45	650	120	1740	7.89
150	6"	UFBX0	178	406	864	0.21	3	0.3	4	0.84	12	5.26
		UFBX1	180	406		14.5	210	21.7	315	58	840	7.78
		UFBX2	183	406		21.4	310	32.1	465	85.60	1240	10.3
200	8"	UFBX0	230	508	1067	0.14	2	0.21	3	0.56	8	6.84
		UFBX1	233	508		15.2	220	22.8	330	60.8	880	11.79
		UFBX2	235	508		23.4	340	35.2	510	93.60	1360	16.74
250	10"	UFBX0	284	864	1753	0.14	2	0.21	3	0.56	8	8.84
		UFBX1	287	864		12.8	185	19	275	51.2	740	15.36
		UFBX2	290	864		22.8	330	34.1	495	91.8	1320	21.87
300	12"	UFBX0	337	940	1880	0.14	2	0.21	3	0.56	8	10.55
		UFBX1	339	940		12.07	175	18	260	48.3	700	20.29
		UFBX2	343	940		21.72	315	32	470	86.9	1260	30.04



# FLEX300 – UFC

## High Pressure Hose – High Flexibility

				MIN BEND RADIUS		MAXIMUM PRESSURE				BURST PRESSURE		WEIGHT KG/M
NOMINAL BORE		HOSE TYPE	HOSE O/D MM	STATIC MM	DYNAMIC MM	WORKING		TEST		BAR	PSI	
MM	IN					BAR	PSI	BAR	PSI			
6	1/4"	UFC0	13	16	110	10	145	15	218	40	580	0.2
		UFC1	14.5	25		171	2480	257	3720	684	9920	0.31
		UFC2	15.9	25		305	4424	458	6635	1220	17696	0.42
10	3/8"	UFC0	17.8	22	150	5.5	80	8.3	120	22	319	0.29
		UFC1	19.3	40		151	2190	227	3285	604	8760	0.48
		UFC2	20.7	40		260	3771	390	5656	1040	15084	0.67
12	1/2"	UFC0	21.8	24	150	5.5	80	8.3	120	22	319	0.35
		UFC1	23.3	50		114	1653	171	2480	456	6612	0.58
		UFC2	24.7	50		205	2973	308	4460	820	11892	0.81
20	3/4"	UFC0	28	30	200	4.1	59	6.2	89	16.4	236	0.48
		UFC1	30.2	70		90.8	1317	136	1973	363	5268	0.86
		UFC2	32.3	70		150	2176	225	3264	600	8704	1.2
25	1"	UFC0	35	44	200	4.1	59	6.2	89	16.4	236	0.64
		UFC1	37.2	90		79.4	1152	119	1727	318	4608	1.1
		UFC2	39.3	90		120	1740	180	2611	480	6960	1.6
32	1 1/4"	UFC0	46.5	55	250	3.2	46	4.8	70	12.8	184	0.9
		UFC1	48.6	108		59	856	89	1284	236	3424	1.6
		UFC2	50.7	108		89	1291	134	1936	356	5164	2.2
40	1 1/2"	UFC0	54.5	70	250	2.4	35	3.6	52	9.6	140	1.2
		UFC1	56.7	127		46	667	69	1001	184	2668	1.9
		UFC2	58.8	127		71	1030	107	1545	284	4120	2.7
50	2"	UFC0	65.7	90	350	1	15	1.5	22	4	60	1.3
		UFC1	68.4	175		40.2	583	60.3	875	160	2332	2.3
		UFC2	70.9	175		50	725	75	1088	200	2900	3.3
65	2 1/2"	UFC0	85.5	110	410	1	15	1.5	22	4	60	2.00
		UFC1	88.2	200		33.5	486	50.3	729	134	1944	3.3
		UFC2	90.7	200		50	725	75	1088	200	2900	4.6
80	3"	UFC0	97.7	130	450	1	15	1.5	22	4	60	2.5
		UFC1	100	200		28.1	408	42.2	611	112	1632	4
		UFC2	103	200		50	725	75	1088	200	2900	5.5
100	4"	UFC0	127	200	560	0.69	10	1	15	2.76	40	3
		UFC1	129	230		21.5	312	32.3	468	86	1248	4.9
		UFC2	132	230		34	493	51	740	136	1972	6.8
125	5"	UFC0	151	279	711	0.19	3	0.3	4	0.76	12	4.77
		UFC1	153	279		24.1	350	36.2	524	96	1400	6.67
		UFC2	156	279		26.6	385	39.8	578	106	1540	8.57
150	6"	UFC0	178	419	838	0.24	4	0.4	5	0.96	16	8.31
		UFC1	180	419		16.5	240	24.8	359	66	960	9.81
		UFC2	183	419		29.7	430	44.4	644	118	1720	11.3
200	8"	UFC0	230	546	1092	0.19	3	0.3	4	0.76	12	10.98
		UFC1	232	546		18.9	275	28.3	413	75	1100	16.26
		UFC2	234	546		24.1	350	36.21	525	96	1400	21.53
250	10"	UFC0	284	686	1372	0.15	2	0.2	3	0.6	8	12.35
		UFC1	289	686		17.24	250	25.9	375	69	1000	18.86
		UFC2	294	686		25.9	375	38.7	563	103	1500	25.37
300	12"	UFC0	337	813	1626	0.12	2	0.2	3	0.48	8	14.81
		UFC1	343	813		12.4	180	18.6	270	49	720	24.56
		UFC2	349	813		22.1	320	33.1	480	88	1280	34.3





## FLEX400 – 402X Super High Pressure Hose

				MIN BEND RADIUS		MAXIMUM PRESSURE				BURST PRESSURE		
NOMINAL BORE		HOSE TYPE	HOSE O/D MM	STATIC	DYNAMIC	WORKING		TEST				WEIGHT
MM	IN			MM	MM	BAR	PSI	BAR	PSI	BAR	PSI	KG/M
6	1/4"	402X	16	51	210	365	5300	548	7950	1460	21200	0.58
10	3/8"	402X	20.6	64	230	269	3900	404	5850	1076	15600	0.79
12	1/2"	402X	26.7	77	267	248	3600	372	5400	992	14400	1.12
20	3/4"	402X	36.3	102	325	245	3550	368	5325	980	14200	2.43
25	1"	402X	44.5	134	381	193	2800	290	4200	772	11200	3.08
32	1 1/4"	402X	52.8	166	440	171	2480	257	3720	684	9920	4.27
40	1 1/2"	402X	61.2	205	496	152	2200	228	3300	608	8800	5.39
50	2"	402X	77.5	295	610	115	1675	173	2512	460	6700	6.9

## Special Engineered Hose Assemblies

To add to our comprehensive range of metallic hose options ADT Flexibles also have the capabilities to offer specially designed and engineered hose assemblies to specific customer requirements.

These can be produced in any of the Flex options we offer and include 'L' shape or 'Dog Leg' hose assemblies. Another popular engineered hose option are 'Duplex' or 'Jacketed' hose assemblies which are process hoses inside a second hose which can be used to maintain temperature of the inner process hose.

Please contact our technical sales team for further information on any of this type of special hose assembly.



## Metallic Hose End Fittings & Flanges

**Suitable for Flex100, Flex200, Flex300, Flex400 and special engineered hose products.**

ADT can offer a variety of end connections in a variety of materials and type for the full range of stainless steel metallic hose options.

Materials available include mild steel/carbon steel, stainless steel in grades 303, 304L and 316L, and exotic material such as Hastelloy, Monel and Inconel.

The types of fitting and flange connection available are also vast such as bspp, bspt, npt, metric, jic, sae, as threaded options for fittings, camlocks and other types of quick release type fittings and we offer all the flange options such as BS4504 PN6 through to PN100, BS1560 ASA150 through to ASA1500 along with a full range of BS10 flanges are also available.

We are confident that our vast stocks of fittings and flanges enable us to supply bespoke metallic hose assemblies on a very quick turnaround when required.

Please consult our technical sales team for further information.



## Additional Services, Cleaning and Quality

### Hygienic Welding

ADT have recently invested in a state of the art fully automated orbital tig welder designed specifically for hygienic purged welds.



This enables us to fabricate any hygienic type tubes or fittings which require this higher standard within the food, beverage, pharmaceutical or any other ultra clean environment. Please contact our technical sales team for more information or visit our website for a demonstration video.

### Welding Qualifications

All ADT welding operatives are assessed and qualified by TUV to the highest of standards. Individual welder qualifications are available upon request by contacting our technical sales team.



In addition all welds used in the production of metallic braided hose assemblies and pipework fabrication are also covered by TUV individual WPS's (weld procedure specification) and WPQR's (weld procedure qualification records). Once again please consult our team for further details.

In addition we can assess and qualify where necessary hose assemblies to the current PED requirements. Currently this assessing and qualification can cover both CE and UKCA directives, for further information please contact our quality department.

In addition to these services, ADT can also offer a full technical drawing for completed hoses assemblies showing full design data and dimensions, as well as weld map information which covers all relevant WPS's associated with the design and manufacture.

### Polishing Service

ADT now offer an in-house polishing service for those ultra clean applications within the pharmaceutical Industries.

This means producing fittings to special improved surface finish which can be as low as 0.2Ra. Once again please contact our technical sales team for more information.



### Cleaning Service

We can offer a full cleaning service for all finished hose assemblies or fittings, this includes cleaning for oxygen applications or ultra clean environments, our technical sales team are available for advice relating to this procedure.

### Traceability

When requested all 3.1 mill material certification can be supplied for all components used in the manufacture of a metallic braided hose assembly, this can also be backed up and confirmed with our in house PMI analyser.

This Positive Material Identifier can produce additional certification confirming the chemical composition of all metal components used in the manufacture of the hose assembly.



### Quality

All metallic hose assemblies are 100% hydrostatically pressure tested and certified to 1.5x working pressure. Other testing methods are available such as air/nitrogen/helium under water testing, please request specific testing requirement at the time of enquiry.

ADT can offer a wide range of additional quality procedures required in certain applications and Industries. They include a full range of NDT (non destructive testing) which include dye penetrative testing of welds, radiography tests of full penetration welds, and PMI as mentioned earlier.

## PTFE Hose and Assemblies

PTFE is renowned as one of the most chemically resistant materials and only very few aggressive materials can affect it. PTFE lined hoses can therefore be used for a wider variety of chemicals than any other hose type, making it the ideal choice for very corrosive chemical applications and multi-product applications.

PTFE hose assemblies can resist temperatures from -60 to +260°C depending on the application. Bore sizes range from 1/8" to 4" nominal bore. All PTFE hose options can be offered with either a virgin PTFE liner, or a carbon black impregnated anti static PTFE liner for applications that transfer electrically resistive fluids such as solvents or fuels.

### PTFE Smooth Bore Hose

Smooth bore is available in single or double 304 or 316 stainless steel braid.

Antistatic smooth bore is also available along with a range of protective coverings. All ADT hose assemblies are available with a wide range of crimped end connections. All assemblies are crimped at each end using a hydraulic swaging machine, with specially developed dies, ensuring leak-free connections.

#### Applications

For general purpose use, including high and low pressure steam, chemicals, paints, inks, adhesives, fuels, oils, detergents, refrigerants and foodstuffs.

#### Properties

**Temperature Resistance** – PTFE hose is usable from -60°C up to +260°C dependent upon the braid and the working pressure.

**Chemical Resistance** – PTFE is the most chemically resistant material and is only affected by a small number of very uncommon chemicals.

**Flexibility with Strength** – Smooth bore PTFE hose has excellent dynamic flex life and performs well at high pressures in flexing or vibrating applications.



PART NUMBER	DESCRIPTION	TUBE WALL THICKNESS NOM.		BRAIDED OD NOMINAL		TOLERANCE +/-		BRAIDED ID NOMINAL		TOLERANCE +/-		MAX WORKING PRESSURE		MIN. BURST PRESSURE		MN. BEND RADIUS	
		MM	IN	MM	IN	MM	IN	MM	IN	MM	IN	PSI	BAR	PSI	BAR	MM	IN
TSSV4.9B01	4.9MM STD	0.89	0.035	7.87	0.310	0.60	0.024	4.89	0.193	0.40	0.016	4000	276	12000	827	51	2.008
TSSV5.1B01	5.1MM STD	0.89	0.035	8.05	0.317	0.60	0.024	5.10	0.201	0.40	0.016	3830	264	11500	793	64	2.520
TSSV6.7B01	6.7MM STD	0.76	0.030	9.35	0.368	0.60	0.024	6.70	0.264	0.40	0.016	3250	224	9750	672	76	2.992
TSSV8.0B01	8.0MM STD	0.89	0.035	11.30	0.445	0.60	0.024	8.00	0.315	0.40	0.016	3160	218	9500	655	102	4.016
TSSV8.4B01	8.4MM STD	0.64	0.025	11.05	0.435	0.60	0.024	8.40	0.331	0.40	0.016	3000	207	9000	621	102	4.016
TSSV10.0B01	10.0MM STD	0.64	0.025	12.65	0.498	0.60	0.024	10.00	0.394	0.40	0.016	2660	183	8000	552	127	5.000
TSSV10.3B01	10.3MM STD	0.89	0.035	13.44	0.529	0.60	0.024	10.30	0.406	0.40	0.016	2660	183	8000	552	133	5.236
TSSV13.2B01	13.2MM STD	0.89	0.035	16.55	0.652	0.75	0.030	13.20	0.520	0.50	0.020	2330	161	7000	483	152	5.984
TTSV13.6B01	13.6MM STD	0.89	0.035	17.15	0.675	0.75	0.030	13.60	0.535	0.50	0.020	2330	161	7000	483	50	5.906
TSSV16.6B01	16.6MM STD	0.89	0.035	19.75	0.778	0.75	0.030	16.60	0.654	0.50	0.020	1660	114	5000	345	178	7.008
TSSV19.8B01	19.8MM STD	0.89	0.035	22.96	0.904	0.85	0.033	19.80	0.780	0.60	0.024	1500	103	4500	310	203	7.992
TSSV22.1B01	22.1MM STD	0.89	0.035	25.27	0.995	0.85	0.033	22.10	0.87	0.60	0.024	1330	92	4000	276	229	9.016
TSSV26.1B01	26.1MM STD	0.89	0.035	29.25	1.152	0.85	0.033	26.10	1.028	0.60	0.024	1160	80	3500	241	305	12.008

# Hyperline FX PTFE Hose

Hyperline is unlike any other PTFE hose currently available. The liner has a smooth bore but is convoluted on the outer lining to combine the ease of assembly and high flow rate of smooth bore, with the flexibility and kink resistance of a convoluted hose in one product.

Available with 304 and 316 stainless steel or aramid braid. Hyperline is also supplied antistatic. Bore sizes range from 1/4" to 1" nominal bore. Hyperline is a trademark of Aflex Hose Limited.

## Properties

**Temperatures and Pressures – HyperlineFX, SS Grades –** The MWP listed above should be reduced by 1% for each 1°C above 160°C (1% for each 1.8°F above 320°F) up to a maximum of 260°C (500°F).

**Hyperline FX, AM Grades –** The MWP listed above should be reduced by 1% for each 1°C above 130°C (1% for each 1.8°F above 266°F) up to a maximum of 180°C (356°F).

Maximum working pressures (MWP) listed are calculated on the basis of a 3:1 safety factor relative to the burst pressure, so Burst Pressure = 3 x MWP. If the MWP is required based on a 4:1 safety factor (e.g. EN16643 requirement), multiply the listed value by 0.75.

**Vacuum Resistance –** Hyperline FX, SS Grades are vacuum resistant to -0.9 bar up to 150°C (300°F).

**Excellent Flow Rates –** Compared with conventional convoluted hose designs, Hyperline FX has excellent flow rates due to the smooth bore, which prevents the turbulent fluid flow which occurs in convoluted hose products.

**Reduced Diffusion Rates –** Hyperline FX is much more resistant to diffusion of liquids or gases than other PTFE hose products, due to its highly compressed, non-porous PTFE matrix. Hyperline FX has been successfully tested to SAE J1737 for resistance to automotive fuel diffusion.

**Non-Stick Internal Surface –** Hyperline FX hose has a smooth bore, non-stick liner which is effectively “self-cleaning”, and which resists material build-up inside the hose which may cause bore constriction.

NOMINAL HOSE SIZE		ACTUAL HOSE BORE SIZE		HOSE GRADE	OUTSIDE DIAMETER OF TUBE & BRAID		MAX WORKING PRESSURE		MINIMUM BEND RADIUS		WEIGHT PER UNIT LENGTH	
IN	MM	MM	IN		IN	MM	PSI	BAR	IN	MM	KG/MTR	LBS/FT
1/4"	6.0	6.8	0.270	TO	0.354	9.0	60	4	1 1/2	38	0.041	0.027
				SS	0.378	9.6	1280	88	3/4	19	0.092	0.062
				AM	0.378	9.6	900	62	1 1/2	38	0.056	0.038
5/16"	8.0	7.9	0.312	TO	0.394	10.0	60	4	1 1/2	38	0.056	0.037
				SS	0.420	10.6	1220	84	3/4	19	0.126	0.084
				AM	0.445	11.3	850	59	1 1/2	38	0.075	0.050
3/8"	10.0	10.0	0.394	TO	0.492	12.5	60	4	2	50	0.070	0.047
				SS	0.534	13.5	1160	80	1	25	0.160	0.107
				AM	0.534	13.5	810	56	2	50	0.100	0.067
1/2"	15.0	13.6	0.536	TO	0.640	16.2	58	4	3	76	0.110	0.074
				SS	0.690	17.5	870	60	1 1/2	38	0.225	0.151
				AM	0.690	17.5	600	42	3	76	0.140	0.094
5/8"	16.0	16.7	0.658	TO	0.787	20.0	44	3	4	100	0.161	0.108
				SS	0.831	21.1	730	50	2	50	0.336	0.226
				AM	0.831	21.1	510	35	4	100	0.204	0.137
3/4"	20.0	19.8	0.780	TO	0.913	23.2	44	3	5	126	0.179	0.120
				SS	0.953	24.2	610	42	2 1/2	63	0.383	0.257
				AM	0.953	24.2	430	29	5	126	0.236	0.158
1"	25.0	26.0	1.023	TO	1.193	30.3	29	2	6	150	0.268	0.180
				SS	1.250	31.7	580	40	3	75	0.540	0.362
				AM	1.250	31.7	400	28	6	150	0.354	0.237

## Easyflex Convoluted PTFE

Easyflex has a true I/D and eliminates the need to de-convolute the hose when using standard hydraulic inserts. Used in applications where constant flexing, high temperatures or chemical resistance is paramount, the Easyflex hose offers a cost effective solution over the full life of the hose.

### Properties

**Application** – Used globally in low to medium pressure premium applications that require more flexibility or tighter bend radius whilst still requiring the high temperature and impeccable chemical resistance of the standard PTFE hose.

Easyflex is a helically convoluted PTFE tube with high tensile stainless steel 304 braid and high tensile 304 maypole wound stainless steel outer layer.



Minimum working pressure -60°C with a maximum working pressure of +260°C.

Maximum working pressures (MWP) listed are calculated on the basis of a 3:1 safety factor relative to the burst pressure, so Burst Pressure = 3 x MWP. If the MWP is required based on a 4:1 safety factor (e.g. EN16643 requirement), multiply the listed value by 0.75.

PART NUMBER	DESCRIPTION	TUBE WALL THICKNESS NOM.		BRAIDED OD NOMINAL		TOLERANCE +/-		BRAIDED ID NOMINAL		TOLERANCE +/-		MAX WORKING PRESSURE		MIN. BURST PRESSURE		MN. BEND RADIUS	
		MM	IN	MM	IN	MM	IN	MM	IN	MM	IN	PSI	BAR	PSI	BAR	MM	IN
TCEV7.1B01	1/4" EASYFLEX	0.76	0.030	12.30	0.484	0.50	0.020	7.10	0.280	0.50	0.020	2500	172	7500	517	18	0.709
TCEV9.5B01	3/8" EASYFLEX	0.76	0.030	14.75	0.600	0.60	0.024	9.50	0.374	0.60	0.024	2000	138	6000	414	20	0.787
TCEV12.8B01	1/2" EASYFLEX	0.89	0.035	18.80	0.740	0.60	0.024	12.83	0.505	0.60	0.024	1500	103	4500	310	25	0.984
TCEV15.9B01	5/8" EASYFLEX	0.89	0.035	22.10	0.870	0.60	0.024	15.88	0.625	0.60	0.024	1200	83	3600	248	51	2.008
TCEV19.0B01	3/4" EASYFLEX	0.89	0.035	24.65	0.970	0.70	0.028	19.05	0.750	0.70	0.028	1000	69	3000	207	64	2.52
TCEV22.4B01	7/8" EASYFLEX	0.89	0.035	28.70	1.130	0.80	0.031	22.35	0.880	0.80	0.031	830	57	2500	172	76	2.992
TCEV25.5B01	1" EASYFLEX	1.02	0.040	32.77	1.290	0.80	0.031	25.40	1.000	0.80	0.031	667	46	2000	138	89	3.504
TCEV32.2B01	1 1/4" EASYFLEX	1.02	0.040	40.72	1.603	0.80	0.031	32.20	1.268	0.80	0.031	500	34	1500	103	127	5
TCEV38.1B01	1 1/2" EASYFLEX	1.12	0.044	48.25	1.900	0.80	0.031	38.10	1.500	0.80	0.031	435	30	1305	90	152	5.984
TCEV50.4B01	2" EASYFLEX	1.20	0.047	61.50	2.421	0.80	0.031	51.40	2.024	0.80	0.031	333	23	1000	69	200	7.874

# DNV GL Convoluted Multilayer PTFE

Flame resistant convoluted multilayer PTFE hose with fibreglass covering and wire braid reinforcement for use on demanding marine and offshore applications.

The convoluted profile ensures easier crimping of the hose and with the approved DNV GL fitting and ferrule range now offers a proven minimum 150K impulse cycle life expectancy at elevated temperatures. The new convoluted profile offers improved vacuum resistance where negative pressures may be detrimental to the life cycle of the hose assembly. The helically convoluted design allows for easier draining when compared to other non-PTFE hose types whilst also giving a smaller bending radius allowing the fitment of the product in tighter confines.

Available in both virgin PTFE and carbon lined anti-static versions allowing the transfer of all common fluids and gasses used in marine and offshore applications.

## Properties

**Application** – Accepted for installation on all vessels classed by DNV GL.

**Design** – 3/8" - 2" flame resistant PTFE helical convoluted lined hoses. Convoluted multilayer PTFE hose with fibreglass covering and wire braid reinforcement

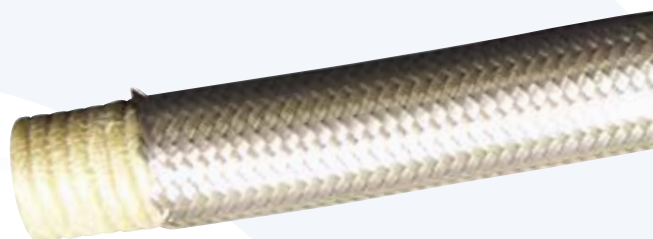
**Inner layer** – Virgin & anti-static inner layer with a PTFE impregnated fibreglass cover

**Outer layer** – 304 or 316 stainless steel braid

**Temperature** – (Min./Max.) -50°C / +150°C

**Material** – PTFE BS2782 Method 327A:1993 ASTM-D 882

**Certification** – DNV GL class programme CP-0183 – Type Approval of flexible hoses of non-metallic material



PART NUMBER	DESCRIPTION	BRAIDED ID NOMINAL		BRAIDED OD NOMINAL		MAX. WORKING PRESSURE		MIN. BURST PRESSURE		MIN. BEND RADIUS		VACUUM	
		MM	IN	MM	IN	BAR	PSI	BAR	PSI	MM	IN	BAR	inHG
MATW09-7B01	3/8" DNV GL	9.65	0.380	15.80	0.622	125	1813	500	725	50	1.97	0.9	26.58
MATW13-5B01	1/2" DNV GL	13.45	0.530	19.80	0.780	105	1523	420	609	65	2.56	0.9	26.58
MATW16-5B01	5/8" DNV GL	16.40	0.646	23.40	0.921	100	1450	400	580	80	3.15	0.9	26.58
MATW19-8B01	3/4" DNV GL	19.80	0.780	26.90	1.059	90	1305	360	522	100	3.94	0.9	26.58
MATW25-9B01	1" DNV GL	25.00	0.984	32.90	1.295	80	1160	320	464	125	4.92	0.9	26.58
MATW32-3B01	1 1/4" DNV GL	32.30	1.272	39.75	1.565	64	928	256	371	150	5.91	0.9	26.58
MATW38-8B01	1 1/2" DNV GL	38.30	1.508	46.10	1.815	53	769	212	307	200	7.87	0.9	26.58
MATW51-2B01	2" DNV GL	51.50	2.028	60.50	2.382	35	508	140	203	250	9.84	0.5	14.77
MATW09-7B01	3/8" DNV GL Antistatic	9.65	0.380	15.80	0.622	125	1813	500	725	50	1.97	0.9	26.58
MATW13-5B01	1/2" DNV GL Antistatic	13.45	0.530	19.80	0.780	105	1523	420	609	65	2.56	0.9	26.58
MATW16-5B01	5/8" DNV GL Antistatic	16.40	0.646	23.40	0.921	100	1450	400	580	80	3.15	0.9	26.58
MATW19-8B01	3/4" DNV GL Antistatic	19.80	0.780	26.90	1.059	90	1305	360	522	100	3.94	0.9	26.58
MATW25-9B01	1" DNV GL Antistatic	25.00	0.984	32.90	1.295	80	1160	320	464	125	4.92	0.9	26.58
MATW32-3B01	1 1/4" DNV GL Antistatic	32.30	1.272	39.75	1.565	64	928	256	386	150	5.91	0.9	26.58
MATW38-8B01	1 1/2" DNV GL Antistatic	38.30	1.508	46.10	1.815	53	769	212	307	200	7.87	0.9	26.58
MATW51-2B01	2" DNV GL Antistatic	51.50	2.028	60.50	2.382	35	508	140	203	250	9.84	0.5	14.77

## Convoflex Convoluted PTFE

Convoflex is a heavy wall extruded convoluted hose used extensively through the process industry due to the self-cleaning design and the unique way that the hose can be lined through the fittings to make a completely bug free environment for applications where cleanliness is paramount. Convoflex also protects the fittings against corrosion in applications transferring aggressive media.

### Properties

**Application** – Used globally in applications that require the upmost cleanliness and with its heavier wall, it is more suited to the arduous applications found in the process plant industry.

**Design** – Heavy wall convoluted PTFE tube

**Inner layer** – Helically convoluted heavy wall PTFE tube



**Outer layer** – Integrated Helix wire, Stainless Steel 304/316 & polypropylene braids

Minimum working pressure -60°C with a maximum working pressure of +260°C.

#### CONVOFLEX SS

PART NUMBER	DESCRIPTION	BRAIDED ID NOMINAL	WALL THICKNESS	BRAIDED OD NOMINAL	MIN BEND RADIUS	MAX WORKING PRESSURE	BURST PRESSURE	VACUUM
		MM	MM	MM	MM	BAR	BAR	MBAR
TCM12SS	1/2" CONVOFLEX	13.08	0.89	18.90	40	50	250	887
TCM16SS	5/8" CONVOFLEX	16.00	0.89	22.85	50	35	170	887
TCM20SS	3/4" CONVOFLEX	19.00	1.00	27.40	60	60	290	887
TCM025SS	1" CONVOFLEX	25.40	1.20	36.00	80	40	210	887
TCM032SS	1.25" CONVOFLEX	31.00	1.20	42.00	100	45	210	887
TCM038SS	1.5" CONVOFLEX	35.50	1.60	46.00	120	40	175	887
TCM045SS	1.75" CONVOFLEX	44.00	1.60	56.00	135	25	135	887
TCM050SS	2" CONVOFLEX	47.50	1.60	59.50	165	25	135	887
TCM065SS	2.5" CONVOFLEX	60.25	1.60	77.25	230	14	60	887
TCM080SS	3" CONVOFLEX	74.00	1.60	93.00	260	12	65	887
TCM100SS	4" CONVOFLEX	98.00	1.82	122.30	300	10	40	887
TCM150SS	6" CONVOFLEX	152.00	2.50	182.00	520	6	24	800

#### CONVOFLEX BARE TUBES

PART NUMBER	DESCRIPTION	ID NOMINAL	WALL THICKNESS	OD NOMINAL	MIN BEND RADIUS	MAX WORKING PRESSURE	BURST PRESSURE	VACUUM
		MM	MM	MM	MM	BAR	BAR	MBAR
TCM12BT	1/2" CONVOFLEX	13.10	0.89	17.90	25	4	12	800
TCM16BT	5/8" CONVOFLEX	16.00	0.89	21.85	30	3	9	800
TCM20BT	3/4" CONVOFLEX	19.00	1.00	26.40	50	3	9	800
TCM25BT	1" CONVOFLEX	26.00	1.20	35.00	60	3	9	800
TCM32BT	1.25" CONVOFLEX	32.00	1.20	41.00	80	2.5	7.5	800
TCM38BT	1.5" CONVOFLEX	36.50	1.60	45.00	100	2.5	7.5	800
TCM45BT	1.75" CONVOFLEX	44.00	1.60	55.00	120	2.5	7.5	800
TCM50BT	2" CONVOFLEX	48.50	1.60	59.50	125	2	6	800
TCM065BT	2.5" CONVOFLEX	61.00	1.60	76.25	175	1.5	4.5	800
TCM080BT	3" CONVOFLEX	74.00	1.50	92.00	200	1.3	3.9	800
TCM100BT	4" CONVOFLEX	100.00	2.50	125.00	225	1	3	800
TCM150BT	6" CONVOFLEX	150.00	2.50	180.00	250	0.5	1.5	800



## Composite Hose

ADT Flexibles produce a comprehensive range of composite hose assemblies capable of handling all kinds of transfer applications.

Offering an extensive range of end fittings, normally supplied to customer requirements. ADT end fittings are available in a variety of materials including gun metal, stainless steel, aluminium and polypropylene.

The product range also includes quick release couplings, adaptors and accessories.

All composite hose assemblies manufactured by ADT are pressure tested to 1.5x working pressure along with a test for electrical continuity, and a test certificate is supplied upon completion.



## Uni-Oil Standard Petroleum Service

Uni-OIL GG standard petroleum service hoses are designed for the transfer of a wide range of petroleum products.

Uni-OIL GG hoses are ideal for transfer of media from storage tanks and process piping to rail cars or tank trucks.

Multiple plies of polypropylene films and fabrics are encased in a polyester vapour barrier for superior operation. Rated for full vacuum.

### Uni-OIL GG

G-High Tensile Galvanised Carbon Steel Inner Helix

G-High Tensile Galvanised Carbon Steel Outer Helix

Manufactured in compliance with BS 5842. All Uni-CHEM® hose styles are constructed to marine specifications in accordance with US coast guard spec. 154.500 and IMO regulations. Available with EN 13765 compliant construction.



SIZE ID		MAX WORKING PRESSURE		BURST PRESSURE		BEND RADIUS		WEIGHT	MAX LENGTH
INS	MM	BAR	PSI	BAR	PSI	INS	MM	KG/M	MTR
1	25	14	200	56	800	4	104	0.89	40
1.5	38	14	200	56	800	5	130	1.19	40
2	50	14	200	56	800	6	155	2.40	40
2.5	63	14	200	56	800	7.9	203	2.53	40
3	75	14	200	56	800	8.1	208	3.60	40
4	100	14	200	56	800	11.9	355	4.77	40
6	152	14	200	56	800	22	560	10.73	30
8	203	14	200	56	800	30	760	16.39	24

Operating Temperature -40°C to +80°C. Standard colour: Black

## Uni-Zene Special Petroleum Service

Uni-ZENE special service petroleum hoses are designed to handle modern gasoline additives such as MTBE, ethanol and 31% benzene.

Uni-ZENE hoses are built with an effective combination of polyamide, polyester and polypropylene film and fabrics to meet the demands of today's additives. Also recommended for all JP aviation fuels. Rated for full vacuum.

### Uni-ZENE

G-High Tensile Galvanised Carbon Steel Inner Helix  
G-High Tensile Galvanised Carbon Steel Outer Helix

SIZE ID		MAX WORKING PRESSURE		BURST PRESSURE		BEND RADIUS		WEIGHT		MAX LENGTH
INS	MM	BAR	PSI	BAR	PSI	INS	MM	KG/M		MTR
1	25	14	200	56	800	4	104	0.89		40
1.5	38	14	200	56	800	5	130	1.19		40
2	50	14	200	56	800	6	155	2.40		40
2.5	63	14	200	56	800	7.9	203	2.53		40
3	75	14	200	56	800	8.1	208	3.60		40
4	100	14	200	56	800	11.9	355	4.77		40
6	152	14	200	56	800	22	560	10.73		30
8	203	14	200	56	800	30	760	16.39		24

Operating Temperature -40°F to +212°F / -40°C to +100°C. Standard colour: Red



## Uni-Chem Standard Chemical Service

Uni-Chem PG, PS, SG and SS composite hoses are specifically designed for in-plant liquid transfer operations as well as tank truck delivery and rail car loading. Constructed with multiple plies of polypropylene films and polyester vapour barrier. Rated for full vacuum.

### Uni-Chem PG, PS

P-Polypropylene Coated Steel Inner Helix  
G-High Tensile Galvanised Carbon Steel Outer Helix  
S-316L Stainless Steel Outer Helix

### Uni-Chem SG, SS

S-316L Stainless Steel Inner Helix  
G-High Tensile Galvanised Carbon Steel Outer Helix  
S-316L Stainless Steel Outer Helix

SIZE ID		MAX WORKING PRESSURE		BURST PRESSURE		BEND RADIUS		WEIGHT		MAX LENGTH
INS	MM	BAR	PSI	BAR	PSI	INS	MM	KG/M	LBS/FT	MTR
1	25	14	200	56	800	4	101.6	0.86	0.58	40
1.5	38	14	200	56	800	5	127	1.56	0.79	40
2	50	14	200	56	800	6	152.40	1.75	1.18	40
2.5	63	14	200	56	800	7.9	200.60	2.53	1.70	40
3	75	14	200	56	800	8.1	205.00	2.79	1.88	40
4	100	14	200	56	800	11.9	301.75	3.98	2.68	40
6	152	14	200	56	800	22	558.80	10.70	7.20	30
8	203	14	200	56	800	30	762.00	16.36	11.00	24

Operating Temperature -40°F to +176°F / -40°C to +80°C. Standard colour: Grey



# Uni-Flon Special Chemical Service

Uni-FLON special chemical service hoses are built to meet the demands of today's highly aggressive media. Superior chemical resistance is achieved with a PTFE inner liner, reinforced with multiple plies of polyester and polypropylene films. Rated for full vacuum.

## Uni-FLON SG

S-316L Stainless Steel Inner Helix  
G-High Tensile Galvanised Carbon Steel Outer Helix

## Uni-FLON SS

S-316L Stainless Steel – Inner Helix  
S-316L Stainless Steel – Outer Helix



Manufactured in compliance with BS 5842. All Uni-CHEM® hose styles are constructed to marine specifications in accordance with US coast guard spec. 154.500 and IMO regulations. Available with EN 13765 compliant construction.

SIZE ID		MAX WORKING PRESSURE		BURST PRESSURE		BEND RADIUS		WEIGHT	MAX LENGTH
INS	MM	BAR	PSI	BAR	PSI	INS	MM	KG/M	MTR
1	25	14	200	56	800	4	102	0.89	40
1.5	38	14	200	56	800	5	127	1.19	40
2	50	14	200	56	800	6	152	2.38	40
2.5	63	14	200	56	800	7.9	203	2.52	40
3	75	14	200	56	800	8.1	208	3.57	40
4	100	14	200	56	800	11.9	302	4.76	40
6	152	14	200	56	800	22	560	10.70	30
8	203	14	200	56	800	30	760	16.36	24

Operating Temperature -40°C to +100°C. Standard cover colour: Blue

# Uni-Flon Special Chemical Service High Temperature

## Uni-FLON SS HT

This product is available with all the characteristics of the UNIFLON SS however due to a special combination of materials used in construction it will perform at higher temperatures up to 177 degree C. Please consult our technical sales team for further details on this product.



## Food Grade Hose Assemblies

ADT Flexibles offer an extensive range of hose assemblies for handling food, drink and pharmaceutical products. All hose assemblies are manufactured with customer's choice of end fittings such as Triclover, RJT, DIN, SMS, IDF and ILS. Because ADT fabrication facilities can also supply bespoke end fittings.

For example, extended 45 and 90 degree elbows, dip tubes, Tee's and cross pieces can be manufactured and fitted to hose assemblies. There is also a full range of loose hose, hygienic fittings, seals, ferrules and tube available from stock.



### Product Range

Rubber FDA approved food quality hose is available with a variety of liners such as NR, SBR, EPDM and CBR. These hoses are manufactured for use with alcohol, hot animal and vegetable oils, milk products, fruit juices and potable water.

Silicone hygienic hose assemblies are excellent for use in the brewing and pharmaceutical industries, offering a high standard of cleanliness, flexibility and high operating temperatures. Silicone hoses are available with polyester braid and/or stainless steel wire helix reinforcement.

Food quality PVC suction delivery hose, ideal for drinks, vinegars, fruit juices, wine and liqueurs. Available with steel or PVC spiral reinforcement, a combination of steel spiral and braided yarn is also available, along with antistatic versions all up to 6".

PU food grade ducting is available for suction and transport of sugar, grain, flour, animal feed and dry foods. When flexibility and resistance to abrasive substances is desired, a PU ducting is a good product choice. This product is also available as antistatic offered in sizes up to 500mm.



# NOVAFLEX 6303

## Nitrile Food 150 Suction & Discharge Hose

This food transfer hose is designed to provide maximum flexibility along with an abrasive resistant cover. Excellent for the transfer of oily product in full suction and discharge applications. Meets REACH, ADI, FDA, USDA and 3A sanitary standards authorised no. 1376.

This ultra smooth microbe resistant tube is built on special stainless steel mandrels for cleanliness.

### Construction:

- **Tube:** White FDA Nitrile
- **Reinforcement:** Multiple plies of polyester synthetic textile with helix
- **Cover:** Blue Nitrile
- **Temperature Range:** -40°C to +99°C (Cleaning In Place to +120°C. Not for continuous steam service)

PART NUMBER	ID	ID	OD	OD	VAC	WP	MBR	WEIGHT	
	IN	MM	IN	MM	BAR	BAR	IN	MM	KG/M
6303WT-01000-10	1	25	1.49	37.8	0.9	10	5	127	0.98
6303WT-01500-10	1 1/2	38	2.13	54.1	0.9	10	6	152	1.02
6303WT-02000-10	2	51	2.63	66.8	0.9	10	7	178	1.37
6303WT-02500-10	2 1/2	63	3.09	78.8	0.9	10	10	254	2.98
6303WT-03000-10	3	76	3.74	94.9	0.9	10	12	304	4.22
6303WT-04000-10	4	102	4.75	120.6	0.9	10	15	381	5.68



# NOVAFLEX 6300

## Nitrile Food 150 Suction & Discharge Hose

Recommended for the food transfer application that demands both flexibility and ruggedness with a clean white FDA grade tube. Meets ADI, FDA, USDA and 3A sanitary standards authorised no. 1376.

The food nitrile tube is odourless and tasteless for those oily transfer applications. Excellent for suction and discharge applications, this ultra smooth microbe resistant tube is built on special stainless steel mandrels for cleanliness.

### Construction:

- **Tube:** White FDA Nitrile
- **Reinforcement:** Multiple plies of polyester tire cord with helix wire
- **Cover:** Blue PVC Nitrile
- **Temperature Range:** -40°C to +99°C (Cleaning In Place to +120°C. Not for continuous steam service)

PART NUMBER	ID	ID	OD	OD	VAC	PSI	WP	MBR	MBR	KG/M
	IN	MM	IN	MM	BAR		BAR	IN	MM	
6300WT-00750-00	0.75	19.05	1.25	31.8	0.9	150	10.34	4	101.6	0.60
6300WT-01000-00	1.0	25.4	1.5	38.1	0.9	150	10.34	5	127.0	0.74
6300WT-01500-00	1.5	38.1	2.0	50.8	0.9	150	10.34	6	152.4	1.06
6300WT-02000-00	2.0	50.8	2.55	63.5	0.9	150	10.34	7	177.8	1.41
6300WT-02500-00	2.5	63	2.94	74.7	0.9	150	10.34	8	200	1.73
6300WT-03000-00	3.0	76.2	3.52	89.4	0.9	150	10.34	9	228.6	2.25
6300WT-04000-00	4.0	101.6	4.52	114.8	0.9	150	10.34	12	304.8	2.95



## NOVAFLEX 6206

### White Natural Rubber Food Suction & Discharge Hose



The Guernsey is the ideal lightweight and highly flexible easy handling suction and delivery hose for the reliable and safe use in milk management applications such as milk collection and discharging tankers and transport, dairy unloading, and in-plant processing.

The smooth white natural rubber tube will not propagate bacterial growth, is neutral to taste and odour, and is resistant to commonly used cleaning products. The abrasion resistant SBR cover also resists UV and Ozone. Novaflex 6206 complies with FDA, REACH, and ADI guidelines.

#### Construction:

- **Tube:** 3/32" White FDA pure gum
- **Reinforcement:** 2 plies of fabric, 1 wire helix
- **Cover:** Blue SBR weather and abrasion resistant
- **Temperature Range:** 40°C to 71°C  
Additional sizes available on request

PART NUMBER	ID	ID	OD	OD	VAC	PSI	WP	MBR	MBR	KG/M
	IN	MM	IN	MM	BAR		BAR	IN	MM	
6206WG-01000-15	1	25.4	1.44	36.6	0.9	100	6.895	N/A	N/A	0.80
6206WG-01250-15	1.5	38.1	1.94	49.3	0.9	100	6.895	N/A	N/A	1.13
6206WG-02000-15	2	50.8	2.5	63.5	0.9	100	6.895	N/A	N/A	1.49
6206WG-02500-15	2.5	63.5	3.0	76.2	0.9	100	6.895	N/A	N/A	2.20
6206WG-03000-00	3	76.2	3.67	93.2	0.9	100	6.895	N/A	N/A	2.90
6206WG-04000-00	4	101.6	4.69	119.1	0.9	100	6.895	N/A	N/A	3.72

## NOVAFLEX 6404CU

### UHMW Tube EPDM Food Suction & Discharge Hose



Recommended for special applications that require smooth tubes and easy-to-clean surfaces. Meets REACH and ADI standards.

Recommended for the food transfer application that demands flexibility and ruggedness, with a clean white FDA ultra high molecular weight polyethylene grade tube. This food grade tube is odourless and tasteless for all those all-purpose transfer applications. Suitable for alcohol concentrations above 96% and is ideal for distilled spirits or liquor. The ultra smooth microbe resistant tube is built on special stainless steel mandrels for cleanliness and can be earthed through helix.

#### Construction:

- **Tube:** FDA UHMW – Odour and tasteless (non-oily applications)
- **Reinforcement:** Multiple plies of polyester synthetic textile with helix wire
- **Cover:** Red EPDM. Length 100ft
- **Temperature Range:** -40°C to +116°C (Cleaning In Place to 248°F (+120°C)). Not for use with steam  
Additional sizes available on request

PART NUMBER	ID	ID	OD	OD	VAC	PSI	WP	MBR	MBR	KG/M
	IN	MM	IN	MM	BAR		BAR	IN	MM	
6404CU-00750-00	0.75	19.05	1.19	30.2	1.0	200	13.8	3.5	88.9	0.65
6404CU-01000-00	1	25.4	1.44	36.6	1.0	200	13.8	3.5	88.9	0.80
6404CU-01500-00	1.5	38.1	2.02	51.3	1.0	200	13.8	4	101.6	1.26
6404CU-02000-00	2.0	50.8	2.52	64.0	1.0	200	13.8	6	152.4	1.58
6404CU-02500-00	2.5	63.5	3.04	77.2	1.0	200	13.8	7.5	190.5	2.05
6404CU-03000-00	3	76.2	3.55	90.1	1.0	200	13.8	9	228.6	2.52
6404CU-04000-00	4	101.6	4.55	115.6	1.0	200	13.8	12	304.8	3.50

# NOVAFLEX 6309

## Nitrile Food Hose 150 Crush Resistant Suction & Discharge Hose



Kink and crush resistant suction and discharge hose. Recommended for the food transfer application that demands both flexibility and ruggedness with a clean white FDA tube.

Meets REACH, ADI, FDA, USDA and 3A sanitary standards Authorised 1376. The food grade nitrile tube is odourless and tasteless for those oily transfer applications. This ultra smooth microbe resistant tube is built on special stainless steel mandrels for cleanliness.

### Construction:

- **Tube:** NBR/White
- **Reinforcement:** 2 ply fabric reinforced and dual monofilament helix
- **Cover:** Blue and Red NBR
- **Length:** 100ft
- **Temperature Range:** -40°C to 93°C
- **Sizes:** -1" to 3" are rated full vacuum. 4" is rated 20 in/hg Not for continuous steam service

PART NUMBER	ID	ID	OD	OD	VAC	PSI	WP	MBR	MBR	KG/M
	IN	MM	IN	MM	BAR		BAR	IN	MM	
6309-01000-00	1	25.4	1.66	42.2	0.9	150	10.34	5	127.00	1.160
6309-01500-00	1.5	38.1	2.12	53.8	0.9	150	10.34	6	152.40	1.560
6309-02000-00	2	50.8	2.72	69.1	0.9	150	10.34	7	177.80	2.310
6309-02500-00	2.5	63.5	3.26	82.8	0.9	150	10.34	8	203.2	2.83
6309-03000-00	3	76.2	3.81	96.8	0.9	150	10.34	9	228.6	3.42
6309-04000-00	4	101.6	4.81	122.2	0.9	150	10.34	14	355.60	4.24

# Novaflex 6430

## Connoisseurs Food & Beverage Suction & Discharge Hose



Extremely flexible and lightweight food hose to meet the food processing industries' most demanding applications. Extensively used by breweries worldwide. Constructed with an ultra smooth microbe resistant white EPDM tube built on special stainless steel mandrels for cleanliness and will not impart taste or odour. Ultra flexible for ease of handling.

Complies with REACH, ADI, FDA, USDA, 3-A Sanitary Standards Authorised (#1376), and also Canadian Food Inspection Agency (CFIA) requirements. Resistant to most commonly used CIP solution.

### Construction:

- **Tube:** White EPDM
- **Reinforcement:** Multiple plies of synthetic textile with helix wire
- **Cover:** Red EPDM
- **Length:** 30 metres
- **Temperature Range:** -28°C to +149°C (Note: CIP to 130°C maximum for 30 minutes)

PART NUMBER	ID	ID	OD	OD	WP	BURST PRESSURE	VACUUM	MBR	WEIGHT
	IN	MM	IN	MM	BAR	PSI	BAR	MM	KG/M
6430WE-01000-01	1	21	1.52	38.60	10	40	0.95	57	0.97
6430WE-01500-01	1.5	38	2.06	52.30	10	40	0.95	76	1.42
6430WE-02000-01	2	51	2.56	65.02	10	40	0.95	114	1.82
6430WE-02500-01	2.5	63	3.06	77.72	10	40	0.95	191	2.34
6430WE-03000-01	3	76	3.67	93.21	10	40	0.95	229	3.46
6430WE-04000-01	4	102	4.67	118.61	10	40	0.95	305	4.5

## MILLENNIUM LL

### TOTAL FOOD – Perfect for all Food Products



Reg. ED 1935/04 and EC 2023/06. Phthalates free, PAHs free (acc. To ZEK 01.4-08 Cat 1).

Bisphenol A free and heavy metal tested. FDA tit.21 art. 177.2600 aqueous and fatty foods. 3A Sanitary standards no. 18-03 class II. BfR XXI Cat2 foods. D.M 21/03/73 aqueous, fatty food and alcohol up to 96°. **Application:** Hardwall hose for suction and delivery of many food products such as olive oil, wine, beer, fruit juices, fatty foods, milk and alcohol up to 96°. **Temperature:** From -30°C (-22°F) to +100°C (212°F)

#### Construction:

- **Tube:** White smooth food quality taste free and odourless synthetic rubber. 100% phthalates free
- **Reinforcement:** High strength synthetic cord and embedded helix wire
- **Cover:** Blue smooth (wrapped finish) synthetic rubber, ozone and weathering resistant

PART NUMBER	ID	ID	OD	OD	WORKING PRESSURE		BURST PRESSURE		WEIGHT NOMINAL		BEND RADIUS		VACUUM	LENGTH MAX	
	MM	INCH	MM	INCH	BAR	PSI	BAR	PSI	KG/M	LBS/FT	MM	INCH	BAR	MTR	FT
1466763	19	3/4	30.5	1.20	10	150	30	450	0.66	0.44	60	2.4	0.9	60	200
1464256	25	1	36.50	1.44	10	150	30	450	0.81	0.54	75	3.0	0.9	60	200
1470655	32	1 1/4	43.50	1.71	10	150	30	450	1.05	0.70	100	3.9	0.9	60	200
1467204	38	1 1/2	49.50	1.95	10	150	30	450	1.21	0.81	120	4.7	0.9	60	200
1478834	40	1 3/8	52.0	2.05	10	150	30	450	1.44	0.97	130	5.1	0.9	60	200
1464248	51	2	63.50	2.50	10	150	30	450	1.88	1.27	170	6.7	0.9	60	200
1300059	60	2 3/8	72.5	2.86	10	150	30	450	2.08	1.40	235	9.3	0.9	60	200
1467310	63.5	2 1/2	77	3.03	10	150	30	450	2.47	1.66	235	9.3	0.9	60	200
1466712	76	3	91	3.59	10	150	30	450	3.14	2.11	300	11.8	0.9	60	200
1476882	80	3 5/32	95	3.74	10	150	30	450	3.28	2.20	320	12.6	0.9	60	200
1474243	102	4	117.5	4.63	10	150	30	450	4.20	2.82	400	15.8	0.9	60	200

## SUPERTOP UPE LL

### Suction and Delivery of Chemicals, Solvents and Food, PE-UHMV Tube



EN 12115:11 Tube: Reg. CE 1935/04 and CE 2023/06. Reg. EU 10/2011 aqueous and fatty foods. Phthalates free. PAHs free (acc. To ZEK 01.4-08 Cat 1) FDA tit. 21 item 177.1520 foods. BfR III.

**Application:** Hardwall hose suitable for handling a wide range of aggressive chemicals, solvents, alcohols and food. Normally installed on tank trucks and discharge platforms in chemical, oil and food industries. **Temperature:** From -40°C (-40°F) to +100°C (212°F)

#### Construction:

- **Tube:** White food quality smooth, high weight polyethylene (PE-UHMW). Chemical resistance according to IVG chemical resistance chart
- **Reinforcement:** High strength synthetic cord, steel helix wire and antistatic copper wire
- **Cover:** Green smooth (wrapped finish) EPDM rubber resistant to chemicals, abrasion, weathering and ozone
- **Electrical Resistance:** Type M electrical resistance guaranteed for lengths equal or lower than 40m

PART NUMBER	ID	ID	OD	OD	WORKING PRESSURE		BURST PRESSURE		WEIGHT NOMINAL		BEND RADIUS		VACUUM	LENGTH MAX	
	MM	INCH	MM	INCH	BAR	PSI	BAR	PSI	KG/M	LBS/FT	MM	INCH	BAR	MTR	FT
1399330	19	3/4	31	1.22	16	240	64	960	0.74	0.49	90	3.5	0.9	60	200
1399292	25	1	37	1.46	16	240	64	960	0.90	0.60	120	4.7	0.9	60	200
1399322	32	1 1/4	44	1.73	16	240	64	960	1.09	0.73	150	5.9	0.9	60	200
1399314	38	1 1/2	51	2.01	16	240	64	960	1.45	0.97	180	7.1	0.9	60	200
1399306	51	2	65	2.56	16	240	64	960	1.86	1.25	250	9.9	0.9	60	200
1407236	63.5	2 1/2	78	3.07	16	240	64	960	2.46	1.66	320	12.6	0.9	60	200
1399284	76	3	91	3.59	16	240	64	960	3.03	2.03	400	15.8	0.8	60	200
1400010	102	4	118	4.65	16	240	64	960	4.46	3.00	550	21.7	0.8	60	200

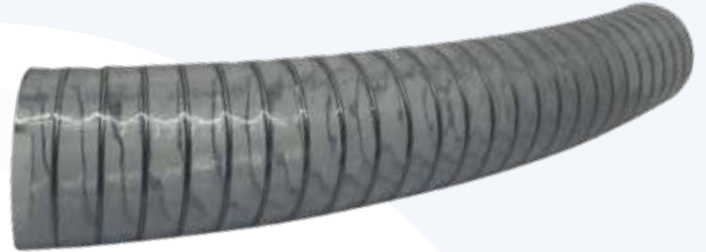


# PLUTONE BIO

Transparent hose produced with a special bio-based compound, obtained from natural energy sources, which production allows to save CO<sub>2</sub> emissions and reinforced with steel spiral.

## Application Fields:

Ideal solution for suction and delivery of food liquids, beverages, fruit juices, wine and liquors with up to 50% alcohol concentration, as well as for the passage of milk and dairy products, according to FDA CFR. 21 (Item 176.170) and to Reg. EU 10/2011 (classes A, B, C, D1). It is often used for filling machines and dispensers.



PART NUMBER	ID	OD	WEIGHT	WORKING PRESSURE	BURST PRESSURE	VACUUM	BENDING	COIL LENGTH	VOLUME
	MM	MM	G/M	BAR	BAR	m H <sub>2</sub> O	MM	MTR	M <sup>3</sup>
B2 01 006.0 012.2	6*	12.2	135	5	25	9.5	30	30	0.019
B2 01 008.0 014.2	8	14.2	160	5	25	9.5	40	30	0.024
B2 01 010.0 016.0	10	16	185	7	35	8.5	50	30	0.028
B2 01 012.0 018.0	12	18	215	7	35	8.5	50	30	0.033
B2 01 016.0 022.4	16	22.4	280	7	35	8.5	70	30	0.048
B2 01 020.0 027.0	20	27	365	6	30	8.5	90	30	0.086
B2 01 025.0 033.0	25	33	520	6	30	8.5	110	30	0.127
B2 01 032.0 040.4	32	40.4	675	5	25	8.5	140	30	0.155
B2 01 035.0 043.4	35	43.4	720	5	25	8.5	160	30	0.167
B2 01 038.0 047.0	38	47	830	5	25	8.5	170	30	0.120
B2 01 050.0 060.0	50	60	1295	4	20	8	230	30	0.259
B2 01 063.0 074.8	63	74.8	1860	3.5	17.5	8	280	30	0.323
B2 01 076.0 088.2	76	88.2	2280	3.5	17.5	7	340	30	0.508
B2 01 090.0 103.0	90	103	3120	3	15	7	410	20	0.527
B2 01 102.0 115.0	102	115	3505	2	10	7	460	20	0.589
B2 01 127.0 144.4	127	144.4	5570	1.2	6	9	640	20	1.109
B2 01 150.0 168.6	151	168.6	6950	1.2	6	9	760	20	1.303

\*Available on request. The technical data was measured at 23°C with 50% humidity.

## AIRDUC PUR 350 FOOD-AS

### Application:

- Flexible hose/ ducting for abrasive powder, bulk material, granulate and for gases
- Food industry, pharmaceutical industry: food-stuff, pharmaceutical
- Conveying of dry foods e.g. rice, cereals, sugar, milk powder, powders, coffee, tea, grains, flour, frozen foods
- Mixer, dryer, packaging machine, bulk-bag (big bag)-charging and discharging, mill
- Explosion hazard area
- Clean room ventilation, semiconductor production machine
- Paper mill, paper and pulp industry: waste water, air extraction
- Medical equipment/medical technology, healthcare sector: cable protection conduit, air supply hose, extraction hose
- Municipal vehicle: lawn mower, slope mower, leaf blower/leaf collector

### Properties:

- Medium-heavy duty
- Highly abrasion resistant
- Food grade wall, complies with: EU-Directive 10/2011 AND EC 1935/2004, incl. the latest EU-Directive 2015/174, FDA 21 CFR Part 177.2600
- Odourless and tasteless
- Microbe and hydrolysis resistant
- Good resistance to oil, gasoline and chemicals
- Permanently antistatic wall: according to ISO 8031 electrical and surface resistance  $<10^9\Omega$  (according to TRGS 727  $<2.5 \cdot 10^9\Omega \cdot m$  and NFPA 652  $10^8-10^9\Omega$ )
- Very good low temperature flexibility
- In accordance with ATEX 2014/34/EU (1999/92/EC) and German TRGS 727: pneumatic transport of flammable dusts and bulk materials (Zone 20, 21, 22 inside), aspiration of combustible dusts (Zone 22 inside)



- In accordance with ATEX 2014/34/EU (1999/92/EC) and German TRGS 727: for conveying for flammable liquids (inside zone 0, 1, 2), for conveying for non-flammable liquids, for use in zone 1 and 2 (gases), for use in zone 0 (gases)
- According to DIN 26057 Type 2
- Manufacturing process acc. GMP EC 2023/2006
- Conforms to RoHS guideline
- REACH according to technology/technical information/REACH

### Temperature Range:

- $-40^{\circ}\text{C}$  to  $90^{\circ}\text{C}$
- Short time to  $125^{\circ}\text{C}$

### Design

- AIRDUC® profile hose
- Spring steel wire firmly embedded in wall
- Wall: permanently antistatic premium ether-polyurethane (Pre-PUR®)
- Wall thickness 0.7 mm approx.

### Delivery variants

- Further diameters and lengths available on request
- Transparent (standard)
- Customer-specific branding

PART NUMBER	ID	ID	OD	PRESSURE DIN 26057 (50% ELONGATION)	VACUUM DIN 26057 (AXIALLY FIXED)	BEND RADIUS	WEIGHT	LENGTH
	INCH	MM	MM	BAR	BAR	MM	KG/M	MTR
350-0025-0000	1	25	32.00	2.445 (5.45)	0.755 (1.00)	23.00	0.19	10
350-0032-0000	1.25	32	39.00	1.930 (4.29)	0.590 (1.00)	27.00	0.27	10
350-0038-0000	1.5	38	45.00	1.635 (3.64)	0.495 (1.00)	31.00	0.31	10
350-0045-0000	1.75	44-45	52.00	1.390 (3.08)	0.420 (1.00)	35.00	0.37	10
350-0050-0000	2	50-51	57.00	1.250 (2.78)	0.380 (1.00)	38.00	0.40	10
350-0060-0000	2.36	60	67.00	1.050 (2.33)	0.315 (0.83)	44.00	0.48	10
350-0065-0000	2.5	63-65	70.00	0.970 (2.15)	0.290 (0.71)	47.00	0.52	10
350-0075-0000	3	75-76	82.00	0.840 (1.87)	0.175 (0.72)	53.00	0.59	10
350-0080-0000	-	80	87.00	0.790 (1.75)	0.160 (0.64)	56.00	0.64	10
350-0090-0000	3.5	89-90	97.00	0.705 (1.56)	0.145 (0.51)	62.00	0.72	10
350-0100-0000	4	100-102	107.00	0.635 (1.41)	0.135 (0.66)	68.00	0.80	10
350-0110-0000	-	110	117.00	0.575 (1.28)	0.125 (0.55)	74.00	0.87	10
350-0115-0000	4.5	114-115	122.00	0.550 (1.22)	0.120 (0.50)	77.00	0.90	10
350-0120-0000	4.72	120	127.00	0.530 (1.17)	0.115 (0.46)	80.00	0.95	10
350-0125-0000	5	125-127	132.00	0.510 (1.13)	0.110 (0.42)	83.00	0.98	10
350-0140-0000	5.5	140	147.00	0.455 (1.01)	0.095 (0.33)	92.00	1.09	10
350-0150-0000	6	150-152	157.00	0.425 (0.94)	0.075 (0.36)	98.00	1.40	10
350-0160-0000	6.3	160	167.00	0.400 (0.88)	0.070 (0.31)	104.00	1.50	10
350-0170-0000	-	170	177.00	0.375 (0.83)	0.065 (0.28)	108.00	1.58	10
350-0175-0000	-	175	182.00	0.365 (0.81)	0.065 (0.26)	113.00	1.63	10
350-0180-0000	7	178-180	187.00	0.355 (0.78)	0.060 (0.24)	116.00	1.67	10
350-0200-0000	8	200-203	207.00	0.320 (0.71)	0.055 (0.19)	128.00	1.86	10

# EXTRAFLEX SILICONE SUCTION AND DELIVERY HOSE

**Mandrel built platinum cured silicone/polyester hygienic hoses with wire reinforcement, designed for extreme flexibility.**

Manufactured using a platinum cured silicone elastomer which is compositionally compliant with FDA 21 CFR 177 .2600 and USP Class VI standards. These hoses are supplied in up to 4m lengths, with a temperature range of -60°C to +200°C (+220°C spot) in standard form; bore sizes available from 1/4" (6.3mm) to 6" (152.4mm). Standard colour translucent. Extraflex hoses are ideally suited for clean industry process/production use.

### Construction:

The wall construction is made of plies of knitted polyester cloth impregnated with silicone and a stainless steel wire reinforcing helix embedded between the plies. Smooth line bore for clear flow with smooth outer skin of silicone for complete integrity. The Extraflex range of hoses incorporates wire reinforcement at 4 turns per inch, resulting in extreme flexibility and the ability to handle increased operating pressures.



### Pressure Range:

The Extraflex range of hoses are designed to have a working pressure of 10 bar up to 76mm id and 5 bar on anything higher.

BORE SIZE	WORKING PRESSURE	BURST PRESSURE	BEND RADIUS
MM	BAR	BAR	MM
19	10	30	50
25.4	10	30	65
32	10	30	87
38	10	30	110
51	10	30	170
63	10	30	275
75	10	30	400
102	5	15	700

**NOTE:** It is the responsibility of the user to determine that the finished product, including fittings, complies with the provisions of FDA 21 CFR 177 .2600 and USP Class VI.



**ADT FLEXIBLES**  
UK LIMITED

**Head Office, Manufacturing  
& Leeds Service Centre**  
High Street, Morley  
Leeds, LS27 0LE  
Tel: 0113 253 5569

**Manufacturing, Bulk Storage  
& Gildersome Service Centre**  
Unit C & D, Darstone West  
Nepshaw Lane, Morley, LS27 7JQ  
Tel: 0113 285 3009

**Grimsby Service Centre**  
Unit 3-4  
The Drawing Court  
Grimsby, DN31 2TN  
Tel: 01472 357 769

[office@adtflex.co.uk](mailto:office@adtflex.co.uk)

[www.adtflex.co.uk](http://www.adtflex.co.uk)