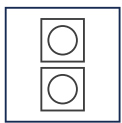


COMMERCIAL LAUNDRY SOLUTIONS

Stack Washer/Dryer

Stack washer/dryer features

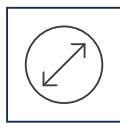
- Improved suspension with new out-of-balance logic manages and redistributes unbalanced loads for uninterrupted wash cycles
- Water use is trimmed to 60 litres** per cycle to reduce operating costs
- Efficient dryer heating with up to 20,000 BTU
- Large, easy-to-clean lint compartment
1914 cm² door opening is the largest in the industry, providing easy loading and unloading
- High spin speed up to 1,200 rpm removes more water from clothes, speeding up drying cycles and lowering energy usage



STACKABLE UNIT



STANDARD STAINLESS STEEL DRUM



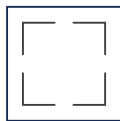
LARGE DOOR OPENING



LOW WATER CONSUMPTION



LOW ENERGY CONSUMPTION

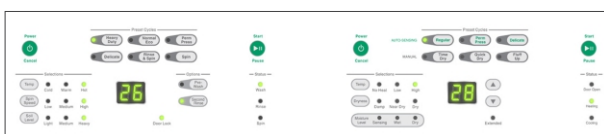


COMPACT DESIGN

Controls

Stack washer/dryer Electronic Control

The Electronic Control keeps users informed throughout the wash process with cycle status lights and a digital cycle countdown. Users also have the flexibility to control temperature, spin speeds, and soil levels, as well as the option of a pre-wash and/or additional rinse to achieve high levels of efficiency. Automatic moisture sensing cycles come standard.

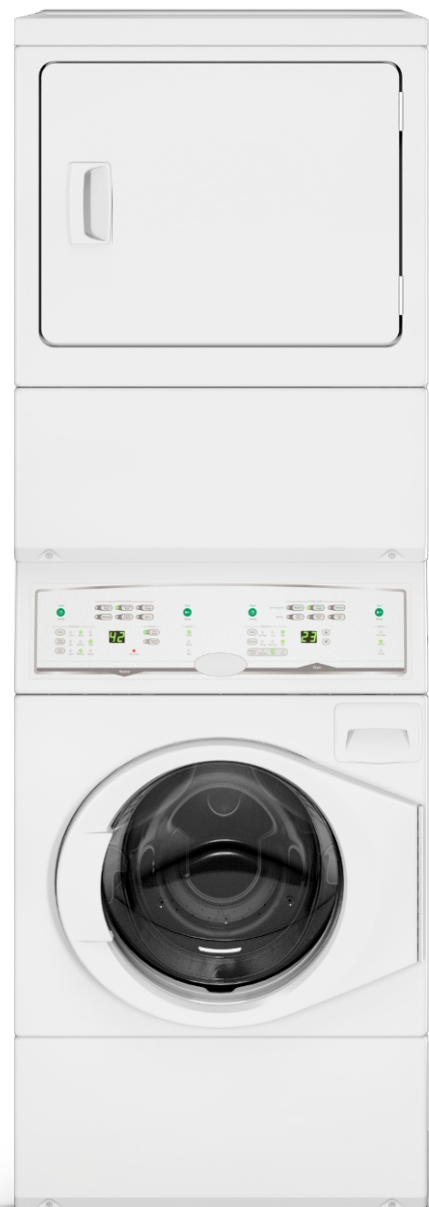


Washer Control

Dryer Control

A proven performer

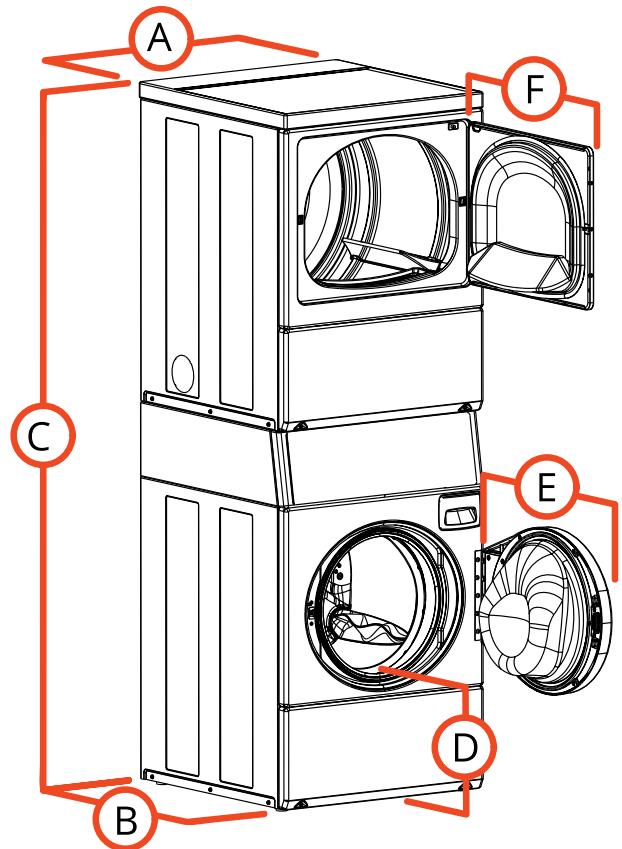
For more than a century Alliance Laundry Systems has been focussed on laundry, we know what it takes to deliver a machine with long-lasting strength, durability and performance like no other.



FTEE5ASP303NW10

Stack Washer/Dryer

Specifications		
Model		LTEE5ASP303NW10
Control Option		Electronic Homestyle
Control Location		Front
Capacity - lb (kg)	Washer	21.5 (10)
	Dryer	21.5 (10)
Cylinder Volume - cu. ft. (liters)	Washer	3.42 (96.8)
	Dryer	7.0 (198)
Overall Width - in (mm)		26.875 (683)
Overall Depth - in (mm)		27.73 (704)
Overall Height - in (mm)		78.5 (1994)
Spin Speed G-Force -RPM		440 (1200)
Motor Power Consumption - hp (kw)	Washer	0.9 (0.67) Variable Speed
	Dryer	0.33 (0.25)
Water Consumption Per Cycle -g (l)		13.68 (51.8)
IWF (Water Factor)		4.0 (0.53)
IMEF (Modified Energy Factor)		2.20 (62.3)
Available Heat Sources		Gas or Electric
Available Heating Element (Electric W)		5350 @ 240V
Gas Inlet Connection - in (mm)		3/8 (9.5)
Gas Consumption - BTU/Hr		22,500
Exhaust Outlet DIA. - in (mm)		4 (102)
Exhaust Airflow - cfm (liters/sec)		220 (105)
Available Water Temperatures		3
*Available Cycles	Washer	Heavy Duty, Normal Eco, Perm Press, Delicate, Rinse & Spin, Spin Only
	Dryer	Regular, Perm Press, Delicate, Time Dry, Quick Dry, Fluff Up
Water Pressure -PSI (Bar)		20-120 (1.4/8.3)
Cycle Indicator Lights		Yes
Cylinder Finish	Washer	Stainless Steel
	Dryer	Galvanized
Available Colors		White
Door Type		Solid
Available Electrical Requirements - Voltage/Hz/Ph - Circuit Amperage	Washer	220/50/1 -15
	Electric	220/50/1 -30
	Gas	220/50/1 -15
Shipping Dimensions Approx. - in (mm)	Width	30 (762)
	Depth	34 (864)
	Height	80 (2032)
Net Weight - lb (kg)		350 (159)
Shipping Weight - lb (kg)		380 (172)
Agency Approvals	Electric	cULus
	Gas	cCSAus



A.	Overall Width - in (mm)	26.875 (683)
B.	Overall Depth - in (mm)	27.73 (704)
C.	Overall Height - in (mm)	78.5 (1994)
D.	Floor To Door Opening - in (mm)	14.5 (368)
E.	Washer Door Swing - in (mm)	24 (610)
F.	Dryer Door Swing - in (mm)	23.5 (597)

ADA Compliant - Lower Unit

Note: Not all options are available for all models. Refer to the price list for the available models and options.

* Information shown applies to highest end control available.

For the most accurate information, the installation guide should be used for all design and construction purposes. Due to continuous product improvements, design and specifications subject to change without notice. The quality management systems at Alliance Laundry Systems are registered to ISO 9001.

