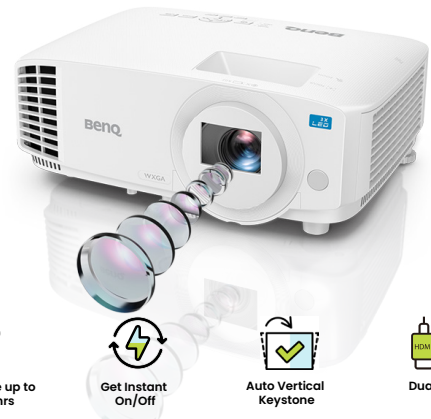


LW500 LED Projector 2000 ANSI Lumens With 98% Rec.709 color coverage for Superior quality images

Start a Professional Meeting with
Color Accurate Images



2000lms



1280x800



Crystal-Clear
Images



98% Rec.709 Color
Coverage



SmartEco™
mode



Enhanced Security



LED Lifetime up to
30,000 hrs



Get Instant
On/Off



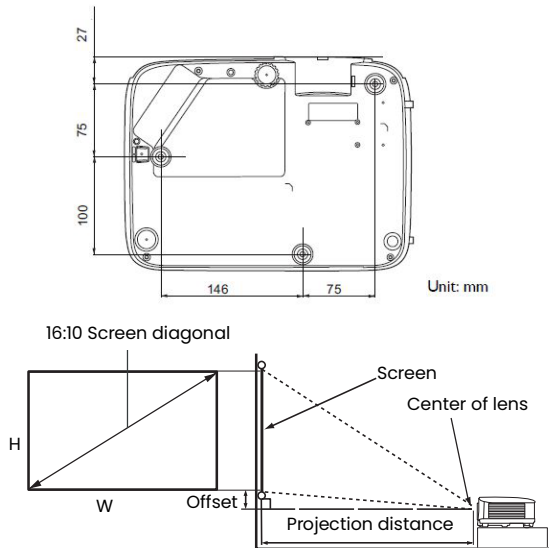
Auto Vertical
Keystone



Dual HDMI

Category	Spec Attribute	LW500
Display	Projection System	DLP Single 0.65" WXGA
	DMD type	0.65"
	Native Resolution	1280 x 800 pixels
	Brightness	2000 ANSI Lumens
	Contrast Ratio*	20,000:1
	Display Color	30 Bits (1.07 billion colors)
	Aspect Ratio	Native 16:10 (5 aspect ratio selectable)
	Light Source	LED
	Light Source life*	Normal mode: Typical 20,000 hours @survival 50 Eco mode: Typical 30,000 hours @survival 50%
Optical	Throw Ratio	1.55-1.7
	Zoom Ratio	1.1x
	Lens Control	F/# = 1.84 ~ 2.47, f = 12 ~ 15.6 mm
	Lens shift	NA
	Keystone Correction	Auto 1D, Vertical +/- 30 degrees
	Projection Offset	100% (Mode B)± 2.5%, Wide 60" ~ 150"
	Projection Size	60"-120" (Clear image), 30"-200"(Maximum)
Audio	Speaker	2W
Special Feature	Security	Security Bar,Kingsington lock
	Feature	NA
Compatibility	Resolution Support	VGA(640 x 480) to WUXGA (1920 x 1200)
	Horizontal Frequency	15K-135KHz
	Vertical Scan Rate	23-120Hz
	HDTV Compatibility	480i, 480p, 576i, 576p, 720p, 1080i, 1080p
	Video Compatibility	NA
Power	Typical Power Consumption (110V)	165W
	Standby Power Consumption	Normal < 0.5Watts.
	Power Supply	AC 100 to 240 V, 50/60 Hz
Dimension and Weight	Product Dimensions (WxHxD)	296*229*102mm
	Product Weight	2.3 kg
Operation Condition	Noise Level(Normal/Eco)	Normal: 32dB(typ.), Eco2 (Default): 30dB (typ.), Eco: 28dB(typ.) dBA
	Operating Temperature	0 ~ 40oC
Accessories	Accessories (Standard)	Remote control (5J.JGV06.001) Power Cord x 2 (by region) HDMI cable Warranty Card (by region) QSG (4J.JHY01.001) User Manual E-edition
	Accessories (Optional)	3D Glasses (5J.J9H25.002) Ceiling mount Carry bag
OSD	On Screen Display Language	Arabic/Bulgarian/ Croatian/ Czech/ Danish/ Dutch/ English/ Finnish/ French/ German/ Greek/ Hindi/ Hungarian/ Italian/ Indonesian/ Japanese/ Korean/ Norwegian/ Polish/ Portuguese/ Romanian/ Russian/ Simplified Chinese/ Spanish/ Swedish/ Turkish/ Thai/ Traditional Chinese/ Farsi / Vietnamese/ (30 Languages)
Environment Notice		*The Contrast is measure by Full On Full Off standard.
		*LightSource life results will vary depending on environmental conditions and usage. Actual product's features and specifications are subject to change without notice.

Installation



Ceiling/Wall Mount Screw: M4 (Max. L =25 mm, Min L = 20 mm)

Screen size				Projection distance (mm)			Offset (mm)
Diagonal		H (mm)	W (mm)	Min distance (with max zoom)	Average	Max distance (with min zoom)	
Inch	mm						
30	762	404	646	1002	1050	1098	0
40	1016	538	862	1335	1400	1465	0
50	1270	673	1077	1669	1750	1831	0
60	1524	808	1292	2003	2100	2197	0
70	1778	942	1508	2337	2450	2563	0
80	2032	1077	1723	2671	2800	2929	0
90	2286	1212	1939	3005	3150	3295	0
100	2540	1346	2154	3339	3500	3662	0
110	2794	1481	2369	3672	3850	4028	0
120	3048	1615	2585	4006	4200	4394	0
130	3302	1750	2800	4340	4550	4760	0
140	3556	1885	3015	4674	4900	5126	0
150	3810	2019	3231	5008	5250	5492	0
160	4064	2154	3446	5342	5600	5859	0
170	4318	2289	3662	5676	5950	6225	0
180	4572	2423	3877	6009	6300	6591	0
190	4826	2558	4092	6343	6650	6957	0
200	5080	2692	4308	6677	7000	7323	0

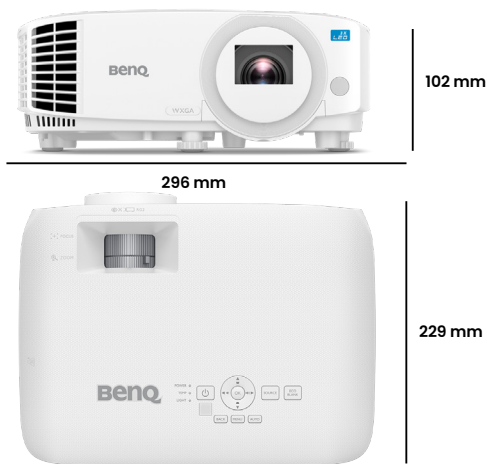
Connectivity



Input and Output Terminals		
1	HDMI 1 - 1.4	1
2	HDMI 2 - 1.4	1
3	RS232 In (D-sub 9pin, male)	1
4	USB Type A	1
5	Audio out (mini jack)	1
6	Speaker (2W)	1
7	IR Receiver (Front + Top) 2	2

Dimension

296 mm(W) x 229 mm(H) x 102 mm(D)



Corporate Office: BenQ India Pvt. Ltd.

9B Building, 11th Floor, DLF Cyber City, DLF Phase III, Gurgaon Haryana, India - 122002,
 Tel: +91 124-4501400, Fax: +91 124-4501400
 www.BenQ.in, Customer Care No. 1800-419-9979, E-mail: Sales.EnquiryIn@BenQ.com

*To optimize your projection quality, we suggest to do the projection within non-gray area.



3 Years Onsite Warranty for Projector.
 Lamp Warranty of 3 years or 5000 Hrs whichever is earlier

www.BenQ.in | Like BenQ India on

