

Overview

HPE RDX Removable Disk Backup System

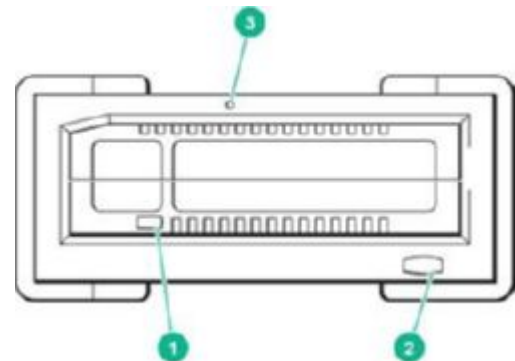
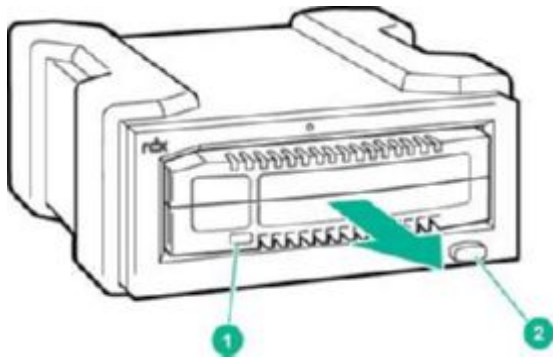
HPE RDX Removable Disk Backup System is a disk-based back up and recovery solution with unmatched portability, fast recovery and easy integration into a single server or branch office environment. HPE RDX works exceptionally well in harsh work environments where businesses need to protect, manage and transport large amounts of data in less than ideal locations. Complement your cloud backup strategy with a local copy so you can recover quickly and always feel confident your data is never far away.



Internal & External Dock



Removable Disk Cartridges

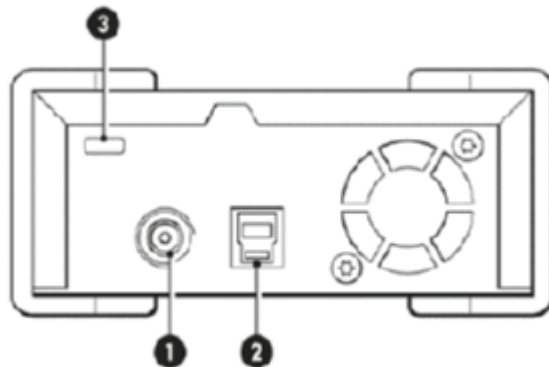
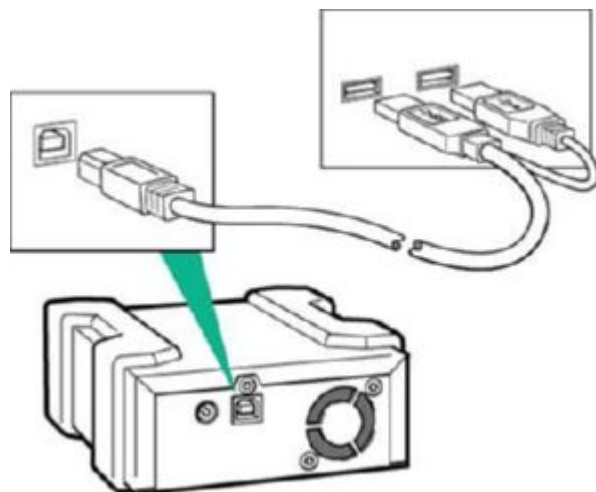


HPE RDX Removable Disk Backup System Front view

- 1 Activity LED (located on cartridge)
 - Blinking green, cartridge is connected to an RDX dock (reading, writing, seeking activity).
 - On amber: The drive has detected a cartridge default condition
- 2 Eject button/power LED
 - Off: No power.
 - Green: Dock is ready for use.
 - Blinking Green: Dock is ejecting the cartridge.
 - Amber: Fault with the dock.
 - Blinking Amber: Drive is waiting for cartridge activity to complete before ejecting.
- 3 Emergency eject hole.

If the cartridge cannot be ejected with the Eject button, insert the emergency eject pin, included with the product, into the emergency eject hole and gently push to release the cartridge.

Overview



HPE RDX Removable Disk Backup System Rear view

- 1 Power socket**
If two USB 2.0 ports do not provide sufficient power, an external power adapter can be used (power adapter not supplied). For specifications see the RDX User Guide at <http://www.hpe.com/support/rdx>.
- 2 USB 3.0 Port**
For optimal performance, Hewlett Packard Enterprise recommends connecting the RDX+ drive to a USB 3.0 port. If the host system does not provide enough power from a single USB port, attach both USB connectors to the host computer.
- 3 Attach point for a Kensington lock located at the rear of the external drive so the unit can be easily secured, if required**

What's New

- HPE RDX 4TB cartridge and backup systems offer the highest available RDX capacity on the market today, increasing backup and recovery 33% over the previous available 3TB capacity.
- There is currently a choice of 500 GB, 1 TB, 2 TB, 3 TB and now 4TB disk capacities.

Key Features

- Low power ruggedized design offers flexibility to plug it in anywhere and feel confident the data is always available and safe
- Cartridge style hard drive has a 97% survival rate compared to 0% for ordinary USB drives in a independent drop test.
- Ability to recover quickly with disk to disk backup performance reaching speeds of up to 360 GB/hr.
- Compatibility across various operating systems and virtualization platforms makes RDX simple to adapt into any small business environment
- Built in static protection eliminates server or workstation failures due to statically charged peripherals
- Supports drag and drop file access making backup as simple and convenient as the click of the mouse.
- Supports disk spanning, just add cartridges during the backup process, dynamically increasing the backup.

Overview

- Inner buffers built into the system lower disk drive vibration, increasing read/write disk performance.
 - Hewlett Packard Enterprise qualified and tested, making it easy to integrate into your server storage and networking environments.
 - Hardware read-only option preventing data from being accidentally erased
 - Internal dock option makes it easy to configure with ProLiant and StoreEver products
-

Models

Description

SKU

Internal Models

HPE RDX 1TB Internal Disk Backup System	B7B67A
HPE RDX 2TB Internal Disk Backup System	E7X52A
HPE RDX 4TB Internal Disk Backup System	Q2R32A

External Models

HPE RDX 1TB External Disk Backup System	B7B69B
HPE RDX 2TB External Disk Backup System	E7X53B
HPE RDX 4TB External Disk Backup System	Q2R33A

Standard Features

Compatibility

The HPE extensive compatibility testing program assures that your HPE RDX Removable Disk Backup System works with leading servers, operating systems, and backup applications. For the latest list of servers, workstations, operating systems, and backup software that support the HPE RDX Removable Disk Backup System, check the HPE RDX Removable Disk Backup System compatibility pages on our web site at <http://www.hpe.com/storage/spock>

USB 3.0 is backwards compatible with USB 2.0; however if the host device does not have a USB 3.0 port, the user will not be able to experience the full transfer rate performance that their RDX USB 3.0 system offers. Hewlett Packard Enterprise recommends the following controller for a user who currently only has USB 2.0: Startech 2 port PCI Express SuperSpeed USB 3.0 card. HPE USB 3.0 controllers do not support this product.

HPE Server/ Storage Compatibility

The HPE RDX Removable Disk Backup System is compatible with Hewlett Packard Enterprise servers and storage products.

Notes: Please refer to the following web page for further product information:

<https://www.hpe.com/nz/en/product-catalog/storage/tape-drives-and-enclosures/pip.hpe-storeever-rack-mount-kits.1010748961.html>

ProLiant Servers

DL Series

External RDX dock connectivity when USB port is present on server.

ML Series

- External RDX dock connectivity when USB port is present on back of server.
- Internal RDX dock connectivity on ML30, ML150, ML350

For details and a full list of which HPE RDX Removable Disk Backup System models work with which server and storage systems, including third-party systems, visit: <http://www.hpe.com/storage/spock> for the latest hardware compatibility information.

Notes: Hewlett Packard Enterprise recommends that no more than one HPE RDX Removable Disk Backup System be connected to a system at a time.

Standard Features

OS Support	
Operating System	Version
Windows Client & Server Operating Systems	Windows Server 2016 Standard & Data Center (x86, x64), Windows 10 Home & Pro (x86, x64), Windows Server 2012 R2 (x64), Windows Server 2012 (x64), Windows Small Business Server 2011 (x64), Windows Server 2008 R2 (x64), Windows Server 2008 (x86, x64), Windows Server 2003 R2 (x86, x64), Windows Server 2003 (x86, x64), Windows 8.1 (x86, x64), Windows 8 (x86, x64), Windows 7 (x86, x64) SP1, Windows Vista (x86, x64) SP1 or later, Windows XP (x86) SP2 or later)
Linux Distributions (Kernel ver. 2.6.9 and later)	RedHat Enterprise Linux
	SUSE Linux Enterprise Server
	CentOS Linux
	Fedora Core 5
Clear OS	
Apple	Mac-OS (OS X) 10.3 and up
Virtualization Compatibility	vSphere 6.5, Windows Server 2012, Hyper-V, KVM, Clear OS, XenServer

Notes: Please visit: <http://www.hpe.com/storage/spock> for the latest compatibility information.

Service and Support

Warranty and Services Included with the Product

Hewlett Packard Enterprise provides a 3-year, next-day, parts exchange, limited warranty for the HPE RDX/HPE RDX+ Removable Disk Backup System, plus 9x5 phone support for the duration of the warranty.

Hewlett Packard Enterprise warrants only that the Storage software media will be free of physical defects for a period of ninety (90) days from delivery.

For more information about HPE's Global Limited Warranty and Technical Support, visit:

<http://www.hpe.com/storage/warranty>

Protect your business beyond warranty with HPE Support Services

HPE Technology Services delivers confidence, reduces risk and helps customers realize agility and stability. Our integrated portfolio of Services for storage help customers reduce costs, optimize data, streamline storage management, and improve backup and recovery. HPE Support Services enable you to choose the right service level, length of coverage and response time as you purchase your new storage solution, giving you full entitlement for the support for need for your IT and business.

Recommended Support Services

Optimized Care

HPE Proactive Care* with 6 hour call-to-repair commitment, three year Support Service

HPE Proactive Care gives customers an enhanced call experience plus helps prevent problems and maintains IT stability by utilizing tailored, proactive reports with recommendations and advice when your products are connected to Hewlett Packard Enterprise. This Service combines three years' proactive reporting and advice with our highest level of hardware support - The Hewlett Packard Enterprise 24x7, six hour hardware call-to-repair. Hewlett Packard Enterprise is the only leading manufacturer who makes this level of coverage available as a standard service offering for your most valuable storage systems.

<https://www.hpe.com/h20195/v2/GetPDF.aspx/4AA3-8855ENW.pdf>

Standard Care

HPE Proactive Care* with 24x7 coverage, three year Support Service

HPE Proactive Care gives customers an enhanced call experience plus helps preventing problems and maintains IT stability by utilizing personalized proactive reports with recommendations and advice when your products are connected to Hewlett Packard Enterprise. This Service combines three years' proactive reporting and advice with our 24x7 coverage, four hour hardware response time when there is a problem.

<https://www.hpe.com/h20195/v2/GetPDF.aspx/4AA3-8855ENW.pdf>

Notes: *HPE Proactive Care and HPE Proactive Care Advanced require that the customer connect their devices to make the most of these services and receive all the deliverables.

Basic Care

HPE Foundation Care 24x7, three-year Support Service

HPE Foundation Care 24x7 gives you access to Hewlett Packard Enterprise 24 hours a day, seven days a week for assistance on resolving issues. This service includes need based Hardware onsite response within four hours. Simplify your support experience and make Hewlett Packard Enterprise your first call to help resolve hardware or software problems.

<http://www.hpe.com/h20195/V2/GetDocument.aspx?docname=4AA4-8876ENW&cc=us&lc=en>

Service and Support

More Information <http://www.hpe.com/services>

Parts and Materials

Hewlett Packard Enterprise will provide HPE-supported replacement parts and materials necessary to maintain the covered hardware product in operating condition, including parts and materials for available and recommended engineering improvements.

Parts and components that have reached their maximum supported lifetime and/or the maximum usage limitations as set forth in the manufacturer's operating manual, product quick-specs, or the technical product data sheet will not be provided, repaired, or replaced as part of these services.

The defective media retention service feature option applies only to Disk or eligible SSD/Flash Drives replaced by Hewlett Packard Enterprise due to malfunction.

Configuration Information

RDX Models

Description

SKU

Internal Models

HPE RDX 1TB Internal Disk Backup System B7B67A

- RDX Internal Docking Station, installation poster, internal USB cable, HPE RDX 1 TB Removable Disk Cartridge

Notes: 0D1 will appear after this part number on your sales order if factory integration is indicated.

HPE RDX 2TB Internal Disk Backup System E7X52A

- RDX Internal Docking Station, installation poster, internal USB cable, HPE RDX 2 TB Removable Disk Cartridge

Notes: 0D1 will appear after this part number on your sales order if factory integration is indicated.

HPE RDX 4TB Internal Disk Backup System Q2R32A

- RDX Removable Disk Backup System installation poster/flyer, internal USB cable, power cable, HPE RDX 4TB GB Removable Disk Cartridge

Notes: 0D1 will appear after this part number on your sales order if factory integration is indicated.

External Models

HPE RDX 1TB External Disk Backup System B7B69B

- RDX External Docking Station, installation poster, external USB Y-cable, HPE RDX 1TB Removable Disk Cartridge

HPE RDX 2TB External Disk Backup System E7X53B

- RDX External Docking Station, installation poster, external USB Y-cable, HPE RDX 2TB Removable Disk Cartridge

HPE RDX 4TB External Disk Backup System Q2R33A

- RDX External Docking Station, installation poster, external USB Y-cable, HPE RDX 4TB Removable Disk Cartridge

Docks

HPE RDX Internal Docking Station C8S06A

- RDX Removable Disk Backup System Internal Docking Station installation poster/flyer, internal USB cable, power cable. Is backwards and forwards compatible with any RDX capacity media.

HPE RDX External Docking Station C8S07B

- RDX Removable Disk Backup System External Docking Station installation poster/flyer, external USB Y-cable. Is backwards and forwards compatible with any RDX capacity media.

Media

HPE RDX 500GB Removable Disk Cartridge Q2042A

HPE RDX 1TB Removable Disk Cartridge Q2044A

HPE RDX 2TB Removable Disk Cartridge Q2046A

HPE RDX 3TB Removable Disk Cartridge Q2047A

HPE RDX 4TB Removable Disk Cartridge Q2048A

Configuration Information

HPE StoreEver 1U Generic Rack Mount Kit

BC029A

1U USB Rack-Mount Kit holds up to two internal HPE RDX/HPE RDX+ Removable Disk Backup Systems.

HPE StoreEver 2m USB 3.0 Type A RDX Drive Cable for 1U Rack Mount Kit

P03819-B21

HPE StoreEver 1U Rackmount 2 meter USB 3.0 Type A Cable for one RDX drive.

Description

SKU

HPE RDX Internal Disk Backup System (Please select RDX dock/capacity).

HPE RDX 1TB Internal Disk Backup System

B7B67A

HPE RDX 2TB Internal Disk Backup System

E7X52A

HPE RDX 4TB Internal Disk Backup System

Q2R32A

Technical Specifications

Performance and Compatibility

- **Native Capacity**

500GB, 1TB, 2TB, 3TB or 4TB

- **Compressed* Capacity**

1TB, 2TB, 4TB, 6TB or 8TB

Notes: *Assumes 2:1 application based data compression.

- **Native average sustained transfer rate**

Up to 100 MB/s

- **Compressed* average sustained transfer rate**

Up to 200 MB/s

Notes: *Assumes 2:1 application based data compression

- **Average Access time**

< 15 ms

- **Supported File Systems**

NTFS, FAT32, ext2, ext3, ext4 and Mac OS Extended (HFS+)

- **Supported Operating Systems**

Windows XP, Windows Vista SP1, Windows 7, Windows 8, Windows Server 2003, Windows Server 2003 R2, Windows Server 2008, Windows Server 2008 R2, Windows Server 2012, Windows Server 2012 R2, Small Business Server 2008, Small Business Server 2011, CentOS Linux, Fedora Core 5, RHEL, SLES, OS X

(HPE RDX Compatibility details are available at <http://www.hpe.com/storage/spock>)

- **RDX Cartridge Compatibility**

Forward and backward compatible to all RDX drives and systems (Note, a firmware upgrade is required for legacy RDX USB 2.0 drives, for use with 3TB or 4TB cartridges. See <http://www.hpe.com/support/rdx>).

Reliability

- **MTBF (Drive)**

550,000 hours

- **Uncorrected Error Rate**

1 error per 10¹⁴ bits read

Technical Specifications

Load/ Unload Cycles

- **Drive**

Minimum of 10,000 Load/Unload cycles

- **Cartridge**

Minimum of 5,000 Load/Unload cycles

- **Cartridge Drop Shock (non-operating)**

1m drop to tile over concrete floor

Power Specifications and Interface Voltage

- **Internal Drive**

+5V or +12V

- **External Drive**

+5V (USB powered or Power Adaptor) or

+12V (Power Adaptor)

Operating Current during write/read (Typical/Peak)

- **Internal Drive @ 5V**

0.9A / 1.6A

- **Internal Drive @ 12V**

0.005A

- **External Drive @ 5V**

0.9A / 1.6A (powered via USB)

- **External Drive @ 5V**

1.2A / 2.4A (powered via Power Adaptor)

- **External Drive @ 12V**

0.5A / 1A (powered via Power Adaptor)

Power Connector

Technical Specifications

- **Internal Drive**

4-Pin Molex

- **External Drive**

USB 3.0 Y-cable (supplied) or Power Adaptor (not supplied)

Interface

- **Internal Drive**

USB 3.0 SuperSpeed (Type-B connector)

- **External Drive**

USB 3.0 SuperSpeed (Type-B connector)

Orientation (Mounting and Operational)

- **Internal Drive**

Horizontal or Vertical

- **External Drive**

Horizontal or Vertical

Environmental Operating Conditions

- **Temperature**

+10°C to +40°C (+50°F to +104°F)

- **Vibration**

0.5G (operating)

- **Relative Humidity**

20% to 80%, non-condensing

- **Altitude**

-15 m to 3,048 m (-50 ft to 10,000 ft)

Non-Operating Conditions

- **Temperature**

-40°C to +65°C (-40°F to +149°F)

Technical Specifications

- **Vibration**

1.0G (non-operating)

- **Relative Humidity**

8% to 90%, non-condensing

- **Altitude**

-15 m to 10,660 m (-50 ft to 35,000 ft)

Archival Conditions

- **Temperature**

5°C to +26°C (41°F to 78°F)

- **Relative Humidity**

8% to 90%, non-condensing

- **Maximum Wet Bulb**

25°C (77°F), non-condensing

Dimensions Product only (no Packaging)

- **Internal Drive** (H x W x D)
x 5.78 x 6.72 inches (4.14 x 14.60 x 17.07 cm) including bezel

- **External Drive** (H x W x D)

2.04 x 4.32 x 7.00 inches (5.18 x 10.98 x 17.75 cm) including bezel

- **Cartridge** (H x W x D)

0.92 x 3.39 x 4.68 inches (2.34 x 8.66 x 11.9 cm)

Shipping (Product and Packaging)

- **Internal Drive** (H x W x D)

8.1 x 11.2 x 3.3 inches (20.9 x 28.0 x 8.6 cm)

- **External Drive** (H x W x D)

6.5 x 9.8 x 3.6 inches (16.4 x 25.0 x 9.2 cm)

- **Internal System**** (H x W x D)
-

Technical Specifications

8.1 x 14.6 x 3.3 inches (20.9 x 37.0 x 8.6 cm)

- **External System**** (H x W x D)

6.7 x 9.8 x 5.5 inches (17.0 x 25.0 x 14.0 cm)

- **Cartridge only** (H x W x D)

4.52 x 7.48 x 2.75 inches (11.5 x 19.0 x 7.0 cm)

Notes: **System = Drive and Cartridge.

Weights

- **Internal Drive**

1.40 lb (408g)

- **External Drive**

1.35 lb (615g)

- **Cartridge**

up to 0.60 lb (272g) HDD dependent

Shipping (Products and Packaging)

- **Internal Drive**

2.38 lb (1080g)

- **External Drive**

2.28 lb (1036g)

- **Internal System****

3.08 to 3.37 lb (1395 to 1527g) HDD dependent

- **External System****

3.12 to 3.35 lb (1414 to 1519g) HDD dependent

- **Cartridge**

0.76 lb to 1.04 lb (344g to 470g) HDD dependent

Notes: **System = Drive and Cartridge.

Technical Specifications

Standards Compliance (all models)		
SAFETY COMPLIANCE Country	Regulatory Organization	Compliant to / mark:
USA	Underwriters Laboratories (UL)	UL 60950-1
EU member nations	European Committee for Electrotechnical Standardization (CENELEC)	IEC 60950 / EN60950
Canada	Underwriters Laboratories (cUL)	CAN/CSA C22.2 60950-1
Germany	Technischer Überwachungs-Verein (TUV) Rheinland	IEC 950 / EN60950-01
Mexico	Normas Oficiales Mexicanas (NOM), similar to UL	NOM standards
Singapore	Productivity and Standards Board (PSB)	PSB safety certification
South Korea	JEON	eK certification
Argentina	Instituto Argentino de Racionalization de Materiales (IRAM)	S-Mark safety certification
China	Chinese Commodity Import Bureau (CCIB)	CCC safety certification
Member nations of IECEE4	IECEE International Electrotechnical Commission on Electrical Equipment (IECEE) for Mutual Recognition of Test Certificates for Electrical Equipment "CB Scheme"	CB Scheme per IEC 950 / EN60950-01 with details and exceptions for each member country
Russia	GOSSTANDART (GOST)	CB Scheme
Malaysia	JBE SIRIM	CB Scheme
South Africa	SABS	CB Scheme
Israel	SII	CB Scheme
Saudi Arabia	KSA-ICCP	CB Scheme
Japan	PSE	CB Scheme
Taiwan	Bureau of Commodity Inspection and Quarantine (BSMI)	BSMI safety certification
Australia / New Zealand	New South Wales N-mark	CB Scheme

Summary of Changes

Date	Version History	Action	Description of Change
06-Jul-2020	Version 30	Changed	QuickSpecs layout was updated and Branding Refresh was applied.
06-Apr-2020	Version 30	Changed	QuickSpecs layout was updated and Obso SKUs were removed
15-Oct-2018	Version 29	Changed	Pre-configured models, Individual models, and Service ans Support were revised.
13-Aug-2018	Version 28	Changed	Pre-configured models, Individual models, and Compatibility were revised.
06-Nov-2017	Version 27	Changed	Fixed the Tech Specs section.
25-Sept-2017	Version 26	Changed	Changes made throughout the QuickSpecs.
08-May-2017	Version 25	Changed	Added the Veeam Endpoint, Windows Backup.
27-Mar-2017	Version 24	Changed	Changes made throughout the QuickSpecs.
07-Jun-2016	Version 23	Changed	Changes made throughout the QuickSpecs.
19-Feb-2016	Version 22	Changed	Image on page 1 was updated.
16-Oct-2015	Version 21	Changed	Added mention of Yosemite Backup software + Fixed Disk Mode. Added new picture of RDX+ system. Removed DL erver Backup Modules. Removed RDX External Disk Backup Systems. Removed RDX docking Station. Removed mention of CDP software. Removed 320 GB cartridges and systems. Removed mention of any CD's in kit contents.
05-Jun-2015	Version 20	Changed	Modified to have RDX+ be a version. Added all previous SKUs that were incorrectly deleted.
01-Jun-2015	Version 19	Changed	Added RDX+ SKUs, removed all RDX system and RDX Docking station SKUs.
15-Sep-2014	Version 18	Changed	Changed the picture from fist page.
31-Mar-2014	Version 17	Changed	Changes made to Overview, What's New, Features and Technical Specifications sections.
25-Mar-2013	Version 16	Changed	Changes made to Overview, What's New, Features and Kit Contents sections.
26-Nov-2012	Version 15	Changed	Change made to Kit Content titles in Kit Content section.
13-Nov-2012	Version 14	Changed	Correction made to the North America and Canada versions only.
12-Oct-2012	Version 13	Changed	Change made to the URL in Service and Support, HPE Pointnext operational and Warranty Information section.
21-Sep-2012	Version 12	Changed	Change made to the URL in Service and Support, HPE Pointnext operational and Warranty Information section.
14-Sep-2012	Version 11	Changed	Changes were made in Compatibility section.
13-Aug-2012	Version 10	Changed	Changes made throughout the QuickSpecs.
08-Jun-2011	Version 9	Removed	Mentions of StorageWorks were removed.
15-Nov-2010	Version 8	Changed	HPE RDX 1TB Removable Disk Backup System was added and HPE RDX 750GB Removable Disk Backup System was removed. HPE ProLiant DL385 G7 Server was added. www.hp.com/storage/spock was added to Compatibility.
27-Sep-2010	Version 7	Changed	Kit Contents models were completely revised, Product descriptions were revised in Media and Models were removed from the Overview.
16-Feb-2010	Version 6	Changed	Changes made throughout the entire QuickSpecs.

Summary of Changes

05-Jun-2009	Version 5	Changed	Updated the Out of box, Removable Disk Cartridge Weight and Shipping, Removable Disk Cartridge Weight for the HPE RDX 500 and HPE RDX DL380 G6 server module in the Technical Specifications section.
01-Apr-2009	Version 4	Added	Added "including the HPE ProLiant DL380 G6 servers" to the Compatibility section.
30-Mar-2009	Version 3	Changed	Revised the Introduction and What's New sections. Other updates made throughout the QuickSpecs.
		Added	Added Model numbers AP724A, AP725A, AP726A.
17-Nov-2008	Version 2	Changed	Changes made throughout the entire QuickSpecs.
01-Jun-2008	Version 1	New	New QuickSpecs.

Copyright

Make the right purchase decision.
Contact our presales specialists.



Chat



Email



Call

Copyright

Copyright

Copyright

Copyright

Hewlett Packard
Enterprise

© Copyright 2020

© Copyright 2020 Hewlett Packard Enterprise Development LP. The information contained herein is subject to change without notice. The only warranties for Hewlett Packard Enterprise products and services are set forth in the express warranty statements accompanying such products and services. Nothing herein should be construed as constituting an additional warranty. Hewlett Packard Enterprise shall not be liable for technical or editorial errors or omissions contained herein.

Microsoft and Windows NT are US registered trademarks of Microsoft Corporation. Intel is a US registered trademark of Intel Corporation. For RDX+ drives and media, 1 GB = 1 billion bytes. Actual formatted capacity is less.

c04111633 - 13036 - Worldwide - V31 - 06-July-2020

