

YE3VF Series Super-high Efficiency Frequency Variable Speed Regulation

Motor



- Frame sizes: 80 to 355 Rated output: 0.37 to 375kW
- Insulation class: F Voltage: 380V
- Efficiency levels: IE3
- Frequency range for 2P: (3) 5-100Hz (frame size 80-250)
(3) 5-70Hz (frame size 280)
(3) 5-60Hz (frame size 315-355)
- Frequency range for 4, 6, 8, 10P: (3) 5-100Hz

Applications: Widely applied in metallurgy, chemistry, textile, pharmacy, printing, packing and food industry on the machine or equipment by which speed-regulation is needed, like fan, pump, numerical control machine, machining center, etc.

Features:

- Stepless speed regulation in a wide range
- Good performance, energy saving
- High-grade insulation material and special technology can withstand high frequency pulse impact
- Separated fan for forced-ventilation

Performance Data

380V 50Hz

Model	Output kW	FLA	RPM	Eff.%	Power Factor	FLT N.m	dB(A)	Constant Torque Frequency Range Hz	Constant Output Frequency Range Hz
Synchronous speed 3000r/min									
YE3VF80M1-2	0.75	1.7	2855	80.7	0.83	2.51	70	5-50	50-100
YE3VF80M2-2	1.1	2.4	2870	82.7	0.83	3.66	70		
YE3VF90S-2	1.5	3.2	2865	84.2	0.84	5.00	74		
YE3VF90L-2	2.2	4.6	2870	85.9	0.85	7.32	74		
YE3VF100L-2	3	6.0	2875	87.1	0.87	9.97	78		
YE3VF112M-2	4	7.8	2910	88.1	0.88	13.1	82		
YE3VF132S1-2	5.5	10.6	2935	89.2	0.88	17.9	85		
YE3VF132S2-2	7.5	14.4	2930	90.1	0.88	24.4	85		
YE3VF160M1-2	11	20.6	2950	91.2	0.89	35.6	87		
YE3VF160M2-2	15	27.9	2945	91.9	0.89	48.6	87		
YE3VF160L-2	18.5	34.2	2945	92.4	0.89	60.0	87		
YE3VF180M-2	22	40.5	2950	92.7	0.89	71.2	90		
YE3VF200L1-2	30	54.9	2960	93.3	0.89	96.8	92		
YE3VF200L2-2	37	67.4	2960	93.7	0.89	119	92		
YE3VF225M-2	45	80.8	2965	94.0	0.90	145	94		
YE3VF250M-2	55	98.5	2970	94.3	0.90	177	96	5-50	50-70
YE3VF280S-2	75	134	2975	94.7	0.90	241	98		
YE3VF280M-2	90	160	2970	95.0	0.90	289	98		

Performance Data

380V

50Hz

Model	Output kW	FLA	RPM	Eff.%	Power Factor	FLT N.m	dB(A)	Constant Torque Frequency Range Hz	Constant Output Frequency Range Hz
Synchronous speed 3000r/min								5-50	50-60
YE3VF315S-2	110	195	2975	95.2	0.90	353	100		
YE3VF315M-2	132	234	2975	95.4	0.90	424	100		
YE3VF315L1-2	160	279	2975	95.6	0.91	514	100		
YE3VF315L-2	185	323	2975	95.7	0.91	594	100		
YE3VF315L2-2	200	349	2975	95.8	0.91	642	100		
YE3VF315L3-2	220	383	2975	95.8	0.91	706	100		
YE3VF355M1-2	220	383	2980	95.8	0.91	706	103		
YE3VF355M-2	250	436	2980	95.8	0.91	801	103		
YE3VF355L1-2	280	488	2980	95.8	0.91	897	103		
YE3VF355L-2	315	549	2980	95.8	0.91	1009	103		
YE3VF355L2-2	355	619	2980	95.8	0.91	1138	103		
YE3VF355L3-2	375	654	2980	95.8	0.91	1202	103		
Synchronous speed 1500r/min								5-50	50-100
YE3VF80M1-4	0.55	1.4	1430	80.6	0.75	3.67	62		
YE3VF80M2-4	0.75	1.8	1425	82.5	0.75	5.03	62		
YE3VF90S-4	1.1	2.6	1420	84.1	0.76	7.40	64		
YE3VF90L-4	1.5	3.5	1420	85.3	0.77	10.1	64		
YE3VF100L1-4	2.2	4.8	1430	86.7	0.81	14.7	68		
YE3VF100L2-4	3	6.3	1430	87.7	0.82	20.0	68		
YE3VF112M-4	4	8.4	1450	88.6	0.82	26.3	72		
YE3VF132S-4	5.5	11.2	1465	89.6	0.83	35.9	76		
YE3VF132M-4	7.5	15.0	1465	90.4	0.84	48.9	76		
YE3VF160M-4	11	21.5	1470	91.4	0.85	71.5	79		
YE3VF160L-4	15	28.8	1470	92.1	0.86	97.4	79		
YE3VF180M-4	18.5	35.3	1470	92.6	0.86	120	83		
YE3VF180L-4	22	41.8	1465	93.0	0.86	143	83		
YE3VF200L-4	30	56.6	1475	93.6	0.86	194	85		
YE3VF225S-4	37	69.6	1480	93.9	0.86	239	88		
YE3VF225M-4	45	84.4	1480	94.2	0.86	290	88		
YE3VF250M-4	55	103	1485	94.6	0.86	354	92		
YE3VF280S-4	75	136	1490	95.0	0.88	481	94		
YE3VF280M-4	90	163	1485	95.2	0.88	579	94		
YE3VF315S-4	110	197	1485	95.4	0.89	707	96		
YE3VF315M-4	132	236	1485	95.6	0.89	849	96		
YE3VF315L1-4	160	282	1485	95.8	0.90	1029	96		
YE3VF315L-4	185	326	1485	95.9	0.90	1190	96		
YE3VF315L2-4	200	352	1485	96.0	0.90	1286	96		
Synchronous speed 1500r/min								5-50	50-75
YE3VF80M1-4	0.55	1.4	1430	80.6	0.75	3.67	62		
YE3VF80M2-4	0.75	1.8	1425	82.5	0.75	5.03	62		
YE3VF90S-4	1.1	2.6	1420	84.1	0.76	7.40	64		
YE3VF90L-4	1.5	3.5	1420	85.3	0.77	10.1	64		
YE3VF100L1-4	2.2	4.8	1430	86.7	0.81	14.7	68		
YE3VF100L2-4	3	6.3	1430	87.7	0.82	20.0	68		
YE3VF112M-4	4	8.4	1450	88.6	0.82	26.3	72		
YE3VF132S-4	5.5	11.2	1465	89.6	0.83	35.9	76		
YE3VF132M-4	7.5	15.0	1465	90.4	0.84	48.9	76		

Performance Data

380V 50Hz

Model	Output kW	FLA	RPM	Eff.%	Power Factor	FLT N.m	dB(A)	Constant Torque Frequency Range Hz	Constant Output Frequency Range Hz
Synchronous speed 1500r/min								5-50	50-75
YE3VF315L3-4	220	387	1485	96.0	0.90	1415	96		
YE3VF355M1-4	220	387	1490	96.0	0.90	1410	98		
YE3VF355M-4	250	440	1490	96.0	0.90	1602	98		
YE3VF355L1-4	280	492	1490	96.0	0.90	1795	98		
YE3VF355L-4	315	554	1490	96.0	0.90	2019	98		
YE3VF355L2-4	355	638	1490	96.0	0.88	2275	98		
YE3VF355L3-4	375	674	1490	96.0	0.88	2404	98		
Synchronous speed 1000r/min								5-50	50-100
YE3VF80M1-6	0.37	1.2	910	68.0	0.70	3.88	61		
YE3VF80M2-6	0.55	1.6	910	72.0	0.71	5.77	61		
YE3VF90S-6	0.75	2.0	935	78.9	0.71	7.66	63		
YE3VF90L-6	1.1	2.8	935	81.0	0.73	11.2	63		
YE3VF100L-6	1.5	3.8	945	82.5	0.73	15.2	66		
YE3VF112M-6	2.2	5.4	965	84.3	0.74	21.8	71		
YE3VF132S-6	3	7.2	975	85.6	0.74	29.4	75		
YE3VF132M1-6	4	9.5	975	86.8	0.74	39.2	75		
YE3VF132M2-6	5.5	12.7	975	88.0	0.75	53.9	75		
YE3VF160M-6	7.5	16.2	975	89.1	0.79	73.5	78		
YE3VF160L-6	11	23.1	975	90.3	0.80	108	78		
YE3VF180L-6	15	30.9	980	91.2	0.81	146	82		
YE3VF200L1-6	18.5	37.8	980	91.7	0.81	180	84		
YE3VF200L2-6	22	44.8	980	92.2	0.81	214	84		
YE3VF225M-6	30	59.1	985	92.9	0.83	291	86		
YE3VF250M-6	37	71.7	985	93.3	0.84	359	90		
YE3VF280S-6	45	85.8	990	93.7	0.85	434	92		
YE3VF280M-6	55	103	990	94.1	0.86	531	92		
YE3VF315S-6	75	143	990	94.6	0.84	723	94		
YE3VF315M-6	90	170	990	94.9	0.85	868	94		
YE3VF315L1-6	110	207	990	95.1	0.85	1061	94		
YE3VF315L2-6	132	244	990	95.4	0.86	1273	94		
YE3VF315L3-6	160	296	990	95.6	0.86	1543	94		
YE3VF355M1-6	160	296	990	95.6	0.86	1543	96		
YE3VF355M-6	185	342	990	95.7	0.86	1785	96		
YE3VF355M2-6	200	369	990	95.8	0.86	1929	96		
YE3VF355L1-6	220	406	990	95.8	0.86	2122	96		
YE3VF355L-6	250	461	990	95.8	0.86	2412	96		
YE3VF355L2-6	280	516	990	95.8	0.86	2701	96		
YE3VF355L3-6	315	581	995	95.8	0.86	3023	96		

Performance Data

380V 50Hz

Model	Output kW	FLA	RPM	Eff.%	Power Factor	FLT N.m	dB(A)	Constant Torque Frequency Range Hz	Constant Output Frequency Range Hz
Synchronous speed 750r/min									
YE3VF80M1-8	0.18	0.8	700	56.0	0.61	2.46	61	5-50	50-100
YE3VF80M2-8	0.25	1.1	700	59.0	0.61	3.41	61		
YE3VF90S-8	0.37	1.4	695	66.0	0.61	5.08	63		
YE3VF90L-8	0.55	2.3	695	70.0	0.61	7.56	63		
YE3VF100L1-8	0.75	2.3	705	73.5	0.67	10.2	66		
YE3VF100L2-8	1.1	3.2	705	76.5	0.69	14.9	66		
YE3VF112M-8	1.5	4.2	715	77.5	0.70	20.0	71		
YE3VF132S-8	2.2	5.9	730	80.0	0.71	28.8	75		
YE3VF132M-8	3	7.6	730	82.5	0.73	39.2	75		
YE3VF160M1-8	4	9.8	725	85.0	0.73	52.7	78		
YE3VF160M2-8	5.5	13.1	725	86.0	0.74	72.4	78		
YE3VF160L-8	7.5	17.4	730	87.5	0.75	98.1	78		
YE3VF180L-8	11	25.0	725	89.0	0.75	145	82		
YE3VF200L-8	15	33.2	730	90.4	0.76	196	84		
YE3VF225S-8	18.5	40.6	735	91.2	0.76	240	86		
YE3VF225M-8	22	46.8	735	91.5	0.78	286	86		
YE3VF250M-8	30	62.6	735	92.2	0.79	390	90		
YE3VF280S-8	37	76.5	740	93.0	0.79	478	92		
YE3VF280M-8	45	92.6	740	93.5	0.79	581	92		
YE3VF315S-8	55	110	740	93.8	0.81	710	94		
YE3VF315M-8	75	150	740	94.0	0.81	968	94		
YE3VF315L1-8	90	179	740	94.5	0.81	1161	94		
YE3VF315L2-8	110	215	740	94.8	0.82	1420	94		
YE3VF355M1-8	132	257	745	95.0	0.82	1692	96		
YE3VF355M2-8	160	312	745	95.0	0.82	2051	96		
YE3VF355L1-8	185	360	745	95.2	0.82	2371	96		
YE3VF355L-8	200	389	745	95.2	0.82	2564	96		
YE3VF355L2-8	220	428	745	95.2	0.82	2820	96		
YE3VF355L3-8	250	481	745	95.2	0.83	3205	96		
Synchronous speed 600 r/min									
YE3VF315S-10	45	99.1	590	92.0	0.75	728	92	5-50	50-100
YE3VF315M-10	55	120	590	92.5	0.75	890	92		
YE3VF315L1-10	75	161	590	93.0	0.76	1214	92		
YE3VF315L2-10	90	190	590	93.4	0.77	1457	92		
YE3VF355M1-10	110	228	595	93.8	0.78	1766	94		
YE3VF355M2-10	132	273	595	94.2	0.78	2119	94		
YE3VF355L1-10	160	331	595	94.2	0.78	2568	94		

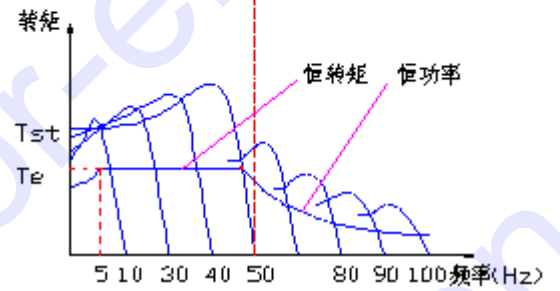
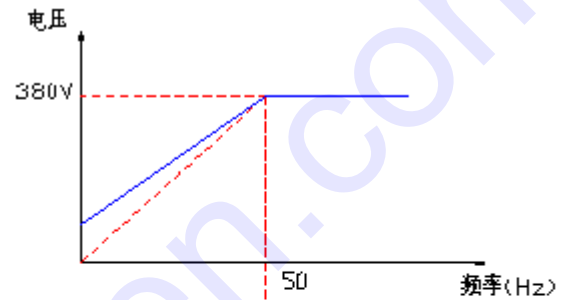
Performance Data

380V 50Hz

Model	Output kW	FLA	RPM	Eff.%	Power Factor	FLT N.m	dB(A)	Constant Torque Frequency Range Hz	Constant Output Frequency Range Hz
Synchronous speed 600r/min									
YE3VF355L-10	185	383	595	94.2	0.78	2969	94	5-50	50-100
YE3VF355L2-10	200	414	595	94.2	0.78	3210	94		
YE3VF355L3-10	220	455	595	94.2	0.78	3531	94		

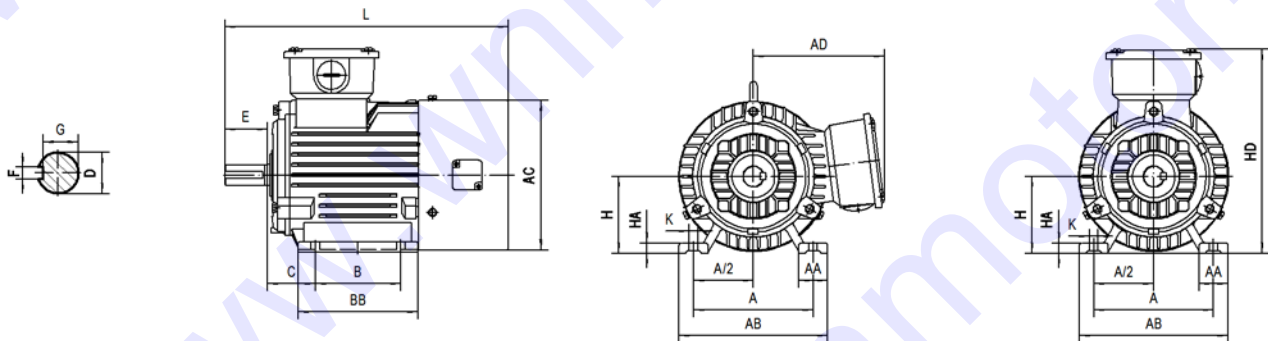
The torque characteristic under the condition of V/f control

The voltage needs to be compensated to increase the torque at low frequency when the motor is operated under the condition of V/f control with constant torque output.



Dimensions & Mounting

B3 (Horizontal Foot Mounted Only)



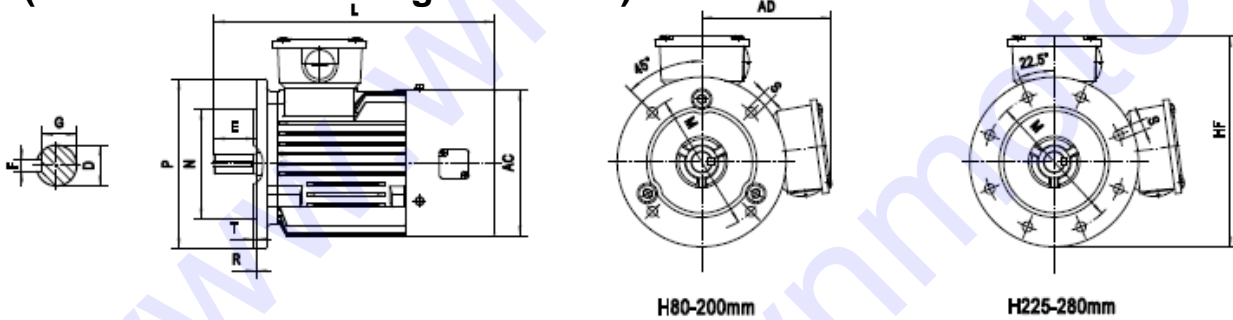
Frame	Poles	Mounting Dimension									Overall Dimension							
		A	B	C	D	E	F	G	H	K	AA	BB	HA	AB	AC	AD	HD	L
80M	2,4,6,8	125	100	50	19	40	6	155	80	10	32	135	10	160	165	145	225	355
90S	2,4,6,8	140	100	56	24	50	8	20	90	10	34	145	12	180	180	165	255	410
90L			170									450						
100L	2,4,6,8	160	140	63	28	60	8	24	100	12	39	186	14	200	205	175	275	460
112M	2,6,8	190	140	70	28	60	8	24	112	12	45	200	14	230	225	190	300	485
	4											230						515
132S	2,4,6,8	216	140	89	38	80	10	33	132	12	55	190	18	265	270	220	350	565
132M			230									605						

160M	2,4,6,8	254	210	108	42	110	12	37	160	15	65	260	20	315	320	260	420	700										
160L			254									304						745										
180M	2,4,6,8	279	241	121	48	110	14	425	180	15	70	311	22	355	360	265	445	795										
180L			279									349						835										
200L	2,4,6,8	318	305	133	55	110	16	49	200	19	74	379	26	395	400	305	505	870										
225S	4,8	356	286	149	60	140	18	53	225	19	78	375	28	435	450	325	550	895										
225M	2		311		55	110	16	49				400						890										
	4, 6, 8		60		140	18	53	925																				
250M	2	406	349	168	60	140	18	53	250	24	80	445	30	490	510	380	630	1005										
	4, 6, 8				65			58																				
280S	2	457	368	190	65	140	18	58	280	24	90	485	35	545	550	395	675	1085										
	4, 6, 8				75			67.5										536										
280M	2		419		65			18				58						280	24	90	536	35	545	550	395	675	855	1135
	4, 6, 8																											75
315S	2	508	406	216	65	140	18	58	315	28	120	570	45	635	630	540	855	1285										
	4,6,8,10				80	170	22	71				610						1320										
315M	2		457		65	140	18	58				315						28	120	610	45	635	630	540	855	1350		
	4,6,8,10																									80	170	22
315L	2	508	65	140	18	58	315	28	120	680	45	635	630	540	855	1425												
	4,6,8,10															80	170	22	71	690	1500							
355M	2	610	560	254	75	140	20	67.5	355	28	130	690	52	735	715	645	1000	1530										
	4,6,8,10				95	170	25	86				750						1610										
355L1	2		630		75	140	20	67.5				355						28	130	750	52	735	715	645	1000	1640		
	4,6,8,10																									95	170	25
355L2/L3	2	630	80	170	22	71	355	28	130	750	52	735	715	645	1000	1680												
	4,6,8,10															110	210	28	100	1680								

Dimensions & Mounting

mm

B5 (Footless and B5 Flange Mounted)

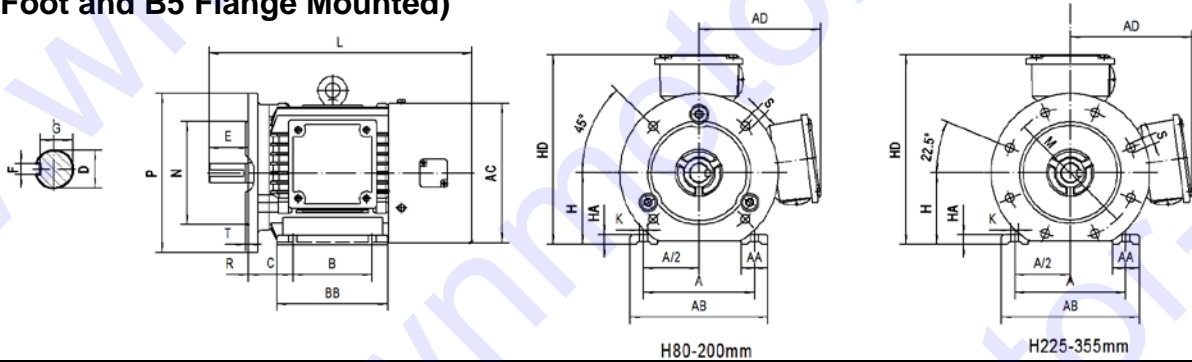


Frame	Poles	Mounting Dimension										Overall Dimension			
		D	E	F	G	M	N	P	R	S	T	AC	AD	HF	L
80M	2,4,6,8	19	40	6	15.5	165	130	200	0	4-Φ12	3.5	165	145	245	355
90S	2,4,6,8	24	50	8	20	165	130	200	0	4-Φ12	3.5	180	165	265	410
90L															450
100L	2,4,6,8	28	60	8	24	215	180	250	0	4-Φ15	4	205	175	300	460

112M	2,6,8	28	60	8	24	215	180	250	0	4-Φ15	4	225	190	315	485
	4														515

132S	2,4,6,8	38	80	10	33	265	230	300	0	4-Φ15	4	270	220	370	565
132M															605
160M	2,4,6,8	42	110	12	37	300	250	350	0	4-Φ19	5	320	260	435	700
160L															745
180M	2,4,6,8	48	110	14	42.5	300	250	350	0	4-Φ19	5	360	265	440	795
180L															835
200L	2,4,6,8	55	110	16	49	350	300	400	0	4-Φ19	5	400	305	505	870
225S	4,8	60	140	18	53	400	350	450	0	8-Φ19	5	450	325	550	895
225M	2	55	110	16	49										890
225M	4,6,8	60	140	18	53										925
250M	2	60	140	18	53	500	450	550	0	8-Φ19	5	510	380	655	1005
250M	4,6,8	65			58										
280S	2	65	140	18	58	500	450	550	0	8-Φ19	5	550	395	670	1085
280S	4,6,8	75		20	67.5										
280M	2	65	140	18	58	500	450	550	0	8-Φ19	5	550	395	670	1135
280M	4,6,8	75		20	67.5										

B35 (Foot and B5 Flange Mounted)



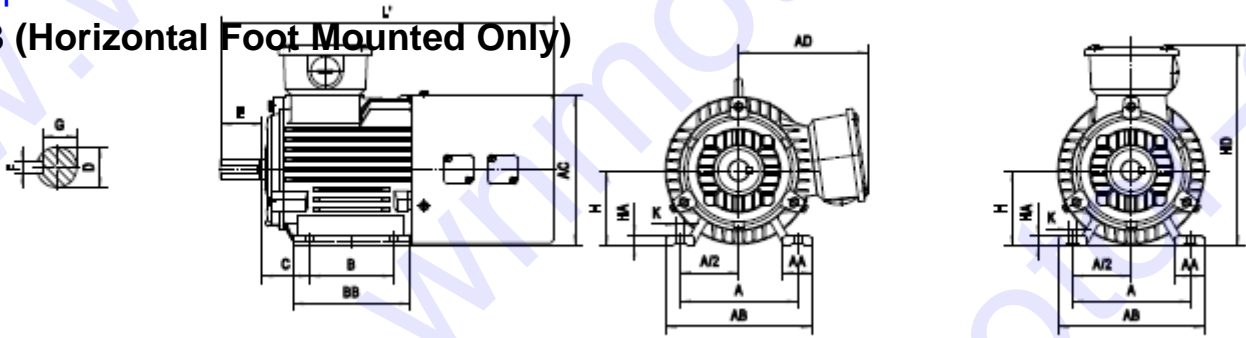
Frame	Poles	Mounting Dimension														Overall Dimension								
		A	B	C	D	E	F	G	H	K	M	N	P	R	S	T	AA	BB	HA	AB	AC	AD	HD	L
80M	2,4,6,8	125	100	50	19	40	6	15.5	80	10	165	130	200	0	4-Φ12	3.5	32	135	10	160	165	145	225	355
90S	2,4,6,8	140	100	56	24	50	8	20	90	10	165	130	200	0	4-Φ12	3.5	34	145	12	180	180	165	255	410
90L			125															170						450
100L	2,4,6,8	160	140	63	28	60	8	24	100	12	215	180	250	0	4-Φ15	4	39	186	14	200	205	175	275	460
112M	2,6,8	190	140	70	28	60	8	24	112	12	215	180	250	0	4-Φ15	4	45	200						230
112M	4																	230	515					
132S	2,4,6,8	216	140	89	38	80	10	33	132	12	265	230	300	0	4-Φ15	4	55	190	18	265	270	220	350	565
132M			178															230						605
160M	2,4,6,8	254	210	108	42	110	12	37	160	15	300	250	350	0	4-Φ19	5	65	260	20	315	320	260	420	700
160L			254															304						745
180M	2,4,6,8	279	241	121	48	110	14	42.5	180	15	300	250	350	0	4-Φ19	5	70	311	22	355	360	265	445	795
180L			279															349						835
200L	2,4,6,8	318	305	133	55	110	16	49	200	19	350	300	400	0	4-Φ19	5	74	379	26	395	400	305	505	870

225S	4,8	356	286	149	60	140	18	53	225	19	400	350	450	0	8-Φ19	5	78	375	28	435	450	325	550	895
225M	2		311		55	110	16	49										400						400
	4,6,8				60	140	18	53															925	
250M	2	406	349	168	60	140	18	53	250	24	500	450	550	0	8-Φ19	5	80	445	30	490	510	380	630	1005
	4,6,8				58			485										1085						
280S	2	457	368	190	65	140	20	67.5	280	24	500	450	550	0	8-Φ19	5	90	485	35	545	550	395	675	1135
280M	2				419			65										18						58
	4,6,8				75	140	20	67.5																
315S	2	406	349	168	65			140	18	58	315	28	600	550	660	0	8-Φ24	6	120	570	45	635	630	540
	4,6,8,10				508	457	216	80	170	22										71				
315M	2	508	457	216	65	140	18	58	315	28	600	550	660	0	8-Φ24	6	120	610	45	635	630	540	855	1350
	4,6,8,10				508	457	216	80										170						22
315L	2	508	457	216	65	140	18	58	315	28	600	550	660	0	8-Φ24	6	120	680	45	635	630	540	855	1425
	4,6,8,10				508	457	216	80										170						22
355M	2	610	560	254	75	140	20	67.5	355	28	740	680	800	0	8-Φ24	6	130	690	52	735	715	645	1000	1530
	4,6,8,10				630	75	170	25										86						750
355L/L1	2	610	560	254	75	140	20	67.5	355	28	740	680	800	0	8-Φ24	6	130	750	52	735	715	645	1000	1640
	4,6,8,10				630	75	170	25										86						750
355L2/L3	2	610	560	254	80	170	22	71	355	28	740	680	800	0	8-Φ24	6	130	750	52	735	715	645	1000	1680
	4,6,8,10				630	80	210	28										100						750

Above dimensions are the maximum values. Specifications are subject to the physical product.

YE3VF motor can also be equipped with an encoder according to the customer's requirements. The external dimensions as follows:

B3 (Horizontal Foot Mounted Only)



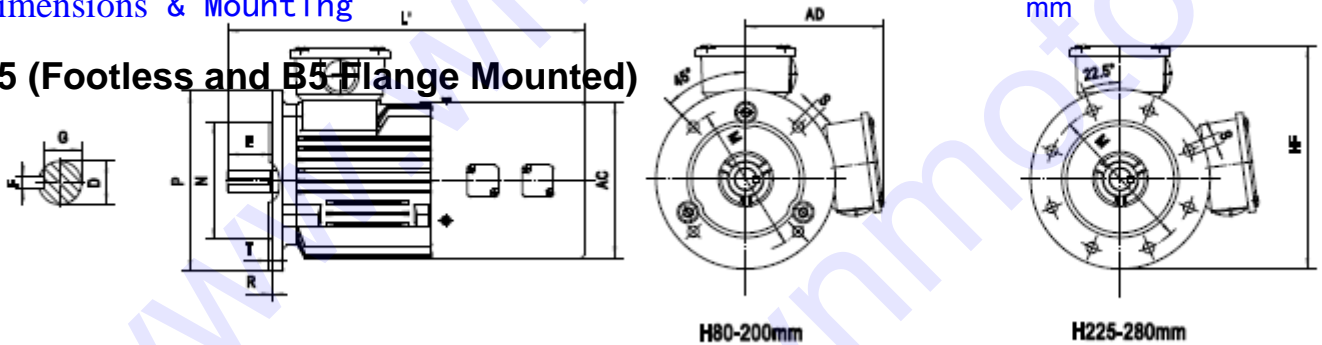
Frame	Poles	Mounting Dimension									Overall Dimension							
		A	B	C	D	E	F	G	H	K	AA	BB	HA	AB	AC	AD	HD	L'
80M	2,4,6,8	125	100	50	19	40	6	15.5	80	10	32	135	10	160	165	145	225	465
90S	2,4,6,8	140	100	56	24	50	8	20	90	10	34	145	12	180	180	165	255	525
90L			125									170						565
100L	2,4,6,8	160	140	63	28	60	8	24	100	12	39	186	14	200	205	175	275	565
112M	2,6,8	190	140	70	28	60	8	24	112	12	45	200	14	230	225	190	300	600
	4											230						630
132S	2,4,6,8	216	140	89	38	80	10	33	132	12	55	190	18	265	270	220	350	680
132M			178									230						720

160M	2,4,6,8	254	210	108	42	110	12	37	160	15	65	260	20	315	320	260	420	810
160L			254									304						855

180M	2,4,6,8	279	241	121	48	110	14	425	180	15	70	311	22	355	360	265	445	925	
180L			279									349						965	
200L	2,4,6,8	318	305	133	55	110	16	49	200	19	74	379	26	395	400	305	505	980	
225S	4,8	356	286	149	60	140	18	53	225	19	78	375	28	435	450	325	550	1005	
225M	2		311		60	140	18	53				400						1000	
	4,6,8		1035																
250M	2	406	349	168	60	140	18	53	250	24	80	445	30	490	510	380	630	1115	
	4,6,8				58														
280S	2	457	368	190	65	140	18	58	280	24	90	485	35	545	550	395	675	1195	
	4,6,8				75			67.5											536
280M	2		419		368		65	18				58						536	1245
	4,6,8						75	20				67.5							
315S	2	508	406	216	65	140	18	58	315	28	120	570	45	635	630	540	855	1400	
	4,6,8,10				80	170	22	71				1430							
315M	2		457		406	65	140	18				58						610	1435
	4,6,8,10					80	170	22				71							
315L	2	508	406	65	140	18	58	680	1510										
	4,6,8,10			80	170	22	71			1540									
355M	2	560	406	254	75	140	20	67.5	355	28	130	690	52	735	715	645	1000	1615	
	4,6,8,10				95	170	25	86										1645	
355L/L1	2	610	406		75	140	20	67.5				750						1725	
	4,6,8,10				95	170	25	86											1755
355L2/L3	2	630	406	80	170	22	71	1755											
	4,6,8,10			110	210	28	100		1795										

Dimensions & Mounting

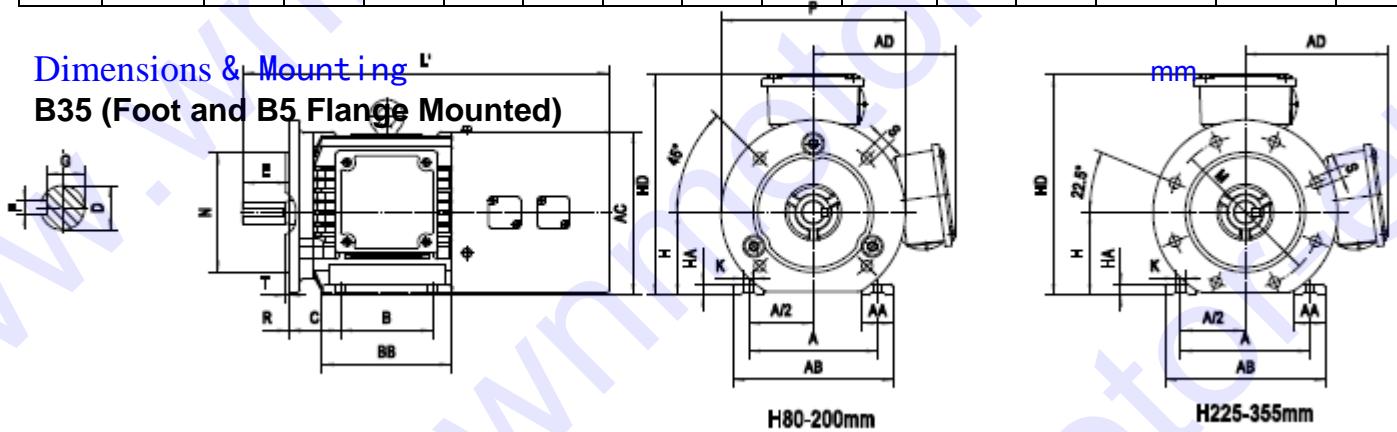
B5 (Footless and B5 Flange Mounted)



Frame	Poles	Mounting Dimension										Overall Dimension			
		D	E	F	G	M	N	P	R	S	T	AC	AD	HF	L'
80M	2,4,6,8	19	40	6	15.5	165	130	200	0	4-Φ12	3.5	165	145	245	465

90S	2,4,6,8	24	50	8	20	165	130	200	0	4-Φ12	3.5	180	165	265	525	
90L															565	
100L	2,4,6,8	28	60	8	24	215	180	250	0	4-Φ15	4	205	175	300	565	
112M	2,6,8	28	60	8	24	215	180	250	0	4-Φ15	4	225	190	315	600	
	4														630	
132S	2,4,6,8	38	80	10	33	265	230	300	0	4-Φ15	4	270	220	370	680	
132M															720	
160M	2,4,6,8	42	110	12	37	300	250	350	0	4-Φ19	5	320	260	435	810	
160L															855	
180M	2,4,6,8	48	110	14	42.5	300	250	350	0	4-Φ19	5	360	265	440	925	
180L															965	
200L	2,4,6,8	55	110	16	49	350	300	400	0	4-Φ19	5	400	305	505	980	
225S	4,8	60	140	18	53	400	350	450	0	8-Φ19	5	450	325	550	1005	
225M	2	55	110	16	49										1000	
	4,6,8	60	140	18	53										1035	
250M	2	60	140	18	53	500	450	550	0	8-Φ19	5	510	380	655	1115	
	4,6,8	65			58											
280S	2	65	140	18	58	500	450	550	0	8-Φ19	5	550	395	670	1195	
	4,6,8	75			67.5											
280M	2	65			18										58	1245
	4,6,8	75														

Dimensions & Mounting
B35 (Foot and B5 Flange Mounted)



Frame	Poles	Mounting Dimension														Overall Dimension								
		A	B	C	D	E	F	G	H	K	M	N	P	R	S	T	AA	BB	HA	AB	AC	AD	HD	L'
80M	2,4,6,8	125	100	50	19	40	6	15.5	80	10	165	130	200	0	4-Φ12	3.5	32	135	10	160	165	145	225	465
90S	2,4,6,8	140	100	56	24	50	8	20	90	10	165	130	200	0	4-Φ12	3.5	34	145	12	180	180	165	255	525
90L			125															170						565
100L	2,4,6,8	160	140	63	28	60	8	24	100	12	215	180	250	0	4-Φ15	4	39	186	14	200	205	175	275	565
112M	2,6,8	190	140	70	28	60	8	24	112	12	215	180	250	0	4-Φ15	4	45	200						230
	4																	230	630					
132S	2,4,6,8	216	140	89	38	80	10	33	132	12	265	230	300	0	4-Φ15	4	55	190	18	265	270	220	350	680
132M			178															230						720

160M	2,4,6,8	254	210	108	42	110	12	37	160	15	300	250	350	0	4-Φ19	5	65	260	20	315	320	260	420	810							
160L			254															304						855							
180M	2,4,6,8	279	241	121	48	110	14	42.5	180	15	300	250	350	0	4-Φ19	5	70	311	22	355	360	265	445	925							
180L			279															349						965							
200L	2,4,6,8	318	305	133	55	110	16	49	200	19	350	300	400	0	4-Φ19	5	74	379	26	395	400	305	505	980							
225S	4,8	356	286	149	60	140	18	53	225	19	400	350	450	0	8-Φ19	5	78	375	28	435	450	325	550	1005							
225M	2		311		55	110	16	49										400						350	450	0	8-Φ19	5	78	400	1000
	4, 6, 8		60		140	53	1035																								
250M	2	406	349	168	60	140	18	53	250	24	500	450	550	0	8-Φ19	5	80	445	30	490	510	380	630	1115							
	4, 6, 8				65																				58	1115					
280S	2	457	368	190	65	140	20	67.5	280	24	500	450	550	0	8-Φ19	5	90	485	35	545	550	395	675	1195							
	4, 6, 8				75													58						1195							
280M	2				419													75						20	67.5	280	24	500	450	550	0
	4, 6, 8	75	20	67.5		1245																									
315S	2	406	65	140	18	58	315	28	600	550	660	0	8-Φ24	6	120	610	45	635	630	540	855	1400									
	4,6,8,10																					80	170	22	71	1430					
315M	2	508	457	216	65	140	18	58	315	28	600	550	660	0	8-Φ24	6	120	610	45	635	630	540	855	1435							
	4,6,8,10				80	170	22	71																1465							
315L	2	508	65	140	18	58	315	28	600	550	660	0	8-Φ24	6	120	680	1510														
	4,6,8,10																	80	170	22	71	1540									
355M	2	560	75	140	20	67.5	355	28	740	680	800	0	8-Φ24	6	130	690	52	735	715	645	1000	1615									
	4,6,8,10																					95	170	25	86	1645					
355L/L1	2	610	254	75	140	20	67.5	355	28	740	680	800	0	8-Φ24	6	130	750	52	735	715	645	1000	1725								
	4,6,8,10																						95	170	25	86	1755				
355L2/L3	2	630	80	170	22	71	355	28	740	680	800	0	8-Φ24	6	130	750	52	735	715	645	1000	1755									
	4,6,8,10																					110	210	28	100	1795					

Above dimensions are the maximum values. Specifications are subject to the physical product.

Specifications of cooling blower and brake for the motor

Motor	Frame	80	90	100	112	132	160	180	200	225	250	280	315	355
Cooling Fan	(W) Power	30	42	52	55	55	80	80	150	200	230	320	700	700
	(A) Current	0.09	0.16	0.18	0.18	0.19	0.26	0.30	0.6	0.6	0.6	1.1	1.8	1.9
	Voltage	Usually 380V, but can customize variety voltage according to user requirement.												
Brake	(N·m) Braking Torque	7.5	15	30	40	80	150	200	300	450	600	850	200	-
	(W) Excitation Power	50	60	80	110	130	150	150	200	200	210	340	400	-
	Excitation Voltage	DC99、DC170												

Encoder	Incremental Encoder
---------	---------------------

Conventional mounting type and suitable frame size are given in following table (with “√”);

Frame	basic type			derived type											
	B3	B5	B35	V1	V3	V5	V6	B6	B7	B8	V15	V36	B14	B34	V18
80~112	√	√	√	√	√	√	√	√	√	√	√	√	√	√	√
132~160	√	√	√	√	√	√	√	√	√	√	√	√	-	-	-
180~280	√	√	√	√	-	-	-	-	-	-	-	-	-	-	-
315~355	√	-	√	√	-	-	-	-	-	-	-	-	-	-	-

If there is no other request in the order or agreement, terminal box position at the right side of the frame is regarded as standard; data above may be changed without prior notice.