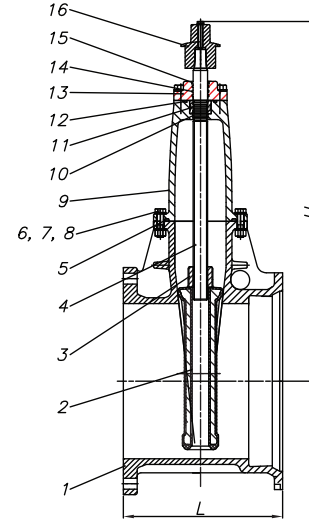
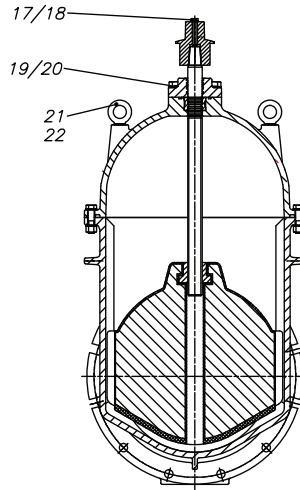
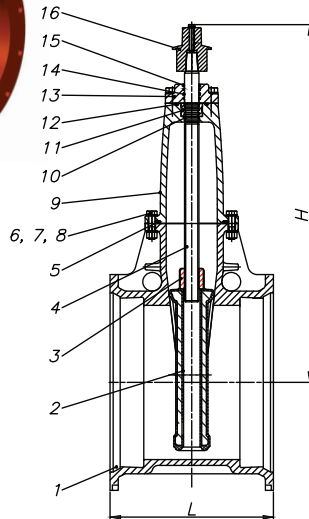
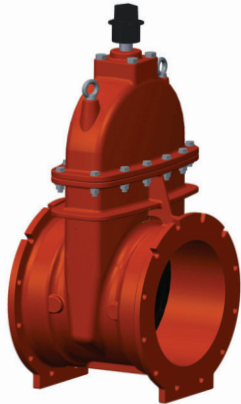


**AWWA C515-09**  
Resilient Seat  
GATE VALVES

**Model 2010MM & FM**  
**Series A**  
**14"~24"**

**UNITED**



**MATERIAL LIST**

Item No.	Description	Material
1	Body	Ductile Iron ASTM A536 65-45-12
2	Wedge	EPDM Encapsulated DI
3	Wedge Nut	Bronze B148 C95200
4	Stem	Stainless Steel AISI 304
5	Gasket	EPDM
6	Bolt	Stainless Steel AISI 304
7	Washer	Stainless Steel AISI 304
8	Nut	Stainless Steel AISI 316
9	Bonnet	Ductile Iron ASTM A536 65-45-12
10	O-ring	NBR
11	Thrust Collar	Bronze B148 C95200
12	O-ring	NBR
13	Gland	Ductile Iron ASTM A536 65-45-12
14	O-ring	NBR
15	Dustproof Ring	NBR
16	Operating Nut	Ductile Iron ASTM A536 65-45-12
17	Bolt	Stainless Steel AISI 304
18	Washers	Stainless Steel AISI 304
19	Bolt	Carbon Steel A307 Class B
20	Washers	Stainless Steel AISI 304
21	Eye Bolt	Carbon Steel A307 Class B
22	Washer	Stainless Steel AISI A276 304

Design and materials are subject to change without notice.

**Description:**

1. Conforms to AWWA C515-09, MSS-SP-70
2. MJ dimensions conform to AWWA C153
3. Flange dimensions conform to ANSI B16.1, Class 125/150
4. Fusion Bond Epoxy Coated Interior and Exterior to AWWA C550 Standard
5. NSF-61/372 Certified
6. Compatible with all industry standard Vertical Indicator Posts (NFPA 24)
7. Working Pressure:  
UL/FM rated working pressure: 14"~18" - 250 psi  
UL/FM rated working pressure: 20" & 24" - 200 psi
8. Temperature: -23°C (-10°F) to 110°C (230°F)

**DIMENSIONAL DATA**

Size	Part No. (MJ x MJ)	L	H	Part No. (Flange x MJ)	L	H
14"	2010-A-MM-240	17.0	34.4	2010FM-240-A	16.0	34.4
16"	2010-A-MM-260	17.0	37.0	2010FM-260-A	16.5	37.0
18"	2010-A-MM-280	18.7	41.5	2010FM-280-A	17.0	41.5
20"	2010-A-MM-300	18.0	45.4	2010FM-300-A	18.0	45.4
24"	2010-A-MM-340	20.0	51.6	2010FM-340-A	20.0	51.6

Dimensions in inches



**WARNING:** This product can expose you to chemicals including lead, which is known to the State of California to cause cancer and birth defects or other reproductive harm. For more information go to [www.P65Warnings.ca.gov](http://www.P65Warnings.ca.gov).



**United Water Products**  
8710 Air Park West Drive, Charlotte, NC 28214  
TEL. 401-250-3800  
Website: [www.unitedwaterproducts.com](http://www.unitedwaterproducts.com)