

Snap-on[®]

EEWB330A / EEWB333A



WHEEL BALANCER

Parts Manual

TEEWB330A3

All information contained or disclosed in this document is considered confidential and proprietary by Snap-on Equipment. All manufacturing, use, reproduction, and sales rights are reserved by Snap-on Equipment and the information contained herein shall not be used in whole or in part without the express written consent of Snap-on Equipment.

Table of Contents

BOM - EEWB330A	3
BOM - EEWB333A	3
BALANCER ASSEMBLY	4
1D SAPE ASSEMBLY	6
2D SAPE ASSEMBLY	7
UPPER DISPLAY	8
VIBRATORY ASSEMBLY	9
CONES & ACCESSORIES.....	10
STANDARD MOTORCYCLE ADAPTERS	11

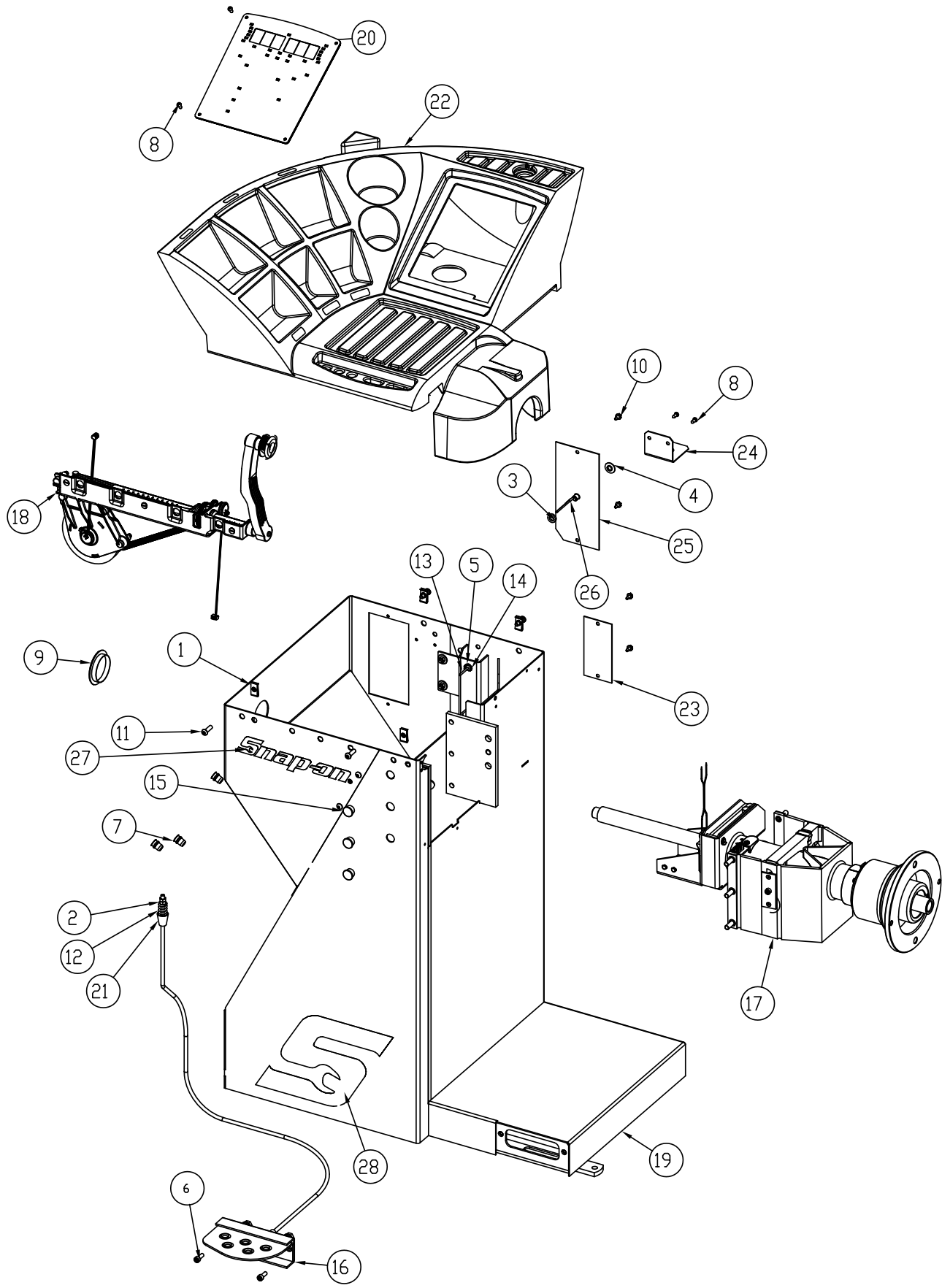
BOM - EEWB330A

PART NUMBER	DESCRIPTION
EAA0369J72A	BAL ASSY – SNAPON HAND SPIN
7-16701A	ADAPTER-AC 120VAC-9VAC 1.8A
2-3657	CABLE CLAMP (FLAT CABLE)
PAK306330	CARTON - SMALL ADT KIT (110372)
8-40460A	CARTON NEW ALIGNER
8-04664A	SKID BALANCER 44.5" X 35"
1-01215A	SCREW - LAG, 5/16 X 1 ½
1-541	WASHER - FLAT, 5/16
ZEEWB330A9	LIT PACK - SNAP-ON HAND SPIN
EAL0341J96A	LABEL – BALANCER WARING, REAR
EAL0341J97A	LABEL – BALANCER WARING, SIDE
EAL0341J60A	LABEL - PATENT, WHEEL BALANCER
EAL0343J76B	LABEL-ELECTRICAL/SERIAL
EAL0352J20A	LABEL - SNAP-ON, WHITE
EAL0352J19A	LABEL – SNAP-ON BIG S
5403	CERTIFICATE-INSTALL REGISTRATION
EAA0247G21A	CALIPER - RIM WIDTH
EAA0263G79A	QUICK NUT KIT, 40MM
EAK0309J28A	KIT – 4 CONES
EAM0005D40A	CALIBRATION WEIGHT
EAM0006G01A	HOOK - ACCESSORY STORAGE
EAC0060G02A	FLANGE - COVER, ACCESSORY HOOK
58839	WEIGHT TOOL

BOM - EEWB333A

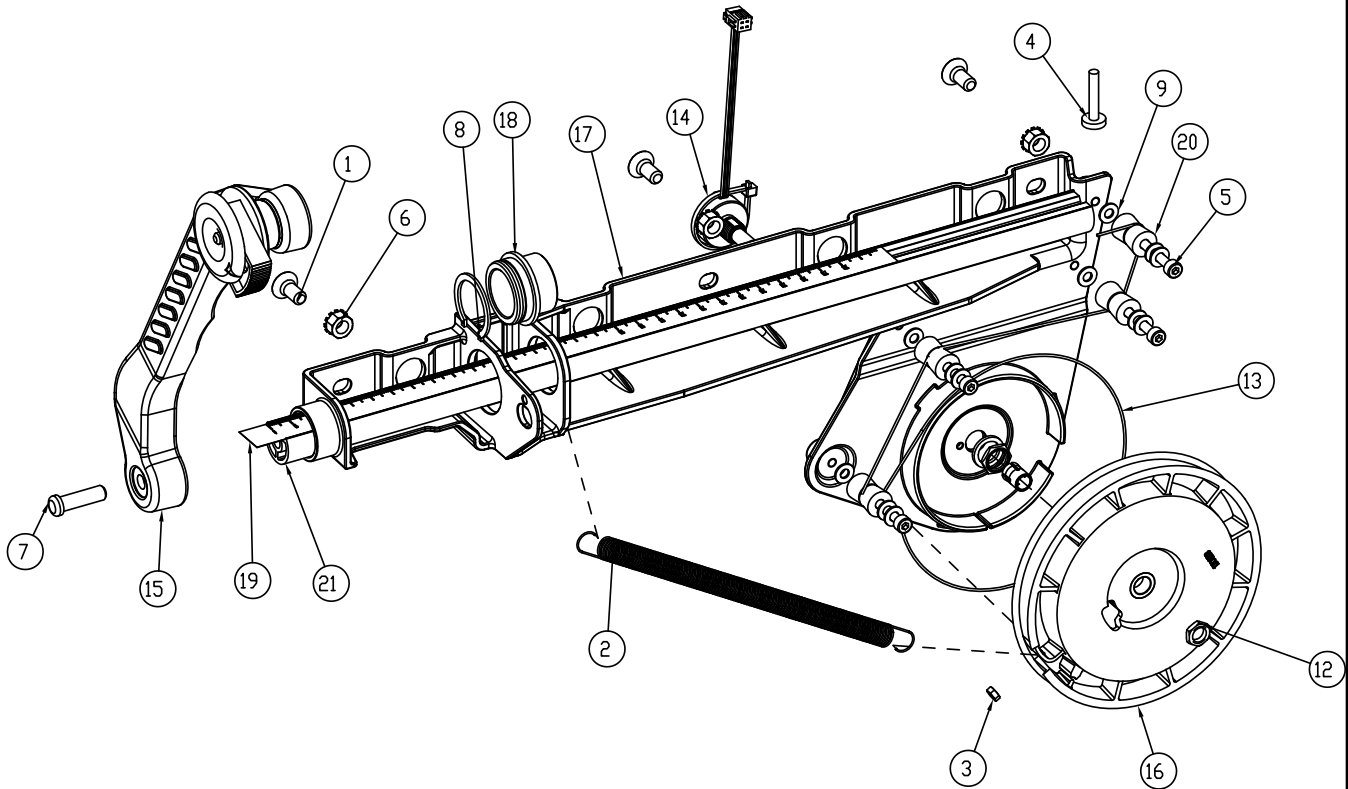
PART NUMBER	DESCRIPTION
EAA0369J73A	BAL ASSY – SNA HAND SPIN MOTORCYCLE
7-16701A	ADAPTER-AC 120VAC-9VDC 1.8A
2-3657	CABLE CLAMP (FLAT CABLE)
PAK306330	CARTON - SMALL ADT KIT (110372)
PAK321580	CARTON-Y2K (2685-01)
PAK710770	PALLET-Y2K (2688)
1-01215A	SCREW - LAG, 5/16 X 1 ½
1-541	WASHER - FLAT, 5/16
ZEEWB330A9	LIT PACK SNAP-ON HAND SPIN
EAL0341J96A	LABEL – BALANCER WARING, REAR
EAL0341J97A	LABEL – BALANCER WARING, SIDE
EAL0341J60A	LABEL - PATENT, WHEEL BALANCER
EAL0343J76B	LABEL-ELECTRICAL/SERIAL
EAL0352J20A	LABEL - SNAP-ON, WHITE
EAL0352J19A	LABEL – SNAP-ON BIG S
5403	CERTIFICATE-INSTALL REGISTRAT
EAK0221J13A	ADAPTER KIT-MOTORCYCLE
EAM0006G16A	BOLT-FRENCHHANDLE M10-1LH
EAC0054P14A	HANDLE-FRENCH LEFT HAND CRANK
EAM0005D40A	CALIBRATION WEIGHT

BALANCER ASSEMBLY



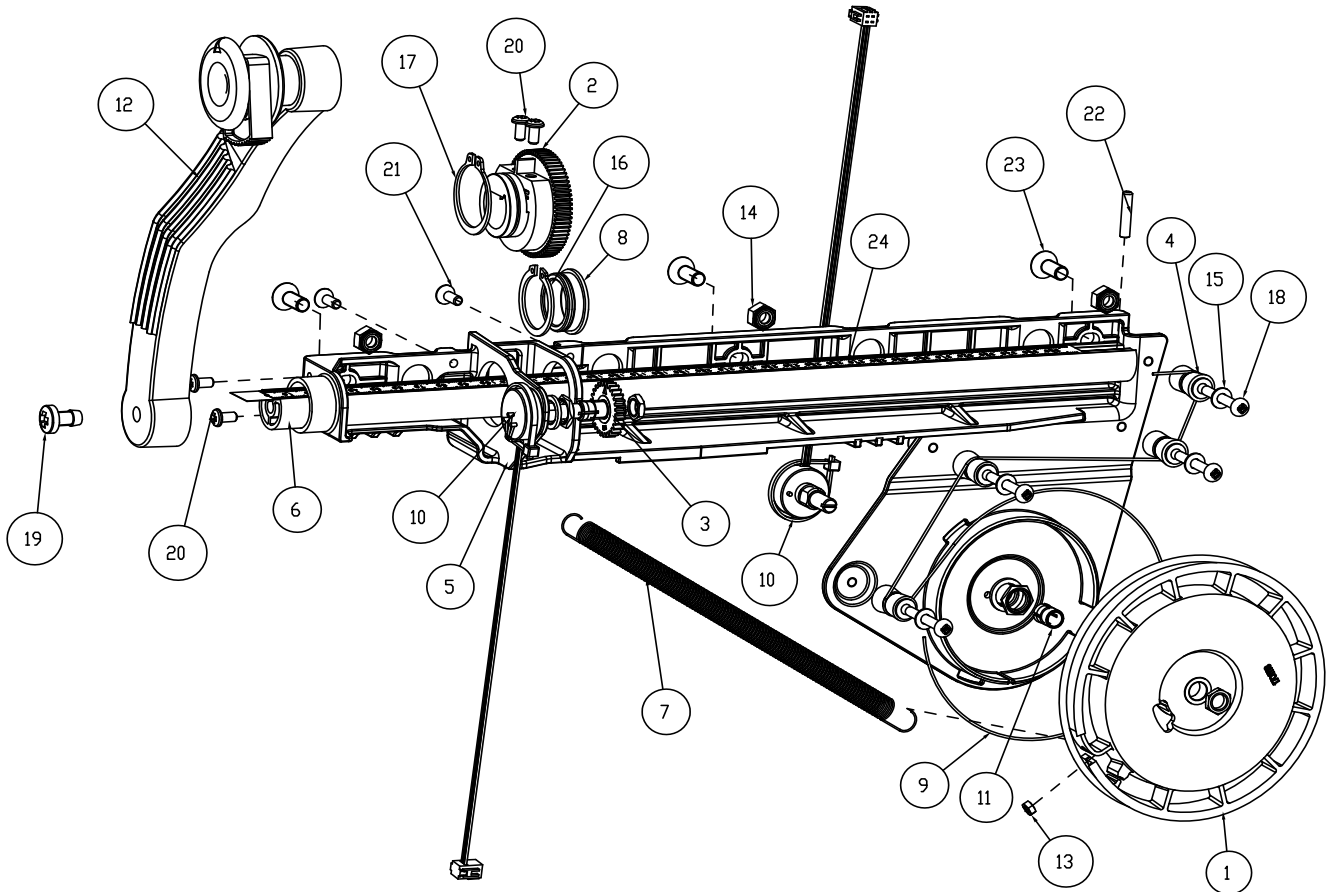
SYM	REQ	PART NO	DESCRIPTION
1	4	1-07439A	NUT - SPEED, "U" TYPE,
2	2	1-11633	NUT-M6 X 5,2MMTHK, BLK
3	1	1-12944A	SPACER - .PULLY .62 OD X .13 LG
4	1	1-14944A	WASHER - NYLON SHOULDER, .358 ID
5	1	1-1548	WASHER-EXT,SHAKEPROOF 6MM
6	2	1-16309	SCREW - SHCS, M6 X 16MM,
7	4	1-17659A	NUTSERT - M10
8	6	1-18523A1	SELF TAPPING SCREW D4,8X13MM
9	1	1-2676	PLUG-HOLE, 2"DIA
10	4	1-3724	SCREW-SELF TAP,5 X 10MM
11	4	1-44009A	SCREW-BHCS, 1/4-20 X 7/8
12	1	1-6668	COMPRESSION SPRING
13	1	1-7558	POP RIVET-3/16"
14	1	2-23201	TERMINAL LUG-6.3MM X .8MM POP RIVET
15	3	8-7216	PLUG-HOLE, 16MM DIA
16	1	EAA0263G07A	ASSY-BRAKE PEDAL
17	1	EAA0332G65A	VIBRATOR HAND INT.FLANGE
18	1	EAA0338G73A	STAND. SAPE 1D-2D ASSY
	1	EAA0346J28A	ASSY - SAPE JB VPI 1D, S1 (EEWB333A - MOTORCYCLE)
19	1	EAA0369J30A	CABINET ASSY - S2, RED
20	1	EAA0394G53A	INTEGRATED DISPLAY PANEL
21	1	EAC0053J15A	BRAKE SPACER
22	1	EAC0054P00A	JBEG WEIGHT
23	1	EAS2021J05A	PANEL-COVER,GUARD ACCESS
24	1	EAS2113J77A	BRACKET - CAL WEIGHT
25	1	EAS2118J57A	PANEL - COVER, ELEC ACCESS
26	1	EAW0233J48A	CABLE ASM - POWER, HAND SPIN
27	1	EAL0352J11A	SNAP ON DECAL
28	1	EAL0352J19A	SNAP ON "S"

1D SAPE ASSEMBLY
EAA0346J28A



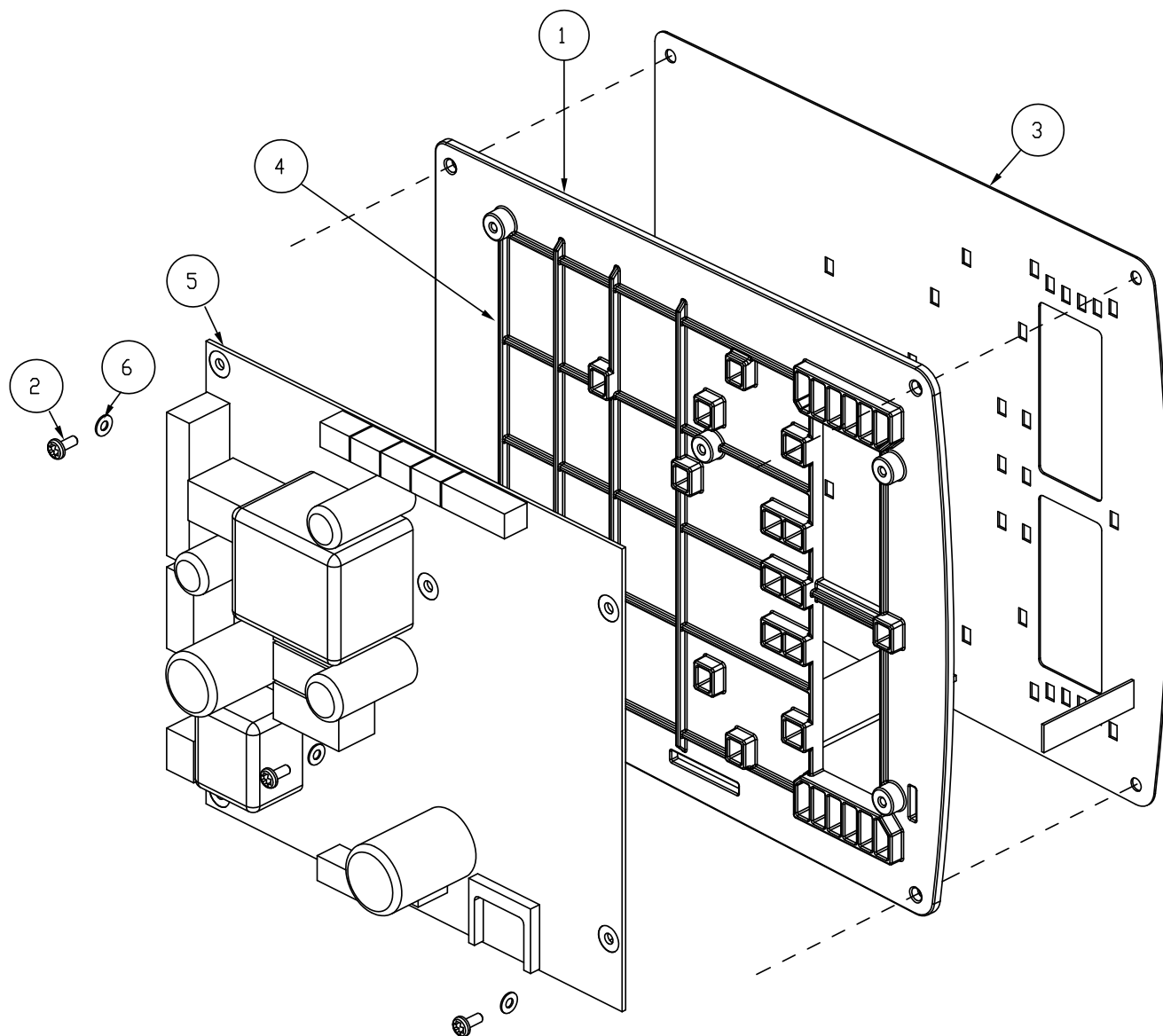
SYM	REQ	PART NO	DESCRIPTION
1	3	1-27903A	SCREW - M6 X 14MM FHMS, SKT DIN 7991
2	1	1-06567A	STAND SAPE TENSION SPRING
3	1	1-11233	NUT - HEX, M3 DIN 934
4	1	1-13609	SCREW-HHCS,M4-16 X 8.8
5	4	1-13909	SCR - HEX SKT HD CAP (M4 X 30MM)DIN912
6	3	1-25433A	NUT-M6 KEPS, SERRATED LW ZINC
7	1	1-3824	SCREW-SELF TAP,6 X 12MM
8	1	1-13377A	CIRCLIP-27MM X 1.20MM DIN 471
9	12	1-9641	PLAIN WASHER D4MM
12	1	2-07657A	CLAMPING DEVICE W/NUT
13	1	6-00604A	ROPE - SPECTRA 1000, 150 LBS
14	1	EAA0266D20A	ROTATIVE TRANSDUCER 100HM
15	1	EAA0346J26A	ASSY - SAPE ARM W/ EJECTOR
16	1	EAC0058D06A	RIEMENHALTEROLLE MIT EINLEGETEIL
17	1	EAC0087G59A	STAND. S1 SAPE SUPPORT
18	1	EAC0087G70A	STANDARD. S1 SAPE BUSHING
19	1	EAL0349G31A	DISTANCE SCALE
20	4	EAM0005D35A	REEL-GUIDING,SAPE
21	1	EAM0053G16A	STANDARD. ROD SAPE, S1

2D SAPE ASSEMBLY
EAA0338G73A



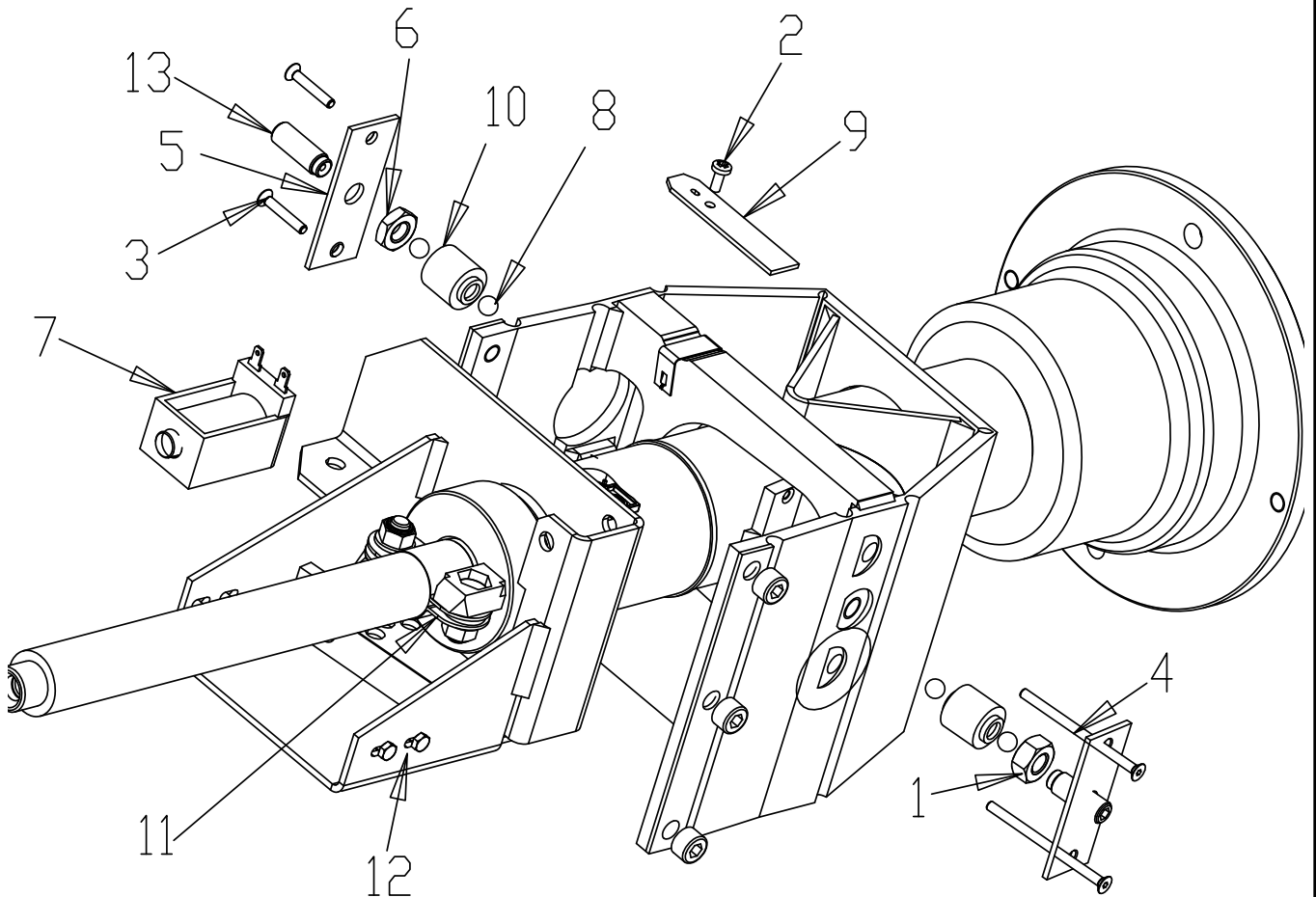
SYM	REQ	PART NO	DESCRIPTION
1	1	EAC0058D06A	ROPE REEL 290MM
2	1	EAC0058D12A	ZAHNRAD, 56Z COG WHEEL 56 TEETH
3	1	EAC0058D13A	COG WHEEL 28 TEETH
4	4	EAM0005D35A	GUIDING REEL
5	1	EAC0087G59A	STAND. S1 SAPE SUPPORT
6	1	EAM0053G16A	STANDARD. ROD SAPE, S1
7	1	1-06567A	STAND SAPE TENSION SPRING
8	1	EAM0068G76A	S2-2D SAPE BUSHING
9	1	6-00604A	ROPE HONEYWELL SPECTRA FIBER 1000 D=0.6
10	2	EAA0266D20A	ROTATIVE TRANSDUCER 100HM
11	2	2-07657A	CLAMPING DEVICE W/NUT
12	1	EAA0277D94A	SAPE ARM EUROPE W/ EJECTOR
13	1	1-11233	NUT, HEX, M3
14	3	1-9933	NUT, PREVAILING TORQUE M6
15	4	1-9641	PLAIN WASHER D4MM
16	1	1-4577	RING SNAP,25X1.20 DIN471
17	1	1-13377A	CIRCLIP FOR SHAFT A27X1,20
18	4	1-24906A	SCREW, PAN HEAD PHIL M4X30
19	1	1-3824	THREADFORMING SCREW C-M6X12
20	4	1-11726A	SCREW, SELF TAPPING FOR PLASTIC D4X8MM
21	2	1-12126A	SELF TAP. SCREW PT WN1413 4X12 ZINC
22	1	1-7810	SCREW, SET M4X20 FLAT TIP
23	3	1-22003A	SCREW SOCKET FLAT HEAT M6X16 ZINC.
24	1	EAM0086G85A	DISTANCE SCALE DECAL FOR SAPE S2

UPPER DISPLAY
EAA0394G53A



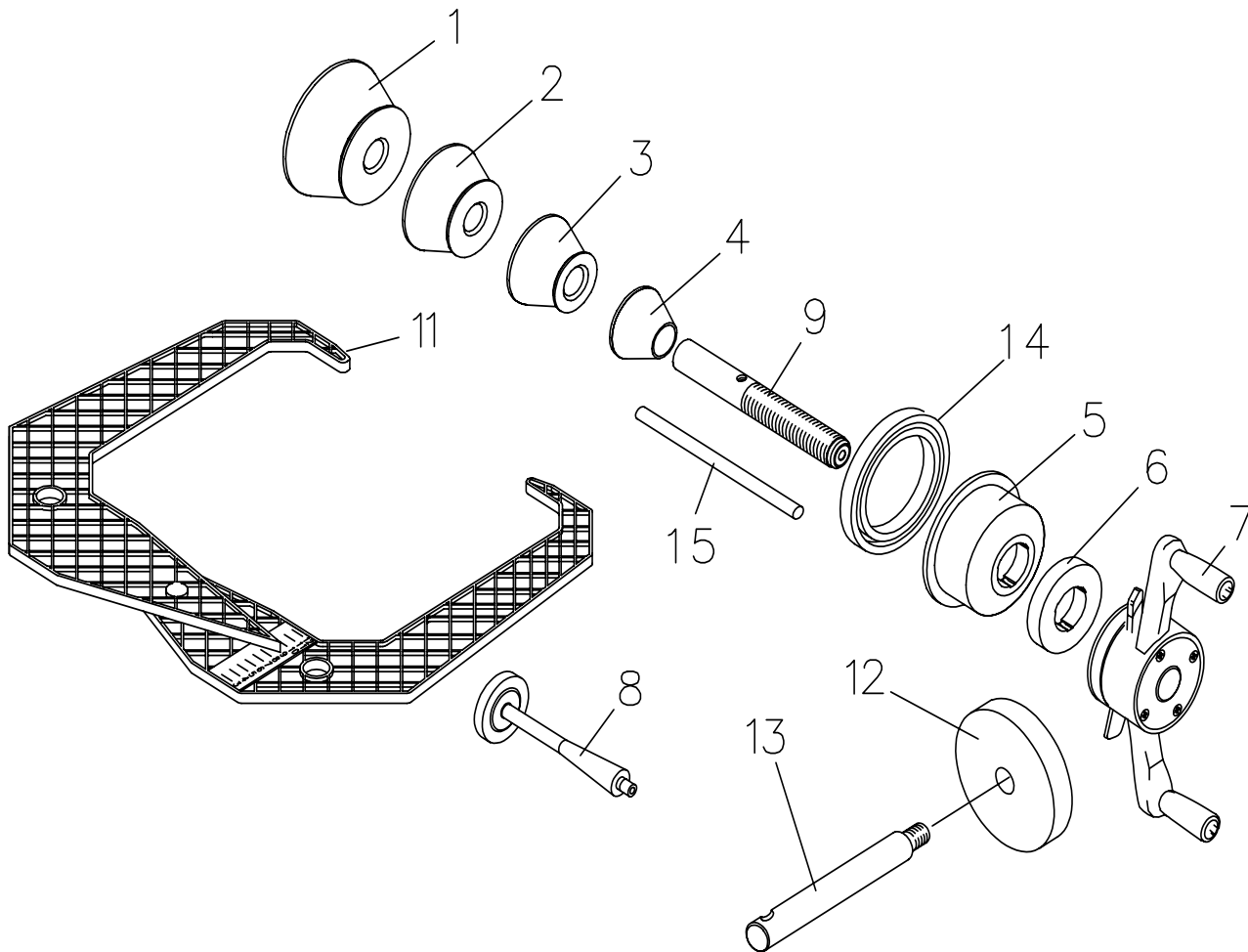
SYM	REQ	PART NO	DESCRIPTION
1	1	EAC0099G62A	SMALL KEYBOARD SUPPORT
2	5	1-10226A	SCREW FOR PLAST. PAN H. D=3,0 X 8
3	1	EAL0425G30A	FLAT KEYBOARD WITHOUT START BUTTON
4	1	EAM0075G37A	KEYBOARD GASKET
5	1	EAP0274G70C	ELECTRONIC BOARD JB HANDSPIN
6	5	1-9541	WASHER-FLAT,M3 DIN 125A

VIBRATORY ASSEMBLY
EAA0332G65A



REF	QTY	PART NUMBER	DESCRIPTION
1	1	1-11833	NUT M8
2	1	1-13204A	SCREW
3	2	1-17403	SCREW
4	2	1-19903A	4 X 65 COUNTER SUNK SCREW
5	2	1-2967	PRETENSION SPRING
6	1	1-4034	NUT HEX BM (M 10)
7	1	2-09337A	SOLENOID STOP
8	4	8-1144	STEEL BALL
9	1	EAA0344G00A	ENCODER
10	2	EAA0260D59A	PIEZO
11	1	EAA0263G26A	BRAKE
12	1	EAA0263G26A	BRAKE BAND
13	2	EAM0005D07A	SET SCREW M10 X 29
NS	1	EAW0240G67A	OPTO CABLE

CONES & ACCESSORIES
EEWB330A

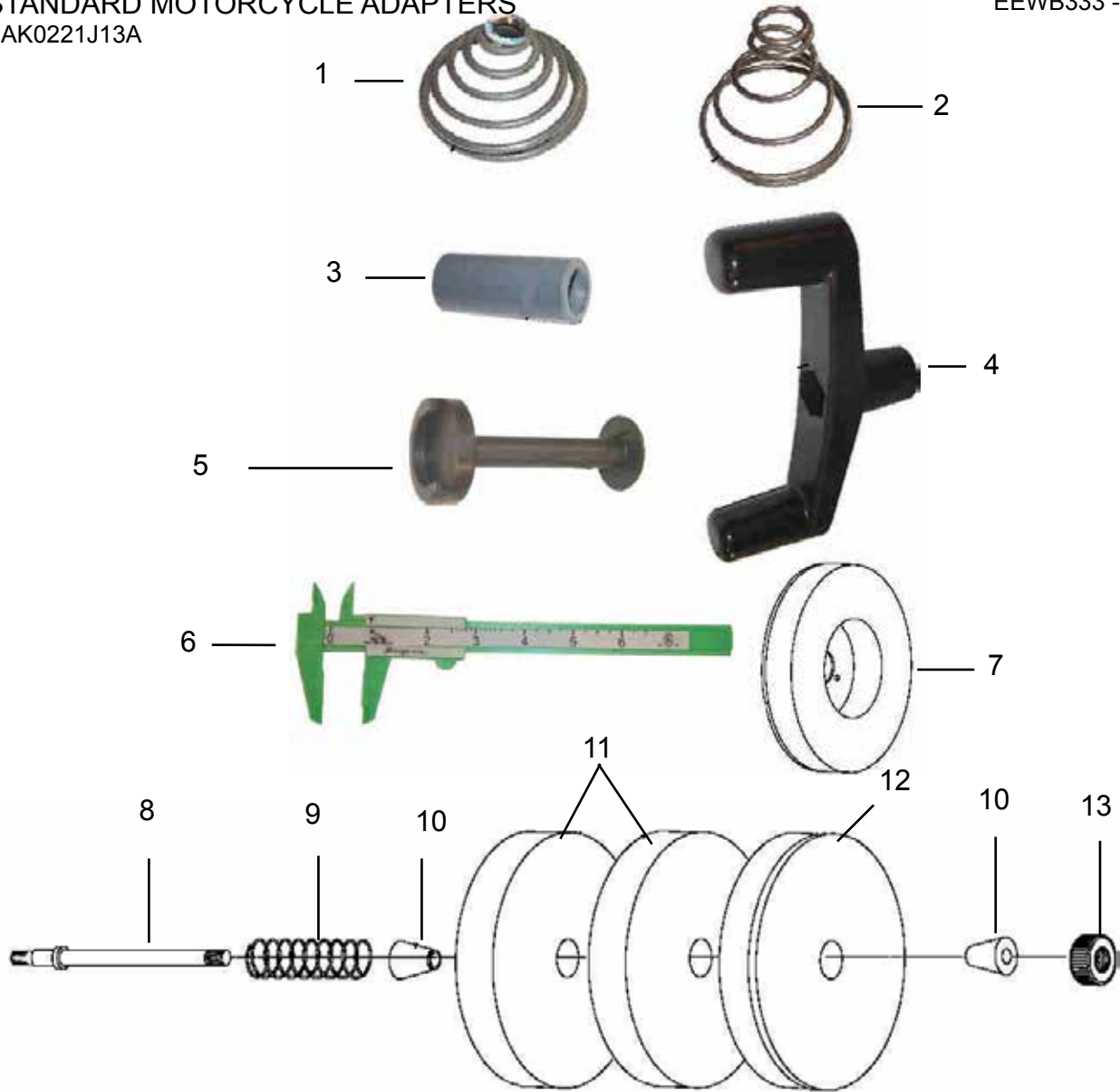


ITEM	QTY	PART NUMBER	DESCRIPTION
1	1	EAM0003J69A	CONE, 89-132 MM (3.42" - 5.40")
2	1	EAM0005D25A	CONE, 71 - 99 MM (3.78" - 4.57")
3	1	EAM0005D24A	CONE, 56 - 84 MM (2.83" - 3.90")
4	1	EAM0005D23A	CONE, 43 -63 MM (1.65" - 3.03")
5	1	EAC0058D07A	CUP - PRESSURE
6	1	EAC0058D08A	DISK - PRESSURE
7	1	EAA0263G66A	QUICK NUT
8	1	EAM0005D40A	WEIGHT - CALIBRATION
9	1	EAM0021D90A	40 MM STUB SHAFT
11	1	EAA0247G21A	CALIPER - RIM WIDTH
12	4	EAC0060G02A	FLANGE - COVER, HOOK
13	4	EAM0006G01A	HOOK - STORAGE
14	1	EAC9958D15A	RUBBER PROTECTOR
15	1	EAM0005D34A	FASTENING ROD

STANDARD MOTORCYCLE ADAPTERS

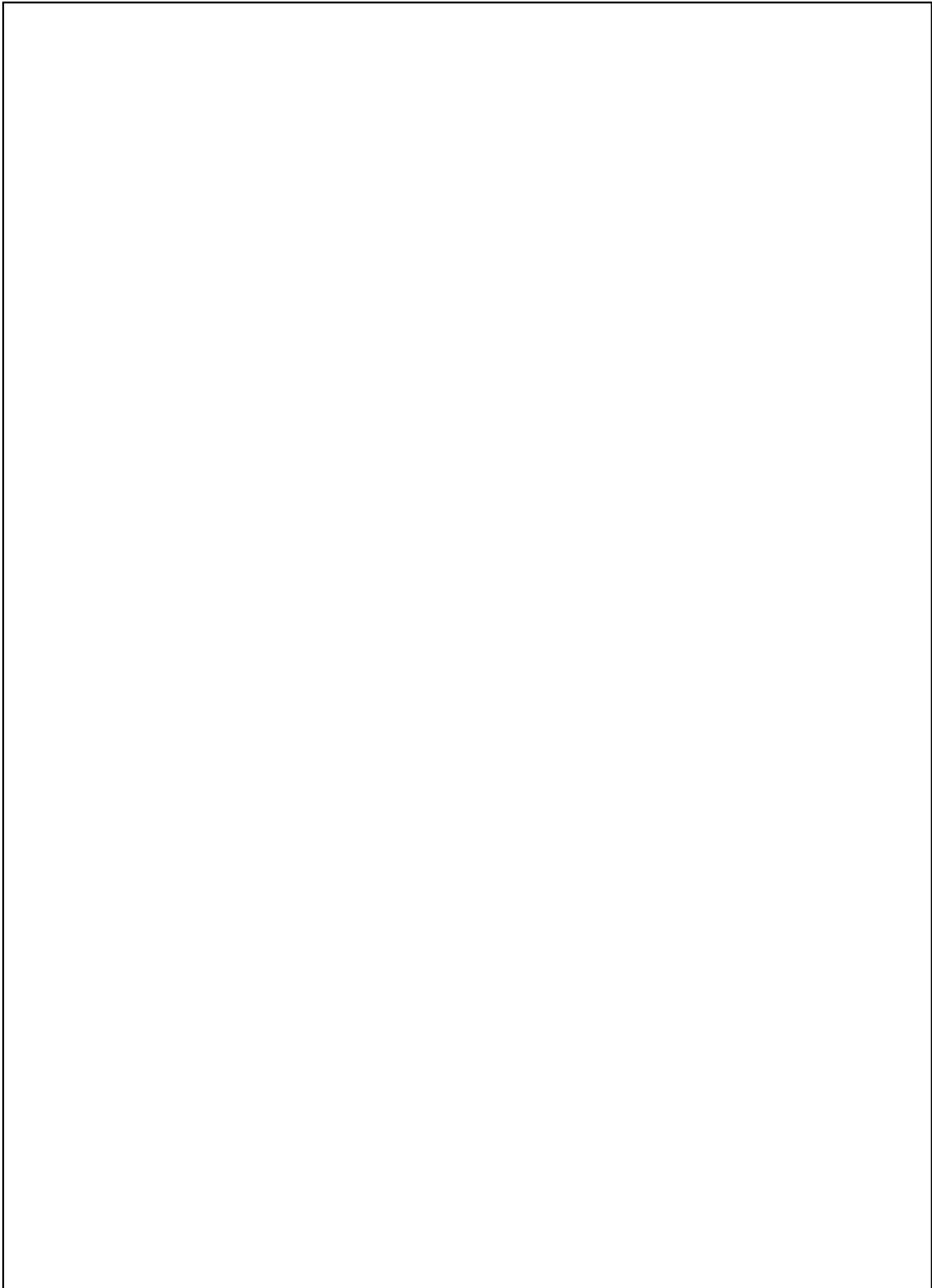
EEWB333 - PARTS

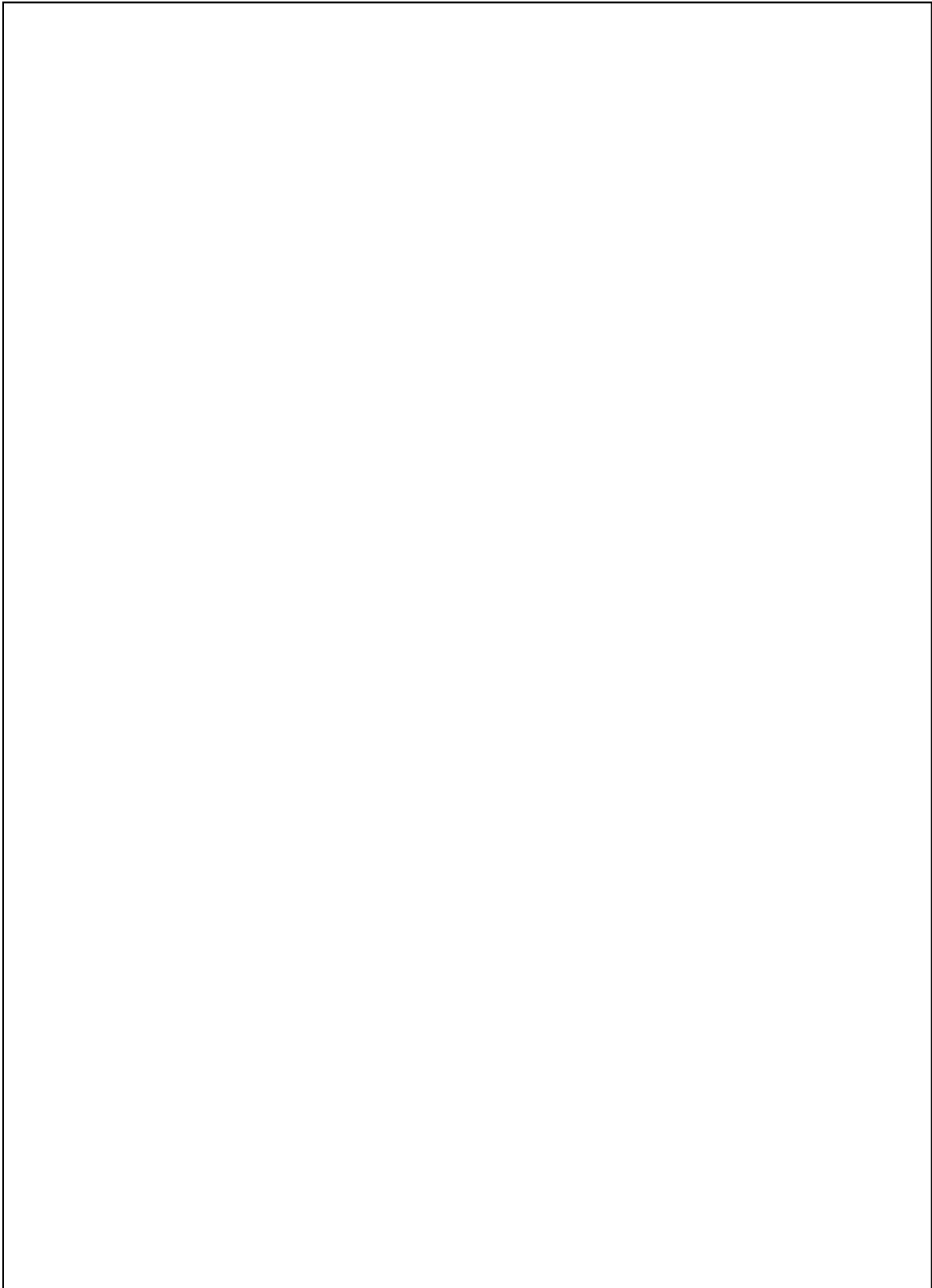
EAK0221J13A

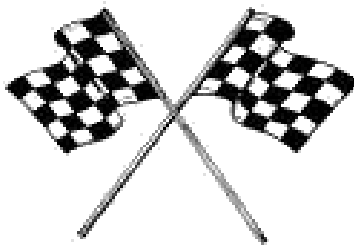


Ref	Qty	Part Number	Description
1	1	1412	Spring
2	1	3607-01	Spring
3	1	3609-01	Spacer - M/C shaft
4	1	EAC0054P14A	Spin Hand Crank handle
	1	EAM0006G16A	Bolt - Crank handle (Not Shown)
5	1	EAM0005D62A	Extension Gauge
6	1	8430-02	Caliper M/C
7	1	EAA0255J43A	Flange
8	1	EAM0003J33A	Shaft 14mm
9	1	1401	Spring
10	2	1387	Cone
11	2	1389-01	Pressure Disc
12	1	1389-02	Pressure Disc
13	1	1388	Ring Nut

Items 8 thru 13 EAK0221J15A Motorcycle adapter kit







Notice: The information contained in this document is subject to change without notice. Snapon Equipment makes no warranty with regard to this material. Snapon Equipment shall not be liable for errors contained herein or for incidental consequential damages in connection with furnishings, performance, or use of this material.

This document contains proprietary information which is protected by copyright and patents. All rights are reserved. No part of this document may be photocopied, reproduced, or translated without prior written consent of Snapon Equipment.