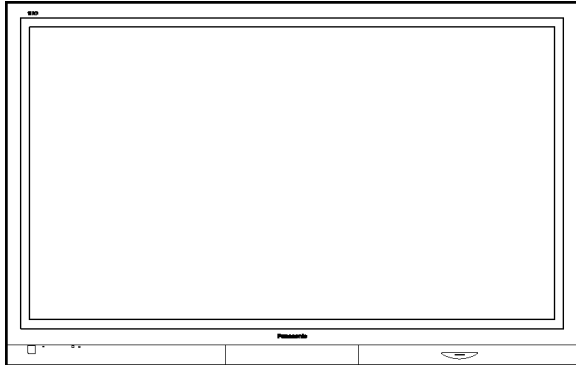


Service Manual

Digital High Definition Plasma Television



TH-65PV500E
TH-65PV500B
 GPH8DE Chassis

Specifications

Power Source	AC 220-240 V, 50 / 60 Hz
Power Consumption	Average use : 640 W (TH-65PV500E) Average use : 649 W (TH-65PV500B) Standby condition : 0.3 W (TH-65PV500E) Standby condition : 0.3 W (Without DVB recording) (TH-65PV500B) Standby condition : 16 W (With DVB recording) (TH-65PV500B)
Plasma Display panel	
Drive method	AC type
Aspect Ratio	16:9
Contrast Ratio	3000:1
Visible screen size	165 cmV
(No. of pixels)	1,434 mm (W) × 806 mm (H) × 1,645 mm (diagonal) 1,049,088 (1,366 (W) × 768 (H)) [4,098 × 768 dots]
Sound	
Audio Output	30 W (15 W + 15 W), 10% THD
Headphones	M3 (3.5 mm) Jack × 1
Applicable signals	
Colour System	NTSC, PAL, PAL60, SECAM, Modified NTSC
Scanning format	480i(60Hz), 480p(60Hz), 576i(50Hz), 576p(50Hz), 720p(50Hz), 720p(60Hz), 1080i(50Hz), 1080i(60Hz)
PC signals	VGA, SVGA, XGA SXGA (compressed) Horizontal scanning frequency 31 - 69 kHz Vertical scanning frequency 59 - 86 Hz
Receiving Systems / Band name (PV500E)	PAL B, G, H, I, SECAM B, G SECAM L / L' VHF E2 - E12 VHF H1 - H2 (ITALY) VHF A - H (ITALY) UHF E21 - E69 CATV (S01 - S05) CATV S1 - S10 (M1 - M10) CATV S11 - S20 (U1 - U10) CATV S21 - S41 (Hyperband) PAL D, K, SECAM D, K

VHF R1 - R2 VHF R3 - R5
 VHF R6 - R12 UHF E21 - E69

PAL 525/60

Playback of NTSC tape from some PAL Video recorders (VCR)

M.NTSC

Playback from M. NTSC Video recorders (VCR)

NTSC (AV input only)

Playback from NTSC Video recorders (VCR)

**Receiving Systems /
Band name (PV500B)****PAL I**

UHF E21 - 68.

PAL 525/60

Playback of NTSC tape from some PAL Video recorders (VCR) or NTSC disc playback from DVD player and recorder.

DVB

Digital terrestrial services via UHF aerial input.

M.NTSC

Playback from M.NTSC Video recorders (VCR).

NTSC (AV input only)

Playback from NTSC Video recorders (VCR).

Aerial - Rear

UHF / VHF (PV500E)

UHF (PV500B)

Operating Conditions

Temperature : 0 °C - 40 °C

Humidity : 20 % - 80 % RH (non-condensing)

Connection Terminals

AV1 (Scart connector)	21 Pin terminal (Audio / Video in, Audio / Video out, RGB in)	
AV2 (Scart connector)	21 Pin terminal (Audio / Video in, Audio / Video out, S-Video in, Q-Link)	
AV3 VIDEO	RCA PIN Type × 1	1.0 Vp-p (75 Ω)
S-VIDEO	Mini DIN 4-pin	Y:1.0 Vp-p (75 Ω) C:0.286 Vp-p (75 Ω)
AUDIO L - R	RCA PIN Type × 2	0.5 Vrms
AV4 (Scart connector)	21 Pin terminal (Audio / Video in, Audio / Video out, RGB in, S-Video in, Q-Link)	
Others COMPONENT	Y	1.0 Vp-p (including synchronization)
	P _B , P _R	±0.35 Vp-p
HDMI	TYPE A Connector	
PC	HIGH-DENSITY D-SUB 15PIN	R,G,B / 0.7 Vp-p (75 Ω) HD, VD / TTL Level 2.0 - 5.0 Vp-p (high impedance)
AUDIO L - R	RCA PIN Type × 2	0.5 Vrms
Card slot	SD CARD slot × 1, PC CARD slot × 1	
Output AUDIO L - R	RCA PIN Type × 2	0.5 Vrms (high impedance)

Dimensions (W × H × D)

Without pedestal stand and speakers 1,554 mm × 985 mm × 145 mm

With pedestal stand and speakers 1,754 mm × 1,058 mm × 419 mm

Weight

Without pedestal stand and speakers 84.0 kg Net

With pedestal stand and speakers 114.9 kg Net

Notes:

- Design and Specifications are subject to change without notice. Weight and Dimensions shown are approximate.
- This equipment complies with the EMC standards listed below.

EN55013, EN61000-3-2, EN61000-3-3, EN55020, EN55022, EN 55024.

⚠ WARNING

This service information is designed for experienced repair technicians only and is not designed for use by the general public. It does not contain warnings or cautions to advise non-technical individuals of potential dangers in attempting to service a product. Products powered by electricity should be serviced or repaired only by experienced professional technicians. Any attempt to service or repair the product or products dealt with in this service information by anyone else could result in serious injury or death.

CONTENTS

	Page		Page
1 Applicable signals	5	6.36. Replace the plasma panel (finished)	21
2 Safety Precautions	6	7 Location of Lead Wiring	22
2.1. General Guidelines	6	7.1. Lead of Wiring (1)	22
2.2. Touch-Current Check	6	7.2. Lead of Wiring (2)	23
3 Prevention of Electro Static Discharge (ESD) to		7.3. Lead of Wiring (3)	24
Electrostatically Sensitive (ES) Devices	7	8 Self Check	25
4 About lead free solder (PbF)	8	8.1. Power LED Blinking timing chart	26
5 Service Hint	9	8.2. No Power	27
6 Plasma panel replacement method	10	8.3. No Picture	28
6.1. Remove the Back cover	10	8.4. Local screen failure	29
6.2. Remove the P-Board	10	9 Service Mode Function	30
6.3. Remove the PB-Board	11	9.1. How to enter SERVICE 1	30
6.4. Remove the D-Board	11	9.2. How to enter SERVICE 2	30
6.5. Remove the rear terminal cover	12	9.3. Option Description	32
6.6. Remove the metal frame	12	10 Adjustment Procedure	34
6.7. Remove the XV-Board (PV500 only) and DV-Board	12	10.1. Driver Set-up	34
6.8. Remove the DG-Board	12	10.2. Initialization Pulse Adjust	35
6.9. Remove the H-Board and TA-Board	13	10.3. P.C.B. (Printed Circuit Board) exchange	36
6.10. Remove the PA-Board	13	10.4. Adjustment Volume Location	36
6.11. Remove the Z-Board	13	10.5. Test Point Location	36
6.12. Remove the Fan (Middle/R)	13	11 Adjustment	37
6.13. Remove the Fan (Big and Middle/L)	14	11.1. PAL panel white balance adjustment	37
6.14. Remove the Fan (SC)	14	11.2. 1080i white balance adjustment	38
6.15. Remove the Fan (SS)	14	11.3. Sub bright adjustment	39
6.16. Remove the SU-Board	14	11.4. ABL adjustment	39
6.17. Remove the SD-Board	15	11.5. TEXT Vref Auto Adjustment	40
6.18. Remove the SC-Board	16	12 Hotel mode	41
6.19. Remove the SS2-Board	16	13 Conductor Views	43
6.20. Remove the SS3-Board	16	13.1. P-Board	43
6.21. Remove the SS-Board	16	13.2. PA-Board	47
6.22. Remove the C1-Board	17	13.3. PB-Board	48
6.23. Remove the C2-Board	17	13.4. H-Board	49
6.24. Remove the C3-Board	17	13.5. TA-Board	51
6.25. Remove the H3-Board (L, R)	17	13.6. G-Board	52
6.26. Remove the C4-Board	18	13.7. H3, GK, GS and K-Board	53
6.27. Remove the C4-Board	18	13.8. DG-Board	54
6.28. Remove the C6-Board	18	13.9. DV-Board	56
6.29. Remove the front bracket	19	13.10. XV-Board (PV500B)	57
6.30. Remove the G-Board	19	13.11. Z-Board	59
6.31. Remove the GK-Board	19	13.12. D-Board	60
6.32. Remove the GS-Board and SD-Module	19	13.13. C1-Board	63
6.33. Remove the K-Board and the S-Board	20	13.14. C2-Board	64
6.34. Remove the Plasma panel section from the Front frame (glass)	21	13.15. C3-Board	65
6.35. Remove the Reinforcement Angles (L, R) and the Connection Plate (A, B, C, D)	21	13.16. C4-Board	66
		13.17. C5-Board	67
		13.18. C6-Board	68

13.19. SC-Board	69	14.40. XV-Board (5 of 5) Schematic Diagram (PV500B)	118
13.20. SU-Board	72	14.41. Z and H3-Board Block Diagram	119
13.21. SD-Board	73	14.42. Z and H3-Board Schematic Diagram	120
13.22. SS-Board	74	14.43. D-Board Block Diagram	121
13.23. S, SS2 and SS3-Board	77	14.44. D-Board (1 of 6) Schematic Diagram	122
14 Block and Schematic Diagram	79	14.45. D-Board (2 of 6) Schematic Diagram	123
14.1. Schematic Diagram Notes	79	14.46. D-Board (3 of 6) Schematic Diagram	124
14.2. Main Block Diagram	80	14.47. D-Board (4 of 6) Schematic Diagram	125
14.3. P-Board (1 of 2) Block Diagram	81	14.48. D-Board (5 of 6) Schematic Diagram	126
14.4. P-Board (2 of 2) Block Diagram	82	14.49. D-Board (6 of 6) Schematic Diagram	127
14.5. P-Board (1 of 3) Schematic Diagram	83	14.50. C1, C2, C5 and C6-Board Block Diagram	128
14.6. P-Board (2 of 3) Schematic Diagram	84	14.51. C2, C3, C4 and C5-Board Block Diagram	129
14.7. P-Board (3 of 3) Schematic Diagram	85	14.52. C1-Board (1 of 2) Schematic Diagram	130
14.8. PA-Board Block Diagram	86	14.53. C1-Board (2 of 2) Schematic Diagram	131
14.9. PA-Board Schematic Diagram	87	14.54. C2-Board (1 of 2) Schematic Diagram	132
14.10. PB-Board Block and Schematic Diagram	88	14.55. C2-Board (2 of 2) Schematic Diagram	133
14.11. H and TA-Board Block Diagram	89	14.56. C3-Board (1 of 2) Schematic Diagram	134
14.12. G, GK, GS, and K-Board Block Diagram	90	14.57. C3-Board (2 of 2) Schematic Diagram	135
14.13. H-Board (1 of 2) Schematic Diagram	91	14.58. C4-Board (1 of 2) Schematic Diagram	136
14.14. H-Board (2 of 2) Schematic Diagram	92	14.59. C4-Board (2 of 2) Schematic Diagram	137
14.15. G-Board Schematic Diagram	93	14.60. C5-Board (1 of 2) Schematic Diagram	138
14.16. GK, K and TA-Board Schematic Diagram	94	14.61. C5-Board (2 of 2) Schematic Diagram	139
14.17. GS-Board Schematic Diagram	95	14.62. C6-Board (1 of 2) Schematic Diagram	140
14.18. DG-Board (1 of 2) Block Diagram	96	14.63. C6-Board (2 of 2) Schematic Diagram	141
14.19. DG-Board (2 of 2) Block Diagram	97	14.64. SC, SU and SD-Board Block Diagram	142
14.20. DG-Board (1 of 13) Schematic Diagram	98	14.65. SC-Board (1 of 3) Schematic Diagram	143
14.21. DG-Board (2 of 13) Schematic Diagram	99	14.66. SC-Board (2 of 3) Schematic Diagram	144
14.22. DG-Board (3 of 13) Schematic Diagram	100	14.67. SC-Board (3 of 3) Schematic Diagram	145
14.23. DG-Board (4 of 13) Schematic Diagram	101	14.68. SU-Board (1 of 2) Schematic Diagram	146
14.24. DG-Board (5 of 13) Schematic Diagram	102	14.69. SU-Board (2 of 2) Schematic Diagram	147
14.25. DG-Board (6 of 13) Schematic Diagram	103	14.70. SD-Board (1 of 2) Schematic Diagram	148
14.26. DG-Board (7 of 13) Schematic Diagram	104	14.71. SD-Board (2 of 2) Schematic Diagram	149
14.27. DG-Board (8 of 13) Schematic Diagram	105	14.72. SS, S1, SS2 and SS3-Board Block Diagram	150
14.28. DG-Board (9 of 13) Schematic Diagram	106	14.73. SS-Board (1 of 2), S1, SS2 and SS3-Board Schematic Diagram	151
14.29. DG-Board (10 of 13) Schematic Diagram	107	14.74. SS-Board (2 of 2) Schematic Diagram	152
14.30. DG-Board (11 of 13) Schematic Diagram	108	15 Parts Location & Mechanical Replacement Parts List	153
14.31. DG-Board (12 of 13) Schematic Diagram	109	15.1. Parts Location	153
14.32. DG-Board (13 of 13) Schematic Diagram	110	15.2. Packing Exploded Views (1)	154
14.33. DV-Board Block Diagram	111	15.3. Packing Exploded Views (2)	155
14.34. DV-Board Schematic Diagram	112	15.4. Packing Exploded Views (3)	156
14.35. XV-Board Block Diagram (PV500B)	113	15.5. Mechanical Replacement Parts List	157
14.36. XV-Board (1 of 5) Schematic Diagram (PV500B)	114	16 Electrical Replacement Parts List	159
14.37. XV-Board (2 of 5) Schematic Diagram (PV500B)	115	16.1. Replacement Parts List Notes	159
14.38. XV-Board (3 of 5) Schematic Diagram (PV500B)	116	16.2. Electrical Replacement Parts List	160
14.39. XV-Board (4 of 5) Schematic Diagram (PV500B)	117		

1 Applicable signals

Applicable input signal for Component (Y, Pb, Pr), HDMI and PC (D-sub 15P) (* Mark)

Signal name	Horizontal frequency (kHz)	Vertical frequency (Hz)	Component	HDMI	PC
525 (480) / 60i	15.73	59.94	*	*	
525 (480) / 60p	31.47	59.94	*	*	
625 (576) / 50i	15.63	50.00	*	*	
625 (576) / 50p	31.25	50.00	*	*	
750 (720) / 60p	45.00	60.00	*	*	
750 (720) / 50p	37.50	50.00	*	*	
1,125 (1,080) / 60i	33.75	60.00	*	*	
1,125 (1,080) / 50i	28.13	50.00	*	*	
640 × 400 @70 Hz	31.46	70.07			*
640 × 480 @60 Hz	31.47	59.94			*
640 × 480 @75 Hz	37.50	75.00			*
800 × 600 @60 Hz	37.88	60.32			*
800 × 600 @75 Hz	46.88	75.00			*
800 × 600 @85 Hz	53.67	85.06			*
1,024 × 768 @60 Hz	48.36	60.00			*
1,024 × 768 @70 Hz	56.48	70.07			*
1,024 × 768 @75 Hz	60.02	75.03			*
1,024 × 768 @85 Hz	68.68	85.00			*
1,280 × 1,024 @60 Hz	63.98	60.02			*
Macintosh13" (640 × 480)	35.00	66.67			*
Macintosh16" (832 × 624)	49.72	74.54			*
Macintosh21" (1,152 × 870)	68.68	75.06			*

Note: Signals other than above may not be displayed properly.

2 Safety Precautions

2.1. General Guidelines

1. When servicing, observe the original lead dress. If a short circuit is found, replace all parts which have been overheated or damaged by the short circuit.
2. After servicing, see to it that all the protective devices such as insulation barriers, insulation papers shields are properly installed.
3. After servicing, make the following leakage current checks to prevent the customer from being exposed to shock hazards.

2.2. Touch-Current Check

1. Plug the AC cord directly into the AC outlet. Do not use an isolation transformer for this check.
2. Connect a measuring network for touch currents between each exposed metallic part on the set and a good earth ground such as a water pipe, as shown in Figure 1.
3. Use Leakage Current Tester (Simpson 228 or equivalent) to measure the potential across the measuring network.
4. Check each exposed metallic part, and measure the voltage at each point.
5. Reserve the AC plug in the AC outlet and repeat each of the above measure.
6. The potential at any point (TOUCH CURRENT) expressed as voltage U_1 and U_2 , does not exceed the following values:

For a. c.: $U_1 = 35$ V (peak) and $U_2 = 0.35$ V (peak);

For d. c.: $U_1 = 1.0$ V,

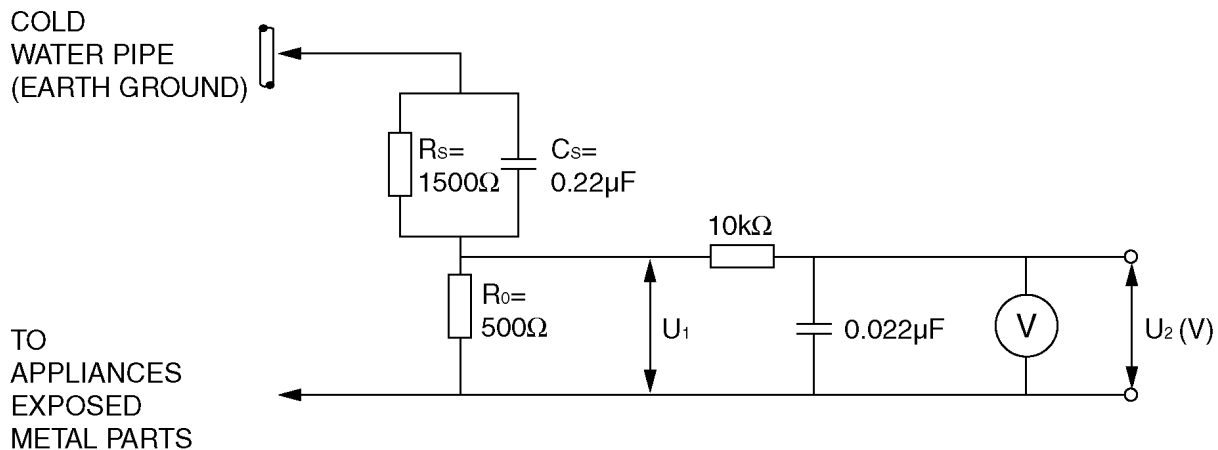
Note:

The limit value of $U_2 = 0.35$ V (peak) for a. c. and $U_1 = 1.0$ V for d. c. correspond to the values 0.7 mA (peak) a. c. and 2.0 mA d. c.

The limit value $U_1 = 35$ V (peak) for a. c. correspond to the value 70 mA (peak) a. c. for frequencies greater than 100 kHz.

7. In case a measurement is out of the limits specified, there is a possibility of a shock hazard, and the equipment should be repaired and rechecked before it is returned to the customer.

Measuring network for TOUCH CURRENTS



Resistance values in ohms (Ω)

V: Voltmeter or oscilloscope
(r.m.s. or peak reading)

Input resistance: ≥ 1 M Ω

Input capacitance: ≤ 200 pF

Frequency range: 15 Hz to 1 MHz and d.c. respectively

NOTE - Appropriate measures should be taken to obtain the correct value in case of non-sinusoidal waveforms.

Figure 1

3 Prevention of Electro Static Discharge (ESD) to Electrostatically Sensitive (ES) Devices

Some semiconductor (solid state) devices can be damaged easily by static electricity. Such components commonly are called Electrostatically Sensitive (ES) Devices. Examples of typical ES devices are integrated circuits and some field-effect transistors and semiconductor "chip" components. The following techniques should be used to help reduce the incidence of component damage caused by electro static discharge (ESD).


1. Immediately before handling any semiconductor component or semiconductor-equipped assembly, drain off any ESD on your body by touching a known earth ground. Alternatively, obtain and wear a commercially available discharging ESD wrist strap, which should be removed for potential shock reasons prior to applying power to the unit under test.
2. After removing an electrical assembly equipped with ES devices, place the assembly on a conductive surface such as aluminum foil, to prevent electrostatic charge buildup or exposure of the assembly.
3. Use only a grounded-tip soldering iron to solder or unsolder ES devices.
4. Use only an anti-static solder removal device. Some solder removal devices not classified as "anti-static (ESD protected)" can generate electrical charge sufficient to damage ES devices.
5. Do not use freon-propelled chemicals. These can generate electrical charges sufficient to damage ES devices.
6. Do not remove a replacement ES device from its protective package until immediately before you are ready to install it. (Most replacement ES devices are packaged with leads electrically shorted together by conductive foam, aluminum foil or comparable conductive material).
7. Immediately before removing the protective material from the leads of a replacement ES device, touch the protective material to the chassis or circuit assembly into which the device will be installed.

Caution

Be sure no power is applied to the chassis or circuit, and observe all other safety precautions.

8. Minimize bodily motions when handling unpackaged replacement ES devices. (Otherwise harmless motion such as the brushing together of your clothes fabric or the lifting of your foot from a carpeted floor can generate static electricity (ESD) sufficient to damage an ES device).

IMPORTANT SAFETY NOTICE

There are special components used in this equipment which are important for safety. These parts are marked by  in the schematic diagrams, Exploded Views and replacement parts list. It is essential that these critical parts should be replaced with manufacturer's specified parts to prevent shock, fire, or other hazards. Do not modify the original design without permission of manufacturer.

4 About lead free solder (PbF)


Note: Lead is listed as (Pb) in the periodic table of elements.

In the information below, Pb will refer to Lead solder, and PbF will refer to Lead Free Solder.

The Lead Free Solder used in our manufacturing process and discussed below is (Sn+Ag+Cu).

That is Tin (Sn), Silver (Ag) and Copper (Cu) although other types are available.

This model uses Pb Free solder in it's manufacture due to environmental conservation issues. For service and repair work, we'd suggest the use of Pb free solder as well, although Pb solder may be used.

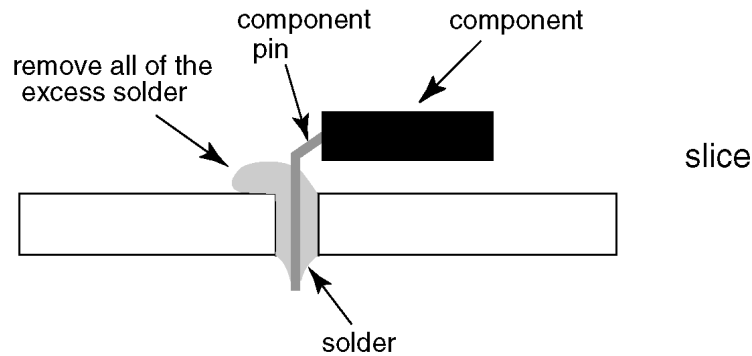
PCBs manufactured using lead free solder will have the PbF within a leaf Symbol  stamped on the back of PCB.

Caution

- Pb free solder has a higher melting point than standard solder. Typically the melting point is 50 ~ 70 °F (30~40 °C) higher. Please use a high temperature soldering iron and set it to 700 ± 20 °F (370 ± 10 °C).
- Pb free solder will tend to splash when heated too high (about 1100 °F or 600 °C).

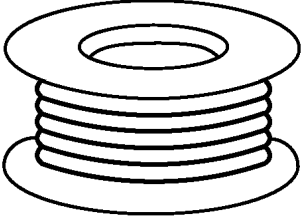
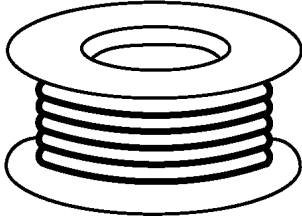
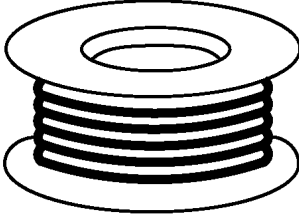
If you must use Pb solder, please completely remove all of the Pb free solder on the pins or solder area before applying Pb solder. If this is not practical, be sure to heat the Pb free solder until it melts, before applying Pb solder.

- After applying PbF solder to double layered boards, please check the component side for excess solder which may flow onto the opposite side. (see figure below)



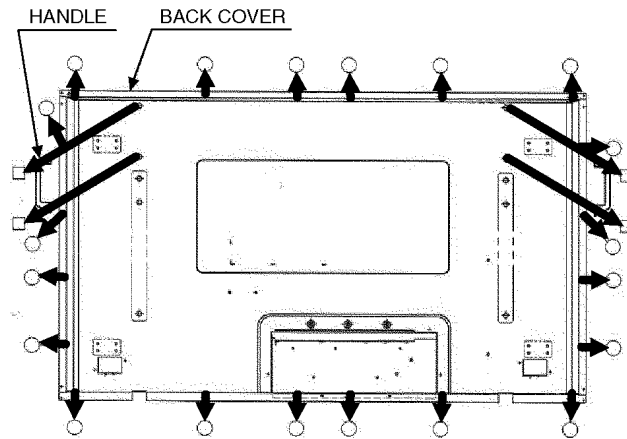
Suggested Pb free solder

There are several kinds of Pb free solder available for purchase. This product uses Sn+Ag+Cu (tin, silver, copper) solder. However, Sn+Cu (tin, copper), Sn+Zn+Bi (tin, zinc, bismuth) solder can also be used.

0.3mm X 100g	0.6mm X 100g	1.0mm X 100g
		

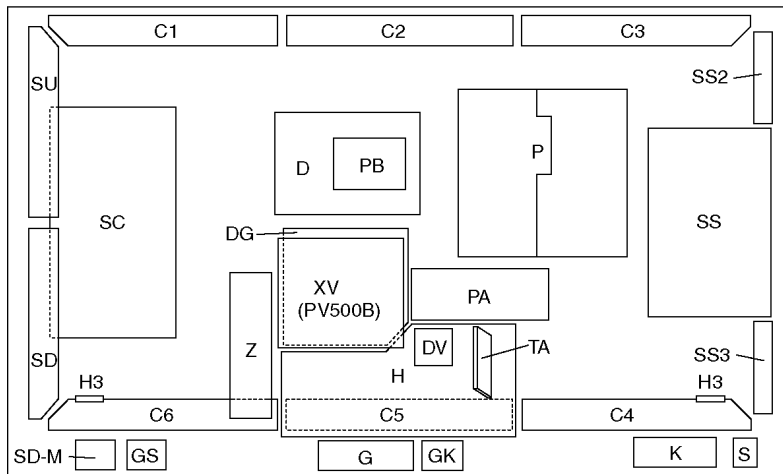
5 Service Hint

Remove the Back Cover



Remove:
 20 screws (O) XYN4+F38FJK
 4 screws (□) XYN8+F30FJK

Service Position



Board Name	Function	Board Name	Function
P	Power Supply	C1	Data Driver (Upper Right)
PA	DC-DC Converter, Power SOS	C2	Data Driver (Upper Center)
PB	Fan control	C3	Data Driver (Upper Left)
H	AV Terminal, AV Switch, MSP	C4	Data Driver (Lower Left)
TA	Tuner	C5	Data Driver (Lower Center)
XV	D-TV Interface (PV500B only)	C6	Data Driver (Lower Right)
DV	HDMI Interface None serviceable. DV-Board should be exchanged for service.	SC	Scan Drive
		SU	Scan out (Upper)
		SD	Scan out (Lower)
DG	Digital Signal Processor, Micon	SS	Sustain Drive
Z	Sound Control, Audio AMP	SS2	Sustain Connector (Upper)
D	Format Converter, Plasma AI Processor	SS3	Sustain Connector (Lower)
K	Remote receiver, OPT	G	PC Card Slot, Front Terminal
S	Power Switch	GS	SD Card Slot
SD-M	SD Module (MPEG4/PHOTO view, SD recording) None serviceable. SD Module should be exchanged for service.	GK	Key Switch
		H3	Speaker Terminal

6 Plasma panel replacement method

6.1. Remove the Back cover

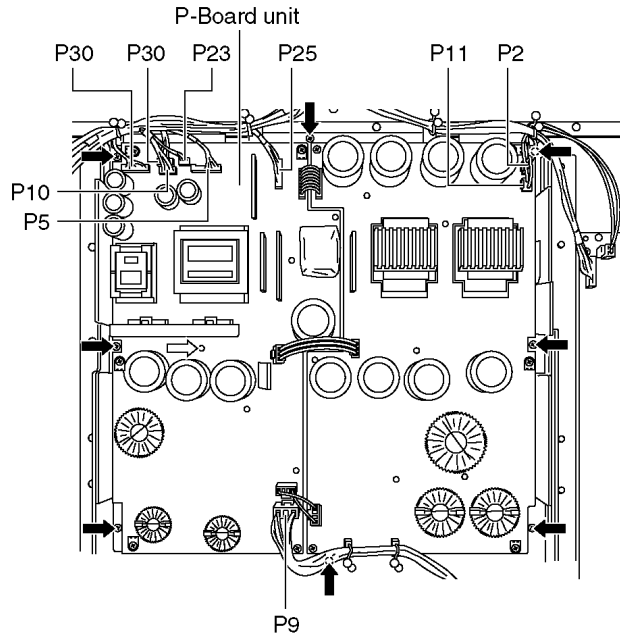
1. See Service Hint (Section 5)

6.2. Remove the P-Board

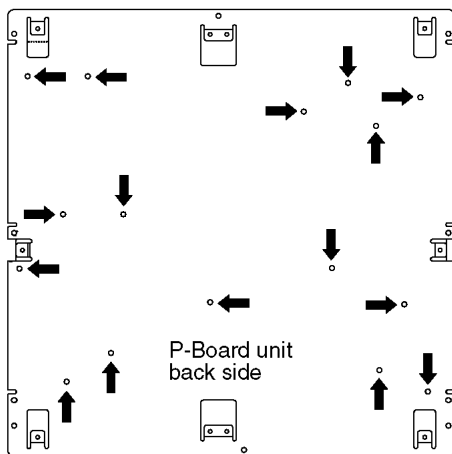
Caution:

To remove P.C.B. wait 1 minute after power was off for discharge from electrolysis capacitors.

1. Disconnect the couplers (P2, P5, P9, P10, P11, P12, P23, P25 and P30).
2. Remove the screws (x8 →) and remove the P-Board unit.

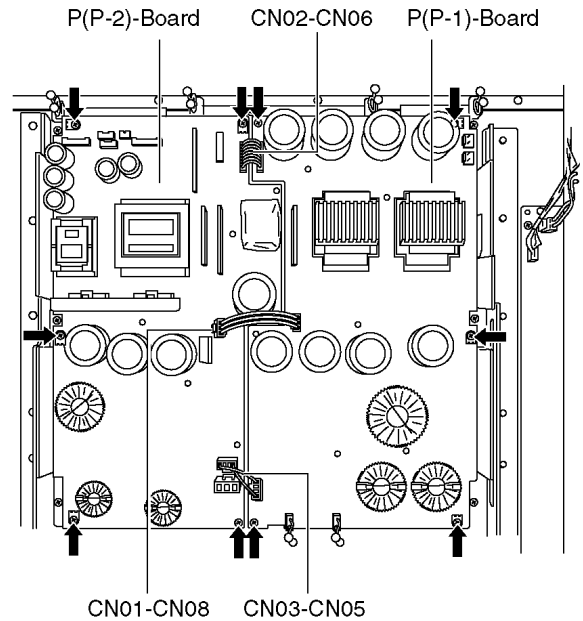


3. Remove the screws (x16 →) on the back side.



4. Disconnect the couplers (CN01-CN08, CN02-CN06 and CN03-CN05).

5. Remove the screws (x10 →).

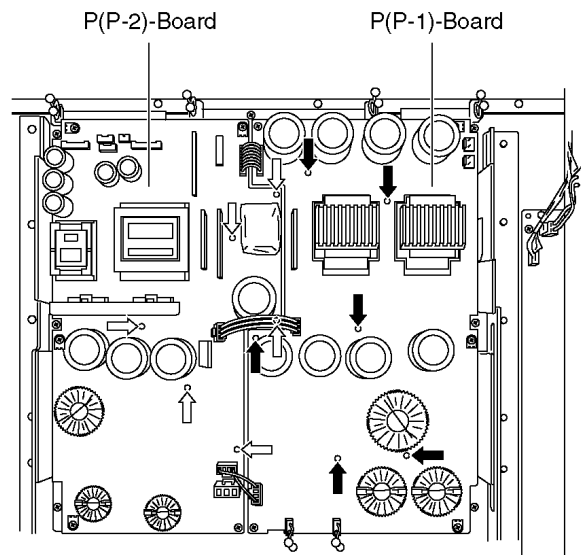


6. Remove the molding props (x6 →).

7. Remove the P(P-1)-Board.

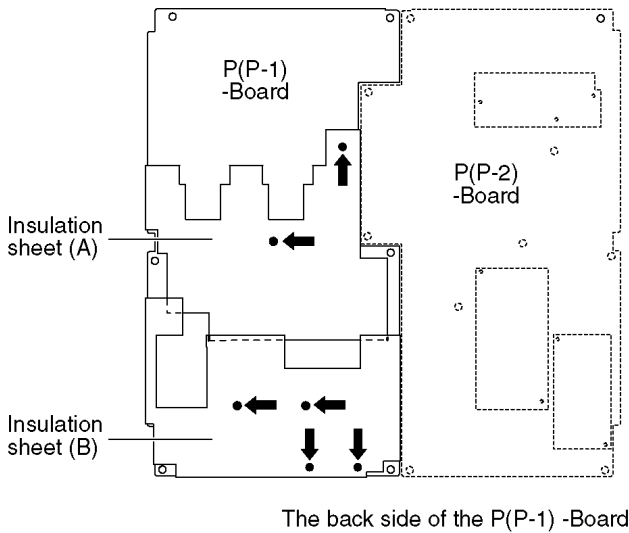
8. Remove the molding props (x6 ⇨).

9. Remove the P(P-2)-Board.

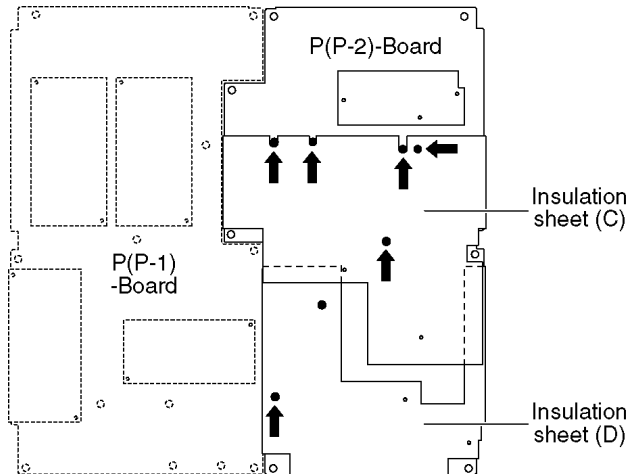


Note:

When assembling the P(P-1)-Board and the P(P-2)- Board, the position of each hole of the insulation sheets(A, B, C, D) is set to the position of each hole of the P(P-1)-Board and the P(P-2)-Board and then assemble them. (➡ marks indicate setting positions.)



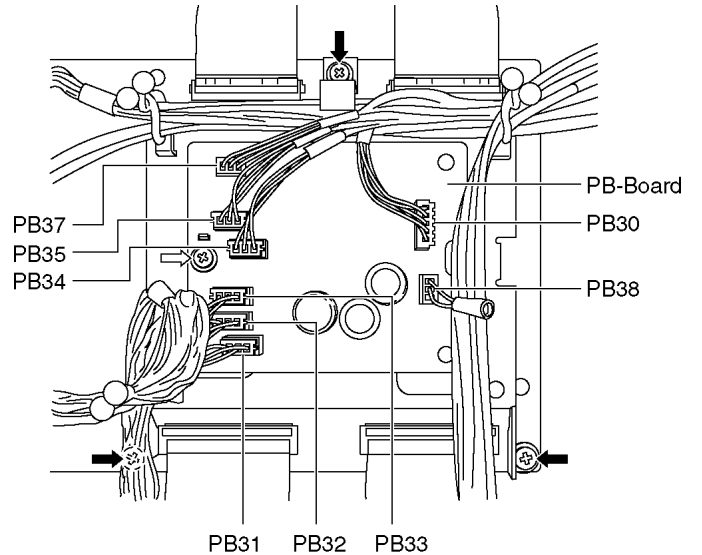
The back side of the P(P-1) -Board



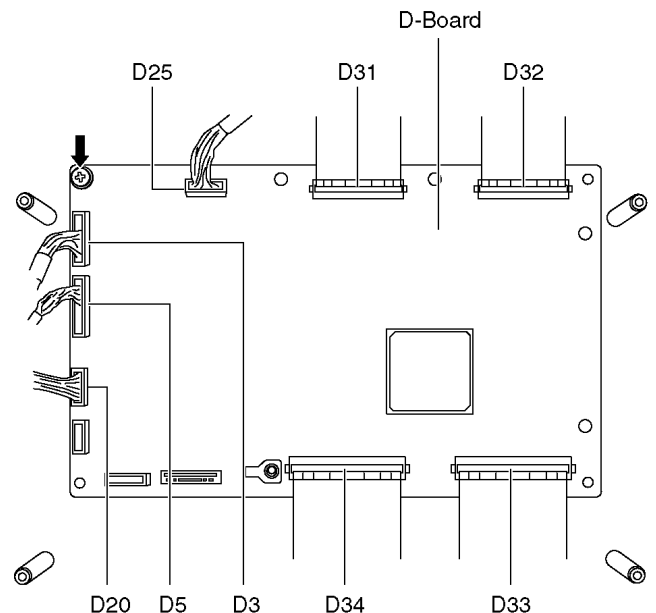
The back side of the P(P-2) -Board

6.3. Remove the PB-Board

1. Unlock the cable clampers to free the cable.
2. Disconnect the couplers (PB30, PB31, PB32, PB33, PB34, PB35, PB37 and PB38).
3. Remove the screws (x3 ➡) and remove the PB-Board unit.
4. Remove the screws (x1 ⇨) and remove the PB-Board.

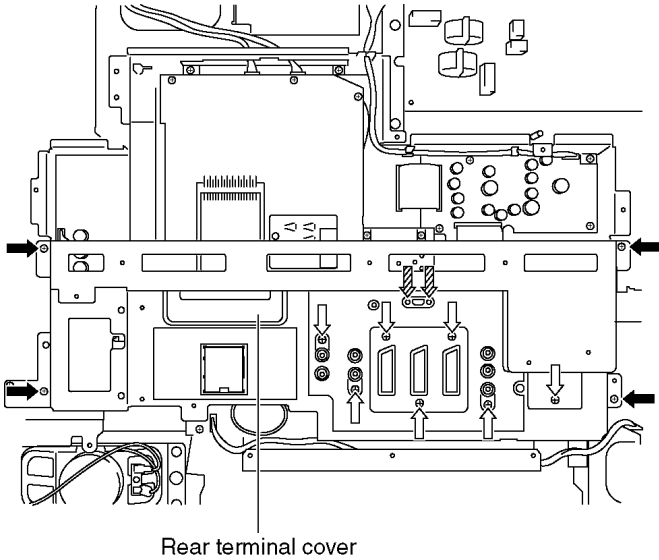
**6.4. Remove the D-Board**

1. Remove the PB-Board unit.
2. Disconnect the couplers (D3, D5, D20 and D25).
3. Disconnect the flexible cables (D31, D32, D33 and D34).
4. Remove the screws (x1 ➡) and remove the D-Board.



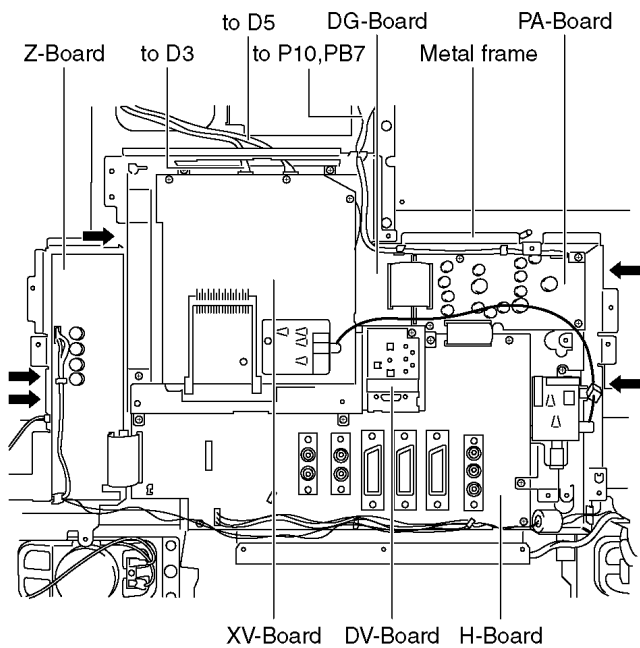
6.5. Remove the rear terminal cover

1. Remove the screws (x4 ➡, x7 ⇄, x2 ↗).
2. Remove the rear terminal cover.



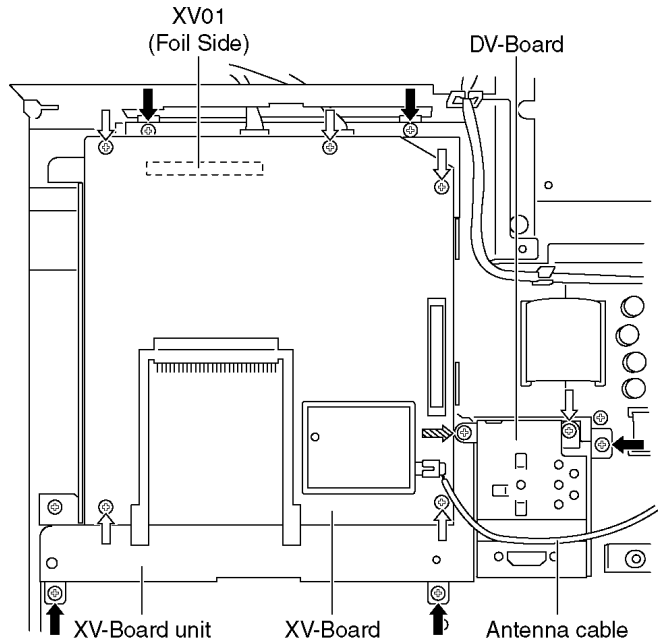
6.6. Remove the metal frame

1. Unlock the cable clampers to free the cable.
2. Disconnect the couplers (D3, D5, H7, P10 and PB7) and relay connector (SP-R, SP-L).
3. Remove the screws (x5 ➡) remove the metal frame.



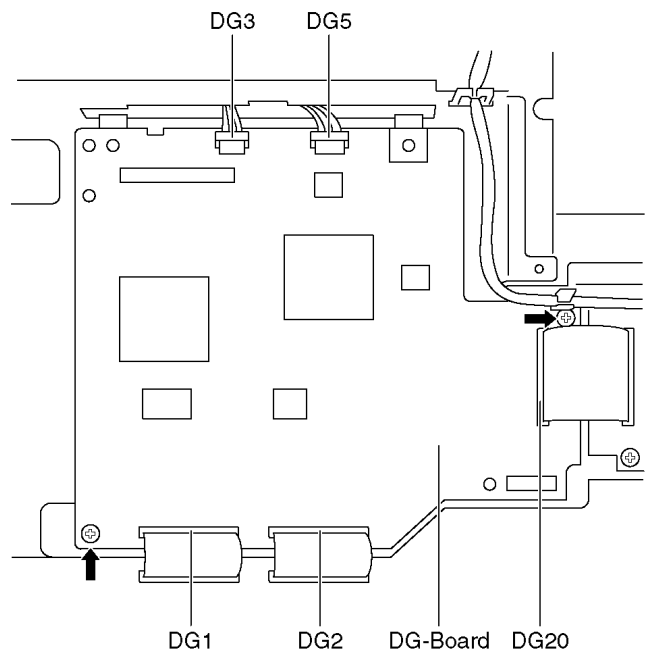
6.7. Remove the XV-Board (PV500 only) and DV-Board

1. Disconnect the antenna cable.
2. Remove the screws (x5 ➡, x1 ↗).
3. Remove the XV-Board unit.
(Be careful the couplers (XV01 and DG22) when remove the XV-Board unit.)
4. Remove the screws (x6 ⇄).
5. Remove the XV-Board and DV-Board.



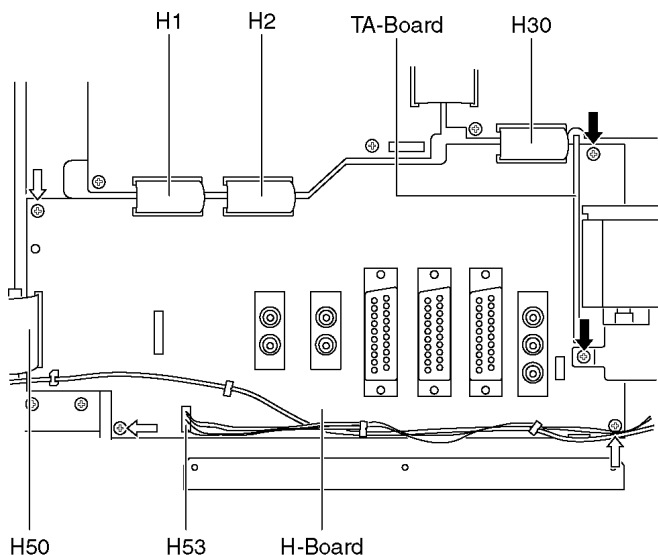
6.8. Remove the DG-Board

1. Unlock the cable clampers to free the cable.
2. Disconnect the couplers (DG3 and DG5).
3. Disconnect the flexible cables (DG1, DG2 and DG20).
4. Remove the screws (x2 ➡) and remove the DG-Board.



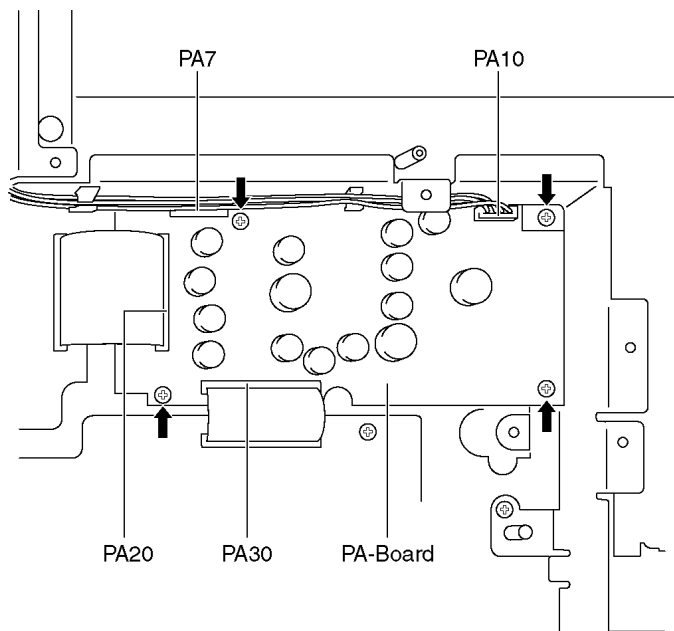
6.9. Remove the H-Board and TA-Board

1. Unlock the cable clampers to free the cable.
2. Remove the screws (x2 ➡) and remove the TA-Board.
3. Disconnect the coupler (H53).
4. Disconnect the flexible cables (H1, H2, H30 and H50).
5. Remove the screws (x3 ⇨) and remove the H-Board.



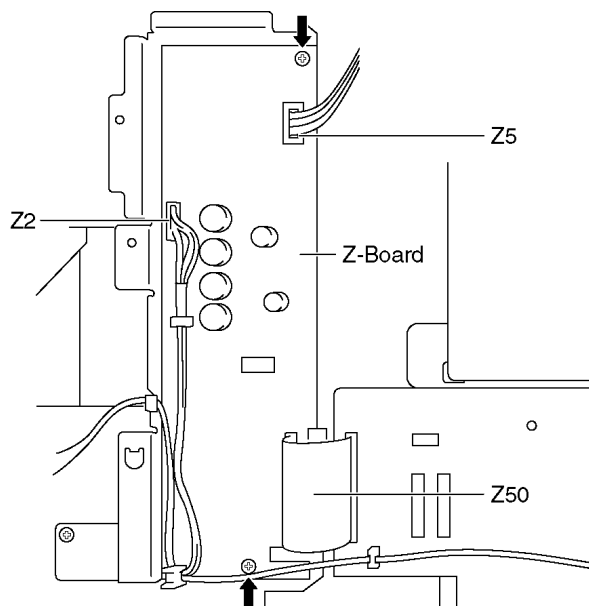
6.10. Remove the PA-Board

1. Unlock the cable clampers to free the cable.
2. Disconnect the couplers (PA7 and PA10).
3. Disconnect the flexible cables (PA20 and PA30).
4. Remove the screws (x4 ➡) and remove the PA-Board.



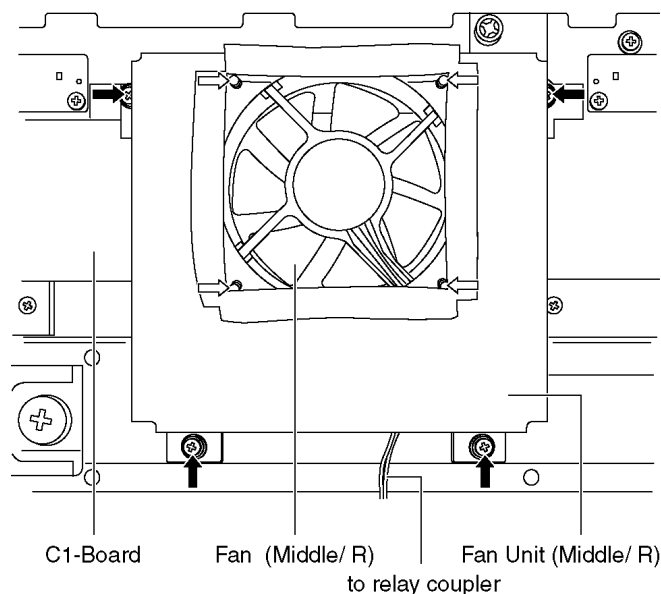
6.11. Remove the Z-Board

1. Unlock the cable clampers to free the cable.
2. Disconnect the coupler (Z2 and Z5).
3. Disconnect the flexible cable (Z50).
4. Remove the screws (x2 ➡) and remove the Z-Board.



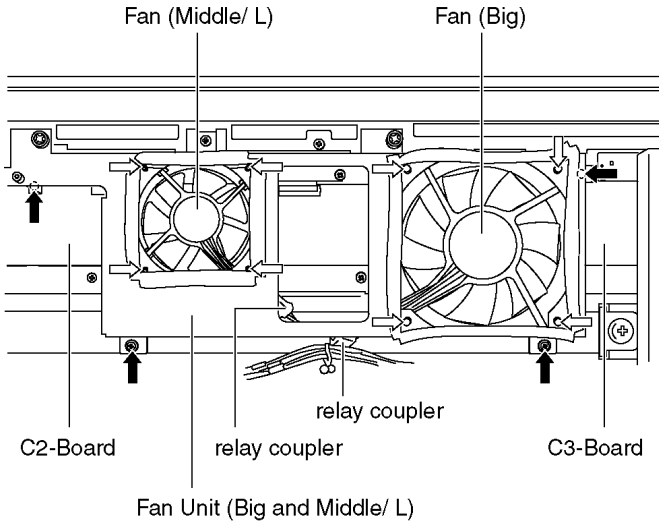
6.12. Remove the Fan (Middle/R)

1. Disconnect the relay coupler.
2. Remove the screws (x4 ➡) and remove the Fan unit (Middle/R).
3. Remove the screws (x4 ⇨) and remove the Fan (Middle/R).



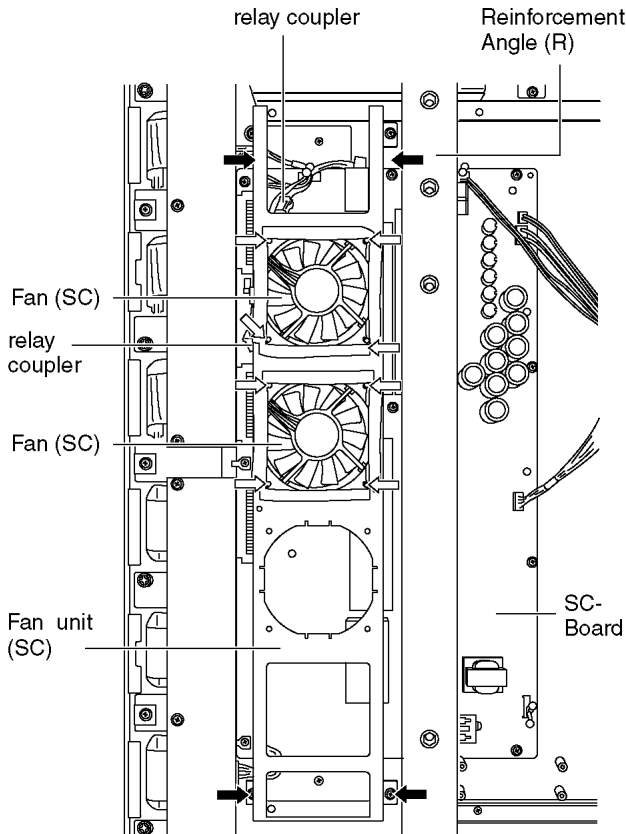
6.13. Remove the Fan (Big and Middle/L)

1. Disconnect the relay couplers.
2. Remove the screws (x4 ➡) and remove the Fan unit (Big and Middle/R).
3. Remove the screws (x8 ⇨) and remove the Fan (Big) and the Fan (Middle/R).



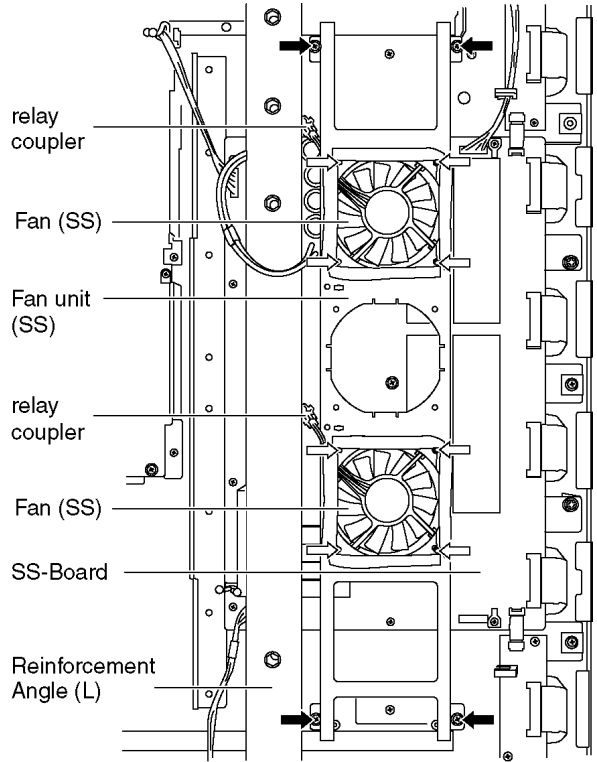
6.14. Remove the Fan (SC)

1. Disconnect the relay couplers.
2. Remove the screws (x4 ➡) and remove the Fan unit (SC).
3. Remove the screws (x8 ⇨) and remove the Fans (SCx2).



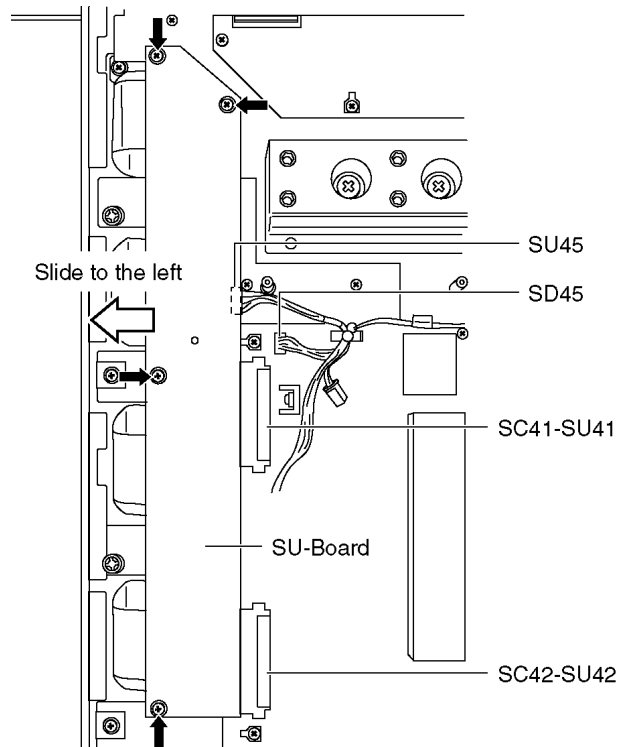
6.15. Remove the Fan (SS)

1. Disconnect the relay couplers.
2. Remove the screws (x4 ➡) and remove the Fan unit (SS).
3. Remove the screws (x8 ⇨) and remove the Fan (SS).

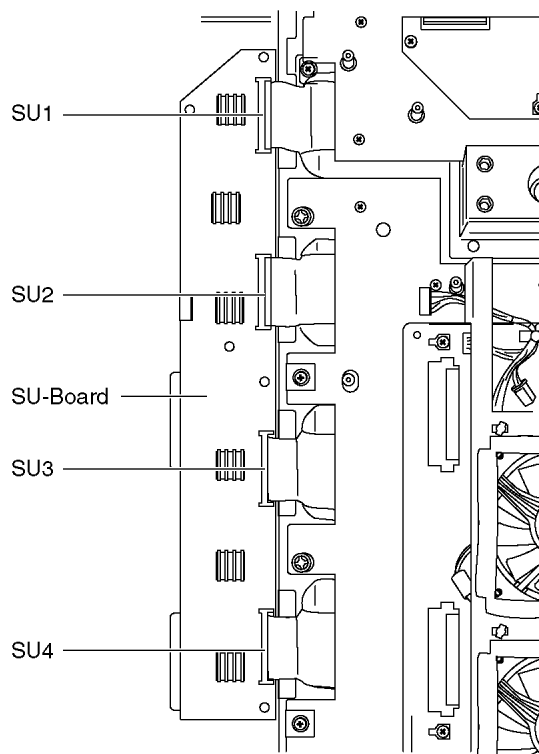


6.16. Remove the SU-Board

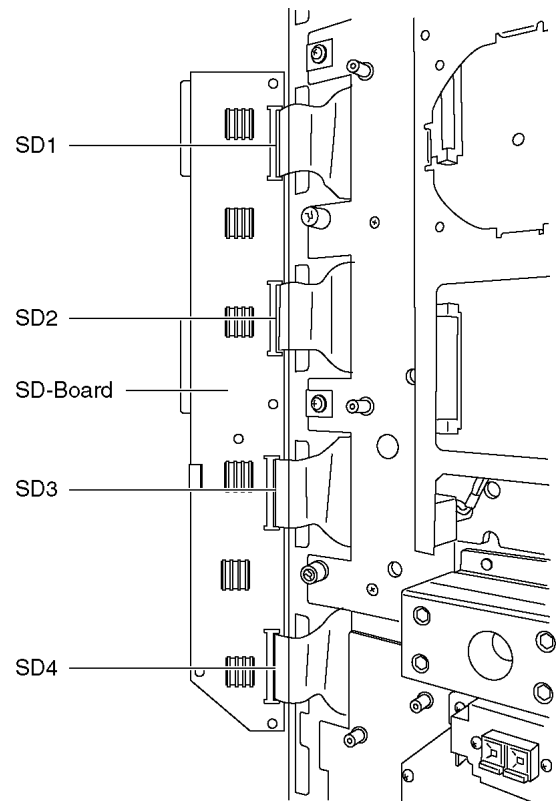
1. Remove the screws (x4 ➡).
2. Slide the SU-Board to the left to disconnect from a coupler (SC41-SU41 and SC42-SU42) on the SC-Board and remove a coupler (SU45 or SC45).



3. Remove the flexible cables (SU1, SU2, SU3 and SU4) connected to the SU-Board, and remove the SU-Board.

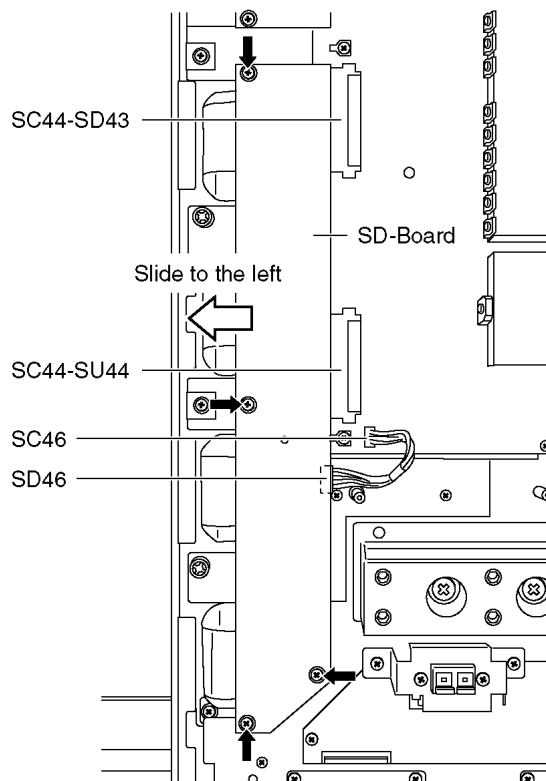


3. Remove the flexible cables (SD1, SD2, SD3 and SD4) connected to the SD-Board, and remove the SD-Board.



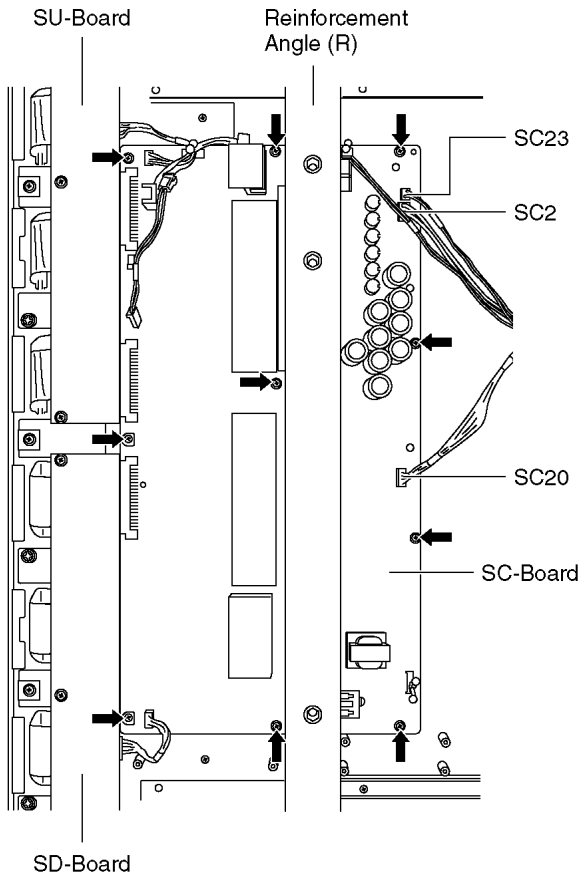
6.17. Remove the SD-Board

1. Remove the screws (x4 →).
2. Slide the SD-Board to the left to disconnect from a coupler (SC43-SD43 and SC44-SD44) on the SC-Board and remove a coupler (SD46 or SC46).



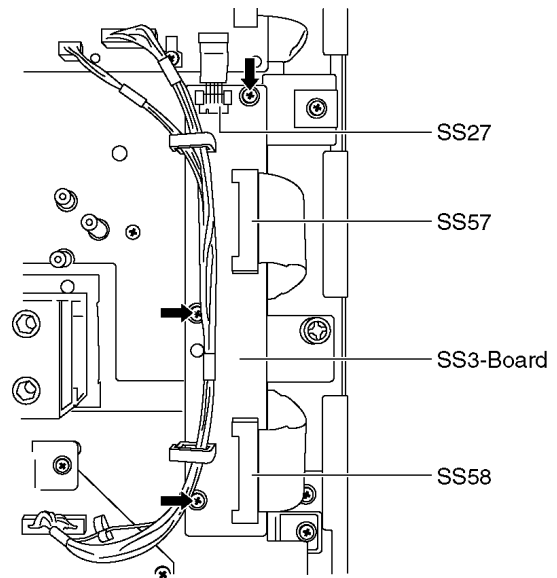
6.18. Remove the SC-Board

1. Unlock the cable clampers to free the cable.
2. Disconnect the couplers (SC2, SC20 and SC23).
3. Remove the screws (x10 →) and remove the SC-Board.



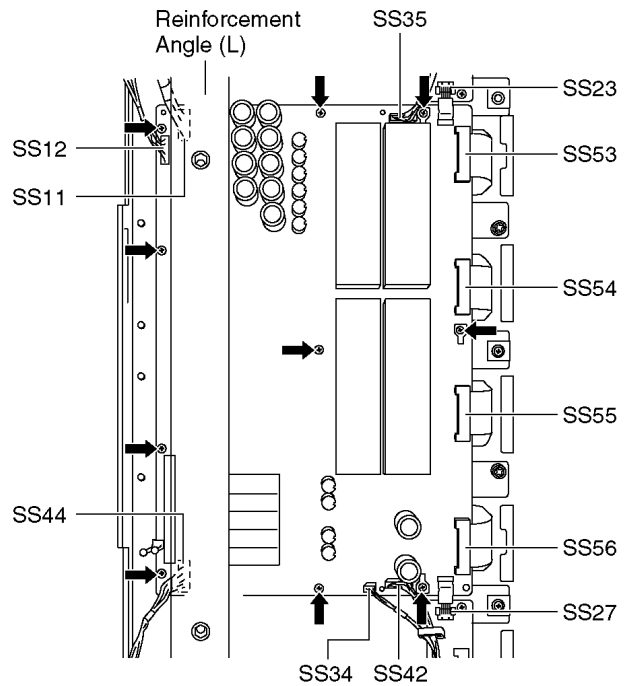
6.20. Remove the SS3-Board

1. Unlock the cable clampers to free the cable.
2. Disconnect the couplers (SS27) and disconnect the flexible cables (SS57 and SS58).
3. Remove the screws (x3 →) and remove the SS3-Board.



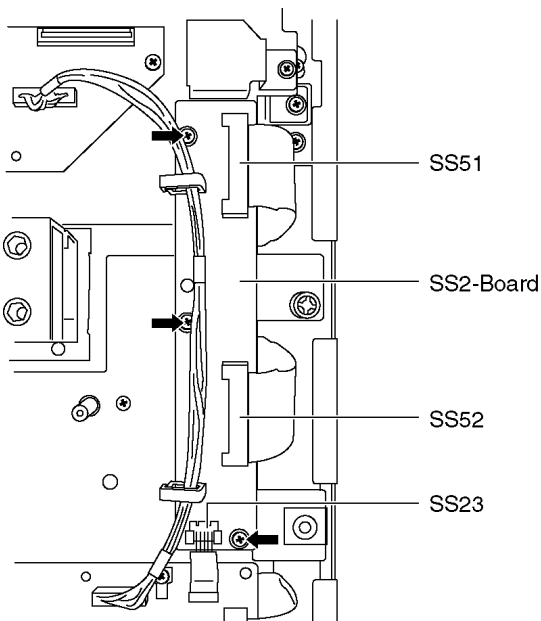
6.21. Remove the SS-Board

1. Disconnect the couplers (SS11, SS12, SS23 and SS34).
2. Disconnect the flexible cables (SS53, SS54, SS55 and SS56).
3. Remove the screws (x10 →) and remove the SS-Board.



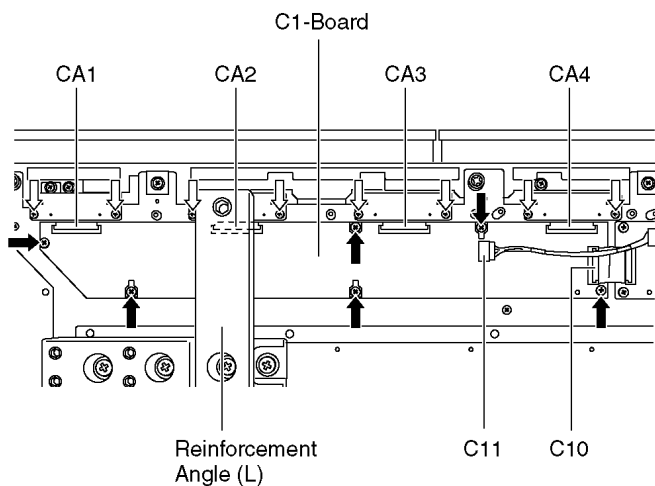
6.19. Remove the SS2-Board

1. Unlock the cable clampers to free the cable.
2. Disconnect the couplers (SS23) and disconnect the flexible cables (SS51 and SS52).
3. Remove the screws (x3 →) and remove the SS2-Board.



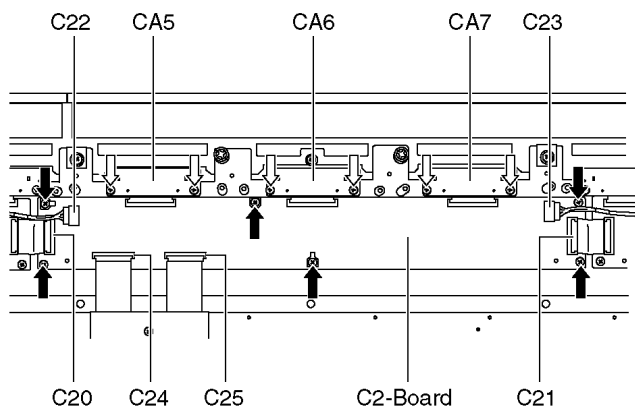
6.22. Remove the C1-Board

1. Remove the Fan unit (Middle/L).
2. Remove the flexible cables holder fastening screws (x8 ⇨).
3. Disconnect the flexible cables (CA1, CA2, CA3 and CA4).
4. Disconnect the flexible cable (C10).
5. Disconnect the coupler (C11).
6. Remove the screws (x6 ⇨) and remove the C1-Board.



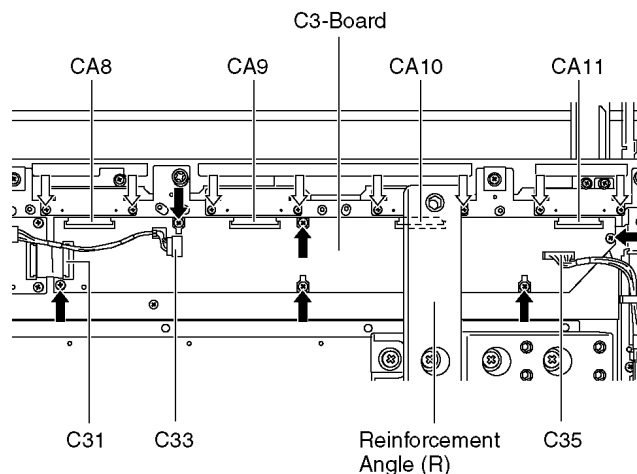
6.23. Remove the C2-Board

1. Remove the Fan unit (Big and Middle/R)
2. Remove the flexible cables holder fastening screws (x6 ⇨).
3. Disconnect the flexible cables (CA5, CA6, and CA7).
4. Disconnect the flexible cables (C20, C21, C24 and C25).
5. Disconnect the couplers (C22 and C23).
6. Remove the screws (x6 ⇨) and remove the C2-Board.



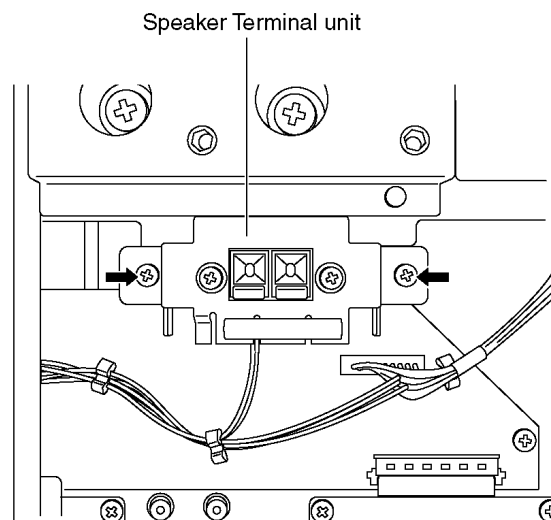
6.24. Remove the C3-Board

1. Remove the Fan unit (Big and Middle/R)
2. Remove the flexible cables holder fastening screws (x8 ⇨).
3. Disconnect the flexible cables (CA8, CA9, CA10 and CA11).
4. Disconnect the flexible cable (C31).
5. Disconnect the couplers (C33 and C35).
6. Remove the screws (x6 ⇨) and remove the C3-Board.

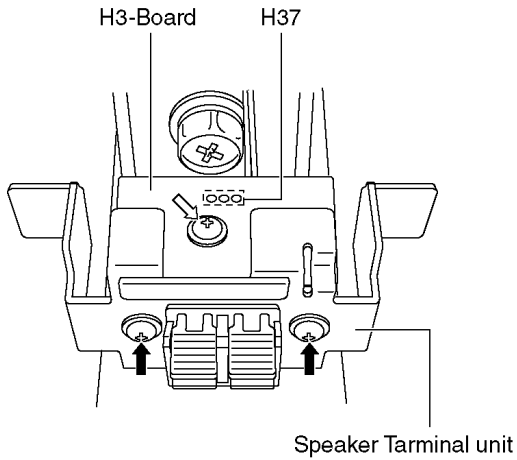


6.25. Remove the H3-Board (L, R)

1. Remove the screws (x2 ⇨ each) and remove the Speaker Terminal unit (L, R).

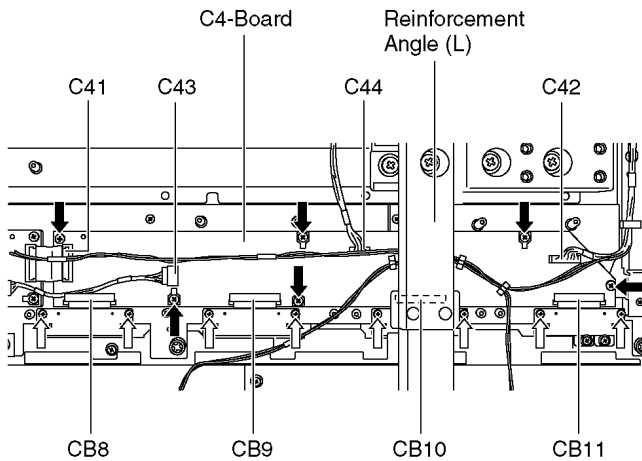


2. Disconnect the coupler (H37).
3. Remove the screw (x1 ⇨ each) and the screws (x2 ⇨ each).
4. Remove the H3-Board.



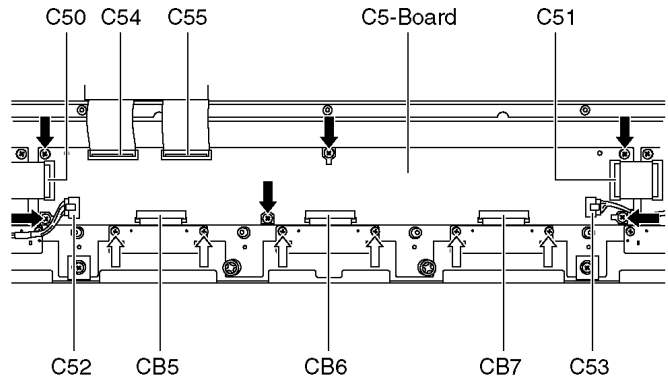
6.26. Remove the C4-Board

1. Unlock the cable clampers to free the cable.
2. Remove the Speaker Terminal unit (L).
3. Remove the flexible cables holder fastening screws (x8 ⇨).
4. Disconnect the flexible cables (CB8, CB9, CB10 and CB11).
5. Disconnect the flexible cable (C41).
6. Disconnect the couplers (C42, C43 and C44).
7. Remove the screws (x6 ⇨) and remove the C4-Board.



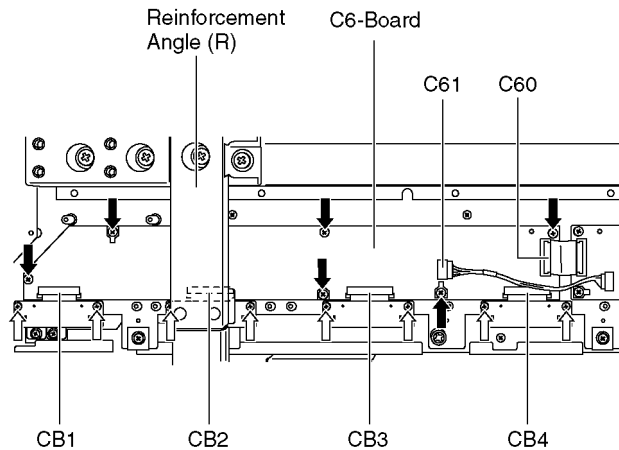
6.27. Remove the C5-Board

1. Remove the metal frame.
2. Remove the flexible cables holder fastening screws (x6 ⇨).
3. Disconnect the flexible cables (CB5, CB6, and CB7).
4. Disconnect the flexible cables (C50, C51, C54 and C55).
5. Disconnect the couplers (C52 and C53).
6. Remove the screws (x6 ⇨) and remove the C5-Board.



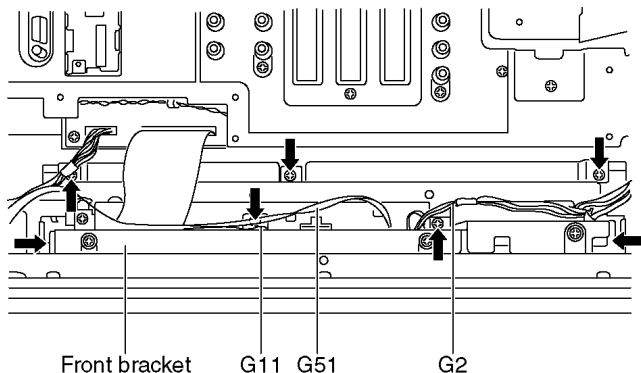
6.28. Remove the C6-Board

1. Remove the Speaker Terminal unit (R).
2. Remove the flexible cables holder fastening screws (x8 ⇨).
3. Disconnect the flexible cables (CB1, CB2, CB3 and CB4).
4. Disconnect the flexible cable (C60).
5. Disconnect the coupler (C61).
6. Remove the screws (x6 ⇨) and remove the C6-Board.



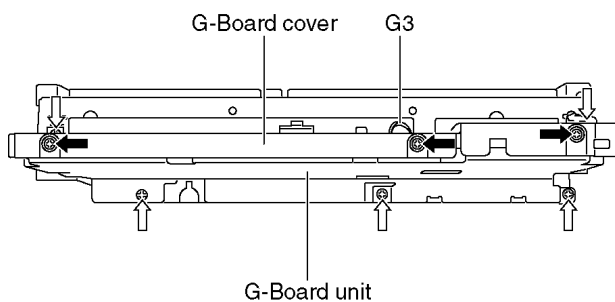
6.29. Remove the front bracket

1. Unlock the cable claspers to free the cable.
2. Disconnect the coupler (G2) and the flexible cables (G11 and G51).
3. Remove the screws (x7 →) and remove the front bracket.

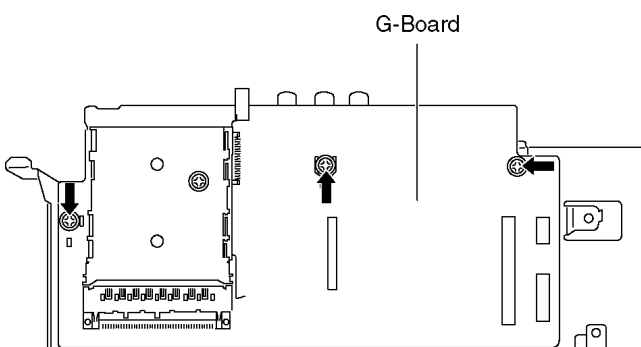


6.30. Remove the G-Board

1. Remove the front bracket.
2. Disconnect the coupler (G3).
3. Remove the screws (x3 →) and remove the G-Board cover.
4. Remove the screws (x5 ⇄) and remove the G-Board unit.

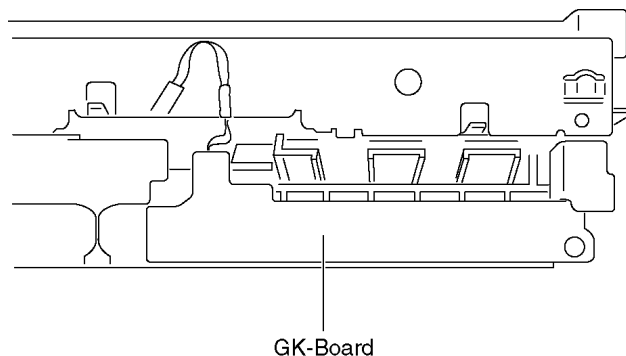


5. Remove the screws (x3 →) and remove the G-Board.



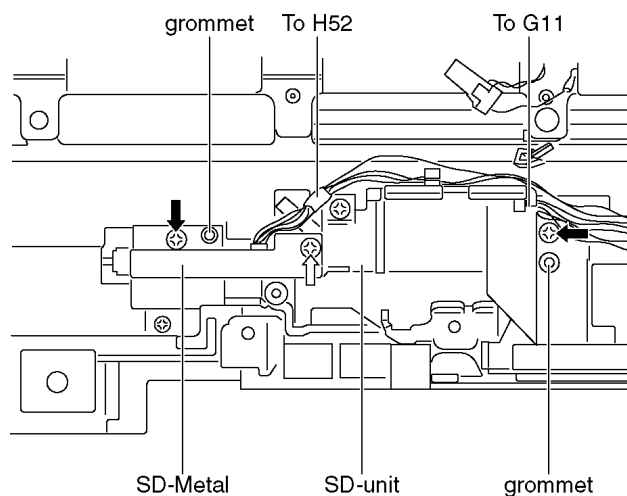
6.31. Remove the GK-Board

1. Remove the G-Board.
2. Remove the GK-Board.

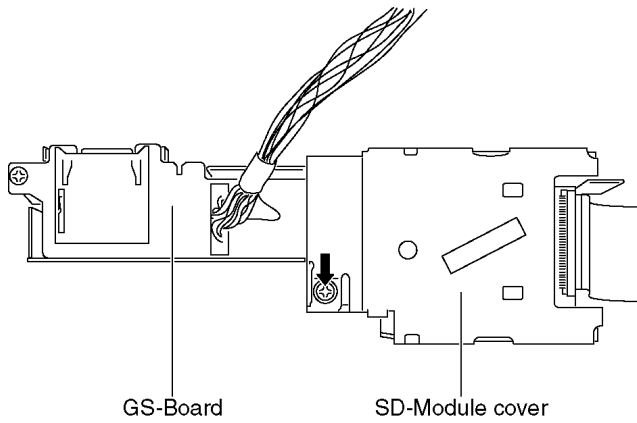


6.32. Remove the GS-Board and SD-Module

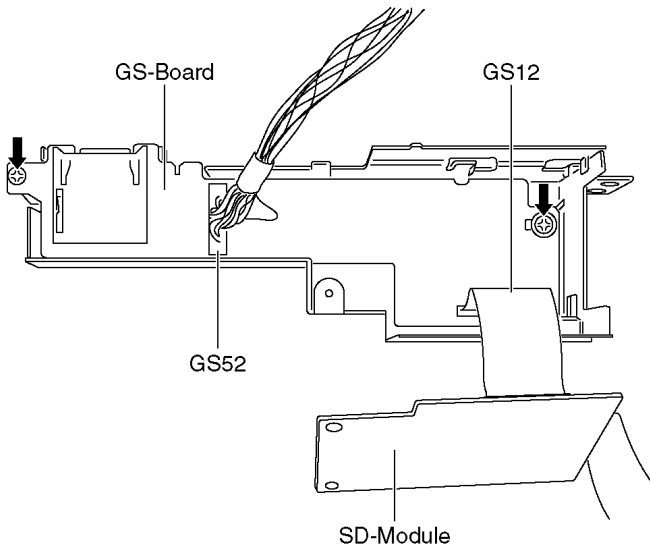
1. Unlock the cable claspers to free the cable.
2. Disconnect the coupler (H52) and the flexible cable (G11).
3. Remove the screws (x2 →) and remove the grommets (x2).
4. Remove the SD-Unit.
5. Remove the screw (x1 ⇄).
6. Remove the SD-Metal.



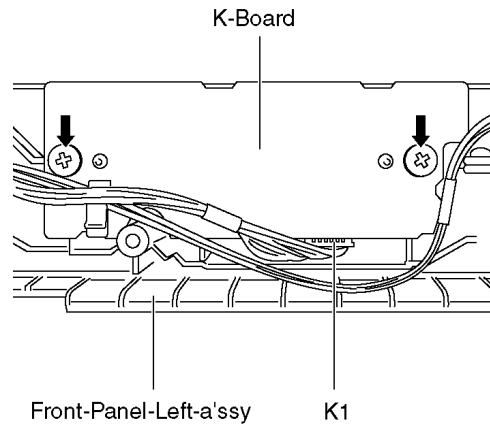
7. Remove the screw (x1 ➡).
8. Remove the SD-Module cover.



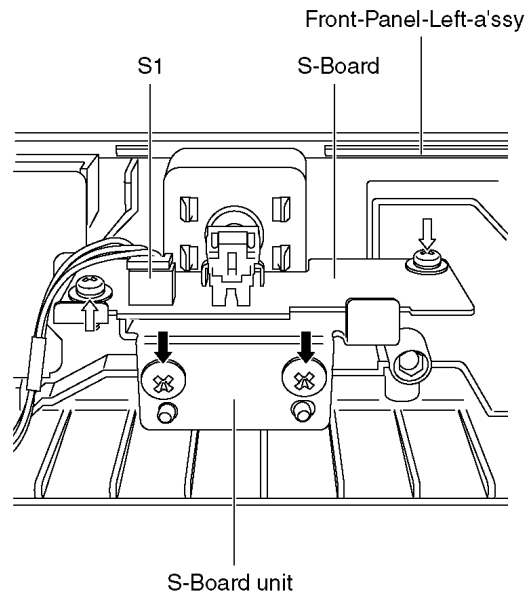
9. Disconnect the coupler (GS52) and the flexible cable (GS12).
10. Remove the screws (x2 ➡).
11. Remove the GS-Board and SD-Module.



4. Remove the screws (x2 ➡).
5. Disconnect the couplers (K1) and remove the K-Board.

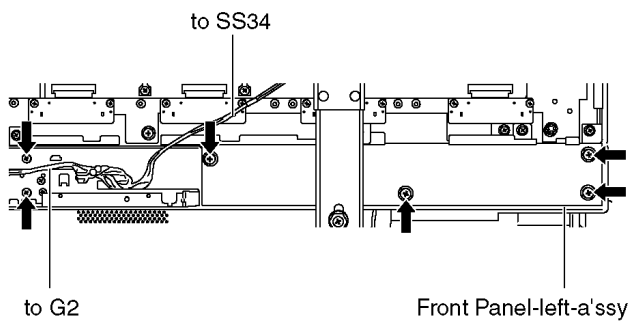


6. Remove the screws (x2 ➡) and remove the S-Board unit.
7. Disconnect the couplers (S1).
8. Remove the screws (x2 ➡) and remove the S-Board.



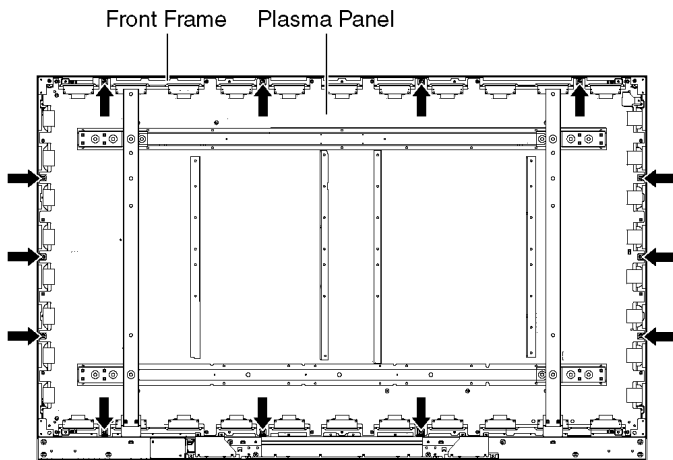
6.33. Remove the K-Board and the S-Board

1. Unlock the cable clampers to free the cable.
2. Disconnect the couplers (G2 and SS34). (See section 6.21. and 6.29.)
3. Remove the screws (x6 ➡) and remove the L/Front Panel-left-a'ssy.



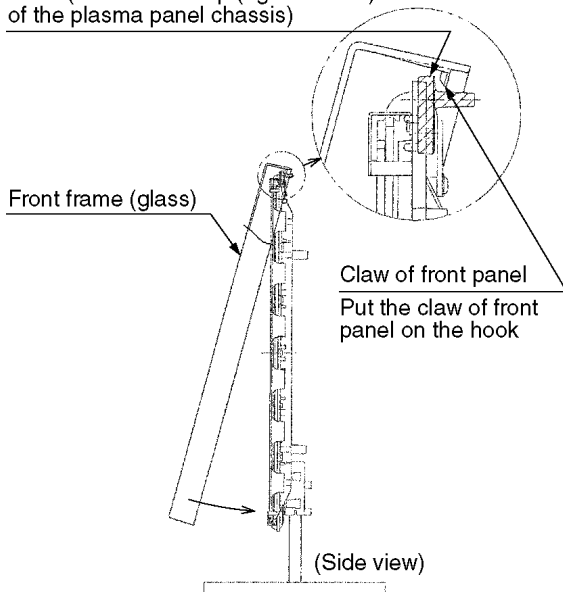
6.34. Remove the Plasma panel section from the Front frame (glass)

1. Remove the front frame and the plasma panel fastening screw (x13 →).



2. For leaving the plasma panel from the front frame, pull the bottom of the front frame forward, lift, and remove.

Hook (attached on top (right and left) of the plasma panel chassis)

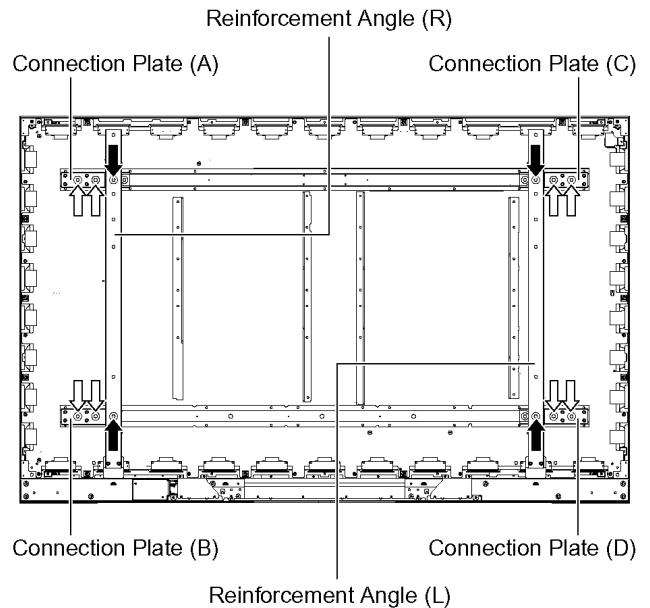


6.35. Remove the Reinforcement Angles (L, R) and the Connection Plate (A, B, C, D)

1. Remove the plasma panel section from the servicing stand and lay on a flat surface such as a table (covered), with the plasma panel surface facing downward.

Spread a soft cloth or similar on the table for protection, so the panel surface is not scratched.

2. Remove the screws (x2 → each) and remove the Reinforcement Angles (L, R).
3. Remove the screws (x2 ⇨ each) and remove the Connection Plate (A, B, C, D).



6.36. Replace the plasma panel (finished)

1. Place the new plasma panel (finished) on the flat surface of the table (covered by a soft cloth), with the plasma panel surface facing downward.
2. Attach the C1, C2, C3, C4, C5-Board and the C6-Board, connect the flexible cables (x22) from the Plasma panel to the C1, C2, C3, C4, C5-Board and the C6-Board, and fit the flexible cable holders.
3. Attach the Hooks (left, right) and fit the Reinforcement Angles (L, R) and the Connection Plate (A, B, C, D) to the new plasma panel.
4. Place the plasma panel section on the servicing stand.
5. Attach the front frame and each P.C.Board and so on, to the new plasma panel.

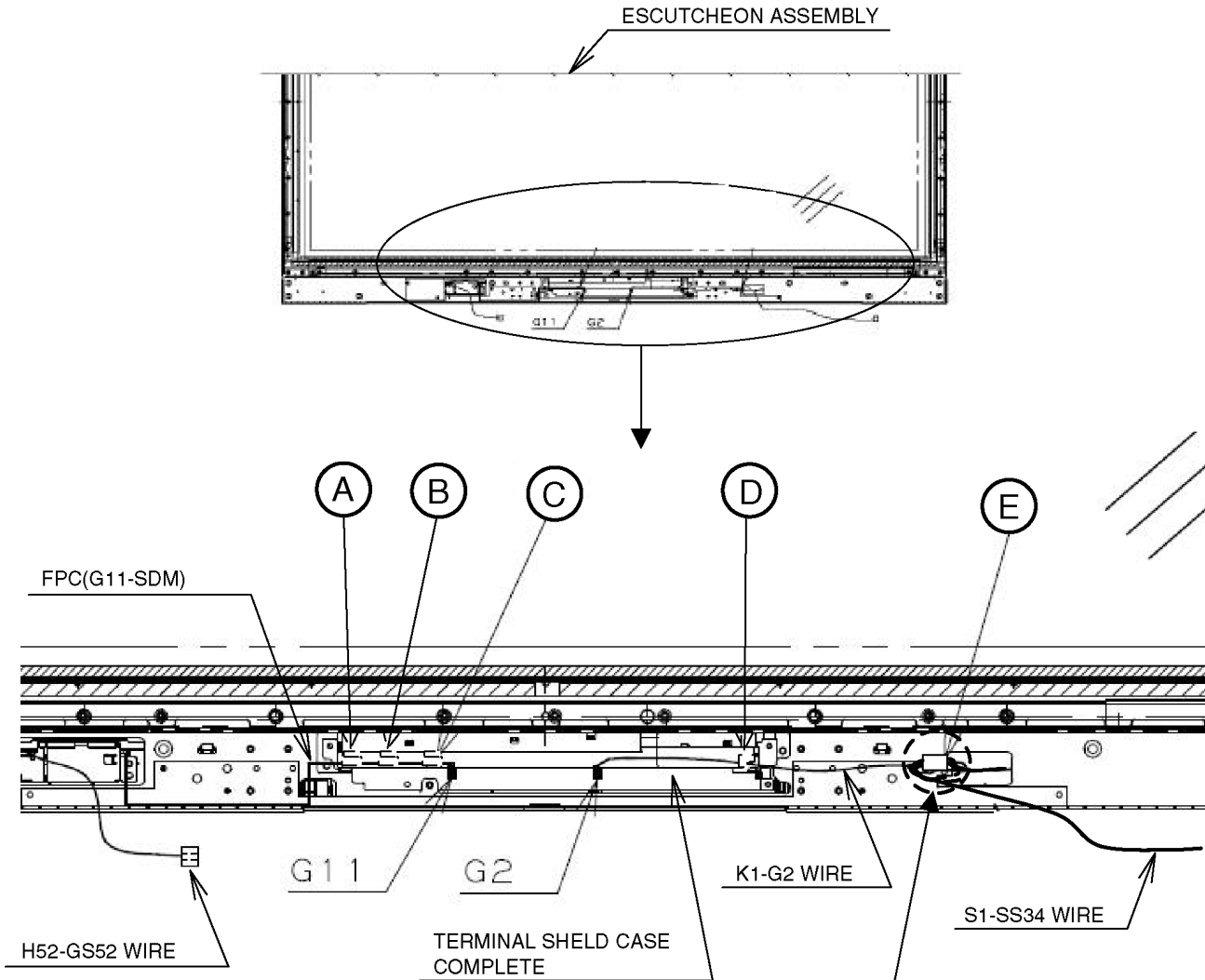
* When fitting the front frame, be careful to allow any debris, dust or handling residue to remain between the front glass and plasma panel.

7 Location of Lead Wiring

7.1. Lead of Wiring (1)

Make wire dressing if illustrated below.

Keep moderate slack in wires not give any stress to the connectors.

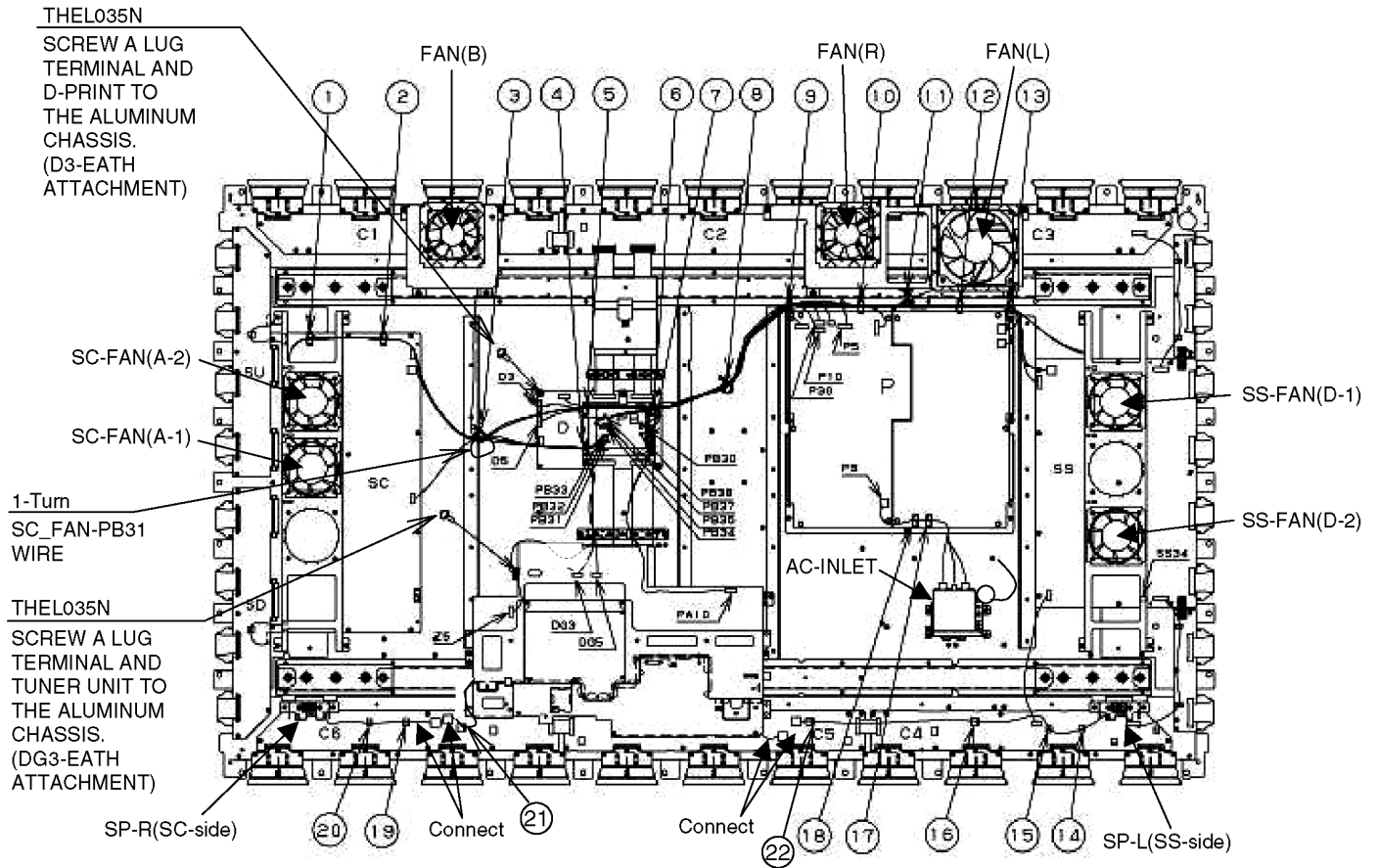


THE POINT OF WIRES WITH CLAMPER

Connector Number	A	B	C	D	E
K1 - G2				○	①
G11 - SDM	○	○	○		
S1 - SS34					①

Connection: G2, G11

7.2. Lead of Wiring (2)



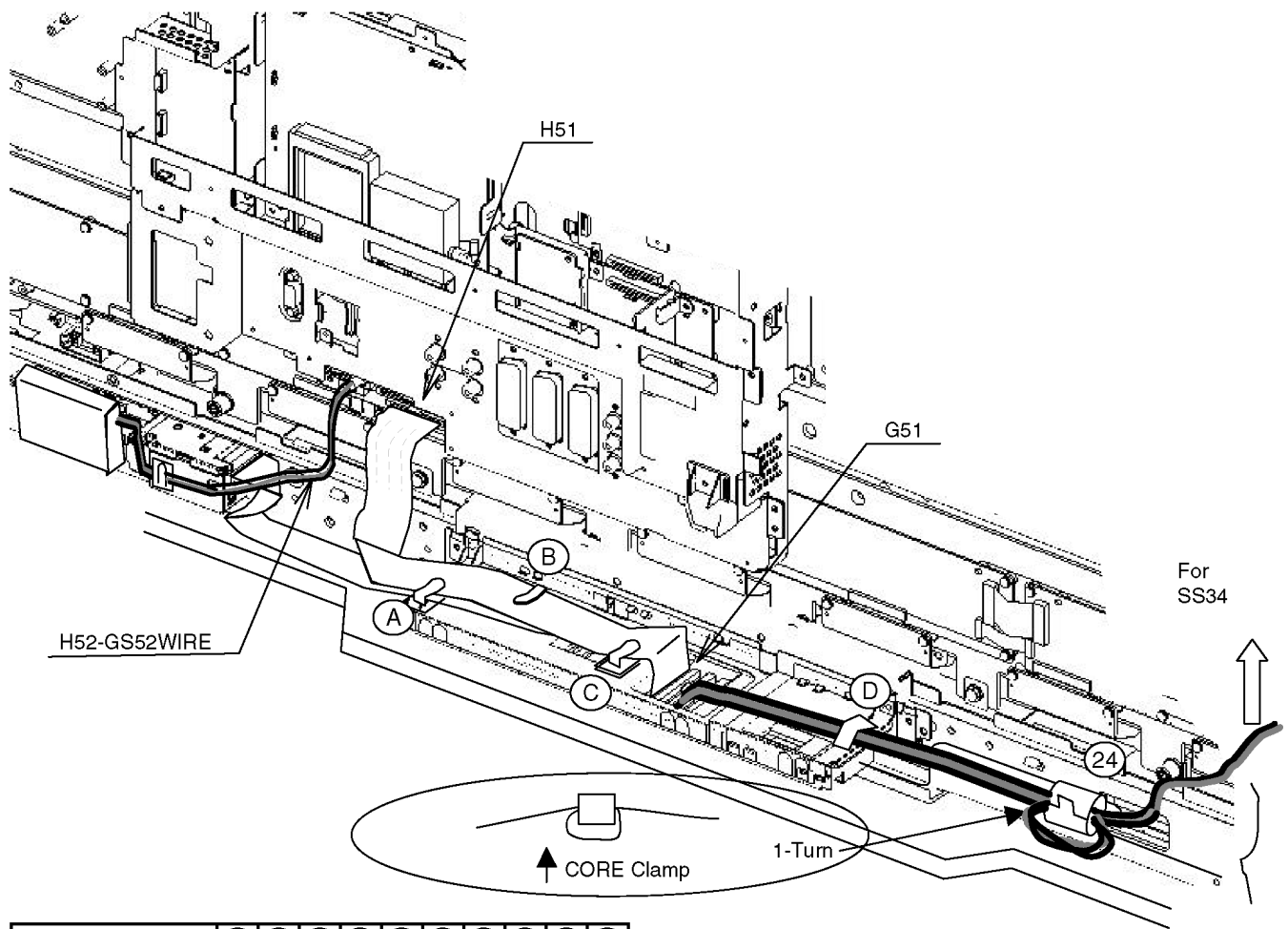
THE POINT OF WIRES WITH CLAMPER

Connector_Number	1	2	3	4	5	6	7	8	9	10	11	12	13	14	15	16	17	18	19	20	21	22	
SC-FAN(A-1)-PB31	○	○	○	○																			
SC-FAN(A-2)-PB32	○	○	○	○																			
FAN(B) -PB33			○	○																			
TWIN-FAN(R)-PB34						○		○	○	○	○												
TWIN-FAN(L)-PB35						○		○	○	○	○												
SS-FAN(D-1)-PB37						○		○	○	○			○	○									
SS-FAN(D-2)-PB38						○		○	○	○			○	○									
DG3-D3				○	○																		
DG5-D5				○	○																		
Z5-P5						○	○	○	○														
PA10-P10						○	○	○	○														
SP(L)-TUNER														○	○	○							○
SP(R)-TUNER																					○	○	○
AC_INLET-P9																							○
D3--EARTH																							
DG3--EARTH																							

Connection: PB31, PB32, PB33, PB34, PB35, PB37, PB38, D3, D5, P5, P10, P9

7.3. Lead of Wiring (3)

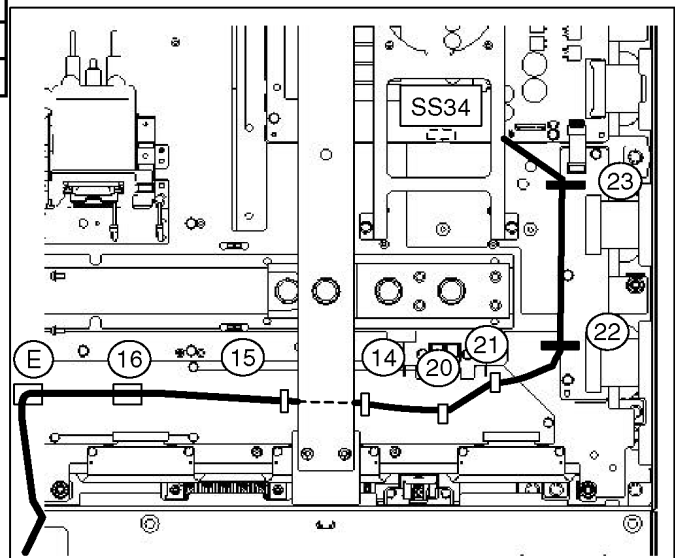
Dress all of the WIRE as drawing below.



Connector_Number	14	15	16	E	20	21	22	23	24	D
S1-SS34	○	○	○	○	○	○	○	○	1	○
H52-GS52										

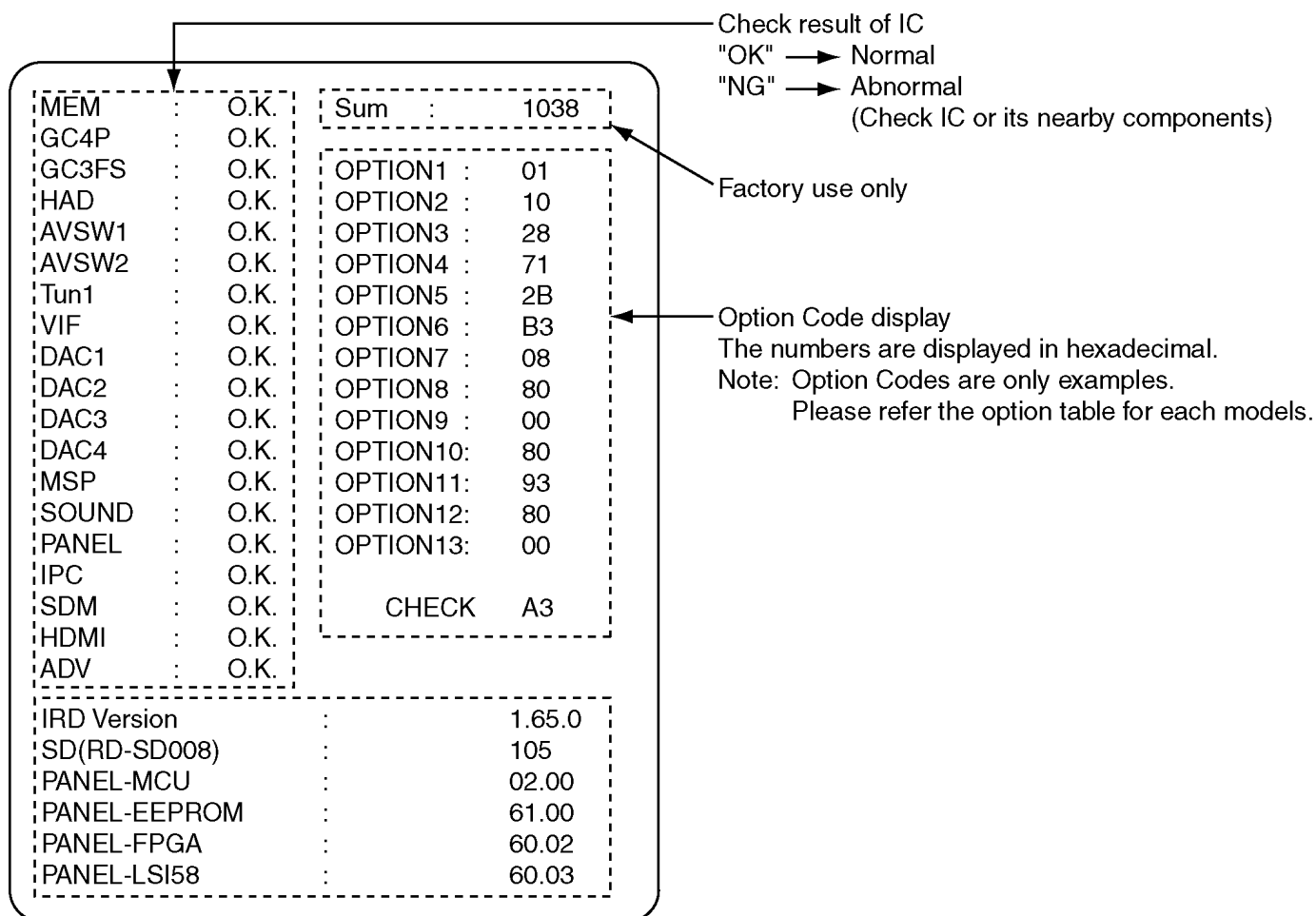
Connector_Number	A	B	C
H51-G51	○	○	○

Connection: SS34, H52, H51, G51



8 Self Check

1. Self-Check is used to automatically check the bus lines and hexadecimal code of the TV set.
2. To get into the Self -Check mode press the Down (—/√) button on the customer controls at the front of the set, at the same time pressing the Information button on the remote control, and the screen will show :



If the CCU ports have been checked and found to be incorrect or not located then "--" will appear in place of "O.K.".

Display	Ref.No.	Description	Board
MEM	IC1107	EEPROM	DG-Board
GC4P	IC4054	Global Core Processor	DG-Board
GC3FS	IC4013	Global Core for Sub	DG-Board
HAD	IC4012	OSD RGB A/D	DG-Board
AVSW1	IC3005	Video SW	H-Board
AVSW2	IC2105	Audio SW	H-Board
Tun1	TU001	Tuner	TA-Board
VIF	-	-	-
DAC1	IC1106	Ext. DAC	DG-Board
DAC2	IC1116	Ext. DAC	DG-Board
DAC3	IC3006	Ext. DAC	H-Board
DAC4	-	-	-
MSP	IC2106	Multi Sound Processor	H-Board
SOUND	IC2300	Sound Control	Z-Board
PANEL	IC9003	Convert Micon	D-Board
IPC	IC8013	PEAKS Lite	XV-Board
SDM	SD-Module	MPEG4/PHOTO view, SD recording	SD-Module
HDMI	IC5003	HDMI I/F Reciever	DV-Board
ADV	IC4005	10bit A/D	DG-Board

8.1. Power LED Blinking timing chart

1. Subject

Information of LED Flashing timing chart.

2. Contents

When an abnormality has occurred the unit, the protection circuit operates and reset to the stand by mode. At this time, the defective block can be identified by the number of blinks of the Power LED on the front panel of the unit.

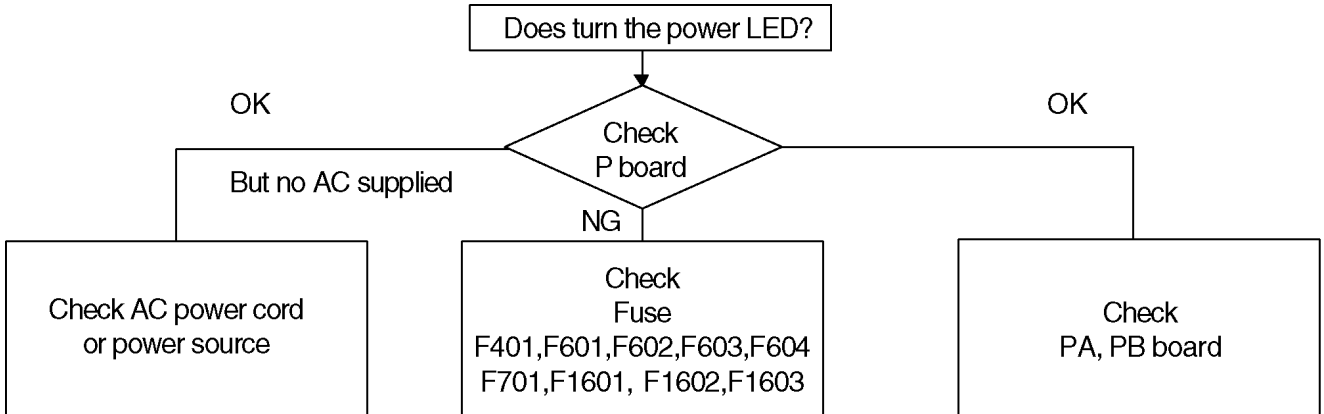
Blinking Times	Blinking timing	Contents	Check point
1		ALARM	-
2		12V SOS	P-Board
3		3.3V SOS	D-Board
4		Power SOS	P-Board
5		5V SOS	P-Board
6		Driver SOS1 (SC Energy recovery circuit) (SC floating voltage area)	SU-Board SD-Board SC-Board
7		Driver SOS2 (Data Energy recovery circuit)	SU-Board SD-Board SS-Board
8		Driver SOS3 (SS Energy recovery circuit)	SS-Board
10		Tuner SOS (No power for tuner)	PA-Board
11		Fan SOS	Fan

8.2. No Power

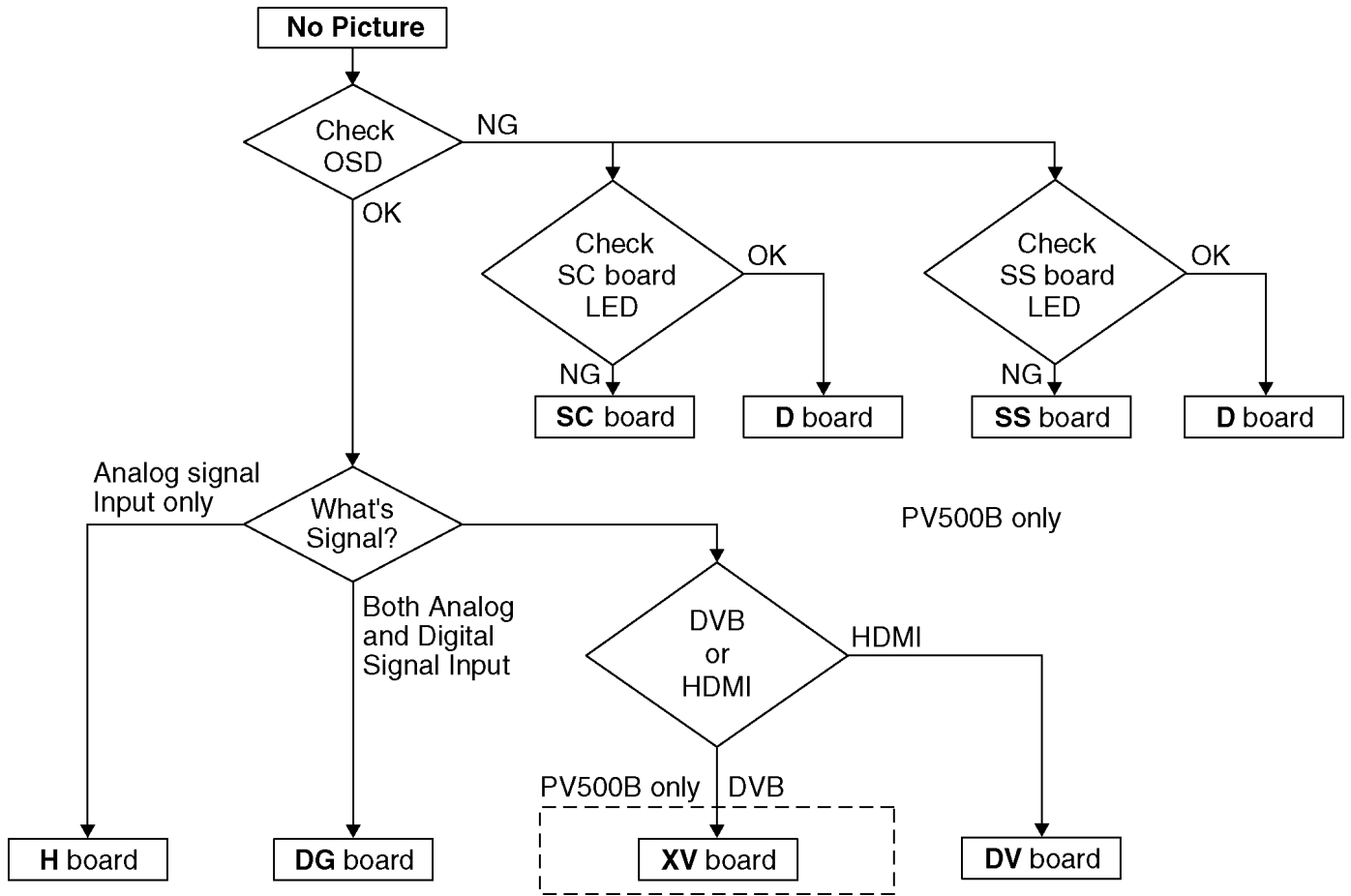
First check point

There are following 3 states of No Power indication by power LED.

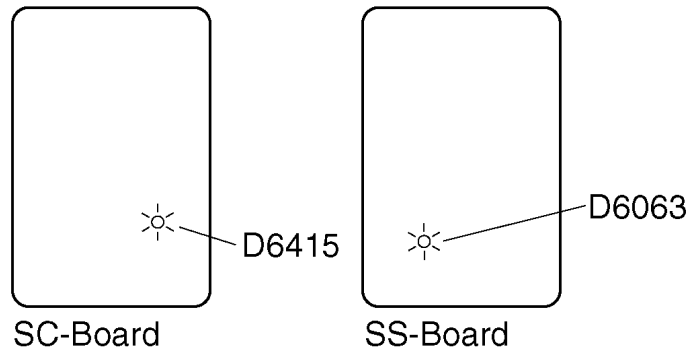
1. No lit
2. Green is lit then turns red blinking a few seconds later.
3. Only red is lit.



8.3. No Picture

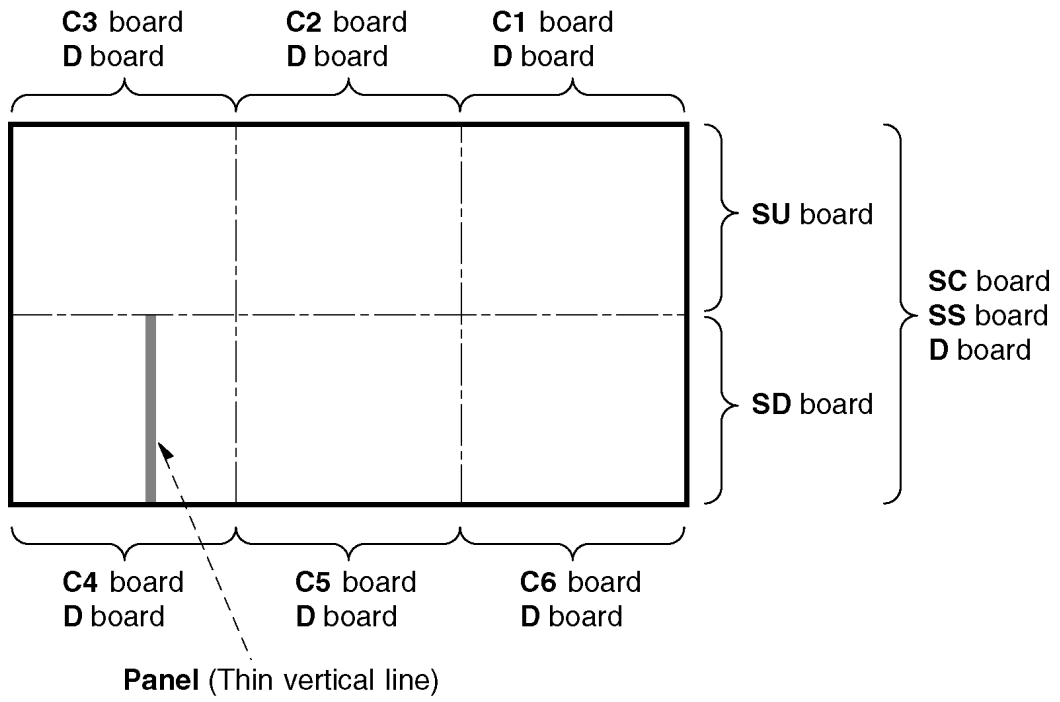


Drive circuits LED indicator



8.4. Local screen failure

Plasma display may have local area failure on the screen. Fig-1 is the possible defect P.C.B. for each local area.



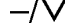
<Local screen failure chart>

Fig-1

9 Service Mode Function

MPU controls the functions switching for each IICs through IIC bus in this chassis. The following setting and adjustment can be adjusted by remote control in Service Mode.

9.1. How to enter SERVICE 1

1. In sound menu, set BASS to MAXIMUM, and set TREBLE to MINIMUM.
2. Simultaneously press **INDEX** button on remote control and **DOWN** button [] on the TV set.

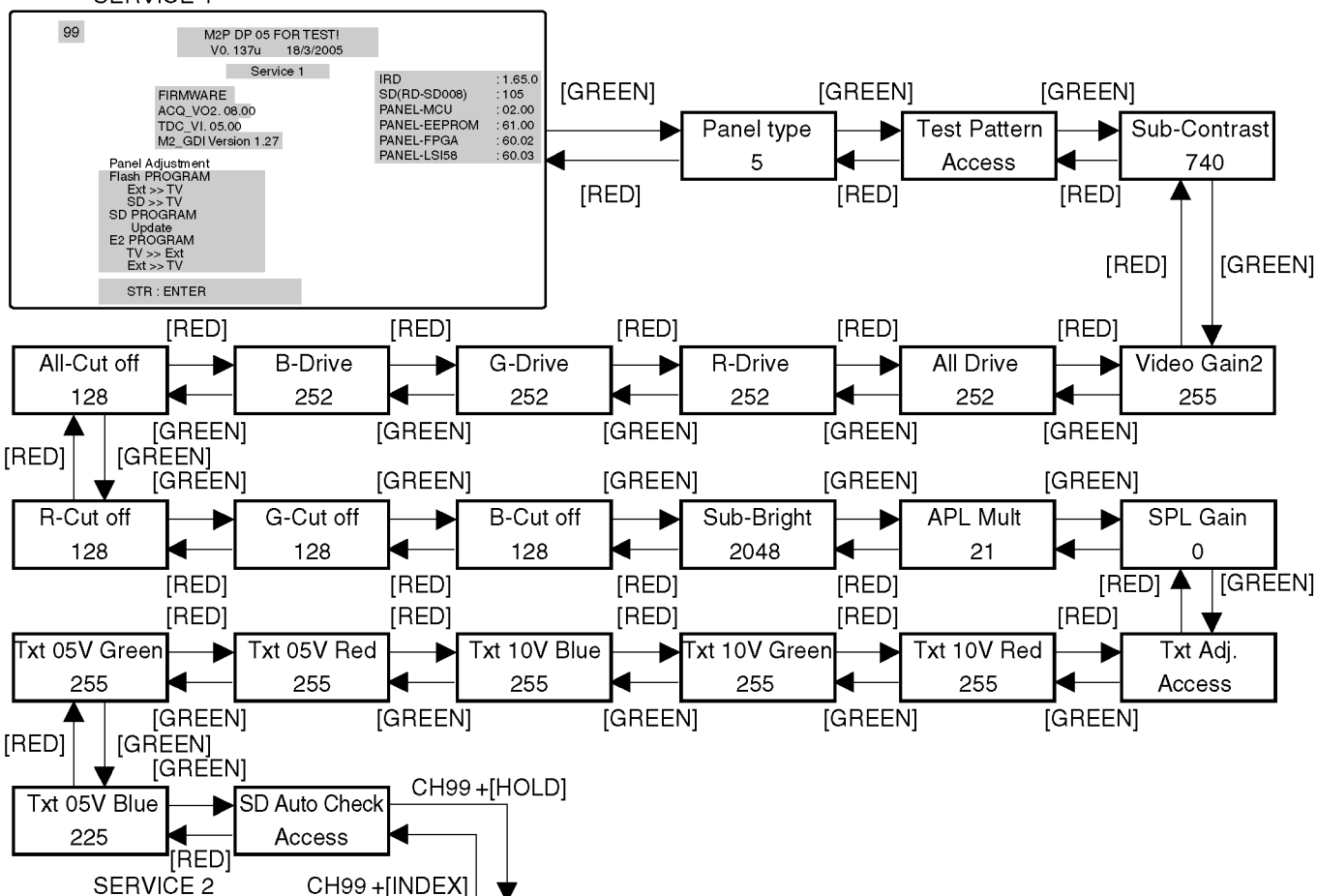
9.2. How to enter SERVICE 2

1. Set the channel to CH99.
2. Select the SD Auto check.
3. Press HOLD button on remote control.

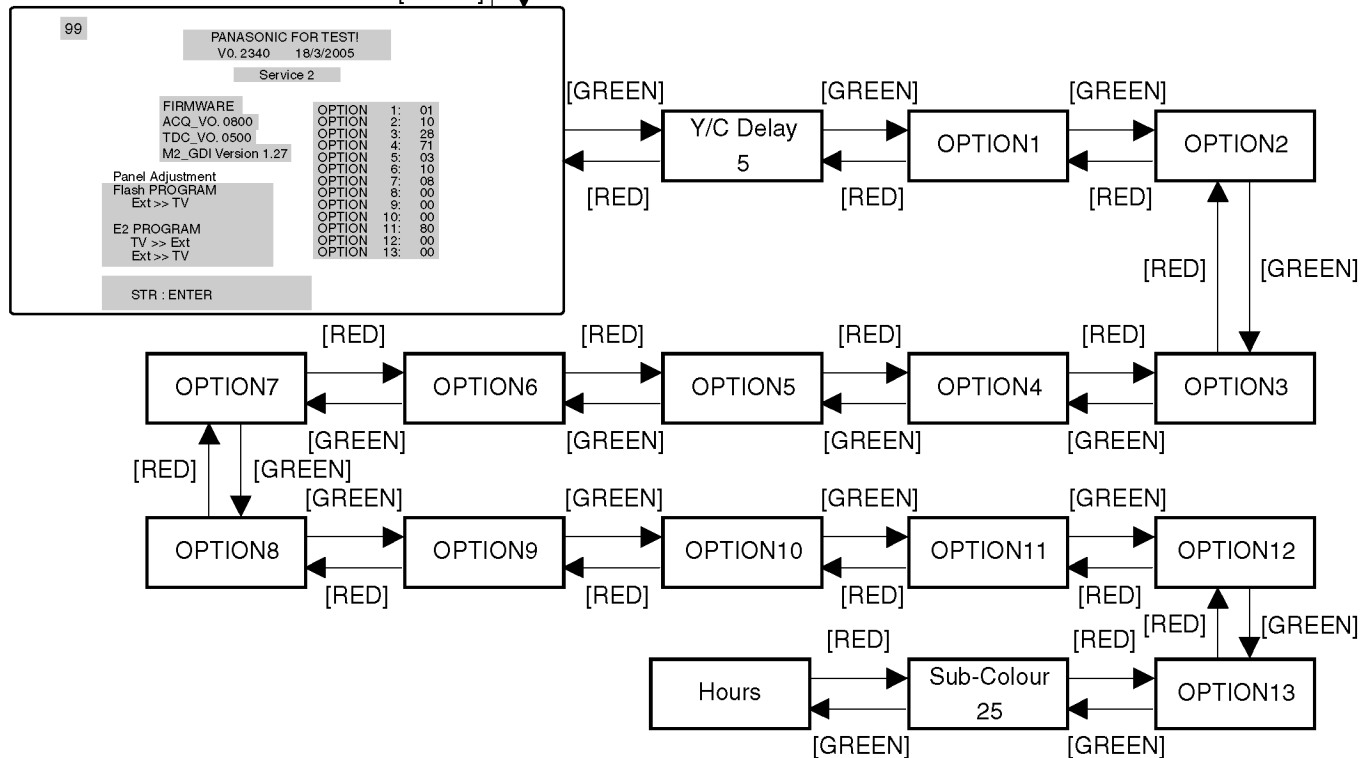
Note:

To exit to Service mode, press EXIT or Power button on remote control.

SERVICE 1



SERVICE 2



Key Command

- Press the **RED/GREEN** button to step up/down through the functions.
- Press the **YELLOW/BLUE** button to change the function values.
- Press the **OK** button after each adjustment has been made to store the required values.

9.3. Option Description

	PV500E	PV500B		
option1	4F	01		
b0	1	1	Colour system	Auto(1)
b1	1	0		SECAM(1)
b2	1	0		NTSC(1)
b3	1	0		M.NTSC(1)
b4	0	0	A2 select 6.5MHz	5.742MHz(0) 6.742MHz(1)
b5	0	0	SIF	I only(0), BG only(1)
b6	1	0		I/BG/DK/L(2), BG/DK(3)
b7	0	0	free	
option2	11	10		
b0	1	0	A2 enable	enable(1)
b1	0	0		not use
b2	0	0		not use
b3	0	0		not use
b4	1	1	NICAM enable	enable(1)
b5	0	0		not use
b6	0	0		not use
b7	0	0		not use
option3	3A	28		
b0	0	0	SASO enable	SASO enable(1)
b1	1	0	Fine tuning	Enable(1)
b2	0	0	Search speed	Slow(1) Fast(0)
b3	1	1	Tuner	MACO tuner (1), Others (0)
b4	1	0	HYPER	UHF only (0), UHF/VHF (1)
b5	1	1	IF I2C	I2C controlled Tuner IF module (1)
b6	0	0	NICAM C4 bit	enable(1)
b7	0	0	Blue Back	BLUE BACK on/off selection in menu(0)
option4	D9	71		
b0	1	1	Aspect AUTO	enable(1)
b1	0	0	S1/S2 enable	enable(1)
b2	0	0	ID-1	enable(1)
b3	1	0	User aspect Just	enable(1)
b4	1	1	User aspect 14:9	enable(1)
b5	0	1	ALBD 14:9	14:9 enable, Zoom3 disable at self wide(1)/ Zoom1, Zoom3 enable at self wide (0)
b6	1	1	TEXT	enable(1)
b7	1	0	TEXT TOP	TOP enable (1)
option5	2B	2B		
b0	1	1	CH Blanking	Blanking enable (1)
b1	1	1	AV Blanking	Blanking enable (1)
b2	0	0	Noise mute	Noise mute enable(0)
b3	1	1	sub picture	without sub-picture(0), with sub-picture(1)
b4	0	0	2tuner	2tuner(1),1tuner(0)
b5	1	1	AV Input	3rotation(1) / 2rotation without front RCA (0)
b6	0	0	Panel (LCD)	Samsung Panel(1)/SHARP Panel(0)
b7	0	0	Large size (LCD)	32(1)/26(0) for LCD
option6	AB	B3		
b0	1	1	SD module	with SD module (1)
b1	1	1	SD module Ext.Rec(PAL)	enable(1)
b2	0	0	SD module Ext.Rec(NTSC)	enable(1)
b3	1	0	SD module Ext.Rec(SECAM)	enable(1)
b4	0	1	IDTV	enable(1)
b5	1	1	HDMI	enable(1)
b6	0	0	Ext. HV input	without HV input(0) / with HV input(1)
b7	1	1	PC	enable(1)
option7	00	08		
b0	0	0	Asia	Asia(1),europe(0)
b1	0	0	Australia	not use
b2	0	0	Ireland/India	Ireland(1)
b3	0	1	UK/Korea	UK(1)
b4	0	0	Lang1	not use
b5	0	0	Lang2	not use
b6	0	0	Lower POS	not use
b7	0	0	Owner ID	not use

	PV500E	PV500B		
option8	78	80	Euro option	
b0	0	0	ACI all country	ACI enable(1), only Netherlands(0)
b1	0	0	ACI auto MP	ACI auto multi package enable (1)
b2	0	0	ACI offset	ACI offset for VCR prog. enable(1)
b3	1	0	Power up EC-Mode	Power on EC enable (1)
b4	1	0	AVLink	Q-Link off selectable in menu (1)
b5	1	0	Volume correction	TV Volume coorrection enable (1)
b6	1	0	MPX/NICAM display	Display NICAM (0), Display MPX (1)
b7	0	1	Albd Reset Off	enable(1)
option9	00	00		
b0	0	0	CH Plan	ASIA / M.E. / HK/UK / CHINA(1)
b1	0	0		NZ/INDNES(1)
b2	0	0		AUSTRALIA(1)
b3	0	0		E.EUROPE(1)
b4	0	0		SPECIAL(1)
b5	0	0		AMERICA(1)
b6	0	0		CATV(1)
b7	0	0		JAPAN(1)
option10	80	80		
b0	0	0	NICAM priority	ASIA/M.E.(1)
b1	0	0		HK/UK(1)
b2	0	0		CHINA(1)
b3	0	0		NZ/INDN(1)
b4	0	0		AUSTRALIA(1)
b5	0	0		E.EURO(1)
b6	0	0		SPECIAL(1)
b7	1	1	HDMI AVI Aspect	enable(1)
option11	83	93	Additional	
b0	1	1	Remocon Type	Delux(1) / Leader(0)
b1	1	1	Environment AI (PDP)	enable, with viewing mode auto (1) / disable, without viewing mode auto(0)
b2	0	0	WSS14:9 off	WSS 14:9 off (1)
b3	0	0	IRD Reset Check	ON(1) / OFF(0)
b4	0	1	IRD Polling Check	ON(1) / OFF(0)
b5	0	0		
b6	0	0	Exdac4 Slave address	0x9e(1) / 0x98(0)
b7	1	1	PanelMCUNew	NewMCU(1)/OldMCU(0) :: temp
option12	00	80	Additional	
b0	0	0		
b1	0	0		
b2	0	0		
b3	0	0		
b4	0	0		
b5	0	0		
b6	0	0		
b7	0	1	HDMI EC Mode	enable(1)

10 Adjustment Procedure

10.1. Driver Set-up

10.1.1. Item / Preparation

1. Input a white signal of the RGB signal generator

2. Set the picture setting as follows

Picture menu: Standard

Color temperature: Normal

Picture: 25

Aspect: Full

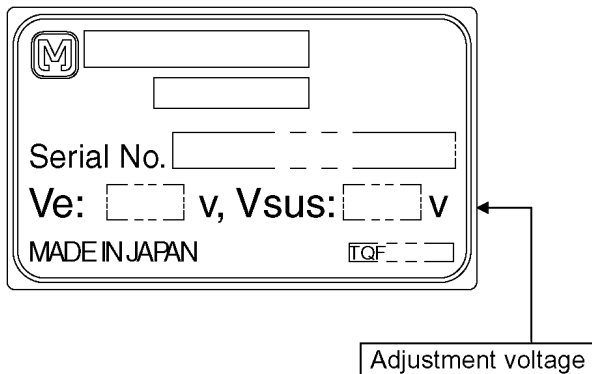
10.1.2. Adjustments

Adjust driver section voltages referring the panel data on the panel data label.

Name	Test Point	Voltage	Volume	Remarks
Vsus	TPVSUS (SS)	$V_{sus} \pm 2V$	VR351 (P)	*
Ve	TPVE (SS)	$V_e \pm 2V$	VR6250 (SS)	*
Vset	TPVSET (SC)	$230V \pm 7V$	Fixed	
Vad	TPVAD (SC)	$-85V \pm 1V$	VR6801 (SC)	
Vscn	TPVSCN (SC)	$V_{ad} + 120V \pm 4V$	Fixed	
Vda	TPVDA (SS)	$75V \pm 1V$	Fixed	
Vbk	TPVBK (SC)	$140V \pm 1V$	VR6802 (SC)	

*See the Panel label.

Panel Label information

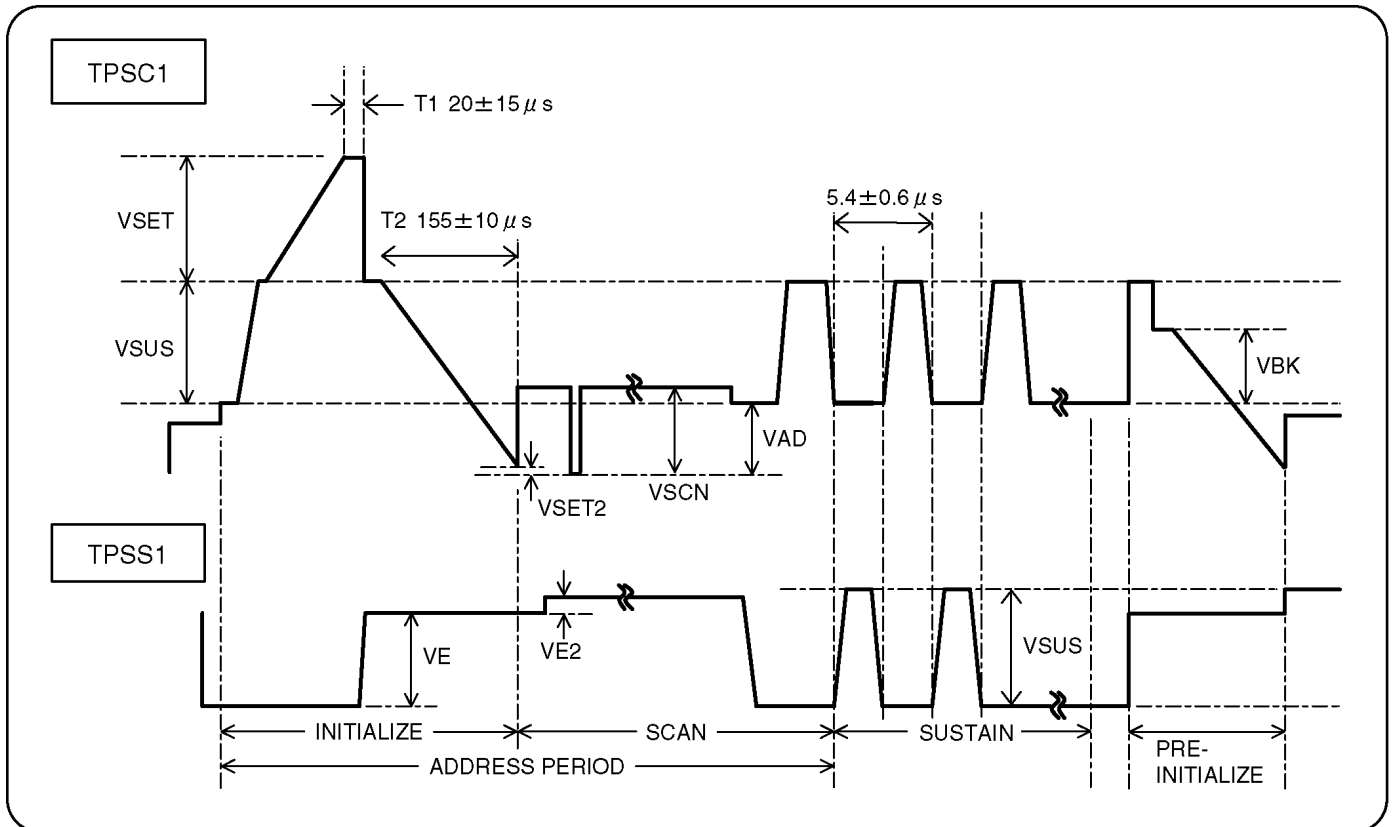


10.2. Initialization Pulse Adjust

1. Input a Cross hatch signal.
2. Set the picture setting as follows
 - Picture menu: Standard
 - Color temperature: Normal
 - Picture:25
 - Aspect: Full

Adjust the indicated test point for the specified wave form.

	Test point	Volume	Level	Remark
T1	TPSC1 (SC)	---	20 ± 15µ Sec	
T2	TPSC1 (SC)	VR6602 (SC)	155 ± 10µ Sec	



10.3. P.C.B. (Printed Circuit Board) exchange

10.3.1. Caution

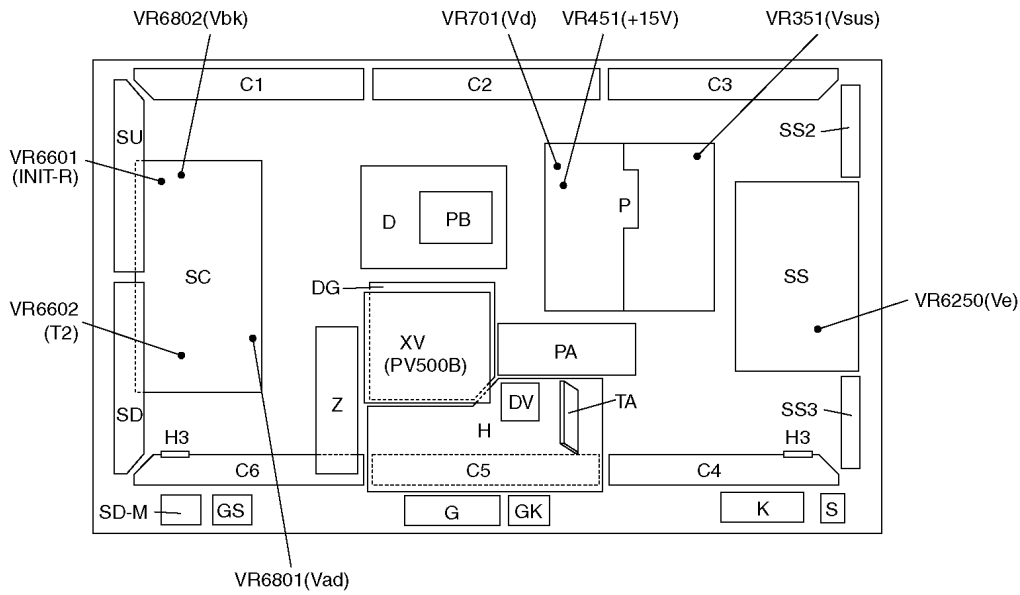
1. To remove P.C.B. , wait 1 minute after power was off for discharge from electrolysis capacitors.

10.3.2. Quick adjustment after P.C.B. exchange

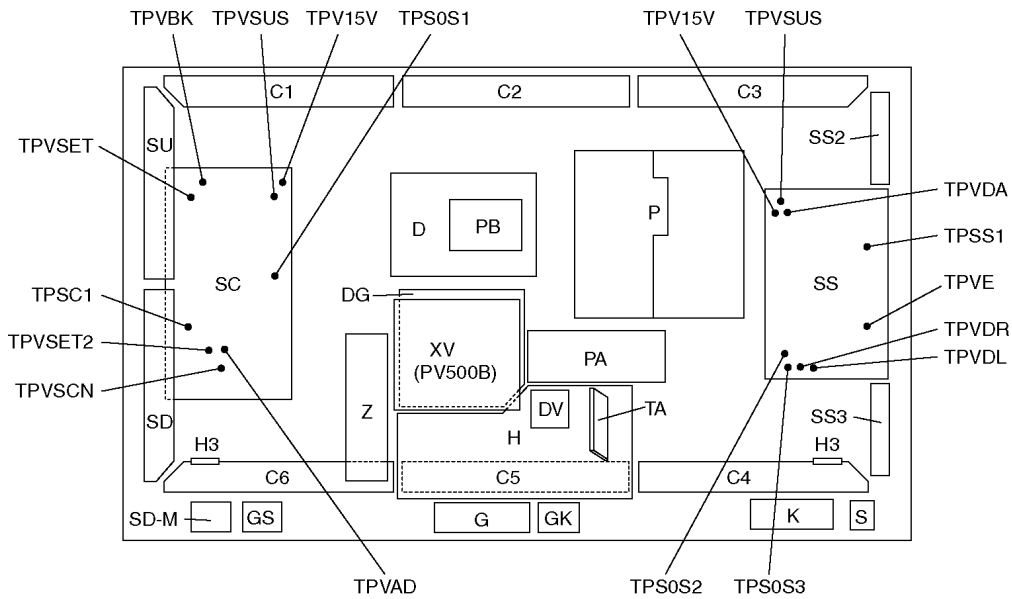
P.C.B.	Name	Test Point	Voltage	Volume	Remarks
P Board	Vsus	TPVSUS (SS)	Vsus ± 2V	VR351 (P)	*
SC Board	Vad	TPVAD (SC)	-85V ± 1V	VR6801(SC)	
	Vbk	TPVBK (SC)	140V ± 1V	VR6802(SC)	
SS Board	Ve	TPVE (SS)	Ve ± 1V	VR6250 (SS)	*

*See the Panel label.

10.4. Adjustment Volume Location

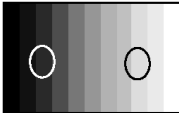


10.5. Test Point Location

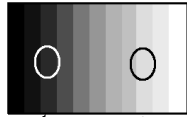


11 Adjustment


11.1. PAL panel white balance adjustment

Instrument Name	Connection	Remarks																																												
<ul style="list-style-type: none"> W/B pattern Color analyzer (Minolta CA-100 or equivalent) 	RF input Panel surface	User setting: Normal																																												
Procedure		Remarks																																												
<ul style="list-style-type: none"> Ensure aging is adequate (Longer than 15min.) Make sure the front panel to be used on the final set is fitted. Make sure a color signal is not being shown before adjustment. Put the color analyzer where there is little color variation. <ol style="list-style-type: none"> Display the white balance pattern. Check that the color balance is "cool". Enter the "Service-Menu1" mode. Select "G-CUTOFF" item, using the color-key "Red" or "Green", and set to "128", using the color-key "Yellow" or "Blue". Also, "B-CUTOFF" and "R-CUTOFF" set to "128" Set "G-DRIVE" at "208". Touch the signal receiver of color analyzer to the highlight window's center, and adjust B drive and R drive so x, y become the "Color balance Cool" in the below table1. Set "ALL-DRIVE" to "252". Set colorbalance to "Normal". Fix G cutoff , B cutoff and R cutoff at "128". Fix G drive at "208". Adjust B drive and R drive so the highlight window's x, y become the "Color balance Normal" in the below table1. Set "ALL-DRIVE" to "252". Set color balance to "Warm". Set G cutoff, B cutoff and R cutoff to "128". Set G drive to "208". Adjust B drive and R drive so the highlight window's x, y become the "Color balance Warm" shown in the below table1. Set "ALL-DRIVE" to "252". <p>Table 1, Color balance target value</p> <table border="1"> <thead> <tr> <th>Color temperature</th> <th>x</th> <th>y</th> </tr> </thead> <tbody> <tr> <td>Cool</td> <td>0.276</td> <td>0.276</td> </tr> <tr> <td>Normal</td> <td>0.288</td> <td>0.296</td> </tr> <tr> <td>Warm</td> <td>0.313</td> <td>0.329</td> </tr> </tbody> </table> <p>Table 2, Cutoff data addresses (PAL)</p> <table border="1"> <thead> <tr> <th>Color temperature</th> <th>R</th> <th>G</th> <th>B</th> </tr> </thead> <tbody> <tr> <td>Cool</td> <td>A0-024B</td> <td>A0-024E</td> <td>A0-0251</td> </tr> <tr> <td>Normal</td> <td>A0-024A</td> <td>A0-024D</td> <td>A0-0250</td> </tr> <tr> <td>Warm</td> <td>A0-0249</td> <td>A0-024C</td> <td>A0-024F</td> </tr> </tbody> </table> <p>Table 3, Drive data addresses (PAL)</p> <table border="1"> <thead> <tr> <th>Color temperature</th> <th>R</th> <th>G</th> <th>B</th> </tr> </thead> <tbody> <tr> <td>Cool</td> <td>A0-0239</td> <td>A0-023C</td> <td>A0-023F</td> </tr> <tr> <td>Normal</td> <td>A0-0238</td> <td>A0-023B</td> <td>A0-023E</td> </tr> <tr> <td>Warm</td> <td>A0-0237</td> <td>A0-023A</td> <td>A0-023D</td> </tr> </tbody> </table>		Color temperature	x	y	Cool	0.276	0.276	Normal	0.288	0.296	Warm	0.313	0.329	Color temperature	R	G	B	Cool	A0-024B	A0-024E	A0-0251	Normal	A0-024A	A0-024D	A0-0250	Warm	A0-0249	A0-024C	A0-024F	Color temperature	R	G	B	Cool	A0-0239	A0-023C	A0-023F	Normal	A0-0238	A0-023B	A0-023E	Warm	A0-0237	A0-023A	A0-023D	<p>Picture menu : Dynamic ASPECT : 16:9</p> <ul style="list-style-type: none"> Highlight section Signal amplitude 75% <p>PAL White Balance Pattern</p>  <p>High light 75% Low light 15%</p>
Color temperature	x	y																																												
Cool	0.276	0.276																																												
Normal	0.288	0.296																																												
Warm	0.313	0.329																																												
Color temperature	R	G	B																																											
Cool	A0-024B	A0-024E	A0-0251																																											
Normal	A0-024A	A0-024D	A0-0250																																											
Warm	A0-0249	A0-024C	A0-024F																																											
Color temperature	R	G	B																																											
Cool	A0-0239	A0-023C	A0-023F																																											
Normal	A0-0238	A0-023B	A0-023E																																											
Warm	A0-0237	A0-023A	A0-023D																																											

11.2. 1080i white balance adjustment

Instrument Name	Connection	Remarks																																												
<ul style="list-style-type: none"> 1080i W/B pattern Color analyzer (Minolta CA-100 or equivalent) 	Component terminal Panel surface	User setting: Normal																																												
Procedure		Remarks																																												
<ul style="list-style-type: none"> Ensure aging is adequate (Longer than 15min.) Make sure the front panel to be used on the final set is fitted. Make sure a color signal is not being shown before adjustment. Put the color analyzer where there is little color variation. <ol style="list-style-type: none"> Display the white balance pattern. Check that the color balance is "cool". Enter the "Service-Menu1" mode. Select "G-CUTOFF" item, using the color-key "Red" or "Green", and set to "128", using the color-key "Yellow" or "Blue". Also, "B-CUTOFF" and "R-CUTOFF" set to "128" Set "G-DRIVE" at "208". Touch the signal receiver of color analyzer to the highlight window's center, and adjust B drive and R drive so x, y become the "Color balance Cool" in the below table1. Set "ALL-DRIVE" to "252". Set colorbalance to "Normal". Fix G cutoff , B cutoff and R cutoff at "128". Fix G drive at "208". Adjust B drive and R drive so the highlight window's x, y become the "Color balance Normal" in the below table1. Set "ALL-DRIVE" to "252". Set color balance to "Warm". Set G cutoff, B cutoff and R cutoff to "128". Set G drive to "208". Adjust B drive and R drive so the highlight window's x, y become the "Color balance Warm" shown in the below table1. Set "ALL-DRIVE" to "252". <p>Table 1, Color balance target value</p> <table border="1"> <thead> <tr> <th>Color temperature</th> <th>x</th> <th>y</th> </tr> </thead> <tbody> <tr> <td>Cool</td> <td>0.276</td> <td>0.276</td> </tr> <tr> <td>Normal</td> <td>0.288</td> <td>0.296</td> </tr> <tr> <td>Warm</td> <td>0.313</td> <td>0.329</td> </tr> </tbody> </table> <p>Table 2, Cutoff data addresses (1080i)</p> <table border="1"> <thead> <tr> <th>Color temperature</th> <th>R</th> <th>G</th> <th>B</th> </tr> </thead> <tbody> <tr> <td>Cool</td> <td>A0-0254</td> <td>A0-0257</td> <td>A0-025A</td> </tr> <tr> <td>Normal</td> <td>A0-0253</td> <td>A0-0256</td> <td>A0-0259</td> </tr> <tr> <td>Warm</td> <td>A0-0252</td> <td>A0-0255</td> <td>A0-0258</td> </tr> </tbody> </table> <p>Table 3, Drive data addresses (1080i)</p> <table border="1"> <thead> <tr> <th>Color temperature</th> <th>R</th> <th>G</th> <th>B</th> </tr> </thead> <tbody> <tr> <td>Cool</td> <td>A0-0242</td> <td>A0-0245</td> <td>A0-0248</td> </tr> <tr> <td>Normal</td> <td>A0-0241</td> <td>A0-0244</td> <td>A0-0247</td> </tr> <tr> <td>Warm</td> <td>A0-0240</td> <td>A0-0243</td> <td>A0-0246</td> </tr> </tbody> </table>		Color temperature	x	y	Cool	0.276	0.276	Normal	0.288	0.296	Warm	0.313	0.329	Color temperature	R	G	B	Cool	A0-0254	A0-0257	A0-025A	Normal	A0-0253	A0-0256	A0-0259	Warm	A0-0252	A0-0255	A0-0258	Color temperature	R	G	B	Cool	A0-0242	A0-0245	A0-0248	Normal	A0-0241	A0-0244	A0-0247	Warm	A0-0240	A0-0243	A0-0246	<p>Picture menu: Dynamic ASPECT:16:9</p> <ul style="list-style-type: none"> Highlight section Signal amplitude 75% <p>1080i White Balance Pattern</p>  <p>High light 75% Low light 15%</p> <p>* The Color balance COOL differs from Japanese model values.</p>
Color temperature	x	y																																												
Cool	0.276	0.276																																												
Normal	0.288	0.296																																												
Warm	0.313	0.329																																												
Color temperature	R	G	B																																											
Cool	A0-0254	A0-0257	A0-025A																																											
Normal	A0-0253	A0-0256	A0-0259																																											
Warm	A0-0252	A0-0255	A0-0258																																											
Color temperature	R	G	B																																											
Cool	A0-0242	A0-0245	A0-0248																																											
Normal	A0-0241	A0-0244	A0-0247																																											
Warm	A0-0240	A0-0243	A0-0246																																											

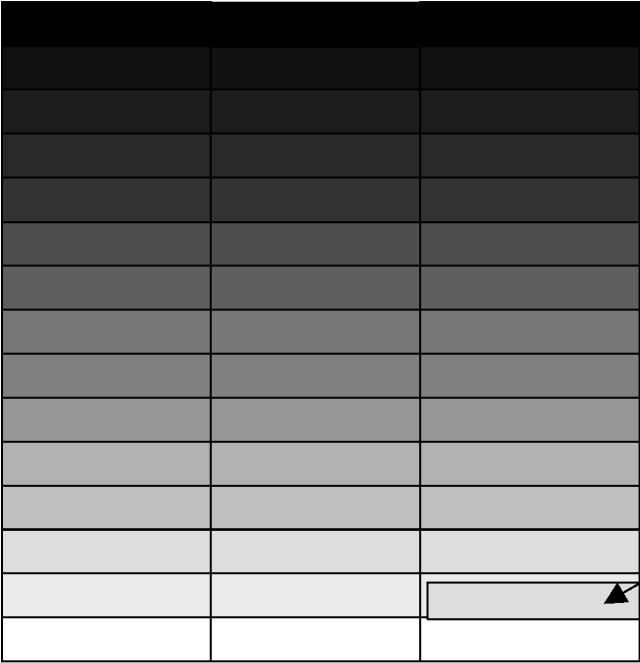
11.3. Sub bright adjustment

Instrument Name	Connection	Remarks
1. PAL signal generator (or RF)	Connect to the input terminal	User setting: Normal
Procedure		Remarks
<ul style="list-style-type: none"> Color balance adjustment is finished for each signal. Do adjustments in a dark room. Complete the adjustment within 10 minutes after the turn on electricity. <p>Turn on the power supply again when it is not possible to complete it by aging etc.</p> <ol style="list-style-type: none"> Display the pattern for adjusting subbright from video input. Pull down SRQ of the panel D-Board to L. Use "Sub-Bright" in the <Service-Menu1> mode to adjust so the 6th section shows up and the 7th fades away. 		Picture menu: Dynamic Color balance: Normal ASPECT: 16:9 * If using RF ch.E04 or E43
Data Sub-Bright total 12bit data addresses LSB 8bit A0-016c bit7-0 MSB 4bit A0-016d bit3-0		
RF E43 ch 6th ↓ ↓ 7th		
		
RF E43 ch.		

11.4. ABL adjustment

Instrument Name	Connection	Remarks				
1. HD signal emitter (Color bar signal) 2. Wattmeter	COMPONENT input terminal Connect the AC power of the adjustment set to the wattmeter.					
Procedure		Remarks				
<ul style="list-style-type: none"> Make sure the set is aged for 30 minutes or more before adjustment. (Do not switch off during or after aging.) Voltage 230V 50Hz (variation within 1%) Volume at minimum and screen size at "16:9" Setting Component input, dynamic, standard						
<ol style="list-style-type: none"> Connect the set's AC power to the wattmeter. Input the signal (top half: color bar, Bottom half: Horizontal 10 step bar). Select the "APL MULT" item in the Service1. Adjust APL MULT so the set's power consumption is <table style="margin-left: 20px;"> <tr> <td>TH-65PV500E</td> <td>620 ± 20W</td> </tr> <tr> <td>TH-65PV500B</td> <td>629 ± 20W</td> </tr> </table> 		TH-65PV500E	620 ± 20W	TH-65PV500B	629 ± 20W	
TH-65PV500E	620 ± 20W					
TH-65PV500B	629 ± 20W					
Remarks There is a possibility that the adjustment value can do two places, adjust it in that case, that the value of APL_MULT is large.						

11.5. TEXT Vref Auto Adjustment

Procedure	Remarks			
<p>Receive a steady signal.</p> <p>Adjust it after aging enough.</p> <ol style="list-style-type: none"> 1. Enter in service mode 1 then select "TXT adj. Access" item. 2. Start Auto adjustment by push "Blue" key <p>[Test pattern]</p> <table style="margin-left: 40px;"> <tr> <td style="text-align: center;">RED</td> <td style="text-align: center;">GREEN</td> <td style="text-align: center;">BLUE</td> </tr> </table>  <p>Note: Under operating, The character "TXT Adj. Access" becomes red. Detection window will appear near bottom. Detection window move R - G - B at the bright test pattern, Then, Detection window move R - G - B at the dark test pattern. And finish auto adjustment.</p>	RED	GREEN	BLUE	
RED	GREEN	BLUE		

12 Hotel mode

1. Purpose

Restrict a function for hotels.

2. Access command

- Enter to the Service 2 Mode.
- Press Information button on remote control and entry to the EEPROM EDITOR Mode.
- Press the RED/GREEN button to step up/down through the address.
- Press the YELLOW/BLUE button to step left/right through the address.
- Press the PROGRAMME UP/DOWN button to step up/down through the page.
- Press the VOLUME UP/DOWN button to change the function values.
- Set the data of EEPROM(ADDRESS 140) to 80.
- Press the OK button to memorize the data.

Address	Data
100	05 05 FF FF FF FF FF FF
108	FF FF FF FF FF FF FF FF
110	FF FF FF FF FF FF FF FF
118	FF FF FF FF FF FF FF FF
120	FF FF FF FF FF FF FF FF
128	FF FF FF FF FF FF FF FF
130	FF FF FF FF FF FF FF FF
138	FF FF FF FF FF FF FF FF
140	80 00 80 64 80 00 00 FF
148	FF FF FF FF FF FF FF FF
150	FF 0F FF FF FF FF FF FF
158	FF FF FF FF FF FF 0D 10
160	FF FF FF FF FF FF FF FF
168	00 00 00 00 00 08 FF 00
170	00 01 FF FF FF FF FF FF
178	FF FF FF FF FF FF FF FF

Push the Power switch(button) off/on the set(the remote control) to turn the set off/on.

It can be made Hotel mode.

3. Exit command

- First, set the data of EEPROM(ADDRESS 140) to 00.
- Next, Push the Power switch(button) off/on the set(the remote control) to turn the set off/on.
- Then, it is no longer hotel mode.

4. Access command to the Hotel mode setup menu

- Prerequisite : It is conditions that the data of EEPROM(ADDRESS 140) is 80.

In order to display the Hotel mode setup menu, please enter the following command (**within 2 second**).

[TV]:down + [REMOTE]:TV/AV(3 times)

Then, the Hotel mode setup menu is displayed.

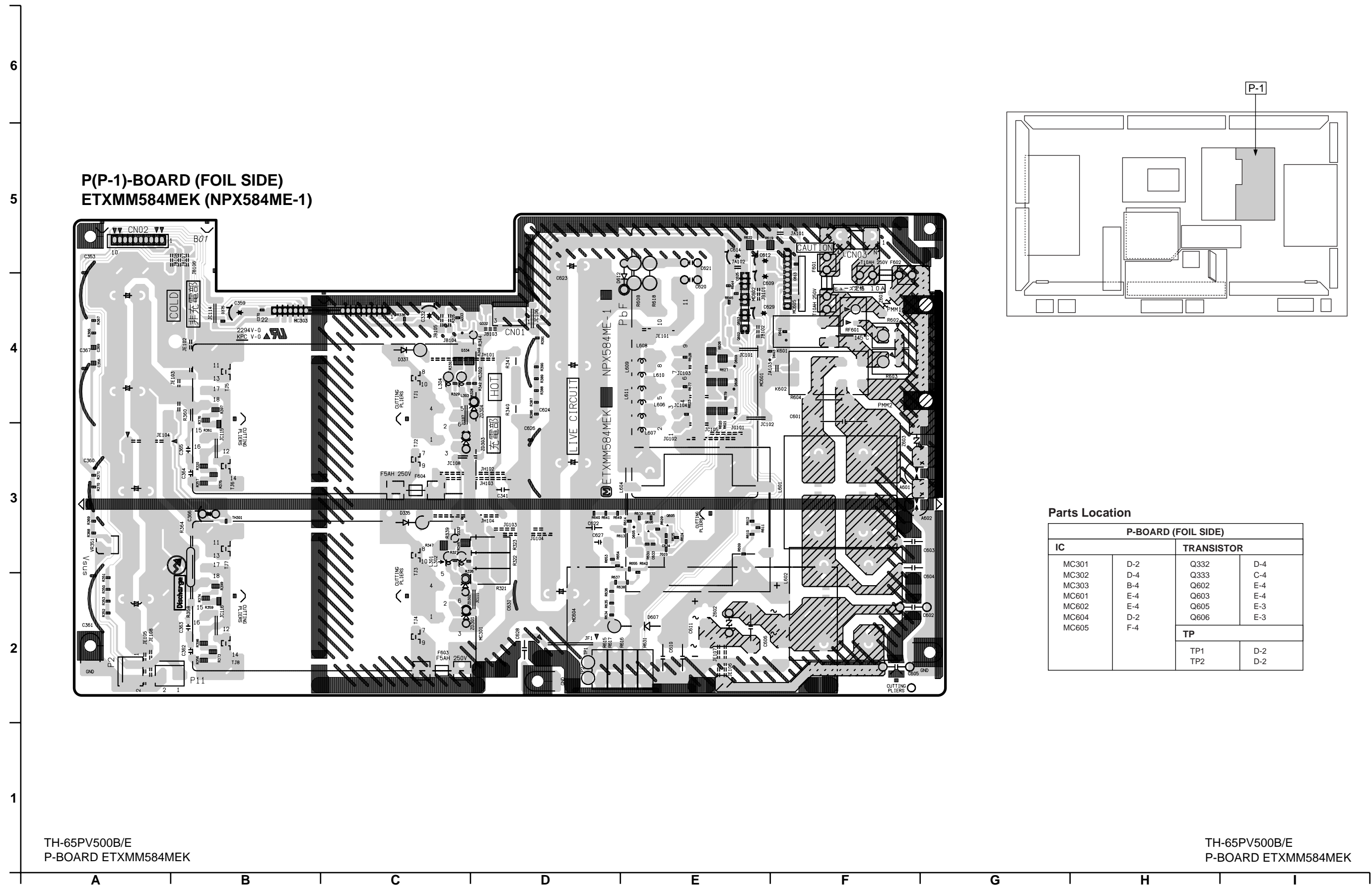


5. Explain the Hotel mode setup menu

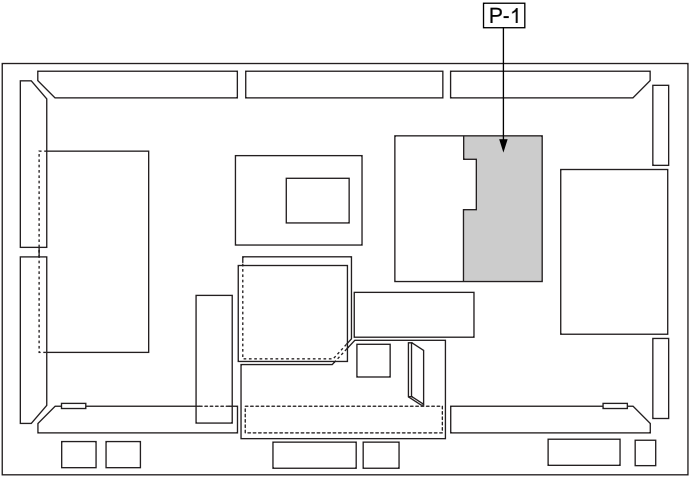
item	Function
Initial INPUT	Select input signal modes. Set this signal, each time power is switched on. Selection : Off/TV/AV1/AV2/AV2S/AV3/Av3S/AV4/Av4S/Component/PC/HDMI · Off: give priority to a last memory. However, Euro model is compulsorily set to TV. · AVnS/AVnC: only Euro model selectable · PC: selectable with VGA option
Initial VOL level	Adjust output Volume. Set this volume, each time power is switched on. If the value of InitVol is changed, volume will change. However, priority is given to a last memory when InitVol is Off. When "InitVol" is larger than "MaxVol", make "InitVol" and "MaxVol" the same. Selection/Range : Off/0 to 63 · Off: give priority to a last memory
Maximum VOL level	Adjust maximum volume. Set this max. volume, each time power is switched on. When "MaxVol" is smaller than "InitVol", make "MaxVol" and "InitVol" the same, if "InitVol" is not Off. Range : 0 to 63
Initial POS	Select programme number. Set this programme number, each time power is switched on. Selection : Off/0 to 99 (Euro model) · Off: give priority to a last memory
Button lock	Select local key conditions. Set this condition, each time power is switched on. Selection : Off/SETUP/MENU/All · Off: altogether valid · SETUP: restrict F-key selection (Tuning guide(menu) can not be selected.) · MENU: restrict F-key selection (only Volume/Mute can be selected.) · All: altogether invalid.
Remote lock	Select remote control key conditions. Set this condition, each time power is switched on. Selection : Off/SETUP/MENU · Off: altogether valid · SETUP: only Setup menu is invalid · MENU: Picture/Sound/Setup menu are invalid

13 Conductor Views

13.1. P-Board



**P(P-1)-BOARD (FOIL SIDE)
ETXMM584MEK (NPX584ME-1)**



Parts Location

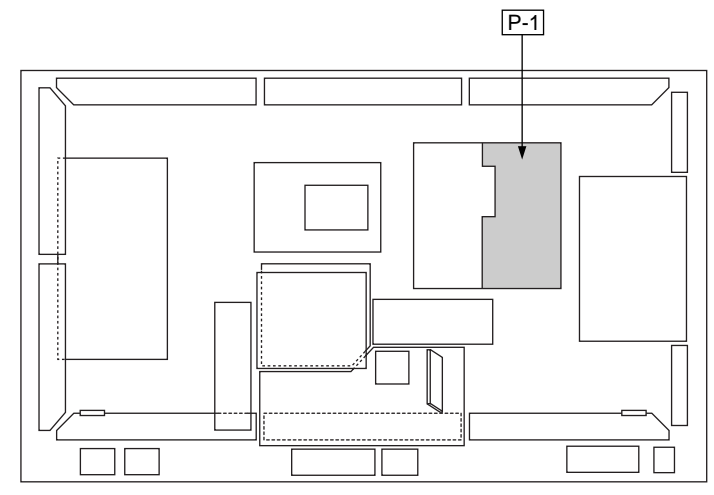
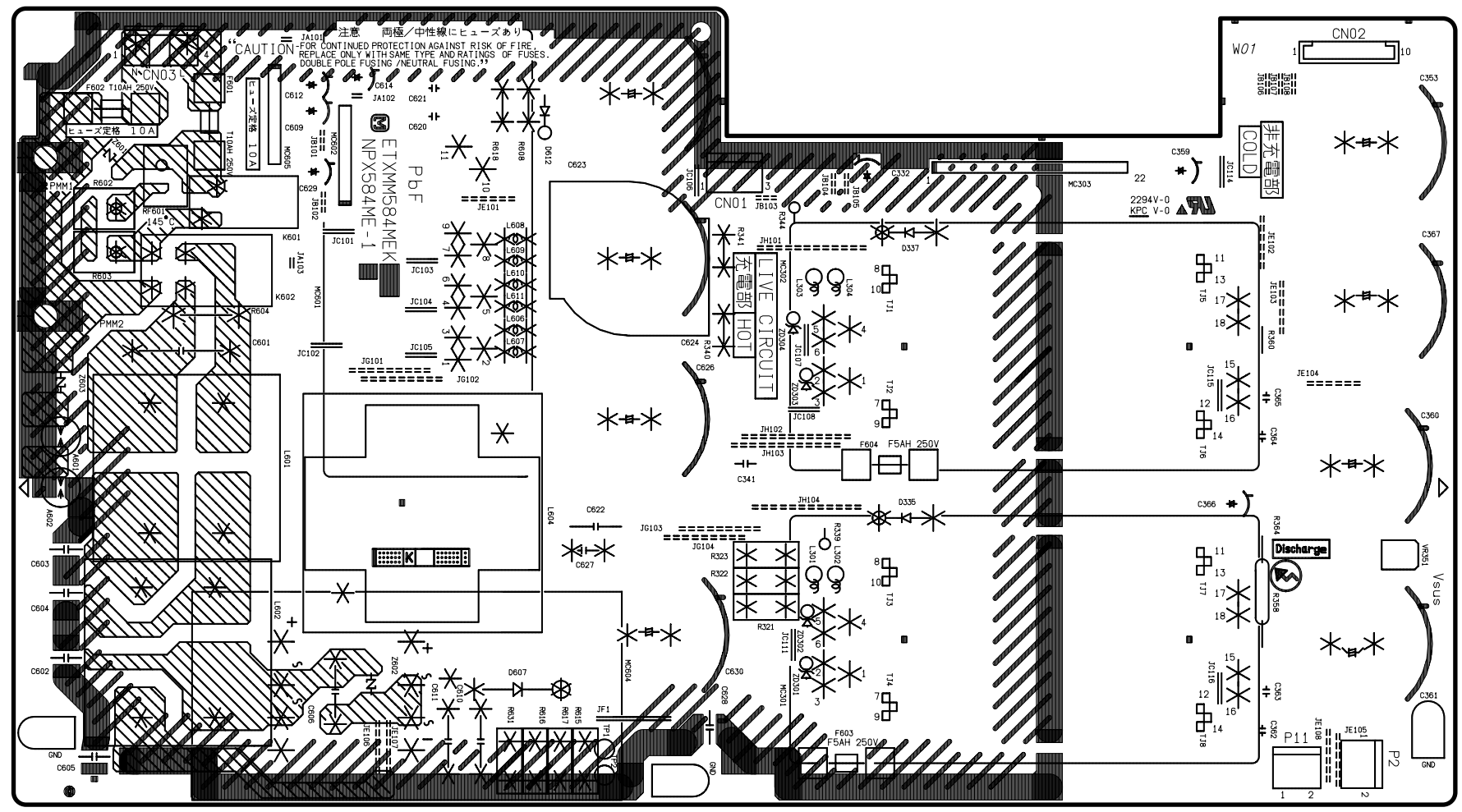
P-BOARD (FOIL SIDE)			
IC		TRANSISTOR	
		MC301	D-2
MC302	D-4	Q333	C-4
MC303	B-4	Q602	E-4
MC601	E-4	Q603	E-4
MC602	E-4	Q605	E-3
MC604	D-2	Q606	E-3
MC605	F-4		
TP			
		TP1	D-2
		TP2	D-2

TH-65PV500B/E
P-BOARD ETXMM584MEK

TH-65PV500B/E
P-BOARD ETXMM584MEK

6
5
4
3
2
1

**P(P-1)-BOARD (COMPONENT SIDE)
ETXMM584MEK (NPX584ME-1)**



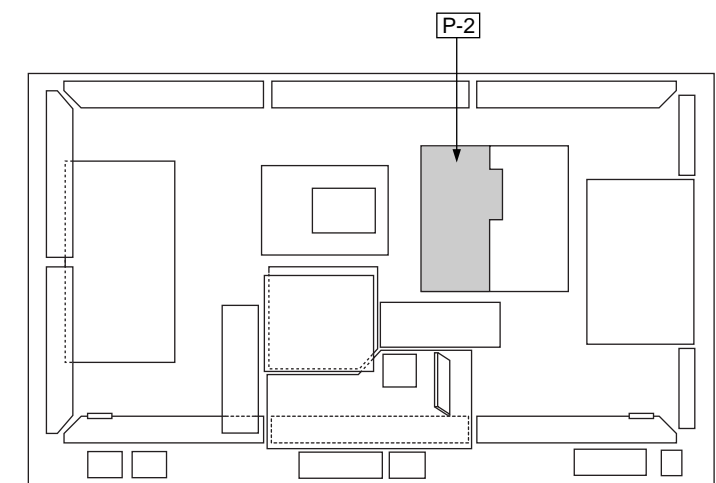
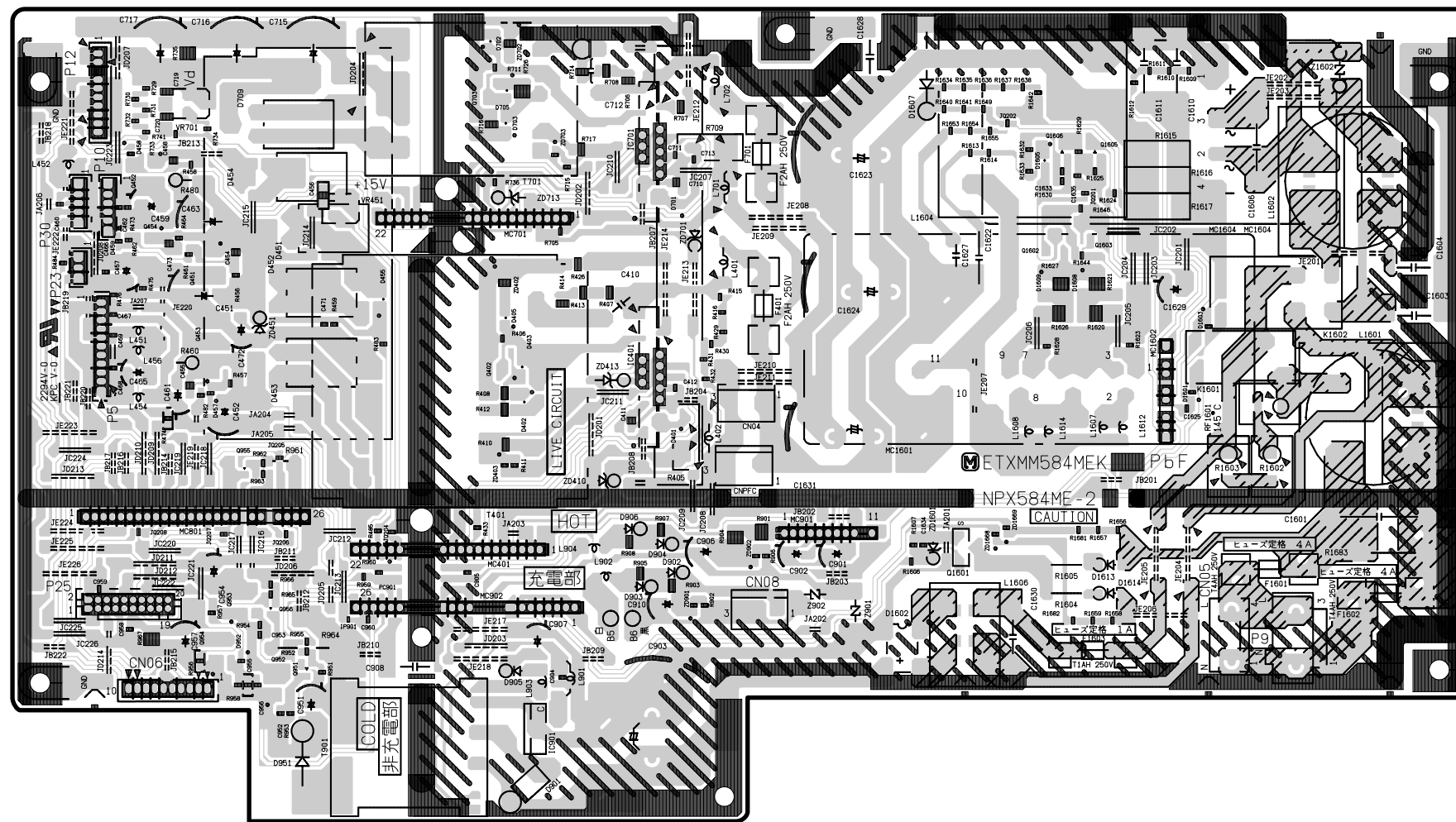
Parts Location

P-BOARD (COMPONENT SIDE)			
IC		TP	
MC301	D-2	TP1	C-2
MC302	D-4	TP2	C-2
MC303	E-4		
MC601	B-4		
MC602	B-4		
MC604	C-2		
MC605	B-4		

A | B | C | D | E | F | G | H | I

6
5
4
3
2
1

**P(P-2)-BOARD (FOIL SIDE)
ETXMM584MEK (NPX584ME-2)**



Parts Location

P-BOARD (FOIL SIDE)			
IC	TRANSISTOR		
IC401	C-4	Q402	C-3
IC701	C-4	Q451	B-4
IC901	C-2	Q452	A-4
MC401	C-3	Q453	B-4
MC701	C-4	Q454	A-4
MC801	B-3	Q703	C-5
MC901	D-3	Q951	B-2
MC902	C-3	Q952	B-2
MC1601	D-3	Q953	B-3
MC1602	E-4	Q954	B-2
MC1604	F-4	Q955	B-3
		Q956	B-3
		Q1601	E-3
		Q1602	E-4
		Q1603	E-4
		Q1605	E-4
		Q1606	E-4

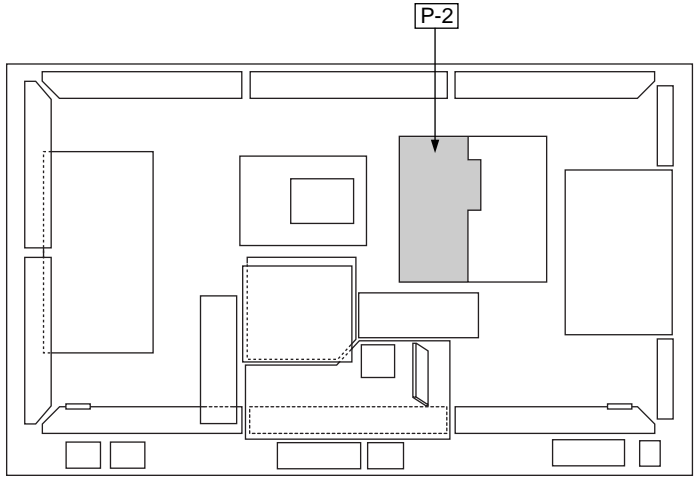
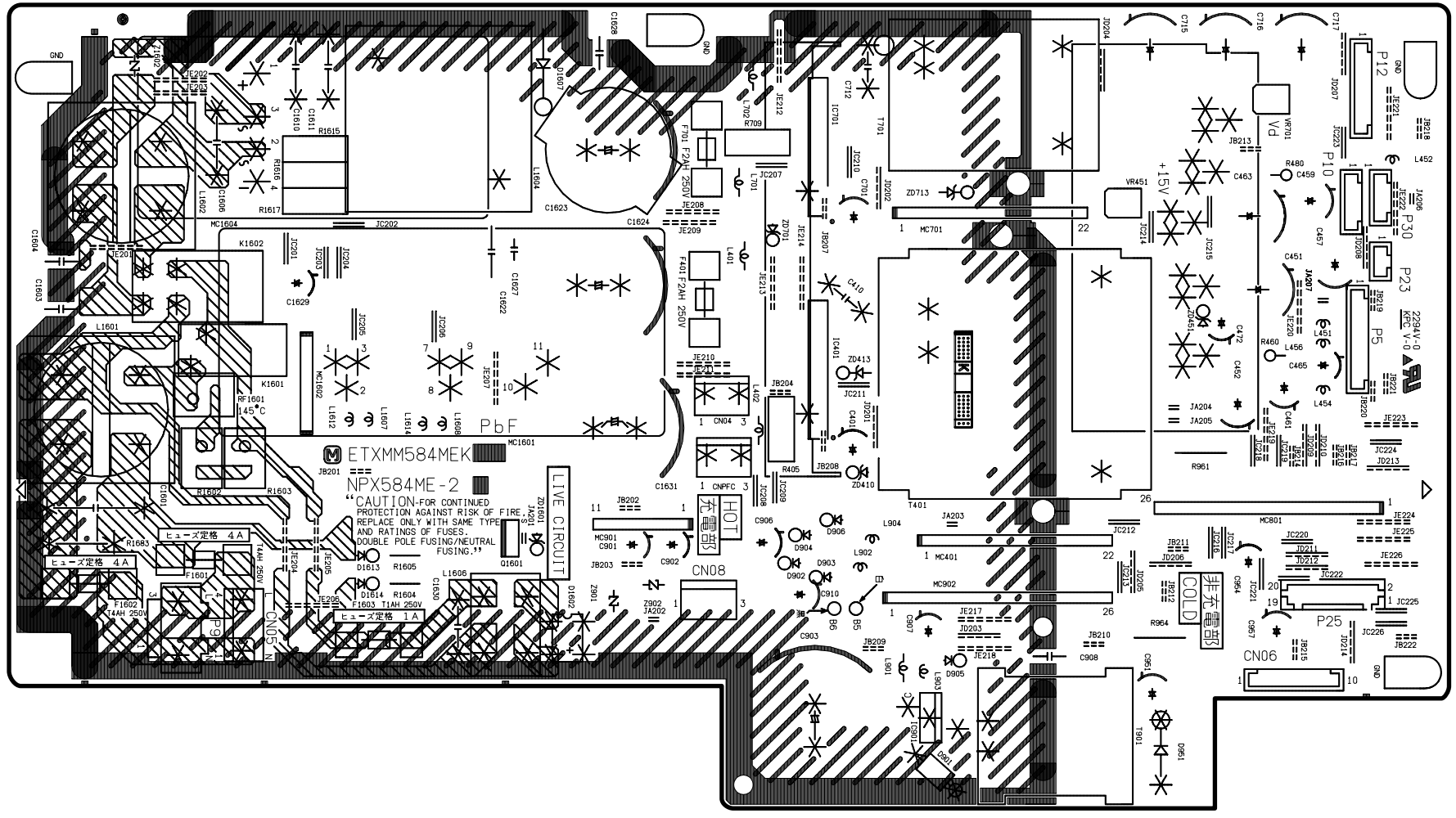
TH-65PV500B/E
P-BOARD ETXMM584MEK

TH-65PV500B/E
P-BOARD ETXMM584MEK

A | B | C | D | E | F | G | H | I

6
5
4
3
2
1

**P(P-2)-BOARD (COMPONENT SIDE)
ETXMM584MEK (NPX584ME-2)**



Parts Location

P-BOARD (COMPONENT SIDE)			
IC		TRANSISTOR	
IC401	D-4	Q1601	C-3
IC701	D-4		
IC901	E-2		
MC401	E-3		
MC701	E-4		
MC801	F-3		
MC901	E-3		
MC902	C-3		
MC1601	C-3		
MC1602	B-3		
MC1604	B-4		

A | B | C | D | E | F | G | H | I

13.3. PB-Board

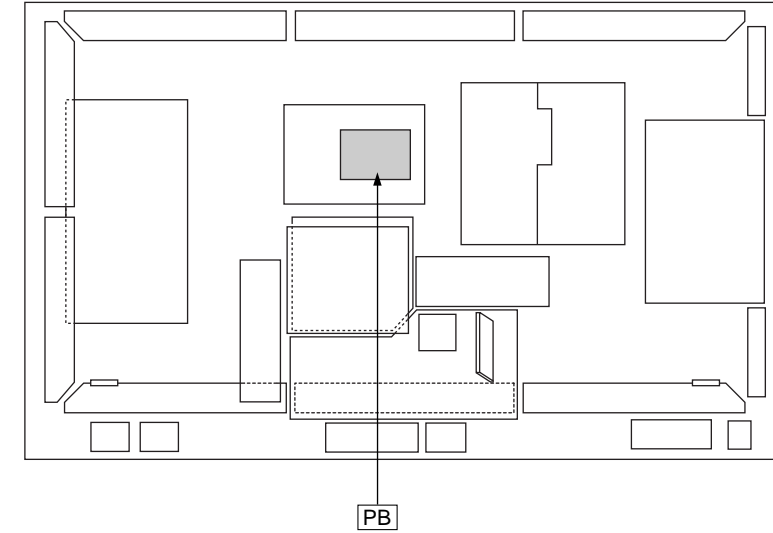
6
5
4
3
2
1

Parts Location

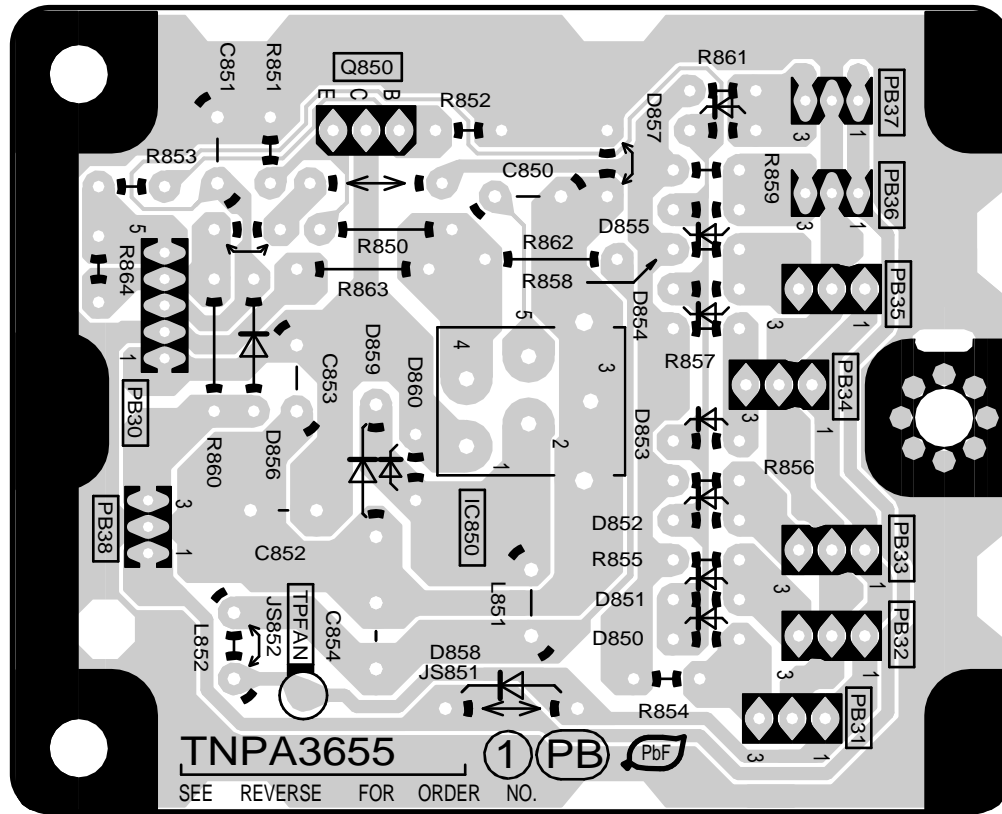
PB-BOARD (FOIL SIDE)			
IC		TRANSISTOR	
IC850	C-2	Q850	B-3
		TP	
		TPFAN	B-2

Parts Location

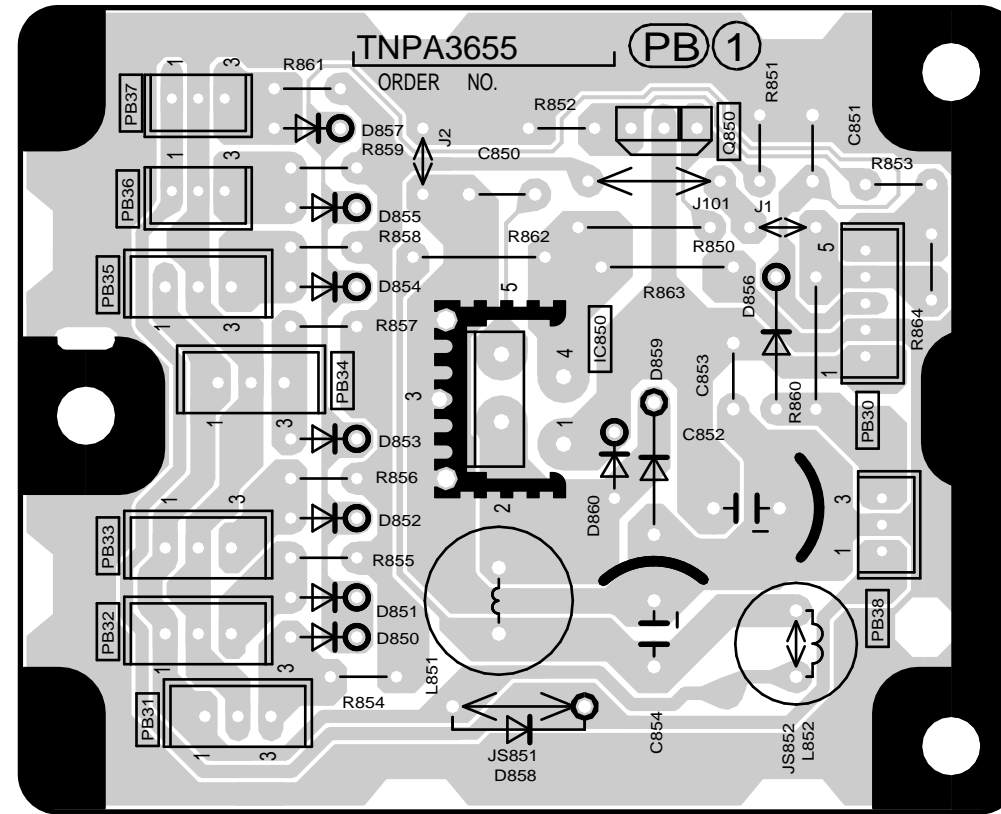
PB-BOARD (COMPONENT SIDE)			
IC		TRANSISTOR	
IC850	G-3	Q850	G-3



**PB-BOARD (FOIL SIDE)
TNPA3655AC**



**PB-BOARD (COMPONENT SIDE)
TNPA3655AC**

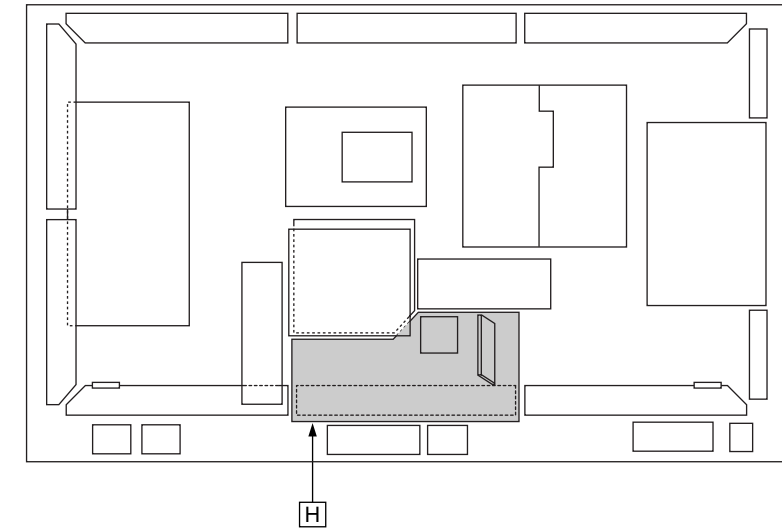


A B C D E F G H I

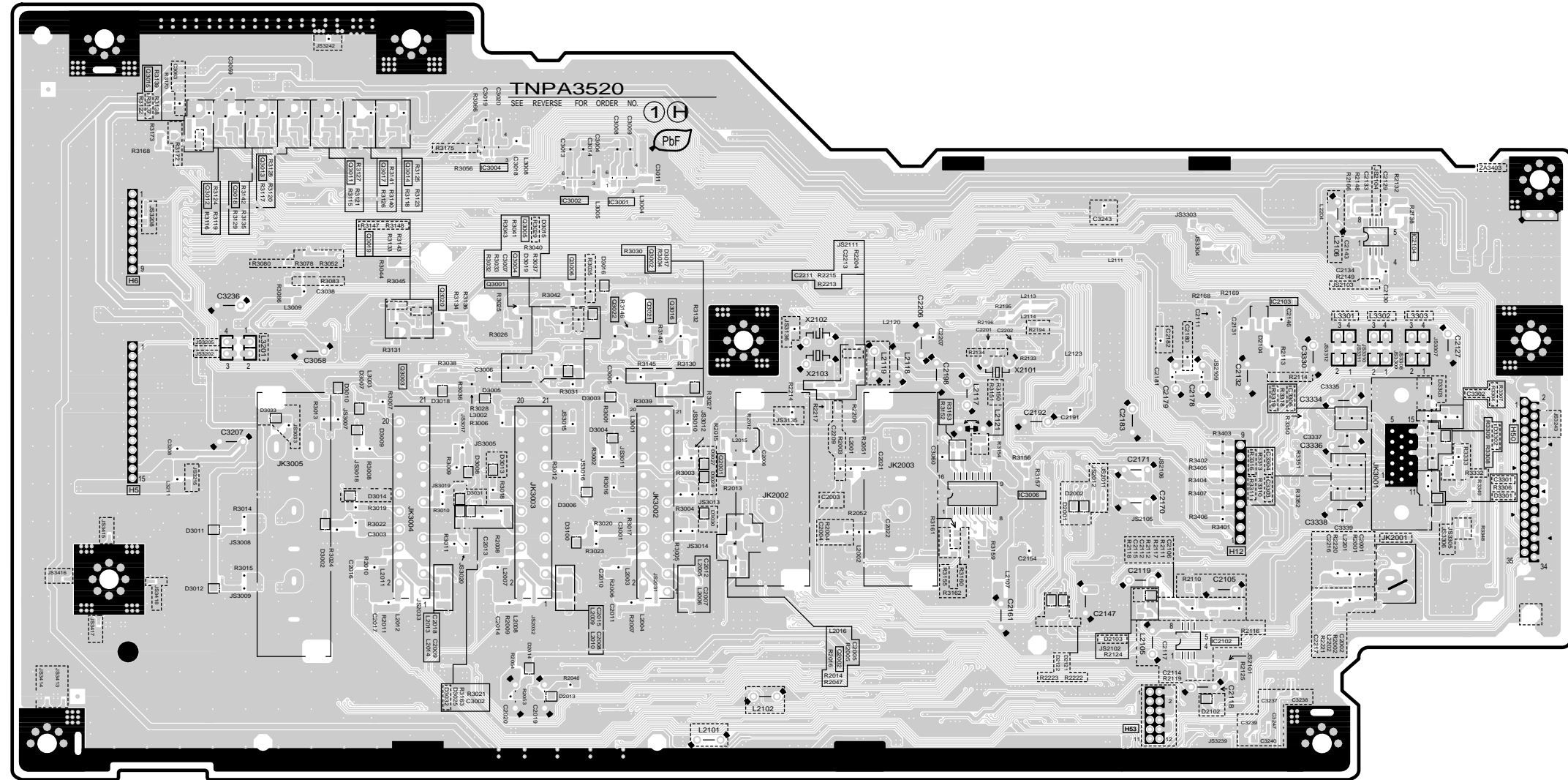
13.4. H-Board

Parts Location

H-BOARD (FOIL SIDE)			
IC		TRANSISTOR	
IC2102	G-1	Q2001	D-2
IC2103	G-3	Q2002	E-2
IC2104	G-3	Q3001	C-3
IC3001	D-3	Q3002	D-3
IC3002	D-3	Q3003	C-3
IC3004	C-4	Q3004	C-3
IC3006	F-2	Q3005	C-3
		Q3006	D-3
		Q3011	C-4
		Q3012	B-4
		Q3013	B-4
		Q3014	C-4
		Q3015	D-3
		Q3016	B-4
		Q3017	C-4
		Q3018	B-4
		Q3019	C-3
		Q3020	C-3
		Q3021	D-3
		Q3022	D-3



**H-BOARD (FOIL SIDE)
TNPA3520AF (PV500B)
TNPA3520AG (PV500E)**



TH-65PV500B H-BOARD TNPA3520AF
TH-65PV500E H-BOARD TNPA3520AG

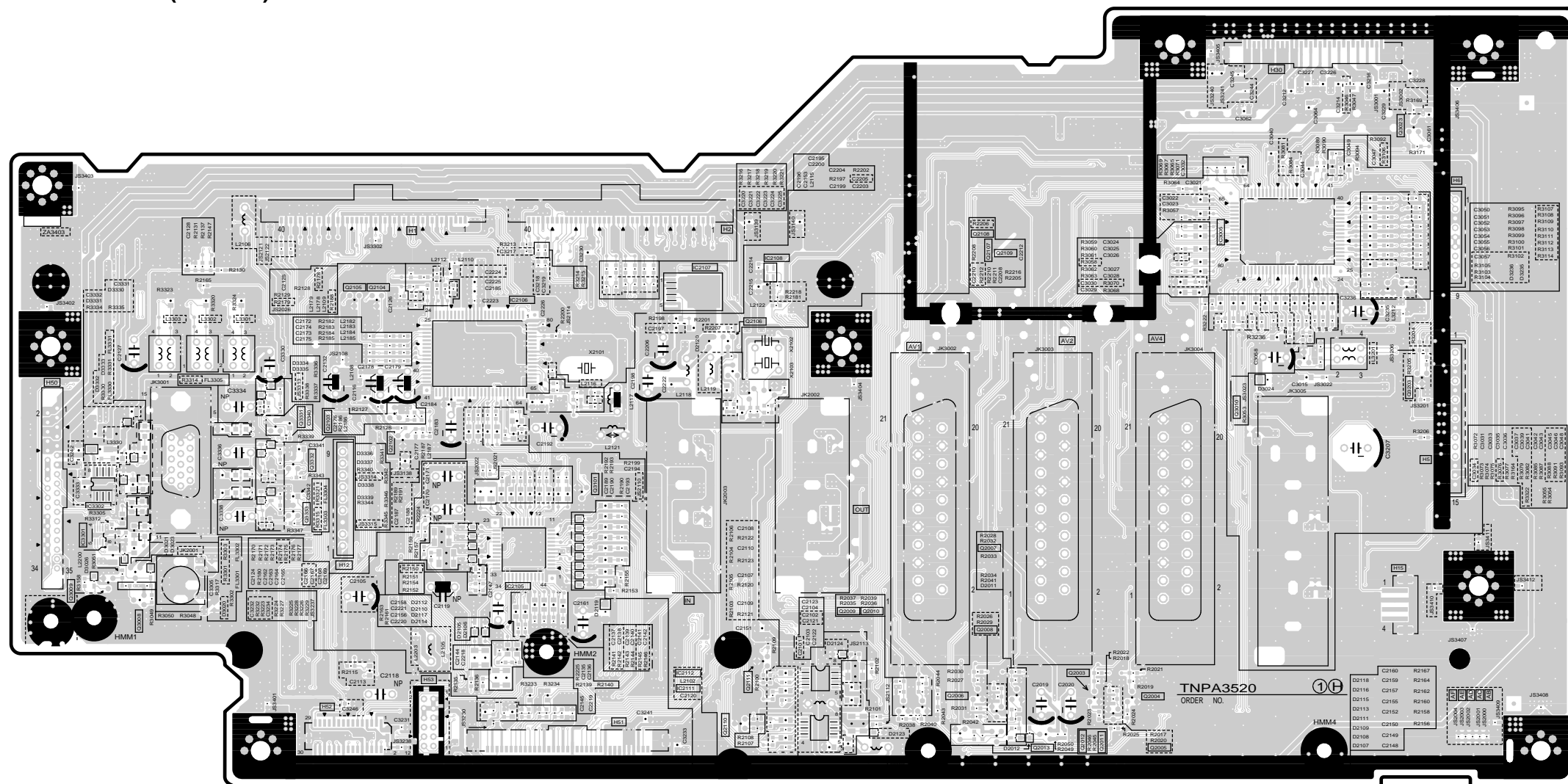
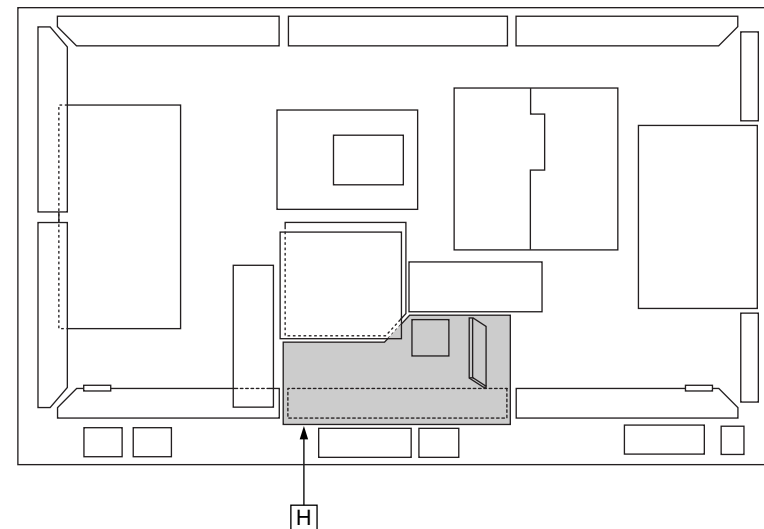
TH-65PV500B H-BOARD TNPA3520AF
TH-65PV500E H-BOARD TNPA3520AG

6
5
4
3
2
1

**H-BOARD (COMPONENT SIDE)
TNPA3520AF (PV500B)
TNPA3520AG (PV500E)**

Parts Location

H-BOARD (COMPONENT SIDE)			
IC		Q2012	F-1
IC2105	C-2	Q2013	F-1
IC2106	C-3	Q2102	C-2
IC2107	D-3	Q2103	C-3
IC2108	D-3	Q2104	C-3
IC2111	D-1	Q2105	C-3
IC2112	D-1	Q2106	C-3
IC3005	G-3	Q2107	E-3
IC3301	A-2	Q2108	E-3
IC3302	A-2	Q2109	F-3
TRANSISTOR		Q2110	D-1
Q2003	F-1	Q2111	D-1
Q2004	F-1	Q3008	B-2
Q2005	F-1	Q3009	A-2
Q2006	E-1	Q3010	G-3
Q2007	E-2	Q3023	G-4
Q2008	E-1	Q3101	D-2
Q2009	E-2	Q3203	G-3
Q2010	E-2	Q3331	B-3
Q2011	F-1	Q3332	B-2
		Q3333	B-2



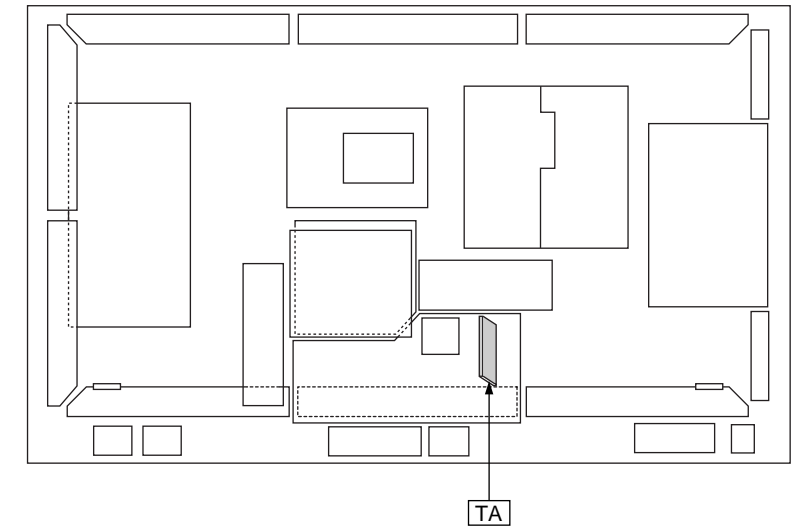
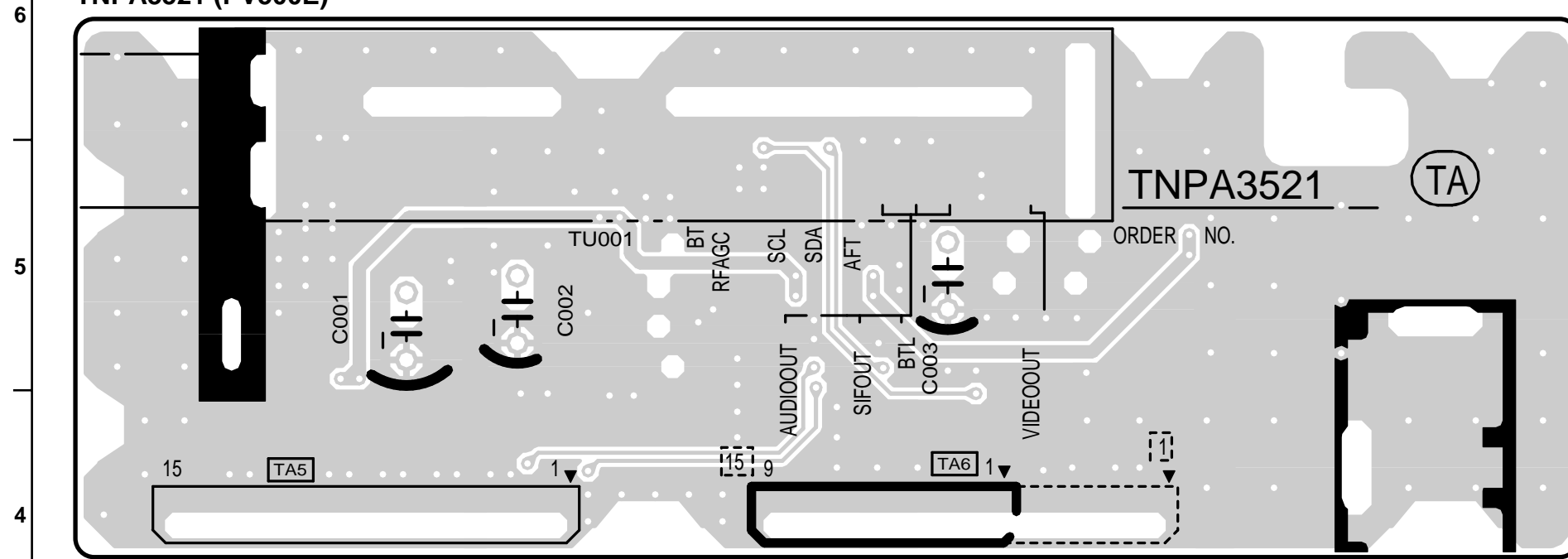
TH-65PV500B H-BOARD TNPA3520AF
TH-65PV500E H-BOARD TNPA3520AG

TH-65PV500B H-BOARD TNPA3520AF
TH-65PV500E H-BOARD TNPA3520AG

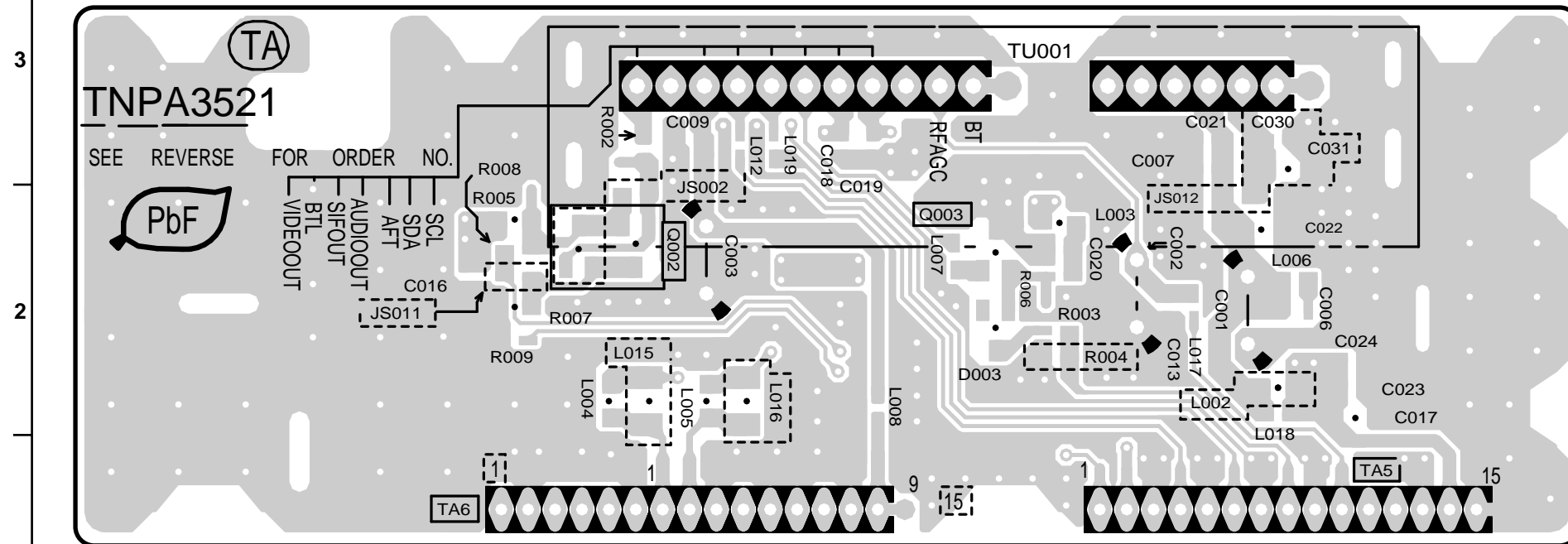
A | B | C | D | E | F | G | H | I

13.5. TA-Board

TA-BOARD (FOIL SIDE)
 TNPA3521AB (PV500B)
 TNPA3521 (PV500E)



TA-BOARD (COMPONENT SIDE)
 TNPA3521AB (PV500B)
 TNPA3521 (PV500E)



Parts Location

TA-BOARD	
TRANSISTOR	
Q002	C-2
Q003	D-2

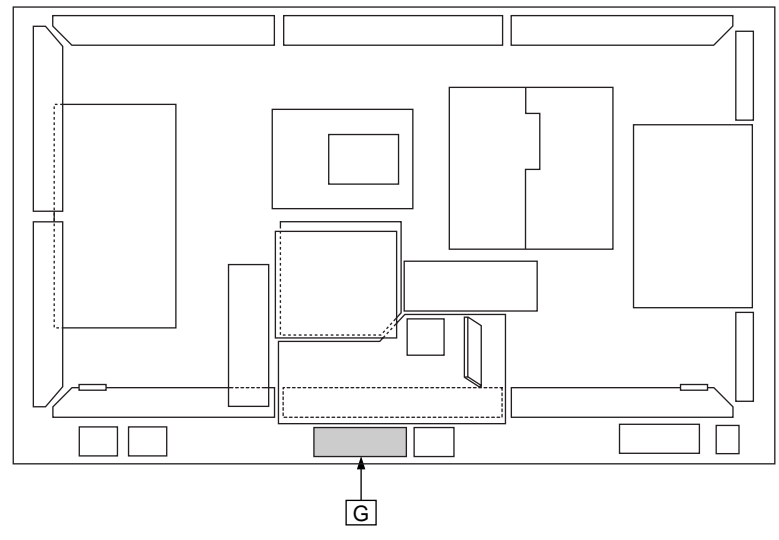
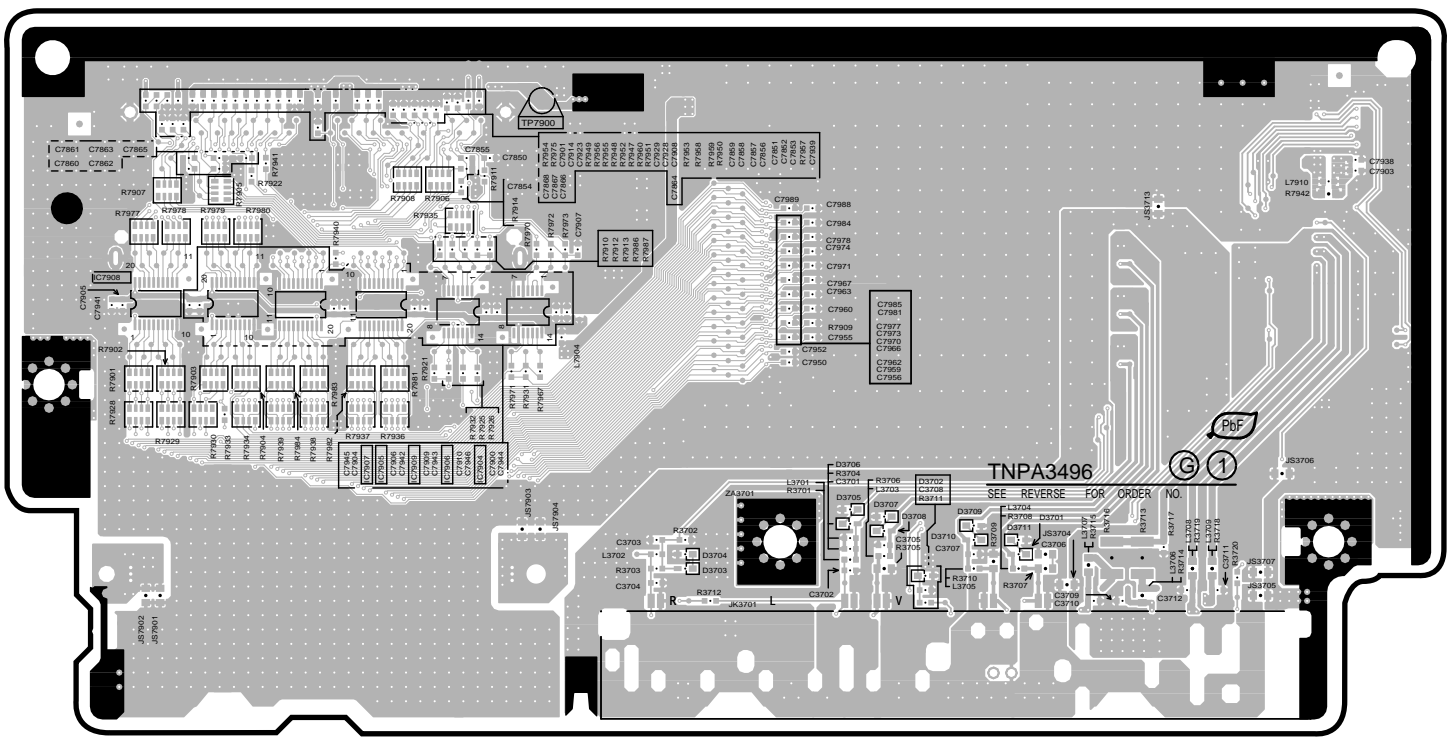
TH-65PV500B TA-BOARD TNPA3521AB
 TH-65PV500E TA-BOARD TNPA3521

TH-65PV500B TA-BOARD TNPA3521AB
 TH-65PV500E TA-BOARD TNPA3521

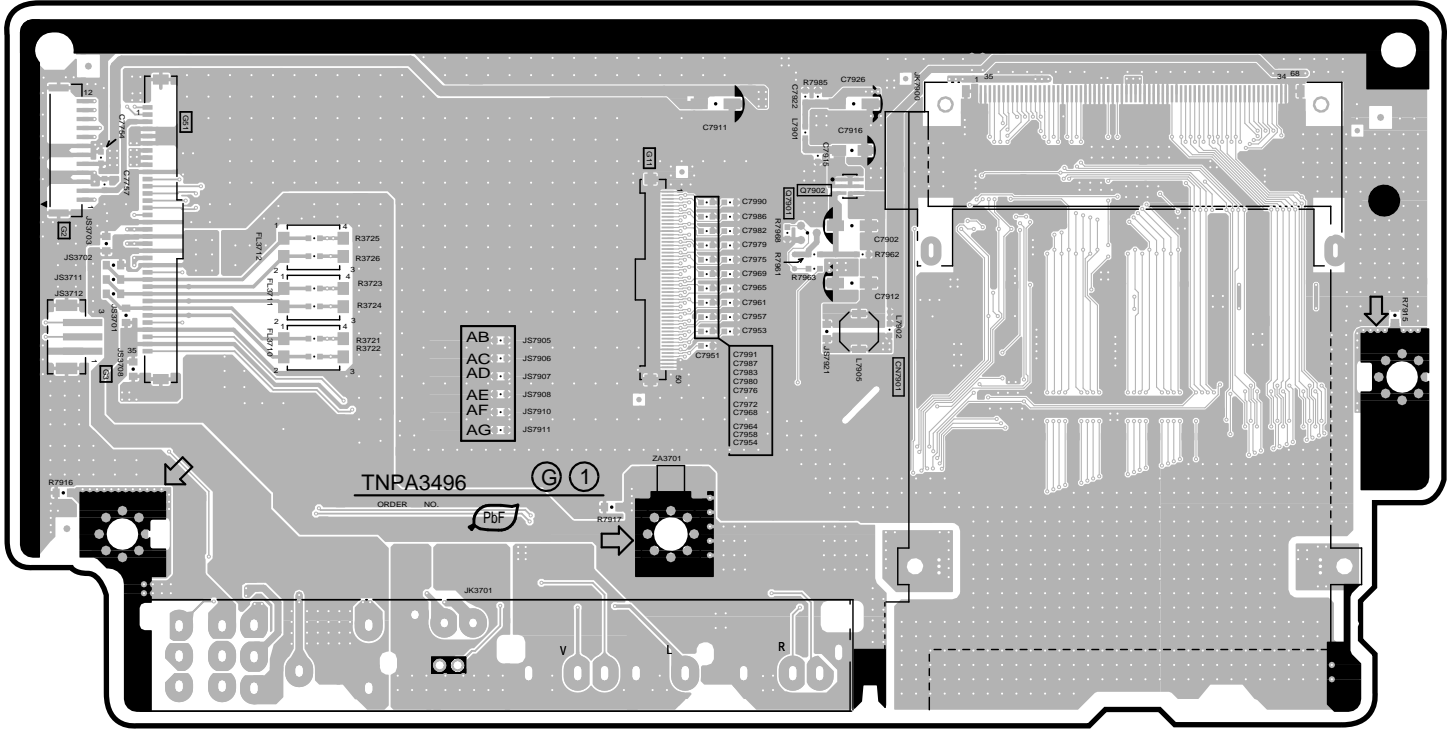
A | B | C | D | E | F | G | H | I

13.6. G-Board

G-BOARD (FOIL SIDE)
TXN/G1CNTE



G-BOARD (COMPONENT SIDE)
TXN/G1CNTE



Parts Location

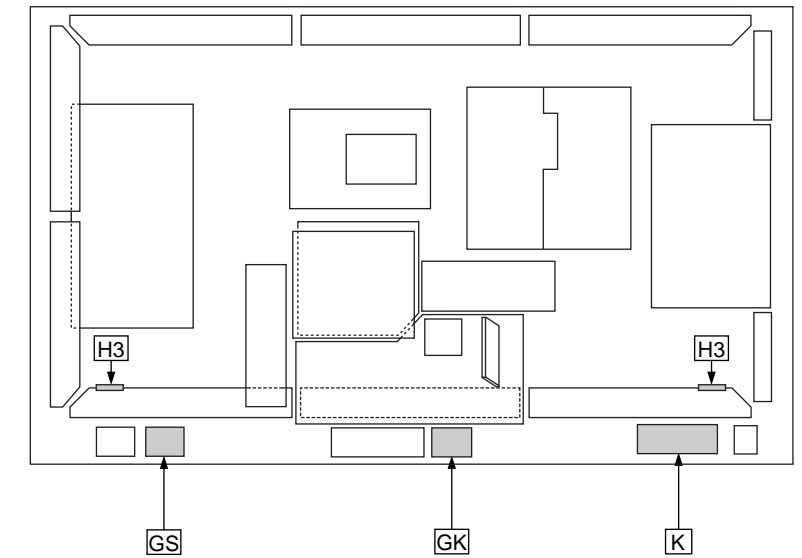
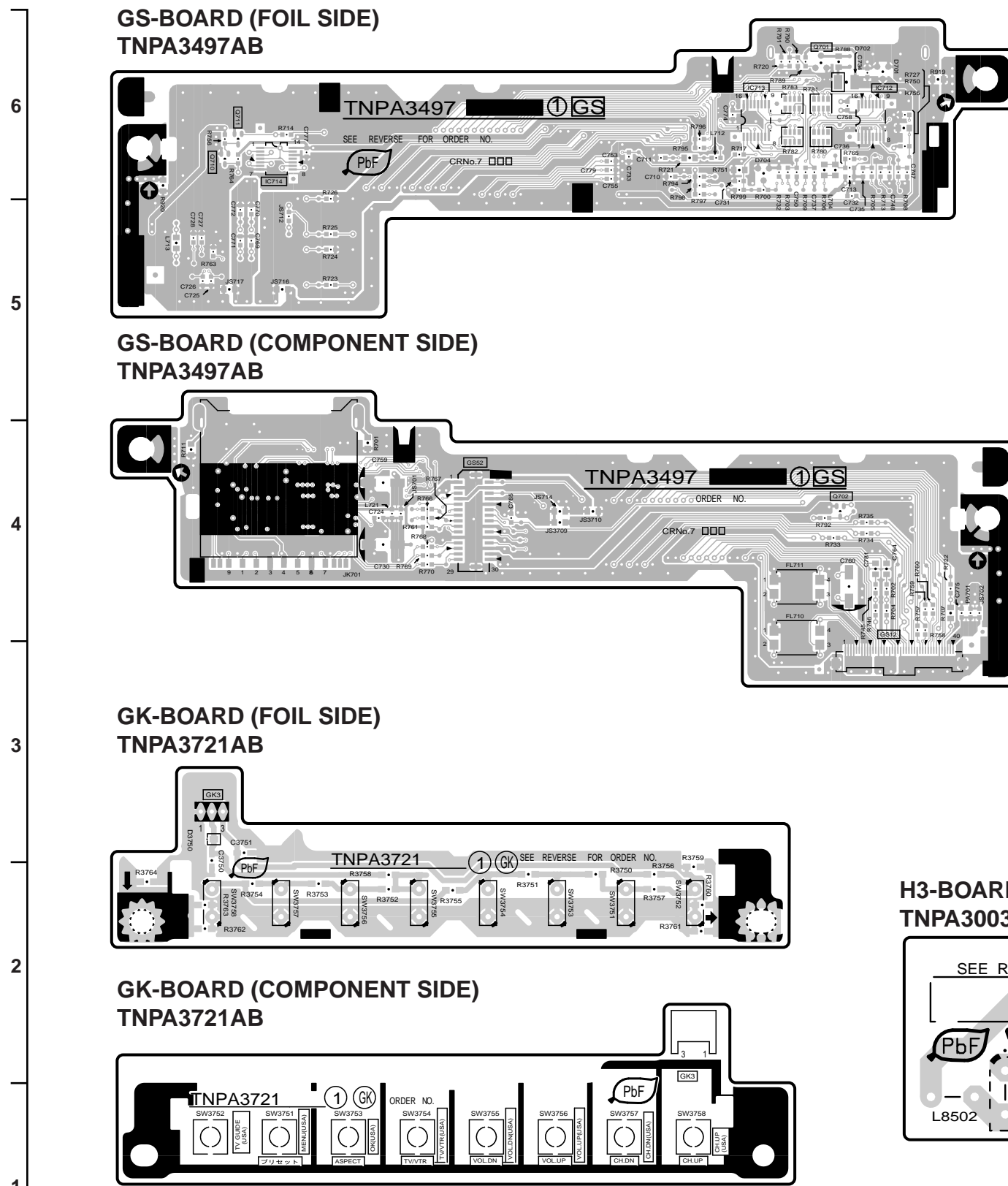
G-BOARD			
IC	TRANSISTOR		
IC7908	B-5	Q7901	D-3
IC7908	B-5	Q7902	D-3
IC7905	B-5	TP	
IC7909	B-5		
IC7906	C-5	TP7900	C-6
IC7904	C-5		

TH-65PV500B/E
G-BOARD TXN/G1CNTE

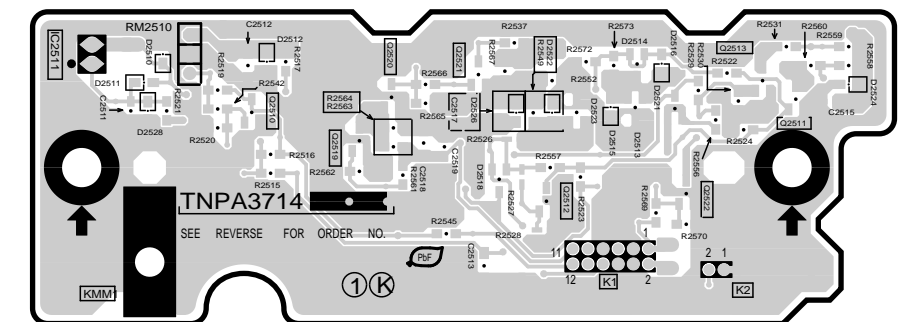
TH-65PV500B/E
G-BOARD TXN/G1CNTE

A | B | C | D | E | F | G | H

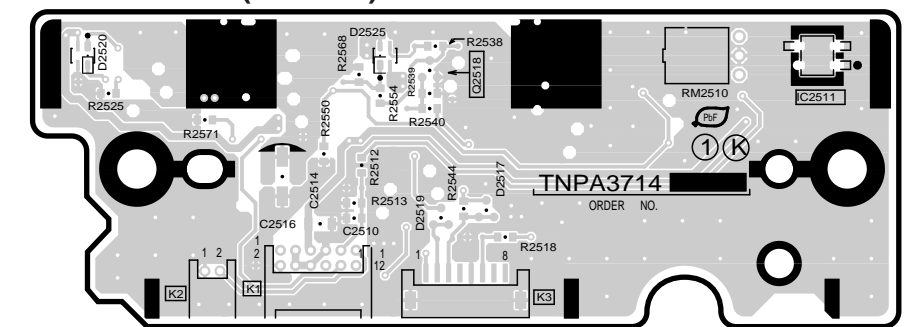
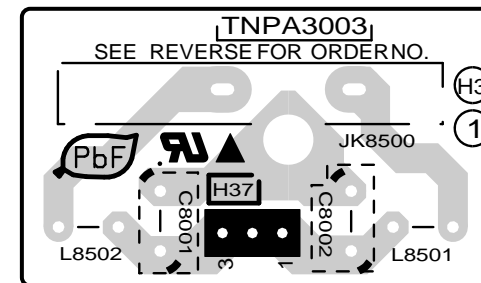
13.7. H3, GK, GS and K-Board



K-BOARD (FOIL SIDE)
TNPA3714AC (PV500B)
TNPA3714AB (PV500E)



H3-BOARD
TNPA3003



TH-65PV500B/E
GS-BOARD TNPA3497AB
GK-BOARD TNPA3721AB
H3-BOARD TNPA3003

TH-65PV500B
K-BOARD TNPA3714AC

TH-65PV500E
K-BOARD TNPA3714AB

TH-65PV500B/E
GS-BOARD TNPA3497AB
GK-BOARD TNPA3721AB
H3-BOARD TNPA3003

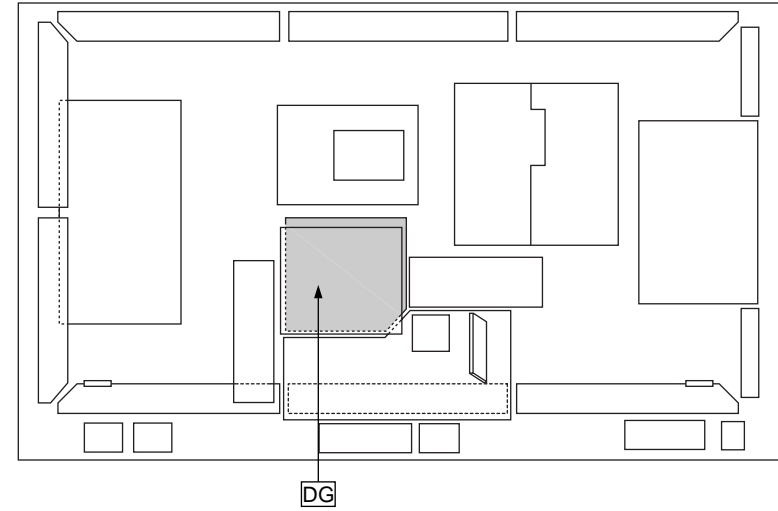
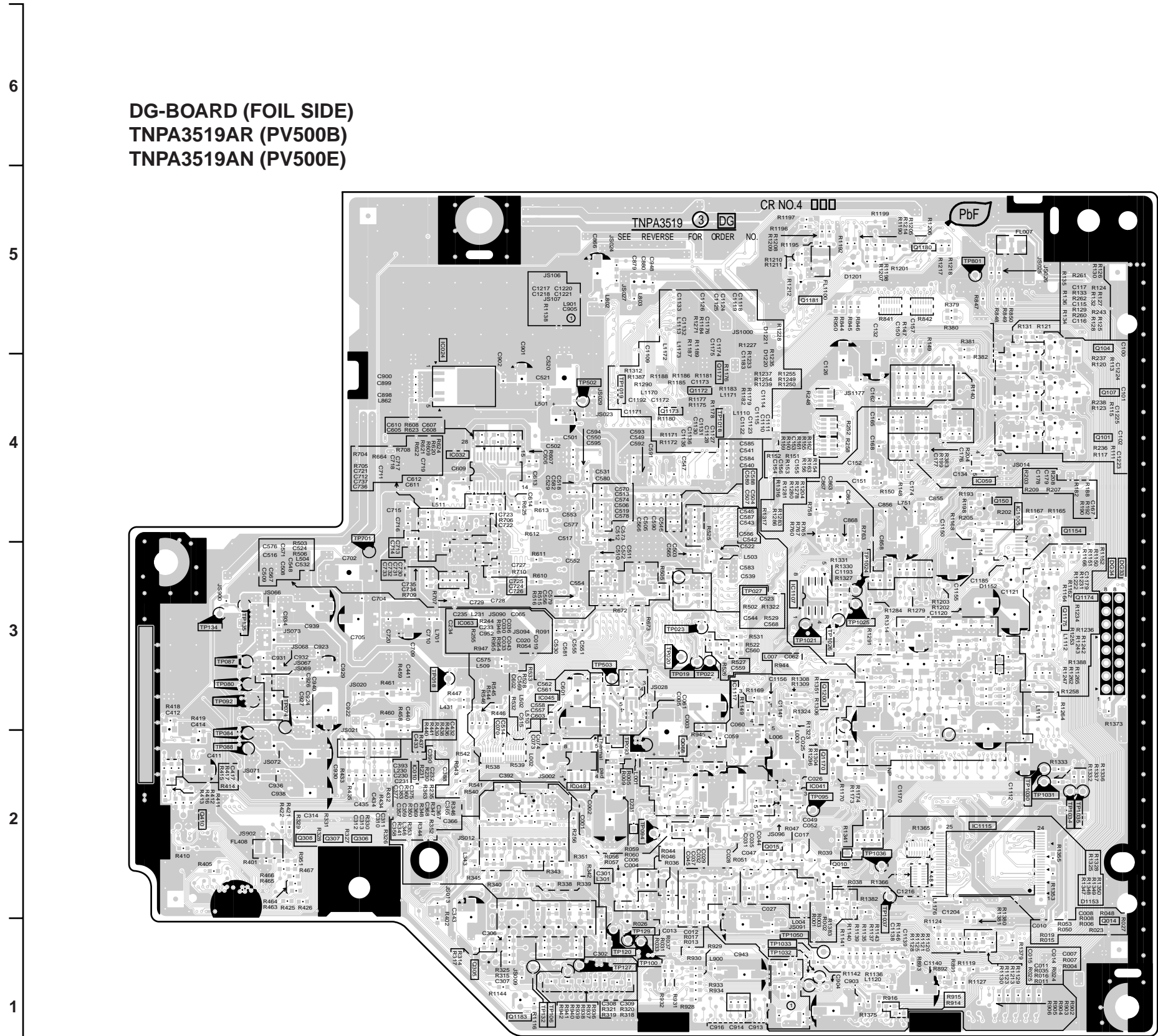
TH-65PV500B
K-BOARD TNPA3714AC

TH-65PV500E
K-BOARD TNPA3714AB

A B C D E F G H I

13.8. DG-Board

DG-BOARD (FOIL SIDE)
 TNPA3519AR (PV500B)
 TNPA3519AN (PV500E)



Parts Location

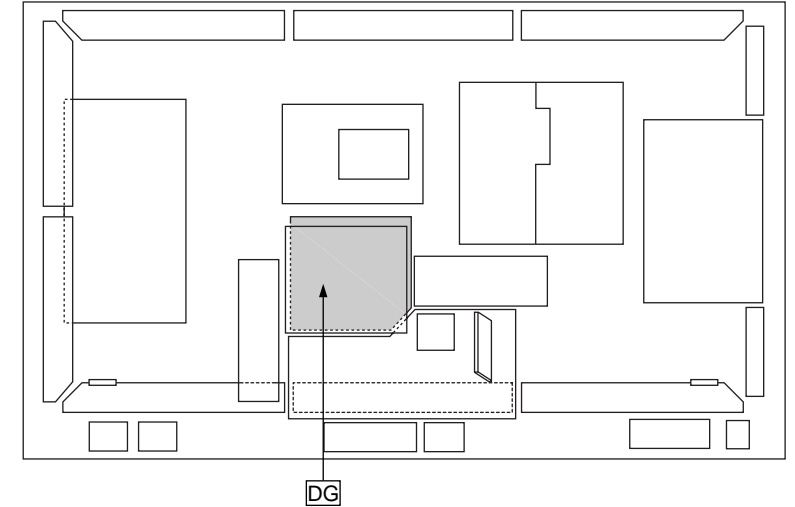
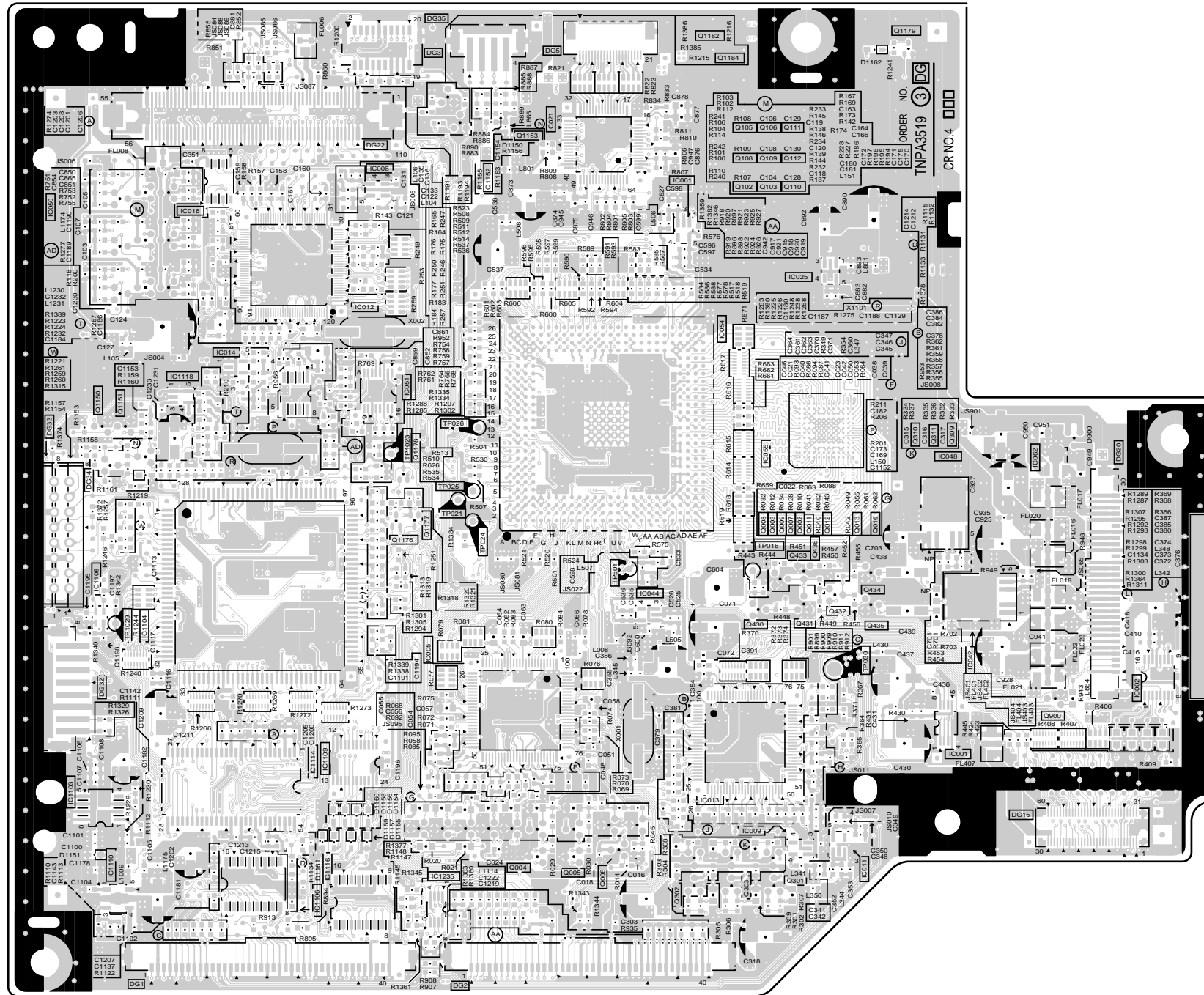
DG-BOARD (FOIL SIDE)					
IC	TRANSISTOR		TP		
IC1105	F-4	Q1154	F-4	TP1018	D-4
IC1107	E-3	Q1170	E-2	TP1019	D-4
IC1115	F-2	Q1171	D-4	TP1021	E-3
IC1117	D-3	Q1172	D-4	TP1024	E-3
IC4010	C-2	Q1173	D-4	TP1025	E-3
IC4024	C-5	Q1174	F-3	TP1026	E-3
IC4032	C-4	Q1175	F-3	TP1030	F-2
IC4041	E-2	Q1180	E-5	TP1031	F-2
IC4045	C-3	Q1181	E-5	TP1032	E-1
IC4049	C-2	Q1183	C-1	TP1033	E-1
IC4059	F-4	Q1200	E-3	TP1034	F-2
IC4063	C-3	Q4010	E-2	TP1035	F-2
		Q4014	F-1	TP1036	E-2
		Q4015	D-2	TP1037	E-2
		Q4068	D-2	TP1050	E-1
		Q4101	F-4	TP4018	C-3
		Q4104	F-5	TP4019	D-3
		Q4107	F-4	TP4020	D-3
		Q4150	F-4	TP4022	D-3
		Q4305	C-1	TP4023	D-3
		Q4306	B-2	TP4027	D-3
		Q4307	B-2	TP4074	B-3
		Q4308	B-2	TP4080	B-3
		Q4410	A-2	TP4084	B-2
				TP4087	B-3
				TP4088	B-2
				TP4092	B-3
				TP4093	D-2
				TP4094	D-2
				TP4095	E-2
				TP4100	D-1
				TP4106	C-1
				TP4120	D-1
				TP4127	D-1
				TP4129	D-1
				TP4132	C-1
				TP4134	B-3
				TP4135	B-3
				TP4502	C-4
				TP4503	D-3
				TP4701	B-4
				TP4801	F-5

TH-65PV500B DG-BOARD TNPA3519AR
 TH-65PV500E DG-BOARD TNPA3519AN

TH-65PV500B DG-BOARD TNPA3519AR
 TH-65PV500E DG-BOARD TNPA3519AN

A B C D E F G H

DG-BRD (COMPONENT SIDE)
 TNPA3519AR (PV500B)
 TNPA3519AN (PV500E)



Parts Location

DG-BRD (COMPONENT SIDE)					
IC	TRANSISTOR		TP		
IC1103	A-2	Q1150	A-4	Q4106	D-5
IC1104	B-3	Q1151	B-4	Q4108	D-5
IC1106	B-1	Q1152	C-5	Q4109	D-5
IC1108	A-3	Q1153	C-5	Q4110	E-5
IC1109	B-2	Q1176	C-3	Q4111	E-5
IC1110	B-1	Q1177	C-3	Q4301	E-1
IC1114	B-2	Q1178	C-3	Q4302	D-1
IC1116	C-1	Q1179	E-5	Q4303	D-1
IC1118	B-4	Q1182	D-5	Q4309	E-3
IC1235	C-1	Q1184	D-5	Q4310	E-3
IC4001	E-2	Q4002	E-3	Q4311	E-3
IC4002	F-2	Q4003	E-3	Q4430	D-3
IC4005	C-2	Q4004	C-1	Q4431	E-3
IC4008	C-5	Q4005	D-1	Q4432	E-3
IC4009	D-2	Q4006	D-1	Q4433	E-3
IC4011	E-1	Q4007	E-3	Q4434	E-3
IC4012	C-4	Q4008	D-3	Q4435	E-3
IC4013	D-2	Q4009	E-3	Q4436	E-3
IC4014	B-4	Q4011	E-3	Q4900	F-2
IC4016	B-4	Q4012	E-3		
IC4021	D-5	Q4013	E-3		
IC4025	E-4	Q4016	E-3		
IC4042	E-2	Q4102	D-5		
IC4044	D-3	Q4103	D-5		
IC4048	E-3	Q4105	D-5		
IC4050	A-4	Q4106	D-5		
IC4051	C-4	Q4108	D-5		
IC4054	D-4	Q4109	D-5		
IC4055	D-3	Q4110	E-5		
IC4061	D-5	Q4111	E-5		
IC4062	F-3	Q4112	E-5		
		Q4013	E-3		
		Q4016	E-3		
		Q4102	D-5		
		Q4103	D-5		
		Q4105	D-5		
				TP1023	C-3
				TP1029	B-3
				TP4016	D-3
				TP4021	C-3
				TP4024	C-3
				TP4025	C-3
				TP4026	C-3
				TP4030	E-2
				TP4501	D-3

TH-65PV500B DG-BRD TNPA3519AR
 TH-65PV500E DG-BRD TNPA3519AN

TH-65PV500B DG-BRD TNPA3519AR
 TH-65PV500E DG-BRD TNPA3519AN

A | B | C | D | E | F | G | H | I

13.9. DV-Board

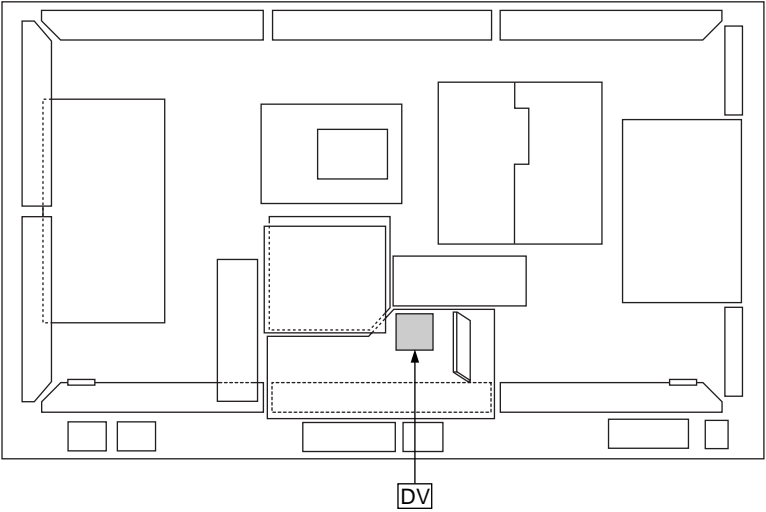
6
5
4
3
2
1

A B C D E F G H

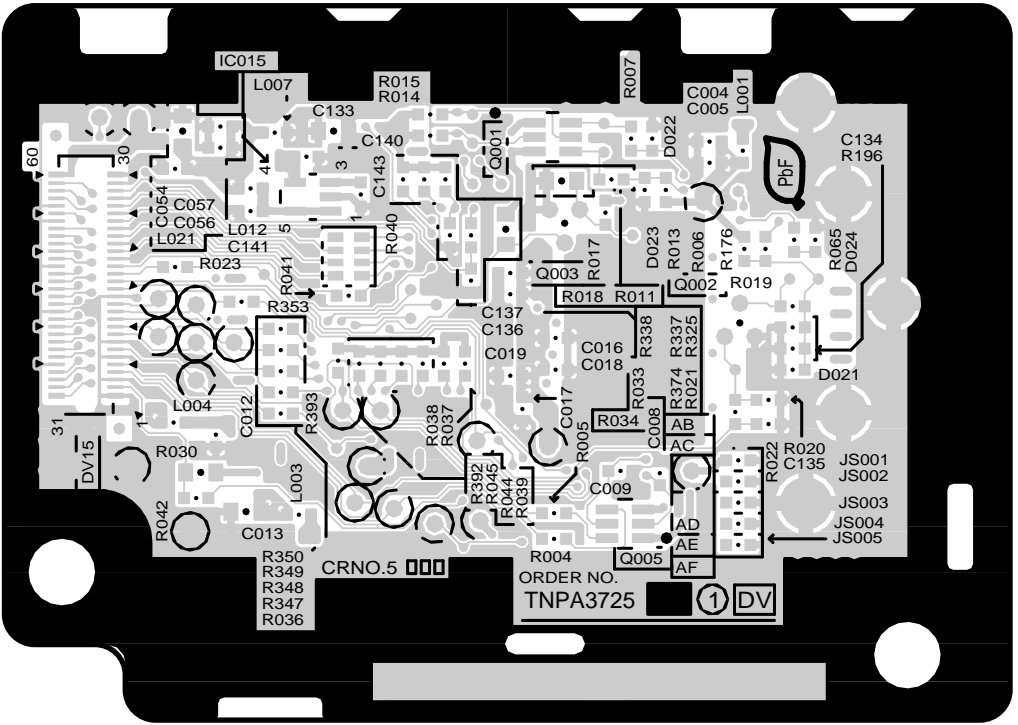
THIS IS FOR REFERENCE USE ONLY.
THIS MUST BE REPLACED WITH
AN EXCHANGE BOARD ONLY.

Parts Location

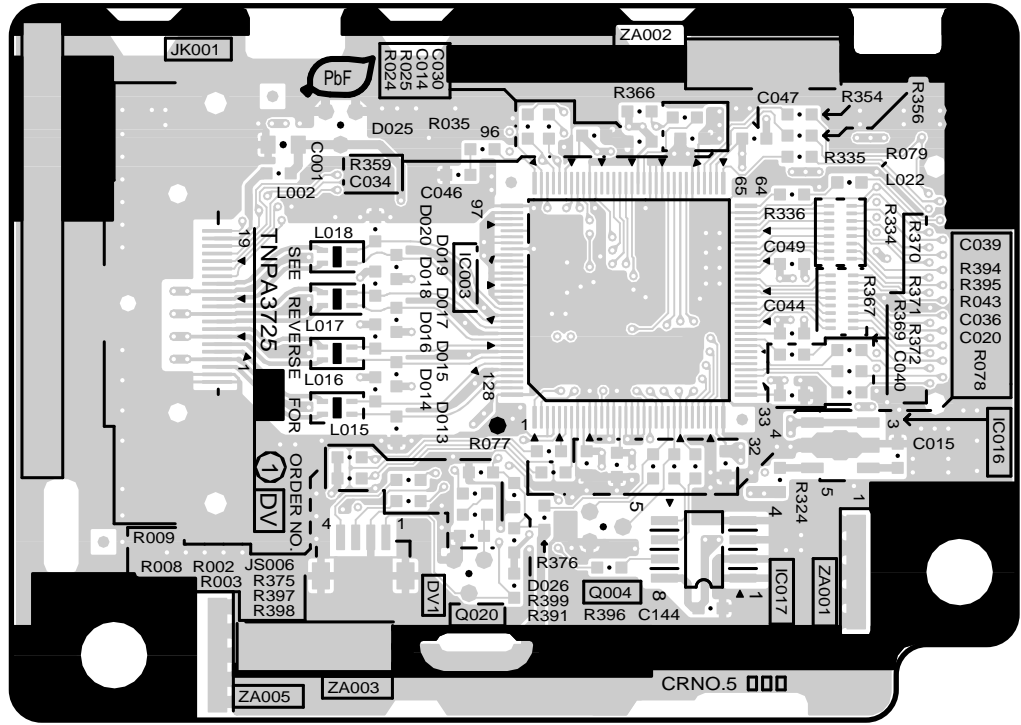
DV-BOARD			
IC	F-2	TRANSISTOR	B-3
IC5003	F-2	Q5001	B-3
IC5015	B-3	Q5002	C-2
IC5016	H-2	Q5003	C-2
IC5017	G-1	Q5004	G-1
		Q5005	C-1
		Q5020	F-1



DV-BOARD (FOIL SIDE)
TNPA3725



DV-BOARD (COMPONENT SIDE)
TNPA3725

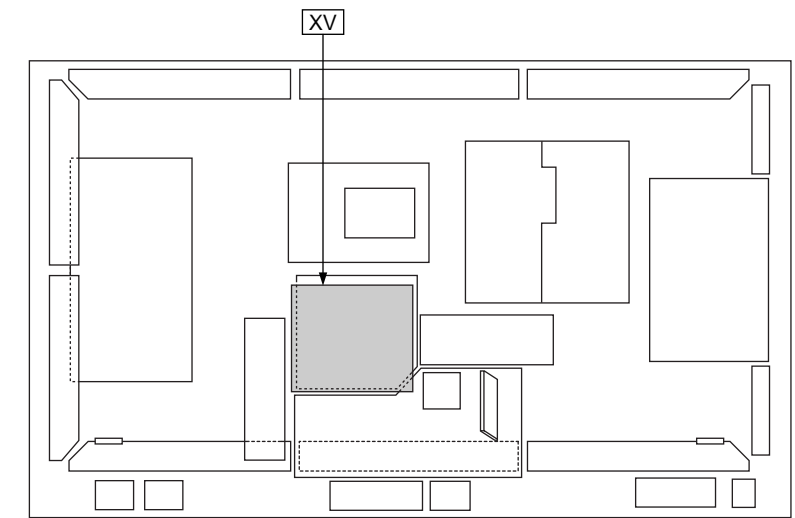
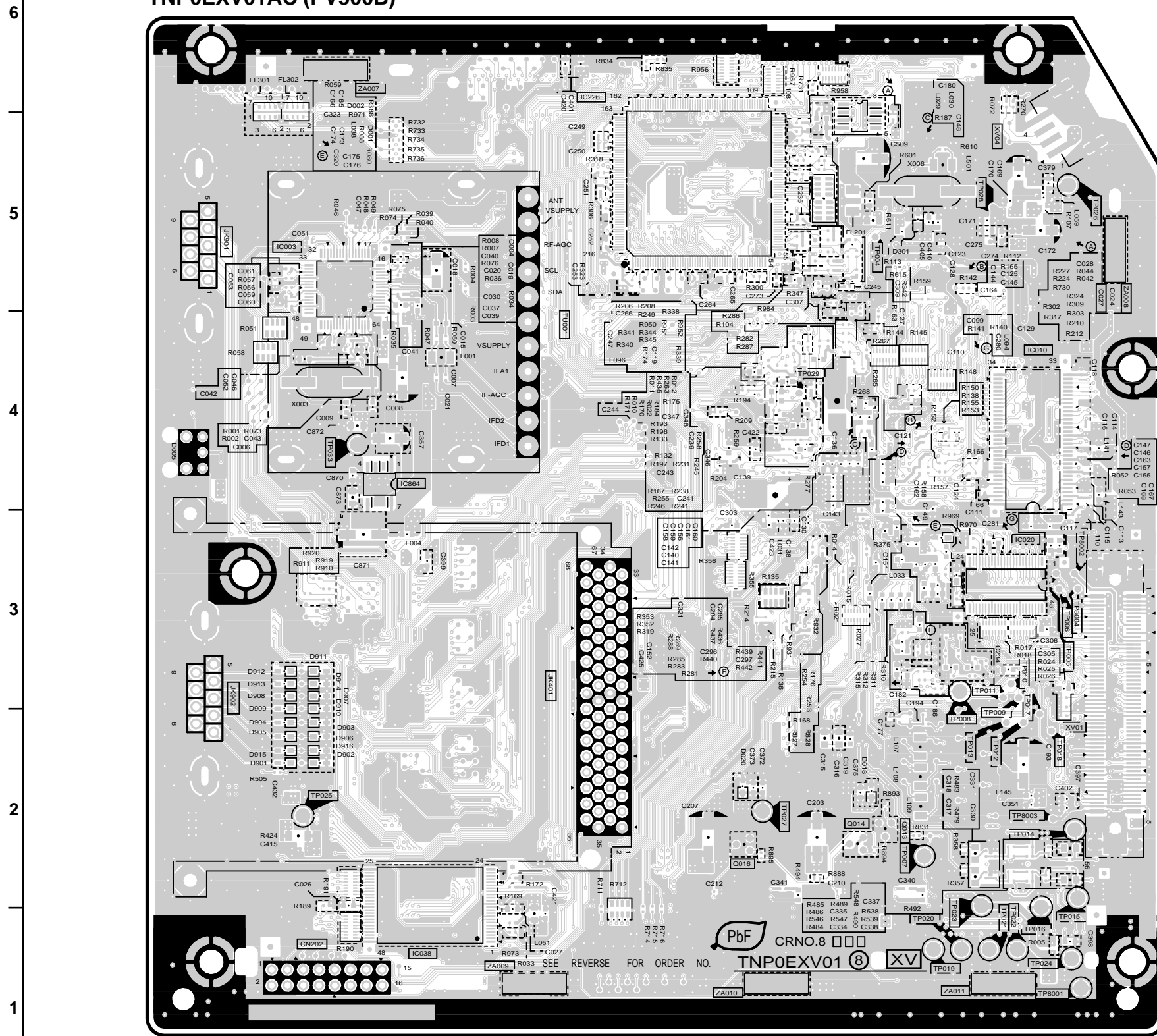


TH-65PV500B/E
DV-BOARD TNPA3725

TH-65PV500B/E
DV-BOARD TNPA3725

13.10. XV-Board (PV500B)

XV-BOARD (FOIL SIDE)
TNP0EXV01AC (PV500B)



Parts Location

XV-BOARD (FOIL SIDE)			
IC		TP	
IC8003	B-5	TP8001	F-1
IC8010	F-4	TP8002	F-3
IC8020	F-3	TP8003	F-2
IC8027	F-5	TP8004	F-3
IC8038	C-1	TP8005	F-3
IC8226	C-6	TP8006	F-3
IC8864	B-4	TP8007	E-2
TRANSISTOR		TP8008	E-2
Q8013	E-2	TP8009	E-2
Q8014	E-2	TP8010	F-3
Q8016	D-2	TP8011	E-3
		TP8012	E-2
		TP8013	E-2
		TP8014	F-2
		TP8015	F-1
		TP8016	F-1
		TP8017	F-3
		TP8018	F-2
		TP8019	E-1
		TP8020	E-1
		TP8021	E-1
		TP8022	E-1
		TP8023	E-1
		TP8024	F-1
		TP8025	B-2
		TP8026	F-5
		TP8027	D-2
		TP8028	E-5
		TP8029	D-4
		TP8033	B-4

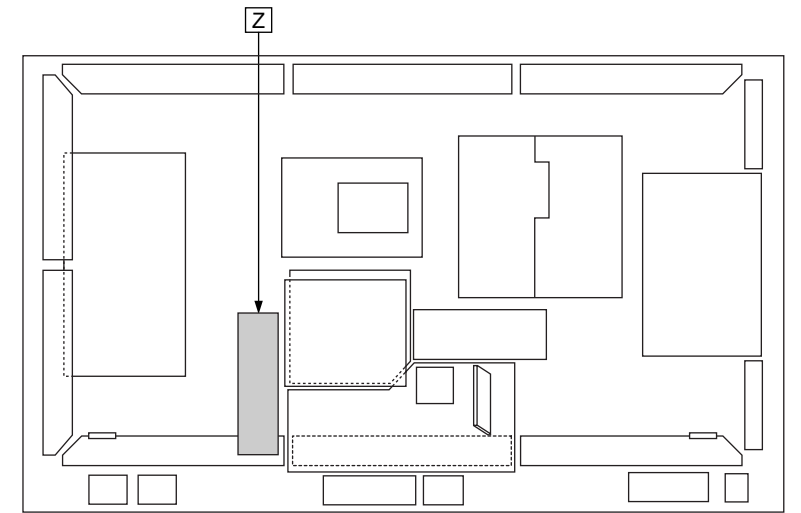
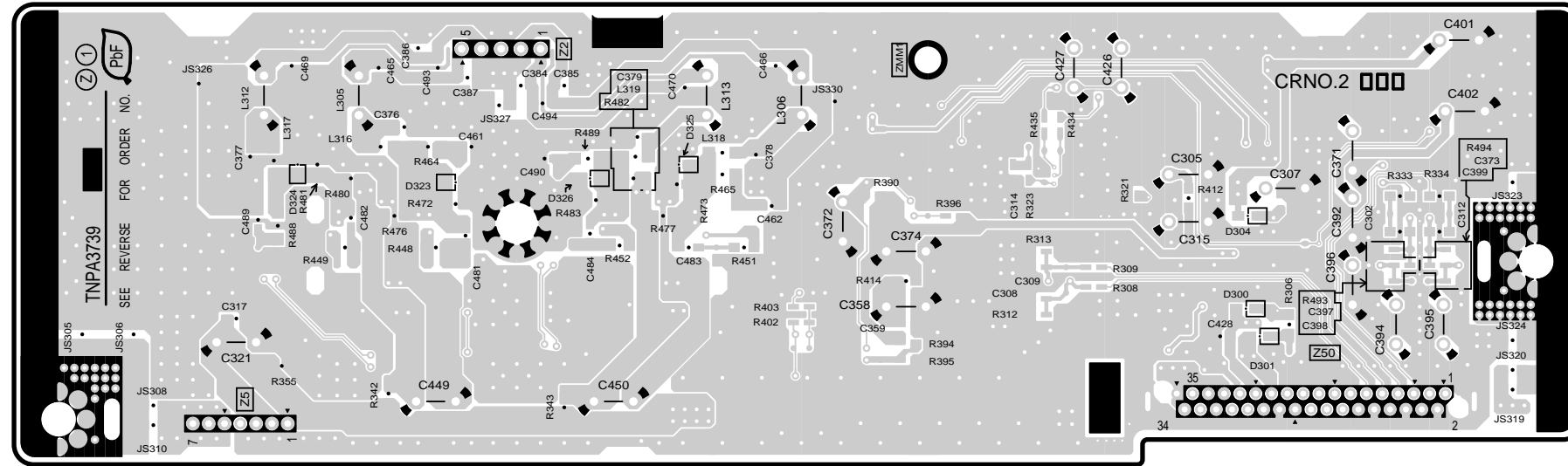
TH-65PV500B
XV-BOARD TNP0EXV01AC

TH-65PV500B
XV-BOARD TNP0EXV01AC

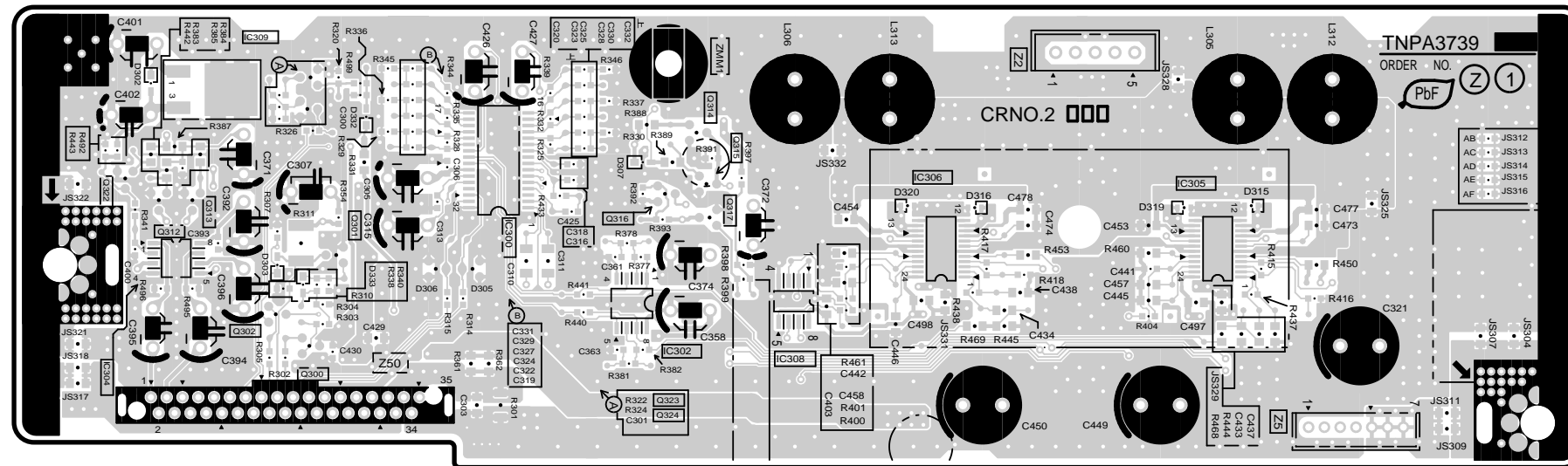
A | B | C | D | E | F | G | H | I

13.11. Z-Board

Z-BOARD (FOIL SIDE)
TNPA3739



Z-BOARD (COMPONENT SIDE)
TNPA3739



TH-65PV500B/E
Z-BOARD TNPA3739

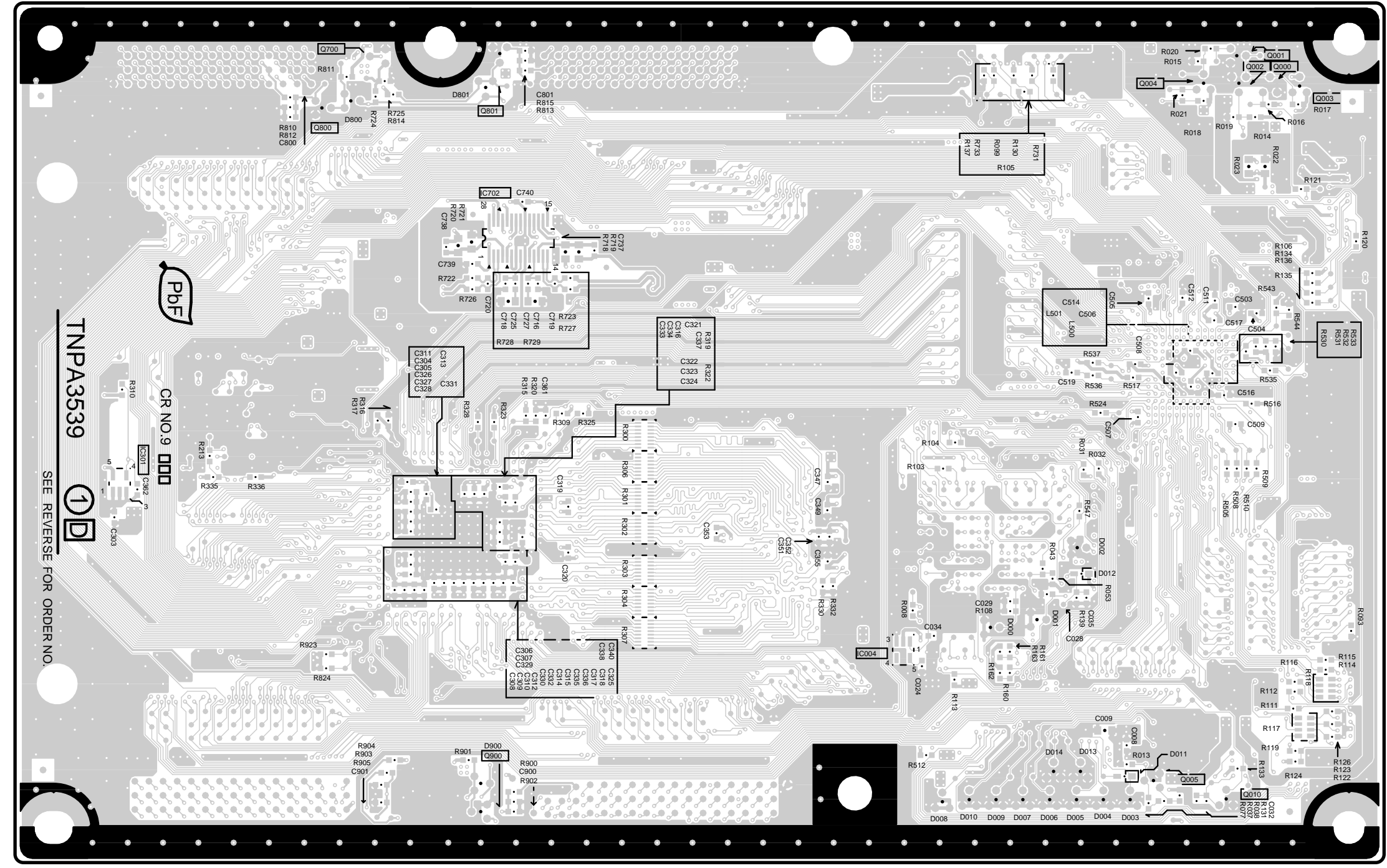
TH-65PV500B/E
Z-BOARD TNPA3739

A | B | C | D | E | F | G | H | I

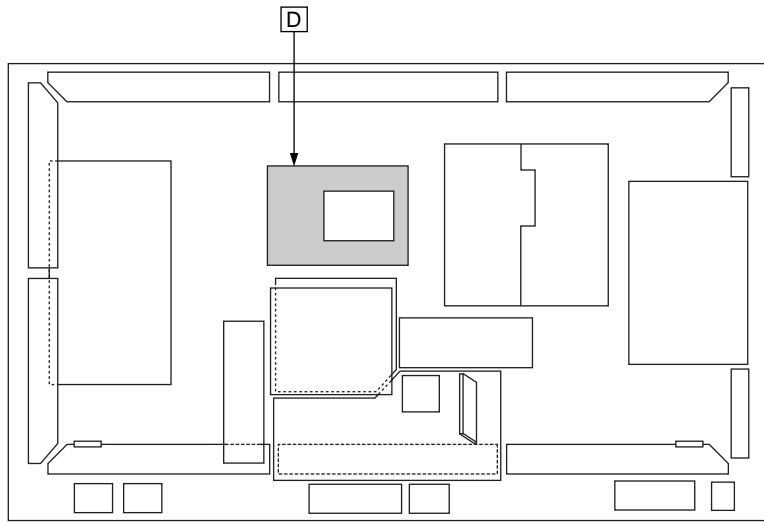
13.12. D-Board

6
5
4
3
2
1

D-BOARD (FOIL SIDE)
TZTNP010CLT



A B C D E F G H



Parts Location

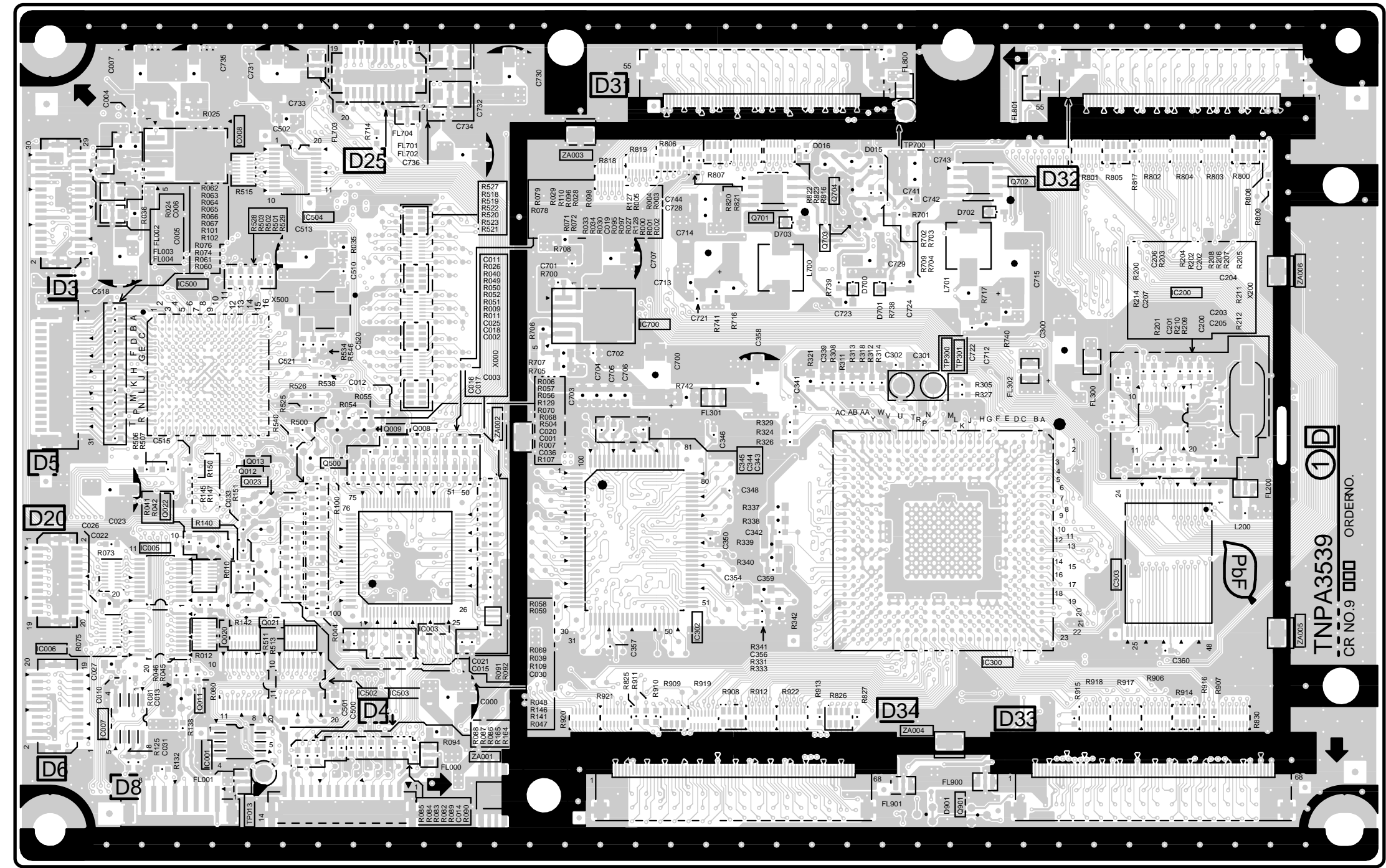
D-BOARD (FOIL SIDE)			
IC		TRANSISTOR	
IC9004	F-2	Q9000	H-5
IC9301	B-3	Q9001	H-5
IC9702	D-4	Q9002	H-5
		Q9003	H-5
		Q9004	G-5
		Q9005	G-2
		Q9010	G-1
		Q9700	C-5
		Q9800	C-5
		Q9801	D-5
		Q9900	D-1

Parts Location

D-BOARD (COMPONENT SIDE)					
IC		TRANSISTOR		TP	
IC9001	B-2	Q9008	C-3	TP9013	B-2
IC9003	C-3	Q9009	C-3	TP9300	F-4
IC9005	B-3	Q9011	B-2	TP9301	F-4
IC9006	B-2	Q9012	B-3	TP9700	F-5
IC9007	B-2	Q9013	B-3		
IC9008	B-5	Q9020	B-2		
IC9200	G-3	Q9021	B-2		
IC9300	F-3	Q9022	B-3		
IC9302	D-3	Q9023	B-3		
IC9303	G-3	Q9500	C-3		
IC9500	B-4	Q9701	E-4		
IC9502	C-2	Q9702	F-5		
IC9503	C-2	Q9703	E-4		
IC9504	B-5	Q9704	E-5		
IC9700	D-4	Q9901	F-1		

6
5
4
3
2
1

D-BOARD (COMPONENT SIDE) TZTNP010CLT



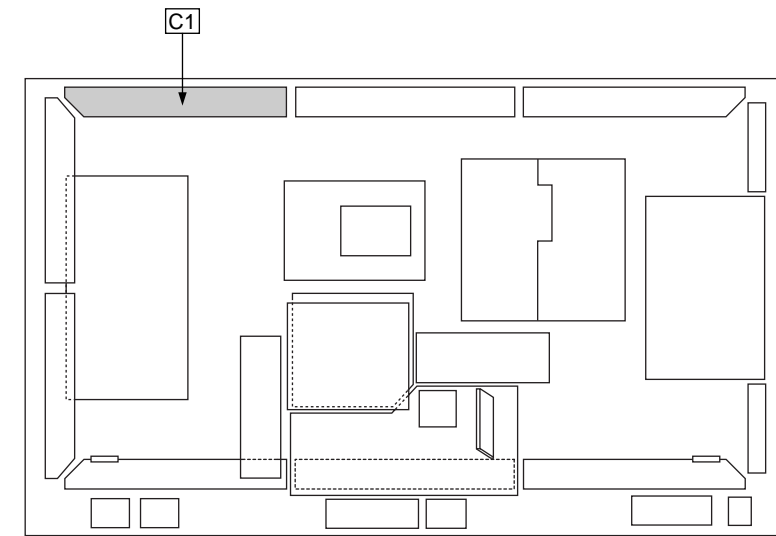
1D
TNPA3539
CR NO.9 ORDENO.

A | B | C | D | E | F | G | H

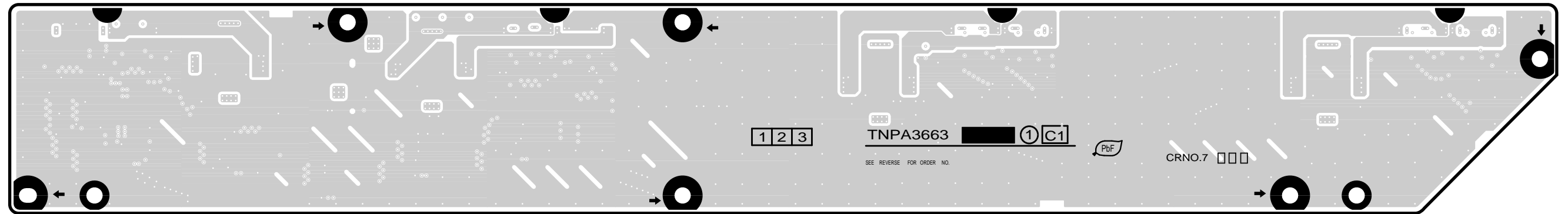
13.13. C1-Board

Parts Location

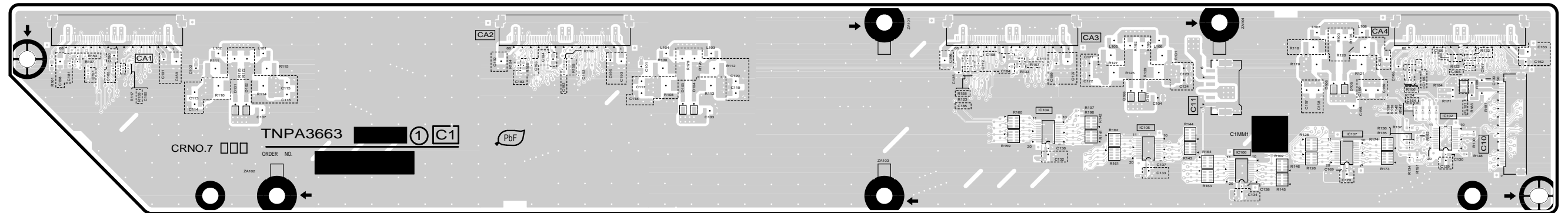
C1-BOARD	
IC	
IC7102	I-2
IC7104	G-2
IC7105	G-2
IC7106	H-1
IC7107	H-2



**C1-BOARD (FOIL SIDE)
TNPA3663**



**C1-BOARD (COMPONENT SIDE)
TNPA3663**



TH-65PV500B/E
C1-BOARD TNPA3663

TH-65PV500B/E
C1-BOARD TNPA3663

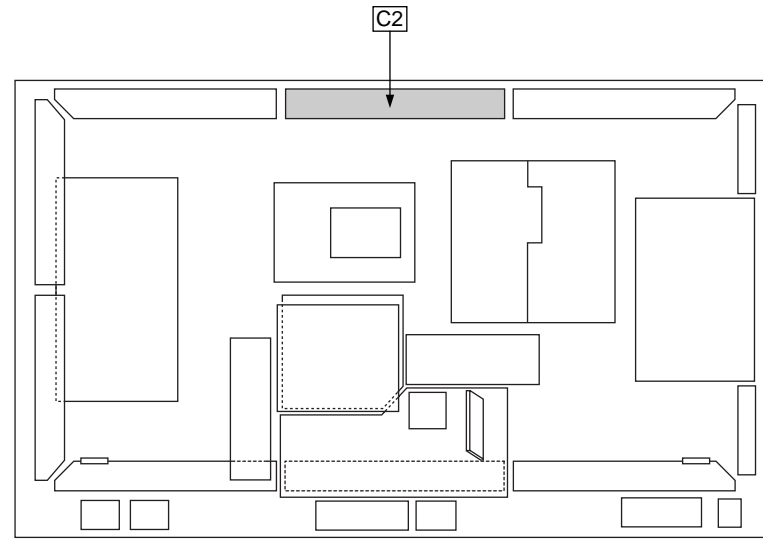
A | B | C | D | E | F | G | H | I

13.14. C2-Board

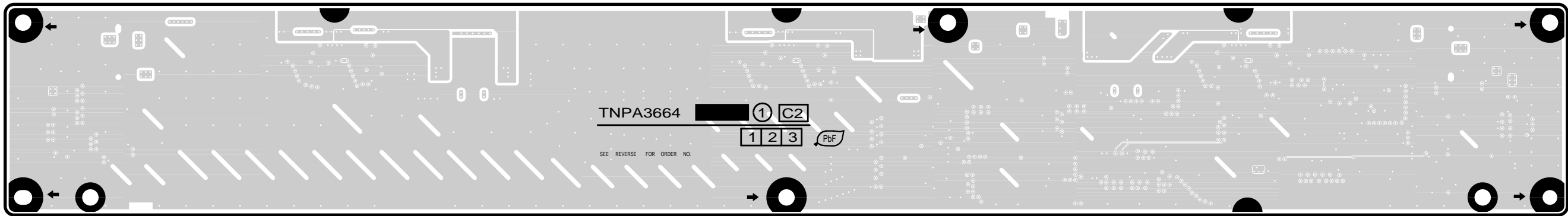
6
5
4
3
2
1

Parts Location

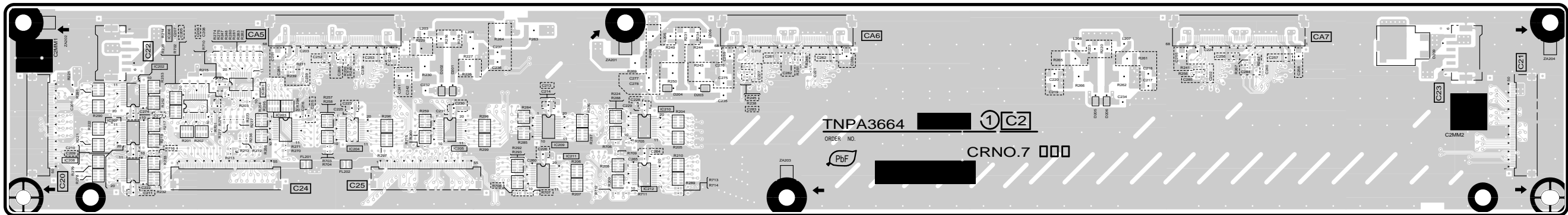
C2-BOARD	
IC	
IC7201	B-2
IC7202	B-2
IC7203	B-2
IC7204	C-2
IC7205	C-2
IC7206	B-2
IC7207	A-2
IC7208	A-1
IC7209	D-2
IC7210	D-2
IC7211	D-1
IC7212	D-1



**C2-BOARD (FOIL SIDE)
TNPA3664**



**C2-BOARD (COMPONENT SIDE)
TNPA3664**



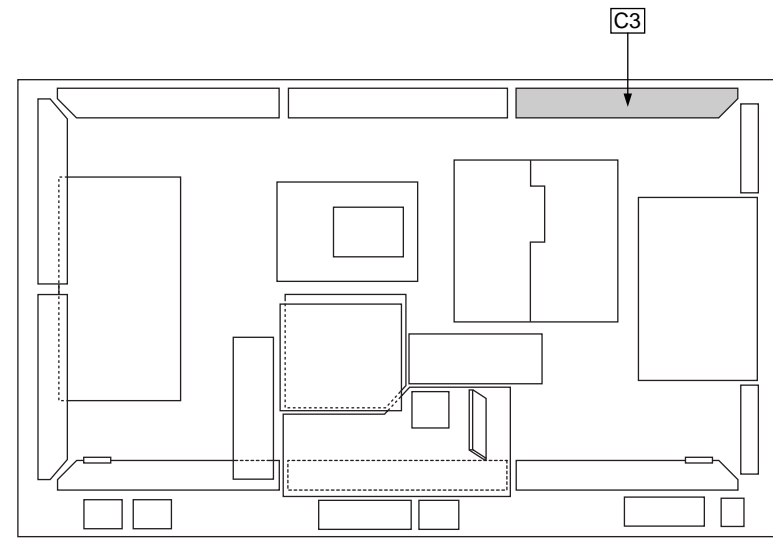
A | B | C | D | E | F | G | H | I

13.15. C3-Board

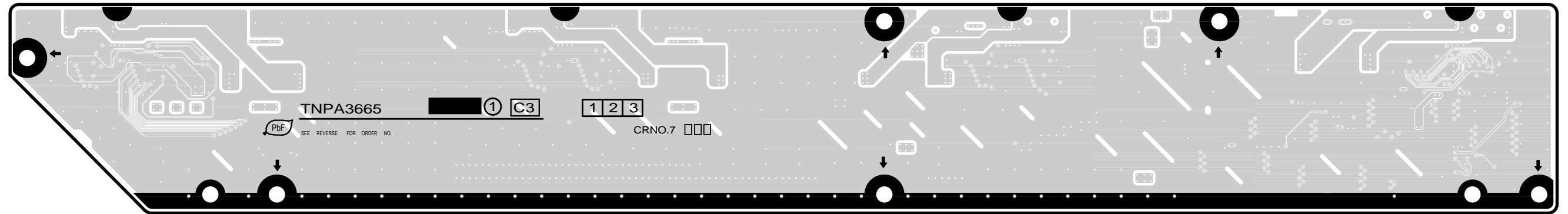
6
5
4
3
2
1

Parts Location

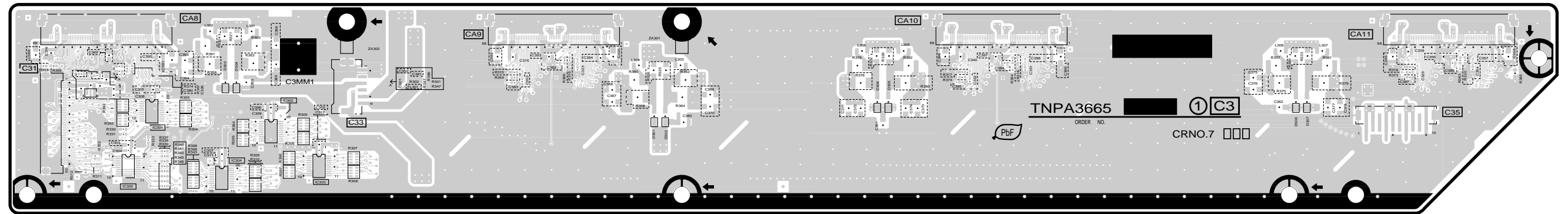
C3-BOARD	
IC	
IC7301	B-2
IC7302	B-2
IC7303	B-1
IC7304	B-1
IC7305	A-1



**C3-BOARD (FOIL SIDE)
TNPA3665**



**C3-BOARD (COMPONENT SIDE)
TNPA3665**



TH-65PV500B/E
C3-BOARD TNPA3665

TH-65PV500B/E
C3-BOARD TNPA3665

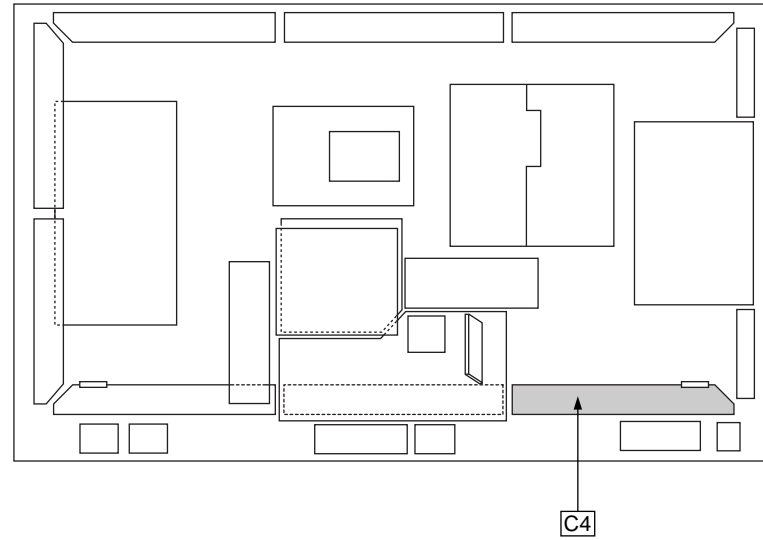
A | B | C | D | E | F | G | H | I

13.16. C4-Board

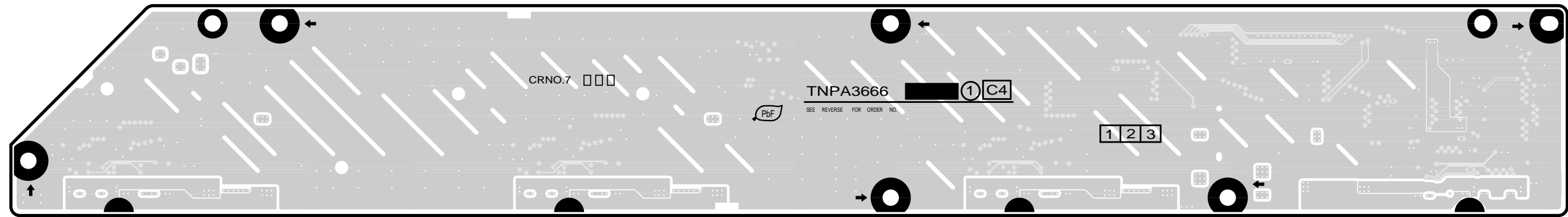
6
5
4
3
2
1

Parts Location

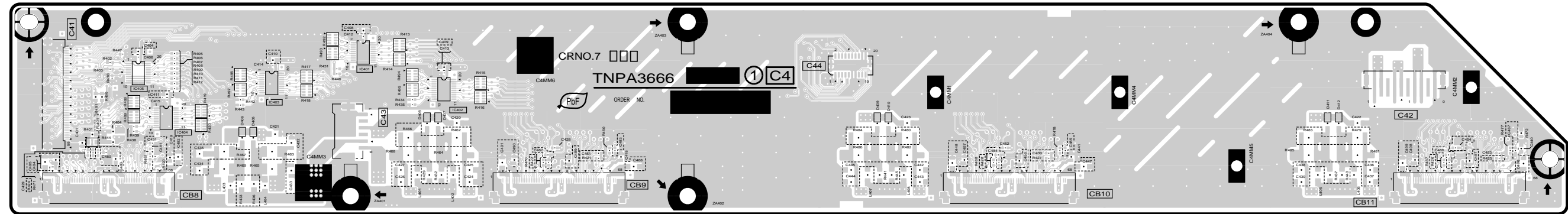
C4-BOARD	
IC	
IC7401	C-2
IC7402	C-2
IC7403	B-2
IC7404	B-2
IC7405	A-2



**C4-BOARD (FOIL SIDE)
TNPA3666**



**C4-BOARD (COMPONENT SIDE)
TNPA3666**

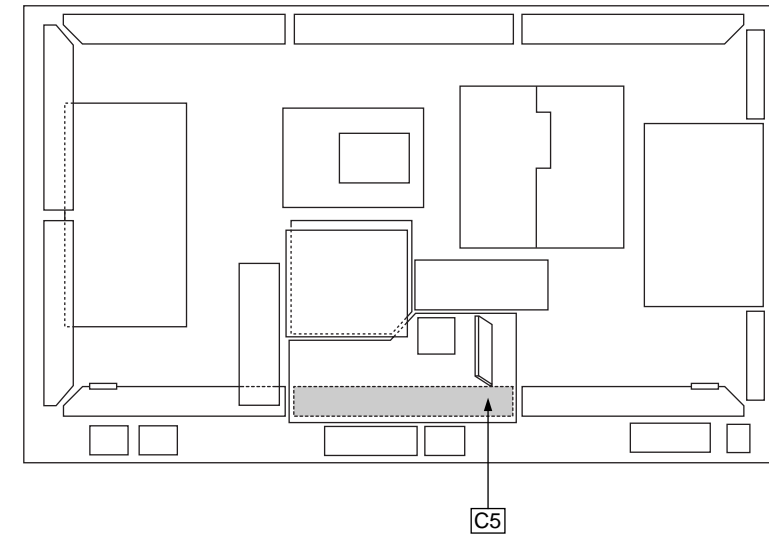


A | B | C | D | E | F | G | H | I

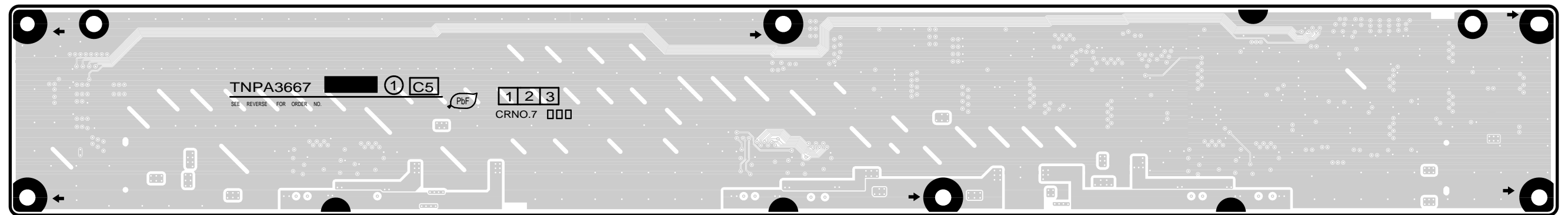
13.17. C5-Board

Parts Location

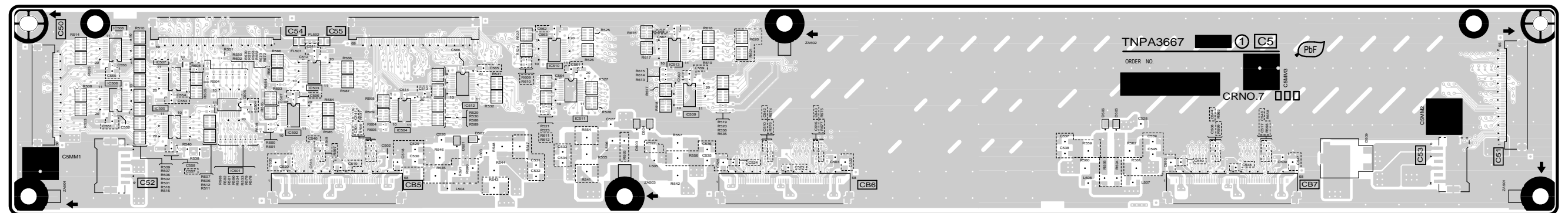
C5-BOARD	
IC	
IC7501	B-1
IC7502	B-2
IC7503	B-2
IC7504	C-2
IC7505	B-2
IC7506	A-2
IC7507	B-2
IC7508	A-2
IC7509	E-2
IC7510	D-2
IC7511	D-2
IC7512	C-2
IC7513	D-2



C5-BOARD (FOIL SIDE)
TNPA3667



C5-BOARD (COMPONENT SIDE)
TNPA3667



TH-65PV500B/E
C5-BOARD TNPA3667

TH-65PV500B/E
C5-BOARD TNPA3667

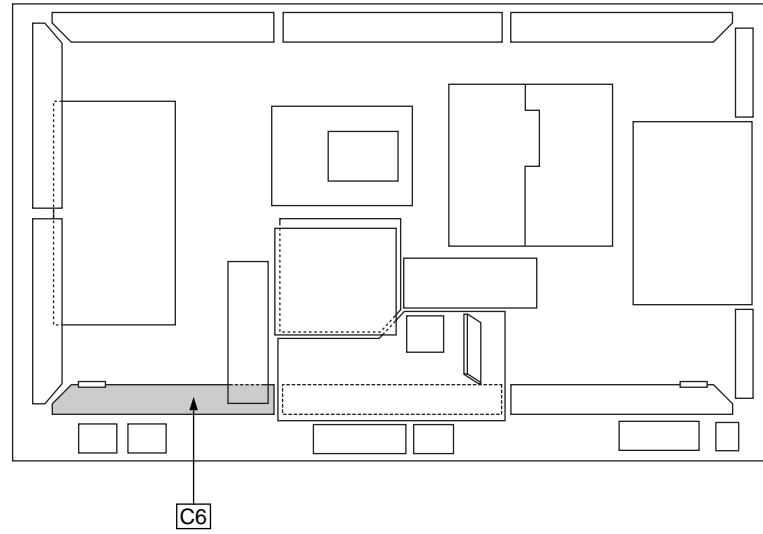
A | B | C | D | E | F | G | H | I

13.18. C6-Board

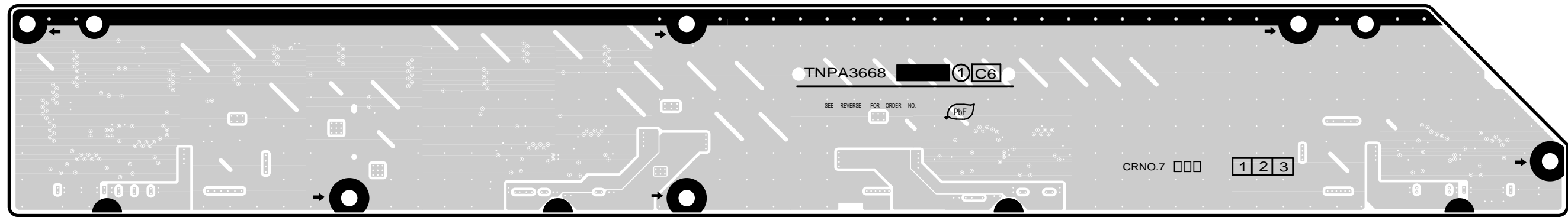
6
5
4
3
2
1

Parts Location

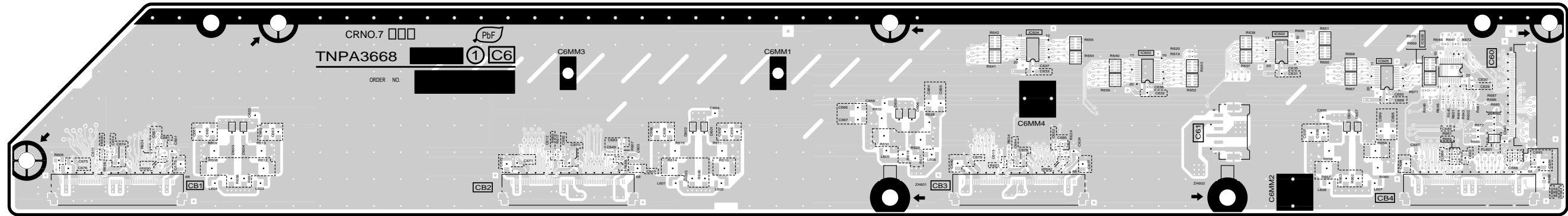
C6-BOARD	
IC	
IC7602	H-2
IC7603	G-2
IC7604	F-2
IC7605	H-2
IC7606	I-2



**C6-BOARD (FOIL SIDE)
TNPA3668**



**C6-BOARD (COMPONENT SIDE)
TNPA3668**

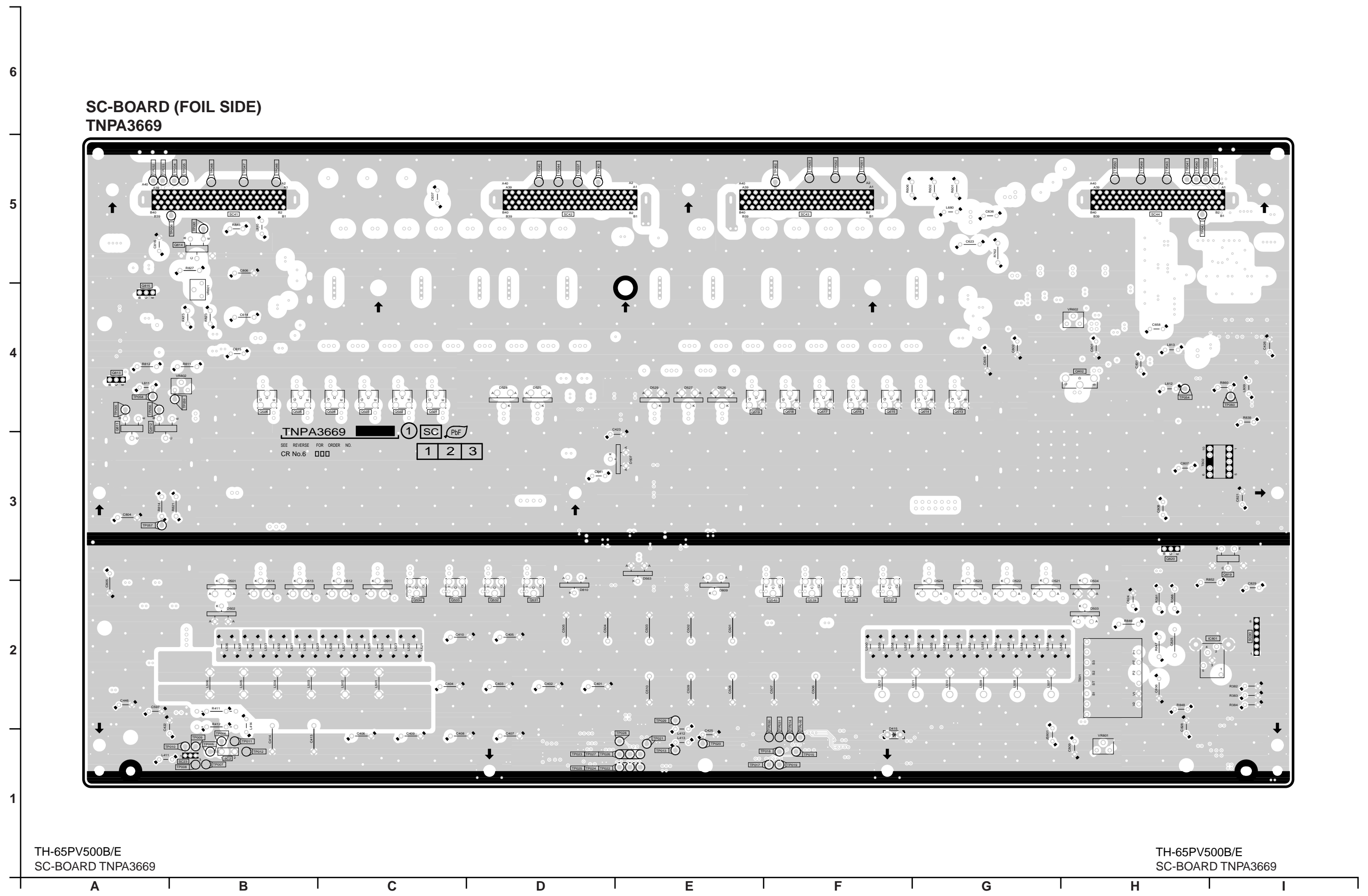


TH-65PV500B/E
C6-BOARD TNPA3668

TH-65PV500B/E
C6-BOARD TNPA3668

A | B | C | D | E | F | G | H | I

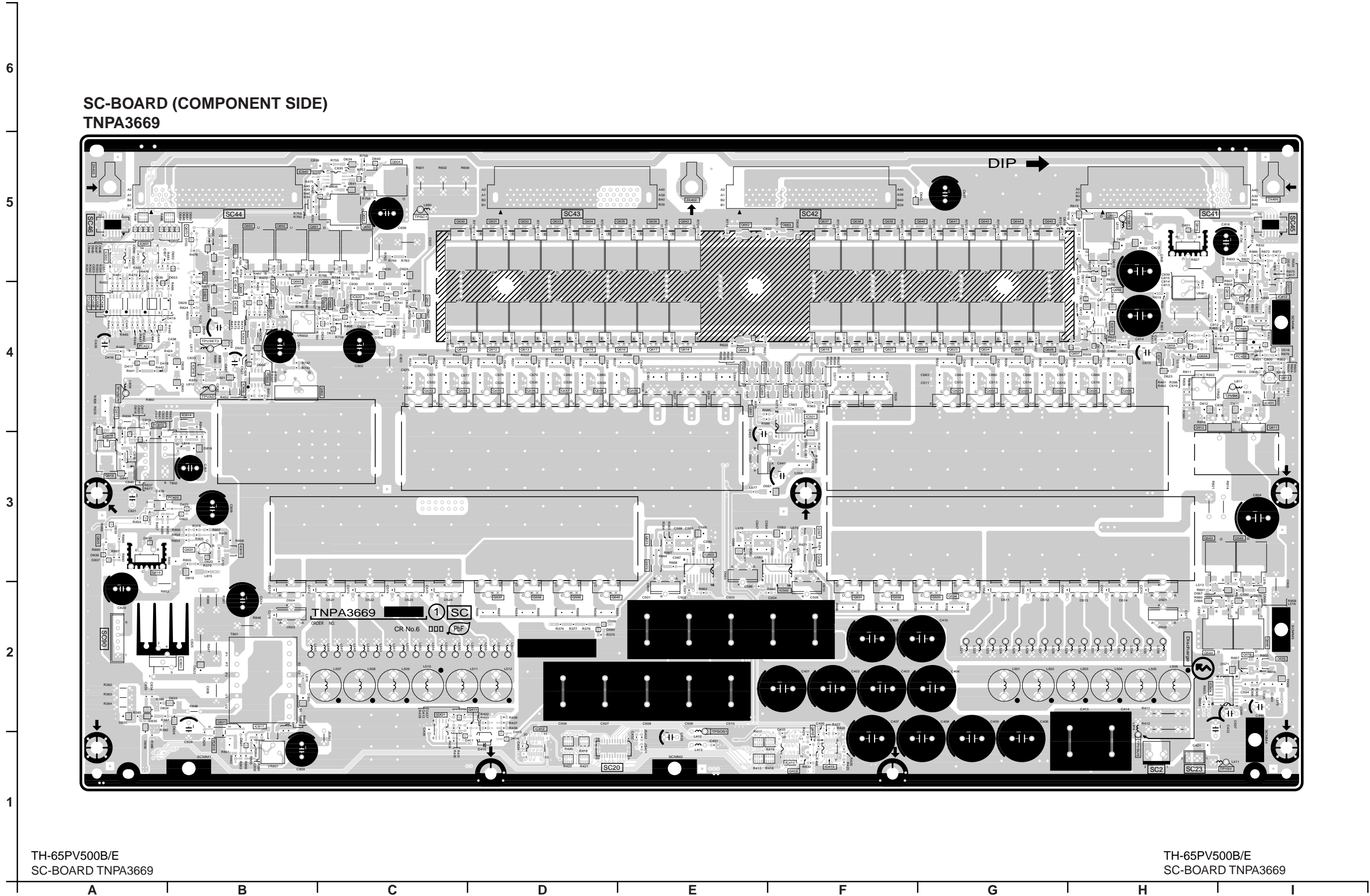
13.19. SC-Board



TH-65PV500B/E
SC-BOARD TNPA3669

TH-65PV500B/E
SC-BOARD TNPA3669

SC-BEARD (COMPONENT SIDE)
TNPA3669



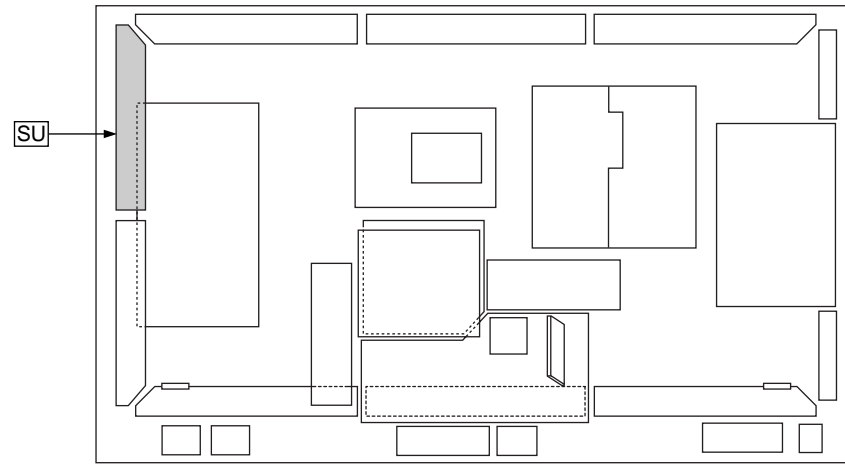
TH-65PV500B/E
SC-BEARD TNPA3669

TH-65PV500B/E
SC-BEARD TNPA3669

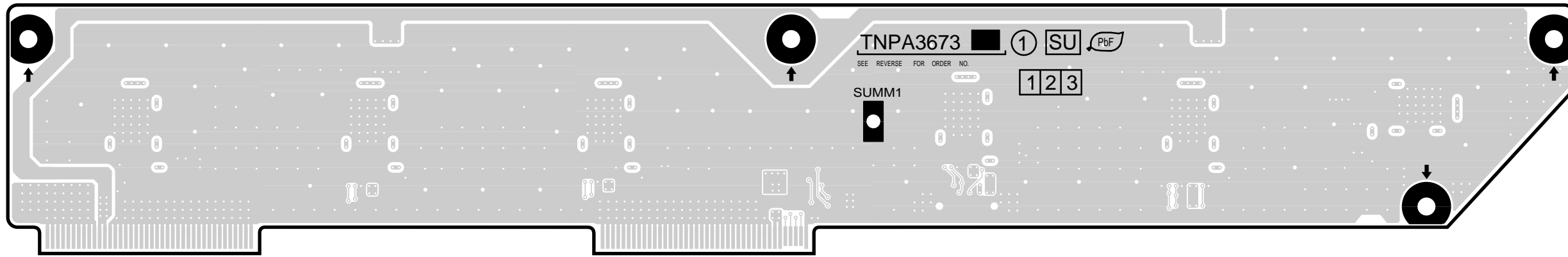
13.20. SU-Board

Parts Location

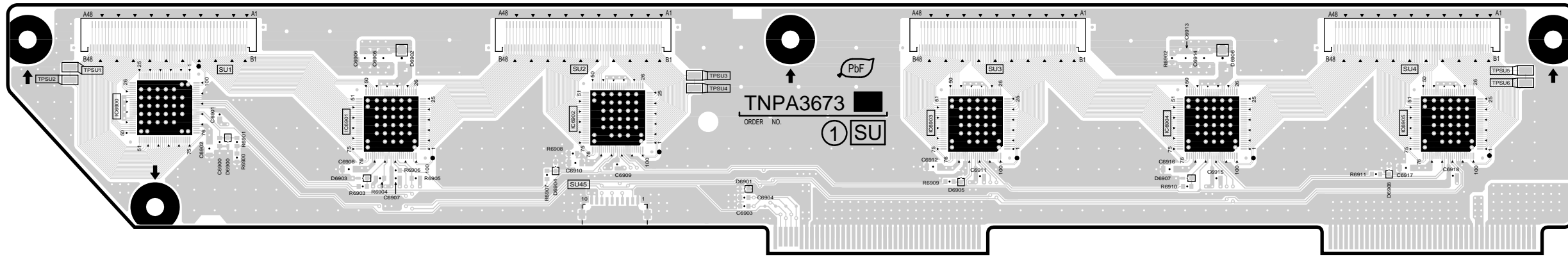
SU-BOARD			
IC		TP	
IC6900	A-2	TPSU1	A-2
IC6901	C-2	TPSU2	A-2
IC6902	D-2	TPSU3	E-2
IC6903	F-2	TPSU4	E-2
IC6904	G-2	TPSU5	I-2
IC6905	H-2	TPSU6	I-2



SU-BOARD (FOIL SIDE)
TNPA3673



SU-BOARD (COMPONENT SIDE)
TNPA3673



TH-65PV500B/E
SU-BOARD TNPA3673

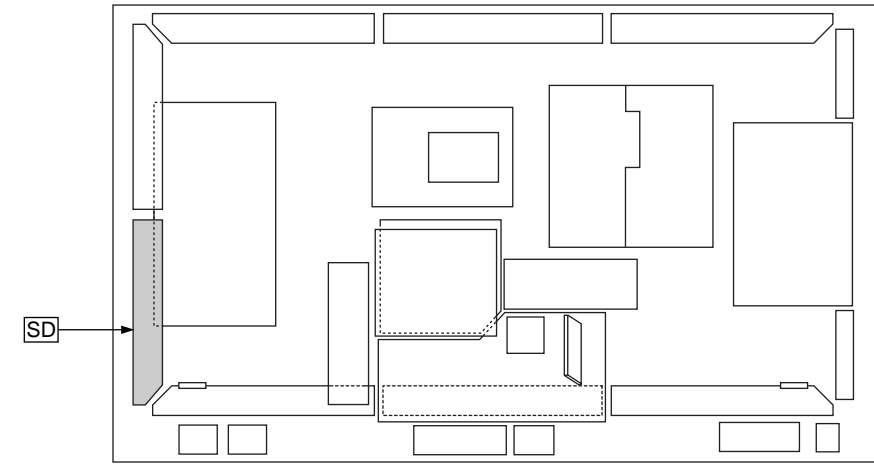
TH-65PV500B/E
SU-BOARD TNPA3673

A | B | C | D | E | F | G | H | I

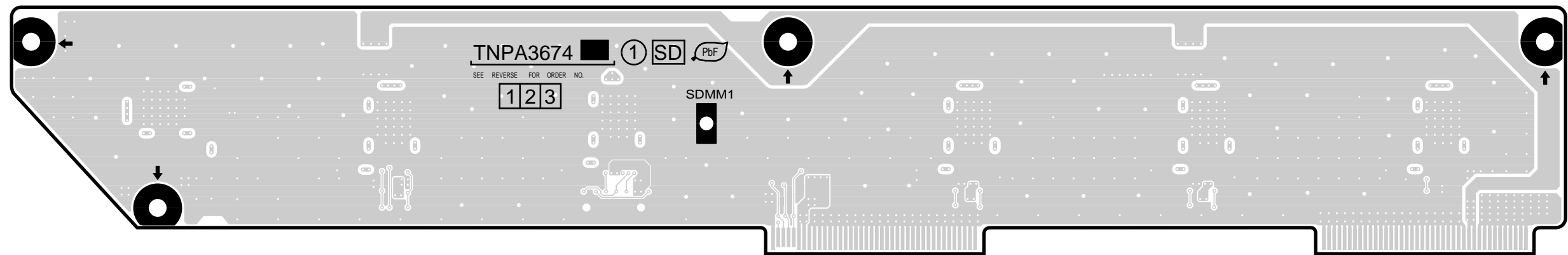
13.21. SD-Board

Parts Location

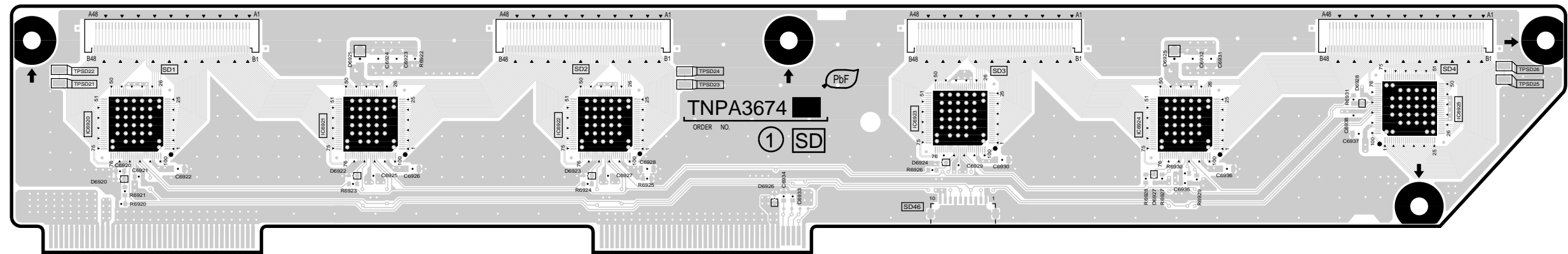
SD-BOARD			
IC		TP	
IC6920	A-2	TPSD21	A-2
IC6921	C-2	TPSD22	A-2
IC6922	D-2	TPSD23	E-2
IC6923	F-2	TPSD24	E-2
IC6924	G-2	TPSD25	I-2
IC6925	H-2	TPSD26	I-2



SD-BOARD (FOIL SIDE)
TNPA3674



SD-BOARD (COMPONENT SIDE)
TNPA3674

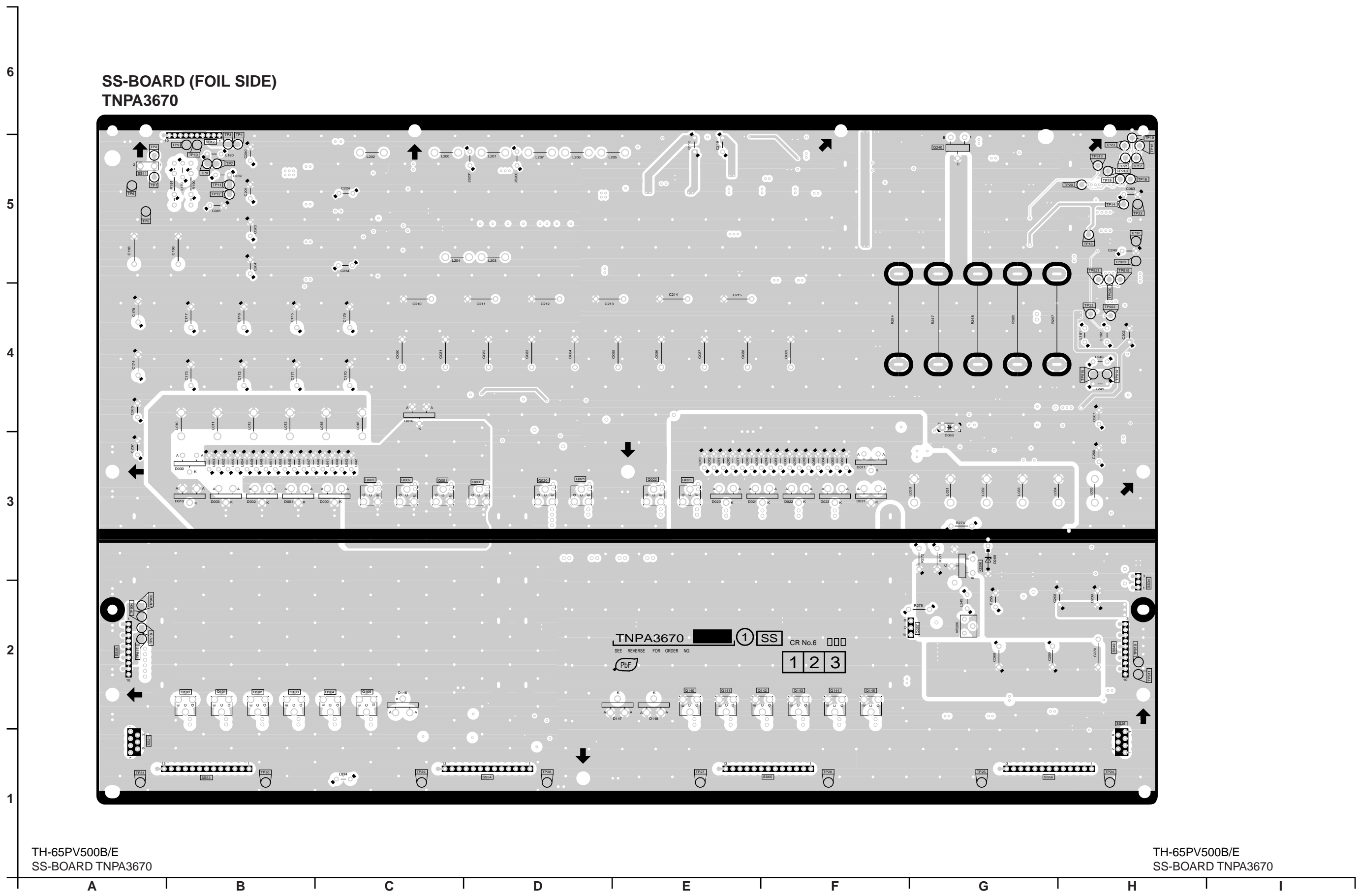


TH-65PV500B/E
SD-BOARD TNPA3674

TH-65PV500B/E
SD-BOARD TNPA3674

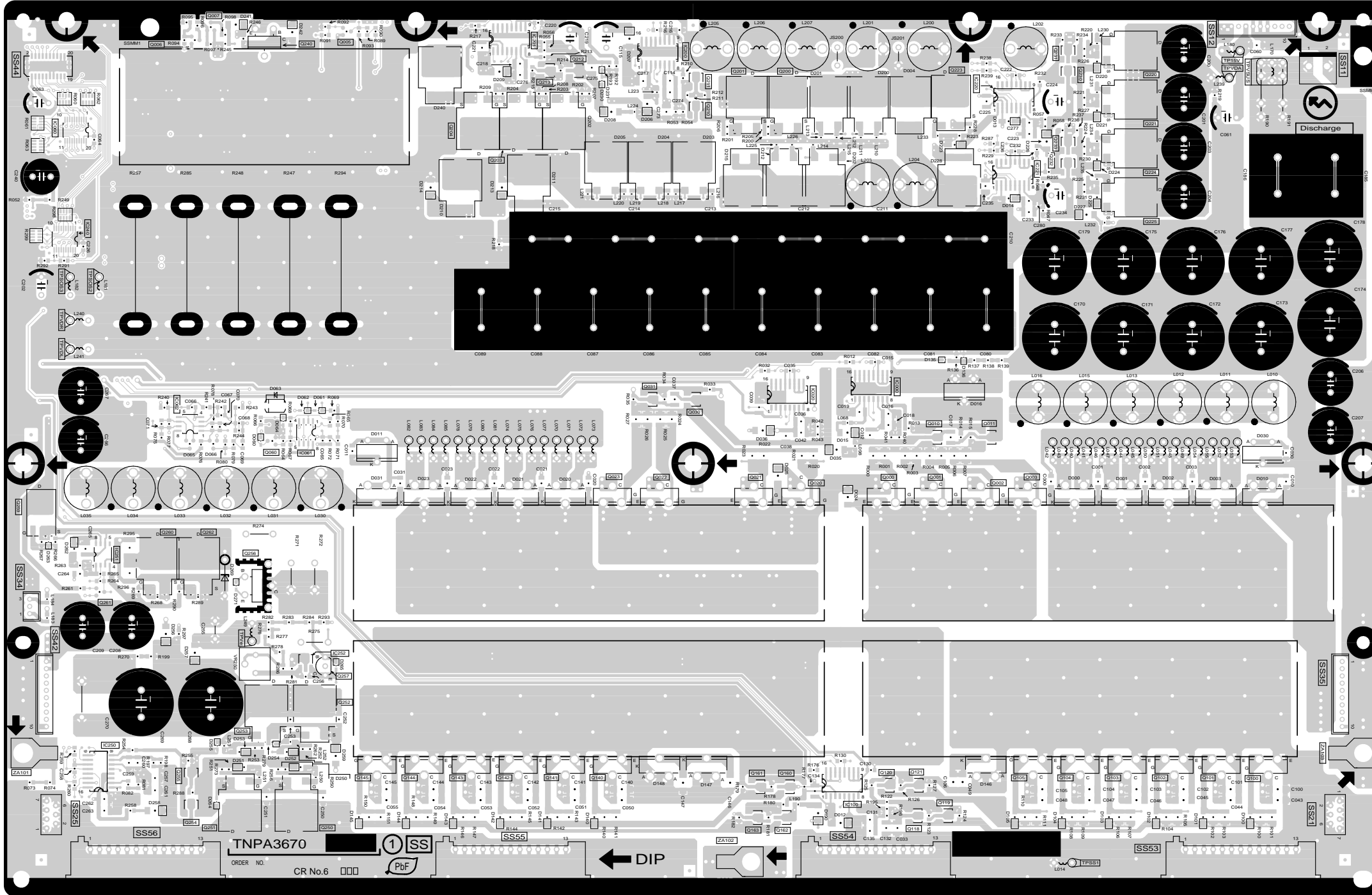
A | B | C | D | E | F | G | H | I

13.22. SS-Board



SS-BOARD (COMPONENT SIDE) TNPA3670

6
5
4
3
2
1

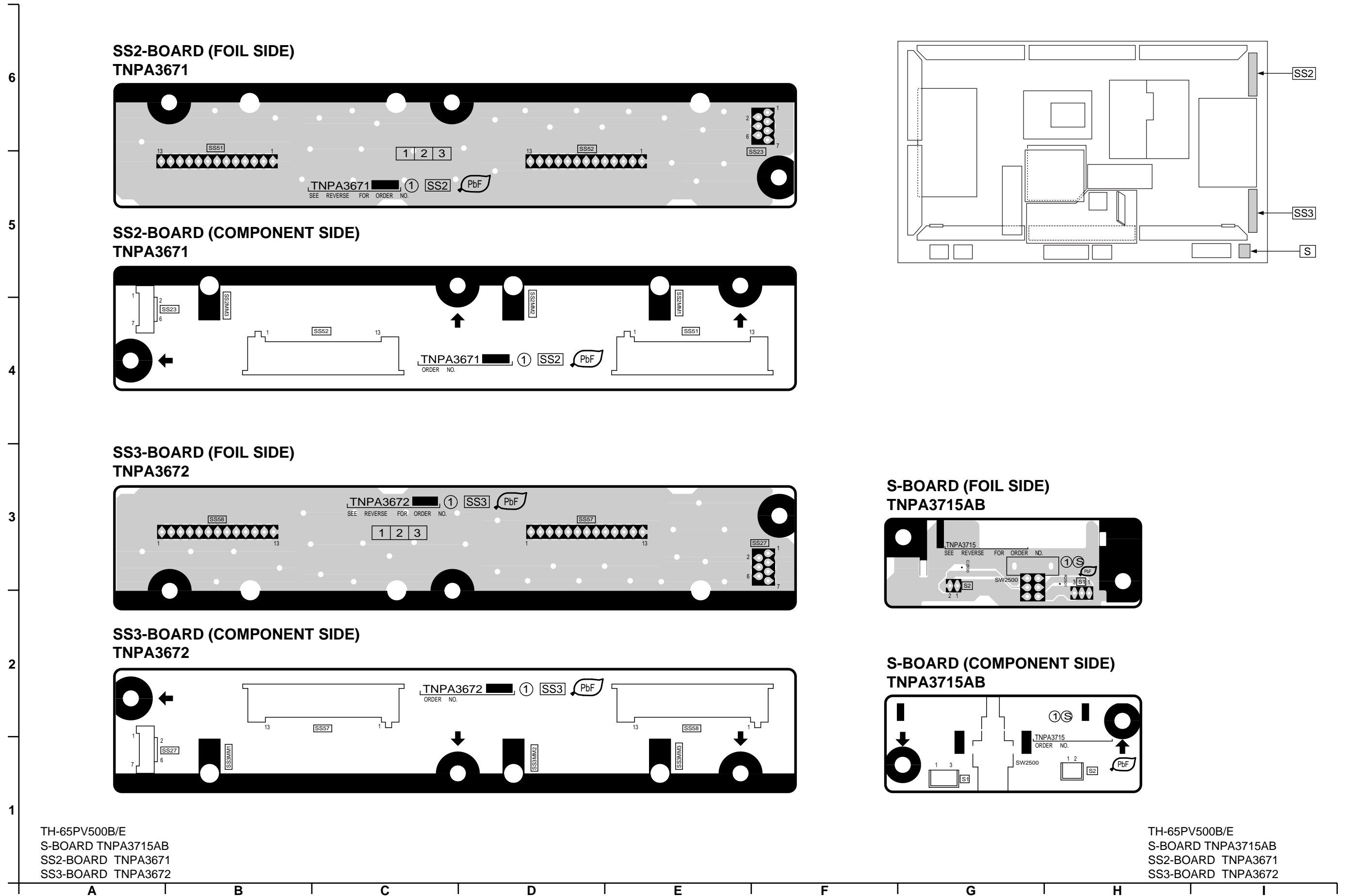


TH-65PV500B/E
SS-BOARD TNPA3670

TH-65PV500B/E
SS-BOARD TNPA3670

A | B | C | D | E | F | G | H | I

13.23. S, SS2 and SS3-Board



TH-65PV500B/E
 S-BOARD TNPA3715AB
 SS2-BOARD TNPA3671
 SS3-BOARD TNPA3672

TH-65PV500B/E
 S-BOARD TNPA3715AB
 SS2-BOARD TNPA3671
 SS3-BOARD TNPA3672

14 Block and Schematic Diagram

14.1. Schematic Diagram Notes

Important Safety Notice

Components identified by \triangle mark have special characteristics important for safety. When replacing any of these components, use only manufacture's specified parts.

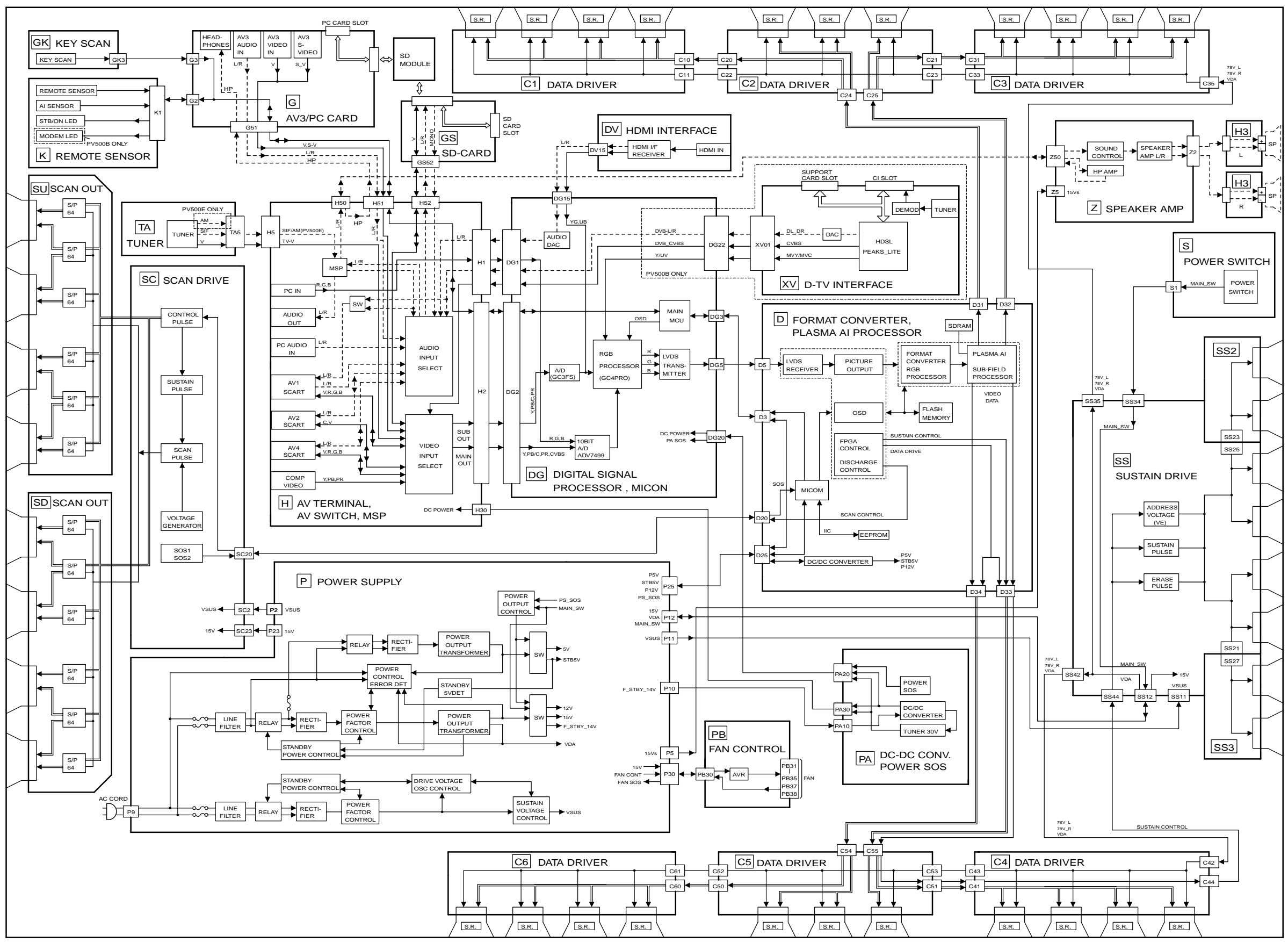
Notes:

1. **Resistor**
Unit of resistance is OHM [Ω] (K=1,000, M=1,000,000).
2. **Capacitor**
Unit of capacitance is μ F, unless otherwise noted.
3. Coil
Unit of inductance is H, unless otherwise noted.
4. Test Point
○ : Test Point position
5. Earth Symbol
⏏ : Chassis Earth (Cold) ⚡ : Line Earth (Hot)
6. Voltage Measurement
Voltage is measured by a DC voltmeter.
Conditions of the measurement are the following:
Power Source AC220-240V, 50/60Hz
Receiving Signal Colour Bar signal (RF)
All customer's controls Maximum positions
7. When arrow mark (↗) is found, connection is easily found from the direction of arrow.
8. Indicates the major signal flow. : Video ➡ Audio ⇔
9. This schematic diagram is the latest at the time of printing and subject to change without notice.

Remarks:

1. The Power Circuit contains a circuit area which uses a separate power supply to isolate the earth connection.
The circuit is defined by HOT and COLD indications in the schematic diagram. Take the following precautions.
All circuits, except the Power Circuit, are cold.
Precautions
 - a. Do not touch the hot part or the hot and cold parts at the same time or you may be shocked.
 - b. Do not short- circuit the hot and cold circuits or a fuse may blow and parts may break.
 - c. Do not connect an instrument, such as an oscilloscope, to the hot and cold circuits simultaneously or a fuse may blow.
Connect the earth of instruments to the earth connection of the circuit being measured.
 - d. Make sure to disconnect the power plug before removing the chassis.

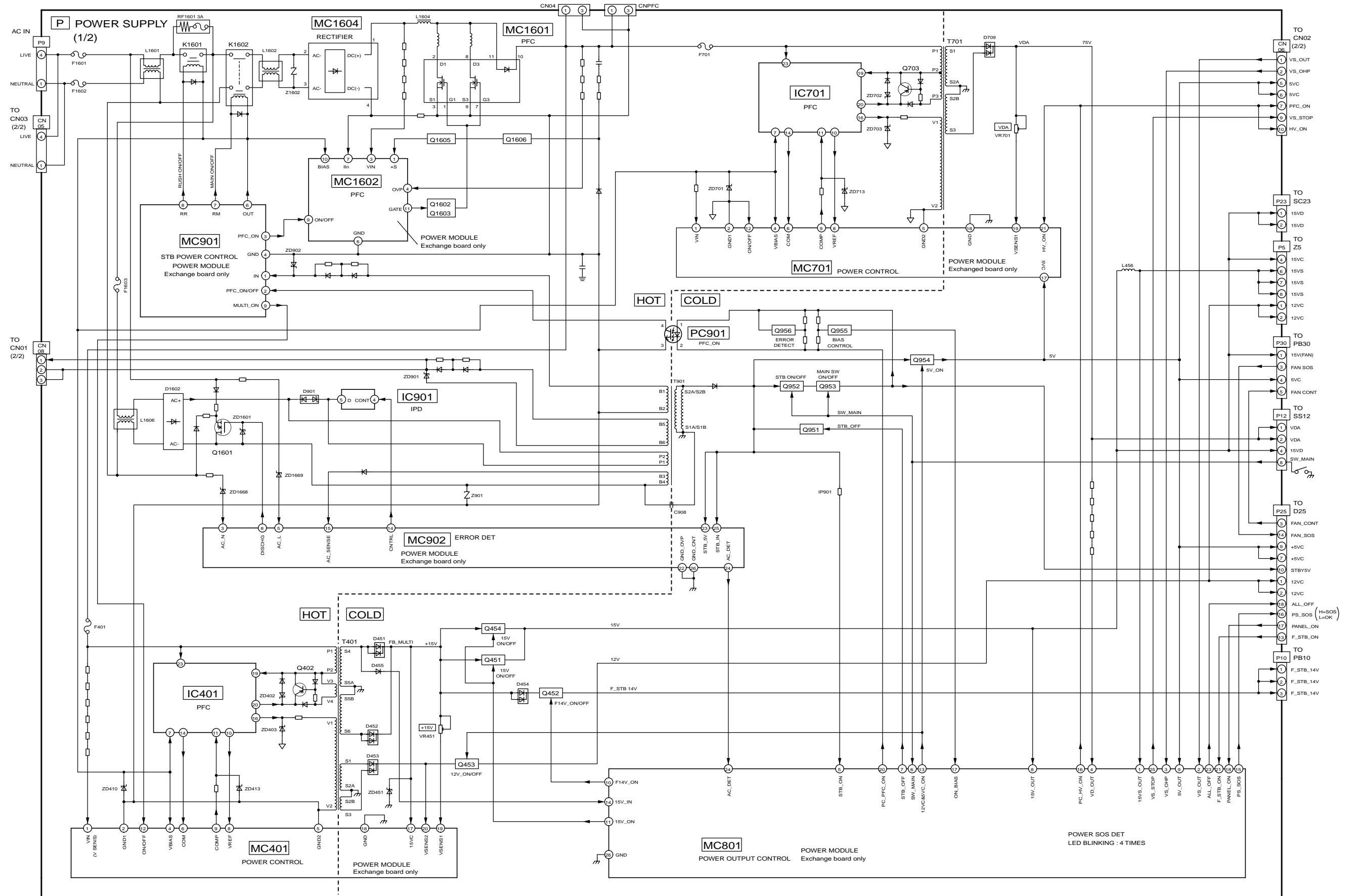
14.2. Main Block Diagram



TH-65PV500B/E
Main Block Diagram

TH-65PV500B/E
Main Block Diagram

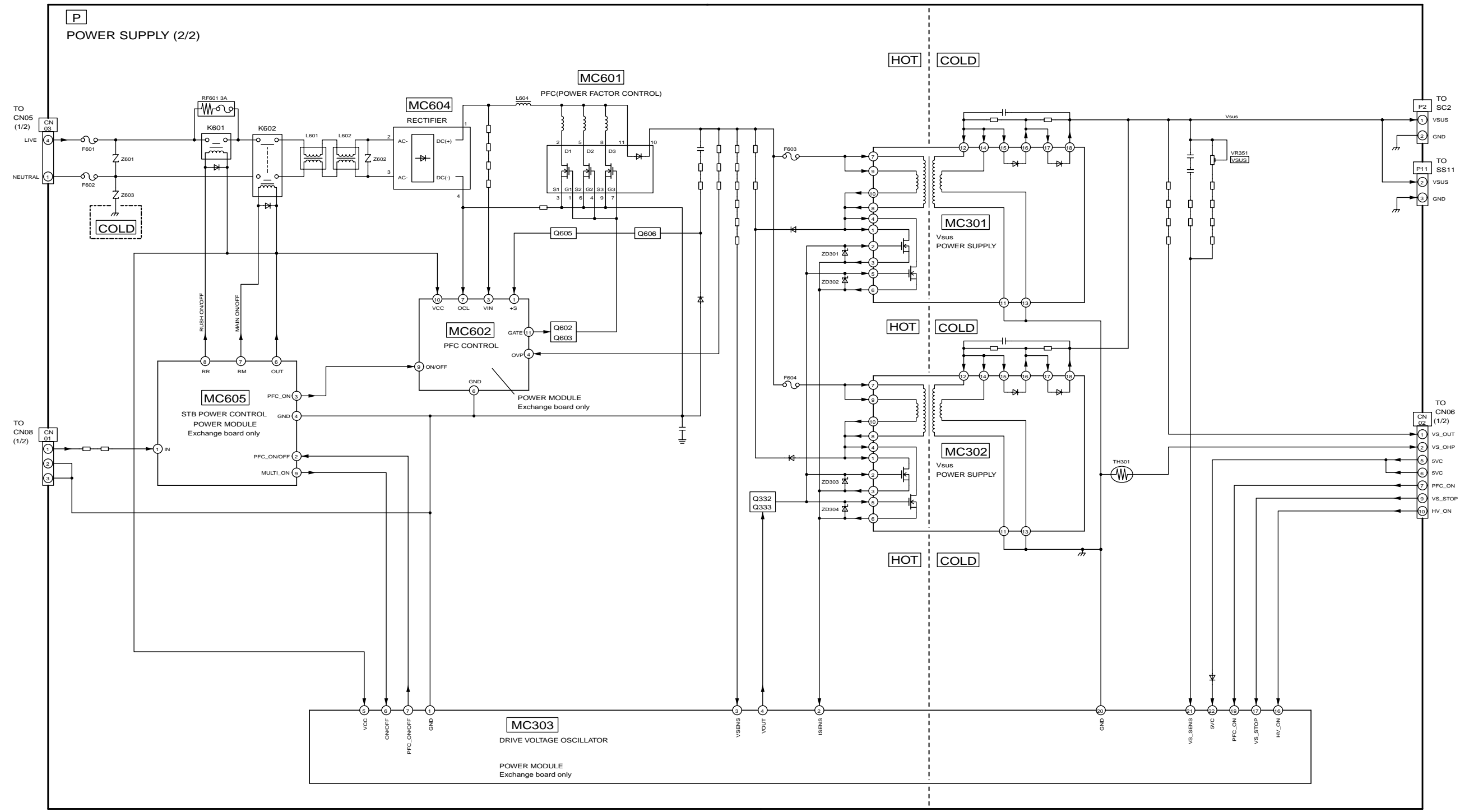
14.3. P-Board (1 of 2) Block Diagram



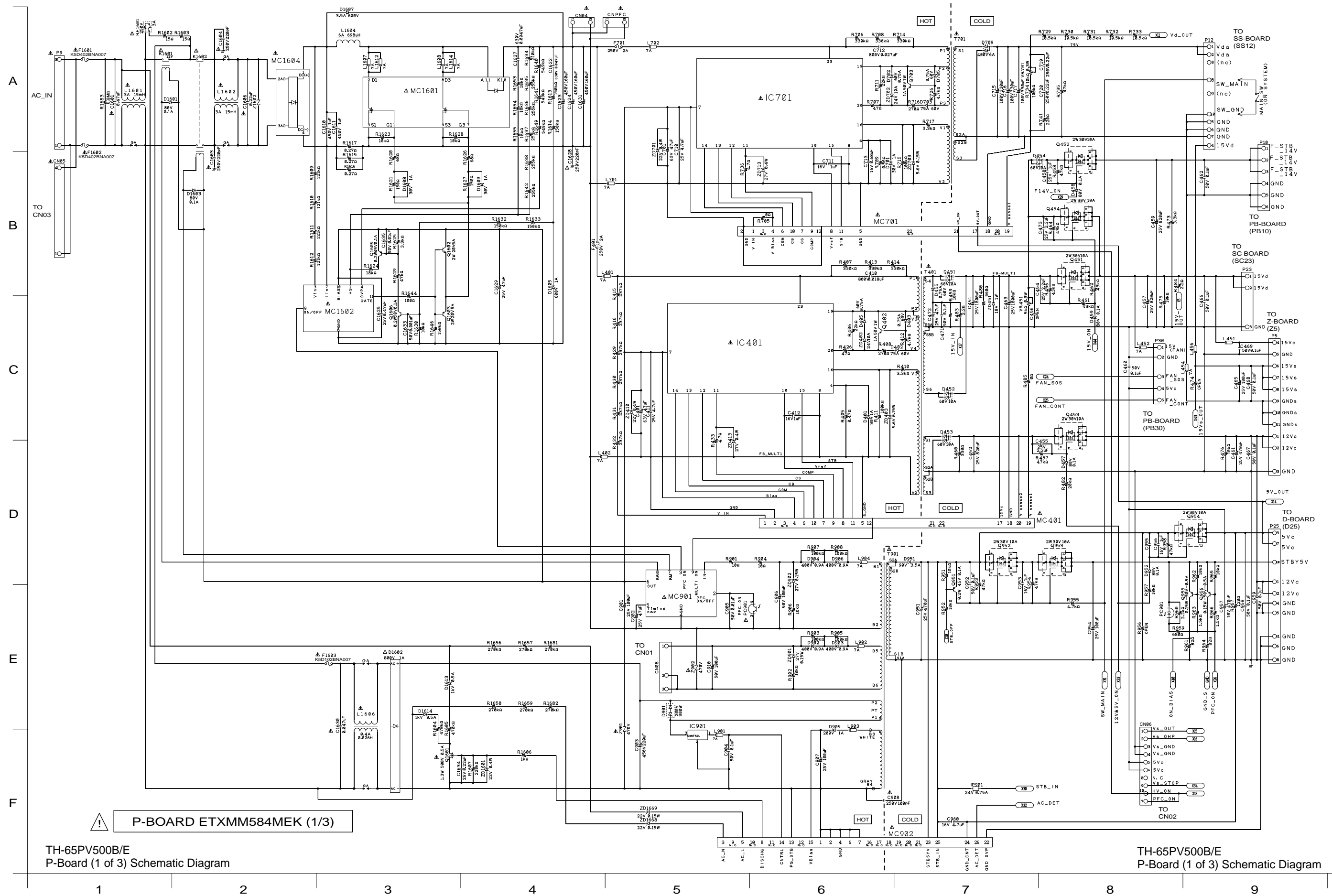
TH-65PV500B/E
P-Board (1 of 2) Block Diagram

TH-65PV500B/E
P-Board (1 of 2) Block Diagram

14.4. P-Board (2 of 2) Block Diagram



14.5. P-Board (1 of 3) Schematic Diagram

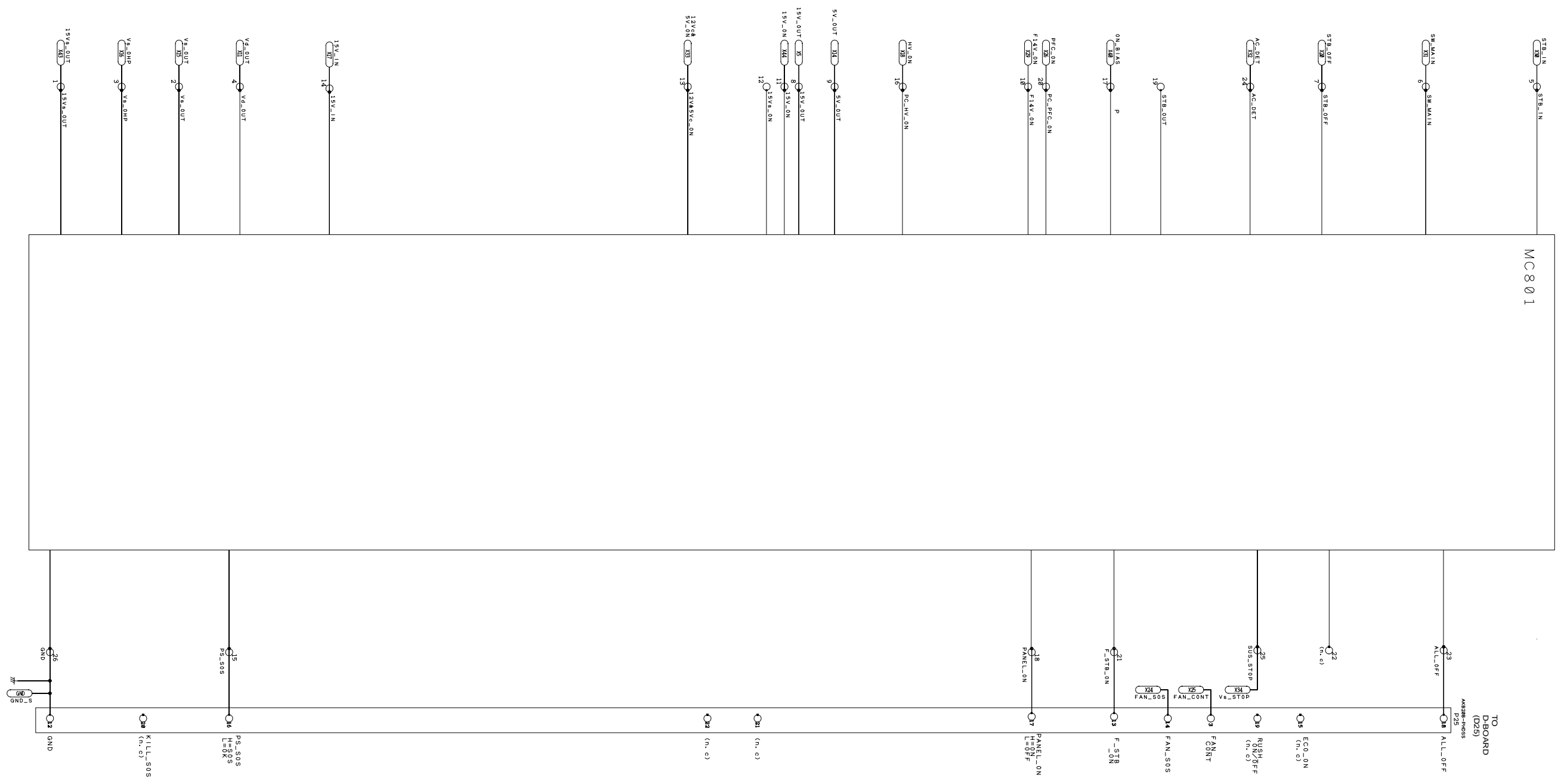


P-BOARD ETXMM584MEK (1/3)

TH-65PV500B/E
P-Board (1 of 3) Schematic Diagram

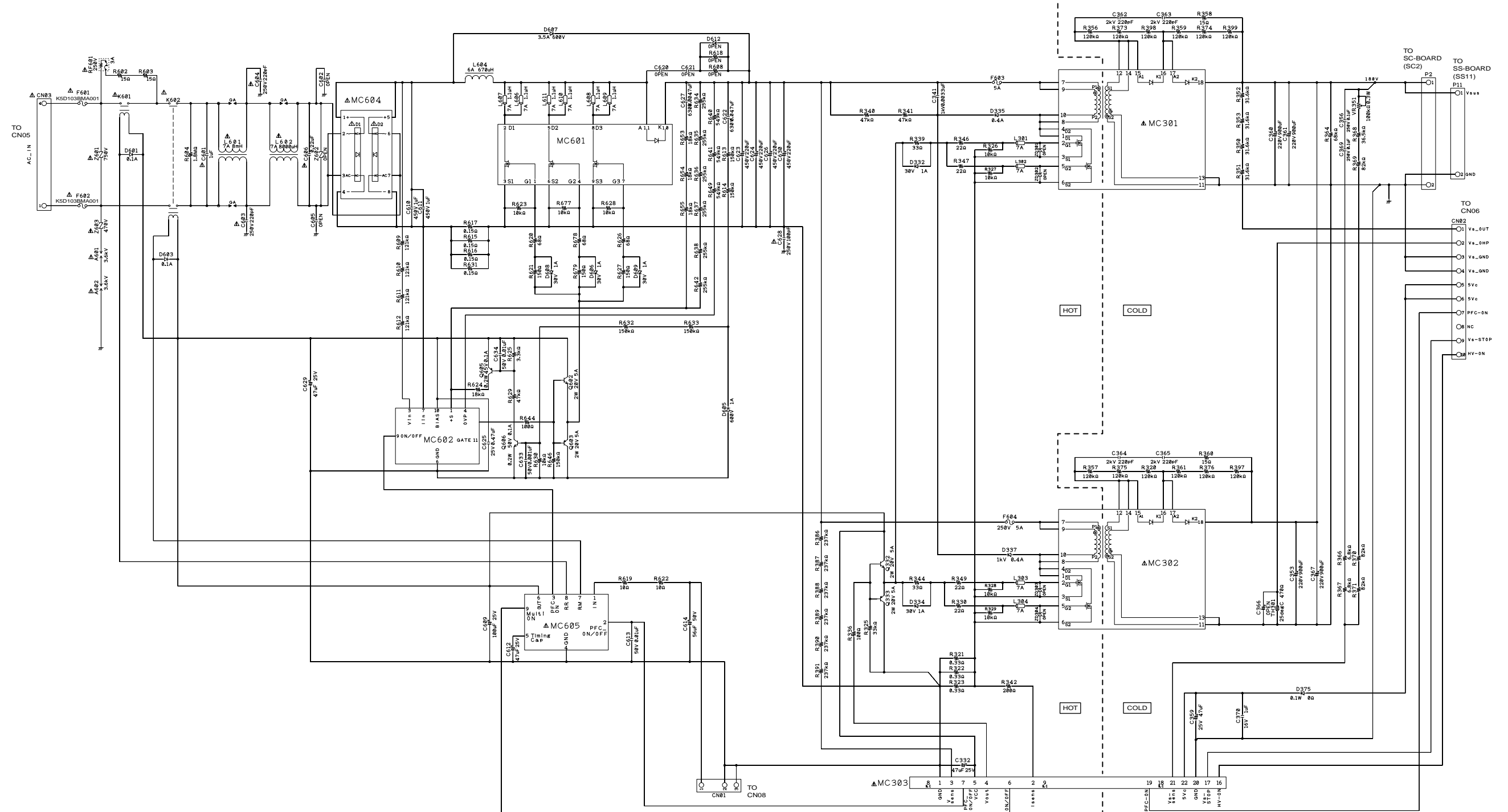
TH-65PV500B/E
P-Board (1 of 3) Schematic Diagram

14.6. P-Board (2 of 3) Schematic Diagram



! P-BOARD ETXMM584MEK (2/3)

14.7. P-Board (3 of 3) Schematic Diagram



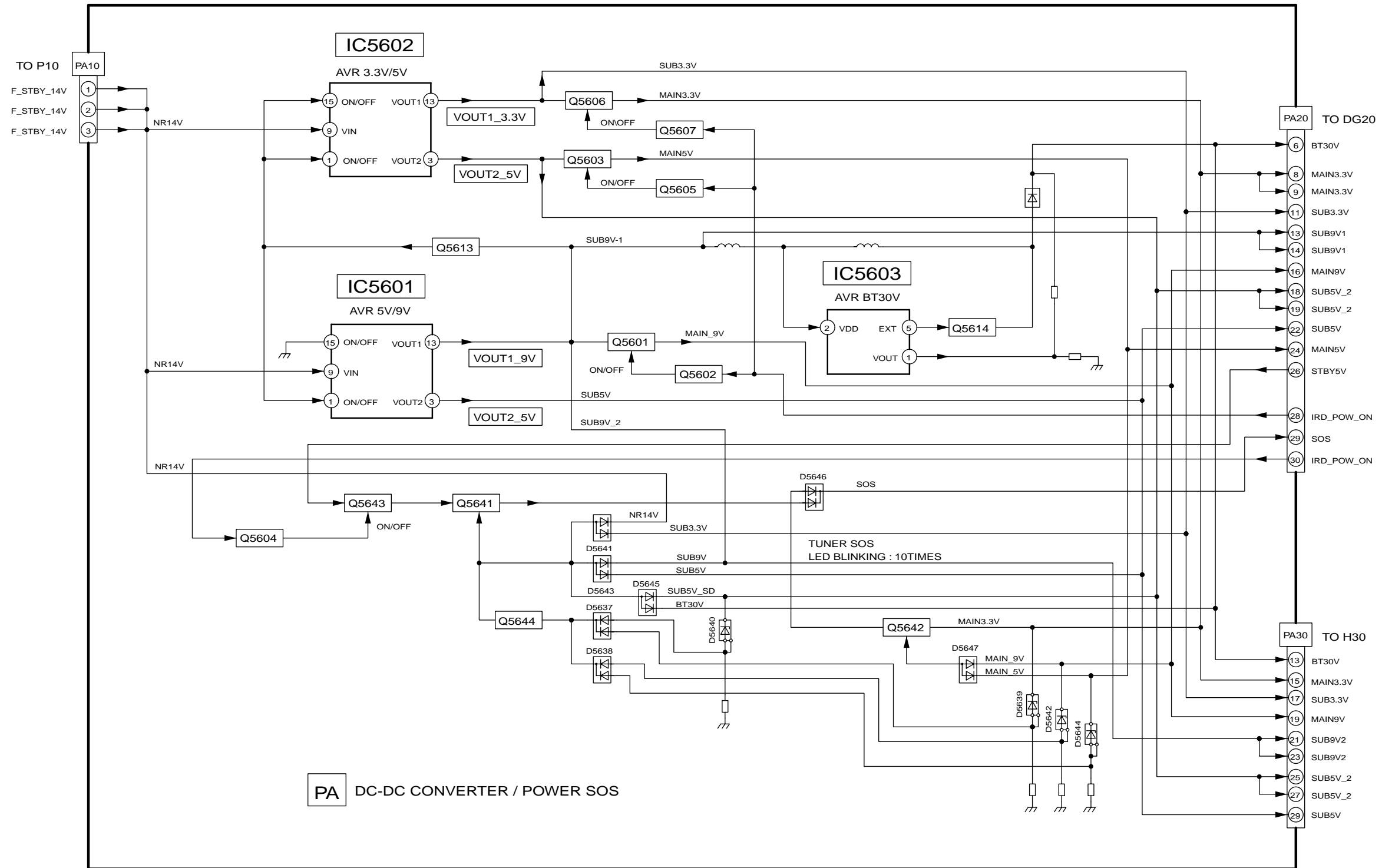
! P-BOARD ETXMM584MEK (3/3)

TH-65PV500B/E
P-Board (3 of 3) Schematic Diagram

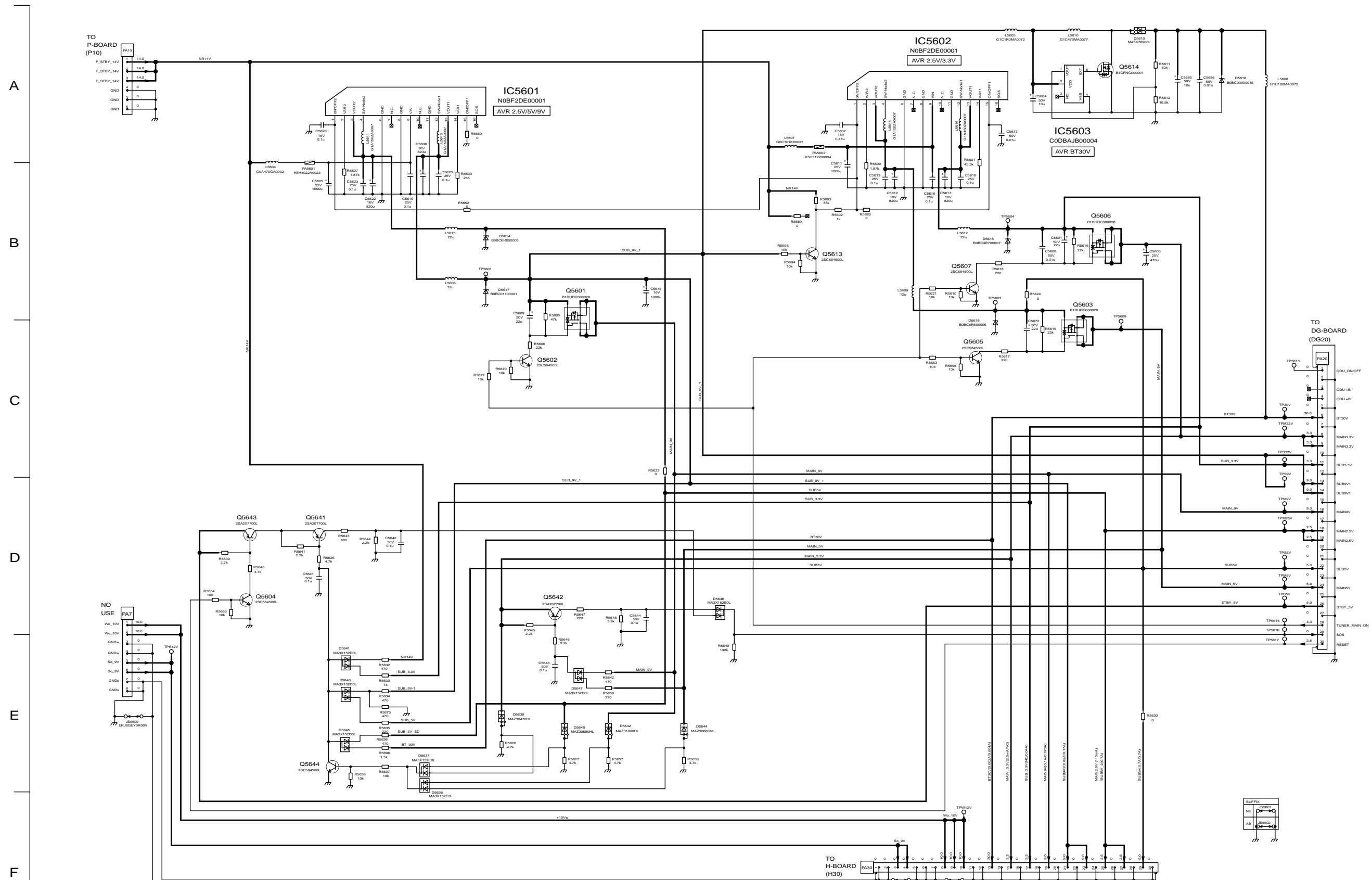
TH-65PV500B/E
P-Board (3 of 3) Schematic Diagram

19 20 21 22 23 24 25 26 27

14.8. PA-Board Block Diagram



14.9. PA-Board Schematic Diagram



TH-65PV500B/E
PA-Board Schematic Diagram

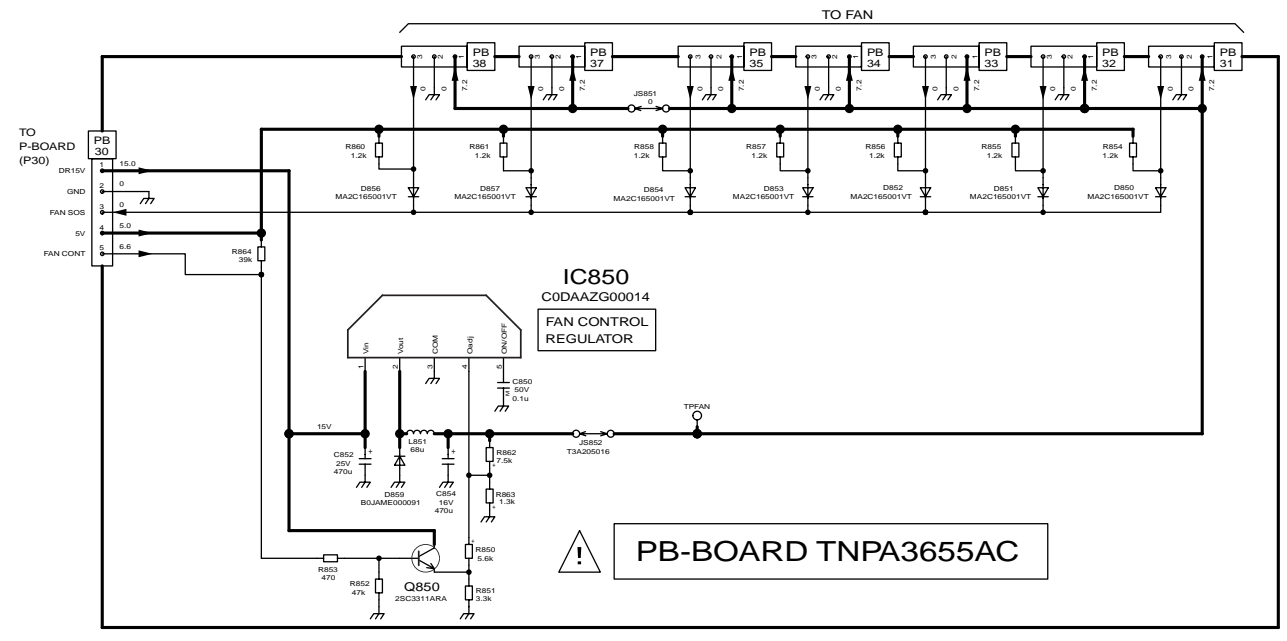
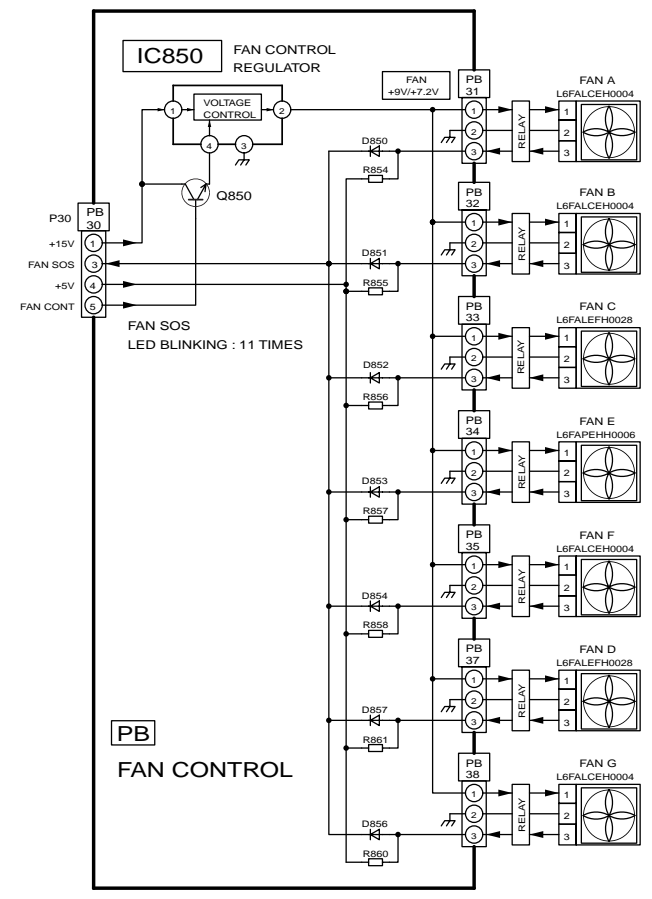
PA-BOARD TNP3620AC

TH-65PV500B/E
PA-Board Schematic Diagram

1 2 3 4 5 6 7 8 9

14.10. PB-Board Block and Schematic Diagram

A
B
C
D
E

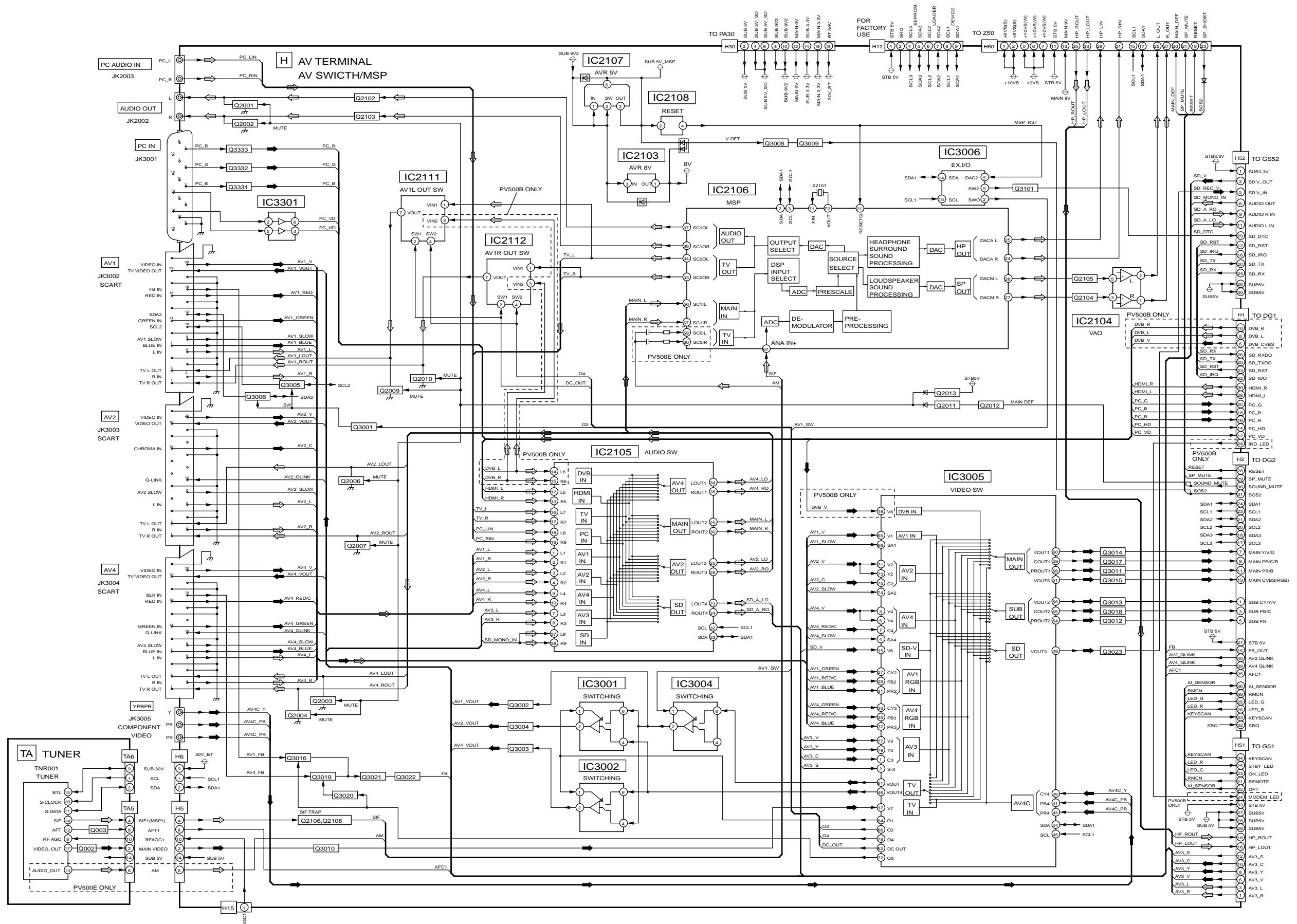


TH-65PV500B/E
PB-Board Block and Schematic Diagram

TH-65PV500B/E
PB-Board Block and Schematic Diagram

1 2 3 4 5 6 7 8

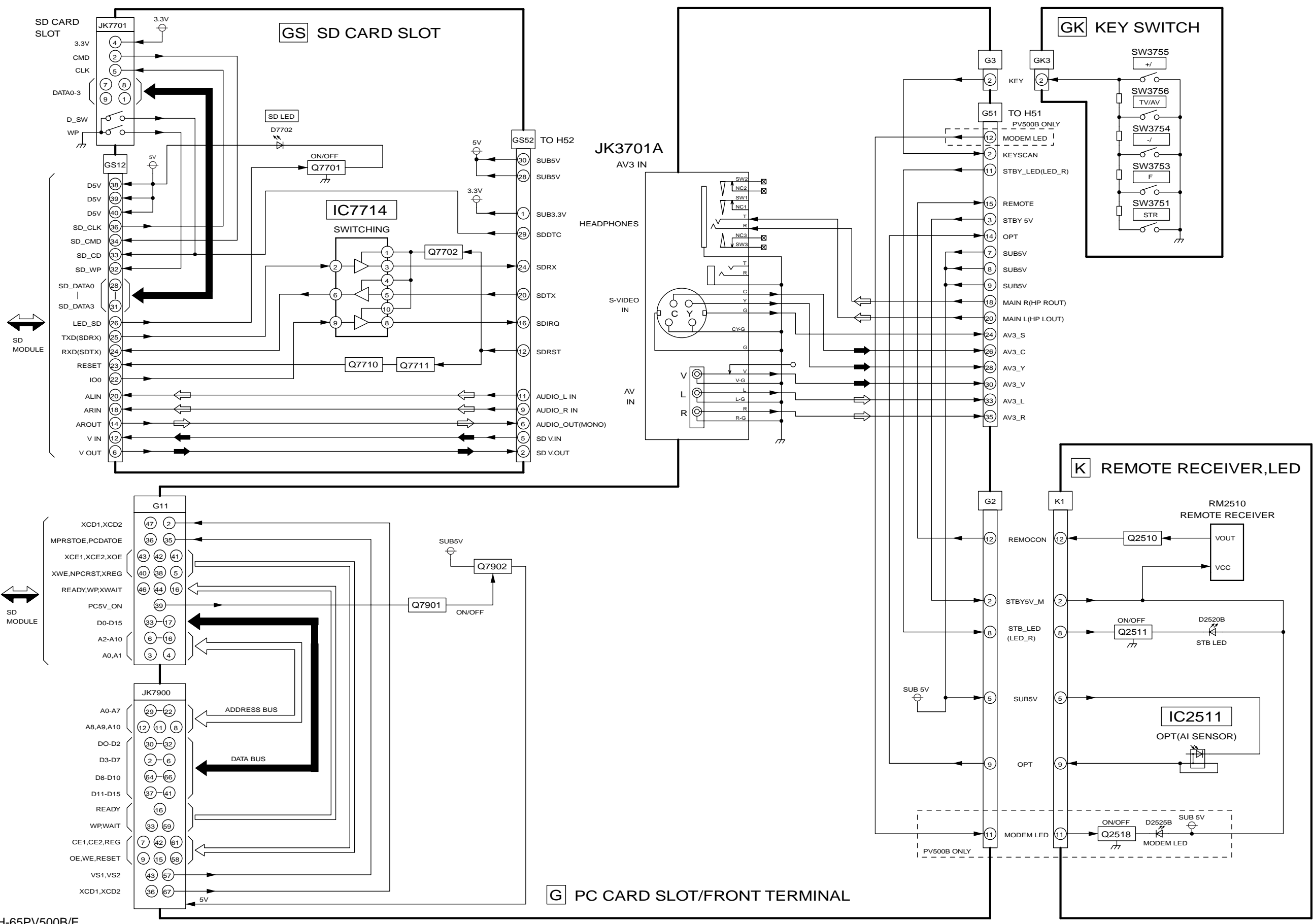
14.11. H and TA-Board Block Diagram



TH-65PV500B/E
H and TA-Board Block Diagram

TH-65PV500B/E
H and TA-Board Block Diagram

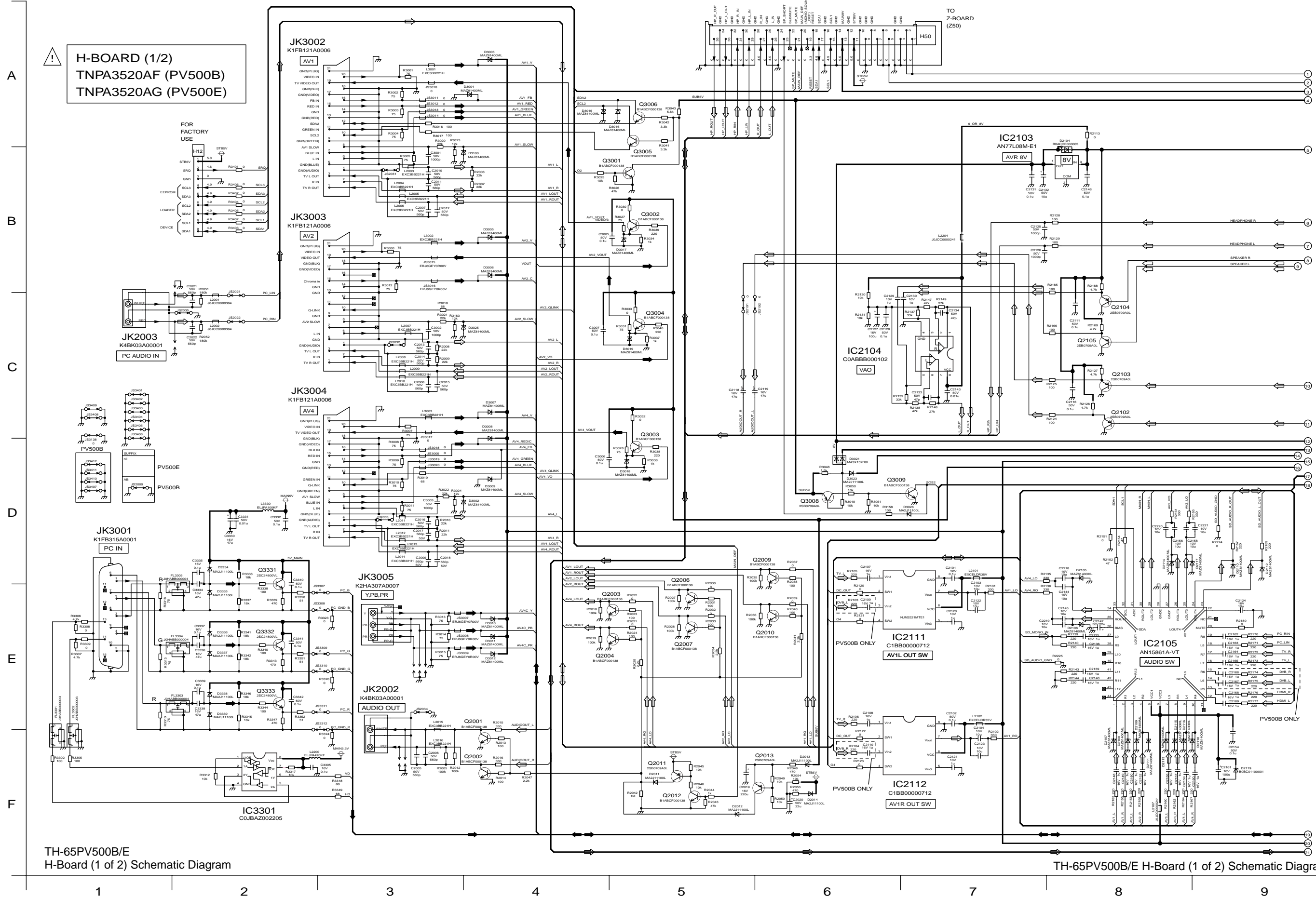
14.12. G, GK, GS, and K-Board Block Diagram



TH-65PV500B/E
G, GK, GS and K-Board Block Diagram

TH-65PV500B/E G, GK, GS and K-Board Block Diagram

14.13. H-Board (1 of 2) Schematic Diagram



H-BOARD (1/2)
 TNPA3520AF (PV500B)
 TNPA3520AG (PV500E)

FOR FACTORY USE

H12
 STBTV
 SRG
 GND
 SD22
 SD23
 SD24
 SD25
 SD26
 SD27
 SD28
 SD29
 SD30
 SD31
 SD32

JK2003
 K4BK03A0001
 PC AUDIO IN

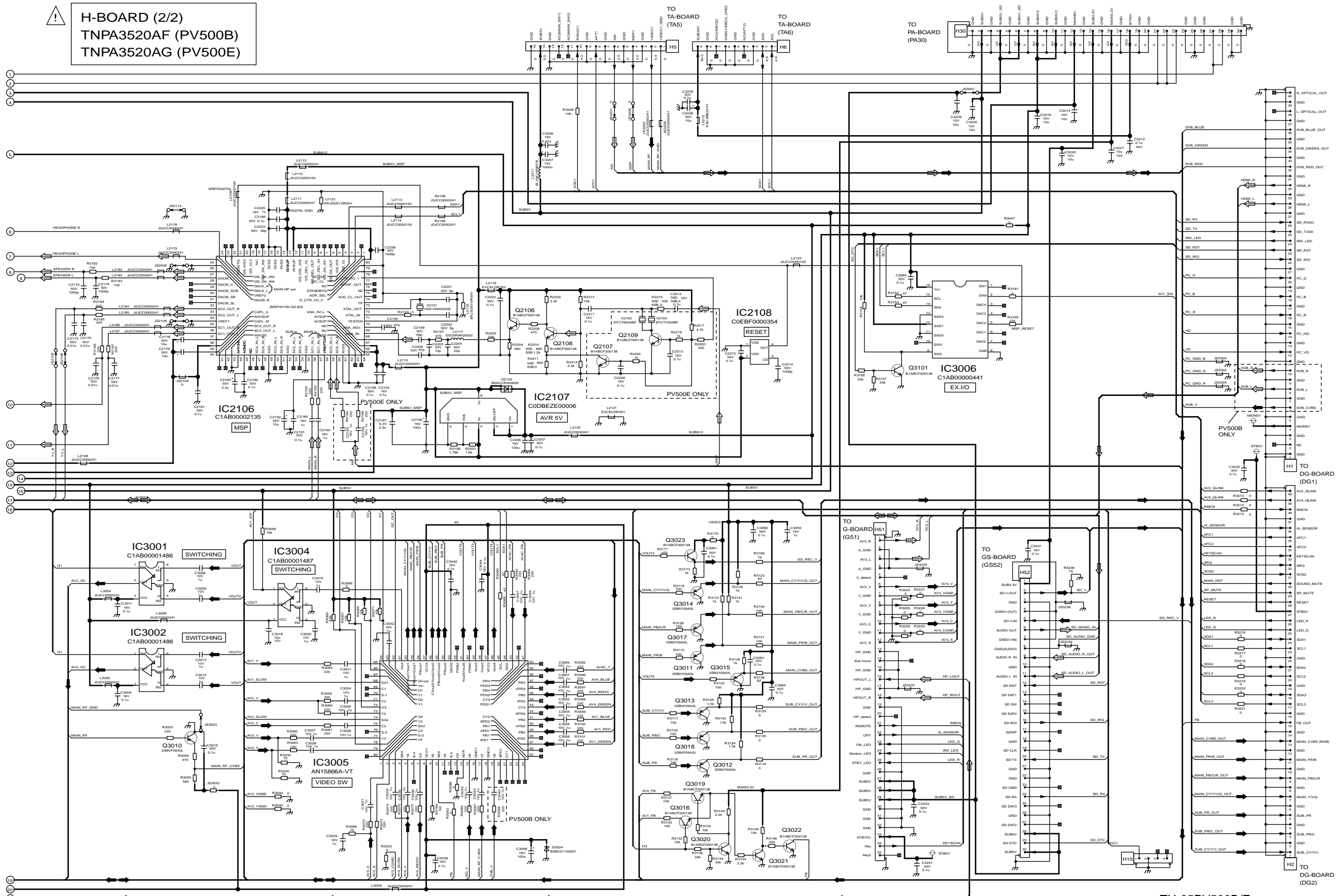
JK3001
 K1FB31A0001
 PC IN

JK3001
 K1FB31A0001
 PC IN

TH-65PV500B/E
 H-Board (1 of 2) Schematic Diagram

TH-65PV500B/E H-Board (1 of 2) Schematic Diagram

14.14. H-Board (2 of 2) Schematic Diagram



TH-65PV500B/E H-Board (2 of 2) Schematic Diagram

TH-65PV500B/E H-Board (2 of 2) Schematic Diagram

10

11

12

13

14

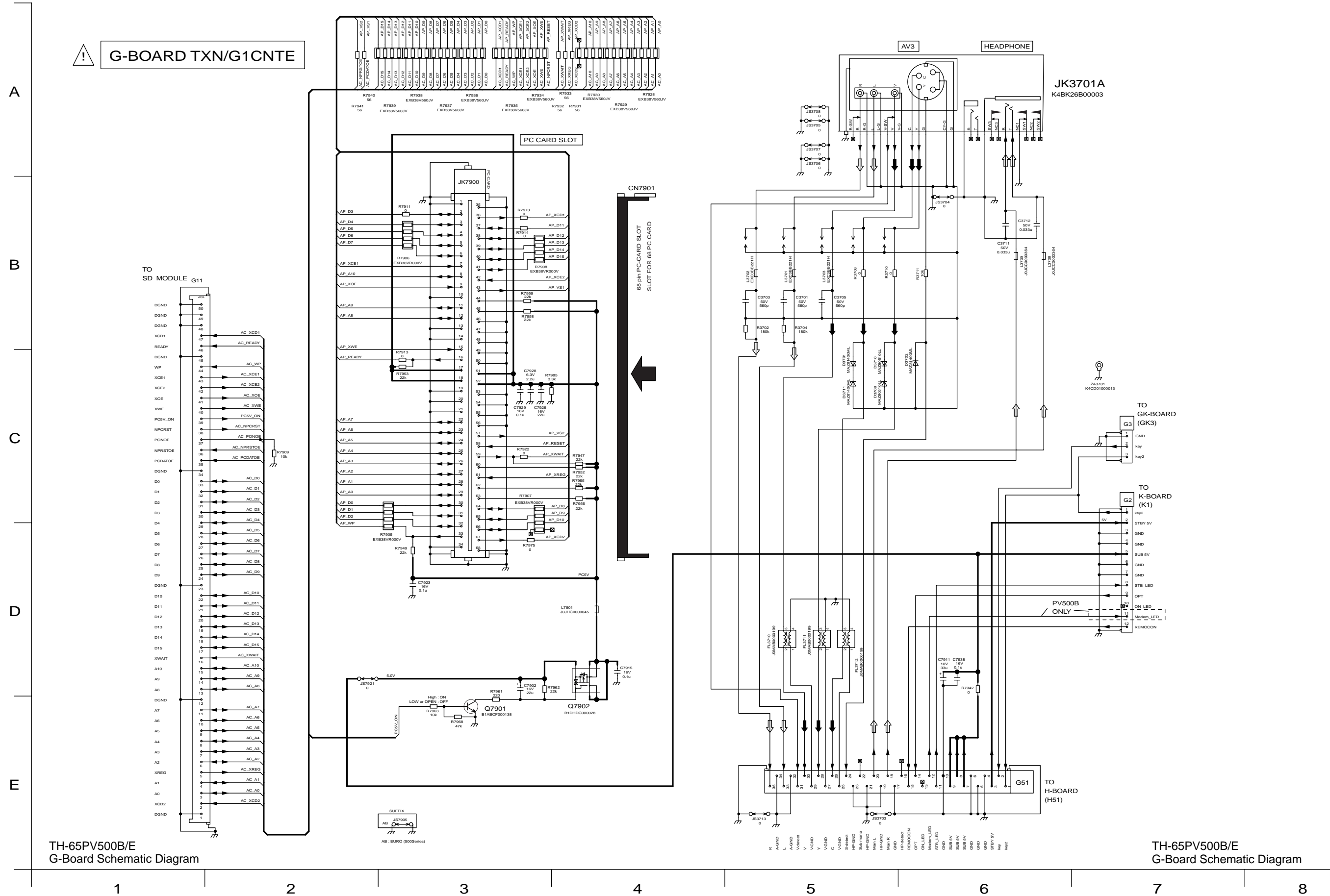
15

16

17

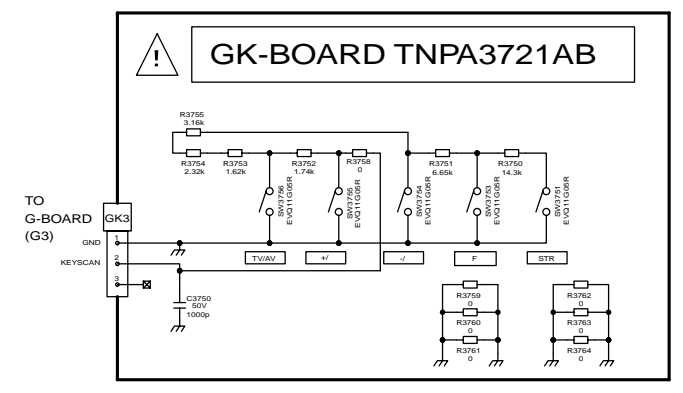
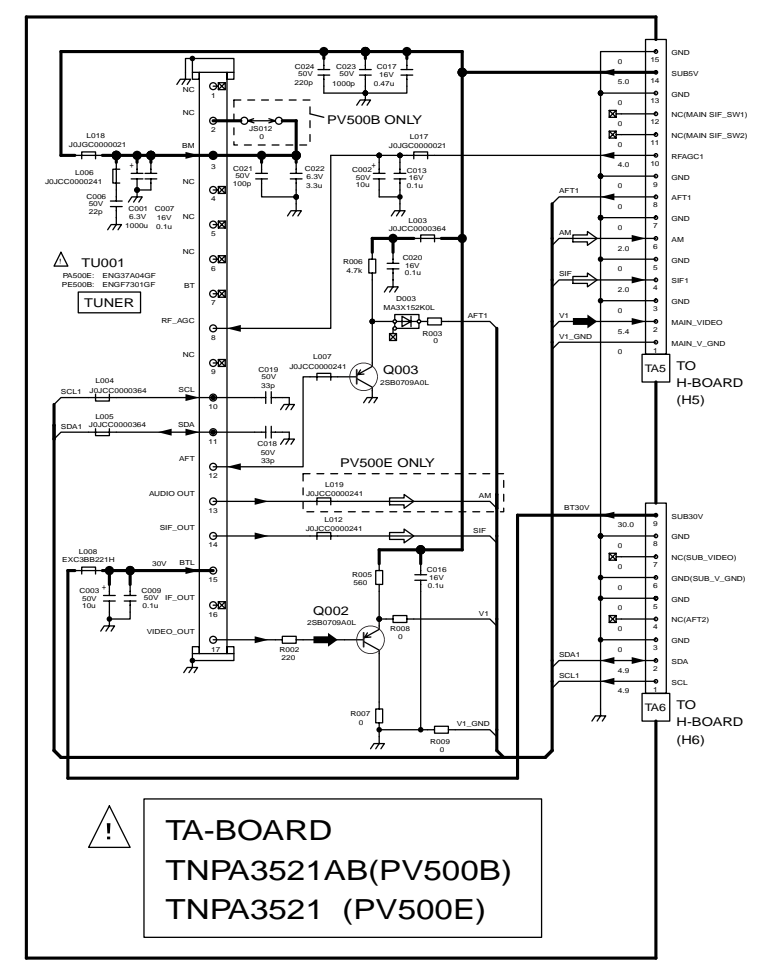
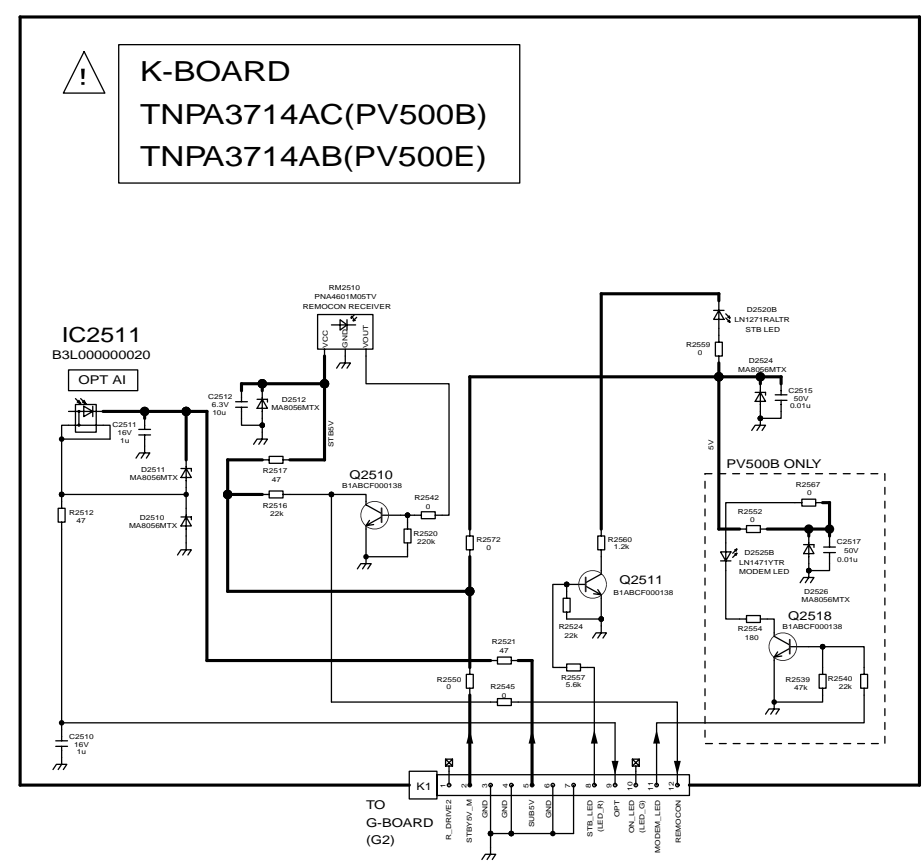
18

14.15. G-Board Schematic Diagram



14.16. GK, K and TA-Board Schematic Diagram

A
B
C
D
E

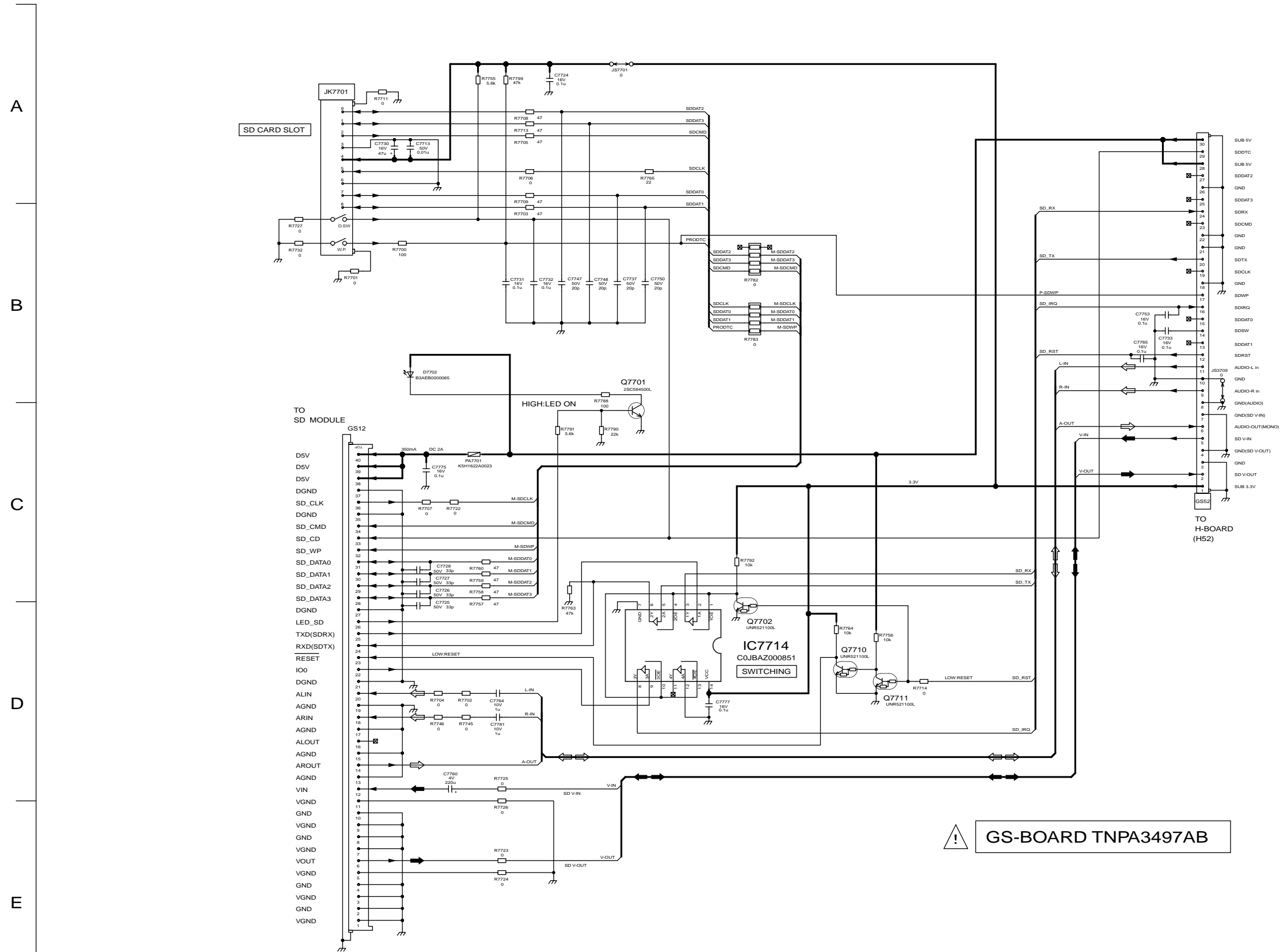


TH-65PV500B/E
GK, K and TA-Board Schematic Diagram

TH-65PV500B/E
GK, K and TA-Board Schematic Diagram

1 2 3 4 5 6 7 8

14.17. GS-Board Schematic Diagram

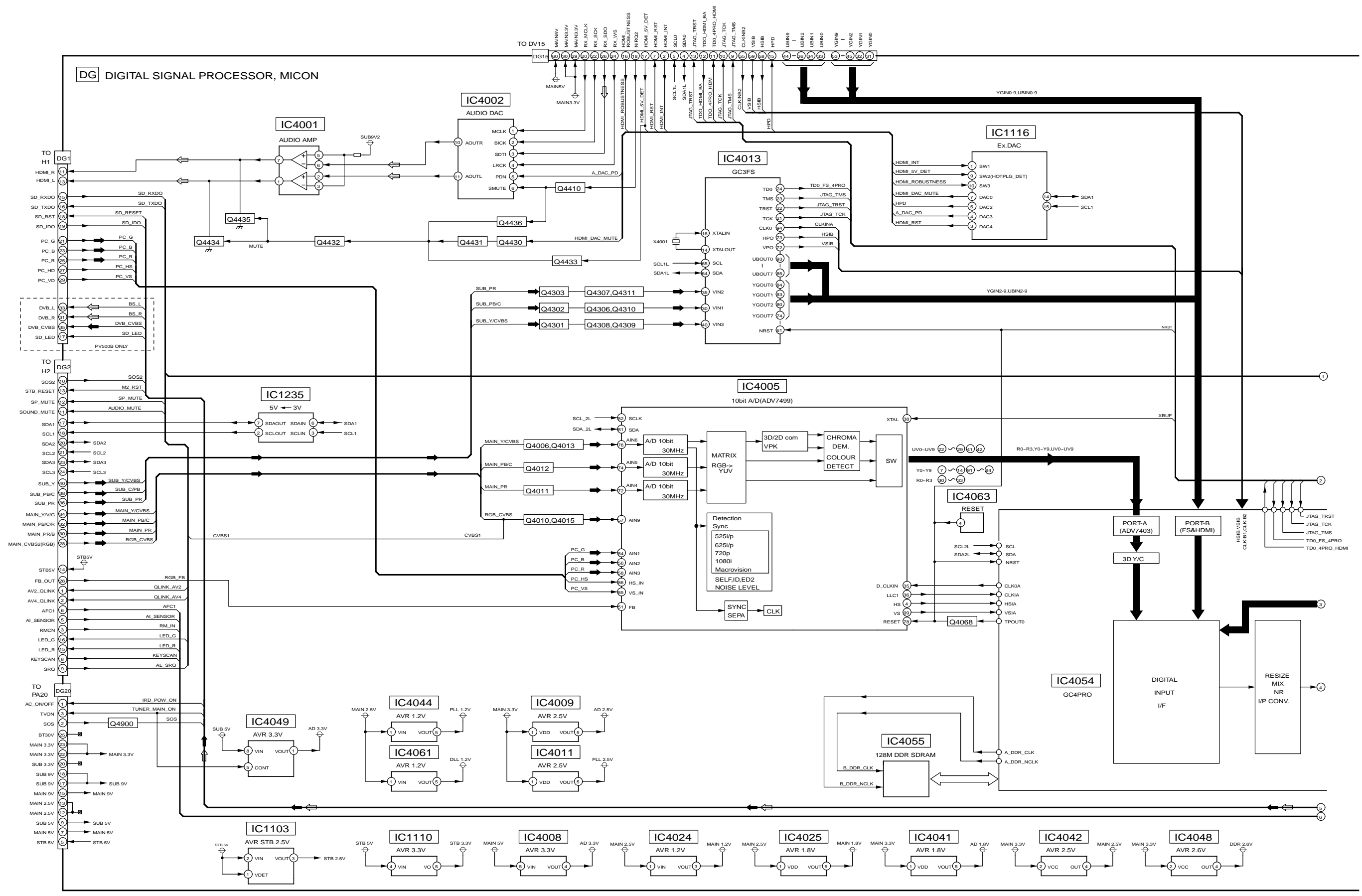


! GS-BOARD TNPA3497AB

TH-65PV500B/E
GS-Board Schematic Diagram

TH-65PV500B/E
GS-Board Schematic Diagram

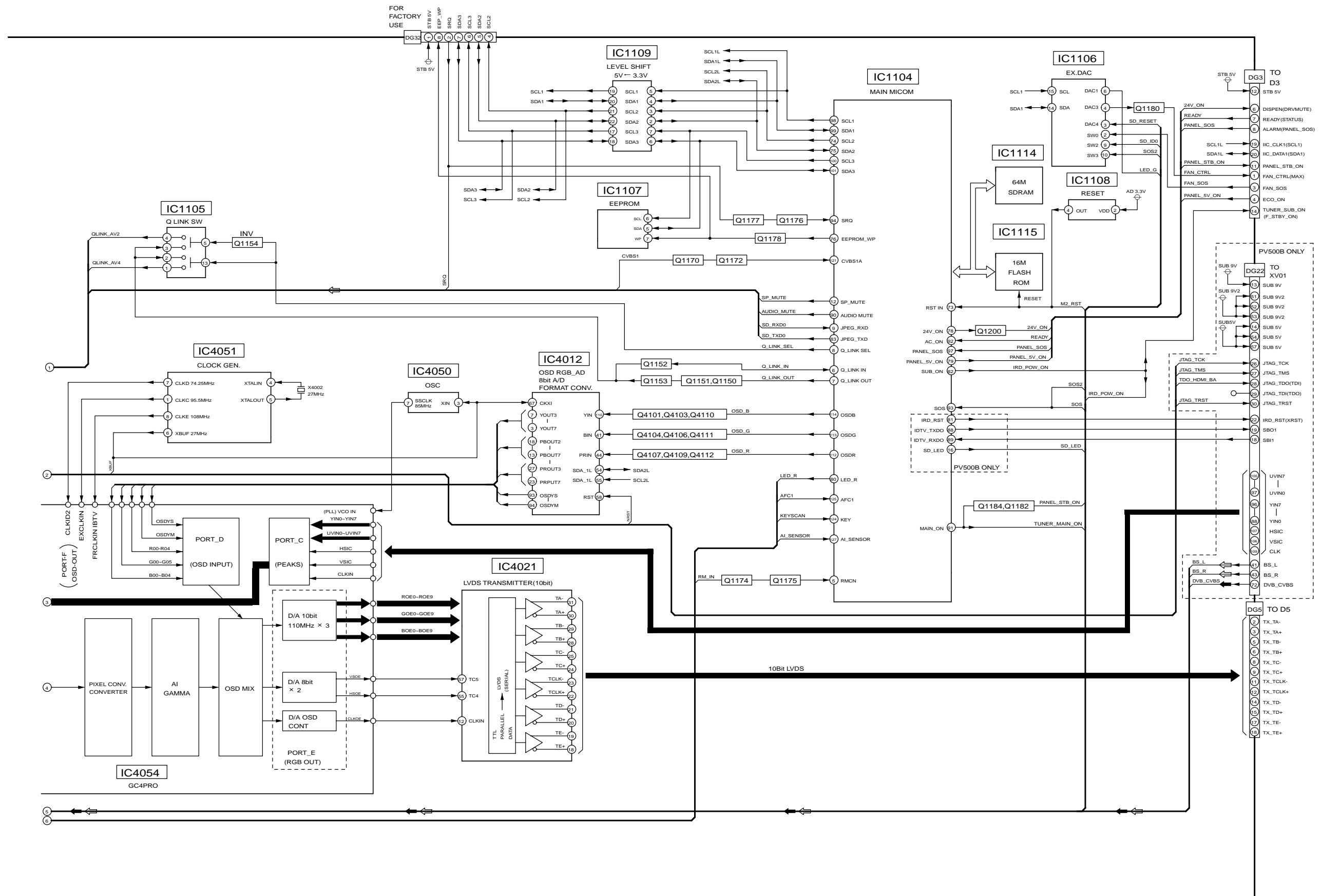
14.18. DG-Board (1 of 2) Block Diagram



TH-65PV500B/E
DG-Board (1 of 2) Block Diagram

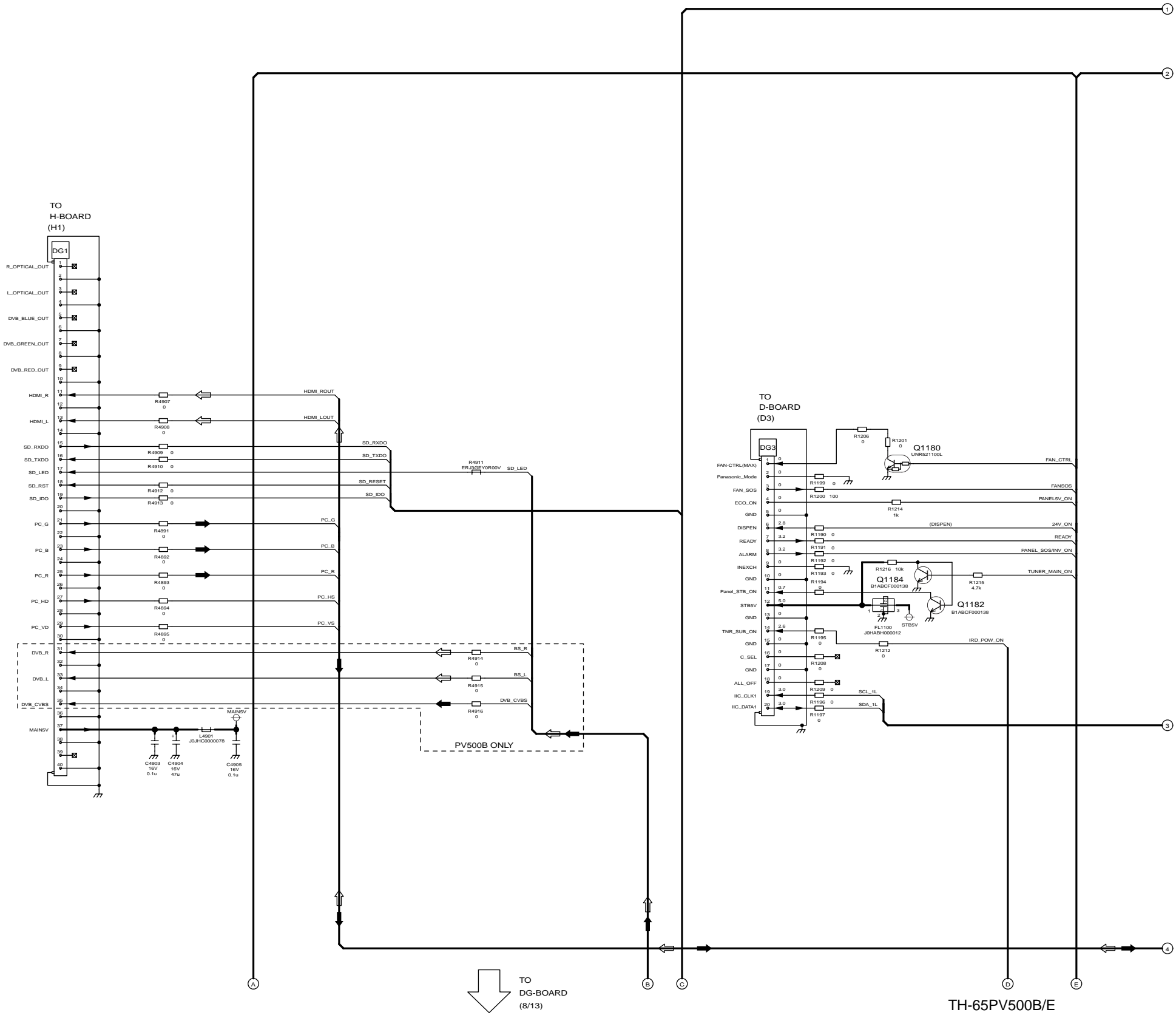
TH-65PV500B/E
DG-Board (1 of 2) Block Diagram

14.19. DG-Board (2 of 2) Block Diagram



14.20. DG-Board (1 of 13) Schematic Diagram

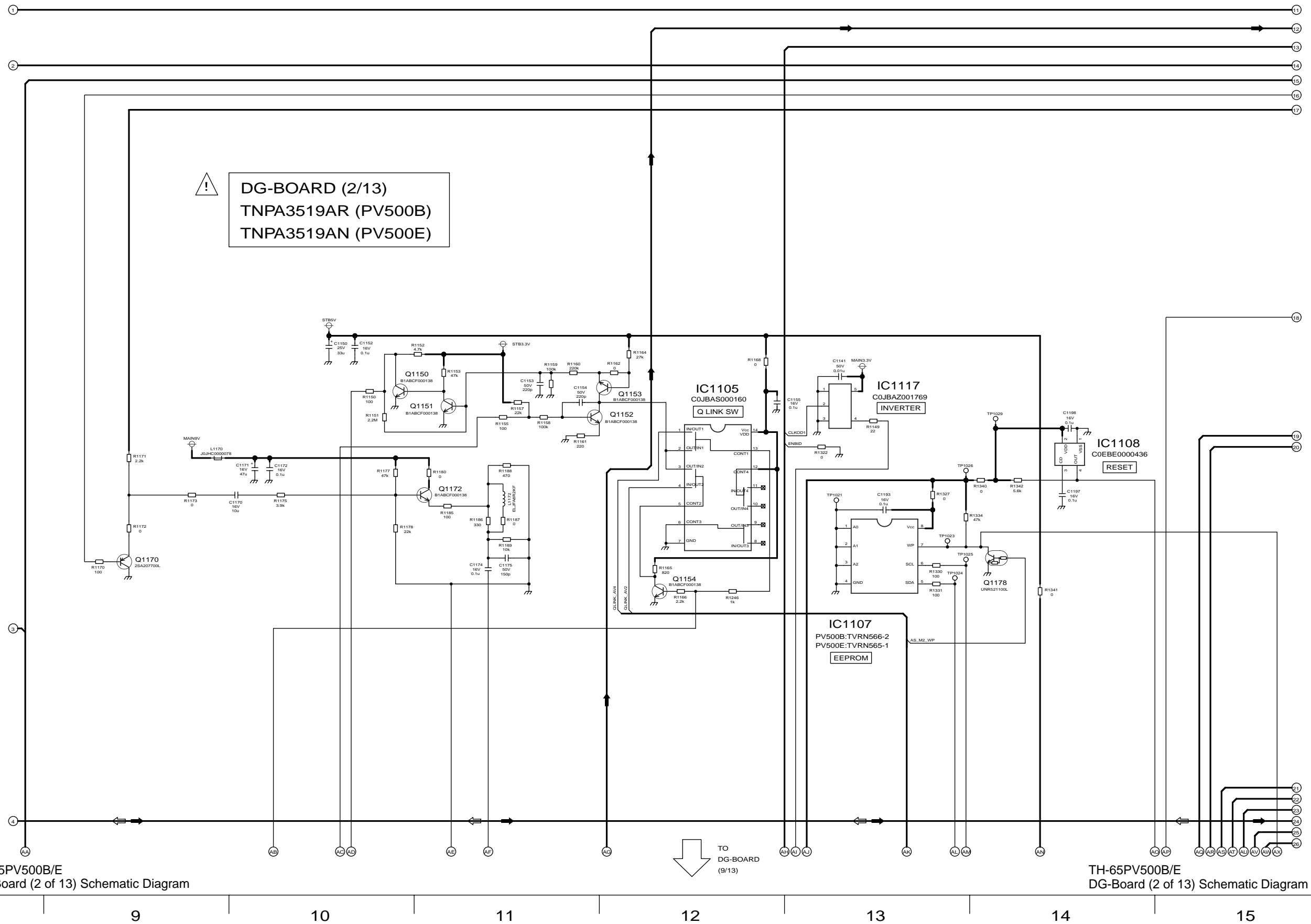
⚠
 DG-BOARD (1/13)
 TNPA3519AR (PV500B)
 TNPA3519AN (PV500E)



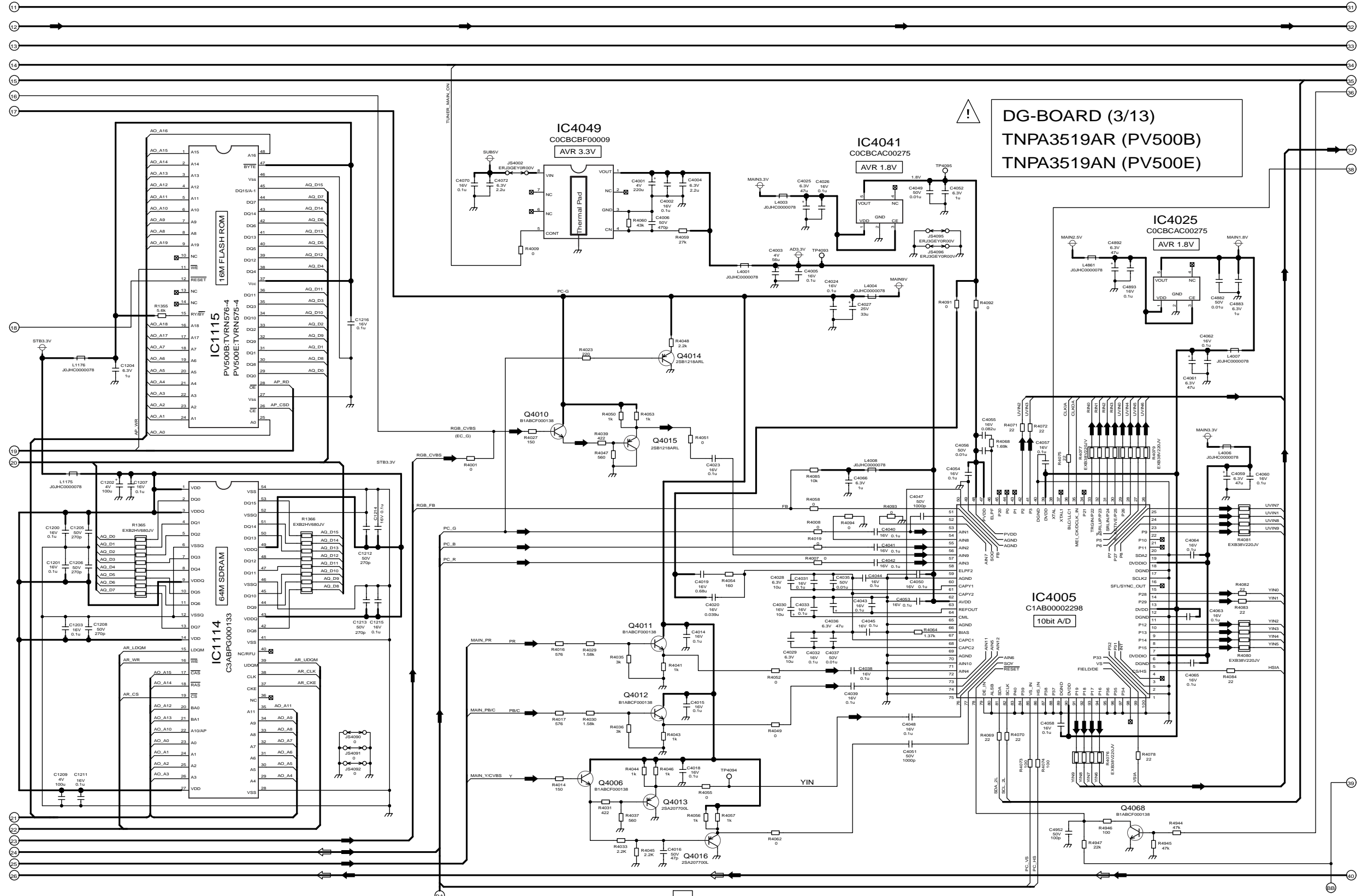
TH-65PV500B/E
DG-Board (1 of 13) Schematic Diagram

TH-65PV500B/E
DG-Board (1 of 13) Schematic Diagram

14.21. DG-Board (2 of 13) Schematic Diagram



14.22. DG-Board (3 of 13) Schematic Diagram



DG-BOARD (3/13)
TNPA3519AR (PV500B)
TNPA3519AN (PV500E)

TH-65PV500B/E
DG-Board (3 of 13) Schematic Diagram

TH-65PV500B/E
DG-Board (3 of 13) Schematic Diagram

TO
DG-BOARD
(10/13)

16

17

18

19

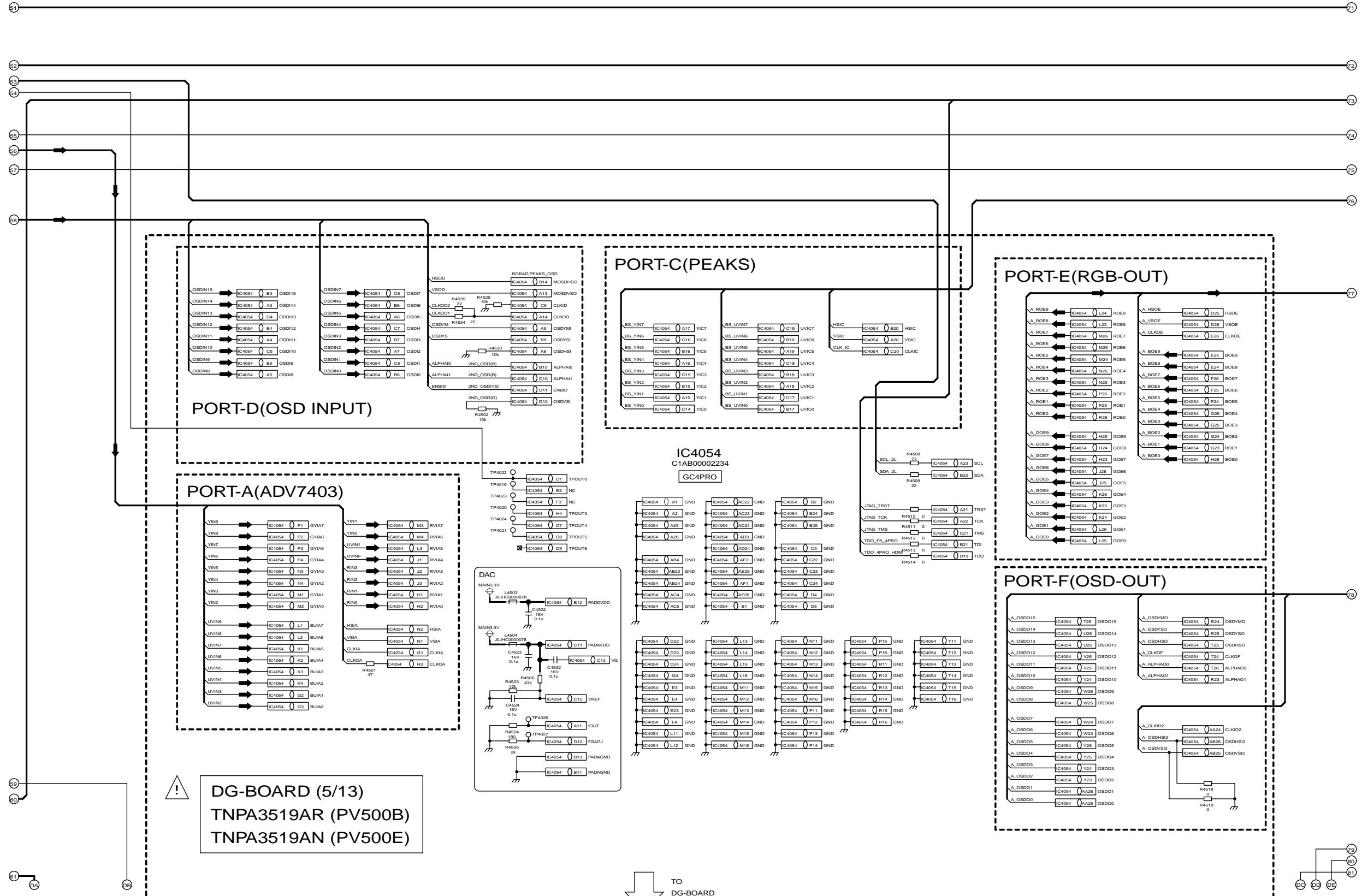
20

21

22

23

14.24. DG-Board (5 of 13) Schematic Diagram



! DG-BOARD (5/13)
 TNPA3519AR (PV500B)
 TNPA3519AN (PV500E)

TO
 DG-BOARD
 (12/13)

TH-65PV500B/E
 DG-Board (5 of 13) Schematic Diagram

TH-65PV500B/E
 DG-Board (5 of 13) Schematic Diagram

31

32

33

34

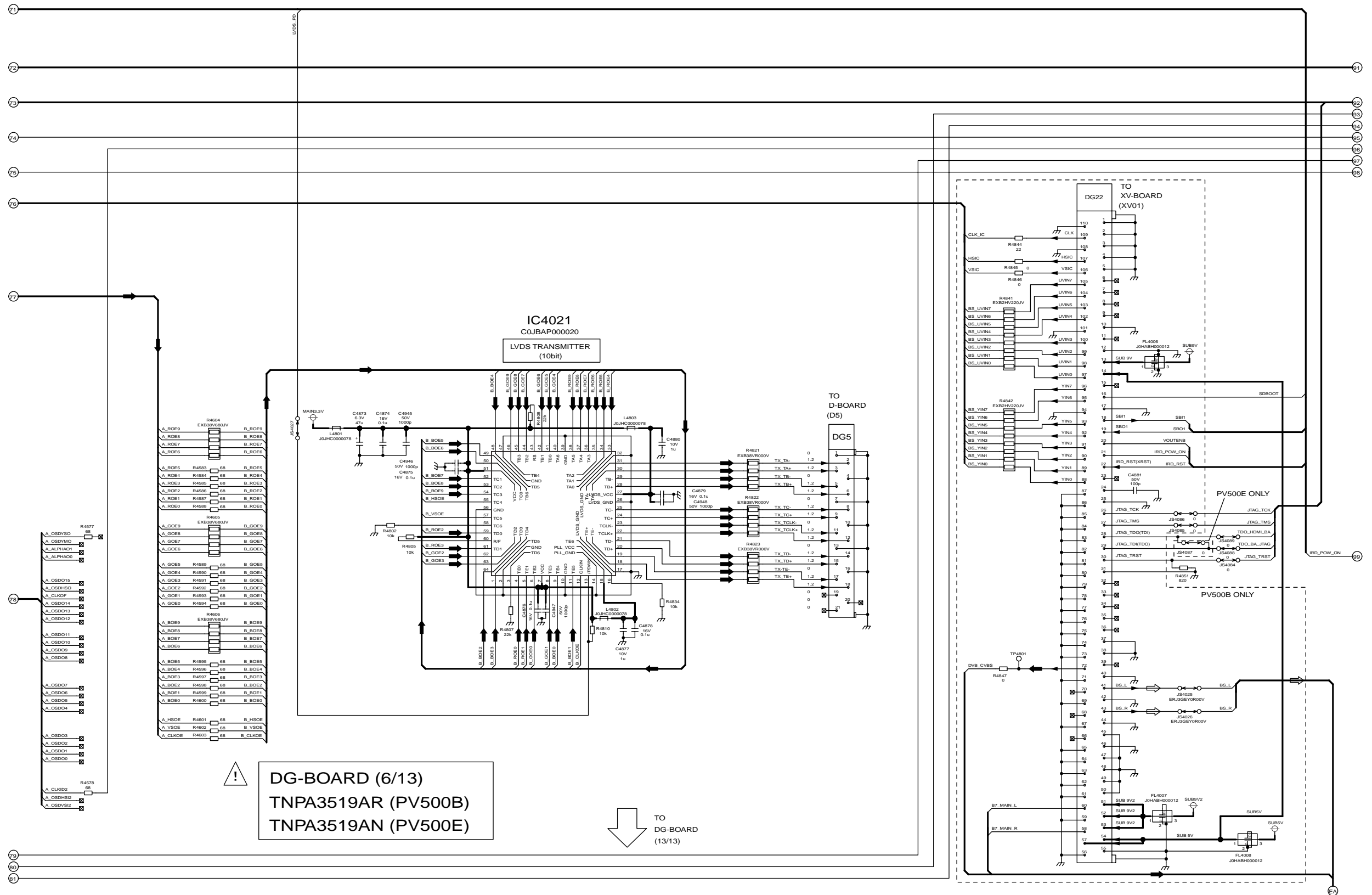
35

36

37

38

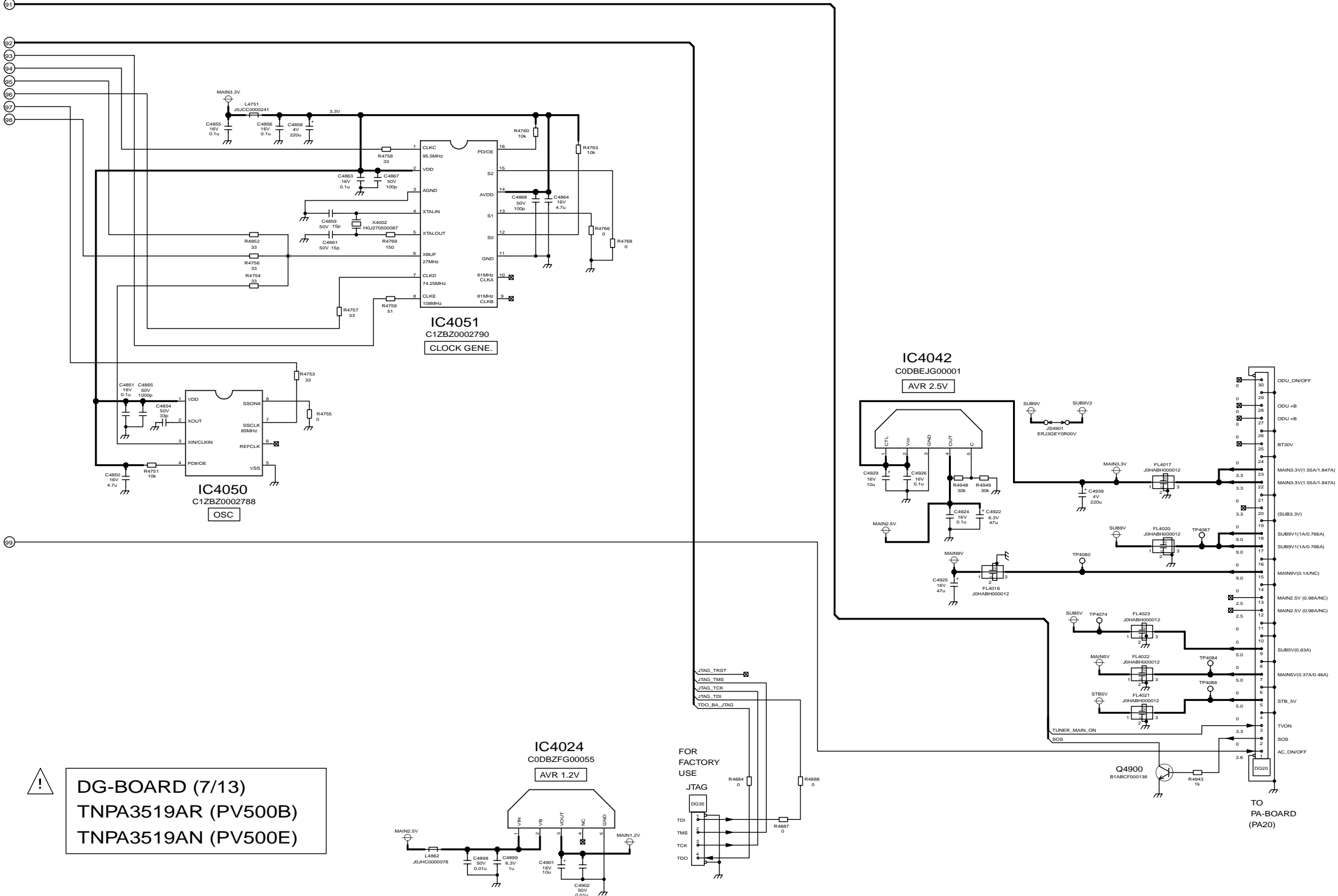
14.25. DG-Board (6 of 13) Schematic Diagram



TH-65PV500B/E
DG-Board (6 of 13) Schematic Diagram

TH-65PV500B/E
DG-Board (6 of 13) Schematic Diagram

14.26. DG-Board (7 of 13) Schematic Diagram



! DG-BOARD (7/13)
 TNPA3519AR (PV500B)
 TNPA3519AN (PV500E)

TH-65PV500B/E
 DG-Board (7 of 13) Schematic Diagram

TH-65PV500B/E
 DG-Board (7 of 13) Schematic Diagram

47

48

49

50

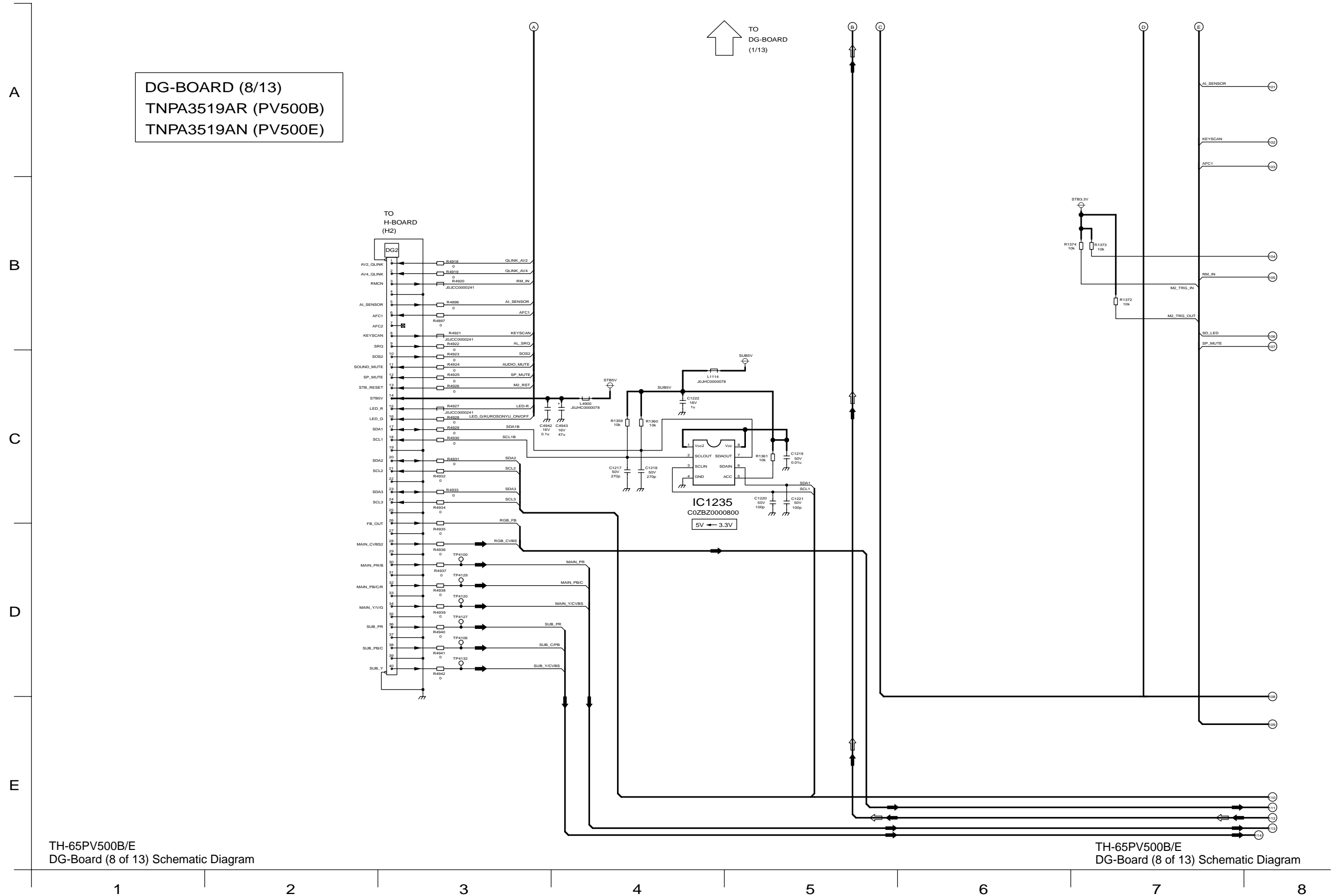
51

52

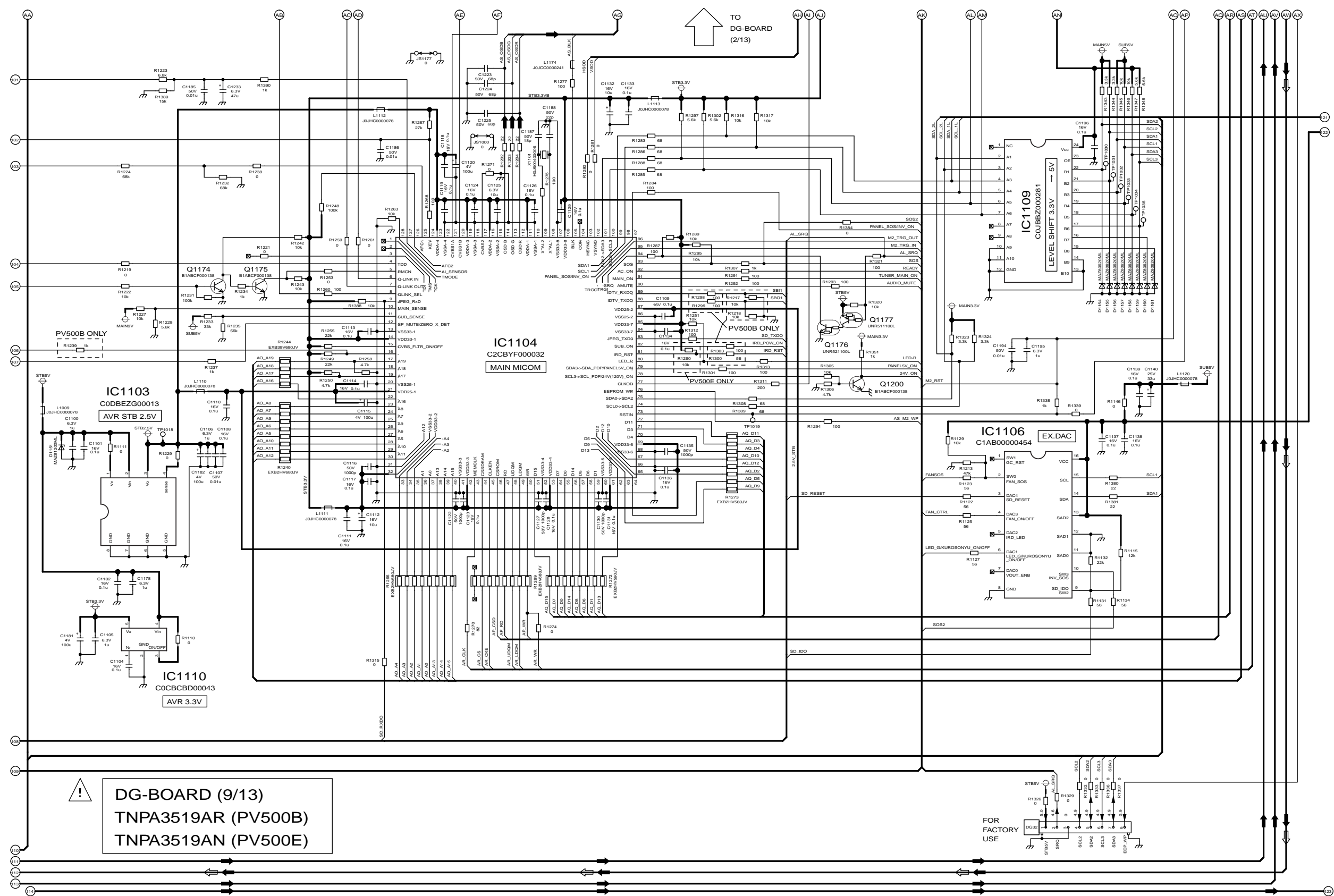
53

54

14.27. DG-Board (8 of 13) Schematic Diagram



14.28. DG-Board (9 of 13) Schematic Diagram

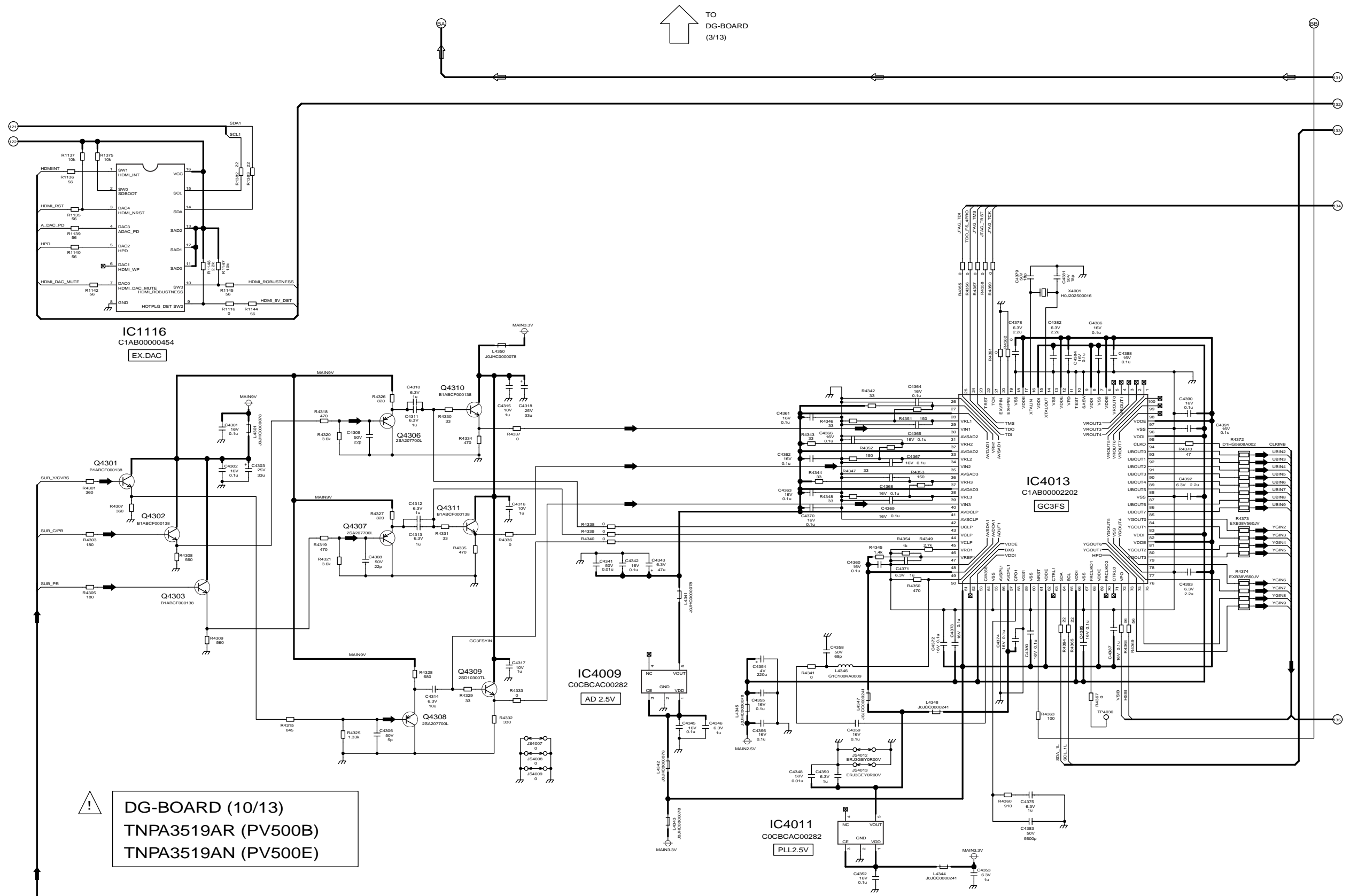


TH-65PV500B/E DG-Board (9 of 13) Schematic Diagram

TH-65PV500B/E DG-Board (9 of 13) Schematic Diagram

8 9 10 11 12 13 14 15

14.29. DG-Board (10 of 13) Schematic Diagram



TH-65PV500B/E
DG-Board (10 of 13) Schematic Diagram

TH-65PV500B/E
DG-Board (10 of 13) Schematic Diagram

16

17

18

19

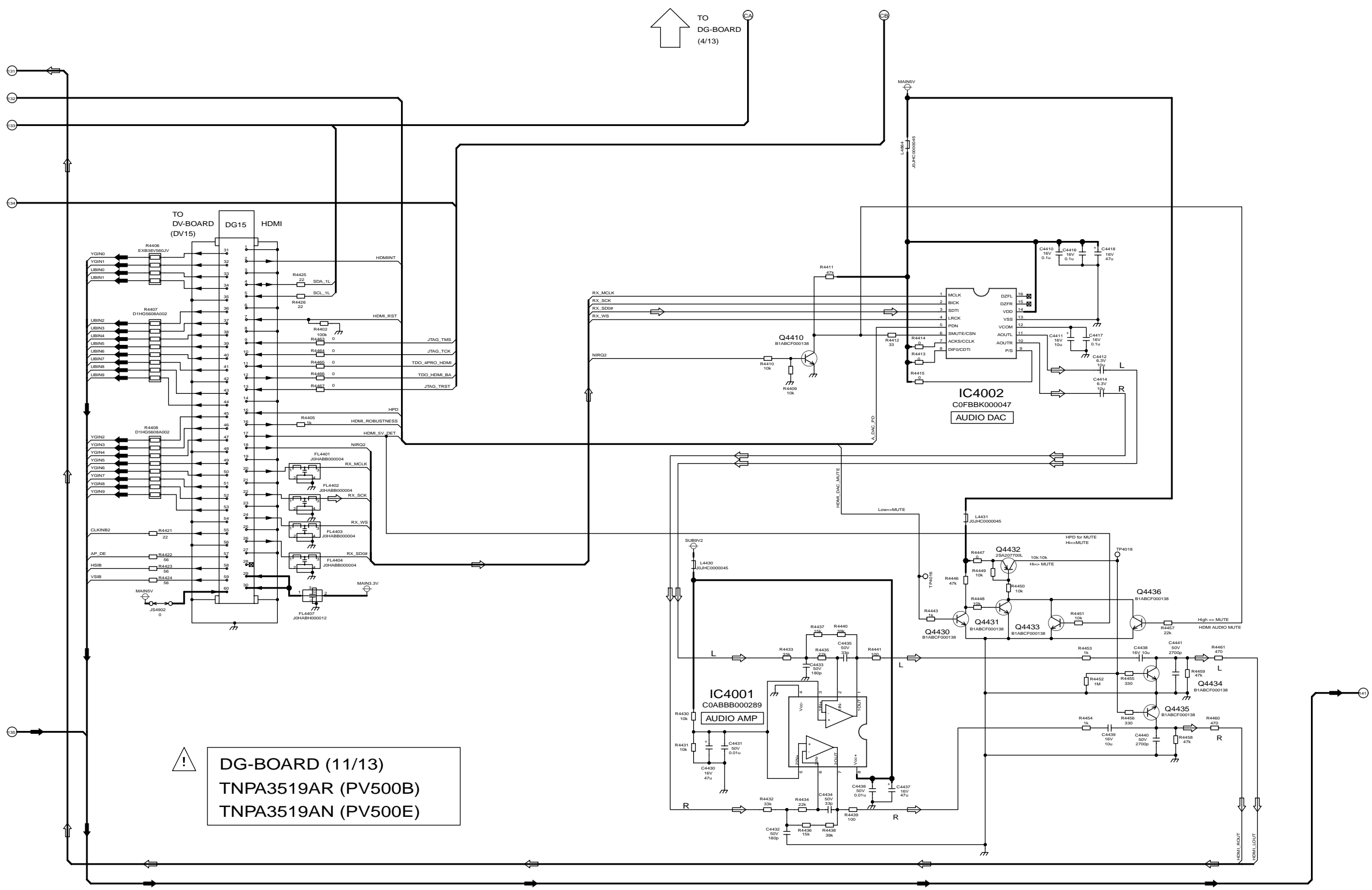
20

21

22

23

14.30. DG-Board (11 of 13) Schematic Diagram

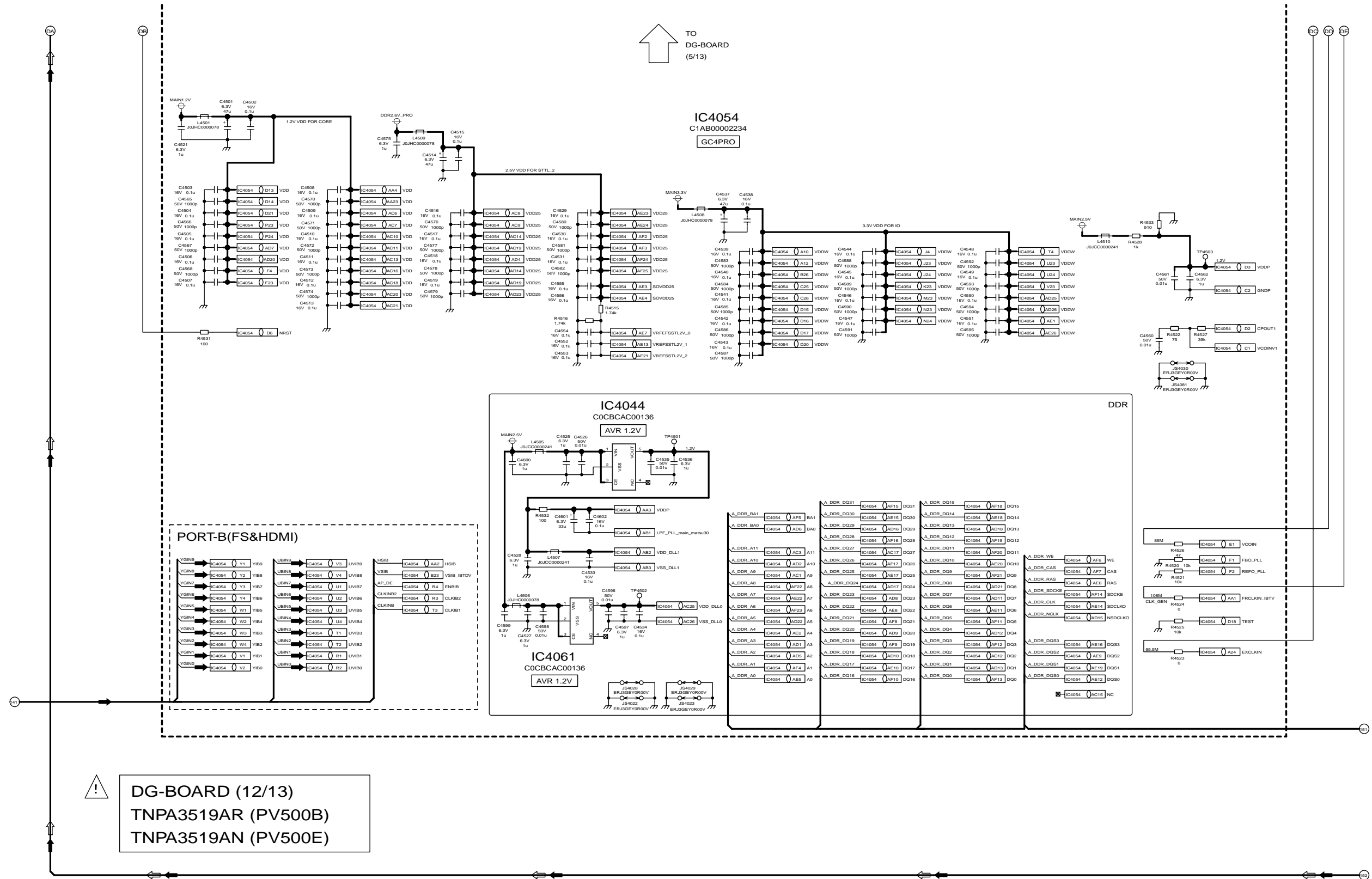


! DG-BOARD (11/13)
 TNPA3519AR (PV500B)
 TNPA3519AN (PV500E)

TH-65PV500B/E
DG-Board (11 of 13) Schematic Diagram

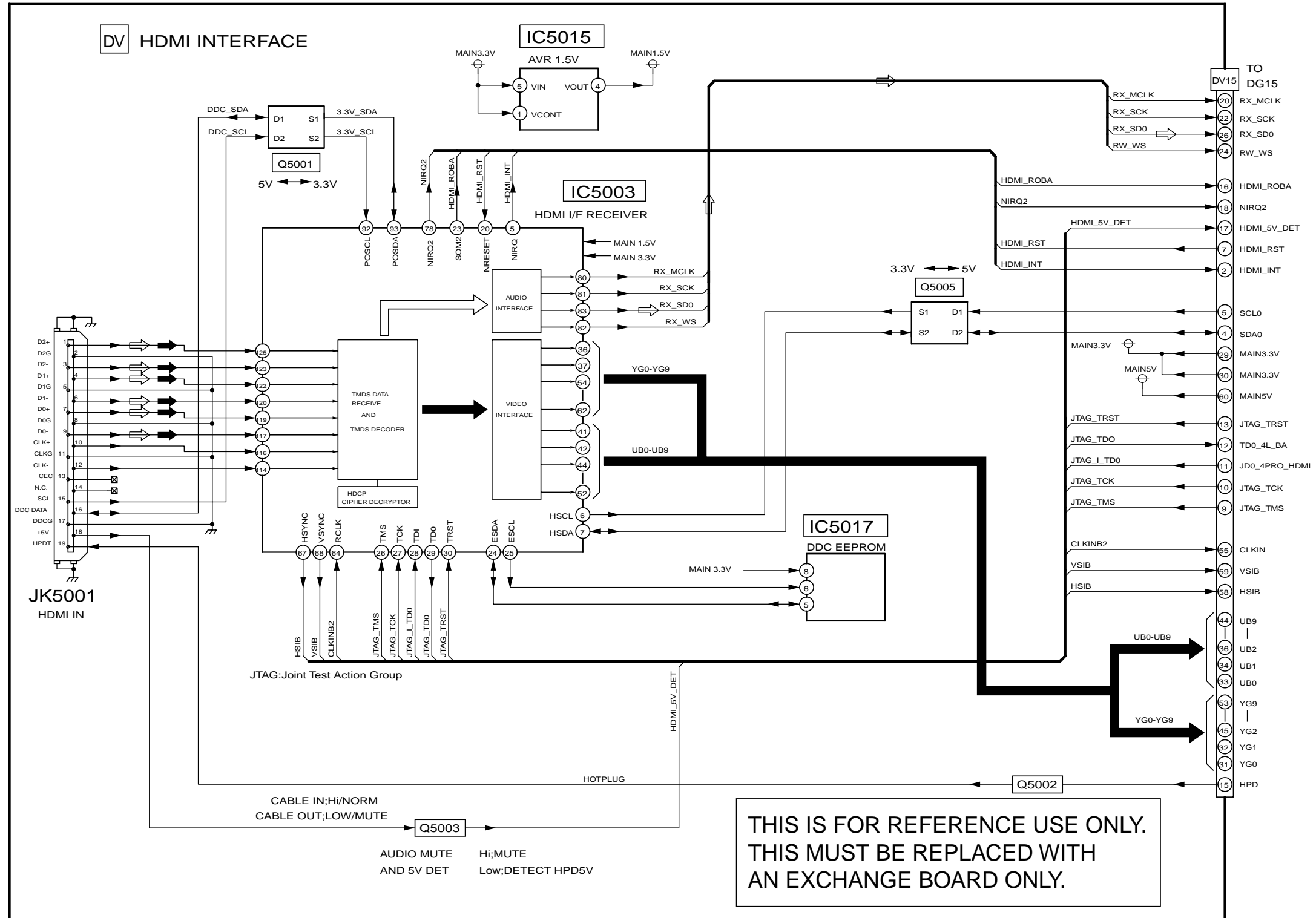
TH-65PV500B/E
DG-Board (11 of 13) Schematic Diagram

14.31. DG-Board (12 of 13) Schematic Diagram



! DG-BOARD (12/13)
 TNPA3519AR (PV500B)
 TNPA3519AN (PV500E)

14.33. DV-Board Block Diagram



14.34. DV-Board Schematic Diagram

A

B

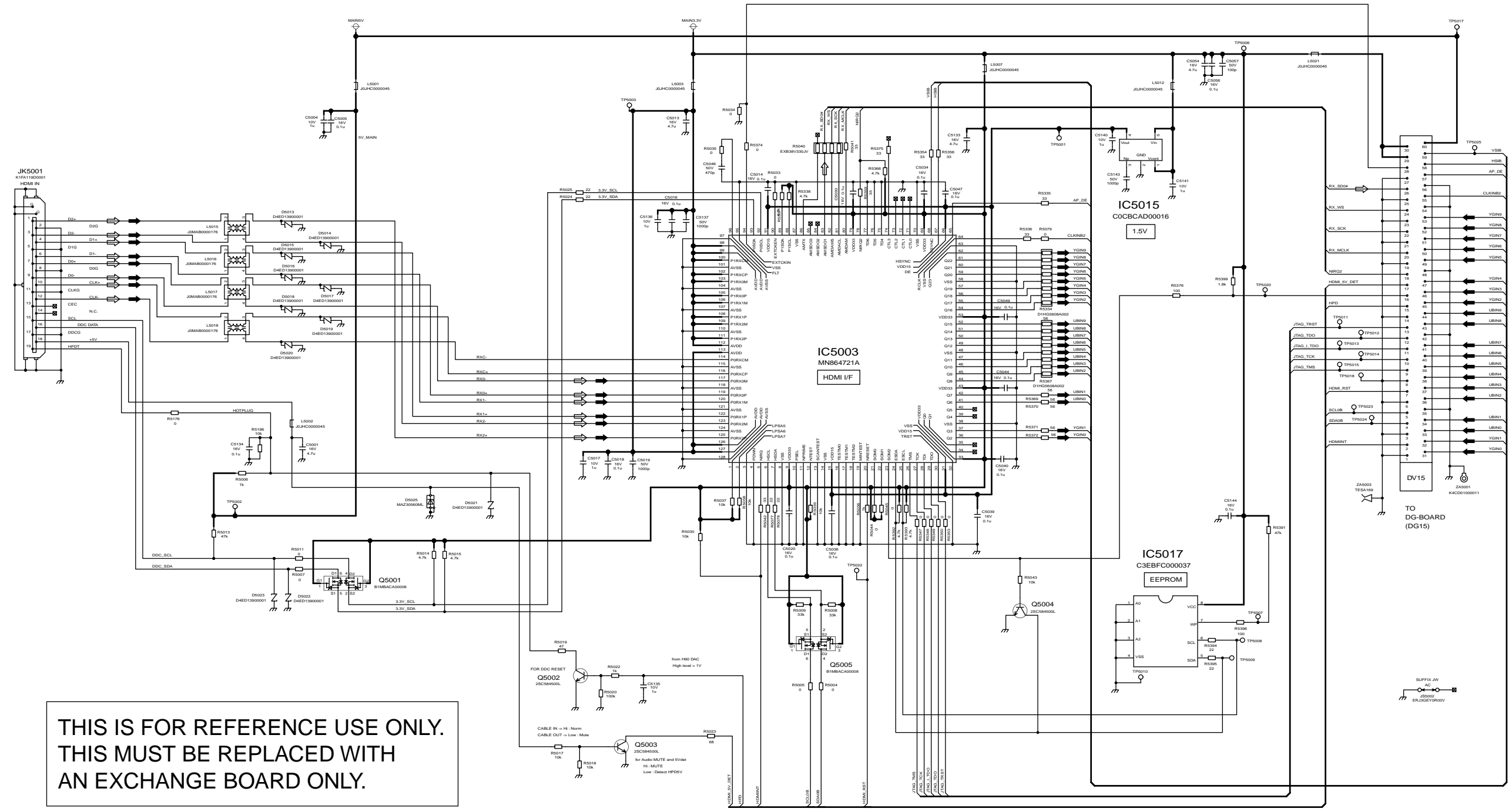
C

D

E

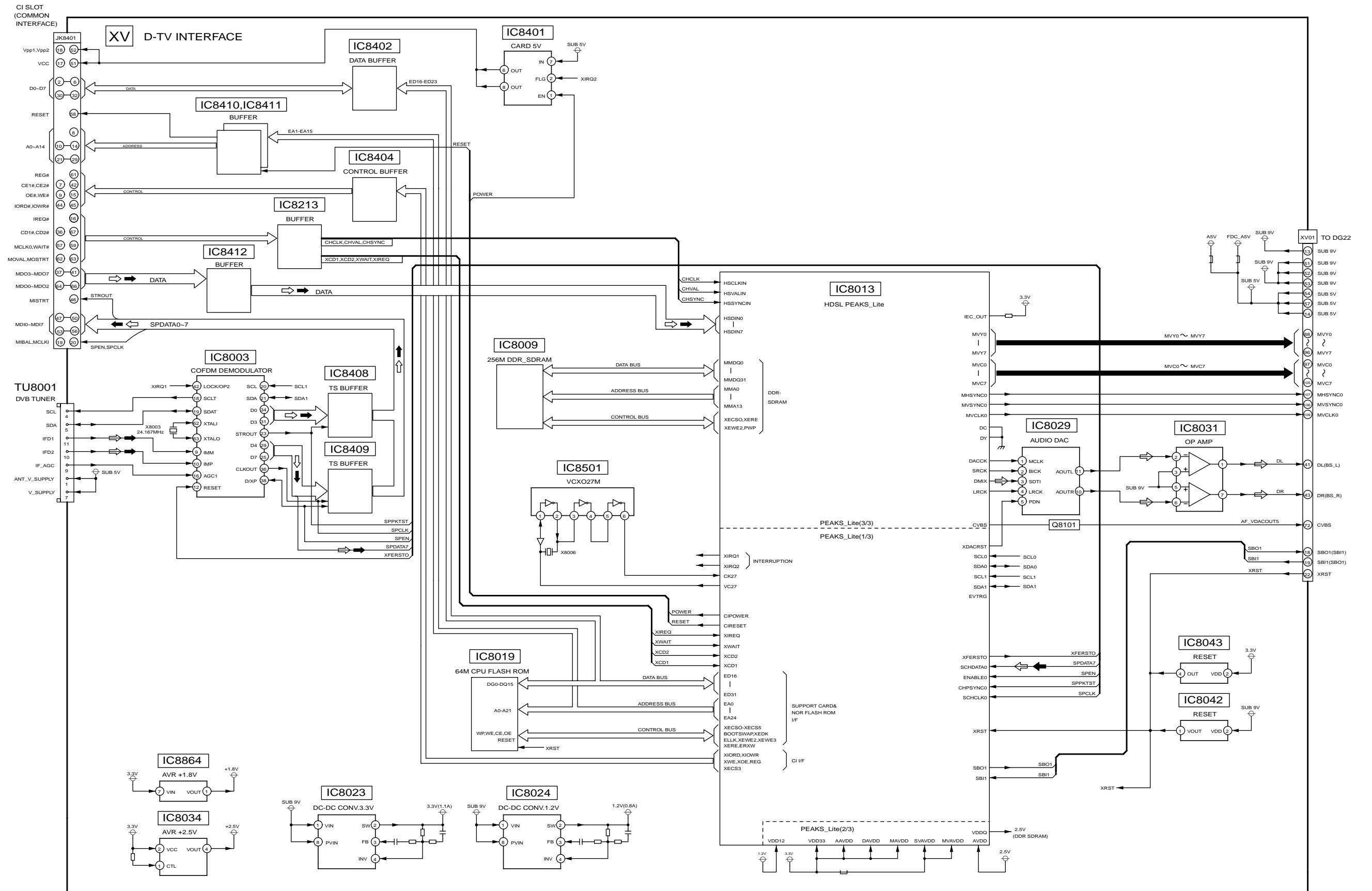
F

⚠ DV-BOARD TNPA3725



THIS IS FOR REFERENCE USE ONLY.
THIS MUST BE REPLACED WITH
AN EXCHANGE BOARD ONLY.

14.35. XV-Board Block Diagram (PV500B)

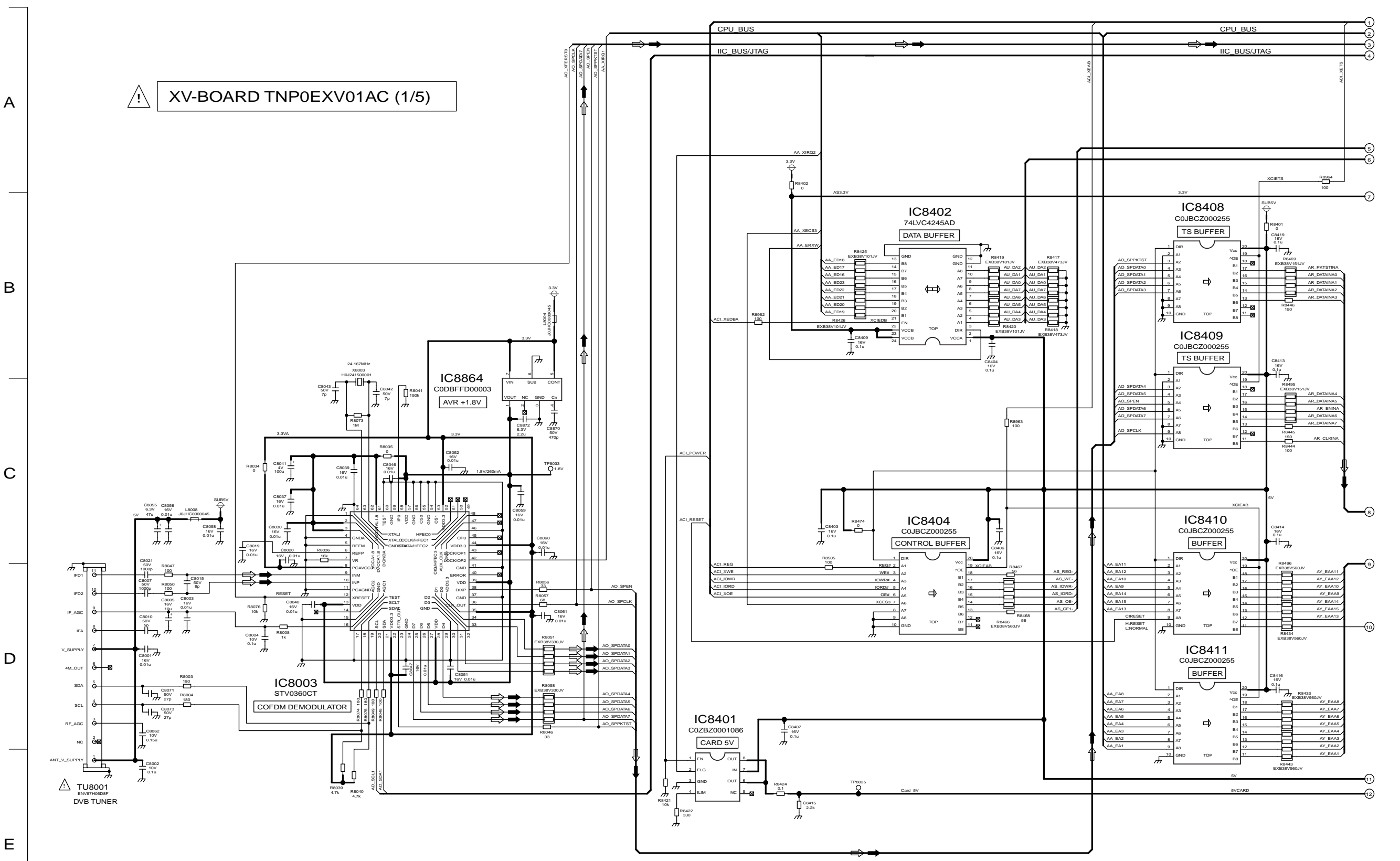


TH-65PV500B
XV-Board Block Diagram

TH-65PV500B
XV-Board Block Diagram

14.36. XV-Board (1 of 5) Schematic Diagram (PV500B)

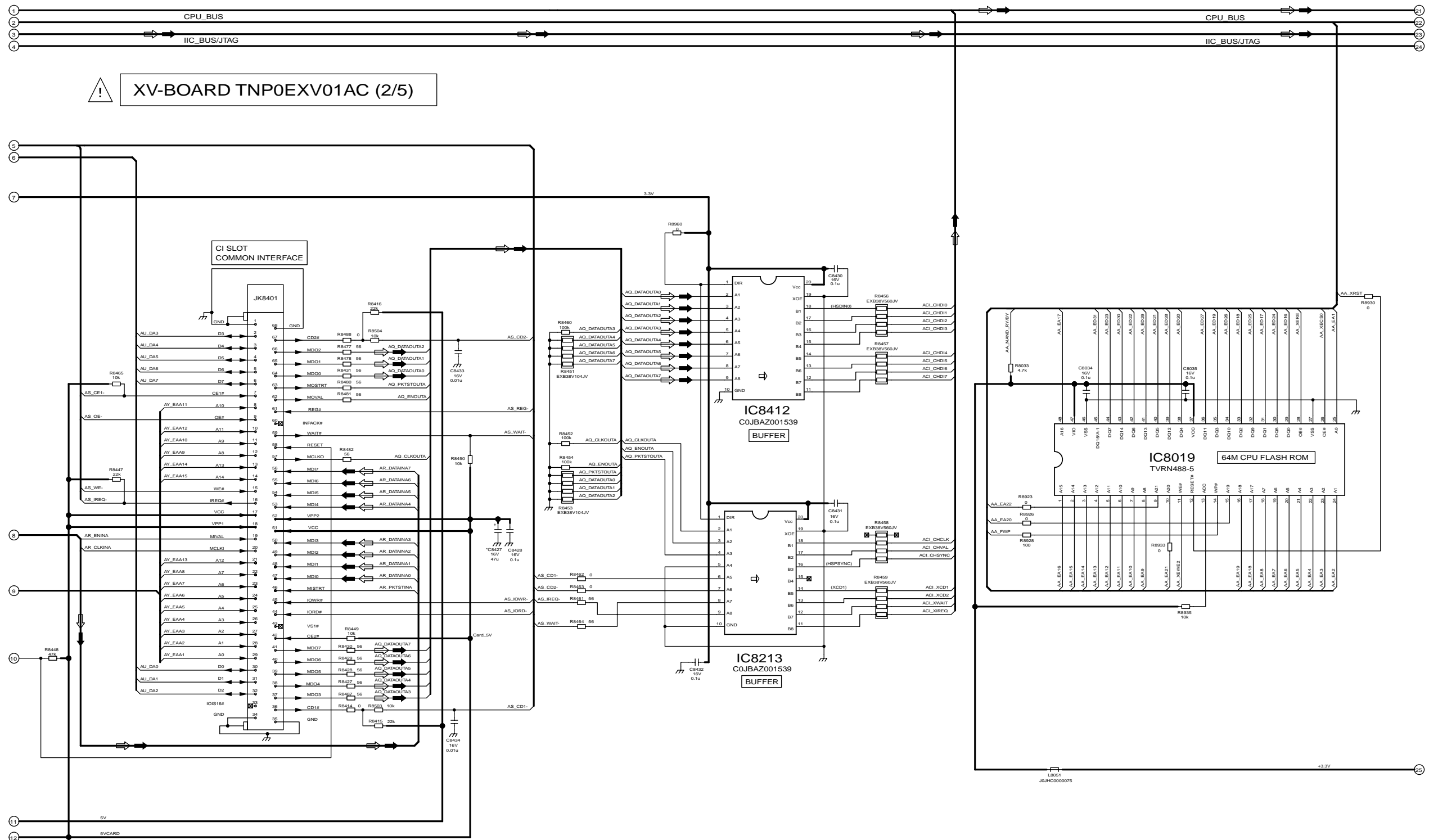
! XV-BOARD TNP0EXV01AC (1/5)



TH-65PV500B
XV-Board (1 of 5) Schematic Diagram

TH-65PV500B
XV-Board (1 of 5) Schematic Diagram

14.37. XV-Board (2 of 5) Schematic Diagram (PV500B)



TH-65PV500B
XV-Board (2 of 5) Schematic Diagram

TH-65PV500B
XV-Board (2 of 5) Schematic Diagram

8

9

10

11

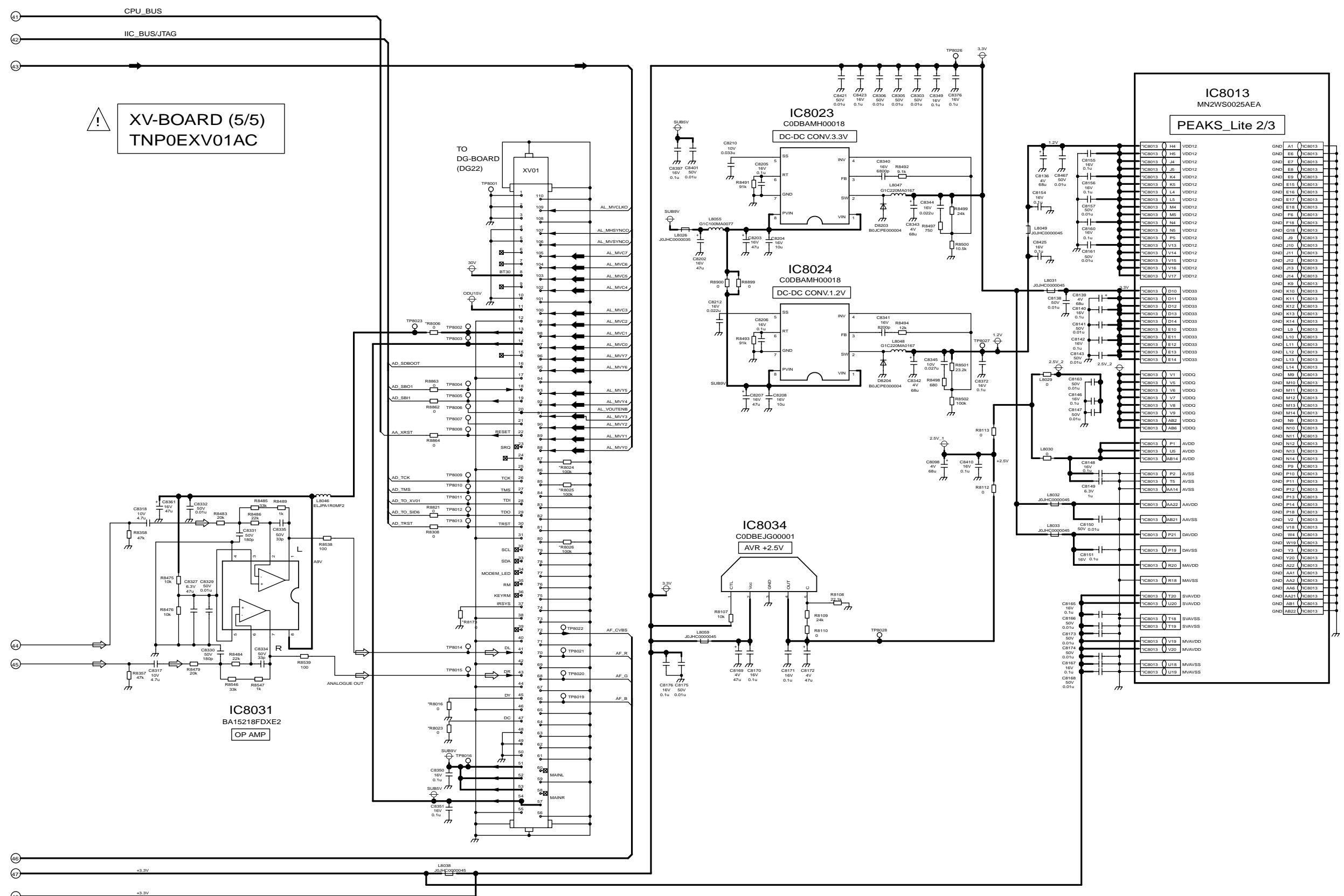
12

13

14

15

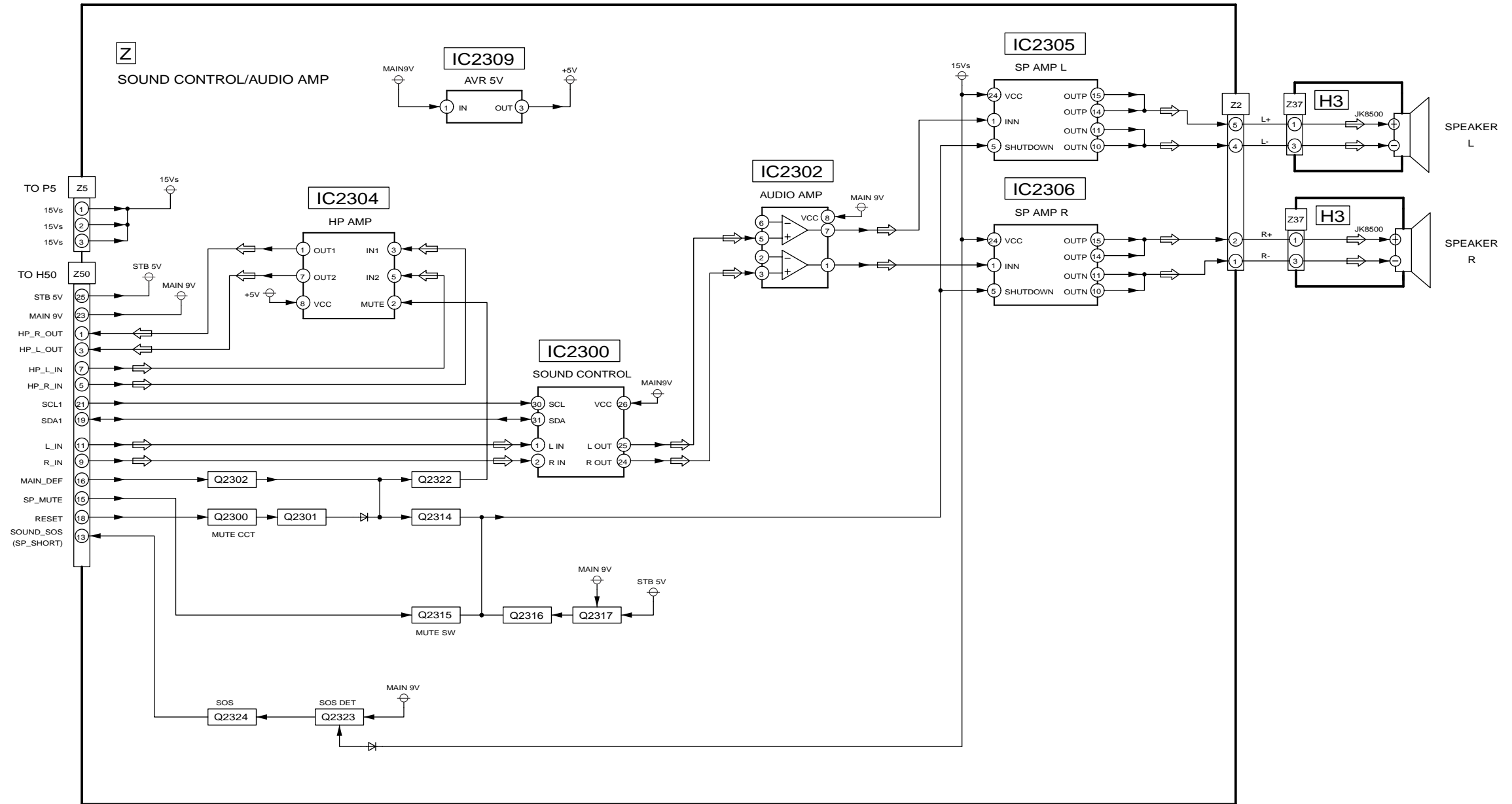
14.40. XV-Board (5 of 5) Schematic Diagram (PV500B)



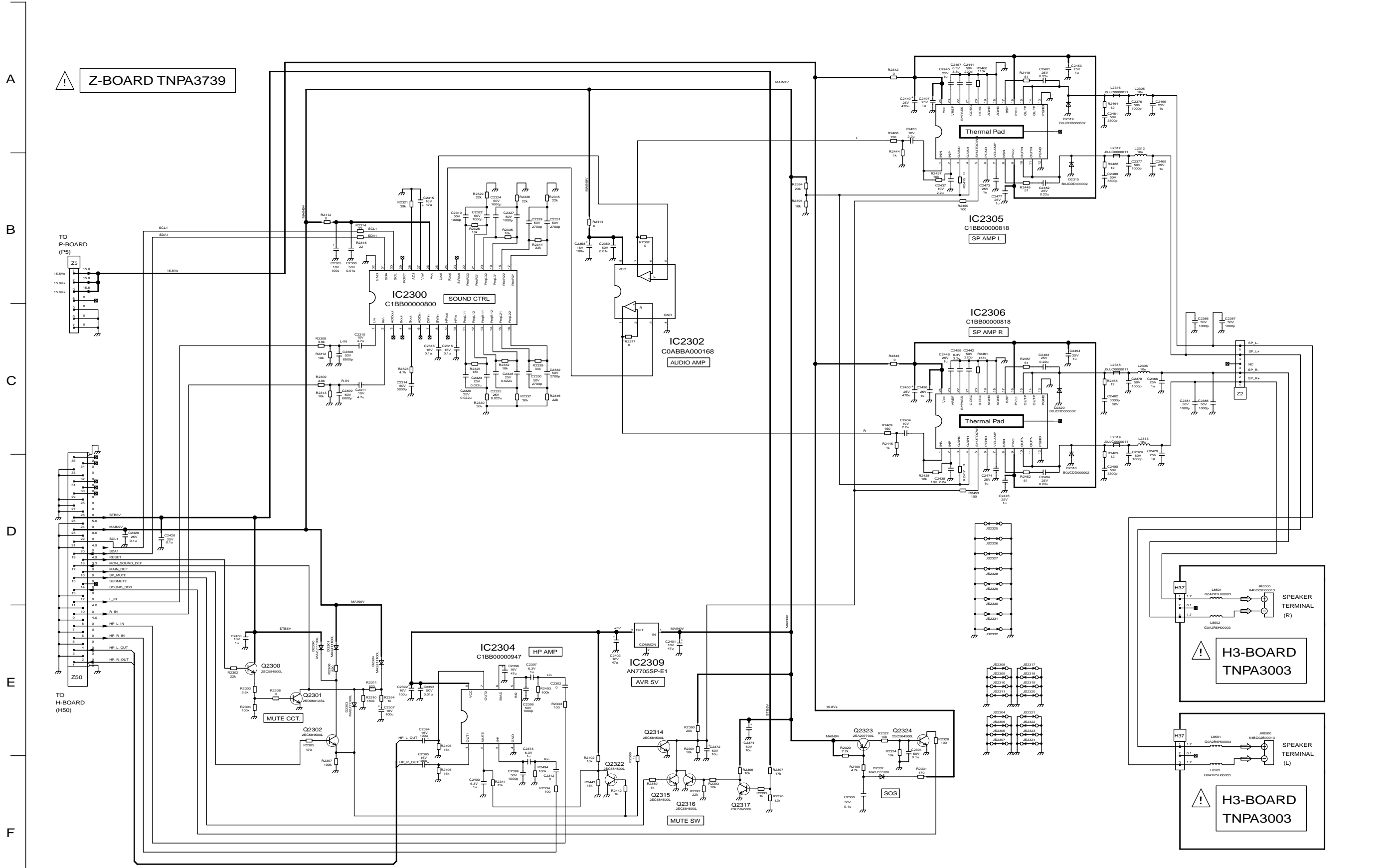
TH-65PV500B
XV-Board (5 of 5) Schematic Diagram

TH-65PV500B
XV-Board (5 of 5) Schematic Diagram

14.41. Z and H3-Board Block Diagram



14.42. Z and H3-Board Schematic Diagram



TH-65PV500B/E
Z and H3-Board Schematic Diagram

TH-65PV500B/E
Z and H3-Board Schematic Diagram

1 2 3 4 5 6 7 8 9

14.44. D-Board (1 of 6) Schematic Diagram

⚠ D-BOARD TZTNP010CLT (1/6)

A

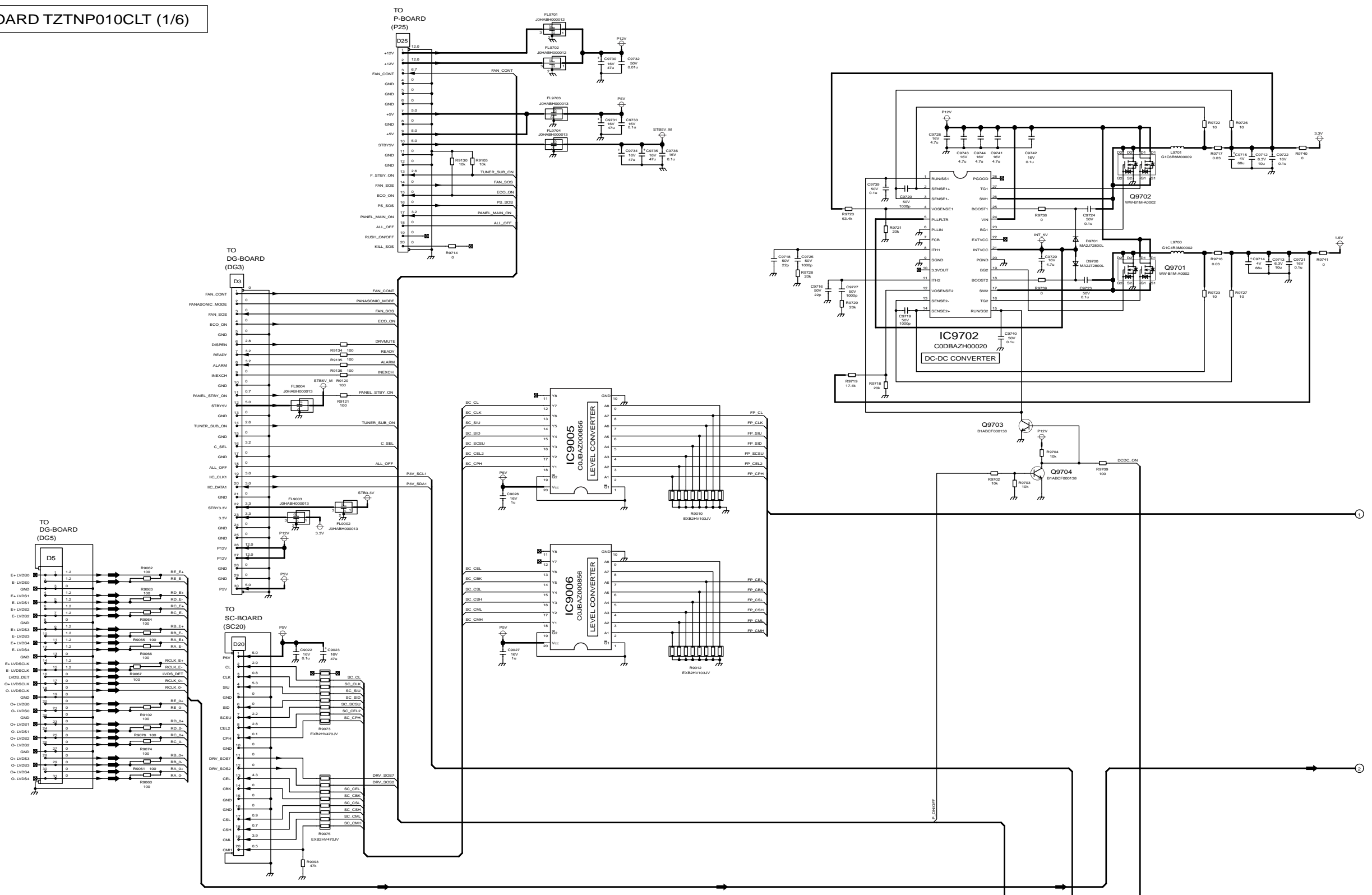
B

C

D

E

F



TO D-BOARD (4/6)

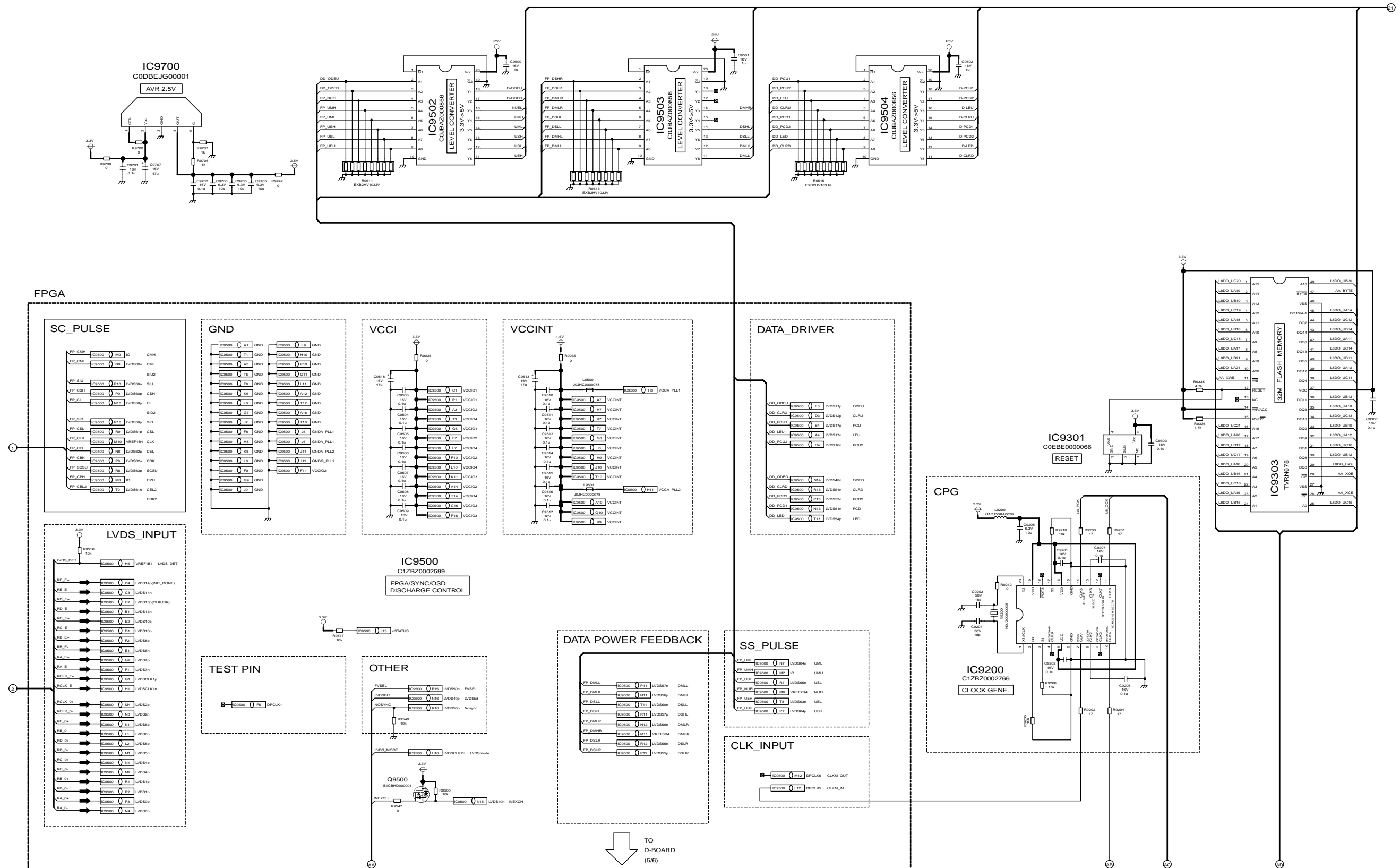
TH-65PV500B/E D-Board (1 of 6) Schematic Diagram

TH-65PV500B/E D-Board (1 of 6) Schematic Diagram

1 2 3 4 5 6 7 8 9

14.45. D-Board (2 of 6) Schematic Diagram

D-BOARD TZTNP010CLT (2/6)



TH-65PV500B/E D-Board (2 of 6) Schematic Diagram

TH-65PV500B/E D-Board (2 of 6) Schematic Diagram

10

11

12

13

14

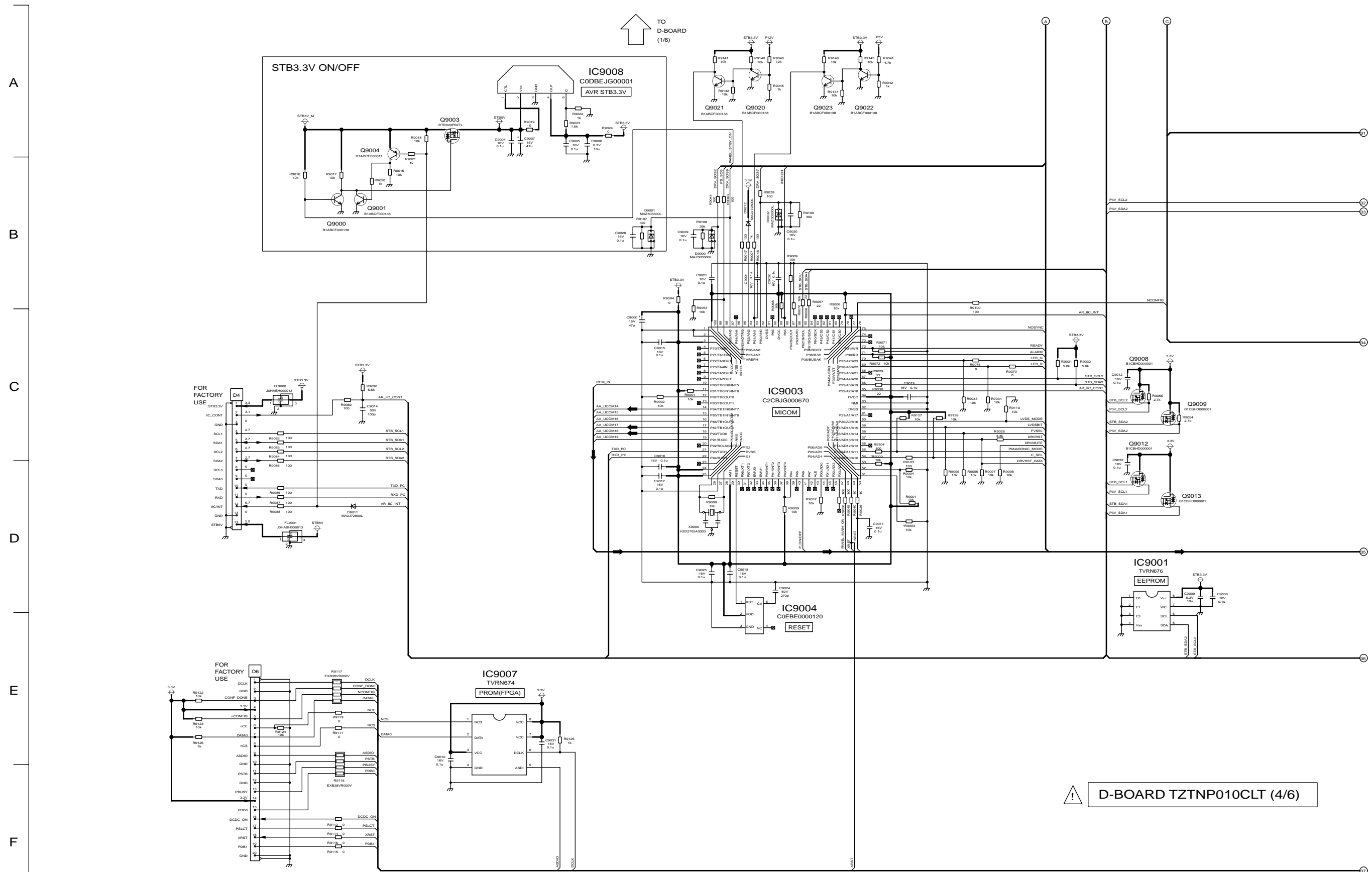
15

16

17

18

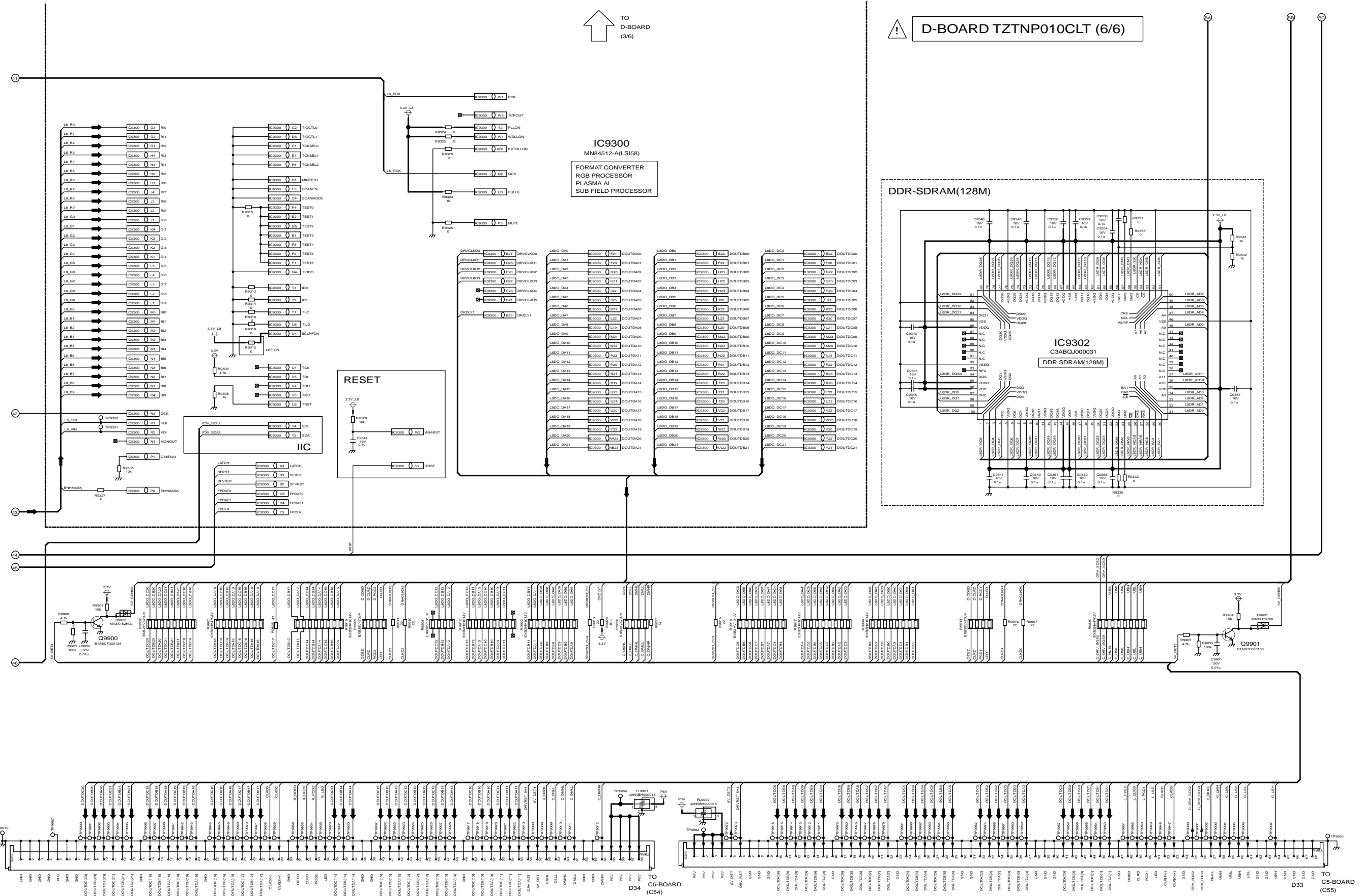
14.47. D-Board (4 of 6) Schematic Diagram



TH-65PV500B/E
D-Board (4 of 6) Schematic Diagram

TH-65PV500B/E
D-Board (4 of 6) Schematic Diagram

14.49. D-Board (6 of 6) Schematic Diagram



TH-65PV500B/E D-Board (6 of 6) Schematic Diagram

TH-65PV500B/E D-Board (6 of 6) Schematic Diagram

19

20

21

22

23

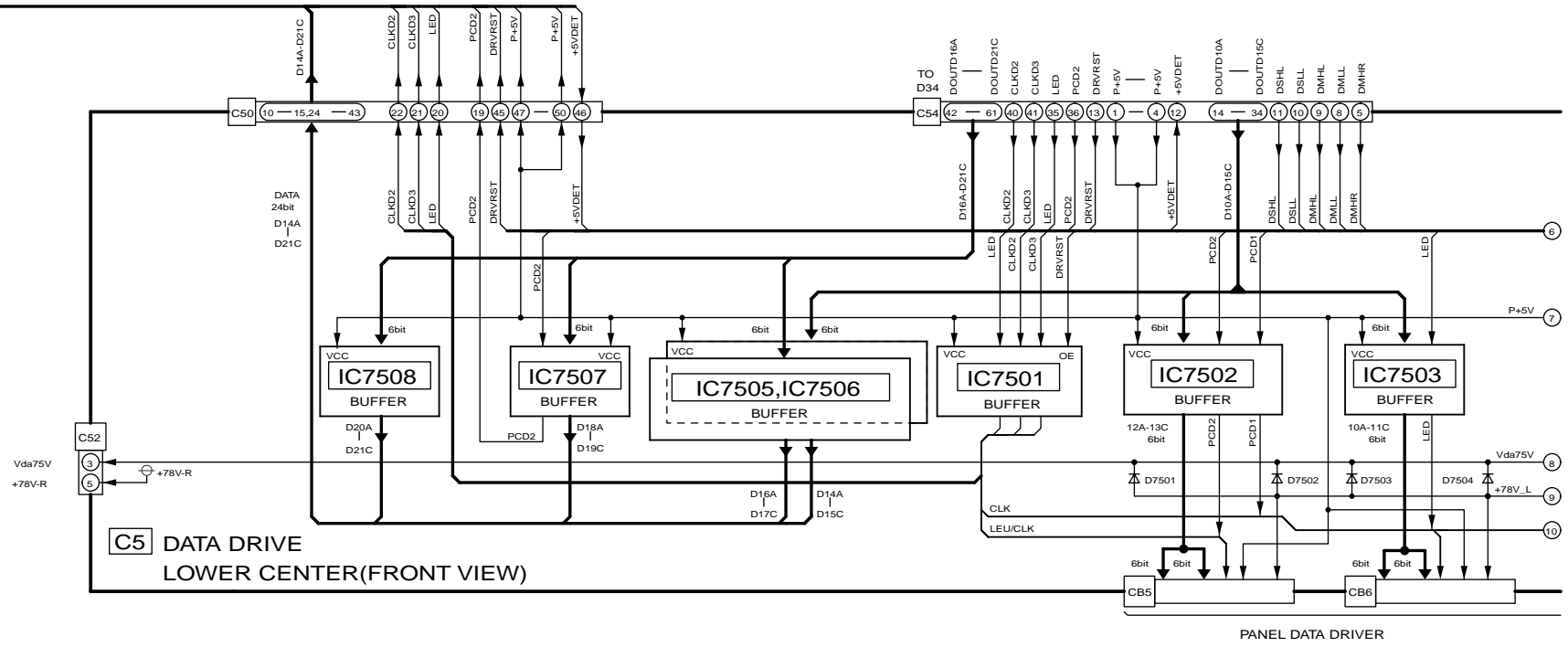
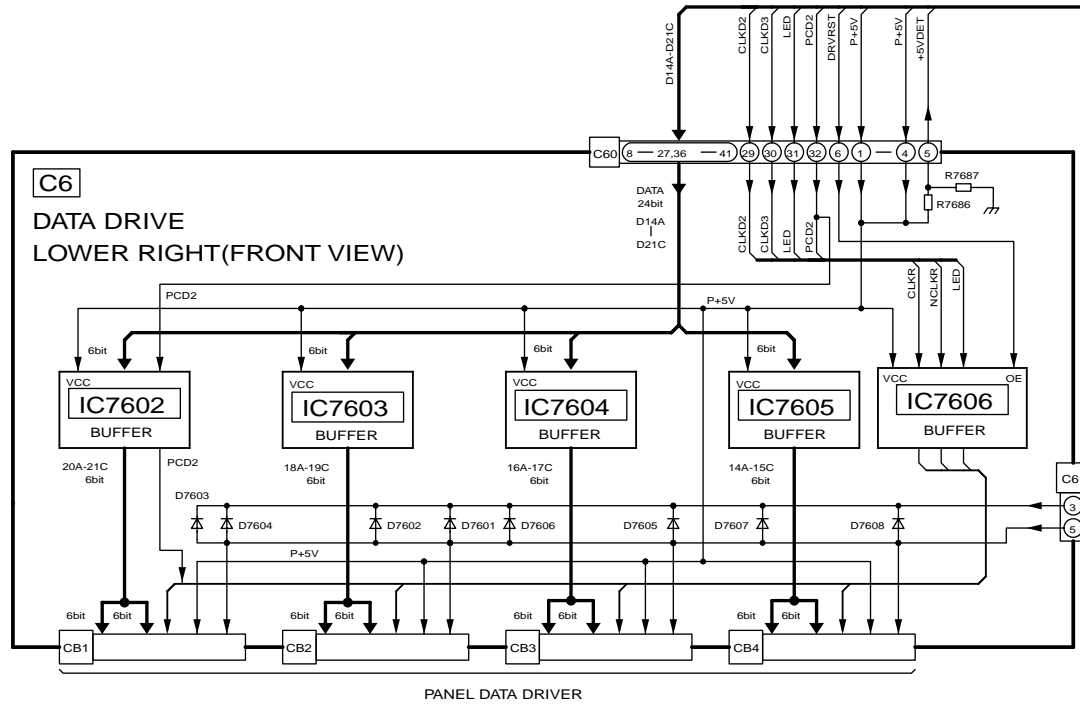
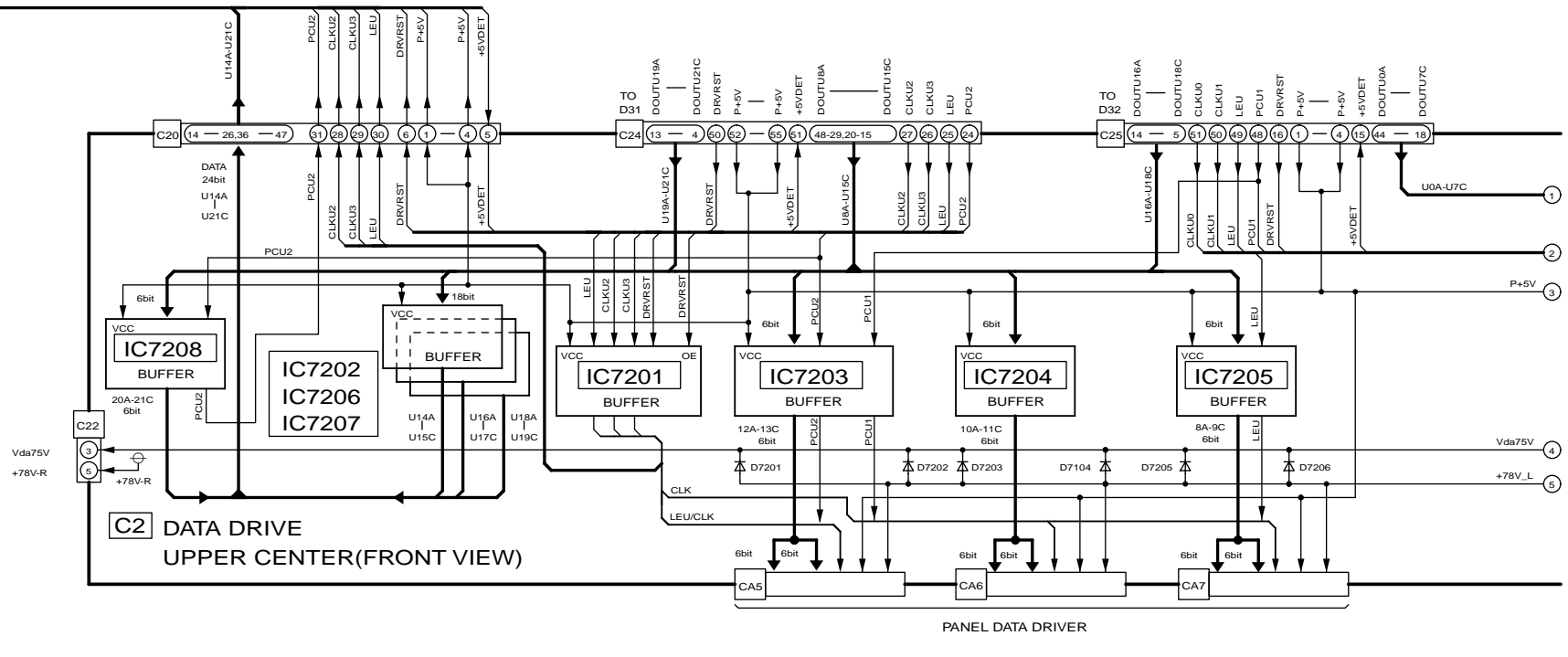
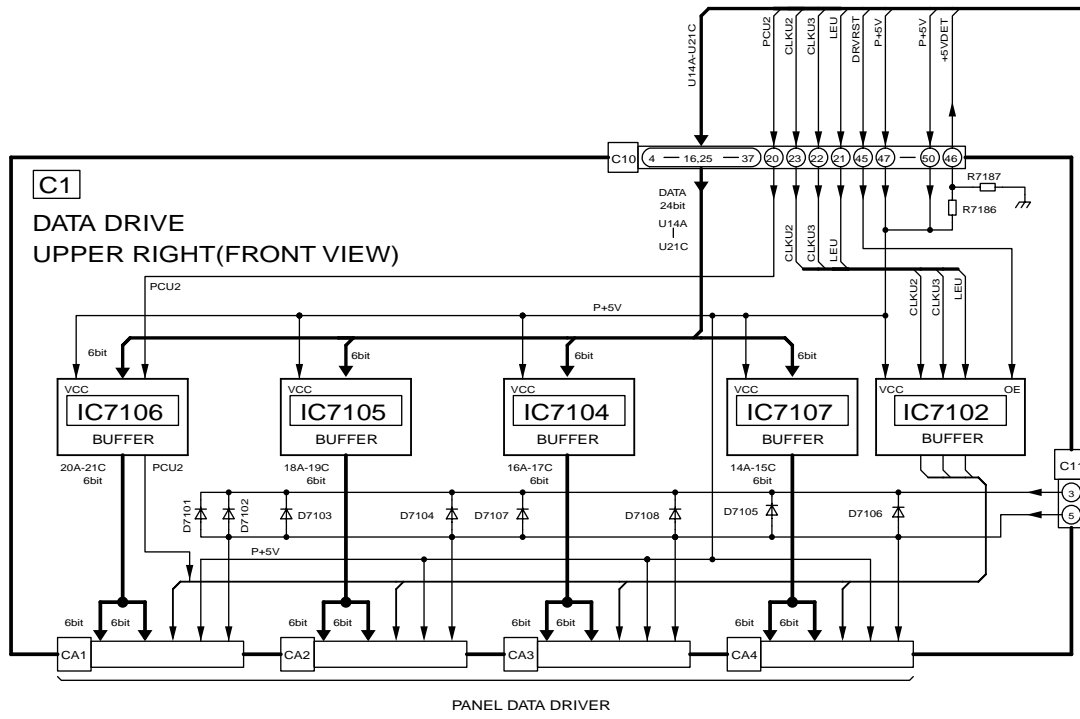
24

25

26

27

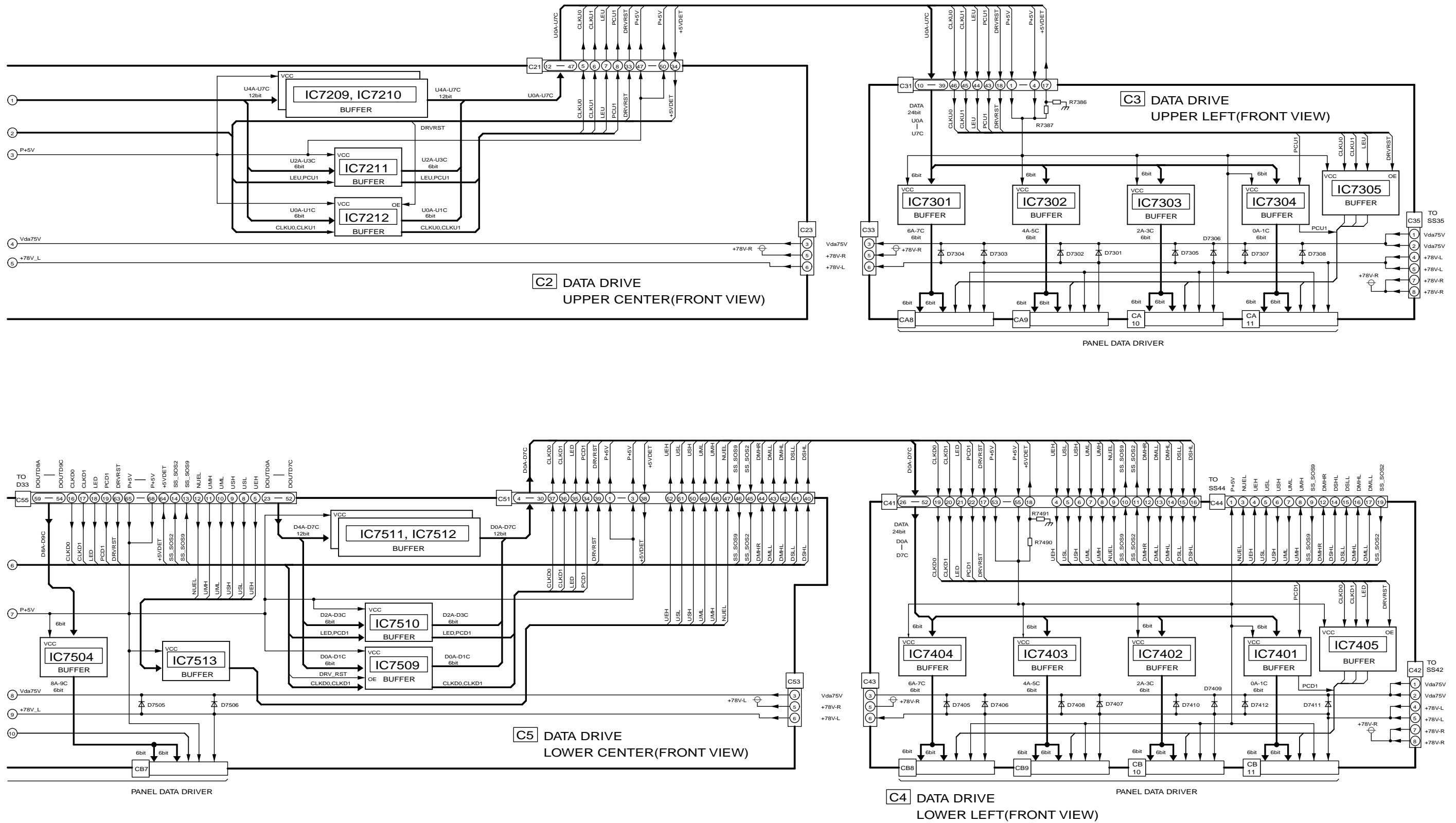
14.50. C1, C2, C5 and C6-Board Block Diagram



TH-65PV500B/E
C1, C2, C5 and C6-Board Block Diagram

TH-65PV500B/E
C1, C2, C5 and C6-Board Block Diagram

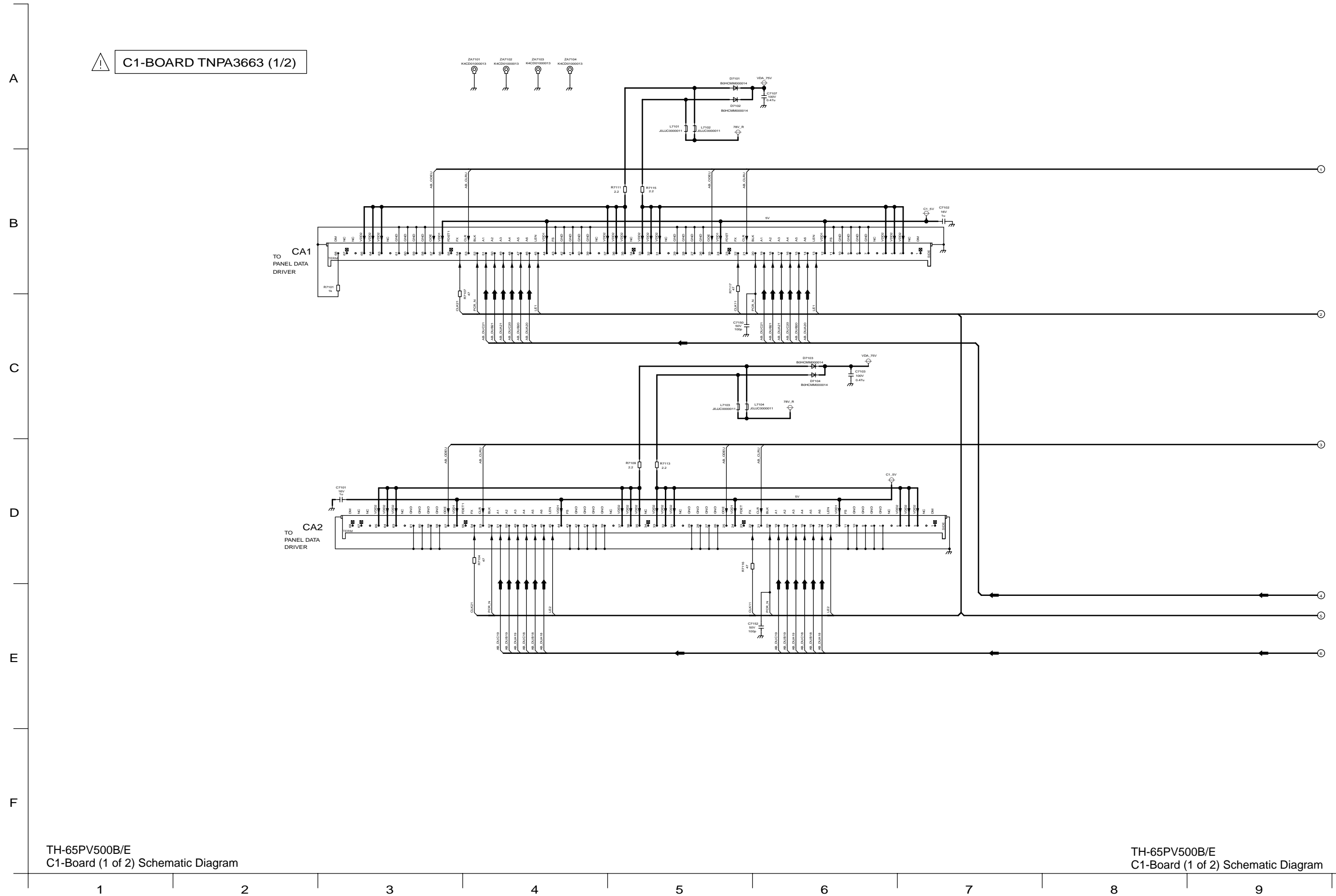
14.51. C2, C3, C4 and C5-Board Block Diagram



TH-65PV500B/E
C2, C3, C4 and C5-Board Block Diagram

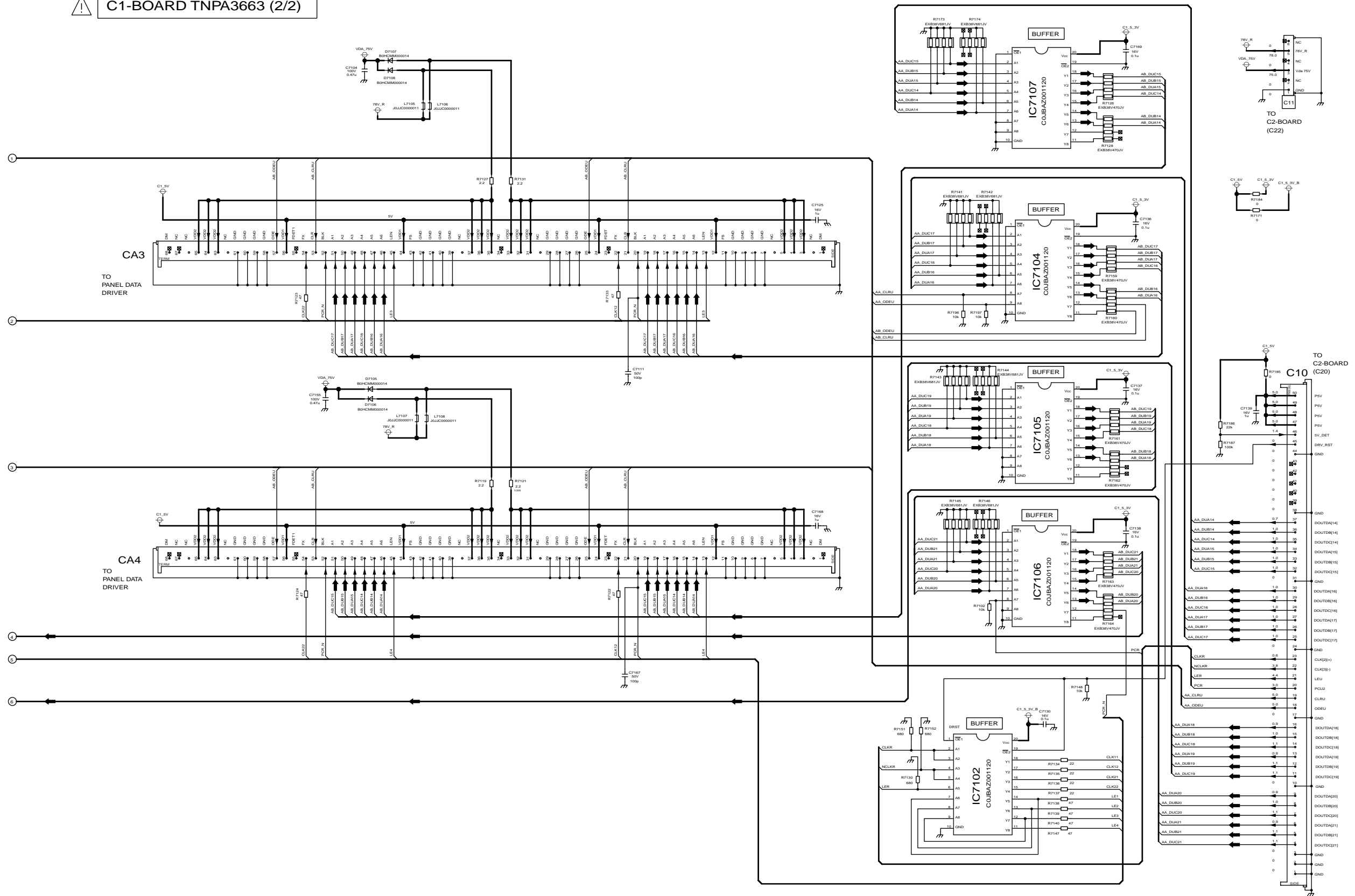
TH-65PV500B/E
C2, C3, C4 and C5-Board Block Diagram

14.52. C1-Board (1 of 2) Schematic Diagram



14.53. C1-Board (2 of 2) Schematic Diagram

⚠ C1-BOARD TNPA3663 (2/2)



TH-65PV500B/E
C1-Board (2 of 2) Schematic Diagram

TH-65PV500B/E
C1-Board (2 of 2) Schematic Diagram

10

11

12

13

14

15

16

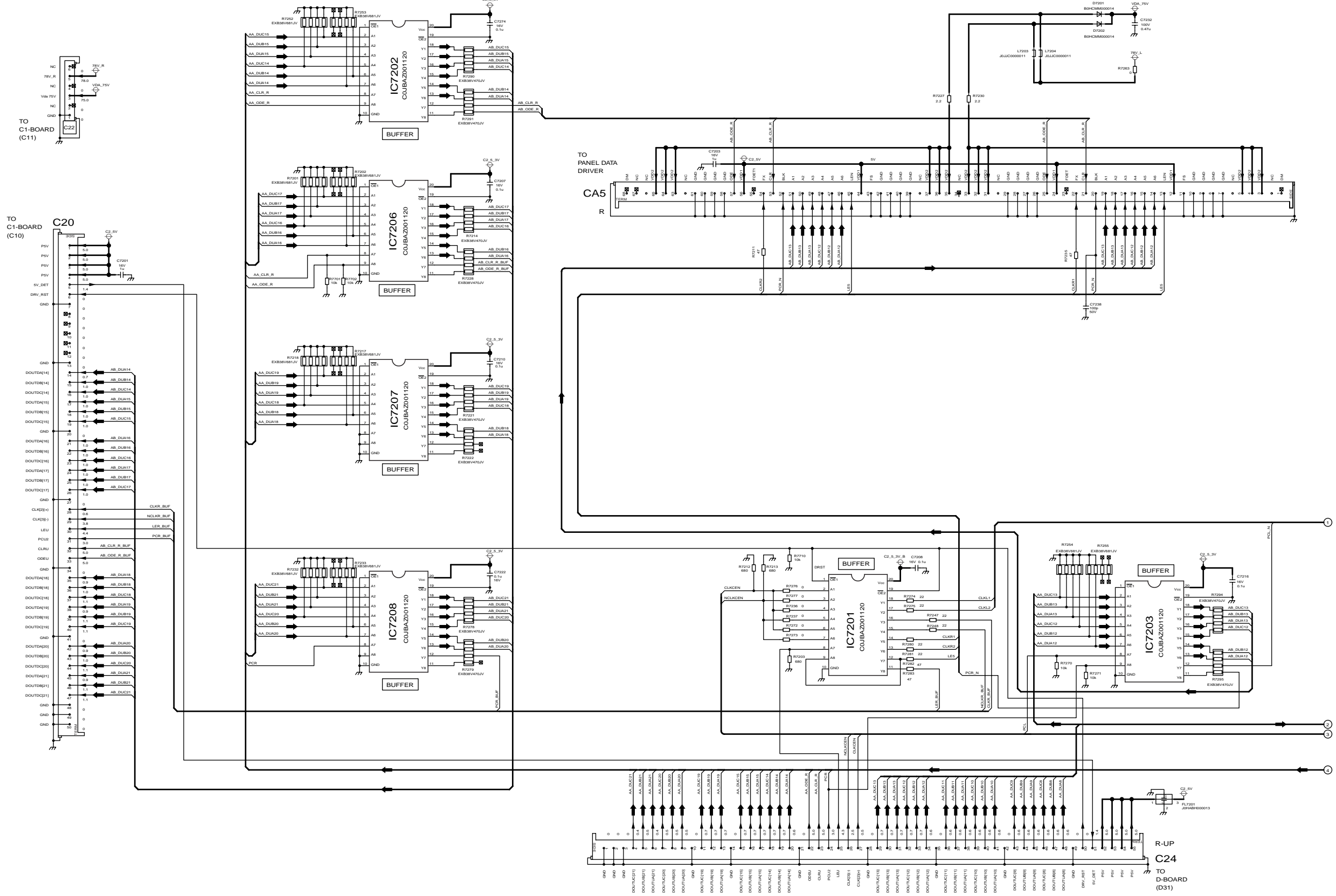
17

18

14.54. C2-Board (1 of 2) Schematic Diagram

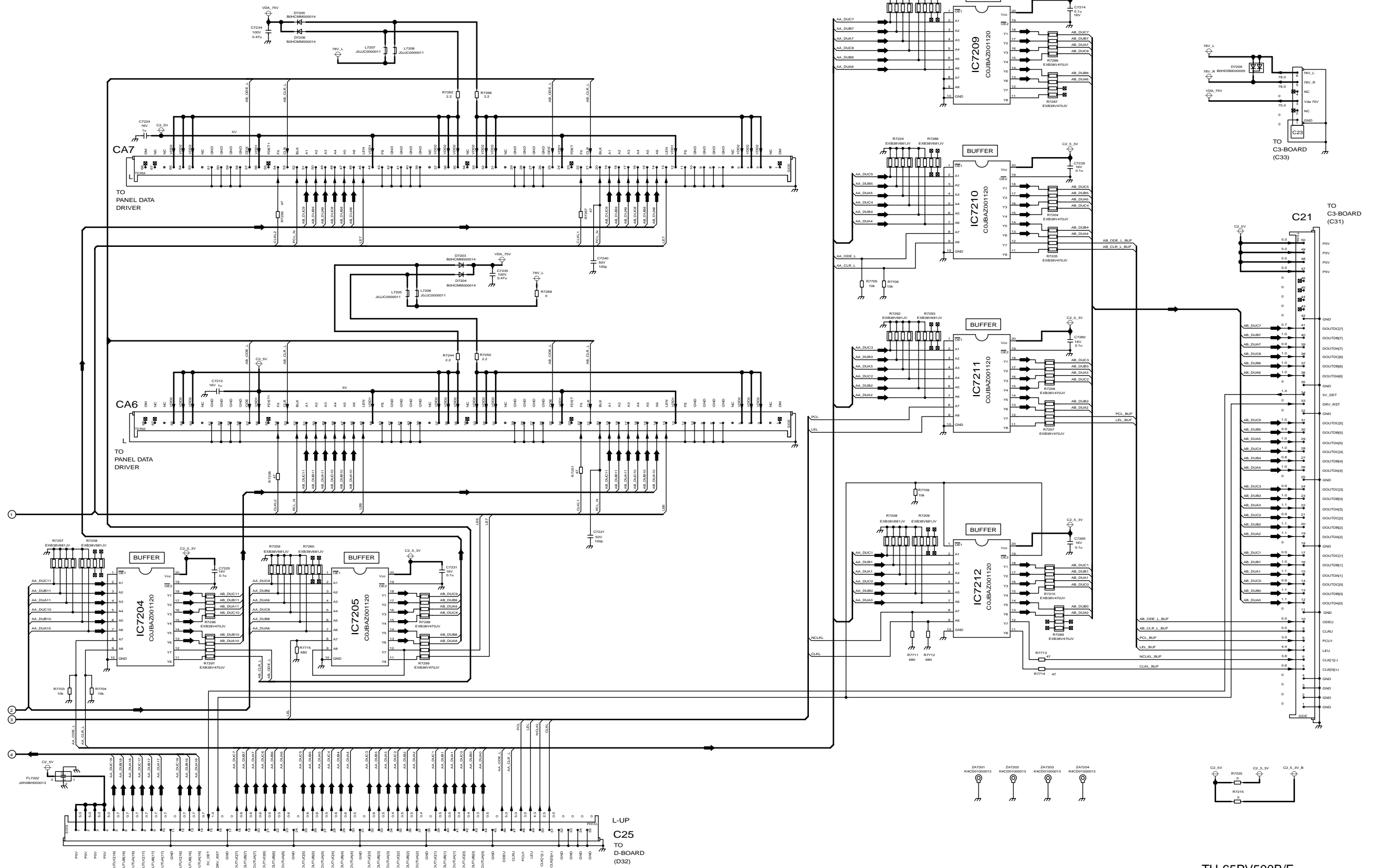
C2-BOARD TNPA3664 (1/2)

A
B
C
D
E
F



14.55. C2-Board (2 of 2) Schematic Diagram

C2-BOARD TNPA3664 (2/2)



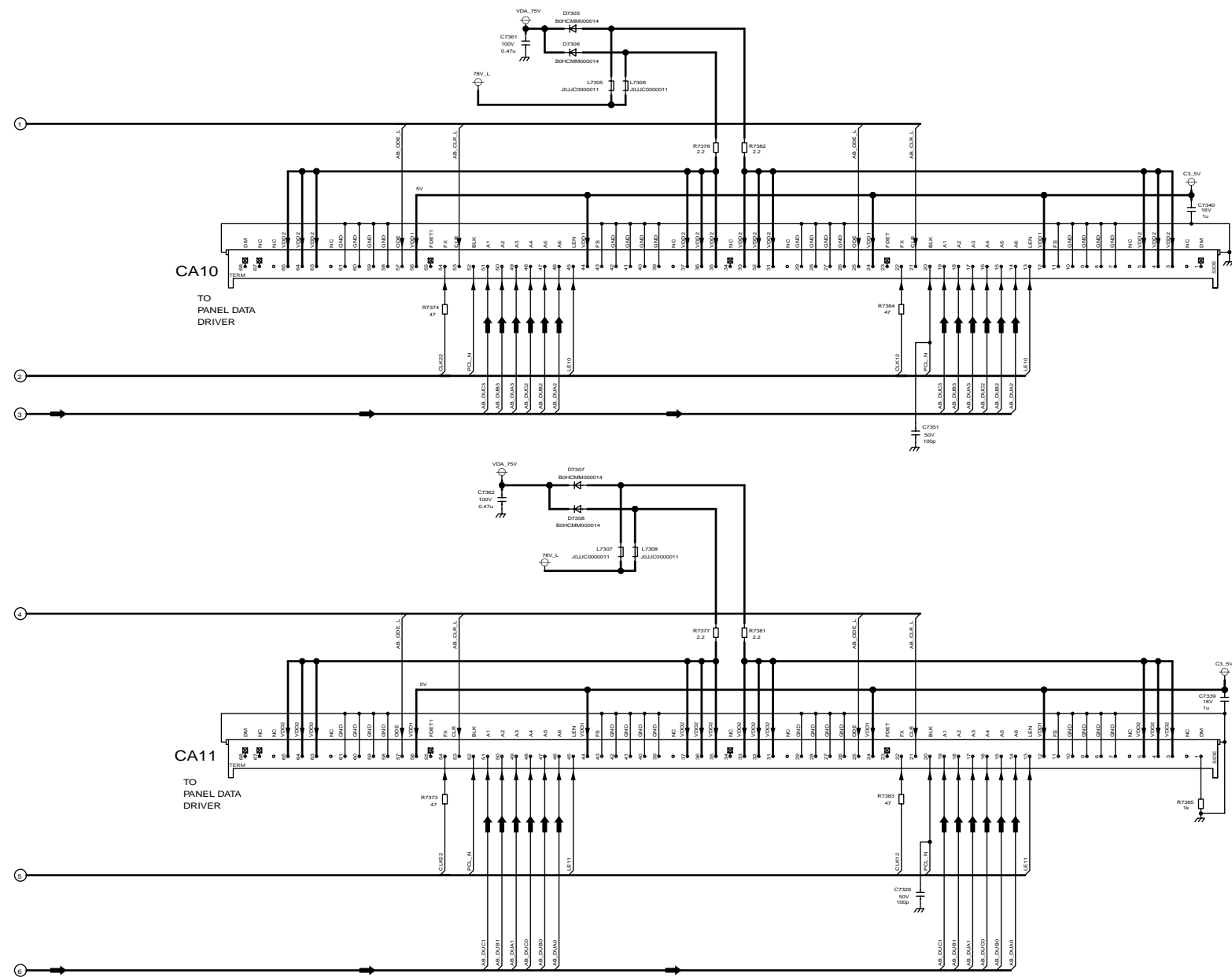
TH-65PV500B/E C2-Board (2 of 2) Schematic Diagram

TH-65PV500B/E C2-Board (2 of 2) Schematic Diagram

10 11 12 13 14 15 16 17 18

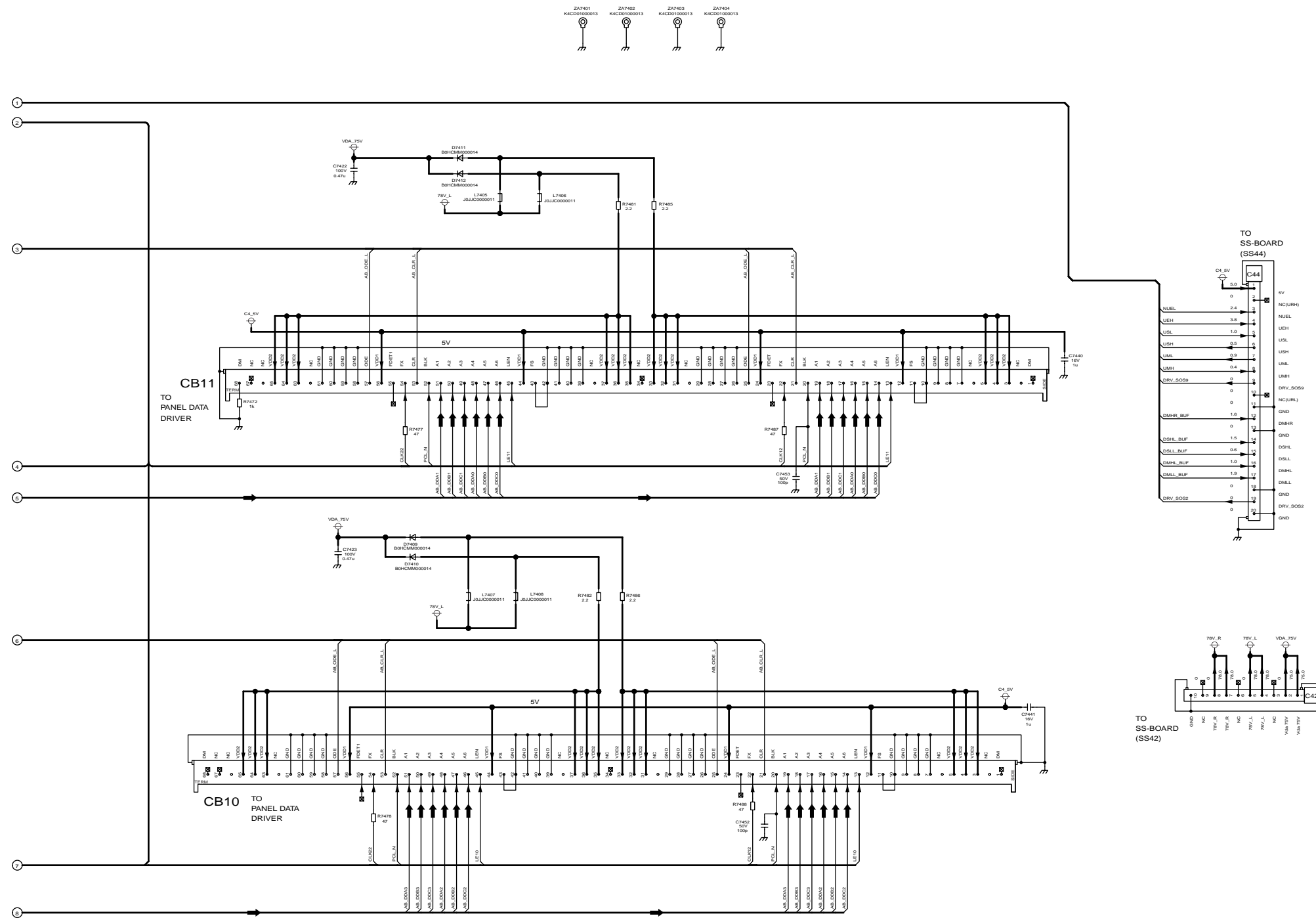
14.57. C3-Board (2 of 2) Schematic Diagram

 C3-BOARD TNPA3665 (2/2)



14.59. C4-Board (2 of 2) Schematic Diagram

⚠ C4-BOARD TNPA3666 (2/2)



TH-65PV500B/E
C4-Board (2 of 2) Schematic Diagram

TH-65PV500B/E
C4-Board (2 of 2) Schematic Diagram

10

11

12

13

14

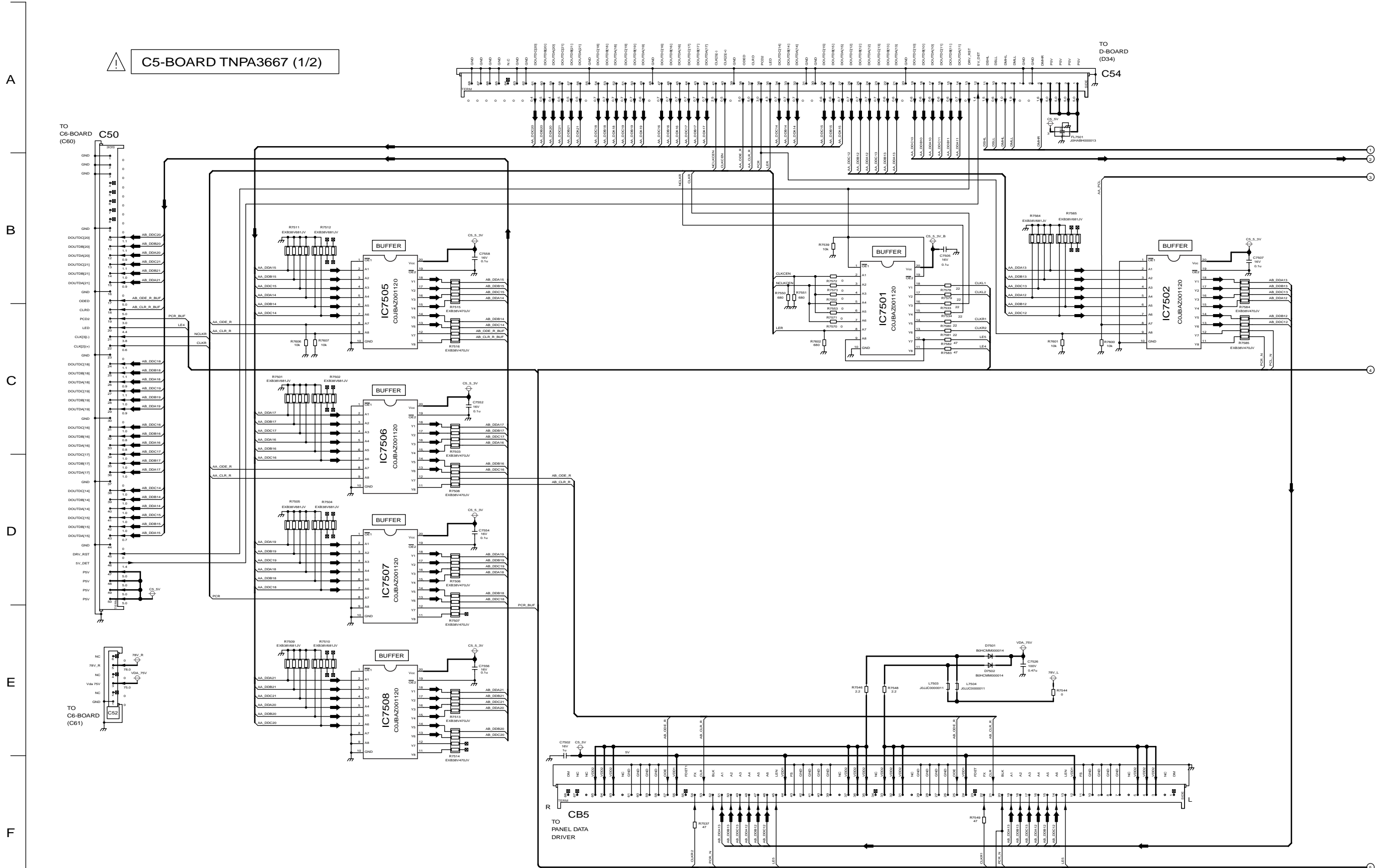
15

16

17

18

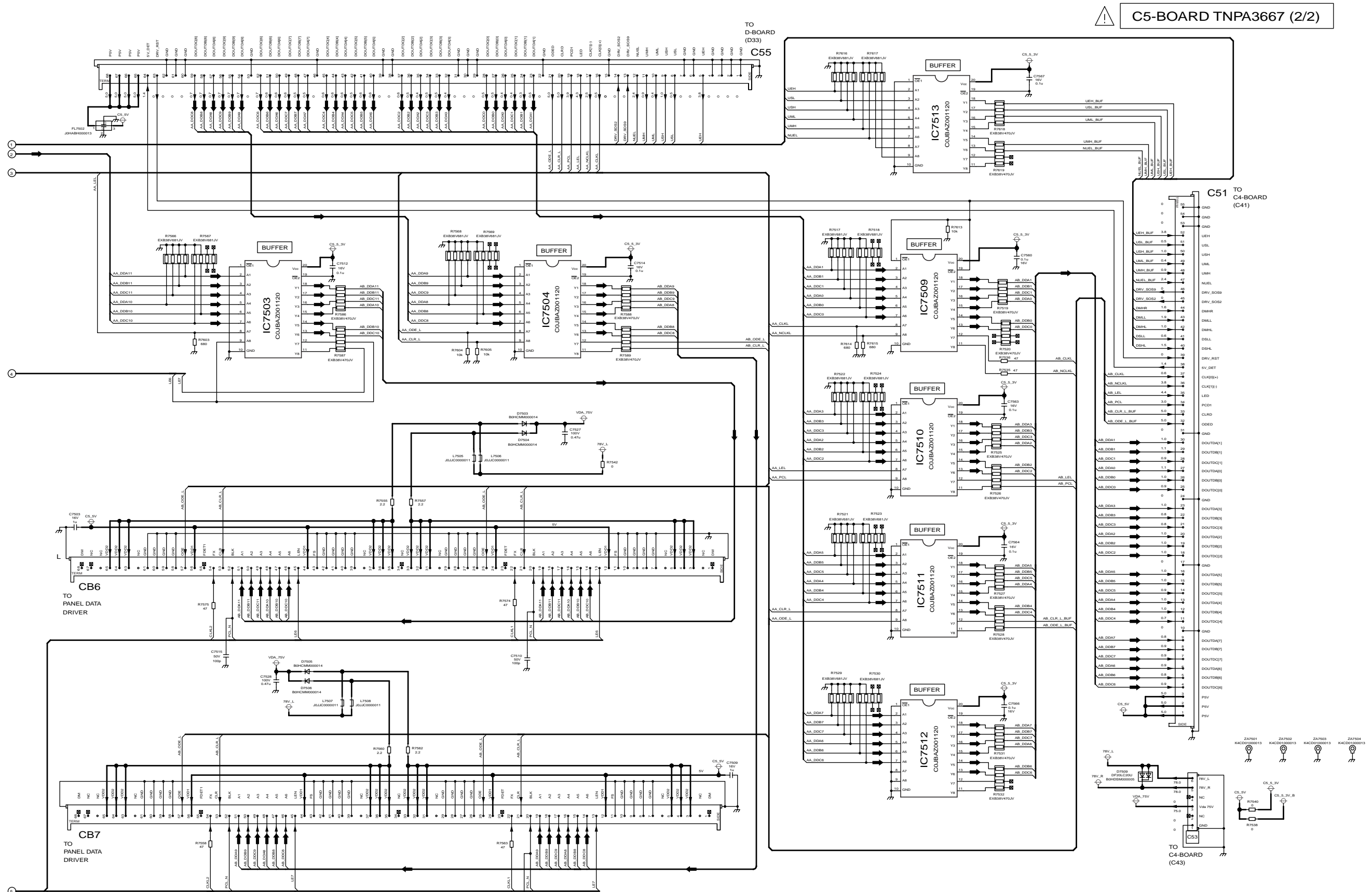
14.60. C5-Board (1 of 2) Schematic Diagram



TH-65PV500B/E
C5-Board (1 of 2) Schematic Diagram

TH-65PV500B/E
C5-Board (1 of 2) Schematic Diagram

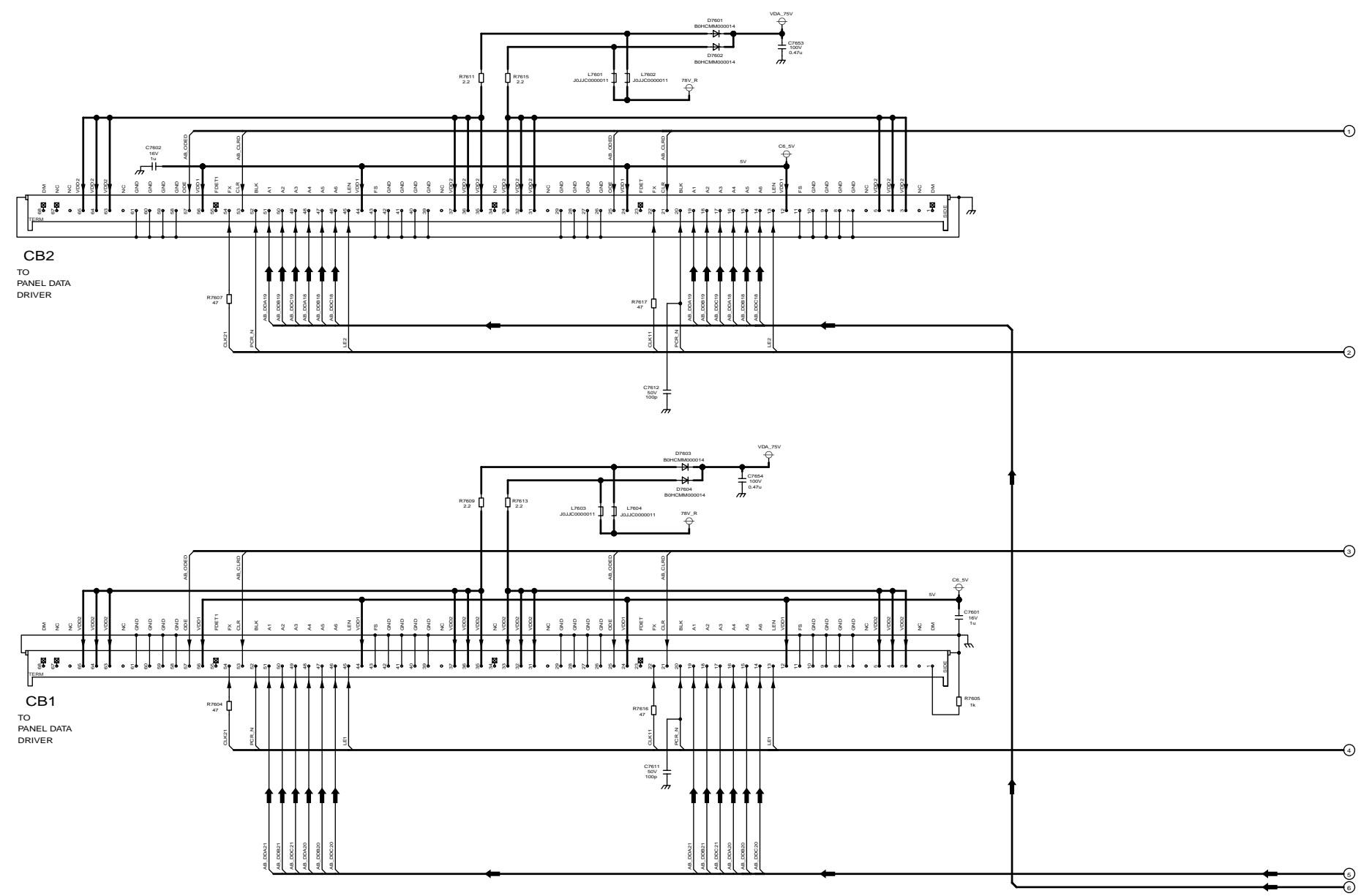
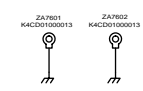
14.61. C5-Board (2 of 2) Schematic Diagram



14.62. C6-Board (1 of 2) Schematic Diagram

A
B
C
D
E
F

⚠ C6-BOARD TNPA3668 (1/2)



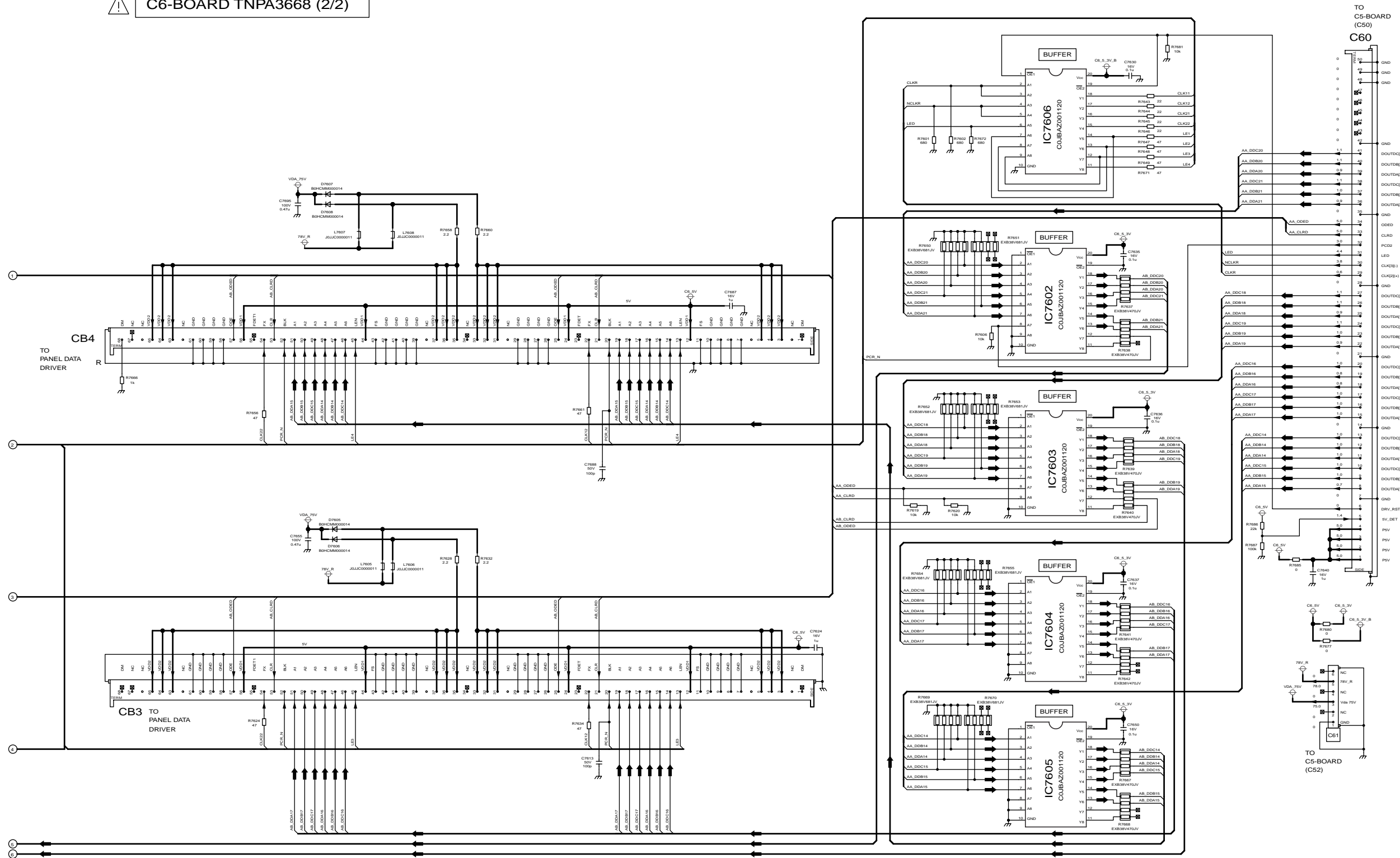
TH-65PV500B/E
C6-Board (1 of 2) Schematic Diagram

TH-65PV500B/E
C6-Board (1 of 2) Schematic Diagram

1 2 3 4 5 6 7 8 9

14.63. C6-Board (2 of 2) Schematic Diagram

 C6-BOARD TNPA3668 (2/2)



TH-65PV500B/E
C6-Board (2 of 2) Schematic Diagram

TH-65PV500B/E
C6-Board (2 of 2) Schematic Diagram

10

11

12

13

14

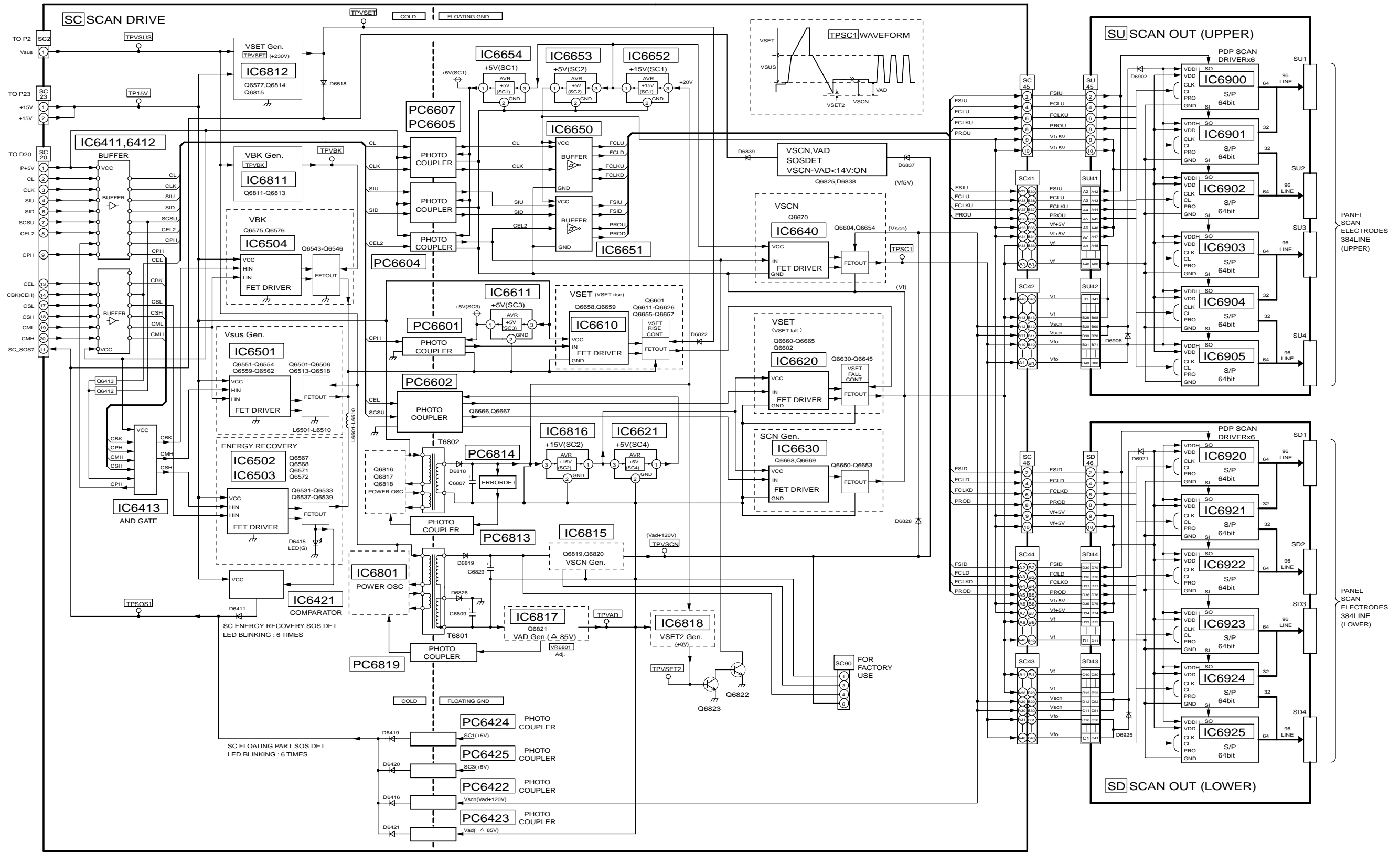
15

16

17

18

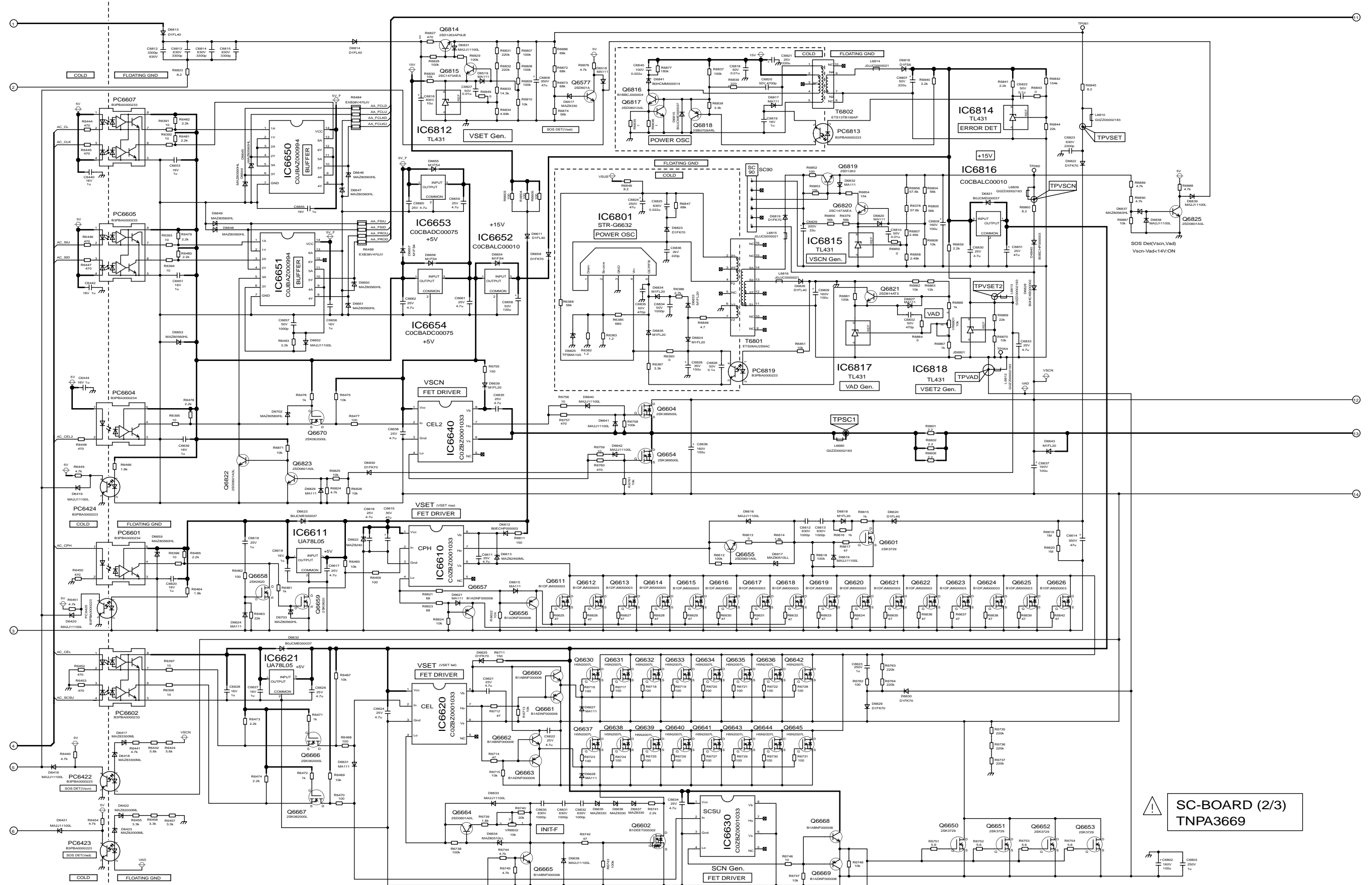
14.64. SC, SU and SD-Board Block Diagram



TH-65PV500B/E
SC, SU and SD-Board Block Diagram

TH-65PV500B/E
SC, SU and SD-Board Block Diagram

14.66. SC-Board (2 of 3) Schematic Diagram



SC-BOARD (2/3)
TNPA3669

TH-65PV500B/E
SC-Board (2 of 3) Schematic Diagram

TH-65PV500B/E
SC-Board (2 of 3) Schematic Diagram

10

11

12

13

14

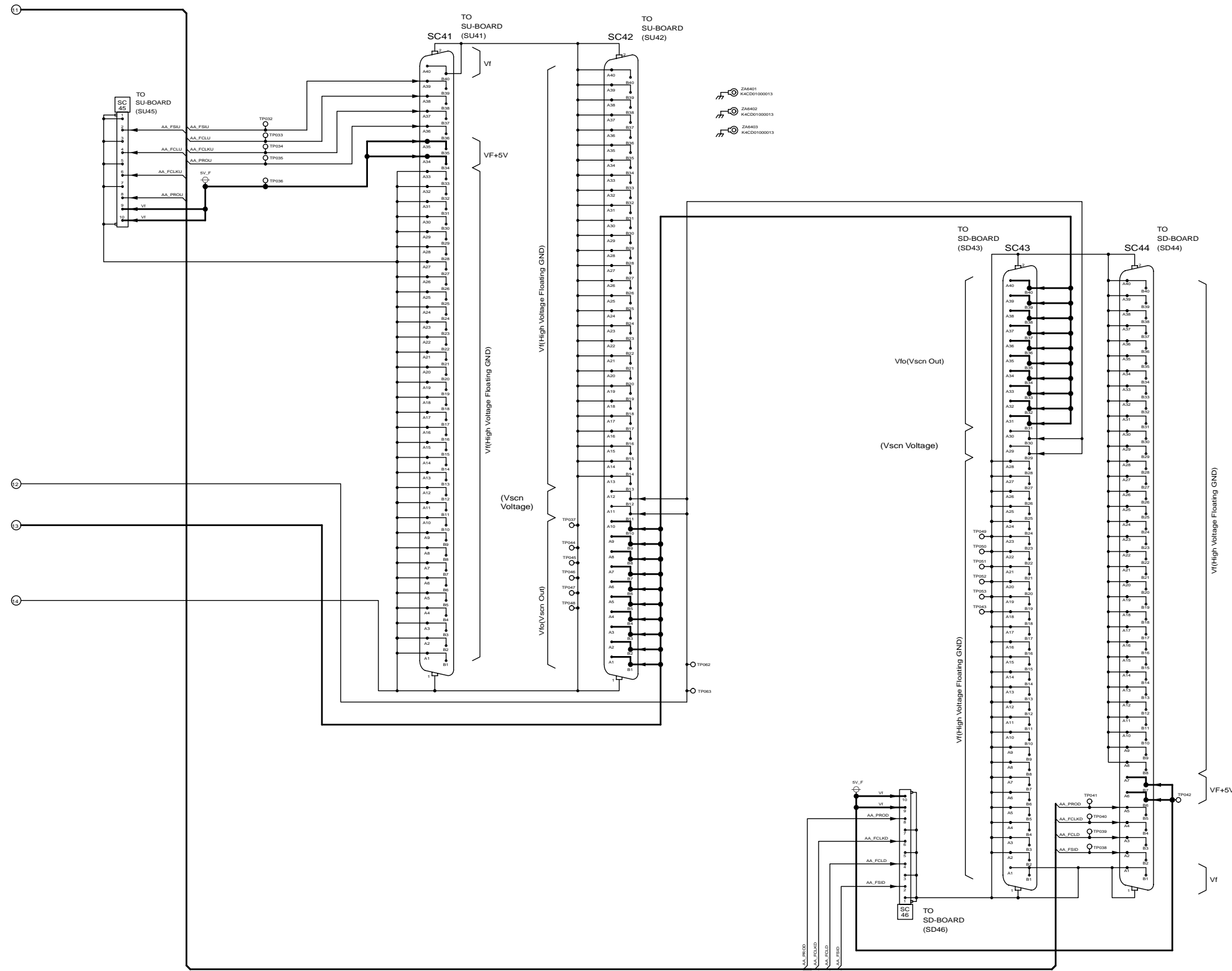
15

16

17

18

14.67. SC-Board (3 of 3) Schematic Diagram



⚠ SC-BOARD TNPA3669 (3/3)

14.68. SU-Board (1 of 2) Schematic Diagram

SU-BOARD TNPA3673 (1/2)

A

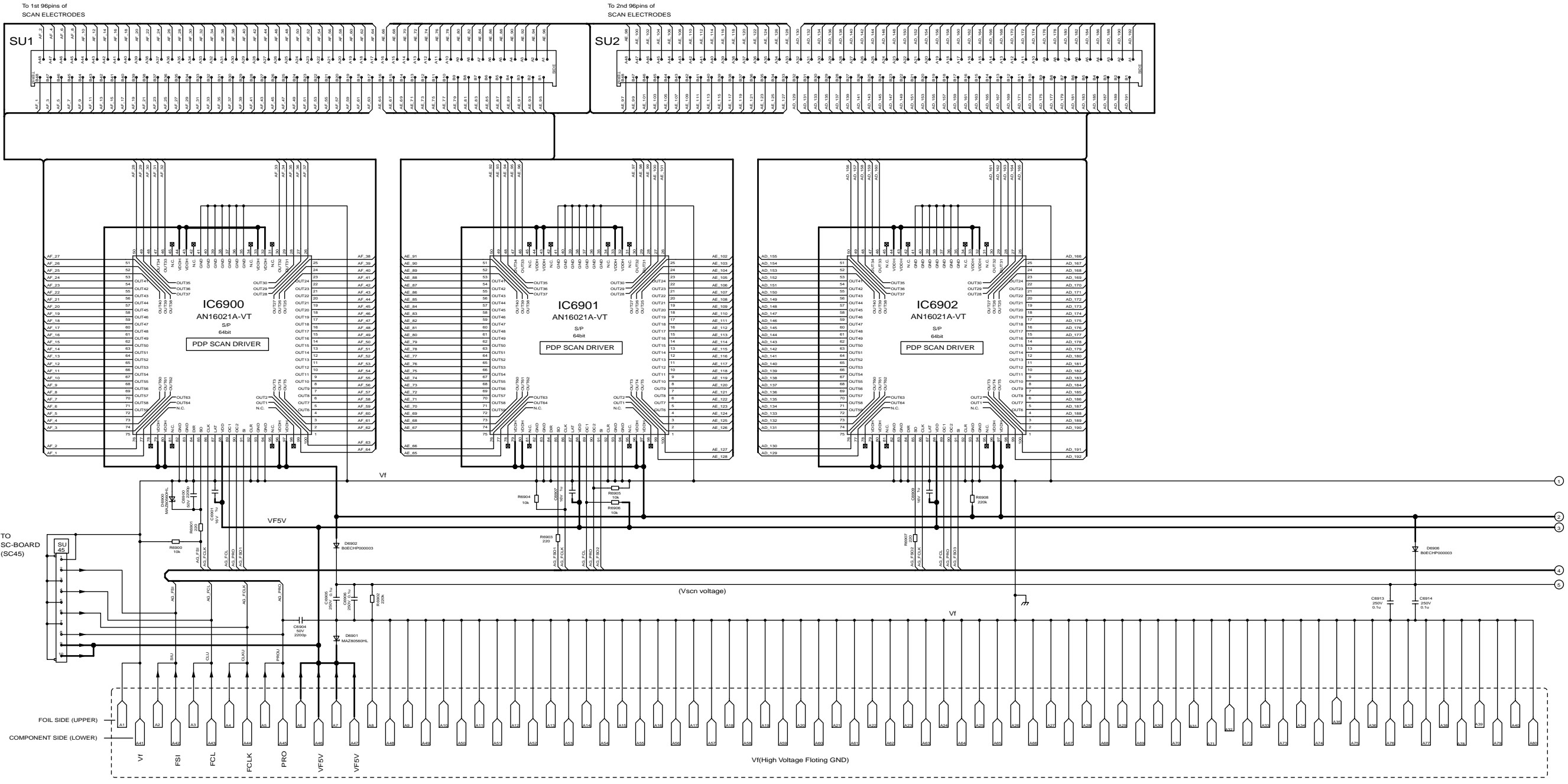
B

C

D

E

F

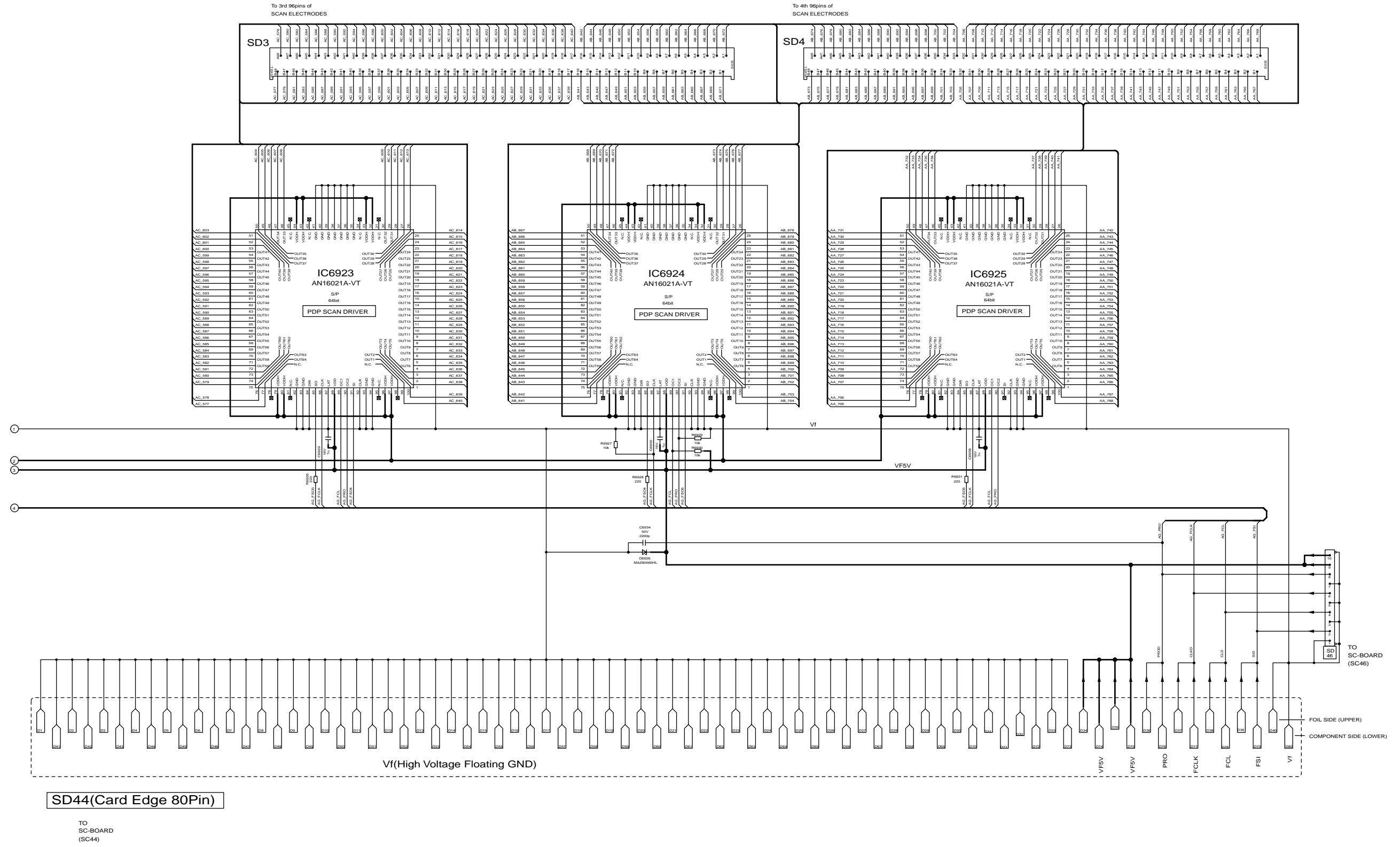


SU41(Card Edge 80Pin)

TO SC-BOARD (SC41)

14.71. SD-Board (2 of 2) Schematic Diagram

SD-BOARD TNPA3674 (2/2)



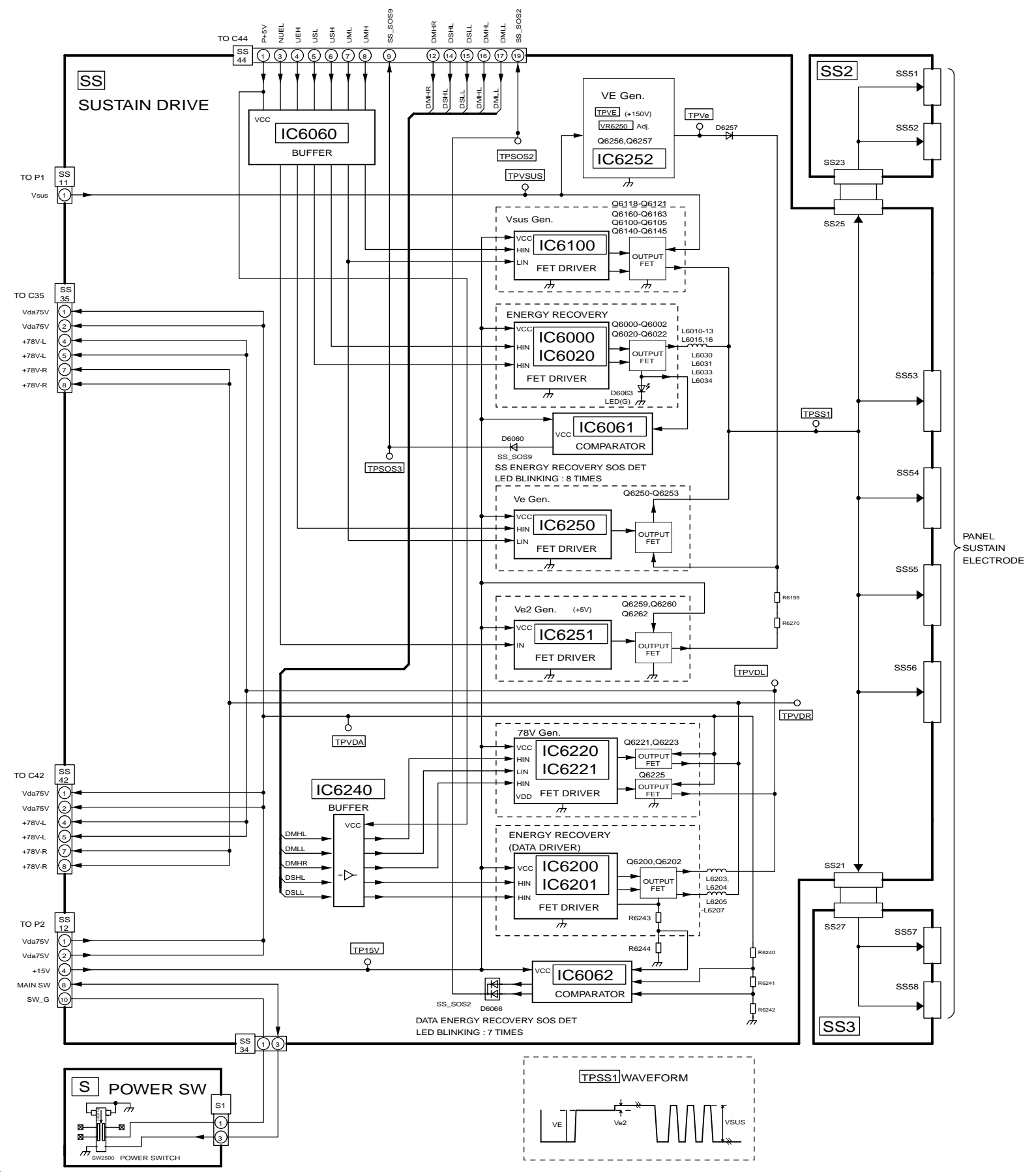
SD44(Card Edge 80Pin)

TH-65PV500B/E
SD-Board (2 of 2) Schematic Diagram

TH-65PV500B/E
SD-Board (2 of 2) Schematic Diagram

10 11 12 13 14 15 16 17 18

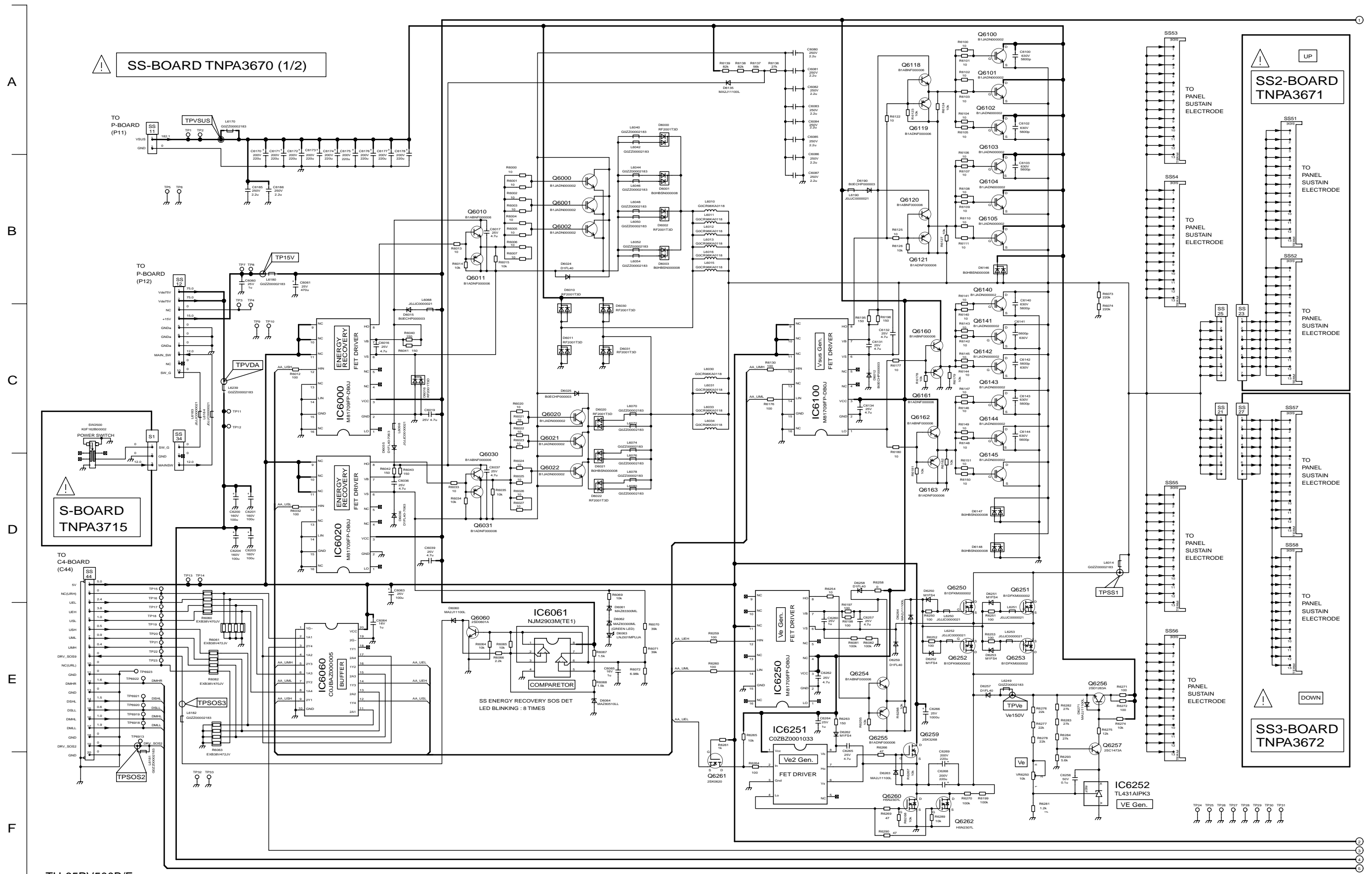
14.72. SS, S1, SS2 and SS3-Board Block Diagram



TH-65PV500B/E
SS, S1, SS2 and SS3-Board Block Diagram

TH-65PV500B/E
SS, S1, SS2 and SS3-Board Block Diagram

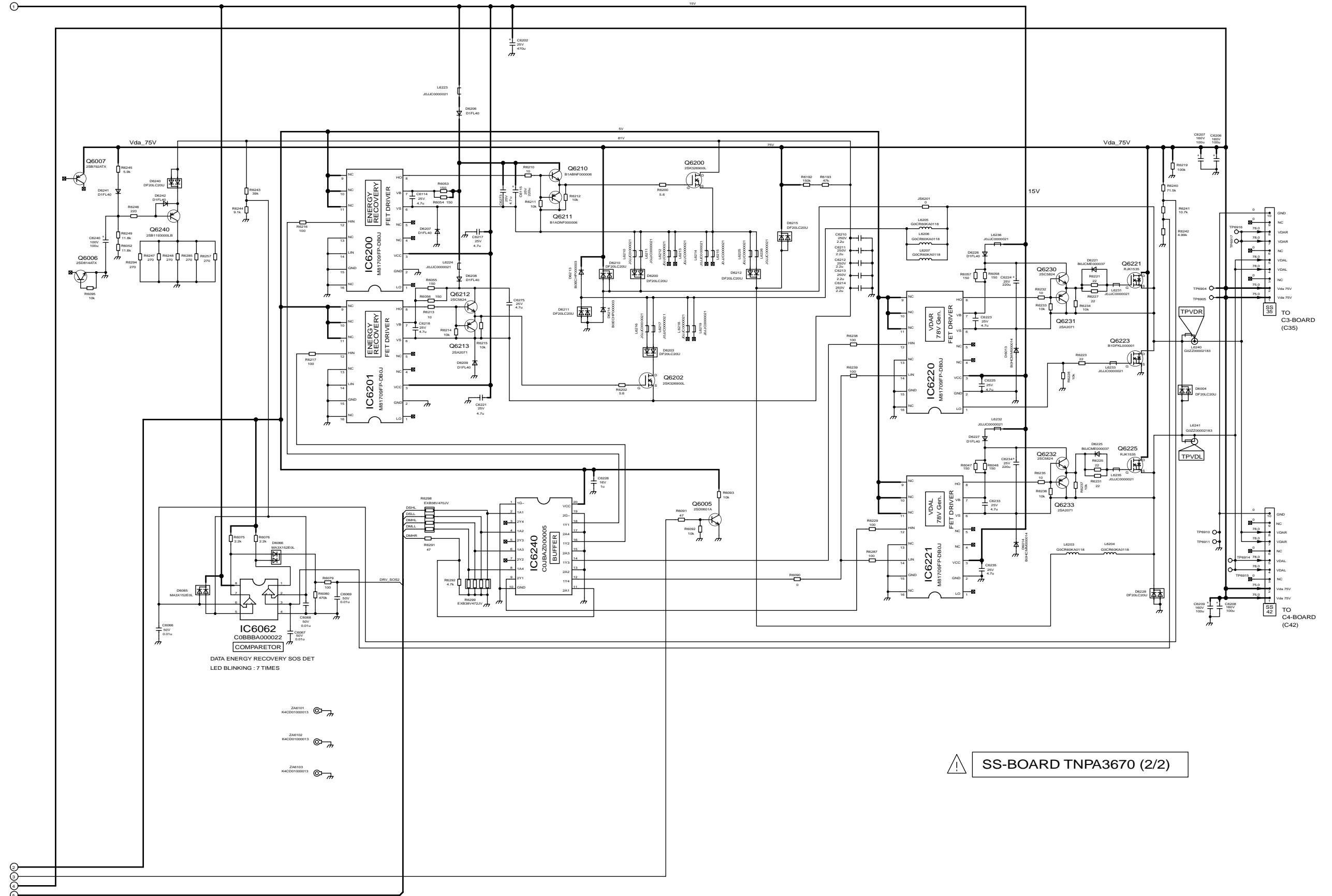
14.73. SS-Board (1 of 2), S1, SS2 and SS3-Board Schematic Diagram



TH-65PV500B/E
SS-Board (1 of 2), S1, SS2 and SS3-Board Schematic Diagram

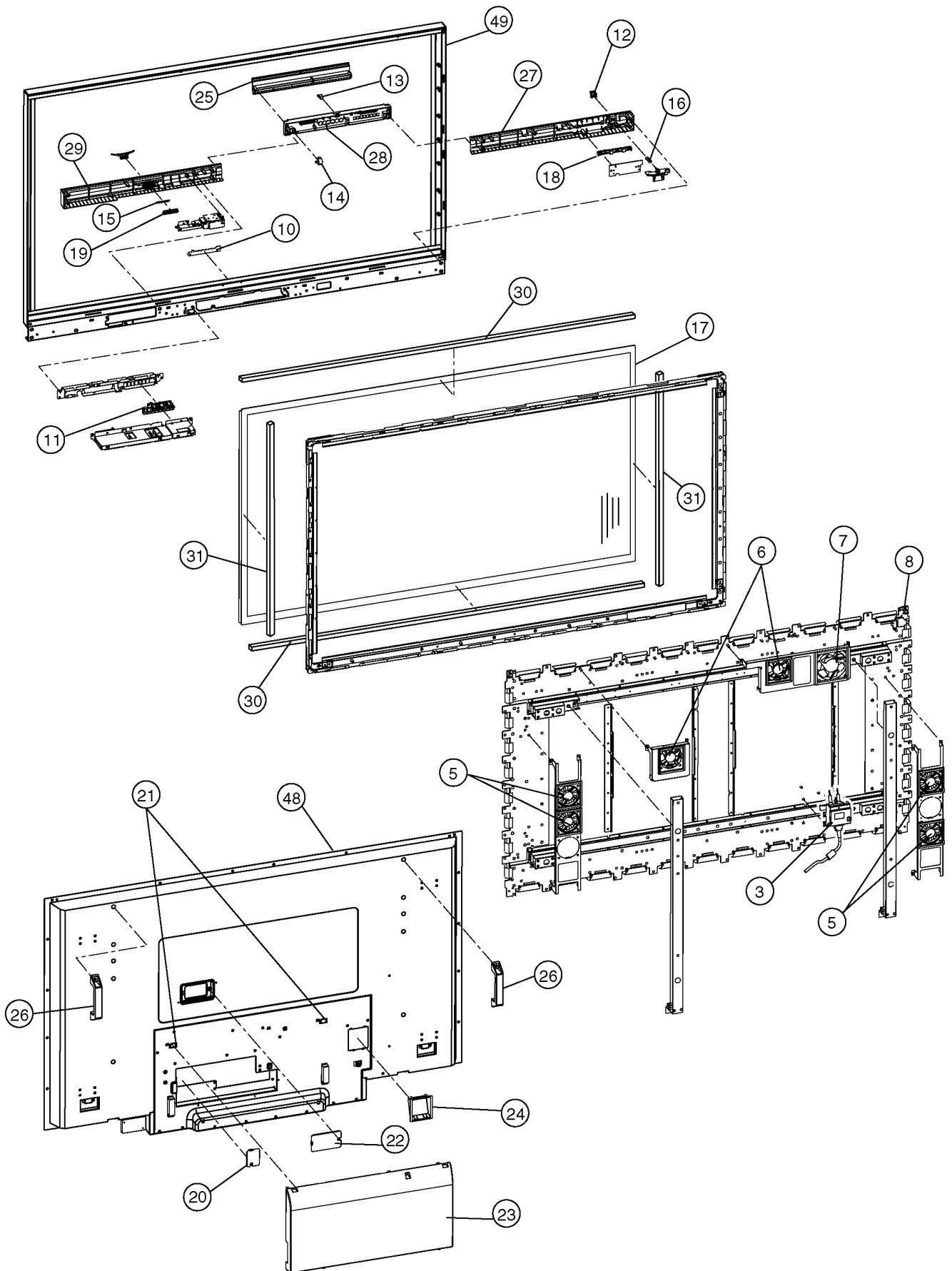
TH-65PV500B/E
SS-Board (1 of 2), S1, SS2 and SS3-Board Schematic Diagram

14.74. SS-Board (2 of 2) Schematic Diagram

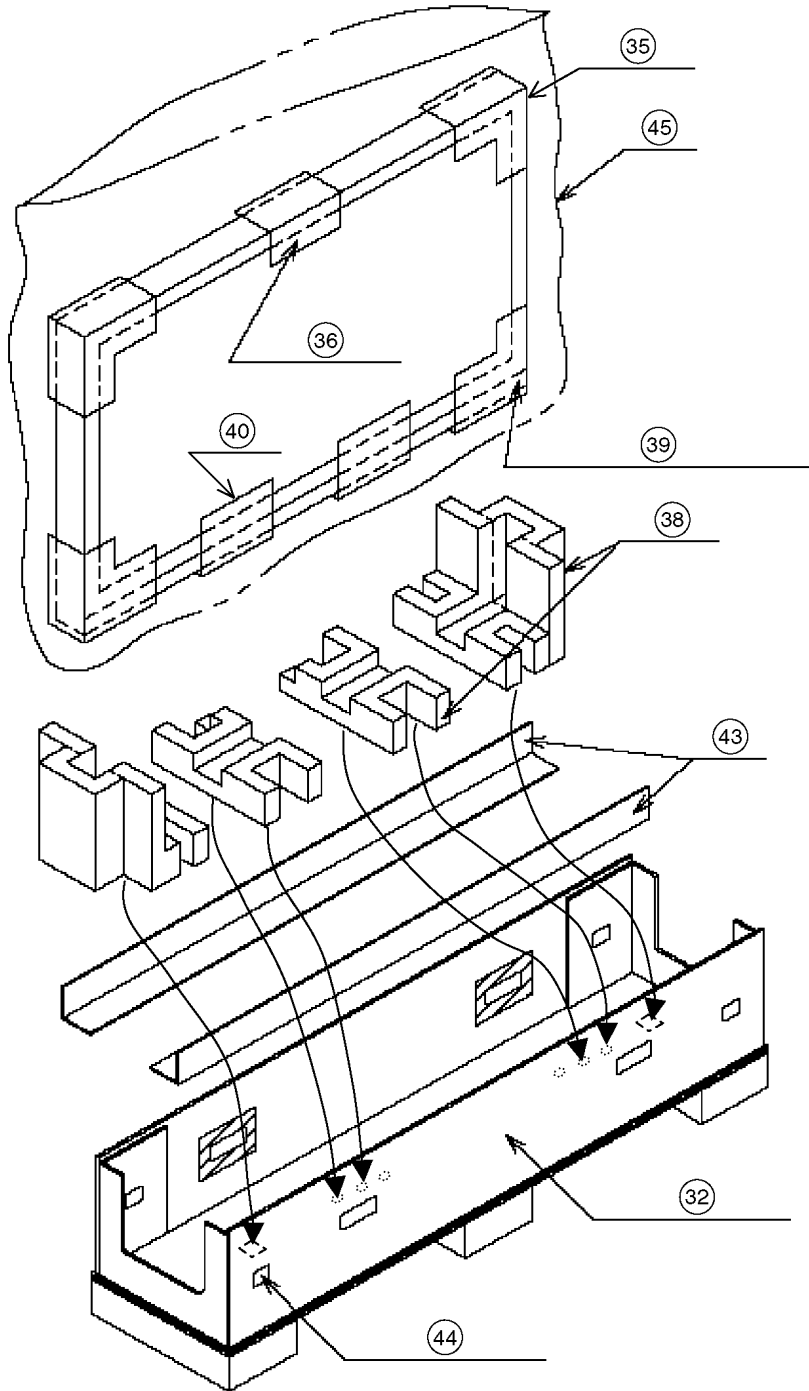


15 Parts Location & Mechanical Replacement Parts List

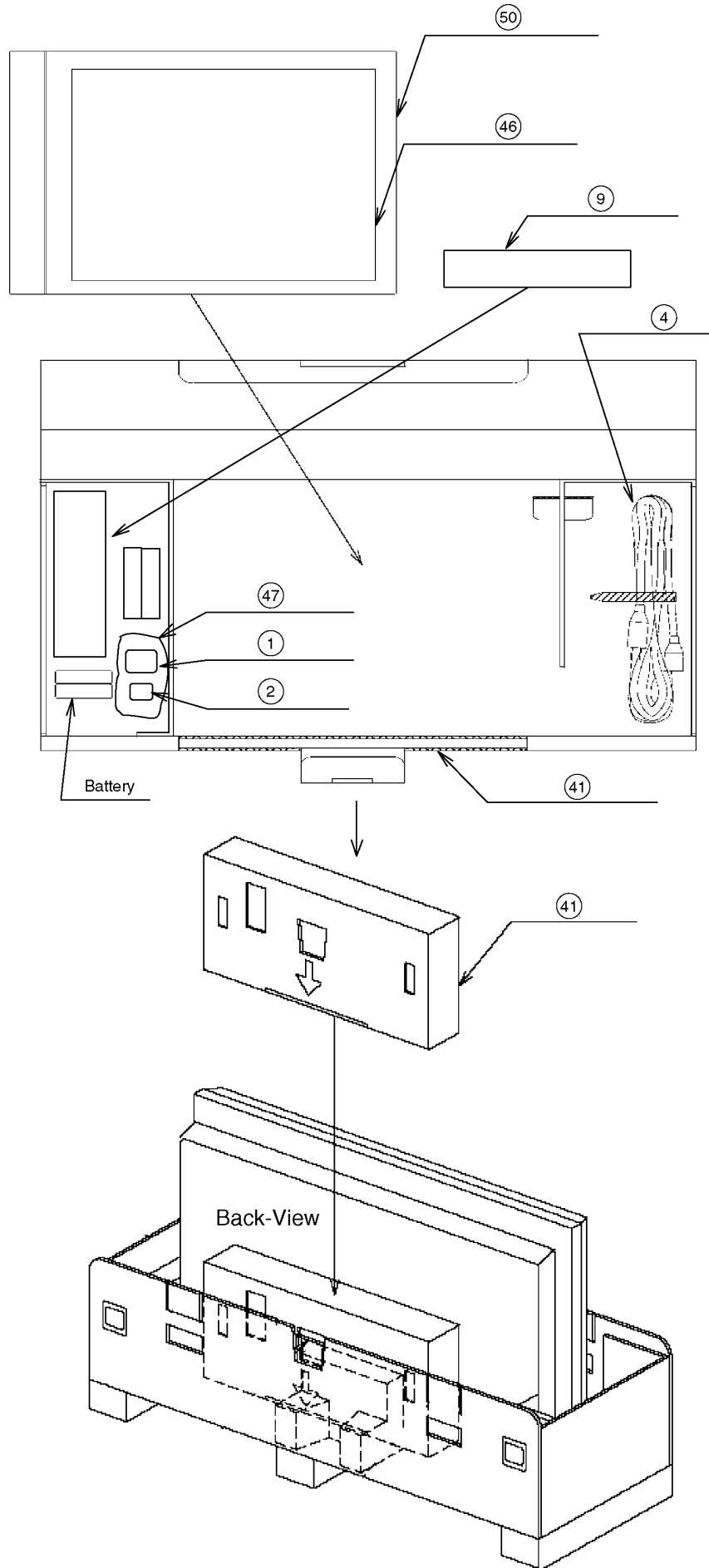
15.1. Parts Location



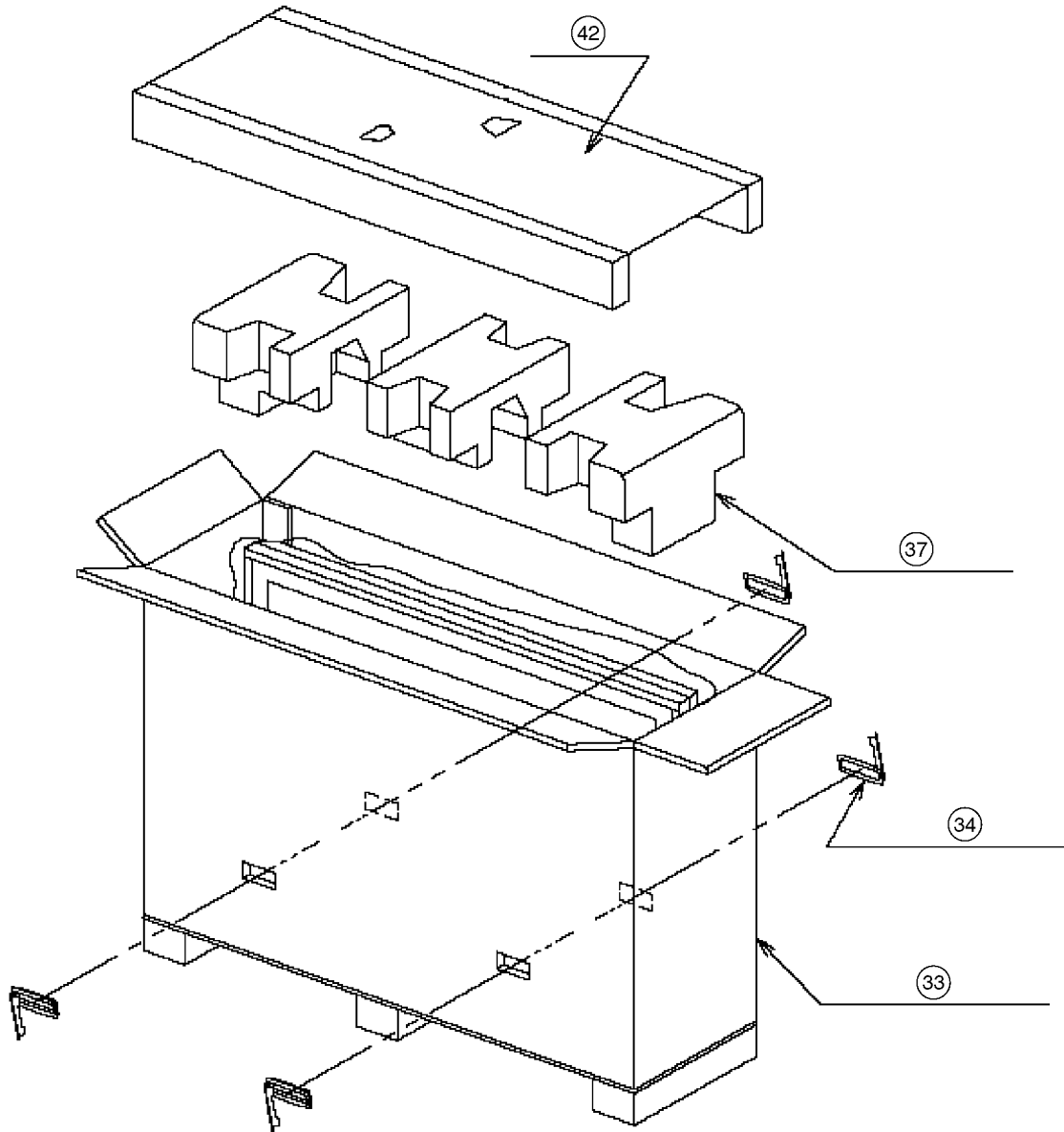
15.2. Packing Exploded Views (1)



15.3. Packing Exploded Views (2)



15.4. Packing Exploded Views (3)



15.5. Mechanical Replacement Parts List

Note:

All parts except parts mentioned [PAVCCZ] in the Remarks column are supplied by AVC-SPC.

Parts mentioned [PAVCCZ] are supplied by PAVCCZ.

Ref. No.	Part No.	Part Name & Description	Pcs	Remarks
	J0KD00000095	FLAT CORE	2	
	J0KD00000096	FLAT CORE	2	
1	J0KF00000018	FILTER	3	
2	J0KG00000014	FILTER	10	
	J2ZZ00000054	RF-CABLE	1	TH-65PV500B PAVCCZ
	K1LA03A00009	3P CONNECTOR	1	
3	K2AH3H000039	AC INLET	1	△
4	K2CN3YY00001	AC CORD	1	TH-65PV500E PAVCCZ △
4	K2CT3YY00001	AC CORD(B/H)	1	TH-65PV500B PAVCCZ △
5	L6FALCEH0004	FAN (SC/SS)	4	
6	L6FALEFH0028	FAN	2	
7	L6FAPEHH0006	FAN (BIG)	1	
8	MD65H08A2J	PLASMA DISPLAY PANEL	1	△
9	N2QAKB000057	REMOTE CONTROL	1	TH-65PV500E PAVCCZ
9	N2QAKB000059	REMOTE CONTROL	1	TH-65PV500B PAVCCZ
10	TBMA176	PANASONIC BADGE	1	PAVCCZ
11	TBXA45504	CONTROL BOTTON	1	
12	TBXA47702	POWER BUTTON	1	PAVCCZ
13	TEK6935	DOOR SWITCH	1	
14	TEKC029	DAMPER	1	
15	TEKX020	SD DOOR	1	
16	TES2249	SPRING	1	
	THEA130N	SCREW (SPACER)	4	
	THEL0239	SCREW	1	TH-65PV500E
	THEL027N	SCREW	1	
	THEL035N	SCREW	191	TH-65PV500B
	THEL035N	SCREW	187	TH-65PV500E
	THEL0429	SCREW	44	TH-65PV500B
	THEL0429	SCREW	35	TH-65PV500E
	THNG005J	NUT	2	
	THTD010N	SCREW	16	
	THTD011J	SCREW	1	TH-65PV500B
17	TKGA5245	FRONT GLASS	1	PAVCCZ
18	TKKC5224	LED PANEL	1	TH-65PV500B PAVCCZ
18	TKKC5227	LED PANEL	1	TH-65PV500E PAVCCZ
19	TKKC5225	SD LED PANEL	1	PAVCCZ
20	TKKL5221	ADJUST DOOR (TUNER UNIT)	1	
21	TKKL5277-4	HOLE CAP	2	
22	TKKL5330-1	ADJUSTMENT COVER (LARGE)	1	
23	TKKL5345	CABLE COVER	1	PAVCCZ
24	TKPA94302	INLET COVER	1	
25	TKPA98202	DOOR	1	PAVCCZ
26	TKRA45301	HANDLE	2	
27	TKRA48104	FRONT PANEL LEFT	1	TH-65PV500E PAVCCZ
27	TKRA48105	FRONT PANEL LEFT	1	TH-65PV500B PAVCCZ
28	TKRA48201	FRONT PANEL CENTER	1	PAVCCZ
29	TKRA48302	FRONT PANEL RIGHT	1	TH-65PV500E PAVCCZ
29	TKRA48303	FRONT PANEL RIGHT	1	TH-65PV500B PAVCCZ
	TMKG405	SPONGE (FAN)	2	
	TMKG469-1	SPONGE (FAN)	6	
30	TMKG572	SPONGE (PANEL TOP/BOTTOM)	2	

Ref. No.	Part No.	Part Name & Description	Pcs	Remarks
31	TMKG573	SPONGE (PANEL RIGHT/LEFT)	2	
	TMM14490	CABLE CLAMPER	4	TH-65PV500B
	TMM14490	CABLE CLAMPER	2	TH-65PV500E
	TMM17499	CLAMPER	1	
	TMM25401	CLAMPER	6	
	TMM6463-1	CLAMPER	4	
	TMM7464-2	CLAMPER	3	
	TMME047	CLAMPER	2	
	TMME061	CLAMPER	5	TH-65PV500B
	TMME061	CLAMPER	4	TH-65PV500E
	TMME084	CLAMPER	1	
	TMME152	CLAMPER	5	
	TMME190	CLAMPER	1	TH-65PV500E
	TMME199	CLAMPER	2	TH-65PV500B
	TMME199	CLAMPER	2	TH-65PV500E
	TMME206	CLAMPER	2	
	TMME226	CLAMPER	1	
	TMME253	CLAMPER	1	
	TMMJ068	RUBBER (FAN)	16	
32	TPCB66101	CARTON BOX (BOTTOM)	1	
33	TPCB85702	CARTON BOX (TOP)	1	PAVCCZ △
34	TPDL69487	JOINT (BIG)	4	
35	TPDA1153	ESC PROTECTION TOP CORNER	2	
36	TPDA1154	ESC PROTECTION TOP CENTER	1	
37	TPDA1205	CUSHION TOP	1	PAVCCZ
38	TPDA1206	CUSHION BOTTOM	1	PAVCCZ
39	TPDA1207	ESC PROTECTION BOTTOM CORNER	2	PAVCCZ
40	TPDA1208	ESC PROTECTION BOTTOM CENTER	2	PAVCCZ
41	TPDF1197	ACCESSORIES BOX	1	
42	TPDF1306	CUSHION (TOP)	1	
43	TPDF1408	CUSHION (L)	2	
44	TPDX0007	JOINT (SMALL)	4	
45	TPEH246	PROTECT COVER	1	
46	TQB0E0229A	INSTRUCTION BOOK (GERMAN)	1	TH-65PV500E PAVCCZ △
46	TQB0E0229B	INSTRUCTION BOOK (NETHELAND)	1	TH-65PV500E PAVCCZ △
46	TQB0E0229C	INSTRUCTION BOOK (ITALIAN)	1	TH-65PV500E PAVCCZ △
46	TQB0E0229D	INSTRUCTION BOOK (FRENCH)	1	TH-65PV500E PAVCCZ △
46	TQB0E0229E	INSTRUCTION BOOK (SPANISH)	1	TH-65PV500E PAVCCZ △
46	TQB0E0229F	INSTRUCTION BOOK (SWEDISH)	1	TH-65PV500E PAVCCZ △
46	TQB0E0229K	INSTRUCTION BOOK (DANISH)	1	TH-65PV500E PAVCCZ △
46	TQB0E0229M	INSTRUCTION BOOK (BULGALIA)	1	TH-65PV500E PAVCCZ △
46	TQB0E0229N	INSTRUCTION BOOK (RUMANIA)	1	TH-65PV500E PAVCCZ △
46	TQB0E0229P	INSTRUCTION BOOK (POLAND)	1	TH-65PV500E PAVCCZ △
46	TQB0E0229Q	INSTRUCTION BOOK (HUNGALY)	1	TH-65PV500E PAVCCZ △
46	TQB0E0229R	INSTRUCTION BOOK (CZECHO)	1	TH-65PV500E PAVCCZ △
46	TQB0E0229U	INSTRUCTION BOOK (ENGLISH)	1	TH-65PV500E PAVCCZ △
46	TQB0E0230	INSTRUCTION BOOK (ENGLISH)	1	TH-65PV500B PAVCCZ △
47	TQEF035	POLY BAG	1	
	TSXL436	CABLE (DG1-H2/DG2- H3)	2	
	TSXL438	CABLE (PA30- H30/DG20-PA2)	2	
	TSXL443	CABLE (GS12-SDM)	1	

Ref. No.	Part No.	Part Name & Description	Pcs	Remarks
	TSXL450	CABLE (C10-C20/C21-C31/C50-C60)	3	
	TSXL451	CABLE (C41-C51)	1	
	TSXL460	CABLE (Z50-H50)	1	
	TSXL478	CABLE (D31-C24/D32-C25)	2	
	TSXL482	CABLE (D33-C54/D34-C55)	2	PAVCCZ
	TSXL483	CABLE (H51-G51)	2	PAVCCZ
48	TTUA1296	REAR COVER	1	TH-65PV500E PAVCCZ ▲
48	TTUA1297	REAR COVER	1	TH-65PV500B PAVCCZ ▲
49	TXFKE01CNTB	ESCUTCHEON ASSY	1	TH-65PV500B PAVCCZ
49	TXFKE01CNTE	ESCUTCHEON ASSY	1	TH-65PV500E PAVCCZ
	TXJSPL0AVT	SPEAKER LEAD (LEFT)	1	PAVCCZ
	TXJSPR0AVT	SPEAKER LEAD (RIGHT)	1	PAVCCZ
	XSN2+6FJ	SCREW	2	
	XTB4+12GFJ	SCREW	17	
	XTB4+12GFJK	SCREW	2	
	XTV3+10JFJK	SCREW	6	TH-65PV500E
	XTW3+8TFJ	SCREW	6	
	XTW4+Z12DFJK	SCREW	8	PAVCCZ
	XYC3+JF12FJ	SCREW	5	
	XYN2+F5FJ	SCREW (TOP-BOTTOM)	1	
	XYN3+F10FJ	SCREW	3	
	XYN3+F6FJ	SCREW	1	
	XYN3+F8FJ	SCREW	36	TH-65PV500B
	XYN3+F8FJ	SCREW	31	TH-65PV500E
	XYN3+F8FJK	SCREW (SD BACK COVER)	2	
	XYN3+J12FJ	SCREW	61	
	XYN3+J8FJ	SCREW ROHS	2	TH-65PV500E
	XYN4+E8FJ	SCREW	1	
	XYN4+F10FJ	SCREW	56	
	XYN4+F20FJ	SCREW	42	
	XYN4+F32FJ	SCREW	4	
	XYN4+F38FJK	SCREW	36	
	XYN8+F20FJK	SCREW	12	
	XYN8+F30FJK	SCREW	16	
50	XZBT6530	POLY BAG	1	

16 Electrical Replacement Parts List

16.1. Replacement Parts List Notes

Important Safety Notice

Components identified by \triangle mark have special characteristics important for safety. When replacing any of these components, use only manufacturer's specified parts.

RTL (Retention Time Limited)

Note: The marking (RTL) indicates that the Retention Time is Limited for this item. After the discontinuation of this assembly in production, the item will continue to be available for a specific period of time. The retention period of availability is dependant on the type of assembly, and in accordance with the laws governing part and product retention. After the end of this period, the assembly will no longer be available.

Abbreviation of part name and description

1. Resistor

Example:

ERD25TJ104 C 100KOHM, J, 1/4W
 Type Allowance

2. Capacitor

Example:

ECKF1H103ZF C 0.01UF, Z, 50V
 Type Allowance

Type	Allowance
C : Carbon	F : $\pm 1\%$
F : Fuse	G : $\pm 2\%$
M : Metal Oxide Metal Film	J : $\pm 5\%$
S : Solid	K : $\pm 10\%$
W : Wire Wound	M : $\pm 20\%$

Type	Allowance
C : Ceramic	C : $\pm 0.25\text{pF}$
E : Electrolytic	D : $\pm 0.5\text{pF}$
P : Polyester	F : $\pm 1\text{pF}$
Polypropylene	G : $\pm 3\text{pF}$
Tantalum	J : $\pm 5\text{pF}$
T : Tantalum	K : $\pm 10\text{pF}$
	L : $\pm 15\text{pF}$
	M : $\pm 20\text{pF}$
	P : +100%, -0%
	Z : +80%, -20%

16.2. Electrical Replacement Parts List

Note:

All parts except parts mentioned [PAVCCZ] in the Remarks column are supplied by AVC-SPC.

Parts mentioned [PAVCCZ] are supplied by PAVCCZ.

Ref. No.	Part No.	Part Name & Description	Pcs	Remarks
C001	ECA0JM102	E 1000UF, 6.3V	1	
C002,03	ECA1HM100	E 10UF, 50V	2	
C006	ECJ1XC1H220J	C 22PF, J, 50V	1	
C007	ECJ1XF1C104Z	C 0.1UF, Z, 16V	1	
C009	ECJ1VF1H104Z	C 0.1UF, Z, 50V	1	
C013	ECJ1XF1C104Z	C 0.1UF, Z, 16V	1	
C016	ECJ1XF1C104Z	C 0.1UF, Z, 16V	1	
C017	ECJ3VB1C474K	C 0.47UF, K, 16V	1	
C018,19	ECJ1XC1H330J	C 33PF, J, 50V	2	
C020	ECJ1XF1C104Z	C 0.1UF, Z, 16V	1	
C021	ECJ1XC1H101J	C 100PF, J, 50V	1	
C022	ECJ3YB0J335K	C 33UF, J, 25V	1	
C023	ECJ1XF1H102Z	C 1000PF, Z, 50V	1	
C024	ECJ1XC1H221J	C 220PF, J, 50V	1	
C850	ECQB1H104JF	P 0.1UF, J, 50V	1	
C852	ECA1EM471	E 470UF, 25V	1	
C854	EEUF1C471	E 470UF, 16V	1	
C1100	ECJ1XB0J105K	C 1UF, K, 16V	1	
C1101,02	ECJ1XB1C104K	C 0.1UF, Z, 16V	2	
C1104	ECJ1XB1C104K	C 0.1UF, Z, 16V	1	
C1105,06	ECJ1XB0J105K	C 1UF, K, 16V	2	
C1107	ECJ1VB1H103K	C 0.001UF, K, 50V	1	
C1108-11	ECJ1XB1C104K	C 0.1UF, Z, 16V	4	
C1112	EEEB1C100R	C 10PF, J, 16V	1	
C1113,14	ECJ1XB1C104K	C 0.1UF, Z, 16V	2	
C1115	EEEB0G101R	C 100PF, J, 4V	1	
C1116	ECJ1XC1H102J	C 1000PF, J, 50V	1	
C1117-19	ECJ1XB1C104K	C 0.1UF, Z, 16V	3	
C1120	EEEB0G101R	C 100PF, J, 4V	1	
C1122	ECJ1XC1H102J	C 1000PF, J, 50V	1	
C1123,24	ECJ1XB1C104K	C 0.1UF, Z, 16V	2	
C1125	ECJ3XB0J106M	C 10UF, M,6.3V	1	
C1126	ECJ1XB1C104K	C 0.1UF, Z, 16V	1	
C1127	ECJ1XC1H102J	C 1000PF, J, 50V	1	
C1128,29	ECJ1XB1C104K	C 0.1UF, Z, 16V	2	
C1130	ECJ1XC1H102J	C 1000PF, J, 50V	1	
C1131	ECJ1XB1C104K	C 0.1UF, Z, 16V	1	
C1132	EEEB1C100R	C 10PF, J, 16V	1	
C1133,34	ECJ1XB1C104K	C 0.1UF, Z, 16V	2	
C1135	ECJ1XC1H102J	C 1000PF, J, 50V	1	
C1136-39	ECJ1XB1C104K	C 0.1UF, Z, 16V	4	
C1140	EEEB1E330P	C 33PF, J, 25V	1	
C1141	ECJ1VB1H103K	C 0.001UF, K, 50V	1	
C1150	EEEB1E330P	C 33PF, J, 25V	1	
C1152	ECJ1XB1C104K	C 0.1UF, Z, 16V	1	
C1153,54	ECJ1VB1H221K	C 220UF, K, 50V	2	
C1155	ECJ1XB1C104K	C 0.1UF, Z, 16V	1	
C1170	EEVHP1C100R	E 10UF, 16V	1	
C1171	EEEB1C470P	C 47PF, J, 16V	1	
C1172	ECJ1XB1C104K	C 0.1UF, Z, 16V	1	
C1174	ECJ1XB1C104K	C 0.1UF, Z, 16V	1	
C1175	ECJ1XC1H151J	C 150PF, J, 50V	1	
C1178	ECJ1XB0J105K	C 1UF, K, 16V	1	
C1181,82	EEEB0G101R	C 100PF, J, 4V	2	

Ref. No.	Part No.	Part Name & Description	Pcs	Remarks
C1185,86	ECJ1VB1H103K	C 0.001UF, K, 50V	2	
C1187	ECJ1XC1H180J	C 18PF, J, 50V	1	
C1188	ECJ1XC1H220J	C 22PF, J, 50V	1	
C1193	ECJ1XB1C104K	C 0.1UF, Z, 16V	1	
C1194	ECJ1VB1H103K	C 0.001UF, K, 50V	1	
C1195	ECJ1XB0J105K	C 1UF, K, 16V	1	
C1196-98	ECJ1XB1C104K	C 0.1UF, Z, 16V	3	
C1200,01	ECJ1XB1C104K	C 0.1UF, Z, 16V	2	
C1202	EEEB0G101R	C 100PF, J, 4V	1	
C1203	ECJ1XB1C104K	C 0.1UF, Z, 16V	1	
C1204	ECJ1XB0J105K	C 1UF, K, 16V	1	
C1205,06	ECJ1XC1H271J	C 270PF, J, 50V	2	
C1207	ECJ1XB1C104K	C 0.1UF, Z, 16V	1	
C1208	ECJ1XC1H271J	C 270PF, J, 50V	1	
C1209	EEEB0G101R	C 100PF, J, 4V	1	
C1211	ECJ1XB1C104K	C 0.1UF, Z, 16V	1	
C1212,13	ECJ1XC1H271J	C 270PF, J, 50V	2	
C1214-16	ECJ1XB1C104K	C 0.1UF, Z, 16V	3	
C1217,18	ECJ1XC1H271J	C 270PF, J, 50V	2	
C1219	ECJ1VF1H103Z	C 0.010UF, Z, 50V	1	
C1220,21	ECJ1XC1H101J	C 100PF, J, 50V	2	
C1222	ECJ1VB1C105K	C 0.01UF, K, 16V	1	
C1223-25	ECJ1XC1H680J	C 68PF, J, 50V	3	
C1233	EEVH0J470R	E 47UF, 6.3V	1	
C2005-18	ECJ1XC1H561J	C 560PF, J, 50V	14	
C2019	ECA1CM221	E 220UF, 16V	1	
C2020	ECA1HM220	E 22UF, 50V	1	
C2021,22	ECJ1XC1H561J	C 560PF, J, 50V	2	
C2101,02	ECJ2VF1C104Z	C 0.1UF, Z, 16V	2	
C2103,04	ECJ3YB1A106M	C 10UF, M,6.3V	2	
C2107,08	ECJ2FB1C105K	C 1UF, Z, 16V	2	
C2109,10	ECJ2FB1C105K	C 1UF, Z, 16V	2	TH-65PV500B
C2111	ECJ2VF1C104Z	C 0.1UF, Z, 16V	1	
C2116	ECJ2VF1C104Z	C 0.1UF, Z, 16V	1	
C2118,19	ECEA1CN470U	E 47UF, 16V	2	
C2120,21	ECJ2XB1A105K	C 1UF, K, 10V	2	
C2122,23	ECJ3YB1A106M	C 10UF, M,6.3V	2	
C2124	ECJ3XB1C106M	C 1.0UF, K, 16V	1	
C2125,26	ECJ1VB1H102K	C 1000PF, K, 50V	2	
C2127	ECA1CMH101	E 100UF, 16V	1	
C2128	ECJ2VF1C104Z	C 0.1UF, Z, 16V	1	
C2129,30	FLJ1A1050002	C 1UF, Z, 50V	2	
C2131	ECJ2VF1C104Z	C 0.1UF, Z, 16V	1	
C2132	ECA1HM100	E 10UF, 50V	1	
C2133,34	ECJ1XC1H470J	C 47PF, J, 50V	2	
C2135,36	ECJ2FB1C105K	C 1UF, Z, 16V	2	
C2139,40	ECJ2FB1C105K	C 1UF, Z, 16V	2	
C2143	ECJ1VB1H103K	C 0.001UF, K, 50V	1	
C2144,45	ECJ3YB1A106M	C 10UF, M,6.3V	2	
C2146	ECJ2VF1C104Z	C 0.1UF, Z, 16V	1	
C2147	ECA1HM220	E 22UF, 50V	1	

Ref. No.	Part No.	Part Name & Description	Pcs	Remarks
C2148-50	ECJ2FB1C105K	C 1UF, Z, 16V	3	
C2152	ECJ2FB1C105K	C 1UF, Z, 16V	1	
C2153	ECJ2FF1C475Z	C 0.047UF, Z, 16V	1	
C2154	ECJ2VF1C104Z	C 0.1UF, Z, 16V	1	
C2155	ECJ2FB1C105K	C 1UF, Z, 16V	1	
C2156	ECJ3YB1A106M	C 10UF, M,6.3V	1	
C2157	ECJ2FB1C105K	C 1UF, Z, 16V	1	
C2158	ECJ3YB1A106M	C 10UF, M,6.3V	1	
C2159,60	ECJ2FB1C105K	C 1UF, Z, 16V	2	
C2161	ECA1CMH101	E 100UF, 16V	1	
C2162-65	ECJ2FB1C105K	C 1UF, Z, 16V	4	
C2166,67	ECJ2FB1C105K	C 1UF, Z, 16V	2	TH-65PV500B
C2168,69	ECJ2FB1C105K	C 1UF, Z, 16V	2	
C2172	ECJ1VB1H102K	C 1000PF, K, 50V	1	
C2173	ECJ1VB1H103K	C 0.001UF, K, 50V	1	
C2174	ECJ1VB1H102K	C 1000PF, K, 50V	1	
C2175-77	ECJ1VB1H103K	C 0.001UF, K, 50V	3	
C2178,79	ECA1HM100	E 10UF, 50V	2	
C2181	ECJ2VF1C104Z	C 0.1UF, Z, 16V	1	
C2183	ECA1HM3R3	E 3.3UF, 50V	1	
C2184,85	ECJ2VF1C104Z	C 0.1UF, Z, 16V	2	
C2189,90	ECJ2FB1C105K	C 1UF, Z, 16V	2	
C2191	ECJ2VF1C104Z	C 0.1UF, Z, 16V	1	
C2192	ECA1HM100	E 10UF, 50V	1	
C2193,94	ECJ2FB1C105K	C 1UF, Z, 16V	2	TH-65PV500E
C2195	ECJ1XC1H470J	C 47PF, J, 50V	1	
C2196	ECJ2VF1C104Z	C 0.1UF, Z, 16V	1	
C2197	ECJ2YB0J225K	C 2.2UF, K, 6.3V	1	
C2198	ECA1CMH101	E 100UF, 16V	1	
C2199	ECJ1VC1H560J	C 56PF, J, 50V	1	
C2200	ECJ1XC1H470J	C 47PF, J, 50V	1	
C2201,02	ECJ1XC1H050C	C 5PF, C, 50V	2	
C2203	ECJ1VC1H100C	C 10PF, C, 50V	1	
C2204	ECJ1XC1H220J	C 22PF, J, 50V	1	
C2206	ECA1CMH101	E 100UF, 16V	1	
C2207	ECJ2VF1C104Z	C 0.1UF, Z, 16V	1	
C2208	ECJ1XF1C104Z	C 0.1UF, Z, 16V	1	TH-65PV500E
C2211	ECJ1VB1C104K	C 0.1UF, K, 16V	1	
C2212	ECJ1XF1C104Z	C 0.1UF, Z, 16V	1	TH-65PV500E
C2213	ERJ3GEY0R00	M 0 OHM, 1/16W	1	TH-65PV500B
C2213	ECJ1VB1C104K	C 0.1UF, K, 16V	1	TH-65PV500E
C2214	ECJ1VB1H102K	C 1000PF, K, 50V	1	
C2215	ECJ2VF1C104Z	C 0.1UF, Z, 16V	1	
C2218-21	ECJ3YB1A106M	C 10UF, M,6.3V	4	
C2222	ECJ2VF1C104Z	C 0.1UF, Z, 16V	1	
C2223	ECJ1XC1H390J	C 39PF, J, 50V	1	
C2225	ECJ2FB1C105K	C 1UF, Z, 16V	1	
C2226	ECJ1VB1H102K	C 1000PF, K, 50V	1	
C2300,01	ECJ1VF1H104Z	C 0.1UF, Z, 50V	2	
C2302	ERJ6GEY0R00	M 0 OHM, 1/10W	1	
C2305	ECA1CMH101	E 100UF, 16V	1	
C2306	ECJ1VB1H103K	C 0.001UF, K, 50V	1	
C2307	ECA1CMH101	E 100UF, 16V	1	
C2308,09	ECJ1VB1H682K	C 6800PF, K, 50V	2	
C2310,11	ECJ3YB1A475K	C 0.047UF, K, 10V	2	
C2312	ERJ6GEY0R00	M 0 OHM, 1/10W	1	
C2314	ECJ1VB1H562K	C 5600PF, K, 50V	1	
C2315	ECA1CHG470	E 47UF, 16V	1	
C2316	ECJ1XF1C104Z	C 0.1UF, Z, 16V	1	
C2318	ECJ1XF1C104Z	C 0.1UF, Z, 16V	1	
C2319	ECJ1VB1H102K	C 1000PF, K, 50V	1	

Ref. No.	Part No.	Part Name & Description	Pcs	Remarks
C2320	ECJ1VB1E223K	C 0.023UF, K, 25V	1	
C2322	ECJ1VB1H102K	C 1000PF, K, 50V	1	
C2323	ECJ1VB1E223K	C 0.023UF, K, 25V	1	
C2324	ECJ1VB1H102K	C 1000PF, K, 50V	1	
C2325	ECJ1VB1E223K	C 0.023UF, K, 25V	1	
C2327	ECJ1VB1H102K	C 1000PF, K, 50V	1	
C2328	ECJ1VB1E223K	C 0.023UF, K, 25V	1	
C2329-32	ECJ1VB1E272K	C 2700PF, K, 25V	4	PAVCCZ
C2358	ECA1CMH101	E 100UF, 16V	1	
C2359	ECJ1VB1H103K	C 0.001UF, K, 50V	1	
C2372	ECA1HHG100	E 10UF, 50V	1	
C2373	F1H0J1050012	C 1UF, K, 16V	1	
C2374	ECA1HHG100	E 10UF, 50V	1	
C2376-79	ECJ2XB1H102K	C 1000PF, K, 50V	4	
C2384-87	ECJ2XB1H102K	C 1000PF, K, 50V	4	
C2392	ECA1CMH101	E 100UF, 16V	1	
C2393	ECJ1VB1H103K	C 0.001UF, K, 50V	1	
C2394,95	ECA1CMH101	E 100UF, 16V	2	
C2396	ECA1CHG470	E 47UF, 16V	1	
C2397	F1H0J1050012	C 1UF, K, 16V	1	
C2398,99	ECJ1VB1H102K	C 1000PF, K, 50V	2	
C2400	F1H0J1050012	C 1UF, K, 16V	1	
C2401,02	ECA1CHG470	E 47UF, 16V	2	
C2428,29	ECJ2XB1E104K	C 0.1UF, K, 25V	2	
C2430	ECJ1VF1A105Z	C 1UF, Z, 10V	1	
C2433,34	ECJ2FB1A225K	C 2.2UF, K, 10V	2	
C2437,38	ECJ2FB1A225K	C 2.2UF, K, 10V	2	
C2441,42	ECJ1XC1H221J	C 220PF, J, 50V	2	
C2445,46	ECJ2FB1E105K	C 1UF, K, 25V	2	
C2449,50	ECA1EHG471	E 470UF, 25V	2	
C2453,54	ECJ2FB1E105K	C 1UF, K, 25V	2	
C2457,58	ECJ2FB0J335K	C 3.3UF, K, 16V	2	
C2461,62	ECJ2XB1H332K	C 3300PF, K, 50V	2	
C2465,66	ECJ2FB1E105K	C 1UF, K, 25V	2	
C2469,70	ECJ2FB1E105K	C 1UF, K, 25V	2	
C2473,74	ECJ2FB1E105K	C 1UF, K, 25V	2	
C2477,78	ECJ2FB1E105K	C 1UF, K, 25V	2	
C2481-84	ECJ2FB1E224K	C 22UF, K, 25V	4	
C2489,90	ECJ2XB1H332K	C 3300PF, K, 50V	2	
C2497,98	ECJ2FB1E105K	C 1UF, K, 25V	2	
C2510,11	ECJ2VF1C105Z	C 1UF, Z, 16V	2	
C2512	ECJ3XB0J106M	C 10UF, M,6.3V	1	
C2515	ECJ1VB1H103K	C 0.001UF, K, 50V	1	
C2517	ECJ1VB1H103K	C 0.001UF, K, 50V	1	TH-65PV500B
C3001-03	ECJ1VB1H102K	C 1000PF, K, 50V	3	
C3004	ECJ1XF1C104Z	C 0.1UF, Z, 16V	1	
C3005-07	ECJ2VF1C104Z	C 0.1UF, Z, 16V	3	
C3008,09	F1J1A1050002	C 1UF, Z, 50V	2	
C3011	ECJ1XF1C104Z	C 0.1UF, Z, 16V	1	
C3013,14	F1J1A1050002	C 1UF, Z, 50V	2	
C3015	ECJ2VF1C104Z	C 0.1UF, Z, 16V	1	

Ref. No.	Part No.	Part Name & Description	Pcs	Remarks
C3018	ECJ3YB1A106M	C 10UF, M,6.3V	1	
C3019-21	FLJ1A1050002	C 1UF, Z, 50V	3	
C3024-28	FLJ1A1050002	C 1UF, Z, 50V	5	
C3029	ECJ2VF1C105Z	C 1UF, Z, 16V	1	
C3031	FLJ1A1050002	C 1UF, Z, 50V	1	
C3032	ECJ2XB1A105K	C 1UF, K, 10V	1	
C3033	FLJ1A1050002	C 1UF, Z, 50V	1	
C3035,36	FLJ1A1050002	C 1UF, Z, 50V	2	
C3038	ECJ2VF1C104Z	C 0.1UF, Z, 16V	1	
C3040	ECJ2VF1C104Z	C 0.1UF, Z, 16V	1	
C3042,43	FLJ1A1050002	C 1UF, Z, 50V	2	
C3044	ECJ2VF1C104Z	C 0.1UF, Z, 16V	1	
C3045	FLJ1A1050002	C 1UF, Z, 50V	1	TH-65PV500B
C3047	FLJ1A1050002	C 1UF, Z, 50V	1	
C3049-56	FLJ1A1050002	C 1UF, Z, 50V	8	
C3058	ECA1CMH101	E 100UF, 16V	1	
C3059	ECJ2VF1C105Z	C 1UF, Z, 16V	1	
C3060-64	ECJ2VF1C104Z	C 0.1UF, Z, 16V	5	
C3207	ECA1AM102	E 1000UF, 10V	1	
C3208	ECJ2XB1C474K	C 0.47UF, Z, 16V	1	
C3212	ECJ2VF1C104Z	C 0.1UF, Z, 16V	1	
C3214	ECJ2FF1A106Z	C 0.001UF, Z, 10V	1	
C3216	ECJ2FF1A106Z	C 0.001UF, Z, 10V	1	
C3226-29	ECJ2FF1A106Z	C 0.001UF, Z, 10V	4	
C3230	ECJ2VF1C104Z	C 0.1UF, Z, 16V	1	
C3231	ECJ1XF1C104Z	C 0.1UF, Z, 16V	1	
C3233	ECJ2VF1C104Z	C 0.1UF, Z, 16V	1	
C3235	ECJ1VF1H104Z	C 0.1UF, Z, 50V	1	
C3236	ECA1HM100	E 10UF, 50V	1	
C3241	ECJ2VF1C104Z	C 0.1UF, Z, 16V	1	
C3305	ECJ1XF1C104Z	C 0.1UF, Z, 16V	1	
C3330	ECA1CM470	E 47UF, 16V	1	
C3331	ECJ2XB1H103K	C 0.01UF, K, 50V	1	
C3332	ECJ2VF1C104Z	C 0.1UF, Z, 16V	1	
C3334	ECEA1CN470U	E 47UF, 16V	1	
C3335	ECJ2VB1C104K	C 0.1UF, K, 16V	1	
C3336	ECEA1CN470U	E 47UF, 16V	1	
C3337	ECJ2VB1C104K	C 0.1UF, K, 16V	1	
C3338	ECEA1CN470U	E 47UF, 16V	1	
C3339	ECJ2VB1C104K	C 0.1UF, K, 16V	1	
C3340-42	ECJ2VF1C104Z	C 0.1UF, Z, 16V	3	
C3701	ECJ1VC1H271K	C 270PF, J, 50V	1	
C3703	ECJ1VC1H271K	C 270PF, J, 50V	1	
C3705	ECJ1VC1H271K	C 270PF, J, 50V	1	
C3711,12	ECJ1VF1H333Z	C 0.033UF, Z, 50V	2	
C3750	ECJ2XC1H102K	C 1000PF, K, 50V	1	
C4001	EEVHBOG221P	E 220UF, 4V	1	
C4002	ECJ1XB1C104K	C 0.1UF, Z, 16V	1	
C4003	EEFCDOG560R	56UF,	1	
C4004	ECJ2YB0J225K	C 2.2UF, K, 6.3V	1	
C4005	ECJ1XB1C104K	C 0.1UF, Z, 16V	1	
C4006	ECJ1XC1H471J	C 470PF, J, 50V	1	
C4014,15	ECJ1XB1C104K	C 0.1UF, Z, 16V	2	
C4016	ECJ1XC1H470J	C 47PF, J, 50V	1	
C4018	ECJ1XB1C104K	C 0.1UF, Z, 16V	1	
C4019	ECJ2FB1C684K	C 68UF, Z, 16V	1	
C4020	ECJ1XB1C393K	C 0.039UF, K, 16V	1	
C4023,24	ECJ1XB1C104K	C 0.1UF, Z, 16V	2	
C4025	EEVHBOJ470R	E 47UF, 6.3V	1	
C4026	ECJ1XB1C104K	C 0.1UF, Z, 16V	1	
C4027	EEEB1E330P	C 33PF, J, 25V	1	
C4028,29	ECJ3XB0J106M	C 10UF, M,6.3V	2	
C4030	EEEB1C100R	C 10PF, J, 16V	1	

Ref. No.	Part No.	Part Name & Description	Pcs	Remarks
C4031-33	ECJ1XB1C104K	C 0.1UF, Z, 16V	3	
C4035	ECJ1VB1H103K	C 0.001UF, K, 50V	1	
C4036	EEVHBOJ470R	E 47UF, 6.3V	1	
C4037	ECJ1VB1H103K	C 0.001UF, K, 50V	1	
C4038-45	ECJ1XB1C104K	C 0.1UF, Z, 16V	8	
C4047	ECJ1XC1H102J	C 1000PF, J, 50V	1	
C4048	ECJ1XB1C104K	C 0.1UF, Z, 16V	1	
C4049	ECJ1VB1H103K	C 0.001UF, K, 50V	1	
C4050	ECJ1XB1C104K	C 0.1UF, Z, 16V	1	
C4051	ECJ1XC1H102J	C 1000PF, J, 50V	1	
C4052	ECJ1XB0J105K	C 1UF, K, 16V	1	
C4053,54	ECJ1XB1C104K	C 0.1UF, Z, 16V	2	
C4055	ECJ1VB1C823K	C 0.082UF, K, 16V	1	
C4056	ECJ1VB1H103K	C 0.001UF, K, 50V	1	
C4057,58	ECJ2VB1C104K	C 0.1UF, K, 16V	2	
C4059	EEVHBOJ470R	E 47UF, 6.3V	1	
C4060	ECJ1XB1C104K	C 0.1UF, Z, 16V	1	
C4061	EEVHBOJ470R	E 47UF, 6.3V	1	
C4062	ECJ1XB1C104K	C 0.1UF, Z, 16V	1	
C4063-65	ECJ2VB1C104K	C 0.1UF, K, 16V	3	
C4066	ECJ1XB0J105K	C 1UF, K, 16V	1	
C4070	ECJ1XB1C104K	C 0.1UF, Z, 16V	1	
C4072	ECJ2YB0J225K	C 2.2UF, K, 6.3V	1	
C4100-02	ECJ3XB0J106M	C 10UF, M,6.3V	3	
C4103	ECJ1VB1H103K	C 0.001UF, K, 50V	1	
C4104	ECJ1VB1C105K	C 0.01UF, K, 16V	1	
C4105	ECJ1VB1H103K	C 0.001UF, K, 50V	1	
C4106	ECJ1VB1C105K	C 0.01UF, K, 16V	1	
C4107	ECJ1VB1H103K	C 0.001UF, K, 50V	1	
C4108	ECJ1VB1C105K	C 0.01UF, K, 16V	1	
C4115-17	ECJ3XB0J106M	C 10UF, M,6.3V	3	
C4118-20	ECJ1XC1H390J	C 39PF, J, 50V	3	
C4121,22	ECJ1XB1C104K	C 0.1UF, Z, 16V	2	
C4124	EEEB1A101P	C 100PF, J, 10V	1	
C4126	EEVHBOJ470R	E 47UF, 6.3V	1	
C4127	ECJ1XB1C104K	C 0.1UF, Z, 16V	1	
C4128-31	ECJ1VB1H103K	C 0.001UF, K, 50V	4	
C4132	EEEB0G101R	C 100PF, J, 4V	1	
C4133	ECJ1XB1C104K	C 0.1UF, Z, 16V	1	
C4135	ECJ1XB0J105K	C 1UF, K, 16V	1	
C4136	ECJ1XB1C104K	C 0.1UF, Z, 16V	1	
C4151	ECJ3YB0J335K	C 33UF, J, 25V	1	
C4152	ECJ1VB1H103K	C 0.001UF, K, 50V	1	
C4153-56	ECJ1VB1C105K	C 0.01UF, K, 16V	4	
C4158-66	ECJ1XC1H102J	C 1000PF, J, 50V	9	
C4167	ECJ1XB1C104K	C 0.1UF, Z, 16V	1	
C4168	ECJ1XC1H102J	C 1000PF, J, 50V	1	
C4170-72	ECJ1VB1H103K	C 0.001UF, K, 50V	3	
C4176	ECJ1XB1C104K	C 0.1UF, Z, 16V	1	
C4177,78	ECJ1VB1C105K	C 0.01UF, K, 16V	2	
C4179	ECJ1XB1C104K	C 0.1UF, Z, 16V	1	
C4180	ECJ1VB1H103K	C 0.001UF, K, 50V	1	
C4181	ECJ3XB0J106M	C 10UF, M,6.3V	1	
C4182	ECJ1XB1C104K	C 0.1UF, Z, 16V	1	
C4233	ECJ1XC1H101J	C 100PF, J, 50V	1	
C4234	ECJ1XB1C104K	C 0.1UF, Z, 16V	1	
C4235	ECJ1XF1C104Z	C 0.1UF, Z, 16V	1	
C4301,02	ECJ1XB1C104K	C 0.1UF, Z, 16V	2	
C4303	EEEB1E330P	C 33PF, J, 25V	1	
C4306	ECJ1XC1H050C	C 5PF, C, 50V	1	

Ref. No.	Part No.	Part Name & Description	Pcs	Remarks
C4308,09	ECJ1XC1H220J	C 22PF, J, 50V	2	
C4310-13	ECJ1XB0J105K	C 1UF, K, 16V	4	
C4314	ECJ3XB0J106M	C 10UF, M,6.3V	1	
C4315-17	ECJ1VF1A105Z	C 1UF, Z, 10V	3	
C4318	EEEB1E330P	C 33PF, J, 25V	1	
C4341	ECJ1VB1H103K	C 0.001UF, K, 50V	1	
C4342	ECJ1XB1C104K	C 0.1UF, Z, 16V	1	
C4343	EEVHB0J470R	E 47UF, 6.3V	1	
C4345	ECJ1XB1C104K	C 0.1UF, Z, 16V	1	
C4346	ECJ1XB0J105K	C 1UF, K, 16V	1	
C4348	ECJ1VB1H103K	C 0.001UF, K, 50V	1	
C4350	ECJ1XB0J105K	C 1UF, K, 16V	1	
C4351,52	ECJ1XB1C104K	C 0.1UF, Z, 16V	2	
C4353	ECJ1XB0J105K	C 1UF, K, 16V	1	
C4354	EEVHB0G221P	E 220UF, 4V	1	
C4355,56	ECJ1XB1C104K	C 0.1UF, Z, 16V	2	
C4358	ECJ1XC1H680J	C 68PF, J, 50V	1	
C4359-70	ECJ1XB1C104K	C 0.1UF, Z, 16V	12	
C4371	ECJ1XB0J105K	C 1UF, K, 16V	1	
C4372-74	ECJ1XB1C104K	C 0.1UF, Z, 16V	3	
C4375	ECJ1XB0J105K	C 1UF, K, 16V	1	
C4378	ECJ1VB0J225K	C 2.2UF, K, 6.3V	1	
C4379	ECJ1XC1H180J	C 18PF, J, 50V	1	
C4380	ECJ1XB1C104K	C 0.1UF, Z, 16V	1	
C4381	ECJ1XC1H180J	C 18PF, J, 50V	1	
C4382	ECJ1VB0J225K	C 2.2UF, K, 6.3V	1	
C4383	ECJ1VB1H562K	C 5600PF, K, 50V	1	
C4384-88	ECJ1XB1C104K	C 0.1UF, Z, 16V	5	
C4390,91	ECJ1XB1C104K	C 0.1UF, Z, 16V	2	
C4392,93	ECJ1VB0J225K	C 2.2UF, K, 6.3V	2	
C4410	ECJ1XF1C104Z	C 0.1UF, Z, 16V	1	
C4411	EEEB1C100R	C 10PF, J, 16V	1	
C4412	F1J0J1060004	C 0.010UF, K, 16V	1	
C4414	F1J0J1060004	C 0.010UF, K, 16V	1	
C4416,17	ECJ1XF1C104Z	C 0.1UF, Z, 16V	2	
C4418	EEEB1C470P	C 47PF, J, 16V	1	
C4430	EEEB1C470P	C 47PF, J, 16V	1	
C4431	ECJ1VB1H103K	C 0.001UF, K, 50V	1	
C4432,33	ECJ1XC1H181J	C 180PF, J, 50V	2	
C4434,35	ECJ1XC1H330J	C 33PF, J, 50V	2	
C4436	ECJ1VB1H103K	C 0.001UF, K, 50V	1	
C4437	EEEB1C470P	C 47PF, J, 16V	1	
C4438,39	EEEB1C100R	C 10PF, J, 16V	2	
C4440,41	ECJ1VB1H272K	C 2700PF, K, 50V	2	
C4501	EEVHB0J470R	E 47UF, 6.3V	1	
C4502-13	ECJ1XB1C104K	C 0.1UF, Z, 16V	12	
C4514	EEVHB0J470R	E 47UF, 6.3V	1	
C4515-19	ECJ1XB1C104K	C 0.1UF, Z, 16V	5	
C4521	ECJ1XB0J105K	C 1UF, K, 16V	1	
C4522-24	ECJ1XB1C104K	C 0.1UF, Z, 16V	3	
C4525	ECJ1XB0J105K	C 1UF, K, 16V	1	
C4526	ECJ1VB1H103K	C 0.001UF, K, 50V	1	
C4527,28	ECJ1XB0J105K	C 1UF, K, 16V	2	
C4529-34	ECJ1XB1C104K	C 0.1UF, Z, 16V	6	
C4535	ECJ1VB1H103K	C 0.001UF, K, 50V	1	
C4536	ECJ1XB0J105K	C 1UF, K, 16V	1	
C4537	EEVHB0J470R	E 47UF, 6.3V	1	

Ref. No.	Part No.	Part Name & Description	Pcs	Remarks
C4538-56	ECJ1XB1C104K	C 0.1UF, Z, 16V	19	
C4560,61	ECJ1VB1H103K	C 0.001UF, K, 50V	2	
C4562	ECJ1XB0J105K	C 1UF, K, 16V	1	
C4565-68	ECJ1XC1H102J	C 1000PF, J, 50V	4	
C4570-74	ECJ1XC1H102J	C 1000PF, J, 50V	5	
C4575	ECJ1XB0J105K	C 1UF, K, 16V	1	
C4576-95	ECJ1XC1H102J	C 1000PF, J, 50V	20	
C4596	ECJ1VB1H103K	C 0.001UF, K, 50V	1	
C4597	ECJ1XB0J105K	C 1UF, K, 16V	1	
C4598	ECJ1VB1H103K	C 0.001UF, K, 50V	1	
C4599,00	ECJ1XB0J105K	C 1UF, K, 16V	2	
C4601	EEEB0J330R	C 33PF, J, 6.3V	1	
C4602	ECJ1XB1C104K	C 0.1UF, Z, 16V	1	
C4605	ECJ1VB1H103K	C 0.001UF, K, 50V	1	
C4607-10	ECJ1VB1H103K	C 0.001UF, K, 50V	4	
C4611	ECJ3XB0J106M	C 10UF, M,6.3V	1	
C4612	ECJ1XB1C104K	C 0.1UF, Z, 16V	1	
C4613	ECJ1VB1H103K	C 0.001UF, K, 50V	1	
C4701	ECJ1XB1C104K	C 0.1UF, Z, 16V	1	
C4702	EEFCD0G560R	56UF,	1	
C4703	EEEB0J220R	C 22PF, J, 6.3V	1	
C4704	ECJ1XB1C104K	C 0.1UF, Z, 16V	1	
C4709	EEVHB0J470R	E 47UF, 6.3V	1	
C4710,11	ECJ1XB1C104K	C 0.1UF, Z, 16V	2	
C4712	ECJ1VB1C103K	C 0.010UF, K, 16V	1	
C4713	ECJ1XB1C104K	C 0.1UF, Z, 16V	1	
C4714	ECJ1VB1C103K	C 0.010UF, K, 16V	1	
C4715	ECJ1XB1C104K	C 0.1UF, Z, 16V	1	
C4716	ECJ1VB1C103K	C 0.010UF, K, 16V	1	
C4717	ECJ1XB1C104K	C 0.1UF, Z, 16V	1	
C4718	ECJ1VB1C103K	C 0.010UF, K, 16V	1	
C4719-22	ECJ1XB1C104K	C 0.1UF, Z, 16V	4	
C4723	ECJ1VB1C103K	C 0.010UF, K, 16V	1	
C4724	ECJ1XB1C104K	C 0.1UF, Z, 16V	1	
C4725	ECJ1VB1C103K	C 0.010UF, K, 16V	1	
C4726	ECJ1XB1C104K	C 0.1UF, Z, 16V	1	
C4727	ECJ1VB1C103K	C 0.010UF, K, 16V	1	
C4728	ECJ1XB1C104K	C 0.1UF, Z, 16V	1	
C4729	ECJ1VB1C103K	C 0.010UF, K, 16V	1	
C4730	ECJ1XB1C104K	C 0.1UF, Z, 16V	1	
C4731	ECJ1VB1C103K	C 0.010UF, K, 16V	1	
C4732	ECJ1XB1C104K	C 0.1UF, Z, 16V	1	
C4733	ECJ1VB1C103K	C 0.010UF, K, 16V	1	
C4734	ECJ1XB1C104K	C 0.1UF, Z, 16V	1	
C4735	ECJ1VB1C103K	C 0.010UF, K, 16V	1	
C4736	ECJ1XB1C104K	C 0.1UF, Z, 16V	1	
C4737	ECJ1VB1C103K	C 0.010UF, K, 16V	1	
C4850	ECJ3XF1C475Z	C 4.7UF, Z, 16V	1	
C4851	ECJ1XB1C104K	C 0.1UF, Z, 16V	1	
C4854	ECJ1XC1H330J	C 33PF, J, 50V	1	
C4855,56	ECJ1XB1C104K	C 0.1UF, Z, 16V	2	
C4858	EEVHB0G221P	E 220UF, 4V	1	
C4859	ECJ1XC1H150J	C 15PF, J, 50V	1	
C4861	ECJ1XC1H150J	C 15PF, J, 50V	1	
C4863	ECJ1XB1C104K	C 0.1UF, Z, 16V	1	
C4864	ECJ3XB0J106M	C 10UF, M,6.3V	1	
C4865	ECJ1XC1H102J	C 1000PF, J, 50V	1	
C4867,68	ECJ1XC1H101J	C 100PF, J, 50V	2	
C4873	EEVHB0J470R	E 47UF, 6.3V	1	
C4874	ECJ1XB1C104K	C 0.1UF, Z, 16V	1	
C4875,76	ECJ2VB1C104K	C 0.1UF, K, 16V	2	
C4877	ECJ2XB1A105K	C 1UF, K, 10V	1	
C4878,79	ECJ2VB1C104K	C 0.1UF, K, 16V	2	

Ref. No.	Part No.	Part Name & Description	Pcs	Remarks
C4880	ECJ2XB1A105K	C 1UF, K, 10V	1	
C4881	ECJ1XC1H101J	C 100PF, J, 50V	1	TH-65PV500B
C4882	ECJ1VB1H103K	C 0.001UF, K, 50V	1	
C4883	ECJ1XB0J105K	C 1UF, K, 16V	1	
C4892	EEVHBOJ470R	E 47UF, 6.3V	1	
C4893	ECJ1XB1C104K	C 0.1UF, Z, 16V	1	
C4898	ECJ1VB1H103K	C 0.001UF, K, 50V	1	
C4899	ECJ1XB0J105K	C 1UF, K, 16V	1	
C4901	EEEB1C100R	C 10PF, J, 16V	1	
C4902	ECJ1VB1H103K	C 0.001UF, K, 50V	1	
C4903	ECJ1XB1C104K	C 0.1UF, Z, 16V	1	
C4904	EEEB1C470P	C 47PF, J, 16V	1	
C4905	ECJ1XB1C104K	C 0.1UF, Z, 16V	1	
C4922	EEVHBOJ470R	E 47UF, 6.3V	1	
C4924	ECJ1XF1C104Z	C 0.1UF, Z, 16V	1	
C4925	EEEB1C470P	C 47PF, J, 16V	1	
C4926	ECJ1XF1C104Z	C 0.1UF, Z, 16V	1	
C4929	EEEB1C100R	C 10PF, J, 16V	1	
C4939	EEVHBOG221P	E 220UF, 4V	1	
C4942	ECJ1XB1C104K	C 0.1UF, Z, 16V	1	
C4943	EEEB1C470P	C 47PF, J, 16V	1	
C4945-48	ECJ1XC1H102J	C 1000PF, J, 50V	4	
C4952	ECJ1XC1H101J	C 100PF, J, 50V	1	
C5601	ECA1HM220	E 22UF, 50V	1	
C5603	EEUFC1C821	E 820UF, 16V	1	
C5604	ECA1HHG100	E 10UF, 50V	1	
C5605	EEUFC1E102	E 1000UF, 25V	1	
C5606	EEUFC1C821	E 820UF, 16V	1	
C5608	ECJ2XB1H103K	C 0.01UF, K, 50V	1	
C5609	ECA1HM220	E 22UF, 50V	1	
C5611	EEUFC1E102	E 1000UF, 25V	1	
C5612	EEUFC1C821	E 820UF, 16V	1	
C5613	ECJ2XB1E104K	C 0.1UF, K, 25V	1	
C5616	ECJ2XB1E104K	C 0.1UF, K, 25V	1	
C5617	EEUFC1C821	E 820UF, 16V	1	
C5618,19	ECJ2XB1E104K	C 0.1UF, K, 25V	2	
C5622	EEUFC1C821	E 820UF, 16V	1	
C5623	ECJ2XB1E104K	C 0.1UF, K, 25V	1	
C5626	ECJ2VF1C104Z	C 0.1UF, Z, 16V	1	
C5631	EEUFC1C102	E 1000UF, 16V	1	
C5637	ECJ2VF1C474Z	C 0.47UF, Z, 16V	1	
C5641-44	ECJ2VF1C104Z	C 0.1UF, Z, 16V	4	
C5670	ECJ2XB1E104K	C 0.1UF, K, 25V	1	
C5672	ECA1HM220	E 22UF, 50V	1	
C5673	ECJ2XB1H103K	C 0.01UF, K, 50V	1	
C5685	ECA1HHG100	E 10UF, 50V	1	
C5686	ECJ2XB1H103K	C 0.01UF, K, 50V	1	
C7713	ECJ1VB1H103K	C 0.001UF, K, 50V	1	
C7724	ECJ1XF1C104Z	C 0.1UF, Z, 16V	1	
C7725-28	ECJ1XC1H330J	C 33PF, J, 50V	4	
C7730	EEEB1C470P	C 47PF, J, 16V	1	
C7731-33	ECJ1XF1C104Z	C 0.1UF, Z, 16V	3	
C7737	ECJ1VC1H200J	C 20PF, C, 50V	1	
C7747,48	ECJ1VC1H200J	C 20PF, C, 50V	2	
C7750	ECJ1VC1H200J	C 20PF, C, 50V	1	
C7753	ECJ1XF1C104Z	C 0.1UF, Z, 16V	1	
C7760	EEVHBOG221P	E 220UF, 4V	1	
C7764	ECJ2FB1A105K	C 1UF, K, 10V	1	
C7765	ECJ1XF1C104Z	C 0.1UF, Z, 16V	1	
C7775	ECJ1XF1C104Z	C 0.1UF, Z, 16V	1	
C7777	ECJ1XF1C104Z	C 0.1UF, Z, 16V	1	
C7781	ECJ2FB1A105K	C 1UF, K, 10V	1	
C7902	EEEB1C220R	C 22PF, J, 16V	1	
C7911	EEEB1C220R	C 22PF, J, 16V	1	
C7915	ECJ1XF1C104Z	C 0.1UF, Z, 16V	1	
C7923	ECJ1XB1C104K	C 0.1UF, Z, 16V	1	
C7926	EEEB1C220R	C 22PF, J, 16V	1	
C7928	ECJ1VB0J225K	C 2.2UF, K, 6.3V	1	

Ref. No.	Part No.	Part Name & Description	Pcs	Remarks
C7929	ECJ1XB1C104K	C 0.1UF, Z, 16V	1	
C7938	ECJ1XF1C104Z	C 0.1UF, Z, 16V	1	
C8001	ECJ0EB1C103K	C0.010UF, K, 16V	1	TH-65PV500B
C8002	ECJ0EB1A104K	C 0.1UF, K, 10V	1	TH-65PV500B
C8003	ECJ0EB1C103K	C0.010UF, K, 16V	1	TH-65PV500B
C8004	ECJ0EB1A104K	C 0.1UF, K, 10V	1	TH-65PV500B
C8005	EEEB1C100R	C 10PF, J, 16V	1	TH-65PV500B
C8007	ECJ0EB1H102K	C 1000PF, K, 50V	1	TH-65PV500B
C8010	ECJ0EC1H050C	C 5PF, D, 50V	1	TH-65PV500B
C8015	ECJ1VC1H080C	C 8PF, C, 50V	1	TH-65PV500B
C8019,20	ECJ0EB1C103K	C0.010UF, K, 16V	2	TH-65PV500B
C8021	ECJ0EB1H102K	C 1000PF, K, 50V	1	TH-65PV500B
C8030	ECJ0EB1C103K	C0.010UF, K, 16V	1	TH-65PV500B
C8034,35	ECJ1VB1C104K	C 0.1UF, K, 16V	2	TH-65PV500B
C8037	ECJ0EB1C103K	C0.010UF, K, 16V	1	TH-65PV500B
C8039,40	ECJ0EB1C103K	C0.010UF, K, 16V	2	TH-65PV500B
C8041	EEEB1C100R	C 10PF, J, 16V	1	TH-65PV500B
C8042,43	ECJ1VC1H070C	C 7PF, C, 50V	2	TH-65PV500B
C8046,47	ECJ0EB1C103K	C0.010UF, K, 16V	2	TH-65PV500B
C8048	ECJ1VB1H103K	C 0.001UF, K, 50V	1	TH-65PV500B
C8051,52	ECJ0EB1C103K	C0.010UF, K, 16V	2	TH-65PV500B
C8055	EEEB1C470P	C 47PF, J, 16V	1	TH-65PV500B
C8056	ECJ0EB1C103K	C0.010UF, K, 16V	1	TH-65PV500B
C8058-61	ECJ0EB1C103K	C0.010UF, K, 16V	4	TH-65PV500B
C8062	FLG1A1540001	C 0.15UF, K, 10V	1	TH-65PV500B PAVCCZ
C8071	ECJ0EC1H270J	C 270PF, K, 50V	1	TH-65PV500B
C8073	ECJ0EC1H270J	C 270PF, K, 50V	1	TH-65PV500B
C8098	ECGRLOG680R	C 68PF, J, 4V	1	TH-65PV500B
C8099,00	ECJ0EB1A104K	C 0.1UF, K, 10V	2	TH-65PV500B
C8101,02	ECJ1VB0J105K	C 1UF, K, 6.3V	2	TH-65PV500B
C8103,04	ECJ0EB1A104K	C 0.1UF, K, 10V	2	TH-65PV500B
C8105	EEEB1C100R	C 10PF, J, 16V	1	TH-65PV500B
C8106,07	ECJ1VB0J105K	C 1UF, K, 6.3V	2	TH-65PV500B
C8108	ECJ0EB1A104K	C 0.1UF, K, 10V	1	TH-65PV500B
C8109	EEEB1C100R	C 10PF, J, 16V	1	TH-65PV500B
C8110	ECJ0EB1A104K	C 0.1UF, K, 10V	1	TH-65PV500B
C8121	ECJ0EB1A104K	C 0.1UF, K, 10V	1	TH-65PV500B
C8128,29	ECJ0EB1C103K	C0.010UF, K, 16V	2	TH-65PV500B
C8131	ECJ1VB1H103K	C 0.001UF, K, 50V	1	TH-65PV500B
C8132	ECJ0EB1C103K	C0.010UF, K, 16V	1	TH-65PV500B
C8134	ECJ1VB1H103K	C 0.001UF, K, 50V	1	TH-65PV500B
C8136	ECGRLOG680R	C 68PF, J, 4V	1	TH-65PV500B
C8137	ECJ1VB0J334K	C 0.33UF, K, 6.3V	1	TH-65PV500B
C8138	ECJ1VB1H103K	C 0.001UF, K, 50V	1	TH-65PV500B
C8139	ECGRLOG680R	C 68PF, J, 4V	1	TH-65PV500B
C8140	ECJ1VB1C104K	C 0.1UF, K, 16V	1	TH-65PV500B
C8141	ECJ1VB1H103K	C 0.001UF, K, 50V	1	TH-65PV500B
C8142	ECJ1VB1C104K	C 0.1UF, K, 16V	1	TH-65PV500B
C8143	ECJ1VB1H103K	C 0.001UF, K, 50V	1	TH-65PV500B
C8144	ECJ0EB1A104K	C 0.1UF, K, 10V	1	TH-65PV500B
C8145	ECJ0EB1C103K	C0.010UF, K, 16V	1	TH-65PV500B
C8146	ECJ1VB1C104K	C 0.1UF, K, 16V	1	TH-65PV500B
C8147	ECJ1VB1H103K	C 0.001UF, K, 50V	1	TH-65PV500B
C8148	ECJ1VB1C104K	C 0.1UF, K, 16V	1	TH-65PV500B
C8149	ECJ1VB0J105K	C 1UF, K, 6.3V	1	TH-65PV500B
C8150	ECJ1VB1H103K	C 0.001UF, K, 50V	1	TH-65PV500B
C8151	ECJ1VB1C104K	C 0.1UF, K, 16V	1	TH-65PV500B
C8154-56	ECJ1VB1C104K	C 0.1UF, K, 16V	3	TH-65PV500B
C8157	ECJ1VB1H103K	C 0.001UF, K, 50V	1	TH-65PV500B
C8160	ECJ1VB1C104K	C 0.1UF, K, 16V	1	TH-65PV500B
C8161	ECJ1VB1H103K	C 0.001UF, K, 50V	1	TH-65PV500B
C8162	ECJ0EB1C103K	C0.010UF, K, 16V	1	TH-65PV500B

Ref. No.	Part No.	Part Name & Description	Pcs	Remarks
C8163	ECJ1VB1H103K	C 0.001UF, K, 50V	1	TH-65PV500B
C8164	ECJ0EB1C103K	C0.010UF, K, 16V	1	TH-65PV500B
C8165	ECJ1VB1C104K	C 0.1UF, K, 16V	1	TH-65PV500B
C8166	ECJ1VB1H103K	C 0.001UF, K, 50V	1	TH-65PV500B
C8167	ECJ1VB1C104K	C 0.1UF, K, 16V	1	TH-65PV500B
C8168	ECJ1VB1H103K	C 0.001UF, K, 50V	1	TH-65PV500B
C8169	EEHBOG470R	C 47PF, J, 4V	1	TH-65PV500B
C8170,7 1	ECJ1VB1C104K	C 0.1UF, K, 16V	2	TH-65PV500B
C8172	EEHBOG470R	C 47PF, J, 4V	1	TH-65PV500B
C8173- 75	ECJ1VB1H103K	C 0.001UF, K, 50V	3	TH-65PV500B
C8176	ECJ1VB1C104K	C 0.1UF, K, 16V	1	TH-65PV500B
C8182	ECJ0EC1H121J	C 120PF, K, 50V	1	TH-65PV500B
C8186	ECJ0EC1H680J	C 680PF, K, 50V	1	TH-65PV500B
C8189	ECJ0EF1C104Z	C 0.10UF, Z, 16V	1	TH-65PV500B
C8193	EEHBOJ101P	C 100PF, J, 6.3V	1	TH-65PV500B
C8194	ERJ2GEOR00	M 0.0 OHM, J,0.063W	1	TH-65PV500B
C8202,0 3	EEHBC1C470P	C 47PF, J, 16V	2	TH-65PV500B
C8204	ECJ3XB1C106M	C 1.0UF, K, 16V	1	TH-65PV500B
C8205,0 6	ECJ1VB1C104K	C 0.1UF, K, 16V	2	TH-65PV500B
C8207	EEHBC1C470P	C 47PF, J, 16V	1	TH-65PV500B
C8208	ECJ3XB1C106M	C 1.0UF, K, 16V	1	TH-65PV500B
C8210	ECJ0EB1A333K	C 0.033UF, K, 10V	1	TH-65PV500B
C8212	ECJ0EB1C223K	C 0.022UF, K, 16V	1	TH-65PV500B
C8240	ECJ1VB0J105K	C 1UF, K, 6.3V	1	TH-65PV500B
C8268	ECJ1VB0J105K	C 1UF, K, 6.3V	1	TH-65PV500B
C8269	ECJ1VB1C104K	C 0.1UF, K, 16V	1	TH-65PV500B
C8303	ECJ1VB1H103K	C 0.001UF, K, 50V	1	TH-65PV500B
C8305,0 6	ECJ1VB1H103K	C 0.001UF, K, 50V	2	TH-65PV500B
C8314	ECJ1VB1C104K	C 0.1UF, K, 16V	1	TH-65PV500B
C8315	ECJ2FF1A475Z	C 4.7UF, Z, 10V	1	TH-65PV500B
C8317,1 8	ECJ2FF1A475Z	C 4.7UF, Z, 10V	2	TH-65PV500B
C8319	ECJ1VB1C104K	C 0.1UF, K, 16V	1	TH-65PV500B
C8320- 23	ECJ1VB0J105K	C 1UF, K, 6.3V	4	TH-65PV500B
C8327	EEHBC1C470P	C 47PF, J, 16V	1	TH-65PV500B
C8329	ECJ1VB1H103K	C 0.001UF, K, 50V	1	TH-65PV500B
C8330,3 1	ECJ0EC1H181J	C 180PF, K, 50V	2	TH-65PV500B
C8332	ECJ1VB1H103K	C 0.001UF, K, 50V	1	TH-65PV500B
C8334,3 5	ECJ0EC1H330J	C 330PF, K, 50V	2	TH-65PV500B
C8340	ECJ0EB1C682K	C 6800UF, K, 16V	1	TH-65PV500B
C8341	ECJ0EB1C822K	C 8200UF, K, 16V	1	TH-65PV500B
C8342,4 3	ECGRL0G680R	C 68PF, J, 4V	2	TH-65PV500B
C8344	ECJ0EB1C223K	C 0.022UF, K, 16V	1	TH-65PV500B
C8345	ECJ0EB1A273K	C 0.027UF, K, 10V	1	TH-65PV500B PAVCCZ
C8349- 51	ECJ1VB1C104K	C 0.1UF, K, 16V	3	TH-65PV500B
C8361	EEHBC1C470P	C 47PF, J, 16V	1	TH-65PV500B
C8372	ECJ1VB1C104K	C 0.1UF, K, 16V	1	TH-65PV500B
C8376	ECJ1VB1C104K	C 0.1UF, K, 16V	1	TH-65PV500B
C8397	ECJ1VB1C104K	C 0.1UF, K, 16V	1	TH-65PV500B
C8401	ECJ1VB1H103K	C 0.001UF, K, 50V	1	TH-65PV500B
C8403,0 4	ECJ0EF1C104Z	C 0.10UF, Z, 16V	2	TH-65PV500B
C8406,0 7	ECJ0EF1C104Z	C 0.10UF, Z, 16V	2	TH-65PV500B
C8409	ECJ0EF1C104Z	C 0.10UF, Z, 16V	1	TH-65PV500B
C8410	ECJ1VB1C104K	C 0.1UF, K, 16V	1	TH-65PV500B
C8413,1 4	ECJ0EF1C104Z	C 0.10UF, Z, 16V	2	TH-65PV500B
C8415	ERJ2GEJ222	M 2.2KOHM, J,0.063W	1	TH-65PV500B
C8416	ECJ0EF1C104Z	C 0.10UF, Z, 16V	1	TH-65PV500B
C8419	ECJ0EF1C104Z	C 0.10UF, Z, 16V	1	TH-65PV500B
C8421	ECJ1VB1H103K	C 0.001UF, K, 50V	1	TH-65PV500B
C8423	ECJ1VB1C104K	C 0.1UF, K, 16V	1	TH-65PV500B

Ref. No.	Part No.	Part Name & Description	Pcs	Remarks
C8425	ECJ1VB1C104K	C 0.1UF, K, 16V	1	TH-65PV500B
C8427	EEHBC1C470P	C 47PF, J, 16V	1	TH-65PV500B
C8428	ECJ0EF1C104Z	C 0.10UF, Z, 16V	1	TH-65PV500B
C8430- 32	ECJ0EF1C104Z	C 0.10UF, Z, 16V	3	TH-65PV500B
C8433,3 4	ECJ0EB1C103K	C0.010UF, K, 16V	2	TH-65PV500B
C8467	ECJ1VB1H103K	C 0.001UF, K, 50V	1	TH-65PV500B
C8501,0 2	ECJ0EC1H180J	C 180PF, K, 50V	2	TH-65PV500B
C8504	ECJ1VF1A105Z	C 1UF, Z, 10V	1	TH-65PV500B
C8506	ECJ2VF1C105Z	C 1UF, Z, 16V	1	TH-65PV500B
C8507	ECJ1XC1H102J	C 1000PF, J, 50V	1	TH-65PV500B
C8508	ECJ1XF1C334Z	C 0.33UF, Z, 16V	1	TH-65PV500B
C8509	EEHBOJ101P	C 100PF, J, 6.3V	1	TH-65PV500B
C8870	ECJ1XC1H471J	C 470PF, J, 50V	1	TH-65PV500B
C8872	ECJ2FB0J225K	C 2.2UF, Z, 16V	1	TH-65PV500B
C8910	ECJ0EF1H103Z	C 0.01UF, Z, 50V	1	TH-65PV500B
CN7901	K1YY68000012	PC CARD CONNECTOR	1	
D003	MA152K	DIODE	1	
D850-54	MA165	DIODE	5	
D856,57	MA165	DIODE	2	
D859	AK04	DIODE	1	
D1151	MA8120M	ZENER DIODE	1	
D1154- 61	MA8062MTX	ZENER DIODE	8	
D2011- 14	MA111	DIODE	4	
D2104	MA152K	DIODE	1	
D2105- 18	MA8140M	ZENER DIODE	14	
D2119	B0BC01100001	ZENER DIODE	1	
D2120	MA152K	DIODE	1	
D2300,0 1	MA111	DIODE	2	
D2303,0 4	MA111	DIODE	2	
D2315,1 6	B0JCDD000002	DIODE	2	
D2319,2 0	B0JCDD000002	DIODE	2	
D2332	MA111	DIODE	1	
D2510- 12	MA8056M	ZENER DIODE	3	
D2520B	LN1271RALTR	LED	1	
D2524	MA8056M	ZENER DIODE	1	
D2525B	LN1471YTR	LED	1	TH-65PV500B
D2526	MA8056M	ZENER DIODE	1	TH-65PV500B
D3002- 12	MA8140M	ZENER DIODE	11	
D3015- 19	MA8140M	ZENER DIODE	5	
D3021	MA152	DIODE	1	
D3023	MA111	DIODE	1	
D3024	B0BC01100001	ZENER DIODE	1	
D3025	MA8140M	ZENER DIODE	1	
D3026	MA111	DIODE	1	
D3100	MA8140M	ZENER DIODE	1	
D3334- 39	MA111	DIODE	6	
D3701,0 2	MA8140M	ZENER DIODE	2	
D3709,1 0	MA8051L	ZENER DIODE	2	
D3711	MA8140M	ZENER DIODE	1	
D4231	MA111	DIODE	1	
D5610	MA3X78900L	ZENER DIODE	1	
D5614	B0BC6R600005	ZENER DIODE	1	
D5615	B0BC4R700007	ZENER DIODE	1	
D5616	B0BC6R600005	ZENER DIODE	1	
D5617	B0BC01100001	ZENER DIODE	1	
D5618	B0BC03900015	ZENER DIODE	1	
D5637,3 8	MA152	DIODE	2	

Ref. No.	Part No.	Part Name & Description	Pcs	Remarks
D5639	MA3047H	ZENER DIODE	1	
D5640	MA3068H	ZENER DIODE	1	
D5641	MA152	DIODE	1	
D5642	MA3100H	ZENER DIODE	1	
D5643	MA152	DIODE	1	
D5644	MA3068M	ZENER DIODE	1	
D5645-47	MA152	DIODE	3	
D7702	B3AEB0000065	DIODE	1	
D8002	MA728	DIODE	1	TH-65PV500B
D8006	MA3082H	ZENER DIODE	1	TH-65PV500B
D8203,04	BOJCPE000004	DIODE	2	TH-65PV500B
D8501	BOCCAB000039	DIODE	1	TH-65PV500B
DG1,G2	K1MN40A00024	40P CONNECTOR	2	
DG3	K1KA20B00155	20P CONNECTOR	1	
DG5	K1KA21B00008	21P CONNECTOR	1	
DG15	K1KA60A00156	60P CONNECTOR	1	
DG20	K1MN30A00068	30P CONNECTOR	1	
DG22	K1KBB0A00006	CONNECTOR	1	TH-65PV500B
DG32	K1KA08AA0150	8P CONNECTOR	1	
FL1100	JOHABH000012	LC FILTER	1	
FL3301,02	JOHABB000003	LC FILTER	2	
FL3303-05	JOHABB000004	LC FILTER	3	
FL3710-12	JOHABB0000199	LC FILTER	3	
FL4006-08	JOHABH000012	LC FILTER	3	TH-65PV500B
FL4016,17	JOHABH000012	LC FILTER	2	
FL4020-23	JOHABH000012	LC FILTER	4	
FL4401-04	JOHABB000004	LC FILTER	4	
FL4407	JOHABH000012	LC FILTER	1	
FL8201	TAX10075	EMI FILTER	1	TH-65PV500B
G2	K1KA12A00317	12P CONNECTOR	1	
G3	K1KA03AA0150	3P CONNECTOR	1	
G11	K1MN50A00011	50P CONNECTOR	1	
G51	K1MN35A00014	35P CONNECTOR	1	
GK3	K1KA03BA0061	3P CONNECTOR	1	
GS12	K1MN40A00025	40P CONNECTOR	1	
GS52	K1KA30AA0009	30P CONNECTOR	1	
H1,H2	K1MN40B00045	40P CONNECTOR	2	
H5	K1KA15AA0288	15P CONNECTOR	1	
H6	K1KA09AA00230	9P CONNECTOR	1	
H12	K1KA09AA0190	9P CONNECTOR	1	
H15	K1KA04AA0150	4P CONNECTOR	1	
H30	K1MN30A00068	30P CONNECTOR	1	
H37	K1KA03AA0190	3P CONNECTOR	2	
H50	K1MN35A00015	35P CONNECTOR	1	PAVCCZ
H51	K1MN35A00014	35P CONNECTOR	1	
H52	K1KA30AA0009	30P CONNECTOR	1	
HMM1-M4	TMM25401	CLAMPER	4	
IC850	CODAAZG00014	IC	1	
IC1103	CODBEZG00013	IC	1	
IC1104	C2CBYF000032	IC	1	
IC1105	TC4066BF	MOS IC	1	
IC1106	CXA1875AM	LINEAR IC	1	
IC1107	TVRN565-1	IC	1	TH-65PV500E PAVCCZ
IC1107	TVRN566-2	IC	1	TH-65PV500B PAVCCZ
IC1108	COEBE0000336	IC	1	
IC1109	COJBBZ000281	IC	1	

Ref. No.	Part No.	Part Name & Description	Pcs	Remarks
IC1110	COCBCBD00043	IC	1	
IC1114	C3ABPG000133	IC	1	
IC1115	TVRN575-4	IC	1	TH-65PV500E PAVCCZ
IC1115	TVRN576-4	IC	1	TH-65PV500B PAVCCZ
IC1116	CXA1875AM	LINEAR IC	1	
IC1117	COJBAZ002186	IC	1	
IC1235	COZBZ0001038	IC	1	
IC2103	AN77L08M	IC	1	
IC2104	COABBB000038	IC	1	
IC2105	AN15861A-VT	IC	1	
IC2106	C1AB00002135	IC	1	
IC2107	CODBEZE00006	IC	1	
IC2108	COEBF0000354	IC	1	
IC2111,12	NJM2521M	IC	2	
IC2300	C1BB00000800	IC	1	
IC2302	C0ABBA000168	IC	1	
IC2304	C1BB00000947	IC	1	
IC2305,06	C1BB00000818	IC	2	
IC2309	AN7705SP	IC	1	
IC2511	B3L000000020	IC	1	
IC3001,02	C1AB00001486	IC	2	
IC3004	C1AB00001487	IC	1	
IC3005	AN15866A-VT	IC	1	
IC3006	CXA1315M	LINEAR IC	1	
IC3301	COJBAZ002205	IC	1	
IC4001	C0ABBB000289	IC	1	
IC4002	COFBBK000038	IC	1	
IC4005	C1AB00002298	IC	1	
IC4008	COCBCBD00008	IC	1	
IC4009	COCBCAC00282	IC	1	
IC4011	COCBCAC00282	IC	1	
IC4012	C1AB00001834	IC	1	
IC4013	C1AB00002202	IC	1	
IC4014	COJBAZ002186	IC	1	
IC4016	COFBBD000177	IC	1	
IC4021	COJBAP000020	IC	1	
IC4024	C0DBZFG00055	IC	1	
IC4025	COCBCAC00275	IC	1	
IC4041	COCBCAC00275	IC	1	
IC4042	C0DBEJG00001	IC	1	
IC4044	COCBCAC00136	IC	1	
IC4048	C0DBEJG00001	IC	1	
IC4049	COCBCBF00009	IC	1	
IC4050	C1ZBZ0002788	IC	1	PAVCCZ
IC4051	C1ZBZ0002790	IC	1	
IC4054	C1AB00002234	IC	1	
IC4055	C3ABQJ000040	IC	1	
IC4063	COEBC0000150	IC	1	
IC5601,02	NOBF2DE00001	DC-DC CONVERTER	2	
IC5603	C0DBAJB00004	IC	1	
IC7714	COJBAZ000851	IC	1	
IC8003	STV0360CT	IC	1	TH-65PV500B PAVCCZ
IC8009	C3ABQG000095	IC	1	TH-65PV500B PAVCCZ
IC8013	MN2WS0025BEA	IC	1	TH-65PV500B PAVCCZ
IC8019	TVRN488-5	IC	1	TH-65PV500B PAVCCZ
IC8023,24	CODBAMH00018	IC	2	TH-65PV500B PAVCCZ
IC8029	COFBBK000038	IC	1	TH-65PV500B
IC8031	BA15218FDX	IC	1	TH-65PV500B
IC8034	C0DBEJG00001	IC	1	TH-65PV500B
IC8042	COEBM0000027	IC	1	TH-65PV500B
IC8043	COEBE0000336	IC	1	TH-65PV500B
IC8213	COJBAZ001539	IC	1	TH-65PV500B
IC8401	COZBZ0001086	IC	1	TH-65PV500B PAVCCZ

Ref. No.	Part No.	Part Name & Description	Pcs	Remarks
IC8402	74LVC4245AD	IC	1	TH-65PV500B PAVCCZ
IC8404	C0JBCZ000255	IC	1	TH-65PV500B
IC8408-11	C0JBCZ000255	IC	4	TH-65PV500B
IC8412	C0JBAAZ001539	IC	1	TH-65PV500B
IC8501	74VHC04MXNL	IC	1	TH-65PV500B PAVCCZ
IC8864	C0DBFFD00003	IC	1	TH-65PV500B
JK2002,03	K4BK03A00002	AV TERMINAL	2	PAVCCZ
JK3001	K1FB315AA001	CONNECTOR	1	
JK3002-04	K1FB121A0006	JACK	3	
JK3005	K2HA307A0007	JACK	1	PAVCCZ
JK3701A	K4BK26B00003	AV TERMINAL	1	
JK7701	K1NA09E00062	9P CONNECTOR	1	
JK7900	K1NA68E00086	68P CONNECTOR	1	
JK8401	K1NA68B00038	68P CONNECTOR	1	TH-65PV500B PAVCCZ
JK8500	K4BC02B00013	AV TERMINAL	1	
JS012	ERJ3GEY0R00	M 0 OHM, 1/16W	1	TH-65PV500B PAVCCZ
JS1000	ERJ3GEY0R00	M 0 OHM, 1/16W	1	
JS1177	ERJ3GEY0R00	M 0 OHM, 1/16W	1	
JS2000	ERJ3GEY0R00	M 0 OHM, 1/16W	1	TH-65PV500B PAVCCZ
JS2003	ERJ3GEY0R00	M 0 OHM, 1/16W	1	TH-65PV500B PAVCCZ
JS2021,22	ERJ3GEY0R00	M 0 OHM, 1/16W	2	
JS2026	ERJ3GEY0R00	M 0 OHM, 1/16W	1	
JS2031-33	ERJ3GEY0R00	M 0 OHM, 1/16W	3	
JS2101,02	ERJ3GEY0R00	M 0 OHM, 1/16W	2	
JS2105,06	ERJ3GEY0R00	M 0 OHM, 1/16W	2	
JS2108	ERJ3GEY0R00	M 0 OHM, 1/16W	1	
JS2109	ERJ6GEY0R00	M 0 OHM, 1/10W	1	
JS2114	ERJ3GEY0R00	M 0 OHM, 1/16W	1	
JS2304-11	ERJ6GEY0R00	M 0 OHM, 1/10W	8	
JS2317-32	ERJ6GEY0R00	M 0 OHM, 1/10W	16	
JS3001	ERJ3GEY0R00	M 0 OHM, 1/16W	1	
JS3005	ERJ6GEY0R00	M 0 OHM, 1/10W	1	
JS3007-20	ERJ6GEY0R00	M 0 OHM, 1/10W	14	
JS3022	J0JHC0000078	CHIP INDUCTOR	1	TH-65PV500E
JS3022	J0JCC0000241	CHIP INDUCTOR	1	TH-65PV500B
JS3023	ERJ3GEY0R00	M 0 OHM, 1/16W	1	
JS3138	ERJ6GEY0R00	M 0 OHM, 1/10W	1	
JS3201	ERJ3GEY0R00	M 0 OHM, 1/16W	1	
JS3202	J0JCC0000241	CHIP INDUCTOR	1	
JS3205	J0JCC0000241	CHIP INDUCTOR	1	
JS3206	ERJ3GEY0R00	M 0 OHM, 1/16W	1	
JS3230	ERJ3GEY0R00	M 0 OHM, 1/16W	1	
JS3237-39	ERJ3GEY0R00	M 0 OHM, 1/16W	3	
JS3302-04	ERJ3GEY0R00	M 0 OHM, 1/16W	3	
JS3307-12	ERJ3GEY0R00	M 0 OHM, 1/16W	6	
JS3401-12	ERJ3GEY0R00	M 0 OHM, 1/16W	12	
JS3703-09	ERJ6GEY0R00	M 0 OHM, 1/10W	7	
JS3713	ERJ6GEY0R00	M 0 OHM, 1/10W	1	
JS4002	ERJ3GEY0R00	M 0 OHM, 1/16W	1	
JS4004-09	ERJ3GEY0R00	M 0 OHM, 1/16W	6	
JS4012-14	ERJ3GEY0R00	M 0 OHM, 1/16W	3	
JS4022,23	ERJ3GEY0R00	M 0 OHM, 1/16W	2	

Ref. No.	Part No.	Part Name & Description	Pcs	Remarks
JS4025,26	ERJ3GEY0R00	M 0 OHM, 1/16W	2	TH-65PV500B
JS4027-30	ERJ3GEY0R00	M 0 OHM, 1/16W	4	
JS4081	ERJ3GEY0R00	M 0 OHM, 1/16W	1	
JS4084	ERJ3GEY0R00	M 0 OHM, 1/16W	1	
JS4085,86	ERJ3GEY0R00	M 0 OHM, 1/16W	2	TH-65PV500B
JS4087	ERJ3GEY0R00	M 0 OHM, 1/16W	1	TH-65PV500E
JS4088-92	ERJ3GEY0R00	M 0 OHM, 1/16W	5	
JS4095,96	ERJ3GEY0R00	M 0 OHM, 1/16W	2	
JS4901,02	ERJ3GEY0R00	M 0 OHM, 1/16W	2	
JS5601,02	ERJ3GEY0R00	M 0 OHM, 1/16W	2	
JS5609-12	ERJ6GEY0R00	M 0 OHM, 1/10W	4	
JS7701	ERJ3GEY0R00	M 0 OHM, 1/16W	1	
JS7905	ERJ3GEY0R00	M 0 OHM, 1/16W	1	
JS7921	ERJ6GEY0R00	M 0 OHM, 1/10W	1	
K1	K1KA12BA0053	12P CONNECTOR	1	
L003-05	J0JCC0000364	CHIP INDUCTOR	3	
L006,07	J0JCC0000241	CHIP INDUCTOR	2	
L008	EXC3BB221H	BEAD CHOKE	1	
L012	J0JCC0000241	CHIP INDUCTOR	1	
L017,18	J0JGC0000021	CHIP INDUCTOR COIL	2	
L019	J0JCC0000241	CHIP INDUCTOR	1	TH-65PV500E
L851	G0A680ZA0047	CHOKE COIL	1	
L1009	J0JHC0000078	CHIP INDUCTOR	1	
L1110-14	J0JHC0000078	CHIP INDUCTOR	5	
L1120	J0JHC0000078	CHIP INDUCTOR	1	
L1170	J0JHC0000078	CHIP INDUCTOR	1	
L1172	ELJFA8R2KFB	CHIP INDUCTOR	1	
L1174	J0JCC0000241	CHIP INDUCTOR	1	
L1175,76	J0JHC0000078	CHIP INDUCTOR	2	
L2001,02	J0JCC0000364	CHIP INDUCTOR	2	
L2003-16	EXC3BB221H	BEAD CHOKE	14	
L2101,02	EXCELDR35C	BEAD CHOKE	2	
L2107,08	J0JCC0000241	CHIP INDUCTOR	2	
L2109,10	TSK1032	BEAD CHOKE	2	
L2111,12	J0JCC0000241	CHIP INDUCTOR	2	
L2113,14	TSK1032	BEAD CHOKE	2	
L2115	J0JCC0000241	CHIP INDUCTOR	1	
L2116	ERJ3GEY0R00	M 0 OHM, 1/16W	1	
L2117	ELESE6R8KA	PEAKING COIL	1	
L2118	EXCELDR35C	BEAD CHOKE	1	
L2120	J0JCC0000241	CHIP INDUCTOR	1	
L2121	EXCELDR35C	BEAD CHOKE	1	
L2122	TSK1032	BEAD CHOKE	1	
L2123	ERJ3GEY0R00	M 0 OHM, 1/16W	1	
L2178,79	J0JCC0000241	CHIP INDUCTOR	2	
L2182-87	J0JCC0000241	CHIP INDUCTOR	6	
L2200	ELJPA470KFB	CHIP INDUCTOR	1	
L2204	J0JCC0000241	CHIP INDUCTOR	1	
L2305,06	G0A100ZA0033	CHOKE COIL	2	
L2312,13	G0A100ZA0033	CHOKE COIL	2	
L2316-19	J0JCC0000011	CHIP INDUCTOR	4	
L3001-03	EXC3BB221H	BEAD CHOKE	3	

Ref. No.	Part No.	Part Name & Description	Pcs	Remarks
L3004,05	J0JCC0000241	CHIP INDUCTOR	2	
L3008,09	J0JCC0000241	CHIP INDUCTOR	2	
L3211	ELJNC15NKFB	CHIP INDUCTOR	1	
L3212	EXC3BB221H	BEAD CHOKE	1	
L3330	ELJPA100KFB	CHIP INDUCTOR	1	
L3701-03	EXC3BB221H	BEAD CHOKE	3	
L3708,09	J0JCC0000364	CHIP INDUCTOR	2	
L4001	J0JHC0000078	CHIP INDUCTOR	1	
L4003,04	J0JHC0000078	CHIP INDUCTOR	2	
L4006-08	J0JHC0000078	CHIP INDUCTOR	3	
L4104	J0JCC0000241	CHIP INDUCTOR	1	
L4105	J0JHC0000078	CHIP INDUCTOR	1	
L4106	J0JCC0000241	CHIP INDUCTOR	1	
L4151	J0JCC0000241	CHIP INDUCTOR	1	
L4231	J0JCC0000241	CHIP INDUCTOR	1	
L4301	J0JHC0000078	CHIP INDUCTOR	1	
L4341-43	J0JHC0000078	CHIP INDUCTOR	3	
L4344	J0JCC0000241	CHIP INDUCTOR	1	
L4345	J0JHC0000078	CHIP INDUCTOR	1	
L4346	TALC168T100K	CHIP INDUCTOR COIL	1	
L4347,48	J0JCC0000241	CHIP INDUCTOR	2	
L4350	J0JHC0000078	CHIP INDUCTOR	1	
L4430,31	J0JHC0000045	CHIP INDUCTOR	2	
L4501	J0JHC0000078	CHIP INDUCTOR	1	
L4503,04	J0JHC0000078	CHIP INDUCTOR	2	
L4505	J0JCC0000241	CHIP INDUCTOR	1	
L4506	J0JHC0000078	CHIP INDUCTOR	1	
L4508,09	J0JHC0000078	CHIP INDUCTOR	2	
L4510	J0JCC0000241	CHIP INDUCTOR	1	
L4511	J0JHC0000078	CHIP INDUCTOR	1	
L4701	J0JHC0000078	CHIP INDUCTOR	1	
L4751	J0JCC0000241	CHIP INDUCTOR	1	
L4801-03	J0JHC0000078	CHIP INDUCTOR	3	
L4861,62	J0JHC0000078	CHIP INDUCTOR	2	
L4864	J0JHC0000045	CHIP INDUCTOR	1	
L4900,01	J0JHC0000078	CHIP INDUCTOR	2	
L5604	G0A470GA0002	CHOKE COIL	1	
L5605	G0A2R7ZA0021	CHOKE COIL	1	
L5606	TALL08N120KA	INDUCTION COIL	1	
L5607	G0C101K00023	PEAKING COIL	1	
L5608	G1C100MA0072	INDUCTION COIL	1	
L5609	TALL08N120KA	INDUCTION COIL	1	
L5610	G1C470MA0077	INDUCTION COIL	1	
L5611	G1A470ZA0007	CHOKE COIL	1	
L5612	G0A220GA0002	CHOKE COIL	1	
L5613,14	G1A470ZA0007	CHOKE COIL	2	
L5615	G0A220GA0002	CHOKE COIL	1	
L5616	G1A470ZA0007	CHOKE COIL	1	
L7901	J0JHC0000045	CHIP INDUCTOR	1	
L8004	J0JHC0000045	CHIP INDUCTOR	1	TH-65PV500B
L8008	J0JHC0000045	CHIP INDUCTOR	1	TH-65PV500B
L8026	J0JHC0000035	CHIP INDUCTOR	1	TH-65PV500B
L8029,30	ERJ3GEY0R00	M 0 OHM, 1/16W	2	TH-65PV500B
L8031-33	J0JHC0000045	CHIP INDUCTOR	3	TH-65PV500B
L8038	J0JHC0000045	CHIP INDUCTOR	1	TH-65PV500B
L8042	J0JHC0000045	CHIP INDUCTOR	1	TH-65PV500B
L8046	ELJPA1R0MB2B	CHIP INDUCTOR	1	TH-65PV500B PAVCCZ
L8047,48	G1C220MA0167	INDUCTOR COIL	2	TH-65PV500B PAVCCZ

Ref. No.	Part No.	Part Name & Description	Pcs	Remarks
L8049	J0JHC0000045	CHIP INDUCTOR	1	TH-65PV500B
L8051	J0JCC0000241	CHIP INDUCTOR	1	TH-65PV500B
L8055	G1C100MA0077	INDUCTION COIL	1	TH-65PV500B
L8059	J0JHC0000045	CHIP INDUCTOR	1	TH-65PV500B
L8106	ELJFA2R7JBB	CHIP INDUCTOR	1	TH-65PV500B PAVCCZ
L8141,42	ERJ3GEY0R00	M 0 OHM, 1/16W	2	TH-65PV500B
L8145	J0JHC0000045	CHIP INDUCTOR	1	TH-65PV500B
L8501	ELJNA2R7JFB	CHIP INDUCTOR	1	TH-65PV500B
L8502	G0A2R5H00003	CHOKE COIL	1	TH-65PV500B
NPM	RD-SD008	MODULE SD	1	△
PA7	K1KA08AA0192	8P CONNECTOR	1	
PA10	K1KA06A00452	6P CONNECTOR	1	
PA20	K1MN30A00068	30P CONNECTOR	1	
PA30	K1MN30A00068	30P CONNECTOR	1	
PA5601,02	K5H4022A0023	FUSE	2	
PA7701	K5H1622A0023	FUSE	1	
PB30	K1KA05AA0193	5P CONNECTOR	1	
PB31-35	K1KA03AA0192	3P CONNECTOR	5	
PB37,38	K1KA03AA0193	3P CONNECTOR	2	
Q002,03	2SB709A	TRANSISTOR	2	
Q850	2SC3311A	TRANSISTOR	1	
Q1150-54	2SD601A	TRANSISTOR	5	
Q1170	2SA207700L	TRANSISTOR	1	
Q1172	2SD601A	TRANSISTOR	1	
Q1174,75	2SD601A	TRANSISTOR	2	
Q1176	UN5211	TRANSISTOR	1	
Q1177	UN5111	TRANSISTOR	1	
Q1178	UN5211	TRANSISTOR	1	
Q1180	UN5211	TRANSISTOR	1	
Q1182	2SD601A	TRANSISTOR	1	
Q1184	2SD601A	TRANSISTOR	1	
Q1200	2SD601A	TRANSISTOR	1	
Q2001-04	2SD601A	TRANSISTOR	4	
Q2006,07	2SD601A	TRANSISTOR	2	
Q2009,10	2SD601A	TRANSISTOR	2	
Q2011	2SB709A	TRANSISTOR	1	
Q2012	2SD601A	TRANSISTOR	1	
Q2013	2SB709A	TRANSISTOR	1	
Q2102-05	2SB709A	TRANSISTOR	4	
Q2106	2SD601A	TRANSISTOR	1	
Q2107	2SD601A	TRANSISTOR	1	TH-65PV500E
Q2108	2SD601A	TRANSISTOR	1	
Q2109	2SD601A	TRANSISTOR	1	TH-65PV500E
Q2300	2SC584500L	TRANSISTOR	1	
Q2301	2SD601A	TRANSISTOR	1	
Q2302	2SC584500L	TRANSISTOR	1	
Q2314-17	2SC584500L	TRANSISTOR	4	
Q2322	2SC584500L	TRANSISTOR	1	
Q2323	2SA207700L	TRANSISTOR	1	
Q2324	2SC584500L	TRANSISTOR	1	
Q2510,11	2SD601A	TRANSISTOR	2	
Q2518	2SD601A	TRANSISTOR	1	TH-65PV500B
Q3001-06	2SD601A	TRANSISTOR	6	
Q3008	2SB709A	TRANSISTOR	1	
Q3009	2SD601A	TRANSISTOR	1	
Q3010-15	2SB709A	TRANSISTOR	6	
Q3016	2SD601A	TRANSISTOR	1	
Q3017,18	2SB709A	TRANSISTOR	2	

Ref. No.	Part No.	Part Name & Description	Pcs	Remarks
Q3019-23	2SD601A	TRANSISTOR	5	
Q3101	2SD601A	TRANSISTOR	1	
Q3331-33	2SC2480	TRANSISTOR	3	
Q4006	2SD601A	TRANSISTOR	1	
Q4010-12	2SD601A	TRANSISTOR	3	
Q4013	2SA207700L	TRANSISTOR	1	
Q4014,15	2SB1218ARL	TRANSISTOR	2	
Q4016	2SA207700L	TRANSISTOR	1	
Q4068	2SD601A	TRANSISTOR	1	
Q4101	2SD601A	TRANSISTOR	1	
Q4103,04	2SD601A	TRANSISTOR	2	
Q4106,07	2SD601A	TRANSISTOR	2	
Q4109-12	2SD601A	TRANSISTOR	4	
Q4301-03	2SD601A	TRANSISTOR	3	
Q4306-08	2SA207700L	TRANSISTOR	3	
Q4309	2SD1030	TRANSISTOR	1	
Q4310,11	2SD601A	TRANSISTOR	2	
Q4410	2SD601A	TRANSISTOR	1	
Q4430,31	2SD601A	TRANSISTOR	2	
Q4432	2SA207700L	TRANSISTOR	1	
Q4433-36	2SD601A	TRANSISTOR	4	
Q4900	2SD601A	TRANSISTOR	1	
Q5601	B1DHDC000028	TRANSISTOR	1	
Q5602	2SC584500L	TRANSISTOR	1	
Q5603	B1DHDC000028	TRANSISTOR	1	
Q5604,05	2SC584500L	TRANSISTOR	2	
Q5606	B1DHDC000028	TRANSISTOR	1	
Q5607	2SC584500L	TRANSISTOR	1	
Q5613	2SC584500L	TRANSISTOR	1	
Q5614	2SK3065T100	FET	1	
Q5641-43	2SA207700L	TRANSISTOR	3	
Q5644	2SC584500L	TRANSISTOR	1	
Q7701	2SC584500L	TRANSISTOR	1	
Q7702	UN5211	TRANSISTOR	1	
Q7710,11	UN5211	TRANSISTOR	2	
Q7901	2SD601A	TRANSISTOR	1	
Q7902	B1DHDC000028	TRANSISTOR	1	
Q8101	2SA207700L	TRANSISTOR	1	TH-65PV500B
R002	ERJ3GEYJ221	M 220 OHM,J,1/16W	1	
R003	ERJ3GEY0R00	M 0 OHM, 1/16W	1	
R005	ERJ6GEYJ561	M 560 OHM,J,1/10W	1	
R006	ERJ3GEYJ472	M 4.7KOHM,J,1/16W	1	
R007	ERJ6GEY0R00	M 0 OHM, 1/10W	1	
R008,09	ERJ3GEY0R00	M 0 OHM, 1/16W	2	
R850	ER0S2CHF5601	M 5.6KOHM, F,1/4W	1	
R851	ERDS2TJ332	C 3.3KOHM, J,1/4W	1	
R852	ERDS2TJ473	C 47KOHM, J,1/4W	1	
R853	ERDS2TJ471	C 470 OHM, J,1/4W	1	
R854-58	ERDS2TJ122	C 1.2KOHM, J,1/4W	5	
R860,61	ERDS2TJ122	C 1.2KOHM, J,1/4W	2	
R862	ER0S2CHF7501	M 7.5KOHM, F,1/4W	1	
R863	ER0S2CKF1301	M 1.3KOHM, F,1/4W	1	
R864	ERDS2TJ393	C 39KOHM, J,1/4W	1	
R1110,11	ERJ3GEY0R00	M 0 OHM, 1/16W	2	
R1115	ERJ3EKF1202	M 12KOHM, 1/16W	1	
R1116	ERJ3GEY0R00	M 0 OHM, 1/16W	1	
R1122,23	ERJ3GEYJ560	M 56 OHM,J,1/16W	2	
R1125	ERJ3GEYJ560	M 56 OHM,J,1/16W	1	

Ref. No.	Part No.	Part Name & Description	Pcs	Remarks
R1127	ERJ3GEYJ560	M 56 OHM,J,1/16W	1	
R1129	ERJ3GEYJ103	M 10KOHM,J,1/16W	1	
R1131	ERJ3GEYJ560	M 56 OHM,J,1/16W	1	
R1132	ERJ3EKF2202	M 22KOHM, 1/16W	1	
R1134-36	ERJ3GEYJ560	M 56 OHM,J,1/16W	3	
R1137	ERJ3GEYJ103	M 10KOHM,J,1/16W	1	
R1139,40	ERJ3GEYJ560	M 56 OHM,J,1/16W	2	
R1142	ERJ3GEYJ560	M 56 OHM,J,1/16W	1	
R1144,45	ERJ3GEYJ560	M 56 OHM,J,1/16W	2	
R1146	ERJ3GEY0R00	M 0 OHM, 1/16W	1	
R1147	ERJ3GEYJ103	M 10KOHM,J,1/16W	1	
R1148	ERJ3GEYJ222	M 2.2KOHM,J,1/16W	1	
R1149	ERJ3GEYJ220	M 22 OHM,J,1/16W	1	
R1150	TAJAAH0101JV	M 100 OHM,J,1/16W	1	
R1151	ERJ3GEYJ225	M 2.2MOHM,J,1/16W	1	
R1152	ERJ3GEYJ472	M 4.7KOHM,J,1/16W	1	
R1153	ERJ3GEYJ473	M 47KOHM,J,1/16W	1	
R1155	TAJAAH0101JV	M 100 OHM,J,1/16W	1	
R1157	ERJ3GEYJ223	M 22KOHM,J,1/16W	1	
R1158,59	ERJ3GEYJ104	M 100KOHM,J,1/16W	2	
R1160	ERJ3GEYJ224	M 220KOHM,J,1/16W	1	
R1161	ERJ3GEYJ221	M 220 OHM,J,1/16W	1	
R1162	ERJ3GEY0R00	M 0 OHM, 1/16W	1	
R1164	ERJ3GEYJ273	M 27KOHM,J,1/16W	1	
R1165	ERJ3GEYJ821	M 820 OHM,J,1/16W	1	
R1166	ERJ3GEYJ222	M 2.2KOHM,J,1/16W	1	
R1168	ERJ3GEY0R00	M 0 OHM, 1/16W	1	
R1170	TAJAAH0101JV	M 100 OHM,J,1/16W	1	
R1171	ERJ6GEYJ222	M 2.2KOHM,J,1/10W	1	
R1172	ERJ6GEY0R00	M 0 OHM, 1/10W	1	
R1173	ERJ3GEY0R00	M 0 OHM, 1/16W	1	
R1175	ERJ3GEYJ392	M 3.9KOHM,J,1/16W	1	
R1177	ERJ3GEYJ473	M 47KOHM,J,1/16W	1	
R1178	ERJ3GEYJ223	M 22KOHM,J,1/16W	1	
R1180	ERJ3GEY0R00	M 0 OHM, 1/16W	1	
R1185	TAJAAH0101JV	M 100 OHM,J,1/16W	1	
R1186	ERJ3GEYJ331	M 330 OHM,J,1/16W	1	
R1187	ERJ3GEY0R00	M 0 OHM, 1/16W	1	
R1188	ERJ3GEYJ471	M 470 OHM,J,1/16W	1	
R1189	ERJ3GEYJ103	M 10KOHM,J,1/16W	1	
R1190-97	ERJ3GEY0R00	M 0 OHM, 1/16W	8	
R1199	ERJ3GEY0R00	M 0 OHM, 1/16W	1	
R1200	TAJAAH0101JV	M 100 OHM,J,1/16W	1	
R1201	ERJ3GEY0R00	M 0 OHM, 1/16W	1	
R1202-04	ERJ3GEYJ220	M 22 OHM,J,1/16W	3	
R1206	ERJ3GEY0R00	M 0 OHM, 1/16W	1	
R1208,09	ERJ3GEY0R00	M 0 OHM, 1/16W	2	
R1212	ERJ3GEY0R00	M 0 OHM, 1/16W	1	
R1213	ERJ3GEYJ473	M 47KOHM,J,1/16W	1	
R1214	ERJ3GEYJ102	M 1KOHM,J,1/16W	1	
R1215	ERJ3GEYJ472	M 4.7KOHM,J,1/16W	1	
R1216	ERJ3GEYJ103	M 10KOHM,J,1/16W	1	
R1217,18	ERJ3GEYJ103	M 10KOHM,J,1/16W	2	TH-65PV500B
R1219	ERJ3GEY0R00	M 0 OHM, 1/16W	1	
R1221	ERJ3GEY0R00	M 0 OHM, 1/16W	1	
R1222	ERJ3GEYJ103	M 10KOHM,J,1/16W	1	
R1223	ERJ3GEYJ682	M 6.8KOHM,J,1/16W	1	
R1224	ERJ3GEYJ683	M 68KOHM,J,1/16W	1	
R1227	ERJ3GEYJ103	M 10KOHM,J,1/16W	1	
R1228	ERJ3GEYJ562	M 5.6KOHM,J,1/16W	1	
R1229	ERJ3GEY0R00	M 0 OHM, 1/16W	1	
R1231	ERJ3GEYJ104	M 100KOHM,J,1/16W	1	
R1232	ERJ3GEYJ683	M 68KOHM,J,1/16W	1	
R1233	ERJ3GEYJ333	M 33KOHM,J,1/16W	1	
R1234	ERJ3GEYJ102	M 1KOHM,J,1/16W	1	
R1235	ERJ3GEYJ563	M 56KOHM,J,1/16W	1	
R1237	ERJ3GEYJ102	M 1KOHM,J,1/16W	1	

Ref. No.	Part No.	Part Name & Description	Pcs	Remarks
R1238	ERJ3GEY0R00	M 0 OHM, 1/16W	1	
R1239	ERJ3GEYJ102	M 1KOHM, J, 1/16W	1	TH-65PV500B
R1240	EXB2HV680J	RESISTOR ARRAY	1	
R1242, 43	ERJ3GEYJ103	M 10KOHM, J, 1/16W	2	
R1244	EXB38V680J	RESISTOR ARRAY	1	
R1246	ERJ3GEYJ102	M 1KOHM, J, 1/16W	1	
R1248	ERJ3GEYJ104	M 100KOHM, J, 1/16W	1	
R1249	ERJ3GEYJ223	M 22KOHM, J, 1/16W	1	
R1250	ERJ3GEYJ472	M 4.7KOHM, J, 1/16W	1	
R1251	ERJ3GEYJ103	M 10KOHM, J, 1/16W	1	
R1253	ERJ3GEY0R00	M 0 OHM, 1/16W	1	
R1255	ERJ3GEYJ223	M 22KOHM, J, 1/16W	1	
R1258	ERJ3GEYJ472	M 4.7KOHM, J, 1/16W	1	
R1259	ERJ3GEY0R00	M 0 OHM, 1/16W	1	
R1260	TAJAAH0101JV	M 100 OHM, J, 1/16W	1	
R1261	ERJ3GEY0R00	M 0 OHM, 1/16W	1	
R1263	ERJ3GEYJ103	M 10KOHM, J, 1/16W	1	
R1266	EXB2HV680J	RESISTOR ARRAY	1	
R1267	ERJ3EKF2702V	M27.0KOHM, J, 1/16W	1	
R1268	TAJAAH0101JV	M 100 OHM, J, 1/16W	1	
R1269	EXB2HV680J	RESISTOR ARRAY	1	
R1270	ERJ3GEYJ820	M 82 OHM, J, 1/16W	1	
R1271	ERJ3GEY0R00	M 0 OHM, 1/16W	1	
R1272, 73	D1HG5608A002	NETWORK RESISTER	2	
R1274	ERJ3GEY0R00	M 0 OHM, 1/16W	1	
R1275	TAJAAH0101JV	M 100 OHM, J, 1/16W	1	
R1277	TAJAAH0101JV	M 100 OHM, J, 1/16W	1	
R1280, 81	ERJ3GEY0R00	M 0 OHM, 1/16W	2	
R1283	TAJAAH0680JV	M 68 OHM, J, 1/16W	1	
R1284	TAJAAH0101JV	M 100 OHM, J, 1/16W	1	
R1285, 86	TAJAAH0680JV	M 68 OHM, J, 1/16W	2	
R1287	TAJAAH0101JV	M 100 OHM, J, 1/16W	1	
R1288	TAJAAH0680JV	M 68 OHM, J, 1/16W	1	
R1289	ERJ3GEYJ103	M 10KOHM, J, 1/16W	1	
R1290	ERJ3GEYJ103	M 10KOHM, J, 1/16W	1	TH-65PV500E
R1291-94	TAJAAH0101JV	M 100 OHM, J, 1/16W	4	
R1295	ERJ3GEYJ103	M 10KOHM, J, 1/16W	1	
R1297	ERJ3GEYJ562	M 5.6KOHM, J, 1/16W	1	
R1298, 99	TAJAAH0101JV	M 100 OHM, J, 1/16W	2	TH-65PV500B
R1300	ERJ3GEYJ560	M 56 OHM, J, 1/16W	1	TH-65PV500B
R1301	TAJAAH0101JV	M 100 OHM, J, 1/16W	1	
R1302	ERJ3GEYJ562	M 5.6KOHM, J, 1/16W	1	
R1303	TAJAAH0101JV	M 100 OHM, J, 1/16W	1	
R1305	ERJ3GEYJ103	M 10KOHM, J, 1/16W	1	
R1306	ERJ3GEYJ472	M 4.7KOHM, J, 1/16W	1	
R1307	ERJ3GEYJ102	M 1KOHM, J, 1/16W	1	
R1308, 09	TAJAAH0680JV	M 68 OHM, J, 1/16W	2	
R1311	ERJ3GEYJ201	M 200 OHM, J, 1/16W	1	
R1312, 13	TAJAAH0101JV	M 100 OHM, J, 1/16W	2	
R1315	ERJ3GEY0R00	M 0 OHM, 1/16W	1	
R1316, 17	ERJ3GEYJ103	M 10KOHM, J, 1/16W	2	TH-65PV500B
R1316, 17	ERJ3GEYJ272	M 2.7KOHM, J, 1/16W	2	TH-65PV500E
R1320	ERJ3GEYJ103	M 10KOHM, J, 1/16W	1	
R1321	TAJAAH0101JV	M 100 OHM, J, 1/16W	1	
R1322	ERJ3GEY0R00	M 0 OHM, 1/16W	1	
R1323, 24	ERJ3GEYJ332	M 3.3KOHM, J, 1/16W	2	
R1326, 27	ERJ3GEY0R00	M 0 OHM, 1/16W	2	
R1329	ERJ3GEY0R00	M 0 OHM, 1/16W	1	
R1330, 31	TAJAAH0101JV	M 100 OHM, J, 1/16W	2	
R1332, 33	ERJ3GEY0R00	M 0 OHM, 1/16W	2	
R1334	ERJ3GEYJ473	M 47KOHM, J, 1/16W	1	

Ref. No.	Part No.	Part Name & Description	Pcs	Remarks
R1336, 37	ERJ3GEY0R00	M 0 OHM, 1/16W	2	
R1338	ERJ3GEYJ102	M 1KOHM, J, 1/16W	1	
R1339-41	ERJ3GEY0R00	M 0 OHM, 1/16W	3	
R1342	ERJ3GEYJ562	M 5.6KOHM, J, 1/16W	1	
R1343, 44	ERJ3GEYJ332	M 3.3KOHM, J, 1/16W	2	
R1345, 46	ERJ3GEYJ103	M 10KOHM, J, 1/16W	2	TH-65PV500B
R1345, 46	ERJ3GEYJ272	M 2.7KOHM, J, 1/16W	2	TH-65PV500E
R1347, 48	ERJ3GEYJ562	M 5.6KOHM, J, 1/16W	2	
R1351	ERJ3GEYJ102	M 1KOHM, J, 1/16W	1	
R1355	ERJ3GEYJ562	M 5.6KOHM, J, 1/16W	1	
R1359-61	ERJ3GEYJ103	M 10KOHM, J, 1/16W	3	
R1365, 66	EXB2HV680J	RESISTOR ARRAY	2	
R1372-75	ERJ3GEYJ103	M 10KOHM, J, 1/16W	4	
R1380-83	ERJ3GEYJ220	M 22 OHM, J, 1/16W	4	
R1384	ERJ3GEY0R00	M 0 OHM, 1/16W	1	
R1388	ERJ3GEYJ103	M 10KOHM, J, 1/16W	1	
R1389	ERJ3GEYJ153	M 15KOHM, J, 1/16W	1	
R1390	ERJ3GEYJ102	M 1KOHM, J, 1/16W	1	
R2005	ERJ3GEYJ104	M 100KOHM, J, 1/16W	1	
R2006-11	ERJ6GEYJ223	M 22KOHM, J, 1/10W	6	
R2012	ERJ3GEYJ104	M 100KOHM, J, 1/16W	1	
R2013, 14	TAJAAH0101JV	M 100 OHM, J, 1/16W	2	
R2015, 16	ERJ3GEYJ331	M 330 OHM, J, 1/16W	2	
R2018, 19	ERJ3GEYJ104	M 100KOHM, J, 1/16W	2	
R2021, 22	ERJ3GEY0R00	M 0 OHM, 1/16W	2	
R2023, 24	TAJAAH0101JV	M 100 OHM, J, 1/16W	2	
R2025	ERJ3GEYJ222	M 2.2KOHM, J, 1/16W	1	
R2027, 28	ERJ3GEYJ104	M 100KOHM, J, 1/16W	2	
R2030	ERJ3GEY0R00	M 0 OHM, 1/16W	1	
R2031	TAJAAH0101JV	M 100 OHM, J, 1/16W	1	
R2032	ERJ3GEY0R00	M 0 OHM, 1/16W	1	
R2033	TAJAAH0101JV	M 100 OHM, J, 1/16W	1	
R2034	ERJ3GEYJ222	M 2.2KOHM, J, 1/16W	1	
R2035, 36	ERJ3GEYJ104	M 100KOHM, J, 1/16W	2	
R2037	ERJ3GEY0R00	M 0 OHM, 1/16W	1	
R2038	TAJAAH0101JV	M 100 OHM, J, 1/16W	1	
R2039	ERJ3GEY0R00	M 0 OHM, 1/16W	1	
R2040	TAJAAH0101JV	M 100 OHM, J, 1/16W	1	
R2041	ERJ3GEYJ222	M 2.2KOHM, J, 1/16W	1	
R2042	ERJ3GEYJ105	M 1MOHM, J, 1/16W	1	
R2043	ERJ3GEYJ473	M 47KOHM, J, 1/16W	1	
R2044	ERJ3GEYJ102	M 1KOHM, J, 1/16W	1	
R2045, 46	ERJ3GEYJ103	M 10KOHM, J, 1/16W	2	
R2047	ERJ3GEYJ222	M 2.2KOHM, J, 1/16W	1	
R2048	ERJ6GEYJ471	M 470 OHM, J, 1/10W	1	
R2049, 50	ERJ3GEYJ103	M 10KOHM, J, 1/16W	2	
R2051, 52	ERJ6GEYJ184	M 180KOHM, J, 1/10W	2	
R2053	ERJ6GEYJ471	M 470 OHM, J, 1/10W	1	
R2054	ERJ3GEYJ103	M 10KOHM, J, 1/16W	1	
R2101, 02	ERJ3GEYJ331	M 330 OHM, J, 1/16W	2	
R2103, 04	ERJ3GEYJ221	M 220 OHM, J, 1/16W	2	TH-65PV500B
R2105, 06	ERJ3GEYJ221	M 220 OHM, J, 1/16W	2	
R2113	ERJ3GEY0R00	M 0 OHM, 1/16W	1	

Ref. No.	Part No.	Part Name & Description	Pcs	Remarks
R2120-23	ERJ3GEY0R00	M 0 OHM, 1/16W	4	
R2124,25	TAJAAH0101JV	M 100 OHM,J,1/16W	2	
R2126,27	ERJ3GEYJ472	M 4.7KOHM,J,1/16W	2	
R2128,29	TAJAAH0101JV	M 100 OHM,J,1/16W	2	
R2130,31	ERJ3GEYJ103	M 10KOHM,J,1/16W	2	
R2132	ERJ3GEYJ333	M 33KOHM,J,1/16W	1	
R2133	ERJ3GEY0R00	M 0 OHM, 1/16W	1	
R2135,36	ERJ3GEYJ331	M 330 OHM,J,1/16W	2	
R2137	ERJ3GEYJ333	M 33KOHM,J,1/16W	1	
R2138	ERJ3GEYJ473	M 47KOHM,J,1/16W	1	
R2139,40	ERJ3GEYJ221	M 220 OHM,J,1/16W	2	
R2143,44	ERJ3GEYJ221	M 220 OHM,J,1/16W	2	
R2147	ERJ3GEYJ473	M 47KOHM,J,1/16W	1	
R2148,49	ERJ3GEYJ273	M 27KOHM,J,1/16W	2	
R2151	ERJ3GEY0R00	M 0 OHM, 1/16W	1	
R2152	TAJAAH0470JV	M 47 OHM,J,1/16W	1	
R2153	ERJ3GEYJ221	M 220 OHM,J,1/16W	1	
R2154	TAJAAH0470JV	M 47 OHM,J,1/16W	1	
R2155-60	ERJ3GEYJ221	M 220 OHM,J,1/16W	6	
R2161	ERJ3GEYJ331	M 330 OHM,J,1/16W	1	
R2162	ERJ3GEYJ221	M 220 OHM,J,1/16W	1	
R2163	ERJ3GEYJ331	M 330 OHM,J,1/16W	1	
R2164	ERJ3GEYJ221	M 220 OHM,J,1/16W	1	
R2165,66	TAJAAH0101JV	M 100 OHM,J,1/16W	2	
R2167	ERJ3GEYJ221	M 220 OHM,J,1/16W	1	
R2168,69	ERJ3GEYJ472	M 4.7KOHM,J,1/16W	2	
R2170-73	ERJ3GEYJ221	M 220 OHM,J,1/16W	4	
R2174,75	ERJ3GEYJ221	M 220 OHM,J,1/16W	2	TH-65PV500B
R2176,77	ERJ3GEYJ221	M 220 OHM,J,1/16W	2	
R2180	ERJ8GEY0R00	M 0 OHM, 1/8W	1	
R2182,83	TAJAAH0101JV	M 100 OHM,J,1/16W	2	
R2184-87	ERJ3GEYJ221	M 220 OHM,J,1/16W	4	
R2190	ERJ3GEYJ221	M 220 OHM,J,1/16W	1	TH-65PV500E
R2192,93	ERJ3GEYJ221	M 220 OHM,J,1/16W	2	
R2195,96	J0JCC0000241	CHIP INDUCTOR	2	
R2197	ERJ3GEYJ471	M 470 OHM,J,1/16W	1	
R2198	ERJ6ENF1781	M1.78KOHM, 1/10W	1	
R2199,00	ERJ3GEYJ221	M 220 OHM,J,1/16W	2	TH-65PV500E
R2201	ERJ6ENF1601	M 1.6KOHM, 1/10W	1	
R2202	TAJAAH0101JV	M 100 OHM,J,1/16W	1	
R2204	ERJ6GEYJ561	M 560 OHM,J,1/10W	1	
R2205	ERJ3GEYJ102	M 1KOHM,J,1/16W	1	TH-65PV500E
R2208	ERJ6GEYJ471	M 470 OHM,J,1/10W	1	
R2209	ERJ3GEYJ332	M 3.3KOHM,J,1/16W	1	
R2210	ERJ6GEYJ122	M 1.2KOHM,J,1/10W	1	TH-65PV500B
R2210	ERJ6GEYJ681	M 680 OHM,J,1/10W	1	TH-65PV500E
R2211	ERJ3GEY0R00	M 0 OHM, 1/16W	1	TH-65PV500B
R2211	ERJ3GEYJ561	M 560 OHM,J,1/16W	1	TH-65PV500E
R2213	ERJ3GEYJ103	M 10KOHM,J,1/16W	1	
R2214	ERJ3GEYJ332	M 3.3KOHM,J,1/16W	1	
R2215	ERJ3GEY0R00	M 0 OHM, 1/16W	1	TH-65PV500B
R2215	ERJ3GEYJ331	M 330 OHM,J,1/16W	1	TH-65PV500E
R2216	ERJ3GEYJ102	M 1KOHM,J,1/16W	1	TH-65PV500E
R2217	ERJ3GEYJ472	M 4.7KOHM,J,1/16W	1	TH-65PV500E
R2224,25	ERJ3GEY0R00	M 0 OHM, 1/16W	2	
R2302	ERJ3GEYJ223	M 22KOHM,J,1/16W	1	

Ref. No.	Part No.	Part Name & Description	Pcs	Remarks
R2303	ERJ3GEYJ562	M 5.6KOHM,J,1/16W	1	
R2304	ERJ3GEYJ104	M 100KOHM,J,1/16W	1	
R2305	ERJ3GEYJ471	M 470 OHM,J,1/16W	1	
R2306	ERJ6GEYJ821	M 820 OHM,J,1/10W	1	
R2307	ERJ3GEYJ104	M 100KOHM,J,1/16W	1	
R2308,09	ERJ3KEF3901	M 3.9KOHM, 1/16W	2	
R2310	ERJ3GEYJ184	M 180KOHM,J,1/16W	1	
R2311	ERJ12YJ821	M 820 OHM,J, 1/2W	1	
R2312,13	ERJ3KEF1002	M 10KOHM, 1/16W	2	
R2314,15	ERJ3GEYJ220	M 22 OHM,J,1/16W	2	
R2320	ERJ3GEYJ222	M 2.2KOHM,J,1/16W	1	
R2321	ERJ3GEYJ393	M 39KOHM,J,1/16W	1	
R2322	ERJ3GEYJ103	M 10KOHM,J,1/16W	1	
R2323	ERJ3GEYJ472	M 4.7KOHM,J,1/16W	1	
R2324	ERJ3GEYJ103	M 10KOHM,J,1/16W	1	
R2325	ERJ3GEYJ183	M 18KOHM,J,1/16W	1	
R2326	TAJAAH0101JV	M 100 OHM,J,1/16W	1	
R2328	ERJ3GEYJ183	M 18KOHM,J,1/16W	1	
R2329	ERJ3GEYJ223	M 22KOHM,J,1/16W	1	
R2330	ERJ3GEYJ363	M 36KOHM,J,1/16W	1	
R2331	ERJ6GEYJ471	M 470 OHM,J,1/10W	1	
R2332	ERJ3GEYJ183	M 18KOHM,J,1/16W	1	
R2333,34	ERJ6GEYJ101	M 100 OHM,J,1/10W	2	
R2335	ERJ3GEYJ183	M 18KOHM,J,1/16W	1	
R2336	ERJ3GEYJ223	M 22KOHM,J,1/16W	1	
R2337	ERJ3GEYJ363	M 36KOHM,J,1/16W	1	
R2338	ERJ3GEY0R00	M 0 OHM, 1/16W	1	
R2339	ERJ3GEYJ333	M 33KOHM,J,1/16W	1	
R2341	ERJ3GEYJ153	M 15KOHM,J,1/16W	1	
R2342,43	ERJ6GEY0R00	M 0 OHM, 1/10W	2	
R2344	ERJ3GEYJ333	M 33KOHM,J,1/16W	1	
R2345,46	ERJ3GEYJ223	M 22KOHM,J,1/16W	2	
R2354	ERJ3GEYJ102	M 1KOHM,J,1/16W	1	
R2377	ERJ3GEY0R00	M 0 OHM, 1/16W	1	
R2382	ERJ3GEY0R00	M 0 OHM, 1/16W	1	
R2388,89	ERJ6GEYJ102	M 1KOHM,J,1/10W	2	
R2390	ERJ3GEYJ203	M 20KOHM,J,1/16W	1	
R2391	ERJ3GEYJ103	M 10KOHM,J,1/16W	1	
R2392	ERJ3GEYJ223	M 22KOHM,J,1/16W	1	
R2393	ERJ3GEYJ103	M 10KOHM,J,1/16W	1	
R2394	ERJ3GEYJ203	M 20KOHM,J,1/16W	1	
R2395,96	ERJ3GEYJ103	M 10KOHM,J,1/16W	2	
R2397	ERJ3GEYJ473	M 47KOHM,J,1/16W	1	
R2398	ERJ3GEYJ123	M 12KOHM,J,1/16W	1	
R2399	ERJ3GEYJ102	M 1KOHM,J,1/16W	1	
R2412	ERJ6GEY0R00	M 0 OHM, 1/10W	1	
R2414	ERJ6GEY0R00	M 0 OHM, 1/10W	1	
R2415	ERJ3GEY0R00	M 0 OHM, 1/16W	1	
R2417	ERJ3GEY0R00	M 0 OHM, 1/16W	1	
R2437,38	ERJ3GEYJ103	M 10KOHM,J,1/16W	2	
R2442	ERJ6GEYJ102	M 1KOHM,J,1/10W	1	
R2443	ERJ3GEYJ153	M 15KOHM,J,1/16W	1	
R2444,45	ERJ6ENF1001	M 1KOHM, 1/10W	2	
R2448,49	ERJ6GEYJ510	M 51 OHM,J,1/10W	2	
R2450	ERJ6GEYJ101	M 100 OHM,J,1/10W	1	
R2451,52	ERJ6GEYJ510	M 51 OHM,J,1/10W	2	
R2453	ERJ6GEYJ101	M 100 OHM,J,1/10W	1	
R2460	ERJ6ENF1103	M 110KOHM, 1/10W	1	
R2461	ERJ6ENF1373	M 137KOHM, 1/10W	1	
R2464,65	ERJ8GEYJ120	M 12 OHM, J,1/8W	2	
R2468,69	ERJ6ENF1500	M 150 OHM, 1/10W	2	

Ref. No.	Part No.	Part Name & Description	Pcs	Remarks
R2488,89	ERJ8GEYJ120	M 12 OHM, J,1/8W	2	
R2492	ERJ3GEYJ103	M 10KOHM,J,1/16W	1	
R2493,94	ERJ3GEYJ104	M 100KOHM,J,1/16W	2	
R2495,96	ERJ3GEYJ153	M 15KOHM,J,1/16W	2	
R2499	ERJ3GEYJ472	M 4.7KOHM,J,1/16W	1	
R2512	ERJ6GEYJ470	M 47 OHM,J,1/10W	1	
R2516	ERJ6GEYJ223	M 22KOHM,J,1/10W	1	
R2517	ERJ6GEYJ470	M 47 OHM,J,1/10W	1	
R2520	ERJ6GEYJ224	M 220KOHM,J,1/10W	1	
R2521	ERJ6GEYJ470	M 47 OHM,J,1/10W	1	
R2524	ERJ6GEYJ223	M 22KOHM,J,1/10W	1	
R2539	ERJ6GEYJ473	M 47KOHM,J,1/10W	1	TH-65PV500B
R2540	ERJ6GEYJ223	M 22KOHM,J,1/10W	1	TH-65PV500B
R2542	ERJ6GEY0R00	M 0 OHM, 1/10W	1	
R2545	ERJ6GEY0R00	M 0 OHM, 1/10W	1	
R2550	ERJ6GEY0R00	M 0 OHM, 1/10W	1	TH-65PV500B
R2552	ERJ6GEY0R00	M 0 OHM, 1/10W	1	TH-65PV500B
R2554	ERJ6ENF1800	M 180 OHM, 1/10W	1	
R2557	ERJ6GEYJ562	M 5.6KOHM,J,1/10W	1	
R2559	ERJ6GEY0R00	M 0 OHM, 1/10W	1	
R2560	ERJ6ENF1201	M 1.2KOHM, 1/10W	1	
R2567	ERJ6GEY0R00	M 0 OHM, 1/10W	1	TH-65PV500B
R2572	ERJ6GEY0R00	M 0 OHM, 1/10W	1	
R3001-15	ERJ6ENF75R0	M 75 OHM, 1/10W	15	
R3016,17	ERJ6GEYJ101	M 100 OHM,J,1/10W	2	
R3018,19	ERJ6GEYJ680	M 68 OHM,J,1/10W	2	
R3020-22	ERJ6ENF2202	M 2.2KOHM, 1/10W	3	
R3023,24	ERJ6ENF1202	M 12KOHM, 1/10W	2	
R3025	ERJ3GEYJ103	M 10KOHM,J,1/16W	1	
R3026	ERJ3GEYJ473	M 47KOHM,J,1/16W	1	
R3027,28	ERJ6ENF75R0	M 75 OHM, 1/10W	2	
R3030	ERJ8GEY0R00	M 0 OHM, 1/8W	1	
R3031	ERJ6ENF75R0	M 75 OHM, 1/10W	1	
R3032,33	ERJ8GEY0R00	M 0 OHM, 1/8W	2	
R3034	ERJ3GEYJ102	M 1KOHM,J,1/16W	1	
R3036,37	ERJ3GEYJ102	M 1KOHM,J,1/16W	2	
R3038-40	ERJ3GEYJ221	M 220 OHM,J,1/16W	3	
R3041,42	ERJ3GEYJ182	M 1.8KOHM,J,1/16W	2	
R3043	ERJ3GEYJ331	M 330 OHM,J,1/16W	1	
R3044,45	ERJ3GEY0R00	M 0 OHM, 1/16W	2	
R3047	ERJ3GEY0R00	M 0 OHM, 1/16W	1	
R3048	ERJ3GEYJ152	M 1.5KOHM,J,1/16W	1	
R3049-51	ERJ3GEYJ103	M 10KOHM,J,1/16W	3	
R3052	ERJ3GEY0R00	M 0 OHM, 1/16W	1	
R3053	ERJ3GEYJ221	M 220 OHM,J,1/16W	1	
R3054	ERJ3EKF4700	M 470 OHM, 1/16W	1	
R3055	ERJ3EKF5600	M 560 OHM, 1/16W	1	
R3056	ERJ3GEYJ103	M 10KOHM,J,1/16W	1	
R3059-64	ERJ3GEYJ221	M 220 OHM,J,1/16W	6	
R3065	ERJ3GEYJ682	M 6.8KOHM,J,1/16W	1	
R3066	ERJ3GEY0R00	M 0 OHM, 1/16W	1	
R3067	ERJ3GEYJ103	M 10KOHM,J,1/16W	1	
R3068	ERJ6ENF75R0	M 75 OHM, 1/10W	1	
R3069	ERJ3GEYJ103	M 10KOHM,J,1/16W	1	
R3071	ERJ3GEYJ103	M 10KOHM,J,1/16W	1	
R3072-75	ERJ3GEYJ221	M 220 OHM,J,1/16W	4	
R3077	ERJ3GEYJ221	M 220 OHM,J,1/16W	1	
R3085	ERJ3GEYJ221	M 220 OHM,J,1/16W	1	
R3086	ERJ3GEY0R00	M 0 OHM, 1/16W	1	

Ref. No.	Part No.	Part Name & Description	Pcs	Remarks
R3087	ERJ3GEYJ221	M 220 OHM,J,1/16W	1	
R3088	ERJ3GEYJ221	M 220 OHM,J,1/16W	1	TH-65PV500B
R3089,90	TAJAAH0470JV	M 47 OHM,J,1/16W	2	
R3092	ERJ3GEYJ221	M 220 OHM,J,1/16W	1	
R3094-01	ERJ3GEYJ221	M 220 OHM,J,1/16W	8	
R3115-18	TAJAAH0101JV	M 100 OHM,J,1/16W	4	
R3119,20	ERJ3GEY0R00	M 0 OHM, 1/16W	2	
R3121	ERJ3EKF1000	M 100 OHM, 1/16W	1	
R3122	TAJAAH0101JV	M 100 OHM,J,1/16W	1	
R3123	ERJ3EKF82R0	M 82 OHM, 1/16W	1	
R3124	ERJ6GEYJ152	M 1.5KOHM,J,1/10W	1	
R3125	ERJ6GEYJ102	M 1KOHM,J,1/10W	1	
R3126	TAJAAH0101JV	M 100 OHM,J,1/16W	1	
R3127	ERJ6GEYJ102	M 1KOHM,J,1/10W	1	
R3128	ERJ6GEYJ152	M 1.5KOHM,J,1/10W	1	
R3129-31	TAJAAH0101JV	M 100 OHM,J,1/16W	3	
R3132,33	ERJ3GEYJ103	M 10KOHM,J,1/16W	2	
R3134	ERJ3GEYJ333	M 33KOHM,J,1/16W	1	
R3135	ERJ3GEY0R00	M 0 OHM, 1/16W	1	
R3136	ERJ3GEYJ333	M 33KOHM,J,1/16W	1	
R3138	ERJ3EKF82R0	M 82 OHM, 1/16W	1	
R3139	ERJ6GEYJ102	M 1KOHM,J,1/10W	1	
R3140	ERJ3EKF1000	M 100 OHM, 1/16W	1	
R3141	ERJ6GEYJ102	M 1KOHM,J,1/10W	1	
R3142	ERJ6GEYJ152	M 1.5KOHM,J,1/10W	1	
R3143	ERJ3GEYJ222	M 2.2KOHM,J,1/16W	1	
R3144	ERJ3GEYJ332	M 3.3KOHM,J,1/16W	1	
R3145	ERJ3GEYJ103	M 10KOHM,J,1/16W	1	
R3146	ERJ3GEYJ331	M 330 OHM,J,1/16W	1	
R3152,53	TAJAAH0470JV	M 47 OHM,J,1/16W	2	
R3154	ERJ3GEYJ103	M 10KOHM,J,1/16W	1	
R3156,57	ERJ3GEYJ333	M 33KOHM,J,1/16W	2	
R3158	TAJAAH0101JV	M 100 OHM,J,1/16W	1	
R3159	ERJ3GEYJ223	M 22KOHM,J,1/16W	1	
R3161	ERJ3GEY0R00	M 0 OHM, 1/16W	1	
R3163	ERJ6ENF1202	M 12KOHM, 1/10W	1	
R3164	ERJ3GEYJ105	M 1MOHM,J,1/16W	1	
R3168	ERJ3GEYJ750	M 75 OHM,J,1/16W	1	
R3170	ERJ3GEY0R00	M 0 OHM, 1/16W	1	
R3171	ERJ3GEYJ471	M 470 OHM,J,1/16W	1	
R3173	ERJ3GEYJ271	M 270 OHM,J,1/16W	1	
R3206	TAJAAH0101JV	M 100 OHM,J,1/16W	1	
R3213-22	ERJ3GEY0R00	M 0 OHM, 1/16W	10	
R3224-29	ERJ3GEY0R00	M 0 OHM, 1/16W	6	
R3233,34	ERJ6ENF75R0	M 75 OHM, 1/10W	2	
R3236	ERJ6ENF75R0	M 75 OHM, 1/10W	1	
R3302	ERJ6GEYJ101	M 100 OHM,J,1/10W	1	
R3305	ERJ6GEYJ101	M 100 OHM,J,1/10W	1	
R3306,07	ERJ6GEYJ472	M 4.7KOHM,J,1/10W	2	
R3308,09	ERJ6GEY0R00	M 0 OHM, 1/10W	2	
R3310	ERJ6ENF75R0	M 75 OHM, 1/10W	1	
R3312	ERJ3GEYJ103	M 10KOHM,J,1/16W	1	
R3313	ERJ6ENF75R0	M 75 OHM, 1/10W	1	
R3317	ERJ3GEYJ103	M 10KOHM,J,1/16W	1	
R3318	ERJ6ENF75R0	M 75 OHM, 1/10W	1	
R3320	ERJ6GEY0R00	M 0 OHM, 1/10W	1	
R3323,24	ERJ6GEY0R00	M 0 OHM, 1/10W	2	
R3336,37	ERJ3GEYJ183	M 18KOHM,J,1/16W	2	
R3338	TAJAAH0101JV	M 100 OHM,J,1/16W	1	
R3339	ERJ3GEYJ471	M 470 OHM,J,1/16W	1	
R3340	TAJAAH0101JV	M 100 OHM,J,1/16W	1	

Ref. No.	Part No.	Part Name & Description	Pcs	Remarks
R3341,42	ERJ3GEYJ183	M 18KOHM,J,1/16W	2	
R3343	ERJ3GEYJ471	M 470 OHM,J,1/16W	1	
R3344	TAJAAH0101JV	M 100 OHM,J,1/16W	1	
R3345,46	ERJ3GEYJ183	M 18KOHM,J,1/16W	2	
R3347	ERJ3GEYJ471	M 470 OHM,J,1/16W	1	
R3348,49	TAJAAH0680JV	M 68 OHM,J,1/16W	2	
R3350-52	ERJ3GEYJ510	M 51 OHM,J,1/16W	3	
R3401-07	ERJ6GEY0R00	M 0 OHM, 1/10W	7	
R3702	ERJ3GEYJ184	M 180KOHM,J,1/16W	1	
R3704	ERJ3GEYJ184	M 180KOHM,J,1/16W	1	
R3708	ERJ3GEY0R00	M 0 OHM, 1/16W	1	
R3710	ERJ3GEY0R00	M 0 OHM, 1/16W	1	
R3711	ERJ3GEYJ103	M 10KOHM,J,1/16W	1	
R3750	ERJ6GEYJ683	M 68KOHM,J,1/10W	1	
R3751	ERJ6GEYJ223	M 22KOHM,J,1/10W	1	
R3752	ERJ6GEYJ682	M 6.8KOHM,J,1/10W	1	
R3753,54	ERJ6GEY0R00	M 0 OHM, 1/10W	2	
R3755	ERJ6GEYJ123	M 12KOHM,J,1/10W	1	
R3758-64	ERJ6GEY0R00	M 0 OHM, 1/10W	7	
R4001	ERJ3GEY0R00	M 0 OHM, 1/16W	1	
R4007-09	ERJ3GEY0R00	M 0 OHM, 1/16W	3	
R4014	ERJ3EKF1500	M 150 OHM, 1/16W	1	
R4016,17	ERJ3EKF5760	M 576 OHM, 1/16W	2	
R4019	ERJ3GEY0R00	M 0 OHM, 1/16W	1	
R4023	ERJ6GEYJ221	M 220 OHM,J,1/10W	1	
R4027	ERJ3EKF1500	M 150 OHM, 1/16W	1	
R4029,30	ERJ3EKF1581	M 1.58KOHM, 1/10W	2	
R4031	ERJ3EKF4220	M 422 OHM, 1/10W	1	
R4033	ERJ3EKF2201	M 2.2KOHM, 1/16W	1	
R4035,36	ERJ3EKF3001	M 3KOHM, 1/16W	2	
R4037	ERJ3EKF5600	M 560 OHM, 1/16W	1	
R4039	ERJ3EKF4220	M 422 OHM, 1/10W	1	
R4041	ERJ6GEYJ102	M 1KOHM,J,1/10W	1	
R4043,44	ERJ6GEYJ102	M 1KOHM,J,1/10W	2	
R4045	ERJ3EKF2201	M 2.2KOHM, 1/16W	1	
R4046	ERJ6GEYJ102	M 1KOHM,J,1/10W	1	
R4047	ERJ3EKF5600	M 560 OHM, 1/16W	1	
R4048	ERJ6GEYJ222	M 2.2KOHM,J,1/10W	1	
R4049	ERJ3GEY0R00	M 0 OHM, 1/16W	1	
R4050	ERJ6GEYJ102	M 1KOHM,J,1/10W	1	
R4051,52	ERJ3GEY0R00	M 0 OHM, 1/16W	2	
R4053	ERJ6GEYJ102	M 1KOHM,J,1/10W	1	
R4054	ERJ3EKF1600	M 160 OHM, 1/16W	1	
R4055	ERJ3GEY0R00	M 0 OHM, 1/16W	1	
R4056,57	ERJ6GEYJ102	M 1KOHM,J,1/10W	2	
R4058	ERJ3GEY0R00	M 0 OHM, 1/16W	1	
R4059	ERJ3EKF2702V	M 27.0KOHM, 1/16W	1	
R4060	ERJ3EKF4302	M 43KOHM, 1/16W	1	
R4062	ERJ3GEY0R00	M 0 OHM, 1/16W	1	
R4064	ERJ3EKF1371	M 13.7 OHM, 1/16W	1	
R4068	ERJ3EKF1691	M 1.69KOHM, 1/16W	1	
R4069-72	ERJ3GEYJ220	M 22 OHM,J,1/16W	4	
R4073,74	TAJAAH0101JV	M 100 OHM,J,1/16W	2	
R4075	ERJ3GEYJ220	M 22 OHM,J,1/16W	1	
R4076,77	EXB38V220J	RESISTOR ARRAY	2	
R4078	ERJ3GEYJ220	M 22 OHM,J,1/16W	1	
R4079-81	EXB38V220J	RESISTOR ARRAY	3	
R4082-84	ERJ3GEYJ220	M 22 OHM,J,1/16W	3	

Ref. No.	Part No.	Part Name & Description	Pcs	Remarks
R4085	ERJ3GEYJ103	M 10KOHM,J,1/16W	1	
R4091-94	ERJ3GEY0R00	M 0 OHM, 1/16W	4	
R4100	ERJ3GEYJ183	M 18KOHM,J,1/16W	1	
R4101	ERJ3GEYJ822	M 8.2KOHM,J,1/16W	1	
R4102	ERJ3GEYJ183	M 18KOHM,J,1/16W	1	
R4103	ERJ3GEYJ822	M 8.2KOHM,J,1/16W	1	
R4104	ERJ3GEYJ183	M 18KOHM,J,1/16W	1	
R4106	ERJ3GEYJ822	M 8.2KOHM,J,1/16W	1	
R4107-09	ERJ3GEYJ330	M 33 OHM,J,1/16W	3	
R4110	ERJ3GEYJ751	M 750 OHM,J,1/16W	1	
R4111	ERJ3EKF5601	M 5.6KOHM, 1/16W	1	
R4112	ERJ3GEYJ751	M 750 OHM,J,1/16W	1	
R4113	ERJ3EKF5601	M 5.6KOHM, 1/16W	1	
R4114	ERJ3GEYJ751	M 750 OHM,J,1/16W	1	
R4115	ERJ3EKF5601	M 5.6KOHM, 1/16W	1	
R4117	ERJ6ENF5600	M 560 OHM, 1/10W	1	
R4118	ERJ3GEY0R00	M 0 OHM, 1/16W	1	
R4120	ERJ6ENF5600	M 560 OHM, 1/10W	1	
R4123	ERJ6ENF5600	M 560 OHM, 1/10W	1	
R4125-27	ERJ6GEYJ471	M 470 OHM,J,1/10W	3	
R4128	ERJ3GEY0R00	M 0 OHM, 1/16W	1	
R4130	ERJ3GEY0R00	M 0 OHM, 1/16W	1	
R4132	ERJ3GEY0R00	M 0 OHM, 1/16W	1	
R4134-36	TAJAAH0680JV	M 68 OHM,J,1/16W	3	
R4137-39	ERJ3GEYJ330	M 33 OHM,J,1/16W	3	
R4140	ERJ3GEYJ103	M 10KOHM,J,1/16W	1	
R4143	ERJ3GEY0R00	M 0 OHM, 1/16W	1	
R4144-46	ERJ3GEYJ471	M 470 OHM,J,1/16W	3	
R4147-49	ERJ3GEYJ153	M 15KOHM,J,1/16W	3	
R4150	ERJ3GEY0R00	M 0 OHM, 1/16W	1	
R4151,52	ERJ3EKF2200	M 220 OHM, 1/16W	2	
R4153	ERJ3EKF1020	M 102 OHM, 1/16W	1	
R4154	ERJ3GEYJ220	M 22 OHM,J,1/16W	1	
R4155	ERJ3GEYJ103	M 10KOHM,J,1/16W	1	
R4157,58	ERJ3GEYJ220	M 22 OHM,J,1/16W	2	
R4159	ERJ3EKF1200	M 120 OHM, 1/16W	1	
R4160	ERJ3EKF1020	M 102 OHM, 1/16W	1	
R4161	ERJ3EKF1200	M 120 OHM, 1/16W	1	
R4163	ERJ3GEY0R00	M 0 OHM, 1/16W	1	
R4165	TAJAAH0680JV	M 68 OHM,J,1/16W	1	
R4167	ERJ3GEY0R00	M 0 OHM, 1/16W	1	
R4169	ERJ3GEY0R00	M 0 OHM, 1/16W	1	
R4173	ERJ3GEYJ271	M 270 OHM,J,1/16W	1	
R4174,75	ERJ3GEY0R00	M 0 OHM, 1/16W	2	
R4177	TAJAAH0680JV	M 68 OHM,J,1/16W	1	
R4182	ERJ3GEY0R00	M 0 OHM, 1/16W	1	
R4184	TAJAAH0680JV	M 68 OHM,J,1/16W	1	
R4186	ERJ3GEY0R00	M 0 OHM, 1/16W	1	
R4188	ERJ3GEY0R00	M 0 OHM, 1/16W	1	
R4194-97	TAJAAH0680JV	M 68 OHM,J,1/16W	4	
R4199	ERJ3EKF1200	M 120 OHM, 1/16W	1	
R4203	ERJ3EKF1020	M 102 OHM, 1/16W	1	
R4204	ERJ3GEYJ510	M 51 OHM,J,1/16W	1	
R4207	ERJ3EKF1500	M 150 OHM, 1/16W	1	
R4208	ERJ3GEYJ510	M 51 OHM,J,1/16W	1	
R4209	ERJ3EKF2200	M 220 OHM, 1/16W	1	
R4210	TAJAAH0101JV	M 100 OHM,J,1/16W	1	
R4211	ERJ3GEY0R00	M 0 OHM, 1/16W	1	
R4228	ERJ3GEY0R00	M 0 OHM, 1/16W	1	
R4236-38	ERJ3GEY0R00	M 0 OHM, 1/16W	3	
R4244	ERJ3GEYJ102	M 1KOHM,J,1/16W	1	
R4249	EXB38V680J	RESISTOR ARRAY	1	
R4253	EXB38V680J	RESISTOR ARRAY	1	

Ref. No.	Part No.	Part Name & Description	Pcs	Remarks
R4255	ERJ3GEY0R00	M 0 OHM, 1/16W	1	
R4259	EXB38V680J	RESISTOR ARRAY	1	
R4301	ERJ3GEYJ361	M 360 OHM,J,1/16W	1	
R4303	ERJ3GEYJ181	M 180 OHM,J,1/16W	1	
R4305	ERJ3GEYJ181	M 180 OHM,J,1/16W	1	
R4307	ERJ6GEYJ361	M 360 OHM,J,1/10W	1	
R4308,09	ERJ6GEYJ561	M 560 OHM,J,1/10W	2	
R4315	ERJ3EKF8450	M 845 OHM, 1/16W	1	
R4318,19	ERJ3EKF4700	M 470 OHM, 1/16W	2	
R4320,21	ERJ3EKF3601	M 3.6KOHM, 1/16W	2	
R4325	ERJ3EKF1331	M13.3KOHM, 1/16W	1	
R4326,27	ERJ6GEYJ821	M 820 OHM,J,1/10W	2	
R4328	ERJ6GEYJ681	M 680 OHM,J,1/10W	1	
R4329-31	ERJ3GEYJ330	M 33 OHM,J,1/16W	3	
R4332	ERJ6GEYJ331	M 330 OHM,J,1/10W	1	
R4333	ERJ3GEY0R00	M 0 OHM, 1/16W	1	
R4334,35	ERJ6GEYJ471	M 470 OHM,J,1/10W	2	
R4336-41	ERJ3GEY0R00	M 0 OHM, 1/16W	6	
R4342-44	ERJ3EKF33R0	M 33 OHM, 1/16W	3	
R4345	ERJ3EKF1401	M 1.4KOHM, 1/16W	1	
R4346-48	ERJ3EKF33R0	M 33 OHM, 1/16W	3	
R4349	ERJ3EKF2701	M 2.7KOHM, 1/16W	1	
R4350	ERJ3EKF4700	M 470 OHM, 1/16W	1	
R4351-53	ERJ3EKF1500	M 150 OHM, 1/16W	3	
R4354	ERJ3EKF1001	M 1KOHM, 1/16W	1	
R4355-59	ERJ3GEY0R00	M 0 OHM, 1/16W	5	
R4360	ERJ3GEYJ911	M 910 OHM,J,1/16W	1	
R4361,62	ERJ3GEY0R00	M 0 OHM, 1/16W	2	
R4363	TAJAAH0101JV	M 100 OHM,J,1/16W	1	
R4364,65	ERJ3GEYJ220	M 22 OHM,J,1/16W	2	
R4367	ERJ3GEY0R00	M 0 OHM, 1/16W	1	
R4368,69	ERJ3GEYJ560	M 56 OHM,J,1/16W	2	
R4370	TAJAAH0470JV	M 47 OHM,J,1/16W	1	
R4372	DLHG5608A002	NETWORK RESISTER	1	
R4373,74	EXB38V560J	RESISTOR ARRAY	2	
R4379,80	ERJ3GEYJ220	M 22 OHM,J,1/16W	2	
R4381-83	ERJ3GEYJ221	M 220 OHM,J,1/16W	3	
R4402	ERJ3GEYJ104	M 100KOHM,J,1/16W	1	
R4405	ERJ3GEYJ102	M 1KOHM,J,1/16W	1	
R4406	EXB38V560J	RESISTOR ARRAY	1	
R4407,08	DLHG5608A002	NETWORK RESISTER	2	
R4409,10	ERJ3GEYJ103	M 10KOHM,J,1/16W	2	
R4411	ERJ3GEYJ473	M 47KOHM,J,1/16W	1	
R4412	ERJ3GEYJ330	M 33 OHM,J,1/16W	1	
R4413-15	ERJ3GEY0R00	M 0 OHM, 1/16W	3	
R4421	ERJ3GEYJ220	M 22 OHM,J,1/16W	1	
R4422-24	ERJ3GEYJ560	M 56 OHM,J,1/16W	3	
R4425,26	ERJ3GEYJ220	M 22 OHM,J,1/16W	2	
R4430,31	ERJ3GEYJ103	M 10KOHM,J,1/16W	2	
R4432,33	ERJ3EKF3302	M 33KOHM, 1/16W	2	
R4434,35	ERJ3EKF2202	M 22KOHM, 1/16W	2	
R4436,37	ERJ3EKF1502	M 15KOHM, 1/16W	2	

Ref. No.	Part No.	Part Name & Description	Pcs	Remarks
R4438	ERJ3EKF3902	M 39KOHM, 1/16W	1	
R4439	TAJAAH0101JV	M 100 OHM,J,1/16W	1	
R4440	ERJ3EKF3902	M 39KOHM, 1/16W	1	
R4441	TAJAAH0101JV	M 100 OHM,J,1/16W	1	
R4443	ERJ3GEYJ102	M 1KOHM,J,1/16W	1	
R4446	ERJ3GEYJ473	M 47KOHM,J,1/16W	1	
R4447	ERJ3GEY0R00	M 0 OHM, 1/16W	1	
R4448-51	ERJ3GEYJ103	M 10KOHM,J,1/16W	4	
R4452	ERJ3GEYJ105	M 1MOHM,J,1/16W	1	
R4453,54	ERJ6GEYJ102	M 1KOHM,J,1/10W	2	
R4455,56	ERJ3GEYJ331	M 330 OHM,J,1/16W	2	
R4457	ERJ3GEYJ223	M 22KOHM,J,1/16W	1	
R4458,59	ERJ3GEYJ473	M 47KOHM,J,1/16W	2	
R4460,61	ERJ6GEYJ471	M 470 OHM,J,1/10W	2	
R4463-67	ERJ3GEY0R00	M 0 OHM, 1/16W	5	
R4501	TAJAAH0470JV	M 47 OHM,J,1/16W	1	
R4502	ERJ3GEYJ103	M 10KOHM,J,1/16W	1	
R4503	ERJ3EKF1202	M 12KOHM, 1/16W	1	
R4504	ERJ3EKF1800	M 180 OHM, 1/16W	1	
R4505	ERJ3EKF2001	M 2KOHM, 1/16W	1	
R4506	ERJ3EKF4302	M 43KOHM, 1/16W	1	
R4508,09	ERJ3GEYJ220	M 22 OHM,J,1/16W	2	
R4510-14	ERJ3GEY0R00	M 0 OHM, 1/16W	5	
R4515,16	ERJ3EKF1741	M 17.4 OHM, 1/16W	2	
R4518,19	ERJ3GEY0R00	M 0 OHM, 1/16W	2	
R4520,21	ERJ3GEYJ103	M 10KOHM,J,1/16W	2	
R4522	ERJ3GEYJ750	M 75 OHM,J,1/16W	1	
R4523,24	ERJ3GEY0R00	M 0 OHM, 1/16W	2	
R4525	ERJ3GEYJ103	M 10KOHM,J,1/16W	1	
R4526	TAJAAH0470JV	M 47 OHM,J,1/16W	1	
R4527	ERJ3GEYJ393	M 39KOHM,J,1/16W	1	
R4528	ERJ3EKF1001	M 1KOHM, 1/16W	1	
R4529,30	ERJ3GEYJ103	M 10KOHM,J,1/16W	2	
R4531,32	TAJAAH0101JV	M 100 OHM,J,1/16W	2	
R4533	ERJ3EKF9100	M 910 OHM, 1/16W	1	
R4534,35	ERJ3GEYJ220	M 22 OHM,J,1/16W	2	
R4575,76	ERJ3GEY0R00	M 0 OHM, 1/16W	2	
R4577,78	TAJAAH0680JV	M 68 OHM,J,1/16W	2	
R4583-03	TAJAAH0680JV	M 68 OHM,J,1/16W	21	
R4604-06	EXB38V680J	RESISTOR ARRAY	3	
R4609	ERJ3GEY0R00	M 0 OHM, 1/16W	1	
R4610-13	TAJAAH0680JV	M 68 OHM,J,1/16W	4	
R4614-17	EXB2HV680J	RESISTOR ARRAY	4	
R4618	EXB38V680J	RESISTOR ARRAY	1	
R4619	EXB2HV680J	RESISTOR ARRAY	1	
R4620	ERJ3GEY0R00	M 0 OHM, 1/16W	1	
R4659	TAJAAH0680JV	M 68 OHM,J,1/16W	1	
R4661-63	TAJAAH0680JV	M 68 OHM,J,1/16W	3	
R4664	TAJAAH0101JV	M 100 OHM,J,1/16W	1	
R4671	EXB38V680J	RESISTOR ARRAY	1	
R4701,02	ERJ3EKF3002	M 30KOHM, 1/16W	2	
R4704,05	ERJ3EKF1741	M 17.4 OHM, 1/16W	2	
R4706-10	ERJ3GEY0R00	M 0 OHM, 1/16W	5	

Ref. No.	Part No.	Part Name & Description	Pcs	Remarks
R4751	ERJ3GEYJ103	M 10KOHM,J,1/16W	1	
R4753,54	ERJ3GEYJ330	M 33 OHM,J,1/16W	2	
R4755	ERJ3GEY0R00	M 0 OHM, 1/16W	1	
R4756-58	ERJ3GEYJ330	M 33 OHM,J,1/16W	3	
R4759	ERJ3GEYJ510	M 51 OHM,J,1/16W	1	
R4760	ERJ3GEYJ103	M 10KOHM,J,1/16W	1	
R4763	ERJ3GEYJ103	M 10KOHM,J,1/16W	1	
R4766	ERJ3GEY0R00	M 0 OHM, 1/16W	1	
R4768	ERJ3GEY0R00	M 0 OHM, 1/16W	1	
R4769	ERJ3GEYJ151	M 150 OHM,J,1/16W	1	
R4802	ERJ3GEYJ103	M 10KOHM,J,1/16W	1	
R4805	ERJ3GEYJ103	M 10KOHM,J,1/16W	1	
R4807,08	ERJ3GEYJ223	M 22KOHM,J,1/16W	2	
R4810	ERJ3GEYJ103	M 10KOHM,J,1/16W	1	
R4821-23	EXB38VR000	RESISTOR ARRAY	3	
R4834	ERJ3GEYJ103	M 10KOHM,J,1/16W	1	
R4841,42	EXB2HV220JV	RESISTOR ARRAY	2	TH-65PV500B
R4844	ERJ3GEYJ220	M 22 OHM,J,1/16W	1	TH-65PV500B
R4845-47	ERJ3GEY0R00	M 0 OHM, 1/16W	3	TH-65PV500B
R4851	ERJ3GEYJ821	M 820 OHM,J,1/16W	1	
R4884	ERJ3GEY0R00	M 0 OHM, 1/16W	1	
R4887,88	ERJ3GEY0R00	M 0 OHM, 1/16W	2	
R4891-97	ERJ3GEY0R00	M 0 OHM, 1/16W	7	
R4907-10	ERJ3GEY0R00	M 0 OHM, 1/16W	4	
R4911	J0JCC0000241	CHIP INDUCTOR	1	TH-65PV500B
R4911	ERJ3GEY0R00	M 0 OHM, 1/16W	1	TH-65PV500E
R4912,13	ERJ3GEY0R00	M 0 OHM, 1/16W	2	
R4914-16	ERJ3GEY0R00	M 0 OHM, 1/16W	3	TH-65PV500B
R4918,19	ERJ3GEY0R00	M 0 OHM, 1/16W	2	
R4920,21	J0JCC0000241	CHIP INDUCTOR	2	
R4922-26	ERJ3GEY0R00	M 0 OHM, 1/16W	5	
R4927	J0JCC0000241	CHIP INDUCTOR	1	
R4928-42	ERJ3GEY0R00	M 0 OHM, 1/16W	15	
R4943	ERJ6GEYJ102	M 1KOHM,J,1/10W	1	
R4944,45	ERJ3GEYJ473	M 47KOHM,J,1/16W	2	
R4946	TAJAAH0101JV	M 100 OHM,J,1/16W	1	
R4947	ERJ3GEYJ223	M 22KOHM,J,1/16W	1	
R4948,49	ERJ3EKF3002	M 30KOHM, 1/16W	2	
R4950	ERJ3GEYJ103	M 10KOHM,J,1/16W	1	TH-65PV500E
R4952	ERJ3GEYJ330	M 33 OHM,J,1/16W	1	
R5601	ERJ6ENF4532	M4.53KOHM, 1/10W	1	
R5603	ERJ6ENF2550	M 255 OHM, 1/10W	1	
R5605	ERJ6GEYJ473	M 47KOHM,J,1/10W	1	
R5606	ERJ6GEYJ223	M 22KOHM,J,1/10W	1	
R5607	ERJ6ENF1871	M1.87KOHM, 1/10W	1	
R5609	ERJ6ENF1871	M1.87KOHM, 1/10W	1	
R5610	ERJ6GEYJ103	M 10KOHM,J,1/10W	1	
R5611	ERJ6ENF8202	M 82KOHM, 1/10W	1	
R5612	ERJ6ENF1652	M16.5KOHM, 1/10W	1	
R5615,16	ERJ6GEYJ223	M 22KOHM,J,1/10W	2	
R5617,18	ERJ6GEYJ221	M 220 OHM,J,1/10W	2	
R5621	ERJ6GEYJ103	M 10KOHM,J,1/10W	1	
R5623,24	ERJ6GEY0R00	M 0 OHM, 1/10W	2	
R5625-27	ERJ6GEYJ472	M 4.7KOHM,J,1/10W	3	
R5630	ERJ6GEY0R00	M 0 OHM, 1/10W	1	
R5632	ERJ6GEYJ471	M 470 OHM,J,1/10W	1	

Ref. No.	Part No.	Part Name & Description	Pcs	Remarks
R5633	ERJ6GEYJ102	M 1KOHM,J,1/10W	1	
R5634	ERJ6GEYJ471	M 470 OHM,J,1/10W	1	
R5635	ERJ6GEYJ221	M 220 OHM,J,1/10W	1	
R5636	ERJ6GEYJ471	M 470 OHM,J,1/10W	1	
R5637,38	ERJ6GEYJ103	M 10KOHM,J,1/10W	2	
R5639	ERJ6GEYJ222	M 2.2KOHM,J,1/10W	1	
R5640	ERJ6GEYJ472	M 4.7KOHM,J,1/10W	1	
R5641	ERJ6GEYJ222	M 2.2KOHM,J,1/10W	1	
R5642	ERJ6GEYJ471	M 470 OHM,J,1/10W	1	
R5643	ERJ6GEYJ681	M 680 OHM,J,1/10W	1	
R5644	ERJ6GEYJ222	M 2.2KOHM,J,1/10W	1	
R5645,46	ERJ6ENF2201	M 2.2KOHM, 1/10W	2	
R5647	ERJ6GEYJ221	M 220 OHM,J,1/10W	1	
R5648	ERJ6GEYJ392	M 3.9KOHM,J,1/10W	1	
R5649	ERJ6GEYJ104	M 100KOHM,J,1/10W	1	
R5650	ERJ6GEYJ221	M 220 OHM,J,1/10W	1	
R5652	ERJ6GEY0R00	M 0 OHM, 1/10W	1	
R5653-56	ERJ6GEYJ103	M 10KOHM,J,1/10W	4	
R5657,58	ERJ6GEYJ472	M 4.7KOHM,J,1/10W	2	
R5660	ERJ6GEY0R00	M 0 OHM, 1/10W	1	
R5662	ERJ6GEY0R00	M 0 OHM, 1/10W	1	
R5670	ERJ6GEYJ103	M 10KOHM,J,1/10W	1	
R5672	ERJ6GEYJ103	M 10KOHM,J,1/10W	1	
R5675	ERJ6GEYJ471	M 470 OHM,J,1/10W	1	
R5680	ERJ6GEY0R00	M 0 OHM, 1/10W	1	
R5692	ERJ6GEYJ102	M 1KOHM,J,1/10W	1	
R5693	ERJ6GEYJ333	M 33KOHM,J,1/10W	1	
R5694,95	ERJ6GEYJ103	M 10KOHM,J,1/10W	2	
R5696	ERJ6GEYJ152	M 1.5KOHM,J,1/10W	1	
R7700	TAJAAH0101JV	M 100 OHM,J,1/16W	1	
R7701	ERJ6GEY0R00	M 0 OHM, 1/10W	1	
R7702	ERJ3GEY0R00	M 0 OHM, 1/16W	1	
R7703	TAJAAH0470JV	M 47 OHM,J,1/16W	1	
R7704	ERJ3GEY0R00	M 0 OHM, 1/16W	1	
R7705	TAJAAH0470JV	M 47 OHM,J,1/16W	1	
R7706,07	ERJ6GEY0R00	M 0 OHM, 1/10W	2	
R7708,09	TAJAAH0470JV	M 47 OHM,J,1/16W	2	
R7711	ERJ6GEY0R00	M 0 OHM, 1/10W	1	
R7713	TAJAAH0470JV	M 47 OHM,J,1/16W	1	
R7714	ERJ3GEY0R00	M 0 OHM, 1/16W	1	
R7722-27	ERJ3GEY0R00	M 0 OHM, 1/16W	6	
R7732	ERJ3GEY0R00	M 0 OHM, 1/16W	1	
R7745,46	ERJ3GEY0R00	M 0 OHM, 1/16W	2	
R7755	ERJ3GEYJ562	M 5.6KOHM,J,1/16W	1	
R7756	ERJ3GEYJ103	M 10KOHM,J,1/16W	1	
R7757-60	TAJAAH0470JV	M 47 OHM,J,1/16W	4	
R7763	ERJ3GEYJ473	M 47KOHM,J,1/16W	1	
R7764	ERJ3GEYJ103	M 10KOHM,J,1/16W	1	
R7765	ERJ3GEYJ220	M 22 OHM,J,1/16W	1	
R7782,83	EXB38VR000	RESISTOR ARRAY	2	
R7788	ERJ6GEYJ101	M 100 OHM,J,1/10W	1	
R7790	ERJ3GEYJ223	M 22KOHM,J,1/16W	1	
R7791	ERJ3GEYJ562	M 5.6KOHM,J,1/16W	1	
R7792	ERJ3GEYJ103	M 10KOHM,J,1/16W	1	
R7799	ERJ3GEYJ473	M 47KOHM,J,1/16W	1	
R7905-08	EXB38VR000	RESISTOR ARRAY	4	
R7909	ERJ3GEYJ103	M 10KOHM,J,1/16W	1	
R7911	ERJ3GEY0R00	M 0 OHM, 1/16W	1	
R7913,14	ERJ3GEY0R00	M 0 OHM, 1/16W	2	
R7922	ERJ3GEY0R00	M 0 OHM, 1/16W	1	
R7928-30	EXB38V560J	RESISTOR ARRAY	3	

Ref. No.	Part No.	Part Name & Description	Pcs	Remarks
R7931-33	ERJ3GEYJ560	M 56 OHM, J, 1/16W	3	
R7934-39	EXB38V560J	RESISTOR ARRAY	6	
R7940,41	ERJ3GEYJ560	M 56 OHM, J, 1/16W	2	
R7942	ERJ6GEY0R00	M 0 OHM, 1/10W	1	
R7947	ERJ3GEYJ223	M 22KOHM, J, 1/16W	1	
R7949	ERJ3GEYJ223	M 22KOHM, J, 1/16W	1	
R7952,53	ERJ3GEYJ223	M 22KOHM, J, 1/16W	2	
R7955,56	ERJ3GEYJ223	M 22KOHM, J, 1/16W	2	
R7958,59	ERJ3GEYJ223	M 22KOHM, J, 1/16W	2	
R7961	ERJ3GEYJ221	M 220 OHM, J, 1/16W	1	
R7962	ERJ3GEYJ223	M 22KOHM, J, 1/16W	1	
R7963	ERJ3GEYJ103	M 10KOHM, J, 1/16W	1	
R7968	ERJ3GEYJ473	M 47KOHM, J, 1/16W	1	
R7973	ERJ3GEY0R00	M 0 OHM, 1/16W	1	
R7975	ERJ3GEY0R00	M 0 OHM, 1/16W	1	
R7985	ERJ3GEYJ332	M 3.3KOHM, J, 1/16W	1	
R8003,04	ERJ2GEJ181	M 180 OHM, J, 0.063W	2	TH-65PV500B
R8006	ERJ2GE0R00	M 0.0 OHM, J, 0.063W	1	TH-65PV500B
R8008	ERJ2GEJ102	M 1KOHM, J, 0.063W	1	TH-65PV500B
R8010-12	ERJ2GEJ103	M 10KOHM, J, 0.063W	3	TH-65PV500B
R8014,15	ERJ2GEJ103	M 10KOHM, J, 0.063W	2	TH-65PV500B
R8016	ERJ2GE0R00	M 0.0 OHM, J, 0.063W	1	TH-65PV500B
R8020-22	ERJ2GEJ103	M 10KOHM, J, 0.063W	3	TH-65PV500B
R8023	ERJ2GE0R00	M 0.0 OHM, J, 0.063W	1	TH-65PV500B
R8024-26	ERJ2GEJ104	M 100KOHM, J, 0.063W	3	TH-65PV500B
R8027	DIHG5608A002	NETWORK RESISTER	1	TH-65PV500B
R8028-30	ERJ2GEJ560	M 56 OHM, J, 0.063W	3	TH-65PV500B
R8033	ERJ2GEJ472	M 4.7KOHM, J, 0.063W	1	TH-65PV500B
R8034,35	ERJ3GEY0R00	M 0 OHM, 1/16W	2	TH-65PV500B
R8036	ERJ3GEYJ163	M 16KOHM, J, 1/16W	1	TH-65PV500B
R8039,40	ERJ2GEJ472	M 4.7KOHM, J, 0.063W	2	TH-65PV500B
R8041	ERJ2GEJ154	M 150KOHM, J, 0.063W	1	TH-65PV500B
R8046	ERJ2GEJ330	M 33 OHM, J, 0.063W	1	TH-65PV500B
R8047-50	ERJ2GEJ101	M 100 OHM, J, 0.063W	4	TH-65PV500B
R8051	EXB38V330J	RESISTOR ARRAY	1	TH-65PV500B
R8052-55	ERJ2GEJ103	M 10KOHM, J, 0.063W	4	TH-65PV500B
R8056	ERJ2GEJ330	M 33 OHM, J, 0.063W	1	TH-65PV500B
R8057	ERJ2GEJ680	M 68 OHM, J, 0.063W	1	TH-65PV500B
R8058	EXB38V330J	RESISTOR ARRAY	1	TH-65PV500B
R8059	ERJ2GEJ103	M 10KOHM, J, 0.063W	1	TH-65PV500B
R8073	ERJ2GEJ105	M 1MOHM, J, 0.063W	1	TH-65PV500B
R8074,75	ERJ2GEJ181	M 180 OHM, J, 0.063W	2	TH-65PV500B
R8076	ERJ2GEJ103	M 10KOHM, J, 0.063W	1	TH-65PV500B
R8078	ERJ2GEJ222	M 2.2KOHM, J, 0.063W	1	TH-65PV500B
R8079	ERJ2GEJ103	M 10KOHM, J, 0.063W	1	TH-65PV500B
R8084,85	DIHG1218A002	NETWORK RESISTER	2	TH-65PV500B
R8086-88	ERJ2GEJ560	M 56 OHM, J, 0.063W	3	TH-65PV500B
R8101	ERJ3GEYF181	M 180 OHM, J, 1/16W	1	TH-65PV500B PAVCCZ
R8104	ERJ2GEJ560	M 56 OHM, J, 0.063W	1	TH-65PV500B
R8106,07	ERJ2GEJ103	M 10KOHM, J, 0.063W	2	TH-65PV500B
R8108	ERJ3EKF2212	M 22KOHM, 1/16W	1	TH-65PV500B

Ref. No.	Part No.	Part Name & Description	Pcs	Remarks
R8109	ERJ3EKF2402	M 24KOHM, 1/16W	1	TH-65PV500B
R8110	ERJ2GE0R00	M 0.0 OHM, J, 0.063W	1	TH-65PV500B
R8112,13	ERJ3GEY0R00	M 0 OHM, 1/16W	2	TH-65PV500B
R8115	ERJ3GEYF272	M 2.7KOHM, 1/16W	1	TH-65PV500B
R8117	ERJ6GEYJ471	M 470 OHM, J, 1/10W	1	TH-65PV500B
R8124	ERJ2GEJ471	M 470 OHM, J, 0.063W	1	TH-65PV500B
R8127	ERJ2GE0R00	M 0.0 OHM, J, 0.063W	1	TH-65PV500B
R8131	ERJ2GE0R00	M 0.0 OHM, J, 0.063W	1	TH-65PV500B
R8132	ERJ2GEJ560	M 56 OHM, J, 0.063W	1	TH-65PV500B
R8133	ERJ3GEYJ560	M 56 OHM, J, 1/16W	1	TH-65PV500B
R8136	ERJ2GEJ103	M 10KOHM, J, 0.063W	1	TH-65PV500B
R8137	ERJ2GEJ121	M 120 OHM, J, 0.063W	1	TH-65PV500B
R8140,41	ERJ3EKF1001	M 1KOHM, 1/16W	2	TH-65PV500B
R8144,45	DIHG5608A002	NETWORK RESISTER	2	TH-65PV500B
R8148,49	DIHG3908A002	NETWORK RESISTER	2	TH-65PV500B
R8150-59	ERJ2GEJ390	M 39 OHM, J, 0.063W	10	TH-65PV500B
R8161,62	ERJ2GEJ390	M 39 OHM, J, 0.063W	2	TH-65PV500B
R8163	ERJ2GEJ560	M 56 OHM, J, 0.063W	1	TH-65PV500B
R8165	ERJ2GEJ560	M 56 OHM, J, 0.063W	1	TH-65PV500B
R8167-71	ERJ2GEJ103	M 10KOHM, J, 0.063W	5	TH-65PV500B
R8172	ERJ2GEJ473	M 47KOHM, J, 0.063W	1	TH-65PV500B
R8173	ERJ2GE0R00	M 0.0 OHM, J, 0.063W	1	TH-65PV500B
R8175	ERJ3GEYJ103	M 10KOHM, J, 1/16W	1	TH-65PV500B
R8176	ERJ2GEJ103	M 10KOHM, J, 0.063W	1	TH-65PV500B
R8180-82	ERJ2GEJ560	M 56 OHM, J, 0.063W	3	TH-65PV500B
R8183	ERJ2GE0R00	M 0.0 OHM, J, 0.063W	1	TH-65PV500B
R8184	ERJ2GEJ223	M 22KOHM, J, 0.063W	1	TH-65PV500B
R8185,86	ERJ2GEJ101	M 100 OHM, J, 0.063W	2	TH-65PV500B
R8187	ERJ2GEJ103	M 10KOHM, J, 0.063W	1	TH-65PV500B
R8193	ERJ2GEJ103	M 10KOHM, J, 0.063W	1	TH-65PV500B
R8195	ERJ2GEJ103	M 10KOHM, J, 0.063W	1	TH-65PV500B
R8196	ERJ3GEYJ103	M 10KOHM, J, 1/16W	1	TH-65PV500B
R8201-04	ERJ2GEJ103	M 10KOHM, J, 0.063W	4	TH-65PV500B
R8214	ERJ2GE0R00	M 0.0 OHM, J, 0.063W	1	TH-65PV500B
R8215	ERJ2GEJ103	M 10KOHM, J, 0.063W	1	TH-65PV500B
R8216,17	ERJ2GEJ560	M 56 OHM, J, 0.063W	2	TH-65PV500B
R8218,19	DIHG33080001	NETWORK RESISTER	2	TH-65PV500B
R8220-22	DIHG5608A002	NETWORK RESISTER	3	TH-65PV500B
R8223	ERJ2GEJ560	M 56 OHM, J, 0.063W	1	TH-65PV500B
R8225	ERJ2GEJ103	M 10KOHM, J, 0.063W	1	TH-65PV500B
R8232,33	ERJ2GEJ330	M 33 OHM, J, 0.063W	2	TH-65PV500B
R8235	ERJ2GEJ330	M 33 OHM, J, 0.063W	1	TH-65PV500B
R8238-43	ERJ2GEJ330	M 33 OHM, J, 0.063W	6	TH-65PV500B
R8245,46	ERJ2GEJ330	M 33 OHM, J, 0.063W	2	TH-65PV500B
R8250	ERJ2GEJ103	M 10KOHM, J, 0.063W	1	TH-65PV500B
R8252-54	ERJ2GEJ330	M 33 OHM, J, 0.063W	3	TH-65PV500B
R8255-57	ERJ2GEJ103	M 10KOHM, J, 0.063W	3	TH-65PV500B
R8259	ERJ3GEYJ103	M 10KOHM, J, 1/16W	1	TH-65PV500B
R8260-63	ERJ2GEJ560	M 56 OHM, J, 0.063W	4	TH-65PV500B
R8264-68	ERJ2GEJ103	M 10KOHM, J, 0.063W	5	TH-65PV500B

Ref. No.	Part No.	Part Name & Description	Pcs	Remarks
R8269	ERJ2GEJ560	M 56 OHM, J,0.063W	1	TH-65PV500B
R8271	ERJ2GEJ560	M 56 OHM, J,0.063W	1	TH-65PV500B
R8272	EXB38V560J	RESISTOR ARRAY	1	TH-65PV500B
R8273	ERJ2GEJ560	M 56 OHM, J,0.063W	1	TH-65PV500B
R8275	ERJ2GEJ560	M 56 OHM, J,0.063W	1	TH-65PV500B
R8277	ERJ2GEJ560	M 56 OHM, J,0.063W	1	TH-65PV500B
R8279	ERJ2GEOR00	M 0.0 OHM, J,0.063W	1	TH-65PV500B
R8282	ERJ2GEJ560	M 56 OHM, J,0.063W	1	TH-65PV500B
R8284	ERJ8GEY0R00	M 0 OHM, 1/8W	1	TH-65PV500B
R8286,87	ERJ2GEJ560	M 56 OHM, J,0.063W	2	TH-65PV500B
R8290	EXB38V560J	RESISTOR ARRAY	1	TH-65PV500B
R8291,92	ERJ2GEJ560	M 56 OHM, J,0.063W	2	TH-65PV500B
R8308	ERJ2GEOR00	M 0.0 OHM, J,0.063W	1	TH-65PV500B
R8310-15	ERJ3EKF75R0	M 0.75HM, 1/16W	6	TH-65PV500B
R8319	ERJ3EKF2702V	M27.0KOHM, 1/16W	1	TH-65PV500B
R8320	ERJ3EKF1002	M 10KOHM, 1/16W	1	TH-65PV500B
R8321	ERJ3EKF8201	M 8.2KOHM, 1/16W	1	TH-65PV500B
R8349	ERJ2GEJ104	M 100KOHM, J,0.063W	1	TH-65PV500B
R8350	ERJ3EKF8201	M 8.2KOHM, 1/16W	1	TH-65PV500B
R8351	ERJ3EKF1002	M 10KOHM, 1/16W	1	TH-65PV500B
R8352	ERJ3EKF2702V	M27.0KOHM, 1/16W	1	TH-65PV500B
R8353	ERJ2GEJ332	M 3.3KOHM, J,0.063W	1	TH-65PV500B
R8354	ERJ2GEJ272	M 2.7KOHM, J,0.063W	1	TH-65PV500B
R8355,56	EXB2HV104JV	RESISTOR ARRAY	2	TH-65PV500B
R8357,58	ERJ2GEJ473	M 47KOHM, J,0.063W	2	TH-65PV500B
R8366	ERJ2GEJ103	M 10KOHM, J,0.063W	1	TH-65PV500B
R8367,68	ERJ2GEJ560	M 56 OHM, J,0.063W	2	TH-65PV500B
R8372-76	ERJ2GEJ560	M 56 OHM, J,0.063W	5	TH-65PV500B
R8386	J0JCC0000078	CHIP INDUCTOR	1	TH-65PV500B
R8401	ERJ8GEY0R00	M 0 OHM, 1/8W	1	TH-65PV500B
R8402	ERJ6GEY0R00	M 0 OHM, 1/10W	1	TH-65PV500B
R8414	ERJ2GEOR00	M 0.0 OHM, J,0.063W	1	TH-65PV500B
R8415,16	ERJ2GEJ223	M 22KOHM, J,0.063W	2	TH-65PV500B
R8417,18	EXB38V473J	RESISTOR ARRAY	2	TH-65PV500B
R8419,20	EXB38V101J	RESISTOR ARRAY	2	TH-65PV500B
R8421	ERJ2GEJ103	M 10KOHM, J,0.063W	1	TH-65PV500B
R8422	ERJ3GEYF331	M 330 OHM, J,1/16W	1	TH-65PV500B PAVCCZ
R8424	ERJ8RSJR10	M 1 OHM, 1/8W	1	TH-65PV500B
R8425,26	EXB38V101J	RESISTOR ARRAY	2	TH-65PV500B
R8427-31	ERJ2GEJ560	M 56 OHM, J,0.063W	5	TH-65PV500B
R8433,34	EXB38V560J	RESISTOR ARRAY	2	TH-65PV500B
R8435	ERJ2GEJ101	M 100 OHM, J,0.063W	1	TH-65PV500B
R8443	EXB38V560J	RESISTOR ARRAY	1	TH-65PV500B
R8444	ERJ2GEJ101	M 100 OHM, J,0.063W	1	TH-65PV500B
R8445,46	ERJ2GEJ151	M 150 OHM, J,0.063W	2	TH-65PV500B
R8447	ERJ2GEJ223	M 22KOHM, J,0.063W	1	TH-65PV500B
R8448	ERJ2GEJ473	M 47KOHM, J,0.063W	1	TH-65PV500B
R8449,50	ERJ2GEJ103	M 10KOHM, J,0.063W	2	TH-65PV500B
R8451	EXB38V104J	RESISTOR ARRAY	1	TH-65PV500B
R8452	ERJ2GEJ104	M 100KOHM, J,0.063W	1	TH-65PV500B
R8453	EXB38V104J	RESISTOR ARRAY	1	TH-65PV500B
R8454	ERJ2GEJ104	M 100KOHM, J,0.063W	1	TH-65PV500B

Ref. No.	Part No.	Part Name & Description	Pcs	Remarks
R8456-59	EXB38V560J	RESISTOR ARRAY	4	TH-65PV500B
R8460	ERJ2GEJ104	M 100KOHM, J,0.063W	1	TH-65PV500B
R8461	ERJ2GEJ560	M 56 OHM, J,0.063W	1	TH-65PV500B
R8462,63	ERJ2GEOR00	M 0.0 OHM, J,0.063W	2	TH-65PV500B
R8464	ERJ2GEJ560	M 56 OHM, J,0.063W	1	TH-65PV500B
R8465	ERJ2GEJ103	M 10KOHM, J,0.063W	1	TH-65PV500B
R8466	EXB38V560J	RESISTOR ARRAY	1	TH-65PV500B
R8467,68	ERJ2GEJ560	M 56 OHM, J,0.063W	2	TH-65PV500B
R8469	EXB38V151J	RESISTOR ARRAY	1	TH-65PV500B
R8474	ERJ2GEOR00	M 0.0 OHM, J,0.063W	1	TH-65PV500B
R8475,76	ERJ2GEJ103	M 10KOHM, J,0.063W	2	TH-65PV500B
R8477,78	ERJ2GEJ560	M 56 OHM, J,0.063W	2	TH-65PV500B
R8479	ERJ2GEJ203	M 20KOHM, J,0.063W	1	TH-65PV500B
R8480-82	ERJ2GEJ560	M 56 OHM, J,0.063W	3	TH-65PV500B
R8483	ERJ2GEJ203	M 20KOHM, J,0.063W	1	TH-65PV500B
R8484	ERJ2GEJ223	M 22KOHM, J,0.063W	1	TH-65PV500B
R8485	ERJ2GEJ333	M 33KOHM, J,0.063W	1	TH-65PV500B
R8486	ERJ2GEJ223	M 22KOHM, J,0.063W	1	TH-65PV500B
R8487	ERJ2GEJ560	M 56 OHM, J,0.063W	1	TH-65PV500B
R8488	ERJ2GEOR00	M 0.0 OHM, J,0.063W	1	TH-65PV500B
R8489	ERJ2GEJ102	M 1KOHM, J,0.063W	1	TH-65PV500B
R8491	ERJ3EKF9102	M91.0KOHM, 1/16W	1	TH-65PV500B
R8492	ERJ3EKF9101	M 9.1KOHM, 1/16W	1	TH-65PV500B
R8493	ERJ3EKF9102	M91.0KOHM, 1/16W	1	TH-65PV500B
R8494	ERJ3EKF1202	M 12KOHM, 1/16W	1	TH-65PV500B
R8495	EXB38V151J	RESISTOR ARRAY	1	TH-65PV500B
R8496	EXB38V560J	RESISTOR ARRAY	1	TH-65PV500B
R8497	ERJ3EKF7500	M 750 OHM, 1/16W	1	TH-65PV500B
R8498	ERJ3EKF6800	M 680 OHM, 1/16W	1	TH-65PV500B
R8499	ERA3YED243	M 24KOHM 1/16W	1	TH-65PV500B
R8500	ERJ3EKF1052	M10.5KOHM, 1/16W	1	TH-65PV500B
R8501	ERJ3EKF2322	M23.2KOHM, 1/16W	1	TH-65PV500B
R8502	ERJ3EKF1003	M 100KOHM, 1/16W	1	TH-65PV500B
R8503,04	ERJ2GEJ103	M 10KOHM, J,0.063W	2	TH-65PV500B
R8505	ERJ2GEJ101	M 100 OHM, J,0.063W	1	TH-65PV500B
R8538,39	ERJ2GEJ101	M 100 OHM, J,0.063W	2	TH-65PV500B
R8546	ERJ2GEJ333	M 33KOHM, J,0.063W	1	TH-65PV500B
R8547	ERJ2GEJ102	M 1KOHM, J,0.063W	1	TH-65PV500B
R8602-04	ERJ2GEJ101	M 100 OHM, J,0.063W	3	TH-65PV500B
R8605,06	ERJ2GEJ104	M 100KOHM, J,0.063W	2	TH-65PV500B
R8608	ERJ2GEJ105	M 1MOHM, J,0.063W	1	TH-65PV500B
R8610	ERJ2GEJ332	M 3.3KOHM, J,0.063W	1	TH-65PV500B
R8611	ERJ6GEY0R00	M 0 OHM, 1/10W	1	TH-65PV500B
R8614	ERJ2GEJ221	M 220 OHM, J,0.063W	1	TH-65PV500B
R8615	ERJ2GEOR00	M 0.0 OHM, J,0.063W	1	TH-65PV500B
R8706-09	ERJ2GEJ103	M 10KOHM, J,0.063W	4	TH-65PV500B
R8711	ERJ2GEJ560	M 56 OHM, J,0.063W	1	TH-65PV500B
R8712	EXB38V560J	RESISTOR ARRAY	1	TH-65PV500B
R8713	EXB38V103J	RESISTOR ARRAY	1	TH-65PV500B
R8714-16	ERJ2GEJ560	M 56 OHM, J,0.063W	3	TH-65PV500B
R8802	ERJ2GEOR00	M 0.0 OHM, J,0.063W	1	TH-65PV500B
R8821	ERJ2GEOR00	M 0.0 OHM, J,0.063W	1	TH-65PV500B
R8827,28	ERJ2GEJ392	M 3.9KOHM, J,0.063W	2	TH-65PV500B
R8830	ERJ2GEJ101	M 100 OHM, J,0.063W	1	TH-65PV500B

Ref. No.	Part No.	Part Name & Description	Pcs	Remarks
R8862-64	ERJ2GE0R00	M 0.0 OHM, J,0.063W	3	TH-65PV500B
R8899,00	ERJ2GE0R00	M 0.0 OHM, J,0.063W	2	TH-65PV500B
R8912	ERJ2GE0R00	M 0.0 OHM, J,0.063W	1	TH-65PV500B
R8923	ERJ2GE0R00	M 0.0 OHM, J,0.063W	1	TH-65PV500B
R8926	ERJ2GE0R00	M 0.0 OHM, J,0.063W	1	TH-65PV500B
R8928	ERJ2GEJ101	M 100 OHM, J,0.063W	1	TH-65PV500B
R8930	ERJ3GEY0R00	M 0 OHM, 1/16W	1	TH-65PV500B
R8931,32	ERJ2GEJ392	M 3.9KOHM, J,0.063W	2	TH-65PV500B
R8933	ERJ2GE0R00	M 0.0 OHM, J,0.063W	1	TH-65PV500B
R8935	ERJ3GEYJ103	M 10KOHM, J,1/16W	1	TH-65PV500B
R8954	ERJ2GEJ103	M 10KOHM, J,0.063W	1	TH-65PV500B
R8960	ERJ2GE0R00	M 0.0 OHM, J,0.063W	1	TH-65PV500B
R8962-64	ERJ2GEJ101	M 100 OHM, J,0.063W	3	TH-65PV500B
R8967,68	EXB2HV473JV	RESISTOR ARRAY	2	TH-65PV500B PAVCCZ
R8969-71	ERJ2GEJ473	M 47KOHM, J,0.063W	3	TH-65PV500B
R8987	ERJ2GE0R00	M 0.0 OHM, J,0.063W	1	TH-65PV500B
R8990	ERJ2GEJ102	M 1KOHM, J,0.063W	1	TH-65PV500B
RM2510	PNA4601M05TV	REMOCO RECEIVER	1	
RTL	TNPA3003	CIRCUIT BOARD H3	2	△
RTL	TNPA3519AR	CIRCUIT BOARD DG	1	TH-65PV500B PAVCCZ △
RTL	TNPA3519AN	CIRCUIT BOARD DG	1	TH-65PV500E PAVCCZ △
RTL	TNPA3520AF	CIRCUIT BOARD H	1	TH-65PV500B PAVCCZ △
RTL	TNPA3520AG	CIRCUIT BOARD H	1	TH-65PV500E PAVCCZ △
RTL	TNPA3725	CIRCUIT BOARD DV	1	PAVCCZ △
RTL	TNPA3739	CIRCUIT BOARD Z	1	PAVCCZ △
RTL	TNPA3620AC	CIRCUIT BOARD PA	1	PAVCCZ △
RTL	TNPA3521AB	CIRCUIT BOARD TA	1	TH-65PV500B PAVCCZ △
RTL	TNPA3521	CIRCUIT BOARD TA	1	TH-65PV500E PAVCCZ △
RTL	TNP0EXV01AC	CIRCUIT BOARD XV	1	TH-65PV500B PAVCCZ △
RTL	TNPA3655AC	CIRCUIT BOARD PB	1	PAVCCZ △
RTL	TNPA3714AC	CIRCUIT BOARD K	1	TH-65PV500B PAVCCZ △
RTL	TNPA3714AB	CIRCUIT BOARD K	1	TH-65PV500E PAVCCZ △
RTL	TNPA3715AB	CIRCUIT BOARD S	1	PAVCCZ △
RTL	TNPA3497AB	CIRCUIT BOARD GS	1	PAVCCZ △
RTL	TXN/G1CNTTE	CIRCUIT BOARD G	1	PAVCCZ △
RTL	TNPA3721AB	CIRCUIT BOARD GK	1	PAVCCZ △
S1	K1KA03AA0193	3P CONNECTOR	1	
SW2500	KOF162B00002	SWITCH	1	
SW3751	EVQ11G05R	SWITCH	1	
SW3753-56	EVQ11G05R	SWITCH	4	
TA5	K1KB15B00013	15P CONNECTOR	1	
TA6	K1KB09B00019	9P CONNECTOR	1	
TU001	ENG37A12GF	TUNER	1	TH-65PV500E △
TU001	ENG7301GF	TUNER	1	TH-65PV500B PAVCCZ △
TU8001	ENV87H06D8F	TUNER	1	TH-65PV500B PAVCCZ △

Ref. No.	Part No.	Part Name & Description	Pcs	Remarks
X1101	H0J600400006	CRYSTAL	1	
X2101	TSSA128	CRYSTAL	1	
X2102	EFCS6504BF	CERAMIC FILTER	1	TH-65PV500E
X2103	EFCS7004BF	CERAMIC FILTER	1	TH-65PV500E
X4001	H0J202500016	CRYSTAL	1	
X4002	H0J270500087	CRYSTAL	1	
X8003	H0J241500001	CRYSTAL	1	TH-65PV500B PAVCCZ
X8006	H0J270500090	CRYSTAL	1	TH-65PV500B PAVCCZ
XV01	K1KAB0A00011	CONNECTOR	1	TH-65PV500B
Z2	K1KA05AA0192	5P CONNECTOR	1	
Z5	K1KA07AA0193	7P CONNECTOR	1	
Z50	K1MN35A00015	35P CONNECTOR	1	PAVCCZ
ZA3701	K4CD01000013	TERMINAL	1	
ZA5601-04	K9ZZ00000424	CONNECTOR	4	
ZMM1	TMM25401	CLAMPER	1	
F1603	K5D102BNA007	TIME LAG FUSE HIGH	1	△
F601.602	K5D103BMA001	TIME LAG FUSE HIGH	2	△
F1601.1602	K5D402BNA007	FUSE	2	△
C10	K1MN50BA0076	50P CONNECTOR	1	
C11	K1KA06BA0107	6P CONNECTOR	1	
C20,21	K1MN50BA0076	50P CONNECTOR	2	
C22,23	K1KA06BA0107	6P CONNECTOR	2	
C24,25	K1MN55BA0076	55P CONNECTOR	2	
C31	K1MN50BA0076	50P CONNECTOR	1	
C33	K1KA06BA0107	6P CONNECTOR	1	
C35	K1KA10AA0153	10P CONNECTOR	1	
C41	K1MN55BA0076	55P CONNECTOR	1	
C42	K1KA10AA0153	10P CONNECTOR	1	
C43	K1KA06BA0107	6P CONNECTOR	1	
C44	K1KA20AA0009	20P CONNECTOR	1	
C50	K1MN50BA0076	50P CONNECTOR	1	
C51	K1MN55BA0076	55P CONNECTOR	1	
C52,53	K1KA06BA0107	6P CONNECTOR	2	
C54,55	K1MN68BA0076	68P CONNECTOR	2	
C60	K1MN50BA0076	50P CONNECTOR	1	
C61	K1KA06BA0107	6P CONNECTOR	1	
C6016,17	F1L1E4750004	C 4.7UF, 25V	2	
C6019	F1L1E4750004	C 4.7UF, 25V	1	
C6036,37	F1L1E4750004	C 4.7UF, 25V	2	
C6039	F1L1E4750004	C 4.7UF, 25V	1	
C6060	ECJ3YB1E105K	C 1UF, K, 25V	1	
C6061	ECA1EM471	E 470UF, 25V	1	
C6063	ECA1EM101	E 100UF, 25V	1	
C6064,65	TCUY1C105ZFN	C 1UF, 16V	2	
C6066-69	ECJ2XB1H103K	C 0.01UF, K, 50V	4	
C6080-87	F0C2E225A166	C 22UF, 250V	8	
C6100	F1L2J562A022	C 5600UF, K,6.3V	1	
C6102,03	F1L2J562A022	C 5600UF, K,6.3V	2	
C6114	F1L1E4750004	C 4.7UF, 25V	1	
C6115	EEUF1E221	E 220UF, 25V	1	
C6131,32	F1L1E4750004	C 4.7UF, 25V	2	
C6134	F1L1E4750004	C 4.7UF, 25V	1	
C6140-44	F1L2J562A022	C 5600UF, K,6.3V	5	
C6170-78	F2A2D221A022	E 220UF, 200V	9	
C6185,86	F0C2E225A166	C 22UF, 250V	2	

Ref. No.	Part No.	Part Name & Description	Pcs	Remarks
C6200,01	ECA2CM101	E 100UF, 160V	2	
C6202	ECA1EM471	E 470UF, 25V	1	
C6203,04	ECA2CM101	E 100UF, 160V	2	
C6206-09	ECA2CM101	E 100UF, 160V	4	
C6210-14	F0C2E225A166	C 22UF, 250V	5	
C6217,18	F1L1E4750004	C 4.7UF, 25V	2	
C6221	F1L1E4750004	C 4.7UF, 25V	1	
C6223	F1L1E4750004	C 4.7UF, 25V	1	
C6224	EEUFC1E221	E 220UF, 25V	1	
C6225	F1L1E4750004	C 4.7UF, 25V	1	
C6226	TCUY1C105ZFN	C 1UF, 16V	1	
C6233	F1L1E4750004	C 4.7UF, 25V	1	
C6234	EEUFC1E221	E 220UF, 25V	1	
C6235	F1L1E4750004	C 4.7UF, 25V	1	
C6240	ECA2AHG101	E 100UF, 100V	1	
C6256	ECJ2XB1H104K	C 0.1UF, K, 50V	1	
C6257	F1L1E4750004	C 4.7UF, 25V	1	
C6260	ECJ3YB1E105K	C 1UF, K, 25V	1	
C6262	F1L1E4750004	C 4.7UF, 25V	1	
C6264	ECJ3YB1E105K	C 1UF, K, 25V	1	
C6265	F1L1E4750004	C 4.7UF, 25V	1	
C6266	EEUFC1E102	E 1000UF, 25V	1	
C6268,69	F2A2D221A022	E 220UF, 200V	2	
C6273	F1L1E4750004	C 4.7UF, 25V	1	
C6275	F1L1E4750004	C 4.7UF, 25V	1	
C6401-09	F2A2D221A022	E 220UF, 200V	9	
C6413,14	F0C2E225A166	C 22UF, 250V	2	
C6421	ECJ3YB1E105K	C 1UF, K, 25V	1	
C6422	ECA1EM471	E 470UF, 25V	1	
C6425,26	EEUFC1E470	E 47UF, 25V	2	
C6432-35	TCUY1C105ZFN	C 1UF, 16V	4	
C6436	ECJ3YB1E105K	C 1UF, K, 25V	1	
C6437	TCUY1C105ZFN	C 1UF, 16V	1	
C6440	TCUY1C105ZFN	C 1UF, 16V	1	
C6442	TCUY1C105ZFN	C 1UF, 16V	1	
C6444	TCUY1C105ZFN	C 1UF, 16V	1	
C6446	EEUFC1E470	E 47UF, 25V	1	
C6502-04	F0C2E225A166	C 22UF, 250V	3	
C6506-10	F0C2E225A166	C 22UF, 250V	5	
C6511-16	F1L2J222A022	C 2200UF, K,6.3V	6	
C6531-36	F1L2J222A022	C 2200UF, K,6.3V	6	
C6558-60	F1L1E4750004	C 4.7UF, 25V	3	
C6562	F1L1E4750004	C 4.7UF, 25V	1	
C6582	F1L1E4750004	C 4.7UF, 25V	1	
C6584,85	F1L1E4750004	C 4.7UF, 25V	2	
C6587	F1L1E4750004	C 4.7UF, 25V	1	
C6589,90	F1L1E4750004	C 4.7UF, 25V	2	
C6594,95	F1L1E4750004	C 4.7UF, 25V	2	
C6596	ECJ3YB1E105K	C 1UF, K, 25V	1	
C6611	F1L1E4750004	C 4.7UF, 25V	1	
C6612,13	F1K2J102A014	C 1000UF, K,6.3V	2	
C6614	ECA2VHG470	E 47UF, 350V	1	
C6615	ECA1VM470	E 47UF, 35V	1	
C6616,17	F1L1E4750004	C 4.7UF, 25V	2	
C6618	TCUY1C105ZFN	C 1UF, 16V	1	
C6619	ECJ3YB1E105K	C 1UF, K, 25V	1	
C6620	TCUY1C105ZFN	C 1UF, 16V	1	

Ref. No.	Part No.	Part Name & Description	Pcs	Remarks
C6621,22	F1L1E4750004	C 4.7UF, 25V	2	
C6623	ECQE2105RKB	P 1UF, 250V	1	
C6624	F1L1E4750004	C 4.7UF, 25V	1	
C6626	F1L1E4750004	C 4.7UF, 25V	1	
C6627,28	TCUY1C105ZFN	C 1UF, 16V	2	
C6630-32	F1K2J102A014	C 1000UF, K,6.3V	3	
C6634,35	F1L1E4750004	C 4.7UF, 25V	2	
C6636,37	ECA2CM101	E 100UF, 160V	2	
C6638	F1L1E4750004	C 4.7UF, 25V	1	
C6639	TCUY1C105ZFN	C 1UF, 16V	1	
C6651	TCUY1C105ZFN	C 1UF, 16V	1	
C6653	TCUY1C105ZFN	C 1UF, 16V	1	
C6655,56	TCUY1C105ZFN	C 1UF, 16V	2	
C6657	ECJ2XC1H102J	C 1000PF, J, 50V	1	
C6658	ECA1HM101	E 100UF, 50V	1	
C6659-62	F1L1E4750004	C 4.7UF, 25V	4	
C6800	ECJ2XB1H103K	C 0.01UF, K, 50V	1	
C6802	ECA2CM101	E 100UF, 160V	1	
C6803	ECQE2105RKB	P 1UF, 250V	1	
C6804	F2A2D1510004	E 150UF, 200V	1	
C6805	ECQE2105RKB	P 1UF, 250V	1	
C6806	ECA2VHG470	E 47UF, 350V	1	
C6807	ECA1HM221	E 220UF, 50V	1	
C6808,09	ECA2CM101	E 100UF, 160V	2	
C6810	ECJ2XB1H103K	C 0.01UF, K, 50V	1	
C6812-15	F1K2J332A014	C 3300UF, K,6.3V	4	
C6816	F2A2G100A017	E 100UF, 400V	1	
C6818	ECJ2XB1H103K	C 0.01UF, K, 50V	1	
C6819	TCUY1C105ZFN	C 1UF, 16V	1	
C6820	ECJ2XB1H472K	C 4700PF, K, 50V	1	
C6821	EEUFC1E221	E 220UF, 25V	1	
C6822	ECJ2XB1H104K	C 0.1UF, K, 50V	1	
C6823	F1K2J222A014	C 2200UF, K,6.3V	1	
C6824	ECA2EHG470	E 47UF, 250V	1	
C6825	ECQE6223KF	P 0.022UF, K,400V	1	
C6826	ECJ2XB1H104K	C 0.1UF, K, 50V	1	
C6827	ECJ2XB1H103K	C 0.01UF, K, 50V	1	
C6828	EEUFC1V151	E 150UF, 35V	1	
C6829	ECA2DHG330	E 33UF, 200V	1	
C6830	F1L1E4750004	C 4.7UF, 25V	1	
C6831	EEUFC1E470	E 47UF, 25V	1	
C6832	ECJ2XC1H471J	C 470PF, J, 50V	1	
C6833	F1L1E4750004	C 4.7UF, 25V	1	
C6834	ECJ2XC1H102J	C 1000PF, J, 50V	1	
C6835	ECJ2XC1H471J	C 470PF, J, 50V	1	
C6836	ECRD3D221KBP	C 220PF, K, 2KV	1	
C6840	ECJ3FB2A223K	C 0.022UF, Z, 10V	1	
C6900	ECJ2XB1H222K	C 2200PF, K, 50V	1	
C6901	TCUY1C105ZFN	C 1UF, 16V	1	
C6904	ECJ2XB1H222K	C 2200PF, K, 50V	1	
C6905,06	F1L2E1040002	E 1000UF, 25V	2	
C6907	TCUY1C105ZFN	C 1UF, 16V	1	
C6909	TCUY1C105ZFN	C 1UF, 16V	1	
C6911	TCUY1C105ZFN	C 1UF, 16V	1	
C6913,14	F1L2E1040002	E 1000UF, 25V	2	
C6915	TCUY1C105ZFN	C 1UF, 16V	1	
C6918	TCUY1C105ZFN	C 1UF, 16V	1	
C6920	ECJ2XB1H222K	C 2200PF, K, 50V	1	
C6921	TCUY1C105ZFN	C 1UF, 16V	1	
C6923,24	F1L2E1040002	E 1000UF, 25V	2	
C6925	TCUY1C105ZFN	C 1UF, 16V	1	
C6927	TCUY1C105ZFN	C 1UF, 16V	1	
C6929	TCUY1C105ZFN	C 1UF, 16V	1	

Ref. No.	Part No.	Part Name & Description	Pcs	Remarks
C6931,3 2	F1L2E1040002	E 1000UF, 25V	2	
C6934	ECJ2XB1H222K	C 2200PF, K, 50V	1	
C6935	TCUY1C105ZFN	C 1UF, 16V	1	
C6938	TCUY1C105ZFN	C 1UF, 16V	1	
C7101,0 2	TCUY1C105ZFN	C 1UF, 16V	2	
C7103,0 4	ECJ3XB2A474K	C 0.47UF, 6.3V	2	
C7107	ECJ3XB2A474K	C 0.47UF, 6.3V	1	
C7111	ECJ1XC1H101J	C 100PF, J, 50V	1	
C7125	TCUY1C105ZFN	C 1UF, 16V	1	
C7130	ECJ1XB1C104K	C 0.1UF, Z, 16V	1	
C7136- 38	ECJ1XB1C104K	C 0.1UF, Z, 16V	3	
C7139	TCUY1C105ZFN	C 1UF, 16V	1	
C7150	ECJ1XC1H101J	C 100PF, J, 50V	1	
C7152	ECJ1XC1H101J	C 100PF, J, 50V	1	
C7155	ECJ3XB2A474K	C 0.47UF, 6.3V	1	
C7167	ECJ1XC1H101J	C 100PF, J, 50V	1	
C7168	TCUY1C105ZFN	C 1UF, 16V	1	
C7169	ECJ1XB1C104K	C 0.1UF, Z, 16V	1	
C7201	TCUY1C105ZFN	C 1UF, 16V	1	
C7203	TCUY1C105ZFN	C 1UF, 16V	1	
C7207,0 8	ECJ1XB1C104K	C 0.1UF, Z, 16V	2	
C7210	ECJ1XB1C104K	C 0.1UF, Z, 16V	1	
C7212	TCUY1C105ZFN	C 1UF, 16V	1	
C7214	ECJ1XB1C104K	C 0.1UF, Z, 16V	1	
C7216	ECJ1XB1C104K	C 0.1UF, Z, 16V	1	
C7221	ECJ1XC1H101J	C 100PF, J, 50V	1	
C7222	ECJ1XB1C104K	C 0.1UF, Z, 16V	1	
C7224	TCUY1C105ZFN	C 1UF, 16V	1	
C7225	ECJ1XB1C104K	C 0.1UF, Z, 16V	1	
C7229	ECJ1XB1C104K	C 0.1UF, Z, 16V	1	
C7231	ECJ1XB1C104K	C 0.1UF, Z, 16V	1	
C7232	ECJ3XB2A474K	C 0.47UF, 6.3V	1	
C7234,3 5	ECJ3XB2A474K	C 0.47UF, 6.3V	2	
C7238	ECJ1XC1H101J	C 100PF, J, 50V	1	
C7240	ECJ1XC1H101J	C 100PF, J, 50V	1	
C7260	ECJ1XB1C104K	C 0.1UF, Z, 16V	1	
C7265	ECJ1XB1C104K	C 0.1UF, Z, 16V	1	
C7274	ECJ1XB1C104K	C 0.1UF, Z, 16V	1	
C7301	TCUY1C105ZFN	C 1UF, 16V	1	
C7304	ECJ1XB1C104K	C 0.1UF, Z, 16V	1	
C7308,0 9	ECJ1XB1C104K	C 0.1UF, Z, 16V	2	
C7311,1 2	ECJ1XB1C104K	C 0.1UF, Z, 16V	2	
C7315,1 6	TCUY1C105ZFN	C 1UF, 16V	2	
C7323	ECJ1XC1H101J	C 100PF, J, 50V	1	
C7326	ECJ1XC1H101J	C 100PF, J, 50V	1	
C7329	ECJ1XC1H101J	C 100PF, J, 50V	1	
C7339,4 0	TCUY1C105ZFN	C 1UF, 16V	2	
C7351	ECJ1XC1H101J	C 100PF, J, 50V	1	
C7359- 62	ECJ3XB2A474K	C 0.47UF, 6.3V	4	
C7401	TCUY1C105ZFN	C 1UF, 16V	1	
C7406	ECJ1XB1C104K	C 0.1UF, Z, 16V	1	
C7412- 15	ECJ1XB1C104K	C 0.1UF, Z, 16V	4	
C7418,1 9	TCUY1C105ZFN	C 1UF, 16V	2	
C7420- 23	ECJ3XB2A474K	C 0.47UF, 6.3V	4	
C7428,2 9	ECJ1XC1H101J	C 100PF, J, 50V	2	
C7440,4 1	TCUY1C105ZFN	C 1UF, 16V	2	
C7452,5 3	ECJ1XC1H101J	C 100PF, J, 50V	2	
C7502,0 3	TCUY1C105ZFN	C 1UF, 16V	2	

Ref. No.	Part No.	Part Name & Description	Pcs	Remarks
C7505	ECJ1XB1C104K	C 0.1UF, Z, 16V	1	
C7507	ECJ1XB1C104K	C 0.1UF, Z, 16V	1	
C7508	ECJ1XC1H101J	C 100PF, J, 50V	1	
C7509	TCUY1C105ZFN	C 1UF, 16V	1	
C7510	ECJ1XC1H101J	C 100PF, J, 50V	1	
C7512	ECJ1XB1C104K	C 0.1UF, Z, 16V	1	
C7514	ECJ1XB1C104K	C 0.1UF, Z, 16V	1	
C7515,1 6	ECJ1XC1H101J	C 100PF, J, 50V	2	
C7526- 28	ECJ3XB2A474K	C 0.47UF, 6.3V	3	
C7552	ECJ1XB1C104K	C 0.1UF, Z, 16V	1	
C7554	ECJ1XB1C104K	C 0.1UF, Z, 16V	1	
C7556	ECJ1XB1C104K	C 0.1UF, Z, 16V	1	
C7558	ECJ1XB1C104K	C 0.1UF, Z, 16V	1	
C7560	ECJ1XB1C104K	C 0.1UF, Z, 16V	1	
C7563,6 4	ECJ1XB1C104K	C 0.1UF, Z, 16V	2	
C7566,6 7	ECJ1XB1C104K	C 0.1UF, Z, 16V	2	
C7601,0 2	TCUY1C105ZFN	C 1UF, 16V	2	
C7611- 13	ECJ1XC1H101J	C 100PF, J, 50V	3	
C7624	TCUY1C105ZFN	C 1UF, 16V	1	
C7630	ECJ1XB1C104K	C 0.1UF, Z, 16V	1	
C7635- 37	ECJ1XB1C104K	C 0.1UF, Z, 16V	3	
C7640	TCUY1C105ZFN	C 1UF, 16V	1	
C7650	ECJ1XB1C104K	C 0.1UF, Z, 16V	1	
C7653- 55	ECJ3XB2A474K	C 0.47UF, 6.3V	3	
C7687	TCUY1C105ZFN	C 1UF, 16V	1	
C7688	ECJ1XC1H101J	C 100PF, J, 50V	1	
C7695	ECJ3XB2A474K	C 0.47UF, 6.3V	1	
C9000	EEHBC470P	C 47PF, J, 16V	1	
C9001	ECJ1XF1C104Z	C 0.1UF, Z, 16V	1	
C9004,0 5	ECJ1XF1C104Z	C 0.1UF, Z, 16V	2	
C9006	FLJ0J1060004	C 0.010UF, K, 16V	1	
C9007	EEHBC470P	C 47PF, J, 16V	1	
C9008	ECJ1XF1C104Z	C 0.1UF, Z, 16V	1	
C9009	FLJ0J1060004	C 0.010UF, K, 16V	1	
C9010- 12	ECJ1XF1C104Z	C 0.1UF, Z, 16V	3	
C9013	ECJ1VF1H103Z	C 0.010UF, Z, 50V	1	
C9014	ECJ1XC1H101K	C 100PF, K, 50V	1	
C9015- 22	ECJ1XF1C104Z	C 0.1UF, Z, 16V	8	
C9023	EEHBC470P	C 47PF, J, 16V	1	
C9024	ECJ1XC1H271J	C 270PF, J, 50V	1	
C9025	ECJ1XF1C104Z	C 0.1UF, Z, 16V	1	
C9026,2 7	ECJ2VF1C105Z	C 1UF, Z, 16V	2	
C9028- 31	ECJ1XF1C104Z	C 0.1UF, Z, 16V	4	
C9033	ECJ1XF1C104Z	C 0.1UF, Z, 16V	1	
C9035,3 6	ECJ1XF1C104Z	C 0.1UF, Z, 16V	2	
C9201,0 2	ECJ1XB1C104K	C 0.1UF, Z, 16V	2	
C9203	ECJ1XC1H150J	C 15PF, J, 50V	1	
C9204	ECJ1VC1H080C	C 8PF, C, 50V	1	
C9205	FLJ0J1060004	C 0.010UF, K, 16V	1	
C9206,0 7	ECJ1XB1C104K	C 0.1UF, Z, 16V	2	
C9303	ECJ1XF1C104Z	C 0.1UF, Z, 16V	1	
C9304- 57	ECJ1XB1C104K	C 0.1UF, Z, 16V	54	
C9358	EEHBOG221P	C 220PF, J, 4V	1	
C9359	ECJ1XB1C104K	C 0.1UF, Z, 16V	1	
C9360	ECJ1XF1C104Z	C 0.1UF, Z, 16V	1	
C9500- 02	ECJ2VF1C105Z	C 1UF, Z, 16V	3	
C9503- 12	ECJ1XB1C104K	C 0.1UF, Z, 16V	10	
C9513	EEHBC470P	C 47PF, J, 16V	1	

Ref. No.	Part No.	Part Name & Description	Pcs	Remarks
C9514-17	ECJ1XB1C104K	C 0.1UF, Z, 16V	4	
C9518	EEEB1C470P	C 47PF, J, 16V	1	
C9519	ECJ1XC1H101K	C 100PF, K, 50V	1	
C9701,02	ECJ1XF1C104Z	C 0.1UF, Z, 16V	2	
C9703	F1J0J1060004	C 0.010UF, K, 16V	1	
C9705,06	F1J0J1060004	C 0.010UF, K, 16V	2	
C9707	EEEB1C470P	C 47PF, J, 16V	1	
C9712,13	F1J0J1060004	C 0.010UF, K, 16V	2	
C9714,15	ECGRL0G680R	C 68PF, J, 4V	2	
C9716	ECJ1XC1H220J	C 22PF, J, 50V	1	
C9718	ECJ1XC1H220J	C 22PF, J, 50V	1	
C9719,20	ECJ1XC1H102J	C 1000PF, J, 50V	2	
C9721,22	ECJ1XF1C104Z	C 0.1UF, Z, 16V	2	
C9723,24	ECJ2XB1H104K	C 0.1UF, K, 50V	2	
C9725	ECJ1XC1H102J	C 1000PF, J, 50V	1	
C9727	ECJ1XC1H102J	C 1000PF, J, 50V	1	
C9728,29	ECJ3XF1C475Z	C 4.7UF, Z, 16V	2	
C9730,31	EEEB1C470P	C 47PF, J, 16V	2	
C9732	ECJ1VF1H103Z	C 0.010UF, Z, 50V	1	
C9733	ECJ1XF1C104Z	C 0.1UF, Z, 16V	1	
C9734,35	EEEB1C470P	C 47PF, J, 16V	2	
C9736	ECJ1XF1C104Z	C 0.1UF, Z, 16V	1	
C9739,40	ECJ1XB1C104K	C 0.1UF, Z, 16V	2	
C9741	ECJ3XF1C475Z	C 4.7UF, Z, 16V	1	
C9742	ECJ1XF1C104Z	C 0.1UF, Z, 16V	1	
C9743,44	ECJ3XF1C475Z	C 4.7UF, Z, 16V	2	
C9800,01	ECJ1VF1H103Z	C 0.010UF, Z, 50V	2	
C9900,01	ECJ1VF1H103Z	C 0.010UF, Z, 50V	2	
CA1-11	K1MN68BA0138	68P CONNECTOR	11	
CB1-11	K1MN68BA0002	68P CONNECTOR	11	
D3	K1KA30AA0009	30P CONNECTOR	1	
D4	K1KA14A00248	14P CONNECTOR	1	
D5	K1KA31A00007	31P CONNECTOR	1	
D6	K1KA20A00310	20P CONNECTOR	1	
D8	K1KA08AA0104	8P CONNECTOR	1	
D20	K1KA20AA0008	20P CONNECTOR	1	
D25	K1KA20AA0009	20P CONNECTOR	1	
D31,32	K1MN55BA0076	55P CONNECTOR	2	
D33,34	K1MN68BA0076	68P CONNECTOR	2	
D6000-03	B0HBSN000008	DIODE	4	
D6004	B0HDSM000005	DIODE	1	
D6010,11	B0HBSN000008	DIODE	2	
D6012	B0ECHP000003	DIODE	1	
D6013,14	B0HCMM000014	DIODE	2	
D6015	B0ECHP000003	DIODE	1	
D6016	B0HBSN000008	DIODE	1	
D6020-22	B0HBSN000008	DIODE	3	
D6024,25	B0ECHP000003	DIODE	2	
D6030,31	B0HBSN000008	DIODE	2	
D6035,36	B0ECHP000003	DIODE	2	
D6060	MA111	DIODE	1	

Ref. No.	Part No.	Part Name & Description	Pcs	Remarks
D6061,62	MA8330M	ZENER DIODE	2	
D6063	LNJ301MPUJA	LED	1	
D6064	MA8051L	ZENER DIODE	1	
D6065,66	MA152	DIODE	2	
D6135	MA111	DIODE	1	
D6146-48	B0HBSN000008	DIODE	3	
D6190	B0ECHP000003	DIODE	1	
D6200	B0HDSM000005	DIODE	1	
D6203	B0HDSM000005	DIODE	1	
D6206-09	B0ECHP000003	DIODE	4	
D6210-12	B0HDSM000005	DIODE	3	
D6213,14	B0ECHP000003	DIODE	2	
D6215	B0HDSM000005	DIODE	1	
D6221	B0JCME000037	DIODE	1	
D6225	B0JCME000037	DIODE	1	
D6226,27	B0ECHP000003	DIODE	2	
D6228	B0HDSM000005	DIODE	1	
D6240	B0HDSM000005	DIODE	1	
D6241,42	B0ECHP000003	DIODE	2	
D6250-53	B0JCME000037	DIODE	4	
D6257-59	B0ECHP000003	DIODE	3	
D6262	B0JCME000037	DIODE	1	
D6263,64	MA111	DIODE	2	
D6271	MA111	DIODE	1	
D6411	MA111	DIODE	1	
D6412	MA8051L	ZENER DIODE	1	
D6413,14	MA8330M	ZENER DIODE	2	
D6415	LNJ301MPUJA	LED	1	
D6416	MA111	DIODE	1	
D6417,18	MA8330M	ZENER DIODE	2	
D6419-21	MA111	DIODE	3	
D6422,23	MA8200M	ZENER DIODE	2	
D6501-04	B0HBSN000008	DIODE	4	
D6507	B0HBSN000008	DIODE	1	
D6511-14	B0HBSN000008	DIODE	4	
D6517	MA8330M	ZENER DIODE	1	
D6518,19	MA111	DIODE	2	
D6521-23	B0HBSN000008	DIODE	3	
D6525-29	B0HBSN000008	DIODE	5	
D6559	MA111	DIODE	1	
D6561,62	B0ECHP000003	DIODE	2	
D6563	B0HBSN000008	DIODE	1	
D6564-66	B0ECHP000003	DIODE	3	
D6567-70	B0JCME000037	DIODE	4	
D6571	B0ECHP000003	DIODE	1	
D6611,12	B0ECHP000003	DIODE	2	
D6613	MA8240M	ZENER DIODE	1	
D6615,16	MA111	DIODE	2	
D6617	MA8051L	ZENER DIODE	1	
D6618	B0HCMM000014	DIODE	1	
D6619	MA111	DIODE	1	
D6620	B0ECHP000003	DIODE	1	
D6621	MA111	DIODE	1	

Ref. No.	Part No.	Part Name & Description	Pcs	Remarks
D6622	MA8240M	ZENER DIODE	1	
D6623	BOJCME000037	DIODE	1	
D6624	MA111	DIODE	1	
D6625	BOHCK8000002	DIODE	1	
D6627, 28	MA111	DIODE	2	
D6629, 30	BOHCK8000002	DIODE	2	
D6631	MA111	DIODE	1	
D6632	BOJCME000037	DIODE	1	
D6633	MA111	DIODE	1	
D6634	MA8051L	ZENER DIODE	1	
D6635-37	MA8330M	ZENER DIODE	3	
D6638	MA111	DIODE	1	
D6639	BOHCMM000014	DIODE	1	
D6640-42	MA111	DIODE	3	
D6643	BOHCMM000014	DIODE	1	
D6644-51	MA8056H	ZENER DIODE	8	
D6652	MA111	DIODE	1	
D6653	MA8056H	ZENER DIODE	1	
D6654-57	BOJCME000037	DIODE	4	
D6658	BOHCK8000002	DIODE	1	
D6659	MA8056H	ZENER DIODE	1	
D6702, 03	MA8056H	ZENER DIODE	2	
D6808	MA111	DIODE	1	
D6809, 10	BOHBSN000008	DIODE	2	
D6811-14	BOEHP000003	DIODE	4	
D6815	BOJCME000037	DIODE	1	
D6817	MA111	DIODE	1	
D6818	BOJCKG000002	DIODE	1	
D6819	BOHCK8000002	DIODE	1	
D6820	MA111	DIODE	1	
D6821	BOJCME000037	DIODE	1	
D6822, 23	BOHCK8000002	DIODE	2	
D6824	BOHCMM000014	DIODE	1	
D6825	BOBC01000044	ZENER DIODE	1	
D6826	BOEHP000003	DIODE	1	
D6827	MA111	DIODE	1	
D6828	BOHCK8000002	DIODE	1	
D6829	MA111	DIODE	1	
D6830	BOHCK8000002	DIODE	1	
D6831, 32	MA111	DIODE	2	
D6833-35	BOHCMM000014	DIODE	3	
D6837	MA8056H	ZENER DIODE	1	
D6838, 39	MA111	DIODE	2	
D6840	BOEHP000003	DIODE	1	
D6841	BOHCMM000014	DIODE	1	
D6900, 01	MA8056H	ZENER DIODE	2	
D6902	BOEHP000003	DIODE	1	
D6906	BOEHP000003	DIODE	1	
D6920	MA8056H	ZENER DIODE	1	
D6921	BOEHP000003	DIODE	1	
D6925	BOEHP000003	DIODE	1	
D6926	MA8056H	ZENER DIODE	1	
D7101-08	BOHCMM000014	DIODE	8	
D7201-06	BOHCMM000014	DIODE	6	
D7209	BOHDSM000005	DIODE	1	
D7301-08	BOHCMM000014	DIODE	8	
D7405-12	BOHCMM000014	DIODE	8	
D7501-06	BOHCMM000014	DIODE	6	

Ref. No.	Part No.	Part Name & Description	Pcs	Remarks
D7509	BOHDSM000005	DIODE	1	
D7601-08	BOHCMM000014	DIODE	8	
D9000-02	MA3033	ZENER DIODE	3	
D9011, 12	MA728	DIODE	2	
D9015, 16	MA152K	DIODE	2	
D9700, 01	MA728	DIODE	2	
D9800, 01	MA152K	DIODE	2	
D9900, 01	MA152K	DIODE	2	
FL7201, 02	JOHABH000013	LC FILTER	2	
FL7501, 02	JOHABH000013	LC FILTER	2	
FL9000-04	JOHABH000013	LC FILTER	5	
FL9300-02	JOHABH000013	LC FILTER	3	
FL9701, 02	JOHABH000012	LC FILTER	2	
FL9703, 04	JOHABH000013	LC FILTER	2	
FL9800, 01	JOHABH000013	LC FILTER	2	
FL9900, 01	JOHABH000013	LC FILTER	2	
IC6000	COZBZ0000895	IC	1	
IC6020	COZBZ0000895	IC	1	
IC6060	COJBZ0000005	IC	1	
IC6061, 62	NJM2903M	INTEGRATED CIRCUIT	2	
IC6100	COZBZ0000895	IC	1	
IC6200, 01	COZBZ0000895	IC	2	
IC6220, 21	COZBZ0000895	IC	2	
IC6240	COJBZ0000005	IC	1	
IC6250	COZBZ0000895	IC	1	
IC6251	COZBZ0001033	IC	1	
IC6252	AN1431M	LINEAR IC	1	
IC6411, 12	COJBZ0000005	IC	2	
IC6413	COJBAA000174	IC	1	
IC6421	NJM2903M	INTEGRATED CIRCUIT	1	
IC6501-04	COZBZ0000895	IC	4	
IC6610	COZBZ0001033	IC	1	
IC6611	COCBADC00075	IC	1	
IC6620	COZBZ0001033	IC	1	
IC6621	COCBADC00075	IC	1	
IC6630	COZBZ0001033	IC	1	
IC6640	COZBZ0001033	IC	1	
IC6650, 51	COJBZ0000994	IC	2	
IC6652	COCBALC00010	IC	1	
IC6653, 54	COCBADC00075	IC	2	
IC6801	CODAAMH00005	IC	1	
IC6811, 12	AN1431M	LINEAR IC	2	
IC6814, 15	AN1431M	LINEAR IC	2	
IC6816	COCBALC00010	IC	1	
IC6817, 18	AN1431M	LINEAR IC	2	
IC6900-05	AN16021A-VT	IC	6	
IC6920-25	AN16021A-VT	IC	6	
IC7102	COJBZ0001120	IC	1	

Ref. No.	Part No.	Part Name & Description	Pcs	Remarks
IC7104-07	C0JBZ001120	IC	4	
IC7201-12	C0JBZ001120	IC	12	
IC7301-05	C0JBZ001120	IC	5	
IC7401-05	C0JBZ001120	IC	5	
IC7501-13	C0JBZ001120	IC	13	
IC7602-06	C0JBZ001120	IC	5	
IC9001	TVRN676	IC	1	
IC9003	C2CBJG000670	IC	1	
IC9004	C0EBE0000120	IC	1	
IC9005,06	C0JBZ000856	IC	2	
IC9007	TVRN674	IC	1	
IC9008	C0DBEJG00001	IC	1	
IC9200	C1ZBZ0002769	IC	1	
IC9300	MN84512-A	IC	1	
IC9301	PST9128NR	IC (LOGIC)	1	
IC9302	C3ABQJ000031	IC	1	
IC9303	TVRN678	IC	1	
IC9500	C1ZBZ0002599	IC	1	
IC9502-04	C0JBZ000856	IC	3	
IC9700	C0DBEJG00001	IC	1	
IC9702	C0DBAZH00020	IC	1	
JS6201	ERD25V0T	M OHM, 1/10W	1	
JS6402	ERJ6GEY0R00	M 0 OHM, 1/10W	1	
JS6801	ERD25V0T	M OHM, 1/10W	1	
L6010-13	G0CR96KA0118	PEAKING COIL	4	
L6014	G0ZZ00002183	PEAKING COIL	1	
L6015,16	G0CR96KA0118	PEAKING COIL	2	
L6030,31	G0CR96KA0118	PEAKING COIL	2	
L6033,34	G0CR96KA0118	PEAKING COIL	2	
L6040	G0ZZ00002183	PEAKING COIL	1	
L6042	G0ZZ00002183	PEAKING COIL	1	
L6044	G0ZZ00002183	PEAKING COIL	1	
L6046	G0ZZ00002183	PEAKING COIL	1	
L6048	G0ZZ00002183	PEAKING COIL	1	
L6050	G0ZZ00002183	PEAKING COIL	1	
L6052	G0ZZ00002183	PEAKING COIL	1	
L6054	G0ZZ00002183	PEAKING COIL	1	
L6068	J0JJC0000021	CHIP INDUCTOR	1	
L6070	G0ZZ00002183	PEAKING COIL	1	
L6072	G0ZZ00002183	PEAKING COIL	1	
L6074	G0ZZ00002183	PEAKING COIL	1	
L6076	G0ZZ00002183	PEAKING COIL	1	
L6078	G0ZZ00002183	PEAKING COIL	1	
L6080	G0ZZ00002183	PEAKING COIL	1	
L6098	J0JJC0000021	CHIP INDUCTOR	1	
L6170	G0ZZ00002183	PEAKING COIL	1	
L6180-82	G0ZZ00002183	PEAKING COIL	3	
L6183,84	J0JJC0000021	CHIP INDUCTOR	2	
L6190	J0JJC0000021	CHIP INDUCTOR	1	
L6203-07	G0CR60KA0118	PEAKING COIL	5	
L6210,11	J0JJC0000021	CHIP INDUCTOR	2	
L6216,17	J0JJC0000021	CHIP INDUCTOR	2	
L6223-26	J0JJC0000021	CHIP INDUCTOR	4	
L6231-33	J0JJC0000021	CHIP INDUCTOR	3	
L6235,36	J0JJC0000021	CHIP INDUCTOR	2	

Ref. No.	Part No.	Part Name & Description	Pcs	Remarks
L6239-41	G0ZZ00002183	PEAKING COIL	3	
L6249	G0ZZ00002183	PEAKING COIL	1	
L6250-53	J0JJC0000021	CHIP INDUCTOR	4	
L6411,12	G0ZZ00002183	PEAKING COIL	2	
L6414	G0ZZ00002183	PEAKING COIL	1	
L6501-10	G0CR96KA0118	PEAKING COIL	10	
L6513-16	J0JJC0000021	CHIP INDUCTOR	4	
L6521-36	G0ZZ00002183	PEAKING COIL	16	
L6546	G0ZZ00002183	PEAKING COIL	1	
L6548	G0ZZ00002183	PEAKING COIL	1	
L6550	G0ZZ00002183	PEAKING COIL	1	
L6552	G0ZZ00002183	PEAKING COIL	1	
L6554	G0ZZ00002183	PEAKING COIL	1	
L6556	G0ZZ00002183	PEAKING COIL	1	
L6676-79	J0JJC0000021	CHIP INDUCTOR	4	
L6680	G0ZZ00002183	PEAKING COIL	1	
L6809-13	G0ZZ00002183	PEAKING COIL	5	
L6814-16	J0JJC0000021	CHIP INDUCTOR	3	
L7101-08	J0JJC0000011	CHIP INDUCTOR	8	
L7203-08	J0JJC0000011	CHIP INDUCTOR	6	
L7301-08	J0JJC0000011	CHIP INDUCTOR	8	
L7401-08	J0JJC0000011	CHIP INDUCTOR	8	
L7503-08	J0JJC0000011	CHIP INDUCTOR	6	
L7601-08	J0JJC0000011	CHIP INDUCTOR	8	
L9200	G1C150KA0038	INDUCTION COIL	1	
L9500,01	J0JHC0000078	CHIP INDUCTOR	2	
L9700	G1C4R3M00003	CHIP INDUCTOR	1	
L9701	G1C6R8M00009	CHIP INDUCTOR	1	
PC6422-25	B3PBA0000223	IC	4	
PC6601	B3PBA0000234	IC	1	
PC6602	B3PBA0000233	IC	1	
PC6604	B3PBA0000234	IC	1	
PC6605	B3PBA0000233	IC	1	
PC6607	B3PBA0000233	IC	1	
PC6813	B3PBA0000223	IC	1	
PC6819	B3PBA0000223	IC	1	
Q6000-02	B1JADN000002	TRANSISTOR	3	
Q6010	B1ABNF000006	TRANSISTOR	1	
Q6011	B1ADNF000006	TRANSISTOR	1	
Q6020-22	B1JADN000002	TRANSISTOR	3	
Q6030	B1ABNF000006	TRANSISTOR	1	
Q6031	B1ADNF000006	TRANSISTOR	1	
Q6060	2SD601A	TRANSISTOR	1	
Q6100-05	B1JADN000002	TRANSISTOR	6	
Q6118	B1ABNF000006	TRANSISTOR	1	
Q6119	B1ADNF000006	TRANSISTOR	1	
Q6120	B1ABNF000006	TRANSISTOR	1	
Q6121	B1ADNF000006	TRANSISTOR	1	
Q6140-45	B1JADN000002	TRANSISTOR	6	
Q6160	B1ABNF000006	TRANSISTOR	1	
Q6161	B1ADNF000006	TRANSISTOR	1	
Q6162	B1ABNF000006	TRANSISTOR	1	
Q6163	B1ADNF000006	TRANSISTOR	1	
Q6200	2SK326900L	FET	1	

Ref. No.	Part No.	Part Name & Description	Pcs	Remarks
Q6202	2SK326900L	FET	1	
Q6210	BLABNF000006	TRANSISTOR	1	
Q6211	BLADNF000006	TRANSISTOR	1	
Q6212	BLABNF000006	TRANSISTOR	1	
Q6213	BLADNF000006	TRANSISTOR	1	
Q6221	BLDFKL000001	TRANSISTOR	1	
Q6223	BLDFKL000001	TRANSISTOR	1	
Q6225	BLDFKL000001	TRANSISTOR	1	
Q6230	BLABNF000006	TRANSISTOR	1	
Q6231	BLADNF000006	TRANSISTOR	1	
Q6232	BLABNF000006	TRANSISTOR	1	
Q6233	BLADNF000006	TRANSISTOR	1	
Q6240	2SB1193000LB	TRANSISTOR	1	
Q6250-53	BLDFKM000002	TRANSISTOR	4	
Q6254	BLABNF000006	TRANSISTOR	1	
Q6255	BLADNF000006	TRANSISTOR	1	
Q6256	2SD1263A	TRANSISTOR	1	
Q6257	2SC1473A	TRANSISTOR	1	
Q6259	2SK326800L	FET	1	
Q6260	BLDFKM000002	TRANSISTOR	1	
Q6261	2SK620	FET	1	
Q6262	BLDFKM000002	TRANSISTOR	1	
Q6411	2SD601A	TRANSISTOR	1	
Q6412,13	2SK620	FET	2	
Q6501-06	BLJADN000002	TRANSISTOR	6	
Q6513-18	BLJADN000002	TRANSISTOR	6	
Q6531-33	BLJADN000002	TRANSISTOR	3	
Q6537-39	BLJADN000002	TRANSISTOR	3	
Q6543-46	2SK349400L	FET	4	
Q6551	BLABNF000006	TRANSISTOR	1	
Q6552	BLADNF000006	TRANSISTOR	1	
Q6553	BLABNF000006	TRANSISTOR	1	
Q6554	BLADNF000006	TRANSISTOR	1	
Q6559	BLABNF000006	TRANSISTOR	1	
Q6560	BLADNF000006	TRANSISTOR	1	
Q6561	BLABNF000006	TRANSISTOR	1	
Q6562	BLADNF000006	TRANSISTOR	1	
Q6567	BLABNF000006	TRANSISTOR	1	
Q6568	BLADNF000006	TRANSISTOR	1	
Q6571	BLABNF000006	TRANSISTOR	1	
Q6572	BLADNF000006	TRANSISTOR	1	
Q6575	BLABNF000006	TRANSISTOR	1	
Q6576	BLADNF000006	TRANSISTOR	1	
Q6577	2SD601A	TRANSISTOR	1	
Q6601	BLDEDS000001	TRANSISTOR	1	
Q6602	BLDEET000002	TRANSISTOR	1	
Q6604	2SK389500L	FET	1	
Q6611-26	BLDFJM000003	TRANSISTOR	16	
Q6630-45	BLDFKM000001	TRANSISTOR	16	
Q6650-53	BLDEDS000001	TRANSISTOR	4	
Q6654	2SK389500L	FET	1	
Q6655	2SD601A	TRANSISTOR	1	
Q6656,57	BLADNF000006	TRANSISTOR	2	
Q6658,59	2SK620	FET	2	
Q6660	BLABNF000006	TRANSISTOR	1	
Q6661	BLADNF000006	TRANSISTOR	1	
Q6662	BLABNF000006	TRANSISTOR	1	
Q6663	BLADNF000006	TRANSISTOR	1	
Q6664	2SD601A	TRANSISTOR	1	
Q6665	BLABNF000006	TRANSISTOR	1	
Q6666,67	2SK620	FET	2	
Q6668	BLABNF000006	TRANSISTOR	1	
Q6669	BLADNF000006	TRANSISTOR	1	

Ref. No.	Part No.	Part Name & Description	Pcs	Remarks
Q6670	2SK620	FET	1	
Q6811	2SD1263A	TRANSISTOR	1	
Q6812	2SB940A	TRANSISTOR	1	
Q6813	2SC1473A	TRANSISTOR	1	
Q6814	2SD1263A	TRANSISTOR	1	
Q6815	2SC1473A	TRANSISTOR	1	
Q6816	BLBCCJ000004	TRANSISTOR	1	
Q6817	2SD601A	TRANSISTOR	1	
Q6818	2SB0709A	TRANSISTOR	1	
Q6819	2SD1263A	TRANSISTOR	1	
Q6820	2SC1473A	TRANSISTOR	1	
Q6821	2SD814A	TRANSISTOR	1	
Q6822,23	2SD601A	TRANSISTOR	2	
Q6825	2SD601A	TRANSISTOR	1	
Q9000,01	2SD601A	TRANSISTOR	2	
Q9003	BLDHCC000034	TRANSISTOR	1	
Q9004	2SB709A	TRANSISTOR	1	
Q9008,09	BLCBHD000002	FET	2	
Q9010,11	2SD601A	TRANSISTOR	2	
Q9012,13	BLCBHD000002	FET	2	
Q9020-23	2SD601A	TRANSISTOR	4	
Q9500	BLCBHD000002	FET	1	
Q9700	2SD601A	TRANSISTOR	1	
Q9701,02	BLMBCDA000002	TRANSISTOR	2	
Q9703,04	2SD601A	TRANSISTOR	2	
Q9800,01	2SD601A	TRANSISTOR	2	
Q9900,01	2SD601A	TRANSISTOR	2	
R6000-05	ERJ14YJ100	M 10 OHM, J, 1/4W	6	
R6012	ERJ6GEYJ101	M 100 OHM, J, 1/10W	1	
R6013	ERJ6GEYJ100	M 10 OHM, J, 1/10W	1	
R6014,15	ERJ6GEYJ103	M 10KOHM, J, 1/10W	2	
R6020-25	ERJ14YJ100	M 10 OHM, J, 1/4W	6	
R6032	ERJ6GEYJ101	M 100 OHM, J, 1/10W	1	
R6033	ERJ6GEYJ100	M 10 OHM, J, 1/10W	1	
R6034,35	ERJ6GEYJ103	M 10KOHM, J, 1/10W	2	
R6040-43	ERJ6GEYJ151	M 150 OHM, J, 1/10W	4	
R6047,48	ERJ6GEYJ151	M 150 OHM, J, 1/10W	2	
R6052	ERJ6ENF1182	M 1.8KOHM, 1/10W	1	
R6053-58	ERJ6GEYJ151	M 150 OHM, J, 1/10W	6	
R6060	EXB38V470J	RESISTOR ARRAY	1	
R6061	EXB38V472J	RESISTOR ARRAY	1	
R6062	EXB38V470J	RESISTOR ARRAY	1	
R6063	EXB38V472J	RESISTOR ARRAY	1	
R6064,65	ERJ6GEYJ103	M 10KOHM, J, 1/10W	2	
R6066	ERJ6GEYJ222	M 2.2KOHM, J, 1/10W	1	
R6067,68	ERJ6GEYJ152	M 1.5KOHM, J, 1/10W	2	
R6069	ERJ6GEYJ103	M 10KOHM, J, 1/10W	1	
R6070,71	ERJ6ENF3902	M 39KOHM, 1/10W	2	
R6072	ERJ6ENF6981	M 6.98KOHM, 1/10W	1	
R6073,74	ERJ6GEYJ224	M 220KOHM, J, 1/10W	2	
R6075,76	ERJ6GEYJ222	M 2.2KOHM, J, 1/10W	2	
R6079	ERJ6GEYJ101	M 100 OHM, J, 1/10W	1	
R6080	ERJ6GEYJ474	M 470KOHM, J, 1/10W	1	

Ref. No.	Part No.	Part Name & Description	Pcs	Remarks
R6081,82	ERJ6GEYJ104	M 100KOHM,J,1/10W	2	
R6090	ERJ6GEY0R00	M 0 OHM, 1/10W	1	
R6100-11	ERJ14YJ100	M 10 OHM, J,1/4W	12	
R6122	ERJ6GEYJ100	M 10 OHM,J,1/10W	1	
R6123,24	ERJ6GEYJ103	M 10KOHM,J,1/10W	2	
R6125	ERJ6GEYJ100	M 10 OHM,J,1/10W	1	
R6126,27	ERJ6GEYJ103	M 10KOHM,J,1/10W	2	
R6130	ERJ6GEYJ101	M 100 OHM,J,1/10W	1	
R6136	ERJ6ENF2702	M 27KOHM, 1/10W	1	
R6137	ERJ6ENF5602	M 56KOHM, 1/10W	1	
R6138,39	ERJ6ENF8202	M 82KOHM, 1/10W	2	
R6140-51	ERJ14YJ100	M 10 OHM, J,1/4W	12	
R6176	ERJ6GEYJ101	M 100 OHM,J,1/10W	1	
R6177	ERJ6GEYJ100	M 10 OHM,J,1/10W	1	
R6178,79	ERJ6GEYJ103	M 10KOHM,J,1/10W	2	
R6180	ERJ6GEYJ100	M 10 OHM,J,1/10W	1	
R6181,82	ERJ6GEYJ103	M 10KOHM,J,1/10W	2	
R6192	ERJ6GEYJ154	M 150KOHM,J,1/10W	1	
R6193	ERJ6GEYJ473	M 47KOHM,J,1/10W	1	
R6195,96	ERJ6GEYJ151	M 150 OHM,J,1/10W	2	
R6197,98	ERJ6GEYJ101	M 100 OHM,J,1/10W	2	
R6199	ERJ6GEYJ104	M 100KOHM,J,1/10W	1	
R6200	ERJ6GEYJ5R6	M 5.6 OHM,J,1/10W	1	
R6202	ERJ6GEYJ5R6	M 5.6 OHM,J,1/10W	1	
R6210	ERJ6GEYJ100	M 10 OHM,J,1/10W	1	
R6211,12	ERJ6GEYJ103	M 10KOHM,J,1/10W	2	
R6213	ERJ6GEYJ100	M 10 OHM,J,1/10W	1	
R6214,15	ERJ6GEYJ103	M 10KOHM,J,1/10W	2	
R6216,17	ERJ6GEYJ101	M 100 OHM,J,1/10W	2	
R6219	ERJ6GEYJ104	M 100KOHM,J,1/10W	1	
R6221	ERJ6GEYJ220	M 22 OHM,J,1/10W	1	
R6223	ERJ6GEYJ220	M 22 OHM,J,1/10W	1	
R6225	ERJ6GEYJ220	M 22 OHM,J,1/10W	1	
R6227	ERJ6GEYJ220	M 22 OHM,J,1/10W	1	
R6228	ERJ6GEYJ103	M 10KOHM,J,1/10W	1	
R6229	ERJ6GEYJ101	M 100 OHM,J,1/10W	1	
R6231	ERJ6GEYJ220	M 22 OHM,J,1/10W	1	
R6232	ERJ6GEYJ100	M 10 OHM,J,1/10W	1	
R6233,34	ERJ6GEYJ103	M 10KOHM,J,1/10W	2	
R6235	ERJ6GEYJ100	M 10 OHM,J,1/10W	1	
R6236,37	ERJ6GEYJ103	M 10KOHM,J,1/10W	2	
R6238,39	ERJ6GEYJ101	M 100 OHM,J,1/10W	2	
R6240	ERJ6ENF7152	M71.5KOHM, 1/10W	1	
R6241	ERJ6ENF1072	M10.7KOHM, 1/10W	1	
R6242	ERJ6ENF4991	M4.99KOHM, 1/10W	1	
R6243	ERJ6ENF3902	M 39KOHM, 1/10W	1	
R6244	ERJ6ENF9101	M 9.1KOHM, 1/10W	1	
R6245	ERJ6ENF5901	M 5.9KOHM, 1/10W	1	
R6246	ERJ6GEYJ221	M 220 OHM,J,1/10W	1	
R6247,48	ERF15ZXJ271	W 270 OHM, 15W	2	
R6249	ERJ6ENF1182	M11.8KOHM, 1/10W	1	
R6250-53	ERJ6GEYJ101	M 100 OHM,J,1/10W	4	
R6254	ERJ6GEYJ100	M 10 OHM,J,1/10W	1	
R6255	ERJ6GEYJ103	M 10KOHM,J,1/10W	1	
R6257	ERF15ZXJ271	W 270 OHM, 15W	1	
R6258	ERJ6GEY0R00	M 0 OHM, 1/10W	1	
R6259,60	ERJ6GEYJ101	M 100 OHM,J,1/10W	2	
R6261	ERJ6GEYJ102	M 1KOHM,J,1/10W	1	

Ref. No.	Part No.	Part Name & Description	Pcs	Remarks
R6263	ERJ6GEYJ151	M 150 OHM,J,1/10W	1	
R6264	ERJ6GEYJ101	M 100 OHM,J,1/10W	1	
R6265	ERJ6GEYJ103	M 10KOHM,J,1/10W	1	
R6266	ERJ6GEYJ470	M 47 OHM,J,1/10W	1	
R6267,68	ERJ6GEYJ103	M 10KOHM,J,1/10W	2	
R6269	ERJ6GEYJ470	M 47 OHM,J,1/10W	1	
R6270	ERJ6GEYJ104	M 100KOHM,J,1/10W	1	
R6271,72	ERG3FJS101D	M 100 OHM, J, 3W	2	
R6274	ERGLFJS103D	M 10KOHM, J, 1W	1	
R6275	ERG2FJS123D	M 12KOHM, J, 2W	1	
R6276-78	ERJ6GEYJ223	M 22KOHM,J,1/10W	3	
R6281	ERJ6ENF1201	M 1.2KOHM, 1/10W	1	
R6282-84	ERJ6GEYJ273	M 27KOHM,J,1/10W	3	
R6285	ERF15ZXJ271	W 270 OHM, 15W	1	
R6287	ERJ6GEYJ101	M 100 OHM,J,1/10W	1	
R6288,89	ERJ6GEYJ103	M 10KOHM,J,1/10W	2	
R6290,91	ERJ6GEYJ470	M 47 OHM,J,1/10W	2	
R6292	ERJ6GEYJ472	M 4.7KOHM,J,1/10W	1	
R6293	ERJ6GEYJ562	M 5.6KOHM,J,1/10W	1	
R6294	ERF15ZXJ271	W 270 OHM, 15W	1	
R6298	EXB38V470J	RESISTOR ARRAY	1	
R6299	EXB38V472J	RESISTOR ARRAY	1	
R6361-68	ERJ6GEYJ151	M 150 OHM,J,1/10W	8	
R6374	ERJ6ENF8202	M 82KOHM, 1/10W	1	
R6375	ERJ6ENF2702	M 27KOHM, 1/10W	1	
R6376	ERJ6ENF5602	M 56KOHM, 1/10W	1	
R6377	ERJ6ENF8202	M 82KOHM, 1/10W	1	
R6378	ERJ6ENF5762	M57.6KOHM, 1/10W	1	
R6379	ERJ6GEYJ563	M 56KOHM,J,1/10W	1	
R6380	ERJ6GEYJ473	M 47KOHM,J,1/10W	1	
R6382,83	ERX12SJ1R2	M 1.2 OHM, J,1/2W	2	
R6385	ERJ6GEYJ681	M 680 OHM,J,1/10W	1	
R6386	ERJ6GEYJ272	M 2.7KOHM,J,1/10W	1	
R6387	ERJ6GEYJ332	M 3.3KOHM,J,1/10W	1	
R6388	ERG2FJS563D	M 56KOHM, J, 2W	1	
R6390	ERJ6GEY0R00	M 0 OHM, 1/10W	1	
R6391-98	ERJ6GEYJ100	M 10 OHM,J,1/10W	8	
R6415	EXB38V470J	RESISTOR ARRAY	1	
R6416	EXB38V472J	RESISTOR ARRAY	1	
R6417	EXB38V470J	RESISTOR ARRAY	1	
R6418	EXB38V472J	RESISTOR ARRAY	1	
R6419	EXB38V470J	RESISTOR ARRAY	1	
R6420	EXB38V472J	RESISTOR ARRAY	1	
R6421	EXB38V470J	RESISTOR ARRAY	1	
R6422	EXB38V472J	RESISTOR ARRAY	1	
R6424	ERJ6GEYJ562	M 5.6KOHM,J,1/10W	1	
R6429,30	ERJ6GEYJ102	M 1KOHM,J,1/10W	2	
R6431,32	ERJ6GEYJ103	M 10KOHM,J,1/10W	2	
R6433	ERJ6GEYJ222	M 2.2KOHM,J,1/10W	1	
R6434,35	ERJ6GEYJ152	M 1.5KOHM,J,1/10W	2	
R6436	ERJ6GEYJ103	M 10KOHM,J,1/10W	1	
R6437,38	ERJ6ENF3902	M 39KOHM, 1/10W	2	
R6439	ERJ6ENF7501	M 7.5KOHM, 1/10W	1	
R6440,41	ERJ6GEYJ472	M 4.7KOHM,J,1/10W	2	
R6442	ERJ6GEYJ562	M 5.6KOHM,J,1/10W	1	
R6444-48	ERJ6GEYJ471	M 470 OHM,J,1/10W	5	
R6449	ERJ6GEYJ472	M 4.7KOHM,J,1/10W	1	
R6450	ERJ6GEYJ471	M 470 OHM,J,1/10W	1	
R6451	ERJ6GEYJ472	M 4.7KOHM,J,1/10W	1	
R6452,53	ERJ6GEYJ471	M 470 OHM,J,1/10W	2	

Ref. No.	Part No.	Part Name & Description	Pcs	Remarks
R6454	ERJ6GEYJ472	M 4.7KOHM,J,1/10W	1	
R6455-57	ERJ6GEYJ332	M 3.3KOHM,J,1/10W	3	
R6458	ERJ6GEYJ102	M 1KOHM,J,1/10W	1	
R6459	ERJ6GEYJ101	M 100 OHM,J,1/10W	1	
R6460	ERJ6GEYJ103	M 10KOHM,J,1/10W	1	
R6461	ERJ6GEYJ102	M 1KOHM,J,1/10W	1	
R6462	ERJ6GEYJ101	M 100 OHM,J,1/10W	1	
R6463	ERJ6GEYJ223	M 22KOHM,J,1/10W	1	
R6464	ERJ6GEYJ182	M 1.8KOHM,J,1/10W	1	
R6465	ERJ6GEYJ222	M 2.2KOHM,J,1/10W	1	
R6466	ERJ6GEYJ182	M 1.8KOHM,J,1/10W	1	
R6467	ERJ6GEYJ103	M 10KOHM,J,1/10W	1	
R6468	ERJ6GEYJ101	M 100 OHM,J,1/10W	1	
R6469	ERJ6GEYJ103	M 10KOHM,J,1/10W	1	
R6470	ERJ6GEYJ101	M 100 OHM,J,1/10W	1	
R6471,72	ERJ6GEYJ102	M 1KOHM,J,1/10W	2	
R6473,74	ERJ6GEYJ222	M 2.2KOHM,J,1/10W	2	
R6475	ERJ6GEYF103	M 10KOHM,F,1/10W	1	
R6476	ERJ6GEYJ102	M 1KOHM,J,1/10W	1	
R6477	ERJ6GEYJ101	M 100 OHM,J,1/10W	1	
R6478-83	ERJ6GEYJ222	M 2.2KOHM,J,1/10W	6	
R6484	EXB38V470J	RESISTOR ARRAY	1	
R6488	EXB38V470J	RESISTOR ARRAY	1	
R6501-12	ERJ14YJ100	M 10 OHM, J,1/4W	12	
R6525-36	ERJ14YJ100	M 10 OHM, J,1/4W	12	
R6561	ERJ6GEYJ100	M 10 OHM,J,1/10W	1	
R6562	ERJ6GEYJ103	M 10KOHM,J,1/10W	1	
R6563	ERJ6GEYJ100	M 10 OHM,J,1/10W	1	
R6564	ERJ6GEYJ103	M 10KOHM,J,1/10W	1	
R6569,70	ERJ6GEYJ103	M 10KOHM,J,1/10W	2	
R6573	ERJ6GEYJ100	M 10 OHM,J,1/10W	1	
R6574	ERJ6GEYJ103	M 10KOHM,J,1/10W	1	
R6575	ERJ6GEYJ100	M 10 OHM,J,1/10W	1	
R6576	ERJ6GEYJ103	M 10KOHM,J,1/10W	1	
R6581,82	ERJ6GEYJ103	M 10KOHM,J,1/10W	2	
R6585,86	ERJ6GEYJ101	M 100 OHM,J,1/10W	2	
R6601,02	ERF2TK2R2	W 2.2 OHM, K, 2W	2	
R6603-05	ERJ6GEYJ101	M 100 OHM,J,1/10W	3	
R6606	ERF2TK2R2	W 2.2 OHM, K, 2W	1	
R6611	ERJ6GEYJ151	M 150 OHM,J,1/10W	1	
R6612	ERJ6GEYJ104	M 100KOHM,J,1/10W	1	
R6613	ERJ6GEY0R00	M 0 OHM, 1/10W	1	
R6614	ERJ6ENF1801	M 1.8KOHM, 1/10W	1	
R6615,16	ERJ6GEYJ102	M 1KOHM,J,1/10W	2	
R6617	ERJ6GEYJ470	M 47 OHM,J,1/10W	1	
R6618	ERJ6GEYJ104	M 100KOHM,J,1/10W	1	
R6619,20	ERJ6GEYJ105	M 1MOHM,J,1/10W	2	
R6621	ERJ6GEYJ680	M 68 OHM,J,1/10W	1	
R6622	ERJ6GEYJ103	M 10KOHM,J,1/10W	1	
R6623	ERJ6GEYJ680	M 68 OHM,J,1/10W	1	
R6624	ERJ6GEYJ103	M 10KOHM,J,1/10W	1	
R6625-39	ERJ6GEYJ470	M 47 OHM,J,1/10W	15	
R6642	ERJ6GEYJ470	M 47 OHM,J,1/10W	1	
R6653,54	ERJ6GEYJ101	M 100 OHM,J,1/10W	2	
R6655,56	ERJ6GEYJ103	M 10KOHM,J,1/10W	2	
R6657	ERJ6GEYJ100	M 10 OHM,J,1/10W	1	
R6658-61	ERJ6GEYJ470	M 47 OHM,J,1/10W	4	
R6662	ERJ6GEYJ101	M 100 OHM,J,1/10W	1	
R6664	ERJ6GEYJ103	M 10KOHM,J,1/10W	1	

Ref. No.	Part No.	Part Name & Description	Pcs	Remarks
R6667	ERJ6GEYJ103	M 10KOHM,J,1/10W	1	
R6668	ERJ6GEYJ100	M 10 OHM,J,1/10W	1	
R6669	ERJ6GEYJ101	M 100 OHM,J,1/10W	1	
R6671	ERJ6GEYJ103	M 10KOHM,J,1/10W	1	
R6674	ERJ6GEYJ103	M 10KOHM,J,1/10W	1	
R6675	ERJ6GEYJ100	M 10 OHM,J,1/10W	1	
R6684-89	ERJ14YJ100	M 10 OHM, J,1/4W	6	
R6696-01	ERJ14YJ100	M 10 OHM, J,1/4W	6	
R6711	ERJ6GEYJ151	M 150 OHM,J,1/10W	1	
R6712	ERJ6GEYJ470	M 47 OHM,J,1/10W	1	
R6713	ERJ6GEYJ103	M 10KOHM,J,1/10W	1	
R6714	ERJ6GEYJ470	M 47 OHM,J,1/10W	1	
R6715	ERJ6GEYJ103	M 10KOHM,J,1/10W	1	
R6716-31	ERJ6GEYJ101	M 100 OHM,J,1/10W	16	
R6735-37	ERJ6GEYJ224	M 220KOHM,J,1/10W	3	
R6738	ERJ6GEYJ104	M 100KOHM,J,1/10W	1	
R6739	ERJ6GEYJ182	M 1.8KOHM,J,1/10W	1	
R6740	ERJ6GEYJ203	M 20KOHM,J,1/10W	1	
R6741	ERJ6GEYJ222	M 2.2KOHM,J,1/10W	1	
R6742	ERJ6GEYJ470	M 47 OHM,J,1/10W	1	
R6743	ERJ6GEYJ104	M 100KOHM,J,1/10W	1	
R6744,45	ERJ6GEYJ472	M 4.7KOHM,J,1/10W	2	
R6746	ERJ6GEYJ100	M 10 OHM,J,1/10W	1	
R6747,48	ERJ6GEYJ103	M 10KOHM,J,1/10W	2	
R6751-54	ERJ6GEYJ5R6	M 5.6 OHM,J,1/10W	4	
R6755	ERJ6GEYJ151	M 150 OHM,J,1/10W	1	
R6756	ERJ6GEYJ100	M 10 OHM,J,1/10W	1	
R6757	ERJ6GEYJ471	M 470 OHM,J,1/10W	1	
R6758	ERJ6GEYJ104	M 100KOHM,J,1/10W	1	
R6759	ERJ6GEYJ100	M 10 OHM,J,1/10W	1	
R6760	ERJ6GEYJ471	M 470 OHM,J,1/10W	1	
R6761	ERJ6GEYJ103	M 10KOHM,J,1/10W	1	
R6762	ERG1FJS101D	M 100 OHM, J, 1W	1	
R6763,64	ERJ6GEYJ224	M 220KOHM,J,1/10W	2	
R6802	ERJ6GEY0R00	M 0 OHM, 1/10W	1	
R6803	ERJ6GEYJ473	M 47KOHM,J,1/10W	1	
R6804,05	ERJ6GEYJ563	M 56KOHM,J,1/10W	2	
R6806	ERJ6GEYJ103	M 10KOHM,J,1/10W	1	
R6807-09	ERJ6GEYJ104	M 100KOHM,J,1/10W	3	
R6810	ERJ6GEYJ103	M 10KOHM,J,1/10W	1	
R6811	ERX1FJS8R2D	M 8.2 OHM, J, 1W	1	
R6812	ERG1FJS103D	M 10KOHM, J, 1W	1	
R6813	ERJ12YJ101	M 100 OHM,J, 1/2W	1	
R6814	ERG2FJS223D	M 22KOHM, J, 2W	1	
R6817,18	ERJ6GEYJ473	M 47KOHM,J,1/10W	2	
R6819	ERJ6GEYJ332	M 3.3KOHM,J,1/10W	1	
R6820	ERJ6GEYJ102	M 1KOHM,J,1/10W	1	
R6821	ERG2FJS820D	M 82 OHM, J, 2W	1	
R6823	ERF2TK8R2	W 8.2 OHM, K, 2W	1	
R6824	ERJ6GEYJ472	M 4.7KOHM,J,1/10W	1	
R6825,26	ERJ6GEYJ103	M 10KOHM,J,1/10W	2	
R6827	ERG3FJS471D	M 470 OHM, J, 3W	1	
R6828,29	ERJ12YJ104U	M 100KOHM, 1/2W	2	
R6830	ERJ6GEYJ103	M 10KOHM,J,1/10W	1	
R6831,32	ERJ6ENF2203	M 220KOHM, 1/10W	2	
R6833	ERJ6ENF1432	M14.3KOHM, 1/10W	1	
R6834	ERJ6ENF4991	M4.99KOHM, 1/10W	1	
R6835,36	ERJ12YJ1R0	M 1 OHM, J,1/2W	2	
R6837	ERJ6GEYJ104	M 100KOHM,J,1/10W	1	
R6838	ERJ6GEYJ332	M 3.3KOHM,J,1/10W	1	
R6839	ERDS1FJ221	C 220 OHM, J,1/2W	1	

Ref. No.	Part No.	Part Name & Description	Pcs	Remarks
R6840,41	ERJ6GEYJ222	M 2.2KOHM,J,1/10W	2	
R6842	ERJ6ENF1543	M 154KOHM, 1/10W	1	
R6843	ERJ6GEY0R00	M 0 OHM, 1/10W	1	
R6844	ERJ6ENF2202	M 2.2KOHM, 1/10W	1	
R6845	ERF2TK8R2	W 8.2 OHM, K, 2W	1	
R6846	ERX3FJS8R2D	M 8.2 OHM, J, 3W	1	
R6847	ERG2FJS683D	M 68KOHM, J, 2W	1	
R6848	ERDS1FJ4R7	C 4.7 OHM, J,1/2W	1	
R6849,50	ERJ6GEY0R00	M 0 OHM, 1/10W	2	
R6851	ERJ12YJ103	M 10KOHM,J, 1/2W	1	
R6852	ERG2FJS101D	M 100 OHM, J, 2W	1	
R6853	ERJ12YJ153U	M 15KOHM, 1/2W	1	
R6854	ERJ6GEYJ153	M 15KOHM,J,1/10W	1	
R6855	ERJ6GEYJ563	M 56KOHM,J,1/10W	1	
R6856	ERJ6ENF5762	M57.6KOHM, 1/10W	1	
R6857,58	ERJ6ENF2491	M2.49KOHM, 1/10W	2	
R6859	ERJ6GEYJ222	M 2.2KOHM,J,1/10W	1	
R6860	ERF2TK8R2	W 8.2 OHM, K, 2W	1	
R6861	ERJ6GEYJ104	M 100KOHM,J,1/10W	1	
R6862	ERJ6GEYJ153	M 15KOHM,J,1/10W	1	
R6863	ERJ6GEYJ123	M 12KOHM,J,1/10W	1	
R6864	ERJ6GEY0R00	M 0 OHM, 1/10W	1	
R6866,67	ERJ6GEYJ102	M 1KOHM,J,1/10W	2	
R6869	ERJ6ENF2202	M 2.2KOHM, 1/10W	1	
R6870	ERJ6ENF1002	M 10KOHM, 1/10W	1	
R6871	ERJ6GEYJ103	M 10KOHM,J,1/10W	1	
R6872,73	ERJ6GEYJ683	M 68KOHM,J,1/10W	2	
R6874	ERJ6GEYJ563	M 56KOHM,J,1/10W	1	
R6876	ERJ6GEYJ472	M 4.7KOHM,J,1/10W	1	
R6877	ERJ6GEYJ184	M 180KOHM,J,1/10W	1	
R6886	ERJ6GEYJ683	M 68KOHM,J,1/10W	1	
R6887	ERJ6GEYJ103	M 10KOHM,J,1/10W	1	
R6888-90	ERJ6GEYJ472	M 4.7KOHM,J,1/10W	3	
R6900	ERJ6GEYJ103	M 10KOHM,J,1/10W	1	
R6901	ERJ6GEYJ221	M 220 OHM,J,1/10W	1	
R6902	ERJ6GEYJ224	M 220KOHM,J,1/10W	1	
R6903	ERJ6GEYJ221	M 220 OHM,J,1/10W	1	
R6904-06	ERJ6GEYJ103	M 10KOHM,J,1/10W	3	
R6907	ERJ6GEYJ221	M 220 OHM,J,1/10W	1	
R6908	ERJ6GEYJ224	M 220KOHM,J,1/10W	1	
R6909-11	ERJ6GEYJ221	M 220 OHM,J,1/10W	3	
R6920	ERJ6GEYJ103	M 10KOHM,J,1/10W	1	
R6921	ERJ6GEYJ221	M 220 OHM,J,1/10W	1	
R6922	ERJ6GEYJ224	M 220KOHM,J,1/10W	1	
R6923,24	ERJ6GEYJ221	M 220 OHM,J,1/10W	2	
R6925	ERJ6GEYJ224	M 220KOHM,J,1/10W	1	
R6926	ERJ6GEYJ221	M 220 OHM,J,1/10W	1	
R6927	ERJ6GEYJ103	M 10KOHM,J,1/10W	1	
R6928	ERJ6GEYJ221	M 220 OHM,J,1/10W	1	
R6929,30	ERJ6GEYJ103	M 10KOHM,J,1/10W	2	
R6931	ERJ6GEYJ221	M 220 OHM,J,1/10W	1	
R7101	ERJ6GEYJ102	M 1KOHM,J,1/10W	1	
R7102	ERJ3GEYJ103	M 10KOHM,J,1/16W	1	
R7104	TAJAAH0470JV	M 47 OHM,J,1/16W	1	
R7107	TAJAAH0470JV	M 47 OHM,J,1/16W	1	
R7109	ERJ12YJ2R2	M 2.2 OHM, J,1/2W	1	
R7111	ERJ12YJ2R2	M 2.2 OHM, J,1/2W	1	
R7113	ERJ12YJ2R2	M 2.2 OHM, J,1/2W	1	
R7115	ERJ12YJ2R2	M 2.2 OHM, J,1/2W	1	
R7116,17	TAJAAH0470JV	M 47 OHM,J,1/16W	2	
R7119	ERJ12YJ2R2	M 2.2 OHM, J,1/2W	1	
R7121	ERJ12YJ2R2	M 2.2 OHM, J,1/2W	1	
R7122-24	TAJAAH0470JV	M 47 OHM,J,1/16W	3	

Ref. No.	Part No.	Part Name & Description	Pcs	Remarks
R7126	EXB38V470J	RESISTOR ARRAY	1	
R7127	ERJ12YJ2R2	M 2.2 OHM, J,1/2W	1	
R7128	EXB38V470J	RESISTOR ARRAY	1	
R7130	ERJ3GEYJ681	M 680 OHM,J,1/16W	1	
R7131	ERJ12YJ2R2	M 2.2 OHM, J,1/2W	1	
R7133	TAJAAH0470JV	M 47 OHM,J,1/16W	1	
R7134-37	ERJ3GEYJ220	M 22 OHM,J,1/16W	4	
R7138-40	TAJAAH0470JV	M 47 OHM,J,1/16W	3	
R7141-46	EXB38V681J	RESISTOR ARRAY	6	
R7147	TAJAAH0470JV	M 47 OHM,J,1/16W	1	
R7148	ERJ3GEYJ103	M 10KOHM,J,1/16W	1	
R7151,52	ERJ3GEYJ681	M 680 OHM,J,1/16W	2	
R7159-64	EXB38V470J	RESISTOR ARRAY	6	
R7171	ERJ6GEY0R00	M 0 OHM, 1/10W	1	
R7173,74	EXB38V681J	RESISTOR ARRAY	2	
R7184,85	ERJ6GEY0R00	M 0 OHM, 1/10W	2	
R7186	ERJ6GEYJ223	M 22KOHM,J,1/10W	1	
R7187	ERJ6GEYJ104	M 100KOHM,J,1/10W	1	
R7196,97	ERJ3GEYJ103	M 10KOHM,J,1/16W	2	
R7201,02	EXB38V681J	RESISTOR ARRAY	2	
R7203	ERJ3GEYJ681	M 680 OHM,J,1/16W	1	
R7204-07	EXB38V470J	RESISTOR ARRAY	4	
R7208,09	EXB38V681J	RESISTOR ARRAY	2	
R7210	EXB38V470J	RESISTOR ARRAY	1	
R7211	TAJAAH0470JV	M 47 OHM,J,1/16W	1	
R7212,13	ERJ3GEYJ681	M 680 OHM,J,1/16W	2	
R7214	EXB38V470J	RESISTOR ARRAY	1	
R7215	ERJ6GEY0R00	M 0 OHM, 1/10W	1	
R7217,18	EXB38V681J	RESISTOR ARRAY	2	
R7221,22	EXB38V470J	RESISTOR ARRAY	2	
R7224	EXB38V681J	RESISTOR ARRAY	1	
R7225	ERJ6GEY0R00	M 0 OHM, 1/10W	1	
R7227	ERJ12YJ2R2	M 2.2 OHM, J,1/2W	1	
R7228	EXB38V470J	RESISTOR ARRAY	1	
R7230	ERJ12YJ2R2	M 2.2 OHM, J,1/2W	1	
R7232,33	EXB38V681J	RESISTOR ARRAY	2	
R7235	TAJAAH0470JV	M 47 OHM,J,1/16W	1	
R7236,37	ERJ3GEY0R00	M 0 OHM, 1/16W	2	
R7238	TAJAAH0470JV	M 47 OHM,J,1/16W	1	
R7244	ERJ12YJ2R2	M 2.2 OHM, J,1/2W	1	
R7247,48	ERJ3GEYJ220	M 22 OHM,J,1/16W	2	
R7250	ERJ12YJ2R2	M 2.2 OHM, J,1/2W	1	
R7251	TAJAAH0470JV	M 47 OHM,J,1/16W	1	
R7252-55	EXB38V681J	RESISTOR ARRAY	4	
R7256	TAJAAH0470JV	M 47 OHM,J,1/16W	1	
R7257-60	EXB38V681J	RESISTOR ARRAY	4	
R7262	ERJ12YJ2R2	M 2.2 OHM, J,1/2W	1	
R7263	ERJ12Y0R00	M 0 OHM,J, 1/2W	1	
R7266	ERJ12YJ2R2	M 2.2 OHM, J,1/2W	1	
R7267	TAJAAH0470JV	M 47 OHM,J,1/16W	1	
R7269	ERJ12Y0R00	M 0 OHM,J, 1/2W	1	
R7270,71	ERJ3GEYJ103	M 10KOHM,J,1/16W	2	
R7272,73	ERJ3GEY0R00	M 0 OHM, 1/16W	2	
R7274,75	ERJ3GEYJ220	M 22 OHM,J,1/16W	2	

Ref. No.	Part No.	Part Name & Description	Pcs	Remarks
R7276,77	ERJ3GEY0R00	M 0 OHM, 1/16W	2	
R7278,79	EXB38V470J	RESISTOR ARRAY	2	
R7280,81	ERJ3GEYJ220	M 22 OHM,J,1/16W	2	
R7282,83	TAJAAH0470JV	M 47 OHM,J,1/16W	2	
R7284,85	EXB38V681J	RESISTOR ARRAY	2	
R7286,87	EXB38V470J	RESISTOR ARRAY	2	
R7288	EXB38V681J	RESISTOR ARRAY	1	
R7289-91	EXB38V470J	RESISTOR ARRAY	3	
R7292,93	EXB38V681J	RESISTOR ARRAY	2	
R7294-99	EXB38V470J	RESISTOR ARRAY	6	
R7301,02	ERJ6GEY0R00	M 0 OHM, 1/10W	2	
R7303-10	EXB38V470J	RESISTOR ARRAY	8	
R7311,12	ERJ3GEYJ681	M 680 OHM,J,1/16W	2	
R7322	ERJ3GEYJ681	M 680 OHM,J,1/16W	1	
R7323	ERJ3GEYJ103	M 10KOHM,J,1/16W	1	
R7330,31	ERJ3GEYJ103	M 10KOHM,J,1/16W	2	
R7337-40	ERJ3GEYJ220	M 22 OHM,J,1/16W	4	
R7341,42	TAJAAH0470JV	M 47 OHM,J,1/16W	2	
R7343	ERJ3GEYJ103	M 10KOHM,J,1/16W	1	
R7345,46	TAJAAH0470JV	M 47 OHM,J,1/16W	2	
R7347	ERJ6GEY0R00	M 0 OHM, 1/10W	1	
R7354,55	TAJAAH0470JV	M 47 OHM,J,1/16W	2	
R7360,61	ERJ12YJ2R2	M 2.2 OHM, J,1/2W	2	
R7364,65	ERJ12YJ2R2	M 2.2 OHM, J,1/2W	2	
R7366,67	TAJAAH0470JV	M 47 OHM,J,1/16W	2	
R7373,74	TAJAAH0470JV	M 47 OHM,J,1/16W	2	
R7377,78	ERJ12YJ2R2	M 2.2 OHM, J,1/2W	2	
R7381,82	ERJ12YJ2R2	M 2.2 OHM, J,1/2W	2	
R7383,84	TAJAAH0470JV	M 47 OHM,J,1/16W	2	
R7385	ERJ6GEYJ102	M 1KOHM,J,1/10W	1	
R7386	ERJ6GEYJ104	M 100KOHM,J,1/10W	1	
R7387	ERJ6GEYJ223	M 22KOHM,J,1/10W	1	
R7392-99	EXB38V681J	RESISTOR ARRAY	8	
R7401	ERJ6GEY0R00	M 0 OHM, 1/10W	1	
R7402,03	ERJ3GEYJ681	M 680 OHM,J,1/16W	2	
R7404	ERJ6GEY0R00	M 0 OHM, 1/10W	1	
R7405-08	ERJ3GEYJ220	M 22 OHM,J,1/16W	4	
R7409-12	TAJAAH0470JV	M 47 OHM,J,1/16W	4	
R7413-20	EXB38V470J	RESISTOR ARRAY	8	
R7430,31	ERJ3GEYJ681	M 680 OHM,J,1/16W	2	
R7434,35	ERJ3GEYJ681	M 680 OHM,J,1/16W	2	
R7438,39	ERJ3GEYJ103	M 10KOHM,J,1/16W	2	
R7442,43	ERJ3GEYJ681	M 680 OHM,J,1/16W	2	
R7444	ERJ6GEY0R00	M 0 OHM, 1/10W	1	
R7446,47	ERJ3GEYJ103	M 10KOHM,J,1/16W	2	

Ref. No.	Part No.	Part Name & Description	Pcs	Remarks
R7460,61	TAJAAH0470JV	M 47 OHM,J,1/16W	2	
R7464,65	ERJ12YJ2R2	M 2.2 OHM, J,1/2W	2	
R7468,69	ERJ12YJ2R2	M 2.2 OHM, J,1/2W	2	
R7470,71	TAJAAH0470JV	M 47 OHM,J,1/16W	2	
R7472	ERJ6GEYJ102	M 1KOHM,J,1/10W	1	
R7477,78	TAJAAH0470JV	M 47 OHM,J,1/16W	2	
R7481,82	ERJ12YJ2R2	M 2.2 OHM, J,1/2W	2	
R7485,86	ERJ12YJ2R2	M 2.2 OHM, J,1/2W	2	
R7487,88	TAJAAH0470JV	M 47 OHM,J,1/16W	2	
R7490	ERJ6GEYJ223	M 22KOHM,J,1/10W	1	
R7491	ERJ6GEYJ104	M 100KOHM,J,1/10W	1	
R7492-99	EXB38V681J	RESISTOR ARRAY	8	
R7501,02	EXB38V681J	RESISTOR ARRAY	2	
R7503	EXB38V470J	RESISTOR ARRAY	1	
R7504,05	EXB38V681J	RESISTOR ARRAY	2	
R7506-08	EXB38V470J	RESISTOR ARRAY	3	
R7509-12	EXB38V681J	RESISTOR ARRAY	4	
R7513-16	EXB38V470J	RESISTOR ARRAY	4	
R7517,18	EXB38V681J	RESISTOR ARRAY	2	
R7519,20	EXB38V470J	RESISTOR ARRAY	2	
R7521-24	EXB38V681J	RESISTOR ARRAY	4	
R7525-28	EXB38V470J	RESISTOR ARRAY	4	
R7529,30	EXB38V681J	RESISTOR ARRAY	2	
R7531,32	EXB38V470J	RESISTOR ARRAY	2	
R7533,34	ERJ3GEYJ220	M 22 OHM,J,1/16W	2	
R7535-37	TAJAAH0470JV	M 47 OHM,J,1/16W	3	
R7538	ERJ6GEY0R00	M 0 OHM, 1/10W	1	
R7539	ERJ3GEYJ103	M 10KOHM,J,1/16W	1	
R7540	ERJ6GEY0R00	M 0 OHM, 1/10W	1	
R7542	ERJ12Y0R00	M 0 OHM,J, 1/2W	1	
R7544	ERJ12Y0R00	M 0 OHM,J, 1/2W	1	
R7546	ERJ12YJ2R2	M 2.2 OHM, J,1/2W	1	
R7548	ERJ12YJ2R2	M 2.2 OHM, J,1/2W	1	
R7549	TAJAAH0470JV	M 47 OHM,J,1/16W	1	
R7550,51	ERJ3GEYJ681	M 680 OHM,J,1/16W	2	
R7552,53	ERJ3GEY0R00	M 0 OHM, 1/16W	2	
R7555	ERJ12YJ2R2	M 2.2 OHM, J,1/2W	1	
R7557	ERJ12YJ2R2	M 2.2 OHM, J,1/2W	1	
R7558	TAJAAH0470JV	M 47 OHM,J,1/16W	1	
R7560	ERJ12YJ2R2	M 2.2 OHM, J,1/2W	1	
R7562	ERJ12YJ2R2	M 2.2 OHM, J,1/2W	1	
R7563	TAJAAH0470JV	M 47 OHM,J,1/16W	1	
R7564-69	EXB38V681J	RESISTOR ARRAY	6	
R7570-73	ERJ3GEY0R00	M 0 OHM, 1/16W	4	
R7574,75	TAJAAH0470JV	M 47 OHM,J,1/16W	2	
R7578-81	ERJ3GEYJ220	M 22 OHM,J,1/16W	4	
R7582,83	TAJAAH0470JV	M 47 OHM,J,1/16W	2	
R7584-89	EXB38V470J	RESISTOR ARRAY	6	

Ref. No.	Part No.	Part Name & Description	Pcs	Remarks
R7600,01	ERJ3GEYJ103	M 10KOHM,J,1/16W	2	
R7602	ERJ3GEYJ681	M 680 OHM,J,1/16W	1	
R7603	ERJ3GEYJ681	M 680 OHM,J,1/16W	1	
R7604	ERJ3GEYJ103	M 10KOHM,J,1/16W	1	
R760402	TAJAAH0470JV	M 47 OHM,J,1/16W	1	
R7605	ERJ3GEYJ103	M 10KOHM,J,1/16W	1	
R760502	ERJ6GEYJ102	M 1KOHM,J,1/10W	1	
R7606	ERJ3GEYJ103	M 10KOHM,J,1/16W	1	
R7607	ERJ3GEYJ103	M 10KOHM,J,1/16W	1	
R760702	TAJAAH0470JV	M 47 OHM,J,1/16W	1	
R7609	ERJ12YJ2R2	M 2.2 OHM, J,1/2W	1	
R7611	ERJ12YJ2R2	M 2.2 OHM, J,1/2W	1	
R7613	ERJ12YJ2R2	M 2.2 OHM, J,1/2W	1	
R761302	ERJ3GEYJ103	M 10KOHM,J,1/16W	1	
R7614	ERJ3GEYJ681	M 680 OHM,J,1/16W	1	
R7615	ERJ12YJ2R2	M 2.2 OHM, J,1/2W	1	
R761502	ERJ3GEYJ681	M 680 OHM,J,1/16W	1	
R7616	EXB38V681J	RESISTOR ARRAY	1	
R761602	TAJAAH0470JV	M 47 OHM,J,1/16W	1	
R7617	EXB38V681J	RESISTOR ARRAY	1	
R761702	TAJAAH0470JV	M 47 OHM,J,1/16W	1	
R7618	EXB38V470J	RESISTOR ARRAY	1	
R761902	ERJ3GEYJ103	M 10KOHM,J,1/16W	1	
R7619	EXB38V470J	RESISTOR ARRAY	1	
R7620	ERJ3GEYJ103	M 10KOHM,J,1/16W	1	
R7624	TAJAAH0470JV	M 47 OHM,J,1/16W	1	
R7628	ERJ12YJ2R2	M 2.2 OHM, J,1/2W	1	
R7632	ERJ12YJ2R2	M 2.2 OHM, J,1/2W	1	
R7634	TAJAAH0470JV	M 47 OHM,J,1/16W	1	
R7637-42	EXB38V470J	RESISTOR ARRAY	6	
R7643-46	ERJ3GEYJ220	M 22 OHM,J,1/16W	4	
R7647-49	TAJAAH0470JV	M 47 OHM,J,1/16W	3	
R7650-55	EXB38V681J	RESISTOR ARRAY	6	
R7656	TAJAAH0470JV	M 47 OHM,J,1/16W	1	
R7658	ERJ12YJ2R2	M 2.2 OHM, J,1/2W	1	
R7660	ERJ12YJ2R2	M 2.2 OHM, J,1/2W	1	
R7661	TAJAAH0470JV	M 47 OHM,J,1/16W	1	
R7666	ERJ6GEYJ102	M 1KOHM,J,1/10W	1	
R7667,68	EXB38V470J	RESISTOR ARRAY	2	
R7669,70	EXB38V681J	RESISTOR ARRAY	2	
R7671	TAJAAH0470JV	M 47 OHM,J,1/16W	1	
R7672	ERJ3GEYJ681	M 680 OHM,J,1/16W	1	
R7677	ERJ6GEY0R00	M 0 OHM, 1/10W	1	
R7680	ERJ6GEY0R00	M 0 OHM, 1/10W	1	
R7681	ERJ3GEYJ103	M 10KOHM,J,1/16W	1	
R7685	ERJ6GEY0R00	M 0 OHM, 1/10W	1	
R7686	ERJ6GEYJ223	M 22KOHM,J,1/10W	1	
R7687	ERJ6GEYJ104	M 100KOHM,J,1/10W	1	
R7701-06	ERJ3GEYJ103	M 10KOHM,J,1/16W	6	
R7709,10	ERJ3GEYJ103	M 10KOHM,J,1/16W	2	
R7711,12	ERJ3GEYJ681	M 680 OHM,J,1/16W	2	
R7713,14	TAJAAH0470JV	M 47 OHM,J,1/16W	2	
R7715	ERJ3GEYJ681	M 680 OHM,J,1/16W	1	
R9000,01	ERJ3GEYJ103	M 10KOHM,J,1/16W	2	
R9003	ERJ3GEYJ103	M 10KOHM,J,1/16W	1	
R9006	ERJ3GEYJ103	M 10KOHM,J,1/16W	1	
R9007	ERJ3GEYJ102	M 1KOHM,J,1/16W	1	

Ref. No.	Part No.	Part Name & Description	Pcs	Remarks
R9009	ERJ3GEYJ103	M 10KOHM,J,1/16W	1	
R9010	EXB2HV272JV	RESISTOR ARRAY	1	
R9012	EXB2HV272JV	RESISTOR ARRAY	1	
R9013	ERJ3GEYJ103	M 10KOHM,J,1/16W	1	
R9015	ERJ3GEYJ103	M 10KOHM,J,1/16W	1	
R9016	ERJ3GEYJ683	M 68KOHM,J,1/16W	1	
R9017	ERJ3GEYJ333	M 33KOHM,J,1/16W	1	
R9018	ERJ3GEYJ103	M 10KOHM,J,1/16W	1	
R9019	ERJ3GEY0R00	M 0 OHM, 1/16W	1	
R9020,21	ERJ3GEYJ102	M 1KOHM,J,1/16W	2	
R9022	ERJ6ENF1001	M 1KOHM, 1/10W	1	
R9023	ERJ6ENF1601	M 1.6KOHM, 1/10W	1	
R9024	ERJ6GEY0R00	M 0 OHM, 1/10W	1	
R9026	ERJ3GEYJ100	M 10 OHM,J,1/16W	1	
R9028	ERJ3GEYJ332	M 3.3KOHM,J,1/16W	1	
R9029,30	ERJ3GEYJ220	M 22 OHM,J,1/16W	2	
R9031,32	ERJ3GEYJ562	M 5.6KOHM,J,1/16W	2	
R9033,34	ERJ3GEYJ103	M 10KOHM,J,1/16W	2	
R9035,36	ERJ6GEY0R00	M 0 OHM, 1/10W	2	
R9039	TAJAAH0101JV	M 100 OHM,J,1/16W	1	
R9040	ERJ3GEYJ100	M 10 OHM,J,1/16W	1	
R9041	ERJ3GEYJ472	M 4.7KOHM,J,1/16W	1	
R9042	ERJ3GEYJ102	M 1KOHM,J,1/16W	1	
R9043,44	TAJAAH0101JV	M 100 OHM,J,1/16W	2	
R9045	ERJ3GEYJ102	M 1KOHM,J,1/16W	1	
R9046	ERJ3GEYJ123	M 12KOHM,J,1/16W	1	
R9047-50	TAJAAH0101JV	M 100 OHM,J,1/16W	4	
R9052	ERJ3GEYJ103	M 10KOHM,J,1/16W	1	
R9053	ERJ3GEYJ472	M 4.7KOHM,J,1/16W	1	
R9054,55	ERJ3GEYJ272	M 2.7KOHM,J,1/16W	2	
R9056,57	ERJ3GEYJ220	M 22 OHM,J,1/16W	2	
R9058,59	ERJ3GEYJ562	M 5.6KOHM,J,1/16W	2	
R9060-67	TAJAAH0101JV	M 100 OHM,J,1/16W	8	
R9068-72	ERJ3GEYJ103	M 10KOHM,J,1/16W	5	
R9073	EXB2HV470JV	RESISTOR ARRAY	1	
R9074	TAJAAH0101JV	M 100 OHM,J,1/16W	1	
R9075	EXB2HV470JV	RESISTOR ARRAY	1	
R9076	TAJAAH0101JV	M 100 OHM,J,1/16W	1	
R9077-79	ERJ3GEY0R00	M 0 OHM, 1/16W	3	
R9080	ERJ3GEYJ223	M 22KOHM,J,1/16W	1	
R9081	ERJ3GEYJ103	M 10KOHM,J,1/16W	1	
R9082-89	TAJAAH0101JV	M 100 OHM,J,1/16W	8	
R9090	ERJ3GEYJ562	M 5.6KOHM,J,1/16W	1	
R9091,92	ERJ3GEYJ103	M 10KOHM,J,1/16W	2	
R9093	ERJ3GEYJ473	M 47KOHM,J,1/16W	1	
R9094	ERJ6GEY0R00	M 0 OHM, 1/10W	1	
R9095-98	ERJ3GEYJ103	M 10KOHM,J,1/16W	4	
R9102-04	TAJAAH0101JV	M 100 OHM,J,1/16W	3	
R9105	ERJ3GEYJ103	M 10KOHM,J,1/16W	1	
R9107-09	ERJ3GEYJ393	M 39KOHM,J,1/16W	3	
R9110	ERJ3GEYJ103	M 10KOHM,J,1/16W	1	
R9111,12	ERJ3GEY0R00	M 0 OHM, 1/16W	2	
R9113	ERJ3GEYJ103	M 10KOHM,J,1/16W	1	
R9114-16	ERJ3GEY0R00	M 0 OHM, 1/16W	3	
R9117,18	EXB38VR000	RESISTOR ARRAY	2	
R9119	ERJ3GEY0R00	M 0 OHM, 1/16W	1	

Ref. No.	Part No.	Part Name & Description	Pcs	Remarks
R9120,21	TAJAAH0101JV	M 100 OHM,J,1/16W	2	
R9122-24	ERJ3GEYJ103	M 10KOHM,J,1/16W	3	
R9125,26	ERJ3GEYJ102	M 1KOHM,J,1/16W	2	
R9127,28	ERJ3GEYJ103	M 10KOHM,J,1/16W	2	
R9130	ERJ3GEYJ103	M 10KOHM,J,1/16W	1	
R9131-33	ERJ3GEYJ472	M 4.7KOHM,J,1/16W	3	
R9134-36	TAJAAH0101JV	M 100 OHM,J,1/16W	3	
R9137	ERJ3GEYJ472	M 4.7KOHM,J,1/16W	1	
R9140-42	ERJ3GEYJ103	M 10KOHM,J,1/16W	3	
R9145-47	ERJ3GEYJ103	M 10KOHM,J,1/16W	3	
R9160,61	ERJ3GEYJ220	M 22 OHM,J,1/16W	2	
R9162,63	ERJ3GEYJ562	M 5.6KOHM,J,1/16W	2	
R9164,65	TAJAAH0101JV	M 100 OHM,J,1/16W	2	
R9200-02	TAJAAH0470JV	M 47 OHM,J,1/16W	3	
R9204	TAJAAH0470JV	M 47 OHM,J,1/16W	1	
R9205,06	ERJ3GEYJ103	M 10KOHM,J,1/16W	2	
R9210	ERJ3GEYJ103	M 10KOHM,J,1/16W	1	
R9212	ERJ3GEY0R00	M 0 OHM, 1/16W	1	
R9300-04	D1HG33080001	NETWORK RESISTER	5	
R9305	ERJ3GEYJ103	M 10KOHM,J,1/16W	1	
R9306,07	D1HG33080001	NETWORK RESISTER	2	
R9308	ERJ3GEYJ102	M 1KOHM,J,1/16W	1	
R9309	ERJ3GEYJ472	M 4.7KOHM,J,1/16W	1	
R9313-16	ERJ3GEY0R00	M 0 OHM, 1/16W	4	
R9318,19	ERJ3GEY0R00	M 0 OHM, 1/16W	2	
R9321	ERJ6GEY0R00	M 0 OHM, 1/10W	1	
R9322	ERJ3GEY0R00	M 0 OHM, 1/16W	1	
R9323	ERJ3GEYJ102	M 1KOHM,J,1/16W	1	
R9324-28	ERJ3GEY0R00	M 0 OHM, 1/16W	5	
R9329	ERJ3GEYJ103	M 10KOHM,J,1/16W	1	
R9330-33	ERJ3GEY0R00	M 0 OHM, 1/16W	4	
R9335,36	ERJ3GEYJ472	M 4.7KOHM,J,1/16W	2	
R9337	ERJ6ENF1101	M 1.1KOHM, 1/10W	1	
R9338	ERJ6ENF1401	M 1.4KOHM, 1/10W	1	
R9339-42	ERJ6ENF1001	M 1KOHM, 1/10W	4	
R9500-03	ERJ3GEYJ103	M 10KOHM,J,1/16W	4	
R9505-10	TAJAAH0101JV	M 100 OHM,J,1/16W	6	
R9511	EXB2HV272JV	RESISTOR ARRAY	1	
R9512	ERJ3GEYJ103	M 10KOHM,J,1/16W	1	
R9513	EXB2HV272JV	RESISTOR ARRAY	1	
R9515	EXB2HV272JV	RESISTOR ARRAY	1	
R9516,17	ERJ3GEYJ103	M 10KOHM,J,1/16W	2	
R9518	EXB2HV470JV	RESISTOR ARRAY	1	
R9519-21	EXB38V470J	RESISTOR ARRAY	3	
R9522,23	EXB2HV470JV	RESISTOR ARRAY	2	
R9524-26	TAJAAH0470JV	M 47 OHM,J,1/16W	3	
R9527	EXB38V470J	RESISTOR ARRAY	1	
R9528,29	TAJAAH0470JV	M 47 OHM,J,1/16W	2	
R9530	ERJ3GEYJ103	M 10KOHM,J,1/16W	1	
R9532	ERJ3GEYJ103	M 10KOHM,J,1/16W	1	

Ref. No.	Part No.	Part Name & Description	Pcs	Remarks
R9534	ERJ3GEYJ103	M 10KOHM,J,1/16W	1	
R9536	TAJAAH0680JV	M 68 OHM,J,1/16W	1	
R9537,38	ERJ3GEYJ103	M 10KOHM,J,1/16W	2	
R9540	ERJ3GEYJ304V	M 300KOHM,J,1/16W	1	
R9543	ERJ3GEYJ103	M 10KOHM,J,1/16W	1	
R9547	ERJ3GEY0R00	M 0 OHM, 1/16W	1	
R9700	ERJ3GEY0R00	M 0 OHM, 1/16W	1	
R9702-04	ERJ3GEYJ103	M 10KOHM,J,1/16W	3	
R9706,07	ERJ6ENF1001	M 1KOHM, 1/10W	2	
R9708	ERJ6GEY0R00	M 0 OHM, 1/10W	1	
R9709	TAJAAH0101JV	M 100 OHM,J,1/16W	1	
R9714	ERJ3GEY0R00	M 0 OHM, 1/16W	1	
R9716,17	ERJL14KJ33M	M 33 OHM, J,1/4W	2	
R9718	ERJ6ENF2002	M 20KOHM, 1/10W	1	
R9719	ERJ6ENF1742	M17.4KOHM, 1/10W	1	
R9720	ERJ6ENF6342	M6.34KOHM, 1/10W	1	
R9721	ERJ6ENF2002	M 20KOHM, 1/10W	1	
R9722,23	ERJ3GEYJ100	M 10 OHM,J,1/16W	2	
R9724	TAJAAH0101JV	M 100 OHM,J,1/16W	1	
R9725	ERJ3GEYJ104	M 100KOHM,J,1/16W	1	
R9726,27	ERJ3GEYJ100	M 10 OHM,J,1/16W	2	
R9728,29	ERJ6ENF2002	M 20KOHM, 1/10W	2	
R9738,39	ERJ3GEY0R00	M 0 OHM, 1/16W	2	
R9740-42	ERJ6GEY0R00	M 0 OHM, 1/10W	3	
R9800	EXB38V470J	RESISTOR ARRAY	1	
R9801-04	EXB2HV470JV	RESISTOR ARRAY	4	
R9805-07	EXB38V470J	RESISTOR ARRAY	3	
R9808,09	ERJ3GEYJ220	M 22 OHM,J,1/16W	2	
R9810	ERJ3GEYJ472	M 4.7KOHM,J,1/16W	1	
R9811	ERJ3GEYJ103	M 10KOHM,J,1/16W	1	
R9812	ERJ3GEYJ104	M 100KOHM,J,1/16W	1	
R9813	ERJ3GEYJ472	M 4.7KOHM,J,1/16W	1	
R9814	ERJ3GEYJ103	M 10KOHM,J,1/16W	1	
R9815	ERJ3GEYJ104	M 100KOHM,J,1/16W	1	
R9816,17	ERJ3GEYJ220	M 22 OHM,J,1/16W	2	
R9818,19	EXB2HV470JV	RESISTOR ARRAY	2	
R9820,21	ERJ3GEYJ220	M 22 OHM,J,1/16W	2	
R9822,23	EXB2HV470JV	RESISTOR ARRAY	2	
R9824	ERJ3GEYJ103	M 10KOHM,J,1/16W	1	
R9825	TAJAAH0470JV	M 47 OHM,J,1/16W	1	
R9826	EXB38V470J	RESISTOR ARRAY	1	
R9827	TAJAAH0470JV	M 47 OHM,J,1/16W	1	
R9830	EXB2HV470JV	RESISTOR ARRAY	1	
R9900	ERJ3GEYJ472	M 4.7KOHM,J,1/16W	1	
R9901	ERJ3GEYJ103	M 10KOHM,J,1/16W	1	
R9902	ERJ3GEYJ104	M 100KOHM,J,1/16W	1	
R9903	ERJ3GEYJ472	M 4.7KOHM,J,1/16W	1	
R9904	ERJ3GEYJ103	M 10KOHM,J,1/16W	1	
R9905	ERJ3GEYJ104	M 100KOHM,J,1/16W	1	
R9906	EXB2HV470JV	RESISTOR ARRAY	1	
R9907	ERJ3GEYJ220	M 22 OHM,J,1/16W	1	
R9908,09	EXB38V470J	RESISTOR ARRAY	2	
R9910,11	ERJ3GEYJ220	M 22 OHM,J,1/16W	2	
R9912	EXB2HV470JV	RESISTOR ARRAY	1	
R9913	ERJ3GEYJ220	M 22 OHM,J,1/16W	1	
R9914	EXB38V470J	RESISTOR ARRAY	1	
R9915,16	ERJ3GEYJ220	M 22 OHM,J,1/16W	2	

Ref. No.	Part No.	Part Name & Description	Pcs	Remarks
R9917-22	EXB2HV470JV	RESISTOR ARRAY	6	
R9923	ERJ3GEYJ103	M 10KOHM,J,1/16W	1	
RTL	ETXMM584MEK	CIRCUIT BOARD P	1	△
RTL	TNPA3671	CIRCUIT BOARD SS2	1	△
RTL	TNPA3672	CIRCUIT BOARD SS3	1	△
RTL	TNPA3663	CIRCUIT BOARD C1	1	△
RTL	TNPA3664	CIRCUIT BOARD C2	1	△
RTL	TNPA3665	CIRCUIT BOARD C3	1	△
RTL	TNPA3666	CIRCUIT BOARD C4	1	△
RTL	TNPA3667	CIRCUIT BOARD C5	1	△
RTL	TNPA3668	CIRCUIT BOARD C6	1	△
RTL	TZTNP010CLT	CIRCUIT BOARD D	1	△
RTL	TNPA3669	CIRCUIT BOARD SC	1	△
RTL	TNPA3674	CIRCUIT BOARD SD	1	△
RTL	TNPA3670	CIRCUIT BOARD SS	1	△
RTL	TNPA3673	CIRCUIT BOARD SU	1	△
SC2	K1KA02AA0515	2P CONNECTOR	1	
SC20	K1KA20AA0008	20P CONNECTOR	1	
SC23	K1KA03AA0193	3P CONNECTOR	1	
SC41-44	K1ML80B00001	80P CONNECTOR	4	
SC45,46	K1KA10AA0431	10P CONNECTOR	2	
SC90	K1KA06AA0192	6P CONNECTOR	1	
SCMM1	TMME047	CLAMPER	1	
SCMM5	TMME047	CLAMPER	1	
SCMM6	TMME190	CLAMPER	1	
SD1-D4	K1MN96B00004	96P CONNECTOR	4	
SD46	K1KA10B00209	10P CONNECTOR	1	
SDMM1	TMM25401	CLAMPER	1	
SS11	K1KA02AA0515	2P CONNECTOR	1	
SS12	K1KA10AA0194	10P CONNECTOR	1	
SS21	K1KA07A00170	7P CONNECTOR	1	
SS2MM1	TMME190	CLAMPER	1	
SS23	K1KB07AA0087	7P CONNECTOR	1	
SS2MM3	TMME190	CLAMPER	1	
SS25	K1KA07A00170	7P CONNECTOR	1	
SS27	K1KB07AA0087	7P CONNECTOR	1	
SS3MM1	TMME190	CLAMPER	1	
SS3MM3	TMME190	CLAMPER	1	
SS34	K1KA03AA0193	3P CONNECTOR	1	
SS35	K1KA10AA0194	10P CONNECTOR	1	
SS42	K1KA10AA0194	10P CONNECTOR	1	
SS44	K1KA20AA0009	20P CONNECTOR	1	
SS51-58	K1MN13B00020	13P CONNECTOR	8	
SU1-U4	K1MN96B00004	96P CONNECTOR	4	
SU45	K1KA10B00209	10P CONNECTOR	1	
SUMM1	TMM25401	CLAMPER	1	
T6801	ETS28AU2S9AC	SWITCHING TRANSFORMER	1	
T6802	ETS13TB199AP	SWITCHING TRANSFORMER	1	
VR6250	EVMEASA00B14	CONTROL 10KOHMB 0.3W	1	
VR6602	EVMEASA00B14	CONTROL 10KOHMB 0.3W	1	
VR6801,02	EVMEASA00B14	CONTROL 10KOHMB 0.3W	2	
X9000	H2D2705A0004	CRYSTAL	1	
X9200	H0J200500038	CRYSTAL	1	
ZA6101-03	K4CD01000013	TERMINAL	3	
ZA6401-03	K4CD01000013	TERMINAL	3	

Ref. No.	Part No.	Part Name & Description	Pcs	Remarks
ZA7101-04	K4CD01000013	TERMINAL	4	
ZA7201-04	K4CD01000013	TERMINAL	4	
ZA7301,02	K4CD01000013	TERMINAL	2	
ZA7401-04	K4CD01000013	TERMINAL	4	
ZA7501-04	K4CD01000013	TERMINAL	4	
ZA7601,02	K4CD01000013	TERMINAL	2	
ZA9001	K4CD01000013	TERMINAL	1	
A601,02	RA362MSV7	ARRESTOR	2	△
C332	KZE1E470	ELECTROLYTIC CAPACITOR	1	
C341	RR3AD332K	CERAMIC CAPACITOR	1	
C353	KMQ220901Z	ELECTROLYTIC CAPACITOR	1	
C356	TAB104K2E	CERAMIC CHIP CAPACITOR	1	
C359	KZE1E470	ELECTROLYTIC CAPACITOR	1	
C360,61	KMQ220901Z	ELECTROLYTIC CAPACITOR	2	
C362-65	RR3DD221K	CERAMIC CAPACITOR	4	
C367	KMQ220901Z	ELECTROLYTIC CAPACITOR	1	
C369	TAB104K2E	CERAMIC CHIP CAPACITOR	1	
C370	TBB105K1	CERAMIC CHIP CAPACITOR	1	
C401	KZE1J470	ELECTROLYTIC CAPACITOR	1	
C410	ECWH8183HVB	PLASTIC FILM CAPACITOR	1	
C411	TAB475K2	CERAMIC CHIP CAPACITOR	1	
C412	TBB105K1	CERAMIC CHIP CAPACITOR	1	
C451	KZE1E182S	ELECTROLYTIC CAPACITOR	1	
C452	KZE1E821L	ELECTROLYTIC CAPACITOR	1	
C454,55	ECJ3YB1E225K	C 2.2UF, K, 25V	2	
C457	KZE1E821L	ELECTROLYTIC CAPACITOR	1	
C458	ECJ3YB1E105K	C 1UF, K, 25V	1	
C459	KZE1E821L	ELECTROLYTIC CAPACITOR	1	
C460	ECJ2FB1H104K	C 0.1UF, K, 50V	1	
C461	KZE1E471L	ELECTROLYTIC CAPACITOR	1	
C462	ECJ2FB1H104K	C 0.1UF, K, 50V	1	
C463	KZE1E182S	ELECTROLYTIC CAPACITOR	1	
C465	KZE1E101	ELECTROLYTIC CAPACITOR	1	
C466-69	ECJ2FB1H104K	C 0.1UF, K, 50V	4	
C471	ECJ2FB1H104K	C 0.1UF, K, 50V	1	
C472	KZE1E470	ELECTROLYTIC CAPACITOR	1	
C473	ECJ3YB1E225K	C 2.2UF, K, 25V	1	
C601	ECQU2A105ML	PLASTIC FILM CAPACITOR	1	△
C603,04	CD221K	CERAMIC CAPACITOR	2	△
C606	ECQU2A224ML	PLASTIC FILM CAPACITOR	1	△
C609	KZE1E101	ELECTROLYTIC CAPACITOR	1	
C610,11	MMXC2W105K	PLASTIC FILM CAPACITOR	2	
C612	KZE1E470	ELECTROLYTIC CAPACITOR	1	
C613	ECJ2XB1H103K	C 0.01UF, K, 50V	1	
C614	KZE1H560	ELECTROLYTIC CAPACITOR	1	

Ref. No.	Part No.	Part Name & Description	Pcs	Remarks
C622	ECQE6104KF	P 0.1UF, K, 630V	1	
C623, 24	KMQ2W221L	ELECTROLYTIC CAPACITOR	2	
C625	TBB474K2	CERAMIC CHIP CAPACITOR	1	
C626	KMQ2W221L	ELECTROLYTIC CAPACITOR	1	
C627	ECQE6472B45	PLASTIC FILM CAPACITOR	1	
C628	KX101K	CERAMIC CAPACITOR	1	△
C629	KZE1E470	ELECTROLYTIC CAPACITOR	1	
C630	KMQ2W221L	ELECTROLYTIC CAPACITOR	1	
C633	ECJ2XB1H102K	C 1000PF, K, 50V	1	
C634	ECJ2XB1H103K	C 0.01UF, K, 50V	1	
C701	KZE1J470	ELECTROLYTIC CAPACITOR	1	
C710	ECJ3YB1E475K	C 4.7UF, K, 25V	1	
C711	TBB105K1	CERAMIC CHIP CAPACITOR	1	
C712	ECWH8273HVB	PLASTIC FILM CAPACITOR	1	
C713	ECJ2FB1C684K	C 68UF, Z, 16V	1	
C715-17	KZE2A331L	ELECTROLYTIC CAPACITOR	3	
C719, 20	TCR224K2E	CERAMIC CHIP CAPACITOR	2	
C901	KZE1E101	ELECTROLYTIC CAPACITOR	1	
C902	KZE1E470	ELECTROLYTIC CAPACITOR	1	
C903	KMQ2W221L	ELECTROLYTIC CAPACITOR	1	
C904	ECJ2FB1H104K	C 0.1UF, K, 50V	1	
C905	ECJ2XB1H103K	C 0.01UF, K, 50V	1	
C906	KZE1H101	ELECTROLYTIC CAPACITOR	1	
C907	KZE1E101	ELECTROLYTIC CAPACITOR	1	
C908	KX101K	CERAMIC CAPACITOR	1	△
C910	KZE1H101	ELECTROLYTIC CAPACITOR	1	
C951	KZE1E471L	ELECTROLYTIC CAPACITOR	1	
C952	ECJ2FB1H104K	C 0.1UF, K, 50V	1	
C953	TBB105K1	CERAMIC CHIP CAPACITOR	1	
C954	KZE1E101	ELECTROLYTIC CAPACITOR	1	
C956	TBB105K1	CERAMIC CHIP CAPACITOR	1	
C957	KZE1A471	ELECTROLYTIC CAPACITOR	1	
C958, 59	ECJ2FB1H104K	C 0.1UF, K, 50V	2	
C960	TBB475K1	CERAMIC CHIP CAPACITOR	1	
C1601	ECQU2A474ML	PLASTIC FILM CAPACITOR	1	△
C1603, 04	CD221K	CERAMIC CAPACITOR	2	△
C1606	ECQU2A224ML	PLASTIC FILM CAPACITOR	1	△
C1610, 11	MMXC2W105K	PLASTIC FILM CAPACITOR	2	
C1622	ECQE6104KF	P 0.1UF, K, 630V	1	
C1623, 24	KMQ2W161K	ELECTROLYTIC CAPACITOR	2	
C1625	TBB474K2	CERAMIC CHIP CAPACITOR	1	
C1627	ECQE6472B45	PLASTIC FILM CAPACITOR	1	
C1628	CD221K	CERAMIC CAPACITOR	1	△
C1629	KZE1E470	ELECTROLYTIC CAPACITOR	1	
C1630	ECQU2A473ML	PLASTIC FILM CAPACITOR	1	△
C1631	KMQ2W161K	ELECTROLYTIC CAPACITOR	1	

Ref. No.	Part No.	Part Name & Description	Pcs	Remarks
C1633	ECJ2XB1H102K	C 1000PF, K, 50V	1	
C1634	ECJ2FB1E224K	C 22UF, K, 25V	1	
C1635	ECJ2XB1H103K	C 0.01UF, K, 50V	1	
CN01	B3P-VH	CONNECTOR	1	
CN02	B10B-PH-KS	CONNECTOR	1	
CN03	B3P4VH-B-L	CONNECTOR	1	△
CN04	B2P3-VH-B	CONNECTOR	1	
CN05	B3P4VH-B-L	CONNECTOR	1	△
CN06	B10B-PH-KS	CONNECTOR	1	
CN08	B3P-VH	CONNECTOR	1	
CNPF3	B2P3-VH-B	CONNECTOR	1	
D332	RB550VA-30	DIODE	1	
D334	RB550VA-30	DIODE	1	
D335	RU-1P	DIODE	1	
D337	RU-1P	DIODE	1	
D375	ERJ6GEY0R00	M 0 OHM, 1/10W	1	
D401	RB550VA-30	DIODE	1	
D402, 03	MLFS6	DIODE	2	
D405	MLFS6	DIODE	1	
D451-54	RB085T60	DIODE	4	
D455	MLFS6	DIODE	1	
D457-59	MA111	DIODE	3	
D601	MA111	DIODE	1	
D603	MA111	DIODE	1	
D605	MLF60	DIODE	1	
D606	RB550VA-30	DIODE	1	
D607	S3V60	DIODE	1	
D608, 09	RB550VA-30	DIODE	2	
D701	RB550VA-30	DIODE	1	
D702, 03	MLFS6	DIODE	2	
D705	MLFS6	DIODE	1	
D709	FCF06A40	DIODE	1	
D901	ST3D200	CLAMPER	1	
D902-04	BOHALP000007	DIODE	3	
D905	ERA91-02	DIODE	1	
D906	BOHALP000007	DIODE	1	
D951	RK49	DIODE	1	
D952	MA111	DIODE	1	
D1601	MA111	DIODE	1	
D1602	S1WBA80	DIODE	1	△
D1603	MA111	DIODE	1	
D1605	MLF60	DIODE	1	
D1607	S3V60	DIODE	1	
D1608, 09	RB550VA-30	DIODE	2	
D1613, 14	ERA22-10	DIODE	2	
F401	HU216002BP	CARTRIDGE FUSE	1	
F603, 04	HU216005BP	CARTRIDGE FUSE	2	
F701	HU216002BP	CARTRIDGE FUSE	1	
IC401	F9222L	INTEGRATED CIRCUIT	1	△
IC701	F9222L	INTEGRATED CIRCUIT	1	△
IC901	MIP3E3SMY	INTEGRATED CIRCUIT	1	
IP901	ERBSE0R75U	MICRO FUSE	1	
K601	DG12D1-0	RELAY	1	PAVCCZ △
K602	DJ12D2-0	RELAY	1	△
K1601	DG12D1-0	RELAY	1	△
K1602	DJ12D2-0	RELAY	1	△
L301-04	EXCELSR35	FERRITE BEAD INDUCTOR	4	
L401, 02	EXCELSA35	BEAD CHOKE	2	
L452	EXCELD35	FERRITE BEAD INDUCTOR	1	
L454	EXCELD35	FERRITE BEAD INDUCTOR	1	
L601, 02	P3180207Z	CHOKE	2	△

Ref. No.	Part No.	Part Name & Description	Pcs	Remarks
L604	S4667106Z	CHOKE	1	
L606-11	EXCELDR35	FERRITE BEAD INDUCTOR	6	
L701,02	EXCELSA35	BEAD CHOKE	2	
L901	EXCELSA35	BEAD CHOKE	1	
L902	EXCELDR35	FERRITE BEAD INDUCTOR	1	
L904	EXCELDR35	FERRITE BEAD INDUCTOR	1	
L1601,02	P2515303Z	FILTER CHOKE	2	△
L1604	S3370105Y	CHOKE	1	
L1606	ELF15N004A	FILTER CHOKE	1	△
L1607,08	EXCELDR35	FERRITE BEAD INDUCTOR	2	
L1612	EXCELDR35	FERRITE BEAD INDUCTOR	1	
L1614	EXCELDR35	FERRITE BEAD INDUCTOR	1	
MC301-02	MP44S2	MODULE	2	△
MC303	IXMM584M-C-9	MODULE	1	△
MC401	IXMM584M-D-9	MODULE	1	△
MC601	MP00P4	MODULE	1	△
MC602	IXMM584M-J-9	MODULE	1	△
MC604	MP00P6	MODULE	1	△
MC605	IXMM584M-H-9	MODULE	1	△
MC701	IXMM584M-E-9	MODULE	1	△
MC801	IXMM584M-G-9	MODULE	1	△
MC901	IXMM584M-H-9	MODULE	1	△
MC902	IXMM584M-F-9	MODULE	1	△
MC1601	MP00P3	MODULE	1	△
MC1602	IXMM584M-J-9	MODULE	1	△
MC1604	MP00P5	MODULE	1	△
P2	B02P-NV	CONNECTOR	1	
P5	B11B-PH-KS	CONNECTOR	1	
P9	B3P-VL	CONNECTOR	1	△
P10	B6B-PH-KS	CONNECTOR	1	
P11	B02P-NV	CONNECTOR	1	
P12	B10B-PH-KS	CONNECTOR	1	
P23	B3B-PH-KS	CONNECTOR	1	
P25	B20B-PHDSS	CONNECTOR	1	
P30	B5B-PH-KS	CONNECTOR	1	
PC901	S2581AL2	OPTOISOLATOR	1	△
Q332	2SD2098	TRANSISTOR	1	
Q333	2SB1386RT100	TRANSISTOR	1	
Q402	2SB766A	TRANSISTOR	1	
Q451-54	HAT1130R	FIELD EFFECT TRANSISTOR	4	
Q602	2SD2098	TRANSISTOR	1	
Q603	2SB1386RT100	TRANSISTOR	1	
Q605	2SB709A	TRANSISTOR	1	
Q606	2SD601A	TRANSISTOR	1	
Q703	2SB766A	TRANSISTOR	1	
Q951	2SB709A	TRANSISTOR	1	
Q952-54	HAT1130R	FIELD EFFECT TRANSISTOR	3	
Q955,56	2SB1219A	TRANSISTOR	2	
Q1601	2SK3302	FIELD EFFECT TRANSISTOR	1	△
Q1602	2SD2098	TRANSISTOR	1	
Q1603	2SB1386RT100	TRANSISTOR	1	
Q1605	2SB709A	TRANSISTOR	1	
Q1606	2SD601A	TRANSISTOR	1	
R320	ERJ14YJ124	CHIP RESISTOR	1	
R321-23	MPC5WR33K	METAL PLATE RESISTOR	3	
R325	ERJ6GEYJ333	M 33KOHM,J,1/10W	1	
R326-29	ERJ6GEYJ103	M 10KOHM,J,1/10W	4	
R330	ERJ12YJ220	M 22 OHM,J, 1/2W	1	

Ref. No.	Part No.	Part Name & Description	Pcs	Remarks
R336	ERJ6GEYJ101	M 100 OHM,J,1/10W	1	
R339	ERGLSJ330	M 33 OHM, J, 1W	1	
R340,41	ERG2FJS473D	M 47KOHM, J, 2W	2	
R342	ERJ6ENF2000	M 200 OHM, 1/10W	1	
R344	ERGLSJ330	M 33 OHM, J, 1W	1	
R346,47	ERJ12YJ220	M 22 OHM,J, 1/2W	2	
R349	ERJ12YJ220	M 22 OHM,J, 1/2W	1	
R350-53	ERJ6ENF3162	M31.6KOHM, 1/10W	4	
R356,57	ERJ14YJ124	CHIP RESISTOR	2	
R358	ERG2SJV150	METAL OXIDE FILM RESISTOR	1	
R359	ERJ14YJ124	CHIP RESISTOR	1	
R360	ERG2SJV150	METAL OXIDE FILM RESISTOR	1	
R361	ERJ14YJ124	CHIP RESISTOR	1	
R364	ERG2SJV683	METAL OXIDE FILM RESISTOR	1	
R366,67	ERJ6GEYJ682	M 6.8KOHM,J,1/10W	2	
R368	ERJ6ENF3652	CHIP RESISTOR	1	
R369-71	ERJ6GEYJ823	M 82KOHM,J,1/10W	3	
R373-76	ERJ14YJ124	CHIP RESISTOR	4	
R386-91	ERJ6ENF2373	CHIP RESISTOR	6	
R397-99	ERJ14YJ124	CHIP RESISTOR	3	
R405	MPC5WR47KS	METAL PLATE RESISTOR	1	
R406	ERJ6GEYJ223	M 22KOHM,J,1/10W	1	
R407	ERJ14YJ334	M 330KOHM, 1/2W	1	
R408	SG734K271	CHIP RESISTOR	1	
R410	ERJ14YJ332	M 33KOHM, J,1/4W	1	
R411	ERJ6GEYJ104	M 100KOHM,J,1/10W	1	
R412	ERJ14YJ472	M 4.7KOHM,J, 1/2W	1	
R413,14	ERJ14YJ334	M 330KOHM, 1/2W	2	
R415,16	ERJ6ENF2373	CHIP RESISTOR	2	
R426	ERJ14YJ470	M 47 OHM,J, 1/2W	1	
R429-32	ERJ6ENF2373	CHIP RESISTOR	4	
R433	ERJ6GEYJ4R7	M 4.7 OHM,J,1/10W	1	
R456	ERJ6ENF4302	M 43KOHM, 1/10W	1	
R457,58	ERJ6GEYJ473	M 47KOHM,J,1/10W	2	
R459	ERJ6GEYJ103	M 10KOHM,J,1/10W	1	
R460	ERG2SJ331	METAL OXIDE RESISTOR	1	
R461,62	ERJ6ENF4302	M 43KOHM, 1/10W	2	
R464	ERJ6ENF4302	M 43KOHM, 1/10W	1	
R473	ERJ6GEYJ332	M 3.3KOHM,J,1/10W	1	
R475,76	ERJ6GEYJ103	M 10KOHM,J,1/10W	2	
R480	ERG2SJ561	M 560 OHM, J, 2W	1	
R482	ERJ6GEYJ203	M 20KOHM,J,1/10W	1	
R483,84	ERJ6GEYJ2R2	M 2.2 OHM,J,1/10W	2	
R485	ERJ6GEY0R00	M 0 OHM, 1/10W	1	
R602,03	5K150JA	WIREWOUND RESISTOR	2	
R604	ERC12UGK185	CARBON COMPOSITION RESISTOR	1	
R609-12	ERJ6ENF1213	M 121KOHM, 1/10W	4	
R613,14	ERJ6GEYJ154	M 150KOHM,J,1/10W	2	
R615-17	MPC5WR15K	METAL PLATE RESISTOR	3	
R619	ERJ12YJ100	M 10 OHM,J, 1/2W	1	
R620	ERJ12YJ680	M 68 OHM,J, 1/2W	1	
R621	ERJ12YJ151	M 150 OHM,J, 1/2W	1	
R622	ERJ12YJ100	M 10 OHM,J, 1/2W	1	
R623	ERJ6GEYJ103	M 10KOHM,J,1/10W	1	
R624	ERJ6GEYJ183	M 18KOHM,J,1/10W	1	
R625	ERJ6GEYJ332	M 3.3KOHM,J,1/10W	1	
R626	ERJ12YJ680	M 68 OHM,J, 1/2W	1	
R627	ERJ12YJ151	M 150 OHM,J, 1/2W	1	
R628	ERJ6GEYJ103	M 10KOHM,J,1/10W	1	
R629	ERJ6GEYJ473	M 47KOHM,J,1/10W	1	
R630	ERJ6GEYJ103	M 10KOHM,J,1/10W	1	
R631	MPC5WR15K	METAL PLATE RESISTOR	1	
R632,33	ERJ6GEYJ154	M 150KOHM,J,1/10W	2	
R634-38	ERJ6ENF2553	M 255KOHM, 1/10W	5	
R640,41	ERJ6ENF5493	M 549KOHM, 1/10W	2	
R642	ERJ6ENF2553	M 255KOHM, 1/10W	1	
R644	ERJ6GEYJ101	M 100 OHM,J,1/10W	1	

Ref. No.	Part No.	Part Name & Description	Pcs	Remarks
R646	ERJ6GEYJ154	M 150KOHM,J,1/10W	1	
R649	ERJ6ENF5493	M 549KOHM, 1/10W	1	
R653-55	ERJ6GEYJ183	M 18KOHM,J,1/10W	3	
R677	ERJ6GEYJ103	M 10KOHM,J,1/10W	1	
R678	ERJ12YJ680	M 68 OHM,J, 1/2W	1	
R679	ERJ12YJ151	M 150 OHM,J, 1/2W	1	
R705	ERJ6GEYOR00	M 0 OHM, 1/10W	1	
R706	ERJ14YJ334	M 330KOHM, 1/2W	1	
R707	ERJ14YJ470	M 47 OHM,J, 1/2W	1	
R708	ERJ14YJ334	M 330KOHM, 1/2W	1	
R709	MPC5WR56KS	METAL PLATE RESISTOR	1	
R711	ERJ6GEYJ223	M 22KOHM,J,1/10W	1	
R714	ERJ14YJ334	M 330KOHM, 1/2W	1	
R715	ERJ6GEYJ104	M 100KOHM,J,1/10W	1	
R716	SG734K271	CHIP RESISTOR	1	
R717	ERJ14YJ332	M 33KOHM, J,1/4W	1	
R726	ERJ12YJ472	M 4.7KOHM,J, 1/2W	1	
R729-33	ERJ6ENF1052	M10.5KOHM, 1/10W	5	
R734	ERJ6GEYJ104	M 100KOHM,J,1/10W	1	
R735	ERJ12YJ473	M 47KOHM,J, 1/2W	1	
R736	ERJ6GEYJ4R7	M 4.7 OHM,J,1/10W	1	
R741	ERJ6GEYJ221	M 220 OHM,J,1/10W	1	
R901	ERJ12YJ100	M 10 OHM,J, 1/2W	1	
R902	ERJ6GEYJ103	M 10KOHM,J,1/10W	1	
R903	ERJ14YJ104	M 100KOHM, J,1/4W	1	
R904	ERJ12YJ100	M 10 OHM,J, 1/2W	1	
R905	ERJ14YJ104	M 100KOHM, J,1/4W	1	
R906	ERJ6GEYJ103	M 10KOHM,J,1/10W	1	
R907,08	ERJ14YJ104	M 100KOHM, J,1/4W	2	
R951,52	ERJ6GEYJ103	M 10KOHM,J,1/10W	2	
R953,54	ERJ6GEYJ473	M 47KOHM,J,1/10W	2	
R955	ERJ6GEYJ472	M 4.7KOHM,J,1/10W	1	
R957	ERJ6GEYJ103	M 10KOHM,J,1/10W	1	
R958	ERJ6GEYJ473	M 47KOHM,J,1/10W	1	
R959	ERJ6GEYJ681	M 680 OHM,J,1/10W	1	
R960	ERJ6GEYJ222	M 2.2KOHM,J,1/10W	1	
R961	ERG2FJS820D	M 82 OHM, J, 2W	1	
R962	ERJ6GEYJ103	M 10KOHM,J,1/10W	1	
R963	ERJ6GEYJ152	M 1.5KOHM,J,1/10W	1	
R964	ERG2FJS820D	M 82 OHM, J, 2W	1	
R965	ERJ6GEYJ103	M 10KOHM,J,1/10W	1	
R966	ERJ6GEYJ152	M 1.5KOHM,J,1/10W	1	
R967	ERJ12YJ121	M 120 OHM,J, 1/2W	1	
R1602,03	5K150JA	WIREWOUND RESISTOR	2	
R1604,05	ERDS1TJ474	C 4.7KOHM, J,1/2W	2	
R1606	ERJ6GEYJ102	M 1KOHM,J,1/10W	1	
R1607	ERJ6GEYJ224	M 220KOHM,J,1/10W	1	
R1609-12	ERJ6ENF1213	M 121KOHM, 1/10W	4	
R1613,14	ERJ6GEYJ154	M 150KOHM,J,1/10W	2	
R1615-17	MPC5WR27KS	METAL PLATE RESISTOR	3	
R1620	ERJ12YJ680	M 68 OHM,J, 1/2W	1	
R1621	ERJ12YJ151	M 150 OHM,J, 1/2W	1	
R1623	ERJ6GEYJ103	M 10KOHM,J,1/10W	1	
R1624	ERJ6GEYJ183	M 18KOHM,J,1/10W	1	
R1625	ERJ6GEYJ332	M 3.3KOHM,J,1/10W	1	
R1626	ERJ12YJ680	M 68 OHM,J, 1/2W	1	
R1627	ERJ12YJ151	M 150 OHM,J, 1/2W	1	
R1628	ERJ6GEYJ103	M 10KOHM,J,1/10W	1	
R1629	ERJ6GEYJ473	M 47KOHM,J,1/10W	1	
R1630	ERJ6GEYJ103	M 10KOHM,J,1/10W	1	
R1632,33	ERJ6GEYJ154	M 150KOHM,J,1/10W	2	
R1634	ERJ6ENF2103	M 210KOHM, 1/10W	1	
R1635-38	ERJ6ENF2553	M 255KOHM, 1/10W	4	
R1640,41	ERJ6ENF5493	M 549KOHM, 1/10W	2	
R1642	ERJ6ENF2553	M 255KOHM, 1/10W	1	
R1644	ERJ6GEYJ101	M 100 OHM,J,1/10W	1	

Ref. No.	Part No.	Part Name & Description	Pcs	Remarks
R1646	ERJ6GEYJ154	M 150KOHM,J,1/10W	1	
R1649	ERJ6ENF5493	M 549KOHM, 1/10W	1	
R1653-55	ERJ6GEYJ183	M 18KOHM,J,1/10W	3	
R1656-59	ERJ6GEYJ274	M 270KOHM,J,1/10W	4	
R1681,82	ERJ6GEYJ274	M 270KOHM,J,1/10W	2	
R1683	ERC12UGK685	CARBON COMPOSITION RESISTOR	1	
RF601	HUF5K100J14	THERMAL CUTOFF WITH RESISTOR	1	△
RF1601	HUF5K100J14	THERMAL CUTOFF WITH RESISTOR	1	△
T401	ETB57LZ135AD	TRANSFORMER	1	△
T701	ETB33LM116AD	TRANSFORMER	1	△
T901	ETB25KA1B8AD	TRANSFORMER	1	△
TH301	PRFCBB471	POSISTOR	1	
VR351	EVMEASA01B15	VARIABLE RESISTOR	1	
VR451	EVMEASA00B53	CONTROL 5KOHMB 0.3W	1	
VR701	EVMEASA01B24	VARIABLE RESISTOR	1	
Z601	TND14V751	VARISTOR	1	△
Z603	ERZVGAD471	VARISTOR	1	△
Z901,02	ERZVGAD471	VARISTOR	2	△
ZD402	PTZ24B	ZENER DIODE	1	
ZD403	MA8056	ZENER DIODE	1	
ZD410	MA4220N	ZENER DIODE	1	
ZD413	MA4270N	ZENER DIODE	1	
ZD451	1ZB18	ZENER DIODE	1	
ZD701	MA4220N	ZENER DIODE	1	
ZD702	PTZ24B	ZENER DIODE	1	
ZD703	MA8056	ZENER DIODE	1	
ZD713	MA4270N	ZENER DIODE	1	
ZD901,02	MA8270	ZENER DIODE	2	
ZD1601	MA4220N	ZENER DIODE	1	
ZD1669	MA8220	ZENER DIODE	1	