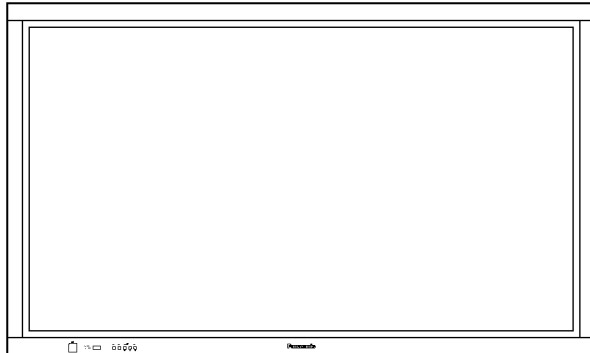


Service Manual

High Definition Plasma Display

TH-65PHD8BK
TH-65PHD8EK
TH-65PHD8UK

GPH8D Chassis



Specifications

Power Source (UK)	120 V AC, 50/60Hz
Power Source (BK/EK)	220 - 240 V AC, 50/60 Hz
Power Consumption (UK)	
Maximum	675 W
Stand-by condition	Save OFF 0.7 W, Save ON 0.5 W
Power off condition	0.2 W
Power Consumption (BK/EK)	
Normal use	615 W
Stand-by condition	Save off 0.9 W, Save on 0.7 W
Power off condition	0.35 W
Plasma Display panel	Drive method: AC type 65-inch, 16:9 aspect ratio
Contrast Ratio	3000:1
Screen size	56.5" (1,434 mm) (W) × 31.7" (806 mm) (H) × 65" (1,645 mm) (diagonal)
(No. of pixels)	1,049,088 (1,366 (W) × 768 (H)) [4,098 × 768 dots]
Operating condition	
Temperature	32 °F - 104 °F (0 °C - 40 °C)
Humidity	20 % - 80 %
Applicable signals	
Color System	NTSC, PAL, PAL60, SECAM, Modified NTSC
Scanning format	525 (480) / 60i • 60p, 625 (575) / 50i • 50p, 750 (720) / 60p • 50p, 1125 (1080) / 60i • 50i • 24p • 25p • 30p • 24sF SMPTE274M, 1250 (1080) / 50i
PC signals	VGA, SVGA, XGA, SXGA, UXGA (compressed) Horizontal scanning frequency 15 - 110 kHz Vertical scanning frequency 48 - 120 Hz
Connection terminals	
AV	VIDEO IN / OUT (BNC) 1.0 Vp-p (75-ohm or high impedance) S VIDEO IN (MINI DIN 4PIN) Y: 1 Vp-p (75-ohm), C: 0.286 Vp-p (75-ohm) AUDIO IN (RCA PIN JACK × 2) 0.5 Vrms (high impedance)

Panasonic®

© 2005 Matsushita Electric Industrial Co., Ltd. All rights reserved. Unauthorized copying and distribution is a violation of law.

COMPONENT / RGB (UK)	Y / G (BNC)	1.0 Vp-p / composite (75-ohm) 0.7 Vp-p / non-composite (75-ohm)
	P _B /B (BNC), P _R /R (BNC)	0.7 Vp-p (75-ohm)
	AUDIO IN (RCA PIN JACK × 2)	0.5 Vrms (high impedance)
PC (UK)	(HIGH-DENSITY Mini-D-SUB 15PIN)	R,G,B / 0.7 Vp-p (75-ohm) HD, VD / 1.0 - 5.0 Vp-p (high impedance)

Component

Y:1.0 Vp-p (75-ohm : include sync)

P_B / C_B:0.7 Vp-p (75-ohm)

P_R / C_R:0.7 Vp-p (75-ohm)

0.5 Vrms (high impedance)

R,G,B / 0.7 Vp-p (75-ohm)

HD, VD / 1.0 - 5.0 Vp-p (high impedance)

0.5 Vrms (high impedance)

RS-232C COMPATIBLE

PC (BK/EK)	AUDIO IN (M3 JACK) (HIGH-DENSITY Mini-D-SUB 15PIN)
------------	---

SERIAL	AUDIO IN (M3 JACK)	EXTERNAL CONTROL TERMINAL (D-SUB 9PIN)
SPEAKERS (8Ω)	20 W [10 W + 10 W] (10 % THD)	

Accessories Supplied

Remote Control Transmitter (UK)	EUR7636070R
---------------------------------	-------------

Remote Control Transmitter (BK/EK)	EUR7636090R
------------------------------------	-------------

Batteries (UK)	2 × AA Size
----------------	-------------

Batteries (BK/EK)	2 × R6 Size
-------------------	-------------

Fixing bands	(TMME203) × 2
--------------	---------------

Dimensions (W × H × D)	61.2" (1,554 mm) × 36.4" (925 mm) × 3.9" (99 mm) (exclusive of protruding portion)
-------------------------------	---

Mass (weight) (UK)

main unit only	approx. 172.0 lbs
----------------	-------------------

with speakers	approx. 181.7 lbs
---------------	-------------------

Mass (weight) (BK/EK)

main unit only	approx. 78.0 kg net
----------------	---------------------

with speakers	approx. 82.4 kg
---------------	-----------------

Notes:

- Design and specifications are subject to change without notice. Mass and dimensions shown are approximate.
- This equipment complies with the EMC standards listed below. EN55022, EN55024, EN61000-3-2, EN61000-3-3. (BK/EK)

 **WARNING**

This service information is designed for experienced repair technicians only and is not designed for use by the general public. It does not contain warnings or cautions to advise non-technical individuals of potential dangers in attempting to service a product. Products powered by electricity should be serviced or repaired only by experienced professional technicians. Any attempt to service or repair the product or products dealt with in this service information by anyone else could result in serious injury or death.

CONTENTS

	Page		Page
1 Applicable signals	5	7.1. Removal of the Back Cover	11
2 Safety Precautions	6	7.2. Removal of the HA-Board and the HB-Board	11
2.1. General Guidelines	6	7.3. Removal of the Slot Block	12
3 Prevention of Electro Static Discharge (ESD) to Electrostatically Sensitive (ES) Devices	7	7.4. Removal of the J-Board	12
4 About lead free solder (PbF)	8	7.5. Removal of the HX-Board	12
5 PCB Structure sheet of GPH8D chassis	9	7.6. Removal of the PB-Board	12
6 Service Hint	10	7.7. Removal of the D-Board	13
7 Disassembly	11	7.8. Removal of the P-Board	13
		7.9. Removal of the SU-Board and the SD-Board	15

7.10. Removal of the SC-Board	15	15.5. P-Board (1 of 3) Schematic Diagram	73
7.11. Removal of the SS2-Board and the SS3-Board	16	15.6. P-Board (2 of 3) Schematic Diagram	74
7.12. Removal of the SS-Board	16	15.7. P-Board (3 of 3) Schematic Diagram	75
7.13. Removal of the H3-Board (L, R)	16	15.8. PB and V1-Board Block and Schematic Diagram	76
7.14. Removal of the C1, C2, C3, C4, C5 and the C6-Board ..	17	15.9. HA-Board Block and Schematic Diagram	77
7.15. Removal of the Fan	18	15.10. HB-Board Block Diagram	78
7.16. Removal of the Escutcheon	19	15.11. HB-Board (1 of 2) Schematic Diagram	79
7.17. Removal of the S1-Board and the V1-Board	20	15.12. HB-Board (2 of 2) Schematic Diagram	80
7.18. Removal of the Plasma Panel	21	15.13. HX-Board Block and Schematic Diagram	81
8 Location of Lead Wiring	24	15.14. J-Board (1 of 2) and H3-Board Block Diagram	82
9 Adjustment Procedure	26	15.15. J-Board (2 of 2) Block Diagram	83
9.1. Driver Set-up	26	15.16. J-Board (1 of 4) and H3-Board Schematic Diagram	84
9.2. Initialization Pulse Adjust	27	15.17. J-Board (2 of 4) Schematic Diagram	85
9.3. P.C.B. (Printed Circuit Board) Remove	27	15.18. J-Board (3 of 4) Schematic Diagram	86
9.4. Adjustment Volume Location	28	15.19. J-Board (4 of 4) Schematic Diagram	87
9.5. Test Point Location	28	15.20. D-Board (1 of 2) Block Diagram	88
10 Service mode	29	15.21. D-Board (2 of 2) Block Diagram	89
10.1. CAT (computer Aided Test) mode	29	15.22. D-Board (1 of 12) Schematic Diagram	90
10.2. IIC mode structure (following items value is sample data.)	31	15.23. D-Board (2 of 12) Schematic Diagram	91
.....	31	15.24. D-Board (3 of 12) Schematic Diagram	92
11 Alignment	32	15.25. D-Board (4 of 12) Schematic Diagram	93
11.1. PC / RGB panel white balance	32	15.26. D-Board (5 of 12) Schematic Diagram	94
11.2. HD / 525ip / 625ip panel white balance	34	15.27. D-Board (6 of 12) Schematic Diagram	95
12 Trouble shooting guide	36	15.28. D-Board (7 of 12) Schematic Diagram	96
12.1. Self Check	36	15.29. D-Board (8 of 12) Schematic Diagram	97
12.2. No Power	37	15.30. D-Board (9 of 12) Schematic Diagram	98
12.3. No Picture	37	15.31. D-Board (10 of 12) Schematic Diagram	99
12.4. Local screen failure	38	15.32. D-Board (11 of 12) Schematic Diagram	100
13 Option Setting	39	15.33. D-Board (12 of 12) Schematic Diagram	101
14 Circuit Board Layout	41	15.34. C1, C2, C5 and C6-Board Block Diagram	102
14.1. P-Board (P-1), (P-2)	41	15.35. C2, C3, C4 and C5-Board Block Diagram	103
14.2. PB-Board	45	15.36. C1-Board (1 of 2) Schematic Diagram	104
14.3. HA-Board	46	15.37. C1-Board (2 of 2) Schematic Diagram	105
14.4. HB-Board	47	15.38. C2-Board (1 of 2) Schematic Diagram	106
14.5. HX-Board	48	15.39. C2-Board (2 of 2) Schematic Diagram	107
14.6. J-Board	49	15.40. C3-Board (1 of 2) Schematic Diagram	108
14.7. D-Board	51	15.41. C3-Board (2 of 2) Schematic Diagram	109
14.8. C1-Board	53	15.42. C4-Board (1 of 2) Schematic Diagram	110
14.9. C2-Board	54	15.43. C4-Board (2 of 2) Schematic Diagram	111
14.10. C3-Board	55	15.44. C5-Board (1 of 2) Schematic Diagram	112
14.11. C4-Board	56	15.45. C5-Board (2 of 2) Schematic Diagram	113
14.12. C5-Board	57	15.46. C6-Board (1 of 2) Schematic Diagram	114
14.13. C6-Board	58	15.47. C6-Board (2 of 2) Schematic Diagram	115
14.14. SC-Board	59	15.48. SC, SU and SD-Board Block Diagram	116
14.15. SU-Board	62	15.49. SC-Board (1 of 3) Schematic Diagram	117
14.16. SD-Board	63	15.50. SC-Board (2 of 3) Schematic Diagram	118
14.17. SS-Board	64	15.51. SC-Board (3 of 3) Schematic Diagram	119
14.18. SS2 and SS3-Board	67	15.52. SU-Board (1 of 2) Schematic Diagram	120
14.19. H3, S1 and V1-Board	68	15.53. SU-Board (2 of 2) Schematic Diagram	121
15 Schematic Diagrams	69	15.54. SD-Board (1 of 2) Schematic Diagram	122
15.1. Schematic Diagram Notes	69	15.55. SD-Board (2 of 2) Schematic Diagram	123
15.2. Main Block Diagram	70	15.56. SS, S1, SS2 and SS3-Board Block Diagram	124
15.3. P-Board (1 of 2)Block Diagram	71	15.57. SS-Board (1 of 2), S1, SS2 and SS3-Board Schematic	125
15.4. P-Board (2 of 2)Block Diagram	72	Diagram	

15.58. SS-Board (2 of 2) Schematic Diagram 126

16 Parts Location 127

16.1. Exploded View 127

16.2. Cable relation 129

16.3. Packing summary 130

17 Mechanical Replacement Parts List 133

18 Replacement Parts List 134

18.1. Replacement Parts List Notes 134

18.2. Electrical Replacement Parts List 135

1 Applicable signals

VIDEO input

	Signal name	Horizontal frequency(kHz)	Vertical frequency(Hz)
1	NTSC	15.73	59.94
2	PAL	15.63	50.00
3	PAL60	15.73	59.94
4	SECAM	15.63	50.00
5	Modified NTSC	15.73	59.94

Applicable input signals for Component / Mini D-sub 15P (Component) / RGB / Mini D-sub 15P (RGB) (* Mark)

	Signal name	Horizontal frequency (kHz)	Vertical frequency (Hz)	Component / Mini D-sub 15P (Component)	RGB / Mini D-sub 15P (RGB)
1	525 (480) / 60i	15.73	59.94	*	*
2	525 (480) / 60p	31.47	59.94	*	*1
3	625 (575) / 50i	15.63	50.00	*	*
4	625 (575) / 50p	31.25	50.00	*	*
5	750 (720) / 60p	45.00	60.00	*	*
6	750 (720) / 50p	37.50	50.00	*	*
7	1,125 (1,080) / 60i	33.75	60.00	*	*
8	1,125 (1,080) / 50i	28.13	50.00	*	*
9	1,125 (1,080) / 24p	27.00	24.00	*	*
10	1,125 (1,080) / 24sF	27.00	47.92	*	*
11	1,125 (1,080) / 25p	28.13	25.00	*	*
12	1,125 (1,080) / 30p	33.75	30.00	*	*
13	1,250 (1,080) / 50i	31.25	50.00	*	*
14	640 × 400 @70 Hz	31.46	70.07		*
15	640 × 480 @60 Hz	31.47	59.94		*2
16	640 × 480 @72 Hz	37.86	72.81		*
17	640 × 480 @75 Hz	37.50	75.00		*
18	640 × 480 @85 Hz	43.27	85.01		*
19	852 × 480 @60 Hz	31.47	59.94		*2
20	800 × 600 @56 Hz	35.16	56.25		*
21	800 × 600 @60 Hz	37.88	60.32		*
22	800 × 600 @72 Hz	48.08	72.19		*
23	800 × 600 @75 Hz	46.88	75.00		*
24	800 × 600 @85 Hz	53.67	85.06		*
25	1,024 × 768 @60 Hz	48.36	60.00		*
26	1,024 × 768 @70 Hz	56.48	70.07		*
27	1,024 × 768 @75 Hz	60.02	75.03		*
28	1,024 × 768 @85 Hz	68.68	85.00		*
29	1,152 × 864 @75 Hz	67.50	75.00		*
30	1,280 × 960 @60 Hz	60.00	60.00		*
31	1,280 × 960 @85 Hz	85.94	85.00		*
32	1,280 × 1,024 @60 Hz	63.98	60.02		*
33	1,280 × 1,024 @75 Hz	79.98	75.03		*
34	1,280 × 1,024 @85 Hz	91.15	85.02		*
35	1,600 × 1,200 @60 Hz	75.00	60.00		*
36	1,600 × 1,200 @65 Hz	81.25	65.00		*
37	1,066 × 600 @60 Hz	37.88	60.32		*
38	1,366 × 768 @60 Hz	48.36	60.00		*
39	Macintosh13" (640 × 480)	35.00	66.67		*
40	Macintosh16" (832 × 624)	49.72	74.54		*
41	Macintosh21" (1,152 × 870)	68.68	75.06		*

*1: When selected the RGB format and 525p signal input to the Mini D-sub 15P terminal, it is recognized as VGA 60Hz signal.

*2: When inputted VGA 60Hz format signal from the other than Mini D-sub 15P terminal, it is recognized as 525p signal.

Note: Signals without above specification may not be displayed properly.

2 Safety Precautions

2.1. General Guidelines

1. When servicing, observe the original lead dress. If a short circuit is found, replace all parts which have been overheated or damaged by the short circuit.
2. After servicing, see to it that all the protective devices such as insulation barriers, insulation papers shields are properly installed.
3. After servicing, make the following leakage current checks to prevent the customer from being exposed to shock hazards.

2.1.1. Leakage Current Cold Check

1. Unplug the AC cord and connect a jumper between the two prongs on the plug.
2. Measure the resistance value, with an ohmmeter, between the jumpered AC plug and each exposed metallic cabinet part on the equipment such as screwheads, connectors, control shafts, etc. When the exposed metallic part has a return path to the chassis, the reading should be between $1M\Omega$ and $5.2M\Omega$.

When the exposed metal does not have a return path to the chassis, the reading must be ∞ .

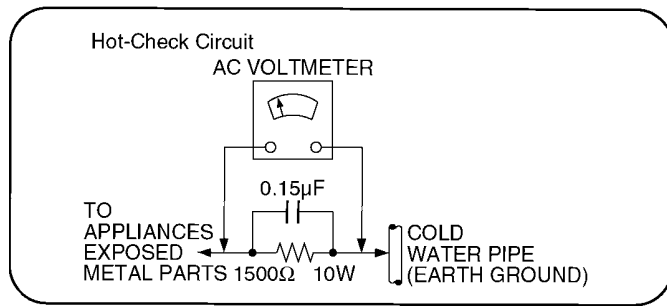


Figure 1

2.1.2. Leakage Current Hot Check (See Figure 1.)

1. Plug the AC cord directly into the AC outlet. Do not use an isolation transformer for this check.
2. Connect a $1.5k\Omega$, 10 watts resistor, in parallel with a $0.15\mu\text{F}$ capacitors, between each exposed metallic part on the set and a good earth ground such as a water pipe, as shown in Figure 1.
3. Use an AC voltmeter, with 1000 ohms/volt or more sensitivity, to measure the potential across the resistor.
4. Check each exposed metallic part, and measure the voltage at each point.
5. Reverse the AC plug in the AC outlet and repeat each of the above measurements.
6. The potential at any point should not exceed 0.75 volts RMS. A leakage current tester (Simpson Model 229 or equivalent) may be used to make the hot checks, leakage current must not exceed $1/2$ milliamp. In case a measurement is outside of the limits specified, there is a possibility of a shock hazard, and the equipment should be repaired and rechecked before it is returned to the customer.

3 Prevention of Electro Static Discharge (ESD) to Electrostatically Sensitive (ES) Devices

Some semiconductor (solid state) devices can be damaged easily by static electricity. Such components commonly are called Electrostatically Sensitive (ES) Devices. Examples of typical ES devices are integrated circuits and some field-effect transistors and semiconductor "chip" components. The following techniques should be used to help reduce the incidence of component damage caused by electro static discharge (ESD).


1. Immediately before handling any semiconductor component or semiconductor-equipped assembly, drain off any ESD on your body by touching a known earth ground. Alternatively, obtain and wear a commercially available discharging ESD wrist strap, which should be removed for potential shock reasons prior to applying power to the unit under test.
2. After removing an electrical assembly equipped with ES devices, place the assembly on a conductive surface such as aluminum foil, to prevent electrostatic charge buildup or exposure of the assembly.
3. Use only a grounded-tip soldering iron to solder or unsolder ES devices.
4. Use only an anti-static solder Remove device. Some solder Remove devices not classified as "anti-static (ESD protected)" can generate electrical charge sufficient to damage ES devices.
5. Do not use freon-propelled chemicals. These can generate electrical charges sufficient to damage ES devices.
6. Do not remove a replacement ES device from its protective package until immediately before you are ready to install it. (Most replacement ES devices are packaged with leads electrically shorted together by conductive foam, aluminum foil or comparable conductive material).
7. Immediately before removing the protective material from the leads of a replacement ES device, touch the protective material to the chassis or circuit assembly into which the device will be installed.

Caution

Be sure no power is applied to the chassis or circuit, and observe all other safety precautions.

8. Minimize bodily motions when handling unpackaged replacement ES devices. (Otherwise harmless motion such as the brushing together of your clothes fabric or the lifting of your foot from a carpeted floor can generate static electricity (ESD) sufficient to damage an ES device).

IMPORTANT SAFETY NOTICE

There are special components used in this equipment which are important for safety. These parts are marked by  in the schematic diagrams, Exploded Views and replacement parts list. It is essential that these critical parts should be replaced with manufacturer's specified parts to prevent shock, fire, or other hazards. Do not modify the original design without permission of manufacturer.

4 About lead free solder (PbF)


Note: Lead is listed as (Pb) in the periodic table of elements.

In the information below, Pb will refer to Lead solder, and PbF will refer to Lead Free Solder.

The Lead Free Solder used in our manufacturing process and discussed below is (Sn+Ag+Cu).

That is Tin (Sn), Silver (Ag) and Copper (Cu) although other types are available.

This model uses Pb Free solder in it's manufacture due to environmental conservation issues. For service and repair work, we'd suggest the use of Pb free solder as well, although Pb solder may be used.

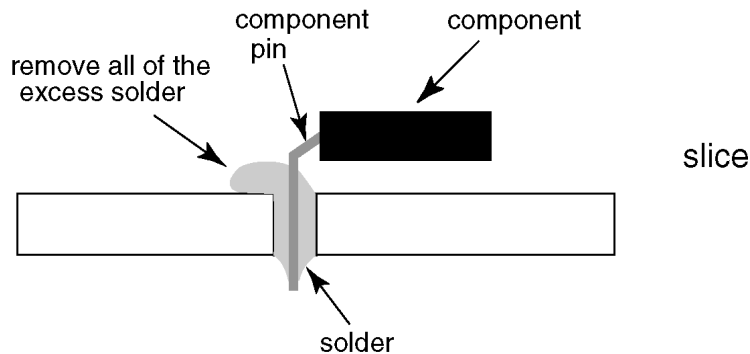
PCBs manufactured using lead free solder will have the PbF within a leaf Symbol  stamped on the back of PCB.

Caution

- Pb free solder has a higher melting point than standard solder. Typically the melting point is 50 ~ 70 °F (30~40 °C) higher. Please use a high temperature soldering iron and set it to 700 ± 20 °F (370 ± 10 °C).
- Pb free solder will tend to splash when heated too high (about 1100 °F or 600 °C).

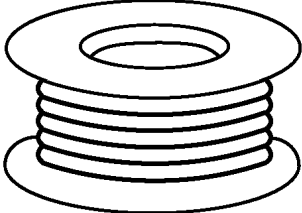
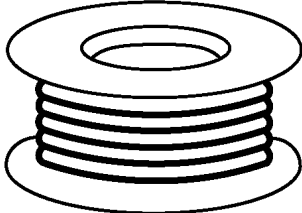
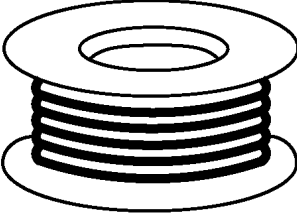
If you must use Pb solder, please completely remove all of the Pb free solder on the pins or solder area before applying Pb solder. If this is not practical, be sure to heat the Pb free solder until it melts, before applying Pb solder.

- After applying PbF solder to double layered boards, please check the component side for excess solder which may flow onto the opposite side. (see figure below)



Suggested Pb free solder

There are several kinds of Pb free solder available for purchase. This product uses Sn+Ag+Cu (tin, silver, copper) solder. However, Sn+Cu (tin, copper), Sn+Zn+Bi (tin, zinc, bismuth) solder can also be used.

0.3mm X 100g	0.6mm X 100g	1.0mm X 100g
		

5 PCB Structure sheet of GPH8D chassis

Board Name	Function	Remarks
D	Digital Signal Processor, Format Converter, Plasma AI Processor	*1
J	Slot Interface (Audio/Video/Sync input Switch), SYNC processor, Audio processor, Speaker out amplifier, DC-DC converter	*1
SS	Sustain drive	*1
SC	Scan drive	*1
SU	Scan out (Upper)	*1
SD	Scan out (Lower)	*1
C1	Data Drive (Upper Right)	
C2	Data Drive (Upper Center)	
C3	Data Drive (Upper Left)	
C4	Data Drive (Lower Left)	
C5	Data Drive (Lower Center)	
C6	Data Drive (Lower Right)	
H3	Speaker terminal	
S1	Power switch	
SS2	Sustain out (Upper)	
SS3	Sustain out (Lower)	
V1	LED (stand-by / Power on) & Remote receiver	*1
PB	Fan control	*1
P	Line filter, Power supply	*1
HX	PC / RS-232C	
HB	BNC Composite Video	*2
HA	BNC Component Video	*3

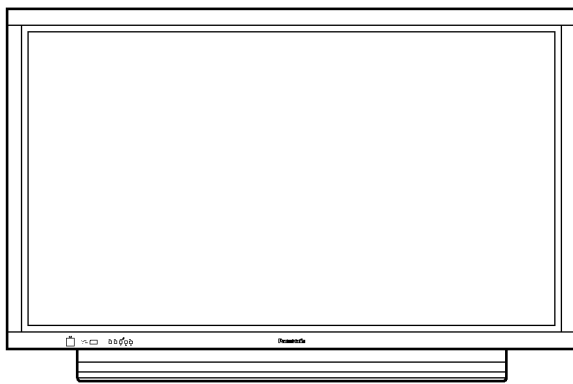
Remarks

- *1: Recommend PCB's for initial service for GPH8D chassis.
- *2: For TH-65PHD8BK/EK/UK
- *3: For TH-65PHD8UK

6 Service Hint

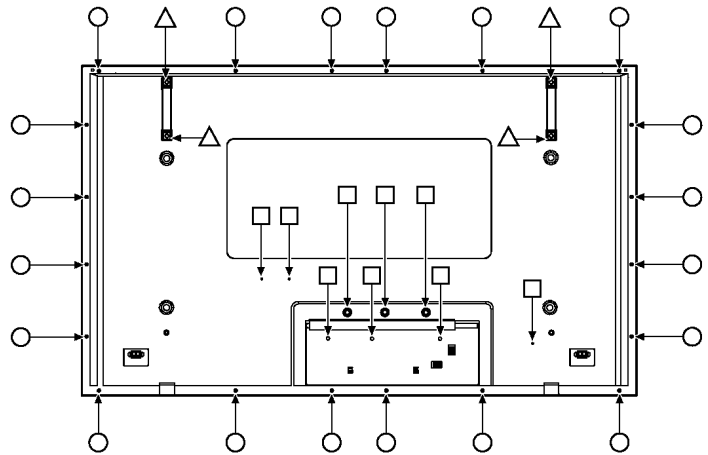
[How to set the plasma unit for servicing]

Place the plasma unit on the pedestal stand.
(Optional Accessory)

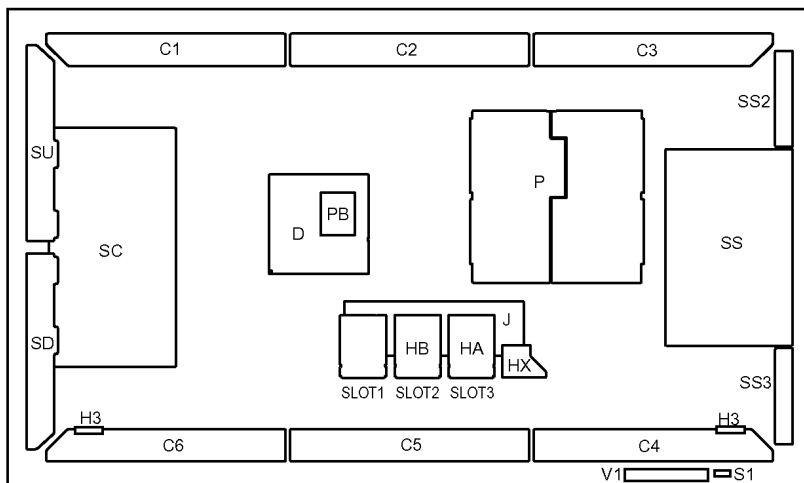


Pedestal Stand

Remove the Back Cover.



Remove : 4 screws (Δ) XYN8+F30FJK
9 screws (□) THEL0239
20 screws (○) XYN4+F38FJK



P.C. Boards Location (UK Version)

	SLOT1	SLOT2	SLOT3
65PHD8UK	-	HB	HA
65PHD8BK/EK	HB	-	-

Note:

Extension cable kit for Slot Board is supplied as service fixtures and tools.

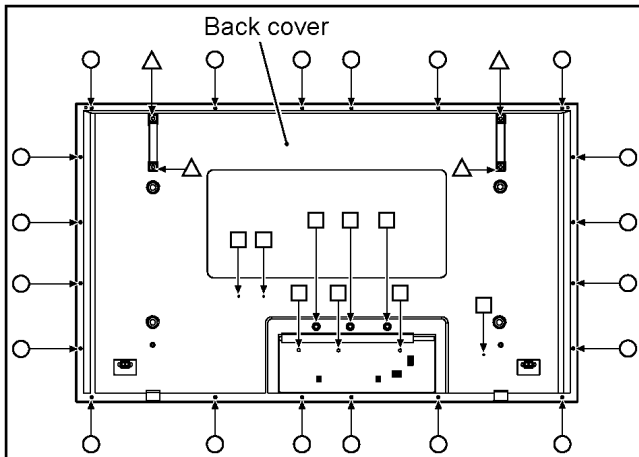
(Part No. **TZSC07040**)

7 Disassembly

- To remove P.C.B., wait for 1 minute after power was off for discharge from electrolysis capacitors.
- \blacktriangle and \blacktriangledown marks indicate screw positions.

7.1. Removal of the Back Cover

1. Remove the screws ($\times 20 \bigcirc$, $\times 9 \square$, $\times 4 \triangle$) and then remove the Back Cover.

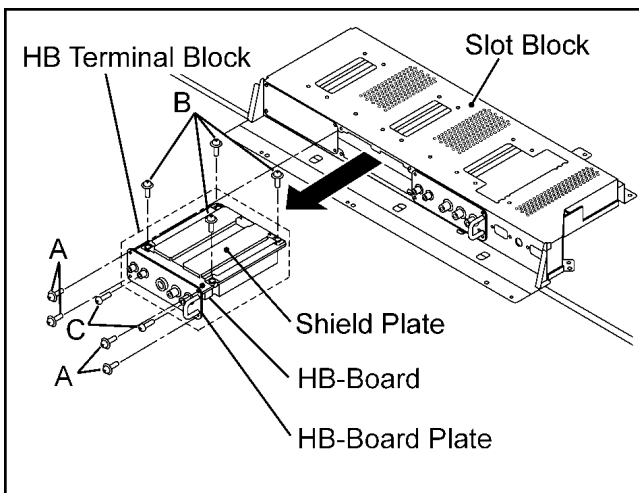


7.2. Removal of the HA-Board and the HB-Board

7.2.1. TH-65PHD8UK

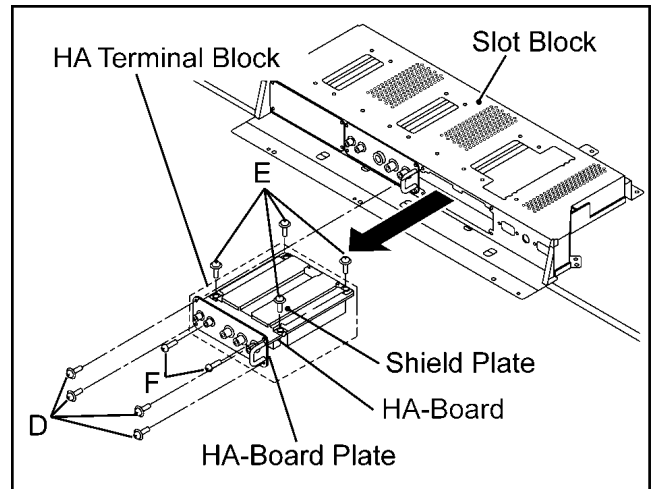
· Removal of the HB-Board

1. Remove the 4 screws (A) of the HB Terminal Block and then remove the HB Terminal Block.
2. Remove the 4 screws (B).
3. Remove the 2 screws (C) and then remove the HB-Board.



· Removal of the HA-Board

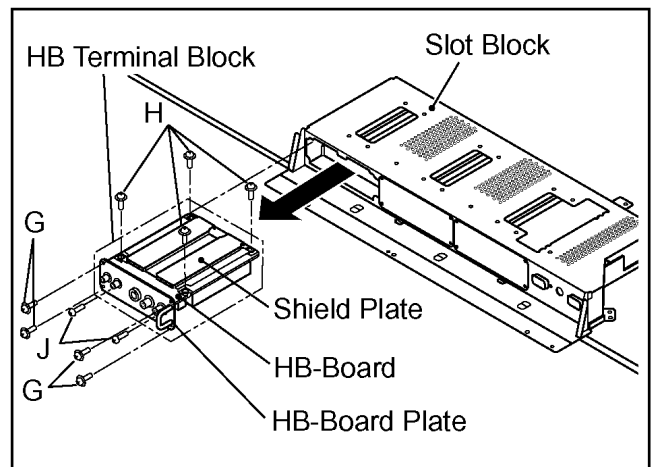
1. Remove the 4 screws (D) of the HA Terminal Block and then remove the HA Terminal Block.
2. Remove the 4 screws (E).
3. Remove the 2 screws (F) and then remove the HA-Board.



7.2.2. TH-65PHD8EK/BK

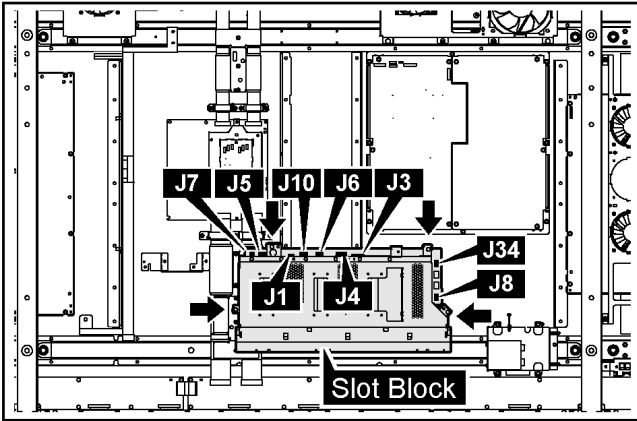
· Removal of the HB-Board

1. Remove the 4 screws (G) of the HB Terminal Block and then remove the HB Terminal Block.
2. Remove the 4 screws (H).
3. Remove the 2 screws (J) and then remove the HB-Board.



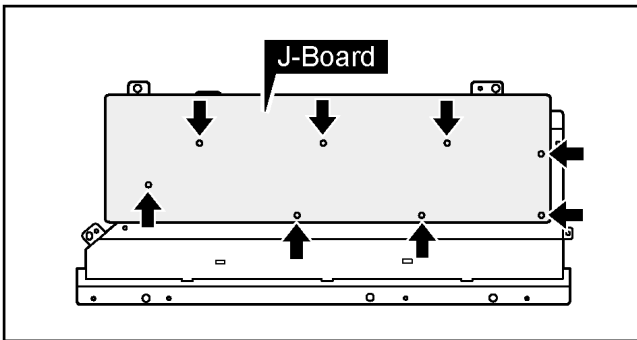
7.3. Removal of the Slot Block

1. Disconnect the couplers(J1, J3, J4, J5, J6, J7, J10, J34).
2. Remove the 4 screws and then remove the Slot Block.



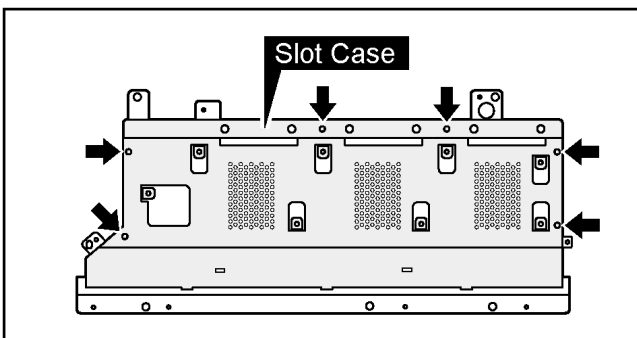
7.4. Removal of the J-Board

1. Remove the HA Terminal Block and the HB Terminal Block.
(Reference to Removal of the HA-Board and the HB-Board)
2. Remove the Slot Block.
(Reference to Removal of the Slot Block)
3. Remove the 8 screws and then remove the J-Board.

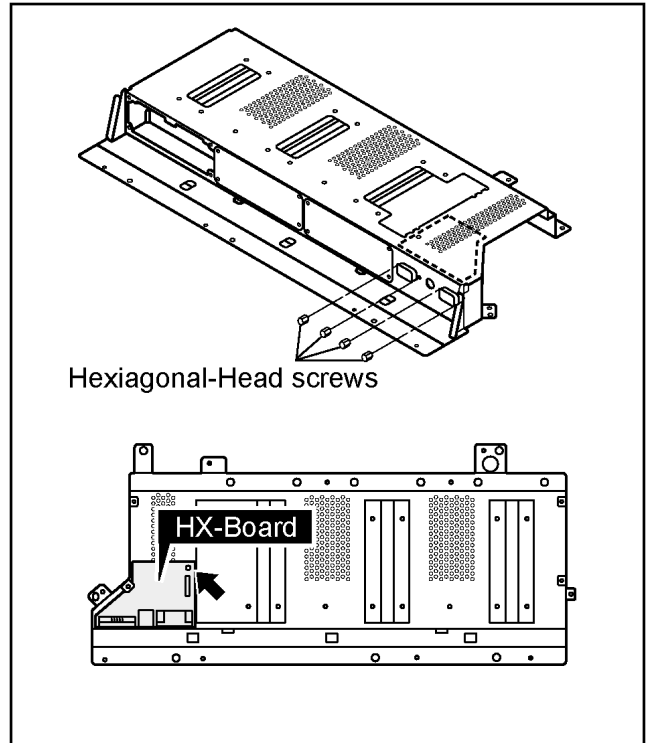


7.5. Removal of the HX-Board

1. Remove the HA Terminal Block and the HB Terminal Block.
(Reference to Removal of the HA-Board and the HB-Board)
2. Remove the Slot Block.
(Reference to Removal of the Slot Block)
3. Remove the J-Board.
(Reference to Removal of the J-Board)
4. Remove the 6 screws and then remove the Slot Case.

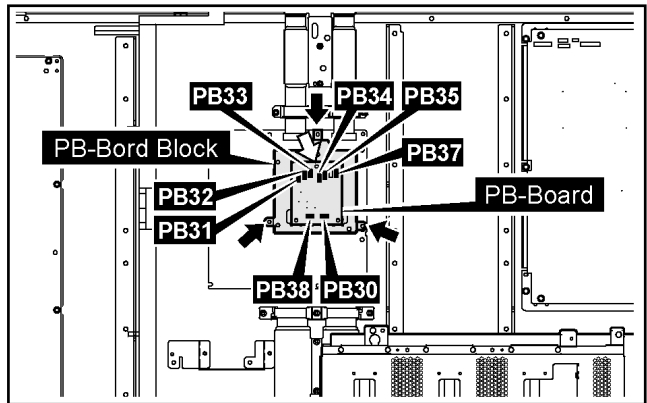


5. Remove the 4 Hexagonal-Head screws and the 1 screw of the HX-Board and then remove the HX-Board.



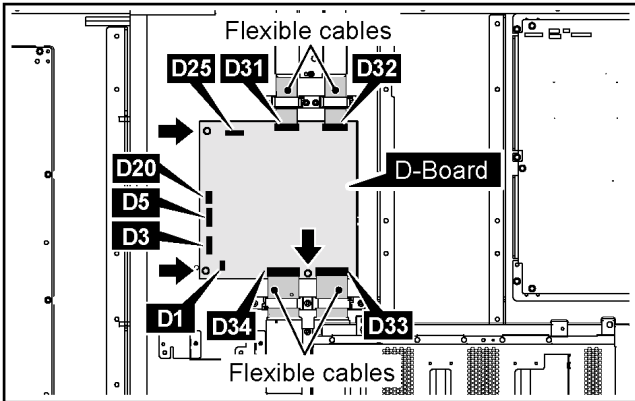
7.6. Removal of the PB-Board

1. Disconnect the couplers(PB30, PB31, PB32, PB33, PB34, PB35, PB37, PB38).
2. Remove the 3 screws and then remove the PB-Board Block.
3. Remove the 1 screw and then remove the PB-Board.



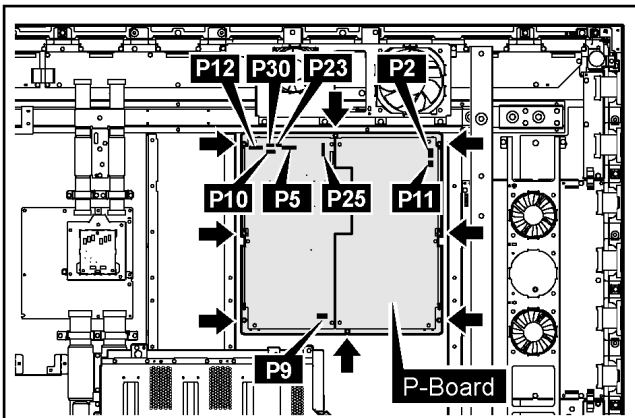
7.7. Removal of the D-Board

1. Remove the PB-Board Block.(Reference to Removal of the PB-Board)
2. Disconnect the couplers(D1, D3, D5, D20, D25).
- 3.Remove the flexible cables from the couplers(D31, D32, D33, D34).
4. Remove the 3 screws and then remove the D-Board.



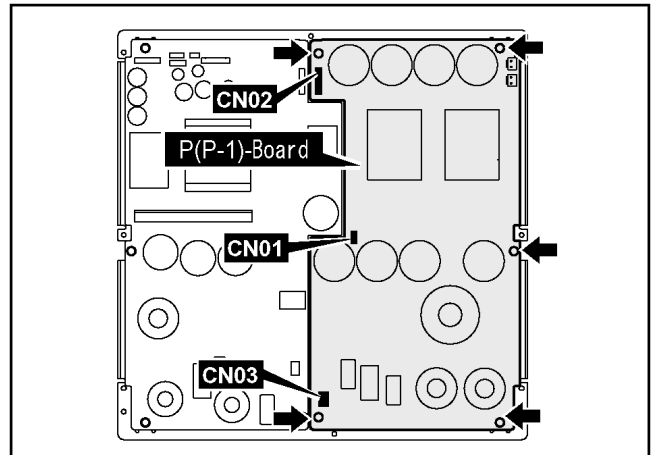
7.8. Removal of the P-Board

1. Disconnect the couplers(P2, P5, P9, P10, P11, P12, P23, P25, P30).
- 2.Remove the 8 screws and then remove the P-Board.

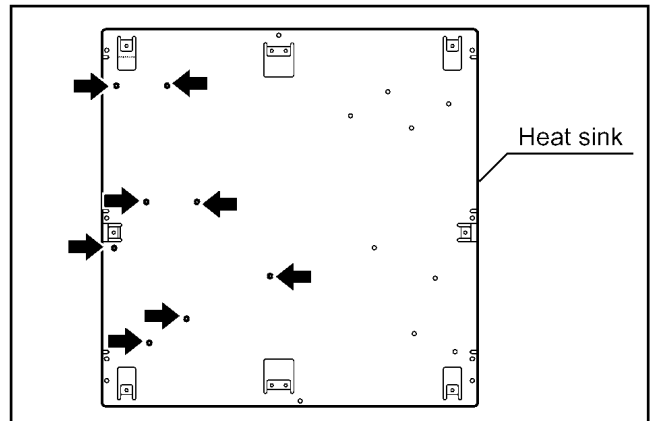


7.8.1. Removal of the P(P-1)-Board

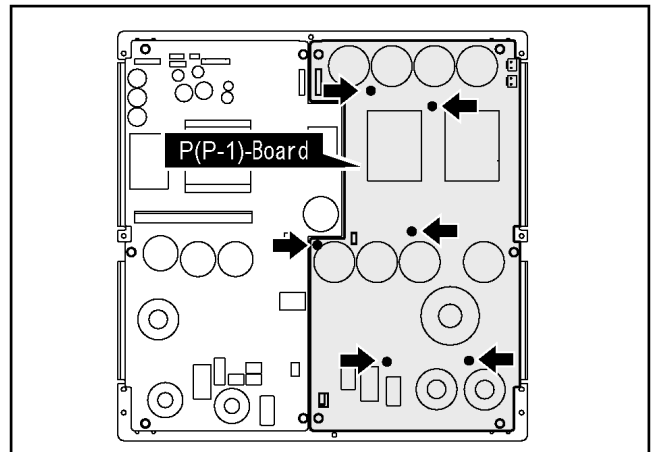
1. Disconnect the couplers(CN01, CN02, CN03).
2. Remove the 5 screws.(Top view)



3. Remove the 8 screws.(Bottom view)

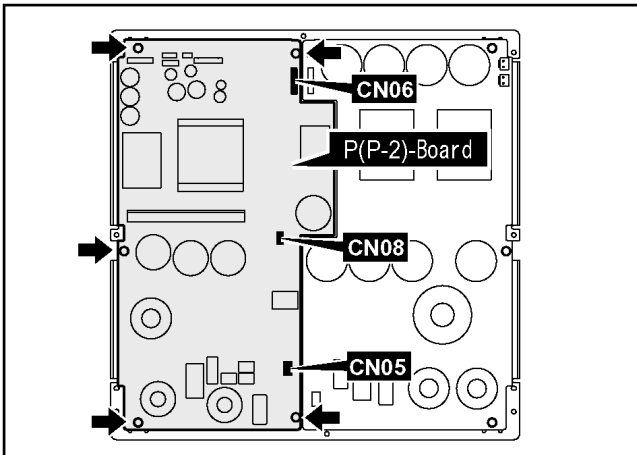


4. Remove the P(P-1)-Board from the 6 molding props.

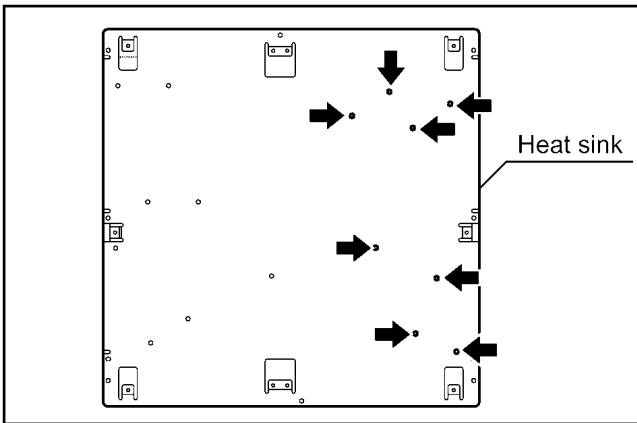


7.8.2. Removal of the P(P-2)-Board

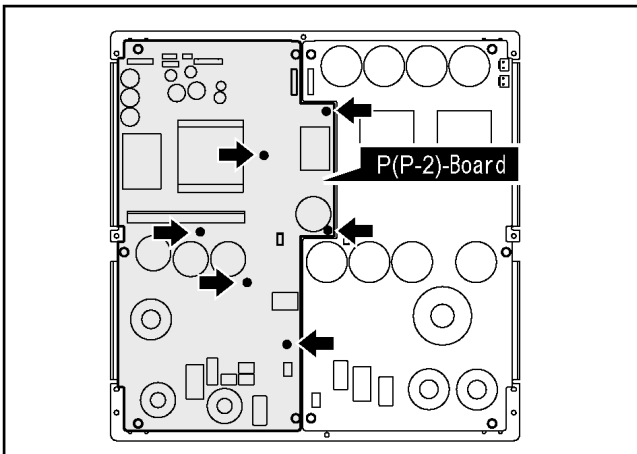
1. Disconnect the couplers(CN05, CN06, CN08).
2. Remove the 5 screws.(Top view)



3. Remove the 8 screws.(Bottom view)

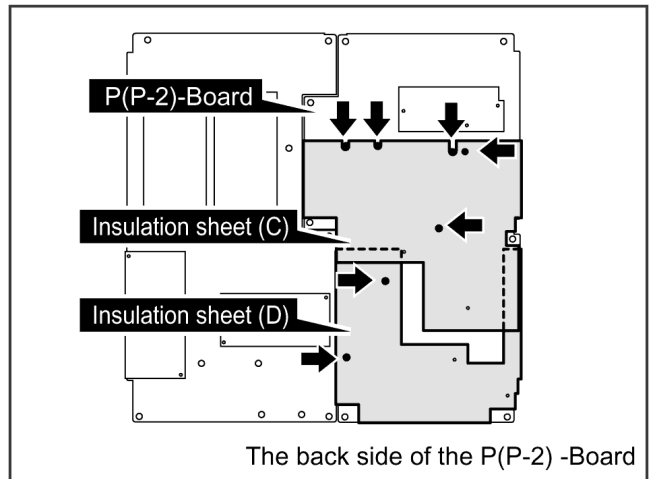
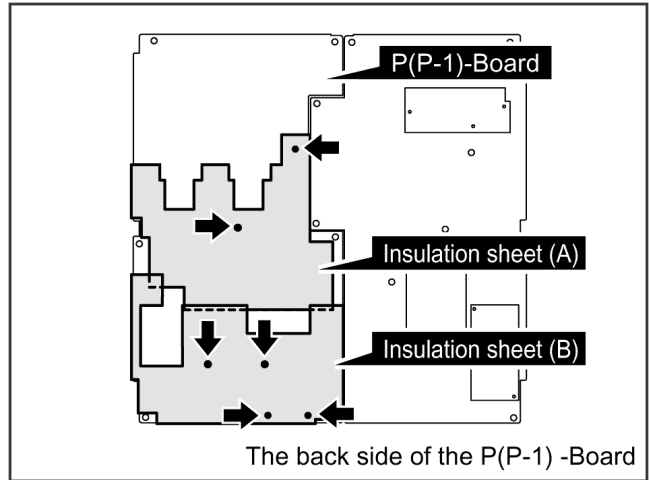


4. Remove the P(P-2)-Board from the 6 molding props.



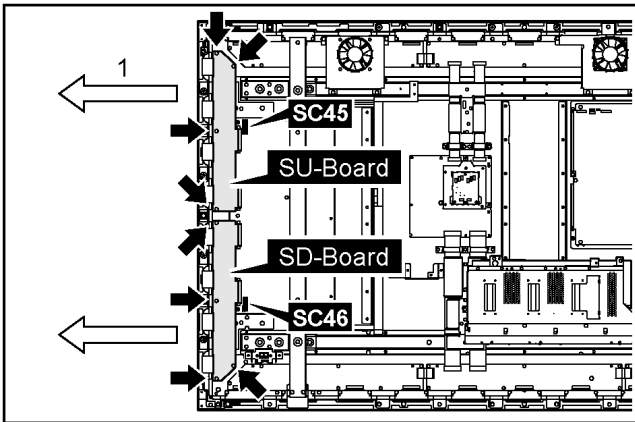
Note:

· When assembling the P(P-1)-Board and the P(P-2)-Board, the position of each hole of the insulation sheets(A, B, C, D) is set to the position of each hole of the P(P-1)-Board and the P(P-2)-Board and then assemble them. (▲ marks indicate setting positions.)

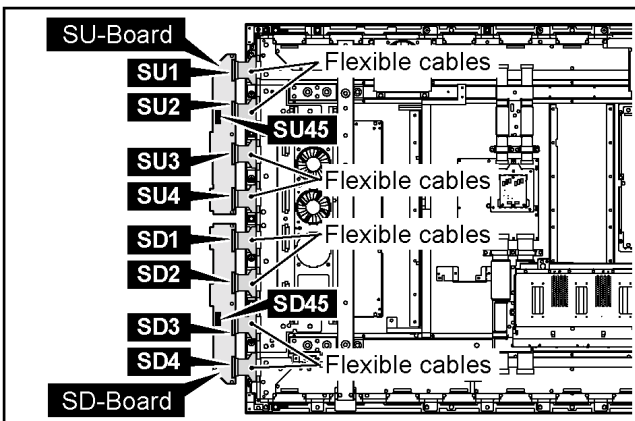


7.9. Removal of the SU-Board and the SD-Board

1. Disconnect the couplers(SC45, SC46).
2. Remove the each 4 screws.
3. Slide the SU-Board and the SD-Board to the left (arrow1).

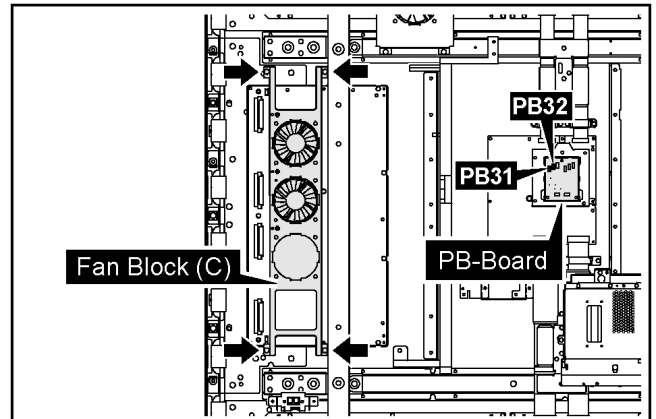


4. Disconnect the coupler(SU45).
5. Remove the flexible cables from the couplers(SU1, SU2, SU3, SU4) and then remove the SU-Board.
6. Disconnect the coupler(SD46).
7. Remove the flexible cables from the couplers(SD1, SD2, SD3, SD4) and then remove the SD-Board.



7.10. Removal of the SC-Board

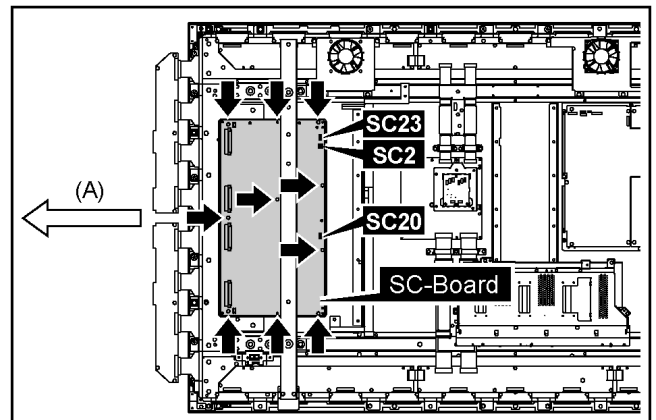
1. Disconnect the couplers(PB31, PB32).
2. Remove the each 4 screws and then remove the Fan Block (C).



3. Slide the SU-Board and the SD-Board to the left. (Reference to Removal of the SU-Board and the SD-Board)
4. Disconnect the couplers(SC2, SC20, SC23).
5. Remove the 10 screws of the SC-Board and slide the SC-Board in the direction of the arrow (A) and then remove the SC-Board.

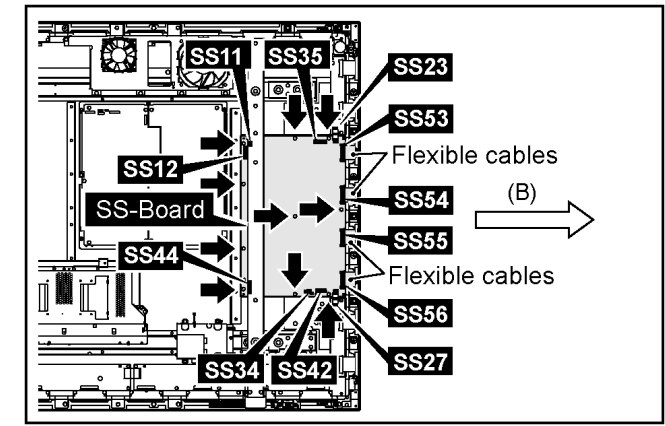
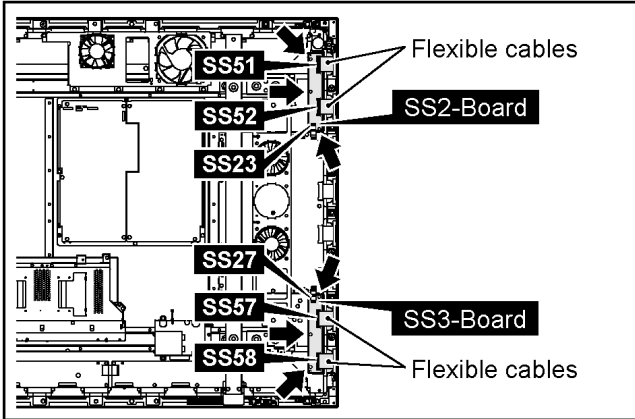
Note:

Remove the SC-Board not to damage the flexible cables of the SU-Board and the SD-Board, parts on the SC-Board.



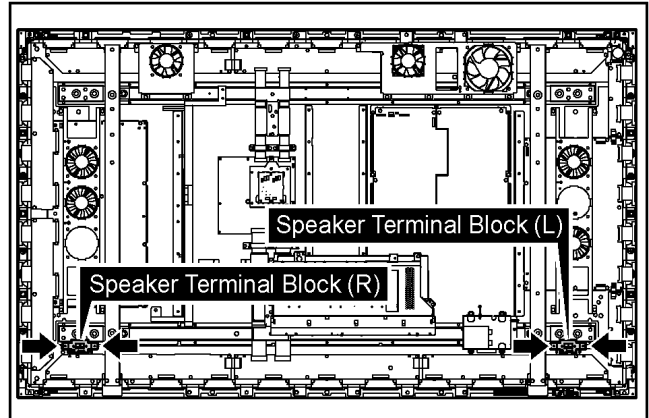
7.11. Removal of the SS2-Board and the SS3-Board

1. Disconnect the coupler(SS23).
2. Remove the flexible cables from the couplers(SS51, SS52).
3. Disconnect the coupler(SS27).
4. Remove the flexible cables from the couplers(SS57, SS58).
5. Remove the each 3 screws and then remove the SS2-Board and the SS3-Board.



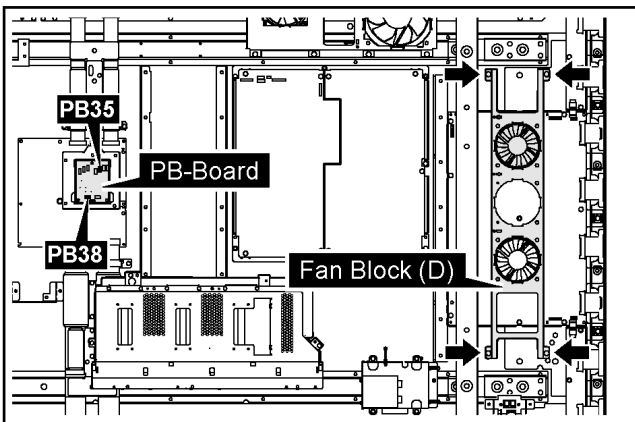
7.13. Removal of the H3-Board (L, R)

1. Remove the each 2 screws and then remove the Speaker Terminal Blocks (L, R).



7.12. Removal of the SS-Board

1. Disconnect the couplers(PB35, PB38).
2. Remove the 4 screws and then remove the Fan Block (D).

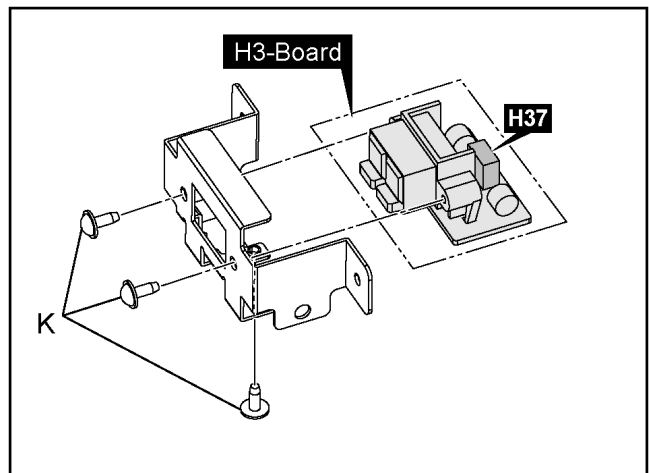


3. Disconnect the couplers(SS11, SS12, SS23, SS27, SS34, SS35, SS42, SS44).
4. Remove the flexible cables from the couplers(SS53, SS54, SS55, SS56).
5. Remove the 10 screws of the SS-Board and slide the SS-Board in the direction of the arrow (B) and then remove the SS-Board.

Note:

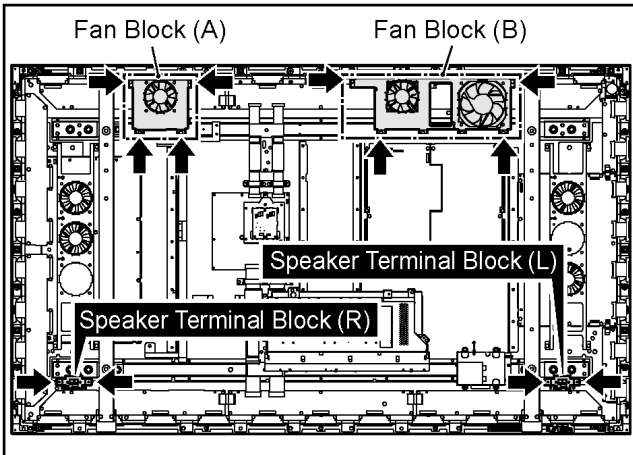
Remove the SS-Board not to damage the flexible cables of the Plasma Panel and parts on the SS-Board.

2. Disconnect the coupler(H37).
3. Remove the 3 screws (K) and then remove the H3-Board.



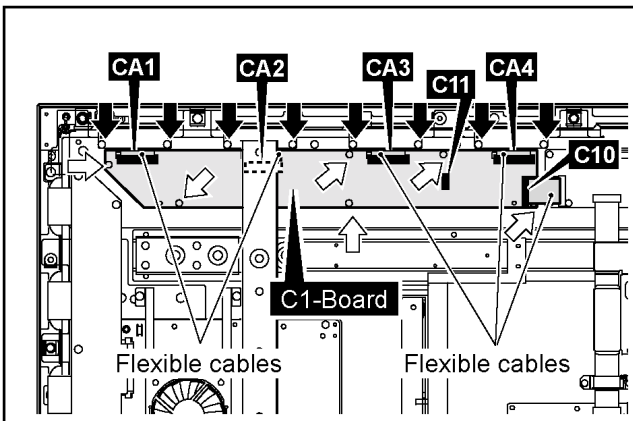
7.14. Removal of the C1, C2, C3, C4, C5 and the C6-Board

1. Remove the each 4 screws and then remove the Fan Blocks (A, B).
2. Remove the each 2 screws and then remove the Speaker Terminal Blocks (L, R).



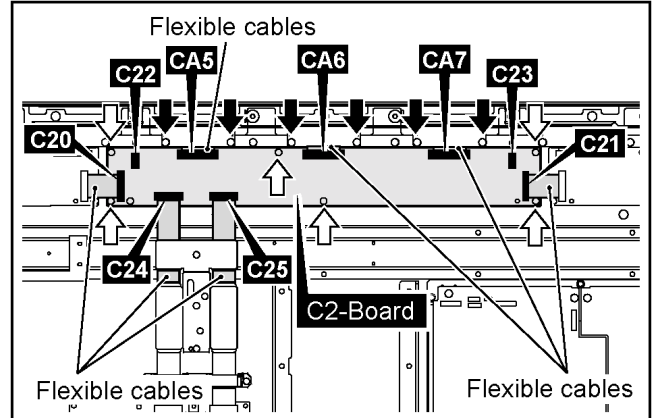
7.14.1. Removal of the C1-Board

1. Remove the flexible cable from the coupler(C10).
2. Disconnect the coupler(C11).
3. Remove the 8 screws and then remove the flexible cables from the couplers(CA1, CA2, CA3, CA4).
4. Remove the 6 screws and then remove the C1-Board.



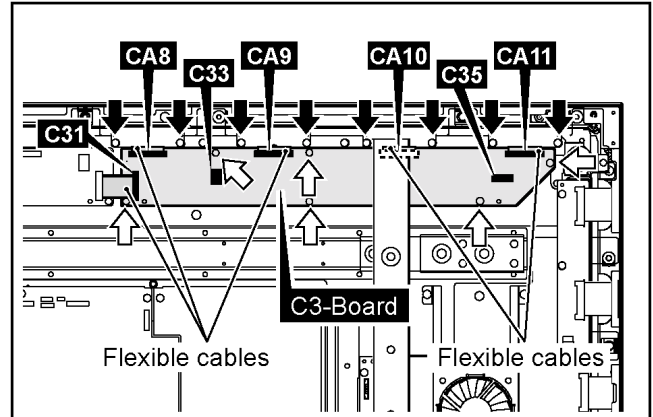
7.14.2. Removal of the C2-Board

1. Remove the flexible cables from the couplers(C20, C21, C24, C25).
2. Disconnect the couplers(C22, C23).
3. Remove the 6 screws and then remove the flexible cables from the couplers(CA5, CA6, CA7).
4. Remove the 6 screws and then remove the C2-Board.



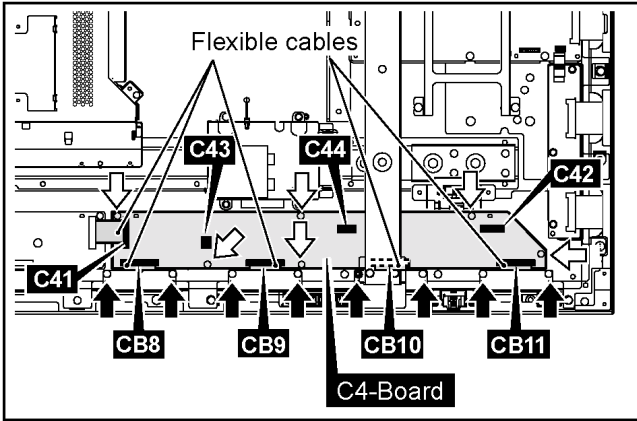
7.14.3. Removal of the C3-Board

1. Remove the flexible cable from the coupler(C31).
2. Disconnect the couplers(C33, C35).
3. Remove the 8 screws and then remove the flexible cables from the couplers(CA8, CA9, CA10, CA11).
4. Remove the 6 screws and then remove the C3-Board.



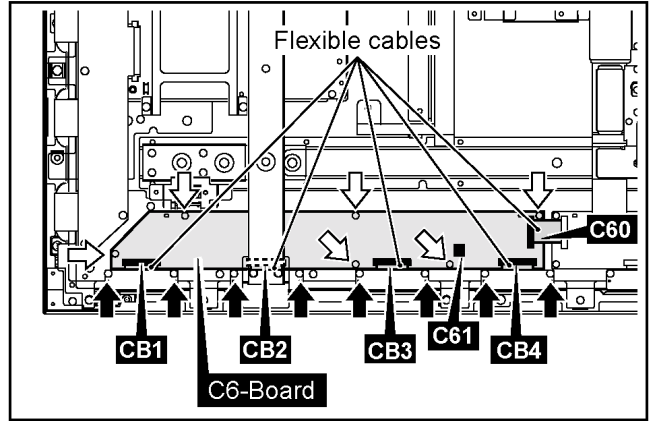
7.14.4. Removal of the C4-Board

1. Remove the flexible cable from the coupler(C41).
2. Disconnect the couplers(C42, C43, C44).
3. Remove the 8 screws and then remove the flexible cables from the couplers(CB8, CB9, CB10, CB11).
4. Remove the 6 screws and then remove the C4-Board.



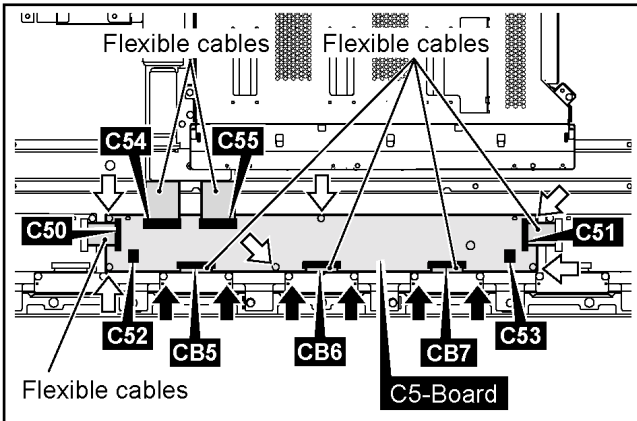
7.14.6. Removal of the C6-Board

1. Remove the flexible cable from the coupler(C60).
2. Disconnect the coupler(C61).
3. Remove the 8 screws and then remove the flexible cables from the couplers(CB1, CB2, CB3, CB4).
4. Remove the 6 screws and then remove the C6-Board.



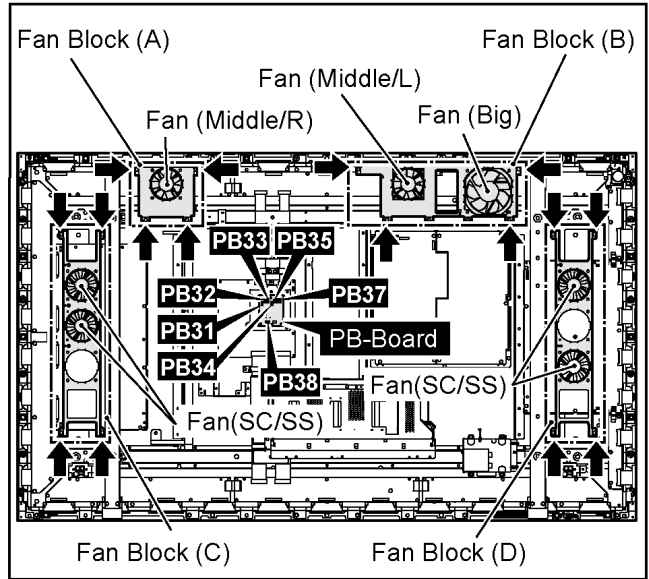
7.14.5. Removal of the C5-Board

1. Remove the flexible cables from the couplers(C50, C51, C54, C55).
2. Disconnect the couplers(C52, C53).
3. Remove the 6 screws and then remove the flexible cables from the couplers(CB5, CB6, CB7).
4. Remove the 6 screws and then remove the C5-Board.



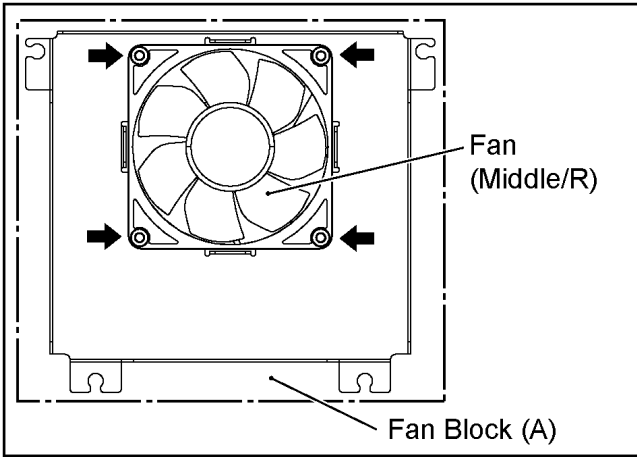
7.15. Removal of the Fan

1. Disconnect the couplers(PB31, PB32, PB33, PB34, PB35, PB37, PB38).
2. Remove the each 4 screws and then remove the Fan Blocks(A, B, C, D).



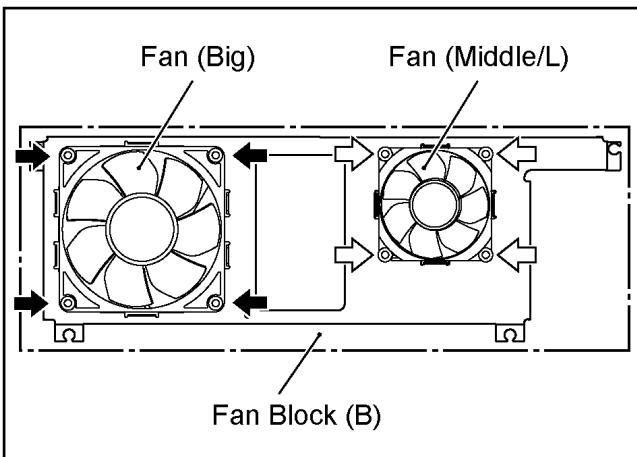
7.15.1. Removal of the Fan (Middle/R)

1. Remove the 4 screws and then remove the Fan (Middle/R).



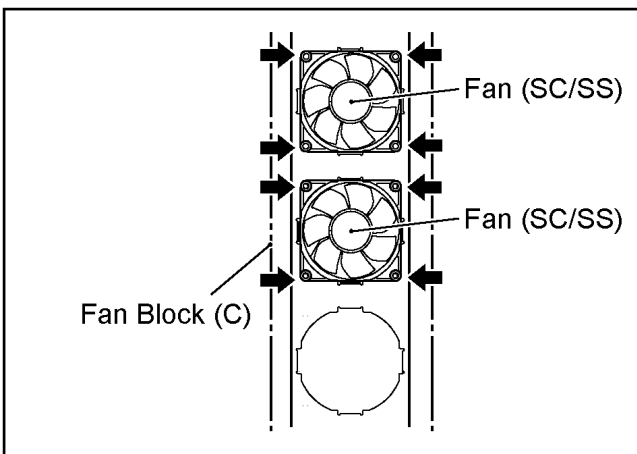
7.15.2. Removal of the Fan (Big) and the Fan (Middle/L)

1. Remove the 4 screws and then remove the Fan (Big).
2. Remove the 4 screws and then remove the Fan (Middle/L).



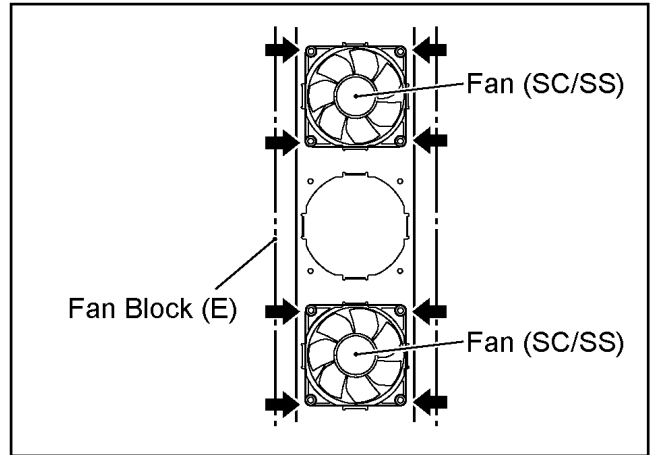
7.15.3. Removal of the Fan (SC/SS) on the SC-Board side

1. Remove the each 4 screws and then remove the Fans (SC/SS).



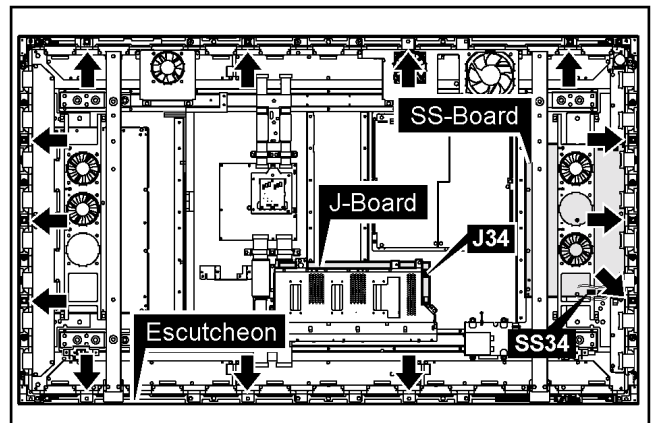
7.15.4. Removal of the Fan (SC/SS) on the SS-Board side

1. Remove the each 4 screws and then remove the Fans (SC/SS).

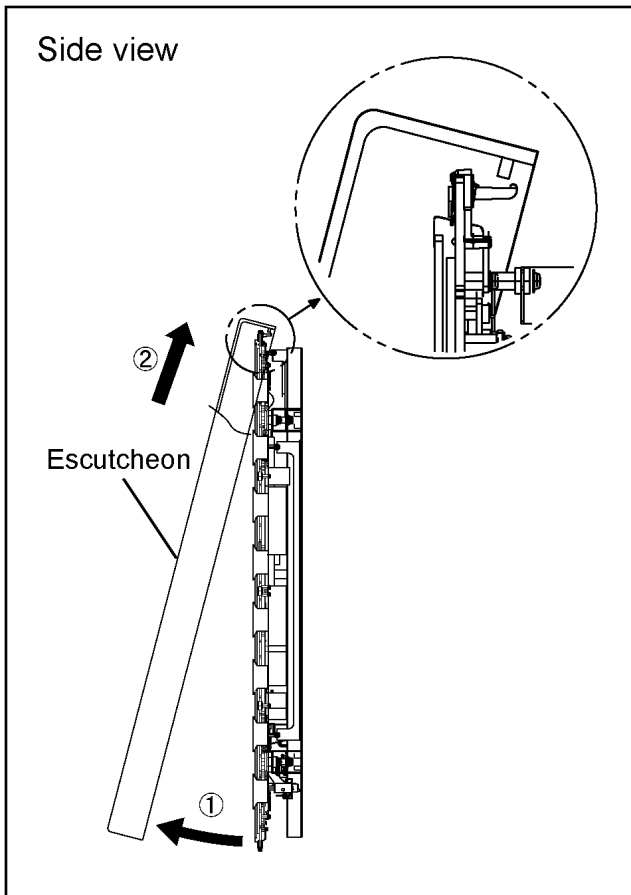


7.16. Removal of the Escutcheon

1. Disconnect the couplers(J34, SS34).
2. Remove the 13 screws.

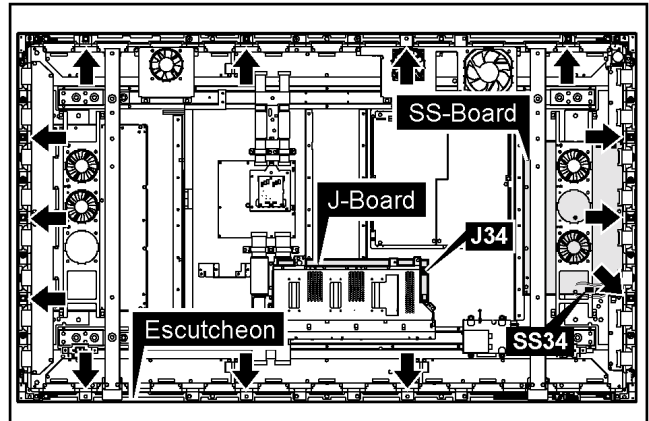


3. Pull the bottom of the Escutcheon in the direction of the arrow1 and lift up the Escutcheon in the direction of the arrow2 and then remove the Escutcheon.



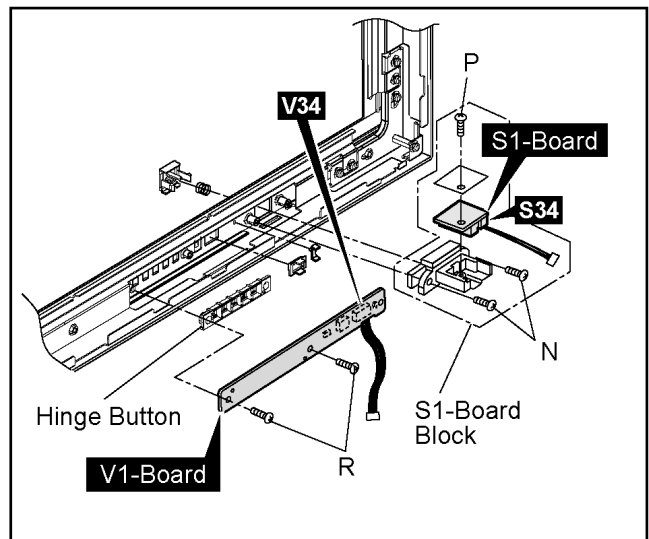
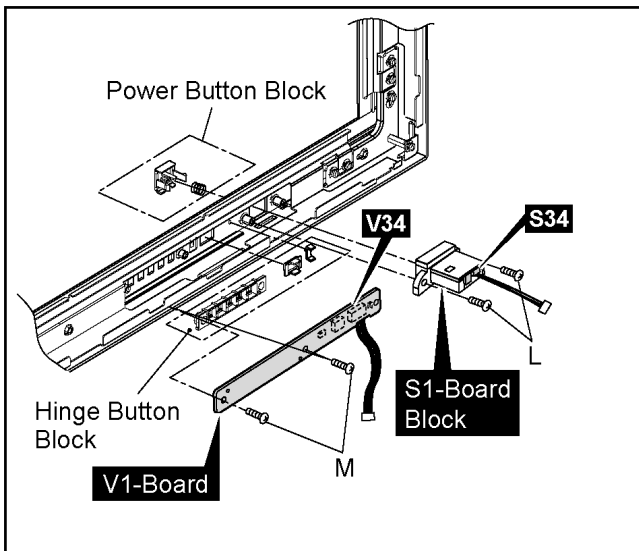
7.17. Removal of the S1-Board and the V1-Board

1. Remove the Escutcheon.
(Reference to Removal of Escutcheon)



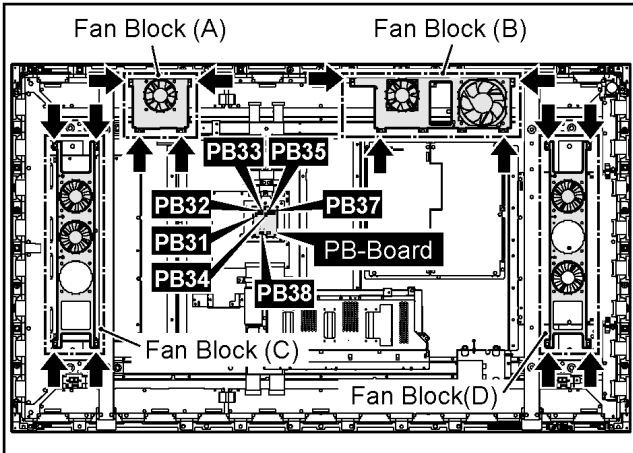
2. Remove the 2 screws (N) and then remove the S1-Board Block.
3. Remove the 1 screw (P) and then remove the S1-Board.
4. Remove the 2 screws (R) and then remove the V1-Board.
5. Disconnect the coupler(S34) and then remove the S1-Board.
6. Disconnect the coupler(V34) and then remove the V1-Board.

4. Remove the 2 screws(L) and then remove the S1-Board Block and then Power Button Block.
5. Remove the 2 screws(M) and then remove the V1-Board and the Hinge Button Block.

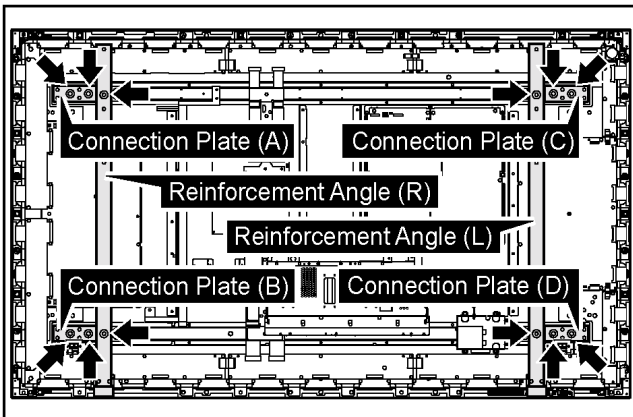


7.18. Removal of the Plasma Panel

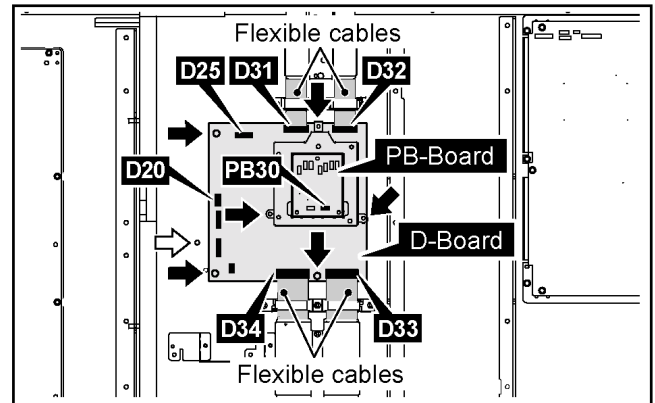
1. Disconnect the couplers(PB31, PB32, PB33, PB34, PB35, PB37, PB38).
2. Remove the each 4 screws and then remove the Fan Blocks(A, B, C, D).



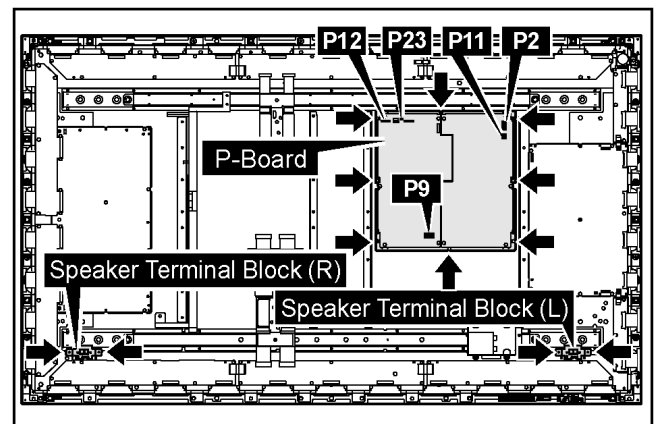
3. Remove the each 2 screws and then remove the Reinforcement Angles (L, R).
4. Remove the each 2 screws and then remove the Connection Plate (A, B, C, D).
5. Remove of the Slot Block.
(Reference to Removal of the Slot Block).



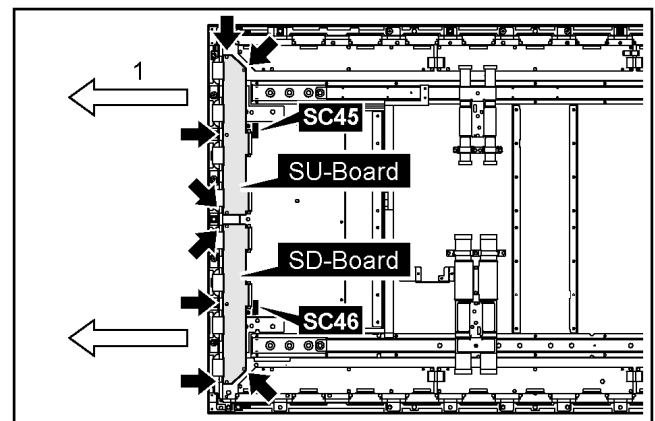
6. Disconnect the couplers(D20, D25, PB30).
7. Remove the flexible cables from the couplers(D31, D32, D33, D34).
8. Remove the 7 screws and then remove the PB-Board Block and D-Board.



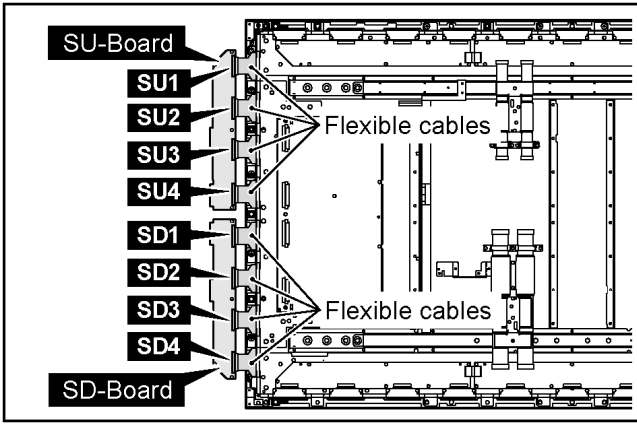
9. Disconnect the couplers(P2, P9, P11, P12, P23).
10. Remove the 8 screws and then remove the P-Board.
11. Remove the each 2 screws and then remove the Speaker Terminal Blocks (L, R).



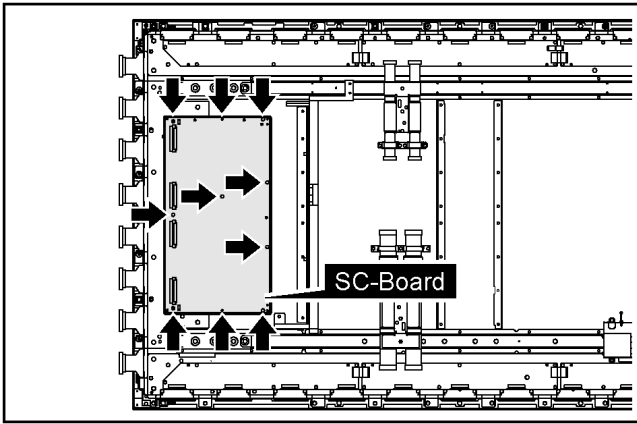
12. Disconnect the couplers(SC45, SC46).
13. Remove the each 4 screws and then slide the SU-Board and the SD-Board to the left (arrow 1).



14. Remove the flexible cables from the couplers(SU1, SU2, SU3, SU4, SD1, SD2, SD3, SD4) and then remove the SU-Board and the SD-Board.

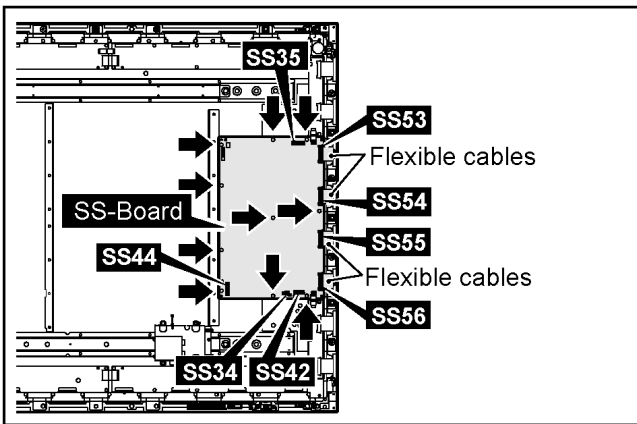


15. Remove the 10 screws and then remove the SC-Board.

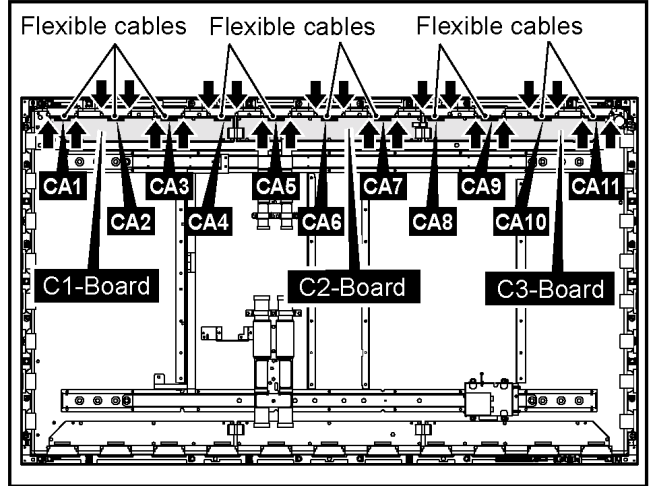


16. Remove the SS2-Board and the SS3-Board.
(Reference to Removal of the SS2-Board and the SS3-Board).

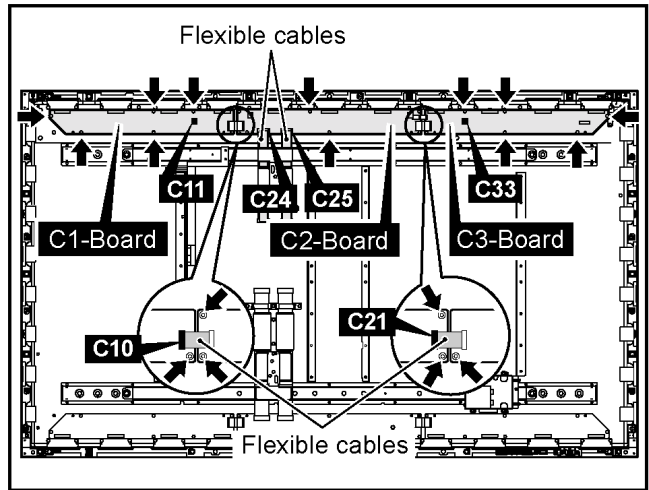
17. Disconnect the couplers(SS34, SS35, SS42, SS44).
18. Remove the flexible cables from the couplers(SS53, SS54, SS55, SS56).
19. Remove the 10 screws and then remove the SS-Board.



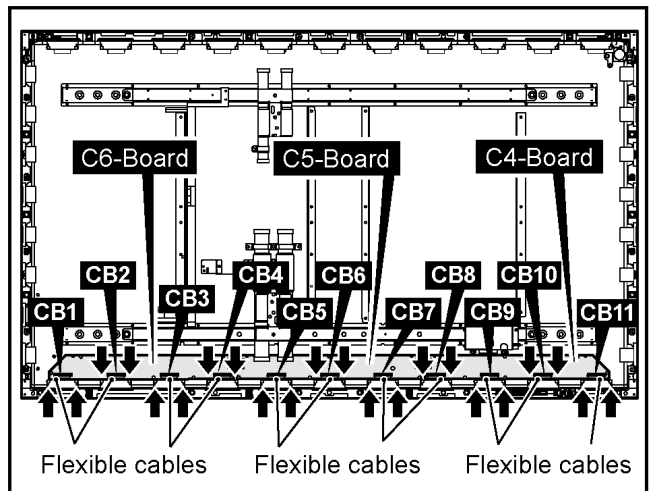
20. Remove the 22 screws.
21. Remove the flexible cables from the couplers(CA1, CA2, CA3, CA4, CA5, CA6, CA7, CA8, CA9, CA10, CA11).



22. Disconnect the couplers(C11, C33).
23. Remove the flexible cables from the couplers(C10, C21, C24, C25).
24. Remove the each 6 screws and then remove the C1-Board, the C2-Board and the C3-Board.

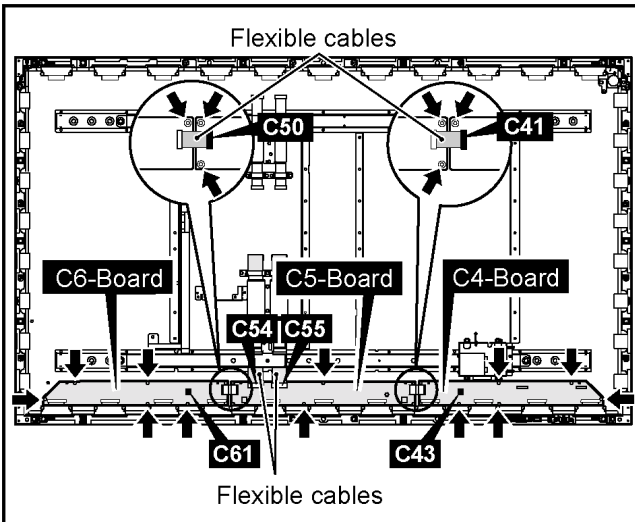


25. Remove the 22 screws.
26. Remove the flexible cables from the couplers(CB1, CB2, CB3, CB4, CB5, CB6, CB7, CB8, CB9, CB10, CB11).

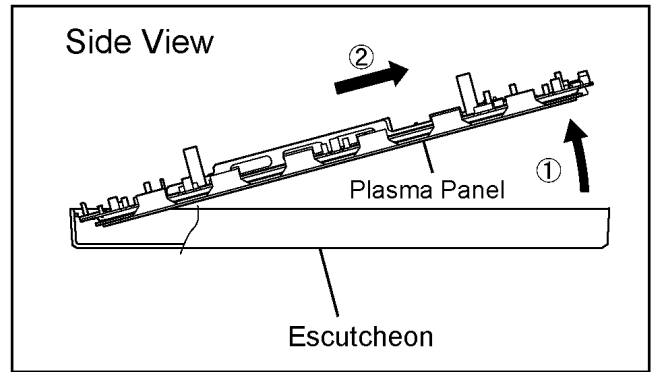


27. Disconnect the couplers(C43, C61).
28. Remove the flexible cables from the couplers(C41, C50, C54, C55).

29. Remove the each 6 screws and then remove the C4-Board, the C5-Board and the C6-Board.

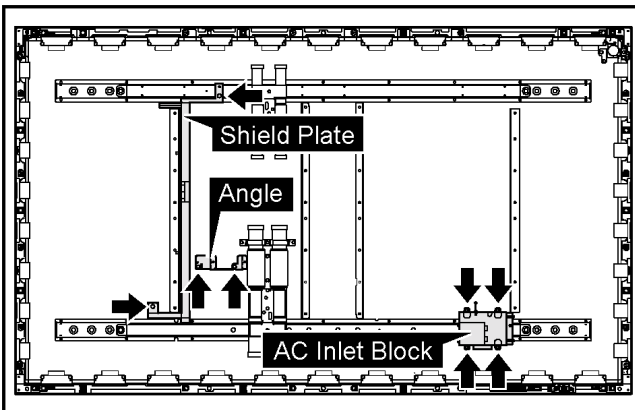


arrow2 and then remove the Plasma Panel.



30. Remove the each 2 screws and then remove the Shield Plate and the Angle.

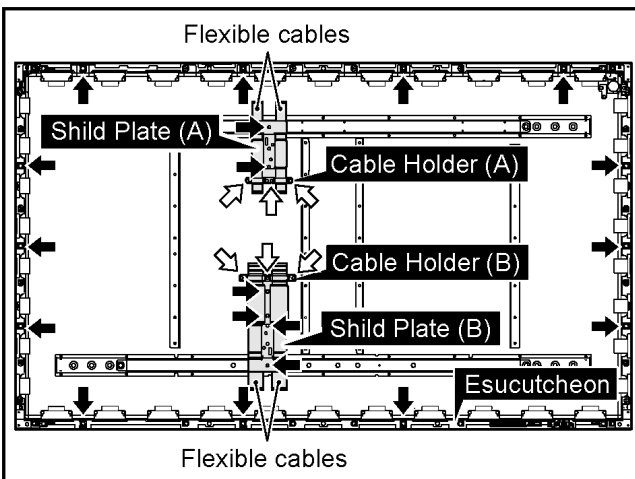
31. Remove the 4 screws and then remove the AC Inlet Block.



32. Remove the each 2 screws and then remove the Shield Plates (A, B).

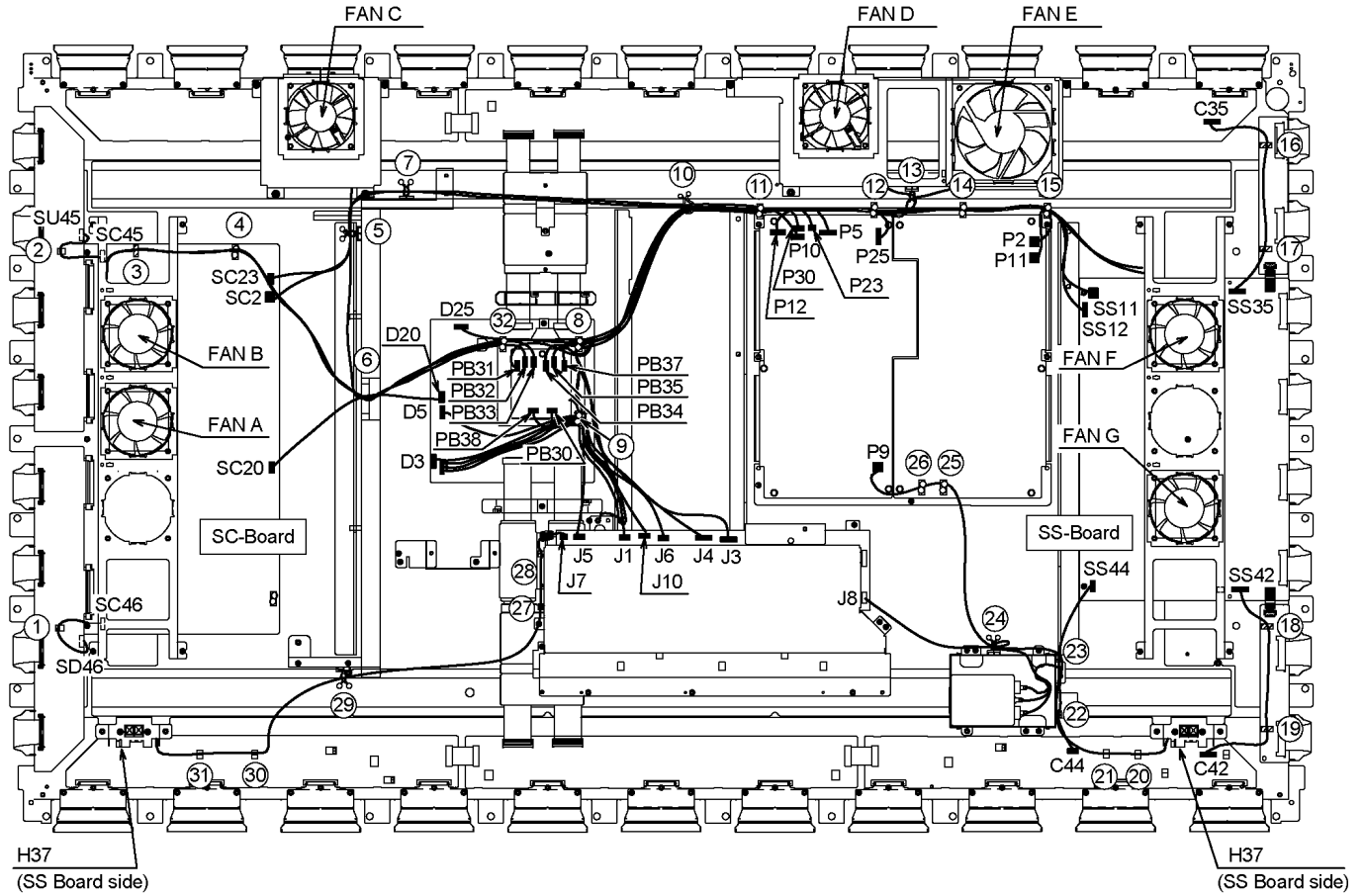
33. Remove the each 3 screws and then remove the Cable Holders (A, B) and the flexible cables.

34. Remove the 13 screws of the Escutcheon.

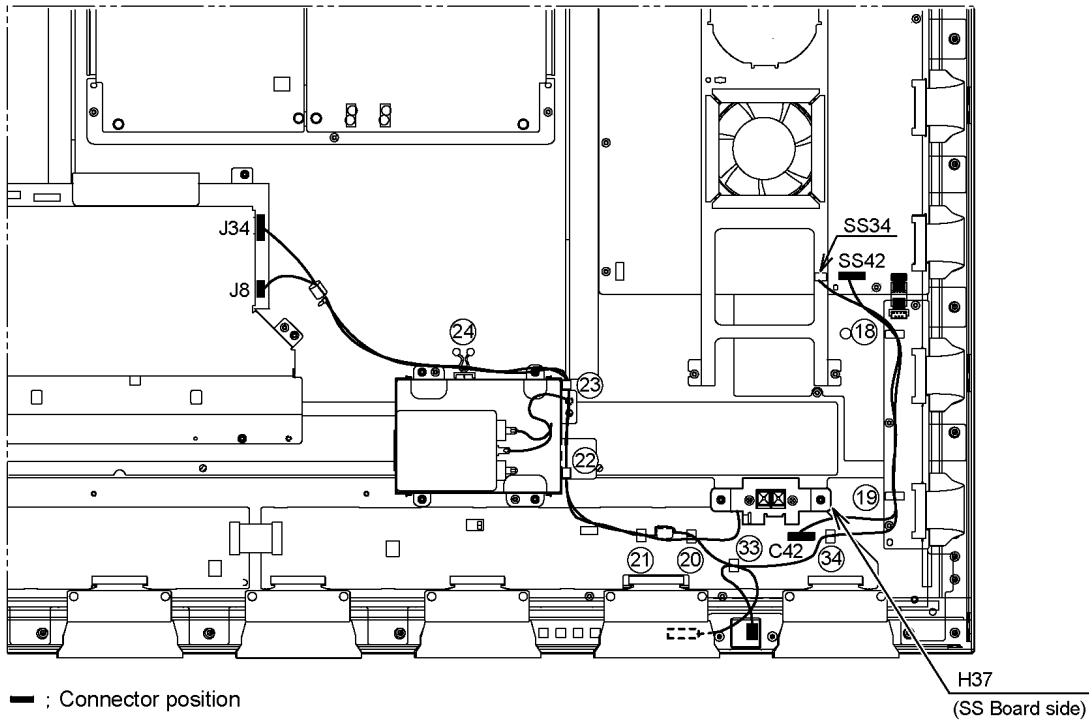


35. Lift up the bottom of the Plasma Panel in the direction of the arrow1 and pull the Plasma Panel in the direction of the

8 Location of Lead Wiring



Enlarged view of lower right side



— : Connector position

Clamp position

CON: No.— CON: No.	①	②	③	④	⑤	⑥	⑦	⑧	⑨	⑩	⑪	⑫	⑬	⑭	⑮	⑯	⑰	⑱	⑲	⑳	㉑	㉒	㉓	㉔	㉕	㉖	㉗	㉘	㉙	㉚	㉛	㉜				
SC2 — P2					○		○			○	○	○		○	○																					
SC23 — P23					○		○			○	○																									
SC20 — D20						○																														
SC45 — SU45		○																																		
SC46 — SD46	○																																			
D25 — P25								○		○	○	○																								
FAN A — PB31			○	○		○																														
FAN B — PB32			○	○		○																														
FAN C — PB33					○	○																														
FAN D — PB37								○		○	○	○	○																							
FAN E — PB34								○		○	○	○	○																							
FAN F — PB35								○		○	○	○								○	○															
FAN G — PB38								○	○	○	○	○								○	○															
PB30 — P30								○		○	○																									
D5 — J5 / J6										○																										
D1 — J1 Grand lead	No clamp treatment																																			
D3 — J3									○																											
P10 — J10								○		○	○																									
P5 — J4								○		○	○																									
P12 — SS12												○		○	○																					
P11 — SS11															○																					
C35 — SS35																○	○																			
C42 — SS42																			○	○																
C44 — SS44																							○	○												
J34 — V34 (V1-Board)																					○	○	○	○	○									○		
S34 (S1-Board) — SS34																				○	○													○	○	
H37 (SS-Board side) J8																					○	○	○	○	Ⓐ											
H37 (SC-Board side) J7																																○	○	Ⓐ	○	○
AC Inlet — P9																									○	○	○									

Ⓐ : Manage wires not to slack.

9 Adjustment Procedure

9.1. Driver Set-up

9.1.1. Item / Preparation

1. Input a white signal of the RGB signal generator.
2. Set the picture adjustment items as follows.
 - Picture menu : Standard
 - Color temperature : Normal
 - Picture : 25
 - Aspect : Full

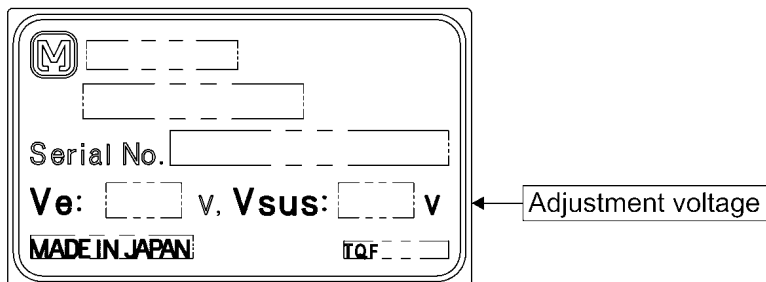
9.1.2. Adjustments

Adjust driver section voltages referring the panel data on the panel data label.

Name	Test Point	Voltage	Volume	Remarks
Vsus	TPVSUS	182V \pm 2V	VR351 (P)	*
Ve	TPVE	150V \pm 2V	VR6250 (SS)	*
Vda	TPVDA	75V \pm 1V	Fixed	
Vad	TPVAD	-85V \pm 1V	VR6801(SC)	
Vscn	TPVSCN	Vad + 120V \pm 4V	Fixed	
Vset	TPVSET	230V \pm 7V	Fixed	
Vbk	TPVBK	140V \pm 1V	VR6802(SC)	

*See the Panel label.

Panel Label information



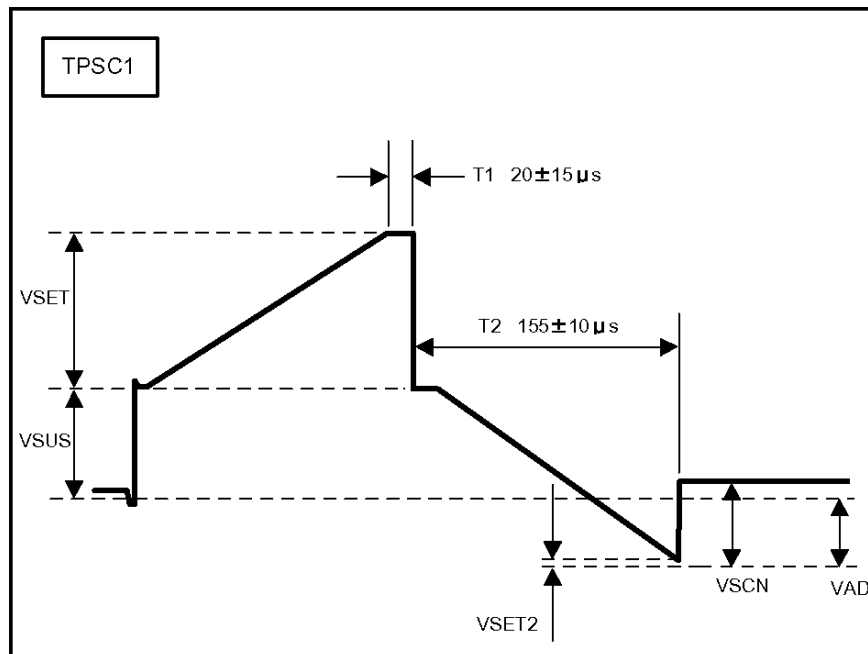
Caution

1. First perform Vsus voltage adjustment.
2. Confirmation of Vscn voltage should be performed after confirmation of Vad voltage adjustment.
When Vad = -85V, Voltage of Vscn is 35V \pm 4V.

9.2. Initialization Pulse Adjust

1. Input a white signal to plasma video input.
2. Set the picture adjustment items as follows.
 - Picture menu : Standard
 - Color temperature : Normal
 - Picture : 25
 - Aspect : Full
3. Connect Oscilloscope to TPSC1 (T1) and check for $20 \pm 15 \mu\text{Sec}$.
4. Connect Oscilloscope to TPSC1 (T2) and adjust VR6602 for $155 \pm 10 \mu\text{Sec}$.

	Test point	Volume	Level
T1	TPSC1 (SC)	Fixed	$20 \pm 15 \mu\text{Sec}$
T2	TPSS1 (SS)	VR6602(SC)	$155 \pm 10 \mu\text{Sec}$



9.3. P.C.B. (Printed Circuit Board) Remove

9.3.1. Caution

1. To remove P.C.B., wait 1 minute after power was off for discharge from electrolysis capacitors.

9.3.2. Quick adjustment after P.C.B. Remove

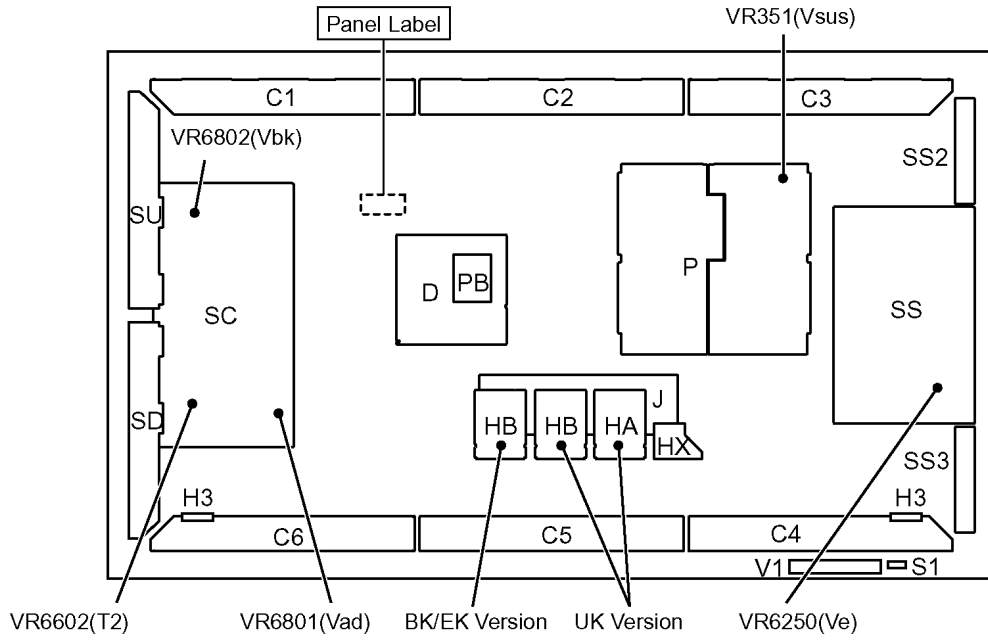
P.C.B.	Name	Test Point	Voltage	Volume	Remarks
P Board	Vsus	TPVSUS	$182V \pm 2V$	VR351 (P)	*
SC Board	Vad	TPVAD	$-85V \pm 1V$	VR6801 (SC)	
	Vscn	TPVSCN	$Vad + 120V \pm 4V$	Fixed	
	Vset	TPVSET	$230V \pm 7V$	Fixed	
	Vbk	TPVBK	$140V \pm 1V$	VR6802 (SC)	
SS Board	Ve	TPVE	$150V \pm 2V$	VR6250 (SS)	*
	Vda	TPVDA	$75V \pm 1V$	Fixed	
D, J Board	White balance, Pedestal and Sub brightness for NTSC, PAL, HD, PC and 625i signals				

*See the Panel label.

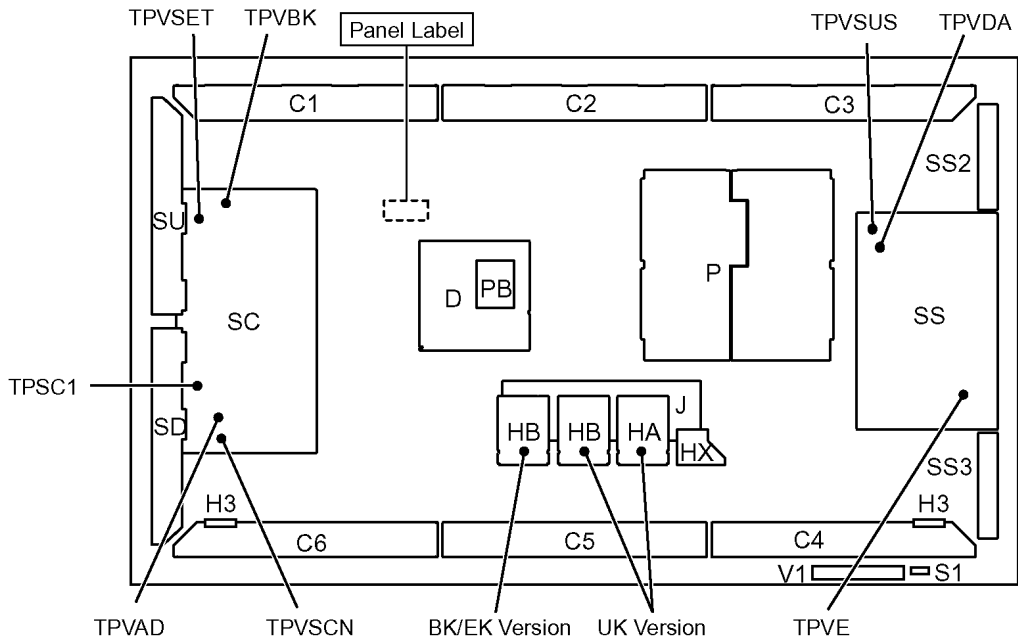
Caution:

Absolutely do not reduce Vsus below Ve not to damage the P.C.B.

9.4. Adjustment Volume Location



9.5. Test Point Location



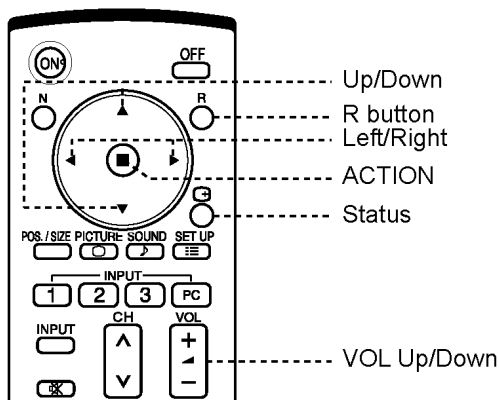
10 Service mode

10.1. CAT (computer Aided Test) mode

CAT mode menu

CAT Panel sys8.2		Mode	Function	Access button
IIC Mode	←.....	IIC	Service Alignment	Action
CD Mode	←.....	CD(Complete Diagnostics)	Software version information EEPROM edit	Mute more than 5 seconds
SD Mode	←.....	SD(Status Display)	MTBF parameter	Action
MS Mode	←.....	MS Mode	Not use	-----
ID Mode	←.....	ID Mode	Not use	-----

Remote control



How to access the CAT mode.

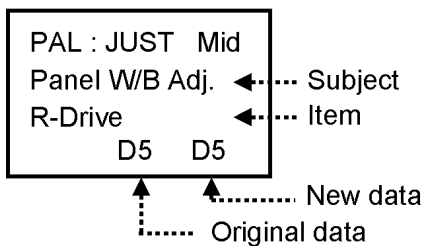
Press and the hold the **Volume down / - button** on the front panel of the unit and press the **status button** on the remote control 3 times quickly within 2 seconds, this will place the unit into the CAT mode.

To exit the **CAT mode**, access the **ID mode** and switch off the main power.

10.1.1. IIC mode

Select the IIC mode by **Up/Down button** on the remote control at the front page of CAT mode and then press the **Action button** on the remote control.

OSD



How to use the IIC mode.

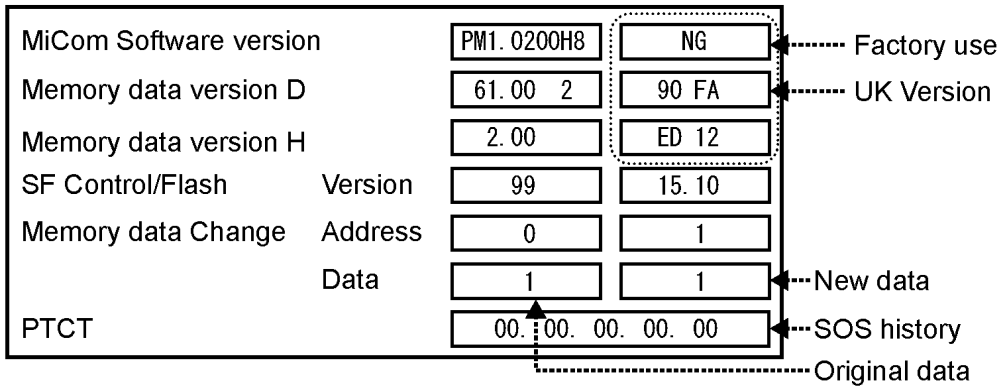
1. Select the alignment **Subject** by **Up/Down buttons** on the remote control.
2. Select the alignment **Item** by **Left/Right buttons** on the remote control.
3. Adjust **optimum setting** by **Volume Up/Down buttons** on the remote control.
4. The **data is memorized** when press the **R button** on the remote control or change the alignment Subject (or Items).

Subject and item are mentioned on "IIC mode structure".

To exit the IIC mode, press the **R button** on the remote control.

10.1.2. CD mode

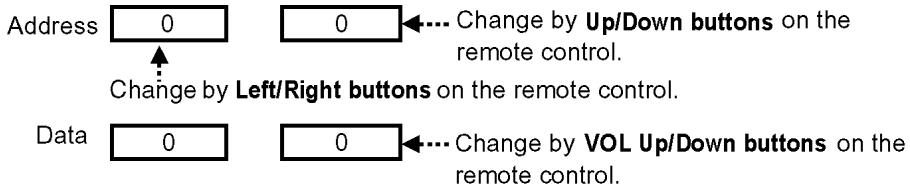
Select the CD mode by **Up/Down button** on the remote control at the front page of CAT mode and then press the **Mute button** on the remote control more than 5 seconds.



Micom software version (IC9702), this version can be upgrade by

1. replace of new version IC
2. Loading the new version software from loader tool, TZSC07036.

Memory data change



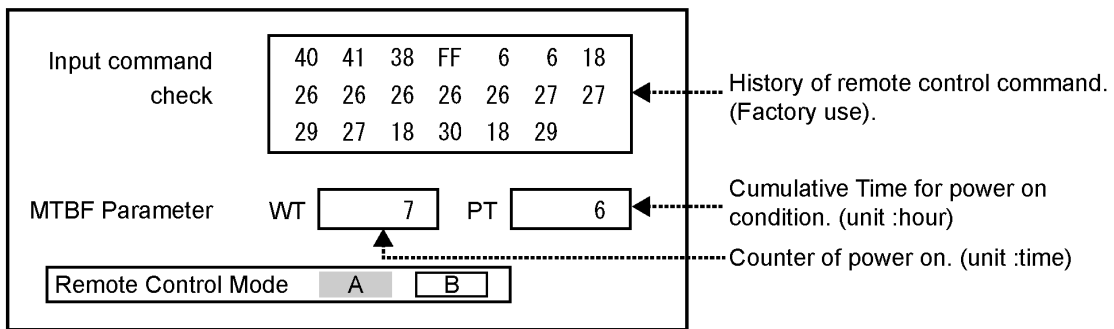
The data is memorized when switch off the main power.

To exit the CD mode, press the **R button** on the remote control.

10.1.3. SD mode

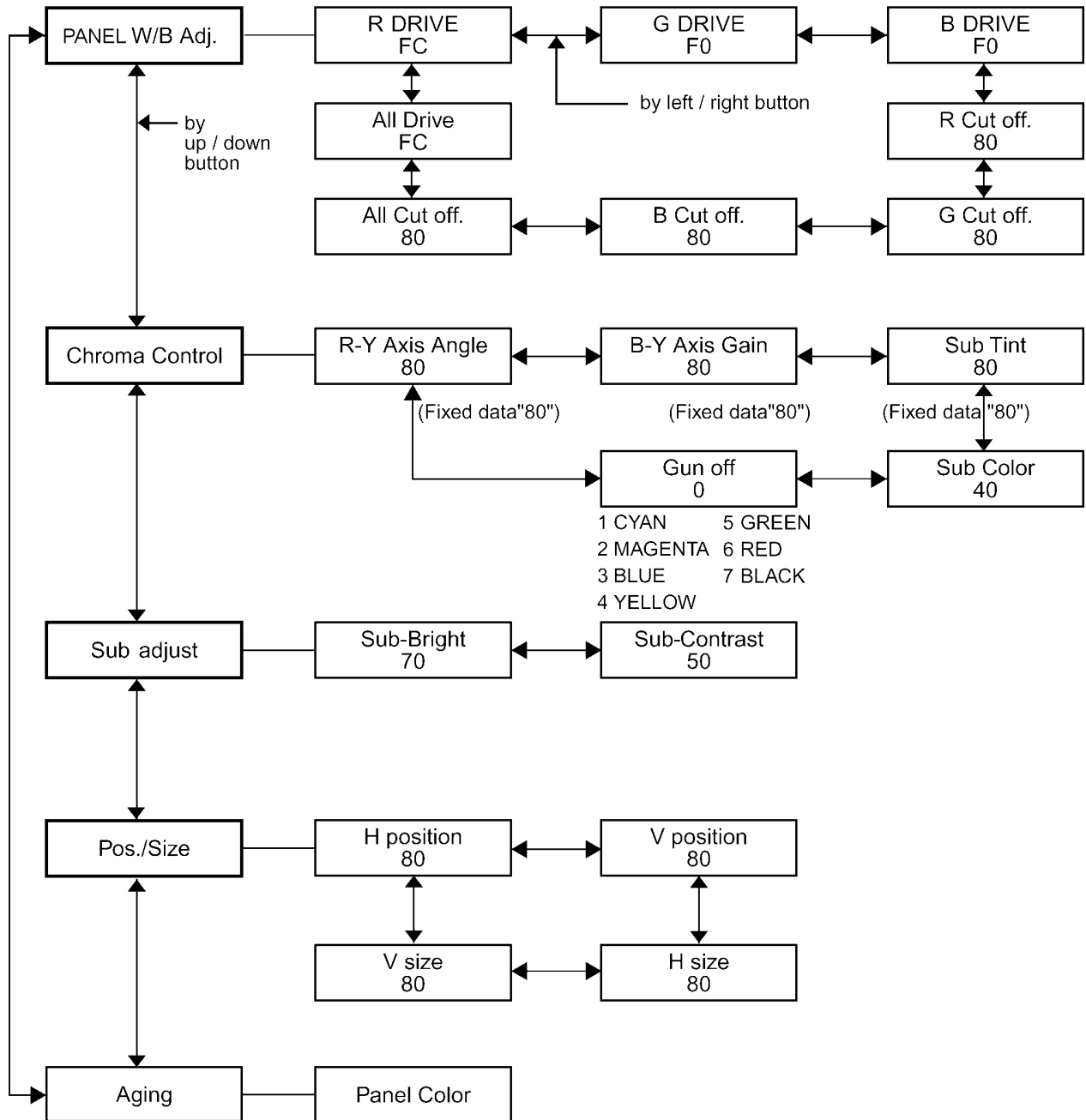
Select the SD mode by **Up/Down button** on the remote control at the front page of CAT mode and then press the **Action button** on the remote control.

OSD



To exit the SD mode, press the **R button** on the remote control.

10.2. IIC mode structure (following items value is sample data.)

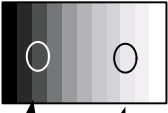


- | | | | | | | | |
|---|-------|---|------------|---|--------|---|--------|
| 0 | WHITE | 3 | BLUE | 7 | RAMP_R | A | WINDOW |
| 1 | RED | 4 | SCROLL BAR | 8 | RAMP_G | | |
| 2 | GREEN | 6 | RAMP_W | 9 | RAMP_B | | |

These are selected by Action button of Remote and press the R button to exit.

11 Alignment

11.1. PC / RGB panel white balance

	INPUT	Equipment	Setting	Alignment menu	Procedure
1	PC (VGA) Gray Scale Pattern  High light 75% Low light 15%	Color Analyzer	Picture menu: Standard Picture: 25 Color temperature: Cool Aspect: Full POS./Size: Normal Component/ RGB-IN Select: RGB IIC mode: Panel W/B Adj	PANEL W/B G cut off PANEL W/B G Drive PANEL W/B B Drive R Drive PANEL W/B R,G,B Drive	Note: <ul style="list-style-type: none"> · Before adjustment, color signal has not been displayed on panel. · The pedestal adjustment has been done. · The signal root must be A side. 1) Set G cut off to " 80 ". 2) Find 75% (amplitude) of white area by color sensor. 3) Set G Drive to " E0 ". 4) Adjust B and R Drive to set the High color temperature as shown Table 1. 5) Increase equally R, G and B Drive to get the largest level of 3 color drive to "FC".
2			Picture menu: Standard Picture: 25 Color temperature: Normal Aspect: Full POS./Size: Normal	PANEL W/B G cut off PANEL W/B R,G,B Drive	1) Change color temperature to "Normal". 2) In Mid color temperature, repeat the procedures 1) to 5) of Cool mode.
3			Picture menu: Standard Picture: 25 Color temperature: Warm Aspect: Full POS./Size: Normal	PANEL W/B G cut off PANEL W/B R,G,B Drive	1) Change color temperature to "Warm". 2) In Low color temperature, repeat the procedures 1) to 5) of Cool mode.
4	· NTSC · PAL · DVI				1) Copy the R drive, G drive and B drive data obtained in above steps into NTSC, PAL and DVI area.

Color Temp.	x	y
Cool(Hi)	0.276	0.276
Normal(Mid)	0.288	0.296
Warm(Low)	0.313	0.329

Table 1 W/B adjustment values

Color temperature	R	G	B
High	A0-11AD	A0-11AE	A0-11AF
Medium	A0-11B0	A0-11B1	A0-11B2
Low	A0-11B3	A0-11B4	A0-11B5

Table 2 Drive data addresses (PC/RGB)

Color temperature	R	G	B
High	A0-1180	A0-1181	A0-1182
Medium	A0-1183	A0-1184	A0-1185
Low	A0-1186	A0-1187	A0-1188

Table 3 Drive data addresses (NTSC)

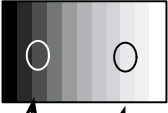
Color temperature	R	G	B
High	A0-1189	A0-118A	A0-118B
Medium	A0-118C	A0-118D	A0-118E
Low	A0-118F	A0-1190	A0-1191

Table 4 Drive data addresses (PAL)

Color temperature	R	G	B
High	A0-11B6	A0-11B7	A0-11B8
Medium	A0-11B9	A0-11BA	A0-11BB
Low	A0-11BC	A0-11BD	A0-11BE

Table 5 Drive data addresses (DVI)

11.2. HD / 525ip / 625ip panel white balance

	INPUT	Equipment	Setting	Alignment menu	Procedure												
1	HD (YUV2_HD) Gray Scale Pattern  High light 75% Low light 15%	Color Analyzer	Picture menu: Standard Picture: 25 Color temperature: Cool Aspect: Full POS./Sise: Normal Component/RGB-IN Select: COMPONENT IIC mode: Panel W/B Adj	PANEL W/B G cut off PANEL W/B G Drive PANEL W/B B Drive R Drive PANEL W/B R,G,B Drive	Note: <ul style="list-style-type: none"> · Before adjustment, color signal has not been displayed on panel. · The pedestal adjustment has been done. · The signal root must be A side. 1) Set G cut off to " 80 ". 2) Find 75% (amplitude) of white area by color sensor. 3) Set G Drive to " E0 ". 4) Adjust B and R Drive to set the High color temperature as shown Table 1. 5) Increase equally R, G and B Drive to get the largest level of 3 color drive to "FC".												
					<table border="1"> <thead> <tr> <th>Color Temp.</th> <th>x</th> <th>y</th> </tr> </thead> <tbody> <tr> <td>Cool(Hi)</td> <td>0.276</td> <td>0.276</td> </tr> <tr> <td>Normal(Mid)</td> <td>0.288</td> <td>0.296</td> </tr> <tr> <td>Warm(Low)</td> <td>0.313</td> <td>0.329</td> </tr> </tbody> </table> <p>Table 1 W/B adjustment values</p>	Color Temp.	x	y	Cool(Hi)	0.276	0.276	Normal(Mid)	0.288	0.296	Warm(Low)	0.313	0.329
Color Temp.	x	y															
Cool(Hi)	0.276	0.276															
Normal(Mid)	0.288	0.296															
Warm(Low)	0.313	0.329															
2			Picture menu: Standard Picture: 25 Color temperature: Normal Aspect: Full POS./Sise: Normal	PANEL W/B G cut off PANEL W/B R,G,B Drive	1) Change color temperature to "Normal". 2) In Mid color temperature, repeat the procedures 1) to 5) of Cool mode.												
3			Picture menu: Standard Picture: 25 Color temperature: Warm Aspect: Full POS./Sise: Normal	PANEL W/B G cut off PANEL W/B R,G,B Drive	1) Change color temperature to "Warm". 2) In Low color temperature, repeat the procedures 1) to 5) of Cool mode.												
4	· YUV1_525ip · YUV3_625ip				1) Copy the R drive, G drive and B drive data obtained in above steps into YUV1_525ip, YUV3_625ip area.												

Color temperature	R	G	B
High	A0-119B	A0-119C	A0-119D
Medium	A0-119E	A0-119F	A0-11A0
Low	A0-11A1	A0-11A2	A0-11A3

Table 2 Drive data addresses (YUV2_HD)

Color temperature	R	G	B
High	A0-1192	A0-1193	A0-1194
Medium	A0-1195	A0-1196	A0-1197
Low	A0-1198	A0-1199	A0-119A

Table 3 Drive data addresses (YUV1_525ip)

Color temperature	R	G	B
High	A0-11A4	A0-11A5	A0-11A6
Medium	A0-11A7	A0-11A8	A0-11A9
Low	A0-11AA	A0-11AB	A0-11AC

Table 4 Drive data addresses (YUV3_625ip)

12 Trouble shooting guide

12.1. Self Check

12.1.1. Display Indication

1. Self-check is used to automatically check the bus line controlled circuit of the Plasma display.
2. To get into the Self-check mode, press the **volume down** button on the customer controls at the bottom of the set, at the same time pressing the **OFF-TIMER** button on the remote control, and the screen will show :-

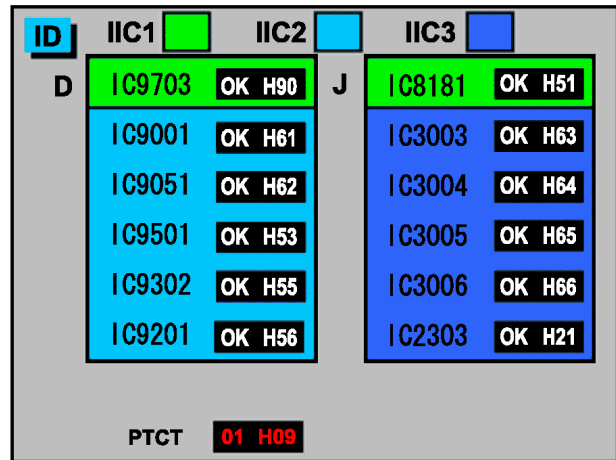
If the CCU ports have been checked and found to be incorrect Or not located then " - - " will appear in place of " OK "

" 01 " in the line of the " PTCT " means the number of blinks of the Power LED is 1. (Reference to 12.1.2)

" H09 " in the line of the " PTCT " is the error code.

Note:

The line of the " PTCT " displays when you get into the Self-check mode for the first time only after the Power LED blinks.



12.1.2. Power LED Blinking timing chart

1. Subject

Information of LED Blinking timing chart.

2. Contents

When an abnormality has occurred the unit, the protection circuit operates and reset to the stand by mode. At this time, the defective block can be identified by the number of blinks of the Power LED on the front panel of the unit.

Blinking times	Blinking timing	Contents & Check point
1		Data SOS
2		SCAN Driver1
3		3.3V SOS
4		5V SOS
5		Power SOS
6		FAN
7		SCAN Driver2
9		SUS Driver

3. Remarks

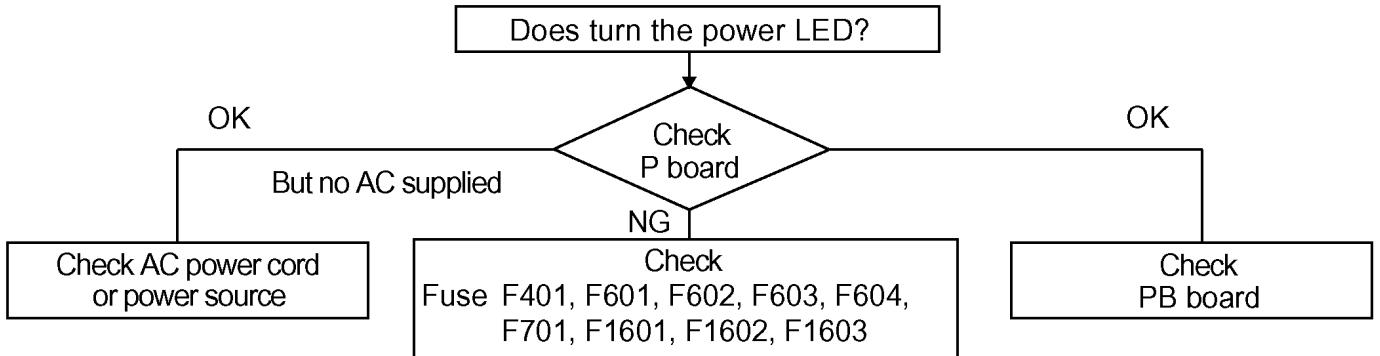
Above Fan function is operated during the fans are installed.

12.2. No Power

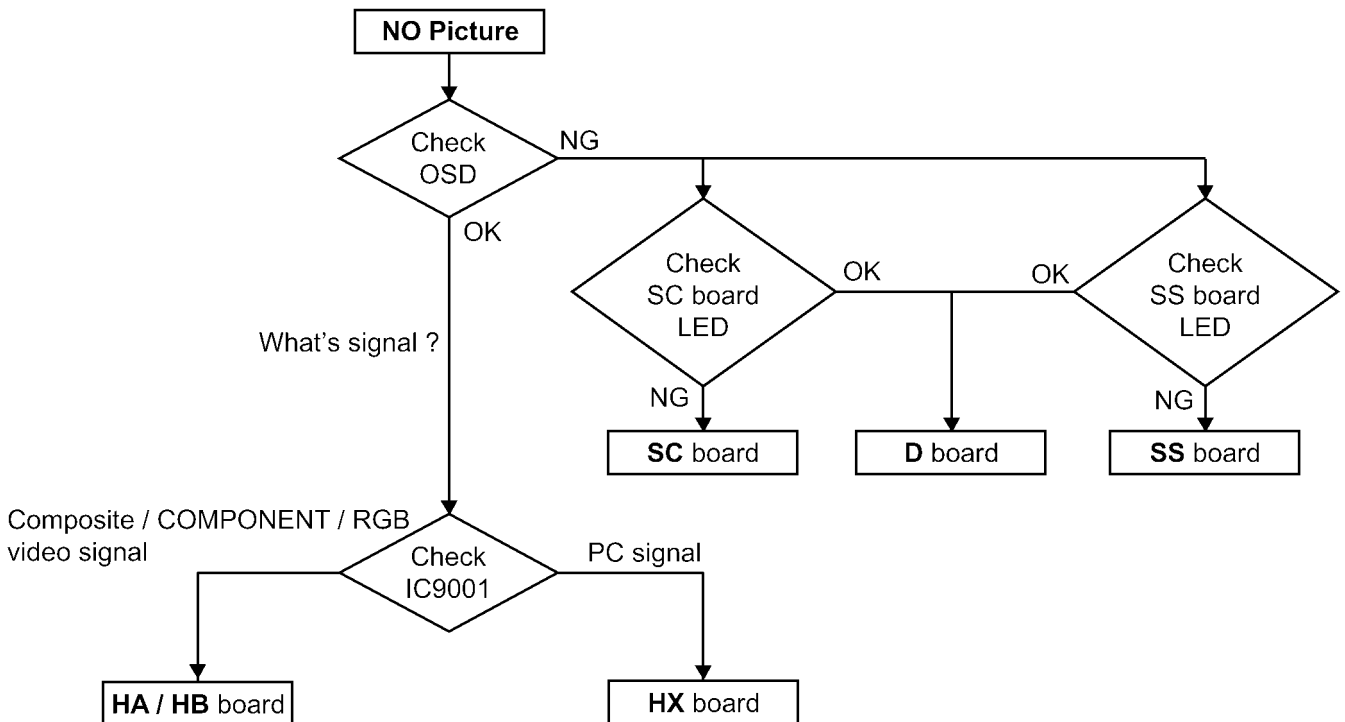
First check point

1. No lit.
2. Green is lit then turns red blinking a few seconds later.
3. Only red is lit.

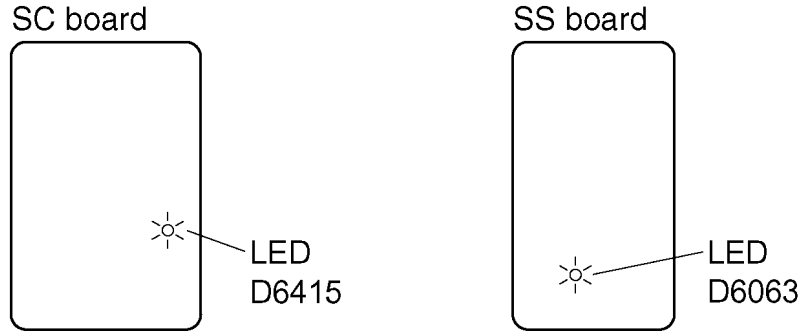
1. No lit.



12.3. No Picture

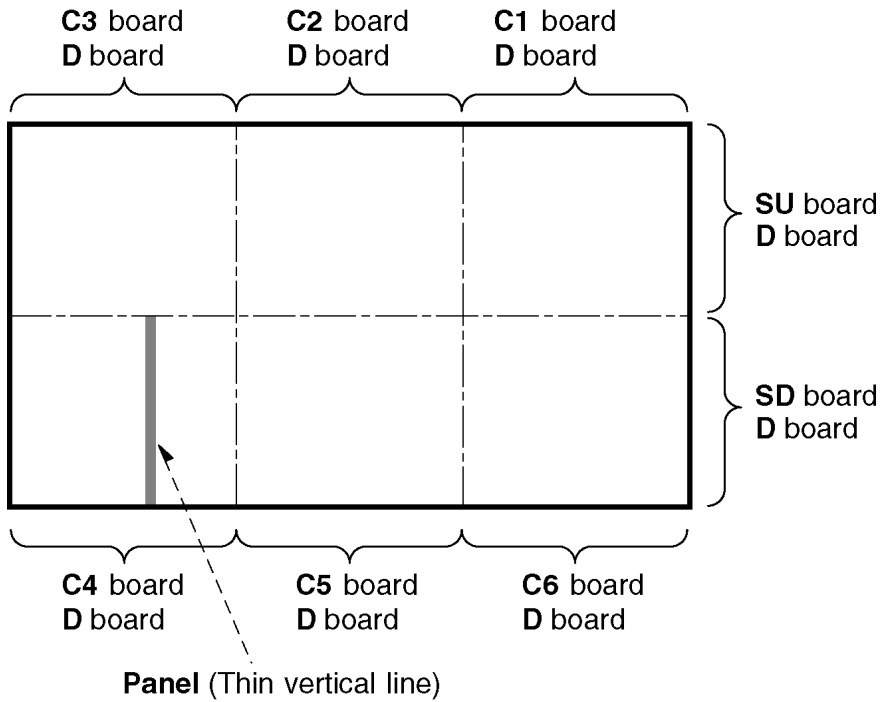


Drive circuits LED indicator



12.4. Local screen failure

Plasma display may have local area failure on the screen. Fig - 1 is the possible defect P.C.B. for each local area.


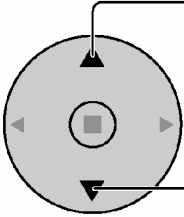



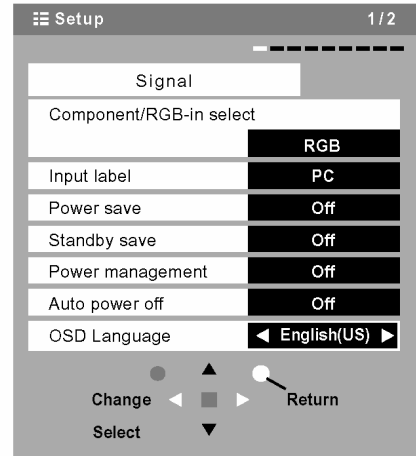
<Local screen failure chart>

Fig - 1

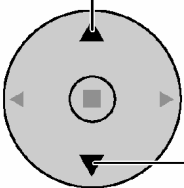
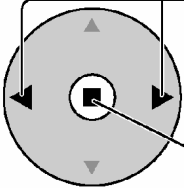
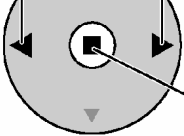

13 Option Setting

How to access the Option menu

- 1  Press to display the Setup menu.
- 2  Press to select "OSD Language".
- 3  Press and hold until the Options menu is displayed.



Setting the Option menus

- 1  Press to select your preferred menu.
- 2  Press to adjust the menu.
 Press to confirm.
- 3  Press to exit from Options menu.

Option Menu for GPH8D series

GPH8D chassis series have special function and operation setting facility called Option Menu. This Option Menu is useful for special function required customers. This should be set at the installation stage.

Option menus	default setting	Contents
Off-timer function	Enable	Off-timer operation Enable/Disable.
Onscreen display	On	Enable/Disable to display input mode indication after power on and no signal indication.
Initial INPUT	Off	Sets the initial input mode when the power is turned on. Allow input mode selection while power is on.
Initial VOL level	Off	Sets the initial volume level when the power is turned on. Allow Volume control while power is on.
Maximum VOL Level	Off	Sets the maximum volume to desired level. Volume cannot exceed this level.
INPUT lock	Off	Fixes the input mode to AV, Component/RGB or PC. Can not change input mode by input selection key.
Studio W/B	Off	Set warm mode color temperature to 3,200 Kelvin.
Advanced PIP	Off	Off : Sets normal two screen display mode. On : Sets Advanced PIP mode.
Display size	Off	Adjusts the image display size on screen. On : Sets the image display size approximately 95% of the normal image display.
Button lock	Off	Enable/Disable bottom operation buttons (Input, Menu, Enter and/or volume up/down)
Remocon User Level	Off	Remote key invalidation. Off : Valid key is all key of remote. User1 : Valid key are only Stand-by (ON/OFF), Input, Direct input, Status, Surround, Sound mute On/Off, and volume adjustment. User2 : Valid key is only Stand-by (ON/OFF). User3 : All keys are null and void
ID select	0	Set ID number from 0 to 100.
Remote ID	Off	Remote ID function On/Off. (While the Remote ID on, standard remote function can not control the unit.)
Serial ID	Off	Serial ID function On/Off
Slot power	Off	Sets the slot power mode while the power is turned on. Allow Optional Terminal Board insert Slots while power is on.
V. Installation	Off	V. Installation function On/Off This mode is available for TH-65PHD8BK/EK/UK. Note: Turn up the power switch for the upward direction when you set display vertically.
Rotate	Off	The image rotates 180 degrees (up-down)

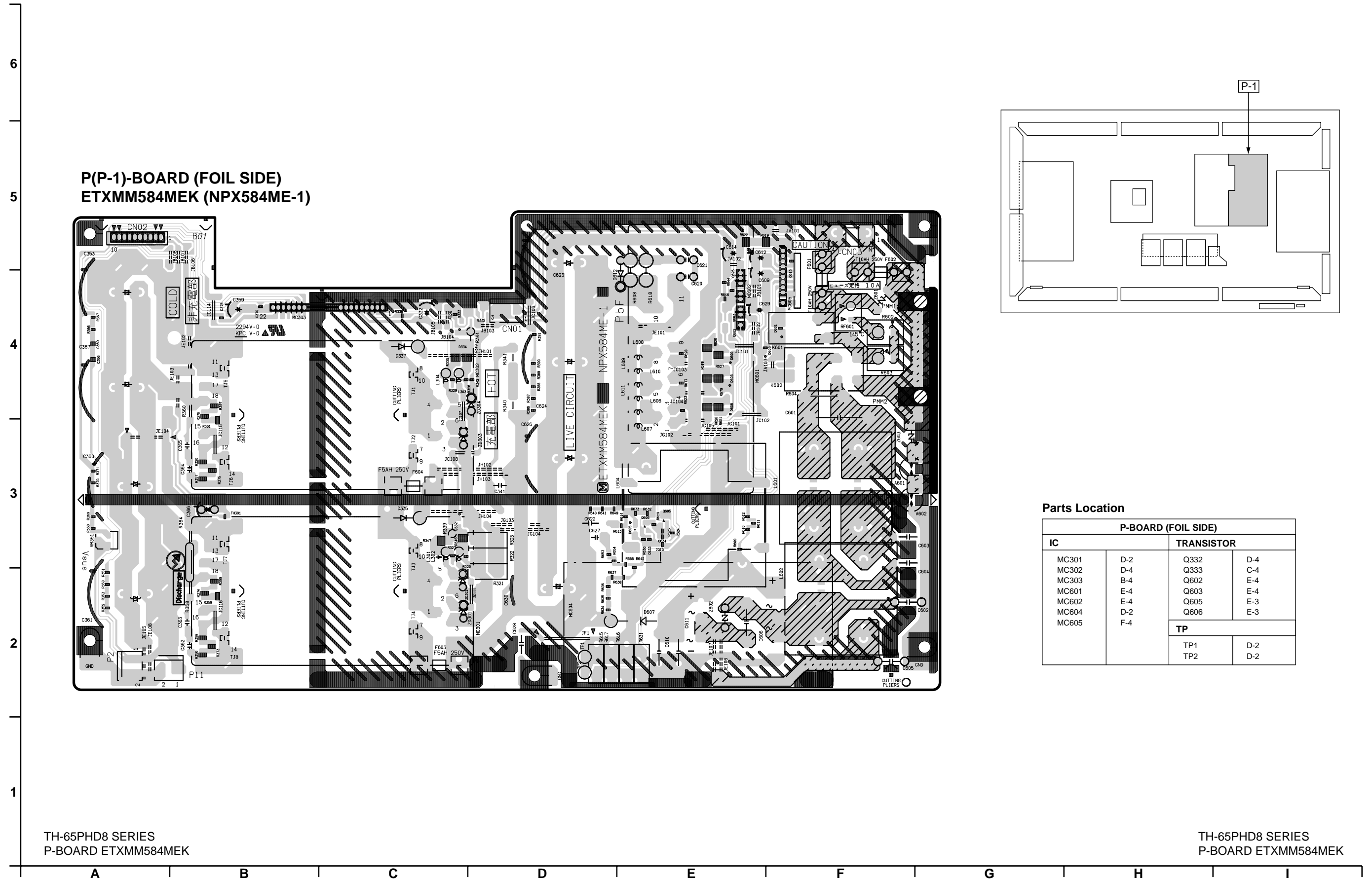
Note :

When both main unit buttons and remote control are disabled due to the "Button lock", "Remocon User level" or "RemoteID" adjustments, set all the values "Off" so that all the buttons are enabled again.

Press the "Volume down" button on main unit together with "R" button on the remote control and hold for more than 5 seconds. The "SHIPPING" menu is displayed and the lock is released when it disappears.

14 Circuit Board Layout

14.1. P-Board (P-1), (P-2)

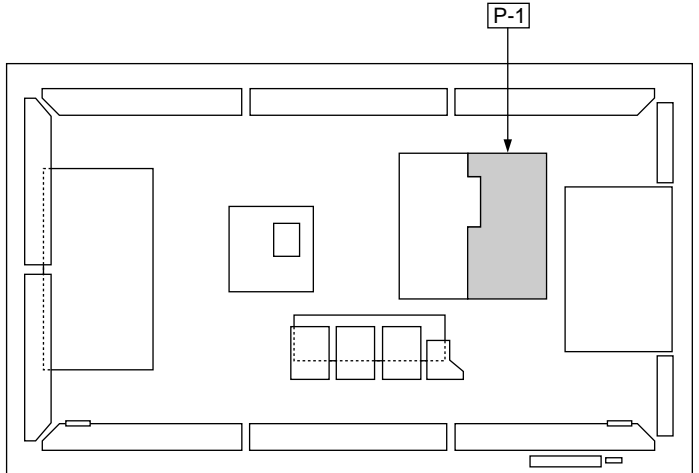
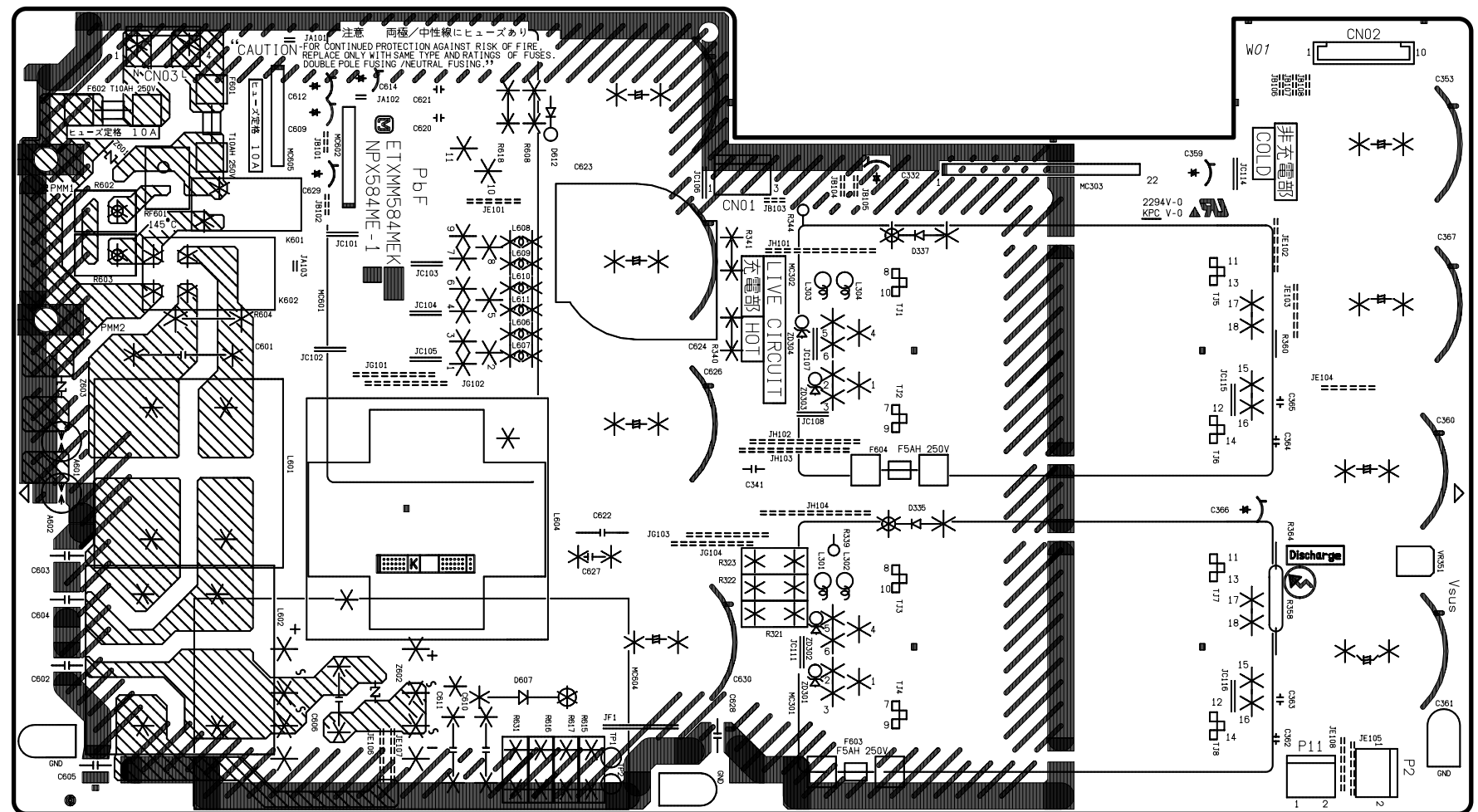


TH-65PHD8 SERIES
P-BOARD ETXMM584MEK

TH-65PHD8 SERIES
P-BOARD ETXMM584MEK

6
5
4
3
2
1

**P(P-1)-BOARD (COMPONENT SIDE)
ETXMM584MEK (NPX584ME-1)**



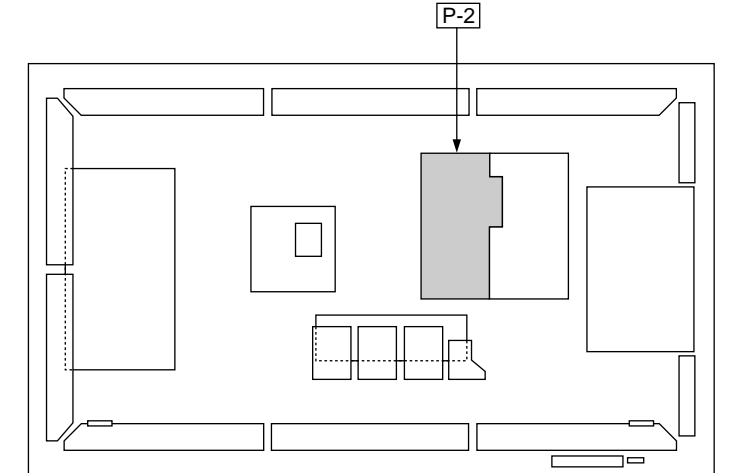
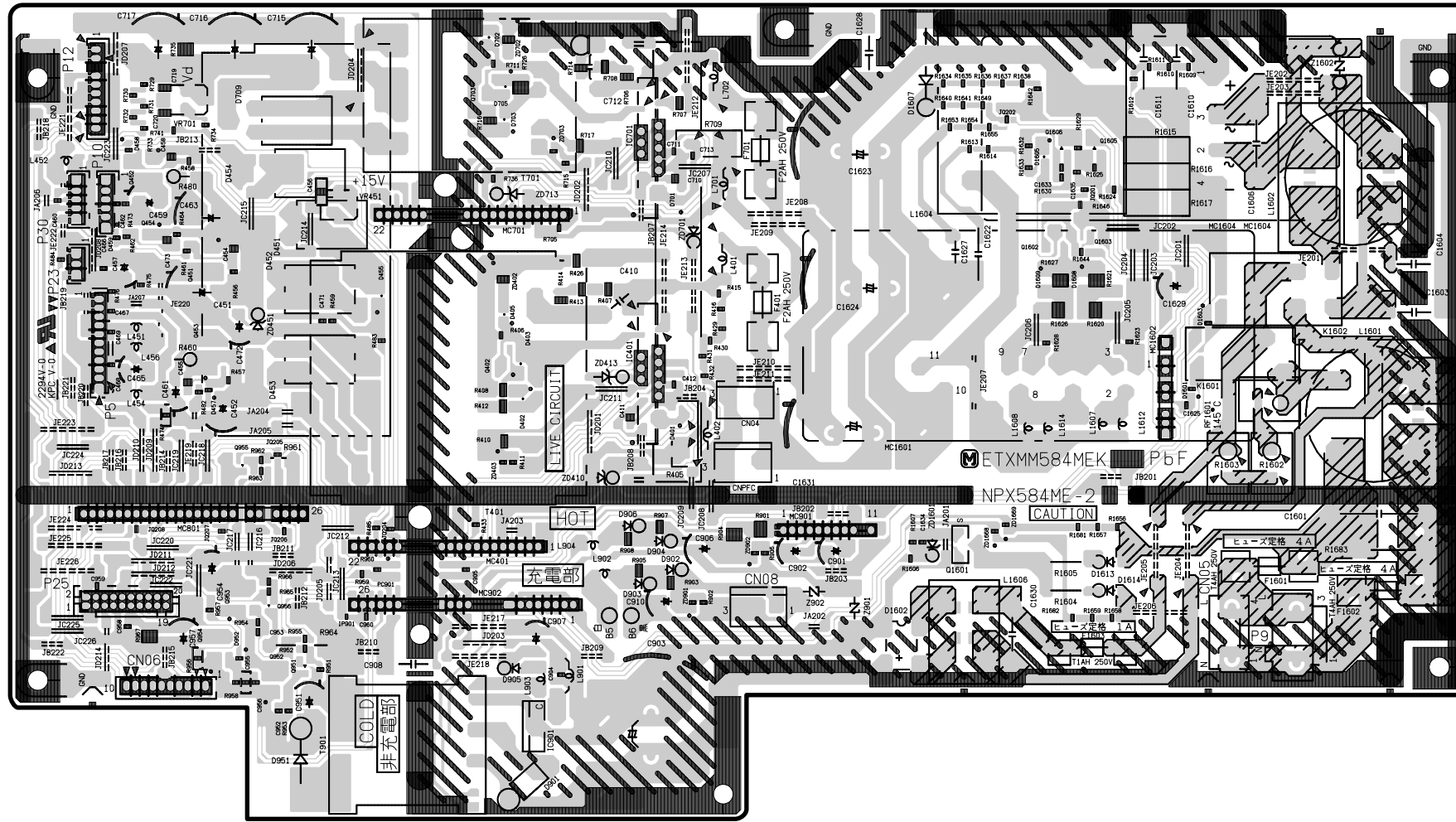
Parts Location

P-BOARD (COMPONENT SIDE)			
IC		TP	
MC301	D-2	TP1	C-2
MC302	D-4	TP2	C-2
MC303	E-4		
MC601	B-4		
MC602	B-4		
MC604	C-2		
MC605	B-4		

A | B | C | D | E | F | G | H | I

6
5
4
3
2
1

**P(P-2)-BOARD (FOIL SIDE)
ETXMM584MEK (NPX584ME-2)**



Parts Location

P-BOARD (FOIL SIDE)			
IC	TRANSISTOR		
IC401	C-4	Q402	C-3
IC701	C-4	Q451	B-4
IC901	C-2	Q452	A-4
MC401	C-3	Q453	B-4
MC701	C-4	Q454	A-4
MC801	B-3	Q703	C-5
MC901	D-3	Q951	B-2
MC902	C-3	Q952	B-2
MC1601	D-3	Q953	B-3
MC1602	E-4	Q954	B-2
MC1604	F-4	Q955	B-3
		Q956	B-3
		Q1601	E-3
		Q1602	E-4
		Q1603	E-4
		Q1605	E-4
		Q1606	E-4

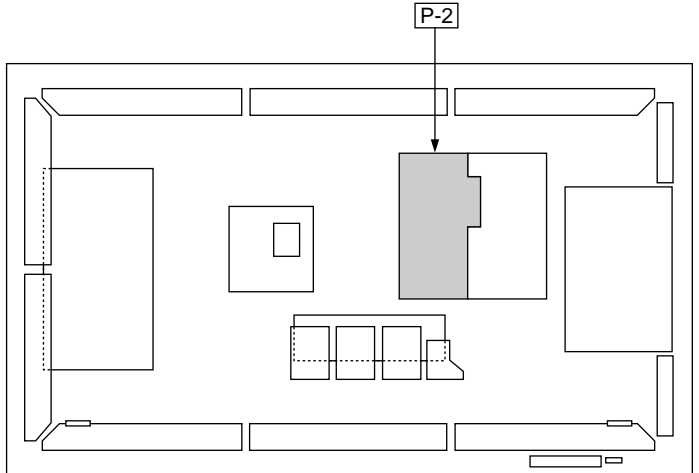
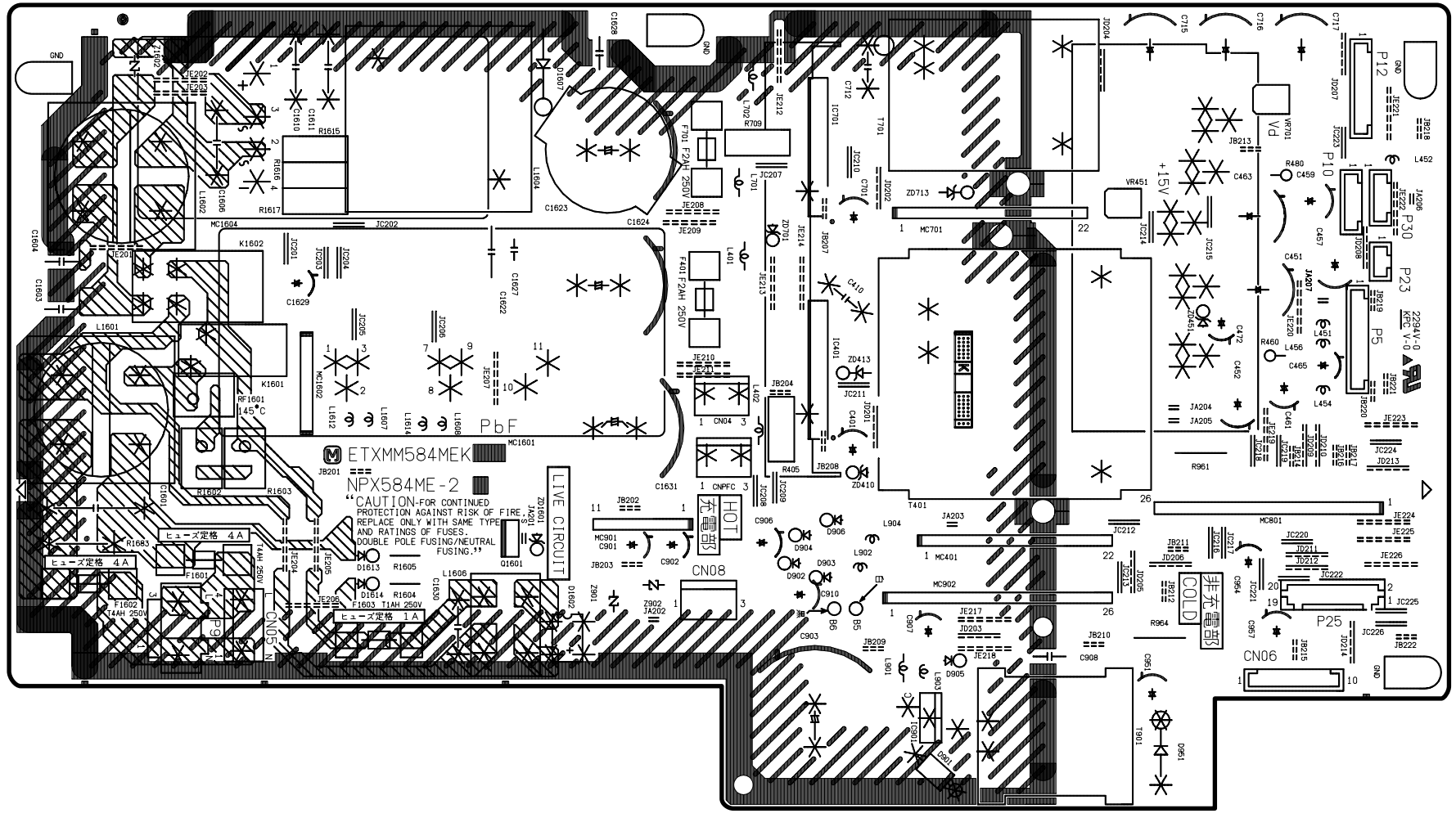
TH-65PHD8 SERIES
P-BOARD ETXMM584MEK

TH-65PHD8 SERIES
P-BOARD ETXMM584MEK

A | B | C | D | E | F | G | H | I

6
5
4
3
2
1

**P(P-2)-BOARD (COMPONENT SIDE)
ETXMM584MEK (NPX584ME-2)**



Parts Location

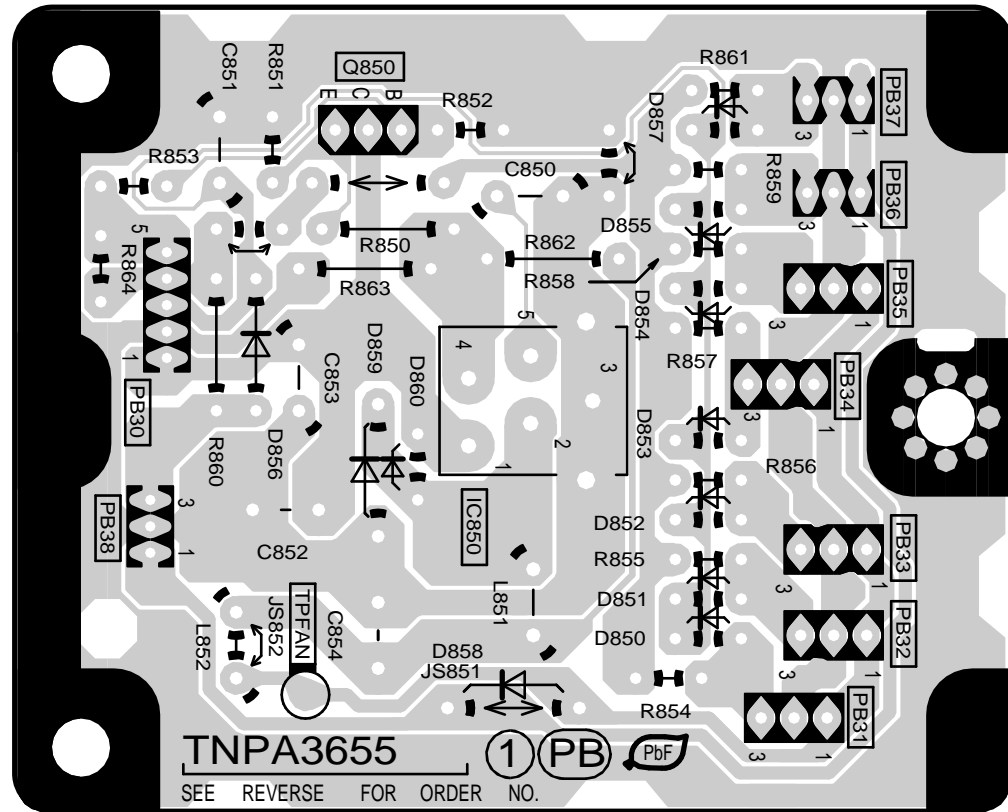
P-BOARD (COMPONENT SIDE)			
IC	TRANSISTOR		
IC401	D-4	Q1601	C-3
IC701	D-4		
IC901	E-2		
MC401	E-3		
MC701	E-4		
MC801	F-3		
MC901	E-3		
MC902	E-3		
MC1601	C-3		
MC1602	B-3		
MC1604	B-4		

A | B | C | D | E | F | G | H | I

14.2. PB-Board

6
5
4
3
2
1

**PB-BOARD (FOIL SIDE)
TNPA3655AB**

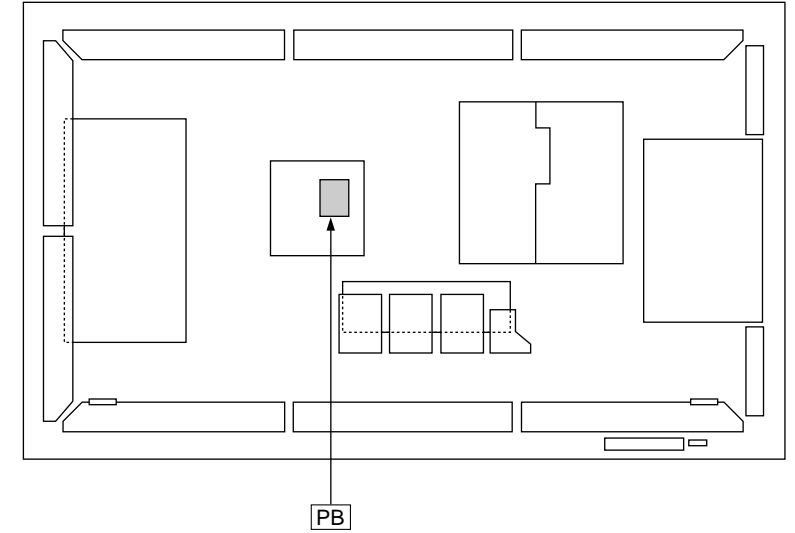


Parts Location

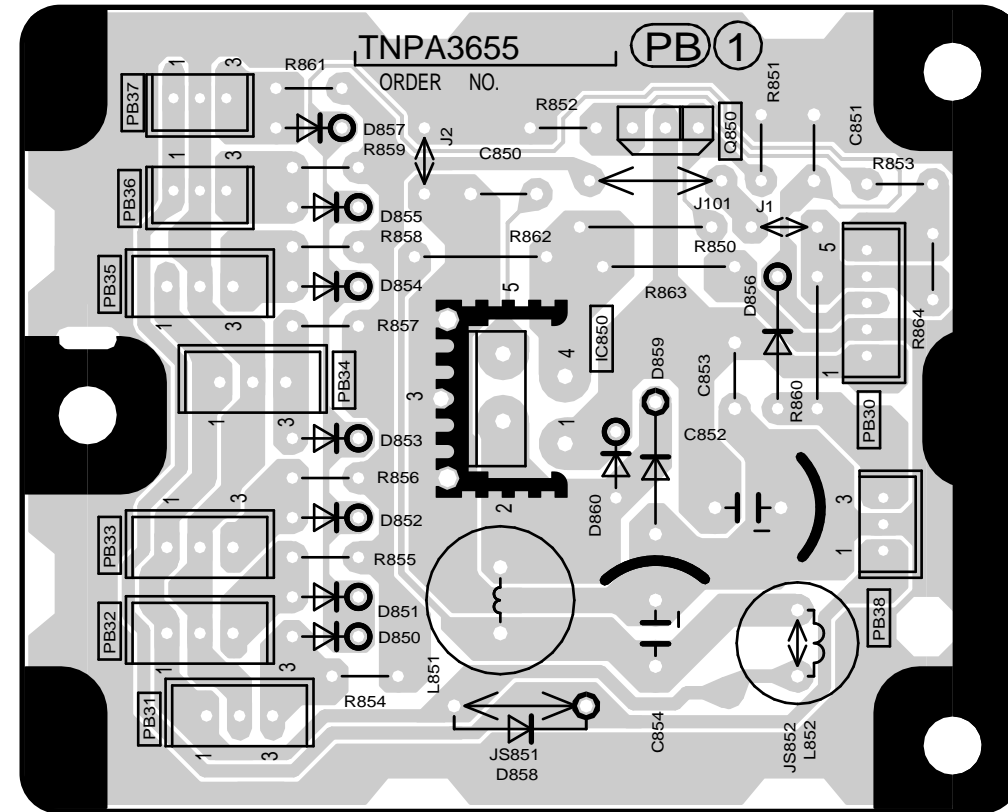
PB-BOARD (FOIL SIDE)			
IC		TRANSISTOR	
IC850	C-2	Q850	B-3
		TP	
		TPFAN	B-2

Parts Location

PB-BOARD (COMPONENT SIDE)			
IC		TRANSISTOR	
IC850	G-3	Q850	G-3



**PB-BOARD (COMPONENT SIDE)
TNPA3655AB**

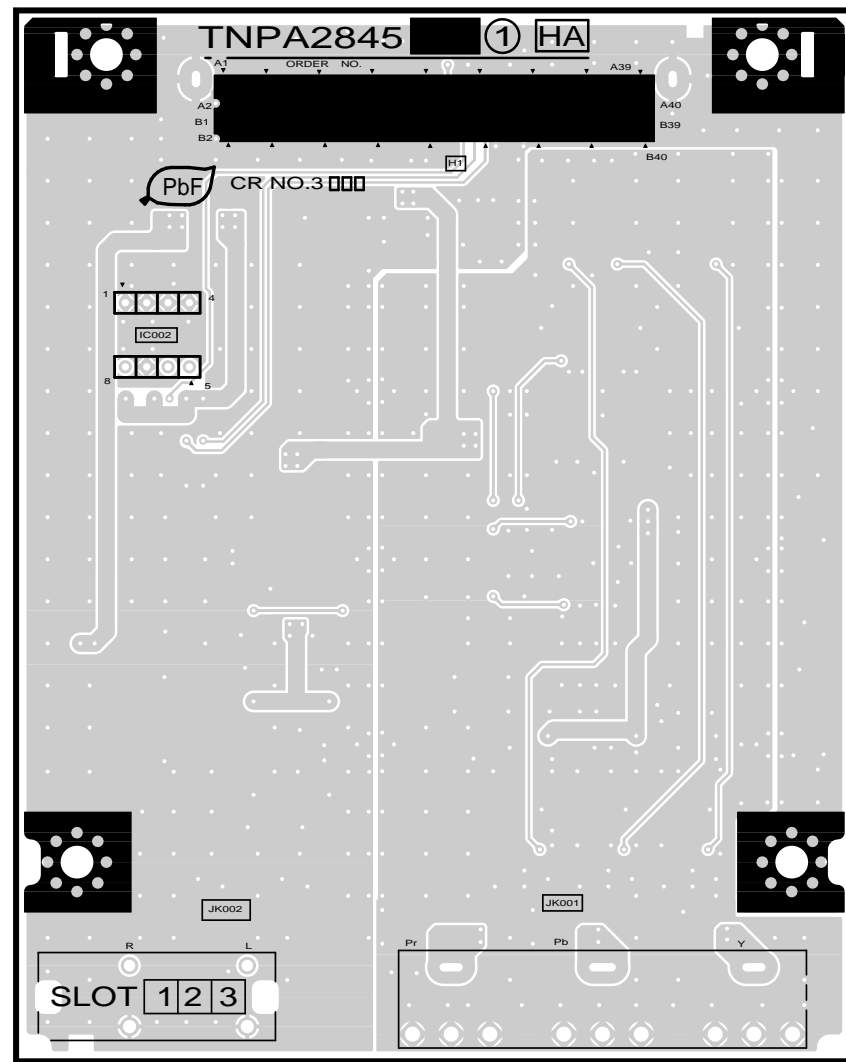


A | B | C | D | E | F | G | H | I

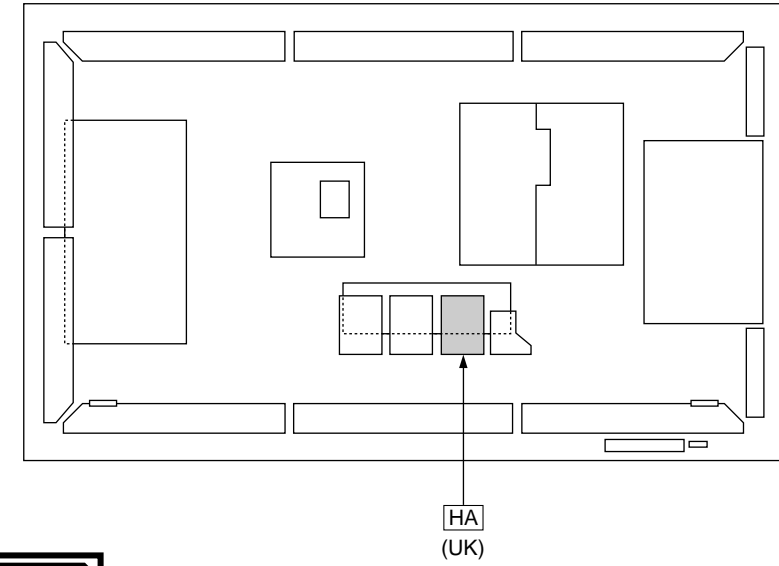
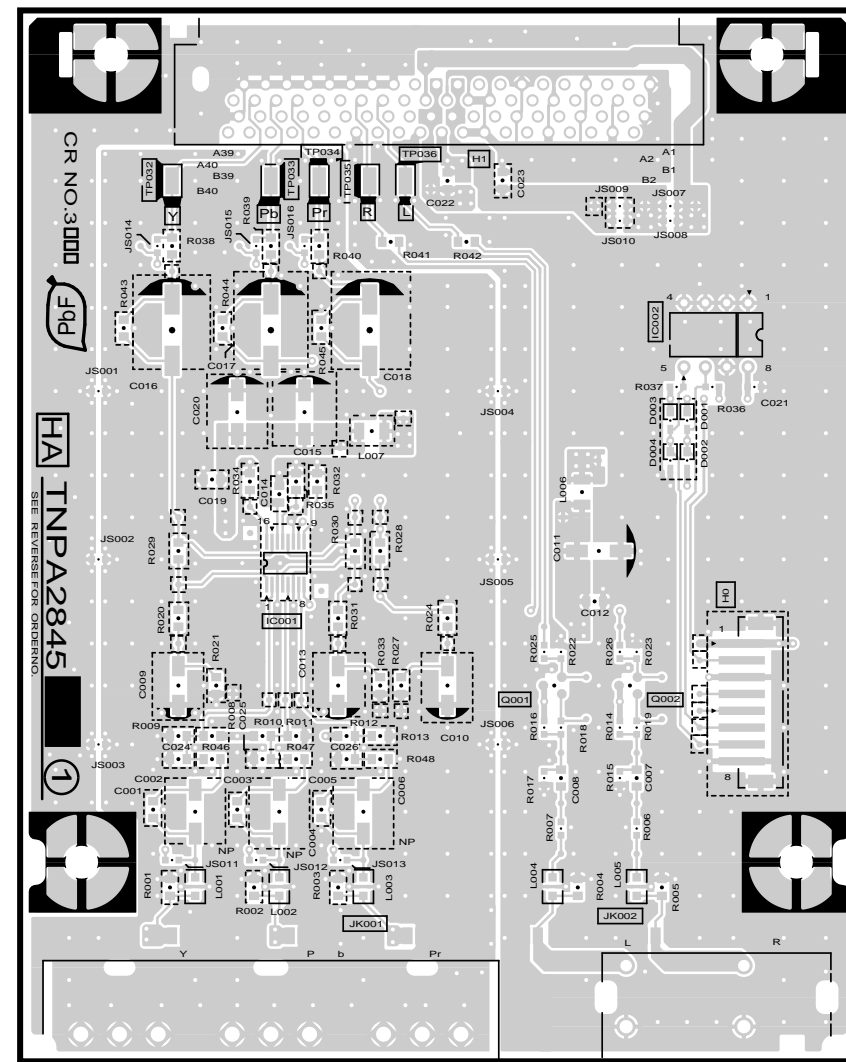
14.3. HA-Board

6
5
4
3
2
1

**HA-BOARD(FOIL SIDE)
TXNHA10RBS**



**HA-BOARD(COMPONENT SIDE)
TXNHA10RBS**



Parts Location

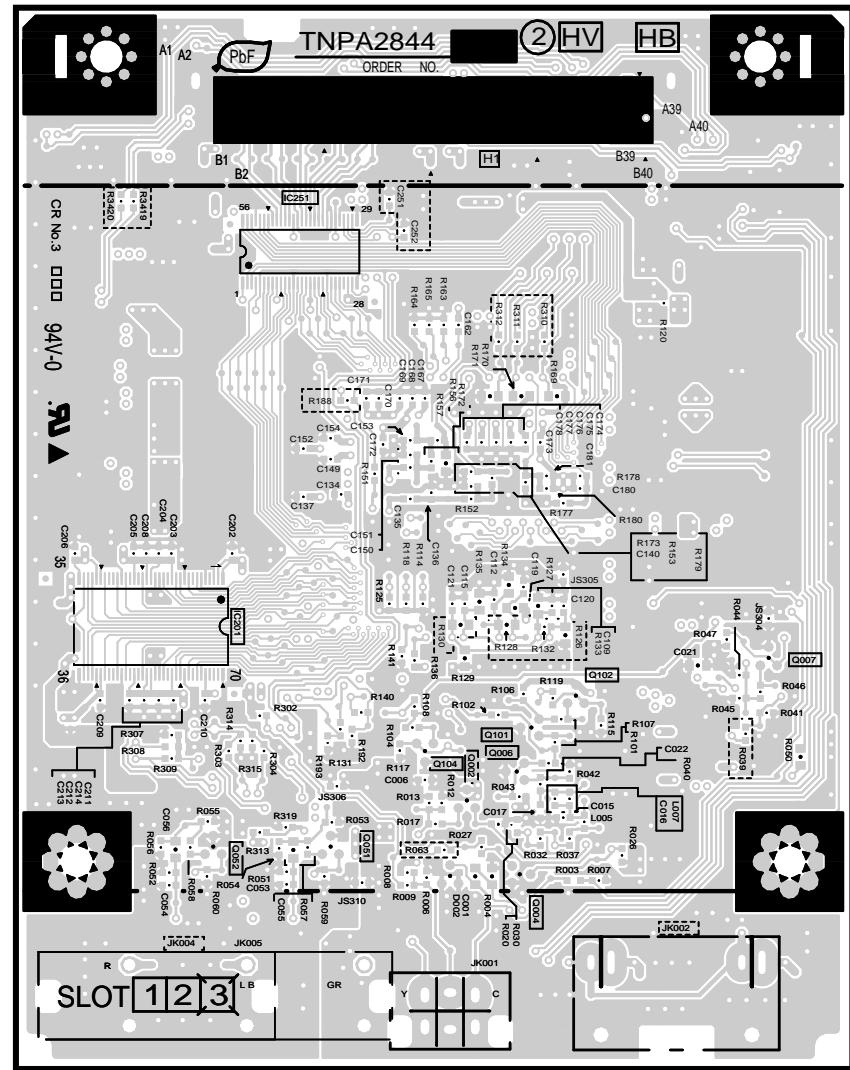
HA-BOARD			
IC		TP	
IC3001	E-3	TP3032	E-4
IC3002	F-4	TP3033	E-4
TRANSISTOR		TP3034	E-4
		TP3035	E-4
		TP3036	E-4
Q3001	F-2		
Q3002	F-2		

A B C D E F G H I

14.4. HB-Board

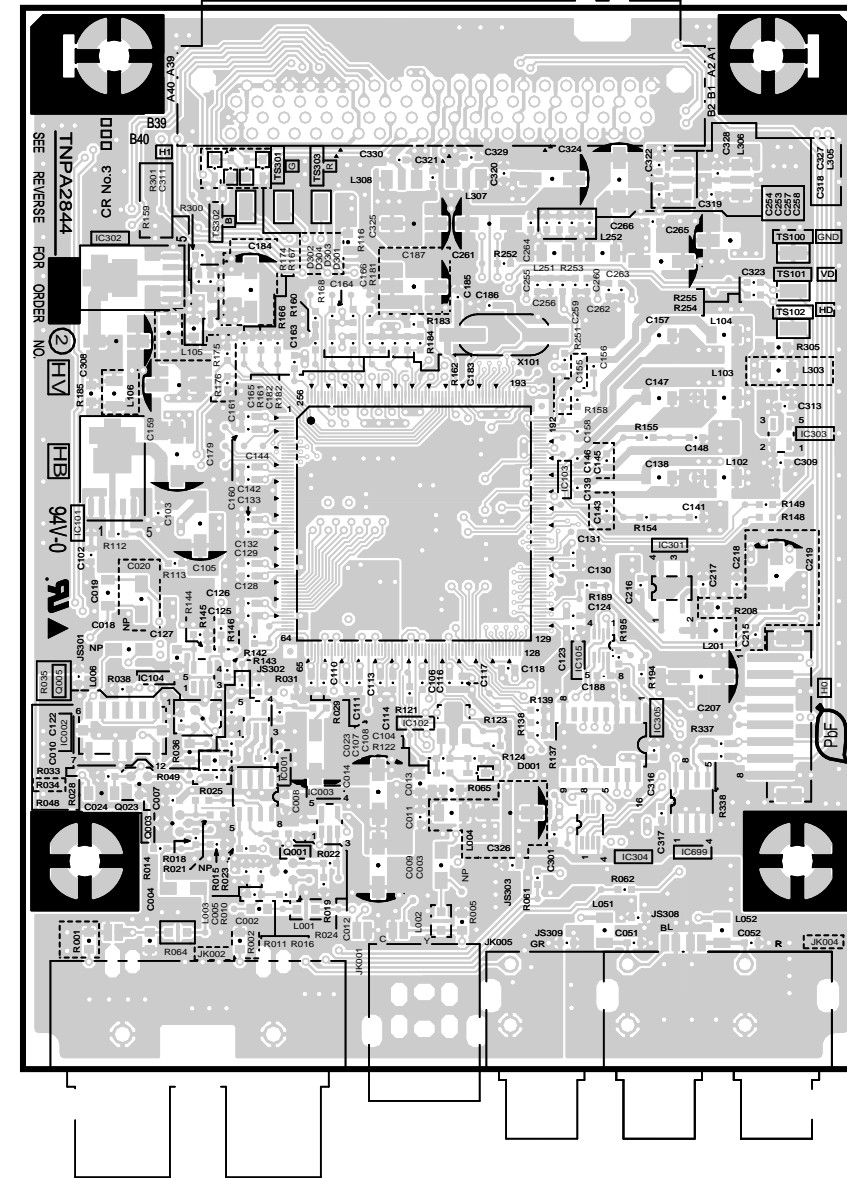
6
5
4
3
2
1

HB-BOARD (FOIL SIDE)
TXNHB10QXS

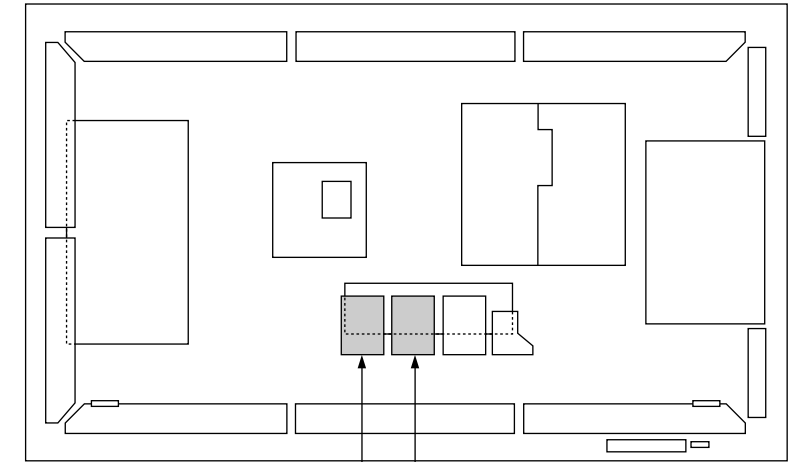


TH-65PHD8 SERIES
HB-BOARD TXNHB10QXS

HB-BOARD (COMPONENT SIDE)
TXNHB10QXS



TH-65PHD8 SERIES
HB-BOARD TXNHB10QXS



HB HB
(BK, EK) (UK)

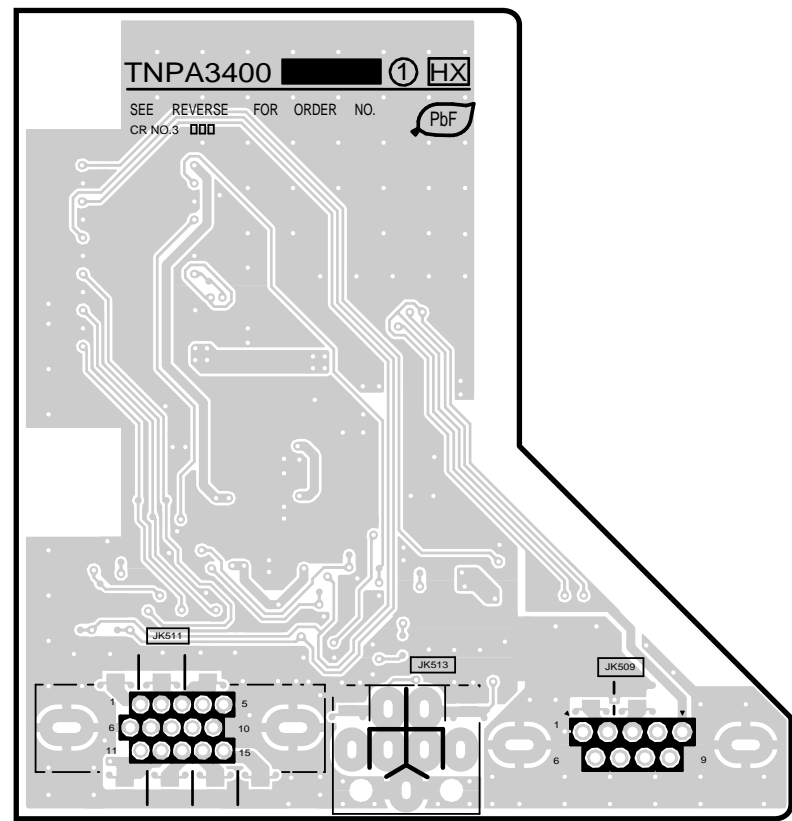
Parts Location

HB-BOARD			
IC	TRANSISTOR		
IC3001	E-2	Q3001	E-2
IC3002	D-2	Q3002	B-2
IC3003	E-2	Q3003	E-2
IC3101	D-3	Q3004	C-2
IC3102	E-2	Q3005	D-2
IC3103	F-3	Q3006	B-2
IC3104	E-2	Q3007	C-2
IC3105	F-2	Q3023	D-2
IC3201	B-3	Q3051	B-2
IC3251	B-4	Q3052	B-2
IC3301	F-3	Q3101	B-2
IC3302	D-4	Q3102	C-2
IC3303	G-3	Q3104	B-2
IC3304	F-2		
IC3305	F-2		
IC3699	F-2		
		TP	
		TS100	G-4
		TS101	G-4
		TS102	G-4
		TS301	E-4
		TS302	E-4
		TS303	E-4

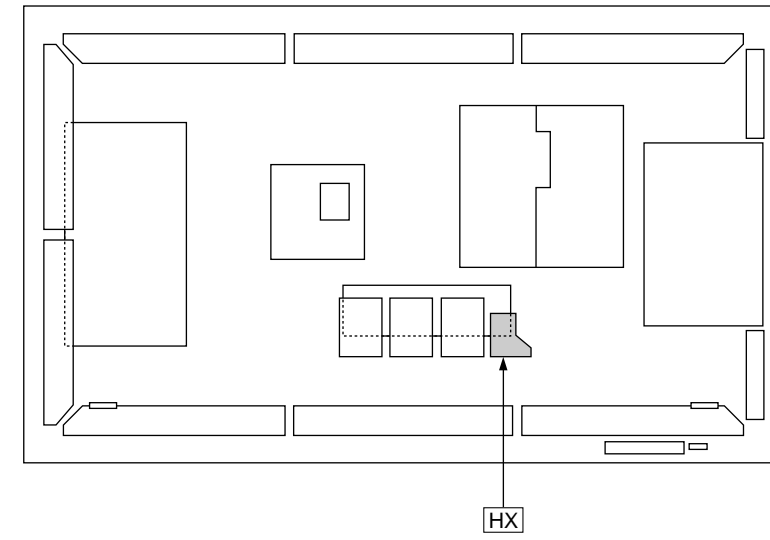
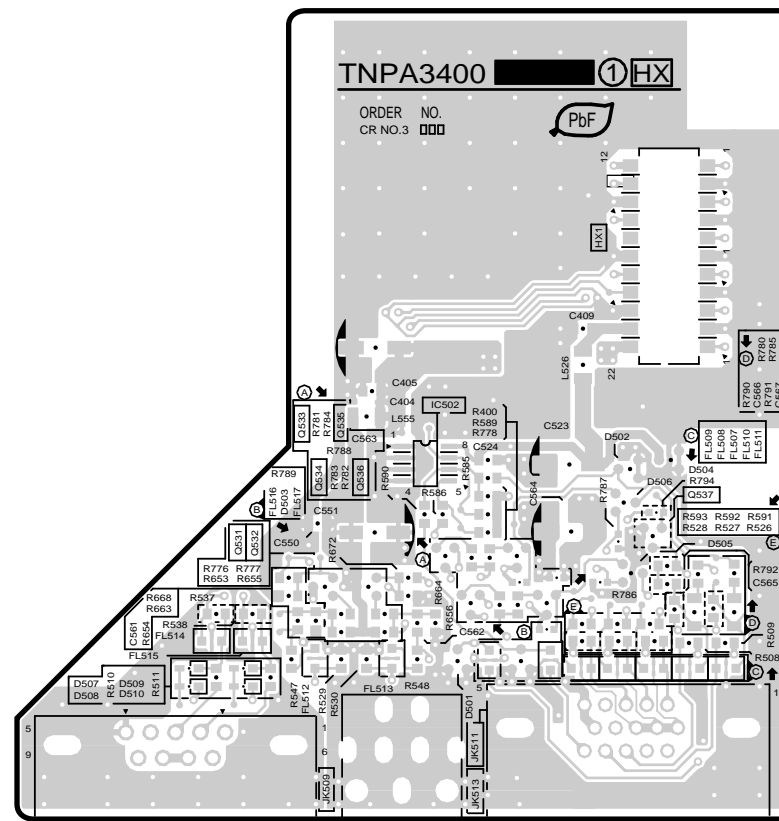
14.5. HX-Board

6
5
4
3
2
1

**HX-BOARD(FOIL SIDE)
TZTNP040VAS**



**HX-BOARD(COMPONENT SIDE)
TZTNP040VAS**



Parts Location

HX-BOARD			
IC		TRANSISTOR	
IC3502	E-4	Q3531	D-3
		Q3532	D-3
		Q3533	E-3
		Q3534	E-3
		Q3535	E-3
		Q3536	E-3
		Q3537	F-3

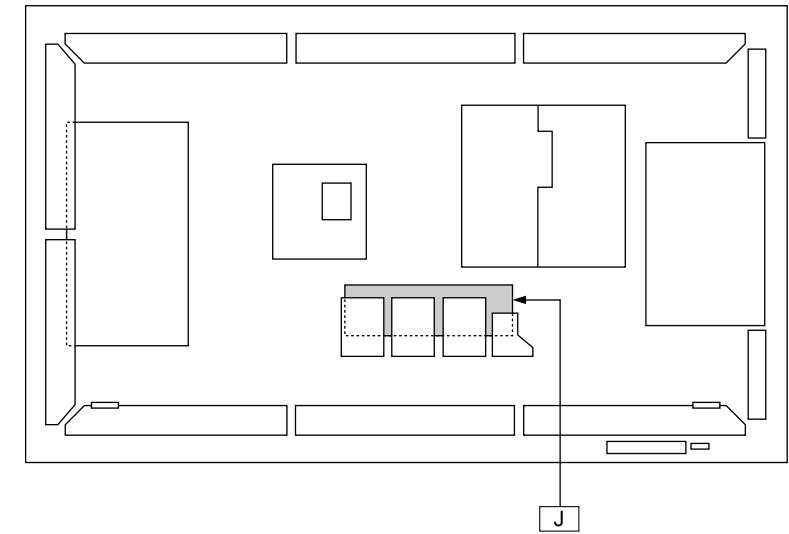
A | B | C | D | E | F | G | H | I

14.6. J-Board

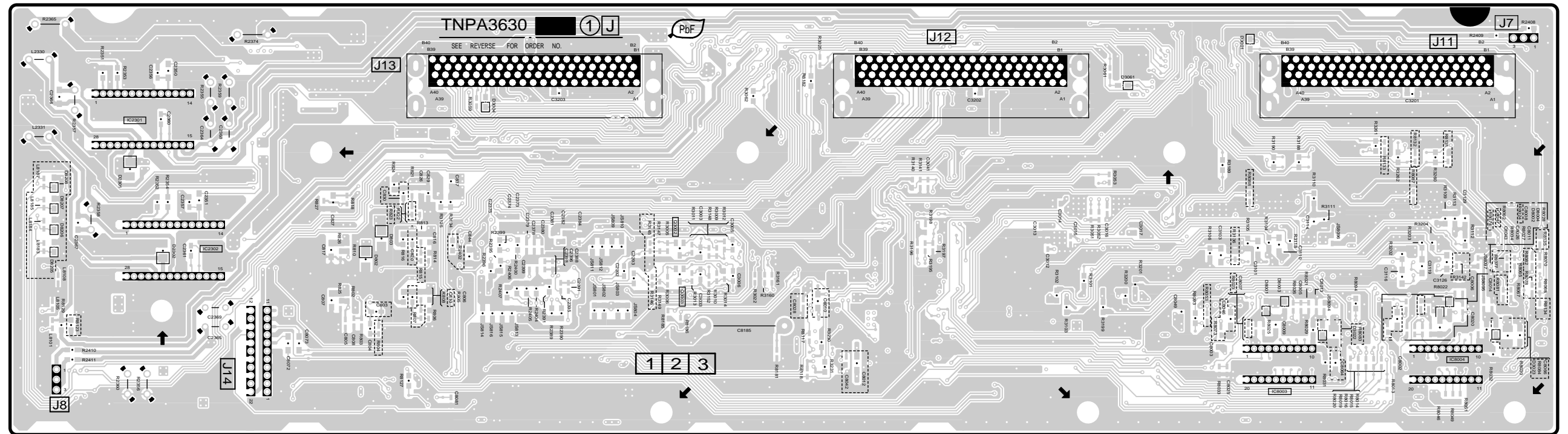
6
5
4
3
2
1

Parts Location

J-BOARD (FOIL SIDE)			
IC		TRANSISTOR	
IC2301	A-3	Q3002	D-3
IC2302	B-3	Q3003	D-2
IC8003	H-2		
IC8004	I-2		



J-BOARD (FOIL SIDE)
TNPA3630AD (TH-65PHD8BK/EK)
TNPA3630AC (TH-65PHD8UK)



TH-65PHD8BK/EK
 J-BOARD TNPA3630AD

TH-65PHD8UK
 J-BOARD TNPA3630AC

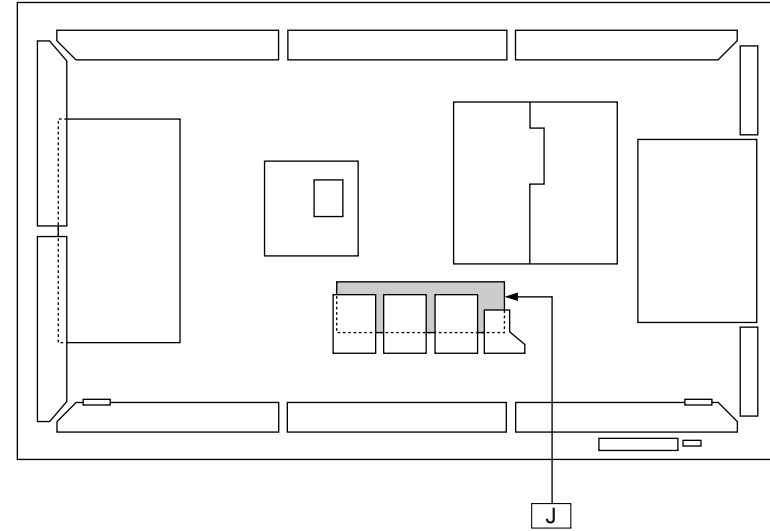
TH-65PHD8BK/EK
 J-BOARD TNPA3630AD

TH-65PHD8UK
 J-BOARD TNPA3630AC

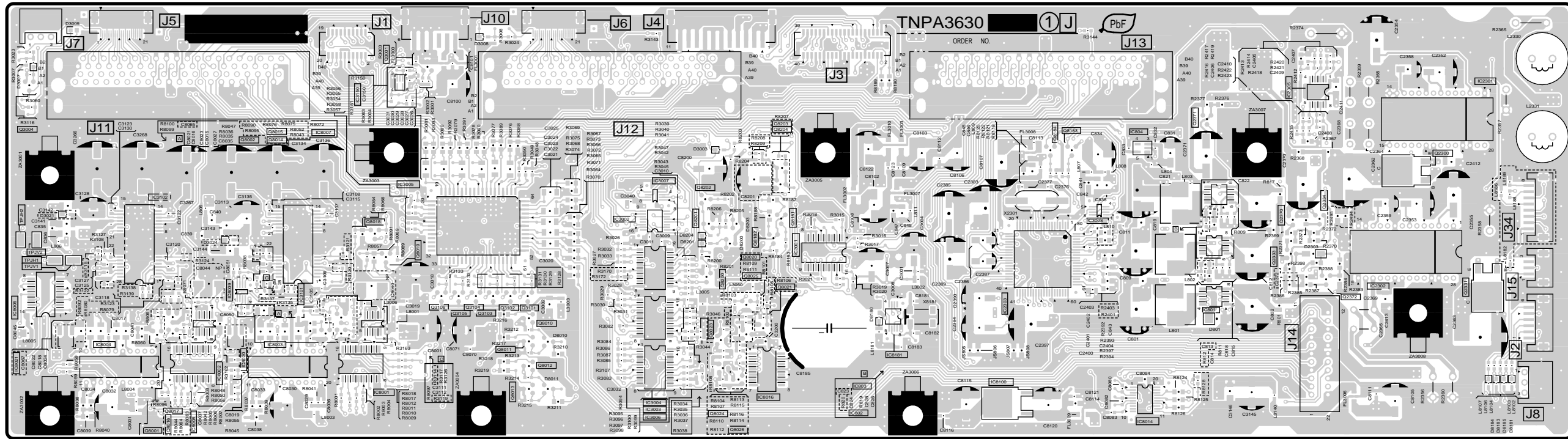
A | B | C | D | E | F | G | H | I

Parts Location

J-BOARD (COMPONENT SIDE)							
IC							
IC801	G-2	IC8003	B-2	Q3004	A-3	Q8024	E-2
IC802	E-2	IC8004	A-2	Q3101	D-2	Q8025	E-3
IC803	E-2	IC8005	A-2	Q3102	C-2	Q8026	E-2
IC804	G-3	IC8007	B-3	Q3103	C-2	Q8181	E-2
IC2301	I-4	IC8008	B-2	Q3104	C-2	Q8182	E-3
IC2302	H-3	IC8009	B-3	Q3105	C-2	Q8183	F-3
IC2303	F-2	IC8014	G-2	Q3106	C-2	Q8184	F-3
IC2305	H-4	IC8016	E-2	Q8001	B-2	Q8200	E-3
IC3001	E-3	IC8020	B-2	Q8002	B-3	Q8201	D-3
IC3002	D-3	IC8021	A-2	Q8010	D-2	Q8202	E-3
IC3003	D-2	IC8100	F-2	Q8011	C-2	Q8203	E-3
IC3004	D-2	IC8181	F-2	Q8012	D-2	Q8204	E-3
IC3005	C-3	TRANSISTOR		Q8013	C-2	TP	
IC3006	D-2	Q2300	H-3	Q8014	B-3	TPJH1	A-3
IC3007	D-3	Q2331	I-2	Q8015	B-3	TPJH2	A-3
IC3008	G-3	Q2333	H-3	Q8016	B-2	TPJV1	A-3
IC3101	B-3	Q2334	H-3	Q8017	B-2	TPJV2	A-3
IC3102	B-3	Q2370	H-3	Q8018	C-3		
IC3150	C-4	Q2371	G-2	Q8019	C-3		
IC8001	C-2	Q2372	H-2	Q8020	E-3		
IC8002	B-2	Q3001	C-4	Q8021	E-3		
				Q8023	E-2		



J-BOARD (COMPONENT SIDE)
 TNPA3630AD (TH-65PHD8BK/EK)
 TNPA3630AC (TH-65PHD8UK)



TH-65PHD8BK/EK
 J-BOARD TNPA3630AD

TH-65PHD8UK
 J-BOARD TNPA3630AC

TH-65PHD8BK/EK
 J-BOARD TNPA3630AD

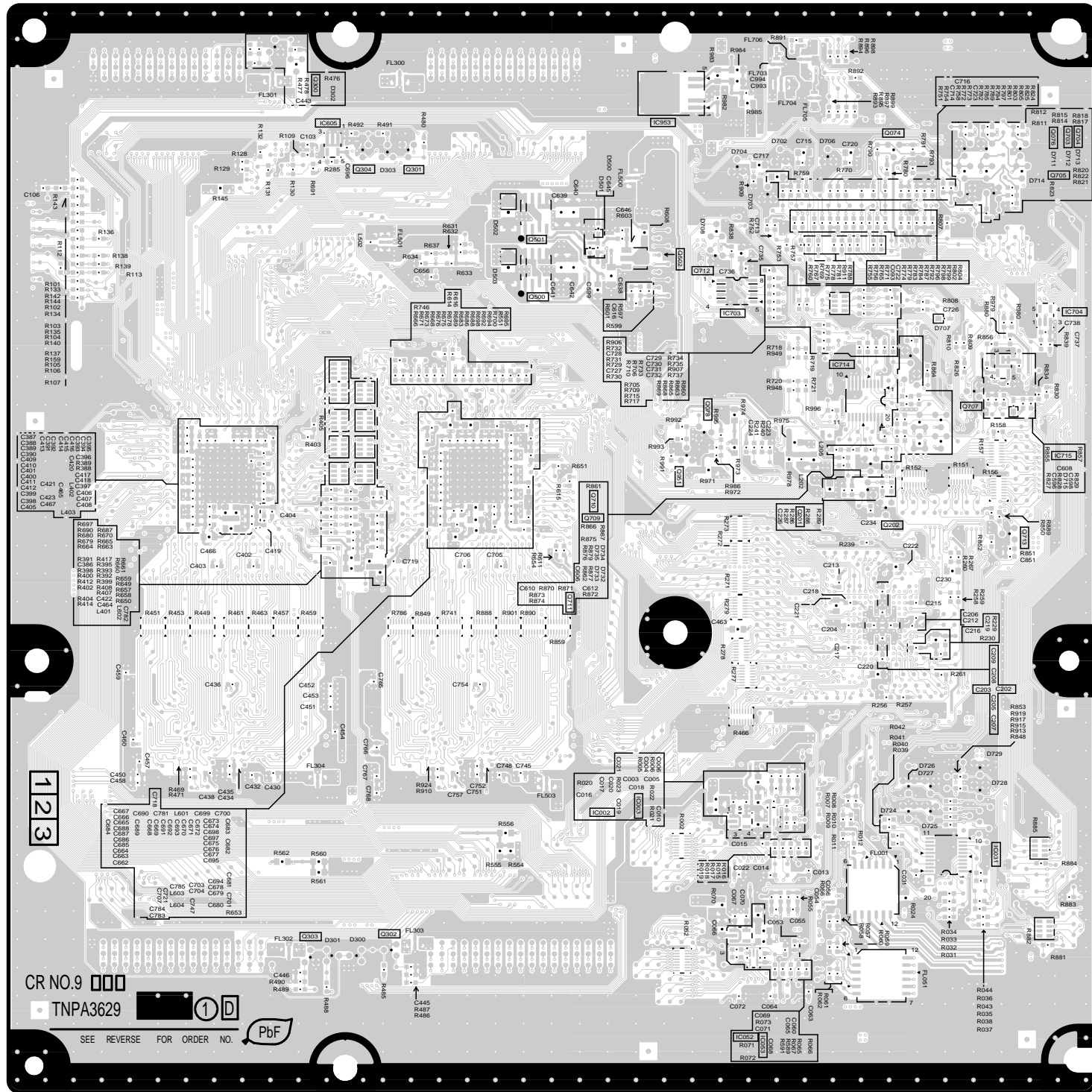
TH-65PHD8UK
 J-BOARD TNPA3630AC

A | B | C | D | E | F | G | H | I

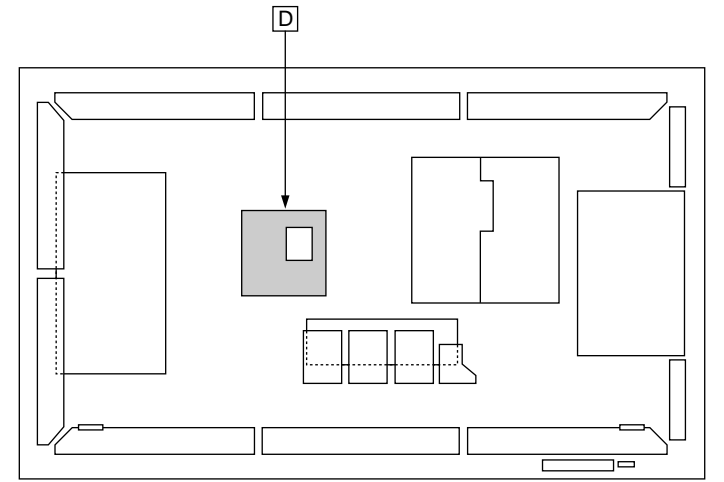
14.7. D-Board

D-BOARD (FOIL SIDE)
TZTNP01YUSE (TH-65PHD8BK/EK)
TZTNP020YUS (TH-65PHD8UK)

6
5
4
3
2
1



CR NO.9 □□□
 TNPA3629 ① D
 SEE REVERSE FOR ORDER NO. PbF



Parts Location

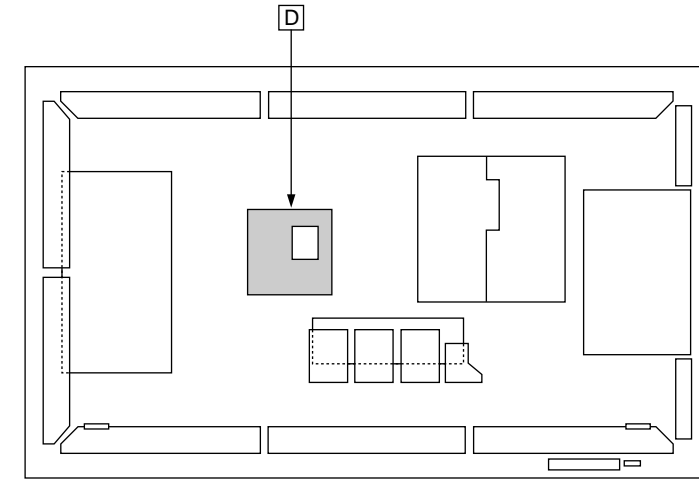
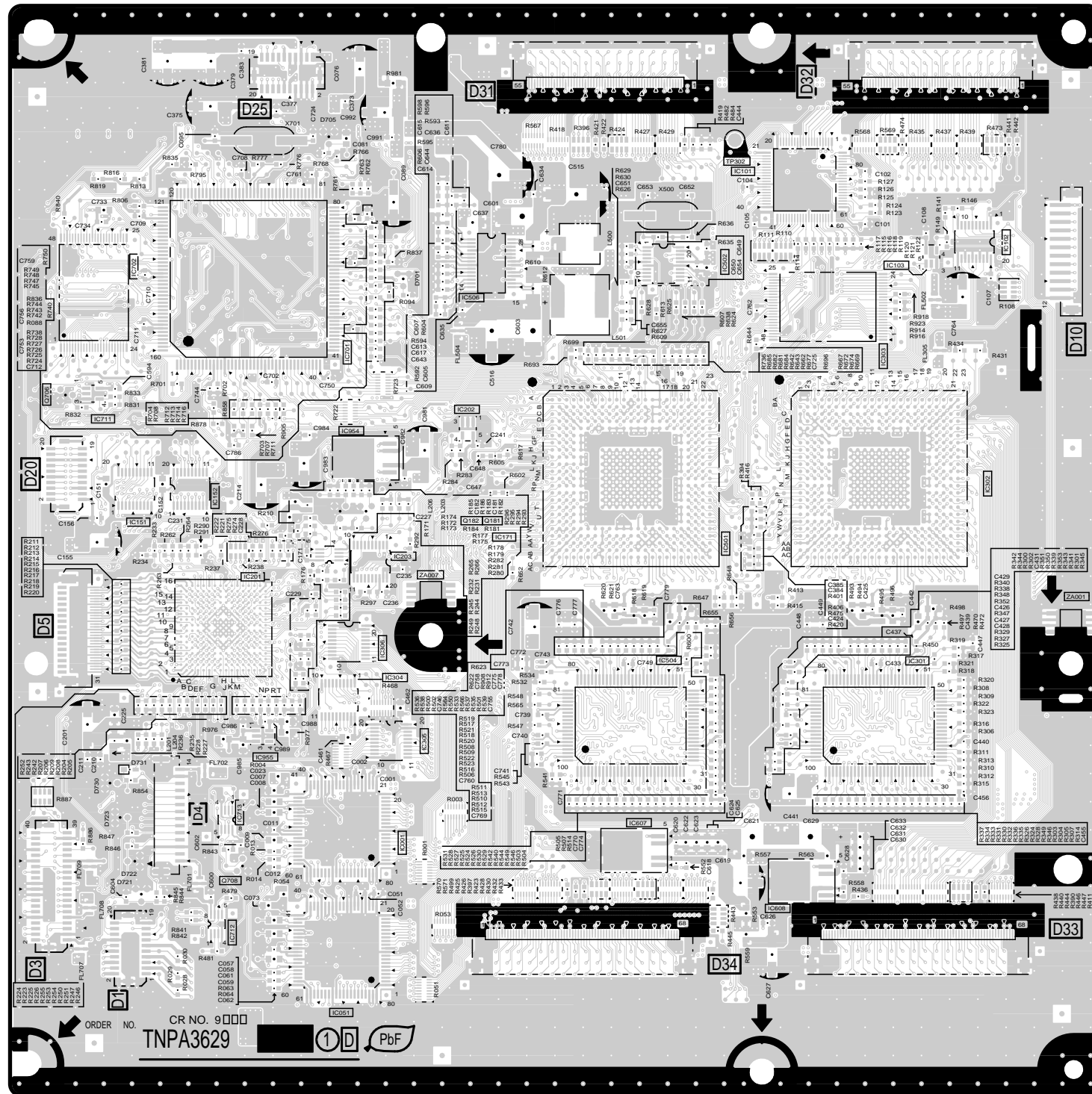
D-BOARD (FOIL SIDE)			
IC		TRANSISTOR	
IC9002	D-2	Q9074	F-5
IC9003	E-2	Q9076	F-5
IC9031	F-2	Q9078	E-4
IC9052	E-1	Q9201	E-3
IC9053	E-1	Q9202	F-3
IC9605	C-5	Q9300	C-5
IC9703	E-4	Q9301	D-5
IC9704	G-4	Q9302	C-2
IC9714	F-4	Q9303	C-2
IC9715	F-4	Q9304	C-5
IC9953	E-5	Q9500	D-4
		Q9501	D-5
		Q9502	E-5
		Q9703	G-5
		Q9704	G-5
		Q9705	F-5
		Q9707	F-4
		Q9709	D-3
		Q9710	D-4
		Q9711	D-3
		Q9712	E-5
		Q9713	F-3
		Q9951	E-4

TH-65PHD8BK/EK
 D-BOARD TZTNP01YUSE
 TH-65PHD8UK
 D-BOARD TZTNP020YUS

TH-65PHD8BK/EK
 D-BOARD TZTNP01YUSE
 TH-65PHD8UK
 D-BOARD TZTNP020YUS

A B C D E F G H I

D-BOARD (COMPONENT SIDE)
TZTNP01YUSE (TH-65PHD8BK/EK)
TZTNP020YUS (TH-65PHD8UK)



Parts Location

D-BOARD (COMPONENT SIDE)			
IC			
IC9001	D-2	IC9607	E-2
IC9051	C-1	IC9608	E-2
IC9101	E-5	IC9701	C-4
IC9102	F-5	IC9702	B-5
IC9103	F-5	IC9711	B-4
IC9151	B-3	IC9712	C-2
IC9152	C-4	IC9713	C-2
IC9171	D-3	IC9954	C-4
IC9201	C-3	IC9955	C-2
IC9202	D-4	TRANSISTOR	
IC9203	D-3	Q9181	D-3
IC9301	F-3	Q9182	D-3
IC9302	F-4	Q9706	B-4
IC9303	F-4	Q9708	C-2
IC9304	C-3	TP	
IC9305	D-2	TP302	E-5
IC9306	C-3		
IC9501	E-3		
IC9502	E-5		
IC9504	E-3		
IC9506	D-4		

TH-65PHD8BK/EK
 D-BOARD TZTNP01YUSE
 TH-65PHD8UK
 D-BOARD TZTNP020YUS

TH-65PHD8BK/EK
 D-BOARD TZTNP01YUSE
 TH-65PHD8UK
 D-BOARD TZTNP020YUS

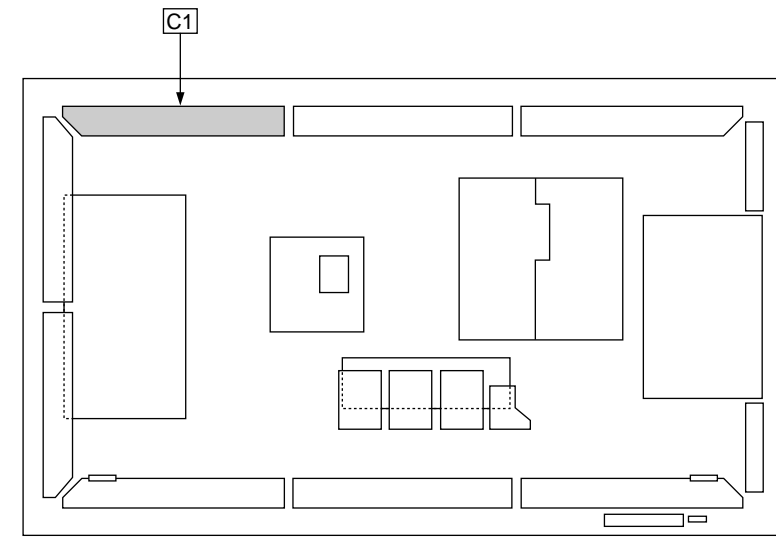
A B C D E F G H I

14.8. C1-Board

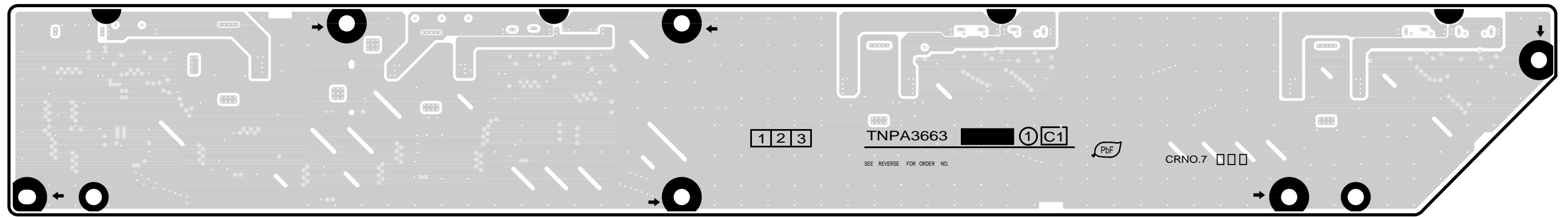
6
5
4
3
2
1

Parts Location

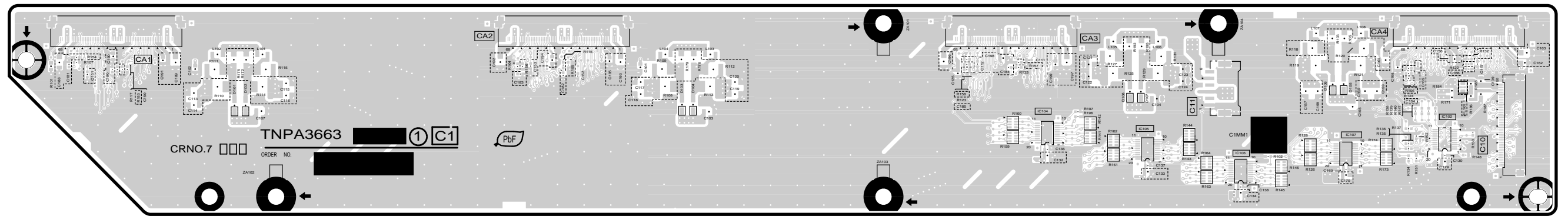
C1-BOARD	
IC	
IC7102	I-2
IC7104	G-2
IC7105	G-2
IC7106	H-1
IC7107	H-2



**C1-BOARD (FOIL SIDE)
TNPA3663**



**C1-BOARD (COMPONENT SIDE)
TNPA3663**



TH-65PHD8 SERIES
C1-BOARD TNPA3663

TH-65PHD8 SERIES
C1-BOARD TNPA3663

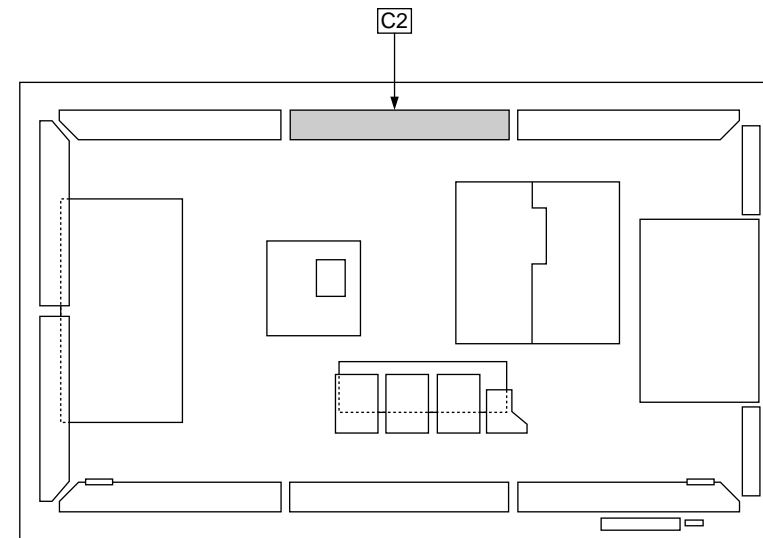
A B C D E F G H I

14.9. C2-Board

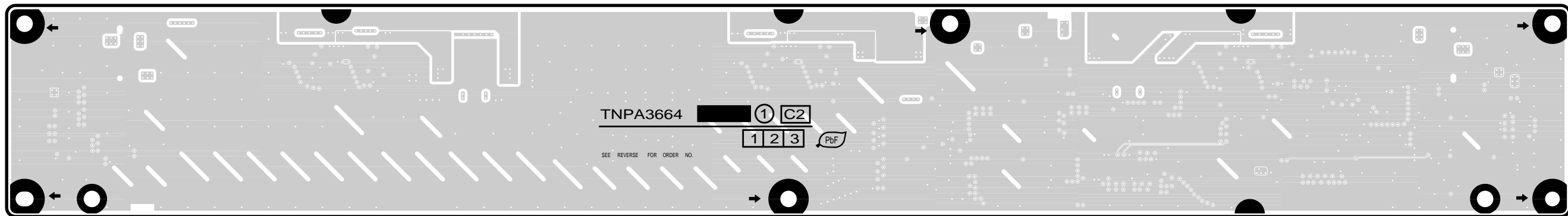
6
5
4
3
2
1

Parts Location

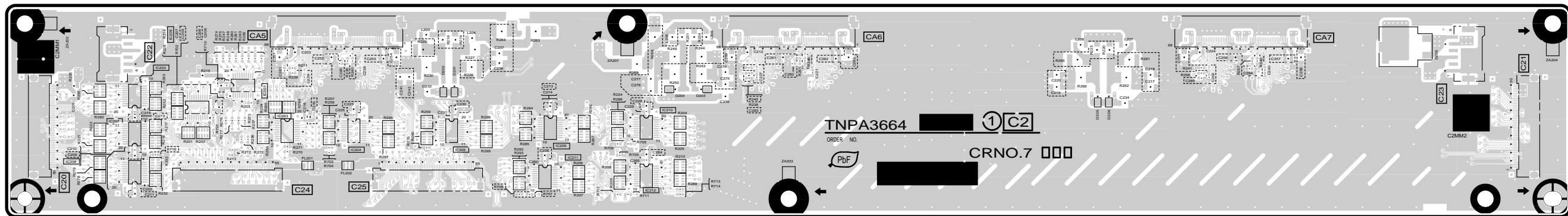
C2-BOARD	
IC	
IC7201	B-2
IC7202	B-2
IC7203	B-2
IC7204	C-2
IC7205	C-2
IC7206	B-2
IC7207	A-2
IC7208	A-1
IC7209	D-2
IC7210	D-2
IC7211	D-1
IC7212	D-1



C2-BOARD (FOIL SIDE)
TNPA3664



C2-BOARD (COMPONENT SIDE)
TNPA3664

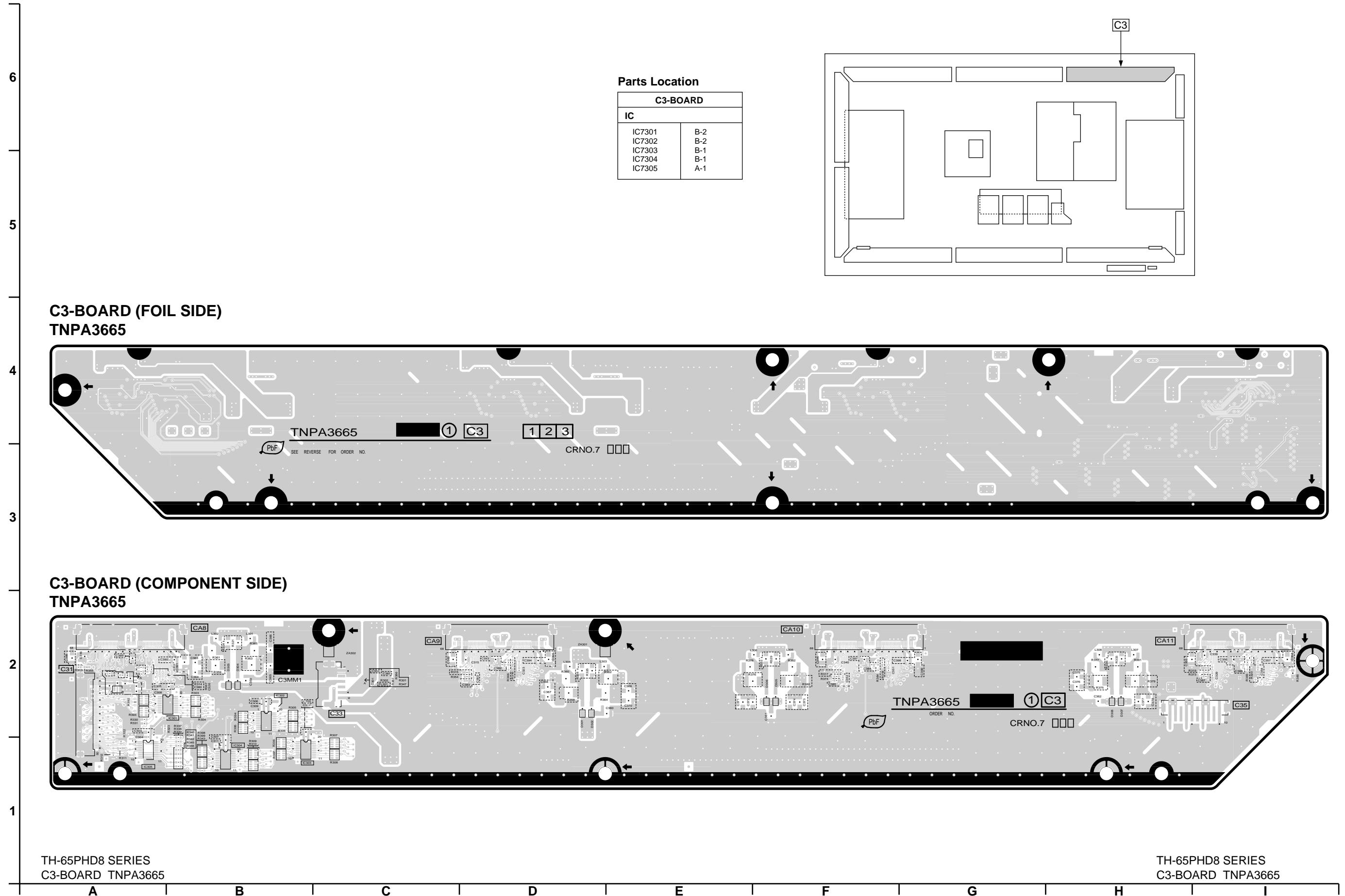


TH-65PHD8 SERIES
C2-BOARD TNPA3664

TH-65PHD8 SERIES
C2-BOARD TNPA3664

A B C D E F G H I

14.10. C3-Board

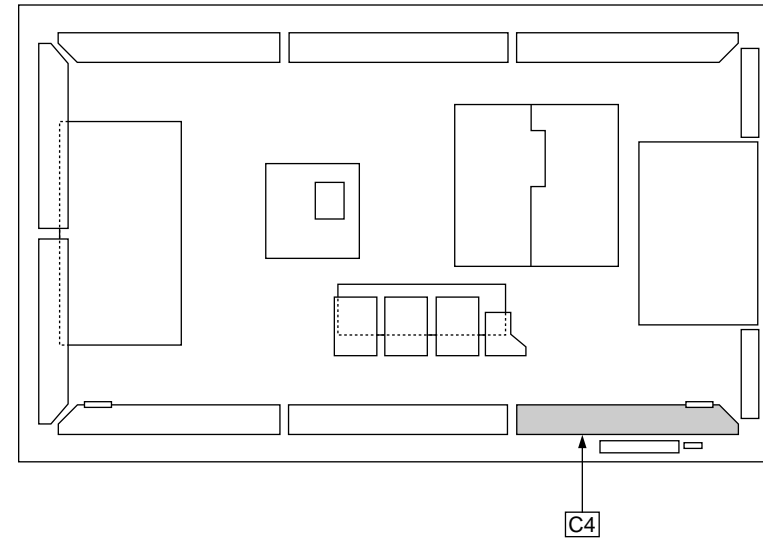


14.11. C4-Board

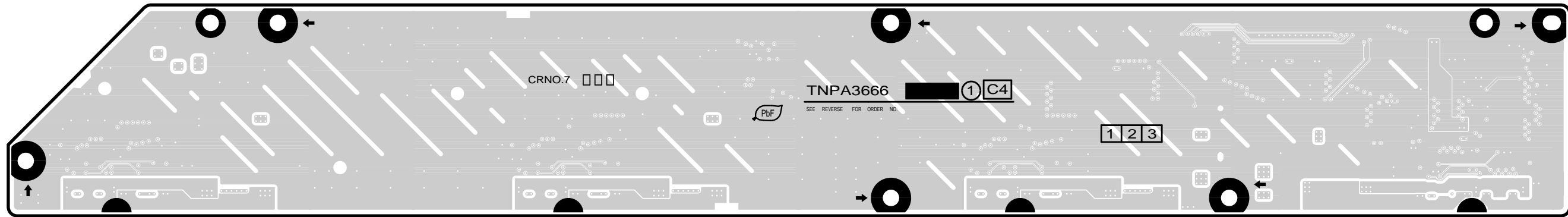
6
5
4
3
2
1

Parts Location

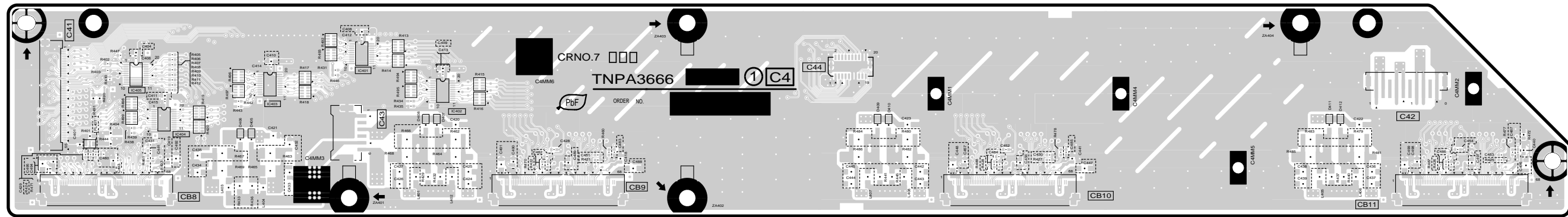
C4-BOARD	
IC	
IC7401	C-2
IC7402	C-2
IC7403	B-2
IC7404	B-2
IC7405	A-2



**C4-BOARD (FOIL SIDE)
TNPA3666**



**C4-BOARD (COMPONENT SIDE)
TNPA3666**



TH-65PHD8 SERIES
C4-BOARD TNPA3666

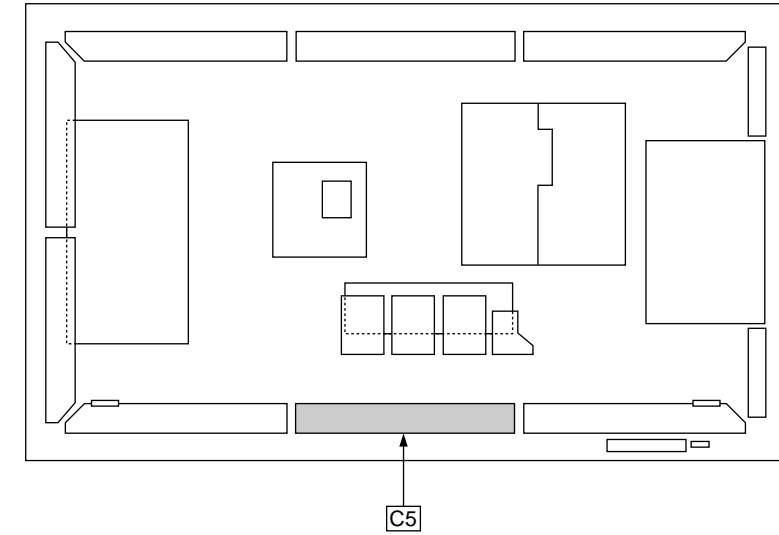
TH-65PHD8 SERIES
C4-BOARD TNPA3666

A B C D E F G H I

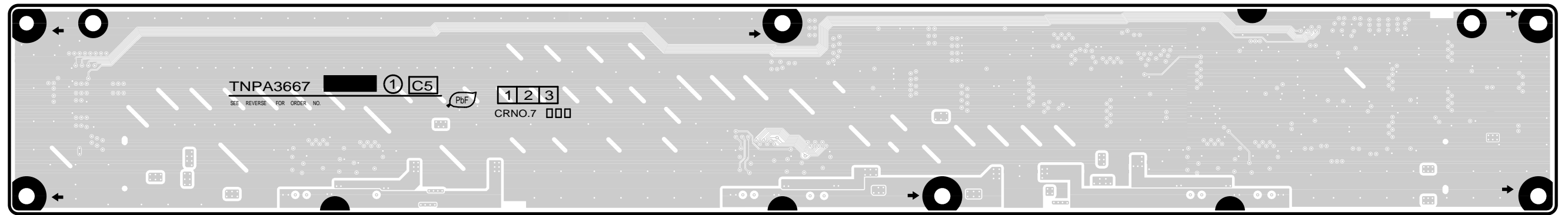
14.12. C5-Board

Parts Location

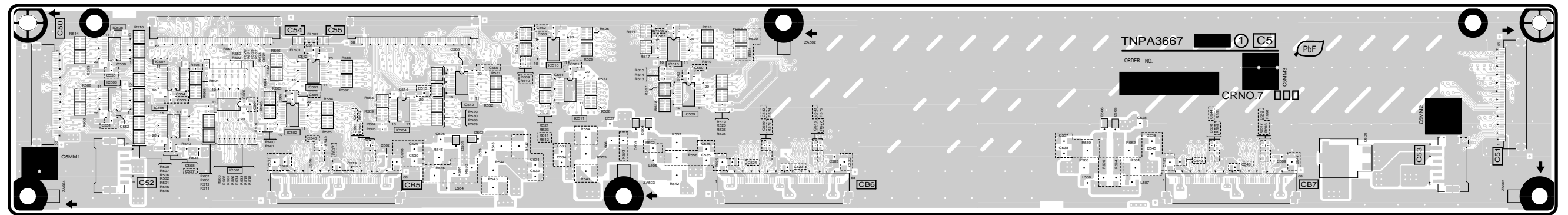
C5-BOARD	
IC	
IC7501	B-1
IC7502	B-2
IC7503	B-2
IC7504	C-2
IC7505	B-2
IC7506	A-2
IC7507	B-2
IC7508	A-2
IC7509	E-2
IC7510	D-2
IC7511	D-2
IC7512	C-2
IC7513	D-2



C5-BOARD (FOIL SIDE)
TNPA3667



C5-BOARD (COMPONENT SIDE)
TNPA3667



TH-65PHD8 SERIES
C5-BOARD TNPA3667

TH-65PHD8 SERIES
C5-BOARD TNPA3667

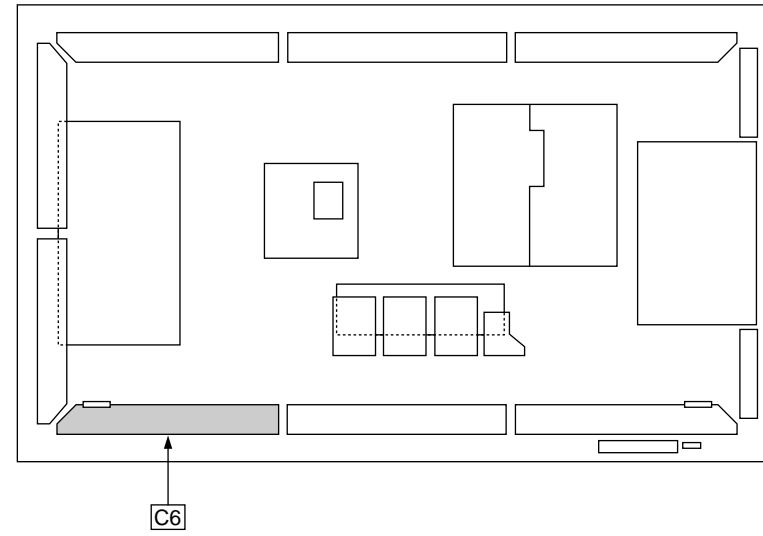
A B C D E F G H I

14.13. C6-Board

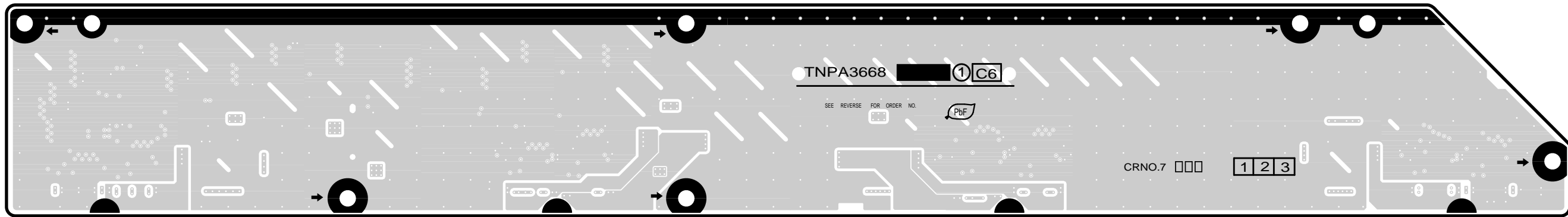
6
5
4
3
2
1

Parts Location

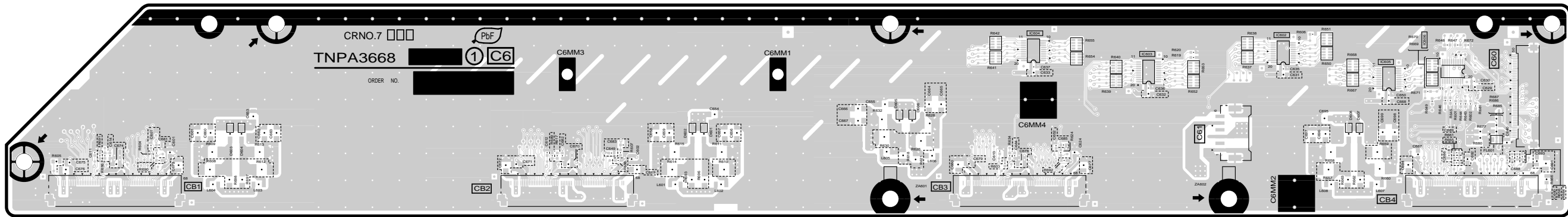
C6-BOARD	
IC	
IC7602	H-2
IC7603	G-2
IC7604	F-2
IC7605	H-2
IC7606	I-2



C6-BOARD (FOIL SIDE)
TNPA3668



C6-BOARD (COMPONENT SIDE)
TNPA3668

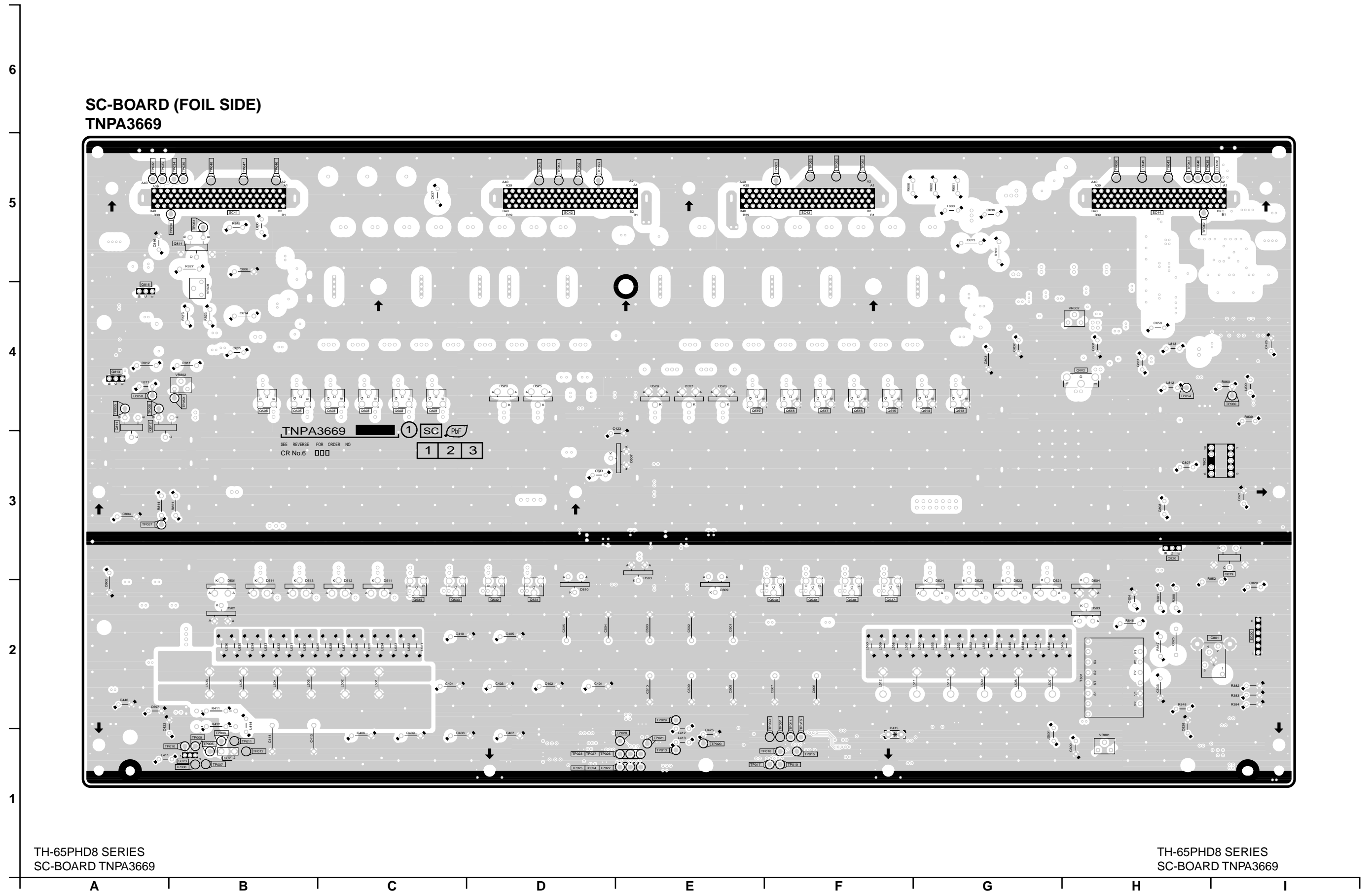


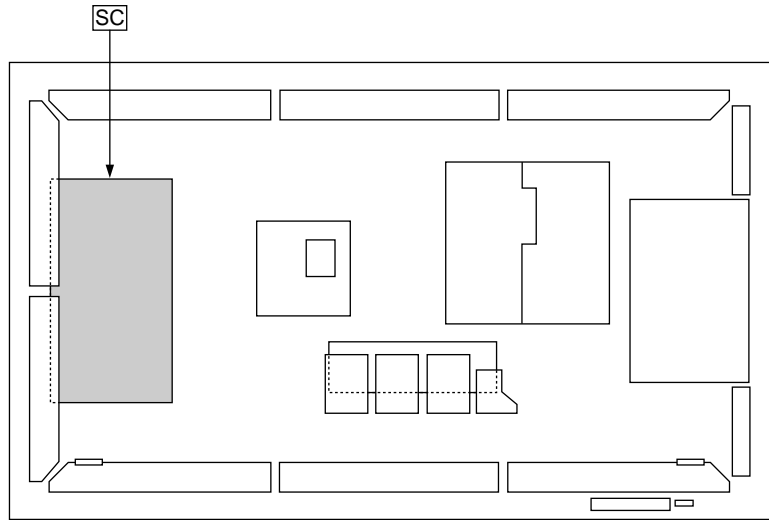
TH-65PHD8 SERIES
C6-BOARD TNPA3668

TH-65PHD8 SERIES
C6-BOARD TNPA3668

A B C D E F G H I

14.14. SC-Board





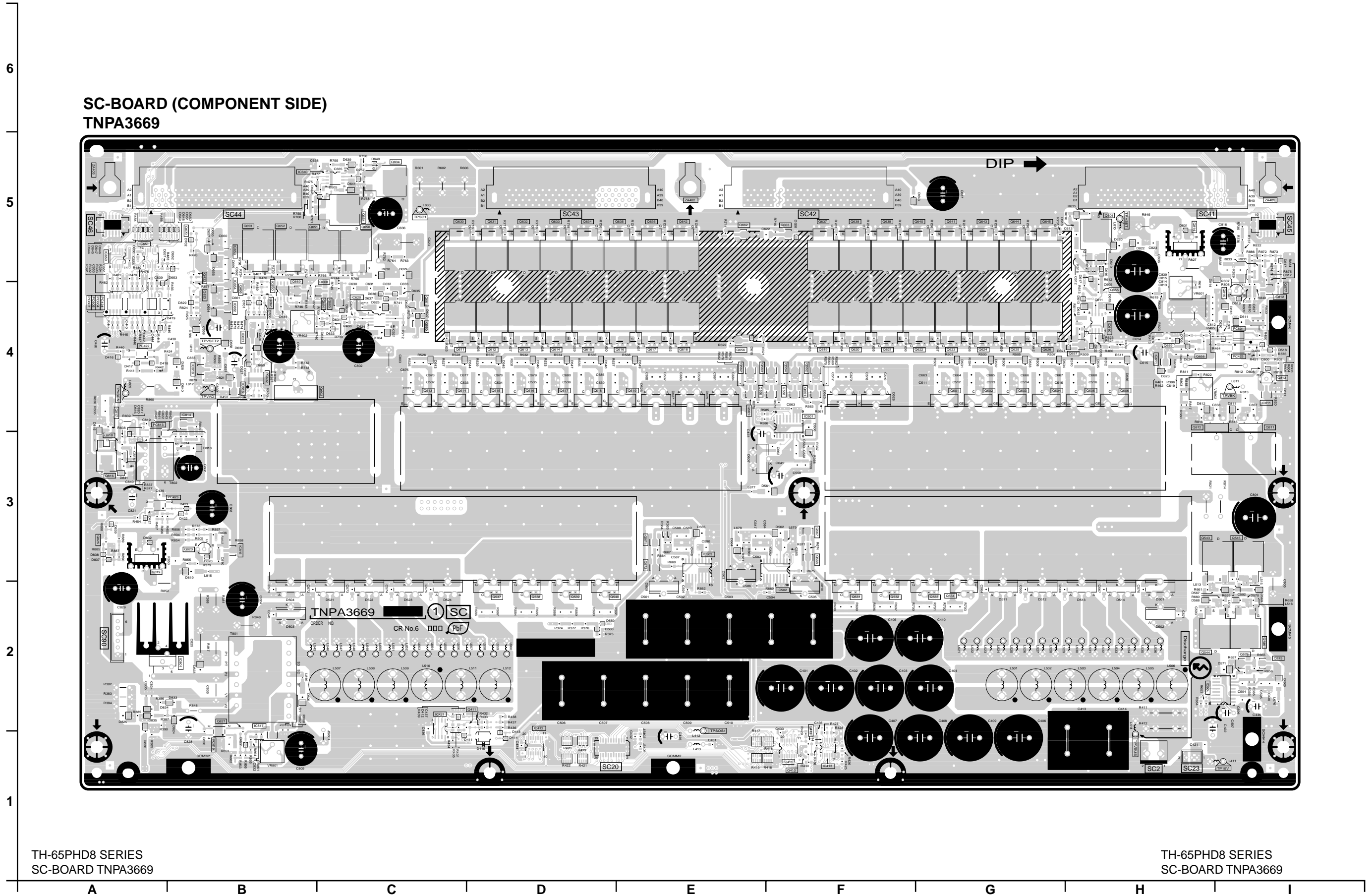
Parts Location

SC-BOARD (FOIL SIDE)					
IC		TP			
IC6801	I-2	TP6005	B-1	TP6037	D-5
TRANSISTOR		TP6006	B-1	TP6038	I-5
Q6501	C-4	TP6007	B-1	TP6039	H-5
Q6502	C-4	TP6008	B-1	TP6040	H-5
Q6503	C-4	TP6009	B-1	TP6041	H-5
Q6504	C-4	TP6010	B-1	TP6042	H-5
Q6505	B-4	TP6011	B-1	TP6043	H-5
Q6506	B-4	TP6012	B-1	TP6044	D-5
Q6513	G-4	TP6013	E-1	TP6045	D-5
Q6514	G-4	TP6014	F-2	TP6046	B-5
Q6515	F-4	TP6015	F-1	TP6047	B-5
Q6516	F-4	TP6016	F-2	TP6048	B-5
Q6517	F-4	TP6017	E-1	TP6049	H-5
Q6518	F-4	TP6018	F-1	TP6050	H-5
Q6519	E-4	TP6019	F-1	TP6051	F-5
Q6531	D-2	TP6020	E-1	TP6052	F-5
Q6532	D-2	TP6021	E-1	TP6053	F-5
Q6533	C-2	TP6022	D-1	TP6054	H-4
Q6534	C-2	TP6023	D-1	TP4055	A-4
Q6537	F-2	TP6024	D-1	TP4056	A-4
Q6538	F-2	TP6025	D-1	TP4057	A-3
Q6539	F-2	TP6026	D-1	TP4058	A-4
Q6540	F-2	TP6027	D-1	TP4059	B-4
Q6602	H-4	TP6028	E-1	TP6060	I-5
Q6811	A-4	TP6029	E-2	TP6061	B-5
Q6812	A-4	TP6030	F-2	TP6062	F-5
Q6813	A-4	TP6031	F-2	TP6063	D-5
Q6814	B-5	TP6032	A-5		
Q6815	A-4	TP6033	A-5		
Q6819	I-3	TP6034	B-5		
Q6820	H-3	TP6035	B-5		
		TP6036	B-5		

Parts Location

SC-BOARD (COMPONENT SIDE)							
IC		TRANSISTOR					
IC6411	F-1	Q6411	D-2	Q6576	I-2	Q6655	H-4
IC6412	D-2	Q6412	F-2	Q6577	I-4	Q6656	E-4
IC6413	F-1	Q6413	F-1	Q6601	H-5	Q6657	H-4
IC6421	C-2	Q6501	G-4	Q6602	C-4	Q6658	H-4
IC6501	F-4	Q6502	G-4	Q6604	C-5	Q6659	H-4
IC6502	F-2	Q6503	G-4	Q6611	C-4	Q6660	C-4
IC6503	E-3	Q6504	G-4	Q6612	D-4	Q6661	C-4
IC6504	H-2	Q6505	H-4	Q6613	D-4	Q6662	E-5
IC6610	H-4	Q6506	H-4	Q6614	D-4	Q6663	F-5
IC6611	H-4	Q6513	C-4	Q6615	D-4	Q6664	C-4
IC6620	C-4	Q6514	C-4	Q6616	E-4	Q6665	C-4
IC6621	B-4	Q6515	D-4	Q6617	E-4	Q6666	B-4
IC6630	B-4	Q6516	D-4	Q6618	E-4	Q6667	B-4
IC6640	B-5	Q6517	D-4	Q6619	F-4	Q6668	C-4
IC6650	A-5	Q6518	D-4	Q6620	F-4	Q6669	B-4
IC6651	A-5	Q6519	E-4	Q6621	F-4	Q6670	B-5
IC6652	B-4	Q6531	F-2	Q6622	G-4	Q6811	I-4
IC6653	B-5	Q6532	F-2	Q6623	G-4	Q6812	H-4
IC6654	B-4	Q6533	G-2	Q6624	G-4	Q6813	I-4
IC6801	B-2	Q6534	G-2	Q6625	G-4	Q6814	H-5
IC6811	I-4	Q6537	D-2	Q6626	G-4	Q6815	I-4
IC6812	I-4	Q6538	D-2	Q6630	C-5	Q6816	A-3
IC6814	B-4	Q6539	D-2	Q6631	D-5	Q6817	A-4
IC6815	B-3	Q6540	D-2	Q6632	D-5	Q6818	A-3
IC6816	B-4	Q6543	H-3	Q6633	D-5	Q6819	A-3
IC6817	B-2	Q6544	H-2	Q6634	D-5	Q6820	B-3
IC6818	B-4	Q6545	I-3	Q6635	E-5	Q6821	B-2
		Q6546	I-2	Q6636	E-5	Q6822	B-5
		Q6551	F-4	Q6637	F-5	Q6823	B-4
		Q6552	F-4	Q6638	F-5	Q6825	A-3
		Q6553	F-4	Q6639	F-5		
		Q6554	F-4	Q6640	G-5		
		Q6559	E-4	Q6641	G-5	TP	
		Q6560	E-4	Q6642	E-5	TP15V	I-1
		Q6561	E-4	Q6643	G-5	TPSC1	C-5
		Q6562	E-4	Q6644	G-5	TPSOS1	E-2
		Q6567	F-3	Q6645	G-5	TPVAD	B-4
		Q6568	F-3	Q6650	C-5	TPVBK	I-4
		Q6571	E-3	Q6651	B-5	TPVSCN	A-4
		Q6572	E-3	Q6652	B-5	TPVSET	H-5
		Q6575	I-2	Q6653	B-5	TPVSET2	B-4
				Q6654	C-5	TPVSUS	H-1

SC-BOARD (COMPONENT SIDE)
TNPA3669



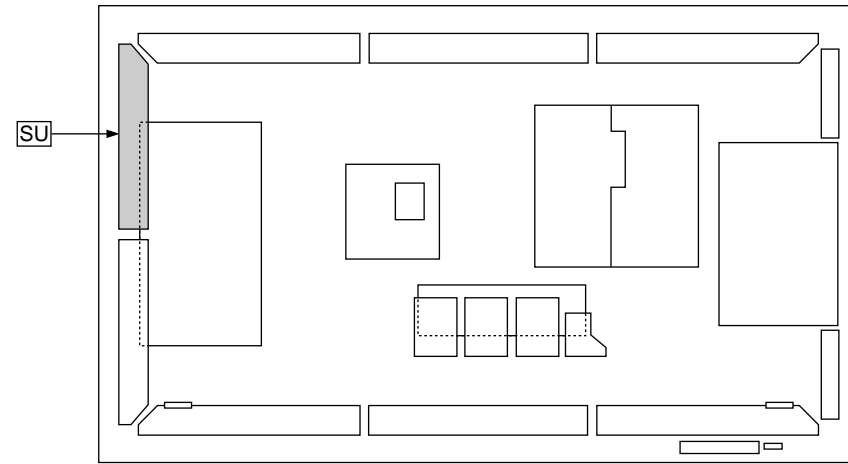
TH-65PHD8 SERIES
SC-BOARD TNPA3669

TH-65PHD8 SERIES
SC-BOARD TNPA3669

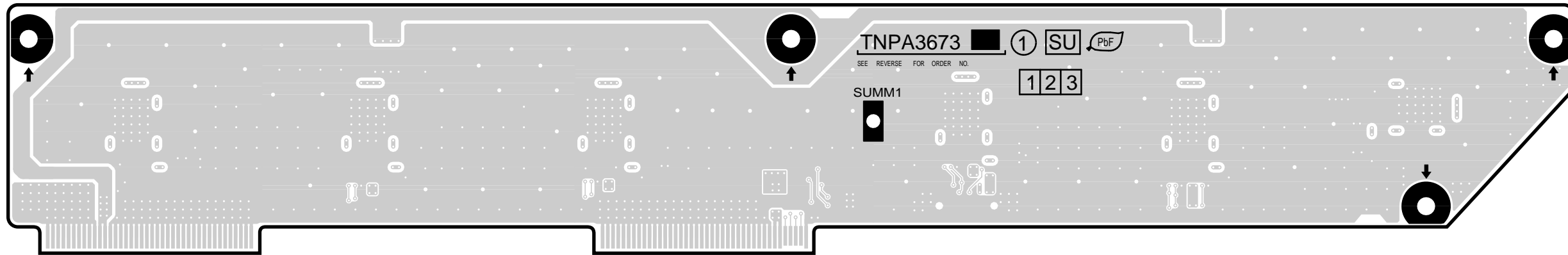
14.15. SU-Board

Parts Location

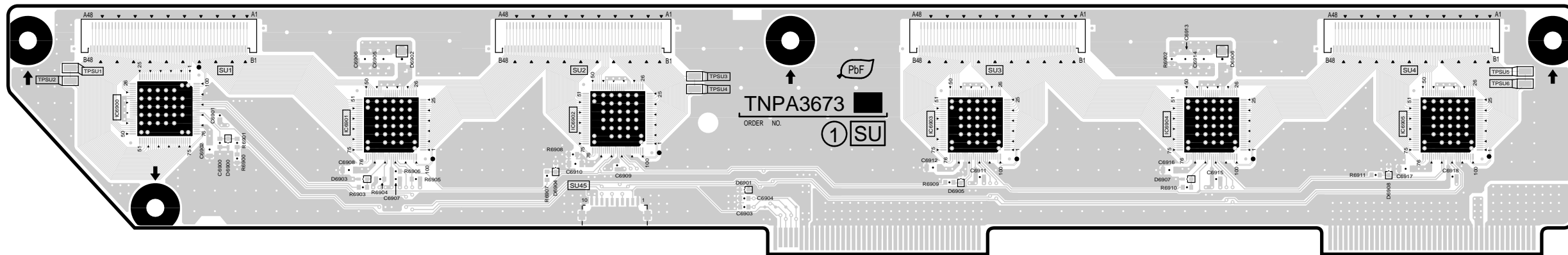
SU-BOARD			
IC		TP	
IC6900	A-2	TPSU1	A-2
IC6901	C-2	TPSU2	A-2
IC6902	D-2	TPSU3	E-2
IC6903	F-2	TPSU4	E-2
IC6904	G-2	TPSU5	I-2
IC6905	H-2	TPSU6	I-2



**SU-BOARD (FOIL SIDE)
TNPA3673**



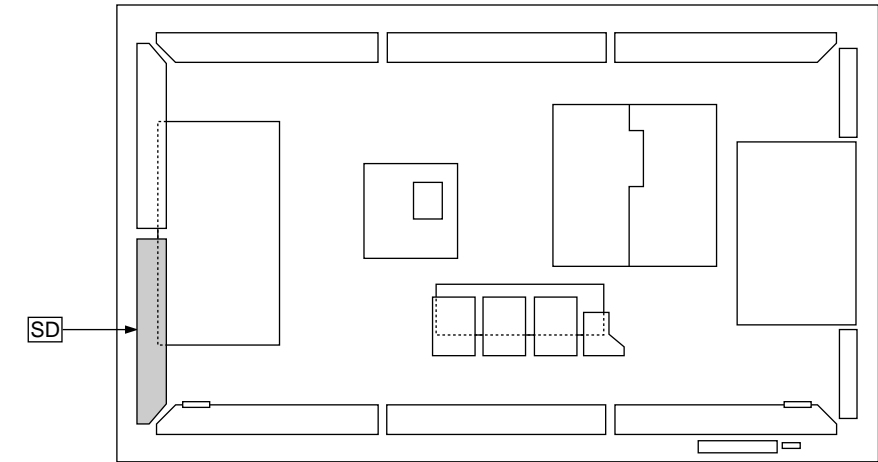
**SU-BOARD (COMPONENT SIDE)
TNPA3673**



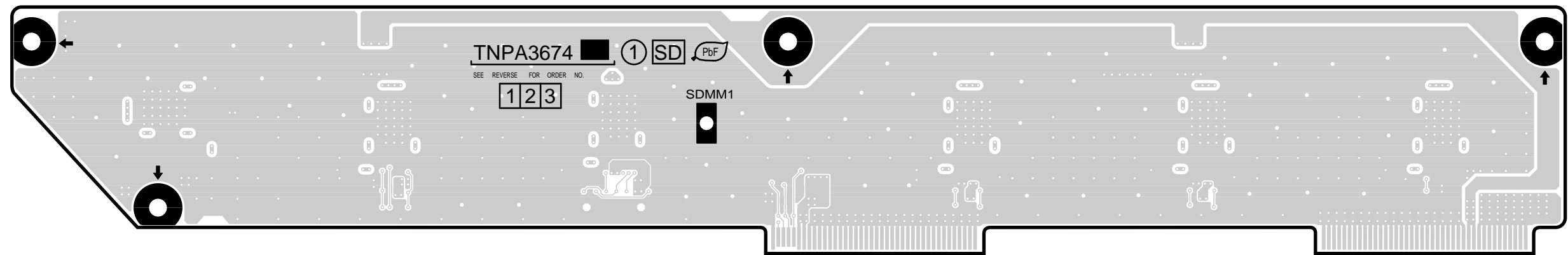
14.16. SD-Board

Parts Location

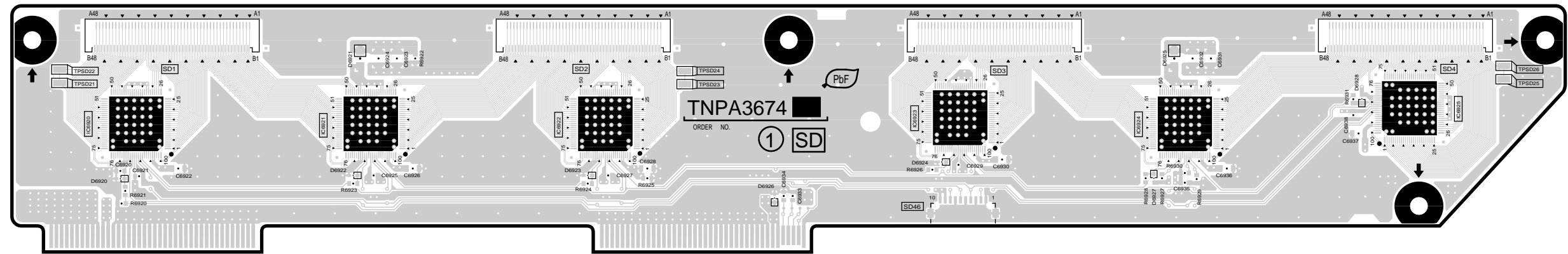
SD-BOARD			
IC		TP	
IC6920	A-2	TPSD21	A-2
IC6921	C-2	TPSD22	A-2
IC6922	D-2	TPSD23	E-2
IC6923	F-2	TPSD24	E-2
IC6924	G-2	TPSD25	I-2
IC6925	H-2	TPSD26	I-2



SD-BOARD (FOIL SIDE)
TNPA3674



SD-BOARD (COMPONENT SIDE)
TNPA3674



TH-65PHD8 SERIES
SD-BOARD TNPA3674

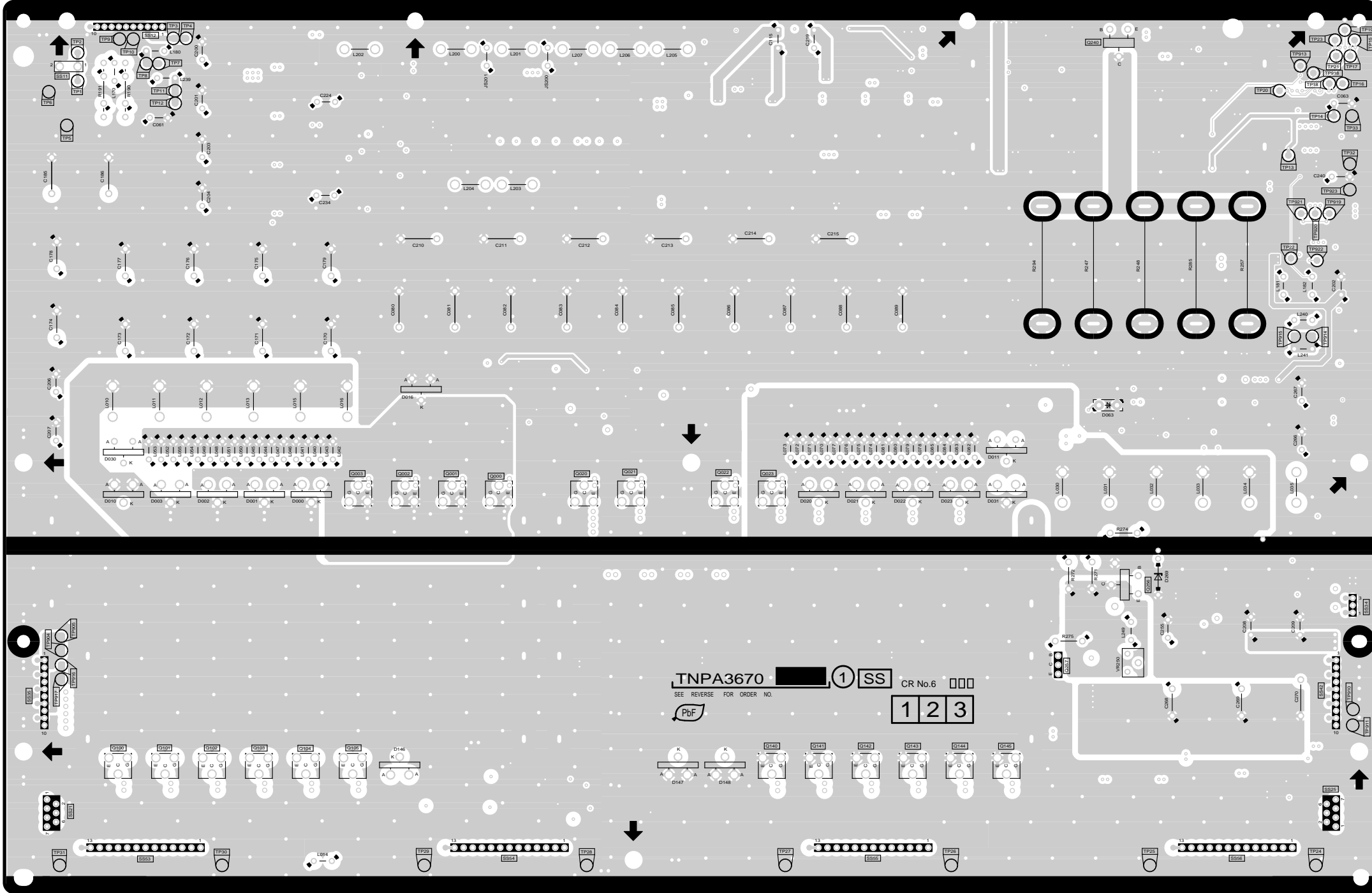
TH-65PHD8 SERIES
SD-BOARD TNPA3674

A | B | C | D | E | F | G | H | I

14.17. SS-Board

6
5
4
3
2
1

SS-BOARD (FOIL SIDE) TNPA3670



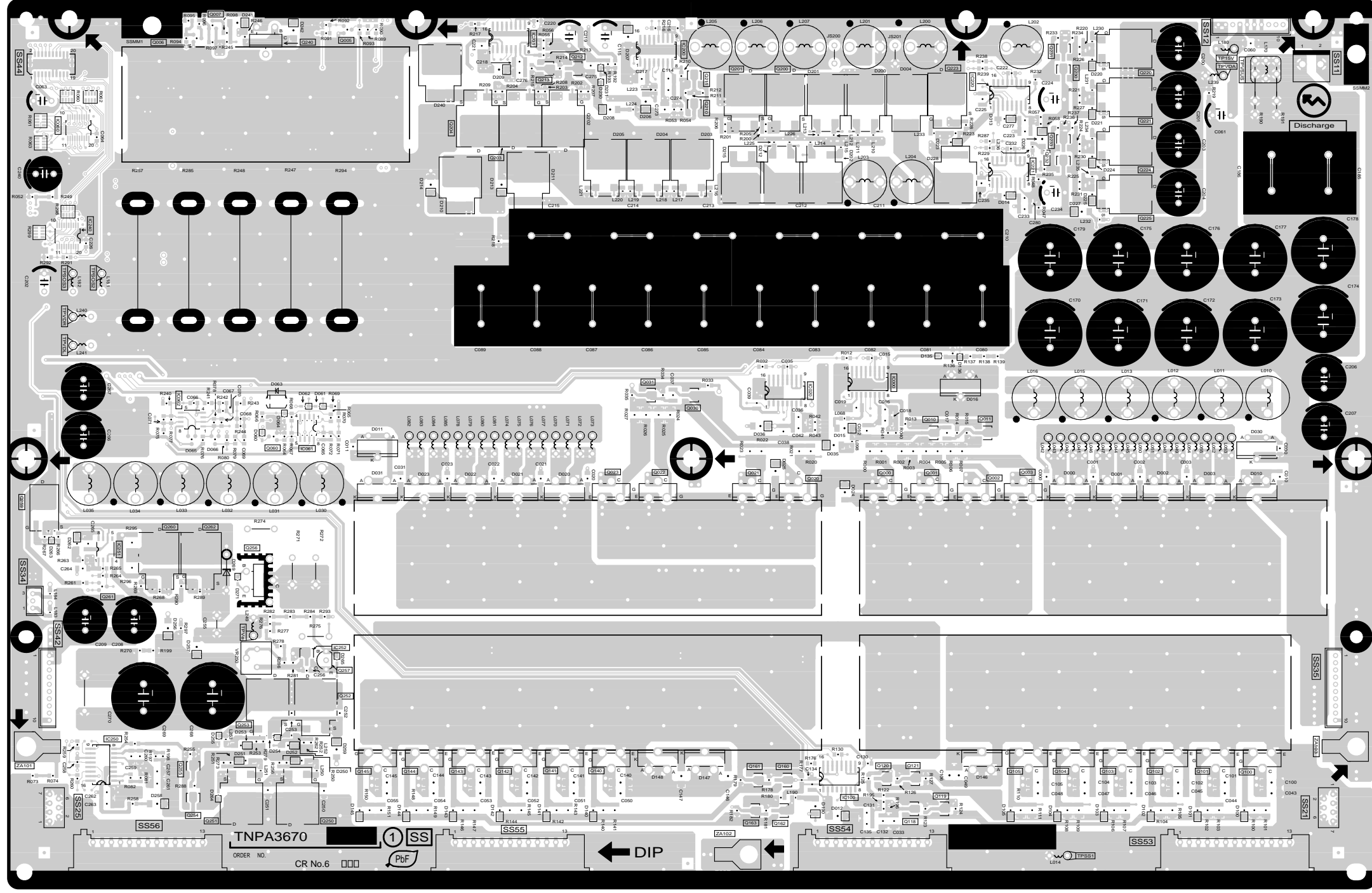
TH-65PHD8 SERIES
SS-BOARD TNPA3670

TH-65PHD8 SERIES
SS-BOARD TNPA3670

A B C D E F G H I

SS-BOARD (COMPONENT SIDE) TNPA3670

6
5
4
3
2
1

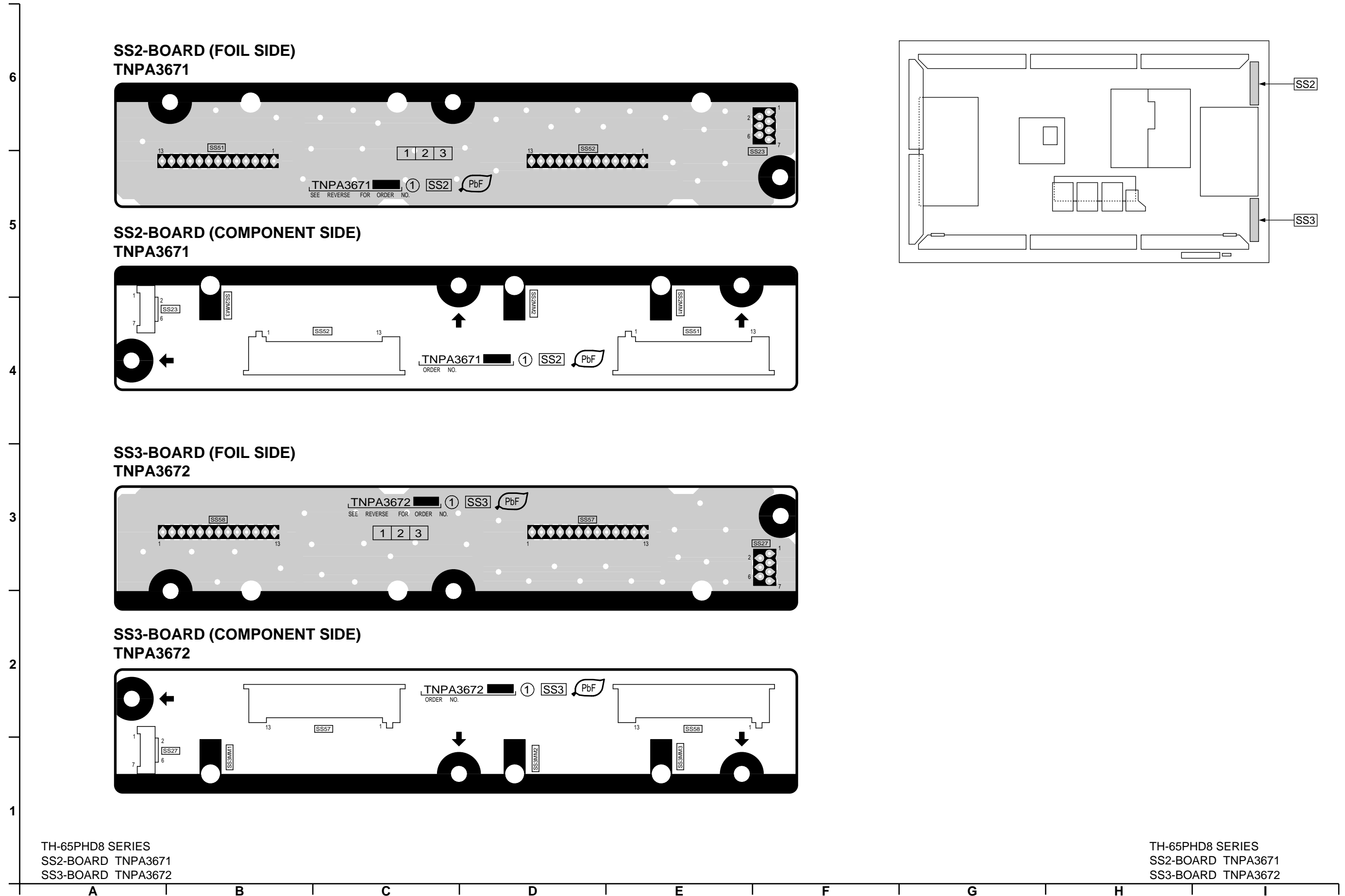


TH-65PHD8 SERIES
SS-BOARD TNPA3670

TH-65PHD8 SERIES
SS-BOARD TNPA3670

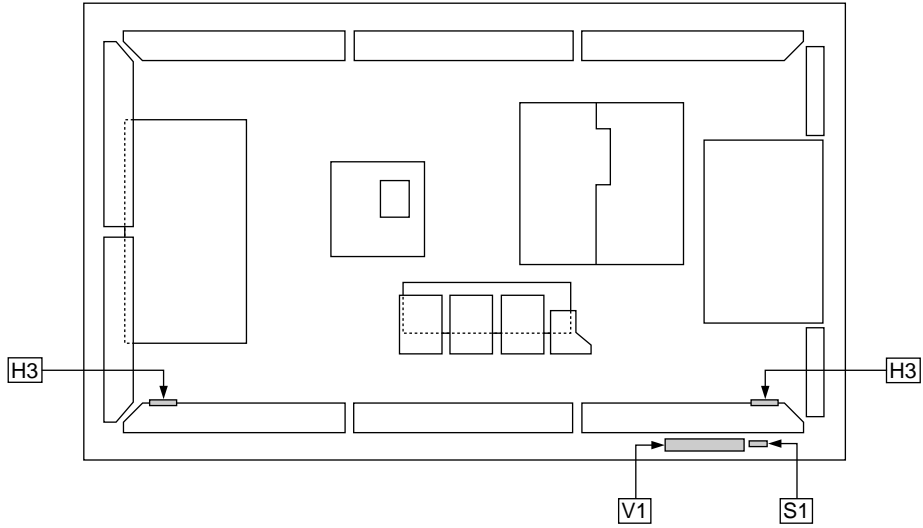
A | B | C | D | E | F | G | H | I

14.18. SS2 and SS3-Board

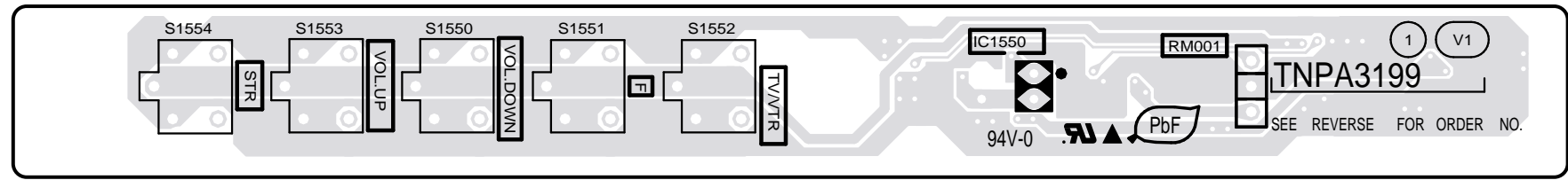


14.19. H3, S1 and V1-Board

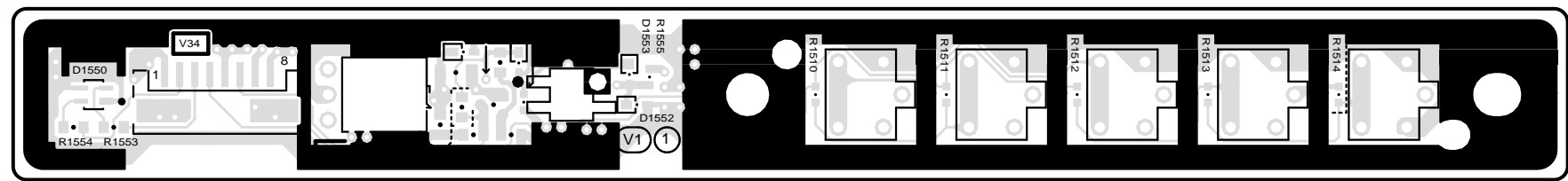
6
5
4
3
2
1



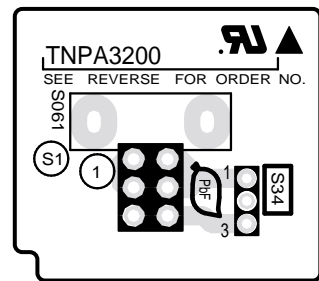
**V1-BOARD (FOIL SIDE)
TNPA3199AB**



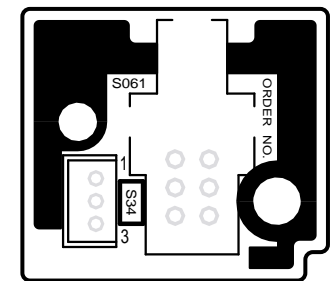
**V1-BOARD (COMPONENT SIDE)
TNPA3199AB**



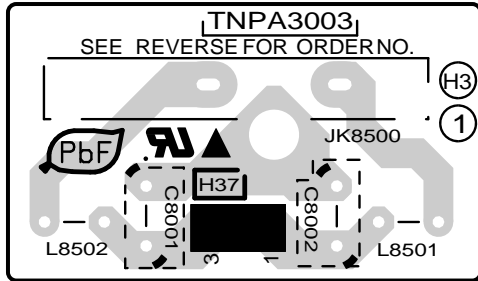
**S1-BOARD (FOIL SIDE)
TNPA3200AB**



**S1-BOARD (COMPONENT SIDE)
TNPA3200AB**



**H3-BOARD
TNPA3003**



TH-65PHD8 SERIES
V1-BOARD TNPA3199AB
S1-BOARD TNPA3200AB
H3-BOARD TNPA3003

TH-65PHD8 SERIES
V1-BOARD TNPA3199AB
S1-BOARD TNPA3200AB
H3-BOARD TNPA3003

A | B | C | D | E | F | G | H | I


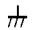

15 Schematic Diagrams

15.1. Schematic Diagram Notes

Important Safety Notice

Components identified by \triangle mark have special characteristics important for safety. When replacing any of these components, use only manufacture's specified parts.

Notes:

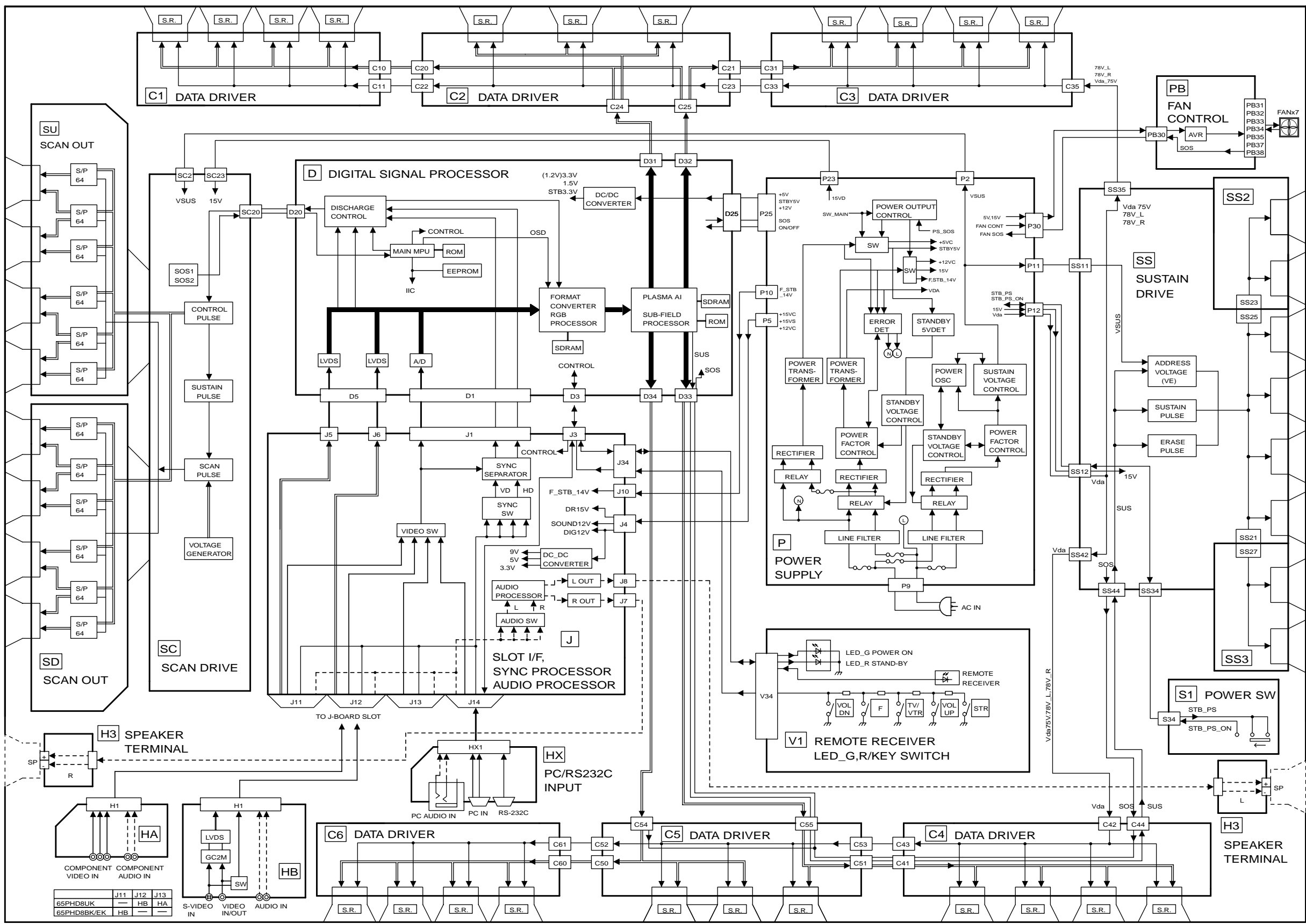
1. **Resistor**
Unit of resistance is OHM [Ω] (K=1,000, M=1,000,000).
2. **Capacitor**
Unit of capacitance is μ F, unless otherwise noted.
3. **Coil**
Unit of inductance is H, unless otherwise noted.
4. **Test Point**
 : Test Point position
5. **Earth Symbol**
 : Chassis Earth (Cold)  : Line Earth (Hot)
6. **Voltage Measurement**
Voltage is measured by a DC voltmeter.
Conditions of the measurement are the following:

Power Source	AC120V, 50/60Hz (UK)
	AC220-240V, 50/60Hz (BK/EK)
Receiving Signal	Colour Bar signal (RF)
All customer's controls	Maximum positions
7. When arrow mark (\nearrow) is found, connection is easily found from the direction of arrow.
8. Indicates the major signal flow. : Video \Rightarrow Audio \Rightarrow
9. This schematic diagram is the latest at the time of printing and subject to change without notice.

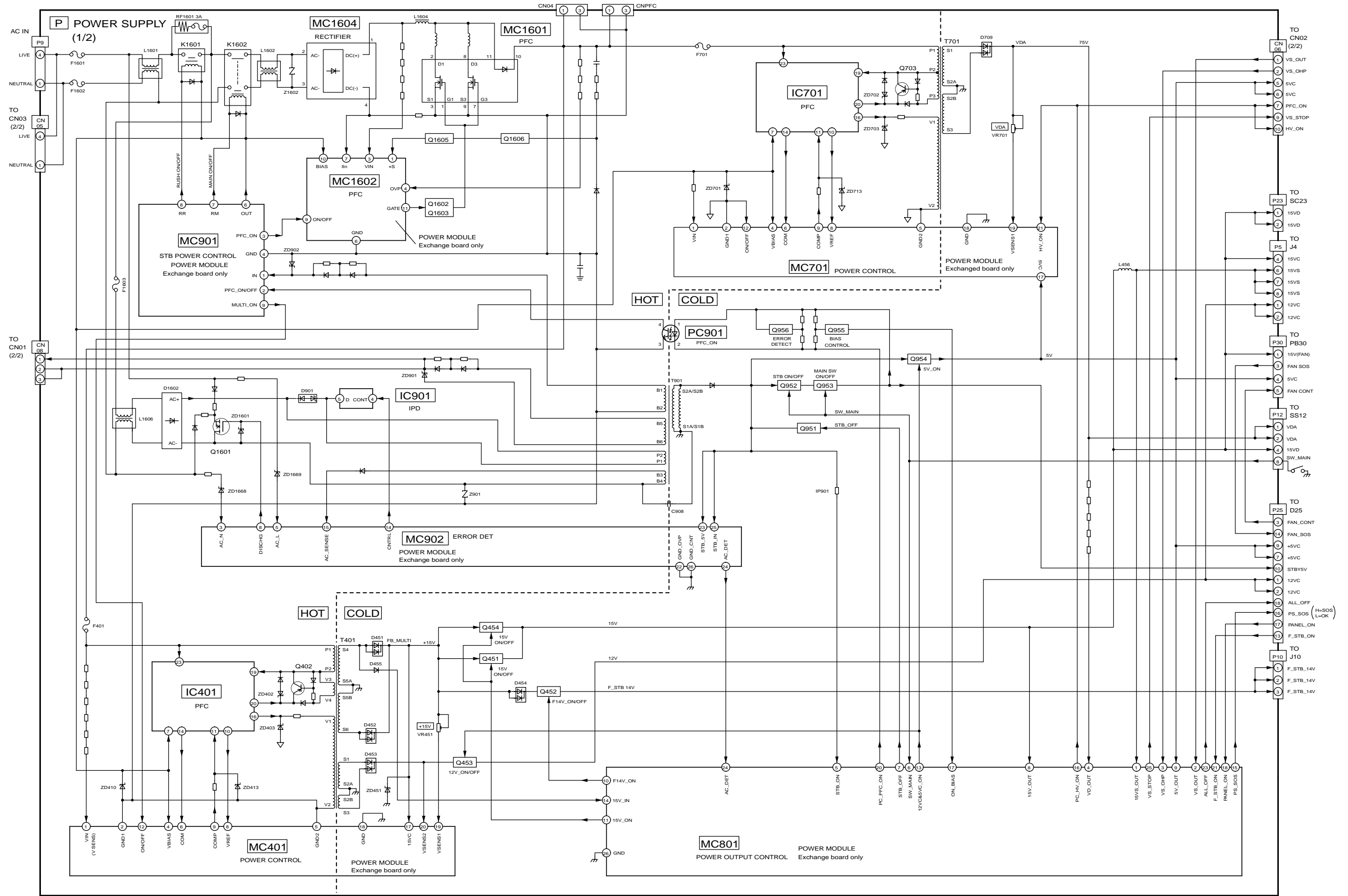
Remarks:

1. The Power Circuit contains a circuit area which uses a separate power supply to isolate the earth connection.
The circuit is defined by HOT and COLD indications in the schematic diagram. Take the following precautions.
All circuits, except the Power Circuit, are cold.
Precautions
 - a. Do not touch the hot part or the hot and cold parts at the same time or you may be shocked.
 - b. Do not short- circuit the hot and cold circuits or a fuse may blow and parts may break.
 - c. Do not connect an instrument, such as an oscilloscope, to the hot and cold circuits simultaneously or a fuse may blow.
Connect the earth of instruments to the earth connection of the circuit being measured.
 - d. Make sure to disconnect the power plug before removing the chassis.

15.2. Main Block Diagram



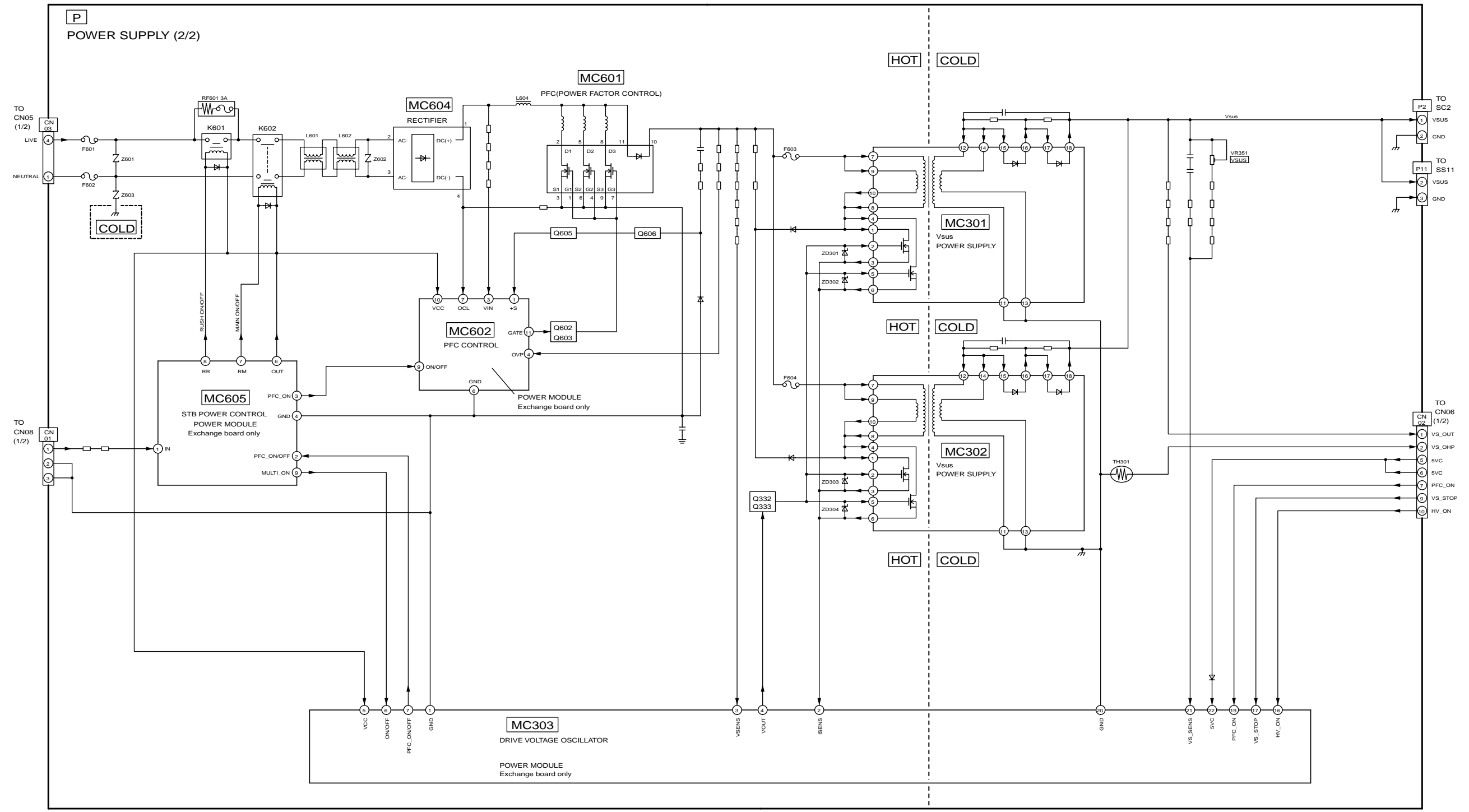
15.3. P-Board (1 of 2)Block Diagram



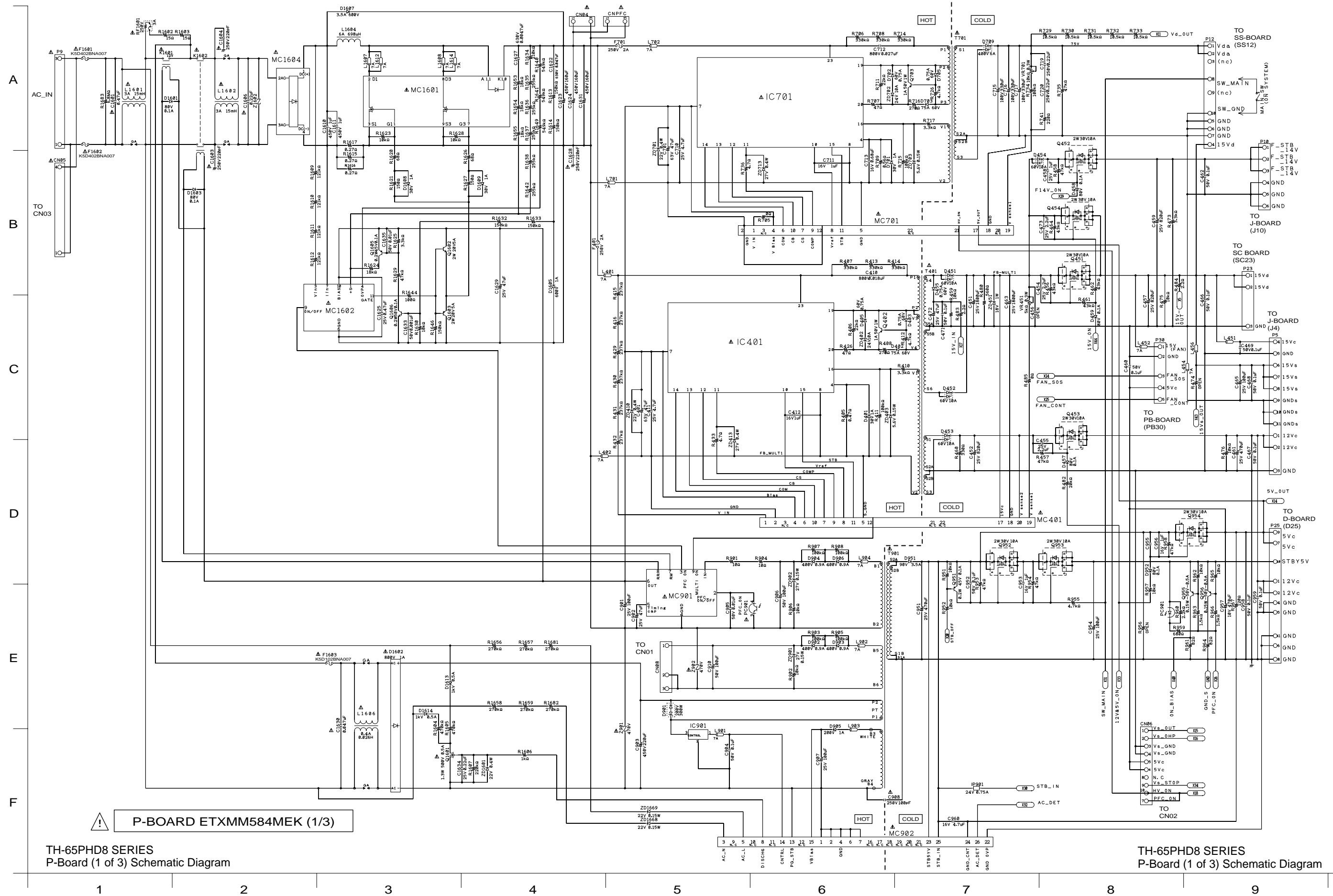
TH-65PHD8 SERIES
P-Board (1 of 2) Block Diagram

TH-65PHD8 SERIES
P-Board (1 of 2) Block Diagram

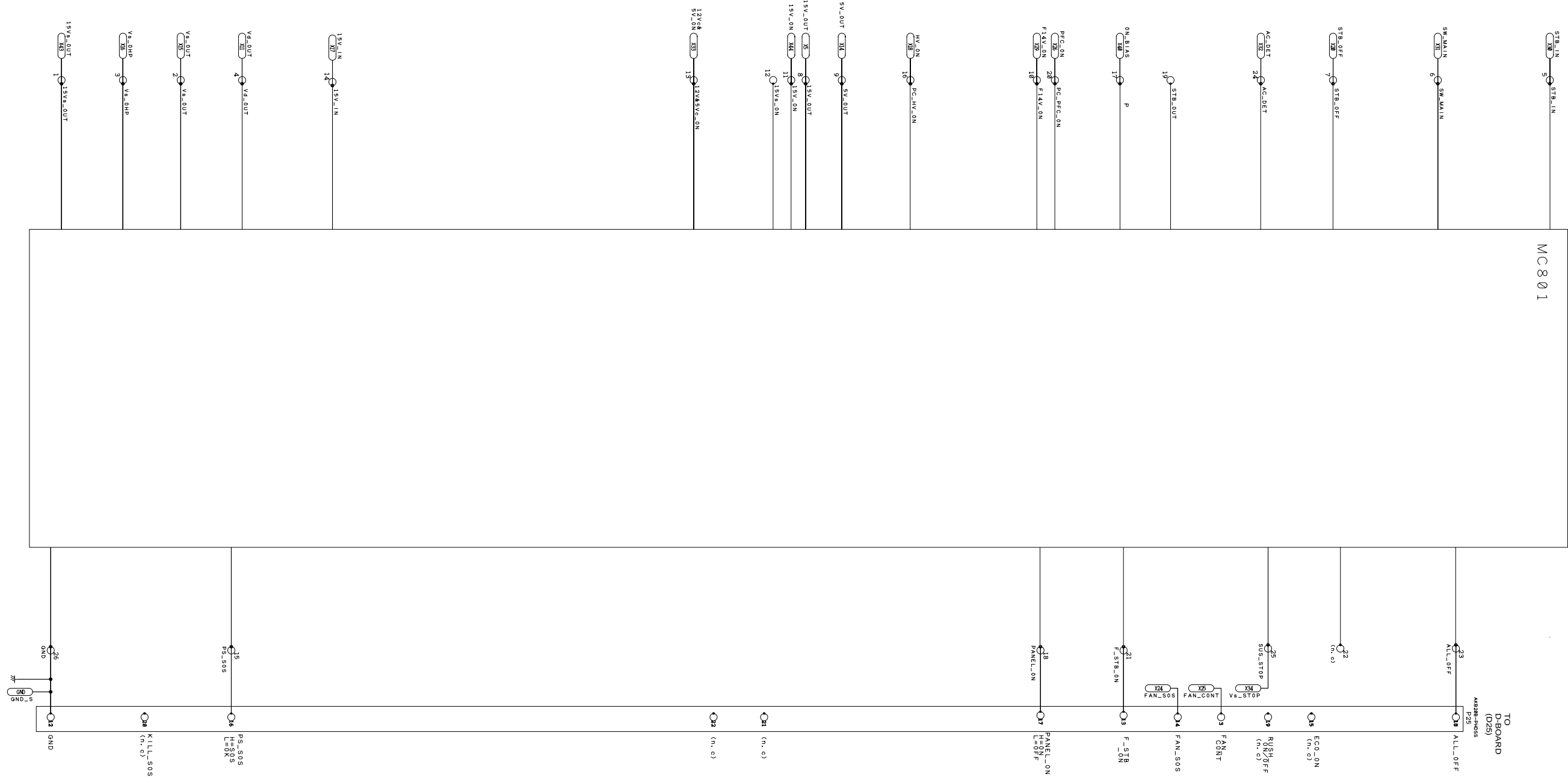
15.4. P-Board (2 of 2) Block Diagram



15.5. P-Board (1 of 3) Schematic Diagram

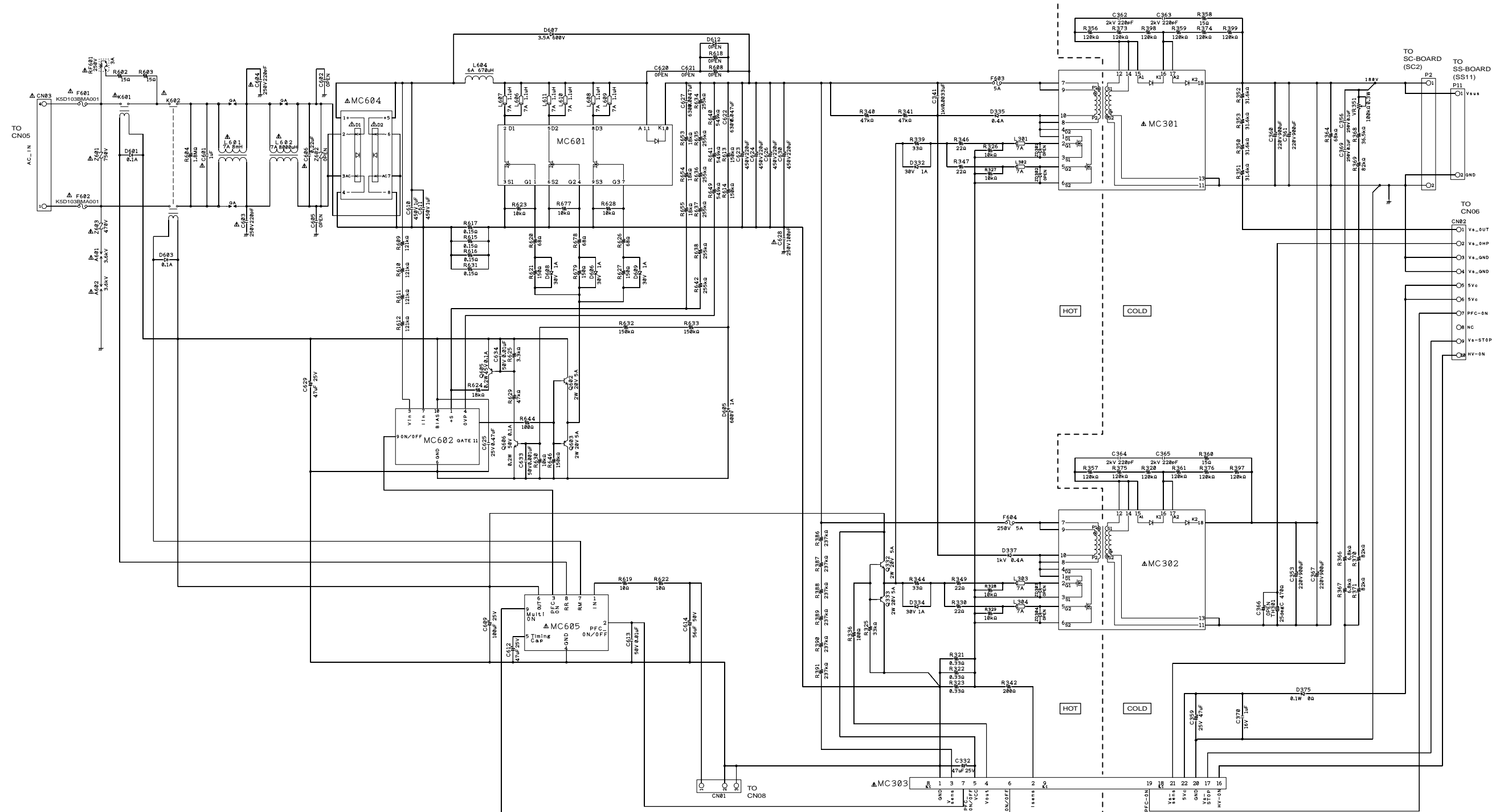


15.6. P-Board (2 of 3) Schematic Diagram



! P-BOARD ETXMM584MEK (2/3)

15.7. P-Board (3 of 3) Schematic Diagram



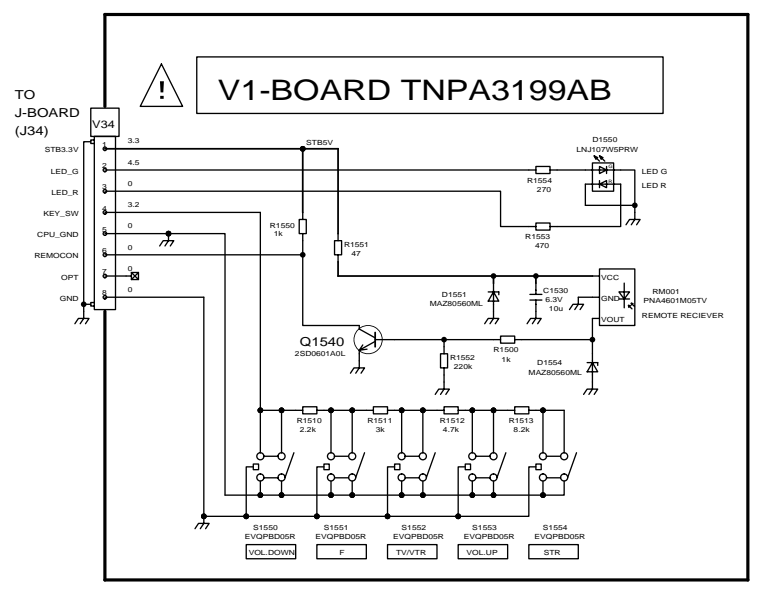
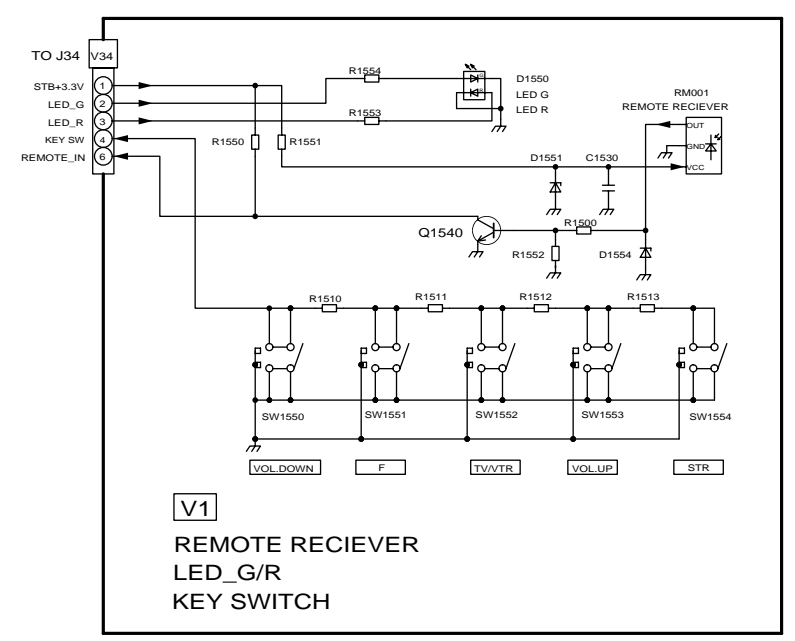
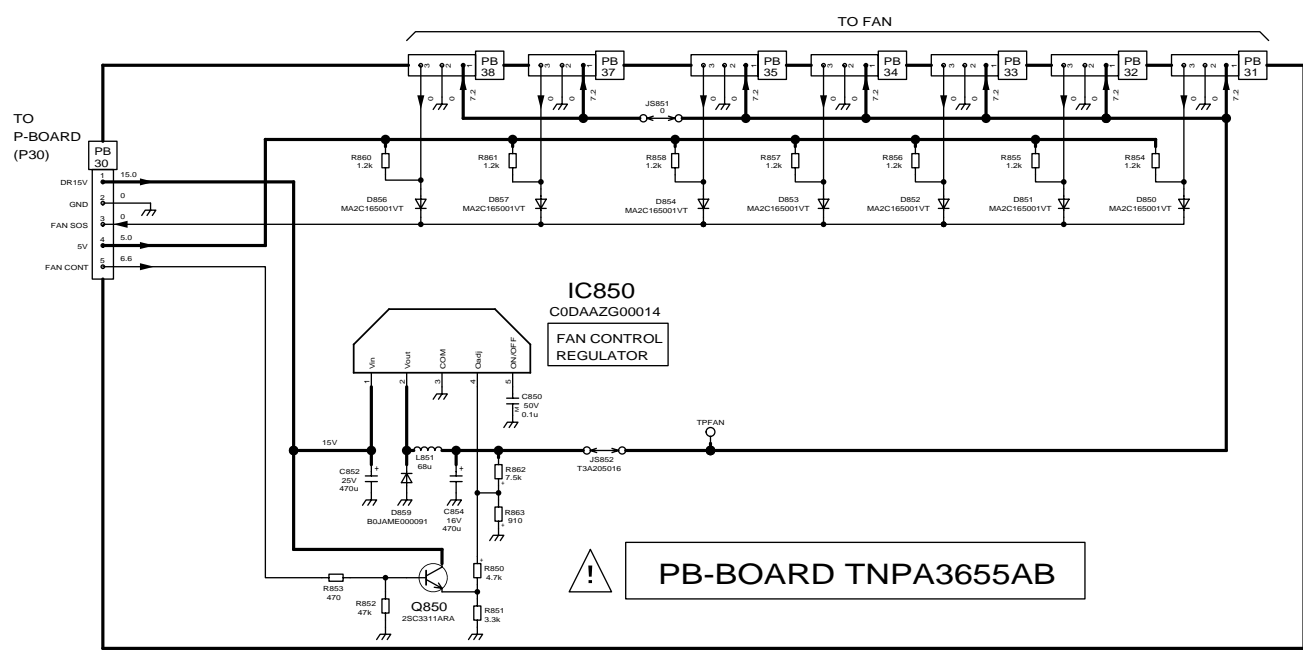
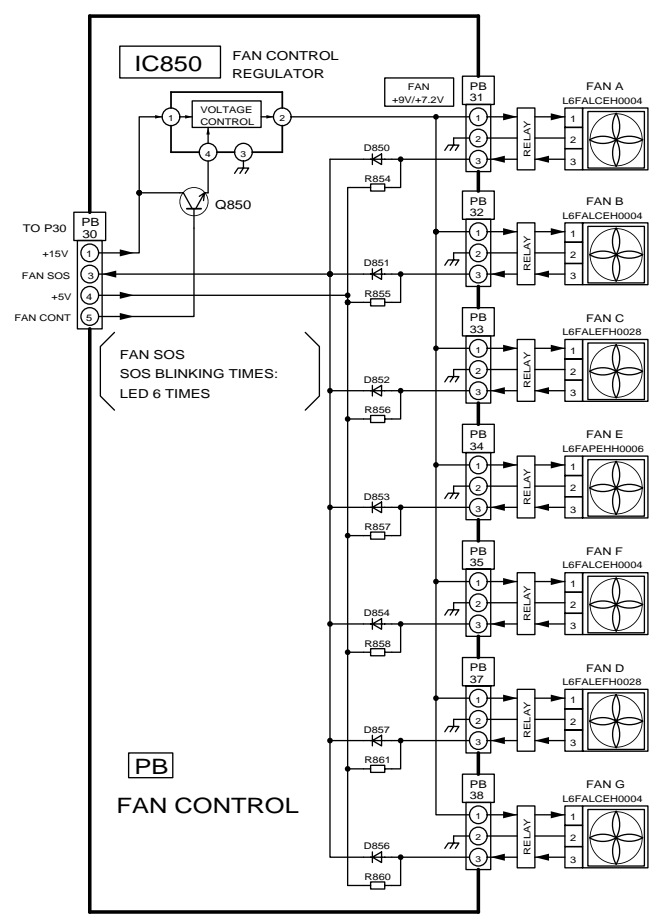
! P-BOARD ETXMM584MEK (3/3)

TH-65PHD8 SERIES
P-Board (3 of 3) Schematic Diagram

TH-65PHD8 SERIES
P-Board (3 of 3) Schematic Diagram

15.8. PB and V1-Board Block and Schematic Diagram

A
B
C
D
E



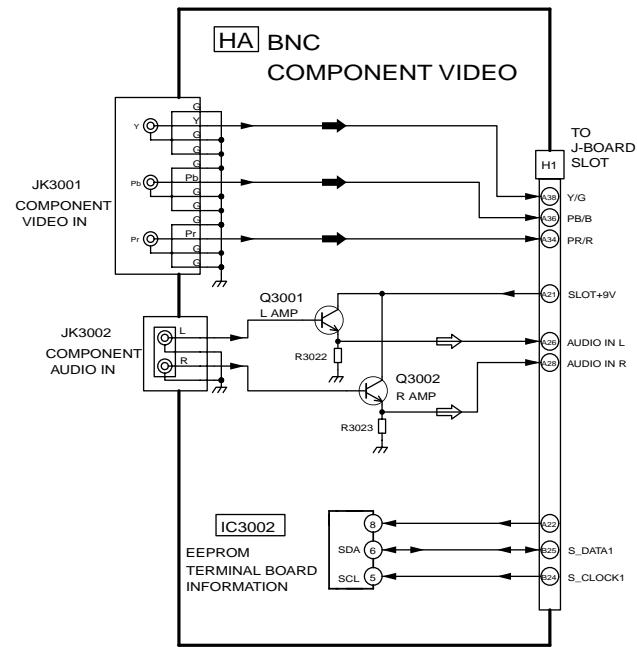
TH-65PHD8 SERIES
PB and V1-Board Block and Schematic Diagram

TH-65PHD8 SERIES
PB and V1-Board Block and Schematic Diagram

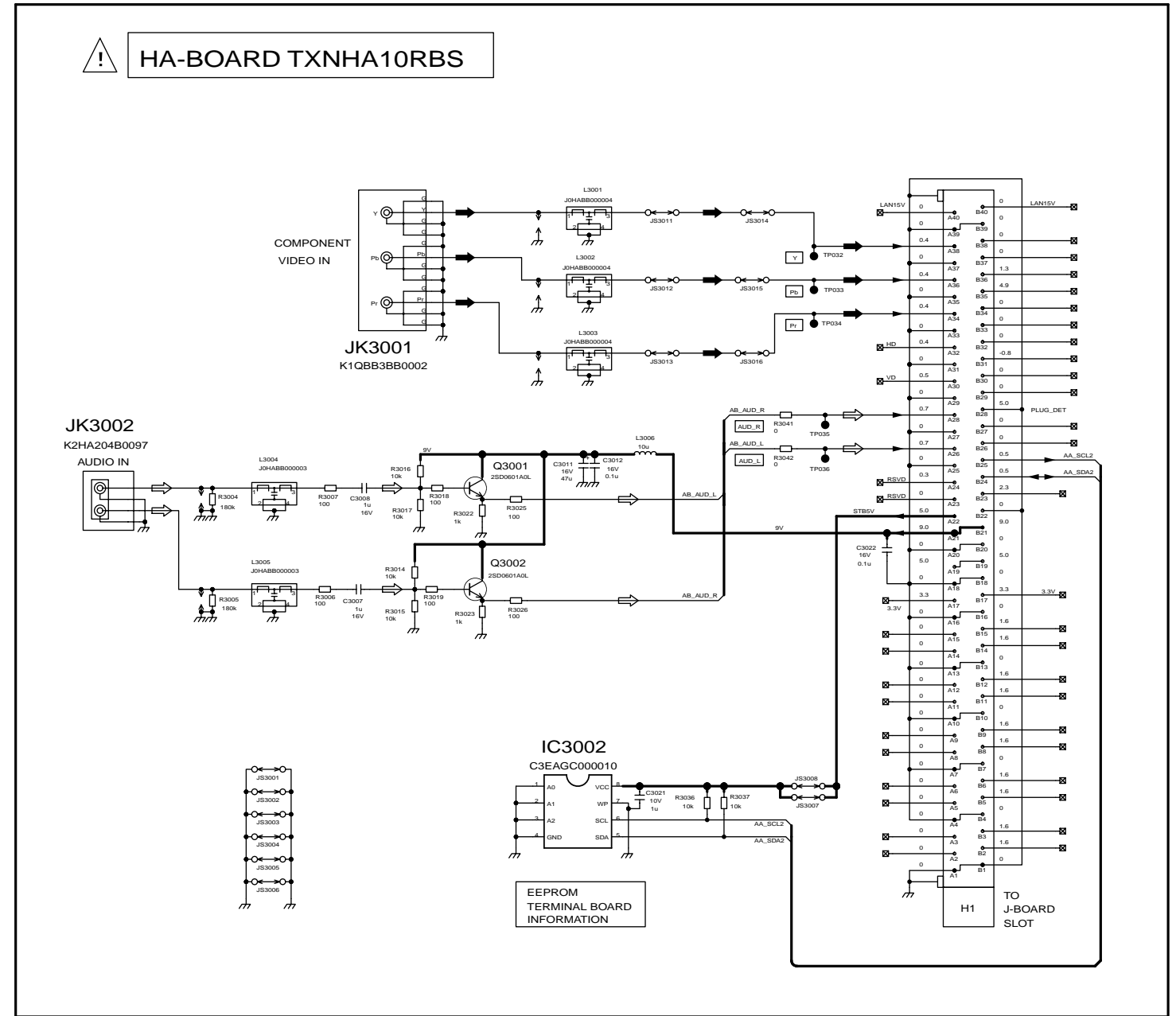
1 2 3 4 5 6 7 8

15.9. HA-Board Block and Schematic Diagram

A
B
C
D
E



TH-65PHD8UK
HA-Board Block and Schematic Diagram



TH-65PHD8UK
HA-Board Block and Schematic Diagram

1

2

3

4

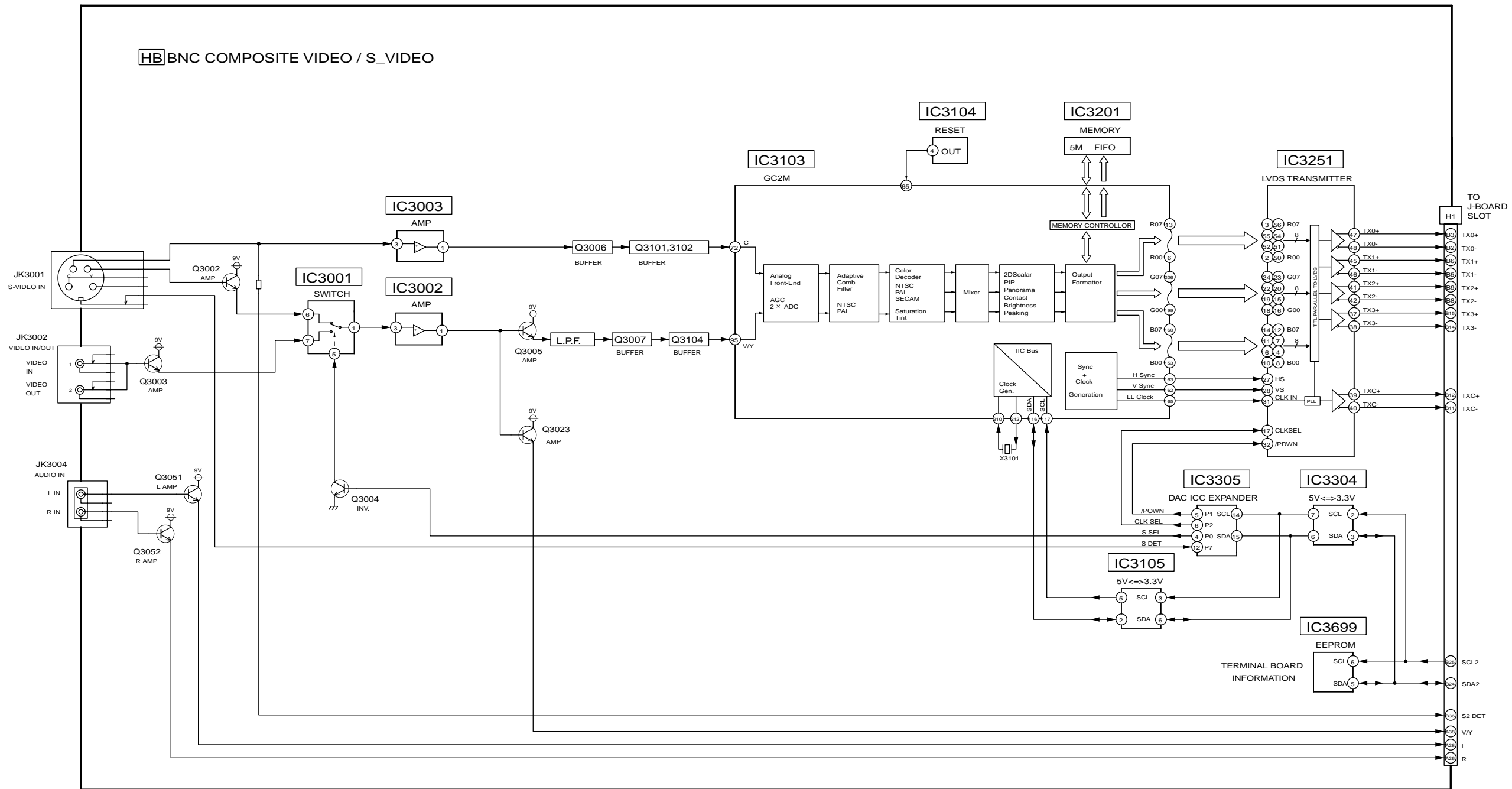
5

6

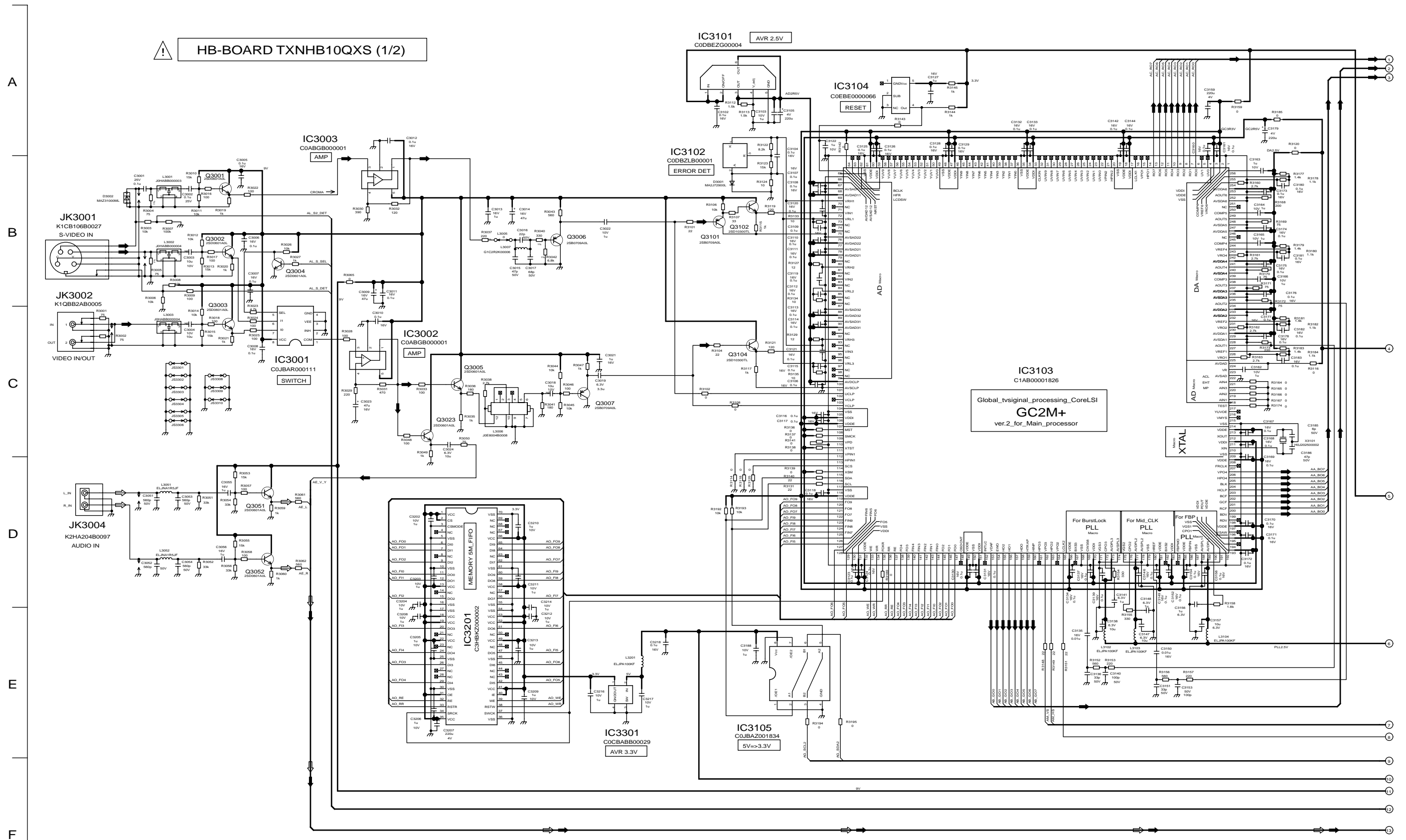
7

8

15.10. HB-Board Block Diagram



15.11. HB-Board (1 of 2) Schematic Diagram

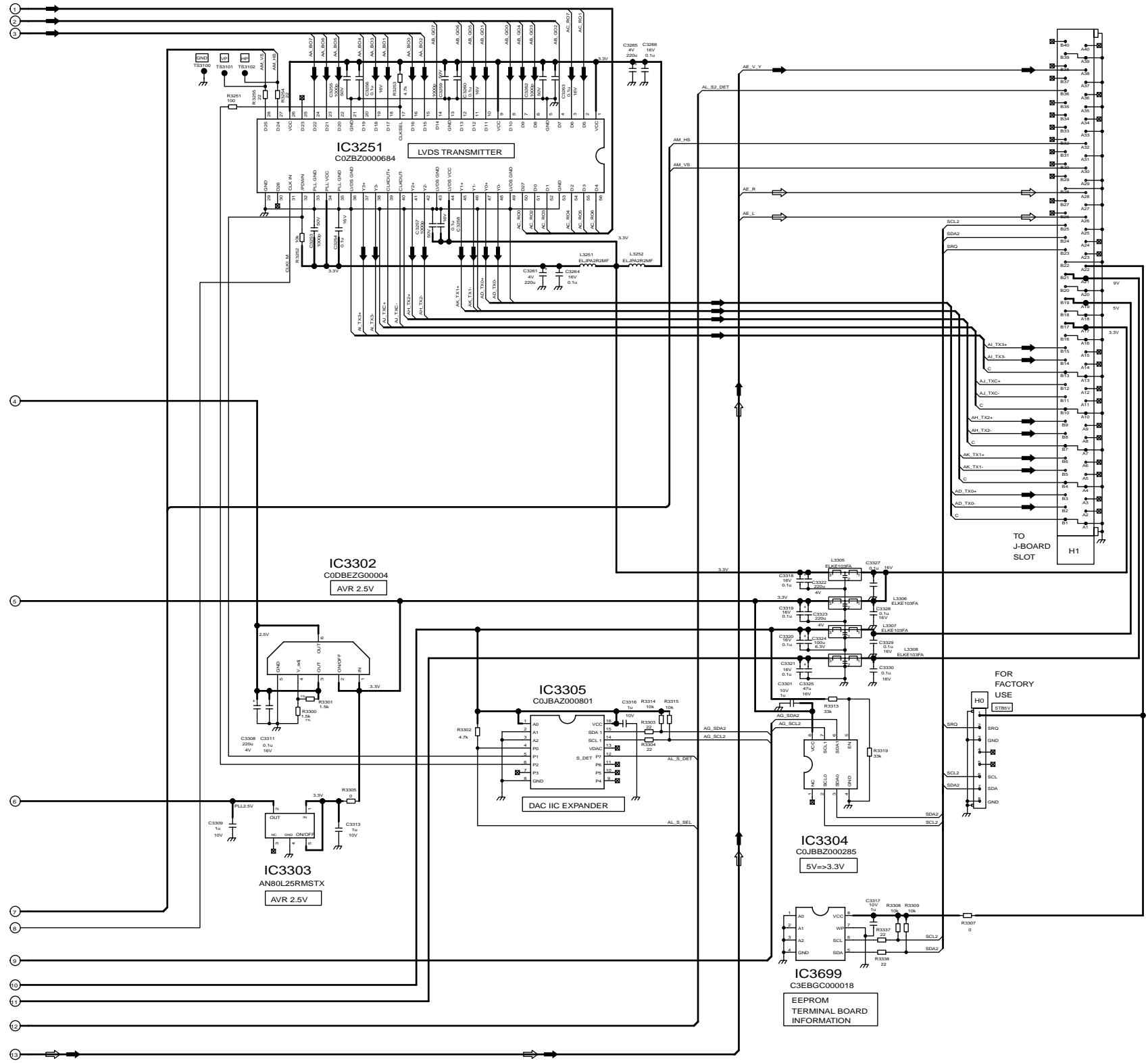


TH-65PHD8 SERIES
HB-Board (1 of 2) Schematic Diagram

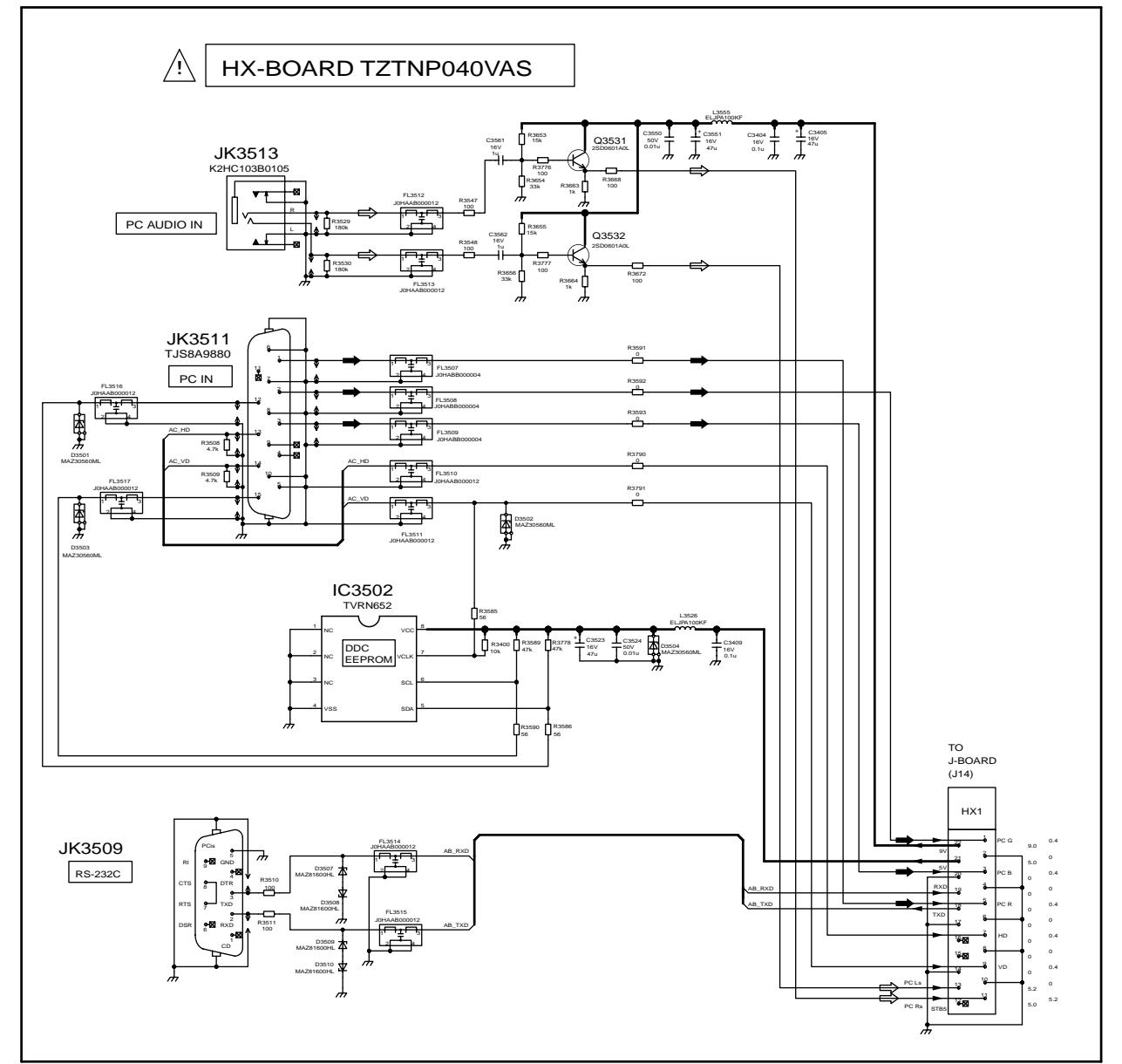
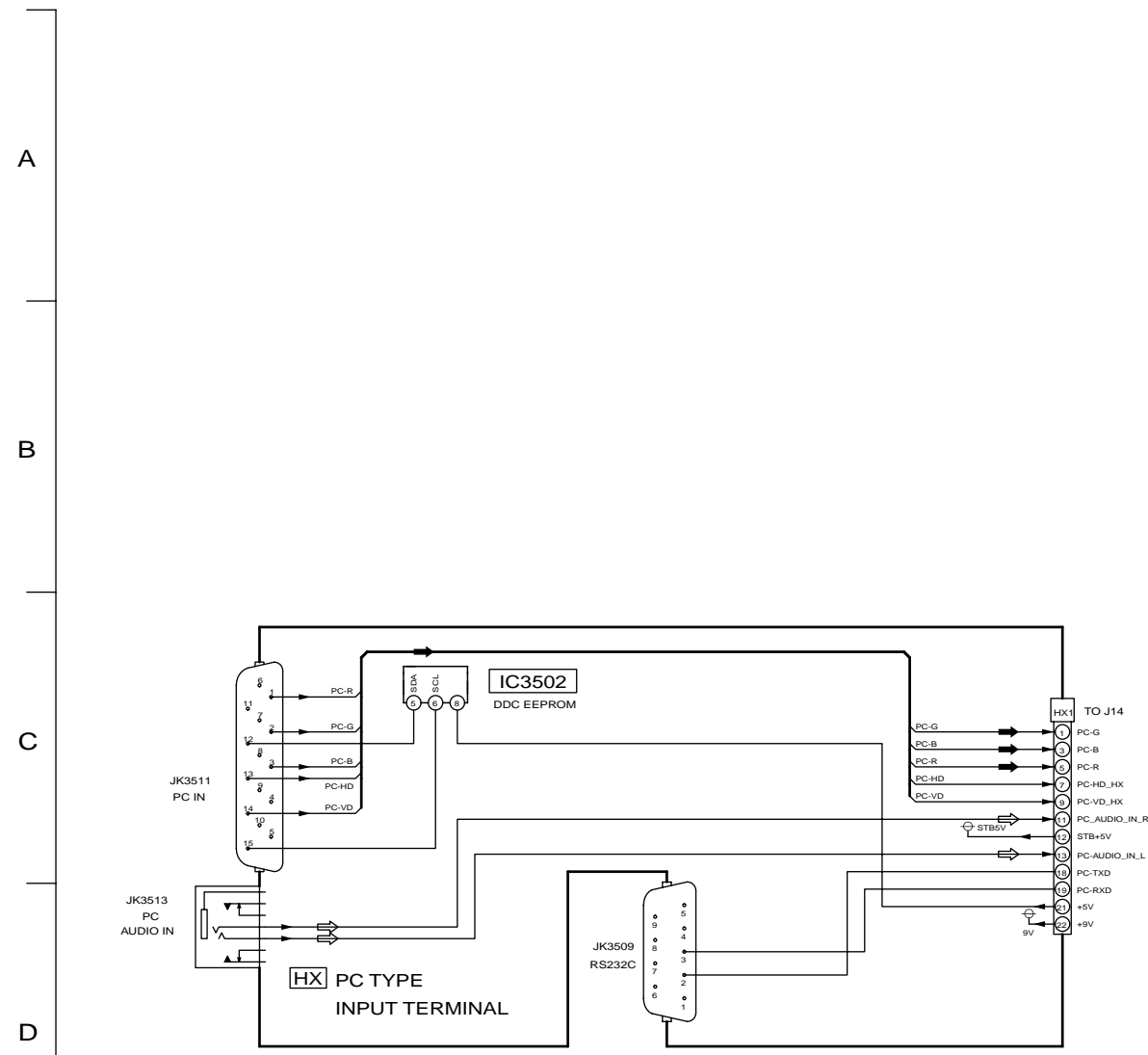
TH-65PHD8 SERIES
HB-Board (1 of 2) Schematic Diagram

15.12. HB-Board (2 of 2) Schematic Diagram

! HB-BOARD TXNHB10QXS (2/2)



15.13. HX-Board Block and Schematic Diagram

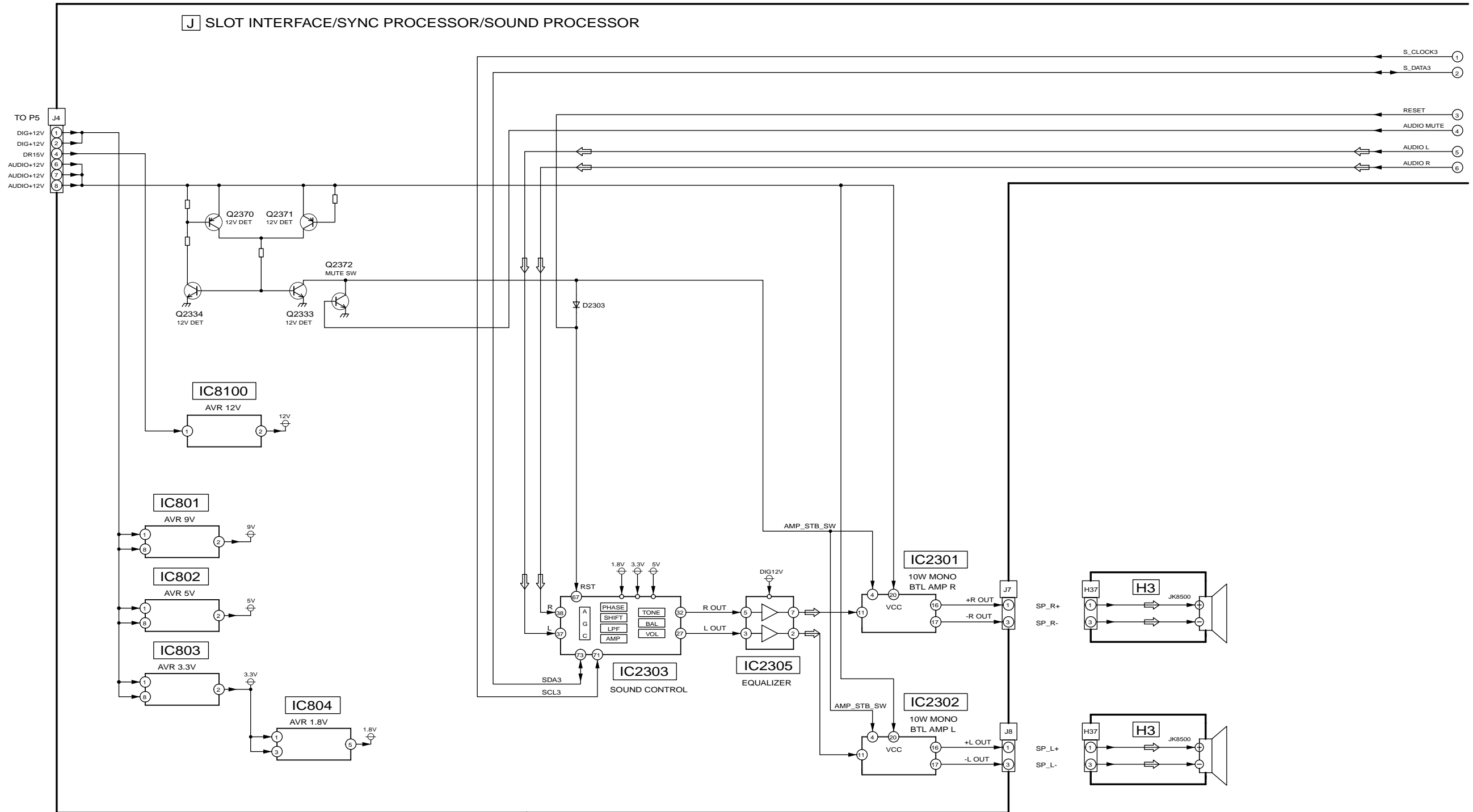


TH-65PHD8 SERIES
HX-Board Block and Schematic Diagram

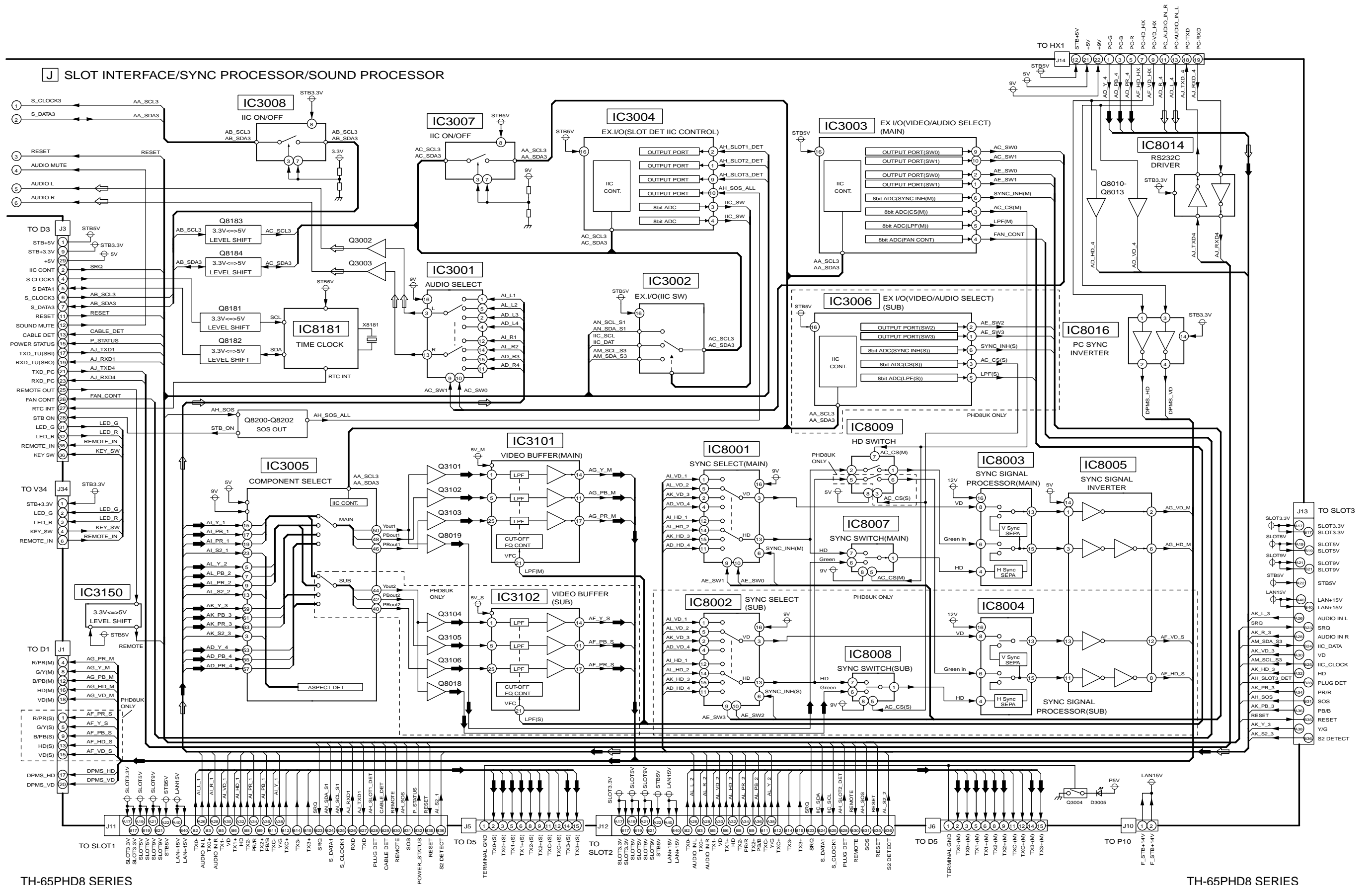
TH-65PHD8 SERIES
HX-Board Block and Schematic Diagram

1 2 3 4 5 6 7 8 9

15.14. J-Board (1 of 2) and H3-Board Block Diagram



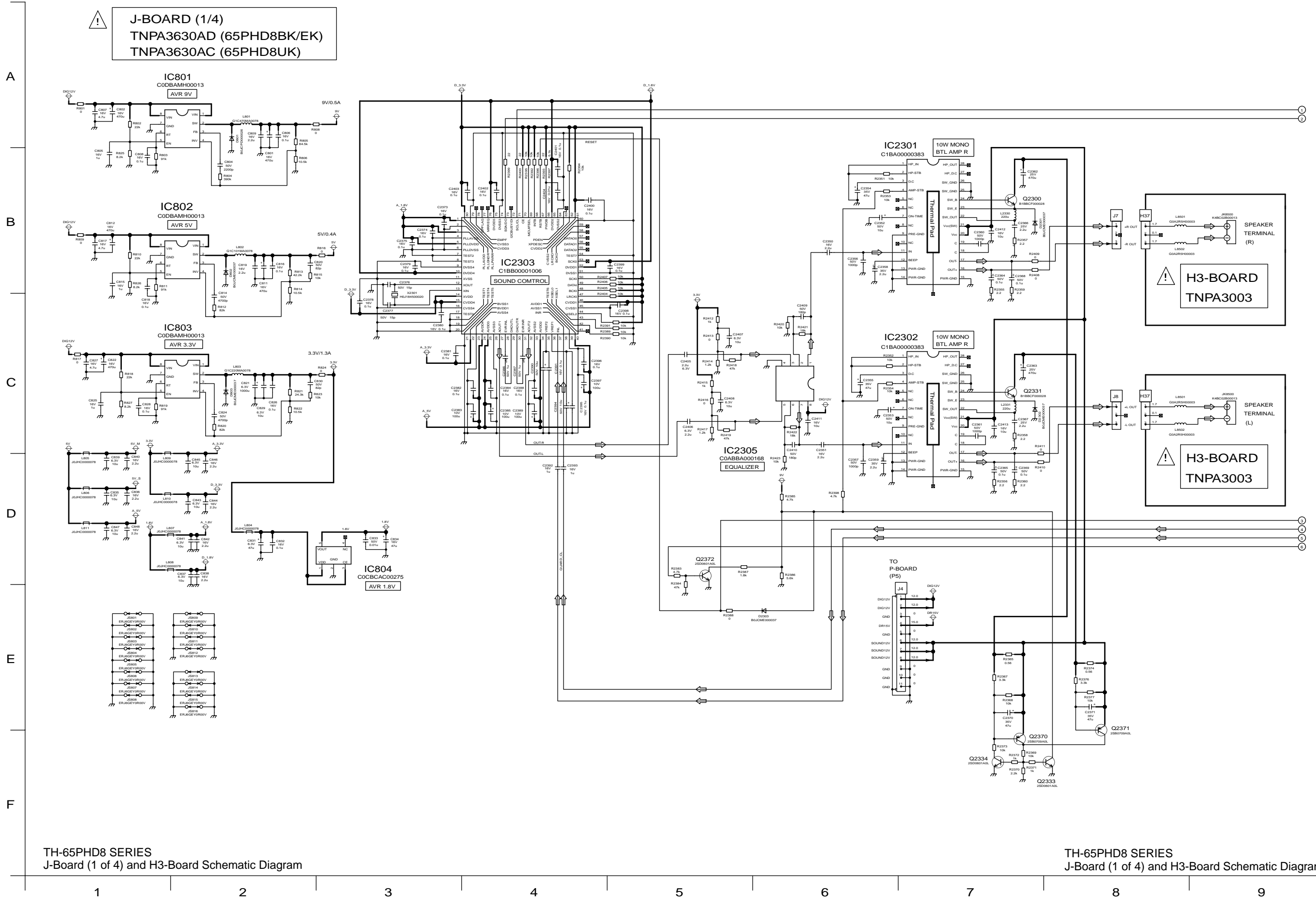
15.15. J-Board (2 of 2) Block Diagram



TH-65PHD8 SERIES
J-Board (2 of 2) Block Diagram

TH-65PHD8 SERIES
J-Board (2 of 2) Block Diagram

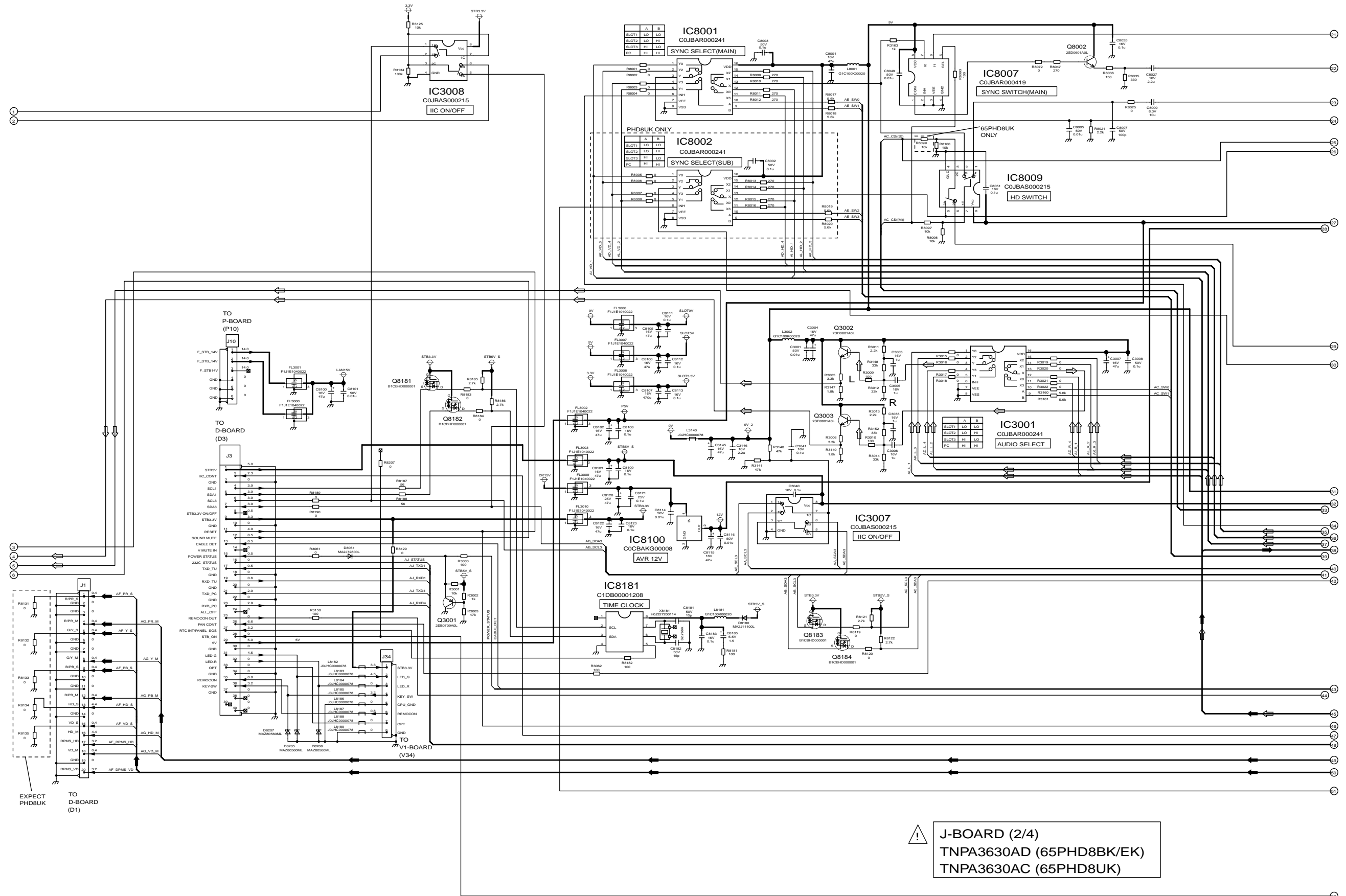
15.16. J-Board (1 of 4) and H3-Board Schematic Diagram



TH-65PHD8 SERIES
J-Board (1 of 4) and H3-Board Schematic Diagram

TH-65PHD8 SERIES
J-Board (1 of 4) and H3-Board Schematic Diagram

15.17. J-Board (2 of 4) Schematic Diagram

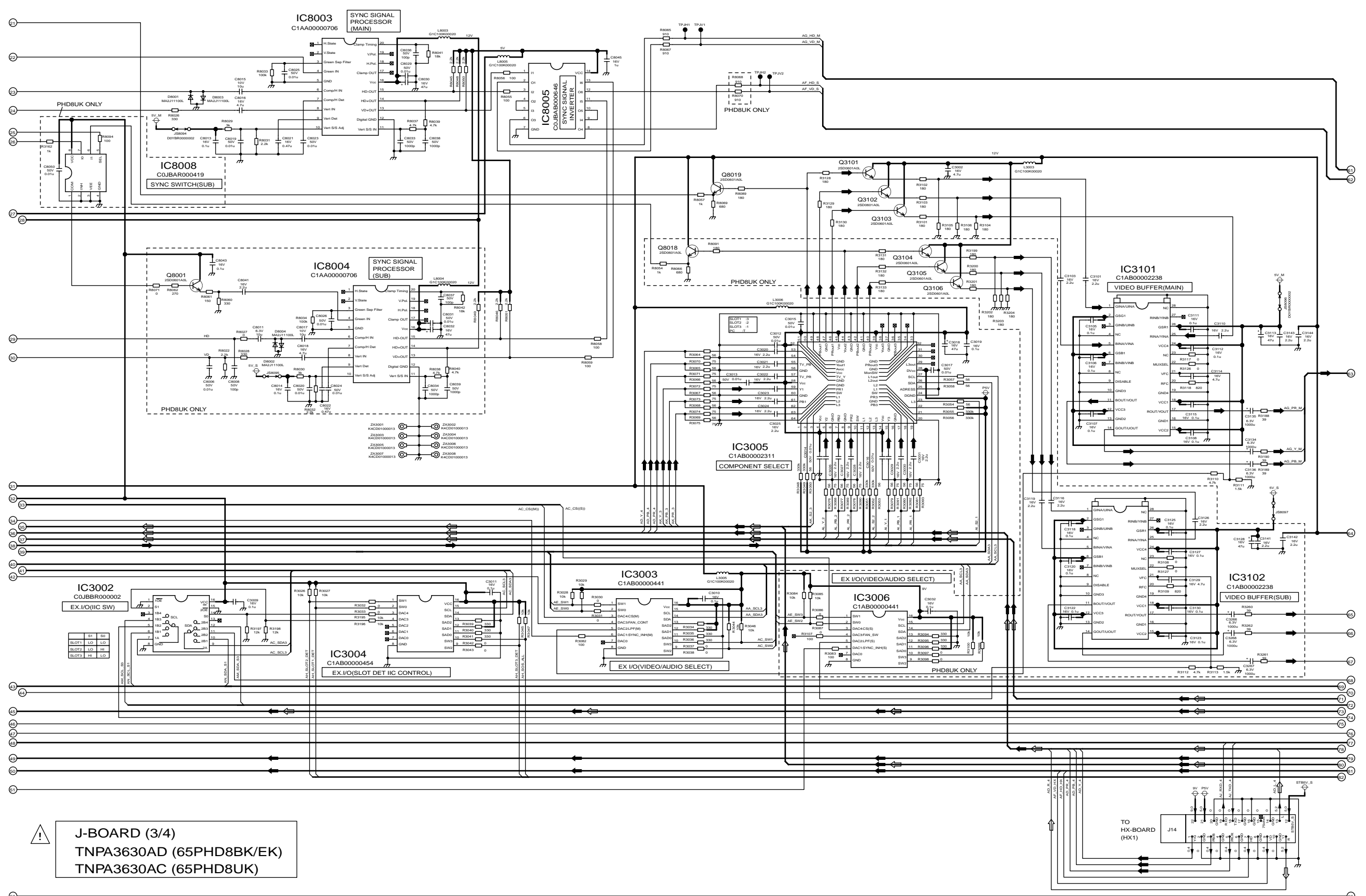


TH-65PHD8 SERIES
J-Board (2 of 4) Schematic Diagram

TH-65PHD8 SERIES
J-Board (2 of 4) Schematic Diagram

! J-BOARD (2/4)
TNPA3630AD (65PHD8BK/EK)
TNPA3630AC (65PHD8UK)

15.18. J-Board (3 of 4) Schematic Diagram



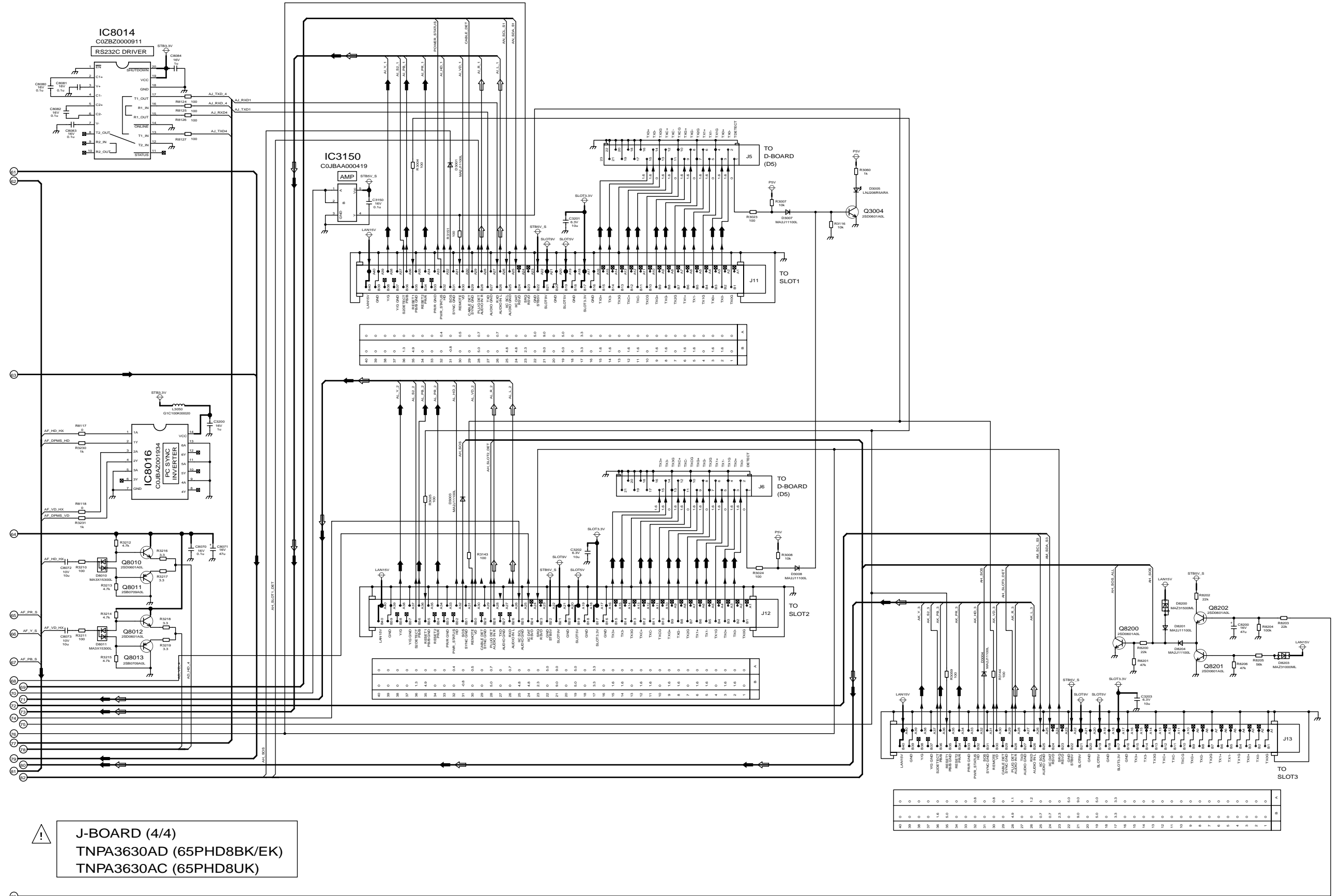
⚠ J-BOARD (3/4)
 TNPA3630AD (65PHD8BK/EK)
 TNPA3630AC (65PHD8UK)

TH-65PHD8 SERIES
 J-Board (3 of 4) Schematic Diagram

TH-65PHD8 SERIES
 J-Board (3 of 4) Schematic Diagram

19 20 21 22 23 24 25 26 27

15.19. J-Board (4 of 4) Schematic Diagram

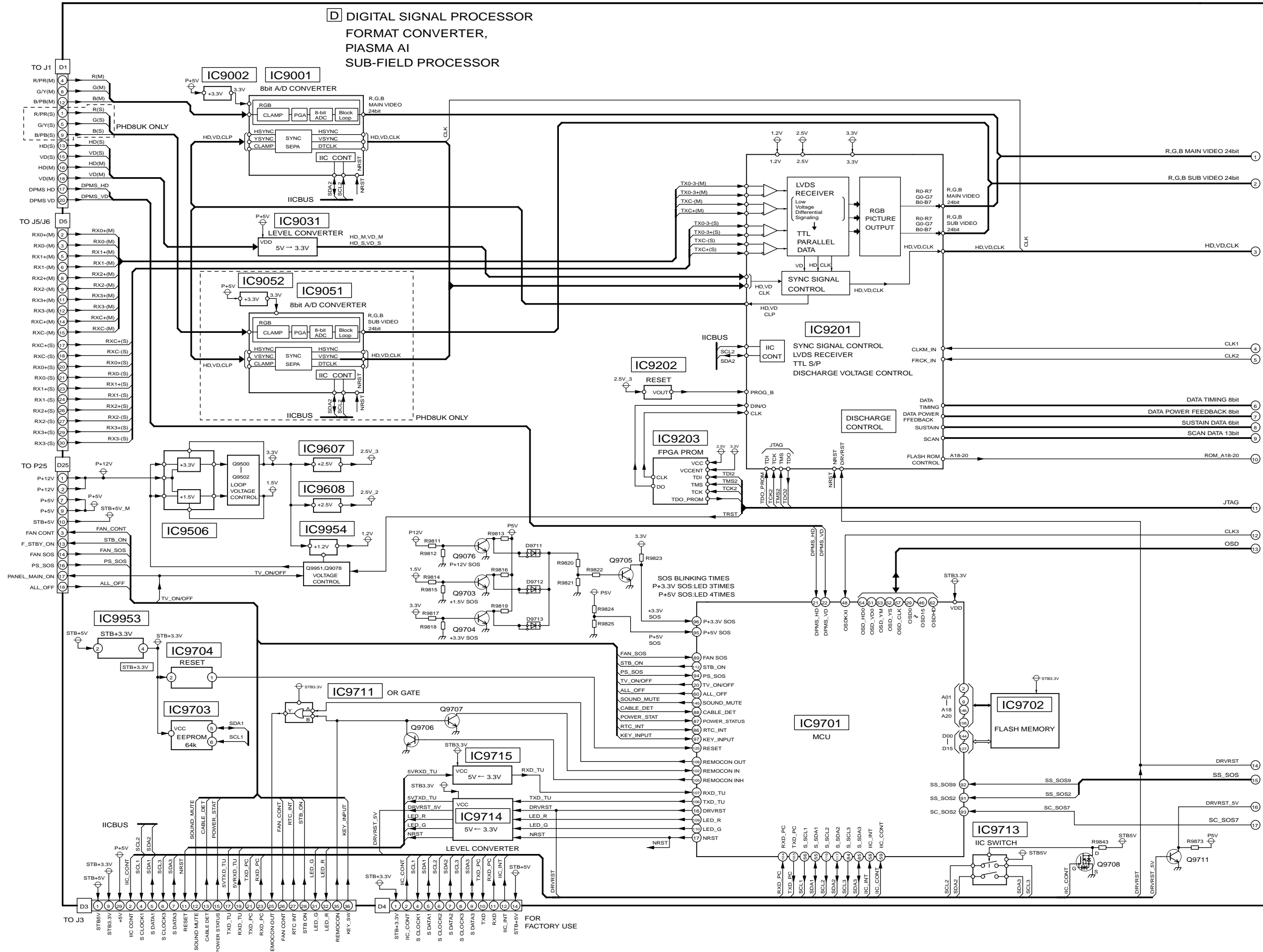


⚠ J-BOARD (4/4)
 TNPA3630AD (65PHD8BK/EK)
 TNPA3630AC (65PHD8UK)

TH-65PHD8 SERIES
 J-Board (4 of 4) Schematic Diagram

TH-65PHD8 SERIES
 J-Board (4 of 4) Schematic Diagram

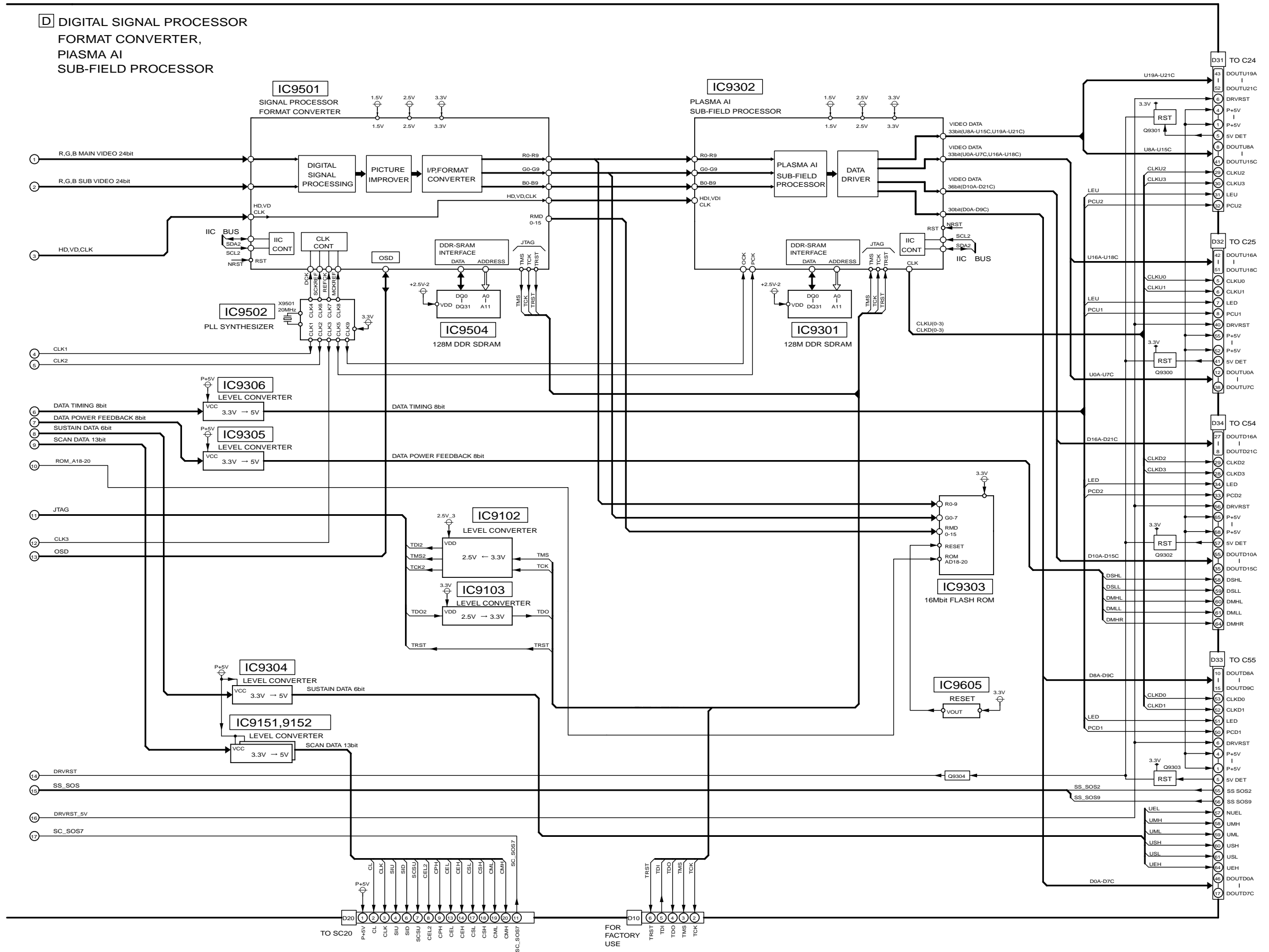
15.20. D-Board (1 of 2) Block Diagram



TH-65PHD8 SERIES
D-Board (1 of 2) Block Diagram

TH-65PHD8 SERIES
D-Board (1 of 2) Block Diagram

15.21. D-Board (2 of 2) Block Diagram



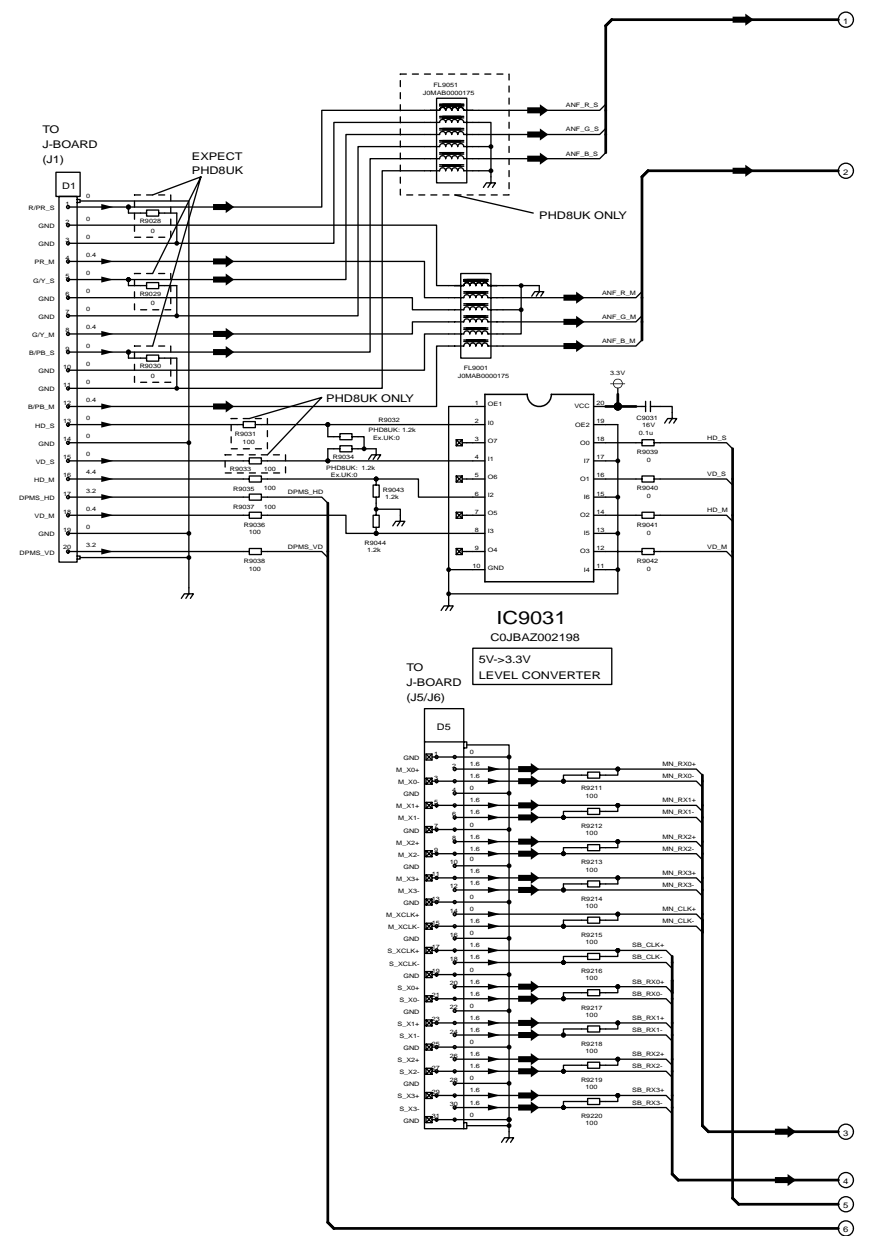
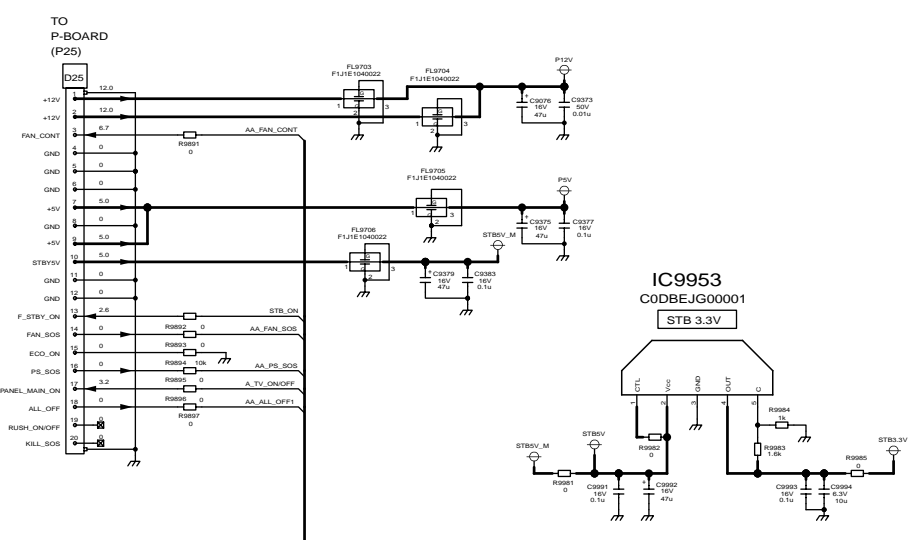
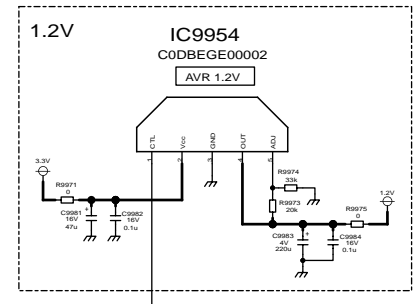
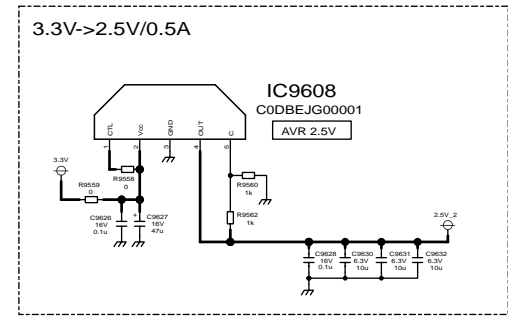
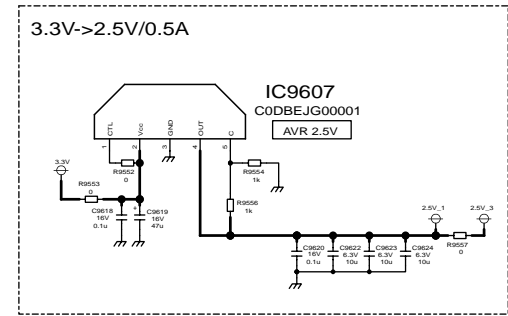
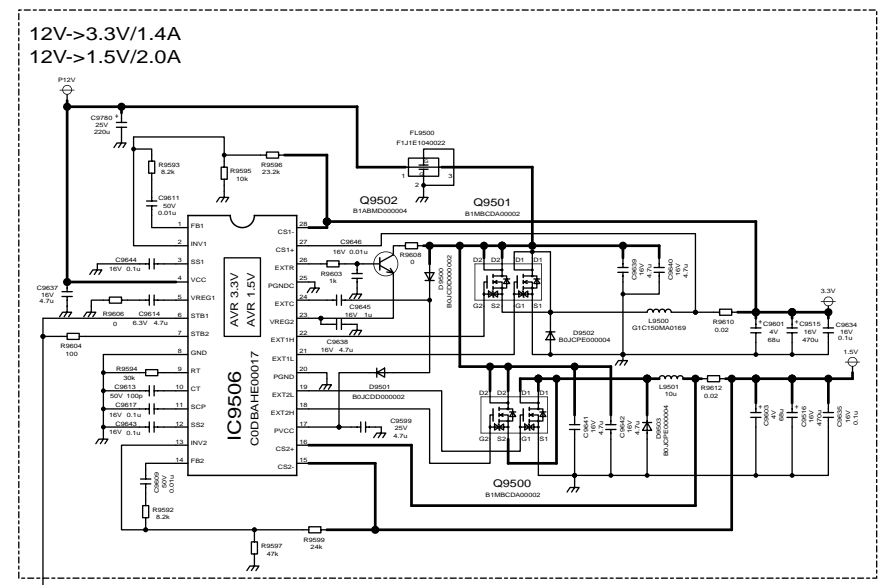
TH-65PHD8 SERIES
 D-Board (2 of 2) Block Diagram

TH-65PHD8 SERIES
 D-Board (2 of 2) Block Diagram

15.22. D-Board (1 of 12) Schematic Diagram

! D-BOARD (1/12)
 TZTNP01YUSE (TH-65PHD8BK/EK)
 TZTNP020YUS (TH-65PHD8UK)

A
B
C
D
E
F



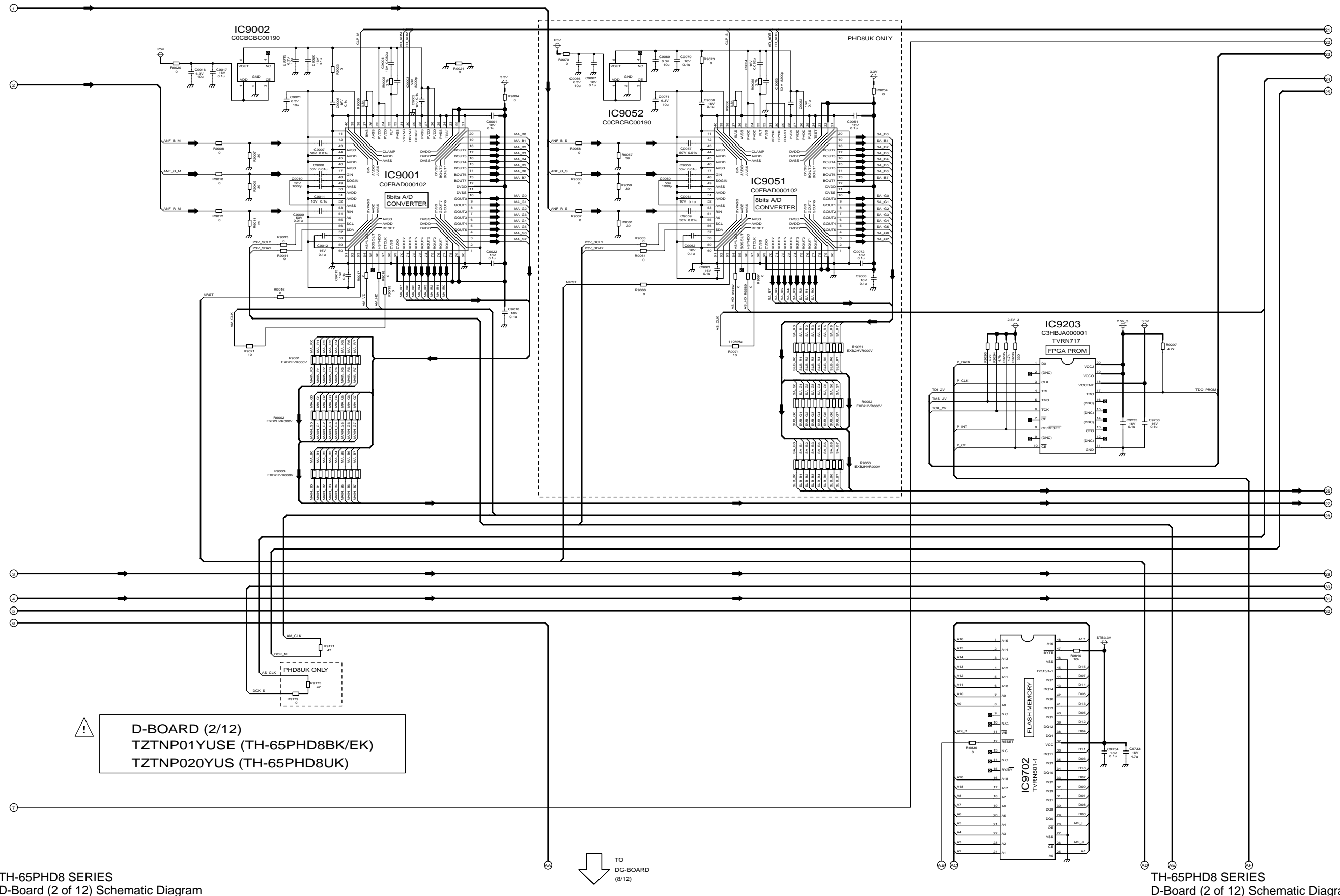
TO DG-BOARD (7/12)

TH-65PHD8 SERIES
 D-Board (1 of 12) Schematic Diagram

TH-65PHD8 SERIES
 D-Board (1 of 12) Schematic Diagram

1 2 3 4 5 6 7 8 9

15.23. D-Board (2 of 12) Schematic Diagram



TH-65PHD8 SERIES
D-Board (2 of 12) Schematic Diagram

TH-65PHD8 SERIES
D-Board (2 of 12) Schematic Diagram

10

11

12

13

14

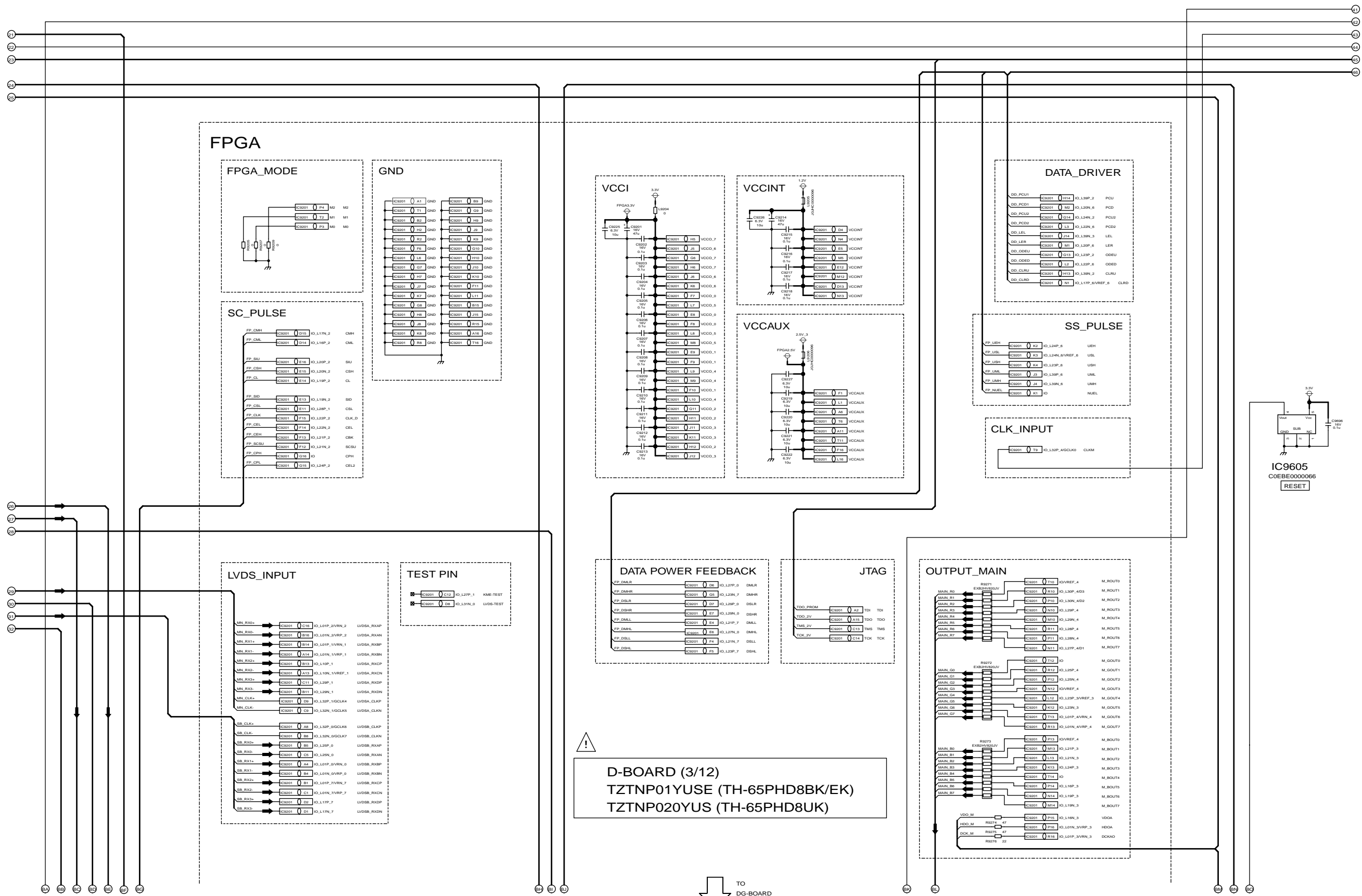
15

16

17

18

15.24. D-Board (3 of 12) Schematic Diagram



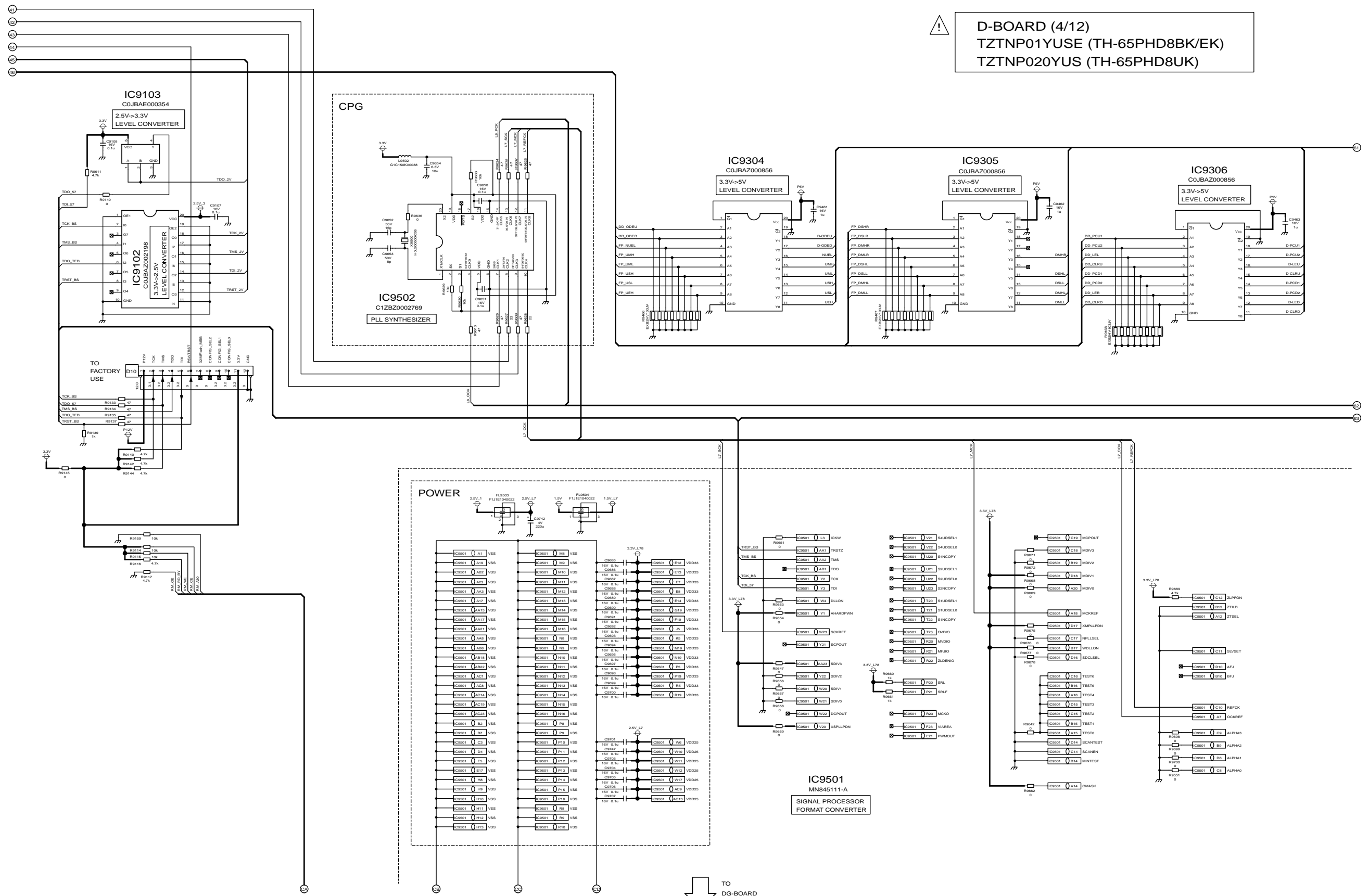
⚠
D-BOARD (3/12)
TZTNP01YUSE (TH-65PHD8BK/EK)
TZTNP020YUS (TH-65PHD8UK)

TO
 DG-BOARD
 (9/12)

TH-65PHD8 SERIES
 D-Board (3 of 12) Schematic Diagram

TH-65PHD8 SERIES
 D-Board (3 of 12) Schematic Diagram

15.25. D-Board (4 of 12) Schematic Diagram



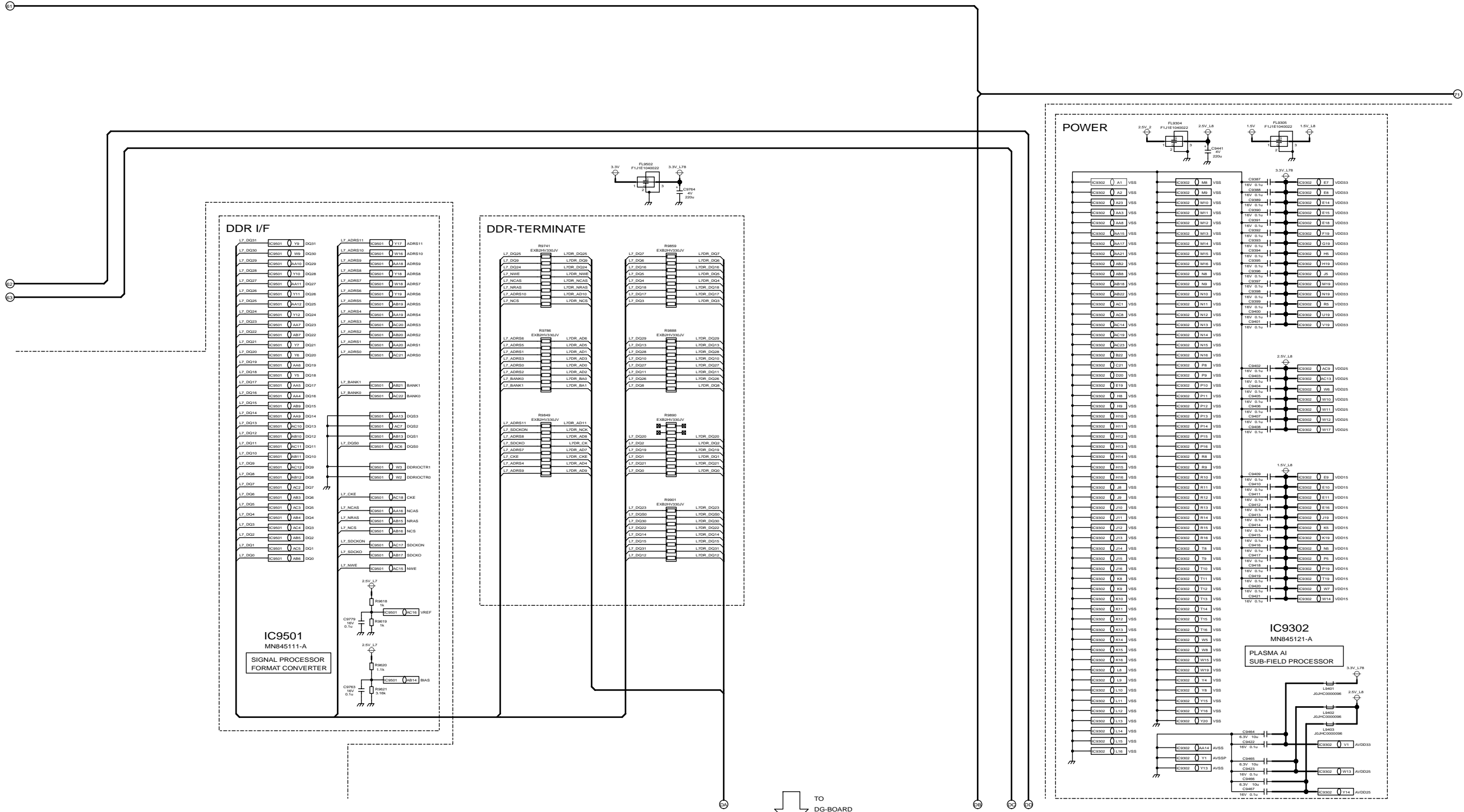
D-BOARD (4/12)
TZTNP01YUSE (TH-65PHD8BK/EK)
TZTNP020YUS (TH-65PHD8UK)

TH-65PHD8 SERIES
 D-Board (4 of 12) Schematic Diagram

TH-65PHD8 SERIES
 D-Board (4 of 12) Schematic Diagram

15.26. D-Board (5 of 12) Schematic Diagram

! D-BOARD (5/12)
 TZNTP01YUSE (TH-65PHD8BK/EK)
 TZNTP020YUS (TH-65PHD8UK)

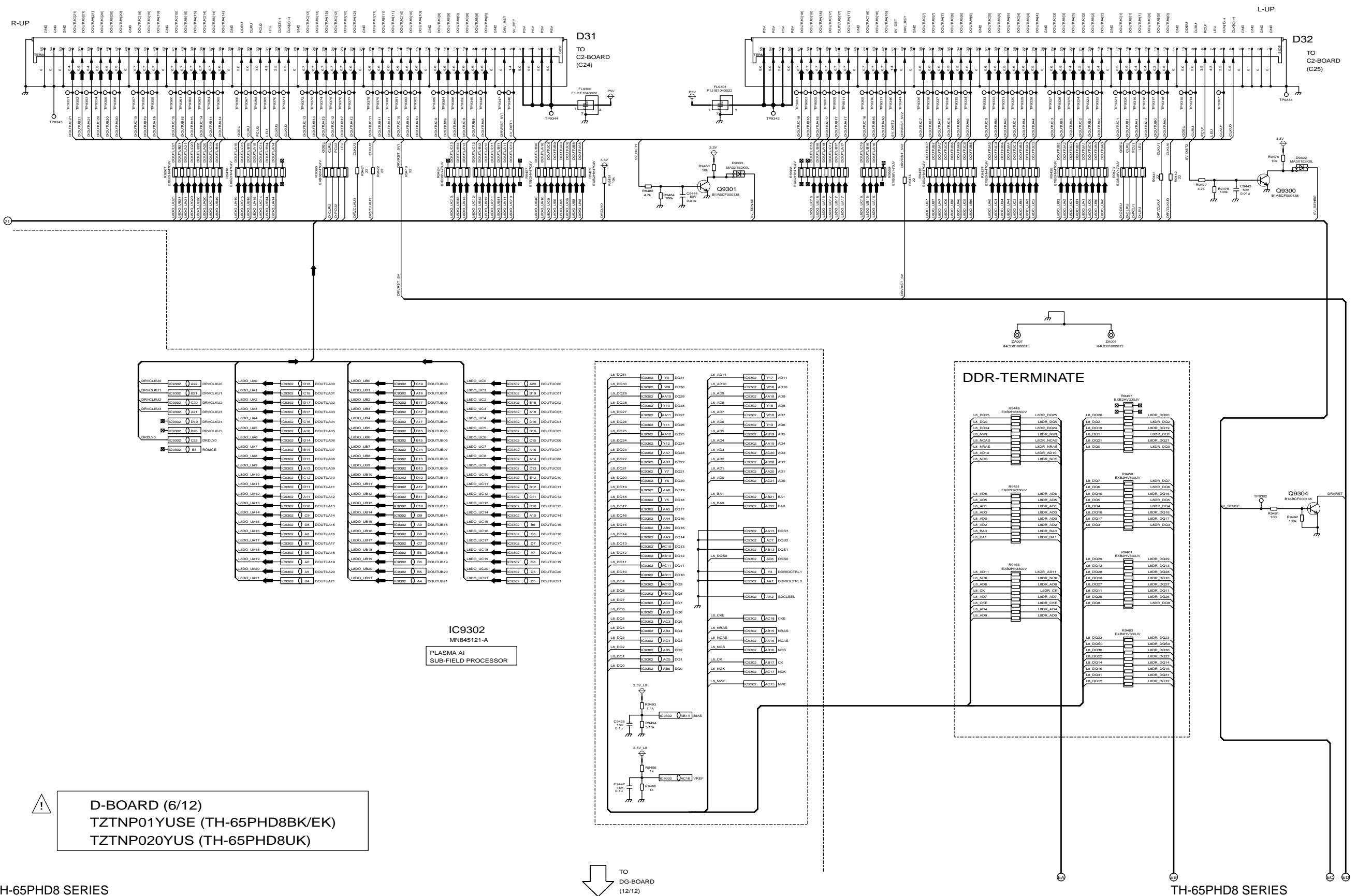


TH-65PHD8 SERIES
 D-Board (5 of 12) Schematic Diagram

TH-65PHD8 SERIES
 D-Board (5 of 12) Schematic Diagram

TO
 DG-BOARD
 (11/12)

15.27. D-Board (6 of 12) Schematic Diagram

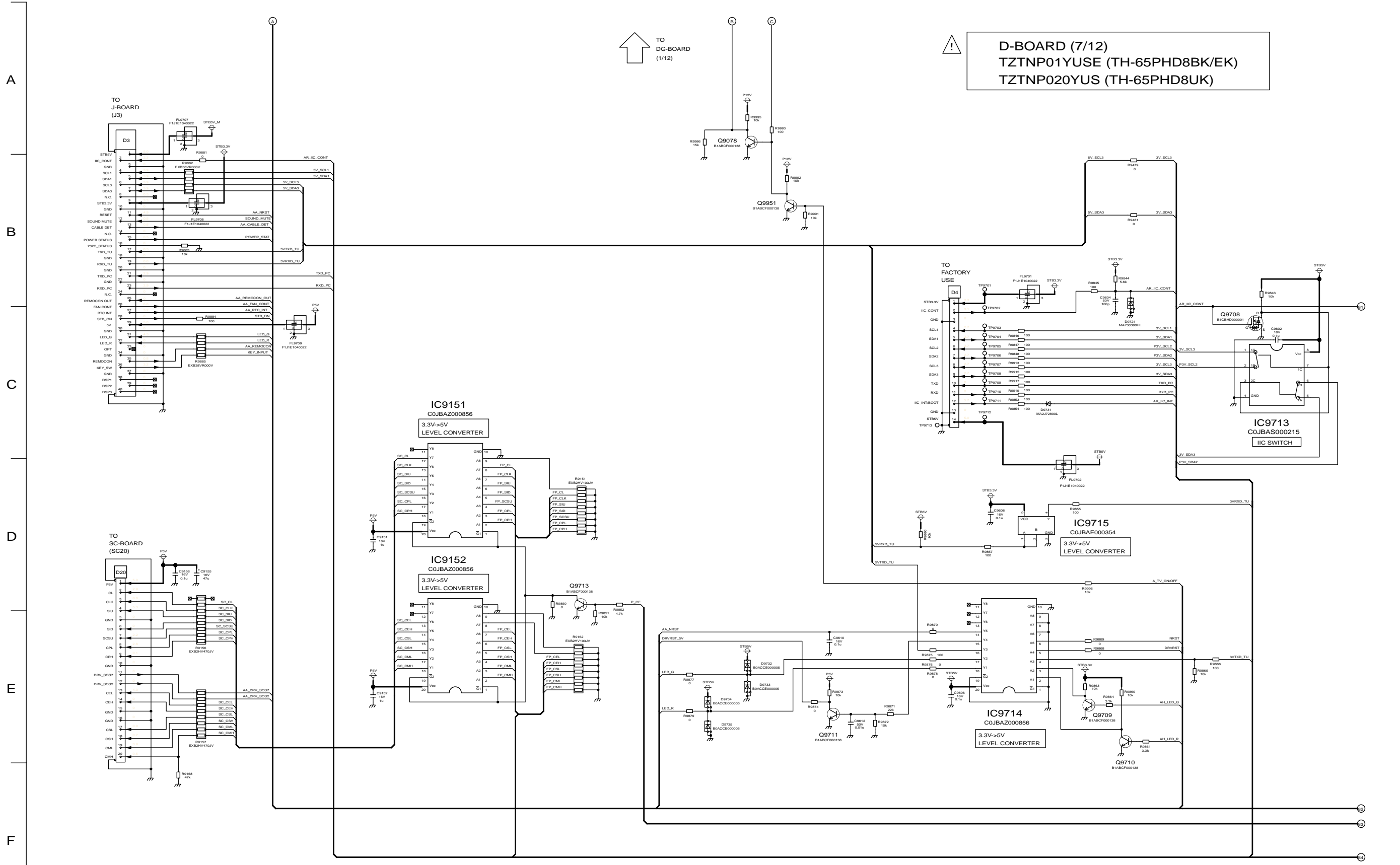


⚠ D-BOARD (6/12)
TZTNP01YUSE (TH-65PHD8BK/EK)
TZTNP020YUS (TH-65PHD8UK)

TH-65PHD8 SERIES
D-Board (6 of 12) Schematic Diagram

TH-65PHD8 SERIES
D-Board (6 of 12) Schematic Diagram

15.28. D-Board (7 of 12) Schematic Diagram

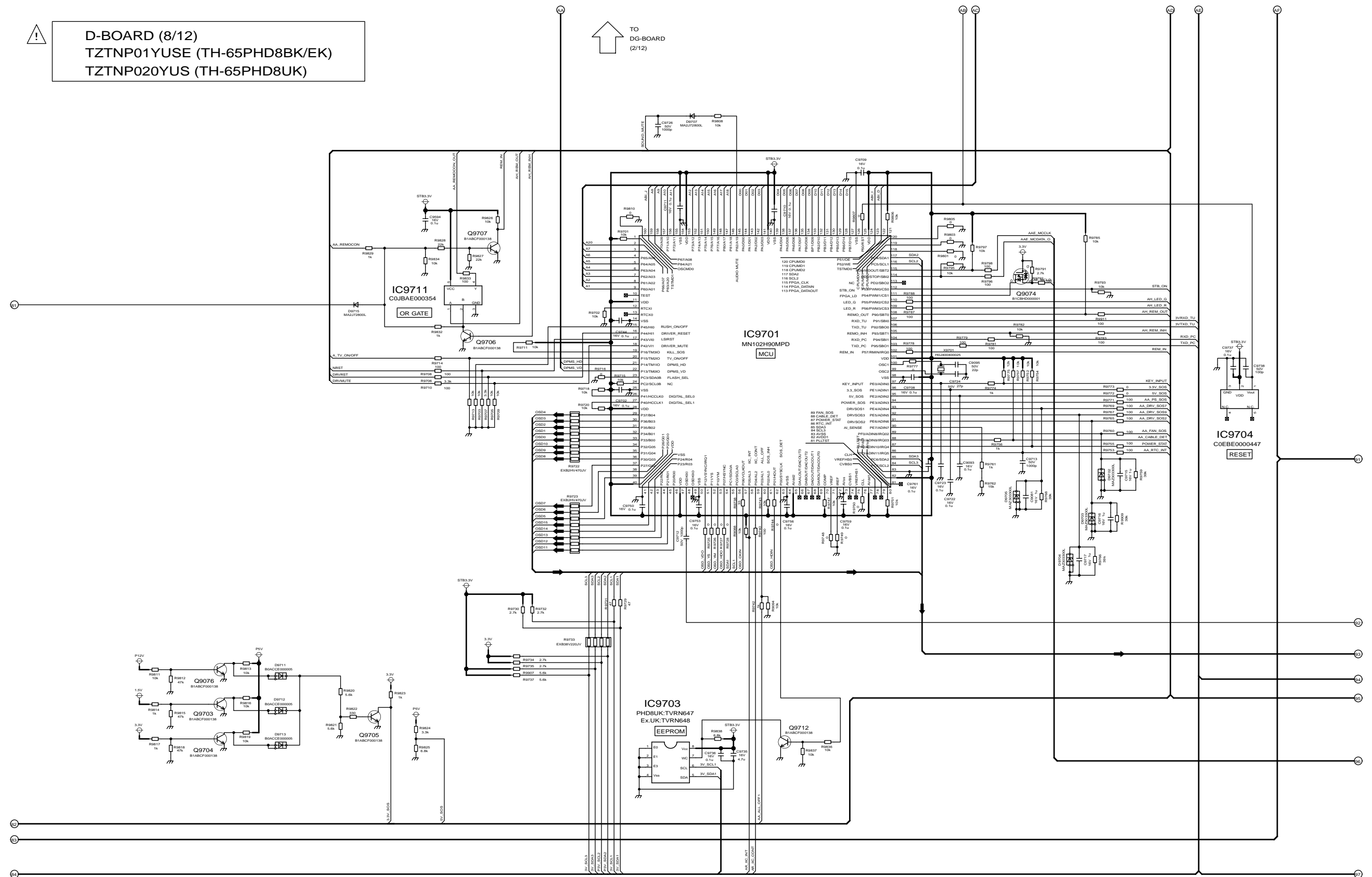


TH-65PHD8 SERIES
D-Board (7 of 12) Schematic Diagram

TH-65PHD8 SERIES
D-Board (7 of 12) Schematic Diagram

15.29. D-Board (8 of 12) Schematic Diagram

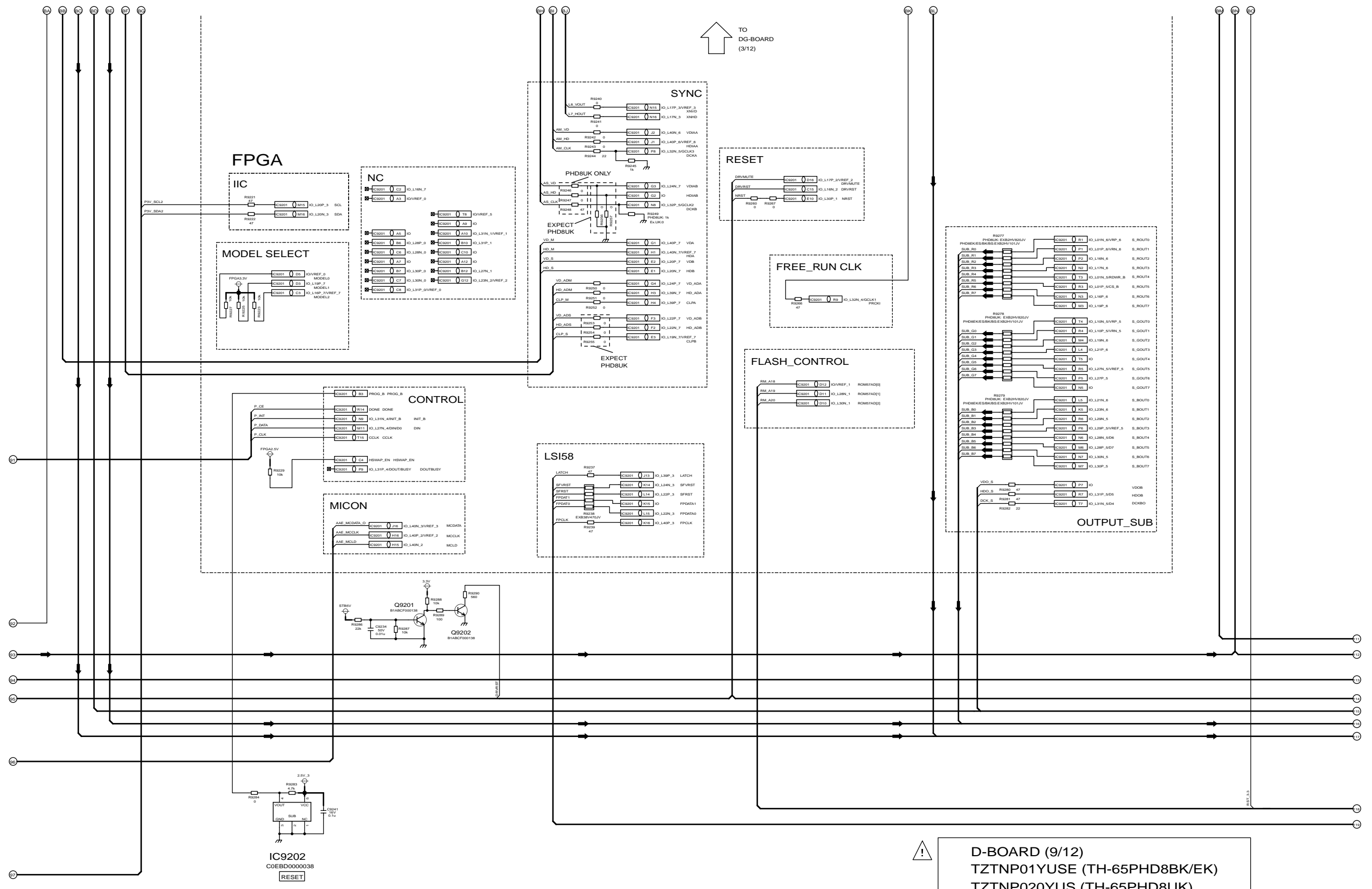
! D-BOARD (8/12)
 TZTNP01YUSE (TH-65PHD8BK/EK)
 TZTNP020YUS (TH-65PHD8UK)



TH-65PHD8 SERIES
 D-Board (8 of 12) Schematic Diagram

TH-65PHD8 SERIES
 D-Board (8 of 12) Schematic Diagram

15.30. D-Board (9 of 12) Schematic Diagram



⚠ D-BOARD (9/12)
 TZTNP01YUSE (TH-65PHD8BK/EK)
 TZTNP020YUS (TH-65PHD8UK)

TH-65PHD8 SERIES
D-Board (9 of 12) Schematic Diagram

TH-65PHD8 SERIES
D-Board (9 of 12) Schematic Diagram

19

20

21

22

23

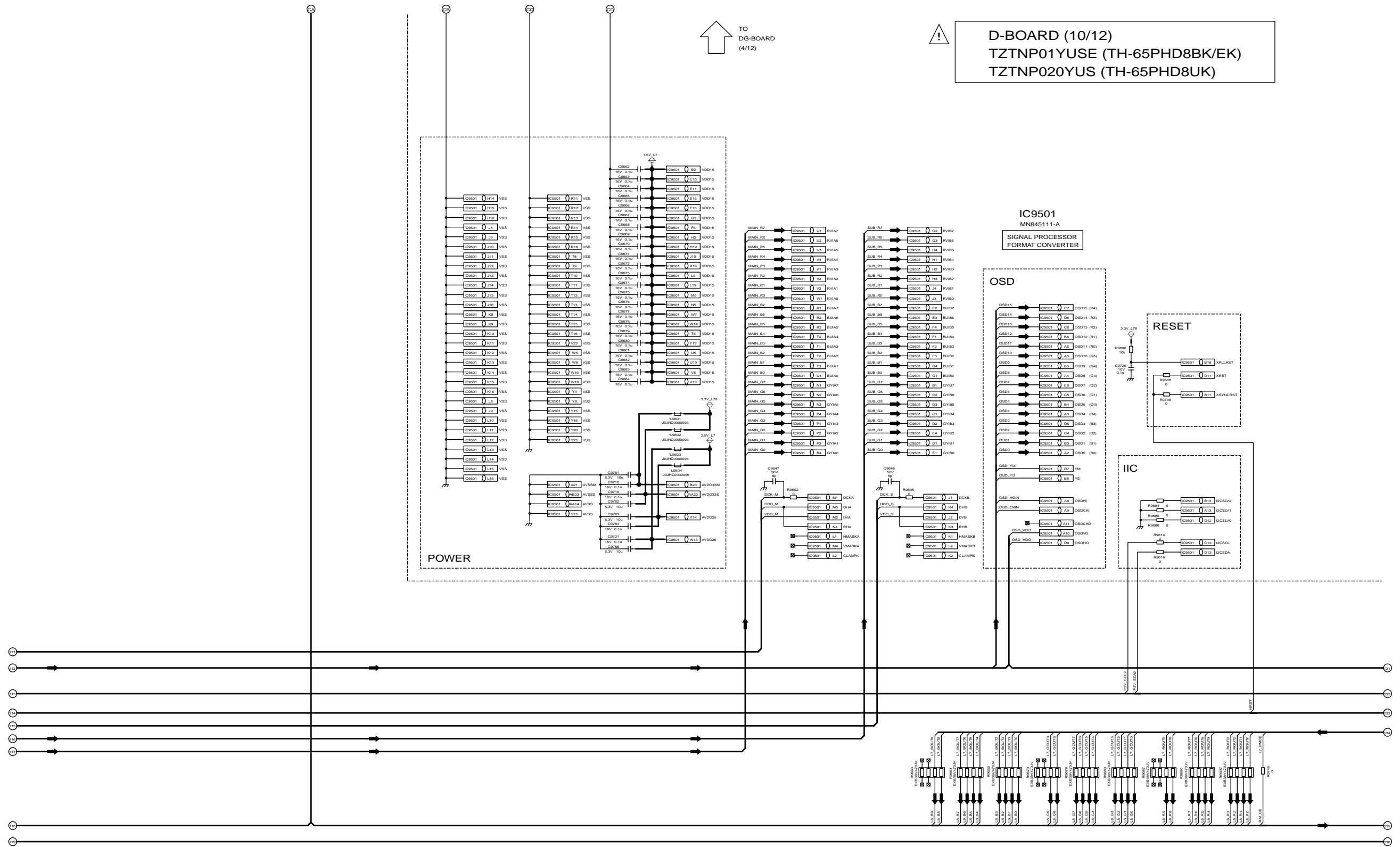
24

25

26

27

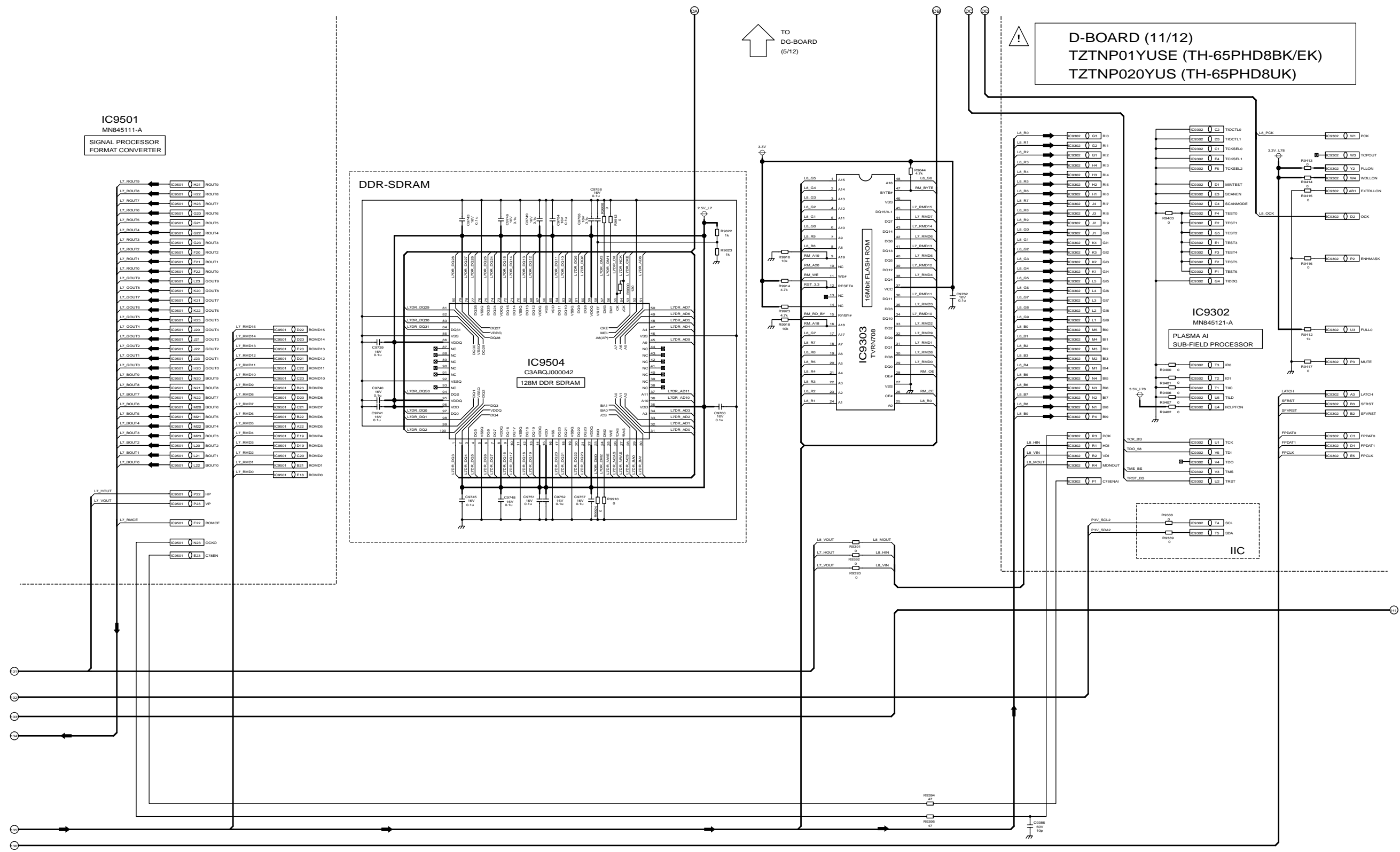
15.31. D-Board (10 of 12) Schematic Diagram



TH-65PHD8 SERIES
D-Board (10 of 12) Schematic Diagram

TH-65PHD8 SERIES
D-Board (10 of 12) Schematic Diagram

15.32. D-Board (11 of 12) Schematic Diagram



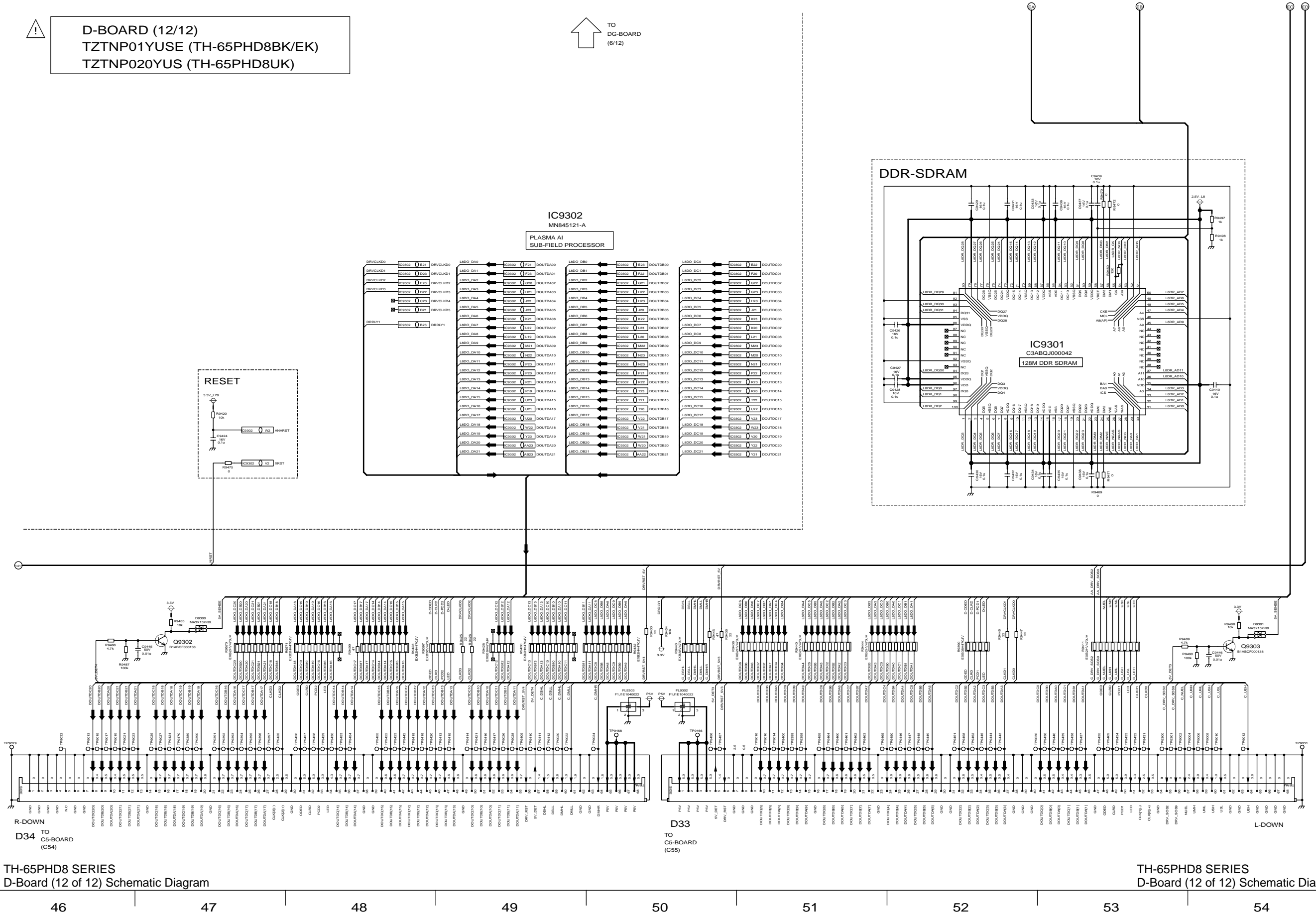
TH-65PHD8 SERIES
D-Board (11 of 12) Schematic Diagram

TH-65PHD8 SERIES
D-Board (11 of 12) Schematic Diagram

15.33. D-Board (12 of 12) Schematic Diagram

⚠ D-BOARD (12/12)
TZTNP01YUSE (TH-65PHD8BK/EK)
TZTNP020YUS (TH-65PHD8UK)

↑ TO DG-BOARD (6/12)



TH-65PHD8 SERIES
D-Board (12 of 12) Schematic Diagram

TH-65PHD8 SERIES
D-Board (12 of 12) Schematic Diagram

46

47

48

49

50

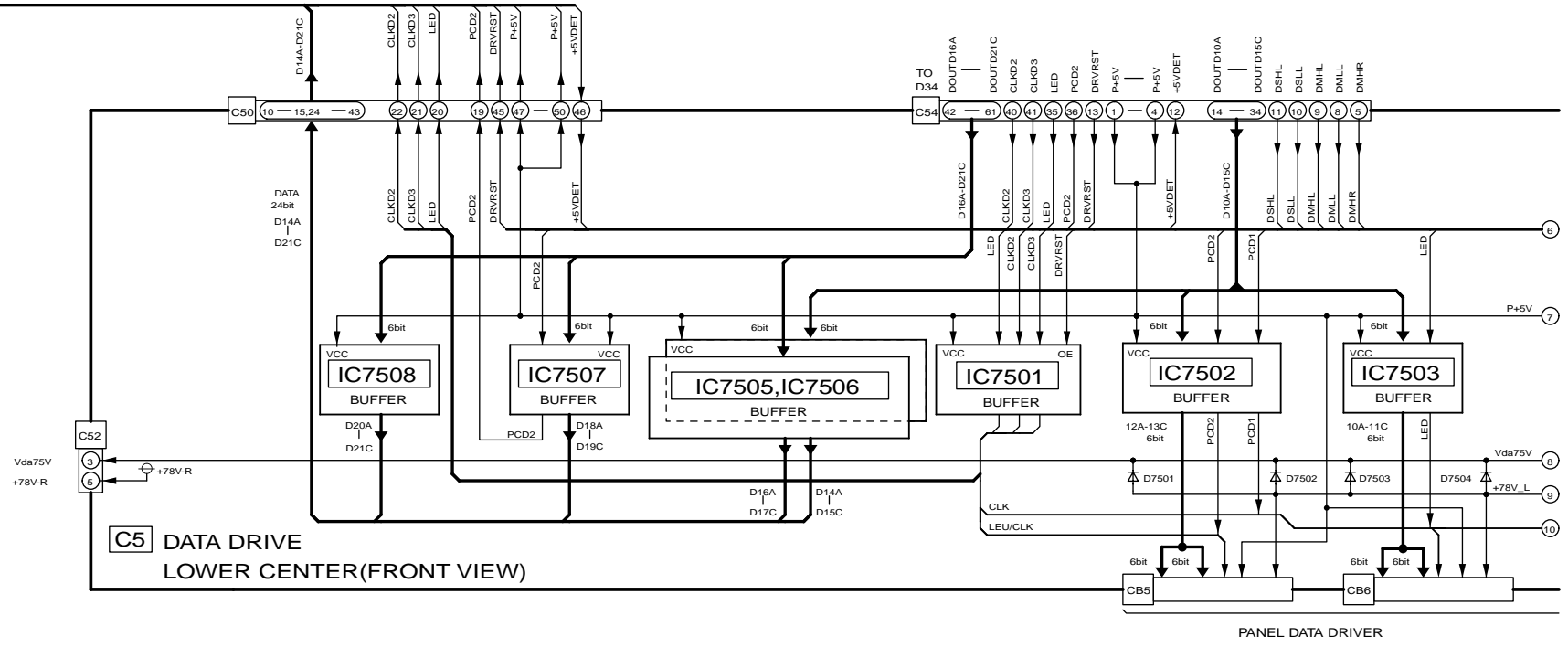
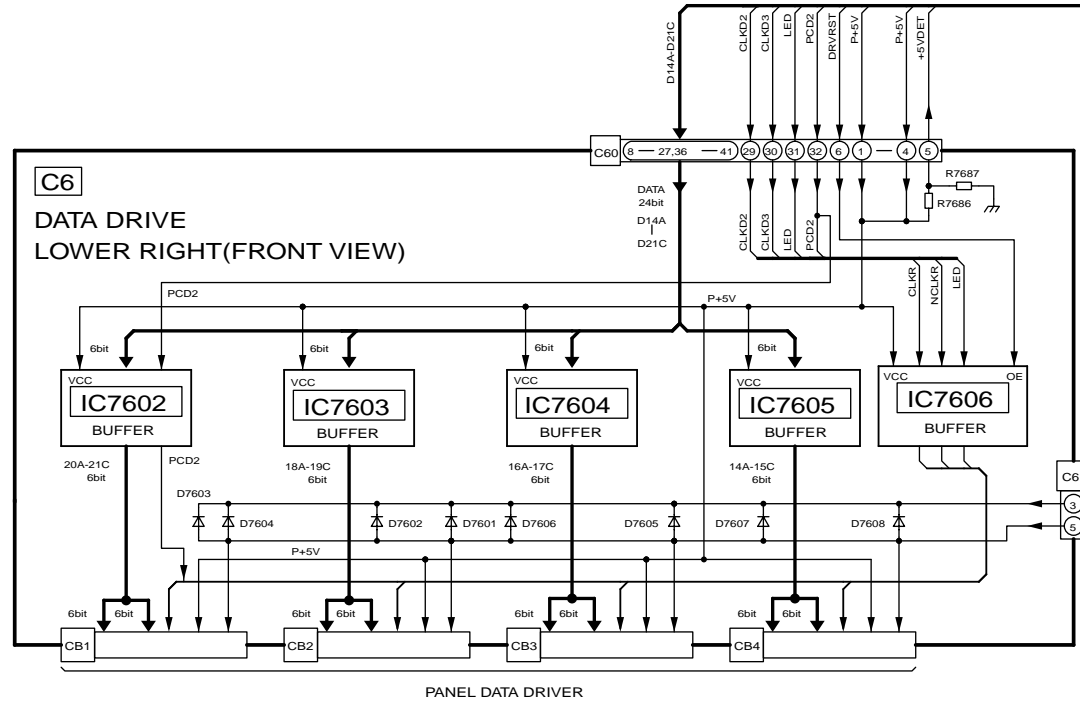
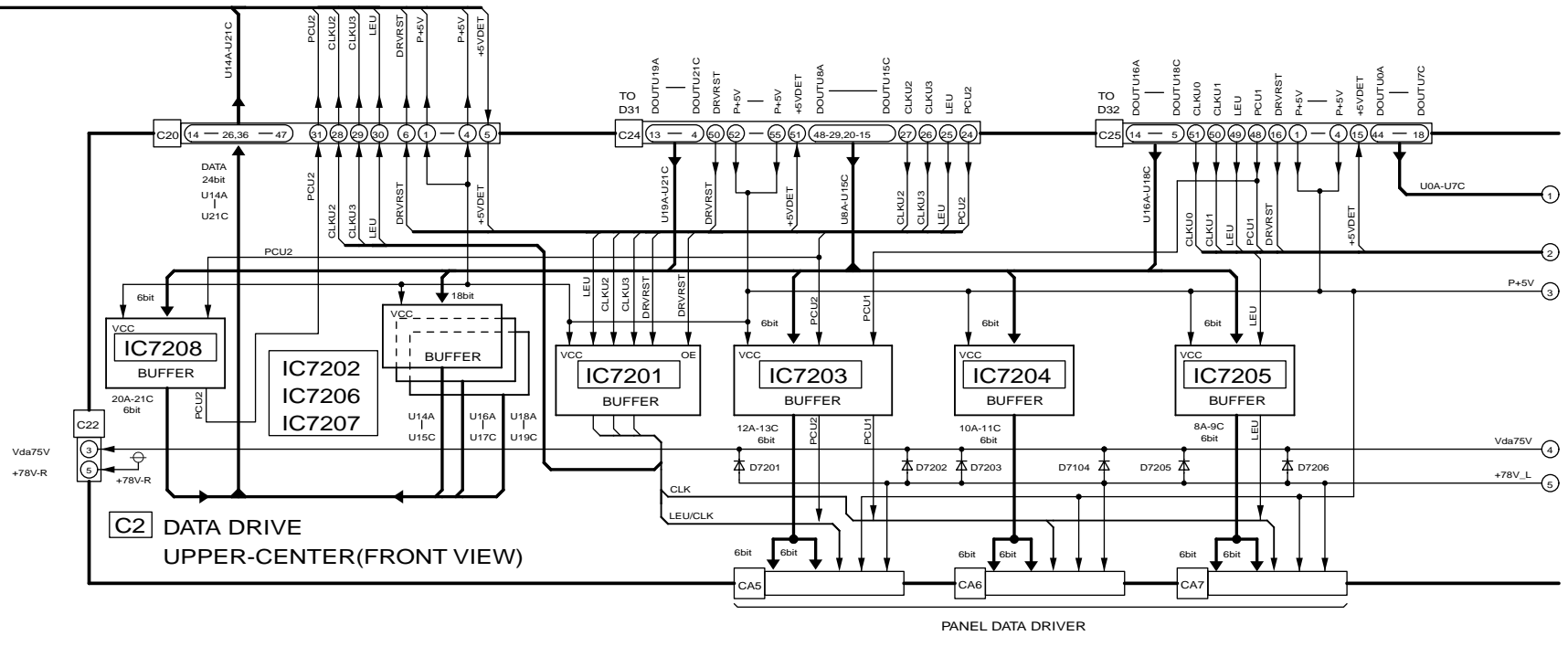
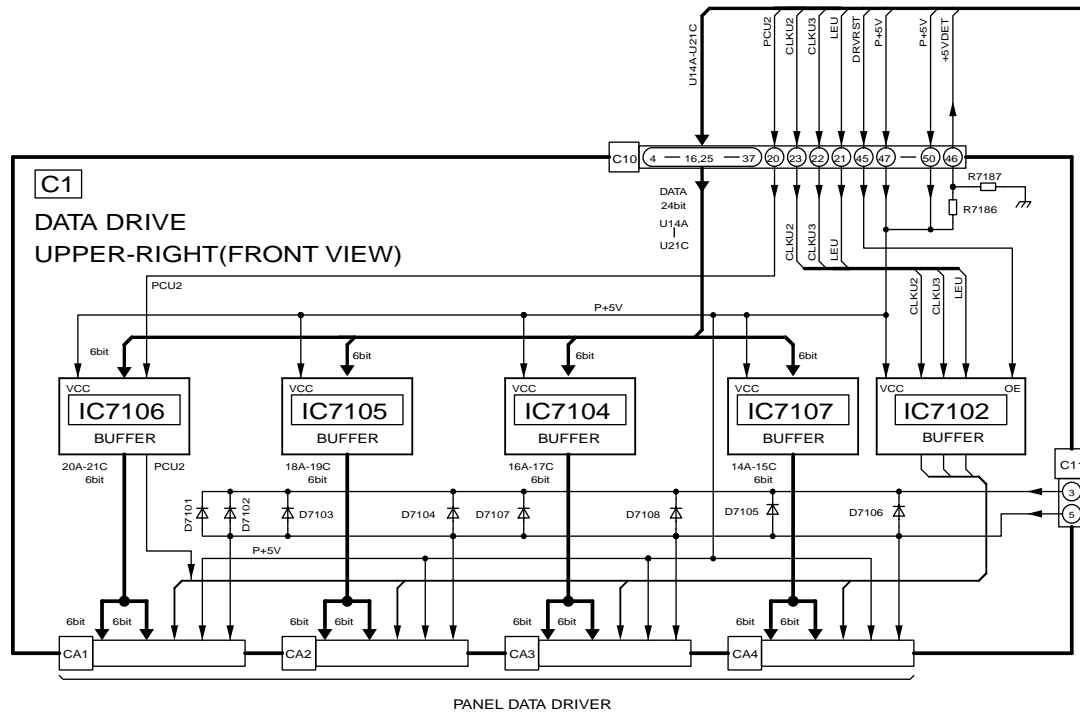
51

52

53

54

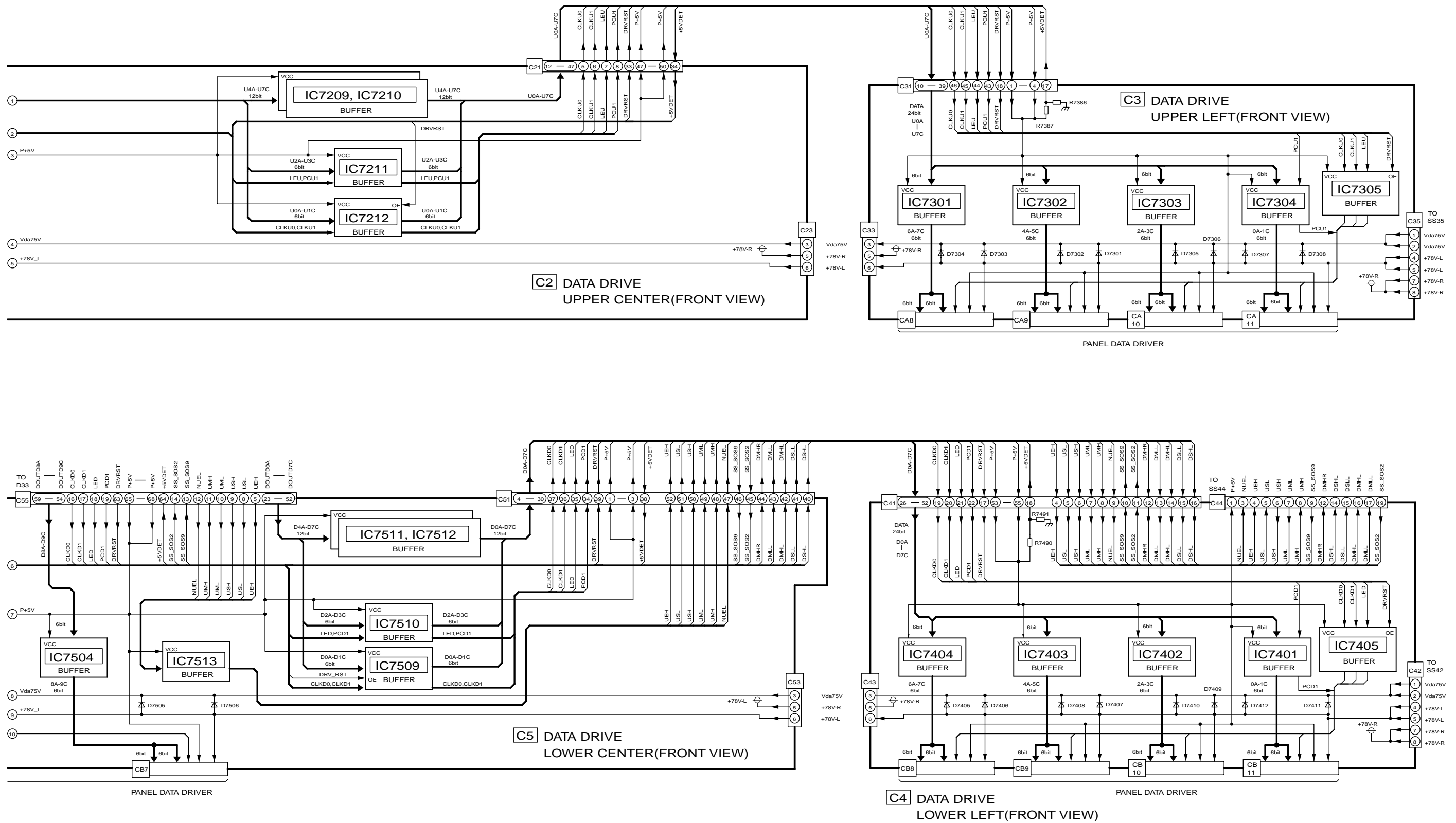
15.34. C1, C2, C5 and C6-Board Block Diagram



TH-65PHD8 SERIES
C1, C2, C5 and C6-Board Block Diagram

TH-65PHD8 SERIES
C1, C2, C5 and C6-Board Block Diagram

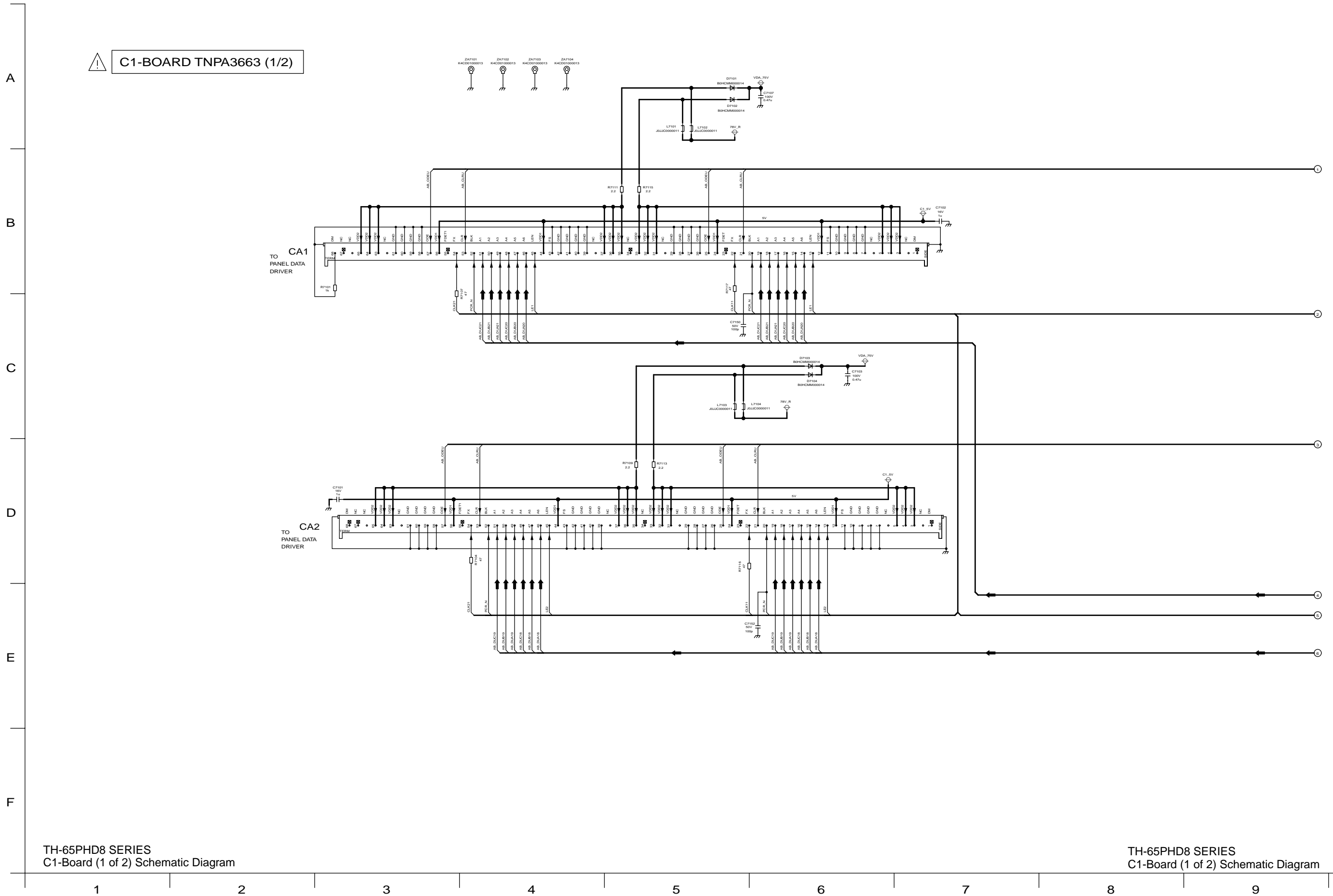
15.35. C2, C3, C4 and C5-Board Block Diagram



TH-65PHD8 SERIES
C2, C3, C4 and C5-Board Block Diagram

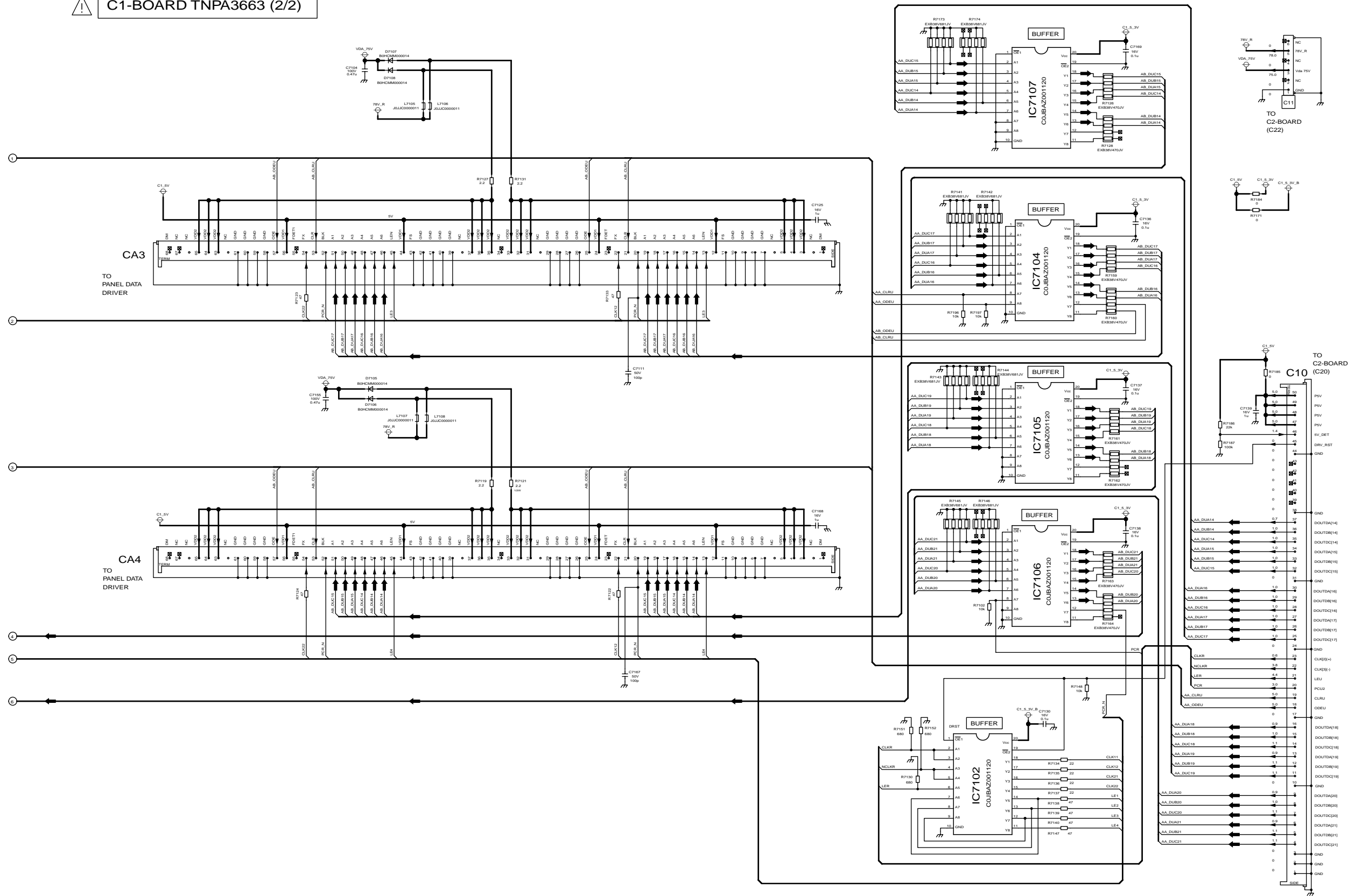
TH-65PHD8 SERIES
C2, C3, C4 and C5-Board Block Diagram

15.36. C1-Board (1 of 2) Schematic Diagram



15.37. C1-Board (2 of 2) Schematic Diagram

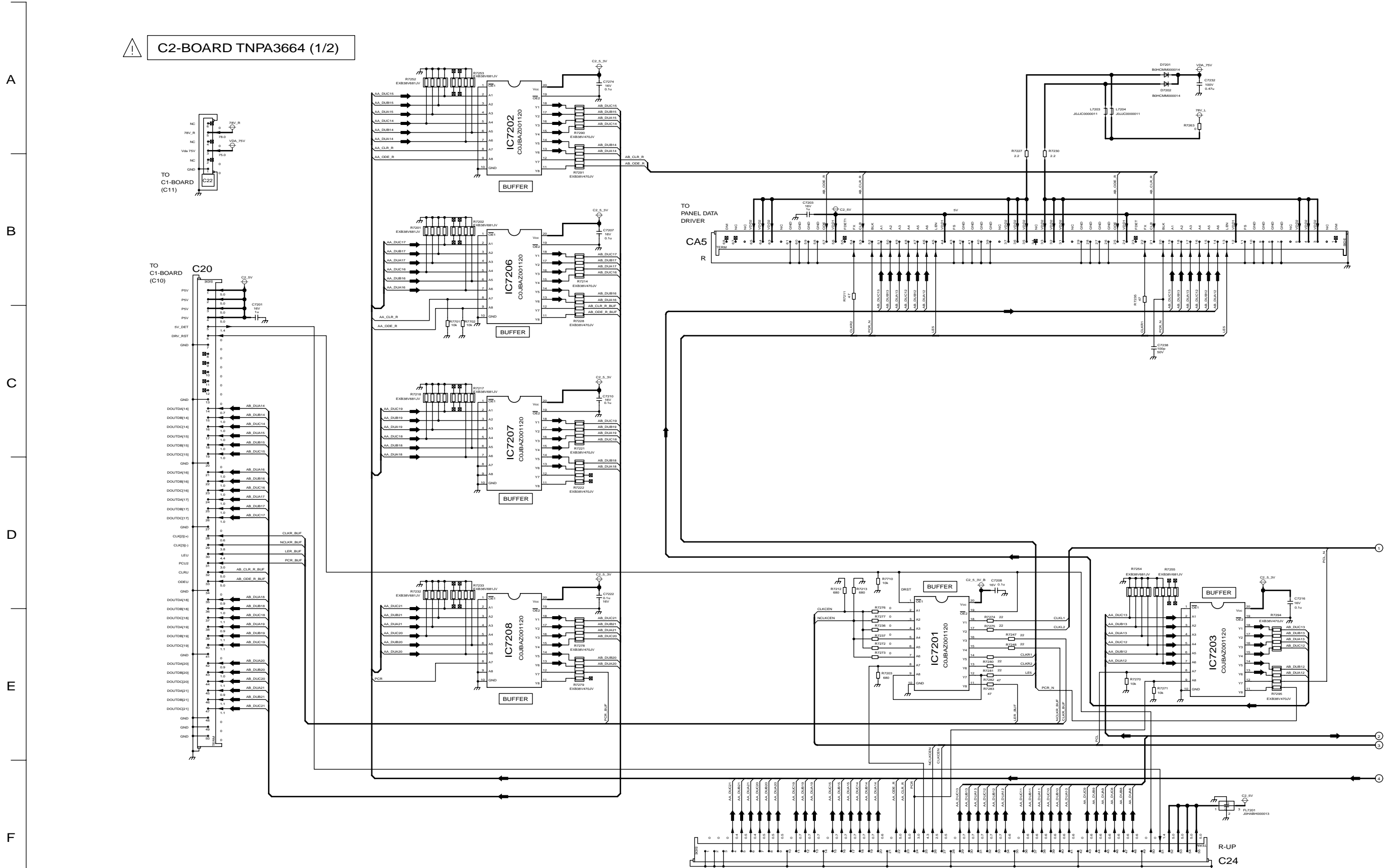
⚠ C1-BOARD TNPA3663 (2/2)



TH-65PHD8 SERIES
C1-Board (2 of 2) Schematic Diagram

TH-65PHD8 SERIES
C1-Board (2 of 2) Schematic Diagram

15.38. C2-Board (1 of 2) Schematic Diagram

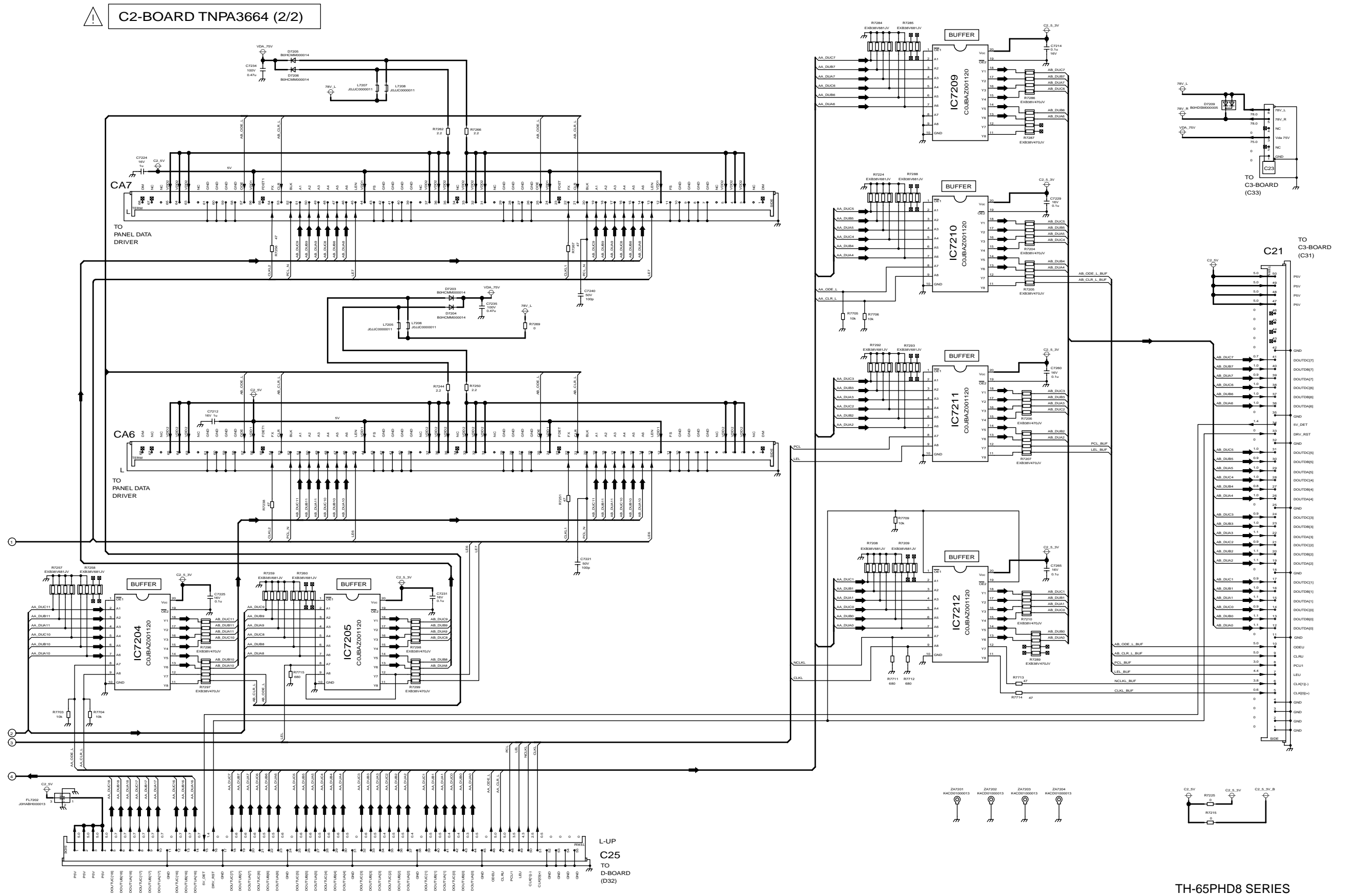


TH-65PHD8 SERIES
C2-Board (1 of 2) Schematic Diagram

TH-65PHD8 SERIES C2-Board (1 of 2) Schematic Diagram

1 2 3 4 5 6 7 8 9

15.39. C2-Board (2 of 2) Schematic Diagram



TH-65PHD8 SERIES C2-Board (2 of 2) Schematic Diagram

10

11

12

13

14

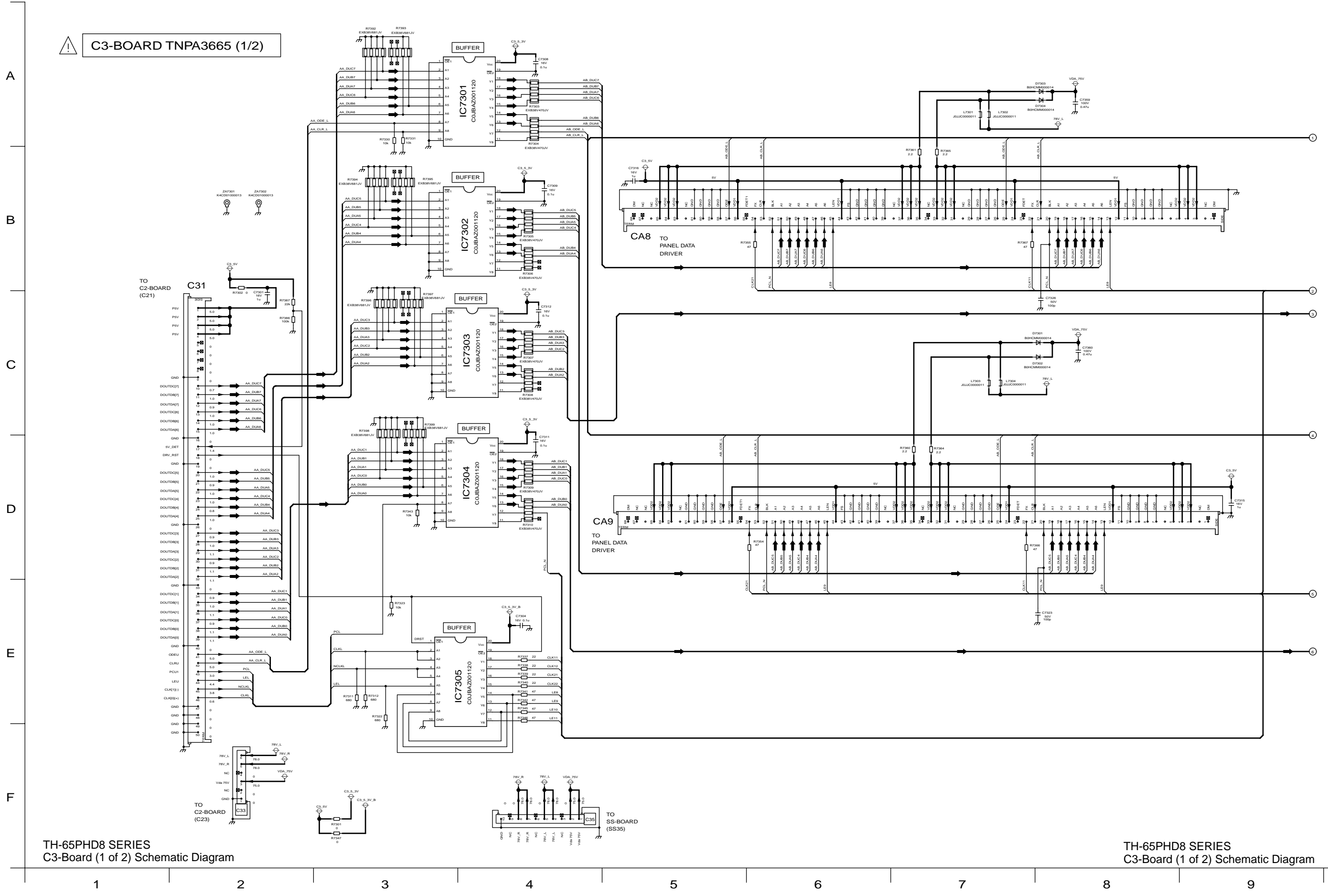
15

16

17

18

15.40. C3-Board (1 of 2) Schematic Diagram

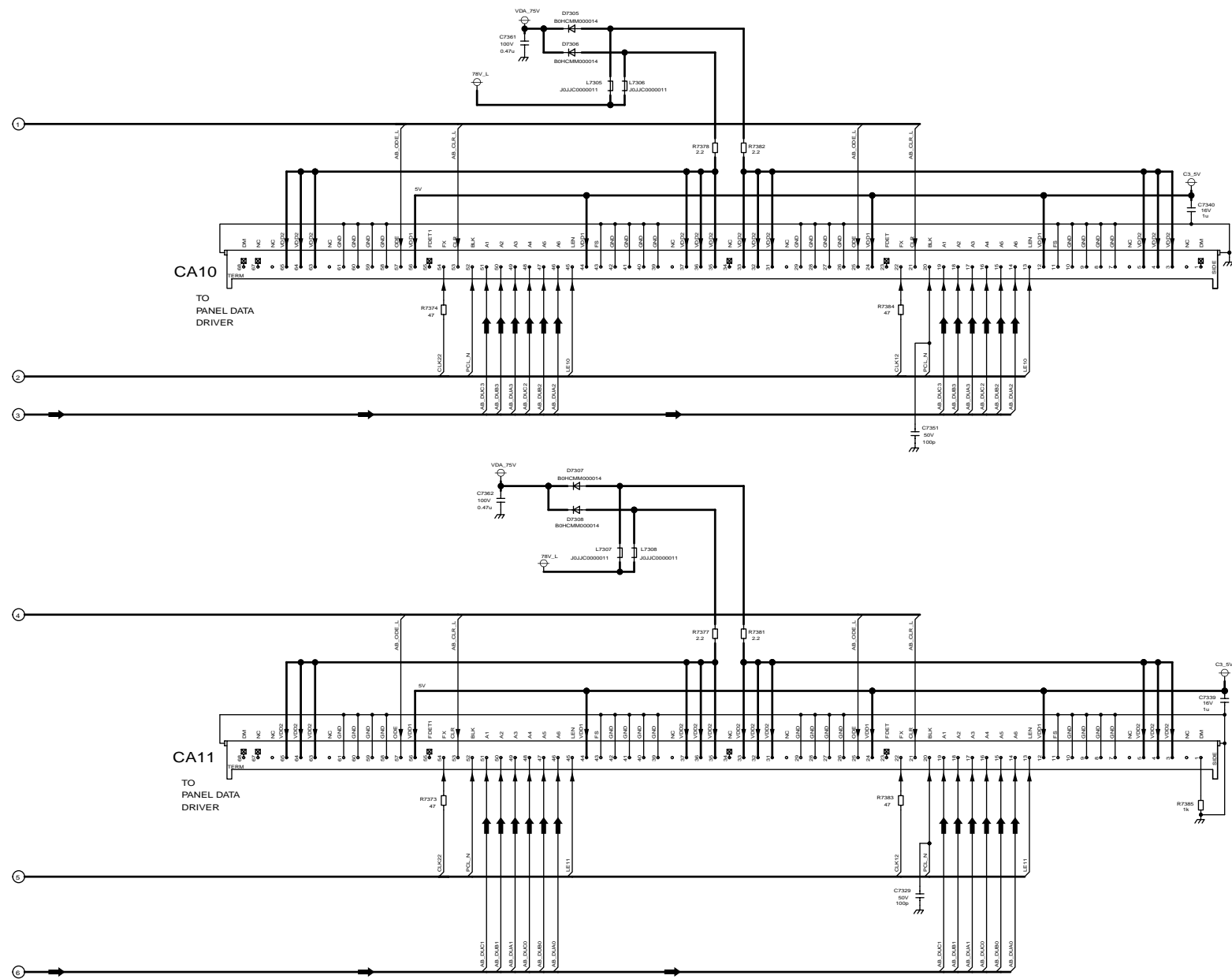


TH-65PHD8 SERIES
C3-Board (1 of 2) Schematic Diagram

TH-65PHD8 SERIES
C3-Board (1 of 2) Schematic Diagram

15.41. C3-Board (2 of 2) Schematic Diagram

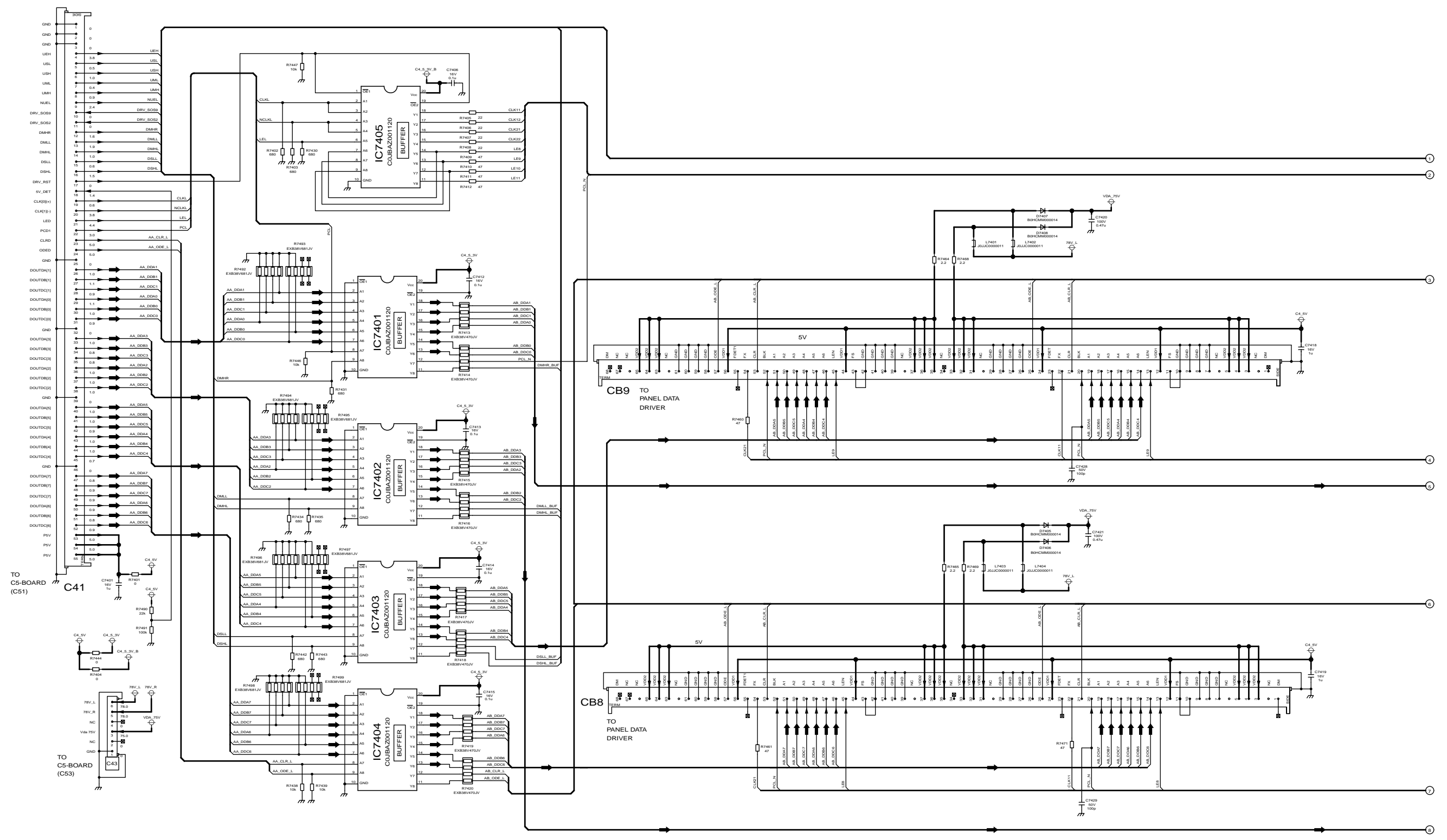
⚠ C3-BOARD TNPA3665 (2/2)



15.42. C4-Board (1 of 2) Schematic Diagram

C4-BOARD TNPA3666 (1/2)

A
B
C
D
E
F



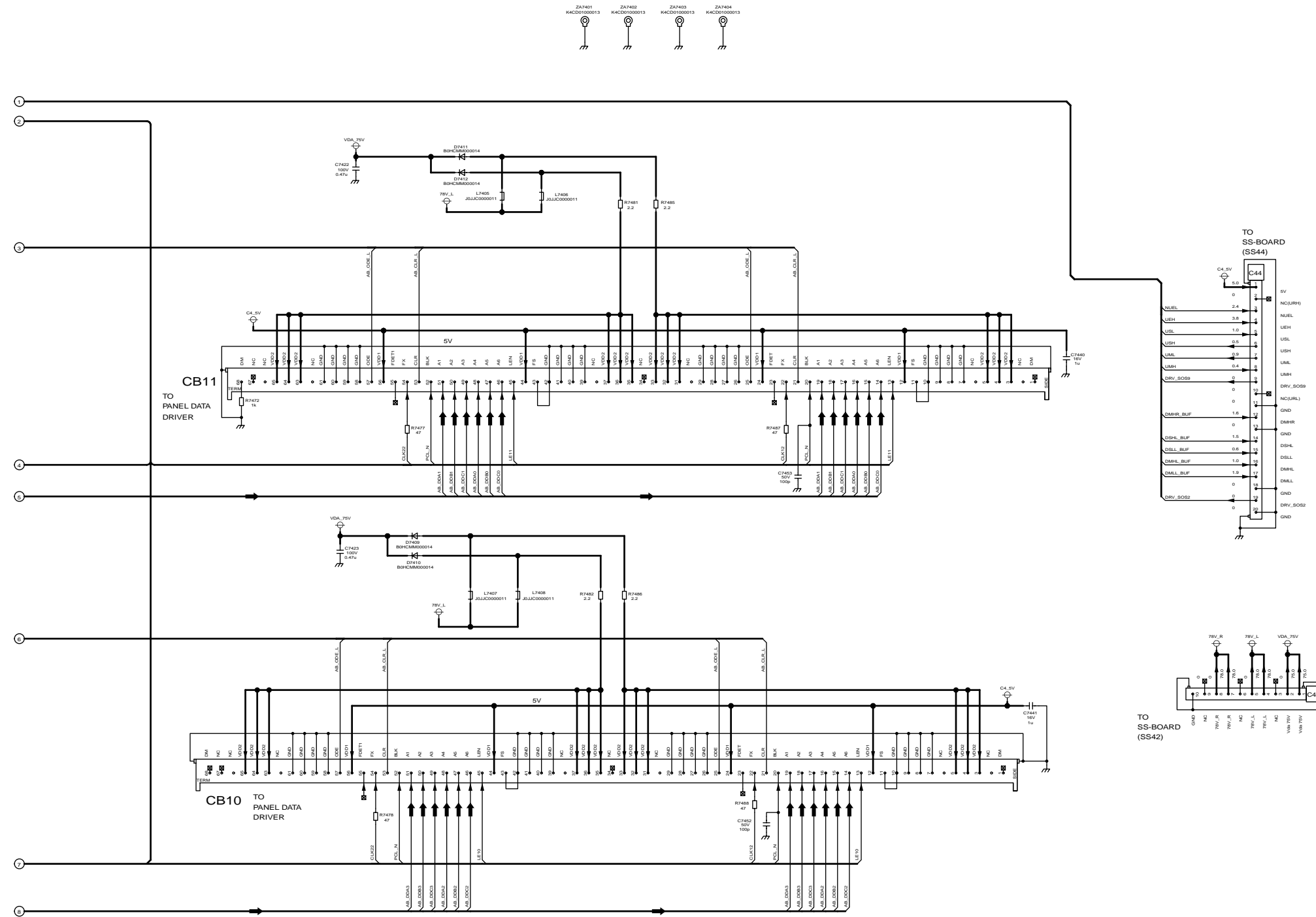
TH-65PHD8 SERIES
C4-Board (1 of 2) Schematic Diagram

TH-65PHD8 SERIES
C4-Board (1 of 2) Schematic Diagram

1 2 3 4 5 6 7 8 9

15.43. C4-Board (2 of 2) Schematic Diagram

 C4-BOARD TNPA3666 (2/2)



TH-65PHD8 SERIES
C4-Board (2 of 2) Schematic Diagram

TH-65PHD8 SERIES
C4-Board (2 of 2) Schematic Diagram

10

11

12

13

14

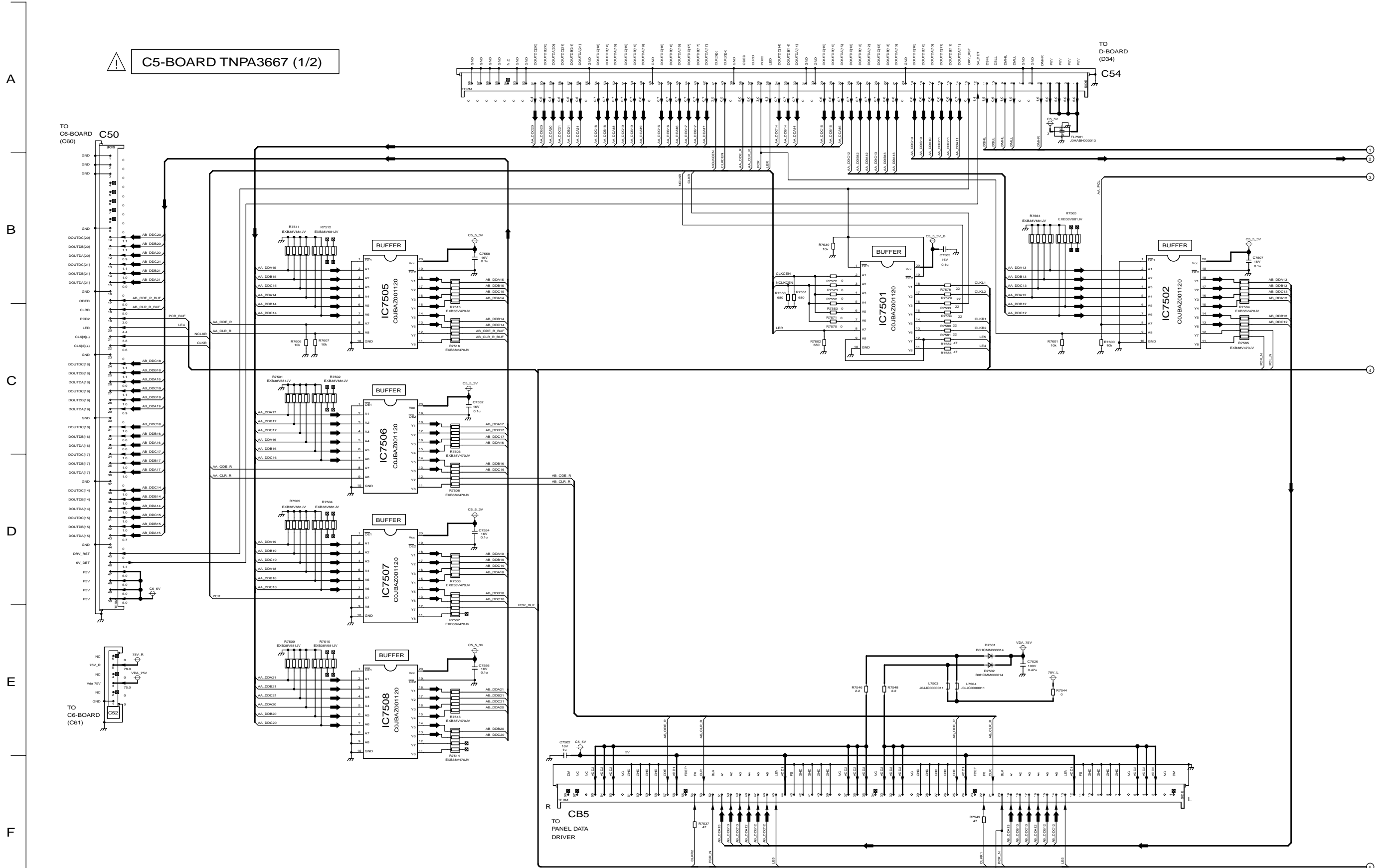
15

16

17

18

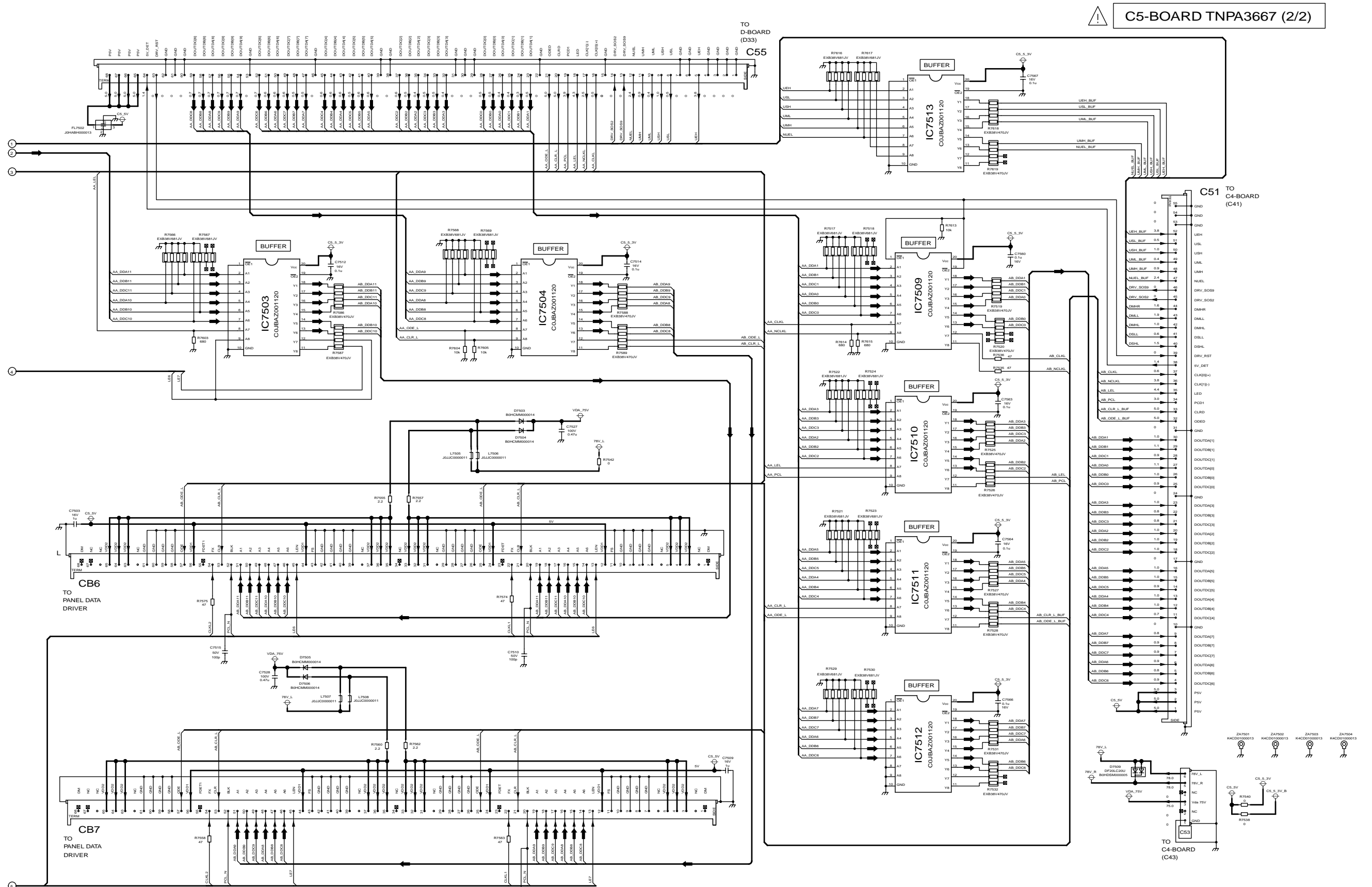
15.44. C5-Board (1 of 2) Schematic Diagram



TH-65PHD8 SERIES
C5-Board (1 of 2) Schematic Diagram

TH-65PHD8 SERIES
C5-Board (1 of 2) Schematic Diagram

15.45. C5-Board (2 of 2) Schematic Diagram



TH-65PHD8 SERIES
C5-Board (2 of 2) Schematic Diagram

TH-65PHD8 SERIES
C5-Board (2 of 2) Schematic Diagram

10

11

12

13

14

15

16

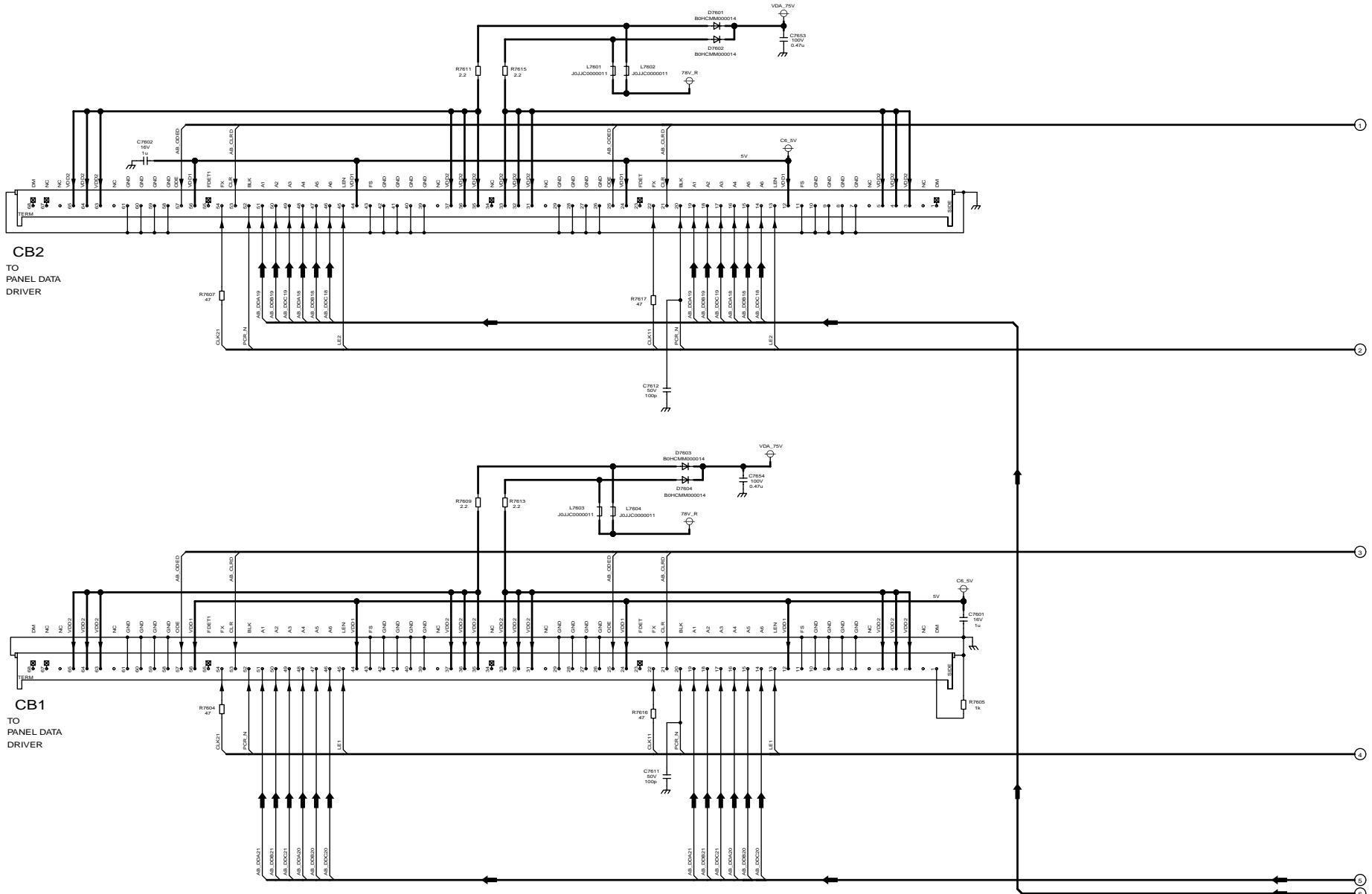
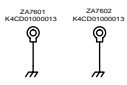
17

18

15.46. C6-Board (1 of 2) Schematic Diagram

A
B
C
D
E
F

⚠ C6-BOARD TNPA3668 (1/2)



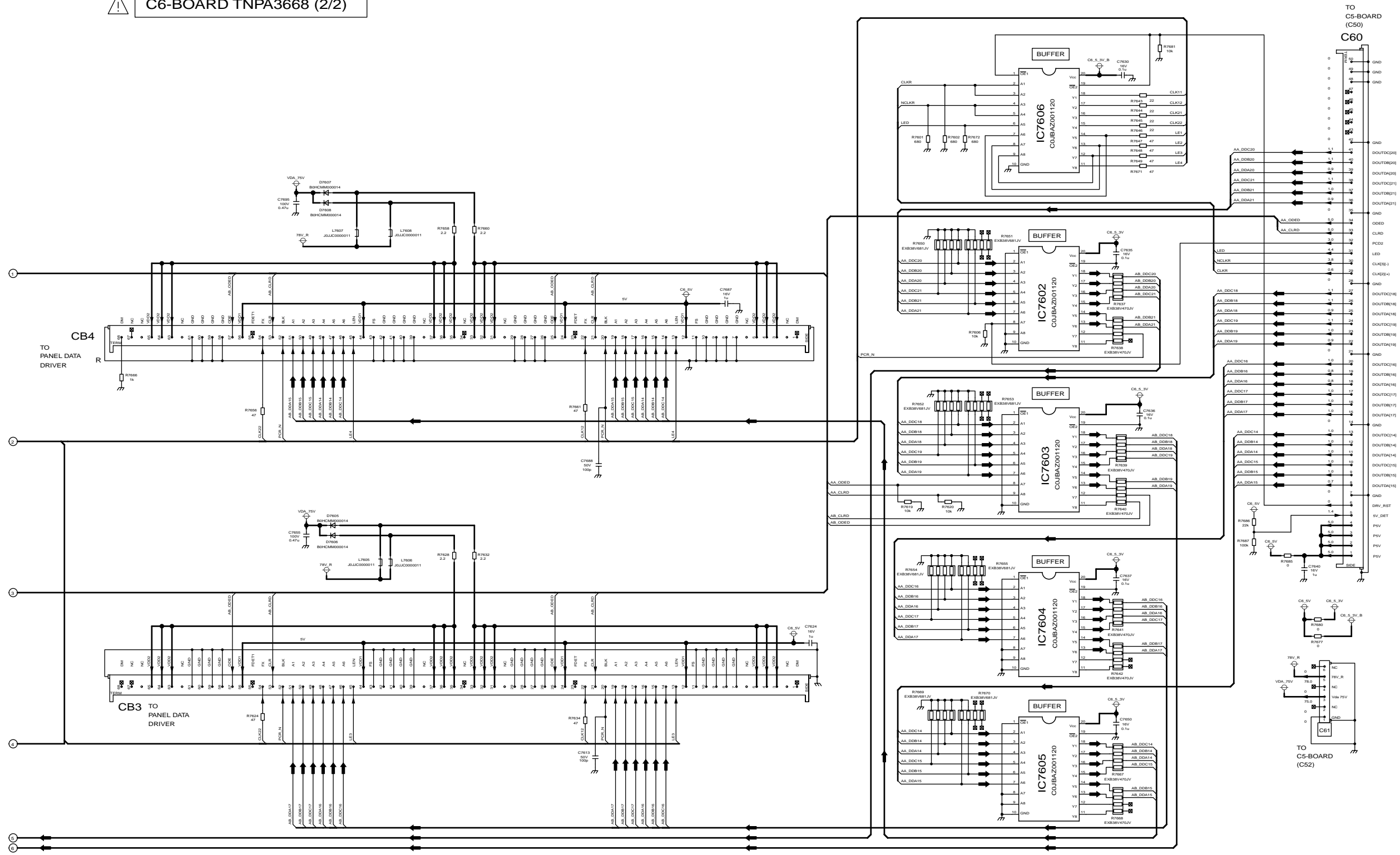
TH-65PHD8 SERIES
C6-Board (1 of 2) Schematic Diagram

TH-65PHD8 SERIES
C6-Board (1 of 2) Schematic Diagram

1 2 3 4 5 6 7 8 9

15.47. C6-Board (2 of 2) Schematic Diagram

⚠ C6-BOARD TNPA3668 (2/2)



TH-65PHD8 SERIES
C6-Board (2 of 2) Schematic Diagram

TH-65PHD8 SERIES
C6-Board (2 of 2) Schematic Diagram

10

11

12

13

14

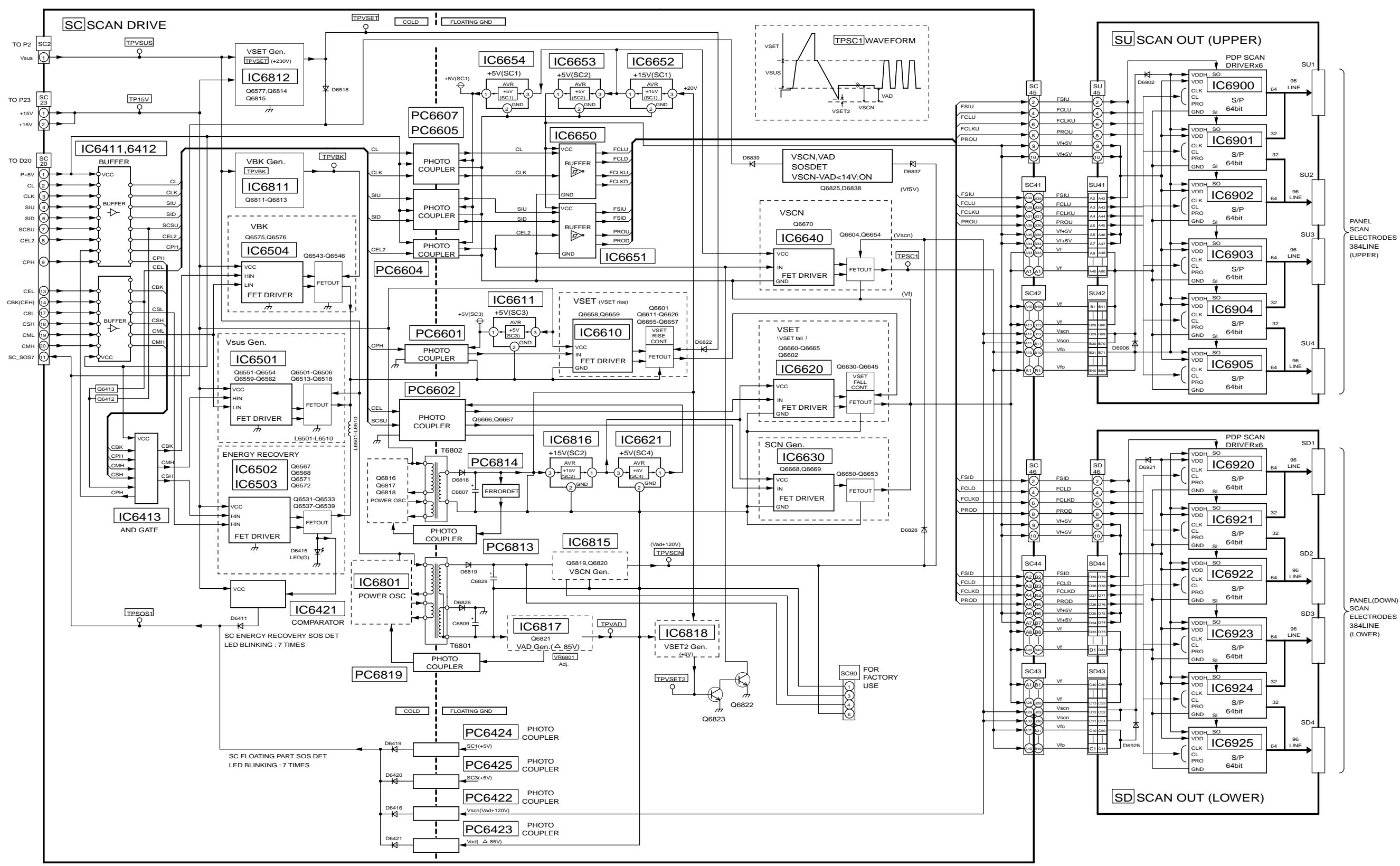
15

16

17

18

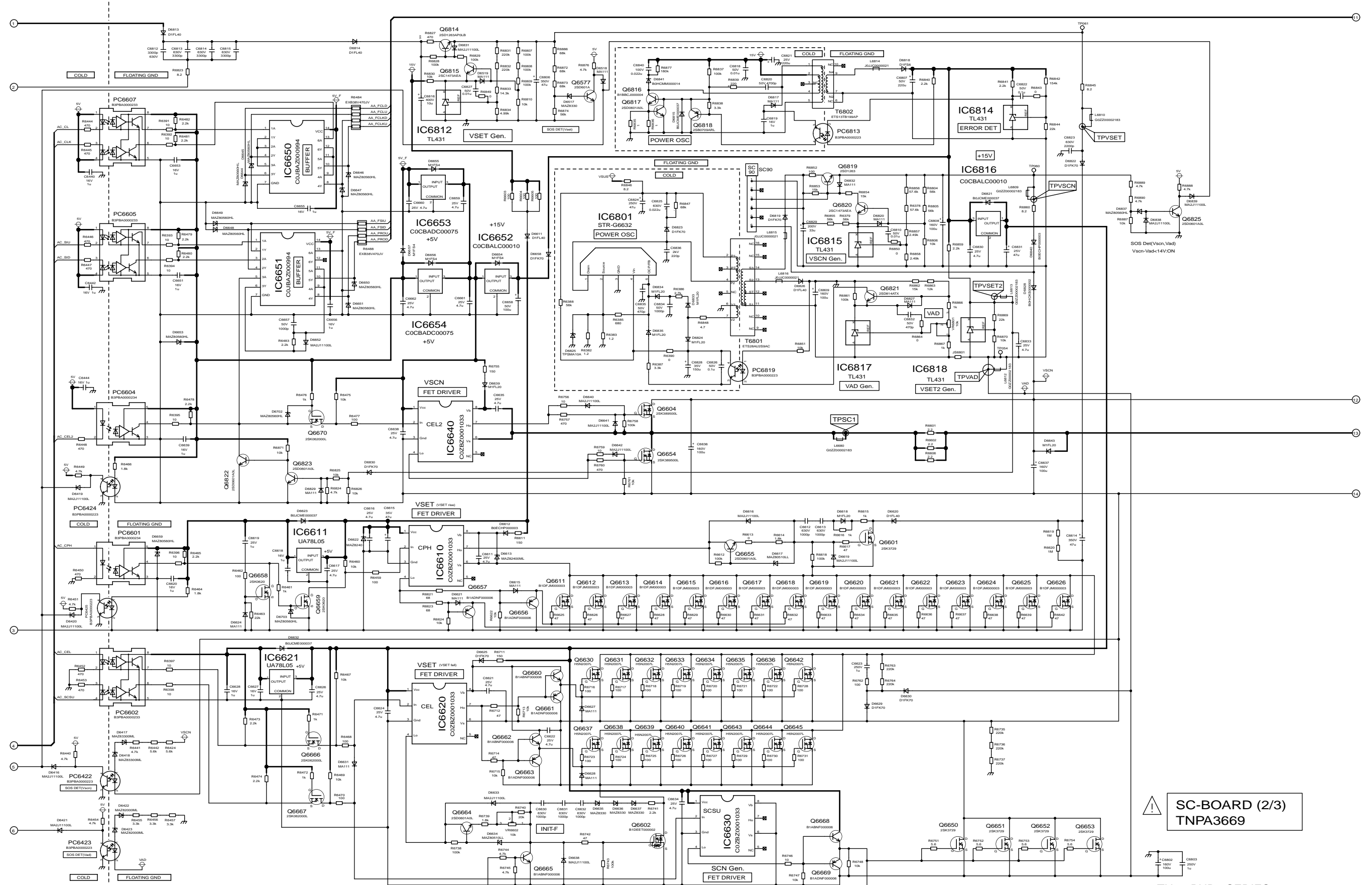
15.48. SC, SU and SD-Board Block Diagram



TH-65PHD8 SERIES
SC, SU and SD-Board Block Diagram

TH-65PHD8 SERIES
SC, SU and SD-Board Block Diagram

15.50. SC-Board (2 of 3) Schematic Diagram



TH-65PHD8 SERIES
SC-Board (2 of 3) Schematic Diagram

TH-65PHD8 SERIES
SC-Board (2 of 3) Schematic Diagram

10

11

12

13

14

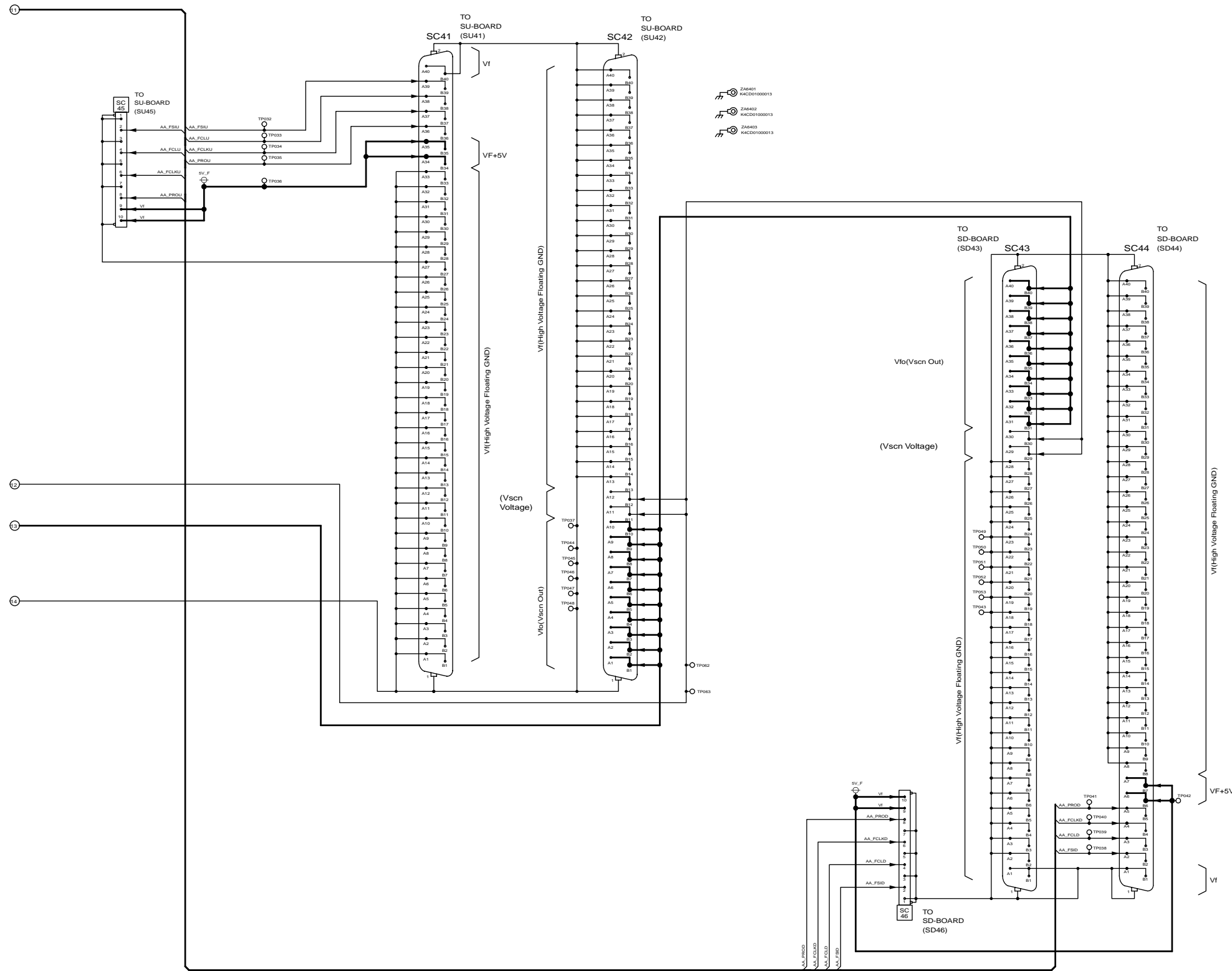
15

16

17

18

15.51. SC-Board (3 of 3) Schematic Diagram

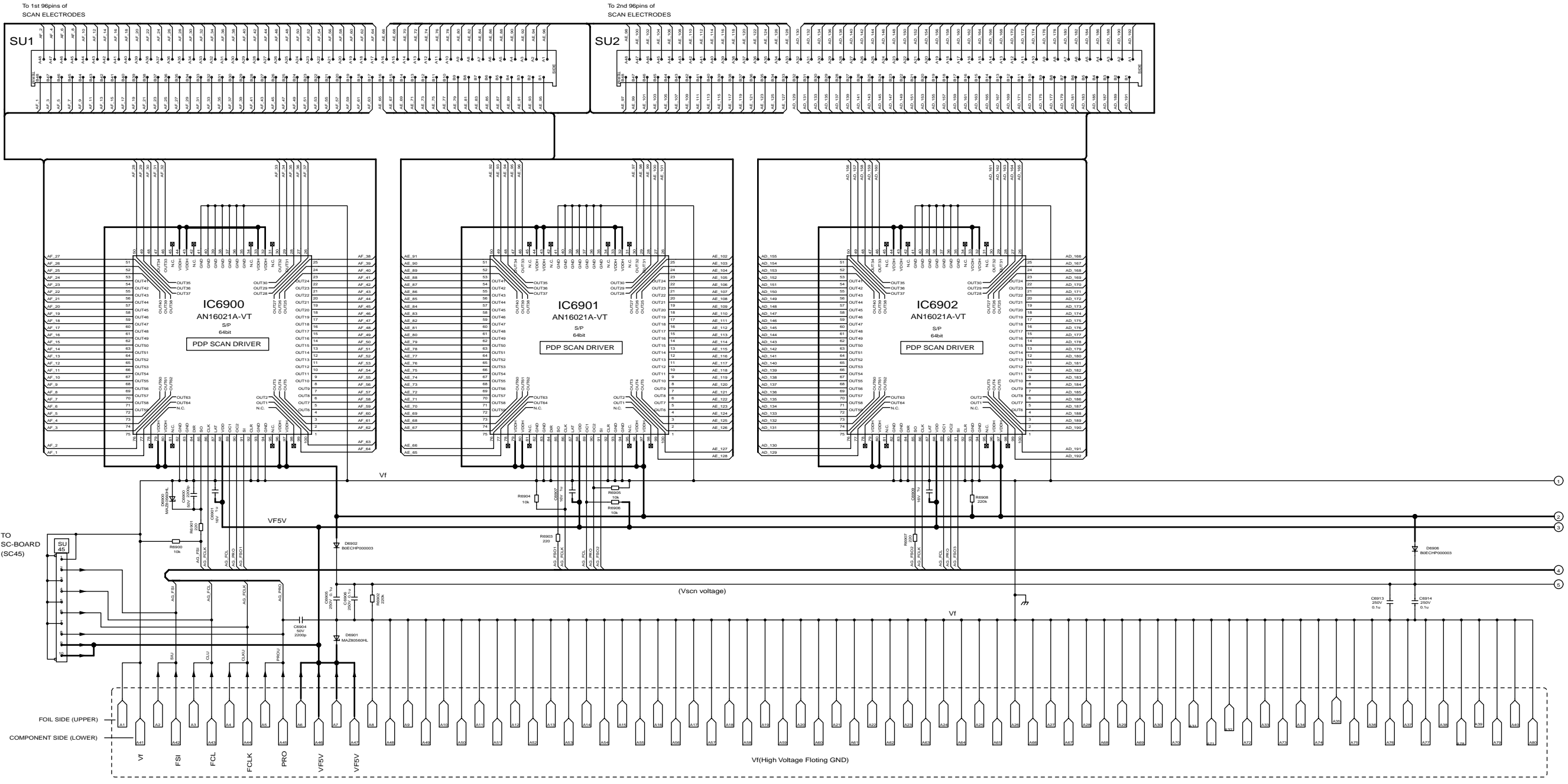


⚠ SC-BOARD TNPA3669 (3/3)

15.52. SU-Board (1 of 2) Schematic Diagram

A
B
C
D
E
F

 SU-BOARD TNPA3673 (1/2)

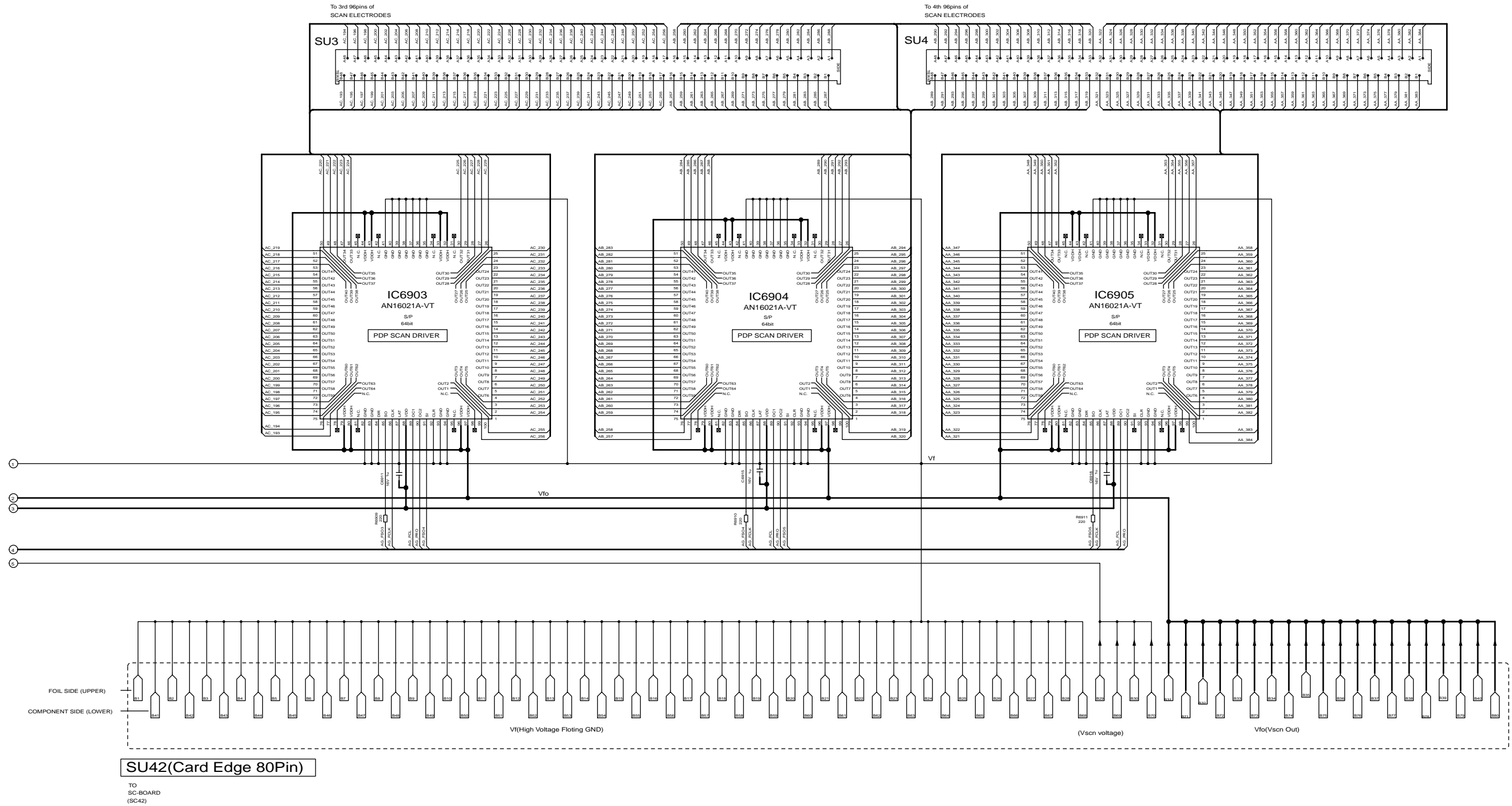


1
2
3
4

1 2 3 4 5 6 7 8 9

15.53. SU-Board (2 of 2) Schematic Diagram

SU-BOARD TNPA3673 (2/2)



TH-65PHD8 SERIES
SU-Board (2 of 2) Schematic Diagram

TH-65PHD8 SERIES
SU-Board (2 of 2) Schematic Diagram

10

11

12

13

14

15

16

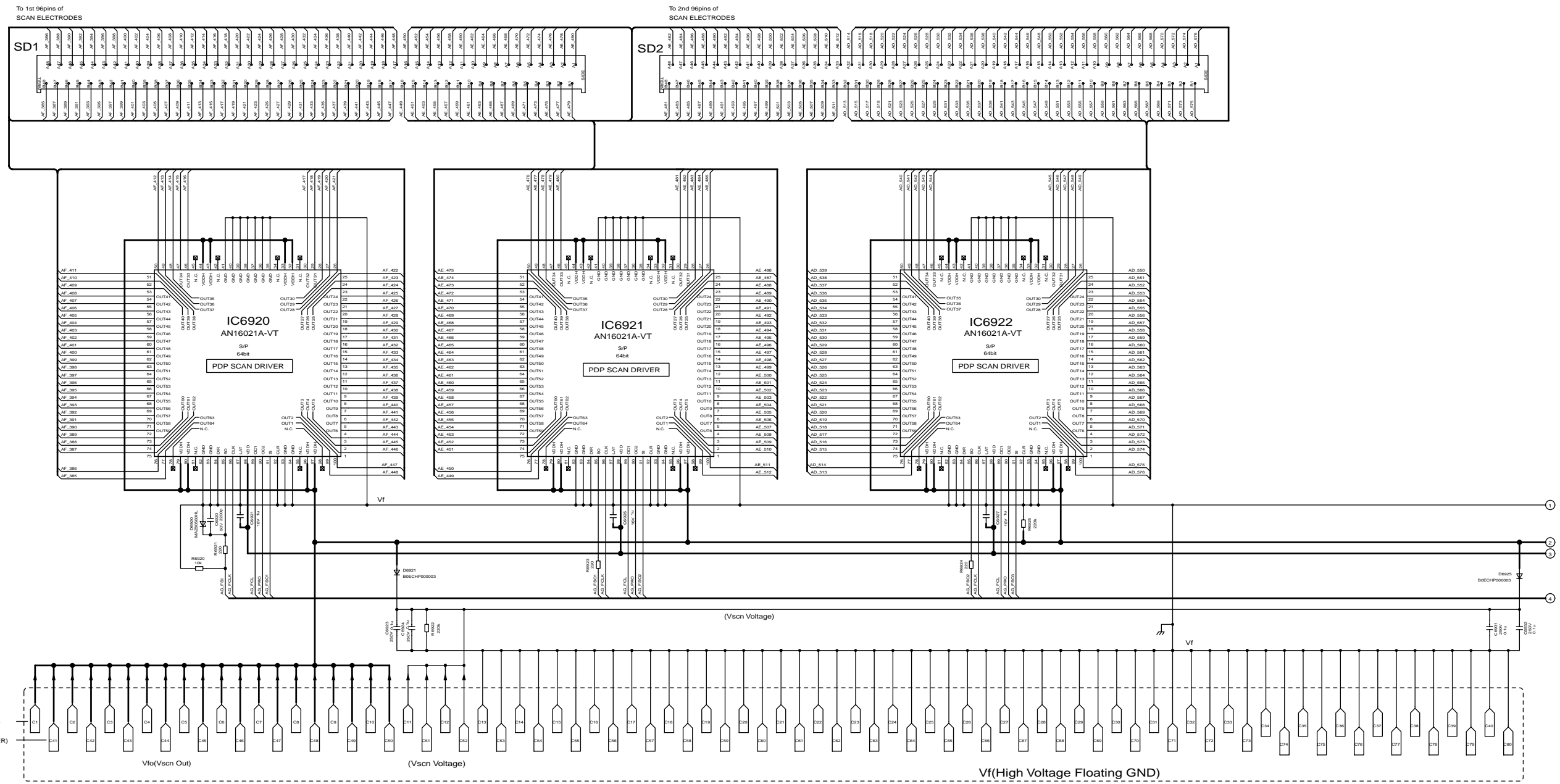
17

18

15.54. SD-Board (1 of 2) Schematic Diagram

SD-BOARD TNPA3674 (1/2)

A
B
C
D
E
F



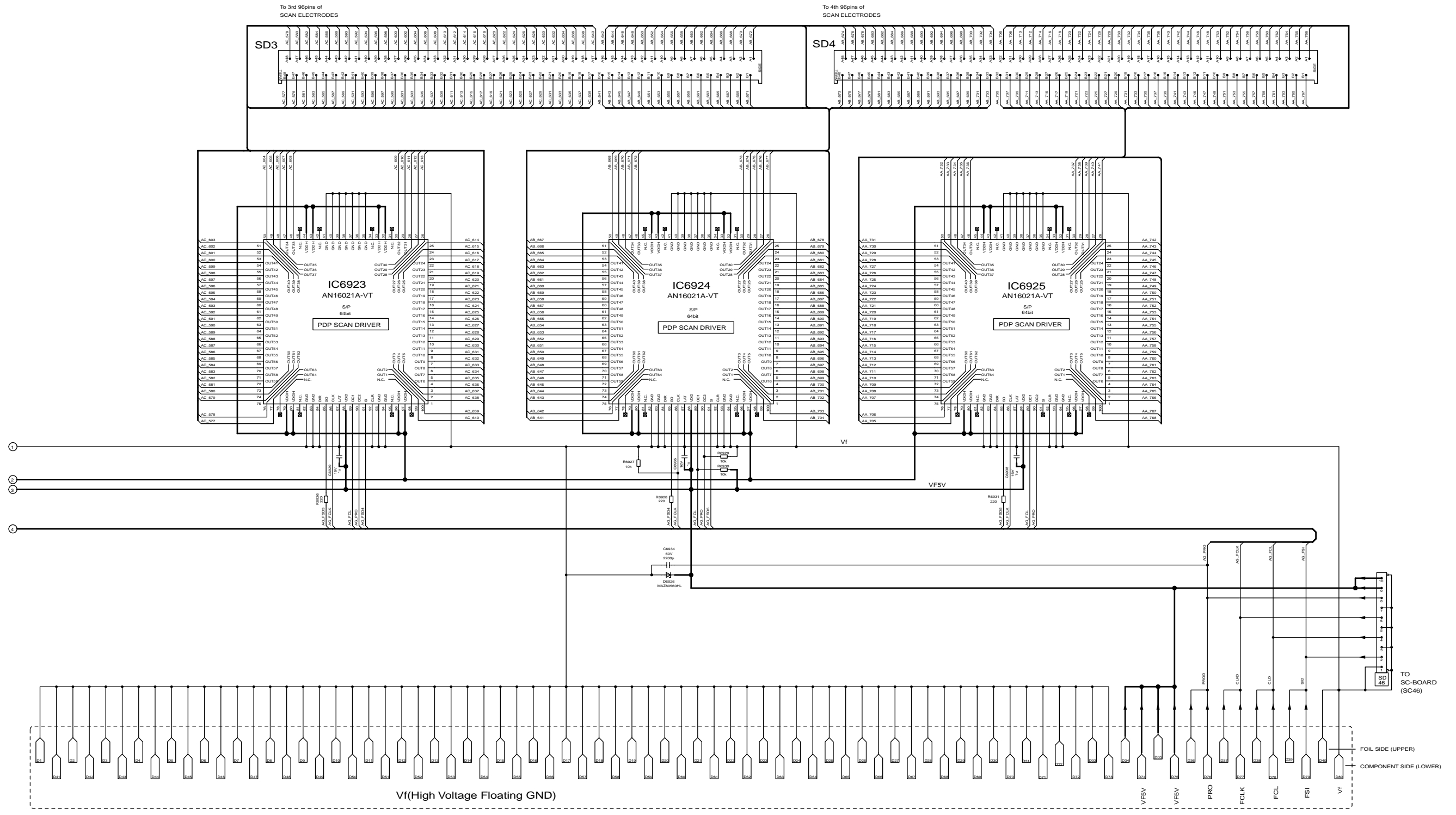
SD43(Card Edge 80Pin)

TO SC-BOARD (SC43)

1 2 3 4 5 6 7 8 9

15.55. SD-Board (2 of 2) Schematic Diagram

SD-BOARD TNPA3674 (2/2)



SD44(Card Edge 80Pin)

TO SC-BOARD (SC44)

TH-65PHD8 SERIES SD-Board (2 of 2) Schematic Diagram

TH-65PHD8 SERIES SD-Board (2 of 2) Schematic Diagram

10

11

12

13

14

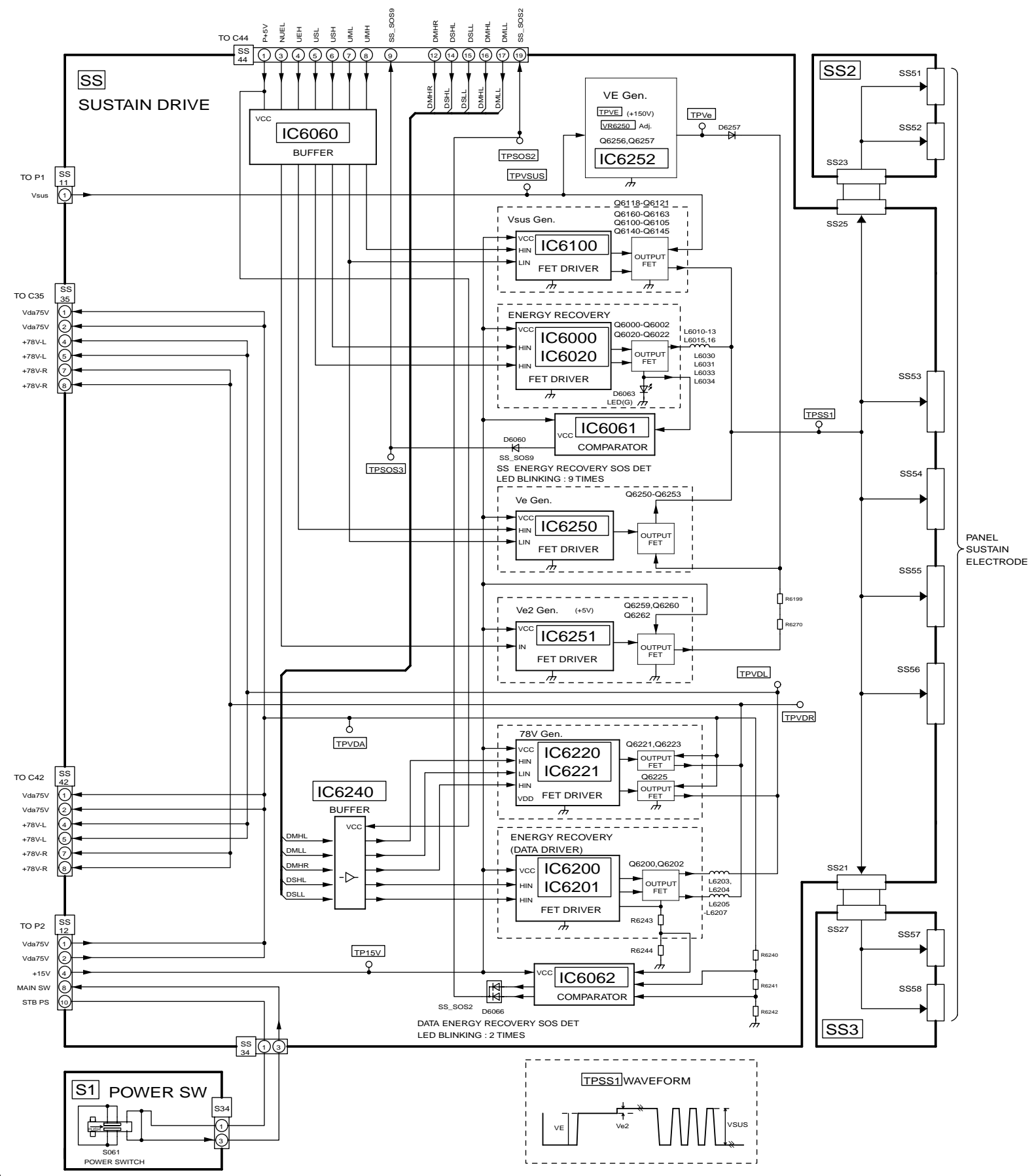
15

16

17

18

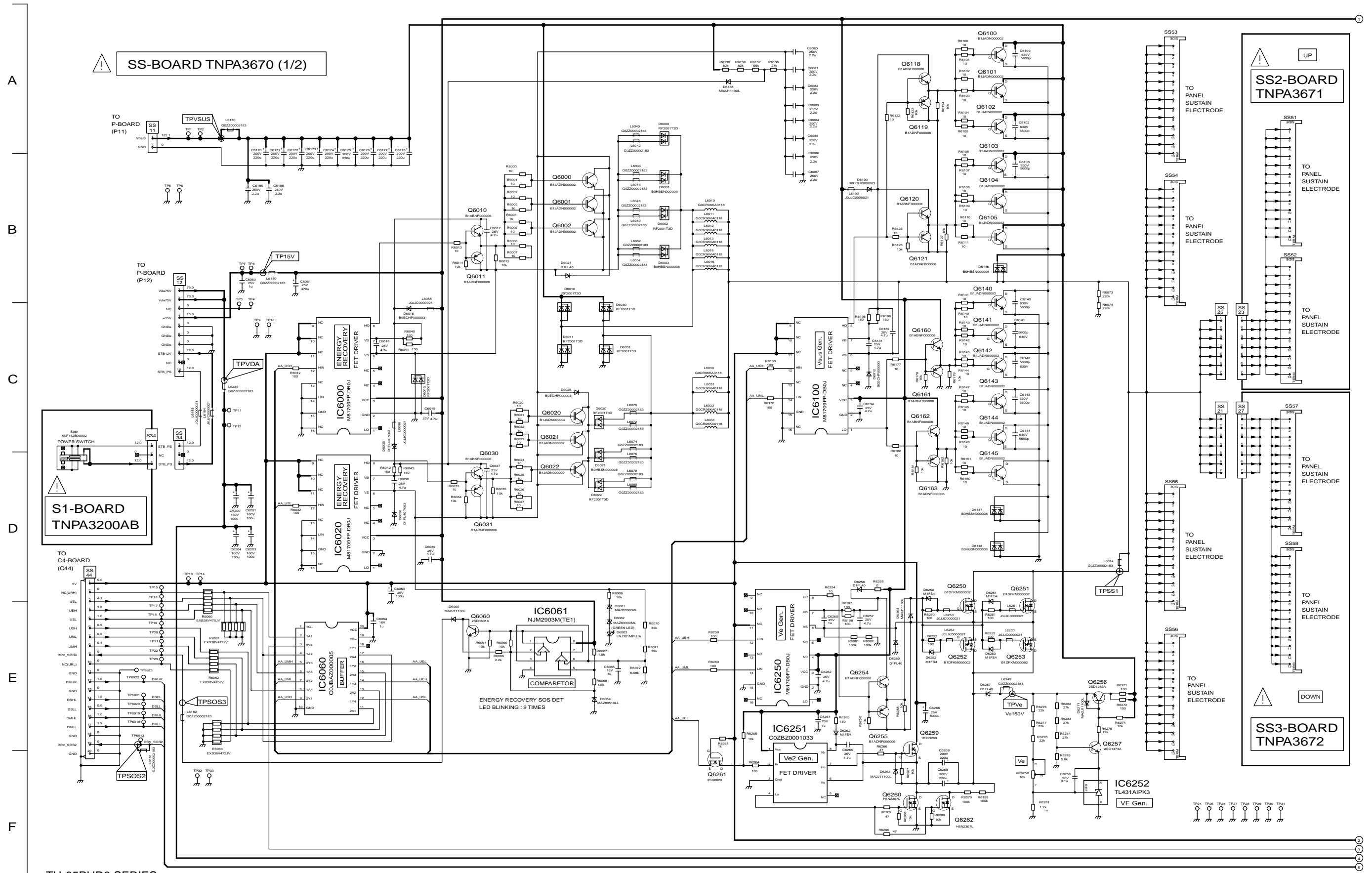
15.56. SS, S1, SS2 and SS3-Board Block Diagram



TH-65PHD8 SERIES
SS, S1, SS2 and SS3-Board Block Diagram

TH-65PHD8 SERIES
SS, S1, SS2 and SS3-Board Block Diagram

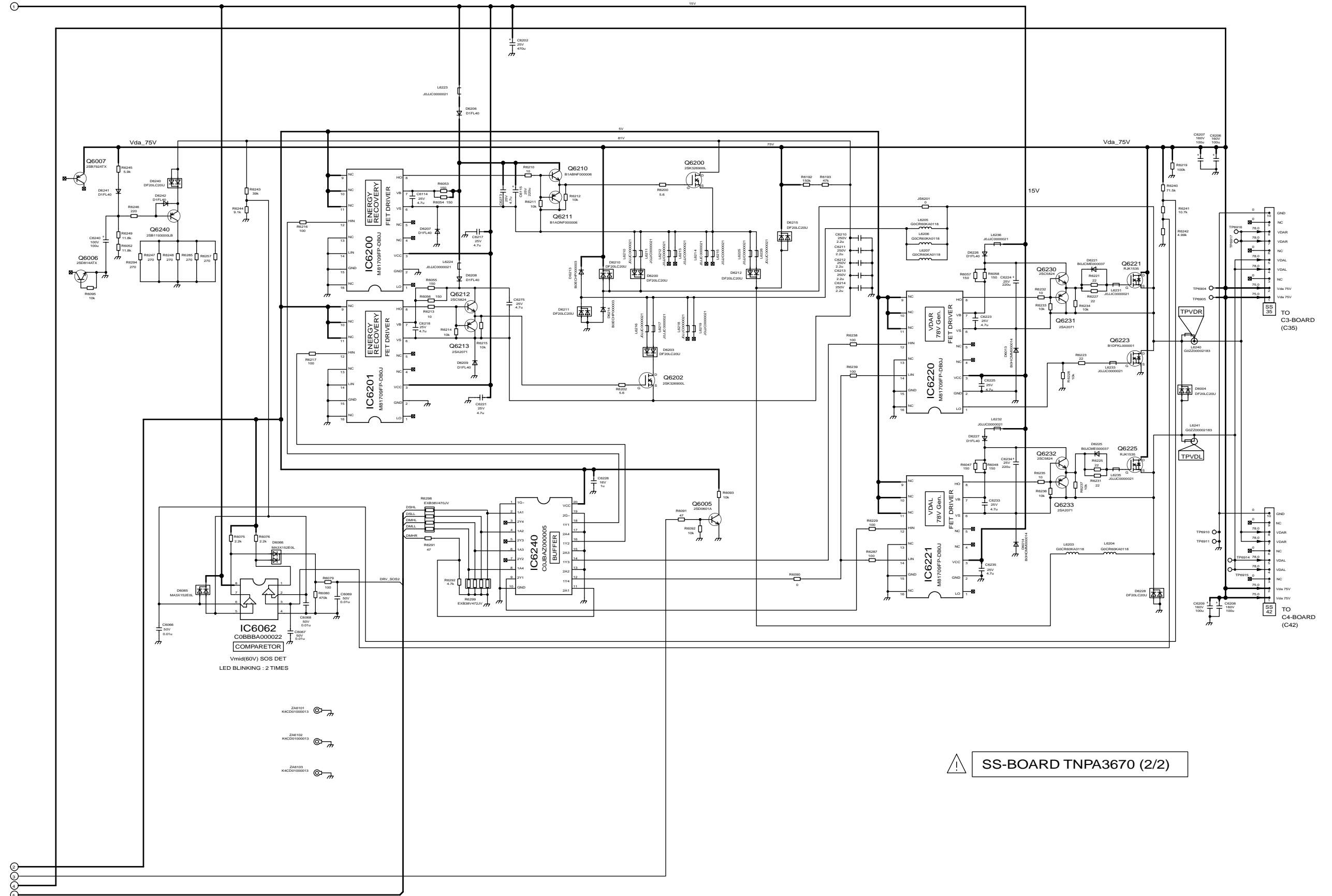
15.57. SS-Board (1 of 2), S1, SS2 and SS3-Board Schematic Diagram



TH-65PHD8 SERIES
SS-Board (1 of 2), S1, SS2 and SS3-Board Schematic Diagram

TH-65PHD8 SERIES
SS-Board (1 of 2), S1, SS2 and SS3-Board Schematic Diagram

15.58. SS-Board (2 of 2) Schematic Diagram



SS-BOARD TNPA3670 (2/2)

TH-65PHD8 SERIES
SS-Board (2 of 2) Schematic Diagram

TH-65PHD8 SERIES
SS-Board (2 of 2) Schematic Diagram

10

11

12

13

14

15

16

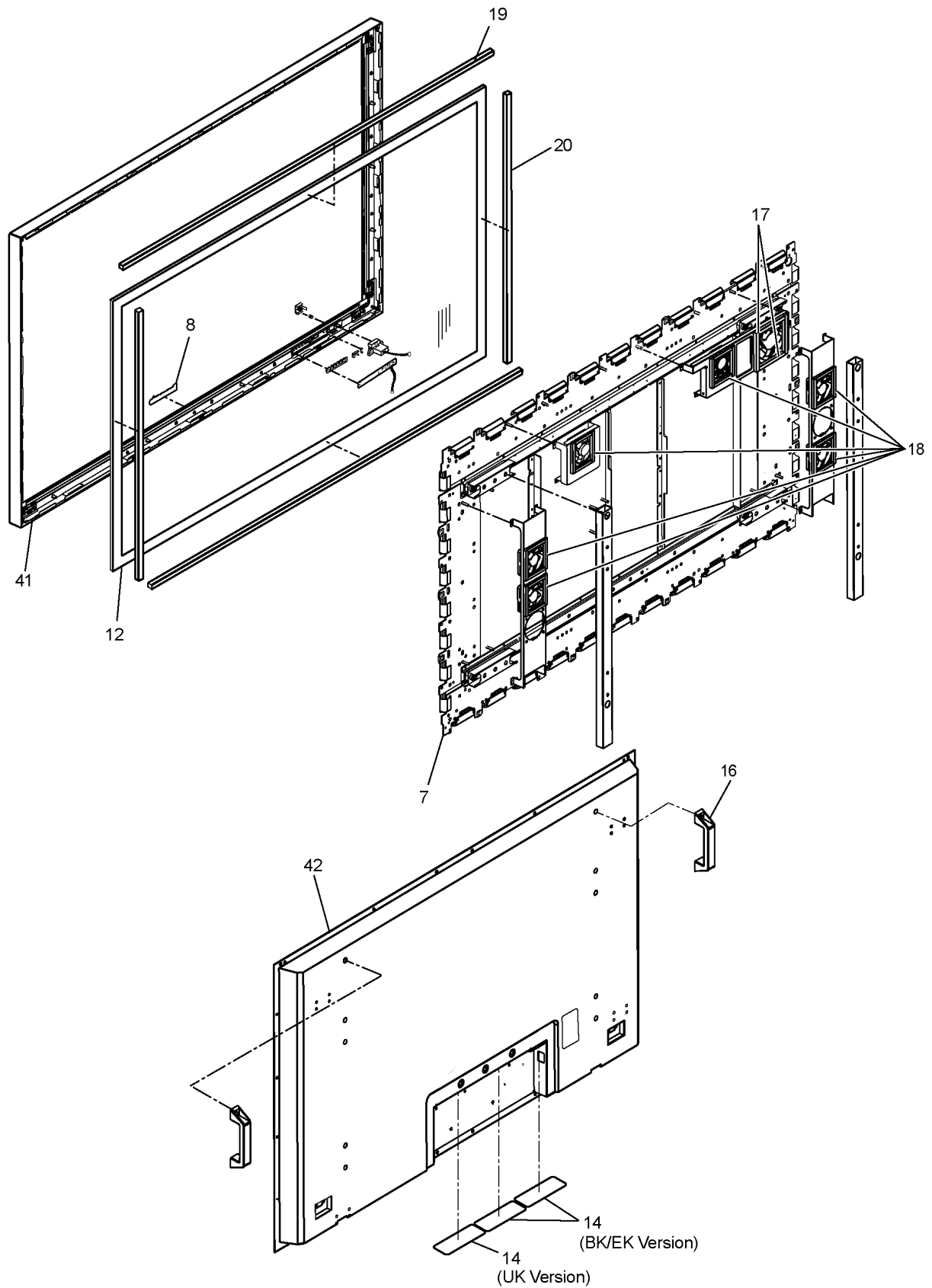
17

18

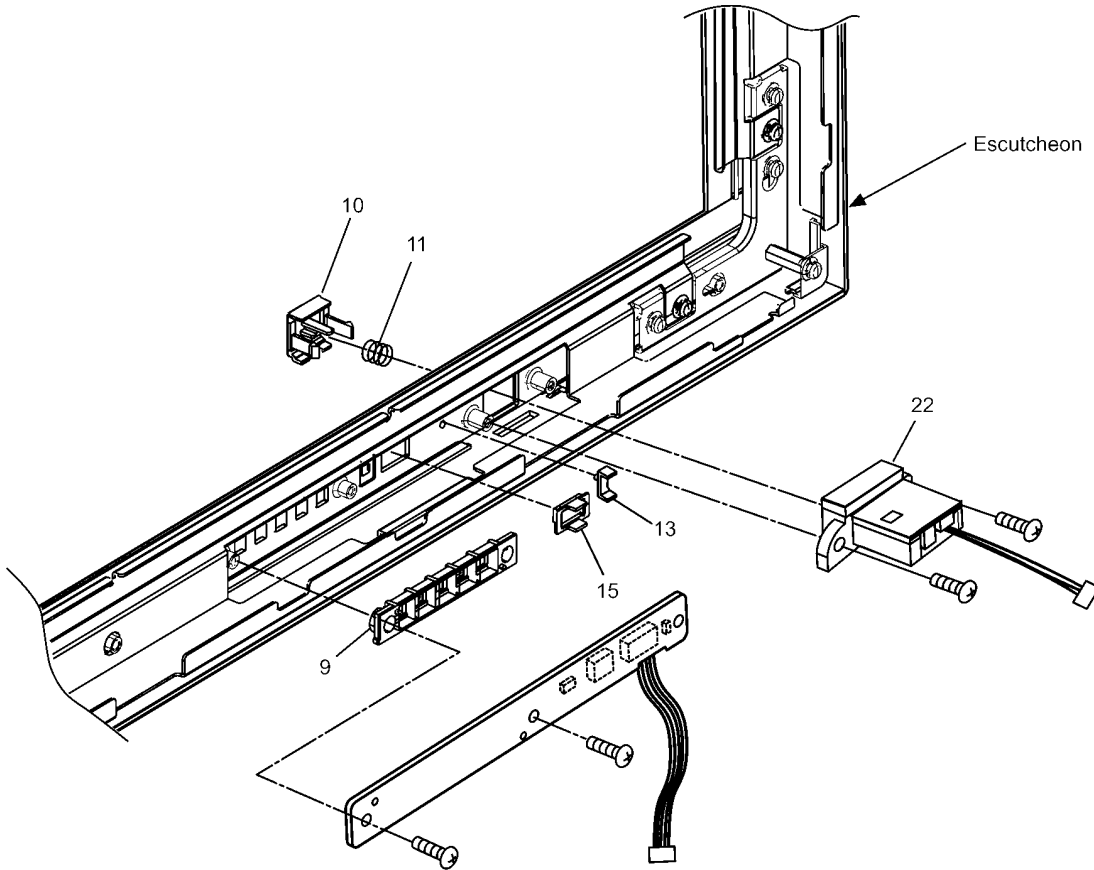
16 Parts Location

16.1. Exploded View

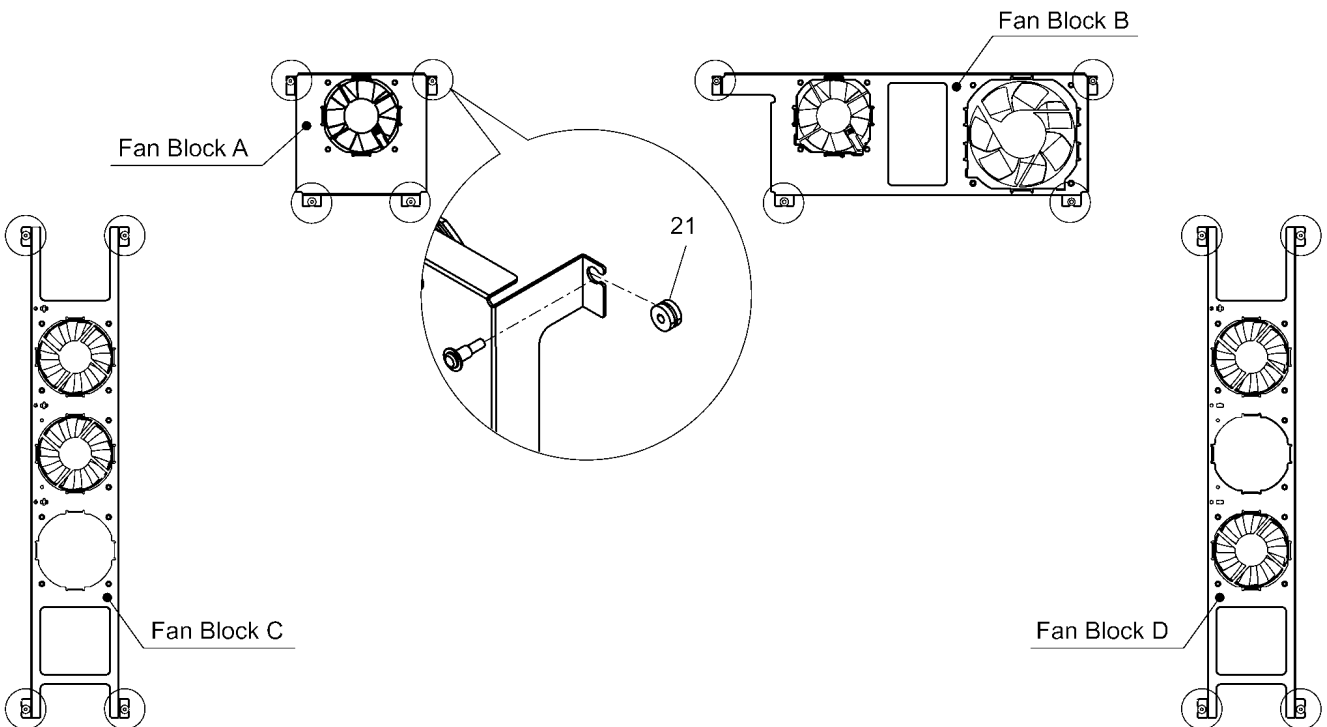
16.1.1. The main mechanical parts relation



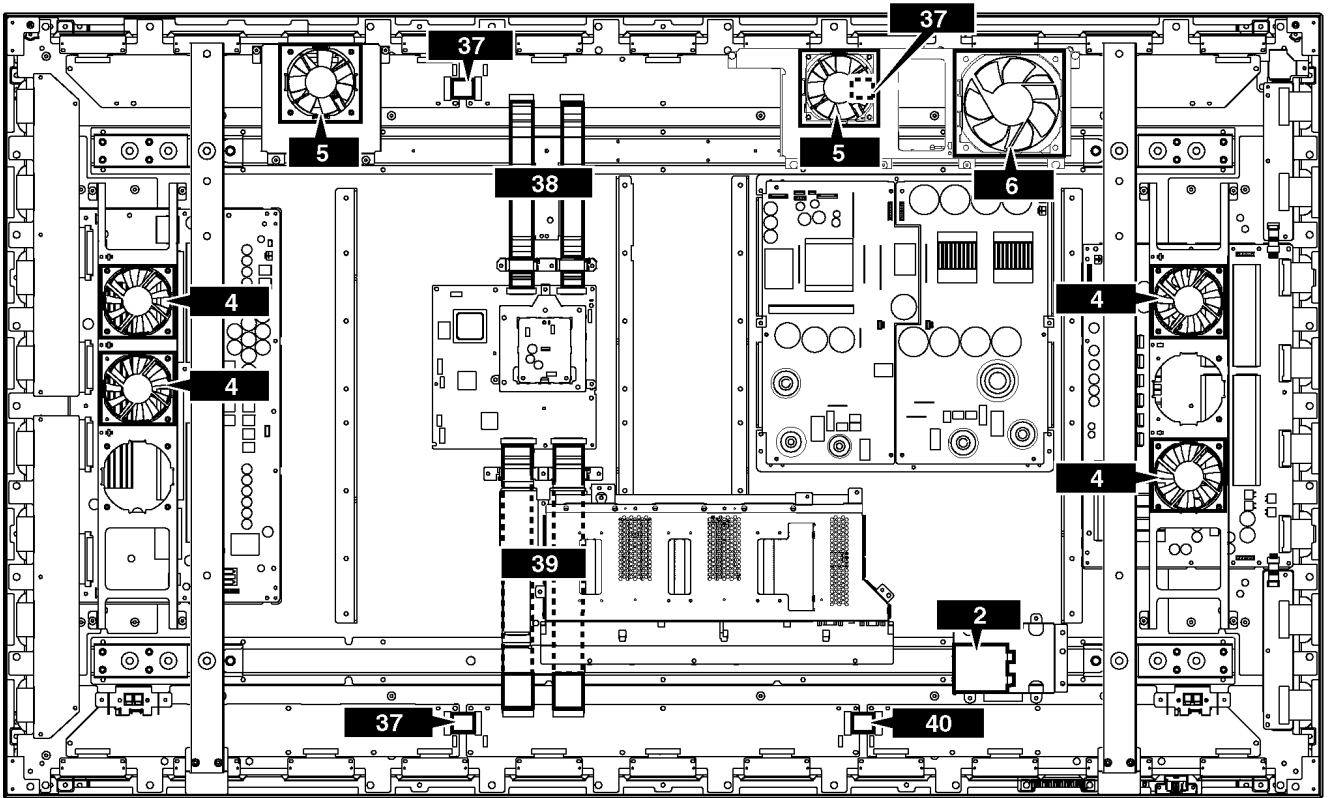
16.1.2. Escutcheon part location enlarged view



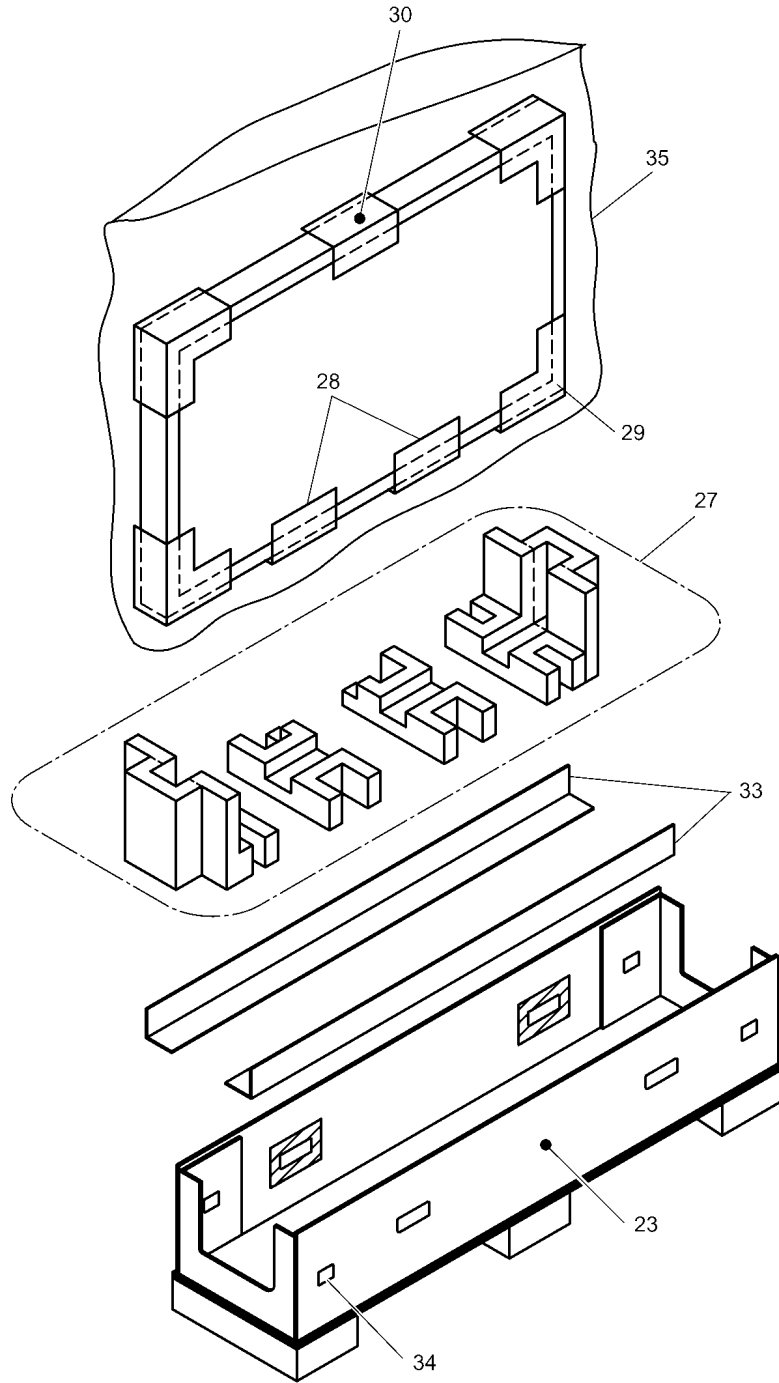
16.1.3. Fan part location enlarged view

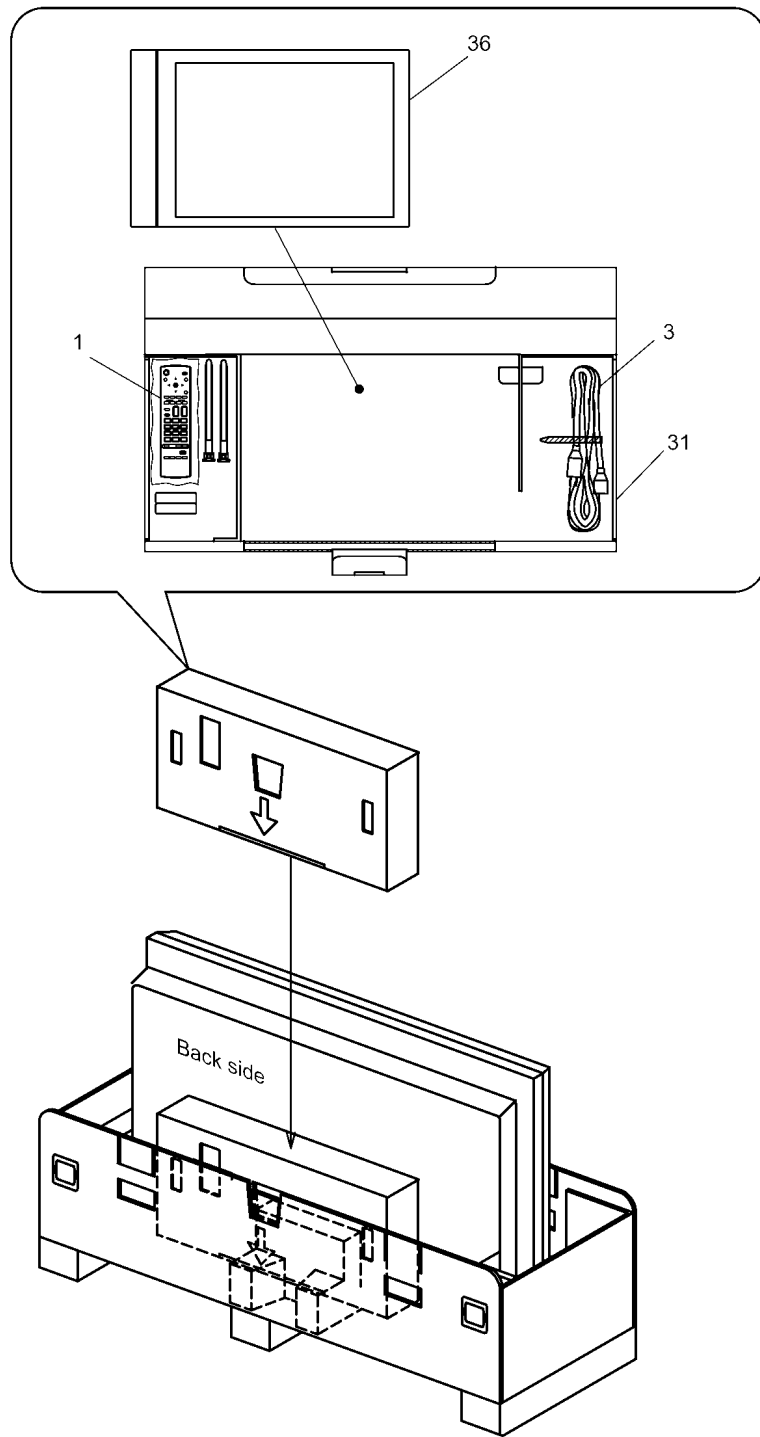


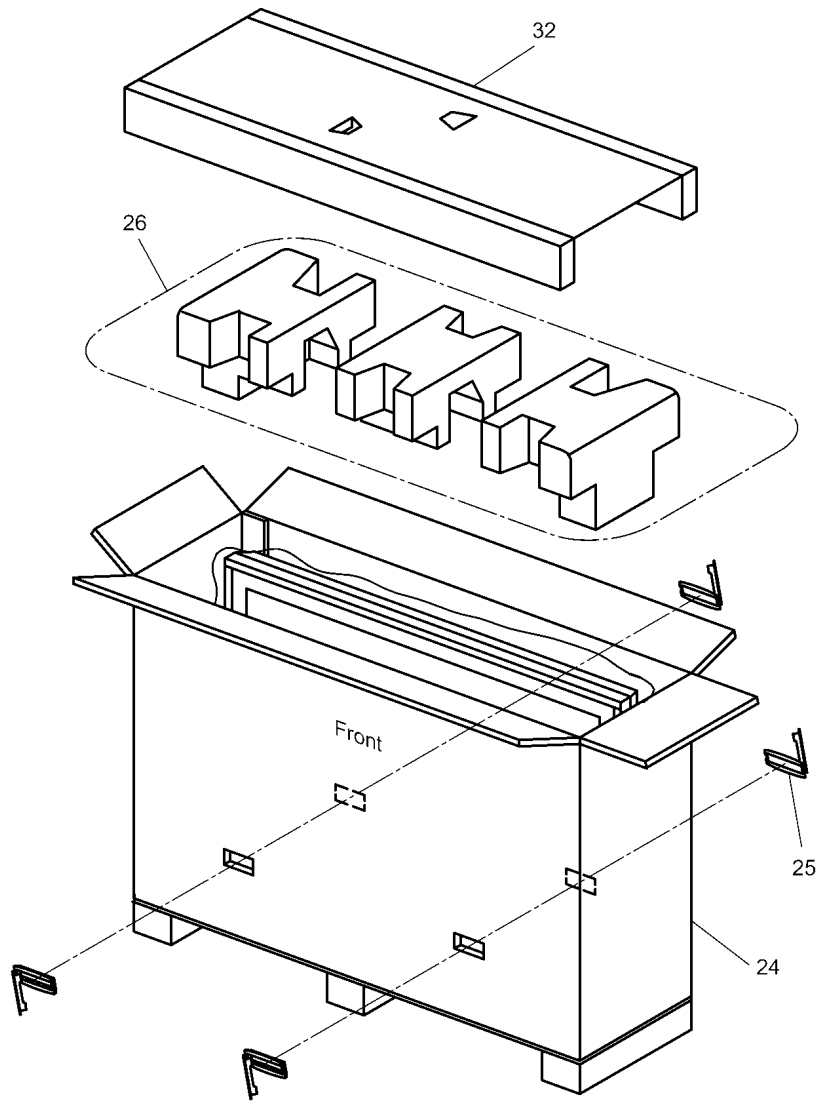
16.2. Cable relation



16.3. Packing summary







17 Mechanical Replacement Parts List

Ref. No.	Part No.	Part Name & Description	Pcs	Remarks
1	EUR7636070R	REMOTE CONTROLLER	1	UK
1	EUR7636090R	REMOTE CONTROL	1	BK/EK
	JOKD00000095	FLAT CORE	2	
	JOKD00000096	FLAT CORE	2	
	JOKG00000011	NOISE FILTER	2	
	KLYD68000002	68P CONNECTOR	2	
2	K2AH3H000039	AC INLET	1	△
3	K2CG3DH00025	AC CORD	1	UK △
3	K2CN3DH00006	AC CORD	1	EK △
3	K2CT3DH00025	AC CORD (B/H)	1	BK △
4	L6FALCEH0004	FAN (SC/SS)	4	
5	L6FALEFH0028	FAN (MIDDLE)	2	
6	L6FAPEHH0006	FAN (BIG)	1	
7	MD65H08ALJ	PLASMA DISPLAY PANEL	1	△
8	TBMA165	PANASONIC BADGE	1	
9	TBXA38902	HINGE BUTTON	1	
10	TBXA44801	POWER BUTTON	1	
11	TESD031	SPRING	1	
12	TKGA5178-2T	FRONT GLASS	1	
13	TKKC5105	LED PANEL	1	
14	TKKL5266	COVER	2	BK/EK
14	TKKL5266	COVER	1	UK
15	TKPA60301	REMOCON RECEIVER PANEL	1	
16	TKRA45301	HANDLE	2	
17	TMKG405	SPONGE (FAN BIG)	2	
18	TMKG469-1	SPONGE (FAN)	6	
19	TMKG572	CUSHION (TOP/BOTTOM)	2	
20	TMKG573	CUSHION (RIGHT/LEFT)	2	
21	TMMJ068	RUBBER (FAN)	16	
	TMMX064-2	SPACER (A)	20	
	TMMX070	SPACER (C)	20	
	TMMX095	BRACKET	2	
22	TMWC014	POWER BUTTON BRACKET	1	
23	TPCB66101	CARTON BOX (BOTTOM)	1	
24	TPCB83802	CARTON BOX (TOP)	1	UK △
24	TPCB83806	CARTON BOX (TOP)	1	EK △
24	TPCB83807	CARTON BOX (TOP)	1	BK △
25	TPD169487	JOINT (BIG)	4	
26	TPDA1035	CUSHION (TOP/LEFT/IN/RIGHT)	1	
27	TPDA1036	CUSHION (BOTTOM/LEFT/IN)	1	
28	TPDA1038	CUSHION (CENTER)	2	
29	TPDA1153	CUSHION (CORNER)	4	
30	TPDA1154	CUSHION (CENTER/TOP)	1	
31	TPDF0737	PAPER BOX	1	
32	TPDF1306	CUSHION (TOP)	1	
33	TPDF1408	CUSHION (L)	2	
34	TPDX0007	JOINT (SMALL)	4	
35	TPEH246	PROTECTION COVER	1	
36	TQBC2033	INSTRUCTION BOOK (ENGLISH)	1	UK △
36	TQBC2034	INSTRUCTION BOOK (SPANISH)	1	UK △
36	TQBC2035	INSTRUCTION BOOK (FRENCH)	1	UK △
36	TQBC2059	INSTRUCTION BOOK (ENGLISH)	1	EK △
36	TQBC2060	INSTRUCTION BOOK (GERMAN)	1	EK △
36	TQBC2061	INSTRUCTION BOOK (FRENCH)	1	EK △
36	TQBC2062	INSTRUCTION BOOK (ITALIAN)	1	EK △
36	TQBC2063	INSTRUCTION BOOK (SPANISH)	1	EK △

Ref. No.	Part No.	Part Name & Description	Pcs	Remarks
36	TQBC2064	INSTRUCTION BOOK (DUTCH)	1	EK △
36	TQBC2065	INSTRUCTION BOOK (DANISH)	1	EK △
36	TQBC2066	INSTRUCTION BOOK (SWEDISH)	1	EK △
36	TQBC2067	INSTRUCTION BOOK (ENGLISH)	1	BK △
	TQEF035	POLY BAG	1	
	TQZH337	INSTRUCTION SHEET	1	UK
37	TSXL450	CABLE(C10-C20/C21-C31/C50-C60)	3	
38	TSXL478	CABLE(D31-C24/D32-C25)	2	
39	TSXL479	CABLE(D33-C54/D34-C55)	2	
40	TSXL480	CABLE(C41-C51)	1	
41	TTEA0309	ESLUTCHEON ASSY	1	
42	TTUA1256	REAR COVER	1	UK △
42	TTUA1260	REAR COVER	1	EK △
42	TTUA1261	REAR COVER	1	BK △
	TXJSPL0YUS-1	SPEAKER LEAD (LEFT)	1	
	TXJSR0YUS-1	SPEAKER LEAD (RIGHT)	1	
	XZBT6506	POLY BAG	1	
	TMM15414-2	CLAMPER	1	
	TMM17499	CLAMPER	1	
	TMM25401	CLAMPER	6	
	TMM6463-1	CLAMPER	1	
	TMM6496-1	CLAMPER	2	
	TMM7464-2	CLAMPER	5	
	TMM7468-1	CLAMPER	1	
	TMME002	CLAMPER	1	
	TMME047	CLAMPER	1	
	TMME061	CLAMPER	3	
	TMME152	CLAMPER	4	
	TMME185	CLAMPER	2	
	TMME187	CLAMPER	2	
	TMME190	CLAMPER	2	
	TMME199	CLAMPER	1	
	TMME226	CLAMPER	2	
	TMME228	CLAMPER	2	
	THEA068N	SCREW	4	
	THEA130N	SCREW	4	
	THEL0239	SCREW	18	
	THEL027N	SCREW	20	BK/EK
	THEL027N	SCREW	24	UK
	THEL035N	SCREW	173	
	THNG005J	NUT	2	
	THTD010N	SCREW	20	
	XTS3+10JFJ	SCREW	1	
	XTV3+10JFJ	SCREW	2	BK/EK
	XTV3+10JFJ	SCREW	4	UK
	XTW3+8TFJ	SCREW	6	
	XYC3+JF12FJ	SCREW	5	BK/EK
	XYC3+JF12FJ	SCREW	4	UK
	XYN3+F10FJ	SCREW	3	
	XYN3+F12FJ	SCREW	4	
	XYN3+F8FJ	SCREW	6	
	XYN3+J12FJ	SCREW	61	
	XYN4+E8FJ	SCREW	1	
	XYN4+F10FJ	SCREW	42	
	XYN4+F20FJ	SCREW	25	
	XYN4+F32FJ	SCREW	4	
	XYN4+F38FJK	SCREW	20	
	XYN8+F20FJK	SCREW	12	
	XYN8+F30FJK	SCREW	12	

18 Replacement Parts List

18.1. Relpacement Parts List Notes

Important Safety Notice

Components identified by \triangle mark have special characteristics important for safety. When replacing any of these components, use only manufacturer's specified parts.

RTL (Retention Time Limited)

Note: The marking (RTL) indicates that the Retention Time is Limited for this item. After the discontinuation of this assembly in production, the item will continue to be available for a specific period of time. The retention period of availability is dependant on the type of assembly, and in accordance with the laws governing part and product retention. After the end of this period, the assembly will no longer be available.

Abbreviation of part name and description

1. Resistor

Example:

ERD25TJ104 \underline{C} 100KOHM, \underline{J} , 1/4W
 Type Allowance

2. Capacitor

Example:

ECKF1H103ZF \underline{C} 0.01UF, \underline{Z} , 50V
 Type Allowance

Type	Allowance
C : Carbon	F : $\pm 1\%$
F : Fuse	G : $\pm 2\%$
M : Metal Oxide Metal Film	J : $\pm 5\%$
S : Solid	K : $\pm 10\%$
W : Wire Wound	M : $\pm 20\%$

Type	Allowance
C : Ceramic	C : $\pm 0.25\text{pF}$
E : Electrolytic	D : $\pm 0.5\text{pF}$
P : Polyester	F : $\pm 1\text{pF}$
Polypropylene	G : $\pm 3\text{pF}$
J : $\pm 5\text{pF}$	
T : Tantalum	K : $\pm 10\text{pF}$
	L : $\pm 15\text{pF}$
	M : $\pm 20\text{pF}$
	P : +100%, -0%
	Z : +80%, -20%

18.2. Electrical Replacement Parts List

Ref. No.	Part No.	Part Name & Description	Pcs	Remarks
F401	HU216002BP	CARTRIDGE FUSE	1	
F601,02	K5D103BMA001	TIME LAG FUSE HIGH	2	△
F603,04	HU216005BP	CARTRIDGE FUSE	2	
F701	HU216002BP	CARTRIDGE FUSE	1	
F1601,02	K5D402BNA007	TIME LAG FUSE HIGH	2	△
F1603	K5D102BNA007	TIME LAG FUSE HIGH	1	△
A601,02	RA362MSV7	ARRESTOR	2	△
C10	K1MN50BA0076	50P CONNECTOR	1	
C11	K1KA06BA0107	6P CONNECTOR	1	
C20,21	K1MN50BA0076	50P CONNECTOR	2	
C22,23	K1KA06BA0107	6P CONNECTOR	2	
C24,25	K1MN55BA0076	55P CONNECTOR	2	
C31	K1MN50BA0076	50P CONNECTOR	1	
C33	K1KA06BA0107	6P CONNECTOR	1	
C35	K1KA10AA0153	10P CONNECTOR	1	
C41	K1MN55BA0076	55P CONNECTOR	1	
C42	K1KA10AA0153	10P CONNECTOR	1	
C43	K1KA06BA0107	6P CONNECTOR	1	
C44	K1KA20AA0009	20P CONNECTOR	1	
C50	K1MN50BA0076	50P CONNECTOR	1	
C51	K1MN55BA0076	55P CONNECTOR	1	
C52,53	K1KA06BA0107	6P CONNECTOR	2	
C54,55	K1MN68BA0076	68P CONNECTOR	2	
C60	K1MN50BA0076	50P CONNECTOR	1	
C61	K1KA06BA0107	6P CONNECTOR	1	
C332	KZE1E470	ELECTROLYTIC CAPACITOR	1	
C341	RR3AD332K	CERAMIC CAPACITOR	1	
C353	KMQ220901Z	ELECTROLYTIC CAPACITOR	1	
C356	TAB104K2E	CERAMIC CHIP CAPACITOR	1	
C359	KZE1E470	ELECTROLYTIC CAPACITOR	1	
C360,61	KMQ220901Z	ELECTROLYTIC CAPACITOR	2	
C362-65	RR3DD221K	CERAMIC CAPACITOR	4	
C367	KMQ220901Z	ELECTROLYTIC CAPACITOR	1	
C369	TAB104K2E	CERAMIC CHIP CAPACITOR	1	
C370	TBB105K1	CERAMIC CHIP CAPACITOR	1	
C401	KZE1J470	ELECTROLYTIC CAPACITOR	1	
C410	ECWH8183HVB	PLASTIC FILM CAPACITOR	1	
C411	TAB475K2	CERAMIC CHIP CAPACITOR	1	
C412	TBB105K1	CERAMIC CHIP CAPACITOR	1	
C451	KZE1E182S	ELECTROLYTIC CAPACITOR	1	
C452	KZE1E821L	ELECTROLYTIC CAPACITOR	1	
C454,55	ECJ3YB1E225K	C 2.2UF, K, 25V	2	
C457	KZE1E821L	ELECTROLYTIC CAPACITOR	1	
C458	ECJ3YB1E105K	C 1UF, K, 25V	1	
C459	KZE1E821L	ELECTROLYTIC CAPACITOR	1	
C460	ECJ2FB1H104K	C 0.1UF, K, 50V	1	
C461	KZE1E471L	ELECTROLYTIC CAPACITOR	1	
C462	ECJ2FB1H104K	C 0.1UF, K, 50V	1	
C463	KZE1E182S	ELECTROLYTIC CAPACITOR	1	
C465	KZE1E101	ELECTROLYTIC CAPACITOR	1	
C466-69	ECJ2FB1H104K	C 0.1UF, K, 50V	4	
C471	ECJ2FB1H104K	C 0.1UF, K, 50V	1	

Ref. No.	Part No.	Part Name & Description	Pcs	Remarks
C472	KZE1E470	ELECTROLYTIC CAPACITOR	1	
C473	ECJ3YB1E225K	C 2.2UF, K, 25V	1	
C601	ECQU2A105ML	PLASTIC FILM CAPACITOR	1	△
C603,04	CD221K	CERAMIC CAPACITOR	2	△
C606	ECQU2A224ML	PLASTIC FILM CAPACITOR	1	△
C609	KZE1E101	ELECTROLYTIC CAPACITOR	1	
C610,11	MMXC2W105K	PLASTIC FILM CAPACITOR	2	
C612	KZE1E470	ELECTROLYTIC CAPACITOR	1	
C613	ECJ2XB1H103K	C 0.01UF, K, 50V	1	
C614	KZE1H560	ELECTROLYTIC CAPACITOR	1	
C622	ECQE6104KF	P 0.1UF, K, 630V	1	
C623,24	KMQ2W221L	ELECTROLYTIC CAPACITOR	2	
C625	TBB474K2	CERAMIC CHIP CAPACITOR	1	
C626	KMQ2W221L	ELECTROLYTIC CAPACITOR	1	
C627	ECQE6472B45	PLASTIC FILM CAPACITOR	1	
C628	KX101K	CERAMIC CAPACITOR	1	△
C629	KZE1E470	ELECTROLYTIC CAPACITOR	1	
C630	KMQ2W221L	ELECTROLYTIC CAPACITOR	1	
C633	ECJ2XB1H102K	C 1000PF, K, 50V	1	
C634	ECJ2XB1H103K	C 0.01UF, K, 50V	1	
C701	KZE1J470	ELECTROLYTIC CAPACITOR	1	
C710	ECJ3YB1E475K	C 4.7UF, K, 25V	1	
C711	TBB105K1	CERAMIC CHIP CAPACITOR	1	
C712	ECWH8273HVB	PLASTIC FILM CAPACITOR	1	
C713	ECJ2FB1C684K	C 68UF, Z, 16V	1	
C715-17	KZE2A331L	ELECTROLYTIC CAPACITOR	3	
C719,20	TCR224K2E	CERAMIC CHIP CAPACITOR	2	
C801,02	EEVHB1C471	E 470UF, 16V	2	
C804	ECJ2XB1H222K	C 2200PF, K, 50V	1	
C805	ECJ1VB1C105K	C 0.01UF, K, 16V	1	
C806	ECJ1XB1C104K	C 0.1UF, Z, 16V	1	
C807	ECJ3XF1C475Z	C 4.7UF, Z, 16V	1	
C808	ECJ1XB1C104K	C 0.1UF, Z, 16V	1	
C809	ECJ3YB1C225K	C 0.022UF, K, 16V	1	
C811,12	EEVHB1C471	E 470UF, 16V	2	
C814	ECJ2XB1H472K	C 4700PF, K, 50V	1	
C815	ECJ1VB1C105K	C 0.01UF, K, 16V	1	
C816	ECJ1XB1C104K	C 0.1UF, Z, 16V	1	
C817	ECJ3XF1C475Z	C 4.7UF, Z, 16V	1	
C818	ECJ1XB1C104K	C 0.1UF, Z, 16V	1	
C819	ECJ3YB1C225K	C 0.022UF, K, 16V	1	
C820	ECJ2XC1H820J	C 82PF, J, 50V	1	
C821	F2H0J102A010	C 1000UF, 6.3V	1	
C822	EEVHB1C471	E 470UF, 16V	1	
C824	ECJ2XB1H472K	C 4700PF, K, 50V	1	
C825	ECJ1VB1C105K	C 0.01UF, K, 16V	1	
C826	ECJ1XB1C104K	C 0.1UF, Z, 16V	1	
C827	ECJ3XF1C475Z	C 4.7UF, Z, 16V	1	
C828	ECJ1XB1C104K	C 0.1UF, Z, 16V	1	
C829	F1J0J1060004	C 0.010UF, K, 16V	1	
C830	ECJ2XC1H820J	C 82PF, J, 50V	1	
C831	EEVHB1C470P	C 47PF, J, 16V	1	
C832	ECJ1XB1C104K	C 0.1UF, Z, 16V	1	
C833	ECJ1VB1H103K	C 0.001UF, K, 50V	1	
C834	EEVHB1C470P	C 47PF, J, 16V	1	
C835	F1J0J1060004	C 0.010UF, K, 16V	1	

Ref. No.	Part No.	Part Name & Description	Pcs	Remarks
C836	ECJ3YB1C225K	C 0.022UF, K, 16V	1	
C837	FLJ0J1060004	C 0.010UF, K, 16V	1	
C838	ECJ3YB1C225K	C 0.022UF, K, 16V	1	
C839	FLJ0J1060004	C 0.010UF, K, 16V	1	
C840	ECJ3YB1C225K	C 0.022UF, K, 16V	1	
C841	FLJ0J1060004	C 0.010UF, K, 16V	1	
C842	ECJ3YB1C225K	C 0.022UF, K, 16V	1	
C843	FLJ0J1060004	C 0.010UF, K, 16V	1	
C844	ECJ3YB1C225K	C 0.022UF, K, 16V	1	
C845	FLJ0J1060004	C 0.010UF, K, 16V	1	
C846	ECJ3YB1C225K	C 0.022UF, K, 16V	1	
C847	FLJ0J1060004	C 0.010UF, K, 16V	1	
C848	ECJ3YB1C225K	C 0.022UF, K, 16V	1	
C850	ECQB1H104JF	P 0.1UF, J, 50V	1	
C852	ECA1EM471	E 470UF, 25V	1	
C854	EEUFC1C471	E 470UF, 16V	1	
C901	KZE1E101	ELECTROLYTIC CAPACITOR	1	
C902	KZE1E470	ELECTROLYTIC CAPACITOR	1	
C903	KMQ2W221L	ELECTROLYTIC CAPACITOR	1	
C904	ECJ2FB1H104K	C 0.1UF, K, 50V	1	
C905	ECJ2XB1H103K	C 0.01UF, K, 50V	1	
C906	KZE1H101	ELECTROLYTIC CAPACITOR	1	
C907	KZE1E101	ELECTROLYTIC CAPACITOR	1	
C908	KX101K	CERAMIC CAPACITOR	1	△
C910	KZE1H101	ELECTROLYTIC CAPACITOR	1	
C951	KZE1E471L	ELECTROLYTIC CAPACITOR	1	
C952	ECJ2FB1H104K	C 0.1UF, K, 50V	1	
C953	TBB105K1	CERAMIC CHIP CAPACITOR	1	
C954	KZE1E101	ELECTROLYTIC CAPACITOR	1	
C956	TBB105K1	CERAMIC CHIP CAPACITOR	1	
C957	KZE1A471	ELECTROLYTIC CAPACITOR	1	
C958,59	ECJ2FB1H104K	C 0.1UF, K, 50V	2	
C1530	ECJ3XB0J106M	C 10UF, M, 6.3V	1	
C1601	ECQU2A474ML	PLASTIC FILM CAPACITOR	1	△
C1603,04	CD221K	CERAMIC CAPACITOR	2	△
C1606	ECQU2A224ML	PLASTIC FILM CAPACITOR	1	△
C1610,11	MMXC2W105K	PLASTIC FILM CAPACITOR	2	
C1622	ECQE6104KF	P 0.1UF, K, 630V	1	
C1623,24	KMQ2W161K	ELECTROLYTIC CAPACITOR	2	
C1625	TBB474K2	CERAMIC CHIP CAPACITOR	1	
C1627	ECQE6472B45	PLASTIC FILM CAPACITOR	1	
C1628	CD221K	CERAMIC CAPACITOR	1	△
C1629	KZE1E470	ELECTROLYTIC CAPACITOR	1	
C1630	ECQU2A473ML	PLASTIC FILM CAPACITOR	1	△
C1631	KMQ2W161K	ELECTROLYTIC CAPACITOR	1	
C1633	ECJ2XB1H102K	C 1000PF, K, 50V	1	
C1634	ECJ2FB1E224K	C 22UF, K, 25V	1	
C1635	ECJ2XB1H103K	C 0.01UF, K, 50V	1	
C2350,51	ECJ3YB1C225K	C 0.022UF, K, 16V	2	
C2352,53	EEH1H100P	C 10PF, J, 50V	2	
C2354,55	EEH1V470P	E 47UF, 35V	2	
C2356,57	ECJ2XB1H102K	C 1000PF, K, 50V	2	

Ref. No.	Part No.	Part Name & Description	Pcs	Remarks
C2358,59	EEH1V2R2R	E 2.2UF, 35V	2	
C2360,61	ECJ2XC1H102J	C 1000PF, J, 50V	2	
C2362,63	EEH1E471UP	C 470PF, J, 25V	2	
C2364,65	ECQV1H104JM	P 0.1UF, J, 50V	2	
C2366,67	ECJ3YB1E225K	C 2.2UF, K, 25V	2	
C2368,69	ECQV1H104JM	P 0.1UF, J, 50V	2	
C2370,71	EEH1V470P	E 47UF, 35V	2	
C2373-75	ECJ1XB1C104K	C 0.1UF, Z, 16V	3	
C2376,77	ECJ1XC1H150J	C 15PF, J, 50V	2	
C2378-82	ECJ1XB1C104K	C 0.1UF, Z, 16V	5	
C2383	EEH1A101P	C 100PF, J, 10V	1	
C2384	ECJ1XB1C104K	C 0.1UF, Z, 16V	1	
C2385	EEH1A101P	C 100PF, J, 10V	1	
C2386,87	EEH1H1R0R	C 1.0PF, J, 50V	2	
C2388	ECJ1XB1C104K	C 0.1UF, Z, 16V	1	
C2389	EEH1A101P	C 100PF, J, 10V	1	
C2390	EEH1H100P	C 10PF, J, 50V	1	
C2391	ECJ1XB1C104K	C 0.1UF, Z, 16V	1	
C2392,93	ECJ2VF1C105Z	C 1UF, Z, 16V	2	
C2394	EEH1H100P	C 10PF, J, 50V	1	
C2395,96	ECJ1XB1C104K	C 0.1UF, Z, 16V	2	
C2397	EEH1A101P	C 100PF, J, 10V	1	
C2398-03	ECJ1XB1C104K	C 0.1UF, Z, 16V	6	
C2404	ECJ1VB1C103K	C 0.010UF, K, 16V	1	
C2405,06	ECJ1VB0J225K	C 2.2UF, K, 6.3V	2	
C2407,08	FLJ0J1060004	C 0.010UF, K, 16V	2	
C2409,10	ECJ1XC1H181J	C 180PF, J, 50V	2	
C2411	ECJ3XB1C106M	C 1.0UF, K, 16V	1	
C2412,13	ECJ3YB1E106M	C 1.0UF, K, 16V	2	
C3001	ECJ1VF1H103Z	C 0.010UF, Z, 50V	1	
C3002	ECJ3XF1C475Z	C 4.7UF, Z, 16V	1	(J)
C3002	ECJ2XB1E104K	C 0.1UF, K, 25V	1	(HB)
C3003	ECJ2VF1C105Z	C 1UF, Z, 16V	1	(J)
C3003	EEH1A100R	E 10UF, 10V	1	(HB)
C3004	EEH1C470P	C 47PF, J, 16V	1	(J)
C3004	EEH1A100R	E 10UF, 10V	1	(HB)
C3005	ECJ2VF1C105Z	C 1UF, Z, 16V	1	(J)
C3005	ECJ1XB1C104K	C 0.1UF, Z, 16V	1	(HB)
C3006	ECJ2VF1C105Z	C 1UF, Z, 16V	1	(J)
C3006	ECJ1XB1C104K	C 0.1UF, Z, 16V	1	(HB)
C3007	EEH1C470P	C 47PF, J, 16V	1	(J)
C3007	ECJ2VF1C105Z	C 1UF, Z, 16V	1	(HA)
C3007	ECJ1XB1C104K	C 0.1UF, Z, 16V	1	(HB)
C3008	ECJ1VF1H104Z	C 0.1UF, Z, 50V	1	(J)
C3008	ECJ2VF1C105Z	C 1UF, Z, 16V	1	(HA)
C3008	ECJ1XB1C104K	C 0.1UF, Z, 16V	1	(HB)
C3009	ECJ1XB1C104K	C 0.1UF, Z, 16V	1	(J)
C3009	EEH1C470P	C 47PF, J, 16V	1	(HB)
C3010	ECJ1XB1C104K	C 0.1UF, Z, 16V	1	(HB)
C3011	ECJ1XB1C104K	C 0.1UF, Z, 16V	1	(J)
C3011	EEH1C470P	C 47PF, J, 16V	1	(HA)
C3011	ECJ1XB1C104K	C 0.1UF, Z, 16V	1	(HB)
C3012	ECJ1VF1H103Z	C 0.010UF, Z, 50V	1	(J)
C3012	ECJ2VF1C104Z	C 0.1UF, Z, 16V	1	(HB)
C3012	ECJ1XB1C104K	C 0.1UF, Z, 16V	1	(HA)
C3013	ECJ1VF1H103Z	C 0.010UF, Z, 50V	1	(J)
C3013	ECJ2VF1C105Z	C 1UF, Z, 16V	1	(HB)
C3014	ECJ1VF1H103Z	C 0.010UF, Z, 50V	1	(J)

Ref. No.	Part No.	Part Name & Description	Pcs	Remarks
C3014	EEEB1C470P	C 47PF, J, 16V	1	(HB)
C3015	ECJ1VF1H103Z	C 0.010UF, Z, 50V	1	(J)
C3015	ECJ1XC1H470J	C 47PF, J, 50V	1	(HB)
C3016	ECJ1VF1H103Z	C 0.010UF, Z, 50V	1	(J)
C3016	ECJ1XC1H220J	C 22PF, J, 50V	1	(HB)
C3017	ECJ1VF1H103Z	C 0.010UF, Z, 50V	1	(J)
C3017	ECJ1XC1H680J	C 68PF, J, 50V	1	(HB)
C3018	EEEB1C470P	C 47PF, J, 16V	1	(J)
C3018	EEEB0J330R	C 33PF, J, 6.3V	1	(HB)
C3019	ECJ1XF1C104Z	C 0.1UF, Z, 16V	1	(J)
C3019	ECJ3YB0J335K	C 33UF, J, 25V	1	(HB)
C3020	ECJ3YB1C225K	C 0.022UF, K, 16V	1	(J)
C3021	ECJ3YB1C225K	C 0.022UF, K, 16V	1	(J)
C3021	ECJ1VF1A105Z	C 1UF, Z, 10V	1	(HA)
C3021	ECJ2VF1C105Z	C 1UF, Z, 16V	1	(HB)
C3022	ECJ2VF1C104Z	C 0.1UF, Z, 16V	1	(HA)
C3022	ECJ1VF1A105Z	C 1UF, Z, 10V	1	(HB)
C3022,23	ECJ3YB1C225K	C 0.022UF, K, 16V	2	(J)
C3023	EEEB0J101P	C 100PF, J, 6.3V	1	(HB)
C3024	ECJ3XB0J106M	C 10UF, M, 6.3V	1	(HB)
C3024-31	ECJ3YB1C225K	C 0.022UF, K, 16V	8	(J)
C3032	ECJ1XB1C104K	C 0.1UF, Z, 16V	1	
C3033	ECJ2VF1C105Z	C 1UF, Z, 16V	1	
C3040,41	ECJ1XF1C104Z	C 0.1UF, Z, 16V	2	
C3051-54	ECJ1XC1H561J	C 560PF, J, 50V	4	
C3055,56	ECJ2VF1C105Z	C 1UF, Z, 16V	2	
C3101	ECJ3YB1C225K	C 0.022UF, K, 16V	1	
C3102	ECJ1XB1C104K	C 0.1UF, Z, 16V	1	
C3103	ECJ3YB1C225K	C 0.022UF, K, 16V	1	(J)
C3103	ECJ1VF1A105Z	C 1UF, Z, 10V	1	(HB)
C3104	ECJ1XB1C104K	C 0.1UF, Z, 16V	1	(HB)
C3105	ECJ1XF1C104Z	C 0.1UF, Z, 16V	1	
C3105	EEEB0G221P	C 220PF, J, 4V	1	(HB)
C3106	ECJ1XF1C104Z	C 0.1UF, Z, 16V	1	(J)
C3106	ECJ1XB1C104K	C 0.1UF, Z, 16V	1	(HB)
C3107	ECJ1XF1C104Z	C 0.1UF, Z, 16V	1	(J)
C3107	ECJ1XB1C104K	C 0.1UF, Z, 16V	1	(HB)
C3108	ECJ1XF1C104Z	C 0.1UF, Z, 16V	1	(J)
C3108	ECJ1XB1C104K	C 0.1UF, Z, 16V	1	(HB)
C3109	ECJ1XB1C104K	C 0.1UF, Z, 16V	2	(HB)
C3110	ECJ3YB1C225K	C 0.022UF, K, 16V	1	(J)
C3111	ECJ1XF1C104Z	C 0.1UF, Z, 16V	1	(J)
C3111	ECJ1XB1C104K	C 0.1UF, Z, 16V	1	(HB)
C3112	ECJ1XF1C104Z	C 0.1UF, Z, 16V	1	(J)
C3112	ECJ1XB1C104K	C 0.1UF, Z, 16V	1	(HB)
C3113	EEEB1C470P	C 47PF, J, 16V	1	(J)
C3113	ECJ1XB1C104K	C 0.1UF, Z, 16V	1	(HB)
C3114	ECJ3XF1C475Z	C 4.7UF, Z, 16V	1	(J)
C3114	ECJ1XB1C104K	C 0.1UF, Z, 16V	1	(HB)
C3115	ECJ1XF1C104Z	C 0.1UF, Z, 16V	1	(J)
C3115	ECJ1XB1C104K	C 0.1UF, Z, 16V	1	(HB)
C3116	ECJ3YB1C225K	C 0.022UF, K, 16V	1	
C3116	ECJ1XB1C104K	C 0.1UF, Z, 16V	1	
C3117	ECJ1XB1C104K	C 0.1UF, Z, 16V	2	
C3118	ECJ1XF1C104Z	C 0.1UF, Z, 16V	1	
C3119	ECJ3YB1C225K	C 0.022UF, K, 16V	1	
C3119	ECJ1XB1C104K	C 0.1UF, Z, 16V	1	
C3120	ECJ1XF1C104Z	C 0.1UF, Z, 16V	1	
C3120	ECJ1XB1C104K	C 0.1UF, Z, 16V	1	
C3121	ECJ1XB1C104K	C 0.1UF, Z, 16V	1	
C3122	ECJ1XF1C104Z	C 0.1UF, Z, 16V	1	
C3122	ECJ1VF1A105Z	C 1UF, Z, 10V	1	
C3123	ECJ1XF1C104Z	C 0.1UF, Z, 16V	1	
C3123	ECJ1XB1C104K	C 0.1UF, Z, 16V	1	
C3124	ECJ1XB1C104K	C 0.1UF, Z, 16V	2	
C3125	ECJ1XF1C104Z	C 0.1UF, Z, 16V	1	
C3126	ECJ3YB1C225K	C 0.022UF, K, 16V	1	
C3126	ECJ1XB1C104K	C 0.1UF, Z, 16V	1	
C3127	ECJ1XF1C104Z	C 0.1UF, Z, 16V	1	

Ref. No.	Part No.	Part Name & Description	Pcs	Remarks
C3127	ECJ2VF1C105Z	C 1UF, Z, 16V	1	
C3128	EEEB1C470P	C 47PF, J, 16V	1	
C3128	ECJ1XB1C104K	C 0.1UF, Z, 16V	1	
C3129	ECJ3XF1C475Z	C 4.7UF, Z, 16V	1	
C3129	ECJ1XB1C104K	C 0.1UF, Z, 16V	1	
C3130	ECJ1XF1C104Z	C 0.1UF, Z, 16V	1	
C3130	ECJ1XB1C104K	C 0.1UF, Z, 16V	1	
C3131-02	ECJ1XB1C104K	C 0.1UF, Z, 16V	4	
C3134	F2H0J102A010	C 1000UF, 6.3V	1	
C3135	F2H0J102A010	C 1000UF, 6.3V	1	(J)
C3135	ECJ1VB1C103K	C 0.010UF, K, 16V	1	(HB)
C3136	F2H0J102A010	C 1000UF, 6.3V	1	(J)
C3136	ECJ1XC1H330J	C 33PF, J, 50V	1	(HB)
C3137	ECJ1XB1C104K	C 0.1UF, Z, 16V	1	
C3138	ECJ3XB0J106M	C 10UF, M, 6.3V	1	
C3139	ECJ1XB1C104K	C 0.1UF, Z, 16V	1	
C3140	ECJ1XC1H101J	C 100PF, J, 50V	1	
C3141	ECJ3YB1C225K	C 0.022UF, K, 16V	1	
C3141	ECJ1XB0J105K	C 1UF, K, 16V	1	
C3142	ECJ1XB1C104K	C 0.1UF, Z, 16V	1	
C3142,43	ECJ3YB1C225K	C 0.022UF, K, 16V	2	
C3144	ECJ3YB1C225K	C 0.022UF, K, 16V	1	(J)
C3144	ECJ1XB1C104K	C 0.1UF, Z, 16V	1	(HB)
C3145	EEEB1C470P	C 47PF, J, 16V	1	
C3146	ECJ3YB1C225K	C 0.022UF, K, 16V	1	(J)
C3146	ECJ1XB1C104K	C 0.1UF, Z, 16V	1	(HB)
C3147	ECJ3XB0J106M	C 10UF, M, 6.3V	1	
C3148	ECJ1XB0J105K	C 1UF, K, 16V	1	
C3149	ECJ1XB1C104K	C 0.1UF, Z, 16V	1	
C3150	ECJ1XF1C104Z	C 0.1UF, Z, 16V	1	(J)
C3150	ECJ1VB1C103K	C 0.010UF, K, 16V	1	(HB)
C3151	ECJ1XC1H330J	C 33PF, J, 50V	1	
C3152	ECJ1XB1C104K	C 0.1UF, Z, 16V	1	
C3153	ECJ1XC1H101J	C 100PF, J, 50V	1	
C3154	ECJ1XB1C104K	C 0.1UF, Z, 16V	1	
C3156	ECJ1XB0J105K	C 1UF, K, 16V	1	
C3157	ECJ3XB0J106M	C 10UF, M, 6.3V	1	
C3158	ECJ1XB1C104K	C 0.1UF, Z, 16V	1	
C3159	EEEB0G221P	C 220PF, J, 4V	1	
C3160,61	ECJ1XB1C104K	C 0.1UF, Z, 16V	2	
C3162-66	ECJ1VF1A105Z	C 1UF, Z, 10V	5	
C3167-78	ECJ1XB1C104K	C 0.1UF, Z, 16V	12	
C3179	EEEB0G221P	C 220PF, J, 4V	1	
C3180-83	ECJ1XB1C104K	C 0.1UF, Z, 16V	4	
C3185	ECJ1XC1H060D	C 6PF, D, 50V	1	
C3186	ECJ1XC1H470J	C 47PF, J, 50V	1	
C3188	ECJ1VF1A105Z	C 1UF, Z, 10V	1	
C3200	ECJ2VF1C105Z	C 1UF, Z, 16V	1	
C3201	F1J0J1060004	C 0.010UF, K, 16V	1	
C3202	F1J0J1060004	C 0.010UF, K, 16V	1	(J)
C3202	ECJ1VF1A105Z	C 1UF, Z, 10V	1	(HB)
C3203	F1J0J1060004	C 0.010UF, K, 16V	1	(J)
C3203	ECJ1VF1A105Z	C 1UF, Z, 10V	1	(HB)
C3204-06	ECJ1VF1A105Z	C 1UF, Z, 10V	3	
C3207	EEEB0G221P	C 220PF, J, 4V	1	
C3208-14	ECJ1VF1A105Z	C 1UF, Z, 10V	7	
C3216,17	ECJ1VF1A105Z	C 1UF, Z, 10V	2	
C3218	ECJ1XB1C104K	C 0.1UF, Z, 16V	1	
C3253	ECJ1XB1H102K	C 1000UF, Z, 50V	1	
C3254	ECJ1XB1C104K	C 0.1UF, Z, 16V	1	
C3255	ECJ1XB1H102K	C 1000UF, Z, 50V	1	
C3256	ECJ1XB1C104K	C 0.1UF, Z, 16V	1	
C3257	ECJ1XB1H102K	C 1000UF, Z, 50V	1	
C3258	ECJ1XB1C104K	C 0.1UF, Z, 16V	1	
C3259	ECJ1XB1H102K	C 1000UF, Z, 50V	1	
C3260	ECJ1XB1C104K	C 0.1UF, Z, 16V	1	

Ref. No.	Part No.	Part Name & Description	Pcs	Remarks
C3261	EEHBOG221P	C 220PF, J, 4V	1	
C3262	ECJ1XB1H102K	C 1000UF, Z, 50V	1	
C3263,64	ECJ1XB1C104K	C 0.1UF, Z, 16V	2	
C3265	EEHBOG221P	C 220PF, J, 4V	1	
C3266	ECJ1XB1C104K	C 0.1UF, Z, 16V	1	
C3266-68	F2H0J102A010	C 1000UF, 6.3V	3	
C3301	ECJ1VF1A105Z	C 1UF, Z, 10V	1	
C3308	EEHBOG221P	C 220PF, J, 4V	1	
C3309	ECJ1VF1A105Z	C 1UF, Z, 10V	1	
C3311	ECJ1XB1C104K	C 0.1UF, Z, 16V	1	
C3313	ECJ1VF1A105Z	C 1UF, Z, 10V	1	
C3316,17	ECJ1VF1A105Z	C 1UF, Z, 10V	2	
C3318-21	ECJ1XB1C104K	C 0.1UF, Z, 16V	4	
C3322,23	EEHBOG221P	C 220PF, J, 4V	2	
C3324	EEHBOJ101P	C 100PF, J, 6.3V	1	
C3325	EEHBC470P	C 47PF, J, 16V	1	
C3327-30	ECJ1XB1C104K	C 0.1UF, Z, 16V	4	
C3404	ECJ2VF1C104Z	C 0.1UF, Z, 16V	1	
C3405	EEHBC470P	C 47PF, J, 16V	1	
C3409	ECJ2VF1C104Z	C 0.1UF, Z, 16V	1	
C3523	EEHBC470P	C 47PF, J, 16V	1	
C3524	ECJ2VF1H103Z	C 0.010UF, Z, 50V	1	
C3550	ECJ2VF1H103Z	C 0.010UF, Z, 50V	1	
C3551	EEHBC470P	C 47PF, J, 16V	1	
C3561,62	ECJ2VF1C105Z	C 1UF, Z, 16V	2	
C6016,17	F1L1E4750004	C 4.7UF, 25V	2	
C6019	F1L1E4750004	C 4.7UF, 25V	1	
C6036,37	F1L1E4750004	C 4.7UF, 25V	2	
C6039	F1L1E4750004	C 4.7UF, 25V	1	
C6060	ECJ3YB1E105K	C 1UF, K, 25V	1	
C6061	ECA1EM471	E 470UF, 25V	1	
C6063	ECA1EM101	E 100UF, 25V	1	
C6064,65	TCUY1C105ZFN	C 1UF, 16V	2	
C6066-69	ECJ2XB1H103K	C 0.01UF, K, 50V	4	
C6080-87	FOC2E225A166	C 22UF, 250V	8	
C6100	F1L2J562A022	C 5600UF, K,6.3V	1	
C6102,03	F1L2J562A022	C 5600UF, K,6.3V	2	
C6114	F1L1E4750004	C 4.7UF, 25V	1	
C6115	EEUFC1E221	E 220UF, 25V	1	
C6131,32	F1L1E4750004	C 4.7UF, 25V	2	
C6134	F1L1E4750004	C 4.7UF, 25V	1	
C6140-44	F1L2J562A022	C 5600UF, K,6.3V	5	
C6170-78	F2A2D221A022	E 220UF, 200V	9	
C6185,86	FOC2E225A166	C 22UF, 250V	2	
C6200,01	ECA2CM101	E 100UF, 160V	2	
C6202	ECA1EM471	E 470UF, 25V	1	
C6203,04	ECA2CM101	E 100UF, 160V	2	
C6206-09	ECA2CM101	E 100UF, 160V	4	
C6210-14	FOC2E225A166	C 22UF, 250V	5	
C6217,18	F1L1E4750004	C 4.7UF, 25V	2	
C6221	F1L1E4750004	C 4.7UF, 25V	1	
C6223	F1L1E4750004	C 4.7UF, 25V	1	
C6224	EEUFC1E221	E 220UF, 25V	1	
C6225	F1L1E4750004	C 4.7UF, 25V	1	

Ref. No.	Part No.	Part Name & Description	Pcs	Remarks
C6226	TCUY1C105ZFN	C 1UF, 16V	1	
C6233	F1L1E4750004	C 4.7UF, 25V	1	
C6234	EEUFC1E221	E 220UF, 25V	1	
C6235	F1L1E4750004	C 4.7UF, 25V	1	
C6240	ECA2AHG101	E 100UF, 100V	1	
C6256	ECJ2XB1H104K	C 0.1UF, K, 50V	1	
C6257	F1L1E4750004	C 4.7UF, 25V	1	
C6260	ECJ3YB1E105K	C 1UF, K, 25V	1	
C6262	F1L1E4750004	C 4.7UF, 25V	1	
C6264	ECJ3YB1E105K	C 1UF, K, 25V	1	
C6265	F1L1E4750004	C 4.7UF, 25V	1	
C6266	EEUFC1E102	E 1000UF, 25V	1	
C6268,69	F2A2D221A022	E 220UF, 200V	2	
C6273	F1L1E4750004	C 4.7UF, 25V	1	
C6275	F1L1E4750004	C 4.7UF, 25V	1	
C6401-09	F2A2D221A022	E 220UF, 200V	9	
C6413,14	FOC2E225A166	C 22UF, 250V	2	
C6421	ECJ3YB1E105K	C 1UF, K, 25V	1	
C6422	ECA1EM471	E 470UF, 25V	1	
C6425,26	EEUFC1E470	E 47UF, 25V	2	
C6432-35	TCUY1C105ZFN	C 1UF, 16V	4	
C6436	ECJ3YB1E105K	C 1UF, K, 25V	1	
C6437	TCUY1C105ZFN	C 1UF, 16V	1	
C6440	TCUY1C105ZFN	C 1UF, 16V	1	
C6442	TCUY1C105ZFN	C 1UF, 16V	1	
C6444	TCUY1C105ZFN	C 1UF, 16V	1	
C6446	EEUFC1E470	E 47UF, 25V	1	
C6502-04	FOC2E225A166	C 22UF, 250V	3	
C6506-10	FOC2E225A166	C 22UF, 250V	5	
C6511-16	F1L2J222A022	C 2200UF, K,6.3V	6	
C6531-36	F1L2J222A022	C 2200UF, K,6.3V	6	
C6558-60	F1L1E4750004	C 4.7UF, 25V	3	
C6562	F1L1E4750004	C 4.7UF, 25V	1	
C6582	F1L1E4750004	C 4.7UF, 25V	1	
C6584,85	F1L1E4750004	C 4.7UF, 25V	2	
C6587	F1L1E4750004	C 4.7UF, 25V	1	
C6589,90	F1L1E4750004	C 4.7UF, 25V	2	
C6594,95	F1L1E4750004	C 4.7UF, 25V	2	
C6596	ECJ3YB1E105K	C 1UF, K, 25V	1	
C6611	F1L1E4750004	C 4.7UF, 25V	1	
C6612,12	F1K2J102A014	C 1000UF, K,6.3V	2	
C6614	ECA2VHG470	E 47UF, 350V	1	
C6615	ECA1VM470	E 47UF, 35V	1	
C6616,17	F1L1E4750004	C 4.7UF, 25V	2	
C6618	TCUY1C105ZFN	C 1UF, 16V	1	
C6619	ECJ3YB1E105K	C 1UF, K, 25V	1	
C6620	TCUY1C105ZFN	C 1UF, 16V	1	
C6621,22	F1L1E4750004	C 4.7UF, 25V	2	
C6623	ECQE2105RKB	P 1UF, 250V	1	
C6624	F1L1E4750004	C 4.7UF, 25V	1	
C6626	F1L1E4750004	C 4.7UF, 25V	1	
C6627,28	TCUY1C105ZFN	C 1UF, 16V	2	
C6630-32	F1K2J102A014	C 1000UF, K,6.3V	3	
C6634,35	F1L1E4750004	C 4.7UF, 25V	2	
C6636,37	ECA2CM101	E 100UF, 160V	2	
C6638	F1L1E4750004	C 4.7UF, 25V	1	
C6639	TCUY1C105ZFN	C 1UF, 16V	1	

Ref. No.	Part No.	Part Name & Description	Pcs	Remarks
C6651	TCUY1C105ZFN	C 1UF, 16V	1	
C6653	TCUY1C105ZFN	C 1UF, 16V	1	
C6655,56	TCUY1C105ZFN	C 1UF, 16V	2	
C6657	ECJ2XC1H102J	C 1000PF, J, 50V	1	
C6658	ECA1HM101	E 100UF, 50V	1	
C6659-62	F1L1E4750004	C 4.7UF, 25V	4	
C6800	ECJ2XB1H103K	C 0.01UF, K, 50V	1	
C6802	ECA2CM101	E 100UF, 160V	1	
C6803	ECQE2105RKB	P 1UF, 250V	1	
C6804	F2A2D1510004	E 150UF, 200V	1	
C6805	ECQE2105RKB	P 1UF, 250V	1	
C6806	ECA2VHG470	E 47UF, 350V	1	
C6807	ECA1HM221	E 220UF, 50V	1	
C6808,09	ECA2CM101	E 100UF, 160V	2	
C6810	ECJ2XB1H103K	C 0.01UF, K, 50V	1	
C6812-15	F1K2J332A014	C 3300UF, K, 6.3V	4	
C6816	F2A2G100A017	E 100UF, 400V	1	
C6818	ECJ2XB1H103K	C 0.01UF, K, 50V	1	
C6819	TCUY1C105ZFN	C 1UF, 16V	1	
C6820	ECJ2XB1H472K	C 4700PF, K, 50V	1	
C6821	EEUFC1E221	E 220UF, 25V	1	
C6822	ECJ2XB1H104K	C 0.1UF, K, 50V	1	
C6823	F1K2J222A014	C 2200UF, K, 6.3V	1	
C6824	ECA2EHG470	E 47UF, 250V	1	
C6825	ECQE6223KF	P 0.022UF, K, 400V	1	
C6826	ECJ2XB1H104K	C 0.1UF, K, 50V	1	
C6827	ECJ2XB1H103K	C 0.01UF, K, 50V	1	
C6828	EEUFC1V151	E 150UF, 35V	1	
C6829	ECA2DHG330	E 33UF, 200V	1	
C6830	F1L1E4750004	C 4.7UF, 25V	1	
C6831	EEUFC1E470	E 47UF, 25V	1	
C6832	ECJ2XC1H471J	C 470PF, J, 50V	1	
C6833	F1L1E4750004	C 4.7UF, 25V	1	
C6834	ECJ2XC1H102J	C 1000PF, J, 50V	1	
C6835	ECJ2XC1H471J	C 470PF, J, 50V	1	
C6836	ECRD3D221KBP	C 220PF, K, 2KV	1	
C6840	ECJ3YB2A223K	C 0.022UF, Z, 100V	1	
C6900	ECJ2XB1H222K	C 2200PF, K, 50V	1	
C6901	TCUY1C105ZFN	C 1UF, 16V	1	
C6904	ECJ2XB1H222K	C 2200PF, K, 50V	1	
C6905,06	F1L2E1040002	E 1000UF, 25V	2	
C6907	TCUY1C105ZFN	C 1UF, 16V	1	
C6909	TCUY1C105ZFN	C 1UF, 16V	1	
C6911	TCUY1C105ZFN	C 1UF, 16V	1	
C6913,14	F1L2E1040002	E 1000UF, 25V	2	
C6915	TCUY1C105ZFN	C 1UF, 16V	1	
C6918	TCUY1C105ZFN	C 1UF, 16V	1	
C6920	ECJ2XB1H222K	C 2200PF, K, 50V	1	
C6921	TCUY1C105ZFN	C 1UF, 16V	1	
C6923,24	F1L2E1040002	E 1000UF, 25V	2	
C6925	TCUY1C105ZFN	C 1UF, 16V	1	
C6927	TCUY1C105ZFN	C 1UF, 16V	1	
C6929	TCUY1C105ZFN	C 1UF, 16V	1	
C6931,32	F1L2E1040002	E 1000UF, 25V	2	
C6934	ECJ2XB1H222K	C 2200PF, K, 50V	1	
C6935	TCUY1C105ZFN	C 1UF, 16V	1	
C6938	TCUY1C105ZFN	C 1UF, 16V	1	
C7101,02	TCUY1C105ZFN	C 1UF, 16V	2	
C7103,04	ECJ3XB2A474K	C 0.47UF, 6.3V	2	
C7107	ECJ3XB2A474K	C 0.47UF, 6.3V	1	
C7111	ECJ1XC1H101J	C 100PF, J, 50V	1	
C7125	TCUY1C105ZFN	C 1UF, 16V	1	
C7130	ECJ1XB1C104K	C 0.1UF, Z, 16V	1	
C7136-38	ECJ1XB1C104K	C 0.1UF, Z, 16V	3	

Ref. No.	Part No.	Part Name & Description	Pcs	Remarks
C7139	TCUY1C105ZFN	C 1UF, 16V	1	
C7150	ECJ1XC1H101J	C 100PF, J, 50V	1	
C7152	ECJ1XC1H101J	C 100PF, J, 50V	1	
C7155	ECJ3XB2A474K	C 0.47UF, 6.3V	1	
C7167	ECJ1XC1H101J	C 100PF, J, 50V	1	
C7168	TCUY1C105ZFN	C 1UF, 16V	1	
C7169	ECJ1XB1C104K	C 0.1UF, Z, 16V	1	
C7201	TCUY1C105ZFN	C 1UF, 16V	1	
C7203	TCUY1C105ZFN	C 1UF, 16V	1	
C7207,08	ECJ1XB1C104K	C 0.1UF, Z, 16V	2	
C7210	ECJ1XB1C104K	C 0.1UF, Z, 16V	1	
C7212	TCUY1C105ZFN	C 1UF, 16V	1	
C7214	ECJ1XB1C104K	C 0.1UF, Z, 16V	1	
C7216	ECJ1XB1C104K	C 0.1UF, Z, 16V	1	
C7221	ECJ1XC1H101J	C 100PF, J, 50V	1	
C7222	ECJ1XB1C104K	C 0.1UF, Z, 16V	1	
C7224	TCUY1C105ZFN	C 1UF, 16V	1	
C7225	ECJ1XB1C104K	C 0.1UF, Z, 16V	1	
C7229	ECJ1XB1C104K	C 0.1UF, Z, 16V	1	
C7231	ECJ1XB1C104K	C 0.1UF, Z, 16V	1	
C7232	ECJ3XB2A474K	C 0.47UF, 6.3V	1	
C7234,35	ECJ3XB2A474K	C 0.47UF, 6.3V	2	
C7238	ECJ1XC1H101J	C 100PF, J, 50V	1	
C7240	ECJ1XC1H101J	C 100PF, J, 50V	1	
C7260	ECJ1XB1C104K	C 0.1UF, Z, 16V	1	
C7265	ECJ1XB1C104K	C 0.1UF, Z, 16V	1	
C7274	ECJ1XB1C104K	C 0.1UF, Z, 16V	1	
C7301	TCUY1C105ZFN	C 1UF, 16V	1	
C7304	ECJ1XB1C104K	C 0.1UF, Z, 16V	1	
C7308,09	ECJ1XB1C104K	C 0.1UF, Z, 16V	2	
C7311,12	ECJ1XB1C104K	C 0.1UF, Z, 16V	2	
C7315,16	TCUY1C105ZFN	C 1UF, 16V	2	
C7323	ECJ1XC1H101J	C 100PF, J, 50V	1	
C7326	ECJ1XC1H101J	C 100PF, J, 50V	1	
C7329	ECJ1XC1H101J	C 100PF, J, 50V	1	
C7339,40	TCUY1C105ZFN	C 1UF, 16V	2	
C7351	ECJ1XC1H101J	C 100PF, J, 50V	1	
C7359-62	ECJ3XB2A474K	C 0.47UF, 6.3V	4	
C7401	TCUY1C105ZFN	C 1UF, 16V	1	
C7406	ECJ1XB1C104K	C 0.1UF, Z, 16V	1	
C7412-15	ECJ1XB1C104K	C 0.1UF, Z, 16V	4	
C7418,19	TCUY1C105ZFN	C 1UF, 16V	2	
C7420-23	ECJ3XB2A474K	C 0.47UF, 6.3V	4	
C7428,29	ECJ1XC1H101J	C 100PF, J, 50V	2	
C7440,41	TCUY1C105ZFN	C 1UF, 16V	2	
C7452,53	ECJ1XC1H101J	C 100PF, J, 50V	2	
C7502,03	TCUY1C105ZFN	C 1UF, 16V	2	
C7505	ECJ1XB1C104K	C 0.1UF, Z, 16V	1	
C7507	ECJ1XB1C104K	C 0.1UF, Z, 16V	1	
C7508	ECJ1XC1H101J	C 100PF, J, 50V	1	
C7509	TCUY1C105ZFN	C 1UF, 16V	1	
C7510	ECJ1XC1H101J	C 100PF, J, 50V	1	
C7512	ECJ1XB1C104K	C 0.1UF, Z, 16V	1	
C7514	ECJ1XB1C104K	C 0.1UF, Z, 16V	1	
C7515,16	ECJ1XC1H101J	C 100PF, J, 50V	2	
C7526-28	ECJ3XB2A474K	C 0.47UF, 6.3V	3	
C7552	ECJ1XB1C104K	C 0.1UF, Z, 16V	1	
C7554	ECJ1XB1C104K	C 0.1UF, Z, 16V	1	
C7556	ECJ1XB1C104K	C 0.1UF, Z, 16V	1	
C7558	ECJ1XB1C104K	C 0.1UF, Z, 16V	1	

Ref. No.	Part No.	Part Name & Description	Pcs	Remarks
C7560	ECJ1XB1C104K	C 0.1UF, Z, 16V	1	
C7563,64	ECJ1XB1C104K	C 0.1UF, Z, 16V	2	
C7566,67	ECJ1XB1C104K	C 0.1UF, Z, 16V	2	
C7601,02	TCUY1C105ZFN	C 1UF, 16V	2	
C7611-13	ECJ1XC1H101J	C 100PF, J, 50V	3	
C7624	TCUY1C105ZFN	C 1UF, 16V	1	
C7630	ECJ1XB1C104K	C 0.1UF, Z, 16V	1	
C7635-37	ECJ1XB1C104K	C 0.1UF, Z, 16V	3	
C7640	TCUY1C105ZFN	C 1UF, 16V	1	
C7650	ECJ1XB1C104K	C 0.1UF, Z, 16V	1	
C7653-55	ECJ3XB2A474K	C 0.47UF, 6.3V	3	
C7687	TCUY1C105ZFN	C 1UF, 16V	1	
C7688	ECJ1XC1H101J	C 100PF, J, 50V	1	
C7695	ECJ3XB2A474K	C 0.47UF, 6.3V	1	
C8001	EEHBC1C470P	C 47PF, J, 16V	1	
C8002,03	ECJ1VF1H104Z	C 0.1UF, Z, 50V	2	
C8005,06	ECJ1VF1H103Z	C 0.010UF, Z, 50V	2	
C8007,08	ECJ1XC1H101J	C 100PF, J, 50V	2	
C8009	ECJ3XB0J106M	C 10UF, M, 6.3V	1	
C8011	ECJ3XB0J106M	C 10UF, M, 6.3V	1	
C8013,14	ECJ1XF1C104Z	C 0.1UF, Z, 16V	2	
C8015	ECJ3YF1A106Z	C 10UF, Z, 10V	1	
C8016	ECJ3YB1A475K	C 0.047UF, K, 10V	1	
C8017	ECJ3YF1A106Z	C 10UF, Z, 10V	1	
C8018	ECJ3YB1A475K	C 0.047UF, K, 10V	1	
C8019,20	ECJ1VB1H103K	C 0.001UF, K, 50V	2	
C8021,22	ECJ3VB1C474K	C 0.47UF, K, 16V	2	
C8023-26	ECJ1VB1H103K	C 0.001UF, K, 50V	4	
C8027	ECJ3YB1C225K	C 0.022UF, K, 16V	1	
C8029	ECJ1VF1H103Z	C 0.010UF, Z, 50V	1	
C8030	EEHBC1C470P	C 47PF, J, 16V	1	
C8031	ECJ1VF1H103Z	C 0.010UF, Z, 50V	1	
C8032	EEHBC1C470P	C 47PF, J, 16V	1	
C8033,34	ECJ1XC1H102J	C 1000PF, J, 50V	2	
C8035	ECJ1XF1C104Z	C 0.1UF, Z, 16V	1	
C8036,37	ECJ1XC1H101J	C 100PF, J, 50V	2	
C8038,39	ECJ2XC1H102J	C 1000PF, J, 50V	2	
C8041	ECJ3YB1C225K	C 0.022UF, K, 16V	1	
C8043	ECJ1XF1C104Z	C 0.1UF, Z, 16V	1	
C8045	ECJ2VF1C105Z	C 1UF, Z, 16V	1	
C8049,50	ECJ2VF1H103Z	C 0.010UF, Z, 50V	2	
C8051	ECJ1XF1C104Z	C 0.1UF, Z, 16V	1	
C8070	ECJ1XB1C104K	C 0.1UF, Z, 16V	1	
C8071	EEHBC1C470P	C 47PF, J, 16V	1	
C8072,73	ECJ3YF1A106Z	C 10UF, Z, 10V	2	
C8080-83	ECJ1XF1C104Z	C 0.1UF, Z, 16V	4	
C8084	TCUY1C105ZFN	C 1UF, 16V	1	
C8100	EEHBC1C470P	C 47PF, J, 16V	1	
C8101	ECJ1VF1H103Z	C 0.010UF, Z, 50V	1	
C8102,03	EEHBC1C470P	C 47PF, J, 16V	2	
C8105,06	EEHBC1C470P	C 47PF, J, 16V	2	
C8107	EEVHC1C471	E 470UF, 16V	1	
C8108,09	ECJ1XF1C104Z	C 0.1UF, Z, 16V	2	
C8111-13	ECJ1XF1C104Z	C 0.1UF, Z, 16V	3	

Ref. No.	Part No.	Part Name & Description	Pcs	Remarks
C8114	ECJ2VF1H103Z	C 0.010UF, Z, 50V	1	
C8115	EEHBC1C470P	C 47PF, J, 16V	1	
C8116	ECJ1VF1H103Z	C 0.010UF, Z, 50V	1	
C8120	EEHBC1E330P	C 33PF, J, 25V	1	
C8121	ECJ1XF1E104Z	C 0.1UF, Z, 25V	1	
C8122	EEHBC1C470P	C 47PF, J, 16V	1	
C8123	ECJ1XF1C104Z	C 0.1UF, Z, 16V	1	
C8181,82	ECJ1XC1H150J	C 15PF, J, 50V	2	
C8183	ECJ1XF1C104Z	C 0.1UF, Z, 16V	1	
C8185	ECS5R5H155	E 1.5UF, 5.5V	1	
C8200	EEHBC1C470P	C 47PF, J, 16V	1	
C9001,02	ECJ1XF1C104Z	C 0.1UF, Z, 16V	2	
C9003	ECJ1VB1H822K	C 8200PF, K, 50V	1	
C9004	ECJ1VB1C823K	C 0.082UF, K, 16V	1	
C9006	ECJ1XF1C104Z	C 0.1UF, Z, 16V	1	
C9007-09	ECJ2XB1H103K	C 0.01UF, K, 50V	3	
C9010	ECJ1XB1H102K	C 1000UF, Z, 50V	1	
C9011-13	ECJ1XF1C104Z	C 0.1UF, Z, 16V	3	
C9016	FLJ0J106A013	C 0.010UF, K, 16V	1	
C9017,18	ECJ1XF1C104Z	C 0.1UF, Z, 16V	2	
C9019	FLJ0J106A013	C 0.010UF, K, 16V	1	
C9020	ECJ1XF1C104Z	C 0.1UF, Z, 16V	1	
C9021	FLJ0J106A013	C 0.010UF, K, 16V	1	
C9022	ECJ1XF1C104Z	C 0.1UF, Z, 16V	1	
C9031	ECJ1XF1C104Z	C 0.1UF, Z, 16V	1	
C9051,52	ECJ1XF1C104Z	C 0.1UF, Z, 16V	2	
C9053	ECJ1VB1H822K	C 8200PF, K, 50V	1	
C9054	ECJ1VB1C823K	C 0.082UF, K, 16V	1	
C9056	ECJ1XF1C104Z	C 0.1UF, Z, 16V	1	
C9057-59	ECJ2XB1H103K	C 0.01UF, K, 50V	3	
C9060	ECJ1XB1H102K	C 1000UF, Z, 50V	1	
C9061-63	ECJ1XF1C104Z	C 0.1UF, Z, 16V	3	
C9066	FLJ0J106A013	C 0.010UF, K, 16V	1	
C9067,68	ECJ1XF1C104Z	C 0.1UF, Z, 16V	2	
C9069	FLJ0J106A013	C 0.010UF, K, 16V	1	
C9070	ECJ1XF1C104Z	C 0.1UF, Z, 16V	1	
C9071	FLJ0J106A013	C 0.010UF, K, 16V	1	
C9072	ECJ1XF1C104Z	C 0.1UF, Z, 16V	1	
C9076	EEHBC1C470P	C 47PF, J, 16V	1	
C9081	TCUY1C105ZFN	C 1UF, 16V	1	
C9093	ECJ1XF1C104Z	C 0.1UF, Z, 16V	1	
C9095	ECJ1XC1H220J	C 22PF, J, 50V	1	
C9101-05	ECJ1XF1C104Z	C 0.1UF, Z, 16V	5	
C9107,08	ECJ1XF1C104Z	C 0.1UF, Z, 16V	2	
C9151,52	TCUY1C105ZFN	C 1UF, 16V	2	
C9155	EEHBC1C470P	C 47PF, J, 16V	1	
C9156	ECJ1XF1C104Z	C 0.1UF, Z, 16V	1	
C9201	EEHBC1C470P	C 47PF, J, 16V	1	
C9202-13	ECJ1XB1C104K	C 0.1UF, Z, 16V	12	
C9214	EEHBC1C470P	C 47PF, J, 16V	1	
C9215-18	ECJ1XB1C104K	C 0.1UF, Z, 16V	4	
C9219-22	FLJ0J106A013	C 0.010UF, K, 16V	4	
C9225-27	FLJ0J106A013	C 0.010UF, K, 16V	3	
C9234	ECJ1VF1H103Z	C 0.010UF, Z, 50V	1	
C9235,36	ECJ1XF1C104Z	C 0.1UF, Z, 16V	2	
C9241	ECJ1XF1C104Z	C 0.1UF, Z, 16V	1	
C9373	ECJ1VF1H103Z	C 0.010UF, Z, 50V	1	
C9375	EEHBC1C470P	C 47PF, J, 16V	1	
C9377	ECJ1XF1C104Z	C 0.1UF, Z, 16V	1	

Ref. No.	Part No.	Part Name & Description	Pcs	Remarks
C9379	EEHBC1470P	C 47PF, J, 16V	1	
C9383	ECJ1XF1C104Z	C 0.1UF, Z, 16V	1	
C9386	ECJ1XC1H100D	C 10PF, D, 50V	1	
C9387-23	ECJ1XF1C104Z	C 0.1UF, Z, 16V	37	
C9424-40	ECJ1XB1C104K	C 0.1UF, Z, 16V	17	
C9441	EEHBOG221P	C 220PF, J, 4V	1	
C9442	ECJ1XB1C104K	C 0.1UF, Z, 16V	1	
C9443-46	ECJ1VF1H103Z	C 0.010UF, Z, 50V	4	
C9461-63	ECJ2VF1C105Z	C 1UF, Z, 16V	3	
C9464-66	F1J0J106A013	C 0.010UF, K, 16V	3	
C9467	ECJ1XF1C104Z	C 0.1UF, Z, 16V	1	
C9515,16	EEVHB1C471	E 470UF, 16V	2	
C9594	ECJ1XF1C104Z	C 0.1UF, Z, 16V	1	
C9599	ECJ2FB1E475M	C 4.7UF, K, 25V	1	
C960	TBB475K1	CERAMIC CHIP CAPACITOR	1	
C9601	ECGRL0G680R	C 68PF, J, 4V	1	
C9602	ECJ1XF1C104Z	C 0.1UF, Z, 16V	1	
C9603	ECGRL0G680R	C 68PF, J, 4V	1	
C9604	ECJ1XC1H101J	C 100PF, J, 50V	1	
C9606	ECJ1XF1C104Z	C 0.1UF, Z, 16V	1	
C9608	ECJ1XF1C104Z	C 0.1UF, Z, 16V	1	
C9609	ECJ1VB1H103K	C 0.001UF, K, 50V	1	
C9610	ECJ1XF1C104Z	C 0.1UF, Z, 16V	1	
C9611	ECJ1VB1H103K	C 0.001UF, K, 50V	1	
C9612	ECJ1VF1H103Z	C 0.010UF, Z, 50V	1	
C9613	ECJ1XC1H101J	C 100PF, J, 50V	1	
C9614	ECJ1VB0J475K	C 4.7UF, K, 6.3V	1	
C9617,18	ECJ1XF1C104Z	C 0.1UF, Z, 16V	2	
C9619	EEHBC1470P	C 47PF, J, 16V	1	
C9620	ECJ1XF1C104Z	C 0.1UF, Z, 16V	1	
C9622-24	F1J0J1060004	C 0.010UF, K, 16V	3	
C9626	ECJ1XF1C104Z	C 0.1UF, Z, 16V	1	
C9627	EEHBC1470P	C 47PF, J, 16V	1	
C9628	ECJ1XF1C104Z	C 0.1UF, Z, 16V	1	
C9630-32	F1J0J1060004	C 0.010UF, K, 16V	3	
C9634,35	ECJ1XF1C104Z	C 0.1UF, Z, 16V	2	
C9637-42	ECJ3XF1C475Z	C 4.7UF, Z, 16V	6	
C9643,44	ECJ1XF1C104Z	C 0.1UF, Z, 16V	2	
C9645	ECJ1VB1C105K	C 0.01UF, K, 16V	1	
C9646	ECJ1VB1C103K	C 0.010UF, K, 16V	1	
C9647,48	ECJ1XC1H080D	C 8PF, D, 50V	2	
C9650,51	ECJ1XB1C104K	C 0.1UF, Z, 16V	2	
C9652	ECJ1XC1H150J	C 15PF, J, 50V	1	
C9653	ECJ1VC1H080C	C 8PF, C, 50V	1	
C9654	F1J0J1060004	C 0.010UF, K, 16V	1	
C9662-01	ECJ1XF1C104Z	C 0.1UF, Z, 16V	40	
C9702	ECJ1XB1C104K	C 0.1UF, Z, 16V	1	
C9703-07	ECJ1XF1C104Z	C 0.1UF, Z, 16V	5	
C9708-11	ECJ1XB1C104K	C 0.1UF, Z, 16V	4	
C9712	ECJ1XB1H102K	C 1000UF, Z, 50V	1	
C9713	ECJ1XF1H102Z	C 1000PF, Z, 50V	1	
C9715-17	TCUY1C105ZFN	C 1UF, 16V	3	
C9718,19	ECJ1XF1C104Z	C 0.1UF, Z, 16V	2	
C9721-23	ECJ1XF1C104Z	C 0.1UF, Z, 16V	3	
C9724	ECJ1VC1H270J	C 27PF, J, 50V	1	
C9725	ECJ1XB1C104K	C 0.1UF, Z, 16V	1	

Ref. No.	Part No.	Part Name & Description	Pcs	Remarks
C9726	ECJ1XF1H102Z	C 1000PF, Z, 50V	1	
C9733	ECJ2FF1C475Z	C 0.047UF, Z, 16V	1	
C9734	ECJ1XF1C104Z	C 0.1UF, Z, 16V	1	
C9735	ECJ2FF1C475Z	C 0.047UF, Z, 16V	1	
C9736,37	ECJ1XF1C104Z	C 0.1UF, Z, 16V	2	
C9738	ECJ1XC1H101J	C 100PF, J, 50V	1	
C9739-41	ECJ1XB1C104K	C 0.1UF, Z, 16V	3	
C9742	EEHBOG221P	C 220PF, J, 4V	1	
C9743-46	ECJ1XB1C104K	C 0.1UF, Z, 16V	4	
C9747	ECJ1XF1C104Z	C 0.1UF, Z, 16V	1	
C9748-61	ECJ1XB1C104K	C 0.1UF, Z, 16V	14	
C9762	ECJ1XF1C104Z	C 0.1UF, Z, 16V	1	
C9763	ECJ1XB1C104K	C 0.1UF, Z, 16V	1	
C9764	EEHBOG221P	C 220PF, J, 4V	1	
C9779	ECJ1XB1C104K	C 0.1UF, Z, 16V	1	
C9780	F2H1E221A007	E 2.2UF, 25V	1	
C9781-83	F1J0J106A013	C 0.010UF, K, 16V	3	
C9784	ECJ1XF1C104Z	C 0.1UF, Z, 16V	1	
C9785	F1J0J106A013	C 0.010UF, K, 16V	1	
C9981	EEHBC1470P	C 47PF, J, 16V	1	
C9982	ECJ1XF1C104Z	C 0.1UF, Z, 16V	1	
C9983	EEHBOG221P	C 220PF, J, 4V	1	
C9984	ECJ1XF1C104Z	C 0.1UF, Z, 16V	1	
C9985	F1J0J106A013	C 0.010UF, K, 16V	1	
C9986	ECJ1XF1C104Z	C 0.1UF, Z, 16V	1	
C9988	F1J0J106A013	C 0.010UF, K, 16V	1	
C9989	ECJ1XF1C104Z	C 0.1UF, Z, 16V	1	
C9991	ECJ1XF1C104Z	C 0.1UF, Z, 16V	1	
C9992	EEHBC1470P	C 47PF, J, 16V	1	
C9993	ECJ1XF1C104Z	C 0.1UF, Z, 16V	1	
C9994	F1J0J106A013	C 0.010UF, K, 16V	1	
CA1-11	K1MN68BA0138	68P CONNECTOR	11	
CB1-11	K1MN68BA0002	68P CONNECTOR	11	
CN01	B3P-VH	CONNECTOR	1	
CN02	B10B-PH-KS	CONNECTOR	1	
CN03	B3P4VH-B-L	CONNECTOR	1	△
CN04	B2P3-VH-B	CONNECTOR	1	
CN05	B3P4VH-B-L	CONNECTOR	1	△
CN06	B10B-PH-KS	CONNECTOR	1	
CN08	B3P-VH	CONNECTOR	1	
CNPF3	B2P3-VH-B	CONNECTOR	1	
D1	K1KA20AA0335	20P CONNECTOR	1	
D3	K1KA40AA0009	40P CONNECTOR	1	
D4	K1KA14A00248	14P CONNECTOR	1	
D5	K1KA31A00007	31P CONNECTOR	1	
D10	K1KA12AA0105	12P CONNECTOR	1	
D20	K1KA20AA0008	20P CONNECTOR	1	
D25	K1KA20AA0009	20P CONNECTOR	1	
D31,32	K1MN55BA0076	55P CONNECTOR	2	
D33,34	K1MN68BA0076	68P CONNECTOR	2	
D332	RB550VA-30	DIODE	1	
D334	RB550VA-30	DIODE	1	
D335	RU-1P	DIODE	1	
D337	RU-1P	DIODE	1	
D375	ERJ6GEY0R00	M 0 OHM, 1/10W	1	
D401	RB550VA-30	DIODE	1	
D402,03	M1FS6	DIODE	2	
D405	M1FS6	DIODE	1	
D451-54	RB085T60	DIODE	4	
D455	M1FS6	DIODE	1	
D457-59	MA111	DIODE	3	
D601	MA111	DIODE	1	
D603	MA111	DIODE	1	
D605	M1F60	DIODE	1	
D606	RB550VA-30	DIODE	1	
D607	S3V60	DIODE	1	
D608,09	RB550VA-30	DIODE	2	
D701	RB550VA-30	DIODE	1	
D702,03	M1FS6	DIODE	2	

Ref. No.	Part No.	Part Name & Description	Pcs	Remarks
D705	M1FS6	DIODE	1	
D709	FCF06A40	DIODE	1	
D801	B0JCPD000026	DIODE	1	
D802,03	B0JCME000037	DIODE	2	
D850-54	MA165	DIODE	5	
D856,57	MA165	DIODE	2	
D859	AK04	DIODE	1	
D901	ST3D200	CLAMPER	1	
D902-04	BOHALP000007	DIODE	3	
D905	ERA91-02	DIODE	1	
D906	BOHALP000007	DIODE	1	
D951	RK49	DIODE	1	
D952	MA111	DIODE	1	
D1550	LNJ107W5PRW	LED	1	
D1551	MA8033L	ZENER DIODE	1	
D1554	MA8033L	ZENER DIODE	1	
D1601	MA111	DIODE	1	
D1602	S1WBA80	DIODE	1	△
D1603	MA111	DIODE	1	
D1605	M1F60	DIODE	1	
D1607	S3V60	DIODE	1	
D1608,09	RB550VA-30	DIODE	2	
D1613,14	ERA22-10	DIODE	2	
D2301-03	B0JCME000037	DIODE	3	
D3001	MA111	DIODE	1	(J)
D3001	MA729	DIODE	1	(HB)
D3002	MA3100M	ZENER DIODE	1	
D3003,04	MA111	DIODE	2	
D3005	LNJ206R5ARA	LED	1	
D3007,08	MA111	DIODE	2	
D3061	MA728	DIODE	1	
D3501-04	MA3056M	ZENER DIODE	4	
D3507-10	MA8160H	ZENER DIODE	4	
D6000-03	BOHBSN000008	DIODE	4	
D6004	BOHDSM000005	DIODE	1	
D6010,11	BOHBSN000008	DIODE	2	
D6012	BOECHP000003	DIODE	1	
D6013,14	BOHCMM000014	DIODE	2	
D6015	BOECHP000003	DIODE	1	
D6016	BOHBSN000008	DIODE	1	
D6020-22	BOHBSN000008	DIODE	3	
D6024,25	BOECHP000003	DIODE	2	
D6030,31	BOHBSN000008	DIODE	2	
D6035,36	BOECHP000003	DIODE	2	
D6060	MA111	DIODE	1	
D6061,62	MA8330M	ZENER DIODE	2	
D6063	LNJ301MPUJA	LED	1	
D6064	MA8051L	ZENER DIODE	1	
D6065,66	MA152	DIODE	2	
D6135	MA111	DIODE	1	
D6146-48	BOHBSN000008	DIODE	3	
D6190	BOECHP000003	DIODE	1	
D6200	BOHDSM000005	DIODE	1	
D6203	BOHDSM000005	DIODE	1	
D6206-09	BOECHP000003	DIODE	4	
D6210-12	BOHDSM000005	DIODE	3	
D6213,14	BOECHP000003	DIODE	2	

Ref. No.	Part No.	Part Name & Description	Pcs	Remarks
D6215	BOHDSM000005	DIODE	1	
D6221	B0JCME000037	DIODE	1	
D6225	B0JCME000037	DIODE	1	
D6226,27	B0ECHP000003	DIODE	2	
D6228	BOHDSM000005	DIODE	1	
D6240	BOHDSM000005	DIODE	1	
D6241,42	B0ECHP000003	DIODE	2	
D6250-53	B0JCME000037	DIODE	4	
D6257-59	B0ECHP000003	DIODE	3	
D6262	B0JCME000037	DIODE	1	
D6263,64	MA111	DIODE	2	
D6271	MA111	DIODE	1	
D6411	MA111	DIODE	1	
D6412	MA8051L	ZENER DIODE	1	
D6413,14	MA8330M	ZENER DIODE	2	
D6415	LNJ301MPUJA	LED	1	
D6416	MA111	DIODE	1	
D6417,18	MA8330M	ZENER DIODE	2	
D6419-21	MA111	DIODE	3	
D6422,23	MA8200M	ZENER DIODE	2	
D6501-04	BOHBSN000008	DIODE	4	
D6507	BOHBSN000008	DIODE	1	
D6511-14	BOHBSN000008	DIODE	4	
D6517	MA8330M	ZENER DIODE	1	
D6518,19	MA111	DIODE	2	
D6521-23	BOHBSN000008	DIODE	3	
D6525-29	BOHBSN000008	DIODE	5	
D6559	MA111	DIODE	1	
D6561,62	BOECHP000003	DIODE	2	
D6563	BOHBSN000008	DIODE	1	
D6564-66	BOECHP000003	DIODE	3	
D6567-70	B0JCME000037	DIODE	4	
D6571	BOECHP000003	DIODE	1	
D6611,12	BOECHP000003	DIODE	2	
D6613	MA8240M	ZENER DIODE	1	
D6615,16	MA111	DIODE	2	
D6617	MA8051L	ZENER DIODE	1	
D6618	BOHCMM000014	DIODE	1	
D6619	MA111	DIODE	1	
D6620	BOECHP000003	DIODE	1	
D6621	MA111	DIODE	1	
D6622	MA8240M	ZENER DIODE	1	
D6623	B0JCME000037	DIODE	1	
D6624	MA111	DIODE	1	
D6625	BOHCKS000002	DIODE	1	
D6627,28	MA111	DIODE	2	
D6629,30	BOHCKS000002	DIODE	2	
D6631	MA111	DIODE	1	
D6632	B0JCME000037	DIODE	1	
D6633	MA111	DIODE	1	
D6634	MA8051L	ZENER DIODE	1	
D6635-37	MA8330M	ZENER DIODE	3	
D6638	MA111	DIODE	1	
D6639	BOHCMM000014	DIODE	1	

Ref. No.	Part No.	Part Name & Description	Pcs	Remarks
D6640-42	MA111	DIODE	3	
D6643	B0HCMM000014	DIODE	1	
D6644-51	MA8056H	ZENER DIODE	8	
D6652	MA111	DIODE	1	
D6653	MA8056H	ZENER DIODE	1	
D6654-57	B0JCME000037	DIODE	4	
D6658	B0HCKS000002	DIODE	1	
D6659	MA8056H	ZENER DIODE	1	
D6702,03	MA8056H	ZENER DIODE	2	
D6808	MA111	DIODE	1	
D6809,10	B0HBSN000008	DIODE	2	
D6811-14	B0ECHP000003	DIODE	4	
D6815	B0JCME000037	DIODE	1	
D6817	MA111	DIODE	1	
D6818	B0JCKG000002	DIODE	1	
D6819	B0HCKS000002	DIODE	1	
D6820	MA111	DIODE	1	
D6821	B0JCME000037	DIODE	1	
D6822,23	B0HCKS000002	DIODE	2	
D6824	B0HCMM000014	DIODE	1	
D6825	B0BC01000044	ZENER DIODE	1	
D6826	B0ECHP000003	DIODE	1	
D6827	MA111	DIODE	1	
D6828	B0HCKS000002	DIODE	1	
D6829	MA111	DIODE	1	
D6830	B0HCKS000002	DIODE	1	
D6831,32	MA111	DIODE	2	
D6833-35	B0HCMM000014	DIODE	3	
D6837	MA8056H	ZENER DIODE	1	
D6838,39	MA111	DIODE	2	
D6840	B0ECHP000003	DIODE	1	
D6841	B0HCMM000014	DIODE	1	
D6900,01	MA8056H	ZENER DIODE	2	
D6902	B0ECHP000003	DIODE	1	
D6906	B0ECHP000003	DIODE	1	
D6920	MA8056H	ZENER DIODE	1	
D6921	B0ECHP000003	DIODE	1	
D6925	B0ECHP000003	DIODE	1	
D6926	MA8056H	ZENER DIODE	1	
D7101-08	B0HCMM000014	DIODE	8	
D7201-06	B0HCMM000014	DIODE	6	
D7209	B0HDSM000005	DIODE	1	
D7301-08	B0HCMM000014	DIODE	8	
D7405-12	B0HCMM000014	DIODE	8	
D7501-06	B0HCMM000014	DIODE	6	
D7509	B0HDSM000005	DIODE	1	
D7601-08	B0HCMM000014	DIODE	8	
D8001-04	MA111	DIODE	4	
D8010,11	MA153	DIODE	2	
D8180	MA111	DIODE	1	
D8200	MA3150M	ZENER DIODE	1	
D8201	MA111	DIODE	1	
D8203	MA3100M	ZENER DIODE	1	
D8204	MA111	DIODE	1	
D8205-07	MA8056-M	ZENER DIODE	3	
D9300-03	MA152K	DIODE	4	

Ref. No.	Part No.	Part Name & Description	Pcs	Remarks
D9500,01	B0JCDD000002	DIODE	2	
D9502,03	B0JCPE000004	DIODE	2	
D9702-05	MA3033	ZENER DIODE	4	
D9707	MA728	DIODE	1	
D9711-13	MA152K	DIODE	3	
D9715	MA728	DIODE	1	
D9721	MA3036H	ZENER DIODE	1	
D9731	MA728	DIODE	1	
D9732-35	MA152K	DIODE	4	
FL3000-03	F1J1E1040022	LC FILTER	4	
FL3006-10	F1J1E1040022	LC FILTER	5	
FL3507-09	J0HABB000004	LC FILTER	3	
FL3510-17	TLK212T256AL	EMI FILTER	8	
FL7201,02	J0HABH000013	LC FILTER	2	
FL7501,02	J0HABH000013	LC FILTER	2	
FL9001	J0MAB0000175	LC FILTER	1	
FL9051	J0MAB0000175	LC FILTER	1	
FL9300-05	F1J1E1040022	LC FILTER	6	
FL9500	F1J1E1040022	LC FILTER	1	
FL9502-04	F1J1E1040022	LC FILTER	3	
FL9701-09	F1J1E1040022	LC FILTER	9	
H0	K1KA08AA0150	8P CONNECTOR	1	
H1	K1KA80B00037	80P CONNECTOR	1	(HA)
H1	K1KA80B00037	80P CONNECTOR	1	(HB)
H37	K1KA03AA0190	3P CONNECTOR	1	
H37	K1KA03AA0190	3P CONNECTOR	1	
HX1	K1KB22A00036	22P CONNECTOR	1	
IC401	F9222L	INTEGRATED CIRCUIT	1	△
IC701	F9222L	INTEGRATED CIRCUIT	1	△
IC801-03	C0DBAMH00013	IC	3	
IC804	C0CBCAC00275	IC	1	
IC850	C0DAAZG00014	IC	1	
IC901	MIP3E3SMY	INTEGRATED CIRCUIT	1	
IC2301,02	C1BA00000383	IC	2	
IC2303	C1BB00001006	IC	1	
IC2305	C0ABBA000168	IC	1	
IC3001	MC14052BF	MOS IC (CMOS GATE ARRLY)	1	(J)
IC3001	C0JBAR000419	IC	1	(HB)
IC3002	C0JBBR000002	IC	1	(J)
IC3002	C3EAGC000027	IC	1	(HA)
IC3002	C0ABGB000001	IC	1	(HB)
IC3003	CXA1315M	LINEAR IC	1	
IC3003	C0ABGB000001	IC	1	(HB)
IC3004	CXA1875AM	LINEAR IC	1	
IC3005	C1AB00002311	IC	1	
IC3006	CXA1315M	LINEAR IC	1	
IC3007,08	C0JBAS000215	IC	2	
IC3101	C1AB00002238	IC	1	(J)
IC3101	C0DBEZG00018	IC	1	(HB)
IC3102	C1AB00002238	IC	1	(J)
IC3102	C0DBZLB00003	IC	1	(HB)
IC3103	C1AB00002158	IC	1	
IC3104	PST9128NR	IC (LOGIC)	1	
IC3105	C0JBAZ002269	IC	1	
IC3150	C0JBAA000419	IC	1	
IC3201	C3HBKZ000002	IC	1	
IC3251	C0ZBZ0000967	IC	1	
IC3301	MM1065ZMR	LINEAR IC	1	

Ref. No.	Part No.	Part Name & Description	Pcs	Remarks
IC3302	CODBEZG00018	IC	1	
IC3303	AN80L25RMS	IC	1	
IC3304	C0JBAZ002344	IC	1	
IC3305	JLC1562BF	MOS IC (MICON LSI) *	1	
IC3502	TVRN652	IC	1	
IC3699	C3EBGC000065	IC	1	
IC6000	COZBZ0000895	IC	1	
IC6020	COZBZ0000895	IC	1	
IC6060	C0JBAZ000005	IC	1	
IC6061, 62	NJM2903M	INTEGRATED CIRCUIT	2	
IC6100	COZBZ0000895	IC	1	
IC6200, 01	COZBZ0000895	IC	2	
IC6220, 21	COZBZ0000895	IC	2	
IC6240	C0JBAZ000005	IC	1	
IC6250	COZBZ0000895	IC	1	
IC6251	COZBZ0001033	IC	1	
IC6252	AN1431M	LINEAR IC	1	
IC6411, 12	C0JBAZ000005	IC	2	
IC6413	C0JBAA000174	IC	1	
IC6421	NJM2903M	INTEGRATED CIRCUIT	1	
IC6501-04	COZBZ0000895	IC	4	
IC6610	COZBZ0001033	IC	1	
IC6611	COCBADC00075	IC	1	
IC6620	COZBZ0001033	IC	1	
IC6621	COCBADC00075	IC	1	
IC6630	COZBZ0001033	IC	1	
IC6640	COZBZ0001033	IC	1	
IC6650, 51	C0JBAZ0000994	IC	2	
IC6652	COCBALC00010	IC	1	
IC6653, 54	COCBADC00075	IC	2	
IC6801	CODAAMH00005	IC	1	
IC6811, 12	AN1431M	LINEAR IC	2	
IC6814, 15	AN1431M	LINEAR IC	2	
IC6816	COCBALC00010	IC	1	
IC6817, 18	AN1431M	LINEAR IC	2	
IC6900-05	AN16021A-VT	IC	6	
IC6920-25	AN16021A-VT	IC	6	
IC7102	C0JBAZ001120	IC	1	
IC7104-07	C0JBAZ001120	IC	4	
IC7201-12	C0JBAZ001120	IC	12	
IC7301-05	C0JBAZ001120	IC	5	
IC7401-05	C0JBAZ001120	IC	5	
IC7501-13	C0JBAZ001120	IC	13	
IC7602-06	C0JBAZ001120	IC	5	
IC8001, 02	MC14052BF	MOS IC (CMOS GATE ARRLY)	2	
IC8003, 04	C1AA00000706	IC	2	
IC8005	C0JBAB000646	IC	1	
IC8007, 08	C0JBAR000419	IC	2	
IC8009	C0JBAS000215	IC	1	
IC8014	COZBZ0000911	IC	1	
IC8016	C0JBAZ001934	IC	1	
IC8100	C0CBAKG00008	IC	1	
IC8181	C1DB00001208	IC	1	
IC9001	C0FBAD000102	IC	1	
IC9002	C0CBCBC00190	IC	1	

Ref. No.	Part No.	Part Name & Description	Pcs	Remarks
IC9031	C0JBAZ002198	IC	1	
IC9051	C0FBAD000102	IC	1	
IC9052	C0CBCBC00190	IC	1	
IC9101	COZBZ0000764	IC	1	
IC9102	C0JBAZ002198	IC	1	
IC9103	C0JBAE000354	IC	1	
IC9151, 52	C0JBAZ000856	IC	2	
IC9201	C1ZBZ0002917	IC	1	
IC9202	C0EBD0000038	IC	1	
IC9203	TVRN717	IC	1	
IC9301	C3ABQJ000031	IC	1	
IC9302	MN845121-A	IC	1	
IC9303	TVRN708	IC	1	
IC9304-06	C0JBAZ000856	IC	3	
IC9501	MN845111-A	IC	1	
IC9502	C1ZBZ0002769	IC	1	
IC9504	C3ABQJ000031	IC	1	
IC9506	C0DBAE00017	IC	1	
IC9605	PST9128NR	IC (LOGIC)	1	
IC9607, 08	C0DBEJG00001	IC	2	
IC9701	MN102H90MPD	IC	1	
IC9702	TVRN501-1	IC	1	
IC9703	TVRN647	IC	1	
IC9704	C0EBE0000447	IC	1	
IC9711	C0JBAE000354	IC	1	
IC9713	C0JBAS000215	IC	1	
IC9714	C0JBAZ000856	IC	1	
IC9715	C0JBAE000354	IC	1	
IC9953	C0DBEJG00001	IC	1	
IC9954	C0DBEGE00002	IC	1	
IP901	ERBSE0R75U	MICRO FUSE	1	
J1	K1KA20AA0335	20P CONNECTOR	1	
J3	K1KA40AA0009	40P CONNECTOR	1	
J4	K1KAL1BA0051	11P CONNECTOR	1	
J5	K1KA21B00008	21P CONNECTOR	1	
J6	K1KA21B00009	21P CONNECTOR	1	
J7, J8	K1KA03BA0055	3P CONNECTOR	2	
J10	K1KA06BA0050	6P CONNECTOR	1	
J11-13	K1KB80B00024	80P CONNECTOR	3	
J14	K1KA22A00067	22P CONNECTOR	1	
J34	K1KA08BA0047	8P CONNECTOR	1	
JK3001	K1QBB3BB0002	CONNECTOR	1	(HA)
JK3001	K1CB106B0027	CONNECTOR	1	(HB)
JK3002	K2HA204B0097	JACK	1	(HA)
JK3002	K1QBB2AB0005	CONNECTOR	1	(HB)
JK3004	K2HA204B0097	JACK	1	
JK3509	K1FB109BA018	CONNECTOR	1	
JK3511	K1FB115BA020	CONNECTOR	1	
JK3513	K2HC103B0105	JACK	1	
JK8500	K4BC02B00013	TERMINAL	1	
JK8500	K4BC02B00013	TERMINAL	1	
JS3001-08	ERJ3GEY0R00	M 0 OHM, 1/16W	8	
JS3011-16	ERJ3GEY0R00	M 0 OHM, 1/16W	6	
JS3301-06	ERJ3GEY0R00	M 0 OHM, 1/16W	6	
JS3308-10	ERJ3GEY0R00	M 0 OHM, 1/16W	3	
JS6201	ERD25V0T	M OHM, 1/10W	1	
JS6402	ERJ6GEY0R00	M 0 OHM, 1/10W	1	
JS6801	ERD25V0T	M OHM, 1/10W	1	
JS801-16	ERJ6GEY0R00	M 0 OHM, 1/10W	16	
JS8094-97	J0JCC0000100	CHIP INDUCTOR	4	
K601	DG12D1-0	RELAY	1	△
K602	DJ12D2-0	RELAY	1	△
K1601	DG12D1-0	RELAY	1	△
K1602	DJ12D2-0	RELAY	1	△
L301-04	EXCELSR35	FERRITE BEAD INDUCTOR	4	

Ref. No.	Part No.	Part Name & Description	Pcs	Remarks
L401,02	EXCELSA35	BEAD CHOKE	2	
L452	EXCELDR35	FERRITE BEAD INDUCTOR	1	
L454	EXCELDR35	FERRITE BEAD INDUCTOR	1	
L601,02	P3180207Z	CHOKE	2	△
L604	S4667106Z	CHOKE	1	
L606-11	EXCELDR35	FERRITE BEAD INDUCTOR	6	
L701,02	EXCELSA35	BEAD CHOKE	2	
L801	G1C470MA0078	INDUCTOR COIL	1	
L802	G1C101MA0078	INDUCTION COIL	1	
L803	G1C220MA0078	INDUCTION COIL	1	
L804-11	J0JHC0000078	CHIP INDUCTOR	8	
L851	G0A680ZA0047	CHOKE COIL	1	
L901	EXCELSA35	BEAD CHOKE	1	
L902	EXCELDR35	FERRITE BEAD INDUCTOR	1	
L904	EXCELDR35	FERRITE BEAD INDUCTOR	1	
L1601,02	P2515303Z	FILTER CHOKE	2	△
L1604	S3370105Y	CHOKE	1	
L1606	ELF15N004A	FILTER CHOKE	1	△
L1607,08	EXCELDR35	FERRITE BEAD INDUCTOR	2	
L1612	EXCELDR35	FERRITE BEAD INDUCTOR	1	
L1614	EXCELDR35	FERRITE BEAD INDUCTOR	1	
L2330,31	G0A221ZA0041	CHOKE COIL	2	
L3001	J0HABB000004	LC FILTER	1	(J)
L3001	J0HABB000003	LC FILTER	1	(HB)
L3002	G1C100K00020	INDUCTION COIL	1	(J)
L3002	J0HABB000004	LC FILTER	1	(HA)
L3002	J0HABB000004	LC FILTER	1	(HB)
L3003	G1C100K00020	INDUCTION COIL	1	(J)
L3003	J0HABB000004	LC FILTER	1	(HA)
L3003	J0HABB000004	LC FILTER	1	(HB)
L3004	J0HABB000003	LC FILTER	1	
L3005	G1C100K00020	INDUCTION COIL	1	(J)
L3005	J0HABB000003	LC FILTER	1	(HA)
L3005	ERJ3GEY0R00	M 0 OHM, 1/16W	1	(HB)
L3006	G1C100K00020	INDUCTION COIL	1	(J)
L3006	ELJPA100KB	CHIP INDUCTOR	1	(HA)
L3006	J0E8004B0008	LC FILTER	1	(HB)
L3007	G1C2R2K00006	INDUCTION COIL	1	
L3050	G1C100K00020	INDUCTION COIL	1	
L3051,52	ELJNA1R5JF	INDUCTION COIL	2	
L3102-04	ELJPA100KB	CHIP INDUCTOR	3	
L3140	J0JHC0000078	CHIP INDUCTOR	1	
L3201	ELJPA100KB	CHIP INDUCTOR	1	
L3251,52	ELJPA2R2MF	CHIP INDUCTOR	2	
L3305-08	ELKE103FA	NOISE FILTER	4	
L3526	ELJPA100KB	CHIP INDUCTOR	1	
L3555	ELJPA100KB	CHIP INDUCTOR	1	
L6010-13	G0CR96KA0118	PEAKING COIL	4	
L6014	G0ZZ00002183	PEAKING COIL	1	
L6015,16	G0CR96KA0118	PEAKING COIL	2	
L6030,31	G0CR96KA0118	PEAKING COIL	2	
L6033,34	G0CR96KA0118	PEAKING COIL	2	
L6040	G0ZZ00002183	PEAKING COIL	1	
L6042	G0ZZ00002183	PEAKING COIL	1	
L6044	G0ZZ00002183	PEAKING COIL	1	
L6046	G0ZZ00002183	PEAKING COIL	1	
L6048	G0ZZ00002183	PEAKING COIL	1	
L6050	G0ZZ00002183	PEAKING COIL	1	

Ref. No.	Part No.	Part Name & Description	Pcs	Remarks
L6052	G0ZZ00002183	PEAKING COIL	1	
L6054	G0ZZ00002183	PEAKING COIL	1	
L6068	J0JJC0000021	CHIP INDUCTOR	1	
L6070	G0ZZ00002183	PEAKING COIL	1	
L6072	G0ZZ00002183	PEAKING COIL	1	
L6074	G0ZZ00002183	PEAKING COIL	1	
L6076	G0ZZ00002183	PEAKING COIL	1	
L6078	G0ZZ00002183	PEAKING COIL	1	
L6080	G0ZZ00002183	PEAKING COIL	1	
L6098	J0JJC0000021	CHIP INDUCTOR	1	
L6170	G0ZZ00002183	PEAKING COIL	1	
L6180-82	G0ZZ00002183	PEAKING COIL	3	
L6183,84	J0JJC0000021	CHIP INDUCTOR	2	
L6190	J0JJC0000021	CHIP INDUCTOR	1	
L6203-07	G0CR60KA0118	PEAKING COIL	5	
L6210,11	J0JJC0000021	CHIP INDUCTOR	2	
L6216,17	J0JJC0000021	CHIP INDUCTOR	2	
L6223-26	J0JJC0000021	CHIP INDUCTOR	4	
L6231-33	J0JJC0000021	CHIP INDUCTOR	3	
L6235,36	J0JJC0000021	CHIP INDUCTOR	2	
L6239-41	G0ZZ00002183	PEAKING COIL	3	
L6249	G0ZZ00002183	PEAKING COIL	1	
L6250-53	J0JJC0000021	CHIP INDUCTOR	4	
L6411,12	G0ZZ00002183	PEAKING COIL	2	
L6414	G0ZZ00002183	PEAKING COIL	1	
L6501-10	G0CR96KA0118	PEAKING COIL	10	
L6513-16	J0JJC0000021	CHIP INDUCTOR	4	
L6521-36	G0ZZ00002183	PEAKING COIL	16	
L6546	G0ZZ00002183	PEAKING COIL	1	
L6548	G0ZZ00002183	PEAKING COIL	1	
L6550	G0ZZ00002183	PEAKING COIL	1	
L6552	G0ZZ00002183	PEAKING COIL	1	
L6554	G0ZZ00002183	PEAKING COIL	1	
L6556	G0ZZ00002183	PEAKING COIL	1	
L6676-79	J0JJC0000021	CHIP INDUCTOR	4	
L6680	G0ZZ00002183	PEAKING COIL	1	
L6809-13	G0ZZ00002183	PEAKING COIL	5	
L6814-16	J0JJC0000021	CHIP INDUCTOR	3	
L7101-08	J0JJC0000011	CHIP INDUCTOR	8	
L7203-08	J0JJC0000011	CHIP INDUCTOR	6	
L7301-08	J0JJC0000011	CHIP INDUCTOR	8	
L7401-08	J0JJC0000011	CHIP INDUCTOR	8	
L7503-08	J0JJC0000011	CHIP INDUCTOR	6	
L7601-08	J0JJC0000011	CHIP INDUCTOR	8	
L8001	G1C100K00020	INDUCTION COIL	1	
L8003-05	G1C100K00020	INDUCTION COIL	3	
L8181	G1C100K00020	INDUCTION COIL	1	
L8182-89	J0JHC0000078	CHIP INDUCTOR	8	
L8501	G0A2R5H00003	CHOKE COIL	1	
L8502	G0A2R5H00003	CHOKE COIL	1	
L850202	G0A2R5H00003	CHOKE COIL	1	
L9204	ERJ6GEY0R00	M 0 OHM, 1/10W	1	

Ref. No.	Part No.	Part Name & Description	Pcs	Remarks
L9205,06	J0JHC0000096	CHIP INDUCTOR	2	
L9401-03	J0JHC0000096	CHIP INDUCTOR	3	
L9500	G1C150MA0169	INDUCTION COIL	1	
L9501	G1A100ZA0007	CHOKE COIL	1	
L9502	G1C150KA0038	INDUCTION COIL	1	
L9601-04	J0JHC0000096	CHIP INDUCTOR	4	
MC303	IXMM584M-C-9	MODULE	1	△
MC401	IXMM584M-D-9	MODULE	1	△
MC601	MP00P4	MODULE	1	△
MC602	IXMM584M-J-9	MODULE	1	△
MC604	MP00P6	MODULE	1	△
MC605	IXMM584M-H-9	MODULE	1	△
MC701	IXMM584M-E-9	MODULE	1	△
MC801	IXMM584M-G-9	MODULE	1	△
MC901	IXMM584M-H-9	MODULE	1	△
MC902	IXMM584M-F-9	MODULE	1	△
MC1601	MP00P3	MODULE	1	△
MC1602	IXMM584M-J-9	MODULE	1	△
MC1604	MP00P5	MODULE	1	△
MC301,02	MP44S2	MODULE	2	△
P2	B02P-NV	CONNECTOR	1	
P5	B11B-PH-KS	CONNECTOR	1	
P9	B3P-VL	CONNECTOR	1	△
P10	B6B-PH-KS	CONNECTOR	1	
P11	B02P-NV	CONNECTOR	1	
P12	B10B-PH-KS	CONNECTOR	1	
P23	B3B-PH-KS	CONNECTOR	1	
P25	B20B-PHDSS	CONNECTOR	1	
P30	B5B-PH-KS	CONNECTOR	1	
PB30	K1KA05AA0193	5P CONNECTOR	1	
PB31-35	K1KA03AA0192	3P CONNECTOR	5	
PB37,38	K1KA03AA0193	3P CONNECTOR	2	
PC901	S2581AL2	OPTOISOLATOR	1	△
PC6422-25	B3PBA0000223	IC	4	
PC6601	B3PBA0000234	IC	1	
PC6602	B3PBA0000233	IC	1	
PC6604	B3PBA0000234	IC	1	
PC6605	B3PBA0000233	IC	1	
PC6607	B3PBA0000233	IC	1	
PC6813	B3PBA0000223	IC	1	
PC6819	B3PBA0000223	IC	1	
Q332	2SD2098	TRANSISTOR	1	
Q333	2SB1386RT100	TRANSISTOR	1	
Q402	2SB766A	TRANSISTOR	1	
Q451-54	HAT1130R	FIELD EFFECT TRANSISTOR	4	
Q602	2SD2098	TRANSISTOR	1	
Q603	2SB1386RT100	TRANSISTOR	1	
Q605	2SB709A	TRANSISTOR	1	
Q606	2SD601A	TRANSISTOR	1	
Q703	2SB766A	TRANSISTOR	1	
Q850	2SC3311A	TRANSISTOR	1	
Q951	2SB709A	TRANSISTOR	1	
Q952-54	HAT1130R	FIELD EFFECT TRANSISTOR	3	
Q955,56	2SB1219A	TRANSISTOR	2	
Q1540	2SD601A	TRANSISTOR	1	
Q1601	2SK3302	FIELD EFFECT TRANSISTOR	1	△
Q1602	2SD2098	TRANSISTOR	1	
Q1603	2SB1386RT100	TRANSISTOR	1	
Q1605	2SB709A	TRANSISTOR	1	
Q1606	2SD601A	TRANSISTOR	1	
Q2300	B1BBCF000028	TRANSISTOR	1	
Q2331	B1BBCF000028	TRANSISTOR	1	
Q2333,34	2SD601A	TRANSISTOR	2	
Q2370,71	2SB709A	TRANSISTOR	2	
Q2372	2SD601A	TRANSISTOR	1	

Ref. No.	Part No.	Part Name & Description	Pcs	Remarks
Q3001	2SB709A	TRANSISTOR	1	(J)
Q3001	2SD601A	TRANSISTOR	1	(HA)
Q3002	2SD601A	TRANSISTOR	1	(HB)
Q3002	2SD601A	TRANSISTOR	1	
Q3003	2SD601A	TRANSISTOR	1	(HB)
Q3004	2SD601A	TRANSISTOR	1	
Q3005	2SD601A	TRANSISTOR	1	
Q3006,07	2SB709A	TRANSISTOR	2	
Q3023	2SD601A	TRANSISTOR	1	
Q3051,52	2SD601A	TRANSISTOR	2	
Q3101	2SD601A	TRANSISTOR	1	(J)
Q3101	2SB709A	TRANSISTOR	1	(HB)
Q3102	2SD1030	TRANSISTOR	1	(HB)
Q3102,03	2SD601A	TRANSISTOR	2	(J)
Q3104	2SD1030	TRANSISTOR	1	
Q3104-06	2SD601A	TRANSISTOR	3	
Q3531,32	2SD601A	TRANSISTOR	2	
Q6000-02	B1JADN000002	TRANSISTOR	3	
Q6010	B1ABNF000006	TRANSISTOR	1	
Q6011	B1ADNF000006	TRANSISTOR	1	
Q6020-22	B1JADN000002	TRANSISTOR	3	
Q6030	B1ABNF000006	TRANSISTOR	1	
Q6031	B1ADNF000006	TRANSISTOR	1	
Q6060	2SD601A	TRANSISTOR	1	
Q6100-05	B1JADN000002	TRANSISTOR	6	
Q6118	B1ABNF000006	TRANSISTOR	1	
Q6119	B1ADNF000006	TRANSISTOR	1	
Q6120	B1ABNF000006	TRANSISTOR	1	
Q6121	B1ADNF000006	TRANSISTOR	1	
Q6140-45	B1JADN000002	TRANSISTOR	6	
Q6160	B1ABNF000006	TRANSISTOR	1	
Q6161	B1ADNF000006	TRANSISTOR	1	
Q6162	B1ABNF000006	TRANSISTOR	1	
Q6163	B1ADNF000006	TRANSISTOR	1	
Q6200	2SK326900L	FET	1	
Q6202	2SK326900L	FET	1	
Q6210	B1ABNF000006	TRANSISTOR	1	
Q6211	B1ADNF000006	TRANSISTOR	1	
Q6212	B1ABNF000006	TRANSISTOR	1	
Q6213	B1ADNF000006	TRANSISTOR	1	
Q6221	B1DFKL000001	TRANSISTOR	1	
Q6223	B1DFKL000001	TRANSISTOR	1	
Q6225	B1DFKL000001	TRANSISTOR	1	
Q6230	B1ABNF000006	TRANSISTOR	1	
Q6231	B1ADNF000006	TRANSISTOR	1	
Q6232	B1ABNF000006	TRANSISTOR	1	
Q6233	B1ADNF000006	TRANSISTOR	1	
Q6240	2SB1193000LB	TRANSISTOR	1	
Q6250-53	B1DFKM000002	TRANSISTOR	4	
Q6254	B1ABNF000006	TRANSISTOR	1	
Q6255	B1ADNF000006	TRANSISTOR	1	
Q6256	2SD1263A	TRANSISTOR	1	
Q6257	2SC1473A	TRANSISTOR	1	
Q6259	2SK326800L	FET	1	
Q6260	B1DFKM000002	TRANSISTOR	1	
Q6261	2SK620	FET	1	
Q6262	B1DFKM000002	TRANSISTOR	1	
Q6411	2SD601A	TRANSISTOR	1	
Q6412,13	2SK620	FET	2	
Q6501-06	B1JADN000002	TRANSISTOR	6	
Q6513-18	B1JADN000002	TRANSISTOR	6	
Q6531-33	B1JADN000002	TRANSISTOR	3	

Ref. No.	Part No.	Part Name & Description	Pcs	Remarks
Q6537-39	B1JADN00002	TRANSISTOR	3	
Q6543-46	2SK349400L	FET	4	
Q6551	B1ABNF000006	TRANSISTOR	1	
Q6552	B1ADNF000006	TRANSISTOR	1	
Q6553	B1ABNF000006	TRANSISTOR	1	
Q6554	B1ADNF000006	TRANSISTOR	1	
Q6559	B1ABNF000006	TRANSISTOR	1	
Q6560	B1ADNF000006	TRANSISTOR	1	
Q6561	B1ABNF000006	TRANSISTOR	1	
Q6562	B1ADNF000006	TRANSISTOR	1	
Q6567	B1ABNF000006	TRANSISTOR	1	
Q6568	B1ADNF000006	TRANSISTOR	1	
Q6571	B1ABNF000006	TRANSISTOR	1	
Q6572	B1ADNF000006	TRANSISTOR	1	
Q6575	B1ABNF000006	TRANSISTOR	1	
Q6576	B1ADNF000006	TRANSISTOR	1	
Q6577	2SD601A	TRANSISTOR	1	
Q6601	B1DEDS000001	TRANSISTOR	1	
Q6602	B1DEET000002	TRANSISTOR	1	
Q6604	2SK389500L	FET	1	
Q6611-26	B1DFJM000003	TRANSISTOR	16	
Q6630-45	B1DFKM000001	TRANSISTOR	16	
Q6650-53	B1DEDS000001	TRANSISTOR	4	
Q6654	2SK389500L	FET	1	
Q6655	2SD601A	TRANSISTOR	1	
Q6656,57	B1ADNF000006	TRANSISTOR	2	
Q6658,59	2SK620	FET	2	
Q6660	B1ABNF000006	TRANSISTOR	1	
Q6661	B1ADNF000006	TRANSISTOR	1	
Q6662	B1ABNF000006	TRANSISTOR	1	
Q6663	B1ADNF000006	TRANSISTOR	1	
Q6664	2SD601A	TRANSISTOR	1	
Q6665	B1ABNF000006	TRANSISTOR	1	
Q6666,67	2SK620	FET	2	
Q6668	B1ABNF000006	TRANSISTOR	1	
Q6669	B1ADNF000006	TRANSISTOR	1	
Q6670	2SK620	FET	1	
Q6811	2SD1263A	TRANSISTOR	1	
Q6812	2SB940A	TRANSISTOR	1	
Q6813	2SC1473A	TRANSISTOR	1	
Q6814	2SD1263A	TRANSISTOR	1	
Q6815	2SC1473A	TRANSISTOR	1	
Q6816	B1BBCJ000004	TRANSISTOR	1	
Q6817	2SD601A	TRANSISTOR	1	
Q6818	2SB0709A	TRANSISTOR	1	
Q6819	2SD1263A	TRANSISTOR	1	
Q6820	2SC1473A	TRANSISTOR	1	
Q6821	2SD814A	TRANSISTOR	1	
Q6822,23	2SD601A	TRANSISTOR	2	
Q6825	2SD601A	TRANSISTOR	1	
Q8001,02	2SD601A	TRANSISTOR	2	
Q8010	2SD601A	TRANSISTOR	1	
Q8011	2SB709A	TRANSISTOR	1	
Q8012	2SD601A	TRANSISTOR	1	
Q8013	2SB709A	TRANSISTOR	1	
Q8018,19	2SD601A	TRANSISTOR	2	
Q8181-84	2SK2731T146	FET	4	
Q8200-02	2SD601A	TRANSISTOR	3	
Q9074	2SK2731T146	FET	1	
Q9076	2SD601A	TRANSISTOR	1	
Q9078	2SD601A	TRANSISTOR	1	
Q9201,02	2SD601A	TRANSISTOR	2	

Ref. No.	Part No.	Part Name & Description	Pcs	Remarks
Q9300-04	2SD601A	TRANSISTOR	5	
Q9500,01	B1MBCDA00002	TRANSISTOR	2	
Q9502	B1ABMD000004	TRANSISTOR	1	
Q9703-07	2SD601A	TRANSISTOR	5	
Q9708	2SK2731T146	FET	1	
Q9709-13	2SD601A	TRANSISTOR	5	
Q9951	2SD601A	TRANSISTOR	1	
R320	ERJ14YJ124	CHIP RESISTOR	1	
R321-23	MPC5WR33K	METAL PLATE RESISTOR	3	
R325	ERJ6GEYJ333	M 33KOHM,J,1/10W	1	
R326-29	ERJ6GEYJ103	M 10KOHM,J,1/10W	4	
R330	ERJ12YJ220	M 22 OHM,J, 1/2W	1	
R336	ERJ6GEYJ101	M 100 OHM,J,1/10W	1	
R339	ERGLSJ330	M 33 OHM, J, 1W	1	
R340,41	ERG2FJS473D	M 47KOHM, J, 2W	2	
R342	ERJ6ENF2000	M 200 OHM, 1/10W	1	
R344	ERGLSJ330	M 33 OHM, J, 1W	1	
R346,47	ERJ12YJ220	M 22 OHM,J, 1/2W	2	
R349	ERJ12YJ220	M 22 OHM,J, 1/2W	1	
R350-53	ERJ6ENF3162	M31.6KOHM, 1/10W	4	
R358	ERG2SJV150	METAL OXIDE FILM RESISTOR	1	
R359	ERJ14YJ124	CHIP RESISTOR	1	
R360	ERG2SJV150	METAL OXIDE FILM RESISTOR	1	
R361	ERJ14YJ124	CHIP RESISTOR	1	
R364	ERG2SJV683	METAL OXIDE FILM RESISTOR	1	
R368	ERJ6ENF3652	CHIP RESISTOR	1	
R369-71	ERJ6GEYJ823	M 82KOHM,J,1/10W	3	
R373-76	ERJ14YJ124	CHIP RESISTOR	4	
R386-91	ERJ6ENF2373	CHIP RESISTOR	6	
R397-99	ERJ14YJ124	CHIP RESISTOR	3	
R405	MPC5WR47KS	METAL PLATE RESISTOR	1	
R406	ERJ6GEYJ223	M 22KOHM,J,1/10W	1	
R407	ERJ14YJ334	M 330KOHM, 1/2W	1	
R408	SG734K271	CHIP RESISTOR	1	
R410	ERJ14YJ332	M 33KOHM, J,1/4W	1	
R411	ERJ6GEYJ104	M 100KOHM,J,1/10W	1	
R412	ERJ14YJ472	M 4.7KOHM,J, 1/2W	1	
R413,14	ERJ14YJ334	M 330KOHM, 1/2W	2	
R415,16	ERJ6ENF2373	CHIP RESISTOR	2	
R426	ERJ14YJ470	M 47 OHM,J, 1/2W	1	
R429-32	ERJ6ENF2373	CHIP RESISTOR	4	
R433	ERJ6GEYJ4R7	M 4.7 OHM,J,1/10W	1	
R456	ERJ6ENF4302	M 43KOHM, 1/10W	1	
R457,58	ERJ6GEYJ473	M 47KOHM,J,1/10W	2	
R459	ERJ6GEYJ103	M 10KOHM,J,1/10W	1	
R460	ERG2SJ331	METAL OXIDE RESISTOR	1	
R461,62	ERJ6ENF4302	M 43KOHM, 1/10W	2	
R464	ERJ6ENF4302	M 43KOHM, 1/10W	1	
R473	ERJ6GEYJ332	M 3.3KOHM,J,1/10W	1	
R475,76	ERJ6GEYJ103	M 10KOHM,J,1/10W	2	
R480	ERG2SJ561	M 560 OHM, J, 2W	1	
R482	ERJ6GEYJ203	M 20KOHM,J,1/10W	1	
R483,84	ERJ6GEYJ2R2	M 2.2 OHM,J,1/10W	2	
R485	ERJ6GEYOR00	M 0 OHM, 1/10W	1	
R602,03	5K150JA	WIREWOUND RESISTOR	2	
R604	ERC12UGK185	CARBON COMPOSITION RESISTOR	1	
R609-12	ERJ6ENF1213	M 121KOHM, 1/10W	4	
R613,14	ERJ6GEYJ154	M 150KOHM,J,1/10W	2	
R615-17	MPC5WR15K	METAL PLATE RESISTOR	3	
R619	ERJ12YJ100	M 10 OHM,J, 1/2W	1	
R620	ERJ12YJ680	M 68 OHM,J, 1/2W	1	
R621	ERJ12YJ151	M 150 OHM,J, 1/2W	1	
R622	ERJ12YJ100	M 10 OHM,J, 1/2W	1	

Ref. No.	Part No.	Part Name & Description	Pcs	Remarks
R623	ERJ6GEYJ103	M 10KOHM,J,1/10W	1	
R624	ERJ6GEYJ183	M 18KOHM,J,1/10W	1	
R625	ERJ6GEYJ332	M 3.3KOHM,J,1/10W	1	
R626	ERJ12YJ680	M 68 OHM,J, 1/2W	1	
R628	ERJ6GEYJ103	M 10KOHM,J,1/10W	1	
R629	ERJ6GEYJ473	M 47KOHM,J,1/10W	1	
R630	ERJ6GEYJ103	M 10KOHM,J,1/10W	1	
R631	MPC5WR15K	METAL PLATE RESISTOR	1	
R632,33	ERJ6GEYJ154	M 150KOHM,J,1/10W	2	
R634-38	ERJ6ENF2553	M 255KOHM, 1/10W	5	
R640,41	ERJ6ENF5493	M 549KOHM, 1/10W	2	
R642	ERJ6ENF2553	M 255KOHM, 1/10W	1	
R644	ERJ6GEYJ101	M 100 OHM,J,1/10W	1	
R646	ERJ6GEYJ154	M 150KOHM,J,1/10W	1	
R649	ERJ6ENF5493	M 549KOHM, 1/10W	1	
R653-55	ERJ6GEYJ183	M 18KOHM,J,1/10W	3	
R677	ERJ6GEYJ103	M 10KOHM,J,1/10W	1	
R678	ERJ12YJ680	M 68 OHM,J, 1/2W	1	
R679	ERJ12YJ151	M 150 OHM,J, 1/2W	1	
R705	ERJ6GEYOR00	M 0 OHM, 1/10W	1	
R706	ERJ14YJ334	M 330KOHM, 1/2W	1	
R707	ERJ14YJ470	M 47 OHM,J, 1/2W	1	
R708	ERJ14YJ334	M 330KOHM, 1/2W	1	
R709	MPC5WR56KS	METAL PLATE RESISTOR	1	
R711	ERJ6GEYJ223	M 22KOHM,J,1/10W	1	
R714	ERJ14YJ334	M 330KOHM, 1/2W	1	
R715	ERJ6GEYJ104	M 100KOHM,J,1/10W	1	
R716	SG734K271	CHIP RESISTOR	1	
R717	ERJ14YJ332	M 33KOHM, J,1/4W	1	
R726	ERJ12YJ472	M 4.7KOHM,J, 1/2W	1	
R729-33	ERJ6ENF1052	M10.5KOHM, 1/10W	5	
R734	ERJ6GEYJ104	M 100KOHM,J,1/10W	1	
R735	ERJ12YJ473	M 47KOHM,J, 1/2W	1	
R7354,55	TAJAAH0470JV	M 47 OHM,J,1/16W	2	
R736	ERJ6GEYJ4R7	M 4.7 OHM,J,1/10W	1	
R741	ERJ6GEYJ221	M 220 OHM,J,1/10W	1	
R801	ERJ6GEYOR00	M 0 OHM, 1/10W	1	
R802	ERJ3GEYJ223	M 22KOHM,J,1/16W	1	
R803	ERJ3EKF9102	M91.0KOHM, 1/16W	1	
R804	ERJ3GEYJ394	M 390KOHM,J,1/16W	1	
R805	ERJ3EKF8452	M84.5KOHM, 1/16W	1	
R806	ERJ3EKF1052	M10.5KOHM, 1/16W	1	
R810	ERJ3GEYJ223	M 22KOHM,J,1/16W	1	
R811	ERJ3EKF9102	M91.0KOHM, 1/16W	1	
R812	ERJ3GEYJ823	M 82KOHM,J,1/16W	1	
R813	ERJ3EKF4222	M42.2KOHM, 1/16W	1	
R814	ERJ3EKF1052	M10.5KOHM, 1/16W	1	
R815	ERJ3GEYJ103	M 10KOHM,J,1/16W	1	
R816,17	ERJ6GEYOR00	M 0 OHM, 1/10W	2	
R818	ERJ3GEYJ223	M 22KOHM,J,1/16W	1	
R819	ERJ3EKF9102	M91.0KOHM, 1/16W	1	
R820	ERJ3GEYJ823	M 82KOHM,J,1/16W	1	
R821	ERJ3EKF2432	M24.3KOHM, 1/16W	1	
R822	ERJ3EKF1052	M10.5KOHM, 1/16W	1	
R823	ERJ3GEYJ103	M 10KOHM,J,1/16W	1	
R824	ERJ6GEYOR00	M 0 OHM, 1/10W	1	
R825-27	ERJ3GEYJ822	M 8.2KOHM,J,1/16W	3	
R850	ER0S2CKF4701	M 4.7KOHM, F,1/4W	1	
R851	ERDS2TJ332	C 3.3KOHM, J,1/4W	1	
R852	ERDS2TJ473	C 47KOHM, J,1/4W	1	
R853	ERDS2TJ471	C 470 OHM, J,1/4W	1	
R854-58	ERDS2TJ122	C 1.2KOHM, J,1/4W	5	
R860,61	ERDS2TJ122	C 1.2KOHM, J,1/4W	2	
R862	ER0S2CHF7501	M 7.5KOHM, F,1/4W	1	
R863	ER0S2CKF9100	M 910 OHM, F,1/4W	1	
R901	ERJ12YJ100	M 10 OHM,J, 1/2W	1	
R902	ERJ6GEYJ103	M 10KOHM,J,1/10W	1	
R903	ERJ14YJ104	M 100KOHM, J,1/4W	1	
R904	ERJ12YJ100	M 10 OHM,J, 1/2W	1	
R905	ERJ14YJ104	M 100KOHM, J,1/4W	1	
R906	ERJ6GEYJ103	M 10KOHM,J,1/10W	1	

Ref. No.	Part No.	Part Name & Description	Pcs	Remarks
R907,08	ERJ14YJ104	M 100KOHM, J,1/4W	2	
R955	ERJ6GEYJ472	M 4.7KOHM,J,1/10W	1	
R957	ERJ6GEYJ103	M 10KOHM,J,1/10W	1	
R958	ERJ6GEYJ473	M 47KOHM,J,1/10W	1	
R959	ERJ6GEYJ681	M 680 OHM,J,1/10W	1	
R960	ERJ6GEYJ222	M 2.2KOHM,J,1/10W	1	
R961	ERG2FJS820D	M 82 OHM, J, 2W	1	
R962	ERJ6GEYJ103	M 10KOHM,J,1/10W	1	
R963	ERJ6GEYJ152	M 1.5KOHM,J,1/10W	1	
R964	ERG2FJS820D	M 82 OHM, J, 2W	1	
R965	ERJ6GEYJ103	M 10KOHM,J,1/10W	1	
R966	ERJ6GEYJ152	M 1.5KOHM,J,1/10W	1	
R967	ERJ12YJ121	M 120 OHM,J, 1/2W	1	
R1500	ERJ6GEYJ102	M 1KOHM,J,1/10W	1	
R1510	ERJ3GEYF222	M 2.2KOHM, 1/16W	1	
R1511	ERJ3GEYF302	M 3.0KOHM, 1/16W	1	
R1512	ERJ3GEYF472	M 4.7KOHM, 1/16W	1	
R1513	ERJ3GEYF822	M 8.2KOHM,J,1/16W	1	
R1550	ERJ6GEYJ102	M 1KOHM,J,1/10W	1	
R1551	ERJ6GEYJ470	M 47 OHM,J,1/10W	1	
R1552	ERJ6GEYJ224	M 220KOHM,J,1/10W	1	
R1553	ERJ6GEYJ471	M 470 OHM,J,1/10W	1	
R1554	ERJ6GEYJ271	M 270 OHM,J,1/10W	1	
R1602,03	5K150JA	WIREWOUND RESISTOR	2	
R1604,05	ERDS1TJ474	C 4.7KOHM, J,1/2W	2	
R1606	ERJ6GEYJ102	M 1KOHM,J,1/10W	1	
R1607	ERJ6GEYJ224	M 220KOHM,J,1/10W	1	
R1609-12	ERJ6ENF1213	M 121KOHM, 1/10W	4	
R1613,14	ERJ6GEYJ154	M 150KOHM,J,1/10W	2	
R1615-17	MPC5WR27KS	METAL PLATE RESISTOR	3	
R1620	ERJ12YJ680	M 68 OHM,J, 1/2W	1	
R1621	ERJ12YJ151	M 150 OHM,J, 1/2W	1	
R1623	ERJ6GEYJ103	M 10KOHM,J,1/10W	1	
R1624	ERJ6GEYJ183	M 18KOHM,J,1/10W	1	
R1625	ERJ6GEYJ332	M 3.3KOHM,J,1/10W	1	
R1626	ERJ12YJ680	M 68 OHM,J, 1/2W	1	
R1627	ERJ12YJ151	M 150 OHM,J, 1/2W	1	
R1628	ERJ6GEYJ103	M 10KOHM,J,1/10W	1	
R1629	ERJ6GEYJ473	M 47KOHM,J,1/10W	1	
R1630	ERJ6GEYJ103	M 10KOHM,J,1/10W	1	
R1632,33	ERJ6GEYJ154	M 150KOHM,J,1/10W	2	
R1634	ERJ6ENF2103	M 210KOHM, 1/10W	1	
R1635-38	ERJ6ENF2553	M 255KOHM, 1/10W	4	
R1640,41	ERJ6ENF5493	M 549KOHM, 1/10W	2	
R1642	ERJ6ENF2553	M 255KOHM, 1/10W	1	
R1644	ERJ6GEYJ101	M 100 OHM,J,1/10W	1	
R1646	ERJ6GEYJ154	M 150KOHM,J,1/10W	1	
R1649	ERJ6ENF5493	M 549KOHM, 1/10W	1	
R1653-55	ERJ6GEYJ183	M 18KOHM,J,1/10W	3	
R1656-59	ERJ6GEYJ274	M 270KOHM,J,1/10W	4	
R1681,82	ERJ6GEYJ274	M 270KOHM,J,1/10W	2	
R1683	ERC12UGK685	CARBON COMPOSITION RESISTOR	1	
R2351-54	ERJ6GEYJ103	M 10KOHM,J,1/10W	4	
R2355-60	ERDS1FJ2R2	C 2.2 OHM, J,1/2W	6	
R2365	ERX1FJSR56D	M0.56 OHM, J, 1W	1	
R2367	ERJ6GEYJ332	M 3.3KOHM,J,1/10W	1	
R2368,69	ERJ6GEYJ103	M 10KOHM,J,1/10W	2	
R2370	ERJ6GEYJ222	M 2.2KOHM,J,1/10W	1	
R2371,72	ERJ6GEYJ102	M 1KOHM,J,1/10W	2	
R2373	ERJ6GEYJ103	M 10KOHM,J,1/10W	1	

Ref. No.	Part No.	Part Name & Description	Pcs	Remarks
R2374	ERX1FJSR56D	M 0.56 OHM, J, 1W	1	
R2376	ERJ6GEYJ332	M 3.3KOHM,J,1/10W	1	
R2377	ERJ6GEYJ103	M 10KOHM,J,1/10W	1	
R2383	ERJ6GEYJ472	M 4.7KOHM,J,1/10W	1	
R2384	ERJ6GEYJ473	M 47KOHM,J,1/10W	1	
R2385	ERJ6GEYJ472	M 4.7KOHM,J,1/10W	1	
R2386	ERJ6GEYJ562	M 5.6KOHM,J,1/10W	1	
R2387	ERJ6GEYJ182	M 1.8KOHM,J,1/10W	1	
R2388	ERJ6GEY0R00	M 0 OHM, 1/10W	1	
R2389-92	ERJ6GEYJ103	M 10KOHM,J,1/10W	4	
R2393	ERJ6GEYJ220	M 22 OHM,J,1/10W	1	
R2394-96	ERJ6GEYJ103	M 10KOHM,J,1/10W	3	
R2397	ERJ6GEYJ512	M 5.1KOHM,J,1/10W	1	
R2398	ERJ6GEYJ472	M 4.7KOHM,J,1/10W	1	
R2399,00	ERJ6GEYJ220	M 22 OHM,J,1/10W	2	
R2404-07	ERJ6GEYJ103	M 10KOHM,J,1/10W	4	
R2408-11	ERJ6GEY0R00	M 0 OHM, 1/10W	4	
R2412	ERJ3GEYJ102	M 1KOHM,J,1/16W	1	
R2413	ERJ3GEY0R00	M 0 OHM, 1/16W	1	
R2414	ERJ3GEYJ122	M 1.2KOHM,J,1/16W	1	
R2415	ERJ3GEYJ102	M 1KOHM,J,1/16W	1	
R2416	ERJ3GEY0R00	M 0 OHM, 1/16W	1	
R2417	ERJ3GEYJ122	M 1.2KOHM,J,1/16W	1	
R2418,19	ERJ3GEYJ473	M 47KOHM,J,1/16W	2	
R2420	ERJ3GEYJ103	M 10KOHM,J,1/16W	1	
R2421,22	ERJ3GEYJ183	M 18KOHM,J,1/16W	2	
R2423	ERJ3GEYJ103	M 10KOHM,J,1/16W	1	
R2426	ERDS2TJ471T	C 470 OHM, J,1/4W	1	
R3001	ERJ3GEYJ103	M 10KOHM,J,1/16W	1	
R3001	ERJ6ENF75R0	M 75 OHM, 1/10W	1 (HB)	
R3002	ERJ3GEYJ102	M 1KOHM,J,1/16W	1 (J)	
R3002	ERJ6ENF75R0	M 75 OHM, 1/10W	1 (HB)	
R3003	ERJ3GEYJ473	M 47KOHM,J,1/16W	1 (J)	
R3003	ERJ3GEYJ103	M 10KOHM,J,1/16W	1 (HB)	
R3004	ERJ3GEYJ101	M 100 OHM,J,1/16W	1 (J)	
R3004	ERJ6GEYJ184	M 180KOHM,J,1/10W	1 (HA)	
R3004	ERJ6ENF75R0	M 75 OHM, 1/10W	1 (HB)	
R3005	ERJ3GEYJ332	M 3.3KOHM,J,1/16W	1 (J)	
R3005	ERJ6GEYJ184	M 180KOHM,J,1/10W	1 (HA)	
R3005	ERJ6ENF75R0	M 75 OHM, 1/10W	1 (HB)	
R3006	ERJ3GEYJ332	M 3.3KOHM,J,1/16W	1 (J)	
R3006	TAJAAH0101JV	M 100 OHM,J,1/16W	1 (HA)	
R3006	ERJ3GEYJ103	M 10KOHM,J,1/16W	1 (HB)	
R3007	ERJ3GEYJ103	M 10KOHM,J,1/16W	1 (J)	
R3007	TAJAAH0101JV	M 100 OHM,J,1/16W	1 (HA)	
R3007	ERJ3GEYJ104	M 100KOHM,J,1/16W	1 (HB)	
R3008	ERJ3GEYJ103	M 10KOHM,J,1/16W	1 (J)	
R3008	ERJ3GEYJ103	M 10KOHM,J,1/16W	1 (HB)	
R3009	ERJ3GEYJ101	M 100 OHM,J,1/16W	1 (J)	
R3009	TAJAAH0101JV	M 100 OHM,J,1/16W	1 (HB)	
R3010	ERJ3GEYJ101	M 100 OHM,J,1/16W	1 (J)	
R3010	ERJ3GEYJ153	M 15KOHM,J,1/16W	1 (HB)	
R3011	ERJ3GEYJ222	M 2.2KOHM,J,1/16W	1 (J)	
R3011	ERJ3GEYJ103	M 10KOHM,J,1/16W	1 (HB)	
R3012	ERJ3GEYJ333	M 33KOHM,J,1/16W	1 (J)	
R3012	ERJ3GEYJ223	M 22KOHM,J,1/16W	1 (HB)	
R3013	ERJ3GEYJ222	M 2.2KOHM,J,1/16W	1 (J)	
R3013	ERJ3GEYJ333	M 33KOHM,J,1/16W	1 (HB)	
R3014	ERJ3GEYJ333	M 33KOHM,J,1/16W	1 (J)	
R3014	ERJ3GEYJ103	M 10KOHM,J,1/16W	1 (HA)	
R3014	ERJ3GEYJ223	M 22KOHM,J,1/16W	1 (HB)	
R3015	J0JCC0000100	CHIP INDUCTOR	1 (J)	
R3015	ERJ3GEYJ103	M 10KOHM,J,1/16W	1 (HA)	
R3015	ERJ3GEYJ333	M 33KOHM,J,1/16W	1 (HB)	
R3016	J0JCC0000100	CHIP INDUCTOR	1 (J)	
R3016	ERJ3GEYJ103	M 10KOHM,J,1/16W	1 (HA)	
R3016	TAJAAH0101JV	M 100 OHM,J,1/16W	1 (HB)	

Ref. No.	Part No.	Part Name & Description	Pcs	Remarks
R3017	J0JCC0000100	CHIP INDUCTOR	1 (J)	
R3017	ERJ3GEYJ103	M 10KOHM,J,1/16W	1 (HA)	
R3017	TAJAAH0101JV	M 100 OHM,J,1/16W	1 (HB)	
R3018	J0JCC0000100	CHIP INDUCTOR	1 (J)	
R3018	TAJAAH0101JV	M 100 OHM,J,1/16W	1 (HA)	
R3018	TAJAAH0101JV	M 100 OHM,J,1/16W	1 (HB)	
R3019	J0JCC0000100	CHIP INDUCTOR	1 (J)	
R3019	TAJAAH0101JV	M 100 OHM,J,1/16W	1 (HA)	
R3019	ERJ3GEYJ102	M 1KOHM,J,1/16W	1 (HB)	
R3020	J0JCC0000100	CHIP INDUCTOR	1 (J)	
R3020	ERJ3GEYJ102	M 1KOHM,J,1/16W	1 (HB)	
R3021	J0JCC0000100	CHIP INDUCTOR	1 (J)	
R3021	ERJ3GEYJ102	M 1KOHM,J,1/16W	1 (HB)	
R3022	J0JCC0000100	CHIP INDUCTOR	1 (J)	
R3022	ERJ3GEYJ102	M 1KOHM,J,1/16W	1 (HA)	
R3022	TAJAAH0101JV	M 100 OHM,J,1/16W	1 (HB)	
R3023	ERJ3GEYJ101	M 100 OHM,J,1/16W	1 (J)	
R3023	ERJ3GEYJ102	M 1KOHM,J,1/16W	1 (HA)	
R3023	ERJ3GEYJ472	M 4.7KOHM,J,1/16W	1 (HB)	
R3024	ERJ3GEYJ101	M 100 OHM,J,1/16W	1 (J)	
R3024	TAJAAH0101JV	M 100 OHM,J,1/16W	1 (HB)	
R3025	ERJ3GEYJ101	M 100 OHM,J,1/16W	1 (J)	
R3025	TAJAAH0101JV	M 100 OHM,J,1/16W	1 (HA)	
R3025	TAJAAH0101JV	M 100 OHM,J,1/16W	1 (HB)	
R3026	ERJ3GEYJ103	M 10KOHM,J,1/16W	1 (J)	
R3026	TAJAAH0101JV	M 100 OHM,J,1/16W	1 (HA)	
R3026	ERJ3GEYJ103	M 10KOHM,J,1/16W	1 (HB)	
R3027	ERJ3GEYJ102	M 1KOHM,J,1/16W	1 (HB)	
R3027,28	ERJ3GEYJ103	M 10KOHM,J,1/16W	2 (J)	
R3028	TAJAAH0101JV	M 100 OHM,J,1/16W	1 (HB)	
R3029	ERJ3GEYJ103	M 10KOHM,J,1/16W	1 (J)	
R3029	ERJ3EKF2200	M 220 OHM, 1/16W	1 (HB)	
R3030	J0JCC0000100	CHIP INDUCTOR	1 (J)	
R3030	ERJ3EKF3900	M 390 OHM, 1/16W	1 (HB)	
R3031	J0JCC0000100	CHIP INDUCTOR	1 (J)	
R3031	ERJ3EKF4700	M 470 OHM, 1/16W	1 (HB)	
R3032	ERJ3EKF1200	M 120 OHM, 1/16W	1 (HB)	
R3032,33	J0JCC0000100	CHIP INDUCTOR	2 (J)	
R3033	TAJAAH0101JV	M 100 OHM,J,1/16W	1 (HB)	
R3034	ERJ3GEYJ331	M 330 OHM,J,1/16W	1 (J)	
R3035	ERJ3GEYJ331	M 330 OHM,J,1/16W	1	
R3035	ERJ3GEYJ102	M 1KOHM,J,1/16W	1 (HB)	
R3036	ERJ3GEYJ331	M 330 OHM,J,1/16W	1 (J)	
R3036	ERJ3GEYJ103	M 10KOHM,J,1/16W	1 (HA)	
R3036	ERJ6ENF1800	M 180 OHM, 1/10W	1 (HB)	
R3037	J0JCC0000100	CHIP INDUCTOR	1 (J)	
R3037	ERJ3GEYJ103	M 10KOHM,J,1/16W	1 (HA)	
R3037	ERJ3EKF2200	M 220 OHM, 1/16W	1 (HB)	
R3038	J0JCC0000100	CHIP INDUCTOR	1 (J)	
R3038	ERJ3GEYJ272	M 2.7KOHM,J,1/16W	1 (HB)	
R3039	ERJ3GEYJ331	M 330 OHM,J,1/16W	1	
R3040	ERJ3GEYJ331	M 330 OHM,J,1/16W	1 (J)	
R3040	ERJ3EKF3300	M 330 OHM, 1/16W	1 (HB)	
R3041	ERJ3GEYJ331	M 330 OHM,J,1/16W	1 (J)	
R3041	ERJ6GEY0R00	M 0 OHM, 1/10W	1 (HA)	
R3041	ERJ3EKF1800	M 180 OHM, 1/16W	1 (HB)	
R3042	J0JCC0000100	CHIP INDUCTOR	1 (J)	
R3042	ERJ6GEY0R00	M 0 OHM, 1/10W	1 (HA)	
R3042	ERJ3EKF6801	M 6.8KOHM, 1/16W	1 (HB)	
R3043	J0JCC0000100	CHIP INDUCTOR	1 (J)	
R3043	ERJ3GEYJ561	M 560 OHM,J,1/16W	1 (HB)	
R3044	ERJ3GEYJ103	M 10KOHM,J,1/16W	1 (J)	
R3044	ERJ3GEYJ333	M 33KOHM,J,1/16W	1 (HB)	
R3045	ERJ3GEYJ103	M 10KOHM,J,1/16W	1 (J)	
R3045	ERJ3GEYJ333	M 33KOHM,J,1/16W	1 (HB)	
R3046	ERJ3GEYJ103	M 10KOHM,J,1/16W	1 (J)	
R3046	TAJAAH0101JV	M 100 OHM,J,1/16W	1 (HB)	
R3047	ERJ3GEYJ103	M 10KOHM,J,1/16W	1 (J)	
R3047	ERJ3GEYJ102	M 1KOHM,J,1/16W	1 (HB)	
R3048	ERJ3GEYJ334	M 330KOHM,J,1/16W	1 (J)	
R3048	TAJAAH0101JV	M 100 OHM,J,1/16W	1 (HB)	

Ref. No.	Part No.	Part Name & Description	Pcs	Remarks
R3049	ERJ3GEYJ334	M 330KOHM,J,1/16W	1	(J)
R3049	ERJ3GEYJ102	M 1KOHM,J,1/16W	1	(HB)
R3050	ERJ3GEYJ560	M 56 OHM,J,1/16W	1	(J)
R3050	ERJ6ENF75R0	M 75 OHM, 1/10W	1	(HB)
R3051	ERJ3GEYJ334	M 330KOHM,J,1/16W	1	(J)
R3051	ERJ3GEYJ333	M 33KOHM,J,1/16W	1	(HB)
R3052	ERJ3GEYJ334	M 330KOHM,J,1/16W	1	(J)
R3052	ERJ3GEYJ333	M 33KOHM,J,1/16W	1	(HB)
R3053	ERJ3GEYJ560	M 56 OHM,J,1/16W	1	(J)
R3053	ERJ3GEYJ153	M 15KOHM,J,1/16W	1	(HB)
R3054	ERJ3GEYJ560	M 56 OHM,J,1/16W	1	(J)
R3054	ERJ3GEYJ333	M 33KOHM,J,1/16W	1	(HB)
R3055	ERJ3GEYJ334	M 330KOHM,J,1/16W	1	(J)
R3055	ERJ3GEYJ153	M 15KOHM,J,1/16W	1	(HB)
R3056	ERJ3GEYJ334	M 330KOHM,J,1/16W	1	(J)
R3056	ERJ3GEYJ333	M 33KOHM,J,1/16W	1	(HB)
R3057	ERJ3GEYJ560	M 56 OHM,J,1/16W	1	(J)
R3057	TAJAAH0101JV	M 100 OHM,J,1/16W	1	(HB)
R3058	ERJ3GEYJ560	M 56 OHM,J,1/16W	1	(J)
R3058	TAJAAH0101JV	M 100 OHM,J,1/16W	1	(HB)
R3059	ERJ3GEYJ101	M 100 OHM,J,1/16W	1	
R3060	ERJ3GEYJ102	M 1KOHM,J,1/16W	1	(J)
R3060	ERJ3GEYJ102	M 1KOHM,J,1/16W	1	(HB)
R3061	J0JCC0000100	CHIP INDUCTOR	1	(J)
R3061	ERJ3GEYJ561	M 560 OHM,J,1/16W	1	(HB)
R3062	ERJ6GEYJ101	M 100 OHM,J,1/10W	1	
R3062	ERJ3GEYJ561	M 560 OHM,J,1/16W	1	(HB)
R3063	ERJ3GEYJ101	M 100 OHM,J,1/16W	1	
R3064	ERJ6GEYJ560	M 56 OHM,J,1/10W	1	
R3065	ERJ6GEY0R00	M 0 OHM, 1/10W	1	(HB)
R3065-69	ERJ6GEYJ560	M 56 OHM,J,1/10W	5	(J)
R3070-75	ERJ6ENF75R0	M 75 OHM, 1/10W	6	
R3076-81	ERJ6GEYJ560	M 56 OHM,J,1/10W	6	
R3082,83	ERJ3GEYJ101	M 100 OHM,J,1/16W	2	
R3084,85	ERJ3GEYJ103	M 10KOHM,J,1/16W	2	
R3086,87	J0JCC0000100	CHIP INDUCTOR	2	
R3088-93	ERJ6ENF75R0	M 75 OHM, 1/10W	6	
R3094-96	ERJ3GEYJ331	M 330 OHM,J,1/16W	3	
R3097,98	J0JCC0000100	CHIP INDUCTOR	2	
R3099,00	ERJ3GEYJ103	M 10KOHM,J,1/16W	2	
R3101	ERJ6ENF1800	M 180 OHM, 1/10W	1	(J)
R3101	ERJ3GEYJ220	M 22 OHM,J,1/16W	1	(HB)
R3102	ERJ3GEY0R00	M 0 OHM, 1/16W	1	(HB)
R3102,03	ERJ6ENF1800	M 180 OHM, 1/10W	2	(J)
R3104	ERJ3GEYJ220	M 22 OHM,J,1/16W	1	(HB)
R3104,05	ERJ6ENF1800	M 180 OHM, 1/10W	2	(J)
R3106	ERJ6ENF1800	M 180 OHM, 1/10W	1	
R3106	ERJ3GEYJ103	M 10KOHM,J,1/16W	1	(J)
R3107	ERJ3GEYJ101	M 100 OHM,J,1/16W	1	
R3107	ERJ3GEYJ330	M 33 OHM,J,1/16W	1	
R3108	J0JCC0000100	CHIP INDUCTOR	1	
R3108	ERJ3GEY0R00	M 0 OHM, 1/16W	1	
R3109	ERJ6ENF8200	M 820 OHM, 1/10W	1	
R3110	ERJ6ENF4701	M 4.7KOHM, 1/10W	1	
R3111	ERJ6ENF1501	M 1.5KOHM, 1/10W	1	
R3112	ERJ6ENF4701	M 4.7KOHM, 1/10W	1	
R3112	ERJ3EKF1501	M 1.5KOHM, 1/16W	1	
R3113	ERJ6ENF1501	M 1.5KOHM, 1/10W	1	
R3113	ERJ3EKF1501	M 1.5KOHM, 1/16W	1	
R3114	ERJ3GEY0R00	M 0 OHM, 1/16W	1	
R3115	ERJ3GEYJ102	M 1KOHM,J,1/16W	1	
R3116	ERJ3GEYJ103	M 10KOHM,J,1/16W	1	(J)
R3116	ERJ6GEY0R00	M 0 OHM, 1/10W	1	(HB)

Ref. No.	Part No.	Part Name & Description	Pcs	Remarks
R3117	J0JCC0000100	CHIP INDUCTOR	1	(J)
R3117	ERJ3GEYJ102	M 1KOHM,J,1/16W	1	(HB)
R3118	ERJ6ENF8200	M 820 OHM, 1/10W	1	(J)
R3118	ERJ3GEY0R00	M 0 OHM, 1/16W	1	(HB)
R3119	ERJ3GEYJ121	M 120 OHM,J,1/16W	1	
R3120	ERJ3GEY0R00	M 0 OHM, 1/16W	1	
R3121	ERJ3GEYJ121	M 120 OHM,J,1/16W	1	
R3122	ERJ3EKF8201	M 8.2KOHM, 1/16W	1	
R3123	ERJ3EKF1502	M 15KOHM, 1/16W	1	
R3124	ERJ3EKF10R0	M 10 OHM, 1/16W	1	
R3125	ERJ6GEYJ103	M 10KOHM,J,1/10W	1	(J)
R3125	ERJ3GEY0R00	M 0 OHM, 1/16W	1	(HB)
R3126	J0JCC0000100	CHIP INDUCTOR	1	
R3127	J0JCC0000100	CHIP INDUCTOR	1	
R3127	ERJ6ENF12R0	M 12 OHM, 1/10W	1	
R3128,29	ERJ3GEYJ181	M 180 OHM,J,1/16W	2	(J)
R3129	ERJ6ENF12R0	M 12 OHM, 1/10W	1	(HB)
R3130,31	ERJ3GEYJ181	M 180 OHM,J,1/16W	2	
R3131	ERJ3GEYJ220	M 22 OHM,J,1/16W	1	
R3132,33	ERJ3GEYJ181	M 180 OHM,J,1/16W	2	
R3134	ERJ6GEYJ104	M 100KOHM,J,1/10W	1	
R3134	ERJ6ENF10R0	M 10 OHM, 1/10W	1	
R3135	ERJ6ENF10R0	M 10 OHM, 1/10W	1	
R3136-39	ERJ3GEY0R00	M 0 OHM, 1/16W	4	
R3140	ERJ3GEYJ473	M 47KOHM,J,1/16W	1	(J)
R3140	ERJ3GEYJ220	M 22 OHM,J,1/16W	1	(HB)
R3141	ERJ3GEYJ473	M 47KOHM,J,1/16W	1	(J)
R3141	ERJ3GEY0R00	M 0 OHM, 1/16W	1	(HB)
R3142,02	ERJ3GEY0R00	M 0 OHM, 1/16W	2	
R3143,44	ERJ3GEYJ101	M 100 OHM,J,1/16W	2	
R3145	ERJ3GEYJ102	M 1KOHM,J,1/16W	1	
R3147	ERJ3GEYJ182	M 1.8KOHM,J,1/16W	1	
R3148	ERJ3GEYJ333	M 33KOHM,J,1/16W	1	(J)
R3148	ERJ3GEYJ220	M 22 OHM,J,1/16W	1	(HB)
R3149	ERJ3GEYJ182	M 1.8KOHM,J,1/16W	1	(J)
R3149	ERJ3GEYJ220	M 22 OHM,J,1/16W	1	(HB)
R3150,51	ERJ3GEYJ101	M 100 OHM,J,1/16W	2	(J)
R3151	ERJ3GEYJ220	M 22 OHM,J,1/16W	1	(HB)
R3152	ERJ3GEYJ333	M 33KOHM,J,1/16W	1	(J)
R3152	ERJ3GEYJ561	M 560 OHM,J,1/16W	1	(HB)
R3153	ERJ3GEYJ221	M 220 OHM,J,1/16W	1	
R3154,55	ERJ3GEYJ331	M 330 OHM,J,1/16W	2	
R3156	ERJ3GEYJ561	M 560 OHM,J,1/16W	1	
R3157	ERJ3GEYJ221	M 220 OHM,J,1/16W	1	
R3158	ERJ3GEYJ182	M 1.8KOHM,J,1/16W	1	
R3159	ERJ6GEY0R00	M 0 OHM, 1/10W	1	
R3160	ERJ3GEYJ562	M 5.6KOHM,J,1/16W	1	(J)
R3160	ERJ3EKF2701	M 2.7KOHM, 1/16W	1	(HB)
R3161	ERJ3GEYJ562	M 5.6KOHM,J,1/16W	1	(J)
R3161	ERJ3EKF2701	M 2.7KOHM, 1/16W	1	(HB)
R3162	ERJ3GEYJ102	M 1KOHM,J,1/16W	1	
R3162	ERJ3EKF2701	M 2.7KOHM, 1/16W	1	
R3163	ERJ3GEYJ102	M 1KOHM,J,1/16W	1	
R3163	ERJ3EKF2701	M 2.7KOHM, 1/16W	1	
R3164-67	ERJ3GEY0R00	M 0 OHM, 1/16W	4	
R3168	ERJ3EKF2000	M 200 OHM, 1/16W	1	
R3169-72	ERJ6ENF75R0	M 75 OHM, 1/10W	4	
R3173	ERJ3EKF2200	M 220 OHM, 1/16W	1	
R3174	ERJ3GEY0R00	M 0 OHM, 1/16W	1	
R3177	ERJ3EKF1401	M 1.4KOHM, 1/16W	1	
R3178	ERJ3EKF1101	M 1.1KOHM, 1/16W	1	
R3179	ERJ3EKF1401	M 1.4KOHM, 1/16W	1	
R3180	ERJ3EKF1101	M 1.1KOHM, 1/16W	1	
R3181	ERJ3EKF1401	M 1.4KOHM, 1/16W	1	
R3182	ERJ3EKF1101	M 1.1KOHM, 1/16W	1	

Ref. No.	Part No.	Part Name & Description	Pcs	Remarks
R3183	ERJ3EKF1401	M 1.4KOHM, 1/16W	1	
R3184	ERJ3EKF1101	M 1.1KOHM, 1/16W	1	
R3185	ERJ6GEY0R00	M 0 OHM, 1/10W	1	
R3188	ERJ6ENF39R0	M 39 OHM, 1/10W	1	
R3189	ERJ3GEY0R00	M 0 OHM, 1/16W	1	(HB)
R3189,90	ERJ6ENF39R0	M 39 OHM, 1/10W	2	(J)
R3192,93	ERJ3GEYJ103	M 10KOHM,J,1/16W	2	
R3194,02	ERJ3GEY0R00	M 0 OHM, 1/16W	2	
R3195,96	ERJ3GEYJ103	M 10KOHM,J,1/16W	2	
R3197,98	ERJ3GEYJ123	M 12KOHM,J,1/16W	2	
R3199-04	ERJ6ENF1800	M 180 OHM, 1/10W	6	
R3210,11	ERJ6GEYJ101	M 100 OHM,J,1/10W	2	
R3212-15	ERJ3GEYJ472	M 4.7KOHM,J,1/16W	4	
R3216-19	ERJ6GEYJ3R3	M 3.3KOHM,J,1/10W	4	
R3230,31	ERJ6GEYJ102	M 1KOHM,J,1/10W	2	
R3251	TAJAAH0101JV	M 100 OHM,J,1/16W	1	
R3252	ERJ3GEYJ103	M 10KOHM,J,1/16W	1	
R3253	ERJ3GEYJ472	M 4.7KOHM,J,1/16W	1	
R3254,55	ERJ3GEYJ220	M 22 OHM,J,1/16W	2	
R3260-62	ERJ6ENF39R0	M 39 OHM, 1/10W	3	
R3300,01	ERJ3EKF1501	M 1.5KOHM, 1/16W	2	
R3302	ERJ3GEYJ472	M 4.7KOHM,J,1/16W	1	
R3303,04	ERJ3GEYJ220	M 22 OHM,J,1/16W	2	
R3305	ERJ6GEY0R00	M 0 OHM, 1/10W	1	
R3307	ERJ3GEY0R00	M 0 OHM, 1/16W	1	
R3308,09	ERJ3GEYJ103	M 10KOHM,J,1/16W	2	
R3313	ERJ3GEYJ333	M 33KOHM,J,1/16W	1	
R3314,15	ERJ3GEYJ103	M 10KOHM,J,1/16W	2	
R3319	ERJ3GEYJ333	M 33KOHM,J,1/16W	1	
R3337,38	ERJ3GEYJ220	M 22 OHM,J,1/16W	2	
R3400	ERJ6GEYJ103	M 10KOHM,J,1/10W	1	
R3508,09	ERJ6GEYJ472	M 4.7KOHM,J,1/10W	2	
R3510,11	ERJ6GEYJ101	M 100 OHM,J,1/10W	2	
R3529,30	ERJ6GEYJ184	M 180KOHM,J,1/10W	2	
R3547,48	ERJ6GEYJ101	M 100 OHM,J,1/10W	2	
R356,57	ERJ14YJ124	CHIP RESISTOR	2	
R3585,86	ERJ6GEYJ560	M 56 OHM,J,1/10W	2	
R3589	ERJ6GEYJ473	M 47KOHM,J,1/10W	1	
R3590	ERJ6GEYJ560	M 56 OHM,J,1/10W	1	
R3591-93	ERJ6GEY0R00	M 0 OHM, 1/10W	3	
R3653	ERJ6GEYJ153	M 15KOHM,J,1/10W	1	
R3654	ERJ6GEYJ333	M 33KOHM,J,1/10W	1	
R3655	ERJ6GEYJ153	M 15KOHM,J,1/10W	1	
R3656	ERJ6GEYJ333	M 33KOHM,J,1/10W	1	
R366,67	ERJ6GEYJ682	M 6.8KOHM,J,1/10W	2	
R3663,64	ERJ6GEYJ102	M 1KOHM,J,1/10W	2	
R3668	ERJ6GEYJ101	M 100 OHM,J,1/10W	1	
R3672	ERJ6GEYJ101	M 100 OHM,J,1/10W	1	
R3776,77	ERJ6GEYJ101	M 100 OHM,J,1/10W	2	
R3778	ERJ6GEYJ473	M 47KOHM,J,1/10W	1	
R3790,91	ERJ6GEY0R00	M 0 OHM, 1/10W	2	

Ref. No.	Part No.	Part Name & Description	Pcs	Remarks
R6000-05	ERJ14YJ100	M 10 OHM, J,1/4W	6	
R6012	ERJ6GEYJ101	M 100 OHM,J,1/10W	1	
R6013	ERJ6GEYJ100	M 10 OHM,J,1/10W	1	
R6014,15	ERJ6GEYJ103	M 10KOHM,J,1/10W	2	
R6020-25	ERJ14YJ100	M 10 OHM, J,1/4W	6	
R6032	ERJ6GEYJ101	M 100 OHM,J,1/10W	1	
R6033	ERJ6GEYJ100	M 10 OHM,J,1/10W	1	
R6034,35	ERJ6GEYJ103	M 10KOHM,J,1/10W	2	
R6040-43	ERJ6GEYJ151	M 150 OHM,J,1/10W	4	
R6047,48	ERJ6GEYJ151	M 150 OHM,J,1/10W	2	
R6052	ERJ6ENF1182	M11.8KOHM, 1/10W	1	
R6053-58	ERJ6GEYJ151	M 150 OHM,J,1/10W	6	
R6060	EXB38V470J	RESISTOR ARRAY	1	
R6061	EXB38V472J	RESISTOR ARRAY	1	
R6062	EXB38V470J	RESISTOR ARRAY	1	
R6063	EXB38V472J	RESISTOR ARRAY	1	
R6064,65	ERJ6GEYJ103	M 10KOHM,J,1/10W	2	
R6066	ERJ6GEYJ222	M 2.2KOHM,J,1/10W	1	
R6067,68	ERJ6GEYJ152	M 1.5KOHM,J,1/10W	2	
R6069	ERJ6GEYJ103	M 10KOHM,J,1/10W	1	
R6070,71	ERJ6ENF3902	M 39KOHM, 1/10W	2	
R6072	ERJ6ENF6981	M6.98KOHM, 1/10W	1	
R6073,74	ERJ6GEYJ224	M 220KOHM,J,1/10W	2	
R6075,76	ERJ6GEYJ222	M 2.2KOHM,J,1/10W	2	
R6079	ERJ6GEYJ101	M 100 OHM,J,1/10W	1	
R6080	ERJ6GEYJ474	M 470KOHM,J,1/10W	1	
R6081,82	ERJ6GEYJ104	M 100KOHM,J,1/10W	2	
R6090	ERJ6GEY0R00	M 0 OHM, 1/10W	1	
R6100-11	ERJ14YJ100	M 10 OHM, J,1/4W	12	
R6122	ERJ6GEYJ100	M 10 OHM,J,1/10W	1	
R6123,24	ERJ6GEYJ103	M 10KOHM,J,1/10W	2	
R6125	ERJ6GEYJ100	M 10 OHM,J,1/10W	1	
R6126,27	ERJ6GEYJ103	M 10KOHM,J,1/10W	2	
R6130	ERJ6GEYJ101	M 100 OHM,J,1/10W	1	
R6136	ERJ6ENF2702	M 27KOHM, 1/10W	1	
R6137	ERJ6ENF5602	M 56KOHM, 1/10W	1	
R6138,39	ERJ6ENF8202	M 82KOHM, 1/10W	2	
R6140-51	ERJ14YJ100	M 10 OHM, J,1/4W	12	
R6176	ERJ6GEYJ101	M 100 OHM,J,1/10W	1	
R6177	ERJ6GEYJ100	M 10 OHM,J,1/10W	1	
R6178,79	ERJ6GEYJ103	M 10KOHM,J,1/10W	2	
R6180	ERJ6GEYJ100	M 10 OHM,J,1/10W	1	
R6181,82	ERJ6GEYJ103	M 10KOHM,J,1/10W	2	
R6192	ERJ6GEYJ154	M 150KOHM,J,1/10W	1	
R6193	ERJ6GEYJ473	M 47KOHM,J,1/10W	1	
R6195,96	ERJ6GEYJ151	M 150 OHM,J,1/10W	2	
R6197,98	ERJ6GEYJ101	M 100 OHM,J,1/10W	2	
R6199	ERJ6GEYJ104	M 100KOHM,J,1/10W	1	
R6200	ERJ6GEYJ5R6	M 5.6 OHM,J,1/10W	1	
R6202	ERJ6GEYJ5R6	M 5.6 OHM,J,1/10W	1	
R6210	ERJ6GEYJ100	M 10 OHM,J,1/10W	1	
R6211,12	ERJ6GEYJ103	M 10KOHM,J,1/10W	2	
R6213	ERJ6GEYJ100	M 10 OHM,J,1/10W	1	
R6214,15	ERJ6GEYJ103	M 10KOHM,J,1/10W	2	

Ref. No.	Part No.	Part Name & Description	Pcs	Remarks
R6216,17	ERJ6GEYJ101	M 100 OHM,J,1/10W	2	
R6219	ERJ6GEYJ104	M 100KOHM,J,1/10W	1	
R6221	ERJ6GEYJ220	M 22 OHM,J,1/10W	1	
R6223	ERJ6GEYJ220	M 22 OHM,J,1/10W	1	
R6225	ERJ6GEYJ220	M 22 OHM,J,1/10W	1	
R6227	ERJ6GEYJ220	M 22 OHM,J,1/10W	1	
R6228	ERJ6GEYJ103	M 10KOHM,J,1/10W	1	
R6229	ERJ6GEYJ101	M 100 OHM,J,1/10W	1	
R6231	ERJ6GEYJ220	M 22 OHM,J,1/10W	1	
R6232	ERJ6GEYJ100	M 10 OHM,J,1/10W	1	
R6233,34	ERJ6GEYJ103	M 10KOHM,J,1/10W	2	
R6235	ERJ6GEYJ100	M 10 OHM,J,1/10W	1	
R6236,37	ERJ6GEYJ103	M 10KOHM,J,1/10W	2	
R6238,39	ERJ6GEYJ101	M 100 OHM,J,1/10W	2	
R6240	ERJ6ENF7152	M71.5KOHM, 1/10W	1	
R6241	ERJ6ENF1072	M10.7KOHM, 1/10W	1	
R6242	ERJ6ENF4991	M4.99KOHM, 1/10W	1	
R6243	ERJ6ENF3902	M 39KOHM, 1/10W	1	
R6244	ERJ6ENF9101	M 9.1KOHM, 1/10W	1	
R6245	ERJ6ENF5901	M 5.9KOHM, 1/10W	1	
R6246	ERJ6GEYJ221	M 220 OHM,J,1/10W	1	
R6247,48	ERF15ZXJ271	W 270 OHM, 15W	2	
R6249	ERJ6ENF1182	M11.8KOHM, 1/10W	1	
R6250-53	ERJ6GEYJ101	M 100 OHM,J,1/10W	4	
R6254	ERJ6GEYJ100	M 10 OHM,J,1/10W	1	
R6255	ERJ6GEYJ103	M 10KOHM,J,1/10W	1	
R6257	ERF15ZXJ271	W 270 OHM, 15W	1	
R6258	ERJ6GEY0R00	M 0 OHM, 1/10W	1	
R6259,60	ERJ6GEYJ101	M 100 OHM,J,1/10W	2	
R6261	ERJ6GEYJ102	M 1KOHM,J,1/10W	1	
R6263	ERJ6GEYJ151	M 150 OHM,J,1/10W	1	
R6264	ERJ6GEYJ101	M 100 OHM,J,1/10W	1	
R6265	ERJ6GEYJ103	M 10KOHM,J,1/10W	1	
R6266	ERJ6GEYJ470	M 47 OHM,J,1/10W	1	
R6267,68	ERJ6GEYJ103	M 10KOHM,J,1/10W	2	
R6269	ERJ6GEYJ470	M 47 OHM,J,1/10W	1	
R6270	ERJ6GEYJ104	M 100KOHM,J,1/10W	1	
R6271,72	ERG3FJS101D	M 100 OHM, J, 3W	2	
R6274	ERG1FJS103D	M 10KOHM, J, 1W	1	
R6275	ERG2FJS123D	M 12KOHM, J, 2W	1	
R6276-78	ERJ6GEYJ223	M 22KOHM,J,1/10W	3	
R6281	ERJ6ENF1201	M 1.2KOHM, 1/10W	1	
R6282-84	ERJ6GEYJ273	M 27KOHM,J,1/10W	3	
R6285	ERF15ZXJ271	W 270 OHM, 15W	1	
R6287	ERJ6GEYJ101	M 100 OHM,J,1/10W	1	
R6288,89	ERJ6GEYJ103	M 10KOHM,J,1/10W	2	
R6290,91	ERJ6GEYJ470	M 47 OHM,J,1/10W	2	
R6292	ERJ6GEYJ472	M 4.7KOHM,J,1/10W	1	
R6293	ERJ6GEYJ562	M 5.6KOHM,J,1/10W	1	
R6294	ERF15ZXJ271	W 270 OHM, 15W	1	
R6298	EXB38V470J	RESISTOR ARRAY	1	
R6299	EXB38V472J	RESISTOR ARRAY	1	
R6361-68	ERJ6GEYJ151	M 150 OHM,J,1/10W	8	
R6374	ERJ6ENF8202	M 82KOHM, 1/10W	1	
R6375	ERJ6ENF2702	M 27KOHM, 1/10W	1	
R6376	ERJ6ENF5602	M 56KOHM, 1/10W	1	
R6377	ERJ6ENF8202	M 82KOHM, 1/10W	1	
R6378	ERJ6ENF5762	M57.6KOHM, 1/10W	1	
R6379	ERJ6GEYJ563	M 56KOHM,J,1/10W	1	
R6380	ERJ6GEYJ473	M 47KOHM,J,1/10W	1	
R6382,83	ERX12SJ1R2	M 1.2 OHM, J,1/2W	2	

Ref. No.	Part No.	Part Name & Description	Pcs	Remarks
R6385	ERJ6GEYJ681	M 680 OHM,J,1/10W	1	
R6386	ERJ6GEYJ272	M 2.7KOHM,J,1/10W	1	
R6387	ERJ6GEYJ332	M 3.3KOHM,J,1/10W	1	
R6388	ERG2FJS563D	M 56KOHM, J, 2W	1	
R6390	ERJ6GEY0R00	M 0 OHM, 1/10W	1	
R6391-98	ERJ6GEYJ100	M 10 OHM,J,1/10W	8	
R6415	EXB38V470J	RESISTOR ARRAY	1	
R6416	EXB38V472J	RESISTOR ARRAY	1	
R6417	EXB38V470J	RESISTOR ARRAY	1	
R6418	EXB38V472J	RESISTOR ARRAY	1	
R6419	EXB38V470J	RESISTOR ARRAY	1	
R6420	EXB38V472J	RESISTOR ARRAY	1	
R6421	EXB38V470J	RESISTOR ARRAY	1	
R6422	EXB38V472J	RESISTOR ARRAY	1	
R6424	ERJ6GEYJ562	M 5.6KOHM,J,1/10W	1	
R6429,30	ERJ6GEYJ102	M 1KOHM,J,1/10W	2	
R6431,32	ERJ6GEYJ103	M 10KOHM,J,1/10W	2	
R6433	ERJ6GEYJ222	M 2.2KOHM,J,1/10W	1	
R6434,35	ERJ6GEYJ152	M 1.5KOHM,J,1/10W	2	
R6436	ERJ6GEYJ103	M 10KOHM,J,1/10W	1	
R6437,38	ERJ6ENF3902	M 39KOHM, 1/10W	2	
R6439	ERJ6ENF7501	M 7.5KOHM, 1/10W	1	
R6440,41	ERJ6GEYJ472	M 4.7KOHM,J,1/10W	2	
R6442	ERJ6GEYJ562	M 5.6KOHM,J,1/10W	1	
R6444-48	ERJ6GEYJ471	M 470 OHM,J,1/10W	5	
R6449	ERJ6GEYJ472	M 4.7KOHM,J,1/10W	1	
R6450	ERJ6GEYJ471	M 470 OHM,J,1/10W	1	
R6451	ERJ6GEYJ472	M 4.7KOHM,J,1/10W	1	
R6452,53	ERJ6GEYJ471	M 470 OHM,J,1/10W	2	
R6454	ERJ6GEYJ472	M 4.7KOHM,J,1/10W	1	
R6455-57	ERJ6GEYJ332	M 3.3KOHM,J,1/10W	3	
R6458	ERJ6GEYJ102	M 1KOHM,J,1/10W	1	
R6459	ERJ6GEYJ101	M 100 OHM,J,1/10W	1	
R6460	ERJ6GEYJ103	M 10KOHM,J,1/10W	1	
R6461	ERJ6GEYJ102	M 1KOHM,J,1/10W	1	
R6462	ERJ6GEYJ101	M 100 OHM,J,1/10W	1	
R6463	ERJ6GEYJ223	M 22KOHM,J,1/10W	1	
R6464	ERJ6GEYJ182	M 1.8KOHM,J,1/10W	1	
R6465	ERJ6GEYJ222	M 2.2KOHM,J,1/10W	1	
R6466	ERJ6GEYJ182	M 1.8KOHM,J,1/10W	1	
R6467	ERJ6GEYJ103	M 10KOHM,J,1/10W	1	
R6468	ERJ6GEYJ101	M 100 OHM,J,1/10W	1	
R6469	ERJ6GEYJ103	M 10KOHM,J,1/10W	1	
R6470	ERJ6GEYJ101	M 100 OHM,J,1/10W	1	
R6471,72	ERJ6GEYJ102	M 1KOHM,J,1/10W	2	
R6473,74	ERJ6GEYJ222	M 2.2KOHM,J,1/10W	2	
R6475	ERJ6GEYF103	M 10KOHM,F,1/10W	1	
R6476	ERJ6GEYJ102	M 1KOHM,J,1/10W	1	
R6477	ERJ6GEYJ101	M 100 OHM,J,1/10W	1	
R6478-83	ERJ6GEYJ222	M 2.2KOHM,J,1/10W	6	
R6484	EXB38V470J	RESISTOR ARRAY	1	
R6488	EXB38V470J	RESISTOR ARRAY	1	
R6501-12	ERJ14YJ100	M 10 OHM, J,1/4W	12	
R6525-36	ERJ14YJ100	M 10 OHM, J,1/4W	12	
R6561	ERJ6GEYJ100	M 10 OHM,J,1/10W	1	
R6562	ERJ6GEYJ103	M 10KOHM,J,1/10W	1	
R6563	ERJ6GEYJ100	M 10 OHM,J,1/10W	1	
R6564	ERJ6GEYJ103	M 10KOHM,J,1/10W	1	
R6569,70	ERJ6GEYJ103	M 10KOHM,J,1/10W	2	
R6573	ERJ6GEYJ100	M 10 OHM,J,1/10W	1	
R6574	ERJ6GEYJ103	M 10KOHM,J,1/10W	1	

Ref. No.	Part No.	Part Name & Description	Pcs	Remarks
R6575	ERJ6GEYJ100	M 10 OHM,J,1/10W	1	
R6576	ERJ6GEYJ103	M 10KOHM,J,1/10W	1	
R6581,82	ERJ6GEYJ103	M 10KOHM,J,1/10W	2	
R6585,86	ERJ6GEYJ101	M 100 OHM,J,1/10W	2	
R6601,02	ERF2TK2R2	W 2.2 OHM, K, 2W	2	
R6603-05	ERJ6GEYJ101	M 100 OHM,J,1/10W	3	
R6606	ERF2TK2R2	W 2.2 OHM, K, 2W	1	
R6611	ERJ6GEYJ151	M 150 OHM,J,1/10W	1	
R6612	ERJ6GEYJ104	M 100KOHM,J,1/10W	1	
R6613	ERJ6GEY0R00	M 0 OHM, 1/10W	1	
R6614	ERJ6ENF1801	M 1.8KOHM, 1/10W	1	
R6615,16	ERJ6GEYJ102	M 1KOHM,J,1/10W	2	
R6617	ERJ6GEYJ470	M 47 OHM,J,1/10W	1	
R6618	ERJ6GEYJ104	M 100KOHM,J,1/10W	1	
R6619,20	ERJ6GEYJ105	M 1MOHM,J,1/10W	2	
R6621	ERJ6GEYJ680	M 68 OHM,J,1/10W	1	
R6622	ERJ6GEYJ103	M 10KOHM,J,1/10W	1	
R6623	ERJ6GEYJ680	M 68 OHM,J,1/10W	1	
R6624	ERJ6GEYJ103	M 10KOHM,J,1/10W	1	
R6625-39	ERJ6GEYJ470	M 47 OHM,J,1/10W	15	
R6642	ERJ6GEYJ470	M 47 OHM,J,1/10W	1	
R6653,54	ERJ6GEYJ101	M 100 OHM,J,1/10W	2	
R6655,56	ERJ6GEYJ103	M 10KOHM,J,1/10W	2	
R6657	ERJ6GEYJ100	M 10 OHM,J,1/10W	1	
R6658-61	ERJ6GEYJ470	M 47 OHM,J,1/10W	4	
R6662	ERJ6GEYJ101	M 100 OHM,J,1/10W	1	
R6664	ERJ6GEYJ103	M 10KOHM,J,1/10W	1	
R6667	ERJ6GEYJ103	M 10KOHM,J,1/10W	1	
R6668	ERJ6GEYJ100	M 10 OHM,J,1/10W	1	
R6669	ERJ6GEYJ101	M 100 OHM,J,1/10W	1	
R6671	ERJ6GEYJ103	M 10KOHM,J,1/10W	1	
R6674	ERJ6GEYJ103	M 10KOHM,J,1/10W	1	
R6675	ERJ6GEYJ100	M 10 OHM,J,1/10W	1	
R6684-89	ERJ14YJ100	M 10 OHM, J,1/4W	6	
R6696-01	ERJ14YJ100	M 10 OHM, J,1/4W	6	
R6711	ERJ6GEYJ151	M 150 OHM,J,1/10W	1	
R6712	ERJ6GEYJ470	M 47 OHM,J,1/10W	1	
R6713	ERJ6GEYJ103	M 10KOHM,J,1/10W	1	
R6714	ERJ6GEYJ470	M 47 OHM,J,1/10W	1	
R6715	ERJ6GEYJ103	M 10KOHM,J,1/10W	1	
R6716-31	ERJ6GEYJ101	M 100 OHM,J,1/10W	16	
R6735-37	ERJ6GEYJ224	M 220KOHM,J,1/10W	3	
R6738	ERJ6GEYJ104	M 100KOHM,J,1/10W	1	
R6739	ERJ6GEYJ182	M 1.8KOHM,J,1/10W	1	
R6740	ERJ6GEYJ203	M 20KOHM,J,1/10W	1	
R6741	ERJ6GEYJ222	M 2.2KOHM,J,1/10W	1	
R6742	ERJ6GEYJ470	M 47 OHM,J,1/10W	1	
R6743	ERJ6GEYJ104	M 100KOHM,J,1/10W	1	
R6744,45	ERJ6GEYJ472	M 4.7KOHM,J,1/10W	2	
R6746	ERJ6GEYJ100	M 10 OHM,J,1/10W	1	
R6747,48	ERJ6GEYJ103	M 10KOHM,J,1/10W	2	
R6751-54	ERJ6GEYJ5R6	M 5.6 OHM,J,1/10W	4	
R6755	ERJ6GEYJ151	M 150 OHM,J,1/10W	1	
R6756	ERJ6GEYJ100	M 10 OHM,J,1/10W	1	
R6757	ERJ6GEYJ471	M 470 OHM,J,1/10W	1	
R6758	ERJ6GEYJ104	M 100KOHM,J,1/10W	1	
R6759	ERJ6GEYJ100	M 10 OHM,J,1/10W	1	
R6760	ERJ6GEYJ471	M 470 OHM,J,1/10W	1	
R6761	ERJ6GEYJ103	M 10KOHM,J,1/10W	1	

Ref. No.	Part No.	Part Name & Description	Pcs	Remarks
R6762	ERGLFJS101D	M 100 OHM, J, 1W	1	
R6763,64	ERJ6GEYJ224	M 220KOHM,J,1/10W	2	
R6802	ERJ6GEY0R00	M 0 OHM, 1/10W	1	
R6803	ERJ6GEYJ473	M 47KOHM,J,1/10W	1	
R6804,05	ERJ6GEYJ563	M 56KOHM,J,1/10W	2	
R6806	ERJ6GEYJ103	M 10KOHM,J,1/10W	1	
R6807-09	ERJ6GEYJ104	M 100KOHM,J,1/10W	3	
R6810	ERJ6GEYJ103	M 10KOHM,J,1/10W	1	
R6811	ERX1FJS8R2D	M 8.2 OHM, J, 1W	1	
R6812	ERGLFJS103D	M 10KOHM, J, 1W	1	
R6813	ERJ12YJ101	M 100 OHM,J, 1/2W	1	
R6814	ERG2FJS223D	M 22KOHM, J, 2W	1	
R6817,18	ERJ6GEYJ473	M 47KOHM,J,1/10W	2	
R6819	ERJ6GEYJ332	M 3.3KOHM,J,1/10W	1	
R6820	ERJ6GEYJ102	M 1KOHM,J,1/10W	1	
R6821	ERG2FJS820D	M 82 OHM, J, 2W	1	
R6823	ERF2TK8R2	W 8.2 OHM, K, 2W	1	
R6824	ERJ6GEYJ472	M 4.7KOHM,J,1/10W	1	
R6825,26	ERJ6GEYJ103	M 10KOHM,J,1/10W	2	
R6827	ERG3FJS471D	M 470 OHM, J, 3W	1	
R6828,29	ERJ12YJ104U	M 100KOHM, 1/2W	2	
R6830	ERJ6GEYJ103	M 10KOHM,J,1/10W	1	
R6831,32	ERJ6ENF2203	M 220KOHM, 1/10W	2	
R6833	ERJ6ENF1432	M14.3KOHM, 1/10W	1	
R6834	ERJ6ENF4991	M4.99KOHM, 1/10W	1	
R6835,36	ERJ12YJ1R0	M 1 OHM, J,1/2W	2	
R6837	ERJ6GEYJ104	M 100KOHM,J,1/10W	1	
R6838	ERJ6GEYJ332	M 3.3KOHM,J,1/10W	1	
R6839	ERDS1FJ221	C 220 OHM, J,1/2W	1	
R6840,41	ERJ6GEYJ222	M 2.2KOHM,J,1/10W	2	
R6842	ERJ6ENF1543	M 154KOHM, 1/10W	1	
R6843	ERJ6GEY0R00	M 0 OHM, 1/10W	1	
R6844	ERJ6ENF2202	M 2.2KOHM, 1/10W	1	
R6845	ERF2TK8R2	W 8.2 OHM, K, 2W	1	
R6846	ERX3FJS8R2D	M 8.2 OHM, J, 3W	1	
R6847	ERG2FJS683D	M 68KOHM, J, 2W	1	
R6848	ERDS1FJ4R7	C 4.7 OHM, J,1/2W	1	
R6849,50	ERJ6GEY0R00	M 0 OHM, 1/10W	2	
R6851	ERJ12YJ103	M 10KOHM,J, 1/2W	1	
R6852	ERG2FJS101D	M 100 OHM, J, 2W	1	
R6853	ERJ12YJ153U	M 15KOHM, 1/2W	1	
R6854	ERJ6GEY0R00	M 0 OHM, 1/10W	1	
R6855	ERJ6GEYJ563	M 56KOHM,J,1/10W	1	
R6856	ERJ6ENF5762	M57.6KOHM, 1/10W	1	
R6857,58	ERJ6ENF2491	M2.49KOHM, 1/10W	2	
R6859	ERJ6GEYJ222	M 2.2KOHM,J,1/10W	1	
R6860	ERF2TK8R2	W 8.2 OHM, K, 2W	1	
R6861	ERJ6GEYJ104	M 100KOHM,J,1/10W	1	
R6862	ERJ6GEYJ153	M 15KOHM,J,1/10W	1	
R6863	ERJ6GEYJ123	M 12KOHM,J,1/10W	1	
R6864	ERJ6GEY0R00	M 0 OHM, 1/10W	1	
R6866,67	ERJ6GEYJ102	M 1KOHM,J,1/10W	2	
R6869	ERJ6ENF2202	M 2.2KOHM, 1/10W	1	
R6870	ERJ6ENF1002	M 10KOHM, 1/10W	1	
R6871	ERJ6GEYJ103	M 10KOHM,J,1/10W	1	
R6872,73	ERJ6GEYJ683	M 68KOHM,J,1/10W	2	
R6874	ERJ6GEYJ563	M 56KOHM,J,1/10W	1	
R6876	ERJ6GEYJ472	M 4.7KOHM,J,1/10W	1	
R6877	ERJ6GEYJ184	M 180KOHM,J,1/10W	1	
R6886	ERJ6GEYJ683	M 68KOHM,J,1/10W	1	
R6887	ERJ6GEYJ103	M 10KOHM,J,1/10W	1	
R6888-90	ERJ6GEYJ472	M 4.7KOHM,J,1/10W	3	

Ref. No.	Part No.	Part Name & Description	Pcs	Remarks
R6900	ERJ6GEYJ103	M 10KOHM,J,1/10W	1	
R6901	ERJ6GEYJ221	M 220 OHM,J,1/10W	1	
R6902	ERJ6GEYJ224	M 220KOHM,J,1/10W	1	
R6903	ERJ6GEYJ221	M 220 OHM,J,1/10W	1	
R6904-06	ERJ6GEYJ103	M 10KOHM,J,1/10W	3	
R6907	ERJ6GEYJ221	M 220 OHM,J,1/10W	1	
R6908	ERJ6GEYJ224	M 220KOHM,J,1/10W	1	
R6909-11	ERJ6GEYJ221	M 220 OHM,J,1/10W	3	
R6920	ERJ6GEYJ103	M 10KOHM,J,1/10W	1	
R6921	ERJ6GEYJ221	M 220 OHM,J,1/10W	1	
R6922	ERJ6GEYJ224	M 220KOHM,J,1/10W	1	
R6923,24	ERJ6GEYJ221	M 220 OHM,J,1/10W	2	
R6925	ERJ6GEYJ224	M 220KOHM,J,1/10W	1	
R6926	ERJ6GEYJ221	M 220 OHM,J,1/10W	1	
R6927	ERJ6GEYJ103	M 10KOHM,J,1/10W	1	
R6928	ERJ6GEYJ221	M 220 OHM,J,1/10W	1	
R6929,30	ERJ6GEYJ103	M 10KOHM,J,1/10W	2	
R6931	ERJ6GEYJ221	M 220 OHM,J,1/10W	1	
R7101	ERJ6GEYJ102	M 1KOHM,J,1/10W	1	
R7102	ERJ3GEYJ103	M 10KOHM,J,1/16W	1	
R7104	TAJAAH0470JV	M 47 OHM,J,1/16W	1	
R7107	TAJAAH0470JV	M 47 OHM,J,1/16W	1	
R7109	ERJ12YJ2R2	M 2.2 OHM, J,1/2W	1	
R7111	ERJ12YJ2R2	M 2.2 OHM, J,1/2W	1	
R7113	ERJ12YJ2R2	M 2.2 OHM, J,1/2W	1	
R7115	ERJ12YJ2R2	M 2.2 OHM, J,1/2W	1	
R7116,17	TAJAAH0470JV	M 47 OHM,J,1/16W	2	
R7119	ERJ12YJ2R2	M 2.2 OHM, J,1/2W	1	
R7121	ERJ12YJ2R2	M 2.2 OHM, J,1/2W	1	
R7122-24	TAJAAH0470JV	M 47 OHM,J,1/16W	3	
R7126	EXB38V470J	RESISTOR ARRAY	1	
R7127	ERJ12YJ2R2	M 2.2 OHM, J,1/2W	1	
R7128	EXB38V470J	RESISTOR ARRAY	1	
R7130	ERJ3GEYJ681	M 680 OHM,J,1/16W	1	
R7131	ERJ12YJ2R2	M 2.2 OHM, J,1/2W	1	
R7133	TAJAAH0470JV	M 47 OHM,J,1/16W	1	
R7134-37	ERJ3GEYJ220	M 22 OHM,J,1/16W	4	
R7138-40	TAJAAH0470JV	M 47 OHM,J,1/16W	3	
R7141-46	EXB38V681J	RESISTOR ARRAY	6	
R7147	TAJAAH0470JV	M 47 OHM,J,1/16W	1	
R7148	ERJ3GEYJ103	M 10KOHM,J,1/16W	1	
R7151,52	ERJ3GEYJ681	M 680 OHM,J,1/16W	2	
R7159-64	EXB38V470J	RESISTOR ARRAY	6	
R7171	ERJ6GEYOR00	M 0 OHM, 1/10W	1	
R7173,74	EXB38V681J	RESISTOR ARRAY	2	
R7184,85	ERJ6GEYOR00	M 0 OHM, 1/10W	2	
R7186	ERJ6GEYJ223	M 22KOHM,J,1/10W	1	
R7187	ERJ6GEYJ104	M 100KOHM,J,1/10W	1	
R7196,97	ERJ3GEYJ103	M 10KOHM,J,1/16W	2	
R7201,02	EXB38V681J	RESISTOR ARRAY	2	
R7203	ERJ3GEYJ681	M 680 OHM,J,1/16W	1	
R7204-07	EXB38V470J	RESISTOR ARRAY	4	
R7208,09	EXB38V681J	RESISTOR ARRAY	2	
R7210	EXB38V470J	RESISTOR ARRAY	1	
R7211	TAJAAH0470JV	M 47 OHM,J,1/16W	1	
R7212,13	ERJ3GEYJ681	M 680 OHM,J,1/16W	2	
R7214	EXB38V470J	RESISTOR ARRAY	1	
R7215	ERJ6GEYOR00	M 0 OHM, 1/10W	1	

Ref. No.	Part No.	Part Name & Description	Pcs	Remarks
R7217,18	EXB38V681J	RESISTOR ARRAY	2	
R7221,22	EXB38V470J	RESISTOR ARRAY	2	
R7224	EXB38V681J	RESISTOR ARRAY	1	
R7225	ERJ6GEYOR00	M 0 OHM, 1/10W	1	
R7227	ERJ12YJ2R2	M 2.2 OHM, J,1/2W	1	
R7228	EXB38V470J	RESISTOR ARRAY	1	
R7230	ERJ12YJ2R2	M 2.2 OHM, J,1/2W	1	
R7232,33	EXB38V681J	RESISTOR ARRAY	2	
R7235	TAJAAH0470JV	M 47 OHM,J,1/16W	1	
R7236,37	ERJ3GEYOR00	M 0 OHM, 1/16W	2	
R7238	TAJAAH0470JV	M 47 OHM,J,1/16W	1	
R7244	ERJ12YJ2R2	M 2.2 OHM, J,1/2W	1	
R7247,48	ERJ3GEYJ220	M 22 OHM,J,1/16W	2	
R7250	ERJ12YJ2R2	M 2.2 OHM, J,1/2W	1	
R7251	TAJAAH0470JV	M 47 OHM,J,1/16W	1	
R7252-55	EXB38V681J	RESISTOR ARRAY	4	
R7256	TAJAAH0470JV	M 47 OHM,J,1/16W	1	
R7257-60	EXB38V681J	RESISTOR ARRAY	4	
R7262	ERJ12YJ2R2	M 2.2 OHM, J,1/2W	1	
R7263	ERJ12YOR00	M 0 OHM,J, 1/2W	1	
R7266	ERJ12YJ2R2	M 2.2 OHM, J,1/2W	1	
R7267	TAJAAH0470JV	M 47 OHM,J,1/16W	1	
R7269	ERJ12YOR00	M 0 OHM,J, 1/2W	1	
R7270,71	ERJ3GEYJ103	M 10KOHM,J,1/16W	2	
R7272,73	ERJ3GEYOR00	M 0 OHM, 1/16W	2	
R7274,75	ERJ3GEYJ220	M 22 OHM,J,1/16W	2	
R7276,77	ERJ3GEYOR00	M 0 OHM, 1/16W	2	
R7278,79	EXB38V470J	RESISTOR ARRAY	2	
R7280,81	ERJ3GEYJ220	M 22 OHM,J,1/16W	2	
R7282,83	TAJAAH0470JV	M 47 OHM,J,1/16W	2	
R7284,85	EXB38V681J	RESISTOR ARRAY	2	
R7286,87	EXB38V470J	RESISTOR ARRAY	2	
R7288	EXB38V681J	RESISTOR ARRAY	1	
R7289-91	EXB38V470J	RESISTOR ARRAY	3	
R7292,93	EXB38V681J	RESISTOR ARRAY	2	
R7294-99	EXB38V470J	RESISTOR ARRAY	6	
R7301,02	ERJ6GEYOR00	M 0 OHM, 1/10W	2	
R7303-10	EXB38V470J	RESISTOR ARRAY	8	
R7311,12	ERJ3GEYJ681	M 680 OHM,J,1/16W	2	
R7322	ERJ3GEYJ681	M 680 OHM,J,1/16W	1	
R7323	ERJ3GEYJ103	M 10KOHM,J,1/16W	1	
R7330,31	ERJ3GEYJ103	M 10KOHM,J,1/16W	2	
R7337-40	ERJ3GEYJ220	M 22 OHM,J,1/16W	4	
R7341,42	TAJAAH0470JV	M 47 OHM,J,1/16W	2	
R7343	ERJ3GEYJ103	M 10KOHM,J,1/16W	1	
R7345,46	TAJAAH0470JV	M 47 OHM,J,1/16W	2	
R7347	ERJ6GEYOR00	M 0 OHM, 1/10W	1	
R7360,61	ERJ12YJ2R2	M 2.2 OHM, J,1/2W	2	
R7364,65	ERJ12YJ2R2	M 2.2 OHM, J,1/2W	2	
R7366,67	TAJAAH0470JV	M 47 OHM,J,1/16W	2	

Ref. No.	Part No.	Part Name & Description	Pcs	Remarks
R7373,74	TAJAAH0470JV	M 47 OHM,J,1/16W	2	
R7377,78	ERJ12YJ2R2	M 2.2 OHM, J,1/2W	2	
R7381,82	ERJ12YJ2R2	M 2.2 OHM, J,1/2W	2	
R7383,84	TAJAAH0470JV	M 47 OHM,J,1/16W	2	
R7385	ERJ6GEYJ102	M 1KOHM,J,1/10W	1	
R7386	ERJ6GEYJ104	M 100KOHM,J,1/10W	1	
R7387	ERJ6GEYJ223	M 22KOHM,J,1/10W	1	
R7392-99	EXB38V681J	RESISTOR ARRAY	8	
R7401	ERJ6GEY0R00	M 0 OHM, 1/10W	1	
R7402,03	ERJ3GEYJ681	M 680 OHM,J,1/16W	2	
R7404	ERJ6GEY0R00	M 0 OHM, 1/10W	1	
R7405-08	ERJ3GEYJ220	M 22 OHM,J,1/16W	4	
R7409-12	TAJAAH0470JV	M 47 OHM,J,1/16W	4	
R7413-20	EXB38V470J	RESISTOR ARRAY	8	
R7430,31	ERJ3GEYJ681	M 680 OHM,J,1/16W	2	
R7434,35	ERJ3GEYJ681	M 680 OHM,J,1/16W	2	
R7438,39	ERJ3GEYJ103	M 10KOHM,J,1/16W	2	
R7442,43	ERJ3GEYJ681	M 680 OHM,J,1/16W	2	
R7444	ERJ6GEY0R00	M 0 OHM, 1/10W	1	
R7446,47	ERJ3GEYJ103	M 10KOHM,J,1/16W	2	
R7460,61	TAJAAH0470JV	M 47 OHM,J,1/16W	2	
R7464,65	ERJ12YJ2R2	M 2.2 OHM, J,1/2W	2	
R7468,69	ERJ12YJ2R2	M 2.2 OHM, J,1/2W	2	
R7470,71	TAJAAH0470JV	M 47 OHM,J,1/16W	2	
R7472	ERJ6GEYJ102	M 1KOHM,J,1/10W	1	
R7477,78	TAJAAH0470JV	M 47 OHM,J,1/16W	2	
R7481,82	ERJ12YJ2R2	M 2.2 OHM, J,1/2W	2	
R7485,86	ERJ12YJ2R2	M 2.2 OHM, J,1/2W	2	
R7487,88	TAJAAH0470JV	M 47 OHM,J,1/16W	2	
R7490	ERJ6GEYJ223	M 22KOHM,J,1/10W	1	
R7491	ERJ6GEYJ104	M 100KOHM,J,1/10W	1	
R7492-99	EXB38V681J	RESISTOR ARRAY	8	
R7501,02	EXB38V681J	RESISTOR ARRAY	2	
R7503	EXB38V470J	RESISTOR ARRAY	1	
R7504,05	EXB38V681J	RESISTOR ARRAY	2	
R7506-08	EXB38V470J	RESISTOR ARRAY	3	
R7509-12	EXB38V681J	RESISTOR ARRAY	4	
R7513-16	EXB38V470J	RESISTOR ARRAY	4	
R7517,18	EXB38V681J	RESISTOR ARRAY	2	
R7519,20	EXB38V470J	RESISTOR ARRAY	2	
R7521-24	EXB38V681J	RESISTOR ARRAY	4	
R7525-28	EXB38V470J	RESISTOR ARRAY	4	
R7529,30	EXB38V681J	RESISTOR ARRAY	2	
R7531,32	EXB38V470J	RESISTOR ARRAY	2	
R7533,34	ERJ3GEYJ220	M 22 OHM,J,1/16W	2	

Ref. No.	Part No.	Part Name & Description	Pcs	Remarks
R7535-37	TAJAAH0470JV	M 47 OHM,J,1/16W	3	
R7538	ERJ6GEY0R00	M 0 OHM, 1/10W	1	
R7539	ERJ3GEYJ103	M 10KOHM,J,1/16W	1	
R7540	ERJ6GEY0R00	M 0 OHM, 1/10W	1	
R7542	ERJ12Y0R00	M 0 OHM,J, 1/2W	1	
R7544	ERJ12Y0R00	M 0 OHM,J, 1/2W	1	
R7546	ERJ12YJ2R2	M 2.2 OHM, J,1/2W	1	
R7548	ERJ12YJ2R2	M 2.2 OHM, J,1/2W	1	
R7549	TAJAAH0470JV	M 47 OHM,J,1/16W	1	
R7550,51	ERJ3GEYJ681	M 680 OHM,J,1/16W	2	
R7552,53	ERJ3GEY0R00	M 0 OHM, 1/16W	2	
R7555	ERJ12YJ2R2	M 2.2 OHM, J,1/2W	1	
R7557	ERJ12YJ2R2	M 2.2 OHM, J,1/2W	1	
R7558	TAJAAH0470JV	M 47 OHM,J,1/16W	1	
R7560	ERJ12YJ2R2	M 2.2 OHM, J,1/2W	1	
R7562	ERJ12YJ2R2	M 2.2 OHM, J,1/2W	1	
R7563	TAJAAH0470JV	M 47 OHM,J,1/16W	1	
R7564-69	EXB38V681J	RESISTOR ARRAY	6	
R7570-73	ERJ3GEY0R00	M 0 OHM, 1/16W	4	
R7574,75	TAJAAH0470JV	M 47 OHM,J,1/16W	2	
R7578-81	ERJ3GEYJ220	M 22 OHM,J,1/16W	4	
R7582,83	TAJAAH0470JV	M 47 OHM,J,1/16W	2	
R7584-89	EXB38V470J	RESISTOR ARRAY	6	
R7600,01	ERJ3GEYJ103	M 10KOHM,J,1/16W	2	
R7602	ERJ3GEYJ681	M 680 OHM,J,1/16W	1	
R7603	ERJ3GEYJ681	M 680 OHM,J,1/16W	1	
R7604	ERJ3GEYJ103	M 10KOHM,J,1/16W	1	
R7604	TAJAAH0470JV	M 47 OHM,J,1/16W	1	
R7605	ERJ3GEYJ103	M 10KOHM,J,1/16W	1	
R7605	ERJ6GEYJ102	M 1KOHM,J,1/10W	1	
R7606	ERJ3GEYJ103	M 10KOHM,J,1/16W	1	
R7607	ERJ3GEYJ103	M 10KOHM,J,1/16W	1	
R7607	TAJAAH0470JV	M 47 OHM,J,1/16W	1	
R7609	ERJ12YJ2R2	M 2.2 OHM, J,1/2W	1	
R7611	ERJ12YJ2R2	M 2.2 OHM, J,1/2W	1	
R7613	ERJ3GEYJ103	M 10KOHM,J,1/16W	1	
R7613	ERJ12YJ2R2	M 2.2 OHM, J,1/2W	1	
R7614	ERJ3GEYJ681	M 680 OHM,J,1/16W	1	
R7615	ERJ3GEYJ681	M 680 OHM,J,1/16W	1	
R7615	ERJ12YJ2R2	M 2.2 OHM, J,1/2W	1	
R7616	EXB38V681J	RESISTOR ARRAY	1	
R7616	TAJAAH0470JV	M 47 OHM,J,1/16W	1	
R7617	EXB38V681J	RESISTOR ARRAY	1	
R7617	TAJAAH0470JV	M 47 OHM,J,1/16W	1	
R7618	EXB38V470J	RESISTOR ARRAY	1	
R7619	EXB38V470J	RESISTOR ARRAY	1	
R7619	ERJ3GEYJ103	M 10KOHM,J,1/16W	1	
R7620	ERJ3GEYJ103	M 10KOHM,J,1/16W	1	
R7624	TAJAAH0470JV	M 47 OHM,J,1/16W	1	
R7628	ERJ12YJ2R2	M 2.2 OHM, J,1/2W	1	
R7632	ERJ12YJ2R2	M 2.2 OHM, J,1/2W	1	
R7634	TAJAAH0470JV	M 47 OHM,J,1/16W	1	
R7637-42	EXB38V470J	RESISTOR ARRAY	6	
R7643-46	ERJ3GEYJ220	M 22 OHM,J,1/16W	4	
R7647-49	TAJAAH0470JV	M 47 OHM,J,1/16W	3	
R7650-55	EXB38V681J	RESISTOR ARRAY	6	
R7656	TAJAAH0470JV	M 47 OHM,J,1/16W	1	
R7658	ERJ12YJ2R2	M 2.2 OHM, J,1/2W	1	
R7660	ERJ12YJ2R2	M 2.2 OHM, J,1/2W	1	
R7661	TAJAAH0470JV	M 47 OHM,J,1/16W	1	
R7666	ERJ6GEYJ102	M 1KOHM,J,1/10W	1	

Ref. No.	Part No.	Part Name & Description	Pcs	Remarks
R7667,68	EXB38V470J	RESISTOR ARRAY	2	
R7669,70	EXB38V681J	RESISTOR ARRAY	2	
R7671	TAJAAH0470JV	M 47 OHM,J,1/16W	1	
R7672	ERJ3GEYJ681	M 680 OHM,J,1/16W	1	
R7677	ERJ6GEY0R00	M 0 OHM, 1/10W	1	
R7680	ERJ6GEY0R00	M 0 OHM, 1/10W	1	
R7681	ERJ3GEYJ103	M 10KOHM,J,1/16W	1	
R7685	ERJ6GEY0R00	M 0 OHM, 1/10W	1	
R7686	ERJ6GEYJ223	M 22KOHM,J,1/10W	1	
R7687	ERJ6GEYJ104	M 100KOHM,J,1/10W	1	
R7701-06	ERJ3GEYJ103	M 10KOHM,J,1/16W	6	
R7709,10	ERJ3GEYJ103	M 10KOHM,J,1/16W	2	
R7711,12	ERJ3GEYJ681	M 680 OHM,J,1/16W	2	
R7713,14	TAJAAH0470JV	M 47 OHM,J,1/16W	2	
R7715	ERJ3GEYJ681	M 680 OHM,J,1/16W	1	
R8001-08	JOJCC0000100	CHIP INDUCTOR	8	
R8009-16	ERJ3GEYJ271	M 270 OHM,J,1/16W	8	
R8017-20	ERJ3GEYJ562	M 5.6KOHM,J,1/16W	4	
R8021,22	ERJ3GEYJ222	M 2.2KOHM,J,1/16W	2	
R8025	JOJCC0000100	CHIP INDUCTOR	1	
R8026	ERJ3GEYJ331	M 330 OHM,J,1/16W	1	
R8027	JOJCC0000100	CHIP INDUCTOR	1	
R8028	ERJ3GEYJ331	M 330 OHM,J,1/16W	1	
R8029,30	ERJ6ENF3001	M 3KOHM, 1/10W	2	
R8031,32	ERJ6ENF2201	M 2.2KOHM, 1/10W	2	
R8033,34	ERJ3GEYJ104	M 100KOHM,J,1/16W	2	
R8035	ERJ6ENF3300	M 330 OHM, 1/10W	1	
R8036	ERJ6ENF1500	M 150 OHM, 1/10W	1	
R8037-40	ERJ6ENF4701	M 4.7KOHM, 1/10W	4	
R8041,42	ERJ3GEYJ183	M 18KOHM,J,1/16W	2	
R8045,46	ERJ3GEYJ222	M 2.2KOHM,J,1/16W	2	
R8047	ERJ3GEYJ271	M 270 OHM,J,1/16W	1	
R8048-51	ERJ3GEYJ222	M 2.2KOHM,J,1/16W	4	
R8054	ERJ3GEYJ102	M 1KOHM,J,1/16W	1	
R8055,56	ERJ3GEYJ101	M 100 OHM,J,1/16W	2	
R8057	ERJ3GEYJ102	M 1KOHM,J,1/16W	1	
R8058,59	ERJ3GEYJ101	M 100 OHM,J,1/16W	2	
R8060	ERJ6ENF3300	M 330 OHM, 1/10W	1	
R8061	ERJ6ENF1500	M 150 OHM, 1/10W	1	
R8062	ERJ3GEYJ271	M 270 OHM,J,1/16W	1	
R8065	D0GB911JA002	M 910 OHM,J,1/16W	1	
R8066	ERJ6GEYJ681	M 680 OHM,J,1/10W	1	
R8067,68	D0GB911JA002	M 910 OHM,J,1/16W	2	
R8069	ERJ6GEYJ681	M 680 OHM,J,1/10W	1	
R8070	D0GB911JA002	M 910 OHM,J,1/16W	1	
R8071,72	JOJCC0000100	CHIP INDUCTOR	2	
R808,09	ERJ6GEY0R00	M 0 OHM, 1/10W	2	
R8089	ERJ3GEYJ181	M 180 OHM,J,1/16W	1	
R8091	ERJ3GEYJ181	M 180 OHM,J,1/16W	1	
R8093,94	ERJ6GEYJ101	M 100 OHM,J,1/10W	2	
R8097-00	ERJ3GEYJ103	M 10KOHM,J,1/16W	4	
R8117-20	JOJCC0000100	CHIP INDUCTOR	4	
R8121,22	ERJ3GEYJ272	M 2.7KOHM,J,1/16W	2	

Ref. No.	Part No.	Part Name & Description	Pcs	Remarks
R8124-27	ERJ6GEYJ101	M 100 OHM,J,1/10W	4	
R8129	ERJ6GEY0R00	M 0 OHM, 1/10W	1	
R8131-35	ERJ3GEY0R00	M 0 OHM, 1/16W	5	
R8181	ERJ3GEYJ101	M 100 OHM,J,1/16W	1	
R8182	ERJ6GEYJ101	M 100 OHM,J,1/10W	1	
R8183,84	JOJCC0000100	CHIP INDUCTOR	2	
R8185,86	ERJ3GEYJ272	M 2.7KOHM,J,1/16W	2	
R8187,88	ERJ6GEYJ560	M 56 OHM,J,1/10W	2	
R8189,90	ERJ6GEY0R00	M 0 OHM, 1/10W	2	
R8200	ERJ3GEYJ223	M 22KOHM,J,1/16W	1	
R8201	ERJ3GEYJ473	M 47KOHM,J,1/16W	1	
R8202,03	ERJ3GEYJ223	M 22KOHM,J,1/16W	2	
R8204	ERJ3GEYJ104	M 100KOHM,J,1/16W	1	
R8205	ERJ3GEYJ563	M 56KOHM,J,1/16W	1	
R8206	ERJ3GEYJ473	M 47KOHM,J,1/16W	1	
R8207	JOJCC0000100	CHIP INDUCTOR	1	
R9001-03	EXB2HVR000	RESISTOR ARRAY	3	
R9004	ERJ6GEY0R00	M 0 OHM, 1/10W	1	
R9005	ERJ3GEYJ272	M 2.7KOHM,J,1/16W	1	
R9006	ERJ3EKF6801	M 6.8KOHM, 1/16W	1	
R9007	ERJ3GEYJ390	M 39 OHM,J,1/16W	1	
R9008	ERJ3GEY0R00	M 0 OHM, 1/16W	1	
R9009	ERJ3GEYJ390	M 39 OHM,J,1/16W	1	
R9010	ERJ3GEY0R00	M 0 OHM, 1/16W	1	
R9011	ERJ3GEYJ390	M 39 OHM,J,1/16W	1	
R9012-14	ERJ3GEY0R00	M 0 OHM, 1/16W	3	
R9016-19	ERJ3GEY0R00	M 0 OHM, 1/16W	4	
R9020	ERJ6GEY0R00	M 0 OHM, 1/10W	1	
R9021	ERJ3GEYJ100	M 10 OHM,J,1/16W	1	
R9023,24	ERJ6GEY0R00	M 0 OHM, 1/10W	2	
R9028-30	ERJ3GEY0R00	M 0 OHM, 1/16W	3	
R9031	TAJAAH0101JV	M 100 OHM,J,1/16W	1	
R9032	ERJ3GEYJ122	M 1.2KOHM,J,1/16W	1	
R9032	ERJ3GEY0R00	M 0 OHM, 1/16W	1	
R9033	TAJAAH0101JV	M 100 OHM,J,1/16W	1	
R9034	ERJ3GEYJ122	M 1.2KOHM,J,1/16W	1	
R9034	ERJ3GEY0R00	M 0 OHM, 1/16W	1	
R9035-38	TAJAAH0101JV	M 100 OHM,J,1/16W	4	
R9039-42	ERJ3GEY0R00	M 0 OHM, 1/16W	4	
R9043,44	ERJ3GEYJ122	M 1.2KOHM,J,1/16W	2	
R9051-53	EXB2HVR000	RESISTOR ARRAY	3	
R9054	ERJ6GEY0R00	M 0 OHM, 1/10W	1	
R9055	ERJ3GEYJ272	M 2.7KOHM,J,1/16W	1	
R9056	ERJ3EKF6801	M 6.8KOHM, 1/16W	1	
R9057	ERJ3GEYJ390	M 39 OHM,J,1/16W	1	
R9058	ERJ3GEY0R00	M 0 OHM, 1/16W	1	
R9059	ERJ3GEYJ390	M 39 OHM,J,1/16W	1	
R9060	ERJ3GEY0R00	M 0 OHM, 1/16W	1	
R9061	ERJ3GEYJ390	M 39 OHM,J,1/16W	1	
R9062-64	ERJ3GEY0R00	M 0 OHM, 1/16W	3	
R9066,67	ERJ3GEY0R00	M 0 OHM, 1/16W	2	
R9070	ERJ6GEY0R00	M 0 OHM, 1/10W	1	
R9071	ERJ3GEYJ100	M 10 OHM,J,1/16W	1	
R9073	ERJ6GEY0R00	M 0 OHM, 1/10W	1	
R9088	ERJ3GEYJ103	M 10KOHM,J,1/16W	1	
R9094	ERJ3GEYJ103	M 10KOHM,J,1/16W	1	
R9101,02	ERJ3GEY0R00	M 0 OHM, 1/16W	2	

Ref. No.	Part No.	Part Name & Description	Pcs	Remarks
R9104-07	ERJ3GEY0R00	M 0 OHM, 1/16W	4	
R9108	EXB38V103J	RESISTOR ARRAY	1	
R9109	ERJ3GEYJ103	M 10KOHM,J,1/16W	1	
R9110,1	EXB38V103J	RESISTOR ARRAY	2	
R9112	ERJ3GEY0R00	M 0 OHM, 1/16W	1	
R9114,1	ERJ3GEYJ103	M 10KOHM,J,1/16W	2	
R9116-26	ERJ3GEYJ472	M 4.7KOHM,J,1/16W	11	
R9127	ERJ3GEY0R00	M 0 OHM, 1/16W	1	
R9129,3	ERJ3GEY0R00	M 0 OHM, 1/16W	2	
R9131,3	ERJ3GEYJ103	M 10KOHM,J,1/16W	2	
R9133,3	TAJAAH0470JV	M 47 OHM,J,1/16W	2	
R9137	TAJAAH0470JV	M 47 OHM,J,1/16W	1	
R9139	ERJ3GEYJ102	M 1KOHM,J,1/16W	1	
R9140	ERJ3GEYJ472	M 4.7KOHM,J,1/16W	1	
R9142	ERJ3GEYJ472	M 4.7KOHM,J,1/16W	1	
R9144	ERJ3GEYJ472	M 4.7KOHM,J,1/16W	1	
R9145	ERJ6GEY0R00	M 0 OHM, 1/10W	1	
R9149	ERJ3GEY0R00	M 0 OHM, 1/16W	1	
R9151,5	D1HG1038A002	NETWORK RESISTER	2	
R9156,5	EXB2HV470JV	RESISTOR ARRAY	2	
R9158	ERJ3GEYJ473	M 47KOHM,J,1/16W	1	
R9159	ERJ3GEYJ103	M 10KOHM,J,1/16W	1	
R9171	TAJAAH0470JV	M 47 OHM,J,1/16W	1	
R9175	TAJAAH0470JV	M 47 OHM,J,1/16W	1	
R9179	ERJ3GEY0R00	M 0 OHM, 1/16W	1	
R9205	ERJ3GEY0R00	M 0 OHM, 1/16W	1	
R9207	ERJ3GEY0R00	M 0 OHM, 1/16W	1	
R9209	ERJ3GEY0R00	M 0 OHM, 1/16W	1	
R9211-20	TAJAAH0101JV	M 100 OHM,J,1/16W	10	
R9221,2	TAJAAH0470JV	M 47 OHM,J,1/16W	2	
R9223	ERJ3GEYJ103	M 10KOHM,J,1/16W	1	
R9225	ERJ3GEYJ103	M 10KOHM,J,1/16W	1	
R9227	ERJ3GEYJ103	M 10KOHM,J,1/16W	1	
R9229	ERJ3GEYJ103	M 10KOHM,J,1/16W	1	
R9237	TAJAAH0470JV	M 47 OHM,J,1/16W	1	
R9238	EXB38V470J	RESISTOR ARRAY	1	
R9239	TAJAAH0470JV	M 47 OHM,J,1/16W	1	
R9240-43	ERJ3GEY0R00	M 0 OHM, 1/16W	4	
R9244	ERJ3GEYJ220	M 22 OHM,J,1/16W	1	
R9245	ERJ3GEYJ102	M 1KOHM,J,1/16W	1	
R9246,4	ERJ3GEY0R00	M 0 OHM, 1/16W	2	
R9248	TAJAAH0470JV	M 47 OHM,J,1/16W	1	
R9249	ERJ3GEYJ102	M 1KOHM,J,1/16W	1	
R9249	ERJ3GEY0R00	M 0 OHM, 1/16W	1	
R9250-55	ERJ3GEY0R00	M 0 OHM, 1/16W	6	
R9256-57	ERJ3GEY0R00	M 0 OHM, 1/16W	2	
R9260	ERJ3GEY0R00	M 0 OHM, 1/16W	1	
R9266	TAJAAH0470JV	M 47 OHM,J,1/16W	1	
R9267	ERJ3GEY0R00	M 0 OHM, 1/16W	1	
R9271-73	D1HG8208A002	NETWORK RESISTER	3	
R9274,7	TAJAAH0470JV	M 47 OHM,J,1/16W	2	
R9276	ERJ3GEYJ220	M 22 OHM,J,1/16W	1	
R9277-79	D1HG8208A002	NETWORK RESISTER	3	
R9277-79	EXB2HV101JV	RESISTOR ARRAY	3	
R9280,8	TAJAAH0470JV	M 47 OHM,J,1/16W	2	
R9282	ERJ3GEYJ220	M 22 OHM,J,1/16W	1	
R9283	ERJ3GEYJ472	M 4.7KOHM,J,1/16W	1	

Ref. No.	Part No.	Part Name & Description	Pcs	Remarks
R9284	ERJ3GEY0R00	M 0 OHM, 1/16W	1	
R9286	ERJ3GEYJ223	M 22KOHM,J,1/16W	1	
R9287,8	ERJ3GEYJ103	M 10KOHM,J,1/16W	2	
R9289	TAJAAH0101JV	M 100 OHM,J,1/16W	1	
R9290	ERJ3GEYJ561	M 560 OHM,J,1/16W	1	
R9293-95	ERJ3GEYJ472	M 4.7KOHM,J,1/16W	3	
R9296	ERJ3GEYJ331	M 330 OHM,J,1/16W	1	
R9297	ERJ3GEYJ472	M 4.7KOHM,J,1/16W	1	
R9388,8	ERJ3GEY0R00	M 0 OHM, 1/16W	2	
R9390	EXB38V470J	RESISTOR ARRAY	1	
R9391-93	ERJ3GEY0R00	M 0 OHM, 1/16W	3	
R9394,9	TAJAAH0470JV	M 47 OHM,J,1/16W	2	
R9396,9	EXB38V470J	RESISTOR ARRAY	2	
R9400-03	ERJ3GEY0R00	M 0 OHM, 1/16W	4	
R9406,0	ERJ3GEY0R00	M 0 OHM, 1/16W	2	
R9411	EXB2HV470JV	RESISTOR ARRAY	1	
R9412	ERJ3GEYJ102	M 1KOHM,J,1/16W	1	
R9413-17	ERJ3GEY0R00	M 0 OHM, 1/16W	5	
R9418	EXB2HV470JV	RESISTOR ARRAY	1	
R9419	ERJ3GEYJ220	M 22 OHM,J,1/16W	1	
R9420	ERJ3GEYJ103	M 10KOHM,J,1/16W	1	
R9421,2	ERJ3GEYJ220	M 22 OHM,J,1/16W	2	
R9423	EXB2HV470JV	RESISTOR ARRAY	1	
R9424	EXB38V470J	RESISTOR ARRAY	1	
R9425,2	ERJ3GEYJ220	M 22 OHM,J,1/16W	2	
R9427	EXB2HV470JV	RESISTOR ARRAY	1	
R9428	EXB38V470J	RESISTOR ARRAY	1	
R9429,3	EXB2HV470JV	RESISTOR ARRAY	2	
R9431	ERJ3GEYJ103	M 10KOHM,J,1/16W	1	
R9432	EXB2HV470JV	RESISTOR ARRAY	1	
R9433	ERJ3GEYJ220	M 22 OHM,J,1/16W	1	
R9434	ERJ3GEYJ103	M 10KOHM,J,1/16W	1	
R9435	EXB2HV470JV	RESISTOR ARRAY	1	
R9436	ERJ3GEYJ220	M 22 OHM,J,1/16W	1	
R9437-40	EXB2HV470JV	RESISTOR ARRAY	4	
R9441,4	ERJ3GEYJ220	M 22 OHM,J,1/16W	2	
R9443	EXB38V470J	RESISTOR ARRAY	1	
R9444	EXB2HV470JV	RESISTOR ARRAY	1	
R9445	TAJAAH0470JV	M 47 OHM,J,1/16W	1	
R9446,4	ERJ3GEYJ220	M 22 OHM,J,1/16W	2	
R9449	D1HG33080001	NETWORK RESISTER	1	
R9450	ERJ3GEYJ121	M 120 OHM,J,1/16W	1	
R9451	D1HG33080001	NETWORK RESISTER	1	
R9453	D1HG33080001	NETWORK RESISTER	1	
R9457	D1HG33080001	NETWORK RESISTER	1	
R9459	D1HG33080001	NETWORK RESISTER	1	
R9461	D1HG33080001	NETWORK RESISTER	1	
R9463	D1HG33080001	NETWORK RESISTER	1	
R9466-68	D1HG1038A002	NETWORK RESISTER	3	
R9469-72	ERJ3GEY0R00	M 0 OHM, 1/16W	4	
R9473	EXB38V470J	RESISTOR ARRAY	1	
R9474	ERJ3GEYJ220	M 22 OHM,J,1/16W	1	
R9475	ERJ3GEY0R00	M 0 OHM, 1/16W	1	
R9476	ERJ3GEYJ103	M 10KOHM,J,1/16W	1	
R9477	ERJ3GEYJ472	M 4.7KOHM,J,1/16W	1	
R9478	ERJ3GEYJ104	M 100KOHM,J,1/16W	1	
R9479	ERJ3GEY0R00	M 0 OHM, 1/16W	1	
R9480	ERJ3GEYJ103	M 10KOHM,J,1/16W	1	
R9481	ERJ3GEY0R00	M 0 OHM, 1/16W	1	

Ref. No.	Part No.	Part Name & Description	Pcs	Remarks
R9482	ERJ3GEYJ472	M 4.7KOHM,J,1/16W	1	
R9484	ERJ3GEYJ104	M 100KOHM,J,1/16W	1	
R9485	ERJ3GEYJ103	M 10KOHM,J,1/16W	1	
R9486	ERJ3GEYJ472	M 4.7KOHM,J,1/16W	1	
R9487	ERJ3GEYJ104	M 100KOHM,J,1/16W	1	
R9488	ERJ3GEYJ103	M 10KOHM,J,1/16W	1	
R9489	ERJ3GEYJ472	M 4.7KOHM,J,1/16W	1	
R9490	ERJ3GEYJ104	M 100KOHM,J,1/16W	1	
R9491	TAJAAH0101JV	M 100 OHM,J,1/16W	1	
R9492	ERJ3GEYJ104	M 100KOHM,J,1/16W	1	
R9493	ERJ6ENF1101	M 1.1KOHM, 1/10W	1	
R9494	ERJ6ENF3161	M3.16KOHM, 1/10W	1	
R9495-98	ERJ6ENF1001	M 1KOHM, 1/10W	4	
R9499	TAJAAH0470JV	M 47 OHM,J,1/16W	1	
R951,52	ERJ6GEYJ103	M 10KOHM,J,1/10W	2	
R953,54	ERJ6GEYJ473	M 47KOHM,J,1/10W	2	
R9551,52	ERJ3GEY0R00	M 0 OHM, 1/16W	2	
R9553	ERJ6GEY0R00	M 0 OHM, 1/10W	1	
R9554	ERJ6ENF1001	M 1KOHM, 1/10W	1	
R9556	ERJ6ENF1001	M 1KOHM, 1/10W	1	
R9557	ERJ6GEY0R00	M 0 OHM, 1/10W	1	
R9558	ERJ3GEY0R00	M 0 OHM, 1/16W	1	
R9559	ERJ6GEY0R00	M 0 OHM, 1/10W	1	
R9560	ERJ6ENF1001	M 1KOHM, 1/10W	1	
R9562	ERJ6ENF1001	M 1KOHM, 1/10W	1	
R9567,68	EXB2HV470JV	RESISTOR ARRAY	2	
R9569	EXB38V470J	RESISTOR ARRAY	1	
R9570,71	EXB2HV470JV	RESISTOR ARRAY	2	
R9589	ERJ3GEY0R00	M 0 OHM, 1/16W	1	
R9591	ERJ3GEY0R00	M 0 OHM, 1/16W	1	
R9592,93	ERJ3EKF8201	M 8.2KOHM, 1/16W	2	
R9594	ERJ3EKF3002	M 30KOHM, 1/16W	1	
R9595	ERJ3EKF1002	M 10KOHM, 1/16W	1	
R9596	ERJ3EKF2322	M23.2KOHM, 1/16W	1	
R9597	ERJ3EKF4702	M 47KOHM, 1/16W	1	
R9599	ERJ3EKF2402	M 24KOHM, 1/16W	1	
R9600	ERJ3GEYJ121	M 120 OHM,J,1/16W	1	
R9602	ERJ3GEY0R00	M 0 OHM, 1/16W	1	
R9603	ERJ3GEYJ102	M 1KOHM,J,1/16W	1	
R9604	TAJAAH0101JV	M 100 OHM,J,1/16W	1	
R9605,06	ERJ3GEY0R00	M 0 OHM, 1/16W	2	
R9607	TAJAAH0470JV	M 47 OHM,J,1/16W	1	
R9608	ERJ6GEY0R00	M 0 OHM, 1/10W	1	
R9609	TAJAAH0470JV	M 47 OHM,J,1/16W	1	
R9610	ERJL14KJ20M	M 20 OHM, J,1/4W	1	
R9611	ERJ3GEYJ472	M 4.7KOHM,J,1/16W	1	
R9612	ERJL14KJ20M	M 20 OHM, J,1/4W	1	
R9613	TAJAAH0470JV	M 47 OHM,J,1/16W	1	
R9614	ERJ3GEY0R00	M 0 OHM, 1/16W	1	
R9616	ERJ3GEY0R00	M 0 OHM, 1/16W	1	
R9618,19	ERJ6ENF1001	M 1KOHM, 1/10W	2	
R9620	ERJ6ENF1101	M 1.1KOHM, 1/10W	1	
R9621	ERJ6ENF3161	M3.16KOHM, 1/10W	1	
R9622,23	ERJ6ENF1001	M 1KOHM, 1/10W	2	
R9624-26	TAJAAH0470JV	M 47 OHM,J,1/16W	3	
R9627,28	ERJ3GEYJ220	M 22 OHM,J,1/16W	2	
R9629,30	ERJ3GEYJ103	M 10KOHM,J,1/16W	2	
R9633	ERJ3GEYJ103	M 10KOHM,J,1/16W	1	
R9636	ERJ3GEY0R00	M 0 OHM, 1/16W	1	
R9638	TAJAAH0470JV	M 47 OHM,J,1/16W	1	
R9642	ERJ3GEY0R00	M 0 OHM, 1/16W	1	
R9644	ERJ3GEYJ472	M 4.7KOHM,J,1/16W	1	
R9647	ERJ3GEY0R00	M 0 OHM, 1/16W	1	
R9651	ERJ3GEY0R00	M 0 OHM, 1/16W	1	

Ref. No.	Part No.	Part Name & Description	Pcs	Remarks
R9653,54	ERJ3GEY0R00	M 0 OHM, 1/16W	2	
R9656-59	ERJ3GEY0R00	M 0 OHM, 1/16W	4	
R9660,61	ERJ3GEYJ102	M 1KOHM,J,1/16W	2	
R9662	ERJ3GEY0R00	M 0 OHM, 1/16W	1	
R9663-65	EXB38V470J	RESISTOR ARRAY	3	
R9668,69	ERJ3GEY0R00	M 0 OHM, 1/16W	2	
R9670	EXB38V470J	RESISTOR ARRAY	1	
R9671,72	ERJ3GEY0R00	M 0 OHM, 1/16W	2	
R9675-78	ERJ3GEY0R00	M 0 OHM, 1/16W	4	
R9679,80	EXB38V470J	RESISTOR ARRAY	2	
R9684-86	ERJ3GEY0R00	M 0 OHM, 1/16W	3	
R9687	EXB38V470J	RESISTOR ARRAY	1	
R9688	ERJ3GEY0R00	M 0 OHM, 1/16W	1	
R9689	ERJ3GEYJ472	M 4.7KOHM,J,1/16W	1	
R9690	EXB38V470J	RESISTOR ARRAY	1	
R9696	ERJ3GEYJ103	M 10KOHM,J,1/16W	1	
R9697	EXB38V470J	RESISTOR ARRAY	1	
R9698-00	ERJ3GEY0R00	M 0 OHM, 1/16W	3	
R9701-03	ERJ3GEYJ103	M 10KOHM,J,1/16W	3	
R9705	ERJ3GEYJ103	M 10KOHM,J,1/16W	1	
R9706,07	ERJ3GEYJ332	M 3.3KOHM,J,1/16W	2	
R9708	TAJAAH0101JV	M 100 OHM,J,1/16W	1	
R9709	ERJ3GEYJ103	M 10KOHM,J,1/16W	1	
R9710	TAJAAH0101JV	M 100 OHM,J,1/16W	1	
R9711	ERJ3GEYJ103	M 10KOHM,J,1/16W	1	
R9713	ERJ3GEYJ103	M 10KOHM,J,1/16W	1	
R9714	TAJAAH0101JV	M 100 OHM,J,1/16W	1	
R9715	ERJ3GEYJ103	M 10KOHM,J,1/16W	1	
R9716	ERJ3GEY0R00	M 0 OHM, 1/16W	1	
R9718	ERJ3GEYJ103	M 10KOHM,J,1/16W	1	
R9720	ERJ3GEYJ103	M 10KOHM,J,1/16W	1	
R9722,23	EXB2HV470JV	RESISTOR ARRAY	2	
R9725-28	ERJ3GEY0R00	M 0 OHM, 1/16W	4	
R9729	TAJAAH0470JV	M 47 OHM,J,1/16W	1	
R9730	ERJ3GEYJ272	M 2.7KOHM,J,1/16W	1	
R9731	TAJAAH0470JV	M 47 OHM,J,1/16W	1	
R9732	ERJ3GEYJ272	M 2.7KOHM,J,1/16W	1	
R9733	EXB38V220J	RESISTOR ARRAY	1	
R9734,35	ERJ3GEYJ272	M 2.7KOHM,J,1/16W	2	
R9736	ERJ3GEY0R00	M 0 OHM, 1/16W	1	
R9737	ERJ3GEYJ562	M 5.6KOHM,J,1/16W	1	
R9738	ERJ3GEYJ330	M 33 OHM,J,1/16W	1	
R9740	TAJAAH0101JV	M 100 OHM,J,1/16W	1	
R9741	DIHG33080001	NETWORK RESISTER	1	
R9742	ERJ3GEYJ102	M 1KOHM,J,1/16W	1	
R9743	ERJ3GEYJ103	M 10KOHM,J,1/16W	1	
R9744	ERJ3GEY0R00	M 0 OHM, 1/16W	1	
R9746	ERJ3GEY0R00	M 0 OHM, 1/16W	1	
R9747	ERJ3GEYJ103	M 10KOHM,J,1/16W	1	
R9748-50	ERJ3GEY0R00	M 0 OHM, 1/16W	3	
R9751,52	ERJ3GEYJ103	M 10KOHM,J,1/16W	2	
R9753	TAJAAH0101JV	M 100 OHM,J,1/16W	1	
R9754	ERJ3GEYJ103	M 10KOHM,J,1/16W	1	
R9755	TAJAAH0101JV	M 100 OHM,J,1/16W	1	
R9756	ERJ3GEYJ102	M 1KOHM,J,1/16W	1	
R9757	ERJ3GEYJ103	M 10KOHM,J,1/16W	1	
R9759	ERJ3GEYJ393	M 39KOHM,J,1/16W	1	
R9760	TAJAAH0101JV	M 100 OHM,J,1/16W	1	
R9761	ERJ3GEYJ102	M 1KOHM,J,1/16W	1	

Ref. No.	Part No.	Part Name & Description	Pcs	Remarks
R9762	ERJ3GEYJ153	M 15KOHM,J,1/16W	1	
R9765	TAJAAH0101JV	M 100 OHM,J,1/16W	1	
R9766	ERJ3GEYJ393	M 39KOHM,J,1/16W	1	
R9767	TAJAAH0101JV	M 100 OHM,J,1/16W	1	
R9768	ERJ3GEYJ393	M 39KOHM,J,1/16W	1	
R9769	TAJAAH0101JV	M 100 OHM,J,1/16W	1	
R9771	TAJAAH0101JV	M 100 OHM,J,1/16W	1	
R9772,73	ERJ3GEY0R00	M 0 OHM, 1/16W	2	
R9774	ERJ3GEYJ102	M 1KOHM,J,1/16W	1	
R9775	ERJ3GEYJ123	M 12KOHM,J,1/16W	1	
R9777	ERJ3GEY0R00	M 0 OHM, 1/16W	1	
R9778,79	TAJAAH0101JV	M 100 OHM,J,1/16W	2	
R9781	TAJAAH0101JV	M 100 OHM,J,1/16W	1	
R9782	ERJ3GEYJ103	M 10KOHM,J,1/16W	1	
R9783	TAJAAH0101JV	M 100 OHM,J,1/16W	1	
R9785	ERJ3GEYJ103	M 10KOHM,J,1/16W	1	
R9786	D1HG33080001	NETWORK RESISTER	1	
R9787,88	TAJAAH0101JV	M 100 OHM,J,1/16W	2	
R9791	ERJ3GEYJ272	M 2.7KOHM,J,1/16W	1	
R9792	TAJAAH0101JV	M 100 OHM,J,1/16W	1	
R9793	ERJ3GEYJ103	M 10KOHM,J,1/16W	1	
R9795	ERJ3GEYJ103	M 10KOHM,J,1/16W	1	
R9796	TAJAAH0101JV	M 100 OHM,J,1/16W	1	
R9797	ERJ3GEYJ103	M 10KOHM,J,1/16W	1	
R9798	TAJAAH0101JV	M 100 OHM,J,1/16W	1	
R9801	ERJ3GEY0R00	M 0 OHM, 1/16W	1	
R9803	ERJ3GEY0R00	M 0 OHM, 1/16W	1	
R9805	ERJ3GEY0R00	M 0 OHM, 1/16W	1	
R9806	ERJ3GEYJ103	M 10KOHM,J,1/16W	1	
R9807	ERJ3GEY0R00	M 0 OHM, 1/16W	1	
R9808	ERJ3GEYJ103	M 10KOHM,J,1/16W	1	
R9810	ERJ3GEY0R00	M 0 OHM, 1/16W	1	
R9811	ERJ3GEYJ103	M 10KOHM,J,1/16W	1	
R9812	ERJ3GEYJ473	M 47KOHM,J,1/16W	1	
R9813	ERJ3GEYJ103	M 10KOHM,J,1/16W	1	
R9814	ERJ3GEYJ102	M 1KOHM,J,1/16W	1	
R9815	ERJ3GEYJ473	M 47KOHM,J,1/16W	1	
R9816	ERJ3GEYJ103	M 10KOHM,J,1/16W	1	
R9817	ERJ3GEYJ102	M 1KOHM,J,1/16W	1	
R9818	ERJ3GEYJ473	M 47KOHM,J,1/16W	1	
R9819	ERJ3GEYJ103	M 10KOHM,J,1/16W	1	
R9820,21	ERJ3GEYJ562	M 5.6KOHM,J,1/16W	2	
R9822	ERJ3GEYJ331	M 330 OHM,J,1/16W	1	
R9823	ERJ3GEYJ102	M 1KOHM,J,1/16W	1	
R9824	ERJ3GEYJ332	M 3.3KOHM,J,1/16W	1	
R9825	ERJ3GEYJ682	M 6.8KOHM,J,1/16W	1	
R9826	ERJ3GEYJ103	M 10KOHM,J,1/16W	1	
R9827,28	ERJ3GEYJ223	M 22KOHM,J,1/16W	2	
R9829	ERJ3GEYJ102	M 1KOHM,J,1/16W	1	
R9832	ERJ3GEYJ102	M 1KOHM,J,1/16W	1	
R9833	TAJAAH0101JV	M 100 OHM,J,1/16W	1	
R9834	ERJ3GEYJ103	M 10KOHM,J,1/16W	1	
R9836,37	ERJ3GEYJ103	M 10KOHM,J,1/16W	2	
R9838	ERJ3GEYJ682	M 6.8KOHM,J,1/16W	1	
R9839	ERJ3GEY0R00	M 0 OHM, 1/16W	1	
R9840	ERJ3GEYJ103	M 10KOHM,J,1/16W	1	
R9843	ERJ3GEYJ103	M 10KOHM,J,1/16W	1	
R9844	ERJ3GEYJ562	M 5.6KOHM,J,1/16W	1	
R9845-48	TAJAAH0101JV	M 100 OHM,J,1/16W	4	
R9849	D1HG33080001	NETWORK RESISTER	1	
R9850	ERJ3GEY0R00	M 0 OHM, 1/16W	1	
R9851	ERJ3GEYJ103	M 10KOHM,J,1/16W	1	
R9852	ERJ3GEYJ472	M 4.7KOHM,J,1/16W	1	
R9853-55	TAJAAH0101JV	M 100 OHM,J,1/16W	3	
R9857	TAJAAH0101JV	M 100 OHM,J,1/16W	1	
R9859	D1HG33080001	NETWORK RESISTER	1	
R9860	ERJ3GEYJ103	M 10KOHM,J,1/16W	1	

Ref. No.	Part No.	Part Name & Description	Pcs	Remarks
R9861	ERJ3GEYJ332	M 3.3KOHM,J,1/16W	1	
R9863	ERJ3GEYJ103	M 10KOHM,J,1/16W	1	
R9864	ERJ3GEYJ332	M 3.3KOHM,J,1/16W	1	
R9865	ERJ3GEYJ103	M 10KOHM,J,1/16W	1	
R9866	TAJAAH0101JV	M 100 OHM,J,1/16W	1	
R9868-70	ERJ3GEY0R00	M 0 OHM, 1/16W	3	
R9871	ERJ3GEYJ223	M 22KOHM,J,1/16W	1	
R9872,73	ERJ3GEYJ103	M 10KOHM,J,1/16W	2	
R9874	ERJ3GEY0R00	M 0 OHM, 1/16W	1	
R9875	TAJAAH0101JV	M 100 OHM,J,1/16W	1	
R9876-79	ERJ3GEY0R00	M 0 OHM, 1/16W	4	
R9880	ERJ3GEYJ103	M 10KOHM,J,1/16W	1	
R9881	ERJ3GEY0R00	M 0 OHM, 1/16W	1	
R9882	EXB38VR000	RESISTOR ARRAY	1	
R9883	ERJ3GEYJ103	M 10KOHM,J,1/16W	1	
R9884	TAJAAH0101JV	M 100 OHM,J,1/16W	1	
R9885	EXB38VR000	RESISTOR ARRAY	1	
R9888	D1HG33080001	NETWORK RESISTER	1	
R9890	D1HG33080001	NETWORK RESISTER	1	
R9891-93	ERJ3GEY0R00	M 0 OHM, 1/16W	3	
R9894	ERJ3GEYJ103	M 10KOHM,J,1/16W	1	
R9895-97	ERJ3GEY0R00	M 0 OHM, 1/16W	3	
R9901	D1HG33080001	NETWORK RESISTER	1	
R9907	ERJ3GEYJ562	M 5.6KOHM,J,1/16W	1	
R9908	ERJ3GEY0R00	M 0 OHM, 1/16W	1	
R9909	ERJ3GEYJ393	M 39KOHM,J,1/16W	1	
R9910	ERJ3GEY0R00	M 0 OHM, 1/16W	1	
R9911	TAJAAH0101JV	M 100 OHM,J,1/16W	1	
R9912	ERJ3GEY0R00	M 0 OHM, 1/16W	1	
R9913	TAJAAH0101JV	M 100 OHM,J,1/16W	1	
R9914	ERJ3GEYJ472	M 4.7KOHM,J,1/16W	1	
R9915	TAJAAH0101JV	M 100 OHM,J,1/16W	1	
R9916	ERJ3GEYJ103	M 10KOHM,J,1/16W	1	
R9917	TAJAAH0101JV	M 100 OHM,J,1/16W	1	
R9918	ERJ3GEYJ103	M 10KOHM,J,1/16W	1	
R9919	TAJAAH0101JV	M 100 OHM,J,1/16W	1	
R9923	ERJ3GEYJ472	M 4.7KOHM,J,1/16W	1	
R9924	ERJ3GEY0R00	M 0 OHM, 1/16W	1	
R9971	ERJ6GEY0R00	M 0 OHM, 1/10W	1	
R9973	ERJ6ENF2002	M 20KOHM, 1/10W	1	
R9974	ERJ6ENF3302	M 33KOHM, 1/10W	1	
R9975-77	ERJ6GEY0R00	M 0 OHM, 1/10W	3	
R9981	ERJ6GEY0R00	M 0 OHM, 1/10W	1	
R9982	ERJ3GEY0R00	M 0 OHM, 1/16W	1	
R9983	ERJ6ENF1601	M 1.6KOHM, 1/10W	1	
R9984	ERJ6ENF1001	M 1KOHM, 1/10W	1	
R9985	ERJ6GEY0R00	M 0 OHM, 1/10W	1	
R9986	ERJ3GEYJ153	M 15KOHM,J,1/16W	1	
R9991,92	ERJ3GEYJ103	M 10KOHM,J,1/16W	2	
R9993	TAJAAH0101JV	M 100 OHM,J,1/16W	1	
R9995,96	ERJ3GEYJ103	M 10KOHM,J,1/16W	2	
RF601	HUF5K100J14	THERMAL CUTOFF WITH RESISTOR	1	△
RF1601	HUF5K100J14	THERMAL CUTOFF WITH RESISTOR	1	△
RM001	PNA4701M05TV	REMOCO RECEIVER	1	
RTL	TNPA3003	CIRCUIT BOARD H3	2	△
RTL	TNPA3630AC	CIRCUIT BOARD J	1	UK △
RTL	TNPA3630AD	CIRCUIT BOARD J	1	BK/EK △
RTL	TZTNP040VAS	CIRCUIT BOARD HX	1	△
RTL	TXNHAL0RBS	CIRCUIT BOARD HA	1	△
RTL	TXNHB10QXS	CIRCUIT BOARD HB	1	△
RTL	ETXMM584MEK	CIRCUIT BOARD P	1	△
RTL	TNPA3671	CIRCUIT BOARD SS2	1	△
RTL	TNPA3672	CIRCUIT BOARD SS3	1	△
RTL	TNPA3663	CIRCUIT BOARD C1	1	△
RTL	TNPA3664	CIRCUIT BOARD C2	1	△

Ref. No.	Part No.	Part Name & Description	Pcs	Remarks
RTL	TNPA3665	CIRCUIT BOARD C3	1	△
RTL	TNPA3666	CIRCUIT BOARD C4	1	△
RTL	TNPA3667	CIRCUIT BOARD C5	1	△
RTL	TNPA3668	CIRCUIT BOARD C6	1	△
RTL	TZTNP020YUS	CIRCUIT BOARD D	1	UK △
RTL	TZTNP01YUSE	CIRCUIT BOARD D	1	BK/EK △
RTL	TNPA3655AB	CIRCUIT BOARD PB	1	△
RTL	TNPA3669	CIRCUIT BOARD SC	1	△
RTL	TNPA3674	CIRCUIT BOARD SD	1	△
RTL	TNPA3670	CIRCUIT BOARD SS	1	△
RTL	TNPA3673	CIRCUIT BOARD SU	1	△
RTL	TNPA3200AB	CIRCUIT BOARD S1	1	△
RTL	TNPA3199AB	CIRCUIT BOARD V1	1	△
S34	K1KA03AA0193	3P CONNECTOR	1	
S1550-54	EVQPB05R	SWITCH	5	
S061	K0F162B00002	SWITCH	1	
SC2	K1KA02AA0515	2P CONNECTOR	1	
SC20	K1KA20AA0008	20P CONNECTOR	1	
SC23	K1KA03AA0193	3P CONNECTOR	1	
SC41-44	K1ML80B00001	80P CONNECTOR	4	
SC45,46	K1KA10A00431	10P CONNECTOR	2	
SC90	K1KA06AA0192	6P CONNECTOR	1	
SCMM1	TMME047	CLAMPER	1	
SCMM5	TMME047	CLAMPER	1	
SCMM6	TMME190	CLAMPER	1	
SD1-D4	K1LMN96B00004	96P CONNECTOR	4	
SD46	K1KA10B00209	10P CONNECTOR	1	
SDMM1	TMM25401	CLAMPER	1	
SS11	K1KA02AA0515	2P CONNECTOR	1	
SS12	K1KA10AA0194	10P CONNECTOR	1	
SS21	K1KA07A00170	7P CONNECTOR	1	
SS23	K1KB07AA0087	7P CONNECTOR	1	
SS25	K1KA07A00170	7P CONNECTOR	1	
SS27	K1KB07AA0087	7P CONNECTOR	1	
SS2MM1	TMME190	CLAMPER	1	
SS2MM3	TMME190	CLAMPER	1	
SS34	K1KA03AA0193	3P CONNECTOR	1	
SS35	K1KA10AA0194	10P CONNECTOR	1	
SS3MM1	TMME190	CLAMPER	1	
SS3MM3	TMME190	CLAMPER	1	
SS42	K1KA10AA0194	10P CONNECTOR	1	
SS44	K1KA20AA0009	20P CONNECTOR	1	
SS51-58	K1MNL3B00020	13P CONNECTOR	8	
SU1-U4	K1LMN96B00004	96P CONNECTOR	4	
SU45	K1KA10B00209	10P CONNECTOR	1	
SUMM1	TMM25401	CLAMPER	1	
T401	ETB57LZ135AD	TRANSFORMER	1	△
T701	ETB33LM116AD	TRANSFORMER	1	△
T901	ETB25KA1B8AD	TRANSFORMER	1	△
T6801	ETS28AU2S9AC	SWITCHING TRANSFORMER	1	
T6802	ETS13TB199AP	SWITCHING TRANSFORMER	1	
TH301	PRFCBB471	POSISTOR	1	
V34	K1KA08BA0047	8P CONNECTOR	1	
VR351	EVMEASA01B15	VARIABLE RESISTOR	1	
VR451	EVMEASA00B53	VARIABLE RESISTOR	1	
VR701	EVMEASA01B24	VARIABLE RESISTOR	1	
VR6250	EVMEASA00B14	CONTROL 10KOHMB 0.3W	1	
VR6602	EVMEASA00B14	CONTROL 10KOHMB 0.3W	1	
VR6801, 02	EVMEASA00B14	CONTROL 10KOHMB 0.3W	2	
X2301	H0J184500020	CRYSTAL	1	
X3101	H0J202500002	CRYSTAL	1	
X8181	H0J327200114	CRYSTAL	1	
X9500	H0J200500038	CRYSTAL	1	
X9701	H0J400400017	CRYSTAL	1	
Z601	TND14V751	VARISTOR	1	△
Z603	ERZVGAD471	VARISTOR	1	△
Z901, 02	ERZVGAD471	VARISTOR	2	△
ZA001	K4CD01000013	TERMINAL	1	

Ref. No.	Part No.	Part Name & Description	Pcs	Remarks
ZA007	K4CD01000013	TERMINAL	1	
ZA3001-08	K4CD01000013	TERMINAL	8	
ZA6101-03	K4CD01000013	TERMINAL	3	
ZA6401-03	K4CD01000013	TERMINAL	3	
ZA7101-04	K4CD01000013	TERMINAL	4	
ZA7201-04	K4CD01000013	TERMINAL	4	
ZA7301, 02	K4CD01000013	TERMINAL	2	
ZA7401-04	K4CD01000013	TERMINAL	4	
ZA7501-04	K4CD01000013	TERMINAL	4	
ZA7601, 02	K4CD01000013	TERMINAL	2	
ZD402	PTZ24B	ZENER DIODE	1	
ZD403	MA8056	ZENER DIODE	1	
ZD410	MA4220N	ZENER DIODE	1	
ZD413	MA4270N	ZENER DIODE	1	
ZD451	1ZB18	ZENER DIODE	1	
ZD701	MA4220N	ZENER DIODE	1	
ZD702	PTZ24B	ZENER DIODE	1	
ZD703	MA8056	ZENER DIODE	1	
ZD713	MA4270N	ZENER DIODE	1	
ZD901, 02	MA8270	ZENER DIODE	2	
ZD1601	MA4220N	ZENER DIODE	1	
ZD1669	MA8220	ZENER DIODE	1	