



HPL 120-30



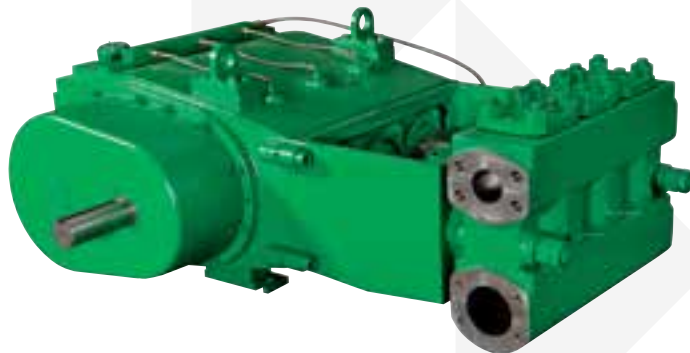
MA-300

# **MYERS<sup>®</sup> AND MYERS<sup>®</sup> APLEX SERIES RECIPROCATING PUMPS**

# MYERS® HPL120-30 120 GPM HIGH PRESSURE RECIPROCATING PUMP

## CUTTING EDGE TECHNOLOGY

The HPL Series brings you the latest in sewer jet pump technology from your time-tested partner, Myers. The HPL keeps your truck running with industry-leading serviceability, a breakthrough in jetting. New cartridge valves, an open cradle for packing and plunger maintenance, and an external lube filter minimize maintenance time, keeping your equipment on the job making you money.



## HIGH PERFORMANCE.

- True 120 GPM at 3,000 psi, not nominal. When you need the flow and pressure it's there. Gets the job done quickly.

## TRUE CONTINUOUS DUTY.

- A first for Myers reciprocating pumps. The HPL120-30 is a true continuous duty pump. This rugged pump will not let you down.

## WHISPER QUIET OPERATION.

- Heavy castings, urethane valve inserts, internal gear reduction all translate to industry-leading noise reduction. Be a good neighbor and go easy on your ears!

### Product Specifications

Temp. Rating °F (°C)	Sizes in inches (mm)				Keyway	Approx. Weight lbs. (kg)
	Stroke Length	Suction Size NPT	Discharge Size NPT	Input Shaft Diameter		
140 (60)	4.00 (101.6)	4.00 (101.6)	2.5 (63.5)	2.5 (63.5)	.875 x .875 x 2.5 (22.2 x 22.2 x 63.5)	2880 (1302)

### Product Capabilities

Catalog Number	Max. Rated Capacity GPM (LPM)	Max. Rated Pressure psi (bar)	Max. Rated Speed RPM	Plunger Diameter inches (mm)	Max. Power Input HP (kW)	Fluid End Material
HPL120-30	125 (475)	3000 (206.7)	1770	2.75 (69.85)	274 (204.4)	Ductile Iron

### Performance Data

Flow Capacity GPM (LPM)	Speed RPM	Horsepower (Kilowatts) required for: psi (bar)				
		1000 (69.0)	1500 (103.4)	2000 (137.9)	2500 (172.4)	3000 (206.9)
125 (475)	1770	91 (68)	136.5 (102)	182 (136)	227.5 (169.7)	274 (204)
120 (454)	1691	87.6 (65.4)	131.4 (98.1)	175.2 (130.7)	219 (163.4)	263 (196)
100 (379)	1394	72.3 (53.9)	108.5 (80.8)	144.6 (107.8)	180.7 (134.8)	219 (163.4)
80 (303)	1115	57.8 (43.1)	86.7 (64.6)	115.6 (86.2)	144.5 (107.8)	175 (130.6)
60 (227)	837	43.4 (32.3)	65.1 (48.5)	86.8 (64.6)	108.5 (80.9)	131.5 (98.1)

Power based on 85% mechanical efficiency and 94% to 95% volumetric efficiency. Displacement based on 100% volumetric efficiency. Internal gear reduction is 4.087 to 1.0.

Above performance data based on following equations:

$$\text{Liquid HP} = \frac{\text{GPM} \times \text{psi}}{1714}$$

$$\text{Overall Eff.} = \frac{\text{Output Liq. HP}}{\text{Input Mech. HP}}$$

$$\text{Vol. Eff.} = \frac{\text{Actual GPM}}{\text{Theor. GPM}}$$

$$\text{Mech. Eff.} = \frac{\text{Overall Pump Eff.}}{\text{Vol. Eff.}}$$

## ADVANTAGES BY DESIGN

### PLUNGER PACKING

V-Ring, 120X spring soaded.

### STUFFING BOXES

Independently removable stuffing boxes minimize repacking time.

### OPEN CRADLE

Allows for quick service of fluid end expendable parts.

### PLUNGER

Rokide MBC plunger for long life.

### PRESSURE LUBRICATION AND FILTRATION

Allows slow speed operation and long power end life.

### CRANKSHAFT

Ductile iron with ground and polished journals.

### FLUID END BODY

High strength ductile iron.

### VALVES

Abrasion resistant cartridge style valves for ease of service and long quiet life.

### HEAT EXCHANGER

Increases power end life.

### VALVE LIFTERS

Standard equipment.

### GEAR REDUCTION

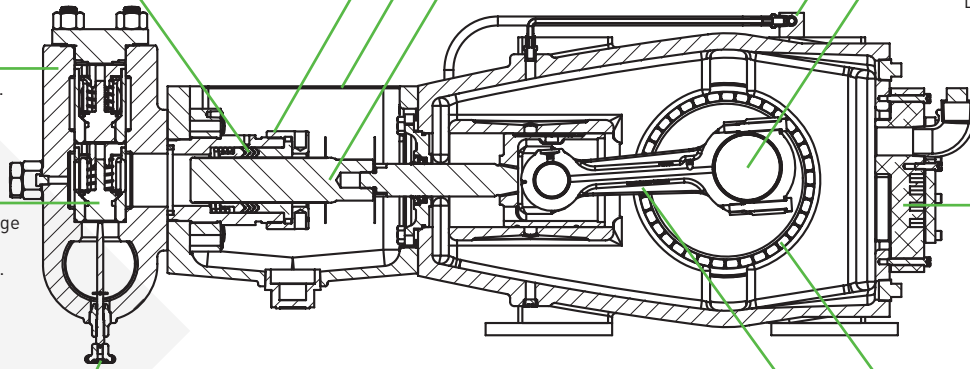
"Low Profile" external gear reduction allows for many different drive types. Gear ratio designed for diesel engine speeds. *(not shown)*

### CONNECTING LINK

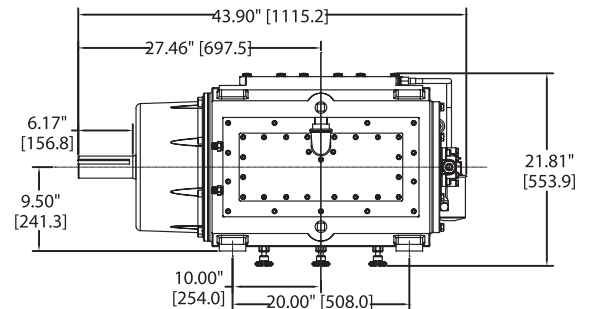
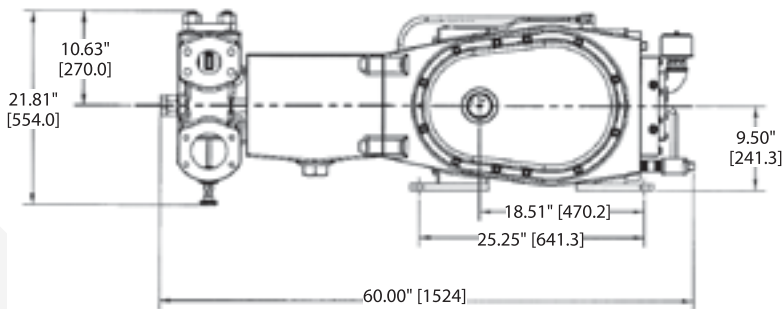
High strength ductile iron.

### ROLLER BEARING

High load capacity and no shiming.



## DIMENSIONS



740 EAST 9TH STREET,  
ASHLAND, OHIO 44805  
WWW.FEMYERS.COM

269 TRILLIUM DRIVE, KITCHENER,  
ONTARIO, CANADA N2G 4W5  
WWW.FEMYERS.COM

Because we are continuously improving our products and services, Pentair reserves the right to change specifications without prior notice.  
K4614 01/29/13 © 2013 Pentair Ltd. All Rights Reserved.

# MYERS® AND MYERS® APLEX SERIES

## Complete Line of Reciprocating Pumps

### History of Myers

Founded in 1870 by brothers Frances and Philip Myers in Ashland, Ohio. The brothers began by building farm implements, then engineered and manufactured the first double-acting hand pump. From this modest beginning, the Myers pump line grew and evolved over the decades to include wastewater removal and industrial pumps and systems. In 1960, the Myers family sold the business to the McNeil Corporation of Akron, Ohio. In 1986 Pentair, Inc. of St. Paul, Minnesota, acquired Myers, which now is part of the Pentair, Ltd. The Ashland operation includes over 410,000 square feet of warehouse, manufacturing, distribution, foundry and office facilities and employs approximately 600 people dedicated to supplying quality products.

Myers combines manufacturing expertise and understanding of applications to provide a pump with strength and versatility for any demanding high-pressure job. Myers industrial high pressure pumps are designed, developed, manufactured, assembled and tested in Ashland, Ohio, U.S.A.

### Addition of Myers Aplex Series

In 1996, Myers Aplex Series products were added to the Myers industrial line. The Myers Aplex Series product line dates back to the 1960's oilfield pump industry. The Myers Aplex Series pump line has since grown to be one of the most highly recognized and accepted pumps offered in a variety of industries. Our pumps are utilized in, but not limited to, the oil and gas, directional drilling, sewer cleaning, water treatment, steel mills and other industrial markets requiring a pump that stands up to demanding and hostile applications.

The Myers Aplex Series pump has a myriad of features that sets it apart from its competitors. These are mostly centered around ease of maintenance and "user friendly" designs. A wide range of optional configurations are used on each application to tailor fit each customer's needs to furnish a pump for long-term dependable performance for years to come. Each pump is also available with a variety of options including integral hydraulic drives, base mountings and a wide selection of auxiliary equipment to address each unique installation.

Myers Aplex Series builds the most reliable medium and heavy-duty reciprocating pumps in the world. We produce products that outwear the others in both domestic and international markets. In addition, we deliver service and technical support that outshine the competition worldwide.

### Complete Reciprocating Line

Manufacturing pumps since 1870, Myers is recognized worldwide for quality, service and innovation. The Industrial Pump Division realizes that success in today's global environment depends on much more than brick and mortar. Myers' focus is on the customer and their needs. The addition of the Aplex Series line has broadened our range of pump offerings, allowing us to offer a more complete line of medium and heavy-duty reciprocating pumps to fit almost any application. Myers Aplex Series is positioned to strongly encourage the customer to challenge us with special-purpose, industrial or commercial pump application. The combination of extraordinary customer service, superior manufacturing capabilities and new products for niche markets make a powerful culture for growth. Our philosophy, from top to bottom, is one of flexibility, creativity and responsiveness to customer needs. Replacement and service parts are thus readily available worldwide.

### Pump Features

- Reliable, trouble-free performance
- Built for field serviceability
- A broad product line ranging from 5 to 400 HP (3.7 to 298.3 kW)
- Pressures up to 5,500 psi (379.2 bar) and flows to 600 gpm (2271 lpm)
- Temperature ratings up to 450°F (232°C)
- Able to pump a wide range of corrosive fluids from acids to caustics
- Extra-large oil sump for superior lubrication
- Clear rear cover for easy oil level inspection

### Range Of Applications

- Gas sweetening and drying
- Crude oil gathering, pipelining and transfer
- Power oil/power water hydraulic services
- Water blasting and cutting
- Steel mill de-scaling
- Mine de-watering
- Toxic and hazardous waste disposal
- Sewer cleaning
- Hydrostatic testing
- Reverse osmosis (desalination)
- NGL transfer
- Bentonite slurry pumping
- Water well fracing
- Food processing
- Chemical processing
- Car and truck wash
- And much more



# MYERS® APLEX SERIES

## General Information for Selecting a Plunger/Piston Pump

### Basic Information Required for a Good Pump Application

- 1) Fluid Type
- 2) Fluid Temperature
- 3) Fluid pH
- 4) Characteristics of Fluid (i.e. solids, viscous)
- 5) Discharge Pressure
- 6) Flow
- 7) Suction (Min.) Pressure Available
- 8) Duty Cycle – Intermittent vs. Continuous  
 Intermittent – 4 to 8 hours per day (i.e. one work shift)  
 Continuous Duty – 24 hours per day, 365 days per year

### Key Points in Selecting Your Pump’s Requirements

- 1) Duty Rating of Pump (i.e. continuous or intermittent)
- 2) Max. Pump Speed
- 3) Fluid End Metallurgy
- 4) Valve Type
- 5) Packing (Seal) Type
- 6) Packing Support Material
- 7) Plunger Material

“Rule of Thumb” for Max. Crankshaft Speeds (RPM) <sup>(1)</sup>							
Pump Stroke Length in cm (in.)	Ambient Temp. up to 49°C (120°F)		Hot Liquids 54°C – 82°C (130°F – 180°F)		“Dirty” Liquids		API 674 Max. Rec. Speed <sup>(3)</sup>
	Intermittent	Continuous	Intermittent	Continuous	Intermittent	Continuous	
2.5 (1)	750	560	560	490	525	375	500
3.8 (1-1/2)	650	490	490	420	455	325	475
4.4 (1-3/4)	650	490	490	420	455	325	462
5.1 (2)	600	450	450	390	420	300	450
5.7 (2-1/4)	600	450	450	390	420	300	437
6.3 (2-1/2)	550	415	415	360	385	275	425
6.9 (2-3/4)	550	415	415	360	385	275	412
7.6 (3)	500	375	375	325	350	250	400
8.2 (3-1/4)	500	375	375	325	350	250	388
8.8 (3-1/2)	475	350	350	310	330	240	375
9.5 (3-3/4)	475	350	350	310	330	240	362
10.1 (4)	450	340	340	290	315	225	350
10.7 (4-1/4)	450	340	340	290	315	225	340
11.4 (4-1/2)	450	340	340	290	315	225	330
12.0 (4-3/4)	425	320	320	275	300	210	320
12.7 (5)	400	300	300	250	280	200	310

- NOTES: (1) Above speeds are based on GOOD suction systems feeding the pump. (Ample NPSHA available at the pump inlet.) Poorly supplied pumps will require reduced speeds or modified suction systems for good performance. (Note: For viscous fluids pump speed must be reduced.)
- (2) Above speeds are supplied as a rule of thumb for expected pump wear versus duty and trying to minimize cavitation.
- (3) API 674 max. recommended continuous duty speeds were developed based on general operating conditions trying to maximize economical pump fit while trying to minimize total life cost.
- (4) Where numbers above conflict with pump data sheets, data sheets should be followed.

## Fluid End Application Chart

Fluid End Types	Material	Type	Max. Bar (psi)	Typical Applications
Ductile Iron	Cast	80-55-06	241 (3500)	Water Service, Amine & Glycol (with threaded connections on A-75, SC-115 and smaller), Bentonite Slurry, Caustic, Non-Corrosive (i.e. compatible w/water, RO)
Nickel Aluminum Bronze	Cast	B148-955	241 (3500)	Produced Water, Desalinization (sea water), Corrosive Water (threaded connections on A-75, SC-115, RO-117 and smaller)
Carbon Steel	Block	A105	241 (3500)	Water Service, NGL, Condensate, Explosive Type Liquids: gasoline & propane
	Block	4140	348 (5000)	
	Block	A526 Gr. 70	348 (5000)	Lower Pressure, General Service, Water
Stainless Steel	Block	316	207 (3000)	Acids, Caustics, Sea Water, Aggressive Chemicals
	Block	15-4PH	348 (5000)	High Pressure Service, Aggressive Fluids (i.e. sea water, acids)
	Block	2205	348 (5000)	Aggressive Liquids, Sea Water

- NOTES: (1) Exotic material available upon request (i.e. Hastelloy®, Monel®, etc.)  
 (2) Hydrostatic test pressure 1.5 MAWP.  
 (3) Standard fluid seals are Buna, top rating of 60°C (140°F), Teflon® seals may be used for elected pumping temperatures up to 93°C (200°F). Price Adder.

## Valve Application Chart

Valve Types	Disc. Material	Max. bar (psi)	Max. Temp.	pH Range	Abrasive Capabilities	Typical Applications
Stainless Steel Disc. Valves, 17-4PH	Delrin®	138 (2000)	49°C (120°F)	3-10	No	Clean, Cool Liquids, Sea/Fresh Water, RO
	Stainless	348 (5000)	121°C (250°F)	1-12	Yes	Amine, NGL, Crude Oil, Hot Liquids
Stainless Steel Dual Stem Guided 17-4PH	Stainless w/Poly Insert	348 (5000)	71°C (160°F) (2)	1-12	Yes	Water Service w/ Abrasive Content
Abrasion Resistant Valves	Stainless w/Poly Insert	348 (5000)	82°C (180°F)	1-12	Yes	Slurries and Solutions w/Abrasive Content

- NOTES: (1) 316 SST & 2205 valve seats are available for special applications for an added cost.  
 (2) Insert material may be upgraded to Aflas® or Viton® up to 121°C (250°F) and Disc Material up to 204°C (400°F), Titanium Alloy (bAl-4V) available for higher temps, higher pressure, and low NPSHR installation.  
 (3) Any abrasive in a fluid will shorten expendable life, while those materials designated as abrasion resistant will have a longer life expectancy than other materials.  
 (4) All the recommendations in these charts are designed for general conditions. Please confirm materials with Myers/Aplex for your application before ordering.

## Packing Applications Chart

Packing Type	Actuation	Pressure Range Min.-Max. bar (psi)	Max. Temp. °C (°F)	pH Range	Lubrication Required	Typical Applications
838	Gland Adjusted	3-172 (50-2500)	82 (180)	5-8	Yes	Produced Water, Fresh Water, NGL Liquids, Gasoline, Oils, General Service
120X	Spring Loaded	3-345 (50-5000)	232 (450)	1-14	No	Acids, Caustics, Amine, Glycol, Oils, RO
805	Spring Loaded	3-689 (50-10,000)	93 (200)	5-8	Suggested	Water Service, NGL Liquids, Gasoline
140	Spring Loaded	69-345 (1000-5000)	232 (450)	2-10	No	Produced, Fresh/Salt Water
141	Spring Loaded	62-103 (900-1500)	65 (150)	4-8	No	Produced, Fresh/Salt Water
8921K	Spring Loaded	62-103 (900-1500)	93 (200)	2-12	No	Acids & Caustics, Large Dia. Plungers in Large Pumps, NGL Liquids, RO
140	Gland Adjusted	69-345 (1000-5000)	232 (450)	2-10	No	Produced, Fresh/Salt Water
141	Gland Adjusted	14-103 (200-1500)	65 (150)	4-8	No	Produced, Fresh/Salt Water
8921K	Gland Adjusted	14-103 (200-1500)	93 (200)	2-12	No	Acids, Caustics, NGL
141/140 High/Low	Gland Adjusted	7-138 (100-2000)	65 (150)	4-8	No	Dirty Liquid Service, Bentonite
140 High/Low	Gland Adjusted	69-207 (1000-3000)	204 (400)	2-10	No	Dirty Liquid Service, Bentonite

- NOTES: (1) If packing does not require normal lubrication, the liquid being pumped may change this requirement (i.e. All NGL liquids are recommended to be lubricated. Also all seal life will be improved with added lubrication).  
 (2) Spring-loaded design is preferred to remove operator error and dependence. No adjustment required or available.  
 (3) All the recommendations in these charts are designed for general conditions. Please confirm materials with Myers/Aplex for your applications before ordering.

## Packing Support Ring Applications Chart

Support Ring Material	Spacer Material	Temp. Rating °C (°F)	pH Range	Typical Applications
Bronze (600 or Aluminum Bronze)	Bronze	204 (400)	6-8	Fresh/Salt Water, Glycol, RO Service, Gasoline, Oil, General Service
Cast Iron	Delrin®	48 (120)	6-9	Caustics, Amine, Alkalis, Hydroxides
Stainless Steel (17-4PH)	Delrin®	48 (120)	3-12	Strong Acids, Caustics

- NOTES: [1] Teflon® spacer material may be substituted upon request for Delrin® to raise the operating temperature above 71°C (160°F).  
 [2] Stainless steel should be avoided as a support ring material if possible. This is a poor bearing material for the plunger and will shorten plunger life.

## Plunger Application Chart

Plunger Type	pH Rating	Temp. Rating °C (°F)	Resistance to Abrasives	Recommended for Use with Flammable Liquids	Typical Surface Finish-Micro	Typical Hardness	Subject to Thermal Shock	Pressure Rating bar (psi)	Typical Applications
Rokide® "C"	0-14	315 (600)	No	Yes	8-12 RMS	1200 Knoop	No	689 (10,000)	Fresh/Salt Water, RO, Amine, Glycol, Gasoline, Water
Rokide® "TX"	0-14	315 (600)	Yes	Yes	8-12 RMS	1400 Knoop	No	689 (10,000)	All of above - specializing in bentonite and slurry service
White Ceramic	0-14	82 (180)	Yes	No	8 RMS	9 MOH	Yes	138 (2000)	Water Service Produced, Fresh/Salt Water, RO, Acids, Caustics
Tungsten Carbide		260 (500)	No	Yes	10-12 RMS	59-64 Rc	No	689 (10,000)	General Service
Colmonoy No. 6		260 (500)	No	Yes	10-12 RMS	Rc	No	689 (10,000)	General Service

- NOTES: [1] Rokide® and ceramic plungers will not perform in cavitating environments; all plunger life will be shortened.  
 [2] All the recommendations in these charts are designed for general conditions. Please confirm materials with Myers/Aplex for your application before ordering.

# BXM6-15 / CX Series

Extra-large oil reservoir provides superior lubrication, while insuring more effective cooling and less maintenance. The crankshaft is field-reversible for application flexibility. Easy access to suction and discharge valves means no need to remove pump from system for repair. Factory tested for continuous service with only simple, routine maintenance.

## BX Pump Features

- Flows to 8 gpm (30.3 lpm)
- Pressure ratings up to 1,500 psi (103.4 bar)
- Easy access to valves for servicing
- Whisper quiet operation
- Extra-large oil sump for superior lubrication
- Clear rear cover for easy oil level inspection

BXM6-15	Piston Size in. (mm)	Max. psi (bar)	*Gallon (Liter) Per/Rev	400 RPM US gpm (lpm)	500 RPM US gpm (lpm)	600 RPM US gpm (lpm)	700 RPM US gpm (lpm)	800 RPM US gpm (lpm)	Flows: 3 – 7 gpm (11.4 – 26.5 lpm) psi: 200 – 1500 (bar: 13.8 – 103.4) Stroke Length: 1.06 in. (27 mm) Weight: 60 lbs. (27.2 kg)	Max. HP 6 (4.5 kW)
	1.000 (25.4)	1500 (103.4)	.0108 (.0410)	4.3 (16.4)	5.4 (20.5)	6.5 (24.6)	*NA	*NA		
	HP (Kilowatts) required @ RPM**			4.5 (3.3)	5.6 (4.2)	6.7 (5.0)	*NA	*NA		
	1.000 (25.4)	1000 (68.9)	.0108 (.0410)	4.3 (16.4)	5.4 (20.5)	6.5 (24.6)	7.6 (28.7)	8.7 (32.8)		
HP (Kilowatts) required @ RPM**			3.0 (2.2)	3.7 (2.8)	4.5 (3.3)	5.2 (3.9)	6.0 (4.4)			

Metallurgy is available in Carbon Steel or Aluminum Bronze

\* Displacement based on 100% volumetric efficiency

\*\* Power based on 85% mechanical efficiency

Rugged design for continuous operation. Three suction ports for installation versatility. Smooth solid ceramic cylinder liners allow continuous operation at maximum pressure and flow. Large concentric suction and discharge valves allow complete filling of cylinders. Solid cast iron power end with constant lubrication of all working parts. Fluid end available in high-strength cast iron, aluminum-bronze, or 316 stainless steel.

## CX Pump Features

- Flows to 20 gpm (75.7 lpm)
- Pressure ratings to 1,500 psi (103.4 bar)
- Constant lubrication of all power end parts
- Spring loaded chevron style packing

CX10-15	Piston Size in. (mm)	Max. psi (bar)	*Gallon (Liter) Per/Rev	300 RPM US gpm (lpm)	400 RPM US gpm (lpm)	450 RPM US gpm (lpm)	500 RPM US gpm (lpm)	560 RPM US gpm (lpm)	Flows: 5 – 11 gpm (18.9 – 41.6 lpm) psi: 400 – 1500 (bar: 27.6 – 103.4) Stroke Length: 1.25 in. (31.75 mm) Weight: 104 lbs. (47.2 kg)	Max. HP 11 (8.2 kW)
	1.25 (31.75)	1500 (103.4)	.0199 (.0753)	5.9 (22.3)	7.9 (29.9)	8.9 (33.7)	9.9 (37.5)	11.1 (42.0)		
	HP (Kilowatts) required @ RPM**			6.0 (4.5)	8.1 (6.0)	9.1 (6.8)	10.1 (7.5)	11.0 (8.2)		
CX20-10	Piston Size in. (mm)	Max. psi (bar)	*Gallon (Liter) Per/Rev	300 RPM US gpm (lpm)	400 RPM US gpm (lpm)	450 RPM US gpm (lpm)	500 RPM US gpm (lpm)	560 RPM US gpm (lpm)	Flows: 11 – 21 gpm (41.6 – 79.5 lpm) psi: 300 – 1000 (bar: 20.7 – 68.9) Stroke Length: 1.25 in. (31.75 mm) Weight: 104 lbs. (47.2 kg)	Max. HP 14 (10.4 kW)
	1.75 (44.5)	1000 (68.9)	.039 (.148)	11.7 (44.3)	15.6 (59.1)	17.5 (66.2)	19.5 (73.8)	21.8 (82.5)		
	HP (Kilowatts) required @ RPM**			8.0 (6.0)	10.7 (8.0)	12.0 (9.0)	13.3 (10.0)	14.0 (10.4)		

Metallurgy is available in Ductile Iron, Aluminum Bronze, or 316 Stainless Steel

\* Displacement based on 100% volumetric efficiency

\*\* Power based on 85% mechanical efficiency



# CXP Series

These pumps offer seven interchangeable plunger and seal packages, allowing complete hydraulic coverage. Optimum flow and pressure is easily converted, even in the field by changing the plunger and seal kit. Cylinder body of high-strength ductile iron.

## CXP Series Pump Features

- Flows to 30 gpm (113.6 lpm)
- Pressure ratings to 3,500 psi (241.3 bar)
- Continuous splash lubrication provided either direction of rotation
- Offerings of seven interchangeable plunger and seal packages
- Easily serviced in field without removal of pump

CXP5-35	Plunger Size in. (mm)	Max. psi (bar)	*Gallon (Liter) Per/Rev	300 RPM US gpm (lpm)	400 RPM US gpm (lpm)	450 RPM US gpm (lpm)	500 RPM US gpm (lpm)	560 RPM US gpm (lpm)	Flows: 3 – 5 gpm (11.4 – 18.9 lpm) psi: 2500 – 3500 (bar: 172.4 – 241.3) Stroke Length: 1.25 in. (31.75 mm) Weight: 104 lbs. (47.2 kg)	Max. HP 13 (9.7 kW)
	.875 (22.225)	3500 (241.3)	.0097 (.0367)	2.9 (10.98)	3.9 (14.8)	4.4 (16.7)	4.9 (18.5)	5.5 (20.8)		
HP (Kilowatts) required @ RPM**				7.0 (5.2)	9.4 (7.0)	10.6 (7.9)	11.8 (8.8)	13.0 (9.7)		
CXP7-30	Plunger Size in. (mm)	Max. psi (bar)	*Gallon (Liter) Per/Rev	300 RPM US gpm (lpm)	400 RPM US gpm (lpm)	450 RPM US gpm (lpm)	500 RPM US gpm (lpm)	560 RPM US gpm (lpm)	Flows: 3 – 7 gpm (11.4 – 26.5 lpm) psi: 2000 – 3000 (bar: 137.9 – 206.8) Stroke Length: 1.25 in. (31.75 mm) Weight: 104 lbs. (47.2 kg)	Max. HP 15 (11.2 kW)
	1.000 (25.4)	3000 (206.8)	.0127 (.0481)	3.8 (14.4)	5.1 (19.3)	5.7 (21.6)	6.4 (24.2)	7.1 (26.9)		
HP (Kilowatts) required @ RPM**				7.8 (5.8)	10.5 (7.8)	11.7 (8.7)	13.2 (9.8)	15.0 (11.2)		
CXP14-24	Plunger Size in. (mm)	Max. psi (bar)	*Gallon (Liter) Per/Rev	650 RPM US gpm (lpm)	750 RPM US gpm (lpm)	800 RPM US gpm (lpm)	850 RPM US gpm (lpm)	900 RPM US gpm (lpm)	Flows: 10 – 14 gpm (37.9 – 53.0 lpm) psi: 1400 – 2450 (bar: 96.5 – 168.9) Stroke Length: 1.25 in. (31.75 mm) Weight: 104 lbs. (47.2 kg)	Max. HP 25 (18.6 kW)
	1.125 (28.6)	2450 (168.9)	.0161 (.0611)	10.5 (39.7)	12.1 (45.8)	12.9 (48.8)	13.7 (51.9)	14.5 (54.9)		
HP (Kilowatts) required @ RPM**				17.7 (13.2)	20.3 (15.1)	21.7 (16.2)	23.0 (17.2)	25.0 (18.6)		
CXP18-20	Plunger Size in. (mm)	Max. psi (bar)	*Gallon (Liter) Per/Rev	650 RPM US gpm (lpm)	750 RPM US gpm (lpm)	800 RPM US gpm (lpm)	850 RPM US gpm (lpm)	900 RPM US gpm (lpm)	Flows: 12 – 17 gpm (45.4 – 64.4 lpm) psi: 1000 – 2000 (bar: 68.9 – 137.9) Stroke Length: 1.25 in. (31.75 mm) Weight: 104 lbs. (47.2 kg)	Max. HP 25 (18.6 kW)
	1.250 (31.8)	2000 (137.9)	.0199 (.0754)	12.9 (48.8)	14.9 (56.4)	15.9 (60.2)	16.9 (64.0)	17.9 (67.8)		
HP (Kilowatts) required @ RPM**				17.7 (13.2)	20.5 (15.3)	21.8 (16.3)	23.2 (17.3)	25.0 (18.6)		
CXP22-16	Plunger Size in. (mm)	Max. psi (bar)	*Gallon (Liter) Per/Rev	650 RPM US gpm (lpm)	750 RPM US gpm (lpm)	800 RPM US gpm (lpm)	850 RPM US gpm (lpm)	900 RPM US gpm (lpm)	Flows: 15 – 21 gpm (56.8 – 79.5 lpm) psi: 600 – 1650 (bar: 41.4 – 113.8) Stroke Length: 1.25 in. (31.75 mm) Weight: 104 lbs. (47.2 kg)	Max. HP 25 (18.6 kW)
	1.375 (34.9)	1650 (113.8)	.0241 (.0912)	15.7 (59.4)	18.1 (68.5)	19.3 (73.1)	20.5 (77.6)	21.7 (82.1)		
HP (Kilowatts) required @ RPM**				17.8 (13.3)	20.5 (15.3)	21.9 (16.3)	23.2 (17.3)	25.0 (18.6)		
CXP26-14	Plunger Size in. (mm)	Max. psi (bar)	*Gallon (Liter) Per/Rev	650 RPM US gpm (lpm)	750 RPM US gpm (lpm)	800 RPM US gpm (lpm)	850 RPM US gpm (lpm)	900 RPM US gpm (lpm)	Flows: 18 – 25 gpm (68.1 – 94.6 lpm) psi: 400 – 1400 (bar: 27.6 – 96.5) Stroke Length: 1.25 in. (31.75 mm) Weight: 104 lbs. (47.2 kg)	Max. HP 25 (18.6 kW)
	1.500 (38.1)	1400 (96.5)	.0286 (.1083)	18.6 (70.4)	21.5 (81.4)	23.0 (87.1)	24.4 (92.4)	25.8 (97.7)		
HP (Kilowatts) required @ RPM**				17.9 (13.3)	20.7 (15.4)	22.1 (16.5)	23.4 (17.4)	25.0 (18.6)		
CXP30-12	Plunger Size in. (mm)	Max. psi (bar)	*Gallon (Liter) Per/Rev	650 RPM US gpm (lpm)	750 RPM US gpm (lpm)	800 RPM US gpm (lpm)	850 RPM US gpm (lpm)	900 RPM US gpm (lpm)	Flows: 21 – 30 gpm (79.5 – 113.6 lpm) psi: 200 – 1200 (bar: 13.8 – 82.7) Stroke Length: 1.25 in. (31.75 mm) Weight: 104 lbs. (47.2 kg)	Max. HP 25 (18.6 kW)
	1.625 (41.3)	1200 (82.7)	.0336 (.1272)	21.9 (82.9)	25.3 (95.8)	26.9 (101.8)	28.6 (108.3)	30.3 (114.7)		
HP (Kilowatts) required @ RPM**				18.0 (13.4)	20.8 (15.5)	36.9 (27.5)	23.6 (17.6)	25.0 (18.6)		

Metallurgy is available in Ductile Iron

\* Displacement based on 100% volumetric efficiency

\*\* Power based on 85% mechanical efficiency

# CPM and C Series

Superior equipment technology allows the versatility to machine the pump end from a selection of standard or optional materials. Removable cover section for easy service and is available with hydraulic drive adaption.

## CPM Pump Features

- Flows to 18 gpm (68.1 lpm)
- Pressure ratings up to 4,000 psi (275.8 bar)
- Crankshaft rotates in either direction
- Continuous splash lubrication provided
- Cast Iron crankcase serves as oil reservoir

CPM18-40	Plunger Size in. (mm)	Max. psi (bar)	*Gallon (Liter) Per/Rev	200 RPM US gpm (lpm)	363 RPM US gpm (lpm)	483 RPM US gpm (lpm)	604 RPM US gpm (lpm)	725 RPM US gpm (lpm)	Flows: 5 – 20 gpm (18.9 – 75.7 lpm) psi: 1200 – 4000 (bar: 82.7 – 275.8) Stroke Length: 1.75 in. (44.45 mm) Weight: 300 lbs. (136 kg)	Max. HP 55 (41.0 kW)
	1.25 (31.75)	4000 (275.8)	.0278 (1.1052)	5.5 (20.82)	10.0 (37.9)	13.4 (50.7)	16.7 (63.2)	20.1 (76.1)		
HP (Kilowatts) required @ RPM**				15.0 (11.2)	27.4 (20.4)	36.7 (27.4)	45.8 (34.2)	55.0 (41.0)		

Metallurgy is available in Carbon Steel or Stainless Steel

CPM24-30	Plunger Size in. (mm)	Max. psi (bar)	*Gallon (Liter) Per/Rev	200 RPM US gpm (lpm)	363 RPM US gpm (lpm)	483 RPM US gpm (lpm)	604 RPM US gpm (lpm)	725 RPM US gpm (lpm)	Flows: 2 – 22 gpm (7.6 – 83.3 lpm) psi: 1000 – 3000 (bar: 68.9 – 206.8) Stroke Length: 1.75 in. (44.45 mm) Weight: 300 lbs. (136 kg)	Max. HP 46 (34.3 kW)
	1.5 (38.1)	3000 (206.8)	.0402 (1.1520)	8.0 (30.4)	14.6 (55.2)	19.4 (73.4)	24.3 (91.8)	29.1 (110.2)		
HP (Kilowatts) required @ RPM**				16.5 (12.3)	30.0 (22.4)	39.9 (29.8)	49.9 (37.2)	60.0 (44.7)		

Metallurgy is available in Carbon Steel or Stainless Steel

- \* Displacement based on 100% volumetric efficiency
- \*\* Power based on 85% mechanical efficiency

Heavy-duty piston pump with high-strength fluid end and spring-loaded flat valves for economical high-pressure pumping of large volumes of fluid. Crankshaft can be rotated in either direction making installation easier.

## C Series Pump Features

- Flows to 40 gpm (151.4 lpm)
- Pressure ratings to 2,500 psi (172.4 bar)
- High-strength fluid end with spring-loaded flat valves for consistent high pressure pumping
- Easily serviced in field without removal of pump

C25-25	Piston Size in. (mm)	Max. psi (bar)	*Gallon (Liter) Per/Rev	200 RPM US gpm (lpm)	325 RPM US gpm (lpm)	425 RPM US gpm (lpm)	525 RPM US gpm (lpm)	625 RPM US gpm (lpm)	Flows: 8 – 25 gpm (30.3 – 94.6 lpm) psi: 700 – 2500 (bar: 48.3 – 172.4) Stroke Length: 1.75 in. (44.45 mm) Weight: 300 lbs. (136 kg)	Max. HP 42 (31.3 kW)
	1.50 (38.1)	2500 (172.4)	.0401 (1.1518)	8.0 (30.3)	13.0 (49.2)	17.0 (64.4)	21.0 (79.5)	25.0 (94.6)		
HP (Kilowatts) required @ RPM**				13.8 (10.3)	22.3 (16.6)	29.1 (21.7)	36.0 (26.8)	42.0 (31.3)		
C35-20	Piston Size in. (mm)	Max. psi (bar)	*Gallon (Liter) Per/Rev	200 RPM US gpm (lpm)	375 RPM US gpm (lpm)	475 RPM US gpm (lpm)	575 RPM US gpm (lpm)	675 RPM US gpm (lpm)	Flows: 10 – 36 gpm (37.8 – 136.3 lpm) psi: 600 – 2000 (bar: 41.4 – 137.9) Stroke Length: 1.75 in. (44.45 mm) Weight: 300 lbs. (136 kg)	Max. HP 50 (37.3 kW)
	1.75 (44.45)	2000 (137.9)	.0546 (1.2069)	10.9 (41.3)	20.4 (77.2)	25.9 (98.0)	31.3 (118.5)	36.8 (139.3)		
HP (Kilowatts) required @ RPM**				14.9 (11.1)	28.0 (20.9)	35.5 (26.5)	42.9 (32.0)	50.0 (37.3)		
C40-20	Piston Size in. (mm)	Max. psi (bar)	*Gallon (Liter) Per/Rev	200 RPM US gpm (lpm)	300 RPM US gpm (lpm)	375 RPM US gpm (lpm)	475 RPM US gpm (lpm)	575 RPM US gpm (lpm)	Flows: 14 – 41 gpm (53.0 – 155.2 lpm) psi: 600 – 2000 (bar: 41.4 – 137.9) Stroke Length: 1.75 in. (44.45 mm) Weight: 300 lbs. (136 kg)	Max. HP 56 (41.8 kW)
	2.00 (50.8)	2000 (137.9)	.0714 (1.2703)	14.2 (53.8)	21.4 (81.0)	26.7 (101.1)	33.9 (128.3)	41.0 (155.2)		
HP (Kilowatts) required @ RPM**				19.4 (14.5)	29.3 (21.8)	36.6 (27.3)	46.5 (34.7)	56.0 (41.8)		

Metallurgy available in Ductile Iron only

- \* Displacement based on 100% volumetric efficiency
- \*\* Power based on 85% mechanical efficiency

# D Series

Slow operating speed reduces wear and prolongs pump life. The fluid end is available in ductile iron or aluminum bronze with flat valves, making routine maintenance easy without removing the pump from the system. All the valve and piston assemblies are serviceable through convenient front and top openings.

## D Series Pump Features

- Flows to 65 gpm (246 lpm)
- Pressure ratings up to 2,000 psi (137.9 bar)
- Internal gear reductions
- Continuous splash lubrication provided either direction of rotation

D35-8PP	Piston Size in. (mm)	Max. psi (bar)	*Gallon (Liter) Per/Rev	600 RPM US gpm (lpm)	650 RPM US gpm (lpm)	700 RPM US gpm (lpm)	750 RPM US gpm (lpm)	800 RPM US gpm (lpm)	Flows: 26 – 34 gpm (98.4 – 128.7 lpm) psi: 600 – 1200 (bar: 41.4 – 82.74) Stroke Length: 2.875 in. (73.03 mm) Weight: 525 lbs. (238.1 kg)	Max. HP 30 (22.4 kW)
	2.25 (57.15)	1200 (82.74)	.0437 (.1654)	26.2 (99.2)	28.4 (107.5)	30.5 (115.5)	32.7 (123.8)	34.9 (132.1)		
HP (Kilowatts) required @ RPM**				21.5 (16.0)	23.3 (17.4)	25.1 (18.7)	26.9 (20.1)	30.0 (22.4)		
D35-12	Piston Size in. (mm)	Max. psi (bar)	*Gallon (Liter) Per/Rev	725 RPM US gpm (lpm)	825 RPM US gpm (lpm)	925 RPM US gpm (lpm)	1025 RPM US gpm (lpm)	1075 RPM US gpm (lpm)	Flows: 25 – 37 gpm (94.6 – 140.1 lpm) psi: 600 – 2000 (bar: 41.4 – 82.74) Stroke Length: 2.875 in. (73.03 mm) Weight: 525 lbs. (238.1 kg)	Max. HP 30 (22.4 kW)
	2.00 (50.8)	1200 (82.74)	.0346 (.1310)	25.0 (94.6)	28.5 (107.9)	32.0 (121.1)	35.4 (134.0)	37.1 (140.4)		
HP (Kilowatts) required @ RPM**				20.5 (15.3)	23.4 (17.4)	26.3 (19.6)	29.1 (21.7)	30.0 (22.4)		

\*D35 Series have internal gear reduction of 3.39:1

D50-12	Piston Size in. (mm)	Max. psi (bar)	*Gallon (Liter) Per/Rev	725 RPM US gpm (lpm)	825 RPM US gpm (lpm)	925 RPM US gpm (lpm)	1025 RPM US gpm (lpm)	1075 RPM US gpm (lpm)	Flows: 35 – 52 gpm (132.5 – 196.8 lpm) psi: 400 – 1200 (bar: 27.58 – 82.74) Stroke Length: 3.75 in. (95.25 mm) Weight: 525 lbs. (238.1 kg)	Max. HP 45 (33.6 kW)
	2.25 (57.15)	1200 (82.74)	.0490 (.1855)	35.5 (134.4)	40.4 (152.9)	45.3 (171.5)	50.2 (190.0)	52.6 (199.1)		
HP (Kilowatts) required @ RPM**				29.2 (21.8)	33.2 (24.8)	37.3 (27.8)	41.3 (30.8)	45.0 (33.6)		
D60-10	Piston Size in. (mm)	Max. psi (bar)	*Gallon (Liter) Per/Rev	725 RPM US gpm (lpm)	825 RPM US gpm (lpm)	925 RPM US gpm (lpm)	1025 RPM US gpm (lpm)	1075 RPM US gpm (lpm)	Flows: 43 – 65 gpm (162.7 – 246.1 lpm) psi: 400 – 1000 (bar: 27.58 – 68.95) Stroke Length: 3.75 in. (95.25 mm) Weight: 525 lbs. (238.1 kg)	Max. HP 45 (33.6 kW)
	2.50 (63.5)	1000 (68.95)	.0605 (.2290)	43.8 (165.8)	49.9 (188.9)	55.9 (211.6)	62.0 (234.7)	65.0 (246.1)		
HP (Kilowatts) required @ RPM**				30.0 (22.4)	34.2 (25.5)	38.3 (28.6)	42.5 (31.7)	45.0 (33.6)		
D65-16	Piston Size in. (mm)	Max. psi (bar)	*Gallon (Liter) Per/Rev	1112 RPM US gpm (lpm)	1247 RPM US gpm (lpm)	1446 RPM US gpm (lpm)	1490 RPM US gpm (lpm)	1570 RPM US gpm (lpm)	Flows: 48 – 68 gpm (181.7 – 257.4 lpm) psi: 1000 – 1600 (bar: 68.95 – 110.3) Stroke Length: 3.75 in. (95.25 mm) Weight: 525 lbs. (238.1 kg)	Max. HP 75 (55.9 kW)
	2.125 (53.98)	1600 (110.3)	.0437 (.1654)	48.5 (183.6)	54.4 (205.9)	63.1 (238.9)	65.1 (246.4)	68.6 (259.7)		
HP (Kilowatts) required @ RPM**				53.2 (39.7)	59.9 (44.7)	69.2 (51.6)	71.4 (53.2)	75.0 (55.9)		
D65-20	Piston Size in. (mm)	Max. psi (bar)	*Gallon (Liter) Per/Rev	1000 RPM US gpm (lpm)	1200 RPM US gpm (lpm)	1400 RPM US gpm (lpm)	1600 RPM US gpm (lpm)	1800 RPM US gpm (lpm)	Flows: 38 – 69 gpm (143.8 – 261.2 lpm) psi: 1000 – 2000 (bar: 68.95 – 137.9) Stroke Length: 3.75 in. (95.25 mm) Weight: 525 lbs. (238.1 kg)	Max. HP 95 (70.8 kW)
	2.00 (50.8)	2000 (137.9)	.0387 (.1465)	38.7 (146.5)	46.4 (175.6)	54.1 (204.8)	61.9 (234.3)	69.6 (263.5)		
HP (Kilowatts) required @ RPM**				53.1 (39.6)	63.6 (47.4)	74.2 (55.3)	84.9 (63.3)	95.0 (70.8)		

Metallurgy is available in Ductile Iron or Aluminum Bronze "D" Series have an internal gear reduction of 3.95:1 – except as noted

\* Displacement based on 100% volumetric efficiency

\*\* Power based on 85% mechanical efficiency

# DP Series

Myers largest high volume/pressure series offers interchangeable plungers, seals, and fluid ends to provide various flow/pressure ratings. Also available in hydraulic drive configuration.

## DP Series Pump Features

- Flows to 120 gpm (454.2 lpm)
- Pressure ratings up to 5,500 psi (379.2 bar)
- Internal gear reductions of 3.95:1
- Super hard, non-scoring plungers
- Suction and discharge located for easy service
- Offerings of seven interchangeable plunger and seal packages

Model	Plunger Size in. (mm)	Max. psi (bar)	*Gallon (Liter) Per/Rev	1000 RPM US gpm (lpm)	1200 RPM US gpm (lpm)	1400 RPM US gpm (lpm)	1750 RPM US gpm (lpm)	1800 RPM US gpm (lpm)	Flows: (psi) (bar) Stroke Length: (in.) (mm) Weight: (lbs.) (kg)	Max. HP (kW)
DP28-55	1.25 (31.75)	5500 (379.2)	.0151 (.0572)	15.1 (57.2)	18.1 (68.5)	21.1 (79.9)	26.4 (99.9)	27.2 (103.0)	Flows: 15 – 27 gpm (56.8 – 102.2 lpm) psi: 4500 – 5500 (bar: 310.3 – 379.2) Stroke Length: 3.75 in. (95.25 mm) Weight: 725 lbs. (328.9 kg)	Max. HP 102 (76.1 kW)
	HP (Kilowatts) required @ RPM**				57.0 (42.5)	68.3 (50.9)	76.6 (57.1)	99.6 (74.3)		
DP40-38	1.50 (38.1)	3800 (262.0)	.0217 (.0821)	21.7 (82.1)	26.1 (98.8)	30.5 (115.5)	38.1 (144.2)	39.2 (148.4)	Flows: 21 – 39 gpm (79.5 – 147.6 lpm) psi: 2800 – 3800 (bar: 163.1 – 262.0) Stroke Length: 3.75 in. (95.25 mm) Weight: 725 lbs. (328.9 kg)	Max. HP 102 (76.1 kW)
	HP (Kilowatts) required @ RPM**				56.5 (42.1)	68.0 (50.7)	79.5 (59.3)	45.7 (34.1)		
DP55-28	1.75 (44.45)	2800 (193.1)	.0296 (.1120)	29.6 (112.0)	35.5 (134.4)	41.4 (156.7)	51.8 (196.1)	53.3 (201.8)	Flows: 29 – 53 gpm (109.8 – 200.6 lpm) psi: 1800 – 2800 (bar: 124.1 – 163.1) Stroke Length: 3.75 in. (95.25 mm) Weight: 725 lbs. (328.9 kg)	Max. HP 102 (76.1 kW)
	HP (Kilowatts) required @ RPM**				56.8 (42.4)	67.8 (50.6)	79.5 (59.3)	99.5 (74.2)		
DP70-22	2.00 (50.8)	2150 (148.2)	.0387 (.1465)	38.7 (146.5)	46.4 (175.6)	54.2 (205.2)	67.7 (256.3)	69.7 (263.8)	Flows: 38-69 gpm (143.8-261.2 lpm) psi: 1150 – 2150 (bar: 79.3 – 148.2) Stroke Length: 3.75 in. (95.25 mm) Weight: 725 lbs. (328.9 kg)	Max. HP 102 (76.1 kW)
	HP (Kilowatts) required @ RPM**				57.1 (42.6)	68.4 (51.0)	79.9 (59.6)	99.9 (74.5)		
DP80-20	2.125 (53.975)	1900 (131.0)	.0437 (.1654)	43.7 (165.4)	52.4 (198.4)	61.2 (231.7)	76.5 (289.6)	78.7 (297.9)	Flows: 43 – 78 gpm (162.8 – 295.3 lpm) psi: 900 – 1900 (bar: 62.1 – 131.0) Stroke Length: 3.75 in. (95.25 mm) Weight: 725 lbs. (328.9 kg)	Max. HP 102 (76.1 kW)
	HP (Kilowatts) required @ RPM**				56.9 (42.4)	68.3 (50.9)	79.8 (59.5)	99.7 (74.3)		
DP90-18	2.25 (57.15)	1700 (117.2)	.0490 (.1855)	49.0 (185.5)	58.8 (222.6)	68.6 (259.7)	85.7 (324.4)	82.2 (311.2)	Flows: 49 – 88 gpm (185.5 – 333.1 lpm) psi: 700 – 1700 (bar: 27.6 – 96.5) Stroke Length: 3.75 in. (95.25 mm) Weight: 725 lbs. (328.9 kg)	Max. HP 102 (76.1 kW)
	HP (Kilowatts) required @ RPM**				57.1 (42.6)	68.6 (51.2)	80.0 (59.7)	99.9 (74.5)		
DP120-12	2.625 (66.675)	1200 (82.7)	.0667 (.2525)	66.7 (252.5)	80.0 (302.8)	93.4 (353.6)	116.7 (441.8)	120.1 (454.6)	Flows: 66 – 120 gpm (249.8 – 454.2 lpm) psi: 200 – 1200 (bar: 13.8 – 82.7) Stroke Length: 3.75 in. (95.25 mm) Weight: 725 lbs. (328.9 kg)	Max. HP 102 (76.1 kW)
	HP (Kilowatts) required @ RPM**				54.9 (40.9)	65.8 (49.1)	89.7 (66.9)	96.1 (71.7)		

Metallurgy is available in Ductile Iron  
 "DP" Series have an internal gear reduction of 3.95:1

\* Displacement based on 100% volumetric efficiency  
 \*\* Power based on 85% mechanical efficiency

# E Series

Gearcase of rugged cast iron protects the gears and serves as oil reservoir for continuous splash lubrication. Pinion and gear are helical cut and machined from high-strength alloy steel, and can rotate in either direction. Valves are abrasion resistant for dependable service in the harshest environments.

## E Series Pump Features

- Flows to 110 gpm (416.4 lpm)
- Pressure ratings up to 3,000 psi (206.8 bar)
- Easily serviced in field without removal of pump
- Abrasion resistant valve assemblies
- Internal gear reductions of 3.95 to 1

E54-30	Piston Size in. (mm)	Max. psi (bar)	*Gallon (Liter) Per/Rev	1012 RPM US gpm (lpm)	1215 RPM US gpm (lpm)	1417 RPM US gpm (lpm)	1620 RPM US gpm (lpm)	1823 RPM US gpm (lpm)	Flows: 30 – 53 gpm (113.6 – 200.6 lpm) psi: 1800 – 3000 (bar: 124.1 – 206.8) Stroke Length: 3.75 in. (95.25 mm) Weight: 525 lbs. (238.1 kg)	Max. HP 110 (82 kW)
	1.75 (44.45)	3000 (206.8)	.0296 (.1120)	29.9 (113.2)	35.9 (135.9)	41.9 (158.6)	47.9 (181.3)	53.9 (204.0)		
HP (Kilowatts) required @ RPM**				65.1 (48.5)	73.9 (55.1)	86.2 (64.3)	96.6 (72.0)	110 (82.0)		
E70-23	Piston Size in. (mm)	Max. psi (bar)	*Gallon (Liter) Per/Rev	774 RPM US gpm (lpm)	1032 RPM US gpm (lpm)	1290 RPM US gpm (lpm)	1549 RPM US gpm (lpm)	1807 RPM US gpm (lpm)	Flows: 30 – 70 gpm (113.6 – 265 lpm) psi: 1900 – 2300 (bar: 131 – 158.6) Stroke Length: 3.75 in. (95.25 mm) Weight: 525 lbs. (238.1 kg)	Max. HP 110 (82 kW)
	2.00 (50.8)	2300 (158.6)	.0387 (.1465)	29.9 (113.2)	39.9 (151)	49.9 (188.9)	59.9 (226.7)	69.9 (264.6)		
HP (Kilowatts) required @ RPM**				47.1 (35.1)	62.9 (46.9)	78.7 (58.7)	94.5 (70.5)	110 (82.0)		
E80-20	Piston Size in. (mm)	Max. psi (bar)	*Gallon (Liter) Per/Rev	914 RPM US gpm (lpm)	1143 RPM US gpm (lpm)	1371 RPM US gpm (lpm)	1600 RPM US gpm (lpm)	1828 RPM US gpm (lpm)	Flows: 40 – 80 gpm (151.4 – 302.8 lpm) psi: 1200 – 2000 (bar: 82.7 – 137.9) Stroke Length: 3.75 in. (95.25 mm) Weight: 525 lbs. (238.1 kg)	Max. HP 110 (82 kW)
	2.125 (54.0)	2000 (137.9)	.0437 (.1654)	39.9 (151)	49.9 (188.9)	59.9 (226.7)	69.9 (264.6)	79.8 (302.0)		
HP (Kilowatts) required @ RPM**				54.7 (40.8)	68.4 (51.0)	82.2 (61.3)	95.9 (71.5)	110 (82.0)		
E80-25	Piston Size in. (mm)	Max. psi (bar)	*Gallon (Liter) Per/Rev	1031 RPM US gpm (lpm)	1290 RPM US gpm (lpm)	1548 RPM US gpm (lpm)	1806 RPM US gpm (lpm)	2064 RPM US gpm (lpm)	Flows: 40 – 80 gpm (151.4 – 302.8 lpm) psi: 1200 – 2500 (bar: 82.7 – 172.4) Stroke Length: 3.75 in. (95.25 mm) Weight: 525 lbs. (238.1 kg)	Max. HP 137 (82 kW)
	2.00 (50.8)	2500 (172.4)	.0387 (.1465)	40.0 (151.0)	50.0 (189.3)	60 (227.1)	70 (265.0)	80 (302.8)		
HP (Kilowatts) required @ RPM**				67.0 (50.0)	86.0 (64.1)	103 (76.8)	120 (89.5)	137 (102.2)		
E110-14	Piston Size in. (mm)	Max. psi (bar)	*Gallon (Liter) Per/Rev	1157 RPM US gpm (lpm)	1322 RPM US gpm (lpm)	1487 RPM US gpm (lpm)	1652 RPM US gpm (lpm)	1817 RPM US gpm (lpm)	Flows: 70 – 109 gpm (265 – 412.6 lpm) psi: 800 – 1400 (bar: 55.2 – 96.5) Stroke Length: 3.75 in. (95.25 mm) Weight: 525 lbs. (238.1 kg)	Max. HP 110 (82 kW)
	2.5 (63.5)	1477 (101.8)	.0605 (.2290)	69.9 (264.6)	79.9 (302.5)	89.9 (340.3)	99.9 (378.2)	109.9 (416.0)		
HP (Kilowatts) required @ RPM**				67.1 (50.0)	76.7 (57.2)	86.3 (64.4)	95.9 (71.5)	110 (82.0)		

Metallurgy available in Ductile Iron only

\*E Series have an internal gear reduction of 3.95:1

\* Displacement based on 100% volumetric efficiency

\*\* Power based on 85% mechanical efficiency

# HPL Series

This series brings you the latest in sewer jet pump technology from your time-tested partner, Myers. The HPL keeps your truck running with industry-leading serviceability, a breakthrough in jetting. New cartridge valves, an open cradle for packing and plunger maintenance, and an external lube filter minimize maintenance time, keeping your equipment on the job making you money.

## HPL Series Pump Features

- True 120 gpm (454.2 lpm) at 3000 psi (206.8 bar), not nominal
- Rated for continuous duty
- Full pressure lubrication
- Pressure ratings up to 3000 psi (206.8 bar)
- Open cradle for quick service
- Abrasion resistant cartridge style valves for ease of service and quiet, long life
- Internal gear reduction 4.087 to 1.0

HPL 120-30	Plunger Size in. (mm)	Max. psi (bar)	*Gallon (Liter) Per/Rev	837 RPM US gpm (lpm)	1115 RPM US gpm (lpm)	1394 RPM US gpm (lpm)	1691 RPM US gpm (lpm)	1770 RPM US gpm (lpm)	Flows: 60 – 100 gpm (227.1 – 378.5 lpm) psi: 1000 – 3000 (bar: 68.9 – 206.8) Stroke Length: 4.00 in. (101.60 mm) Weight: 2880 lbs. (1306.3 kg)	Max. HP 247 (184.2 kW)
	2.75 (69.9)	3000 (206.8)	.0706 (.2673)	60.0 (227.1)	80.0 (302.8)	100.0 (378.5)	120.0 (454.2)	125.0 (473.2)		
	HP (Kilowatts) required @ RPM**			131.5 (98.1)	175.0 (130.5)	219.0 (163.3)	263.0 (196.1)	247.0 (184.2)		

Metallurgy available in Ductile Iron only

HPL 120-30 has internal gear reductions of 4.087:1

\* Displacement based on 100% volumetric efficiency

\*\* Power based on 85% mechanical efficiency

# MYERS® APLEX SERIES

## Field-Proven Economic and Reliability Features

### A. Valves

Unique (patented) hardened stainless steel disc-type valves for longer life cycle and servicing. Additional valve types are: delrin disc, titanium disc, abrasion resistant, and dual-stem guided

### B. Plungers

Myers Aplex Rokide chrome-oxide coated on stainless steel substrate or TX for abrasive service

### C. Stuffing Boxes

Replaceable and field-servicable – available in various metallurgies

### D. Liquid Ends

Available in a variety of metallurgies

### E. Valve Covers

Provide easy access to valve components

### F. Crosshead Extension Rods

Solid heat-treated stainless steel for hardness and corrosion-resistance

### G. Packing Assemblies

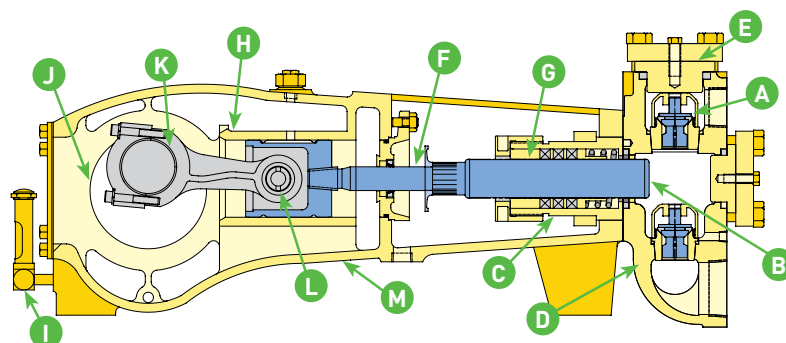
Available in a wide selection of styles to meet your specific needs

### H. Power-End Lubrication Systems

A combination of splash and scoop methods to deliver proper lubrication of the power-end at a wide range of pump speeds

### I. Oil Level Sight Glass

Provides quick and easy oil level inspection



### J. Crankshaft Journal Bearings

Precision steel backed, babbitted inserts require no shimming of the rod cap for perfect running clearance

### K. Crankshafts

Forged steel or ductile iron, precision ground and polished for low friction and supported by large Timken roller bearings

### L. Connecting Rods

Utilizing case-hardened and centerless-ground alloy steel crosshead pins and large leaded bronze bushings. Provide an excellent design to cope with applications involving high suction pressures

### M. Power Frame Cradle

Unobstructed access for easy entry and servicing of plungers, packing, and stuffing boxes

## SC Series

Built for "intermittent duty" at full ratings for shift type of work, i.e. eight hours per day. This pump line offers the same design features as the MA Series in a smaller more compact and cost-effective design for this type of work and follows Hydraulic Institute Standards.

### SC Series features

- True 120 gpm (454.2 lpm) at 3000 psi (206.8 bar), not nominal
- Rated for continuous duty
- Full pressure lubrication
- Pressure ratings up to 3000 psi (206.8 bar)
- Open cradle for quick service
- Abrasion resistant cartridge style valves for ease of service and quiet, long life
- Internal gear reduction 4.087 to 1.0

# SC Series Sizing Charts

Piston Only SC-30*	Plunger Size in. (mm)	Max. psi (bar)	*Gallon (Liter) Per/Rev	250 RPM US gpm (lpm)	350 RPM US gpm (lpm)	450 RPM US gpm (lpm)	550 RPM US gpm (lpm)	650 RPM US gpm (lpm)	Flows: 7 – 35 gpm (26.5 – 132.5 lpm)  psi: 1743 – 3417 (bar: 120.2 – 235.6)  Stroke Length: 1.75 in. (44.45 mm)  Weight: 225 lbs. (102.1 kg)	Max. HP 40 (29.8 kW)
	1.750 (44.450)	1743 (120.2)	.0547 (.2071)	13.7 (51.9)	19.1 (72.3)	24.6 (93.1)	30.1 (114.0)	35.5 (134.4)		
	1.625 (41.275)	2022 (139.4)	.0471 (.1783)	11.8 (44.7)	16.5 (62.5)	21.2 (80.1)	25.9 (98.0)	30.6 (115.8)		
	1.500 (38.100)	2373 (163.6)	.0402 (.1522)	10.0 (37.9)	14.1 (53.4)	18.1 (68.5)	22.1 (83.7)	26.1 (98.8)		
	1.375 (34.925)	2824 (194.7)	.0337 (.1276)	8.4 (31.8)	11.8 (44.7)	15.2 (57.5)	18.6 (70.4)	21.9 (82.9)		
	1.250 (31.750)	3417 (235.6)	.0279 (.1056)	7.0 (26.5)	9.8 (37.1)	12.6 (47.7)	15.3 (57.9)	18.1 (68.5)		
HP (Kilowatts) required @ RPM**				21.6 (16.1)	27.8 (20.7)	34.0 (25.4)	40.0 (29.8)			

SC-30H	Plunger Size in. (mm)	Max. psi (bar)	*Gallon (Liter) Per/Rev	250 RPM US gpm (lpm)	350 RPM US gpm (lpm)	450 RPM US gpm (lpm)	550 RPM US gpm (lpm)	650 RPM US gpm (lpm)	Flows: 3 – 14 gpm (11.4 – 53.0 lpm) psi: 4218 – 5000 (bar: 290.8 – 344.7) Stroke Length: 1.75 in. (44.45 mm) Weight: 275 lbs. (124.7 kg)	Max. HP 40 (29.8 kW)
	1.125 (28.575)	4218 (290.8)	.0226 (.0856)	5.6 (21.2)	7.9 (30.0)	10.2 (38.6)	12.4 (46.9)	14.7 (55.6)		
	1.000 (25.400)	5000 (344.7)	.0179 (.0678)	4.5 (17.0)	6.2 (23.5)	8.0 (30.3)	9.8 (37.1)	11.6 (43.9)		
	.875 (22.225)	5000 (344.7)	.0137 (.0519)	3.4 (12.9)	4.8 (18.2)	6.1 (23.1)	7.5 (28.4)	8.9 (33.7)		
HP (Kilowatts) required @ RPM**				15.4 (11.5)	21.6 (16.1)	27.8 (20.7)	34.0 (25.4)	40.0 (29.8)		

SC-45L	Plunger Size in. (mm)	Max. psi (bar)	*Gallon (Liter) Per/Rev	200 RPM US gpm (lpm)	300 RPM US gpm (lpm)	400 RPM US gpm (lpm)	500 RPM US gpm (lpm)	600 RPM US gpm (lpm)	Flows: 18 – 69 gpm (68.1 – 261.2 lpm) psi: 1330 – 1683 (bar: 91.7 – 116.0) Stroke Length: 2.25 in. (57.15 mm) Weight: 475 lbs. (215.5 kg)	Max. HP 60 (44.7 kW)
	2.250 (57.150)	1330 (91.7)	.1162 (.4399)	23.2 (87.8)	34.9 (132.1)	46.5 (176.1)	58.1 (219.9)	69.7 (263.8)		
	2.125 (53.975)	1491 (102.8)	.1036 (.3922)	20.7 (78.4)	31.1 (117.7)	41.5 (157.1)	51.8 (196.1)	62.2 (235.5)		
	2.000 (50.800)	1683 (116.0)	.0918 (.3475)	18.4 (69.7)	27.5 (104.1)	36.7 (138.9)	45.9 (173.8)	55.1 (208.6)		
HP (Kilowatts) required @ RPM**				20.0 (14.9)	30.1 (22.4)	40.1 (29.9)	50.1 (37.4)	60.0 (44.7)		

SC-45	Plunger Size in. (mm)	Max. psi (bar)	*Gallon (Liter) Per/Rev	200 RPM US gpm (lpm)	300 RPM US gpm (lpm)	400 RPM US gpm (lpm)	500 RPM US gpm (lpm)	600 RPM US gpm (lpm)	Flows: 10 – 48 gpm (37.9 – 181.7 lpm) psi: 1912 – 2988 (bar: 131.8 – 206.0) Stroke Length: 2.25 in. (57.15 mm) Weight: 430 lbs. (195.0 kg)	Max. HP 60 (44.7 kW)
	1.875 (47.625)	1912 (131.8)	.0807 (.3055)	16.1 (60.9)	24.2 (91.6)	32.3 (122.3)	40.3 (152.6)	48.4 (183.2)		
	1.750 (44.450)	2195 (151.3)	.0703 (.2661)	14.1 (53.4)	21.1 (79.9)	28.1 (106.4)	35.1 (132.9)	42.2 (159.7)		
	1.625 (41.275)	2546 (175.5)	.0606 (.2294)	12.1 (45.8)	18.2 (68.9)	24.2 (91.6)	30.3 (114.7)	36.4 (137.8)		
	1.500 (38.100)	2988 (206.0)	.0516 (.1953)	10.3 (39.0)	15.5 (58.7)	20.7 (78.4)	25.8 (97.7)	31.0 (117.3)		
HP (Kilowatts) required @ RPM**				20.0 (14.9)	30.0 (22.4)	40.0 (29.8)	50.0 (37.3)	60.0 (44.7)		

SC-45H	Plunger Size in. (mm)	Max. psi (bar)	*Gallon (Liter) Per/Rev	200 RPM US gpm (lpm)	300 RPM US gpm (lpm)	400 RPM US gpm (lpm)	500 RPM US gpm (lpm)	600 RPM US gpm (lpm)	Flows: 5 – 26 gpm (18.9 – 98.4 lpm) psi: 3556 – 5000 (bar: 245.2 – 344.7) Stroke Length: 2.25 in. (57.15 mm) Weight: 430 lbs. (195.0 kg)	Max. HP 60 (44.7 kW)
	1.375 (34.925)	3556 (245.2)	.0434 (.1643)	8.7 (32.9)	13.0 (49.2)	17.4 (65.9)	21.7 (82.1)	26.0 (98.4)		
	1.250 (31.750)	4302 (296.6)	.0359 (.1359)	7.2 (27.3)	10.8 (40.9)	14.3 (54.1)	17.9 (67.8)	21.5 (81.4)		
	1.125 (28.575)	5000 (344.7)	.0290 (.1098)	5.8 (22.0)	8.7 (32.9)	11.6 (43.9)	14.5 (54.9)	17.4 (65.9)		
HP (Kilowatts) required @ RPM**				20.0 (14.9)	30.0 (22.4)	40.0 (29.8)	50.0 (37.3)	60.0 (44.7)		

Piston Only SC-65L	Plunger Size in. (mm)	Max. psi (bar)	*Gallon (Liter) Per/Rev	200 RPM US gpm (lpm)	250 RPM US gpm (lpm)	350 RPM US gpm (lpm)	450 RPM US gpm (lpm)	550 RPM US gpm (lpm)	Flows: 28 – 116 gpm (106.0 – 439.1 lpm) psi: 1215 – 1815 (bar: 83.8 – 125.1) Stroke Length: 2.75 in. (69.85 mm) Weight: 750 lbs. (340.2 kg)	Max. HP 92 (68.6 kW)
	3.000 (76.200)	1050 (72.4)	.2520 (.9539)	50.5 (191.2)	63.1 (238.9)	88.3 (334.3)	113.6 (430.0)	138.8 (525.4)		
	2.750 (69.850)	1215 (83.8)	.2121 (.8029)	42.4 (160.5)	53.0 (200.6)	74.2 (280.9)	95.5 (361.5)	116.7 (441.8)		
	2.625 (66.675)	1334 (92.0)	.1933 (.7317)	38.7 (146.5)	48.3 (182.8)	67.6 (255.9)	87.0 (329.3)	106.3 (402.4)		
	2.500 (63.500)	1471 (101.4)	.1753 (.6636)	35.1 (132.9)	43.8 (165.8)	61.4 (232.4)	78.9 (298.7)	96.4 (364.9)		
	2.375 (60.325)	1630 (112.4)	.1582 (.5989)	31.6 (119.6)	39.6 (149.9)	55.4 (209.7)	71.2 (269.5)	87.0 (329.3)		
2.250 (57.150)	1815 (125.1)	.1420 (.5375)	28.4 (107.5)	35.5 (134.4)	49.7 (188.1)	63.9 (241.9)	78.1 (295.6)			
HP (Kilowatts) required @ RPM**				33.4 (24.9)	41.8 (31.2)	58.5 (43.6)	75.2 (56.1)	92.0 (68.6)		

SC-65	Plunger Size in. (mm)	Max. psi (bar)	*Gallon (Liter) Per/Rev	200 RPM US gpm (lpm)	250 RPM US gpm (lpm)	350 RPM US gpm (lpm)	450 RPM US gpm (lpm)	550 RPM US gpm (lpm)	Flows: 17 – 78 gpm (64.4 – 295.3 lpm) psi: 1815 – 3000 (bar: 125.1 – 206.8) Stroke Length: 2.75 in. (69.85 mm) Weight: 750 lbs. (340.2 kg)	Max. HP 92 (68.6 kW)
	2.250 (57.150)	1815 (125.1)	.1420 (.5375)	28.4 (107.5)	35.5 (134.4)	49.7 (188.1)	63.9 (241.9)	78.1 (295.6)		
	2.125 (53.975)	2035 (140.3)	.1267 (.4796)	25.3 (95.8)	31.7 (120.0)	44.3 (167.7)	57.0 (215.8)	69.7 (263.8)		
	2.000 (50.800)	2297 (158.4)	.1122 (.4247)	22.4 (84.8)	28.1 (106.4)	39.3 (148.8)	50.5 (191.2)	61.7 (233.6)		
	1.875 (47.625)	2613 (180.2)	.0986 (.3732)	19.7 (74.6)	24.7 (93.5)	34.5 (130.6)	44.4 (168.1)	54.2 (205.2)		
	1.750 (44.450)	3000 (206.8)	.0859 (.3252)	17.2 (65.1)	21.5 (81.4)	30.1 (114.0)	38.7 (146.5)	47.2 (178.7)		
HP (Kilowatts) required @ RPM**				33.4 (24.9)	41.8 (31.2)	58.5 (43.6)	75.2 (56.1)	92.0 (68.6)		

\* Displacement based on 100% volumetric efficiency \*\* Power based on 90% mechanical efficiency +

Standard Offering. See price pages for standard options.



# SC Series Sizing Charts (Continued)

	Plunger Size in. (mm)	Max. psi (bar)	*Gallon (Liter) Per/Rev	200 RPM US gpm (lpm)	250 RPM US gpm (lpm)	350 RPM US gpm (lpm)	450 RPM US gpm (lpm)	550 RPM US gpm (lpm)		
SC-65H	1.625 (41.275)	3479 (239.9)	.0741 (.2805)	14.8 (56.0)	18.5 (70.0)	25.9 (98.0)	33.3 (126.1)	40.7 (154.1)	Flows: 8 – 40 gpm (30.3 – 151.4 lpm) psi: 3479 – 5000 (bar: 239.9 – 344.7) Stroke Length: 2.75 in. (69.85 mm) Weight: 795 lbs. (360.6 kg)	Max. HP 92 (68.6 kW)
	1.500 (38.100)	4083 (281.5)	.0631 (.2389)	12.6 (47.7)	15.8 (59.8)	22.1 (83.7)	28.4 (107.5)	34.7 (131.4)		
	1.375 (34.925)	4858 (335.0)	.0530 (.2006)	10.6 (40.1)	13.3 (50.3)	18.6 (70.4)	23.9 (90.5)	29.2 (110.5)		
	1.250 (31.750)	5000 (344.7)	.0438 (.1658)	8.8 (33.3)	11.0 (41.6)	15.3 (57.9)	19.7 (74.6)	24.1 (91.2)		
	HP (Kilowatts) required @ RPM**				33.4 (24.9)	41.8 (31.2)	58.5 (43.6)	75.2 (56.1)		

	Plunger Size in. (mm)	Max. psi (bar)	*Gallon (Liter) Per/Rev	200 RPM US gpm (lpm)	300 RPM US gpm (lpm)	400 RPM US gpm (lpm)	500 RPM US gpm (lpm)	600 RPM US gpm (lpm)		
SC-80	1.875 (47.625)	1912 (131.8)	.1345 (.5091)	26.9 (101.8)	40.3 (152.6)	53.8 (203.7)	67.2 (254.4)	80.7 (305.5)	Flows: 17 – 80 gpm (64.4 – 302.8 lpm) psi: 1912 – 2988 (bar: 131.8 – 206.0) Stroke Length: 2.25 in. (57.15 mm) Weight: 510 lbs. (231.3 kg)	Max. HP 100 (74.6 kW)
	1.750 (44.450)	2195 (151.3)	.1171 (.4433)	23.4 (88.6)	35.1 (132.9)	46.9 (177.5)	58.6 (221.8)	70.3 (266.1)		
	1.625 (41.275)	2550 (175.8)	.1010 (.3823)	20.2 (76.5)	30.3 (114.7)	40.4 (152.9)	50.5 (191.2)	60.6 (229.4)		
	1.500 (38.100)	2988 (206.0)	.0861 (.3259)	17.2 (65.1)	25.8 (97.7)	34.4 (130.2)	43.0 (162.8)	51.6 (195.3)		
	HP (Kilowatts) required @ RPM**				33.4 (24.9)	50.1 (37.4)	66.7 (49.7)	83.4 (62.2)		

	Plunger Size in. (mm)	Max. psi (bar)	*Gallon (Liter) Per/Rev	200 RPM US gpm (lpm)	300 RPM US gpm (lpm)	400 RPM US gpm (lpm)	500 RPM US gpm (lpm)	600 RPM US gpm (lpm)		
SC-80H	1.375 (34.925)	3558 (245.3)	.0723 (.2737)	14.5 (54.9)	21.7 (82.1)	28.9 (109.4)	36.2 (137.0)	43.4 (164.3)	Flows: 7 – 43 gpm (26.5 – 162.8 lpm) psi: 3558 – 6500 (bar: 245.3 – 448.2) Stroke Length: 2.25 in. (57.15 mm) Weight: 510 lbs. (231.3 kg)	Max. HP 100 (74.6 kW)
	1.250 (31.750)	4306 (296.9)	.0598 (.2264)	12.0 (45.4)	17.9 (67.8)	23.9 (90.5)	29.9 (113.2)	35.9 (135.9)		
	1.125 (28.575)	5316 (366.5)	.0484 (.1832)	9.7 (36.7)	14.5 (54.9)	19.4 (73.4)	24.2 (91.6)	29.0 (109.8)		
	1.000 (25.400)	6500 (448.2)	.0383 (.1450)	7.7 (29.1)	11.5 (43.5)	15.3 (57.9)	19.1 (72.3)	23.0 (87.1)		
	HP (Kilowatts) required @ RPM**				33.4 (24.9)	50.1 (37.4)	66.8 (49.8)	83.4 (62.2)		

	Plunger Size in. (mm)	Max. psi (bar)	*Gallon (Liter) Per/Rev	200 RPM US gpm (lpm)	250 RPM US gpm (lpm)	350 RPM US gpm (lpm)	450 RPM US gpm (lpm)	550 RPM US gpm (lpm)		
SC-95	2.500 (63.500)	1936 (133.5)	.1913 (.7241)	38.3 (150.0)	47.8 (181.0)	66.9 (253.2)	86.1 (325.9)	105.2 (398.2)	Flows: 21 – 105 gpm (79.5 – 397.5 lpm) psi: 1936 – 3441 (bar: 133.5 – 237.2) Stroke Length: 3.00 in. (76.20 mm) Weight: 920 lbs. (417.3 kg)	Max. HP 132 (98.4 kW)
	2.375 (60.325)	2145 (147.9)	.1726 (.6534)	34.5 (130.6)	43.2 (163.5)	60.4 (228.6)	77.7 (294.1)	94.9 (359.2)		
	2.250 (57.150)	2390 (164.8)	.1549 (.5864)	31.0 (117.3)	38.7 (146.5)	54.2 (205.2)	69.7 (263.8)	85.2 (322.5)		
	2.125 (53.975)	2680 (184.8)	.1382 (.5231)	27.6 (104.5)	34.5 (130.6)	48.4 (183.2)	62.2 (235.5)	76.0 (287.7)		
	2.000 (50.800)	3025 (208.6)	.1224 (.4633)	24.5 (92.7)	30.6 (115.8)	42.8 (162.0)	55.1 (208.6)	67.3 (254.8)		
	1.875 (47.625)	3443 (237.4)	.1076 (.4073)	21.5 (81.4)	26.9 (101.8)	37.7 (142.7)	48.4 (183.2)	59.2 (224.1)		
HP (Kilowatts) required @ RPM**				48.0 (35.8)	60.0 (44.7)	84.0 (62.6)	108.1 (80.6)	132.0 (98.4)		

	Plunger Size in. (mm)	Max. psi (bar)	*Gallon (Liter) Per/Rev	200 RPM US gpm (lpm)	250 RPM US gpm (lpm)	350 RPM US gpm (lpm)	450 RPM US gpm (lpm)	550 RPM US gpm (lpm)		
Piston Only → SC-115L	3.000 (76.200)	1020 (70.3)	.4208 (1.5929)	84.2 (318.7)	105.2 (398.2)	147.3 (557.6)	189.3 (716.6)	231.4 (876.0)	Flows: 47 – 231 gpm (177.9 – 874.4 lpm) psi: 1020 – 1815 (bar: 70.3 – 125.1) Stroke Length: 2.75 in. (69.85 mm) Weight: 1,520 lbs. (689.5 kg)	Max. HP 154 (114.8 kW)
	2.750 (69.850)	1215 (83.8)	.3535 (1.3381)	70.7 (267.6)	88.4 (334.6)	123.7 (468.3)	159.1 (602.3)	194.5 (736.3)		
	2.625 (66.675)	1333 (91.9)	.3221 (1.2193)	64.4 (243.8)	80.5 (304.7)	112.7 (426.7)	145.0 (548.9)	177.2 (670.8)		
	2.500 (63.500)	1470 (101.4)	.2922 (1.1061)	58.4 (221.1)	73.0 (276.3)	102.3 (387.2)	131.5 (497.8)	160.7 (608.3)		
	2.375 (60.325)	1629 (112.3)	.2637 (.9982)	52.7 (199.5)	65.9 (249.5)	92.3 (349.4)	118.7 (449.3)	145.0 (548.9)		
	2.250 (57.150)	1815 (125.1)	.2367 (.8960)	47.3 (179.0)	59.2 (224.1)	82.8 (313.4)	106.5 (403.1)	130.2 (492.9)		
HP (Kilowatts) required @ RPM**				55.7 (41.5)	69.6 (51.9)	97.4 (72.6)	125.2 (93.4)	154.0 (114.8)		

	Plunger Size in. (mm)	Max. psi (bar)	*Gallon (Liter) Per/Rev	350 RPM US gpm (lpm)	400 RPM US gpm (lpm)	450 RPM US gpm (lpm)	500 RPM US gpm (lpm)	550 RPM US gpm (lpm)		
SC-115	2.250 (57.150)	1815 (125.1)	.2367 (.8960)	82.8 (313.4)	94.7 (358.5)	106.5 (403.1)	118.3 (447.8)	130.2 (492.9)	Flows: 50 – 130 gpm (189.3 – 492.1 lpm) psi: 1815 – 3000 (bar: 125.1 – 206.8) Stroke Length: 2.75 in. (69.85 mm) Weight: 1,240 lbs. (562.5 kg)	Max. HP 154 (114.8 kW)
	2.125 (53.975)	2035 (140.3)	.2111 (.7991)	73.9 (279.7)	84.4 (319.5)	95.0 (359.6)	105.6 (399.7)	116.1 (439.5)		
	2.000 (50.800)	2297 (158.4)	.1870 (.7079)	65.5 (247.9)	74.8 (283.1)	84.2 (318.7)	93.5 (353.9)	102.9 (389.5)		
	1.875 (47.625)	2613 (180.2)	.1644 (.6223)	57.5 (217.7)	65.7 (248.7)	74.0 (280.1)	82.2 (311.2)	90.4 (342.2)		
	1.750 (44.450)	3000 (206.8)	.1432 (.5421)	50.1 (189.6)	57.3 (216.9)	64.4 (243.8)	71.6 (271.0)	78.7 (298.0)		
	HP (Kilowatts) required @ RPM**				97.5 (72.7)	111.4 (83.1)	125.4 (93.5)	139.3 (103.9)		

\* Displacement based on 100% volumetric efficiency \*\* Power based on 90% mechanical efficiency +

Standard Offering. See price pages for standard options.

# SC Series Sizing Charts (Continued)

SC-115H	Plunger Size in. (mm)	Max. psi (bar)	*Gallon (Liter) Per/Rev	200 RPM US gpm (lpm)	300 RPM US gpm (lpm)	400 RPM US gpm (lpm)	500 RPM US gpm (lpm)	600 RPM US gpm (lpm)	Flows: 14 – 67 gpm (53.0 – 253.6 lpm) psi: 3479 – 5878 (bar: 239.9 – 405.3) Stroke Length: 2.75 in. (69.85 mm) Weight: 1,240 lbs. (562.5 kg)	Max. HP 154 (114.8 kW)
	1.625 (41.275)	3479 (239.9)	.1234 (.4671)	24.7 (93.5)	37.0 (140.1)	49.4 (187.0)	61.7 (233.6)	67.9 (257.0)		
	1.500 (38.100)	4083 (281.5)	.1052 (.3982)	21.0 (79.5)	31.6 (119.6)	42.1 (159.4)	52.6 (199.1)	57.9 (219.2)		
	1.375 (34.925)	4858 (335.0)	.0884 (.3346)	17.7 (67.0)	26.5 (100.3)	35.4 (134.0)	44.2 (167.3)	48.6 (184.0)		
	1.250 (31.750)	5878 (405.3)	.0730 (.2763)	14.6 (55.3)	21.9 (82.9)	29.2 (110.5)	36.5 (138.2)	40.2 (152.2)		
HP (Kilowatts) required @ RPM**				55.7 (41.5)	83.6 (62.3)	111.4 (83.1)	139.3 (103.9)	154.0 (114.8)		

Piston Only → SC-170L	Plunger Size in. (mm)	Max. psi (bar)	*Gallon (Liter) Per/Rev	250 RPM US gpm (lpm)	300 RPM US gpm (lpm)	350 RPM US gpm (lpm)	400 RPM US gpm (lpm)	450 RPM US gpm (lpm)	Flows: 105 – 312 gpm (397.5 – 1181.0 lpm) psi: 1136 – 1862 (bar: 78.3 – 128.4) Stroke Length: 4.25 in. (107.95 mm) Weight: 2,050 lbs. (929.9 kg)	Max. HP 230 (171.5 kW)
	4.000 (101.600)	1136 (78.3)	.6936 (2.6256)	173.4 (656.4)	208.1 (787.7)	242.8 (919.1)	277.0 (1048.6)	312.1 (1181.4)		
	3.500 (88.900)	1484 (102.3)	.5310 (2.0101)	132.8 (502.7)	159.3 (603.0)	185.9 (703.7)	212.4 (804.0)	239.0 (904.7)		
	3.375 (85.725)	1596 (110.0)	.4938 (1.8692)	123.4 (467.1)	148.1 (560.6)	172.8 (654.1)	197.5 (747.6)	222.2 (841.1)		
	3.250 (82.550)	1721 (118.7)	.4579 (1.7333)	114.5 (433.4)	137.4 (520.1)	160.3 (606.8)	183.2 (693.5)	206.0 (779.8)		
3.125 (79.375)	1862 (128.4)	.4233 (1.6024)	105.8 (400.5)	127.0 (480.7)	148.2 (561.0)	169.3 (640.9)	190.5 (721.1)			
HP (Kilowatts) required @ RPM**				127.7 (95.2)	153.3 (114.3)	178.8 (133.3)	204.4 (152.4)	230.0 (171.5)		

SC-170	Plunger Size in. (mm)	Max. psi (bar)	*Gallon (Liter) Per/Rev	250 RPM US gpm (lpm)	300 RPM US gpm (lpm)	350 RPM US gpm (lpm)	400 RPM US gpm (lpm)	450 RPM US gpm (lpm)	Flows: 67 – 239 gpm (253.6 – 904.7 lpm) psi: 1484 – 2909 (bar: 102.3 – 200.6) Stroke Length: 4.25 in. (107.95 mm) Weight: 1,850 lbs. (839.1 kg)	Max. HP 230 (171.5 kW)
	3.500 (88.900)	1484 (102.3)	.5310 (2.0101)	132.8 (502.7)	159.3 (603.0)	185.9 (703.7)	212.4 (804.0)	239.0 (904.7)		
	3.375 (85.725)	1596 (110.0)	.4938 (1.8692)	123.4 (467.1)	148.1 (560.6)	172.8 (654.1)	197.5 (747.6)	222.2 (841.1)		
	3.250 (82.550)	1721 (118.7)	.4579 (1.7333)	114.5 (433.4)	137.4 (520.1)	160.3 (606.8)	183.2 (693.5)	206.0 (779.8)		
	3.125 (79.375)	1862 (128.4)	.4233 (1.6024)	105.8 (400.5)	127.0 (480.7)	148.2 (561.0)	169.3 (640.9)	190.5 (721.1)		
	3.000 (76.200)	2020 (139.3)	.3902 (1.4771)	97.5 (369.1)	117.0 (442.9)	136.6 (517.1)	156.1 (590.9)	175.6 (664.7)		
	2.875 (73.025)	2199 (151.6)	.3583 (1.3563)	89.6 (339.2)	107.5 (406.9)	125.4 (474.7)	143.3 (542.4)	161.2 (610.2)		
	2.750 (69.850)	2404 (165.7)	.3278 (1.2409)	82.0 (310.4)	98.4 (372.5)	114.7 (434.2)	131.1 (496.3)	147.5 (558.3)		
	2.625 (66.675)	2638 (181.9)	.2987 (1.1307)	74.7 (282.8)	89.6 (339.2)	104.5 (395.6)	119.5 (452.4)	134.4 (508.8)		
2.500 (63.500)	2909 (200.6)	.2709 (1.0255)	67.7 (256.3)	81.3 (307.8)	94.8 (358.9)	108.4 (410.3)	121.9 (461.4)			
HP (Kilowatts) required @ RPM**				127.8 (95.3)	153.3 (114.3)	178.9 (133.4)	204.4 (152.4)	230.0 (171.5)		

SC-170H	Plunger Size in. (mm)	Max. psi (bar)	*Gallon (Liter) Per/Rev	250 RPM US gpm (lpm)	300 RPM US gpm (lpm)	350 RPM US gpm (lpm)	400 RPM US gpm (lpm)	450 RPM US gpm (lpm)	Flows: 33 – 110 gpm (124.9 – 416.4 lpm) psi: 3223 – 5600 (bar: 222.2 – 386.1) Stroke Length: 4.25 in. (107.95 mm) Weight: 1,850 lbs. (839.1 kg)	Max. HP 230 (171.5 kW)
	2.375 (60.325)	3223 (222.2)	.2445 (.9255)	61.1 (231.3)	73.4 (277.8)	85.6 (324.0)	97.8 (370.2)	110.0 (416.4)		
	2.250 (57.150)	3592 (247.7)	.2195 (.8309)	54.9 (207.8)	65.8 (249.1)	76.8 (290.7)	87.8 (332.4)	98.8 (374.0)		
	2.125 (53.975)	4027 (277.7)	.1958 (.7412)	48.9 (185.1)	58.7 (222.2)	68.5 (259.3)	78.3 (296.4)	88.1 (333.5)		
	2.000 (50.800)	4548 (313.6)	.1734 (.6564)	43.4 (164.3)	52.0 (196.8)	60.7 (229.8)	69.4 (262.7)	78.0 (295.3)		
	1.875 (47.625)	5172 (356.6)	.1524 (.5769)	38.1 (144.2)	45.7 (173.0)	53.3 (201.8)	61.0 (230.9)	68.6 (259.7)		
	1.750 (44.450)	5600 (386.1)	.1328 (.5027)	33.2 (125.7)	39.8 (150.7)	46.5 (176.0)	53.1 (201.0)	59.7 (226.0)		
	HP (Kilowatts) required @ RPM**				127.8 (95.3)	153.3 (114.3)	178.9 (133.4)	204.4 (152.4)		

SC-170DD	Plunger Size in. (mm)	Max. psi (bar)	*Gallon (Liter) Per/Rev	100 RPM US gpm (lpm)	200 RPM US gpm (lpm)	300 RPM US gpm (lpm)	400 RPM US gpm (lpm)	450 RPM US gpm (lpm)	Flows: 69 – 395 gpm (261.2 – 1495.2 lpm) psi: 900 – 1136 (bar: 62.1 – 78.3) Stroke Length: 4.25 in. (107.95 mm) Weight: 2,325 lbs. (1,054.6 kg)	Max. HP 230 (171.5 kW)
	4.500 (114.300)	900 (62.1)	.8778 (3.3223)	87.8 (332.4)	175.6 (664.7)	263.3 (996.7)	351.1 (1329.1)	395.0 (1495.2)		
	4.250 (107.950)	1000 (68.9)	.7830 (2.9640)	78.3 (296.4)	156.6 (592.8)	234.9 (889.2)	313.2 (1185.6)	352.4 (1334.0)		
	4.000 (101.600)	1136 (78.3)	.6936 (2.6256)	69.4 (262.7)	138.7 (525.0)	208.1 (787.7)	277.4 (1050.1)	312.1 (1181.4)		
HP (Kilowatts) required @ RPM**				51.2 (38.2)	102.5 (76.4)	153.7 (114.6)	204.9 (152.8)	230.0 (171.5)		

\* Displacement based on 100% volumetric efficiency \*\* Power based on 90% mechanical efficiency +

Standard Offering. See price pages for standard options.

# SC Series Sizing Charts (Continued)

	Plunger Size in. (mm)	Max. psi (bar)	*Gallon (Liter) Per/Rev	250 RPM US gpm (lpm)	300 RPM US gpm (lpm)	350 RPM US gpm (lpm)	400 RPM US gpm (lpm)	450 RPM US gpm (lpm)					
Piston Only →	4.500 (114.300)	1152 (79.4)	.9295 (3.5185)	232.4 (879.7)	278.8 (1055.4)	325.3 (1231.4)	371.8 (1407.4)	418.3 (1583.4)	Flows: 86 – 418 gpm (325.5 – 1582.3 lpm) psi: 1152 – 3084 (bar: 79.4 – 212.6) Stroke Length: 4.50 in. (114.30 mm) Weight: 2,680 lbs. (1,215.6 kg)	Max. HP 310 (231.2 kW)			
	→	4.250 (107.950)	1291 (89.0)	.8291 (3.1385)	207.3 (784.7)	248.7 (941.4)	290.2 (1098.5)	331.6 (1255.2)			373.1 (1412.3)		
SC-230	4.000 (101.600)	1458 (100.5)	.7344 (2.7800)	183.6 (695.0)	220.3 (833.9)	257.0 (972.9)	293.8 (1112.2)	330.5 (1251.1)					
	3.875 (98.425)	1553 (107.1)	.6892 (2.6089)	172.3 (652.2)	206.8 (780.9)	241.2 (913.0)	275.7 (1043.6)	310.1 (1173.9)					
	3.750 (95.250)	1659 (114.4)	.6455 (2.4435)	161.4 (611.0)	193.6 (732.9)	225.9 (855.1)	258.2 (977.4)	290.5 (1100.0)					
	3.625 (92.075)	1775 (122.4)	.6032 (2.2834)	150.8 (570.8)	180.9 (684.8)	211.1 (799.1)	241.3 (913.4)	271.4 (1027.4)					
	3.500 (88.900)	1904 (131.3)	.5623 (2.1285)	140.6 (532.2)	168.7 (638.6)	196.8 (745.0)	224.9 (851.3)	253.0 (957.7)					
	3.375 (85.725)	2048 (141.2)	.5228 (1.9790)	130.7 (494.8)	156.8 (593.6)	183.0 (692.7)	209.1 (791.5)	235.3 (890.7)					
	3.250 (82.550)	2208 (152.2)	.4848 (1.8352)	121.2 (458.8)	145.4 (550.4)	169.7 (642.4)	193.9 (734.0)	218.2 (826.0)					
	3.125 (79.375)	2388 (164.6)	.4482 (1.6966)	112.1 (424.3)	134.5 (509.1)	156.9 (593.9)	179.3 (678.7)	201.7 (763.5)					
	3.000 (76.200)	2591 (178.6)	.4131 (1.5638)	103.3 (391.0)	123.9 (469.0)	144.6 (547.4)	165.2 (625.4)	185.9 (703.7)					
	2.875 (73.025)	2821 (194.5)	.3794 (1.4362)	94.8 (358.9)	113.8 (430.8)	132.8 (502.7)	151.8 (574.6)	170.7 (646.2)					
	2.750 (69.850)	3084 (212.6)	.3471 (1.3139)	86.8 (328.6)	104.1 (394.1)	121.5 (459.9)	138.8 (525.4)	156.2 (591.3)					
	HP (Kilowatts) required @ RPM**				173.6 (129.5)	208.3 (155.3)	243.0 (181.2)	277.8 (207.2)			310.0 (231.2)		

	Plunger Size in. (mm)	Max. psi (bar)	*Gallon (Liter) Per/Rev	250 RPM US gpm (lpm)	300 RPM US gpm (lpm)	350 RPM US gpm (lpm)	400 RPM US gpm (lpm)	450 RPM US gpm (lpm)		
SC-230H	2.500 (63.500)	3732 (257.3)	.2869 (1.0860)	71.7 (271.4)	86.1 (325.9)	100.4 (380.1)	114.8 (548.1)	129.1 (488.7)	Flows: 45 – 129 gpm (170.3 – 488.3 lpm) psi: 3732 – 5831 (bar: 257.3 – 402.0) Stroke Length: 4.50 in. (114.30 mm) Weight: 2,935 lbs. (1,331.3 kg)	Max. HP 310 (231.2 kW)
	2.375 (60.325)	4135 (285.1)	.2589 (.9800)	64.7 (244.9)	77.7 (294.1)	90.6 (343.0)	103.6 (392.2)	116.5 (441.0)		
	2.250 (57.150)	4607 (317.6)	.2324 (.8797)	58.1 (220.0)	69.7 (263.8)	81.3 (307.8)	92.9 (351.7)	104.6 (396.0)		
	2.125 (53.975)	5165 (356.1)	.2073 (.7847)	51.8 (196.1)	62.2 (235.5)	72.5 (274.4)	82.9 (313.8)	93.3 (353.2)		
	2.000 (50.800)	5831 (402.0)	.1836 (.6950)	45.9 (173.8)	55.1 (208.6)	64.3 (243.4)	73.4 (277.8)	82.6 (312.7)		
	HP (Kilowatts) required @ RPM**				173.6 (129.5)	208.3 (155.3)	243.0 (181.2)	277.7 (207.1)		

	Plunger Size in. (mm)	Max. psi (bar)	*Gallon (Liter) Per/Rev	250 RPM US gpm (lpm)	300 RPM US gpm (lpm)	350 RPM US gpm (lpm)	400 RPM US gpm (lpm)	450 RPM US gpm (lpm)		
SC-300	3.500 (88.900)	1550 (106.9)	.8851 (3.3505)	221.3 (837.7)	265.5 (1005.0)	309.8 (1172.7)	354.0 (1340.0)	398.3 (1507.7)	Flows: 101 – 398 gpm (382.3 – 1506.6 lpm) psi: 1550 – 3365 (bar: 106.9 – 232.0) Stroke Length: 4.25 in. (107.95 mm) Weight: 3,600 lbs. (1,632.9 kg)	Max. HP 400 (298.3 kW)
	3.375 (85.725)	1666 (114.9)	.8230 (3.1154)	205.7 (778.7)	246.9 (934.6)	288.0 (1090.2)	329.2 (1246.2)	370.3 (1401.7)		
	3.250 (82.550)	1797 (123.9)	.7631 (2.8886)	190.8 (722.3)	228.9 (866.5)	267.1 (1011.1)	305.3 (1155.7)	343.4 (1299.9)		
	3.125 (79.375)	1944 (134.0)	.7056 (2.6710)	176.4 (667.7)	211.7 (801.4)	246.9 (934.6)	282.2 (1068.2)	317.5 (1201.9)		
	3.000 (76.200)	2109 (145.4)	.6503 (2.4617)	162.6 (615.5)	195.1 (738.5)	227.6 (861.6)	260.1 (984.6)	292.6 (1107.6)		
	2.875 (73.025)	2296 (158.3)	.5972 (2.2606)	149.3 (565.2)	179.2 (678.3)	209.0 (791.2)	238.9 (904.3)	268.7 (1017.1)		
	2.750 (69.850)	2510 (173.1)	.5464 (2.0683)	136.6 (517.1)	163.9 (620.4)	191.2 (723.8)	218.6 (827.5)	245.9 (930.8)		
	2.625 (66.675)	2755 (190.0)	.4978 (1.8844)	124.5 (471.3)	149.4 (565.5)	174.2 (659.4)	199.1 (753.7)	224.0 (847.9)		
	2.500 (63.500)	3037 (209.4)	.4516 (1.7095)	112.9 (427.4)	135.5 (512.9)	158.0 (598.1)	180.6 (683.6)	203.2 (769.2)		
	2.375 (60.325)	3365 (232.0)	.4075 (1.5426)	101.9 (385.7)	122.3 (463.0)	142.6 (539.8)	163.0 (617.0)	183.4 (694.2)		
HP (Kilowatts) required @ RPM**				222.4 (165.8)	266.9 (199.0)	311.4 (232.2)	355.9 (265.4)	400.0 (298.3)		

	Plunger Size in. (mm)	Max. psi (bar)	*Gallon (Liter) Per/Rev	200 RPM US gpm (lpm)	250 RPM US gpm (lpm)	300 RPM US gpm (lpm)	350 RPM US gpm (lpm)	400 RPM US gpm (lpm)					
Piston or Plunger →	4.500 (114.300)	1055 (72.7)	1.4631 (5.5384)	292.6 (1107.6)	365.8 (1384.7)	438.9 (1661.4)	512.1 (1938.5)	585.2 (2215.2)	Flows: 189 – 585 gpm (715.4 – 2214.5 lpm) psi: 1055 – 1626 (bar: 72.7 – 112.1) Stroke Length: 4.25 in. (107.95 mm) Weight: 3,900 lbs. (1,769.0 kg)	Max. HP 400 (298.3 kW)			
	→	4.375 (111.125)	1116 (76.9)	1.3829 (5.2348)	276.6 (1047.0)	345.7 (1308.6)	414.9 (1570.6)	484.0 (1832.1)			553.2 (2094.1)		
SC-300L	4.250 (107.950)	1181 (81.4)	1.3050 (4.9400)	261.0 (988.0)	326.3 (1235.2)	391.5 (1482.0)	456.8 (1729.2)	522.0 (1976.0)					
	4.125 (104.775)	1254 (86.5)	1.2294 (4.6538)	245.9 (930.8)	307.3 (1163.3)	368.8 (1396.1)	430.3 (1628.9)	491.8 (1861.7)					
	4.000 (101.600)	1334 (92.0)	1.1560 (4.3759)	231.2 (875.2)	289.0 (1094.0)	346.8 (1312.8)	404.6 (1531.6)	462.4 (1750.4)					
	3.875 (98.425)	1422 (98.0)	1.0849 (4.1068)	217.0 (821.4)	271.2 (1026.6)	325.5 (1232.2)	379.7 (1437.3)	434.0 (1642.9)					
	3.750 (95.250)	1518 (104.7)	1.0160 (3.8460)	203.2 (769.2)	254.0 (961.5)	304.8 (1153.8)	355.6 (1346.1)	406.4 (1538.4)					
	3.625 (92.075)	1626 (112.1)	.9494 (3.5939)	189.9 (718.8)	237.4 (898.7)	284.8 (1078.1)	332.3 (1258.0)	379.8 (1437.7)					
	HP (Kilowatts) required @ RPM**				200.2 (149.3)	250.2 (186.6)	300.3 (223.9)	350.3 (261.2)			400.0 (298.3)		

	Plunger Size in. (mm)	Max. psi (bar)	*Gallon (Liter) Per/Rev	250 RPM US gpm (lpm)	300 RPM US gpm (lpm)	350 RPM US gpm (lpm)	400 RPM US gpm (lpm)	450 RPM US gpm (lpm)		
SC-300H	2.125 (53.975)	4203 (289.8)	.3263 (1.2352)	81.6 (308.9)	97.9 (370.6)	114.2 (432.3)	130.5 (494.0)	146.8 (555.7)	Flows: 45 – 129 gpm (170.3 – 488.3 lpm) psi: 4203 – 6198 (bar: 289.8 – 427.3) Stroke Length: 4.25 in. (107.95 mm) Weight: 3,240 lbs. (1,469.6 kg)	Max. HP 400 (298.3 kW)
	2.000 (50.800)	4745 (327.2)	.2890 (1.0940)	72.3 (273.7)	86.7 (328.2)	101.2 (383.1)	115.6 (437.6)	130.1 (492.5)		
	1.875 (47.625)	5399 (372.2)	.2540 (.9615)	63.5 (240.4)	76.2 (288.4)	88.9 (336.5)	101.6 (384.6)	114.3 (432.7)		
	1.750 (44.450)	6198 (427.3)	.2213 (.8377)	55.3 (209.3)	66.4 (251.4)	77.4 (293.0)	88.5 (335.0)	99.6 (377.0)		
	HP (Kilowatts) required @ RPM**				222.3 (165.8)	266.8 (199.0)	311.2 (232.1)	355.7 (265.2)		

# MA Series

Built for heavy, continuous duty 24-hours per day, 365 days per year application. Designed to handle the toughest applications. Available in configurations to comply with the Hydraulic Institute standards as well as API674 Standards.

## MA Series Features

- Flows up to 650 gpm (2461 lpm)
- Pressure ratings up to 5,000 psi (345 bar)
- Power ratings to 300 HP (224 kW)
- Temperatures to 400° F (204° C)
- Metallurgies available are Ductile Iron, Aluminum Bronze, Carbon Steels and a variety of Stainless Steel

## MA Series Sizing Charts

	Plunger Size in. (mm)	Max. psi (bar)	*Gallon (Liter) Per/Rev	250 RPM US gpm (lpm)	350 RPM US gpm (lpm)	450 RPM US gpm (lpm)	550 RPM US gpm (lpm)	650 RPM US gpm (lpm)		
MA-15M <sup>†</sup>	1.625 (41.275)	881 (60.7)	.0404 (.1529)	10.1 (38.2)	14.1 (53.4)	18.2 (68.9)	22.2 (84.0)	26.3 (99.6)	Flows: 2 – 26 gpm (7.6 – 98.4 lpm) psi: 881 – 3040 (bar: 60.7 – 209.6) Stroke Length: 1.50 in. (38.10 mm) Weight: 235 lbs. (106.6 kg)	Max. HP 15 (11.2 kW)
	1.500 (38.100)	1034 (71.3)	.0344 (.1302)	8.6 (32.6)	12.0 (45.4)	15.5 (58.7)	18.9 (71.5)	22.4 (84.8)		
	1.375 (34.925)	1231 (84.9)	.0289 (.1094)	7.2 (27.3)	10.1 (38.2)	13.0 (49.2)	15.9 (60.2)	18.8 (71.2)		
	1.250 (31.750)	1489 (102.7)	.0239 (.0905)	6.0 (22.7)	8.4 (31.8)	10.8 (40.9)	13.1 (49.6)	15.5 (58.7)		
	1.125 (28.575)	1839 (126.8)	.0194 (.0734)	4.8 (18.2)	6.8 (25.7)	8.7 (32.9)	10.7 (40.5)	12.6 (47.7)		
	1.000 (25.400)	2327 (160.4)	.0153 (.0579)	3.8 (14.4)	5.4 (20.4)	6.9 (26.1)	8.4 (31.8)	9.9 (37.5)		
	.875 (22.225)	3040 (209.6)	.0117 (.0443)	2.9 (11.0)	4.1 (15.5)	5.3 (20.1)	6.4 (24.2)	7.6 (28.8)		
HP (Kilowatts) required @ RPM**				5.8 (4.3)	8.1 (6.0)	10.4 (7.8)	12.7 (9.5)	15.0 (11.2)		

	Plunger Size in. (mm)	Max. psi (bar)	*Gallon (Liter) Per/Rev	250 RPM US gpm (lpm)	350 RPM US gpm (lpm)	450 RPM US gpm (lpm)	550 RPM US gpm (lpm)	650 RPM US gpm (lpm)		
MA-15H	.750 (19.050)	5000 (344.7)	.0086 (.0326)	2.2 (8.3)	3.0 (11.4)	3.9 (14.8)	4.7 (17.8)	5.6 (21.2)	Flows: 2 – 5 gpm (7.6 – 18.9 lpm) psi: 5000 (bar: 344.7) Stroke Length: 1.50 in. (38.10 mm) Weight: 225 lbs. (102.1 kg)	Max. HP 18 (13.4 kW)
	HP (Kilowatts) required @ RPM**				7.0 (5.2)	9.8 (7.3)	12.6 (9.4)	15.3 (11.4)		

	Plunger Size in. (mm)	Max. psi (bar)	*Gallon (Liter) Per/Rev	200 RPM US gpm (lpm)	300 RPM US gpm (lpm)	400 RPM US gpm (lpm)	500 RPM US gpm (lpm)	600 RPM US gpm (lpm)		
MA-25L	2.250 (57.150)	625 (43.1)	.1033 (.3910)	20.7 (78.4)	31.0 (117.3)	41.3 (156.3)	51.6 (195.3)	62.0 (234.7)	Flows: 16 – 62 gpm (60.6 – 234.7 lpm) psi: 625 – 789 (bar: 43.1 – 54.4) Stroke Length: 2.00 in. (50.80 mm) Weight: 455 lbs. (206.4 kg)	Max. HP 25 (18.6 kW)
	2.125 (53.975)	700 (48.3)	.0921 (.3486)	18.4 (69.7)	27.6 (104.5)	36.8 (139.3)	46.1 (174.5)	55.3 (209.3)		
	2.000 (50.800)	789 (54.4)	.0816 (.3089)	16.3 (61.7)	24.5 (92.7)	32.6 (123.4)	40.8 (154.4)	49.0 (185.5)		
	HP (Kilowatts) required @ RPM**				8.4 (6.3)	12.6 (9.4)	16.7 (12.5)	20.9 (15.6)		

	Plunger Size in. (mm)	Max. psi (bar)	*Gallon (Liter) Per/Rev	200 RPM US gpm (lpm)	300 RPM US gpm (lpm)	400 RPM US gpm (lpm)	500 RPM US gpm (lpm)	600 RPM US gpm (lpm)		
MA-25M	1.875 (47.625)	896 (61.8)	.0717 (.2714)	14.3 (54.1)	21.5 (81.4)	28.7 (108.6)	35.9 (135.9)	43.0 (162.8)	Flows: 4 – 43 gpm (15.1 – 162.8 lpm) psi: 896 – 3151 (bar: 61.8 – 217.3) Stroke Length: 2.00 in. (50.80 mm) Weight: 430 lbs. (195.0 kg)	Max. HP 25 (18.6 kW)
	1.750 (44.450)	1028 (70.9)	.0625 (.2366)	12.5 (47.3)	18.7 (70.8)	25.0 (94.6)	31.2 (118.1)	37.5 (142.0)		
	1.625 (41.275)	1193 (82.3)	.0539 (.2040)	10.8 (40.9)	16.2 (61.3)	21.5 (81.4)	26.9 (101.8)	32.3 (122.3)		
	1.500 (38.100)	1400 (96.5)	.0459 (.1738)	9.2 (34.8)	13.8 (52.2)	18.4 (69.7)	23.0 (87.1)	27.5 (104.1)		
	1.375 (34.925)	1666 (114.9)	.0386 (.1461)	7.7 (29.1)	11.6 (43.9)	15.4 (58.3)	19.3 (73.1)	23.1 (87.4)		
	1.250 (31.750)	2016 (139.0)	.0319 (.1208)	6.4 (24.2)	9.6 (36.3)	12.8 (48.5)	15.9 (60.2)	19.1 (72.3)		
	1.125 (28.575)	2490 (171.7)	.0258 (.0977)	5.2 (19.7)	7.7 (29.1)	10.3 (39.0)	12.9 (48.8)	15.5 (58.7)		
	1.000 (25.400)	3151 (217.3)	.0204 (.0772)	4.1 (15.5)	6.1 (23.1)	8.2 (31.0)	10.2 (38.6)	12.2 (46.2)		
HP (Kilowatts) required @ RPM**				8.3 (6.2)	12.5 (9.3)	16.7 (12.5)	20.8 (15.5)	25.0 (18.6)		

	Plunger Size in. (mm)	Max. psi (bar)	*Gallon (Liter) Per/Rev	200 RPM US gpm (lpm)	300 RPM US gpm (lpm)	400 RPM US gpm (lpm)	500 RPM US gpm (lpm)	600 RPM US gpm (lpm)		
MA-25H	.875 (22.225)	4145 (285.8)	.0156 (.0591)	3.1 (11.7)	4.7 (17.8)	6.2 (23.5)	7.8 (29.5)	9.4 (35.6)	Flows: 2 – 9 gpm (7.6 – 34.1 lpm) psi: 4145 – 5000 (bar: 285.8 – 344.7) Stroke Length: 2.00 in. (50.80 mm) Weight: 455 lbs. (206.4 kg)	Max. HP 25 (18.6 kW)
	.750 (19.050)	5000 (344.7)	.0115 (.0435)	2.3 (8.7)	3.4 (12.9)	4.6 (17.4)	5.7 (21.6)	6.9 (26.1)		
	HP (Kilowatts) required @ RPM**				8.3 (6.2)	12.6 (9.4)	16.8 (12.5)	21.0 (15.7)		

\* Displacement based on 100% volumetric efficiency \*\* Power based on 90% mechanical efficiency +

Standard Offering. See price pages for standard options.

# MA Series Sizing Charts (Continued)

	Plunger Size in. (mm)	Max. psi (bar)	*Gallon (Liter) Per/Rev	200 RPM US gpm (lpm)	250 RPM US gpm (lpm)	350 RPM US gpm (lpm)	450 RPM US gpm (lpm)	550 RPM US gpm (lpm)		
MA-40L	2.750 (69.850)	580 (40.0)	.1928 (.7298)	38.6 (146.1)	48.2 (182.5)	67.5 (255.5)	86.8 (328.6)	106.1 (401.6)	Flows: 25 – 106 gpm (94.6 – 401.3 lpm) psi: 580 – 867 (bar: 40.0 – 59.8) Stroke Length: 2.50 in. (63.50 mm) Weight: 810 lbs. (367.4 kg)	Max. HP 40 (29.8 kW)
	2.625 (66.675)	637 (43.9)	.1757 (.6651)	35.1 (132.9)	43.9 (166.2)	61.5 (232.8)	79.1 (299.4)	96.6 (365.7)		
	2.500 (63.500)	703 (48.5)	.1594 (.6034)	31.9 (120.4)	39.8 (150.7)	55.8 (211.2)	71.7 (271.4)	87.7 (332.0)		
	2.375 (60.325)	779 (53.7)	.1438 (.5443)	28.8 (109.0)	36.0 (136.3)	50.3 (190.4)	64.7 (244.9)	79.1 (299.4)		
	2.250 (57.150)	867 (59.8)	.1291 (.4887)	25.8 (97.7)	32.3 (122.3)	45.2 (171.1)	58.1 (219.9)	71.0 (268.8)		
HP (Kilowatts) required @ RPM**				14.5 (10.8)	18.1 (13.5)	25.4 (18.9)	32.6 (24.3)	40.0 (29.8)		

	Plunger Size in. (mm)	Max. psi (bar)	*Gallon (Liter) Per/Rev	200 RPM US gpm (lpm)	250 RPM US gpm (lpm)	350 RPM US gpm (lpm)	450 RPM US gpm (lpm)	550 RPM US gpm (lpm)		
MA-40M	2.250 (57.150)	867 (59.8)	.1291 (.4887)	25.8 (97.7)	32.3 (122.3)	45.2 (171.1)	58.1 (219.9)	71.0 (268.8)	Flows: 6 – 71 gpm (22.7 – 268.8 lpm) psi: 867 – 3468 (bar: 59.8 – 239.1) Stroke Length: 2.50 in. (63.50 mm) Weight: 750 lbs. (340.2 kg)	Max. HP 40 (29.8 kW)
	2.125 (53.975)	973 (67.1)	.1151 (.4357)	23.0 (87.1)	28.8 (109.0)	40.3 (152.3)	51.8 (196.1)	63.3 (239.6)		
	2.000 (50.800)	1098 (75.7)	.1020 (.3861)	20.4 (77.2)	25.5 (96.5)	35.7 (135.1)	45.9 (173.8)	56.1 (212.4)		
	1.875 (47.625)	1249 (86.1)	.0896 (.3392)	17.9 (67.8)	22.4 (84.8)	31.4 (118.9)	40.3 (152.6)	49.3 (186.6)		
	1.750 (44.450)	1433 (98.8)	.0781 (.2956)	15.6 (59.1)	19.5 (73.8)	27.3 (103.3)	35.1 (132.9)	43.0 (162.8)		
	1.625 (41.275)	1663 (114.7)	.0673 (.2548)	13.5 (51.1)	16.8 (63.6)	23.6 (89.3)	30.3 (114.7)	37.0 (140.1)		
	1.500 (38.100)	1951 (134.5)	.0574 (.2173)	11.5 (43.5)	14.3 (54.1)	20.1 (76.1)	25.8 (97.7)	31.6 (119.6)		
	1.375 (34.925)	2321 (160.0)	.0482 (.1825)	9.6 (36.3)	12.1 (45.8)	16.9 (64.0)	21.7 (82.1)	26.5 (100.3)		
	1.250 (31.750)	2809 (193.7)	.0398 (.1507)	8.0 (30.3)	10.0 (37.9)	13.9 (52.6)	17.9 (67.8)	21.9 (82.9)		
	1.125 (28.575)	3468 (239.1)	.0323 (.1223)	6.5 (24.6)	8.1 (30.7)	11.3 (42.8)	14.5 (54.9)	17.8 (67.4)		
	HP (Kilowatts) required @ RPM**				14.5 (10.8)	18.1 (13.5)	25.4 (18.9)	32.7 (24.4)		

	Plunger Size in. (mm)	Max. psi (bar)	*Gallon (Liter) Per/Rev	200 RPM US gpm (lpm)	250 RPM US gpm (lpm)	350 RPM US gpm (lpm)	450 RPM US gpm (lpm)	550 RPM US gpm (lpm)		
MA-40H	1.000 (25.400)	4392 (302.8)	.0255 (.0965)	5.1 (19.3)	6.4 (24.2)	8.9 (33.7)	11.5 (43.5)	14.0 (53.0)	Flows: 3 – 14 gpm (11.4 – 53.0 lpm) psi: 4392 – 5000 (bar: 302.8 – 344.7) Stroke Length: 2.50 in. (63.50 mm) Weight: 845 lbs. (383.3 kg)	Max. HP 40 (29.8 kW)
	.875 (22.225)	5000 (344.7)	.0195 (.0738)	3.9 (14.8)	4.9 (18.5)	6.8 (25.7)	8.8 (33.3)	10.7 (40.5)		
	HP (Kilowatts) required @ RPM**				14.5 (10.8)	18.2 (13.6)	25.4 (18.9)	32.7 (24.4)		

	Plunger Size in. (mm)	Max. psi (bar)	*Gallon (Liter) Per/Rev	200 RPM US gpm (lpm)	300 RPM US gpm (lpm)	400 RPM US gpm (lpm)	500 RPM US gpm (lpm)	600 RPM US gpm (lpm)		
MA-45M	1.875 (47.625)	860 (59.3)	.1345 (.5091)	26.9 (101.8)	40.3 (152.6)	53.8 (203.7)	67.2 (254.4)	80.7 (305.5)	Flows: 7 – 80 gpm (26.5 – 302.8 lpm) psi: 860 – 3024 (bar: 59.3 – 208.5) Stroke Length: 2.25 in. (57.15 mm) Weight: 710 lbs. (322.1 kg)	Max. HP 45 (33.6 kW)
	1.750 (44.450)	988 (68.1)	.1171 (.4433)	23.4 (88.6)	35.1 (132.9)	46.9 (177.5)	58.6 (221.8)	70.3 (266.1)		
	1.625 (41.275)	1146 (79.0)	.1010 (.3823)	20.2 (76.5)	30.3 (114.7)	40.4 (152.9)	50.5 (191.2)	60.6 (229.4)		
	1.500 (38.100)	1344 (92.7)	.0861 (.3259)	17.2 (65.1)	25.8 (97.7)	34.4 (130.2)	43.0 (162.8)	51.6 (195.3)		
	1.375 (34.925)	1600 (110.3)	.0723 (.2737)	14.5 (54.9)	21.7 (82.1)	28.9 (109.4)	36.2 (137.0)	43.4 (164.3)		
	1.250 (31.750)	1936 (133.5)	.0598 (.2264)	12.0 (45.4)	17.9 (67.8)	23.9 (90.5)	29.9 (113.2)	35.9 (135.9)		
	1.125 (28.575)	2390 (164.8)	.0484 (.1832)	9.7 (36.7)	14.5 (54.9)	19.4 (73.4)	24.2 (91.6)	29.0 (109.8)		
	1.000 (25.400)	3024 (208.5)	.0383 (.1450)	7.7 (29.1)	11.5 (43.5)	15.3 (57.9)	19.1 (72.3)	23.0 (87.1)		
HP (Kilowatts) required @ RPM**				15.0 (11.2)	22.5 (16.8)	30.0 (22.4)	37.5 (28.0)	45.0 (33.6)		

	Plunger Size in. (mm)	Max. psi (bar)	*Gallon (Liter) Per/Rev	200 RPM US gpm (lpm)	300 RPM US gpm (lpm)	400 RPM US gpm (lpm)	500 RPM US gpm (lpm)	600 RPM US gpm (lpm)		
MA-45H	1.000 (25.400)	3024 (208.5)	.0383 (.1450)	7.6 (28.8)	11.5 (43.5)	15.3 (57.9)	19.1 (72.3)	23.0 (87.1)	Flows: 4 – 23 gpm (15.1 – 87.1 lpm) psi: 3024 – 5000 (bar: 208.5 – 344.7) Stroke Length: 2.25 in. (57.15 mm) Weight: 720 lbs. (326.6 kg)	Max. HP 45 (33.6 kW)
	.875 (22.225)	3950 (272.3)	.0293 (.1109)	5.9 (22.3)	8.8 (33.3)	11.7 (44.3)	14.6 (55.3)	17.6 (66.6)		
	.750 (19.050)	5000 (344.7)	.0215 (.0814)	4.3 (16.3)	6.5 (24.6)	8.6 (32.6)	10.8 (40.9)	12.9 (48.8)		
	HP (Kilowatts) required @ RPM**				15.0 (11.2)	22.5 (16.8)	30.0 (22.4)	37.5 (28.0)		

\* Displacement based on 100% volumetric efficiency \*\* Power based on 90% mechanical efficiency +

Standard Offering. See price pages for standard options.

# MA Series Sizing Charts (Continued)

	Plunger Size in. (mm)	Max. psi (bar)	*Gallon (Liter) Per/Rev	300 RPM US gpm (lpm)	350 RPM US gpm (lpm)	400 RPM US gpm (lpm)	450 RPM US gpm (lpm)	500 RPM US gpm (lpm)		
MA-60M <sup>*</sup>	2.500 (63.500)	968 (66.7)	.1913 (.7241)	57.4 (217.3)	66.9 (253.2)	76.5 (289.6)	86.1 (325.9)	95.6 (361.9)	Flows: 17 – 126 gpm (64.4 – 477.0 lpm) psi: 732 – 3200 (bar: 50.5 – 220.6) Stroke Length: 3.00 in. (76.20 mm) Weight: 945 lbs. (428.6 kg)	Max. HP 60 (44.7 kW)
	2.375 (60.325)	1073 (74.0)	.1726 (.6534)	51.8 (196.1)	60.4 (228.6)	69.0 (261.2)	77.7 (294.1)	86.3 (326.7)		
	2.250 (57.150)	1195 (82.4)	.1549 (.5864)	46.5 (176.0)	54.2 (205.2)	62.0 (234.7)	69.7 (263.8)	77.5 (293.4)		
	2.125 (53.975)	1340 (92.4)	.1382 (.5231)	41.5 (157.1)	48.4 (183.2)	55.3 (209.3)	62.2 (235.5)	69.1 (261.6)		
	2.000 (50.800)	1513 (104.3)	.1224 (.4633)	36.7 (138.9)	42.8 (162.0)	49.0 (185.5)	55.1 (208.6)	61.2 (231.7)		
	1.875 (47.625)	1721 (118.7)	.1076 (.4073)	32.3 (122.3)	37.7 (142.7)	43.0 (162.8)	48.4 (183.2)	53.8 (203.7)		
	1.750 (44.450)	1976 (136.2)	.0937 (.3547)	28.1 (106.4)	32.8 (124.2)	37.5 (142.0)	42.2 (159.7)	46.9 (177.5)		
	1.625 (41.275)	2291 (158.0)	.0808 (.3059)	24.2 (91.6)	28.3 (107.1)	32.3 (122.3)	36.4 (137.8)	40.4 (152.9)		
	1.500 (38.100)	2689 (185.4)	.0689 (.2608)	20.7 (78.4)	24.1 (91.2)	27.5 (104.1)	31.0 (117.3)	34.4 (130.2)		
	1.375 (34.925)	3200 (220.6)	.0579 (.2192)	17.4 (65.9)	20.2 (76.5)	23.1 (87.4)	26.0 (98.4)	28.9 (109.4)		
HP (Kilowatts) required @ RPM**				36.0 (26.8)	42.0 (31.1)	48.0 (36.0)	54.0 (40.3)	60.0 (44.7)		

	Plunger Size in. (mm)	Max. psi (bar)	*Gallon (Liter) Per/Rev	100 RPM US gpm (lpm)	200 RPM US gpm (lpm)	300 RPM US gpm (lpm)	400 RPM US gpm (lpm)	500 RPM US gpm (lpm)		
MA-60H	1.375 (34.925)	3200 (220.6)	.0579 (.2192)	5.8 (22.0)	11.6 (43.9)	17.4 (65.9)	23.2 (87.8)	28.9 (109.4)	Flows: 3 – 28 gpm (11.4 – 106.0 lpm) psi: 3200 – 5000 (bar: 220.6 – 344.7) Stroke Length: 3.00 in. (76.20 mm) Weight: 945 lbs. (428.6 kg)	Max. HP 60 (44.7 kW)
	1.250 (31.750)	3872 (267.0)	.0478 (.1809)	4.8 (18.2)	9.6 (36.3)	14.3 (54.1)	19.2 (72.7)	23.9 (90.5)		
	1.125 (28.575)	4780 (329.6)	.0387 (.1465)	3.9 (14.8)	7.7 (29.1)	11.6 (43.9)	15.5 (58.7)	19.4 (73.4)		
	1.000 (25.400)	5000 (344.7)	.0306 (.1158)	3.1 (11.7)	6.1 (23.1)	9.2 (34.8)	12.2 (46.2)	15.3 (57.9)		
	HP (Kilowatts) required @ RPM**				12.0 (8.9)	24.0 (17.9)	36.0 (26.8)	48.0 (35.8)		

	Plunger Size in. (mm)	Max. psi (bar)	*Gallon (Liter) Per/Rev	200 RPM US gpm (lpm)	250 RPM US gpm (lpm)	350 RPM US gpm (lpm)	450 RPM US gpm (lpm)	550 RPM US gpm (lpm)		
MA-75L	2.750 (69.850)	595 (41.2)	.3535 (1.3381)	70.7 (267.6)	88.4 (334.6)	123.7 (468.3)	159.1 (602.3)	194.5 (736.3)	Flows: 47 – 194 gpm (177.9 – 734.4 lpm) psi: 595 – 889 (bar: 41.0 – 61.3) Stroke Length: 2.75 in. (69.85 mm) Weight: 1,435 lbs. (650.9 kg)	Max. HP 75 (55.9 kW)
	2.625 (66.675)	653 (45.0)	.3221 (1.2193)	64.4 (243.8)	80.5 (304.7)	112.7 (426.6)	145.0 (548.9)	177.2 (670.8)		
	2.500 (63.500)	720 (49.6)	.2922 (1.1061)	58.4 (221.1)	73.0 (276.3)	102.3 (387.2)	131.5 (497.8)	160.7 (608.3)		
	2.375 (60.325)	798 (55.0)	.2637 (.9982)	52.7 (199.5)	65.9 (249.5)	92.3 (349.4)	118.7 (449.3)	145.0 (548.9)		
	2.250 (57.150)	889 (61.3)	.2367 (.8960)	47.3 (179.0)	59.2 (224.1)	82.8 (313.4)	106.5 (403.1)	130.2 (492.9)		
	HP (Kilowatts) required @ RPM**				27.3 (20.4)	34.1 (25.4)	47.7 (35.6)	61.4 (45.8)		

	Plunger Size in. (mm)	Max. psi (bar)	*Gallon (Liter) Per/Rev	200 RPM US gpm (lpm)	250 RPM US gpm (lpm)	350 RPM US gpm (lpm)	450 RPM US gpm (lpm)	550 RPM US gpm (lpm)		
MA-75M	2.250 (57.150)	889 (61.3)	.2367 (.8960)	47.3 (179.0)	59.2 (224.1)	82.8 (313.4)	106.5 (403.1)	130.2 (492.9)	Flows: 11 – 130 gpm (41.6 – 492.1 lpm) psi: 889 – 3000 (bar: 61.3 – 206.8) Stroke Length: 2.75 in. (69.85 mm) Weight: 1,270 lbs. (576.1 kg)	Max. HP 75 (55.9 kW)
	2.125 (53.975)	997 (68.7)	.2111 (.7991)	42.2 (159.7)	52.8 (199.9)	73.9 (279.7)	95.0 (359.6)	116.1 (439.5)		
	2.000 (50.800)	1125 (77.6)	.1870 (.7079)	37.4 (141.6)	46.8 (177.2)	65.5 (247.9)	84.2 (318.7)	102.9 (389.5)		
	1.875 (47.625)	1280 (88.3)	.1644 (.6223)	32.9 (124.5)	41.1 (155.6)	57.5 (217.7)	74.0 (280.1)	90.4 (342.2)		
	1.750 (44.450)	1468 (101.2)	.1432 (.5421)	28.6 (108.2)	35.8 (135.5)	50.1 (189.6)	64.4 (243.8)	78.7 (297.9)		
	1.625 (41.275)	1704 (117.5)	.1234 (.4671)	24.7 (93.5)	30.9 (117.0)	43.2 (163.5)	55.6 (210.5)	67.9 (257.0)		
	1.500 (38.100)	1998 (137.7)	.1052 (.3982)	21.0 (79.5)	26.3 (99.6)	36.8 (139.3)	47.3 (179.0)	57.9 (219.2)		
	1.375 (34.925)	2379 (164.0)	.0884 (.3346)	17.7 (67.0)	22.1 (83.7)	30.9 (117.0)	39.8 (150.7)	48.6 (184.0)		
	1.250 (31.750)	2878 (198.4)	.0730 (.2763)	14.6 (55.3)	18.3 (69.3)	25.6 (96.9)	32.9 (124.5)	40.2 (152.2)		
	1.125 (28.575)	3000 (206.8)	.0592 (.2241)	11.8 (44.7)	14.8 (56.0)	20.7 (78.4)	26.6 (100.7)	32.5 (123.0)		
HP (Kilowatts) required @ RPM**				27.3 (20.4)	34.1 (25.4)	47.8 (35.6)	61.4 (45.8)	75.0 (55.9)		

	Plunger Size in. (mm)	Max. psi (bar)	*Gallon (Liter) Per/Rev	150 RPM US gpm (lpm)	250 RPM US gpm (lpm)	350 RPM US gpm (lpm)	450 RPM US gpm (lpm)	550 RPM US gpm (lpm)		
MA-75H	1.125 (28.575)	3553 (245.0)	.0592 (.2241)	8.9 (33.7)	14.8 (56.0)	20.7 (78.4)	26.6 (100.7)	32.5 (123.0)	Flows: 11 – 32 gpm (41.6 – 121.1 lpm) psi: 3553 – 5000 (bar: 245.0 – 344.7) Stroke Length: 2.75 in. (69.85 mm) Weight: 1,325 lbs. (601.0 kg)	Max. HP 75 (55.9 kW)
	1.000 (25.400)	4497 (310.1)	.0468 (.1772)	7.0 (26.5)	11.7 (44.3)	16.4 (62.1)	21.0 (79.5)	25.7 (97.3)		
	.875 (22.225)	5000 (344.7)	.0358 (.1355)	5.4 (20.4)	8.9 (33.7)	12.5 (47.3)	16.1 (60.9)	19.7 (74.6)		
	HP (Kilowatts) required @ RPM**				20.4 (15.2)	34.1 (25.4)	47.7 (35.6)	61.3 (45.7)		

\* Displacement based on 100% volumetric efficiency \*\* Power based on 90% mechanical efficiency +

Standard Offering. See price pages for standard options.

# MA Series Sizing Charts (Continued)

	Plunger Size in. (mm)	Max. psi (bar)	*Gallon (Liter) Per/Rev	250 RPM US gpm (lpm)	300 RPM US gpm (lpm)	350 RPM US gpm (lpm)	400 RPM US gpm (lpm)	450 RPM US gpm (lpm)		
MA-95L*	3.500 (88.900)	650 (44.8)	.4998 (1.8919)	125.0 (473.2)	149.9 (567.4)	174.9 (662.1)	199.9 (756.7)	224.9 (851.3)	Flows: 46 – 224 gpm (174.1 – 847.9 lpm) psi: 650 – 1764 (bar: 44.8 – 121.6) Stroke Length: 4.00 in. (101.60 mm) Weight: 1,725 lbs. (782.4 kg)	Max. HP 95 (70.8 kW)
	3.250 (82.550)	754 (52.0)	.4310 (1.6315)	107.7 (407.7)	129.3 (489.5)	150.8 (570.8)	172.4 (652.6)	193.9 (734.0)		
	3.000 (76.200)	884 (60.9)	.3672 (1.3900)	91.8 (347.5)	110.2 (417.2)	128.5 (486.4)	146.9 (556.1)	165.2 (625.4)		
	2.750 (69.850)	1053 (72.6)	.3086 (1.1682)	77.1 (291.9)	92.6 (350.5)	108.0 (408.8)	123.4 (467.1)	138.8 (525.4)		
	2.625 (66.675)	1156 (79.7)	.2811 (1.0641)	70.3 (266.1)	84.3 (319.1)	98.4 (372.5)	112.5 (425.9)	126.5 (478.9)		
	2.500 (63.500)	1274 (87.8)	.2550 (.9653)	63.8 (241.5)	76.5 (289.6)	89.3 (338.0)	102.0 (386.1)	114.8 (434.6)		
	2.375 (60.325)	1411 (97.3)	.2301 (.8710)	57.5 (217.7)	69.0 (261.2)	80.5 (304.7)	92.1 (348.6)	103.6 (392.2)		
	2.250 (57.150)	1572 (108.4)	.2066 (.7821)	51.6 (195.3)	62.0 (234.7)	72.3 (273.7)	82.6 (312.7)	92.9 (351.7)		
	2.125 (53.975)	1764 (121.6)	.1842 (.6973)	46.1 (174.5)	55.3 (209.3)	64.5 (244.2)	73.7 (279.0)	82.9 (313.8)		
HP (Kilowatts) required @ RPM**				52.7 (39.3)	63.2 (47.1)	73.7 (55.0)	84.3 (62.9)	95.0 (70.8)		

	Plunger Size in. (mm)	Max. psi (bar)	*Gallon (Liter) Per/Rev	250 RPM US gpm (lpm)	300 RPM US gpm (lpm)	350 RPM US gpm (lpm)	400 RPM US gpm (lpm)	450 RPM US gpm (lpm)		
MA-95M	2.250 (57.150)	1572 (108.4)	.2066 (.7821)	51.6 (195.3)	62.0 (234.7)	72.3 (273.7)	82.6 (312.7)	92.9 (351.7)	Flows: 19 – 92 gpm (71.9 – 348.3 lpm) psi: 1572 – 3600 (bar: 108.4 – 248.2) Stroke Length: 4.00 in. (101.60 mm) Weight: 1,600 lbs. (725.7 kg)	Max. HP 95 (70.8 kW)
	2.125 (53.975)	1763 (121.6)	.1842 (.6973)	46.1 (174.5)	55.3 (209.3)	64.5 (244.2)	73.7 (279.0)	82.9 (313.8)		
	2.000 (50.800)	1992 (137.3)	.1632 (.6178)	40.8 (154.4)	49.0 (185.5)	57.1 (216.1)	65.3 (247.2)	73.4 (277.8)		
	1.875 (47.625)	2265 (156.2)	.1434 (.5428)	35.9 (135.9)	43.0 (162.8)	50.2 (190.0)	57.4 (217.3)	65.5 (247.9)		
	1.750 (44.450)	2600 (179.3)	.1250 (.4732)	31.2 (118.1)	37.5 (142.0)	43.7 (165.4)	50.0 (189.3)	56.2 (212.7)		
	1.625 (41.275)	3016 (207.9)	.1077 (.4077)	26.9 (101.8)	32.3 (122.3)	37.7 (142.7)	43.1 (163.2)	48.5 (183.6)		
	1.500 (38.100)	3250 (224.1)	.0918 (.3475)	23.0 (87.1)	27.5 (104.1)	32.1 (121.5)	36.7 (138.9)	41.3 (156.3)		
	1.375 (34.925)	3600 (248.2)	.0771 (.2919)	19.3 (73.1)	23.1 (87.4)	27.0 (102.2)	30.9 (117.0)	34.7 (131.4)		
	HP (Kilowatts) required @ RPM**				52.6 (39.2)	63.2 (47.1)	73.7 (55.0)	84.2 (62.8)		

	Plunger Size in. (mm)	Max. psi (bar)	*Gallon (Liter) Per/Rev	250 RPM US gpm (lpm)	300 RPM US gpm (lpm)	350 RPM US gpm (lpm)	400 RPM US gpm (lpm)	450 RPM US gpm (lpm)		
MA-120L*	3.500 (88.900)	775 (53.4)	.5310 (2.0101)	132.8 (502.7)	159.3 (603.0)	185.9 (703.7)	212.4 (804.0)	239.0 (904.7)	Flows: 61 – 239 gpm (230.9 – 904.7 lpm) psi: 775 – 1682 (bar: 53.4 – 116.0) Stroke Length: 4.25 in. (107.95 mm) Weight: 2,050 lbs. (929.9 kg)	Max. HP 120 (89.5 kW)
	3.375 (85.725)	833 (57.4)	.4938 (1.8692)	123.4 (467.1)	148.1 (560.6)	172.8 (654.1)	197.5 (747.6)	222.2 (841.1)		
	3.250 (82.550)	898 (61.9)	.4579 (1.7333)	114.5 (433.4)	137.4 (520.1)	160.3 (606.8)	183.2 (693.5)	206.0 (779.8)		
	3.125 (79.375)	971 (66.9)	.4233 (1.6024)	105.8 (400.5)	127.0 (480.7)	148.2 (561.0)	169.3 (640.9)	190.5 (721.1)		
	3.000 (76.200)	1054 (72.7)	.3902 (1.4771)	97.5 (369.1)	117.0 (442.9)	136.6 (517.1)	156.1 (590.9)	175.6 (664.7)		
	2.875 (73.025)	1148 (79.2)	.3583 (1.3563)	89.6 (339.2)	107.5 (406.9)	125.4 (474.7)	143.3 (542.4)	161.2 (610.2)		
	2.750 (69.850)	1254 (86.5)	.3278 (1.2409)	82.0 (310.4)	98.4 (372.5)	114.7 (434.2)	131.1 (496.3)	147.5 (558.3)		
	2.625 (66.675)	1377 (94.9)	.2987 (1.1307)	74.7 (282.8)	89.6 (339.2)	104.5 (395.6)	119.5 (452.4)	134.4 (508.8)		
	2.500 (63.500)	1518 (104.7)	.2709 (1.0255)	67.7 (256.3)	81.3 (307.8)	94.8 (358.9)	108.4 (410.3)	121.9 (461.4)		
2.375 (60.325)	1682 (116.0)	.2445 (.9255)	61.1 (231.3)	73.4 (277.8)	85.6 (324.0)	97.8 (370.2)	110.0 (416.4)			
HP (Kilowatts) required @ RPM**				66.7 (49.7)	80.1 (59.7)	93.4 (69.6)	106.8 (79.6)	120.0 (89.5)		

	Plunger Size in. (mm)	Max. psi (bar)	*Gallon (Liter) Per/Rev	250 RPM US gpm (lpm)	300 RPM US gpm (lpm)	350 RPM US gpm (lpm)	400 RPM US gpm (lpm)	450 RPM US gpm (lpm)					
MA-120M	2.250 (57.150)	1873 (129.1)	.2195 (.8309)	54.9 (207.8)	65.8 (249.1)	76.8 (290.7)	87.8 (332.4)	98.8 (374.0)	Flows: 24 – 98 gpm (90.8 – 371.0 lpm) psi: 1873 – 3600 (bar: 129.1 – 248.2) Stroke Length: 4.25 in. (107.95 mm) Weight: 1,950 lbs. (884.5 kg)	Max. HP 120 (89.5 kW)			
	2.125 (53.975)	2100 (144.8)	.1958 (.7412)	48.9 (185.1)	58.7 (222.2)	68.5 (259.3)	78.3 (296.4)	88.1 (333.5)					
	2.000 (50.800)	2371 (163.5)	.1734 (.6564)	43.4 (164.3)	52.0 (196.8)	60.7 (229.8)	69.4 (262.7)	78.0 (295.3)					
	1.875 (47.625)	2697 (186.0)	.1524 (.5769)	38.1 (144.2)	45.7 (173.0)	53.3 (201.8)	61.0 (230.9)	68.6 (259.7)					
	1.750 (44.450)	3097 (213.5)	.1328 (.5027)	33.2 (125.7)	39.8 (150.7)	46.5 (176.0)	53.1 (201.0)	59.7 (226.0)					
	1.625 (41.275)	3250 (224.1)	.1145 (.4334)	28.6 (108.3)	34.3 (129.8)	40.1 (151.8)	45.8 (173.4)	51.5 (194.9)					
	1.500 (38.100)	3600 (248.2)	.0975 (.3691)	24.4 (92.4)	29.3 (110.9)	34.1 (129.1)	39.0 (147.6)	43.9 (166.2)					
	HP (Kilowatts) required @ RPM**				66.6 (49.7)	80.0 (59.7)	93.3 (69.6)	106.6 (79.5)			120.0 (89.5)		

\* Displacement based on 100% volumetric efficiency \*\* Power based on 90% mechanical efficiency +

Standard Offering. See price pages for standard options.

# MA Series Sizing Charts (Continued)

	Plunger Size in. (mm)	Max. psi (bar)	*Gallon (Liter) Per/Rev	250 RPM US gpm (lpm)	300 RPM US gpm (lpm)	350 RPM US gpm (lpm)	400 RPM US gpm (lpm)	450 RPM US gpm (lpm)		
MA-120H	2.000 (50.800)	2284 (157.5)	.1734 (.6564)	43.4 (164.3)	52.0 (196.8)	60.7 (229.8)	69.4 (262.7)	78.0 (295.3)	Flows: 20 – 78 gpm (75.7 – 295.3 lpm) psi: 2284 – 5016 (bar: 157.5 – 345.8) Stroke Length: 4.25 in. (107.95 mm) Weight: 2,050 lbs. (929.9 kg)	Max. HP 120 (89.5 kW)
	1.875 (47.625)	2397 (165.3)	.1524 (.5769)	38.1 (144.2)	45.7 (173.0)	53.3 (201.8)	61.0 (230.9)	68.6 (259.7)		
	1.750 (44.450)	3097 (213.5)	.1328 (.5027)	33.2 (125.7)	39.8 (150.7)	46.5 (176.0)	53.1 (201.0)	59.7 (226.0)		
	1.625 (41.275)	3592 (247.7)	.1145 (.4334)	28.6 (108.3)	34.3 (129.8)	40.1 (151.8)	45.8 (173.4)	51.5 (194.9)		
	1.500 (38.100)	4215 (290.6)	.0975 (.3691)	24.4 (92.4)	29.3 (110.9)	34.1 (129.1)	39.0 (147.6)	43.9 (166.2)		
	1.375 (34.925)	5016 (345.8)	.0820 (.3104)	20.5 (77.6)	24.6 (93.1)	28.7 (108.6)	32.8 (124.2)	36.9 (139.7)		
HP (Kilowatts) required @ RPM**				64.2 (47.9)	77.1 (57.5)	89.9 (67.0)	102.7 (76.6)	120.0 (89.5)		

	Plunger Size in. (mm)	Max. psi (bar)	*Gallon (Liter) Per/Rev	250 RPM US gpm (lpm)	300 RPM US gpm (lpm)	350 RPM US gpm (lpm)	400 RPM US gpm (lpm)	450 RPM US gpm (lpm)		
MA-155L	4.000 (101.600)	724 (49.9)	.7344 (2.7800)	183.6 (695.0)	220.3 (833.9)	257.0 (972.9)	293.8 (1112.2)	330.5 (1251.1)	Flows: 94 – 330 gpm (355.8 – 1249.2 lpm) psi: 724 – 1400 (bar: 49.9 – 96.5) Stroke Length: 4.50 in. (114.30 mm) Weight: 2,680 lbs. (1,215.6 kg)	Max. HP 155 (115.6 kW)
	3.875 (98.425)	771 (53.2)	.6892 (2.6089)	172.3 (652.2)	206.8 (782.8)	241.2 (913.0)	275.7 (1043.6)	310.1 (1173.9)		
	3.750 (95.250)	823 (56.7)	.6455 (2.4435)	161.4 (611.0)	193.6 (732.9)	225.9 (855.1)	258.2 (977.4)	290.5 (1099.7)		
	3.625 (92.075)	881 (60.7)	.6032 (2.2834)	150.8 (570.8)	180.9 (684.8)	211.1 (799.1)	241.3 (913.4)	271.4 (1027.4)		
	3.500 (88.900)	945 (65.2)	.5623 (2.1285)	140.6 (532.2)	168.7 (638.6)	196.8 (745.0)	224.9 (851.3)	253.0 (957.7)		
	3.375 (85.725)	1016 (70.1)	.5228 (1.9790)	130.7 (494.8)	156.8 (593.6)	183.0 (692.7)	209.1 (791.5)	235.3 (890.7)		
	3.250 (82.550)	1096 (75.6)	.4848 (1.8352)	121.2 (458.8)	145.4 (550.4)	169.7 (642.4)	193.9 (734.0)	218.2 (826.0)		
	3.125 (79.375)	1185 (81.7)	.4482 (1.6966)	112.1 (424.3)	134.5 (509.1)	156.9 (593.9)	179.3 (678.7)	201.7 (763.5)		
	3.000 (76.200)	1285 (88.6)	.4131 (1.5638)	103.3 (391.0)	123.9 (469.0)	144.6 (547.4)	165.2 (625.4)	185.9 (703.7)		
	2.875 (73.025)	1400 (96.5)	.3794 (1.4362)	94.8 (358.9)	113.8 (430.8)	132.8 (502.7)	151.8 (576.6)	170.7 (646.2)		
HP (Kilowatts) required @ RPM**				86.2 (64.3)	103.4 (77.1)	120.7 (90.0)	137.9 (102.8)	155.0 (115.6)		

	Plunger Size in. (mm)	Max. psi (bar)	*Gallon (Liter) Per/Rev	250 RPM US gpm (lpm)	300 RPM US gpm (lpm)	350 RPM US gpm (lpm)	400 RPM US gpm (lpm)	450 RPM US gpm (lpm)		
MA-155M	2.750 (69.850)	1530 (105.5)	.3471 (1.3139)	86.8 (328.6)	104.1 (394.1)	121.5 (459.9)	138.8 (525.4)	156.2 (591.3)	Flows: 35 – 156 gpm (132.5 – 590.5 lpm) psi: 1530 – 3600 (bar: 105.5 – 248.2) Stroke Length: 4.50 in. (114.30 mm) Weight: 2,680 lbs. (1,215.6 kg)	Max. HP 155 (115.6 kW)
	2.625 (66.675)	1679 (115.8)	.3163 (1.1973)	79.1 (299.4)	94.9 (359.2)	110.7 (419.0)	126.5 (479.0)	142.3 (538.7)		
	2.500 (63.500)	1852 (127.7)	.2869 (1.0860)	71.7 (271.4)	86.1 (325.9)	100.4 (380.1)	114.8 (434.6)	129.1 (488.7)		
	2.375 (60.325)	2051 (141.4)	.2589 (.9800)	64.7 (244.9)	77.7 (294.1)	90.6 (343.0)	103.6 (392.2)	116.5 (441.0)		
	2.250 (57.150)	2286 (157.6)	.2324 (.8797)	58.1 (219.9)	69.7 (263.8)	81.3 (308.0)	92.9 (351.7)	104.6 (396.0)		
	2.125 (53.975)	2562 (176.6)	.2073 (.7847)	51.8 (196.1)	62.2 (235.5)	72.5 (274.4)	82.9 (313.8)	93.3 (353.2)		
	2.000 (50.800)	2892 (199.4)	.1836 (.6950)	45.9 (173.8)	55.1 (208.6)	64.3 (243.4)	73.4 (277.8)	82.6 (312.7)		
	1.875 (47.625)	3291 (226.9)	.1614 (.6111)	40.3 (152.6)	48.4 (183.2)	56.5 (214.0)	64.5 (244.2)	72.6 (274.8)		
	1.750 (44.450)	3600 (248.2)	.1406 (.5322)	35.1 (132.9)	42.2 (159.7)	49.2 (186.2)	56.2 (212.7)	63.3 (239.6)		
	HP (Kilowatts) required @ RPM**				86.1 (64.2)	103.3 (77.0)	120.5 (89.9)	137.8 (102.8)		

	Plunger Size in. (mm)	Max. psi (bar)	*Gallon (Liter) Per/Rev	250 RPM US gpm (lpm)	300 RPM US gpm (lpm)	350 RPM US gpm (lpm)	400 RPM US gpm (lpm)	450 RPM US gpm (lpm)		
MA-155H	1.875 (47.625)	3289 (226.8)	.1614 (.6111)	40.3 (152.6)	48.4 (183.2)	56.5 (213.9)	64.5 (244.2)	72.6 (274.8)	Flows: 25 – 72 gpm (94.6 – 272.5 lpm) psi: 3289 – 5000 (bar: 226.8 – 344.7) Stroke Length: 4.50 in. (114.30 mm) Weight: 2,935 lbs. (1,331.3 kg)	Max. HP 155 (115.6 kW)
	1.750 (44.450)	3776 (260.3)	.1406 (.5322)	35.1 (132.9)	42.2 (159.7)	49.2 (186.2)	56.2 (212.7)	63.3 (239.6)		
	1.625 (41.275)	4379 (301.9)	.1212 (.4588)	30.3 (114.7)	36.4 (137.8)	42.4 (160.5)	48.5 (183.6)	54.5 (206.3)		
	1.500 (38.100)	5000 (344.7)	.1033 (.3910)	25.8 (97.7)	30.3 (117.3)	36.1 (136.7)	41.3 (156.3)	46.5 (176.0)		
	HP (Kilowatts) required @ RPM**				86.0 (64.1)	103.3 (77.0)	120.5 (89.9)	137.7 (102.7)		

	Plunger Size in. (mm)	Max. psi (bar)	*Gallon (Liter) Per/Rev	250 RPM US gpm (lpm)	300 RPM US gpm (lpm)	350 RPM US gpm (lpm)	400 RPM US gpm (lpm)	450 RPM US gpm (lpm)		
MA-240K	4.500 (114.300)	562 (38.7)	1.4631 (5.5384)	365.8 (1384.7)	438.9 (1661.4)	512.1 (1938.5)	585.2 (2215.2)	658.4 (2492.3)	Flows: 221 – 658 gpm (836.6 – 2490.8 lpm) psi: 562 – 929 (bar: 38.7 – 64.1) Stroke Length: 4.25 in. (107.95 mm) Weight: 3,240 lbs. (1,469.6 kg)	Max. HP 240 (179.0 kW)
	4.375 (111.125)	595 (41.0)	1.3829 (5.2348)	345.7 (1308.6)	414.9 (1570.6)	484.0 (1832.1)	553.2 (2094.1)	622.3 (2355.7)		
	4.250 (107.950)	629 (43.4)	1.3050 (4.9400)	326.3 (1235.2)	391.5 (1482.0)	456.8 (1729.2)	522.0 (1976.0)	587.3 (2223.2)		
	4.125 (104.775)	669 (46.1)	1.2294 (4.6538)	307.3 (1163.3)	368.8 (1396.1)	430.3 (1628.9)	491.8 (1861.7)	553.3 (2094.5)		
	4.000 (101.600)	711 (49.0)	1.1560 (4.3759)	289.0 (1094.0)	346.6 (1312.8)	404.6 (1531.6)	462.4 (1750.4)	520.2 (1969.2)		
	3.875 (98.425)	758 (52.3)	1.0849 (4.1068)	271.2 (1026.6)	325.5 (1232.2)	379.7 (1437.3)	434.0 (1642.9)	488.2 (1848.0)		
	3.750 (95.250)	809 (55.8)	1.0160 (3.8460)	254.0 (961.5)	304.8 (1153.8)	355.6 (1346.1)	406.4 (1538.4)	457.2 (1730.7)		
	3.625 (92.075)	866 (59.7)	.9494 (3.5939)	237.4 (898.7)	284.8 (1078.1)	332.3 (1257.9)	379.8 (1437.7)	427.2 (1617.1)		
	3.500 (88.900)	929 (64.1)	.8851 (3.3505)	221.3 (837.7)	265.5 (1005.0)	309.8 (1172.7)	354.0 (1340.0)	398.3 (1507.7)		
	HP (Kilowatts) required @ RPM**				133.3 (99.4)	160.0 (119.3)	186.6 (139.1)	213.3 (159.1)		

\* Displacement based on 100% volumetric efficiency \*\* Power based on 90% mechanical efficiency +

Standard Offering. See price pages for standard options.



# MA Series Sizing Charts (Continued)

	Plunger Size in. (mm)	Max. psi (bar)	*Gallon (Liter) Per/Rev	250 RPM US gpm (lpm)	300 RPM US gpm (lpm)	350 RPM US gpm (lpm)	400 RPM US gpm (lpm)	450 RPM US gpm (lpm)		
MA-240L*	3.500 (88.900)	930 (64.1)	.8851 (3.3505)	221.3 (837.7)	265.5 (1005.0)	309.8 (1172.7)	354.0 (1340.0)	398.3 (1507.7)	Flows: 101 – 398 gpm (382.3 – 1506.6 lpm) psi: 930 – 2020 (bar: 64.1 – 139.3) Stroke Length: 4.25 in. (107.95 mm) Weight: 3,240 lbs. (1,469.6 kg)	Max. HP 240 (179.0 kW)
	3.375 (85.725)	1000 (68.9)	.8230 (3.1154)	205.7 (778.7)	246.9 (934.6)	288.0 (1090.2)	329.2 (1246.2)	370.3 (1401.7)		
	3.250 (82.550)	1079 (74.4)	.7631 (2.8886)	190.8 (722.3)	228.9 (866.5)	267.1 (1011.1)	305.3 (1155.7)	343.4 (1299.9)		
	3.125 (79.375)	1166 (80.4)	.7056 (2.6710)	176.4 (667.7)	211.7 (801.4)	246.9 (934.6)	282.2 (1068.2)	317.5 (1201.9)		
	3.000 (76.200)	1266 (87.3)	.6503 (2.4617)	162.6 (615.5)	195.1 (738.5)	227.6 (861.6)	260.1 (984.6)	292.6 (1107.6)		
	2.875 (73.025)	1376 (94.9)	.5972 (2.2606)	149.3 (565.2)	179.2 (678.3)	209.0 (791.2)	238.9 (904.3)	268.7 (1017.1)		
	2.750 (69.850)	1506 (103.8)	.5464 (2.0683)	136.6 (517.1)	163.9 (620.4)	191.2 (723.8)	218.6 (827.5)	245.9 (930.8)		
	2.625 (66.675)	1652 (113.9)	.4978 (1.8844)	124.5 (471.3)	149.4 (565.5)	174.2 (659.4)	199.1 (753.7)	224.0 (847.9)		
	2.500 (63.500)	1823 (125.7)	.4516 (1.7095)	112.9 (427.4)	135.5 (512.9)	158.0 (598.1)	180.6 (683.6)	203.2 (769.2)		
	2.375 (60.325)	2020 (139.3)	.4075 (1.5426)	101.9 (385.7)	122.3 (463.0)	142.6 (539.8)	163.0 (617.0)	183.4 (694.2)		
HP (Kilowatts) required @ RPM**				133.4 (99.5)	160.1 (119.4)	186.8 (139.3)	213.5 (159.2)	240.0 (179.0)		

	Plunger Size in. (mm)	Max. psi (bar)	*Gallon (Liter) Per/Rev	250 RPM US gpm (lpm)	300 RPM US gpm (lpm)	350 RPM US gpm (lpm)	400 RPM US gpm (lpm)	450 RPM US gpm (lpm)		
MA-240M	2.250 (57.150)	2248 (155.0)	.3658 (1.3847)	91.4 (346.0)	109.7 (415.3)	128.0 (484.5)	146.3 (553.8)	164.6 (623.1)	Flows: 2248 – 3600 gpm (208.2 – 620.8 lpm) psi: 2248 – 3600 (bar: 155.0 – 248.2) Stroke Length: 4.25 in. (107.95 mm) Weight: 3,580 lbs. (1,623.9 kg)	Max. HP 240 (179.0 kW)
	2.125 (53.975)	2520 (173.7)	.3263 (1.2352)	81.6 (308.9)	97.9 (370.6)	114.2 (432.3)	130.5 (494.0)	146.8 (555.7)		
	2.000 (50.800)	2845 (196.2)	.2890 (1.0940)	72.3 (273.7)	86.7 (328.2)	101.2 (383.1)	115.6 (437.6)	130.1 (492.5)		
	1.875 (47.625)	3237 (223.2)	.2540 (.9615)	63.5 (240.4)	76.2 (288.4)	88.9 (336.5)	101.6 (384.6)	114.3 (432.7)		
	1.750 (44.450)	3600 (248.2)	.2213 (.8377)	55.3 (209.3)	66.4 (251.4)	77.4 (293.0)	88.5 (335.0)	99.6 (377.0)		
	HP (Kilowatts) required @ RPM**				133.3 (99.4)	160.0 (119.3)	186.6 (139.1)	213.3 (159.1)		

	Plunger Size in. (mm)	Max. psi (bar)	*Gallon (Liter) Per/Rev	250 RPM US gpm (lpm)	300 RPM US gpm (lpm)	350 RPM US gpm (lpm)	400 RPM US gpm (lpm)	450 RPM US gpm (lpm)		
MA-240H	1.875 (47.625)	3237 (223.2)	.2540 (.9615)	63.5 (240.4)	76.2 (288.4)	88.9 (336.5)	101.6 (384.6)	114.3 (432.7)	Flows: 40 – 114 gpm (151.4 – 431.5 lpm) psi: 3237 – 5000 (bar: 223.2 – 344.7) Stroke Length: 4.25 in. (107.95 mm) Weight: 3,240 lbs. (1,469.6 kg)	Max. HP 240 (179.0 kW)
	1.750 (44.450)	3716 (256.2)	.2213 (.8377)	55.3 (209.3)	66.4 (251.4)	77.4 (293.0)	88.5 (335.0)	99.6 (377.0)		
	1.625 (41.275)	4309 (297.1)	.1908 (.7223)	47.7 (180.6)	57.2 (216.5)	66.8 (252.9)	76.3 (288.8)	85.9 (325.2)		
	1.500 (38.100)	5000 (344.7)	.1626 (.6155)	40.6 (153.7)	48.8 (184.7)	56.9 (215.4)	65.0 (246.1)	73.2 (277.1)		
HP (Kilowatts) required @ RPM**				133.3 (99.4)	160.0 (119.3)	186.6 (139.1)	213.3 (159.1)	240.0 (179.0)		

	Plunger Size in. (mm)	Max. psi (bar)	*Gallon (Liter) Per/Rev	200 RPM US gpm (lpm)	250 RPM US gpm (lpm)	300 RPM US gpm (lpm)	350 RPM US gpm (lpm)	400 RPM US gpm (lpm)		
MA-300L*	4.000 (101.600)	851 (58.7)	1.3600 (5.1482)	272.0 (1029.6)	340.0 (1287.0)	408.0 (1544.4)	476.0 (1801.9)	544.0 (2059.3)	Flows: 153 – 476 gpm (579.2 – 1801.9 lpm) psi: 851 – 1480 (bar: 58.7 – 102.0) Stroke Length: 5.00 in. (127.00 mm) Weight: 5,000 lbs. (2,268.0 kg)	Max. HP 300 (223.7 kW)
	3.875 (98.425)	907 (62.5)	1.2763 (4.8313)	255.3 (966.4)	319.1 (1207.9)	382.9 (1449.4)	446.7 (1691.0)	510.5 (1932.5)		
	3.750 (95.250)	969 (66.8)	1.1953 (4.5247)	239.1 (905.1)	298.8 (1131.1)	358.6 (1357.4)	418.4 (1583.8)	478.1 (1809.8)		
	3.625 (92.075)	1037 (71.5)	1.1170 (4.2283)	223.4 (845.7)	279.2 (1056.9)	335.1 (1268.5)	390.9 (1479.7)	446.8 (1691.3)		
	3.500 (88.900)	1112 (76.7)	1.0413 (3.9417)	208.3 (788.5)	260.3 (985.3)	312.4 (1182.6)	364.4 (1379.4)	416.5 (1576.6)		
	3.375 (85.725)	1196 (82.5)	.9682 (3.6650)	193.6 (732.9)	242.1 (916.4)	290.5 (1099.7)	338.9 (1282.9)	387.3 (1466.1)		
	3.250 (82.550)	1290 (88.9)	.8978 (3.3985)	179.6 (679.9)	224.5 (849.8)	269.3 (1019.4)	314.2 (1189.4)	359.1 (1359.3)		
	3.125 (79.375)	1395 (96.2)	.8301 (3.1423)	166.0 (628.4)	207.5 (785.5)	249.0 (942.6)	290.5 (1099.7)	332.0 (1256.8)		
	3.000 (76.200)	1480 (102.0)	.7650 (2.8958)	153.0 (579.2)	191.3 (724.1)	229.5 (868.8)	267.8 (1013.7)	306.0 (1158.3)		
	HP (Kilowatts) required @ RPM**				150.0 (111.9)	188.0 (140.2)	225.0 (167.8)	263.0 (196.1)		

	Plunger Size in. (mm)	Max. psi (bar)	*Gallon (Liter) Per/Rev	200 RPM US gpm (lpm)	250 RPM US gpm (lpm)	300 RPM US gpm (lpm)	350 RPM US gpm (lpm)	400 RPM US gpm (lpm)		
MA-300M*	2.875 (73.025)	1648 (113.6)	.7026 (2.6596)	140.5 (531.9)	175.6 (664.7)	210.8 (798.0)	245.9 (930.8)	281.0 (1063.7)	Flows: 53 – 281 gpm (200.6 – 1063.7 lpm) psi: 1648 – 3600 (bar: 113.6 – 248.2) Stroke Length: 5.00 in. (127.00 mm) Weight: 4,925 lbs. (2,233.9 kg)	Max. HP 300 (223.7 kW)
	2.750 (69.850)	1801 (124.2)	.6428 (2.4333)	128.6 (486.8)	160.7 (608.3)	192.8 (729.8)	225.0 (851.7)	257.1 (973.2)		
	2.625 (66.675)	1977 (136.3)	.5857 (2.2171)	117.1 (443.3)	146.4 (554.2)	175.7 (665.1)	205.0 (776.0)	234.3 (886.9)		
	2.500 (63.500)	2180 (150.3)	.5313 (2.0112)	106.3 (402.4)	132.8 (502.7)	159.4 (603.4)	185.9 (703.7)	212.5 (804.4)		
	2.375 (60.325)	2415 (166.5)	.4795 (1.8151)	95.9 (363.0)	119.9 (453.9)	143.8 (544.3)	167.8 (635.2)	191.8 (726.0)		
	2.250 (57.150)	2691 (185.5)	.4303 (1.6289)	86.1 (325.9)	107.6 (407.3)	129.1 (488.7)	150.6 (570.1)	172.1 (651.5)		
	2.125 (53.975)	3017 (208.0)	.3838 (1.4528)	76.8 (290.7)	96.0 (363.4)	115.1 (435.7)	134.3 (508.4)	153.5 (581.1)		
	2.000 (50.800)	3406 (234.8)	.3400 (1.2870)	68.0 (257.4)	85.0 (321.8)	102.0 (386.1)	119.0 (450.5)	136.0 (514.8)		
	1.875 (47.625)	3600 (248.2)	.2988 (1.1311)	59.8 (226.4)	74.7 (282.8)	89.6 (339.2)	104.6 (396.0)	119.5 (452.4)		
	1.750 (44.450)	3600 (248.2)	.2603 (9.853)	52.1 (197.2)	65.1 (246.4)	78.1 (295.6)	91.1 (344.9)	104.1 (394.1)		
	HP (Kilowatts) required @ RPM**				150.0 (111.9)	188.0 (140.2)	225.0 (167.8)	263.0 (196.1)		

\* Displacement based on 100% volumetric efficiency \*\* Power based on 90% mechanical efficiency +

Standard Offering. See price pages for standard options.

# RO Series

This pump is designed specifically for the demanding continuous duty water treatment industry, in particular, for desalinization. Each pump is carefully selected to handle the corrosive liquids with particular concern given to both corrosion resistance and ease of field maintenance. This line of pumps also follows the Hydraulic Institute Standards and can fully comply to API 674 if needed.

## RO Series Features

- Flows up to 658 gpm (2490.8 lpm)
- Pressure ratings up to 2,698 psi (186.0 bar)
- Power ratings to 260 HP (193.9 kg)
- Metallurgies available: Aluminum Bronze, 316 Stainless Steel, and 2205 Stainless Steel
- Temperatures to 400° F (204° C)
- Metallurgies available are Ductile Iron, Aluminum Bronze, Carbon Steels and a variety of Stainless Steel

## RO Series Sizing Charts

RO-23	Plunger Size in. (mm)	Max. psi (bar)	*Gallon (Liter) Per/Rev	250 RPM US gpm (lpm)	350 RPM US gpm (lpm)	450 RPM US gpm (lpm)	550 RPM US gpm (lpm)	650 RPM US gpm (lpm)	Flows: 4 – 26 gpm (15.1 – 98.4 lpm) psi: 1174 – 2450 (bar: 80.9 – 168.9) Stroke Length: 1.50 in. (38.10 mm) Weight: 235 lbs. (106.6 kg)	Max. HP 20 (14.9 kW)
	1.625 (41.275)	1174 (80.9)	.0404 (.1529)	10.1 (38.2)	14.1 (53.4)	18.2 (68.9)	22.2 (84.0)	26.3 (99.6)		
	1.500 (38.100)	1378 (95.0)	.0344 (.1302)	8.6 (32.6)	12.0 (45.4)	15.5 (58.7)	18.9 (71.5)	22.4 (84.8)		
	1.375 (34.925)	1640 (113.1)	.0289 (.1094)	7.2 (27.3)	10.1 (38.2)	13.0 (49.2)	15.9 (60.2)	18.8 (71.2)		
	1.250 (31.750)	1984 (136.8)	.0239 (.0905)	6.0 (22.7)	8.4 (31.8)	10.8 (40.9)	13.1 (49.6)	15.5 (58.7)		
	1.125 (28.575)	2450 (168.9)	.0194 (.0734)	4.8 (18.2)	6.8 (25.7)	8.7 (32.9)	10.7 (40.5)	12.6 (47.7)		
HP (Kilowatts) required @ RPM**				7.7 (5.7)	10.8 (8.1)	13.8 (10.3)	16.9 (12.6)	20.0 (14.9)		

RO-38	Plunger Size in. (mm)	Max. psi (bar)	*Gallon (Liter) Per/Rev	200 RPM US gpm (lpm)	300 RPM US gpm (lpm)	400 RPM US gpm (lpm)	500 RPM US gpm (lpm)	600 RPM US gpm (lpm)	Flows: 6 – 43 gpm (22.7 – 162.8 lpm) psi: 1075 – 2419 (bar: 74.1 – 166.8) Stroke Length: 2.00 in. (50.80 mm) Weight: 430 lbs. (195.0 kg)	Max. HP 30 (22.4 kW)
	1.875 (47.625)	1075 (74.1)	.0717 (.2714)	14.3 (54.1)	21.5 (81.4)	28.7 (108.6)	35.9 (135.9)	43.0 (162.8)		
	1.750 (44.450)	1234 (86.1)	.0625 (.2366)	12.5 (47.3)	18.7 (70.8)	25.0 (94.6)	31.2 (118.1)	37.5 (142.0)		
	1.625 (41.275)	1431 (98.7)	.0539 (.2040)	10.8 (40.9)	16.2 (61.3)	21.5 (81.4)	26.9 (101.8)	32.3 (122.3)		
	1.500 (38.100)	1680 (115.8)	.0459 (.1738)	9.2 (34.8)	13.8 (52.2)	18.4 (69.7)	23.0 (87.1)	27.5 (104.1)		
	1.375 (34.925)	1999 (137.8)	.0386 (.1461)	7.7 (29.1)	11.6 (43.9)	15.4 (58.3)	19.3 (73.1)	23.1 (23.1)		
1.250 (31.750)	2419 (168.8)	.0319 (.1208)	6.4 (24.2)	9.6 (36.3)	12.8 (48.5)	15.9 (60.2)	19.1 (72.3)			
HP (Kilowatts) required @ RPM**				10.0 (7.5)	15.0 (11.2)	20.0 (14.9)	25.0 (18.6)	30.0 (22.4)		

RO-64	Plunger Size in. (mm)	Max. psi (bar)	*Gallon (Liter) Per/Rev	200 RPM US gpm (lpm)	250 RPM US gpm (lpm)	350 RPM US gpm (lpm)	450 RPM US gpm (lpm)	550 RPM US gpm (lpm)	Flows: 11 – 71 gpm (41.6 – 268.8 lpm) psi: 1086 – 2440 (bar: 74.9 – 168.2) Stroke Length: 2.50 in. (63.50 mm) Weight: 750 lbs. (340.2 kg)	Max. HP 50 (37.3 kW)
	2.250 (57.150)	1086 (74.9)	.1291 (.4887)	25.8 (97.7)	32.3 (122.3)	45.2 (171.1)	58.1 (220.0)	71.0 (268.8)		
	2.125 (53.975)	1218 (84.0)	.1151 (.4357)	23.0 (87.1)	28.8 (109.0)	40.3 (152.6)	51.8 (196.1)	63.3 (239.6)		
	2.000 (50.800)	1374 (94.7)	.1020 (.3861)	20.4 (77.2)	25.5 (96.5)	35.7 (135.1)	45.9 (173.8)	56.1 (212.4)		
	1.875 (47.625)	1564 (107.8)	.0896 (.3392)	17.9 (67.8)	22.4 (84.8)	31.4 (118.9)	40.3 (152.6)	49.3 (186.6)		
	1.750 (44.450)	1793 (123.6)	.0781 (.2956)	15.6 (59.1)	19.5 (73.8)	27.3 (103.3)	35.1 (132.9)	43.0 (162.8)		
	1.625 (41.275)	2084 (143.7)	.0673 (.2548)	13.5 (51.1)	16.8 (63.6)	23.6 (89.3)	30.3 (114.7)	37.0 (140.1)		
	1.500 (38.100)	2440 (168.2)	.0574 (.2173)	11.5 (43.5)	14.3 (54.1)	20.1 (76.1)	25.8 (97.7)	31.6 (119.6)		
HP (Kilowatts) required @ RPM**				18.2 (13.6)	22.7 (16.9)	31.8 (23.7)	40.9 (30.5)	50.0 (37.3)		

\* Displacement based on 100% volumetric efficiency \*\* Power based on 90% mechanical efficiency +

Standard Offering. See price pages for standard options.

# RO Series Sizing Charts (Continued)

	Plunger Size in. (mm)	Max. psi (bar)	*Gallon (Liter) Per/Rev	200 RPM US gpm (lpm)	300 RPM US gpm (lpm)	400 RPM US gpm (lpm)	500 RPM US gpm (lpm)	600 RPM US gpm (lpm)		
RO-72	1.875 (47.625)	1051 (72.5)	.1345 (.5091)	26.9 (101.8)	40.3 (152.6)	53.8 (203.7)	67.2 (254.4)	80.7 (305.5)	Flows: 21 – 80 gpm (79.5 – 302.8 lpm) psi: 1051 – 2365 (bar: 72.5 – 163.1) Stroke Length: 2.25 in. (57.15 mm) Weight: 710 lbs. (332.1 kg)	Max. HP 55 (41.0 kW)
	1.750 (44.450)	1207 (83.2)	.1171 (.4433)	23.4 (88.6)	35.1 (132.9)	46.9 (177.5)	58.6 (221.9)	70.3 (266.1)		
	1.625 (41.275)	1399 (96.5)	.1010 (.3823)	20.2 (76.5)	30.3 (114.7)	40.4 (152.9)	50.5 (191.2)	60.6 (229.4)		
	1.500 (38.100)	1642 (113.2)	.0861 (.3259)	17.2 (65.1)	25.8 (97.7)	34.4 (130.2)	43.0 (162.8)	51.6 (195.3)		
	1.375 (34.925)	1954 (134.7)	.0723 (.2737)	14.5 (54.9)	21.7 (82.1)	28.9 (109.4)	36.2 (137.0)	43.4 (164.3)		
	1.250 (31.750)	2365 (163.1)	.0598 (.2264)	12.0 (45.4)	17.9 (67.8)	23.9 (90.5)	29.9 (113.2)	35.9 (135.9)		
HP (Kilowatts) required @ RPM**				18.3 (13.6)	27.5 (20.5)	36.7 (27.4)	45.8 (34.2)	55.0 (41.0)		

	Plunger Size in. (mm)	Max. psi (bar)	*Gallon (Liter) Per/Rev	300 RPM US gpm (lpm)	350 RPM US gpm (lpm)	400 RPM US gpm (lpm)	450 RPM US gpm (lpm)	500 RPM US gpm (lpm)		
RO-86	2.500 (63.500)	1048 (72.3)	.1913 (.7241)	57.4 (217.3)	66.9 (253.2)	76.5 (289.6)	86.1 (326.0)	95.6 (361.9)	Flows: 24 – 137 gpm (90.8 – 518.6 lpm) psi: 728 – 2480 (bar: 50.2 – 171.0) Stroke Length: 3.00 in. (76.20 mm) Weight: 945 lbs. (428.6 kg)	Max. HP 65 (48.5 kW)
	2.375 (60.325)	1161 (80.0)	.1726 (.6534)	51.8 (196.1)	60.4 (228.6)	69.0 (261.2)	77.7 (294.1)	86.3 (326.7)		
	2.250 (57.150)	1294 (89.2)	.1549 (.5864)	46.5 (176.0)	54.2 (205.2)	62.0 (234.7)	69.7 (263.8)	77.5 (293.4)		
	2.125 (53.975)	1450 (100.0)	.1382 (.5231)	41.5 (157.1)	48.4 (183.2)	55.3 (209.3)	62.2 (235.5)	69.1 (261.6)		
	2.000 (50.800)	1637 (112.9)	.1224 (.4633)	36.7 (138.9)	42.8 (162.0)	49.0 (185.5)	55.1 (208.6)	61.2 (231.7)		
	1.875 (47.625)	1863 (128.4)	.1076 (.4073)	32.3 (122.3)	37.7 (142.7)	43.0 (162.8)	48.4 (183.2)	53.8 (203.7)		
	1.750 (44.450)	2139 (147.5)	.0937 (.3547)	28.1 (106.4)	32.8 (124.2)	37.5 (142.0)	42.2 (159.7)	46.9 (177.5)		
	1.625 (41.275)	2480 (171.0)	.0808 (.3059)	24.2 (91.6)	28.3 (107.1)	32.3 (122.3)	36.4 (137.8)	40.4 (152.9)		
HP (Kilowatts) required @ RPM**				39.0 (29.1)	45.5 (33.9)	52.0 (38.8)	58.5 (43.6)	65.0 (48.5)		

	Plunger Size in. (mm)	Max. psi (bar)	*Gallon (Liter) Per/Rev	200 RPM US gpm (lpm)	250 RPM US gpm (lpm)	350 RPM US gpm (lpm)	450 RPM US gpm (lpm)	550 RPM US gpm (lpm)		
RO-117	2.250 (57.150)	1008 (69.5)	.2367 (.8960)	47.3 (179.0)	59.2 (224.1)	82.8 (313.4)	106.5 (403.1)	130.2 (492.9)	Flows: 17 – 130 gpm (64.4 – 492.1 lpm) psi: 1008 – 2698 (bar: 69.5 – 186.0) Stroke Length: 2.75 in. (69.85 mm) Weight: 1,270 lbs. (576.1 kg)	Max. HP 85 (63.4 kW)
	2.125 (53.975)	1130 (77.9)	.2111 (.7991)	42.2 (159.7)	52.8 (199.9)	73.9 (279.7)	95.0 (359.6)	116.1 (439.5)		
	2.000 (50.800)	1275 (87.9)	.1870 (.7079)	37.4 (141.6)	46.8 (177.2)	65.5 (247.9)	84.2 (318.7)	102.9 (389.5)		
	1.875 (47.625)	1451 (100.0)	.1644 (.6223)	32.9 (124.5)	41.1 (155.6)	57.5 (217.7)	74.0 (280.1)	90.4 (342.2)		
	1.750 (44.450)	1665 (114.8)	.1432 (.5421)	28.6 (108.3)	35.8 (135.5)	50.1 (189.6)	64.4 (243.8)	78.7 (297.9)		
	1.625 (41.275)	1932 (133.2)	.1234 (.4671)	24.7 (93.5)	30.9 (117.0)	43.2 (163.5)	55.6 (210.5)	67.9 (257.0)		
	1.500 (38.100)	2267 (156.3)	.1052 (.3982)	21.0 (79.5)	26.3 (99.6)	36.8 (139.3)	47.3 (179.0)	57.9 (219.2)		
	1.375 (34.925)	2698 (186.0)	.0884 (.3346)	17.7 (67.0)	22.1 (83.7)	30.9 (117.0)	39.8 (150.7)	48.6 (184.0)		
HP (Kilowatts) required @ RPM**				30.9 (23.0)	38.7 (28.9)	54.1 (40.3)	69.6 (51.9)	85.0 (63.4)		

	Plunger Size in. (mm)	Max. psi (bar)	*Gallon (Liter) Per/Rev	250 RPM US gpm (lpm)	300 RPM US gpm (lpm)	350 RPM US gpm (lpm)	400 RPM US gpm (lpm)	450 RPM US gpm (lpm)		
RO-174	3.500 (88.900)	858 (59.2)	.4998 (1.8919)	125.0 (473.2)	149.9 (567.4)	174.9 (662.1)	199.9 (756.7)	224.9 (851.3)	Flows: 51 – 224 gpm (193.1 – 847.9 lpm) psi: 858 – 2075 (bar: 59.2 – 143.1) Stroke Length: 4.00 in. (101.60 mm) Weight: 1,725 lbs. (782.4 kg)	Max. HP 125 (93.2 kW)
	3.375 (85.725)	922 (63.6)	.4647 (1.7591)	116.2 (439.9)	139.4 (527.7)	162.7 (615.9)	185.9 (703.7)	209.1 (791.5)		
	3.250 (82.550)	995 (68.6)	.4310 (1.6315)	107.7 (407.7)	129.3 (489.5)	150.8 (570.8)	172.4 (652.6)	193.9 (734.0)		
	3.125 (79.375)	1076 (74.2)	.3984 (1.5081)	99.6 (377.0)	119.5 (452.4)	139.5 (528.1)	159.4 (603.4)	179.3 (378.7)		
	3.000 (76.200)	1167 (80.5)	.3672 (1.3900)	91.8 (347.5)	110.2 (417.2)	128.5 (486.4)	146.9 (556.1)	165.2 (625.4)		
	2.875 (73.025)	1271 (87.6)	.3372 (1.2764)	84.3 (319.1)	101.2 (383.1)	118.0 (446.7)	134.9 (510.7)	151.8 (574.6)		
	2.750 (69.850)	1389 (95.8)	.3086 (1.1682)	77.1 (291.9)	92.6 (350.5)	108.0 (408.8)	123.4 (467.1)	138.8 (525.4)		
	2.625 (66.675)	1525 (105.1)	.2811 (1.0641)	70.3 (266.1)	84.3 (319.1)	98.4 (372.5)	112.5 (425.9)	126.5 (478.9)		
	2.500 (63.500)	1681 (115.9)	.2550 (.9653)	63.8 (241.5)	76.5 (289.6)	89.3 (338.0)	102.0 (386.1)	114.8 (434.6)		
	2.375 (60.325)	1863 (128.4)	.2301 (.8710)	57.5 (217.7)	69.0 (261.2)	80.5 (304.7)	92.1 (348.6)	103.6 (392.2)		
	2.250 (57.150)	2075 (143.1)	.2066 (.7821)	51.6 (195.3)	62.0 (234.7)	72.3 (273.7)	82.6 (312.7)	92.9 (351.7)		
HP (Kilowatts) required @ RPM**				69.5 (51.8)	83.4 (62.2)	97.3 (72.6)	111.2 (82.9)	125.0 (93.2)		

\* Displacement based on 100% volumetric efficiency \*\* Power based on 90% mechanical efficiency +

Standard Offering. See price pages for standard options.

# RO Series Sizing Charts (Continued)

	Plunger Size in. (mm)	Max. psi (bar)	*Gallon (Liter) Per/Rev	250 RPM US gpm (lpm)	300 RPM US gpm (lpm)	350 RPM US gpm (lpm)	400 RPM US gpm (lpm)	450 RPM US gpm (lpm)		
RO-185	3.500 (88.900)	903 (62.3)	.5310 (2.0100)	132.8 (205.7)	159.3 (603.0)	185.9 (703.7)	212.4 (804.0)	239.0 (904.7)	Flows: 61 – 239 gpm (230.9 – 904.7 lpm) psi: 903 – 1961 (bar: 62.3 – 135.2) Stroke Length: 4.25 in. (107.95 mm) Weight: 2,050 lbs. (929.9 kg)	Max. HP 140 (104.4 kW)
	3.375 (85.725)	971 (66.9)	.4938 (1.8692)	123.4 (467.1)	148.1 (560.6)	172.8 (654.1)	197.5 (747.6)	222.2 (841.1)		
	3.250 (82.550)	1047 (72.2)	.4579 (1.7333)	114.5 (433.4)	137.4 (520.1)	160.3 (606.8)	183.2 (693.5)	206.0 (779.8)		
	3.125 (79.375)	1133 (78.1)	.4233 (1.6024)	105.8 (400.5)	127.0 (480.7)	148.2 (561.0)	169.3 (640.9)	190.5 (721.1)		
	3.000 (76.200)	1229 (84.7)	.3902 (1.4771)	97.5 (369.1)	117.0 (442.9)	136.6 (517.1)	156.1 (590.9)	175.6 (664.7)		
	2.875 (73.025)	1338 (92.3)	.3583 (1.3563)	89.6 (339.2)	107.5 (406.9)	125.4 (474.7)	143.3 (542.4)	161.2 (610.2)		
	2.750 (69.850)	1463 (100.9)	.3278 (1.2409)	82.0 (310.4)	98.4 (372.5)	114.7 (434.2)	131.1 (496.3)	147.5 (558.3)		
	2.625 (66.675)	1605 (110.7)	.2987 (1.1307)	74.7 (282.8)	89.6 (339.2)	104.5 (395.6)	119.5 (452.4)	134.4 (508.8)		
	2.500 (63.500)	1770 (122.0)	.2709 (1.0255)	67.7 (256.3)	81.3 (307.8)	94.8 (358.9)	108.4 (410.3)	121.9 (461.4)		
	2.375 (60.325)	1961 (135.2)	.2445 (.9255)	61.1 (231.3)	73.4 (277.9)	85.6 (324.0)	97.8 (370.2)	110.0 (416.4)		
HP (Kilowatts) required @ RPM**				77.7 (57.9)	93.3 (69.6)	108.8 (81.1)	124.4 (92.8)	140.0 (104.4)		

	Plunger Size in. (mm)	Max. psi (bar)	*Gallon (Liter) Per/Rev	250 RPM US gpm (lpm)	300 RPM US gpm (lpm)	350 RPM US gpm (lpm)	400 RPM US gpm (lpm)	450 RPM US gpm (lpm)		
RO-261	4.000 (101.600)	934 (64.4)	.7344 (2.7800)	183.6 (695.0)	220.3 (833.9)	257.0 (972.9)	293.8 (1112.2)	330.5 (1251.1)	Flows: 121 – 330 gpm (458.0 – 1249.2 lpm) psi: 934 – 1415 (bar: 64.4 – 97.6) Stroke Length: 4.50 in. (114.30 mm) Weight: 2,680 lbs. (1,215.6 kg)	Max. HP 200 (149.1 kW)
	3.875 (98.425)	995 (68.6)	.6892 (2.5089)	172.3 (652.2)	206.8 (782.8)	241.2 (913.0)	275.7 (1043.6)	310.1 (1173.9)		
	3.750 (95.250)	1063 (73.3)	.6455 (2.4435)	161.4 (611.0)	193.6 (732.9)	225.9 (855.1)	258.2 (977.4)	290.5 (1099.7)		
	3.625 (92.075)	1138 (78.5)	.6032 (2.2834)	150.8 (570.8)	180.9 (684.8)	211.1 (799.1)	241.3 (913.4)	271.4 (1027.4)		
	3.500 (88.900)	1220 (84.1)	.5623 (2.1285)	140.6 (432.2)	168.7 (638.6)	196.8 (745.0)	224.9 (851.3)	253.0 (957.7)		
	3.375 (85.725)	1312 (90.5)	.5228 (1.9790)	130.7 (494.8)	156.8 (593.6)	183.0 (682.7)	209.1 (791.5)	235.3 (890.7)		
	3.250 (82.550)	1415 (97.6)	.4848 (1.8352)	121.2 (458.8)	145.4 (550.4)	169.7 (642.4)	193.9 (734.0)	218.2 (826.0)		
	HP (Kilowatts) required @ RPM**				111.2 (82.9)	133.4 (99.5)	155.7 (116.1)	177.9 (132.7)		

	Plunger Size in. (mm)	Max. psi (bar)	*Gallon (Liter) Per/Rev	250 RPM US gpm (lpm)	300 RPM US gpm (lpm)	350 RPM US gpm (lpm)	400 RPM US gpm (lpm)	450 RPM US gpm (lpm)		
RO-358*	3.500 (88.900)	1007 (69.4)	.8851 (3.3504)	221.3 (837.7)	265.5 (1005.0)	309.8 (1172.7)	354.0 (1340.0)	398.3 (1507.7)	Flows: 101 – 398 gpm (382.3 – 1506.6 lpm) psi: 1007 – 2187 (bar: 69.4 – 150.8) Stroke Length: 4.25 in. (107.95 mm) Weight: 3,240 lbs. (1,469.6 kg)	Max. HP 260 (193.9 kW)
	3.375 (85.725)	1083 (74.7)	.8230 (3.1154)	205.7 (778.7)	246.9 (934.6)	288.0 (1090.2)	329.2 (1246.2)	370.3 (1401.7)		
	3.250 (82.550)	1168 (80.5)	.7631 (2.8886)	190.8 (722.3)	228.9 (866.5)	267.1 (1011.1)	305.3 (1155.7)	343.4 (1299.9)		
	3.125 (79.375)	1263 (87.1)	.7056 (2.6710)	176.4 (667.7)	211.7 (801.4)	246.9 (934.6)	282.2 (1068.2)	317.5 (1201.9)		
	3.000 (76.200)	1371 (94.5)	.6503 (2.4617)	162.6 (615.5)	195.1 (738.5)	227.6 (861.6)	260.1 (984.6)	292.6 (1107.6)		
	2.875 (73.025)	1492 (102.9)	.5972 (2.2606)	149.3 (565.2)	179.2 (678.3)	209.0 (791.2)	238.9 (904.3)	268.7 (1017.1)		
	2.750 (69.850)	1631 (112.5)	.5464 (2.0683)	136.6 (517.1)	163.9 (620.4)	191.2 (723.8)	218.6 (827.5)	245.9 (930.8)		
	2.625 (66.675)	1790 (123.4)	.4978 (1.8844)	124.5 (471.3)	149.4 (565.5)	174.2 (659.4)	199.1 (753.7)	224.0 (847.9)		
	2.500 (63.500)	1974 (136.1)	.4516 (1.7095)	112.9 (427.4)	135.5 (512.9)	158.0 (598.1)	180.6 (683.6)	203.2 (769.2)		
	2.375 (60.325)	2187 (150.8)	.4075 (1.5426)	101.9 (385.7)	122.3 (463.0)	142.6 (539.8)	163.0 (617.0)	183.4 (694.2)		
HP (Kilowatts) required @ RPM**				144.5 (107.8)	173.4 (129.3)	202.3 (150.9)	231.2 (172.4)	260.0 (193.9)		

	Plunger Size in. (mm)	Max. psi (bar)	*Gallon (Liter) Per/Rev	250 RPM US gpm (lpm)	300 RPM US gpm (lpm)	350 RPM US gpm (lpm)	400 RPM US gpm (lpm)	450 RPM US gpm (lpm)		
RO-358L	4.500 (114.300)	609 (42.0)	1.4631 (5.5384)	365.8 (1384.7)	438.9 (1661.4)	512.1 (1938.5)	585.2 (2215.2)	658.4 (2492.3)	Flows: 221 – 658 gpm (836.6 – 2490.8 lpm) psi: 609 – 939 (bar: 42.0 – 64.7) Stroke Length: 4.25 in. (107.95 mm) Weight: 3,240 lbs. (1,469.6 kg)	Max. HP 260 (193.9 kW)
	4.375 (111.125)	644 (44.4)	1.3829 (5.2348)	345.7 (1308.6)	414.9 (1570.6)	484.0 (1832.1)	553.2 (2094.1)	622.3 (2355.7)		
	4.250 (107.950)	683 (47.1)	1.3050 (4.9400)	326.3 (1235.2)	391.5 (1482.0)	456.8 (1729.2)	522.0 (1976.0)	587.3 (2223.2)		
	4.125 (104.775)	725 (50.0)	1.2294 (4.6538)	307.3 (1163.3)	368.8 (1396.1)	430.3 (1628.9)	491.8 (1861.7)	553.2 (2094.1)		
	4.000 (101.600)	771 (53.2)	1.1560 (4.3759)	289.0 (1094.0)	346.8 (1312.8)	404.6 (1531.6)	462.4 (1750.4)	520.2 (1969.2)		
	3.875 (98.425)	821 (56.6)	1.0849 (4.1068)	271.2 (1026.6)	325.5 (1232.2)	379.7 (1437.3)	434.0 (1642.9)	488.2 (1848.0)		
	3.750 (95.250)	877 (60.5)	1.0160 (3.8460)	254.0 (961.5)	304.8 (1153.8)	355.6 (1346.1)	406.4 (1538.4)	457.2 (1730.7)		
	3.625 (92.075)	939 (64.7)	.9494 (3.5939)	237.4 (898.7)	284.8 (1078.1)	332.3 (1257.9)	379.8 (1437.7)	427.2 (1617.1)		
HP (Kilowatts) required @ RPM**				144.5 (107.8)	173.1 (129.1)	202.2 (150.8)	231.1 (172.3)	260.0 (193.9)		

\* Displacement based on 100% volumetric efficiency \*\* Power based on 90% mechanical efficiency +

Standard Offering. See price pages for standard options.

# Accessories

## Know Your Flow

- Used on selected Apex pumps
- Smart display continually displays the theoretical rate of pump displacement
- Digital readout
- Requires only 2 size "C" batteries



## Regulators

- Handle capacities from 5 – 210 gpm (19 – 795 lpm)
- Pressures from 50 – 5,500 psi (3 – 379 bar)
- Ductile iron body



## Planetary Shaft Adapter

- SAE adapter to provide shaft input for planetary gear boxes for inline motor drives



## Pulsation Equipment

- Suction and discharge
- Available up to 1,200 cu. in. (19,665 cu. cm)
- Flanged or threaded
- Replacement cartridges available
- Nitrile, EPDM, or TEF encapsulated
- Carbon steel, plastic coated, and 316 stainless steel



## Pulsation Equipment

- Capacities from 10 – 20 gpm (38 – 78 lpm)
- Pressures to 1,500 psi (103 bar)
- Carbon steel body with butyl rubber, SS and Delrin® internal components



## Bypass Relief Valve

- Flows from 5 – 210 gpm (19 – 795 lpm)
- Pressures 50 – 5,500 psi (3 – 379 bar)
- Aluminum bronze body with 316 stainless steel internal components



## Force Feed Packing Lubricator

- Three- or five-feed for liquids that require additional lubrication such as liquid propane, methanol, dry liquids or liquids requiring dried pumpage to be dissolved/flushed on backside or plungers such as produced water



## Myers Apex Series Tools

- Patented valve puller
- Gland wrench
- Cage wrench



## Planetary Gear

- Various ratios and HP ratings for Apex pumps to fit your application



## Myers Valve Pullers, Cylinder Puller

- Tools to assist in removal of valves or cylinders
- Packing removal tool



740 EAST 9TH STREET,  
ASHLAND, OHIO 44805  
WWW.FEMYERS.COM

269 TRILLIUM DRIVE, KITCHENER,  
ONTARIO, CANADA N2G 4W5  
WWW.FEMYERS.COM

Rokide® is a registered trademark of Saint-Gobain Abrasives, Inc.  
Myers® is a registered trademark of Pentair, Ltd.

Because we are continuously improving our products and services, Pentair reserves the right to change specifications without prior notice.  
K4172 08/09/13 © 2013 Pentair Ltd. All Rights Reserved.

# MYERS® FLUID END REPAIR KIT FOR PISTON AND PLUNGER PUMPS



# PRICING & INFORMATION

## SAVINGS OVER PURCHASING THE INDIVIDUAL PARTS

Myers fluid end repair kits are available for our most popular industrial pumps.

Take advantage of great savings by purchasing a complete kit including all gaskets, seals, springs, fittings and washers to repair the entire liquid end of the pump.

A complete list of available kits are listed.



**CALL YOUR DISTRIBUTOR  
TO PLACE YOUR ORDER**

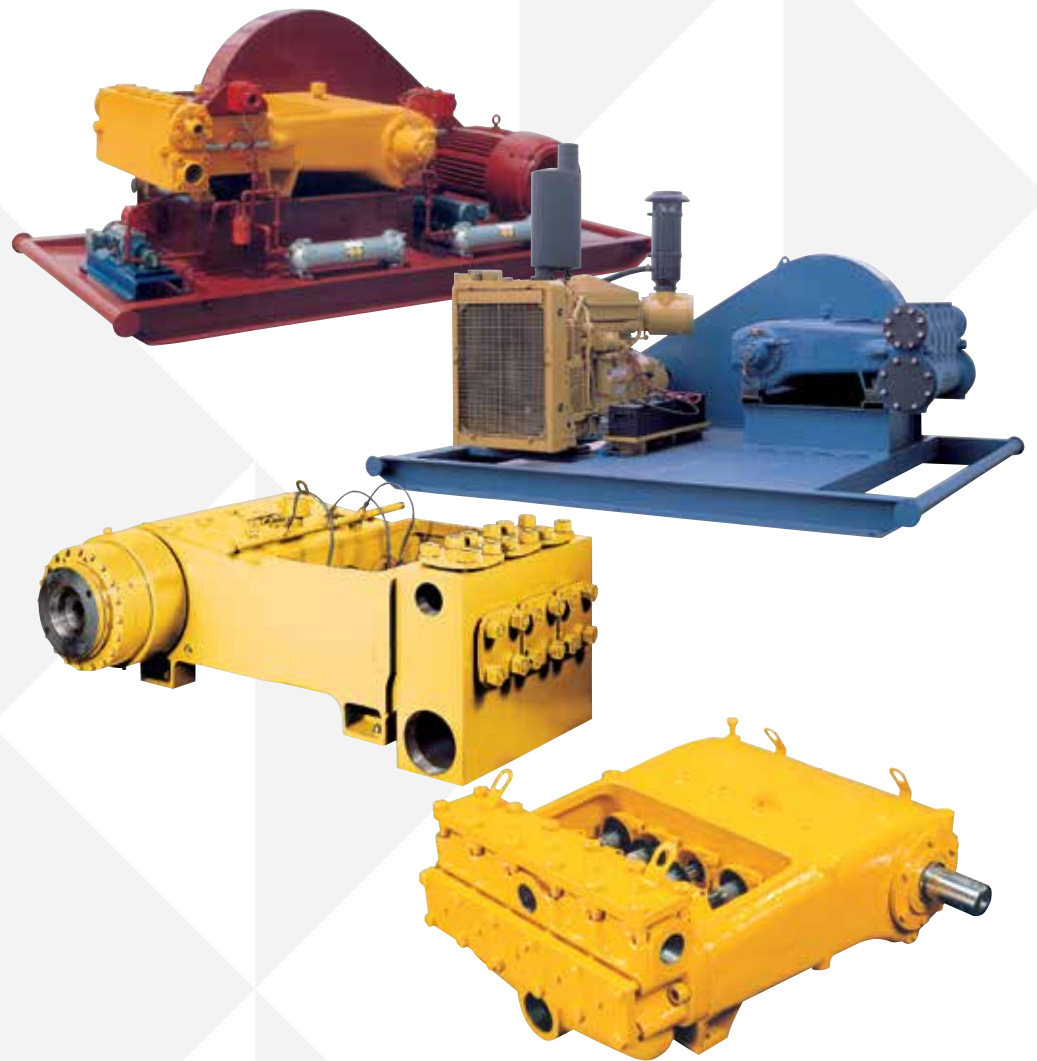
Catalog Number	Pump Model
K6-15C-FE	BXM6-15C
K6-15AB-FE	BXM6-15AB
K10-15	CX10-15
K10-15AVAB	CX10-15AVAB
K20-10	CX20-10
K35-20	C35-20
K35-20DV	C35-20-DV
K40-20	C40-20
K22-16	CXP22-16
K30-12	CXP30-12
K10-40-FE	CPM18-40
K65-16	D65-16
K65-20	D65-20,
K80-20	DP80-20
K90-18	DP90-18
K54-30	E54-30
K70-23V	E70-23V
K80-20V	E80-20V
K80-25	E80-25/E70-25



740 EAST 9TH STREET,  
ASHLAND, OHIO 44805  
WWW.FEMYERS.COM

269 TRILLIUM DRIVE, KITCHENER,  
ONTARIO, CANADA N2G 4W5  
WWW.FEMYERS.COM

Because we are continuously improving our products and services, Pentair reserves the right to change specifications without prior notice.  
K4439 01/30/13 © 2013 Pentair Ltd. All Rights Reserved.



# MYERS<sup>®</sup> APLEX SERIES EXPENDABLE PARTS CATALOG



# Table of Contents

## Valves

---

Valves by Size	pg. 4-5
Valves Parts List	pg. 6

## Plungers

---

MA-15 / SC-30 / RO-23	pg. 7
MA-25 / MA-45 / SC-45 / SC-80 / RO-38 / RO-72	pg. 7
MA-40 / MA-75 / SC-65 / SC-115 / RO-64 / RO-117	pg. 7
MA-60 / SC-95 / RO-86	pg. 8
MA-95 / MA-120 / MA-240 / SC-170 / SC-300 / RO-174 / RO-185 / RO-358	pg. 8
MA-155 / SC-230 / RO-261	pg. 8

## Packing

---

Packing Application Chart	pg. 9
Packing Support Ring Applications Chart	pg. 9
MA-15 / SC-30 / RO-23	pgs. 10-14
MA-25 / MA-45 / SC-45 / SC-80 / RO-38 / RO-72	pgs. 15-19
MA-40 / MA-75 / SC-65 / SC-115 / RO-64 / RO-117	pgs. 20-24
MA-60 / SC-95 / RO-86	pgs. 25-29
MA-95 / MA-120 / MA-240 / SC-170 / SC-300 / RO-174 / RO-185 / RO-358	pgs. 30-33
MA-155 / MA-300 / SC-230 / RO-261	pgs. 34-37

## Tools

---

Dual Stem Guided / Abrasion Resistant	pg. 38
Disc Valve Puller Assemblies	pg. 39

# Valves by Size

## Valve Application Chart

Valve Types	Disc. Material	Max. PSI	Max. Temp.	pH Range	Abrasive Capabilities	Typical Applications
Disc. Valves	Delrin®	2000	120°F	3 – 10	No	Clean Cool Liquids, Sea /Fresh Water, RO
	Stainless	5000	250°F	1 – 12	Yes	Amine, NGL, Crude Oil, Hot Liquids
Dual Stem Guided	Stainless w/ Poly Insert	5000	160°F (2)	1 – 12	Yes	Water Service w/ Abrasive Content
Resistant Valves	Stainless w/ Poly Insert	5000	180°F	1 – 12	Yes	Slurries and Solutions w/ Abrasive Content

**Notes:**

- 316 SST and 2205 valve sets are available for special applications.
- Viton® or Atlas Insert and Disc Material upgrades are available for higher temperature applications, even if not listed. Titanium Alloy (6ALAV) available for higher temperature, higher pressure and low NPSHR installation.
- Any abrasive in a fluid will shorten expendable life, while those materials designated as abrasion resistant will have a longer life expectancy than other materials.
- All the recommendations in these charts are designed for general conditions. Please confirm materials with Myers/Aplex for your application before ordering.

- \* Suction Valve
- \*\* Discharge Valve

10 SERIES	Disc Valve S.S.	Ball Valve
MA-15H* SC-30H*	TS10-SD0-AC0695	TS10-SB0-AC0729

12 SERIES	Abrasion Resistant Valve (ARO)	D.S.G. Valve S.S. Polyurethane O-ring	D.S.G. Valve S.S. Teflon® O-ring	D.S.G. Valve S.S. No O-ring	D.S.G. Valve S.S. No O-ring (Lite Spring)	Disc Valve S.S. SDO	Disc Valve Titanium - TDO
MA-15M MA-15H** MA-25H* MA-45H* SC-30 SC-30H** SC-45H* SC-80H* RO-23	TS12-ARO-AC0848	TS12-SG0-AC0545	TS12-SG0-AC0952	TS12-SG0-AC0677	TS12-SG1-AC0991	TS12-SD0-AC0660	TS12-TD0-AC1045

15 SERIES	Abrasion Resistant Valve (ARO)	D.S.G. Valve S.S. Polyurethane O-Ring	D.S.G. Valve S.S. Viton® O-rings	D.S.G. Valve S.S. No O-ring	Disc Valve S.S. SDO	Disc Valve S.S. Thick Disc	Disc Valve Delrin® CDO	Disc, Titanium (Lite Spring)
MA-25M MA-25H** MA-40M MA-45M MA-45H** MA-75H SC-45 SC-65H SC-80 SC-80H** SC-115H RO-38 RO-72	Suction: TS15-ARO-AC0718 Discharge: TS15-ARO-AC0719	Suction: TS15-SG0-AC0490 Discharge: TS15-SG0-AC0735	Suction: TS15-SG0-AC1053 Discharge: TS15-SG0-AC1054	Suction: TS15-SG0-AC0694 Discharge: TS15-SG0-AC1057	Suction: TS15-SD0-AC0424 Discharge: TS15-SD0-AC0665	Suction: TS15-SD0-AC0394 Discharge: TS15-SD0-AC0679	Suction: TS15-CDO-AC0423 Discharge: TS15-CDO-AC0664	Suction: TS15-TD1-AC0982 Discharge: TS15-TD1-AC0983

18 SERIES	Abrasion Resistant Valve (ARO)	D.S.G. Valve S.S. Polyurethane O-Ring	D.S.G. - Suction (W/ Heavy Spring)	Disc Valve S.S. SDO	Disc Valve Titanium - TDO	Disc, Valve Delrin w/ 2205 Seat	Disc Valve Delrin CDO
MA-25L MA-40M MA-75M MA-60H SC-45L SC-65 SC-115 RO-64 RO-117	Suction: TS18-ARO-AC0714 Discharge: TS18-ARO-AC0715	Suction: TS18-SG0-AC0478 Discharge: TS18-SG0-AC0720	Suction: TS18-SG0-AC0824 Discharge: TS18-SG0-AC0824	Suction: TS18-SD0-AC0285 Discharge: TS18-SD0-AC0819	Suction: TS18-TDO-AC1075 Discharge: TS18-TDO-AC1076	Suction: TS18-CDO-AC0998 Discharge: TS18-CDO-AC0999	Suction: TS18-CDO-AC0284 Discharge: TS18-CDO-AC0820

# Valves by Size

20 SERIES		Abrasion Resistant Valve (ARO)	D.S.G. Valve S.S. Polyurethane O-Ring	Disc Valve S.S. SDO	Disc Valve S.S. (Lite Spring)	Disc Valve Titanium - TDO	Disc Valve Delrin® CDO	Disc, Titanium, (Lite Spring)
MA-40L	MA-60M	Suction:	Suction:	Suction:	Suction:	Suction:	Suction:	Suction:
MA-75L	MA-95M	TS20-ARO-AC0716	TS20-SG0-0510	TS20-SD0-AC0330	TS20-SD1-AC0927	TS20-TD0-AC0171	TS20-CDO-AC0103	TS20-TD1-AC0173
MA-120M	MA-120H							
MA-155H	MA-240M	Discharge:	Discharge:	Discharge:	Discharge:	Discharge:	Discharge:	Discharge:
SC-65L	SC-95	TS20-ARO-AC0717	TS20-SG0-0511	TS20-SD0-AC0331		TS20-TD0-AC0172	TS20-CDO-AC0104	TS20-TD1-AC0174
SC-115L	SC-170H							
SC-230H	RO-86							

25 SERIES	Abrasion Resistant Valve (ARO)	Disc Valve S.S. SDO	Disc Valve Titanium - TDO	Disc Valve Delrin CDO
MA-155M SC-170 SC-300	Suction:	Suction:	Suction:	Suction:
	TS25-ARO-AC0792	TS25-SD0-AC0672	TS25-TD0-AC0237	TS25-CDO-AC0194
	Discharge:	Discharge:	Discharge:	Discharge:
	TS25-ARO-AC0793	TS25-SD0-AC0673	TS25-TD0-AC0238	TS25-CDO-AC0195

30 SERIES	Abrasion Resistant Valve (ARO)	D.S.G. Valve S.S. (Lite Spring)	Disc Valve S.S. SDO	Disc Valve Titanium - TDO	Disc Valve Delrin CDO	Disc Valve Delrin (X-Hvy)	Disc Valve S.S. (X-Hvy)
MA-95L MA-120L MA-240L RO-174 SC-170L RO-185 RO-358	Suction:	Suction:	Suction:	Suction:	Suction:	Suction:	Suction:
	TS30-ARO-AC0795	TS30-SD1-AC0877	TS30-SD0-AC0539	TS30-TD0-AC0253	TS30-CDO-AC0158	TS30-CDO-AC0607	TS30-SD2-AC0972
	Discharge:	Discharge:	Discharge:	Discharge:	Discharge:	Discharge:	Discharge:
	TS30-ARO-AC0798	TS30-SD1-AC0878	TS30-SD0-AC0540	TS30-TD0-AC0252	TS30-CDO-AC0157	TS30-CDO-AC0606	TS30-SD2-AC0973

32 SERIES	Abrasion Resistant Valve (ARO)	Disc Valve S.S. SDO	Disc Valve Titanium - TD	Disc Valve Delrin CDO
MA-155L MA-240K SC-230 RO-261 RO-358L	Suction:	Suction:	Suction:	Suction:
	TS32-ARO-AC0730	TS32-SD0-AC0812	TS32-TD0-AC0241	TS32-CDO-AC0159
	Discharge:	Discharge:	Discharge:	Discharge:
	TS32-ARO-AC0731	TS32-SD0-AC0812	TS32-TD0-AC0242	TS32-CDO-AC0160

30 SERIES	Abrasion Resistant Valve (ARO)
SC-300L	Suction
	TS30-ARO-AC0722
	Discharge
	TS30-ARO-AC0721

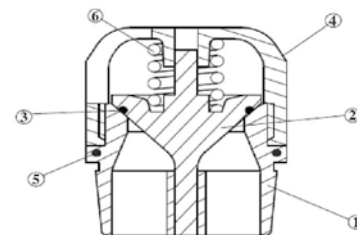
35 SERIES	Abrasion Resistant Valve (ARO)
SC170DD	Suction:
	TS35-ARO-AC0882
	Discharge:
	TS35-ARO-AC0883

# Valves Parts List

## Dual Stem Guided Valve

Advantages:

1. Good sealing valve.
2. Different o-rings available for different fluids and temperatures.
3. Good for abrasive fluids.



DUAL STEM GUIDED VALVES		12	15	18	20
1	Valve Seat, Hardened SS, Suction	7207-0003-00B	7206-0059-00B	7203-0206-00B	7202-0535-00B
	Valve Seat, Hardened SS, Discharge	7207-0003-00B	7206-0263-00B	7203-0541-00B	7202-0534-00B
2	Dual-Stem Valve, S.S.	7207-0001-00A	7206-0061-00A	7203-0282-00A	7202-0533-10B
3	O-Ring, Polyurethane	110-000019-218	110-000024-218	110-000028-218	110-000030-218
4	Guide Cage, S.S.	7207-0004-00B	7206-0060-00B	7203-0208-00A	7202-0532-00B
5	O-Ring, Nitrile Rubber	110-000023-201	110-000029-201	110-000032-201	110-000035-201
6	Valve Spring, Inconel®	7207-0002-00A	7206-0119-00A	7203-0210-00A	7203-0209-00A

## Delrin® Disc Valves

Advantages:

1. Good sealing valve.
2. Economical
3. Lightweight – good for lower NPSH.

Warnings:

1. Not recommended for use over 120°F.
2. Not recommended for pressures over 2000 psi.
3. Not for use with any abrasives.

## Stainless Steel Disc Valves

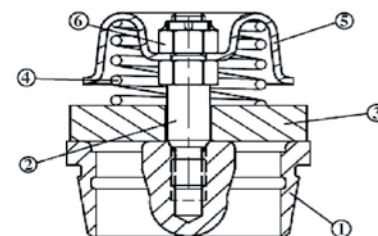
Advantages:

1. Can be used at higher pressures and temperatures.
2. Good with wide variety of liquids.

## Titanium Disc Valves

Advantages:

1. Superior in low NPSH applications.
2. Highest temperature range (400°F).
3. Higher allowable temperature (250°F).



DISC VALVES		12	15	18	20	25	30	32
1	Valve Seat, Suction – S.S.	7207-0143-00A	7203-0189-00A	7203-0121-00C	7202-0321-00C	7201-0312-00C	7204-0398-00C	7201-0306-00C
	Valve Seat, Discharge – S.S.	7207-0143-00A	7206-0245-00A	7203-0603-00A	7202-0323-00C	7201-0313-00C	7204-0397-00C	7201-0308-00C
Stem								
2	Stem, for Delrin Disk – SS	NOT AVAILABLE	7203-0122-10B	7203-0122-10B	7202-0322-10B	7202-0322-10B	7202-0322-10B	7201-0307-10B
	Stem, for Std. S.S. Disc	7207-0141-00A	7203-0126-00B	7203-0126-00B	7202-0328-01B	7202-0328-01B	7202-0328-01B	7201-0376-00B
Valve Disc								
3	Valve Disc, Delrin	NOT AVAILABLE	8000-0072-00A	7203-0124-01A	7202-0325-01A	7201-0324-01A	7204-0350-01A	7201-0310-01A
	Valve Disc, Titanium	7207-0264-00A	7206-0316-00A	7206-0127-00A	7202-0329-00A	7201-0366-00A	7204-0505-00A	7201-0377-10A
	Valve Disc, S.S.	7207-0140-00A	7203-0129-10A	7203-0127-10A	7202-0329-20A	7201-0366-10A	7204-0505-10A	7201-0377-00A
4	SPRING – Inconel	7207-0142-00A	7203-0123-01A	7203-0123-01A	7202-0324-01A	7202-0324-01A	7202-0324-01A	7201-0309-01A
5	Spring Retainer – S.S.	7207-0139-00A	7203-0125-01B	7203-0125-01B	7202-0320-10B	7202-0320-10B	7202-0320-10B	7201-0305-10B
6	Lock Nut – S.S.	NOT AVAILABLE	151-516018-405	151-516018-405	151-012013-405	151-012013-405	151-012013-405	151-058011-405

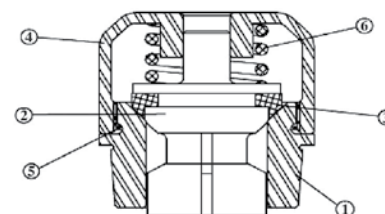
## Abrasion Resistant Valves

Advantages:

1. Very good sealing valve.
2. Polyurethane insert seals around small solids.
3. Good flow path also helps vs. abrasive fluids.
4. Good for high or low pressure.

Warning:

1. Not recommended for use over 180°F.



ABRASION RESISTANT VALVES		12	15	18	20	25	30	32	35	
1	Valve Seat, Suction	7207-0225-00A	7206-0288-00B	7203-0543-00B	7202-0584-00B	7201-0749-00B	7204-1110-00A	7204-1050-00A *	7201-0733-00A	7204-1232-00A
	Valve Seat, Discharge	7207-0225-00A	7206-0289-00B	7203-0547-00B	7202-0587-00B	7201-0755-00A	7204-1125-00A	7201-1051-00A*	7201-0738-00A	7204-1233-00A
2	Valve Body	7207-0226-00A	7206-0285-00A	7203-0542-00A	7202-0583-00A	7201-0750-00A	7204-1111-00A	7204-1049-00A*	7201-0734-00A	7204-1229-00A
3	Polyurethane Insert	7207-0227-00A	7206-0286-00A	7203-0544-00A	7202-0585-00A	7201-0751-00A	7204-1112-00A	7204-1184-00A*	7201-0736-00A	7204-1229-00A
4	Guide Cage	7207-0228-00A	7206-0287-00B	7203-0544-00B	7202-0586-00B	7201-0752-00B	7204-1113-00A	7204-1053-00A*	7201-0737-00A	7204-1230-00A
5	O-Ring	110-000023-201	110-000029-201	110-000032-201	110-000035-201	7201-0753-00A	7204-1114-00A	N/A	7201-0739-00A	N/A
6	Valve Spring	7207-0229-00A	7206-0302-00A	7206-0302-00A	7202-0591-00A	7201-0754-00A	7204-1115-00A	7204-1052-00A*	7201-0735-00A	7204-1231-00A

# Plungers

Plunger Application Chart

Plunger Type	pH Rating	Temp. Rating °F	Resistance to Abrasives	Recommended for Use with Flammable Liquids	Typical Surface Finish-Micro	Typical Hardness	Subject to Thermal Shock	Pressure Rating	Typical Application
Rokide®	0 – 14	600	No	Yes	8 – 12 RMS	1200 Knoop	No	10,000	Fresh/Salt Water, RO, Amine, Glycol, Gasoline, Water
Rokide "TX"	0 – 14	600	Yes	Yes	8 – 12 RMS	1400 Knoop	No	10,000	All of above – specializing in bentonite and slurry service
White Ceramic	0 – 14	180	Yes	No	8 RMS	9 MOH	Yes	2,000	Water Service Produced, Fresh/Salt Water, RO, Acids, Caustics
Tungsten Carbide		500	No	Yes	10 – 12 RMS	59 – 64 Rc	No	10,000	General Service
Colmonoy No. 6		500	No	Yes	10 – 12 RMS	Rc	No	10,000	General Service

**Notes:**

Rokide and ceramic plungers will not perform in cavitating environments; all plunger life will be shortened.

All the recommendations in these charts are designed for general conditions. Please confirm materials with Myers/Aplex for your application before ordering.

Pump Models	Diameter (in.)	Rokide on 316 SST	Rokide Superfinished on 316 SST	Rokide Tx on 416 SST	White Ceramic	Tungsten Carbide	Rokide on 316 SST (2 Pc.)	
MA-15 SC-30 RO-23	3/4	NOT AVAILABLE						7207-0135-06B
	7/8	7207-0042-07B	7207-0462-07B	7207-0154-07B	7207-0149-07B	7207-0260-07B	7207-0135-07B	
	1	7207-0042-08B	7207-0462-08B	7207-0154-08B	7207-0149-08B	7207-0260-08B	7207-0135-08B	
	1-1/8	7207-0042-09B	7207-0462-09B	7207-0154-09B	7207-0149-09B	7207-0260-09B	NOT AVAILABLE	
	1-1/4	7207-0042-10B	7207-0462-10B	7207-0154-10B	7207-0149-10B	7207-0260-10B		
	1-3/8	7207-0042-11B	7207-0462-11B	7207-0154-11B	7207-0149-11B	7207-0260-11B		
	1-1/2	7207-0042-12B	7207-0462-12B	7207-0154-12B	7207-0149-12B	7207-0260-12B		
	1-5/8	7207-0042-13B	7207-0462-13B	7207-0154-13B	7207-0149-13B	7207-0260-13B		

(Ext. Rod for 2 PC. 7207-0138-00A)

Pump Models	Diameter (in.)	Rokide on 316 SST	Rokide Superfinished on 316 SST	"Tx" on 416 SST	White Ceramic	Tungsten Carbide	Rokide on 316 SST (2 Pc.)	Tungsten Carbide (2 Pc.)	
MA-25 MA-45 SC-45 SC-80 RO-38 RO-72	3/4	NOT AVAILABLE						7206-0336-06B	7206-0447-06B
	7/8	NOT AVAILABLE						7206-0336-07B	7206-0447-07B
	1	NOT AVAILABLE						7206-0336-08B	7206-0447-08B
	1-1/8	7206-0023-09B	7206-0445-09B	7206-0278-09B	7206-0279-09B	7206-0444-09B	7206-0336-09B	7206-0447-09B	
	1-1/4	7206-0023-10B	7206-0445-10B	7206-0278-10B	7206-0279-10B	7206-0444-10B	7206-0336-10B	7206-0447-10B	
	1-3/8	7206-0023-11B	7206-0445-11B	7206-0278-11B	7206-0279-11B	7206-0444-11B	7206-0336-11B	7206-0447-11B	
	1-1/2	7206-0023-12B	7206-0445-12B	7206-0278-12B	7206-0279-12B	7206-0444-12B	7206-0336-12B	7206-0447-12B	
	1-5/8	7206-0023-13B	7206-0445-13B	7206-0278-13B	7206-0279-13B	7206-0444-13B	NOT AVAILABLE		
	1-3/4	7206-0023-14B	7206-0445-14B	7206-0278-14B	7206-0279-14B	7206-0444-14B			
	1-7/8	7206-0023-15B	7206-0445-15B	7206-0278-15B	7206-0279-15B	7206-0444-15B			
	2	7206-0023-16B	7206-0445-16B	7206-0278-16B	7206-0279-16B	7206-0444-16B			
	2-1/8	7206-0023-17B	7206-0445-17B	7206-0278-17B	7206-0279-17B	7206-0444-17B			
	2-1/4	7206-0023-18B	7206-0445-18B	7206-0278-18B	7206-0279-18B	7206-0444-18B			

(Ext. Rod for 2 PC. 7206-0024-00A)

Pump Models	Diameter (in.)	Rokide on 316 SST	"Tx" on 316 SST Superfinished	"Tx" on 416 SST	White Ceramic	Tungsten Carbide	Wallex	Rokide on 316 SST (2 Pc.)	White Ceramic (2 Pc.)	
MA-40 MA-75 SC-65 SC-115 RO-64 RO-117	3/4	NOT AVAILABLE							7203-0112-06B	7203-0710-06B
	7/8	NOT AVAILABLE							7203-0112-07B	7203-0710-07B
	1	NOT AVAILABLE							7203-0112-08B	7203-0710-08B
	1-1/8	NOT AVAILABLE							7203-0112-09B	7203-0710-09B
	1-1/4	7203-0113-10B	7203-0743-10B	7203-0530-10B	7203-0137-10B	7203-0725-10B	7203-0744-10B	7203-0112-10B	7203-0710-10B	
	1-3/8	7203-0113-11B	7203-0743-11B	7203-0530-11B	7203-0137-11B	7203-0725-11B	7203-0744-11B	7203-0112-11B	7203-0710-11B	
	1-1/2	7203-0113-12B	7203-0743-12B	7203-0530-12B	7203-0137-12B	7203-0725-12B	7203-0744-12B	7203-0112-12B	7203-0710-12B	
	1-5/8	7203-0113-13B	7203-0743-13B	7203-0530-13B	7203-0137-13B	7203-0725-13B	7203-0744-13B	7203-0112-13B	7203-0710-13B	
	1-3/4	7203-0113-14B	7203-0743-14B	7203-0530-14B	7203-0137-14B	7203-0725-14B	7203-0744-14B	NOT AVAILABLE		
	1-7/8	7203-0113-15B	7203-0743-15B	7203-0530-15B	7203-0137-15B	7203-0725-15B	7203-0744-15B			
	2	7203-0113-16B	7203-0743-16B	7203-0530-16B	7203-0137-16B	7203-0725-16B	7203-0744-16B			
	2-1/8	7203-0113-17B	7203-0743-17B	7203-0530-17B	7203-0137-17B	7203-0725-17B	7203-0744-17B			
	2-1/4	7203-0113-18B	7203-0743-18B	7203-0530-18B	7203-0137-18B	7203-0725-18B	7203-0744-18B			
	2-3/8	7203-0113-19B	7203-0743-19B	7203-0530-19B	7203-0137-19B	7203-0725-19B	7203-0744-19B			
	2-1/2	7203-0113-20B	7203-0743-20B	7203-0530-20B	7203-0137-20B	7203-0725-20B	7203-0744-20B			
	2-5/8	7203-0113-21B	7203-0743-21B	7203-0530-21B	7203-0137-21B	7203-0725-21B	7203-0744-21B			
	2-3/4	7203-0113-22B	7203-0743-22B	7203-0530-22B	7203-0137-22B	7203-0725-22B	7203-0744-22B			

(Ext. Rod for 2 PC. 7203-0114-00A)

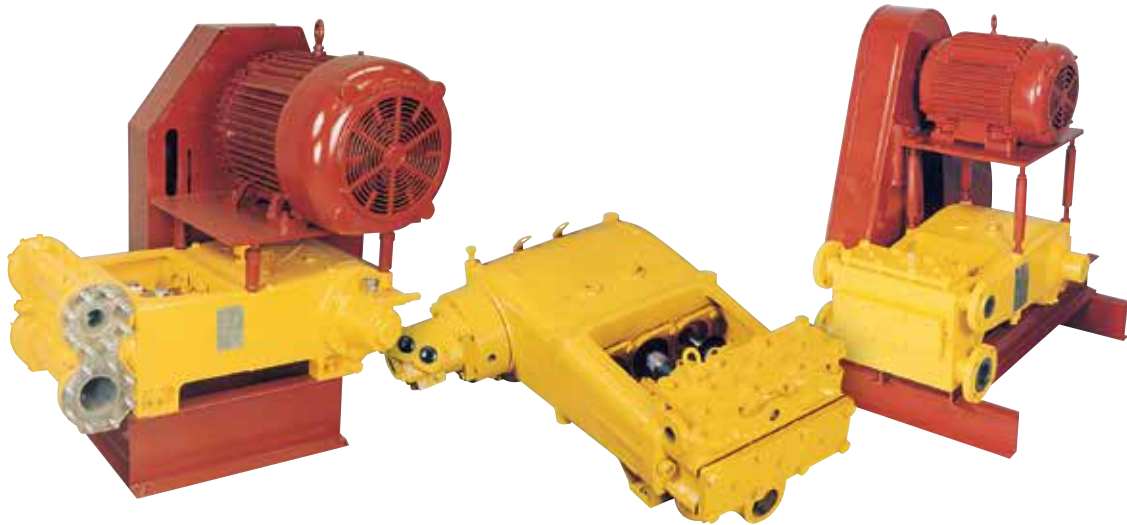
# Plungers

Pump Models	Diameter (in.)	Rokide® on 316 SST	"Tx" on 416 SST	White Ceramic	Tungsten Carbide	Tungsten Carbide & Superfinished	Rokide on 316 SST Superfinished	Wallex
MA-60 SC-95 RO-86	1	7202-0425-08B	CONSULT FACTORY				7202-0663-08B	7202-0665-08
	1-1/8	7202-0425-09B	CONSULT FACTORY				7202-0663-09B	7202-0665-09
	1-1/4	7202-0425-10B	7202-0632-10B	7202-0570-10B	7202-0650-10B	7202-0654-10B	7202-0663-10B	7202-0665-10
	1-3/8	7202-0425-11B	7202-0632-11B	7202-0570-11B	7202-0650-11B	7202-0654-11B	7202-0663-11B	7202-0665-11
	1-1/2	7202-0425-12B	7202-0632-12B	7202-0570-12B	7202-0650-12B	7202-0654-12B	7202-0663-12B	7202-0665-12
	1-5/8	7202-0425-13B	7202-0632-13B	7202-0570-13B	7202-0650-13B	7202-0654-13B	7202-0663-13B	7202-0665-13
	1-3/4	7202-0425-14B	7202-0632-14B	7202-0570-14B	7202-0650-14B	7202-0654-14B	7202-0663-14B	7202-0665-14
	1-7/8	7202-0425-15B	7202-0632-15B	7202-0570-15B	7202-0650-15B	7202-0654-15B	7202-0663-15B	7202-0665-15
	2	7202-0425-16B	7202-0632-16B	7202-0570-16B	7202-0650-16B	7202-0654-16B	7202-0663-16B	7202-0665-16
	2-1/8	7202-0425-17B	7202-0632-17B	7202-0570-17B	7202-0650-17B	7202-0654-17B	7202-0663-17B	7202-0665-17
	2-1/4	7202-0425-18B	7202-0632-18B	7202-0570-18B	7202-0650-18B	7202-0654-18B	7202-0663-18B	7202-0665-18
	2-3/8	7202-0425-19B	7202-0632-19B	7202-0570-19B	7202-0650-19B	7202-0654-19B	7202-0663-19B	7202-0665-19
	2-1/2	7202-0425-20B	7202-0632-20B	7202-0570-20B	7202-0650-20B	7202-0654-20B	7202-0663-20B	7202-0665-20
	2-5/8	CONSULT FACTORY	7202-0632-21B	7202-0570-21B	7202-0650-21B	7202-0654-21B	CONSULT FACTORY	CONSULT FACTORY
	2-3/4		7202-0632-22B	7202-0570-22B	7202-0650-22B	7202-0654-22B		
	2-7/8		7202-0632-23B	7202-0570-23B	7202-0650-23B	7202-0654-23B		
	3		7202-0632-24B	7202-0570-24B	7202-0650-24B	7202-0654-24B		

Pump Models	Diameter (in.)	Rokide on 316 SST	Rokide on 316 SST Superfinished	"Tx" on 316 SST	White Ceramic	Tungsten Carbide	Tungsten Carbide & Superfinished	Wallex
MA-95 MA-120 MA-240 SC-170 SC-300 RO-174 RO-185 RO-358	1-3/8	7204-0535-11B	7204-1293-11B	CONSULT FACTORY	7204-1284-11B	7204-1168-11B	7204-1299-11B	7204-1317-11B
	1-1/2	7204-0535-12B	7204-1293-12B		7204-1284-12B	7204-1168-12B	7204-1299-12B	7204-1317-12B
	1-5/8	7204-0535-13B	7204-1293-13B		7204-1284-13B	7204-1168-13B	7204-1299-13B	7204-1317-13B
	1-3/4	7204-0535-14B	7204-1293-14B		7204-1284-14B	7204-1168-14B	7204-1299-14B	7204-1317-14B
	1-7/8	7204-0535-15B	7204-1293-15B	7204-1278-15B	7204-1284-15B	7204-1168-15B	7204-1299-15B	7204-1317-15B
	2	7204-0535-16B	7204-1293-16B	7204-1278-16B	7204-1284-16B	7204-1168-16B	7204-1299-16B	7204-1317-16B
	2-1/8	7204-0535-17B	7204-1293-17B	7204-1278-17B	7204-1284-17B	7204-1168-17B	7204-1299-17B	7204-1317-17B
	2-1/4	7204-0535-18B	7204-1293-18B	7204-1278-18B	7204-1284-18B	7204-1168-18B	7204-1299-18B	7204-1317-18B
	2-3/8	7204-0535-19B	7204-1293-19B	7204-1278-19B	7204-1284-19B	7204-1168-19B	7204-1299-19B	7204-1317-19B
	2-1/2	7204-0535-20B	7204-1293-20B	7204-1278-20B	7204-1284-20B	7204-1168-20B	7204-1299-20B	7204-1317-20B
	2-5/8	7204-0535-21B	7204-1293-21B	7204-1278-21B	7204-1284-21B	7204-1168-21B	7204-1299-21B	7204-1317-21B
	2-3/4	7204-0535-22B	7204-1293-22B	7204-1278-22B	7204-1284-22B	7204-1168-22B	7204-1299-22B	7204-1317-22B
	2-7/8	7204-0535-23B	7204-1293-23B	7204-1278-23B	7204-1284-23B	7204-1168-23B	7204-1299-23B	7204-1317-23B
	3	7204-0535-24B	7204-1293-24B	7204-1278-24B	7204-1284-24B	7204-1168-24B	7204-1299-24B	7204-1317-24B
	3-1/8	7204-0535-25B	7204-1293-25B	7204-1278-25B	7204-1284-25B	7204-1168-25B	7204-1299-25B	7204-1317-25B
	3-1/4	7204-0535-26B	7204-1293-26B	7204-1278-26B	7204-1284-26B	7204-1168-26B	7204-1299-26B	7204-1317-26B
	3-3/8	7204-0535-27B	7204-1293-27B	7204-1278-27B	7204-1284-27B	7204-1168-27B	7204-1299-27B	7204-1317-27B
	3-1/2	7204-0535-28B	7204-1293-28B	7204-1278-28B	7204-1284-28B	7204-1168-28B	7204-1299-28B	7204-1317-28B
	3-5/8	CONSULT FACTORY	7204-1293-29B	CONSULT FACTORY	7204-1168-29B	CONSULT FACTORY	7204-1317-29B	
	3-3/4		7204-1293-30B		7204-1168-30B		7204-1317-30B	
3-7/8	7204-1293-31B		7204-1168-31B		7204-1317-31B			
4	7204-1293-32B		7204-1168-32B		7204-1317-32B			
4-1/8	7204-1293-33B		7204-1168-33B		7204-1317-33B			
4-1/4	7204-1293-34B		7204-1168-34B		7204-1317-34B			
4-3/8	7204-1293-35B		7204-1168-35B		7204-1317-35B			
4-1/2	7204-1293-36B		7204-1168-36B		7204-1317-36B			

Pump Models	Diameter (in.)	Rokide on 316	White Ceramic	Tungsten Carbide & Superfinished
MA-155 MA-300 SC-230 RO-261	1-1/2	7201-0325-12B	7201-0796-12B	7201-0812-12B
	1-5/8	7201-0325-13B	7201-0796-13B	7201-0812-13B
	1-3/4	7201-0325-14B	7201-0796-14B	7201-0812-14B
	1-7/8	7201-0325-15B	7201-0796-15B	7201-0812-15B
	2	7201-0325-16B	7201-0796-16B	7201-0812-16B
	2-1/8	7201-0325-17B	7201-0796-17B	7201-0812-17B
	2-1/4	7201-0325-18B	7201-0796-18B	7201-0812-18B
	2-3/8	7201-0325-19B	7201-0796-19B	7201-0812-19B
	2-1/2	7201-0325-20B	7201-0796-20B	7201-0812-20B
	2-5/8	7201-0325-21B	7201-0796-21B	7201-0812-21B
	2-3/4	7201-0325-22B	7201-0796-22B	7201-0812-22B
	2-7/8	7201-0325-23B	7201-0796-23B	7201-0812-23B
	3	7201-0325-24B	7201-0796-24B	7201-0812-24B
	3-1/8	7201-0325-25B	7201-0796-25B	7201-0812-25B
	3-1/4	7201-0325-26B	7201-0796-26B	7201-0812-26B
	3-3/8	7201-0325-27B	7201-0796-27B	7201-0812-27B
	3-1/2	7201-0325-28B	7201-0796-28B	7201-0812-28B
	3-5/8	7201-0325-29B	7201-0796-29B	7201-0812-29B
	3-3/4	7201-0325-30B	7201-0796-30B	7201-0812-30B
	3-7/8	7201-0325-31B	7201-0796-31B	7201-0812-31B
4	7201-0325-32B	7201-0796-32B	7201-0812-32B	

# Packing Applications



## Packing Application Chart

Plunger Type	Accuation	Pressure Range Min.-Max.	Max. Temp. °F	pH Range	Lubrication Required	Typical Application
838	Glandn Adjusted	50 – 2500	180	5 – 8	Yes	Produced Water, Fresh Water, NGL Liquids, Gasoline, Oils, General Service
120X	Spring Loaded	50 – 5000	450	1 – 14	No	Acids, Caustics, Amine, Glycol, Oils, RO
805	Spring Loaded	50 – 10,000	200	5 – 8	Suggested	Water Service, NGL Liquids, Gasoline
140	Spring Loaded	1000 – 5000	450	2 – 10	No	Produced, Fresh/Salt Water
141	Spring Loaded	900 – 1500	150	4 – 8	No	Produced, Fresh/Salt Water
8921K	Spring Loaded	900 – 1500	200	2 – 12	No	Acids and Caustics, Large Dia. Plungers in Large Pumps, NGL Liquids, RO
140	Gland Adjusted	1000 – 5000	450	2 – 10	No	Produced, Fresh/Salt Water
141	Gland Adjusted	200 – 1500	150	4 – 8	No	Produced, Fresh/Salt Water
8921K	Gland Adjusted	200 – 1500	200	2 – 12	No	Acids, Caustics, NGL
141/140 Hi/Low	Gland Adjusted	100 – 2000	150	4 – 8	No	Dirty Liquid Service, Bentonite
140 Hi/Low	Gland Adjusted	1000 – 3000	400	2 – 10	No	Dirty Liquid Service, Bentonite

### Notes:

- 1.) If packing does not require normal lubrication, the liquid being pumped may change this requirement (i.e. All NGL liquids are recommended to be lubricated. Also all seal life will be improved with added lubrication).
- 2.) Spring-loaded design is preferred to remove operator error dependence. No adjustment required or available.
- 3.) All the recommendations in these charts are designed for general conditions. Please confirm materials with Aplex for your applications before ordering.

## Packing Support Ring Applications Chart

Support Ring Material	Spacer Material	Temp. Rating °F	pH Range	Typical Applications
Bronze (600 or Aluminum Bronze)	Bronze	400	6 – 8	Fresh/Salt Water, Glycol, RO Service, Gasoline, Oil, General Service
Cast Iron	Delrin®	120	6 – 9	Caustics, Amine, Alkalis, Hydroxides
Stainless Steel (17-4 PH)	Delrin	120	3 – 12	Strong Acids, Caustics

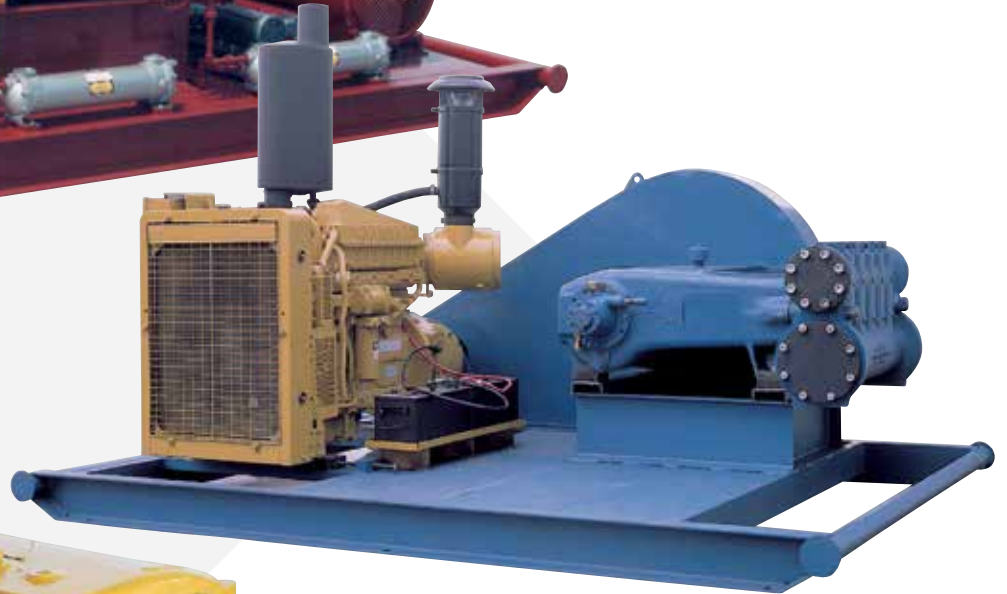
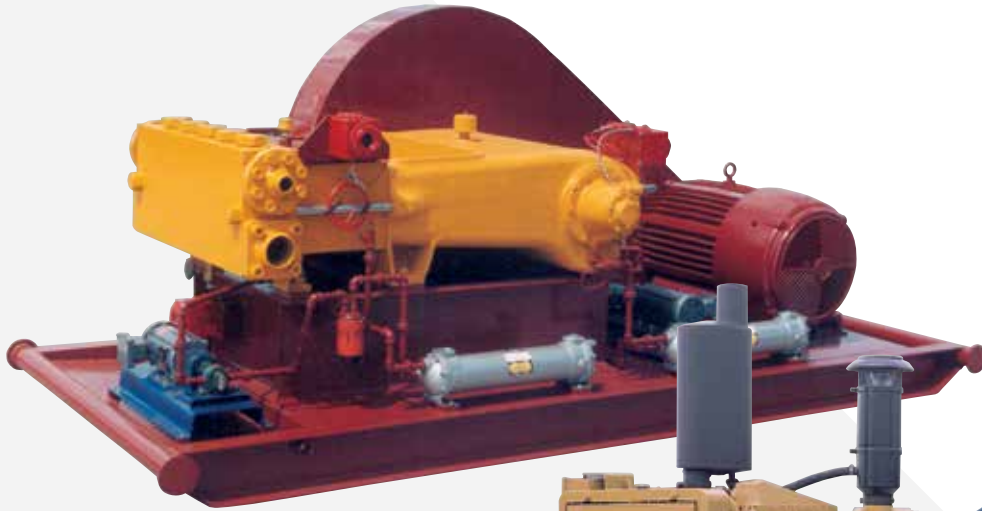
### Notes:

- 1.) Teflon® spacer material may be substituted upon request for Delrin to raise operating temp. above 160°F.
- 2.) Stainless steel should be avoided as a support ring material if possible. This is a poor bearing material for the plunger and will shorten plunger life.

### RO Packing:

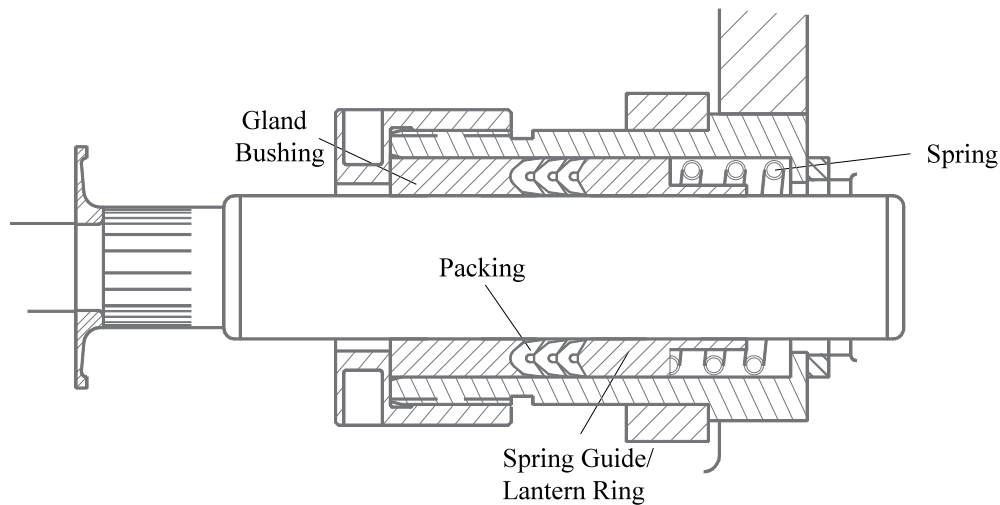
- 1.) 120X Packing is standard with Bronze.
- 2.) Consult factory for other requests.

# Packing MA-15, SC-30 and RO-23





# 120X and 805 Packing Assy. MA-15, SC-30, and RO-23

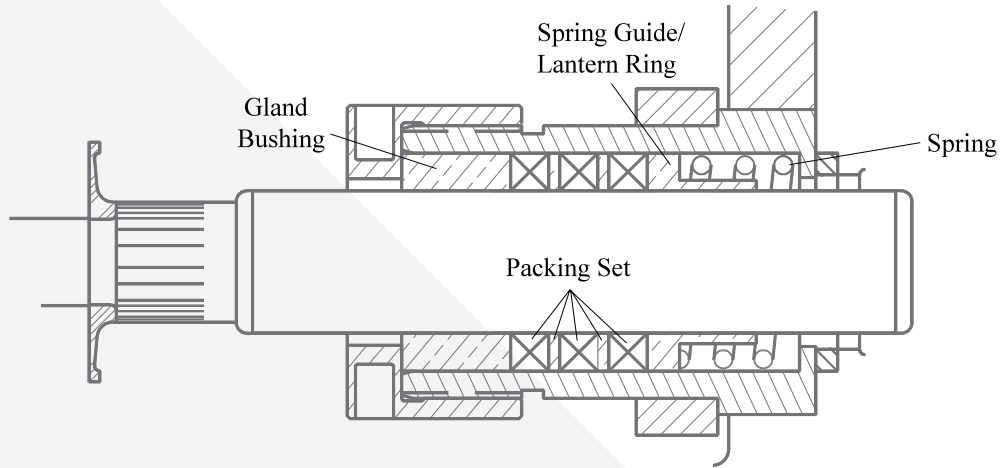


120X Packing Assembly is shown below.

\* For 805 Packing use

Plunger Size	Stuffing Box Bore	Material	720x-xxxx-xx02			0805-xx-xxxx-01	
			*Complete Assembly	Spring	Spring Guide/Lantern Ring	*Packing Ring Only (3 Required)	Gland Bushing
1-5/8"	2-1/8"	BRONZE	7207-0124-0001	7207-0075-00A	7207-0124-01A	6618-52-0279-04	7207-0124-02A
		CAST IRON	7207-0124-1001	7207-0075-00A	7207-0124-11A	6618-52-0279-04	7207-0124-12A
		STAINLESS STEEL	7207-0124-2001	7207-0075-00A	7207-0124-21A	6618-52-0279-04	7207-0124-22A
1-1/2"	2-1/8"	BRONZE	7207-0146-0001	7207-0075-00A	7207-0146-01A	6618-52-0181-01	7207-0146-02A
		CAST IRON	7207-0146-1001	7207-0075-00A	7207-0146-11A	6618-52-0181-01	7207-0146-12A
		STAINLESS STEEL	7207-0146-2001	7207-0075-00A	7207-0146-21A	6618-52-0181-01	7207-0146-22A
1-3/8"	2-1/8"	BRONZE	7207-0157-0001	7207-0075-00A	7207-0157-01A	6618-52-0118-01	7207-0157-02A
		CAST IRON	7207-0157-1001	7207-0075-00A	7207-0157-11A	6618-52-0118-01	7207-0157-12A
		STAINLESS STEEL	7207-0157-2001	7207-0075-00A	7207-0157-21A	6618-52-0118-01	7207-0157-22A
1-1/4"	2-1/8"	BRONZE	7207-0156-0001	7207-0075-00A	7207-0156-01A	6618-52-0052-01	7207-0156-03A
		CAST IRON	7207-0156-1001	7207-0075-00A	7207-0156-11A	6618-52-0052-01	7207-0156-13A
		STAINLESS STEEL	7207-0156-2001	7207-0075-00A	7207-0156-21A	6618-52-0052-01	7207-0156-23A
1-1/8"	1-3/4"	BRONZE	7203-0151-0001	7203-0150-05A	7203-0151-01A	6618-52-0041-01	7203-0151-02A
		CAST IRON	7203-0151-1001	7203-0150-05A	7203-0151-11A	6618-52-0041-01	7203-0151-12A
		STAINLESS STEEL	7203-0151-2001	7203-0150-05A	7203-0151-21A	6618-52-0041-01	7203-0151-22A
1"	1-3/4"	BRONZE	7203-0150-0001	7203-0150-05A	7203-0150-02A	6618-52-0051-01	7203-0150-03A
		CAST IRON	7203-0150-1001	7203-0150-05A	7203-0150-12A	6618-52-0051-01	7203-0150-13A
		STAINLESS STEEL	7203-0150-2001	7203-0150-05A	7203-0150-22A	6618-52-0051-01	7203-0150-23A
7/8"	1-1/2"	BRONZE	7206-0044-0001	8000-0184-05A	7206-0044-01A	6618-52-0048-01	7206-0044-02A
		CAST IRON	7206-0044-1001	8000-0184-05A	7206-0044-11A	6618-52-0048-01	7206-0044-12A
		STAINLESS STEEL	7206-0044-2001	8000-0184-05A	7206-0044-21A	6618-52-0048-01	7206-0044-22A
3/4"	1-1/4"	BRONZE	7206-0047-0001	8000-0184-05A	7206-0047-01A	6618-52-0244-01	7206-0047-02A
		CAST IRON	7206-0047-1001	8000-0184-05A	7206-0047-11A	6618-52-0244-01	7206-0047-12A
		STAINLESS STEEL	7206-0047-2001	8000-0184-05A	7206-0047-21A	6618-52-0244-01	7206-0047-22A

# 140, 141 and 8921k Compression Packing Assy. MA-15, SC-30 and RO-23



140 is shown

\* For 141 use

For 8921k use

7207-xxxx-xx04

7207-xxxx-xx05

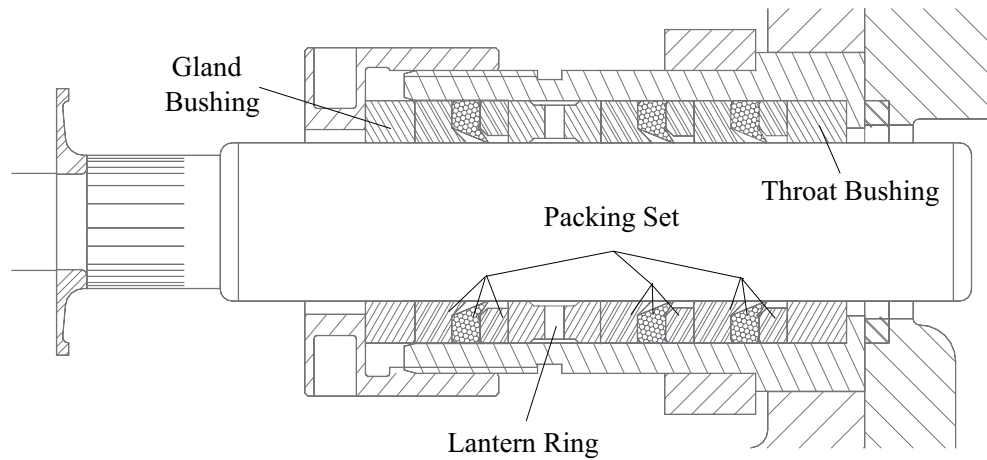
0141-xx-xxxx-01

8921-xx-xxxx-01

Plunger Size	Stuffing Box Bore	Material	*Complete Assembly	Spring	Spring Guide/Lantern Ring	*Packing Set Only	Gland Bushing
1-5/8"	2-1/8"	BRONZE	7207-0074-0003	7207-0075-00A	7207-0074-01A	0140-52-0279-03	412-158218-302
		CAST IRON	7207-0074-1003	7207-0075-00A	7207-0074-11A	0140-62-0279-03	412-158218-351
		STAINLESS STEEL	7207-0074-2003	7207-0075-00A	7207-0074-21A	0140-62-0279-03	412-158218-402
1-1/2"	2-1/8"	BRONZE	7207-0076-0003	7207-0075-00A	7207-0076-01A	0140-52-0181-03	412-112218-302
		CAST IRON	7207-0076-1003	7207-0075-00A	7207-0076-11A	0140-62-0181-03	412-112218-351
		STAINLESS STEEL	7207-0076-2003	7207-0075-00A	7207-0076-21A	0140-62-0181-03	412-112218-402
1-3/8"	2-1/8"	BRONZE	7207-0071-0003	7207-0075-00A	7207-0071-01A	0140-52-0118-03	406-138218-302
		CAST IRON	7207-0071-1003	7207-0075-00A	7207-0071-11A	0140-62-0118-03	406-138218-351
		STAINLESS STEEL	7207-0071-2003	7207-0075-00A	7207-0071-21A	0140-62-0118-03	406-138218-402
1-1/4"	2-1/8"	BRONZE	7207-0078-0003	7207-0075-00A	7207-0078-01A	0140-52-0052-03	408-114218-302
		CAST IRON	7207-0078-1003	7207-0075-00A	7207-0078-11A	0140-62-0052-03	408-114218-351
		STAINLESS STEEL	7207-0078-2003	7207-0075-00A	7207-0078-21A	0140-62-0052-03	408-114218-402
1-1/8"	1-3/4"	BRONZE	7207-0079-0003	7203-0150-05A	7207-0079-01A	0140-52-0041-03	412-118134-302
		CAST IRON	7207-0079-1003	7203-0150-05A	7207-0079-11A	0140-62-0041-03	412-118134-351
		STAINLESS STEEL	7207-0079-2003	7203-0150-05A	7207-0079-21A	0140-62-0041-03	412-118134-402
1"	1-3/4"	BRONZE	7207-0080-0003	7203-0150-05A	7207-0080-01A	0140-52-0051-03	408-100134-302
		CAST IRON	7207-0080-1003	7203-0150-05A	7207-0080-11A	0140-62-0051-03	408-100134-351
		STAINLESS STEEL	7207-0080-2003	7203-0150-05A	7207-0080-21A	0140-62-0051-03	408-100134-402
7/8"	1-1/2"	BRONZE	7207-0081-0003	8000-0184-05A	7207-0081-01A	0140-52-0048-03	412-078112-302
		CAST IRON	7207-0081-1003	8000-0184-05A	7207-0081-11A	0140-62-0048-03	412-078112-351
		STAINLESS STEEL	7207-0081-2003	8000-0184-05A	7207-0081-21A	0140-62-0048-03	412-078112-402
3/4"	1-1/2"	BRONZE	7207-0082-0003	8000-0184-05A	7207-0082-01A	0140-52-0244-03	408-034112-302
		CAST IRON	7207-0082-1003	8000-0184-05A	7207-0082-11A	0140-62-0244-03	408-034112-351
		STAINLESS STEEL	7207-0082-2003	8000-0184-05A	7207-0082-21A	0140-62-0244-03	408-034112-402

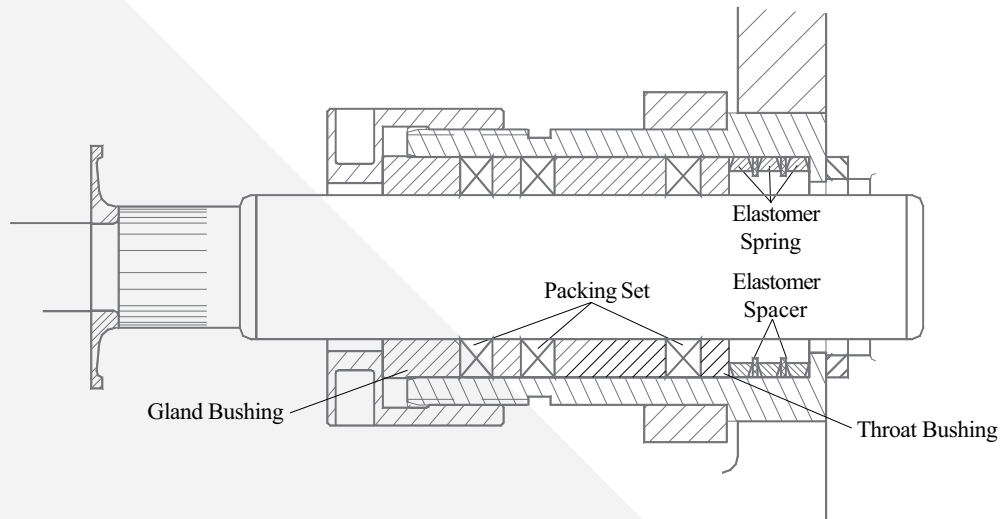
\*\* Gland Adjusted Available.

# 838 Packing MA-15, SC-30 and RO-23



Plunger Size	Stuffing Box Bore	Material	Complete Assembly	Throat Bushing	Lantern Ring	Packing Set Only	Gland Bushing
1-5/8"	2-1/8"	BRONZE	7207-0148-0006	404-158218-302	7207-0148-02A	0838-01-0279-03	424-158218-302
		CAST IRON	7207-0148-1006	404-158218-351	7207-0148-12A	0838-01-0279-03	424-158218-351
		STAINLESS STEEL	7207-0148-2006	404-158218-402	7207-0148-22A	0838-01-0279-03	424-158218-402
1-1/2"	2-1/8"	BRONZE	7207-0122-0006	404-112218-302	7207-0122-02A	0838-01-0181-01	424-112218-302
		CAST IRON	7207-0122-1006	404-112218-351	7207-0122-12A	0838-01-0181-01	424-112218-351
		STAINLESS STEEL	7207-0122-2006	404-112218-402	7207-0122-22A	0838-01-0181-01	424-112218-402
1-3/8"	2-1/8"	BRONZE	7207-0109-0006	408-138218-302	7207-0109-02A	0838-01-0118-09	426-138218-302
		CAST IRON	7207-0109-1006	408-138218-351	7207-0109-12A	0838-01-0118-09	426-138218-351
		STAINLESS STEEL	7207-0109-2006	408-138218-402	7207-0109-22A	0838-01-0118-09	426-138218-402
1-1/4"	2-1/8"	BRONZE	7207-0093-0006	408-114218-302	7207-0093-02A	0838-01-0052-01	426-114218-302
		CAST IRON	7207-0093-1006	408-114218-351	7207-0093-12A	0838-01-0052-01	426-114218-351
		STAINLESS STEEL	7207-0093-2006	408-114218-402	7207-0093-22A	0838-01-0052-01	426-114218-402
1-1/8"	1-3/4"	BRONZE	7203-0216-0006	408-118134-302	7203-0216-02A	0838-01-0041-04	424-118134-302
		CAST IRON	7203-0216-1006	408-118134-351	7203-0216-12A	0838-01-0041-04	424-118134-351
		STAINLESS STEEL	7203-0216-2006	408-118134-402	7203-0216-22A	0838-01-0041-04	424-118134-402
1"	1-3/4"	BRONZE	7206-0041-0006	408-100134-302	7206-0041-02A	0838-01-0051-02	424-100134-302
		CAST IRON	7206-0041-1006	408-100134-351	7206-0041-12A	0838-01-0051-02	424-100134-351
		STAINLESS STEEL	7206-0041-2006	408-100134-402	7206-0041-22A	0838-01-0051-02	424-100134-402
7/8"	1-1/2"	BRONZE	7206-0042-0006	413-078112-302	7206-0042-02A	0838-01-0048-01	424-078112-302
		CAST IRON	7206-0042-1006	413-078112-351	7206-0042-12A	0838-01-0048-01	424-078112-351
		STAINLESS STEEL	7206-0042-2006	413-078112-402	7206-0042-22A	0838-01-0048-01	424-078112-402

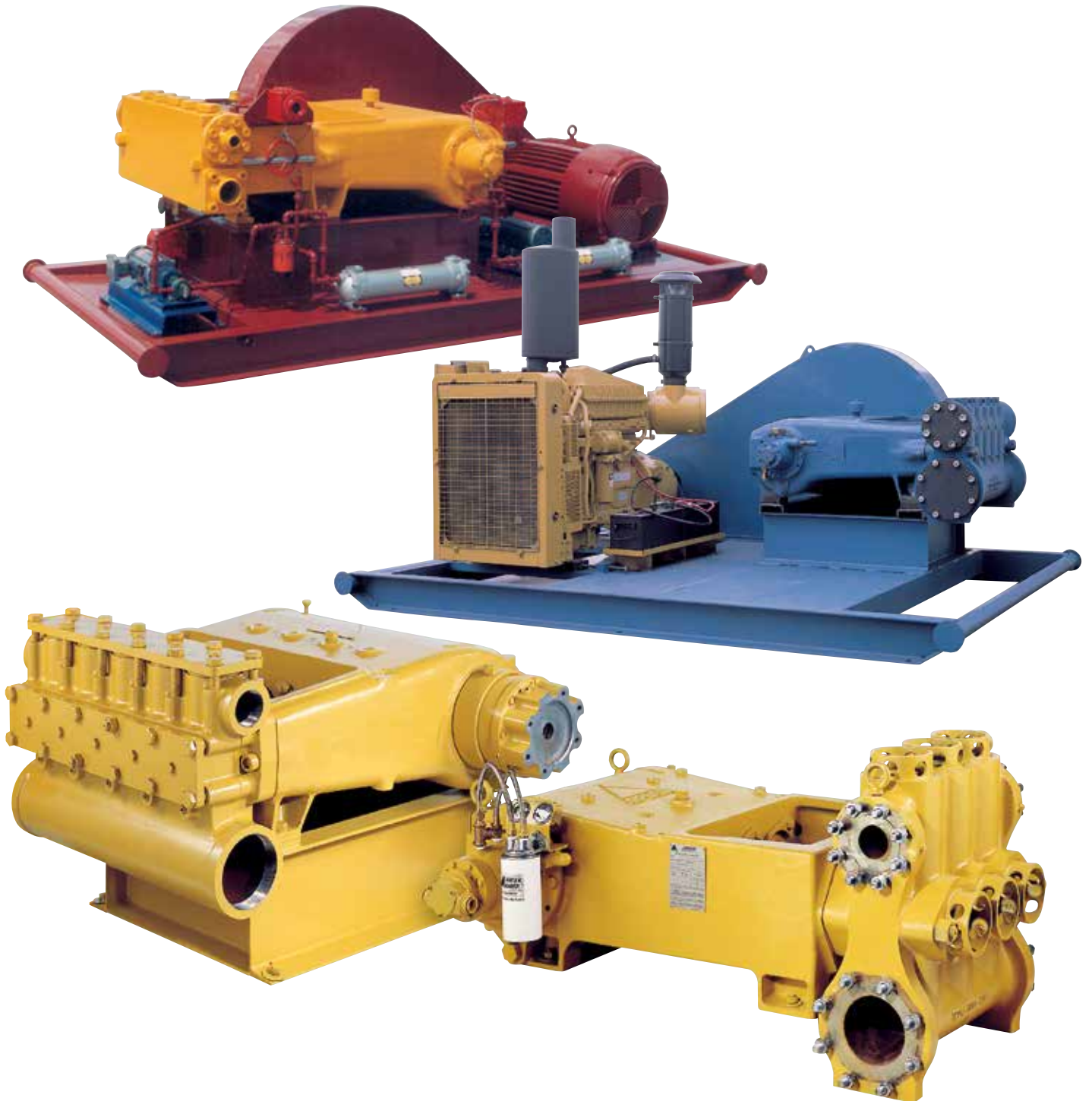
# Hi / Lo Packing MA-15, SC-30, and RO-23



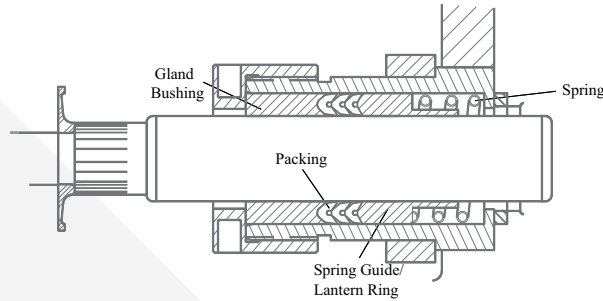
Plunger Size	Stuffing Box Bore	Material	*Complete Assembly	Elastomer Spring	Elastomer Spacer	*Packing Set Only	Gland Bushing
1-5/8"	2-1/8"	BRONZE	7207-0070-0007	7207-0068-00A	7207-0069-00A	0143-20-0279-01	483-158218-302
		CAST IRON	7207-0070-1007	7207-0068-00A	7207-0069-00A	0143-20-0279-01	483-158218-351
		STAINLESS STEEL	7207-0070-2007	7207-0068-00A	7207-0069-00A	0143-20-0279-01	483-158218-402
1-1/2"	2-1/8"	BRONZE	7207-0100-0007	7207-0068-00A	7207-0069-00A	0143-20-0181-01	483-112218-302
		CAST IRON	7207-0100-1007	7207-0068-00A	7207-0069-00A	0143-20-0181-01	483-112218-351
		STAINLESS STEEL	7207-0100-2007	7207-0068-00A	7207-0069-00A	0143-20-0181-01	483-112218-402
1-3/8"	2-1/8"	BRONZE	7207-0084-0007	7207-0068-00A	7207-0069-00A	0143-20-0118-01	412-138218-302
		CAST IRON	7207-0084-1007	7207-0068-00A	7207-0069-00A	0143-20-0118-01	412-138218-351
		STAINLESS STEEL	7207-0084-2007	7207-0068-00A	7207-0069-00A	0143-20-0118-01	412-138218-402
1-1/4"	2-1/8"	BRONZE	7207-0102-0007	7207-0068-00A	7207-0069-00A	0143-20-0052-01	411-114218-302
		CAST IRON	7207-0102-1007	7207-0068-00A	7207-0069-00A	0143-20-0052-01	411-114218-351
		STAINLESS STEEL	7207-0102-2007	7207-0068-00A	7207-0069-00A	0143-20-0052-01	411-114218-402
1-1/8"	1-3/4"	BRONZE	7206-0173-0007	7206-0174-00A	7206-0175-00A	0143-20-0041-01	411-118134-302
		CAST IRON	7206-0173-1007	7206-0174-00A	7206-0175-00A	0143-20-0041-01	411-118134-351
		STAINLESS STEEL	7206-0173-2007	7206-0174-00A	7206-0175-00A	0143-20-0041-01	411-118134-402
7/8"	1-1/2"	BRONZE	7207-0152-0007	7207-0091-00A	7207-0092-00A	0143-20-0048-01	412-078112-302
		CAST IRON	7207-0152-1007	7207-0091-00A	7207-0092-00A	0143-20-0048-01	412-078112-351
		STAINLESS STEEL	7207-0152-2007	7207-0091-00A	7207-0092-00A	0143-20-0048-01	412-078112-402

# Packing

## MA-25, SC-80, MA-45, RO-38, SC-45 and RO-72



# 120X and 805 Packing Assy. MA-25, MA-45, SC-45, SC-80, RO-38 and RO-72



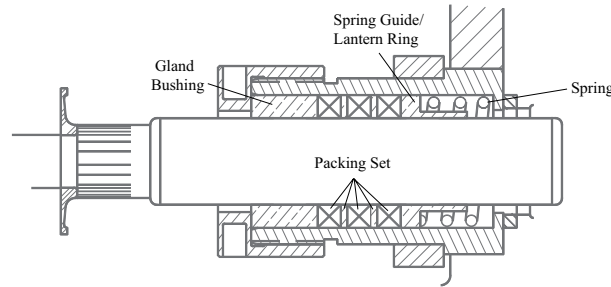
120X is shown  
\* For 805 use

.....720x-xxxx-xx02.....

.....0805-xx-xxxx-01

Plunger Size	Stuffing Box Bore	Material	*Complete Assembly	Spring	Spring Guide/ Lantern Ring	*Packing Ring Only (3 Required)	Gland Bushing
2-1/4"	2-7/8"	BRONZE	7203-0200-0001	7202-0344-13A	7203-0200-01A	6618-52-0111-01	7203-0200-02A
		CAST IRON	7203-0200-1001	7202-0344-13A	7203-0200-11A	6618-52-0111-01	7203-0200-12A
		STAINLESS STEEL	7203-0200-2001	7202-0344-13A	7203-0200-21A	6618-52-0111-01	7203-0200-22A
2-1/8"	2-7/8"	BRONZE	7202-0514-0001	7202-0344-13A	7202-0514-01A	6618-52-0194-01	7202-0514-02A
		CAST IRON	7202-0514-1001	7202-0344-13A	7202-0514-11A	6618-52-0194-01	7202-0514-12A
		STAINLESS STEEL	7202-0514-2001	7202-0344-13A	7202-0514-21A	6618-52-0194-01	7202-0514-22A
2"	2-7/8"	BRONZE	7202-0677-0001	7202-0344-13A	7202-0677-01A	6618-52-0542-01	7202-0677-02A
		CAST IRON	7202-0677-1001	7202-0344-13A	7202-0677-11A	6618-52-0542-01	7202-0677-12A
		STAINLESS STEEL	7202-0677-2001	7202-0344-13A	7202-0677-21A	6618-52-0542-01	7202-0677-22A
1-7/8"	2-1/2"	BRONZE	7206-0032-0001	7202-0426-05A	7206-0032-01A	6618-52-0225-01	7206-0032-02A
		CAST IRON	7206-0032-1001	7202-0426-05A	7206-0032-11A	6618-52-0225-01	7206-0032-12A
		STAINLESS STEEL	7206-0032-2001	7202-0426-05A	7206-0032-21A	6618-52-0225-01	7206-0032-22A
1-3/4"	2-1/2"	BRONZE	7206-0035-0001	7202-0426-05A	7206-0035-01A	6618-52-0123-01	7206-0035-02A
		CAST IRON	7206-0035-1001	7202-0426-05A	7206-0035-11A	6618-52-0123-01	7206-0035-12A
		STAINLESS STEEL	7206-0035-2001	7202-0426-05A	7206-0035-21A	6618-52-0123-01	7206-0035-22A
1-5/8"	2-1/2"	BRONZE	7202-0461-0001	7202-0426-05A	7202-0461-01A	6618-52-0003-01	7202-0461-02A
		CAST IRON	7202-0461-1001	7202-0426-05A	7202-0461-11A	6618-52-0003-01	7202-0461-12A
		STAINLESS STEEL	7202-0461-2001	7202-0426-05A	7202-0461-21A	6618-52-0003-01	7202-0461-22A
1-1/2"	2-1/2"	BRONZE	7202-0460-0001	7202-0426-05A	7202-0460-01A	6618-52-0016-01	7202-0460-03A
		CAST IRON	7202-0460-1001	7202-0426-05A	7202-0460-11A	6618-52-0016-01	7202-0460-13A
		STAINLESS STEEL	7202-0460-2001	7202-0426-05A	7202-0460-21A	6618-52-0016-01	7202-0460-23A
1-3/8"	2-1/4"	BRONZE	7206-0038-0001	7202-0347-07A	7206-0038-01A	6618-52-0070-01	7206-0038-02A
		CAST IRON	7206-0038-1001	7202-0347-07A	7206-0038-11A	6618-52-0070-01	7206-0038-12A
		STAINLESS STEEL	7206-0038-2001	7202-0347-07A	7206-0038-21A	6618-52-0070-01	7206-0038-22A
1-1/4"	2-1/4"	BRONZE	7206-0039-0001	7202-0347-07A	7206-0039-01A	6618-52-0053-01	7206-0039-02A
		CAST IRON	7206-0039-1001	7202-0347-07A	7206-0039-11A	6618-52-0053-01	7206-0039-12A
		STAINLESS STEEL	7206-0039-2001	7202-0347-07A	7206-0039-21A	6618-52-0053-01	7206-0039-22A
1-1/8"	1-3/4"	BRONZE	7203-0151-0001	7203-0150-05A	7203-0151-01A	6618-52-0041-01	7203-0151-02A
		CAST IRON	7203-0151-1001	7203-0150-05A	7203-0151-11A	6618-52-0041-01	7203-0151-12A
		STAINLESS STEEL	7203-0151-2001	7203-0150-05A	7203-0151-21A	6618-52-0041-01	7203-0151-22A
1"	1-3/4"	BRONZE	7203-0150-0001	7203-0150-05A	7203-0150-02A	6618-52-0051-01	7203-0150-03A
		CAST IRON	7203-0150-1001	7203-0150-05A	7203-0150-12A	6618-52-0051-01	7203-0150-13A
		STAINLESS STEEL	7203-0150-2001	7203-0150-05A	7203-0150-22A	6618-52-0051-01	7203-0150-23A
7/8"	1-1/2"	BRONZE	7206-0044-0001	8000-0184-05A	7206-0044-01A	6618-52-0048-01	7206-0044-02A
		CAST IRON	7206-0044-1001	8000-0184-05A	7206-0044-11A	6618-52-0048-01	7206-0044-12A
		STAINLESS STEEL	7206-0044-2001	8000-0184-05A	7206-0044-21A	6618-52-0048-01	7206-0044-22A

# 140, 141 and 8921k Compression Packing Assy. MA-25, MA-45, SC-45, SC-80, RO-38 and RO-72



140 is shown.

\* For 141 use

\* For 8921k use

720x-xxxx-xx04

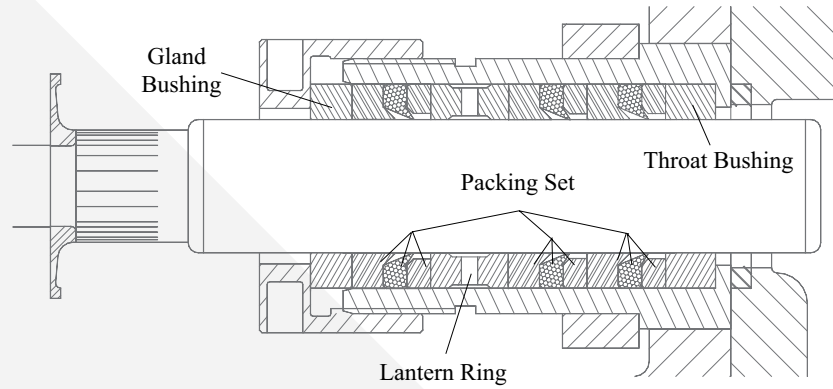
720x-xxxx-xx05

0141-xx-xxxx-03

8921-xx-xxxx-03

Plunger Size	Stuffing Box Bore	Material	*Complete Assembly	Spring	Spring Guide/Lantern Ring	*Packing Set Only	Gland Bushing
2-1/4"	2-7/8"	BRONZE	7203-0204-0003	7202-0344-13A	7203-0204-01A	0140-52-0111-03	405-214278-302
		CAST IRON	7203-0204-1003	7202-0344-13A	7203-0204-11A	0140-62-0111-03	405-214278-351
		STAINLESS STEEL	7203-0204-2003	7202-0344-13A	7203-0204-21A	0140-62-0111-03	405-214278-402
2-1/8"	2-7/8"	BRONZE	7202-0582-0003	7202-0344-13A	7202-0582-01A	0140-52-0194-03	407-218278-302
		CAST IRON	7202-0582-1003	7202-0344-13A	7202-0582-11A	0140-62-0194-03	407-218278-351
		STAINLESS STEEL	7202-0582-2003	7202-0344-13A	7202-0582-21A	0140-62-0194-03	407-218278-402
2"	2-7/8"	BRONZE	7202-0494-0003	7202-0344-13A	7202-0494-01A	0140-52-0542-03	406-200278-302
		CAST IRON	7202-0494-1003	7202-0344-13A	7202-0494-11A	0140-62-0542-03	406-200278-351
		STAINLESS STEEL	7202-0494-2003	7202-0344-13A	7202-0494-21A	0140-62-0542-03	406-200278-402
1-7/8"	2-1/2"	BRONZE	7206-0031-0003	7202-0426-05A	7206-0031-01A	0140-52-0225-03	406-178212-302
		CAST IRON	7206-0031-1003	7202-0426-05A	7206-0031-11A	0140-62-0225-03	406-178212-351
		STAINLESS STEEL	7206-0031-2003	7202-0426-05A	7206-0031-21A	0140-62-0225-03	406-178212-402
1-3/4"	2-1/2"	BRONZE	7206-0034-0003	7202-0426-05A	7206-0034-01A	0140-52-0123-03	7206-0034-03A
		CAST IRON	7206-0034-1003	7202-0426-05A	7206-0034-11A	0140-62-0123-03	7206-0034-13A
		STAINLESS STEEL	7206-0034-2003	7202-0426-05A	7206-0034-21A	0140-62-0123-03	7206-0034-23A
1-5/8"	2-1/2"	BRONZE	7203-0341-0003	7202-0426-05A	7203-0341-01A	0140-52-0003-03	405-158212-302
		CAST IRON	7203-0341-1003	7202-0426-05A	7203-0341-11A	0140-62-0003-03	405-158212-351
		STAINLESS STEEL	7203-0341-2003	7202-0426-05A	7203-0341-21A	0140-62-0003-03	405-158212-402
1-1/2"	2-1/2"	BRONZE	7202-0511-0003	7202-0426-05A	7202-0511-01A	0140-52-0016-03	7202-0511-03A
		CAST IRON	7202-0511-1003	7202-0426-05A	7202-0511-11A	0140-62-0016-03	7202-0511-13A
		STAINLESS STEEL	7202-0511-2003	7202-0426-05A	7202-0511-21A	0140-62-0016-03	7202-0511-23A
1-3/8"	2-1/4"	BRONZE	7202-0512-0003	7202-0347-07A	7202-0512-01A	0140-52-0070-03	7202-0512-03A
		CAST IRON	7202-0512-1003	7202-0347-07A	7202-0512-11A	0140-62-0070-03	7202-0512-13A
		STAINLESS STEEL	7202-0512-2003	7202-0347-07A	7202-0512-21A	0140-62-0070-03	7202-0512-23A
1-1/4"	2-1/4"	BRONZE	7203-0192-0003	7202-0347-07A	7203-0192-01A	0140-52-0053-03	7203-0192-03A
		CAST IRON	7203-0192-1003	7202-0347-07A	7203-0192-11A	0140-62-0053-03	7203-0192-13A
		STAINLESS STEEL	7203-0192-2003	7202-0347-07A	7203-0192-21A	0140-62-0053-03	7203-0192-23A
1-1/8"	1-3/4"	BRONZE	7207-0079-0003	7203-0150-05A	7207-0079-01A	0140-52-0041-03	412-118134-302
		CAST IRON	7207-0079-1003	7203-0150-05A	7207-0079-11A	0140-62-0041-03	412-118134-351
		STAINLESS STEEL	7207-0079-2003	7203-0150-05A	7207-0079-21A	0140-62-0041-03	412-118134-402
1"	1-3/4"	BRONZE	7207-0080-0003	7203-0150-05A	7207-0080-01A	0140-52-0051-03	408-100134-302
		CAST IRON	7207-0080-1003	7203-0150-05A	7207-0080-11A	0140-62-0051-03	408-100134-351
		STAINLESS STEEL	7207-0080-2003	7203-0150-05A	7207-0080-21A	0140-62-0051-03	408-100134-402
7/8"	1-1/2"	BRONZE	7207-0081-0003	8000-0184-05A	7207-0081-01A	0140-52-0048-03	412-078112-302
		CAST IRON	7207-0081-1003	8000-0184-05A	7207-0081-11A	0140-62-0048-03	412-078112-351
		STAINLESS STEEL	7207-0081-2003	8000-0184-05A	7207-0081-21A	0140-62-0048-03	412-078112-402

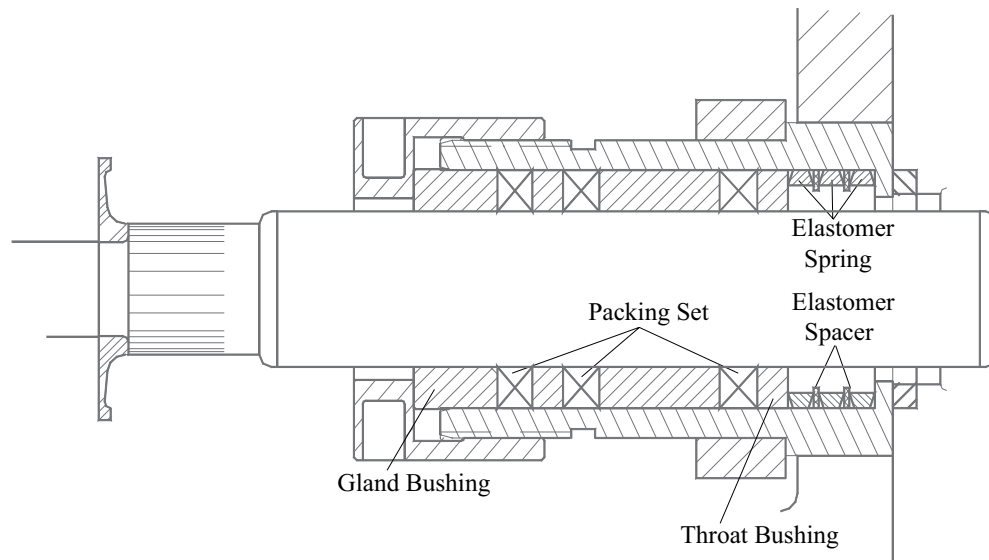
# 838 Packing Assy. MA-25, MA-45, SC-45, SC-80, RO-38 and RO-72



Plunger Size	Stuffing Box Bore	Material	*Complete Assembly	Throat Bushing	Spring Guide/Lantern Ring	*Packing Set Only	Gland Bushing
2-1/4"	2-7/8"	BRONZE	7203-0135-0006	411-214278-302	7203-0135-02A	0838-01-0111-01	424-214278-302
		CAST IRON	7203-0135-1006	411-214278-351	7203-0135-12A	0838-01-0111-01	424-214278-351
		STAINLESS STEEL	7203-0135-2006	411-214278-402	7203-0135-22A	0838-01-0111-01	424-214278-402
2-1/8"	2-7/8"	BRONZE	7203-0573-0006	408-218278-302	7203-0573-02A	0838-01-0194-08	424-218278-302
		CAST IRON	7203-0573-1006	408-218278-351	7203-0573-12A	0838-01-0194-08	424-218278-351
		STAINLESS STEEL	7203-0573-2006	408-218278-402	7203-0573-22A	0838-01-0194-08	424-218278-402
2"	2-7/8"	BRONZE	7202-0138-0006	412-200278-302	7202-0138-02A	0838-01-0542-01	426-200278-302
		CAST IRON	7202-0138-1006	412-200278-351	7202-0138-12A	0838-01-0542-01	426-200278-351
		STAINLESS STEEL	7202-0138-2006	412-200278-402	7202-0138-22A	0838-01-0542-01	426-200278-402
1-7/8"	2-1/2"	BRONZE	7206-0030-0006	408-178212-302	7206-0030-02A	0838-01-0225-01	424-178212-302
		CAST IRON	7206-0030-1006	408-178212-351	7206-0030-12A	0838-01-0225-01	424-178212-351
		STAINLESS STEEL	7206-0030-2006	408-178212-402	7206-0030-22A	0838-01-0225-01	424-178212-402
1-3/4"	2-1/2"	BRONZE	7206-0033-0006	408-134212-302	7206-0033-02A	0838-01-0123-17	424-134212-302
		CAST IRON	7206-0033-1006	408-134212-351	7206-0033-12A	0838-01-0123-17	424-134212-351
		STAINLESS STEEL	7206-0033-2006	408-134212-402	7206-0033-22A	0838-01-0123-17	424-134212-402
1-5/8"	2-1/2"	BRONZE	7202-0155-0006	412-158212-302	7202-0155-02A	0838-01-0003-01	426-158212-302
		CAST IRON	7202-0155-1006	412-158212-351	7202-0155-12A	0838-01-0003-01	426-158212-351
		STAINLESS STEEL	7202-0155-2006	412-158212-402	7202-0155-22A	0838-01-0003-01	426-158212-402
1-1/2"	2-1/2"	BRONZE	7202-0140-0006	407-112212-302	7202-0140-02A	0838-01-0016-06	420-112212-302
		CAST IRON	7202-0140-1006	407-112212-351	7202-0140-12A	0838-01-0016-06	420-112212-351
		STAINLESS STEEL	7202-0140-2006	407-112212-402	7202-0140-22A	0838-01-0016-06	420-112212-402
1-3/8"	2-1/4"	BRONZE	7202-0640-0006	406-138214-302	7202-0640-02A	0838-01-0070-02	426-138214-302
		CAST IRON	7202-0640-1006	406-138214-351	7202-0640-12A	0838-01-0070-02	426-138214-351
		STAINLESS STEEL	7202-0640-2006	406-138214-402	7202-0640-22A	0838-01-0070-02	426-138214-402
1-1/4"	2-1/4"	BRONZE	7202-0153-0006	411-114214-302	7202-0153-02A	0838-01-0053-05	424-114214-302
		CAST IRON	7202-0153-1006	411-114214-351	7202-0153-12A	0838-01-0053-05	424-114214-351
		STAINLESS STEEL	7202-0153-2006	411-114214-402	7202-0153-22A	0838-01-0053-05	424-114214-402
1-1/8"	1-3/4"	BRONZE	7203-0216-0006	408-118134-302	7203-0216-02A	0838-01-0041-04	424-118134-302
		CAST IRON	7203-0216-1006	408-118134-351	7203-0216-12A	0838-01-0041-04	424-118134-351
		STAINLESS STEEL	7203-0216-2006	408-118134-402	7203-0216-22A	0838-01-0041-04	424-118134-402
1"	1-3/4"	BRONZE	7206-0041-0006	408-100134-302	7206-0041-02A	0838-01-0051-02	424-100134-302
		CAST IRON	7206-0041-1006	408-100134-351	7206-0041-12A	0838-01-0051-02	424-100134-351
		STAINLESS STEEL	7206-0041-2006	408-100134-402	7206-0041-22A	0838-01-0051-02	424-100134-402
7/8"	1-1/2"	BRONZE	7206-0042-0006	413-078112-302	7206-0042-02A	0838-01-0048-01	424-078112-302
		CAST IRON	7206-0042-1006	413-078112-351	7206-0042-12A	0838-01-0048-01	424-078112-351
		STAINLESS STEEL	7206-0042-2006	413-078112-402	7206-0042-22A	0838-01-0048-01	424-078112-402



# Hi / Lo Packing Assy. MA-25, MA-45, SC-45, SC-80, RO-38 and RO-72



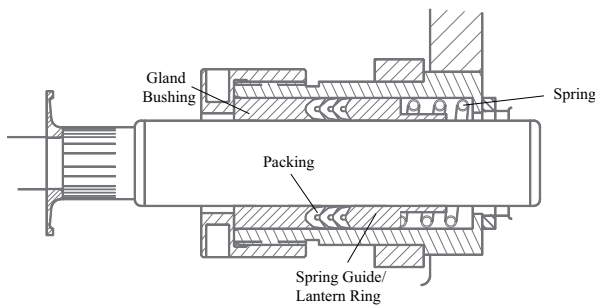
Plunger Size	Stuffing Box Bore	Material	Complete Assembly	Throat Bushing	Elastomer Spring	Elastomer Spacer	Packing Set Only	Gland Bushing
2-1/4"	2-7/8"	BRONZE	7203-0428-0007	419-214278-302	7203-0399-00A	7203-0401-00A	0143-20-0111-01	410-214278-302
		CAST IRON	7203-0428-1007	419-214278-351	7203-0399-00A	7203-0401-00A	0143-20-0111-01	410-214278-351
		STAINLESS STEEL	7203-0428-2007	419-214278-402	7203-0399-00A	7203-0401-00A	0143-20-0111-01	410-214278-402
2-1/8"	2-7/8"	BRONZE	7203-0413-0007	408-218278-302	7203-0399-00A	7203-0401-00A	0143-20-0194-01	411-218278-302
		CAST IRON	7203-0413-1007	408-218278-351	7203-0399-00A	7203-0401-00A	0143-20-0194-01	411-218278-351
		STAINLESS STEEL	7203-0413-2007	408-218278-402	7203-0399-00A	7203-0401-00A	0143-20-0194-01	411-218278-402
2"	2-7/8"	BRONZE	7203-0563-0007	406-200278-302	7203-0399-00A	7203-0401-00A	0143-20-0542-01	412-200278-302
		CAST IRON	7203-0563-1007	406-200278-351	7203-0399-00A	7203-0401-00A	0143-20-0542-01	412-200278-351
		STAINLESS STEEL	7203-0563-2007	406-200278-402	7203-0399-00A	7203-0401-00A	0143-20-0542-01	412-200278-402
1-7/8"	2-1/2"	BRONZE	7206-0176-0007	406-178212-302	7206-0168-00A	7206-0169-00A	0143-20-0225-01	416-178212-302
		CAST IRON	7206-0176-1007	406-178212-351	7206-0168-00A	7206-0169-00A	0143-20-0225-01	416-178212-351
		STAINLESS STEEL	7206-0176-2007	406-178212-402	7206-0168-00A	7206-0169-00A	0143-20-0225-01	416-178212-402
1-3/4"	2-1/2"	BRONZE	7206-0170-0007	406-134212-302	7206-0168-00A	7206-0169-00A	0143-20-0123-01	412-134212-302
		CAST IRON	7206-0170-1007	406-134212-351	7206-0168-00A	7206-0169-00A	0143-20-0123-01	412-134212-351
		STAINLESS STEEL	7206-0170-2007	406-134212-402	7206-0168-00A	7206-0169-00A	0143-20-0123-01	412-134212-402
1-5/8"	2-1/2"	BRONZE	7206-0189-0007	410-158212-302	7206-0168-00A	7206-0169-00A	0143-20-0003-01	410-158212-302
		CAST IRON	7206-0189-1007	410-158212-351	7206-0168-00A	7206-0169-00A	0143-20-0003-01	410-158212-351
		STAINLESS STEEL	7206-0189-2007	410-158212-402	7206-0168-00A	7206-0169-00A	0143-20-0003-01	410-158212-402
1-1/2"	2-1/2"	BRONZE	7206-0172-0007	406-112212-302	7206-0168-00A	7206-0169-00A	0143-20-0016-01	411-112212-302
		CAST IRON	7206-0172-1007	406-112212-351	7206-0168-00A	7206-0169-00A	0143-20-0016-01	411-112212-351
		STAINLESS STEEL	7206-0172-2007	406-112212-402	7206-0168-00A	7206-0169-00A	0143-20-0016-01	411-112212-402

# Packing

MA-40, SC-115, MA-75, RO-64, SC-65 and RO-117



# 120X and 805 Packing Assy. MA-40, MA-75, SC-65, SC-115, RO-64, and RO-117



120X is shown.

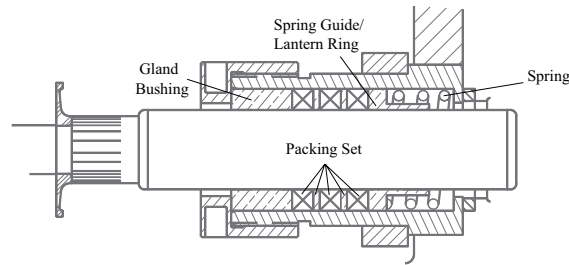
\* For 805 use

.....720x-xxxx-xx02.....

.....0805-xx-xxxx-01..

Plunger Size	Stuffing Box Bore	Material	*Complete Assembly	Spring	Spring Guide/Lantern Ring	*Packing Ring Only (3 Required)	Gland Bushing
2-3/4"	3-1/2"	BRONZE	7201-0819-0001	8000-0338-00A	7201-0819-01A	6618-52-0218-03	7201-0819-02A
		CAST IRON	7201-0819-1001	8000-0338-00A	7201-0819-11A	6618-52-0218-03	7201-0819-12A
		STAINLESS STEEL	7201-0819-2001	8000-0338-00A	7201-0819-21A	6618-52-0218-03	7201-0819-22A
2-5/8"	3-1/2"	BRONZE	7203-0252-0001	8000-0338-00A	7203-0252-01A	6618-52-0295-01	7203-0252-02A
		CAST IRON	7203-0252-1001	8000-0338-00A	7203-0252-11A	6618-52-0295-01	7203-0252-12A
		STAINLESS STEEL	7203-0252-2001	8000-0338-00A	7203-0252-21A	6618-52-0295-01	7203-0252-22A
2-1/2"	3-1/4"	BRONZE	7204-0893-0001	7202-0358-07A	7204-0893-01A	6618-52-0073-01	7204-0893-02A
		CAST IRON	7204-0893-1001	7202-0358-07A	7204-0893-11A	6618-52-0073-01	7204-0893-12A
		STAINLESS STEEL	7204-0893-2001	7202-0358-07A	7204-0893-21A	6618-52-0073-01	7204-0893-22A
2-3/8"	3-1/4"	BRONZE	7204-0710-0001	7202-0358-07A	7204-0710-01A	6618-52-0392-01	7204-0710-02A
		CAST IRON	7204-0710-1001	7202-0358-07A	7204-0710-11A	6618-52-0392-01	7204-0710-12A
		STAINLESS STEEL	7204-0710-2001	7202-0358-07A	7204-0710-21A	6618-52-0392-01	7204-0710-22A
2-1/4"	2-7/8"	BRONZE	7203-0200-0001	7202-0344-13A	7203-0200-01A	6618-52-0111-01	7203-0200-02A
		CAST IRON	7203-0200-1001	7202-0344-13A	7203-0200-11A	6618-52-0111-01	7203-0200-12A
		STAINLESS STEEL	7203-0200-2001	7202-0344-13A	7203-0200-21A	6618-52-0111-01	7203-0200-22A
2-1/8"	2-7/8"	BRONZE	7202-0514-0001	7202-0344-13A	7202-0514-01A	6618-52-0194-01	7202-0514-02A
		DUCTILE IRON	7202-0514-1001	7202-0344-13A	7202-0514-11A	6618-52-0194-01	7202-0514-12A
		STAINLESS STEEL	7202-0514-2001	7202-0344-13A	7202-0514-21A	6618-52-0194-01	7202-0514-22A
2"	2-7/8"	BRONZE	7202-0677-0001	7202-0344-13A	7202-0677-01A	6618-52-0542-01	7202-0677-02A
		DUCTILE IRON	7202-0677-1001	7202-0344-13A	7202-0677-11A	6618-52-0542-01	7202-0677-12A
		STAINLESS STEEL	7202-0677-2001	7202-0344-13A	7202-0677-21A	6618-52-0542-01	7202-0677-22A
1-7/8"	2-7/8"	BRONZE	7203-0347-0001	7202-0344-13A	7203-0347-01A	6618-52-0366-01	7203-0347-02A
		DUCTILE IRON	7203-0347-1001	7202-0344-13A	7203-0347-11A	6618-52-0366-01	7203-0347-12A
		STAINLESS STEEL	7203-0347-2001	7202-0344-13A	7203-0347-21A	6618-52-0366-01	7203-0347-22A
1-3/4"	2-7/8"	BRONZE	7203-0346-0001	7202-0344-13A	7203-0346-01A	6618-52-0341-03	7203-0346-02A
		DUCTILE IRON	7203-0346-1001	7202-0344-13A	7203-0346-11A	6618-52-0341-03	7203-0346-12A
		STAINLESS STEEL	7203-0346-2001	7202-0344-13A	7203-0346-21A	6618-52-0341-03	7203-0346-22A
1-5/8"	2-1/2"	BRONZE	7202-0461-0001	7202-0426-05A	7202-0461-01A	6618-52-0003-01	7202-0461-02A
		DUCTILE IRON	7202-0461-1001	7202-0426-05A	7202-0461-11A	6618-52-0003-01	7202-0461-12A
		STAINLESS STEEL	7202-0461-2001	7202-0426-05A	7202-0461-21A	6618-52-0003-01	7202-0461-22A
1-1/2"	2-1/2"	BRONZE	7202-0460-0001	7202-0426-05A	7202-0460-01A	6618-52-0016-01	7202-0460-03A
		DUCTILE IRON	7202-0460-1001	7202-0426-05A	7202-0460-11A	6618-52-0016-01	7202-0460-13A
		STAINLESS STEEL	7202-0460-2001	7202-0426-05A	7202-0460-21A	6618-52-0016-01	7202-0460-23A
1-3/8"	2-1/4"	BRONZE	7206-0038-0001	7202-0347-07A	7206-0038-01A	6618-52-0070-01	7206-0038-02A
		DUCTILE IRON	7206-0038-1001	7202-0347-07A	7206-0038-11A	6618-52-0070-01	7206-0038-12A
		STAINLESS STEEL	7206-0038-2001	7202-0347-07A	7206-0038-21A	6618-52-0070-01	7206-0038-22A
1-1/4"	2-1/4"	BRONZE	7206-0039-0001	7202-0347-07A	7206-0039-01A	6618-52-0053-01	7206-0039-02A
		CAST IRON	7206-0039-1001	7202-0347-07A	7206-0039-11A	6618-52-0053-01	7206-0039-12A
		STAINLESS STEEL	7206-0039-2001	7202-0347-07A	7206-0039-21A	6618-52-0053-01	7206-0039-22A
1-1/8"	1-3/4"	BRONZE	7203-0151-0001	7203-0150-05A	7203-0151-01A	6618-52-0041-01	7203-0151-02A
		CAST IRON	7203-0151-1001	7203-0150-05A	7203-0151-11A	6618-52-0041-01	7203-0151-12A
		STAINLESS STEEL	7203-0151-2001	7203-0150-05A	7203-0151-21A	6618-52-0041-01	7203-0151-22A
1"	1-3/4"	BRONZE	7203-0150-0001	7203-0150-05A	7203-0150-02A	6618-52-0051-01	7203-0150-03A
		CAST IRON	7203-0150-1001	7203-0150-05A	7203-0150-12A	6618-52-0051-01	7203-0150-13A
		STAINLESS STEEL	7203-0150-2001	7203-0150-05A	7203-0150-22A	6618-52-0051-01	7203-0150-23A
7/8"	1-1/2"	BRONZE	7206-0044-0001	8000-0184-05A	7206-0044-01A	6618-52-0048-01	7206-0044-02A
		CAST IRON	7206-0044-1001	8000-0184-05A	7206-0044-11A	6618-52-0048-01	7206-0044-12A
		STAINLESS STEEL	7206-0044-2001	8000-0184-05A	7206-0044-21A	6618-52-0048-01	7206-0044-22A

# Valves by Size



140 is shown.

\* For 141 use

For 8921k use

720x-xxxx-xx04

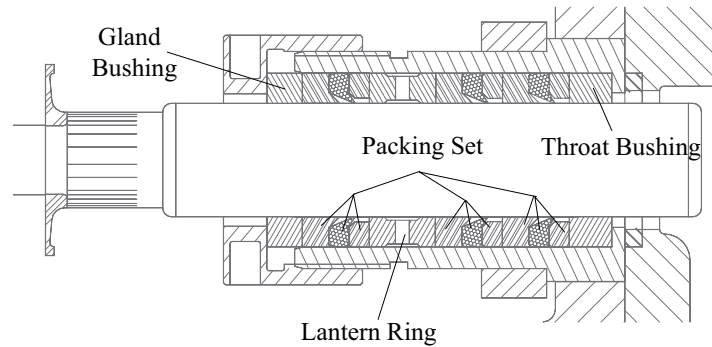
720x-xxxx-xx05

.0141-xx-xxxx-01

.8921-xx-xxxx-01

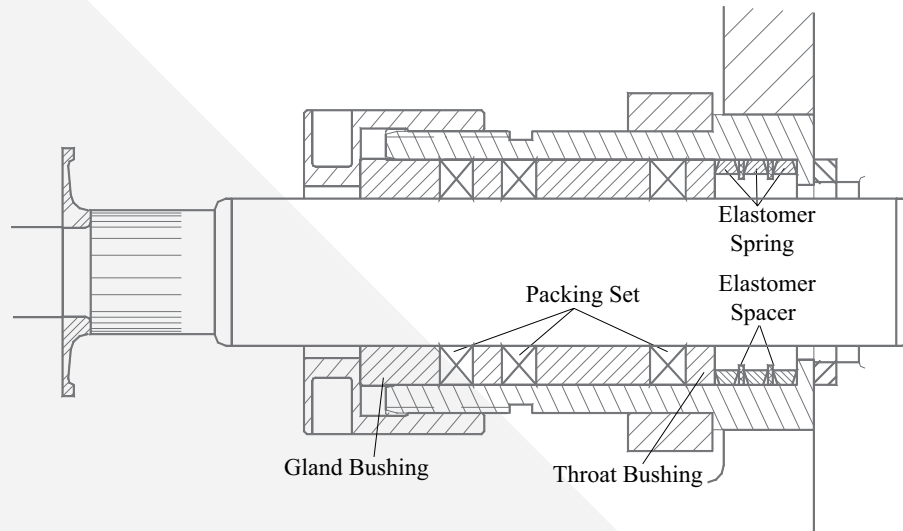
Plunger Size	Stuffing Box Bore	Material	*Complete Assembly	Spring	Lantern Ring	*Packing Set Only	Gland Bushing	
2-3/4"	3-1/2"	BRONZE	Consult Factory					
		CAST IRON						
		STAINLESS STEEL						
2-5/8"	3-1/2"	BRONZE	Consult Factory					
		CAST IRON						
		STAINLESS STEEL						
2-1/2"	3-1/4"	BRONZE	7204-1341-0003	7202-0358-07A	7204-1241-01A	0140-52-0073-03	408-212314-302	
		CAST IRON	7204-1341-1003	7202-0358-07A	7204-1241-11A	0140-62-0073-03	408-212314-351	
		STAINLESS STEEL	7204-1341-2003	7202-0358-07A	7201-1241-21A	0140-62-0073-03	408-212314-402	
2-3/8"	3-1/4"	BRONZE	Consult Factory					
		CAST IRON						
		STAINLESS STEEL						
2-1/4"	2-7/8"	BRONZE	7203-0204-0003	7202-0344-13A	7203-0204-01A	0140-52-0111-03	405-214278-302	
		CAST IRON	7203-0204-1003	7202-0344-13A	7203-0204-11A	0140-62-0111-03	405-214278-351	
		STAINLESS STEEL	7203-0204-2003	7202-0344-13A	7203-0204-21A	0140-62-0111-03	405-214278-402	
2-1/8"	2-7/8"	BRONZE	7202-0582-0003	7202-0344-13A	7202-0582-01A	0140-52-0194-03	407-218278-302	
		DUCTILE IRON	7202-0582-1003	7202-0344-13A	7202-0582-11A	0140-62-0194-03	407-218278-351	
		STAINLESS STEEL	7202-0582-2003	7202-0344-13A	7202-0582-21A	0140-62-0194-03	407-218278-402	
2"	2-7/8"	BRONZE	7202-0494-0003	7202-0344-13A	7202-0494-01A	0140-52-0542-03	406-200278-302	
		DUCTILE IRON	7202-0494-1003	7202-0344-13A	7202-0494-11A	0140-62-0542-03	406-200278-351	
		STAINLESS STEEL	7202-0494-2003	7202-0344-13A	7202-0494-21A	0140-62-0542-03	406-200278-402	
1-7/8"	2-7/8"	BRONZE	7203-0312-0003	7202-0344-13A	7203-0312-01A	0140-52-0366-03	404-178278-302	
		DUCTILE IRON	7203-0312-1003	7202-0344-13A	7203-0312-11A	0140-62-0366-03	404-178278-351	
		STAINLESS STEEL	7203-0312-2003	7202-0344-13A	7203-0312-21A	0140-62-0366-03	404-178278-402	
1-3/4"	2-7/8"	BRONZE	7203-0214-0003	7202-0344-13A	7203-0214-01A	0140-52-0341-03	7203-0214-03A	
		DUCTILE IRON	7203-0214-1003	7202-0344-13A	7203-0214-11A	0140-62-0341-03	7203-0214-13A	
		STAINLESS STEEL	7203-0214-2003	7202-0344-13A	7203-0214-21A	0140-62-0341-03	7203-0214-23A	
1-5/8"	2-1/2"	BRONZE	7203-0341-0003	7202-0426-05A	7203-0341-01A	0140-52-0003-03	405-158212-302	
		DUCTILE IRON	7203-0341-1003	7202-0426-05A	7203-0341-11A	0140-62-0003-03	405-158212-351	
		STAINLESS STEEL	7203-0341-2003	7202-0426-05A	7203-0341-21A	0140-62-0003-03	405-158212-402	
1-1/2"	2-1/2"	BRONZE	7202-0511-0003	7202-0426-05A	7202-0511-01A	0140-52-0016-03	7202-0511-03A	
		DUCTILE IRON	7202-0511-1003	7202-0426-05A	7202-0511-11A	0140-62-0016-03	7202-0511-13A	
		STAINLESS STEEL	7202-0511-2003	7202-0426-05A	7202-0511-21A	0140-62-0016-03	7202-0511-23A	
1-3/8"	2-1/4"	BRONZE	7202-0512-0003	7202-0347-07A	7202-0512-01A	0140-52-0070-03	7202-0512-03A	
		DUCTILE IRON	7202-0512-1003	7202-0347-07A	7202-0512-11A	0140-62-0070-03	7202-0512-13A	
		STAINLESS STEEL	7202-0512-2003	7202-0347-07A	7202-0512-21A	0140-62-0070-03	7202-0512-23A	
1-1/4"	2-1/4"	BRONZE	7203-0192-0003	7202-0347-07A	7203-0192-01A	0140-52-0053-03	7203-0192-03A	
		CAST IRON	7203-0192-1003	7202-0347-07A	7203-0192-11A	0140-62-0053-03	7203-0192-13A	
		STAINLESS STEEL	7203-0192-2003	7202-0347-07A	7203-0192-21A	0140-62-0053-03	7203-0192-23A	
1-1/8"	1-3/4"	BRONZE	7207-0079-0003	7203-0150-05A	7207-0079-01A	0140-52-0041-03	412-118134-302	
		CAST IRON	7207-0079-1003	7203-0150-05A	7207-0079-11A	0140-62-0041-03	412-118134-351	
		STAINLESS STEEL	7207-0079-2003	7203-0150-05A	7207-0079-21A	0140-62-0041-03	412-118134-402	
1"	1-3/4"	BRONZE	7207-0080-0003	7203-0150-05A	7207-0080-01A	0140-52-0051-03	408-100134-302	
		CAST IRON	7207-0080-1003	7203-0150-05A	7207-0080-11A	0140-62-0051-03	408-100134-351	
		STAINLESS STEEL	7207-0080-2003	7203-0150-05A	7207-0080-21A	0140-62-0051-03	408-100134-402	
7/8"	1-1/2"	BRONZE	7207-0081-0003	8000-0184-05A	7207-0081-01A	0140-52-0048-03	412-078112-302	
		CAST IRON	7207-0081-1003	8000-0184-05A	7207-0081-11A	0140-62-0048-03	412-078112-351	
		STAINLESS STEEL	7207-0081-2003	8000-0184-05A	7207-0081-21A	0140-62-0048-03	412-078112-402	

# Valves by Size



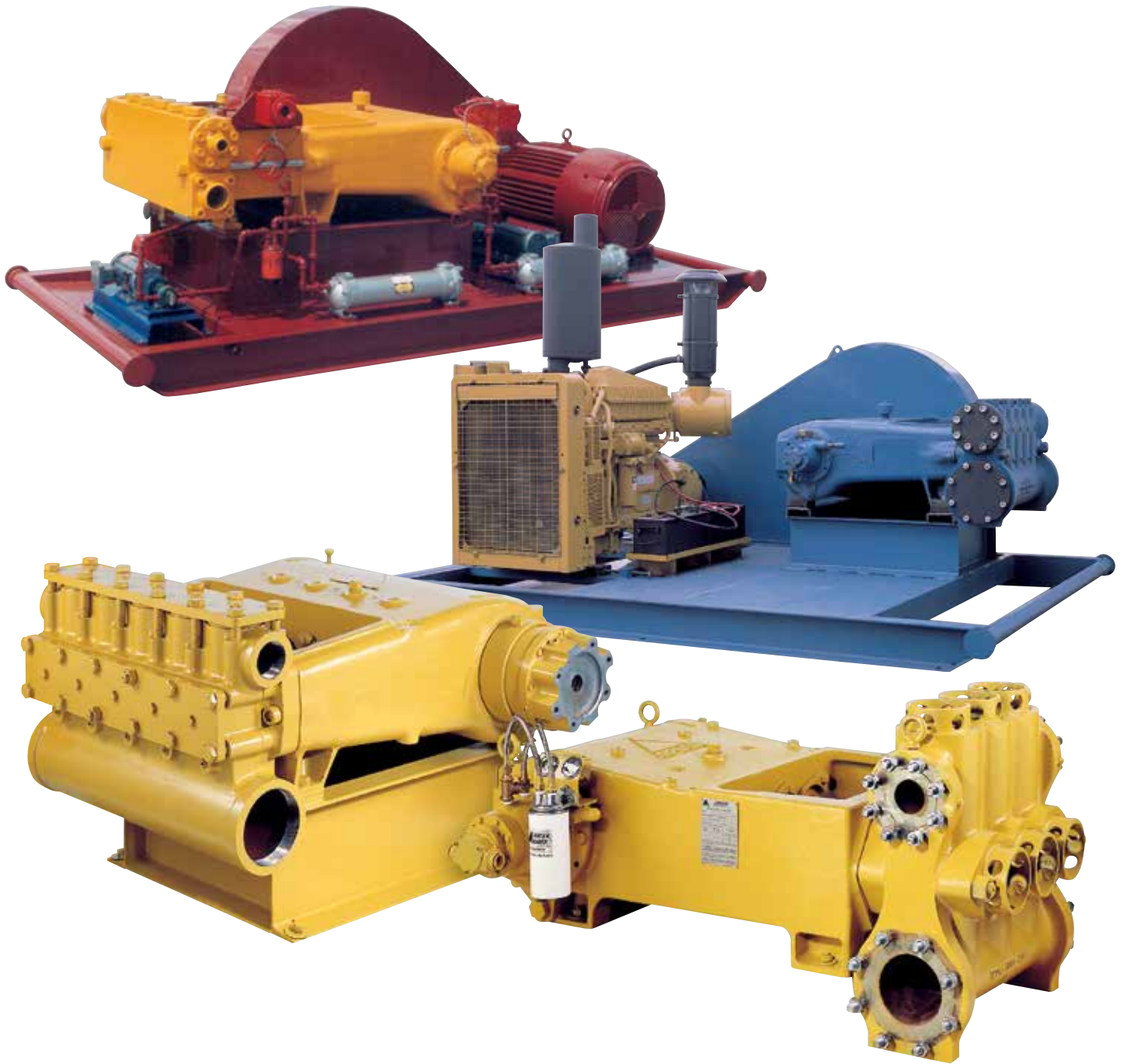
Plunger Size	Stuffing Box Bore	Material	Complete Assembly	Throat Bushing	Lantern Ring	Packing Set Only	Gland Bushing
2-3/4"	3-1/2"	BRONZE	7201-0770-0006	407-234312-302	7201-0770-02A	0838-01-0218-16	426-234312-302
		CAST IRON	7201-0770-1006	407-234312-351	7201-0770-12A	0838-01-0218-16	426-234312-351
		STAINLESS STEEL	7201-0770-2006	407-234312-402	7201-0770-22A	0838-01-0218-16	426-234312-402
2-5/8"	3-1/2"	BRONZE	7201-0724-0006	408-258312-302	7201-0724-02A	0838-01-0295-03	420-258312-302
		CAST IRON	7201-0724-1006	408-258312-351	7201-0724-12A	0838-01-0295-03	420-258312-351
		STAINLESS STEEL	7201-0724-2006	408-258312-402	7201-0724-22A	0838-01-0295-03	420-258312-402
2-1/2"	3-1/4"	BRONZE	7202-0160-0006	412-212314-302	7202-0160-02A	0838-01-0073-14	424-212314-302
		CAST IRON	7202-0160-1006	412-212314-351	7202-0160-12A	0838-01-0073-14	424-212314-351
		STAINLESS STEEL	7202-0160-2006	412-212314-402	7202-0160-22A	0838-01-0073-14	424-212314-402
2-3/8"	3-1/4"	BRONZE	7202-0447-0006	406-238314-302	7202-0447-02A	0838-01-0392-03	424-238314-302
		CAST IRON	7202-0447-1006	406-238314-351	7202-0447-12A	0838-01-0392-03	424-238314-351
		STAINLESS STEEL	7202-0447-2006	406-238314-402	7202-0447-22A	0838-01-0392-03	424-238314-402
2-1/4"	2-7/8"	BRONZE	7203-0135-0006	411-214278-302	7203-0135-02A	0838-01-0111-01	424-214278-302
		CAST IRON	7203-0135-1006	411-214278-351	7203-0135-12A	0838-01-0111-01	424-214278-351
		STAINLESS STEEL	7203-0135-2006	411-214278-402	7203-0135-22A	0838-01-0111-01	424-214278-402
2-1/8"	2-7/8"	BRONZE	7203-0573-0006	408-218278-302	7203-0573-02A	0838-01-0194-08	424-218278-302
		DUCTILE IRON	7203-0573-1006	408-218278-351	7203-0573-12A	0838-01-0194-08	424-218278-351
		STAINLESS STEEL	7203-0573-2006	408-218278-402	7203-0573-22A	0838-01-0194-08	424-218278-402
2"	2-7/8"	BRONZE	7202-0138-0006	412-200278-302	7202-0138-02A	0838-01-0542-01	426-200278-302
		DUCTILE IRON	7202-0138-1006	412-200278-351	7202-0138-12A	0838-01-0542-01	426-200278-351
		STAINLESS STEEL	7202-0138-2006	412-200278-402	7202-0138-22A	0838-01-0542-01	426-200278-402
1-7/8"	2-7/8"	BRONZE	7202-0157-0006	411-178278-302	7202-0157-02A	0838-01-0366-02	424-178278-302
		DUCTILE IRON	7202-0157-1006	411-178278-351	7202-0157-12A	0838-01-0366-02	424-178278-351
		STAINLESS STEEL	7202-0157-2006	411-178278-402	7202-0157-22A	0838-01-0366-02	424-178278-402
1-3/4"	2-7/8"	BRONZE	7202-0156-0006	411-134278-302	7202-0156-02A	0838-01-0341-01	424-134278-302
		DUCTILE IRON	7202-0156-1006	411-134278-351	7202-0156-12A	0838-01-0341-01	424-134278-351
		STAINLESS STEEL	7202-0156-2006	411-134278-402	7202-0156-22A	0838-01-0341-01	424-134278-402
1-5/8"	2-1/2"	BRONZE	7202-0155-0006	412-158212-302	7202-0155-02A	0838-01-0003-01	426-158212-302
		DUCTILE IRON	7202-0155-1006	412-158212-351	7202-0155-12A	0838-01-0003-01	426-158212-351
		STAINLESS STEEL	7202-0155-2006	412-158212-402	7202-0155-22A	0838-01-0003-01	426-158212-402
1-1/2"	2-1/2"	BRONZE	7202-0140-0006	407-112212-302	7202-0140-02A	0838-01-0016-06	420-112212-302
		DUCTILE IRON	7202-0140-1006	407-112212-351	7202-0140-12A	0838-01-0016-06	420-112212-351
		STAINLESS STEEL	7202-0140-2006	407-112212-402	7202-0140-22A	0838-01-0016-06	420-112212-402
1-3/8"	2-1/4"	BRONZE	7202-0640-0006	406-138214-302	7202-0640-02A	0838-01-0070-02	426-138214-302
		DUCTILE IRON	7202-0640-1006	406-138214-351	7202-0640-12A	0838-01-0070-02	426-138214-351
		STAINLESS STEEL	7202-0640-2006	406-138214-402	7202-0640-22A	0838-01-0070-02	426-138214-402

# Hi / Lo Packing Assy. MA-40, MA-75, SC-65, SC-115, RO-64 and RO-117

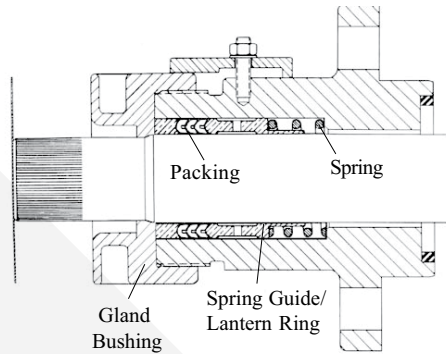


Plunger Size	Stuffing Box Bore	Material	*Complete Assembly	Throat Bushing	Elastomer Spring	Elastomer Spacer	*Packing Set Only	Gland Bushing
2-3/4"	3-1/2"	BRONZE	7203-0416-0007	406-234312-302	7203-0424-00A	7203-0425-00A	0143-20-0218-01	409-234312-302
		CAST IRON	7203-0416-1007	406-234312-351	7203-0424-00A	7203-0425-00A	0143-20-0218-01	409-234312-351
		STAINLESS STEEL	7203-0416-2007	406-234312-402	7203-0424-00A	7203-0425-00A	0143-20-0218-01	409-234312-402
2-5/8"	3-1/2"	BRONZE	7203-0606-0007	406-258312-302	7203-0424-00A	7203-0425-00A	0143-20-0295-01	414-258312-302
		CAST IRON	7203-0606-1007	406-258312-351	7203-0424-00A	7203-0425-00A	0143-20-0295-01	414-258312-351
		STAINLESS STEEL	7203-0606-2007	406-258312-402	7203-0424-00A	7203-0425-00A	0143-20-0295-01	414-258312-402
2-1/2"	3-1/4"	BRONZE	Consult Factory					
		CAST IRON						
		STAINLESS STEEL						
2-3/8"	3-1/4"	BRONZE	7203-0711-0007	406-238314-302	7203-0400-00A	7203-0402-00A	0143-20-0392-01	413-238314-302
		CAST IRON	7203-0711-1007	406-238314-351	7203-0400-00A	7203-0402-00A	0143-20-0392-01	413-238314-351
		STAINLESS STEEL	7203-0711-2007	406-238314-402	7203-0400-00A	7203-0402-00A	0143-20-0392-01	413-238314-402
2-1/4"	2-7/8"	BRONZE	7203-0428-0007	410-214278-302	7203-0399-00A	7203-0401-00A	0143-20-0111-01	410-214278-302
		CAST IRON	7203-0428-1007	410-214278-351	7203-0399-00A	7203-0401-00A	0143-20-0111-01	410-214278-351
		STAINLESS STEEL	7203-0428-2007	410-214278-402	7203-0399-00A	7203-0401-00A	0143-20-0111-01	410-214278-402
2-1/8"	2-7/8"	BRONZE	7203-0413-0007	408-218278-302	7203-0399-00A	7203-0401-00A	0143-20-0194-01	411-218278-302
		CAST IRON	7203-0413-1007	408-218278-351	7203-0399-00A	7203-0401-00A	0143-20-0194-01	411-218278-351
		STAINLESS STEEL	7203-0413-2007	408-218278-402	7203-0399-00A	7203-0401-00A	0143-20-0194-01	411-218278-402
2"	2-7/8"	BRONZE	7203-0563-0007	406-200278-302	7203-0399-00A	7203-0401-00A	0143-20-0542-01	412-200278-302
		CAST IRON	7203-0563-1007	406-200278-351	7203-0399-00A	7203-0401-00A	0143-20-0542-01	412-200278-351
		STAINLESS STEEL	7203-0563-2007	406-200278-402	7203-0399-00A	7203-0401-00A	0143-20-0542-01	412-200278-402
1-7/8"	2-7/8"	BRONZE	7203-0417-0007	410-178278-302	7203-0399-00A	7203-0401-00A	0143-20-0366-01	410-178278-302
		CAST IRON	7203-0417-1007	410-178278-351	7203-0399-00A	7203-0401-00A	0143-20-0366-01	410-178278-351
		STAINLESS STEEL	7203-0417-2007	410-178278-402	7203-0399-00A	7203-0401-00A	0143-20-0366-01	410-178278-402
1-3/4"	2-7/8"	BRONZE	7203-0412-0007	409-134278-302	7203-0399-00A	7203-0401-00A	0143-20-0341-01	409-134278-302
		CAST IRON	7203-0412-1007	409-134278-351	7203-0399-00A	7203-0401-00A	0143-20-0341-01	409-134278-351
		STAINLESS STEEL	7203-0412-2007	409-134278-402	7203-0399-00A	7203-0401-00A	0143-20-0341-01	409-134278-402

# Packing MA-60, SC-95 and RO-86



# 120X and 805 Packing Assy. MA-60, SC-95 and RO-86



120X is shown.  
\* For 805 use

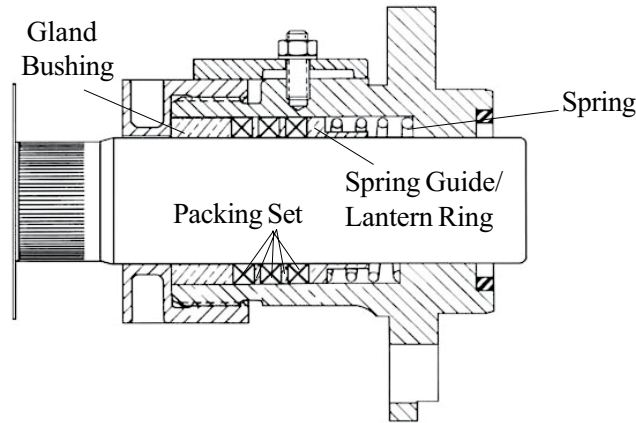
720x-xxxx-xx02

0805-xx-xxxx-01

Plunger Size	Stuffing Box Bore	Material	*Complete Assembly	Spring	Spring Guide/Lantern Ring	*Packing Ring Only (3 Required)	Gland Bushing
2-1/2"	3-1/4"	BRONZE	7204-0893-0001	7202-0358-07A	7204-0893-01A	6618-52-0073-01	7204-0893-02A
		CAST IRON	7204-0893-1001	7202-0358-07A	7204-0893-11A	6618-52-0073-01	7204-0893-12A
		STAINLESS STEEL	7204-0893-2001	7202-0358-07A	7204-0893-21A	6618-52-0073-01	7204-0893-22A
2-3/8"	3-1/4"	BRONZE	7204-0710-0001	7202-0358-07A	7204-0710-01A	6618-52-0392-01	7204-0710-02A
		CAST IRON	7204-0710-1001	7202-0358-07A	7204-0710-11A	6618-52-0392-01	7204-0710-12A
		STAINLESS STEEL	7204-0710-2001	7202-0358-07A	7204-0710-21A	6618-52-0392-01	7204-0710-22A
2-1/4"	3-1/4"	BRONZE	7202-0682-0001	7202-0358-07A	7202-0682-01A	6618-52-0222-01	7202-0682-02A
		CAST IRON	7202-0682-1001	7202-0358-07A	7202-0682-11A	6618-52-0222-01	7202-0682-12A
		STAINLESS STEEL	7202-0682-2001	7202-0358-07A	7202-0682-21A	6618-52-0222-01	7202-0682-22A
2-1/8"	2-7/8"	BRONZE	7202-0514-0001	7202-0344-13A	7202-0514-01A	6618-52-0194-01	7202-0514-02A
		CAST IRON	7202-0514-1001	7202-0344-13A	7202-0514-11A	6618-52-0194-01	7202-0514-12A
		STAINLESS STEEL	7202-0514-2001	7202-0344-13A	7202-0514-21A	6618-52-0194-01	7202-0514-22A
2"	2-7/8"	BRONZE	7202-0677-0001	7202-0344-13A	7202-0677-01A	6618-52-0542-01	7202-0677-02A
		CAST IRON	7202-0677-1001	7202-0344-13A	7202-0677-11A	6618-52-0542-01	7202-0677-12A
		STAINLESS STEEL	7202-0677-2001	7202-0344-13A	7202-0677-21A	6618-52-0542-01	7202-0677-22A
1-7/8"	2-7/8"	BRONZE	7203-0347-0001	7202-0344-13A	7203-0347-01A	6618-52-0366-01	7203-0347-02A
		CAST IRON	7203-0347-1001	7202-0344-13A	7203-0347-11A	6618-52-0366-01	7203-0347-12A
		STAINLESS STEEL	7203-0347-2001	7202-0344-13A	7203-0347-21A	6618-52-0366-01	7203-0347-22A
1-3/4"	2-7/8"	BRONZE	7203-0346-0001	7202-0344-13A	7203-0346-01A	6618-52-0341-03	7203-0346-02A
		CAST IRON	7203-0346-1001	7202-0344-13A	7203-0346-11A	6618-52-0341-03	7203-0346-12A
		STAINLESS STEEL	7203-0346-2001	7202-0344-13A	7203-0346-21A	6618-52-0341-03	7203-0346-22A
1-5/8"	2-1/2"	BRONZE	7202-0461-0001	7202-0426-05A	7202-0461-01A	6618-52-0003-01	7202-0461-02A
		CAST IRON	7202-0461-1001	7202-0426-05A	7202-0461-11A	6618-52-0003-01	7202-0461-12A
		STAINLESS STEEL	7202-0461-2001	7202-0426-05A	7202-0461-21A	6618-52-0003-01	7202-0461-22A
1-1/2"	2-1/2"	BRONZE	7202-0460-0001	7202-0426-05A	7202-0460-01A	6618-52-0016-01	7202-0460-03A
		CAST IRON	7202-0460-1001	7202-0426-05A	7202-0460-11A	6618-52-0016-01	7202-0460-13A
		STAINLESS STEEL	7202-0460-2001	7202-0426-05A	7202-0460-21A	6618-52-0016-01	7202-0460-23A
1-3/8"	2-1/4"	BRONZE	7206-0038-0001	7202-0347-07A	7206-0038-01A	6618-52-0070-01	7206-0038-02A
		CAST IRON	7206-0038-1001	7202-0347-07A	7206-0038-11A	6618-52-0070-01	7206-0038-12A
		STAINLESS STEEL	7206-0038-2001	7202-0347-07A	7206-0038-21A	6618-52-0070-01	7206-0038-22A
1-1/4"	2-1/4"	BRONZE	7206-0039-0001	7202-0347-07A	7206-0039-01A	6618-52-0053-01	7206-0039-02A
		CAST IRON	7206-0039-1001	7202-0347-07A	7206-0039-11A	6618-52-0053-01	7206-0039-12A
		STAINLESS STEEL	7206-0039-2001	7202-0347-07A	7206-0039-21A	6618-52-0053-01	7206-0039-22A



# 140, 141 and 8921k Compression Packing Assy. MA-60, SC-95 and RO-86



140 is shown.

\* For 141 use

\* For 8921k use.

720x-xxxx-xx04

720x-xxxx-xx05

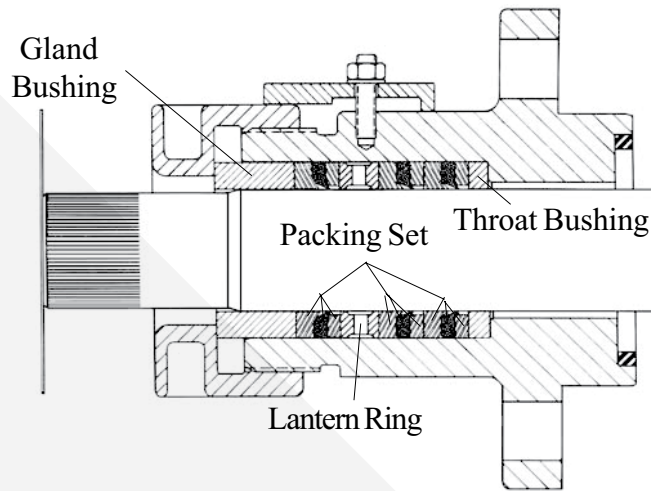
0141-xx-xxxx-01

8921-xx-xxxx-01

Plunger Size	Stuffing Box Bore	Material	*Complete Assembly	Spring	Lantern Ring	*Packing Set Only	Gland Bushing
2-1/2"	3-1/4"	BRONZE	7204-1341-0003	7202-0358-07A	7204-1241-01A	0140-52-0073-03	408-212314-302
		CAST IRON	7204-1341-1003	7202-0358-07A	7204-1241-11A	0140-62-0073-03	408-212314-351
		STAINLESS STEEL	7204-1341-2003	7202-0358-07A	7204-1241-21A	0140-62-0073-03	408-212314-402
2-3/8"	3-1/4"	BRONZE	Consult Factory				
		CAST IRON					
		STAINLESS STEEL					
2-1/4"	3-1/4"	BRONZE	7202-0499-0003	7202-0358-07A	7202-0499-01A	0140-52-0222-03	417-214314-302
		CAST IRON	7202-0499-1003	7202-0358-07A	7202-0499-11A	0140-62-0222-03	417-214314-351
		STAINLESS STEEL	7202-0499-2003	7202-0358-07A	7202-0499-21A	0140-62-0222-03	417-214314-402
2-1/8"	2-7/8"	BRONZE	7202-0582-0003	7202-0344-13A	7202-0582-01A	0140-52-0194-03	407-218278-302
		CAST IRON	7202-0582-1003	7202-0344-13A	7202-0582-11A	0140-62-0194-03	407-218278-351
		STAINLESS STEEL	7202-0582-2003	7202-0344-13A	7202-0582-21A	0140-62-0194-03	407-218278-402
2"	2-7/8"	BRONZE	7202-0494-0003	7202-0344-13A	7202-0494-01A	0140-52-0542-03	406-200278-302
		CAST IRON	7202-0494-1003	7202-0344-13A	7202-0494-11A	0140-62-0542-03	406-200278-351
		STAINLESS STEEL	7202-0494-2003	7202-0344-13A	7202-0494-21A	0140-62-0542-03	406-200278-402
1-7/8"	2-7/8"	BRONZE	7203-0312-0003	7202-0344-13A	7203-0312-01A	0140-52-0366-03	404-178278-302
		CAST IRON	7203-0312-1003	7202-0344-13A	7203-0312-11A	0140-62-0366-03	404-178278-351
		STAINLESS STEEL	7203-0312-2003	7202-0344-13A	7203-0312-21A	0140-62-0366-03	404-178278-402
1-3/4"	2-7/8"	BRONZE	7203-0214-0003	7202-0344-13A	7203-0214-01A	0140-52-0341-03	7203-0214-03A
		CAST IRON	7203-0214-1003	7202-0344-13A	7203-0214-11A	0140-62-0341-03	7203-0214-13A
		STAINLESS STEEL	7203-0214-2003	7202-0344-13A	7203-0214-21A	0140-62-0341-03	7203-0214-23A
1-5/8"	2-1/2"	BRONZE	7203-0341-0003	7202-0426-05A	7203-0341-01A	0140-52-0003-03	405-158212-302
		CAST IRON	7203-0341-1003	7202-0426-05A	7203-0341-11A	0140-62-0003-03	405-158212-351
		STAINLESS STEEL	7203-0341-2003	7202-0426-05A	7203-0341-21A	0140-62-0003-03	405-158212-402
1-1/2"	2-1/2"	BRONZE	7202-0511-0003	7202-0426-05A	7202-0511-01A	0140-52-0016-03	7202-0511-03A
		CAST IRON	7202-0511-1003	7202-0426-05A	7202-0511-11A	0140-62-0016-03	7202-0511-13A
		STAINLESS STEEL	7202-0511-2003	7202-0426-05A	7202-0511-21A	0140-62-0016-03	7202-0511-23A
1-3/8"	2-1/4"	BRONZE	7202-0512-0003	7202-0347-07A	7202-0512-01A	0140-52-0070-03	7202-0512-03A
		CAST IRON	7202-0512-1003	7202-0347-07A	7202-0512-11A	0140-62-0070-03	7202-0512-13A
		STAINLESS STEEL	7202-0512-2003	7202-0347-07A	7202-0512-21A	0140-62-0070-03	7202-0512-23A
1-1/4"	2-1/4"	BRONZE	7203-0192-0003	7202-0347-07A	7203-0192-01A	0140-52-0053-03	7203-0192-03A
		CAST IRON	7203-0192-1003	7202-0347-07A	7203-0192-11A	0140-62-0053-03	7203-0192-13A
		STAINLESS STEEL	7203-0192-2003	7202-0347-07A	7203-0192-21A	0140-62-0053-03	7203-0192-23A

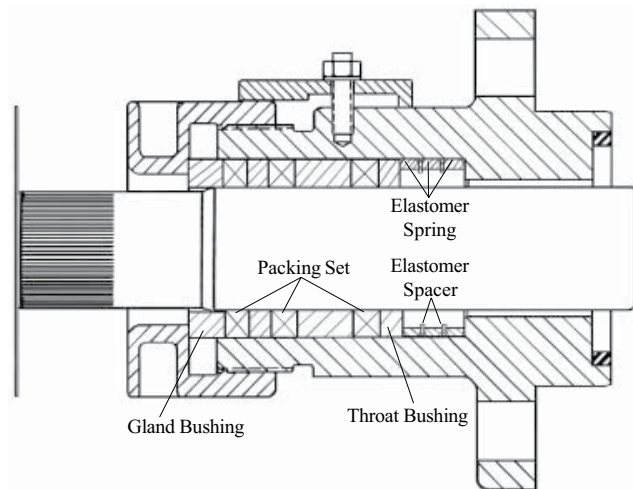
\*\* Gland Adjusted Available.

# 838 Packing Assy. MA-60, SC-95 and RO-86



Plunger Size	Stuffing Box Bore	Material	Complete Assembly	Throat Bushing	Lantern Ring	Packing Set Only	Gland Bushing
2-1/2"	3-1/4"	BRONZE	7202-0160-0006	412-212314-302	7202-0160-02A	0838-01-0073-14	424-212314-302
		CAST IRON	7202-0160-1006	412-212314-351	7202-0160-12A	0838-01-0073-14	424-212314-351
		STAINLESS STEEL	7202-0160-2006	412-212314-402	7202-0160-22A	0838-01-0073-14	424-212314-402
2-3/8"	3-1/4"	BRONZE	7202-0447-0006	406-238314-302	7202-0447-02A	0838-01-0392-03	424-238314-302
		CAST IRON	7202-0447-1006	406-238314-351	7202-0447-12A	0838-01-0392-03	424-238314-351
		STAINLESS STEEL	7202-0447-2006	406-238314-402	7202-0447-22A	0838-01-0392-03	424-238314-402
2-1/4"	3-1/4"	BRONZE	7203-0551-0006	409-214314-302	7203-0551-02A	0838-01-0222-07	423-214314-302
		CAST IRON	7203-0551-1006	409-214314-351	7203-0551-12A	0838-01-0222-07	423-214314-351
		STAINLESS STEEL	7203-0551-2006	409-214314-402	7203-0551-22A	0838-01-0222-07	423-214314-402
2-1/8"	2-7/8"	BRONZE	7203-0573-0006	408-218278-302	7203-0573-02A	0838-01-0194-08	424-218278-302
		CAST IRON	7203-0573-1006	408-218278-351	7203-0573-12A	0838-01-0194-08	424-218278-351
		STAINLESS STEEL	7203-0573-2006	408-218278-402	7203-0573-22A	0838-01-0194-08	424-218278-402
2"	2-7/8"	BRONZE	7202-0138-0006	412-200278-302	7202-0138-02A	0838-01-0542-01	426-200278-302
		CAST IRON	7202-0138-1006	412-200278-351	7202-0138-12A	0838-01-0542-01	426-200278-351
		STAINLESS STEEL	7202-0138-2006	412-200278-402	7202-0138-22A	0838-01-0542-01	426-200278-402
1-7/8"	2-7/8"	BRONZE	7202-0157-0006	411-178278-302	7202-0157-02A	0838-01-0366-02	424-178278-302
		CAST IRON	7202-0157-1006	411-178278-351	7202-0157-12A	0838-01-0366-02	424-178278-351
		STAINLESS STEEL	7202-0157-2006	411-178278-402	7202-0157-22A	0838-01-0366-02	424-178278-402
1-3/4"	2-7/8"	BRONZE	7202-0156-0006	411-134278-302	7202-0156-02A	0838-01-0341-01	424-134278-302
		CAST IRON	7202-0156-1006	411-134278-351	7202-0156-12A	0838-01-0341-01	424-134278-351
		STAINLESS STEEL	7202-0156-2006	411-134278-402	7202-0156-22A	0838-01-0341-01	424-134278-402
1-5/8"	2-1/2"	BRONZE	7202-0155-0006	412-158212-302	7202-0155-02A	0838-01-0003-01	426-158212-302
		CAST IRON	7202-0155-1006	412-158212-351	7202-0155-12A	0838-01-0003-01	426-158212-351
		STAINLESS STEEL	7202-0155-2006	412-158212-402	7202-0155-22A	0838-01-0003-01	426-158212-402
1-1/2"	2-1/2"	BRONZE	7202-0140-0006	407-112212-302	7202-0140-02A	0838-01-0016-06	420-112212-302
		CAST IRON	7202-0140-1006	407-112212-351	7202-0140-12A	0838-01-0016-06	420-112212-351
		STAINLESS STEEL	7202-0140-2006	407-112212-402	7202-0140-22A	0838-01-0016-06	420-112212-402
1-3/8"	2-1/4"	BRONZE	7202-0640-0006	406-138214-302	7202-0640-02A	0838-01-0070-02	426-138214-302
		CAST IRON	7202-0640-1006	406-138214-351	7202-0640-12A	0838-01-0070-02	426-138214-351
		STAINLESS STEEL	7202-0640-2006	406-138214-402	7202-0640-22A	0838-01-0070-02	426-138214-402
1-1/4"	2-1/4"	BRONZE	7202-0153-0006	411-114214-302	7202-0153-02A	0838-01-0053-05	424-114214-302
		CAST IRON	7202-0153-1006	411-114214-351	7202-0153-12A	0838-01-0053-05	424-114214-351
		STAINLESS STEEL	7202-0153-2006	411-114214-402	7202-0153-22A	0838-01-0053-05	424-114214-402

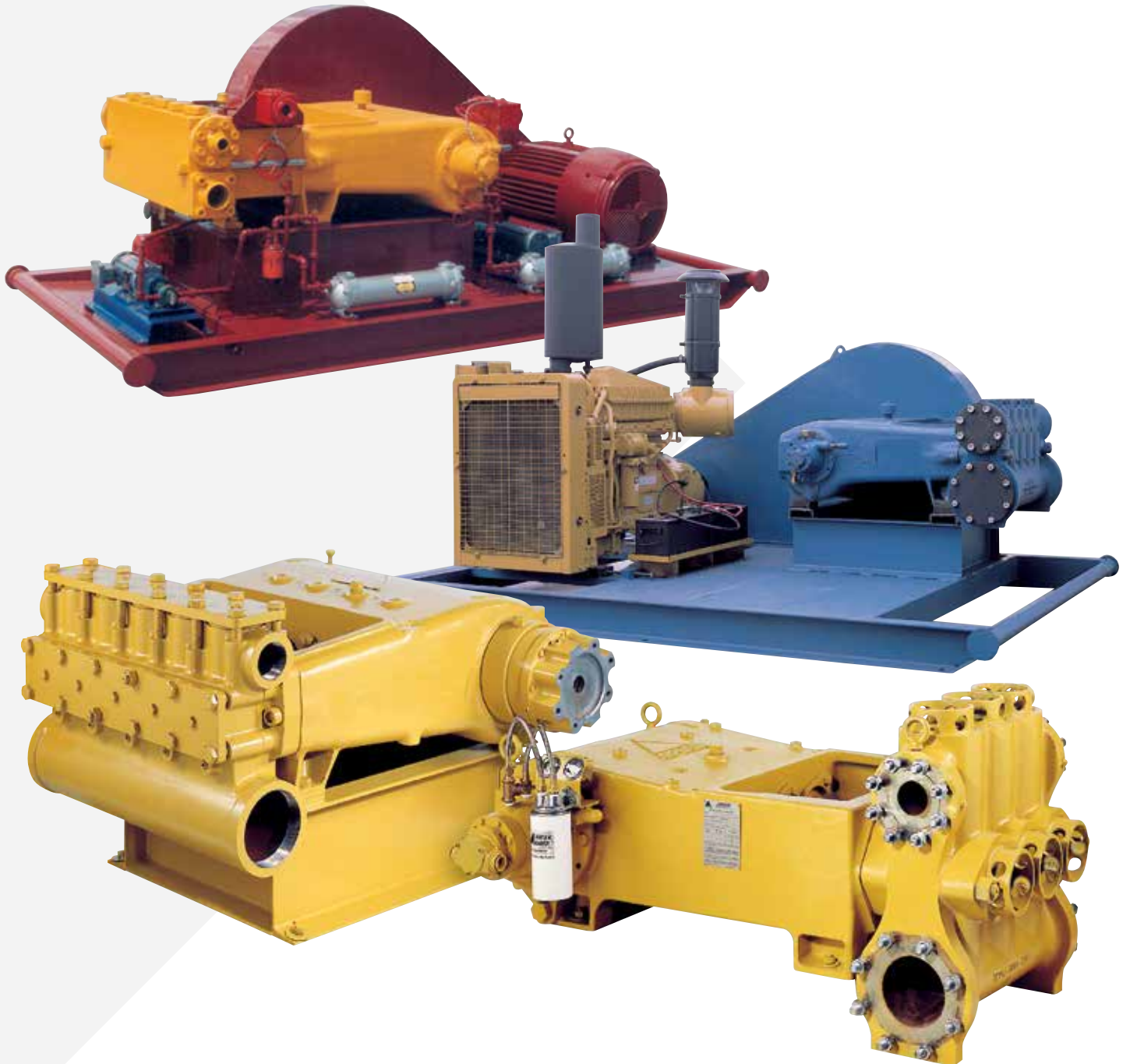
# Hi / Lo Packing Assy. MA-60, SC-95, and RO-86



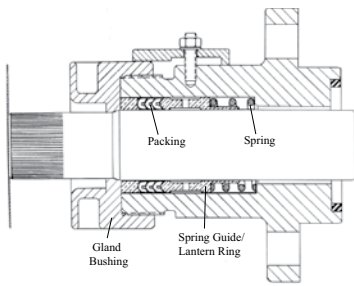
Plunger Size	Stuffing Box Bore	Material	Complete Assembly	Throat Bushing	Elastomer Spring	Elastomer Spacer	Packing Set Only	Gland Bushing
2-1/2"	3-1/4"	BRONZE	Consult Factory					
		CAST IRON						
		STAINLESS STEEL						
2-3/8"	3-1/4"	BRONZE	7203-0711-0007	406-238314-302	7203-0400-00A	7203-0402-00A	0143-20-0392-01	413-238314-302
		CAST IRON	7203-0711-1007	406-238314-351	7203-0400-00A	7203-0402-00A	0143-20-0392-01	413-238314-351
		STAINLESS STEEL	7203-0711-2007	406-238314-402	7203-0400-00A	7203-0402-00A	0143-20-0392-01	413-238314-402
2-1/4"	3-1/4"	BRONZE	Consult Factory					
		CAST IRON						
		STAINLESS STEEL						
2-1/8"	2-7/8"	BRONZE	7203-0413-0007	408-218278-302	7203-0399-00A	7203-0401-00A	0143-20-0194-01	411-218278-302
		CAST IRON	7203-0413-1007	408-218278-351	7203-0399-00A	7203-0401-00A	0143-20-0194-01	411-218278-351
		STAINLESS STEEL	7203-0413-2007	408-218278-402	7203-0399-00A	7203-0401-00A	0143-20-0194-01	411-218278-402
2"	2-7/8"	BRONZE	7203-0536-0007	406-200278-302	7203-0399-00A	7203-0401-00A	0143-20-0542-01	412-200278-302
		CAST IRON	7203-0536-1007	406-200278-351	7203-0399-00A	7203-0401-00A	0143-20-0542-01	412-200278-351
		STAINLESS STEEL	7203-0536-2007	406-200278-402	7203-0399-00A	7203-0401-00A	0143-20-0542-01	412-200278-402
1-7/8"	2-7/8"	BRONZE	7203-0417-0007	410-178278-302	7203-0399-00A	7203-0401-00A	0143-20-0366-01	410-178278-302
		CAST IRON	7203-0417-1007	410-178278-351	7203-0399-00A	7203-0401-00A	0143-20-0366-01	410-178278-351
		STAINLESS STEEL	7203-0417-2007	410-178278-402	7203-0399-00A	7203-0401-00A	0143-20-0366-01	410-178278-402
1-3/4"	2-7/8"	BRONZE	7203-0412-0007	409-134278-302	7203-0399-00A	7203-0401-00A	0143-20-0341-01	409-134278-302
		CAST IRON	7203-0412-1007	409-134278-351	7203-0399-00A	7203-0401-00A	0143-20-0341-01	409-134278-351
		STAINLESS STEEL	7203-0412-2007	409-134278-402	7203-0399-00A	7203-0401-00A	0143-20-0341-01	409-134278-402

# Packing

MA-95, SC-170, RO-185, MA-120, SC-300,  
RO-358, MA-240 and RO-174



# 120X and 805 Packing Assy. MA-95, MA-120, MA-240, SC-170, SC-300, RO-174, RO-185 and RO-358



120X is shown.

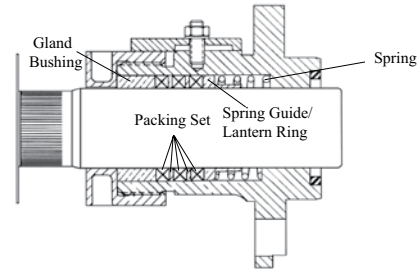
\* For 805 use

720x-xxxx-xx02

0805-xx-xxxx-01

Plunger Size	Stuffing Box Bore	Material	*Complete Assembly	Spring	Spring Guide/Lantern Ring	*Packing Ring Only (3 Required)	Gland Bushing
3-1/2"	4-1/2"	BRONZE	7204-1019-0001	8101-0020-05A	7204-1019-01A	6618-52-0082-01	7204-1019-02A
		CAST IRON	7204-1019-1001	8101-0020-05A	7204-1019-11A	6618-52-0082-01	7204-1019-12A
		STAINLESS STEEL	7204-1019-2001	8101-0020-05A	7204-1019-21A	6618-52-0082-01	7204-1019-22A
3-3/8"	4-1/2"	BRONZE	Consult Factory				
		CAST IRON					
		STAINLESS STEEL					
3-1/4"	4-1/2"	BRONZE	7204-0991-0001	8101-0020-05A	7204-0991-01A	6618-52-0081-01	7204-0991-02A
		CAST IRON	7204-0991-1001	8101-0020-05A	7204-0991-11A	6618-52-0081-01	7204-0991-12A
		STAINLESS STEEL	7204-0991-2001	8101-0020-05A	7204-0991-21A	6618-52-0081-01	7204-0991-22A
3-1/8"	4"	BRONZE	7204-0889-0001	7204-0560-10A	7204-0889-01A	6618-52-0401-01	7204-0889-02A
		CAST IRON	7204-0889-1001	7204-0560-10A	7204-0889-11A	6618-52-0401-01	7204-0889-12A
		STAINLESS STEEL	7204-0889-2001	7204-0560-10A	7204-0889-21A	6618-52-0401-01	7204-0889-22A
3"	4"	BRONZE	7201-0618-0001	7204-0560-10A	7201-0618-01A	6618-52-0107-01	7201-0618-02A
		CAST IRON	7201-0618-1001	7204-0560-10A	7201-0618-11A	6618-52-0107-01	7201-0618-12A
		STAINLESS STEEL	7201-0618-2001	7204-0560-10A	7201-0618-21A	6618-52-0107-01	7201-0618-22A
2-7/8"	4"	BRONZE	7201-0598-0001	7204-0560-10A	7201-0598-01A	6618-52-0429-01	7201-0598-02A
		CAST IRON	7201-0598-1001	7204-0560-10A	7201-0598-11A	6618-52-0429-01	7201-0598-12A
		STAINLESS STEEL	7201-0598-2001	7204-0560-10A	7201-0598-21A	6618-52-0429-01	7201-0598-22A
2-3/4"	4"	BRONZE	7204-0764-0001	7204-0560-10A	7204-0764-01A	6618-52-0021-01	7204-0764-02A
		CAST IRON	7204-0764-1001	7204-0560-10A	7204-0764-11A	6618-52-0021-01	7204-0764-12A
		STAINLESS STEEL	7204-0764-2001	7204-0560-10A	7204-0764-21A	6618-52-0021-01	7204-0764-22A
2-5/8"	4"	BRONZE	7204-0897-0001	7204-0560-10A	7204-0897-01A	6618-52-0632-03	7204-0897-03A
		CAST IRON	7204-0897-1001	7204-0560-10A	7204-0897-11A	6618-52-0632-03	7204-0897-13A
		STAINLESS STEEL	7204-0897-2001	7204-0560-10A	7204-0897-21A	6618-52-0632-03	7204-0897-23A
2-1/2"	3-1/4"	BRONZE	7204-0893-0001	7202-0358-07A	7204-0893-01A	6618-52-0073-01	7204-0893-02A
		CAST IRON	7204-0893-1001	7202-0358-07A	7204-0893-11A	6618-52-0073-01	7204-0893-12A
		STAINLESS STEEL	7204-0893-2001	7202-0358-07A	7204-0893-21A	6618-52-0073-01	7204-0893-22A
2-3/8"	3-1/4"	BRONZE	7204-0710-0001	7202-0358-07A	7204-0710-01A	6618-52-0392-01	7204-0710-02A
		CAST IRON	7204-0710-1001	7202-0358-07A	7204-0710-11A	6618-52-0392-01	7204-0710-12A
		STAINLESS STEEL	7204-0710-2001	7202-0358-07A	7204-0710-21A	6618-52-0392-01	7204-0710-22A
2-1/4"	3-1/4"	BRONZE	7202-0682-0001	7202-0358-07A	7202-0682-01A	6618-52-0222-01	7202-0682-02A
		CAST IRON	7202-0682-1001	7202-0358-07A	7202-0682-11A	6618-52-0222-01	7202-0682-12A
		STAINLESS STEEL	7202-0682-2001	7202-0358-07A	7202-0682-21A	6618-52-0222-01	7202-0682-22A
2-1/8"	3-1/4"	BRONZE	7204-1277-0001	7203-0358-07A	7204-1277-01A	6618-52-0588-01	7204-1277-02A
		CAST IRON	7204-1277-1001	7203-0358-07A	7204-1277-11A	6618-52-0588-01	7204-1277-12A
		STAINLESS STEEL	7204-1277-2001	7203-0358-07A	7204-1277-21A	6618-52-0588-01	7204-1277-22A
2"	2-7/8"	BRONZE	7202-0677-0001	7202-0344-13A	7202-0677-01A	6618-52-0542-01	7202-0677-02A
		CAST IRON	7202-0677-1001	7202-0344-13A	7202-0677-11A	6618-52-0542-01	7202-0677-12A
		STAINLESS STEEL	7202-0677-2001	7202-0344-13A	7202-0677-21A	6618-52-0542-01	7202-0677-22A
1-7/8"	2-7/8"	BRONZE	7203-0347-0001	7202-0344-13A	7203-0347-01A	6618-52-0366-01	7203-0347-02A
		CAST IRON	7203-0347-1001	7202-0344-13A	7203-0347-11A	6618-52-0366-01	7203-0347-12A
		STAINLESS STEEL	7203-0347-2001	7202-0344-13A	7203-0347-21A	6618-52-0366-01	7203-0347-22A
1-3/4"	2-7/8"	BRONZE	7203-0346-0001	7202-0344-13A	7203-0346-01A	6618-52-0341-01	7203-0346-02A
		CAST IRON	7203-0346-1001	7202-0344-13A	7203-0346-11A	6618-52-0341-01	7203-0346-12A
		STAINLESS STEEL	7203-0346-2001	7202-0344-13A	7203-0346-21A	6618-52-0341-01	7203-0346-22A
1-5/8"	2-1/2"	BRONZE	7202-0461-0001	7202-0426-05A	7202-0461-01A	6618-52-0003-01	7202-0461-02A
		CAST IRON	7202-0461-1001	7202-0426-05A	7202-0461-11A	6618-52-0003-01	7202-0461-12A
		STAINLESS STEEL	7202-0461-2001	7202-0426-05A	7202-0461-21A	6618-52-0003-01	7202-0461-22A
1-1/2"	2-1/2"	BRONZE	7202-0460-0001	7202-0426-05A	7202-0460-01A	6618-52-0016-01	7202-0460-03A
		CAST IRON	7202-0460-1001	7202-0426-05A	7202-0460-11A	6618-52-0016-01	7202-0460-13A
		STAINLESS STEEL	7202-0460-2001	7202-0426-05A	7202-0460-21A	6618-52-0016-01	7202-0460-23A

# 140, 141 and 8921k Compression Packing Assy. MA-95, MA-120, MA-240, SC-170, SC-300, RO-174, RO-185 and RO-358



140 is shown.

\* For 141 use

For 8921k use

.....720x-xxxx-xx04

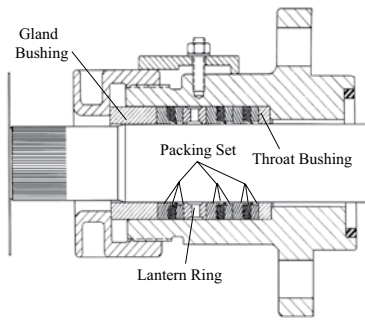
.....720x-xxxx-xx05

.....0141-xx-xxxx-01

.....8921-xx-xxxx-01

Plunger Size	Stuffing Box Bore	Material	*Complete Assembly	Spring	Lantern Ring	*Packing Set Only	Gland Bushing
3-1/2"	4-1/2"	BRONZE	7204-0848-0003	8101-0020-05A	7204-0848-01A	0140-52-0082-03	406-312412-302
		CAST IRON	7204-0848-1003	8101-0020-05A	7204-0848-11A	0140-62-0082-03	406-312412-351
		STAINLESS STEEL	7204-0848-2003	8101-0020-05A	7204-0848-21A	0140-62-0082-03	406-312412-402
3-3/8"	4-1/2"	BRONZE	7204-1043-0003	8101-0020-05A	7204-1043-01A	0140-52-0322-03	7204-1043-02A
		CAST IRON	7204-1043-1003	8101-0020-05A	7204-1043-11A	0140-62-0322-03	7204-1043-12A
		STAINLESS STEEL	7204-1043-2003	8101-0020-05A	7204-1043-21A	0140-62-0322-03	7204-1043-22A
3-1/4"	4-1/2"	BRONZE	7204-0800-0003	8101-0020-05A	7204-0800-01A	0140-52-0081-03	408-314412-302
		CAST IRON	7204-0800-1003	8101-0020-05A	7204-0800-11A	0140-62-0081-03	408-314412-351
		STAINLESS STEEL	7204-0800-2003	8108-0020-05A	7204-0800-21A	0140-62-0081-03	408-314412-402
3-1/8"	4"	BRONZE	7204-1289-0003	7204-0560-10A	7201-0677-02A	0140-52-0401-03	404-318400-302*
		CAST IRON	7204-1289-1003	7204-0560-10A	7201-0677-12A	0140-62-0401-03	404-318400-351*
		STAINLESS STEEL	7204-1289-2003	7204-0560-10A	7201-0677-22A	0140-62-0401-03	404-318400-402*
3"	4"	BRONZE	7204-0909-0003	7204-0560-10A	7204-0909-01A	0140-52-0107-03	404-300400-302
		CAST IRON	7204-0909-1003	7204-0560-10A	7204-0909-11A	0140-62-0107-03	404-300400-351
		STAINLESS STEEL	7204-0909-2003	7204-0560-10A	7204-0909-21A	0140-62-0107-03	404-300400-402
2-7/8"	4"	BRONZE	7201-0696-0003	7204-0560-10A	7201-0696-01A	0140-52-0429-03	408-278400-302
		CAST IRON	7201-0696-1003	7204-0560-10A	7201-0696-11A	0140-62-0429-03	408-278400-351
		STAINLESS STEEL	7201-0696-2003	7204-0560-10A	7201-0696-21A	0140-62-0429-03	408-278400-402
2-3/4"	4"	BRONZE					
		CAST IRON					
		STAINLESS STEEL					
2-5/8"	4"	BRONZE					
		CAST IRON					
		STAINLESS STEEL					
2-1/2"	3-1/4"	BRONZE	7204-1341-0003	7202-0358-07A	7204-1241-01A	0140-52-0073-03	408-212314-302
		CAST IRON	7204-1341-1003	7202-0358-07A	7204-1241-11A	0140-62-0073-03	408-212314-351
		STAINLESS STEEL	7204-1341-2003	7202-0358-07A	7204-1241-21A	0140-62-0073-03	408-212314-402
2-3/8"	3-1/4"	BRONZE					
		CAST IRON					
		STAINLESS STEEL					
2-1/4"	3-1/4"	BRONZE	7202-0499-0003	7202-0358-07A	7202-0499-01A	0140-52-0222-03	417-214314-302
		CAST IRON	7202-0499-1003	7202-0358-07A	7202-0499-11A	0140-62-0222-03	417-214314-351
		STAINLESS STEEL	7202-0499-2003	7202-0358-07A	7202-0499-21A	0140-62-0222-03	417-214314-402
2-1/8"	3-1/4"	BRONZE					
		CAST IRON					
		STAINLESS STEEL					
2"	2-7/8"	BRONZE	7202-0494-0003	7202-0344-13A	7202-0494-01A	0140-52-0542-03	406-200278-302
		CAST IRON	7202-0494-1003	7202-0344-13A	7202-0494-11A	0140-62-0542-03	406-200278-351
		STAINLESS STEEL	7202-0494-2003	7202-0344-13A	7202-0494-21A	0140-62-0542-03	406-200278-402
1-7/8"	2-7/8"	BRONZE	7203-0312-0003	7202-0344-13A	7203-0312-01A	0140-52-0366-03	404-178278-302
		CAST IRON	7203-0312-1003	7202-0344-13A	7203-0312-11A	0140-62-0366-03	404-178278-351
		STAINLESS STEEL	7203-0312-2003	7202-0344-13A	7203-0312-21A	0140-62-0366-03	404-178278-402
1-3/4"	2-7/8"	BRONZE	7203-0214-0003	7202-0344-13A	7203-0214-01A	0140-52-0341-03	7203-0214-03A
		CAST IRON	7203-0214-1003	7202-0344-13A	7203-0214-11A	0140-62-0341-03	7203-0214-13A
		STAINLESS STEEL	7203-0214-2003	7202-0344-13A	7203-0214-21A	0140-62-0341-03	7203-0214-23A

# 838 Packing Assy. MA-95, MA-120, MA-240, SC-170, SC-300, RO-174, RO-185, and RO-358



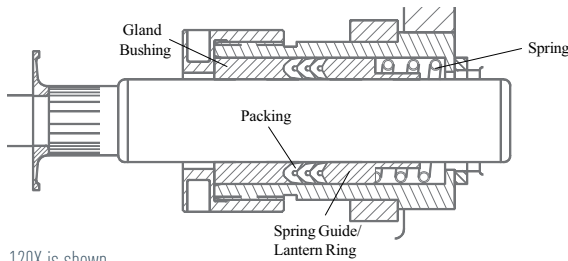
Plunger Size	Stuffing Box Bore	Material	Complete Assembly	Throat Bushing	Lantern Ring	Packing Set Only	Gland Bushing
4"	4-1/2"	BRONZE	Consult Factory				
		CAST IRON					
		STAINLESS STEEL					
3-1/2"	4-1/2"	BRONZE	7201-0672-0006	406-338412-302	7201-0672-02A	0838-01-0350-01	424-338412-302
		CAST IRON	7201-0672-1006	406-338412-351	7201-0672-12A	0838-01-0350-01	424-338412-351
		STAINLESS STEEL	7201-0672-2006	406-338412-402	7201-0672-22A	0838-01-0350-01	424-338412-402
3-1/4"	4-1/2"	BRONZE	7201-0145-0006	411-314412-302	7201-0145-02A	0838-01-0081-01	428-314412-302
		CAST IRON	7201-0145-1006	411-314412-351	7201-0145-12A	0838-01-0081-01	428-314412-351
		STAINLESS STEEL	7201-0145-2006	411-314412-402	7201-0145-22A	0838-01-0081-01	428-314412-402
3-1/8"	4"	BRONZE	7201-0677-0006	404-318400-302	7201-0677-02A	0838-01-0401-03	424-318400-302
		CAST IRON	7201-0677-1006	404-318400-351	7201-0677-12A	0838-01-0401-03	424-318400-351
		STAINLESS STEEL	7201-0677-2006	404-318400-402	7201-0677-22A	0838-01-0401-03	424-318400-402
3"	4"	BRONZE	7201-0144-0006	411-300400-302	7201-0144-02A	0838-01-0107-04	428-300400-302
		CAST IRON	7201-0144-1006	411-300400-351	7201-0144-12A	0838-01-0107-04	428-300400-351
		STAINLESS STEEL	7201-0144-2006	411-300400-402	7201-0144-22A	0838-01-0107-04	428-300400-402
2-7/8"	4"	BRONZE	7201-0604-0003	8000-0338-00A	7201-0604-01A	0140-52-0218-01	422-234312-302
		CAST IRON	7201-0604-1003	8000-0338-00A	7201-0604-11A	0140-62-0218-01	422-234312-351
		STAINLESS STEEL	7201-0604-2003	8000-0338-00A	7201-0604-21A	0140-62-0218-01	422-234312-402
2-3/4"	4"	BRONZE	7201-0143-0006	411-234400-302	7201-0143-02A	0838-01-0021-01	428-234400-302
		CAST IRON	7201-0143-1006	411-234400-351	7201-0143-12A	0838-01-0021-01	428-234400-351
		STAINLESS STEEL	7201-0143-2006	411-234400-402	7201-0143-22A	0838-01-0021-01	428-234400-402
2-5/8"	4"	BRONZE	7204-0068-0006	406-258400-302	7204-0068-02A	0838-01-0632-03	426-258400-302
		CAST IRON	7204-0068-1006	406-258400-351	7204-0068-12A	0838-01-0632-03	426-258400-351
		STAINLESS STEEL	7204-0068-2006	406-258400-402	7204-0068-22A	0838-01-0632-03	426-258400-402
2-1/2"	3-1/4"	BRONZE	7202-0160-0006	412-212314-302	7202-0160-02A	0838-01-0073-14	424-214314-302
		CAST IRON	7202-0160-1006	412-212314-351	7202-0160-12A	0838-01-0073-14	424-214314-351
		STAINLESS STEEL	7202-0160-2006	412-212314-402	7202-0160-22A	0838-01-0073-14	424-214314-402
2-3/8"	3-1/4"	BRONZE	7202-0447-0006	406-238314-302	7202-0447-02A	0838-01-0392-03	424-238314-302
		CAST IRON	7202-0447-1006	406-238314-351	7202-0447-12A	0838-01-0392-03	424-238314-351
		STAINLESS STEEL	7202-0447-2006	406-238314-402	7202-0447-22A	0838-01-0392-03	424-238314-402
2-1/4"	3-1/4"	BRONZE	7203-0551-0006	409-214314-302	7203-0551-02A	0838-02-0222-07	423-214314-302
		CAST IRON	7203-0551-1006	409-214314-351	7203-0551-12A	0838-02-0222-07	423-214314-351
		STAINLESS STEEL	7203-0551-2006	409-214314-402	7203-0551-22A	0838-02-0222-07	423-214314-402
2-1/8"	3-1/4"	BRONZE	7204-0063-0006	411-218314-302	7204-0063-02A	0838-01-0588-01	424-218314-302
		CAST IRON	7204-0063-1006	411-218314-351	7204-0063-12A	0838-01-0588-01	424-218314-351
		STAINLESS STEEL	7204-0063-2006	411-218314-402	7204-0063-22A	0838-01-0588-01	424-218314-402
2"	2-7/8"	BRONZE	7202-0138-0006	412-200278-302	7202-0138-02A	0838-01-0542-01	426-200278-302
		CAST IRON	7202-0138-1006	412-200278-351	7202-0138-12A	0838-01-0542-01	426-200278-351
		STAINLESS STEEL	7202-0138-2006	412-200278-402	7202-0138-22A	0838-01-0542-01	426-200278-402
1-7/8"	2-7/8"	BRONZE	7202-0157-0006	411-178278-302	7202-0157-02A	0838-01-0366-02	424-178278-302
		CAST IRON	7202-0157-1006	411-178278-351	7202-0157-12A	0838-01-0366-02	424-178278-351
		STAINLESS STEEL	7202-0157-2006	411-178278-402	7202-0157-22A	0838-01-0366-02	424-178278-402
1-3/4"	2-7/8"	BRONZE	7202-0156-0006	411-134278-302	7202-0156-02A	0838-01-0341-01	424-134278-302
		CAST IRON	7202-0156-1006	411-134278-351	7202-0156-12A	0838-01-0341-01	424-134278-351
		STAINLESS STEEL	7202-0156-2006	411-134278-402	7202-0156-22A	0838-01-0341-01	424-134278-402
1-5/8"	2-1/2"	BRONZE	7202-0155-0006	412-158212-302	7202-0155-02A	0838-01-0003-01	426-158212-302
		CAST IRON	7202-0155-1006	412-158212-351	7202-0155-12A	0838-01-0003-01	426-158212-351
		STAINLESS STEEL	7202-0155-2006	412-158212-402	7202-0155-22A	0838-01-0003-01	426-158212-402
1-1/2"	2-1/2"	BRONZE	7202-0140-0006	407-112212-302	7202-0140-02A	0838-01-0016-06	420-112212-302
		CAST IRON	7202-0140-1006	407-112212-351	7202-0140-12A	0838-01-0016-06	420-112212-351
		STAINLESS STEEL	7202-0140-2006	407-112212-402	7202-0140-22A	0838-01-0016-06	420-112212-402

# Packing MA-155, MA-300, SC-230 and RO-261





# 120X and 805 Packing Assy. MA-155, MA-300, SC-230 and RO-261



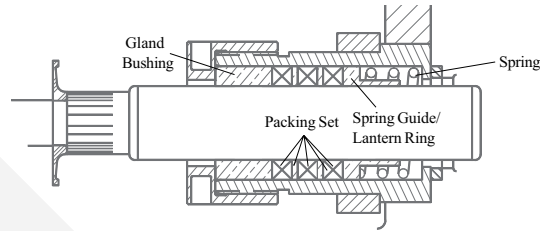
120X is shown.  
\* For 805 use

720x-xxxx-xx02

0805-xx-xxxx-01

Plunger Size	Stuffing Box Bore	Material	*Complete Assembly	Spring	Spring Guide/Lantern Ring	*Packing Ring Only (3 Required)	Gland Bushing	
4"	5"	BRONZE	7201-0723-0001	7201-0719-00A	7201-0723-01A	6618-52-0103-01	7201-0723-02A	
		CAST IRON	7201-0723-1001	7201-0719-00A	7201-0723-11A	6618-52-0103-01	7201-0723-12A	
		STAINLESS STEEL	7201-0723-2001	7201-0719-00A	7201-0723-21A	6618-52-0103-01	7201-0723-22A	
3-7/8"	5"	BRONZE	7201-0817-0001	7201-0719-00A	7201-0817-01A	6618-52-0981-03	7201-0817-02A	
		CAST IRON	7201-0817-1001	7201-0719-00A	7201-0817-11A	6618-52-0981-03	7201-0817-12A	
		STAINLESS STEEL	7201-0817-2001	7201-0719-00A	7201-0817-21A	6618-52-0981-03	7201-0817-22A	
3-3/4"	5"	BRONZE	7201-0583-0001	8106-0035-05A	7201-0583-01A	6618-52-0092-01	7201-0583-03A	
		CAST IRON	7201-0583-1001	8106-0035-05A	7201-0583-11A	6618-52-0092-01	7201-0583-13A	
		STAINLESS STEEL	7201-0583-2001	8106-0035-05A	7201-0583-21A	6618-52-0092-01	7201-0583-23A	
3-5/8"	5"	BRONZE	Consult Factory					
		CAST IRON	Consult Factory					
		STAINLESS STEEL	Consult Factory					
3-1/2"	4-1/2"	BRONZE	7204-1019-0001	8101-0020-05A	7204-1019-01A	6618-52-0082-01	7204-1019-02A	
		CAST IRON	7204-1019-1001	8101-0020-05A	7204-1019-11A	6618-52-0082-01	7204-1019-12A	
		STAINLESS STEEL	7204-1019-2001	8101-0020-05A	7204-1019-21A	6618-52-0082-01	7204-1019-22A	
3-3/8"	4-1/2"	BRONZE	Consult Factory					
		CAST IRON	Consult Factory					
		STAINLESS STEEL	Consult Factory					
3-1/4"	4-1/2"	BRONZE	7204-0991-0001	8101-0020-05A	7204-0991-01A	6618-52-0081-01	7204-0991-02A	
		CAST IRON	7204-0991-1001	8101-0020-05A	7204-0991-11A	6618-52-0081-01	7204-0991-12A	
		STAINLESS STEEL	7204-0991-2001	8101-0020-05A	7204-0991-21A	6618-52-0081-01	7204-0991-22A	
3-1/8"	4"	BRONZE	7204-0889-0001	7204-0560-10A	7204-0889-01A	6618-52-0401-01	7204-0889-02A	
		CAST IRON	7204-0889-1001	7204-0560-10A	7204-0889-11A	6618-52-0401-01	7204-0889-12A	
		STAINLESS STEEL	7204-0889-2001	7204-0560-10A	7204-0889-21A	6618-52-0401-01	7204-0889-22A	
3"	4"	BRONZE	7201-0618-0001	7204-0560-10A	7201-0618-01A	6618-52-0107-01	7201-0618-02A	
		CAST IRON	7201-0618-1001	7204-0560-10A	7201-0618-11A	6618-52-0107-01	7201-0618-12A	
		STAINLESS STEEL	7201-0618-2001	7204-0560-10A	7201-0618-21A	6618-52-0107-01	7201-0618-22A	
2-7/8"	4"	BRONZE	7201-0598-0001	7204-0560-10A	7201-0598-01A	6618-52-0429-01	7201-0598-02A	
		CAST IRON	7201-0598-1001	7204-0560-10A	7201-0598-11A	6618-52-0429-01	7201-0598-12A	
		STAINLESS STEEL	7201-0598-2001	7204-0560-10A	7201-0598-21A	6618-52-0429-01	7201-0598-22A	
2-3/4"	3-1/2"	BRONZE	7201-0819-0001	8000-0338-00A	7201-0819-01A	6618-52-0218-03	7201-0819-02A	
		CAST IRON	7201-0819-1001	8000-0338-00A	7201-0819-11A	6618-52-0218-03	7201-0819-12A	
		STAINLESS STEEL	7201-0819-2001	8000-0338-00A	7201-0819-21A	6618-52-0218-03	7201-0819-22A	
2-5/8"	3-1/2"	BRONZE	7203-0252-0001	8000-0338-00A	7203-0252-01A	6618-52-0295-01	7203-0252-02A	
		CAST IRON	7203-0252-1001	8000-0338-00A	7203-0252-11A	6618-52-0295-01	7203-0252-12A	
		STAINLESS STEEL	7203-0252-2001	8000-0338-00A	7203-0252-21A	6618-52-0295-01	7203-0252-22A	
2-1/2"	3-1/2"	BRONZE	7201-0666-0001	8000-0338-00A	7201-0666-01A	6618-52-0074-01	7201-0666-03A	
		CAST IRON	7201-0666-1001	8000-0338-00A	7201-0666-11A	6618-52-0074-01	7201-0666-13A	
		STAINLESS STEEL	7201-0666-2001	8000-0338-00A	7201-0666-21A	6618-52-0074-01	7201-0666-23A	
2-3/8"	3-1/2"	BRONZE	Consult Factory					
		CAST IRON	Consult Factory					
		STAINLESS STEEL	Consult Factory					
2-1/4"	3"	BRONZE	7201-0818-0001	7202-0344-13A	7201-0818-01A	6618-52-0119-04	7201-0818-02A	
		CAST IRON	7201-0818-1001	7202-0344-13A	7201-0818-11A	6618-52-0119-04	7201-0818-12A	
		STAINLESS STEEL	7201-0818-2001	7202-0344-13A	7201-0818-21A	6618-52-0119-04	7201-0818-22A	
2-1/8"	3"	BRONZE	7201-0809-0001	7202-0344-13A	7201-0809-01A	6618-52-0357-03	7201-0809-02A	
		CAST IRON	7201-0809-1001	7202-0344-13A	7201-0809-11A	6618-52-0357-03	7201-0809-12A	
		STAINLESS STEEL	7201-0809-2001	7202-0344-13A	7201-0809-21A	6618-52-0357-03	7201-0809-22A	
2"	3"	BRONZE	Consult Factory					
		CAST IRON	Consult Factory					
		STAINLESS STEEL	Consult Factory					
1-7/8"	3"	BRONZE	Consult Factory					
		CAST IRON	Consult Factory					
		STAINLESS STEEL	Consult Factory					
1-3/4"	3"	BRONZE	Consult Factory					
		CAST IRON	Consult Factory					
		STAINLESS STEEL	Consult Factory					

# 140, 141 and 8921k Compression Packing Assy. MA-155, MA-300, SC-230 and RO-261

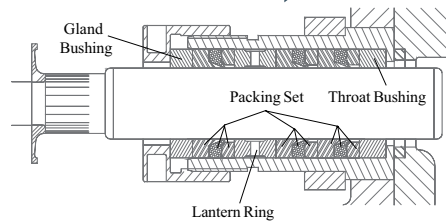


140 is shown.

\* For 141 use ..... 720x-xxxx-xx04 ..... 0141-xx-xxxx-01  
 For 8921k use ..... 720x-xxxx-xx05 ..... 8921-xx-xxxx-01

Plunger Size	Stuffing Box Bore	Material	*Complete Assembly	Spring	Lantern Ring	*Packing Set Only	Gland Bushing
4"	5"	BRONZE	Consult Factory				
		CAST IRON					
		STAINLESS STEEL					
3-7/8"	5"	BRONZE	Consult Factory				
		CAST IRON					
		STAINLESS STEEL					
3-3/4"	5"	BRONZE	Consult Factory				
		CAST IRON					
		STAINLESS STEEL					
3-5/8"	5"	BRONZE	Consult Factory				
		CAST IRON					
		STAINLESS STEEL					
3-1/2"	4-1/2"	BRONZE	7204-0848-0003	8101-0020-05A	7204-0848-02A	0140-52-0082-03	406-312412-302
		CAST IRON	7204-0848-1003	8101-0020-05A	7204-0848-12A	0140-62-0082-03	406-312412-351
		STAINLESS STEEL	7204-0848-2003	8101-0020-05A	7204-0848-22A	0140-62-0082-03	406-312412-402
3-3/8"	4-1/2"	BRONZE	7204-1043-0003	8101-0020-05A	7204-1043-01A	0140-52-0322-03	7204-1043-02A
		CAST IRON	7204-1043-1003	8101-0020-05A	7204-1043-11A	0140-62-0322-03	7204-1043-12A
		STAINLESS STEEL	7204-1043-2003	8101-0020-05A	7204-1043-21A	0140-62-0322-03	7204-1043-22A
3-1/4"	4-1/2"	BRONZE	Consult Factory				
		CAST IRON					
		STAINLESS STEEL					
3-1/8"	4"	BRONZE	7204-1289-0003	7204-0560-10A	7201-0677-02A	0140-52-0401-03	404-318400-302
		CAST IRON	7204-1289-1003	7204-0560-10A	7201-0677-12A	0140-62-0401-03	404-318400-351
		STAINLESS STEEL	7204-1289-2003	7204-0560-10A	7201-0677-22A	0140-62-0401-03	404-318400-402
3"	4"	BRONZE	7204-0909-0003	7204-0560-10A	7204-0909-01A	0140-52-0107-03	404-300400-302
		CAST IRON	7204-0909-1003	7204-0560-10A	7204-0909-11A	0140-62-0107-03	404-300400-351
		STAINLESS STEEL	7204-0909-2003	7204-0560-10A	7204-0909-21A	0140-62-0107-03	404-300400-402
2-7/8"	4"	BRONZE	7201-0696-0003	7204-0560-10A	7201-0696-01A	0140-52-0429-03	408-278400-302
		CAST IRON	7201-0696-1003	7204-0560-10A	7201-0696-11A	0140-62-0429-03	408-278400-351
		STAINLESS STEEL	7201-0696-2003	7204-0560-10A	7201-0696-21A	0140-62-0429-03	408-278400-402
2-3/4"	3-1/2"	BRONZE	Consult Factory				
		CAST IRON					
		STAINLESS STEEL					
2-5/8"	3-1/2"	BRONZE	7201-0681-0003	8000-0338-00A	7201-0681-01A	0140-52-0295-03	417-258312-302
		CAST IRON	7201-0681-1003	8000-0338-00A	7201-0681-11A	0140-62-0295-03	417-258312-351
		STAINLESS STEEL	7201-0681-2003	8000-0338-00A	7201-0681-21A	0140-62-0295-03	417-258312-402
2-1/2"	3-1/2"	BRONZE	7201-0710-0003	8000-0338-00A	7201-0710-01A	0140-52-0074-03	404-212312-302
		CAST IRON	7201-0710-1003	8000-0338-00A	7201-0710-11A	0140-62-0074-03	404-212312-351
		STAINLESS STEEL	7201-0710-2003	8000-0338-00A	7201-0710-21A	0140-62-0074-03	404-212312-402
2-3/8"	3-1/2"	BRONZE	Consult Factory				
		CAST IRON					
		STAINLESS STEEL					
2-1/4"	3"	BRONZE	Consult Factory				
		CAST IRON					
		STAINLESS STEEL					
2-1/8"	3"	BRONZE	Consult Factory				
		CAST IRON					
		STAINLESS STEEL					
2"	3"	BRONZE	Consult Factory				
		CAST IRON					
		STAINLESS STEEL					
1-7/8"	3"	BRONZE	Consult Factory				
		CAST IRON					
		STAINLESS STEEL					
1-3/4"	3"	BRONZE	Consult Factory				
		CAST IRON					
		STAINLESS STEEL					

# 838 Packing Assy. MA-155, MA-300, SC-230 and RO-261



Plunger Size	Stuffing Box Bore	Material	Complete Assembly	Throat Bushing	Lantern Ring	Packing Set Only	Gland Bushing
4"	5"	BRONZE	7201-0148-0006	411-400500-302	7201-0148-02A	0838-01-0103-03	428-400500-302
		CAST IRON	7201-0148-1006	411-400500-351	7201-0148-12A	0838-01-0103-03	428-400500-351
		STAINLESS STEEL	7201-0148-2006	411-400500-402	7201-0148-22A	0838-01-0103-03	428-400500-402
3-7/8"	5"	BRONZE	Consult Factory				
		CAST IRON					
		STAINLESS STEEL					
3-3/4"	5"	BRONZE	7201-0147-0006	411-334500-302	7201-0147-02A	0838-01-0092-01	428-334500-302
		CAST IRON	7201-0147-1006	411-334500-351	7201-0147-12A	0838-01-0092-01	428-334500-351
		STAINLESS STEEL	7201-0147-2006	411-334500-402	7201-0147-22A	0838-01-0092-01	428-334500-402
3-5/8"	5"	BRONZE	Consult Factory				
		CAST IRON					
		STAINLESS STEEL					
4"	4-1/2"	BRONZE	Consult Factory				
		CAST IRON					
		STAINLESS STEEL					
3-1/2"	4-1/2"	BRONZE	7201-0146-0006	411-312412-302	7201-0146-02A	0838-01-0082-02	428-312412-302
		CAST IRON	7201-0146-1006	411-312412-351	7201-0146-12A	0838-01-0082-02	428-312412-351
		STAINLESS STEEL	7201-0146-2006	411-312412-402	7201-0146-22A	0838-01-0082-02	428-312412-402
3-1/4"	4-1/2"	BRONZE	7201-0145-0006	411-314412-302	7201-0145-02A	0838-01-0081-01	428-314412-302
		CAST IRON	7201-0145-1006	411-314412-351	7201-0145-12A	0838-01-0081-01	428-314412-351
		STAINLESS STEEL	7201-0145-2006	411-314412-402	7201-0145-22A	0838-01-0081-01	428-314412-402
3-1/8"	4"	BRONZE	7201-0677-0006	404-318400-302	7201-0677-02A	0838-01-0401-03	424-318400-302
		CAST IRON	7201-0677-1006	404-318400-351	7201-0677-12A	0838-01-0401-03	424-318400-351
		STAINLESS STEEL	7201-0677-2006	404-318400-402	7201-0677-22A	0838-01-0401-03	424-318400-402
3"	4"	BRONZE	7201-0144-0006	411-300400-302	7201-0144-02A	0838-01-0107-04	428-300400-302
		CAST IRON	7201-0144-1006	411-300400-351	7201-0144-12A	0838-01-0107-04	428-300400-351
		STAINLESS STEEL	7201-0144-2006	411-300400-402	7201-0144-22A	0838-01-0107-04	428-300400-402
2-7/8"	4"	BRONZE	7204-1283-0006	400-278400-302	7204-1283-02A	0838-01-0429-01	418-278400-302
		CAST IRON	7204-1283-1006	400-278400-351	7204-1283-12A	0838-01-0429-01	418-278400-351
		STAINLESS STEEL	7204-1283-2006	400-278400-402	7201-1283-22A	0838-01-0429-01	418-278400-402
2-3/4"	3-1/2"	BRONZE	7201-0770-0006	407-258312-302	7201-0770-02A	0838-01-0218-16	426-234312-302
		CAST IRON	7201-0770-1006	407-258312-351	7201-0770-12A	0838-01-0218-16	426-234312-351
		STAINLESS STEEL	7201-0770-2006	407-258312-402	7201-0770-22A	0838-01-0218-16	426-234312-402
2-5/8"	3-1/2"	BRONZE	7201-0724-0006	408-258312-302	7201-0724-02A	0838-01-0295-03	420-258312-302
		CAST IRON	7201-0724-1006	408-258312-351	7201-0724-12A	0838-01-0295-03	420-258312-351
		STAINLESS STEEL	7201-0727-2006	408-258312-402	7201-0724-22A	0838-01-0295-03	420-258312-402
2-1/2"	3-1/2"	BRONZE	7201-0133-0006	411-212312-302	7201-0133-02A	0838-01-0074-01	428-212312-302
		CAST IRON	7201-0133-1006	411-212312-351	7201-0133-12A	0838-01-0074-01	428-212312-351
		STAINLESS STEEL	7201-0133-2006	411-212312-402	7201-0133-22A	0838-01-0074-01	428-212312-402
2-3/8"	3-1/2"	BRONZE	7201-0793-0006	406-238312-302	7201-0793-02A	0838-01-0581-02	420-238312-302
		CAST IRON	7201-0793-1006	406-238312-351	7201-0793-12A	0838-01-0581-02	420-238312-351
		STAINLESS STEEL	7201-0793-2006	406-238312-402	7201-0793-22A	0838-01-0581-02	420-238312-402
2-1/4"	3"	BRONZE	7201-0130-0006	412-214300-302	7201-0130-02A	0838-01-0119-14	433-214300-302
		CAST IRON	7201-0130-1006	412-214300-351	7201-0130-12A	0838-01-0119-14	433-214300-351
		STAINLESS STEEL	7201-0130-2006	412-214300-402	7201-0130-22A	0838-01-0119-14	433-214300-402
2-1/8"	3"	BRONZE	7201-0139-0006	412-218300-302	7201-0139-02A	0838-01-0357-01	430-218300-302
		CAST IRON	7201-0139-1006	412-218300-351	7201-0139-12A	0838-01-0357-01	430-218300-351
		STAINLESS STEEL	7201-0139-2006	412-218300-402	7201-0139-22A	0838-01-0357-01	430-218300-402
2"	3"	BRONZE	Consult Factory				
		CAST IRON					
		STAINLESS STEEL					
1-7/8"	3"	BRONZE	7201-0154-0006	411-178300-302	7201-0154-02A	0838-01-0340-03	428-178300-302
		CAST IRON	7201-0154-1006	411-178300-351	7201-0154-12A	0838-01-0340-03	428-178300-351
		STAINLESS STEEL	7201-0154-2006	411-178300-402	7201-0154-22A	0838-01-0340-03	428-178300-402
1-3/4"	3"	BRONZE	Consult Factory				
		CAST IRON					
		STAINLESS STEEL					

## Tools

## DUAL STEM – A/R VALVE PULLER ASSEMBLIES

Pump Models			Gland Wrench	Assembly No.	Puller Head	Stem	Puller Bridge	Wing Nut	Cage Wrench
SC-30 SC-30H	A-10 A-10H	MA-15M MA-15H	7206-0086-00B	FE552 Dual Stem Only	7207-0033-00A	7207-0035-00A	7207-0036-00A	7207-0037-00A	7207-0034-00A
SC-30 SC-30H	A-10 A-10H	MA-15M MA-15H	7206-0086-00B	FE857 A/R Only	7207-0216-00A	7207-0035-00A	7207-0036-00A	7207-0037-00A	7206-0207-00A
SC-45 SC-80	A-15 A-25 A-45	MA-25M MA-33M MA-45M	7206-0086-00B	FE502	7206-0082-00A	7203-0333-00A	7203-0380-00A	7201-0331-00B	7206-0083-00B
SC-45H SC-80H	A-15H A-25H A-45H	MA-25H MA-33H MA-45H	7206-0086-00B	Suction Valve Dual Stem FE552	Suction Valve Dual Stem 7207-0033-00A	Suction Valve Dual Stem 7207-0035-00A	Suction Valve Dual Stem 7207-0036-00A	Suction Valve Dual Stem 7207-0037-00A	Suction Valve Dual Stem 7207-0034-00A
				Suction Valve A/R FE857	Suction Valve A/R 7207-0216-00A	Suction Valve A/R 7207-0035-00A	Suction Valve A/R 7207-0036- 00A	Suction Valve A/R 7207-0037-00A	Suction Valve A/R 7206-0207-00A
				Discharge Valve DSG or A/R FE502	Discharge Valve 7206-0082-00A	Discharge Valve 7203-0333-00A	Discharge Valve 7203-0380-00A	Discharge Valve 7201-0331-00B	Discharge Valve 7206-0083-00B
SC-45L	A-15L	MA-25L	7206-0086-00B	FE505	7203-0212-00A	7203-0333-00A	7203-0380-00A	7201-0331-00B	7203-0211-00B
SC-65 SC-115	A-30 A-55 A-75	MA-40M MA-65M MA-75M	7202-0399-00B	FE505	7203-0212-00A	7203-0333-00A	7203-0380-00A	7201-0331-00B	7203-0211-00B
SC-65H SC-115H	A-30H A-55H A-75H	MA-40H MA-65H MA-75H	7203-0399-00B	FE502	7206-0082-00A	7203-0333-00A	7203-0380-00A	7201-0331-00B	7206-0083-00B
SC-65L SC-115L SC-95	A-30L A-55L A-75L A-50	MA-40L MA-65L MA-75L MA-60M	7202-0399-00B	FE553	7202-0536-00A	7202-0422-00B	7203-0380-00A	7201-0331-00B	7203-0577-00B
SC-170H	B-85M A-105M A-175M	MA-95M MA-120M MA-240M	7204-0464-00B	FE553	7202-0536-00A	7202-0422-00B	7203-0380-00A	7201-0331-00B	7203-0577-00B
SC-170L	B-85L A-105L A-175L	MA-95L MA-120L MA-240L	7204-0464-00B	FE807	7204-1150-00B	7204-1151-00B	7204-1152-00A	7207-0037-00A	7204-1193-00A
SC-170 SC-300	C-125M CA-125M	MA-140M MA-155M	7204-0464-00B	N/A	N/A	N/A	N/A	N/A	7204-1193-00A
SC-230	C-125L CA-125L	MA-140L MA-155L	7201-0342-00B	FE874	7204-1215-00B	7204-1151-00B	7204-1207-00B	7207-0037-00A	7204-1210-00A
SC-300L	A-200K	MA-240K	7201-0342-00B	FE870	7204-1206-00B	7204-1151-00B	7204-1207-00B	7207-0037-00A	7204-1210-00A

## Tools

DISC VALVE PULLER ASSEMBLIES									
Pump Models				Gland Wrench	Assembly No.	Puller Head	Stem	Puller Bridge	Wing Nut
SC-30 SC-30H	A-10 A-10H	MA-15M MA-15H	RO-23	7206-0086-00B	FE552	7207-0033-00A	7207-0035-00A	7207-0036-00A	7207-0037-00A
SC-45 SC-80	A-15 A-25 A-45	MA-25M MA-33M MA-45M	RO-38 RO-56 RO-72	7206-0086-00B	FE501	7206-0084-00A	7202-0422-00B	7203-0380-00A	7201-0331-00B
SC-45H SC-80H	A-15H A-25H A-45H	MA-25H MA-33H MA-45H		7206-0086-00B	Suction Valve FE552	Suction Valve 7207-0033-00A	Suction Valve 7207-0035-00A	Suction Valve 7207-0036-00A	Suction Valve 7207-0037-00A
					Discharge Valve FE501	Discharge Valve 7206-0084-00A	Discharge Valve 7202-0422-00B	Discharge Valve 7203-0380-00A	Discharge Valve 7201-0331-00B
SC-45L	A-15L	MA-25L		7206-0086-00B	FE288	7203-0154-00B	7202-0422-00B	7203-0380-00A	7201-0331-00B
SC-65 SC-115	A-30 A-55 A-75	MA-40M MA-65M MA-75M	RO-64 RO-95 RO-117	7202-0399-00B	FE288	7203-0154-00B	7202-0422-00B	7203-0380-00A	7201-0331-00B
SC-65H SC-115H	A-30H A-55H A-75H	MA-40H MA-65H MA-75H		7202-0399-00B	FE501	7206-0084-00A	7202-0422-00B	7203-0380-00A	7201-0331-00B
SC-65L SC-95 SC-115L	A-30L A-50 A-55L A-75L	MA-40L MA-60M MA-65L MA75L	RO-86	7202-0399-00B	FE203	7202-0413-00B	7202-0422-00B	7204-0448-00B	7201-0331-00B
SC-170H	B-85M A-105M A-175M	MA-95M MA-120M MA-240M		7204-0464-00B	FE203	7202-0413-00B	7202-0422-00B	7204-0448-00B	7201-0331-00B
SC-170L	B-85L A-105L A-175L	MA-95L MA-120L MA-240L	RO-174 RO-185 RO-358	7204-0464-00B	FE202	7204-0446-00B	7201-0328-00B	7204-0447-00B	7201-0331-00B
	C-125M CA-125M	MA-140M MA-155M		7201-0342-00B	FE201	7201-0326-00A	7201-0328-00B	7201-0330-00B	7201-0331-00B
SC-170 SC-300				7204-0464-00B	FE201	7201-0326-00A	7201-0328-00B	7201-0330-00B	7201-0331-00B
SC-230	C-125L CA-125L	MA-140L MA-155L	RO-227 RO-261	7201-0342-00B	FE200	7201-0327-00B	7201-0328-00B	7201-0329-00B	7201-0331-00B
SC-300L	A-200K	MA-240K	RO-358L	7204-0464-00B	FE200	7201-0327-00B	7201-0328-00B	7201-0329-00B	7201-0331-00B

# History

## History of Myers

Founded in 1870 by brothers Frances and Philip Myers in Ashland, Ohio. The brothers began by building farm implements, then engineered and manufactured the first double-acting hand pump. From this modest beginning, the Myers pump line grew and evolved over the decades to include wastewater removal and industrial pumps and systems. In 1960, the Myers family sold the business to the McNeil Corporation of Akron, Ohio. In 1986 Pentair, Inc. of St. Paul, Minnesota, acquired Myers, which now is part of the Pentair Pump Group. The Ashland operation includes over 410,000 square feet of warehouse, manufacturing, distribution, foundry and office facilities and employs approximately 600 people dedicated to supplying quality products.



Myers combines manufacturing expertise and understanding of applications to provide a pump with strength and versatility for any demanding high-pressure job. Myers industrial high pressure pumps are designed, developed, manufactured, assembled and tested in Ashland, Ohio, U.S.A.

## Myers Apex Overview

In 1996, Apex products were added to the Myers industrial line. The Apex product line dates back to the 1960's oilfield pump industry. The Myers Apex Series pump line has since grown to be one of the most highly recognized and accepted pumps offered in a variety of industries. Our pumps are utilized in, but not limited to, the oil and gas, directional drilling, sewer cleaning, water treatment, steel mills, and other industrial markets requiring a pumps that stand up to demanding and hostile applications.

The Myers Apex Series pump has a myriad of features that sets it apart from its competitors. These are mostly centered around ease of maintenance and "user friendly" designs. A wide range of optional configurations are used on each application to tailor fit each customers needs to furnish a pump for long-term dependable performance for years to come. Each pump is also available with a variety of options including integral hydraulic drives, base mountings and a wide selection of auxiliary equipment to address each unique installation.

Myers Apex Series builds the most reliable medium and heavy-duty reciprocating pumps in the world. We produce products that outwear the others in both domestic and international markets. In addition, we deliver service and technical support that outshine the competition worldwide.



740 EAST 9TH STREET,  
ASHLAND, OHIO 44805  
WWW.MYERSAPLEX.COM

269 TRILLIUM DRIVE, KITCHENER,  
ONTARIO, CANADA N2G 4W5  
WWW.MYERSAPLEX.COM

Rokide® is a registered trademark of Saint-Gobain Abrasives, Inc.  
Delrin® is a registered trademark of E.L. duPont  
Teflon® is a registered trademark of E.L. duPont  
Inconel® is a registered trademark of the Special Metals family of companies  
Viton® is a registered trademark of DuPont Performance Elastomers L.L.C.  
Myers® is a registered trademark of Pentair Ltd.

Because we are continuously improving our products and services, Pentair reserves the right to change specifications without prior notice.  
K4588 03/20/13 © 2013 Pentair Ltd. All Rights Reserved.