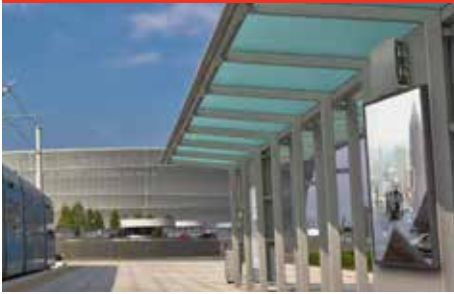


CL-ENCL68



# Small Form Factor Electronics Enclosure

ENVIRONMENTALLY CONTROLLED

The CL-ENCL68 is an environmentally controlled Small Form Factor Electronics Enclosure. Designed to keep electronic devices dust free, dry and within their normal operating temperature range. Whether installed in a warehouse, attic, basement, or even outside, know that your electronic hardware is protected from harsh environments.

**The CL-ENCL68 provides protection from harsh environments and allows the electronic equipment to operate at a regulated temperature.**

## Additional Features

- ✓ Completely sealed enclosure protects electronic equipment against outdoor/harsh environments
- ✓ Electrothermal system maintains a safe operating range inside the enclosure
- ✓ Keeps electronic equipment safe in ambient temperatures of -40° F to 115° F
- ✓ Environmental Rating of IP68
- ✓ (3) Outlet Internal Electrical Strip



Supports electronic devices up to 14.2" x 10.6" x 3.5"



Internal electrical receptacle minimizes number of cable and power runs

RoHS

CL-ENCL68	Small Form Factor Electronics Enclosure
-----------	---

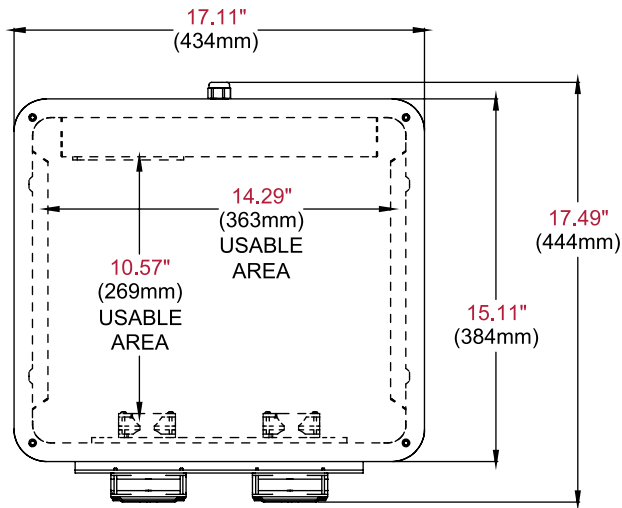
**Product Specifications**

	DIMENSIONS (W x H x D)	PRODUCT WEIGHT	LOAD CAPACITY	OPERATING TEMPERATURE	POWER	FINISH	AVAILABLE COLORS
CL-ENCL68	17.11" x 17.49" x 4.25" (434 x 444 x 108mm)	21.75lb (9.8kg)	175lb (79kg)	-40° F to 115° F temperature range	AC Input 100-240VAC, 50-60Hz	E-Coat covered with Outdoor Powder Paint	Black

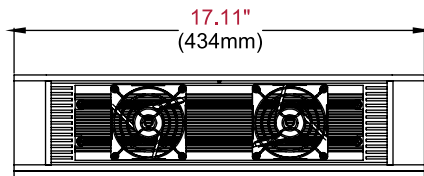
**Package Specifications**

	PACKAGE SIZE (W x H x D)	PACKAGE SHIP WEIGHT	PACKAGE UPC CODE	PACKAGE CONTENTS	UNITS IN PACKAGE
CL-ENCL68	20.33" x 20.25" x 7.33" (517 x 515 x 186mm)	25.85lb (11.75kg)	735029304272	Media Enclosure, Installation Manual, Velcro Tabs	1

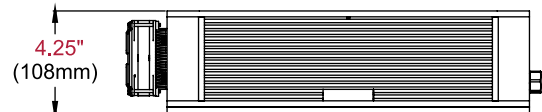
All dimensions = inch (mm)



**TOP VIEW**



**FRONT VIEW**



**SIDE VIEW**

**Architect Specifications**

The Small Form Factor Electronics Enclosure shall be a Peerless-AV model CL-ENCL68 and shall be located where indicated on the plans. Assembly and installation shall be done according to instructions provided by the manufacturer.

Visit [peerless-av.com](http://peerless-av.com) to see the complete line of AV solutions from Peerless-AV, including outdoor displays, wireless, kiosks, digital audio, display mounts, projector mounts, carts/stands, and a full assortment of accessories.

**Peerless-AV**  
2300 White Oak Circle  
Aurora, IL 60502 USA  
**(800) 865-2112**  
**(630) 375-5100**  
**Fax: (800) 359-6500**

**Peerless-AV Europe**  
Unit 3 Watford Interchange  
Colonial Way, Watford  
Herts, WD24 4WP  
United Kingdom  
**+44 (0) 1923 200100**  
**Fax: +44 (0) 1923 200101**

**Peerless-AV de México**  
Ave de las Industrias 413  
Parque Industrial Escobedo  
Escobedo, N.L.,  
Mexico 66050  
**+52 (81) 8384-8300**  
**Fax: +52 (81) 8384-8360**

