



neptronic[®]
www.neptronic.com

ACTUATORS



ELECTRIC ACTUATORS Selection Guide

Actuator Selection Web Application

Neptronic has developed an easy to use web application that saves you time when searching for an actuator model for specific applications.

Selection info: Actuators matching your selection: 129

Selection units Metric Imperial

Actuator Types Standard Fast Smoke Linear actuator for globe valve IP 65 NEMA 4

Fail safe No Yes

Torque 18 in.lb 35 in.lb 50 in.lb 70 in.lb 140 in.lb 180 in.lb
 360 in.lb 1800 in.lb 2500 in.lb 3500 in.lb 4000 in.lb

Power supply 24 Vac 120 Vac 240 Vac 30 Vdc 48 Vdc

Control signal On-Off 3 point floating 2-10 Vdc 4-20 mA PWM

Auxiliary switch No Yes

More Options

Feedback Yes No

Running time through 90° <= 20 sec. 21 to 40 sec. 41 to 60 sec. 61 to 85 sec. >= 86 sec.

Motor Type Brush Brushless



Easy To Use

Select the desired options and features and then click submit.




Compare Models

Models matching your selections appear in a table format for easy comparison.



Web-Based Tool

Accessible from anywhere in the world - all you need is an internet connection. Just go to www.neptronic.com and click Actuator Software in the top tab bar.

| Your Selection Result | BT000S | BT000 | BT400 |
|---|--|--|--|
|  |  |  | |
| Auxiliary Switches | N/A | N/A | N/A |
| Fail Safe - Endrive | N/A | N/A | N/A |
| Power Consumption | 6 VA | 6 VA | 3 VA |
| Torque | 50 in.lb. [5.6 Nm] at rated voltage | 50 in.lb. [5.6 Nm] at rated voltage | 50 in.lb. [5.6 Nm] at rated voltage |
| Running Time Through 90° | 90 - 110 sec. (Fail-safe 20-30 sec.) | 20 to 30 sec. Torque depending | 90 sec. At 60 Hz, 110 sec. at 50 Hz |
| Feedback | N/A | N/A | N/A |
| Power Supply | 22 to 26 VAC or 28 to 32 VDC | 22 to 26 VAC or 28 to 32 VDC | 22 to 26 VAC |
| Electrical Connection | 18 AWG [0.8 mm ²] minimum | 18 AWG [0.8 mm ²] minimum | 18 AWG [0.8 mm ²] minimum |
| Inlet Bushing | 2 inlet bushing of 5/8 in [15.9 mm] & 7/8 in [22.2 mm] | 2 inlet bushing of 5/8 in [15.9 mm] & 7/8 in [22.2 mm] | 2 inlet bushing of 5/8 in [15.9 mm] & 7/8 in [22.2 mm] |
| Control Signal | 3 wire / 2 position, 3 wire / 3 point floating | 3 wire / 2 position, 3 wire / 3 point floating | 3 wire / 3 point floating |
| Angle of Rotation | 0 to 90 degrees, mechanically adjustable (factory set with 90° stroke) | 0 to 90 degrees, mechanically adjustable (factory set with 90° stroke) | 0 to 90 degrees, mechanically adjustable (factory set with 90° stroke) |
| Direction of Rotation | Reversible, Clockwise (CW) or Counterclockwise (CCW) (factory set with CW direction) | Reversible, Clockwise (CW) or Counterclockwise (CCW) (factory set with CW direction) | Clockwise (CW) |
| Ambient Temperature | -22°F to +122°F [-30°C to +50°C] | -22°F to +122°F [-30°C to +50°C] | -22°F to +122°F [-30°C to +50°C] |
| Storage Temperature | -22°F to +122°F [-30°C to +50°C] | -22°F to +122°F [-30°C to +50°C] | -22°F to +122°F [-30°C to +50°C] |
| Relative Humidity | 5 to 95 % non condensing | 5 to 95 % non condensing | 5 to 95 % non condensing |
| Weight | 3 lbs. [1.4 kg] | 3 lbs. [1.4 kg] | 3 lbs. [1.4 kg] |
| Motor Type | Brush Motor | Brush Motor | Brush Motor |
| Ingress Protection | IP22 equivalent to Nema type 2, IP54 equivalent to Nema type 3R if water tight inlet bushings (not supplied) are installed | IP22 equivalent to Nema type 2, IP54 equivalent to Nema type 3R if water tight inlet bushings (not supplied) are installed | IP22 equivalent to Nema type 2, IP54 equivalent to Nema type 3R if water tight inlet bushings (not supplied) are installed |

Contents

Neptronic Company Profile

- ▶ Private company founded in 1976
- ▶ Design, manufactures and distributes HVAC products
- ▶ Over 250 dedicate employees
- ▶ 7,500m² (80,000 ft²) state of the art facility
- ▶ Continued commitment to R&D
- ▶ Highly skilled distribution network around the world
- ▶ Exports over 70% of its sales in over 60 countries
- ▶ Prominent HVAC OEM customer base
- ▶ Vertical Integration: Entire manufacturing chain under one roof

| | |
|---|----|
| Actuator Applications | 4 |
| Actuator Introduction | 5 |
| Actuator Sizing | 6 |
| Nomenclature Explained | 7 |
| Actuator Flow Charts: 18-70 in.lb (2-8 Nm) torque | 8 |
| Actuator Flow Charts: 140-4000 in.lb (16-450 Nm) torque | 10 |
| C Series Actuator 18 in.lb. (2 Nm) | 12 |
| D Series Actuator 35 in.lb. (4 Nm) | 14 |
| B Series Actuator 50 in.lb. (5.6 Nm) | 16 |
| B Series Actuator 50 in.lb. (5.6 Nm) Slow Motion | 20 |
| S Series Actuator 70 in.lb. (8 Nm) | 24 |
| L Series Actuator 140 in.lb. (16 Nm) | 28 |
| T Series Actuator 180 in.lb. (20 Nm) | 30 |
| R Series Actuator 360 in.lb. (40 Nm) | 34 |
| U & W Series Actuator 1800-4000 in.lb. (200-450 Nm) | 38 |
| Fast Actuators | 45 |
| Smoke Damper Actuators | 53 |
| IP65 / NEMA 4 Actuator | 57 |
| A & M Series Actuator | 63 |
| X series Actuator | 66 |
| SLD Mechanical Stroke Limiting Device | 68 |
| Actuator Dimensions & Installation | 70 |
| Actuator Accessories | 71 |
| Enerdrive Explained | 72 |

Important Note: Information, such as specifications, contained in this catalogue is subject to change. For last updated information please consult www.neptronic.com



Neptronic headquarters and manufacturing facility
Montreal, Canada

Actuator Applications

Actuators for Globe Valves

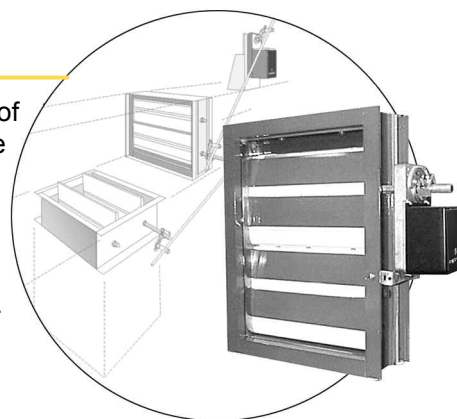
The A and M family of linear actuators operate 2 way and 3 way globe valves. They are equipped with electronic stroke adjustment, can accept analog, tri-state, on/off and PWM control signals and are available with the patented enerdrive fail safe system. They will adapt to many different makes of globe valves with our retrofit linkage assemblies.



The ultra compact X family of linear actuators operate 2-way globe valves. They are equipped with electronic stroke adjustment, can accept analog or digital control signals, and are available with the patented Enerdrive fail safe system. They are ideal for VAV terminal units, fan coil units, chilled beams, small heat/cool coils and baseboard radiation units.

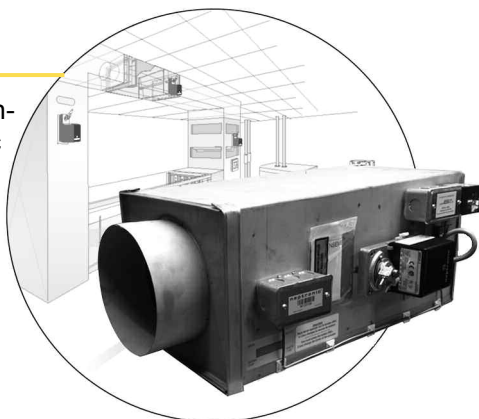
Actuators for Dampers

We build a comprehensive line of damper actuators. The versatile multi-signal actuators, the fast actuators for precise laboratory fume hood control and the high torque U & W actuators place us at the forefront of actuator technology.



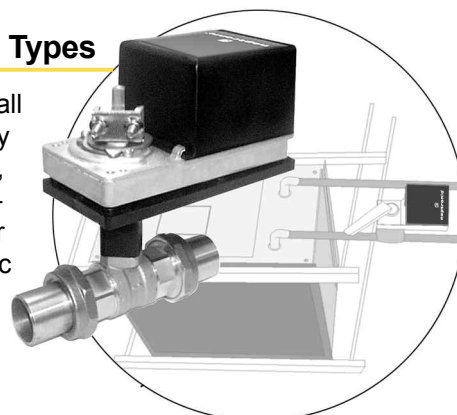
Actuators for VAV Boxes

Neptronic actuators for close control of VAV systems have electronic stroke and zero & span adjustment. They are compatible with building automation systems and are easy to install and commission.



Actuators for Various Valve Types

Neptronic actuators mount on ball valves, globe valves and butterfly valves of different size and make, combining rugged mounting hardware with a smooth operation. For fluid control see our Neptronic valve catalog.



Wide Selection

Inherent in each Neptronic actuator is the experience gained in addressing the concerns and requirements of the building automation industry. This means simplicity in the appropriate model selection, quick and easy installation and trouble free commissioning. Only Neptronic offers the widest selection of torque output, control signals and rotational speeds in both fail safe and non-fail safe motors. Only Neptronic developed the patented Enerdrive System, the modern, electronic replacement for antiquated spring return.

Torque

The Neptronic family of actuators is divided foremost by the torque capability. Direct coupled models deliver up to 18 in.lb. (C), 35 in.lb. (D), 50 in.lb. (B), 70 in.lb. (S), 140 in.lb. (L), 180 in.lb. (T) or 360 in.lb. (R) at rated voltage and are suitable for applications from small variable air volume boxes to large air handler dampers. The most powerful units available (U & W) produce from 1800 in.lb. to 4000 in.lb. and are mounted on large butterfly valves, vortex dampers or fan inlet guide vanes.

Control Signals

Control signal selection is simple. Choose digital or multi signal (analog) regardless of the size. All digital models, including those with Enerdrive, may be wired for 2 position or 3 point floating control. Similarly, all multi-signal (analog) models may be wired and calibrated in the field to respond to 2-10Vdc, 4-20mA, pulse width modulating, 2 position or floating control. In addition, the multi signal (analog) motors feature electronic stroke adjustment and zero & span signal conditioning.

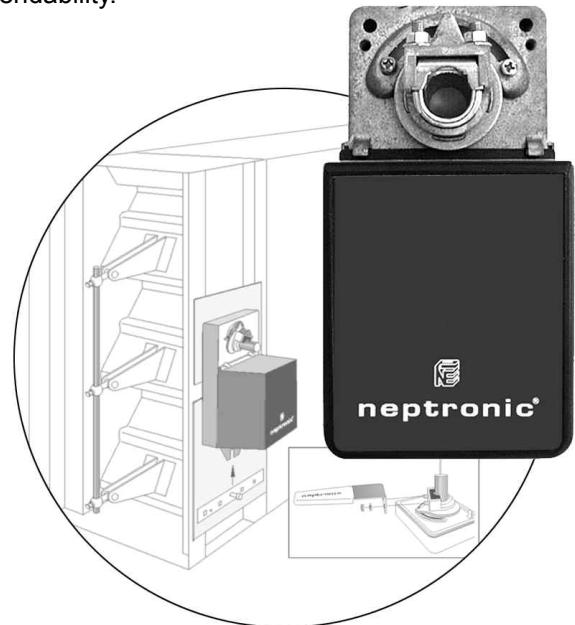
Fast Rotation

Neptronic is the leader in developing fast response technology. In the B classification, the rotational speed of these models varies from 1.5 to 6 sec. Their primary use is in fume hood damper control in clean room applications. Larger fast response models with the T and R classification have a 20 second timing and are applicable in smoke control, stairwell pressurization and generator room installations. For applications where fast response is not essential, Neptronic's standard models deliver rotational speeds from 60 to 100 sec of quiet, smooth operation.

Fail Safe

Neptronic is the only manufacturer to incorporate fail safe functionality in all its directly coupled actuator models without any changes to physical dimensions, torque outputs, rotational times or control signal processing.

How is this possible? By inventing, in 1992, a super capacitive return system called Enerdrive, Neptronic was able to eliminate the bulky mechanical components that require increased space or that affect either the torque or response time. Since its introduction to the HVAC marketplace, Enerdrive has proven its versatility and dependability.



Enerdrive

Enerdrive, the Electronic Spring is a system that is fully incorporated into the PC board for both low and line voltage service. The power generated and stored in its capacitors will drive the controlled device at full rated torque to its safety position. It is 100% operational with the resumption of power. Enerdrive models may be manually positioned with the clutch override that is standard on all Neptronic actuators. Most importantly, the final fail position, either normally open or normally closed may be chosen at any time either before or after installation with the flick of a dip switch. A more detailed description of Enerdrive's operational characteristics is located on page 72.

Simple Installation

Easily installed, Neptronic actuators mount directly on the jack shaft without any extra attachments. Neptronic has standardized its electronic functions and programming so that all digital models are wired alike as are all multi signal (analog) models. The end result is faster installation and commissioning.

Actuator Sizing

Important data required when sizing an actuator to a damper:

- Size of Damper
- Type of Damper
- Face Velocity
- Static Pressure

Given the above parameters, consult the damper manufacturer's specifications for the torque (in. lb. per square foot) required to operate the damper. (velocity and static pressure charts for the specific style of damper, ie. Parallel blade, opposed blade, with or without blade seals, etc.)

If no information is available use the following table as an approximate industry standard.

| DAMPER REQUIREMENTS (in.lb./sq. ft.) | | | | | |
|---|--|---------------------------|----------------------------|----------------------------|----------------------------|
| | Face Velocity (FPM)/ Static Pressure (in. Wc.) | | | | |
| | <500 FPM 1 in. Wc. | 500-1000 FPM 2 in. Wc. | 1000-1500 FPM 3 in. Wc. | 1500-2000 FPM 4 in. Wc. | 2000-3000 FPM 4 in. Wc. |
| Parallel blades with seals | 4 | 7 | 10.5 | 12 | 14 |
| Opposed blades with seals | 3 | 5 | 7.5 | 8.5 | 10 |
| Parallel blades without seals | 3 | 4.5 | 6.5 | 7 | 8 |
| Opposed blades without seals | 2 | 3 | 4.5 | 5 | 6 |

When the proper torque (in. lb./sq. ft.) is known for the specific damper application:

$$\text{Damper Requirements (in.lb./ft}^2\text{)} \times \text{Surface Area of Damper (ft}^2\text{)} = \text{Total Torque (in.lb.) Required}$$



When you select your actuator it is good practice to oversize by at least 20%.

Note: For off center pivot dampers, the above rules do not hold. For these types of dampers as well as inlet guide vanes or fan vortex dampers, one must obtain the torque requirements from the manufacturer of the damper.

Cross References

To select the Neptronic actuator that directly or most closely replaces models by other manufacturers, visit www.neptronic.com or contact us.

For a cross reference of our old part numbers to our new part numbers, visit www.neptronic.com or contact us.

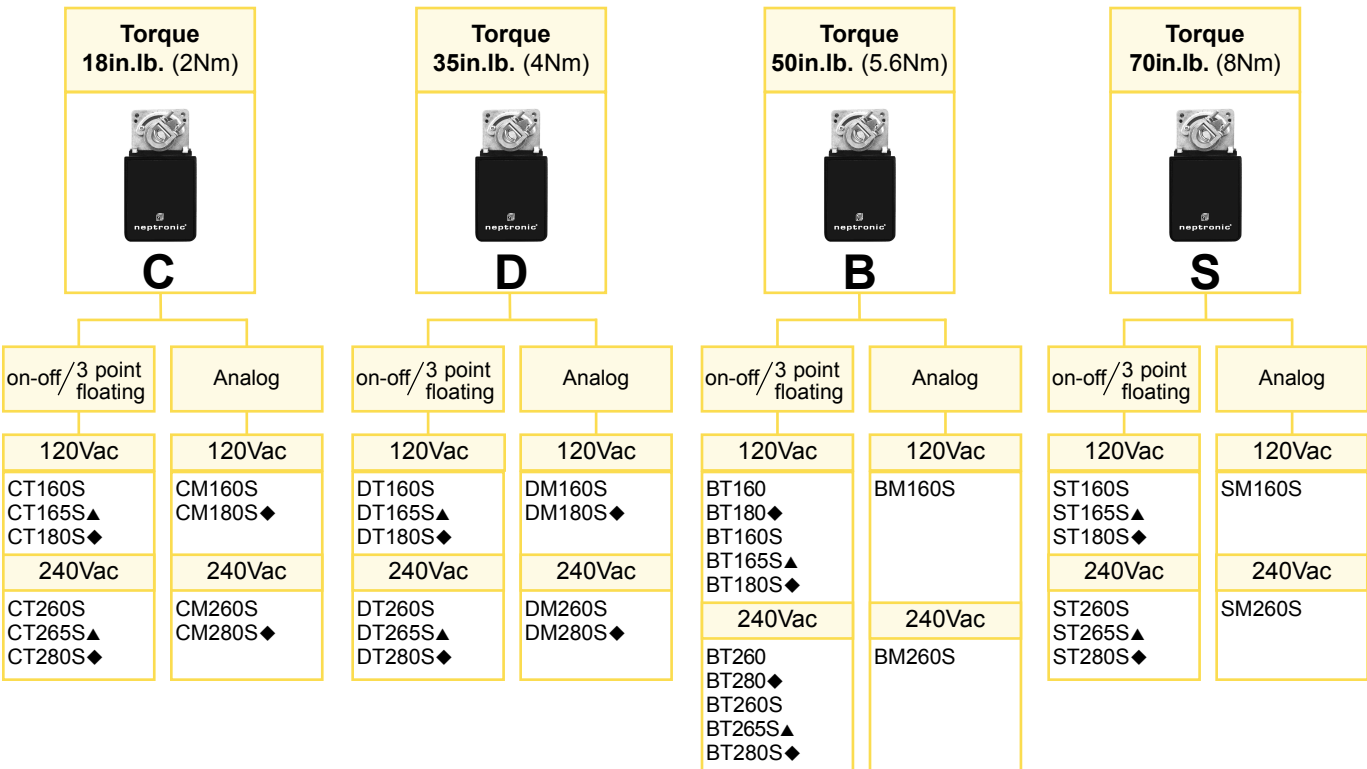
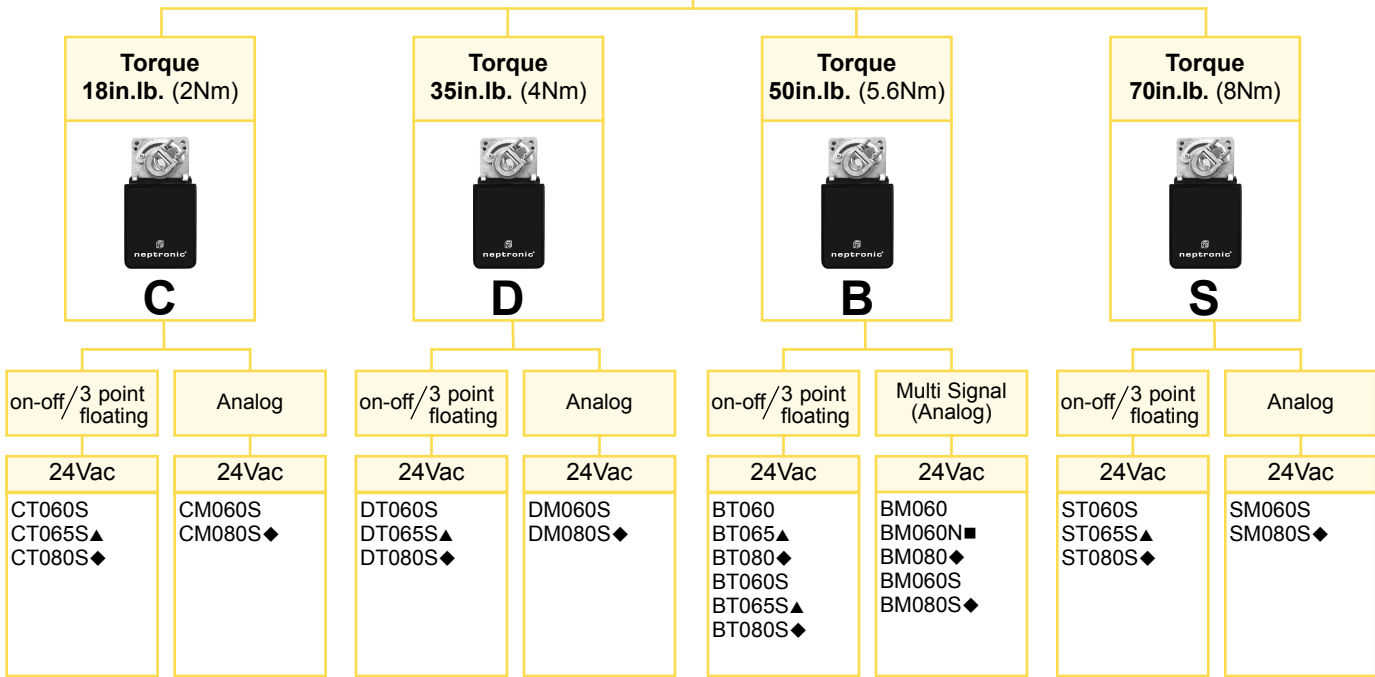
| Neptronic Actuator Selection Code | | B | M | 0 | 6 | 0 | F | N |
|-----------------------------------|--|----------|----------|----------|----------|----------|----------|----------|
| TORQUES | | | | | | | | |
| C | 18 in.lb. (2 Nm) | | | | | | | |
| D | 35 in.lb. (4 Nm) | | | | | | | |
| B | 50 in.lb. (5.6 Nm) | | | | | | | |
| S | 70 in.lb. (8 Nm) | | | | | | | |
| L | 140 in.lb. (16 Nm) | | | | | | | |
| T | 180 in.lb. (20 Nm) | | | | | | | |
| R | 360 in.lb. (40 Nm) | | | | | | | |
| U & W | 1800 to 4000 in.lb. (200 to 450 Nm) | | | | | | | |
| CONTROL SIGNAL | | | | | | | | |
| T | ON-OFF/3 point floating | | | | | | | |
| M | ON-OFF/3 point floating / analog / pwm or analog only (2-10 Vdc) | | | | | | | |
| POWER SUPPLY | | | | | | | | |
| 0 | 24 Vac or 30 Vdc | | | | | | | |
| 1 | 120 Vac | | | | | | | |
| 2 | 240 Vac | | | | | | | |
| 3 | 120/240 Vac or 24/120/240 Vac | | | | | | | |
| FUNCTIONS | | | | | | | | |
| 00 | standard | | | | | | | |
| 05 | potentiometer feedback: 5 K ohms or 0 to input voltage (where input voltage is 5-10Vdc) depends on the model | | | | | | | |
| 10 | Fail Safe (battery) | | | | | | | |
| 20 | auxiliary contacts (2) | | | | | | | |
| 30 | Fail Safe (battery) & auxiliary contacts (2) | | | | | | | |
| 60* | Fail Safe (Enerdrive*) | | | | | | | |
| 65* | Fail Safe (Enerdrive*) & potentiometer feedback: 5 K ohms or 0 to input voltage (where input voltage is 5-10Vdc) depends on the model | | | | | | | |
| 80* | Fail Safe (Enerdrive*) & auxiliary contacts (2) | | | | | | | |
| OPTIONS | | | | | | | | |
| - | leave blank if no option | | | | | | | |
| F | fast (BT=6 sec, BM=3.5 sec, T & R=20 sec) | | | | | | | |
| FF | very fast (BM=1.5 sec) | | | | | | | |
| S | Slow motion (90 sec running time) | | | | | | | |
| X__ | Smoke Damper actuator 4 = 35 in.lb. (4 Nm), 8 = 70 in.lb. (8 Nm) & 11 = 90 in.lb. (11 Nm) | | | | | | | |
| N | Brushless Motor D.C. | | | | | | | |
| W | IP65 equivalent to Nema type 4 enclosure, available for L, T and R series actuators | | | | | | | |

*ENERDRIVE: fail safe system by electronic spring U.S. patent #5,278,454 and European Patent #0647366

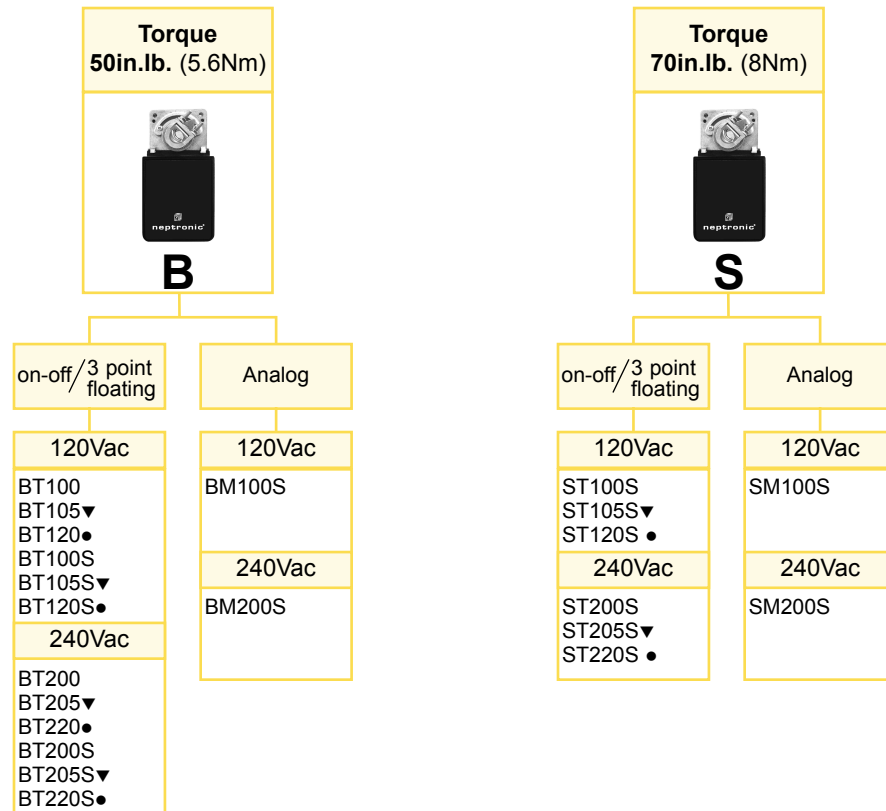
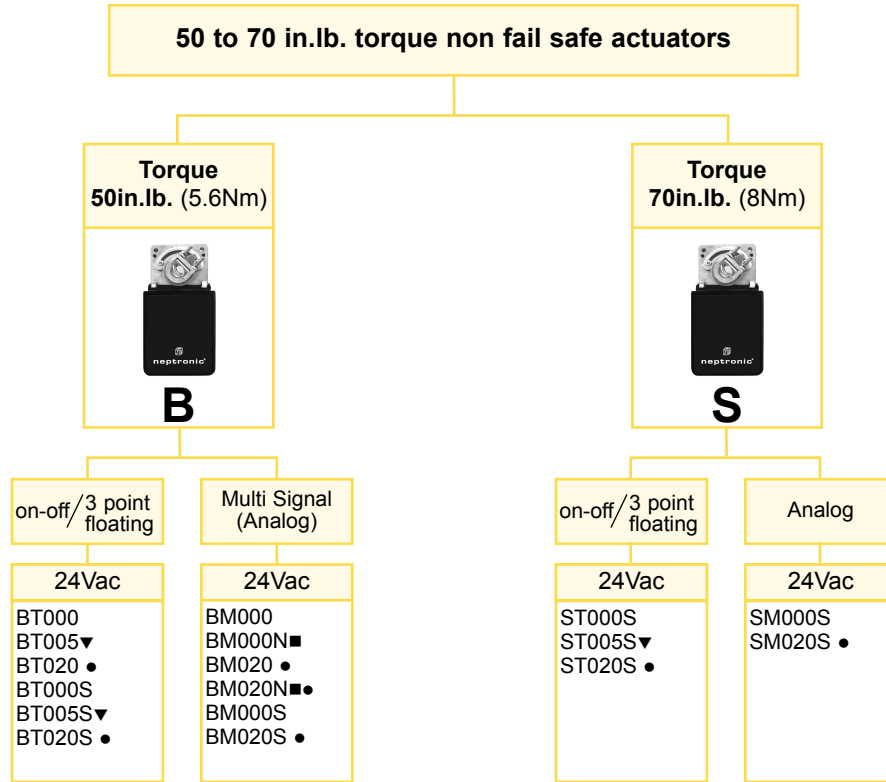
Actuator Flow Charts (18 to 70 in.lb. torque)



18 to 70 in.lb. torque fail safe actuators (enerdrive system)



- Neptronic actuator models ending in "N" are brushless motors.
- ◆ Neptronic actuator models ending in "80 (S)" include Enerdrive (Fail safe) and End Switches.
- ▲ Neptronic actuator models ending in "65 (S)" include Enerdrive (Fail safe) and Feedback.

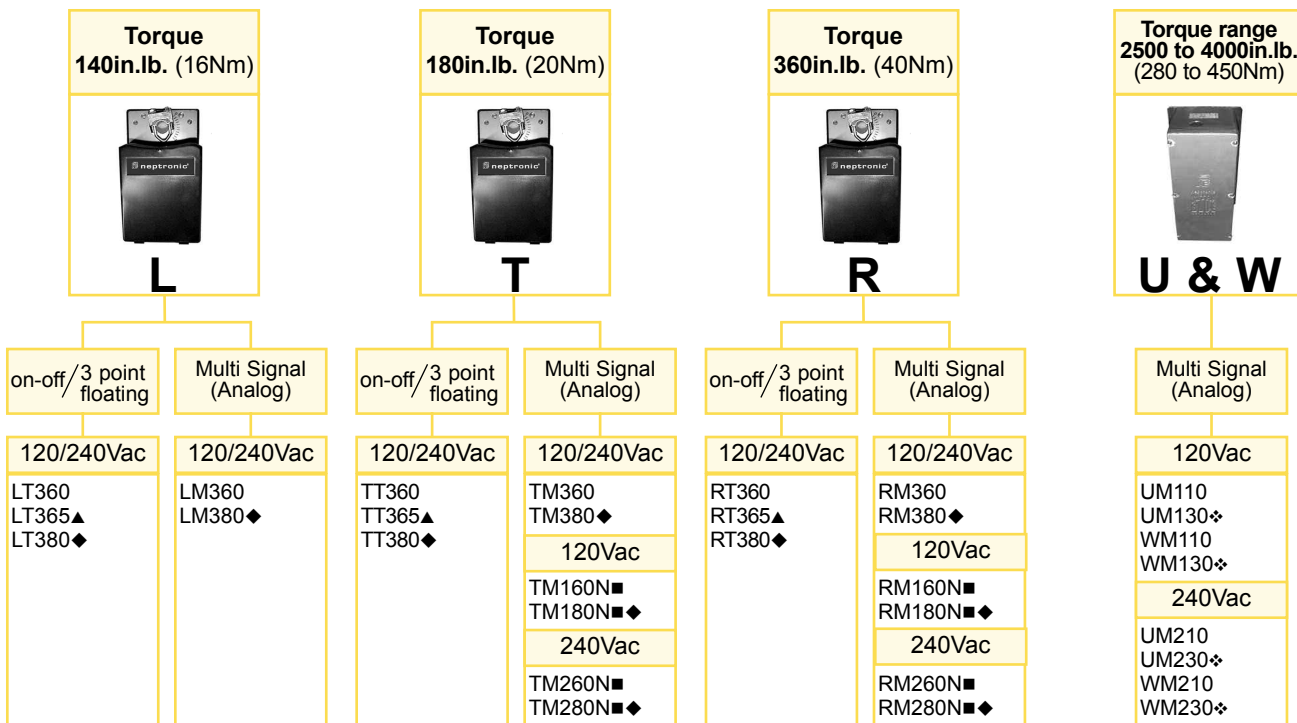
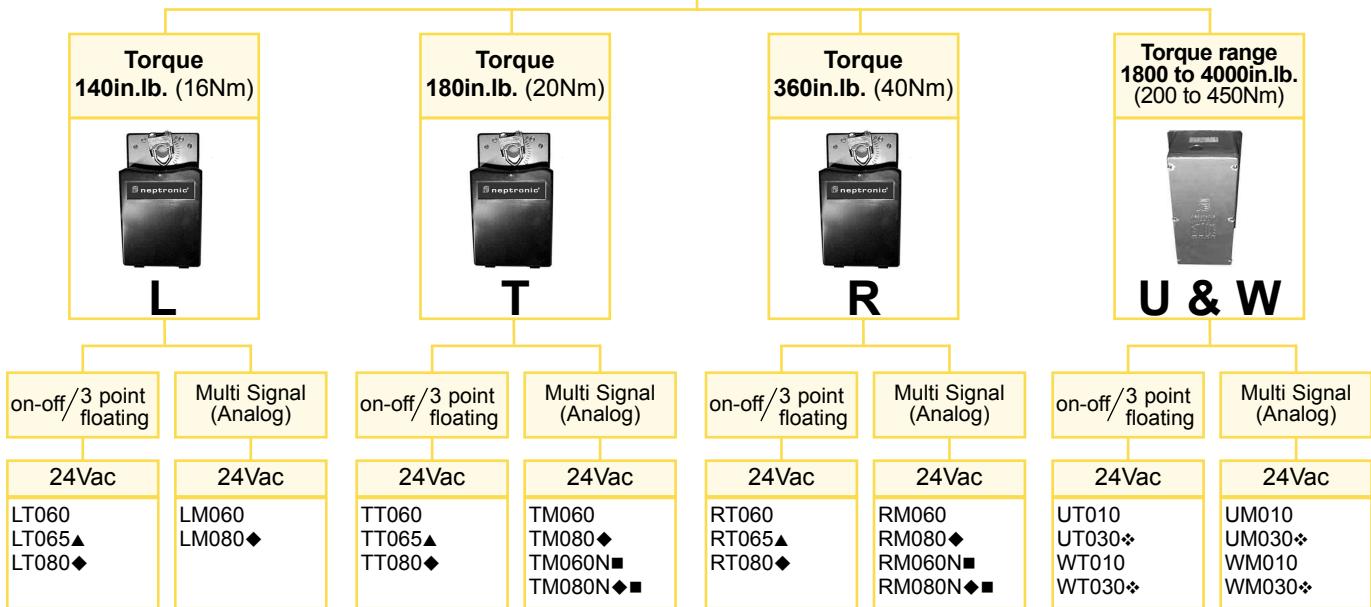


- Neptronic actuator models ending in "N" are brushless motors.
- Neptronic actuator models ending in "20 (S)" include End Switches.
- ▼ Neptronic actuator models ending in "05 (S)" include Feedback.

Actuator Flow Charts (140 to 4000 in.lb torque)

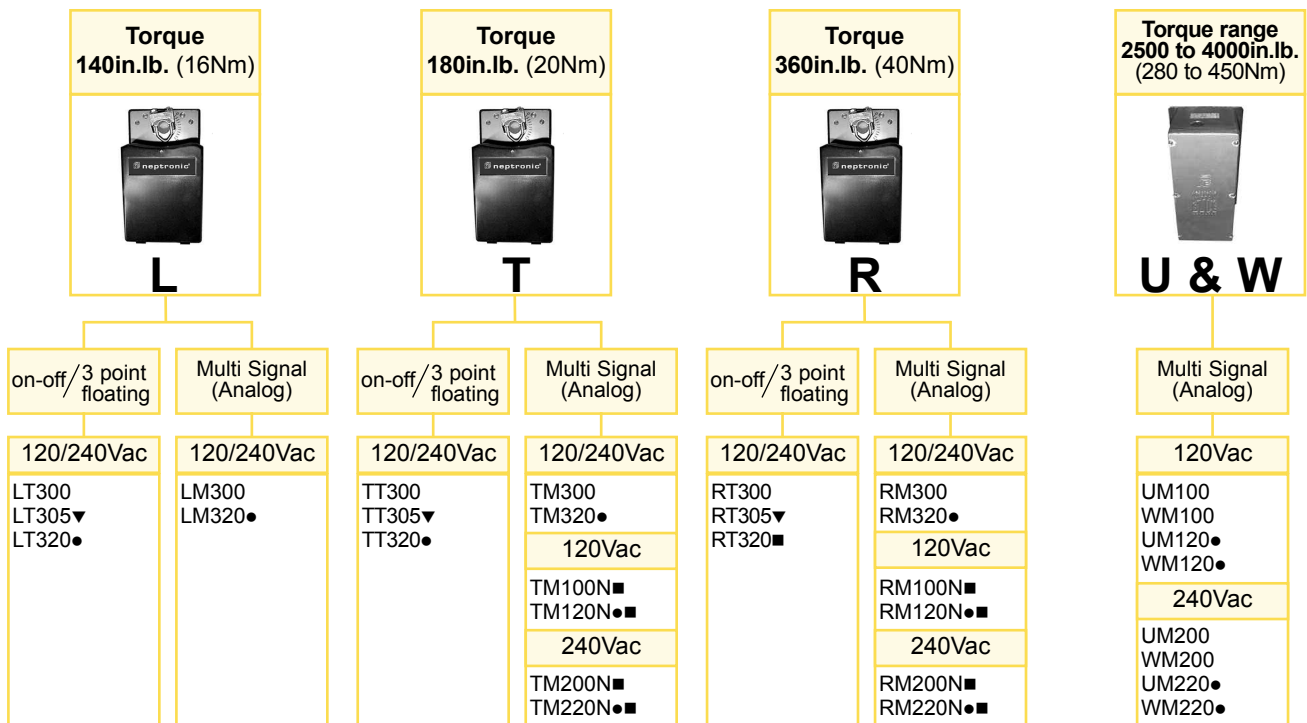
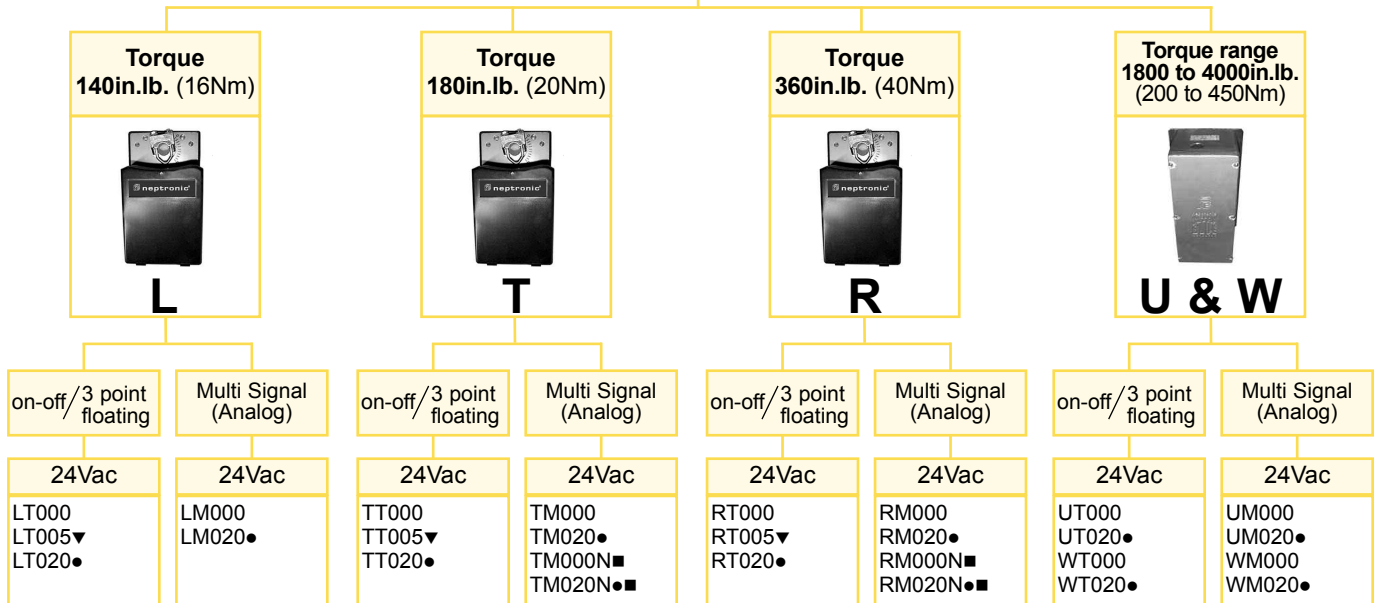


140 to 4000 in.lb. torque fail safe actuators (enerdrive system)



- Neptronic actuator models ending in "N" are brushless motors.
- ▲ Neptronic actuator models ending in "80" include Enerdrive (Fail safe) and End Switches.
- ◆ Neptronic actuator models ending in "65" include Enerdrive (Fail safe) and Feedback.
- ❖ Neptronic actuator models ending in "30" include Battery (Fail safe) and End Switches.

140 to 4000 in.lb. torque Non fail safe actuators



- Neptronic actuator models ending in "N" are brushless motors.
- Neptronic actuator models ending in "20" include End Switches.
- ▼ Neptronic actuator models ending in "05" include Feedback.

C Series Actuator (slow motion)



18 in.lb. (2 Nm) torque

PRIMARY USES FOR THESE ACTUATORS

- ◆ small dampers
- ◆ VAV box control
- ◆ unit ventilators
- ◆ fan coils

These compact quarter turn actuators may be directly coupled to either a 1/2 inch round or 3/8 inch square jack shaft or remotely mounted using an adaptor kit. All actuators are bi-directional. Enerdrive actuators are also bi-directional under fail safe conditions. The stroke may be limited to less than 90° mechanically.

GENERAL SPECIFICATIONS

| | |
|--------------------------------|---|
| Power Supply: | 24Vac/30Vdc, 120Vac or 240Vac Depending upon the Model |
| Power Consumption: | Peak at Start-up: 10VA at 26Vac or at Line Voltage Operating at Full Load: 3VA at 26Vac or at Line Voltage |
| Wire Size: | 18 AWG (0.8 mm ²) Minimum |
| Electrical Connections: | 5/8 in. (15.9 mm) & 7/8 in. (22.2 mm) Knock Outs, Screw Terminals |

| | |
|-------------------------|---|
| Control Signals: | Digital (CT): 2 Wire 2 Position and 4 Wire 3 Point Floating |
| | Analog (CM): A) 2-10Vdc; or B) 4-20mA |

| | |
|--|--|
| Torque: | 18 in.lb. (2 Nm) at Rated Voltage |
| Direction & Time of Rotation: | Reversible, 80 to 100 sec |

| | |
|-----------------------------|--------------------------------|
| Ambient Temperature: | 0°F to +122°F (-18°C to +50°C) |
|-----------------------------|--------------------------------|

| | |
|--------------------------------|--|
| Feedback Potentiometer: | In Digital (CTXX5S): Potentiometer (5Kohms) |
|--------------------------------|--|

| | |
|--------------------------------------|--|
| Fail Safe (Enerdrive) Rating: | 18 in.lb. (2 Nm) |
| Enerdrive Response Time: | 20 to 40 sec Closure Through 90°, 0-18 in.lb. (0-2 Nm) |

| | |
|---------------------------------|---|
| Auxiliary Switches: | Models Ending in 80S: 2 Mechanical, Fixed at 10° & 80° |
| Auxiliary Switch Rating: | 5 Amp Resistive, 250Vac |

| | |
|------------------------------|---------------------------------|
| Electronic Enclosure: | Flammability rating UL94-5V |
| GearTrain Enclosure: | Die Cast Zinc with a Steel Base |

Spec Sheet Available on Our Website

| Actuator Models | Power | | | Control Signals | | | | | Time in sec Thru 90° Arc | Actuator Features | | | | |
|--------------------------------------|----------------|-------------|-----------|-----------------|----------|--------------|---------|-----|--------------------------|-------------------|-------------|-------------|-----------------------|-----------------------|
| | Nom. Supply | Consumption | | Digital | | Multi Signal | | | | Feed Back | Auto Stroke | Zero & Span | Fail Safe (Enerdrive) | 2 Mech. Aux. Switches |
| | | Start Up | Full Load | 2 POS | 3 PT FLT | 2-10 Vdc | 4-20 mA | PWM | | | | | | |
| <i>for low voltage applications</i> | | | | | | | | | | | | | | |
| CT060S | 24Vac 30Vac | 10VA | 3VA | ◆ | ◆ | | | | 80 to 100 | | | | ◆ | |
| CT065S | 24Vac 30Vdc | 10VA | 3VA | ◆ | ◆ | | | | 80 to 100 | ◆ | | | ◆ | |
| CT080S | 24Vac 30Vdc | 10VA | 3VA | ◆ | ◆ | | | | 80 to 100 | | | | ◆ | ◆ |
| CM060S | 24Vac 30Vdc | 10VA | 3VA | | | ◆ | ◆ | | 80 to 100 | | | | ◆ | |
| CM080S | 24Vac 30Vdc | 10VA | 3VA | | | ◆ | ◆ | | 80 to 100 | | | | ◆ | ◆ |
| <i>for line voltage applications</i> | | | | | | | | | | | | | | |
| CT160S | 120Vac | 10VA | 3VA | ◆ | ◆ | | | | 80 to 100 | | | | ◆ | |
| CT165S | 120Vac | 10VA | 3VA | ◆ | ◆ | | | | 80 to 100 | ◆ | | | ◆ | |
| CT180S | 120Vac | 10VA | 3VA | ◆ | ◆ | | | | 80 to 100 | | | | ◆ | ◆ |
| CT260S | 240Vac | 10VA | 3VA | ◆ | ◆ | | | | 80 to 100 | | | | ◆ | |
| CT265S | 240Vac | 10VA | 3VA | ◆ | ◆ | | | | 80 to 100 | ◆ | | | ◆ | |
| CT280S | 240Vac | 10VA | 3VA | ◆ | ◆ | | | | 80 to 100 | | | | ◆ | ◆ |
| CM160S | 120Vac | 10VA | 3VA | | | ◆ | ◆ | | 80 to 100 | | | | ◆ | |
| CM180S | 120Vac | 10VA | 3VA | | | ◆ | ◆ | | 80 to 100 | | | | ◆ | ◆ |
| CM260S | 240Vac | 10VA | 3VA | | | ◆ | ◆ | | 80 to 100 | | | | ◆ | |
| CM280S | 240Vac | 10VA | 3VA | | | ◆ | ◆ | | 80 to 100 | | | | ◆ | ◆ |

D Series Actuator (slow motion)



35 in.lb. (4 Nm) torque

PRIMARY USES FOR THESE ACTUATORS

- ◆ small dampers
- ◆ VAV box control
- ◆ unit ventilators
- ◆ fan coils
- ◆ 1/4 turn valves

These compact quarter turn actuators may be directly coupled to either a 1/2 inch round or 3/8 inch square jack shaft or remotely mounted using an adaptor kit. All actuators are bi-directional. Enerdrive actuators are also bi-directional under fail safe conditions. The stroke may be limited to less than 90° mechanically.

GENERAL SPECIFICATIONS

| | |
|--|--|
| Power Supply: | 24Vac/30Vdc, 120Vac or 240Vac Depending upon the Model |
| Power Consumption: | Peak at Start-up: 15VA at 26Vac 12VA at Line Voltage Operating at Full Load: 6VA at 26Vac or at Line Voltage |
| Wire Size: | 18 AWG (0.8 mm ²) Minimum |
| Electrical Connections: | 5/8 in. (15.9 mm) & 7/8 in. (22.2 mm) Knock Outs, Screw Terminals |
| Control Signals: | Digital (DT): 2 Wire 2 Position and 4 Wire 3 Point Floating Analog (DM): A) 2-10Vdc; or B) 4-20mA |
| Torque: | 35 in.lb. (4 Nm) at Rated Voltage |
| Direction & Time of Rotation: | Reversible, 90 to 110 sec, 0-35 in.lb. (0-4 Nm) |
| Ambient Temperature: | -22°F to +122°F (-30°C to +50°C) |
| Feedback Potentiometer: | In Digital (DTXX5S): Potentiometer (5Kohms) |
| Fail Safe (Enerdrive) Rating: | 35 in.lb. (4 Nm) |
| Enerdrive Response Time: | 25 to 50 sec or 70 to 80 sec Closure Through 90°, 0-35 in.lb. (0-4 Nm) Depending upon the Model |
| Auxiliary Switches: | Models Ending in 80S: 2 Mechanical, Fixed at 10° & 80° |
| Auxiliary Switch Rating: | 1 Amp Resistive, 24Vac or 5 Amp Resistive, 250Vac Depending upon the model |
| Electronic Enclosure: | Flammability rating UL94-5V |
| GearTrain Enclosure: | Die Cast Zinc with a Steel Base |

Spec Sheet Available on Our Website

| Actuator Models | Power | | | Control Signals | | | | | Time in sec Thru 90° Arc | Actuator Features | | | | |
|--------------------------------------|----------------|-------------|-----------|-----------------|----------|--------------|---------|-----|--------------------------|-------------------|-------------|-------------|-----------------------|-----------------------|
| | Nom. Supply | Consumption | | Digital | | Multi Signal | | | | Feed Back | Auto Stroke | Zero & Span | Fail Safe (Enerdrive) | 2 Mech. Aux. Switches |
| | | Start Up | Full Load | 2 POS | 3 PT FLT | 2-10 Vdc | 4-20 mA | PWM | | | | | | |
| <i>for low voltage applications</i> | | | | | | | | | | | | | | |
| DT060S | 24Vac 30Vdc | 15VA | 6VA | ◆ | ◆ | | | | 90 to 110 | | | | ◆ | |
| DT065S | 24Vac 30Vdc | 15VA | 6VA | ◆ | ◆ | | | | 90 to 110 | ◆ | | | ◆ | |
| DT080S | 24Vac 30Vdc | 15VA | 6VA | ◆ | ◆ | | | | 90 to 110 | | | | ◆ | ◆ |
| DM060S | 24Vac 30Vdc | 15VA | 6VA | | | | ◆ | ◆ | 90 to 110 | | | | ◆ | |
| DM080S | 24Vac 30Vdc | 15VA | 6VA | | | | ◆ | ◆ | 90 to 110 | | | | ◆ | ◆ |
| <i>for line voltage applications</i> | | | | | | | | | | | | | | |
| DT160S | 120Vac | 12VA | 6VA | ◆ | ◆ | | | | 90 to 110 | | | | ◆ | |
| DT165S | 120Vac | 12VA | 6VA | ◆ | ◆ | | | | 90 to 110 | ◆ | | | ◆ | |
| DT180S | 120Vac | 12VA | 6VA | ◆ | ◆ | | | | 90 to 110 | | | | ◆ | ◆ |
| DT260S | 240Vac | 12VA | 6VA | ◆ | ◆ | | | | 90 to 110 | | | | ◆ | |
| DT265S | 240Vac | 12VA | 6VA | ◆ | ◆ | | | | 90 to 110 | ◆ | | | ◆ | |
| DT280S | 240Vac | 12VA | 6VA | ◆ | ◆ | | | | 90 to 110 | | | | ◆ | ◆ |
| DM160S | 120Vac | 12VA | 6VA | | | | ◆ | ◆ | 90 to 110 | | | | ◆ | |
| DM180S | 120Vac | 12VA | 6VA | | | | ◆ | ◆ | 90 to 110 | | | | ◆ | ◆ |
| DM260S | 240Vac | 12VA | 6VA | | | | ◆ | ◆ | 90 to 110 | | | | ◆ | |
| DM280S | 240Vac | 12VA | 6VA | | | | ◆ | ◆ | 90 to 110 | | | | ◆ | ◆ |

B Series Actuator (low voltage)



50 in.lb. (5.6 Nm) torque

PRIMARY USES FOR THESE ACTUATORS

- ◆ small dampers
- ◆ VAV box control
- ◆ unit ventilators
- ◆ fan coils
- ◆ 1/4 turn valves

These compact quarter turn actuators may be directly coupled to either a 1/2 inch round or 3/8 inch square jack shaft or remotely mounted using an adaptor kit. All actuators are bi-directional. Enerdrive actuators are also bi-directional under fail safe conditions. The stroke may be limited to less than 90° mechanically in digital models and electronically in Multi Signal models.

GENERAL SPECIFICATIONS

| | |
|--|---|
| Power Supply: | 24Vac/30Vdc or 24Vdc Depending upon the Model |
| Power Consumption: | Peak at Start-up: 6VA to 24VA at 26Vac Depending upon the Model Operating at Full Load: 6VA to 15VA at 26Vac Depending upon the Model |
| Wire Size: | 18 AWG (0.8 mm ²) Minimum |
| Electrical Connections: | 5/8 in. (15.9 mm) & 7/8 in. (22.2 mm) Knock Outs, Screw Terminals |
| Control Signals: | <p>Digital (BT): 2 Wire or 3 Wire 2 Position and 3 Wire or 4 Wire 3 Point Floating Depending upon the Model</p> <p>Multi Signal (BM): ANALOG: A) 2-10Vdc; or B) May be Externally Wired with a 500 Ohm Resistor which is Supplied for 4-20mA, Zero & Span Adjustable PULSE WIDTH MODULATION: Time Base of 0.1 to 5 sec/20mS Resolution or 0.1 to 25 sec/100mS Resolution Selected by Dip Switch Position SWITCH 24Vac: Triac or Dry Contact, 40mA Max. Switching Current SWITCH COMMON: NPN Transistor, SCR, Triac or Dry Contact 75mA Max. Switching Current DIGITAL: 3 Wire 2 Position or 4 Wire 3 Point Floating</p> |
| Torque: | 50 in.lb. (5.6 Nm) at Rated Voltage |
| Direction & Time of Rotation: | Reversible, 15 to 30 sec, 0-50 in.lb. (0-5.6 Nm) Depending upon the Model |
| Ambient Temperature: | -22°F to +122°F (-30°C to +50°C) |
| Feedback Potentiometer: | <p>In Digital (BTXX5): Potentiometer (5 Kohms)</p> <p>In Multi Signal (BM): 4-20mA Output (May be wired for a 2-10Vdc signal)</p> |
| Fail Safe (Enerdrive) Rating: | Models Ending in 60, 65, 80 or 60N: 50 in.lb. (5.6 Nm) |
| Enerdrive Response Time: | 20 to 30 sec Closure Through 90°, 0-50 in.lb. (0-5.6 Nm) |
| Auxiliary Switches: | Models Ending in 20, 80 or 20N: 2 Mechanical, Fixed at 10° & 80° |
| Auxiliary Switch Rating: | 1 Amp Resistive, 24Vac or 5 Amp Resistive, 250Vac Depending upon the Model |
| Electronic Enclosure: | Flammability rating UL94-5V |
| GearTrain Enclosure: | Die Cast Zinc with a Steel Base |

Spec Sheet Available on Our Website

| Actuator Models | Power | | | Control Signals | | | | | Time in sec Thru 90° Arc | Actuator Features | | | | |
|-------------------------------------|----------------|-------------|-----------|-----------------|----------|--------------|---------|-----|--------------------------|-------------------|-------------|-------------|-----------------------|-----------------------|
| | Nom. Supply | Consumption | | Digital | | Multi Signal | | | | Feed Back | Auto Stroke | Zero & Span | Fail Safe (Enerdrive) | 2 Mech. Aux. Switches |
| | | Start Up | Full Load | 2 POS | 3 PT FLT | 2-10 Vdc | 4-20 mA | PWM | | | | | | |
| <i>for low voltage applications</i> | | | | | | | | | | | | | | |
| BT000 | 24Vac 30Vdc | 6VA | 6VA | ◆ | ◆ | | | | 20 to 30 | | | | | |
| BT005 | 24Vac 30Vdc | 6VA | 6VA | ◆ | ◆ | | | | 20 to 30 | ◆ | | | | |
| BT020 | 24Vac 30Vdc | 6VA | 6VA | ◆ | ◆ | | | | 20 to 30 | | | | | ◆ |
| BT060 | 24Vac 30Vdc | 15VA | 6VA | ◆ | ◆ | | | | 20 to 30 | | | | ◆ | |
| BT065 | 24Vac 30Vdc | 15VA | 6VA | ◆ | ◆ | | | | 20 to 30 | ◆ | | | ◆ | |
| BT080 | 24Vac 30Vdc | 15VA | 6VA | ◆ | ◆ | | | | 20 to 30 | | | | ◆ | ◆ |
| BM000 | 24Vac 30Vdc | 6VA | 6VA | ◆ | ◆ | ◆ | ◆ | ◆ | 20 to 30 | ◆ | ◆ | ◆ | | |
| BM020 | 24Vac 30Vdc | 6VA | 6VA | ◆ | ◆ | ◆ | ◆ | ◆ | 20 to 30 | ◆ | ◆ | ◆ | | ◆ |
| BM060 | 24Vac 30Vdc | 15VA | 6VA | ◆ | ◆ | ◆ | ◆ | ◆ | 20 to 30 | ◆ | ◆ | ◆ | ◆ | |
| BM080 | 24Vac 30Vdc | 15VA | 6VA | ◆ | ◆ | ◆ | ◆ | ◆ | 20 to 30 | ◆ | ◆ | ◆ | ◆ | ◆ |
| BM000N | 24Vac 30Vdc | 15VA | 15VA | ◆ | ◆ | ◆ | ◆ | ◆ | 15 | ◆ | ◆ | ◆ | | |
| BM020N | 24Vac 30Vdc | 15VA | 15VA | ◆ | ◆ | ◆ | ◆ | ◆ | 15 | ◆ | ◆ | ◆ | | ◆ |
| BM060N | 24Vac 30Vdc | 24VA | 15VA | ◆ | ◆ | ◆ | ◆ | ◆ | 15 | ◆ | ◆ | ◆ | ◆ | |

Note: All actuators are powered by brush motors except those ending with the letter “N”

B Series Actuator (line voltage)



50 in.lb. (5.6 Nm) torque

PRIMARY USES FOR THESE ACTUATORS

- ◆ small dampers
- ◆ VAV box control
- ◆ unit ventilators
- ◆ fan coils
- ◆ 1/4 turn valves

These compact quarter turn actuators may be directly coupled to either a 1/2 inch round or 3/8 inch square jack shaft or remotely mounted using an adaptor kit. All actuators are bi-directional. Enerdrive actuators are also bi-directional under fail safe conditions. The stroke may be limited to less than 90° mechanically in digital models and electronically in Multi Signal models.

GENERAL SPECIFICATIONS

| | |
|--|--|
| Power Supply: | 120Vac or 240Vac Depending upon the Model |
| Power Consumption: | Peak at Start-up: 8VA to 7 Watts at Line Voltage Depending upon the Model Operating at Full Load: 5VA to 7 Watts at Line Voltage Depending upon the Model |
| Wire Size: | 18 AWG (0.8 mm ²) Minimum |
| Electrical Connections: | 5/8 in. (15.9 mm) & 7/8 in. (22.2 mm) Knock Outs, Screw Terminals |
| Control Signals: | Digital (BT): 2 Wire or 3 Wire 2 Position and 3 Wire 3 Point Floating Depending upon the Model |
| Torque: | 50 in.lb. (5.6 Nm) at Rated Voltage |
| Direction & Time of Rotation: | Reversible, 20 to 30 sec, 0-50 in.lb. (0-5.6 Nm) Depending upon the Model |
| Ambient Temperature: | -22°F to +122°F (-30°C to +50°C) |
| Feedback Potentiometer: | In Digital (BTXX5): Potentiometer (5 Kohms) |
| Fail Safe (Enerdrive) Rating: | Models Ending in 60 or 80: 50 in.lb. (5.6 Nm) |
| Enerdrive Response Time: | 20 to 30 sec Closure Through 90°, 0-50 in.lb. (0-5.6 Nm) |
| Auxiliary Switches: | Models Ending in, 20 or 80: 2 Mechanical, Fixed at 10° & 80° |
| Auxiliary Switch Rating: | 1 Amp Resistive, 24Vac or 5 Amp Resistive, 250Vac Depending upon the Model |
| Electronic Enclosure: | Flammability rating UL94-5V |
| GearTrain Enclosure: | Die Cast Zinc with a Steel Base |

Spec Sheet Available on Our Website

| Actuator Models | Power | | | Control Signals | | | | | Time in sec Thru 90° Arc | Actuator Features | | | | |
|--------------------------------------|-------------|-------------|-----------|-----------------|----------|--------------|---------|-----|--------------------------|-------------------|-------------|-------------|-----------------------|-----------------------|
| | Nom. Supply | Consumption | | Digital | | Multi Signal | | | | Feed Back | Auto Stroke | Zero & Span | Fail Safe (Enerdrive) | 2 Mech. Aux. Switches |
| | | Start Up | Full Load | 2 POS | 3 PT FLT | 2-10 Vdc | 4-20 mA | PWM | | | | | | |
| <i>for line voltage applications</i> | | | | | | | | | | | | | | |
| BT100 | 120Vac | 4 watts | 4 watts | ◆ | ◆ | | | | 20 to 30 | | | | | |
| BT105 | 120Vac | 4 watts | 4 watts | ◆ | ◆ | | | | 20 to 30 | ◆ | | | | |
| BT120 | 120Vac | 4 watts | 4 watts | ◆ | ◆ | | | | 20 to 30 | | | | | ◆ |
| BT160 | 120Vac | 8VA | 5VA | ◆ | | | | | 20 to 35 | | | ◆ | | |
| BT180 | 120Vac | 8VA | 5VA | ◆ | | | | | 20 to 35 | | | ◆ | | ◆ |
| BT200 | 240Vac | 7 watts | 7 watts | ◆ | ◆ | | | | 20 to 30 | | | | | |
| BT205 | 240Vac | 7 watts | 7 watts | ◆ | ◆ | | | | 20 to 30 | ◆ | | | | |
| BT220 | 240Vac | 7 watts | 7 watts | ◆ | ◆ | | | | 20 to 30 | | | | | ◆ |
| BT260 | 240Vac | 8VA | 5VA | ◆ | | | | | 20 to 35 | | | ◆ | | |
| BT280 | 240Vac | 8VA | 5VA | ◆ | | | | | 20 to 35 | | | ◆ | | ◆ |

B Series Actuator (slow motion low voltage)



50 in.lb. (5.6 Nm) torque



PRIMARY USES FOR THESE ACTUATORS

- ◆ small dampers
- ◆ VAV box control
- ◆ unit ventilators
- ◆ fan coils
- ◆ 1/4 turn valves

These compact quarter turn actuators may be directly coupled to either a 1/2 inch round or 3/8 inch square jack shaft or remotely mounted using an adaptor kit. All actuators are bi-directional. Enerdrive actuators are also bi-directional under fail safe conditions. The stroke may be limited to less than 90° mechanically.

GENERAL SPECIFICATIONS

| | |
|--|---|
| Power Supply: | 24Vac/30Vdc or 48Vdc Depending upon the Model |
| Power Consumption: | Peak at Start-up: 3VA to 15VA at 26Vac Depending upon the Model Operating at Full Load: 3VA to 6VA at 26Vac |
| Wire Size: | 18 AWG (0.8 mm ²) Minimum |
| Electrical Connections: | 5/8 in. (15.9 mm) & 7/8 in. (22.2 mm) Knock Outs, Screw Terminals |
| Control Signals: | Digital (BT): 2 Wire or 3 Wire 2 Position and 3 Wire or 4 Wire 3 Point Floating Depending upon the Model Analog (BM): A) 2-10Vdc; or B) 4-20mA |
| Torque: | 50 in.lb. (5.6 Nm) at Rated Voltage |
| Direction & Time of Rotation: | Reversible, 90 to 110 sec, 0-50 in.lb. (0-5.6 Nm) |
| Ambient Temperature: | -22°F to +122°F (-30°C to +50°C) |
| Feedback Potentiometer: | In Digital (BTXX5S): Potentiometer (5 Kohms) |
| Fail Safe (Enerdrive) Rating: | Models Ending in 60S, 65S or 80S: 50 in.lb. (5.6 Nm) |
| Enerdrive Response Time: | 20 to 30 sec or 20 to 35 sec for BT models Closure Through 90°, 0-50 in.lb. (0-5.6 Nm) |
| Auxiliary Switches: | Models Ending in 20S or 80S: 2 Mechanical, Fixed at 10° & 80° |
| Auxiliary Switch Rating: | 1 Amp Resistive, 24Vac or 5 Amp Resistive, 250Vac Depending upon the Model |
| Electronic Enclosure: | Flammability rating UL94-5V |
| GearTrain Enclosure: | Die Cast Zinc with a Steel Base |



Spec Sheet Available on Our Website

| Actuator Models | Power | | | Control Signals | | | | | Time in sec Thru 90° Arc | Actuator Features | | | | |
|-------------------------------------|----------------|-------------|-----------|-----------------|----------|--------------|---------|-----|--------------------------|-------------------|-------------|-------------|-----------------------|-----------------------|
| | Nom. Supply | Consumption | | Digital | | Multi Signal | | | | Feed Back | Auto Stroke | Zero & Span | Fail Safe (Enerdrive) | 2 Mech. Aux. Switches |
| | | Start Up | Full Load | 2 POS | 3 PT FLT | 2-10 Vdc | 4-20 mA | PWM | | | | | | |
| <i>for low voltage applications</i> | | | | | | | | | | | | | | |
| BT000S | 24Vac 30Vdc | 6VA | 6VA | ◆ | ◆ | | | | 90 to 110 | | | | | |
| BT005S | 24Vac 30Vdc | 6VA | 6VA | ◆ | ◆ | | | | 90 to 110 | ◆ | | | | |
| BT020S | 24Vac 30Vdc | 6VA | 6VA | ◆ | ◆ | | | | 90 to 110 | | | | | ◆ |
| BT060S | 24Vac 30Vdc | 15VA | 6VA | ◆ | ◆ | | | | 90 to 110 | | | ◆ | | |
| BT065S | 24Vac 30Vdc | 15VA | 6VA | ◆ | ◆ | | | | 90 to 110 | ◆ | | ◆ | | |
| BT080S | 24Vac 30Vdc | 15VA | 6VA | ◆ | ◆ | | | | 90 to 110 | | | ◆ | | ◆ |
| BT800S | 48Vdc | 4 watts | 4 watts | ◆ | ◆ | | | | 90 to 110 | | | | | |
| BT805S | 48Vdc | 4 watts | 4 watts | ◆ | ◆ | | | | 90 to 110 | ◆ | | | | |
| BT820S | 48Vdc | 4 watts | 4 watts | ◆ | ◆ | | | | 90 to 110 | | | | | ◆ |
| BT860S | 48Vdc | 4 watts | 4 watts | ◆ | ◆ | | | | 90 to 110 | | | ◆ | | |
| BT865S | 48Vdc | 12 watts | 4 watts | ◆ | ◆ | | | | 90 to 110 | ◆ | | ◆ | | |
| BT880S | 48Vdc | 12 watts | 4 watts | ◆ | ◆ | | | | 90 to 110 | | | ◆ | | ◆ |
| BM000S | 24Vac 30Vdc | 6VA | 6VA | | | | ◆ | ◆ | 90 to 110 | | | | | |
| BM020S | 24Vac 30Vdc | 6VA | 6VA | | | | ◆ | ◆ | 90 to 110 | | | | | ◆ |
| BM060S | 24Vac 30Vdc | 20VA | 6VA | | | | ◆ | ◆ | 90 to 110 | | | ◆ | | |
| BM080S | 24Vac 30Vdc | 20VA | 6VA | | | | ◆ | ◆ | 90 to 110 | | | ◆ | | ◆ |
| BM800S | 48Vdc | 6 watts | 6 watts | | | | ◆ | ◆ | 90 to 110 | | | | | |
| BM820S | 48Vdc | 6 watts | 6 watts | | | | ◆ | ◆ | 90 to 110 | | | | | ◆ |
| BM860S | 48Vdc | 20 watts | 6 watts | | | | ◆ | ◆ | 90 to 110 | | | ◆ | | |
| BM880S | 48Vdc | 20 watts | 6 watts | | | | ◆ | ◆ | 90 to 110 | | | ◆ | | ◆ |

B Series Actuator (slow motion line voltage)



50 in.lb. (5.6 Nm) torque



PRIMARY USES FOR THESE ACTUATORS

- ◆ small dampers
- ◆ VAV box control
- ◆ unit ventilators
- ◆ fan coils
- ◆ 1/4 turn valves

These compact quarter turn actuators may be directly coupled to either a 1/2 inch round or 3/8 inch square jack shaft or remotely mounted using an adaptor kit. All actuators are bi-directional. Enerdrive actuators are also bi-directional under fail safe conditions. The stroke may be limited to less than 90° mechanically.

GENERAL SPECIFICATIONS

| | |
|--|---|
| Power Supply: | 120Vac or 240Vac Depending upon the Model |
| Power Consumption: | Peak at Start-up: 6VA to 20VA at Line Voltage Depending upon the Model Operating at Full Load: 6VA at Line Voltage |
| Wire Size: | 18 AWG (0.8 mm ²) Minimum |
| Electrical Connections: | 5/8 in. (15.9 mm) & 7/8 in. (22.2 mm) Knock Outs, Screw Terminals |
| Control Signals: | Digital (BT): 2 Wire or 3 Wire 2 Position and 3 Wire or 4 Wire 3 Point Floating Depending upon the Model Analog (BM): A) 2-10Vdc; or B) 4-20mA |
| Torque: | 50 in.lb. (5.6 Nm) at Rated Voltage |
| Direction & Time of Rotation: | Reversible, 90 to 110 sec, 0-50 in.lb. (0-5.6 Nm) |
| Ambient Temperature: | -22°F to +122°F (-30°C to +50°C) |
| Feedback Potentiometer: | In Digital (BTXX5S): Potentiometer (5 Kohms) |
| Fail Safe (Enerdrive) Rating: | Models Ending in 60S, 65S or 80S: 50 in.lb. (5.6 Nm) |
| Enerdrive Response Time: | 20 to 30 sec or 20 to 35 sec for BT models Closure Through 90°, 0-50 in.lb. (0-5.6 Nm) |
| Auxiliary Switches: | Models Ending in 20S or 80S: 2 Mechanical, Fixed at 10° & 80° |
| Auxiliary Switch Rating: | 1 Amp Resistive, 24Vac or 5 Amp Resistive, 250Vac Depending upon the Model |
| Electronic Enclosure: | Flammability rating UL94-5V |
| GearTrain Enclosure: | Die Cast Zinc with a Steel Base |



Spec Sheet Available on Our Website

| Actuator Models | Power | | | Control Signals | | | | | Time in sec Thru 90° Arc | Actuator Features | | | | |
|--------------------------------------|-------------|-------------|-----------|-----------------|----------|--------------|---------|-----|--------------------------|-------------------|-------------|-------------|-----------------------|-----------------------|
| | Nom. Supply | Consumption | | Digital | | Multi Signal | | | | Feed Back | Auto Stroke | Zero & Span | Fail Safe (Enerdrive) | 2 Mech. Aux. Switches |
| | | Start Up | Full Load | 2 POS | 3 PT FLT | 2-10 Vdc | 4-20 mA | PWM | | | | | | |
| <i>for line voltage applications</i> | | | | | | | | | | | | | | |
| BT100S | 120Vac | 6VA | 6VA | ◆ | ◆ | | | | 90 to 110 | | | | | |
| BT105S | 120Vac | 6VA | 6VA | ◆ | ◆ | | | | 90 to 110 | ◆ | | | | |
| BT120S | 120Vac | 6VA | 6VA | ◆ | ◆ | | | | 90 to 110 | | | | | ◆ |
| BT160S | 120Vac | 20VA | 6VA | ◆ | ◆ | | | | 90 to 110 | | | ◆ | | |
| BT165S | 120Vac | 20VA | 6VA | ◆ | ◆ | | | | 90 to 110 | ◆ | | ◆ | | |
| BT180S | 120Vac | 20VA | 6VA | ◆ | ◆ | | | | 90 to 110 | | | ◆ | | ◆ |
| BT200S | 240Vac | 6VA | 6VA | ◆ | ◆ | | | | 90 to 110 | | | | | |
| BT205S | 240Vac | 6VA | 6VA | ◆ | ◆ | | | | 90 to 110 | ◆ | | | | |
| BT220S | 240Vac | 6VA | 6VA | ◆ | ◆ | | | | 90 to 110 | | | | | ◆ |
| BT260S | 240Vac | 20VA | 6VA | ◆ | ◆ | | | | 90 to 110 | | | ◆ | | |
| BT265S | 240Vac | 20VA | 6VA | ◆ | ◆ | | | | 90 to 110 | ◆ | | ◆ | | |
| BT280S | 240Vac | 20VA | 6VA | ◆ | ◆ | | | | 90 to 110 | | | ◆ | | ◆ |
| BM100S | 120Vac | 6VA | 6VA | | | | ◆ | ◆ | 90 to 110 | | | | | |
| BM120S | 120Vac | 6VA | 6VA | | | | ◆ | ◆ | 90 to 110 | | | | | ◆ |
| BM160S | 120Vac | 20VA | 6VA | | | | ◆ | ◆ | 90 to 110 | | | ◆ | | |
| BM200S | 240Vac | 6VA | 6VA | | | | ◆ | ◆ | 90 to 110 | | | | | |
| BM220S | 240Vac | 6VA | 6VA | | | | ◆ | ◆ | 90 to 110 | | | | | ◆ |
| BM260S | 240Vac | 20VA | 6VA | | | | ◆ | ◆ | 90 to 110 | | | ◆ | | |

S Series Actuator (slow motion low voltage)



70 in.lb. (8 Nm) torque



PRIMARY USES FOR THESE ACTUATORS

- ◆ small dampers
- ◆ VAV box control
- ◆ unit ventilators
- ◆ fan coils
- ◆ 1/4 turn valves

These compact quarter turn actuators may be directly coupled to either a 1/2 inch round or 3/8 inch square jack shaft or remotely mounted using an adaptor kit. All actuators are bi-directional. Enerdrive actuators are also bi-directional under fail safe conditions. The stroke may be limited to less than 90° mechanically.

GENERAL SPECIFICATIONS

| | |
|--|---|
| Power Supply: | 24Vac/30Vdc |
| Power Consumption: | Peak at Start-up: 8VA to 20VA at 26Vac Depending upon the Model Operating at Full Load: 8VA at 26Vac |
| Wire Size: | 18 AWG (0.8 mm ²) Minimum |
| Electrical Connections: | 5/8 in. (15.9 mm) & 7/8 in. (22.2 mm) Knock Outs, Screw Terminals |
| Control Signals: | Digital (ST): 2 Wire or 3 Wire 2 Position and 4 Wire 3 Point Floating Depending upon the Model Analog (SM): A) 2-10Vdc; or B) 4-20mA |
| Torque: | 70 in.lb. (8 Nm) at Rated Voltage |
| Direction & Time of Rotation: | Reversible, 90 to 110 sec, 0-70 in.lb. (0-8 Nm) |
| Ambient Temperature: | -22°F to +122°F (-30°C to +50°C) |
| Feedback Potentiometer: | In Digital (STXX5S): Potentiometer (5 Kohms) |
| Fail Safe (Enerdrive) Rating: | Models Ending in 60S, 65S or 80S: 70 in.lb. (8 Nm) |
| Enerdrive Response Time: | 20 to 30 sec, 20 to 35 for ST Models Closure Through 90°, 0-70 in.lb. (0-8 Nm) |
| Auxiliary Switches: | Models Ending in 20S or 80S: 2 Mechanical, Fixed at 10° & 80° |
| Auxiliary Switch Rating: | 1 Amp Resistive, 24Vac or 5 Amp Resistive, 250Vac Depending upon the Model |
| Electronic Enclosure: | Flammability rating UL94-5V |
| GearTrain Enclosure: | Die Cast Zinc with a Steel Base |

Spec Sheet Available on Our Website

| Actuator Models | Power | | | Control Signals | | | | | Time in sec Thru 90° Arc | Actuator Features | | | | |
|-------------------------------------|----------------|-------------|-----------|-----------------|----------|--------------|---------|-----|--------------------------|-------------------|-------------|-------------|-----------------------|-----------------------|
| | Nom. Supply | Consumption | | Digital | | Multi Signal | | | | Feed Back | Auto Stroke | Zero & Span | Fail Safe (Enerdrive) | 2 Mech. Aux. Switches |
| | | Start Up | Full Load | 2 POS | 3 PT FLT | 2-10 Vdc | 4-20 mA | PWM | | | | | | |
| <i>for low voltage applications</i> | | | | | | | | | | | | | | |
| ST000S | 24Vac 30Vdc | 8VA | 8VA | ◆ | ◆ | | | | 90 to 110 | | | | | |
| ST005S | 24Vac 30Vdc | 8VA | 8VA | ◆ | ◆ | | | | 90 to 110 | ◆ | | | | |
| ST020S | 24Vac 30Vdc | 8VA | 8VA | ◆ | ◆ | | | | 90 to 110 | | | | | ◆ |
| ST060S | 24Vac 30Vdc | 20VA | 8VA | ◆ | ◆ | | | | 90 to 110 | | | | ◆ | |
| ST065S | 24Vac 30Vdc | 20VA | 8VA | ◆ | ◆ | | | | 90 to 110 | ◆ | | | ◆ | |
| ST080S | 24Vac 30Vdc | 20VA | 8VA | ◆ | ◆ | | | | 90 to 110 | | | | ◆ | ◆ |
| SM000S | 24Vac 30Vdc | 8VA | 8VA | | | ◆ | ◆ | | 90 to 110 | | | | | |
| SM020S | 24Vac 30Vdc | 8VA | 8VA | | | ◆ | ◆ | | 90 to 110 | | | | | ◆ |
| SM060S | 24Vac 30Vdc | 20VA | 8VA | | | ◆ | ◆ | | 90 to 110 | | | | ◆ | |
| SM080S | 24Vac 30Vdc | 20VA | 8VA | | | ◆ | ◆ | | 90 to 110 | | | | ◆ | ◆ |

S Series Actuator (slow motion line voltage)



70 in.lb. (8 Nm) torque



PRIMARY USES FOR THESE ACTUATORS

- ◆ small dampers
- ◆ VAV box control
- ◆ unit ventilators
- ◆ fan coils
- ◆ 1/4 turn valves

These compact quarter turn actuators may be directly coupled to either a 1/2 inch round or 3/8 inch square jack shaft or remotely mounted using an adaptor kit. All actuators are bi-directional. Enerdrive actuators are also bi-directional under fail safe conditions. The stroke may be limited to less than 90° mechanically.

GENERAL SPECIFICATIONS

| | |
|--|---|
| Power Supply: | 120Vac or 240Vac Depending upon the Model |
| Power Consumption: | Peak at Start-up: 8VA to 20VA at Line Voltage Depending upon the Model Operating at Full Load: 8VA at Line Voltage |
| Wire Size: | 18 AWG (0.8 mm ²) Minimum |
| Electrical Connections: | 5/8 in. (15.9 mm) & 7/8 in. (22.2 mm) Knock Outs, Screw Terminals |
| Control Signals: | Digital (ST): 2 Wire or 3 Wire 2 Position and 4 Wire 3 Point Floating Depending upon the Model Analog (SM): A) 2-10Vdc; or B) 4-20mA |
| Torque: | 70 in.lb. (8 Nm) at Rated Voltage |
| Direction & Time of Rotation: | Reversible, 90 to 110 sec, 0-70 in.lb. (0-8 Nm) |
| Ambient Temperature: | -22°F to +122°F (-30°C to +50°C) |
| Feedback Potentiometer: | In Digital (STXX5S): Potentiometer (5 Kohms) |
| Fail Safe (Enerdrive) Rating: | Models Ending in 60S, 65S or 80S: 70 in.lb. (8 Nm) |
| Enerdrive Response Time: | 20 to 30 sec Closure Through 90°, 0-70 in.lb. (0-8 Nm) |
| Auxiliary Switches: | Models Ending in 20S or 80S: 2 Mechanical, Fixed at 10° & 80° |
| Auxiliary Switch Rating: | 1 Amp Resistive, 24Vac or 5 Amp Resistive, 250Vac Depending upon the Model |
| Electronic Enclosure: | Flammability rating UL94-5V |
| GearTrain Enclosure: | Die Cast Zinc with a Steel Base |

Spec Sheet Available on Our Website

| Actuator Models | Power | | | Control Signals | | | | | Time in sec Thru 90° Arc | Actuator Features | | | | |
|--------------------------------------|-------------|-------------|-----------|-----------------|----------|--------------|---------|-----|--------------------------|-------------------|-------------|-------------|-----------------------|-----------------------|
| | Nom. Supply | Consumption | | Digital | | Multi Signal | | | | Feed Back | Auto Stroke | Zero & Span | Fail Safe (Enerdrive) | 2 Mech. Aux. Switches |
| | | Start Up | Full Load | 2 POS | 3 PT FLT | 2-10 Vdc | 4-20 mA | PWM | | | | | | |
| <i>for line voltage applications</i> | | | | | | | | | | | | | | |
| ST100S | 120Vac | 8VA | 8VA | ◆ | ◆ | | | | 90 to 110 | | | | | |
| ST105S | 120Vac | 8VA | 8VA | ◆ | ◆ | | | | 90 to 110 | ◆ | | | | |
| ST120S | 120Vac | 8VA | 8VA | ◆ | ◆ | | | | 90 to 110 | | | | | ◆ |
| ST160S | 120Vac | 20VA | 8VA | ◆ | ◆ | | | | 90 to 110 | | | | ◆ | |
| ST165S | 120Vac | 20VA | 8VA | ◆ | ◆ | | | | 90 to 110 | ◆ | | | ◆ | |
| ST180S | 120Vac | 20VA | 8VA | ◆ | ◆ | | | | 90 to 110 | | | | ◆ | ◆ |
| ST200S | 240Vac | 8VA | 8VA | ◆ | ◆ | | | | 90 to 110 | | | | | |
| ST205S | 240Vac | 8VA | 8VA | ◆ | ◆ | | | | 90 to 110 | ◆ | | | | |
| ST220S | 240Vac | 8VA | 8VA | ◆ | ◆ | | | | 90 to 110 | | | | | ◆ |
| ST260S | 240Vac | 20VA | 8VA | ◆ | ◆ | | | | 90 to 110 | | | | ◆ | |
| ST265S | 240Vac | 20VA | 8VA | ◆ | ◆ | | | | 90 to 110 | ◆ | | | ◆ | |
| ST280S | 240Vac | 20VA | 8VA | ◆ | ◆ | | | | 90 to 110 | | | | ◆ | ◆ |
| SM100S | 120Vac | 8VA | 8VA | | | ◆ | ◆ | | 90 to 110 | | | | | |
| SM160S | 120Vac | 20VA | 8VA | | | ◆ | ◆ | | 90 to 110 | | | | ◆ | |
| SM200S | 240Vac | 8VA | 8VA | | | ◆ | ◆ | | 90 to 110 | | | | | |
| SM260S | 240Vac | 20VA | 8VA | | | ◆ | ◆ | | 90 to 110 | | | | ◆ | |

L Series Actuator



140 in.lb. (16 Nm) torque



PRIMARY USES FOR THESE ACTUATORS

- ◆ small size air handler dampers
- ◆ zone dampers
- ◆ 1/4 turn valves

These quarter turn actuators may be directly coupled to either a 3/4 inch round or 5/8 inch square jack shaft or remotely mounted using an adaptor kit. All actuators are bi-directional. Enerdrive actuators are also bi-directional under fail safe conditions. The stroke may be limited to less than 90° mechanically in digital models (with SLD sold separately), and electronically in Multi Signal models.

GENERAL SPECIFICATIONS

| | |
|--|--|
| Power Supply: | 24Vac/30Vdc, 120Vac/240Vac or 24Vac/30Vdc/120Vac/240Vac Depending upon the Model |
| Power Consumption: | Peak at Start-up: 5VA to 30VA at 26Vac Depending upon the Model 8VA to 35VA at Line Voltage Depending upon the Model Operating at Full Load: 5VA to 8VA at 26Vac Depending upon the Model 8VA to 10VA at Line Voltage Depending upon the Model |
| Wire Size: | 18 AWG (0.8 mm ²) Minimum |
| Electrical Connections: | Two 7/8 in. (22.2 mm) Knock Outs, Screw Terminals |
| Control Signals: | Digital (LT): 2 Wire or 3 Wire 2 Position and/or 3 Wire or 4 Wire 3 Point Floating Depending upon the Model Multi Signal (LM): ANALOG: A) 2-10Vdc; or B) May be Externally Wired with a 500 Ohm Resistor which is Supplied for 4-20mA, Zero & Span Adjustable PULSE WIDTH MODULATION: Time Base of 0.1 to 5 sec/20mS Resolution or 0.1 - 25 sec/100mS Resolution Selected by 30VA Dip Switch Position SWITCH 24Vac: Triac or Dry Contact, 40mA Max. Switching Current SWITCH COMMON: NPN Transistor, SCR, Triac or Dry Contact 75mA Max. Switching Current DIGITAL: 3 Wire 2 Position or 4 Wire 3 Point Floating |
| Torque: | 140 in.lb. (16 Nm) at Rated Voltage |
| Direction & Time of Rotation: | Reversible, 60 to 85 sec, 0-140 in.lb. (0-16 Nm) |
| Ambient Temperature: | 0°F to +122°F (-18°C to +50°C) |
| Feedback Potentiometer: | In Digital (LTXX5): Voltage (0 to 12Vdc max) In Multi Signal (LM): 4-20mA Output (May be wired for a 2-10Vdc signal) |
| Fail Safe (Enerdrive) Rating: | Models Ending in 60, 65 or 80: 140 in.lb. (16 Nm) |
| Enerdrive Response Time: | 60 to 85 sec Closure Through 90°, 0-140 in.lb. (0-16 Nm) |
| Auxiliary Switches: | Models Ending in 20 or 80: 2 Mechanical Switches, Fixed at 10° & 80° |
| Auxiliary Switch Rating: | 5 Amp Resistive, 250Vac |
| Electronic Enclosure: | Flammability rating UL94-5V Option W: IP65 equivalent to Nema type 4 enclosure with special protection against chemicals |

Spec Sheet Available on Our Website

| Actuator Models | Power | | | Control Signals | | | | | Time in sec Thru 90° Arc | Actuator Features | | | | |
|--------------------------------------|------------------------------------|-------------|-----------|-----------------|----------|--------------|---------|-----|--------------------------|-------------------|-------------|-------------|-----------------------|-----------------------|
| | Nom. Supply | Consumption | | Digital | | Multi Signal | | | | Feed Back | Auto Stroke | Zero & Span | Fail Safe (Enerdrive) | 2 Mech. Aux. Switches |
| | | Start Up | Full Load | 2 POS | 3 PT FLT | 2-10 Vdc | 4-20 mA | PWM | | | | | | |
| <i>for low voltage applications</i> | | | | | | | | | | | | | | |
| LT000 | 24Vac 30Vdc | 5VA | 5VA | ◆ | ◆ | | | | 60 to 85 | | | | | |
| LT005 | 24Vac 30Vdc | 5VA | 5VA | ◆ | ◆ | | | | 60 to 85 | ◆ | | | | |
| LT020 | 24Vac 30Vdc | 5VA | 5VA | ◆ | ◆ | | | | 60 to 85 | | | | | ◆ |
| LT060 | 24Vac 30Vdc | 30VA | 5VA | ◆ | ◆ | | | | 60 to 85 | | | | ◆ | |
| LT065 | 24Vac 30Vdc | 30VA | 5VA | ◆ | ◆ | | | | 60 to 85 | ◆ | | | ◆ | |
| LT080 | 24Vac 30Vdc | 30VA | 5VA | ◆ | ◆ | | | | 60 to 85 | | | | ◆ | ◆ |
| LM000 | 24Vac 30Vdc | 8VA | 8VA | ◆ | ◆ | ◆ | ◆ | ◆ | 60 to 85 | ◆ | ◆ | ◆ | | |
| LM020 | 24Vac 30Vdc | 8VA | 8VA | ◆ | ◆ | ◆ | ◆ | ◆ | 60 to 85 | ◆ | ◆ | ◆ | | ◆ |
| LM060 | 24Vac 30Vdc | 30VA | 8VA | ◆ | ◆ | ◆ | ◆ | ◆ | 60 to 85 | ◆ | ◆ | ◆ | ◆ | |
| LM080 | 24Vac 30Vdc | 30VA | 8VA | ◆ | ◆ | ◆ | ◆ | ◆ | 60 to 85 | ◆ | ◆ | ◆ | ◆ | ◆ |
| <i>for line voltage applications</i> | | | | | | | | | | | | | | |
| LT300 | 120Vac 240Vac | 8VA | 8VA | ◆ | ◆ | | | | 60 to 85 | | | | | |
| LT305 | 120Vac 240Vac | 8VA | 8VA | ◆ | ◆ | | | | 60 to 85 | ◆ | | | | |
| LT320 | 120Vac 240Vac | 8VA | 8VA | ◆ | ◆ | | | | 60 to 85 | | | | | ◆ |
| LT360 | 120Vac 240Vac | 30VA | 8VA | ◆ | ◆ | | | | 60 to 85 | | | | ◆ | |
| LT365 | 120Vac 240Vac | 30VA | 8VA | ◆ | ◆ | | | | 60 to 85 | ◆ | | | ◆ | |
| LT380 | 120Vac 240Vac | 30VA | 8VA | ◆ | ◆ | | | | 60 to 85 | | | | ◆ | ◆ |
| LM300 | 24Vac 30Vdc 120Vac 240Vac | 10VA | 10VA | ◆ | ◆ | ◆ | ◆ | ◆ | 60 to 85 | ◆ | ◆ | ◆ | | |
| LM320 | 24Vac 30Vdc 120Vac 240Vac | 10VA | 10VA | ◆ | ◆ | ◆ | ◆ | ◆ | 60 to 85 | ◆ | ◆ | ◆ | | ◆ |
| LM360 | 24Vac 30Vdc 120Vac 240Vac | 30VA | 10VA | ◆ | ◆ | ◆ | ◆ | ◆ | 60 to 85 | ◆ | ◆ | ◆ | ◆ | |
| LM380 | 24Vac 30Vdc 120Vac 240Vac | 30VA | 10VA | ◆ | ◆ | ◆ | ◆ | ◆ | 60 to 85 | ◆ | ◆ | ◆ | ◆ | ◆ |

T Series Actuator (low voltage)



180 in.lb. (20 Nm) torque



PRIMARY USES FOR THESE ACTUATORS

- ◆ medium size air handler dampers
- ◆ 1/4 turn valves

These quarter turn actuators may be directly coupled to either a 3/4 inch round or 5/8 inch square jack shaft or remotely mounted using an adaptor kit. All actuators are bi-directional. Enerdrive actuators are also bi-directional under fail safe conditions. The stroke may be limited to less than 90° mechanically in digital models (with SLD sold separately) and electronically in Multi Signal models.

GENERAL SPECIFICATIONS

| | |
|--|--|
| Power Supply: | 24Vac/30Vdc |
| Power Consumption: | Peak at Start-up: 8VA to 40VA at 26Vac Depending upon the Model Operating at Full Load: 8VA to 15VA at 26Vac Depending upon the Model |
| Wire Size: | 18 AWG (0.8 mm ²) Minimum |
| Electrical Connections: | Two 7/8 in. (22.2 mm) Knock Outs, Screw Terminals |
| Control Signals: | <p>Digital (TT): 2 Wire or 3 Wire 2 Position and/or 3 Wire or 4 Wire 3 Point Floating Depending upon the Model</p> <p>Multi Signal (TM): ANALOG: A) 2-10Vdc; or B) May be Externally Wired with a 500 Ohm Resistor which is Supplied for 4-20mA, Zero & Span Adjustable PULSE WIDTH MODULATION: Time Base of 0.1-5 Sec/20mS Resolution or 0.1-25 Sec/100mS Resolution Selected by Dip Switch Position SWITCH 24Vac: Triac or Dry Contact, 40mA Max. Switching Current SWITCH COMMON: NPN Transistor, SCR, Triac or Dry Contact 75mA Max. Switching Current DIGITAL: 3 Wire 2 Position or 4 Wire 3 Point Floating</p> |
| Torque: | 180 in.lb. (20 Nm) at Rated Voltage |
| Direction & Time of Rotation: | Reversible, 40 to 50 sec or 60 to 85 sec, 0-180 in.lb. (0-20 Nm) Depending upon the Model |
| Ambient Temperature: | 0°F to +122°F (-18°C to +50°C) |
| Feedback Potentiometer: | <p>In Digital (TTXX5): Voltage (0-12Vdc max)</p> <p>In Multi Signal (TM): 4-20mA Output (May be wired for a 2-10Vdc signal)</p> |
| Fail Safe (Enerdrive) Rating: | Models Ending in 60, 65, 80, 60N or 80N: 180 in.lb. (20 Nm) |
| Enerdrive Response Time: | 60 to 85 sec Closure Through 90°, 0-180 in.lb. (0-20 Nm) |
| Auxiliary Switches: | Models Ending in 20, 80, 20N, or 80N: 2 Mechanical Switches, Fixed at 10° & 80° |
| Auxiliary Switch Rating: | 5 Amp Resistive, 250Vac |
| Electronic Enclosure: | Flammability rating UL94-5V Option W: IP65 equivalent to Nema type 4 enclosure with special protection against chemicals |

Spec Sheet Available on Our Website

| Actuator Models | Power | | | Control Signals | | | | | Time in sec Thru 90° Arc | Actuator Features | | | | |
|-------------------------------------|----------------|-------------|-----------|-----------------|----------|--------------|---------|-----|--------------------------------|-------------------|-------------|-------------|-----------------------|-----------------------|
| | Nom. Supply | Consumption | | Digital | | Multi Signal | | | | Feed Back | Auto Stroke | Zero & Span | Fail Safe (Enerdrive) | 2 Mech. Aux. Switches |
| | | Start Up | Full Load | 2 POS | 3 PT FLT | 2-10 Vdc | 4-20 mA | PWM | | | | | | |
| <i>for low voltage applications</i> | | | | | | | | | | | | | | |
| TT000 | 24Vac 30Vdc | 8VA | 8VA | ◆ | ◆ | | | | 60 to 85 | | | | | |
| TT005 | 24Vac 30Vdc | 8VA | 8VA | ◆ | ◆ | | | | 60 to 85 | ◆ | | | | |
| TT020 | 24Vac 30Vdc | 8VA | 8VA | ◆ | ◆ | | | | 60 to 85 | | | | | ◆ |
| TT060 | 24Vac 30Vdc | 24VA | 8VA | ◆ | ◆ | | | | 60 to 85 | | | | ◆ | |
| TT065 | 24Vac 30Vdc | 24VA | 8VA | ◆ | ◆ | | | | 60 to 85 | ◆ | | | ◆ | |
| TT080 | 24Vac 3Vdc | 24VA | 8VA | ◆ | ◆ | | | | 60 to 85 | | | | ◆ | ◆ |
| TM000 | 24Vac 30Vdc | 8VA | 8VA | ◆ | ◆ | ◆ | ◆ | ◆ | 60 to 85 | ◆ | ◆ | ◆ | | |
| TM020 | 24Vac 30Vdc | 8VA | 8VA | ◆ | ◆ | ◆ | ◆ | ◆ | 60 to 85 | ◆ | ◆ | ◆ | | ◆ |
| TM060 | 24Vac 30Vdc | 30VA | 8VA | ◆ | ◆ | ◆ | ◆ | ◆ | 60 to 85 | ◆ | ◆ | ◆ | ◆ | |
| TM080 | 24Vac 30Vdc | 30VA | 8VA | ◆ | ◆ | ◆ | ◆ | ◆ | 60 to 85 | ◆ | ◆ | ◆ | ◆ | ◆ |
| TM000N | 24Vac 30Vdc | 15VA | 15VA | ◆ | ◆ | ◆ | ◆ | ◆ | 40 to 50 | ◆ | ◆ | ◆ | | |
| TM020N | 24Vac 30Vdc | 15VA | 15VA | ◆ | ◆ | ◆ | ◆ | ◆ | 40 to 50 | ◆ | ◆ | ◆ | | ◆ |
| TM060N | 24Vac 30Vdc | 40VA | 15VA | ◆ | ◆ | ◆ | ◆ | ◆ | 40 to 50 | ◆ | ◆ | ◆ | ◆ | |
| TM080N | 24Vac 30Vdc | 40VA | 15VA | ◆ | ◆ | ◆ | ◆ | ◆ | 40 to 50 | ◆ | ◆ | ◆ | ◆ | ◆ |

Note: All actuators are powered by brush motors except those ending with the letter “N”

T Series Actuator (line voltage)



180 in.lb. (20 Nm) torque



PRIMARY USES FOR THESE ACTUATORS

- ◆ medium size air handler dampers
- ◆ 1/4 turn valves

These quarter turn actuators may be directly coupled to either a 3/4 inch round or 5/8 inch square jack shaft or remotely mounted using an adaptor kit. All actuators are bi-directional. Enerdrive actuators are also bi-directional under fail safe conditions. The stroke may be limited to less than 90° mechanically in digital models (with SLD sold separately) and electronically in Multi Signal models.

GENERAL SPECIFICATIONS

| | |
|--|---|
| Power Supply: | 24Vac, 30Vdc, 120Vac, and/or 240Vac Depending upon the Model |
| Power Consumption: | Peak at Start-up: 10VA to 45VA at Line Voltage Depending upon the Model Operating at Full Load: 10VA to 20VA at Line Voltage Depending upon the Model |
| Wire Size: | 18 AWG (0.8 mm ²) Minimum |
| Electrical Connections: | Two 7/8 in. (22.2 mm) Knock Outs, Screw Terminals |
| Control Signals: | <p>Digital (TT): 2 Wire or 3 Wire 2 Position and/or 4 Wire 3 Point Floating Depending upon the Model</p> <p>Multi Signal (TM): ANALOG: A) 2-10Vdc; or B) May be Externally Wired with a 500 Ohm Resistor which is Supplied for 4-20mA, Zero & Span Adjustable PULSE WIDTH MODULATION: Time Base of 0.1to 5 sec/20mS Resolution or 0.1 to 25 sec/100mS Resolution Selected by Dip Switch Position SWITCH 24Vac: Triac or Dry Contact, 40mA Max. Switching Current SWITCH COMMON: NPN Transistor, SCR, Triac or Dry Contact 75mA Max. Switching Current DIGITAL: 3 Wire 2 Position or 4 Wire 3 Point Floating</p> |
| Torque: | 180 in.lb. (20 Nm) at Rated Voltage |
| Direction & Time of Rotation: | Reversible, 40 to 50 sec or 60 to 85 sec, 0-180 in.lb. (0-20 Nm) Depending upon the Model |
| Ambient Temperature: | 0°F to +122°F (-18°C to +50°C) |
| Feedback Potentiometer: | <p>In Digital (TTXX5): Voltage (0-12Vdc max)</p> <p>In Multi Signal (TM): 4-20mA Output (May be wired for a 2-10Vdc signal)</p> |
| Fail Safe (Enerdrive) Rating: | Models Ending in 60, 65, 80 or 60N: 180 in.lb. (20 Nm) |
| Enerdrive Response Time: | 60 to 85 sec Closure Through 90°, 0-180 in.lb. (0-20 Nm) |
| Auxiliary Switches: | Models Ending in 20, 80 or 20N: 2 Mechanical Switches, Fixed at 10° & 80° |
| Auxiliary Switch Rating: | 5 Amp Resistive, 250Vac |
| Electronic Enclosure: | Flammability rating UL94-5V Option W: IP65 equivalent to Nema type 4 enclosure with special protection against chemicals |

Spec Sheet Available on Our Website

| Actuator Models | Power | | | Control Signals | | | | | Time in sec Thru 90° Arc | Actuator Features | | | | |
|--------------------------------------|------------------------------------|-------------|-----------|-----------------|----------|--------------|---------|-----|--------------------------|-------------------|-------------|-------------|-----------------------|-----------------------|
| | Nom. Supply | Consumption | | Digital | | Multi Signal | | | | Feed Back | Auto Stroke | Zero & Span | Fail Safe (Enerdrive) | 2 Mech. Aux. Switches |
| | | Start Up | Full Load | 2 POS | 3 PT FLT | 2-10 Vdc | 4-20 mA | PWM | | | | | | |
| <i>for line voltage applications</i> | | | | | | | | | | | | | | |
| TT300 | 120Vac 240Vac | 10VA | 10VA | ◆ | ◆ | | | | 60 to 85 | | | | | |
| TT305 | 120Vac 240Vac | 10VA | 10VA | ◆ | ◆ | | | | 60 to 85 | ◆ | | | | |
| TT320 | 120Vac 240Vac | 10VA | 10VA | ◆ | ◆ | | | | 60 to 85 | | | | | ◆ |
| TT360 | 120Vac 240Vac | 30VA | 10VA | ◆ | ◆ | | | | 60 to 85 | | | | ◆ | |
| TT365 | 120Vac 240Vac | 30VA | 10VA | ◆ | ◆ | | | | 60 to 85 | ◆ | | | ◆ | |
| TT380 | 120Vac 240Vac | 30VA | 10VA | ◆ | ◆ | | | | 60 to 85 | | | | ◆ | ◆ |
| TM300 | 24Vac 30Vdc 120Vac 240Vac | 10VA | 10VA | ◆ | ◆ | ◆ | ◆ | ◆ | 60 to 85 | ◆ | ◆ | ◆ | | |
| TM320 | 24Vac 30Vdc 120Vac 240Vac | 10VA | 10VA | ◆ | ◆ | ◆ | ◆ | ◆ | 60 to 85 | ◆ | ◆ | ◆ | | ◆ |
| TM360 | 24Vac 30Vdc 120Vac 240Vac | 30VA | 10VA | ◆ | ◆ | ◆ | ◆ | ◆ | 60 to 85 | ◆ | ◆ | ◆ | ◆ | |
| TM380 | 24Vac 30Vdc 120Vac 240Vac | 30VA | 10VA | ◆ | ◆ | ◆ | ◆ | ◆ | 60 to 85 | ◆ | ◆ | ◆ | ◆ | ◆ |
| TM100N | 24Vac 30Vdc 120Vac | 20VA | 20VA | ◆ | ◆ | ◆ | ◆ | ◆ | 40 to 50 | ◆ | ◆ | ◆ | | |
| TM200N | 24Vac 30Vdc 240Vac | 20VA | 20VA | ◆ | ◆ | ◆ | ◆ | ◆ | 40 to 50 | ◆ | ◆ | ◆ | | |
| TM120N | 24Vac 30Vdc 120Vac | 20VA | 20VA | ◆ | ◆ | ◆ | ◆ | ◆ | 40 to 50 | ◆ | ◆ | ◆ | | ◆ |
| TM220N | 24Vac 30Vdc 240Vac | 20VA | 20VA | ◆ | ◆ | ◆ | ◆ | ◆ | 40 to 50 | ◆ | ◆ | ◆ | | ◆ |
| TM160N | 24Vac 30Vdc 120Vac | 45VA | 20VA | ◆ | ◆ | ◆ | ◆ | ◆ | 40 to 50 | ◆ | ◆ | ◆ | ◆ | |
| TM260N | 24Vac 30Vdc 240Vac | 45VA | 20VA | ◆ | ◆ | ◆ | ◆ | ◆ | 40 to 50 | ◆ | ◆ | ◆ | ◆ | |
| TM180N | 24Vac 30Vdc 120Vac | 45VA | 20VA | ◆ | ◆ | ◆ | ◆ | ◆ | 40 to 50 | ◆ | ◆ | ◆ | ◆ | ◆ |
| TM280N | 24Vac 30Vdc 240Vac | 45VA | 20VA | ◆ | ◆ | ◆ | ◆ | ◆ | 40 to 50 | ◆ | ◆ | ◆ | ◆ | ◆ |

Note: All actuators are powered by brush motors except those ending with the letter “N”

R Series Actuator (low voltage)



360 in.lb. (40 Nm) torque



PRIMARY USES FOR THESE ACTUATORS

- ◆ large size air handler dampers
- ◆ 1/4 turn valves

These quarter turn actuators may be directly coupled to either a 3/4 inch round or 5/8 inch square jack shaft or remotely mounted using an adaptor kit. All actuators are bi-directional. Enerdrive actuators are also bi-directional under fail safe conditions. The stroke may be limited to less than 90° mechanically in digital models (with SLD sold separately) and electronically in Multi Signal models.

GENERAL SPECIFICATIONS

| | |
|--|--|
| Power Supply: | 24Vac/30Vdc |
| Power Consumption: | Peak at Start-up: 10VA to 40VA at 26Vac Depending upon the Model Operating at Full Load: 10VA to 24VA at 26Vac Depending upon the Model |
| Wire Size: | 18 AWG (0.8 mm ²) Minimum |
| Electrical Connections: | Two 7/8 in. (22.2 mm) Knock Outs, Screw Terminals |
| Control Signals: | <p>Digital (RT): 2 Wire or 3 Wire 2 Position and/or 3 Wire or 4 Wire 3 Point Floating Depending upon the Model</p> <p>Multi Signal (RM): ANALOG: A) 2-10Vdc; or B) May be Externally Wired with a 500 Ohm Resistor which is Supplied for 4-20mA, Zero & Span Adjustable PULSE WIDTH MODULATION: Time Base of 0.1 to 5 sec/20mS Resolution or 0.1 to 25 sec/100mS Resolution Selected by Dip Switch Position SWITCH 24Vac: Triac or Dry Contact, 40mA Max. Switching Current SWITCH COMMON: NPN Transistor, SCR, Triac or Dry Contact 75mA Max. Switching Current DIGITAL: 3 Wire 2 Position or 4 Wire 3 Point Floating</p> |
| Torque: | 360 in.lb. (40 Nm) at Rated Voltage |
| Direction & Time of Rotation: | Reversible, 40 to 50 sec or 60 to 85 sec, 0-360 in.lb. (0-40 Nm) Depending upon the Model |
| Ambient Temperature: | 0°F to +122°F (-18°C to +50°C) |
| Feedback Potentiometer: | <p>In Digital (RTXX5): Voltage (0-12Vdc max)</p> <p>In Multi Signal (RM): 4-20mA Output (May be wired for a 2-10Vdc signal)</p> |
| Fail Safe (Enerdrive) Rating: | Models Ending in 60, 65, 80, 60N or 80N: 360 in.lb. (40 Nm) |
| Enerdrive Response Time: | 60 to 85 sec closure through 90°, 0-360 in.lb. (0-40 Nm) |
| Auxiliary Switches: | Models Ending in 20, 80, 20N or 80N: 2 Mechanical Switches, Fixed at 10° & 80° |
| Auxiliary Switch Rating: | 5 Amp Resistive, 250Vac |
| Electronic Enclosure: | Flammability rating UL94-5V Option W: IP65 equivalent to Nema type 4 enclosure with special protection against chemicals |

Spec Sheet Available on Our Website

| Actuator Models | Power | | | Control Signals | | | | | Time in sec Thru 90° Arc | Actuator Features | | | | |
|-------------------------------------|----------------|-------------|-----------|-----------------|----------|--------------|---------|-----|--------------------------|-------------------|-------------|-------------|-----------------------|-----------------------|
| | Nom. Supply | Consumption | | Digital | | Multi Signal | | | | Feed Back | Auto Stroke | Zero & Span | Fail Safe (Enerdrive) | 2 Mech. Aux. Switches |
| | | Start Up | Full Load | 2 POS | 3 PT FLT | 2-10 Vdc | 4-20 mA | PWM | | | | | | |
| <i>for low voltage applications</i> | | | | | | | | | | | | | | |
| RT000 | 24Vac 30Vdc | 10VA | 10VA | ◆ | ◆ | | | | 60 to 85 | | | | | |
| RT005 | 24Vac 30Vdc | 10VA | 10VA | ◆ | ◆ | | | | 60 to 85 | ◆ | | | | |
| RT020 | 24Vac 30Vdc | 10VA | 10VA | ◆ | ◆ | | | | 60 to 85 | | | | | ◆ |
| RT060 | 24Vac 30Vdc | 24VA | 10VA | ◆ | ◆ | | | | 60 to 85 | | | | ◆ | |
| RT065 | 24Vac 30Vdc | 24VA | 10VA | ◆ | ◆ | | | | 60 to 85 | ◆ | | | ◆ | |
| RT080 | 24Vac 30Vdc | 24VA | 10VA | ◆ | ◆ | | | | 60 to 85 | | | | ◆ | ◆ |
| RM000 | 24Vac 30Vdc | 10VA | 10VA | ◆ | ◆ | ◆ | ◆ | ◆ | 60 to 85 | ◆ | ◆ | ◆ | | |
| RM020 | 24Vac 30Vdc | 10VA | 10VA | ◆ | ◆ | ◆ | ◆ | ◆ | 60 to 85 | ◆ | ◆ | ◆ | | ◆ |
| RM060 | 24Vac 30Vdc | 30VA | 10VA | ◆ | ◆ | ◆ | ◆ | ◆ | 60 to 85 | ◆ | ◆ | ◆ | ◆ | |
| RM080 | 24Vac 30Vdc | 30VA | 10VA | ◆ | ◆ | ◆ | ◆ | ◆ | 60 to 85 | ◆ | ◆ | ◆ | ◆ | ◆ |
| RM000N | 24Vac 30Vdc | 24VA | 24VA | ◆ | ◆ | ◆ | ◆ | ◆ | 40 to 50 | ◆ | ◆ | ◆ | | |
| RM020N | 24Vac 30Vdc | 24VA | 24VA | ◆ | ◆ | ◆ | ◆ | ◆ | 40 to 50 | ◆ | ◆ | ◆ | | ◆ |
| RM060N | 24Vac 30Vdc | 40VA | 24VA | ◆ | ◆ | ◆ | ◆ | ◆ | 40 to 50 | ◆ | ◆ | ◆ | ◆ | |
| RM080N | 24Vac 30Vdc | 40VA | 24VA | ◆ | ◆ | ◆ | ◆ | ◆ | 40 to 50 | ◆ | ◆ | ◆ | ◆ | ◆ |

Note: All actuators are powered by brush motors except those ending with the letter “N”

R Series Actuator (line voltage)



360 in.lb. (40 Nm) torque



PRIMARY USES FOR THESE ACTUATORS

- ◆ large size air handler dampers
- ◆ 1/4 turn valves

These quarter turn actuators may be directly coupled to either a 3/4 inch round or 5/8 inch square jack shaft or remotely mounted using an adaptor kit. All actuators are bi-directional. Enerdrive actuators are also bi-directional under fail safe conditions. The stroke may be limited to less than 90° mechanically in digital models (with SLD sold separately) and electronically in Multi Signal models.

GENERAL SPECIFICATIONS

| | |
|--|--|
| Power Supply: | 24Vac, 30Vdc, 120Vac, and/or 240Vac Depending upon the Model |
| Power Consumption: | Peak at Start-up: 14VA to 50VA at Line Voltage Depending upon the Model Operating at Full Load: 14VA to 30VA at Line Voltage Depending upon the Model |
| Wire Size: | 18 AWG (0.8 mm ²) Minimum |
| Electrical Connections: | Two 7/8 in. (22.2 mm) Knock Outs, Screw Terminals |
| Control Signals: | <p>Digital (RT): 2 Wire or 3 Wire 2 Position and/or 4 Wire 3 Point Floating Depending upon the Model</p> <p>Multi Signal (RM): ANALOG: A) 2-10Vdc; or B) May be Externally Wired with a 500 Ohm Resistor which is Supplied for 4-20mA, Zero & Span Adjustable PULSE WIDTH MODULATION: Time Base of 0.1 to 5 sec/20mS Resolution or 0.1 to 25 sec/100mS Resolution Selected by Dip Switch Position SWITCH 24Vac: Triac or Dry Contact, 40mA Max. Switching Current SWITCH COMMON: NPN Transistor, SCR, Triac or Dry Contact 75mA Max. Switching Current DIGITAL: 3 Wire 2 Position or 4 Wire 3 Point Floating</p> |
| Torque: | 360 in.lb. (40 Nm) at Rated Voltage |
| Direction & Time of Rotation: | Reversible, 40 to 50 sec or 60 to 85 sec, 0-360 in.lb. (0-40 Nm) Depending upon the Model |
| Ambient Temperature: | 0°F to +122°F (-18°C to +50°C) |
| Feedback Potentiometer: | <p>In Digital (RTXX5): Voltage (0-12Vdc max)</p> <p>In Multi Signal (RM): 4-20mA Output (May be wired for a 2-10Vdc signal)</p> |
| Fail Safe (Enerdrive) Rating: | Models Ending in 60, 65, 80 or 60N: 360 in.lb. (40 Nm) |
| Enerdrive Response Time: | 60 to 85 sec Closure Through 90°, 0-360 in.lb. (0-40 Nm) |
| Auxiliary Switches: | Models Ending in 20, 80 or 20N: 2 Mechanical Switches, Fixed at 10° & 80° |
| Auxiliary Switch Rating: | 5 Amp Resistive, 250Vac |
| Electronic Enclosure: | Flammability rating UL94-5V Option W: IP65 equivalent to Nema type 4 enclosure with special protection against chemicals |

Spec Sheet Available on Our Website

| Actuator Models | Power | | | Control Signals | | | | | Time in sec Thru 90° Arc | Actuator Features | | | | |
|--------------------------------------|------------------------------------|-------------|-----------|-----------------|----------|--------------|---------|-----|--------------------------|-------------------|-------------|-------------|-----------------------|-----------------------|
| | Nom. Supply | Consumption | | Digital | | Multi Signal | | | | Feed Back | Auto Stroke | Zero & Span | Fail Safe (Enerdrive) | 2 Mech. Aux. Switches |
| | | Start Up | Full Load | 2 POS | 3 PT FLT | 2-10 Vdc | 4-20 mA | PWM | | | | | | |
| <i>for line voltage applications</i> | | | | | | | | | | | | | | |
| RT300 | 120Vac 240Vac | 14VA | 14VA | ◆ | ◆ | | | | 60 to 85 | | | | | |
| RT305 | 120Vac 240Vac | 14VA | 14VA | ◆ | ◆ | | | | 60 to 85 | ◆ | | | | |
| RT320 | 120Vac 240Vac | 14VA | 14VA | ◆ | ◆ | | | | 60 to 85 | | | | | ◆ |
| RT360 | 120Vac 240Vac | 30VA | 14VA | ◆ | ◆ | | | | 60 to 85 | | | | ◆ | |
| RT365 | 120Vac 240Vac | 30VA | 14VA | ◆ | ◆ | | | | 60 to 85 | ◆ | | | ◆ | |
| RT380 | 120Vac 240Vac | 30VA | 14VA | ◆ | ◆ | | | | 60 to 85 | | | | ◆ | ◆ |
| RM300 | 24Vac 30Vdc 120Vac 240Vac | 14VA | 14VA | ◆ | ◆ | ◆ | ◆ | ◆ | 60 to 85 | ◆ | ◆ | ◆ | | |
| RM320 | 24Vac 30Vdc 120Vac 240Vac | 14VA | 14VA | ◆ | ◆ | ◆ | ◆ | ◆ | 60 to 85 | ◆ | ◆ | ◆ | | ◆ |
| RM360 | 24Vac 30Vdc 120Vac 240Vac | 30VA | 14VA | ◆ | ◆ | ◆ | ◆ | ◆ | 60 to 85 | ◆ | ◆ | ◆ | ◆ | |
| RM380 | 24Vac 30Vdc 120Vac 240Vac | 30VA | 14VA | ◆ | ◆ | ◆ | ◆ | ◆ | 60 to 85 | ◆ | ◆ | ◆ | ◆ | ◆ |
| RM100N | 24Vac 30Vdc 120Vac | 30VA | 30VA | ◆ | ◆ | ◆ | ◆ | ◆ | 40 to 50 | ◆ | ◆ | ◆ | | |
| RM200N | 24Vac 30Vdc 240Vac | 30VA | 30VA | ◆ | ◆ | ◆ | ◆ | ◆ | 40 to 50 | ◆ | ◆ | ◆ | | |
| RM120N | 24Vac 30Vdc 120Vac | 30VA | 30VA | ◆ | ◆ | ◆ | ◆ | ◆ | 40 to 50 | ◆ | ◆ | ◆ | | ◆ |
| RM220N | 24Vac 30Vdc 240Vac | 30VA | 30VA | ◆ | ◆ | ◆ | ◆ | ◆ | 40 to 50 | ◆ | ◆ | ◆ | | ◆ |
| RM160N | 24Vac 30Vdc 120Vac | 50VA | 30VA | ◆ | ◆ | ◆ | ◆ | ◆ | 40 to 50 | ◆ | ◆ | ◆ | ◆ | |
| RM260N | 24Vac 30Vdc 240Vac | 50VA | 30VA | ◆ | ◆ | ◆ | ◆ | ◆ | 40 to 50 | ◆ | ◆ | ◆ | ◆ | |
| RM180N | 24Vac 30Vdc 120Vac | 50VA | 30VA | ◆ | ◆ | ◆ | ◆ | ◆ | 40 to 50 | ◆ | ◆ | ◆ | ◆ | ◆ |
| RM280N | 24Vac 30Vdc 240Vac | 50VA | 30VA | ◆ | ◆ | ◆ | ◆ | ◆ | 40 to 50 | ◆ | ◆ | ◆ | ◆ | ◆ |

Note: All actuators are powered by brush motors except those ending with the letter "N"

U & W Series Actuator (low voltage)



**1800 in.lb. (200 Nm) torque
to
4000 in.lb. (450 Nm) torque**



PRIMARY USES FOR THESE ACTUATORS

- ◆ fan vortex dampers
- ◆ large damper sections
- ◆ 1/4 turn valves
- ◆ inlet guide vanes

These microprocessor based, low voltage actuators are encased in a sturdy cast aluminum, weather tight enclosure. All actuators are bi-directional. The actuators with the fail safe option are also bi-directional in the event of a power failure. The stroke may be electronically limited to less than 110°. Factory installed auxiliary switches, UBAUX2, and a remote mounting kit, UBARM & ELUB, are available. Refer to Actuator Accessories.

GENERAL SPECIFICATIONS

| | |
|--|---|
| Power Supply: | 24Vac/30Vdc |
| Power Consumption: | Peak at Start-up: 40VA to 100VA at 26Vac Depending upon the Model Operating at Full Load: 40VA to 100VA at 26Vac Depending upon the Model |
| Wire Size: | 18 AWG (0.8 mm ²) Minimum |
| Electrical Connections: | Three 7/8 in. (22.2 mm) Knock Outs, Screw Terminals |
| Control Signals: | Digital (UT & WT): 4 Wire 2 Position or 5 Wire 3 Point Floating Multi Signal (UM & WM): ANALOG: A) 2-10Vdc; or B) May be Externally Wired with a 500 Ohm Resistor which is Supplied for 4-20mA, Zero & Span Adjustable PULSE WIDTH MODULATION: Time Base of 0.1 to 5 sec/20mS Resolution or 0.1 to 25 sec/100mS Resolution Selected by Dip Switch Position SWITCH 24Vac: Triac or Dry Contact, 40mA Max. Switching Current SWITCH COMMON: NPN Transistor, SCR, Triac or Dry Contact 75mA Max. Switching Current DIGITAL: 3 Wire 2 Position or 4 Wire 3 Point Floating |
| Torque at Rated Voltage: | 1800 in.lb. (200 Nm) to 4000 in.lb. (450 Nm) Depending upon the Model |
| Direction & Time of Rotation: | Reversible, 45 sec to 8 min Depending upon the Model |
| Ambient Temperature: | 0°F to +122°F (-18°C to +50°C) |
| Feedback Potentiometer: | On all Models: 4-20mA Output (May be wired for a 2-10Vdc signal) |
| Fail Safe Rating: | UT010, UT030, UM010 & UM030: 1800 in.lb. (200 Nm) & 2500 in.lb. (280 Nm) WT010, WT030, WM010 & WM030: 3500 in.lb. (400 Nm) & 4000 in.lb. (450 Nm) |
| Response Time Through 90°: | 45 sec: 0-1800 in.lb. (0-200 Nm): 4 min, 0-2500 in.lb. (0-280 Nm) 90 sec: 0-3500 in.lb. (0-400 Nm): 8 min, 0-4000 in.lb. (0-450 Nm) |
| Battery Type: | 12 Volt Sealed Gel Type |
| Battery Rating: | 800 mA |
| Auxiliary Switches: | Models Ending in 20 or 30: 2 Mechanical Switches, Fixed at 10° & 80° |
| Auxiliary Switch Rating: | 5 Amp Resistive, 250Vac |
| Electronic Enclosure: | Cast Aluminum, IP56 equivalent to Nema type 4 enclosure |



Spec Sheet Available on Our Website

| Actuator Models | Power | | | Control Signals | | | | | Rotation Time Thru 90° Arc | Actuator Features | | | | 2 Mech. Aux. Switches |
|---|----------------|-------------|-----------|-----------------|----------|--------------|---------|-----|----------------------------|-------------------|-------------|-------------|----------------------|-----------------------|
| | Nom. Supply | Consumption | | Digital | | Multi Signal | | | | Feed Back | Auto Stroke | Zero & Span | The Fail Safe Option | |
| | | Start Up | Full Load | 2 POS | 3 PT FLT | 2-10 Vdc | 4-20 mA | PWM | | | | | | |
| <i>for applications requiring up to 1800 in.lb. (200 Nm.) torque at rated voltage</i> | | | | | | | | | | | | | | |
| UT000 | 24Vac 30Vdc | 100VA | 100VA | ◆ | ◆ | | | | 45 sec | ◆ | ◆ | | | |
| UT010 | 24Vac 30Vdc | 100VA | 100VA | ◆ | ◆ | | | | 45 sec | ◆ | ◆ | | ◆ | |
| UT020 | 24Vac 30Vdc | 100VA | 100VA | ◆ | ◆ | | | | 45 sec | ◆ | ◆ | | | ◆ |
| UT030 | 24Vac 30Vdc | 100VA | 100VA | ◆ | ◆ | | | | 45 sec | ◆ | ◆ | | ◆ | ◆ |
| <i>for applications requiring up to 2500 in.lb. (280 Nm.) torque at rated voltage</i> | | | | | | | | | | | | | | |
| UM000 | 24Vac 30Vdc | 40VA | 40VA | ◆ | ◆ | ◆ | ◆ | ◆ | 4 min | ◆ | ◆ | ◆ | | |
| UM010 | 24Vac 30Vdc | 40VA | 40VA | ◆ | ◆ | ◆ | ◆ | ◆ | 4 min | ◆ | ◆ | ◆ | ◆ | |
| UM020 | 24Vac 30Vdc | 40VA | 40VA | ◆ | ◆ | ◆ | ◆ | ◆ | 4 min | ◆ | ◆ | ◆ | | ◆ |
| UM030 | 24Vac 30Vdc | 40VA | 40VA | ◆ | ◆ | ◆ | ◆ | ◆ | 4 min | ◆ | ◆ | ◆ | ◆ | ◆ |
| <i>for applications requiring up to 3500 in.lb. (400 Nm.) torque at rated voltage</i> | | | | | | | | | | | | | | |
| WT000 | 24Vac 30Vdc | 100VA | 100VA | ◆ | ◆ | | | | 90 sec | ◆ | ◆ | | | |
| WT010 | 24Vac 30Vdc | 100VA | 100VA | ◆ | ◆ | | | | 90 sec | ◆ | ◆ | | ◆ | |
| WT020 | 24Vac 30Vdc | 100VA | 100VA | ◆ | ◆ | | | | 90 sec | ◆ | ◆ | | | ◆ |
| WT030 | 24Vac 30Vdc | 100VA | 100VA | ◆ | ◆ | | | | 90 sec | ◆ | ◆ | | ◆ | ◆ |
| <i>for applications requiring up to 4000 in.lb. (450 Nm.) torque at rated voltage</i> | | | | | | | | | | | | | | |
| WM000 | 24Vac 30Vdc | 40VA | 40VA | ◆ | ◆ | ◆ | ◆ | ◆ | 8 min | ◆ | ◆ | ◆ | | |
| WM010 | 24Vac 30Vdc | 40VA | 40VA | ◆ | ◆ | ◆ | ◆ | ◆ | 8 min | ◆ | ◆ | ◆ | ◆ | |
| WM020 | 24Vac 30Vdc | 40VA | 40VA | ◆ | ◆ | ◆ | ◆ | ◆ | 8 min | ◆ | ◆ | ◆ | | ◆ |
| WM030 | 24Vac 30Vdc | 40VA | 40VA | ◆ | ◆ | ◆ | ◆ | ◆ | 8 min | ◆ | ◆ | ◆ | ◆ | ◆ |

U Series Actuator (line voltage)



2500 in.lb. (280 Nm) torque



PRIMARY USES FOR THESE ACTUATORS

- ◆ fan vortex dampers
- ◆ large damper sections
- ◆ 1/4 turn valves
- ◆ inlet guide vanes

These microprocessor based, low voltage actuators are encased in a sturdy cast aluminum, weather tight enclosure. All actuators are bi-directional. The actuators with the fail safe option are also bi-directional in the event of a power failure. The stroke may be electronically limited to less than 110°. Factory installed auxiliary switches, UBAUX2, and a remote mounting kit, UBARM & ELUB, are available. Refer to Actuator Accessories.

GENERAL SPECIFICATIONS

Power Supply: 24Vac, 30Vdc, 120Vac, and/or 240Vac Depending upon the Model

Power Consumption: Peak at Start-up: 40VA at Line Voltage
Operating at Full Load: 40VA at Line Voltage

Wire Size: 18 AWG (0.8 mm²) Minimum

Electrical Connections: Three 7/8 in. (22.2 mm) Knock Outs, Screw Terminals

Control Signals:

Multi Signal (UM):

ANALOG: A) 2-10Vdc; or B) May be Externally Wired with a 500 Ohm Resistor which is Supplied for 4-20mA, Zero & Span Adjustable

PULSE WIDTH MODULATION: Time Base of 0.1 to 5 sec/20mS Resolution or 0.1 to 25 sec/100mS Resolution Selected by Dip Switch Position

SWITCH 24Vac: Triac or Dry Contact, 40mA Max. Switching Current

SWITCH COMMON: NPN Transistor, SCR, Triac or Dry Contact 75mA Max. Switching Current

DIGITAL: 3 Wire 2 Position or 4 Wire 3 Point Floating

Torque at Rated Voltage: 2500 in.lb. (280 Nm)

Direction & Time of Rotation: Reversible, 4 min

Ambient Temperature: 0°F to +122°F (-18°C to +50°C)

Feedback Potentiometer: In Multi Signal: 4-20mA Output (May be wired for a 2-10Vdc signal)

Fail Safe Rating: UM110, UM130, UM210 & UM230: 2500 in.lb. (280 Nm)

Response Time Through 90°: 4 min: 0-2500 in.lb. (0-280 Nm)

Battery Type: 12 Volt Sealed Gel Type

Battery Rating: 800 mA

Auxiliary Switches: Models Ending in 20 or 30: 2 Mechanical Switches, Fixed at 10° & 80°

Auxiliary Switch Rating: 5 Amp Resistive, 250Vac

Electronic Enclosure: Cast Aluminum, IP56 equivalent to Nema type 4 enclosure



Spec Sheet Available on Our Website

| Actuator Models | Power | | | Control Signals | | | | | Rotation Time Thru 90° Arc | Actuator Features | | | | 2 Mech. Aux. Switches |
|---|--------------------------|-------------|-----------|-----------------|----------|--------------|---------|-----|----------------------------|-------------------|-------------|-------------|----------------------|-----------------------|
| | Nom. Supply | Consumption | | Digital | | Multi Signal | | | | Feed Back | Auto Stroke | Zero & Span | The Fail Safe Option | |
| | | Start Up | Full Load | 2 POS | 3 PT FLT | 2-10 Vdc | 4-20 mA | PWM | | | | | | |
| <i>for applications requiring up to 2500 in.lb. (280 Nm.) torque at rated voltage</i> | | | | | | | | | | | | | | |
| UM100 | 24Vac 30Vdc 120Vac | 40VA | 40VA | ◆ | ◆ | ◆ | ◆ | ◆ | 4 min | ◆ | ◆ | ◆ | | |
| UM200 | 24Vac 30Vdc 240Vac | 40VA | 40VA | ◆ | ◆ | ◆ | ◆ | ◆ | 4 min | ◆ | ◆ | ◆ | | |
| UM110 | 24Vac 30Vdc 120Vac | 40VA | 40VA | ◆ | ◆ | ◆ | ◆ | ◆ | 4 min | ◆ | ◆ | ◆ | ◆ | |
| UM210 | 24Vac 30Vdc 240Vac | 40VA | 40VA | ◆ | ◆ | ◆ | ◆ | ◆ | 4 min | ◆ | ◆ | ◆ | ◆ | |
| UM120 | 24Vac 30Vdc 120Vac | 40VA | 40VA | ◆ | ◆ | ◆ | ◆ | ◆ | 4 min | ◆ | ◆ | ◆ | | ◆ |
| UM220 | 24Vac 30Vdc 240Vac | 40VA | 40VA | ◆ | ◆ | ◆ | ◆ | ◆ | 4 min | ◆ | ◆ | ◆ | | ◆ |
| UM130 | 24Vac 30Vdc 120Vac | 40VA | 40VA | ◆ | ◆ | ◆ | ◆ | ◆ | 4 min | ◆ | ◆ | ◆ | ◆ | ◆ |
| UM230 | 24Vac 30Vdc 240Vac | 40VA | 40VA | ◆ | ◆ | ◆ | ◆ | ◆ | 4 min | ◆ | ◆ | ◆ | ◆ | ◆ |

W Series Actuator (line voltage)



4000 in.lb. (450 Nm) torque



PRIMARY USES FOR THESE ACTUATORS

- ◆ fan vortex dampers
- ◆ large damper sections
- ◆ 1/4 turn valves
- ◆ inlet guide vanes

These microprocessor based, low voltage actuators are encased in a sturdy cast aluminum, weather tight enclosure. All actuators are bi-directional. The actuators with the fail safe option are also bi-directional in the event of a power failure. The stroke may be electronically limited to less than 110°. Factory installed auxiliary switches, UBAUX2, and a remote mounting kit, UBARM & ELUB, are available. Refer to Actuator Accessories.

GENERAL SPECIFICATIONS

Power Supply: 24Vac, 30Vdc, 120Vac, and/or 240Vac Depending upon the Model

Power Consumption: Peak at Start-up: 40VA at Line Voltage
Operating at Full Load: 40VA at Line Voltage

Wire Size: 18 AWG (0.8 mm²) Minimum

Electrical Connections: Three 7/8 in. (22.2 mm) Knock Outs, Screw Terminals

Control Signals:

Multi Signal (WM):

ANALOG: A) 2-10Vdc; or B) May be Externally Wired with a 500 Ohm Resistor which is Supplied for 4-20mA, Zero & Span Adjustable

PULSE WIDTH MODULATION: Time Base of 0.1-5 sec/20mS Resolution or 0.1-25 sec/100mS Resolution Selected by Dip Switch Position

SWITCH 24Vac: Triac or Dry Contact, 40mA Max. Switching Current

SWITCH COMMON: NPN Transistor, SCR, Triac or Dry Contact 75mA Max. Switching Current

DIGITAL: 3 Wire 2 Position or 4 Wire 3 Point Floating

Torque at Rated Voltage: **4000 in.lb. (450 Nm)**

Direction & Time of Rotation: Reversible, 8 min

Ambient Temperature: 0°F to +122°F (-18°C to +50°C)

Feedback Potentiometer: **In Multi Signal:** 4-20mA Output (May be wired for a 2-10Vdc signal)

Fail Safe Rating: **WM110, WM130, WM210 & WM230:** 4000 in.lb. (450 Nm)

Response Time Through 90°: 8 min: 0-4000 in.lb. (0-450 Nm)

Battery Type: 12 Volt Sealed Gel Type

Battery Rating: 800 mA

Auxiliary Switches: **Models Ending in 20 or 30:** 2 Mechanical Switches, Fixed at 10° & 80°

Auxiliary Switch Rating: 5 Amp Resistive, 250Vac

Electronic Enclosure: Cast Aluminum, IP56 equivalent to Nema type 4 enclosure

Spec Sheet Available on Our Website

| Actuator Models | Power | | | Control Signals | | | | | Rotation Time Thru 90° Arc | Actuator Features | | | | 2 Mech. Aux. Switches |
|---|--------------------------|-------------|-----------|-----------------|----------|--------------|---------|-----|----------------------------|-------------------|-------------|-------------|----------------------|-----------------------|
| | Nom. Supply | Consumption | | Digital | | Multi Signal | | | | Feed Back | Auto Stroke | Zero & Span | The Fail Safe Option | |
| | | Start Up | Full Load | 2 POS | 3 PT FLT | 2-10 Vdc | 4-20 mA | PWM | | | | | | |
| <i>for applications requiring up to 4000 in.lb. (450 Nm.) torque at rated voltage</i> | | | | | | | | | | | | | | |
| WM100 | 24Vac 30Vdc 120Vac | 40VA | 40VA | ◆ | ◆ | ◆ | ◆ | ◆ | 8 min | ◆ | ◆ | ◆ | | |
| WM200 | 24Vac 30Vdc 240Vac | 40VA | 40VA | ◆ | ◆ | ◆ | ◆ | ◆ | 8 min | ◆ | ◆ | ◆ | | |
| WM110 | 24Vac 30Vdc 120Vac | 40VA | 40VA | ◆ | ◆ | ◆ | ◆ | ◆ | 8 min | ◆ | ◆ | ◆ | ◆ | |
| WM210 | 24Vac 30Vdc 240Vac | 40VA | 40VA | ◆ | ◆ | ◆ | ◆ | ◆ | 8 min | ◆ | ◆ | ◆ | ◆ | |
| WM120 | 24Vac 30Vdc 120Vac | 40VA | 40VA | ◆ | ◆ | ◆ | ◆ | ◆ | 8 min | ◆ | ◆ | ◆ | | ◆ |
| WM220 | 24Vac 30Vdc 240Vac | 40VA | 40VA | ◆ | ◆ | ◆ | ◆ | ◆ | 8 min | ◆ | ◆ | ◆ | | ◆ |
| WM130 | 24Vac 30Vdc 120Vac | 40VA | 40VA | ◆ | ◆ | ◆ | ◆ | ◆ | 8 min | ◆ | ◆ | ◆ | ◆ | ◆ |
| WM230 | 24Vac 30Vdc 240Vac | 40VA | 40VA | ◆ | ◆ | ◆ | ◆ | ◆ | 8 min | ◆ | ◆ | ◆ | ◆ | ◆ |

FAST ACTUATOR 1.5 - 8 SEC.

For applications up to 50 in.lb. (5.6 Nm)

APPLICATIONS

- fume hood control
- stairwell pressurization
- air handler dampers

Performance Examples:

Time ⇒ 1.5 sec. Rotation ⇒ 0-90° Torque ⇒ 25 in.lb. (2.8Nm)
 Time ⇒ 3.5 sec. Rotation ⇒ 0-90° Torque ⇒ 35 in.lb. (4Nm)



FAST ACTUATOR 15 - 30 SEC.

For applications up to 240 in.lb. (27 Nm)

APPLICATIONS

- fume hood control
- stairwell pressurization
- air handler dampers

Performance Examples:

Time ⇒ 20 sec. Rotation ⇒ 0-90° Torque ⇒ 240 in.lb. (27Nm)



Fast Actuators (25 to 50 in.lb. torque)



**Rotational speeds from 1.5 to 8 sec
for applications up to 50 in.lb. (5.6 Nm)**



PRIMARY USES FOR THESE ACTUATORS

- ◆ fume hood control
- ◆ stairwell pressurization
- ◆ air handler dampers

These microprocessor based actuators are designed for critical for environments where the speed of the actuator is essential. All actuators are bi-directional. Enerdrive actuators are also bi-directional under fail safe conditions. The stroke may be limited to less than 90° electronically.

GENERAL SPECIFICATIONS

| | |
|--|---|
| Power Supply: | 24Vac/30Vdc |
| Power Consumption: | Peak at Start-up: 15VA to 24VA at 26Vac Depending upon the Model Operating at Full Load: 15VA to 24VA at 26Vac Depending upon the Model |
| Wire Size: | 18 AWG (0.8 mm ²) Minimum |
| Electrical Connections: | Two 7/8 in. (22.2mm) or One 5/8 in. (15.9mm) and One 7/8in. (22.2mm) Knock Outs, Screw Terminals |
| Control Signals: | Digital (BT): 2 Wire or 3 Wire 2 Position and/or 3 Wire or 4 Wire 3 Point Floating Depending upon the Model Multi Signal: ANALOG: A) 2-10Vdc; or B) May be Externally Wired with a 500 Ohm Resistor which is Supplied for 4-20mA, Zero & Span Adjustable PULSE WIDTH MODULATION: Time Base of 0.1-5 sec/20mS Resolution or 0.1-25 sec/100mS Resolution Selected by Dip Switch Position SWITCH 24Vac: Triac or Dry Contact, 40mA Max. Switching Current SWITCH COMMON: NPN Transistor, SCR, Triac or Dry Contact 75mA Max. Switching Current DIGITAL: 3 Wire 2 Position or 4 Wire 3 Point Floating |
| Torque at Rated Voltage: | 25 in.lb. (2.8 Nm) to 50 in.lb. (5.6 Nm) at Rated Voltage Depending upon the Model |
| Direction & Time of Rotation: | Reversible, 1.5 to 8 Sec Depending upon the Model |
| Ambient Temperature: | 0°F to +122°F (-18°C to +50°C) |
| Feedback Potentiometer: | In Multi Signal (BM): 4-20mA Output (May be wired for a 2-10Vdc signal) |
| Fail Safe (Enerdrive) Rating: | Models Ending in 60, 80 (F, FF, FN, FFN): 25 to 50 in.lb. (2.8 to 5.6Nm) Depending upon the Model |
| Enerdrive Response Time: | 1.5 to 20 sec Closure Through 90°, Depending upon the Model |
| Auxiliary Switches: | Models Ending in 20 or 80 (F, FF, FN, FFN): 2 Mechanical Switches, Fixed at 10° & 80° |
| Auxiliary Switch Rating: | 5 Amp Resistive, 250Vac |
| Electronic Enclosure: | Flammability rating UL94-5V |

| Actuator Models | Power | | | Control Signals | | | | | Time in sec Thru 90° Arc | Actuator Features | | | | |
|--|----------------|-------------|-----------|-----------------|----------|--------------|---------|-----|--------------------------|-------------------|-------------|-------------|-----------------------|-----------------------|
| | Nom. Supply | Consumption | | Digital | | Multi Signal | | | | Feed Back | Auto Stroke | Zero & Span | Fail Safe (Enerdrive) | 2 Mech. Aux. Switches |
| | | Start Up | Full Load | 2 POS | 3 PT FLT | 2-10 Vdc | 4-20 mA | PWM | | | | | | |
| 25 in.lb. (2.8 Nm.) torque at rated voltage | | | | | | | | | | | | | | |
| BM000FF | 24Vac 30Vdc | 15VA | 15VA | ◆ | ◆ | ◆ | ◆ | ◆ | 1.5 to 2.5 | ◆ | ◆ | ◆ | | |
| BM020FF | 24Vac 30Vdc | 15VA | 15VA | ◆ | ◆ | ◆ | ◆ | ◆ | 1.5 to 2.5 | ◆ | ◆ | ◆ | | ◆ |
| BM060FF | 24Vac 30Vdc | 24VA | 15VA | ◆ | ◆ | ◆ | ◆ | ◆ | 1.5 to 2.5 | ◆ | ◆ | ◆ | ◆ | |
| BM080FF | 24Vac 30Vdc | 24VA | 15VA | ◆ | ◆ | ◆ | ◆ | ◆ | 1.5 to 2.5 | ◆ | ◆ | ◆ | ◆ | ◆ |
| 35 in.lb. (4 Nm.) torque at rated voltage | | | | | | | | | | | | | | |
| BM000F | 24Vac 30Vdc | 15VA | 15VA | ◆ | ◆ | ◆ | ◆ | ◆ | 3.5 to 4.5 | ◆ | ◆ | ◆ | | |
| BM020F | 24Vac 30Vdc | 15VA | 15VA | ◆ | ◆ | ◆ | ◆ | ◆ | 3.5 to 4.5 | ◆ | ◆ | ◆ | | ◆ |
| BM060F | 24Vac 30Vdc | 24VA | 15VA | ◆ | ◆ | ◆ | ◆ | ◆ | 3.5 to 4.5 | ◆ | ◆ | ◆ | ◆ | |
| BM080F | 24Vac 30Vdc | 24VA | 15VA | ◆ | ◆ | ◆ | ◆ | ◆ | 3.5 to 4.5 | ◆ | ◆ | ◆ | ◆ | ◆ |
| BM000FFN | 24Vac 30Vdc | 24VA | 24VA | ◆ | ◆ | ◆ | ◆ | ◆ | 3 | ◆ | ◆ | ◆ | | |
| BM020FFN | 24Vac 30Vdc | 24VA | 24VA | ◆ | ◆ | ◆ | ◆ | ◆ | 3 | ◆ | ◆ | ◆ | | ◆ |
| BM060FFN | 24Vac 30Vdc | 24VA | 24VA | ◆ | ◆ | ◆ | ◆ | ◆ | 3 | ◆ | ◆ | ◆ | ◆ | |
| 50 in.lb. (5.6 Nm.) torque at rated voltage | | | | | | | | | | | | | | |
| BT000F | 24Vac 30Vdc | 15VA | 15VA | ◆ | ◆ | | | | 6 to 8 | | ◆ | | | |
| BT020F | 24Vac 30Vdc | 15VA | 15VA | ◆ | ◆ | | | | 6 to 8 | | ◆ | | | ◆ |
| BT060F | 24Vac 30Vdc | 24VA | 15VA | ◆ | ◆ | | | | 6 to 8 | | ◆ | | ◆ | |
| BT080F | 24Vac 30Vdc | 24VA | 15VA | ◆ | ◆ | | | | 6 to 8 | | ◆ | | ◆ | ◆ |
| BM000FN | 24Vac 30Vdc | 24VA | 24VA | ◆ | ◆ | ◆ | ◆ | ◆ | 6 | ◆ | ◆ | ◆ | | |
| BM020FN | 24Vac 30Vdc | 24VA | 24VA | ◆ | ◆ | ◆ | ◆ | ◆ | 6 | ◆ | ◆ | ◆ | | ◆ |
| BM060FN | 24Vac 30Vdc | 24VA | 24VA | ◆ | ◆ | ◆ | ◆ | ◆ | 6 | ◆ | ◆ | ◆ | ◆ | |

Note: All actuators are powered by brush motors except those ending with the letter "N"

Fast Actuators (120 in.lb. torque)



**Rotational speeds from 15 to 30 sec
for applications up to 120 in.lb. (13.5 Nm)**



PRIMARY USES FOR THESE ACTUATORS

- ◆ fume hood control
- ◆ stairwell pressurization
- ◆ air handler dampers

These microprocessor based actuators are designed for critical environments where the speed of the actuator is essential. All actuators are bi-directional. Enerdrive actuators are also bi-directional under fail safe conditions. The stroke may be limited to less than 90° electronically.

GENERAL SPECIFICATIONS

| | |
|--------------------------------|--|
| Power Supply: | 24Vac, 30Vdc, 120Vac, and/or 240Vac Depending upon the Model |
| Power Consumption: | Peak at Start-up: 10VA to 50VA at 26Vac Depending upon the Model Operating at Full Load: 10VA to 30VA at 26Vac Depending upon the Model |
| Wire Size: | 18 AWG (0.8 mm ²) Minimum |
| Electrical Connections: | Two 7/8 in. (22.2mm) or One 5/8 in. (15.9mm) and One 7/8in. (22.2mm) Knock Outs, Screw Terminals |

| | |
|-------------------------|--|
| Control Signals: | Digital (TT): 2 Wire or 3 Wire 2 Position and/or 3 Wire or 4 Wire 3 Point Floating Depending upon the Model |
| | Multi Signal: ANALOG: A) 2-10Vdc; or B) May be Externally Wired with a 500 Ohm Resistor which is Supplied for 4-20mA, Zero & Span Adjustable PULSE WIDTH MODULATION: Time Base of 0.1-5 sec/20mS Resolution or 0.1-25 sec/100mS Resolution Selected by Dip Switch Position SWITCH 24Vac: Triac or Dry Contact, 40mA Max. Switching Current SWITCH COMMON: NPN Transistor, SCR, Triac or Dry Contact 75mA Max. Switching Current DIGITAL: 3 Wire 2 Position or 4 Wire 3 Point Floating |

| | |
|--|---|
| Torque at Rated Voltage: | 120 in.lb. (13.5 Nm) at Rated Voltage |
| Direction & Time of Rotation: | Reversible, 15 to 30 sec Depending upon the Model |

| | |
|-----------------------------|--------------------------------|
| Ambient Temperature: | 0°F to +122°F (-18°C to +50°C) |
|-----------------------------|--------------------------------|

| | |
|--------------------------------|--|
| Feedback Potentiometer: | In Multi Signal (TM): 4-20mA Output (May be wired for a 2-10Vdc signal) |
|--------------------------------|--|

| | |
|--------------------------------------|--|
| Fail Safe (Enerdrive) Rating: | Models Ending in 60, 80 (F, FN): 120 in.lb. (13.5 Nm) |
| Enerdrive Response Time: | 15 to 30 sec Closure Through 90°, Depending upon the Model |

| | |
|---------------------------------|---|
| Auxiliary Switches: | Models Ending in 20, 80 (F, FN): 2 Mechanical Switches, Fixed at 10° & 80° |
| Auxiliary Switch Rating: | 5 Amp Resistive, 250Vac |

| | |
|------------------------------|-----------------------------|
| Electronic Enclosure: | Flammability rating UL94-5V |
|------------------------------|-----------------------------|

Spec Sheet Available on Our Website

| Actuator Models | Power | | | Control Signals | | | | | Time in sec Thru 90° Arc | Actuator Features | | | | |
|--|--------------------------|-------------|-----------|-----------------|----------|--------------|---------|-----|--------------------------|-------------------|-------------|-------------|-----------------------|-----------------------|
| | Nom. Supply | Consumption | | Digital | | Multi Signal | | | | Feed Back | Auto Stroke | Zero & Span | Fail Safe (Enerdrive) | 2 Mech. Aux. Switches |
| | | Start Up | Full Load | 2 POS | 3 PT FLT | 2-10 Vdc | 4-20 mA | PWM | | | | | | |
| <i>120 in.lb. (13.5 Nm.) torque at rated voltage</i> | | | | | | | | | | | | | | |
| TT000F | 24Vac 30Vdc | 10VA | 10VA | ◆ | ◆ | | | | 20 to 30 | | ◆ | | | |
| TT020F | 24Vac 30Vdc | 10VA | 10VA | ◆ | ◆ | | | | 20 to 30 | | ◆ | | | ◆ |
| TT060F | 24Vac 30Vdc | 24VA | 10VA | ◆ | ◆ | | | | 20 to 30 | | ◆ | | ◆ | |
| TT080F | 24Vac 30Vdc | 24VA | 10VA | ◆ | ◆ | | | | 20 to 30 | | ◆ | | ◆ | ◆ |
| TM000FN | 24Vac 30Vdc | 25VA | 25VA | ◆ | ◆ | ◆ | ◆ | ◆ | 15 to 20 | ◆ | ◆ | ◆ | | |
| TM020FN | 24Vac 30Vdc | 25VA | 25VA | ◆ | ◆ | ◆ | ◆ | ◆ | 15 to 20 | ◆ | ◆ | ◆ | | ◆ |
| TM060FN | 24Vac 30Vdc | 40VA | 25VA | ◆ | ◆ | ◆ | ◆ | ◆ | 15 to 20 | ◆ | ◆ | ◆ | ◆ | |
| TM080FN | 24Vac 30Vdc | 40VA | 25VA | ◆ | ◆ | ◆ | ◆ | ◆ | 15 to 20 | ◆ | ◆ | ◆ | ◆ | ◆ |
| TM100FN | 24Vac 30Vdc 120Vac | 30VA | 30VA | ◆ | ◆ | ◆ | ◆ | ◆ | 20 | ◆ | ◆ | ◆ | | |
| TM200FN | 24Vac 30Vdc 240Vac | 30VA | 30VA | ◆ | ◆ | ◆ | ◆ | ◆ | 20 | ◆ | ◆ | ◆ | | |
| TM120FN | 24Vac 30Vdc 120Vac | 30VA | 30VA | ◆ | ◆ | ◆ | ◆ | ◆ | 20 | ◆ | ◆ | ◆ | | ◆ |
| TM220FN | 24Vac 30Vdc 240Vac | 30VA | 30VA | ◆ | ◆ | ◆ | ◆ | ◆ | 20 | ◆ | ◆ | ◆ | | ◆ |
| TM160FN | 24Vac 30Vdc 120Vac | 50VA | 30VA | ◆ | ◆ | ◆ | ◆ | ◆ | 20 | ◆ | ◆ | ◆ | ◆ | |
| TM260FN | 24Vac 30Vdc 240Vac | 50VA | 30VA | ◆ | ◆ | ◆ | ◆ | ◆ | 20 | ◆ | ◆ | ◆ | ◆ | |
| TM180FN | 24Vac 30Vdc 120Vac | 50VA | 30VA | ◆ | ◆ | ◆ | ◆ | ◆ | 20 | ◆ | ◆ | ◆ | ◆ | ◆ |
| TM280FN | 24Vac 30Vdc 240Vac | 50VA | 30VA | ◆ | ◆ | ◆ | ◆ | ◆ | 20 | ◆ | ◆ | ◆ | ◆ | ◆ |

Note: All actuators are powered by brush motors except those ending with the letter "N"

Fast Actuators (240 in.lb. torque)



**Rotational speeds from 15 to 30 sec
for applications up to 240 in.lb. (27 Nm)**



PRIMARY USES FOR THESE ACTUATORS

- ◆ fume hood control
- ◆ stairwell pressurization
- ◆ air handler dampers

These microprocessor based actuators are designed for critical environments where the speed of the actuator is essential. All actuators are bi-directional. Enerdrive actuators are also bi-directional under fail safe conditions. The stroke may be limited to less than 90° electronically.

GENERAL SPECIFICATIONS

| | |
|--------------------------------|--|
| Power Supply: | 24Vac, 30Vdc, 120Vac, and/or 240Vac Depending upon the Model |
| Power Consumption: | Peak at Start-up: 18VA to 50VA at 26Vac Depending upon the Model Operating at Full Load: 18VA to 30VA at 26Vac Depending upon the Model |
| Wire Size: | 18 AWG (0.8 mm ²) Minimum |
| Electrical Connections: | Two 7/8 in. (22.2mm) or One 5/8 in. (15.9mm) and One 7/8in. (22.2mm) Knock Outs, Screw Terminals |

| | |
|-------------------------|---|
| Control Signals: | Digital (RT): 2 Wire or 3 Wire 2 Position and/or 3 Wire or 4 Wire 3 Point Floating Depending upon the Model Multi Signal: ANALOG: A) 2-10Vdc; or B) May be Externally Wired with a 500 Ohm Resistor which is Supplied for 4-20mA, Zero & Span Adjustable PULSE WIDTH MODULATION: Time Base of 0.1-5 sec/20mS Resolution or 0.1-25 sec/100mS Resolution Selected by Dip Switch Position SWITCH 24Vac: Triac or Dry Contact, 40mA Max. Switching Current SWITCH COMMON: NPN Transistor, SCR, Triac or Dry Contact 75mA Max. Switching Current DIGITAL: 3 Wire 2 Position or 4 Wire 3 Point Floating |
|-------------------------|---|

| | |
|--|---|
| Torque at Rated Voltage: | 240 in.lb. (27 Nm) at Rated Voltage |
| Direction & Time of Rotation: | Reversible, 15 to 30 sec Depending upon the Model |

| | |
|-----------------------------|--------------------------------|
| Ambient Temperature: | 0°F to +122°F (-18°C to +50°C) |
|-----------------------------|--------------------------------|

| | |
|--------------------------------|--|
| Feedback Potentiometer: | In Multi Signal (RM): 4-20mA Output (May be wired for a 2-10Vdc signal) |
|--------------------------------|--|

| | |
|--------------------------------------|--|
| Fail Safe (Enerdrive) Rating: | Models Ending in 60, 80 (F, FN): 240 in.lb. (27Nm) |
| Enerdrive Response Time: | 15 to 30 sec Closure Through 90°, Depending upon the Model |

| | |
|---------------------------------|---|
| Auxiliary Switches: | Models Ending in 20, 80 (F, FN): 2 Mechanical Switches, Fixed at 10° & 80° |
| Auxiliary Switch Rating: | 5 Amp Resistive, 250Vac |

| | |
|------------------------------|-----------------------------|
| Electronic Enclosure: | Flammability rating UL94-5V |
|------------------------------|-----------------------------|

Spec Sheet Available on Our Website

| Actuator Models | Power | | | Control Signals | | | | | Time in sec Thru 90° Arc | Actuator Features | | | | |
|--|--------------------------|-------------|-----------|-----------------|----------|--------------|---------|-----|--------------------------|-------------------|-------------|-------------|-----------------------|-----------------------|
| | Nom. Supply | Consumption | | Digital | | Multi Signal | | | | Feed Back | Auto Stroke | Zero & Span | Fail Safe (Enerdrive) | 2 Mech. Aux. Switches |
| | | Start Up | Full Load | 2 POS | 3 PT FLT | 2-10 Vdc | 4-20 mA | PWM | | | | | | |
| <i>240 in.lb. (27 Nm.) torque at rated voltage</i> | | | | | | | | | | | | | | |
| RT000F | 24Vac 30Vdc | 18VA | 18VA | ◆ | ◆ | | | | 20 to 30 | | ◆ | | | |
| RT020F | 24Vac 30Vdc | 18VA | 18VA | ◆ | ◆ | | | | 20 to 30 | | ◆ | | | ◆ |
| RT060F | 24Vac 30Vdc | 40VA | 18VA | ◆ | ◆ | | | | 20 to 30 | | ◆ | | ◆ | |
| RT080F | 24Vac 30Vdc | 40VA | 18VA | ◆ | ◆ | | | | 20 to 30 | | ◆ | | ◆ | ◆ |
| RM000FN | 24Vac 30Vdc | 25VA | 25VA | ◆ | ◆ | ◆ | ◆ | ◆ | 15 to 20 | ◆ | ◆ | ◆ | | |
| RM020FN | 24Vac 30Vdc | 25VA | 25VA | ◆ | ◆ | ◆ | ◆ | ◆ | 15 to 20 | ◆ | ◆ | ◆ | | |
| RM060FN | 24Vac 30Vdc | 40VA | 25VA | ◆ | ◆ | ◆ | ◆ | ◆ | 15 to 20 | ◆ | ◆ | ◆ | ◆ | |
| RM080FN | 24Vac 30Vdc | 40VA | 25VA | ◆ | ◆ | ◆ | ◆ | ◆ | 15 to 20 | ◆ | ◆ | ◆ | ◆ | ◆ |
| RM100FN | 24Vac 30Vdc 120Vac | 30VA | 30VA | ◆ | ◆ | ◆ | ◆ | ◆ | 20 | ◆ | ◆ | ◆ | | |
| RM200FN | 24Vac 30Vac 240Vac | 30VA | 30VA | ◆ | ◆ | ◆ | ◆ | ◆ | 20 | ◆ | ◆ | ◆ | | |
| RM120FN | 24Vac 30Vdc 120Vac | 30VA | 30VA | ◆ | ◆ | ◆ | ◆ | ◆ | 20 | ◆ | ◆ | ◆ | | ◆ |
| RM220FN | 24Vac 30Vdc 240Vac | 30VA | 30VA | ◆ | ◆ | ◆ | ◆ | ◆ | 20 | ◆ | ◆ | ◆ | | ◆ |
| RM160FN | 24Vac 30Vdc 120Vac | 50VA | 30VA | ◆ | ◆ | ◆ | ◆ | ◆ | 20 | ◆ | ◆ | ◆ | ◆ | |
| RM260FN | 24Vac 30Vdc 240Vac | 50VA | 30VA | ◆ | ◆ | ◆ | ◆ | ◆ | 20 | ◆ | ◆ | ◆ | ◆ | |
| RM180FN | 24Vac 30Vdc 120Vac | 50VA | 30VA | ◆ | ◆ | ◆ | ◆ | ◆ | 20 | ◆ | ◆ | ◆ | ◆ | ◆ |
| RM280FN | 24Vac 30Vdc 240Vac | 50VA | 30VA | ◆ | ◆ | ◆ | ◆ | ◆ | 20 | ◆ | ◆ | ◆ | ◆ | ◆ |

Note: All actuators are powered by brush motors except those ending with the letter "N"

SMOKE DAMPER ACTUATOR

For applications up to 90 in.lb. (11 Nm)

APPLICATIONS

- designed to operate reliably in smoke control systems at 250°F (121°C)
- 2 position, with electronic fail safe
- 30 seconds open and close



Smoke Damper Actuators



**Rotational speeds from 20 to 30 sec
for applications up to 90 in.lb. (11 Nm)**



PRIMARY USES FOR THESE ACTUATORS

- ◆ designed to operate reliably in smoke control systems at 250°F (121°C)
- ◆ 2 Position, with electronic fail safe
- ◆ 30 sec open and close

These actuators are designed to operate reliably in smoke control systems requiring Underwriter's Laboratories Inc, UL 555S rated at 250°F. UL 555S listing is available when tested and assembled at the damper manufacturer's factory.

GENERAL SPECIFICATIONS

| | |
|--|--|
| Power Supply: | 24Vac/24Vdc, 120Vac or 240Vac Depending upon the Model |
| Power Consumption: | Running Consumption: 15VA to 24VA Depending upon the Model Holding Consumption: 5VA |
| Wire Size: | 18 AWG (0.8 mm ²) Minimum |
| Electrical Connections: | Two 7/8 in. (22.2mm) or One 5/8 in. (15.9mm) and One 7/8in. (22.2mm) Knock Outs, Screw Terminals |
| Control Signals: | 2 Wire 2 Position |
| Torque: | 35 in.lb. (4 Nm) to 90 in.lb. (11 Nm) at Rated Voltage Depending upon the Model |
| Direction & Time of Rotation: | Reversible, 20 to 30 sec |
| Ambient Temperature: | 0°F to +122°F (-18°C to +50°C) * 250°F (121°C) for a limited time |
| Fail Safe (Enerdrive) Rating: | 35 to 90 in.lb. (4 to 11Nm) Depending upon the Model |
| Enerdrive Response Time: | 15 sec Closure Through 90° |
| Auxiliary Switches: | Models Ending in 80X_ _: 2 Mechanical Switches Switching Points: 5° & 85° +/-5° |
| Auxiliary Switch Rating: | 5 Amp Resistive, 250Vac |
| Electronic Enclosure: | NEMA type 2/IP42 |



Spec Sheet Available on Our Website

| Actuator Models | Power | | | Control Signals | Time in sec Thru 90° Arc | Actuator Features | |
|--|----------------|-------------|---------|-----------------|--------------------------|-----------------------|-----------------------|
| | Nom. Supply | Consumption | | Digital | | Fail Safe (Enerdrive) | 2 Mech. Aux. Switches |
| | | RUNNING | HOLDING | 2 POSITION | | | |
| <i>for applications requiring up to 35 in.lb. (4 Nm.) torque at rated voltage</i> | | | | | | | |
| BT060X4 | 24Vac 24Vdc | 15VA | 5VA | ◆ | 20 to 30 | ◆ | |
| BT080X4 | 24Vac 24Vdc | 15VA | 5VA | ◆ | 20 to 30 | ◆ | ◆ |
| BT160X4 | 120Vac | 15VA | 5VA | ◆ | 20 to 30 | ◆ | |
| BT180X4 | 120Vac | 15VA | 5VA | ◆ | 20 to 30 | ◆ | ◆ |
| BT260X4 | 240Vac | 15VA | 5VA | ◆ | 20 to 30 | ◆ | |
| BT280X4 | 240Vac | 15VA | 5VA | ◆ | 20 to 30 | ◆ | ◆ |
| <i>for applications requiring up to 70 in.lb. (8 Nm.) torque at rated voltage</i> | | | | | | | |
| BT060X8 | 24Vac 24Vdc | 15VA | 5VA | ◆ | 20 to 30 | ◆ | |
| BT080X8 | 24Vac 24Vdc | 15VA | 5VA | ◆ | 20 to 30 | ◆ | ◆ |
| BT160X8 | 120Vac | 15VA | 5VA | ◆ | 20 to 30 | ◆ | |
| BT180X8 | 120Vac | 15VA | 5VA | ◆ | 20 to 30 | ◆ | ◆ |
| BT260X8 | 240Vac | 15VA | 5VA | ◆ | 20 to 30 | ◆ | |
| BT280X8 | 240Vac | 15VA | 5VA | ◆ | 20 to 30 | ◆ | ◆ |
| <i>for applications requiring up to 90 in.lb. (11 Nm.) torque at rated voltage</i> | | | | | | | |
| LT060X11 | 24Vac 24Vdc | 24VA | 5VA | ◆ | 20 to 30 | ◆ | |
| LT080X11 | 24Vac 24Vdc | 24VA | 5VA | ◆ | 20 to 30 | ◆ | ◆ |
| LT160X11 | 120Vac | 24VA | 5VA | ◆ | 20 to 30 | ◆ | |
| LT180X11 | 120Vac | 24VA | 5VA | ◆ | 20 to 30 | ◆ | ◆ |
| LT260X11 | 240Vac | 24VA | 5VA | ◆ | 20 to 30 | ◆ | |
| LT280X11 | 240Vac | 24VA | 5VA | ◆ | 20 to 30 | ◆ | ◆ |



IP65 ACTUATOR

For applications up to 360 in.lb. (40 Nm)

APPLICATIONS

- high humidity applications
- outdoor applications
- food industry
- animal husbandry





**Rotational speeds from 60 to 85 sec
for applications up to 360 in.lb. (40 Nm)**



PRIMARY USES FOR THESE ACTUATORS

- ◆ high humidity applications
- ◆ food industry
- ◆ outdoor applications
- ◆ animal husbandry

These quarter turn actuators have been designed with IP65 (equivalent to Nema type 4) protection against water or chemicals such as ammonia. They are to be installed in very demanding environmental conditions such as industrial food plants or animal husbandry. All actuators may be directly coupled to either a 3/4 inch round or 5/8 inch square jack shaft or remotely mounted using an adaptor kit. All actuators are bi-directional. Enerdrive actuators are also bi-directional under fail safe conditions.

GENERAL SPECIFICATIONS

| | |
|--|--|
| Power Supply: | 24Vac/30Vdc |
| Power Consumption: | Peak at Start-up: 8VA to 30VA at 26Vac Depending upon the Model Operating at Full Load: 8VA to 10VA at 26Vac Depending upon the Model |
| Electrical Connections: | 1 meter long 6 wire plenum cable, 18 AWG [0.8 mm ²] |
| Control Signals: | Analog: 2-10 Vdc |
| Torque: | 140 in.lb. (16 Nm) to 360 in.lb. (40 Nm) at Rated Voltage Depending upon the Model |
| Direction & Time of Rotation: | Reversible, 60 to 85 sec |
| Ambient Temperature: | 0°F to +122°F (-18°C to +50°C) |
| Fail Safe (Enerdrive) Rating: | 140 to 360 in.lb. (16 to 40Nm) Depending upon the Model |
| Enerdrive Response Time: | 60 to 85 sec Closure Through 90° |
| Auxiliary Switches: | Models Ending in 20W & 80W: 2 Mechanical Switches, Fixed at 10° & 80° |
| Auxiliary Switch Rating: | 5 Amp Resistive, 250Vac |
| Electronic Enclosure: | IP65 equivalent to Nema type 4 enclosure with special protection against chemicals |



Spec Sheet Available on Our Website

| Actuator Models | Power | | | Control Signals | | | | | Time in sec Thru 90° Arc | Actuator Features | | | | |
|--|----------------|-------------|-----------|-----------------|----------|--------------|---------|-----|--------------------------|-------------------|-------------|-------------|-----------------------|-----------------------|
| | Nom. Supply | Consumption | | Digital | | Multi Signal | | | | Feed Back | Auto Stroke | Zero & Span | Fail Safe (Enerdrive) | 2 Mech. Aux. Switches |
| | | Start Up | Full Load | 2 POS | 3 PT FLT | 2-10 Vdc | 4-20 mA | PWM | | | | | | |
| 140 in.lb. (16 Nm.) torque at rated voltage | | | | | | | | | | | | | | |
| LM000W | 24Vac 30Vdc | 8VA | 8VA | | | ◆ | | | 60 to 85 | | ◆ | | | |
| LM020W | 24Vac 30Vdc | 8VA | 8VA | | | ◆ | | | 60 to 85 | | ◆ | | | ◆ |
| LM060W | 24Vac 30Vdc | 30VA | 8VA | | | ◆ | | | 60 to 85 | | ◆ | | ◆ | |
| LM080W | 24Vac 30Vdc | 30VA | 8VA | | | ◆ | | | 60 to 85 | | ◆ | | ◆ | ◆ |
| 180 in.lb. (20 Nm.) torque at rated voltage | | | | | | | | | | | | | | |
| TM000W | 24Vac 30Vdc | 8VA | 8VA | | | ◆ | | | 60 to 85 | | ◆ | | | |
| TM020W | 24Vac 30Vdc | 8VA | 8VA | | | ◆ | | | 60 to 85 | | ◆ | | | ◆ |
| TM060W | 24Vac 30Vdc | 30VA | 8VA | | | ◆ | | | 60 to 85 | | ◆ | | ◆ | |
| TM080W | 24Vac 30Vdc | 30VA | 8VA | | | ◆ | | | 60 to 85 | | ◆ | | ◆ | ◆ |
| 360 in.lb. (40 Nm.) torque at rated voltage | | | | | | | | | | | | | | |
| RM000W | 24Vac 30Vdc | 10VA | 10VA | | | ◆ | | | 60 to 85 | | ◆ | | | |
| RM020W | 24Vac 30Vdc | 10VA | 10VA | | | ◆ | | | 60 to 85 | | ◆ | | | ◆ |
| RM060W | 24Vac 30Vdc | 30VA | 10VA | | | ◆ | | | 60 to 85 | | ◆ | | ◆ | |
| RM080W | 24Vac 30Vdc | 30VA | 10VA | | | ◆ | | | 60 to 85 | | ◆ | | ◆ | ◆ |



**Rotational speeds from 60 to 85 sec
for applications up to 360 in.lb. (40 Nm)**



PRIMARY USES FOR THESE ACTUATORS

- ◆ high humidity applications
- ◆ food industry
- ◆ outdoor applications
- ◆ animal husbandry

These quarter turn actuators have been designed with IP65 (equivalent to Nema type 4) protection against water or chemicals such as ammonia. They are to be installed in very demanding environmental conditions such as industrial food plants or animal husbandry. All actuators may be directly coupled to either a 3/4 inch round or 5/8 inch square jack shaft or remotely mounted using an adaptor kit. All actuators are bi-directional. Enerdrive actuators are also bi-directional under fail safe conditions.

GENERAL SPECIFICATIONS

| | |
|--|--|
| Power Supply: | 120Vac or 240Vac Depending upon the Model |
| Power Consumption: | Peak at Start-up: 10VA to 30VA at Line Voltage Depending upon the Model Operating at Full Load: 10VA to 14VA at Line Voltage Depending upon the Model |
| Electrical Connections: | 1 meter long 6 wire plenum cable, 18 AWG [0.8 mm ²] |
| Control Signals: | Analog: 2-10 Vdc |
| Torque: | 140 in.lb. (16 Nm) to 360 in.lb. (40 Nm) at Rated Voltage Depending upon the Model |
| Direction & Time of Rotation: | Reversible, 60 to 85 sec |
| Ambient Temperature: | 0°F to +122°F (-18°C to +50°C) |
| Fail Safe (Enerdrive) Rating: | 140 to 360 in.lb. (16 to 40Nm) Depending upon the Model |
| Enerdrive Response Time: | 60 to 85 sec Closure Through 90° |
| Electronic Enclosure: | IP65 equivalent to Nema type 4 enclosure with special protection against chemicals |



Spec Sheet Available on Our Website

| Actuator Models | Power | | | Control Signals | | | | | Time in sec Thru 90° Arc | Actuator Features | | | | |
|--|-------------|-------------|-----------|-----------------|----------|--------------|---------|-----|--------------------------|-------------------|-------------|-------------|-----------------------|-----------------------|
| | Nom. Supply | Consumption | | Digital | | Multi Signal | | | | Feed Back | Auto Stroke | Zero & Span | Fail Safe (Enerdrive) | 2 Mech. Aux. Switches |
| | | Start Up | Full Load | 2 POS | 3 PT FLT | 2-10 Vdc | 4-20 mA | PWM | | | | | | |
| <i>140 in.lb. (16 Nm.) torque at rated voltage</i> | | | | | | | | | | | | | | |
| LM100W | 120Vac | 10VA | 10VA | | | ◆ | | | 60 to 85 | | ◆ | | | |
| LM160W | 120Vac | 30VA | 10VA | | | ◆ | | | 60 to 85 | | ◆ | | ◆ | |
| LM200W | 240Vac | 10VA | 10VA | | | ◆ | | | 60 to 85 | | ◆ | | | |
| LM260W | 240Vac | 30VA | 10VA | | | ◆ | | | 60 to 85 | | ◆ | | ◆ | |
| <i>180 in.lb. (20 Nm.) torque at rated voltage</i> | | | | | | | | | | | | | | |
| TM100W | 120Vac | 10VA | 10VA | | | ◆ | | | 60 to 85 | | ◆ | | | |
| TM160W | 120Vac | 30VA | 10VA | | | ◆ | | | 60 to 85 | | ◆ | | ◆ | |
| TM200W | 240Vac | 10VA | 10VA | | | ◆ | | | 60 to 85 | | ◆ | | | |
| TM260W | 240Vac | 30VA | 10VA | | | ◆ | | | 60 to 85 | | ◆ | | ◆ | |
| <i>360 in.lb. (40 Nm.) torque at rated voltage</i> | | | | | | | | | | | | | | |
| RM100W | 120Vac | 14VA | 14VA | | | ◆ | | | 60 to 85 | | ◆ | | | |
| RM160W | 120Vac | 30VA | 14VA | | | ◆ | | | 60 to 85 | | ◆ | | ◆ | |
| RM200W | 240Vac | 14VA | 14VA | | | ◆ | | | 60 to 85 | | ◆ | | | |
| RM260W | 240Vac | 30VA | 14VA | | | ◆ | | | 60 to 85 | | ◆ | | ◆ | |

A & M LINEAR ACTUATOR

100 lb. (400 N) & 1500 lb. (6750 N) FORCE

APPLICATIONS

- used with Neptronic supplied globe valve
- retrofit for most popular globe valves



X LINEAR ACTUATOR

45 lb. (200 N) FORCE

APPLICATIONS

- small heating and cooling coils
- VAV terminal unit
- fan coil units
- chilled beams
- baseboard radiation unit





100 lb. (450 N) & 1500 lb. (6750 N) force

PRIMARY USES FOR THESE ACTUATORS

- ◆ Used with Neptronic supplied Globe Valves
- ◆ Retrofit for most popular Globe Valves

- Cazzaniga
- Controlli
- Johnson Controls
- Honeywell
- Invensys
- Siemens
- Robertshaw
- Tour & Anderson
- Danfoss

GENERAL SPECIFICATIONS

Power Supply: 24Vac, 30Vdc, 120Vac and/or 240Vac Depending upon the Model
Power Consumption: Peak at Start-up: 6VA to 30VA at 26Vac Depending upon the Model
 Operating at Full Load: 4VA to 30VA at 26Vac Depending upon the Model
Wire Size: 18 AWG (0.8 mm²) Minimum
Electrical Connections: 5/8 in. (15.9 mm) & 7/8 in. (22.2 mm) Knock Outs, Screw Terminals

Control Signals:

Digital (AT):
 2 Wire or 3 Wire 2 Position and/or 3 Wire or 4 Wire 3 Point Floating Depending upon the Model

Multi Signal (AM & MM):
ANALOG: A) 2-10Vdc; or B) May be Externally Wired with a 500 Ohm Resistor which is Supplied for 4-20mA, Zero & Span Adjustable
PULSE WIDTH MODULATION: Time Base of 0.1-5 sec/20mS Resolution or 0.1-25 sec/100mS Resolution Selected by Dip Switch Position
SWITCH 24Vac: Triac or Dry Contact, 40mA Max. Switching Current
SWITCH COMMON: NPN Transistor, SCR, Triac or Dry Contact 75mA Max. Switching Current
DIGITAL: 3 Wire 2 Position or 4 Wire 3 Point Floating

Force: (A): 100 lb. (450 N) & (M): 1500 lb. (6750 N) at Rated Voltage
Direction & Running Time: (A): Reversible, 60 sec
 (M): Reversible, 2 to 7 min Depending upon stroke, Force independent

Ambient Temperature: 0°F to +122°F (-18°C to +50°C)

Feedback Potentiometer: **In Digital (ATXX5):** Potentiometer (5 Kohms)
In Multi Signal (AM & M): 4-20mA Output (May be wired for a 2-10Vdc signal)

Fail Safe Rating: (A) Models Ending in 60 & 80: 100 lb. (450 N), (M) Models Ending in 10: 1500 lb. (6750 N)
Response Time: 60 sec for Full Stroke: (A): 0-100 lb. (0-450N)
 7 min for Full Stroke: (M): 0-1500 lb. (0-6750N)

Auxiliary Switches: **Models Ending in 20 or 80:** 2 Mechanical Switches, Fixed at 10° & 80°
Auxiliary Switch Rating: 1 Amp Resistive, 24Vac

Electronic Enclosure: Flammability rating UL94-5V

Spec Sheet Available on Our Website

| Actuator Models | Power | | | Control Signals | | | | | Full Stroke Time | Actuator Features | | | | 2 Mech. Aux. Switches |
|--|--------------------------|-------------|-----------|-----------------|----------|--------------|---------|-----|------------------|-------------------|-------------|-------------|-----------|-----------------------|
| | Nom. Supply | Consumption | | Digital | | Multi Signal | | | | Feed Back | Auto Stroke | Zero & Span | Fail Safe | |
| | | Start Up | Full Load | 2 POS | 3 PT FLT | 2-10 Vdc | 4-20 mA | PWM | | | | | | |
| <i>low voltage 100 lb. (450 N) force</i> | | | | | | | | | | | | | | |
| AT000 | 24Vac 30Vdc | 6VA | 6VA | ◆ | ◆ | | | | 60 | | | | | |
| AT005 | 24Vac 30Vdc | 6VA | 6VA | ◆ | ◆ | | | | 60 | ◆ | | | | |
| AT020 | 24Vac 30Vdc | 6VA | 6VA | ◆ | ◆ | | | | 60 | | | | | ◆ |
| AT060 | 24Vac 30Vdc | 20VA | 6VA | ◆ | ◆ | | | | 60 | | | | ◆ | |
| AT065 | 24Vac 30Vdc | 20VA | 6VA | ◆ | ◆ | | | | 60 | ◆ | | | ◆ | |
| AT080 | 24Vac 30Vdc | 20VA | 6VA | ◆ | ◆ | | | | 60 | | | | ◆ | ◆ |
| AM000 | 24Vac 30Vdc | 6VA | 6VA | ◆ | ◆ | ◆ | ◆ | ◆ | 60 | ◆ | ◆ | ◆ | | |
| AM060 | 24Vac 30Vdc | 20VA | 6VA | ◆ | ◆ | ◆ | ◆ | ◆ | 60 | ◆ | ◆ | ◆ | ◆ | |
| <i>for applications requiring up to 1500 lb. (6750 N) force at rated voltage</i> | | | | | | | | | | | | | | |
| MM000 | 24Vac 30Vdc | 30VA | 30VA | ◆ | ◆ | ◆ | ◆ | ◆ | 2 to 7 min | ◆ | ◆ | ◆ | | |
| MM010 | 24Vac 30Vdc | 30VA | 30VA | ◆ | ◆ | ◆ | ◆ | ◆ | 2 to 7 min | ◆ | ◆ | ◆ | ◆ | |
| MM100 | 24Vac 30Vdc 120Vac | 30VA | 30VA | ◆ | ◆ | ◆ | ◆ | ◆ | 2 to 7 min | ◆ | ◆ | ◆ | | |
| MM110 | 24Vac 30Vdc 120Vac | 30VA | 30VA | ◆ | ◆ | ◆ | ◆ | ◆ | 2 to 7 min | ◆ | ◆ | ◆ | ◆ | |
| MM200 | 24Vac 30Vdc 240Vac | 30VA | 30VA | ◆ | ◆ | ◆ | ◆ | ◆ | 2 to 7 min | ◆ | ◆ | ◆ | | |
| MM210 | 24Vac 30Vdc 240Vac | 30VA | 30VA | ◆ | ◆ | ◆ | ◆ | ◆ | 2 to 7 min | ◆ | ◆ | ◆ | ◆ | |

Note: All standard models are designed to be coupled to a Schneider Electric globe valve. If you need an actuator for a different globe valve, please call the factory for accurate nomenclature, price and delivery.



45 lb. (200 N) force

PRIMARY USES FOR THESE ACTUATORS

- ◆ VAV terminal units
- ◆ Fan coil units
- ◆ Chilled beams
- ◆ Small heating and cooling coils
- ◆ Baseboard radiation units

GENERAL SPECIFICATIONS

| | |
|--------------------------------------|---|
| Power Supply: | 24Vac/24Vdc |
| Power Consumption: | Peak at Start-up: 5VA or 10VA at 26Vac Operating at Full Load: 6VA at 26Vac |
| Electrical Connections: | 3-Wire Halogen Free Cable, 18AWG (0.8mm ²), 1 Meter Long |
| Control Signals: | Digital (XT Series) 3 Wire, 2 Position or 3 Wire, 3 Point Floating Multi Signal (XM Series) A) 0-10Vdc, B) 2-10Vdc, C) May be Externally Wired with a 500 Ohm Resistor |
| Force: | 45lb. (200 N) |
| Direction & Running Time: | Reversible, 120 sec |
| Ambient Temperature: | 36°F to +122°F (2°C to +50°C) |
| Feedback: | A) 0-10Vdc, B) 2-10Vdc, Depending on Model |
| Fail Safe Rating: | 45lb. (200 N) |
| Response Time: | 60 sec for Full Stroke |
| Electronic Enclosure: | IP54 Equivalent to NEMA Type 3R |

Spec Sheet Available on Our Website

| Actuator Models | Power | | | Control Signals | | | | | Full Stroke Time | Actuator Features | | | | 2 Mech. Aux. Switches |
|--|----------------|-------------|-----------|-----------------|----------|--------------|---------|-----|------------------|-------------------|-------------|-------------|-----------|-----------------------|
| | Nom. Supply | Consumption | | Digital | | Multi Signal | | | | Feed Back | Auto Stroke | Zero & Span | Fail Safe | |
| | | Start Up | Full Load | 2 POS | 3 PT FLT | 2-10 Vdc | 4-20 mA | PWM | | | | | | |
| <i>low voltage 100 lb. (450 N) force</i> | | | | | | | | | | | | | | |
| XT000 | 24Vac 24Vdc | 5VA | 5VA | ◆ | ◆ | | | | 120 | | | | | |
| XT060 | 24Vac 24Vdc | 10VA | 6VA | ◆ | ◆ | | | | 120 | | | | ◆ | |
| XM000 | 24Vac 24Vdc | 5VA | 5VA | | | ◆ | ◆* | | 120 | ◆ | ◆ | | | |
| XM060 | 24Vac 24Vdc | 10VA | 6VA | | | ◆ | ◆* | | 120 | ◆ | ◆ | | ◆ | |

* With 500 Ω resistor supplied by other manufacturers

Mechanical Stroke Limiting Device for L, T & R Damper Actuators

Description

The SLD or Stroke Limiting Device is an ancillary component that is added to the universal clamp assembly of any of either the L, T or R damper actuator models. It mechanically adjusts the stroke within the 90° arc.

Application

Two instances where an SLD can be used.

1. For a damper with a stroke of less than 90° without mechanical end stops.
2. To maintain minimum air flow in the duct; for example, to prevent the damper from closing below 10° minimum position.

Installation

The SLD should be added prior to installation. However, if the actuator is already installed, remove the power supply and the control signal prior to taking the actuator off the damper.

Remove the cover from the actuator. Depress the clutch which is located on the PC board and simultaneously rotate the universal clamp assembly (UCA) until it's end stop. The UCA indicator should be at the zero position.

Temporarily replace the cover to protect the electronics and invert the actuator. Carefully remove the retaining clip that holds the UCA in place.

With the actuator again in the upright position remove the two 10 mm nuts on the U clamp. Slide the stroke limiting device (SLD) onto the clamp and replace the nuts so that the SLD is held loosely in place.

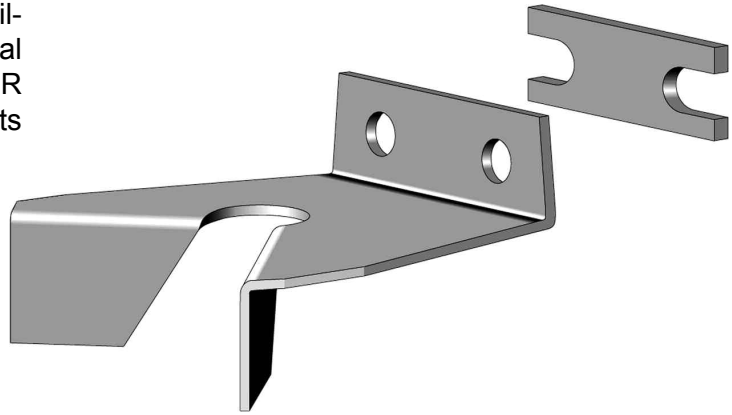


Figure: The Stroke Limiting Device complete with Stopper

Extract the UCA from the actuator and re-insert it so that the indicator is now in any location between 0° and 90° depending on the rotation arc you require.

Example: Putting the UCA indicator at the 20° mark will result in a rotation of 70°. Note that the SLD butts against the actuator housing to mechanically limit the stroke. Reinserting the UCA indicator at the 80° mark will give a stroke of 10° and so forth.

After selecting your stroke invert the actuator and reattach the clip ring.

Manually position the damper blades at the physical end stop such that the start position on the damper and the actuator coincide.

Slide the actuator onto the jack shaft through the aperture in the UCA.

Installation continued

Attach the motor bracket, which is provided, to the duct work such that the stop rotational pin sits loosely in the slot that is located on the base plate beneath the EMT ports. This provides for some lateral movement without allowing the actuator to rotate about the shaft. The motor bracket may be bent for offsetting where the duct work is coated in insulation. Tighten the bolts on the UCA.

With the cover off, the terminal block is easily accessible and the actuator may now be wired according to the diagram that corresponds to the actuator model and mode of control as described in the electrical instruction section. For actuators with auxiliary switches, verify that the contacts coincide with the rotational direction required. Replace the cover and secure.

Do not press the clutch of the motor when power is on. Always remove power first. Then press the clutch and turn damper or valve.

NEVER SCREW OR BOLT DOWN THE END OF THE MOTOR DIRECTLY TO THE DUCT WORK! NEVER DRILL INTO THE MOTOR CASING!

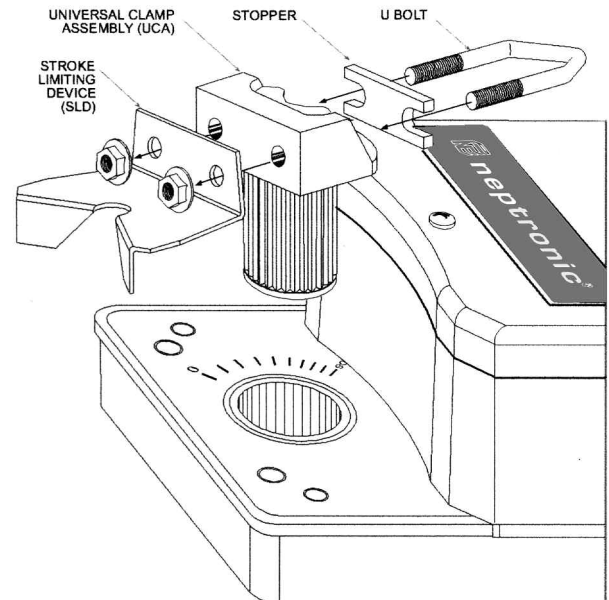
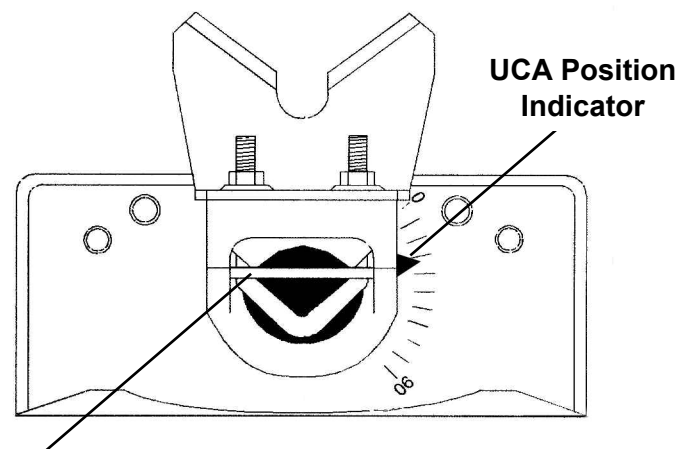


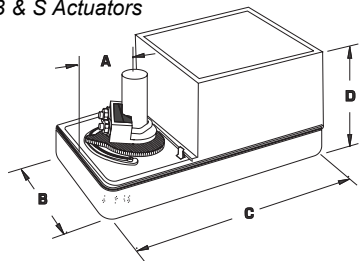
Figure: This diagram illustrates the correct sequence for attaching the SLD and Stopper.



Stopper required only when actuator is remote mounted with a crank arm.

Actuator Dimensions

Figure i C, D, B & S Actuators

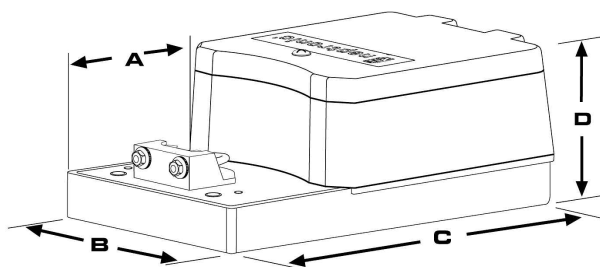


| Dim. | C, D, B & S Actuators | | L & T Actuators | | R Actuators | |
|------|-----------------------|--------------|-----------------|--------------|-------------|--------------|
| | INCHES | CENTI-METERS | INCHES | CENTI-METERS | INCHES | CENTI-METERS |
| A | 1.50 | 3.81 | 1.33 | 3.38 | 1.33 | 3.38 |
| B | 3.26 | 8.28 | 5.20 | 13.21 | 5.20 | 13.21 |
| C | 6.60 | 16.75 | 9.13 | 23.19 | 9.13 | 23.19 |
| D | 3.01 | 7.64 | 3.39 | 8.61 | 3.55 | 9.02 |

Factory Settings for Multi Signal Actuators

| | |
|-----------------------------|---------------------------|
| Control Signal | 2 - 10Vdc |
| Feedback | 4 - 20mA |
| Stroke | 90° |
| Rotational Direction | 0° to 90° - Clockwise |
| <i>The Enerdrive System</i> | "Fail" to the 0° Position |

Figure ii L, T & R Actuators



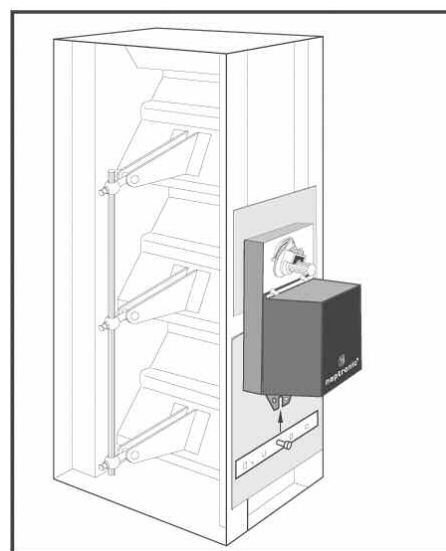
Actuator Installation

Neptronic damper actuators are designed for direct mounting to the damper jack shaft. They may be mounted in any plane.

Slide the actuator onto the jack shaft through the aperture in the universal clamp assembly. Attach the motor bracket, which is provided, to the duct work such that the stop rotational pin sits loosely in the slot that is located on the base plate beneath the EMT ports. This provides for some lateral movement without allowing the motor to rotate about the shaft. The motor bracket may be bent for offsetting where the duct work is coated in insulation.

Loosen the retaining screw securing the motor cover to the casing and remove the cover (L, T, and R Series only). Simultaneously depress the motor clutch and rotate the universal clamp assembly so that the start position of the motor and the damper coincide. Release the clutch and tighten the bolts on the universal clamp. Replace the cover and secure (L, T, and R Series only).

Never screw or bolt down the end of the motor directly to the duct work! Never drill into the motor casing!



This drawing illustrates the correct placement of the actuator on the damper's jack shaft.

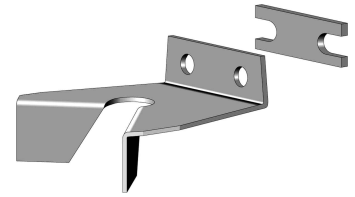
Accessories such as the Assembly for Remote Mounting (ARM) and Standoff Bracket (ELBB, ELTR) are available for those circumstances where direct mounting is not feasible.


DCA38, DCA50

Damper Crank Arm accepts up to 3/8" or 1/2" jack shaft depending upon the model.


MCABB & MCATR

Motor Crank Arm for C/D/B/S or L/T/R actuators.


SLD

Stroke Limiting Device is a mechanical limiting bracket for L, T or R actuators.


RSA

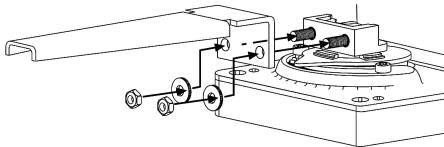
Ruskin Shaft Adapter for direct mounting of an L, T or R actuator on the 1 inch hollow Ruskin jack shaft.


ELBB, ELTR & ELUB

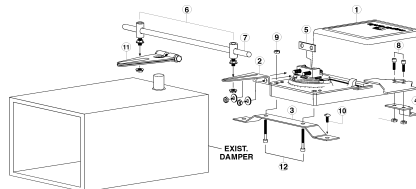
"L" Standoff Bracket for C/D/B/S or L/T/R or U/W.


BJ516 & BJ38

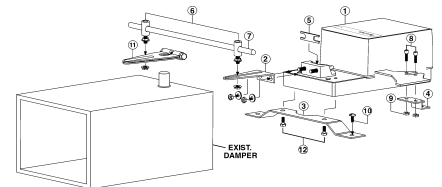
Ball Joint for 5/16" or 3/8" rod depending upon the model.


MINI & MAXI HANDLES

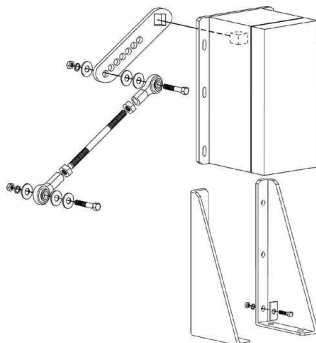
Universal Clamp Assembly Handle for C/D/B/S or L/T/R actuators depending upon the model.


ARM24BB & ARM36BB

Assembly for Remote Mounting for C,D,B & S actuators only. Contains 2 ball joints, 1 motor crank arm, 24" or 36" length 5/16" rod depending upon the model, set nut & bolts.


ARM24TR & ARM36TR

Assembly for Remote Mounting for L, T or R actuators only. Contains 2 ball joints, 1 motor crank arm, 24" or 36" length 3/8" rod depending upon the model, set nut & bolts.


UBARM

Assembly for Remote Mounting of U & W actuator only. Contains 2 ball joints, 1 crank arm, 36" length 1/2" SS rod, set nuts & bolts.


RH1 & RH2

Rain Hood protective enclosure for C/D/B/S or L/T/R actuators depending upon the model.

Enerdrive Explained



The standard actuator model B, above, with the Enerdrive System is rated at a minimum of 50 in.lb. torque.

U.S. Patent #5,278,454
European Patent # 0647366

Description

During installation, the field technician calibrates the actuator using the dip switch to respond according to the application requirements. When power is initially applied, the actuator is engaged, driving in the chosen direction and the **Enerdrive System** is activated absorbing charge. The system is fully operational within 90 sec at 77°F or 25°C. (Fig. ii). There is no delay in the actuator's response.

Description

The **Enerdrive System, The Electronic Spring** is a patented method of operating a damper or valve actuator during a power outage at full rated torque in a clockwise or counterclockwise direction such that the controlled device arrives at a fully closed or fully open position where it remains indefinitely or until the mains power is restored.

It is comprised of an electronic circuit which is integral to the actuator's PC board and super capacitors. It is the energy generated and stored in the super capacitor that is used by the circuit to drive the actuator.

The motor operates normally under control signal until power is interrupted. This interruption activates the **Enerdrive System** which supplies the actuator with sufficient power to maintain its full rated torque as the motor drives the controlled device to its fail safe position. With the restoration of power, the actuator immediately resumes its function under control signal input and the **Enerdrive System** is recharged.

Application

Having a controlled device return to a specific, or fail safe, position is required by industries or HVAC systems to prevent harm or damage to equipment, products, live-stock and people due to environmental factors. The controlled device may be a damper, VAV box, fume hood or valve.

This is the primary function of the **Enerdrive System**. However, in 2 wire/2 position installations, it is used to power the actuator in opposition to the control signal direction when control is broken. The graph in Figure i illustrates the rapidity and constancy of the **Enerdrive System** for virtually unlimited cycling of the actuator as frequently or infrequently as required.

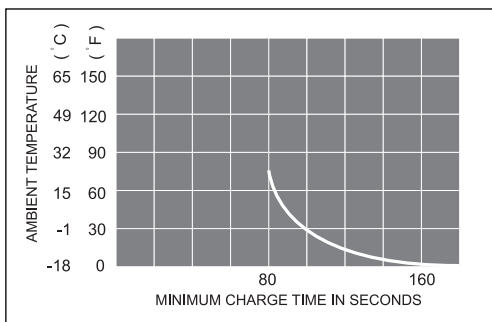


Fig. ii The Effect of Temperature on Charge Time of the Enerdrive System for the Maximum Load of 50 in.lb. at 77°F/25°C

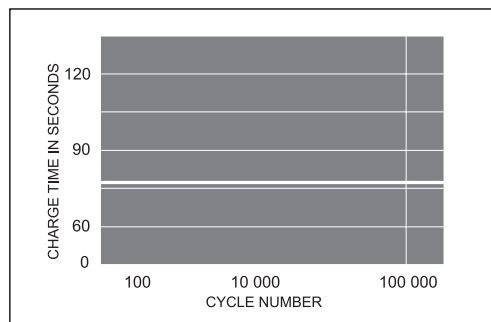


Fig. i The Cyclic Characteristics of the Enerdrive System for the Maximum Load of 50 in.lb. at 77°F/25°C.

Description

- ◆ state of the art electronics
- ◆ full torque response
- ◆ 100% operational with restoration of power
- ◆ fail position selected by dip switch
- ◆ emergency override by manual clutch
- ◆ in models from 18 in. lb. to 360 in. lb. torque
- ◆ in low and line voltage models
- ◆ inherent characteristics allow long operational life
- ◆ super capacitors are environmentally safe
- ◆ no mechanical parts
- ◆ no mechanical failures

MANUFACTURER OF ■

- HVAC CONTROLS
- ELECTRIC ACTUATORS
- ACTUATED VALVES
- HUMIDIFIERS
- ELECTRIC HEATERS



www.neptronic.com