

TABLE OF CONTENTS

Account Number: _____ Discount %: _____

INTRODUCTION

Hydraulic Cylinder Applications and Typical Sealing Components	ii - iii
Product Index by Industry / Seal Kit ID Code Conversion Chart	iv - vii

INDUSTRIAL KITS

Index.....	9
Material Used / Glossary of Terms.....	10
Industrial Kits.....	11 - 125

MOBILE KITS

Index.....	127
Mobile Kits.....	128 - 885

PUMPS, MOTORS AND VALVE KITS

Index.....	887
Pump, Motor and Valve Kits	889 - 932

ASSORTMENT KITS AND TOOLS

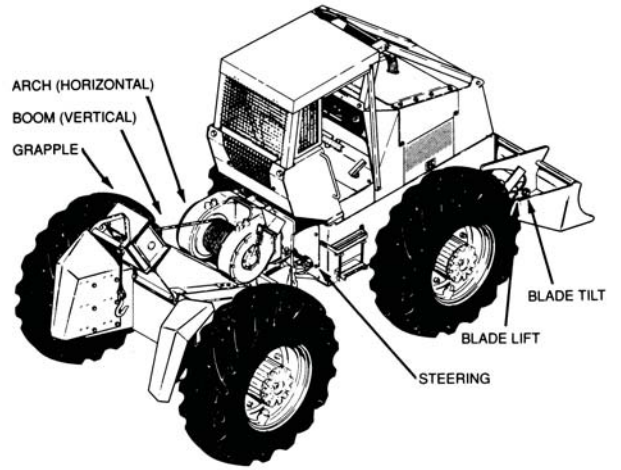
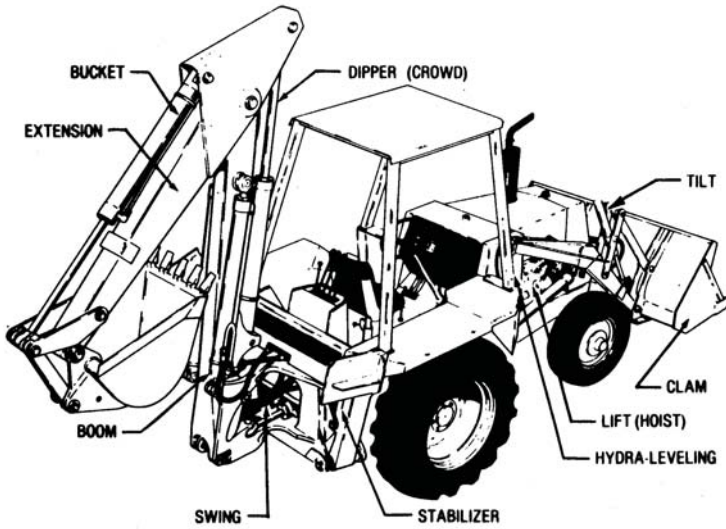
Index.....	933
Assortment Kits	948 - 953
Tools	953 - 966

APPENDIX

Index.....	969
Technical Information.....	970 - 981

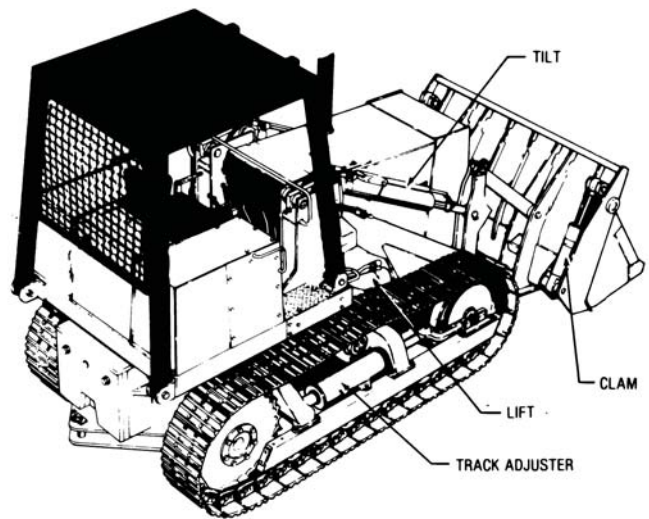
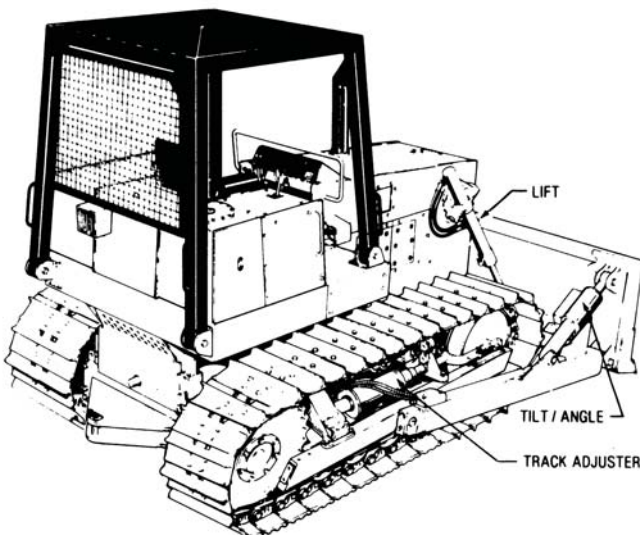
HYDRAULIC CYLINDER APPLICATIONS

BACKHOE LOADERS



LOG SKIDDERS

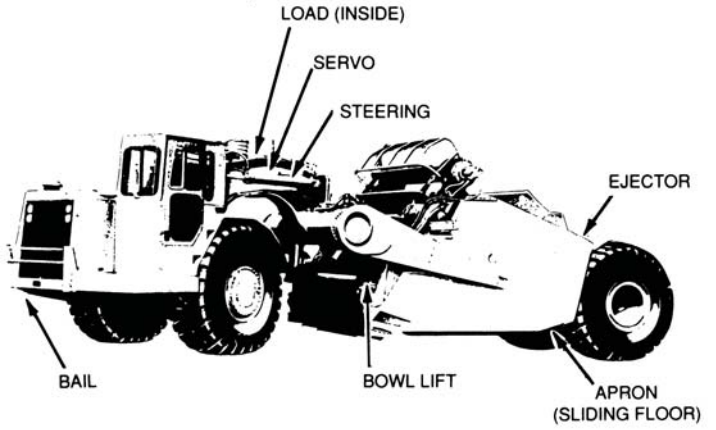
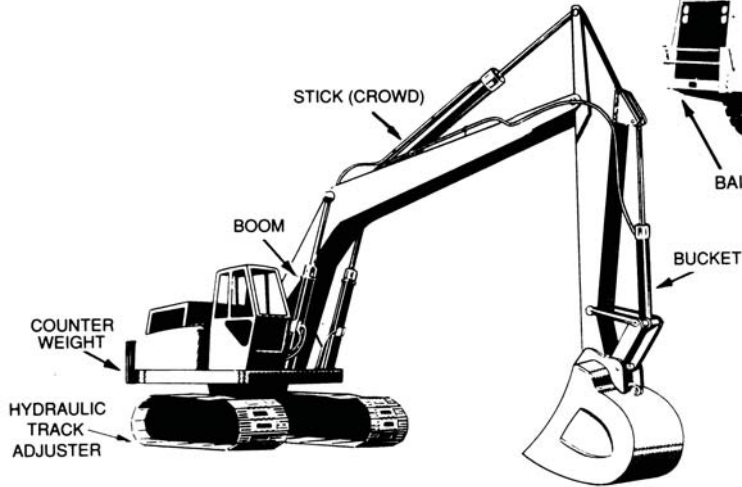
CRAWLER DOZERS



CRAWLER LOADERS

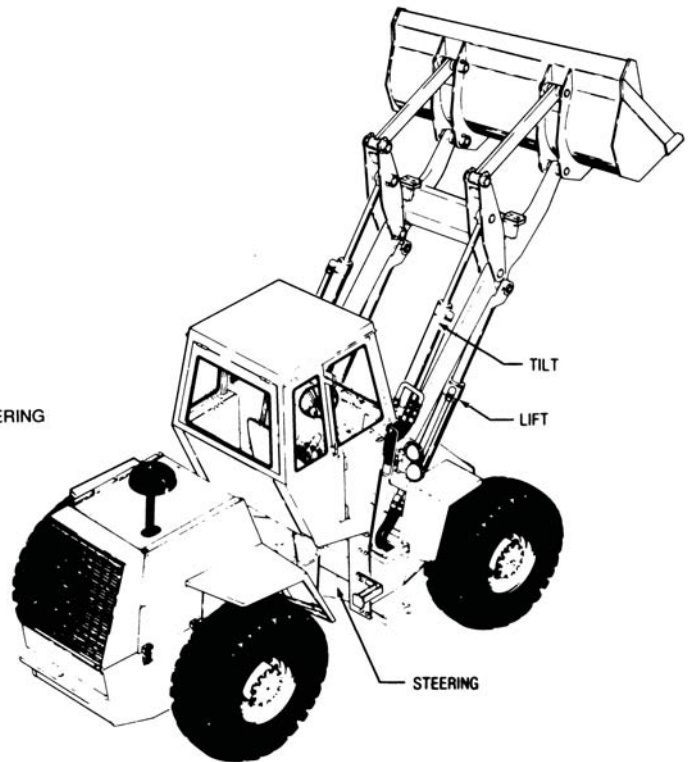
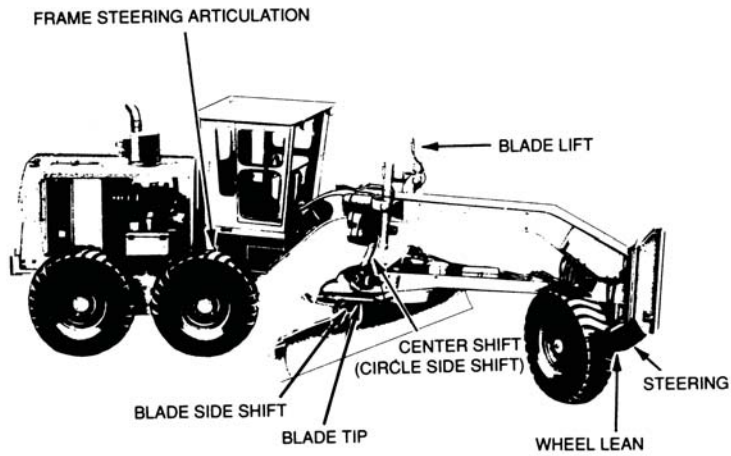
HYDRAULIC CYLINDER APPLICATIONS

EXCAVATORS



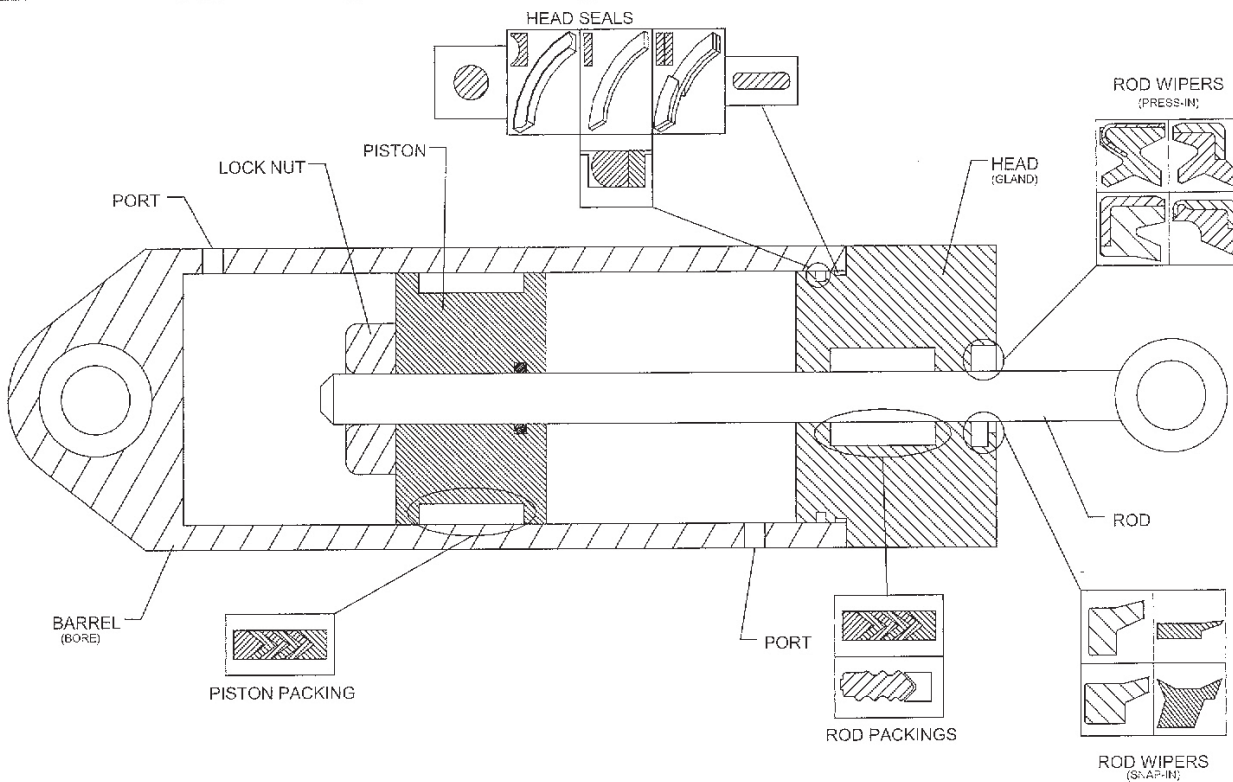
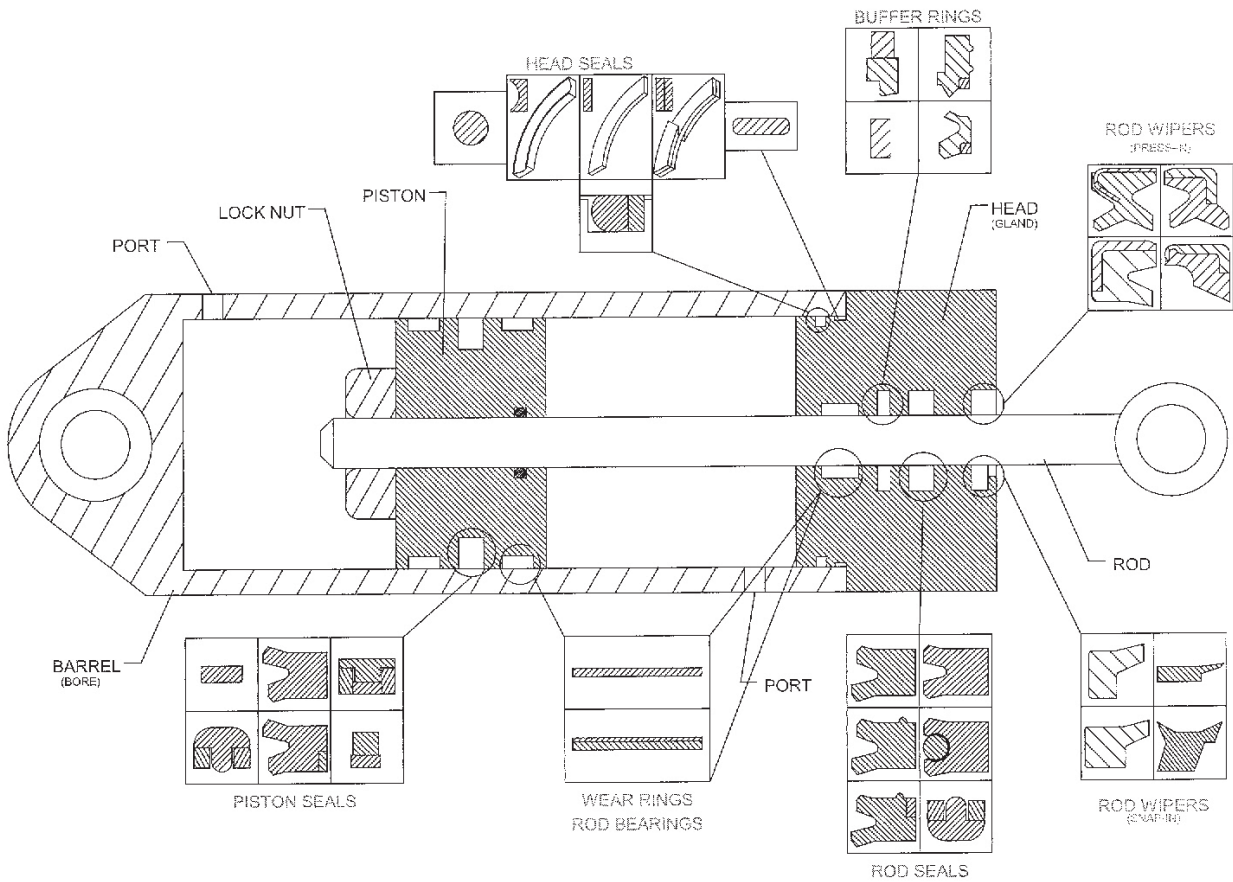
SCRAPERS

MOTOR GRADERS



WHEEL LOADERS

TYPICAL SEALING COMPONENTS



PRODUCT INDEX BY INDUSTRY

Repair Kits and Parts

CRANES, LOADERS & PERSONNEL LIFTS

	PAGE #
Barko	131
Effer Cranes	461
Fassi-Crane	462
FMC.....	462
Grove Crane	489-492
Hiab	501-503
Hyundai	558
JLG Industries	582
Lorain.....	795
Lucky Loader	795
Mark Hi-Lift	797
New Holland	804-808
P & H Cranes.....	820
Prentice	821-829
Snorkel	831
Steelmaster	831

DUMP BODIES

	PAGE #
Fruehauf	483

REFUSE EQUIPMENT

	PAGE #
Dempster	460
Galbreath.....	483
Garwood	483
Heil	493-500
Leach.....	778
Loadmaster.....	793
McNeilus.....	798
Pak-Mor	810-811
Peabody-Galion	812-815

LIFT GATES

	PAGE #
Venco.....	844
Waltco.....	81

INDUSTRIAL CYLINDERS

	PAGE #
Atlas.....	11-24
Hydroline	25-53
Miller	55-80
Ortman	80
Parker	81-113
Royal.....	115-119
Sheffer	121-124
Tompkins Johnson.....	125

TELESCOPIC CYLINDERS

	PAGE #
Anthony	128-129
Atlas	129
Commercial	452-453
Custom Hoists	457-459
Fontaine.....	462
Glencoe	485
Heil	493-500
Hyc0	544-556
Hyva	559
Johnson.....	656
Mailhot.....	795
Marion	796
Peabody-Galion	812-815
Perfection-Cobey	817-818
Ward	882

MISCELLANEOUS

	PAGE #
Cameco	145
Chief Cylinders	449
Cross	454
Densmore.....	460
Edbro Cylinders.....	461
Energy	461
Harsh Mfg.	492
Meyer Products	799
Pandrol Jackson	809
Prince	829
Red Lion Tie Rod Cylinders.....	830
Skyjack	831
Tamrock	831
Up-Right	844

PUMP & MOTOR PARTS

	PAGE #
Anthony	128-129
Charlynn Seal Kits.....	448
Peabody-Galion	812-815
Perfection-Cobey	817-818

PRODUCT INDEX BY INDUSTRY

Repair Kits and Parts

CONSTRUCTION EQUIPMENT	PAGE #	LOGGING EQUIPMENT	PAGE #
Bobcat	133-144	Barko	131
Case	147-196	Bell.....	132
Caterpillar	197-447	Case	147-196
Champion Motor Graders	447	Caterpillar	197-447
Driltech	460	Eaton-Yale, Timberjack	461
Dynahoe	461	ESCO	461
Euclid Trucks.....	461	Franklin	482
Fiat-Allis.....	462	Husky Brute	543
Fiat-Hitachi	463-465	Hydro-Ax.....	556
Ford	466-481	John Deere	583-656
Furukawa	483	Log Hog	794
Galion - Dresser	483	Morbark	803
Grove Crane	489-492	Peerless.....	816
Hitachi.....	504-543	Prentice	821-829
Hyundai	558	Ronen	830
Ingersoll-Rand	560	Tigercat.....	838
International Harvester	560	TimberJack	839-842
JCB.....	561-581		
John Deere	583-656	FORK LIFTS	PAGE #
Kato	657	Allis-Chalmers	128
Kobelco.....	658-678	Baker	129-130
Koehring	678	Cascade	146
Komatsu	679-774	Champion	447
Kubota	775-777	Clark	450-451
Liebherr	779-793	Crown	454
Link Belt.....	793	Gehl.....	484-485
Massey Ferguson	797	Gradall	486-488
Mitsubishi.....	800-803	Hyster	557
Monarch Road Machinery	803	Kalmar	656
Pettibone.....	819-820	Komatsu	679-774
Reynolds Scraper	830	Lull	795
Samsung	831	Mitsubishi.....	800-803
Takeuchi	832-834	Moffett.....	803
TCM.....	834-835	Nissan.....	808-809
Terex.....	836-837	Pettibone.....	819-820
Trojan Loader.....	844	Raymond	830
Volvo	845-881	TCM.....	834-835
Wabco	881	Towmotor-Caterpillar	446
Whiteman/Conspray	883	Toyota	842-844
Yanmar	883	White	882
Yutani.....	884-885	Yale.....	883

SEAL KIT IDENTIFICATION CODE CONVERSION CHART

WIPERS

I = Insert
P = Press In
N = No Wiper

ROD SEALS

O = O-Ring
OB = O-Ring & B/U
U = U-Seal
UB = U-Seal & Buffer
BB = Tandem Buffers
V = Vee Set
N = None
TR = T Seal
SP = Special
UV = U-Seals &
Vee Sets

PISTON SEALS

1 = None
2 = O-Ring
3 = O-Ring & B/U
4 = 1 U-Seal
5 = 2 U-Seals
6 = 1 Piston Cup
7 = 2 Piston Cups
8 = "SA" Vee Set
9 = "DA" Vee Set
10 = Piston Seal
11 = T Seal
12 = Cast Iron Piston Ring
13 = Special
14 = 4 Piece Capped T-Seal
15 = 5 Piece Piston Seal

ROD X BORE SIZE

EXAMPLE

<u>P</u>	-	<u>U</u>	-	<u>5</u>		<u>2</u>	X	<u>4</u>
Wiper		Rod Seal		Piston Seal		Rod		Bore

NOTE:

These codes were developed as an aid for kit identification. Verification can be made by calling our sales department and comparing the parts to be replaced with those offered in our kit.

Industrial Kits

CONTENTS	PAGE
Materials Used / Glossary of Terms	10
Atlas Cylinder Repair Kits	11 - 24
Hydro-Line Cylinder Repair Kits	25 - 53
Miller Cylinder Repair Kits	55 - 80
Ortman Cylinder Repair Kits	80
Parker Cylinder Repair Kits	81 - 113
Royal Cylinder Repair Kits	115 - 119
Sheffer Cylinder Repair Kits	121 - 124
Tompkins-Johnson / TJ	125

Materials Used

Urethane (URE)

Formulated of copolymers of ether or ester based urethanes, this material is used in a wide application of seals, wipers, back-up rings, cushions, bumpers, and a myriad of other uses. Highly resistant to oil swell, ozone, oxidation and abrasion, it also has excellent cut resistance. Highly resilient, urethanes also have high tensile strength and elongation properties. Urethanes remain an excellent choice in hydraulic systems using petroleum based fluids. Most urethane seals remain flexible and efficient in temperatures ranging from -65° F to +200° F with some able to withstand intermittent temperatures up to +300° F.

Nitrile (NBR) (XNBR)

Two common nitrile copolymer blends are Buna-N (NBR) and Carboxylated Nitrile (XNBR). Possessing very good resistance to petroleum based hydraulic oils, Buna-N also works well with fuels such as diesel or gasoline. XNBR compounds feature improved abrasion resistance and tensile strength. Nitrile seals have a good resistance to compression set, but their flexibility suffers somewhat in the lower temperature range. Seals made from this material have a low resistance to ozone and must be stored carefully in most environments. Working temperatures are -40° to +240°F.

Polytetrafluoroethylene (PTFE)

Most PTFE seals, in order to retain their toughness and flexibility, are fortified with short glass fiber, bronze flashes, carbon, graphite, or a combination of these fillers. Because of a lack of resilience (memory) in PTFE, an energizer is most often employed to obtain the desired fit. Benefits are chemical inertness, high heat resistance, low temperature flexibility, low running friction, and non-adhesive characteristics. Temperatures to +500° F are obtainable but are often reduced by the filler or energizer employed.

Fluorocarbon (FC)

Fluorocarbon combines high temperature resistance with excellent chemical resistance. Excellent for use with alcohol and aromatic fuels and is highly resistant to ultraviolet light and ozone. This material is not recommended for use in low temperatures or in aircraft hydraulic fluids. Temperature range is -20° to +400° F.

Glossary of Terms

Bearing/Wear Rings

Soft metal or plastic rings placed in grooves on the piston or in the head to prevent contact between hard metal surfaces.

Durometer

A generic term referring to the instrument and the scale used to measure the relative hardness of various elastomers. The lower the durometer rating, the softer the material.

Dynamic Seal

A sealing device used between mating surfaces that have relative motion.

Elastomer

A rubber-like material having the capacity for large deformation and rapid, complete recovery from the deforming force.

Gland

A rod bushing containing sealing devices fitted into the rod end cap. A groove or open area machined into the head or piston that houses the sealing device.

Static Seal

A sealing device used between mating surfaces that have no relative motion.

Wiper/Scraper

A device placed in the head of a cylinder for the purpose of excluding foreign matter from the inside of the cylinder.

ATLAS

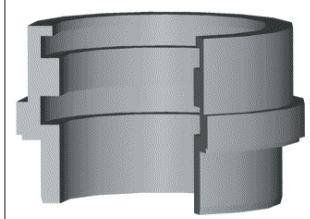
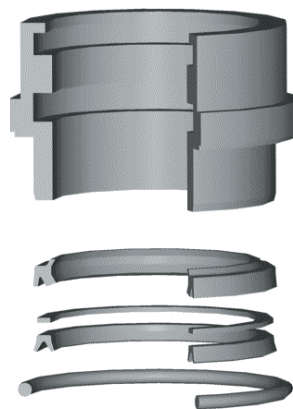
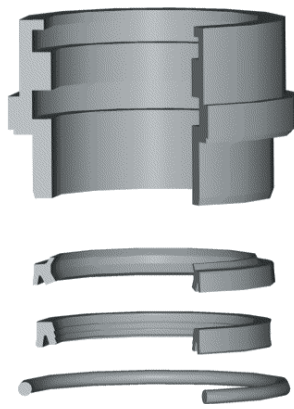
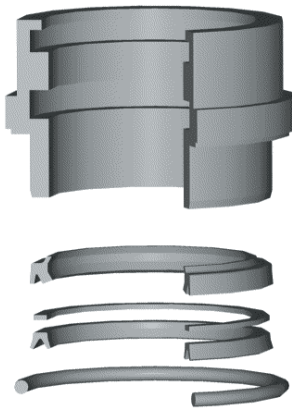
Kit Type		Page
Series A & L	Rod Gland Kits	12
	Rod Seal Kits	13
	Piston Kits	14
	Head Seal Kits	15
Series H	Rod Seal Kits	16
	Piston Seal Kits	17 - 19
	Head Seal Kits	20
Rod Kits	Hydraulic Cylinders	21
Piston Kits	Hydraulic & Pneumatic Cylinders	21
Repair Kits	By Part Number	22 - 24

ATLAS

Series A & L Rod Gland Kits

ATLAS

Series A & L Cylinders Nitrile	Series L Cylinders Urethane	Series A & L Cylinders Fluorocarbon	Series A & L Cylinders Bronze
--------------------------------------	-----------------------------------	---	-------------------------------------



Kit Includes:
 1 Bronze Gland
 1 XNBR Wiper
 1 PTFE Back-Up Ring
 1 NBR U-Seal
 1 NBR O-Ring

Kit Includes:
 1 Bronze Gland
 1 XNBR Wiper
 1 Multi-lip Urethane U-Seal
 1 NBR O-Ring

Kit Includes:
 1 Bronze Gland
 1 FC Wiper
 1 PTFE Back-Up Ring
 1 FC U-Seal
 1 FC O-Ring

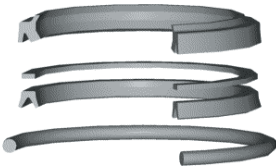
Kit Includes:
 1 Bronze Gland

Rod Dia.	(NBR) Kit #	(URE) Kit #	(FC) Kit #	(BZ) Kit #
5/8"	ATL-4A06R000S	ATL-EA06R000S	ATL-4A06R000V	ATL-RGAL-06
1"	ATL-4A10R000S	ATL-EA10R000S	ATL-4A10R000V	ATL-RGAL-10
1-3/8"	ATL-4A13R000S	ATL-EA13R000S	ATL-4A13R000V	ATL-RGAL-13
1-3/4"	ATL-4A17R000S	ATL-EA17R000S	ATL-4A17R000V	ATL-RGAL-17
2"	ATL-4A20R000S	ATL-EA20R000S	ATL-4A20R000V	ATL-RGAL-20
2-1/2"	ATL-4A25R000S	ATL-EA25R000S	ATL-4A25R000V	ATL-RGAL-25
3"	ATL-4A30R000S	ATL-EA30R000S	ATL-4A30R000V	ATL-RGAL-30

ATLAS

Series A & L Rod Seal Kits

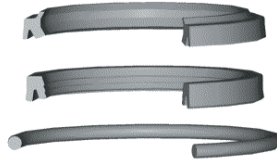
Series A Cylinders Nitrile



Kit Includes:

- 1 XNBR Wiper
- 1 PTFE Back-up Ring
- 1 NBR U-Seal
- 1 NBR O-Ring

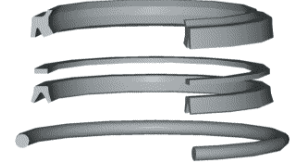
Series L Cylinders Urethane



Kit Includes:

- 1 XNBR Wiper
- 1 Multi-lip Urethane U-Seal
- 1 NBR O-Ring

Series A & L Cylinders Fluorocarbon



Kit Includes:

- 1 FC Wiper
- 1 PTFE Back-up Ring
- 1 FC U-Seal
- 1 FC O-Ring

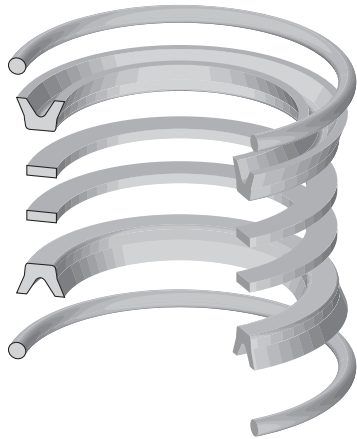
Rod Dia.	(NBR) Kit #	(URE) Kit #	(FC) Kit #
5/8"	ATL-4A06S000S	ATL-EA06S000S	ATL-4A06S000V
3/4"	ATL-4A07S000S	—	ATL-4A07S000V
1"	ATL-4A10S000S	ATL-EA10S000S	ATL-4A10S000V
1-3/8"	ATL-4A13S000S	ATL-EA13S000S	ATL-4A13S000V
1-3/4"	ATL-4A17S000S	ATL-EA17S000S	ATL-4A17S000V
2"	ATL-4A20S000S	ATL-EA20S000S	ATL-4A20S000V
2-1/2"	ATL-4A25S000S	ATL-EA25S000S	ATL-4A25S000V
3"	ATL-4A30S000S	ATL-EA30S000S	ATL-4A30S000V
3-1/2"	ATL-4A35S000S	ATL-EA35S000S	ATL-4A35S000V
4"	ATL-4A40S000S	ATL-EA40S000S	ATL-4A40S000V
4-1/2"	ATL-4A45S000S	ATL-EA45S000S	ATL-4A45S000V
5"	ATL-4A50S000S	ATL-EA50S000S	ATL-4A50S000V

ATLAS

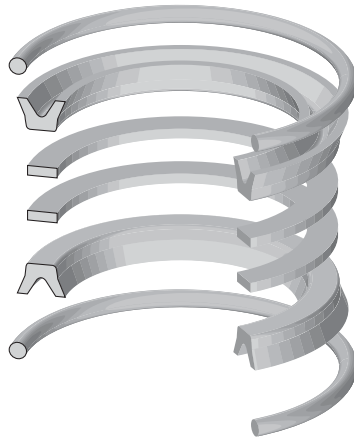
Series A & L Piston Kits

ATLAS

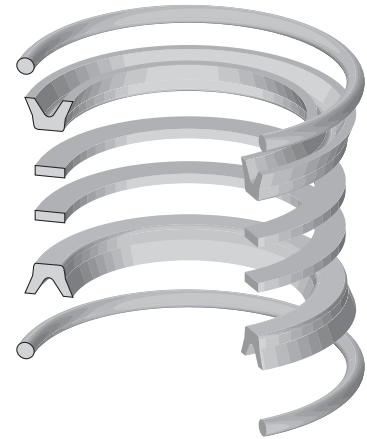
Series A Cylinders Nitrile	Series L Cylinders Nitrile	Series A & L Cylinders Fluorocarbon
-------------------------------	-------------------------------	--



Kit Includes:
 2 NBR U-Seals
 2 HP URE Back-Up Rings
 2 NBR O-Ring Head Seals



Kit Includes:
 2 NBR U-Seals
 2 HP URE Back-Up Rings
 2 NBR O-Ring Head Seals



Kit Includes:
 2 FC U-Seals
 2 HP URE Back-Up Rings
 2 FC O-Ring head Seals

Bore Dia.	(NBR) Kit #	(NBR) Kit #	(FC) Kit #
1-1/2"	ATL-4B00S015S	ATL-EB00S015S	ATL-4B00S015V
2"	ATL-4B00S020S	ATL-EB00S020S	ATL-4B00S020V
2-1/2"	ATL-4B00S025S	ATL-EB00S025S	ATL-4B00S025V
3-1/4"	ATL-4B00S032S	ATL-EB00S032S	ATL-4B00S032V
4"	ATL-4B00S040S	ATL-EB00S040S	ATL-4B00S040V
5"	ATL-4B00S050S	ATL-EB00S050S	ATL-4B00S050V
6"	ATL-4B00S060S	ATL-EB00S060S	ATL-4B00S060V
7"	ATL-4B00S070S	ATL-4B00S070S	ATL-4B00S070V
8"	ATL-4B00S080S	ATL-EB00S080S	ATL-4B00S080V
10"	ATL-4B00S100S	ATL-4B00S100S	ATL-4B00S100V
12"	ATL-4B00S120S	ATL-4B00S120S	ATL-4B00S120V
14"	ATL-4B00S140S	ATL-4B00S140S	ATL-4B00S140V

HP URE - High Performance Urethane

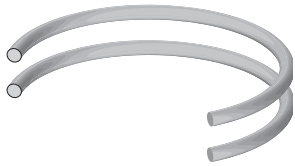
ATLAS

Series A & L Head Seal Kits

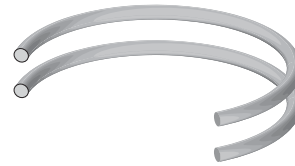
Series A & L Head Seal Kits

Nitrile

Fluorocarbon



Kit Includes:
2 NBR O-Ring Head Seals



Kit Includes:
2 FC O-Ring Head Seals

Bore Dia.	(NBR) Kit #	(FC) Kit #
1-1/2"	ATL-4E00S015S	ATL-4E00S015V
2"	ATL-4E00S020S	ATL-4E00S020V
2-1/2"	ATL-4E00S025S	ATL-4E00S025V
3-1/4"	ATL-4E00S032S	ATL-4E00S032V
4"	ATL-4E00S040S	ATL-4E00S040V
5"	ATL-4E00S050S	ATL-4E00S050V
6"	ATL-4E00S060S	ATL-4E00S060V
7"	ATL-4E00S070S	ATL-4E00S070V
8"	ATL-4E00S080S	ATL-4E00S080V
10"	ATL-4E00S100S	ATL-4E00S100V
12"	ATL-4E00S120S	ATL-4E00S120V
14"	ATL-4E00S140S	ATL-4E00S140V

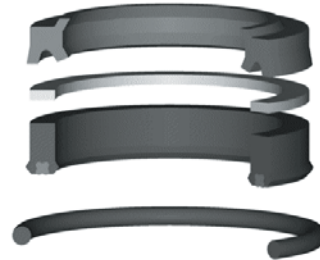
ATLAS

Series H (For cylinders manufactured before and after April 2005) Rod Seal Kits

Series H Rod Seal Kits

Nitrile

Fluorocarbon



Kit Includes:

- 1 URE Wiper (For cyl. mfg. before April 2005)
- 1 XNBR Wiper (For cyl. mfg. April 2005 and after)
- 1 Multi-lip URE U-Seal
- 1 NBR O-Ring

Kit Includes:

- 1 FC Wiper (For cyl. mfg. April 2005 and after*)
- 1 PTFE Back-Up Rings
- 1 FC Loaded FC U-Seals
- 1 FC O-Ring

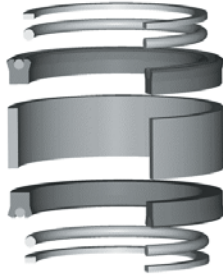
Bore Dia.	(NBR) Kit #	(FC) Kit #
5/8"	ATL-PH06SH000	ATL-VH06SH000
1"	ATL-PH10SH000	ATL-VH10SH000
1-3/8"	ATL-PH13SH000	ATL-VH13SH000
1-3/4"	ATL-PH17SH000	ATL-VH17SH000
2"	ATL-PH20SH000	ATL-VH20SH000
2-1/2"	ATL-PH25SH000	ATL-VH25SH000
3"	ATL-PH30SH000	ATL-VH30SH000
4"	ATL-PH35SH000	ATL-VH35SH000

* Fluorocarbon Rod Seal Kits for cylinders manufactured before April 2005 use a bronze AN style wiper ring.

ATLAS

(for cylinders manufactured before April 2005) **Series H
Piston Seal Kits**

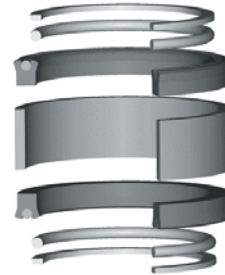
Nitrile



Kit Includes:

- * See notes below
- 2 NBR Loaded URE U-Seals
- 1 Nylon Wear Ring
- 2 NBR O-Ring Head Seals
- 2 PTFE Back-up Rings

Fluorocarbon



Kit Includes:

- * See notes below
- 2 FC Loaded FC U-Seals
- 1 Nylon Wear Ring
- 2 FC O-Ring Head Seals
- 2 PTFE Back-Up Rings

Bore Dia.	(NBR) Kit #	(FC) Kit #
1-1/2"	ATL-1B00S015S	ATL-1B00S015V
2"	ATL-1B00S020S	ATL-1B00S020V
2-1/2"	ATL-1B00S025S	ATL-1B00S025V
3-1/4"	ATL-1B00S032S	ATL-1B00S032V
4"	ATL-1B00S040S	ATL-1B00S040V
5"	ATL-1B00S050S	ATL-1B00S050V
6"	ATL-1B00S060S	ATL-1B00S060V
7"	ATL-1B00S070S	ATL-1B00S070V
8"	ATL-1B00S080S	ATL-1B00S080V
10"	ATL-1B00S100S	ATL-1B00S100V
12"	ATL-1B00S120S	ATL-1B00S120V

* Kit contents are size dependant:
 1-1/2" thru 4" - U-Seals and O-Rings
 5" - U-Seals, O-Rings and Wear Rings
 6" - Same as 5, also includes 2 PTFE U-Seal Back-Up Rings
 7" thru 12" - contain all parts listed

ATLAS

Series H (for cylinders manufactured April 2005 and after) Piston Seal Kits (1-1/2" to 6" Bores)

Series H Piston Seal Kits

Nitrile

Fluorocarbon



Kit Includes:
 2 NBR O-Ring Head Seals
 2 HP URE Back-up Rings
 2 NBR U-Seals

Kit Includes:
 2 FC O-Ring Head Seals
 2 PTFE Back-Up Rings
 2 FC U-Seals

Bore Dia.	(NBR) Kit #	(FC) Kit #
1-1/2"	ATL-PH00LH015	ATL-VH00LH015
2"	ATL-PH00LH020	ATL-VH00LH020
2-1/2"	ATL-PH00LH025	ATL-VH00LH025
3-1/4"	ATL-PH00LH032	ATL-VH00LH032
4"	ATL-PH00LH040	ATL-VH00LH040
5"	ATL-PH00LH050	ATL-VH00LH050
6"	ATL-PH00LH060	ATL-VH00LH060

HP URE - High Performance Urethane

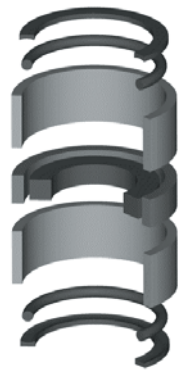
ATLAS

(for cylinders manufactured April 2005 and after) **Series H**
Piston Seal Kits
 (7" & 8" Bores)

Series H Piston Seal Kits

Nitrile

Fluorocarbon



- Kit Includes:**
 2 NBR Back-Up Rings
 2 NBR O-Ring Head Seals
 2 Nylon Wear Rings
 1 Bronze filled PTFE Piston Ring
 w/ 1 NBR Expander

- Kit Includes:**
 2 PTFE Back-Up Rings
 2 FC O-Ring Head Seals
 2 Nylon Wear Rings
 1 Bronze filled PTFE Piston Ring
 w/1 FC Expander

Bore Dia.	(NBR) Kit #	(FC) Kit #
7"	ATL-PH00KH070	ATL-VH00KH070
8"	ATL-PH00KH080	ATL-VH00KH080

High load Piston Seal Kits are standard for 7" & 8" Bores

ATLAS

ATLAS

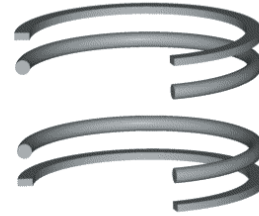
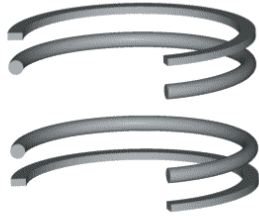
Series H (for cylinders manufactured before April 2005) Head Seal Kits

ATLAS

Series H Head Seal Kits

Nitrile

Fluorocarbon



Kit Includes:
2 NBR O-Ring Head Seals
2 PTFE Back-up Rings*

Kit Includes:
2 FC O-Ring Head Seals
2 PTFE Back-up Rings*

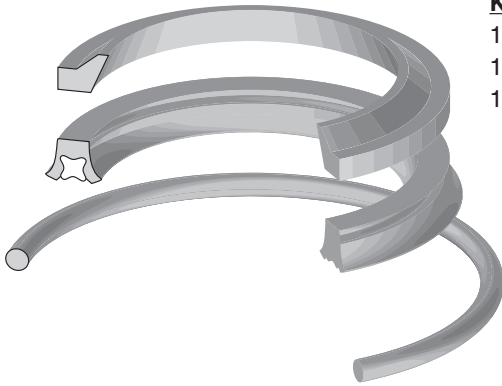
Bore Dia.	(NBR) Kit #	(FC) Kit #
1-1/2"	ATL-1E00S015S	ATL-1E00S015V
2"	ATL-1E00S020S	ATL-1E00S020V
2-1/2"	ATL-1E00S025S	ATL-1E00S025V
3-1/4"	ATL-1E00S032S	ATL-1E00S032V
4"	ATL-1E00S040S	ATL-1E00S040V
5"	ATL-1E00S050S	ATL-1E00S050V
6"	ATL-1E00S060S	ATL-1E00S060V
7"	ATL-1E00S070S	ATL-1E00S070V
8"	ATL-1E00S080S	ATL-1E00S080V
10"	ATL-1E00S100S	ATL-1E00S100V
12"	ATL-1E00S120S	ATL-1E00S120V

* Back-up Rings in 7", 8", 10" and 12" kits only

ATLAS

Rod Kits

Hydraulic Cylinders



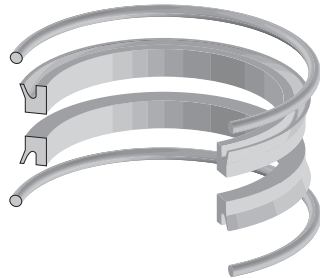
Kit Includes:

- 1 URE Wiper
- 1 URE Loaded U-seal
- 1 NBR O-ring

Rod Dia.	Kit #
5/8"	ATL-HRK62
1"	ATL-HRK100
1-3/8"	ATL-HRK137
1-3/8"	ATL-90030340-79
1-3/8"	ATL-90030370-79
1-3/4"	ATL-HRK175
1-3/4"	ATL-90030340-69
1-3/4"	ATL-90030370-69
2"	ATL-HRK200

Piston Kits

Pneumatic Cylinders

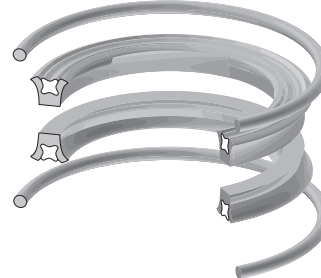


Kit Includes:

- 2 URE U-seals
- 2 NBR O-rings

Bore Dia.	Kit #
1-1/2"	—
2"	ATL-APK20-000
2-1/2"	ATL-APK25-000
3-1/4"	—
4"	ATL-APK40-000
5"	ATL-APK50-000
6"	ATL-APK60-000
8"	ATL-APK80-000
10"	ATL-APK100-000

Hydraulic Cylinders



Kit Includes:

- 2 URE Loaded U-seals
- 2 NBR O-rings

Kit #
ATL-HPK15-000
ATL-HPK20-000
ATL-HPK25-000
ATL-HPK35-000
ATL-HPK40-000
ATL-HPK50-000
ATL-HPK60-000
ATL-HPK80-000
—

ATLAS

ATLAS

Kit Number	Code	Rod Size	Bore Size
ATL-1B00S015S	N-N-5		1-1/2
ATL-1B00S015V	N-N-5		1-1/2
ATL-1B00S020S	N-N-5		2
ATL-1B00S020V	N-N-5		2
ATL-1B00S025S	N-N-5		2-1/2
ATL-1B00S025V	N-N-5		2-1/2
ATL-1B00S032S	N-N-5		3-1/4
ATL-1B00S032V	N-N-5		3-1/4
ATL-1B00S040S	N-N-5		4
ATL-1B00S040V	N-N-5		4
ATL-1B00S050S	N-N-5		5
ATL-1B00S050V	N-N-5		5
ATL-1B00S060S	N-N-5		6
ATL-1B00S060V	N-N-5		6
ATL-1B00S070S	N-N-5		7
ATL-1B00S070V	N-N-5		7
ATL-1B00S080S	N-N-5		8
ATL-1B00S080V	N-N-5		8
ATL-1B00S100S	N-N-5		10
ATL-1B00S100V	N-N-5		10
ATL-1B00S120S	N-N-5		12
ATL-1B00S120V	N-N-5		12
ATL-1E00S015S	Head Seal Kit		1-1/2
ATL-1E00S015V	Head Seal Kit		1-1/2
ATL-1E00S020S	Head Seal Kit		2
ATL-1E00S020V	Head Seal Kit		2
ATL-1E00S025S	Head Seal Kit		2-1/2
ATL-1E00S025V	Head Seal Kit		2-1/2
ATL-1E00S032S	Head Seal Kit		3-1/4
ATL-1E00S032V	Head Seal Kit		3-1/4
ATL-1E00S040S	Head Seal Kit		4
ATL-1E00S040V	Head Seal Kit		4
ATL-1E00S050S	Head Seal Kit		5
ATL-1E00S050V	Head Seal Kit		5
ATL-1E00S060S	Head Seal Kit		6
ATL-1E00S060V	Head Seal Kit		6
ATL-1E00S070S	Head Seal Kit		7
ATL-1E00S070V	Head Seal Kit		7
ATL-1E00S080S	Head Seal Kit		8
ATL-1E00S080V	Head Seal Kit		8
ATL-1E00S100S	Head Seal Kit		10
ATL-1E00S100V	Head Seal Kit		10
ATL-1E00S120S	Head Seal Kit		12
ATL-1E00S120V	Head Seal Kit		12
ATL-4A06R000S	I-U-1	5/8	
ATL-4A06R000V	I-U-1	5/8	
ATL-4A06S000S	I-U-1	5/8	
ATL-4A06S000V	I-U-1	5/8	
ATL-4A07S000S	I-U-1	3/4	
ATL-4A07S000V	I-U-1	3/4	

Kit Number	Code	Rod Size	Bore Size
ATL-4A10R000S	I-U-1	1	
ATL-4A10R000V	I-U-1	1	
ATL-4A10S000S	I-U-1	1	
ATL-4A10S000V	I-U-1	1	
ATL-4A13R000S	I-U-1	1-3/8	
ATL-4A13R000V	I-U-1	1-3/8	
ATL-4A13S000S	I-U-1	1-3/8	
ATL-4A13S000V	I-U-1	1-3/8	
ATL-4A17R000S	I-U-1	1-3/4	
ATL-4A17R000V	I-U-1	1-3/4	
ATL-4A17S000S	I-U-1	1-3/4	
ATL-4A17S000V	I-U-1	1-3/4	
ATL-4A20R000S	I-U-1	2	
ATL-4A20R000V	I-U-1	2	
ATL-4A20S000S	I-U-1	2	
ATL-4A20S000V	I-U-1	2	
ATL-4A25R000S	I-U-1	2-1/2	
ATL-4A25R000V	I-U-1	2-1/2	
ATL-4A25S000S	I-U-1	2-1/2	
ATL-4A25S000V	I-U-1	2-1/2	
ATL-4A30R000S	I-U-1	3	
ATL-4A30R000V	I-U-1	3	
ATL-4A30S000S	I-U-1	3	
ATL-4A30S000V	I-U-1	3	
ATL-4A35S000S	I-U-1	3-1/2	
ATL-4A35S000V	I-U-1	3-1/2	
ATL-4A40S000S	I-U-1	4	
ATL-4A40S000V	I-U-1	4	
ATL-4A45S000S	I-U-1	4-1/2	
ATL-4A45S000V	I-U-1	4-1/2	
ATL-4A50S000S	I-U-1	5	
ATL-4A50S000V	I-U-1	5	
ATL-4B00S015S	N-N-5		1-1/2
ATL-4B00S015V	N-N-5		1-1/2
ATL-4B00S020S	N-N-5		2
ATL-4B00S020V	N-N-5		2
ATL-4B00S025S	N-N-5		2-1/2
ATL-4B00S025V	N-N-5		2-1/2
ATL-4B00S032S	N-N-5		3-1/4
ATL-4B00S032V	N-N-5		3-1/4
ATL-4B00S040S	N-N-5		4
ATL-4B00S040V	N-N-5		4
ATL-4B00S050S	N-N-5		5
ATL-4B00S050V	N-N-5		5
ATL-4B00S060S	N-N-5		6
ATL-4B00S060V	N-N-5		6
ATL-4B00S070S	N-N-5		7
ATL-4B00S070V	N-N-5		7
ATL-4B00S080S	N-N-5		8
ATL-4B00S080V	N-N-5		8

ATLAS

Kit Number	Code	Rod Size	Bore Size
ATL-4B00S100S	N-N-5		10
ATL-4B00S100V	N-N-5		10
ATL-4B00S120S	N-N-5		12
ATL-4B00S120V	N-N-5		12
ATL-4B00S140S	N-N-5		14
ATL-4B00S140V	N-N-5		14
ATL-4E00S015S	Head Seal Kit		1-1/2
ATL-4E00S015V	Head Seal Kit		1-1/2
ATL-4E00S020S	Head Seal Kit		2
ATL-4E00S020V	Head Seal Kit		2
ATL-4E00S025S	Head Seal Kit		2-1/2
ATL-4E00S025V	Head Seal Kit		2-1/2
ATL-4E00S032S	Head Seal Kit		3-1/4
ATL-4E00S032V	Head Seal Kit		3-1/4
ATL-4E00S040S	Head Seal Kit		4
ATL-4E00S040V	Head Seal Kit		4
ATL-4E00S050S	Head Seal Kit		5
ATL-4E00S050V	Head Seal Kit		5
ATL-4E00S060S	Head Seal Kit		6
ATL-4E00S060V	Head Seal Kit		6
ATL-4E00S070S	Head Seal Kit		7
ATL-4E00S070V	Head Seal Kit		7
ATL-4E00S080S	Head Seal Kit		8
ATL-4E00S080V	Head Seal Kit		8
ATL-4E00S100S	Head Seal Kit		10
ATL-4E00S100V	Head Seal Kit		10
ATL-4E00S120S	Head Seal Kit		12
ATL-4E00S120V	Head Seal Kit		12
ATL-4E00S140S	Head Seal Kit		14
ATL-4E00S140V	Head Seal Kit		14
ATL-90030340-69	I-U-1	1-3/4	
ATL-90030340-79	I-U-1	1-3/8	
ATL-90030370-69	I-U-1	1-3/4	
ATL-90030370-79	I-U-1	1-3/8	
ATL-APK100-000	N-N-5		10
ATL-APK20-000	N-N-5		2
ATL-APK25-000	N-N-5		2-1/2
ATL-APK40-000	N-N-5		4
ATL-APK50-000	N-N-5		5
ATL-APK60-000	N-N-5		6
ATL-APK80-000	N-N-5		8
ATL-EA06R000S	I-U-1	5/8	
ATL-EA06S000S	I-U-1	5/8	
ATL-EA10R000S	I-U-1	1	
ATL-EA10S000S	I-U-1	1	
ATL-EA13R000S	I-U-1	1-3/8	
ATL-EA13S000S	I-U-1	1-3/8	
ATL-EA17R000S	I-U-1	1-3/4	
ATL-EA17S000S	I-U-1	1-3/4	
ATL-EA20R000S	I-U-1	2	

Kit Number	Code	Rod Size	Bore Size
ATL-EA20S000S	I-U-1	2	
ATL-EA25R000S	I-U-1	2-1/2	
ATL-EA25S000S	I-U-1	2-1/2	
ATL-EA30R000S	I-U-1	3	
ATL-EA30S000S	I-U-1	3	
ATL-EA35S000S	I-U-1	3-1/2	
ATL-EA40S000S	I-U-1	4	
ATL-EA45S000S	I-U-1	4-1/2	
ATL-EA50S000S	I-U-1	5	
ATL-EB00S015S	N-N-5		1-1/2
ATL-EB00S020S	N-N-5		2
ATL-EB00S025S	N-N-5		2-1/2
ATL-EB00S032S	N-N-5		3-1/4
ATL-EB00S040S	N-N-5		4
ATL-EB00S050S	N-N-5		5
ATL-EB00S060S	N-N-5		6
ATL-4B00S070S	N-N-5		7
ATL-EB00S080S	N-N-5		8
ATL-HPK15-000	N-N-5		1-1/2
ATL-HPK20-000	N-N-5		2
ATL-HPK25-000	N-N-5		2-1/2
ATL-HPK35-000	N-N-5		3-1/4
ATL-HPK40-000	N-N-5		4
ATL-HPK50-000	N-N-5		5
ATL-HPK60-000	N-N-5		6
ATL-HPK80-000	N-N-5		8
ATL-HRK100	I-U-1	1	
ATL-HRK137	I-U-1	1-3/8	
ATL-HRK175	I-U-1	1-3/4	
ATL-HRK200	I-U-1	2	
ATL-HRK62	I-U-1	5/8	
ATL-PH00KH070	N-N-1		7
ATL-PH00KH080	N-N-1		8
ATL-PH00LH015	N-N-5		1-1/2
ATL-PH00LH020	N-N-5		2
ATL-PH00LH025	N-N-5		2-1/2
ATL-PH00LH032	N-N-5		3-1/4
ATL-PH00LH040	N-N-5		4
ATL-PH00LH050	N-N-5		5
ATL-PH00LH060	N-N-5		6
ATL-PH06SH000	I-U-1	5/8	
ATL-PH10SH000	I-U-1	1	
ATL-PH13SH000	I-U-1	1-3/8	
ATL-PH17SH000	I-U-1	1-3/4	
ATL-PH20SH000	I-U-1	2	
ATL-PH25SH000	I-U-1	2-1/2	
ATL-PH30SH000	I-U-1	3	
ATL-PH35SH000	I-U-1	3-1/2	
ATL-RGAL-06	Bronze Rod Gland	5/8	
ATL-RGAL-10	Bronze Rod Gland	1	

ATLAS

Kit Number	Code	Rod Size	Bore Size	
ATL-RGAL-13	Bronze Rod Gland	1-3/8		
ATL-RGAL-17	Bronze Rod Gland	1-3/4		
ATL-RGAL-20	Bronze Rod Gland	2		
ATL-RGAL-25	Bronze Rod Gland	2-1/2		
ATL-RGAL-30	Bronze Rod Gland	3		
ATL-VH00KH070	N-N-1		7	
ATL-VH00KH080	N-N-1		8	
ATL-VH00LH015	N-N-5		1-1/2	
ATL-VH00LH020	N-N-5		2	
ATL-VH00LH025	N-N-5		2-1/2	
ATL-VH00LH032	N-N-5		3-1/4	
ATL-VH00LH040	N-N-5		4	
ATL-VH00LH050	N-N-5		5	
ATL-VH00LH060	N-N-5		6	
ATL-VH06SH000	I-U-1	5/8		
ATL-VH10SH000	I-U-1	1		
ATL-VH13SH000	I-U-1	1-3/8		
ATL-VH17SH000	I-U-1	1-3/4		
ATL-VH20SH000	I-U-1	2		
ATL-VH25SH000	I-U-1	2-1/2		
ATL-VH30SH000	I-U-1	3		
ATL-VH35SH000	I-U-1	3-1/2		

HYDRO-LINE

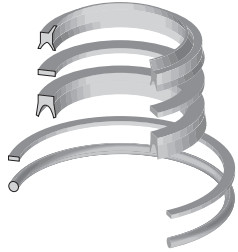
Kit Type		Page
A5 Series	Rod Kits	26
	Piston Kits	27
	Tube End Seals	27
E2 Series	Rod Kits	28
	Piston Kits	28
	Tube End Seals	28
N2 Series	Rod Kits	29
	Piston Kits	30
	Tube End Seals	31
N5 Series	Rod Kits	32 - 33
	Piston Kits	34
	Tube End Seals	34
R2 Series	Rod Kits	35
	Piston Kits	36
	Tube End Seals	37
R5 Series	Rod Kits	38 - 39
	Piston Kits	40
	Tube End Seals	41
Universal Kits	Rod Kits	42
	Gland Kits	43 - 44
	Captive Cushion Adjustment Seal	45
	Piston Kits	46
Repair Kits	By Part Number	47 - 53

HYDRO-LINE

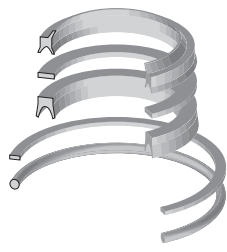
A5 Series Rod Kits

HYDRO-LINE

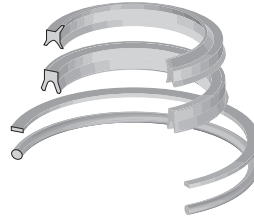
A5 Cylinders		HA5 Cylinders	
Nitrile	Fluorocarbon	Urethane	Fluorocarbon



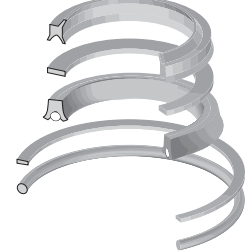
- Kit Includes:**
- 1 XNBR Wiper
 - 1 URE Back-up Ring
 - 1 NBR U-seal
 - 1 PTFE Back-up Ring
 - 1 NBR O-ring



- Kit Includes:**
- 1 FC Wiper
 - 1 PTFE Back-up Ring
 - 1 FC U-seal
 - 1 PTFE Back-up Ring
 - 1 FC O-ring



- Kit Includes:**
- 1 XNBR Wiper
 - 1 URE U-seal
 - 1 PTFE Back-up Ring
 - 1 NBR O-ring



- Kit Includes:**
- 1 FC Wiper
 - 1 PTFE Back-up Ring
 - 1 FC Loaded U-seal
 - 1 PTFE Back-up Ring
 - 1 FC O-ring

Rod Dia.	(NBR) Kit #	(FC) Kit #	(URE) Kit #	(FC) Kit #
5/8"	HSKN5-660-05	HSKN5-660-05V	HSKN5-681-05	HSKN5-660-P-05V
1"	HSKN5-660-08	HSKN5-660-08V	HSKN5-681-08	HSKN5-660-P-08V
1-3/8"	HSKN5-660-11	HSKN5-660-11V	HSKN5-681-11	HSKN5-660-P-11V

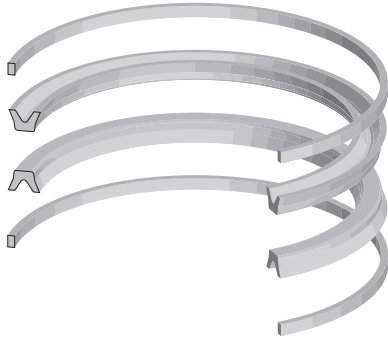
HYDRO-LINE

A5 Series Piston Kits

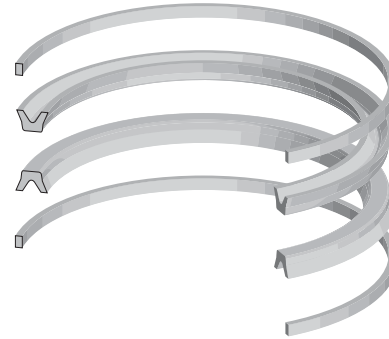
Nitrile

A5 Cylinders

Fluorocarbon



Kit Includes:
2 NBR U-seals
2 PTFE Tube End Seals



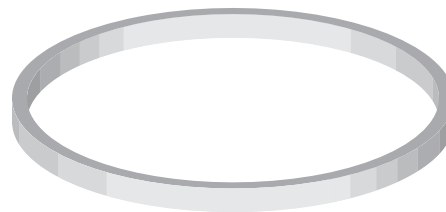
Kit Includes:
2 FC U-seals
2 PTFE Tube End Seals

Bore Dia.	(NBR) Kit #	(FC) Kit #
1-1/2"	HSKA5-512-03	HSKA5-512-03V
2"	HSKA5-512-04	HSKA5-512-04V
2-1/2"	HSKA5-512-05	HSKA5-512-05V
3-1/4"	HSKA5-512-065	HSKA5-512-065V
4"	HSKA5-512-08	HSKA5-512-08V
5"	HSKA5-512-10	HSKA5-512-10V
6"	HSKA5-512-12	HSKA5-512-12V

Tube End Seals

A5 Cylinders PTFE

Bore Dia.	Part #
1-1/2"	HS-C221-03
2"	HS-C221-04
2-1/2"	HS-C221-05
3-1/4"	HS-C221-065
4"	HS-C221-08
5"	HS-C221-10
6"	HS-C221-12



HYDRO-LINE

E2 Series Rod Kits

E2 Cylinders Nitrile



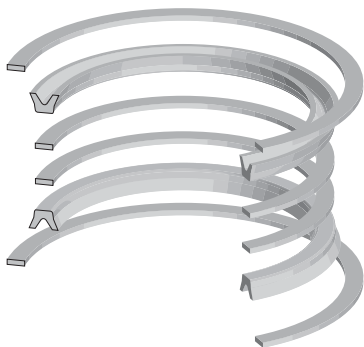
Rod Dia.	(NBR) Kit #
5/8"	HSKE2-660-05
1"	HSKE2-660-08
1-3/8"	HSKE2-660-11

Kit Includes:

- 1 XNBR Wiper
- 1 NBR U-seal
- 1 NBR O-ring

Piston Kits

E2 Cylinders Nitrile



Bore Dia.	(NBR) Kit #
1-1/2"	HSKE2-512-03
2"	HSKE2-512-04
3-1/4"	HSKE2-512-065
4"	HSKE2-512-08

Kit Includes:

- 2 NBR U-seals
- 2 PTFE Back-up Rings (found in 2" & 4" Bore Kits Only)
- 2 Fiber Gaskets

Tube End Seals

E2 Cylinders Fiber



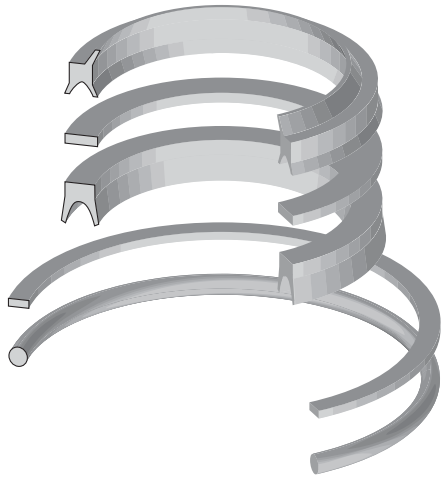
Bore Dia.	Part #
1-1/2"	HS-E304-03
2"	HS-E304-04
3-1/4"	HS-E304-065
4"	HS-E304-08

HYDRO-LINE

N2 Series Rod Kits

N2 Cylinders

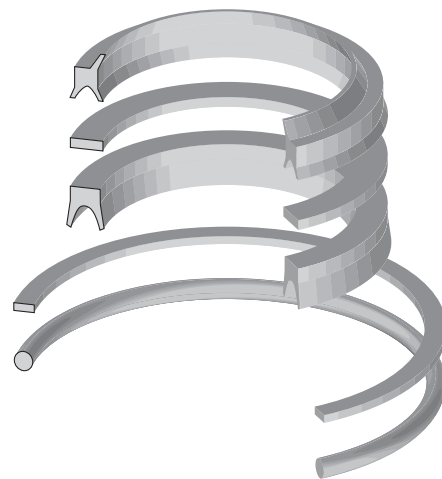
Nitrile



Kit Includes:

- 1 XNBR Wiper
- 1 URE Back-up Ring
- 1 NBR U-seal
- 1 PTFE Back-up Ring
- 1 NBR O-ring

Fluorocarbon



Kit Includes:

- 1 FC Wiper
- 1 PTFE Back-up Ring
- 1 FC U-seal
- 1 PTFE Back-up Ring
- 1 FC O-ring

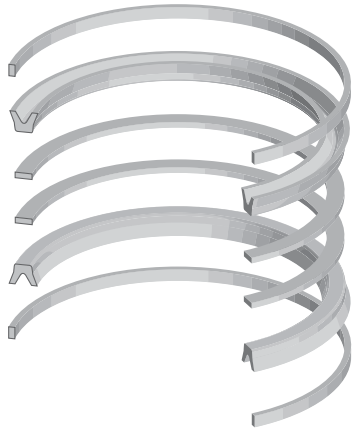
Rod Dia.	(NBR) Kit #	(FC) Kit #
5/8"	HSKN2-661-05	HSKN2-661-05V
1"	HSKN2-661-08	HSKN2-661-08V
1-3/8"	HSKN2-661-11	HSKN2-661-11V
1-3/4"	HSKN2-661-14	HSKN2-661-14V
2"	HSKN2-661-16	HSKN2-661-16V
2-1/2"	HSKN2-661-20	HSKN2-661-20V
3"	HSKN5-660-24	HSKN5-660-24V
3-1/2"	HSKN5-660-28	HSKN5-660-28V
4"	HSKN5-660-32	HSKN5-660-32V
4-1/2"	HSKN5-660-36	HSKN5-660-36V
5"	HSKN5-660-40	HSKN5-660-40V
5-1/2"	HSKN5-660-44	HSKN5-660-44V

FOR N2 GLAND KITS SEE UNIVERSAL GLAND KITS, SEE PAGE 43

HYDRO-LINE

N2 Series Piston Kits

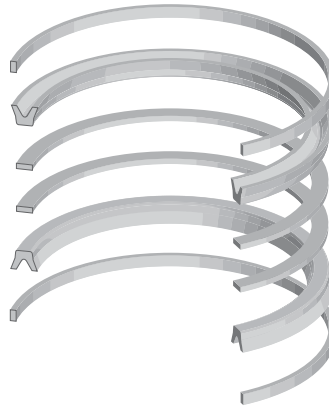
Nitrile



Kit Includes:

2 NBR U-seals
2 URE Back-up Rings
2 PTFE Tube End Seals

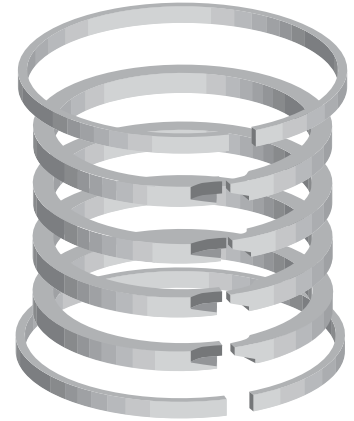
N2 Cylinders Fluorocarbon



Kit Includes:

2 FC U-seals
2 PTFE Back-up Rings
2 PTFE Tube End Seals

Piston Ring



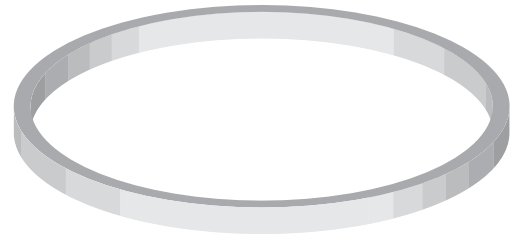
Kit Includes:

4 Cast-Iron Piston Rings
2 PTFE Tube End Seals

Bore Dia.	(NBR) Kit #	(FC) Kit #	(PR) Kit #
1-1/2"	HSKN2-512-03	HSKN2-512-03V	HSKN2-511-03
2"	HSKN2-512-04	HSKN2-512-04V	HSKN2-511-04
2-1/2"	HSKN2-512-05	HSKN2-512-05V	HSKN2-511-05
3-1/4"	HSKN2-512-065	HSKN2-512-065V	HSKN2-511-065
4"	HSKN2-512-08	HSKN2-512-08V	HSKN2-511-08
5"	HSKN2-512-10	HSKN2-512-10V	HSKN2-511-10
6"	HSKN2-512-12	HSKN2-512-12V	HSKN2-511-12
7"	HSKN2-512-14	HSKN2-512-14V	HSKN2-511-14
8"	HSKN2-512-16	HSKN2-512-16V	HSKN2-511-16
10"	HSKN2-512-20	HSKN2-512-20V	HSKN2-511-20
12"	HSKN2-512-24	HSKN2-512-24V	HSKN2-511-24

HYDRO-LINE**N2 Series
Tube End Seals****N2 Cylinders
PTFE**

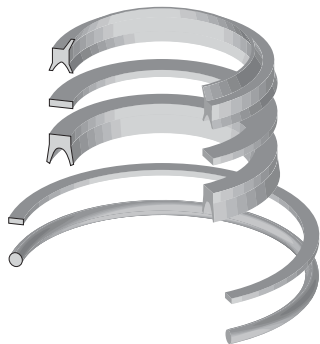
Bore Dia.	Part #
1-1/2"	HS-C124-03
2"	HS-C124-04
2-1/2"	HS-C124-05
3-1/4"	HS-C124-065
4"	HS-C124-08
5"	HS-C124-10
6"	HS-C124-12
7" & UP	HS-C124-STRIP (sold by the foot)



HYDRO-LINE

N5 Series Rod Kits

N5 & AN5 Cylinders Nitrile



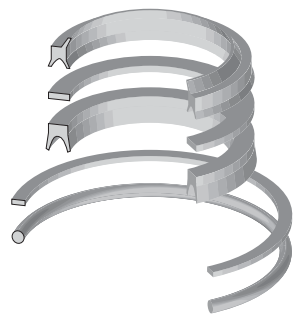
Kit Includes:

- 1 XNBR Wiper
- 1 URE Back-up Ring
- 1 NBR U-seal
- 1 PTFE Back-up Ring
- 1 NBR O-ring

Rod Dia.	(NBR) Kit #
5/8"	HSKN5-660-05
1"	HSKN5-660-08
1-3/8"	HSKN5-660-11
1-3/4"	HSKN5-660-14
2"	HSKN5-660-16
2-1/2"	HSKN5-660-20
3"	HSKN5-660-24
3-1/2"	HSKN5-660-28
4"	HSKN5-660-32
4-1/2"	HSKN5-660-36
5"	HSKN5-660-40
5-1/2"	HSKN5-660-44

Rod Kits

N5 Cylinders Fluorocarbon



Kit Includes:

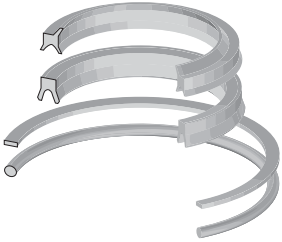
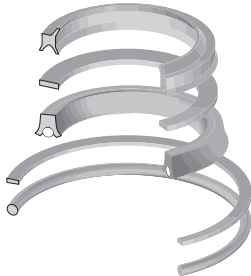
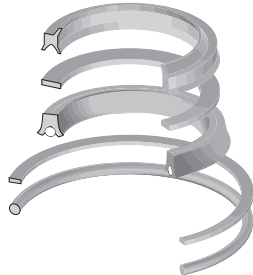
- 1 FC Wiper
- 1 PTFE Back-up Ring
- 1 FC U-seal
- 1 PTFE Back-up Ring
- 1 FC O-ring

Rod Dia.	(FC) Kit #
5/8"	HSKN5-660-05V
1"	HSKN5-660-08V
1-3/8"	HSKN5-660-11V
1-3/4"	HSKN5-660-14V
2"	HSKN5-660-16V
2-1/2"	HSKN5-660-20V
3"	HSKN5-660-24V
3-1/2"	HSKN5-660-28V
4"	HSKN5-660-32V
4-1/2"	HSKN5-660-36V
5"	HSKN5-660-40V
5-1/2"	HSKN5-660-44V

FOR N5 GLAND KITS SEE UNIVERSAL GLAND KITS, SEE PAGE 43

HYDRO-LINE

N5 Series Rod Kits

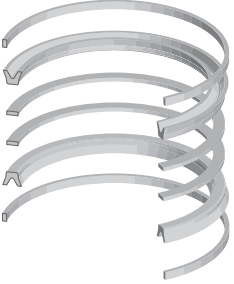
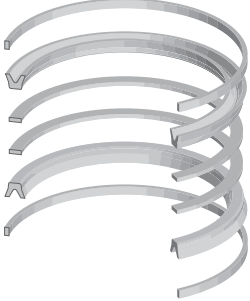
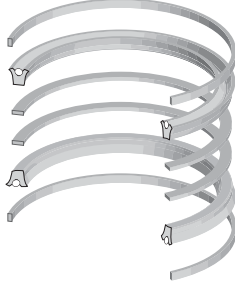
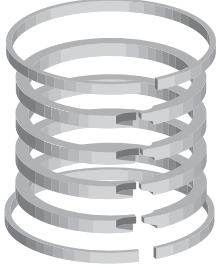
	Urethane	N5 Cylinders Urethane	Fluorocarbon
	 <p>Kit Includes: 1 XNBR Wiper 1 URE U-seal 1 PTFE Back-up Ring 1 NBR O-ring</p>	 <p>Kit Includes: 1 XNBR Wiper 1 Urethane Back-up Ring 1 Urethane Loaded U-seal 1 PTFE Back-up Ring 1 NBR O-ring</p>	 <p>Kit Includes: 1 FC Wiper 1 PTFE Back-up Ring 1 FC Loaded U-seal 1 PTFE Back-up Ring 1 FC O-ring</p>
Rod Dia.	(URE) Kit #	(URE) Kit #	(FC) Kit #
1/2"	—	HSKN5-660-P-04	—
5/8"	HSKN5-681-05	—	HSKN5-660-P-05V
1"	HSKN5-681-08	HSKN5-660-P-08	HSKN5-660-P-08V
1-3/8"	HSKN5-681-11	—	HSKN5-660-P-11V
1-3/4"	HSKN5-681-14	HSKN5-660-P-14	HSKN5-660-P-14V
2"	HSKN5-681-16	—	HSKN5-660-P-16V
2-1/2"	HSKN5-681-20	HSKN5-660-P-20	HSKN5-660-P-20V
3"	HSKN5-681-24	—	HSKN5-660-P-24V
3-1/2"	HSKN5-681-28	HSKN5-660-P-28	HSKN5-660-P-28V
4"	HSKN5-681-32	—	HSKN5-660-P-32V
4-1/2"	HSKN5-681-36	—	HSKN5-660-P-36V
5"	HSKN5-681-40	—	HSKN5-660-P-40V
5-1/2"	HSKN5-681-44	—	HSKN5-660-P-44V

FOR N5 GLAND KITS SEE UNIVERSAL GLAND KITS, SEE PAGE 43

HYDRO-LINE

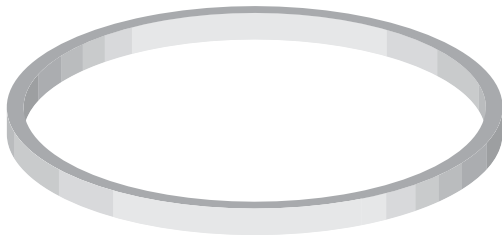
N5 Series Piston Kits

HYDRO-LINE

N5 Cylinders				
	Nitrile	Fluorocarbon	Urethane	Piston Ring
				
	Kit Includes: 2 NBR U-seals 2 URE Back-up Rings 2 PTFE Tube End Seals	Kit Includes: 2 FC U-seals 2 PTFE Back-up Rings 2 PTFE Tube End Seals	Kit Includes: 2 Urethane U-seals 2 URE Back-up Rings 2 PTFE Tube End Seals	Kit Includes: 4 Cast-Iron Piston Rings 2 PTFE Tube End Seals
Bore Dia.	(NBR) Kit #	(FC) Kit #	(URE) Kit #	(PR) Kit #
1-1/2"	HSKN5-512-03	HSKN5-512-03V	—	HSKN5-511-03
2"	HSKN5-512-04	HSKN5-512-04V	—	HSKN5-511-04
2-1/2"	HSKN5-512-05	HSKN5-512-05V	HSKN5-512-P-05	HSKN5-511-05
3-1/4"	HSKN5-512-065	HSKN5-512-065V	—	HSKN5-511-065
4"	HSKN5-512-08	HSKN5-512-08V	—	HSKN5-511-08
5"	HSKN5-512-10	HSKN5-512-10V	—	HSKN5-511-10
6"	HSKN5-512-12	HSKN5-512-12V	—	HSKN5-511-12
7"	HSKN5-512-14	HSKN5-512-14V	—	HSKN5-511-14
8"	HSKN5-512-16	HSKN5-512-16V	HSKN5-512-P-16	HSKN5-511-16
10"	HSKN2-512-20	HSKN2-512-20V	—	HSKN2-511-20
12"	HSKN2-512-24	HSKN2-512-24V	—	HSKN2-511-24

Tube End Seals

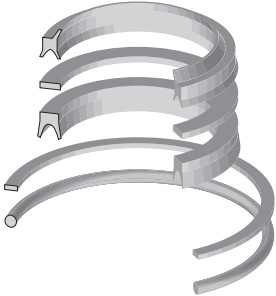
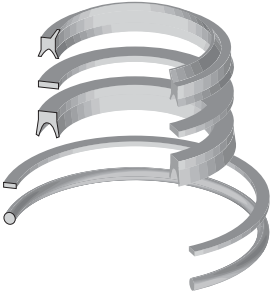
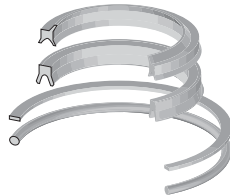
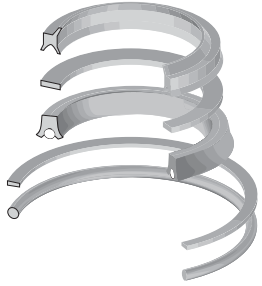
N5 Cylinders PTFE



Bore Dia.	Part #
1-1/2"	HS-C255-03
2"	HS-C255-04
2-1/2"	HS-C255-05
3-1/4"	HS-C255-065
4"	HS-C255-08
5"	HS-C255-10
6"	HS-C255-12
7"	HS-C255-14
8"	HS-C255-16
10" & UP	HS-C124-STRIP (sold by the foot)

HYDRO-LINE

R2 Series Rod Kits

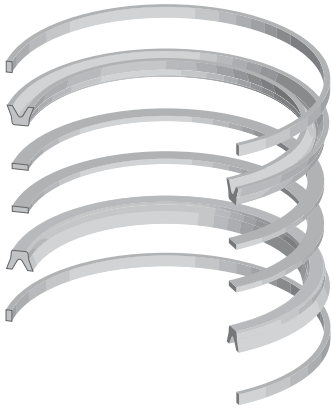
		R2 & LR2 Cylinders			
		Nitrile	Fluorocarbon	Urethane	Fluorocarbon
					
		Kit Includes: 1 XNBR Wiper 1 URE Back-up Ring 1 NBR U-seal 1 PTFE Back-up Ring 1 NBR O-ring	Kit Includes: 1 FC Wiper 1 PTFE Back-up Ring 1 FC U-seal 1 PTFE Back-up Ring 1 FC O-ring	Kit Includes: 1 XNBR Wiper 1 URE U-seal 1 PTFE Back-up Ring 1 NBR O-ring	Kit Includes: 1 FC Wiper 1 PTFE Back-up Ring 1 FC Loaded U-seal 1 PTFE Back-up Ring 1 FC O-ring
Rod Dia.	Bore Dia.	(NBR) Kit #	(FC) Kit #	(URE) Kit #	(FC) Kit #
5/8"	1"	HSKR2-662-05A	HSKR2-662-05AV	HSKR2-681-05A	HSKR2-662-P-05AV
5/8"	1.5" & UP	HSKN2-661-05	HSKN2-661-05V	—	—
1"	1.5", 2, 2.5"	HSKR2-662-08	HSKR2-662-08V	HSKR2-681-08	HSKR2-662-P-08V
1"	3.25" & UP	HSKN2-661-08	HSKN2-661-08V	—	—
1-3/8"	2", 2.5"	HSKR2-662-11	HSKR2-662-11V	HSKR2-681-11	HSKR2-662-P-11V
1-3/8"	3.25" & UP	HSKN2-661-11	HSKN2-661-11V	—	—
1-3/4"	2.5"	HSKR2-662-14	HSKR2-662-14V	HSKR2-681-14	HSKR2-662-P-14V
1-3/4"	3.25" & UP	HSKN2-661-14	HSKN2-661-14V	—	—
2"	ALL	HSKN2-661-16	HSKN2-661-16V	—	—
2-1/2"	ALL	HSKN2-661-20	HSKN2-661-20V	—	—
3"	ALL	HSKN5-660-24	HSKN5-660-24V	—	—
3-1/2"	ALL	HSKN5-660-28	HSKN5-660-28V	—	—
4"	ALL	HSKN5-660-32	HSKN5-660-32V	—	—
4-1/2"	ALL	HSKN5-660-36	HSKN5-660-36V	—	—
5"	ALL	HSKN5-660-40	HSKN5-660-40V	—	—
5-1/2"	ALL	HSKN5-660-44	HSKN5-660-44V	—	—

FOR R2 GLAND KITS SEE UNIVERSAL GLAND KITS, SEE PAGE 43

HYDRO-LINE

R2 Series Piston Kits

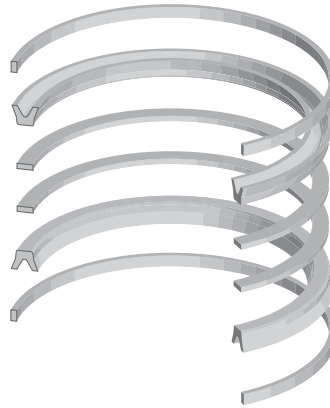
Nitrile



Kit Includes:

- 2 NBR U-seals
- 2 URE Back-up Rings
- 2 PTFE Tube End Seals

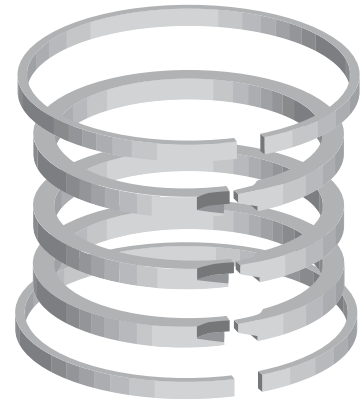
R2 & LR2 Cylinders Fluorocarbon



Kit Includes:

- 2 FC U-seals
- 2 PTFE Back-up Rings
- 2 PTFE Tube End Seals

Piston Ring



Kit Includes:

- 3 Cast-Iron Piston Rings
- 2 PTFE Tube End Seals

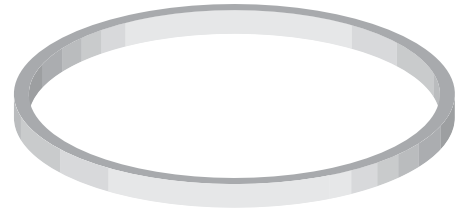
Bore Dia.	(NBR) Kit #	(FC) Kit #	(PR) Kit #
1"	HSKR5-512-02	HSKR5-512-02V	HSKR5-511-02
1-1/2"	HSKR5-512-03	HSKR5-512-03V	HSKR5-511-03
2"	HSKR5-512-04	HSKR5-512-04V	HSKR5-511-04
2-1/2"	HSKR5-512-05	HSKR5-512-05V	HSKR5-511-05
3-1/4"	HSKR5-512-065	HSKR5-512-065V	HSKR5-511-065
4"	HSKR5-512-08	HSKR5-512-08V	HSKR5-511-08
5"	HSKR5-512-10	HSKR5-512-10V	HSKR5-511-10
6"	HSKR5-512-12	HSKR5-512-12V	HSKR5-511-12
8"	HSKR5-512-16	HSKR5-512-16V	HSKR5-511-16
10"	HSKR5-512-20	HSKR5-512-20V	HSKR5-511-20
12"	HSKR5-512-24	HSKR5-512-24V	HSKR5-511-24
14"	HSKR5-512-28	HSKR5-512-28V	—

HYDRO-LINE

R2 Series Tube End Seals

R2 & LR2 Cylinders PTFE

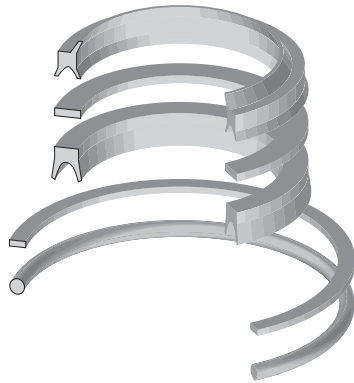
Bore Dia.	Part #
1"	HS-C221-02
1-1/2"	HS-C221-03
2"	HS-C221-04
2-1/2"	HS-C221-05
3-1/4"	HS-C221-065
4"	HS-C221-08
5"	HS-C221-10
6"	HS-C221-12
8" & UP	HS-C221-STRIP (sold by the foot)



HYDRO-LINE

R5 Series Rod Kits

R5 & HR5 Cylinders Nitrile



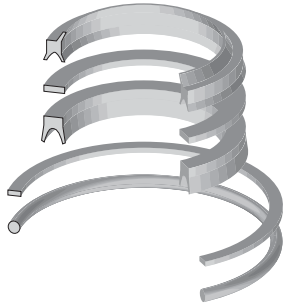
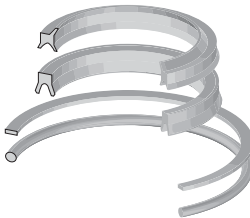
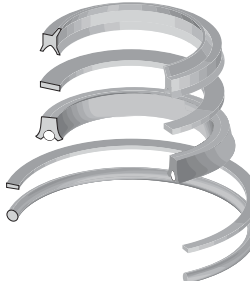
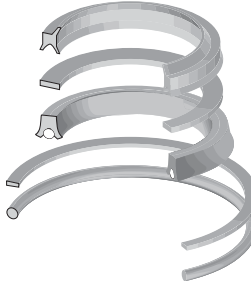
Kit Includes:

- 1 XNBR Wiper
- 1 URE Back-up Ring
- 1 NBR U-seal
- 1 PTFE Back-up Ring
- 1 NBR O-ring

Rod Dia.	Bore Dia.	(NBR) Kit #
1/2"	1"	HSKN5-660-04
5/8"	1"	HSKR2-662-05A
5/8"	1.5" & UP	HSKN5-660-05
1"	2" & UP	HSKN5-660-08
1-3/8"	2.5" & UP	HSKN5-660-11
1-3/4"	ALL	HSKN5-660-14
2"	ALL	HSKN5-660-16
2-1/2"	ALL	HSKN5-660-20
3"	ALL	HSKN5-660-24
3-1/2"	ALL	HSKN5-660-28
4"	ALL	HSKN5-660-32
4-1/2"	ALL	HSKN5-660-36
5"	ALL	HSKN5-660-40
5-1/2"	ALL	HSKN5-660-44

HYDRO-LINE

R5 Series Rod Kits

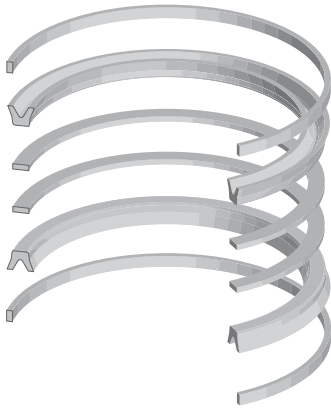
HR5 Cylinders					
Fluorocarbon		Urethane	Urethane	Fluorocarbon	
					
Kit Includes: 1 FC Wiper 1 PTFE Back-up Ring 1 FC U-seal 1 PTFE Back-up Ring 1 FC O-ring		Kit Includes: 1 XNBR Wiper 1 URE U-seal 1 PTFE Back-up Ring 1 NBR O-ring	Kit Includes: 1 XNBR Wiper 1 Urethane Back-up Ring 1 Urethane Loaded U-seal 1 PTFE Back-up Ring 1 NBR O-ring	Kit Includes: 1 FC Wiper 1 PTFE Back-up Ring 1 FC Loaded U-seal 1 PTFE Back-up Ring 1 FC O-ring	
Rod Dia.	Bore Dia.	(FC) Kit #	(URE) Kit #	(URE) Kit #	(FC) Kit #
1/2"	1"	HSKN5-660-04V	—	HSKN5-660-P-04	HSKN5-660-P-04V
5/8"	1"	HSKR2-662-05AV	HSKN5-681-05A	—	HSKN5-660-P-05AV
5/8"	1.5" & UP	HSKN5-660-05V	HSKN5-681-05	—	HSKN5-660-P-05V
1"	2" & UP	HSKN5-660-08V	HSKN5-681-08	HSKN5-660-P-08	HSKN5-660-P-08V
1-3/8"	2.5" & UP	HSKN5-660-11V	HSKN5-681-11	—	HSKN5-660-P-11V
1-3/4"	ALL	HSKN5-660-14V	HSKN5-681-14	HSKN5-660-P-14	HSKN5-660-P-14V
2"	ALL	HSKN5-660-16V	HSKN5-681-16	—	HSKN5-660-P-16V
2-1/2"	ALL	HSKN5-660-20V	HSKN5-681-20	—	HSKN5-660-P-20V
3"	ALL	HSKN5-660-24V	HSKN5-681-24	—	HSKN5-660-P-24V
3-1/2"	ALL	HSKN5-660-28V	HSKN5-681-28	HSKN5-660-P-28	HSKN5-660-P-28V
4"	ALL	HSKN5-660-32V	HSKN5-681-32	—	HSKN5-660-P-32V
4-1/2"	ALL	HSKN5-660-36V	HSKN5-681-36	—	HSKN5-660-P-36V
5"	ALL	HSKN5-660-40V	HSKN5-681-40	—	HSKN5-660-P-40V
5-1/2"	ALL	HSKN5-660-44V	HSKN5-681-44	—	HSKN5-660-P-44V

FOR R5 GLAND KITS SEE UNIVERSAL GLAND KITS, SEE PAGE 43

HYDRO-LINE

R5 Series Piston Kits

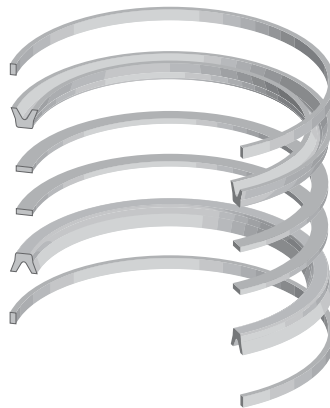
Nitrile



Kit Includes:

- 2 NBR U-seals
- 2 URE Back-up Rings
- 2 PTFE Tube End Seals

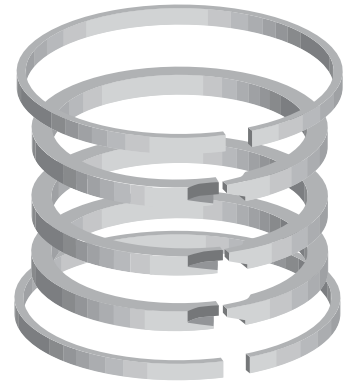
R5 Cylinders Fluorocarbon



Kit Includes:

- 2 FC U-seals
- 2 PTFE Back-up Rings
- 2 PTFE Tube End Seals

Piston Ring



Kit Includes:

- 3 Cast-Iron Piston Rings
- 2 PTFE Tube End Seals

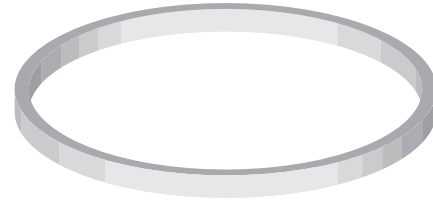
Bore Dia.	(NBR) Kit #	(FC) Kit #	(PR) Kit #
1"	HSKR5-512-02	HSKR5-512-02V	HSKR5-511-02
1-1/2"	HSKR5-512-03	HSKR5-512-03V	HSKR5-511-03
2"	HSKR5-512-04	HSKR5-512-04V	HSKR5-511-04
2-1/2"	HSKR5-512-05	HSKR5-512-05V	HSKR5-511-05
3-1/4"	HSKR5-512-065	HSKR5-512-065V	HSKR5-511-065
4"	HSKR5-512-08	HSKR5-512-08V	HSKR5-511-08
5"	HSKR5-512-10	HSKR5-512-10V	HSKR5-511-10
6"	HSKR5-512-12	HSKR5-512-12V	HSKR5-511-12
8"	HSKR5-512-16	HSKR5-512-16V	HSKR5-511-16
10"	HSKR5-512-20	HSKR5-512-20V	HSKR5-511-20
12"	HSKR5-512-24	HSKR5-512-24V	HSKR5-511-24
14"	HSKR5-512-28	HSKR5-512-28V	—

HYDRO-LINE

R5 Series Tube End Seals

R5 Cylinders PTFE

Bore Dia.	Part #
1"	HS-C221-02
1-1/2"	HS-C221-03
2"	HS-C221-04
2-1/2"	HS-C221-05
3-1/4"	HS-C221-065
4"	HS-C221-08
5"	HS-C221-10
6"	HS-C221-12
8" & UP	HS-C221-STRIP (sold by the foot)



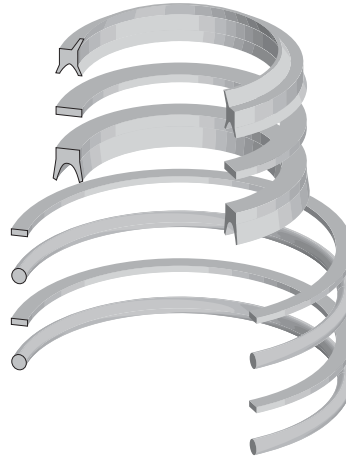
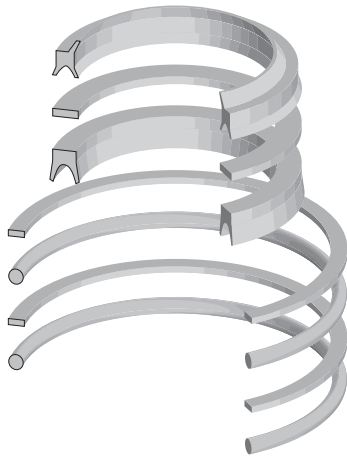
HYDRO-LINE

UNIVERSAL Rod Kits

A5, N2, N5, R2, & R5 Cylinders (see note)

Nitrile

Fluorocarbon



- Kit Includes:**
 1 XNBR Wiper
 1 URE Back-up Ring
 1 NBR U-seal
 2 NBR O-rings
 2 PTFE BU Rings

- Kit Includes:**
 1 FC Wiper
 1 PTFE BU Ring
 1 FC U-seal
 2 FC O-rings
 2 PTFE BU Rings

Rod Dia.	(NBR) Kit #	(FC) Kit #
5/8"	HSKN25-665-05	HSKN25-665-05V
1"	HSKN25-665-08	HSKN25-665-08V
1-3/8"	HSKN25-665-11	HSKN25-665-11V
1-3/4"	HSKN25-665-14	HSKN25-665-14V
2"	HSKN25-665-16	HSKN25-665-16V
2-1/2"	HSKN25-665-20	HSKN25-665-20V

Note: Rod Seal Kits are good for all cylinders except R2/R5 1" Bore X All Rods, 1-1/2" Bore X 1" Rod, and 2" Bore X 1-3/8" Rod.

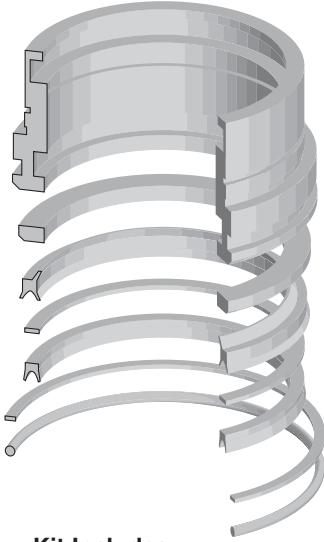
HYDRO-LINE

UNIVERSAL Gland Kits

A5, N2, N5, R2, & R5 Cylinders (see note)

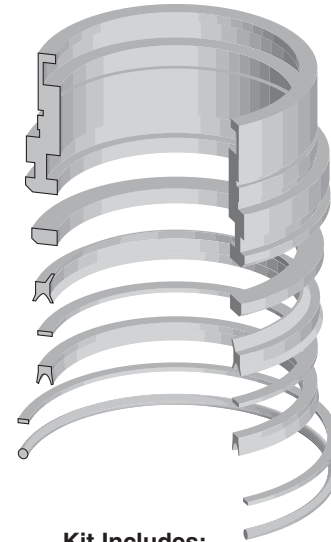
Nitrile

Fluorocarbon



Kit Includes:

- 1 Iron Bushing
- 1 Spacer
- 1 XNBR Wiper
- 1 URE Back-up Ring
- 1 NBR U-seal
- 1 PTFE Back-up ring
- 1 NBR O-ring



Kit Includes:

- 1 Iron Bushing
- 1 Spacer
- 1 FC Wiper
- 1 PTFE Back-up Ring
- 1 FC U-seal
- 1 PTFE Back-up ring
- 1 FC O-ring

Rod Dia.	(NBR) Kit #	(FC) Kit #
5/8"	HN5-665-05	HN5-665-05V
1"	HN5-665-08	HN5-665-08V
1-3/8"	HN5-665-11	HN5-665-11V
1-3/4"	HN5-665-14	HN5-665-14V
2"	HN5-665-16	HN5-665-16V
2-1/2"	HN5-665-20	HN5-665-20V
3"	HN5-665-24	HN5-665-24V
3-1/2"	HN5-665-28	HN5-665-28V
4"	HN5-665-32	HN5-665-32V
4-1/2"	HN5-665-36 (2.57" HGT)	HN5-665-36V (2.57" HGT)
4-1/2"	HN5-665-36A (1.88" HGT)	HN5-665-36AV (1.88" HGT)
5"	HN5-665-40	HN5-665-40V
5-1/2"	HN5-665-44	HN5-665-44V

Note: Gland Seal Kits are good for all cylinders with some exceptions.
Call with series, rod & bore size for more information.

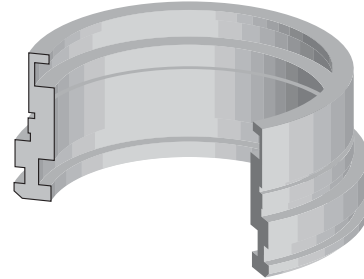
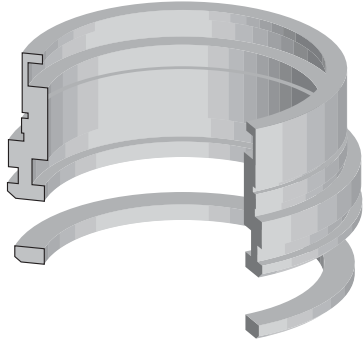
HYDRO-LINE

UNIVERSAL Gland Kits

A5, N2, N5, R2, & R5 Cylinders (see note)

Iron Bushing

Bronze Bushing

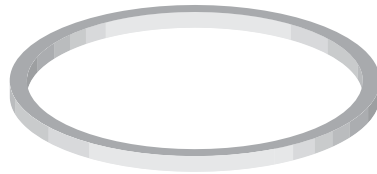


Kit Includes:
1 Iron Bushing
1 Spacer

Kit Includes:
1 Bronze Bushing

Rod Dia.	Part #	Part #
5/8"	HN5-655-05	HN5-B-650-05
1"	HN5-655-08	HN5-B-650-08
1-3/8"	HN5-655-11	HN5-B-650-11
1-3/4"	HN5-655-14	HN5-B-650-14
2"	HN5-655-16	HN5-B-650-16
2-1/2"	HN5-655-20	HN5-B-650-20
3"	HN5-655-24	HN5-B-650-24
3-1/2"	HN5-655-28	HN5-B-650-28
4"	HN5-655-32	HN5-B-650-32
4-1/2"	HN5-655-36 (2.57" HGT)	HN5-B-650-36
4-1/2"	HN5-655-36A (1.88" HGT)	HN5-B-650-36A
5"	HN5-655-40	HN5-B-650-40
5-1/2"	HN5-655-44	HN5-B-650-44

**Note: Gland Seal Kits are good for all cylinders with some exceptions.
Call with series, rod & bore size for more information.**

HYDRO-LINE**UNIVERSAL
Captive Cushion Adjustment Seal****A, N & R Cylinders**

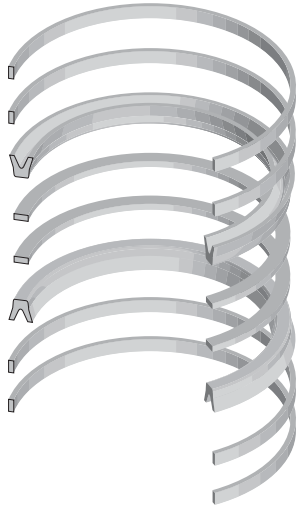
Part #	I.D. X C.S.
HS-C408-1	.204 X .072
HS-C408-1V	.204 X .072
HS-C408-2	.298 X .072
HS-C408-2V	.298 X .072
HS-C408-3	.420 X .072
HS-C408-3V	.420 X .072
HS-C408-4	.542 X .072
HS-C408-4V	.542 X .072

Used on Captive Cushion Adjustment Valves for precise adjustment under pressure over a broad range of operating conditions. Available in both 90A material - Nitrile and Fluorocarbon.

HYDRO-LINE

UNIVERSAL Piston Kits

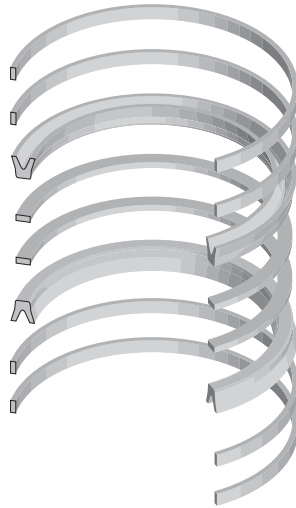
Nitrile



Kit Includes:

2 NBR U-seals
2 URE Back-up Rings
4 PTFE Tube End Seals

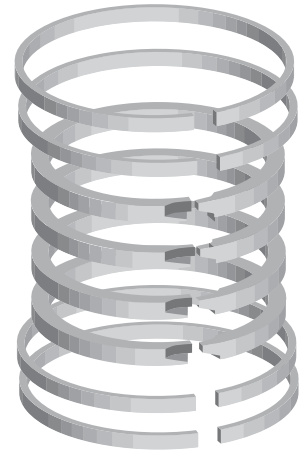
N2 & N5 Cylinders Fluorocarbon



Kit Includes:

2 FC U-seals
2 PTFE Back-up Rings
4 PTFE Tube End Seals

Piston Ring



Kit Includes:

4 Cast Iron Piston Rings
4 PTFE Tube End Seals

Bore Dia.	(NBR) Kit #	(FC) Kit #	(PR) Kit #
1-1/2"	HSKN25-512-03	HSKN25-512-03V	HSKN25-511-03
2"	HSKN25-512-04	HSKN25-512-04V	HSKN25-511-04
2-1/2"	HSKN25-512-05	HSKN25-512-05V	HSKN25-511-05
3-1/4"	HSKN25-512-065	HSKN25-512-065V	HSKN25-511-065
4"	HSKN25-512-08	HSKN25-512-08V	HSKN25-511-08
5"	HSKN25-512-10	HSKN25-512-10V	HSKN25-511-10
6"	HSKN25-512-12	HSKN25-512-12V	HSKN25-511-12
7"	HSKN25-512-14	HSKN25-512-14V	HSKN25-511-14
8"	HSKN25-512-16	HSKN25-512-16V	HSKN25-511-16

HYDRO-LINE

Sales Part Number	Description	Rod Size	Bore Size
HN5-655-05	Bushing w/ spacer	5/8	
HN5-655-08	Bushing w/ spacer	1	
HN5-655-11	Bushing w/ spacer	1-3/8	
HN5-655-14	Bushing w/ spacer	1-3/4	
HN5-655-16	Bushing w/ spacer	2	
HN5-655-20	Bushing w/ spacer	2-1/2	
HN5-655-24	Bushing w/ spacer	3	
HN5-655-28	Bushing w/ spacer	3-1/2	
HN5-655-32	Bushing w/ spacer	4	
HN5-655-36	Bushing w/ spacer	4-1/2 x 2.57ht	
HN5-655-36A	Bushing w/ spacer	4-1/2 x 1.88ht	
HN5-655-40	Bushing w/ spacer	5	
HN5-655-44	Bushing w/ spacer	5-1/2	
HN5-665-05	Rod Gland Kit	5/8	
HN5-665-05V	Rod Gland Kit	5/8	
HN5-665-08	Rod Gland Kit	1	
HN5-665-08V	Rod Gland Kit	1	
HN5-665-11	Rod Gland Kit	1-3/8	
HN5-665-11V	Rod Gland Kit	1-3/8	
HN5-665-14	Rod Gland Kit	1-3/4	
HN5-665-14V	Rod Gland Kit	1-3/4	
HN5-665-16	Rod Gland Kit	2	
HN5-665-16V	Rod Gland Kit	2	
HN5-665-20	Rod Gland Kit	2-1/2	
HN5-665-20V	Rod Gland Kit	2-1/2	
HN5-665-24	Rod Gland Kit	3	
HN5-665-24V	Rod Gland Kit	3	
HN5-665-28	Rod Gland Kit	3-1/2	
HN5-665-28V	Rod Gland Kit	3-1/2	
HN5-665-32	Rod Gland Kit	4	
HN5-665-32V	Rod Gland Kit	4	
HN5-665-36	Rod Gland Kit	4-1/2	
HN5-665-36A	Rod Gland Kit	4-1/2	
HN5-665-36AV	Rod Gland Kit	4-1/2	
HN5-665-36V	Rod Gland Kit	4-1/2	
HN5-665-40	Rod Gland Kit	5	
HN5-665-40V	Rod Gland Kit	5	
HN5-665-44	Rod Gland Kit	5-1/2	
HN5-665-44V	Rod Gland Kit	5-1/2	
HN5-B-650-05	Gland Kit	5/8	
HN5-B-650-08	Gland Kit	1	
HN5-B-650-11	Gland Kit	1-3/8	
HN5-B-650-14	Gland Kit	1-3/4	
HN5-B-650-16	Gland Kit	2	
HN5-B-650-20	Gland Kit	2-1/2	
HN5-B-650-24	Gland Kit	3	
HN5-B-650-28	Gland Kit	3-1/2	
HN5-B-650-32	Gland Kit	4	
HN5-B-650-36	Gland Kit	4-1/2	

HYDRO-LINE

HYDRO-LINE

Sales Part Number	Description	Rod Size	Bore Size
HN5-B-650-36A	Gland Kit	4-1/2	
HN5-B-650-40	Gland Kit	5	
HN5-B-650-44	Gland Kit	5-1/2	
HS-C124-03	Tube End Seals	1-1/2	
HS-C124-04	Tube End Seals	2	
HS-C124-05	Tube End Seals	2-1/2	
HS-C124-065	Tube End Seals	3-1/4	
HS-C124-08	Tube End Seals	4	
HS-C124-10	Tube End Seals	5	
HS-C124-12	Tube End Seals	6	
HS-C124-STRIP	Tube End Seals	0.068cs x 0.140w PTFE strip (sold by the foot)	
HS-C221-02	Tube End Seals	1	
HS-C221-03	Tube End Seals	1-1/2	
HS-C221-04	Tube End Seals	2	
HS-C221-05	Tube End Seals	2-1/2	
HS-C221-065	Tube End Seals	3-1/4	
HS-C221-08	Tube End Seals	4	
HS-C221-10	Tube End Seals	5	
HS-C221-12	Tube End Seals	6	
HS-C221-STRIP	Tube End Seals	0.063cs x 0.093w PTFE strip (sold by the foot)	
HS-C255-03	Tube End Seals	1-1/2	
HS-C255-04	Tube End Seals	2	
HS-C255-05	Tube End Seals	2-1/2	
HS-C255-065	Tube End Seals	3-1/4	
HS-C255-08	Tube End Seals	4	
HS-C255-10	Tube End Seals	5	
HS-C255-12	Tube End Seals	6	
HS-C255-14	Tube End Seals	7	
HS-C255-16	Tube End Seals	8	
HS-C408-1	Captive Cushion Adjustment Seal	0.204x0.072	
HS-C408-1V	Captive Cushion Adjustment Seal	0.204x0.072	
HS-C408-2	Captive Cushion Adjustment Seal	0.298x0.072	
HS-C408-2V	Captive Cushion Adjustment Seal	0.298x0.072	
HS-C408-3	Captive Cushion Adjustment Seal	0.420x0.072	
HS-C408-3V	Captive Cushion Adjustment Seal	0.420x0.072	
HS-C408-4	Captive Cushion Adjustment Seal	0.542x0.072	
HS-C408-4V	Captive Cushion Adjustment Seal	0.542x0.072	
HS-E304-03	Tube End Seals	1-1/2	
HS-E304-04	Tube End Seals	2	
HS-E304-065	Tube End Seals	3-1/4	
HS-E304-08	Tube End Seals	4	
HSKA5-512-03	Piston Kit		1-1/2
HSKA5-512-03V	Piston Kit		1-1/2
HSKA5-512-04	Piston Kit		2
HSKA5-512-04V	Piston Kit		2
HSKA5-512-05	Piston Kit		2-1/2
HSKA5-512-05V	Piston Kit		2-1/2
HSKA5-512-065	Piston Kit		3-1/4
HSKA5-512-065V	Piston Kit		3-1/4
HSKA5-512-08	Piston Kit		4

HYDRO-LINE

Sales Part Number	Description	Rod Size	Bore Size
HSKA5-512-08V	Piston Kit		4
HSKA5-512-10	Piston Kit		5
HSKA5-512-10V	Piston Kit		5
HSKA5-512-12	Piston Kit		6
HSKA5-512-12V	Piston Kit		6
HSKE2-512-03	Piston Kit		1-1/2
HSKE2-512-04	Piston Kit		2
HSKE2-512-065	Piston Kit		3-1/4
HSKE2-512-08	Piston Kit		4
HSKE2-660-05	Rod Kit	5/8	
HSKE2-660-08	Rod Kit	1	
HSKE2-660-11	Rod Kit	1-3/8	
HSKN2-511-03	Piston Ring Kit		1-1/2
HSKN2-511-04	Piston Ring Kit		2
HSKN2-511-05	Piston Ring Kit		2-1/2
HSKN2-511-065	Piston Ring Kit		3-1/4
HSKN2-511-08	Piston Ring Kit		4
HSKN2-511-10	Piston Ring Kit		5
HSKN2-511-12	Piston Ring Kit		6
HSKN2-511-14	Piston Ring Kit		7
HSKN2-511-16	Piston Ring Kit		8
HSKN2-511-20	Piston Ring Kit		10
HSKN2-511-24	Piston Ring Kit		12
HSKN2-512-03	Piston Kit		1-1/2
HSKN2-512-03V	Piston Kit		1-1/2
HSKN2-512-04	Piston Kit		2
HSKN2-512-04V	Piston Kit		2
HSKN2-512-05	Piston Kit		2-1/2
HSKN2-512-05V	Piston Kit		2-1/2
HSKN2-512-065	Piston Kit		3-1/4
HSKN2-512-065V	Piston Kit		3-1/4
HSKN2-512-08	Piston Kit		4
HSKN2-512-08V	Piston Kit		4
HSKN2-512-10	Piston Kit		5
HSKN2-512-10V	Piston Kit		5
HSKN2-512-12	Piston Kit		6
HSKN2-512-12V	Piston Kit		6
HSKN2-512-14	Piston Kit		7
HSKN2-512-14V	Piston Kit		7
HSKN2-512-16	Piston Kit		8
HSKN2-512-16V	Piston Kit		8
HSKN2-512-20	Piston Kit		10
HSKN2-512-20V	Piston Kit		10
HSKN2-512-24	Piston Kit		12
HSKN2-512-24V	Piston Kit		12
HSKN25-511-03	Piston Kit		1-1/2
HSKN25-511-04	Piston Kit		2
HSKN25-511-05	Piston Kit		2-1/2
HSKN25-511-065	Piston Kit		3-1/4
HSKN25-511-08	Piston Kit		4

HYDRO-LINE

HYDRO-LINE

Sales Part Number	Description	Rod Size	Bore Size
HSKN25-511-10	Piston Kit		5
HSKN25-511-12	Piston Kit		6
HSKN25-511-14	Piston Kit		7
HSKN25-511-16	Piston Kit		8
HSKN25-512-03	Piston Kit		1-1/2
HSKN25-512-03V	Piston Kit		1-1/2
HSKN25-512-04	Piston Kit		2
HSKN25-512-04V	Piston Kit		2
HSKN25-512-05	Piston Kit		2-1/2
HSKN25-512-05V	Piston Kit		2-1/2
HSKN25-512-065	Piston Kit		3-1/4
HSKN25-512-065V	Piston Kit		3-1/4
HSKN25-512-08	Piston Kit		4
HSKN25-512-08V	Piston Kit		4
HSKN25-512-10	Piston Kit		5
HSKN25-512-10V	Piston Kit		5
HSKN25-512-12	Piston Kit		6
HSKN25-512-12V	Piston Kit		6
HSKN25-512-14	Piston Kit		7
HSKN25-512-14V	Piston Kit		7
HSKN25-512-16	Piston Kit		8
HSKN25-512-16V	Piston Kit		8
HSKN25-665-05	Rod Kit	5/8	
HSKN25-665-05V	Rod Kit	5/8	
HSKN25-665-08	Rod Kit	1	
HSKN25-665-08V	Rod Kit	1	
HSKN25-665-11	Rod Kit	1-3/8	
HSKN25-665-11V	Rod Kit	1-3/8	
HSKN25-665-14	Rod Kit	1-3/4	
HSKN25-665-14V	Rod Kit	1-3/4	
HSKN25-665-16	Rod Kit	2	
HSKN25-665-16V	Rod Kit	2	
HSKN25-665-20	Rod Kit	2-1/2	
HSKN25-665-20V	Rod Kit	2-1/2	
HSKN2-661-05	Rod Kit	5/8	
HSKN2-661-05V	Rod Kit	5/8	
HSKN2-661-08	Rod Kit	1	
HSKN2-661-08V	Rod Kit	1	
HSKN2-661-11	Rod Kit	1-3/8	
HSKN2-661-11V	Rod Kit	1-3/8	
HSKN2-661-14	Rod Kit	1-3/4	
HSKN2-661-14V	Rod Kit	1-3/4	
HSKN2-661-16	Rod Kit	2	
HSKN2-661-16V	Rod Kit	2	
HSKN2-661-20	Rod Kit	2-1/2	
HSKN2-661-20V	Rod Kit	2-1/2	
HSKN5-511-03	Piston Ring Kit		1-1/2
HSKN5-511-04	Piston Ring Kit		2
HSKN5-511-05	Piston Ring Kit		2-1/2
HSKN5-511-065	Piston Ring Kit		3-1/4

HYDRO-LINE

Sales Part Number	Description	Rod Size	Bore Size
HSKN5-511-08	Piston Ring Kit		4
HSKN5-511-10	Piston Ring Kit		5
HSKN5-511-12	Piston Ring Kit		6
HSKN5-511-14	Piston Ring Kit		7
HSKN5-511-16	Piston Ring Kit		8
HSKN5-512-03	Piston Kit		1-1/2
HSKN5-512-03V	Piston Kit		1-1/2
HSKN5-512-04	Piston Kit		2
HSKN5-512-04V	Piston Kit		2
HSKN5-512-05	Piston Kit		2-1/2
HSKN5-512-05V	Piston Kit		2-1/2
HSKN5-512-065	Piston Kit		3-1/4
HSKN5-512-065V	Piston Kit		3-1/4
HSKN5-512-08	Piston Kit		4
HSKN5-512-08V	Piston Kit		4
HSKN5-512-10	Piston Kit		5
HSKN5-512-10V	Piston Kit		5
HSKN5-512-12	Piston Kit		6
HSKN5-512-12V	Piston Kit		6
HSKN5-512-14	Piston Kit		7
HSKN5-512-14V	Piston Kit		7
HSKN5-512-16	Piston Kit		8
HSKN5-512-16V	Piston Kit		8
HSKN5-512-P-05	Piston Kit		2-1/2
HSKN5-512-P-16	Piston Kit		8
HSKN5-660-04	Rod Kit	1/2	
HSKN5-660-04V	Rod Kit	1/2	
HSKN5-660-05	Rod Kit	5/8	
HSKN5-660-05V	Rod Kit	5/8	
HSKN5-660-08	Rod Kit	1	
HSKN5-660-08V	Rod Kit	1	
HSKN5-660-11	Rod Kit	1-3/8	
HSKN5-660-11V	Rod Kit	1-3/8	
HSKN5-660-14	Rod Kit	1-3/4	
HSKN5-660-14V	Rod Kit	1-3/4	
HSKN5-660-16	Rod Kit	2	
HSKN5-660-16V	Rod Kit	2	
HSKN5-660-20	Rod Kit	2-1/2	
HSKN5-660-20V	Rod Kit	2-1/2	
HSKN5-660-24	Rod Kit	3	
HSKN5-660-24V	Rod Kit	3	
HSKN5-660-28	Rod Kit	3-1/2	
HSKN5-660-28V	Rod Kit	3-1/2	
HSKN5-660-32	Rod Kit	4	
HSKN5-660-32V	Rod Kit	4	
HSKN5-660-36	Rod Kit	4-1/2	
HSKN5-660-36V	Rod Kit	4-1/2	
HSKN5-660-40	Rod Kit	5	
HSKN5-660-40V	Rod Kit	5	
HSKN5-660-44	Rod Kit	5-1/2	

HYDRO-LINE

HYDRO-LINE

Sales Part Number	Description	Rod Size	Bore Size
HSKN5-660-44V	Rod Kit	5-1/2	
HSKN5-660-P-04	Rod Kit	1/2	1
HSKN5-660-P-04V	Rod Kit	1/2	1
HSKN5-660-P-05AV	Rod Kit	5/8	1
HSKN5-660-P-05V	Rod Kit	5/8	1.5 & UP
HSKN5-660-P-08	Rod Kit	1	2 & UP
HSKN5-660-P-08V	Rod Kit	1	2 & UP
HSKN5-660-P-11V	Rod Kit	1-3/8	2.5 & UP
HSKN5-660-P-14	Rod Kit	1-3/4	
HSKN5-660-P-14V	Rod Kit	1-3/4	
HSKN5-660-P-16V	Rod Kit	2	
HSKN5-660-P-20	Rod Kit	2-1/2	
HSKN5-660-P-20V	Rod Kit	2-1/2	
HSKN5-660-P-24V	Rod Kit	3	
HSKN5-660-P-28	Rod Kit	3-1/2	
HSKN5-660-P-28V	Rod Kit	3-1/2	
HSKN5-660-P-32V	Rod Kit	4	
HSKN5-660-P-36V	Rod Kit	4-1/2	
HSKN5-660-P-40V	Rod Kit	5	
HSKN5-660-P-44V	Rod Kit	5-1/2	
HSKN5-681-05	Rod Kit	5/8	
HSKN5-681-05A	Rod Kit	5/8	1
HSKN5-681-08	Rod Kit	1	
HSKN5-681-11	Rod Kit	1-3/8	
HSKN5-681-14	Rod Kit	1-3/4	
HSKN5-681-16	Rod Kit	2	
HSKN5-681-20	Rod Kit	2-1/2	
HSKN5-681-24	Rod Kit	3	
HSKN5-681-28	Rod Kit	3-1/2	
HSKN5-681-32	Rod Kit	4	
HSKN5-681-36	Rod Kit	4-1/2	
HSKN5-681-40	Rod Kit	5	
HSKN5-681-44	Rod Kit	5-1/2	
HSKR2-662-05A	Rod Kit	5/8	1
HSKR2-662-05AV	Rod Kit	5/8	1
HSKR2-662-08	Rod Kit	1	1.5,2,2.5
HSKR2-662-08V	Rod Kit	1	1.5,2,2.5
HSKR2-662-11	Rod Kit	1-3/8	2, 2.5
HSKR2-662-11V	Rod Kit	1-3/8	2, 2.5
HSKR2-662-14	Rod Kit	1-3/4	2.5
HSKR2-662-14V	Rod Kit	1-3/4	2.5
HSKR2-662-P-05AV	Rod Kit	5/8	1
HSKR2-662-P-08V	Rod Kit	1	1.5,2,2.5
HSKR2-662-P-11V	Rod Kit	1-3/8	2, 2.5
HSKR2-662-P-14V	Rod Kit	1-3/4	2.5
HSKR2-681-05A	Rod Kit	5/8	1
HSKR2-681-08	Rod Kit	1	1.5,2,2.5
HSKR2-681-11	Rod Kit	1-3/8	2, 2.5
HSKR2-681-14	Rod Kit	1-3/4	2.5
HSKR5-511-02	Piston Ring Kit		1

HYDRO-LINE

Sales Part Number	Description	Rod Size	Bore Size
HSKR5-511-03	Piston Ring Kit		1-1/2
HSKR5-511-04	Piston Ring Kit		2
HSKR5-511-05	Piston Ring Kit		2-1/2
HSKR5-511-065	Piston Ring Kit		3-1/4
HSKR5-511-08	Piston Ring Kit		4
HSKR5-511-10	Piston Ring Kit		5
HSKR5-511-12	Piston Ring Kit		6
HSKR5-511-16	Piston Ring Kit		8
HSKR5-511-20	Piston Ring Kit		10
HSKR5-511-24	Piston Ring Kit		12
HSKR5-512-02	Piston Kit		1
HSKR5-512-02V	Piston Kit		1
HSKR5-512-03	Piston Kit		1-1/2
HSKR5-512-03V	Piston Kit		1-1/2
HSKR5-512-04	Piston Kit		2
HSKR5-512-04V	Piston Kit		2
HSKR5-512-05	Piston Kit		2-1/2
HSKR5-512-05V	Piston Kit		2-1/2
HSKR5-512-065	Piston Kit		3-1/4
HSKR5-512-065V	Piston Kit		3-1/4
HSKR5-512-08	Piston Kit		4
HSKR5-512-08V	Piston Kit		4
HSKR5-512-10	Piston Kit		5
HSKR5-512-10V	Piston Kit		5
HSKR5-512-12	Piston Kit		6
HSKR5-512-12V	Piston Kit		6
HSKR5-512-16	Piston Kit		8
HSKR5-512-16V	Piston Kit		8
HSKR5-512-20	Piston Kit		10
HSKR5-512-20V	Piston Kit		10
HSKR5-512-24	Piston Kit		12
HSKR5-512-24V	Piston Kit		12
HSKR5-512-28	Piston Kit		14
HSKR5-512-28V	Piston Kit		14

NOTES**NOTES**

MILLER

Kit Type		Page
Rod Kit, Iron Gland	Star Bushing - A, J, & H Cylinders	56
	Pneumatic - A & C Cylinders	57
	Hydraulic - AJ, J, M & H Cylinders	58
Star Rod Kits	A, J, & H Cylinders	59
Rod Seal Cage Assembly	Hydraulic	60
Hat Packing	PTFE & Nitrile	62
PTFE Wiper	"U" Style - A, C, J, M, & H Cylinders	60
Iron Gland	Star Bushing Style for A, J, & H Cylinders - Retainer Held & Bolted	63
	A, C, J, M, & H Cylinders - Retainer Held & Bolted	64
Retainer	A, C, J, M, & H Cylinders	65
Caged Assembly Components	Rod Seal Cage, Wave Spring, & Bronze Pressure Ring	65
Piston Kits	A, J, & H Series Cylinders	66
Piston Kits	HV Series Cylinders	67
PTFE Tube Seal Cord	A, C, J, M, & H Cylinders	67
Piston U-seals	All Current Style Cylinders	68
Wear Rings	Air & Hydraulic Service	69
PTFE Tube End Seals	Continuous	70
	Various Kits	70
	Strip	71
Follower Seals	PTFE	71
Piston Cups	A, AJ, J, JW, H, & HW Cylinders	72
Repair Kits	By Part Number	73 - 80

ORTMAN

Kit Type		Page
Ortman Kits	Various Kits	80

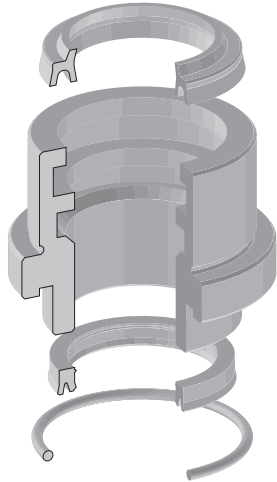
MILLER

Star Bushing Rod Kit, Iron Gland

A, J, & H Cylinders

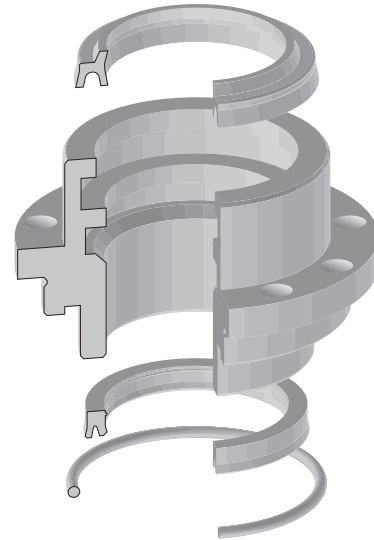
1998 Style Retainer Held

1998 Style Bolted



Kit Includes:

- 1 XNBR Wiper
- 1 Retainer Held Star Bushing
- 1 URE Rod Seal
- 1 NBR O-ring



Kit Includes:

- 1 XNBR Wiper
- 1 Bolted Star Bushing
- 1 URE Rod Seal
- 1 NBR O-ring

Rod Dia.	Kit #	Kit #
5/8"	MLR-051-KR074-063	MLR-051-KR075-063
1"	MLR-051-KR074-100	MLR-051-KR075-100
1-3/8"	MLR-051-KR074-138	MLR-051-KR075-138
1-3/4"	—	MLR-051-KR075-175
2"	—	MLR-051-KR075-200
2-1/2"	—	MLR-051-KR075-250
3"	—	MLR-051-KR075-300
3-1/2"	—	MLR-051-KR075-350
4"	—	MLR-051-KR075-400
4-1/2"	—	MLR-051-KR075-450
5"	—	MLR-051-KR075-500
5-1/2"	—	MLR-051-KR075-550

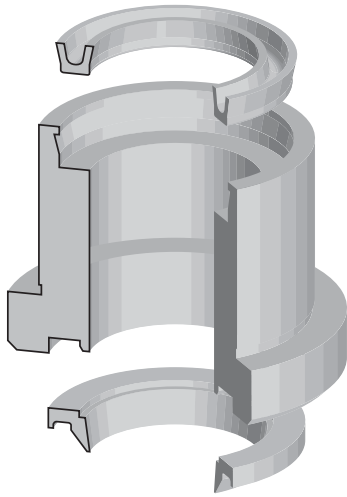
Bolted bushings from: 5/8" to 1-3/4" have 4 bolt holes
 2" to 4-1/2" have 8 bolt holes
 5" to 5-1/2" have 12 bolt holes

MILLER

Pneumatic Rod Kit, Iron Gland

A & C Cylinders

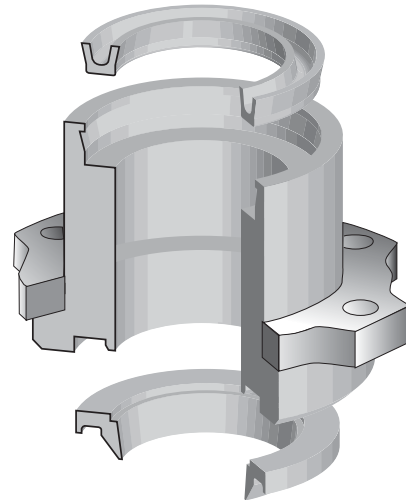
Retainer Held



Kit Includes:

- 1 PTFE Wiper
- 1 Retainer Held Iron Gland
- 1 NBR Hat Packing

Bolted



Kit Includes:

- 1 PTFE Wiper
- 1 Bolted Iron Gland
- 1 NBR Hat Packing

Rod Dia.	Kit #	Kit #
5/8"	MLR-051-KR010-063	MLR-051-KR011-063
1"	MLR-051-KR010-100	MLR-051-KR011-100
1-3/8"	MLR-051-KR010-138	MLR-051-KR011-138
1-3/4"	MLR-051-KR010-175	MLR-051-KR011-175
2"	MLR-051-KR010-200	MLR-051-KR011-200
2-1/2"	MLR-051-KR010-250	MLR-051-KR011-250
3"	MLR-051-KR010-300	MLR-051-KR011-300

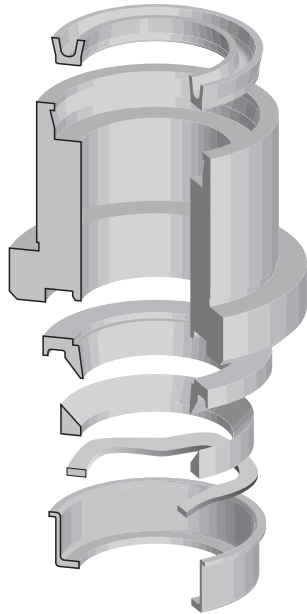
Bolted bushings from: 5/8" to 1-3/4" have 4 bolt holes
 2" to 4-1/2" have 8 bolt holes
 5" to 5-1/2" have 12 bolt holes

MILLER

Hydraulic Rod Kit, Iron Gland

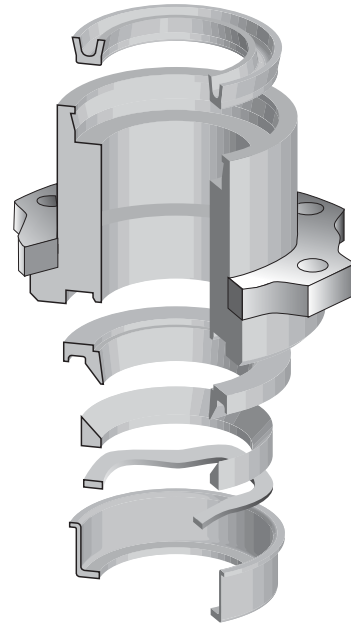
AJ, J, M, & H Cylinders

Retainer Held



- Kit Includes:**
 1 PTFE Wiper
 1 Retainer Held Iron Gland
 1 PTFE Hat Packing
 1 Bronze Pressure Ring
 1 Wave Spring
 1 Cage

Bolted



- Kit Includes:**
 1 PTFE Wiper
 1 Bolted Iron Gland
 1 PTFE Hat Packing
 1 Bronze Pressure Ring
 1 Wave Spring
 1 Cage

Rod Dia.	Kit #	Kit #
5/8"	MLR-051-KR014-063	MLR-051-KR015-063
1"	MLR-051-KR014-100	MLR-051-KR015-100
1-3/8"	MLR-051-KR014-138	MLR-051-KR015-138
1-3/4"	MLR-051-KR014-175	MLR-051-KR015-175
2"	MLR-051-KR014-200	MLR-051-KR015-200
2-1/2"	MLR-051-KR014-250	MLR-051-KR015-250
3"	MLR-051-KR014-300	MLR-051-KR015-300

Bolted bushings from: 5/8" to 1-3/4" have 4 bolt holes
 2" to 4-1/2" have 8 bolt holes
 5" to 5-1/2" have 12 bolt holes

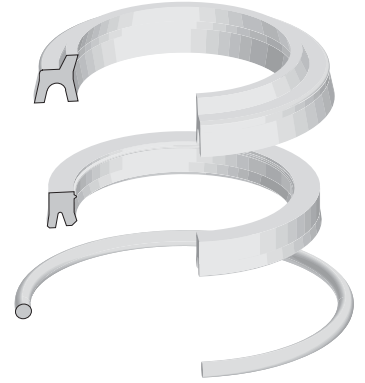
MILLER

Star Rod Kits

A, J, & H Cylinders Star Kits

Rod Dia.	Kit #
5/8"	MLR-051-KR080-063
1"	MLR-051-KR080-100
1-3/8"	MLR-051-KR080-138
1-3/4"	MLR-051-KR080-175
2"	MLR-051-KR080-200
2-1/2"	MLR-051-KR080-250
3"	MLR-051-KR080-300
3-1/2"	MLR-051-KR080-350
4"	MLR-051-KR080-400
4-1/2"	MLR-051-KR080-450
5"	MLR-051-KR080-500
5-1/2"	MLR-051-KR080-550

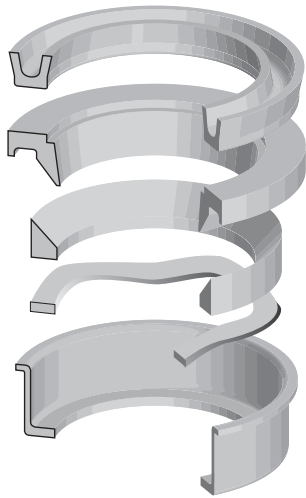
Kit Includes:
 1 XNBR Wiper
 1 URE Rod Seal
 1 NBR O-ring



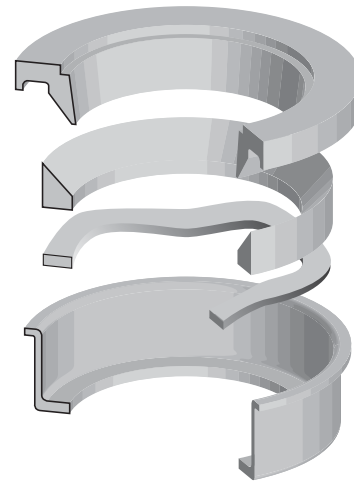
MILLER

Hydraulic Rod Seal Cage Assembly

AJ, J, M, & H Cylinders	Boosters & Tandems
-------------------------	--------------------



- Kit Includes:**
- 1 PTFE Wiper
 - 1 PTFE Hat Packing
 - 1 Bronze Pressure Ring
 - 1 Wave Spring
 - 1 Cage



- Kit Includes:**
- 1 PTFE Hat Packing
 - 1 Bronze Pressure Ring
 - 1 Wave Spring
 - 1 Cage
 - No Wiper

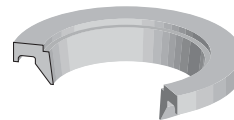
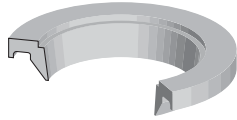
Rod Dia.	Kit #	Kit #
5/8"	MLR-051-KR012-063	MLR-051-KR024-063
1"	MLR-051-KR012-100	MLR-051-KR024-100
1-3/8"	MLR-051-KR012-138	MLR-051-KR024-138
1-3/4"	MLR-051-KR012-175	MLR-051-KR024-175
2"	MLR-051-KR012-200	MLR-051-KR024-200
2-1/2"	MLR-051-KR012-250	MLR-051-KR024-250
3"	MLR-051-KR012-300	MLR-051-KR024-300

MILLER

Hat Packing

For Hydraulic Service
PTFE

For Air & Water Service
Nitrile



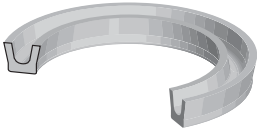
Rod Dia.	Part #	Part #
5/8"	MLR-051-RS007-063	MLR-051-RS014-063
1"	MLR-051-RS007-100	MLR-051-RS014-100
1-3/8"	MLR-051-RS007-138	MLR-051-RS014-138
1-3/4"	MLR-051-RS007-175	MLR-051-RS014-175
2"	MLR-051-RS007-200	MLR-051-RS014-200
2-1/2"	MLR-051-RS007-250	MLR-051-RS014-250
3"	MLR-051-RS007-300	MLR-051-RS014-300
3-1/2"	MLR-051-RS007-350	MLR-051-RS014-350
4"	MLR-051-RS007-400	MLR-051-RS014-400
4-1/2"	MLR-051-RS007-450	MLR-051-RS014-450
5"	MLR-051-RS007-500	MLR-051-RS014-500
5-1/2"	MLR-051-RS007-550	MLR-051-RS014-550
7"	MLR-051-RS007-700	—
8"	MLR-051-RS007-800	—
9"	MLR-051-RS007-900	—
10"	MLR-051-RS007-1000	—

MILLER

PTFE Wiper “U” Style

A, C, J, M, & H Cylinders

Rod Dia.	Part #
5/8"	MLR-051-WP001-063
1"	MLR-051-WP001-100
1-3/8"	MLR-051-WP001-138
1-3/4"	MLR-051-WP001-175
2"	MLR-051-WP001-200
2-1/2"	MLR-051-WP001-250
3"	MLR-051-WP001-300
3-1/2"	MLR-051-WP001-350
4"	MLR-051-WP001-400
4-1/2"	MLR-051-WP001-450
5"	MLR-051-WP001-500
5-1/2"	MLR-051-WP001-550
7"	MLR-051-WP001-700
8"	MLR-051-WP001-800
9"	MLR-051-WP001-900
10"	MLR-051-WP001-1000



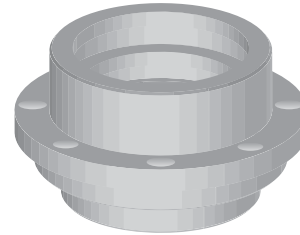
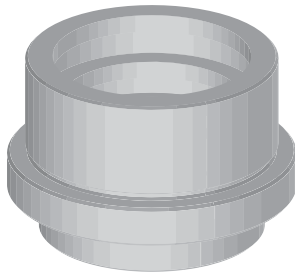
MILLER

Iron Gland

Star Bushing Style A, J, & H Cylinders

Retainer Held

Bolted



Rod Dia.	Part #	Part #
5/8"	MLR-050-BU100-063	MLR-050-BU101-063
1"	MLR-050-BU100-100	MLR-050-BU101-100
1-3/8"	MLR-050-BU100-138	MLR-050-BU101-138
1-3/4"	—	MLR-050-BU101-175
2"	—	MLR-050-BU101-200
2-1/2"	—	MLR-050-BU101-250
3"	—	MLR-050-BU101-300
3-1/2"	—	MLR-050-BU101-350
4"	—	MLR-050-BU101-400
4-1/2"	—	MLR-050-BU101-450
5"	—	MLR-050-BU101-500
5-1/2"	—	MLR-050-BU101-550

Bolted bushings from: 5/8" to 1-3/4" have 4 bolt holes
 2" to 4-1/2" have 8 bolt holes
 5" to 5-1/2" have 12 bolt holes

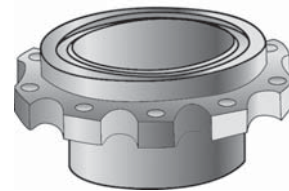
MILLER

Iron Gland

A, C, J, M, & H Cylinders

Retainer Held

Bolted



MILLER

Rod Dia.	Part #	Part #
5/8"	MLR-050-BU022-063	MLR-050-BU024-063
1"	MLR-050-BU022-100	MLR-050-BU024-100
1-3/8"	MLR-050-BU022-138	MLR-050-BU024-138
1-3/4"	MLR-050-BU022-175	MLR-050-BU024-175
2"	MLR-050-BU022-200	MLR-050-BU024-200
2-1/2"	MLR-050-BU022-250	MLR-050-BU024-250
3"	MLR-050-BU022-300	MLR-050-BU024-300

Bolted bushings from: 5/8" to 1-3/4" have 4 bolt holes
 2" to 4-1/2" have 8 bolt holes
 5" to 5-1/2" have 12 bolt holes

MILLER

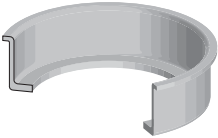


Retainer

A, C, J, M, & H Cylinders

Rod Dia.	Part #
5/8"	MLR-050-RT005-063
1"	MLR-050-RT005-100
1-3/8"	MLR-050-RT005-138



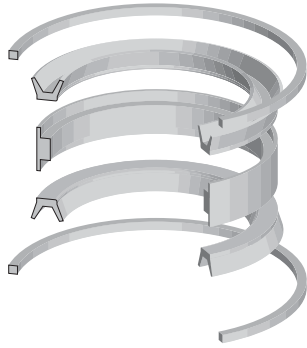
Caged Assembly Components

	Rod Seal Cage	Wave Spring	Bronze Pressure Ring
			
Rod Dia.	Part #	Part #	Part #
5/8"	MLR-051-CG001-063	MLR-051-WS004-063	MLR-051-PG001-063
1"	MLR-051-CG001-100	MLR-051-WS004-100	MLR-051-PG001-100
1-3/8"	MLR-051-CG001-138	MLR-051-WS004-138	MLR-051-PG001-138
1-3/4"	MLR-051-CG001-175	MLR-051-WS004-175	MLR-051-PG001-175
2"	MLR-051-CG001-200	MLR-051-WS003-200	MLR-051-PG001-200
2-1/2"	MLR-051-CG001-250	MLR-051-WS003-250	MLR-051-PG001-250
3"	MLR-051-CG001-300	MLR-051-WS003-300	MLR-051-PG001-300

MILLER

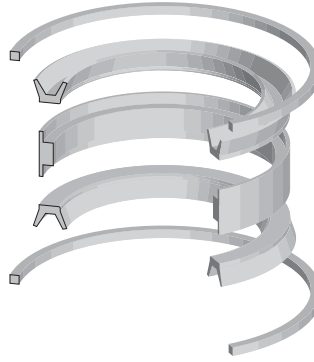
Piston Kits

A Series Cylinders January '82 to Current



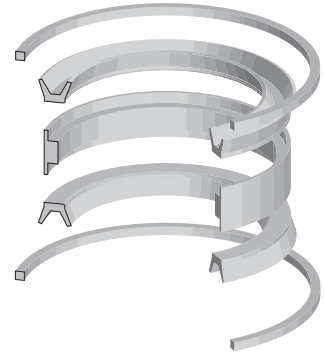
Kit Includes:
 2 NBR U-seals
 1 Wear Ring
 2 PTFE Tube End Seals
 (wear ring material and profile varies with size)

J Series Cylinders January '81 to Current



Kit Includes:
 2 U-seals (1-PTFE up to 5",
 1- NBR from 6" to 12")
 1 Wear Ring
 2 PTFE Tube End Seals
 (wear ring and u-seal material and profile varies with size)

H Series Cylinders January '82 to Current



Kit Includes:
 2 PTFE U-seals
 1 T-Shape Wear Ring
 2 PTFE Tube End Seals
 (wear ring material varies with size)

MILLER

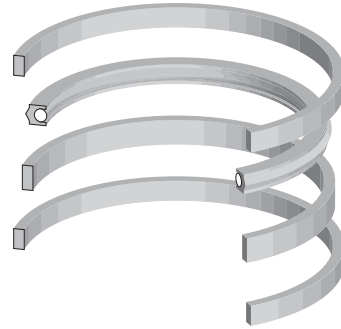
Bore Dia.	Kit #	Kit #	Kit #
1-1/2"	MLR-090-KB001-150	MLR-091-KB001-150	MLR-171-KB001-150
2"	MLR-090-KB001-200	MLR-091-KB001-200	MLR-171-KB001-200
2-1/2"	MLR-090-KB001-250	MLR-091-KB001-250	MLR-171-KB001-250
3-1/4"	MLR-090-KB001-325	MLR-091-KB001-325	MLR-171-KB001-325
4"	MLR-090-KB001-400	MLR-091-KB001-400	MLR-171-KB001-400
5"	MLR-090-KB001-500	MLR-091-KB001-500	MLR-171-KB001-500
6"	MLR-090-KB001-600	MLR-091-KB001-600	MLR-171-KB001-600
7"	MLR-090-KB001-700	MLR-091-KB001-700	MLR-171-KB001-700
8"	MLR-090-KB001-800	MLR-091-KB001-800	MLR-171-KB001-800
10"	MLR-090-KB001-1000	MLR-091-KB001-1000	MLR-171-KB001-1000
12"	MLR-090-KB001-1200	MLR-091-KB001-1200	MLR-171-KB001-1200

MILLER

Piston Kits

HV Series Cylinders Urethane

Bore Dia.	(URE) Kit #
1-1/2"	MLR-181-KB001-150
2"	MLR-181-KB001-200
2-1/2"	MLR-181-KB001-250
3-1/4"	MLR-181-KB001-325
4"	MLR-181-KB001-400
5"	MLR-181-KB001-500
6"	MLR-181-KB001-600
7"	MLR-181-KB001-700
8"	MLR-181-KB001-800



Kit Includes:

- 1 URE Piston Seal
- 1 Wear Ring
- 2 PTFE Tube End Seals

PTFE Tube Seal Cord

A, C, J, M, & H Cylinders



Part #	Radial Wall	Width
MLR-008-SH001-30	.030	.070
Includes: 30' spool of PTFE Head Seal		
MLR-SH1-STRIP	.030	.070

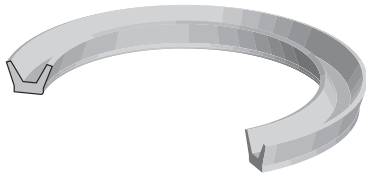
MILLER

Piston U-seals

All Current Style Cylinders

Buna-N

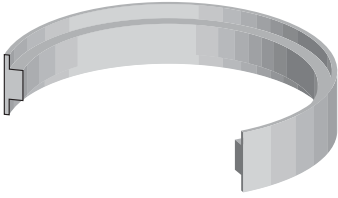
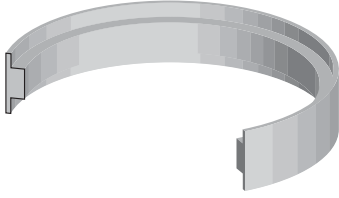
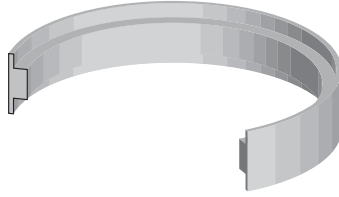
PTFE



Bore Dia.	Part #	Part #
1-1/2"	MLR-052-PS025-150	MLR-052-PS017-150
2"	MLR-052-PS025-200	MLR-052-PS017-200
2-1/2"	MLR-052-PS025-250	MLR-052-PS017-250
3-1/4"	MLR-052-PS025-325	MLR-052-PS017-325
4"	MLR-052-PS025-400	MLR-052-PS017-400
5"	MLR-052-PS025-500	MLR-052-PS017-500
6"	MLR-052-PS025-600	MLR-052-PS017-600
7"	MLR-052-PS025-700	MLR-052-PS017-700
8"	MLR-052-PS016-800	MLR-052-PS017-800
10"	MLR-052-PS025-1000	MLR-052-PS017-1000
12"	MLR-052-PS016-1200	MLR-052-PS017-1200
14"	MLR-052-PS025-1400	MLR-052-PS017-1400
16"	MLR-052-PS025-1600	MLR-052-PS017-1600
18"	—	MLR-052-PS017-1800
20"	—	MLR-052-PS017-2000

MILLER

Wear Rings

Air Service PTFE		Hydraulic Service Acetal	Hydraulic Service Bronze
			
Bore Dia.	Part #	Part #	Part #
1-1/2"	MLR-052-WR005-150-25	MLR-052-WR009-150-25	—
2"	MLR-052-WR005-200-25	MLR-052-WR009-200-25	—
2"	—	MLR-052-WR009-200-31	—
2-1/2"	MLR-052-WR005-250-25	MLR-052-WR009-250-25	—
2-1/2"	—	MLR-052-WR009-250-38	—
3-1/4"	MLR-052-WR005-325-25	MLR-052-WR009-325-25	—
3-1/4"	—	MLR-052-WR009-325-50	—
4"	MLR-052-WR005-400-25	MLR-052-WR009-400-25	—
4"	—	MLR-052-WR009-400-63	—
5"	MLR-052-WR005-500-25	—	—
5"	—	MLR-052-WR009-500-75	—
6"	MLR-052-WR005-600-25	—	—
6"	—	MLR-052-WR009-600-75	—
7"	MLR-052-WR005-700-38	—	—
7"	—	—	MLR-052-WR008-700-75
8"	MLR-052-WR005-800-38	—	—
8"	—	—	MLR-052-WR008-800-125
10"	MLR-052-WR005-1000-38	—	—
10"	—	—	MLR-052-WR008-1000-125
12"	MLR-052-WR005-1200-38	—	—
12"	—	—	MLR-052-WR008-1200-125
16"	MLR-052-WR005-1600-50	—	—
18"	MLR-052-WR005-1800-50	—	—
20"	MLR-052-WR005-2000-50	—	—

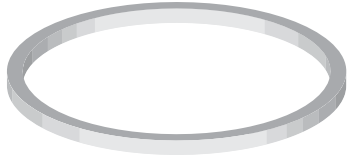
MILLER

Tube End Seals

Continuous PTFE

A, C, J, M, ER500, & ER3000

H & ER6000



Bore Dia.	Part #	Part #
1-1/2"	MLR-090-ES009-150	MLR-170-ES010-150
2"	MLR-090-ES009-200	MLR-170-ES010-200
2-1/2"	MLR-090-ES009-250	MLR-170-ES010-250
3-1/4"	MLR-090-ES009-325	MLR-170-ES010-325
4"	MLR-090-ES009-400	MLR-170-ES010-400
5"	MLR-090-ES009-500	MLR-170-ES010-500
6"	MLR-090-ES009-600	MLR-170-ES010-600
7"	MLR-090-ES009-700	MLR-170-ES010-700
8"	MLR-090-ES009-800	MLR-170-ES010-800
10"	MLR-090-ES009-1000	MLR-170-ES010-1000
12"	MLR-090-ES009-1200	MLR-170-ES010-1200
14"	MLR-090-ES009-1400	—

MILLER

Various Kits

Kit #	Rod x Bore
MLR-150-KB001-325	3-1/4
MLR-150-KB001-500	5

Kit Includes:
 2 Leather Piston Cups
 2 PTFE Tube End Seals
 1 PTFE Follower Seal

MILLER

Tube End Seals

Strip PTFE

A, C, J, M, ER500, & ER3000

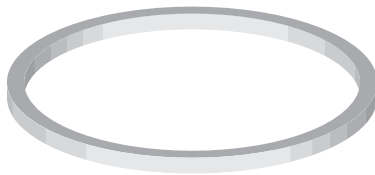
H & ER6000



Bore Dia.	Part #	Part #
1-1/2"	MLR-090-ES006-150	MLR-170-ES006-150
2"	MLR-090-ES006-200	MLR-170-ES006-200
2-1/2"	MLR-090-ES006-250	MLR-170-ES006-250
3-1/4"	MLR-090-ES006-325	MLR-170-ES006-325
4"	MLR-090-ES006-400	MLR-170-ES006-400
5"	MLR-090-ES006-500	MLR-170-ES006-500
6"	MLR-090-ES006-600	MLR-170-ES006-600
7"	MLR-090-ES006-700	MLR-170-ES006-700
8"	MLR-090-ES006-800	MLR-170-ES006-800
10"	MLR-090-ES006-1000	MLR-170-ES006-1000
12"	MLR-090-ES006-1200	MLR-170-ES006-1200
14"	MLR-090-ES006-1400	MLR-170-ES006-1400
18"	—	MLR-170-ES006-1800

PTFE Follower Seals

J & H Cylinders For 3 Piece Pistons From 1956-1977

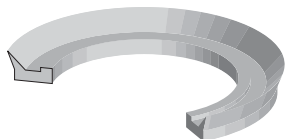


Part #	Bore		I.D.	Radial Wall	Width
	H	J			
MLR-052-FS001-44	1-1/2	1-1/2, 2, 2-1/2	7/16	0.070	0.070
MLR-052-FS001-75	2, 2-1/2	3-1/4, 4, 5	3/4	0.070	0.070
MLR-052-FS001-100	3-1/4	6, 7, 8	1	0.142	0.142
MLR-052-FS001-125	4	10	1-1/4	0.142	0.142
MLR-052-FS001-150	5	12	1-1/2	0.142	0.142
MLR-052-FS001-188	6	14	1-7/8	0.142	0.142
MLR-052-FS001-250	8	-	2-1/2	0.142	0.142

MILLER

Piston Cups

A, JW, & HW Cylinders
From 1956-1977
Nitrile



J & H Cylinders
From 1956-1977
Leather



AJ, J, & H Cylinders
From 1956-1977
PTFE



Bore Dia.	Part #	Part #	Part #
1-1/2"	MLR-052-PS001-150	MLR-052-PS003-150	MLR-052-PS006-150
2"	MLR-052-PS001-200	MLR-052-PS003-200	MLR-052-PS006-200
2-1/2"	MLR-052-PS001-250	MLR-052-PS003-250	MLR-052-PS006-250
3-1/4"	MLR-052-PS001-325	MLR-052-PS003-325	MLR-052-PS006-325
4"	MLR-052-PS001-400	MLR-052-PS003-400	MLR-052-PS006-400
5"	MLR-052-PS001-500	MLR-052-PS003-500	MLR-052-PS006-500
6"	MLR-052-PS001-600	MLR-052-PS003-600	MLR-052-PS006-600
7"	—	—	MLR-052-PS006-700
8"	MLR-052-PS001-800	—	MLR-052-PS006-800
10"	MLR-052-PS001-1000	—	MLR-052-PS006-1000
12"	MLR-052-PS001-1200	—	MLR-052-PS006-1200
14"	MLR-052-PS001-1400	—	—

MILLER

Sales Part Number	Description	Rod Size	Bore Size	ID	Radial Wall	Width
MLR-050-BU022-063	Iron Gland	5/8				
MLR-050-BU022-100	Iron Gland	1				
MLR-050-BU022-138	Iron Gland	1-3/8				
MLR-050-BU022-175	Iron Gland	1-3/4				
MLR-050-BU022-200	Iron Gland	2				
MLR-050-BU022-250	Iron Gland	2-1/2				
MLR-050-BU022-300	Iron Gland	3				
MLR-050-BU024-063	Iron Gland	5/8				
MLR-050-BU024-100	Iron Gland	1				
MLR-050-BU024-138	Iron Gland	1-3/8				
MLR-050-BU024-175	Iron Gland	1-3/4				
MLR-050-BU024-200	Iron Gland	2				
MLR-050-BU024-250	Iron Gland	2-1/2				
MLR-050-BU024-300	Iron Gland	3				
MLR-050-BU100-063	Iron Gland	5/8				
MLR-050-BU100-100	Iron Gland	1				
MLR-050-BU100-138	Iron Gland	1-3/8				
MLR-050-BU101-063	Iron Gland	5/8				
MLR-050-BU101-100	Iron Gland	1				
MLR-050-BU101-138	Iron Gland	1-3/8				
MLR-050-BU101-175	Iron Gland	1-3/4				
MLR-050-BU101-200	Iron Gland	2				
MLR-050-BU101-250	Iron Gland	2-1/2				
MLR-050-BU101-300	Iron Gland	3				
MLR-050-BU101-350	Iron Gland	3-1/2				
MLR-050-BU101-400	Iron Gland	4				
MLR-050-BU101-450	Iron Gland	4-1/2				
MLR-050-BU101-500	Iron Gland	5				
MLR-050-BU101-550	Iron Gland	5-1/2				
MLR-050-RT005-063	Retainer	5/8				
MLR-050-RT005-100	Retainer	1				
MLR-050-RT005-138	Retainer	1-3/8				
MLR-051-CG001-063	Rod Seal Cage	5/8				
MLR-051-CG001-100	Rod Seal Cage	1				
MLR-051-CG001-138	Rod Seal Cage	1-3/8				
MLR-051-CG001-175	Rod Seal Cage	1-3/4				
MLR-051-CG001-200	Rod Seal Cage	2				
MLR-051-CG001-250	Rod Seal Cage	2-1/2				
MLR-051-CG001-300	Rod Seal Cage	3				
MLR-051-KR010-063	Rod Kit - Gland	5/8				
MLR-051-KR010-100	Rod Kit - Gland	1				
MLR-051-KR010-138	Rod Kit - Gland	1-3/8				
MLR-051-KR010-175	Rod Kit - Gland	1-3/4				
MLR-051-KR010-200	Rod Kit - Gland	2				
MLR-051-KR010-250	Rod Kit - Gland	2-1/2				
MLR-051-KR010-300	Rod Kit - Gland	3				
MLR-051-KR011-063	Rod Kit - Gland	5/8				
MLR-051-KR011-100	Rod Kit - Gland	1				
MLR-051-KR011-138	Rod Kit - Gland	1-3/8				
MLR-051-KR011-175	Rod Kit - Gland	1-3/4				

MILLER

Sales Part Number	Description	Rod Size	Bore Size	ID	Radial Wall	Width
MLR-051-KR011-200	Rod Kit - Gland	2				
MLR-051-KR011-250	Rod Kit - Gland	2-1/2				
MLR-051-KR011-300	Rod Kit - Gland	3				
MLR-051-KR012-063	Rod Kit - Cage Assembly	5/8				
MLR-051-KR012-100	Rod Kit - Cage Assembly	1				
MLR-051-KR012-138	Rod Kit - Cage Assembly	1-3/8				
MLR-051-KR012-175	Rod Kit - Cage Assembly	1-3/4				
MLR-051-KR012-200	Rod Kit - Cage Assembly	2				
MLR-051-KR012-250	Rod Kit - Cage Assembly	2-1/2				
MLR-051-KR012-300	Rod Kit - Cage Assembly	3				
MLR-051-KR014-063	Rod Kit - Gland	5/8				
MLR-051-KR014-100	Rod Kit - Gland	1				
MLR-051-KR014-138	Rod Kit - Gland	1-3/8				
MLR-051-KR014-175	Rod Kit - Gland	1-3/4				
MLR-051-KR014-200	Rod Kit - Gland	2				
MLR-051-KR014-250	Rod Kit - Gland	2-1/2				
MLR-051-KR014-300	Rod Kit - Gland	3				
MLR-051-KR015-063	Rod Kit - Gland	5/8				
MLR-051-KR015-100	Rod Kit - Gland	1				
MLR-051-KR015-138	Rod Kit - Gland	1-3/8				
MLR-051-KR015-175	Rod Kit - Gland	1-3/4				
MLR-051-KR015-200	Rod Kit - Gland	2				
MLR-051-KR015-250	Rod Kit - Gland	2-1/2				
MLR-051-KR015-300	Rod Kit - Gland	3				
MLR-051-KR024-063	Rod Kit - Cage Assembly	5/8				
MLR-051-KR024-100	Rod Kit - Cage Assembly	1				
MLR-051-KR024-138	Rod Kit - Cage Assembly	1-3/8				
MLR-051-KR024-175	Rod Kit - Cage Assembly	1-3/4				
MLR-051-KR024-200	Rod Kit - Cage Assembly	2				
MLR-051-KR024-250	Rod Kit - Cage Assembly	2-1/2				
MLR-051-KR024-300	Rod Kit - Cage Assembly	3				
MLR-051-KR074-063	Rod Kit - Gland	5/8				
MLR-051-KR074-100	Rod Kit - Gland	1				
MLR-051-KR074-138	Rod Kit - Gland	1-3/8				
MLR-051-KR075-063	Rod Kit - Gland	5/8				
MLR-051-KR075-100	Rod Kit - Gland	1				
MLR-051-KR075-138	Rod Kit - Gland	1-3/8				
MLR-051-KR075-175	Rod Kit - Gland	1-3/4				
MLR-051-KR075-200	Rod Kit - Gland	2				
MLR-051-KR075-250	Rod Kit - Gland	2-1/2				
MLR-051-KR075-300	Rod Kit - Gland	3				
MLR-051-KR075-350	Rod Kit - Gland	3-1/2				
MLR-051-KR075-400	Rod Kit - Gland	4				
MLR-051-KR075-450	Rod Kit - Gland	4-1/2				
MLR-051-KR075-500	Rod Kit - Gland	5				
MLR-051-KR075-550	Rod Kit - Gland	5-1/2				
MLR-051-KR080-063	Rod Kit - Seal	5/8				
MLR-051-KR080-100	Rod Kit - Seal	1				
MLR-051-KR080-138	Rod Kit - Seal	1-3/8				
MLR-051-KR080-175	Rod Kit - Seal	1-3/4				

MILLER

Sales Part Number	Description	Rod Size	Bore Size	ID	Radial Wall	Width
MLR-051-KR080-200	Rod Kit - Seal	2				
MLR-051-KR080-250	Rod Kit - Seal	2-1/2				
MLR-051-KR080-300	Rod Kit - Seal	3				
MLR-051-KR080-350	Rod Kit - Seal	3-1/2				
MLR-051-KR080-400	Rod Kit - Seal	4				
MLR-051-KR080-450	Rod Kit - Seal	4-1/2				
MLR-051-KR080-500	Rod Kit - Seal	5				
MLR-051-KR080-550	Rod Kit - Seal	5-1/2				
MLR-051-PG001-063	Bronze Pressure Ring	5/8				
MLR-051-PG001-100	Bronze Pressure Ring	1				
MLR-051-PG001-138	Bronze Pressure Ring	1-3/8				
MLR-051-PG001-175	Bronze Pressure Ring	1-3/4				
MLR-051-PG001-200	Bronze Pressure Ring	2				
MLR-051-PG001-250	Bronze Pressure Ring	2-1/2				
MLR-051-PG001-300	Bronze Pressure Ring	3				
MLR-051-RS007-063	Hat Packing - PTFE	5/8				
MLR-051-RS007-100	Hat Packing - PTFE	1				
MLR-051-RS007-1000	Hat Packing - PTFE	10				
MLR-051-RS007-138	Hat Packing - PTFE	1-3/8				
MLR-051-RS007-175	Hat Packing - PTFE	1-3/4				
MLR-051-RS007-200	Hat Packing - PTFE	2				
MLR-051-RS007-250	Hat Packing - PTFE	2-1/2				
MLR-051-RS007-300	Hat Packing - PTFE	3				
MLR-051-RS007-350	Hat Packing - PTFE	3-1/2				
MLR-051-RS007-400	Hat Packing - PTFE	4				
MLR-051-RS007-450	Hat Packing - PTFE	4-1/2				
MLR-051-RS007-500	Hat Packing - PTFE	5				
MLR-051-RS007-550	Hat Packing - PTFE	5-1/2				
MLR-051-RS007-700	Hat Packing - PTFE	7				
MLR-051-RS007-800	Hat Packing - PTFE	8				
MLR-051-RS007-900	Hat Packing - PTFE	9				
MLR-051-RS014-063	Hat Packing - Nitrile	5/8				
MLR-051-RS014-100	Hat Packing - Nitrile	1				
MLR-051-RS014-138	Hat Packing - Nitrile	1-3/8				
MLR-051-RS014-175	Hat Packing - Nitrile	1-3/4				
MLR-051-RS014-200	Hat Packing - Nitrile	2				
MLR-051-RS014-250	Hat Packing - Nitrile	2-1/2				
MLR-051-RS014-300	Hat Packing - Nitrile	3				
MLR-051-RS014-350	Hat Packing - Nitrile	3-1/2				
MLR-051-RS014-400	Hat Packing - Nitrile	4				
MLR-051-RS014-450	Hat Packing - Nitrile	4-1/2				
MLR-051-RS014-500	Hat Packing - Nitrile	5				
MLR-051-RS014-550	Hat Packing - Nitrile	5-1/2				
MLR-051-WP001-063	U' Style Wiper - PTFE	5/8				
MLR-051-WP001-100	U' Style Wiper - PTFE	1				
MLR-051-WP001-1000	U' Style Wiper - PTFE	10				
MLR-051-WP001-138	U' Style Wiper - PTFE	1-3/8				
MLR-051-WP001-175	U' Style Wiper - PTFE	1-3/4				
MLR-051-WP001-200	U' Style Wiper - PTFE	2				
MLR-051-WP001-250	U' Style Wiper - PTFE	2-1/2				

MILLER

Sales Part Number	Description	Rod Size	Bore Size	ID	Radial Wall	Width
MLR-051-WP001-300	U' Style Wiper - PTFE	3				
MLR-051-WP001-350	U' Style Wiper - PTFE	3-1/2				
MLR-051-WP001-400	U' Style Wiper - PTFE	4				
MLR-051-WP001-450	U' Style Wiper - PTFE	4-1/2				
MLR-051-WP001-500	U' Style Wiper - PTFE	5				
MLR-051-WP001-550	U' Style Wiper - PTFE	5-1/2				
MLR-051-WP001-700	U' Style Wiper - PTFE	7				
MLR-051-WP001-800	U' Style Wiper - PTFE	8				
MLR-051-WP001-900	U' Style Wiper - PTFE	9				
MLR-051-WS003-200	Wave Spring	2				
MLR-051-WS003-250	Wave Spring	2-1/2				
MLR-051-WS003-300	Wave Spring	3				
MLR-051-WS004-063	Wave Spring	5/8				
MLR-051-WS004-100	Wave Spring	1				
MLR-051-WS004-138	Wave Spring	1-3/8				
MLR-051-WS004-175	Wave Spring	1-3/4				
MLR-052-FS001-100	Follower Seal			1	0.142	0.142
MLR-052-FS001-125	Follower Seal			1-1/4	0.142	0.142
MLR-052-FS001-150	Follower Seal			1-1/2	0.142	0.142
MLR-052-FS001-188	Follower Seal			1-7/8	0.142	0.142
MLR-052-FS001-250	Follower Seal			2-1/2	0.142	0.142
MLR-052-FS001-44	Follower Seal			7/16	0.070	0.070
MLR-052-FS001-75	Follower Seal			3/4	0.070	0.070
MLR-052-PS001-1000	Piston Cup - Nitrile		10			
MLR-052-PS001-1200	Piston Cup - Nitrile		12			
MLR-052-PS001-1400	Piston Cup - Nitrile		14			
MLR-052-PS001-150	Piston Cup - Nitrile		1-1/2			
MLR-052-PS001-200	Piston Cup - Nitrile		2			
MLR-052-PS001-250	Piston Cup - Nitrile		2-1/2			
MLR-052-PS001-325	Piston Cup - Nitrile		3-1/4			
MLR-052-PS001-400	Piston Cup - Nitrile		4			
MLR-052-PS001-500	Piston Cup - Nitrile		5			
MLR-052-PS001-600	Piston Cup - Nitrile		6			
MLR-052-PS001-800	Piston Cup - Nitrile		8			
MLR-052-PS003-150	Piston Cup - Leather		1-1/2			
MLR-052-PS003-200	Piston Cup - Leather		2			
MLR-052-PS003-250	Piston Cup - Leather		2-1/2			
MLR-052-PS003-325	Piston Cup - Leather		3-1/4			
MLR-052-PS003-400	Piston Cup - Leather		4			
MLR-052-PS003-500	Piston Cup - Leather		5			
MLR-052-PS003-600	Piston Cup - Leather		6			
MLR-052-PS006-1000	Piston Cup - PTFE		10			
MLR-052-PS006-1200	Piston Cup - PTFE		12			
MLR-052-PS006-150	Piston Cup - PTFE		1-1/2			
MLR-052-PS006-200	Piston Cup - PTFE		2			
MLR-052-PS006-250	Piston Cup - PTFE		2-1/2			
MLR-052-PS006-325	Piston Cup - PTFE		3-1/4			
MLR-052-PS006-400	Piston Cup - PTFE		4			
MLR-052-PS006-500	Piston Cup - PTFE		5			
MLR-052-PS006-600	Piston Cup - PTFE		6			

MILLER

Sales Part Number	Description	Rod Size	Bore Size	ID	Radial Wall	Width
MLR-052-PS006-700	Piston Cup - PTFE		7			
MLR-052-PS006-800	Piston Cup - PTFE		8			
MLR-052-PS016-1200	Piston U-seal - Nitrile		12			
MLR-052-PS016-800	Piston U-seal - Nitrile		8			
MLR-052-PS017-1000	Piston U-seal - PTFE		10			
MLR-052-PS017-1200	Piston U-seal - PTFE		12			
MLR-052-PS017-1400	Piston U-seal - PTFE		14			
MLR-052-PS017-150	Piston U-seal - PTFE		1-1/2			
MLR-052-PS017-1600	Piston U-seal - PTFE		16			
MLR-052-PS017-1800	Piston U-seal - PTFE		18			
MLR-052-PS017-200	Piston U-seal - PTFE		2			
MLR-052-PS017-2000	Piston U-seal - PTFE		20			
MLR-052-PS017-250	Piston U-seal - PTFE		2-1/2			
MLR-052-PS017-325	Piston U-seal - PTFE		3-1/4			
MLR-052-PS017-400	Piston U-seal - PTFE		4			
MLR-052-PS017-500	Piston U-seal - PTFE		5			
MLR-052-PS017-600	Piston U-seal - PTFE		6			
MLR-052-PS017-700	Piston U-seal - PTFE		7			
MLR-052-PS017-800	Piston U-seal - PTFE		8			
MLR-052-PS025-1000	Piston U-seal - Nitrile		10			
MLR-052-PS025-1400	Piston U-seal - Nitrile		14			
MLR-052-PS025-150	Piston U-seal - Nitrile		1-1/2			
MLR-052-PS025-1600	Piston U-seal - Nitrile		16			
MLR-052-PS025-200	Piston U-seal - Nitrile		2			
MLR-052-PS025-250	Piston U-seal - Nitrile		2-1/2			
MLR-052-PS025-325	Piston U-seal - Nitrile		3-1/4			
MLR-052-PS025-400	Piston U-seal - Nitrile		4			
MLR-052-PS025-500	Piston U-seal - Nitrile		5			
MLR-052-PS025-600	Piston U-seal - Nitrile		6			
MLR-052-PS025-700	Piston U-seal - Nitrile		7			
MLR-052-WR005-1000-38	Wear Ring - PTFE		10			
MLR-052-WR005-1200-38	Wear Ring - PTFE		12			
MLR-052-WR005-150-25	Wear Ring - PTFE		1-1/2			
MLR-052-WR005-1600-50	Wear Ring - PTFE		16			
MLR-052-WR005-1800-50	Wear Ring - PTFE		18			
MLR-052-WR005-2000-50	Wear Ring - PTFE		20			
MLR-052-WR005-200-25	Wear Ring - PTFE		2			
MLR-052-WR005-250-25	Wear Ring - PTFE		2-1/2			
MLR-052-WR005-325-25	Wear Ring - PTFE		3-1/4			
MLR-052-WR005-400-25	Wear Ring - PTFE		4			
MLR-052-WR005-500-25	Wear Ring - PTFE		5			
MLR-052-WR005-600-25	Wear Ring - PTFE		6			
MLR-052-WR005-700-38	Wear Ring - PTFE		7			
MLR-052-WR005-800-38	Wear Ring - PTFE		8			
MLR-052-WR008-1000-125	Wear Ring - Bronze		10			
MLR-052-WR008-1200-125	Wear Ring - Bronze		12			
MLR-052-WR008-700-75	Wear Ring - Bronze		7			
MLR-052-WR008-800-125	Wear Ring - Bronze		8			
MLR-052-WR009-150-25	Wear Ring - Acetal		1-1/2			
MLR-052-WR009-200-25	Wear Ring - Acetal		2			

MILLER

MILLER

Sales Part Number	Description	Rod Size	Bore Size	ID	Radial Wall	Width
MLR-052-WR009-200-31	Wear Ring - Acetal		2			
MLR-052-WR009-250-25	Wear Ring - Acetal		2-1/2			
MLR-052-WR009-250-38	Wear Ring - Acetal		2-1/2			
MLR-052-WR009-325-25	Wear Ring - Acetal		3-1/4			
MLR-052-WR009-325-50	Wear Ring - Acetal		3-1/4			
MLR-052-WR009-400-25	Wear Ring - Acetal		4			
MLR-052-WR009-400-63	Wear Ring - Acetal		4			
MLR-052-WR009-500-75	Wear Ring - Acetal		5			
MLR-052-WR009-600-75	Wear Ring - Acetal		6			
MLR-090-ES006-1000	Tube End Seal		10			
MLR-090-ES006-1200	Tube End Seal		12			
MLR-090-ES006-1400	Tube End Seal		14			
MLR-090-ES006-150	Tube End Seal		1-1/2			
MLR-090-ES006-200	Tube End Seal		2			
MLR-090-ES006-250	Tube End Seal		2-1/2			
MLR-090-ES006-325	Tube End Seal		3-1/4			
MLR-090-ES006-400	Tube End Seal		4			
MLR-090-ES006-500	Tube End Seal		5			
MLR-090-ES006-600	Tube End Seal		6			
MLR-090-ES006-700	Tube End Seal		7			
MLR-090-ES006-800	Tube End Seal		8			
MLR-090-ES009-1000	Tube End Seal		10			
MLR-090-ES009-1200	Tube End Seal		12			
MLR-090-ES009-1400	Tube End Seal		14			
MLR-090-ES009-150	Tube End Seal		1-1/2			
MLR-090-ES009-200	Tube End Seal		2			
MLR-090-ES009-250	Tube End Seal		2-1/2			
MLR-090-ES009-325	Tube End Seal		3-1/4			
MLR-090-ES009-400	Tube End Seal		4			
MLR-090-ES009-500	Tube End Seal		5			
MLR-090-ES009-600	Tube End Seal		6			
MLR-090-ES009-700	Tube End Seal		7			
MLR-090-ES009-800	Tube End Seal		8			
MLR-090-KB001-1000	Piston Kit		10			
MLR-090-KB001-1200	Piston Kit		12			
MLR-090-KB001-150	Piston Kit		1-1/2			
MLR-090-KB001-200	Piston Kit		2			
MLR-090-KB001-250	Piston Kit		2-1/2			
MLR-090-KB001-325	Piston Kit		3-1/4			
MLR-090-KB001-400	Piston Kit		4			
MLR-090-KB001-500	Piston Kit		5			
MLR-090-KB001-600	Piston Kit		6			
MLR-090-KB001-700	Piston Kit		7			
MLR-090-KB001-800	Piston Kit		8			
MLR-091-KB001-1000	Piston Kit		10			
MLR-091-KB001-1200	Piston Kit		12			
MLR-091-KB001-150	Piston Kit		1-1/2			
MLR-091-KB001-200	Piston Kit		2			
MLR-091-KB001-250	Piston Kit		2-1/2			
MLR-091-KB001-325	Piston Kit		3-1/4			

MILLER

Sales Part Number	Description	Rod Size	Bore Size	ID	Radial Wall	Width
MLR-091-KB001-400	Piston Kit		4			
MLR-091-KB001-500	Piston Kit		5			
MLR-091-KB001-600	Piston Kit		6			
MLR-091-KB001-700	Piston Kit		7			
MLR-091-KB001-800	Piston Kit		8			
MLR-150-KB001-325	Piston Kit		3-1/4			
MLR-150-KB001-500	Piston Kit		5			
MLR-170-ES006-1000	Tube End Seal		10			
MLR-170-ES006-1200	Tube End Seal		12			
MLR-170-ES006-1400	Tube End Seal		14			
MLR-170-ES006-150	Tube End Seal		1-1/2			
MLR-170-ES006-1800	Tube End Seal		18			
MLR-170-ES006-200	Tube End Seal		2			
MLR-170-ES006-250	Tube End Seal		2-1/2			
MLR-170-ES006-325	Tube End Seal		3-1/4			
MLR-170-ES006-400	Tube End Seal		4			
MLR-170-ES006-500	Tube End Seal		5			
MLR-170-ES006-600	Tube End Seal		6			
MLR-170-ES006-700	Tube End Seal		7			
MLR-170-ES006-800	Tube End Seal		8			
MLR-170-ES010-1000	Tube End Seal		10			
MLR-170-ES010-1200	Tube End Seal		12			
MLR-170-ES010-150	Tube End Seal		1-1/2			
MLR-170-ES010-200	Tube End Seal		2			
MLR-170-ES010-250	Tube End Seal		2-1/2			
MLR-170-ES010-325	Tube End Seal		3-1/4			
MLR-170-ES010-400	Tube End Seal		4			
MLR-170-ES010-500	Tube End Seal		5			
MLR-170-ES010-600	Tube End Seal		6			
MLR-170-ES010-700	Tube End Seal		7			
MLR-170-ES010-800	Tube End Seal		8			
MLR-171-KB001-1000	Piston Kit		10			
MLR-171-KB001-1200	Piston Kit		12			
MLR-171-KB001-150	Piston Kit		1-1/2			
MLR-171-KB001-200	Piston Kit		2			
MLR-171-KB001-250	Piston Kit		2-1/2			
MLR-171-KB001-325	Piston Kit		3-1/4			
MLR-171-KB001-400	Piston Kit		4			
MLR-171-KB001-500	Piston Kit		5			
MLR-171-KB001-600	Piston Kit		6			
MLR-171-KB001-700	Piston Kit		7			
MLR-171-KB001-800	Piston Kit		8			
MLR-181-KB001-150	Piston Kit		1-1/2			
MLR-181-KB001-200	Piston Kit		2			
MLR-181-KB001-250	Piston Kit		2-1/2			
MLR-181-KB001-325	Piston Kit		3-1/4			
MLR-181-KB001-400	Piston Kit		4			
MLR-181-KB001-500	Piston Kit		5			
MLR-181-KB001-600	Piston Kit		6			
MLR-181-KB001-700	Piston Kit		7			

MILLER

Sales Part Number	Description	Rod Size	Bore Size	ID	Radial Wall	Width
MLR-181-KB001-800	Piston Kit		8			
MLR-008-SH001-30	0.03cs x 0.07w PTFE strip (30' Spool)					
MLR-SH1-STRIP	0.03cs x 0.07w PTFE strip (sold by the foot)					

ORTMAN

Various Kits

Kit #	Code	Rod x Bore
ORT-RS003540010	1-U-1	5/8 Rod Kit
ORT-RS003540020	1-U-1	1 Rod Kit
ORT-RS003540040	1-U-1	1-3/4 Rod Kit
ORT-RS003540060	1-U-1	2-1/2 Rod Kit
ORT-RS003540090	1-U-1	4" Rod Kit
ORT-TS563511000	N-N-5	3-1/4 Piston Kit
ORT-TS583511000	N-N-5	4 Piston Kit
ORT-TS603511000	N-N-5	6 Piston Kit
ORT-TS777512000	N-N-5	1-1/2 Piston Kit

Kit Composition Varies

Consult your representative.

PARKER

Kit Type		Page
Rod Gland Kits	A, 2A, H, 2H, VH, L, 2L, 3L, MA & 2MA Air Cylinders	82 - 86
Rod Kits	A, 2A, H, 2H, 3H, VH, L, 2L, 3L, HMI, 2MA Air & 2ML Cylinders	87 - 91
Bronze Rod Glands	A, 2A, H, 2H, VH, L, 2L, 3L, MA, HMI, 2MA Air & Hydraulic Cylinders	92 - 93
Gland Wrenches	For Parker Glands	93
Rod & Piston Seal Kits	MA Air Cylinders	94
Piston Kits	HL, 2HL, L, LL, 2LL, & 3LL Hydraulic Cylinders, 1A & 2A Air Cylinders, 2MA & 2ML Cylinders, L, 2L, 3L, H, 2H, HD, VH & HMI Cylinders	95 - 101
Piston Ring Kits	H, 2H, L, 2L, & 3L Hydraulic Cylinders	102
Piston Head Seal Kits	2A, 2H, 3L, VH, 2MA, ML & HMI Cylinders	103 - 104
Various Kits		104
Repair Kits	By Part Number	105 - 113

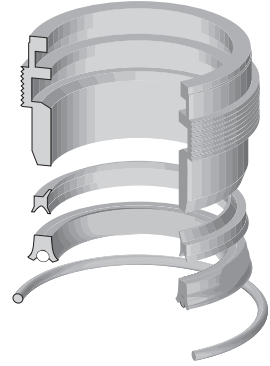
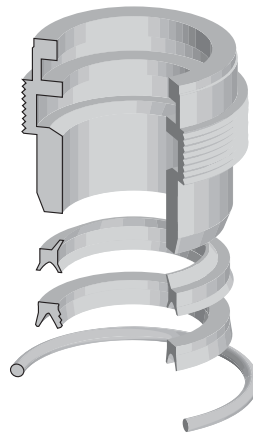
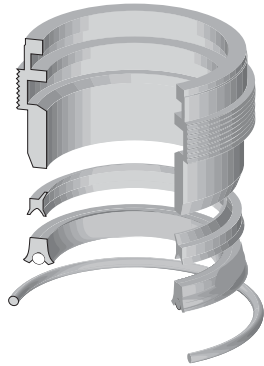
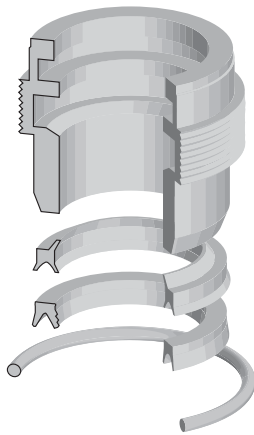
PARKER

Rod Gland Kits

A, 2A, H, 2H, VH, L, 2L, & 3L Cylinders

Nitrile

Fluorocarbon



1/2" - 3"

Kit Includes:

- 1 Bronze Gland
- 1 XNBR Wiper
- 1 URE Back-up Ring
- 1 NBR U-seal
- 1 NBR O-ring

3-1/2" - 5-1/2"

Kit Includes:

- 1 Bronze Gland
- 1 XNBR Wiper
- 1 NBR Loaded U-seal
- 1 NBR O-ring

1/2" - 3"

Kit Includes:

- 1 Bronze Gland
- 1 FC Wiper
- 1 PTFE Back-up Ring
- 1 FC U-seal
- 1 FC O-ring

3-1/2" - 5-1/2"

Kit Includes:

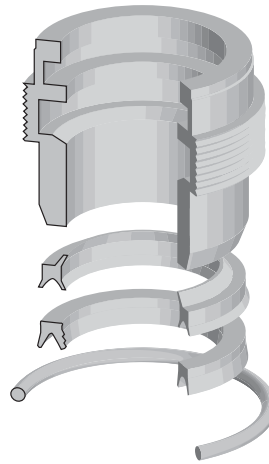
- 1 Bronze Gland
- 1 FC Wiper
- 1 FC Loaded U-seal
- 1 FC O-ring

Rod Dia.	Kit #	Kit #
1/2"	PKH-RG2AHL0051	PKH-RG2AHL0055
5/8"	PKH-RG2AHL0061	PKH-RG2AHL0065
1"	PKH-RG2AHL0101	PKH-RG2AHL0105
1-3/8"	PKH-RG2AHL0131	PKH-RG2AHL0135
1-3/4"	PKH-RG2AHL0171	PKH-RG2AHL0175
2"	PKH-RG2AHL0201	PKH-RG2AHL0205
2-1/2"	PKH-RG2AHL0251	PKH-RG2AHL0255
3"	PKH-RG2AHL0301	PKH-RG2AHL0305
3-1/2"	PKH-RG2AHL0351	PKH-RG2AHL0355
4"	PKH-RG2AHL0401	PKH-RG2AHL0405
4-1/2"	PKH-RG2AHL0451	PKH-RG2AHL0455
5"	PKH-RG2AHL0501	PKH-RG2AHL0505
5-1/2"	PKH-RG2AHL0551	PKH-RG2AHL0555

PARKER

Rod Gland Kits

H*, 2H*, 3H (7" & 8" Bore), VH, L, 2L, and 3L Cylinders
Urethane



1/2" - 5-1/2"

Kit Includes:

- 1 Bronze Gland
- 1 XNBR Wiper
- 1 Multi-lip Urethane U-seal
- 1 NBR O-ring

Rod Dia.	Kit #
1/2"	PKH-RG2HLTS051
5/8"	PKH-RG2HLTS061
1"	PKH-RG2HLTS101
1-3/8"	PKH-RG2HLTS131
1-3/4"	PKH-RG2HLTS171
2"	PKH-RG2HLTS201
2-1/2"	PKH-RG2HLTS251
3"	PKH-RG2HLTS301
3-1/2"	PKH-RG2HLTS351
4"	PKH-RG2HLTS401
4-1/2"	PKH-RG2HLTS451
5"	PKH-RG2HLTS501
5-1/2"	PKH-RG2HLTS551

* Excludes 10" and 12" Bore for Series H and 2H.

PARKER

Rod Gland Kits

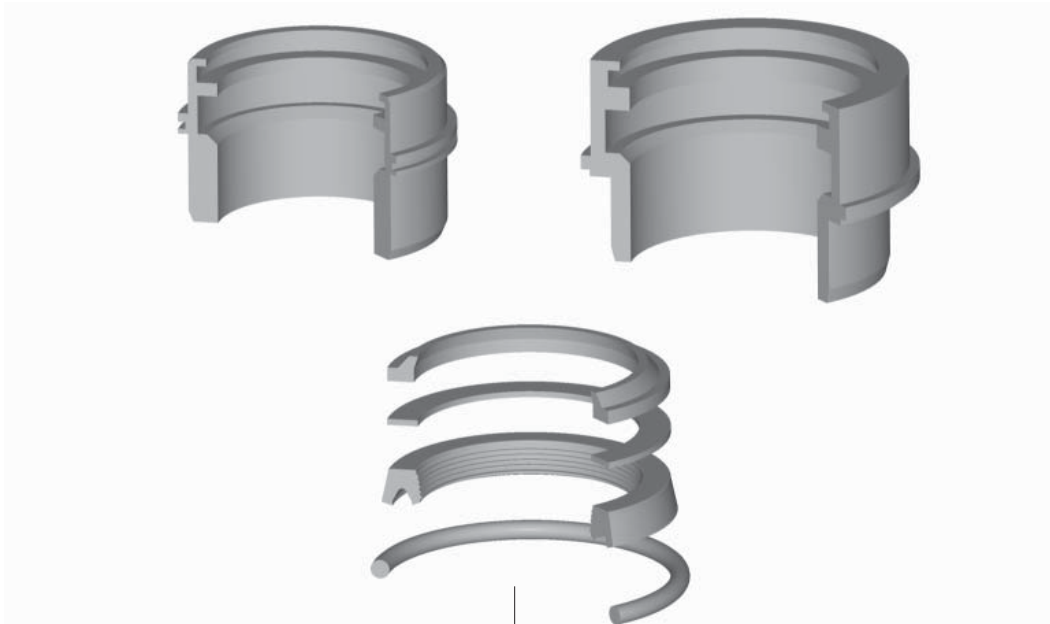
MA Air Cylinders

Nitrile

Fluorocarbon

5/8" Rod Gland profile

1" & 1-3/8" Rod Gland profile



Kit Includes:

- 1 Bronze Gland
- 1 URE Wiper
- 1 PTFE Back-up Ring
- 1 NBR Multi-lip U-seal
- 1 NBR O-ring

Kit Includes:

- 1 Bronze Gland
- 1 FC Wiper
- 1 PTFE Back-up Ring
- 1 FC Multi-lip U-seal
- 1 FC O-ring

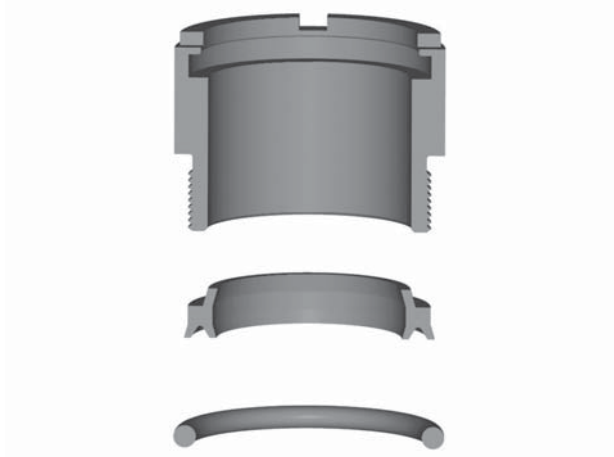
Rod Dia.	Kit #	Kit #
5/8"	PKH-RGL6948MA1	PKH-RGL6948MA5
1"	PKH-RGL6949MA1	PKH-RGL6949MA5
1-3/8"	PKH-RGL6950MA1	PKH-RGL6950MA5

PARKER

Rod Gland Kits

2MA Air Cylinders

Nitrile

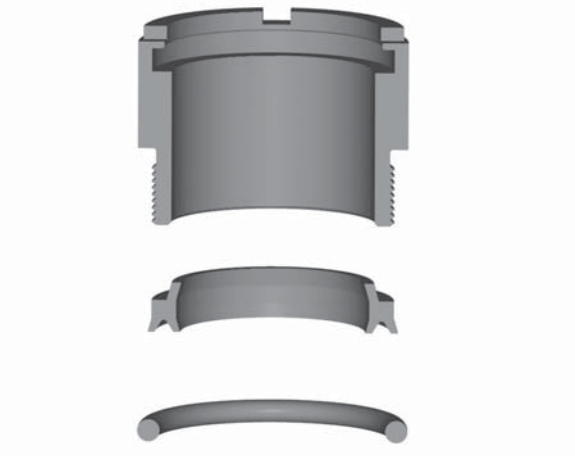


1/2" - 1-3/4"

Kit Includes:

- 1 Bronze Gland
- 1 XNBR Wiper/Seal
- 1 NBR O-ring
- 1 Tube Seal Lubricant

Fluorocarbon



1/2" - 1-3/4"

Kit Includes:

- 1 Bronze Gland
- 1 FC Wiper/Seal
- 1 FC O-ring
- 1 Tube Seal Lubricant

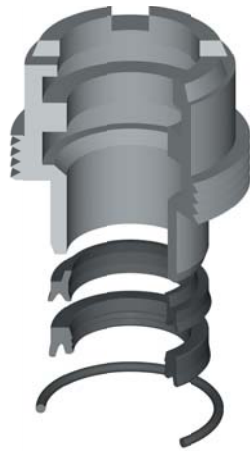
Rod Dia.	Kit #	Kit #
1/2"	PKH-RG02MA0051	PKH-RG02MA0055
5/8"	PKH-RG02MA0061	PKH-RG02MA0065
1"	PKH-RG02MA0101	PKH-RG02MA0105
1-3/8"	PKH-RG02MA0131	PKH-RG02MA0135
1-3/4"	PKH-RG02MA0171	PKH-RG02MA0175

PARKER

Rod Gland Kits

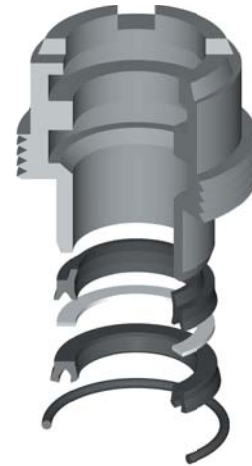
HMI Cylinders

Urethane



- Kit Includes:**
- 1 Bronze Gland
 - 1 URE Wiper
 - 1 URE Multi-lip U-seal
 - 1 NBR O-ring

Fluorocarbon



- Kit Includes:**
- 1 Bronze Gland
 - 1 FC Wiper
 - 1 PTFE Back-up Ring
 - 1 FC Multi-lip U-seal
 - 1 FC O-ring

Rod Dia.	Kit #	Kit #
12 mm	PKH-RG2HM0121	PKH-RG2HM0125
14 mm	PKH-RG2HM0141	PKH-RG2HM0145
18 mm	PKH-RG2HM0181	PKH-RG2HM0185
22 mm	PKH-RG2HM0221	PKH-RG2HM0225
28 mm	PKH-RG2HM0281	PKH-RG2HM0285
36 mm	PKH-RG2HM0361	PKH-RG2HM0365
45 mm	PKH-RG2HM0451	PKH-RG2HM0455
56 mm	PKH-RG2HM0561	PKH-RG2HM0565
70 mm	PKH-RG2HM0701	PKH-RG2HM0705

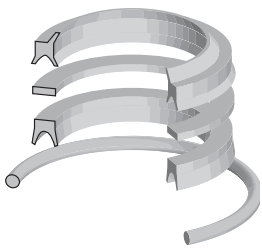
PARKER

Rod Kits

A, 2A, H, 2H, VH, L, 2L, & 3L Cylinders

Nitrile

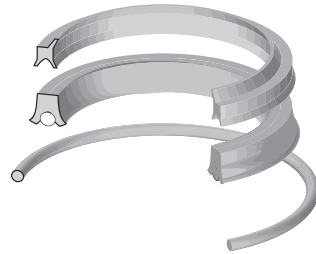
Fluorocarbon



1/2" - 3"

Kit Includes:

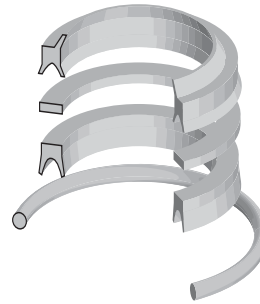
- 1 XNBR Wiper
- 1 URE Back-up Ring
- 1 NBR U-seal
- 1 NBR O-ring



3-1/2" - 5-1/2"

Kit Includes:

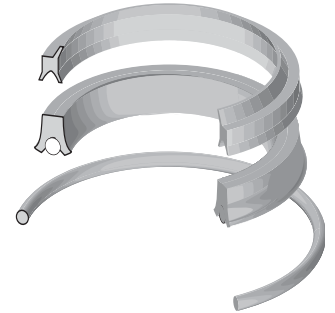
- 1 XNBR Wiper
- 1 NBR Loaded U-seal
- 1 NBR O-ring



1/2" - 3"

Kit Includes:

- 1 FC Wiper
- 1 PTFE Back-up Ring
- 1 FC U-seal
- 1 FC O-ring



3-1/2" - 5-1/2"

Kit Includes:

- 1 FC Wiper
- 1 FC Loaded U-seal
- 1 FC O-ring

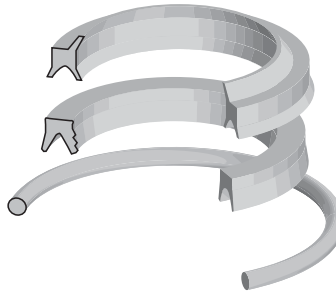
Rod Dia.	Kit #	Kit #
1/2"	PKH-RK2AHL0051	PKH-RK2AHL0055
5/8"	PKH-RK2AHL0061	PKH-RK2AHL0065
1"	PKH-RK2AHL0101	PKH-RK2AHL0105
1-3/8"	PKH-RK2AHL0131	PKH-RK2AHL0135
1-3/4"	PKH-RK2AHL0171	PKH-RK2AHL0175
2"	PKH-RK2AHL0201	PKH-RK2AHL0205
2-1/2"	PKH-RK2AHL0251	PKH-RK2AHL0255
3"	PKH-RK2AHL0301	PKH-RK2AHL0305
3-1/2"	PKH-RK2AHL0351	PKH-RK2AHL0355
4"	PKH-RK2AHL0401	PKH-RK2AHL0405
4-1/2"	PKH-RK2AHL0451	PKH-RK2AHL0455
5"	PKH-RK2AHL0501	PKH-RK2AHL0505
5-1/2"	PKH-RK2AHL0551	PKH-RK2AHL0555

PARKER

Rod Kits

H*, 2H*, 3H (7" & 8" Bore), VH, L, 2L, and 3L Cylinders Urethane

Standard seals for Series 2H*, VH, 3L, and 3H (7" and 8" Bore) manufactured after September 30, 1990.
Interchangeable seals for Series H*, 2H*, VH, L, 2L, and 3L manufactured before September 30, 1990.



1/2" - 5-1/2"

Kit Includes:

- 1 XNBR Wiper
- 1 Multi-lip Urethane U-seal
- 1 NBR O-ring

Rod Dia.	Kit #
1/2"	PKH-RK2HLTS051
5/8"	PKH-RK2HLTS061
1"	PKH-RK2HLTS101
1-3/8"	PKH-RK2HLTS131
1-3/4"	PKH-RK2HLTS171
2"	PKH-RK2HLTS201
2-1/2"	PKH-RK2HLTS251
3"	PKH-RK2HLTS301
3-1/2"	PKH-RK2HLTS351
4"	PKH-RK2HLTS401
4-1/2"	PKH-RK2HLTS451
5"	PKH-RK2HLTS501
5-1/2"	PKH-RK2HLTS551

* Excludes 10" and 12" Bore for Series H and 2H.

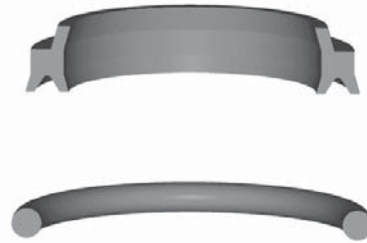
PARKER

Rod Kits

2MA Air Cylinders

Nitrile

Fluorocarbon



1/2" - 1-3/4"

Kit Includes:

- 1 XNBR Wiper/Seal
- 1 NBR O-ring
- 1 Tube Seal Lubricant

1/2" - 1-3/4"

Kit Includes:

- 1 FC Wiper/Seal
- 1 FC O-ring
- 1 Tube Seal Lubricant

Rod Dia.	Kit #	Kit #
1/2"	PKH-RK02MA0051	PKH-RK02MA0055
5/8"	PKH-RK02MA0061	PKH-RK02MA0065
1"	PKH-RK02MA0101	PKH-RK02MA0105
1-3/8"	PKH-RK02MA0131	PKH-RK02MA0135
1-3/4"	PKH-RK02MA0171	PKH-RK02MA0175

PARKER

Rod Kits

2ML Hydraulic Cylinders Urethane



1/2" - 5-1/2"

Kit Includes:

- 1 XNBR Wiper / Seal
- 1 Multi-lip Urethane U-seal
- 1 NBR O-ring

Rod Dia.	Kit #
5/8"	PKH-RK02ML0061
1"	PKH-RK02ML0101
1-3/8"	PKH-RK02ML0131
1-3/4"	PKH-RK02ML0171

PARKER

Rod Kits

HMI Cylinders

Urethane



Kit Includes:
 1 URE Wiper
 1 URE Multi-lip U-seal
 1 NBR O-ring

Fluorocarbon

12 - 70mm



90 - 140mm



Kit Includes:
 1 FC Wiper
 1 PTFE Back-up Ring*
 1 FC Multi-lip U-seal*
 1 FC O-ring

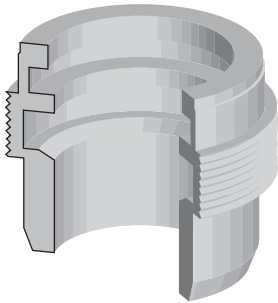
Rod Dia.	Kit #	Kit #
12 mm	PKH-RK2HM0121	PKH-RK2HM0125
14 mm	PKH-RK2HM0141	PKH-RK2HM0145
18 mm	PKH-RK2HM0181	PKH-RK2HM0185
22 mm	PKH-RK2HM0221	PKH-RK2HM0225
28 mm	PKH-RK2HM0281	PKH-RK2HM0285
36 mm	PKH-RK2HM0361	PKH-RK2HM0365
45 mm	PKH-RK2HM0451	PKH-RK2HM0455
56 mm	PKH-RK2HM0561	PKH-RK2HM0565
70 mm	PKH-RK2HM0701	PKH-RK2HM0705
90 mm	PKH-RK2HM0901	PKH-RK2HM0905
110 mm	PKH-RK2HM1101	PKH-RK2HM1105
140 mm	PKH-RK2HM1401	PKH-RK2HM1405

* 90, 110, & 140mm Fluorocarbon kits use (1) FC Single Lip Rod U-seal w/ a Bronze/PTFE ID back-up ring

PARKER

Bronze Rod Glands

A, 2A, H, 2H, VH, L, 2L, & 3L Air and Hydraulic Cylinders

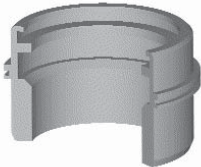


Rod Dia.	Part #
1/2"	PKH-RG-05
5/8"	PKH-RG-06
1"	PKH-RG-10
1-3/8"	PKH-RG-13
1-3/4"	PKH-RG-17
2"	PKH-RG-20
2-1/2"	PKH-RG-25
3"	PKH-RG-30
3-1/2"	PKH-RG-35
4"	PKH-RG-40
4-1/2"	PKH-RG-45
5"	PKH-RG-50
5-1/2"	PKH-RG-55

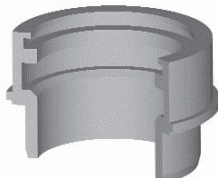
PARKER

MA Air Cylinders

5/8" Rod Gland profile

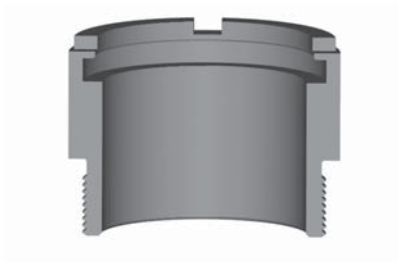


1" & 1-3/8" Rod Gland profile



Rod Dia.	Part #
5/8"	PKH-RGMA-06
1"	PKH-RGMA-10
1-3/8"	PKH-RGMA-13

2MA Air Cylinders

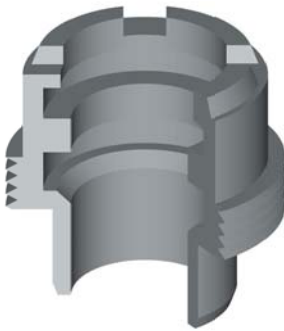


Rod Dia.	Part #
1/2"	PKH-RG02MA-05
5/8"	PKH-RG02MA-06
1"	PKH-RG02MA-10
1-3/8"	PKH-RG02MA-13
1-3/4"	PKH-RG02MA-17

PARKER

Bronze Rod Glands

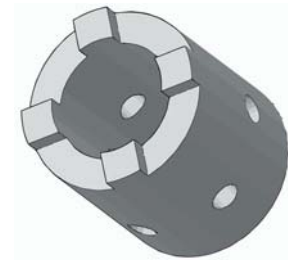
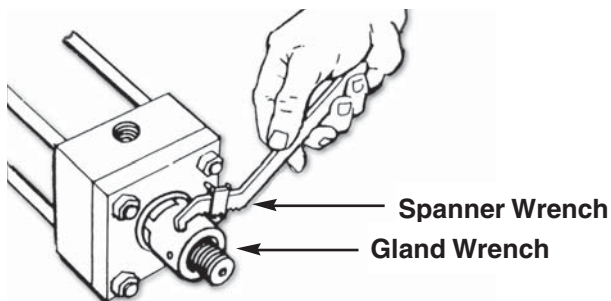
HMI Hydraulic Cylinders



Rod Dia.	Part #
12 mm	PKH-RGHM-012
14 mm	PKH-RGHM-014
18 mm	PKH-RGHM-018
22 mm	PKH-RGHM-022
28 mm	PKH-RGHM-028
36 mm	PKH-RGHM-036
45 mm	PKH-RGHM-045
56 mm	PKH-RGHM-056
70 mm	PKH-RGHM-070

Gland Wrenches

Parker Gland Wrenches



Rod Dia.	Kit #	ID X OD X HT
1/2", 5/8", 12mm & 14mm	PKH-069590	11/16" X 1-1/8" X 1-3/8"
18mm	PKH-084765	13/16" X 1-1/4" X 1-7/16"
1" & 22mm	PKH-069591	1-1/16" X 1-5/8" X 1-1/2"
28mm	PKH-084766	1-1/4" X 1-11/16" X 9/16"
1-3/8" & 36mm	PKH-069592	1-7/16" X 1-7/8" X 1-5/8"
1-3/4" & 45mm	PKH-069593	1-13/16" X 2-1/4" X 1-5/8"
2"	PKH-069594	2-1/16" X 2-1/2" X 2"
2-1/2" & 56mm	PKH-069595	2-9/16" X 3" X 2-1/8"
70mm	PKH-069596	2-15/16" X 3-1/2" X 2-3/8"

PARKER

Rod & Piston Seal Kits

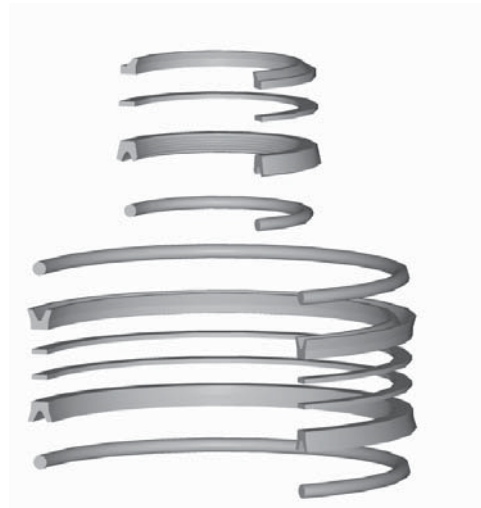
MA Air Cylinders

Nitrile



- Kit Includes:**
 1 URE Wiper
 1 PTFE Back-up Ring
 1 NBR Multi-lip U-seal
 2 NBR U-seals
 2 URE Back-up Rings
 3 NBR O-rings

Fluorocarbon



- Kit Includes:**
 1 FC Wiper
 1 FC Multi-lip U-seal
 2 FC U-seals
 3 PTFE Back-up Ring
 3 FC O-rings

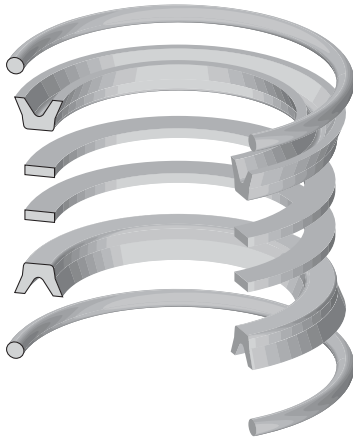
Rod Dia.	Bore Dia.	(NBR) Kit #	(FC) Kit #
5/8"	1-1/2"	PKH-SKL7000MA1	PKH-SKL7000MA5
5/8"	2"	PKH-SKL7001MA1	PKH-SKL7001MA5
1"	2"	PKH-SKL7002MA1	PKH-SKL7002MA5
5/8"	2-1/2"	PKH-SKL7003MA1	PKH-SKL7003MA5
1"	2-1/2"	PKH-SKL7004MA1	PKH-SKL7004MA5
1"	3-1/4"	PKH-SKL7005MA1	PKH-SKL7005MA5
1-3/8"	3-1/4"	PKH-SKL7006MA1	PKH-SKL7006MA5
1"	4"	PKH-SKL7007MA1	PKH-SKL7007MA5
1-3/8"	4"	PKH-SKL7008MA1	PKH-SKL7008MA5
1"	5"	PKH-SKL7009MA1	PKH-SKL7009MA5
1-3/8"	5"	PKH-SKL7010MA1	PKH-SKL7010MA5
1-3/8"	6"	PKH-SKL7098MA1	PKH-SKL7098MA5

PARKER

Piston Kits

HL, 2HL, L, LL, 2LL, & 3LL Hydraulic Cylinders

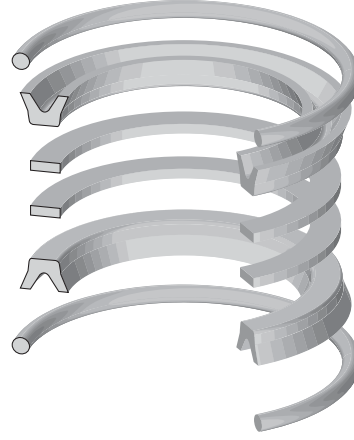
Nitrile



Kit Includes:

- 2 NBR U-seals
- 2 NBR O-ring Head Seals
- 2 URE Back-up Rings

Fluorocarbon



Kit Includes:

- 2 FC U-seals
- 2 FC O-ring Head Seals
- 2 PTFE Back-up Rings

Bore Dia.	(NBR) Kit #	(FC) Kit #
1"	PKH-PK102HLL01	PKH-PK102HLL05
1-1/2"	PKH-PK152HLL01	PKH-PK152HLL05
2"	PKH-PK202HLL01	PKH-PK202HLL05
2-1/2"	PKH-PK252HLL01	PKH-PK252HLL05
3-1/4"	PKH-PK322HLL01	PKH-PK322HLL05
4"	PKH-PK402HLL01	PKH-PK402HLL05
5"	PKH-PK502HLL01	PKH-PK502HLL05
6"	PKH-PK602HLL01	PKH-PK602HLL05
7"	PKH-PK702HLL01	PKH-PK702HLL05
8"	PKH-PK802HLL01	PKH-PK802HLL05
10"	PKH-PK902HLL01	PKH-PK902HLL05
12"	PKH-PK922HLL01	PKH-PK922HLL05

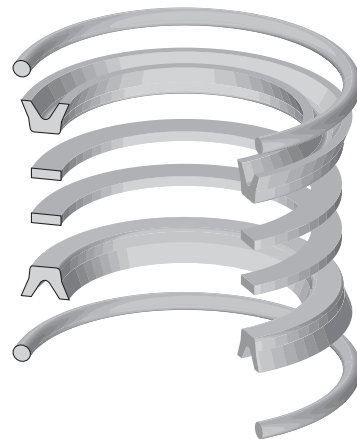
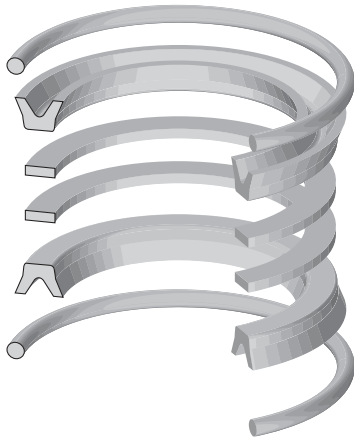
PARKER

Piston Kits

1A & 2A Air Cylinders

Nitrile

Fluorocarbon



Kit Includes:

- 2 NBR O-ring Head Seals
- 2 NBR U-seals
- 2 URE Back-up Rings

Kit Includes:

- 2 FC O-ring Head Seals
- 2 FC U-seals
- 2 PTFE Back-up Rings

Bore Dia.	(NBR) Kit #	(FC) Kit #
1"	PKH-PK1002A001	PKH-PK1002A005
1-1/2"	PKH-PK1502A001	PKH-PK1502A005
2"	PKH-PK2002A001	PKH-PK2002A005
2-1/2"	PKH-PK2502A001	PKH-PK2502A005
3-1/4"	PKH-PK3202A001	PKH-PK3202A005
4"	PKH-PK4002A001	PKH-PK4002A005
5"	PKH-PK5002A001	PKH-PK5002A005
6"	PKH-PK6002A001	PKH-PK6002A005
7"	PKH-PK7002A001	PKH-PK7002A005
8"	PKH-PK8002A001	PKH-PK8002A005
10"	PKH-PK9002A001	PKH-PK9002A005
12"	PKH-PK9202A001	PKH-PK9202A005
14"	PKH-PK9402A001	PKH-PK9402A005

PARKER

Piston Kits

2MA Cylinders

Nitrile



Kit Includes:
 2 NBR O-ring Head Seals
 2 NBR U-seals
 2 URE Back-up Rings
 1 Nylon Wear Ring
 1 Tube Seal Lubricant

Fluorocarbon



Kit Includes:
 2 FC O-ring Head Seals
 2 FC U-seals
 2 PTFE Back-up Rings
 1 Nylon Wear Ring
 1 Tube Seal Lubricant

Bore Dia.	(NBR) Kit #	(FC) Kit #
1-1/2"	PKH-PK1502MA01	PKH-PK1502MA05
2"	PKH-PK2002MA01	PKH-PK2002MA05
2-1/2"	PKH-PK2502MA01	PKH-PK2502MA05
3-1/4"	PKH-PK3202MA01	PKH-PK3202MA05
4"	PKH-PK4002MA01	PKH-PK4002MA05
5"	PKH-PK5002MA01	PKH-PK5002MA05
6"	PKH-PK6002MA01	PKH-PK6002MA05
8"	PKH-PK8002MA01	PKH-PK8002MA05

PARKER

Piston Kits

2ML Cylinders Nitrile



- Kit Includes:**
 2 NBR O-ring Head Seals
 2 NBR U-seals
 2 URE Back-up Rings
 1 Nylon Wear Ring

Rod Dia.	Kit #
1-1/2"	PKH-PK1502ML01
2"	PKH-PK2002ML01
2-1/2"	PKH-PK2502ML01
3-1/4"	PKH-PK3202ML01
4"	PKH-PK4002ML01
5"	PKH-PK5002ML01
6"	PKH-PK6002ML01
8"	PKH-PK8002ML01

PARKER

Piston Kits

HMI Cylinders

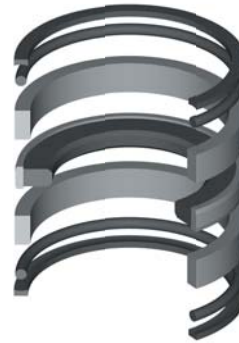
Nitrile



Kit Includes:

2 NBR Back-up Rings*
 2 NBR O-ring Head Seals
 2 Polyacetal Wear Rings
 1 URE Piston Ring
 w/ 1 NBR Expander

Fluorocarbon



Kit Includes:

2 FC Back-up Rings*
 2 FC O-ring Head Seals
 2 Phenolic Wear Rings
 1 Step-cut Nylon Piston Ring
 w/ 1 FC Expander

Bore Dia.	(NBR) Kit #	(FC) Kit #
25 mm	PKH-PN025HM001	—
32 mm	PKH-PN032HM001	PKH-PN032HM005
40 mm	PKH-PN040HM001	PKH-PN040HM005
50 mm	PKH-PN050HM001	PKH-PN050HM005
63 mm	PKH-PN063HM001	PKH-PN063HM005
80 mm	PKH-PN080HM001	PKH-PN080HM005
100 mm	PKH-PN100HM001	PKH-PN100HM005
125 mm	PKH-PN125HM001	PKH-PN125HM005
160 mm	PKH-PN160HM001	PKH-PN160HM005
200 mm	PKH-PN200HM001	PKH-PN200HM005

* Back-up Rings used only in 63mm and larger Piston Kits.

PARKER

Piston Kits

Poly Pack kits for L, 2L, 3L, H, 2H, HD, & VH Cylinders

Urethane



Kit Includes:

- 2 NBR O-ring Head Seals
- 2 NBR Loaded Urethane U-seals
- 2 PTFE Head Seals (1" Bore Only)

Fluorocarbon



Kit Includes:

- 2 FC O-ring Head Seals
- 2 FC Loaded U-seals

Bore Dia.	(NBR) Kit #	(FC) Kit #
1"	PKH-PK102HLLP1	—
1-1/2"	PKH-PK152HLLP1	PKH-PK152HLLP5
2"	PKH-PK202HLLP1	PKH-PK202HLLP5
2-1/2"	PKH-PK252HLLP1	PKH-PK252HLLP5
3-1/4"	PKH-PK322HLLP1	PKH-PK322HLLP5
4"	PKH-PK402HLLP1	PKH-PK402HLLP5
5"	PKH-PK502HLLP1	PKH-PK502HLLP5
6" *	PKH-PK602HLLP1	PKH-PK602HLLP5
6" **	PKH-PK602HLLP1-OLD	PKH-PK602HLLP5-OLD
8"	PKH-PK802HLLP1	PKH-PK802HLLP5

Note: These kits are used in the lipseal type piston for the models shown above.

* These 6" kits are for the current standard piston, Jan. 1992-current. U-seal cross section of .28".

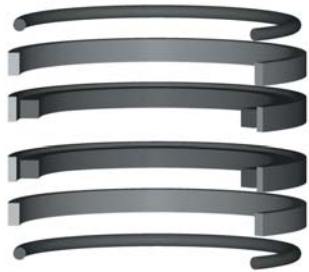
** These 6" kits are for the pre-1992 reworked piston. U-seal cross section of 5/16".

PARKER

Piston Kits

High Load Kits for 2H, VH & HD

Nitrile



Kit Includes:

2 NBR O-ring Head Seals
 2 Nylon Wear Rings
 2 Bronze filled PTFE Piston Rings
 w/ 2 NBR Expanders

Fluorocarbon



Kit Includes:

2 FC O-ring Head Seals
 2 Nylon Wear Rings
 2 Bronze filled PTFE Piston Rings
 w/ 2 FC Expanders

Bore Dia.	Kit #	Kit #
1-1/2"	PKH-PK152HK001	PKH-PK152HK005
2"	PKH-PK202HK001	PKH-PK202HK005
2-1/2"	PKH-PK252HK001	PKH-PK252HK005
3-1/4"	PKH-PK322HK001	PKH-PK322HK005
4"	PKH-PK402HK001	PKH-PK402HK005
5"	PKH-PK502HK001	PKH-PK502HK005
6"	PKH-PK602HK001	PKH-PK602HK005
7"	PKH-PK702HK001	PKH-PK702HK005
8"	PKH-PK802HK001	PKH-PK802HK005
10"	PKH-PK902HK001	PKH-PK902HK005
12"	PKH-PK922HK001	PKH-PK922HK005

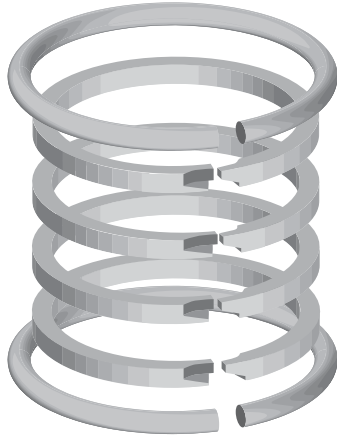
PARKER

Piston Ring Kits

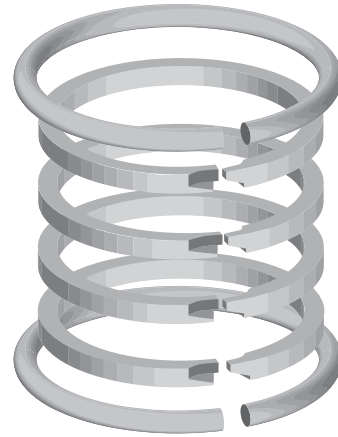
H, 2H, L, 2L, & 3L Hydraulic Cylinders

Nitrile

Fluorocarbon



Kit Includes:
 2 NBR O-ring Head Seals
 4 Cast Iron Piston Rings
 2 PTFE Head Seals (1" Bore Only)



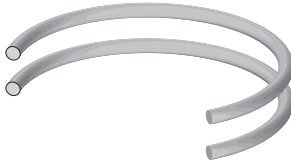
Kit Includes:
 2 FC O-ring Head Seals
 4 Cast Iron Piston Rings
 2 PTFE Head Seals (1" Bore Only)

Bore Dia.	(NBR) Kit #	(FC) Kit #
1"	PKH-PR102H0001	PKH-PR102H0005
1-1/2"	PKH-PR152H0001	PKH-PR152H0005
2"	PKH-PR202H0001	PKH-PR202H0005
2-1/2"	PKH-PR252H0001	PKH-PR252H0005
3-1/4"	PKH-PR322H0001	PKH-PR322H0005
4"	PKH-PR402H0001	PKH-PR402H0005
5"	PKH-PR502H0001	PKH-PR502H0005
6"	PKH-PR602H0001	PKH-PR602H0005
7"	PKH-PR702H0001	PKH-PR702H0005
8"	PKH-PR802H0001	PKH-PR802H0005
10"	PKH-PR902H0001	PKH-PR902H0005
12"	PKH-PR922H0001	PKH-PR922H0005

PARKER

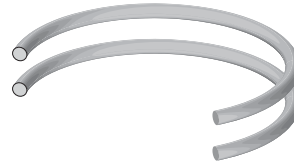
Piston Head Seal Kits

Nitrile



Kit Includes:
2 NBR O-ring Head Seals

Fluorocarbon



Kit Includes:
2 FC O-ring Head Seals

2A, 2H, 3L, & VH Cylinders

Bore Dia.	(NBR) Kit #	(FC) Kit #
1"	PKH-CB102HL001	PKH-CB102HL005
1-1/2"	PKH-CB152HL001	PKH-CB152HL005
2"	PKH-CB202HL001	PKH-CB202HL005
2-1/2"	PKH-CB252HL001	PKH-CB252HL005
3-1/4"	PKH-CB322HL001	PKH-CB322HL005
4"	PKH-CB402HL001	PKH-CB402HL005
5"	PKH-CB502HL001	PKH-CB502HL005
6"	PKH-CB602HL001	PKH-CB602HL005
7"	PKH-CB702HL001	PKH-CB702HL005
8"	PKH-CB802HL001	PKH-CB802HL005
10"	PKH-CB902HL001	PKH-CB902HL005

2MA & ML Cylinders

2MA Cylinders Only

Bore Dia.	(NBR) Kit #	(FC) Kit #
1-1/2"	PKH-CB1502MA01	PKH-CB1502MA05
2"	PKH-CB2002MA01	PKH-CB2002MA05
2-1/2"	PKH-CB2502MA01	PKH-CB2502MA05
3-1/4"	PKH-CB3202MA01	PKH-CB3202MA05
4"	PKH-CB4002MA01	PKH-CB4002MA05
5"	PKH-CB5002MA01	PKH-CB5002MA05
6"	PKH-CB6002MA01	PKH-CB6002MA05
8"	PKH-CB8002MA01	PKH-CB8002MA05

PARKER

Piston Head Seal Kits

HMI Hydraulic Cylinders

Nitrile



Kit Includes:
2 NBR Back-up Rings*
2 NBR O-ring Head Seals

Fluorocarbon



Kit Includes:
2 FC Back-up Rings*
2 FC O-ring Head Seals

Bore Dia.	(NBR) Kit #	(FC) Kit #
25 mm	PKH-CB025HM001	PKH-CB025HM005
32 mm	PKH-CB032HM001	PKH-CB032HM005
40 mm	PKH-CB040HM001	PKH-CB040HM005
50 mm	PKH-CB050HM001	PKH-CB050HM005
63 mm	PKH-CB063HM001	PKH-CB063HM005
80 mm	PKH-CB080HM001	PKH-CB080HM005
100 mm	PKH-CB100HM001	PKH-CB100HM005
125 mm	PKH-CB125HM001	PKH-CB125HM005
160 mm	PKH-CB160HM001	PKH-CB160HM005
200 mm	PKH-CB200HM001	PKH-CB200HM005

* Back-up rings used only in 63mm and larger piston kits.

Various Kits

Kit #	Series	Code	Rod x Bore	Kit Includes:
PKH-KT060VP101	VP	I-N-2	1" X 6"	1 XNBR H Style Wiper 2 NBR O-rings 1 NBR Quad Ring
PKH-KT070VP101	VP	I-N-2	1" X 7"	
PKH-KT080VP101	VP	I-N-2	1" X 8"	
PKH-KT100VP101	VP	I-N-2	1" X 10"	

PARKER

Sales Part Number	Description	Rod Size	Bore Size	ID x OD x W
PKH-069590	Gland Wrench	1/2, 5/8, 12mm, 14mm		11/16 x 1-1/8 x 1-3/8
PKH-069591	Gland Wrench	1, 22mm		1-1/16 x 1-5/8 x 1-1/2
PKH-069592	Gland Wrench	1-3/8, 36mm		1-7/16 x 1-7/8 x 1-5/8
PKH-069593	Gland Wrench	1-3/4, 45mm		1-13/16 x 2-1/4 x 1-5/8
PKH-069594	Gland Wrench	2		2-1/16 x 2-1/2 x 2
PKH-069595	Gland Wrench	2-1/2, 56mm		2-9/16 x 3 x 2-1/8
PKH-069596	Gland Wrench	70mm		2-15/16 x 3-1/2 x 2-3/8
PKH-084765	Gland Wrench	18mm		13/16 x 1-1/4 x 1-7/16
PKH-084766	Gland Wrench	28mm		1-1/4 x 1-11/16 x 9/16
PKH-CB025HM001	Piston Head Seal Kit		25 mm	
PKH-CB025HM005	Piston Head Seal Kit		25 mm	
PKH-CB032HM001	Piston Head Seal Kit		32 mm	
PKH-CB032HM005	Piston Head Seal Kit		32 mm	
PKH-CB040HM001	Piston Head Seal Kit		40 mm	
PKH-CB040HM005	Piston Head Seal Kit		40 mm	
PKH-CB050HM001	Piston Head Seal Kit		50 mm	
PKH-CB050HM005	Piston Head Seal Kit		50 mm	
PKH-CB063HM001	Piston Head Seal Kit		63 mm	
PKH-CB063HM005	Piston Head Seal Kit		63 mm	
PKH-CB080HM001	Piston Head Seal Kit		80 mm	
PKH-CB080HM005	Piston Head Seal Kit		80 mm	
PKH-CB100HM001	Piston Head Seal Kit		100 mm	
PKH-CB100HM005	Piston Head Seal Kit		100 mm	
PKH-CB102HL001	Piston Head Seal Kit		1	
PKH-CB102HL005	Piston Head Seal Kit		1	
PKH-CB125HM001	Piston Head Seal Kit		125 mm	
PKH-CB125HM005	Piston Head Seal Kit		125 mm	
PKH-CB1502MA01	Piston Head Seal Kit		1-1/2	
PKH-CB1502MA05	Piston Head Seal Kit		1-1/2	
PKH-CB152HL001	Piston Head Seal Kit		1-1/2	
PKH-CB152HL005	Piston Head Seal Kit		1-1/2	
PKH-CB160HM001	Piston Head Seal Kit		160 mm	
PKH-CB160HM005	Piston Head Seal Kit		160 mm	
PKH-CB2002MA01	Piston Head Seal Kit		2	
PKH-CB2002MA05	Piston Head Seal Kit		2	
PKH-CB200HM001	Piston Head Seal Kit		200 mm	
PKH-CB200HM005	Piston Head Seal Kit		200 mm	
PKH-CB202HL001	Piston Head Seal Kit		2	
PKH-CB202HL005	Piston Head Seal Kit		2	
PKH-CB2502MA01	Piston Head Seal Kit		2-1/2	
PKH-CB2502MA05	Piston Head Seal Kit		2-1/2	
PKH-CB252HL001	Piston Head Seal Kit		2-1/2	
PKH-CB252HL005	Piston Head Seal Kit		2-1/2	
PKH-CB3202MA01	Piston Head Seal Kit		3-1/4	
PKH-CB3202MA05	Piston Head Seal Kit		3-1/4	
PKH-CB322HL001	Piston Head Seal Kit		3-1/4	
PKH-CB322HL005	Piston Head Seal Kit		3-1/4	
PKH-CB4002MA01	Piston Head Seal Kit		4	
PKH-CB4002MA05	Piston Head Seal Kit		4	
PKH-CB402HL001	Piston Head Seal Kit		4	

PARKER

PARKER

Sales Part Number	Description	Rod Size	Bore Size	ID x OD x W
PKH-CB402HL005	Piston Head Seal Kit		4	
PKH-CB5002MA01	Piston Head Seal Kit		5	
PKH-CB5002MA05	Piston Head Seal Kit		5	
PKH-CB502HL001	Piston Head Seal Kit		5	
PKH-CB502HL005	Piston Head Seal Kit		5	
PKH-CB6002MA01	Piston Head Seal Kit		6	
PKH-CB6002MA05	Piston Head Seal Kit		6	
PKH-CB602HL001	Piston Head Seal Kit		6	
PKH-CB602HL005	Piston Head Seal Kit		6	
PKH-CB702HL001	Piston Head Seal Kit		7	
PKH-CB702HL005	Piston Head Seal Kit		7	
PKH-CB8002MA01	Piston Head Seal Kit		8	
PKH-CB8002MA05	Piston Head Seal Kit		8	
PKH-CB802HL001	Piston Head Seal Kit		8	
PKH-CB802HL005	Piston Head Seal Kit		8	
PKH-CB902HL001	Piston Head Seal Kit		9	
PKH-CB902HL005	Piston Head Seal Kit		9	
PKH-KT060VP101	Rod & Piston Seal Kit	1	6	
PKH-KT070VP101	Rod & Piston Seal Kit	1	7	
PKH-KT080VP101	Rod & Piston Seal Kit	1	8	
PKH-KT100VP101	Rod & Piston Seal Kit	1	10	
PKH-PK1002A001	Piston Kit		1	
PKH-PK1002A005	Piston Kit		1	
PKH-PK102HLL01	Piston Kit		1	
PKH-PK102HLL05	Piston Kit		1	
PKH-PK102HLLP1	Piston Kit		1	
PKH-PK1502A001	Piston Kit		1-1/2	
PKH-PK1502A005	Piston Kit		1-1/2	
PKH-PK1502MA01	Piston Kit		1-1/2	
PKH-PK1502MA05	Piston Kit		1-1/2	
PKH-PK1502ML01	Piston Kit		1-1/2	
PKH-PK152HK001	Piston Kit		1-1/2	
PKH-PK152HK005	Piston Kit		1-1/2	
PKH-PK152HLL01	Piston Kit		1-1/2	
PKH-PK152HLL05	Piston Kit		1-1/2	
PKH-PK152HLLP1	Piston Kit		1-1/2	
PKH-PK152HLLP5	Piston Kit		1-1/2	
PKH-PK2002A001	Piston Kit		2	
PKH-PK2002A005	Piston Kit		2	
PKH-PK2002MA01	Piston Kit		2	
PKH-PK2002MA05	Piston Kit		2	
PKH-PK2002ML01	Piston Kit		2	
PKH-PK202HK001	Piston Kit		2	
PKH-PK202HK005	Piston Kit		2	
PKH-PK202HLL01	Piston Kit		2	
PKH-PK202HLL05	Piston Kit		2	
PKH-PK202HLLP1	Piston Kit		2	
PKH-PK202HLLP5	Piston Kit		2	
PKH-PK2502A001	Piston Kit		2-1/2	
PKH-PK2502A005	Piston Kit		2-1/2	

PARKER

Sales Part Number	Description	Rod Size	Bore Size	ID x OD x W
PKH-PK2502MA01	Piston Kit		2-1/2	
PKH-PK2502MA05	Piston Kit		2-1/2	
PKH-PK2502ML01	Piston Kit		2-1/2	
PKH-PK252HK001	Piston Kit		2-1/2	
PKH-PK252HK005	Piston Kit		2-1/2	
PKH-PK252HLL01	Piston Kit		2-1/2	
PKH-PK252HLL05	Piston Kit		2-1/2	
PKH-PK252HLLP1	Piston Kit		2-1/2	
PKH-PK252HLLP5	Piston Kit		2-1/2	
PKH-PK3202A001	Piston Kit		3-1/4	
PKH-PK3202A005	Piston Kit		3-1/4	
PKH-PK3202MA01	Piston Kit		3-1/4	
PKH-PK3202MA05	Piston Kit		3-1/4	
PKH-PK3202ML01	Piston Kit		3-1/4	
PKH-PK322HK001	Piston Kit		3-1/4	
PKH-PK322HK005	Piston Kit		3-1/4	
PKH-PK322HLL01	Piston Kit		3-1/4	
PKH-PK322HLL05	Piston Kit		3-1/4	
PKH-PK322HLLP1	Piston Kit		3-1/4	
PKH-PK322HLLP5	Piston Kit		3-1/4	
PKH-PK4002A001	Piston Kit		4	
PKH-PK4002A005	Piston Kit		4	
PKH-PK4002MA01	Piston Kit		4	
PKH-PK4002MA05	Piston Kit		4	
PKH-PK4002ML01	Piston Kit		4	
PKH-PK402HK001	Piston Kit		4	
PKH-PK402HK005	Piston Kit		4	
PKH-PK402HLL01	Piston Kit		4	
PKH-PK402HLL05	Piston Kit		4	
PKH-PK402HLLP1	Piston Kit		4	
PKH-PK402HLLP5	Piston Kit		4	
PKH-PK5002A001	Piston Kit		5	
PKH-PK5002A005	Piston Kit		5	
PKH-PK5002MA01	Piston Kit		5	
PKH-PK5002MA05	Piston Kit		5	
PKH-PK5002ML01	Piston Kit		5	
PKH-PK502HK001	Piston Kit		5	
PKH-PK502HK005	Piston Kit		5	
PKH-PK502HLL01	Piston Kit		5	
PKH-PK502HLL05	Piston Kit		5	
PKH-PK502HLLP1	Piston Kit		5	
PKH-PK502HLLP5	Piston Kit		5	
PKH-PK6002A001	Piston Kit		6	
PKH-PK6002A005	Piston Kit		6	
PKH-PK6002MA01	Piston Kit		6	
PKH-PK6002MA05	Piston Kit		6	
PKH-PK6002ML01	Piston Kit		6	
PKH-PK602HK001	Piston Kit		6	
PKH-PK602HK005	Piston Kit		6	
PKH-PK602HLL01	Piston Kit		6	

PARKER

PARKER

Sales Part Number	Description	Rod Size	Bore Size	ID x OD x W
PKH-PK602HLL05	Piston Kit		6	
PKH-PK602HLLP1	Piston Kit		6	
PKH-PK602HLLP1-OLD	Piston Kit		6	
PKH-PK602HLLP5	Piston Kit		6	
PKH-PK602HLLP5-OLD	Piston Kit		6	
PKH-PK7002A001	Piston Kit		7	
PKH-PK7002A005	Piston Kit		7	
PKH-PK702HK001	Piston Kit		7	
PKH-PK702HK005	Piston Kit		7	
PKH-PK702HLL01	Piston Kit		7	
PKH-PK702HLL05	Piston Kit		7	
PKH-PK8002A001	Piston Kit		8	
PKH-PK8002A005	Piston Kit		8	
PKH-PK8002MA01	Piston Kit		8	
PKH-PK8002MA05	Piston Kit		8	
PKH-PK8002ML01	Piston Kit		8	
PKH-PK802HK001	Piston Kit		8	
PKH-PK802HK005	Piston Kit		8	
PKH-PK802HLL01	Piston Kit		8	
PKH-PK802HLL05	Piston Kit		8	
PKH-PK802HLLP1	Piston Kit		8	
PKH-PK802HLLP5	Piston Kit		8	
PKH-PK9002A001	Piston Kit		10	
PKH-PK9002A005	Piston Kit		10	
PKH-PK902HK001	Piston Kit		10	
PKH-PK902HK005	Piston Kit		10	
PKH-PK902HLL01	Piston Kit		10	
PKH-PK902HLL05	Piston Kit		10	
PKH-PK9202A001	Piston Kit		12	
PKH-PK9202A005	Piston Kit		12	
PKH-PK922HK001	Piston Kit		12	
PKH-PK922HK005	Piston Kit		12	
PKH-PK922HLL01	Piston Kit		12	
PKH-PK922HLL05	Piston Kit		12	
PKH-PK9402A001	Piston Kit		14	
PKH-PK9402A005	Piston Kit		14	
PKH-PN025HM001	Piston Kit		25 mm	
PKH-PN025HM005	Piston Kit		25 mm	
PKH-PN032HM001	Piston Kit		32 mm	
PKH-PN032HM005	Piston Kit		32 mm	
PKH-PN040HM001	Piston Kit		40 mm	
PKH-PN040HM005	Piston Kit		40 mm	
PKH-PN050HM001	Piston Kit		50 mm	
PKH-PN050HM005	Piston Kit		50 mm	
PKH-PN063HM001	Piston Kit		63 mm	
PKH-PN063HM005	Piston Kit		63 mm	
PKH-PN080HM001	Piston Kit		80 mm	
PKH-PN080HM005	Piston Kit		80 mm	
PKH-PN100HM001	Piston Kit		100 mm	
PKH-PN100HM005	Piston Kit		100 mm	

PARKER

Sales Part Number	Description	Rod Size	Bore Size	ID x OD x W
PKH-PN125HM001	Piston Kit		125 mm	
PKH-PN125HM005	Piston Kit		125 mm	
PKH-PN160HM001	Piston Kit		160 mm	
PKH-PN160HM005	Piston Kit		160 mm	
PKH-PN200HM001	Piston Kit		200 mm	
PKH-PN200HM005	Piston Kit		200 mm	
PKH-PR102H0001	Piston Ring Kit		1	
PKH-PR102H0005	Piston Ring Kit		1	
PKH-PR152H0001	Piston Ring Kit		1-1/2	
PKH-PR152H0005	Piston Ring Kit		1-1/2	
PKH-PR202H0001	Piston Ring Kit		2	
PKH-PR202H0005	Piston Ring Kit		2	
PKH-PR252H0001	Piston Ring Kit		2-1/2	
PKH-PR252H0005	Piston Ring Kit		2-1/2	
PKH-PR322H0001	Piston Ring Kit		3-1/4	
PKH-PR322H0005	Piston Ring Kit		3-1/4	
PKH-PR402H0001	Piston Ring Kit		4	
PKH-PR402H0005	Piston Ring Kit		4	
PKH-PR502H0001	Piston Ring Kit		5	
PKH-PR502H0005	Piston Ring Kit		5	
PKH-PR602H0001	Piston Ring Kit		6	
PKH-PR602H0005	Piston Ring Kit		6	
PKH-PR702H0001	Piston Ring Kit		7	
PKH-PR702H0005	Piston Ring Kit		7	
PKH-PR802H0001	Piston Ring Kit		8	
PKH-PR802H0005	Piston Ring Kit		8	
PKH-PR902H0001	Piston Ring Kit		10	
PKH-PR902H0005	Piston Ring Kit		10	
PKH-PR922H0001	Piston Ring Kit		12	
PKH-PR922H0005	Piston Ring Kit		12	
PKH-RG02MA0051	Rod Gland Kit	1/2		
PKH-RG02MA0055	Rod Gland Kit	1/2		
PKH-RG02MA0061	Rod Gland Kit	5/8		
PKH-RG02MA0065	Rod Gland Kit	5/8		
PKH-RG02MA0101	Rod Gland Kit	1		
PKH-RG02MA0105	Rod Gland Kit	1		
PKH-RG02MA0131	Rod Gland Kit	1-3/8		
PKH-RG02MA0135	Rod Gland Kit	1-3/8		
PKH-RG02MA0171	Rod Gland Kit	1-3/4		
PKH-RG02MA0175	Rod Gland Kit	1-3/4		
PKH-RG02MA-05	Rod Gland	1/2		
PKH-RG02MA-06	Rod Gland	5/8		
PKH-RG02MA-10	Rod Gland	1		
PKH-RG02MA-13	Rod Gland	1-3/8		
PKH-RG02MA-17	Rod Gland	1-3/4		
PKH-RG-05	Rod Gland	1/2		
PKH-RG-06	Rod Gland	5/8		
PKH-RG-10	Rod Gland	1		
PKH-RG-13	Rod Gland	1-3/8		
PKH-RG-17	Rod Gland	1-3/4		

PARKER

PARKER

Sales Part Number	Description	Rod Size	Bore Size	ID x OD x W
PKH-RG-20	Rod Gland	2		
PKH-RG-25	Rod Gland	2-1/2		
PKH-RG2AHL0051	Rod Gland Kit	1/2		
PKH-RG2AHL0055	Rod Gland Kit	1/2		
PKH-RG2AHL0061	Rod Gland Kit	5/8		
PKH-RG2AHL0065	Rod Gland Kit	5/8		
PKH-RG2AHL0101	Rod Gland Kit	1		
PKH-RG2AHL0105	Rod Gland Kit	1		
PKH-RG2AHL0131	Rod Gland Kit	1-3/8		
PKH-RG2AHL0135	Rod Gland Kit	1-3/8		
PKH-RG2AHL0171	Rod Gland Kit	1-3/4		
PKH-RG2AHL0175	Rod Gland Kit	1-3/4		
PKH-RG2AHL0201	Rod Gland Kit	2		
PKH-RG2AHL0205	Rod Gland Kit	2		
PKH-RG2AHL0251	Rod Gland Kit	2-1/2		
PKH-RG2AHL0255	Rod Gland Kit	2-1/2		
PKH-RG2AHL0301	Rod Gland Kit	3		
PKH-RG2AHL0305	Rod Gland Kit	3		
PKH-RG2AHL0351	Rod Gland Kit	3-1/2		
PKH-RG2AHL0355	Rod Gland Kit	3-1/2		
PKH-RG2AHL0401	Rod Gland Kit	4		
PKH-RG2AHL0405	Rod Gland Kit	4		
PKH-RG2AHL0451	Rod Gland Kit	4-1/2		
PKH-RG2AHL0455	Rod Gland Kit	4-1/2		
PKH-RG2AHL0501	Rod Gland Kit	5		
PKH-RG2AHL0505	Rod Gland Kit	5		
PKH-RG2AHL0551	Rod Gland Kit	5-1/2		
PKH-RG2AHL0555	Rod Gland Kit	5-1/2		
PKH-RG2HLTS051	Rod Gland Kit	1/2		
PKH-RG2HLTS061	Rod Gland Kit	5/8		
PKH-RG2HLTS101	Rod Gland Kit	1		
PKH-RG2HLTS131	Rod Gland Kit	1-3/8		
PKH-RG2HLTS171	Rod Gland Kit	1-3/4		
PKH-RG2HLTS201	Rod Gland Kit	2		
PKH-RG2HLTS251	Rod Gland Kit	2-1/2		
PKH-RG2HLTS301	Rod Gland Kit	3		
PKH-RG2HLTS351	Rod Gland Kit	3-1/2		
PKH-RG2HLTS401	Rod Gland Kit	4		
PKH-RG2HLTS451	Rod Gland Kit	4-1/2		
PKH-RG2HLTS501	Rod Gland Kit	5		
PKH-RG2HLTS551	Rod Gland Kit	5-1/2		
PKH-RG2HM0121	Rod Gland Kit	12 mm		
PKH-RG2HM0125	Rod Gland Kit	12 mm		
PKH-RG2HM0141	Rod Gland Kit	14 mm		
PKH-RG2HM0145	Rod Gland Kit	14 mm		
PKH-RG2HM0181	Rod Gland Kit	18 mm		
PKH-RG2HM0185	Rod Gland Kit	18 mm		
PKH-RG2HM0221	Rod Gland Kit	22 mm		
PKH-RG2HM0225	Rod Gland Kit	22 mm		
PKH-RG2HM0281	Rod Gland Kit	28 mm		

PARKER

Sales Part Number	Description	Rod Size	Bore Size	ID x OD x W
PKH-RG2HM0285	Rod Gland Kit	28 mm		
PKH-RG2HM0361	Rod Gland Kit	36 mm		
PKH-RG2HM0365	Rod Gland Kit	36 mm		
PKH-RG2HM0451	Rod Gland Kit	45 mm		
PKH-RG2HM0455	Rod Gland Kit	45 mm		
PKH-RG2HM0561	Rod Gland Kit	56 mm		
PKH-RG2HM0565	Rod Gland Kit	56 mm		
PKH-RG2HM0701	Rod Gland Kit	70 mm		
PKH-RG2HM0705	Rod Gland Kit	70 mm		
PKH-RG-30	Rod Gland	3		
PKH-RG-35	Rod Gland	3-1/2		
PKH-RG-40	Rod Gland	4		
PKH-RG-45	Rod Gland	4-1/2		
PKH-RG-50	Rod Gland	5		
PKH-RG-55	Rod Gland	5-1/2		
PKH-RGHM-012	Rod Gland	12 mm		
PKH-RGHM-014	Rod Gland	14 mm		
PKH-RGHM-018	Rod Gland	18 mm		
PKH-RGHM-022	Rod Gland	22 mm		
PKH-RGHM-028	Rod Gland	28 mm		
PKH-RGHM-036	Rod Gland	36 mm		
PKH-RGHM-045	Rod Gland	45 mm		
PKH-RGHM-056	Rod Gland	56 mm		
PKH-RGHM-070	Rod Gland	70 mm		
PKH-RGL6948MA1	Rod Gland Kit	5/8		
PKH-RGL6948MA5	Rod Gland Kit	5/8		
PKH-RGL6949MA1	Rod Gland Kit	1		
PKH-RGL6949MA5	Rod Gland Kit	1		
PKH-RGL6950MA1	Rod Gland Kit	1-3/8		
PKH-RGL6950MA5	Rod Gland Kit	1-3/8		
PKH-RGMA-06	Rod Gland	5/8		
PKH-RGMA-10	Rod Gland	1		
PKH-RGMA-13	Rod Gland	1-3/8		
PKH-RK02MA0051	Rod Kit	1/2		
PKH-RK02MA0055	Rod Kit	1/2		
PKH-RK02MA0061	Rod Kit	5/8		
PKH-RK02MA0065	Rod Kit	5/8		
PKH-RK02MA0101	Rod Kit	1		
PKH-RK02MA0105	Rod Kit	1		
PKH-RK02MA0131	Rod Kit	1-3/8		
PKH-RK02MA0135	Rod Kit	1-3/8		
PKH-RK02MA0171	Rod Kit	1-3/4		
PKH-RK02MA0175	Rod Kit	1-3/4		
PKH-RK02ML0061	Rod Kit	5/8		
PKH-RK02ML0101	Rod Kit	1		
PKH-RK02ML0131	Rod Kit	1-3/8		
PKH-RK02ML0171	Rod Kit	1-3/4		
PKH-RK2AHL0051	Rod Kit	1/2		
PKH-RK2AHL0055	Rod Kit	1/2		
PKH-RK2AHL0061	Rod Kit	5/8		

PARKER

PARKER

Sales Part Number	Description	Rod Size	Bore Size	ID x OD x W
PKH-RK2AHL0065	Rod Kit	5/8		
PKH-RK2AHL0101	Rod Kit	1		
PKH-RK2AHL0105	Rod Kit	1		
PKH-RK2AHL0131	Rod Kit	1-3/8		
PKH-RK2AHL0135	Rod Kit	1-3/8		
PKH-RK2AHL0171	Rod Kit	1-3/4		
PKH-RK2AHL0175	Rod Kit	1-3/4		
PKH-RK2AHL0201	Rod Kit	2		
PKH-RK2AHL0205	Rod Kit	2		
PKH-RK2AHL0251	Rod Kit	2-1/2		
PKH-RK2AHL0255	Rod Kit	2-1/2		
PKH-RK2AHL0301	Rod Kit	3		
PKH-RK2AHL0305	Rod Kit	3		
PKH-RK2AHL0351	Rod Kit	3-1/2		
PKH-RK2AHL0355	Rod Kit	3-1/2		
PKH-RK2AHL0401	Rod Kit	4		
PKH-RK2AHL0405	Rod Kit	4		
PKH-RK2AHL0451	Rod Kit	4-1/2		
PKH-RK2AHL0455	Rod Kit	4-1/2		
PKH-RK2AHL0501	Rod Kit	5		
PKH-RK2AHL0505	Rod Kit	5		
PKH-RK2AHL0551	Rod Kit	5-1/2		
PKH-RK2AHL0555	Rod Kit	5-1/2		
PKH-RK2HLTS051	Rod Kit	1/2		
PKH-RK2HLTS061	Rod Kit	5/8		
PKH-RK2HLTS101	Rod Kit	1		
PKH-RK2HLTS131	Rod Kit	1-3/8		
PKH-RK2HLTS171	Rod Kit	1-3/4		
PKH-RK2HLTS201	Rod Kit	2		
PKH-RK2HLTS251	Rod Kit	2-1/2		
PKH-RK2HLTS301	Rod Kit	3		
PKH-RK2HLTS351	Rod Kit	3-1/2		
PKH-RK2HLTS401	Rod Kit	4		
PKH-RK2HLTS451	Rod Kit	4-1/2		
PKH-RK2HLTS501	Rod Kit	5		
PKH-RK2HLTS551	Rod Kit	5-1/2		
PKH-RK2HMM0121	Rod Kit	12 mm		
PKH-RK2HMM0125	Rod Kit	12 mm		
PKH-RK2HMM0141	Rod Kit	14 mm		
PKH-RK2HMM0145	Rod Kit	14 mm		
PKH-RK2HMM0181	Rod Kit	18 mm		
PKH-RK2HMM0185	Rod Kit	18 mm		
PKH-RK2HMM0221	Rod Kit	22 mm		
PKH-RK2HMM0225	Rod Kit	22 mm		
PKH-RK2HMM0281	Rod Kit	28 mm		
PKH-RK2HMM0285	Rod Kit	28 mm		
PKH-RK2HMM0361	Rod Kit	36 mm		
PKH-RK2HMM0365	Rod Kit	36 mm		
PKH-RK2HMM0451	Rod Kit	45 mm		
PKH-RK2HMM0455	Rod Kit	45 mm		

PARKER

Sales Part Number	Description	Rod Size	Bore Size	ID x OD x W
PKH-RK2HM0561	Rod Kit	56 mm		
PKH-RK2HM0565	Rod Kit	56 mm		
PKH-RK2HM0701	Rod Kit	70 mm		
PKH-RK2HM0705	Rod Kit	70 mm		
PKH-RK2HM0901	Rod Kit	90 mm		
PKH-RK2HM0905	Rod Kit	90 mm		
PKH-RK2HM1101	Rod Kit	110 mm		
PKH-RK2HM1105	Rod Kit	110 mm		
PKH-RK2HM1401	Rod Kit	140 mm		
PKH-RK2HM1405	Rod Kit	140 mm		
PKH-SKL7000MA1	Rod & Piston Seal Kit	5/8	1-1/2	
PKH-SKL7000MA5	Rod & Piston Seal Kit	5/8	1-1/2	
PKH-SKL7001MA1	Rod & Piston Seal Kit	5/8	2	
PKH-SKL7001MA5	Rod & Piston Seal Kit	5/8	2	
PKH-SKL7002MA1	Rod & Piston Seal Kit	1	2	
PKH-SKL7002MA5	Rod & Piston Seal Kit	1	2	
PKH-SKL7003MA1	Rod & Piston Seal Kit	5/8	2-1/2	
PKH-SKL7003MA5	Rod & Piston Seal Kit	5/8	2-1/2	
PKH-SKL7004MA1	Rod & Piston Seal Kit	1	2-1/2	
PKH-SKL7004MA5	Rod & Piston Seal Kit	1	2-1/2	
PKH-SKL7005MA1	Rod & Piston Seal Kit	1	3-1/4	
PKH-SKL7005MA5	Rod & Piston Seal Kit	1	3-1/4	
PKH-SKL7006MA1	Rod & Piston Seal Kit	1-3/8	3-1/4	
PKH-SKL7006MA5	Rod & Piston Seal Kit	1-3/8	3-1/4	
PKH-SKL7007MA1	Rod & Piston Seal Kit	1	4	
PKH-SKL7007MA5	Rod & Piston Seal Kit	1	4	
PKH-SKL7008MA1	Rod & Piston Seal Kit	1-3/8	4	
PKH-SKL7008MA5	Rod & Piston Seal Kit	1-3/8	4	
PKH-SKL7009MA1	Rod & Piston Seal Kit	1	5	
PKH-SKL7009MA5	Rod & Piston Seal Kit	1	5	
PKH-SKL7010MA1	Rod & Piston Seal Kit	1-3/8	5	
PKH-SKL7010MA5	Rod & Piston Seal Kit	1-3/8	5	
PKH-SKL7098MA1	Rod & Piston Seal Kit	1-3/8	6	
PKH-SKL7098MA5	Rod & Piston Seal Kit	1-3/8	6	

ROYAL

Kit Type		Page
Pneumatic Kits	A Series	116
Pneumatic Kits	M Series	117
Hydraulic Kits	H & S2 Series	118
Repair Kits	By Part Number	119

ROYAL

A Series Pneumatic Kits

A Cylinders

Kit #	Code	Rod x Bore
RYL-KA207	N-U-5	3/4" X 2"
RYL-KA210	N-U-5	1" X 2"
RYL-KA310	I-U-5	1" X 3"
RYL-KA312	I-U-5	1-1/4" X 3"
RYL-KA412	I-U-5	1-1/4" X 4"
RYL-KA415	I-U-5	1-1/2" X 4"
RYL-KA512	I-U-5	1-1/4" X 5"
RYL-KA515	I-U-5	1-1/2" X 5"
RYL-KA615	I-U-5	1-1/2" X 6"
RYL-KA617	I-U-5	1-3/4" X 6"
RYL-KA620	I-U-5	2" X 6"
RYL-KA820	I-U-5	2" X 8"
RYL-KA1030	I-U-5	3" X 10"
RYL-KA1230	I-U-5	3" X 12"
RYL-KA1235	I-U-5	3-1/2" X 12"
RYL-KA1506	N-U-5	5/8" X 1-1/2"

Kit Composition Varies

Consult your representative.

ROYAL

M Series Pneumatic Kits

M Cylinders

Kit #	Code	Rod x Bore
RYL-KM415	N-V-7	1-1/2" X 4"
RYL-KM620	N-V-7	2" X 6"
RYL-KM820	N-V-7	2" X 8"
RYL-KM825	N-V-7	2-1/2" X 8"
RYL-KM1025	N-V-7	2-1/2" X 10"
RYL-KM1030	N-V-7	3" X 10"
RYL-KM1235	N-V-7	3-1/2" X 12"

Kit Includes:

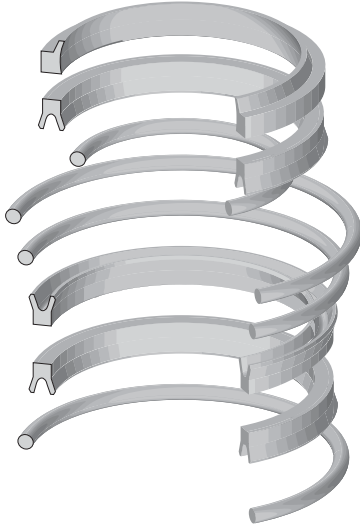
- 1 Vee-Set
- 5 NBR O-rings
- 2 NBR Piston Cups



ROYAL

H Series Hydraulic Kits

H Cylinders



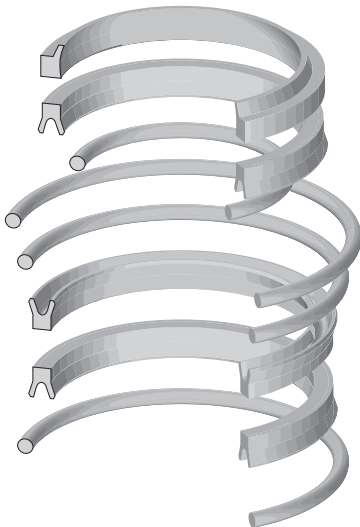
Kit #	Code	Rod x Bore
RYL-KH1510	I-U-5	1" X 1-1/2"
RYL-KH2510	I-U-5	1" X 2-1/2"
RYL-KH2517	I-U-5	1-3/4" X 2-1/2"
RYL-KH3217	I-U-5	1-3/4" X 3-1/4"
RYL-KH3220	I-U-5	2" X 3-1/4"
RYL-KH4017	I-U-5	1-3/4" X 4"
RYL-KH4025	I-U-5	2-1/2" X 4"
RYL-KH5020	I-U-5	2" X 5"
RYL-KH6025	I-U-5	2-1/2" X 6"

Kit Includes:

- 1 URE Wiper
- 3 URE U-seals
- 1 NBR O-ring
- 3 URE O-rings

S2 Series Hydraulic Kits

S2 Cylinders



Kit #	Code	Rod x Bore
RYL-K2K212	I-U-5	1-1/4" X 2"
RYL-K2K2510	I-U-5	1" X 2-1/2"
RYL-K2K2512	I-U-5	1-1/4" X 2-1/2"
RYL-K2K312	I-U-5	1-1/4" X 3"

Kit Includes:

- 1 URE Wiper
- 3 URE U-seals
- 4 NBR O-rings

ROYAL

Kit Number	Code	Rod x Bore
RYL-K2K212	I-U-5	1-1/4 X 2
RYL-K2K2510	I-U-5	1 X 2-1/2
RYL-K2K2512	I-U-5	1-1/4 X 2-1/2
RYL-K2K312	I-U-5	1-1/4 X 3
RYL-KA1030	I-U-5	3 X 10
RYL-KA1230	I-U-5	3 X 12
RYL-KA1235	I-U-5	3-1/2 X 12
RYL-KA1506	N-U-5	5/8 X 1-1/2
RYL-KA207	N-U-5	3/4 X 2
RYL-KA210	N-U-5	1 X 2
RYL-KA310	I-U-5	1 X 3
RYL-KA312	I-U-5	1-1/4 X 3
RYL-KA412	I-U-5	1-1/4 X 4
RYL-KA415	I-U-5	1-1/2 X 4
RYL-KA512	I-U-5	1-1/4 X 5
RYL-KA515	I-U-5	1-1/2 X 5
RYL-KA615	I-U-5	1-1/2 X 6
RYL-KA617	I-U-5	1-3/4 X 6
RYL-KA620	I-U-5	2 X 6
RYL-KA820	I-U-5	2 X 8
RYL-KH1510	I-U-5	1 X 1-1/2
RYL-KH2510	I-U-5	1 X 2-1/2
RYL-KH2517	I-U-5	1-3/4 X 2-1/2
RYL-KH3217	I-U-5	1-3/4 X 3-1/4
RYL-KH3220	I-U-5	2 X 3-1/4
RYL-KH4017	I-U-5	1-3/4 X 4
RYL-KH4025	I-U-5	2-1/2 X 4
RYL-KH5020	I-U-5	2 X 5
RYL-KH6025	I-U-5	2-1/2 X 6
RYL-KM1025	N-V-7	2-1/2 X 10
RYL-KM1030	N-V-7	3 X 10
RYL-KM1235	N-V-7	3-1/2 X 12
RYL-KM415	N-V-7	1-1/2 X 4
RYL-KM620	N-V-7	2 X 6
RYL-KM820	N-V-7	2 X 8
RYL-KM825	N-V-7	2-1/2 X 8

SHEFFER

Kit Type		Page
Pneumatic Kits	C20 Series	122
	A Series	123
Various Kits		122 - 123
Repair Kits	By Part Number	124

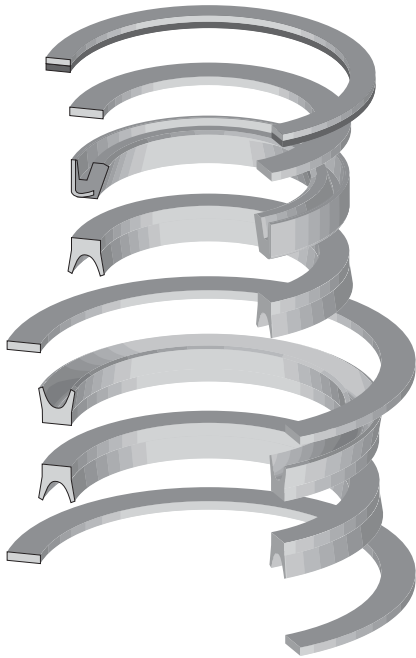
TOMPKINS-JOHNSON / TJ

Kit Type		Page
Tompkins-Johnson / TJ		125

SHEFFER

C20 SERIES

Pneumatic Kits



Kit #	Code	Rod x Bore
SHF-720-00150	P-U-5	1/2" X 1-1/2"
SHF-720-00200	P-U-5	1/2" X 2"
SHF-720-00250	P-U-5	5/8" X 2-1/2"
SHF-720-00300	P-U-5	3/4" X 3"
SHF-720-00350	P-U-5	3/4" X 3-1/2"
SHF-720-00400	P-U-5	1" X 4"
SHF-720-00500	P-U-5	1" X 5"
SHF-720-00600	P-U-5	1" X 6"
SHF-720-00700	P-U-5	1-3/8" X 7"
SHF-720-00800	P-U-5	1-3/8" X 8"

Kit Includes:

- 1 Metal-Clad Wiper
- 3 NBR U-seals
- 1 Steel Washer
- 2 Gaskets
- 1 Spiral Retainer Ring

(8" Bore also Includes:

- 4 NBR O-rings
- 2 NBR Cushion Seals)

Various Kits

Kit #	Code	Rod x Bore
SHF-720-01-0300	P-U-5	3/4" X 3"
SHF-720-01-0400	P-U-5	1" X 4"
SHF-720-01-0500	P-U-5	1" X 5"
SHF-720-01-0800	P-U-5	1-3/8" X 8"
SHF-726-0267-1000-0175	I-U-5	1-3/4" X 10"
SHF-760-01-0200-0137	I-U-10	1-3/8" X 2"
SHF-760-01-0250-0175	I-U-10	1-3/4" X 2-1/2"
SHF-761-01-0200-0137	I-U-10	1-3/8" x 2"
SHF-761-01-0250-0175	I-U-10	1-3/4" X 2-1/2"

Kit Composition Varies

Consult your representative.

SHEFFER

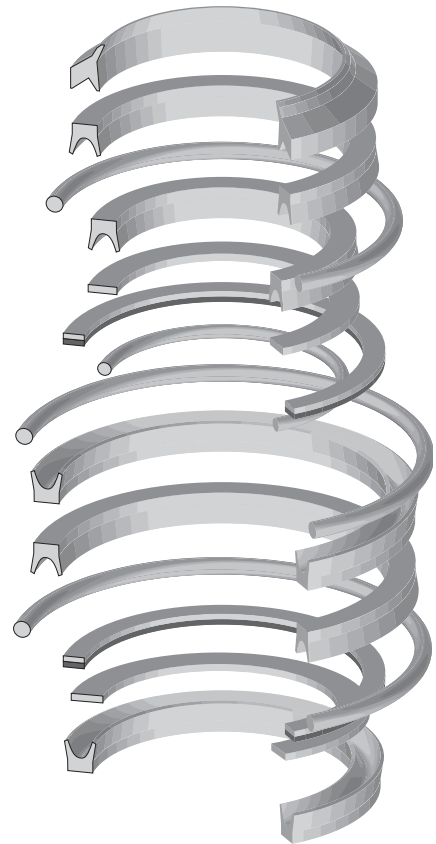
A SERIES

Pneumatic Kits

Kit #	Code	Rod x Bore
SHF-726-0167-0200-0062	I-U-5	5/8" X 2"
SHF-726-0167-0250-0062	I-U-5	5/8" X 2-1/2"
SHF-726-0167-0250-0100	I-U-5	1" X 2-1/2"
SHF-726-0167-0250-0137	I-U-5	1-3/8" X 2-1/2"
SHF-726-0167-0325-0100	I-U-5	1" X 3-1/4"
SHF-726-0167-0325-0137	I-U-5	1-3/8" X 3-1/4"
SHF-726-0167-0325-0175	I-U-5	1-3/4" X 3-1/4"
SHF-726-0167-0400-0100	I-U-5	1 X 4"
SHF-726-0167-0400-0137	I-U-5	1-3/8" X 4"
SHF-726-0167-0400-0175	I-U-5	1-3/4" X 4"
SHF-726-0167-0500-0100	I-U-5	1 X 5"
SHF-726-0167-0500-0137	I-U-5	1-3/8" X 5"
SHF-726-0167-0500-0175	I-U-5	1-3/4" X 5"
SHF-726-0167-0600-0137	I-U-5	1-3/8" X 6"
SHF-726-0167-0600-0175	I-U-5	1-3/4" X 6"
SHF-726-0167-0700-0137	I-U-5	1-3/8" X 7"
SHF-726-0167-0800-0137	I-U-5	1-3/8" X 8"
SHF-726-0167-0800-0175	I-U-5	1-3/4" X 8"
SHF-726-0167-1000-0175	I-U-5	1-3/4" X 10"

Kit Includes:

1 URE Wiper
 5 NBR U-seals
 4 NBR O-rings
 2 Steel Washers
 2 Spiral Retainer Rings



SHEFFER

Various Kits

Kit #	Code	Rod x Bore
SHF-720-01-0600	P-U-4	1" X 6"
SHF-726-0107-0200-0100	I-U-5	1" X 2"
SHF-729-0200-K019	P-U-5	1-1/4" X 2"
SHF-729-0500-K003	P-U-5	2" X 5" Double Rod
SHF-757-01-0325-0137	I-U-10	1-3/8" X 3-1/4"
SHF-759-0100-0325-0137	I-U-5	1-3/8" X 3-1/4"
SHF-760-0100-0400-0175	I-U-10	1-3/4" X 4"
SHF-760-22-0600-0250	I-U-1	2-1/2" x 6"
SHF-761-01-0800-0350	I-U-10	3-1/2" X 8
SHF-795-S003	I-U-10	1-1/4 X 2-3/4

Kit Composition Varies

Consult your representative.

SHEFFER

Kit Number	Code	Rod x Bore
SHF-720-00150	P-U-5	1/2 X 1-1/2
SHF-720-00200	P-U-5	1/2 X 2
SHF-720-00250	P-U-5	5/8 X 2-1/2
SHF-720-00300	P-U-5	3/4 X 3
SHF-720-00350	P-U-5	3/4 X 3-1/2
SHF-720-00400	P-U-5	1 X 4
SHF-720-00500	P-U-5	1 X 5
SHF-720-00600	P-U-5	1 X 6
SHF-720-00700	P-U-5	1-3/8 X 7
SHF-720-00800	P-U-5	1-3/8 X 8
SHF-720-01-0300	P-U-5	3/4 X 3
SHF-720-01-0350	P-U-5	3/4 X 3-1/2
SHF-720-01-0400	P-U-5	1 X 4
SHF-720-01-0500	P-U-5	1 X 5
SHF-720-01-0600	P-U-4	1 X 6
SHF-720-01-0800	P-U-5	1-3/8 X 8
SHF-726-0107-0200-0100	I-U-5	1 X 2
SHF-726-0167-0200-0062	I-U-5	5/8 X 2
SHF-726-0167-0250-0062	I-U-5	5/8 X 2-1/2
SHF-726-0167-0250-0100	I-U-5	1 X 2-1/2
SHF-726-0167-0250-0137	I-U-5	1-3/8 X 2-1/2
SHF-726-0167-0325-0100	I-U-5	1 X 3-1/4
SHF-726-0167-0325-0137	I-U-5	1-3/8 X 3-1/4
SHF-726-0167-0325-0175	I-U-5	1-3/4 X 3-1/4
SHF-726-0167-0400-0100	I-U-5	1 X 4
SHF-726-0167-0400-0137	I-U-5	1-3/8 X 4
SHF-726-0167-0400-0175	I-U-5	1-3/4 X 4
SHF-726-0167-0500-0100	I-U-5	1 X 5
SHF-726-0167-0500-0137	I-U-5	1-3/8 X 5
SHF-726-0167-0500-0175	I-U-5	1-3/4 X 5
SHF-726-0167-0600-0137	I-U-5	1-3/8 X 6
SHF-726-0167-0600-0175	I-U-5	1-3/4 X 6
SHF-726-0167-0700-0137	I-U-5	1-3/8 X 7
SHF-726-0167-0800-0137	I-U-5	1-3/8 X 8
SHF-726-0167-0800-0175	I-U-5	1-3/4 X 8
SHF-726-0167-1000-0175	I-U-5	1-3/4 X 10
SHF-726-0267-1000-0175	I-U-5	1-3/4 X 10
SHF-729-0200-K019	P-U-5	1-1/4 X 2
SHF-729-0500-K003	P-U-5	2 X 5 Double Rod
SHF-757-01-0325-0137	I-U-10	1-3/8 X 3-1/4
SHF-759-0100-0325-0137	I-U-5	1-3/8 X 3-1/4
SHF-760-0100-0400-0175	I-U-10	1-3/4 X 4
SHF-760-01-0200-0137	I-U-10	1-3/8 X 2
SHF-760-01-0250-0175	I-U-10	1-3/4 X 2-1/2
SHF-760-22-0600-0250	I-U-1	2-1/2 x 6
SHF-761-01-0200-0137	I-U-10	1-3/8 X 2
SHF-761-01-0250-0175	I-U-10	1-3/4 X 2-1/2
SHF-761-01-0700-0400	I-U-10	4 X 7
SHF-761-01-0800-0350	I-U-10	3-1/2 X 8
SHF-795-S003	I-U-10	1-1/4 X 2-3/4

TOMPKINS-JOHNSON / TJ

Various Kits

Kit #	Code	Rod x Bore
TJ-28136862	N-TR-11	1 X 5
TJ-6331U-027	N-U-10	1-1/4 X 4
TJ-6332U-014	N-U-5	1 X 2-1/2
TJ-6332U-026	N-U-5	1 X 4
TJ-6332U-028	N-V-5	1-3/8 X 4
TJ-6332U-030	N-U-5	1-3/4 X 4
TJ-6332U-035	N-U-5	1 X 5
TJ-6332U-048	N-V-5	1-3/4 X 6
TJ-6332U-069	N-V-5	1-3/8 X 8
TJ-6332U-070	N-V-5	1-3/4 X 8

Kit Composition Varies
 Consult your representative.

Mobile Kits

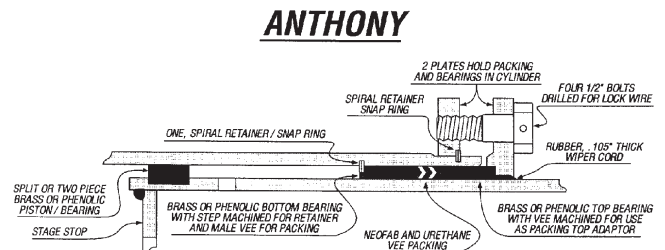
CONTENTS		PAGE
A - B	Allis Chalmers, Anthony, Atlas, Atlas Copco, Baker, Barko, Bell, Bobcat, Breaker Tech	126 - 145
C - D	Cameco, Cascade, Case, Caterpillar, Champion, Char-Lynn, Chief, Clark, Commercial, Cross, Crown, Custom Hoists, Dempster, Densmore, Doosan Infracore, Drilteck, Dynahoe	145 - 461
E - F	Eaton - Yale, Edbro, Effer Crane, Energy, Esco, Euclid, Fassi-Crane, Fiat-Allis, FMC, Fontaine, Fiat-Hitachi, Ford, Franklin, Fruehauf, Furukawa	461 - 483
G - H	Galbreath, Galion - Dresser, Garwood, Gehl, Glencoe, Gradall, Grove Crane, Harsh, Heil, Hiab, Hitachi, Husky Brute, Hyco, Hydro-Ax, Hyster, Hyundai, Hyva	483 - 559
I - J	Ingersoll-Rand, International Harvester, JCB, JLG, John Deere, Johnson	560 - 656
K - L	Kalmar, Kato, Kobelco, Koerhing, Komatsu, Kubota, Leach, Liebherr, Link Belt, Load Master, Log Hog, Lorain, Lucky Loader, Lull	656 - 795
M - N	Mailhot, Marion, Mark-Lift, Massey Ferguson, McNeilus, Meyer, Mitsubishi, Moffett, Monarch Road, Morbark, New Holland, Nissan, NPK	795 - 809
O - P	Pandrol-Jackson, Pak-Mor, Peabody Galion, Peerless, Perfection-Cobey, Pettibone, P & H Crane, Prentice, Prince	809 - 829
Q - R	Raymond, Red Lion, Reynolds, Ronen	830
S - T	Samsung, Skyjack, Snorkel, Steelmaster, Sumitomo, Tamrock, Takeuchi, TMC, Terex, Tigercat, Timberjack, Toyota, Trojan	830 - 844
U - V	Upright, Vanguard, Venco, Volvo	844 - 881
W - Z	Wabco, Waltco, Ward, White, Whiteman / Conspray, Yale, Yan Mar, Yutani	881 - 885

ALLIS-CHALMERS LIFT TRUCKS

Kit Number	Code (Pg. xiv)	Rod X Bore Size
AC-4751907	N-V-1	1-1/4 Rod Kit
AC-4787570	2 STAGE	1-7/8, 2-1/2
AC-4787619	9/16" SPOOL	9/16" Spool
AC-4905170		3/4 Shaft Kit
AC-4906087	I-U-4	3 X 3-1/2
AC-4906099	I-U-1	2-1/4 X 2-3/4
AC-4906100	I-U-1	2-1/4 X 2-3/4
AC-4906322	I-U-11	1-1/4 X 3
AC-4906332	I-U-11	1-1/4 X 3
AC-4906336	I-U-11	1-1/2 X 3-3/4
AC-4906380	I-U-1	1-3/4 X 2-1/4
AC-4906390	I-U-1	2-5/8 X 3-1/4
AC-4906391	I-U-4	3-3/4 X 4-1/4 w/ feed tube
AC-4906392	I,P-U-1	3-3/4 X 4-1/4
AC-4906396	I-U-11	1-3/4 X 4-7/8
AC-4907400		Pump Kit
AC-4907419	I-U-11	1-1/8 X 2-1/4
AC-4907474	P-U-1	4 X 4-1/2 w/ feed tube
AC-4907475	P-U-1	3-1/2 X 4-1/4
AC-4908297	I-O-3	1 X 2-1/2
AC-4908540	P-U-1	5 X 5-1/2
AC-4908541	P-U-1	5 X 5-1/2 w/ feed tube
AC-4908555	I-O-3	3/4 X 1-1/2
AC-4908917	I-U-1	3-1/4 X 3-3/4
AC-4908980	7/8" SPOOL	7/8" Spool
AC-4909028	I-O-3	1-1/4 X 3-1/2
AC-4909035	I-O-11	1-1/2 X 2-1/2
AC-4910116	I-O-11	7/8 X 2
AC-4910977	9/16" SPOOL	9/16" Spool
AC-4911398	I-U-4	2 X 3 2 Cylinders
AC-4912036	I,P-U-1	1, 2-1/4, 3 Stages
AC-4912039	I-U-11	1-1/8 X 2-1/4
AC-4912322	I,P-U-1	1, 1-3/4, 2-3/8 Stages
AC-4912359	P-U-1	3 X 3-1/2
AC-4913028	P-U-11	7/8 X 2
AC-4913075	P-U-1	3-3/4 X 4-1/4 w/ feed tube
AC-4913486	P-U-1	2-1/2 X 3
AC-4914879	I-U-N	2-3/4 X 3-1/2
AC-4914917		1-7/8, 2-5/8
AC-4917136	I-U-10	2-1/4 X 3
AC-4917655	I-U-4	1-3/4 X 2-1/4
AC-4918325	I-U-4	1 X 2
AC-4918585	I-U-1	1-1/2 X 2-1/4
AC-4932484	I-O-N	35 mm Rod Kit
AC-4942582	I-U-1	30 x 55 mm
AC-4991278	I-OB-3	1-1/8 X 2-1/4
AC-4992550	N-TR-1	7/8 Rod Only
AC-4992855	I-V-6	1-1/2 X 3-3/4
AC-4993273	I-V-6	1-1/4 X 3
AC-4993661	I-V-6	1-3/4 X 4-7/8
AC-4998712	I-N-V	3-5/8 X 4-1/4
AC-78762688	I-U-1	4-1/8 Rod Kit

ANTHONY TELESCOPIC CYLINDERS

PACKING: Vee packing - no top or bottom adaptors.
 WIPERS: Special wiper strip
 BEARINGS: Top is bronze and serves as top adaptor for vee packing and is machined on top edge o.d. to mate with retainer flange. Bottom is phenolic and serves as bottom adaptor and is machined on bottom o.d. edge to pilot over retainer ring.
 SPECIAL INFO. Unique bearing and packing retaining arrangement on each stage consisting of two external flanges which bolt together to retain top bearing. Internal stop is spiral retaining ring.
 STAGE O.D.'s: 2.475, 3.475, 4.475, 5.475, 6.475



Part Number	Description
PACKING AND WIPERS	
ANY-S108002W	6-1/2" Vee Set & Wiper
ANY-S108003W	5-1/2" Vee Set & Wiper
ANY-S108004W	4-1/2" Vee Set & Wiper
ANY-S108005W	3-1/2" Vee Set & Wiper
ANY-S108006W	2-1/2" Vee Set & Wiper
BEARINGS	
ANY-S107022	6-1/2" Bottom Bearing
ANY-S107023	5-1/2" Bottom Bearing
ANY-S107024	4-1/2" Bottom Bearing
ANY-S107025	3-1/2" Bottom Bearing
INTERNAL RETAINERS	
ANY-S084005	Internal Spiral Retainer for 3" ID
ANY-S084017	Internal Spiral Retainer for 4" ID
ANY-S084018	Internal Spiral Retainer for 5" ID
ANY-S084019	Internal Spiral Retainer for 6" ID
ANY-S084020	Internal Spiral Retainer for 7" ID

ANTHONY TELESCOPIC CYLINDERS

Part Number	Description
EXTERNAL RETAINERS	
ANY-S084012	External Spiral Retainer for 3-1/2" OD
ANY-S084013	External Spiral Retainer for 4-1/2" OD
ANY-S084021	External Spiral Retainer for 6-1/2" OD
ANY-S084022	External Spiral Retainer for 5-1/2" OD
ANY-S084024	External Spiral Retainer for 7-1/2" OD
ANTHONY REPLACEMENT CYLINDER KIT	
CH-57	Custom #73-81-114, 129, 149

ANTHONY PUMP PARTS

Part Number	Description
ANY-A143006	Wear Plate
ANY-A143031	Bearing
ANY-A143091	Packing & Nut

ATLAS TELESCOPIC CYLINDERS

Kit Number	Description
ATL-15-517	6-1/2" Piston Bearing
ATL-15-572	4-1/2" Piston Bearing
ATL-15-573	5-1/2" Piston Bearing
ATL-15-614	3-1/2" Piston Bearing
ATL-15-616	3" Packing, Bearings, Wiper
ATL-15-617	4" Packing, Bearings, Wiper
ATL-15-618	5" Packing, Bearings, Wiper
ATL-15-619	6" Packing, Bearings, Wiper
ATL-15-620	7" Packing, Bearings, Wiper
ATL-15-621	8" Packing, Bearings, Wiper

ATLAS COPCO

Kit Number	Code (Pg. xiv)	Rod X Bore Size
ATC-5541334300	P-UB-10	3 x 7
ATC-5541336900	P-UB-10	2 x 5

BAKER LIFT TRUCKS

Kit Number	Code (Pg. xiv)	Rod X Bore Size
BAK-104840	Multi-Stage	3-1/2, 3-3/8, 4-7/16
BAK-105147	I-V-1	4.438 Rod
BAK-105235	I-V-1	2.9 50 Rod
BAK-105652	I-V-5	1-1/4 X 4
BAK-106390	I-U-5	1-3/4 X 4-1/2
BAK-106391	I-V-11	1-3/4 X 4
BAK-106393	I-V-11	1-1/4 X 4
BAK-106399	I-V-11	1-1/4 X 3
BAK-106657	I-V-1	3.950 Rod
BAK-106663	Multi-Stage	2-1/4, 2-3/8, 3-1/4
BAK-109009	I-U-4	2-1/2 X 3
BAK-109010	I-V-1	2-1/2 Rod
BAK-138727	P-U-10	22 X 60 mm
BAK-3001Y10	I-V-11	1-3/4 X 4
BAK-3001Y14	Multi-Stage	2-3/8, 3-1/16, 4-15/16
BAK-3001Y16	I-V-11	1-1/4 X 3
BAK-3001Y17	I-V-1	3.450 Rod
BAK-3001Y20	I-V-1	3.950 Rod
BAK-3001Y22	P-OB-10	3/4 X 2
BAK-3001Y28	I-V-5	1-1/4 X 3

BAKER LIFT TRUCKS KIT APPLICATIONS - TILT CYLINDERS

Cylinder Assembly	Repair Kit	Cylinder Assembly	Repair Kit
233HR7774ZC	3001Y10	9025FP	106391
270HR7774ZC	106399	9025FT	3001Y10
9025AT	106399	A9025GK	106393
9025AX	106399	A9025GN	106393
9025BE	3001Y10	9025GN	106393
9025BF	3001Y10	9025HC	106393
9025BL	3001Y10	9025JA	106393
9025BM	106391	9025JJ	106393
9025BN	106391	9025JM	106393
9025CH	106399	9025JS	105652
9025EG	3001Y16	9025JT	105652
9025EP	3001Y16	9025JV	105652
9025EW	3001Y10	9025JW	105652
9025FB	3001Y16	9025JX	3001Y28
9025FF	106391	9025JY	3001Y28
9025FH	3001Y10	9025KA	105652
9025FN	3001Y16	A9025KA	105652

BAKER LIFT TRUCKS**KIT APPLICATIONS - TILT CYLINDERS**

Cylinder Assembly	Repair Kit	Cylinder Assembly	Repair Kit
9025KB	105652	103904-05	105652
9025KC	105652	104183-86	3001Y28
100072-75	3001Y28	104639-40	105652
100472-477	105652	105840-41	105652
100503-508	105652	106058-59	105652
100516-519	105652	108259-60	105652
100742-743	105652	109351-52	105652
100960-963	105652	110872-73	106390
102793-94	3001Y28	113352-53	106390
102961-62	3001Y28		

BAKER LIFT TRUCKS**KIT APPLICATIONS - HOIST CYLINDERS**

Cylinder Assembly	Repair Kit	Cylinder Assembly	Repair Kit
122R7774Z	3001Y14	103583	3001Y20
160R7774XC	3001Y14	103589	3001Y20
230HR7774ZC	3001Y14	103598	3001Y20
270HR7774XC	106399	103635	3001Y20
294U7774XC	106657	103662	105147
295HR7774XC	3001Y17	103775	106663
298U7774XC	3001Y14	103855	106663
9025AD	3001Y14	103894-95	106663
9025AF	3001Y14	104100	104840
9025CN	106657	104131	3001Y14
9025D	106657	104178	105147
9025EH	3001Y17	104244	3001Y14
C9025GB	104840	104278	106663
A9025GC	3001Y20	104349	3001Y20
9025GW	105235	104377	105147
9025HH	3001Y20	104431	104840
9025HX	3001Y20	104438	104840
9025JK	106393	104441	106663
100227-230	105235	104516	105147
102019-20	105235	104529	104840
102064-67	105235	104548	3001Y20
102068-72 & 79	3001Y17	104604	105147
102506-08	105235	104617	105147
102556-559	3001Y17	104705-07	3001Y20
102569-79	106663	104745	104840
102671-79	3001Y14	104794-96	3001Y20
102695-102708	104840	104878	3001Y20
102813-16	3001Y20	104998	104840
102898-900	3001Y20	105104	3001Y20
103102	105147	105163	105147

BAKER LIFT TRUCKS**KIT APPLICATIONS - HOIST CYLINDERS**

Cylinder Assembly	Repair Kit	Cylinder Assembly	Repair Kit
105387-89	109010	111549-562	109010
105727	106663	111843	105235
105730	3001Y14	112006	104840
105842	104840	112037	3001Y20
105845	104840	112061	109009
105855	3001Y20	112111	104840
105933	106663	112213	104840
105962	3001Y20	112419	105235
105970	3001Y20	112562-63	109009
106138	3001Y20	112600	105147
106228	3001Y20	112658	109009
106474-76	109009	112832	105235
106477	109009	112904	104840
106647	104840	112962	109009
106672	106663	113111	105147
106733	104840	113194	109009
107695-96	105147	113228	3001Y20
107794-96	109009	113251	105235
108051	104840	113388	109009
108625	109009	113434	109009
108656	109009	113638	105147
108971-974	105235	114040	109009
109631-641	109009	114141	109009
109788	3001Y20	114283	109009
109823	105147	114392	105147
109879	109010	114889	109009
110095	109009	114954	109009
110506	109010	115237	105147
110648-657	105235	115247	3001Y20
110756	3001Y20	115656	105147
110899	105235	115956	109009
110947-949	109009	116318	109009
111059-61	109009	116740	3001Y20
111124	109010	G7328-3	104840

BARKO

Kit Number	Code (Pg. xiv)	Rod X Bore Size
BK-65489	6" PISTON KIT	
BK-65490	I-U-3	2-1/2 X 6
BK-65500K	P-OB-12	1-3/4 X 5
BK-65501	P-OB-12	2 X 5
BK-65512	P-OB-12	1-1/2 X 3-1/2
BK-65514	P-OB-10, 12	2 X 5
BK-65515	P-OB-10, 12	2-1/2 X 6
BK-65523	I-U-5	3 X 7
BK-65524	I, P-U-5	2-1/2 X 6
BK-65525	I, P-U-5	2 X 5
BK-65531	I, P-U-5	2 X 3-1/2
BK-65532	4-1/2" SWIVEL KIT	
BK-65533	I-P-U-5	2 X 3-1/2
BK-65536	I-U-5	3 X 6
BK-65537	I, P-U-5	3 X 6
BK-65576	3-1/2" SWIVEL KIT	
BK-65578	6" SWIVEL KIT	
BK-65583	I-U-5	4 X 7
BK-65586	I-U-5	2-1/2 X 5
BK-65588	5" SWIVEL KIT	
BK-55200013	O-RING KIT	
BK-55200099	1-7/8 SWIVEL KIT	
BK-55200277	I-U-10	2 X 3-1/2
BK-55200418	I-U-10	2 X 3-1/2
BK-55200420	I-U-10	2-1/2 X 4-1/2
BK-55200492	O-RING KIT	
BK-55200499	I-U-14	2 X 4
BK-55200616	P-UB-14	2-1/2 X 6
BK-55200617	P-UB-14	3 X 7
BK-55200636	P-UB-3	3 X 7
BK-55200637	P-UB-3	2-1/2 X 6
BK-55200641	P-UB-14	3 X 6
BK-55200659	P-UB-10	3 X 6
BK-55200660	P-UB-10	3 X 7
BK-55200668	P-U-10	2 X 3-1/2
BK-55200689	P-UB-10	2-1/2 X 6
BK-55200796	P-UB-10	2-1/2 X 4-1/2
BK-55200810	P-U-10	2-1/2 X 4-1/2
BK-55600600	8" SWIVEL KIT	
BK-55600673	O-RING KIT	
BK-55600711	N-U-10	3 X 3-1/2
BK-55600721	N-U-10	3 X 6

BARKO

Kit Number	Code (Pg. xiv)	Rod X Bore Size
BK-55600953	P-UB-14	3-1/2 X 6
BK-56500242	7" SWIVEL KIT	
BK-565002435	3 1/2" SWIVEL KIT	
BK-56500489	N-N-7	6 PISTON KIT
BK-56500490	I-U-3	2-1/2 X 6
BK-56500500	P-OB-12	1-3/4 X 5
BK-56500501	P-OB-12	2 X 5
BK-56500512	P-OB-12	1-1/2 X 3-1/2
BK-56500514	P-OB-10,12	2 X 5
BK-56500515	P-OB-10,12	2-1/2 X 6
BK-56500523	I-U-5	3 X 7
BK-56500524	I-U-5	2-1/2 X 6
BK-56500525	I, P-U-5	2 X 5
BK-56500531	I, P-U-5	2 X 3-1/2
BK-56500532	4-1/2" SWIVEL KIT	
BK-56500533	I, P-U-5	2 X 3-1/2
BK-56500536	I-U-5	3 X 6
BK-56500537	I, P-U-5	3 X 6
BK-56500541	N-N-10	6" SWIVEL KIT
BK-56500576	3-1/2" SWIVEL KIT	
BK-56500578	6" SWIVEL KIT	
BK-56500583	I-U-5	4 X 7
BK-56500586	I-U-5	2-1/2 X 5
BK-56500588	5" SWIVEL KIT	

Replacement Kits For

BELL

Forestry - Tree Harvesters

APPLICATION	CYL #	CODE	ROD	BORE	KIT #
MODEL SUPER T, ULTRA T					
BOOM	230057	P-U-15	50 mm	100 mm	BELL-140575
GRAB	230058	P-U-15	50 mm	100 mm	BELL-140575
SAW FEED	230105	P-U-15	1-1/4	63 mm	BELL-140311
SHEARHEAD ACCUMULATOR	230093	P-U-15	1-1/4	63 mm	BELL-140311
SHEARHEAD CUT--6"	230134	P-U-10	70 mm	150 mm	BELL-140309
SHEARHEAD GRAB	230093	P-U-15	1-1/4	63 mm	BELL-140311
SKIDDING	230106	P-U-15	50 mm	100 mm	BELL-140575
TILT	230104	P-U-15	1-1/4	63 mm	BELL-140311

BELL

Kit Number	Code (Pg. xiv)	Rod X Bore Size
BELL-140138	P-U-13	50 X 100 mm
BELL-140309	P-U-10	70 X 150 mm
BELL-140311	P-U-13	1-1/4 X 63 mm
BELL-140575	P-U-15	50 X 100 mm

Replacement Kits For

BOBCAT

Backhoe Attachments						
APPLICATION	CYL #	SERIAL #	CODE	ROD	BORE	KIT #
MODEL 607						
BOOM			I-U-10	1-1/2	3	BCK-6587989
DIPPER			I-U-10	1-1/2	3	BCK-6587989
LOCK			I-U-10	1	2	BCK-6589064
TILT			I-U-10	1-1/2	3	BCK-6587989
MODEL 709						
BOOM			I-U-10	1-1/2	3-1/4	BCK-6661308
LOCK			I-U-10	1	2	BCK-6589064
STABILIZER			I-U-10	1-1/2	3-1/4	BCK-6661308
TILT			I-U-10	1-1/2	3	BCK-6587989
MODEL 811						
DIPPER			I-U-10	1-3/4	3-1/2	BCK-6596126
LOCK			I-U-10	1	2	BCK-6589064
TILT			I-U-10	1-1/2	3	BCK-6587989
MODEL 905						
LOCK			I-U-10	1	2	BCK-6589064
STABILIZER			I-U-10	1	2	BCK-6587790
TILT			I-U-10	1-1/2	3	BCK-6587989
MODEL 907						
BUCKET			I-U-10	1-1/2	3	BCK-6587989
DIPPER			I-U-10	1-1/2	3	BCK-6587989
LOCK			I-U-10	1	2	BCK-6589064
STABILIZER			P-OB-3	1	2	BCK-6598343
TILT			I-U-10	1-1/2	3	BCK-6587989
MODEL 908A						
LOCK			I-U-10	1	2	BCK-6589064
STABILIZER			P-OB-3	1	2	BCK-6598343
TILT			I-U-10	1-1/2	3	BCK-6587989
MODEL 908B						
LOCK			I-U-10	1	2	BCK-6589064
STABILIZER			P-OB-3	1	2	BCK-6598343
TILT			I-U-10	1-1/2	3	BCK-6587989
MODEL 909						
BOOM			I-U-10	1-1/2	3-1/4	BCK-6661297
DIPPER			P-OB-3	1	2	BCK-6598343
LOCK			I-U-10	1	2	BCK-6589064
TILT			I-U-10	1-1/2	3	BCK-6587989
MODEL 910						
LOCK			I-U-10	1	2	BCK-6589064
TILT			I-U-10	1-1/2	3	BCK-6587989
MODEL 911						
LOCK			I-U-10	1	2	BCK-6589064
TILT			I-U-10	1-1/2	3	BCK-6587989
MODEL 913						
DIPPER			I-U-10	1-1/2	3	BCK-6803272
LOCK			I-U-10	1	2	BCK-6589064

Replacement Kits For

BOBCAT

Backhoe Attachments						
APPLICATION	CYL #	SERIAL #	CODE	ROD	BORE	KIT #
MODEL 913						
STABILIZER			I-U-10	1-1/2	3-1/4	BCK-6661298
			I-U-10	1	2	BCK-6589064
TILT			I-U-10	1-1/2	3	BCK-6587989
MODEL 914						
LOCK			I-U-10	1	2	BCK-6589064
TILT			I-U-10	1-1/2	3	BCK-6587989
MODEL 914A						
LOCK			I-U-10	1	2	BCK-6589064
SWING			P-UB-9	2	4	BCK-6519428
TILT			I-U-10	1-1/2	3	BCK-6587989
MODEL 914B						
BUCKET			I-U-10	2	3-1/2	BCK-6588059
LOCK			I-U-10	1	2	BCK-6589064
TILT			I-U-10	1-1/2	3	BCK-6587989
Excavators						
APPLICATION	CYL #	SERIAL #	CODE	ROD	BORE	KIT #
MODEL 220						
ARM			I-U-10	1-3/4	2-3/8	BCK-6661047
BLADE			I-U-10	1-3/4	2-3/8	BCK-6661047
BOOM			I-U-10	1-3/4	2-3/8	BCK-6661047
BUCKET			I-U-10	1-3/4	2-3/8	BCK-6661047
SWING			I-U-10, 12	1-3/8	2-3/8	BCK-6661046
VALVE-3 SPOOL			VALVE KIT			BCK-6661328
VALVE-6 SPOOL			O-RING KIT			BCK-6656283
MODEL 231						
ARM			I-U-10	1-3/4	3	BCK-6804603
BLADE			I-U-10	1-3/4	3-1/2	BCK-6661052
BOOM			I-U-10	1-3/4	3-1/4	BCK-6661051
BUCKET			I-U-10	2	3-1/4	BCK-6810470
SWING			I-U-10	1-1/2	3	BCK-6661053
VALVE			O-RING KIT			BCK-6660750
MODEL 320						
ARM	6810414	224511001 - UP	I-U-10	1-1/2	2-3/8	BCK-6816534
BLADE	6816479	224511001 - UP	I-U-10	1-3/8	2-3/8	BCK-6809571
BOOM	6812505	224511001 - UP	I-U-10	1-3/8	2-3/8	BCK-6809571
BUCKET	6803038	224511001 - UP	I-U-10	1-1/2	2-1/4	BCK-6803325
SWING	6810486	224511001 - UP	I-U-10	1-1/4	3-1/4	BCK-6808225
TRACK EXPANSION	6810471	224511001 - UP	I-U-10	1	2	BCK-6589818
MODEL 320D						
ARM	6810414	223811001 - UP	I-U-10	1-1/2	2-3/8	BCK-6816534
BLADE	6810615	223811001 - UP	I-U-10	1-3/8	2-3/8	BCK-6803281
	6816479	223811001 - UP	I-U-10	1-3/8	2-3/8	BCK-6809571
BUCKET	6803038	223811001 - UP	I-U-10	1-1/2	2-1/4	BCK-6803325
CLAMP	6810475	223811001 - UP	I-U-10	1	2	BCK-6803474
SWING	6807167	223811001 - UP	I-U-10	1-1/4	3-1/4	BCK-6801183
	6810486	223811001 - UP	I-U-10	1-1/4	3-1/4	BCK-6808225

Replacement Kits For

BOBCAT

Excavators						
APPLICATION	CYL #	SERIAL #	CODE	ROD	BORE	KIT #
MODEL 320G						
BLADE	6810615	223911001 - UP	I-U-10	1-3/8	2-3/8	BCK-6803281
	6816479	223911001 - UP	I-U-10	1-3/8	2-3/8	BCK-6809571
BUCKET	6803038	223911001 - UP	I-U-10	1-1/2	2-1/4	BCK-6803325
SWING	6807167	223911001 - UP	I-U-10	1-1/4	3-1/4	BCK-6801183
	6810486	223911001 - UP	I-U-10	1-1/4	3-1/4	BCK-6808225
MODEL 322D						
BLADE	6810615	223511001 - UP	I-U-10	1-3/8	2-3/8	BCK-6803281
	6816479	223511001 - UP	I-U-10	1-3/8	2-3/8	BCK-6809571
BOOM	6812505	223511001 - UP	I-U-10	1-3/8	2-3/8	BCK-6809571
BUCKET	6803038	223511001 - UP	I-U-10	1-1/2	2-1/4	BCK-6803325
SWING	6807167	223511001 - UP	I-U-10	1-1/4	3-1/4	BCK-6801183
	6810486	223511001 - UP	I-U-10	1-1/4	3-1/4	BCK-6808225
MODEL 322G						
BLADE	6810615	224011001 - UP	I-U-10	1-3/8	2-3/8	BCK-6803281
	6816479	224011001 - UP	I-U-10	1-3/8	2-3/8	BCK-6809571
BUCKET	6803038	224011001 - UP	I-U-10	1-1/2	2-1/4	BCK-6803325
SWING	6807167	224011001 - UP	I-U-10	1-1/4	3-1/4	BCK-6801183
	6810486	224011001 - UP	I-U-10	1-1/4	3-1/4	BCK-6808225
MODEL 323						
BLADE	6816479	562411001 - UP	I-U-10	1-3/8	2-3/8	BCK-6809571
BOOM	6812505	562411001 - UP	I-U-10	1-3/8	2-3/8	BCK-6809571
BUCKET	6803038	562411001 - UP	I-U-10	1-1/2	2-1/4	BCK-6803325
SWING	6810486	562411001 - UP	I-U-10	1-1/4	3-1/4	BCK-6808225
TRACK EXPANSION	6810471	562411001 - UP	I-U-10	1	2	BCK-6589818
MODEL 325G						
ARM	6810745	234111001 - UP	I-U-10	1-1/2	3	BCK-6816325
BLADE	6597371	234111001 - UP	I-U-10	1-1/2	2-3/4	BCK-6589786
BOOM	6810495	234111001 - UP	I-U-10	1-5/8	3	BCK-6816536
BUCKET	6808617	23411101 - UP	I-U-10	1-3/8	2-1/2	BCK-6806862
CLAMP	6817386	23411101 - UP	I-U-10	1-1/2	2-1/4	BCK-6816535
SWING	6809857	23411101 - UP	I-U-10	1-3/8	2-3/8	BCK-6809571
MODEL 328G						
ARM	6810745	234211001 - UP	I-U-10	1-1/2	3	BCK-6816325
BLADE	6597371	234211001 - UP	I-U-10	1-1/2	2-3/4	BCK-6589786
BOOM	6810495	234211001 - UP	I-U-10	1-5/8	3	BCK-6816536
BUCKET	6808617	234211001 - UP	I-U-10	1-3/8	2-1/2	BCK-6806862
CLAMP	6817386	234211001 - UP	I-U-10	1-1/2	2-1/4	BCK-6816535
SWING	6809857	234211001 - UP	I-U-10	1-3/8	2-3/8	BCK-6809571
MODEL 329						
ARM	6817188	A2PG1101	I-U-10	1-3/4	3-1/4	BCK-6815085
BLADE	6597350	A2PG1101	I-U-10	1-3/4	3-1/2	BCK-6803314
BOOM	7126322	A2PG1101	I-U-10	1-3/4	3-1/4	BCK-6815085
BUCKET	6812165	A2PG1101	I-U-10	2	3-1/4	BCK-6810470
CLAMP	6817386	A2PG1101	I-U-10	1-1/2	2-1/4	BCK-6816535
SWING	6816319	A2PG1101	I-U-10	1-1/2	3	BCK-6816325

Replacement Kits For

BOBCAT

Excavators						
APPLICATION	CYL #	SERIAL #	CODE	ROD	BORE	KIT #
MODEL 331						
ARM	6810565	232511001 - UP	I-U-10	1-3/4	3	BCK-6810719
	6817188	232511001 - UP	I-U-10	1-3/4	3-1/4	BCK-6815085
BLADE	6597350	232511001 - UP	I-U-10	1-3/4	3-1/2	BCK-6803314
BOOM	6814980	232513729, 232711597 & 232612761 & Above	I-U-10	1-3/4	3-1/4	BCK-6815085
CLAMP	6817386	232511001 - UP	I-U-10	1-1/2	2-1/4	BCK-6816535
EXT ARM	6810433	232511001 - UP	I-U-10	1-1/2	2-1/4	BCK-6816535
SWING	6814862	232511001 - UP	I-U-10	1-1/2	3	BCK-6816325
MODEL 331, 331E, 334						
ARM	6810563		I-U-10	1-3/4	3	BCK-6804603
	6810565		I-U-10	1-3/4	3	BCK-6810719
	6817188		I-U-10	1-3/4	3-1/4	BCK-7137963
	7148240		I-U-10	1-3/4	3	BCK-6810719
	7156131		I-U-10	1-1/2	2-3/4	BCK-7162062
	7166446		I-U-10	1-1/2	2-3/4	BCK-7162062
ARM (Extendable)	6805399		I-U-10	1-1/2	2-1/4	BCK-7135557
	6810433		I-U-10	1-1/2	2-1/4	BCK-7135557
BLADE	6597350		I-U-10	1-3/4	3-1/2	BCK-7138009
BOOM	6806214		I-U-10	1-3/4	3-1/4	BCK-7137965
	6814980		I-U-10	1-3/4	3-1/4	BCK-7137963
	7148239		I-U-10	1-3/4	3-1/4	BCK-7156581
	7148522		I-U-10	1-3/4	3	BCK-7162061
	7156133		I-U-10	1-3/4	3	BCK-7162061
	7156579		I-U-10	1-3/4	3-1/4	BCK-7162060
BUCKET	6806102		I-U-10	2	3-1/4	BCK-7137966
	6812165		I-U-10	2	3-1/4	BCK-7137966
	7110562		I-U-10	1-3/4	2-3/4	BCK-7137935
	7147899		I-U-10	2	3-1/4	BCK-7137966
	7148457		I-U-10	1-3/4	2-3/4	BCK-7137935
CLAMP	6805607		I-U-10	1-1/2	2-3/4	BCK-6803268
	6817386		I-U-10	1-1/2	2-1/4	BCK-7135557
SWING	6806125		I-U-10	1-1/2	3	BCK-7135547
	6814862		I-U-10	1-1/2	3	BCK-6816325
	6816319		I-U-10	1-1/2	3	BCK-7135547
MODEL 337G						
ARM	6818248	234611001 - UP	I-U-10	2-1/4	3-1/2	BCK-6817081
BLADE	6815923	234611001 - UP	I-U-10	1-3/4	3-1/4	BCK-6816533
BOOM	6818252	234611001 - UP	I-U-10	2-1/4	4	BCK-6817183
BUCKET	6818255	234611001 - UP	I-U-10	2	3-1/4	BCK-6810470
CLAMP	6808069	234611001 - UP	I-U-10	2	2-3/4	BCK-6810717
SWING	6818258	234611001 - UP	I-U-10	2	3-1/4	BCK-6818161
MODEL 337WG						
ARM	6818248	235111001 - UP	I-U-10	2-1/4	3-1/2	BCK-6817081
	6818248	529111001 - UP	I-U-10	2-1/4	3-1/2	BCK-6817081
	6818248	529511001 - UP	I-U-10	2-1/4	3-1/2	BCK-6817081
BLADE	6815953	235111001 - UP	I-U-10	1-3/4	3-1/4	BCK-6816533

Replacement Kits For

BOBCAT

Excavators						
APPLICATION	CYL #	SERIAL #	CODE	ROD	BORE	KIT #
MODEL 337WG						
BLADE	6815953	529511001 - UP	I-U-10	1-3/4	3-1/4	BCK-6816533
BOOM	6818252	235111001 - UP	I-U-10	2-1/4	4	BCK-6817183
	6818252	529111001 - UP	I-U-10	2-1/4	4	BCK-6817183
	6818252	529511001 - UP	I-U-10	2-1/4	4	BCK-6817183
BUCKET	6818255	235111001 - UP	I-U-10	2	3-1/4	BCK-6810470
	6818255	529111001 - UP	I-U-10	2	3-1/4	BCK-6810470
	6818255	529511001 - UP	I-U-10	2	3-1/4	BCK-6810470
CLAMP	6808069	235111001 - UP	I-U-10	2	2-3/4	BCK-6810717
	6808069	529111001 - UP	I-U-10	2	2-3/4	BCK-6810717
	6808069	529511001 - UP	I-U-10	2	2-3/4	BCK-6810717
SWING	6818258	235111001 - UP	I-U-10	2	3-1/4	BCK-6818161
MODEL 341G						
ARM	6818248	234711001 - UP	I-U-10	2-1/4	3-1/2	BCK-6817081
BLADE	6815953	234711001 - UP	I-U-10	1-3/4	3-1/4	BCK-6816533
BOOM	6818252	234711001 - UP	I-U-10	2-1/4	4	BCK-6817183
BUCKET	6818255	234711001 - UP	I-U-10	2	3-1/4	BCK-6810470
CLAMP	6808069	234711001 - UP	I-U-10	2	2-3/4	BCK-6810717
MODEL 430						
ANGLE	7134017	563011001 - UP	I-U-10	1-1/2	2-1/2	BCK-7135559
ARM	7148322		I-U-10	1-3/4	3-1/4	BCK-7156581
	7156131		I-U-10	1-1/2	2-3/4	BCK-7162062
	7156578		I-U-10	1-3/4	3-1/4	BCK-7156581
	7166446		I-U-10	1-1/2	2-3/4	BCK-7162062
ARM (Extendable)	6805399		I-U-10	1-1/2	2-1/4	BCK-7135557
	6810433		I-U-10	1-1/2	2-1/4	BCK-7135557
BLADE	6815009		I-U-10	1-1/2	2-1/2	BCK-7135559
	7121065		I-U-10	1-1/2	2-1/2	BCK-7135559
BLADE (Angle)	7134017		I-U-10	1-1/2	3	BCK-7135547
BOOM	6814980		I-U-10	1-3/4	3-1/4	BCK-7156581
	7100732		I-U-10	1-3/4	3	BCK-7162061
	7148239		I-U-10	1-3/4	3-1/4	BCK-7156581
	7148522		I-U-10	1-3/4	3	BCK-7162061
	7156133		I-U-10	1-3/4	3	BCK-7162061
	7156579		I-U-10	1-3/4	3-1/4	BCK-7156581
BUCKET	6812165		I-U-10	2	3-1/4	BCK-7137966
	7110562		I-U-10	1-3/4	2-3/4	BCK-7137935
	7147447		I-U-10	2	3-1/4	BCK-7137966
	7148457		I-U-10	1-3/4	2-3/4	BCK-7137935
BUCKET (Extendable Arm)	6806102		I-U-10	2	3-1/4	BCK-7137966
	7147899		I-U-10	2	3-1/4	BCK-7137966
CLAMP	6805607		I-U-10	1-1/2	2-1/4	BCK-7135557
	6817386		I-U-10	1-1/2	2-1/4	BCK-7135557
EXT ARM	6810433	563011001 - UP	I-U-10	1-1/2	2-1/4	BCK-7135557
SWING	6816319		I-U-10	1-1/2	3	BCK-7135547
	7162721		I-U-10	1-1/2	3	BCK-7135547

Replacement Kits For

BOBCAT

Excavators						
APPLICATION	CYL #	SERIAL #	CODE	ROD	BORE	KIT #
MODEL 435						
ARM	6816744	563211001 - UP	I-U-10	2	3-1/4	BCK-6817143
BLADE	6815953	563211001 - UP	I-U-10	1-3/4	3-1/4	BCK-6816533
BOOM	6814385	563211001 - UP	I-U-10	2	3-3/4	BCK-6815959
BUCKET	6812517	563211001 - UP	I-U-10	1-3/4	3	BCK-6816352
CLAMP	6814063	563211001 - UP	I-U-10	1-3/4	2-1/2	BCK-6813752
SWING	6812633	563211001 - UP	I-U-10	2	3-1/4	BCK-6818161
MODEL X-225						
ARM	6586724	508312001-UP	I-U-10	1-1/2	2-3/4	BCK-6589796
BLADE		508312001-UP	I-U-10	1-1/2	2-3/4	BCK-6589796
	6596045	508312001-UP	I-U-10	1-1/2	2-3/4	BCK-6589786
BOOM	6586726	508312001-UP	I-U-10	1-1/2	2-3/4	BCK-6589796
BUCKET	6538977	508312001-UP	I-U-10	1-1/2	2-3/4	BCK-6589796
SWING	6536372	508312001-UP	I-U-10	1-3/4	2-3/8	BCK-6661047
MODEL X-320						
ARM			I-U-10	1-1/2	2-3/8	BCK-6816534
	6588297	511720001-..1115	I-U-10	1-3/8	2-3/8	BCK-6803281
	6589582	511721116 - UP	I-U-10	1-1/2	2-3/8	BCK-6589807
	6803040	562313001 - UP	I-U-10	1-1/2	2-3/8	BCK-6589807
BLADE	6587000	511720001 - UP	I-U-10	1-3/8	2-3/8	BCK-6803281
	6587000	562313001 - UP	I-U-10	1-3/8	2-3/8	BCK-6803281
	6802713		I-U-10	1-3/8	2-3/8	BCK-6803281
BOOM	6587019	511720001-..1115	I-U-10	1-3/8	2-3/8	BCK-6803281
	6589360	511721116 - UP	I-U-10	1-3/8	2-3/8	BCK-6803281
	6803045	562313001 - UP	I-U-10	1-3/8	2-3/8	BCK-6803281
BUCKET			I-U-10	1-1/2	2-1/4	BCK-6803325
SWING	6587963	511720001 - UP	I-U-10	1-1/4	2-3/8	BCK-6589868
	6803043	562313001 - UP	I-U-10	1-1/4	3-1/4	BCK-6801183
MODEL X-325						
ARM	6586724	511820001 - UP	I-U-10	1-1/2	2-3/4	BCK-6589796
	6595678	514011001-..012999	I-U-10	1-1/2	2-3/4	BCK-6803268
BLADE	6538976	511820001 - UP	I-U-10	1-1/2	2-3/4	BCK-6589796
	6596045	511820001 - UP	I-U-10	1-1/2	2-3/4	BCK-6589786
	6596045	514011001-..012999	I-U-10	1-1/2	2-3/4	BCK-6589786
BOOM	6586726	511820001 - UP	I-U-10	1-1/2	2-3/4	BCK-6589796
	6803696	514011001-..012999	I-U-10	1-1/2	2-3/4	BCK-6803268
BUCKET	6538977	511820001 - UP	I-U-10	1-1/2	2-3/4	BCK-6589796
	6803693	514011001-..012999	I-U-10	1-1/2	2-3/4	BCK-6803268
LIFTING CYLINDER	6802235	514011001-..012999	I-U-10	1-1/2	2-3/4	BCK-6803268
SWING	6536372	511820001 - UP	I-U-10	1-3/4	2-3/8	BCK-6661047
	6536372	514011001-..012999	I-U-10	1-3/4	2-3/8	BCK-6661047
MODEL X-331						
ARM			I-U-10	1-3/4	3	BCK-6804603
	6537325	512920001 - UP	I-U-10	1-3/4	3	BCK-6588079
BLADE			I-U-10	1-3/4	3-1/2	BCK-6803314
BOOM			I-U-10	1-3/4	3-1/4	BCK-6816533
BUCKET			I-U-10	2	3-1/4	BCK-6810470

BOBCAT

Replacement Kits For

Excavators						
APPLICATION	CYL #	SERIAL #	CODE	ROD	BORE	KIT #
MODEL X-331						
SWING	6537577	512911001 - UP	I-U-10	1-1/2	3	BCK-6589797
	6537577	512920001 - UP	I-U-10	1-1/2	3	BCK-6589797
	6589756		I-U-10	1-1/2	3	BCK-6804604
Loaders - Skid Steer						
APPLICATION	CYL #	SERIAL #	CODE	ROD	BORE	KIT #
MODEL 310, 313, 371						
LIFT			I-U-10	1	2	BCK-6587790
TILT			I-U-10	1	2	BCK-6587790
MODEL 440						
LIFT			I-U-10	1	2	BCK-6587790
MODEL 440B						
LIFT			I-U-10	1	2	BCK-6803472
TILT	6589196	505214001	I-U-10	1-1/4	3	BCK-6803334
	6592700	505214001	I-U-10	1-1/4	3	BCK-6803334
MODEL 443						
LIFT			I-U-10	1	2	BCK-6803472
TILT			I-U-10	1-1/4	3	BCK-6803334
MODEL 444, 500						
LIFT			I-U-10	1-1/4	2	BCK-6803329
TILT			I-U-10	1	2	BCK-6803472
MODEL 450, 453						
LIFT			I-U-10	1	2	BCK-6587790
MODEL 463						
LIFT	6808340		I-U-10	1-1/4	2	BCK-6804927
	6812771		I-U-10	1-1/4	2	BCK-6804927
TILT	6815746		I-U-10	1-1/4	3	BCK-6803334
	6815798		I-U-10	1-1/4	3	BCK-6803334
MODEL 520, 530, 533, 540, 542B, 543						
LIFT			I-U-10	1-1/4	2	BCK-6803329
TILT			I-U-10	1-1/2	3	BCK-6804604
MODEL 543B						
TILT			I-U-10	1-1/2	3	BCK-6803272
MODEL 553						
LIFT			I-U-10	1-1/4	2	BCK-6586298
TILT			I-U-10	1-1/2	3	BCK-6803272
MODEL 600, 610, 620						
LIFT			I-U-10	1-1/4	2	BCK-6803329
TILT			I-U-10	1	2	BCK-6803472
MODEL 630						
LIFT			I-U-10	1-1/4	2	BCK-6803329
TILT			I-U-10	1-1/2	3-1/4	BCK-6804605
			I-U-10	1-1/2	3	BCK-6804604
MODEL 640						
TILT			I-U-10	1-1/2	3-1/4	BCK-6661297
			I-U-10	1-1/2	3-1/4	BCK-6661308

BOBCAT

Replacement Kits For

Loaders - Skid Steer						
APPLICATION	CYL #	SERIAL #	CODE	ROD	BORE	KIT #
MODEL 642						
LIFT	6586671	5014-M-11001	I-U-10	1-1/4	2	BCK-6803329
TILT w/ Replaceable Tube			I-U-10	1-1/2	3-1/4	BCK-6804605
			I-U-10	1-1/2	3-1/4	BCK-6661297
TILT w/ Welded Tube			I-U-10	1-1/2	3-1/4	BCK-6804605
MODEL 642B						
LIFT			I-U-10	1-1/4	2	BCK-6803329
TILT			I-U-10	1-1/2	3-1/4	BCK-6804605
MODEL 643						
LIFT w/ Replaceable Tube	6586671	5015-M-13001	I-U-10	1-1/4	2	BCK-6803329
TILT w/ Replaceable Tube			I-U-10	1-1/2	3-1/4	BCK-6804605
			I-U-10	1-1/2	3-1/4	BCK-6661297
TILT w/ Welded Tube			I-U-10	1-1/2	3-1/4	BCK-6804605
MODEL 653						
TILT			I-U-10	1-1/2	3-1/4	BCK-6589792
MODEL 700, 720, 721, 722						
LIFT			I-U-10	1-1/4	2	BCK-6803329
TILT			I-U-10	1	2	BCK-6803472
			I-U-10	1	2	BCK-6587790
MODEL 730, 731, 732						
LIFT			I-U-10	1-1/2	3-1/4	BCK-6804605
			I-U-10	1-1/4	2	BCK-6803329
TILT			P-U-10	1-1/2	3-1/4	BCK-6514736
			I-U-10	1-1/2	3-1/4	BCK-6804605
MODEL 733						
TILT			P-U-10	1-1/2	3-1/4	BCK-6514736
MODEL 741, 742, 743						
LIFT			I-U-10	1-1/4	2	BCK-6803329
LIFT w/ Replaceable Tube			I-U-10	1-1/4	2	BCK-6803329
TILT			P-U-10	1-1/2	3-1/4	BCK-6514736
			I-U-10	1-1/2	3-1/4	BCK-6804605
TILT(CESSNA)			P-U-10	1-1/2	3-1/4	BCK-6514736
TILT(MELROE)			I-U-10	1-1/2	3-1/4	BCK-6804605
		<=12999	I-U-10	1-1/2	3-1/4	BCK-6661297
MODEL 742B						
LIFT	6586671	18001 & Above	I-U-10	1-1/4	2	BCK-6803329
TILT			I-U-10	1-1/2	3-1/4	BCK-6804605
MODEL 743B						
LIFT w/ Replaceable Tube	6586671		I-U-10	1-1/4	2	BCK-6803329
TILT(MELROE)			I-U-10	1-1/2	3-1/4	BCK-6804605
MODEL 743DS						
LIFT			I-U-10	1-1/4	2	BCK-6803329
TILT			I-U-10	1-1/2	3-1/4	BCK-6661297
MODEL 751						
LIFT	6586575	514711001	I-U-10	1-1/4	2	BCK-6803329
TILT			I-U-10	1-1/2	3-1/4	BCK-6804605

Replacement Kits For

BOBCAT

Loaders - Skid Steer						
APPLICATION	CYL #	SERIAL #	CODE	ROD	BORE	KIT #
MODEL 753						
LIFT			I-U-10	1-1/4	2	BCK-6803329
TILT			I-U-10	1-1/2	3-1/4	BCK-6589792
			I-U-10	1-1/2	3-1/4	BCK-6804605
MODEL 763						
LIFT	6589259	512212001 & UP	I-U-10	1-1/2	2-1/4	BCK-6803325
TILT w/ Rod Eye Grease	6804630	512212001 & UP	I-U-10	1-1/2	3-1/2	BCK-6804606
MODEL 773						
LIFT	6537254	509635001	I-U-10	1-1/2	2-1/4	BCK-6803325
TILT			I-U-10	1-1/2	3-1/2	BCK-6804606
MODEL 825						
LIFT			I-U-10	1-1/2	2-1/4	BCK-6589793
			I-U-10	1-1/2	2-1/4	BCK-6555117
TILT			I-U-10	1	2-1/4	BCK-6544447
TILT w/ Replaceable Tube			I-U-10	1-1/2	3-1/4	BCK-6661297
MODEL 843						
LIFT			I-U-10	1-1/2	2-1/4	BCK-6589793
TILT			I-U-10	1-1/2	3-1/4	BCK-6804605
MODEL 843B						
LIFT	6529692	503760001	I-U-10	1-1/2	2-1/4	BCK-6589793
TILT			I-U-10	1-1/2	3-1/4	BCK-6804605
MODEL 853						
LIFT			I-U-10	1-1/2	2-1/4	BCK-6589793
	6587125	512811001-15999	I-U-10	1-1/2	2-1/4	BCK-6586915
TILT			I-U-10	1-1/2	3-1/4	BCK-6804605
MODEL 863						
LIFT	6800973	514411001 & UP	I-U-10	1-3/4	2-1/2	BCK-6803312
TILT			I-U-10	1-1/2	3-1/2	BCK-6804606
	6800466	514411001 & UP	I-U-10	1-5/8	3-1/2	BCK-6804615
MODEL 873						
LIFT	6589198	514111001 & UP	I-U-10	1-1/2	2-3/4	BCK-6804609
TILT - LH	6597376	514111574-15042	I-U-10	1-1/4	2-1/2	BCK-6595177
	6597387	514111001-514111573	I-U-10	1-1/4	2-1/2	BCK-6595177
	6800683	514115043 & UP	I-U-10	1-5/8	2-3/4	BCK-6804616
TILT - RH	6597377	514111574-15042	I-U-10	1-1/4	2-1/2	BCK-6595177
	6597388	514111001-514111573	I-U-10	1-1/4	2-1/2	BCK-6595177
	6800682	514115043 & UP	I-U-10	1-5/8	2-3/4	BCK-6804616
MODEL 943						
LIFT			I-U-10	1-3/4	3	BCK-6804603
			I-U-10	1-1/2	3	BCK-6661053
TILT			I-U-10	1-1/2	3	BCK-6804604
MODEL 953						
TILT			I-U-10	1-1/2	3	BCK-6803272
MODEL 970						
LIFT			I-U-10	2	3-1/2	BCK-6588059
		Prior to 110418	I-V-10	2	3-1/2	BCK-6509053
TILT			I-U-10	1-1/2	3	BCK-6804604

Replacement Kits For

BOBCAT

Loaders - Skid Steer						
APPLICATION	CYL #	SERIAL #	CODE	ROD	BORE	KIT #
MODEL 974, 975						
LIFT			I-U-10	2	3-1/2	BCK-6588059
TILT			I-U-10	1-1/2	3	BCK-6804604
MODEL 980						
LIFT			I-U-10	2	3-1/2	BCK-6588059
TILT			I-U-10	1-1/2	3	BCK-6804604
MODEL 1213						
LIFT			I-U-10	1-1/2	2-1/4	BCK-6589793
MODEL A300						
LIFT	6817310		I-U-10	1-5/8	3	BCK-7137939
	7106456		I-U-10	1-5/8	3	BCK-7137939
STEERING	6814126		I-U-10	1	2	BCK-7137772
TILT	6810233		I-U-10	1-1/2	3	BCK-7135547
MODEL S130						
LIFT	6809201		I-U-10	1-1/4	2	BCK-7137770
TILT	6804630		I-U-10	1-1/2	3-1/2	BCK-7135555
MODEL S150, S160						
LIFT	6811994		I-U-10	1-1/2	2-1/4	BCK-7135557
TILT	6809802		I-U-10	1-3/8	2-3/4	BCK-6806330
	7117174		I-U-10	1-3/8	2-3/4	BCK-6806330
MODEL S175, S185						
LIFT	7117667		I-U-10	1-1/2	2-1/2	BCK-7135559
TILT	7117174		I-U-10	1-3/8	2-3/4	BCK-6806330
MODEL S205						
LIFT	6811995		I-U-10	1-1/2	2-1/2	BCK-6816537
	7107895		I-U-10	1-1/2	2-1/2	BCK-6816537
	7117667		I-U-10	1-1/2	2-1/2	BCK-7135559
TILT	6809802		I-U-10	1-3/8	2-3/4	BCK-6806330
	7117174		I-U-10	1-3/8	2-3/4	BCK-6806330
MODEL S220						
LIFT	6815757		I-U-10	1-3/4	2-1/2	BCK-7137865
TILT	6810233		I-U-10	1-1/2	3	BCK-7135547
MODEL S250, S300						
LIFT	6817310		I-U-10	1-5/8	3	BCK-7137939
	7106456		I-U-10	1-5/8	3	BCK-7137939
TILT	6810233		I-U-10	1-1/2	3	BCK-7135547
Loaders - Wheel						
APPLICATION	CYL #	SERIAL #	CODE	ROD	BORE	KIT #
MODEL 1600						
LIFT			I-U-10	2	3-1/2	BCK-6588059
MODEL 2400, 2410						
LOADER LIFT			I-U-10	1-3/4	3	BCK-6804603
LOADER TILT			I-U-10	1-1/2	2-3/4	BCK-6589796
STEERING			I-U-10	1-1/4	2-3/4	BCK-6661296

BOBCAT (MELROE)

Kit Number	Code (Pg. xiv)	Rod X Bore Size
BCK-6504945	P-O-2	1 X 1-7/8
BCK-6504959	I-U-10	1-1/4 X 2
BCK-6504960	I-U-10	1 X 2
BCK-6504961	P-O-2	1 X 2
BCK-6505849	P-V-8	1-1/8 X 2
BCK-6505850	P-V-8	1 X 2
BCK-6509052	I-U-10	1-1/2 X 3
BCK-6509053	I-V-10	2 X 3-1/2
BCK-6509122	I-U-10,12	2 X 4
BCK-6509123	I-U-10,12	2-1/2 X 4
BCK-6509124	I-U-10,12	2 X 3-1/2
BCK-6511216	I-U-10	2-1/2 X 5
BCK-6511620	# 174 ACCUMULATOR	
BCK-6512049	P-U-10	1-1/4 X 2-1/2
BCK-6512891	I-U-10	1-1/2 X 3
BCK-6514736	P-U-10	1-1/2 X 3-1/4
BCK-6515452	P-OB-3	1-1/2 X 3
BCK-6515459	P-O-1	2-3/4 ROD
BCK-6518500	O-RINGS	O-RINGS
BCK-6519428	P-UB-9	2 X 4
BCK-6529691	I-U-10	1-1/2 X 3-1/4
BCK-6538144	I-U-10	1-1/2 X 3-1/4
BCK-6544447	I-U-10	1 X 2-1/4
BCK-6544448	I-U-10	1-1/4 X 2-1/4
BCK-6548178	I-U-10	2 X 3-1/2
BCK-6551271	I-U-10	1-1/2 X 3
BCK-6555117	I-U-10	1-1/2 X 2-1/4
BCK-6555851	I-U-10	1-1/2 X 3-1/2
BCK-6557718	I-U-10	1-1/2 X 3
BCK-6557719	I-U-10	1-1/4 X 2
BCK-6558847	I-U-10	1-1/2 X 3-1/4
BCK-6573437	I-OB-3	1-1/2 X 2
BCK-6586298	I-U-10	1-1/4 X 2
BCK-6586915	I-U-10	1-1/2 X 2-1/4
BCK-6587790	I-U-10	1 X 2
BCK-6587974	I-U-10	1-1/2 X 2-1/4
BCK-6587985	I-U-10	1-1/2 X 2-1/4
BCK-6587987	I-U-10	1-1/2 X 2-3/4
BCK-6587989	I-U-10	1-1/2 X 3

Kit Number	Code (Pg. xiv)	Rod X Bore Size
BCK-6587990	I-U-10	1-3/4 X 3
BCK-6587991	I-U-10	1-3/4 X 3-1/4
BCK-6588059	I-U-10	2 X 3-1/2
BCK-6588079	I-U-10	1-3/4 X 3
BCK-6588083	I-U-10	2 X 3-1/4
BCK-6589064	I-U-10	1 X 2
BCK-6589786	I-U-10	1-1/2 X 2-3/4
BCK-6589792	I-U-10	1-1/2 X 3-1/4
BCK-6589793	I-U-10	1-1/2 X 2-1/4
BCK-6589794	I-U-10	1-1/2 X 2-1/4
BCK-6589796	I-U-10	1-1/2 X 2-3/4
BCK-6589797	I-U-10	1-1/2 X 3
BCK-6589798	I-U-10	1-1/2 X 3
BCK-6589807	I-U-10	1-1/2 X 2-3/8
BCK-6589818	I-U-10	1 X 2
BCK-6589868	I-U-10	1-1/4 X 2-3/8
BCK-6590898	I-U-10	2 X 3
BCK-6591031	P-U-10	2-1/2 X 5-1/2
BCK-6591885	I-U-10	1-1/2 X 3-1/4
BCK-6592010	I-U-10	1-1/2 X 3
BCK-6592276	I-U-3	1 X 2-1/4
BCK-6592780	I-U-10	1-3/4 X 3
BCK-6593287	I-U-10	2 X 3-3/4
BCK-6595177	I-U-10	1-1/4 X 2-1/2
BCK-6596126	I-U-10	1-3/4 X 3-12
BCK-6598220	O-RING KIT	O-RING KIT
BCK-6598343	P-OB-3	1 X 2
BCK-6634687	I-U-5	1-1/4 X 2-1/2
BCK-6635405	I-OB-3	1-1/8 X 2-1/2
BCK-6651242	MOTOR SEAL KIT	
BCK-6656283	O-RING KIT	O-RING KIT
BCK-6660750	O-RING KIT	O-RING KIT
BCK-6661046	P-U-10,12	1-3/8 X 2-3/8
BCK-6661047	I-U-10	1-3/4 X 2-3/8
BCK-6661051	I-U-10	1-3/4 X 3-1/4
BCK-6661052	I-U-10	1-3/4 X 3-1/2
BCK-6661053	I-U-10	1-1/2 X 3
BCK-6661288	I-U-10	1 X 2
BCK-6661296	I-U-10	1-1/4 X 2-3/4

BOBCAT (MELROE)

BOBCAT

Kit Number	Code (Pg. xiv)	Rod X Bore Size
BCK-6661297	I-U-10	1-1/2 X 3-1/4
BCK-6661298	I-U-10	1-1/2 X 3-1/4
BCK-6661308	I-U-10	1-1/2 X 3-1/4
BCK-6661317	I-U-10	1-1/4 X 2-1/4
BCK-6661328	VALVE KIT	VALVE KIT
BCK-6661329	I-U-10	1-1/4 X 3
BCK-6801183	I-U-10	1-1/4 X 3-1/4
BCK-6803268	I-U-10	1-1/2 X 2-3/4
BCK-6803272	I-U-10	1-1/2 X 3
BCK-6803274	I-U-10	1-1/2 X 3-1/2
BCK-6803281	I-U-10	1-3/8 X 2-3/8
BCK-6803312	I-U-10	1-3/4 X 2-1/2
BCK-6803313	I-U-10	1-3/4 X 3
BCK-6803314	I-U-10	1-3/4 X 3-1/2
BCK-6803325	I-U-10	1-1/2 X 2-1/4
BCK-6803329	I-U-10	1-1/4 X 2-3/8
BCK-6803334	I-U-10	1-1/4 X 3-1/4
BCK-6803472	I-U-10	1 X 2
BCK-6803474	I-U-10	1 X 2
BCK-6804603	I-U-10	1-3/4 X 3
BCK-6804604	I-U-10	1-1/2 X 3
BCK-6804605	I-U-10	1-1/2 X 3-1/4
BCK-6804606	I-U-10	1-1/2 X 3-1/2
BCK-6804609	I-U-10	1-1/2 X 2-3/4
BCK-6804615	I-U-10	1-5/8 X 3-1/2
BCK-6804616	I-U-10	1-5/8 X 2-3/4
BCK-6804927	I-U-10	1-1/4X2
BCK-6806330	I-U-10	1-3/8 X2-3/4
BCK-6806862	I-U-10	1-3/8 X 2-1/2
BCK-6808225	I-U-10	1-1/4 X 3-1/4
BCK-6808296	I-U-10	1-1/4 X 2-1/2
BCK-6809571	I-U-10	1-3/8 X 2-3/8
BCK-6810470	I-U-10	2 X 3-1/4
BCK-6810717	I-U-10	2 X 2-3/4
BCK-6810718	I-U-10	2 X 4

Kit Number	Code (Pg. xiv)	Rod X Bore Size
BCK-6810719	I-U-10	1-3/4 X 3
BCK-6813752	I-U-10	1-3/4 X 2-1/2
BCK-6815085	I-U-10	1-3/4 X 3-1/4
BCK-6815959	I-U-10	2 X 3-3/4
BCK-6816352	I-U-10	1-3/4 X 3
BCK-6816533	I-U-10	1-3/4 X 3-1/4
BCK-6816534	I-U-10	1-1/2 X 2-3/8
BCK-6816535	I-U-10	1-1/2 X 2-1/4
BCK-6816536	I-U-10	1-5/8 X 3
BCK-6816537	I-U-10	1-1/2 X2-1/2
BCK-6817081	I-U-10	2-1/4 X 3-1/2
BCK-6817143	I-U-10	2 X 3-1/4
BCK-6817183	I-U-10	2-1/4 X 4
BCK-6818161	I-U-10	2 X 3-1/4
BCK-7135547	I-U-10	1-1/2 X 3
BCK-7135551	I-U-10	1-1/2 X 3-1/4
BCK-7135555	I-U-10	1-1/2 X 3-1/2
BCK-7135557	I-U-10	1-1/2 X 2-1/4
BCK-7135558	I-U-10	1-1/2 X 2-1/4
BCK-7135559	I-U-10	1-1/2 X 2-1/2
BCK-7137770	I-U-10	1-1/4 X 2
BCK-7137771	I-U-10	1 X 2
BCK-7137772	I-U-10	1 X 2
BCK-7137865	I-U-10	1-3/4 X 2-1/2
BCK-7137935	I-U-10	1-3/4 X 2-3/4
BCK-7137939	I-U-10	1-5/8 X 3
BCK-7137963	I-U-10	1-3/4 X 3-1/4
BCK-7137966	I-U-10	2 X 3-1/4
BCK-7156581	I-U-10	1-3/4 X 3-1/4
BCK-7162060	I-U-10	1-3/4 X 3-1/4
BCK-7162061	I-U-10	1-3/4 X 3
BCK-7162062	I-U-10	1-1/2 X 2-3/4
BCK-749049	I-OB-3	1-1/2 X 2
BCK-M610	P-O-2	1-1/8 X 1-7/8

BREAKER TECH

Kit Number	Code (Pg. xiv)	Rod X Bore Size
BTI-815-0457-ML	I-V-9	2-3/4 X 5
BTI-815-0468-ML	I-V-9	3-1/2 X 6

CAMECO

Kit Number	Cylinder	Code (Pg. xiv)	Rod X Bore Size
CAM-017-1344693		N-N-14	100mm Piston Kit
CAM-017-1344694		P-UB-1	50mm Rod Kit
CAM-061-0007820		P-U-3	1-1/2 X 3-1/2
CAM-061-0021481		I-U-4	2-1/2 X 5
CAM-061-0297978		P-U-10	2-1/4 X 3
CAM-061-05021	001-05007	P-U-5	1-1/4 X 3
CAM-061-05835		P-U-3	1-1/4 X 2-1/2
CAM-061-06067	001-06063	P-OB-3	1-1/16 X 2-1/2
CAM-061-07221		I-V-5	2-1/2 X 7
CAM-061-08458	001-08459	I-U-5	2-1/2 X 4
CAM-061-08913		I-U-5	2-1/2 X 5
CAM-061-09619		P-U-3	2 X 4
CAM-061-1247081		P-U-1	3 Rod Kit
CAM-061-1304751		I-U-10	1-1/4 X 2-1/2
CAM-061-1309627		P-U-10	4 X 7
CAM-061-1347081		P-U-1	3 Rod Kit
CAM-061-1362725		I-U-10	1 X 2
CAM-061-21693		I-U-9	2-1/2 X 4
CAM-061-21699	001-21359	I-U-9	1-1/4 X 3
CAM-061-50139		P-V-3	1-1/4 X 3
CAM-061-53511		P-UB-10	2-1/2 X 4
CAM-061-53967	001-37224		1-1/4 Rod Kit
CAM-061-53968		P-U-1	1-1/2 Rod Kit
CAM-061-53970	001-89599		2-1/2 Rod Kit
CAM-061-53972	001-89576		3" Piston Kit
CAM-061-53973	001-89599		4" Piston Kit
CAM-061-53974		N-N-10	5" Bore
CAM-062-05672			Valve Kit
CAM-062-22730			Motor Kit

CASCADE

Kit Number	Code (Pg. xiv)	Rod X Bore Size
CAS-552715	I-U-1	2-1/4 X 2-3/4
CAS-554289	MULTI STAGE	4, 5
CAS-560349	I-U-4	2" X 75 mm
CAS-562591	I-U-4	2" X 60 mm
CAS-615939	O-RING KIT	
CAS-615940	O-RING KIT	
CAS-628080	I-V-8	1-1/4 X 3
CAS-630033	I-U-3	1-1/2 X 4-3/4
CAS-630038	I-U-3	1-1/2 X 4-3/4
CAS-630445	I-V-8	1-1/4 X 2-1/2
CAS-631277	P-V-9	2 X 4-3/4
CAS-638884	MULTI STAGE	2-3/4, 3-3/4
CAS-639695	I-U-4	3/4 X 1-3/4
CAS-640371	I-O-4	4 X 4-1/2
CAS-641956	MULTI STAGE	4, 5
CAS-643280	I-U-4	3 X 3-1/2

Kit Number	Code (Pg. xiv)	Rod X Bore Size
CAS-644690	I-U-5	1-3/4 X 4
CAS-646305	I-U-3	3-1/2 X 4
CAS-646339	SWIVEL KIT	
CAS-647626	I-U-4	1 X 2-1/4
CAS-647892	I-V-8	1-3/4 X 4.520
CAS-650018	I-U-5	3-1/2 X 7
CAS-651847	I-N-4	2 X 2-1/2
CAS-654519	P-V-1	2 X 4-3/4
CAS-656167	MULTI STAGE	4-1/4, 5-7/16
CAS-658717	MULTI STAGE	2-3/4, 3-3/4
CAS-660954	I-U-4	1-5/8 X 3-1/2
CAS-660955	I-U-4	3 X 4
CAS-664814	N-U-4	3/4 X 1-3/4
CAS-667622	MULTI STAGE	2-1/2, 3-1/4, 4-1/2
45C VIEWMAST II		
CAS-T555286	P-U-10	2-1/8 X 3

REPLACEMENT SEAL KITS FOR CASE EQUIPMENT*

Replacement Seal Kits By Machine Type

Table of Contents

Machine Type		Page
Backhoe Loaders	380LL, 430 with Backhoe Models 21, 22, 23, 480, 480B with Backhoe Models 23, 26, 26B, 26S, 480C, 480D, 480D LL, 480E, 480E LL, 480F, 480F LL, 530 with Backhoe Models 31, 32, 32S, 580 Super E, 580 Super K, 580 Super L, 580 Super L Construction King, 580 Super M, 580 Super M SERIES 3, 580 Super M+ SERIES 3, 580 with Backhoe Models 33, 33S, 580B with Backhoe Model 35, 580C, 580C Construction King, 580D, 580 Super D, 580F, 580K, 580L, 580M, 590, 590 Super L, 590 Super M, 590 Super M SERIES 3, 680, 680B, 680C, 680CK, 680E, 680G, 680H, 680K, 680L, 780, 780B	148 - 164
Crawler Dozers	550H, 650K, 850H, 850K, 1150H	164
Crawler Dozers/Loaders	310E, 310F with Backhoe Model 31, 310G with Backhoe Models 26, 26B, 26S, 32, 33, 350 with Backhoe Models 26, 26B, 26C, 26S, 350B with Backhoe Models 26C, 26D, 420C, 450 with Backhoe Models 26, 26B, 26C, 26S, 32, 33, 35, 450B, 450C, 455B, 455C with Backhoe Models 26D, 35, 475 Cable Layer, 550E, 550G, 650G, 750 with Backhoe Models 32, 33S, 34, 750H, 850 with Backhoe Models 34, 35, 36, 850B with Backhoe Model 35, 850C, 855C with Backhoe Models 35A, 35C, 35C WL, 35 WL, 850D with Backhoe Models 35C, 35C WL, 850E, 855E, 850G, 1150 with Backhoe Models 32, 34, 36, 1150B, 1150C, 1150D, 1155D, 1150G, 1450, 1450B, 1455B	164 - 178
Excavators	880, 880B, 880C, 880D, 880R, 9010B, 9020B, 9030B, 9040B, CX130, CX135SR, CX160, CX210, CX240	178 - 180
Loaders - Skid Steer	40XT, 60XT, 70XT, 95XT, 1818, 1825, 1835, 1835B, 1835C, 1838, 1840, 1845, 1845S, 1845B, 1845C	180 - 183
Loaders - Wheel	521D, 621, 621B, 621C, 621D, 721, 721B, 721C, 721D, 821, 821B, 821C, 921, 921C, W3, W7, W7C, W7E, W8E, W9, W9A, W9B, W9C, W9E, W10, W10B, W10C, W10E, W11, W11B, W14, W14L, W14H, W14B, W18, W20, W20B, W18B, W20C, W24, W24B, W24C, W26B, W26FL, W30, W36	183 - 189
Uni-Loaders	1530B, 1700, 1816B, 1816C, 1818, 1825, 1830, 1835, 1835B, 1840, 1845, 1845B, 1845C, 1845S	189 - 190
Unimogs	MB4/94 with Model 26C Backhoe, P80 Cable Plow, T70	190
Alpha-Numeric Kit Listing		191 - 194
Case Individual Parts		195 - 196

Replacement Kits For

CASE

Backhoe Loaders							
APPLICATION	CYL #	Piston	SERIAL #	CODE	ROD	BORE	KIT #
MODEL 380LL							
LIFT		2pc		P-U-9	1-1/2	2-1/2	JIC-G32294
TILT		2pc		P-U-9	1-1/2	2-1/2	JIC-G32294
MODEL 430 with Backhoe Models 21, 22, 23							
BACKHOE BOOM				P-U-1	1-3/4		JIC-D42873
				P-U-1	1-3/4		JIC-D42872
		2pc		N-N-9		3-1/2	JIC-G33237
		2pc		N-N-9		3	JIC-G33151
BACKHOE BUCKET				I-U-1	2		JIC-D42874
		2pc		N-N-9		3	JIC-G33151
BACKHOE DIPPER				I-U-1	2		JIC-D42874
		2pc		N-N-9		3	JIC-G33151
		2pc		N-N-9		3-1/2	JIC-G33237
BACKHOE STABILIZER				P-U-1	1-1/4		JIC-D42867
		2pc		N-N-9		2-1/2	JIC-G33193
BACKHOE SWING				P-U-1	1-1/4		JIC-D42867
		2pc		N-N-9		2-1/2	JIC-G33193
LOADER LIFT				P-U-1	1-1/2		JIC-D42869
		2pc		N-N-9		2-1/2	JIC-G33193
LOADER TILT				P-U-1	1-1/2		JIC-D42870
		2pc		N-N-9		3	JIC-G33151
MODEL 480, 480B with Backhoe Models 23, 26, 26B, 26S							
3-PT HITCH LIFT		2pc		P-UB-9	1-1/2	3	JIC-G105512
3-PT HITCH PITCH		2pc		P-U-9	1-1/4	2-1/2	JIC-G32295
		1pc		P-U-10	1-1/4	2-1/8	JIC-G105507
3-PT HITCH TILT		2pc		P-U-9	1-1/4	2-1/2	JIC-G32295
BACKHOE BOOM		2pc		P-UB-9	1-3/4	3-1/2	JIC-G105529
		2pc		P-UB-9	2-1/2	4	JIC-G34636
				P-U-1	1-3/4		JIC-D42873
		2pc		N-N-9		3-1/2	JIC-G33237
BACKHOE BUCKET		2pc		P-UB-9	1-3/4	3	JIC-G105524
				P-U-1	1-1/2		JIC-D42870
				P-U-1	1-3/4		JIC-D42872
		2pc		N-N-9		3	JIC-G33151
BACKHOE DIPPER		2pc		P-UB-9	2	3-1/2	JIC-G105527
		2pc		P-U-9	2	3-1/2	JIC-G32293
				I-U-1	2		JIC-D42874
		2pc		N-N-9		3-1/2	JIC-G33237
BACKHOE DIPPER EXT		2pc		P-UB-9	1-1/2	3	JIC-G105512
BACKHOE STABILIZER		2pc		P-UB-9	1-3/4	3	JIC-G105524
		2pc		P-U-9	1-3/4	3-1/2	JIC-G105518
		2pc		P-UB-9	1-3/4	3-1/2	JIC-G105529
				P-U-1	1-1/4		JIC-D42867
				P-U-1	1-3/4		JIC-D42872
				P-U-1	1-1/2		JIC-D42870
		2pc		N-N-9		2-1/2	JIC-G33193
		2pc		N-N-9		3	JIC-G33151

Replacement Kits For

CASE

Backhoe Loaders							
APPLICATION	CYL #	Piston	SERIAL #	CODE	ROD	BORE	KIT #
MODEL 480, 480B with Backhoe Models 23, 26, 26B, 26S							
BACKHOE SWING		2pc		P-U-9	1-1/2	3-1/2	JIC-G34652
		2pc		P-UB-9	1-3/4	4	JIC-G105519
				P-U-1	1-1/4		JIC-D42867
				P-U-1	1-1/2		JIC-D47896
		2pc		N-N-9		2-1/2	JIC-G33193
		2pc		N-N-9		3-1/2	JIC-G33237
LOADER LIFT		2pc		P-U-9	1-1/2	2-1/2	JIC-G32294
				P-U-1	1-1/2		JIC-D42869
		2pc		N-N-9		2-1/2	JIC-G33193
LOADER TILT		2pc		P-UB-9	1-1/2	3	JIC-G105512
		2pc		P-U-9	1-1/2	2-1/2	JIC-G32294
				P-U-1	1-1/2		JIC-D42870
		2pc		N-N-9		3	JIC-G33151
STEERING		1pc	87357171-	I-O-3	3/4	1-1/2	JIC-A44644
MODEL 480C							
3-PT HITCH LIFT		2pc		P-UB-9	1-1/2	3	JIC-G105512
		1pc		P-UB-10	1-1/2	3	JIC-G109452
3-PT HITCH PITCH		1pc		P-UB-10	1-1/4	2-1/2	JIC-G109476
3-PT HITCH TILT		2pc		P-U-9	1-1/4	2-1/2	JIC-G32295
		1pc		P-UB-10	1-1/4	2-1/2	JIC-G109475
BACKHOE BOOM		1pc		P-UB-10	2-1/4	4	JIC-G109505
		2pc		P-UB-9	2-1/2	4	JIC-G34636
BACKHOE BUCKET		2pc		P-UB-9	1-3/4	3	JIC-G109462
		1pc		P-UB-10	1-3/4	3	JIC-1543262C1
BACKHOE DIPPER		1pc		P-UB-10	2	3-1/2	JIC-G109453
		2pc		P-UB-9	2	3-1/2	JIC-G109454
BACKHOE DIPPER EXT		1pc		P-UB-10	1-1/2	3	JIC-G109452
		2pc		P-UB-9	1-1/2	3	JIC-G105512
BACKHOE STABILIZER		2pc		P-UB-9	1-3/4	3	JIC-G109462
		1pc		P-UB-10	1-3/4	3	JIC-1543262C1
		1pc		P-UB-10	1-3/4	3-1/2	JIC-G109471
		2pc		P-UB-9	1-3/4	3-1/2	JIC-G109470
BACKHOE SWING		1pc		P-UB-10	1-1/2	3-1/2	JIC-G109472
				P-U-9	1-1/2	3-1/2	JIC-G34652
LOADER LIFT		2pc		P-UB-9	1-1/2	2-1/2	JIC-G109484
		1pc		P-UB-10	1-1/2	2-1/2	JIC-1543253C1
LOADER TILT		2pc		P-UB-9	1-1/2	2-1/2	JIC-G109484
		1pc		P-UB-10	1-1/2	2-1/2	JIC-1543253C1
STEERING		1pc	-8980833	I-O-3	3/4	1-1/2	JIC-A44644
		1pc	8980834-	I-U-10	3/4	1-1/2	JIC-D148100
MODEL 480D, 480D LL							
3-PT HITCH LIFT		1pc		P-UB-10	1-1/2	3	JIC-G109452
3-PT HITCH PITCH		1pc		P-UB-10	1-1/4	2-1/2	JIC-G109476
3-PT HITCH TILT		1pc		P-UB-10	1-1/4	2-1/2	JIC-G109475
BACKHOE BUCKET		1pc		P-UB-10	2	3-1/4	JIC-G109465
		1pc		P-UB-10	2-1/2	3-1/2	JIC-G109504

Replacement Kits For

CASE

Backhoe Loaders							
APPLICATION	CYL #	Piston	SERIAL #	CODE	ROD	BORE	KIT #
MODEL 480D, 480D LL							
BACKHOE DIPPER		1pc		P-UB-10	2	3-1/2	JIC-G109453
BACKHOE DIPPER EXT		1pc		P-UB-10	1-1/2	3	JIC-G109452
BACKHOE STABILIZER		1pc		P-UB-10	1-3/4	3	JIC-1543262C1
		1pc		P-UB-10	1-3/4	3-1/2	JIC-G109471
BACKHOE SWING		1pc		P-UB-10	1-1/2	3-1/2	JIC-G109472
LOADER LIFT		1pc		P-UB-10	1-1/2	2-1/2	JIC-1543253C1
LOADER TILT		1pc		P-UB-10	1-1/2	2-1/2	JIC-1543253C1
STEERING		1pc	ALL	I-U-10	3/4	1-1/2	JIC-D148100
MODEL 480E, 480E LL							
3-PT HITCH LIFT		1pc		P-UB-10	1-1/2	3	JIC-G109452
3-PT HITCH PITCH		1pc		P-UB-10	1-1/4	2-1/2	JIC-G109476
3-PT HITCH TILT		1pc		P-UB-10	1-1/4	2-1/2	JIC-G109475
BACKHOE BUCKET		1pc		P-UB-10	2	3-1/4	JIC-G109465
BACKHOE DIPPER		1pc		P-UB-10	2	3-1/2	JIC-G109453
BACKHOE DIPPER EXT		1pc		P-UB-10	1-1/2	3	JIC-G109452
BACKHOE STABILIZER		1pc		P-UB-10	1-3/4	3-1/2	JIC-G109471
BACKHOE SWING				P-UB-10	1-1/2	3-1/2	JIC-G109472
LOADER LIFT		1pc		P-UB-10	1-1/2	2-1/2	JIC-1543253C1
LOADER TILT		1pc		P-UB-10	1-1/2	2-1/2	JIC-1543253C1
STEERING		1pc	ALL	I-U-10	3/4	1-1/2	JIC-D148100
MODEL 480F, 480F LL							
3-PT HITCH LIFT	G101188	1pc		P-UB-10	1-1/4	2-1/2	JIC-1543250C1
	G101189	1pc		P-UB-10	1-1/2	3	JIC-1543252C1
3-PT HITCH PITCH	1976884C1	1pc		P-UB-10	1-1/4	2-1/2	JIC-1543249C1
BACKHOE BOOM	G102835	1pc		P-UB-10	1-3/4	4	JIC-1543264C1
BACKHOE BUCKET	G109342	1pc		P-UB-10	2-1/2	3-1/2	JIC-1543294C1
BACKHOE STAB. 480F	1340827C1	1pc		P-UB-10	1-3/4	3-1/2	JIC-1543266C1
BACKHOE SWING	G110395	1pc		P-UB-10	1-1/2	3-1/2	JIC-1543254C1
BUCKET 480F ONLY	G103503	1pc		P-UB-10	2	3-1/4	JIC-1543268C1
DIPPER (12ft)	G104844	1pc		P-UB-10	2	3-1/2	JIC-1543274C1
DIPPER (14ft)	1980159C1	1pc		P-UB-10	2	3-3/4	JIC-1980181C2
DIPPER EXT. 480F only	G101203	1pc		P-UB-10	1-1/2	3	JIC-1543252C1
LOADER BUCKET	G101186	1pc		P-UB-10	1-1/2	2-1/2	JIC-1543253C1
LOADER CLAM	1346189C1	1pc		P-UB-10	1-3/4	3	JIC-1543267C1
	G101190	1pc		P-UB-10	1-3/4	3	JIC-1543262C1
LOADER LIFT	1340792C1	1pc		P-UB-10	1-3/4	3	JIC-1543267C1
MODEL 530 with Backhoe Models 31, 32, 32S							
BACKHOE BOOM		2pc		P-U-9	2	4	JIC-G32616
				I-U-1	2		JIC-D42876
		2pc		N-N-9		4	JIC-G33239
BACKHOE BUCKET		2pc		P-U-9	1-3/4	3-1/2	JIC-G105518
				P-U-1	1-3/4		JIC-D42873
		2pc		N-N-9		3-1/2	JIC-G33237
BACKHOE DIPPER		2pc		P-UB-9	2	4	JIC-G105526
				I-U-1	2		JIC-D42876
		2pc		N-N-9		4	JIC-G33239

Replacement Kits For

CASE

Backhoe Loaders							
APPLICATION	CYL #	Piston	SERIAL #	CODE	ROD	BORE	KIT #
MODEL 530 with Backhoe Models 31, 32, 32S							
BACKHOE STABILIZER		2pc		P-U-9	1-3/4	3-1/2	JIC-G105518
		2pc		P-UB-9	1-3/4	3-1/2	JIC-G105529
				P-U-1	1-3/4		JIC-D42873
		2pc		N-N-9		3-1/2	JIC-G33237
BACKHOE SWING		2pc		P-U-9	1-3/4	4	JIC-G32617
				P-U-1	1-3/4		JIC-D42875
		2pc		N-N-9		4	JIC-G33239
LOADER HYDRA-LEVELING				P-U-1	1-3/4		JIC-D42872
		2pc		N-N-9		3	JIC-G33151
LOADER LIFT				P-U-1	1-1/2		JIC-D42869
				P-U-1	1-1/2		JIC-D42870
		2pc		N-N-9		2-1/2	JIC-G33193
		2pc		N-N-9		3	JIC-G33151
LOADER TILT				P-U-1	1-1/4		JIC-D42867
				P-U-1	1-1/2		JIC-D42869
		2pc		N-N-9		2-1/2	JIC-G33193
MODEL 580 Super E							
3-PT HITCH LIFT		1pc		P-UB-10	1-1/2	3	JIC-G109452
3-PT HITCH PITCH		1pc		P-UB-10	1-1/4	2-1/2	JIC-G109476
3-PT HITCH TILT		1pc		P-UB-10	1-1/4	2-1/2	JIC-G109475
BACKHOE BOOM		1pc		P-UB-10	1-3/4	3-1/4	JIC-1543265C1
BACKHOE BUCKET		1pc		P-UB-10	2-1/2	3-1/2	JIC-G109504
		1pc		P-UB-10	2-1/2	4	JIC-G109424
BACKHOE DIPPER		1pc		P-UB-10	2	4	JIC-1543273C1
BACKHOE DIPPER EXT		1pc		P-UB-10	1-1/2	3	JIC-G109452
BACKHOE STABILIZER		1pc		P-UB-10	2	4	JIC-1543273C1
BACKHOE SWING		1pc		P-UB-10	2	4	JIC-1543273C1
LOADER CLAM		1pc		P-UB-10	1-3/4	3	JIC-1543262C1
LOADER LIFT		1pc		P-UB-10	1-3/4	3	JIC-1543262C1
LOADER TILT		1pc		P-UB-10	1-1/2	2-1/2	JIC-1543253C1
STEERING		1pc		I-U-10	3/4	1-1/2	JIC-D148100
MODEL 580 Super K							
BACKHOE BOOM		1pc		P-UB-10	2-1/4	5	JIC-G110583
BACKHOE BUCKET		1pc		P-UB-10	2-1/2	3-1/2	JIC-G110046
BACKHOE DIPPER		1pc		P-UB-10	2-1/2	5	JIC-G110582
BACKHOE DIPPER EXT		1pc		P-UB-10	1-3/4	3	JIC-G110049
BACKHOE STABILIZER		1pc		P-UB-10	2	4-1/4	JIC-1543275C1
BACKHOE SWING		1pc		P-UB-10	1-3/4	3-1/2	JIC-G110621
LOADER CLAM		1pc		P-UB-10	1-3/4	3	JIC-1543262C1
LOADER LIFT		1pc		P-UB-10	1-3/4	3-1/2	JIC-G110621
LOADER TILT		1pc		P-UB-10	1-1/2	3	JIC-G110050
SIDE SHIFT SWING		1pc		P-UB-10	2-1/4	4-1/2	JIC-1543279C1
MODEL 580 Super L							
BACKHOE BOOM	144200A1	1pc		P-UB-10	2-1/4	5	JIC-1542919C2
BACKHOE BUCKET	110290A1	1pc		P-UB-10	2-1/2	3-1/2	JIC-1542923C2

Replacement Kits For

CASE

Backhoe Loaders							
APPLICATION	CYL #	Piston	SERIAL #	CODE	ROD	BORE	KIT #
MODEL 580 Super L							
BACKHOE BUCKET	235916A1	1pc		P-UB-10	2-1/2	3-1/2	JIC-1542923C2
BACKHOE DIPPER	126151A1	1pc		P-UB-10	2-1/2	5	JIC-1542915C2
	183795A1	1pc		P-UB-10	2-1/2	5	JIC-1542915C2
	183795A2	1pc		P-UB-10	2-1/2	5	JIC-1542915C2
BACKHOE DIPPER EXT	1340969C2	1pc		P-UB-10	1-3/4	3	JIC-1543267C1
BACKHOE STABILIZER	143695A1	1pc		P-UB-10	2	4-1/4	JIC-1543275C1
	143697A1	1pc		P-UB-10	2	4-1/4	JIC-1543275C1
	199720A1	1pc		P-UB-10	2	4-1/4	JIC-1543275C1
	199721A1	1pc		P-UB-10	2	4-1/4	JIC-1543275C1
BACKHOE SWING	139808A1	1pc		P-UB-10	2	4	JIC-122535A1
LOADER BUCKET	113133A2	1pc		P-UB-10	1-1/2	3	JIC-1543256C1
LOADER CLAM	1346189C1	1pc		P-UB-10	1-3/4	3	JIC-1543267C1
	1346190C1	1pc		P-UB-10	1-3/4	3	JIC-1543267C1
LOADER LIFT	112366A2	1pc		P-UB-10	1-3/4	3-1/4	JIC-1543260C1
MODEL 580 Super L Construction King							
BACKHOE BOOM	144200A1			P-UB-10	2-1/4	5	JIC-1542919C2
BACKHOE BUCKET	110290A1			P-UB-10	2-1/2	3-1/2	JIC-1542923C2
	235916A1			P-UB-10	2-1/2	3-1/2	JIC-1542923C2
BACKHOE DIPPER	126151A1			P-UB-10	2-1/2	5	JIC-1542915C2
	183795A1			P-UB-10	2-1/2	5	JIC-1542915C2
BACKHOE DIPPER EXT	1340969C2			P-UB-10	1-3/4	3	JIC-1543267C1
BACKHOE SWING	139808A1			P-UB-10	2	4	JIC-122535A1
	139808A2			P-UB-10	2	4	JIC-122535A1
LOADER BUCKET	113133A2			P-UB-10	1-1/2	3	JIC-1543256C1
LOADER CLAM - LH	1346189C1			P-UB-10	1-3/4	3	JIC-1543267C1
LOADER CLAM - RH	1346190C1			P-UB-10	1-3/4	3	JIC-1543267C1
LOADER LIFT	112366A2			P-UB-10	1-3/4	3-1/4	JIC-1543260C1
STABILIZER - LH	143697A1			P-UB-10	2	4-1/4	JIC-1543275C1
	199721A1			P-UB-10	2	4-1/4	JIC-1543275C1
STABILIZER - RH	143695A1			P-UB-10	2	4-1/4	JIC-1543275C1
	199720A1			P-UB-10	2	4-1/4	JIC-1543275C1
MODEL 580 Super M							
BACKHOE BOOM				P-UB-10	2-1/4	5	JIC-1542919C4
	310844A1			P-UB-10	2-1/4	5	JIC-1542919C4
	378031A1			P-UB-10	2-1/4	5	JIC-1542919C4
	87408036			P-UB-10	2-1/4	5	JIC-1542919C4
BACKHOE BUCKET	235916A1			P-UB-10	2-1/2	3-1/2	JIC-1542923C2
BACKHOE DIPPER	183795A3			P-UB-10	2-1/2	5	JIC-1542915C2
BACKHOE EXTENDABLE DIPPER	1340969C2			P-UB-10	1-3/4	3	JIC-1543267C1
BACKHOE STABILIZER LH	199721A1			P-UB-10	2	4-1/4	JIC-1543275C1
BACKHOE STABILIZER RH	199720A1			P-UB-10	2	4-1/4	JIC-1543275C1
BACKHOE SWING	139808A2			P-UB-10	2	4	JIC-122535A1

Replacement Kits For

CASE

Backhoe Loaders							
APPLICATION	CYL #	Piston	SERIAL #	CODE	ROD	BORE	KIT #
MODEL 580 Super M							
LOADER BUCKET	113133A2			P-UB-10	1-1/2	3	JIC-1543256C1
LOADER CLAM LH	1346190C1			P-UB-10	1-3/4	3	JIC-1543267C1
LOADER CLAM RH	1346189C1			N-UB-1	1-3/4		JIC-1542875C1
LOADER LIFT	384240A1			P-UB-10	1-3/4	3-1/4	JIC-1543260C1
MODEL 580 Super M SERIES 3							
BACKHOE BOOM	87711763		02/08-	P-UB-10,12	2-1/2	5-1/4	JIC-87418297
BACKHOE BUCKET	235916A1		02/08-	P-UB-10	2-1/2	3-1/2	JIC-1542923C2
BACKHOE DIPPER	183795A4		02/08-	P-UB-10	2-1/2	5	JIC-1542915C2
BACKHOE STABILIZER LH	199721A1		02/08-	P-UB-10	2	4-1/4	JIC-84155085
BACKHOE STABILIZER RH	199720A1		02/08-	P-UB-10	2	4-1/4	JIC-84155085
BACKHOE SWING	139808A2		02/08-	P-UB-10	2	4	JIC-122535A1
	188027A2		02/08-	P-UB-10	2	3-3/4	JIC-191747A1
LOADER BUCKET	87609669		02/08-	P-UB-10	1-1/2	3	JIC-1543256C1
LOADER CLAM LH	87454016		02/08-	P-UB-10	1-3/4	3	JIC-1543267C1
LOADER CLAM RH	87454017		02/08-	P-UB-10	1-3/4	3	JIC-1543267C1
LOADER LIFT	384240A1		02/08-	P-UB-10	1-3/4	3-1/4	JIC-1543260C1
MODEL 580 Super M+ SERIES 3							
BACKHOE BOOM	87711763		02/08-	P-UB-10,12	2-1/2	5-1/4	JIC-87418297
BACKHOE BUCKET	235916A1		02/08-	P-UB-10	2-1/2	3-1/2	JIC-1542923C2
BACKHOE DIPPER	183795A4		02/08-	P-UB-10	2-1/2	5	JIC-1542915C2
BACKHOE EXTENDABLE DIPPER	1340969C2		02/08-	P-UB-10	1-3/4	3	JIC-1543267C1
BACKHOE STABILIZER LH	177257A1		02/08-	P-UB-10	2-1/4	5	JIC-84154317
BACKHOE STABILIZER RH	177256A1		02/08-	P-UB-10	2-1/4	5	JIC-84154317
BACKHOE SWING	139808A2		02/08-	P-UB-10	2	4	JIC-122535A1
LOADER BUCKET	87609669		02/08-	P-UB-10	1-1/2	3	JIC-1543256C1
LOADER CLAM LH	87454016		02/08-	P-UB-10	1-3/4	3	JIC-1543267C1
LOADER CLAM RH	87454017		02/08-	P-UB-10	1-3/4	3	JIC-1543267C1
LOADER LIFT	384240A1		02/08-	P-UB-10	1-3/4	3-1/4	JIC-1543260C1
MODEL 580 with Backhoe Models 33, 33S							
3-PT HITCH LIFT		2pc		P-U-9	1-1/2	2-1/2	JIC-G32294
3-PT HITCH PITCH		1pc		P-U-10	1-1/4	2-1/8	JIC-G105507
		2pc		P-U-9	1-1/4	2-1/2	JIC-G32295
3-PT HITCH TILT		2pc		P-UB-9	1-1/2	3	JIC-G105512
BACKHOE BOOM		1pc		P-UB-9	2-1/4	4-1/2	JIC-G105520
		2pc		P-UB-9	2	4	JIC-G105517
		2pc		P-U-9	2	4	JIC-G32299
				P-U-1	2-1/4		JIC-D42878
				I-U-1	2		JIC-D42876
		2pc		N-N-9		4	JIC-G33239
		2pc		N-N-9		4-1/2	JIC-DTVS4.5P

Replacement Kits For

CASE

Backhoe Loaders							
APPLICATION	CYL #	Piston	SERIAL #	CODE	ROD	BORE	KIT #
MODEL 580 with Backhoe Models 33, 33S							
BACKHOE BUCKET		2pc		P-U-9	2	3-1/2	JIC-G32293
		2pc		P-UB-9	2	3-1/2	JIC-G105527
		2pc		P-U-1	1-3/4		JIC-D42873
				P-U-1	2-1/4		JIC-D42878
				I-U-1	2		JIC-D42874
		2pc		N-N-9		3-1/2	JIC-G33237
BACKHOE DIPPER		2pc		P-U-9	2	4	JIC-G32299
		2pc		P-UB-9	2	4	JIC-G105517
				I-U-1	2		JIC-D42876
		2pc		N-N-9		4	JIC-G33239
BACKHOE DIPPER EXT		2pc		P-UB-9	1-1/2	3	JIC-G105512
		2pc		P-UB-9	1-3/4	3-1/2	JIC-G105529
				P-U-1	1-3/4		JIC-D42873
		2pc		N-N-9		3-1/2	JIC-G33237
BACKHOE STABILIZER		2pc		P-U-9	1-3/4	3-1/2	JIC-G105518
		2pc		P-UB-9	1-3/4	3-1/2	JIC-G105529
				P-U-1	1-3/4		JIC-D42873
		2pc		N-N-9		3-1/2	JIC-G33237
BACKHOE SWING		2pc		P-UB-9	1-3/4	4	JIC-G105519
				P-U-1	1-3/4		JIC-D42875
		2pc		N-N-9		4	JIC-G33239
LOADER CLAM		2pc		P-UB-9	1-3/4	3	JIC-G105524
LOADER GRAPPLE		2pc		P-U-9	1-1/2	2-1/2	JIC-G32294
				P-U-1	1-1/2		JIC-D42869
		2pc		N-N-9		2-1/2	JIC-G33193
LOADER HYDRA-LEVELING		2pc		P-UB-9	1-3/4	3	JIC-G105524
				P-U-1	1-3/4		JIC-D42872
		2pc		N-N-9		3	JIC-G33151
LOADER LIFT		2pc		P-UB-9	1-1/2	3	JIC-G105512
				P-U-1	1-1/2		JIC-D42870
		2pc		N-N-9		3	JIC-G33151
LOADER TILT		2pc		P-U-9	1-1/2	2-1/2	JIC-G32294
				P-U-1	1-1/2		JIC-D42869
		2pc		N-N-9		2-1/2	JIC-G33193
MODEL 580B with Backhoe Model 35							
3-PT HITCH LIFT		1pc		P-UB-10	1-1/2	3	JIC-G105548
		2pc		P-UB-9	1-1/2	3	JIC-G105512
3-PT HITCH PITCH		1pc		P-U-10	1-1/4	2-1/8	JIC-G105507
		2pc		P-U-9	1-1/4	2-1/2	JIC-G32295
3-PT HITCH TILT		1pc		P-UB-10	1-1/4	2-1/2	JIC-G105551
		2pc		P-U-9	1-1/4	2-1/2	JIC-G32295
BACKHOE BOOM		1pc		P-UB-10	1-3/4	3-1/4	JIC-G105547
		2pc		P-UB-9	1-3/4	3-1/4	JIC-G105528
BACKHOE BUCKET		1pc		P-UB-10	2	3-1/2	JIC-G105546
		2pc		P-UB-9	2	3-1/2	JIC-G105527

Replacement Kits For

CASE

Backhoe Loaders							
APPLICATION	CYL #	Piston	SERIAL #	CODE	ROD	BORE	KIT #
MODEL 580B with Backhoe Model 35							
BACKHOE DIPPER		2pc		P-UB-9	2	4	JIC-G105517
		1pc		P-UB-10	2	4	JIC-1543273C1
BACKHOE DIPPER EXT		2pc		P-UB-9	1-1/2	3	JIC-G105512
		1pc		P-UB-10	1-1/2	3	JIC-G105548
BACKHOE STABILIZER		2pc		P-UB-9	2	4	JIC-G105517
		2pc		P-UB-9	2	3-1/2	JIC-G105527
		2pc		P-UB-9	1-3/4	3-1/2	JIC-G105529
		1pc		P-UB-10	2	4	JIC-1543273C1
BACKHOE SWING		1pc		P-UB-10	2	4	JIC-1543273C1
		2pc		P-UB-9	2	4	JIC-G105517
LOADER CLAM		2pc		P-UB-9	1-3/4	3	JIC-G105524
		1pc		P-UB-10	1-3/4	3	JIC-G105549
LOADER HYDRA-LEVELING		2pc		P-UB-9	1-3/4	3	JIC-G105524
		1pc		P-UB-10	1-3/4	3	JIC-G105549
LOADER LIFT		2pc		P-UB-9	1-1/2	3	JIC-G105512
		1pc		P-UB-10	1-1/2	3	JIC-G105548
LOADER TILT		2pc		P-U-9	1-1/2	2-1/2	JIC-G32294
		1pc		P-UB-10	1-1/2	2-1/2	JIC-G105550
LOGGING FORK GRAPPLE		2pc		P-U-9	1-1/2	2-1/2	JIC-G32294
		1pc		P-UB-10	1-1/2	2-1/2	JIC-G105550
STEERING		1pc		I-O-3	3/4	1-1/2	JIC-A44644
MODEL 580C							
3-PT HITCH LIFT		1pc		P-UB-10	1-1/2	3	JIC-G109452
		2pc		P-UB-9	1-1/2	3	JIC-G105512
3-PT HITCH PITCH		1pc		P-UB-10	1-1/4	2-1/2	JIC-G109476
3-PT HITCH TILT		2pc		P-U-9	1-1/4	2-1/2	JIC-G32295
		1pc		P-UB-10	1-1/4	2-1/2	JIC-G109475
BACKHOE BOOM		2pc		P-UB-9	1-3/4	3-1/4	JIC-G105528
		1pc		P-UB-10	1-3/4	3-1/4	JIC-1543265C1
BACKHOE BUCKET		1pc		P-UB-10	2	3-1/2	JIC-G109453
		2pc		P-UB-9	2	3-1/2	JIC-G109454
BACKHOE DIPPER		1pc		P-UB-10	2	4	JIC-1543273C1
		2pc		P-UB-9	2	4	JIC-G109421
BACKHOE DIPPER EXT		2pc		P-UB-9	1-1/2	3	JIC-G105512
		1pc		P-UB-10	1-1/2	3	JIC-G109452
BACKHOE STABILIZER		1pc		P-UB-10	2	4	JIC-1543273C1
		2pc		P-UB-9	2	4	JIC-G109421
BACKHOE SWING		1pc		P-UB-10	2	4	JIC-1543273C1
		2pc		P-UB-9	2	4	JIC-G109421
LOADER CLAM		1pc		P-UB-10	1-3/4	3	JIC-1543262C1
		2pc		P-UB-9	1-3/4	3	JIC-G109462
LOADER GRAPPLE		1pc		P-UB-10	1-1/2	2-1/2	JIC-1543253C1
		2pc		P-UB-9	1-1/2	2-1/2	JIC-G109484
LOADER LIFT		1pc		P-UB-10	1-3/4	3	JIC-1543262C1

Replacement Kits For

CASE

Backhoe Loaders							
APPLICATION	CYL #	Piston	SERIAL #	CODE	ROD	BORE	KIT #
MODEL 580C							
LOADER LIFT		2pc		P-UB-9	1-3/4	3	JIC-G109462
LOADER TILT		2pc		P-UB-9	1-1/2	2-1/2	JIC-G109484
		1pc		P-UB-10	1-1/2	2-1/2	JIC-1543253C1
STEERING		1pc	-8983287	I-O-3	3/4	1-1/2	JIC-A44644
		1pc	8983288-	I-U-10	3/4	1-1/2	JIC-D148100
MODEL 580C Construction King							
3-PT HITCH LIFT	G101189	1pc		P-UB-10	1-1/2	3	JIC-G105548
	G33456	2pc		P-UB-9	1-1/2	3	JIC-G105512
3-PT HITCH PITCH	G33128			P-U-10	1-1/4	2-1/8	JIC-G105507
3-PT HITCH TILT	G101188	1pc		P-UB-10	1-1/4	2-1/2	JIC-G105551
	G33351	2pc		P-U-9	1-1/4	2-1/2	JIC-G32295
BACKHOE BOOM	G101177	1pc		P-UB-10	1-3/4	3-1/4	JIC-G105547
	G33881	2pc		P-UB-9	1-3/4	3-1/4	JIC-G105528
BACKHOE BUCKET	G101176			P-UB-10	2	3-1/2	JIC-G105546
	G33196	2pc		P-UB-9	2	3-1/2	JIC-G105527
BACKHOE DIPPER	G101175	1pc		P-UB-10	2	4	JIC-G105545
	G32079	2pc		P-U-9	2	4	JIC-G34594
BACKHOE DIPPER EXT	G101183	1pc		P-UB-10	1-1/2	3	JIC-G105548
	G33142	2pc		P-UB-9	1-1/2	3	JIC-G105512
BACKHOE STABILIZER LH	G101181	1pc		P-UB-10	2	4	JIC-G105545
	G34471	2pc		P-U-9	2	4	JIC-G34594
BACKHOE STABILIZER RH	G101180	1pc		P-UB-10	2	4	JIC-G105545
	G34470	2pc		P-U-9	2	4	JIC-G34594
BACKHOE SWING	G101182	1pc		P-UB-10	2	4	JIC-G105545
	G102525	1pc	5411088-	P-UB-10	2	4	JIC-G105545
	G34881	2pc		P-U-9	2	4	JIC-G34594
LOADER BUCKET LH	G33421	2pc		P-U-9	1-1/2	2-1/2	JIC-G32294
LOADER BUCKET RH	G33420	2pc		P-U-9	1-1/2	2-1/2	JIC-G32294
LOADER BUCKET TILT LH	G101187	1pc		P-UB-10	1-1/2	2-1/2	JIC-G105550
LOADER BUCKET TILT RH	G101186	1pc		P-UB-10	1-1/2	2-1/2	JIC-G105550
LOADER CLAM LH	G101191	1pc		P-UB-10	1-3/4	3	JIC-G105549
	G33799	2pc		P-UB-9	1-3/4	3	JIC-G105524
LOADER CLAM RH	G101190	1pc		P-UB-10	1-3/4	3	JIC-G105549
	G33798	2pc		P-UB-9	1-3/4	3	JIC-G105524
LOADER GRAPPLE	G101251	1pc		P-UB-10	1-1/2	2-1/2	JIC-G105550
	G34293	2pc		P-U-9	1-1/2	2-1/2	JIC-G32294
LOADER LIFT	G101184	1pc		P-UB-10	1-3/4	3	JIC-G105549
LOADER LIFT LH	G100414	2pc		P-UB-9	1-3/4	3	JIC-G105524
LOADER LIFT RH	G100415	2pc		P-UB-9	1-3/4	3	JIC-G105524
MODEL 580D, 580 Super D							
3-PT HITCH LIFT		1pc		P-UB-10	1-1/2	3	JIC-G109452
3-PT HITCH PITCH		1pc		P-UB-10	1-1/4	2-1/2	JIC-G109476
3-PT HITCH TILT		1pc		P-UB-10	1-1/4	2-1/2	JIC-G109475

Replacement Kits For

CASE

Backhoe Loaders							
APPLICATION	CYL #	Piston	SERIAL #	CODE	ROD	BORE	KIT #
MODEL 580D, 580 Super D							
BACKHOE BOOM		1pc		P-UB-10	1-3/4	3-1/4	JIC-1543265C1
BACKHOE BUCKET		1pc		P-UB-10	2	3-1/2	JIC-G109453
		1pc		P-UB-10	2-1/2	3-1/2	JIC-G109504
BACKHOE DIPPER		1pc		P-UB-10	2	4	JIC-1543273C1
		1pc		P-UB-10	2-1/2	4	JIC-G109424
BACKHOE DIPPER EXT		1pc		P-UB-10	1-1/2	3	JIC-G109452
BACKHOE STABILIZER		1pc		P-UB-10	2	4	JIC-1543273C1
BACKHOE SWING		1pc		P-UB-10	2	4	JIC-1543273C1
LOADER CLAM		1pc		P-UB-10	1-3/4	3	JIC-1543262C1
LOADER LIFT		1pc		P-UB-10	1-3/4	3	JIC-1543262C1
LOADER TILT		1pc		P-UB-10	1-1/2	2-1/2	JIC-1543253C1
STEERING		1pc		I-U-10	3/4	1-1/2	JIC-D148100
MODEL 580F							
BACKHOE BOOM		1pc		P-UB-10	1-3/4	3-1/4	JIC-G105547
		2pc		P-UB-9	1-3/4	3-1/4	JIC-G105528
BACKHOE BUCKET		1pc		P-UB-10	2	3-1/2	JIC-G105546
		2pc		P-UB-9	2	3-1/2	JIC-G105527
BACKHOE DIPPER		1pc		P-UB-10	2	4	JIC-1543273C1
		2pc		P-UB-9	2	4	JIC-G105517
BACKHOE STABILIZER		2pc	-3.775.176	P-UB-9	2	4	JIC-G105517
		1pc	3.775.177-	P-UB-10	2	4	JIC-1543273C1
		2pc	-3.785.895	P-UB-9	1-3/4	3	JIC-G105524
		1pc	3.785.896-	P-UB-10	1-3/4	3	JIC-G105549
BACKHOE SWING		2pc	-3.775.161	P-UB-9	2	4	JIC-G105517
		1pc	3.775.162-	P-UB-10	2	4	JIC-1543273C1
		2pc	-3.785.922	P-U-9	1-3/4	4	JIC-G34626
		1pc	3.785.923- 3.787.235	P-UB-10	1-3/4	4	JIC-G105552
BOOM EXTENSION		2pc		P-UB-9	1-1/2	3	JIC-G105512
		1pc		P-UB-10	1-1/2	3	JIC-G105548
LOADER CLAM		1pc		P-UB-10	1-3/4	3	JIC-G105549
		2pc		P-UB-9	1-3/4	3	JIC-G105524
LOADER LIFT		1pc		P-UB-10	2	3-1/4	JIC-G105553
LOADER TILT		2pc		P-U-9	1-1/2	2-1/2	JIC-G32294
		1pc		P-UB-10	1-1/2	2-1/2	JIC-G105550
STEERING		1pc	3.736.937-	I-U-10	3/4	1-1/2	JIC-D148100
MODEL 580K							
3-PT HITCH LIFT & TILT		1pc		P-UB-10	1-1/4	3	JIC-G110048
		1pc		P-UB-10	1-1/4	2-3/4	JIC-G110047
BACKHOE BOOM		1pc		P-UB-10	2-1/4	5	JIC-G110583
BACKHOE BUCKET		1pc		P-UB-10	2-1/2	3-1/2	JIC-G110046
BACKHOE DIPPER		1pc		P-UB-10	2-1/2	5	JIC-1542915C2
BACKHOE DIPPER EXT		1pc		P-UB-10	1-3/4	3	JIC-G110049
BACKHOE STABILIZER		1pc		P-UB-10	2	4-1/4	JIC-1543275C1
BACKHOE SWING		1pc		P-UB-10	1-3/4	3-1/4	JIC-G110053
		1pc		P-UB-10	1-3/4	3-1/2	JIC-G110621

Replacement Kits For

CASE

Backhoe Loaders							
APPLICATION	CYL #	Piston	SERIAL #	CODE	ROD	BORE	KIT #
MODEL 580K							
LOADER CLAM		1pc		P-UB-10	1-3/4	3	JIC-1543262C1
LOADER LIFT		1pc		P-UB-10	1-3/4	3-1/4	JIC-G110053
LOADER TILT		1pc		P-UB-10	1-1/2	3	JIC-G110050
SIDE SHIFT STABILIZER		1pc		P-UB-10	1-3/4	3	JIC-1543262C1
SIDE SHIFT SWING		1pc		P-UB-10	2	4	JIC-1543269C1
STEERING		1pc		P-U-10	1-1/2	2-3/4	JIC-G110045
MODEL 580L							
3-PT HITCH LIFT	137512A1	1pc		P-UB-10	1-1/2	3	JIC-1543256C1
	137912A1	1pc		P-U-10	1-1/4	2-1/2	JIC-183286A1
	196832A1	1pc		P-UB-10	1-1/2	3	JIC-1543256C1
3-PT HITCH PITCH	138235A1	1pc		P-U-10	1-1/4	2-1/2	JIC-183286A1
BACKHOE BOOM	182106A1	1pc		P-UB-10	2-1/4	4-1/2	JIC-182218A1
BACKHOE BUCKET	128760A1	1pc		P-UB-10	2-1/4	3-1/4	JIC-131750A2
BACKHOE DIPPER	175774A1	1pc		P-UB-10	2-1/4	4-1/4	JIC-234844A1
	233114A1	1pc		P-UB-10	2-1/4	4-1/4	JIC-234844A1
BACKHOE DIPPER EXT	1340970C2	1pc		P-UB-10	1-3/4	3	JIC-1543267C1
BACKHOE STABILIZER	143574A1	1pc		P-UB-10	2	4	JIC-1543269C1
	143575A1	1pc		P-UB-10	2	4	JIC-1543269C1
	195503A1	1pc		P-UB-10	2	4	JIC-1543269C1
	195504A1	1pc		P-UB-10	2	4	JIC-1543269C1
BACKHOE SWING	139808A1	1pc		P-UB-10	2	4	JIC-122535A1
	139808A2	1pc		P-UB-10	2	4	JIC-122535A1
	188027A1	1pc		P-UB-10	2	3-3/4	JIC-191747A1
LOADER BUCKET	175238A1	1pc		P-UB-10	1-1/2	2-3/4	JIC-175251A1
LOADER CLAM	1346189C1	1pc		P-UB-10	1-3/4	3	JIC-1543267C1
LOADER LIFT	131417A1	1pc		P-UB-10	1-3/4	3	JIC-1543267C1
MODEL 580M							
BACKHOE BOOM	189653A2		02/08-	P-UB-10	2-1/4	4-1/2	JIC-182218A1
BACKHOE BUCKET	128760A1		02/08-	P-UB-10	2-1/4	3-1/4	JIC-131750A2
BACKHOE DIPPER	233114A2		02/08-	P-UB-10	2-1/4	4-1/4	JIC-234844A1
BACKHOE EXTENDABLE DIPPER	1340969C2		02/08-	P-UB-10	1-3/4	3	JIC-1543267C1
BACKHOE STABILIZER LH	195503A1		02/08-	P-UB-10	2	4	JIC-1543269C1
BACKHOE STABILIZER RH	195503A1		02/08-	P-UB-10	2	4	JIC-1543269C1
BACKHOE SWING	188027A2		02/08-	P-UB-10	2	3-3/4	JIC-191747A1
LOADER BUCKET	113133A2			P-UB-10	1-1/2	3	JIC-1543256C1
	87609669		02/08-	P-UB-10	1-1/2	3	JIC-1543256C1
LOADER CLAM	1346189C1			P-UB-10	1-3/4	3	JIC-1543267C1
LOADER CLAM LH	87454016		02/08-	P-UB-10	1-3/4	3	JIC-1543267C1
LOADER CLAM RH	87454017		02/08-	P-UB-10	1-3/4	3	JIC-1543267C1
LOADER LIFT	384240A1		02/08-	P-UB-10	1-3/4	3-1/4	JIC-1543260C1
MODEL 590							
BACKHOE BOOM	1980395C5	1pc		P-UB-10	2-1/2	5-1/2	JIC-1980412C2
	1980395C6	1pc		P-UB-10	2-1/2	5-1/2	JIC-1980412C2

Replacement Kits For

CASE

Backhoe Loaders							
APPLICATION	CYL #	Piston	SERIAL #	CODE	ROD	BORE	KIT #
MODEL 590							
BACKHOE BUCKET	1986902C1	1pc		P-UB-10	2-1/2	3-1/2	JIC-1542923C2
	1986902C2	1pc		P-UB-10	2-1/2	3-1/2	JIC-1542923C2
BACKHOE DIPPER	1994520C1	1pc		P-UB-10	2-3/4	5-1/2	JIC-1994527C2
	1994520C2	1pc		P-UB-10	2-3/4	5-1/2	JIC-1994527C2
BACKHOE DIPPER EXT	1340853C2	1pc		P-UB-10	1-3/4	3	JIC-1543267C1
BACKHOE STABILIZER	110885A1	1pc		P-UB-10	2-1/4	5	JIC-1543289C2
	110886A1	1pc		P-UB-10	2-1/4	5	JIC-1543289C2
	1986810C1	1pc		P-UB-10	2-1/4	5	JIC-1543289C2
	1986811C1	1pc		P-UB-10	2-1/4	5	JIC-1543289C2
BACKHOE SWING	1343584C1	1pc		P-UB-10	2	3-3/4	JIC-1980181C2
	1343584C2	1pc		P-UB-10	2	3-3/4	JIC-1980181C2
LOADER BUCKET	110306A1	1pc		P-UB-10	1-1/2	3	JIC-1543256C1
	110309A1	1pc		P-UB-10	1-1/2	3	JIC-1543256C1
	G108486	1pc		P-UB-10	1-1/2	3	JIC-1543256C1
	G108487	1pc		P-UB-10	1-1/2	3	JIC-1543256C1
LOADER CLAM	1346189C1	1pc		P-UB-10	1-3/4	3	JIC-1543267C1
	1346190C1	1pc		P-UB-10	1-3/4	3	JIC-1543267C1
LOADER LIFT	110875A1	1pc		P-UB-10	1-3/4	3-1/2	JIC-1543266C1
	1542743C1	1pc		P-UB-10	1-3/4	3-1/2	JIC-1543266C1
	1980220C2	1pc		P-UB-10	1-3/4	3-1/2	JIC-1543266C1
MODEL 590 Super L							
BACKHOE BOOM	175785A1	1pc		P-UB-10	2-1/2	5-1/2	JIC-1980412C2
BACKHOE BUCKET	1986902C2	1pc		P-UB-10	2-1/2	3-1/2	JIC-1542923C2
	238435A1	1pc		P-UB-10	2-1/2	3-1/2	JIC-1542923C2
BACKHOE DIPPER	140965A1	1pc		P-UB-10	2-3/4	5-1/2	JIC-179011A1
BACKHOE DIPPER EXT	1340853C2	1pc		P-UB-10	1-3/4	3	JIC-1543267C1
BACKHOE STABILIZER	177256A1	1pc		P-UB-10	2-1/4	5	JIC-1543289C2
	177257A1	1pc		P-UB-10	2-1/4	5	JIC-1543289C2
BACKHOE SWING	139808A1	1pc		P-UB-10	2	4	JIC-122535A1
LOADER BUCKET	113133A2	1pc		P-UB-10	1-1/2	3	JIC-1543256C1
LOADER CLAM	1346189C1	1pc		P-UB-10	1-3/4	3	JIC-1543267C1
	1346190C1	1pc		P-UB-10	1-3/4	3	JIC-1543267C1
LOADER LIFT	133936A1	1pc		P-UB-10	1-3/4	3-1/2	JIC-1543266C1
MODEL 590 Super M							
BACKHOE BOOM	175785A1			P-UB-10	2-1/2	5-1/2	JIC-1980412C2
BACKHOE BUCKET	296434A1			P-UB-10	2-3/4	3-3/4	JIC-297895A1
BACKHOE DIPPER	140965A1			P-UB-10	2-3/4	5-1/2	JIC-179011A1
BACKHOE EXT. DIPPER	1340853C1			P-UB-10	1-3/4	3	JIC-1543267C1
BACKHOE SWING	139808A2			P-UB-10	2	4	JIC-122535A1
LOADER BUCKET	255756A1			P-UB-10	1-3/4	3-1/4	JIC-1543260C1
LOADER CLAM	1346189C1			P-UB-10	1-3/4	3	JIC-1543267C1
	1346190C1			P-UB-10	1-3/4	3	JIC-1543267C1
LOADER LIFT	133936A1			P-UB-10	1-3/4	3-1/2	JIC-1543266C1
STEERING	1986518C2			P-U-10	1-1/2	2-3/4	JIC-G110045

Replacement Kits For

CASE

Backhoe Loaders							
APPLICATION	CYL #	Piston	SERIAL #	CODE	ROD	BORE	KIT #
MODEL 590 Super M SERIES 3							
BACKHOE BOOM	175785A1		02/08-	I-UB-10	2-1/2	5-1/2	JIC-87367429
BACKHOE BUCKET	296434A1		02/08-	P-UB-10	2-3/4	3-3/4	JIC-297895A1
BACKHOE DIPPER	1340853C2		02/08-	P-UB-10	1-3/4	3	JIC-1543267C1
	140965A1		02/08-	P-UB-10,12	2-3/4	5-1/2	JIC-87367212
BACKHOE STABILIZER LH	177257A1		02/08-	P-UB-10	2-1/4	5	JIC-84154317
BACKHOE STABILIZER RH	177256A1		02/08-	P-UB-10	2-1/4	5	JIC-84154317
BACKHOE SWING	139808A2		02/08-	P-UB-10	2	4	JIC-122535A1
LOADER BUCKET	255756A1		02/08-	P-UB-10	1-3/4	3-1/4	JIC-1543260C1
LOADER CLAM LH	87454016		02/08-	P-UB-10	1-3/4	3	JIC-1543267C1
LOADER CLAM RH	87454017		02/08-	P-UB-10	1-3/4	3	JIC-1543267C1
LOADER LIFT	133936A1		02/08-	P-UB-10	1-3/4	3-1/2	JIC-1543266C1
MODEL 680							
3-PT HITCH PITCH		1pc	ALL	P-UB-10	1-1/4	2-1/2	JIC-G110055
BACKHOE BOOM				P-U-1	2-1/4		JIC-D42878
		2pc		N-N-9		4-1/2	JIC-DTVS4.5P
BACKHOE BUCKET				I-U-1	2-1/4		JIC-D42877
		2pc		N-N-9		4	JIC-G33239
BACKHOE DIPPER				P-U-1	2-1/4		JIC-D42878
		2pc		N-N-9		4-1/2	JIC-DTVS4.5P
BACKHOE STABILIZER				P-U-1	1-3/4		JIC-D42873
		2pc		N-N-9		3-1/2	JIC-G33237
BACKHOE SWING				P-U-1	1-3/4		JIC-D42875
		2pc		N-N-9		4	JIC-G33239
LOADER TILT				P-U-1	1-3/4		JIC-D42873
		2pc		N-N-9		3-1/2	JIC-G33237
MODEL 680B							
BACKHOE BOOM		2pc		P-U-9	2-1/4	5	JIC-G32696
BACKHOE BUCKET		2pc		P-UB-9	2-1/2	4	JIC-G34636
				I-U-1	2-1/4		JIC-D42877
		2pc		N-N-9		4	JIC-G33239
BACKHOE DIPPER		2pc		P-UB-9	2-1/4	4-1/2	JIC-G105520
				P-U-1	2-1/4		JIC-D42878
		2pc		N-N-9		4-1/2	JIC-DTVS4.5P
BACKHOE STABILIZER		2pc		P-U-9	2	4	JIC-G32299
				I-U-1	2		JIC-D42876
		2pc		N-N-9		4	JIC-G33239
BACKHOE SWING		2pc		P-U-9	2	4-1/2	JIC-G32695
		2pc		P-UB-9	2	4-1/2	JIC-G105525
LOADER HYDRA- LEVELING		2pc		P-UB-9	1-3/4	3	JIC-G105524
				P-U-1	1-3/4		JIC-D42872
		2pc		N-N-9		3	JIC-G33151
LOADER LIFT		2pc		P-U-9	2	3-1/2	JIC-G34648
				I-U-1	2		JIC-D42874

Replacement Kits For

CASE

Backhoe Loaders							
APPLICATION	CYL #	Piston	SERIAL #	CODE	ROD	BORE	KIT #
MODEL 680B							
LOADER LIFT		2pc		N-N-9		3-1/2	JIC-G33237
LOADER TILT		2pc		P-UB-9	1-3/4	3	JIC-G105524
				P-U-1	1-3/4		JIC-D42872
		2pc		N-N-9		3	JIC-G33151
MODEL 680C							
3-PT HITCH PITCH		2pc		P-U-9	1-1/2	2-1/2	JIC-G32294
		1pc		P-UB-10	1-1/2	2-1/2	JIC-G105550
3-PT HITCH TILT		2pc		P-U-9	1-1/2	2-1/2	JIC-G32294
		1pc		P-UB-10	1-1/2	2-1/2	JIC-G105550
BACKHOE BOOM		2pc		P-U-9	2-1/4	5	JIC-G32696
BACKHOE BUCKET		1pc		P-UB-10	1-1/4	2-1/2	JIC-G105551
		2pc		P-UB-9	2-1/2	4	JIC-G34636
BACKHOE DIPPER		2pc		P-UB-9	1-1/2	3	JIC-G105512
		2pc		P-UB-9	2-1/4	4-1/2	JIC-G105520
				P-U-1	2-1/4		JIC-D42878
		2pc		N-N-9		4-1/2	JIC-DTVS4.5P
BACKHOE DIPPER EXT		2pc		P-UB-9	1-1/2	3	JIC-G105512
BACKHOE STABILIZER		2pc		P-UB-9	2	4	JIC-G105517
		2pc		P-U-9	2	4	JIC-G32299
		1pc		P-UB-10	2	4	JIC-1543273C1
				I-U-1	2		JIC-D42876
		2pc		N-N-9		4	JIC-G33239
BACKHOE SWING		2pc		P-U-9	2	4-1/2	JIC-G32695
		2pc		P-UB-9	2	4-1/2	JIC-G105525
LOADER CLAM		2pc		P-UB-9	1-1/2	3	JIC-G105512
		1pc		P-UB-10	1-1/2	3	JIC-G105548
LOADER HYDRA-LEVELING		1pc		P-UB-10	1-1/2	3	JIC-G105548
		2pc		P-UB-9	1-3/4	3	JIC-G105524
LOADER LIFT		2pc		P-U-9	2	3-1/2	JIC-G34648
		1pc		P-UB-10	2	3-1/2	JIC-G105546
		2pc		P-UB-9	2	3-1/2	JIC-G105521
LOADER TILT		2pc		P-UB-9	1-3/4	3	JIC-G105524
		1pc		P-UB-10	1-3/4	3	JIC-G105549
		2pc		P-U-9	1-3/4	3	JIC-G34643
MODEL 680CK							
BACKHOE BOOM				P-U-1	2-1/4		JIC-D42878
		2pc		N-N-9		4-1/2	JIC-DTVS4.5P
BACKHOE BUCKET				I-U-1	2-1/4		JIC-D42877
		2pc		N-N-9		4	JIC-G33239
BACKHOE DIPPER				P-U-1	2-1/4		JIC-D42878
		2pc		N-N-9		4-1/2	JIC-DTVS4.5P
BACKHOE STABILIZER				I-U-1	2		JIC-D42876
		2pc		N-N-9		4	JIC-G33239
BACKHOE SWING				P-U-1	1-3/4		JIC-D42875
		2pc		N-N-9		4	JIC-G33239

Replacement Kits For

CASE

Backhoe Loaders							
APPLICATION	CYL #	Piston	SERIAL #	CODE	ROD	BORE	KIT #
MODEL 680CK							
LOADER HYDRA-LEVELING				P-U-1	1-3/4		JIC-D42872
		2pc		N-N-9		3	JIC-G33151
LOADER LIFT				I-U-1	2		JIC-D42874
		2pc		N-N-9		3-1/2	JIC-G33237
LOADER TILT				P-U-1	1-3/4		JIC-D42872
		2pc		N-N-9		3	JIC-G33151
MODEL 680E							
BACKHOE BOOM		2pc		P-U-9	2-1/4	4	JIC-G34827
		1pc		P-UB-10	2-1/4	4	JIC-G105556
BACKHOE BUCKET		2pc		P-UB-9	2-1/2	4	JIC-G34636
		1pc		P-UB-10	2-1/4	4	JIC-G105556
BACKHOE DIPPER		2pc		P-UB-9	2-1/2	4-1/2	JIC-G105513
BACKHOE DIPPER EXT		2pc		P-UB-9	1-1/2	3	JIC-G105512
		1pc		P-UB-10	1-1/2	3	JIC-G105548
BACKHOE STABILIZER		2pc		P-UB-9	2	4-1/2	JIC-G105525
BACKHOE SWING		2pc		P-UB-9	2	4	JIC-G105517
		1pc		P-UB-10	2	4	JIC-1543273C1
LOADER CLAM		1pc		P-UB-10	1-1/2	3	JIC-G105548
		2pc		P-UB-9	1-1/2	3	JIC-G105512
LOADER LIFT		1pc		P-UB-10	2	3-1/2	JIC-G105546
		2pc		P-UB-9	2	3-1/2	JIC-G105521
LOADER TILT		2pc		P-U-9	1-3/4	3	JIC-G34643
		1pc		P-UB-10	1-3/4	3	JIC-G105549
STEERING		1pc		I-U-10	1-1/4	2-1/8	JIC-A43296
		1pc		P-U-10	1-1/4	2-1/8	JIC-G34819
		1pc		P-U-10	1-1/4	2-1/8	JIC-G101021
MODEL 680G, 680H							
BACKHOE BOOM		1pc		P-UB-10	2-1/4	4	JIC-G105556
BACKHOE BUCKET		1pc		P-UB-10	2-1/4	4	JIC-G105556
BACKHOE DIPPER		2pc		P-UB-9	2-1/2	4-1/2	JIC-G105513
BACKHOE DIPPER EXT		1pc		P-UB-10	1-1/2	3	JIC-G105548
BACKHOE STABILIZER		2pc		P-UB-9	2	4-1/2	JIC-G105525
BACKHOE SWING		1pc		P-UB-10	2	4	JIC-1543273C1
LOADER CLAM		1pc		P-UB-10	1-1/2	3	JIC-G105548
LOADER LIFT		1pc		P-UB-10	2	3-1/2	JIC-G105546
LOADER TILT		1pc		P-UB-10	1-3/4	3	JIC-G105549
STEERING		1pc		P-U-10	1-1/4	2-1/8	JIC-G34819
MODEL 680K							
BACKHOE BOOM		1pc		P-UB-10	2-1/4	4	JIC-G109505
BACKHOE BUCKET		1pc		P-UB-10	2-1/4	4	JIC-G109505
BACKHOE DIPPER		2pc		P-UB-9	2-1/2	4-1/2	JIC-G109498
BACKHOE DIPPER EXT		1pc		P-UB-10	1-1/2	3	JIC-G109452
BACKHOE SWING		1pc		P-UB-10	2	4	JIC-1543273C1
LOADER CLAM		1pc		P-UB-10	1-1/2	3	JIC-G109452
LOADER LIFT		1pc		P-UB-10	2	3-1/2	JIC-G109453

Replacement Kits For

CASE

Backhoe Loaders							
APPLICATION	CYL #	Piston	SERIAL #	CODE	ROD	BORE	KIT #
MODEL 680K							
LOADER TILT		1pc		P-UB-10	1-3/4	3	JIC-1543262C1
STEERING		1pc		P-U-10	1-1/4	2-1/8	JIC-G34819
MODEL 680L							
BACKHOE BOOM	1343567C1	1pc		P-UB-10	2-1/4	4	JIC-1346478C2
	G101256	1pc		P-UB-10	2-1/4	4	JIC-1543277C1
BACKHOE BUCKET	1343602C1	1pc		P-UB-10	2-1/4	4	JIC-1346478C2
	G103856	1pc		P-UB-10	2-1/4	4	JIC-1543277C1
BACKHOE DIPPER	1345994C1	1pc		P-UB-10	2-1/2	4-1/2	JIC-1343707C2
	G101348	2pc		P-UB-9	2-1/2	4-1/2	JIC-1543291C1
BACKHOE DIPPER EXT	1980375C1	1pc		P-UB-10	1-1/2	3	JIC-1543256C1
BACKHOE STABILIZER	1986853C1	1pc		P-UB-10	2	4-1/2	JIC-1986856C2
	G102276	2pc		P-UB-9	2	4-1/2	JIC-1543270C1
BACKHOE SWING	1978339C1	1pc		P-UB-10	2	4	JIC-1543269C1
LOADER CLAM	D143217	1pc		P-UB-10	2	4	JIC-D143215
LOADER LIFT	G103073	1pc	-JJG007050523, 526, 540, 547 & UP	P-UB-10	2-1/4	4	JIC-1543277C1
	G103457	1pc	-JJG0070547; except 423, 526, & 540	P-UB-10	2	3-1/2	JIC-1543274C1
LOADER TILT	G101220	1pc		P-UB-10	1-3/4	3	JIC-1543262C1
MODEL 780							
BACKHOE BOOM		2pc		P-UB-9	2-1/2	4-1/2	JIC-G105513
BACKHOE BUCKET		2pc	-5500549	P-U-9	3	5	JIC-G32668
		2pc	5500550-	P-UB-9	3	5	JIC-G105531
BACKHOE DIPPER		2pc		P-UB-9	3	6	JIC-G105516
BACKHOE DIPPER EXT		1pc		P-UB-10	2-1/4	4	JIC-G105556
		2pc		P-UB-9	2-1/2	4	JIC-G34636
BACKHOE STABILIZER		2pc		P-UB-9	2-1/2	4-1/2	JIC-G105513
BACKHOE SWING		2pc		P-UB-9	2-1/4	4-1/2	JIC-G105520
LOADER CLAM		1pc		P-UB-10	2	4	JIC-1543273C1
		2pc		P-U-9	2	4	JIC-G32299
LOADER HYDRA-LEVELING		2pc		P-UB-9	2	4	JIC-G105517
LOADER LIFT		2pc		P-UB-9	2-1/4	4-1/2	JIC-G105520
LOADER TILT		2pc		P-U-9	1-3/4	3-1/2	JIC-G32228
		2pc		P-U-9	1-3/4	3-1/2	JIC-G105508
MODEL 780B							
BACKHOE BOOM		1pc	ALL	P-UB-10	2-1/2	4-1/2	JIC-G105560
BACKHOE BUCKET		1pc	ALL	P-UB-10	2-1/2	4-1/2	JIC-G105560
BACKHOE DIPPER		1pc		P-UB-10	2-3/4	5	JIC-G105562
BACKHOE DIPPER EXT		1pc		P-UB-10	1-1/2	3	JIC-G105548
BACKHOE STABILIZER		1pc		P-UB-10	2-1/4	4-1/2	JIC-G105557
BACKHOE SWING		1pc		P-UB-10	2	4	JIC-1543273C1
LOADER CLAM		1pc		P-UB-10	2	4	JIC-1543273C1
LOADER LIFT		1pc		P-UB-10	2-1/4	4	JIC-G105556
LOADER TILT		1pc		P-UB-10	2	3-1/2	JIC-G105546

Replacement Kits For

CASE

Backhoe Loaders							
APPLICATION	CYL #	Piston	SERIAL #	CODE	ROD	BORE	KIT #
MODEL 780B							
STEERING		1pc		P-U-10	1-1/4	2-1/8	JIC-G34819
Crawler Dozers							
APPLICATION	CYL #	Piston	SERIAL #	CODE	ROD	BORE	KIT #
MODEL 550H							
ANGLE	307662A1		12/99-	P-UB-10	1-3/4	3	JIC-310478A1
LIFT	307112A1		12/99-	P-UB-10	1-3/4	3	JIC-1543267C1
RIPPER	G101230		12/99-	P-UB-10	1-1/2	3	JIC-1543252C1
TILT	347202A1		12/99-	P-UB-10	1-3/4	3-1/2	JIC-1543266C1
MODEL 650K							
ANGLE	412359A1		11/02-	P-UB-10	1-3/4	3-1/2	JIC-250741A1
LIFT	417854A1		11/02-	P-UB-10	1-3/4	3-1/2	JIC-1543266C1
RIPPER LH	86994131		11/02-	N-UB-1	1-3/4		JIC-1542875C1
RIPPER RH	86994129		11/02-	P-UB-10	1-3/4	3-1/2	JIC-1543266C1
TILT	412357A1		11/02-	P-UB-10	1-3/4	3-1/2	JIC-1543266C1
MODEL 850H							
ANGLE	190595A2			P-UB-10	1-3/4	3-1/2	JIC-250741A1
LIFT	116211A2			P-UB-10	1-3/4	3-1/2	JIC-1543266C1
RIPPER LH	G101215			P-UB-10	1-3/4	3-1/4	JIC-1543265C1
RIPPER RH	G101214			P-UB-10	1-3/4	3-1/4	JIC-1543265C1
TILT	117511A2			P-UB-10	1-3/4	3-1/2	JIC-1543266C1
MODEL 850K							
ANGLE	412359A1		11/02-	P-UB-10	1-3/4	3-1/2	JIC-250741A1
LIFT	417854A1		11/02-	P-UB-10	1-3/4	3-1/2	JIC-1543266C1
RIPPER LH	86994131		11/02-	P-UB-10	1-3/4	3-1/4	JIC-1543265C1
RIPPER RH	86994129		11/02-	P-UB-10	1-3/4	3-1/4	JIC-1543265C1
TILT	412357A1		11/02-	P-UB-10	1-3/4	3-1/2	JIC-1543266C1
MODEL 1150H							
ANGLE	G110702			P-UB-10	2-1/2	5	JIC-1542915C2
LIFT	G109819			P-UB-10	1-3/4	3-1/4	JIC-1543265C1
RIPPER LH	G101273			P-UB-10	2	4	JIC-1543273C1
RIPPER RH	G101272			P-UB-10	2	4	JIC-1543273C1
TILT	G110694			P-UB-10	2-1/2	5	JIC-1542879C1
Crawler Dozers/Loaders							
APPLICATION	CYL #	Piston	SERIAL #	CODE	ROD	BORE	KIT #
MODEL 310E, 310F with Backhoe Model 31							
BACKHOE BOOM		2pc		P-U-9	2	4	JIC-G32616
				I-U-1	2		JIC-D42876
		2pc		N-N-9		4	JIC-G33239
BACKHOE BUCKET		2pc		P-U-9	1-3/4	3-1/2	JIC-G105518
				P-U-1	1-3/4		JIC-D42873
		2pc		N-N-9		3-1/2	JIC-G33237
BACKHOE DIPPER		2pc		P-UB-9	2	4	JIC-G105526
				I-U-1	2		JIC-D42876
		2pc		N-N-9		4	JIC-G33239
BACKHOE STABILIZER				P-U-1	1-3/4		JIC-D42873
		2pc		N-N-9		3-1/2	JIC-G33237

Replacement Kits For

CASE

Crawler Dozers/Loaders							
APPLICATION	CYL #	Piston	SERIAL #	CODE	ROD	BORE	KIT #
MODEL 310E, 310F with Backhoe Model 31							
BACKHOE SWING		2pc		N-N-9		4	JIC-G33239
			2019001-3023000	P-U-1	1-3/4		JIC-D42875
DOZER ANGLING				P-U-1	1-3/4		JIC-D42873
		2pc		N-N-9		3-1/2	JIC-G33237
DOZER LIFT				P-U-1	1-1/4		JIC-D42867
		2pc		N-N-9		2-1/2	JIC-G33193
DOZER TILT				P-U-1	1-1/4		JIC-D42867
		2pc		N-N-9		2-1/2	JIC-G33193
LOADER LIFT				P-U-1	1-3/4		JIC-D42873
		2pc		N-N-9		3-1/2	JIC-G33237
LOADER TILT				P-U-1	1-1/4		JIC-D42867
		2pc		N-N-9		2-1/2	JIC-G33193
SCARIFIER				P-U-1	1-1/2		JIC-D42870
		2pc		N-N-9		3	JIC-G33151
MODEL 310G with Backhoe Models 26, 26B, 26S, 32, 33							
BACKHOE BOOM			3023001.3032323	P-U-1	1-3/4		JIC-D42873
		2pc	3023001.3032324	N-N-9		3-1/2	JIC-G33237
		2pc	3023001.3032325	P-UB-9	1-3/4	3-1/2	JIC-G105529
		2pc	3023001.3032326	P-UB-9	2-1/2	4	JIC-G34636
			3023001.3032327	I-U-1	2		JIC-D42876
		2pc	3023001.3032328	N-N-9		4	JIC-G33239
		2pc	3023001.3032329	P-U-9	2	4	JIC-G32299
		2pc	3023001.3032330	P-UB-9	2	4	JIC-G105517
			3023001.3032331	P-U-1	2-1/4		JIC-D42878
		2pc	3023001.3032332	N-N-9		4-1/2	JIC-DTVS4.5P
		2pc	3023001.3032333	P-UB-9	2-1/4	4-1/2	JIC-G105520
BACKHOE BUCKET			3023001.3032334	P-U-1	1-3/4		JIC-D42872
		2pc	3023001.3032335	N-N-9		3-1/2	JIC-G33237
		2pc	3023001.3032336	P-UB-9	1-3/4	3	JIC-G105524
			3023001.3032337	P-U-1	1-3/4		JIC-D42873
		2pc	3023001.3032338	N-N-9		3-1/2	JIC-G33237
			3023001.3032339	I-U-1	2		JIC-D42874
		2pc	3023001.3032340	N-N-9		3-1/2	JIC-G33237
		2pc	3023001.3032341	P-U-9	2	3-1/2	JIC-G32293
		2pc	3023001.3032342	P-UB-9	2	3-1/2	JIC-G105527
BACKHOE DIPPER			3023001.3032343	I-U-1	2		JIC-D42874
		2pc	3023001.3032344	N-N-9		3-1/2	JIC-G33237
		2pc	3023001.3032345	P-U-9	2	3-1/2	JIC-G32293
		2pc	3023001.3032346	P-UB-9	2	3-1/2	JIC-G105527
			3023001.3032347	I-U-1	2		JIC-D42876
		2pc	3023001.3032348	N-N-9		4	JIC-G33239
		2pc	3023001.3032349	P-U-9	2	4	JIC-G32299
		2pc	3023001.3032350	P-UB-9	2	4	JIC-G105517
		2pc	3023001.3032351	P-UB-9	1-1/2	3	JIC-G105512
BACKHOE STABILIZER			3023001.3032308	P-U-1	1-1/2		JIC-D42870
		2pc	3023001.3032309	N-N-9		3	JIC-G33151

Replacement Kits For

CASE

Crawler Dozers/Loaders							
APPLICATION	CYL #	Piston	SERIAL #	CODE	ROD	BORE	KIT #
MODEL 310G with Backhoe Models 26, 26B, 26S, 32, 33							
BACKHOE STABILIZER			3023001.3032310	P-U-1	1-3/4		JIC-D42872
		2pc	3023001.3032311	N-N-9		3	JIC-G33151
		2pc	3023001.3032312	P-UB-9	1-3/4	3	JIC-G105524
			3023001.3032313	P-U-1	1-3/4		JIC-D42873
		2pc	3023001.3032314	N-N-9		3-1/2	JIC-G33237
		2pc	3023001.3032315	P-UB-9	1-3/4	3-1/2	JIC-G105529
		2pc	3023001.3032316	P-U-9	1-3/4	3-1/2	JIC-G105518
BACKHOE SWING			3023001.3032317	P-U-1	1-1/2		JIC-D47896
		2pc	3023001.3032318	N-N-9		3-1/2	JIC-G33237
		2pc	3023001.3032319	P-U-9	1-1/2	3-1/2	JIC-G34652
		2pc	3023001.3032320	P-UB-9	1-3/4	4	JIC-G105519
			3023001.3032321	P-U-1	1-3/4		JIC-D42875
		2pc	3023001.3032322	N-N-9		4	JIC-G33239
DOZER ANGLING		2pc	3023001.3032301	P-U-9	1-3/4	3-1/2	JIC-G34622
			3023001.3032301	P-U-1	1-3/4		JIC-D42873
		2pc	3023001.3032301	N-N-9		3-1/2	JIC-G33237
			3023001.3032302	P-U-1	1-1/2		JIC-D42870
		2pc	3023001.3032303	N-N-9		3	JIC-G33151
		2pc	3023001.3032304	P-UB-9	1-1/2	3	JIC-G105512
DOZER LIFT		2pc	3023001.3032301	P-U-9	1-1/4	2-1/2	JIC-G32295
			3023001.3032301	P-U-1	1-1/4		JIC-D42867
		2pc	3023001.3032301	N-N-9		2-1/2	JIC-G33193
DOZER TILT		2pc	3023001.3032301	P-U-9	1-1/4	2-1/2	JIC-G32295
			3023001.3032301	P-U-1	1-1/4		JIC-D42867
		2pc	3023001.3032301	N-N-9		2-1/2	JIC-G33193
EXTENSION			3023001.3032352	P-U-1	1-3/4		JIC-D42873
		2pc	3023001.3032353	N-N-9		3-1/2	JIC-G33237
		2pc	3023001.3032354	P-UB-9	1-3/4	3-1/2	JIC-G105529
LOADER CLAM	G32460	2pc	3023001.3032301	P-UB-9	1-3/4	3	JIC-G105524
LOADER GRAPPLE		2pc	3023001.3032301	P-U-9	1-1/2	2-1/2	JIC-G32294
			3023001.3032301	P-U-1	1-1/2		JIC-D42869
		2pc	3023001.3032301	N-N-9		2-1/2	JIC-G33193
LOADER HYDRA-LEVELING	D33123	2pc	3023001.3032301	P-U-9	1-1/2	2-1/2	JIC-G32294
	D33123	2pc	3023001.3032301	P-U-1	1-1/2		JIC-D42869
	D33123	2pc	3023001.3032301	N-N-9		2-1/2	JIC-G33193
LOADER LIFT		2pc	3023001.3032301	P-UB-9	1-3/4	3	JIC-G105524
	D33121, D33122		3023001.3032301	P-U-1	1-3/4		JIC-D42872
	D33121, D33122	2pc	3023001.3032301	N-N-9		3	JIC-G33151
LOADER TILT		2pc	3023001.3032301	N-N-9		2-1/2	JIC-G33193
	D33113, D33114	2pc	3023001.3032301	P-U-9	1-1/2	2-1/2	JIC-G32294
	D33113, D33114		3023001.3032301	P-U-1	1-1/2		JIC-D42869
RIPPER			3023001.3032305	P-U-1	1-1/2		JIC-D42870

Replacement Kits For

CASE

Crawler Dozers/Loaders							
APPLICATION	CYL #	Piston	SERIAL #	CODE	ROD	BORE	KIT #
MODEL 310G with Backhoe Models 26, 26B, 26S, 32, 33							
RIPPER		2pc	3023001.3032306	N-N-9		3	JIC-G33151
		2pc	3023001.3032307	P-UB-9	1-1/2	3	JIC-G105512
MODEL 350 with Backhoe Models 26, 26B, 26C, 26S							
BACKHOE BOOM		1pc		P-UB-10	2-1/4	4	JIC-G105556
		2pc		P-UB-9	1-3/4	3-1/2	JIC-G105529
		2pc		P-UB-9	2-1/2	4	JIC-G34636
				P-U-1	1-3/4		JIC-D42873
		2pc		N-N-9		3-1/2	JIC-G33237
BACKHOE BUCKET		1pc		P-UB-10	1-3/4	3	JIC-G105549
		2pc		P-UB-9	1-3/4	3	JIC-G105524
				P-U-1	1-3/4		JIC-D42872
		2pc		N-N-9		3-1/2	JIC-G33237
BACKHOE DIPPER		2pc		P-UB-9	2	3-1/2	JIC-G105527
		2pc		P-U-9	2	3-1/2	JIC-G32293
		1pc		P-UB-10	2	3-1/2	JIC-G105546
				I-U-1	2		JIC-D42874
		2pc		N-N-9		3-1/2	JIC-G33237
BACKHOE DIPPER EXT		1pc		P-UB-10	1-1/2	3	JIC-G105548
		2pc		P-UB-9	1-1/2	3	JIC-G105512
BACKHOE STABILIZER		2pc		P-UB-9	1-3/4	3-1/2	JIC-G105529
		2pc		P-UB-9	1-3/4	3	JIC-G105524
		2pc		P-U-9	1-3/4	3-1/2	JIC-G105518
				P-U-1	1-1/2		JIC-D42870
				P-U-1	1-3/4		JIC-D42872
		2pc		N-N-9		3	JIC-G33151
		2pc		N-N-9		3	JIC-G33151
BACKHOE SWING		2pc		P-UB-9	1-3/4	4	JIC-G105519
		2pc		P-U-9	1-1/2	3-1/2	JIC-G34652
		1pc		P-UB-10	1-1/2	3-1/2	JIC-G105555
				P-U-1	1-1/2		JIC-D47896
		2pc		N-N-9		3-1/2	JIC-G33237
DOZER ANGLE		2pc		P-U-9	1-3/4	3-1/2	JIC-G105518
				P-U-1	1-3/4		JIC-D42873
		2pc		N-N-9		3-1/2	JIC-G33237
DOZER ANGLE (Angle Tilt Dozer)		1pc		P-UB-10	1-1/2	3	JIC-G105548
		2pc		P-UB-9	1-1/2	3	JIC-G105512
				P-U-1	1-1/2		JIC-D42870
		2pc		N-N-9		3	JIC-G33151
DOZER LIFT		1pc		P-UB-10	1-1/4	2-1/2	JIC-G105551
		2pc		P-U-9	1-1/4	2-1/2	JIC-G32295
				P-U-1	1-1/4		JIC-D42867
		2pc		N-N-9		2-1/2	JIC-G33193
DOZER TILT		1pc		P-UB-10	1-1/4	2-1/2	JIC-G105551
		2pc		P-U-9	1-1/4	2-1/2	JIC-G32295
				P-U-1	1-1/4		JIC-D42867

Replacement Kits For

CASE

Crawler Dozers/Loaders							
APPLICATION	CYL #	Piston	SERIAL #	CODE	ROD	BORE	KIT #
MODEL 350 with Backhoe Models 26, 26B, 26C, 26S							
DOZER TILT		2pc		N-N-9		2-1/2	JIC-G33193
LOADER CLAM		1pc		P-UB-10	1-3/4	3	JIC-G105549
		2pc		P-UB-9	1-3/4	3	JIC-G105524
LOADER GRAPPLE		2pc		P-U-9	1-1/2	2-1/2	JIC-G32294
		1pc		P-UB-10	1-1/2	2-1/2	JIC-G105550
				P-U-1	1-1/2		JIC-D42869
		2pc		N-N-9		2-1/2	JIC-G33193
LOADER HYDRA-LEVELING		2pc		P-U-9	1-1/2	2-1/2	JIC-G32294
		1pc		P-UB-10	1-1/2	2-1/2	JIC-G105550
				P-U-1	1-1/2		JIC-D42869
		2pc		N-N-9		2-1/2	JIC-G33193
LOADER LIFT		2pc		P-UB-9	1-3/4	3	JIC-G105524
		2pc		P-U-9	1-3/4	3	JIC-G34643
		1pc		P-UB-10	1-3/4	3	JIC-G105549
				P-U-1	1-3/4		JIC-D42872
		2pc		N-N-9		3	JIC-G33151
LOADER TILT		2pc		P-U-9	1-1/2	2-1/2	JIC-G32294
		1pc		P-UB-10	1-1/2	2-1/2	JIC-G105550
				P-U-1	1-1/2		JIC-D42869
		2pc		N-N-9		2-1/2	JIC-G33193
RIPPER		2pc		P-UB-9	1-1/2	3	JIC-G105512
		1pc		P-UB-10	1-1/2	3	JIC-G105548
				P-U-1	1-1/2		JIC-D42870
		2pc		N-N-9		3	JIC-G33151
MODEL 350B with Backhoe Models 26C, 26D							
BACKHOE BOOM		1pc		P-UB-10	2-1/4	4	JIC-G105556
		1pc		P-UB-10	1-3/4	4	JIC-G105552
		2pc		P-UB-9	2-1/2	4	JIC-G34636
BACKHOE BUCKET		2pc		P-UB-9	1-3/4	3	JIC-G105524
		1pc		P-UB-10	1-3/4	3	JIC-G105549
		1pc		P-UB-10	2	3-1/4	JIC-G105553
BACKHOE DIPPER		1pc		P-UB-10	2	3-1/2	JIC-G105546
		2pc		P-UB-9	2	3-1/2	JIC-G105527
BACKHOE DIPPER EXT		2pc		P-UB-9	1-1/2	3	JIC-G105512
		1pc		P-UB-10	1-1/2	3	JIC-G105548
BACKHOE STABILIZER		1pc		P-UB-10	1-3/4	3	JIC-G105549
		2pc		P-U-9	1-3/4	3-1/2	JIC-G105518
BACKHOE SWING		1pc		P-UB-10	1-1/2	3-1/2	JIC-G105555
		2pc		P-U-9	1-1/2	3-1/2	JIC-G34652
DOZER ANGLE		1pc		P-UB-10	1-1/2	3	JIC-G109452
DOZER LIFT		1pc		P-UB-10	1-1/4	2-1/2	JIC-G109475
DOZER TILT		1pc		P-UB-10	1-1/4	2-1/2	JIC-G109475
LOADER CLAM		1pc		P-UB-10	1-3/4	3	JIC-1543262C1
LOADER LIFT		1pc		P-UB-10	1-3/4	3	JIC-1543262C1
LOADER TILT		1pc		P-UB-10	1-1/2	2-1/2	JIC-1543253C1

Replacement Kits For

CASE

Crawler Dozers/Loaders							
APPLICATION	CYL #	Piston	SERIAL #	CODE	ROD	BORE	KIT #
MODEL 350B with Backhoe Models 26C, 26D							
RIPPER		1pc		P-UB-10	1-1/2	3	JIC-G109452
MODEL 420C							
BACKHOE BOOM				I-U-1	2		JIC-D42876
		2pc		N-N-9		4	JIC-G33239
BACKHOE BUCKET				P-U-1	1-3/4		JIC-D42873
		2pc		N-N-9		3-1/2	JIC-G33237
BACKHOE DIPPER				I-U-1	2		JIC-D42876
		2pc		N-N-9		4	JIC-G33239
BACKHOE STABILIZER				P-U-1	1-3/4		JIC-D42873
		2pc		N-N-9		3-1/2	JIC-G33237
DOZER ANGLING				P-U-1	1-3/4		JIC-D42873
		2pc		N-N-9		3-1/2	JIC-G33237
DOZER LIFT				P-U-1	1-1/4		JIC-D42867
		2pc		N-N-9		4	JIC-G33239
DOZER TILT				P-U-1	1-1/4		JIC-D42867
		2pc		N-N-9		4	JIC-G33239
LOADER LIFT				P-U-1	1-3/4		JIC-D42873
		2pc		N-N-9		3-1/2	JIC-G33237
LOADER TILT				P-U-1	1-1/4		JIC-D42867
		2pc		N-N-9		4	JIC-G33239
SCARIFIER				P-U-1	1-1/2		JIC-D42870
		2pc		N-N-9		4	JIC-G33239
MODEL 450 with Backhoe Models 26, 26B, 26C, 26S, 32, 33, 35							
BACKHOE BOOM		2pc		P-UB-9	2	4	JIC-G105517
		2pc		P-UB-9	1-3/4	3-1/2	JIC-G105529
		2pc		P-UB-9	1-3/4	3-1/4	JIC-G105528
		2pc		P-U-9	2	4	JIC-G32299
		1pc		P-UB-10	2-1/4	4	JIC-G105556
		1pc		P-UB-10	1-3/4	3-1/4	JIC-G105547
		2pc		P-UB-9	2-1/2	4	JIC-G34636
		2pc		P-UB-9	2-1/4	4-1/2	JIC-G105520
				I-U-1	2		JIC-D42876
				P-U-1	1-3/4		JIC-D42873
				P-U-1	2-1/4		JIC-D42878
		2pc		N-N-9		4	JIC-G33239
		2pc		N-N-9		3-1/2	JIC-G33237
		2pc		N-N-9		4-1/2	JIC-DTVS4.5P
	BACKHOE BUCKET		2pc		P-U-9	2	3-1/2
		1pc		P-UB-10	1-3/4	3	JIC-G105549
		1pc		P-UB-10	2	3-1/2	JIC-G105546
		2pc		P-UB-9	1-3/4	3	JIC-G105524
		2pc		P-UB-9	2	3-1/2	JIC-G105527
				I-U-1	2		JIC-D42874
				P-U-1	1-3/4		JIC-D42872
				P-U-1	1-3/4		JIC-D42873
		2pc		N-N-9		3-1/2	JIC-G33237

Replacement Kits For

CASE

Crawler Dozers/Loaders							
APPLICATION	CYL #	Piston	SERIAL #	CODE	ROD	BORE	KIT #
MODEL 450 with Backhoe Models 26, 26B, 26C, 26S, 32, 33, 35							
BACKHOE DIPPER		1pc		P-UB-10	2	3-1/2	JIC-G105546
		2pc		P-U-9	2	4	JIC-G32299
		2pc		P-UB-9	2	4	JIC-G105517
		2pc		P-U-9	2	3-1/2	JIC-G32293
		1pc		P-UB-10	2	4	JIC-1543273C1
		2pc		P-UB-9	2	3-1/2	JIC-G105527
				I-U-1	2		JIC-D42876
				I-U-1	2		JIC-D42874
		2pc		N-N-9		4	JIC-G33239
		2pc		N-N-9		3-1/2	JIC-G33237
BACKHOE DIPPER EXT		2pc		P-UB-9	1-3/4	3-1/2	JIC-G105529
		2pc		P-UB-10	1-1/2	3	JIC-G105548
		2pc		P-UB-9	1-1/2	3	JIC-G105512
		2pc		P-U-1	1-3/4		JIC-D42873
		2pc		N-N-9		3-1/2	JIC-G33237
BACKHOE STABILIZER		2pc		P-UB-9	1-3/4	3-1/2	JIC-G105529
		2pc		P-U-9	1-3/4	3-1/2	JIC-G105518
		2pc		P-UB-9	2	4	JIC-G105517
		1pc		P-UB-10	2	4	JIC-1543273C1
		2pc		P-UB-9	1-3/4	3	JIC-G105524
				P-U-1	1-3/4		JIC-D42873
				P-U-1	1-3/4		JIC-D42872
				P-U-1	1-1/2		JIC-D42870
		2pc		N-N-9		3-1/2	JIC-G33237
		2pc		N-N-9		3	JIC-G33151
BACKHOE SWING		2pc		P-UB-9	2	4	JIC-G105517
		1pc		P-UB-10	2	4	JIC-1543273C1
		2pc		P-U-9	1-1/2	3-1/2	JIC-G34652
		2pc		P-UB-9	1-3/4	4	JIC-G105519
		1pc		P-UB-10	1-1/2	3-1/2	JIC-G105555
				P-U-1	1-3/4		JIC-D42875
				P-U-1	1-1/2		JIC-D47896
		2pc		N-N-9		3-1/2	JIC-G33237
		2pc		N-N-9		4	JIC-G33239
DOZER ANGLING (Angle Dozer)		2pc		I-U-9	1-1/2	2	JIC-D37361
		2pc		P-UB-9	1-1/2	2	JIC-G105503
DOZER ANGLING (Angle Tilt Dozer)		1pc		P-UB-10	2	4	JIC-1543273C1
		2pc		P-UB-9	2	4	JIC-G105526
				I-U-1	2		JIC-D42876
		2pc		N-N-9		4	JIC-G33239
DOZER LIFT		2pc		P-U-9	1-1/4	2-1/2	JIC-G32295
		1pc		P-UB-10	1-1/4	2-1/2	JIC-G105551
				P-U-1	1-1/4		JIC-D42867
		2pc		N-N-9		2-1/2	JIC-G33193

Replacement Kits For

CASE

Crawler Dozers/Loaders							
APPLICATION	CYL #	Piston	SERIAL #	CODE	ROD	BORE	KIT #
MODEL 450 with Backhoe Models 26, 26B, 26C, 26S, 32, 33, 35							
DOZER TILT		2pc		P-UB-9	2	3-1/2	JIC-G105521
		1pc		P-UB-10	2	3-1/2	JIC-G105546
		2pc		P-U-9	2	3-1/2	JIC-G34648
				I-U-1	2		JIC-D42874
		2pc		N-N-9		3-1/2	JIC-G33237
LOADER CLAM		2pc		P-UB-9	1-1/2	3	JIC-G105512
		1pc		P-UB-10	1-1/2	3	JIC-G105548
				P-U-1	1-1/2		JIC-D42870
		2pc		N-N-9		3	JIC-G33151
LOADER HYDRA-LEVELING		2pc		P-UB-9	1-3/4	3	JIC-G105524
		1pc		P-UB-10	1-3/4	3	JIC-G105549
				P-U-1	1-3/4		JIC-D42872
		2pc		N-N-9		3	JIC-G33151
LOADER LIFT		2pc		P-U-9	2	3-1/2	JIC-G34648
		1pc		P-UB-10	2	3-1/2	JIC-G105546
		2pc		P-UB-9	2	3-1/2	JIC-G105521
				I-U-1	2		JIC-D42874
		2pc		N-N-9		3-1/2	JIC-G33237
LOADER TILT		2pc		P-UB-9	1-3/4	3	JIC-G105524
		1pc		P-UB-10	1-3/4	3	JIC-G105549
		2pc		P-U-9	1-3/4	3	JIC-G34643
				P-U-1	1-3/4		JIC-D42872
		2pc		N-N-9		3	JIC-G33151
RIPPER		2pc		P-UB-9	1-1/2	3	JIC-G105512
		1pc		P-UB-10	1-1/2	3	JIC-G105548
				P-U-1	1-1/2		JIC-D42870
		2pc		N-N-9		3-1/2	JIC-G33237
MODEL 450B, 450C, 455B, 455C with Backhoe Models 26D, 35							
BACKHOE BOOM		1pc		P-UB-10	1-3/4	4	JIC-G105552
		2pc		P-UB-9	1-3/4	3-1/4	JIC-G105528
		1pc		P-UB-10	1-3/4	3-1/4	JIC-G105547
BACKHOE BUCKET		2pc		P-UB-9	2	3-1/2	JIC-G105527
		1pc		P-UB-10	2	3-1/2	JIC-G105546
		1pc		P-UB-10	2	3-1/4	JIC-G105553
BACKHOE DIPPER		1pc		P-UB-10	2	4	JIC-1543273C1
		2pc		P-UB-9	2	4	JIC-G105517
		1pc		P-UB-10	2	3-1/2	JIC-G105546
BACKHOE DIPPER EXT		1pc		P-UB-10	1-1/2	3	JIC-G105548
		2pc		P-UB-9	1-1/2	3	JIC-G105512
BACKHOE STABILIZER		1pc		P-UB-10	1-3/4	3	JIC-G105549
		1pc		P-UB-10	2	4	JIC-1543273C1
		2pc		P-UB-9	2	4	JIC-G105517
BACKHOE SWING		2pc		P-UB-10	2	4	JIC-1543273C1
		2pc		P-UB-9	2	4	JIC-G105517
		1pc		P-UB-10	1-1/2	3-1/2	JIC-G105555

Replacement Kits For

CASE

Crawler Dozers/Loaders							
APPLICATION	CYL #	Piston	SERIAL #	CODE	ROD	BORE	KIT #
MODEL 450B, 450C, 455B, 455C with Backhoe Models 26D, 35							
DOZER ANGLE		1pc		P-UB-10	2	4	JIC-1543273C1
DOZER LIFT		1pc		P-UB-10	1-1/4	2-1/2	JIC-G105551
DOZER TILT		1pc		P-UB-10	2	3-1/2	JIC-G105546
LOADER CLAM		1pc		P-UB-10	1-1/2	3	JIC-G105548
LOADER HYDRA-LEVELING		1pc		P-UB-10	2	4	JIC-1543273C1
LOADER LIFT		1pc		P-UB-10	2	3-1/2	JIC-G105546
LOADER TILT		1pc		P-UB-10	1-1/2	3	JIC-G105548
RIPPER		1pc		P-UB-10	1-1/2	3	JIC-G105548
MODEL 475 Cable Layer							
DOZER TILT		1pc		P-UB-10	2	3-1/2	JIC-G105546
		2pc		P-U-9	2	3-1/2	JIC-G34648
PLOW LIFT		2pc		P-UB-9	2	4-1/2	JIC-G105525
PLOW SWING		1pc		P-UB-10	1-1/2	3-1/2	JIC-G105555
		2pc		P-U-9	1-1/2	3-1/2	JIC-G34646
REEL & DOZER LIFT		2pc		P-U-9	1-1/4	2-1/2	JIC-G32295
		1pc		P-UB-10	1-1/4	2-1/2	JIC-G105551
MODEL 550E							
ANGLE	140146A1			P-UB-10	2	4	JIC-1543273C1
LIFT	1542565C1			I-UB-10	1-1/2	2-1/2	JIC-1542764C2
RIPPER	G101230			P-UB-10	1-1/2	3	JIC-1543252C1
TILT	1542717C1			P-UB-10	1-1/2	3	JIC-1543256C1
MODEL 550G							
ANGLE	140146A1			P-UB-10	2	4	JIC-1543273C1
LIFT	1542565C1			I-UB-10	1-1/2	2-1/2	JIC-1542764C2
RIPPER	G101230			P-UB-10	1-1/2	3	JIC-1543252C1
TILT	1542717C1			P-UB-10	1-1/2	3	JIC-1543256C1
MODEL 650G							
ANGLE	116969A1			P-UB-10	1-3/4	3-1/2	JIC-1543266C1
	190595A1			P-UB-10	1-3/4	3-1/2	JIC-1543266C1
	190595A2			P-UB-10	1-3/4	3-1/2	JIC-250741A1
LIFT	116211A1			P-UB-10	1-3/4	3-1/2	JIC-1543266C1
RIPPER	G101214			P-UB-10	1-3/4	3-1/4	JIC-1543265C1
	G101215			P-UB-10	1-3/4	3-1/4	JIC-1543265C1
TILT	117511A1			P-UB-10	1-3/4	3-1/2	JIC-1543266C1
MODEL 750 with Backhoe Models 32, 33S, 34							
BACKHOE BOOM		2pc		P-UB-9	2-1/4	4-1/2	JIC-G105520
		2pc		P-U-9	2	4	JIC-G32299
				I-U-1	2		JIC-D42876
				P-U-1	2-1/4		JIC-D42878
		2pc		N-N-9		4-1/2	JIC-DTVS4.5P
		2pc		N-N-9		4	JIC-G33239
BACKHOE BUCKET		2pc		P-U-9	2	3-1/2	JIC-G32293
				I-U-1	2-1/4		JIC-D42877
				I-U-1	2		JIC-D42874
				P-U-1	1-3/4		JIC-D42873

Replacement Kits For

CASE

Crawler Dozers/Loaders							
APPLICATION	CYL #	Piston	SERIAL #	CODE	ROD	BORE	KIT #
MODEL 750 with Backhoe Models 32, 33S, 34							
BACKHOE BUCKET		2pc		N-N-9		4	JIC-G33239
		2pc		N-N-9		3-1/2	JIC-G33237
BACKHOE DIPPER		2pc		P-U-9	2	4	JIC-G32299
				P-U-1	2-1/4		JIC-D42878
				I-U-1	2		JIC-D42876
		2pc		N-N-9		4-1/2	JIC-DTVS4.5P
		2pc		N-N-9		4	JIC-G33239
BACKHOE STABILIZER		2pc		P-UB-9	1-3/4	3-1/2	JIC-G105529
				P-U-1	1-3/4		JIC-D42873
		2pc		N-N-9		3-1/2	JIC-G33237
BACKHOE SWING		2pc		P-UB-9	1-3/4	4	JIC-G105519
				P-U-1	1-3/4		JIC-D42875
		2pc		N-N-9		4	JIC-G33239
DOZER ANGLE		2pc		I-U-9	1-1/2	2-1/2	JIC-D37360
DOZER TILT				P-U-1	1-3/4		JIC-D42873
		2pc		N-N-9		3-1/2	JIC-G33237
LOADER LIFT				P-U-1	1-1/2		JIC-D42870
		2pc		N-N-9		3	JIC-G33151
LOADER TILT				I-U-1	2		JIC-D42876
		2pc		N-N-9		4	JIC-G33239
RIPPER				P-U-1	1-3/4		JIC-D42873
		2pc		N-N-9		3-1/2	JIC-G33237
MODEL 750H							
ANGLE	190595A1			P-UB-10	1-3/4	3-1/2	JIC-1543266C1
	190595A2			P-UB-10	1-3/4	3-1/2	JIC-250741A1
LIFT	116211A2			P-UB-10	1-3/4	3-1/2	JIC-1543266C1
RIPPER	G101214			P-UB-10	1-3/4	3-1/4	JIC-1543265C1
	G101215			P-UB-10	1-3/4	3-1/4	JIC-1543265C1
TILT	117511A2			P-UB-10	1-3/4	3-1/2	JIC-1543266C1
MODEL 850 with Backhoe Models 34, 35, 36							
BACKHOE BOOM		2pc		P-U-9	2-1/4	5	JIC-G32696
		2pc		P-UB-9	1-3/4	3-1/4	JIC-G105528
		1pc		P-UB-10	1-3/4	3-1/4	JIC-G105547
				P-U-1	2-1/4		JIC-D42878
		2pc		N-N-9		4-1/2	JIC-DTVS4.5P
BACKHOE BUCKET		2pc		P-UB-9	2-1/2	4	JIC-G34636
		1pc		P-UB-10	2	3-1/2	JIC-G105546
		2pc		P-UB-9	2	3-1/2	JIC-G105527
				I-U-1	2-1/4		JIC-D42877
		2pc		N-N-9		4	JIC-G33239
BACKHOE DIPPER		1pc		P-UB-10	2	4	JIC-1543273C1
		2pc		P-UB-9	2-1/2	4-1/2	JIC-G105513
		2pc		P-UB-9	2-1/4	4-1/2	JIC-G105520
		2pc		P-UB-9	2	4	JIC-G105517
				P-U-1	2-1/4		JIC-D42878
		2pc		N-N-9		4-1/2	JIC-DTVS4.5P

Replacement Kits For

CASE

Crawler Dozers/Loaders							
APPLICATION	CYL #	Piston	SERIAL #	CODE	ROD	BORE	KIT #
MODEL 850 with Backhoe Models 34, 35, 36							
BACKHOE DIPPER EXT		2pc		P-UB-9	1-1/2	3	JIC-G105512
		1pc		P-UB-10	1-1/2	3	JIC-G105548
BACKHOE STABILIZER		1pc		P-UB-10	2	4	JIC-1543273C1
		2pc		P-UB-9	2	4	JIC-G105517
		2pc		P-U-9	2	4	JIC-G32299
				I-U-1	2		JIC-D42876
		2pc		N-N-9		4	JIC-G33239
BACKHOE SWING		2pc		P-UB-9	2	4-1/2	JIC-G105525
		2pc		P-UB-9	2	4	JIC-G105517
		2pc		P-U-9	2	4-1/2	JIC-G32695
		1pc		P-UB-10	2	4	JIC-1543273C1
				P-U-1	1-3/4		JIC-D42875
		2pc		N-N-9		4	JIC-G33239
DOZER ANGLING		2pc		I-U-9	1-1/2	2-1/2	JIC-D37360
		2pc		P-UB-9	1-1/2	2-1/2	JIC-G105505
DOZER LIFT		2pc		P-UB-9	1-1/2	3	JIC-G105512
				P-U-1	1-1/2		JIC-D42870
		2pc		N-N-9		3	JIC-G33151
DOZER TILT		2pc		P-U-9	1-3/4	3-1/2	JIC-G105518
				P-U-1	1-3/4		JIC-D42873
		2pc		N-N-9		3-1/2	JIC-G33237
DOZER TILT & PITCH		2pc		P-UB-9	2	3-1/2	JIC-G105521
LOADER CLAM		2pc		P-U-9	2	4	JIC-G32299
LOADER HYDRA-LEVELING		2pc		P-UB-9	2	4	JIC-G105517
		2pc		P-U-9	2	4	JIC-G32299
				I-U-1	2		JIC-D42876
		2pc		N-N-9		4	JIC-G33239
LOADER LIFT				P-UB-9	2-1/4	4-1/2	JIC-G105520
				P-U-1	2-1/4		JIC-D42878
		2pc		N-N-9		4-1/2	JIC-DTVS4.5P
LOADER TILT		2pc		P-U-9	1-3/4	3-1/2	JIC-G105508
		2pc		P-U-9	1-3/4	3-1/2	JIC-G32228
				P-U-1	1-3/4		JIC-D42873
		2pc		N-N-9		3-1/2	JIC-G33237
RIPPER		2pc		P-U-9	1-3/4	4	JIC-G34626
				P-U-1	1-3/4		JIC-D42875
		2pc		N-N-9		4	JIC-G33239
MODEL 850B with Backhoe Model 35							
BACKHOE BOOM		1pc		P-UB-10	1-3/4	3-1/4	JIC-G105547
		2pc		P-UB-9	1-3/4	3-1/4	JIC-G105528
BACKHOE BUCKET		2pc		P-UB-9	2	3-1/2	JIC-G105527
		1pc		P-UB-10	2	3-1/2	JIC-G105546
BACKHOE DIPPER		1pc		P-UB-10	2	4	JIC-1543273C1
		2pc		P-UB-9	2	4	JIC-G105517
BACKHOE DIPPER EXT		1pc		P-UB-10	1-1/2	3	JIC-G105548

Replacement Kits For

CASE

Crawler Dozers/Loaders							
APPLICATION	CYL #	Piston	SERIAL #	CODE	ROD	BORE	KIT #
MODEL 850B with Backhoe Model 35							
BACKHOE DIPPER EXT		2pc		P-UB-9	1-1/2	3	JIC-G105512
BACKHOE STABILIZER		1pc		P-UB-10	2	4	JIC-1543273C1
		2pc		P-UB-9	2	4	JIC-G105517
BACKHOE SWING		2pc		P-UB-9	2	4	JIC-G105517
		1pc		P-UB-10	2	4	JIC-1543273C1
DOZER ANGLE		2pc		P-UB-9	2	4-1/2	JIC-G105525
DOZER LIFT		1pc		P-UB-10	1-1/2	3	JIC-G105548
		1pc		P-UB-10	1-3/4	3	JIC-G105549
DOZER TILT		1pc		P-UB-10	1-3/4	4	JIC-G105552
		1pc		P-UB-10	2	4	JIC-1543273C1
LOADER CLAM		1pc		P-UB-10	2	3-1/2	JIC-G105546
LOADER LIFT		1pc		P-UB-10	2	4	JIC-1543273C1
LOADER TILT		1pc		P-UB-10	2	3-1/2	JIC-G105546
RIPPER		1pc		P-UB-10	1-3/4	3-1/4	JIC-G105547
MODEL 850C, 855C with Backhoe Models 35A, 35C, 35C WL, 35 WL							
BACKHOE BOOM		1pc		P-UB-10	1-3/4	3-1/4	JIC-G105547
BACKHOE BUCKET		1pc		P-UB-10	2-1/2	3-1/2	JIC-G109504
		1pc		P-UB-10	2-1/2	4	JIC-G109424
		1pc		P-UB-10	2	3-1/2	JIC-G105546
		1pc		P-UB-10	2	4	JIC-1543273C1
BACKHOE DIPPER		1pc		P-UB-10	2	4	JIC-1543273C1
BACKHOE DIPPER EXT		1pc		P-UB-10	1-1/2	3	JIC-G105548
BACKHOE STABILIZER		1pc		P-UB-10	2	4	JIC-1543273C1
BACKHOE SWING		1pc		P-UB-10	2	4	JIC-1543273C1
DOZER ANGLE		2pc		P-UB-9	2	4-1/2	JIC-G105525
DOZER LIFT		1pc		P-UB-10	1-3/4	3	JIC-G105549
		1pc		P-UB-10	1-1/2	3	JIC-G105548
DOZER TILT		1pc		P-UB-10	2	4	JIC-1543273C1
				P-UB-10	1-3/4	4	JIC-G105552
LOADER CLAM		1pc		P-UB-10	2	3-1/2	JIC-G105546
LOADER LIFT		1pc		P-UB-10	2	4	JIC-1543273C1
LOADER TILT		1pc		P-UB-10	2	3-1/2	JIC-G105546
RIPPER		1pc		P-UB-10	1-3/4	3-1/4	JIC-G105547
MODEL 850D with Backhoe Models 35C, 35C WL							
BACKHOE BOOM		1pc		P-UB-10	1-3/4	3-1/4	JIC-1543265C1
BACKHOE BUCKET		1pc		P-UB-10	2-1/2	3-1/2	JIC-G109504
		1pc		P-UB-10	2-1/2	4	JIC-G109424
BACKHOE DIPPER		1pc		P-UB-10	2	4	JIC-1543273C1
BACKHOE DIPPER EXT		1pc		P-UB-10	1-1/2	3	JIC-G109452
BACKHOE STABILIZER		1pc		P-UB-10	2	4	JIC-1543273C1
BACKHOE SWING		1pc		P-UB-10	2	4	JIC-1543273C1
DOZER LIFT		1pc		P-UB-10	1-1/2	3	JIC-G109452
DOZER TILT		1pc		P-UB-10	2	4	JIC-1543273C1
LOADER CLAM		1pc		P-UB-10	2	3-1/2	JIC-G109453
LOADER LIFT		1pc		P-UB-10	2	4	JIC-1543273C1
LOADER TILT		1pc		P-UB-10	2	3-1/2	JIC-G109453
RIPPER		1pc		P-UB-10	1-3/4	3-1/4	JIC-1543265C1

Replacement Kits For

CASE

Crawler Dozers/Loaders							
APPLICATION	CYL #	Piston	SERIAL #	CODE	ROD	BORE	KIT #
MODEL 850E, 855E							
DOZER ANGLE	1542644C1			P-UB-10	2	4	JIC-1543273C1
	G103467			P-UB-9	2	4-1/2	JIC-1543270C1
DOZER LIFT	G101217			P-UB-10	1-1/2	3	JIC-1543252C1
DOZER TILT	G109485			P-UB-10	2	4	JIC-1543273C1
LOADER BUCKET	G101210			P-UB-10	2	3-1/2	JIC-1543274C1
LOADER CLAM	G101211			P-UB-10	2	3-1/2	JIC-1543274C1
LOADER LIFT L/H	G101213			P-UB-10	2	4	JIC-1543273C1
LOADER LIFT R/H	G101212			P-UB-10	2	4	JIC-1543273C1
RIPPER L/H	G101215			P-UB-10	1-3/4	3-1/4	JIC-1543265C1
RIPPER R/H	G101214			P-UB-10	1-3/4	3-1/4	JIC-1543265C1
MODEL 850G							
ANGLE	116969A1			P-UB-10	1-3/4	3-1/2	JIC-1543266C1
	190595A1			P-UB-10	1-3/4	3-1/2	JIC-1543266C1
LIFT	116211A1			P-UB-10	1-3/4	3-1/2	JIC-1543266C1
RIPPER L/H	G101215			P-UB-10	1-3/4	3-1/4	JIC-1543265C1
RIPPER R/H	G101214			P-UB-10	1-3/4	3-1/4	JIC-1543265C1
TILT	117511A1			P-UB-10	1-3/4	3-1/2	JIC-1543266C1
MODEL 1150 with Backhoe Models 32, 34, 36							
BACKHOE BOOM		2pc		P-U-9	2-1/4	5	JIC-G32696
				I-U-1	2		JIC-D42876
				P-U-1	2-1/4		JIC-D42878
		2pc		N-N-9		4-1/2	JIC-DTVS4.5P
		2pc		N-N-9		4	JIC-G33239
BACKHOE BUCKET		2pc		P-UB-9	2-1/2	4	JIC-G34636
				P-U-1	1-3/4		JIC-D42873
				I-U-1	2-1/4		JIC-D42877
		2pc		N-N-9		3-1/2	JIC-G33237
		2pc		N-N-9		4	JIC-G33239
BACKHOE DIPPER		2pc		P-UB-9	2-1/4	4-1/2	JIC-G105520
		2pc		P-UB-9	2-1/2	4-1/2	JIC-G105513
				I-U-1	2		JIC-D42876
				P-U-1	2-1/4		JIC-D42878
		2pc		N-N-9		4	JIC-G33239
		2pc		N-N-9		4-1/2	JIC-DTVS4.5P
BACKHOE STABILIZER		2pc		P-UB-9	2	4	JIC-G105517
		2pc		P-U-9	2	4	JIC-G32299
				P-U-1	1-3/4		JIC-D42873
				I-U-1	2		JIC-D42876
		2pc		N-N-9		4	JIC-G33239
		2pc		N-N-9		3-1/2	JIC-G33237
BACKHOE SWING		2pc		P-U-9	2	4-1/2	JIC-G32695
		2pc		P-UB-9	2	4-1/2	JIC-G105525
				P-U-1	1-3/4		JIC-D42875
		2pc		N-N-9		4	JIC-G33239
DOZER LIFT		2pc		P-U-9	1-3/4	3-1/2	JIC-G105518
		2pc		P-U-9	1-3/4	3-1/2	JIC-G105508

Replacement Kits For

CASE

Crawler Dozers/Loaders							
APPLICATION	CYL #	Piston	SERIAL #	CODE	ROD	BORE	KIT #
MODEL 1150 with Backhoe Models 32, 34, 36							
DOZER LIFT		2pc		P-UB-9	1-3/4	3-1/2	JIC-G105529
				P-U-1	1-3/4		JIC-D42873
		2pc		N-N-9		3-1/2	JIC-G33237
DOZER TILT		2pc		P-U-9	1-3/4	3-1/2	JIC-G105518
				P-U-1	1-3/4		JIC-D42873
		2pc		N-N-9		3-1/2	JIC-G33237
LOADER CLAM		2pc		P-UB-9	2-1/4	4-1/2	JIC-G105520
		2pc		P-U-9	2	4	JIC-G32299
				I-U-1	2		JIC-D42876
		2pc		N-N-9		4	JIC-G33239
LOADER LIFT		2pc		P-U-9	2-1/2	5-1/2	JIC-G33823
LOADER TILT		2pc		P-U-9	2-1/4	5	JIC-G32696
PIPPER		2pc		P-UB-9	2	4	JIC-G105526
		2pc		P-UB-9	2	4	JIC-G105517
				I-U-1	2		JIC-D42876
		2pc		N-N-9		4	JIC-G33239
MODEL 1150B							
DOZER ANGLE		2pc		P-U-9	1-3/4	3	JIC-G34643
		1pc		P-UB-10	1-3/4	3	JIC-G105549
		2pc		P-UB-9	1-3/4	3	JIC-G105523
DOZER TILT		2pc		P-UB-9	2-1/4	4-1/2	JIC-G105520
DOZER TILT & PITCH		2pc		P-UB-9	2-1/2	4	JIC-G34636
		1pc		P-UB-10	2-1/4	4	JIC-G105556
FELLER BUNCHER		2pc		P-UB-9	2-1/4	4-1/2	JIC-G105520
LOADER CLAM		2pc		P-UB-9	2-1/4	4-1/2	JIC-G105520
LOADER LIFT		2pc		P-UB-9	2-1/4	5	JIC-G105530
		2pc		P-U-9	2-1/4	5	JIC-G32696
LOADER TILT		2pc		P-UB-9	2-1/4	4-1/2	JIC-G105520
RIPPER		2pc		P-UB-9	2	4	JIC-G105526
		1pc		P-UB-10	2	4	JIC-1543273C1
MODEL 1150C, 1150D, 1155D							
DOZER ANGLE		1pc		P-UB-10	1-3/4	3	JIC-1543262C1
DOZER LIFT		1pc		P-UB-10	1-3/4	3-1/2	JIC-G109471
DOZER TILT		2pc		P-UB-9	2-1/4	4-1/2	JIC-G105520
DOZER TILT & PITCH		1pc		P-UB-10	2-1/4	4	JIC-G109505
LOADER CLAM		2pc		P-UB-9	2-1/4	4-1/2	JIC-G105520
LOADER LIFT		2pc		P-UB-9	2-1/4	5	JIC-G109501
LOADER TILT		2pc		P-UB-9	2-1/4	4-1/2	JIC-G105520
RIPPER		1pc		P-UB-10	2	4	JIC-1543273C1
MODEL 1150G							
ANGLE	G110702			P-UB-10	2-1/2	5	JIC-1542915C2
LIFT	G109819			P-UB-10	1-3/4	3-1/4	JIC-1543265C1
RIPPER	G101272			P-UB-10	2	4	JIC-1543273C1
	G101273			P-UB-10	2	4	JIC-1543273C1
TILT	G110694			P-UB-10	2-1/2	5	JIC-1542915C2

Replacement Kits For

CASE

Crawler Dozers/Loaders							
APPLICATION	CYL #	Piston	SERIAL #	CODE	ROD	BORE	KIT #
MODEL 1450							
DOZER ANGLE		1pc		P-UB-10	2	4	JIC-1543273C1
DOZER LIFT		2pc		P-UB-9	2	4	JIC-G105517
		1pc		P-UB-10	2	4	JIC-1543273C1
DOZER TILT		2pc		P-UB-9	3	6	JIC-G105516
DOZER TILT & PITCH		2pc		P-UB-9	2-1/2	5	JIC-G105515
LOADER CLAM		2pc		P-UB-9	2-1/4	4-1/2	JIC-G105520
LOADER LIFT		2pc		P-UB-9	2-1/2	5-1/2	JIC-G105514
LOADER TILT		2pc		P-UB-9	2-1/2	5	JIC-G105515
RIPPER		1pc		P-UB-10	2	4	JIC-1543273C1
		2pc		P-UB-9	2	4	JIC-G105526
MODEL 1450B, 1455B							
DOZER ANGLE		1pc		P-UB-10	2-1/4	4	JIC-G105556
DOZER LIFT		1pc		P-UB-10	2	4	JIC-1543273C1
DOZER TILT		2pc		P-UB-9	3	6	JIC-G105516
DOZER TILT & PITCH		2pc		P-UB-9	2-1/2	5	JIC-G105515
LOADER CLAM		2pc		P-UB-9	2-1/4	4-1/2	JIC-G105520
LOADER LIFT		2pc		P-UB-9	2-1/2	5-1/2	JIC-G105514
LOADER TILT		2pc		P-UB-9	2-1/2	5	JIC-G105515
RIPPER		1pc		P-UB-10	2	4	JIC-1543273C1
Excavators							
APPLICATION	CYL #	Piston	SERIAL #	CODE	ROD	BORE	KIT #
MODEL 880							
ARM		2pc	6200000-6201114	P-UB-9	2-1/2	5-1/2	JIC-G105514
		2pc	6201115-	P-UB-9	2-3/4	5-1/2	JIC-G105566
BOOM		2pc	6200000-6201114	P-UB-9	2-1/2	5-1/2	JIC-G105514
		2pc	6201115-	P-UB-9	2-3/4	5-1/2	JIC-G105566
BUCKET		2pc		P-UB-9	2-1/2	5	JIC-G105515
EXT BUCKET		2pc		P-UB-9	3	5	JIC-G105531
EXT DIPPER		2pc		P-UB-9	2-1/2	4	JIC-G34636
		1pc		P-UB-10	2-1/4	4	JIC-G105556
MODEL 880B, 880C, 880D							
ARM		2pc		P-UB-9	2-3/4	5-1/2	JIC-G105566
BOOM		2pc		P-UB-9	2-3/4	5-1/2	JIC-G105566
BUCKET		2pc		P-UB-9	2-1/2	5	JIC-G109499
MODEL 880R							
ARM		2pc		P-UB-9	2-3/4	5-1/2	JIC-G105566
BOOM		2pc		P-UB-9	2-3/4	5-1/2	JIC-G105566
EXT BUCKET		2pc		P-UB-9	3	5	JIC-G105531
EXT DIPPER		2pc	-5352380	P-UB-9	2-1/2	4	JIC-G34636
		1pc	5352381-	P-UB-10	2-1/4	4	JIC-G105556
MODEL 9010B							
ARM		1pc		P-UB-10	80 mm	115 mm	JIC-164494A1
BOOM		1pc		P-UB-10	75 mm	100 mm	JIC-164493A1
BUCKET		1pc		P-UB-10	70 mm	95 mm	JIC-162976A1
MODEL 9020B							
ARM		1pc		P-UB-10	90 mm	125 mm	JIC-161913A1

Replacement Kits For

CASE

Excavators							
APPLICATION	CYL #	Piston	SERIAL #	CODE	ROD	BORE	KIT #
MODEL 9020B							
BOOM		1pc		P-UB-10	80 mm	115 mm	JIC-161912A1
BUCKET		1pc		P-UB-10	75 mm	105 mm	JIC-161914A1
MODEL 9030B							
ARM (Long Reach)		1pc		P-UB-10	105 mm	150 mm	JIC-160227A1
ARM (w/o long reach)		1pc		P-UB-10	100 mm	135 mm	JIC-160579A1
BOOM (w/ load option)		1pc		P-UB-10	85 mm	125 mm	JIC-164183A1
BOOM (w/o load option)		1pc		P-UB-10	85 mm	125 mm	JIC-160577A1
BUCKET (Long Reach)		1pc		P-UB-10	70 mm	95 mm	JIC-162976A1
BUCKET (w/o long reach)		1pc		P-UB-10	80 mm	120 mm	JIC-160581A1
MODEL 9040B							
ARM	151155A1			P-UB-10	110 mm	160 mm	JIC-156002A1
	159453A1			P-UB-10	105 mm	150 mm	JIC-160227A1
	162816			P-UB-10	105 mm	150 mm	JIC-160227A1
BOOM	159462A1			P-UB-10	90 mm	130 mm	JIC-LZ00533
	159463A1			P-UB-10	90 mm	130 mm	JIC-LZ00533
	162815A1			P-UB-10	90 mm	130 mm	JIC-LZ00533
BUCKET	159452A1			P-UB-10	90 mm	135 mm	JIC-160229A1
	160752A1			P-UB-10	70 mm	95 mm	JIC-LZ00522
MODEL CX130							
ARM	KNV1617			P-UB-10	80 mm	115 mm	JIC-LZ00449
	KNV1621			P-UB-10	80 mm	115 mm	JIC-LZ00449
BOOM LH	KNV1616			P-UB-10	70 mm	105 mm	JIC-LZ00448
	KNV1620			P-UB-10	70 mm	105 mm	JIC-LZ00448
BOOM RH	KNV1615			P-UB-10	70 mm	105 mm	JIC-LZ00448
	KNV1619			P-UB-10	70 mm	105 mm	JIC-LZ00448
BUCKET	KNV1618			P-UB-10	65 mm	95 mm	JIC-LZ00450
DOZER BLADE LH	168637A1			P-U-10	70 mm	100 mm	JIC-LQU0245
DOZER BLADE RH	168636A1			P-U-10	70 mm	100 mm	JIC-LQU0245
MODEL CX135SR							
ARM (w/ Load Hold)	KMV2548		08/02-	P-UB-10	80 mm	115 mm	JIC-LZ00449
ARM (w/o Load Hold)	KNV1617		08/02-	P-UB-10	80 mm	115 mm	JIC-LZ00449
BOOM LH (w/ Load Hold)	KMV2547		08/02-	P-UB-10	75 mm	105 mm	JIC-LZ00453
BOOM LH (w/o Load Hold)	KMV2543		08/02-	P-UB-10	75 mm	105 mm	JIC-LZ00453
BOOM RH (w/ Load Hold)	KMV2546		08/02-	P-UB-10	75 mm	105 mm	JIC-LZ00453
BOOM RH (w/o Load Hold)	KMV2542		08/02-	P-UB-10	75 mm	105 mm	JIC-LZ00453
BUCKET	KMV2545		08/02-	P-UB-10	65 mm	95 mm	JIC-LZ00450
DOZER BLADE LH (w/ Load Hold)	KMV2554		08/02-	P-UB-10	70 mm	110 mm	JIC-LZ00457
DOZER BLADE LH (w/o Load Hold)	KMV2368		08/02-	P-UB-10	70 mm	110 mm	JIC-LZ00457
DOZER BLADE RH (w/ Load Hold)	KMV2553		08/02-	P-UB-10	70 mm	110 mm	JIC-LZ00457
DOZER BLADE RH (w/o Load Hold)	KMV2367		08/02-	P-UB-10	70 mm	110 mm	JIC-LZ00457
OFFSET ARM	KMV2551		08/02-	P-UB-10	75 mm	105 mm	JIC-LZ00455

Replacement Kits For

CASE

Excavators							
APPLICATION	CYL #	Piston	SERIAL #	CODE	ROD	BORE	KIT #
MODEL CX135SR							
OFFSET BOOM	KMV2552		08/02-	P-UB-10	65 mm	120 mm	JIC-LZ00456
MODEL CX160							
ARM (w/o Load Hold)	KLV0308			P-UB-10	90 mm	125 mm	JIC-LZ00452
ARM(w/ Load Hold)	KLV0353			P-UB-10	90 mm	125 mm	JIC-LZ00452
BOOM LH (w/ Load Hold)	KLV0352			I-UB-10	80 mm	115 mm	JIC-LZ00451
BOOM LH (w/o Load Hold)	KLV0306			I-UB-10	80 mm	115 mm	JIC-LZ00451
BOOM RH (w/ Load Hold)	KLV0351			I-UB-10	80 mm	115 mm	JIC-LZ00451
BOOM RH (w/o Load Hold)	KLV0307			I-UB-10	80 mm	115 mm	JIC-LZ00451
BUCKET	KLV0309			P-UB-10	75 mm	105 mm	JIC-LZ00453
MODEL CX210							
ARM (w/ Load Hold)	KRV3239			P-UB-10	95 mm	135 mm	JIC-LZ00446
ARM (w/o Load Hold)	KRV3236			P-UB-10	95 mm	135 mm	JIC-LZ00446
BOOM (w/ Load Hold)	KRV18920			P-UB-10	85 mm	120 mm	JIC-LZ00445
BOOM LH	KRV18910			P-UB-10	85 mm	120 mm	JIC-LZ00445
BOOM RH	KRV18900			P-UB-10	85 mm	120 mm	JIC-LZ00445
BUCKET	KRV3237			P-UB-10	80 mm	115 mm	JIC-LZ00447
MODEL CX240							
ARM (w/ Load Hold)	KBV1687			P-UB-10	105 mm	145 mm	JIC-LZ00443
ARM (w/o Load Hold)	KBV1789			P-UB-10	105 mm	145 mm	JIC-LZ00443
BOOM (w/ Load Hold)	KBV1686			P-UB-10	90 mm	125 mm	JIC-LZ00442
BOOM LH (w/o Load Hold)	KBV1788			P-UB-10	90 mm	125 mm	JIC-LZ00442
BOOM RH (w/o Load Hold)	KBV1787			P-UB-10	90 mm	125 mm	JIC-LZ00442
BUCKET	KBV1790			P-UB-10	90 mm	130 mm	JIC-LZ00444
Loaders - Skid Steer							
APPLICATION	CYL #	Piston	SERIAL #	CODE	ROD	BORE	KIT #
MODEL 40XT							
BACKHOE BOOM D100	G100936			P-UB-10	1-1/2	3	JIC-1543252C1
BACKHOE BOOM D125	305352A1			P-UB-10	1-1/2	3	JIC-1543256C1
BACKHOE BUCKET D100	G100936			P-UB-10	1-1/2	3	JIC-1543252C1
BACKHOE DIPPER D100	G100936			P-UB-10	1-1/2	3	JIC-1543252C1
BACKHOE DIPPER D125	1346411C3			P-UB-10	1-1/2	3	JIC-1543256C1
LIFT	87438185			P-UB-11	1-1/2	2-1/4	JIC-86613644
LOADER BUCKET	447169A1		JAF0374550- NA, JAF0348069- EU	P-U-10	35 mm	65 mm	JIC-86988481
LOADER LIFT	447170A1		JAF0374550- NA, JAF0348069- EU	P-U-10	40 mm	60 mm	JIC-86988474
	86614636		-JAF0374549 NA, - JAF0348068 EU	P-UB-11	1-1/2	2-1/4	JIC-86613644
STABILIZER Vertical	H514117			P-U-10	1	2	JIC-H52704
MODEL 60XT							
BACKHOE BOOM D100	G100936			P-UB-10	1-1/2	3	JIC-1543252C1
BACKHOE BOOM D125	305352A1			P-UB-10	1-1/2	3	JIC-1543256C1

Replacement Kits For

CASE

Loaders - Skid Steer							
APPLICATION	CYL #	Piston	SERIAL #	CODE	ROD	BORE	KIT #
MODEL 60XT							
BACKHOE BUCKET D100	G100936			P-UB-10	1-1/2	3	JIC-1543252C1
BACKHOE DIPPER D100	G100936			P-UB-10	1-1/2	3	JIC-1543252C1
BACKHOE DIPPER D125	1346411C3			P-UB-10	1-1/2	3	JIC-1543256C1
LOADER BUCKET	447171A1		JAF0350357- NA, JAF0350744- EU	P-U-10	35 mm	70 mm	JIC-86988490
	86614637		-JAF0350356 NA, - JAF0350743 EU	P-UB-11	1-3/8	2-3/4	JIC-86613643
LOADER LIFT	447173A1		JAF0350357- NA, JAF0350744- EU	P-U-10	40 mm	65 mm	JIC-86988486
	86614638		-JAF0350356 NA, - JAF0350743 EU	P-UB-11	1-1/2	2-1/2	JIC-86631598
STABILIZER Vertical	H514117			P-U-10	1	2	JIC-H52704
TILT	87438187			P-UB-11	1-3/8	2-3/4	JIC-86613643
	87438193			P-U-11	1-1/2	3	JIC-86614269
MODEL 70XT							
BACKHOE BOOM	305352A1			P-UB-10	1-1/2	3	JIC-1543256C1
BACKHOE DIPPER	1346411C3			P-UB-10	1-1/2	3	JIC-1543256C1
LIFT	87438190			P-UB-11	1-1/2	2-1/2	JIC-86631598
LOADER BUCKET	447172A1		JAF0371244- NA, JAF0351855- EU	P-U-10	35 mm	75 mm	JIC-86988494
	86614639		-JAF0371243 NA, - JAF0351854 EU	P-U-11	1-1/2	3	JIC-86614269
LOADER LIFT	447173A1		JAF0350744- NA, JAF0371244- EU	P-U-10	40 mm	65 mm	JIC-86988486
	86614638		-JAF0371243 NA, - JAF0351854 EU	P-UB-11	1-1/2	2-1/2	JIC-86631598
STABILIZER Vertical	H514117			P-U-10	1	2	JIC-H52704
TILT	87438187			P-UB-11	1-3/8	2-3/4	JIC-86613643
	87438193			P-U-11	1-1/2	3	JIC-86614269
MODEL 95XT							
BACKHOE BOOM	1346450C2	1pc		P-UB-10	1-1/2	3	JIC-1543256C1
BACKHOE BUCKET	1346397C2	1pc		P-UB-10	1-1/2	2-3/4	JIC-1346409C2
BACKHOE DIPPER	1346411C2	1pc		P-UB-10	1-1/2	3	JIC-1543256C1
BACKHOE SWING	H673149			P-OB-1	2-3/4		JIC-H53041
LOADER LIFT	139091A3	1pc		P-UB-10,12	1-3/4	2-1/2	JIC-198376A2
STABILIZER (Fold Down)	101643A1	1pc		P-U-10	1-3/8	3	JIC-700710260
STABILIZER (Vertical)	H514117	1pc		P-U-10	1	2	JIC-H52704
TRENCHER BOOM LIFT	221700A1	1pc		P-U-10	1-3/4	3-1/2	JIC-235933A1
MODEL 1818							
BUCKET TILT	D136128	1pc		P-U-10	1	2	JIC-N14638
LOADER BUCKET	104517A1	1pc		P-U-10	1	2	JIC-110510A1
LOADER LIFT	104516A1	1pc		P-U-10	1-3/8	2	JIC-110507A1
	D136838	1pc		P-U-10	1-1/4	2	JIC-N14639
MODEL 1825							
BUCKET TILT	D136128	1pc		P-U-10	1	2	JIC-N14638
LOADER BUCKET	104517A1	1pc		P-U-10	1	2	JIC-110510A1
LOADER LIFT	104516A1	1pc		P-U-10	1-3/8	2	JIC-110507A1

Replacement Kits For

CASE

Loaders - Skid Steer							
APPLICATION	CYL #	Piston	SERIAL #	CODE	ROD	BORE	KIT #
MODEL 1825							
LOADER LIFT	D136838	1pc		P-U-10	1-1/4	2	JIC-N14639
MODEL 1835							
GRAPPLE	D61075	1pc		P-U-10	1	2	JIC-D61006
LOADER BUCKET		1pc		P-UB-10	1-1/4	2-1/2	JIC-G109476
	G103407	1pc		P-U-10	1-1/4	2-1/8	JIC-G105507
LOADER LIFT		1pc		P-UB-10	1-1/2	2-1/2	JIC-G109458
	G34864	1pc		P-U-10	1-1/4	2-1/8	JIC-G34819
MODEL 1835B							
GRAPPLE	D61075	1pc		P-U-10	1	2	JIC-D61006
LOADER BUCKET	G103407	1pc		P-UB-10	1-1/4	2-1/2	JIC-G109476
LOADER LIFT		1pc		P-UB-10	1-1/2	2-1/2	JIC-G109458
	G106818	1pc		P-UB-10	1-1/2	2-1/2	JIC-128725A1
MODEL 1835C							
BUCKET TILT	118110A1	1pc	JAF0130838-	P-U-10	1-1/4	2-1/2	JIC-128728A1
	G103407	1pc	-JAF0130838	P-U-10	1-1/4	2-1/2	JIC-128728A1
GRAPPLE	D61075	1pc		P-U-10	1	2	JIC-D61006
LIFT		1pc		P-U-10	1-1/4	2-1/8	JIC-G34819
	117824A1	1pc	JAF0130838-	P-UB-10	1-1/2	2-1/2	JIC-128725A1
	G110666	1pc	-JAF0130838	P-UB-10	1-1/2	2-1/2	JIC-128725A1
MODEL 1838							
BACKHOE BOOM, DIPPER, & BUCKET	G100936	1pc		P-UB-10	1-1/2	3	JIC-1543252C1
BACKHOE DIPPER	G109376	1pc		P-UB-10	1-1/2	3	JIC-1543313C1
BACKHOE SWING	H514125			P-OB-1	2-3/4		JIC-H53041
GRAPPLE	D61010	1pc		P-U-10	1	2	JIC-D61006
LOADER BUCKET TILT	118110A1	1pc		P-U-10	1-1/4	2-1/2	JIC-128728A1
LOADER LIFT	117824A1	1pc		P-UB-10	1-1/2	2-1/2	JIC-128725A1
STABILIZER (Fold Down)	101643A1	1pc		P-U-10	1-3/8	3	JIC-700710260
STABILIZER (Vertical)	H514117	1pc		P-U-10	1	2	JIC-H52704
MODEL 1840							
BACKHOE BOOM	1346450C2	1pc		P-UB-10	1-1/2	3	JIC-1543256C1
BACKHOE BUCKET	1346397C2	1pc		P-UB-10	1-1/2	2-3/4	JIC-1346409C2
BACKHOE DIPPER	1346411C1	1pc		P-UB-10	1-1/2	3	JIC-1543256C1
BACKHOE SWING	H673149			P-OB-1	2-3/4		JIC-H53041
GRAPPLE	D61075	1pc		P-U-10	1	2	JIC-D61006
LOADER BUCKET TILT	118110A1	1pc		P-U-10	1-1/4	2-1/2	JIC-128728A1
	G103407	1pc		P-U-10	1-1/4	2-1/2	JIC-128728A1
LOADER LIFT	117824A1	1pc		P-UB-10	1-1/2	2-1/2	JIC-128725A1
	G110666	1pc		P-UB-10	1-1/2	2-1/2	JIC-128725A1
STABILIZER (Vertical)	H514117	1pc		P-U-10	1	2	JIC-H52704
MODEL 1845, 1845S							
4-IN-1 BUCKET	G33748	1pc		P-UB-10	1-1/2	3	JIC-1543313C1
BUCKET DUMP	G34926	1pc		P-U-10	1-1/4	2-1/8	JIC-G105507
LOADER LIFT - 1845	G37917	1pc		P-UB-10	1-1/2	2-1/2	JIC-128725A1
LOADER LIFT - 1845S	G100295	1pc		P-UB-10	1-1/2	2-1/2	JIC-128725A1
SCARIFIER	G33744	1pc		P-UB-10	1-1/2	3	JIC-1543313C1

Replacement Kits For

CASE

Loaders - Skid Steer							
APPLICATION	CYL #	Piston	SERIAL #	CODE	ROD	BORE	KIT #
MODEL 1845B							
LOADER BUCKET	G34926	1pc		P-UB-10	1-1/4	2-1/2	JIC-G109476
LOADER CLAM	G33748	1pc		P-UB-10	1-1/2	3	JIC-1543313C1
LOADER LIFT	G100295	1pc		P-UB-10	1-1/2	2-1/2	JIC-128725A1
SCARIFIER	G33744	1pc		P-UB-10	1-1/2	3	JIC-1543313C1
MODEL 1845C							
BACKHOE BOOM	1346450C2	1pc		P-UB-10	1-1/2	3	JIC-1543256C1
BACKHOE BUCKET	1346397C2	1pc		P-UB-10	1-1/2	2-3/4	JIC-1346409C2
BACKHOE DIPPER	1346411C1	1pc		P-UB-10	1-1/2	3	JIC-1543256C1
	G109376	1pc		P-UB-10	1-1/2	3	JIC-1543313C1
BACKHOE SWING	H673149			P-OB-1	2-3/4		JIC-H53041
BOOM, DIPPER, & BUCKET	G100936	1pc		P-UB-10	1-1/2	3	JIC-1543252C1
LOADER BUCKET	G34926	1pc		P-U-10	1-1/4	2-1/2	JIC-128728A1
LOADER LIFT	117903A1	1pc		P-UB-10	1-1/2	2-1/2	JIC-128725A1
	129011A1	1pc		P-UB-10	1-1/2	2-1/2	JIC-128725A1
	G109773	1pc		P-UB-10	1-1/2	2-1/2	JIC-128725A1
	G109777	1pc		P-UB-10	1-1/2	2-1/2	JIC-128725A1
STABILIZER	101643A1	1pc		P-U-10	1-3/8	3	JIC-700710260
	H514117	1pc		P-U-10	1	2	JIC-H52704
	H672226	1pc		P-U-10	1-3/8	3	JIC-700710260
SWING	H514125			P-OB-1	2-3/4		JIC-H53041
Loaders - Wheel							
APPLICATION	CYL #	Piston	SERIAL #	CODE	ROD	BORE	KIT #
MODEL 521D							
LOADER BUCKET (Z-BAR)	87366674		JEE0135501-	P-UB-3	2-1/2	4-1/4	JIC-87434291
MODEL 621							
LOADER CLAM	S300146	1pc	-JAK0021701	I-U-10	2	4	JIC-S300163
	S301479	1pc	JAK0021701-	I-U-10	2	4	JIC-S301442
LOADER LIFT	134596C1		JAK0021701-	P-UB-10	3	5	JIC-1543305C1
	G110354	1pc	JAK0021700-	P-UB-10	3	5	JIC-1543305C1
	G110355	1pc	-JAK0021700	P-UB-10	3	5	JIC-1543305C1
LOADER TILT	1343552C2	1pc	JAK0020901-	P-UB-10	3	6	JIC-G110526
	1980354C1		JAK0020286- JAK0020900	P-UB-10	3	6	JIC-G110526
	G110312	1pc	-JAK0020286	P-UB-10	3	6	JIC-G110526
STEERING	1976862C1	1pc	ALL	P-UB-10	1-3/4	3	JIC-G110049
MODEL 621B							
LOADER CLAM	S301431	1pc		I-U-10	2	4	JIC-S301442
LOADER LIFT	1343595C1			P-UB-10	3	5	JIC-1543305C1
	1343596C1	1pc		P-UB-10	3	5	JIC-1543305C1
LOADER TILT, XT LOADER	112551A1	1pc		P-UB-10	2-1/4	4-1/2	JIC-1543279C1
LOADER TILT, Z-BAR	1343552C2	1pc		P-UB-10	3	6	JIC-G110526
STEERING	1976862C1	1pc		P-UB-10	1-3/4	3	JIC-1543267C1
MODEL 621C							
LOADER LIFT	280706A1		ALL	P-UB-10	3	5	JIC-1543305C1

Replacement Kits For

CASE

Loaders - Wheel							
APPLICATION	CYL #	Piston	SERIAL #	CODE	ROD	BORE	KIT #
MODEL 621C							
LOADER TILT	112551A1		ALL	P-UB-10	2-1/4	4-1/2	JIC-1543279C1
	125872A1		ALL	P-UB-10	3	6	JIC-1543306C1
	1343552C2		ALL	P-UB-10	3	6	JIC-1543306C1
STEERING	1976862C1		ALL	P-UB-10	1-3/4	3	JIC-1543267C1
MODEL 621D							
LOADER BUCKET (XR)	87366695		JEE0135501-	P-UB-3	3	5	JIC-87434293
LOADER BUCKET (Z-BAR)	87366688		JEE0135501-	P-UB-3	3	5	JIC-87434293
MODEL 721							
LOADER CLAM	S300146	1pc		I-U-10	2	4	JIC-S300163
	S301431			I-U-10	2	4	JIC-S301442
	S301479	1pc		I-U-10	2	4	JIC-S301442
LOADER LIFT	1343595C1			P-UB-10	3	5	JIC-1543305C1
	1343596C1			P-UB-10	3	5	JIC-1543305C1
	G110354	1pc		P-UB-10	3	5	JIC-1543305C1
	G110355			P-UB-10	3	5	JIC-1543305C1
LOADER TILT	1345991C1	1pc	JAK0022102- JAK0022217	P-UB-10	3	6-1/2	JIC-1543303C1
	1980347C4	1pc	JAK002218-	P-UB-10	3	6-1/2	JIC-1543303C1
STEERING	1976862C1	1pc		P-UB-10	1-3/4	3	JIC-G110049
MODEL 721B							
LOADER CLAM	S301431	1pc		I-U-10	2	4	JIC-S301442
LOADER LIFT	1343595C1	1pc		P-UB-10	3	5	JIC-1543305C1
	1343596C1	1pc		P-UB-10	3	5	JIC-1543305C1
LOADER TILT, XT LOADER	112551A1	1pc		P-UB-10	2-1/4	4-1/2	JIC-1543279C1
LOADER TILT, Z-BAR	1980347C4	1pc		P-UB-10	3	6-1/2	JIC-1543303C1
STEERING	1976862C1	1pc		P-UB-10	1-3/4	3	JIC-1543267C1
MODEL 721C							
LOADER LIFT	280706A1		ALL	P-UB-10	3	5	JIC-1543305C1
LOADER TILT	112551A1		ALL	P-UB-10	2-1/4	4-1/2	JIC-1543279C1
	125873A1		ALL	P-UB-10	3	6-1/2	JIC-1543303C1
	308986A1		ALL	P-UB-10	3	6-1/2	JIC-1543303C1
STEERING	1976862C1		ALL	P-UB-10	1-3/4	3	JIC-1543267C1
MODEL 721D							
LOAD BUCKET (XT)	87324809		01/03-	I-UB-10	2-1/4	4-1/2	JIC-87440117
	87440056		01/03-	I-UB-10	2-1/4	4-1/2	JIC-87440117
LOAD BUCKET (Z-BAR)	87441197		01/03-	P-UB-10	3	6	JIC-87442965
MODEL 821							
LOADER CLAM	S301000	1pc		I-U-10	2-1/2	5	JIC-S301013
LOADER LIFT	1340743C3	1pc		P-UB-10	3	6	JIC-G110526
	1986601C1	1pc		P-UB-10	3-1/2	6	JIC-1986823C2
LOADER TILT	1980385C3	1pc		P-UB-10	3-1/2	7	JIC-1543309C1
STEERING	1986978C1		JAK0024132-	P-UB-10	1-3/4	3-1/2	JIC-G110621
	1994558C1	1pc	JAK0024132	P-UB-10	1-3/4	3-1/2	JIC-G110621
MODEL 821B							
LOADER CLAM	S301000	1pc		I-U-10	2-1/2	5	JIC-S301013

CASE

Replacement Kits For

Loaders - Wheel							
APPLICATION	CYL #	Piston	SERIAL #	CODE	ROD	BORE	KIT #
MODEL 821B							
LOADER LIFT	1986601C1	1pc		P-UB-10	3-1/2	6	JIC-1986823C2
LOADER TILT	1980386C3	1pc		P-UB-10	3-1/2	7	JIC-1543309C1
STEERING	1986978C1	1pc		P-UB-10	1-3/4	3-1/2	JIC-1543266C1
MODEL 821C							
LOADER LIFT	1986601C1		ALL	P-UB-10	3-1/2	6	JIC-1986823C2
LOADER TILT	190385C3		ALL	P-UB-10	3-1/2	7	JIC-1543309C1
STEERING	229402A1		ALL	P-UB-10	1-3/4	3-1/2	JIC-1543266C1
MODEL 921							
LOADER LIFT	1986603C1	1pc		P-UB-10	4	7	JIC-1986920C2
LOADER TILT	1346171C3	1pc		P-UB-10	4	8	JIC-1346357C2
STEERING	1346169C2	1pc	1346267C1 & 1346268C1	P-UB-10	2	4	JIC-1543269C1
	1346169C2	1pc	1346269C1 Gland	P-UB-10	2	4	JIC-1543269C1
MODEL 921C							
LOADER LIFT	1986603C1		ALL	P-UB-10	4	7	JIC-1986920C2
LOADER TILT	1346171C3		ALL	P-UB-10	4	8	JIC-1346357C2
STEERING	1346169C4		ALL	P-UB-10	2	4	JIC-1543269C1
MODEL W3							
BACKHOE BOOM				I-U-1	2		JIC-D42876
		2pc		N-N-9		4	JIC-G33239
BACKHOE BUCKET				P-U-1	1-3/4		JIC-D42873
		2pc		N-N-9		3-1/2	JIC-G33237
BACKHOE DIPPER				I-U-1	2		JIC-D42876
		2pc		N-N-9		4	JIC-G33239
BACKHOE STABILIZER				P-U-1	1-3/4		JIC-D42873
		2pc		N-N-9		3-1/2	JIC-G33237
LOADER LIFT				P-U-1	1-1/2		JIC-D42870
		2pc		N-N-9		3	JIC-G33151
LOADER TILT				P-U-1	1-1/2		JIC-D42869
		2pc		N-N-9		2-1/2	JIC-G33193
MODEL W7, W7C, W7E							
BACKHOE BOOM		2pc		P-UB-9	2-1/4	4-1/2	JIC-G105520
		2pc		P-U-9	2	4	JIC-G32299
				I-U-1	2		JIC-D42876
				P-U-1	2-1/4		JIC-D42878
		2pc		N-N-9		3	JIC-G33151
		2pc		N-N-9		4-1/2	JIC-DTVS4.5P
BACKHOE BUCKET		2pc		P-UB-9	2-1/2	4	JIC-G34636
		2pc		P-U-9	2	3-1/2	JIC-G32293
				P-U-1	1-3/4		JIC-D42873
				I-U-1	2		JIC-D42874
				I-U-1	2-1/4		JIC-D42877
		2pc		N-N-9		3-1/2	JIC-G33237
		2pc		N-N-9		4	JIC-G33239
				P-UB-9	2-1/4	4-1/2	JIC-G105520
BACKHOE DIPPER		2pc		P-U-9	2	4	JIC-G32299
		2pc		P-UB-9	2-1/4	4-1/2	JIC-G105520

Replacement Kits For

CASE

Loaders - Wheel							
APPLICATION	CYL #	Piston	SERIAL #	CODE	ROD	BORE	KIT #
MODEL W7, W7C, W7E							
BACKHOE DIPPER				P-U-1	2-1/4		JIC-D42878
				I-U-1	2		JIC-D42876
		2pc		N-N-9		4	JIC-G33239
		2pc		N-N-9		4-1/2	JIC-DTVS4.5P
BACKHOE STABILIZER		2pc		P-U-9	1-3/4	3-1/2	JIC-G105518
		2pc		P-UB-9	1-3/4	3-1/2	JIC-G105529
		2pc		P-U-9	2	4	JIC-G32299
				I-U-1	2		JIC-D42876
				P-U-1	1-3/4		JIC-D42873
		2pc		N-N-9		3-1/2	JIC-G33237
		2pc		N-N-9		4	JIC-G33239
BACKHOE SWING		2pc		P-UB-9	1-3/4	4	JIC-G105519
				P-U-1	1-3/4		JIC-D42875
		2pc		N-N-9		4	JIC-G33239
LOADER LIFT		2pc		P-U-9	2	4	JIC-G32299
				I-U-1	2		JIC-D42876
		2pc		N-N-9		4	JIC-G33239
LOADER TILT		2pc		P-UB-9	1-1/2	3	JIC-G105512
MODEL W8E							
LOADER LIFT		2pc		P-U-9	2-1/2	5	JIC-G32184
LOADER TILT		2pc		P-U-9	1-3/4	3-1/2	JIC-G32228
MODEL W9, W9A, W9B, W9C, W9E, W10, W10B, W10C, W10E							
BACKHOE BOOM		2pc		P-U-9	2	4	JIC-G32299
		2pc		P-UB-9	2-1/4	4-1/2	JIC-G105520
				I-U-1	2		JIC-D42876
				P-U-1	2-1/4		JIC-D42878
		2pc		N-N-9		4	JIC-G33239
		2pc		N-N-9		4-1/2	JIC-DTVS4.5P
BACKHOE BUCKET		2pc		P-UB-9	2-1/2	4	JIC-G34636
		2pc		P-U-9	2	3-1/2	JIC-G32293
				I-U-1	2		JIC-D42874
				P-U-1	1-3/4		JIC-D42873
				I-U-1	2-1/4		JIC-D42877
		2pc		N-N-9		4	JIC-G33239
		2pc		N-N-9		3-1/2	JIC-G33237
BACKHOE DIPPER		2pc		P-U-9	2	4	JIC-G32299
		2pc		P-UB-9	2-1/4	4-1/2	JIC-G105520
				P-U-1	2-1/4		JIC-D42878
				I-U-1	2		JIC-D42876
		2pc		N-N-9		4	JIC-G33239
		2pc		N-N-9		4-1/2	JIC-DTVS4.5P
BACKHOE STABILIZER		2pc		P-U-9	2	4	JIC-G32299
		2pc		P-U-9	1-3/4	3-1/2	JIC-G105518
		2pc		P-UB-9	1-3/4	3-1/2	JIC-G105529
				I-U-1	2		JIC-D42876
				P-U-1	1-3/4		JIC-D42873

Replacement Kits For

CASE

Loaders - Wheel							
APPLICATION	CYL #	Piston	SERIAL #	CODE	ROD	BORE	KIT #
MODEL W9, W9A, W9B, W9C, W9E, W10, W10B, W10C, W10E							
BACKHOE STABILIZER		2pc		N-N-9		3-1/2	JIC-G33237
		2pc		N-N-9		4	JIC-G33239
BACKHOE SWING		2pc		P-UB-9	1-3/4	4	JIC-G105519
				P-U-1	1-3/4		JIC-D42875
		2pc		N-N-9		4	JIC-G33239
LOADER LIFT		2pc		P-U-9	2-1/2	5	JIC-G32184
LOADER TILT		2pc		P-U-9	1-3/4	3-1/2	JIC-G32228
MODEL W11, W11B							
LOADER CLAM		1pc		P-UB-10	1-3/4	3	JIC-1543262C1
LOADER LIFT		1pc		P-UB-10	2	3-1/2	JIC-G109453
LOADER TILT		1pc		P-UB-10	1-1/2	2-1/2	JIC-1543253C1
STEERING		1pc		P-UB-10	1-1/2	3	JIC-G109452
MODEL W14, W14L, W14H							
BACKHOE BOOM		1pc		P-UB-10	2-1/4	4	JIC-G109505
		2pc		P-UB-9	1-3/4	3-1/4	JIC-G105528
		1pc		P-UB-10	1-3/4	3-1/4	JIC-1543265C1
		2pc		P-UB-9	2-1/2	4	JIC-G34636
BACKHOE BUCKET		2pc		P-UB-9	2	3-1/2	JIC-G109454
		1pc		P-UB-10	2	3-1/2	JIC-G109453
		1pc		P-UB-10	2-1/2	3-1/2	JIC-G109504
		2pc		P-UB-9	1-3/4	3	JIC-G109462
		1pc		P-UB-10	1-3/4	3	JIC-1543262C1
		2pc		P-UB-10	1-1/2	3	JIC-G109452
		1pc		P-UB-10	2-1/2	4	JIC-G109424
BACKHOE DIPPER		1pc		P-UB-10	2	3-1/2	JIC-G109453
		1pc		P-UB-10	2	4	JIC-1543273C1
		2pc		P-UB-9	2	3-1/2	JIC-G109454
		2pc		P-UB-9	2	4	JIC-G109421
BACKHOE DIPPER EXT		1pc		P-UB-10	1-1/2	3	JIC-G109452
		2pc		P-UB-9	1-1/2	3	JIC-G105512
BACKHOE STABILIZER		1pc		P-UB-10	2	4	JIC-1543273C1
		2pc		P-UB-9	2	4	JIC-G109421
		1pc		P-UB-10	1-3/4	3-1/2	JIC-G109471
		2pc		P-UB-9	1-3/4	3-1/2	JIC-G109470
BACKHOE SWING		1pc		P-UB-10	1-1/2	3-1/2	JIC-G109472
		2pc		P-U-9	1-1/2	3-1/2	JIC-G34652
		2pc		P-UB-9	2	4	JIC-G109421
		1pc		P-UB-10	2	4	JIC-1543273C1
LOADER CLAM		1pc		P-UB-10	1-1/2	3	JIC-G109452
		2pc		P-UB-9	1-1/2	3	JIC-G105512
LOADER GRAPPLE		1pc		P-UB-10	1-1/2	3	JIC-G109418
LOADER LIFT		2pc		P-UB-9	2-1/4	4-1/2	JIC-G105520
LOADER TILT		1pc		P-UB-10	1-3/4	3	JIC-1543262C1
		2pc		P-UB-9	1-3/4	3	JIC-G109462
STEERING		1pc		P-UB-10	1-1/4	2-1/2	JIC-G109475
		2pc		P-U-9	1-1/4	2-1/2	JIC-G32295

Replacement Kits For

CASE

Loaders - Wheel							
APPLICATION	CYL #	Piston	SERIAL #	CODE	ROD	BORE	KIT #
MODEL W14B							
LOADER CLAM		1pc		P-UB-10	1-1/2	3	JIC-G109452
LOADER GRAPPLE		1pc		P-UB-10	1-1/2	3	JIC-G109418
LOADER LIFT		2pc		P-UB-9	2-1/4	4-1/2	JIC-G105520
LOADER TILT		1pc		P-UB-10	2	3-1/2	JIC-G109453
STEERING		1pc		P-UB-10	1-1/4	2-1/2	JIC-G109475
MODEL W18, W20, W20B							
LOADER CLAM		1pc		P-UB-10	2	4	JIC-1543273C1
		2pc		P-U-9	2	4	JIC-G32299
LOADER LIFT		2pc	-9115602	P-U-9	3	5	JIC-G32668
		2pc	9115603-9123139	P-U-9	3	5	JIC-G109502
		2pc	9123140-	P-UB-9	2-1/2	5	JIC-G105515
LOADER TILT		1pc		P-UB-10	2	4	JIC-1543273C1
		2pc		P-UB-9	2	4	JIC-G109421
STEERING		2pc		P-UB-9	1-1/2	3	JIC-G105512
		1pc		P-UB-10	1-1/2	3	JIC-G109452
MODEL W18B, W20C							
LOADER LIFT		2pc	ALL	P-UB-9	2-1/2	5	JIC-G105515
LOADER TILT		1pc		P-UB-10	2	4	JIC-1543273C1
STEERING		1pc		P-UB-10	1-1/2	3	JIC-G109452
MODEL W24							
LOADER CLAM		2pc		P-U-9	2	4	JIC-G32299
				I-U-1	2		JIC-D42876
		2pc		N-N-9		4	JIC-G33239
LOADER LIFT		2pc		P-U-9	3	5	JIC-G32668
LOADER TILT		2pc		P-UB-9	2-1/2	4-1/2	JIC-G105513
STEERING		2pc		N-N-9		3	JIC-G33151
			-9105108	P-U-1	1-1/2		JIC-D42870
		2pc	9105109-	P-UB-9	1-1/2	3	JIC-G105512
MODEL W24B							
LOADER CLAM		2pc		P-U-9	2	4	JIC-G34335
		1pc		P-UB-10	2	4	JIC-1543273C1
		2pc		P-U-9	2	4	JIC-G32299
LOADER LIFT		2pc		P-U-9	3	5	JIC-G32668
		2pc		P-UB-9	3	5	JIC-G105531
		2pc		P-U-9	3	5	JIC-G34334
LOADER TILT		2pc		P-UB-9	2-1/2	4-1/2	JIC-G105513
STEERING		2pc		P-UB-9	1-1/2	3	JIC-G105512
		1pc		P-UB-10	1-1/2	3	JIC-G105548
MODEL W24C							
LOADER CLAM		1pc		P-UB-10	2	4	JIC-1543273C1
LOADER LIFT		2pc		P-UB-9	3	5	JIC-G105531
LOADER TILT		2pc		P-UB-9	2-1/2	4-1/2	JIC-G105513
STEERING		1pc		P-UB-10	1-1/2	3	JIC-G105548
MODEL W26B, W26FL							
LOADER LIFT		2pc	9107499-	P-UB-9	3	6	JIC-G105516
LOADER TILT		2pc		P-U-9	2-1/2	5	JIC-G32184

CASE

Replacement Kits For

Loaders - Wheel							
APPLICATION	CYL #	Piston	SERIAL #	CODE	ROD	BORE	KIT #
MODEL W26B, W26FL							
LOADER TILT		2pc		P-UB-9	2-1/2	5	JIC-G105515
STEERING		2pc		P-U-9	2	3-1/2	JIC-G32293
		2pc		P-UB-9	2	3-1/2	JIC-G105527
				I-U-1	2		JIC-D42874
		2pc		N-N-9		3-1/2	JIC-G33237
MODEL W30							
LOADER CLAM		1pc		P-UB-10	2	4	JIC-1543273C1
LOADER TILT		2pc		P-UB-9	2-1/4	4-1/2	JIC-G105520
STEERING		1pc		P-UB-10	1-3/4	3-1/4	JIC-G105547
MODEL W36							
LOADER LIFT		2pc		P-UB-9	3	6	JIC-G105516
LOADER TILT		2pc		P-UB-9	2-1/4	4-1/2	JIC-G105520
STEERING		2pc		P-UB-9	2	4	JIC-G105517
		1pc		P-UB-10	2	4	JIC-1543273C1
Uni-Loaders							
APPLICATION	CYL #	Piston	SERIAL #	CODE	ROD	BORE	KIT #
MODEL 1530B							
BUCKET		1pc		P-UB-10	1-1/2	3	JIC-G105502
BUCKET CLAM		1pc		P-UB-10	1-1/2	3	JIC-G105502
GRAPPLE		1pc		P-U-10	1	2	JIC-D61006
LIFT		1pc	-9818250	P-UB-10	1-1/2	3	JIC-G105502
		1pc	9818251-	P-UB-10	1-1/2	2-1/2	JIC-G109458
SCARIFIER		1pc		P-UB-10	1-1/2	3	JIC-G105502
WOOD TICK		1pc		P-UB-10	1-1/2	3	JIC-G105502
MODEL 1700							
BUCKET		1pc		P-UB-10	1-1/2	3	JIC-G105502
BUCKET CLAM		1pc		P-UB-10	1-1/2	3	JIC-G105502
GRAPPLE		1pc		P-U-10	1	2	JIC-D61006
LIFT		1pc		P-UB-10	1-1/2	3	JIC-G105502
SCARIFIER		1pc		P-UB-10	1-1/2	3	JIC-G105502
WOOD TICK		1pc		P-UB-10	1-1/2	3	JIC-G105502
MODEL 1816B, 1816C							
BUCKET		1pc		P-U-10	1	2	JIC-D61006
GRAPPLE		1pc		P-U-10	1	2	JIC-D61006
LIFT		1pc		P-U-10	1	2	JIC-D61006
MODEL 1818							
BUCKET TILT	D136128			P-U-10	1	2	JIC-N14638
LOADER LIFT	D136838			P-U-10	1-1/4	2	JIC-N14639
MODEL 1825							
BUCKET 4-IN-1	E99740			P-U-10	1	2	JIC-N14638
BUCKET TILT	D136128			P-U-10	1	2	JIC-N14638
LOADER LIFT	D136838			P-U-10	1-1/4	2	JIC-N14639
MODEL 1830							
BUCKET		1pc		P-U-10	1	2-1/2	JIC-G35378
		1pc		P-U-10	1-1/4	2-1/8	JIC-G105507
		1pc		P-U-10	1	2-1/2	JIC-G34807

Replacement Kits For

CASE

Uni-Loaders							
APPLICATION	CYL #	Piston	SERIAL #	CODE	ROD	BORE	KIT #
MODEL 1830							
GRAPPLE		1pc		P-U-10	1	2	JIC-D61006
LIFT		1pc		P-U-10	1-1/4	2-1/8	JIC-G34819
SCARIFIER		1pc		P-UB-10	1-1/2	3	JIC-G105502
MODEL 1835, 1835B							
BUCKET		1pc		P-UB-10	1-1/4	2-1/2	JIC-G109476
GRAPPLE		1pc		P-U-10	1	2	JIC-D61006
LIFT		1pc		P-U-10	1-1/4	2-1/8	JIC-G34819
		1pc		P-UB-10	1-1/2	2-1/2	JIC-G109458
MODEL 1840							
BUCKET TILT	118110A1			P-U-10	1-1/4	2-1/2	JIC-128728A1
	G103407			P-U-10	1-1/4	2-1/2	JIC-128728A1
GRAPPLE	D61075			P-U-10	1	2	JIC-D61006
LOADER LIFT	117824A1			P-UB-10	1-1/2	2-1/2	JIC-128725A1
	G110666	1pc		P-UB-10	1-1/2	2-1/2	JIC-G109458
MODEL 1845, 1845B, 1845C, 1845S							
BUCKET		1pc		P-UB-10	1-1/4	2-1/2	JIC-G109476
CLAM		1pc		P-UB-10	1-1/2	3	JIC-G109418
LIFT		1pc		P-UB-10	1-1/2	2-1/2	JIC-G109458
SCARIFIER		1pc		P-UB-10	1-1/2	3	JIC-G109418
Unimogs							
APPLICATION	CYL #	Piston	SERIAL #	CODE	ROD	BORE	KIT #
MODEL MB4/94 with Model 26C Backhoe, P80 Cable Plow, T70							
3-PT HITCH LIFT		2pc		P-UB-9	1-1/2	3	JIC-G105512
		1pc		P-UB-10	1-1/2	3	JIC-G105548
3-PT HITCH PITCH		1pc		P-U-10	1-1/4	2-1/8	JIC-G105507
BACKHOE BOOM		2pc		P-UB-9	2-1/2	4	JIC-G34636
		1pc		P-UB-10	2-1/4	4	JIC-G105556
BACKHOE BUCKET		2pc		P-UB-9	1-3/4	3	JIC-G105524
		1pc		P-UB-10	1-3/4	3	JIC-G105549
BACKHOE DIPPER		1pc		P-UB-10	2	3-1/2	JIC-G105546
		2pc		P-UB-9	2	3-1/2	JIC-G105527
BACKHOE DIPPER EXT		1pc		P-UB-10	1-1/2	3	JIC-G105548
		2pc		P-UB-9	1-1/2	3	JIC-G105512
BACKHOE STABILIZER		2pc		P-U-9	1-3/4	3-1/2	JIC-G105518
		2pc		P-UB-9	1-3/4	3	JIC-G105524
		1pc		P-UB-10	1-3/4	3	JIC-G105549
BACKHOE SWING		2pc		P-U-9	1-1/2	3-1/2	JIC-G34652
		1pc		P-UB-10	1-1/2	3-1/2	JIC-G105555
CABLE PLOW SHIFT		1pc		P-UB-10	1-1/2	2-1/2	JIC-G105550
FORKLIFT MAST TILT		1pc		P-UB-10	1-1/4	3	JIC-G105510
LIFT		2pc		P-UB-9	1-3/4	3	JIC-G105524
TILT		2pc		P-U-9	1-1/2	3-1/2	JIC-G34646
		1pc		P-UB-10	1-1/2	3	JIC-G105502

REPLACEMENT KITS FOR CASE EQUIPMENT

IMPORTANT - PLEASE READ

If a kit part number is unknown, the machine model number, serial number, and cylinder application will help identify the repair kit you need.

Example: Model Number **580C**
 Serial Number **5411021**
 Cylinder Application **Backhoe Swing**

If none of the above information is known, size and description of the parts needed will almost always be sufficient.

Kit Number	Code (Pg. xiv)	Rod X Bore Size
JIC-110507A1	P-U-10	1-3/8 X 2
JIC-110510A1	P-U-10	1 X 2
JIC-122535A1	P-UB-10	2 X 4
JIC-128725A1	P-UB-10	1-1/2 X 2-1/2
JIC-128728A1	P-U-10	1-1/4 X 2-1/2
JIC-131750A2	P-UB-10	2-1/4 X 3-1/4
JIC-131790A1	P-UB-10	2-1/4 X 4-1/4
JIC-1343707C2	P-UB-10	2-1/2 X 4-1/2
JIC-1346357C2	P-UB-10	4 X 8
JIC-1346409C2	P-UB-10	1-1/2 X 2-3/4
JIC-1346478C2	P-UB-10	2-1/4 X 4
JIC-1542764C2	I-UB-10	1-1/2 X 2-1/2
JIC-1542874C1	N-UB-1	1-1/2
JIC-1542875C1	N-UB-1	1-3/4
JIC-1542877C1	N-UB-1	2-1/4
JIC-1542879C1	P-UB-10	2-1/2 X 5
JIC-1542915C2	P-UB-10	2-1/2 X 5
JIC-1542919C2	P-UB-10	2-1/4 X 5
JIC-1542919C4	P-UB-10	2-1/4 X 5
JIC-1542923C2	P-UB-10	2-1/2 X 3-1/2
JIC-1543249C1	P-UB-10	1-1/4 X 2-1/2
JIC-1543250C1	P-UB-10	1-1/4 X 2-1/2
JIC-1543252C1	P-UB-10	1-1/2 X 3
JIC-1543253C1	P-UB-10	1-1/2 X 2-1/2
JIC-1543254C1	P-UB-10	1-1/2 X 3-1/2
JIC-1543256C1	P-UB-10	1-1/2 X 3
JIC-1543260C1	P-UB-10	1-3/4 X 3-1/4
JIC-1543261C1	p-ub-10	1-3/4 x 3-1/2
JIC-1543262C1	P-UB-10	1-3/4 X 3
JIC-1543263C1	P-UB-9	1-3/4 X 3
JIC-1543264C1	P-UB-10	1-3/4 X 4
JIC-1543265C1	P-UB-10	1-3/4 X 3-1/4
JIC-1543266C1	P-UB-10	1-3/4 X 3-1/2
JIC-1543267C1	P-UB-10	1-3/4 X 3

Kit Number	Code (Pg. xiv)	Rod X Bore Size
JIC-1543268C1	P-UB-10	2 X 3-1/4
JIC-1543269C1	P-UB-10	2 X 4
JIC-1543270C1	P-UB-10	2 X 4-1/2
JIC-1543271C1	P-UB-9	2 X 4
JIC-1543273C1	P-UB-10	2 X 4
JIC-1543274C1	P-UB-10	2 X 3-1/2
JIC-1543275C1	P-UB-10	2 X 4-1/4
JIC-1543276C1	P-UB-9	2-1/4 X 4-1/2
JIC-1543277C1	P-UB-10	2-1/4 X 4
JIC-1543279C1	P-UB-10	2-1/4 X 4-1/2
JIC-1543289C2	P-UB-10	2-1/4 X 5
JIC-1543290C1	P-UB-10	2-1/2 X 4-1/2
JIC-1543291C1	P-UB-10	2-1/2 X 4-1/2
JIC-1543294C1	P-UB-10	2-1/2 X 3-1/2
JIC-1543303C1	P-UB-10	3 X 6-1/2
JIC-1543305C1	P-UB-10	3 X 5
JIC-1543306C1	P-UB-10	3 X 6
JIC-1543309C1	P-UB-10	3-1/2 X 7
JIC-1543312C1	P-UB-9	2-1/2 X 5
JIC-1543313C1	P-UB-10	1-1/2 X 3
JIC-1543378C1	P-UB-9	1-1/2X3
JIC-1543383C1	P-UB-9	2 X 3-1/2
JIC-1543385C1	P-UB-10	2-1/4 X 4-1/2
JIC-156002A1	P-UB-10	110 X 160 mm
JIC-158846A1	P-UB-10	95 X 140 mm
JIC-160227A1	P-UB-10	105 X 150 mm
JIC-160229A1	P-UB-10	90 X 135 mm
JIC-160577A1	P-UB-10	85 X 125 mm
JIC-160579A1	P-UB-10	100 X 135 mm
JIC-160581A1	P-UB-10	80 X 120 mm
JIC-161912A1	P-UB-10	80 X 115 mm
JIC-161913A1	P-UB-10	90 X 125 mm
JIC-161914A1	P-UB-10	75 X 105 mm
JIC-162976A1	P-UB-10	70 X 95 mm

REPLACEMENT KITS FOR CASE EQUIPEMENT

CASE

Kit Number	Code (Pg. xiv)	Rod X Bore Size
JIC-164183A1	P-UB-10	85 X 125 mm
JIC-164493A1	P-UB-10	75 X 100 mm
JIC-164494A1	P-UB-10	80 X 115 mm
JIC-175251A1	P-UB-10	1-1/2 X 2-3/4
JIC-179011A1	P-UB-10,12	2-1/2 X 5-1/2
JIC-182218A1	P-UB-10,12	2-1/4 X 4-1/2
JIC-183286A1	P-U-10	1-1/4 X 2-1/2
JIC-191747A1	P-UB-10,12	2 X 3-3/4
JIC-1980161C1	P-UB-10	2 X 3-1/2
JIC-1980181C2	P-UB-10	2 X 3-3/4
JIC-1980412C2	P-UB-10	2-1/2 X 5-1/2
JIC-198376A2	P-UB-10	1-3/4 X 2-1/2
JIC-1986823C2	P-UB-10	3-1/2 X 6
JIC-1986856C2	P-UB-10	2 X 4-1/2
JIC-1986920C2	P-UB-10	4 X 7
JIC-1994527C2	P-UB-10	2-3/4 X 5-1/2
JIC-234844A1	P-UB-10,12	2-1/4 X 4-1/4
JIC-235933A1	P-U-10	1-3/4 X 3-1/2
JIC-250741A1	P-UB-10	1-3/4 X 3-1/2
JIC-297895A1	P-UB-10	2-3/4 X 3-3/4
JIC-310478A1	P-UB-10	1-3/4 X 3
JIC-55355C91	I-OB-10	1 X 2-1/2
JIC-700710260	P-U-10	1-3/8 X 3
JIC-84154317	P-UB-10	2-1/4 X 5
JIC-84155085	P-UB-10	2 X 4-1/4
JIC-86613643	P-UB-11	1-3/8 X2-3/4
JIC-86613644	P-UB-11	1-1/2 X 2-1/4
JIC-86614269	P-U-11	1-1/2 X 3
JIC-86631598	P-UB-11	1-1/2 X 2-2/2
JIC-86988474	P-U-10	40 mm X 60 mm
JIC-86988481	P-U-10	35 mm X 65 mm
JIC-86988486	P-U-10	40 mm X 65 mm
JIC-86988490	P-U-10	35 mm X 70 mm
JIC-86988494	P-U-10	35 mm X 75 mm
JIC-87367212	P-UB-10,12	2-3/4 X 5-1/2
JIC-87367429	I-UB-10	2-1/2 X 5-1/2
JIC-87418297	I-UB-10	2-1/2 X 5-1/4
JIC-87434291	P-UB-3	2-1/2 X 4-1/4
JIC-87434293	P-UB-3	3 X 5
JIC-87440117	I-UB-10	2-1/4 X 4-1/2
JIC-87442965	P-UB-10	3 X 6
JIC-907001	P-N-5	2 X 2

Kit Number	Code (Pg. xiv)	Rod X Bore Size
JIC-907001	TRACK ADJUSTER	
JIC-A43296	I-U-10	1-1/4 X 2-1/8
JIC-A44644	I-O-3	3/4 X 1-1/2
JIC-D143215	I-U-10	2 X 4
JIC-D148100	I-U-13	3/4 X 1-1/2
JIC-D37360	I-U-9	1-1/2 X 2-1/2
JIC-D37361	I-U-9	1-1/2 X 2
JIC-D42867	I-U-1	1-1/4 ROD
JIC-D42869	I-U-1	1-1/2 ROD
JIC-D42870	I-U-1	1-1/2 ROD
JIC-D42872	I-U-1	1-3/4 ROD
JIC-D42873	I-U-1	1-3/4 ROD
JIC-D42874	I-U-1	2 ROD
JIC-D42875	I-U-1	1-3/4 ROD
JIC-D42876	I-U-1	2 ROD
JIC-D42877	I-U-1	2-1/4 ROD
JIC-D42878	P-U-1	2-1/4 ROD
JIC-D47651	I-U-1	2 ROD
JIC-D47896	I-U-1	1-1/2 ROD
JIC-D50279	I-U-9	3 X 5
JIC-D61006	P-U-10	1 X 2
JIC-D83184	I-U-11	3/4 X 1-1/2
JIC-G101021	P-U-10	1-1/4 X 2-1/8
JIC-G102401	USE JIC-G105545	
JIC-G102402	USE JIC-G105546	
JIC-G102403	USE JIC-G105547	
JIC-G102404	USE JIC-G105548	
JIC-G102405	USE JIC-G105549	
JIC-G102406	USE JIC-G105550	
JIC-G102407	USE JIC-G105551	
JIC-G102408	P-U-10	1-3/4 X 4
JIC-G102410	P-U-10	1-3/4 X 3-1/2
JIC-G102411	USE JIC-G105555	
JIC-G102412	USE JIC-G105556	
JIC-G105206	P-UB-10	1-1/2 X 2-3/4
JIC-G105502	P-UB-10	1-1/2 X 3
JIC-G105503	P-UB-9	1-1/2 X 2
JIC-G105505	P-UB-9	1-1/2 X 2-1/2
JIC-G105507	P-UB-10	1-1/4 X 2-1/2
JIC-G105508	P-U-9	1-3/4 X 3-1/2
JIC-G105510	P-UB-10	1-1/4 X 3
JIC-G105512	P-UB-9	1-1/2 X 3

REPLACEMENT KITS FOR CASE EQUIPEMENT

Kit Number	Code (Pg. xiv)	Rod X Bore Size
JIC-G105513	P-UB-9	2-1/2 X 4-1/2
JIC-G105514	P-UB-9	2-1/2 X 5-1/2
JIC-G105515	P-UB-9	2-1/2 X 5
JIC-G105516	P-UB-9	3 X 6
JIC-G105517	P-UB-9	2 X 4
JIC-G105518	P-U-9	1-3/4 X 3-1/2
JIC-G105519	P-UB-9	1-3/4 X 4
JIC-G105520	P-UB-9	2-1/4 X 4-1/2
JIC-G105521	P-UB-9	2 X 3-1/2
JIC-G105523	P-UB-9	1-3/4 X 3
JIC-G105524	P-UB-9	1-3/4 X 3
JIC-G105525	P-UB-9	2 X 4-1/2
JIC-G105526	P-UB-9	2 X 4
JIC-G105527	P-UB-9	2 X 3-1/2
JIC-G105528	P-UB-8	1-3/4 X 3-1/4
JIC-G105529	P-UB-9	1-3/4 X 3-1/2
JIC-G105530	P-UB-9	2-1/4 X 5
JIC-G105531	P-UB-9	3 X 5
JIC-G105545	P-UB-10	2 X 4
JIC-G105546	P-UB-10	2 X 3-1/2
JIC-G105547	P-UB-10	1-3/4 X 3-1/4
JIC-G105548	P-UB-10	1-1/2 X 3
JIC-G105549	P-UB-10	1-3/4 X 3
JIC-G105550	P-UB-10	1-1/2 X 2-1/2
JIC-G105551	P-UB-10	1-1/4 X 2-1/2
JIC-G105552	P-UB-10	1-3/4 X 4
JIC-G105553	P-UB-10	2 X 3-1/4
JIC-G105555	P-UB-10	1-1/2 X 3-1/2
JIC-G105556	P-UB-10	2-1/4 X 4
JIC-G105557	P-UB-10	2-1/4 X 4-1/2
JIC-G105560	P-UB-10	2-1/2 X 4-1/2
JIC-G105561	P-UB-10	2-1/2 X 4
JIC-G105562	P-UB-10	2-3/4 X 5
JIC-G105563	P-UB-10	2-1/2 X 3-1/2
JIC-G105566	P-UB-9	2-3/4 X 5-1/2
JIC-G109417	P-UB-10	1-3/4 X 3-1/4
JIC-G109418	P-UB-10	1-1/2 X 3
JIC-G109421	P-UB-9	2 X 4
JIC-G109423	P-UB-10	2 X 4
JIC-G109424	P-UB-10	2-1/2 X 4
JIC-G109452	P-UB-10	1-1/2 X 3
JIC-G109453	P-UB-10	2 X 3-1/2

Kit Number	Code (Pg. xiv)	Rod X Bore Size
JIC-G109454	P-UB-9	2 X 3-1/2
JIC-G109456	P-UB-10	1-1/2 X 2-1/2
JIC-G109458	P-UB-10	1-1/2 X 2-1/2
JIC-G109460	P-UB-10	1-3/4 X 3
JIC-G109462	P-UB-9	1-3/4 X 3
JIC-G109465	P-UB-10	2 X 3-1/4
JIC-G109470	P-UB-9	1-3/4 X 3-1/2
JIC-G109471	P-UB-10	1-3/4 X 3-1/2
JIC-G109472	P-UB-10	1-1/2 X 3-1/2
JIC-G109475	P-UB-10	1-1/4 X 2-1/2
JIC-G109476	P-UB-10	1-1/4 X 2-1/2
JIC-G109484	P-UB-9	1-1/2 X 2-1/2
JIC-G109498	P-UB-9	2-1/2 X 4-1/2
JIC-G109499	P-UB-9	2-1/2 X 5
JIC-G109500	P-UB-9	3 X 5-1/2
JIC-G109501	P-UB-9	2-1/4 X 5
JIC-G109502	P-U-9	3 X 5
JIC-G109503	P-U-10	2-1/2 X 4-1/2
JIC-G109504	P-UB-10	2-1/2 X 3-1/2
JIC-G109505	P-UB-10	2-1/4 X 4
JIC-G110045	P-U-10	1-1/2 X 2-3/4
JIC-G110046	P-UB-10	2-1/2 X 3-1/2
JIC-G110047	P-UB-10	1-1/4 X 2-3/4
JIC-G110048	P-UB-10	1-1/4 X 3
JIC-G110049	P-UB-10	1-3/4 X 3
JIC-G110050	P-UB-10	1-1/2 X 3
JIC-G110053	P-UB-10	1-3/4 X 3-1/4
JIC-G110055	P-UB-10	1-1/4 X 2-1/2
JIC-G110526	P-UB-10	3 X 6
JIC-G110537	P-UB-10	2 X 4-1/4
JIC-G110582	P-UB-10	2-1/2 X 5
JIC-G110583	P-UB-10	2-1/4 X 5
JIC-G110621	P-UB-10	1-3/4 X 3-1/2
JIC-G32184	P-U-9	2-1/2 X 5
JIC-G32228	P-U-9	1-3/4 X 3-1/2
JIC-G32293	P-U-9	2 X 3-1/2
JIC-G32294	P-U-9	1-1/2 X 2-1/2
JIC-G32295	P-U-9	1-1/4 X 2-1/2
JIC-G32299	P-U-9	2 X 4
JIC-G32616	P-U-9	2 X 4
JIC-G32617	P-U-9	1-3/4 X 4
JIC-G32668	P-U-9	3 X 5

REPLACEMENT KITS FOR CASE EQUIPEMENT

Kit Number	Code (Pg. xiv)	Rod X Bore Size
JIC-G32695	P-U-9	2 X 4-1/2
JIC-G32696	P-U-9	2-1/4 X 5
JIC-G32827	USE JIC-G105505	
JIC-G33141	USE JIC-G105507	
JIC-G33823	P-U-9	2-1/2 X 5-1/2
JIC-G34172	USE JIC-G105507	
JIC-G34205	USE JIC-G105510	
JIC-G34277	USE JIC-G109458	
JIC-G34332	USE JIC-G105512	
JIC-G34333	USE JIC-G105513	
JIC-G34334	P-U-9	3 X 5
JIC-G34335	P-U-9	2 X 4
JIC-G34536	USE JIC-G105514	
JIC-G34537	USE JIC-G105515	
JIC-G34569	USE JIC-G105516	
JIC-G34594	P-U-9	2 X 4
JIC-G34622	P-U-9	1-3/4 X 3-1/2
JIC-G34624	P-U-9	1-3/4 X 3-1/2
JIC-G34626	P-U-9	1-3/4 X 4
JIC-G34628	USE JIC-G105520	
JIC-G34630	USE JIC-G105521	
JIC-G34631	P-U-9	1-3/4 X 3-1/2
JIC-G34634	USE JIC-G105523	
JIC-G34636	P-U-9	2-1/4 X 4
JIC-G34642	USE JIC-G105524	
JIC-G34643	P-U-9	1-3/4 X 3
JIC-G34644	USE JIC-G105525	
JIC-G34646	P-U-9	1-1/2 X 3.5
JIC-G34647	USE JIC-G105526	
JIC-G34648	P-U-9	2 X 3-1/2
JIC-G34651	USE JIC-G105527	
JIC-G34652	P-U-9	1-1/2 X 3-1/2
JIC-G34653	USE JIC-G105528	
JIC-G34655	P-U-9	1-3/4 X 3-1/2
JIC-G34656	P-U-10	1-1/2 X 3
JIC-G34752	USE JIC-G105530	
JIC-G34753	USE JIC-G105531	

Kit Number	Code (Pg. xiv)	Rod X Bore Size
JIC-G34807	P-U-10	1 X 2-1/2
JIC-G34819	P-U-10	1-1/4 X 2-1/8
JIC-G34827	P-U-9	2-1/4 X 4
JIC-G35374	P-U-10	1 X 3
JIC-G35378	P-U-10	1 X 2-1/2
JIC-H52704	P-OB-3	1 X 2
JIC-H53041	P-OB-1	3-3/4 Rod Kit
JIC-LQU0245	P-U-10	70 mm X 100 mm
JIC-LZ0043	I-UB-10	105 mm X 145 mm
JIC-LZ00442	P-UB-10	90 mm X 125 mm
JIC-LZ00443	P-UB-10	105 mm X 145 mm
JIC-LZ00444	P-UB-10	90 mm X 130 mm
JIC-LZ00445	P-UB-10	85 mm X 120 mm
JIC-LZ00446	P-UB-10	95 mm X 135 mm
JIC-LZ00447	P-UB-10	80 mm X 115 mm
JIC-LZ00448	P-UB-10	70 mm X 105 mm
JIC-LZ00449	P-UB-10	80 mm X 115 mm
JIC-LZ00450	P-UB-10	65 mm X 95 mm
JIC-LZ00451	I-UB-10	80 mm X 115 mm
JIC-LZ00452	P-UB-10	90 mm X 125 mm
JIC-LZ00453	P-UB-10	75 mm X 105 mm
JIC-LZ00455	P-UB-10	75 mm X 105 mm
JIC-LZ00456	P-UB-10	65 mm X 120 mm
JIC-LZ00457	P-UB-10	70 mm X 110 mm
JIC-LZ00482	P-UB-10	105 mm X 150 mm
JIC-LZ00483	P-UB-10	100 mm X 145 mm
JIC-LZ00522	P-UB-10	70 X 95 mm
JIC-LZ00533	P-UB-10	90 X 130 mm
JIC-LZ00539	P-UP-10	75 X 100 mm
JIC-N14638	P-U-10	1 X 2
JIC-N14639	P-U-10	1-1/4 X 2
JIC-S300163	I-U-10	2 X 4
JIC-S301013	I-U-10	2-1/2 X 5
JIC-S301442	I-U-10	2 X 4
JIC-S92713	P-U-9	2-1/2 X 5
JIC-S92714	P-U-9	2-1/2 X 5-1/2
JIC-S92724	P-U-9	2-3/4 X 5-1/2

REPLACEMENT PARTS FOR CASE EQUIPEMENT

NOTE: Case part numbers are used as a reference only. We do not imply that these kits are original REPLACEMENT PARTS.

U-SEALS

Part Number	Rod Diameter
JIC-G34803	1
JIC-G35372	1
JIC-D36968	1-1/4
JIC-D60999	1-1/4
JIC-D36969	1-1/2
JIC-G107921	1-1/2
JIC-H436694	1-3/8
JIC-1542999C1	1-3/4
JIC-D36970	1-3/4
JIC-G107922	1-3/4
JIC-D36971	2
JIC-G107923	2
JIC-1986572C1	2-1/4
JIC-D39359	2-1/4
JIC-D45571	2-1/2
JIC-S220100	2-3/4
JIC-D45572	3
JIC-A137343	3-1/2
JIC-S118038	3-1/2

PISTON SEALS

Part Number	Bore Diameter
JIC-D60995	2
JIC-A61430	2-1/8
JIC-191319A1	2-1/2
JIC-G100712	2-1/2
JIC-G102289	2-1/2
JIC-G33140	2-1/2
JIC-258546A2	2-3/4
JIC-G102288	3
JIC-G32034	3
JIC-H120188	3
JIC-G102287	3-1/4
JIC-G100709	3-1/2
JIC-G102286	3-1/2
JIC-G1340764C1	3-3/4
JIC-G102285	4
JIC-G110531	4-1/4
JIC-G101994	4-1/2
JIC-S228607	6-1/2

WIPERS

Part Number	Rod Diameter
JIC-A44651	3/4
JIC-D60997	1
JIC-H746297	1
JIC-D27705	1-1/4
JIC-D95141	1-1/4
JIC-D27706	1-1/2
JIC-D95142	1-1/2
JIC-226847A1	1-3/8
JIC-H436692	1-3/8
JIC-403845R1	1-3/4
JIC-D27432	1-3/4
JIC-D95143	1-3/4
JIC-D27380	2
JIC-D95144	2
JIC-D39360	2-1/4
JIC-D43162	2-1/4
JIC-D95145	2-1/4
JIC-D95149	2-3/8
JIC-D95146	2-1/2
JIC-193965C91	2-3/4
JIC-H215202	2-3/4
JIC-D46180	3
JIC-D95148	3
JIC-L104363	3-1/4
JIC-S92653	3-1/2
JIC-S97854	3-1/2
JIC-S108245	4

BUFFER RINGS

Part Number	Rod Diameter
JIC-1542998C1	1-3/4
JIC-G109094	1-3/4
JIC-G107998	2-1/2

WEAR RINGS

Part Number	O.D. X Width
JIC-G102864	1-3/8 X 0.98
JIC-G102424	1-5/8 X 0.98
JIC-G102425	1-7/8 X 0.98
JIC-G101533	2-1/8 X 0.98
JIC-G101837	2-1/8 X 3/8
JIC-G34818	2-1/8 X 3/8
JIC-G102426	2-3/8 X 1.48
JIC-G1346476C1	2-3/8 X 0.98
JIC-G100714	2-1/2 X 3/8
JIC-G34805	2-1/2 X 3/8
JIC-G109908	2-5/8 X 0.98
JIC-G102427	2-5/8 X 1.48
JIC-G105187	2-3/4 X 3/8
JIC-G102428	2-7/8 X 1.48
JIC-H436691	3 X 1/4
JIC-G100449	3 X 3/8
JIC-G32033	3 X 3/8
JIC-G102429	3-1/8 X 1.48
JIC-S109445	3-1/4 X 3/8
JIC-G100711	3-1/2 X 3/8
JIC-S104133	3-3/4 X 1/2
JIC-G100448	4 X 3/8
JIC-A63393	4 X 5/8
JIC-G101996	4-1/2 X 3/4
JIC-S97856	6-1/2 X 1/2

REPLACEMENT PARTS FOR CASE EQUIPEMENT

NOTE: Case part numbers are used as a reference only. We do not imply that these kits are original REPLACEMENT PARTS.

O-RINGS

Part Number	Min. Pkg
JIC-22409R1	20
JIC-235-5234	20
JIC-238-5115	50
JIC-238-5116	50
JIC-238-5210	25
JIC-238-5214	50
JIC-238-5224	20
JIC-238-5226	20
JIC-238-5228	20
JIC-238-5230	20
JIC-238-5232	20
JIC-238-5234	20
JIC-238-5437	5
JIC-238-6218	19
JIC-238-6231	12
JIC-238-7113	15
JIC-A14515	20
JIC-A17526	50
JIC-A23316	10
JIC-A27365	50
JIC-A27384	10
JIC-A27410	50
JIC-A27507	10
JIC-A27510	10
JIC-A27994	20
JIC-A28239	5
JIC-A28318	20
JIC-A29456	50
JIC-A30095	20
JIC-A30097	50
JIC-A30915	20
JIC-A55800	5
JIC-A60212	20
JIC-A61429	20
JIC-A7156	20
JIC-A7982	50
JIC-D26115	20
JIC-D26820	20
JIC-D27878	20
JIC-D36183	10
JIC-F62075	50
JIC-G100444	13
JIC-G100710	13

O-RINGS

Part Number	Min. Pkg
JIC-G100713	13
JIC-G100959	3
JIC-G10347	10
JIC-G105104	5
JIC-G105183	5
JIC-G15457	20
JIC-G46889	20
JIC-H436690	20
JIC-H743591	10
JIC-N13688	12
JIC-T52486	19

VEE SETS

Part Number	O.D.
SINGLE ACTING VEE SETS WITH NO CENTER BEARING	
JIC-G33186	3-1/4
JIC-D47205	4-1/2
JIC-D47207	5-1/2
JIC-SVS5.5P	5-1/2
JIC-D49321	6
JIC-SVS6.0P	6
DOUBLE ACTING VEE SETS WITH CENTER BEARING	
JIC-G33201	2
JIC-G33193	2-1/2
JIC-G33151	3
JIC-G33237	3-1/2
JIC-G33239	4
JIC-DTVS4.5P	4-1/2
JIC-D36906	5
JIC-D47206	5

BACK-UP RINGS

Part Number	Min. Pkg.
JIC-A35884	13
JIC-A45035	18
JIC-A62070	8
JIC-B92639	3
JIC-D28497	1
JIC-D28498	1
JIC-D28499	1
JIC-D28500	1
JIC-D38858	6
JIC-D39539	1
JIC-D42453	3
JIC-G109033	2
JIC-G109297	10
JIC-G109298	7
JIC-G109300	4
JIC-G32105	3
JIC-G32122	6
JIC-G32126	5
JIC-G32129	7
JIC-G32176	5
JIC-G32284	3
JIC-G32626	9
JIC-G32649	2
JIC-G34260	3
JIC-H745760	7
JIC-H754606	6
JIC-S92644	3
JIC-S99881	2

REPLACEMENT SEAL KITS FOR CATERPILLAR® EQUIPMENT*

Replacement Seal Kits By Machine Type Table of Contents

Machine Type		Page
Agricultural Tractors	65, 65B, 75, 65C, 65D, 70C, 65E, 69D, 73D, 75C, 75D, 75E, 75G, 85C	198
Backhoe Loaders	416, 416B, 416C, 416D, 416E, 420D, 420E, 426, 426B, 426C, 428, 428B, 428C, 430D, 430E, 436, 436B, 436C, 438, 438B, 438C, 446, 446B	199 - 224
Crawler Dozers	3P, 3S, 4S, 5A, 5S, 6, 6S, 7A, 7S, 7U, 7SU, 8A, 8B, 8D, 8R, 8S, 8U, 9B, 9R, 9S, 9U, D2, D3, D3 LGP, D3B, D3C, D4B, D4C, D4D, D4E, D4H, D4L, D4TSKH, D5, D5B, D5C, D5E, D5H, D5M, D5TSKH, D6, D6 LGP, D6B, D6C, D6D, D6E, D6G, D6H, D6M, D6R, D7, D7 LGP, D7A, D7B, D7C, D7D, D7E, D7F, D7G, D7H, D7R, D8, D8H, D8K, D8L, D8N, D8R, D9D, D9G, D9H, D9L, D9N, D9R, D10, D10N, D10R, D11N, D11R	224 - 247
Crawler Loaders	931, 931B, 931C, 933, 933C, 933E, 933F, 933G, 935B, 935C, 939, 939C, 941, 941B, 943, 943B, 951, 951B, 951C, 953, 953B, 953C, 955, 955C, 955E, 955F, 955H, 955K, 955L, 963, 963B, 963C, 973, 973C, 977, 977D, 977H, 977K, 977L, 983, 983B	247 - 262
Dump Trucks - Articulated	D25C, D25D, D30C, D30D, D35C, D35HP, D35HPC, D40D, D250B, D250D, D250E, D300B, D300B AG, D300B CANE H, D350B, D350C, D350D, D350D, D350E, D350E, D400, D400D, D400E	262 - 266
Excavators	215, 215B, 215C, 215D, 219, 219D, 225, 225B, 225D, 227, 229, 229D, 231D, 235, 235 FS, 235B, 235C, 235C FS, 235D, 245 FS, 245, 245B, 245B FS, 245D, 303 C CR, 304 C CR, 305 C CR, 307, 307B, 307C, 308B, 311, 311B, 312, 312B, 312BL, 312C, 312CL, 313B, 315, 315B, 315B L, 315B, 315B, 315B, 315BL, 315C, 315C L, 315L, 317, 317B, 317BL, 317N, 318B, 318BL, 320, 320B, 320BL, 320C, 320C L, 320C LN, 320C LRR, 320C LU, 320C S, 320C U, 320C, 320CL, 320C6, 320D, 320D L, 320D LN, 320D LRR, 320D RR, 320L, 320N, 320S, 321B, 322, 322B, 322BL, 322C, 322C FM LGP, 322C L, 322C LN, 322L, 322N, 325, 325B, 325BL, 325C, 325C L, 325C LN, 325D, 325D L, 325D LN, 325L, 325N, 330, 330B, 330BL, 330C, 330C L, 330C LN, 330D, 330D L, 330D N, 330L, 345B, 345BL, 345C, 345C L, 350, 350L, 365, 365B, 375, 375L, E110, E110B, E120, E120B, E180, EL180, E200B, EL200B, E240, EL240, E240B, EL240B, E300, EL300, E300B, EL300B, M315, M318, M320	266 - 332
Excavators - Front-Shovel	5080, 5110, 5230, 5230B	332
Forestry - Tree Harvesters	518	332
Integrated Toolcarriers	IT12, IT12B, IT12F, IT14B, IT14C, IT14F, IT14G, IT18, IT18B, IT18F, IT24F, IT28, IT28B, IT28F, IT28G, IT38F, IT38G, IT62G	332 - 339
Landfill Compactors	816, 816B, 816F, 826B, 826C, 826G, 836, 836C	339 - 340
Loaders - Wheel	902, 904, 906, 908, 910, 910E, 910F, 914, 914G, 916, 918F, 920, 924, 924F, 924G, 926, 926E, 928F, 928G, 930, 930R, 930T, 936, 936E, 936F, 938F, 938G, 944, 944A, 950, 950B, 950E, 950F, 950G, 950H, 960F, 960G, 962G, 966, 966A, 966B, 966C, 966D, 966E, 966F, 966G, 966H, 966R, 970F, 972G, 980, 980B, 980C, 980F, 980G, 980H, 988, 988B, 988F, 988G, 990, 992, 992B, 992C, 992D, G910, G916, G926, G936	340 - 358
Motor Graders	12, 12E, 12F, 12G, 12H, 14, 14D, 140, 14E, 14G, 14H, 16, 16G, 16H, 24H, 112, 112E, 112F, 120, 120B, 120G, 120H, 130G, 135H, 140B, 140G, 140H, 143H, 160G, 160H, 163H	358 - 372
Off-Highway Trucks	768, 768B, 768C, 769, 769B, 769C, 769D, 770, 771C, 771D, 772, 772B, 772E, 773, 773B, 773D, 773E, 773F, 775, 775B, 775D, 776, 776B, 776C, 776D, 777, 777B, 777C, 777D, 777F, 783B, 784B, 784C, 784C, 785, 785B, 785C, 786, 787B, 789, 789B, 789C, 793, 793B, 793C	372 - 381
Pipelayers	561B, 561C, 561D, 571A, 571F, 571G, 572C, 572D, 572E, 572F, 572G, 578, 583H, 583K, 583R, 589, 591, 594, 594H, MD7, MD8, MDW8	382 - 383
Scrapers	611, 613, 613B, 613C, 613SC, 615, 615C, 615SC, 621, 621B, 621E, 621F, 621G, 621R, 621S, 621SC, 623, 623B, 623E, 623F, 623G, 623SC, 623SCG, 627, 627B, 627E, 627F, 627G, 627SC, 630, 630B, 630SC, 631, 631B, 631C, 631D, 631E, 631SC, 632, 633, 633B, 633C, 633D, 633SC, 637, 637B, 637D, 637E, 637SC, 639D, 639SC, 641, 641B, 641SC, 650, 650B, 651, 651B, 651C, 651E, 651SC, 657, 657B, 657E, 657SC, 660, 666B, 660B, 666, 660SC, 666SC, J621	383 - 402
Skidders	508, 515, 525, 517, 518, 518C, 520D, 522C, 520C, 525B, 527, 528, 528B, 530B, 535B, 545, FB508, FB518	402 - 405
Soil Compactors	815, 815B, 815F, 815S, 825, 825B, 825C, 825G, 835	405 - 407
Telehandlers	TH62, TH63, TH82, TH83	407
Wheel Dozers	814, 814B, 814F, 814S, 824, 824B, 824C, 824S, 834S, 834U, 830M, 834, 834B, 834C	407 - 410
Alpha-Numeric Kit Listing		411 - 421
Caterpillar® Individual Parts		422 - 447

REPLACEMENT KITS FOR CATERPILLAR® EQUIPMENT

Agricultural Tractors						
APPLICATION	CYL #	Misc-Parts, Instructions, etc.	CODE	ROD	BORE	KIT #
MODEL 65, 65B, 75						
LIFT						
	9T2230		P-UB-10	2	4	CTC-1328816
	9T9517		P-UB-10	2	4	CTC-1328816
MODEL 65C, 65D, 70C						
LIFT						
	9T9517		P-UB-10	2	4	CTC-1328816
TENSIONER						
	1504382		P-U-10	2-3/4	9-1/4	CTC-1939271
	6E1428		P-U-10	2-3/4	9-1/4	CTC-1939271
MODEL 65E						
LIFT						
	9T9517		P-UB-10	2	4	CTC-1328816
TENSIONER						
	1483031		P-U-10	2-3/4	9-1/4	CTC-1939271
MODEL 69D						
STEERING						
	1100532		P-UB-10	2	3	CTC-7X2760
	9J1287		P-UB-10	2-3/8	3-3/4	CTC-7X2808
TENSIONER						
	4T4168		I-SP-10	4,6-1/2	5-3/4	CTC-8T4772
	9J4149		I-SP-10	4,6-1/2	5-3/4	CTC-8T4772
MODEL 73D						
LIFT						
	1163092		P-UB-3	7	8	CTC-1137478
STEERING RH						
	7J7686		P-UB-10	2-3/8	4	CTC-8T1389
TENSIONER						
	1455155		I-SP-10	5,7-1/2	8-1/4	CTC-8T9042
	9J2017		I-SP-10	5,7-1/2	8-1/4	CTC-8T9042
	9T3122		I-SP-10	5,7-1/2	8-1/4	CTC-8T9042
UNSPECIFIED APPLICATION						
	1162837		P-U-3	7	8-1/2	CTC-1417296
	1U4777		P-UB-3	7	8	CTC-1137478
	9T6081		P-U-3	7	8-1/2	CTC-1417296
	9T7204		N-N-10		2	CTC-6E4057
MODEL 75C						
LIFT						
	9T9517		P-UB-10	2	4	CTC-1328816
TENSIONER						
	1504382		P-U-10	2-3/4	9-1/4	CTC-1939271
	6E1428		P-U-10	2-3/4	9-1/4	CTC-1939271
MODEL 75D, 75E, 75G, 85C						
LIFT						
	9T9517		P-UB-10	2	4	CTC-1328816

REPLACEMENT KITS FOR CATERPILLAR® EQUIPMENT

Backhoe Loaders						
APPLICATION	CYL #	Misc-Parts, Instructions, etc.	CODE	ROD	BORE	KIT #
MODEL 416						
BACKHOE BOOM						
	4T6878		P-UB-10	1-7/8	3-1/4	CTC-8T3589
	6E0087		P-UB-10	1-7/8	3-1/4	CTC-3E3297
	9T5219		P-UB-10	1-7/8	3-1/4	CTC-3E3297
BACKHOE BUCKET						
	4T5601		P-UB-10	2	3-1/4	CTC-7X2821
	6E0091		I-UB-10	2-1/2	3-1/2	CTC-3E3299
	9T2751		P-UB-10	2	3-1/4	CTC-7X2821
	9T7287		I-UB-10	2-1/2	3-1/2	CTC-3E3299
	9T7893		P-UB-10	2	3-1/4	CTC-7X2821
	9T7894		P-UB-10	2	3-1/4	CTC-7X2821
BACKHOE EXT STICK						
	9T2215		P-UB-10	1-1/2	3	CTC-7X2745
	9T4809		P-UB-10	1-1/2	3	CTC-7X2737
	9T7893		P-UB-10	2	3-1/4	CTC-7X2821
BACKHOE STICK						
	4T6877		P-UB-10	2-1/8	4	CTC-1305923
	6E0089		P-UB-10	2-1/2	4-1/4	CTC-3E3300
	9T2215		P-UB-10	1-1/2	3	CTC-7X2737
	9T5216		P-UB-10	2-1/8	4	CTC-1305923
	9T7063		P-UB-10	2-1/8	4	CTC-1305923
	9T7291		P-UB-10	2-1/2	4-1/4	CTC-3E3300
BACKHOE SWING						
	4T6879		P-UB-10	2-1/8	4	CTC-1305923
	6E0093		P-UB-10	2-1/8	4	CTC-1305923
BACKHOE SWING LH						
	4T6879		P-UB-10	2-1/8	4	CTC-8T3593
BACKHOE SWING RH						
	9T0529		P-UB-10	2-1/8	4	CTC-1305923
LOADER BUCKET MP						
	9T4006		P-UB-10	1-1/2	3	CTC-7X2737
LOADER LIFT						
	6E0103		P-UB-10	1-7/8	3-1/4	CTC-3E3297
	9T0415		P-UB-10	1-7/8	3-1/4	CTC-3E3297
LOADER TILT						
	6E0105		P-UB-10	1-7/8	3-1/4	CTC-3E3297
	9T0414		P-UB-10	1-7/8	3-1/4	CTC-8T3589
	9T4005		P-UB-10	1-7/8	3-1/4	CTC-3E3297
	9T5370		P-UB-10	1-7/8	3-1/4	CTC-3E3297
STABILIZER						
	9T7070		P-UB-10	2-1/8	4	CTC-8T3593
	9T7391		P-UB-10	2-1/8	4	CTC-1305923
	9T7392		P-UB-10	2-1/8	4	CTC-1305923
STABILIZER LH						
	4T9911		P-UB-10	2-1/8	4	CTC-1305923
	6E0097		P-UB-10	2-1/8	4	CTC-1305923
	9T7070		P-UB-10	2-1/8	4	CTC-1305923

REPLACEMENT KITS FOR CATERPILLAR® EQUIPMENT

Backhoe Loaders						
APPLICATION	CYL #	Misc-Parts, Instructions, etc.	CODE	ROD	BORE	KIT #
MODEL 416						
STABILIZER RH						
	4T6880		P-UB-10	2-1/8	4	CTC-1305923
	6E0099		P-UB-10	2-1/8	4	CTC-1305923
	9T7069		P-UB-10	2-1/8	4	CTC-1305923
STEERING						
	6E5190		P-UB-10	1-7/8	3	CTC-1113301
	9T1493		P-UB-10	1-7/8	3	CTC-8T3852
UNSPECIFIED APPLICATION						
	1070624		P-UB-10	1-7/8	3-1/4	CTC-3E3297
	1070625		P-UB-10	1-7/8	3-1/4	CTC-3E3297
MODEL 416B						
BACKHOE BOOM						
	6E0274		P-UB-10	2-3/8	4-1/2	CTC-3E8877
BACKHOE BUCKET						
	1268308		I-UB-10	2-1/2	3-1/2	CTC-3E3299
	6E0275		I-UB-10	2-1/2	3-1/2	CTC-3E3299
BACKHOE EXT BUCKET						
	6E1964		I-UB-10	2-1/2	3-1/2	CTC-3E3299
BACKHOE STICK						
	1065694	Rod Bearing width- 1.25"	P-UB-10	2-1/2	4-1/2	CTC-1469860
	1097020		P-UB-10	2-1/2	4-1/2	CTC-1113300
	1097021		P-UB-10	2-1/2	4-1/2	CTC-1113300
	6E0290	Rod Bearing width- 1.25"	P-UB-10	2-1/2	4-1/2	CTC-1469860
	6E0404		P-UB-10	1-1/2	3	CTC-7X2737
BACKHOE SWING						
	1166861		P-UB-10	2	4	CTC-1113302
	6E0288		P-UB-10	2	4	CTC-1113302
	6E1864		P-UB-10	2	4	CTC-1328816
LOADER BUCKET MP						
	9T4006		P-UB-10	1-1/2	3	CTC-7X2737
LOADER LIFT						
	9T0415		P-UB-10	1-7/8	3-1/4	CTC-3E3297
LOADER TILT						
	6E0105		P-UB-10	1-7/8	3-1/4	CTC-3E3297
	9T5490		P-UB-10	1-7/8	3-1/4	CTC-3E3297
STABILIZER						
	1052323		P-UB-10	2-1/8	4	CTC-1305923
	1052358		P-UB-10	2-1/8	4	CTC-1305923
	9T2993		P-UB-10	2-1/8	4	CTC-9X2400
	9T2994		P-UB-10	2-1/8	4	CTC-9X2400
STABILIZER LH						
	1165354		P-UB-10	2-1/8	4	CTC-8T3593
	1302364		P-UB-10	2-1/8	4	CTC-1305923
	6E0097		P-UB-10	2-1/8	4	CTC-1305923

REPLACEMENT KITS FOR CATERPILLAR® EQUIPMENT

Backhoe Loaders						
APPLICATION	CYL #	Misc-Parts, Instructions, etc.	CODE	ROD	BORE	KIT #
MODEL 416B						
STABILIZER RH						
	1165353		P-UB-10	2-1/8	4	CTC-1305923
	1302365		P-UB-10	2-1/8	4	CTC-1305923
	6E0099		P-UB-10	2-1/8	4	CTC-1305923
STEERING						
	6E5190		P-UB-10	1-7/8	3	CTC-1113301
UNSPECIFIED APPLICATION						
	1070624		P-UB-10	1-7/8	3-1/4	CTC-3E3297
	1070625		P-UB-10	1-7/8	3-1/4	CTC-3E3297
	1165354		P-UB-10	2-1/8	4	CTC-1305923
MODEL 416C						
BACKHOE BOOM						
	6E0274		P-UB-10	2-3/8	4-1/2	CTC-3E8877
	1AR1-UP; 1BR1-UP; 1KR1-UP; 1LR1-UP; 1WR1-8115; 1XR1-415,684-2183; 4ZN1-16043; 5YN1-15147					
	6E0274		P-UB-10	2-3/8	4-1/2	CTC-1945583
BACKHOE BUCKET						
	1268308		I-UB-10	2-1/2	3-1/2	CTC-3E3299
	1AR1-UP; 1BR1-UP; 1KR1-UP; 1LR1-UP; 1WR1-UP; 1XR1-2249; 4ZN1-UP; 5YN1-16589					
	1268308		I-UB-10	2-1/2	3-1/2	CTC-1864327
	1XR2250-UP; 5YN16590-UP					
	1668140		I-UB-10	2-3/4	3-3/4	CTC-1361990
BACKHOE EXT BUCKET						
	6E1964		I-UB-10	2-1/2	3-1/2	CTC-3E3299
	1AR1-UP; 1BR1-UP; 1KR1-UP; 1LR1-UP; 1WR1-UP; 1XR1-2249; 4ZN1-UP; 5YN1-16589					
	6E1964		I-UB-10	2-1/2	3-1/2	CTC-1864327
	1XR2250-UP; 5YN16590-UP					
	1668141		I-UB-10	2-3/4	3-3/4	CTC-1361990
BACKHOE EXT STICK						
	1AR1-UP; 1BR1-UP; 1KR1-UP; 1LR1-UP; 1WR1-8115; 1XR1-UP; 4ZN1-16043; 5YN1-16589					
	6E0404		P-UB-10	1-1/2	3	CTC-1856583
	1WR8116-UP; 1XR2184-UP; 4ZN16044-UP; 5YN16590-UP					
	1647174		P-UB-10	1-1/2	3	CTC-1856583
BACKHOE STICK						
	1097020		P-UB-10	2-1/2	4-1/2	CTC-1113300
	6E0404		P-UB-10	1-1/2	3	CTC-7X2737
	1AR1-UP; 1BR1-UP; 1KR1-UP; 1LR1-UP; 1WR1-UP; 1XR1-2183; 4ZN1-16043; 5YN1-15147					
	1097020		P-UB-10	2-1/2	4-1/2	CTC-1113300
	1WR10495-UP; 1XR2258-UP; 4ZN16044-UP; 5YN16590-UP					
	1843709		P-UB-10	2-1/2	4-1/2	CTC-1843709K
	1WR8116-UP; 1XR2184-UP; 4ZN16044-UP; 5YN15148-UP					
	1692967		P-UB-10	2-1/2	4-1/2	CTC-1864362
BACKHOE SWING						
	1166857		P-UB-10	2	4	CTC-1113302
	1AR1-UP; 1BR1-438; 1BR649-UP; 1KR1-UP; 1LR1-UP; 1WR1-UP; 1XR1-2183; 4ZN1-16043; 5YN1-15147					
	1166861		I-UB-10	2	4	CTC-1857686
	1WR8116-UP; 1XR2184-UP; 4ZN16044-UP; 5YN15360-UP					
	1699529		P-UB-10	2	4	CTC-1113302

REPLACEMENT KITS FOR CATERPILLAR® EQUIPMENT

Backhoe Loaders						
APPLICATION	CYL #	Misc-Parts, Instructions, etc.	CODE	ROD	BORE	KIT #
MODEL 416C						
COUPLER						
1KR1-UP; 1LR1-UP; 1WR1-UP; 1XR1-UP						
9T8823			I-O-3	1	2	CTC-9T0418
LOADER BUCKET MP						
9T4006			P-UB-10	1-1/2	3	CTC-7X2737
1AR1-UP; 1BR1-UP; 1KR1-UP; 1LR1-UP; 1WR1-UP; 1XR1-UP; 4ZN16044-UP; 5YN1-15147; 5YN16590-UP						
1851839			P-UB-10	1-1/2	3	CTC-1856583
1AR1-UP; 1BR1-UP; 1KR1-UP; 1LR1-UP; 1WR1-UP; 1XR1-UP; 4ZN1-UP; 5YN1-UP						
9T4006			P-UB-10	1-1/2	3	CTC-1856583
1XR2250-UP						
9T4006			P-UB-10	1-1/2	3	CTC-7X2737
LOADER LIFT						
1AR1-UP; 1BR1-UP; 4ZN1-16043; 5YN1-15147						
6E0103			P-UB-10	1-7/8	3-1/4	CTC-1933088
9T0415			P-UB-10	1-7/8	3-1/4	CTC-1933088
1AR1-UP; 1BR1-UP; 4ZN1-UP; 5YN1-UP						
1070624			P-UB-10	1-7/8	3-1/4	CTC-1933088
1KR1-UP; 1WR1-UP						
1235087			P-UB-10	2	3-1/2	CTC-2281778
1LR1-UP; 1XR1-UP						
1110888			P-UB-10	2	3-1/2	CTC-1857674
1235089			P-UB-10	2	3-1/2	CTC-1857674
LOADER TILT						
6E0105			P-UB-10	1-7/8	3-1/4	CTC-3E3297
1AR1-UP; 1BR1-648; 4ZN1-16043; 5YN1-3799						
6E0105			P-UB-10	1-7/8	3-1/4	CTC-1933088
9T5370			P-UB-10	1-7/8	3-1/4	CTC-1933088
1AR1-UP; 1BR1-UP; 4ZN1-UP; 5YN1-UP						
1070625			P-UB-10	1-7/8	3-1/4	CTC-1933088
1KR1-UP; 1LR1-UP; 1WR1-UP; 1XR1-UP						
1235091			P-UB-10	2	3	CTC-1857667
1WR9975-UP; 1XR2250-UP						
1835158			P-UB-10	2	3	CTC-1857667
STABILIZER						
1AR1-UP; 1BR1-UP; 1KR1-UP; 1LR1-UP; 1WR1-UP; 1XR1-2183; 4ZN1-16043; 5YN1-15147						
1311846			P-UB-10	2-1/8	4	CTC-1935431
1311847			P-UB-10	2-1/8	4	CTC-1935431
1WR8116-9103; 1XR2184-2249; 4ZN16044-UP; 5YN15148-16589						
1521806			P-UB-10	2-1/8	4	CTC-1864404
1WR8116-UP; 1XR2184-2249; 4ZN16044-UP; 5YN15148-16589						
1521796			P-UB-10	2-1/8	4	CTC-1864404
1WR8442-UP; 1XR2184-UP; 4ZN16044-UP; 5YN15148-UP						
1731926			P-UB-10	2-1/8	4	CTC-1864404
1731927			P-UB-10	2-1/8	4	CTC-1864404
STABILIZER LH						
1311846			P-UB-10	2-1/8	4	CTC-1305923
1521806			P-UB-10	2-1/8	4	CTC-1305923

REPLACEMENT KITS FOR CATERPILLAR® EQUIPMENT

Backhoe Loaders						
APPLICATION	CYL #	Misc-Parts, Instructions, etc.	CODE	ROD	BORE	KIT #
MODEL 416C						
STABILIZER RH						
	1311847		P-UB-10	2-1/8	4	CTC-1305923
	1521796		P-UB-10	2-1/8	4	CTC-1305923
STEERING						
	1156437		P-UB-10	1-3/4	2-1/2	CTC-1539054
UNSPECIFIED APPLICATION						
	1070624		P-UB-10	1-7/8	3-1/4	CTC-3E3297
	1070625		P-UB-10	1-7/8	3-1/4	CTC-3E3297
	1235087		P-UB-10	2	3-1/2	CTC-7X2783
	1235091		P-UB-10	2	3	CTC-7X2760
	9T8823		I-O-3	1	2	CTC-9T0418
MODEL 416D						
BACKHOE BOOM						
	BFP1-2532; BGJ1-UP; BKG1-537					
	6E0274		P-UB-10	2-3/8	4-1/2	CTC-6E0274K
	BFP1-5177					
	2063630		P-UB-10	2-3/8	4-3/4	CTC-2350973
	BFP1-UP; BGJ1-UP; BKG1-UP; B2D1-UP					
	2063628		P-UB-10	2-3/8	4-1/2	CTC-2063628K
	BFP2533-5177; BGJ1-UP; BKG1-734					
	1917753		P-UB-10	2-3/8	4-1/2	CTC-1917753K
BACKHOE BUCKET						
	BFP1-5177; BGJ1-522; BKG1-1523					
	1804849		I-UB-10	2-1/2	3-1/2	CTC-2235945
	BFP1-5177; BGJ1-522; BKG1-UP					
	1804239		I-UB-10	2-1/2	3-1/2	CTC-2235945
	BFP1-UP; BGJ1-UP; BKG1300-UP; B2D1-UP					
	2060514		I-UB-10	2-1/2	3-1/2	CTC-2235945
	2060518		I-UB-10	2-1/2	3-1/2	CTC-2235945
	BGJ1050-UP					
	1917839		I-UB-10	2-3/4	3-3/4	CTC-1917839K
BACKHOE EXT STICK						
	BFP1-5177; BGJ1-408; BKG1-UP; B2D1-UP					
	1647174		P-UB-10	1-1/2	3	CTC-1856583
	BFP5178-UP; BGJ409-UP					
	1917725		P-UB-10	1-1/2	3	CTC-1917725K
BACKHOE STICK						
	BFP1-5177; BGJ1-1049; BKG1-777					
	1843709		P-UB-10	2-1/2	4-1/2	CTC-1843709K
	BFP2533-5177; BGJ1-1049; BKG777-2499					
	2060503		P-UB-10	2-1/2	4-1/2	CTC-2297194
	BFP5178-UP; BGJ1-UP; BKG2500-UP; B2D1-UP					
	2359829		P-UB-10	2-1/2	4-1/2	CTC-2297194
LOADER BUCKET MP						
	BFP12900-UP					
	2265540		I-U-10	1-1/2	3	CTC-2309357
	BFP1-UP; BGJ1-UP; BKG1-UP; CXP940-UP; B2D1-UP					
	1851839		P-UB-10	1-1/2	3	CTC-1851839K

REPLACEMENT KITS FOR CATERPILLAR® EQUIPMENT

Backhoe Loaders						
APPLICATION	CYL #	Misc-Parts, Instructions, etc.	CODE	ROD	BORE	KIT #
MODEL 416D						
LOADER LIFT						
BFP1-2491; BGJ1-UP						
1070624			P-UB-10	1-7/8	3-1/4	CTC-1070624K
BFP12900-UP; BGJ1050-1140						
2300979			P-U-10	1-7/8	3-1/4	CTC-2332628
BFP1-UP; CXP1-UP; BGJ1-1049; BGJ1141-UP; BKG1-UP; B2D1-UP						
2063549			P-UB-10	1-7/8	3-1/4	CTC-2094979
BFP2492-5177; BGJ1-522; BKG1-776; CXP1-939						
1917843			P-UB-10	1-7/8	3-1/4	CTC-2094979
LOADER TILT						
BFP1-2491; BGJ1-522						
1851851			P-UB-10	1-7/8	3-1/4	CTC-1851851K
BFP1-UP; CXP1-UP; BGJ1-UP; BKG1-UP; B2D1-UP						
2063553			P-UB-10	1-7/8	3-1/4	CTC-2094979
BFP2492-5177; BGJ1-522; BKG1-1299; CXP1-939						
1924128			P-UB-10	1-7/8	3-1/4	CTC-2094979
STABILIZER						
B2D267-UP						
2627050			P-UB-10	55 mm	100 mm	CTC-2332623
BFP13748-UP; BGJ1141-UP; B2D267-UP						
2283499			P-UB-10	55 mm	100 mm	CTC-2332623
BFP13793-UP; BGJ1141-UP; B2D267-UP						
2283500			P-UB-10	55 mm	100 mm	CTC-2332623
BFP1-5177; BGJ1-1049; BKG1-776						
1807484			P-UB-10	2-1/8	4	CTC-1807484K
1807485			P-UB-10	2-1/8	4	CTC-1807485K
BFP1-UP; BGJ1-1140; BKG1-UP; B2D1-266						
2060520			P-UB-10	2-1/8	4	CTC-2060520K
2060522			P-UB-10	2-1/8	4	CTC-2060522K
STEERING						
BFP1-12899; BGJ1-1049; BKG1-UP						
1674235			P-UB-10	1-3/4	2-3/4	CTC-2350351
1674235			P-UB-10	1-3/4	2-3/4	CTC-2350352
SWING						
BFP13793-UP; BGJ1141-UP; B2D267-UP						
2283506			P-UB-10	50 mm	100 mm	CTC-2332622
BFP2492-UP; BGJ1-1140; BKG1-UP; B2D1-UP						
1918161			P-UB-10	2	4	CTC-1918161K
THUMB						
BFP12900-UP						
2754243			I-U-10	50 mm	70 mm	CTC-2764172
MODEL 416E						
BACKHOE BOOM						
BWC1-UP; CBD1-UP; SHA1-UP						
2107074			P-UB-10	2-1/4	4-1/2	CTC-2959891
BWC1-UP; SHA1-UP						
2469885			P-UB-10	2-1/4	4-1/2	CTC-2469885K

REPLACEMENT KITS FOR CATERPILLAR® EQUIPMENT

Backhoe Loaders						
APPLICATION	CYL #	Misc-Parts, Instructions, etc.	CODE	ROD	BORE	KIT #
MODEL 416E						
BACKHOE BUCKET						
BWC1-UP; CBD1-UP; SHA1-UP						
2107086			I-UB-10	2-3/8	85 mm	CTC-2107086K
BWC1-UP; SHA1-UP						
2107085			I-UB-10	2-3/8	85 mm	CTC-2107085K
CBD1-UP						
2107088			I-UB-10	2-1/2	3-1/2	CTC-2107088K
BACKHOE EXT STICK						
BWC1-UP; CBD1-UP; SHA1-UP						
2107098			P-UB-10	1-1/2	3	CTC-2107098K
BWC1-UP; SHA1-UP						
2107097			P-UB-10	1-1/2	3	CTC-2107097K
BACKHOE STICK						
BWC1-UP; CBD1-UP; SHA1-UP						
2107078			P-UB-10	2-1/4	4-1/4	CTC-2107078K
BWC1-UP; SHA1-UP						
2107077			P-UB-10	2-1/4	4-1/4	CTC-2107077K
GRAPPLE						
CBD1-UP; SHA1-UP						
2754243			I-U-10	50 mm	70 mm	CTC-2764172
LOADER BUCKET MP						
BWC1-UP; CBD1-UP; SHA1-UP						
2265540			I-U-10	1-1/2	3	CTC-2309357
CBD1-UP						
1851839			P-UB-10	1-1/2	3	CTC-1851839K
LOADER LIFT						
BWC1-UP; CBD1-UP; SHA1-UP						
2283508			P-U-10	1-7/8	3-1/4	CTC-2332628
LOADER TILT						
BWC1-UP; CBD1-UP; SHA1-UP						
2063553			P-UB-10	1-7/8	3-1/4	CTC-2063553K
STABILIZER						
BWC1-UP; CBD1-5744; SHA1-UP						
2627049			P-UB-10	55 mm	100 mm	CTC-2332623
2627050			P-UB-10	55 mm	100 mm	CTC-2332623
SWING						
BWC1-UP; CBD1-5744; SHA1-UP						
2781971			P-UB-10	50 mm	100 mm	CTC-2332622
MODEL 420D						
BACKHOE BOOM						
1529148			P-UB-10	2-3/8	4-3/4	CTC-2350973
BKC1-501; BLN1-1832; BMC1-610; FDP1-3137						
1529148			P-UB-10	2-3/8	4-3/4	CTC-1529148K
BKC1-501; BLN1833-4543; BMC1-610; FDP3138-7198						
1917846			P-UB-10	2-3/8	4-3/4	CTC-1917846K
BKC1-UP; BLN1833-UP; BMC1-UP; FDP7199-UP; MBH1-UP						
2063630			P-UB-10	2-3/8	4-3/4	CTC-2350973

REPLACEMENT KITS FOR CATERPILLAR® EQUIPMENT

Backhoe Loaders						
APPLICATION	CYL #	Misc-Parts, Instructions, etc.	CODE	ROD	BORE	KIT #
MODEL 420D						
BACKHOE BUCKET						
1668140			I-UB-10	2-3/4	3-3/4	CTC-2235944
BKC1-501; BLN1-4543; BMC1-610; FDP1-7198						
1668140			I-UB-10	2-3/4	3-3/4	CTC-1668140K
BKC1-UP; BLN1-UP; BMC1-UP; FDP1-UP						
1917839			I-UB-10	2-3/4	3-3/4	CTC-1917839K
BKC1-UP; BLN1-UP; BMC1-UP; FDP1-UP; MBH1-UP						
1917835			I-UB-10	2-3/4	3-3/4	CTC-1917835K
BLN1-4543; FDP1-7198						
1668141			I-UB-10	2-3/4	3-3/4	CTC-1668141K
BACKHOE EXT BUCKET						
1668141			I-UB-10	2-3/4	3-3/4	CTC-2235944
BACKHOE EXT STICK						
1647174			P-UB-10	1-1/2	3	CTC-2350354
BKC1-401; BLN1-4543; BMC1-506; FDP1-7198						
1647174			P-UB-10	1-1/2	3	CTC-1647174K
BKC402-UP; BLN4544-UP; BMC507-UP; FDP7199-UP						
1917725			P-UB-10	1-1/2	3	CTC-1917725K
BACKHOE STICK						
1843709			P-UB-10	2-1/2	4-1/2	CTC-2435805
BKC1-501; BLN1-4543; BMC1-610; FDP1-7198						
1843709			P-UB-10	2-1/2	4-1/2	CTC-1843709K
BKC1-919; BLN1833-10299; BMC1-1059; FDP7199-18399						
2060503			P-UB-10	2-1/2	4-1/2	CTC-2060503K
BKC502-UP; BLN8014-UP; BMC1-UP; FDP10193-UP; MBH1-UP						
2359829			P-UB-10	2-1/2	4-1/2	CTC-2359829K
BACKHOE SWING						
1699529			P-UB-10	2	4	CTC-1113302
GRAPPLE						
BLN10300-UP; FDP18400-UP						
2754243			I-U-10	50 mm	70 mm	CTC-2764172
LOADER BUCKET MP						
1851839			P-UB-10	1-1/2	3	CTC-2350354
BKC1-UP; BLN1-UP; BMC1-UP; FDP1-UP; MBH1-UP						
1851839			P-UB-10	1-1/2	3	CTC-1851839K
FDP18400-UP; MBH1-UP						
2265540			I-U-10	1-1/2	3	CTC-2309357
LOADER LIFT						
1807490			P-UB-10	2	85 mm	CTC-2410110
1832856			P-UB-10	2	85 mm	CTC-2410110
BKC1-501; FDP1-7198						
1832856			P-UB-10	2	85 mm	CTC-1832856K
BKC1-UP; FDP7199-18399						
1964523			P-UB-10	2	85 mm	CTC-1964523K
BLN10300-UP; MBH1-UP						
2283505			P-U-10	50 mm	85 mm	CTC-2432276
BLN1-4543; BMC1-610						
1807490			P-UB-10	2	85 mm	CTC-1807490K

REPLACEMENT KITS FOR CATERPILLAR® EQUIPMENT

Backhoe Loaders						
APPLICATION	CYL #	Misc-Parts, Instructions, etc.	CODE	ROD	BORE	KIT #
MODEL 420D						
LOADER LIFT						
BLN1833-4543; BLN4544-10299; BMC1-UP						
1923791			P-UB-10	2	85 mm	CTC-1923791K
FDP18400-UP						
2300980			P-U-10	50 mm	85 mm	CTC-2432276
LOADER TILT						
1807482			P-UB-10	2	85 mm	CTC-2410110
1832848			P-UB-10	2	75 mm	CTC-2410109
BKC1-501; FDP1-7198						
1807482			P-UB-10	2	85 mm	CTC-1807482K
BKC1-501; FDP3138-7198						
1924110			P-UB-10	2	85 mm	CTC-1924110K
BKC1-919; FDP7450-UP						
2007128			P-UB-10	2	4	CTC-2007128K
BKC1-UP; FDP7199-7449						
2063555			P-UB-10	2	85 mm	CTC-2063555K
BLN1-4543; BMC1-610						
1832848			P-UB-10	2	75 mm	CTC-1832848K
BLN1833-UP; BMC1-UP; MBH1-UP						
1923884			P-UB-10	2	75 mm	CTC-1923884K
STABILIZER						
BKC1-501; BLN1-4543; BMC1-610; FDP1-7198						
1807484			P-UB-10	2-1/8	4	CTC-1807484K
1807485			P-UB-10	2-1/8	4	CTC-1807485K
BKC1-920; BLN1833-11017; BMC1-1063; FDP7199-20367						
2060520			P-UB-10	2-1/8	4	CTC-2060520K
BKC1-920; BLN1833-11017; BMC1-1063; FDP7199-20477						
2060522			P-UB-10	2-1/8	4	CTC-2060522K
BKC921-UP; BLN11018-UP; BMC1064-UP; FDP20368-UP; MBH1-UP						
2283499			P-UB-10	55 mm	100 mm	CTC-2332623
BKC921-UP; BLN11018-UP; BMC1064-UP; FDP20478-UP; MBH1-UP						
2283500			P-UB-10	55 mm	100 mm	CTC-2332623
STEERING						
1674235	ENG 03-UP		P-UB-10	1-3/4	2-3/4	CTC-2350351
1674235	ENG 00-02		P-UB-10	1-3/4	2-3/4	CTC-2350352
SWING						
BKC1-501; BLN1-1832; BMC1-610; FDP1-3137						
1699529			P-UB-10	2	4	CTC-1699529K
BKC1-920; BLN1833-11084; BMC1-1063; FDP3138-20480						
1918161			P-UB-10	2	4	CTC-1918161K
BKC921-UP; BLN11085-UP; BMC1064-UP; FDP20481-UP; MBH1-UP						
2283506			P-UB-10	50 mm	100 mm	CTC-2332622
MODEL 420E						
BACKHOE BOOM						
GAN1-UP; HLS1-UP; KMW1-UP; PHC1-UP; PRA1-UP						
2107076			P-UB-10	2-3/8	4-3/4	CTC-2107076K
HLS1-UP; KMW1-UP; PHC1-UP; PRA1-UP						
2689049			P-UB-10	2-3/8	4-3/4	CTC-2689049K

REPLACEMENT KITS FOR CATERPILLAR® EQUIPMENT

Backhoe Loaders						
APPLICATION	CYL #	Misc-Parts, Instructions, etc.	CODE	ROD	BORE	KIT #
MODEL 420E						
BACKHOE BUCKET						
GAN1-UP; HLS1-UP; KMW1-UP; PHC1-UP; PRA1-UP						
2107088			I-UB-10	2-1/2	3-1/2	CTC-2107088K
HLS1-UP; KMW1-UP; PHC1-UP; PRA1-UP						
2107087			I-UB-10	2-1/2	3-1/2	CTC-2107087K
BACKHOE EXT STICK						
HLS1-UP; KMW1-UP; PHC1-UP; PRA1-UP						
2107097			P-UB-10	1-1/2	3	CTC-2107097K
2107098			P-UB-10	1-1/2	3	CTC-2107098K
BACKHOE STICK						
GAN1-UP; HLS1-UP; KMW1-UP; PHC1-UP; PRA1-UP						
2107082			P-UB-10	2-1/2	4-3/4	CTC-2107082K
HLS1-UP; KMW1-UP; PHC1-UP; PRA1-UP						
2107081			P-UB-10	2-1/2	4-3/4	CTC-2107081K
BACKHOE SWING						
GAN1-UP; HLS1-UP; KMW1-UP; PHC1-UP; PRA1-UP						
2781971			P-UB-10	50 mm	100 mm	CTC-2332622
GRAPPLE						
HLS1-UP; KMW1-UP						
2754243			I-U-10	50 mm	70 mm	CTC-2764172
LOADER BUCKET MP						
GAN1-UP; HLS1-UP; KMW1-UP; PHC1-UP; PRA1-UP						
2265540			I-U-10	1-1/2	3	CTC-2309357
LOADER LIFT						
GAN1-UP; KMW1-UP; PHC1-UP						
2283505			P-U-10	50 mm	85 mm	CTC-2432276
HLS1-UP; PRA1-UP						
2283509			P-U-10	50 mm	85 mm	CTC-2432276
LOADER TILT						
GAN1-UP; KMW1-UP; PHC1-UP						
1923884			P-UB-10	2	75 mm	CTC-1923884K
HLS1-UP; PRA1-UP						
2007128			P-UB-10	2	4	CTC-2007128K
STABILIZER						
GAN1-UP; HLS1-UP; KMW1-UP; PHC1-UP; PRA1-UP						
2627049			P-UB-10	55 mm	100 mm	CTC-2332623
2627050			P-UB-10	55 mm	100 mm	CTC-2332623
MODEL 426						
BACKHOE BACKHOE BOOM						
4T6969			P-UB-10	2-1/8	3-1/2	CTC-8T3591
6E0109			P-UB-10	2	3-1/2	CTC-7X2783
BACKHOE BOOM						
9T5222			P-UB-10	2	3-1/2	CTC-7X2822

REPLACEMENT KITS FOR CATERPILLAR® EQUIPMENT

Backhoe Loaders						
APPLICATION	CYL #	Misc-Parts, Instructions, etc.	CODE	ROD	BORE	KIT #
MODEL 426						
BACKHOE BUCKET						
	4T5601		P-UB-10	2	3-1/4	CTC-7X2821
	6E0091		I-UB-10	2-1/2	3-1/2	CTC-3E3299
	9T0735		P-UB-10	2	3-1/2	CTC-7X2822
	9T2751		P-UB-10	2	3-1/4	CTC-7X2821
	9T7287		I-UB-10	2-1/2	3-1/2	CTC-3E3299
	9T7894		P-UB-10	2	3-1/4	CTC-7X2821
BACKHOE EXT STICK						
	9T2215		P-UB-10	1-1/2	3	CTC-7X2737
	9T2215		P-UB-10	1-1/2	3	CTC-7X2745
	9T2215		P-UB-10	1-1/2	3	CTC-7X2745
	9T4809		P-UB-10	1-1/2	3	CTC-7X2737
	9T7893		P-UB-10	2	3-1/4	CTC-7X2821
BACKHOE STICK						
	4T6968		P-UB-10	2-1/8	4	CTC-1305923
	6E0111		P-UB-10	2-1/2	4-1/4	CTC-3E3300
	9T2215		P-UB-10	1-1/2	3	CTC-7X2737
	9T5220		P-UB-10	2-1/8	4	CTC-1305923
	9T7066		P-UB-10	2-1/8	4	CTC-1305923
	9T7289		P-UB-10	2-1/2	4-1/4	CTC-3E3300
BACKHOE SWING						
	6E0093		P-UB-10	2-1/8	4	CTC-1305923
BACKHOE SWING LH						
	4T6879		P-UB-10	2-1/8	4	CTC-1305923
BACKHOE SWING RH						
	9T0529		P-UB-10	2-1/8	4	CTC-1305923
LOADER BUCKET MP						
	9T4006		P-UB-10	1-1/2	3	CTC-7X2737
LOADER LIFT						
	6E0103		P-UB-10	1-7/8	3-1/4	CTC-3E3297
	9T0415		P-UB-10	1-7/8	3-1/4	CTC-3E3297
LOADER TILT						
	6E0113		P-UB-10	2	3-1/2	CTC-7X2783
	9T0735		P-UB-10	2	3-1/2	CTC-7X2822
	9T5370		P-UB-10	1-7/8	3-1/4	CTC-8T3589
	9T5371		P-UB-10	2	3-1/2	CTC-7X2783
	9T5371		P-UB-10	2	3-1/2	CTC-7X2822
STABILIZER						
	9T7391		P-UB-10	2-1/8	4	CTC-1305923
	9T7392		P-UB-10	2-1/8	4	CTC-1305923
STABILIZER LH						
	4T9911		P-UB-10	2-1/8	4	CTC-1305923
	6E0097		P-UB-10	2-1/8	4	CTC-1305923
	9T7070		P-UB-10	2-1/8	4	CTC-1305923

REPLACEMENT KITS FOR CATERPILLAR® EQUIPMENT

Backhoe Loaders						
APPLICATION	CYL #	Misc-Parts, Instructions, etc.	CODE	ROD	BORE	KIT #
MODEL 426						
STABILIZER RH						
	4T6880		P-UB-10	2-1/8	4	CTC-1305923
	6E0099		P-UB-10	2-1/8	4	CTC-1305923
	9T7069		P-UB-10	2-1/8	4	CTC-1305923
STEERING						
	6E5190		P-UB-10	1-7/8	3	CTC-1113301
	9T1493		P-UB-10	1-7/8	3	CTC-8T3852
UNSPECIFIED APPLICATION						
	1070624		P-UB-10	1-7/8	3-1/4	CTC-3E3297
MODEL 426B						
BACKHOE BACKHOE BOOM						
	6E1948		P-UB-10	2-1/2	5	CTC-1361967
BACKHOE BUCKET						
	1268316		I-UB-10	2-3/4	3-3/4	CTC-9X2020
	6E1809		I-UB-10	2-3/4	3-3/4	CTC-9X2020
BACKHOE EXT BUCKET						
	6E3692		I-UB-10	2-3/4	3-3/4	CTC-9X2020
BACKHOE STICK						
	6E1935		P-UB-10	2-3/4	5	CTC-3E8878
	6E3662		P-UB-10	1-1/2	3	CTC-7X2737
BACKHOE SWING						
	1166861		P-UB-10	2	4	CTC-1113302
	6E0288		P-UB-10	2	4	CTC-1113302
	6E1864		P-UB-10	2	4	CTC-1328816
LOADER BUCKET MP						
	9T4006		P-UB-10	1-1/2	3	CTC-7X2737
LOADER LIFT						
	6E0103		P-UB-10	1-7/8	3-1/4	CTC-3E3297
	9T0415		P-UB-10	1-7/8	3-1/4	CTC-3E3297
LOADER TILT						
	1071855		P-UB-10	2	3-1/2	CTC-7X2783
	6E0113		P-UB-10	2	3-1/2	CTC-7X2783
STABILIZER						
	1052323		P-UB-10	2-1/8	4	CTC-1305923
	1052358		P-UB-10	2-1/8	4	CTC-1305923
STABILIZER LH						
	1165354		P-UB-10	2-1/8	4	CTC-1305923
	1302364		P-UB-10	2-1/8	4	CTC-1305923
	6E0098		P-UB-10	2-1/8	4	CTC-1305923
STABILIZER RH						
	1165353		P-UB-10	2-1/8	4	CTC-1305923
	1302365		P-UB-10	2-1/8	4	CTC-1305923
	6E0099		P-UB-10	2-1/8	4	CTC-1305923
STEERING						
	6E5190		P-UB-10	1-7/8	3	CTC-1113301
UNSPECIFIED APPLICATION						
	1070624		P-UB-10	1-7/8	3-1/4	CTC-3E3297

REPLACEMENT KITS FOR CATERPILLAR® EQUIPMENT

Backhoe Loaders						
APPLICATION	CYL #	Misc-Parts, Instructions, etc.	CODE	ROD	BORE	KIT #
MODEL 426C						
BACKHOE BOOM						
	6E1948		P-UB-10	2-1/2	5	CTC-1361967
BACKHOE BUCKET						
	1268316		I-UB-10	2-3/4	3-3/4	CTC-9X2020
BACKHOE EXT BUCKET						
	6E3692		I-UB-10	2-3/4	3-3/4	CTC-9X2020
BACKHOE STICK						
	1535735		P-UB-10	1-1/2	3	CTC-7X2737
	6E1935		P-UB-10	2-3/4	5	CTC-3E8878
	6E3662		P-UB-10	1-1/2	3	CTC-7X2737
BACKHOE SWING						
	1166861		P-UB-10	2	4	CTC-1113302
LOADER BUCKET MP						
	9T4006		P-UB-10	1-1/2	3	CTC-7X2737
LOADER LIFT						
	1108688		P-UB-10	2	3-1/2	CTC-7X2783
	1216764		P-UB-10	2	3-1/2	CTC-7X2783
LOADER TILT						
	1071855		P-UB-10	2	3-1/2	CTC-7X2783
STABILIZER LH						
	1311846		P-UB-10	2-1/8	4	CTC-1305923
	1521806		P-UB-10	2-1/8	4	CTC-1305923
STABILIZER RH						
	1311847		P-UB-10	2-1/8	4	CTC-1305923
	1521796		P-UB-10	2-1/8	4	CTC-1305923
STEERING						
	1156437		P-UB-10	1-3/4	2-1/2	CTC-1539054
UNSPECIFIED APPLICATION						
	1235087		P-UB-10	2	3-1/2	CTC-7X2783
	1235091		P-UB-10	2	3	CTC-7X2760
	9T8823		I-O-3	1	2	CTC-9T0418
MODEL 428						
BACKHOE BOOM						
	4T6878		P-UB-10	1-7/8	3-1/4	CTC-8T3589
	4T6969		P-UB-10	2-1/8	3-1/2	CTC-8T3591
	6E0087		P-UB-10	1-7/8	3-1/4	CTC-3E3297
	9T5219		P-UB-10	1-7/8	3-1/4	CTC-3E3297
	9T5219		P-UB-10	1-7/8	3-1/4	CTC-8T3589
BACKHOE BUCKET						
	4T5601		P-UB-10	2	3-1/4	CTC-7X2821
	6E0091		I-UB-10	2-1/2	3-1/2	CTC-3E3299
	9T2751		P-UB-10	2	3-1/4	CTC-7X2821
	9T7287		I-UB-10	2-1/2	3-1/2	CTC-3E3299
	9T7893		P-UB-10	2	3-1/4	CTC-7X2821
	9T7894		P-UB-10	2	3-1/4	CTC-7X2821

REPLACEMENT KITS FOR CATERPILLAR® EQUIPMENT

Backhoe Loaders						
APPLICATION	CYL #	Misc-Parts, Instructions, etc.	CODE	ROD	BORE	KIT #
MODEL 428						
BACKHOE EXT STICK						
	9T2215		P-UB-10	1-1/2	3	CTC-7X2745
	9T4809		P-UB-10	1-1/2	3	CTC-7X2737
	9T7893		P-UB-10	2	3-1/4	CTC-7X2821
BACKHOE STICK						
	4T6877		P-UB-10	2-1/8	4	CTC-8T3593
	4T6893		P-UB-10	2-1/8	4	CTC-1305923
	6E0089		P-UB-10	2-1/2	4-1/4	CTC-3E3300
	9T2214		P-UB-10	1-1/2	3	CTC-7X2737
	9T2762		P-UB-10	2-1/8	4	CTC-8T3593
	9T5215		P-UB-10	2-1/8	4	CTC-1305923
	9T5216		P-UB-10	2-1/8	4	CTC-8T3593
	9T5216		P-UB-10	2-1/8	4	CTC-8T3593
	9T7063		P-UB-10	2-1/8	4	CTC-1305923
	9T7291		P-UB-10	2-1/2	4-1/4	CTC-3E3300
BACKHOE SWING						
	9T0420		P-UB-10	2-1/8	4	CTC-8T3593
	9T0421		P-UB-10	2-1/8	4	CTC-8T3593
BACKHOE SWING LH						
	9T0421		P-UB-10	2-1/8	4	CTC-1305923
BACKHOE SWING RH						
	9T0420		P-UB-10	2-1/8	4	CTC-1305923
LOADER BUCKET MP						
	9T4006		P-UB-10	1-1/2	3	CTC-7X2737
LOADER LIFT						
	6E0103		P-UB-10	1-7/8	3-1/4	CTC-3E3297
	9T0415		P-UB-10	1-7/8	3-1/4	CTC-3E3297
LOADER TILT						
	6E0113		P-UB-10	2	3-1/2	CTC-7X2783
	9T0735		P-UB-10	2	3-1/2	CTC-7X2822
	9T0770		P-UB-10	2	3-1/2	CTC-7X2783
	9T5370		P-UB-10	1-7/8	3-1/4	CTC-8T3589
	9T5371		P-UB-10	2	3-1/2	CTC-7X2783
	9T5371		P-UB-10	2	3-1/2	CTC-7X2822
STABILIZER						
	6E0119		P-UB-10	1-3/4	2-3/4	CTC-1539053
	9T0527		P-UB-10	1-3/4	2-3/4	CTC-7X2820
	9T9709		P-UB-10	1-3/4	2-3/4	CTC-7X2820
STEERING						
	9T1493		P-UB-10	1-7/8	3	CTC-8T3852
UNSPECIFIED APPLICATION						
	1070624		P-UB-10	1-7/8	3-1/4	CTC-3E3297
MODEL 428B						
BACKHOE BOOM						
	6E0274		P-UB-10	2-3/8	4-1/2	CTC-3E8877

REPLACEMENT KITS FOR CATERPILLAR® EQUIPMENT

Backhoe Loaders						
APPLICATION	CYL #	Misc-Parts, Instructions, etc.	CODE	ROD	BORE	KIT #
MODEL 428B						
BACKHOE BUCKET						
	1268308		I-UB-10	2-1/2	3-1/2	CTC-3E3299
	6E0275		I-UB-10	2-1/2	3-1/2	CTC-3E3299
BACKHOE EXT BUCKET						
	6E1964		I-UB-10	2-1/2	3-1/2	CTC-3E3299
	6E2421		I-UB-10	2-3/4	3-3/4	CTC-9X2020
BACKHOE STICK						
	1097021		P-UB-10	2-1/2	4-1/2	CTC-1113300
	6E0290		P-UB-10	2-1/2	4-1/2	CTC-1113300
	6E0290	Rod Bearing width- 1.25"	P-UB-10	2-1/2	4-1/2	CTC-1469860
	6E0404		P-UB-10	1-1/2	3	CTC-7X2737
BACKHOE SWING						
	1166861		P-UB-10	2	4	CTC-1113302
	6E0288		P-UB-10	2	4	CTC-1113302
BACKHOE SWING LH						
	1166858		P-UB-10	2	4	CTC-1113302
	6E1864		P-UB-10	2	4	CTC-1113302
LOADER BUCKET MP						
	9T4006		P-UB-10	1-1/2	3	CTC-7X2737
LOADER LIFT						
	6E0103		P-UB-10	1-7/8	3-1/4	CTC-3E3297
	9T0415		P-UB-10	1-7/8	3-1/4	CTC-3E3297
LOADER TILT						
	1071855		P-UB-10	2	3-1/2	CTC-7X2783
	6E0113		P-UB-10	2	3-1/2	CTC-7X2783
SIDESHIFT						
	1166858		P-UB-10	2	4	CTC-1113302
SIDESHIFT RH						
	1166858		P-UB-10	2	4	CTC-1113302
STABILIZER						
	1266950		P-UB-10	1-3/4	2-3/4	CTC-1539053
	6E3483		P-UB-10	1-3/4	2-3/4	CTC-1539053
STEERING						
	6E5190		P-UB-10	1-7/8	3	CTC-1113301
UNSPECIFIED APPLICATION						
	1070624		P-UB-10	1-7/8	3-1/4	CTC-3E3297
MODEL 428C						
BACKHOE BOOM						
	6E0274		P-UB-10	2-3/8	4-1/2	CTC-3E8877
BACKHOE BUCKET						
	1268308		I-UB-10	2-1/2	3-1/2	CTC-3E3299
	1268312		I-UB-10	2-3/4	3-3/4	CTC-1361990
	6E0275		I-UB-10	2-1/2	3-1/2	CTC-3E3299
BACKHOE EXT BUCKET						
	6E1964		I-UB-10	2-1/2	3-1/2	CTC-3E3299

REPLACEMENT KITS FOR CATERPILLAR® EQUIPMENT

Backhoe Loaders						
APPLICATION	CYL #	Misc-Parts, Instructions, etc.	CODE	ROD	BORE	KIT #
MODEL 428C						
BACKHOE STICK						
	1097021		P-UB-10	2-1/2	4-1/2	CTC-1113300
	6E0404		P-UB-10	1-1/2	3	CTC-7X2737
BACKHOE SWING						
	1166861		P-UB-10	2	4	CTC-1113302
LOADER BUCKET MP						
	9T4006		P-UB-10	1-1/2	3	CTC-7X2737
LOADER TILT						
	1071855		P-UB-10	2	3-1/2	CTC-7X2783
SIDESHIFT						
	1166858		P-UB-10	2	4	CTC-1113302
SIDESHIFT RH						
	1166858		P-UB-10	2	4	CTC-1113302
STABILIZER						
	1266950		P-UB-10	1-3/4	2-3/4	CTC-1539053
STEERING						
	1156437		P-UB-10	1-3/4	2-1/2	CTC-1539054
UNSPECIFIED APPLICATION						
	1070624		P-UB-10	1-7/8	3-1/4	CTC-3E3297
	1235087		P-UB-10	2	3-1/2	CTC-7X2783
	1235091		P-UB-10	2	3	CTC-7X2760
	9T8823		I-O-3	1	2	CTC-9T0418
MODEL 430D						
BACKHOE BOOM						
	BML1-2280; BNK1-2501					
	1832849		P-UB-10	2-3/4	5-3/8	CTC-1832849K
	BML1-UP; BNK2502-UP					
	2058655		P-UB-10	2-3/4	5-3/8	CTC-2058655K
BACKHOE BUCKET						
	BML1-2280; BNK1-2501					
	1668140		I-UB-10	2-3/4	3-3/4	CTC-1668140K
	1668141		I-UB-10	2-3/4	3-3/4	CTC-1668141K
	BML1-UP; BNK1-UP					
	1917835		I-UB-10	2-3/4	3-3/4	CTC-2315021
	1917839		I-UB-10	2-3/4	3-3/4	CTC-2315021
BACKHOE EXT STICK						
	BML1-2280; BNK1-2501					
	1535735		P-UB-10	1-1/2	3	CTC-2350354
	BML2281-UP; BNK2502-UP					
	1917721		P-UB-10	1-1/2	3	CTC-1917721K
BACKHOE STICK						
	BML1-1116; BNK1-2051					
	1832850		P-UB-10	2-1/2	4-3/4	CTC-1832850K
	BML1-UP; BNK2502-UP					
	2058656		P-UB-10	2-1/2	4-3/4	CTC-2058656K

REPLACEMENT KITS FOR CATERPILLAR® EQUIPMENT

Backhoe Loaders						
APPLICATION	CYL #	Misc-Parts, Instructions, etc.	CODE	ROD	BORE	KIT #
MODEL 430D						
BACKHOE SWING						
BML1-1116; BNK1-1032						
1699529			P-UB-10	2	4	CTC-1699529K
BML1-5023; BNK1033-6261						
1918161			P-UB-10	2	4	CTC-1918161K
BML5013-UP; BNK6262-UP						
2283506			P-UB-10	50 mm	100 mm	CTC-2332622
GRAPPLE						
BML4800-UP; BNK5900-UP						
2754243			I-U-10	50 mm	70 mm	CTC-2764172
LOADER BUCKET MP						
BML1-UP; BNK1-UP						
1851839			P-UB-10	1-1/2	3	CTC-1851839K
BML4800-UP; BNK5900-UP						
2265540			I-U-10	1-1/2	3	CTC-2309357
LOADER LIFT						
BML1-2280						
1807490			P-UB-10	2	85 mm	CTC-1807490K
BML1-4799						
1923791			P-UB-10	2	85 mm	CTC-1923791K
BML4800-UP						
2283505			P-U-10	50 mm	85 mm	CTC-2432276
BNK1-2501						
1832856			P-UB-10	2	85 mm	CTC-1832856K
BNK2502-5899						
1964523			P-UB-10	2	85 mm	CTC-1964523K
BNK5900-UP						
2300980			P-U-10	50 mm	85 mm	CTC-2432276
LOADER TILT						
BML1-2280						
1832848			P-UB-10	2	75 mm	CTC-1832848K
BML1-UP						
1923884			P-UB-10	2	75 mm	CTC-1923884K
BNK1033-2501						
1924110			P-UB-10	2	85 mm	CTC-1924110K
BNK1-1032						
1807482			P-UB-10	2	85 mm	CTC-1807482K
BNK2502-2558						
2063555			P-UB-10	2	85 mm	CTC-2063555K
BNK2502-UP						
2007128			P-UB-10	2	4	CTC-2007128K
STABILIZER						
BML1-2280; BNK1-2501						
1807484			P-UB-10	2-1/8	4	CTC-1807484K
1807485			P-UB-10	2-1/8	4	CTC-1807485K
BML1-5012; BNK2502-6244						
2060520			P-UB-10	2-1/8	4	CTC-2060520K

REPLACEMENT KITS FOR CATERPILLAR® EQUIPMENT

Backhoe Loaders						
APPLICATION	CYL #	Misc-Parts, Instructions, etc.	CODE	ROD	BORE	KIT #
MODEL 430D						
STABILIZER						
BML1-5012; BNK2502-6261						
2060522			P-UB-10	2-1/8	4	CTC-2060522K
BML5013-UP; BNK6245-UP						
2283499			P-UB-10	55 mm	100 mm	CTC-2332623
BML5013-UP; BNK6262-UP						
2283500			P-UB-10	55 mm	100 mm	CTC-2332623
MODEL 430E						
BACKHOE BOOM						
DDT1-UP; EAT1-UP; RLN1-UP; SCD1-UP						
2469884			P-UB-10	3	5-1/4	CTC-2959887
2689051			P-UB-10	3	5-1/4	CTC-2689051K
BACKHOE BUCKET						
DDT1-UP; EAT1-UP; RLN1-UP; SCD1-UP						
1668140			I-UB-10	2-3/4	3-3/4	CTC-1668140K
2107096			I-UB-10	2-3/4	3-3/4	CTC-2107096K
BACKHOE EXT STICK						
DDT1-UP; EAT1-UP; RLN1-UP; SCD1-UP						
2107092			P-UB-10	2-1/2	5	CTC-2107092K
2107097			P-UB-10	1-1/2	3	CTC-2107097K
2107098			P-UB-10	1-1/2	3	CTC-2107098K
BACKHOE STICK						
DDT1-UP; EAT1-UP; RLN1-UP; SCD1-UP						
2107091			P-UB-10	2-1/2	5	CTC-2107091K
GRAPPLE						
DDT1-UP; EAT-1UP						
2754243			I-U-10	50 mm	70 mm	CTC-2764172
LOADER BUCKET MP						
DDT1-UP; EAT1-UP; RLN1-UP; SCD1-UP						
2265540			I-U-10	1-1/2	3	CTC-2309357
LOADER LIFT						
DDT1-UP; SCD1-UP						
2283505			P-U-10	50 mm	85 mm	CTC-2432276
EAT1-UP; RLN1-UP						
2283509			P-U-10	50 mm	85 mm	CTC-2432276
LOADER TILT						
DDT1-UP; SCD1-UP						
1923884			P-UB-10	2	75 mm	CTC-1923884K
EAT1-UP; RLN1-UP						
2007128			P-UB-10	2	4	CTC-2007128K
STABILIZER						
DDT1-UP; EAT1-UP; RLN1-UP; SCD1-UP						
2627049			P-UB-10	55 mm	100 mm	CTC-2332623
2627050			P-UB-10	55 mm	100 mm	CTC-2332623
SWING						
DDT1-UP; EAT1-UP; RLN1-UP; SCD1-UP						
2781971			P-UB-10	50 mm	100 mm	CTC-2332622

REPLACEMENT KITS FOR CATERPILLAR® EQUIPMENT

Backhoe Loaders						
APPLICATION	CYL #	Misc-Parts, Instructions, etc.	CODE	ROD	BORE	KIT #
MODEL 436						
BACKHOE BOOM						
	6E0109		P-UB-10	2	3-1/2	CTC-7X2783
	9T5222		P-UB-10	2	3-1/2	CTC-7X2783
	9T5222		P-UB-10	2	3-1/2	CTC-7X2822
BACKHOE EXT STICK						
	9T4809		P-UB-10	1-1/2	3	CTC-7X2737
BACKHOE SWING						
	4T6879		P-UB-10	2-1/8	4	CTC-1305923
	6E0093		P-UB-10	2-1/8	4	CTC-1305923
BACKHOE SWING LH						
	4T6879		P-UB-10	2-1/8	4	CTC-8T3593
BACKHOE SWING RH						
	9T0529		P-UB-10	2-1/8	4	CTC-1305923
LOADER BUCKET MP						
	9T4006		P-UB-10	1-1/2	3	CTC-7X2737
LOADER LIFT						
	6E0103		P-UB-10	1-7/8	3-1/4	CTC-3E3297
	9T0415		P-UB-10	1-7/8	3-1/4	CTC-3E3297
LOADER TILT						
	6E0113		P-UB-10	2	3-1/2	CTC-7X2783
	9T5371		P-UB-10	2	3-1/2	CTC-7X2783
	9T5371		P-UB-10	2	3-1/2	CTC-7X2822
STABILIZER						
	9T7391		P-UB-10	2-1/8	4	CTC-1305923
	9T7392		P-UB-10	2-1/8	4	CTC-1305923
STABILIZER LH						
	6E0097		P-UB-10	2-1/8	4	CTC-1305923
	9T7070		P-UB-10	2-1/8	4	CTC-1305923
STABILIZER RH						
	6E0099		P-UB-10	2-1/8	4	CTC-1305923
	9T7069		P-UB-10	2-1/8	4	CTC-1305923
STEERING						
	6E5190		P-UB-10	1-7/8	3	CTC-1113301
	9T1493		P-UB-10	1-7/8	3	CTC-8T3852
UNSPECIFIED APPLICATION						
	1070624		P-UB-10	1-7/8	3-1/4	CTC-3E3297
MODEL 436B						
BACKHOE BOOM						
	6E0274		P-UB-10	2-3/8	4-1/2	CTC-3E8877
	6E1948		P-UB-10	2-1/2	5	CTC-1361967
BACKHOE BUCKET						
	1268316		I-UB-10	2-3/4	3-3/4	CTC-9X2020
	6E0275		I-UB-10	2-1/2	3-1/2	CTC-3E3299
	6E1809		I-UB-10	2-3/4	3-3/4	CTC-9X2020
BACKHOE EXT BUCKET						
	6E3692		I-UB-10	2-3/4	3-3/4	CTC-9X2020

REPLACEMENT KITS FOR CATERPILLAR® EQUIPMENT

Backhoe Loaders						
APPLICATION	CYL #	Misc-Parts, Instructions, etc.	CODE	ROD	BORE	KIT #
MODEL 436B						
BACKHOE STICK						
	6E1935		P-UB-10	2-3/4	5	CTC-3E8878
	6E3662		P-UB-10	1-1/2	3	CTC-7X2737
BACKHOE SWING						
	1166861		P-UB-10	2	4	CTC-1113302
	6E0288		P-UB-10	2	4	CTC-1113302
	6E1864		P-UB-10	2	4	CTC-1328816
LOADER BUCKET MP						
	9T4006		P-UB-10	1-1/2	3	CTC-7X2737
LOADER LIFT						
	6E0103		P-UB-10	1-7/8	3-1/4	CTC-3E3297
	9T0415		P-UB-10	1-7/8	3-1/4	CTC-3E3297
LOADER TILT						
	1071855		P-UB-10	2	3-1/2	CTC-7X2783
	6E0113		P-UB-10	2	3-1/2	CTC-7X2783
STABILIZER						
	1052323		P-UB-10	2-1/8	4	CTC-1305923
	1052358		P-UB-10	2-1/8	4	CTC-1305923
	9T2993		P-UB-10	2-1/8	4	CTC-9X2400
	9T2994		P-UB-10	2-1/8	4	CTC-9X2400
STABILIZER LH						
	1165354		P-UB-10	2-1/8	4	CTC-1305923
	1302364		P-UB-10	2-1/8	4	CTC-1305923
	6E0097		P-UB-10	2-1/8	4	CTC-1305923
STABILIZER RH						
	1165353		P-UB-10	2-1/8	4	CTC-1305923
	1302365		P-UB-10	2-1/8	4	CTC-1305923
	6E0099		P-UB-10	2-1/8	4	CTC-1305923
	9T7069		P-UB-10	2-1/8	4	CTC-8T3593
STEERING						
	6E5190		P-UB-10	1-7/8	3	CTC-1113301
UNSPECIFIED APPLICATION						
	1070624		P-UB-10	1-7/8	3-1/4	CTC-3E3297
MODEL 436C						
BACKHOE BOOM						
	1118211		P-UB-10	2-5/8	5-1/4	CTC-1361908
	6E1948		P-UB-10	2-1/2	5	CTC-1361967
BACKHOE BUCKET						
	1118216		I-UB-10	2-3/4	3-3/4	CTC-9X2020
	1268316		I-UB-10	2-3/4	3-3/4	CTC-9X2020
	9T6305		I-UB-10	2-3/4	3-3/4	CTC-9X2020
BACKHOE EXT BUCKET						
	1144828		I-UB-10	2-3/4	3-3/4	CTC-9X2020
	6E3692		I-UB-10	2-3/4	3-3/4	CTC-9X2020
	9T4760		I-UB-10	2-3/4	3-3/4	CTC-9X2020
BACKHOE EXT STICK						
	6E5383		P-UB-10	1-3/4	3	CTC-7X2825

REPLACEMENT KITS FOR CATERPILLAR® EQUIPMENT

Backhoe Loaders						
APPLICATION	CYL #	Misc-Parts, Instructions, etc.	CODE	ROD	BORE	KIT #
MODEL 436C						
BACKHOE STICK						
	1118213		P-UB-10	3	5-1/4	CTC-3E3293
	1239707		P-UB-10	1-3/4	3	CTC-7X2825
	1535735		P-UB-10	1-1/2	3	CTC-7X2737
	6E1936		P-UB-10	2-3/4	5	CTC-3E8878
	6E3062		P-UB-10	3	5-1/4	CTC-3E3293
	6E3314		P-UB-10	3	5-1/4	CTC-3E3293
	6E3662		P-UB-10	1-1/2	3	CTC-7X2737
	9T8823		I-O-3	1	2	CTC-9T0418
	9T9186		P-UB-10	3	5-1/4	CTC-3E3293
BACKHOE SWING						
	1121765		P-UB-10	2	4	CTC-1113302
	1166861		P-UB-10	2	4	CTC-1113302
	6E5219		P-UB-10	2	4	CTC-1113302
BACKHOE SWING LH						
	9T1701		P-UB-10	2-1/8	4	CTC-9X2400
BACKHOE SWING RH						
	9T1230		P-UB-10	2-1/8	4	CTC-9X2400
LOADER BUCKET MP						
	9T4006		P-UB-10	1-1/2	3	CTC-7X2737
LOADER LIFT						
	1108688		P-UB-10	2	3-1/2	CTC-7X2783
	1117712		P-UB-10	2-1/4	3-3/4	CTC-1361897
	1216764		P-UB-10	2	3-1/2	CTC-7X2783
	1257895		P-UB-10	2-1/4	3-3/4	CTC-1361897
	9T2997		P-UB-10	2	3-3/4	CTC-7X7938
LOADER TILT						
	1007844		P-UB-10	2	4	CTC-1328816
	1071855		P-UB-10	2	3-1/2	CTC-7X2783
	9T2995		P-UB-10	2	4	CTC-1328816
STABILIZER LH						
	1311846		P-UB-10	2-1/8	4	CTC-1305923
	1329701		P-UB-10	2-1/8	4	CTC-1305923
	1521806		P-UB-10	2-1/8	4	CTC-1305923
	9T2994		P-UB-10	2-1/8	4	CTC-1305923
STABILIZER RH						
	1311847		P-UB-10	2-1/8	4	CTC-1305923
	1329700		P-UB-10	2-1/8	4	CTC-1305923
	1521796		P-UB-10	2-1/8	4	CTC-1305923
	9T2993		P-UB-10	2-1/8	4	CTC-1305923
STEERING						
	1156437		P-UB-10	1-3/4	2-1/2	CTC-1539054
UNSPECIFIED APPLICATION						
	1235087		P-UB-10	2	3-1/2	CTC-7X2783
	1235091		P-UB-10	2	3	CTC-7X2760

REPLACEMENT KITS FOR CATERPILLAR® EQUIPMENT

Backhoe Loaders						
APPLICATION	CYL #	Misc-Parts, Instructions, etc.	CODE	ROD	BORE	KIT #
MODEL 438						
BACKHOE BOOM						
	6E0087		P-UB-10	1-7/8	3-1/4	CTC-3E3297
	9T5219		P-UB-10	1-7/8	3-1/4	CTC-3E3297
	9T5219		P-UB-10	1-7/8	3-1/4	CTC-8T3589
BACKHOE BUCKET						
	4T5601		P-UB-10	2	3-1/4	CTC-7X2821
	9T2751		P-UB-10	2	3-1/4	CTC-7X2821
	9T7893		P-UB-10	2	3-1/4	CTC-7X2821
	9T7894		P-UB-10	2	3-1/4	CTC-7X2821
BACKHOE EXT STICK						
	9T2215		P-UB-10	1-1/2	3	CTC-7X2737
	9T2215		P-UB-10	1-1/2	3	CTC-7X2745
	9T2215		P-UB-10	1-1/2	3	CTC-7X2745
	9T4809		P-UB-10	1-1/2	3	CTC-7X2737
	9T4809		P-UB-10	1-1/2	3	CTC-7X2737
	9T7893		P-UB-10	2	3-1/4	CTC-7X2821
BACKHOE STICK						
	6E0089		P-UB-10	2-1/2	4-1/4	CTC-3E3300
	9T2215		P-UB-10	1-1/2	3	CTC-7X2737
	9T7291		P-UB-10	2-1/2	4-1/4	CTC-3E3300
BACKHOE SWING						
	9T0420		P-UB-10	2-1/8	4	CTC-8T3593
	9T0421		P-UB-10	2-1/8	4	CTC-8T3593
BACKHOE SWING LH						
	9T0421		P-UB-10	2-1/8	4	CTC-1305923
BACKHOE SWING RH						
	9T0420		P-UB-10	2-1/8	4	CTC-1305923
LOADER BUCKET MP						
	9T4006		P-UB-10	1-1/2	3	CTC-7X2737
LOADER LIFT						
	6E0103		P-UB-10	1-7/8	3-1/4	CTC-3E3297
	9T0415		P-UB-10	1-7/8	3-1/4	CTC-3E3297
LOADER TILT						
	6E0113		P-UB-10	2	3-1/2	CTC-7X2783
	9T5371		P-UB-10	2	3-1/2	CTC-7X2783
	9T5371		P-UB-10	2	3-1/2	CTC-7X2822
STABILIZER						
	6E0119		P-UB-10	1-3/4	2-3/4	CTC-1539053
	9T0527		P-UB-10	1-3/4	2-3/4	CTC-7X2820
	9T9709		P-UB-10	1-3/4	2-3/4	CTC-7X2820
STEERING						
	9T1493		P-UB-10	1-7/8	3	CTC-8T3852
UNSPECIFIED APPLICATION						
	1070624		P-UB-10	1-7/8	3-1/4	CTC-3E3297
MODEL 438B						
BACKHOE BOOM						
	6E0274		P-UB-10	2-3/8	4-1/2	CTC-3E8877

REPLACEMENT KITS FOR CATERPILLAR® EQUIPMENT

Backhoe Loaders						
APPLICATION	CYL #	Misc-Parts, Instructions, etc.	CODE	ROD	BORE	KIT #
MODEL 438B						
BACKHOE BUCKET						
	1268308		I-UB-10	2-1/2	3-1/2	CTC-3E3299
	1268312		I-UB-10	2-3/4	3-3/4	CTC-1361990
	6E0275		I-UB-10	2-1/2	3-1/2	CTC-3E3299
	6E3693		I-UB-10	2-3/4	3-3/4	CTC-1361990
BACKHOE EXT BUCKET						
	6E1964		I-UB-10	2-1/2	3-1/2	CTC-3E3299
	6E2421		I-UB-10	2-3/4	3-3/4	CTC-9X2020
BACKHOE STICK						
	1097021		P-UB-10	2-1/2	4-1/2	CTC-1113300
	6E0290		P-UB-10	2-1/2	4-1/2	CTC-1113300
	6E0290	Rod Bearing width- 1.25"	P-UB-10	2-1/2	4-1/2	CTC-1469860
	6E0404		P-UB-10	1-1/2	3	CTC-7X2737
BACKHOE SWING						
	1166861		P-UB-10	2	4	CTC-1113302
	6E0288		P-UB-10	2	4	CTC-1113302
BACKHOE SWING LH						
	6E1864		P-UB-10	2	4	CTC-1113302
LOADER BUCKET MP						
	9T4006		P-UB-10	1-1/2	3	CTC-7X2737
LOADER LIFT						
	6E0103		P-UB-10	1-7/8	3-1/4	CTC-3E3297
	9T0415		P-UB-10	1-7/8	3-1/4	CTC-3E3297
LOADER TILT						
	1071855		P-UB-10	2	3-1/2	CTC-7X2783
	6E0113		P-UB-10	2	3-1/2	CTC-7X2783
SIDESHIFT						
	1166858		P-UB-10	2	4	CTC-1113302
SIDESHIFT RH						
	1166858		P-UB-10	2	4	CTC-1113302
STABILIZER						
	1266950		P-UB-10	1-3/4	2-3/4	CTC-1539053
	6E3483		P-UB-10	1-3/4	2-3/4	CTC-1539053
UNSPECIFIED APPLICATION						
	1070624		P-UB-10	1-7/8	3-1/4	CTC-3E3297
MODEL 438C						
BACKHOE BOOM						
	6E0274		P-UB-10	2-3/8	4-1/2	CTC-3E8877
BACKHOE BUCKET						
	1268312		I-UB-10	2-3/4	3-3/4	CTC-1361990
	6E3693		I-UB-10	2-3/4	3-3/4	CTC-1361990
BACKHOE EXT BUCKET						
	6E1964		I-UB-10	2-1/2	3-1/2	CTC-3E3299
	6E2421		I-UB-10	2-3/4	3-3/4	CTC-9X2020
BACKHOE STICK						
	1097021		P-UB-10	2-1/2	4-1/2	CTC-1113300
	6E0404		P-UB-10	1-1/2	3	CTC-7X2737

REPLACEMENT KITS FOR CATERPILLAR® EQUIPMENT

Backhoe Loaders						
APPLICATION	CYL #	Misc-Parts, Instructions, etc.	CODE	ROD	BORE	KIT #
MODEL 438C						
BACKHOE SWING						
	1166861		P-UB-10	2	4	CTC-1113302
LOADER BUCKET MP						
	9T4006		P-UB-10	1-1/2	3	CTC-7X2737
LOADER TILT						
	1071855		P-UB-10	2	3-1/2	CTC-7X2783
SIDESHIFT						
	1166858		P-UB-10	2	4	CTC-1113302
SIDESHIFT RH						
	1166858		P-UB-10	2	4	CTC-1113302
STABILIZER						
	1266950		P-UB-10	1-3/4	2-3/4	CTC-1539053
UNSPECIFIED APPLICATION						
	1070624		P-UB-10	1-7/8	3-1/4	CTC-3E3297
	1235087		P-UB-10	2	3-1/2	CTC-7X2783
	1235091		P-UB-10	2	3	CTC-7X2760
	9T8823		I-O-3	1	2	CTC-9T0418
MODEL 446						
BACKHOE BOOM						
	1118211		P-UB-10	2-5/8	5-1/4	CTC-1361908
BACKHOE BUCKET						
	9T6305		I-UB-10	2-3/4	3-3/4	CTC-9X2020
BACKHOE EXT BUCKET						
	1144828		I-UB-10	2-3/4	3-3/4	CTC-9X2020
BACKHOE EXT STICK						
	6E5383		P-UB-10	1-3/4	3	CTC-7X2825
	9T2107		P-UB-10	1-3/4	3	CTC-7X2825
BACKHOE STICK						
	1118213		P-UB-10	3	5-1/4	CTC-3E3293
	6E3062		P-UB-10	3	5-1/4	CTC-3E3293
	6E3314		P-UB-10	3	5-1/4	CTC-3E3293
	9T9186		P-UB-10	3	5-1/4	CTC-3E3293
BACKHOE SWING						
	1121765		P-UB-10	2	4	CTC-1113302
	6E5219		P-UB-10	2	4	CTC-1113302
BACKHOE SWING LH						
	9T1701		P-UB-10	2-1/8	4	CTC-9X2400
BACKHOE SWING RH						
	9T1230		P-UB-10	2-1/8	4	CTC-9X2400
LOADER LIFT						
	1117712		P-UB-10	2-1/4	3-3/4	CTC-1361897
	1257895		P-UB-10	2-1/4	3-3/4	CTC-1361897
	9T2997		P-UB-10	2	3-3/4	CTC-7X7938

REPLACEMENT KITS FOR CATERPILLAR® EQUIPMENT

Backhoe Loaders						
APPLICATION	CYL #	Misc-Parts, Instructions, etc.	CODE	ROD	BORE	KIT #
MODEL 446						
LOADER TILT						
	1007844		P-UB-10	2	4	CTC-1113302
	1007844		P-UB-10	2	4	CTC-1328816
	9T2995		P-UB-10	2	4	CTC-1113302
	9T2995		P-UB-10	2	4	CTC-1328816
STABILIZER						
	9T2993		P-UB-10	2-1/8	4	CTC-9X2400
	9T2994		P-UB-10	2-1/8	4	CTC-9X2400
STABILIZER LH						
	1329701		P-UB-10	2-1/8	4	CTC-1305923
	9T2994		P-UB-10	2-1/8	4	CTC-1305923
STABILIZER RH						
	1329700		P-UB-10	2-1/8	4	CTC-1305923
	9T2993		P-UB-10	2-1/8	4	CTC-1305923
MODEL 446B						
BACKHOE BOOM						
	1118211		P-UB-10	2-5/8	5-1/4	CTC-1361908
BACKHOE BUCKET						
	1118217		I-UB-10	2-3/4	3-3/4	CTC-9X2020
	9T6305		I-UB-10	2-3/4	3-3/4	CTC-9X2020
BACKHOE EXT BUCKET						
	1144828		I-UB-10	2-3/4	3-3/4	CTC-9X2020
	9T4760		I-UB-10	2-3/4	3-3/4	CTC-9X2020
BACKHOE EXT STICK						
	6E5383		P-UB-10	1-3/4	3	CTC-7X2825
BACKHOE STICK						
	1118213		P-UB-10	3	5-1/4	CTC-3E3293
	1239707		P-UB-10	1-3/4	3	CTC-7X2825
	6E3062		P-UB-10	3	5-1/4	CTC-3E3293
	6E3314		P-UB-10	3	5-1/4	CTC-3E3293
	9T9186		P-UB-10	3	5-1/4	CTC-3E3293
BACKHOE SWING						
	1121765		P-UB-10	2	4	CTC-1113302
	6E5219		P-UB-10	2	4	CTC-1113302
BACKHOE SWING LH						
	9T1701		P-UB-10	2-1/8	4	CTC-9X2400
BACKHOE SWING RH						
	9T1230		P-UB-10	2-1/8	4	CTC-9X2400
LOADER LIFT						
	1117712		P-UB-10	2-1/4	3-3/4	CTC-1361897
	1257895		P-UB-10	2-1/4	3-3/4	CTC-1361897
	9T2997		P-UB-10	2	3-3/4	CTC-7X7938
LOADER TILT						
	1007844		P-UB-10	2	4	CTC-1113302
	1007844		P-UB-10	2	4	CTC-1328816
	9T2995		P-UB-10	2	4	CTC-1328816

REPLACEMENT KITS FOR CATERPILLAR® EQUIPMENT

Backhoe Loaders						
APPLICATION	CYL #	Misc-Parts, Instructions, etc.	CODE	ROD	BORE	KIT #
MODEL 446B						
SIDESHIFT						
	1121765		P-UB-10	2	4	CTC-1113302
STABILIZER LH						
	1329701		P-UB-10	2-1/8	4	CTC-1305923
	9T2994		P-UB-10	2-1/8	4	CTC-1305923
STABILIZER RH						
	1329700		P-UB-10	2-1/8	4	CTC-1305923
	9T2993		P-UB-10	2-1/8	4	CTC-1305923
Crawler Dozers						
APPLICATION	CYL #	Misc-Parts, Instructions, etc.	CODE	ROD	BORE	KIT #
MODEL 3P						
TILT						
	9J8674		P-UB-10	1-1/2	3-1/2	CTC-7X2752
MODEL 3S						
TILT						
	8J6893		P-UB-10	2	4	CTC-7X2789
	9J8674		P-UB-10	1-1/2	3-1/2	CTC-7X2752
MODEL 4S						
DOZER TILT						
	5J1603		P-V-10	2	4-3/4	CTC-7X2677
MODEL 5A						
LIFT						
	7J8299		P-UB-10	2-1/2	4	CTC-7X2659
MODEL 5S						
LIFT						
	7J8302		P-UB-10	2-1/2	4	CTC-7X2659
TILT						
	2J1402		P-UB-10	3	6-1/2	CTC-7X2694
MODEL 6						
LIFT						
	7J7974		P-UB-10	1-1/2	4	CTC-7X2738
RIPPER						
	2K3663		P-UB-10	2-1/2	7-1/4	CTC-7X2661
MODEL 6S						
TILT						
	2J1402		P-UB-10	3	6-1/2	CTC-7X2694
MODEL 7A						
TILT						
	5J7929		P-UB-10	2-1/2	6	CTC-7X2692
MODEL 7S, 7U						
DOZER TILT						
	3G4533		P-UB-10	3	6-1/2	CTC-1126550
	3J9694		P-U-10	3-1/2	8-1/4	CTC-7X2720
	6J9752		P-UB-10	3	6-1/2	CTC-1126550
	9J8748		P-UB-10	3	6-1/2	CTC-1126550

REPLACEMENT KITS FOR CATERPILLAR® EQUIPMENT

Crawler Dozers						
APPLICATION	CYL #	Misc-Parts, Instructions, etc.	CODE	ROD	BORE	KIT #
MODEL 7SU						
DOZER TILT						
	3G4533		P-UB-10	3	6-1/2	CTC-1126550
MODEL 8A						
DOZER LIFT						
	9J8802		P-UB-10	3-1/2	7-1/2	CTC-7X2722
MODEL 8B						
PIN PULLER						
	4J5057		P-V-10	1-1/4	4	CTC-8T1480
MODEL 8D						
RIPPER PIN PULLER						
	8J2071		P-UB-10	1-1/2	4	CTC-7X2738
MODEL 8R						
TILT						
	7J0192		P-UB-10	3-1/2	8-1/4	CTC-7X2721
MODEL 8S						
DOZER TILT						
	2J3894		P-U-10	3-1/2	8-1/4	CTC-7X2720
	3G5707		P-UB-10	3-1/2	8-1/4	CTC-7X2721
LIFT LH						
	5J9378		P-UB-10	2-1/2	5	CTC-7X2675
LIFT RH						
	5J9708		P-UB-10	2-1/2	5	CTC-7X2675
TILT						
	6J2472		P-UB-10	3-1/2	8-1/4	CTC-7X2728
	7J0192		P-UB-10	3-1/2	8-1/4	CTC-7X2721
	8J8682		P-UB-10	3-1/2	8-1/4	CTC-7X2721
MODEL 8U						
	6J2472		P-UB-10	3-1/2	8-1/4	CTC-7X2728
DOZER TILT						
	2J3894		P-U-10	3-1/2	8-1/4	CTC-7X2720
	3G5707		P-UB-10	3-1/2	8-1/4	CTC-7X2721
TILT						
	7J0192		P-UB-10	3-1/2	8-1/4	CTC-7X2721
	8J8682		P-UB-10	3-1/2	8-1/4	CTC-7X2721
MODEL 9B						
PIN PULLER						
	4J5057		P-V-10	1-1/4	4	CTC-8T1480
MODEL 9R						
TILT						
	6J1570		P-UB-10	3-1/2	8-1/4	CTC-7X2721
MODEL 9S, 9U						
DOZER TILT						
	2J6705		P-U-10	3-1/2	8-1/4	CTC-7X2720
	3G8661		P-UB-10	4	9-1/4	CTC-7X2799
TILT						
	6J1570		P-UB-10	3-1/2	8-1/4	CTC-7X2721

REPLACEMENT KITS FOR CATERPILLAR® EQUIPMENT

Crawler Dozers						
APPLICATION	CYL #	Misc-Parts, Instructions, etc.	CODE	ROD	BORE	KIT #
MODEL D2						
UNSPECIFIED APPLICATION						
	4H6711		P-V-10	1-1/4	4	CTC-8T1480
MODEL D3						
ANGLING						
	8J0096		P-UB-10	1-1/2	3-1/2	CTC-7X2752
	9J8698		P-UB-10	1-1/2	3-1/2	CTC-7X2752
	9J8761		P-UB-10	1-1/2	3-1/2	CTC-7X2752
BACKHOE BOOM						
	8J5555		P-UB-10	2-1/4	4-1/2	CTC-7X2748
BACKHOE BUCKET						
	3G5905		P-UB-10	2-1/4	3-1/2	CTC-7X2818
	8J5642		P-UB-10	2-1/4	3-1/2	CTC-7X2818
BACKHOE STABILIZER						
	1U2655		P-UB-10	2	4	CTC-7X2789
	1U2656		P-UB-10	2	4	CTC-7X2789
	8J9481		P-UB-10	1-1/2	3-1/2	CTC-7X2752
BACKHOE STICK						
	8J5448		P-UB-10	2	4	CTC-7X2789
LIFT						
	7J9223		P-UB-10	1-1/2	3-1/2	CTC-7X2752
	7J9224		P-UB-10	1-1/2	3-1/2	CTC-7X2752
	8J6894		P-UB-10	1-1/2	3-1/2	CTC-7X2752
RIPPER						
	7J9920		P-UB-10	2	4	CTC-1328816
RIPPER PIN PULLER						
	4H6711		P-V-10	1-1/4	4	CTC-8T1480
TILT						
	8J0095		P-UB-10	1-1/2	3-1/2	CTC-7X2752
	8J6893		P-UB-10	2	4	CTC-7X2789
	9J4042		P-UB-10	1-1/2	3-1/2	CTC-7X2752
	9J8674		P-UB-10	1-1/2	3-1/2	CTC-7X2752
TRACK ADJUSTER						
			TRK ADJ			CTC-FIG4405
MODEL D3 LGP						
LIFT						
	8J6894		P-UB-10	1-1/2	3-1/2	CTC-7X2752
MODEL D3B						
ANGLING						
	9J8698		P-UB-10	1-1/2	3-1/2	CTC-1327058
	9J8761		P-UB-10	1-1/2	3-1/2	CTC-7X2752
BACKHOE BOOM/BUCKET						
	3G5767		P-UB-10	2-1/4	4-1/2	CTC-1326770
	3G5905		P-UB-10	2-1/4	3-1/2	CTC-1358166
BACKHOE STABILIZER						
	8J6903		P-UB-10	2	4	CTC-7X2789
	8J6904		P-UB-10	2	4	CTC-7X2789
	8J9481		P-UB-10	1-1/2	3-1/2	CTC-7X2752

REPLACEMENT KITS FOR CATERPILLAR® EQUIPMENT

Crawler Dozers						
APPLICATION	CYL #	Misc-Parts, Instructions, etc.	CODE	ROD	BORE	KIT #
MODEL D3B						
BACKHOE STICK/BLADE SHIFT						
	3G5771		P-UB-10	2	4	CTC-1328816
LIFT						
	7J9223		P-UB-10	1-1/2	3-1/2	CTC-1327058
	8J6894		P-UB-10	1-1/2	3-1/2	CTC-7X2752
	9T4000		P-UB-10	1-1/2	4	CTC-7X2738
	9T6652		P-UB-10	1-1/2	3-1/2	CTC-1327058
RIPPER						
	7J9920		P-UB-10	2	4	CTC-1328816
STABILIZER						
	3G6792		P-UB-10	1-1/2	3-1/2	CTC-7X2752
STABILIZER LH						
	1U2656		P-UB-10	2	4	CTC-1328816
STABILIZER RH						
	1U2655		P-UB-10	2	4	CTC-1328816
TILT						
	8J0095		P-UB-10	1-1/2	3-1/2	CTC-7X2752
	8J6893		P-UB-10	2	4	CTC-1328816
	9J4042		P-UB-10	1-1/2	3-1/2	CTC-7X2752
	9J8674		P-UB-10	1-1/2	3-1/2	CTC-1327058
TRACK ADJUSTER						
			TRK ADJ			CTC-FIG4405
MODEL D3C						
ANGLING						
	1026237		P-UB-10	1-1/2	3-1/2	CTC-1327058
	1363155		P-UB-10	1-1/2	3-1/2	CTC-1327058
	1363156		P-UB-10	1-1/2	3-1/2	CTC-1327058
	1386859		P-UB-10	1-1/2	3	CTC-7X2751
	1390548		P-UB-10	1-1/2	3	CTC-7X2751
	9J8698		P-UB-10	1-1/2	3-1/2	CTC-1327058
BACKHOE BOOM						
	3G5767		P-UB-10	2-1/4	4-1/2	CTC-7X2748
BACKHOE BUCKET						
	3G5905		P-UB-10	2-1/4	3-1/2	CTC-7X2818
BACKHOE STABILIZER						
	3G6792		P-UB-10	1-1/2	3-1/2	CTC-7X2752
BACKHOE STICK						
	3G5771		P-UB-10	2	4	CTC-7X2789
LIFT						
	1412915		P-UB-10	1-1/2	3-1/2	CTC-1327058
	7J9223		P-UB-10	1-1/2	3-1/2	CTC-1327058
	8J6894		P-UB-10	1-1/2	3-1/2	CTC-7X2752
LIFT RH						
	6E0212		P-UB-10	2	4	CTC-1328816
RIPPER						
	7J9920		P-UB-10	2	4	CTC-1328816

REPLACEMENT KITS FOR CATERPILLAR® EQUIPMENT

Crawler Dozers						
APPLICATION	CYL #	Misc-Parts, Instructions, etc.	CODE	ROD	BORE	KIT #
MODEL D3C						
TILT						
	1437219		P-UB-10	1-1/2	3-1/2	CTC-1327058
	8J0095		P-UB-10	1-1/2	3-1/2	CTC-7X2752
	8J6893		P-UB-10	2	4	CTC-1328816
	9J4042		P-UB-10	1-1/2	3-1/2	CTC-7X2752
	9J8674		P-UB-10	1-1/2	3-1/2	CTC-1327058
TRACK ADJUSTER						
			TRK ADJ			CTC-FIG4405
MODEL D4B						
ANGLING						
	9J8698		P-UB-10	1-1/2	3-1/2	CTC-7X2752
BACKHOE BOOM/BUCKET						
	3G5767		P-UB-10	2-1/4	4-1/2	CTC-1326770
	3G5905		P-UB-10	2-1/4	3-1/2	CTC-1358166
BACKHOE STICK/BLADE SHIFT						
	3G5771		P-UB-10	2	4	CTC-1328816
LIFT						
	7J9223		P-UB-10	1-1/2	3-1/2	CTC-1327058
	9T6652		P-UB-10	1-1/2	3-1/2	CTC-1327058
RIPPER						
	7J9920		P-UB-10	2	4	CTC-1328816
STABILIZER						
	3G6792		P-UB-10	1-1/2	3-1/2	CTC-7X2752
STABILIZER LH						
	1U2656		P-UB-10	2	4	CTC-1328816
STABILIZER RH						
	1U2655		P-UB-10	2	4	CTC-1328816
TILT						
	9J8674		P-UB-10	1-1/2	3-1/2	CTC-1327058
TRACK ADJUSTER						
			TRK ADJ			CTC-FIG4405
MODEL D4C						
ANGLING						
	1363156		P-UB-10	1-1/2	3-1/2	CTC-1327058
	1390548		P-UB-10	1-1/2	3	CTC-7X2751
	9J8698		P-UB-10	1-1/2	3-1/2	CTC-1327058
LIFT						
	1412915		P-UB-10	1-1/2	3-1/2	CTC-1327058
	7J9223		P-UB-10	1-1/2	3-1/2	CTC-1327058
	8J6894		P-UB-10	1-1/2	3-1/2	CTC-7X2752
RIPPER						
	7J9920		P-UB-10	2	4	CTC-1328816
TILT						
	1437219		P-UB-10	1-1/2	3-1/2	CTC-1327058
	9J8674		P-UB-10	1-1/2	3-1/2	CTC-1327058

REPLACEMENT KITS FOR CATERPILLAR® EQUIPMENT

Crawler Dozers						
APPLICATION	CYL #	Misc-Parts, Instructions, etc.	CODE	ROD	BORE	KIT #
MODEL D4C						
TRACK ADJUSTER						
			TRK ADJ			CTC-FIG4400
			TRK ADJ			CTC-FIG4405
MODEL D4D						
DOZER						
	4J4890		P-U-10	2	3-1/2	CTC-7X2806
	4J4891		P-U-10	2	3-1/2	CTC-7X2806
	4T4575		P-UB-10	2	3-1/2	CTC-7X2769
	5J1603		P-V-10	2	4-3/4	CTC-7X2677
DOZER LIFT						
	8J6894		P-UB-10	1-1/2	3-1/2	CTC-7X2752
RIPPER						
	6J3308		P-UB-10	2-1/2	5-1/2	CTC-8T1374
	6J3308		P-UB-10	2-1/2	5-1/2	CTC-9X2050
RIPPER PIN PULLER						
	4H6711		P-V-10	1-1/4	4	CTC-8T1480
TILT						
	5J1603		P-V-10	2	4-3/4	CTC-7X2677
TRACK ADJUSTER						
			TRK ADJ			CTC-FIG4400
MODEL D4E						
DOZER						
	4T4574		P-UB-10	2	3-1/2	CTC-7X2769
	4T4575		P-UB-10	2	3-1/2	CTC-7X2769
DOZER TILT						
	5J1603		P-V-10	2	4-3/4	CTC-7X2677
LIFT						
	3G0892		P-UB-10	1-3/4	3-1/2	CTC-7X2762
	3G0892		P-UB-10	1-3/4	3-1/2	CTC-7X2784
	7J8302		P-UB-10	2-1/2	4	CTC-7X2659
	7J9223		P-UB-10	1-1/2	3-1/2	CTC-7X2752
	8J6894		P-UB-10	1-1/2	3-1/2	CTC-7X2752
RIPPER						
	3G5189		P-UB-10	2-1/2	5	CTC-7X2658
	6J3308		P-UB-10	2-1/2	5-1/2	CTC-8T1374
	6J3308		P-UB-10	2-1/2	5-1/2	CTC-9X2050
RIPPER PIN PULLER						
	4H6711		P-V-10	1-1/4	4	CTC-8T1480
STEERING						
	3G0892		P-UB-10	1-3/4	3-1/2	CTC-7X2762
	3G0892		P-UB-10	1-3/4	3-1/2	CTC-7X2784
	4T1574		P-UB-10	2	4	CTC-7X2789
	6E4892		P-UB-10	1-3/4	3-1/2	CTC-7X2784
	7J9685		P-UB-10	1-1/2	3-1/2	CTC-7X2812
TILT						
	5J1603		P-V-10	2	4-3/4	CTC-7X2677

REPLACEMENT KITS FOR CATERPILLAR® EQUIPMENT

Crawler Dozers						
APPLICATION	CYL #	Misc-Parts, Instructions, etc.	CODE	ROD	BORE	KIT #
MODEL D4E						
TRACK ADJUSTER						
			TRK ADJ			CTC-FIG4400
MODEL D4H						
ANGLING						
	1006174		P-UB-10	1-3/4	3-1/2	CTC-7X2784
	4T1683		P-UB-10	1-3/4	3-1/2	CTC-7X2784
	9T9247		P-UB-10	1-3/4	3-1/2	CTC-7X2784
DOZER LIFT						
	3G9226		P-UB-10	2	4-1/4	CTC-7X2819
LIFT						
	3G9226		P-UB-10	2	4-1/4	CTC-7X2819
	4T4783		P-UB-10	2-1/4	3-3/4	CTC-7X2798
	8J6894		P-UB-10	1-1/2	3-1/2	CTC-7X2752
RIPPER						
	3G9892		P-UB-10	2	4	CTC-1328816
TILT						
	1U2568		P-UB-10	2	4-1/4	CTC-7X2819
	4T1063		P-UB-10	2	4-1/4	CTC-1378662
	8J6893		P-UB-10	2	4	CTC-7X2789
	9T8760		P-UB-10	2	4-1/4	CTC-1378662
	9T8760		P-UB-10	2	4-1/4	CTC-7X2766
	9T9557		P-UB-10	2	4-1/4	CTC-1378662
MODEL D4L						
DOZER LIFT						
	3G9226		P-UB-10	2	4-1/4	CTC-7X2819
MODEL D4TSKH						
ANGLING						
	1006174		P-UB-10	1-3/4	3-1/2	CTC-7X2784
	9T9247		P-UB-10	1-3/4	3-1/2	CTC-7X2784
LIFT						
	6E0365		P-UB-10	2	4-1/4	CTC-7X2819
	6E0366		P-UB-10	2-1/2	4-3/4	CTC-1328811
TILT						
	9T9557		P-UB-10	2	4-1/4	CTC-1378662
MODEL D5						
DOZER						
	5J8174		P-UB-10	2-1/2	4-1/4	CTC-7X2664
	5J8176		P-UB-10	2-1/2	4-1/4	CTC-7X2664
LIFT						
	7J7974		P-UB-10	1-1/2	4	CTC-7X2738
	7J8299		P-UB-10	2-1/2	4	CTC-1318748
	7J8302		P-UB-10	2-1/2	4	CTC-1318748
RIPPER						
	2K3663		P-UB-10	2-1/2	7-1/4	CTC-7X2661
	8J1779		P-UB-10	2-1/2	7-1/4	CTC-1542502

REPLACEMENT KITS FOR CATERPILLAR® EQUIPMENT

Crawler Dozers						
APPLICATION	CYL #	Misc-Parts, Instructions, etc.	CODE	ROD	BORE	KIT #
MODEL D5						
TILT						
	2J1402		P-UB-10	3	6-1/2	CTC-1318740
	2J1402		P-UB-10	3	6-1/2	CTC-7X2694
TRACK ADJUSTER						
			TRK ADJ			CTC-FIG4400
MODEL D5B						
LIFT						
	7J7974		P-UB-10	1-1/2	4	CTC-7X2738
	7J8299		P-UB-10	2-1/2	4	CTC-1318748
	7J8302		P-UB-10	2-1/2	4	CTC-7X2659
	8J6868		P-UB-10	2-1/2	4	CTC-7X2659
RIPPER						
	8J1779		P-UB-10	2-1/2	7-1/4	CTC-1542502
TILT						
	2J1402		P-UB-10	3	6-1/2	CTC-1318733
	2J1402		P-UB-10	3	6-1/2	CTC-7X2694
	7J9695		P-UB-10	2-1/2	5-1/2	CTC-9X2050
TRACK ADJUSTER						
			TRK ADJ			CTC-FIG4400
MODEL D5C						
ANGLING						
	1363156		P-UB-10	1-1/2	3-1/2	CTC-1327058
	1390548		P-UB-10	1-1/2	3	CTC-7X2751
	9J8698		P-UB-10	1-1/2	3-1/2	CTC-1327058
LIFT						
	1412915		P-UB-10	1-1/2	3-1/2	CTC-1327058
	7J9223		P-UB-10	1-1/2	3-1/2	CTC-1327058
RIPPER						
	7J9920		P-UB-10	2	4	CTC-1328816
TILT						
	1437219		P-UB-10	1-1/2	3-1/2	CTC-1327058
	9J8674		P-UB-10	1-1/2	3-1/2	CTC-1327058
MODEL D5E						
LIFT						
	8J6868		P-UB-10	2-1/2	4	CTC-7X2659
RIPPER						
	8J1779		P-UB-10	2-1/2	7-1/4	CTC-1542502
TRACK ADJUSTER						
			TRK ADJ			CTC-FIG4400
MODEL D5H						
ANGLING						
	4T1666		P-UB-10	2	4	CTC-7X2789
	9T9273		P-UB-10	2	4	CTC-1113302

REPLACEMENT KITS FOR CATERPILLAR® EQUIPMENT

Crawler Dozers						
APPLICATION	CYL #	Misc-Parts, Instructions, etc.	CODE	ROD	BORE	KIT #
MODEL D5H						
LIFT						
	1153524		P-UB-10	2-1/4	3-3/4	CTC-1361897
	1U1839		P-UB-10	2-1/4	3-3/4	CTC-1361897
	1U2568		P-UB-10	2	4-1/4	CTC-7X2819
	3G5909		P-UB-10	2	4	CTC-7X2789
	4T1089		P-UB-10	2-1/4	3-3/4	CTC-1361897
	4T1659		P-UB-10	2-1/4	4-1/2	CTC-1326770
	6E5400		P-UB-10	2-1/4	4-1/2	CTC-1354392
RIPPER						
	3G5909		P-UB-10	2	4	CTC-1328816
	9T2716		P-UB-10	2-1/2	5	CTC-7X2658
TILT						
	1U3991		P-UB-10	3	6-1/2	CTC-1126550
	1U3991		P-UB-10	3	6-1/2	CTC-8T1408
	4T1625		P-UB-10	2-1/4	4-3/4	CTC-1318778
	4T2613		P-UB-10	2-1/2	5	CTC-1315118
	4T2613		P-UB-10	2-1/2	5	CTC-7X2658
MODEL D5M						
ANGLING						
	1061286		P-UB-10	1-3/4	3-1/2	CTC-7X2784
	1378456		P-UB-10	1-3/4	3-1/2	CTC-7X2784
	1526482		P-UB-10	1-3/4	3-1/2	CTC-7X2784
LIFT						
	1059822		P-UB-10	2	4-1/4	CTC-1378662
	1607610		P-UB-10	2-1/2	4-3/4	CTC-1328811
	6E0366		P-UB-10	2-1/2	4-3/4	CTC-1328811
RIPPER						
	3G9892		P-UB-10	2	4	CTC-1328816
MODEL D5TSKH						
ANGLING						
	9T9273		P-UB-10	2	4	CTC-1113302
LIFT						
	6E0366		P-UB-10	2-1/2	4-3/4	CTC-1328811
MODEL D6						
RIPPER						
	2K3663		P-UB-10	2-1/2	7-1/4	CTC-7X2661
RIPPER LIFT						
	8J1779		P-UB-10	2-1/2	7-1/4	CTC-7X2661
MODEL D6 LGP						
LIFT						
	8J6868		P-UB-10	2-1/2	4	CTC-7X2659
MODEL D6B						
LIFT						
	5J8173		P-UB-10	2-1/2	4-1/4	CTC-7X2664
RIPPER						
	2K3663		P-UB-10	2-1/2	7-1/4	CTC-7X2661

REPLACEMENT KITS FOR CATERPILLAR® EQUIPMENT

Crawler Dozers						
APPLICATION	CYL #	Misc-Parts, Instructions, etc.	CODE	ROD	BORE	KIT #
MODEL D6B						
RIPPER LIFT						
	8J1779		P-UB-10	2-1/2	7-1/4	CTC-7X2661
TILT						
	2J1402		P-UB-10	3	6-1/2	CTC-1318733
	2J1402		P-UB-10	3	6-1/2	CTC-7X2694
TRACK ADJUSTER						
			TRK ADJ			CTC-FIG4400
MODEL D6C						
BACKHOE STICK/BLADE SHIFT						
	8J5448		P-UB-10	2	4	CTC-1328816
DOZER						
	5J8172		P-UB-10	2-1/2	4-1/4	CTC-7X2664
	5J8173		P-UB-10	2-1/2	4-1/4	CTC-7X2664
DOZER LIFT						
	4J4891		P-U-10	2	3-1/2	CTC-7X2806
DOZER TILT						
	1U3495		P-UB-10	2-1/2	6	CTC-7X2674
	2J1402		P-UB-10	3	6-1/2	CTC-7X2694
	5J1603		P-V-10	2	4-3/4	CTC-7X2677
	7J3171		P-UB-10	2-1/2	6	CTC-7X2674
	7J3172		P-UB-10	2-1/2	6	CTC-7X2674
LIFT						
	7J7974		P-UB-10	1-1/2	4	CTC-7X2738
	7J8302		P-UB-10	2-1/2	4	CTC-1318748
	8J6868		P-UB-10	2-1/2	4	CTC-1318748
RIPPER						
	2K3663		P-UB-10	2-1/2	7-1/4	CTC-7X2661
	6J3308		P-UB-10	2-1/2	5-1/2	CTC-8T1374
	8J1779		P-UB-10	2-1/2	7-1/4	CTC-1542502
TILT						
	2J1402		P-UB-10	3	6-1/2	CTC-1318733
TRACK ADJUSTER						
			TRK ADJ			CTC-FIG3400
MODEL D6D						
BACKHOE STICK/BLADE SHIFT						
	8J5448		P-UB-10	2	4	CTC-1328816
DOZER TILT						
	1U3495		P-UB-10	2-1/2	6	CTC-7X2674
	2J1402		P-UB-10	3	6-1/2	CTC-7X2694
	7J3171		P-UB-10	2-1/2	6	CTC-7X2674
	7J3172		P-UB-10	2-1/2	6	CTC-7X2674
DOZER TILT RH						
	7J9695		P-UB-10	2-1/2	5-1/2	CTC-8T1374
LIFT						
	7J7974		P-UB-10	1-1/2	4	CTC-7X2738
	7J8302		P-UB-10	2-1/2	4	CTC-1318748
	8J6868		P-UB-10	2-1/2	4	CTC-1318748

REPLACEMENT KITS FOR CATERPILLAR® EQUIPMENT

Crawler Dozers						
APPLICATION	CYL #	Misc-Parts, Instructions, etc.	CODE	ROD	BORE	KIT #
MODEL D6D						
RIPPER						
	8J1779		P-UB-10	2-1/2	7-1/4	CTC-1542502
TILT						
	1U3495		P-UB-10	2-1/2	6	CTC-7X2692
	2J1402		P-UB-10	3	6-1/2	CTC-1318733
	7J3171		P-UB-10	2-1/2	6	CTC-7X2692
	7J9695		P-UB-10	2-1/2	5-1/2	CTC-9X2050
	9T2797		P-UB-10	2-1/2	6	CTC-7X2674
TILT LH						
	6J0518		P-UB-10	2-1/2	6	CTC-7X2692
	7J3172		P-UB-10	2-1/2	6	CTC-7X2692
TILT RH						
	6J0517		P-UB-10	2-1/2	6	CTC-7X2692
TRACK ADJUSTER						
			TRK ADJ			CTC-FIG3400
MODEL D6E, D6G						
LIFT						
	8J6868		P-UB-10	2-1/2	4	CTC-1318748
RIPPER						
	1306135		P-UB-10	2-1/2	7-1/4	CTC-1542502
	8J1779		P-UB-10	2-1/2	7-1/4	CTC-1542502
TILT						
	1U3495		P-UB-10	2-1/2	6	CTC-7X2674
	1U3495		P-UB-10	2-1/2	6	CTC-7X2692
	9T2797		P-UB-10	2-1/2	6	CTC-7X2674
UNSPECIFIED APPLICATION						
	2J1402		P-UB-10	3	6-1/2	CTC-1318733
MODEL D6H						
DOZER						
	1U3989		P-UB-10	2-1/2	3-3/4	CTC-1318700
	1U3990		P-UB-10	2-1/2	3-3/4	CTC-1318700
	4Y3807		P-UB-10	2-1/2	3-3/4	CTC-1318700
	9T8952		P-UB-10	2-1/2	4	CTC-1353223
	9T8996		P-UB-10	2-1/2	4	CTC-1353223
DOZER TILT						
	9T6095		P-UB-10	2-1/2	6	CTC-7X2655
RIPPER						
	9T2716		P-UB-10	2-1/2	5	CTC-7X2658
TILT						
	1U3991		P-UB-10	3	6-1/2	CTC-1126550
	1U3991		P-UB-10	3	6-1/2	CTC-7X2694
	1U3992		P-UB-10	2-1/2	6	CTC-7X2655
	1U3992		P-UB-14	2-1/2	6	CTC-7X2836
	3G2798		P-UB-10	2-1/2	5-1/2	CTC-7X2671
	9T6095		P-UB-10	2-1/2	6	CTC-1315164
	9T8760		P-UB-10	2	4-1/4	CTC-7X2766

REPLACEMENT KITS FOR CATERPILLAR® EQUIPMENT

Crawler Dozers						
APPLICATION	CYL #	Misc-Parts, Instructions, etc.	CODE	ROD	BORE	KIT #
MODEL D6M						
ANGLING						
	1103786		P-UB-10	2	4	CTC-1113302
	1526485		P-UB-10	2	4	CTC-1113302
LIFT						
	1103269		P-UB-10	2-1/4	4-1/2	CTC-1326770
	1153524		P-UB-10	2-1/4	3-3/4	CTC-1361897
RIPPER						
	3G5909		P-UB-10	2	4	CTC-1328816
	9T2716		P-UB-10	2-1/2	5	CTC-7X2658
TILT						
	1600054		P-UB-10	2-1/2	5-1/2	CTC-7X2653
UNSPECIFIED APPLICATION						
	1375107		P-UB-10	2	4	CTC-1113302
MODEL D6R						
DOZER						
	1278931		P-UB-10	2-1/2	4	CTC-1353223
	1294258		P-UB-10	2-1/2	4	CTC-1353223
RIPPER						
	9T2716		P-UB-10	2-1/2	5	CTC-7X2658
TILT						
	1U3991		P-UB-10	3	6-1/2	CTC-1126550
	1U3991		P-UB-10	3	6-1/2	CTC-8T1408
	9T6095		P-UB-10	2-1/2	6	CTC-1315164
	9T6095		P-UB-10	2-1/2	6	CTC-7X2655
MODEL D7						
TRACK ADJUSTER						
			TRK ADJ			CTC-FIG3400
MODEL D7 LGP						
LIFT LH						
	9J4887		P-UB-10	2-1/2	4-3/4	CTC-1014201
LIFT RH						
	9J4888		P-UB-10	2-1/2	4-3/4	CTC-1014201
MODEL D7A, D7B, D7C, D7D, D7E						
DOZER LIFT						
	3R6781		P-UB-10	2-1/2	4-3/4	CTC-7X2660
DOZER LIFT LH						
	1U2133		P-UB-10	2-1/2	4-3/4	CTC-7X2660
	1U2136		P-UB-10	2-1/2	4-3/4	CTC-7X2660
DOZER LIFT RH						
	1U2134		P-UB-10	2-1/2	4-3/4	CTC-7X2660
	1U2135		P-UB-10	2-1/2	4-3/4	CTC-7X2660
DOZER TILT						
	2J6783		P-U-10	3-1/2	8-1/4	CTC-7X2720
	3J9694		P-U-10	3-1/2	8-1/4	CTC-7X2720
	3R6770		P-U-10	3-1/2	8-1/4	CTC-7X2720
	9J8748		P-UB-10	3	6-1/2	CTC-7X2694

REPLACEMENT KITS FOR CATERPILLAR® EQUIPMENT

Crawler Dozers						
APPLICATION	CYL #	Misc-Parts, Instructions, etc.	CODE	ROD	BORE	KIT #
MODEL D7A, D7B, D7C, D7D, D7E						
LIFT						
	3J3271		P-UB-10	2-1/2	6	CTC-7X2679
	4J6177		P-UB-10	2-1/2	4-3/4	CTC-1014201
	4J6177		P-UB-10	2-1/2	4-3/4	CTC-7X2660
RIPPER						
	3J6439		P-UB-10	2-1/2	6	CTC-7X2679
RIPPER LIFT						
	3R6724	D7E only	P-UB-10	2-1/2	6	CTC-7X2679
	4T9290		P-UB-10	2-1/2	6	CTC-7X2655
TILT						
	5J7929		P-UB-10	2-1/2	6	CTC-7X2692
	6J9752		P-UB-10	3	6-1/2	CTC-1126550
TRACK ADJUSTER						
		D7C, D7D only	TRK ADJ			CTC-FIG3400
		D7E only	TRK ADJ			CTC-FIG3404
MODEL D7F						
DOZER LH						
	1041944		P-UB-10	2-1/2	4-3/4	CTC-1700221
	1U2136		P-UB-10	2-1/2	4-3/4	CTC-7X2773
DOZER LIFT						
	3R6781		P-UB-10	2-1/2	4-3/4	CTC-7X2660
DOZER LIFT LH						
	1U2133		P-UB-10	2-1/2	4-3/4	CTC-7X2660
	1U2136		P-UB-10	2-1/2	4-3/4	CTC-7X2660
DOZER LIFT RH						
	1U2134		P-UB-10	2-1/2	4-3/4	CTC-7X2660
	1U2135		P-UB-10	2-1/2	4-3/4	CTC-7X2660
DOZER RH						
	1041943		P-UB-10	2-1/2	4-3/4	CTC-1700221
	1U2135		P-UB-10	2-1/2	4-3/4	CTC-7X2773
DOZER TILT						
	2J6783		P-U-10	3-1/2	8-1/4	CTC-7X2720
	3J9694		P-U-10	3-1/2	8-1/4	CTC-7X2720
	3R6770		P-U-10	3-1/2	8-1/4	CTC-7X2720
	9J8748		P-UB-10	3	6-1/2	CTC-7X2694
LIFT						
	3J3271		P-UB-10	2-1/2	6	CTC-7X2679
	4J6177		P-UB-10	2-1/2	4-3/4	CTC-7X2660
LIFT LH						
	7J3334		P-UB-10	2-1/2	4-3/4	CTC-7X2773
LIFT RH						
	7J3333		P-UB-10	2-1/2	4-3/4	CTC-7X2773
RIPPER						
	3J6439		P-UB-10	2-1/2	6	CTC-7X2679
RIPPER LIFT						
	3R6724		P-UB-10	2-1/2	6	CTC-7X2679
	4T9290		P-UB-10	2-1/2	6	CTC-7X2655

REPLACEMENT KITS FOR CATERPILLAR® EQUIPMENT

Crawler Dozers						
APPLICATION	CYL #	Misc-Parts, Instructions, etc.	CODE	ROD	BORE	KIT #
MODEL D7F						
TILT						
	5J7929		P-UB-10	2-1/2	6	CTC-7X2692
	6J9752		P-UB-10	3	6-1/2	CTC-1126550
	9J8748		P-UB-10	3	6-1/2	CTC-1126550
TRACK ADJUSTER						
			TRK ADJ			CTC-FIG3401
MODEL D7G						
DOZER LH						
	1041944		P-UB-10	2-1/2	4-3/4	CTC-1700221
	1U2133		P-UB-10	2-1/2	4-3/4	CTC-7X2773
	1U2136		P-UB-10	2-1/2	4-3/4	CTC-7X2773
DOZER LIFT						
	3R6781		P-UB-10	2-1/2	4-3/4	CTC-7X2660
DOZER LIFT LH						
	1U2133		P-UB-10	2-1/2	4-3/4	CTC-7X2660
	1U2136		P-UB-10	2-1/2	4-3/4	CTC-7X2660
DOZER LIFT RH						
	1U2134		P-UB-10	2-1/2	4-3/4	CTC-7X2660
	1U2135		P-UB-10	2-1/2	4-3/4	CTC-7X2660
DOZER RH						
	1041943		P-UB-10	2-1/2	4-3/4	CTC-1700221
	1U2134		P-UB-10	2-1/2	4-3/4	CTC-7X2773
	1U2135		P-UB-10	2-1/2	4-3/4	CTC-7X2773
DOZER TILT						
	2J6783		P-U-10	3-1/2	8-1/4	CTC-7X2720
	3J9694		P-U-10	3-1/2	8-1/4	CTC-7X2720
	3R6770		P-U-10	3-1/2	8-1/4	CTC-7X2720
	9J8748		P-UB-10	3	6-1/2	CTC-7X2694
LIFT						
	3J3271		P-UB-10	2-1/2	6	CTC-7X2679
	3R6781		P-UB-10	2-1/2	4-3/4	CTC-7X2660
	4J6177		P-UB-10	2-1/2	4-3/4	CTC-1014201
	4J6177		P-UB-10	2-1/2	4-3/4	CTC-7X2660
LIFT LH						
	7J3334		P-UB-10	2-1/2	4-3/4	CTC-7X2773
LIFT RH						
	7J3333		P-UB-10	2-1/2	4-3/4	CTC-7X2773
	9J4888		P-UB-10	2-1/2	4-3/4	CTC-7X2773
RIPPER						
	3J6439		P-UB-10	2-1/2	6	CTC-7X2679
RIPPER LIFT						
	4T9290		P-UB-10	2-1/2	6	CTC-7X2655

REPLACEMENT KITS FOR CATERPILLAR® EQUIPMENT

Crawler Dozers						
APPLICATION	CYL #	Misc-Parts, Instructions, etc.	CODE	ROD	BORE	KIT #
MODEL D7G						
TILT						
	2J1402		P-UB-10	3	6-1/2	CTC-1318733
	5J7929		P-UB-10	2-1/2	6	CTC-7X2692
	6J9752		P-UB-10	3	6-1/2	CTC-1126550
	9J8748		P-UB-10	3	6-1/2	CTC-1126550
	9J8748		P-UB-10	3	6-1/2	CTC-8T1408
TILT LH						
	5J7930		P-UB-10	2-1/2	6	CTC-7X2692
	7J9364		P-UB-10	2-1/2	6	CTC-7X2669
TRACK ADJUSTER						
			TRK ADJ			CTC-FIG3401
MODEL D7H						
DOZER						
	1291908		P-UB-10	2-1/2	4	CTC-1353223
	1U4851		P-UB-10	2-1/2	4	CTC-1353253
	1U4852		P-UB-10	2-1/2	4	CTC-1353253
DOZER LIFT						
	1U3989		P-UB-10	2-1/2	3-3/4	CTC-7X2670
	1U4851		P-UB-10	2-1/2	4	CTC-1318748
	1U4852		P-UB-10	2-1/2	4	CTC-1318748
DOZER TILT						
	3G4533		P-UB-10	3	6-1/2	CTC-7X2694
	9T1370		P-UB-10	3	6-1/2	CTC-7X2694
LIFT						
	1294259		P-UB-10	2-1/2	4	CTC-1353223
	1U4852		P-UB-10	2-1/2	4	CTC-7X2659
	4T2098		P-UB-10	2-1/2	4-3/4	CTC-7X2673
	6E1836		P-UB-10	2-1/2	4	CTC-1353223
	6E1841		P-UB-10	2-1/2	4	CTC-1353223
RIPPER						
	4T8639		P-UB-10	2-3/4	5-1/4	CTC-1326121
	9T0142		P-UB-10	3	7-1/4	CTC-1326184
TILT						
	1124814		P-UB-10	2-3/4	6	CTC-1352167
	3G4533		P-UB-10	3	6-1/2	CTC-1126550
	6J9752		P-UB-10	3	6-1/2	CTC-1126550
	9T6113		P-UB-10	3	6-1/2	CTC-1126550
MODEL D7R						
DOZER						
	1291908		P-UB-10	2-1/2	4	CTC-1353223
	1U4851		P-UB-10	2-1/2	4	CTC-1318748
	1U4851		P-UB-10	2-1/2	4	CTC-1353253
	1U4852		P-UB-10	2-1/2	4	CTC-1318748
	1U4852		P-UB-10	2-1/2	4	CTC-1353253

REPLACEMENT KITS FOR CATERPILLAR® EQUIPMENT

Crawler Dozers						
APPLICATION	CYL #	Misc-Parts, Instructions, etc.	CODE	ROD	BORE	KIT #
MODEL D7R						
LIFT						
	1294259		P-UB-10	2-1/2	4	CTC-1353223
	6E1836		P-UB-10	2-1/2	4	CTC-1353223
	6E1841		P-UB-10	2-1/2	4	CTC-1353223
RIPPER						
	9T0142		P-UB-10	3	7-1/4	CTC-1326184
TILT						
	1124814		P-UB-10	2-3/4	6	CTC-1352167
	3G4533		P-UB-10	3	6-1/2	CTC-1126550
	9T6113		P-UB-10	3	6-1/2	CTC-1126550
TILT LH						
	1470709		P-UB-10	3	6-1/2	CTC-1126550
TILT RH						
	1470708		P-UB-10	3	6-1/2	CTC-1126550
MODEL D8						
DOZER LIFT LH						
	3G8089		P-UB-10	2-3/4	5	CTC-7X2682
	8J8585		P-UB-10	2-3/4	5	CTC-7X2824
DOZER LIFT RH						
	3G8090		P-UB-10	2-3/4	5	CTC-7X2682
	8J8584		P-UB-10	2-3/4	5	CTC-7X2824
DOZER TILT						
	2J3894		P-U-10	3-1/2	8-1/4	CTC-7X2720
LIFT						
	2J2470		P-UB-10	2-1/2	6	CTC-7X2679
	3J2189		P-UB-10	2-1/2	6	CTC-7X2679
	5J1243		P-UB-10	2-1/2	6	CTC-7X2679
	5J2815		P-UB-10	2-1/2	6	CTC-7X2679
LIFT LH						
	5J9378		P-UB-10	2-1/2	5	CTC-7X2675
	8J8585		P-UB-10	2-3/4	5	CTC-7X2824
LIFT RH						
	5J9708		P-UB-10	2-1/2	5	CTC-7X2675
PIN PULLER						
	4J5057		P-V-10	1-1/4	4	CTC-8T1480
RIPPER						
	6J9129		P-UB-10	3	7-1/4	CTC-7X2702
RIPPER LIFT LH						
	7J3222		P-UB-10	3-1/4	8-1/4	CTC-7X2715
	7J3222		P-UB-10	3-1/4	8-1/4	CTC-7X2801
RIPPER LIFT RH						
	7J3221		P-UB-10	3-1/4	8-1/4	CTC-7X2715
	7J3221		P-UB-10	3-1/4	8-1/4	CTC-7X2801
RIPPER PIN PULLER						
	7J0508		P-V-10	1-1/4	4	CTC-8T1480
	8J2071		P-UB-10	1-1/2	4	CTC-7X2738

REPLACEMENT KITS FOR CATERPILLAR® EQUIPMENT

Crawler Dozers						
APPLICATION	CYL #	Misc-Parts, Instructions, etc.	CODE	ROD	BORE	KIT #
MODEL D8						
TILT						
	6J2472		P-UB-10	3-1/2	8-1/4	CTC-7X2728
	7J0192		P-UB-10	3-1/2	8-1/4	CTC-7X2721
	8J8682		P-UB-10	3-1/2	8-1/4	CTC-7X2721
TRACK ADJUSTER						
			TRK ADJ			CTC-FIG2400
MODEL D8H						
ANGLING						
	3J2189		P-UB-10	2-1/2	6	CTC-7X2679
DOZER						
	2J3894		P-U-10	3-1/2	8-1/4	CTC-7X2720
	5J2815		P-UB-10	2-1/2	6	CTC-7X2679
LIFT						
	2J2470		P-UB-10	2-1/2	6	CTC-7X2679
	3J2189		P-UB-10	2-1/2	6	CTC-7X2679
	5J1243		P-UB-10	2-1/2	6	CTC-7X2679
LIFT LH						
	5J9378		P-UB-10	2-1/2	5	CTC-7X2675
LIFT RH						
	5J9708		P-UB-10	2-1/2	5	CTC-7X2675
PIN PULLER						
	4J5057		P-V-10	1-1/4	4	CTC-8T1480
	7J0508		P-V-10	1-1/4	4	CTC-8T1480
	8J2071		P-UB-10	1-1/2	4	CTC-7X2738
RIPPER						
	6J9129		P-UB-10	3	7-1/4	CTC-7X2702
	7J3222		P-UB-10	3-1/4	8-1/4	CTC-7X2715
RIPPER LIFT LH						
	7J3222		P-UB-10	3-1/4	8-1/4	CTC-7X2715
	7J3222		P-UB-10	3-1/4	8-1/4	CTC-7X2801
RIPPER LIFT RH						
	7J3221		P-UB-10	3-1/4	8-1/4	CTC-7X2715
RIPPER PIN PULLER						
	7J0508		P-V-10	1-1/4	4	CTC-8T1480
RIPPER RH						
	7J3221		P-UB-10	3-1/4	8-1/4	CTC-7X2801
TILT						
	6J2472		P-UB-10	3-1/2	8-1/4	CTC-7X2728
	7J0192		P-UB-10	3-1/2	8-1/4	CTC-1371974
	7J0192		P-UB-10	3-1/2	8-1/4	CTC-7X2721
TRACK ADJUSTER						
			TRK ADJ			CTC-FIG1401
MODEL D8K						
DOZER LIFT LH						
	3G8089		P-UB-10	2-3/4	5	CTC-7X2682
	8J8585		P-UB-10	2-3/4	5	CTC-7X2824

REPLACEMENT KITS FOR CATERPILLAR® EQUIPMENT

Crawler Dozers						
APPLICATION	CYL #	Misc-Parts, Instructions, etc.	CODE	ROD	BORE	KIT #
MODEL D8K						
DOZER LIFT RH						
	3G8090		P-UB-10	2-3/4	5	CTC-7X2682
	8J8584		P-UB-10	2-3/4	5	CTC-7X2824
PIN PULLER						
	7J0508		P-V-10	1-1/4	4	CTC-8T1480
	8J2071		P-UB-10	1-1/2	4	CTC-7X2738
RIPPER						
	6J9129		P-UB-10	3	7-1/4	CTC-7X2702
	7J3222		P-UB-10	3-1/4	8-1/4	CTC-7X2715
RIPPER LIFT LH						
	7J3222		P-UB-10	3-1/4	8-1/4	CTC-7X2715
	7J3222		P-UB-10	3-1/4	8-1/4	CTC-7X2801
RIPPER LIFT RH						
	7J3221		P-UB-10	3-1/4	8-1/4	CTC-7X2715
	7J3221		P-UB-10	3-1/4	8-1/4	CTC-7X2801
RIPPER PIN PULLER						
	8J2071		P-UB-10	1-1/2	4	CTC-7X2738
TILT						
	7J0192		P-UB-10	3-1/2	8-1/4	CTC-7X2721
	8J8682		P-UB-10	3-1/2	8-1/4	CTC-1371974
MODEL D8L						
DOZER						
	9J8802		P-UB-10	3-1/2	7-1/2	CTC-7X2722
DOZER LIFT						
	9J8802		P-UB-10	3-1/2	7-1/2	CTC-7X2722
	9T2860		P-UB-10	3	5-1/4	CTC-7X2756
DOZER TILT						
	3G5707		P-UB-10	3-1/2	8-1/4	CTC-7X2721
LIFT						
	3G8537		P-UB-10	3	5-1/4	CTC-7X2756
	9T2860		P-UB-10	3	5-1/4	CTC-7X2756
PIN PULLER						
	1U3373		P-UB-10	1-1/2	4	CTC-7X2738
RIPPER						
	3G6457		P-UB-10	3-1/4	8-1/4	CTC-7X2715
RIPPER LIFT						
	3G6457		P-UB-10	3-1/4	8-1/4	CTC-7X2715
RIPPER PIN PULLER						
	1U3373		P-UB-10	1-1/2	4	CTC-7X2738
TILT						
	3G5707		P-UB-10	3-1/2	8-1/4	CTC-1371974
MODEL D8N						
DOZER						
	6E1102		P-UB-10	3	4-1/2	CTC-1353802
	6E1175		P-UB-10	3-1/2	7-1/4	CTC-1309483
	9T0140		P-UB-10	2-3/4	4-1/4	CTC-7X2451
	9T0141		P-UB-10	3-1/2	7-1/2	CTC-7X2722

REPLACEMENT KITS FOR CATERPILLAR® EQUIPMENT

Crawler Dozers						
APPLICATION	CYL #	Misc-Parts, Instructions, etc.	CODE	ROD	BORE	KIT #
MODEL D8N						
PIN PULLER						
	6E3113		P-UB-10	1-3/4	4	CTC-1316108
	9T2066		P-UB-10	1-1/2	4	CTC-7X2738
RIPPER						
	9T0142		P-UB-10	3	7-1/4	CTC-1326184
	9T0143		P-UB-10	3	6-1/2	CTC-1279809
TILT						
	6E0397		P-UB-10	3	7-1/4	CTC-1326127
	9T6077		P-UB-10	3	6-1/2	CTC-1126550
MODEL D8R						
DOZER						
	6E1102		P-UB-10	3	4-1/2	CTC-1353802
	6E1175		P-UB-10	3-1/2	7-1/4	CTC-1309483
PIN PULLER						
	6E3113		P-UB-10	1-3/4	4	CTC-1316108
	9T2066		P-UB-10	1-1/2	4	CTC-7X2738
RIPPER						
	4Z6313		P-UB-10	3	6-1/2	CTC-1279809
	9T0142		P-UB-10	3	7-1/4	CTC-1326184
	9T0143		P-UB-10	3	6-1/2	CTC-1279809
TILT						
	6E0397		P-UB-10	3	7-1/4	CTC-1326127
MODEL D9D						
TRACK ADJUSTER						
			TRK ADJ			CTC-FIG0401
MODEL D9G						
DOZER TILT						
	2J6705		P-U-10	3-1/2	8-1/4	CTC-7X2720
LIFT LH						
	7J1488		P-UB-10	3-1/4	9-1/4	CTC-7X2707
LIFT RH						
	7J1487		P-UB-10	3-1/4	9-1/4	CTC-7X2707
PIN PULLER						
	4J5057		P-V-10	1-1/4	4	CTC-8T1480
	7J0508		P-V-10	1-1/4	4	CTC-8T1480
	8J2071		P-UB-10	1-1/2	4	CTC-7X2738
RIPPER						
	6J7810		P-UB-10	3-1/2	8-1/4	CTC-7X2725
RIPPER LIFT LH						
	7J1488		P-UB-10	3-1/4	9-1/4	CTC-7X2707
RIPPER LIFT RH						
	7J1487		P-UB-10	3-1/4	9-1/4	CTC-7X2707
RIPPER PIN PULLER						
	8J2071		P-UB-10	1-1/2	4	CTC-7X2738
RIPPER TILT						
	6J7810		P-UB-10	3-1/2	8-1/4	CTC-7X2725

REPLACEMENT KITS FOR CATERPILLAR® EQUIPMENT

Crawler Dozers						
APPLICATION	CYL #	Misc-Parts, Instructions, etc.	CODE	ROD	BORE	KIT #
MODEL D9G						
TILT						
	6J1570		P-UB-10	3-1/2	8-1/4	CTC-1371974
	6J1570		P-UB-10	3-1/2	8-1/4	CTC-7X2721
TRACK ADJUSTER						
			TRK ADJ			CTC-FIG0401
			TRK ADJ			CTC-FIG0402
MODEL D9H						
DOZER LH						
	3G1174		P-UB-10	3	6-1/4	CTC-7X2697
	3G1177		P-UB-10	3	6-1/4	CTC-7X2697
DOZER RH						
	3G1175		P-UB-10	3	6-1/4	CTC-7X2697
	3G1176		P-UB-10	3	6-1/4	CTC-7X2697
LIFT LH						
	3G1174		P-UB-10	3	6-1/4	CTC-7X2697
	3G1177		P-UB-10	3	6-1/4	CTC-7X2697
	7J1488		P-UB-10	3-1/4	9-1/4	CTC-1895377
	7J1488		P-UB-10	3-1/4	9-1/4	CTC-7X2707
LIFT RH						
	3G1175		P-UB-10	3	6-1/4	CTC-7X2697
	3G1176		P-UB-10	3	6-1/4	CTC-7X2697
	7J1487		P-UB-10	3-1/4	9-1/4	CTC-1895377
	7J1487		P-UB-10	3-1/4	9-1/4	CTC-7X2707
PIN PULLER						
	8J2071		P-UB-10	1-1/2	4	CTC-7X2738
RIPPER						
	6J7810		P-UB-10	3-1/2	8-1/4	CTC-7X2725
RIPPER LIFT LH						
	7J1488		P-UB-10	3-1/4	9-1/4	CTC-7X2707
RIPPER LIFT RH						
	7J1487		P-UB-10	3-1/4	9-1/4	CTC-7X2707
RIPPER PIN PULLER						
	8J2071		P-UB-10	1-1/2	4	CTC-7X2738
RIPPER TILT						
	6J7810		P-UB-10	3-1/2	8-1/4	CTC-7X2725
TILT						
	6J1570		P-UB-10	3-1/2	8-1/4	CTC-1371974
	6J1570		P-UB-10	3-1/2	8-1/4	CTC-7X2721
MODEL D9L						
DOZER TILT						
	3G8661		P-UB-10	4	9-1/4	CTC-7X2799
	4T4248		P-UB-10	4	9-1/4	CTC-7X2799
LIFT						
	9J5868		P-UB-10	3-1/4	6	CTC-7X2757
PIN PULLER						
	1U3373		P-UB-10	1-1/2	4	CTC-7X2738

REPLACEMENT KITS FOR CATERPILLAR® EQUIPMENT

Crawler Dozers						
APPLICATION	CYL #	Misc-Parts, Instructions, etc.	CODE	ROD	BORE	KIT #
MODEL D9L						
RIPPER LIFT	4T0979		P-UB-10	3-1/4	9-1/4	CTC-7X2707
RIPPER LIFT LH	4T5111		P-UB-10	3-1/4	9-1/4	CTC-7X2707
RIPPER LIFT RH	4T5112		P-UB-10	3-1/4	9-1/4	CTC-7X2707
RIPPER PIN PULLER	1U3373		P-UB-10	1-1/2	4	CTC-7X2738
RIPPER TILT	4T6970		P-UB-10	3-1/4	8-1/4	CTC-7X2715
	4T9977		P-UB-10	3-1/4	8-1/4	CTC-7X2715
MODEL D9N						
DOZER LIFT	9T2860		P-UB-10	3	5-1/4	CTC-7X2756
DOZER TILT	3G5707		P-UB-10	3-1/2	8-1/4	CTC-7X2721
LIFT	9T2860		P-UB-10	3	5-1/4	CTC-7X2756
PIN PULLER	6E3113		P-UB-10	1-3/4	4	CTC-1316108
	9T2066		P-UB-10	1-1/2	4	CTC-7X2738
RIPPER	3G6457		P-UB-10	3-1/4	8-1/4	CTC-7X2715
RIPPER LIFT	3G6457		P-UB-10	3-1/4	8-1/4	CTC-7X2715
RIPPER PIN PULLER	9T2066		P-UB-10	1-1/2	4	CTC-7X2738
TILT	3G5707		P-UB-10	3-1/2	8-1/4	CTC-1371974
	6E4835	1229350 Piston	P-UB-10	3-1/2	8-1/4	CTC-1324905
	6E4836	1229350 Piston	P-UB-10	3-1/2	8-1/4	CTC-1324905
MODEL D9R						
DOZER	4Z6172		P-UB-10	3	4-3/4	CTC-1362025
	6E4433		P-UB-10	3	4-3/4	CTC-1542503
PIN PULLER	6E3113		P-UB-10	1-3/4	4	CTC-1316108
RIPPER	1238098		P-UB-10	3-1/4	7-1/4	CTC-1324987
	1325123		P-UB-10	3-1/4	7-1/4	CTC-1324987
	9T5813		P-UB-10	3-1/4	7-1/4	CTC-1324987
RIPPER TILT	1238097		P-UB-10	3	6	CTC-1324937
	1325149		P-UB-10	3	6	CTC-1324937
	9T5807		P-UB-10	3	6	CTC-1324937
TILT	1096778		P-UB-10	3-1/2	8-1/4	CTC-1324905

REPLACEMENT KITS FOR CATERPILLAR® EQUIPMENT

Crawler Dozers						
APPLICATION	CYL #	Misc-Parts, Instructions, etc.	CODE	ROD	BORE	KIT #
MODEL D9R						
TILT LH						
	1098833		P-UB-10	3-1/2	8-1/4	CTC-1324905
	6E4835		P-UB-10	3-1/2	8-1/4	CTC-7X2721
TILT RH						
	1098832		P-UB-10	3-1/2	8-1/4	CTC-1324905
	6E4836		P-UB-10	3-1/2	8-1/4	CTC-7X2721
MODEL D10						
DOZER						
	1U2711		P-UB-10	4	10-1/2	CTC-1324932
	3G5761		P-UB-10	4	10-1/2	CTC-1324932
DOZER LH						
	4T3211		P-UB-10	4	10-1/2	CTC-1324932
DOZER LIFT LH						
	4T2727		P-UB-10	4	7	CTC-8T1457
	9J2959		P-UB-10	4	7	CTC-1326783
DOZER LIFT RH						
	4T2728		P-UB-10	4	7	CTC-8T1457
	9J2958		P-UB-10	4	7	CTC-1326783
DOZER RH						
	4T3210		P-UB-10	4	10-1/2	CTC-1324932
PIN PULLER						
	1U3373		P-UB-10	1-1/2	4	CTC-7X2738
	8J2071		P-UB-10	1-1/2	4	CTC-7X2738
RIPPER						
	3G2220		P-UB-10	3-1/4	8-1/4	CTC-7X2801
RIPPER PIN PULLER						
	1U3373		P-UB-10	1-1/2	4	CTC-7X2738
	8J2071		P-UB-10	1-1/2	4	CTC-7X2738
RIPPER TILT						
	3G2220		P-UB-10	3-1/4	8-1/4	CTC-7X2801
MODEL D10N						
DOZER						
	9T4279		P-UB-10	4	9-1/4	CTC-1324922
	9T4280		P-UB-10	4	9-1/4	CTC-1324922
	9T7341		P-UB-10	4	9-1/4	CTC-1324922
DOZER LIFT						
	9T2869		P-UB-10	3-1/2	6-1/4	CTC-7X0863
DOZER TILT						
	9T1180		P-UB-10	4	9-1/4	CTC-7X2799
	9T4279		P-UB-10	4	9-1/4	CTC-7X2799
LIFT						
	9T2869		P-UB-10	3-1/2	6-1/4	CTC-1365158
PIN PULLER						
	6E3113		P-UB-10	1-3/4	4	CTC-1316108
	9T2066		P-UB-10	1-1/2	4	CTC-7X2738
RIPPER						
	4T9977		P-UB-10	3-1/4	8-1/4	CTC-7X2715

REPLACEMENT KITS FOR CATERPILLAR® EQUIPMENT

Crawler Dozers						
APPLICATION	CYL #	Misc-Parts, Instructions, etc.	CODE	ROD	BORE	KIT #
MODEL D10N						
RIPPER LH						
	4T5111		P-UB-10	3-1/4	9-1/4	CTC-1469631
	4T5111		P-UB-10	3-1/4	9-1/4	CTC-7X2707
RIPPER LIFT LH						
	4T5111		P-UB-10	3-1/4	9-1/4	CTC-7X2707
RIPPER LIFT RH						
	4T5112		P-UB-10	3-1/4	9-1/4	CTC-7X2707
RIPPER PIN PULLER						
	9T2066		P-UB-10	1-1/2	4	CTC-7X2738
RIPPER RH						
	4T5112		P-UB-10	3-1/4	9-1/4	CTC-1469631
	4T5112		P-UB-10	3-1/4	9-1/4	CTC-7X2707
RIPPER TILT						
	4T9977		P-UB-10	3-1/4	8-1/4	CTC-7X2715
TILT LH						
	9J0673		P-UB-10	2-3/4	6	CTC-7X2803
TILT RH						
	9T9203		P-UB-10	4	9-1/4	CTC-1324922
TWIN TILT LH						
	9T9204		P-UB-10	4	9-1/4	CTC-7X2799
TWIN TILT RH						
	9T9203		P-UB-10	4	9-1/4	CTC-7X2799
MODEL D10R						
DOZER LH						
	9T9204		P-UB-10	4	9-1/4	CTC-1324922
DOZER RH						
	4T5112		P-UB-10	3-1/4	9-1/4	CTC-1469631
LIFT						
	9T2869		P-UB-10	3-1/2	6-1/4	CTC-1365158
PIN PULLER						
	6E3113		P-UB-10	1-3/4	4	CTC-1316108
RIPPER						
	4T9977		P-UB-10	3-1/4	8-1/4	CTC-7X2715
RIPPER LH						
	4T5111		P-UB-10	3-1/4	9-1/4	CTC-1469631
	4T5111		P-UB-10	3-1/4	9-1/4	CTC-7X2707
RIPPER RH						
	4T5112		P-UB-10	3-1/4	9-1/4	CTC-7X2707
TILT						
	9T9202		P-UB-10	4	9-1/4	CTC-1324922
MODEL D11N						
DOZER LIFT LH						
	4T2727		P-UB-10	4	7	CTC-1326783
	4T2727		P-UB-10	4	7	CTC-8T1457
DOZER LIFT RH						
	4T2728		P-UB-10	4	7	CTC-1326783
	4T2728		P-UB-10	4	7	CTC-8T1457

REPLACEMENT KITS FOR CATERPILLAR® EQUIPMENT

Crawler Dozers						
APPLICATION	CYL #	Misc-Parts, Instructions, etc.	CODE	ROD	BORE	KIT #
MODEL D11N						
DOZER TILT						
	1U2711		P-UB-10	4	10-1/2	CTC-1324932
	9T1180		P-UB-10	4	9-1/4	CTC-7X2799
	9T4276		P-UB-10	4	9-1/4	CTC-7X2799
PIN PULLER						
	6E3113		P-UB-10	1-3/4	4	CTC-1316108
	6E3113		P-UB-10	1-1/2	4	CTC-7X2738
	9T2066		P-UB-10	1-1/2	4	CTC-7X2738
RIPPER						
	4T7985		P-UB-10	3-1/4	8-1/4	CTC-7X2715
RIPPER PIN PULLER						
	9T2066		P-UB-10	1-1/2	4	CTC-7X2738
RIPPER TILT						
	3G2220		P-UB-10	3-1/4	8-1/4	CTC-7X2801
	3G3220		P-UB-10	3-1/4	8-1/4	CTC-7X2715
	4T7985		P-UB-10	3-1/4	8-1/4	CTC-7X2715
TILT						
	9T3715		P-UB-10	4	10-1/2	CTC-1324932
	9T3716		P-UB-10	4	10-1/2	CTC-1324932
MODEL D11R						
DOZER						
	1U2711		P-UB-10	4	10-1/2	CTC-1324932
DOZER LH						
	4T2727		P-UB-10	4	7	CTC-1326783
	4T2727		P-UB-10	4	7	CTC-8T1457
DOZER RH						
	4T2728		P-UB-10	4	7	CTC-1326783
	4T2728		P-UB-10	4	7	CTC-8T1457
PIN PULLER						
	6E3113		P-UB-10	1-3/4	4	CTC-1316108
	9T2066		P-UB-10	1-1/2	4	CTC-7X2738
TILT						
	9T3715		P-UB-10	4	10-1/2	CTC-1324932
	9T3716		P-UB-10	4	10-1/2	CTC-1324932
Crawler Loaders						
APPLICATION	CYL #	Misc-Parts, Instructions, etc.	CODE	ROD	BORE	KIT #
MODEL 931						
BACKHOE BOOM						
	3G5767		P-UB-10	2-1/4	4-1/2	CTC-7X2748
	8J5555		P-UB-10	2-1/4	4-1/2	CTC-7X2748
BACKHOE BUCKET						
	3G5905		P-UB-10	2-1/4	3-1/2	CTC-7X2818
	8J5642		P-UB-10	2-1/4	3-1/2	CTC-7X2818

REPLACEMENT KITS FOR CATERPILLAR® EQUIPMENT

Crawler Loaders						
APPLICATION	CYL #	Misc-Parts, Instructions, etc.	CODE	ROD	BORE	KIT #
MODEL 931						
BACKHOE STABILIZER						
	1U2655		P-UB-10	2	4	CTC-1328816
	1U2656		P-UB-10	2	4	CTC-1328816
	3G6792		P-UB-10	1-1/2	3-1/2	CTC-7X2752
	8J6903		P-UB-10	2	4	CTC-1328816
	8J6904		P-UB-10	2	4	CTC-1328816
	8J9481		P-UB-10	1-1/2	3-1/2	CTC-7X2752
BACKHOE STICK						
	3G5771		P-UB-10	2	4	CTC-1328816
	8J5448		P-UB-10	2	4	CTC-1328816
LIFT						
	7J5893		P-UB-10	2	4	CTC-1328816
	7J5894		P-UB-10	2	4	CTC-1328816
M.P. BUCKET						
	3G7365		P-UB-10	1-1/2	3-1/2	CTC-7X2752
	8J5391		P-UB-10	1-1/2	3-1/2	CTC-7X2752
RIPPER						
	7J9920		P-UB-10	2	4	CTC-1328816
TILT						
	7J5885		P-UB-10	1-3/4	3	CTC-7X2791
	9J7905		P-UB-10	1-3/4	3	CTC-7X2791
MODEL 931B						
BACKHOE BOOM/BUCKET						
	3G5767		P-UB-10	2-1/4	4-1/2	CTC-1326770
	3G5905		P-UB-10	2-1/4	3-1/2	CTC-1358166
BACKHOE BUCKET						
	8J5642		P-UB-10	2-1/4	3-1/2	CTC-7X2818
BACKHOE STABILIZER						
	8J6903		P-UB-10	2	4	CTC-7X2789
	8J6904		P-UB-10	2	4	CTC-7X2789
	8J9481		P-UB-10	1-1/2	3-1/2	CTC-7X2752
BACKHOE STICK/BLADE SHIFT						
	3G5771		P-UB-10	2	4	CTC-1328816
LIFT						
	7J5893		P-UB-10	2	4	CTC-1328816
	7J5894		P-UB-10	2	4	CTC-1328816
LIFT LH						
	6E0214		P-UB-10	2	4	CTC-1328816
	9T6705		P-UB-10	2	4	CTC-1328816
LIFT RH						
	9T6704		P-UB-10	2	4	CTC-1328816
M.P. BUCKET						
	3G7365		P-UB-10	1-1/2	3-1/2	CTC-7X2752
RIPPER						
	7J9920		P-UB-10	2	4	CTC-1328816

REPLACEMENT KITS FOR CATERPILLAR® EQUIPMENT

Crawler Loaders						
APPLICATION	CYL #	Misc-Parts, Instructions, etc.	CODE	ROD	BORE	KIT #
MODEL 931B						
STABILIZER						
	3G6792		P-UB-10	1-1/2	3-1/2	CTC-7X2752
	8J6903		P-UB-10	2	4	CTC-7X2789
	8J6904		P-UB-10	2	4	CTC-7X2789
	8J9481		P-UB-10	1-1/2	3-1/2	CTC-7X2752
STABILIZER LH						
	1U2656		P-UB-10	2	4	CTC-1328816
STABILIZER RH						
	1U2655		P-UB-10	2	4	CTC-1328816
TILT						
	1U3165		P-UB-10	1-3/4	3-1/4	CTC-7X2764
	4T0963		P-UB-10	1-3/4	3-1/4	CTC-7X2764
	7J5885		P-UB-10	1-3/4	3	CTC-7X2791
	9J7905		P-UB-10	1-3/4	3	CTC-7X2791
MODEL 931C						
BACKHOE BOOM/BUCKET						
	3G5767		P-UB-10	2-1/4	4-1/2	CTC-1326770
	3G5767		P-UB-10	2-1/4	4-1/2	CTC-7X2748
	3G5905		P-UB-10	2-1/4	3-1/2	CTC-1358166
BACKHOE BUCKET						
	8J5642		P-UB-10	2-1/4	3-1/2	CTC-7X2818
BACKHOE STABILIZER						
	1U2655		P-UB-10	2	4	CTC-7X2789
	1U2656		P-UB-10	2	4	CTC-7X2789
	3G6792		P-UB-10	1-1/2	3-1/2	CTC-7X2752
	8J6903		P-UB-10	2	4	CTC-7X2789
	8J6904		P-UB-10	2	4	CTC-7X2789
	8J9481		P-UB-10	1-1/2	3-1/2	CTC-7X2752
BACKHOE STICK/BLADE SHIFT						
	3G5771		P-UB-10	2	4	CTC-1328816
BUCKET						
	3G7365		P-UB-10	1-1/2	3-1/2	CTC-7X2752
LIFT						
	7J5893		P-UB-10	2	4	CTC-1328816
	7J5894		P-UB-10	2	4	CTC-1328816
LIFT LH						
	6E0214		P-UB-10	2	4	CTC-1328816
	9T6705		P-UB-10	2	4	CTC-1328816
LIFT RH						
	9T6704		P-UB-10	2	4	CTC-1328816
M.P. BUCKET						
	3G7365		P-UB-10	1-1/2	3-1/2	CTC-7X2752
RIPPER						
	7J9920		P-UB-10	2	4	CTC-1328816
STABILIZER						
	3G6792		P-UB-10	1-1/2	3-1/2	CTC-7X2752

REPLACEMENT KITS FOR CATERPILLAR® EQUIPMENT

Crawler Loaders						
APPLICATION	CYL #	Misc-Parts, Instructions, etc.	CODE	ROD	BORE	KIT #
MODEL 931C						
STABILIZER LH	1U2656		P-UB-10	2	4	CTC-1328816
STABILIZER RH	1U2655		P-UB-10	2	4	CTC-1328816
TILT	4T0963		P-UB-10	1-3/4	3-1/4	CTC-7X2764
MODEL 933						
BUCKET	3G7365		P-UB-10	1-1/2	3-1/2	CTC-7X2752
LIFT LH	1052808		P-UB-10	2	4	CTC-1328816
LIFT RH	1052886		P-UB-10	2	4	CTC-1328816
	6E0212		P-UB-10	2	4	CTC-1328816
RIPPER	7J9920		P-UB-10	2	4	CTC-1328816
TILT	1012493		P-UB-10	1-3/4	3-1/2	CTC-7X2784
	1368600		P-UB-10	1-3/4	3-1/2	CTC-7X2784
MODEL 933C						
BUCKET	1494362		P-UB-10	2	4	CTC-1328816
LIFT RH	1412421		P-UB-10	2	4	CTC-1328816
RIPPER	7J9920		P-UB-10	2	4	CTC-1328816
TILT	1214264		P-UB-10	1-3/4	3-1/2	CTC-7X2784
TRACK ADJUSTER			TRK ADJ			CTC-FIG4400
MODEL 933E, 933F, 933G						
TRACK ADJUSTER			TRK ADJ			CTC-FIG4400
MODEL 935B						
BACKHOE / BOOM BUCKET	3G5767		P-UB-10	2-1/4	4-1/2	CTC-1326770
	3G5905		P-UB-10	2-1/4	3-1/2	CTC-1358166
BACKHOE BUCKET	3G7365		P-UB-10	1-1/2	3-1/2	CTC-7X2752
BACKHOE STICK/BLADE SHIFT	3G5771		P-UB-10	2	4	CTC-1328816
LIFT	7J5893		P-UB-10	2	4	CTC-1328816
	7J5894		P-UB-10	2	4	CTC-1328816
LIFT LH	6E0214		P-UB-10	2	4	CTC-1328816
	9T6705		P-UB-10	2	4	CTC-1328816

REPLACEMENT KITS FOR CATERPILLAR® EQUIPMENT

Crawler Loaders						
APPLICATION	CYL #	Misc-Parts, Instructions, etc.	CODE	ROD	BORE	KIT #
MODEL 935B						
LIFT RH	9T6704		P-UB-10	2	4	CTC-1328816
RIPPER	7J9920		P-UB-10	2	4	CTC-1328816
STABILIZER	3G6792		P-UB-10	1-1/2	3-1/2	CTC-7X2752
STABILIZER LH	1U2656		P-UB-10	2	4	CTC-1328816
STABILIZER RH	1U2655		P-UB-10	2	4	CTC-1328816
TILT	4T0963		P-UB-10	1-3/4	3-1/4	CTC-7X2764
MODEL 935C						
BACKHOE BOOM/BUCKET	3G5767		P-UB-10	2-1/4	4-1/2	CTC-1326770
	3G5905		P-UB-10	2-1/4	3-1/2	CTC-1358166
BACKHOE BUCKET	3G7365		P-UB-10	1-1/2	3-1/2	CTC-7X2752
BACKHOE STICK/BLADE SHIFT	3G5771		P-UB-10	2	4	CTC-1328816
LIFT	7J5893		P-UB-10	2	4	CTC-1328816
	7J5894		P-UB-10	2	4	CTC-1328816
LIFT LH	6E0214		P-UB-10	2	4	CTC-1328816
	9T6705		P-UB-10	2	4	CTC-1328816
LIFT RH	6E0212		P-UB-10	2	4	CTC-1328816
	9T6704		P-UB-10	2	4	CTC-1328816
RIPPER	7J9920		P-UB-10	2	4	CTC-1328816
STABILIZER	3G6792		P-UB-10	1-1/2	3-1/2	CTC-7X2752
STABILIZER LH	1U2656		P-UB-10	2	4	CTC-1328816
STABILIZER RH	1U2655		P-UB-10	2	4	CTC-1328816
TILT	4T0963		P-UB-10	1-3/4	3-1/4	CTC-7X2764
MODEL 939						
BUCKET	3G7365		P-UB-10	1-1/2	3-1/2	CTC-7X2752
LIFT LH	1052808		P-UB-10	2	4	CTC-1328816
LIFT RH	1052886		P-UB-10	2	4	CTC-1328816
	6E0212		P-UB-10	2	4	CTC-1328816

REPLACEMENT KITS FOR CATERPILLAR® EQUIPMENT

Crawler Loaders						
APPLICATION	CYL #	Misc-Parts, Instructions, etc.	CODE	ROD	BORE	KIT #
MODEL 939						
RIPPER						
	7J9920		P-UB-10	2	4	CTC-1328816
TILT						
	1012518		P-UB-10	2	4	CTC-1328816
	1363129		P-UB-10	2	4	CTC-1328816
MODEL 939C						
BUCKET						
	1494362		P-UB-10	2	4	CTC-1328816
LIFT						
	1412422		P-UB-10	2-1/2	4-1/2	CTC-1113300
RIPPER						
	7J9920		P-UB-10	2	4	CTC-1328816
TILT						
	1414266		P-UB-10	2	4	CTC-1328816
MODEL 941						
BUCKET						
	7J6789		P-UB-10	2	4	CTC-7X2789
	8J5663		P-UB-10	2	4	CTC-7X2789
BUCKET LH						
	6J2806		P-UB-10	2	4	CTC-7X2789
BUCKET RH						
	6J2805		P-UB-10	2	4	CTC-7X2789
LIFT						
	8J6868		P-UB-10	2-1/2	4	CTC-7X2659
LIFT LH						
	6J3082		P-UB-10	2-1/4	4	CTC-7X2802
	7J9862		P-UB-10	2-1/4	4	CTC-7X2802
	9J5726		P-UB-10	2-1/4	4	CTC-7X2802
LIFT RH						
	6J3081		P-UB-10	2-1/4	4	CTC-7X2802
	7J9861		P-UB-10	2-1/4	4	CTC-7X2802
	9J5725		P-UB-10	2-1/4	4	CTC-7X2802
RIPPER						
	6J3308		P-UB-10	2-1/2	5-1/2	CTC-8T1374
	6J3308		P-UB-10	2-1/2	5-1/2	CTC-9X2050
SIDE DUMP						
	8J5670		P-UB-10	2	4	CTC-7X2755
	8J5670		P-UB-10	2	4	CTC-7X7937
TILT						
			P-UB-10	2-3/8	4	CTC-2418925
TRACK ADJUSTER						
			TRK ADJ			CTC-FIG4400
MODEL 941B						
BUCKET						
	7J6789		P-UB-10	2	4	CTC-7X2789
	8J5663		P-UB-10	2	4	CTC-7X2789

REPLACEMENT KITS FOR CATERPILLAR® EQUIPMENT

Crawler Loaders						
APPLICATION	CYL #	Misc-Parts, Instructions, etc.	CODE	ROD	BORE	KIT #
MODEL 941B						
LIFT LH						
	6J3082		P-UB-10	2-1/4	4	CTC-7X2802
	7J9862		P-UB-10	2-1/4	4	CTC-7X2802
	9J5726		P-UB-10	2-1/4	4	CTC-7X2802
LIFT RH						
	6J3081		P-UB-10	2-1/4	4	CTC-7X2802
	7J9861		P-UB-10	2-1/4	4	CTC-7X2802
	9J5725		P-UB-10	2-1/4	4	CTC-7X2802
M.P. BUCKET						
	8J5663		P-UB-10	2	4	CTC-7X2789
M.P. BUCKET LH						
	6J2806		P-UB-10	2	4	CTC-7X2789
M.P. BUCKET RH						
	6J2805		P-UB-10	2	4	CTC-7X2789
RIPPER						
	6J3308		P-UB-10	2-1/2	5-1/2	CTC-8T1374
	6J3308		P-UB-10	2-1/2	5-1/2	CTC-9X2050
SIDE DUMP						
	8J5670		P-UB-10	2	4	CTC-7X2755
	8J5670		P-UB-10	2	4	CTC-7X7937
TILT						
			P-UB-10	2-3/8	4	CTC-2418925
TRACK ADJUSTER						
			TRK ADJ			CTC-FIG4400
MODEL 943						
BUCKET						
	4T9387		P-UB-10	2	4	CTC-1328816
	9J4892		P-UB-10	2	4	CTC-7X2789
BUCKET TILT						
	1U4802		P-UB-10	2-1/2	4-3/4	CTC-7X2660
LIFT						
	4T1963		P-UB-10	2-1/4	4	CTC-1361171
	9J0532		P-UB-10	2-1/4	4	CTC-1361171
M.P. BUCKET						
	9J4892		P-UB-10	2	4	CTC-7X2789
RIPPER						
	3G1296		P-UB-10	2	4	CTC-1328816
TILT						
	1U4802		P-UB-10	2-1/2	4-3/4	CTC-7X2660
	3G4653		P-UB-10	2-1/2	4-3/4	CTC-7X2660
MODEL 943B						
BUCKET						
	4T9387		P-UB-10	2	4	CTC-1328816
LIFT						
	9T3623		P-UB-10	2-1/4	4	CTC-1361171
RIPPER						
	3G1296		P-UB-10	2	4	CTC-1328816

REPLACEMENT KITS FOR CATERPILLAR® EQUIPMENT

Crawler Loaders						
APPLICATION	CYL #	Misc-Parts, Instructions, etc.	CODE	ROD	BORE	KIT #
MODEL 943B						
TILT						
	6E0257		P-UB-10	2-1/2	4-3/4	CTC-1328811
MODEL 951						
LIFT						
	7J9821		P-UB-10	2-1/4	4-1/4	CTC-7X2750
	7J9822		P-UB-10	2-1/4	4-1/4	CTC-7X2750
	9J5728		P-UB-10	2-1/4	4-1/4	CTC-7X2750
LIFT RH						
	9J5727		P-UB-10	2-1/4	4-1/4	CTC-7X2750
LOG FORK LH						
	8J5677		P-V-10	2	5	CTC-7X2763
LOG FORK RH						
	8J5676		P-V-10	2	5	CTC-7X2763
M.P. BUCKET LH						
	6J2806		P-UB-10	2	4	CTC-7X2789
M.P. BUCKET RH						
	6J2805		P-UB-10	2	4	CTC-7X2789
RIPPER						
	6J3308		P-UB-10	2-1/2	5-1/2	CTC-8T1374
TILT						
	4T9387		P-UB-10	2	4	CTC-7X2789
	5J9815		P-UB-10	2-3/8	4-1/4	CTC-8T1464
	5J9816		P-UB-10	2-3/8	4-1/4	CTC-8T1464
	8J5939		P-UB-10	2-3/8	4-1/4	CTC-8T1464
TILT LH						
	2K3744		P-V-10	2	5	CTC-7X2763
	3G8083		P-UB-10	2-3/8	4-1/4	CTC-8T1464
TILT RH						
	2K3743		P-V-10	2	5	CTC-7X2763
	7J9833		P-UB-10	2-3/8	4-1/4	CTC-8T1464
TRACK ADJUSTER						
			TRK ADJ			CTC-FIG4400
MODEL 951B, 951C						
BUCKET						
	7J6789		P-UB-10	2	4	CTC-7X2789
	8J5663		P-UB-10	2	4	CTC-7X2789
BUCKET LH						
	6J2806		P-UB-10	2	4	CTC-7X2789
BUCKET RH						
	6J2805		P-UB-10	2	4	CTC-7X2789
LIFT LH						
	6J4014		P-UB-10	2-1/4	4-1/4	CTC-7X2750
	7J9822		P-UB-10	2-1/4	4-1/4	CTC-7X2750
	9J5728		P-UB-10	2-1/4	4-1/4	CTC-7X2750

REPLACEMENT KITS FOR CATERPILLAR® EQUIPMENT

Crawler Loaders						
APPLICATION	CYL #	Misc-Parts, Instructions, etc.	CODE	ROD	BORE	KIT #
MODEL 951B, 951C						
LIFT RH						
	6J4013		P-UB-10	2-1/4	4-1/4	CTC-7X2750
	7J9821		P-UB-10	2-1/4	4-1/4	CTC-7X2750
	9J5727		P-UB-10	2-1/4	4-1/4	CTC-7X2750
RIPPER						
	6J3308		P-UB-10	2-1/2	5-1/2	CTC-9X2050
SIDE DUMP						
	8J5670		P-UB-10	2	4	CTC-7X2755
	8J5670		P-UB-10	2	4	CTC-7X7937
TILT						
	6J3308		P-UB-10	2-1/2	5-1/2	CTC-8T1374
	8J5939		P-UB-10	2-3/8	4-1/4	CTC-8T1464
TILT LH						
	3G8083		P-UB-10	2-3/8	4-1/4	CTC-8T1464
	5J9815		P-UB-10	2-3/8	4-1/4	CTC-8T1464
	5J9816		P-UB-10	2-3/8	4-1/4	CTC-8T1464
	7J9834		P-UB-10	2-3/8	4-1/4	CTC-8T1464
TILT RH						
	7J9833		P-UB-10	2-3/8	4-1/4	CTC-8T1464
	8J5939		P-UB-10	2-3/8	4-1/4	CTC-8T1464
TRACK ADJUSTER						
		951C only	TRK ADJ			CTC-FIG4400
MODEL 953						
BUCKET						
	4T9387		P-UB-10	2	4	CTC-1328816
	9J4892		P-UB-10	2	4	CTC-7X2789
LIFT						
	3G0717		P-UB-10	2-1/2	4-3/4	CTC-7X2660
	3G0717		P-UB-10	2-1/2	4-3/4	CTC-7X2773
	4T0263		P-UB-10	2-1/2	4-3/4	CTC-1328811
	4T0263		P-UB-10	2-1/2	4-3/4	CTC-7X2660
	4T0263		P-UB-10	2-1/2	4-3/4	CTC-7X2673
	4T2098		P-UB-10	2-1/2	4-3/4	CTC-1328811
	4T2098		P-UB-10	2-1/2	4-3/4	CTC-7X2660
	4T2098		P-UB-10	2-1/2	4-3/4	CTC-7X2673
	9T3625	Rod Bearing width- 0.98"	P-UB-10	2-1/2	4-3/4	CTC-1361131
RIPPER						
	3G1296		P-UB-10	2	4	CTC-1328816
SIDE DUMP						
	9T0107		P-UB-10	2	4	CTC-7X2789
TILT						
	1U0418		P-UB-10	3	5-1/2	CTC-1281673
	4T1063		P-UB-10	2	4-1/4	CTC-7X2766
MODEL 953B						
BUCKET						
	4T9387		P-UB-10	2	4	CTC-1328816

REPLACEMENT KITS FOR CATERPILLAR® EQUIPMENT

Crawler Loaders						
APPLICATION	CYL #	Misc-Parts, Instructions, etc.	CODE	ROD	BORE	KIT #
MODEL 953B						
LIFT	9T3625	Rod Bearing width- 0.98"	P-UB-10	2-1/2	4-3/4	CTC-1361131
RIPPER	3G1296		P-UB-10	2	4	CTC-1328816
TILT	1U0418		P-UB-10	3	5-1/2	CTC-1281673
MODEL 953C						
BUCKET	4T9387		P-UB-10	2	4	CTC-1328816
LIFT	9T3625	Rod Bearing width- 0.98"	P-UB-10	2-1/2	4-3/4	CTC-1361131
RIPPER	3G1296		P-UB-10	2	4	CTC-1328816
TILT	1U0418		P-UB-10	3	5-1/2	CTC-1281673
MODEL 955						
LIFT	5J6342		P-UB-10	2-1/2	5-1/2	CTC-9X2050
	7J1730		P-UB-10	2-1/2	5-1/2	CTC-9X2047
	7J9640		P-UB-10	2-1/2	5-1/2	CTC-9X2047
LIFT LH	9J2399		P-UB-10	2-1/2	5-1/2	CTC-9X2047
	9J2399		P-UB-10	2-1/2	5-1/2	CTC-9X2050
LIFT RH	9J2401		P-UB-10	2-1/2	5-1/2	CTC-9X2047
	9J2401		P-UB-10	2-1/2	5-1/2	CTC-9X2050
LOG FORK LH	8J5677		P-V-10	2	5	CTC-7X2763
LOG FORK RH	8J5676		P-V-10	2	5	CTC-7X2763
RIPPER	5J8190		P-UB-10	2-1/2	5-1/2	CTC-8T1374
TILT LH	2K3744		P-V-10	2	5	CTC-7X2763
	3G8081		P-UB-10	2-1/2	5	CTC-7X2658
TILT RH	2K3743		P-V-10	2	5	CTC-7X2763
	7J9637		P-UB-10	2-1/2	5	CTC-1304012
MODEL 955C						
BUCKET	7Y5100		P-UB-10	85 mm	130 mm	CTC-7Y5145
TRACK ADJUSTER			TRK ADJ			CTC-FIG4400
UNSPECIFIED APPLICATION	8J5676		P-V-10	2	5	CTC-7X2763

REPLACEMENT KITS FOR CATERPILLAR® EQUIPMENT

Crawler Loaders						
APPLICATION	CYL #	Misc-Parts, Instructions, etc.	CODE	ROD	BORE	KIT #
MODEL 955E						
BUCKET						
	7Y5100		P-UB-10	85 mm	130 mm	CTC-7Y5145
LOG FORK LH						
	8J5677		P-V-10	2	5	CTC-7X2763
LOG FORK RH						
	8J5676		P-V-10	2	5	CTC-7X2763
TRACK ADJUSTER						
			TRK ADJ			CTC-FIG4400
MODEL 955F						
TILT LH						
	2K3744		P-V-10	2	5	CTC-7X2763
TILT RH						
	2K3743		P-V-10	2	5	CTC-7X2763
TRACK ADJUSTER						
			TRK ADJ			CTC-FIG4400
MODEL 955H						
LOG FORK LH						
	8J5677		P-V-10	2	5	CTC-7X2763
LOG FORK RH						
	8J5676		P-V-10	2	5	CTC-7X2763
RIPPER						
	6J3308		P-UB-10	2-1/2	5-1/2	CTC-8T1374
	6J3308		P-UB-10	2-1/2	5-1/2	CTC-9X2050
TILT LH						
	2K3744		P-V-10	2	5	CTC-7X2763
TILT RH						
	2K3743		P-V-10	2	5	CTC-7X2763
TRACK ADJUSTER						
			TRK ADJ			CTC-FIG4400
MODEL 955K						
BUCKET LH						
	8J5704		P-V-10	2	4-1/2	CTC-1328783
BUCKET RH						
	8J5703		P-V-10	2	4-1/2	CTC-1328783
CLAMP						
	8J8498		P-V-10	2	4-1/2	CTC-1328783
LIFT						
	5J6342		P-UB-10	2-1/2	5-1/2	CTC-8T1374
	7J1730		P-UB-10	2-1/2	5-1/2	CTC-9X2047
	7J9640		P-UB-10	2-1/2	5-1/2	CTC-9X2047
LIFT LH						
	9J2399		P-UB-10	2-1/2	5-1/2	CTC-9X2050
LIFT RH						
	9J2401		P-UB-10	2-1/2	5-1/2	CTC-9X2050
RIPPER						
	5J8190		P-UB-10	2-1/2	5-1/2	CTC-8T1374
	5J8190		P-UB-10	2-1/2	5-1/2	CTC-9X2050

REPLACEMENT KITS FOR CATERPILLAR® EQUIPMENT

Crawler Loaders						
APPLICATION	CYL #	Misc-Parts, Instructions, etc.	CODE	ROD	BORE	KIT #
MODEL 955K						
TILT						
	3G8081		P-UB-10	2-1/2	5	CTC-7X2658
TILT LH						
	5J6214		P-UB-10	2-1/2	5	CTC-1304012
	7J9638		P-UB-10	2-1/2	5	CTC-7X2658
TILT RH						
	5J6213		P-UB-10	2-1/2	5	CTC-1304012
	7J9637		P-UB-10	2-1/2	5	CTC-7X2658
TRACK ADJUSTER						
			TRK ADJ			CTC-FIG3400
			TRK ADJ			CTC-FIG4400
MODEL 955L						
BUCKET LH						
	8J5704		P-V-10	2	4-1/2	CTC-1328783
BUCKET RH						
	8J5703		P-V-10	2	4-1/2	CTC-1328783
CLAMP						
	8J8498		P-V-10	2	4-1/2	CTC-1328783
LIFT						
	5J6342		P-UB-10	2-1/2	5-1/2	CTC-8T1374
	7J1730		P-UB-10	2-1/2	5-1/2	CTC-9X2047
	7J9640		P-UB-10	2-1/2	5-1/2	CTC-9X2047
LIFT LH						
	9J2399		P-UB-10	2-1/2	5-1/2	CTC-9X2050
LIFT RH						
	9J2401		P-UB-10	2-1/2	5-1/2	CTC-9X2050
RIPPER						
	5J8190		P-UB-10	2-1/2	5-1/2	CTC-9X2050
TILT						
	3G8081		P-UB-10	2-1/2	5	CTC-7X2658
TILT LH						
	5J6214		P-UB-10	2-1/2	5	CTC-1304012
	7J9638		P-UB-10	2-1/2	5	CTC-7X2658
TILT RH						
	5J6213		P-UB-10	2-1/2	5	CTC-1304012
	7J9637		P-UB-10	2-1/2	5	CTC-7X2658
TRACK ADJUSTER						
			TRK ADJ			CTC-FIG3400
MODEL 963						
CLAMP						
	8J8498		P-V-10	2	4-1/2	CTC-1328783
DOZER TILT						
	4T1625		P-UB-10	2-1/4	4-3/4	CTC-7X2815
LIFT						
	4T0263		P-UB-10	2-1/2	4-3/4	CTC-1328811
	9J8002		P-UB-10	2-3/4	5-1/2	CTC-1327131

REPLACEMENT KITS FOR CATERPILLAR® EQUIPMENT

Crawler Loaders						
APPLICATION	CYL #	Misc-Parts, Instructions, etc.	CODE	ROD	BORE	KIT #
MODEL 963						
RIPPER	9J9881		P-UB-10	2-1/4	4-1/2	CTC-1326770
RIPPER LIFT	8J1779		P-UB-10	2-1/2	7-1/4	CTC-7X2661
RIPPER RH	1U3497		P-UB-10	2-1/4	4-1/2	CTC-1326770
TILT	3G3874		P-UB-10	3-3/4	6-1/2	CTC-7X2731
	4T1625		P-UB-10	2-1/4	4-3/4	CTC-7X2815
	9T1403		P-UB-10	3	6	CTC-7X2698
TRACK ADJUSTER			TRK ADJ			CTC-FIG3400
			TRK ADJ			CTC-FIG3401
MODEL 963B, 963C						
CLAMP	8J8498		P-V-10	2	4-1/2	CTC-1328783
LIFT			P-UB-10	2-3/4	5-1/2	CTC-2601518
RIPPER	1228420		P-UB-10	2-1/4	4-1/2	CTC-1326770
RIPPER RH	1228421		P-UB-10	2-1/4	4-1/2	CTC-1326770
TILT	3G3874		P-UB-10	3-3/4	6-1/2	CTC-7X2731
MODEL 973						
BUCKET	9J1822		P-UB-10	2	5	CTC-7X2788
LIFT	3G0218		P-UB-10	3-1/4	6-1/2	CTC-7X2711
	4T2098		P-UB-10	2-1/2	4-3/4	CTC-1328811
RIPPER	3G1194		P-UB-10	2-1/2	5	CTC-1315106
	4T7606		P-UB-10	2-1/2	5	CTC-7X2658
TILT	3G5949		P-UB-10	3-1/4	5-1/2	CTC-7X2712
	3G6571		P-UB-10	2-1/2	4-3/4	CTC-7X2773
TRACK ADJUSTER			TRK ADJ			CTC-FIG3400
			TRK ADJ			CTC-FIG3401
MODEL 973C						
BUCKET	9J1822		P-UB-10	2	5	CTC-7X2788
RIPPER	4T7606		P-UB-10	2-1/2	5	CTC-7X2658
TILT	3G5949		P-UB-10	3-1/4	5-1/2	CTC-7X2712

REPLACEMENT KITS FOR CATERPILLAR® EQUIPMENT

Crawler Loaders						
APPLICATION	CYL #	Misc-Parts, Instructions, etc.	CODE	ROD	BORE	KIT #
MODEL 977						
LIFT LH	7J9376		P-UB-10	2-3/4	6-1/2	CTC-9X2473
LIFT RH	7J9375		P-UB-10	2-3/4	6-1/2	CTC-9X2473
LIFT STEEL	3G8118		P-V-10	2-3/4	6-1/2	CTC-8T1554
LOG FORK	1K8206		P-V-10	2	5	CTC-7X2763
	8J5755		P-UB-10	2-1/4	5	CTC-7X2729
LOG FORK LH	8J5677		P-V-10	2	5	CTC-7X2763
LOG FORK RH	8J5676		P-V-10	2	5	CTC-7X2763
M.P. BUCKET	9J1822		P-UB-10	2	5	CTC-7X2788
	9J1822		P-V-10	2	5	CTC-7X2797
RIPPER	5J7686		P-UB-10	2-1/2	6-1/2	CTC-7X2666
TILT LH	9J0670		P-V-10	2-3/4	6	CTC-8T1553
	9J0673		P-UB-10	2-3/4	6	CTC-7X2803
TILT RH	9J0671		P-V-10	2-3/4	6	CTC-8T1553
	9J0672		P-UB-10	2-3/4	6	CTC-7X2803
TILT STEEL	3G8119		P-V-10	2-3/4	6-1/2	CTC-8T1554
MODEL 977D						
TRACK ADJUSTER			TRK ADJ			CTC-FIG3400
MODEL 977H						
M.P. BUCKET	8J5733		P-V-10	2	5	CTC-7X2763
RIPPER	2K3663		P-UB-10	2-1/2	7-1/4	CTC-7X2661
RIPPER LIFT	8J1779		P-UB-10	2-1/2	7-1/4	CTC-7X2661
TRACK ADJUSTER			TRK ADJ			CTC-FIG3400
MODEL 977K						
BUCKET	8J5761		P-UB-10	2-1/2	5-1/2	CTC-9X2050
	9J1822		P-UB-10	2	5	CTC-7X2788
LIFT LH	3G8118		P-V-10	2-3/4	6-1/2	CTC-8T1554
	7J9376		P-UB-10	2-3/4	6-1/2	CTC-7X2686

REPLACEMENT KITS FOR CATERPILLAR® EQUIPMENT

Crawler Loaders						
APPLICATION	CYL #	Misc-Parts, Instructions, etc.	CODE	ROD	BORE	KIT #
MODEL 977K						
LIFT RH	3G8119		P-V-10	2-3/4	6-1/2	CTC-8T1554
	7J9375		P-UB-10	2-3/4	6-1/2	CTC-7X2686
LOG FORK	8J5755		P-UB-10	2-1/4	5	CTC-7X2729
RIPPER	5J7686		P-UB-10	2-1/2	6-1/2	CTC-7X2666
SIDE DUMP	5J9893		P-UB-10	2-1/2	5	CTC-1315106
TILT	3G8119		P-V-10	2-3/4	6-1/2	CTC-8T1554
TILT BUCKET LH	8J5740		P-UB-10	2	5	CTC-7X2788
TILT BUCKET RH	8J5739		P-UB-10	2	5	CTC-7X2788
TILT LH	9J0670		P-V-10	2-3/4	6	CTC-8T1553
	9J0673		P-UB-10	2-3/4	6	CTC-7X2803
TILT RH	9J0671		P-V-10	2-3/4	6	CTC-8T1553
	9J0672		P-UB-10	2-3/4	6	CTC-7X2803
TRACK ADJUSTER			TRK ADJ			CTC-FIG3400
MODEL 977L						
BUCKET	8J5761		P-UB-10	2-1/2	5-1/2	CTC-9X2050
	9J1822		P-UB-10	2	5	CTC-7X2788
LIFT LH	3G8118		P-V-10	2-3/4	6-1/2	CTC-8T1554
	7J9376		P-UB-10	2-3/4	6-1/2	CTC-7X2686
LIFT RH	3G8119		P-V-10	2-3/4	6-1/2	CTC-8T1554
	7J9375		P-UB-10	2-3/4	6-1/2	CTC-7X2686
LOG FORK	8J5755		P-UB-10	2-1/4	5	CTC-7X2729
RIPPER	5J7686		P-UB-10	2-1/2	6-1/2	CTC-7X2666
SIDE DUMP	5J9893		P-UB-10	2-1/2	5	CTC-1315106
TILT BUCKET LH	8J5740		P-UB-10	2	5	CTC-7X2788
TILT BUCKET RH	8J5739		P-UB-10	2	5	CTC-7X2788
TILT LH	9J0670		P-V-10	2-3/4	6	CTC-8T1553
	9J0673		P-UB-10	2-3/4	6	CTC-7X2803

REPLACEMENT KITS FOR CATERPILLAR® EQUIPMENT

Crawler Loaders						
APPLICATION	CYL #	Misc-Parts, Instructions, etc.	CODE	ROD	BORE	KIT #
MODEL 977L						
TILT RH						
	9J0671		P-V-10	2-3/4	6	CTC-8T1553
	9J0672		P-UB-10	2-3/4	6	CTC-7X2803
TRACK ADJUSTER						
			TRK ADJ			CTC-FIG3400
MODEL 983						
BUCKET CLAMP						
	8J5772		P-UB-10	2-1/2	6	CTC-7X2669
BUCKET DEMOLITION						
	8J5772		P-UB-10	2-1/2	6	CTC-7X2669
TRACK ADJUSTER						
			TRK ADJ			CTC-FIG2400
MODEL 983B						
TRACK ADJUSTER						
			TRK ADJ			CTC-FIG2400
Dump Trucks - Articulated						
APPLICATION	CYL #	Misc-Parts, Instructions, etc.	CODE	ROD	BORE	KIT #
MODEL D25C						
HOIST						
	5U7777		I-U-3	3-1/2	5-1/2	CTC-5U7775
	6U6821		I-U-3	3-1/2	5-1/2	CTC-5U7775
STEERING						
	6U1040		I-U-5	2	4-1/2	CTC-6U9552
	7U2910		I-U-5	2	4-1/2	CTC-6U9552
SUSPENSION FRONT						
	6U4161		I-U-10	4	4-1/2	CTC-1045008
UNSPECIFIED APPLICATION						
	7U9508		I-U-10	4	4-1/2	CTC-1045008
MODEL D25D						
STEERING						
	1433299		I-UB-10	2	4-1/2	CTC-1857699
	1453620		P-UB-10	2	4-1/2	CTC-1857700
	7U2910		I-U-5	2	4-1/2	CTC-6U9552
SUSPENSION						
	1049660		P-UB-10	3-1/2	4-1/2	CTC-1942756
SUSPENSION REAR						
	7U9538		I-UB-10	2	4-1/2	CTC-7U9545
UNSPECIFIED APPLICATION						
	1511179		P-UB-10	3-1/2	4-1/2	CTC-1944399
	5U7777		I-U-3	3-1/2	5-1/2	CTC-5U7775
MODEL D30C						
HOIST						
	5U7777		I-U-3	3-1/2	5-1/2	CTC-5U7775
STEERING						
	6U1040		I-U-5	2	4-1/2	CTC-6U9552
	7U2910		I-U-5	2	4-1/2	CTC-6U9552

REPLACEMENT KITS FOR CATERPILLAR® EQUIPMENT

Dump Trucks - Articulated						
APPLICATION	CYL #	Misc-Parts, Instructions, etc.	CODE	ROD	BORE	KIT #
MODEL D30C						
SUSPENSION FRONT						
	6U4161		I-U-10	4	4-1/2	CTC-1045008
UNSPECIFIED APPLICATION						
	7U9508		I-U-10	4	4-1/2	CTC-1045008
MODEL D30D						
STEERING						
	1433299		I-UB-5	2	4-1/2	CTC-1721689
	1453620		P-UB-10	2	4-1/2	CTC-1721690
	7U2910		I-U-5	2	4-1/2	CTC-6U9552
SUSPENSION						
	1049660		P-UB-4	3-1/2	4-1/2	CTC-1417975
	2U9448		I-U-10	4	4-1/2	CTC-1045008
SUSPENSION REAR						
	7U9538		I-UB-10	2	4-1/2	CTC-7U9545
UNSPECIFIED APPLICATION						
	5U7777		I-U-3	3-1/2	5-1/2	CTC-5U7775
	7U9508		I-U-10	4	4-1/2	CTC-1045008
MODEL D35C						
HOIST						
	5U7777		I-U-3	3-1/2	5-1/2	CTC-5U7775
STEERING						
	6U1040		I-U-5	2	4-1/2	CTC-6U9552
	7U2910		I-U-5	2	4-1/2	CTC-6U9552
SUSPENSION FRONT						
	6U4161		I-U-10	4	4-1/2	CTC-1045008
MODEL D35HP						
HOIST						
	5U7777		I-U-3	3-1/2	5-1/2	CTC-5U7775
STEERING						
	6U1040		I-U-5	2	4-1/2	CTC-6U9552
MODEL D35HPC						
STEERING						
	7U2910		I-U-5	2	4-1/2	CTC-6U9552
UNSPECIFIED APPLICATION						
	5U7777		I-U-3	3-1/2	5-1/2	CTC-5U7775
	6U4161		I-U-10	4	4-1/2	CTC-1045008
	7U2910		I-U-5	2	4-1/2	CTC-6U9552
MODEL D40D						
STEERING						
	1453620		P-UB-10	2	4-1/2	CTC-1721690
	7U2910		I-U-5	2	4-1/2	CTC-6U9552
SUSPENSION						
	1049660		P-UB-4	3-1/2	4-1/2	CTC-1417975
SUSPENSION REAR						
	7U9538		I-UB-5	2	4-1/2	CTC-1721689

REPLACEMENT KITS FOR CATERPILLAR® EQUIPMENT

Dump Trucks - Articulated						
APPLICATION	CYL #	Misc-Parts, Instructions, etc.	CODE	ROD	BORE	KIT #
MODEL D250B						
HOIST						
	1434850		P-UB-10	3-1/2	5-1/2	CTC-1721691
	5U7773		I-U-3	3-1/2	5-1/2	CTC-5U7775
STEERING						
	5U9000		I-U-5	2	4-1/2	CTC-6U9552
MODEL D250D						
HOIST						
	1478507		P-UB-10	2-3/4	4	CTC-1944397
	7U6405		I-U-10	2-3/4	4	CTC-7U8075
SUSPENSION						
	7U7230		P-UB-10	4	4-1/2	CTC-1944396
UNSPECIFIED APPLICATION						
	1340006		P-UB-10	4	4-1/2	CTC-1944396
	1512611		P-UB-10	2	3	CTC-1857667
MODEL D250E						
HOIST						
	1218785		I-U-10	2-3/4	4	CTC-1915027
	1256187		P-U-10	3	4	CTC-1315423
	1478507		P-UB-10	2-3/4	4	CTC-1944397
STEERING						
	1185432		N-UB-10	2	4	CTC-1857687
	1466651		N-UB-10	2	4	CTC-1857687
SUSPENSION						
	1185432		N-UB-10	2	4	CTC-1857687
UNSPECIFIED APPLICATION						
	1340006		P-UB-10	4	4-1/2	CTC-1944396
	1447657		P-UB-10	4	4-1/2	CTC-1944396
	1512611		P-UB-10	2	3	CTC-1857667
	7U7230		P-UB-10	4	4-1/2	CTC-1944396
MODEL D300B						
HOIST						
	1434850		P-UB-10	3-1/2	5-1/2	CTC-1721691
	5U7773		I-U-3	3-1/2	5-1/2	CTC-5U7775
STEERING						
	5U9000		I-U-5	2	4-1/2	CTC-6U9552
MODEL D300B AG, D300B CANE H						
STEERING						
	5U9000		I-U-5	2	4-1/2	CTC-6U9552
MODEL D350B						
HOIST						
	5U7773		I-U-3	3-1/2	5-1/2	CTC-5U7775
MODEL D350C						
HOIST						
	1434850		P-UB-10	3-1/2	5-1/2	CTC-1721691
	5U7773		I-U-3	3-1/2	5-1/2	CTC-5U7775

REPLACEMENT KITS FOR CATERPILLAR® EQUIPMENT

Dump Trucks - Articulated						
APPLICATION	CYL #	Misc-Parts, Instructions, etc.	CODE	ROD	BORE	KIT #
MODEL D350C						
STEERING						
	6U1040		I-U-5	2	4-1/2	CTC-6U9552
	7U2910		I-U-5	2	4-1/2	CTC-6U9552
SUSPENSION						
	6U4161	App requires 2 kits.	I-U-10	4	4-1/2	CTC-1045008
UNSPECIFIED APPLICATION						
	7U2476		I-U-10	4	4-1/2	CTC-7U2486
MODEL D350D						
HOIST						
	1434850		P-UB-10	3-1/2	5-1/2	CTC-1721691
STEERING						
	1433299		I-UB-5	2	4-1/2	CTC-1721689
	1453620		P-UB-10	2	4-1/2	CTC-1721690
SUSPENSION						
	1049660		P-UB-4	3-1/2	4-1/2	CTC-1417975
SUSPENSION REAR						
	7U9538		I-UB-5	2	4-1/2	CTC-1721689
MODEL D350D, D350E						
STEERING						
	7U2910		I-U-5	2	4-1/2	CTC-6U9552
SUSPENSION						
	2U8060		I-U-10	4	4-1/2	CTC-1045008
	7U7198		I-U-10	4	4-1/2	CTC-1045008
SUSPENSION REAR						
	7U9538		I-UB-10	2	4-1/2	CTC-7U9545
UNSPECIFIED APPLICATION						
	5U7773		I-U-3	3-1/2	5-1/2	CTC-5U7775
	7U2476		I-U-10	4	4-1/2	CTC-7U2486
MODEL D350E						
HOIST						
	1434850		P-UB-10	3-1/2	5-1/2	CTC-1721691
STEERING						
	1433299		I-UB-5	2	4-1/2	CTC-1721689
	1453620		P-UB-10	2	4-1/2	CTC-1721690
SUSPENSION						
	1049660		P-UB-4	3-1/2	4-1/2	CTC-1417975
SUSPENSION REAR						
	7U9538		I-UB-5	2	4-1/2	CTC-1721689
MODEL D400						
HOIST						
	1434850		P-UB-10	3-1/2	5-1/2	CTC-1721691
	5U7773		I-U-3	3-1/2	5-1/2	CTC-5U7775
STEERING						
	6U1040		I-U-5	2	4-1/2	CTC-6U9552
	7U2910		I-U-5	2	4-1/2	CTC-6U9552

REPLACEMENT KITS FOR CATERPILLAR® EQUIPMENT

Dump Trucks - Articulated						
APPLICATION	CYL #	Misc-Parts, Instructions, etc.	CODE	ROD	BORE	KIT #
MODEL D400D						
STEERING						
	7U2910		I-U-5	2	4-1/2	CTC-6U9552
SUSPENSION						
	1049660		P-UB-10	3-1/2	4-1/2	CTC-1942756
	2U8060		I-U-10	4	4-1/2	CTC-1045008
	7U7198		I-U-10	4	4-1/2	CTC-1045008
SUSPENSION REAR						
	7U9538		I-UB-10	2	4-1/2	CTC-7U9545
MODEL D400E						
HOIST						
	1434850		P-UB-10	3-1/2	5-1/2	CTC-1890263
STEERING						
	1433299		I-UB-10	2	4-1/2	CTC-1857699
	1453620		P-UB-10	2	4-1/2	CTC-1857700
	7U2910		I-U-5	2	4-1/2	CTC-6U9552
SUSPENSION						
	1049660		P-UB-10	3-1/2	4-1/2	CTC-1942756
	2U8060		I-U-10	4	4-1/2	CTC-1045008
	7U7198		I-U-10	4	4-1/2	CTC-1045008
SUSPENSION REAR						
	7U9538		I-UB-10	2	4-1/2	CTC-1857699
UNSPECIFIED APPLICATION						
	1331584		P-UB-10	4	4-1/2	CTC-1944398
	1511179		P-UB-10	3-1/2	4-1/2	CTC-1944399
	1512611		P-UB-10	2	3	CTC-1857667
	5U7773		I-U-3	3-1/2	5-1/2	CTC-5U7775
	7U2476		I-U-10	4	4-1/2	CTC-7U2486
Excavators						
APPLICATION	CYL #	Misc-Parts, Instructions, etc.	CODE	ROD	BORE	KIT #
MODEL 215						
BOOM						
	8J8613		P-UB-10	2-3/4	4-1/2	CTC-7X2683
BUCKET						
	8J8612		P-UB-10	2-3/4	4-1/2	CTC-7X2685
CLAMSHELL						
	9J5832		P-UB-10	3-1/4	6-1/2	CTC-7X2713
STICK						
	8J8611		P-UB-10	3-1/2	5-1/2	CTC-7X2726
TRACK ADJUSTER						
			TRK ADJ			CTC-FIG3400
			TRK ADJ			CTC-FIG3404
MODEL 215B						
BOOM						
	3G2996		P-UB-10	3-1/4	5-1/2	CTC-7X2705
	8J8613		P-UB-10	2-3/4	4-1/2	CTC-7X2683
BUCKET						
	8J8612		P-UB-10	2-3/4	4-1/2	CTC-7X2685

REPLACEMENT KITS FOR CATERPILLAR® EQUIPMENT

Excavators						
APPLICATION	CYL #	Misc-Parts, Instructions, etc.	CODE	ROD	BORE	KIT #
MODEL 215B						
CLAMSHELL						
	9J5832		P-UB-10	3-1/4	6-1/2	CTC-7X2713
STICK						
	8J8611		P-UB-10	3-1/2	5-1/2	CTC-7X2726
TRACK ADJUSTER						
			TRK ADJ			CTC-FIG3400
MODEL 215C						
BOOM						
	8J8613		P-UB-10	2-3/4	4-1/2	CTC-7X2683
BUCKET						
	8J8612		P-UB-10	2-3/4	4-1/2	CTC-7X2685
	9T6497		P-UB-10	3	4-3/4	CTC-3E8883
STICK						
	8J8611		P-UB-10	3-1/2	5-1/2	CTC-7X2726
TRACK ADJUSTER						
			TRK ADJ			CTC-FIG3400
			TRK ADJ			CTC-FIG3404
MODEL 215D						
BOOM						
	8J8613		P-UB-10	2-3/4	4-1/2	CTC-7X2683
BUCKET						
	9T6497		P-UB-10	3	4-3/4	CTC-3E8883
STICK						
	9T9280		P-UB-10	3-1/2	5-1/2	CTC-7X2726
TRACK ADJUSTER						
			TRK ADJ			CTC-FIG3400
			TRK ADJ			CTC-FIG3404
MODEL 219						
BOOM						
	8J8613		P-UB-10	2-3/4	4-1/2	CTC-7X2683
BUCKET						
	8J8612		P-UB-10	2-3/4	4-1/2	CTC-7X2685
	9T6497		P-UB-10	3	4-3/4	CTC-3E8883
STICK						
	8J8611		P-UB-10	3-1/2	5-1/2	CTC-7X2726
TRACK ADJUSTER						
			TRK ADJ			CTC-FIG3400
			TRK ADJ			CTC-FIG3404
MODEL 219D						
BUCKET						
	9T6497		P-UB-10	3	4-3/4	CTC-3E8883
STICK						
	9T9280		P-UB-10	3-1/2	5-1/2	CTC-7X2726
TRACK ADJUSTER						
			TRK ADJ			CTC-FIG3400
			TRK ADJ			CTC-FIG3404

REPLACEMENT KITS FOR CATERPILLAR® EQUIPMENT

Excavators						
APPLICATION	CYL #	Misc-Parts, Instructions, etc.	CODE	ROD	BORE	KIT #
MODEL 225						
BOOM						
	3G2996		P-UB-10	3-1/4	5-1/2	CTC-7X2705
	3G7384		P-UB-10	3-1/4	5-1/2	CTC-7X2705
	6E3833		P-UB-10	3-1/4	5-1/2	CTC-7X2705
	6E3836		P-UB-10	3-1/4	5-1/2	CTC-7X2705
	8J1698		P-UB-10	3-1/4	5-1/2	CTC-7X2705
	8J1698		P-UB-10	3-1/4	5-1/2	CTC-7X2823
BUCKET						
	6E6007		P-UB-10	3-1/4	5-1/2	CTC-7X2705
	8J2566		P-UB-10	3-1/4	5-1/2	CTC-7X2705
	8J8612		P-UB-10	2-3/4	4-1/2	CTC-7X2685
	9J7006		P-UB-10	3-1/4	5-1/2	CTC-1002931
CLAMSHELL						
	9J5153		P-UB-10	3-1/2	8-1/4	CTC-7X2727
CONVEYOR SWING						
	9J5153		P-UB-10	3-1/2	8-1/4	CTC-7X2727
STICK						
	8J1719		P-UB-10	3-3/4	6	CTC-7X2794
	9J1755		P-UB-10	3-3/4	6	CTC-1002939
	9T9744		P-UB-10	3-3/4	6	CTC-3E8888
MODEL 225B						
BOOM						
	3G2996		P-UB-10	3-1/4	5-1/2	CTC-7X2705
	6E3833		P-UB-10	3-1/4	5-1/2	CTC-7X2705
	8J1698		P-UB-10	3-1/4	5-1/2	CTC-7X2705
	8J1698		P-UB-10	3-1/4	5-1/2	CTC-7X2823
	9T5230		P-UB-10	3-1/2	6	CTC-3E8889
	9T5230		P-UB-10	3-1/2	6	CTC-7X7735
BUCKET						
	6E6007		P-UB-10	3-1/4	5-1/2	CTC-7X2705
	8J8612		P-UB-10	2-3/4	4-1/2	CTC-7X2685
	9J7006		P-UB-10	3-1/4	5-1/2	CTC-1002931
	9J7006		P-UB-10	3-1/4	5-1/2	CTC-1002932
	9J7006		P-UB-10	3-1/4	5-1/2	CTC-7X2709
	9T6497		P-UB-10	3	4-3/4	CTC-3E8883
STICK						
	9J1755		P-UB-10	3-3/4	6	CTC-1002939
	9J1755		P-UB-10	3-3/4	6	CTC-7X2794
	9T9744		P-UB-10	3-3/4	6	CTC-3E8888
TRACK ADJUSTER						
			TRK ADJ			CTC-FIG3400
MODEL 225D						
BOOM						
	3G2996		P-UB-10	3-1/4	5-1/2	CTC-7X2705
	9T5230		P-UB-10	3-1/2	6	CTC-7X7735
	9T9747		P-UB-10	3-1/2	6	CTC-3E8889

REPLACEMENT KITS FOR CATERPILLAR® EQUIPMENT

Excavators						
APPLICATION	CYL #	Misc-Parts, Instructions, etc.	CODE	ROD	BORE	KIT #
MODEL 225D						
BUCKET						
	6E6007		P-UB-10	3-1/4	5-1/2	CTC-7X2705
	8J8612		P-UB-10	2-3/4	4-1/2	CTC-7X2685
	9J7006		P-UB-10	3-1/4	5-1/2	CTC-1002931
	9J7006		P-UB-10	3-1/4	5-1/2	CTC-1002932
	9J7006		P-UB-10	3-1/4	5-1/2	CTC-7X2709
	9T6497		P-UB-10	3	4-3/4	CTC-3E8883
STICK						
	6E6009		P-UB-10	3-3/4	6	CTC-1002939
	9J1755		P-UB-10	3-3/4	6	CTC-1002939
	9J1755		P-UB-10	3-3/4	6	CTC-7X2794
	9T9744		P-UB-10	3-3/4	6	CTC-1002939
	9T9744		P-UB-10	3-3/4	6	CTC-3E8888
TRACK ADJUSTER						
			TRK ADJ			CTC-FIG3400
MODEL 227						
ARM						
	1U4732		P-UB-10	3-3/4	6	CTC-7X2814
BOOM						
	3G2996		P-UB-10	3-1/4	5-1/2	CTC-7X2705
	3G7264		P-UB-10	3-1/4	5-1/2	CTC-7X2705
	6E3833		P-UB-10	3-1/4	5-1/2	CTC-7X2705
	8J1698		P-UB-10	3-1/4	5-1/2	CTC-7X2705
	8J1698		P-UB-10	3-1/4	5-1/2	CTC-7X2823
BUCKET						
	6E6007		P-UB-10	3-1/4	5-1/2	CTC-7X2705
	9J7006		P-UB-10	3-1/4	5-1/2	CTC-1002931
	9J7006		P-UB-10	3-1/4	5-1/2	CTC-1002932
	9J7006		P-UB-10	3-1/4	5-1/2	CTC-7X2709
GRAPPLE						
	3G5672		P-UB-10	1-3/4	3	CTC-7X2791
SHEAR						
	3G2656		P-UB-10	3-1/4	6-1/2	CTC-7X2713
STICK						
	1U4731		P-UB-10	3-3/4	6	CTC-1002939
	9J1755		P-UB-10	3-3/4	6	CTC-1002939
	9J1755		P-UB-10	3-3/4	6	CTC-7X2794
	9T9744		P-UB-10	3-3/4	6	CTC-3E8888
TILT						
	3G9241		P-UB-10	2-1/2	4-1/2	CTC-7X2668
MODEL 229						
ARM						
	1U4732		P-UB-10	3-3/4	6	CTC-7X2814

REPLACEMENT KITS FOR CATERPILLAR® EQUIPMENT

Excavators						
APPLICATION	CYL #	Misc-Parts, Instructions, etc.	CODE	ROD	BORE	KIT #
MODEL 229						
BOOM						
	3G2996		P-UB-10	3-1/4	5-1/2	CTC-7X2705
	3G7264		P-UB-10	3-1/4	5-1/2	CTC-7X2705
	6E3833		P-UB-10	3-1/4	5-1/2	CTC-7X2705
	8J1698		P-UB-10	3-1/4	5-1/2	CTC-7X2705
	8J1698		P-UB-10	3-1/4	5-1/2	CTC-7X2823
	9T5230		P-UB-10	3-1/2	6	CTC-3E8889
	9T5230		P-UB-10	3-1/2	6	CTC-7X7735
BUCKET						
	6E6007		P-UB-10	3-1/4	5-1/2	CTC-7X2705
	9J7006		P-UB-10	3-1/4	5-1/2	CTC-1002931
	9J7006		P-UB-10	3-1/4	5-1/2	CTC-1002932
	9J7006		P-UB-10	3-1/4	5-1/2	CTC-7X2709
STICK						
	9J1755		P-UB-10	3-3/4	6	CTC-1002939
	9J1755		P-UB-10	3-3/4	6	CTC-7X2794
	9T9744		P-UB-10	3-3/4	6	CTC-3E8888
TRACK ADJUSTER						
			TRK ADJ			CTC-FIG3400
MODEL 229D						
BOOM						
	9T9371		P-UB-10	4	6	CTC-9X6261
	9T9371		P-UB-10	4	6	CTC-9X6263
BUCKET						
	6E6007		P-UB-10	3-1/4	5-1/2	CTC-7X2705
	9J7006		P-UB-10	3-1/4	5-1/2	CTC-1002931
	9J7006		P-UB-10	3-1/4	5-1/2	CTC-1002932
	9J7006		P-UB-10	3-1/4	5-1/2	CTC-7X2709
STICK						
	6E6009		P-UB-10	3-3/4	6	CTC-1002939
	9T9744		P-UB-10	3-3/4	6	CTC-1002939
	9T9744		P-UB-10	3-3/4	6	CTC-3E8888
MODEL 231D						
BOOM						
	1052921		P-UB-10	4	6	CTC-9X6261
	6E3473		P-UB-10	4-1/4	6-1/2	CTC-8T1461
	8J4589		P-UB-10	4-1/4	6-1/2	CTC-1002934
	8J4589		P-UB-10	4-1/4	6-1/2	CTC-1002935
	8J4589		P-UB-10	4-1/4	6-1/2	CTC-8T1461
	9T9371		P-UB-10	4	6	CTC-9X6261
	9T9371		P-UB-10	4	6	CTC-9X6263
BUCKET						
	6E5021		P-UB-10	4	6	CTC-9X6261
	9T9514		P-UB-10	4	6	CTC-9X6261

REPLACEMENT KITS FOR CATERPILLAR® EQUIPMENT

Excavators						
APPLICATION	CYL #	Misc-Parts, Instructions, etc.	CODE	ROD	BORE	KIT #
MODEL 235						
BOOM						
	1024210		P-UB-10	4-1/4	6-1/2	CTC-8T1461
	3G3524		P-UB-10	4-3/4	7-1/4	CTC-8T1545
	4T1689		P-UB-10	4-1/4	6-1/2	CTC-8T1461
	4T1921		P-UB-10	4-1/4	6-1/2	CTC-8T1461
	6C5856		P-UB-10	4-1/4	6-1/2	CTC-8T1461
	6C5857		P-UB-10	4-1/4	6-1/2	CTC-8T1461
	8J4589		P-UB-10	4-1/4	6-1/2	CTC-1002934
	8J4589		P-UB-10	4-1/4	6-1/2	CTC-1002935
	8J4589		P-UB-10	4-1/4	6-1/2	CTC-8T1461
	9J2153		P-UB-10	4-1/4	6-1/2	CTC-8T1461
	9T9995		P-UB-10	4-1/4	6-1/2	CTC-8T1461
	9T9995		P-UB-10	4-1/4	6-1/2	CTC-9X6379
BOTTOM DUMP						
	1024216		P-UB-14	4-3/4	6-1/2	CTC-8T1462
	4T0483		P-UB-10	3	7-1/4	CTC-7X2699
BUCKET						
	1024216		P-UB-14	4-3/4	6-1/2	CTC-8T1462
	4T2536		P-UB-14	4-3/4	6-1/2	CTC-8T1462
	8J8918		P-UB-10	4-3/4	6-1/2	CTC-7X7719
	9J4100		P-UB-14	4-3/4	6-1/2	CTC-8T1462
	9J8153		P-UB-10	4-3/4	6	CTC-8T1908
PIN PULLER						
	1U2813		P-UB-10	2-1/2	4	CTC-7X2665
SLAVE						
	9J4882		P-UB-10	4	5	CTC-7X2816
STICK						
	3G5646		P-UB-10	5	7-3/4	CTC-8T1479
	6E5096		P-UB-10	5	7-3/4	CTC-3E8887
	8J5603		P-UB-10	5	7-3/4	CTC-8T1479
	9J1755		P-UB-10	3-3/4	6	CTC-1002939
	9J7850		P-UB-10	5	7-3/4	CTC-8T1479
	9T1387		P-UB-10	5	7-3/4	CTC-8T1479
	9T9354		P-UB-10	5	7-3/4	CTC-3E8887
	9T9744		P-UB-10	3-3/4	6	CTC-3E8888
MODEL 235 FS						
BOOM						
	4T1921		P-UB-10	4-1/4	6-1/2	CTC-8T1461
	8J4589		P-UB-10	4-1/4	6-1/2	CTC-1002934
	8J4589		P-UB-10	4-1/4	6-1/2	CTC-1002935
	8J4589		P-UB-10	4-1/4	6-1/2	CTC-8T1461
	9J2153		P-UB-10	4-1/4	6-1/2	CTC-8T1461
BOTTOM DUMP						
	4T0483		P-UB-10	3	7-1/4	CTC-7X2699
	9J4697		P-UB-10	3	7-1/4	CTC-7X2699

REPLACEMENT KITS FOR CATERPILLAR® EQUIPMENT

Excavators						
APPLICATION	CYL #	Misc-Parts, Instructions, etc.	CODE	ROD	BORE	KIT #
MODEL 235 FS						
BUCKET						
	4T2536		P-UB-14	4-3/4	6-1/2	CTC-8T1462
	9J4100		P-UB-10	4-3/4	6-1/2	CTC-7X7718
	9J4100		P-UB-10	4-3/4	6-1/2	CTC-7X7719
	9J4100		P-UB-14	4-3/4	6-1/2	CTC-8T1462
	9J8153		P-UB-10	4-3/4	6	CTC-8T1908
SLAVE						
	9J4882		P-UB-10	4	5	CTC-7X2816
STICK						
	3G5646		P-UB-10	5	7-3/4	CTC-8T1479
MODEL 235B						
BOOM						
	1024210		P-UB-10	4-1/4	6-1/2	CTC-8T1461
	4T1689		P-UB-10	4-1/4	6-1/2	CTC-8T1461
	4T1921		P-UB-10	4-1/4	6-1/2	CTC-8T1461
	6C5856		P-UB-10	4-1/4	6-1/2	CTC-8T1461
	6C5857		P-UB-10	4-1/4	6-1/2	CTC-8T1461
	9T9995		P-UB-10	4-1/4	6-1/2	CTC-8T1461
	9T9995		P-UB-10	4-1/4	6-1/2	CTC-9X6379
BOTTOM DUMP						
	4T0483		P-UB-10	3	7-1/4	CTC-7X2699
BUCKET						
	1024217		P-UB-14	4-3/4	6-1/2	CTC-8T1462
	4T2536		P-UB-14	4-3/4	6-1/2	CTC-8T1462
	9J8153		P-UB-10	4-3/4	6	CTC-8T1908
SLAVE						
	9J4882		P-UB-10	4	5	CTC-7X2816
STICK						
	3G5646		P-UB-10	5	7-3/4	CTC-8T1479
	6E5096		P-UB-10	5	7-3/4	CTC-3E8887
	9T1387		P-UB-10	5	7-3/4	CTC-8T1479
	9T9354		P-UB-10	5	7-3/4	CTC-3E8887
MODEL 235C						
BOOM						
	1024211		P-UB-10	4-1/4	6-1/2	CTC-8T1461
	4T1689		P-UB-10	4-1/4	6-1/2	CTC-8T1461
	4T1921		P-UB-10	4-1/4	6-1/2	CTC-8T1461
	6C5856		P-UB-10	4-1/4	6-1/2	CTC-8T1461
	6C5857		P-UB-10	4-1/4	6-1/2	CTC-8T1461
	6E1643		P-UB-14	4-3/4	7	CTC-8T1567
	9T6615		P-UB-10	4-3/4	7	CTC-7X7734
	9T6615		P-UB-14	4-3/4	7	CTC-8T1567
	9T9360		P-UB-14	4-3/4	7	CTC-8T1567
	9T9995		P-UB-10	4-1/4	6-1/2	CTC-8T1461
	9T9995		P-UB-10	4-1/4	6-1/2	CTC-9X6379
BOTTOM DUMP						
	4T0483		P-UB-10	3	7-1/4	CTC-7X2699

REPLACEMENT KITS FOR CATERPILLAR® EQUIPMENT

Excavators						
APPLICATION	CYL #	Misc-Parts, Instructions, etc.	CODE	ROD	BORE	KIT #
MODEL 235C						
BUCKET						
	1024216		P-UB-14	4-3/4	6-1/2	CTC-8T1462
	4T2536		P-UB-14	4-3/4	6-1/2	CTC-8T1462
	9J8153		P-UB-10	4-3/4	6	CTC-8T1908
SLAVE						
	9J4882		P-UB-10	4	5	CTC-7X2816
STICK						
	3G5646		P-UB-10	5	7-3/4	CTC-8T1479
	6E5096		P-UB-10	5	7-3/4	CTC-3E8887
	9T1387		P-UB-10	5	7-3/4	CTC-8T1479
	9T9354		P-UB-10	5	7-3/4	CTC-3E8887
MODEL 235C FS						
BOOM						
	4T1689		P-UB-10	4-1/4	6-1/2	CTC-8T1461
	9T6615		P-UB-10	4-3/4	7	CTC-7X7734
BOTTOM DUMP						
	4T0483		P-UB-10	3	7-1/4	CTC-7X2699
BUCKET						
	4T2536		P-UB-14	4-3/4	6-1/2	CTC-8T1462
	9J8153		P-UB-10	4-3/4	6	CTC-8T1908
MASTER						
	9J4882		P-UB-10	4	5	CTC-7X2816
STICK						
	9T1387		P-UB-10	5	7-3/4	CTC-8T1479
MODEL 235D						
BOOM						
	1024210		P-UB-10	4-1/4	6-1/2	CTC-8T1461
	4T1689		P-UB-10	4-1/4	6-1/2	CTC-8T1461
	6C5856		P-UB-10	4-1/4	6-1/2	CTC-8T1461
	6C5857		P-UB-10	4-1/4	6-1/2	CTC-8T1461
	6E1643		P-UB-14	4-3/4	7	CTC-8T1567
	9T9995		P-UB-10	4-1/4	6-1/2	CTC-8T1461
	9T9995		P-UB-10	4-1/4	6-1/2	CTC-9X6379
BOTTOM DUMP						
	4T0483		P-UB-10	3	7-1/4	CTC-7X2699
BUCKET						
	1024216		P-UB-14	4-3/4	6-1/2	CTC-8T1462
	4T2536		P-UB-14	4-3/4	6-1/2	CTC-8T1462
SLAVE						
	9J4882		P-UB-10	4	5	CTC-7X2816
STICK						
	6E5096		P-UB-10	5	7-3/4	CTC-3E8887
	9T9354		P-UB-10	5	7-3/4	CTC-3E8887
TRACK ADJUSTER						
			TRK ADJ			CTC-FIG0405

REPLACEMENT KITS FOR CATERPILLAR® EQUIPMENT

Excavators						
APPLICATION	CYL #	Misc-Parts, Instructions, etc.	CODE	ROD	BORE	KIT #
MODEL 245 FS						
BOOM						
	3G4615		P-UB-10	5	6	CTC-8T1909
	9J5379		P-UB-14	4-3/4	7	CTC-8T1567
BUCKET						
	1U1646		P-UB-14	4-3/4	7	CTC-8T1565
	8J8721		P-UB-14	4-3/4	7	CTC-8T1565
STICK						
	3G2778		P-UB-10	5-3/4	8-1/4	CTC-8T1558
MODEL 245, 245B						
BOOM						
	1024212		P-UB-14	4-3/4	7	CTC-8T1567
	3G3524		P-UB-10	4-3/4	7-1/4	CTC-8T1545
	3G4615		P-UB-10	5	6	CTC-8T1909
	8J3720		P-UB-14	4-3/4	7	CTC-8T1567
	9J5379		P-UB-14	4-3/4	7	CTC-8T1567
	9T9358		P-UB-10	4-3/4	7-1/4	CTC-8T1545
BOTTOM DUMP						
	1U1659		P-UB-10	3-1/2	7-3/4	CTC-9X2644
BUCKET						
	1U1646		P-UB-14	4-3/4	7	CTC-8T1565
	1U1646		P-UB-14	4-3/4	7	CTC-8T1567
	1U1659		P-UB-10	3-1/2	7-3/4	CTC-9X2644
	8J8721		P-U-10	4-3/4	7	CTC-1371946
	8J8721		P-UB-14	4-3/4	7	CTC-8T1565
	9J7755		P-UB-10	5-3/4	7	CTC-8C4398
	9J9398		P-UB-10	5-3/4	7	CTC-8C4398
COUNTERWEIGHT						
	8J6167		P-UB-10	2-1/2	5	CTC-7X2658
LIFT						
	8J6167		P-UB-10	2-1/2	5	CTC-1315118
	8J6167		P-UB-10	2-1/2	5	CTC-7X2658
STICK						
	1011908		P-UB-10	5-3/4	8-1/4	CTC-3E8880
	3G2778		P-UB-10	5-3/4	8-1/4	CTC-3E8880
	3G2778		P-UB-10	5-3/4	8-1/4	CTC-8T1558
	6E5093		P-UB-10	5-3/4	8-1/4	CTC-3E8880
	9T1388		P-UB-10	5-3/4	8-1/4	CTC-3E8880
	9T1388		P-UB-10	5-3/4	8-1/4	CTC-8T1558
	9T9356		P-UB-10	5-3/4	8-1/4	CTC-3E8880
TRACK ADJUSTER						
			TRK ADJ			CTC-FIG0405
MODEL 245B FS						
BOOM						
	3G3524		P-UB-10	4-3/4	7-1/4	CTC-8T1545
	3G4615		P-UB-10	5	6	CTC-8T1909
	9J5379		P-UB-14	4-3/4	7	CTC-8T1567

REPLACEMENT KITS FOR CATERPILLAR® EQUIPMENT

Excavators						
APPLICATION	CYL #	Misc-Parts, Instructions, etc.	CODE	ROD	BORE	KIT #
MODEL 245B FS						
BUCKET						
	1U1646		P-UB-14	4-3/4	7	CTC-8T1565
	8J8721		P-UB-14	4-3/4	7	CTC-8T1565
STICK						
	3G2778		P-UB-10	5-3/4	8-1/4	CTC-8T1558
MODEL 245D						
BOOM						
	1024212		P-UB-14	4-3/4	7	CTC-8T1567
	3G3524		P-UB-10	4-3/4	7-1/4	CTC-8T1545
	8J3720		P-UB-14	4-3/4	7	CTC-8T1567
	9J5379		P-UB-14	4-3/4	7	CTC-8T1567
	9T9358		P-UB-10	4-3/4	7-1/4	CTC-8T1545
BOTTOM DUMP						
	1U1659		P-UB-10	3-1/2	7-3/4	CTC-9X2644
BUCKET						
	1U1646		P-UB-14	4-3/4	7	CTC-8T1565
	1U1646		P-UB-14	4-3/4	7	CTC-8T1567
	8J8721		P-U-10	4-3/4	7	CTC-1371946
	9J9398		P-UB-10	5-3/4	7	CTC-8C4398
LIFT						
	8J6167		P-UB-10	2-1/2	5	CTC-1315118
	8J6167		P-UB-10	2-1/2	5	CTC-7X2658
STICK						
	1011908		P-UB-10	5-3/4	8-1/4	CTC-3E8880
	3G2778		P-UB-10	5-3/4	8-1/4	CTC-3E8880
	6E5093		P-UB-10	5-3/4	8-1/4	CTC-3E8880
	9T1388		P-UB-10	5-3/4	8-1/4	CTC-3E8880
	9T1388		P-UB-10	5-3/4	8-1/4	CTC-8T1558
	9T9356		P-UB-10	5-3/4	8-1/4	CTC-3E8880
TRACK ADJUSTER						
			TRK ADJ			CTC-FIG0405
MODEL 303 C CR						
BLADE ANGLE						
	BXT1-UP					
			P-U-10	35 mm	65 mm	CTC-2839122
BLADE RAISE LOWER						
	BXT1-UP					
	2666979		P-U-10	45 mm	80 mm	CTC-2788641
BOOM						
	BXT1-UP					
	2737033		P-U-10	45 mm	80 mm	CTC-2788641
	2840420		P-U-10	45 mm	80 mm	CTC-2788641
	2855034		P-U-10	50 mm	85 mm	CTC-2790639
STICK						
	BXT1-UP					
	2840863		P-U-10	45 mm	80 mm	CTC-2797940

REPLACEMENT KITS FOR CATERPILLAR® EQUIPMENT

Excavators						
APPLICATION	CYL #	Misc-Parts, Instructions, etc.	CODE	ROD	BORE	KIT #
MODEL 303 C CR						
TILTABLE BUCKET						
BXT1-UP						
2460192			P-UB-10	1-1/2	3	CTC-2460192K
2460192			Bushing	1-1/2	1-5/8	CTC-4T6780
MODEL 304 C CR						
BLADE ANGLE						
FPK1-UP						
2704714			P-U-10	35 mm	65 mm	CTC-2839122
BLADE RAISE LOWER						
FPK1-UP						
2937158			P-U-10	55 mm	90 mm	CTC-2937158K
BOOM						
FPK1-UP						
2666975			P-U-10	55 mm	90 mm	CTC-2666975K
2709475			P-UB-14	55 mm	95 mm	CTC-2773395
2828548			P-UB-14	55 mm	95 mm	CTC-2773395
BUCKET						
FPK1-UP						
2666969			P-UB-14	45 mm	75 mm	CTC-2774167
STICK						
FPK1-UP						
2828550			P-UB-14	50 mm	85 mm	CTC-2774140
TILTABLE BUCKET						
FPK1-UP						
2460192			P-UB-10	1-1/2	3	CTC-2460192K
MODEL 305 C CR						
BLADE						
HWJ1-834						
2666977			P-U-10	55 mm	90 mm	CTC-2666977K
HWJ1-UP						
2937158			P-U-10	55 mm	90 mm	CTC-2937158K
BLADE ANGLE						
HWJ1-UP						
2704714			P-U-10	35 mm	65 mm	CTC-2839122
BOOM						
HWJ1-UP						
2666975			P-U-10	55 mm	90 mm	CTC-2666975K
2737025			P-U-10	55 mm	100 mm	CTC-2737025K
2821535			P-U-10	55 mm	100 mm	CTC-2821535K
BUCKET						
HWJ1-UP						
2666967			P-U-10	50 mm	80 mm	CTC-2666967K
STICK						
HWJ1-UP						
2821537			P-U-10	55 mm	90 mm	CTC-2821537K
TILTABLE BUCKET						
HWJ1-UP						
2460192			P-UB-10	1-1/2	3	CTC-2460192K

REPLACEMENT KITS FOR CATERPILLAR® EQUIPMENT

Excavators						
APPLICATION	CYL #	Misc-Parts, Instructions, etc.	CODE	ROD	BORE	KIT #
MODEL 307						
BLADE LH						
	1076377		P-UB-15	50 mm	90 mm	CTC-0933045
	1148378		P-UB-15	50 mm	90 mm	CTC-0933045
BLADE RH						
	1076472		P-UB-15	50 mm	90 mm	CTC-0933045
	1148377		P-UB-15	50 mm	90 mm	CTC-0933045
BOOM						
	1038195		P-UB-14	75 mm	110 mm	CTC-1057255
	1057468		P-UB-14	55 mm	100 mm	CTC-1057480
	1239937		P-UB-14	55 mm	100 mm	CTC-1057480
BUCKET						
	1057238		P-UB-14	55 mm	80 mm	CTC-1057253
OFFSET						
	1057468		P-UB-14	55 mm	100 mm	CTC-1057480
	1239937		P-UB-14	55 mm	100 mm	CTC-1057480
STICK						
	1038320		P-UB-14	60 mm	90 mm	CTC-1038333
	1057437		P-UB-14	60 mm	90 mm	CTC-1038333
	1251494		P-UB-14	60 mm	90 mm	CTC-1038333
MODEL 307B						
BLADE						
	1231627		P-UB-10	80 mm	120 mm	CTC-1697835
	1624835		P-UB-10	80 mm	120 mm	CTC-1697835
BOOM						
	1336759		P-UB-14	75 mm	110 mm	CTC-1697826
	1437980		P-UB-14	75 mm	110 mm	CTC-1697826
BUCKET						
	1057238		P-UB-14	55 mm	80 mm	CTC-1057253
OFFSET						
	1239937		P-UB-14	55 mm	100 mm	CTC-1057480
STICK						
	1038320		P-UB-14	60 mm	90 mm	CTC-1038333
	1475903		P-UB-14	60 mm	90 mm	CTC-1697827
	1505899		P-UB-14	60 mm	90 mm	CTC-1697827
SWING						
	1437981		P-UB-10	65 mm	100 mm	CTC-1697830
MODEL 307C						
BLADE						
			P-UB-10	80 mm	120 mm	CTC-1697835
MODEL 308B						
BLADE						
	1231627		P-UB-10	80 mm	120 mm	CTC-1697835
	1624835		P-UB-10	80 mm	120 mm	CTC-1697835
BUCKET						
	1057238		P-UB-14	55 mm	80 mm	CTC-1057253
STICK						
	1038320		P-UB-14	60 mm	90 mm	CTC-1038333

REPLACEMENT KITS FOR CATERPILLAR® EQUIPMENT

Excavators						
APPLICATION	CYL #	Misc-Parts, Instructions, etc.	CODE	ROD	BORE	KIT #
MODEL 311						
BUCKET						
	1251547		P-UB-10	65 mm	100 mm	CTC-418914
	1346987		P-UB-10	65 mm	100 mm	CTC-1764935
	418840		P-UB-10	65 mm	100 mm	CTC-418914
STICK						
	1251549		P-UB-10	75 mm	110 mm	CTC-418913
	418842		P-UB-10	75 mm	110 mm	CTC-418913
MODEL 311B						
BLADE LH						
	1298009		P-UB-10	80 mm	120 mm	CTC-1697835
BLADE RH						
	1298010		P-UB-10	80 mm	120 mm	CTC-1697835
BUCKET						
	1195447		P-UB-10	65 mm	100 mm	CTC-1195457
	1438158		P-UB-10	65 mm	100 mm	CTC-1697839
STICK						
	1211406		P-UB-10	75 mm	110 mm	CTC-1195435
	1438160		P-UB-10	75 mm	110 mm	CTC-1697837
MODEL 312						
BOOM						
	1148519		P-UB-10	75 mm	110 mm	CTC-1148526
	1251545		P-UB-10	75 mm	110 mm	CTC-418913
	418838		P-UB-10	75 mm	110 mm	CTC-418913
BUCKET						
	1195447		P-UB-10	65 mm	100 mm	CTC-1195457
	1251547		P-UB-10	65 mm	100 mm	CTC-418914
	1346987		P-UB-10	65 mm	100 mm	CTC-1764935
	418840		P-UB-10	65 mm	100 mm	CTC-418914
OFFSET						
	1239906		P-UB-10	70 mm	130 mm	CTC-1697843
STICK						
	1211406		P-UB-10	75 mm	110 mm	CTC-1195435
	1239943		P-UB-10	80 mm	120 mm	CTC-1148290
	1251546		P-UB-10	80 mm	120 mm	CTC-513047
	1251940		P-UB-10	80 mm	120 mm	CTC-1148290
	418839		P-UB-10	80 mm	120 mm	CTC-513047
MODEL 312B, 312BL						
BLADE LH						
	1298009		P-UB-10	80 mm	120 mm	CTC-1697835
BLADE RH						
	1298010		P-UB-10	80 mm	120 mm	CTC-1697835
BOOM						
	1195425		P-UB-10	75 mm	110 mm	CTC-1195435
	1438156		P-UB-10	75 mm	110 mm	CTC-1697837
BUCKET						
	1195447		P-UB-10	65 mm	100 mm	CTC-1195457
	1438158		P-UB-10	65 mm	100 mm	CTC-1697839

REPLACEMENT KITS FOR CATERPILLAR® EQUIPMENT

Excavators						
APPLICATION	CYL #	Misc-Parts, Instructions, etc.	CODE	ROD	BORE	KIT #
MODEL 312B, 312BL						
STICK						
	1195436		P-UB-10	80 mm	120 mm	CTC-1195446
	1438157		P-UB-10	80 mm	120 mm	CTC-1697838
MODEL 312C, 312CL						
BOOM						
			Bushing	75 mm		CTC-1140750
			P-UB-10	75 mm	110 mm	CTC-1709937
BUCKET						
			Bushing	65 mm		CTC-1140754
			P-UB-10	65 mm	100 mm	CTC-1709941
STICK						
			Bushing	80 mm		CTC-1140755
			P-UB-10	80 mm	120 mm	CTC-1709999
MODEL 313B						
BLADE LH						
	1298009		P-UB-10	80 mm	120 mm	CTC-1697835
BLADE RH						
	1298010		P-UB-10	80 mm	120 mm	CTC-1697835
BOOM						
	1624758		P-UB-10	75 mm	110 mm	CTC-1697837
BUCKET						
	1346987		P-UB-10	65 mm	100 mm	CTC-1764935
	1438158		P-UB-10	65 mm	100 mm	CTC-1697839
OFFSET						
	1239906		P-UB-10	70 mm	130 mm	CTC-1697843
STICK						
	1195436		P-UB-10	80 mm	120 mm	CTC-1195446
	1211406		P-UB-10	75 mm	110 mm	CTC-1195435
	1438157		P-UB-10	80 mm	120 mm	CTC-1697838
	1438160		P-UB-10	75 mm	110 mm	CTC-1697837
MODEL 315						
BOOM						
	1057336		P-UB-10	80 mm	110 mm	CTC-1057359
	1276046		P-UB-10	80 mm	110 mm	CTC-1057359
BUCKET						
	1057381		P-UB-10	70 mm	100 mm	CTC-1057397
	1076640		P-UB-10	80 mm	110 mm	CTC-1057359
	1276056		P-UB-10	70 mm	100 mm	CTC-1057397
	1276060		P-UB-10	80 mm	110 mm	CTC-1057359
STICK						
	1057362		P-UB-10	85 mm	120 mm	CTC-1057379
	1276051		P-UB-10	85 mm	120 mm	CTC-1057379
MODEL 315B						
BOOM						
	1SW1-UP; 3AW1-UP; 7RZ1-UP					
	1559251		Bushing	80 mm		CTC-1140755
	1559251		P-UB-10	80 mm	110 mm	CTC-1659420

REPLACEMENT KITS FOR CATERPILLAR® EQUIPMENT

Excavators						
APPLICATION	CYL #	Misc-Parts, Instructions, etc.	CODE	ROD	BORE	KIT #
MODEL 315B						
BUCKET						
1SW1-UP; 3AW1-UP; 7RZ1-UP						
1733490			Bushing	70 mm		CTC-1140753
1733490			P-UB-10	70 mm	100 mm	CTC-1799638
STICK						
1SW1-UP; 3AW1-UP; 7RZ1-UP						
1559253			Bushing	85 mm		CTC-1140756
1559253			P-UB-10	85 mm	120 mm	CTC-1659418
MODEL 315B L						
BOOM						
1SW1-UP; 3AW1-UP; 5SW1-UP; 7RZ1-UP						
1559251			Bushing	80 mm		CTC-1140755
1559251			P-UB-10	80 mm	110 mm	CTC-1659420
5SW1-UP						
1336630			Bushing	80 mm		CTC-1140755
1336630			P-UB-10	80 mm	110 mm	CTC-1336646
1847660			Bushing	85 mm		CTC-1140756
1847660			P-UB-10	85 mm	140 mm	CTC-1847660K
BUCKET						
1SW1-UP; 3AW1-UP; 7RZ1-UP						
1733490			Bushing	70 mm		CTC-1140753
1733490			P-UB-10	70 mm	100 mm	CTC-1799638
5SW1-UP						
1336636			Bushing	70 mm		CTC-1140753
1336636			P-UB-10	70 mm	100 mm	CTC-1336691
1336639			Bushing	80 mm		CTC-1140755
1336639			P-UB-10	80 mm	110 mm	CTC-1336646
1559255			Bushing	70 mm		CTC-1140753
1559255			P-UB-10	70 mm	100 mm	CTC-1709827
1588923			Bushing	80 mm		CTC-1140755
1588923			P-UB-10	80 mm	110 mm	CTC-1659420
STICK						
1SW1-UP; 3AW1-UP; 5SW1-UP; 7RZ1-UP						
1559253			Bushing	85 mm		CTC-1140756
1559253			P-UB-10	85 mm	120 mm	CTC-1659418
5SW1-UP						
1336633			Bushing	85 mm		CTC-1140756
1336633			P-UB-10	85 mm	120 mm	CTC-1184131
MODEL 315B, 315B						
BOOM						
1336630			Bushing	80 mm		CTC-1140755
1336630	Piston - C 1276047		P-UB-10	80 mm	110 mm	CTC-1336646
BUCKET						
1336636			Bushing	70 mm		CTC-1140753
1336636	Piston - C 1336687		P-UB-10	70 mm	100 mm	CTC-1336691
5SW						
1336639			P-UB-10	80 mm	110 mm	CTC-1336646

REPLACEMENT KITS FOR CATERPILLAR® EQUIPMENT

Excavators						
APPLICATION	CYL #	Misc-Parts, Instructions, etc.	CODE	ROD	BORE	KIT #
MODEL 315B, 315B						
STICK						
	1336633		Bushing	85 mm		CTC-1140756
	1336633	Piston - C 1276052	P-UB-10	85 mm	120 mm	CTC-1184131
MODEL 315B, 315BL						
BOOM						
	1559251	Piston - C 1475818	P-UB-10	80 mm	110 mm	CTC-1659420
BUCKET						
	1559255		P-UB-10	70 mm	100 mm	CTC-1709827
STICK						
	1559253	Piston - C 1475836	P-UB-10	85 mm	120 mm	CTC-1659418
UNSPECIFIED APPLICATION						
	1588923		P-UB-10	80 mm	110 mm	CTC-1659420
MODEL 315C						
BOOM						
	AKE1-UP; CFB1-UP; CFT1-UP; CJC1-UP					
	1733482		Bushing	80 mm		CTC-1140755
	1733482		P-UB-10	80 mm	110 mm	CTC-1799625
BUCKET						
	AKE1-UP; CFB1-UP; CFT1-UP; CJC1-UP					
	1733490		Bushing	70 mm		CTC-1140753
	1733490		P-UB-10	70 mm	100 mm	CTC-1799638
	1733493		Bushing	80 mm		CTC-1140755
	1733493		P-UB-10	80 mm	110 mm	CTC-1799625
	2836126		Bushing	70 mm		CTC-1140753
	2836126		P-UB-10	70 mm	100 mm	CTC-1799638
	2836128		Bushing	80 mm		CTC-1140755
	2836128		P-UB-10	80 mm	110 mm	CTC-1799625
STICK						
	AKE1-UP; CFB1-UP; CFT1-UP; CJC1-UP					
	1733486		Bushing	85 mm		CTC-1140756
	1733486		P-UB-10	85 mm	120 mm	CTC-1799634
MODEL 315C L						
BOOM						
	AKE1-UP; ANF1-UP; CFB1-UP; CFT1-UP; CJC1-UP					
	1733482		Bushing	80 mm		CTC-1140755
	1733482		P-UB-10	80 mm	110 mm	CTC-1799625
	ANF1-UP					
	1559251		Bushing	80 mm		CTC-1140755
	1559251		P-UB-10	80 mm	110 mm	CTC-1659420
	1847660		Bushing	85 mm		CTC-1140756
	1847660		P-UB-10	85 mm	140 mm	CTC-1847660K

REPLACEMENT KITS FOR CATERPILLAR® EQUIPMENT

Excavators						
APPLICATION	CYL #	Misc-Parts, Instructions, etc.	CODE	ROD	BORE	KIT #
MODEL 315C L						
BUCKET						
AKE1-UP; ANF1-UP; CFB1-UP; CFT1-UP; CJC1-UP						
1733490		Bushing	70 mm			CTC-1140753
1733490		P-UB-10	70 mm	100 mm		CTC-1799638
1733493		Bushing	80 mm			CTC-1140755
1733493		P-UB-10	80 mm	110 mm		CTC-1799625
2836126		Bushing	70 mm			CTC-1140753
2836126		P-UB-10	70 mm	100 mm		CTC-1799638
AKE1-UP; CFB1-UP; CFT1-UP; CJC1-UP						
2836128		Bushing	80 mm			CTC-1140755
2836128		P-UB-10	80 mm	110 mm		CTC-1799625
ANF1-UP						
2836128		Bushing	80 mm			CTC-1140755
2836128		P-UB-10	80 mm	110 mm		CTC-1799625
STICK						
AKE1-UP; CFB1-UP; CFT1-UP; CJC1-UP						
1733486		Bushing	85 mm			CTC-1140756
1733486		P-UB-10	85 mm	120 mm		CTC-1799634
ANF1-UP						
1559253		Bushing	85 mm			CTC-1140756
1559253		P-UB-10	85 mm	120 mm		CTC-1659418
2248528		Bushing	85 mm			CTC-1140756
2248528		P-UB-10	85 mm	120 mm		CTC-1659418
MODEL 315L						
BOOM						
1057336		P-UB-10	80 mm	110 mm		CTC-1057359
BUCKET						
1057381		P-UB-10	70 mm	100 mm		CTC-1057397
1076640		P-UB-10	80 mm	110 mm		CTC-1057359
STICK						
1057362		P-UB-10	85 mm	120 mm		CTC-1057379
MODEL 317						
BOOM						
1057336		P-UB-10	80 mm	110 mm		CTC-1057359
1276046		P-UB-10	80 mm	110 mm		CTC-1057359
BUCKET						
1057381		P-UB-10	70 mm	100 mm		CTC-1057397
1076640		P-UB-10	80 mm	110 mm		CTC-1057359
1276056		P-UB-10	70 mm	100 mm		CTC-1057397
1276060		P-UB-10	80 mm	110 mm		CTC-1057359
STICK						
1057362		P-UB-10	85 mm	120 mm		CTC-1057379
1276051		P-UB-10	85 mm	120 mm		CTC-1057379

REPLACEMENT KITS FOR CATERPILLAR® EQUIPMENT

Excavators						
APPLICATION	CYL #	Misc-Parts, Instructions, etc.	CODE	ROD	BORE	KIT #
MODEL 317B, 317BL						
BOOM						
	1336630		Bushing	80 mm		CTC-1140755
	1336630	Piston - C 1276047	P-UB-10	80 mm	110 mm	CTC-1336646
	1559251		P-UB-10	80 mm	110 mm	CTC-1659420
BUCKET						
	1336636		Bushing	70 mm		CTC-1140753
	1336636	Piston - C 1336687	P-UB-10	70 mm	100 mm	CTC-1336691
	1559255		P-UB-10	70 mm	100 mm	CTC-1709827
	5SW					
	1336639		P-UB-10	80 mm	110 mm	CTC-1336646
STICK						
	1336633		Bushing	85 mm		CTC-1140756
	1336633	Piston - C 1276052	P-UB-10	85 mm	120 mm	CTC-1184131
UNSPECIFIED APPLICATION						
	1588923		P-UB-10	80 mm	110 mm	CTC-1659420
MODEL 317N						
BOOM						
	1057336		P-UB-10	80 mm	110 mm	CTC-1057359
BUCKET						
	1057381		P-UB-10	70 mm	100 mm	CTC-1057397
	1076640		P-UB-10	80 mm	110 mm	CTC-1057359
STICK						
	1057362		P-UB-10	85 mm	120 mm	CTC-1057379
MODEL 318B, 318BL						
BOOM						
	1475755		P-UB-10	85 mm	120 mm	CTC-1373763
BUCKET						
	1183967		P-UB-10	85 mm	120 mm	CTC-1261947
	1184134		P-UB-10	85 mm	120 mm	CTC-1184131
	1475763		P-UB-10	80 mm	110 mm	CTC-1659420
STICK						
	1475760		P-UB-10	95 mm	130 mm	CTC-1659419
MODEL 320						
BOOM						
	0874898		P-UB-10	85 mm	120 mm	CTC-1764934
	0875491		P-UB-10	85 mm	120 mm	CTC-413665
	0875496		P-UB-10	85 mm	120 mm	CTC-0875394
	0875496		P-UB-10	85 mm	120 mm	CTC-1184131
	1069596		P-UB-10	95 mm	160 mm	CTC-6C6091
BOOM VA						
	6C6085		P-UB-10	95 mm	160 mm	CTC-6C6091

REPLACEMENT KITS FOR CATERPILLAR® EQUIPMENT

Excavators						
APPLICATION	CYL #	Misc-Parts, Instructions, etc.	CODE	ROD	BORE	KIT #
MODEL 320						
BUCKET						
	0874899		P-UB-10	85 mm	120 mm	CTC-1186023
	0875633		P-UB-10	85 mm	120 mm	CTC-0875394
	0875633		P-UB-10	85 mm	120 mm	CTC-1184131
	1185931		P-UB-10	85 mm	120 mm	CTC-1186023
	1251547		P-UB-10	65 mm	100 mm	CTC-418914
	1346987		P-UB-10	65 mm	100 mm	CTC-1764935
	417652		P-UB-10	65 mm	100 mm	CTC-417664
	418840		P-UB-10	65 mm	100 mm	CTC-418914
	717291		P-UB-10	85 mm	130 mm	CTC-7Y5145
	7Y5100		P-UB-10	85 mm	130 mm	CTC-7Y5145
STICK						
	0875422		P-UB-10	100 mm	140 mm	CTC-0875387
	0875493		P-UB-10	100 mm	140 mm	CTC-1270630
	0876638		P-UB-10	100 mm	140 mm	CTC-0875387
	7Y4650		P-UB-10	105 mm	150 mm	CTC-1163612
MODEL 320B, 320BL						
BOOM						
	1183953		P-UB-10	100 mm	140 mm	CTC-1373764
	1183955		P-UB-10	100 mm	140 mm	CTC-1373764
	1184023		P-UB-10	85 mm	120 mm	CTC-1373763
	1184128		P-UB-10	85 mm	120 mm	CTC-1184131
	1195425		P-UB-10	75 mm	110 mm	CTC-1195435
	1232081		P-UB-10	105 mm	150 mm	CTC-1373767
	1336770		P-UB-10	100 mm	140 mm	CTC-1336823
	1589058		P-UB-10	85 mm	120 mm	CTC-1589092
	1842614		P-UB-10	95 mm	160 mm	CTC-1884457
BUCKET						
	1183967		P-UB-10	85 mm	120 mm	CTC-1261947
	1184134		P-UB-10	85 mm	120 mm	CTC-1184131
	1195447		P-UB-10	65 mm	100 mm	CTC-1195457
	1232044		P-UB-10	90 mm	130 mm	CTC-1764914
	1232084		P-UB-10	90 mm	130 mm	CTC-1373768
	1251547		P-UB-10	65 mm	100 mm	CTC-418914
	1346987		P-UB-10	65 mm	100 mm	CTC-1764935
	1475780		P-UB-10	85 mm	125 mm	CTC-1475781
	1540756		P-UB-10	90 mm	130 mm	CTC-1540757
	1589061		P-UB-10	85 mm	120 mm	CTC-1589092
	1799764		P-UB-10	90 mm	130 mm	CTC-1799772
	417652		P-UB-10	65 mm	100 mm	CTC-417664
	418840		P-UB-10	65 mm	100 mm	CTC-418914
STICK						
	1184000		P-UB-10	105 mm	150 mm	CTC-1680758
	1232081		P-UB-10	105 mm	150 mm	CTC-1373767
	1412609		P-UB-10	95 mm	160 mm	CTC-1855574
	1589059		P-UB-10	100 mm	140 mm	CTC-1589093
	1589060		P-UB-10	100 mm	140 mm	CTC-1589093

REPLACEMENT KITS FOR CATERPILLAR® EQUIPMENT

Excavators						
APPLICATION	CYL #	Misc-Parts, Instructions, etc.	CODE	ROD	BORE	KIT #
MODEL 320B, 320BL						
TILT CAB						
	N/A		P-UB-10	2-1/4	5	CTC-9X6392
UNSPECIFIED APPLICATION						
	1336771		P-UB-10	105 mm	150 mm	CTC-1373767
	1336812		P-UB-10	90 mm	130 mm	CTC-1373768
	1336866		P-UB-10	100 mm	140 mm	CTC-1373661
	1336867		P-UB-10	100 mm	140 mm	CTC-1373661
	1540727		P-UB-10	85 mm	120 mm	CTC-1540728
	1540743		P-UB-10	85 mm	120 mm	CTC-1540744
	1540772		P-UB-10	90 mm	130 mm	CTC-1540773
MODEL 320C						
BOOM						
AMC1-UP; ANB1-UP; BBC1-UP; BDC1-UP; BEF1-UP; BER1-UP; BPR1-UP; BRXI-UP						
	1588991		Bushing	85 mm		CTC-0964402
	1588991		P-UB-10	85 mm	120 mm	CTC-1373763
AMC1-UP; ANB1-UP; BDC1-UP; BER1-UP; BPR1-UP; BRXI-UP; GNG1-UP; HKT1-UP; MAB1-UP; PAB1-UP; RAW1-UP; SBN1-UP						
	2043614		Bushing	85 mm		CTC-0964402
	2043614		P-UB-10	85 mm	120 mm	CTC-2478998
AMC1-UP; ANB1-UP; GHA1-UP; GNG1-UP; HBC1-UP; HKT1-UP; MAB1-UP; PAB1-UP						
	1850340		Bushing	85 mm		CTC-0964402
	1850340		P-UB-10	85 mm	120 mm	CTC-2478996
AMC1-UP; ANB1-UP; MAB1-UP; PAB1-UP						
	2043616		Bushing	100 mm		CTC-0965625
	2043616		P-UB-10	100 mm	140 mm	CTC-2590633
	2590702		Bushing	100 mm		CTC-0965625
	2590702		P-UB-10	100 mm	140 mm	CTC-2590699
AXK1-UP						
	1842614		P-UB-10	95 mm	160 mm	CTC-2521191
	1842614		Bushing	95 mm		CTC-6C6093
AXK1-UP; BBE1-UP; BBL1-UP; BCN1-UP; BDC1-UP; BEA1-UP; BER1-UP; DBG1-UP; GLA1-UP; JTG1-UP						
	1589058		Bushing	85 mm		CTC-1140756
	1589058		P-UB-10	85 mm	120 mm	CTC-2366368
BBC1-UP; BCB1-UP; BEF1-UP						
	2043614		Bushing	85 mm		CTC-0964402
	2043614		P-UB-10	85 mm	120 mm	CTC-2043625
BBE1-UP; BBL1-UP; BCN1-UP; BEA1-UP; DBG1-UP; GLA1-UP; JTG1-UP						
	1842614		P-UB-10	95 mm	160 mm	CTC-2521191
	1842614		Bushing	95 mm		CTC-6C6093
BDC1-UP; BER1-UP						
	1232081		Bushing	105 mm		CTC-0995572
	1232081		P-UB-10	105 mm	150 mm	CTC-1373767
BDC1-UP; BER1-UP; RAW1-UP; SBN1-UP						
	2043616		Bushing	100 mm		CTC-0965625
	2043616		P-UB-10	100 mm	140 mm	CTC-2043626
MAB1-UP; PAB1-UP						
	2742510		Bushing	85 mm		CTC-1140756
	2742510		P-UB-10	85 mm	120 mm	CTC-2742511

REPLACEMENT KITS FOR CATERPILLAR® EQUIPMENT

Excavators						
APPLICATION	CYL #	Misc-Parts, Instructions, etc.	CODE	ROD	BORE	KIT #
MODEL 320C						
BOOM						
RAW1-UP; SBN1-UP						
1589058			Bushing	85 mm		CTC-1140756
1589058			P-UB-10	85 mm	120 mm	CTC-1589092
BUCKET						
ALF1-UP; BCB1-UP; BDC1-UP; BER1-UP						
1346987			Bushing	65 mm		CTC-1140754
1346987			P-UB-10	65 mm	100 mm	CTC-1764935
AMC1-UP; ANB1-UP						
1588995			Bushing	100 mm		CTC-0965625
1588995			P-UB-10	100 mm	140 mm	CTC-1373764
2043618			Bushing	85 mm		CTC-0964402
2043618			P-UB-10	85 mm	125 mm	CTC-2479005
2836132			Bushing	85 mm		CTC-1140756
2836132			P-UB-10	85 mm	120 mm	CTC-2366368
AMC1-UP; ANB1-UP; AXK1-UP; BBE1-UP; BBL1-UP; BCN1-UP; BEA1-UP; DBG1-UP; GLA1-UP; JTG1-UP						
1589061			Bushing	85 mm		CTC-1140756
1589061			P-U-10	85 mm	120 mm	CTC-2366389
AMC1-UP; ANB1-UP; BBC1-UP; BEF1-UP						
1589088			Bushing	85 mm		CTC-0964402
1589088			P-UB-10	85 mm	125 mm	CTC-1850223
AMC1-UP; ANB1-UP; BPR1-UP; BRXI-UP; GNG1-UP; HKT1-UP; MAB1-UP; PAB1-UP						
2043689			Bushing	85 mm		CTC-0964402
2043689			P-UB-10	85 mm	120 mm	CTC-2479001
AMC1-UP; ANB1-UP; GHA1-UP; GNG1-UP; HBC1-UP; HKT1-UP; MAB1-UP; PAB1-UP						
1799793			Bushing	90 mm		CTC-1052575
1799793			P-UB-10	90 mm	130 mm	CTC-2590626
2043696			Bushing	85 mm		CTC-0964402
2043696			P-UB-10	85 mm	120 mm	CTC-2479000
AMC1-UP; ANB1-UP; GHA1-UP; HBC1-UP						
1850346			Bushing	85 mm		CTC-0964402
1850346			P-UB-10	85 mm	120 mm	CTC-1540744
AMC1-UP; ANB1-UP; MAB1-UP; PAB1-UP						
2096011			Bushing	90 mm		CTC-1052575
2096011			P-UB-10	90 mm	130 mm	CTC-2590627
2590694			Bushing	85 mm		CTC-0964402
2590694			P-UB-10	85 mm	120 mm	CTC-2590695
2590698			Bushing	100 mm		CTC-0965625
2590698			P-UB-10	100 mm	140 mm	CTC-2590699
2590705			Bushing	85 mm		CTC-0964402
2590705			P-UB-10	85 mm	120 mm	CTC-2590706
2590732			Bushing	90 mm		CTC-1052575
2590732			P-UB-10	90 mm	130 mm	CTC-2590719
AMC1-UP; ANB1-UP; RAW1-UP; SBN1-UP						
1588999			Bushing	90 mm		CTC-1052575
1588999			P-UB-10	90 mm	130 mm	CTC-1850196

REPLACEMENT KITS FOR CATERPILLAR® EQUIPMENT

Excavators						
APPLICATION	CYL #	Misc-Parts, Instructions, etc.	CODE	ROD	BORE	KIT #
MODEL 320C						
BUCKET						
AXK1-UP						
1799764		Bushing	90 mm			CTC-1140758
1799764		P-UB-10	90 mm	130 mm		CTC-2159986
BBC1-UP; BCB1-UP; BEF1-UP						
2043618		Bushing	85 mm			CTC-0964402
2043618		P-UB-10	85 mm	125 mm		CTC-2043628
BBC1-UP; BCB1-UP; BEF1-UP; BPR1-UP; BRXI-UP; RAW1-UP; SBN1-UP; AMC1-UP; ANB1-UP						
2043617		Bushing	85 mm			CTC-0964402
2043617		P-UB-10	85 mm	120 mm		CTC-2043627
BBE1-UP; BBL1-UP; BCN1-UP; BEA1-UP; DBG1-UP; GLA1-UP; JTG1-UP						
1799764		Bushing	90 mm			CTC-1140758
1799764		P-UB-10	90 mm	130 mm		CTC-2159986
2836132		Bushing	85 mm			CTC-1140756
2836132		P-UB-10	85 mm	120 mm		CTC-2366368
BCB1-UP						
2043689		Bushing	85 mm			CTC-0964402
2043689		P-UB-10	85 mm	120 mm		CTC-2043692
2096011		Bushing	90 mm			CTC-1052575
2096011		P-UB-10	90 mm	130 mm		CTC-2043630
BDC1-UP; BER1-UP; RAW1-UP; SBN1-UP						
1589061		Bushing	85 mm			CTC-1140756
1589061		P-UB-10	85 mm	120 mm		CTC-1589092
1799764		Bushing	90 mm			CTC-1140758
1799764		P-UB-10	90 mm	130 mm		CTC-1799772
BPR1-UP; BRXI-UP						
1588997		Bushing	85 mm			CTC-0964402
1588997		P-UB-10	85 mm	120 mm		CTC-1261947
MAB1-UP; PAB1-UP						
2742521		Bushing	85 mm			CTC-1140756
2742521		P-UB-10	85 mm	120 mm		CTC-2742511
STICK						
AMC1-UP; ANB1-UP; BBC1-UP; BCB1-UP; BEF1-UP; MAB1-UP; PAB1-UP						
2043615		Bushing	100 mm			CTC-0965625
2043615		P-UB-10	100 mm	140 mm		CTC-2043626
AMC1-UP; ANB1-UP; BBC1-UP; BEF1-UP; BPR1-UP; BRXI-UP; RAW1-UP; SBN1-UP						
1588993		Bushing	100 mm			CTC-0965625
1588993		P-UB-10	100 mm	140 mm		CTC-1373764
AMC1-UP; ANB1-UP; BPR1-UP; BRXI-UP; GNG1-UP; HKT1-UP; MAB1-UP; PAB1-UP						
2144500		Bushing	100 mm			CTC-0965625
2144500		P-UB-10	100 mm	140 mm		CTC-2590635
AMC1-UP; ANB1-UP; GHA1-UP; GNG1-UP; HBC1-UP; HKT1-UP; MAB1-UP; PAB1-UP						
1850342		Bushing	100 mm			CTC-0965625
1850342		P-UB-10	100 mm	140 mm		CTC-2590631
1850344		Bushing	100 mm			CTC-0965625
1850344		P-UB-10	100 mm	140 mm		CTC-2590631

REPLACEMENT KITS FOR CATERPILLAR® EQUIPMENT

Excavators						
APPLICATION	CYL #	Misc-Parts, Instructions, etc.	CODE	ROD	BORE	KIT #
MODEL 320C						
STICK						
AXK1-UP						
1589059		Bushing		100 mm		CTC-1140757
1589059		P-UB-10		100 mm	140 mm	CTC-2159985
AXK1-UP; BBE1-UP; BBL1-UP; BCN1-UP; BEA1-UP; DBG1-UP; GLA1-UP; JTG1-UP						
1589060		Bushing		100 mm		CTC-1140757
1589060		P-UB-10		100 mm	140 mm	CTC-2159985
BBC1-UP; BCB1-UP; BEF1-UP						
2144500		Bushing		100 mm		CTC-0965625
2144500		P-UB-10		100 mm	140 mm	CTC-2144502
BBE1-UP; BBL1-UP; BCN1-UP; BEA1-UP; DBG1-UP; GLA1-UP; JTG1-UP						
1589059		Bushing		100 mm		CTC-1140757
1589059		P-UB-10		100 mm	140 mm	CTC-2095874
BCB1-UP						
1232081		Bushing		105 mm		CTC-0995572
1232081		P-UB-10		105 mm	150 mm	CTC-1373767
2043616		Bushing		100 mm		CTC-0965625
2043616		P-UB-10		100 mm	140 mm	CTC-2043616
BDC1-UP; BER1-UP; RAW1-UP; SBN1-UP						
1589059		Bushing		100 mm		CTC-1140757
1589059		P-UB-10		100 mm	140 mm	CTC-2159985
1589060		Bushing		100 mm		CTC-1140757
1589060		P-UB-10		100 mm	140 mm	CTC-2095874
BPR1-UP; BRXI-UP; GNG1-UP; HKT1-UP						
2043615		Bushing		100 mm		CTC-0965625
2043615		P-UB-10		100 mm	140 mm	CTC-2590633
MAB1-UP; PAB1-UP						
2742514		Bushing		100 mm		CTC-1140757
2742514		P-UB-10		100 mm	140 mm	CTC-2742515
RAW1-UP; SBN1-UP						
2043615		Bushing		100 mm		CTC-0965625
2043615		P-UB-10		100 mm	140 mm	CTC-1373764
UNSPECIFIED APPLICATION						
AKH1-UP; ALF1-UP						
1980648		I-U-10		45 mm	60 mm	CTC-1980648K
BBE1-UP; BBL1-UP; BCN1-UP; BEA1-UP						
1702109		I-UB-10		125 mm	220 mm	CTC-1702156
MODEL 320C L						
BOOM						
AMC1-UP; ANB1-UP; BBC1-UP; BDC1-UP; BEF1-UP; BER1-UP; BPR1-UP; BRXI-UP						
1588991		Bushing		85 mm		CTC-0964402
1588991		P-UB-10		85 mm	120 mm	CTC-1373763
AMC1-UP; ANB1-UP; BDC1-UP; BER1-UP; BPR1-UP; BRXI-UP; EAG1-UP; GNG1-UP; HKT1-UP; MAB1-UP; PAB1-UP; RAW1-UP; SBN1-UP						
2043614		Bushing		85 mm		CTC-0964402
2043614		P-UB-10		85 mm	120 mm	CTC-2478998

REPLACEMENT KITS FOR CATERPILLAR® EQUIPMENT

Excavators						
APPLICATION	CYL #	Misc-Parts, Instructions, etc.	CODE	ROD	BORE	KIT #
MODEL 320C L						
BOOM						
AMC1-UP; ANB1-UP; GHA1-UP; GNG1-UP; HBC1-UP; HKT1-UP; MAB1-UP; PAB1-UP						
1850340		Bushing	85 mm			CTC-0964402
1850340		P-UB-10	85 mm	120 mm		CTC-2478996
AMC1-UP; ANB1-UP; MAB1-UP; PAB1-UP						
2043616		Bushing	100 mm			CTC-0965625
2043616		P-UB-10	100 mm	140 mm		CTC-2590633
2590702		Bushing	100 mm			CTC-0965625
2590702		P-UB-10	100 mm	140 mm		CTC-2590699
AXK1-UP						
1842614		P-UB-10	95 mm	160 mm		CTC-2521191
1842614		Bushing	95 mm			CTC-6C6093
AXK1-UP; BBE1-UP; BBL1-UP; BCN1-UP; BDC1-UP; BEA1-UP; BER1-UP; DBG1-UP; GLA1-UP; JTG1-UP						
1589058		Bushing	85 mm			CTC-1140756
1589058		P-UB-10	85 mm	120 mm		CTC-2366368
BBC1-UP; BCB1-UP; BEF1-UP						
2043614		Bushing	85 mm			CTC-0964402
2043614		P-UB-10	85 mm	120 mm		CTC-2043625
BBE1-UP; BBL1-UP; BCN1-UP; BEA1-UP; DBG1-UP; GLA1-UP; JTG1-UP						
1842614		P-UB-10	95 mm	160 mm		CTC-2521191
1842614		Bushing	95 mm			CTC-6C6093
BDC1-UP; BER1-UP						
1232081		Bushing	105 mm			CTC-0995572
1232081		P-UB-10	105 mm	150 mm		CTC-1373767
BDC1-UP; BER1-UP; RAW1-UP; SBN1-UP						
2043616		Bushing	100 mm			CTC-0965625
2043616		P-UB-10	100 mm	140 mm		CTC-2043626
MAB1-UP; PAB1-UP						
2742510		Bushing	85 mm			CTC-1140756
2742510		P-UB-10	85 mm	120 mm		CTC-2742511
RAW1-UP; SBN1-UP						
1589058		Bushing	85 mm			CTC-1140756
1589058		P-UB-10	85 mm	120 mm		CTC-1589092
BUCKET						
ALF1-UP; BCB1-UP; BDC1-UP; BER1-UP						
1346987		Bushing	65 mm			CTC-1140754
1346987		P-UB-10	65 mm	100 mm		CTC-1764935
AMC1-UP; ANB1-UP						
1588995		Bushing	100 mm			CTC-0965625
1588995		P-UB-10	100 mm	140 mm		CTC-1373764
2043618		Bushing	85 mm			CTC-0964402
2043618		P-UB-10	85 mm	125 mm		CTC-2479005
2590705		Bushing	85 mm			CTC-0964402
2590705		P-UB-10	85 mm	120 mm		CTC-2590706
2836132		Bushing	85 mm			CTC-1140756
2836132		P-UB-10	85 mm	120 mm		CTC-2366368

REPLACEMENT KITS FOR CATERPILLAR® EQUIPMENT

Excavators						
APPLICATION	CYL #	Misc-Parts, Instructions, etc.	CODE	ROD	BORE	KIT #
MODEL 320C L						
BUCKET						
AMC1-UP; ANB1-UP; AXK1-UP; BBE1-UP; BBL1-UP; BCN1-UP; BEA1-UP; DBG1-UP; GLA1-UP; JTG1-UP						
1589061		Bushing	85 mm			CTC-1140756
1589061		P-U-10	85 mm	120 mm		CTC-2366389
AMC1-UP; ANB1-UP; BBC1-UP; BEF1-UP						
1589088		Bushing	85 mm			CTC-0964402
1589088		P-UB-10	85 mm	125 mm		CTC-1850223
AMC1-UP; ANB1-UP; BPR1-UP; BRXI-UP; EAG1-UP; GNG1-UP; HKT1-UP; MAB1-UP; PAB1-UP						
2043689		Bushing	85 mm			CTC-0964402
2043689		P-UB-10	85 mm	120 mm		CTC-2479001
AMC1-UP; ANB1-UP; GHA1-UP; GNG1-UP; HBC1-UP; HKT1-UP; MAB1-UP; PAB1-UP						
1799793		Bushing	90 mm			CTC-1052575
1799793		P-UB-10	90 mm	130 mm		CTC-2590626
2043696		Bushing	85 mm			CTC-0964402
2043696		P-UB-10	85 mm	120 mm		CTC-2479000
AMC1-UP; ANB1-UP; GHA1-UP; HBC1-UP						
1850346		Bushing	85 mm			CTC-0964402
1850346		P-UB-10	85 mm	120 mm		CTC-1540744
AMC1-UP; ANB1-UP; MAB1-UP; PAB1-UP						
2096011		Bushing	90 mm			CTC-1052575
2096011		P-UB-10	90 mm	130 mm		CTC-2590627
2590694		Bushing	85 mm			CTC-0964402
2590694		P-UB-10	85 mm	120 mm		CTC-2590695
2590698		Bushing	100 mm			CTC-0965625
2590698		P-UB-10	100 mm	140 mm		CTC-2590699
2590732		Bushing	90 mm			CTC-1052575
2590732		P-UB-10	90 mm	130 mm		CTC-2590719
AMC1-UP; ANB1-UP; RAW1-UP; SBN1-UP						
1588999		Bushing	90 mm			CTC-1052575
1588999		P-UB-10	90 mm	130 mm		CTC-1850196
AXK1-UP						
1799764		Bushing	90 mm			CTC-1140758
1799764		P-UB-10	90 mm	130 mm		CTC-2159986
BBC1-UP; BCB1-UP; BEF1-UP						
2043618		Bushing	85 mm			CTC-0964402
2043618		P-UB-10	85 mm	125 mm		CTC-2043628
BBC1-UP; BEF1-UP						
2043617		Bushing	85 mm			CTC-0964402
2043617		P-UB-10	85 mm	120 mm		CTC-2043627
BBE1-UP; BBL1-UP; BCN1-UP; BEA1-UP; DBG1-UP; GLA1-UP; JTG1-UP						
1799764		Bushing	90 mm			CTC-1140758
1799764		P-UB-10	90 mm	130 mm		CTC-2159986
2836132		Bushing	85 mm			CTC-1140756
2836132		P-UB-10	85 mm	120 mm		CTC-2366368

REPLACEMENT KITS FOR CATERPILLAR® EQUIPMENT

Excavators						
APPLICATION	CYL #	Misc-Parts, Instructions, etc.	CODE	ROD	BORE	KIT #
MODEL 320C L						
BUCKET						
BCB1-UP						
2043689		Bushing	85 mm			CTC-0964402
2043689		P-UB-10	85 mm	120 mm		CTC-2043692
2096011		Bushing	90 mm			CTC-1052575
2096011		P-UB-10	90 mm	130 mm		CTC-2043630
BCB1-UP; BPR1-UP; BRXI-UP; RAW1-UP; SBN1-UP; AMC1-UP; ANB1-UP						
2043617		Bushing	85 mm			CTC-0964402
2043617		P-UB-10	85 mm	120 mm		CTC-2043627
BDC1-UP; BER1-UP; RAW1-UP; SBN1-UP						
1589061		Bushing	85 mm			CTC-1140756
1589061		P-UB-10	85 mm	120 mm		CTC-1589092
1799764		Bushing	90 mm			CTC-1140758
1799764		P-UB-10	90 mm	130 mm		CTC-1799772
BPR1-UP; BRXI-UP						
1588997		Bushing	85 mm			CTC-0964402
1588997		P-UB-10	85 mm	120 mm		CTC-1261947
MAB1-UP; PAB1-UP						
2590705		Bushing	85 mm			CTC-0964402
2590705		P-UB-10	85 mm	120 mm		CTC-2590706
2742521		Bushing	85 mm			CTC-1140756
2742521		P-UB-10	85 mm	120 mm		CTC-2742511
STICK						
AMC1-UP; ANB1-UP; BBC1-UP; BCB1-UP; BEF1-UP; MAB1-UP; PAB1-UP						
2043615		Bushing	100 mm			CTC-0965625
2043615		P-UB-10	100 mm	140 mm		CTC-2043626
AMC1-UP; ANB1-UP; BBC1-UP; BEF1-UP; BPR1-UP; BRXI-UP; RAW1-UP; SBN1-UP						
1588993		Bushing	100 mm			CTC-0965625
1588993		P-UB-10	100 mm	140 mm		CTC-1373764
AMC1-UP; ANB1-UP; BPR1-UP; BRXI-UP; GNG1-UP; HKT1-UP; MAB1-UP; PAB1-UP						
2144500		Bushing	100 mm			CTC-0965625
2144500		P-UB-10	100 mm	140 mm		CTC-2590635
AMC1-UP; ANB1-UP; GHA1-UP; GNG1-UP; HBC1-UP; HKT1-UP; MAB1-UP; PAB1-UP						
1850342		Bushing	100 mm			CTC-0965625
1850342		P-UB-10	100 mm	140 mm		CTC-2590631
1850344		Bushing	100 mm			CTC-0965625
1850344		P-UB-10	100 mm	140 mm		CTC-2590631
AXK1-UP						
1589059		Bushing	100 mm			CTC-1140757
1589059		P-UB-10	100 mm	140 mm		CTC-2159985
AXK1-UP; BBE1-UP; BBL1-UP; BCN1-UP; BEA1-UP; DBG1-UP; GLA1-UP; JTG1-UP						
1589060		Bushing	100 mm			CTC-1140757
1589060		P-UB-10	100 mm	140 mm		CTC-2159985
BBC1-UP; BCB1-UP; BEF1-UP						
2144500		Bushing	100 mm			CTC-0965625
2144500		P-UB-10	100 mm	140 mm		CTC-2144502

REPLACEMENT KITS FOR CATERPILLAR® EQUIPMENT

Excavators						
APPLICATION	CYL #	Misc-Parts, Instructions, etc.	CODE	ROD	BORE	KIT #
MODEL 320C L						
STICK						
BBE1-UP; BBL1-UP; BCN1-UP; BEA1-UP; DBG1-UP; GLA1-UP; JTG1-UP						
1589059		Bushing		100 mm		CTC-1140757
1589059		P-UB-10		100 mm	140 mm	CTC-2095874
BCB1-UP						
1232081		Bushing		105 mm		CTC-0995572
1232081		P-UB-10		105 mm	150 mm	CTC-1373767
2043616		Bushing		100 mm		CTC-0965625
2043616		P-UB-10		100 mm	140 mm	CTC-2043616
BDC1-UP; BER1-UP; RAW1-UP; SBN1-UP						
1589059		Bushing		100 mm		CTC-1140757
1589059		P-UB-10		100 mm	140 mm	CTC-2159985
1589060		Bushing		100 mm		CTC-1140757
1589060		P-UB-10		100 mm	140 mm	CTC-2095874
BPR1-UP; BRXI-UP; EAG1-UP; GNG1-UP; HKT1-UP						
2043615		Bushing		100 mm		CTC-0965625
2043615		P-UB-10		100 mm	140 mm	CTC-2590633
EAG1-UP						
2144500		P-UB-10		100 mm	140 mm	CTC-2590635
MAB1-UP; PAB1-UP						
2742514		Bushing		100 mm		CTC-1140757
2742514		P-UB-10		100 mm	140 mm	CTC-2742515
RAW1-UP; SBN1-UP						
2043615		Bushing		100 mm		CTC-0965625
2043615		P-UB-10		100 mm	140 mm	CTC-1373764
UNSPECIFIED APPLICATION						
AKH1-UP; ALF1-UP						
1980648		I-U-10		45 mm	60 mm	CTC-1980648K
BBE1-UP; BBL1-UP; BCN1-UP; BEA1-UP						
1702109		I-UB-10		125 mm	220 mm	CTC-1702156
MODEL 320C LN						
BOOM						
BBE1-UP; BBL1-UP; BCN1-UP; BEA1-UP; DBG1-UP; GLA1-UP; JTG1-UP						
1589058		Bushing		85 mm		CTC-1140756
1589058		P-UB-10		85 mm	120 mm	CTC-2366368
1842614		P-UB-10		95 mm	160 mm	CTC-2521191
1842614		Bushing		95 mm		CTC-6C6093
BUCKET						
BBE1-UP; BBL1-UP; BCN1-UP; BEA1-UP; DBG1-UP; GLA1-UP; JTG1-UP						
1589061		Bushing		85 mm		CTC-1140756
1589061		P-U-10		85 mm	120 mm	CTC-2366389
1799764		Bushing		90 mm		CTC-1140758
1799764		P-UB-10		90 mm	130 mm	CTC-2159986
2836132		Bushing		85 mm		CTC-1140756
2836132		P-UB-10		85 mm	120 mm	CTC-2366368

REPLACEMENT KITS FOR CATERPILLAR® EQUIPMENT

Excavators						
APPLICATION	CYL #	Misc-Parts, Instructions, etc.	CODE	ROD	BORE	KIT #
MODEL 320C LN						
STICK						
BBE1-UP; BBL1-UP; BCN1-UP; BEA1-UP; DBG1-UP; GLA1-UP; JTG1-UP						
1589059		Bushing	100 mm			CTC-1140757
1589059		P-UB-10	100 mm	140 mm		CTC-2095874
1589060		Bushing	100 mm			CTC-1140757
1589060		P-UB-10	100 mm	140 mm		CTC-2159985
UNSPECIFIED APPLICATION						
BBE1-UP; BBL1-UP; BCN1-UP; BEA1-UP						
1702109		I-UB-10	125 mm	220 mm		CTC-1702156
MODEL 320C LRR						
BOOM						
GAD1-UP						
1589058		Bushing	85 mm			CTC-1140756
1589058		P-UB-10	85 mm	120 mm		CTC-2366368
STICK						
GAD1-UP						
1589059		Bushing	100 mm			CTC-1140757
1589059		P-UB-10	100 mm	140 mm		CTC-2159985
MODEL 320C LU						
BOOM						
CLM1-UP; CLZ1-UP						
1588991		Bushing	85 mm			CTC-0964402
1588991		P-UB-10	85 mm	120 mm		CTC-1373763
CLM1-UP; CLZ1-UP; MAC1-UP; PAC1-UP						
1850340		Bushing	85 mm			CTC-0964402
1850340		P-UB-10	85 mm	120 mm		CTC-2478996
2043614		Bushing	85 mm			CTC-0964402
2043614		P-UB-10	85 mm	120 mm		CTC-2478998
MAC1-UP; PAC1-UP						
2742510		Bushing	85 mm			CTC-1140756
2742510		P-UB-10	85 mm	120 mm		CTC-2742511
BUCKET						
CLM1-UP; CLZ1-UP						
1850346		Bushing	85 mm			CTC-0964402
1850346		P-UB-10	85 mm	120 mm		CTC-1540744
2043617		Bushing	85 mm			CTC-0964402
2043617		P-UB-10	85 mm	120 mm		CTC-2043627
2043696		Bushing	85 mm			CTC-0964402
2043696		P-UB-10	85 mm	120 mm		CTC-2479000
CLM1-UP; CLZ1-UP; MAC1-UP; PAC1-UP						
2043689		Bushing	85 mm			CTC-0964402
2043689		P-UB-10	85 mm	120 mm		CTC-2479001

REPLACEMENT KITS FOR CATERPILLAR® EQUIPMENT

Excavators						
APPLICATION	CYL #	Misc-Parts, Instructions, etc.	CODE	ROD	BORE	KIT #
MODEL 320C LU						
BUCKET						
MAC1-UP; PAC1-UP						
2590694		Bushing	85 mm			CTC-0964402
2590694		P-UB-10	85 mm	120 mm		CTC-2590695
2590698		Bushing	100 mm			CTC-0965625
2590698		P-UB-10	100 mm	140 mm		CTC-2590699
2590705		Bushing	85 mm			CTC-0964402
2590705		P-UB-10	85 mm	120 mm		CTC-2590706
2742521		Bushing	85 mm			CTC-1140756
2742521		P-UB-10	85 mm	120 mm		CTC-2742511
STICK						
CLM1-UP; CLZ1-UP						
1588993		Bushing	100 mm			CTC-0965625
1588993		P-UB-10	100 mm	140 mm		CTC-1373764
CLM1-UP; CLZ1-UP; MAC1-UP; PAC1-UP						
1850342		Bushing	100 mm			CTC-0965625
1850342		P-UB-10	100 mm	140 mm		CTC-2590631
2043615		Bushing	100 mm			CTC-0965625
2043615		P-UB-10	100 mm	140 mm		CTC-2590633
MAC1-UP; PAC1-UP						
2742514		Bushing	100 mm			CTC-1140757
2742514		P-UB-10	100 mm	140 mm		CTC-2742515
MODEL 320C S						
BOOM						
BBE1-UP; BBL1-UP; BCN1-UP; BEA1-UP; BMZ1-UP; EGL1-UP						
1589058		Bushing	85 mm			CTC-1140756
1589058		P-UB-10	85 mm	120 mm		CTC-2366368
BBE1-UP; BBL1-UP; BCN1-UP; BEA1-UP; EGL1-UP						
1842614		P-UB-10	95 mm	160 mm		CTC-2521191
1842614		Bushing	95 mm			CTC-6C6093
BMZ1-UP						
1842614		P-UB-10	95 mm	160 mm		CTC-2521191
1842614		Bushing	95 mm			CTC-6C6093
BUCKET						
BBE1-UP; BBL1-UP; BCN1-UP; BEA1-UP; BMZ1-UP; EGL1-UP						
1589061		Bushing	85 mm			CTC-1140756
1589061		P-U-10	85 mm	120 mm		CTC-2366389
BBE1-UP; BBL1-UP; BCN1-UP; BEA1-UP; EGL1-UP						
1799764		Bushing	90 mm			CTC-1140758
1799764		P-UB-10	90 mm	130 mm		CTC-2159986
2836132		Bushing	85 mm			CTC-1140756
2836132		P-UB-10	85 mm	120 mm		CTC-2366368
BMZ1-UP						
1799764		Bushing	90 mm			CTC-1140758
1799764		P-UB-10	90 mm	130 mm		CTC-2159986

REPLACEMENT KITS FOR CATERPILLAR® EQUIPMENT

Excavators						
APPLICATION	CYL #	Misc-Parts, Instructions, etc.	CODE	ROD	BORE	KIT #
MODEL 320C S						
STICK						
BBE1-UP; BBL1-UP; BCN1-UP; BEA1-UP; BMZ1-UP; EGL1-UP						
1589060		Bushing	100 mm			CTC-1140757
1589060		P-UB-10	100 mm	140 mm		CTC-2159985
BBE1-UP; BBL1-UP; BCN1-UP; BEA1-UP; EGL1-UP						
1589059		Bushing	100 mm			CTC-1140757
1589059		P-UB-10	100 mm	140 mm		CTC-2095874
BMZ1-UP						
1589059		Bushing	100 mm			CTC-1140757
1589059		P-UB-10	100 mm	140 mm		CTC-2159985
UNSPECIFIED APPLICATION						
BBE1-UP; BBL1-UP; BCN1-UP; BEA1-UP						
1702109		I-UB-10	125 mm	220 mm		CTC-1702156
MODEL 320C U						
BOOM						
CLM1-UP; CLZ1-UP						
1588991		Bushing	85 mm			CTC-0964402
1588991		P-UB-10	85 mm	120 mm		CTC-1373763
CLM1-UP; CLZ1-UP; MAC1-UP; PAC1-UP						
1850340		Bushing	85 mm			CTC-0964402
1850340		P-UB-10	85 mm	120 mm		CTC-2478996
2043614		Bushing	85 mm			CTC-0964402
2043614		P-UB-10	85 mm	120 mm		CTC-2478998
MAC1-UP; PAC1-UP						
2742510		Bushing	85 mm			CTC-1140756
2742510		P-UB-10	85 mm	120 mm		CTC-2742511
BUCKET						
CLM1-UP; CLZ1-UP						
1850346		Bushing	85 mm			CTC-0964402
1850346		P-UB-10	85 mm	120 mm		CTC-1540744
2043617		Bushing	85 mm			CTC-0964402
2043617		P-UB-10	85 mm	120 mm		CTC-2043627
2043696		Bushing	85 mm			CTC-0964402
2043696		P-UB-10	85 mm	120 mm		CTC-2479000
CLM1-UP; CLZ1-UP; MAC1-UP; PAC1-UP						
2043689		Bushing	85 mm			CTC-0964402
2043689		P-UB-10	85 mm	120 mm		CTC-2479001
MAC1-UP; PAC1-UP						
2590694		Bushing	85 mm			CTC-0964402
2590694		P-UB-10	85 mm	120 mm		CTC-2590695
2590698		Bushing	100 mm			CTC-0965625
2590698		P-UB-10	100 mm	140 mm		CTC-2590699
2590705		Bushing	85 mm			CTC-0964402
2590705		P-UB-10	85 mm	120 mm		CTC-2590706
2742521		Bushing	85 mm			CTC-1140756
2742521		P-UB-10	85 mm	120 mm		CTC-2742511

REPLACEMENT KITS FOR CATERPILLAR® EQUIPMENT

Excavators						
APPLICATION	CYL #	Misc-Parts, Instructions, etc.	CODE	ROD	BORE	KIT #
MODEL 320C U						
STICK						
CLM1-UP; CLZ1-UP						
1588993		Bushing		100 mm		CTC-0965625
1588993		P-UB-10		100 mm	140 mm	CTC-1373764
CLM1-UP; CLZ1-UP; MAC1-UP; PAC1-UP						
1850342		Bushing		100 mm		CTC-0965625
1850342		P-UB-10		100 mm	140 mm	CTC-2590631
2043615		Bushing		100 mm		CTC-0965625
2043615		P-UB-10		100 mm	140 mm	CTC-2590633
MAC1-UP; PAC1-UP						
2742514		Bushing		100 mm		CTC-1140757
2742514		P-UB-10		100 mm	140 mm	CTC-2742515
MODEL 320C, 320CL, 320C6						
STICK						
BEA; BDC; BDE; BCN; BER						
		P-UB-10		100 mm	140 mm	CTC-1589093
MODEL 320D						
BOOM						
A6F1-UP; A8F1-UP; CXY1-UP; DHK1-UP; FAL1-UP; JFZ1-UP; JGZ1-UP; KGF1-UP; MCH1-UP; MDE1-UP; MGG1-UP; PHX1-UP						
2426731		Bushing		85 mm		CTC-0964402
2426731		P-UB-10		85 mm	120 mm	CTC-2478868
A6F1-UP; A8F1-UP; CXY1-UP; DHK1-UP; FAL1-UP; KGF1-UP; MCH1-UP; PHX1-UP						
2426751		Bushing		100 mm		CTC-0965625
2426751		P-UB-10		100 mm	140 mm	CTC-2478878
CXY1-UP; DHK1-UP						
2426746		P-UB-10		85 mm	120 mm	CTC-2667891
2667972		Bushing		85 mm		CTC-0964402
2667972		P-UB-10		85 mm	120 mm	CTC-2668011
FAL1-UP; KGF1-UP						
2426746		Bushing		85 mm		CTC-0964402
2426746		P-UB-10		85 mm	120 mm	CTC-2667891
GKS1-UP						
2897752		Bushing		100 mm		CTC-0965625
2897752		P-UB-10		100 mm	140 mm	CTC-2344566
JGZ1-UP; MDE1-UP; BZP1-UP						
2426746		Bushing		85 mm		CTC-0964402
2426746		P-UB-10		85 mm	120 mm	CTC-2667891
BUCKET						
A6F1-UP; A8F1-UP; CXY1-UP; DHK1-UP; FAL1-UP; JFZ1-UP; JGZ1-UP; KGF1-UP; MCH1-UP; MDE1-UP; MGG1-UP; PHX1-UP						
2426756		Bushing		85 mm		CTC-0964402
2426756		P-UB-10		85 mm	120 mm	CTC-2478888
A6F1-UP; A8F1-UP; CXY1-UP; DHK1-UP; FAL1-UP; KGF1-UP; MCH1-UP; PHX1-UP						
2254591		Bushing		95 mm		CTC-0964430
2254591		P-UB-10		95 mm	135 mm	CTC-2344587

REPLACEMENT KITS FOR CATERPILLAR® EQUIPMENT

Excavators						
APPLICATION	CYL #	Misc-Parts, Instructions, etc.	CODE	ROD	BORE	KIT #
MODEL 320D						
BUCKET						
BZP1-UP; CXY1-UP; DHK1-UP; FAL1-UP; JGZ1-UP; KGF1-UP; MDE1-UP						
2426759		Bushing	85 mm			CTC-0964402
2426759		P-UB-10	85 mm	120 mm		CTC-2667892
CXY1-UP; DHK1-UP						
2667978		Bushing	85 mm			CTC-0964402
2667978		P-UB-10	85 mm	120 mm		CTC-2668057
CXY1-UP; DHK1-UP; FAL1-UP; JGZ1-UP; KGF1-UP; MDE1-UP						
2254599		Bushing	95 mm			CTC-0964430
2254599		P-UB-10	95 mm	135 mm		CTC-2590656
CAB TILT						
GKS1-UP						
2632914		P-UB-10	2-1/4	5		CTC-2417578
HEEL						
GKS1-UP						
2897756		Bushing	90 mm			CTC-1052575
2897756		P-UB-10	90 mm	130 mm		CTC-2590678
STICK						
A6F1-UP; A8F1-UP; CXY1-UP; DHK1-UP; FAL1-UP; JFZ1-UP; JGZ1-UP; KGF1-UP; MCH1-UP; MDE1-UP; MGG1-UP; PHX1-UP						
2426744		Bushing	100 mm			CTC-0965625
2426744		P-UB-10	100 mm	140 mm		CTC-2478974
A6F1-UP; A8F1-UP; CXY1-UP; DHK1-UP; FAL1-UP; KGF1-UP; MCH1-UP; PHX1-UP						
2426734		Bushing	100 mm			CTC-0965625
2426734		P-UB-10	100 mm	140 mm		CTC-2478878
BZP1-UP; CXY1-UP; DHK1-UP; FAL1-UP; JGZ1-UP; KGF1-UP; MDE1-UP						
2426748		Bushing	100 mm			CTC-0965625
2426748		P-UB-10	100 mm	140 mm		CTC-2590775
CXY1-UP; DHK1-UP						
2667974		Bushing	100 mm			CTC-0965625
2667974		P-UB-10	100 mm	140 mm		CTC-2668012
CXY1-UP; DHK1-UP; FAL1-UP; JGZ1-UP; KGF1-UP; MDE1-UP						
2426763		Bushing	100 mm			CTC-0965625
2426763		P-UB-10	100 mm	140 mm		CTC-2590775
GKS1-UP						
2897754		Bushing	105 mm			CTC-0995572
2897754		P-UB-10	105 mm	150 mm		CTC-2344576
MODEL 320D L						
BOOM						
A6F1-UP; A8F1-UP; A9F1-UP; CXY1-UP; DHK1-UP; FAL1-UP; KGF1-UP; MCH1-UP; PHX1-UP						
2426751		Bushing	100 mm			CTC-0965625
2426751		P-UB-10	100 mm	140 mm		CTC-2478878
A6F1-UP; A8F1-UP; CXY1-UP; DHK1-UP; FAL1-UP; JFZ1-UP; JGZ1-UP; KGF1-UP; MCH1-UP; MDE1-UP; MGG1-UP; PHX1-UP						
2426731		Bushing	85 mm			CTC-0964402
2426731		P-UB-10	85 mm	120 mm		CTC-2478868

REPLACEMENT KITS FOR CATERPILLAR® EQUIPMENT

Excavators

APPLICATION	CYL #	Misc-Parts, Instructions, etc.	CODE	ROD	BORE	KIT #
MODEL 320D L						
BOOM						
A9F1-UP						
2426731			Bushing	85 mm		CTC-0964402
2426731			P-UB-10	85 mm	120 mm	CTC-2478868
CXY1-UP; DHK1-UP						
2426746			P-UB-10	85 mm	120 mm	CTC-2667891
2667972			Bushing	85 mm		CTC-0964402
2667972			P-UB-10	85 mm	120 mm	CTC-2668011
FAL1-UP; KGF1-UP						
2426746			Bushing	85 mm		CTC-0964402
2426746			P-UB-10	85 mm	120 mm	CTC-2667891
JGZ1-UP; MDE1-UP						
2426746			Bushing	85 mm		CTC-0964402
2426746			P-UB-10	85 mm	120 mm	CTC-2667891
BUCKET						
A6F1-UP; A8F1-UP; A9F1-UP; CXY1-UP; DHK1-UP; FAL1-UP; JFZ1-UP; JGZ1-UP; KGF1-UP; MCH1-UP; MDE1-UP; MGG1-UP; PHX1-UP						
2426756			Bushing	85 mm		CTC-0964402
2426756			P-UB-10	85 mm	120 mm	CTC-2478888
A6F1-UP; A8F1-UP; A9F1-UP; CXY1-UP; DHK1-UP; FAL1-UP; KGF1-UP; MCH1-UP; PHX1-UP						
2254591			Bushing	95 mm		CTC-0964430
2254591			P-UB-10	95 mm	135 mm	CTC-2344587
CXY1-UP; DHK1-UP						
2667978			Bushing	85 mm		CTC-0964402
2667978			P-UB-10	85 mm	120 mm	CTC-2668057
CXY1-UP; DHK1-UP; FAL1-UP; JGZ1-UP; KGF1-UP; MDE1-UP						
2254599			Bushing	95 mm		CTC-0964430
2254599			P-UB-10	95 mm	135 mm	CTC-2590656
2426759			Bushing	85 mm		CTC-0964402
2426759			P-UB-10	85 mm	120 mm	CTC-2667892
STICK						
A6F1-UP; A8F1-UP; A9F1-UP; CXY1-UP; DHK1-UP; FAL1-UP; JFZ1-UP; JGZ1-UP; KGF1-UP; MCH1-UP; MDE1-UP; MGG1-UP; PHX1-UP						
2426744			Bushing	100 mm		CTC-0965625
2426744			P-UB-10	100 mm	140 mm	CTC-2478974
A6F1-UP; A8F1-UP; A9F1-UP; CXY1-UP; DHK1-UP; FAL1-UP; KGF1-UP; MCH1-UP; PHX1-UP						
2426734			Bushing	100 mm		CTC-0965625
2426734			P-UB-10	100 mm	140 mm	CTC-2478878
CXY1-UP; DHK1-UP						
2667974			Bushing	100 mm		CTC-0965625
2667974			P-UB-10	100 mm	140 mm	CTC-2668012
CXY1-UP; DHK1-UP; FAL1-UP; JGZ1-UP; KGF1-UP; MDE1-UP						
2426748			Bushing	100 mm		CTC-0965625
2426748			P-UB-10	100 mm	140 mm	CTC-2590775
2426763			Bushing	100 mm		CTC-0965625
2426763			P-UB-10	100 mm	140 mm	CTC-2590775

REPLACEMENT KITS FOR CATERPILLAR® EQUIPMENT

Excavators						
APPLICATION	CYL #	Misc-Parts, Instructions, etc.	CODE	ROD	BORE	KIT #
MODEL 320D LN						
BOOM						
WBN1-UP						
2426731		Bushing		85 mm		CTC-0964402
2426731		P-UB-10		85 mm	120 mm	CTC-2478868
2426746		Bushing		85 mm		CTC-0964402
2426746		P-UB-10		85 mm	120 mm	CTC-2667891
2667972		Bushing		85 mm		CTC-0964402
2667972		P-UB-10		85 mm	120 mm	CTC-2668011
BUCKET						
WBN1-UP						
2426756		Bushing		85 mm		CTC-0964402
2426756		P-UB-10		85 mm	120 mm	CTC-2478888
2426759		Bushing		85 mm		CTC-0964402
2426759		P-UB-10		85 mm	120 mm	CTC-2667892
2667978		Bushing		85 mm		CTC-0964402
2667978		P-UB-10		85 mm	120 mm	CTC-2668057
STICK						
WBN1-UP						
2426734		Bushing		100 mm		CTC-0965625
2426734		P-UB-10		100 mm	140 mm	CTC-2478878
2426748		Bushing		100 mm		CTC-0965625
2426748		P-UB-10		100 mm	140 mm	CTC-2590775
2667974		Bushing		100 mm		CTC-0965625
2667974		P-UB-10		100 mm	140 mm	CTC-2668012
MODEL 320D LRR						
BOOM						
EBY1-UP						
2667972		Bushing		85 mm		CTC-0964402
2667972		P-UB-10		85 mm	120 mm	CTC-2668011
EBY1-UP; FXK1-UP; GKL1-UP; TAE1-UP; WFD1-UP; XCK1-UP; ZGB1-UP						
2426731		Bushing		85 mm		CTC-0964402
2426731		P-UB-10		85 mm	120 mm	CTC-2478868
EBY1-UP; GKL1-UP; TAE1-UP						
2426746		Bushing		85 mm		CTC-0964402
2426746		P-UB-10		85 mm	120 mm	CTC-2667891
BUCKET						
EBY1-UP						
2667978		Bushing		85 mm		CTC-0964402
2667978		P-UB-10		85 mm	120 mm	CTC-2668057
EBY1-UP; FXK1-UP; GKL1-UP; TAE1-UP						
2426759		Bushing		85 mm		CTC-0964402
2426759		P-UB-10		85 mm	120 mm	CTC-2667892
EBY1-UP; FXK1-UP; GKL1-UP; TAE1-UP; WFD1-UP; XCK1-UP; ZGB1-UP						
2426756		Bushing		85 mm		CTC-0964402
2426756		P-UB-10		85 mm	120 mm	CTC-2478888



REPLACEMENT KITS FOR CATERPILLAR® EQUIPMENT

Excavators						
APPLICATION	CYL #	Misc-Parts, Instructions, etc.	CODE	ROD	BORE	KIT #
MODEL 320D LRR						
STICK						
EBY1-UP						
2667974		Bushing		100 mm		CTC-0965625
2667974		P-UB-10		100 mm	140 mm	CTC-2668012
EBY1-UP; FXK1-UP; GKL1-UP; TAE1-UP; WFD1-UP; XCK1-UP						
2426744		Bushing		100 mm		CTC-0965625
2426744		P-UB-10		100 mm	140 mm	CTC-2478974
EBY1-UP; FXK1-UP; GKL1-UP; TAE1-UP; WFD1-UP; XCK1-UP; ZGB1-UP						
2426734		Bushing		100 mm		CTC-0965625
2426734		P-UB-10		100 mm	140 mm	CTC-2478878
EBY1-UP; GKL1-UP; TAE1-UP						
2426748		Bushing		100 mm		CTC-0965625
2426748		P-UB-10		100 mm	140 mm	CTC-2590775
MODEL 320D RR						
BOOM						
EBY1-UP						
2667972		Bushing		85 mm		CTC-0964402
2667972		P-UB-10		85 mm	120 mm	CTC-2668011
EBY1-UP; FXK1-UP; GKL1-UP; WFD1-UP; XCK1-UP; YDS1-UP						
2426731		Bushing		85 mm		CTC-0964402
2426731		P-UB-10		85 mm	120 mm	CTC-2478868
EBY1-UP; GKL1-UP; YDS1-UP						
2426746		Bushing		85 mm		CTC-0964402
2426746		P-UB-10		85 mm	120 mm	CTC-2667891
BUCKET						
EBY1-UP						
2667978		Bushing		85 mm		CTC-0964402
2667978		P-UB-10		85 mm	120 mm	CTC-2668057
EBY1-UP; FXK1-UP; GKL1-UP; WFD1-UP; XCK1-UP; YDS1-UP						
2426756		Bushing		85 mm		CTC-0964402
2426756		P-UB-10		85 mm	120 mm	CTC-2478888
EBY1-UP; FXK1-UP; GKL1-UP; YDS1-UP						
2426759		Bushing		85 mm		CTC-0964402
2426759		P-UB-10		85 mm	120 mm	CTC-2667892
STICK						
EBY1-UP						
2667974		Bushing		100 mm		CTC-0965625
2667974		P-UB-10		100 mm	140 mm	CTC-2668012
EBY1-UP; FXK1-UP; GKL1-UP; WFD1-UP; XCK1-UP; YDS1-UP						
2426734		Bushing		100 mm		CTC-0965625
2426734		P-UB-10		100 mm	140 mm	CTC-2478878
2426744		Bushing		100 mm		CTC-0965625
2426744		P-UB-10		100 mm	140 mm	CTC-2478974
EBY1-UP; GKL1-UP; YDS1-UP						
2426748		Bushing		100 mm		CTC-0965625
2426748		P-UB-10		100 mm	140 mm	CTC-2590775

REPLACEMENT KITS FOR CATERPILLAR® EQUIPMENT

Excavators						
APPLICATION	CYL #	Misc-Parts, Instructions, etc.	CODE	ROD	BORE	KIT #
MODEL 320L						
BOOM						
	874898		P-UB-10	85 mm	120 mm	CTC-1764934
BUCKET						
	1251547		P-UB-10	65 mm	100 mm	CTC-418914
	417652		P-UB-10	65 mm	100 mm	CTC-417664
	418840		P-UB-10	65 mm	100 mm	CTC-418914
	717291		P-UB-10	85 mm	130 mm	CTC-7Y5145
	7Y5100		P-UB-10	85 mm	130 mm	CTC-7Y5145
STICK						
	7Y4650		P-UB-10	105 mm	150 mm	CTC-1163612
	875493		P-UB-10	100 mm	140 mm	CTC-1270630
MODEL 320N						
BOOM						
	874898		P-UB-10	85 mm	120 mm	CTC-1764934
BUCKET						
	7Y5100		P-UB-10	85 mm	130 mm	CTC-7Y5145
STICK						
	875493		P-UB-10	100 mm	140 mm	CTC-1270630
MODEL 320S						
BOOM						
	0875496		P-UB-10	85 mm	120 mm	CTC-1184131
	1069596		P-UB-10	95 mm	160 mm	CTC-6C6091
BOOM VA						
	6C6085		P-UB-10	95 mm	160 mm	CTC-6C6091
BUCKET						
	0875633		P-UB-10	85 mm	120 mm	CTC-1184131
	7Y5100		P-UB-10	85 mm	130 mm	CTC-7Y5145
STICK						
	0875422		P-UB-10	100 mm	140 mm	CTC-0875387
	0876638		P-UB-10	100 mm	140 mm	CTC-0875387
MODEL 321B						
BUCKET						
	1232084		P-UB-10	90 mm	130 mm	CTC-1373768
UNSPECIFIED APPLICATION						
	1183967		P-UB-10	85 mm	120 mm	CTC-1261947
MODEL 322						
BOOM						
	1052571		P-UB-10	90 mm	130 mm	CTC-1052585
	1052588		P-UB-10	100 mm	140 mm	CTC-1270630
	711345		P-UB-10	90 mm	130 mm	CTC-711360

REPLACEMENT KITS FOR CATERPILLAR® EQUIPMENT

Excavators						
APPLICATION	CYL #	Misc-Parts, Instructions, etc.	CODE	ROD	BORE	KIT #
MODEL 322						
BUCKET						
	0875633		P-UB-10	85 mm	120 mm	CTC-0875394
	0875633		P-UB-10	85 mm	120 mm	CTC-1184131
	1052597		P-UB-10	85 mm	130 mm	CTC-1052601
	1185931		P-UB-10	85 mm	120 mm	CTC-1186023
	418840		P-UB-10	65 mm	100 mm	CTC-418914
	717291		P-UB-10	85 mm	130 mm	CTC-7Y5145
	7Y5100		P-UB-10	85 mm	130 mm	CTC-7Y5145
	7Y5150		P-UB-10	105 mm	150 mm	CTC-1163612
STICK						
	717341		P-UB-10	100 mm	140 mm	CTC-0875387
MODEL 322B, 322BL						
BOOM						
	1140636		P-UB-10	100 mm	140 mm	CTC-1184024
	1184069		P-UB-10	90 mm	130 mm	CTC-1373765
	1184070		P-UB-10	100 mm	140 mm	CTC-1373764
	1184166		P-UB-10	90 mm	130 mm	CTC-1184175
	1336869		P-UB-10	90 mm	130 mm	CTC-1540748
BUCKET						
	1183921		P-UB-10	105 mm	150 mm	CTC-1163612
	1183921		P-UB-10	105 mm	150 mm	CTC-1680758
	1184008		P-UB-10	90 mm	130 mm	CTC-1184175
	1184134		P-UB-10	85 mm	120 mm	CTC-1184131
	1232044		P-UB-10	90 mm	130 mm	CTC-1184175
	1232084		P-UB-10	90 mm	130 mm	CTC-1373768
	1232091		P-UB-10	90 mm	130 mm	CTC-1261887
	1251547		P-UB-10	65 mm	100 mm	CTC-418914
	1336810		P-UB-10	105 mm	150 mm	CTC-1289277
	1346987		P-UB-10	65 mm	100 mm	CTC-1764935
	1540756		P-UB-10	90 mm	130 mm	CTC-1540757
	411726		P-UB-10	110 mm	160 mm	CTC-0876654
	418840		P-UB-10	65 mm	100 mm	CTC-418914
STICK						
	1163638		P-UB-10	110 mm	170 mm	CTC-1680759
	1183953		P-UB-10	100 mm	140 mm	CTC-1373764
	1184000		P-UB-10	105 mm	150 mm	CTC-1163612
	1184000		P-UB-10	105 mm	150 mm	CTC-1680758
	1184176		P-UB-10	100 mm	140 mm	CTC-1184024
	1336771		P-UB-10	105 mm	150 mm	CTC-1373767
	7Y4650		P-UB-10	105 mm	150 mm	CTC-7Y4698
TILT CAB						
	N/A		P-UB-10	2-1/4	5	CTC-9X6392
UNSPECIFIED APPLICATION						
	1183967		P-UB-10	85 mm	120 mm	CTC-1261947
	1540743		P-UB-10	85 mm	120 mm	CTC-1540744
	1540747		P-UB-10	90 mm	130 mm	CTC-1540748

REPLACEMENT KITS FOR CATERPILLAR® EQUIPMENT

Excavators						
APPLICATION	CYL #	Misc-Parts, Instructions, etc.	CODE	ROD	BORE	KIT #
MODEL 322C						
BOOM						
BFK1-UP; BGR1-UP						
1772440			Bushing	90 mm		CTC-1140758
1772440			P-UB-10	90 mm	130 mm	CTC-2159986
6C9407			Bushing	100 mm		CTC-1140757
6C9407			P-UB-10	100 mm	170 mm	CTC-2330763
BKM1-UP; BLP1-UP						
1772440			Bushing	90 mm		CTC-1140758
1772440			P-UB-10	90 mm	130 mm	CTC-2159986
1915580			Bushing	90 mm		CTC-1052575
1915580			P-UB-10	90 mm	130 mm	CTC-2590625
2043619			Bushing	90 mm		CTC-1052575
2043619			P-UB-10	90 mm	130 mm	CTC-2590628
2590711			Bushing	90 mm		CTC-1052575
2590711			P-UB-10	90 mm	130 mm	CTC-2590712
2897878			Bushing	90 mm		CTC-1140758
2897878			P-UB-10	90 mm	130 mm	CTC-2897878K
BPH1-UP; CAM1-UP; LAR1-UP; MZH1-UP						
1772440			Bushing	90 mm		CTC-1140758
1772440			P-UB-10	90 mm	130 mm	CTC-1799772
2044910			Bushing	90 mm		CTC-1140758
2044910			P-UB-10	90 mm	130 mm	CTC-2044910K
2044912			Bushing	100 mm		CTC-1140757
2044912			P-UB-10	100 mm	140 mm	CTC-2044912K
C3R1-UP; CBY1-UP						
1756855			Bushing	100 mm		CTC-1140757
1756855			P-UB-10	100 mm	140 mm	CTC-1756855K
DAA1-UP; FED1-UP						
2742525			Bushing	90 mm		CTC-1140758
2742525			P-UB-10	90 mm	130 mm	CTC-2742526
BUCKET						
BFK1-UP; BGR1-UP; BKM1-UP; BLP1-UP						
1772446			Bushing	90 mm		CTC-1140758
1772446			P-UB-10	90 mm	130 mm	CTC-2159986
1772465			Bushing	105 mm		CTC-1140760
1772465			P-UB-10	105 mm	150 mm	CTC-1915619
2478853			Bushing	105 mm		CTC-1140760
2478853			P-UB-10	105 mm	150 mm	CTC-1915619
BKM1-UP						
1346987			Bushing	65 mm		CTC-1140754
1346987			P-UB-10	65 mm	100 mm	CTC-1764935
2043689			Bushing	85 mm		CTC-0964402
2043689			P-UB-10	85 mm	120 mm	CTC-2479001

REPLACEMENT KITS FOR CATERPILLAR® EQUIPMENT

Excavators						
APPLICATION	CYL #	Misc-Parts, Instructions, etc.	CODE	ROD	BORE	KIT #
MODEL 322C						
BUCKET						
BKM1-UP; BLP1-UP						
1772453		Bushing		90 mm		CTC-1052575
1772453		P-UB-10		90 mm	130 mm	CTC-1261887
1850346		Bushing		85 mm		CTC-0964402
1850346		P-UB-10		85 mm	120 mm	CTC-1540744
1915584		Bushing		90 mm		CTC-1052575
1915584		P-UB-10		90 mm	130 mm	CTC-2590626
2043621		Bushing		90 mm		CTC-1052575
2043621		P-UB-10		90 mm	130 mm	CTC-2590627
2043696		Bushing		85 mm		CTC-0964402
2043696		P-UB-10		85 mm	120 mm	CTC-2479000
2590705		Bushing		85 mm		CTC-0964402
2590705		P-UB-10		85 mm	120 mm	CTC-2590706
2590718		Bushing		90 mm		CTC-1052575
2590718		P-UB-10		90 mm	130 mm	CTC-2590719
2590746		Bushing		105 mm		CTC-1140760
2590746		P-UB-10		105 mm	150 mm	CTC-2590743
2897887		Bushing		90 mm		CTC-1140758
2897887		P-UB-10		90 mm	130 mm	CTC-2159986
BKM243-UP; BLP180-UP						
2043617		Bushing		85 mm		CTC-0964402
2043617		P-UB-10		85 mm	120 mm	CTC-2043627
BPH1-UP; CAM1-UP; LAR1-UP; MZH1-UP						
2044914		Bushing		90 mm		CTC-1140758
2044914		P-UB-10		90 mm	130 mm	CTC-2044914K
C3R1-296; CBY1-UP						
1232044		Bushing		90 mm		CTC-1140758
1232044		P-UB-10		90 mm	130 mm	CTC-1764914
C3R297-UP						
1799764		Bushing		90 mm		CTC-1140758
1799764		P-UB-10		90 mm	130 mm	CTC-1799764K
DAA1-UP; FED1-UP						
2742521		Bushing		85 mm		CTC-1140756
2742521		P-UB-10		85 mm	120 mm	CTC-2742511
2742532		Bushing		90 mm		CTC-1140758
2742532		P-UB-10		90 mm	130 mm	CTC-2742526
CAB TILT						
BPH1-UP; C3R1001-UP; CAM1-UP; LAR1001-UP; LAR1-UP; MZH1-UP						
1175148		P-UB-10		2-1/4	5	CTC-2417578
2632914		P-UB-10		2-1/4	5	CTC-2417578
GRAPPLE						
CBY1-UP						
1504569		P-UB-10		2-1/2	4	CTC-1533724
STICK						
BFK1-UP; BGR1-UP; BKM1-UP; BLP1-UP						
1772443		Bushing		100 mm		CTC-1140757
1772443		P-UB-10		100 mm	140 mm	CTC-2159985

REPLACEMENT KITS FOR CATERPILLAR® EQUIPMENT

Excavators						
APPLICATION	CYL #	Misc-Parts, Instructions, etc.	CODE	ROD	BORE	KIT #
MODEL 322C						
STICK						
BKM1-UP						
1169123			Bushing	105 mm		CTC-1140760
1169123			P-UB-10	105 mm	150 mm	CTC-1997416
BKM1-UP; BLP1-UP						
1915582			Bushing	100 mm		CTC-0965625
1915582			P-UB-10	100 mm	140 mm	CTC-2590631
2043620			Bushing	100 mm		CTC-0965625
2043620			P-UB-10	100 mm	140 mm	CTC-2590633
2590715			Bushing	100 mm		CTC-0965625
2590715			P-UB-10	100 mm	140 mm	CTC-2590699
BPH1-UP; CAM1-UP; LAR1-UP; MZH1-UP						
1772443			P-UB-10	100 mm	140 mm	CTC-1589093
C3R1-UP; CBY1-UP						
1336771			Bushing	105 mm		CTC-0995572
1336771			P-UB-10	105 mm	150 mm	CTC-1373767
1433201			Bushing	110 mm		CTC-1140761
1433201			P-UB-10	110 mm	170 mm	CTC-1433201K
CBY1-UP						
1163638			Bushing	110 mm		CTC-1140761
1163638			P-UB-10	110 mm	170 mm	CTC-1680759
DAA1-UP; FED1-UP						
2742529			Bushing	100 mm		CTC-1140757
2742529			P-UB-10	100 mm	140 mm	CTC-2742515
2897884			Bushing	100 mm		CTC-1140757
2897884			P-UB-10	100 mm	140 mm	CTC-2478792
MODEL 322C FM LGP						
BOOM						
BYL1-UP						
1756855			Bushing	100 mm		CTC-1140757
1756855			P-UB-10	100 mm	140 mm	CTC-1756855K
1772440			Bushing	90 mm		CTC-1140758
1772440			P-UB-10	90 mm	130 mm	CTC-1799772
BUCKET						
BYL1-UP						
1799764			Bushing	90 mm		CTC-1140758
1799764			P-UB-10	90 mm	130 mm	CTC-1799764K
CAB TILT						
BYL1001-UP						
2632914	O-ring kit. 2 per application.		O-ring Kit			CTC-1143616
2632914			P-UB-10	2-1/4	5	CTC-2417578
BYL1-UP						
1175148	O-ring kit. 2 per application.		O-ring Kit			CTC-1143616
1175148			P-UB-10	2-1/4	5	CTC-2417578

REPLACEMENT KITS FOR CATERPILLAR® EQUIPMENT

Excavators						
APPLICATION	CYL #	Misc-Parts, Instructions, etc.	CODE	ROD	BORE	KIT #
MODEL 322C FM LGP						
STICK						
BYL1-UP						
1336771			Bushing	105 mm		CTC-0995572
1336771			P-UB-10	105 mm	150 mm	CTC-1373767
1913118			Bushing	110 mm		CTC-1140761
1913118			P-UB-10	110 mm	170 mm	CTC-1913171
MODEL 322C L						
BOOM						
BKJ1-UP						
1772440			Bushing	90 mm		CTC-1140758
1772440			P-UB-10	90 mm	130 mm	CTC-1799772
2044910			Bushing	90 mm		CTC-1140758
2044910			P-UB-10	90 mm	130 mm	CTC-2044910K
2044912			Bushing	100 mm		CTC-1140757
2044912			P-UB-10	100 mm	140 mm	CTC-2044912K
BKM1-UP; BLP1-UP						
1772440			Bushing	90 mm		CTC-1140758
1772440			P-UB-10	90 mm	130 mm	CTC-2159986
1915580			Bushing	90 mm		CTC-1052575
1915580			P-UB-10	90 mm	130 mm	CTC-2590625
2043619			Bushing	90 mm		CTC-1052575
2043619			P-UB-10	90 mm	130 mm	CTC-2590628
2590711			Bushing	90 mm		CTC-1052575
2590711			P-UB-10	90 mm	130 mm	CTC-2590712
2897878			Bushing	90 mm		CTC-1140758
2897878			P-UB-10	90 mm	130 mm	CTC-2897878K
DAA1-UP; FED1-UP						
2742525			Bushing	90 mm		CTC-1140758
2742525			P-UB-10	90 mm	130 mm	CTC-2742526
EMR1-UP; MAR1-UP						
1772440			Bushing	90 mm		CTC-1140758
1772440			P-UB-10	90 mm	130 mm	CTC-2159986
2113069			Bushing	100 mm		CTC-1140757
2113069			P-UB-10	100 mm	170 mm	CTC-2519341
BUCKET						
BKJ1-UP						
1589061			Bushing	85 mm		CTC-1140756
1589061			P-U-10	85 mm	120 mm	CTC-2366389
2044914			Bushing	90 mm		CTC-1140758
2044914			P-UB-10	90 mm	130 mm	CTC-2044914K
BKJ1-UP; BKM1-UP						
1346987			Bushing	65 mm		CTC-1140754
1346987			P-UB-10	65 mm	100 mm	CTC-1764935
BKJ1-UP; BKM1-UP; BLP1-UP; EMR1-UP; MAR1-UP						
1772446			Bushing	90 mm		CTC-1140758
1772446			P-UB-10	90 mm	130 mm	CTC-2159986
1772465			Bushing	105 mm		CTC-1140760
1772465			P-UB-10	105 mm	150 mm	CTC-1915619

REPLACEMENT KITS FOR CATERPILLAR® EQUIPMENT

Excavators						
APPLICATION	CYL #	Misc-Parts, Instructions, etc.	CODE	ROD	BORE	KIT #
MODEL 322C L						
BUCKET						
BKM1-UP						
2043689			Bushing	85 mm		CTC-0964402
2043689			P-UB-10	85 mm	120 mm	CTC-2479001
BKM1-UP; BLP1-UP						
1772453			Bushing	90 mm		CTC-1052575
1772453			P-UB-10	90 mm	130 mm	CTC-1261887
1850346			Bushing	85 mm		CTC-0964402
1850346			P-UB-10	85 mm	120 mm	CTC-1540744
1915584			Bushing	90 mm		CTC-1052575
1915584			P-UB-10	90 mm	130 mm	CTC-2590626
2043621			Bushing	90 mm		CTC-1052575
2043621			P-UB-10	90 mm	130 mm	CTC-2590627
2043696			Bushing	85 mm		CTC-0964402
2043696			P-UB-10	85 mm	120 mm	CTC-2479000
2590705			Bushing	85 mm		CTC-0964402
2590705			P-UB-10	85 mm	120 mm	CTC-2590706
2590718			Bushing	90 mm		CTC-1052575
2590718			P-UB-10	90 mm	130 mm	CTC-2590719
2590746			Bushing	105 mm		CTC-1140760
2590746			P-UB-10	105 mm	150 mm	CTC-2590743
2897887			Bushing	90 mm		CTC-1140758
2897887			P-UB-10	90 mm	130 mm	CTC-2159986
BKM1-UP; BLP1-UP; EMR1-UP; MAR1-UP						
2478853			Bushing	105 mm		CTC-1140760
2478853			P-UB-10	105 mm	150 mm	CTC-1915619
BKM243-UP; BLP180-UP						
2043617			Bushing	85 mm		CTC-0964402
2043617			P-UB-10	85 mm	120 mm	CTC-2043627
DAA1-UP; FED1-UP						
2742521			Bushing	85 mm		CTC-1140756
2742521			P-UB-10	85 mm	120 mm	CTC-2742511
2742532			Bushing	90 mm		CTC-1140758
2742532			P-UB-10	90 mm	130 mm	CTC-2742526
HEK1-UP						
1709808			Bushing	65 mm		CTC-1140754
1709808			P-UB-10	65 mm	100 mm	CTC-1709941
STICK						
BKJ1-UP						
1169123			Bushing	105 mm		CTC-1140760
1169123			P-UB-10	105 mm	150 mm	CTC-1169123K
1772443			P-UB-10	100 mm	140 mm	CTC-1589093
BKM1-UP						
1169123			Bushing	105 mm		CTC-1140760
1169123			P-UB-10	105 mm	150 mm	CTC-1997416

REPLACEMENT KITS FOR CATERPILLAR® EQUIPMENT

Excavators						
APPLICATION	CYL #	Misc-Parts, Instructions, etc.	CODE	ROD	BORE	KIT #
MODEL 322C L						
STICK						
BKM1-UP; BLP1-UP						
1915582		Bushing		100 mm		CTC-0965625
1915582		P-UB-10		100 mm	140 mm	CTC-2590631
2043620		Bushing		100 mm		CTC-0965625
2043620		P-UB-10		100 mm	140 mm	CTC-2590633
2590715		Bushing		100 mm		CTC-0965625
2590715		P-UB-10		100 mm	140 mm	CTC-2590699
BKM1-UP; BLP1-UP; EMR1-UP; MAR1-UP						
1772443		Bushing		100 mm		CTC-1140757
1772443		P-UB-10		100 mm	140 mm	CTC-2159985
DAA1-UP; EMR1-UP; FED1-UP; MAR1-UP						
2897884		Bushing		100 mm		CTC-1140757
2897884		P-UB-10		100 mm	140 mm	CTC-2478792
DAA1-UP; FED1-UP						
2742529		Bushing		100 mm		CTC-1140757
2742529		P-UB-10		100 mm	140 mm	CTC-2742515
HEK1-UP						
2166607		Bushing		105 mm		CTC-1140760
2166607		P-UB-10		105 mm	150 mm	CTC-1915619
MODEL 322C LN						
BOOM						
BFK1-UP; BGR1-UP						
6C9407		Bushing		100 mm		CTC-1140757
6C9407		P-UB-10		100 mm	170 mm	CTC-2330763
BFK1-UP; BGR1-UP; EMR1-UP; MAR1-UP						
1772440		Bushing		90 mm		CTC-1140758
1772440		P-UB-10		90 mm	130 mm	CTC-2159986
EMR1-UP; MAR1-UP						
2113069		Bushing		100 mm		CTC-1140757
2113069		P-UB-10		100 mm	170 mm	CTC-2519341
BUCKET						
BFK1-UP; BGR1-UP; EMR1-UP; MAR1-UP						
1772446		Bushing		90 mm		CTC-1140758
1772446		P-UB-10		90 mm	130 mm	CTC-2159986
1772465		Bushing		105 mm		CTC-1140760
1772465		P-UB-10		105 mm	150 mm	CTC-1915619
2478853		Bushing		105 mm		CTC-1140760
2478853		P-UB-10		105 mm	150 mm	CTC-1915619
STICK						
BFK1-UP; BGR1-UP; EMR1-UP; MAR1-UP						
1772443		Bushing		100 mm		CTC-1140757
1772443		P-UB-10		100 mm	140 mm	CTC-2159985
EMR1-UP; MAR1-UP						
2897884		Bushing		100 mm		CTC-1140757
2897884		P-UB-10		100 mm	140 mm	CTC-2478792

REPLACEMENT KITS FOR CATERPILLAR® EQUIPMENT

Excavators						
APPLICATION	CYL #	Misc-Parts, Instructions, etc.	CODE	ROD	BORE	KIT #
MODEL 322L						
BOOM						
	1052571		P-UB-10	90 mm	130 mm	CTC-1052585
	1052588		P-UB-10	100 mm	140 mm	CTC-1270630
	711345		P-UB-10	90 mm	130 mm	CTC-711360
BUCKET						
	1052597		P-UB-10	85 mm	130 mm	CTC-1052601
	717291		P-UB-10	85 mm	130 mm	CTC-7Y5145
	7Y5100		P-UB-10	85 mm	130 mm	CTC-7Y5145
	7Y5150		P-UB-10	105 mm	150 mm	CTC-1163612
	875633		P-UB-10	85 mm	120 mm	CTC-0875394
STICK						
	717341		P-UB-10	100 mm	140 mm	CTC-0875387
MODEL 322N						
BOOM						
	711345		P-UB-10	90 mm	130 mm	CTC-711360
BUCKET						
	717291		P-UB-10	85 mm	130 mm	CTC-7Y5145
	7Y5100		P-UB-10	85 mm	130 mm	CTC-7Y5145
	7Y5150		P-UB-10	105 mm	150 mm	CTC-1163612
STICK						
	717341		P-UB-10	100 mm	140 mm	CTC-0875387
MODEL 325						
BOOM						
	7Y4601		P-UB-10	95 mm	130 mm	CTC-7Y5147
BUCKET						
	0875491		P-UB-10	85 mm	120 mm	CTC-413665
	0875633		P-UB-10	85 mm	120 mm	CTC-0875394
	0875633		P-UB-10	85 mm	120 mm	CTC-1184131
	1072614		P-UB-10	85 mm	130 mm	CTC-7Y5145
	1346987		P-UB-10	65 mm	100 mm	CTC-1764935
	417652		P-UB-10	65 mm	100 mm	CTC-417664
	418840		P-UB-10	65 mm	100 mm	CTC-418914
	717291		P-UB-10	85 mm	130 mm	CTC-7Y5145
	7Y5100		P-UB-10	85 mm	130 mm	CTC-7Y5145
	7Y5150		P-UB-10	105 mm	150 mm	CTC-1163612
STICK						
	7Y4650		P-UB-10	105 mm	150 mm	CTC-1163612
	7Y4926		P-UB-10	110 mm	170 mm	CTC-1163649
MODEL 325B, 325BL						
BOOM						
	1077040		P-UB-10	100 mm	140 mm	CTC-1373766
	1140636		P-UB-10	100 mm	140 mm	CTC-1184024
	1169123		P-UB-10	105 mm	150 mm	CTC-1163612
	1232081		P-UB-10	105 mm	150 mm	CTC-1373767
	1540760		P-UB-10	100 mm	140 mm	CTC-1540761

REPLACEMENT KITS FOR CATERPILLAR® EQUIPMENT

Excavators						
APPLICATION	CYL #	Misc-Parts, Instructions, etc.	CODE	ROD	BORE	KIT #
MODEL 325B, 325BL						
BUCKET						
	1183921		P-UB-10	105 mm	150 mm	CTC-1163612
	1183921		P-UB-10	105 mm	150 mm	CTC-1680758
	1184134		P-UB-10	85 mm	120 mm	CTC-1184131
	1232044		P-UB-10	90 mm	130 mm	CTC-1184175
	1232044	325BL Only	P-UB-10	90 mm	130 mm	CTC-1764914
	1232084		P-UB-10	90 mm	130 mm	CTC-1373768
	1336810		P-UB-10	105 mm	150 mm	CTC-1289277
	1497610		P-UB-10	90 mm	130 mm	CTC-1184175
	1540756		P-UB-10	90 mm	130 mm	CTC-1540757
	1540772		P-UB-10	90 mm	130 mm	CTC-1540773
	4I1726		P-UB-10	110 mm	160 mm	CTC-0876654
	4I7652		P-UB-10	65 mm	100 mm	CTC-4I7664
	4I8840		P-UB-10	65 mm	100 mm	CTC-4I8914
STICK						
	0875375		P-UB-10	130 mm	180 mm	CTC-0875407
	1163638		P-UB-10	110 mm	170 mm	CTC-1680759
	1184000		P-UB-10	105 mm	150 mm	CTC-1163612
	1184000		P-UB-10	105 mm	150 mm	CTC-1680758
	1232081		P-UB-10	105 mm	150 mm	CTC-1373767
	1479427		P-UB-10	105 mm	150 mm	CTC-1680758
	1540765		P-UB-10	105 mm	150 mm	CTC-1540766
	7Y4650		P-UB-10	105 mm	150 mm	CTC-7Y4698
MODEL 325C						
BOOM						
AMH1-UP; BKW1-UP; BMM1-UP; BTD1-UP						
	2096006		Bushing	100 mm		CTC-0965625
	2096006		P-UB-10	100 mm	140 mm	CTC-2590634
BKW1-UP; BMM1-UP						
	1799789		Bushing	100 mm		CTC-0965625
	1799789		P-UB-10	100 mm	140 mm	CTC-1336823
	1915587		Bushing	100 mm		CTC-0965625
	1915587		P-UB-10	100 mm	140 mm	CTC-2590632
	2590724		Bushing	100 mm		CTC-0965625
	2590724		P-UB-10	100 mm	140 mm	CTC-2590725
JLC1-UP						
	2033906		Bushing	105 mm		CTC-1140760
	2033906		P-UB-10	105 mm	150 mm	CTC-1915619
JLC1-UP; JLD1-UP						
	1799782		Bushing	100 mm		CTC-1140757
	1799782		P-UB-10	100 mm	140 mm	CTC-2159985
	1915548		Bushing	105 mm		CTC-1140760
	1915548		P-UB-10	105 mm	150 mm	CTC-1915619
	2113069		Bushing	100 mm		CTC-1140757
	2113069		P-UB-10	100 mm	170 mm	CTC-2519341
	2502419		Bushing	105 mm		CTC-1140760
	2502419		P-UB-10	105 mm	150 mm	CTC-2426840

REPLACEMENT KITS FOR CATERPILLAR® EQUIPMENT

Excavators						
APPLICATION	CYL #	Misc-Parts, Instructions, etc.	CODE	ROD	BORE	KIT #
MODEL 325C						
BUCKET						
AMH1-UP; BKW1-UP; BMM1-UP; BTD1-UP						
2096011			Bushing	90 mm		CTC-1052575
2096011			P-UB-10	90 mm	130 mm	CTC-2590627
AMH1-UP; BTD1-UP; JLC1-UP; JLD1-UP						
1772465			Bushing	105 mm		CTC-1140760
1772465			P-UB-10	105 mm	150 mm	CTC-1915619
2478853			Bushing	105 mm		CTC-1140760
2478853			P-UB-10	105 mm	150 mm	CTC-1915619
BKW1-UP; BMM1-UP						
1799793			Bushing	90 mm		CTC-1052575
1799793			P-UB-10	90 mm	130 mm	CTC-2590626
1948276			Bushing	105 mm		CTC-1140760
1948276			P-UB-10	105 mm	150 mm	CTC-2003315
2478854			Bushing	105 mm		CTC-1140760
2478854			P-UB-10	105 mm	150 mm	CTC-2502475
2590732			Bushing	90 mm		CTC-1052575
2590732			P-UB-10	90 mm	130 mm	CTC-2590719
JLC1-UP						
2201532			Bushing	100 mm		CTC-1140757
2201532			P-UB-10	100 mm	140 mm	CTC-2159985
JLC1-UP; JLD1-UP						
1799764			Bushing	90 mm		CTC-1140758
1799764			P-UB-10	90 mm	130 mm	CTC-2159986
STICK						
AMH1-UP; BKW1-UP; BMM1-UP; BTD1-UP						
1799791			Bushing	105 mm		CTC-0995572
1799791			P-UB-10	105 mm	150 mm	CTC-1799791K
2096008			Bushing	105 mm		CTC-0995572
2096008			P-UB-10	105 mm	150 mm	CTC-2590637
BKW1-UP; BMM1-UP						
1915589			Bushing	105 mm		CTC-0995572
1915589			P-UB-10	105 mm	150 mm	CTC-2590636
2590728			Bushing	105 mm		CTC-0995572
2590728			P-UB-10	105 mm	150 mm	CTC-2590729
JLC1-UP						
2044907			P-UB-10	95 mm	160 mm	CTC-2521191
2044907			Bushing	95 mm		CTC-6C6093
JLC1-UP; JLD1-UP						
1799785	Type 1		Bushing	105 mm		CTC-1140760
1799785	Type 2		Bushing	105 mm		CTC-1140760
1799785	Type 1		P-UB-10	105 mm	150 mm	CTC-1915619
1799785	Type 2		P-UB-10	105 mm	150 mm	CTC-2426840
1915551			P-UB-10	115 mm	170 mm	CTC-2316844

REPLACEMENT KITS FOR CATERPILLAR® EQUIPMENT

Excavators

APPLICATION	CYL #	Misc-Parts, Instructions, etc.	CODE	ROD	BORE	KIT #
MODEL 325C L						
BOOM						
AMH1-UP; BKW1-UP; BMM1-UP; BTD1-UP						
2096006		Bushing		100 mm		CTC-0965625
2096006		P-UB-10		100 mm	140 mm	CTC-2590634
BFE1-UP; CRB1-UP; CSJ1-UP; JLC1-UP; JLD1-UP						
1799782		Bushing		100 mm		CTC-1140757
1799782		P-UB-10		100 mm	140 mm	CTC-2159985
BKW1-UP; BMM1-UP						
1799789		Bushing		100 mm		CTC-0965625
1799789		P-UB-10		100 mm	140 mm	CTC-1336823
1915587		Bushing		100 mm		CTC-0965625
1915587		P-UB-10		100 mm	140 mm	CTC-2590632
2590724		Bushing		100 mm		CTC-0965625
2590724		P-UB-10		100 mm	140 mm	CTC-2590725
CRB1-UP; CSJ1-UP; JLC1-UP; JLD1-UP						
2113069		Bushing		100 mm		CTC-1140757
2113069		P-UB-10		100 mm	170 mm	CTC-2519341
JLC1-UP						
2033906		Bushing		105 mm		CTC-1140760
2033906		P-UB-10		105 mm	150 mm	CTC-1915619
JLC1-UP; JLD1-UP						
1915548		Bushing		105 mm		CTC-1140760
1915548		P-UB-10		105 mm	150 mm	CTC-1915619
2502419		Bushing		105 mm		CTC-1140760
2502419		P-UB-10		105 mm	150 mm	CTC-2426840
BUCKET						
AMH1-UP; BFE1-UP; BTD1-UP; CRB1-UP; CSJ1-UP; JLC1-UP; JLD1-UP						
1772465		Bushing		105 mm		CTC-1140760
1772465		P-UB-10		105 mm	150 mm	CTC-1915619
AMH1-UP; BKW1-UP; BMM1-UP; BTD1-UP						
2096011		Bushing		90 mm		CTC-1052575
2096011		P-UB-10		90 mm	130 mm	CTC-2590627
AMH1-UP; BTD1-UP; CRB1-UP; CSJ1-UP; JLC1-UP; JLD1-UP						
2478853		Bushing		105 mm		CTC-1140760
2478853		P-UB-10		105 mm	150 mm	CTC-1915619
BFE1-UP						
1589061		Bushing		85 mm		CTC-1140756
1589061		P-U-10		85 mm	120 mm	CTC-2366389
1799764		Bushing		90 mm		CTC-1140758
1799764		P-UB-10		90 mm	130 mm	CTC-1799764K

REPLACEMENT KITS FOR CATERPILLAR® EQUIPMENT

Excavators						
APPLICATION	CYL #	Misc-Parts, Instructions, etc.	CODE	ROD	BORE	KIT #
MODEL 325C L						
BUCKET						
BKW1-UP; BMM1-UP						
1799793			Bushing	90 mm		CTC-1052575
1799793			P-UB-10	90 mm	130 mm	CTC-2590626
1948276			Bushing	105 mm		CTC-1140760
1948276			P-UB-10	105 mm	150 mm	CTC-2003315
2478854			Bushing	105 mm		CTC-1140760
2478854			P-UB-10	105 mm	150 mm	CTC-2502475
2590732			Bushing	90 mm		CTC-1052575
2590732			P-UB-10	90 mm	130 mm	CTC-2590719
CRB1-UP						
1709808			Bushing	65 mm		CTC-1140754
1709808			P-UB-10	65 mm	100 mm	CTC-1709941
2959396			Bushing	65 mm		CTC-1140754
2959396			P-UB-10	65 mm	100 mm	CTC-1709941
CRB1-UP; CSJ1-UP; JLC1-UP; JLD1-UP						
1799764			Bushing	90 mm		CTC-1140758
1799764			P-UB-10	90 mm	130 mm	CTC-2159986
JLC1-UP						
2201532			Bushing	100 mm		CTC-1140757
2201532			P-UB-10	100 mm	140 mm	CTC-2159985
STICK						
AMH1-UP; BKW1-UP; BMM1-UP; BTD1-UP						
1799791			Bushing	105 mm		CTC-0995572
1799791			P-UB-10	105 mm	150 mm	CTC-1799791K
2096008			Bushing	105 mm		CTC-0995572
2096008			P-UB-10	105 mm	150 mm	CTC-2590637
BFE1-UP						
1799785			Bushing	105 mm		CTC-1140760
1799785			P-UB-10	105 mm	150 mm	CTC-1799785K
BKW1-UP; BMM1-UP						
1915589			Bushing	105 mm		CTC-0995572
1915589			P-UB-10	105 mm	150 mm	CTC-2590636
2590728			Bushing	105 mm		CTC-0995572
2590728			P-UB-10	105 mm	150 mm	CTC-2590729
CRB1-UP; CSJ1-UP						
2188124			Bushing	105 mm		CTC-1140760
2188124			P-UB-10	105 mm	150 mm	CTC-1884219
CRB1-UP; CSJ1-UP; JLC1-UP; JLD1-UP						
1799785	Type 1		Bushing	105 mm		CTC-1140760
1799785	Type 2		Bushing	105 mm		CTC-1140760
1799785	Type 1		P-UB-10	105 mm	150 mm	CTC-1915619
1799785	Type 2		P-UB-10	105 mm	150 mm	CTC-2426840
JLC1-UP						
2044907			P-UB-10	95 mm	160 mm	CTC-2521191
2044907			Bushing	95 mm		CTC-6C6093
JLC1-UP; JLD1-UP						
1915551			P-UB-10	115 mm	170 mm	CTC-2316844

REPLACEMENT KITS FOR CATERPILLAR® EQUIPMENT

Excavators						
APPLICATION	CYL #	Misc-Parts, Instructions, etc.	CODE	ROD	BORE	KIT #
MODEL 325C LN						
BOOM						
CRB1-UP; CSJ1-UP						
1799782		Bushing	100 mm			CTC-1140757
1799782		P-UB-10	100 mm	140 mm		CTC-2159985
2113069		Bushing	100 mm			CTC-1140757
2113069		P-UB-10	100 mm	170 mm		CTC-2519341
BUCKET						
CRB1-UP						
1709808		Bushing	65 mm			CTC-1140754
1709808		P-UB-10	65 mm	100 mm		CTC-1709941
2959396		Bushing	65 mm			CTC-1140754
2959396		P-UB-10	65 mm	100 mm		CTC-1709941
CRB1-UP; CSJ1-UP						
1772465		Bushing	105 mm			CTC-1140760
1772465		P-UB-10	105 mm	150 mm		CTC-1915619
1799764		Bushing	90 mm			CTC-1140758
1799764		P-UB-10	90 mm	130 mm		CTC-2159986
2478853		Bushing	105 mm			CTC-1140760
2478853		P-UB-10	105 mm	150 mm		CTC-1915619
STICK						
CRB1-UP; CSJ1-UP						
1799785	Type 1	Bushing	105 mm			CTC-1140760
1799785	Type 2	Bushing	105 mm			CTC-1140760
1799785	Type 1	P-UB-10	105 mm	150 mm		CTC-1915619
1799785	Type 2	P-UB-10	105 mm	150 mm		CTC-2426840
2188124		Bushing	105 mm			CTC-1140760
2188124		P-UB-10	105 mm	150 mm		CTC-1884219
MODEL 325D						
BOOM						
DBH1-UP; KBE1-UP; KDG1-UP; SCR1-UP						
2254584		Bushing	100 mm			CTC-0965625
2254584		P-UB-10	100 mm	140 mm		CTC-2344566
KDG1-UP; SCR1-UP						
2254595		Bushing	100 mm			CTC-0965625
2254595		P-UB-10	100 mm	140 mm		CTC-2590648
2667988		Bushing	100 mm			CTC-0965625
2667988		P-UB-10	100 mm	140 mm		CTC-2668015
BUCKET						
AZP1-UP; DBH1-UP; KBE1-UP; KDG1-UP; SCR1-UP						
2254581		Bushing	105 mm			CTC-1140760
2254581		P-UB-10	105 mm	150 mm		CTC-1915619
DBH1-UP; KBE1-UP; KDG1-UP; SCR1-UP						
2254591		Bushing	95 mm			CTC-0964430
2254591		P-UB-10	95 mm	135 mm		CTC-2344587

REPLACEMENT KITS FOR CATERPILLAR® EQUIPMENT

Excavators						
APPLICATION	CYL #	Misc-Parts, Instructions, etc.	CODE	ROD	BORE	KIT #
MODEL 325D						
BUCKET						
KDG1-UP; SCR1-UP						
2254599		Bushing	95 mm			CTC-0964430
2254599		P-UB-10	95 mm	135 mm		CTC-2590656
2254602		Bushing	105 mm			CTC-1140760
2254602		P-UB-10	105 mm	150 mm		CTC-2502475
2667992		Bushing	95 mm			CTC-0964430
2667992		P-UB-10	95 mm	135 mm		CTC-2668045
2668080		Bushing	105 mm			CTC-1140760
2668080		P-UB-10	105 mm	150 mm		CTC-2590743
STICK						
DBH1-UP; KBE1-UP; KDG1-UP; SCR1-UP						
2254588		Bushing	105 mm			CTC-0995572
2254588		P-UB-10	105 mm	150 mm		CTC-2344576
2590778		Bushing	105 mm			CTC-0995572
2590778		P-UB-10	105 mm	150 mm		CTC-2590779
KDG1-UP; SCR1-UP						
2254597		Bushing	105 mm			CTC-0995572
2254597		P-UB-10	105 mm	150 mm		CTC-2590650
2667990		Bushing	105 mm			CTC-0995572
2667990		P-UB-10	105 mm	150 mm		CTC-2668016
MODEL 325D L						
BOOM						
A3R1-UP; GBR1-UP; GPB1-UP; JCL1-UP; MCL1-UP; PAL1-UP; PKE1-UP; T2S1-UP						
2254572		Bushing	100 mm			CTC-1140757
2254572		P-UB-10	100 mm	140 mm		CTC-2159985
A3R1-UP; GBR1-UP; GPB1-UP; PKE1-UP						
2959400		Bushing	100 mm			CTC-1140757
2959400		P-UB-10	100 mm	140 mm		CTC-2478792
DBH1-UP; KBE1-UP; KDG1-UP; SCR1-UP						
2254584		Bushing	100 mm			CTC-0965625
2254584		P-UB-10	100 mm	140 mm		CTC-2344566
GBR1-UP						
2033906		Bushing	105 mm			CTC-1140760
2033906		P-UB-10	105 mm	150 mm		CTC-1915619
2795614		P-UB-10	95 mm	160 mm		CTC-2521191
2795614		Bushing	95 mm			CTC-6C6093
GBR1-UP; GPB1-UP; LAL1-UP; MCL1-UP; NAC1-UP; PAL1-UP; PKE1-UP; T2S1-UP						
2959398		Bushing	100 mm			CTC-1140757
2959398		P-UB-10	100 mm	140 mm		CTC-2478792
GBR1-UP; GPB1-UP; LAL1-UP; MCL1-UP; PKE1-UP; T2S1-UP						
2798111		Bushing	100 mm			CTC-1140757
2798111		P-UB-10	100 mm	170 mm		CTC-2519341
KDG1-UP; SCR1-UP						
2254595		Bushing	100 mm			CTC-0965625
2254595		P-UB-10	100 mm	140 mm		CTC-2590648
2667988		Bushing	100 mm			CTC-0965625
2667988		P-UB-10	100 mm	140 mm		CTC-2668015

REPLACEMENT KITS FOR CATERPILLAR® EQUIPMENT

Excavators						
APPLICATION	CYL #	Misc-Parts, Instructions, etc.	CODE	ROD	BORE	KIT #
MODEL 325D L						
BUCKET						
A3R1-UP						
2487855		Bushing		65 mm		CTC-1140754
2487855		P-UB-10		65 mm	100 mm	CTC-1709941
2836118		Bushing		65 mm		CTC-1140754
2836118		P-UB-10		65 mm	100 mm	CTC-1709941
A3R1-UP; AZP1-UP; DBH1-UP; GBR1-UP; GPB1-UP; KBE1-UP; KDG1-UP; MCL1-UP; PKE1-UP; SCR1-T2S1-UP						
2254581		Bushing		105 mm		CTC-1140760
2254581		P-UB-10		105 mm	150 mm	CTC-1915619
A3R1-UP; GBR1-UP; GPB1-UP; JCL1-UP; MCL1-UP; PAL1-UP; PKE1-UP; T2S1-UP						
2254578		Bushing		95 mm		CTC-1289260
2254578		P-UB-10		95 mm	135 mm	CTC-2344488
A3R1-UP; GBR1-UP; GPB1-UP; LAL1-UP; MCL1-UP; NAC1-UP; PAL1-UP; PKE1-UP						
2898004		Bushing		95 mm		CTC-1289260
2898004		P-UB-10		95 mm	135 mm	CTC-2344488
A3R1-UP; GBR1-UP; GPB1-UP; LAL1-UP; MCL1-UP; NAC1-UP; PAL1-UP; PKE1-UP; T2S1-UP						
2898012		Bushing		105 mm		CTC-1140760
2898012		P-UB-10		105 mm	150 mm	CTC-1915619
DBH1-UP; KBE1-UP; KDG1-UP; SCR1-UP						
2254591		Bushing		95 mm		CTC-0964430
2254591		P-UB-10		95 mm	135 mm	CTC-2344587
GBR1-UP						
2201532		Bushing		100 mm		CTC-1140757
2201532		P-UB-10		100 mm	140 mm	CTC-2159985
2897948		Bushing		85 mm		CTC-1140756
2897948		P-UB-10		85 mm	120 mm	CTC-2478790
GBR1-UP; GPB1-UP; MCL1-UP; PKE1-UP						
2426767		Bushing		85 mm		CTC-1140756
2426767		P-UB-10		85 mm	120 mm	CTC-2478790
GPB1-UP						
2959396		Bushing		65 mm		CTC-1140754
2959396		P-UB-10		65 mm	100 mm	CTC-1709941
3095975		Bushing		65 mm		CTC-1140754
3095975		P-UB-10		65 mm	100 mm	CTC-1709941
KDG1-UP; SCR1-UP						
2254599		Bushing		95 mm		CTC-0964430
2254599		P-UB-10		95 mm	135 mm	CTC-2590656
2254602		Bushing		105 mm		CTC-1140760
2254602		P-UB-10		105 mm	150 mm	CTC-2502475
2667992		Bushing		95 mm		CTC-0964430
2667992		P-UB-10		95 mm	135 mm	CTC-2668045
2668080		Bushing		105 mm		CTC-1140760
2668080		P-UB-10		105 mm	150 mm	CTC-2590743
STICK						
A3R1-UP						
2166607		Bushing		105 mm		CTC-1140760
2166607		P-UB-10		105 mm	150 mm	CTC-1915619

REPLACEMENT KITS FOR CATERPILLAR® EQUIPMENT

Excavators						
APPLICATION	CYL #	Misc-Parts, Instructions, etc.	CODE	ROD	BORE	KIT #
MODEL 325D L						
STICK						
A3R1-UP; GBR1-UP; GPB1-UP; JCL1-UP; MCL1-UP; PAL1-UP; PKE1-UP; T2S1-UP						
2254575		Bushing	105 mm			CTC-1140760
2254575		P-UB-10	105 mm	150 mm		CTC-2426840
A3R1-UP; GBR1-UP; GPB1-UP; LAL1-UP; MCL1-UP; NAC1-UP; PAL1-UP; PKE1-UP; T2S1-UP						
2897994		Bushing	105 mm			CTC-1140760
2897994		P-UB-10	105 mm	150 mm		CTC-2426840
DBH1-UP; KBE1-UP; KDG1-UP; SCR1-UP						
2254588		Bushing	105 mm			CTC-0995572
2254588		P-UB-10	105 mm	150 mm		CTC-2344576
2590778		Bushing	105 mm			CTC-0995572
2590778		P-UB-10	105 mm	150 mm		CTC-2590779
GBR1-UP						
2344601		P-UB-10	115 mm	170 mm		CTC-2316844
2836188		P-UB-10	115 mm	170 mm		CTC-2316844
2898031		P-UB-10	115 mm	170 mm		CTC-2316844
KDG1-UP; SCR1-UP						
2254597		Bushing	105 mm			CTC-0995572
2254597		P-UB-10	105 mm	150 mm		CTC-2590650
2667990		Bushing	105 mm			CTC-0995572
2667990		P-UB-10	105 mm	150 mm		CTC-2668016
MODEL 325D LN						
BOOM						
GPB1-UP; PKE1-UP						
2254572		Bushing	100 mm			CTC-1140757
2254572		P-UB-10	100 mm	140 mm		CTC-2159985
2798111		Bushing	100 mm			CTC-1140757
2798111		P-UB-10	100 mm	170 mm		CTC-2519341
2959398		Bushing	100 mm			CTC-1140757
2959398		P-UB-10	100 mm	140 mm		CTC-2478792
2959400		Bushing	100 mm			CTC-1140757
2959400		P-UB-10	100 mm	140 mm		CTC-2478792
BUCKET						
GPB1-UP						
2959396		Bushing	65 mm			CTC-1140754
2959396		P-UB-10	65 mm	100 mm		CTC-1709941
3095975		Bushing	65 mm			CTC-1140754
3095975		P-UB-10	65 mm	100 mm		CTC-1709941

REPLACEMENT KITS FOR CATERPILLAR® EQUIPMENT

Excavators						
APPLICATION	CYL #	Misc-Parts, Instructions, etc.	CODE	ROD	BORE	KIT #
MODEL 325D LN						
BUCKET						
GPB1-UP; PKE1-UP						
2254578		Bushing	95 mm			CTC-1289260
2254578		P-UB-10	95 mm	135 mm		CTC-2344488
2254581		Bushing	105 mm			CTC-1140760
2254581		P-UB-10	105 mm	150 mm		CTC-1915619
2426767		Bushing	85 mm			CTC-1140756
2426767		P-UB-10	85 mm	120 mm		CTC-2478790
2898004		Bushing	95 mm			CTC-1289260
2898004		P-UB-10	95 mm	135 mm		CTC-2344488
2898012		Bushing	105 mm			CTC-1140760
2898012		P-UB-10	105 mm	150 mm		CTC-1915619
STICK						
GPB1-UP; PKE1-UP						
2254575		Bushing	105 mm			CTC-1140760
2254575		P-UB-10	105 mm	150 mm		CTC-2426840
2897994		Bushing	105 mm			CTC-1140760
2897994		P-UB-10	105 mm	150 mm		CTC-2426840
MODEL 325L						
BOOM						
7Y4601		P-UB-10	95 mm	130 mm		CTC-7Y5147
BUCKET						
1251547		P-UB-10	65 mm	100 mm		CTC-4I8914
4I7652		P-UB-10	65 mm	100 mm		CTC-4I7664
4I8840		P-UB-10	65 mm	100 mm		CTC-4I8914
7I7291		P-UB-10	85 mm	130 mm		CTC-7Y5145
7Y5100		P-UB-10	85 mm	130 mm		CTC-7Y5145
7Y5150		P-UB-10	105 mm	150 mm		CTC-1163612
875633		P-UB-10	85 mm	120 mm		CTC-0875394
STICK						
1169123		P-UB-10	105 mm	150 mm		CTC-1163612
7Y4650		P-UB-10	105 mm	150 mm		CTC-1163612
MODEL 325N						
BOOM						
7Y4601		P-UB-10	95 mm	130 mm		CTC-7Y5147
BUCKET						
7Y5100		P-UB-10	85 mm	130 mm		CTC-7Y5145
7Y5150		P-UB-10	105 mm	150 mm		CTC-1163612
875633		P-UB-10	85 mm	120 mm		CTC-0875394
STICK						
7Y4650		P-UB-10	105 mm	150 mm		CTC-1163612
MODEL 330						
BOOM						
7Y4906		P-UB-10	105 mm	150 mm		CTC-1163612

REPLACEMENT KITS FOR CATERPILLAR® EQUIPMENT

Excavators						
APPLICATION	CYL #	Misc-Parts, Instructions, etc.	CODE	ROD	BORE	KIT #
MODEL 330						
BUCKET						
	0875531		P-UB-10	110 mm	160 mm	CTC-0876654
	0875633		P-UB-10	85 mm	120 mm	CTC-0875394
	7Y5100		P-UB-10	85 mm	130 mm	CTC-7Y5145
	7Y5150		P-UB-10	105 mm	150 mm	CTC-1163612
STICK						
	7Y4926		P-UB-10	110 mm	170 mm	CTC-1163649
MODEL 330B, 330BL						
BOOM						
	1163578		P-UB-10	105 mm	150 mm	CTC-1680758
	1336808		P-UB-10	105 mm	150 mm	CTC-1289277
BUCKET						
	1183921		P-UB-10	105 mm	150 mm	CTC-1680758
	1183935		P-UB-10	110 mm	160 mm	CTC-1680760
	1184134		P-UB-10	85 mm	120 mm	CTC-1184131
	1336810		P-UB-10	105 mm	150 mm	CTC-1289277
	1336811		P-UB-10	110 mm	160 mm	CTC-1289280
STICK						
	0875375		P-UB-10	130 mm	180 mm	CTC-0875407
	1163638		P-UB-10	110 mm	170 mm	CTC-1680759
	1336809		P-UB-10	110 mm	170 mm	CTC-1289278
MODEL 330C						
BOOM						
GKX1-UP; JAB1-UP; JCD1-UP; JNK1-UP; KDD1-UP; MCA1-UP						
	1915548		Bushing	105 mm		CTC-1140760
	1915548		P-UB-10	105 mm	150 mm	CTC-1915619
GKX1-UP; JAB1-UP; KDD1-UP; MCA1-UP						
	2502473		Bushing	105 mm		CTC-1140760
	2502473		P-UB-10	105 mm	150 mm	CTC-2502475
GKX1-UP; MCA1-UP						
	2502419		Bushing	105 mm		CTC-1140760
	2502419		P-UB-10	105 mm	150 mm	CTC-2426840
JAB1-UP; KDD1-UP						
	1948270		Bushing	105 mm		CTC-1140760
	1948270		P-UB-10	105 mm	150 mm	CTC-2003315
	2502419		Bushing	105 mm		CTC-1140760
	2502419		P-UB-10	105 mm	150 mm	CTC-2426840
	2590742		Bushing	105 mm		CTC-1140760
	2590742		P-UB-10	105 mm	150 mm	CTC-2590743
JCD1-UP; JNK1-UP						
	2502419		Bushing	105 mm		CTC-1140760
	2502419		P-UB-10	105 mm	150 mm	CTC-2426840

REPLACEMENT KITS FOR CATERPILLAR® EQUIPMENT

Excavators						
APPLICATION	CYL #	Misc-Parts, Instructions, etc.	CODE	ROD	BORE	KIT #
MODEL 330C						
BUCKET						
GKX1-UP; JAB1-UP; JCD1-UP; JNK1-UP; KDD1-UP; MCA1-UP						
1772465		Bushing		105 mm		CTC-1140760
1772465		P-UB-10		105 mm	150 mm	CTC-1915619
1915554		Bushing		110 mm		CTC-1140762
1915554		P-UB-10		110 mm	160 mm	CTC-2159988
2478853		Bushing		105 mm		CTC-1140760
2478853		P-UB-10		105 mm	150 mm	CTC-1915619
GKX1-UP; JAB1-UP; KDD1-UP; MCA1-UP						
2478854		Bushing		105 mm		CTC-1140760
2478854		P-UB-10		105 mm	150 mm	CTC-2502475
JAB1-UP; KDD1-UP						
1948276		Bushing		105 mm		CTC-1140760
1948276		P-UB-10		105 mm	150 mm	CTC-2003315
1948279		Bushing		110 mm		CTC-1140762
1948279		P-UB-10		110 mm	160 mm	CTC-1948235
2590746		Bushing		105 mm		CTC-1140760
2590746		P-UB-10		105 mm	150 mm	CTC-2590743
2590750		Bushing		110 mm		CTC-1140762
2590750		P-UB-10		110 mm	160 mm	CTC-2590751
JCD1-UP						
1709808		Bushing		65 mm		CTC-1140754
1709808		P-UB-10		65 mm	100 mm	CTC-1709941
2959396		Bushing		65 mm		CTC-1140754
2959396		P-UB-10		65 mm	100 mm	CTC-1709941
JCD1-UP; JNK1-UP						
1589061		Bushing		85 mm		CTC-1140756
1589061		P-U-10		85 mm	120 mm	CTC-2366389
2836132		Bushing		85 mm		CTC-1140756
2836132		P-UB-10		85 mm	120 mm	CTC-2366368
STICK						
GKX1-UP; JAB1-UP; KDD1-UP; MCA1-UP						
1915551		P-UB-10		115 mm	170 mm	CTC-2316844
1948273		P-UB-10		115 mm	170 mm	CTC-2316845
2897763		P-UB-10		115 mm	170 mm	CTC-2316844
2897780		P-UB-10		115 mm	170 mm	CTC-2316845
JAB1-UP; KDD1-UP						
2590767		P-UB-10		115 mm	170 mm	CTC-2590768
2897784		P-UB-10		115 mm	170 mm	CTC-2590768
JCD1-UP; JNK1-UP						
1915551		P-UB-10		115 mm	170 mm	CTC-2316844
UNSPECIFIED APPLICATION						
JCD1-UP; JNK1-UP						
1234121		P-UB-10		2	4	CTC-1234121K
1702109		I-UB-10		125 mm	220 mm	CTC-1702156

REPLACEMENT KITS FOR CATERPILLAR® EQUIPMENT

Excavators						
APPLICATION	CYL #	Misc-Parts, Instructions, etc.	CODE	ROD	BORE	KIT #
MODEL 330C L						
BOOM						
CAP1-UP; CGZ1-UP						
2255306		Bushing		110 mm		CTC-1140762
2255306		P-UB-10		110 mm	180 mm	CTC-2304001
CAP1-UP; CGZ1-UP; GKX1-UP; JAB1-UP; JCD1-UP; JNK1-UP; KDD1-UP; MCA1-UP; MKM1-UP						
1915548		Bushing		105 mm		CTC-1140760
1915548		P-UB-10		105 mm	150 mm	CTC-1915619
CAP1-UP; CGZ1-UP; JCD1-UP; JNK1-UP						
2502419		Bushing		105 mm		CTC-1140760
2502419		P-UB-10		105 mm	150 mm	CTC-2426840
CYA1-UP						
1915548		Bushing		105 mm		CTC-1140760
1915548		P-UB-10		105 mm	150 mm	CTC-1884219
DKY1-UP						
1915548		Bushing		105 mm		CTC-1140760
1915548		P-UB-10		105 mm	150 mm	CTC-1884219
GKX1-UP; JAB1-UP; KDD1-UP; MCA1-UP						
2502473		Bushing		105 mm		CTC-1140760
2502473		P-UB-10		105 mm	150 mm	CTC-2502475
GKX1-UP; MCA1-UP; CYA1-UP						
2502419		Bushing		105 mm		CTC-1140760
2502419		P-UB-10		105 mm	150 mm	CTC-2426840
JAB1-UP; KDD1-UP						
1948270		Bushing		105 mm		CTC-1140760
1948270		P-UB-10		105 mm	150 mm	CTC-2003315
2502419		Bushing		105 mm		CTC-1140760
2502419		P-UB-10		105 mm	150 mm	CTC-2426840
2590742		Bushing		105 mm		CTC-1140760
2590742		P-UB-10		105 mm	150 mm	CTC-2590743
MKM1-UP						
2162731		Bushing		110 mm		CTC-1140762
2162731		P-UB-10		110 mm	160 mm	CTC-2042721
BUCKET						
CAP1-UP; CGZ1-UP; DKY1-UP; GKX1-UP; JAB1-UP; JCD1-UP; JNK1-UP; KDD1-UP; MCA1-UP; MKM1-UP						
1772465		Bushing		105 mm		CTC-1140760
1772465		P-UB-10		105 mm	150 mm	CTC-1915619
1915554		Bushing		110 mm		CTC-1140762
1915554		P-UB-10		110 mm	160 mm	CTC-2159988
CAP1-UP; CGZ1-UP; GKX1-UP; JAB1-UP; JCD1-UP; JNK1-UP; KDD1-UP; MCA1-UP; MKM1-UP						
2478853		Bushing		105 mm		CTC-1140760
2478853		P-UB-10		105 mm	150 mm	CTC-1915619
CYA1-UP						
1772465		Bushing		105 mm		CTC-1140760
1772465		P-UB-10		105 mm	150 mm	CTC-1884219
1915554		Bushing		110 mm		CTC-1140762
1915554		P-UB-10		110 mm	160 mm	CTC-1948396

REPLACEMENT KITS FOR CATERPILLAR® EQUIPMENT

Excavators						
APPLICATION	CYL #	Misc-Parts, Instructions, etc.	CODE	ROD	BORE	KIT #
MODEL 330C L						
BUCKET						
GKX1-UP; JAB1-UP; KDD1-UP; MCA1-UP						
2478854		Bushing		105 mm		CTC-1140760
2478854		P-UB-10		105 mm	150 mm	CTC-2502475
JAB1-UP; KDD1-UP						
1948276		Bushing		105 mm		CTC-1140760
1948276		P-UB-10		105 mm	150 mm	CTC-2003315
1948279		Bushing		110 mm		CTC-1140762
1948279		P-UB-10		110 mm	160 mm	CTC-1948235
2590746		Bushing		105 mm		CTC-1140760
2590746		P-UB-10		105 mm	150 mm	CTC-2590743
2590750		Bushing		110 mm		CTC-1140762
2590750		P-UB-10		110 mm	160 mm	CTC-2590751
JCD1-UP						
1709808		Bushing		65 mm		CTC-1140754
1709808		P-UB-10		65 mm	100 mm	CTC-1709941
2959396		Bushing		65 mm		CTC-1140754
2959396		P-UB-10		65 mm	100 mm	CTC-1709941
JCD1-UP; JNK1-UP						
1589061		Bushing		85 mm		CTC-1140756
1589061		P-U-10		85 mm	120 mm	CTC-2366389
2836132		Bushing		85 mm		CTC-1140756
2836132		P-UB-10		85 mm	120 mm	CTC-2366368
STICK						
CAP1-UP; CGZ1-UP; JCD1-UP; JNK1-UP; MKM1-UP						
1915551		P-UB-10		115 mm	170 mm	CTC-2316844
CYA1-UP						
1915551		P-UB-10		115 mm	170 mm	CTC-1915649
CYA1-UP; GKX1-UP; JAB1-UP; KDD1-UP; MCA1-UP						
2897763		P-UB-10		115 mm	170 mm	CTC-2316844
DKY1-UP						
1915551		P-UB-10		115 mm	170 mm	CTC-1915551K
GKX1-UP; JAB1-UP; KDD1-UP; MCA1-UP						
1915551		P-UB-10		115 mm	170 mm	CTC-2316844
1948273		P-UB-10		115 mm	170 mm	CTC-2316845
2897780		P-UB-10		115 mm	170 mm	CTC-2316845
JAB1-UP; KDD1-UP						
2590767		P-UB-10		115 mm	170 mm	CTC-2590768
2897784		P-UB-10		115 mm	170 mm	CTC-2590768
MKM1-UP						
2141591		Bushing		90 mm		CTC-1140758
2141591		P-UB-10		90 mm	130 mm	CTC-2119614
2228776		Bushing		100 mm		CTC-1140757
2228776		P-UB-10		100 mm	140 mm	CTC-2159985
UNSPECIFIED APPLICATION						
CAP1-UP; JCD1-UP; JNK1-UP						
1234121		P-UB-10		2	4	CTC-1234121K

REPLACEMENT KITS FOR CATERPILLAR® EQUIPMENT

Excavators						
APPLICATION	CYL #	Misc-Parts, Instructions, etc.	CODE	ROD	BORE	KIT #
MODEL 330C L						
UNSPECIFIED APPLICATION						
JCD1-UP; JNK1-UP						
1702109			I-UB-10	125 mm	220 mm	CTC-1702156
MODEL 330C LN						
BOOM						
CAP1-UP; CGZ1-UP						
1915548			Bushing	105 mm		CTC-1140760
1915548			P-UB-10	105 mm	150 mm	CTC-1915619
2255306			Bushing	110 mm		CTC-1140762
2255306			P-UB-10	110 mm	180 mm	CTC-2304001
2502419			Bushing	105 mm		CTC-1140760
2502419			P-UB-10	105 mm	150 mm	CTC-2426840
BUCKET						
CAP1-UP; CGZ1-UP						
1772465			Bushing	105 mm		CTC-1140760
1772465			P-UB-10	105 mm	150 mm	CTC-1915619
1915554			Bushing	110 mm		CTC-1140762
1915554			P-UB-10	110 mm	160 mm	CTC-2159988
2478853			Bushing	105 mm		CTC-1140760
2478853			P-UB-10	105 mm	150 mm	CTC-1915619
STICK						
CAP1-UP; CGZ1-UP						
1915551			P-UB-10	115 mm	170 mm	CTC-2316844
UNSPECIFIED APPLICATION						
CAP1-UP						
1234121			P-UB-10	2	4	CTC-1234121K
MODEL 330D						
BOOM						
EAH1-UP; EDX1-UP; ERN1-UP; FFK1-UP; MEY1-UP; NBD1-UP; THJ1-UP						
2344598			Bushing	105 mm		CTC-1140760
2344598			P-UB-10	105 mm	150 mm	CTC-2426840
EAH1-UP; FFK1-UP						
3119517			Bushing	105 mm		CTC-1140760
3119517			P-UB-10	105 mm	150 mm	CTC-2426840
3119524			Bushing	105 mm		CTC-1140760
3119524			P-UB-10	105 mm	150 mm	CTC-2502475
EAH1-UP; FFK1-UP; MEY1-UP; NBD1-UP						
2344608			Bushing	105 mm		CTC-1140760
2344608			P-UB-10	105 mm	150 mm	CTC-2502475
EDX1-UP; MEY1-UP; NBD1-UP						
2668074			Bushing	105 mm		CTC-1140760
2668074			P-UB-10	105 mm	150 mm	CTC-2590743
2898021			Bushing	105 mm		CTC-1140760
2898021			P-UB-10	105 mm	150 mm	CTC-2426840
MEY1-UP; NBD1-UP						
2898050			Bushing	105 mm		CTC-1140760
2898050			P-UB-10	105 mm	150 mm	CTC-2502475

REPLACEMENT KITS FOR CATERPILLAR® EQUIPMENT

Excavators

APPLICATION	CYL #	Misc-Parts, Instructions, etc.	CODE	ROD	BORE	KIT #
MODEL 330D						
BUCKET						
EAH1-UP; EDX1-UP; ERN1-UP; FFK1-UP; MEY1-UP; NBD1-UP; THJ1-UP						
2254581		Bushing		105 mm		CTC-1140760
2254581		P-UB-10		105 mm	150 mm	CTC-1915619
2344604		Bushing		110 mm		CTC-1140762
2344604		P-UB-10		110 mm	160 mm	CTC-2254625
EAH1-UP; FFK1-UP; MEY1-UP; NBD1-UP						
2254602		Bushing		105 mm		CTC-1140760
2254602		P-UB-10		105 mm	150 mm	CTC-2502475
2344614		Bushing		110 mm		CTC-1140762
2344614		P-UB-10		110 mm	160 mm	CTC-1948235
EDX1-UP; MEY1-UP; NBD1-UP						
2668083		Bushing		110 mm		CTC-1140762
2668083		P-UB-10		110 mm	160 mm	CTC-2590751
ERN1-UP; THJ1-UP						
2426767		Bushing		85 mm		CTC-1140756
2426767		P-UB-10		85 mm	120 mm	CTC-2478790
2898012		Bushing		105 mm		CTC-1140760
2898012		P-UB-10		105 mm	150 mm	CTC-1915619
2898041		Bushing		110 mm		CTC-1140762
2898041		P-UB-10		110 mm	160 mm	CTC-2254625
STICK						
EAH1-UP; EDX1-UP; ERN1-UP; FFK1-UP; MEY1-UP; NBD1-UP; THJ1-UP						
2344601		P-UB-10		115 mm	170 mm	CTC-2316844
2836188		P-UB-10		115 mm	170 mm	CTC-2316844
EAH1-UP; FFK1-UP; MEY1-UP; NBD1-UP						
2836194		P-UB-10		115 mm	170 mm	CTC-2316845
EDX1-UP; MEY1-UP; NBD1-UP						
2668077		P-UB-10		115 mm	170 mm	CTC-2590768
2836195		P-UB-10		115 mm	170 mm	CTC-2590768
2898031		P-UB-10		115 mm	170 mm	CTC-2316844
MEY1-UP; NBD1-UP						
2344611		P-UB-10		115 mm	170 mm	CTC-2316845
2898053		P-UB-10		115 mm	170 mm	CTC-2316845
MODEL 330D L						
BOOM						
B6H1-UP; EAH1-UP; EDX1-UP; FFK1-UP; GGE1-UP; HAS1-UP; JLP1-UP; MAG1-UP; MEY1-UP; MWP1-UP; NBD1-UP; RAS1-UP; T2Y1-UP						
2344598		Bushing		105 mm		CTC-1140760
2344598		P-UB-10		105 mm	150 mm	CTC-2426840
B6H1-UP; EDX1-UP; GGE1-UP; JLP1-UP; LRM1-UP; MEY1-UP; MWP1-UP; NBD1-UP; RAS1-UP; T2Y1-UP						
2898021		Bushing		105 mm		CTC-1140760
2898021		P-UB-10		105 mm	150 mm	CTC-2426840
EAH1-UP; FFK1-UP						
3119517		Bushing		105 mm		CTC-1140760
3119517		P-UB-10		105 mm	150 mm	CTC-2426840
3119524		Bushing		105 mm		CTC-1140760
3119524		P-UB-10		105 mm	150 mm	CTC-2502475

REPLACEMENT KITS FOR CATERPILLAR® EQUIPMENT

Excavators						
APPLICATION	CYL #	Misc-Parts, Instructions, etc.	CODE	ROD	BORE	KIT #
MODEL 330D L						
BOOM						
EAH1-UP; FFK1-UP; MEY1-UP; NBD1-UP						
2344608		Bushing		105 mm		CTC-1140760
2344608		P-UB-10		105 mm	150 mm	CTC-2502475
EDX1-UP; MEY1-UP; NBD1-UP						
2668074		Bushing		105 mm		CTC-1140760
2668074		P-UB-10		105 mm	150 mm	CTC-2590743
GGE1-UP; RAS1-UP						
2255306		Bushing		110 mm		CTC-1140762
2255306		P-UB-10		110 mm	180 mm	CTC-2304001
MEY1-UP; NBD1-UP						
2898050		Bushing		105 mm		CTC-1140760
2898050		P-UB-10		105 mm	150 mm	CTC-2502475
BUCKET						
B6H1-UP; EAH1-UP; EDX1-UP; FFK1-UP; GGE1-UP; HAS1-UP; JLP1-UP; MAG1-UP; MEY1-UP; MWP1-UP; NBD1-UP; RAS1-UP; T2Y1-UP						
2254581		Bushing		105 mm		CTC-1140760
2254581		P-UB-10		105 mm	150 mm	CTC-1915619
B6H1-UP; EAH1-UP; EDX1-UP; FFK1-UP; GGE1-UP; JLP1-UP; MEY1-UP; NBD1-UP; RAS1-UP; T2Y1-UP						
2344604		Bushing		110 mm		CTC-1140762
2344604		P-UB-10		110 mm	160 mm	CTC-2254625
B6H1-UP; GGE1-UP; HAS1-UP; JLP1-UP; LRM1-UP; MWP1-UP; RAS1-UP; T2Y1-UP						
2898012		Bushing		105 mm		CTC-1140760
2898012		P-UB-10		105 mm	150 mm	CTC-1915619
EAH1-UP; FFK1-UP; MEY1-UP; NBD1-UP						
2254602		Bushing		105 mm		CTC-1140760
2254602		P-UB-10		105 mm	150 mm	CTC-2502475
2344614		Bushing		110 mm		CTC-1140762
2344614		P-UB-10		110 mm	160 mm	CTC-1948235
EDX1-UP; MEY1-UP; NBD1-UP						
2668083		Bushing		110 mm		CTC-1140762
2668083		P-UB-10		110 mm	160 mm	CTC-2590751
GGE1-UP; HAS1-UP; LRM1-UP; MWP1-UP; RAS1-UP; T2Y1-UP						
2898041		Bushing		110 mm		CTC-1140762
2898041		P-UB-10		110 mm	160 mm	CTC-2254625
MWP1-UP						
2254529		Bushing		110 mm		CTC-1140762
2254529		P-UB-10		110 mm	160 mm	CTC-2254625
STICK						
B6H1-UP; EAH1-UP; EDX1-UP; FFK1-UP; GGE1-UP; HAS1-UP; JLP1-UP; MEY1-UP; MWP1-UP; NBD1-UP; RAS1-UP; T2Y1-UP						
2344601		P-UB-10		115 mm	170 mm	CTC-2316844
EAH1-UP; EDX1-UP; FFK1-UP; HAS1-UP; MAG1-UP; MEY1-UP; NBD1-UP; T2Y1-UP						
2836188		P-UB-10		115 mm	170 mm	CTC-2316844
EAH1-UP; FFK1-UP; MEY1-UP; NBD1-UP						
2836194		P-UB-10		115 mm	170 mm	CTC-2316845
EDX1-UP; GGE1-UP; MEY1-UP; NBD1-UP; RAS1-UP; T2Y1-UP; B6H1-UP; JLP1-UP; LRM1-UP						
2898031		P-UB-10		115 mm	170 mm	CTC-2316844

REPLACEMENT KITS FOR CATERPILLAR® EQUIPMENT

Excavators						
APPLICATION	CYL #	Misc-Parts, Instructions, etc.	CODE	ROD	BORE	KIT #
MODEL 330D L						
STICK						
EDX1-UP; MEY1-UP; NBD1-UP						
2668077			P-UB-10	115 mm	170 mm	CTC-2590768
2836195			P-UB-10	115 mm	170 mm	CTC-2590768
MEY1-UP; NBD1-UP						
2344611			P-UB-10	115 mm	170 mm	CTC-2316845
2898053			P-UB-10	115 mm	170 mm	CTC-2316845
MWP1-UP						
2898031			P-UB-10	115 mm	170 mm	CTC-2316844
MODEL 330D N						
BOOM						
GGE1-UP; RAS1-UP						
2255306		Bushing		110 mm		CTC-1140762
2255306		P-UB-10		110 mm	180 mm	CTC-2304001
2344598		Bushing		105 mm		CTC-1140760
2344598		P-UB-10		105 mm	150 mm	CTC-2426840
2898021		Bushing		105 mm		CTC-1140760
2898021		P-UB-10		105 mm	150 mm	CTC-2426840
BUCKET						
GGE1-UP; RAS1-UP						
2254581		Bushing		105 mm		CTC-1140760
2254581		P-UB-10		105 mm	150 mm	CTC-1915619
2344604		Bushing		110 mm		CTC-1140762
2344604		P-UB-10		110 mm	160 mm	CTC-2254625
2898012		Bushing		105 mm		CTC-1140760
2898012		P-UB-10		105 mm	150 mm	CTC-1915619
2898041		Bushing		110 mm		CTC-1140762
2898041		P-UB-10		110 mm	160 mm	CTC-2254625
STICK						
GGE1-UP; RAS1-UP						
2344601			P-UB-10	115 mm	170 mm	CTC-2316844
2898031			P-UB-10	115 mm	170 mm	CTC-2316844
MODEL 330L						
BOOM						
	7Y4906		P-UB-10	105 mm	150 mm	CTC-1163612
BUCKET						
	1183921		P-UB-10	105 mm	150 mm	CTC-1163612
	1183935		P-UB-10	110 mm	160 mm	CTC-1183946
	411726		P-UB-10	110 mm	160 mm	CTC-0876654
	7Y5100		P-UB-10	85 mm	130 mm	CTC-7Y5145
	7Y5150		P-UB-10	105 mm	150 mm	CTC-1163612
	875531		P-UB-10	110 mm	160 mm	CTC-0876654
STICK						
	1163638		P-UB-10	110 mm	170 mm	CTC-1163649
	7Y4926		P-UB-10	110 mm	170 mm	CTC-1163649
TILT						
	1163578		P-UB-10	105 mm	150 mm	CTC-1163612

REPLACEMENT KITS FOR CATERPILLAR® EQUIPMENT

Excavators						
APPLICATION	CYL #	Misc-Parts, Instructions, etc.	CODE	ROD	BORE	KIT #
MODEL 345B, 345BL						
BOOM						
	1297829		P-UB-10	110 mm	160 mm	CTC-1680760
	1553737		P-UB-10	110 mm	160 mm	CTC-1680760
BUCKET						
	1183935		P-UB-10	110 mm	160 mm	CTC-1680760
	1184134		P-UB-10	85 mm	120 mm	CTC-1184131
	1232044		P-UB-10	90 mm	130 mm	CTC-1184175
	1297835		P-UB-10	110 mm	170 mm	CTC-1680759
COUNTERWEIGHT						
	1231078		P-UB-10	3	4-3/4	CTC-1570288
MATERIAL HANDLER						
	1504125		P-UB-10	110 mm	170 mm	CTC-1680759
STEERING						
	1151371		P-UB-10	2-1/4	4	CTC-1546526
STICK						
	1163638		P-UB-10	110 mm	170 mm	CTC-1680759
	1297832		P-UB-10	130 mm	190 mm	CTC-1261979
MODEL 345C						
BOOM						
BWY1-UP; ELS1-UP; GCL1-UP; TAJ1-UP; TBA1-UP; WDE1-UP						
	2254523		Bushing	110 mm		CTC-1140762
	2254523		P-UB-10	110 mm	160 mm	CTC-2254625
BWY1-UP; TBA1-UP; WDE1-UP						
	2668087		Bushing	110 mm		CTC-1140762
	2668087		P-UB-10	110 mm	160 mm	CTC-2742460
BUCKET						
BWY1-UP; ELS1-UP; GCL1-UP; TAJ1-UP; TBA1-UP; WDE1-UP						
	2254529		Bushing	110 mm		CTC-1140762
	2254529		P-UB-10	110 mm	160 mm	CTC-2254625
	2254532		Bushing	110 mm		CTC-1140761
	2254532		P-UB-10	110 mm	170 mm	CTC-2344442
BWY1-UP; TBA1-UP; WDE1-UP						
	2742456		Bushing	110 mm		CTC-1140762
	2742456		P-UB-10	110 mm	160 mm	CTC-2742460
	2742459		Bushing	110 mm		CTC-1140761
	2742459		P-UB-10	110 mm	170 mm	CTC-2742462
COUNTERWEIGHT						
BWY1-UP; TAJ1-UP; TBA1-UP; WDE1-UP						
	2369769		P-UB-10	3	4-3/4	CTC-2369769K
STICK						
BWY1-UP; ELS1-UP; GCL1-UP; TAJ1-UP; TBA1-UP; WDE1-UP						
	2254526		Bushing	130 mm		CTC-1140763
	2254526		P-UB-10	130 mm	190 mm	CTC-2254646
BWY1-UP; TAJ1-UP; TBA1-UP; WDE1-UP						
	2426839		Bushing	130 mm		CTC-1140763
	2426839		P-UB-10	130 mm	190 mm	CTC-2254646

REPLACEMENT KITS FOR CATERPILLAR® EQUIPMENT

Excavators						
APPLICATION	CYL #	Misc-Parts, Instructions, etc.	CODE	ROD	BORE	KIT #
MODEL 345C						
STICK						
BWY1-UP; TBA1-UP; WDE1-UP						
2742453			Bushing	130 mm		CTC-1140763
2742453			P-UB-10	130 mm	190 mm	CTC-2742461
MODEL 345C L						
BOOM						
BWY1-UP; DHP1-UP; ELS1-UP; ESD1-UP; FPC1-UP; GCL1-UP; GJR1-UP; GPH1-UP; LYS1-UP; PJW1-S5M1-UP; TBA1-UP; TDG1-UP; WDE1-UP						
2254523			Bushing	110 mm		CTC-1140762
2254523			P-UB-10	110 mm	160 mm	CTC-2254625
BWY1-UP; DHP1-UP; GJR1-UP; TBA1-UP; WDE1-UP						
2668087			Bushing	110 mm		CTC-1140762
2668087			P-UB-10	110 mm	160 mm	CTC-2742460
BUCKET						
BWY1-UP; DHP1-UP; ELS1-UP; ESD1-UP; ESD1-UP; FPC1-UP; GCL1-UP; GJR1-UP; GPH1-UP; LYS1-PJW1-UP; PJW1-UP; S5M1-UP; TBA1-UP; TDG1-UP; TDG1-UP; WDE1-UP						
2254529			Bushing	110 mm		CTC-1140762
2254529			P-UB-10	110 mm	160 mm	CTC-2254625
BWY1-UP; DHP1-UP; ELS1-UP; ESD1-UP; GCL1-UP; GJR1-UP; GPH1-UP; LYS1-UP; PJW1-UP; S5M1-TBA1-UP; TDG1-UP; WDE1-UP						
2254532			Bushing	110 mm		CTC-1140761
2254532			P-UB-10	110 mm	170 mm	CTC-2344442
BWY1-UP; DHP1-UP; GJR1-UP; TBA1-UP; WDE1-UP						
2742456			Bushing	110 mm		CTC-1140762
2742456			P-UB-10	110 mm	160 mm	CTC-2742460
2742459			Bushing	110 mm		CTC-1140761
2742459			P-UB-10	110 mm	170 mm	CTC-2742462
COUNTERWEIGHT						
BWY1-UP; DHP1-UP; ESD1-UP; FPC1-UP; GJR1-UP; PJW1-UP; TBA1-UP; TDG1-UP; WDE1-UP						
2369769			P-UB-10	3	4-3/4	CTC-2369769K
STICK						
BWY1-UP; DHP1-UP; ELS1-UP; ESD1-UP; FPC1-UP; GCL1-UP; GJR1-UP; GPH1-UP; LYS1-UP; PJW1-S5M1-UP; TBA1-UP; TDG1-UP; WDE1-UP						
2254526			Bushing	130 mm		CTC-1140763
2254526			P-UB-10	130 mm	190 mm	CTC-2254646
BWY1-UP; DHP1-UP; ESD1-UP; GJR1-UP; PJW1-UP; S5M1-UP; TBA1-UP; TDG1-UP; WDE1-UP						
2426839			Bushing	130 mm		CTC-1140763
2426839			P-UB-10	130 mm	190 mm	CTC-2254646
BWY1-UP; DHP1-UP; GJR1-UP; TBA1-UP; WDE1-UP						
2742453			Bushing	130 mm		CTC-1140763
2742453			P-UB-10	130 mm	190 mm	CTC-2742461
MODEL 350, 350L						
BOOM						
411515			P-UB-10	110 mm	170 mm	CTC-1163649
411515			P-UB-10	110 mm	170 mm	CTC-1680759
BUCKET						
411726			P-UB-10	110 mm	160 mm	CTC-0876654
413792			P-UB-10	130 mm	180 mm	CTC-0875407
7Y5100			P-UB-10	85 mm	130 mm	CTC-7Y5145

REPLACEMENT KITS FOR CATERPILLAR® EQUIPMENT

Excavators						
APPLICATION	CYL #	Misc-Parts, Instructions, etc.	CODE	ROD	BORE	KIT #
MODEL 350, 350L						
LIFT						
	6E3529		P-UB-10	2-1/2	4	CTC-710968
STICK						
	0875375		P-UB-10	130 mm	180 mm	CTC-0875407
MODEL 365, 365B						
COUNTERWEIGHT						
	1505913		P-UB-10	90 mm	130 mm	CTC-1184175
MODEL 375						
BOOM						
	1140596		P-UB-10	140 mm	200 mm	CTC-1560626
	6E0018		P-UB-10	140 mm	200 mm	CTC-1560626
BUCKET						
	6E0020		P-UB-10	150 mm	220 mm	CTC-1560627
	6E0021		P-UB-10	140 mm	200 mm	CTC-1560626
LIFT						
	6E3529		P-UB-10	2-1/2	4	CTC-710968
STICK						
	1560664		P-UB-10	150 mm	220 mm	CTC-1560627
	6E0019		P-UB-10	150 mm	220 mm	CTC-1560627
MODEL 375L						
BOOM						
	6E0018		P-UB-10	140 mm	200 mm	CTC-1560626
BUCKET						
	411726		P-UB-10	110 mm	160 mm	CTC-0876654
LIFT						
	6E3529		P-UB-10	2-1/2	4	CTC-710968
STICK						
	6E0019		P-UB-10	150 mm	220 mm	CTC-518893
MODEL E110						
BOOM						
	0936151		P-UB-15	70 mm	110 mm	CTC-0938385
BUCKET						
	0936181		P-UB-15	65 mm	110 mm	CTC-0938390
STICK						
	0936167		P-UB-15	80 mm	120 mm	CTC-0938388
MODEL E110B						
BOOM						
	0995402		P-UB-14	70 mm	100 mm	CTC-0995401
	0995403		P-UB-14	70 mm	100 mm	CTC-0995401
STICK						
	0855801		P-UB-14	75 mm	110 mm	CTC-0995310
	0856657		P-UB-14	75 mm	100 mm	CTC-0860174
	0861937		P-UB-14	75 mm	110 mm	CTC-0995310
	0995369		P-UB-14	75 mm	110 mm	CTC-0995310
MODEL E120						
BOOM LH						
	0958487		P-UB-10	75 mm	110 mm	CTC-0967786

REPLACEMENT KITS FOR CATERPILLAR® EQUIPMENT

Excavators						
APPLICATION	CYL #	Misc-Parts, Instructions, etc.	CODE	ROD	BORE	KIT #
MODEL E120						
BOOM RH	0958486		P-UB-10	75 mm	110 mm	CTC-0967786
BUCKET	0938997		P-UB-10	65 mm	100 mm	CTC-0967625
STICK	0938966		P-UB-10	80 mm	120 mm	CTC-0967799
MODEL E120B						
BOOM LH	0990662		P-UB-14	75 mm	110 mm	CTC-0995310
BOOM RH	0990663		P-UB-14	75 mm	110 mm	CTC-0995310
BUCKET	0990701		P-UB-14	65 mm	100 mm	CTC-0995312
STICK	7NF01890-03529					
	0861868		P-UB-14	80 mm	120 mm	CTC-0995311
	7NF03530-					
	0855740		P-UB-14	80 mm	120 mm	CTC-0995311
	7NF1-01889					
	0990682		P-UB-14	80 mm	120 mm	CTC-0995311
TELESCOPIC STICK	0856657		P-UB-14	75 mm	100 mm	CTC-0860174
MODEL E180, EL180						
BOOM LH	0941911		P-UB-10	85 mm	125 mm	CTC-0940691
BOOM RH	0941926		P-UB-10	85 mm	125 mm	CTC-0940691
BUCKET	0941946		P-UB-10	85 mm	125 mm	CTC-0940691
STICK	0941929		P-UB-10	100 mm	140 mm	CTC-0941910
MODEL E200B, EL200B						
BOOM LH	0967907		P-UB-10	85 mm	120 mm	CTC-0964395
BOOM RH	0967908		P-UB-10	85 mm	120 mm	CTC-0964395
BUCKET	0967909		P-UB-10	75 mm	115 mm	CTC-0966457
BUCKET LONG REACH	0993713		P-UB-14	65 mm	100 mm	CTC-0995312
STICK	0967910		P-UB-10	100 mm	140 mm	CTC-1890282
STICK LONG REACH	0993688		P-UB-10	95 mm	130 mm	CTC-0964396
MODEL E240, EL240						
BOOM LH	0941549		P-UB-14	90 mm	140 mm	CTC-0939941

REPLACEMENT KITS FOR CATERPILLAR® EQUIPMENT

Excavators						
APPLICATION	CYL #	Misc-Parts, Instructions, etc.	CODE	ROD	BORE	KIT #
MODEL E240, EL240						
BOOM RH	0941550		P-UB-14	90 mm	140 mm	CTC-0939941
BUCKET	0962391		P-UB-14	90 mm	140 mm	CTC-0939941
STICK	0941406		P-UB-14	100 mm	150 mm	CTC-0942697
MODEL E240B, EL240B						
BOOM	1R8082		P-UB-14	90 mm	140 mm	CTC-0939941
BOOM LH	0996240		P-UB-14	90 mm	140 mm	CTC-0939941
BOOM RH	0996241		P-UB-14	90 mm	140 mm	CTC-0939941
BUCKET	0996233		P-UB-14	90 mm	140 mm	CTC-0939941
	1R5580		P-UB-14	65 mm	100 mm	CTC-0995312
STICK	0996237		P-UB-14	100 mm	150 mm	CTC-0942697
MODEL E300, EL300						
BOOM LH	0946493		P-UB-14	100 mm	150 mm	CTC-0942697
BOOM RH	0946494		P-UB-14	100 mm	150 mm	CTC-0942697
BUCKET	0962932		P-UB-14	100 mm	150 mm	CTC-0942697
STICK	0962920		P-UB-14	110 mm	160 mm	CTC-0942698
MODEL E300B, EL300B						
BOOM	1R7823		P-UB-10	100 mm	140 mm	CTC-1890282
BOOM LH	0995577		P-UB-10	100 mm	140 mm	CTC-1890282
BOOM RH	0995578		P-UB-10	100 mm	140 mm	CTC-1890282
MODEL M315						
BOOM	1134979		P-UB-10	80 mm	110 mm	CTC-1247009
	1134989		P-UB-10	80 mm	110 mm	CTC-1247009
STICK	1141872		P-UB-10	80 mm	110 mm	CTC-1247009
	1586388		P-UB-10	75 mm	110 mm	CTC-1586389
MODEL M318						
BOOM	1124231		P-UB-10	85 mm	120 mm	CTC-1247008
	1124241		P-UB-10	85 mm	120 mm	CTC-1247008
	1124243		P-UB-10	85 mm	160 mm	CTC-1247005

REPLACEMENT KITS FOR CATERPILLAR® EQUIPMENT

Excavators						
APPLICATION	CYL #	Misc-Parts, Instructions, etc.	CODE	ROD	BORE	KIT #
MODEL M318						
MATERIAL HANDLER						
	1415981		P-UB-10	80 mm	110 mm	CTC-1247009
STICK						
	1124236		P-UB-10	85 mm	120 mm	CTC-1247008
MODEL M320						
BOOM						
	1279243		P-UB-10	100 mm	170 mm	CTC-1296156
	1283203		P-UB-10	95 mm	130 mm	CTC-7Y5147
BUCKET						
	0875633		P-UB-10	85 mm	120 mm	CTC-0875394
	0875633		P-UB-10	85 mm	120 mm	CTC-1184131
STICK						
	1279242		P-UB-10	100 mm	140 mm	CTC-0875387
	1386696		P-UB-10	85 mm	120 mm	CTC-1184131
Excavators - Front-Shovel						
APPLICATION	CYL #	Misc-Parts, Instructions, etc.	CODE	ROD	BORE	KIT #
MODEL 5080						
BOOM						
	4I3915		P-UB-10	130 mm	180 mm	CTC-0875407
STICK						
	6E4272		P-UB-10	150 mm	220 mm	CTC-1560627
MODEL 5110						
BUCKET						
	6E0020		P-UB-10	150 mm	220 mm	CTC-1560627
MODEL 5230, 5230B						
BUCKET						
	6E6435		P-UB-10	3-1/2	7-1/4	CTC-1309483
Forestry - Tree Harvesters						
APPLICATION	CYL #	Misc-Parts, Instructions, etc.	CODE	ROD	BORE	KIT #
MODEL 518						
TILT LH						
	9T1777		P-UB-10	2-1/4	4-1/4	CTC-7X2750
TILT RH						
	9T1772		P-UB-10	2-1/4	4-1/4	CTC-7X2750
Integrated Toolcarriers						
APPLICATION	CYL #	Misc-Parts, Instructions, etc.	CODE	ROD	BORE	KIT #
MODEL IT12						
LIFT						
	4T8579		I-U-3	3/4	1-1/4	CTC-1791715
	4T8580		P-UB-10	2	3-3/4	CTC-7X2787
M.P. BUCKET						
	8J5391		P-UB-10	1-1/2	3-1/2	CTC-7X2752
STEERING						
	1U4666		P-UB-10	1-1/2	2-3/4	CTC-7X2736
	9T5153		P-UB-10	1-1/2	2-3/4	CTC-7X2736
	9T5729		I-O-3	3/4	1-1/4	CTC-1791749

REPLACEMENT KITS FOR CATERPILLAR® EQUIPMENT

Integrated Toolcarriers						
APPLICATION	CYL #	Misc-Parts, Instructions, etc.	CODE	ROD	BORE	KIT #
MODEL IT12						
TILT						
	4T8581		P-UB-10	1-3/4	3-1/4	CTC-7X2764
	9T5151		P-UB-10	2	3-1/2	CTC-7X2783
	9T5489		P-UB-10	1-3/4	3-1/4	CTC-7X2764
MODEL IT12B						
LIFT						
	6E6398		P-UB-10	2-1/4	3-1/2	CTC-1859503
	9T5152		P-UB-10	2-1/4	4	CTC-1859527
PIN PULLER						
	9T5729		I-O-3	3/4	1-1/4	CTC-1791749
STEERING						
	4T8579		I-U-3	3/4	1-1/4	CTC-1791715
	9T5729		I-O-3	3/4	1-1/4	CTC-1791749
	9T7209	Head# 6E4940	P-UB-10	1-1/2	2-3/4	CTC-1361599
	9T7209	Head# 9T2542	P-UB-10	1-1/2	2-3/4	CTC-7X2736
	9T7210	Head# 6E4940	P-UB-10	1-1/2	2-3/4	CTC-1361599
	9T7210	Head# 9T2542	P-UB-10	1-1/2	2-3/4	CTC-7X2736
STEERING LH						
	6E5900	Head# 1515349	P-UB-10	1-3/4	2-3/4	CTC-1539053
	6E5900	Head# 6E4941	P-UB-10	1-3/4	2-3/4	CTC-1857024
	6E5973		P-UB-10	1-1/2	2-3/4	CTC-1361599
	9T7209	Head# 6E4940	P-UB-10	1-1/2	2-3/4	CTC-1361599
	9T7209	Head# 9T2542	P-UB-10	1-1/2	2-3/4	CTC-7X2736
STEERING RH						
	6E5972	Head# 1515349	P-UB-10	1-3/4	2-3/4	CTC-1539053
	6E5972	Head# 6E4941	P-UB-10	1-3/4	2-3/4	CTC-1857024
	6E5985		P-UB-10	1-1/2	2-3/4	CTC-1361599
TILT						
	9T5151		P-UB-10	2	3-1/2	CTC-1857674
MODEL IT12F						
LIFT						
	6E6398		P-UB-10	2-1/4	3-1/2	CTC-1859503
	9T5152		P-UB-10	2-1/4	4	CTC-1859527
STEERING						
	4T8579		I-U-3	3/4	1-1/4	CTC-1791715
	9T5729		I-O-3	3/4	1-1/4	CTC-1791749
	9T7209	Head# 6E4940	P-UB-10	1-1/2	2-3/4	CTC-1361599
	9T7209	Head# 9T2542	P-UB-10	1-1/2	2-3/4	CTC-7X2736
	9T7210	Head# 6E4940	P-UB-10	1-1/2	2-3/4	CTC-1361599
	9T7210	Head# 9T2542	P-UB-10	1-1/2	2-3/4	CTC-7X2736
STEERING LH						
	6E5900	Head# 1515349	P-UB-10	1-3/4	2-3/4	CTC-1539053
	6E5900	Head# 6E4941	P-UB-10	1-3/4	2-3/4	CTC-1857024
	6E5973		P-UB-10	1-1/2	2-3/4	CTC-1361599

REPLACEMENT KITS FOR CATERPILLAR® EQUIPMENT

Integrated Toolcarriers						
APPLICATION	CYL #	Misc-Parts, Instructions, etc.	CODE	ROD	BORE	KIT #
MODEL IT12F						
STEERING RH						
	6E5972	Head# 1515349	P-UB-10	1-3/4	2-3/4	CTC-1539053
	6E5972	Head# 6E4941	P-UB-10	1-3/4	2-3/4	CTC-1857024
	6E5985		P-UB-10	1-1/2	2-3/4	CTC-1361599
TILT						
	9T5151		P-UB-10	2	3-1/2	CTC-1857674
MODEL IT14B						
LIFT						
	9T5152		P-UB-10	2-1/4	4	CTC-1859527
PIN PULLER						
	9T5729		I-O-3	3/4	1-1/4	CTC-1791749
STEERING						
	4T8579		I-U-3	3/4	1-1/4	CTC-1791715
	9T5729		I-O-3	3/4	1-1/4	CTC-1791749
	9T7209	Head# 6E4940	P-UB-10	1-1/2	2-3/4	CTC-1361599
	9T7209	Head# 9T2542	P-UB-10	1-1/2	2-3/4	CTC-7X2736
	9T7210	Head# 6E4940	P-UB-10	1-1/2	2-3/4	CTC-1361599
	9T7210	Head# 9T2542	P-UB-10	1-1/2	2-3/4	CTC-7X2736
STEERING LH						
	6E5973		P-UB-10	1-1/2	2-3/4	CTC-1361599
	9T7209	Head# 6E4940	P-UB-10	1-1/2	2-3/4	CTC-1361599
	9T7209	Head# 9T2542	P-UB-10	1-1/2	2-3/4	CTC-7X2736
STEERING RH						
	6E5985		P-UB-10	1-1/2	2-3/4	CTC-1361599
TILT						
	9T5151		P-UB-10	2	3-1/2	CTC-1857674
MODEL IT14C						
TILT						
	9T5151		P-UB-10	2	3-1/2	CTC-7X2783
MODEL IT14F						
LIFT						
	6E6398		P-UB-10	2-1/4	3-1/2	CTC-1859503
STEERING						
	4T8579		I-U-3	3/4	1-1/4	CTC-1791715
	9T5729		I-O-3	3/4	1-1/4	CTC-1791749
STEERING LH						
	6E5900	Head# 1515349	P-UB-10	1-3/4	2-3/4	CTC-1539053
	6E5900	Head# 6E4941	P-UB-10	1-3/4	2-3/4	CTC-1857024
STEERING RH						
	6E5972	Head# 1515349	P-UB-10	1-3/4	2-3/4	CTC-1539053
	6E5972	Head# 6E4941	P-UB-10	1-3/4	2-3/4	CTC-1857024
MODEL IT14G						
FK						
	1491381		P-UB-10	2	3-1/2	CTC-1857674

REPLACEMENT KITS FOR CATERPILLAR® EQUIPMENT

Integrated Toolcarriers						
APPLICATION	CYL #	Misc-Parts, Instructions, etc.	CODE	ROD	BORE	KIT #
MODEL IT14G						
LIFT						
	1116244		P-UB-10	2-1/4	3-1/2	CTC-1859503
	1314401		P-UB-10	2-1/4	3-1/2	CTC-1859503
	1314402		P-UB-10	2-1/4	3-1/2	CTC-1859503
STEERING						
	1044187		P-UB-10	1-1/2	2-1/2	CTC-1856601
	4T8579		I-U-3	3/4	1-1/4	CTC-1791715
	9T8823		I-O-3	1	2	CTC-9T0418
MODEL IT18						
LIFT						
	4T5544		I-O-3	1	2	CTC-9T0418
	4T8648	Head# 3G2956	P-UB-10	2-1/4	4-1/4	CTC-1859507
	4T8648	Head# 9T7349	P-UB-10	2-1/4	4-1/4	CTC-1859517
M.P. BUCKET TILT						
	4T4666		P-UB-10	2-1/2	4	CTC-1864338
PIN COUPLER						
	9T2352		I-O-3	1	2	CTC-9T0418
PIN PULLER						
	6E5392		I-O-3	1	2	CTC-9T0418
	6E5393		I-O-3	1	2	CTC-9T0418
SPECIAL APPLICATION						
	6E0906		I-O-3	1	2	CTC-9T0418
STEERING						
	1U3322		P-UB-10	1-1/2	3	CTC-1856587
	4T9981		I-O-3	1	2	CTC-9T0418
	6E0906		I-O-3	1	2	CTC-9T0418
	6E5392		I-O-3	1	2	CTC-9T0418
	9T2352		I-O-3	1	2	CTC-9T0418
TILT						
	4T4666		P-UB-10	2-1/2	4	CTC-1864338
MODEL IT18B						
LIFT						
	4T5544		I-O-3	1	2	CTC-9T0418
	4T9981		I-O-3	1	2	CTC-9T0418
	6E0906		I-O-3	1	2	CTC-9T0418
	6E5392		I-O-3	1	2	CTC-9T0418
	6E5393		I-O-3	1	2	CTC-9T0418
	9T2352		I-O-3	1	2	CTC-9T0418
	9T5030	Head# 9T5031	P-UB-10	2-1/2	4-3/4	CTC-1328811
PIN COUPLER						
	4T9981		I-O-3	1	2	CTC-9T0418
	6E5392		I-O-3	1	2	CTC-9T0418
	6E5393		I-O-3	1	2	CTC-9T0418
	9T2352		I-O-3	1	2	CTC-9T0418
	9T8485		I-O-3	1	2	CTC-9T0418

REPLACEMENT KITS FOR CATERPILLAR® EQUIPMENT

Integrated Toolcarriers						
APPLICATION	CYL #	Misc-Parts, Instructions, etc.	CODE	ROD	BORE	KIT #
MODEL IT18B						
SPECIAL APPLICATION						
	4T5544		I-O-3	1	2	CTC-9T0418
	6E0906		I-O-3	1	2	CTC-9T0418
STEERING						
	1U3322		P-UB-10	1-1/2	3	CTC-1856587
	9T8485		I-O-3	1	2	CTC-9T0418
TILT						
	9T5267		P-UB-10	2	4	CTC-1857688
MODEL IT18F						
LIFT						
	1007020	Head# 1206679	P-UB-10	2-1/2	4-3/4	CTC-1361131
	1007020	Head# 9T3609	P-UB-10	2-1/2	4-3/4	CTC-1864381
	1341379		P-UB-10	2-1/2	4-3/4	CTC-1361131
	9T7044		P-UB-10	2-1/2	4-3/4	CTC-1864381
	9T8823		I-O-3	1	2	CTC-9T0418
PIN PULLER						
	6E5393		I-O-3	1	2	CTC-9T0418
STEERING						
	6E1114		I-O-3	1	2	CTC-9T0418
	9T2637		P-UB-10	1-1/2	2-3/4	CTC-1361599
TILT						
	1341380		P-UB-10	2	4	CTC-1857688
	9T7026		P-UB-10	2	4	CTC-1857688
MODEL IT24F						
LIFT						
	1007020	Head# 1206679	P-UB-10	2-1/2	4-3/4	CTC-1361131
	1007020	Head# 9T3609	P-UB-10	2-1/2	4-3/4	CTC-1864381
	1341379		P-UB-10	2-1/2	4-3/4	CTC-1361131
	1342327		P-UB-10	2-1/4	4	CTC-1546526
	9T3937		P-UB-10	2-1/4	4	CTC-1546526
	9T8823		I-O-3	1	2	CTC-9T0418
STEERING						
	9T2637		P-UB-10	1-1/2	2-3/4	CTC-1361599
TILT						
	1107845	Head# 1206679	P-UB-10	2-1/2	4-1/2	CTC-1113300
	1107845	Head# 9T3609	P-UB-10	2-1/2	4-1/2	CTC-1469860
	1262492		P-UB-10	2	4	CTC-1113302
	1262492		P-UB-10	2	4	CTC-1857688
	1341380		P-UB-10	2	4	CTC-1857688
	1341381		P-UB-10	2	4	CTC-1857688
	1342671		P-UB-10	2-1/2	4-1/2	CTC-1113300
	6E1114		I-O-3	1	2	CTC-9T0418
	6E4651	Head# 1206679	P-UB-10	2-1/2	4-1/2	CTC-1113300
	6E4651	Head# 9T3609	P-UB-10	2-1/2	4-1/2	CTC-1469860
	9T7026		P-UB-10	2	4	CTC-1857688

REPLACEMENT KITS FOR CATERPILLAR® EQUIPMENT

Integrated Toolcarriers						
APPLICATION	CYL #	Misc-Parts, Instructions, etc.	CODE	ROD	BORE	KIT #
MODEL IT28						
LIFT						
	3G2991		P-UB-10	2-1/2	4-3/4	CTC-1328811
PIN PULLER						
	6E5392		I-O-3	1	2	CTC-9T0418
	6E5393		I-O-3	1	2	CTC-9T0418
	9T2352		I-O-3	1	2	CTC-9T0418
SPECIAL APPLICATION						
	4T5544		I-O-3	1	2	CTC-9T0418
	6E0906		I-O-3	1	2	CTC-9T0418
STEERING						
	3G3501		P-UB-10	1-1/2	3	CTC-7X2751
	4T9981		I-O-3	1	2	CTC-9T0418
	6E0906		I-O-3	1	2	CTC-9T0418
	6E5392		I-O-3	1	2	CTC-9T0418
	9T2352		I-O-3	1	2	CTC-9T0418
TILT						
	4T5544		I-O-3	1	2	CTC-9T0418
	4T5545	Head# 8J8431	P-UB-10	2-1/2	4-1/4	CTC-1864336
	4T5545	Head# 9T6548	P-UB-10	2-1/2	4-1/4	CTC-1864373
TILT MP, BUCKET						
	4T5545	Head# 8J8431	P-UB-10	2-1/2	4-1/4	CTC-1864336
	4T5545	Head# 9T6548	P-UB-10	2-1/2	4-1/4	CTC-1864373
MODEL IT28B						
LIFT						
	3G2991		P-UB-10	2-1/2	4-3/4	CTC-1328811
	4T8648	Head# 3G2956	P-UB-10	2-1/4	4-1/4	CTC-1859507
	4T8648	Head# 9T7349	P-UB-10	2-1/4	4-1/4	CTC-1859517
	9T1196		P-UB-10	2-1/2	5-1/2	CTC-7X2672
PIN COUPLER						
	4T9981		I-O-3	1	2	CTC-9T0418
	6E5392		I-O-3	1	2	CTC-9T0418
	9T2352		I-O-3	1	2	CTC-9T0418
	9T8485		I-O-3	1	2	CTC-9T0418
SPECIAL APPLICATION						
	4T5544		I-O-3	1	2	CTC-9T0418
	6E0906		I-O-3	1	2	CTC-9T0418
STEERING						
	1U3322		P-UB-10	1-1/2	3	CTC-1856587
	3G3501		P-UB-10	1-1/2	3	CTC-7X2751
	3G5110		P-UB-10	1-3/4	3-1/2	CTC-7X2762
	3G5110		P-UB-10	1-3/4	3-1/2	CTC-7X2784
	4T9981		I-O-3	1	2	CTC-9T0418
	6E0906		I-O-3	1	2	CTC-9T0418
	6E5392		I-O-3	1	2	CTC-9T0418
	6E5393		I-O-3	1	2	CTC-9T0418
	9T2352		I-O-3	1	2	CTC-9T0418
	9T8485		I-O-3	1	2	CTC-9T0418

REPLACEMENT KITS FOR CATERPILLAR® EQUIPMENT

Integrated Toolcarriers						
APPLICATION	CYL #	Misc-Parts, Instructions, etc.	CODE	ROD	BORE	KIT #
MODEL IT28B						
TILT						
	3G5291		P-UB-10	2-3/4	6-1/2	CTC-7X2686
	3G6571		P-UB-10	2-1/2	4-3/4	CTC-1328811
	4T5544		I-O-3	1	2	CTC-9T0418
	4T5545	Head# 8J8431	P-UB-10	2-1/2	4-1/4	CTC-1864336
	4T5545	Head# 9T6548	P-UB-10	2-1/2	4-1/4	CTC-1864373
TILT MP, BUCKET						
	4T5545	Head# 8J8431	P-UB-10	2-1/2	4-1/4	CTC-1864336
	4T5545	Head# 9T6548	P-UB-10	2-1/2	4-1/4	CTC-1864373
MODEL IT28F						
LIFT						
	1341384		P-UB-10	2-1/2	4-3/4	CTC-1361131
	9T6788	Head# 1206679	P-UB-10	2-1/2	4-3/4	CTC-1361131
	9T6788	Head# 9T3609	P-UB-10	2-1/2	4-3/4	CTC-1864381
	9T8823		I-O-3	1	2	CTC-9T0418
PIN PULLER						
	6E5393		I-O-3	1	2	CTC-9T0418
STEERING						
	6E1114		I-O-3	1	2	CTC-9T0418
	9T6646		P-UB-10	1-1/2	2-3/4	CTC-1361599
TILT						
	1341385		P-UB-10	2	4	CTC-1857688
	9T6929		P-UB-10	2	4	CTC-1857688
MODEL IT28G						
LIFT						
	1191060		P-UB-10	2-1/2	4-3/4	CTC-1361131
	6E1114		I-O-3	1	2	CTC-9T0418
	9T8823		I-O-3	1	2	CTC-9T0418
STEERING LH						
	1250374		P-UB-10	1-1/2	2-3/4	CTC-1361599
STEERING RH						
	1250373		P-UB-10	1-1/2	2-3/4	CTC-1856596
TILT						
	1191852		P-UB-10	2	4	CTC-1857688
	1273020		P-UB-10	2	4	CTC-1857688
MODEL IT38F						
LIFT						
	1148131		P-UB-10	3	4-3/4	CTC-1915030
STEERING						
	1050094		P-UB-10	1-3/4	3	CTC-1857025
TILT						
	1156963		P-UB-10	2-3/4	4-1/2	CTC-1933117
MODEL IT38G						
LIFT						
	1148131		P-UB-10	3	4-3/4	CTC-1570288

REPLACEMENT KITS FOR CATERPILLAR® EQUIPMENT

Integrated Toolcarriers						
APPLICATION	CYL #	Misc-Parts, Instructions, etc.	CODE	ROD	BORE	KIT #
MODEL IT38G						
STEERING						
	1050094		P-UB-10	1-3/4	3	CTC-7X2825
	1393312		P-UB-10	1-3/4	3	CTC-7X2825
MODEL IT62G						
LIFT RH						
	1188296		P-UB-10	3	6	CTC-7X2698
	1250024		P-UB-10	3	6	CTC-7X2698
STEERING						
	1188288		P-UB-10	1-3/4	3-1/2	CTC-7X2784
TILT						
	1349397		P-UB-10	3	5-1/4	CTC-3E3293
Landfill Compactors						
APPLICATION	CYL #	Misc-Parts, Instructions, etc.	CODE	ROD	BORE	KIT #
MODEL 816						
LIFT						
	1U2088		P-UB-10	2-1/2	4-3/4	CTC-7X2660
	4J9233		P-V-10	2	4-1/2	CTC-7X2770
STEERING						
	4T1574		P-UB-10	2	4	CTC-7X2789
STEERING LH						
	7J9356		P-UB-10	2	4	CTC-7X2755
STEERING RH						
	7J9355		P-UB-10	2	4	CTC-7X2755
MODEL 816B						
DOZER						
	1U2088		P-UB-10	2-1/2	4-3/4	CTC-1328811
DOZER LIFT						
	1U2088		P-UB-10	2-1/2	4-3/4	CTC-7X2660
STEERING						
	4T1574		P-UB-10	2	4	CTC-1328816
	6E5024		P-UB-10	2	4	CTC-1113302
STEERING LH						
	7J9356		P-UB-10	2	4	CTC-7X2755
MODEL 816F						
DOZER						
	1U2088		P-UB-10	2-1/2	4-3/4	CTC-1328811
STEERING						
	4T1574		P-UB-10	2	4	CTC-1328816
	6E5024		P-UB-10	2	4	CTC-1113302
MODEL 826B						
LIFT						
	7K9401		P-UB-10	2-1/4	5	CTC-7X2729
	8J2650		P-UB-10	2	4-1/2	CTC-7X2768
	9J7111		P-UB-10	2-1/2	5-1/2	CTC-7X2653
STEERING						
	7J9718		P-UB-10	2-1/4	5	CTC-7X2729

REPLACEMENT KITS FOR CATERPILLAR® EQUIPMENT

Landfill Compactors						
APPLICATION	CYL #	Misc-Parts, Instructions, etc.	CODE	ROD	BORE	KIT #
MODEL 826B						
STEERING LH						
	9J7087		P-UB-10	2-1/4	5	CTC-7X2729
STEERING RH						
	9J7086		P-UB-10	2-1/4	5	CTC-7X2729
MODEL 826C						
LIFT						
	8J2650		P-UB-10	2	4-1/2	CTC-7X2768
	9J7111		P-UB-10	2-1/2	5-1/2	CTC-7X2653
STEERING						
	9J7086		P-UB-10	2-1/4	5	CTC-9X6392
	9J7087		P-UB-10	2-1/4	5	CTC-9X6392
MODEL 826G						
DOZER						
	1164842		P-UB-10	3	4-3/4	CTC-1570288
STEERING						
	1175151		P-UB-10	2-1/2	4-1/2	CTC-1113300
MODEL 836, 836C						
LIFT						
	6J1272		P-V-10	2-1/2	6-1/2	CTC-7X2676
STEERING						
	9J8165		P-UB-10	2-1/4	5	CTC-9X6392
Loaders - Wheel						
APPLICATION	CYL #	Misc-Parts, Instructions, etc.	CODE	ROD	BORE	KIT #
MODEL 902						
UNSPECIFIED APPLICATION						
	9T4006		P-UB-10	1-1/2	3	CTC-7X2737
MODEL 904						
LIFT						
	4T8580		P-UB-10	2	3-3/4	CTC-7X2787
STEERING						
	1U4666		P-UB-10	1-1/2	2-3/4	CTC-7X2749
TILT						
	4T8581		P-UB-10	1-3/4	3-1/4	CTC-7X2764
MODEL 906						
BUCKET GRAPPLE						
	1649430		P-UB-10	1-1/4	2-1/2	CTC-1649430K
LIFT						
	1344485		P-UB-10	55 mm	100 mm	CTC-1344485K
MULTIPURPOSE BUCKET						
	1349838		P-UB-10	35 mm	70 mm	CTC-1349838K
	9T4006		P-UB-10	1-1/2	3	CTC-1856583
SIDE DUMP						
	1250373		P-UB-10	1-1/2	2-3/4	CTC-1856596
STEERING						
	1349838		P-UB-10	35 mm	70 mm	CTC-1349838K
STEERING RH						
	1250373		P-UB-10	1-1/2	2-3/4	CTC-1856596

REPLACEMENT KITS FOR CATERPILLAR® EQUIPMENT

Loaders - Wheel						
APPLICATION	CYL #	Misc-Parts, Instructions, etc.	CODE	ROD	BORE	KIT #
MODEL 906						
TILT						
	1350532		P-UB-10	50 mm	85 mm	CTC-1350532K
MODEL 908						
HIGH DUMP						
	1349848		P-UB-10	35 mm	70 mm	CTC-1349838K
MULTIPURPOSE BUCKET						
	9T4006		P-UB-10	1-1/2	3	CTC-1856583
SIDE DUMP						
	1250373		P-UB-10	1-1/2	2-3/4	CTC-1856596
MODEL 910						
BUCKET						
	8J5391		P-UB-10	1-1/2	3-1/2	CTC-7X2752
LIFT						
	7J5893		P-UB-10	2	4	CTC-1328816
	7J5894		P-UB-10	2	4	CTC-1328816
STEERING						
	1U4666		P-UB-10	1-1/2	2-3/4	CTC-7X2736
	1U4666		P-UB-10	1-1/2	2-3/4	CTC-8T1402
	8J0070		P-UB-10	1-1/2	2-3/4	CTC-7X2749
	9T5153		P-UB-10	1-1/2	2-3/4	CTC-7X2736
	9T7209		P-UB-10	1-1/2	2-3/4	CTC-1361599
	9T7210		P-UB-10	1-1/2	2-3/4	CTC-1361599
STEERING LH						
	6E5973		P-UB-10	1-1/2	2-3/4	CTC-1361599
STEERING RH						
	6E5985		P-UB-10	1-1/2	2-3/4	CTC-1361599
TILT						
	1U3164		P-UB-10	1-3/4	3-1/4	CTC-7X2764
	1U3165		P-UB-10	1-3/4	3-1/4	CTC-1328770
	7J5885		P-UB-10	1-3/4	3	CTC-7X2791
	9J7905		P-UB-10	1-3/4	3	CTC-7X2791
TILT EXT'D DUMP						
	1U3164		P-UB-10	1-3/4	3-1/4	CTC-7X2764
TOOL BAR						
	4H6711		P-V-10	1-1/4	4	CTC-8T1480
MODEL 910E, 910F						
BUCKET						
	8J5391		P-UB-10	1-1/2	3-1/2	CTC-7X2752
LIFT						
	6E5969		P-UB-10	2-1/4	4	CTC-1361171
	9T5745		P-UB-10	2-1/4	4	CTC-1361171
STEERING						
	9T7209		P-UB-10	1-1/2	2-3/4	CTC-1361599
	9T7210		P-UB-10	1-1/2	2-3/4	CTC-1361599
STEERING LH						
	6E5900		P-UB-10	1-3/4	2-3/4	CTC-1539053
	6E5973		P-UB-10	1-1/2	2-3/4	CTC-1361599

REPLACEMENT KITS FOR CATERPILLAR® EQUIPMENT

Loaders - Wheel						
APPLICATION	CYL #	Misc-Parts, Instructions, etc.	CODE	ROD	BORE	KIT #
MODEL 910E, 910F						
STEERING RH						
	6E5985		P-UB-10	1-1/2	2-3/4	CTC-1361599
TILT						
	6E5918		P-UB-10	2-1/4	4	CTC-1361171
	6E5966	Rod Bearing width- 0.98"	P-UB-10	2-1/2	4-3/4	CTC-1361131
	9T5778		P-UB-10	2-1/2	4-3/4	CTC-1358695
MODEL 914						
M.P. BUCKET TILT						
	4T4666		P-UB-10	2-1/2	4	CTC-7X2665
MODEL 914G						
STEERING						
	9T8823		I-O-3	1	2	CTC-9T0418
TILT						
	6E5918		P-UB-10	2-1/4	4	CTC-1361171
MODEL 916						
BUCKET						
	3G7365		P-UB-10	1-1/2	3-1/2	CTC-7X2752
LIFT						
	4T8648		P-UB-10	2-1/4	4-1/4	CTC-7X2750
LIFT LH						
	3G6563		P-UB-10	2-1/4	4-1/4	CTC-7X2750
PIN PULLER						
	6E5393		I-O-3	1	2	CTC-9T0418
STEERING						
	1U3322		P-UB-10	1-1/2	3	CTC-7X2751
TILT						
	3G6571		P-UB-10	2-1/2	4-3/4	CTC-1328811
MODEL 918F						
LIFT						
	1342327		P-UB-10	2-1/4	4	CTC-1546526
	9T3937		P-UB-10	2-1/4	4	CTC-1546526
PIN PULLER						
	6E5393		I-O-3	1	2	CTC-9T0418
STEERING						
	9T2637		P-UB-10	1-1/2	2-3/4	CTC-1361599
TILT						
	1107845		P-UB-10	2-1/2	4-1/2	CTC-1113300
	1342671		P-UB-10	2-1/2	4-1/2	CTC-1113300
	6E4651		P-UB-10	2-1/2	4-1/2	CTC-1113300
MODEL 920						
BUCKET						
	7J6789		P-UB-10	2	4	CTC-7X2789
	8J5663		P-UB-10	2	4	CTC-7X2789
BUCKET LH						
	6J2806		P-UB-10	2	4	CTC-7X2789
BUCKET RH						
	6J2805		P-UB-10	2	4	CTC-7X2789

REPLACEMENT KITS FOR CATERPILLAR® EQUIPMENT

Loaders - Wheel						
APPLICATION	CYL #	Misc-Parts, Instructions, etc.	CODE	ROD	BORE	KIT #
MODEL 920						
LIFT						
	3G5511		P-UB-10	2-1/4	4-1/4	CTC-7X2750
	3G5512		P-UB-10	2-1/4	4-1/4	CTC-7X2750
	6J8731		P-UB-10	2-1/4	4-1/4	CTC-7X2750
	6J8732		P-UB-10	2-1/4	4-1/4	CTC-7X2750
LIFT LH						
	7J9852		P-UB-10	2-1/4	4-1/4	CTC-7X2750
LIFT RH						
	7J9851		P-UB-10	2-1/4	4-1/4	CTC-7X2750
M.P. BUCKET LH						
	6J2806		P-UB-10	2	4	CTC-7X2789
M.P. BUCKET RH						
	6J2605		P-UB-10	2	4	CTC-7X2789
SIDE DUMP						
	8J5670		P-UB-10	2	4	CTC-7X2755
	8J5670		P-UB-10	2	4	CTC-7X7937
STEERING						
	6J5477		P-UB-10	1-1/2	3	CTC-7X2751
	7J9838		P-UB-10	1-1/2	3	CTC-1372530
	7J9838		P-UB-10	1-1/2	3	CTC-7X2751
TILT LH						
	3G5482		P-UB-10	2	4	CTC-1328816
	7J3052		P-UB-10	2	4	CTC-7X2789
	7J9676		P-UB-10	2	4	CTC-7X2789
TILT RH						
	3G5481		P-UB-10	2	4	CTC-1328816
	7J3051		P-UB-10	2	4	CTC-7X2789
	7J9675		P-UB-10	2	4	CTC-7X2789
MODEL 924						
M.P. BUCKET TILT						
	4T5545		P-UB-10	2-1/2	4-1/4	CTC-7X2663
MODEL 924F						
LIFT						
	1342327		P-UB-10	2-1/4	4	CTC-1546526
	9T3937		P-UB-10	2-1/4	4	CTC-1546526
STEERING						
	9T2637		P-UB-10	1-1/2	2-3/4	CTC-1361599
TILT						
	1107845		P-UB-10	2-1/2	4-1/2	CTC-1113300
	1342671		P-UB-10	2-1/2	4-1/2	CTC-1113300
	6E4651		P-UB-10	2-1/2	4-1/2	CTC-1113300
MODEL 924G						
LIFT						
	1417483		P-UB-10	2-1/2	4	CTC-1542501
	9T8823		I-O-3	1	2	CTC-9T0418
STEERING						
	1426251		P-UB-10	1-1/2	2-3/4	CTC-1361599

REPLACEMENT KITS FOR CATERPILLAR® EQUIPMENT

Loaders - Wheel						
APPLICATION	CYL #	Misc-Parts, Instructions, etc.	CODE	ROD	BORE	KIT #
MODEL 924G						
TILT						
	1525306		P-UB-10	2-1/2	4-3/4	CTC-1361131
MODEL 926						
BUCKET						
	4T9387		P-UB-10	2	4	CTC-1328816
LIFT						
	3G2991		P-UB-10	2-1/2	4-3/4	CTC-1328811
	3G2991		P-UB-10	2-1/2	4-3/4	CTC-7X2660
PIN PULLER						
	6E5393		I-O-3	1	2	CTC-9T0418
STEERING						
	3G3501		P-UB-10	1-1/2	3	CTC-7X2751
TILT						
	3G2798		P-UB-10	2-1/2	5-1/2	CTC-7X2671
	3G2798		P-UB-10	2-1/2	5-1/2	CTC-9X2047
MODEL 926E						
BUCKET						
	4T9387		P-UB-10	2	4	CTC-1328816
LIFT						
	3G2991		P-UB-10	2-1/2	4-3/4	CTC-1328811
	3G2991		P-UB-10	2-1/2	4-3/4	CTC-7X2660
STEERING						
	3G3501		P-UB-10	1-1/2	3	CTC-7X2751
	4T1574		P-UB-10	2	4	CTC-1328816
TILT						
	3G2798		P-UB-10	2-1/2	5-1/2	CTC-7X2671
	3G2798		P-UB-10	2-1/2	5-1/2	CTC-9X2047
	4T1063		P-UB-10	2	4-1/4	CTC-7X2766
MODEL 928F						
LIFT						
	1341383		P-UB-10	2-1/2	4-1/2	CTC-1113300
	6E1400		P-UB-10	2-1/2	4-1/2	CTC-1113300
PIN PULLER						
	6E5393		I-O-3	1	2	CTC-9T0418
STEERING						
	9T6646		P-UB-10	1-1/2	2-3/4	CTC-1361599
TILT						
	1341382	Rod Bearing width- 0.98"	P-UB-10	2-1/2	4-3/4	CTC-1361131
	9T6645	Rod Bearing width- 0.98"	P-UB-10	2-1/2	4-3/4	CTC-1361131
MODEL 928G						
COUPLER						
	2370946		P-UB-10	2-1/2	5	CTC-2138433
LIFT						
	1191060	Rod Bearing width- 0.98"	P-UB-10	2-1/2	4-3/4	CTC-1864382
STEERING LH						
	1250374		P-UB-10	1-1/2	2-3/4	CTC-1856596

REPLACEMENT KITS FOR CATERPILLAR® EQUIPMENT

Loaders - Wheel						
APPLICATION	CYL #	Misc-Parts, Instructions, etc.	CODE	ROD	BORE	KIT #
MODEL 928G						
STEERING RH						
	1250373		P-UB-10	1-1/2	2-3/4	CTC-1856596
TILT						
	1188105		P-UB-10	2-1/2	5	CTC-2275347
MODEL 930						
BUCKET						
	7J6789		P-UB-10	2	4	CTC-7X2789
	8J5663		P-UB-10	2	4	CTC-7X2789
BUCKET LH						
	6J2806		P-UB-10	2	4	CTC-7X2789
BUCKET RH						
	6J2805		P-UB-10	2	4	CTC-7X2789
LIFT						
	3G5471		P-UB-10	2-1/4	4-1/2	CTC-1326770
	4T0299		P-UB-10	2-1/4	4-1/2	CTC-7X2748
LIFT LH						
	7J9872		P-UB-10	2-1/4	4-1/2	CTC-7X2747
LIFT RH						
	7J9871		P-UB-10	2-1/4	4-1/2	CTC-7X2747
LOG FORK LH						
	8J5677		P-V-10	2	5	CTC-7X2763
LOG FORK RH						
	8J5676		P-V-10	2	5	CTC-7X2763
SIDE DUMP						
	8J5670		P-UB-10	2	4	CTC-7X2755
	8J5670		P-UB-10	2	4	CTC-7X7937
STEERING						
	7J9838		P-UB-10	1-1/2	3	CTC-1372530
	7J9838		P-UB-10	1-1/2	3	CTC-7X2751
TILT LH						
	7J9730		P-UB-10	2	4-1/4	CTC-7X2766
TILT RH						
	7J9729		P-UB-10	2	4-1/4	CTC-7X2766
MODEL 930R, 930T						
ARTICULATION						
	9T2447	930R only	P-UB-10	1-3/4	3	CTC-7X2825
LIFT LH						
	7J9872		P-UB-10	2-1/4	4-1/2	CTC-7X2747
LIFT RH						
	7J9871		P-UB-10	2-1/4	4-1/2	CTC-7X2747
STEERING						
	7J9838		P-UB-10	1-1/2	3	CTC-1372530
	7J9838		P-UB-10	1-1/2	3	CTC-7X2751
TILT LH						
	7J9730		P-UB-10	2	4-1/4	CTC-7X2766
TILT RH						
	7J9729		P-UB-10	2	4-1/4	CTC-7X2766

REPLACEMENT KITS FOR CATERPILLAR® EQUIPMENT

Loaders - Wheel						
APPLICATION	CYL #	Misc-Parts, Instructions, etc.	CODE	ROD	BORE	KIT #
MODEL 936						
LIFT						
	3G2991		P-UB-10	2-1/2	4-3/4	CTC-7X2660
	4T1674		P-UB-10	2-1/2	5-1/2	CTC-7X2672
	9T1196		P-UB-10	2-1/2	5-1/2	CTC-7X2672
PIN COUPLER						
	4T9981		I-O-3	1	2	CTC-9T0418
	6E5392		I-O-3	1	2	CTC-9T0418
	6E5393		I-O-3	1	2	CTC-9T0418
	9T8485		I-O-3	1	2	CTC-9T0418
STEERING						
	3G5110		P-UB-10	1-3/4	3-1/2	CTC-7X2784
TILT						
	3G5291		P-UB-10	2-3/4	6-1/2	CTC-7X2686
MODEL 936E						
LIFT						
	3G2991		P-UB-10	2-1/2	4-3/4	CTC-7X2660
	4T0263		P-UB-10	2-1/2	4-3/4	CTC-7X2660
	4T0263		P-UB-10	2-1/2	4-3/4	CTC-7X2673
	4T1674		P-UB-10	2-1/2	5-1/2	CTC-7X2672
	9T1196		P-UB-10	2-1/2	5-1/2	CTC-7X2672
M.P. BUCKET						
	4T9387		P-UB-10	2	4	CTC-7X2789
M.P. BUCKET TILT						
	4T5545		P-UB-10	2-1/2	4-1/4	CTC-7X2663
PIN COUPLER						
	4T9981		I-O-3	1	2	CTC-9T0418
	9T2352		I-O-3	1	2	CTC-9T0418
	9T8485		I-O-3	1	2	CTC-9T0418
STEERING						
	3G3501		P-UB-10	1-1/2	3	CTC-7X2751
	3G5110		P-UB-10	1-3/4	3-1/2	CTC-7X2784
TILT						
	3G5291		P-UB-10	2-3/4	6-1/2	CTC-7X2686
MODEL 936F						
LIFT						
	9T1196		P-UB-10	2-1/2	5-1/2	CTC-7X2672
PIN PULLER						
	6E5393		I-O-3	1	2	CTC-9T0418
STEERING						
	3G5110		P-UB-10	1-3/4	3-1/2	CTC-7X2784
	6E2035		P-UB-10	1-3/4	3-1/2	CTC-7X2784
TILT						
	3G5291		P-UB-10	2-3/4	6-1/2	CTC-7X2686
MODEL 938F						
LIFT						
	1287678		P-UB-10	2-1/2	5	CTC-1361967
	9T7160	Rod Bearing width- 0.98"	P-UB-10	2-1/2	4-3/4	CTC-1361131

REPLACEMENT KITS FOR CATERPILLAR® EQUIPMENT

Loaders - Wheel						
APPLICATION	CYL #	Misc-Parts, Instructions, etc.	CODE	ROD	BORE	KIT #
MODEL 938F						
STEERING						
	1050094		P-UB-10	1-3/4	3	CTC-7X2825
TILT						
	1377855		P-UB-10	2-3/4	5-1/2	CTC-1358736
	9T7161		P-UB-10	2-3/4	5-1/2	CTC-1358736
MODEL 938G						
COUPLER						
	2080828		P-UB-10	2-1/2	5	CTC-2138433
	2370946		P-UB-10	2-1/2	5	CTC-2138433
LIFT						
	1KM1-1123; 2RM1-1123; 7SN1-384					
	9T7160	Head# 1206679	P-UB-10	2-1/2	4-3/4	CTC-1864382
	9T7160	Head# 9T3609	P-UB-10	2-1/2	4-3/4	CTC-9X2151
	1KM1124-; 2RM1124-; 7SN385-					
	1287678		P-UB-10	2-1/2	5	CTC-1361967
STEERING						
	1050094		P-UB-10	1-3/4	3	CTC-7X2825
	1393312		P-UB-10	1-3/4	3	CTC-7X2825
TILT						
	4YS1-					
	1377855		P-UB-10	2-3/4	5-1/2	CTC-1358736
	9T7161		P-UB-10	2-3/4	5-1/2	CTC-1358736
MODEL 944, 944A						
LOG FORK LH						
	8J5677		P-V-10	2	5	CTC-7X2763
LOG FORK RH						
	8J5676		P-V-10	2	5	CTC-7X2763
MODEL 950						
LIFT						
	7J9690		P-UB-10	2-1/2	5-1/2	CTC-9X2050
LIFT LH						
	1U1147		P-UB-10	3	6	CTC-7X2698
LIFT RH						
	1U1148		P-UB-10	3	6	CTC-7X2698
LOG FORK LH						
	8J5677		P-V-10	2	5	CTC-7X2763
LOG FORK RH						
	8J5676		P-V-10	2	5	CTC-7X2763
SIDE DUMP						
	8J5690		P-V-10	2	5	CTC-7X2763
STEERING						
	3G0892		P-UB-10	1-3/4	3-1/2	CTC-7X2762
	3G0892		P-UB-10	1-3/4	3-1/2	CTC-7X2784
	7J9685		P-UB-10	1-1/2	3-1/2	CTC-7X2812
TILT						
	3G8786		P-UB-10	3-1/4	7	CTC-7X2704
	7J9695		P-UB-10	2-1/2	5-1/2	CTC-9X2050

REPLACEMENT KITS FOR CATERPILLAR® EQUIPMENT

Loaders - Wheel						
APPLICATION	CYL #	Misc-Parts, Instructions, etc.	CODE	ROD	BORE	KIT #
MODEL 950						
TILT LH						
	7J9696		P-UB-10	2-1/2	5-1/2	CTC-9X2050
TILT RH						
	7J9363		P-UB-10	2-1/2	6	CTC-1363121
TREE HARVESTER DELIMBER						
	8J3829		P-UB-10	2	4	CTC-7X2789
	9J2481		P-UB-10	1-3/4	3	CTC-7X2791
MODEL 950B, 950E, 950F						
LIFT						
	4T0263	950B & 950E only	P-UB-10	2-1/2	4-3/4	CTC-1328811
	4T0263		P-UB-10	2-1/2	4-3/4	CTC-7X2660
	4T0263		P-UB-10	2-1/2	4-3/4	CTC-7X2673
	7J9902	950F only	P-UB-10	2	4-1/4	CTC-7X2819
LIFT LH						
	1U1147		P-UB-10	3	6	CTC-7X2698
LIFT RH						
	1U1148		P-UB-10	3	6	CTC-7X2698
STEERING						
	3G0892		P-UB-10	1-3/4	3-1/2	CTC-7X2784
	6E3889		P-UB-10	1-3/4	3-1/2	CTC-7X2784
	6E4892		P-UB-10	1-3/4	3-1/2	CTC-7X2784
	6E5024	950B & 950F only	P-UB-10	2	4	CTC-1113302
TILT						
	3G8786		P-UB-10	3-1/4	7	CTC-1328518
MODEL 950G						
COUPLER						
	2080828		P-UB-10	2-1/2	5	CTC-2138433
	2370946		P-UB-10	2-1/2	5	CTC-2138433
LIFT						
	1188296		P-UB-10	3	6	CTC-7X2698
	1250024		P-UB-10	3	6	CTC-7X2698
STEERING						
	1188288	Head# 1537182	P-UB-10	1-3/4	3-1/2	CTC-2281795
	1630324	Head# 1630329	P-UB-10	1-3/4	3-1/2	CTC-2281795
	4BS1-413; 3JW1-684; 5FW1-784					
	1188288	Head# 9T7890	P-UB-10	1-3/4	3-1/2	CTC-7X2784
TILT						
	1189001		P-UB-10	3-1/4	7	CTC-7X2710
	1518206		P-UB-10	3-1/4	8-1/2	CTC-1518206K
MODEL 950H						
COUPLER						
	2370946		P-UB-10	2-1/2	5	CTC-2138433
LIFT						
	2424271		P-UB-10	3-1/4	5-3/4	CTC-2424271K
	2424272		P-UB-10	3-1/4	5-3/4	CTC-2424272K
STEERING						
	1630324		P-UB-10	1-3/4	3-1/2	CTC-2281795

REPLACEMENT KITS FOR CATERPILLAR® EQUIPMENT

Loaders - Wheel						
APPLICATION	CYL #	Misc-Parts, Instructions, etc.	CODE	ROD	BORE	KIT #
MODEL 950H						
TILT						
	2424270		P-UB-10	3-1/4	6-1/4	CTC-2424270K
	2457487		P-UB-10	3-1/2	7-1/2	CTC-2457487K
	2457491		P-UB-10	3-1/4	6-1/4	CTC-2457491K
MODEL 960F						
LIFT						
	7J9902		P-UB-10	2	4-1/4	CTC-7X2819
LIFT LH						
	1U1147		P-UB-10	3	6	CTC-7X2698
LIFT RH						
	1U1148		P-UB-10	3	6	CTC-7X2698
STEERING						
	3G0892		P-UB-10	1-3/4	3-1/2	CTC-7X2784
	6E3889		P-UB-10	1-3/4	3-1/2	CTC-7X2784
	6E4892		P-UB-10	1-3/4	3-1/2	CTC-7X2784
TILT						
	3G8786		P-UB-10	3-1/4	7	CTC-1328518
MODEL 960G, 962G						
LIFT RH						
	1188296		P-UB-10	3	6	CTC-7X2698
	1250024		P-UB-10	3	6	CTC-7X2698
STEERING						
	1188288		P-UB-10	1-3/4	3-1/2	CTC-7X2784
TILT						
	1294447		P-UB-10	3-1/4	7	CTC-7X2710
MODEL 966						
LIFT						
	9J2434		P-UB-10	2-1/2	6-1/2	CTC-7X2666
STEERING						
	6E5024		P-UB-10	2	4	CTC-1113302
STEERING LH						
	7J9356		P-UB-10	2	4	CTC-7X2755
TILT						
	3G5497		P-UB-14	3-1/4	8-1/4	CTC-7X2703
TILT LH						
	7J9364		P-UB-10	2-1/2	6	CTC-7X2669
MODEL 966A						
LOG FORK LH						
	8J5677		P-V-10	2	5	CTC-7X2763
LOG FORK RH						
	8J5676		P-V-10	2	5	CTC-7X2763
SIDE DUMP						
	8J5733		P-V-10	2	5	CTC-7X2763
TILT LH						
	6J6874		P-UB-10	2-1/2	6	CTC-7X2669
	7J9364		P-UB-10	2-1/2	6	CTC-7X2669
	7J9364		P-UB-10	2-1/2	6	CTC-8T2066

REPLACEMENT KITS FOR CATERPILLAR® EQUIPMENT

Loaders - Wheel						
APPLICATION	CYL #	Misc-Parts, Instructions, etc.	CODE	ROD	BORE	KIT #
MODEL 966A						
TILT RH						
	6J6873		P-UB-10	2-1/2	6	CTC-7X2669
	7J9363		P-UB-10	2-1/2	6	CTC-7X2669
	7J9363		P-UB-10	2-1/2	6	CTC-8T2066
MODEL 966B						
LIFT						
	9J2434		P-UB-10	2-1/2	6-1/2	CTC-7X2666
LIFT RH						
	4J7859		P-UB-10	2	4	CTC-7X2755
LOG FORK						
	8J5755		P-UB-10	2-1/4	5	CTC-7X2729
LOG FORK LH						
	8J5677		P-V-10	2	5	CTC-7X2763
LOG FORK RH						
	8J5676		P-V-10	2	5	CTC-7X2763
SIDE DUMP						
	8J5733		P-V-10	2	5	CTC-7X2763
SPECIAL APPLICATION						
	4J9996		P-UB-10	2-1/2	7-1/4	CTC-7X2661
STEERING LH						
	7J9356		P-UB-10	2	4	CTC-7X2755
STEERING RH						
	7J9355		P-UB-10	2	4	CTC-7X2755
TILT LH						
	6J6874		P-UB-10	2-1/2	6	CTC-7X2669
	7J9364		P-UB-10	2-1/2	6	CTC-7X2669
	7J9364		P-UB-10	2-1/2	6	CTC-8T2066
TILT RH						
	6J6873		P-UB-10	2-1/2	6	CTC-7X2669
	7J9363		P-UB-10	2-1/2	6	CTC-7X2669
	7J9363		P-UB-10	2-1/2	6	CTC-8T2066
MODEL 966C						
BUCKET TILT LH						
	5J2464		P-UB-10	2-1/2	6	CTC-8T2066
BUCKET TILT RH						
	5J2463		P-UB-10	2-1/2	6	CTC-8T2066
LIFT						
	3G5471		P-UB-10	2-1/4	4-1/2	CTC-1326770
	9J2434		P-UB-10	2-1/2	6-1/2	CTC-7X2666
LOG FORK						
	8J5755		P-UB-10	2-1/4	5	CTC-7X2729
LOG FORK LH						
	4K0502		P-V-10	2	5	CTC-7X2763
	8J5677		P-V-10	2	5	CTC-7X2763
LOG FORK RH						
	8J5676		P-V-10	2	5	CTC-7X2763

REPLACEMENT KITS FOR CATERPILLAR® EQUIPMENT

Loaders - Wheel						
APPLICATION	CYL #	Misc-Parts, Instructions, etc.	CODE	ROD	BORE	KIT #
MODEL 966C						
SIDE DUMP						
	8J5733		P-V-10	2	5	CTC-7X2763
SPECIAL APPLICATION						
	4J9996		P-UB-10	2-1/2	7-1/4	CTC-7X2661
STEERING LH						
	7J9356		P-UB-10	2	4	CTC-7X2755
STEERING RH						
	7J9355		P-UB-10	2	4	CTC-7X2755
TILT LH						
	6J6874		P-UB-10	2-1/2	6	CTC-7X2669
	7J9364		P-UB-10	2-1/2	6	CTC-7X2669
	7J9364		P-UB-10	2-1/2	6	CTC-8T2066
TILT RH						
	6J6873		P-UB-10	2-1/2	6	CTC-7X2669
	6J6873		P-UB-10	2-1/2	6	CTC-8T2066
	6J6875		P-UB-10	2-1/2	6	CTC-8T2066
	6J6876		P-UB-10	2-1/2	6	CTC-8T2066
	7J9363		P-UB-10	2-1/2	6	CTC-1363121
	7J9363		P-UB-10	2-1/2	6	CTC-7X2669
MODEL 966D						
LIFT LH						
	3G5495		P-UB-10	3-1/4	7	CTC-7X2710
LIFT RH						
	3G5496		P-UB-10	3-1/4	7	CTC-7X2710
STEERING						
	4T1574		P-UB-10	2	4	CTC-1328816
	6E4892		P-UB-10	1-3/4	3-1/2	CTC-7X2784
	6E5024		P-UB-10	2	4	CTC-1113302
	9J7061		P-UB-10	2	4	CTC-7X2789
TILT						
	3G5497		P-UB-14	3-1/4	8-1/4	CTC-7X2703
MODEL 966E, 966F						
LIFT LH						
	3G5495		P-UB-10	3-1/4	7	CTC-7X2710
LIFT RH						
	3G5496		P-UB-10	3-1/4	7	CTC-7X2710
STEERING						
	4T1574		P-UB-10	2	4	CTC-1328816
	6E5024		P-UB-10	2	4	CTC-1113302
	9J7061	966E only	P-UB-10	2	4	CTC-7X2789
TILT						
	3G5497		P-UB-14	3-1/4	8-1/4	CTC-7X2703
MODEL 966G						
LIFT LH						
	1332964		P-UB-10	3-1/4	7	CTC-7X2710
LIFT RH						
	1332963		P-UB-10	3-1/4	7	CTC-7X2710

REPLACEMENT KITS FOR CATERPILLAR® EQUIPMENT

Loaders - Wheel						
APPLICATION	CYL #	Misc-Parts, Instructions, etc.	CODE	ROD	BORE	KIT #
MODEL 966G						
STEERING						
	1331747		P-UB-10	2	3-1/2	CTC-7X2783
TILT						
	1332962		P-UB-10	3-1/4	9-1/4	CTC-1332962K
	1449005		P-UB-10	3-1/4	8-1/4	CTC-2281780
	1713953		P-UB-10	3-1/4	8-1/4	CTC-2281780
	1882445		P-UB-10	3-1/2	9-1/4	CTC-2282533
MODEL 966H						
LIFT						
	2424274		P-UB-10	3-1/2	6-1/4	CTC-2959888
	2424275		P-UB-10	3-1/2	6-1/4	CTC-2959888
STEERING						
	1331747		P-UB-10	2	3-1/2	CTC-7X2783
TILT						
	2424273		P-UB-10	3-1/4	170 mm	CTC-2424273K
	2448777		P-UB-10	3-3/4	7-3/4	CTC-2448777K
	2457484		P-UB-10	3-1/4	170 mm	CTC-2457484K
MODEL 966R						
LIFT						
	9J2434		P-UB-10	2-1/2	6-1/2	CTC-7X2666
STEERING LH						
	7J9356		P-UB-10	2	4	CTC-7X2755
STEERING RH						
	7J9355		P-UB-10	2	4	CTC-7X2755
TILT LH						
	7J9364		P-UB-10	2-1/2	6	CTC-1363121
	7J9364		P-UB-10	2-1/2	6	CTC-7X2669
	7J9364		P-UB-10	2-1/2	6	CTC-8T2066
TILT RH						
	7J9363		P-UB-10	2-1/2	6	CTC-1363121
	7J9363		P-UB-10	2-1/2	6	CTC-7X2669
	7J9363		P-UB-10	2-1/2	6	CTC-8T2066
MODEL 970F						
LIFT LH						
	6E5879		P-UB-10	3-1/4	7	CTC-7X2710
LIFT RH						
	6E5878		P-UB-10	3-1/4	7	CTC-7X2710
STEERING						
	4T1574		P-UB-10	2	4	CTC-1328816
	6E5024		P-UB-10	2	4	CTC-1113302
TILT						
	3G5497		P-UB-14	3-1/4	8-1/4	CTC-7X2703
MODEL 972G						
LIFT LH						
	1332964		P-UB-10	3-1/4	7	CTC-7X2710
LIFT RH						
	1332963		P-UB-10	3-1/4	7	CTC-7X2710

REPLACEMENT KITS FOR CATERPILLAR® EQUIPMENT

Loaders - Wheel						
APPLICATION	CYL #	Misc-Parts, Instructions, etc.	CODE	ROD	BORE	KIT #
MODEL 972G						
STEERING						
	1331747		P-UB-10	2	3-1/2	CTC-7X2783
MODEL 980, 980B						
LIFT						
	7J9818	980B only	P-V-10	2-1/2	6-1/2	CTC-7X2678
	7J9818		P-UB-10	3	7-1/4	CTC-7X2699
LOG FORK						
	8J5767		P-UB-10	2-1/4	5	CTC-7X2729
STEERING LH						
	7J9786		P-UB-10	2-1/4	4-1/2	CTC-7X2747
STEERING RH						
	7J9785		P-UB-10	2-1/4	4-1/2	CTC-7X2747
TILT LH						
	7J9742		P-UB-10	2-1/2	5-1/2	CTC-9X2050
TILT RH						
	7J9741		P-UB-10	2-1/2	5-1/2	CTC-9X2050
MODEL 980C						
LIFT						
	9J5559		P-UB-10	3-1/2	7-1/2	CTC-7X2730
	9J8002		P-UB-10	2-3/4	5-1/2	CTC-7X2684
LIFT-DEEPER DIG						
	1U3527		P-UB-10	3-1/2	7-1/2	CTC-7X2730
LIFT-HIGH						
	4T6791		P-UB-10	3	6-1/4	CTC-7X2701
	4T7949		P-UB-10	3	6-1/4	CTC-7X2701
LOGGER TILT						
	3G5069		P-UB-10	2-3/4	7	CTC-7X2691
	3G5070		P-UB-10	2-3/4	7	CTC-7X2691
STEERING						
	6E6653		P-UB-10	2-1/4	4-1/2	CTC-1354392
STEERING LH						
	9J6536		P-UB-10	2-1/4	4-1/2	CTC-1373529
STEERING RH						
	9J5869		P-UB-10	2-1/4	4-1/2	CTC-1373529
TILT						
	1U0418		P-UB-10	3	5-1/2	CTC-7X2813
	9T2418		P-UB-10	3	6-1/4	CTC-7X2701
	9T2419		P-UB-10	3	6-1/4	CTC-7X2701
TILT LH						
	3G1306		P-UB-10	2-3/4	6-1/4	CTC-7X2688
	3G1306		P-UB-10	2-3/4	6-1/4	CTC-7X2688
	3G5070		P-UB-10	2-3/4	7	CTC-1328284
	4T6791		P-UB-10	3	6-1/4	CTC-7X2701
	9T2419		P-UB-10	3	6-1/4	CTC-1328491

REPLACEMENT KITS FOR CATERPILLAR® EQUIPMENT

Loaders - Wheel						
APPLICATION	CYL #	Misc-Parts, Instructions, etc.	CODE	ROD	BORE	KIT #
MODEL 980C						
TILT RH						
	3G1305		P-UB-10	2-3/4	6-1/4	CTC-7X2688
	3G5069		P-UB-10	2-3/4	7	CTC-1328284
	4T7949		P-UB-10	3	6-1/4	CTC-7X2701
	6E4866		P-UB-10	2-3/4	6-1/4	CTC-7X2688
	9T2418		P-UB-10	3	6-1/4	CTC-1328491
MODEL 980F						
LIFT						
	1U3527		P-UB-10	3-1/2	7-1/2	CTC-7X2730
STEERING						
	6E6653		P-UB-10	2-1/4	4-1/2	CTC-1354392
STEERING LH						
	9J6536		P-UB-10	2-1/4	4-1/2	CTC-1373529
STEERING RH						
	9J5869		P-UB-10	2-1/4	4-1/2	CTC-1373529
TILT LH						
	3G1306		P-UB-10	2-3/4	6-1/4	CTC-7X2688
	3G5070		P-UB-10	2-3/4	7	CTC-1328284
	4T6791		P-UB-10	3	6-1/4	CTC-7X2701
	9T2419		P-UB-10	3	6-1/4	CTC-1328491
TILT RH						
	3G1305		P-UB-10	2-3/4	6-1/4	CTC-7X2688
	3G5069		P-UB-10	2-3/4	7	CTC-1328284
	4T7949		P-UB-10	3	6-1/4	CTC-7X2701
	6E4866		P-UB-10	2-3/4	6-1/4	CTC-7X2688
	9T2418		P-UB-10	3	6-1/4	CTC-1328491
MODEL 980G						
LIFT						
	1118181		P-UB-10	3-1/2	7-3/4	CTC-2281775
STEERING						
	1151371		P-UB-10	2-1/4	4	CTC-1546526
TILT						
	1463032		P-UB-10	3	7	CTC-1605796
TILT LH						
	1125004		P-UB-10	2-3/4	6-1/4	CTC-7X2688
	1240617		P-UB-10	3	7	CTC-1605796
	1246227		P-UB-10	3	6-1/4	CTC-1917694
	1463035		P-UB-10	3	7	CTC-1605796
TILT RH						
	1125003		P-UB-10	2-3/4	6-1/4	CTC-7X2688
	1240616		P-UB-10	3	7	CTC-1605796
	1246228		P-UB-10	3	6-1/4	CTC-1917694
MODEL 980H						
LIFT						
	1118181		P-UB-10	3-1/2	7-3/4	CTC-2281775
STEERING						
	1151371		P-UB-10	2-1/4	4	CTC-1546526

REPLACEMENT KITS FOR CATERPILLAR® EQUIPMENT

Loaders - Wheel						
APPLICATION	CYL #	Misc-Parts, Instructions, etc.	CODE	ROD	BORE	KIT #
MODEL 980H						
TILT LH						
	1125004		P-UB-10	2-3/4	6-1/4	CTC-7X2688
	1240617		P-UB-10	3	7	CTC-1605796
	1246227		P-UB-10	3	6-1/4	CTC-1917694
TILT RH						
	1125003		P-UB-10	2-3/4	6-1/4	CTC-7X2688
	1240616		P-UB-10	3	7	CTC-1605796
	1246228		P-UB-10	3	6-1/4	CTC-1917694
MODEL 988						
LIFT						
	4J7377		P-UB-10	3-1/4	8-1/4	CTC-7X2715
	7J9744		P-UB-10	3-1/4	8-1/4	CTC-7X2717
	9J4893		P-UB-10	3-1/4	8-1/4	CTC-7X2717
STEERING						
	6J7590		P-UB-10	2-1/4	5	CTC-7X2729
	7J9718		P-UB-10	2-1/4	5	CTC-7X2729
	7J9984		P-UB-10	2-1/4	5	CTC-7X2729
TILT						
	9J3632		P-UB-10	3-1/4	7-3/4	CTC-7X2706
TILT LH						
	4J5744		P-UB-10	2-1/2	6-1/2	CTC-8T1376
	7J9762		P-UB-10	2-3/4	6-1/2	CTC-7X2689
TILT RH						
	4J5743		P-UB-10	2-1/2	6-1/2	CTC-8T1376
	7J9761		P-UB-10	2-3/4	6-1/2	CTC-7X2689
UNSPECIFIED APPLICATION						
	7K9401		P-UB-10	2-1/4	5	CTC-7X2729
MODEL 988B						
BUCKET LIFT						
	9T8257		P-UB-10	4	8-1/2	CTC-7X2742
LIFT						
	1U4679		P-UB-10	4	8-1/2	CTC-7X2734
	4T7585		P-UB-10	4	8-1/2	CTC-7X2742
	8J5779		P-UB-10	4	8-1/2	CTC-7X2734
	9T8257		P-UB-10	4	8-1/2	CTC-7X2742
LOGGER TILT						
	3G2976		P-UB-10	3-1/2	8-1/2	CTC-7X2719
STEERING						
	5R4547		P-UB-10	2-1/4	5	CTC-9X6392
	9J8165		P-UB-10	2-1/4	5	CTC-9X6392
TILT						
	3G2976		P-UB-10	3-1/2	8-1/2	CTC-7X2719
	4T6792		P-UB-10	3-1/2	7-3/4	CTC-1570284
	9J3632		P-UB-10	3-1/4	7-3/4	CTC-7X2706
MODEL 988F						
LIFT						
	9T8257		P-UB-10	4	8-1/2	CTC-7X2742

REPLACEMENT KITS FOR CATERPILLAR® EQUIPMENT

Loaders - Wheel						
APPLICATION	CYL #	Misc-Parts, Instructions, etc.	CODE	ROD	BORE	KIT #
MODEL 988F						
STEERING						
	9J8165		P-UB-10	2-1/4	5	CTC-9X6392
TILT						
	3G2976		P-UB-10	3-1/2	8-1/2	CTC-7X2719
	4T6792		P-UB-10	3-1/2	7-3/4	CTC-1570284
	9J3632		P-UB-10	3-1/4	7-3/4	CTC-7X2706
MODEL 988G						
LIFT						
	1521644		P-UB-10	4-1/2	220 mm	CTC-2295546
LIFT LH						
	1686943	Logging Arrangement	P-UB-10	5	9-1/4	CTC-1686943K
LIFT RH						
	1686942	Logging Arrangement	P-UB-10	5	9-1/4	CTC-1686942K
STEERING LH						
	1338173		P-UB-10	2-1/2	4	CTC-1542501
	2594733		P-UB-10	2-1/2	4	CTC-2594733K
STEERING RH						
	1353288		P-UB-10	2-1/2	4	CTC-1542501
	2594737		P-UB-10	2-1/2	4	CTC-2594737K
TILT						
	1521644	High Lift Arrangement	P-UB-10	4-1/2	220 mm	CTC-2295546
	1686944		P-UB-10	4-1/2	9-1/4	CTC-1686944K
	2311955		P-UB-10	4-1/2	220 mm	CTC-2295546
MODEL 990						
STEERING LH						
	6E1244		P-UB-14	3-1/4	5-1/2	CTC-1354539
STEERING RH						
	9T9568		P-UB-14	3-1/4	5-1/2	CTC-1354539
TILT						
	1459897		P-UB-10	5-3/4	11-1/2	CTC-1354382
	9T9570		P-UB-10	5-3/4	11-1/2	CTC-1354382
MODEL 992, 992B						
LIFT						
	7J8969		P-UB-10	6-1/2	10-1/2	CTC-8T1456
LIFT LH						
	7J8970		P-UB-10	6-1/2	10-1/2	CTC-8T1456
	8J5978		P-UB-10	6-1/2	10-1/2	CTC-8T1456
LIFT RH						
	8J5977		P-UB-10	6-1/2	10-1/2	CTC-8T1456
STEERING						
	7J9800		P-UB-10	2-1/2	5-1/2	CTC-8T1374
	8J6339		P-UB-10	2-1/2	5-1/2	CTC-7X2653
	8J6339		P-UB-10	2-1/2	5-1/2	CTC-8T1374
	9K5707		P-UB-10	2-1/2	5-1/2	CTC-8T1374
TILT LH						
	8J6338		P-UB-10	3-1/2	8-1/2	CTC-7X2719

REPLACEMENT KITS FOR CATERPILLAR® EQUIPMENT

Loaders - Wheel						
APPLICATION	CYL #	Misc-Parts, Instructions, etc.	CODE	ROD	BORE	KIT #
MODEL 992, 992B						
TILT RH						
	8J6337		P-UB-10	3-1/2	8-1/2	CTC-7X2719
MODEL 992C						
LIFT						
	1U1771		P-UB-10	7	11-1/2	CTC-7X2809
	9J2994		P-UB-10	7	11-1/2	CTC-7X2809
LIFT HIGH						
	1U1771		P-UB-10	7	11-1/2	CTC-7X2809
	9J2994		P-UB-10	7	11-1/2	CTC-7X2809
STEERING						
	9J5419		P-UB-10	3-1/4	7	CTC-7X2710
TILT HIGH						
	1U1766		P-UB-10	4	10	CTC-7X2811
	1U1767		P-UB-10	4	10	CTC-7X2811
TILT LH						
	3G4599		P-UB-14	4	10	CTC-7X2810
TILT RH						
	3G4598		P-UB-14	4	10	CTC-7X2810
MODEL 992D						
LIFT						
	1028731		P-UB-10	7	11-1/2	CTC-7X2809
	1U1771		P-UB-10	7	11-1/2	CTC-7X2809
	9J2994		P-UB-10	7	11-1/2	CTC-7X2809
STEERING						
	9J5419		P-UB-10	3-1/4	7	CTC-7X2710
TILT LH						
	1026248		P-UB-14	4	10	CTC-7X2810
	1U1767		P-UB-10	4	10	CTC-7X2811
	3G4599		P-UB-14	4	10	CTC-7X2810
TILT RH						
	1026247		P-UB-14	4	10	CTC-7X2810
	1U1766		P-UB-10	4	10	CTC-7X2811
	3G4598		P-UB-14	4	10	CTC-7X2810
MODEL G910						
LIFT						
	7J5893		P-UB-10	2	4	CTC-1328816
	7J5894		P-UB-10	2	4	CTC-1328816
STEERING						
	1U4666		P-UB-10	1-1/2	2-3/4	CTC-7X2736
	1U4666		P-UB-10	1-1/2	2-3/4	CTC-8T1402
TILT						
	1U3165		P-UB-10	1-3/4	3-1/4	CTC-1328770
	1U4666		P-UB-10	1-1/2	2-3/4	CTC-7X2749
	7J5885		P-UB-10	1-3/4	3	CTC-7X2791
	7J5893		P-UB-10	2	4	CTC-7X2789
	7J5894		P-UB-10	2	4	CTC-7X2789

REPLACEMENT KITS FOR CATERPILLAR® EQUIPMENT

Loaders - Wheel						
APPLICATION	CYL #	Misc-Parts, Instructions, etc.	CODE	ROD	BORE	KIT #
MODEL G916						
LIFT	4T8648		P-UB-10	2-1/4	4-1/4	CTC-7X2750
PIN PULLER	6E5393		I-O-3	1	2	CTC-9T0418
STEERING	1U3322		P-UB-10	1-1/2	3	CTC-7X2751
TILT	3G6571		P-UB-10	2-1/2	4-3/4	CTC-1328811
MODEL G926						
LIFT	3G2991		P-UB-10	2-1/2	4-3/4	CTC-1328811
	3G2991		P-UB-10	2-1/2	4-3/4	CTC-7X2660
PIN PULLER	6E5393		I-O-3	1	2	CTC-9T0418
STEERING	3G3501		P-UB-10	1-1/2	3	CTC-7X2751
TILT	3G2798		P-UB-10	2-1/2	5-1/2	CTC-8T3576
	3G2798		P-UB-10	2-1/2	5-1/2	CTC-9X2047
MODEL G936						
LIFT	4T1674		P-UB-10	2-1/2	5-1/2	CTC-7X2672
	9T1196		P-UB-10	2-1/2	5-1/2	CTC-7X2672
PIN PULLER	6E5393		I-O-3	1	2	CTC-9T0418
STEERING	3G5110		P-UB-10	1-3/4	3-1/2	CTC-7X2784
TILT	3G5291		P-UB-10	2-3/4	6-1/2	CTC-7X2686
Motor Graders						
APPLICATION	CYL #	Misc-Parts, Instructions, etc.	CODE	ROD	BORE	KIT #
MODEL 12						
STEERING	4J4115		P-UB-10	1-1/2	4	CTC-7X2738
MODEL 12E						
STEERING	4J4115		P-UB-10	1-1/2	4	CTC-7X2738
MODEL 12F						
STEERING	4J4115		P-UB-10	1-1/2	4	CTC-7X2738
MODEL 12G						
ARTICULATION	8J0546		P-UB-10	1-3/4	3	CTC-7X2791
	9T2453		P-UB-10	1-3/4	3	CTC-7X2825
	9T8784		P-UB-10	1-3/4	3	CTC-7X2825
BACKHOE STICK/BLADE SHIFT	8J0028		P-UB-10	1-3/4	3	CTC-7X2791

REPLACEMENT KITS FOR CATERPILLAR® EQUIPMENT

Motor Graders						
APPLICATION	CYL #	Misc-Parts, Instructions, etc.	CODE	ROD	BORE	KIT #
MODEL 12G						
BLADE						
	3G5223		P-UB-10	2	3-1/4	CTC-7X2767
	8J6380		P-UB-10	2	3-1/4	CTC-7X2767
	9T2472		P-UB-10	2	3	CTC-7X2753
	9T2472		P-UB-10	2	3	CTC-7X2760
BLADE TIP						
	6E1549		P-UB-10	1-1/2	2-3/4	CTC-1361599
	8J0024		P-UB-10	1-1/2	2-3/4	CTC-7X2749
	8J0024		P-UB-10	1-1/2	2-3/4	CTC-8T1402
	9J3466		P-UB-10	1-1/2	2-3/4	CTC-7X2749
	9T2461		P-UB-10	1-1/2	2-3/4	CTC-1361599
CENTER SHIFT						
	3G5224		P-UB-10	2	3-1/4	CTC-7X2767
	9T2549		P-UB-10	2	3	CTC-7X2760
CONVEYOR SWING						
	3G5224		P-UB-10	2	3-1/4	CTC-7X2767
	8J6367		P-UB-10	2	3-1/4	CTC-7X2767
	9T2549		P-UB-10	2	3	CTC-7X2760
RIPPER						
	1137754		P-UB-10	2	4	CTC-1328816
	8J1658		P-UB-10	2	4	CTC-1328816
SCARIFIER						
	3G1853		P-UB-10	1-3/4	3	CTC-7X2791
	8J7321		P-UB-10	1-1/2	3	CTC-7X2751
	9T2554		P-UB-10	1-3/4	3	CTC-7X2825
	9T6951		P-UB-10	1-3/4	3	CTC-7X2825
SIDESHIFT						
	1052094		P-UB-10	1-3/4	3	CTC-7X2825
	9T2483		P-UB-10	1-3/4	3	CTC-7X2825
STEERING LH						
	3G8070		P-UB-10	1-1/2	2-1/2	CTC-7X2739
	8J8820		P-UB-10	1-1/2	2-1/2	CTC-7X2739
	9T2395		P-UB-10	1-1/2	2-1/4	CTC-7X2826
STEERING RH						
	3G8069		P-UB-10	1-1/2	2-1/2	CTC-7X2739
	8J5538		P-UB-10	1-1/2	2-1/2	CTC-7X2739
	9T2393		P-UB-10	1-1/2	2-1/4	CTC-7X2826
WHEEL LEAN						
	1219242		P-UB-10	2	3-1/2	CTC-7X2783
	3G4752		P-UB-10	1-1/2	3-1/2	CTC-7X2752
	8J5539		P-UB-10	1-1/2	3-1/2	CTC-7X2752
	9T2520		P-UB-10	1-1/2	3-1/2	CTC-1327058
MODEL 12H						
ARTICULATION						
	6E1560		P-UB-10	1-3/4	3	CTC-7X2825
	9T8784		P-UB-10	1-3/4	3	CTC-7X2825

REPLACEMENT KITS FOR CATERPILLAR® EQUIPMENT

Motor Graders						
APPLICATION	CYL #	Misc-Parts, Instructions, etc.	CODE	ROD	BORE	KIT #
MODEL 12H						
BLADE						
	1324929		P-UB-10	2	3	CTC-7X2760
BLADE TIP						
	6E1549		P-UB-10	1-1/2	2-3/4	CTC-1361599
CONVEYOR SWING						
	6E1343		P-UB-10	2	3	CTC-7X2760
RIPPER						
	1137754		P-UB-10	2	4	CTC-1328816
SCARIFIER						
	9T2554		P-UB-10	1-3/4	3	CTC-7X2825
	9T6951		P-UB-10	1-3/4	3	CTC-7X2825
SIDESHIFT						
	1125575		P-UB-10	1-3/4	3	CTC-7X2825
STEERING LH						
	9T2395		P-UB-10	1-1/2	2-1/4	CTC-7X2826
STEERING RH						
	9T2393		P-UB-10	1-1/2	2-1/4	CTC-7X2826
WHEEL LEAN						
	1219242		P-UB-10	2	3-1/2	CTC-7X2783
	9T2520		P-UB-10	1-1/2	3-1/2	CTC-1327058
MODEL 14						
LIFT						
	3G5227		P-UB-10	2-1/4	3-3/4	CTC-7X2798
STEERING						
	4J4115		P-UB-10	1-1/2	4	CTC-7X2738
STEERING LH						
	3G7644		P-UB-10	1-1/2	2-3/4	CTC-7X2749
STEERING RH						
	3G7643		P-UB-10	1-1/2	2-3/4	CTC-7X2749
MODEL 14D, 140						
STEERING						
	4J4115		P-UB-10	1-1/2	4	CTC-7X2738
MODEL 14E						
ARTICULATION						
	8J6269		P-UB-10	2	3-1/2	CTC-7X2792
	9T2879		P-UB-10	2	3-1/2	CTC-7X2783
BLADE SHIFT						
	4T0340		P-UB-10	2-1/2	4	CTC-7X2665
	8J6359		P-UB-10	2-1/4	3-3/4	CTC-7X2798
BLADE TIP						
	4T0379		P-UB-10	2	4	CTC-7X2789
	9T3198		P-UB-10	2	4	CTC-7X2782
CENTER SHIFT						
	3G5228		P-UB-10	2-1/4	3-3/4	CTC-7X2798
DRAWBAR TIP						
	8J6256		P-UB-10	1-1/2	3	CTC-7X2751

REPLACEMENT KITS FOR CATERPILLAR® EQUIPMENT

Motor Graders						
APPLICATION	CYL #	Misc-Parts, Instructions, etc.	CODE	ROD	BORE	KIT #
MODEL 14E						
LIFT						
	3G5227		P-UB-10	2-1/4	3-3/4	CTC-7X2798
	8J6010		P-UB-10	2-1/4	3-3/4	CTC-7X2798
LIFT RH						
	6J5843		P-UB-10	2-1/2	5	CTC-7X2675
LIFT RIPPER						
	3G1762		P-UB-10	2-1/2	5	CTC-7X2658
	3G5189		P-UB-10	2-1/2	5	CTC-7X2658
RIPPER						
	5J7686		P-UB-10	2-1/2	6-1/2	CTC-7X2666
STEERING						
	1U2704		P-UB-10	2	3-1/2	CTC-7X2792
	4J4115		P-UB-10	1-1/2	4	CTC-7X2738
	8J5386		P-UB-10	1-1/2	2-3/4	CTC-7X2749
	9J0541		P-UB-10	1-1/2	2-3/4	CTC-7X2749
	9T1301		P-UB-10	1-3/4	2-1/2	CTC-7X2827
	9T1721		P-UB-10	1-3/4	2-1/2	CTC-7X2827
STEERING LH						
	3G7644		P-UB-10	1-1/2	2-3/4	CTC-7X2749
STEERING RH						
	3G7643		P-UB-10	1-1/2	2-3/4	CTC-7X2749
WHEEL LEAN						
	3G4751		P-UB-10	1-1/2	3-1/2	CTC-7X2752
	8J5385		P-UB-10	1-1/2	3-1/2	CTC-7X2752
	9T3219		P-UB-10	1-1/2	3-1/2	CTC-1327058
MODEL 14G						
ARTICULATION						
	1U2704		P-UB-10	2	3-1/2	CTC-7X2792
	6E2446		P-UB-10	2	3-1/2	CTC-7X2783
	6E4724		P-UB-10	2	3-1/2	CTC-7X2783
	9T2879		P-UB-10	2	3-1/2	CTC-7X2783
BACKHOE STICK/BLADE SHIFT						
	8J6359		P-UB-10	2-1/4	3-3/4	CTC-7X2798
BLADE						
	8J6010		P-UB-10	2-1/4	3-3/4	CTC-7X2798
BLADE LIFT						
	3G5227		P-UB-10	2-1/4	3-3/4	CTC-7X2798
BLADE TIP						
	9T3198		P-UB-10	2	4	CTC-1328816
	9T8944		P-UB-10	2	4	CTC-1328816
CENTER SHIFT						
	3G5228		P-UB-10	2-1/4	3-3/4	CTC-7X2798
CONVEYOR SWING						
	3G5228		P-UB-10	2-1/4	3-3/4	CTC-7X2798
	8J6250		P-UB-10	2-1/4	3-3/4	CTC-7X2798
DRAWBAR TIP						
	8J6256		P-UB-10	1-3/4	3	CTC-7X2791

REPLACEMENT KITS FOR CATERPILLAR® EQUIPMENT

Motor Graders						
APPLICATION	CYL #	Misc-Parts, Instructions, etc.	CODE	ROD	BORE	KIT #
MODEL 14G						
LIFT RH	6J5843		P-UB-10	2-1/2	5	CTC-7X2675
RIPPER	1135264		P-UB-10	2-1/2	5	CTC-1361967
	3G1762		P-UB-10	2-1/2	5	CTC-1315106
	3G5189		P-UB-10	2-1/2	5	CTC-7X2658
SIDESHIFT	4T0340		P-UB-10	2-1/2	4	CTC-7X2665
	9T3206		P-UB-10	2-1/2	4	CTC-1542501
STEERING LH	3G7644		P-UB-10	1-1/2	2-3/4	CTC-7X2749
	9J0541		P-UB-10	1-1/2	2-3/4	CTC-7X2749
	9T1721		P-UB-10	1-3/4	2-1/2	CTC-1539054
STEERING RH	3G7643		P-UB-10	1-1/2	2-3/4	CTC-7X2749
	8J5386		P-UB-10	1-1/2	2-3/4	CTC-7X2749
	9T1301		P-UB-10	1-3/4	2-1/2	CTC-1539054
TIP	4T0379		P-UB-10	2	4	CTC-1328816
WHEEL LEAN	1219243		P-UB-10	2	3-1/2	CTC-7X2783
	3G4751		P-UB-10	1-1/2	3-1/2	CTC-7X2752
	8J5385		P-UB-10	1-1/2	3-1/2	CTC-7X2752
	9T3219		P-UB-10	1-1/2	3-1/2	CTC-1327058
MODEL 14H						
ARTICULATION	6E2446		P-UB-10	2	3-1/2	CTC-7X2783
	6E4724		P-UB-10	2	3-1/2	CTC-7X2783
	9T2879		P-UB-10	2	3-1/2	CTC-7X2783
BLADE TIP	9T3198		P-UB-10	2	4	CTC-1328816
	9T8944		P-UB-10	2	4	CTC-1328816
RIPPER	1135264		P-UB-10	2-1/2	5	CTC-1361967
SIDESHIFT	9T3206		P-UB-10	2-1/2	4	CTC-1542501
STEERING LH	9T1721		P-UB-10	1-3/4	2-1/2	CTC-1539054
STEERING RH	9T1301		P-UB-10	1-3/4	2-1/2	CTC-1539054
WHEEL LEAN	1219243		P-UB-10	2	3-1/2	CTC-7X2783
	9T3219		P-UB-10	1-1/2	3-1/2	CTC-1327058
MODEL 16						
BLADE LH	6J5844		P-UB-10	2-1/2	5	CTC-7X2675

REPLACEMENT KITS FOR CATERPILLAR® EQUIPMENT

Motor Graders						
APPLICATION	CYL #	Misc-Parts, Instructions, etc.	CODE	ROD	BORE	KIT #
MODEL 16						
BLADE RH						
	6J5843		P-UB-10	2-1/2	5	CTC-7X2675
LIFT						
	3G5229		P-UB-10	2-1/2	4-1/4	CTC-7X2663
STEERING						
	5J1931		P-V-10	2	5	CTC-7X2797
TIP						
	6J9731		P-UB-10	1-1/2	4	CTC-7X2738
	6J9732		P-UB-10	1-1/2	4	CTC-7X2738
MODEL 16G						
ARTICULATION						
	1U1649		P-UB-10	2-1/2	4	CTC-7X2665
	9T3050		P-UB-10	2-1/2	4	CTC-1542501
BLADE						
	9T3106		P-UB-10	2-1/2	4	CTC-1542501
BLADE LIFT						
	3G5229		P-UB-10	2-1/2	4-1/4	CTC-7X2663
	8J5568		P-UB-10	2-1/2	4-1/4	CTC-7X2663
BLADE TIP						
	6J9731		P-UB-10	1-1/2	4	CTC-7X2738
	6J9732		P-UB-10	1-1/2	4	CTC-7X2738
	9T3198		P-UB-10	2	4	CTC-1328816
	9T8944		P-UB-10	2	4	CTC-1328816
CENTER SHIFT						
	3G5230		P-UB-10	2-1/2	4-1/4	CTC-7X2663
CONVEYOR SWING						
	9T3312		P-UB-10	2-1/2	4	CTC-1542501
DRAWBAR TIP						
	8J3761		P-UB-10	1-3/4	3	CTC-7X2791
LIFT						
	8J5827		P-UB-10	2-1/2	4-1/4	CTC-7X2663
LIFT LH						
	6J5844		P-UB-10	2-1/2	5	CTC-7X2675
LIFT RH						
	6J5843		P-UB-10	2-1/2	5	CTC-7X2675
RIPPER						
	1135264		P-UB-10	2-1/2	5	CTC-1361967
	3G1762		P-UB-10	2-1/2	5	CTC-1315106
	3G5189		P-UB-10	2-1/2	5	CTC-7X2658
SIDESHIFT						
	4T0340		P-UB-10	2-1/2	4	CTC-7X2665
	9T3206		P-UB-10	2-1/2	4	CTC-1542501
STEERING						
	1U2704		P-UB-10	2	3-1/2	CTC-7X2792

REPLACEMENT KITS FOR CATERPILLAR® EQUIPMENT

Motor Graders						
APPLICATION	CYL #	Misc-Parts, Instructions, etc.	CODE	ROD	BORE	KIT #
MODEL 16G						
STEERING LH						
	3G7599		P-UB-10	1-3/4	3	CTC-7X2791
	8J3612		P-UB-10	1-3/4	3	CTC-7X2791
	9T2854		P-UB-10	1-3/4	2-3/4	CTC-1539053
STEERING RH						
	3G7600		P-UB-10	1-3/4	3	CTC-7X2791
	8J8411		P-UB-10	1-3/4	3	CTC-7X2791
	9T2853		P-UB-10	1-3/4	2-3/4	CTC-1539053
	9T2853		P-UB-10	1-3/4	2-3/4	CTC-7X2820
TIP						
	4T0379		P-UB-10	2	4	CTC-1328816
WHEEL LEAN						
	1219244		P-UB-10	2-1/4	4	CTC-1361171
	3G4750		P-UB-10	1-3/4	4	CTC-7X2790
	8J3613		P-UB-10	1-3/4	4	CTC-1316108
	9T3492		P-UB-10	1-3/4	4	CTC-1316108
MODEL 16H						
ARTICULATION						
	9T3050		P-UB-10	2-1/2	4	CTC-1542501
BLADE						
	9T3106		P-UB-10	2-1/2	4	CTC-1542501
BLADE TIP						
	9T3198		P-UB-10	2	4	CTC-1328816
	9T8944		P-UB-10	2	4	CTC-1328816
CONVEYOR SWING						
	9T3312		P-UB-10	2-1/2	4	CTC-1542501
RIPPER						
	1135264		P-UB-10	2-1/2	5	CTC-1361967
SIDESHIFT						
	9T3206		P-UB-10	2-1/2	4	CTC-1542501
STEERING LH						
	9T2854		P-UB-10	1-3/4	2-3/4	CTC-1539053
STEERING RH						
	9T2853		P-UB-10	1-3/4	2-3/4	CTC-1539053
WHEEL LEAN						
	1219244		P-UB-10	2-1/4	4	CTC-1361171
	9T3492		P-UB-10	1-3/4	4	CTC-1316108
MODEL 24H						
ARTICULATION						
	1170837		P-UB-10	3	4-3/4	CTC-1570288
	1433033		P-UB-10	3	5	CTC-1605784
BLADE						
	1170830		P-UB-10	2-1/4	4	CTC-1361171
	1170832		P-UB-10	3	5-1/4	CTC-3E3293
RIPPER						
	1137754		P-UB-10	2	4	CTC-1328816

REPLACEMENT KITS FOR CATERPILLAR® EQUIPMENT

Motor Graders						
APPLICATION	CYL #	Misc-Parts, Instructions, etc.	CODE	ROD	BORE	KIT #
MODEL 24H						
STEERING						
	1170833		I-UB-10	2-1/2	3-1/2	CTC-3E3299
TIP						
	1435988	Rod Bearing width- 0.98"	P-UB-10	2-1/2	4-3/4	CTC-1361131
WHEEL LEAN						
	1170836	Rod Bearing width- 0.98"	P-UB-10	2-1/2	4-3/4	CTC-1361131
MODEL 112						
STEERING						
	4J4115		P-UB-10	1-1/2	4	CTC-7X2738
MODEL 112E						
STEERING						
	4J4115		P-UB-10	1-1/2	4	CTC-7X2738
MODEL 112F						
STEERING						
	4J4115		P-UB-10	1-1/2	4	CTC-7X2738
MODEL 120						
STEERING						
	4J4115		P-UB-10	1-1/2	4	CTC-7X2738
MODEL 120B						
STEERING						
	4J4115		P-UB-10	1-1/2	4	CTC-7X2738
MODEL 120G						
ARTICULATION						
	8J8590		P-UB-10	1-3/4	3	CTC-7X2791
	9T2447		P-UB-10	1-3/4	3	CTC-7X2825
	9T8785		P-UB-10	1-3/4	3	CTC-7X2825
BACKHOE STICK/BLADE SHIFT						
	8J0028		P-UB-10	1-3/4	3	CTC-7X2791
	9T2483		P-UB-10	1-3/4	3	CTC-7X2825
BLADE						
	3G5225		P-UB-10	1-3/4	3	CTC-7X2791
	8J8589		P-UB-10	1-3/4	3	CTC-7X2791
	9T2471		P-UB-10	1-3/4	3	CTC-7X2825
BLADE LIFT						
	3G5225		P-UB-10	1-3/4	3	CTC-7X2791
BLADE RH						
	6J5843		P-UB-10	2-1/2	5	CTC-7X2675
BLADE TIP						
	6E1549		P-UB-10	1-1/2	2-3/4	CTC-1361599
	8J0024		P-UB-10	1-1/2	2-3/4	CTC-7X2749
	9J3466		P-UB-10	1-1/2	2-3/4	CTC-7X2749
	9T2461		P-UB-10	1-1/2	2-3/4	CTC-1361599
CENTER SHIFT						
	3G5226		P-UB-10	1-3/4	3	CTC-7X2791
	8J6367		P-UB-10	2	3-1/4	CTC-7X2767
	9T2374		P-UB-10	1-3/4	3	CTC-7X2825

REPLACEMENT KITS FOR CATERPILLAR® EQUIPMENT

Motor Graders						
APPLICATION	CYL #	Misc-Parts, Instructions, etc.	CODE	ROD	BORE	KIT #
MODEL 120G						
CONVEYOR SWING						
	3G5226		P-UB-10	1-3/4	3	CTC-7X2791
	8J8777		P-UB-10	1-3/4	3	CTC-7X2791
	9T2374		P-UB-10	1-3/4	3	CTC-7X2825
SCARIFIER						
	3G1853		P-UB-10	1-3/4	3	CTC-7X2791
	8J7321		P-UB-10	1-1/2	3	CTC-7X2751
	9T2554		P-UB-10	1-3/4	3	CTC-7X2825
	9T6951		P-UB-10	1-3/4	3	CTC-7X2825
SIDESHIFT						
	1052094		P-UB-10	1-3/4	3	CTC-7X2825
	8J0028		P-UB-10	1-3/4	3	CTC-7X2791
	9T2483		P-UB-10	1-3/4	3	CTC-7X2825
STEERING LH						
	3G8070		P-UB-10	1-1/2	2-1/2	CTC-7X2739
	8J8820		P-UB-10	1-1/2	2-1/2	CTC-7X2739
	9T2395		P-UB-10	1-1/2	2-1/4	CTC-7X2826
STEERING RH						
	3G8069		P-UB-10	1-1/2	2-1/2	CTC-7X2739
	8J5538		P-UB-10	1-1/2	2-1/2	CTC-7X2739
	9T2393		P-UB-10	1-1/2	2-1/4	CTC-7X2826
WHEEL LEAN						
	1219242		P-UB-10	2	3-1/2	CTC-7X2783
	3G4752		P-UB-10	1-1/2	3-1/2	CTC-7X2752
	8J5539		P-UB-10	1-1/2	3-1/2	CTC-7X2752
	9T2520		P-UB-10	1-1/2	3-1/2	CTC-1327058
MODEL 120H						
ARTICULATION						
	6E1554		P-UB-10	1-3/4	3	CTC-7X2825
	6E4724		P-UB-10	2	3-1/2	CTC-7X2783
	9T8785		P-UB-10	1-3/4	3	CTC-7X2825
BLADE						
	1125575		P-UB-10	1-3/4	3	CTC-7X2825
	1198664		P-UB-10	2	3	CTC-7X2760
	1324926		P-UB-10	2	3	CTC-7X2760
BLADE TIP						
	6E1549		P-UB-10	1-1/2	2-3/4	CTC-1361599
CONVEYOR SWING						
	6E1754		P-UB-10	2	3	CTC-7X2760
SCARIFIER						
	9T2554		P-UB-10	1-3/4	3	CTC-7X2825
	9T6951		P-UB-10	1-3/4	3	CTC-7X2825
STEERING LH						
	9T2395		P-UB-10	1-1/2	2-1/4	CTC-7X2826
STEERING RH						
	9T2393		P-UB-10	1-1/2	2-1/4	CTC-7X2826

REPLACEMENT KITS FOR CATERPILLAR® EQUIPMENT

Motor Graders						
APPLICATION	CYL #	Misc-Parts, Instructions, etc.	CODE	ROD	BORE	KIT #
MODEL 120H						
WHEEL LEAN						
	1219242		P-UB-10	2	3-1/2	CTC-7X2783
	9T2520		P-UB-10	1-1/2	3-1/2	CTC-1327058
MODEL 130G						
ARTICULATION						
	8J0546		P-UB-10	1-3/4	3	CTC-7X2791
	9T2453		P-UB-10	1-3/4	3	CTC-7X2825
	9T8784		P-UB-10	1-3/4	3	CTC-7X2825
BACKHOE STICK/BLADE SHIFT						
	8J0028		P-UB-10	1-3/4	3	CTC-7X2791
	9T2483		P-UB-10	1-3/4	3	CTC-7X2825
BLADE						
	3G5223		P-UB-10	2	3-1/4	CTC-7X2767
	8J6380		P-UB-10	2	3-1/4	CTC-7X2767
	9T2472		P-UB-10	2	3	CTC-7X2760
BLADE LIFT						
	3G5223		P-UB-10	2	3-1/4	CTC-7X2767
	9T2471		P-UB-10	1-3/4	3	CTC-7X2825
	9T2472		P-UB-10	2	3	CTC-7X2753
BLADE TIP						
	6E1549		P-UB-10	1-1/2	2-3/4	CTC-1361599
	8J0024		P-UB-10	1-1/2	2-3/4	CTC-7X2749
	9J3466		P-UB-10	1-1/2	2-3/4	CTC-7X2749
	9T2461		P-UB-10	1-1/2	2-3/4	CTC-1361599
CENTER SHIFT						
	3G5224		P-UB-10	2	3-1/4	CTC-7X2767
	8J6367		P-UB-10	2	3-1/4	CTC-7X2767
	9T2549		P-UB-10	2	3	CTC-7X2760
CONVEYOR SWING						
	3G5224		P-UB-10	2	3-1/4	CTC-7X2767
	8J6367		P-UB-10	2	3-1/4	CTC-7X2767
	9T2549		P-UB-10	2	3	CTC-7X2760
LIFT						
	9T2471		P-UB-10	1-3/4	3	CTC-7X2825
RIPPER						
	1137754		P-UB-10	2	4	CTC-1328816
	8J1658		P-UB-10	2	4	CTC-1328816
SCARIFIER						
	3G1853		P-UB-10	1-3/4	3	CTC-7X2791
	8J7321		P-UB-10	1-1/2	3	CTC-7X2751
	9T2554		P-UB-10	1-3/4	3	CTC-7X2825
	9T6951		P-UB-10	1-3/4	3	CTC-7X2825
SIDESHIFT						
	1052094		P-UB-10	1-3/4	3	CTC-7X2825
	8J0028		P-UB-10	1-3/4	3	CTC-7X2791
	9T2483		P-UB-10	1-3/4	3	CTC-7X2825

REPLACEMENT KITS FOR CATERPILLAR® EQUIPMENT

Motor Graders						
APPLICATION	CYL #	Misc-Parts, Instructions, etc.	CODE	ROD	BORE	KIT #
MODEL 130G						
STEERING LH						
	3G8070		P-UB-10	1-1/2	2-1/2	CTC-7X2739
	8J8820		P-UB-10	1-1/2	2-1/2	CTC-7X2739
	9T2395		P-UB-10	1-1/2	2-1/4	CTC-7X2826
STEERING RH						
	3G8069		P-UB-10	1-1/2	2-1/2	CTC-7X2739
	8J5538		P-UB-10	1-1/2	2-1/2	CTC-7X2739
	9T2393		P-UB-10	1-1/2	2-1/4	CTC-7X2826
WHEEL LEAN						
	1219242		P-UB-10	2	3-1/2	CTC-7X2783
	3G4752		P-UB-10	1-1/2	3-1/2	CTC-7X2752
	8J5539		P-UB-10	1-1/2	3-1/2	CTC-7X2752
	9T2520		P-UB-10	1-1/2	3-1/2	CTC-1327058
MODEL 135H						
ARTICULATION						
	6E1554		P-UB-10	1-3/4	3	CTC-7X2825
	6E4724		P-UB-10	2	3-1/2	CTC-7X2783
	9T8785		P-UB-10	1-3/4	3	CTC-7X2825
BLADE						
	1324926		P-UB-10	2	3	CTC-7X2760
BLADE TIP						
	6E1549		P-UB-10	1-1/2	2-3/4	CTC-1361599
CONVEYOR SWING						
	6E1754		P-UB-10	2	3	CTC-7X2760
SCARIFIER						
	9T2554		P-UB-10	1-3/4	3	CTC-7X2825
	9T6951		P-UB-10	1-3/4	3	CTC-7X2825
SIDESHIFT						
	1125575		P-UB-10	1-3/4	3	CTC-7X2825
STEERING LH						
	9T2395		P-UB-10	1-1/2	2-1/4	CTC-7X2826
STEERING RH						
	9T2393		P-UB-10	1-1/2	2-1/4	CTC-7X2826
WHEEL LEAN						
	1219242		P-UB-10	2	3-1/2	CTC-7X2783
	9T2520		P-UB-10	1-1/2	3-1/2	CTC-1327058
MODEL 140B						
RIPPER						
	3G5189		P-UB-10	2-1/2	5	CTC-7X2658
STEERING						
	4J4115		P-UB-10	1-1/2	4	CTC-7X2738
MODEL 140G						
ARTICULATION						
	8J0546		P-UB-10	1-3/4	3	CTC-7X2791
	9T2453		P-UB-10	1-3/4	3	CTC-7X2825
	9T8784		P-UB-10	1-3/4	3	CTC-7X2825

REPLACEMENT KITS FOR CATERPILLAR® EQUIPMENT

Motor Graders						
APPLICATION	CYL #	Misc-Parts, Instructions, etc.	CODE	ROD	BORE	KIT #
MODEL 140G						
BACKHOE STICK/BLADE SHIFT						
	8J0028		P-UB-10	1-3/4	3	CTC-7X2791
BLADE						
	3G5223		P-UB-10	2	3-1/4	CTC-7X2767
	8J6380		P-UB-10	2	3-1/4	CTC-7X2767
	9T2472		P-UB-10	2	3	CTC-7X2760
BLADE LIFT						
	9T2472		P-UB-10	2	3	CTC-7X2753
BLADE TIP						
	6E1549		P-UB-10	1-1/2	2-3/4	CTC-1361599
	8J0024		P-UB-10	1-1/2	2-3/4	CTC-7X2749
	9J3466		P-UB-10	1-1/2	2-3/4	CTC-7X2749
	9T2461		P-UB-10	1-1/2	2-3/4	CTC-1361599
CENTER SHIFT						
	3G5224		P-UB-10	2	3-1/4	CTC-7X2767
	8J6367		P-UB-10	2	3-1/4	CTC-7X2767
	9T2549		P-UB-10	2	3	CTC-7X2760
CONVEYOR SWING						
	3G5224		P-UB-10	2	3-1/4	CTC-7X2767
	8J6367		P-UB-10	2	3-1/4	CTC-7X2767
	9T2549		P-UB-10	2	3	CTC-7X2760
RIPPER						
	1137754		P-UB-10	2	4	CTC-1328816
	8J1658		P-UB-10	2	4	CTC-1328816
RIPPER LIFT						
	3G5189		P-UB-10	2-1/2	5	CTC-7X2658
SCARIFIER						
	3G1853		P-UB-10	1-3/4	3	CTC-7X2791
	8J7321		P-UB-10	1-1/2	3	CTC-7X2751
	9T2554		P-UB-10	1-3/4	3	CTC-7X2825
	9T6951		P-UB-10	1-3/4	3	CTC-7X2825
SIDESHIFT						
	1052094		P-UB-10	1-3/4	3	CTC-7X2825
	8J0028		P-UB-10	1-3/4	3	CTC-7X2791
	9T2483		P-UB-10	1-3/4	3	CTC-7X2825
STEERING LH						
	3G8070		P-UB-10	1-1/2	2-1/2	CTC-7X2739
	8J8820		P-UB-10	1-1/2	2-1/2	CTC-7X2739
	9T2395		P-UB-10	1-1/2	2-1/4	CTC-7X2826
STEERING RH						
	3G8069		P-UB-10	1-1/2	2-1/2	CTC-7X2739
	8J5538		P-UB-10	1-1/2	2-1/2	CTC-7X2739
	9T2393		P-UB-10	1-1/2	2-1/4	CTC-7X2826

REPLACEMENT KITS FOR CATERPILLAR® EQUIPMENT

Motor Graders						
APPLICATION	CYL #	Misc-Parts, Instructions, etc.	CODE	ROD	BORE	KIT #
MODEL 140G						
WHEEL LEAN						
	1219242		P-UB-10	2	3-1/2	CTC-7X2783
	3G4752		P-UB-10	1-1/2	3-1/2	CTC-7X2752
	4J4115		P-UB-10	1-1/2	4	CTC-7X2738
	8J5539		P-UB-10	1-1/2	3-1/2	CTC-7X2752
	9T2520		P-UB-10	1-1/2	3-1/2	CTC-1327058
MODEL 140H, 143H						
ARTICULATION						
	1376790		P-UB-10	1-7/8	3-1/4	CTC-3E3297
	1376792		P-UB-10	1-7/8	3-1/4	CTC-3E3297
	6E1560		P-UB-10	1-3/4	3	CTC-7X2825
	9T8784		P-UB-10	1-3/4	3	CTC-7X2825
BLADE						
	1324929		P-UB-10	2	3	CTC-7X2760
BLADE TIP						
	6E1549		P-UB-10	1-1/2	2-3/4	CTC-1361599
CONVEYOR SWING						
	6E1343		P-UB-10	2	3	CTC-7X2760
RIPPER						
	1137754		P-UB-10	2	4	CTC-1328816
SCARIFIER						
	9T2554		P-UB-10	1-3/4	3	CTC-7X2825
	9T6951		P-UB-10	1-3/4	3	CTC-7X2825
SIDESHIFT						
	1125575		P-UB-10	1-3/4	3	CTC-7X2825
STEERING LH						
	9T2395		P-UB-10	1-1/2	2-1/4	CTC-7X2826
STEERING RH						
	9T2393		P-UB-10	1-1/2	2-1/4	CTC-7X2826
WHEEL LEAN						
	1219242		P-UB-10	2	3-1/2	CTC-7X2783
	9T2520		P-UB-10	1-1/2	3-1/2	CTC-1327058
MODEL 160G						
ARTICULATION						
	8J0546		P-UB-10	1-3/4	3	CTC-7X2791
	9T2453		P-UB-10	1-3/4	3	CTC-7X2825
	9T8784		P-UB-10	1-3/4	3	CTC-7X2825
BACKHOE STICK/BLADE SHIFT						
	8J0028		P-UB-10	1-3/4	3	CTC-7X2791
BLADE						
	3G5223		P-UB-10	2	3-1/4	CTC-7X2767
	8J6380		P-UB-10	2	3-1/4	CTC-7X2767
	9T2472		P-UB-10	2	3	CTC-7X2753
	9T2472		P-UB-10	2	3	CTC-7X2760
BLADE LIFT						
	3G5223		P-UB-10	2	3-1/4	CTC-7X2767
	9T2472		P-UB-10	2	3	CTC-7X2753

REPLACEMENT KITS FOR CATERPILLAR® EQUIPMENT

Motor Graders						
APPLICATION	CYL #	Misc-Parts, Instructions, etc.	CODE	ROD	BORE	KIT #
MODEL 160G						
BLADE TIP						
	6E1549		P-UB-10	1-1/2	2-3/4	CTC-1361599
	8J0024		P-UB-10	1-1/2	2-3/4	CTC-7X2749
	9J3466		P-UB-10	1-1/2	2-3/4	CTC-7X2749
	9T2461		P-UB-10	1-1/2	2-3/4	CTC-1361599
CENTER SHIFT						
	3G5224		P-UB-10	2	3-1/4	CTC-7X2767
	9T2549		P-UB-10	2	3	CTC-7X2760
CONVEYOR SWING						
	3G5224		P-UB-10	2	3-1/4	CTC-7X2767
	8J6367		P-UB-10	2	3-1/4	CTC-7X2767
	9T2549		P-UB-10	2	3	CTC-7X2760
SCARIFIER						
	3G1853		P-UB-10	1-3/4	3	CTC-7X2791
	9T2554		P-UB-10	1-3/4	3	CTC-7X2825
	9T6951		P-UB-10	1-3/4	3	CTC-7X2825
SIDESHIFT						
	1052094		P-UB-10	1-3/4	3	CTC-7X2825
	8J0028		P-UB-10	1-3/4	3	CTC-7X2791
	9T2483		P-UB-10	1-3/4	3	CTC-7X2825
STEERING LH						
	3G8070		P-UB-10	1-1/2	2-1/2	CTC-7X2739
	8J8820		P-UB-10	1-1/2	2-1/2	CTC-7X2739
	9T2395		P-UB-10	1-1/2	2-1/4	CTC-7X2826
STEERING RH						
	3G8069		P-UB-10	1-1/2	2-1/2	CTC-7X2739
	8J5538		P-UB-10	1-1/2	2-1/2	CTC-7X2739
	9T2393		P-UB-10	1-1/2	2-1/4	CTC-7X2826
WHEEL LEAN						
	1219242		P-UB-10	2	3-1/2	CTC-7X2783
	3G4752		P-UB-10	1-1/2	3-1/2	CTC-7X2752
	9T2520		P-UB-10	1-1/2	3-1/2	CTC-1327058
MODEL 160H, 163H						
ARTICULATION						
	1376790		P-UB-10	1-7/8	3-1/4	CTC-3E3297
	1376792		P-UB-10	1-7/8	3-1/4	CTC-3E3297
	6E1560		P-UB-10	1-3/4	3	CTC-7X2825
	9T8784		P-UB-10	1-3/4	3	CTC-7X2825
BLADE						
	1324929		P-UB-10	2	3	CTC-7X2760
BLADE TIP						
	6E1549		P-UB-10	1-1/2	2-3/4	CTC-1361599
CONVEYOR SWING						
	6E1343		P-UB-10	2	3	CTC-7X2760
RIPPER						
	1137754		P-UB-10	2	4	CTC-1328816

REPLACEMENT KITS FOR CATERPILLAR® EQUIPMENT

Motor Graders						
APPLICATION	CYL #	Misc-Parts, Instructions, etc.	CODE	ROD	BORE	KIT #
MODEL 160H, 163H						
SCARIFIER						
	9T2554		P-UB-10	1-3/4	3	CTC-7X2825
	9T6951		P-UB-10	1-3/4	3	CTC-7X2825
SIDESHIFT						
	1125575		P-UB-10	1-3/4	3	CTC-7X2825
STEERING LH						
	9T2395		P-UB-10	1-1/2	2-1/4	CTC-7X2826
STEERING RH						
	9T2393		P-UB-10	1-1/2	2-1/4	CTC-7X2826
WHEEL LEAN						
	1219242		P-UB-10	2	3-1/2	CTC-7X2783
	9T2520		P-UB-10	1-1/2	3-1/2	CTC-1327058
Off-Highway Trucks						
APPLICATION	CYL #	Misc-Parts, Instructions, etc.	CODE	ROD	BORE	KIT #
MODEL 768						
HOIST						
	4T4168		I-SP-10	4,6-1/2	5-3/4	CTC-8T4772
STEERING						
	9J1287		P-UB-10	2-3/8	3-3/4	CTC-7X2808
SUSPENSION REAR						
	5J6572		I-SP-1	7	8-1/2	CTC-5J6572K
MODEL 768B						
STEERING						
	7J7528		P-UB-10	2-3/8	3-3/4	CTC-7X2808
	9J1287		P-UB-10	2-3/8	3-3/4	CTC-7X2808
SUSPENSION FRONT						
	79S1; 02X1-					
			P-UB-3	7	8	CTC-1137475
SUSPENSION REAR						
			P-U-3	7	8-1/2	CTC-2959886
	5J6572		I-SP-1	7	8-1/2	CTC-5J6572K
MODEL 768C						
HOIST						
	9J4149		I-SP-10	4,6-1/2	5-3/4	CTC-8T4772
STEERING						
			P-UB-10	2-3/8	3-3/4	CTC-2578422
			P-UB-10	2	3	CTC-2937596
SUSPENSION						
	1162836		P-U-3	7	8-1/2	CTC-1417296
SUSPENSION FRONT						
	79S1; 02X1-					
			P-UB-3	7	8	CTC-1137475
SUSPENSION REAR						
			P-U-3	7	8-1/2	CTC-2959886
	5J6572		I-SP-1	7	8-1/2	CTC-5J6572K

REPLACEMENT KITS FOR CATERPILLAR® EQUIPMENT

Off-Highway Trucks						
APPLICATION	CYL #	Misc-Parts, Instructions, etc.	CODE	ROD	BORE	KIT #
MODEL 769, 769B						
STEERING						
			P-UB-10	2-3/8	3-3/4	CTC-2578422
4J4627		Field Replacement Kit	P-UB-10	1-1/2	3-1/2	CTC-7X2812
99F1031-99F1198						
6J1203			I-UB-10	2-3/8	3-3/4	CTC-6J1203K
99F1199-99F4068						
7J7528			P-UB-10	2-3/8	3-3/4	CTC-7X2808
99F1-99F1030						
4J4627			I,P-V-10	1-1/2	3-1/2	CTC-4J4627K
99F4069-						
9J1287			P-UB-10	2-3/8	3-3/4	CTC-7X2808
SUSPENSION						
	7J8286		P-UB-3	7	8	CTC-1137475
SUSPENSION REAR						
99F1031-; 35W						
5J6572			I-SP-1	7	8-1/2	CTC-5J6572K
99F1-99F1030						
4J8770			I-SP-1	7	8-1/2	CTC-4J8770K
MODEL 769C						
HOIST						
	4T4168		I-SP-10	4,6-1/2	5-3/4	CTC-8T4772
	9J4149		I-SP-10	4,6-1/2	5-3/4	CTC-8T4772
STEERING						
			P-UB-10	2-3/8	3-3/4	CTC-2578422
			P-UB-10	2	3	CTC-2937596
SUSPENSION						
	1162836		P-U-3	7	8-1/2	CTC-1417296
SUSPENSION FRONT						
			P-UB-3	7	8	CTC-2950148
01X2920-; 3BJ1-; 5TR; 6JR; 5SS; 6YS; 9XS; BCA; BBB						
			P-UB-3	7	8	CTC-1137475
SUSPENSION REAR						
			P-U-3	7	8-1/2	CTC-2959886
5J6572			I-SP-1	7	8-1/2	CTC-5J6572K
1X1-1X3271						
3G0688			I-SP-1	7	8-1/2	CTC-5J6572K
1X3272-						
3G0688			I-SP-1	7	8-1/2	CTC-3G0688K
MODEL 769D						
HOIST						
	4T4168		I-SP-10	4,6-1/2	5-3/4	CTC-8T4772
	9J4149		I-SP-10	4,6-1/2	5-3/4	CTC-8T4772
STEERING						
			P-UB-10	2	3	CTC-2937596
1100532			P-UB-10	2	3	CTC-7X2760
9J1287			P-UB-10	2-3/8	3-3/4	CTC-7X2808

REPLACEMENT KITS FOR CATERPILLAR® EQUIPMENT

Off-Highway Trucks						
APPLICATION	CYL #	Misc-Parts, Instructions, etc.	CODE	ROD	BORE	KIT #
MODEL 769D						
SUSPENSION						
	1162836		P-U-3	7	8-1/2	CTC-1417296
SUSPENSION FRONT						
	01X2920-; 3BJ1-; 5TR; 6JR; 5SS; 6YS; 9XS; BCA; BBB					
			P-UB-3	7	8	CTC-1137475
SUSPENSION REAR						
			P-U-3	7	8-1/2	CTC-2959886
UNSPECIFIED APPLICATION						
	1303921		P-UB-3	7	8	CTC-1137475
MODEL 770						
STEERING						
			P-UB-10	2	3	CTC-2937596
MODEL 771C						
HOIST						
	4T4168		I-SP-10	4,6-1/2	5-3/4	CTC-8T4772
	9J4149		I-SP-10	4,6-1/2	5-3/4	CTC-8T4772
STEERING						
			P-UB-10	2	3	CTC-2937596
	9J1287		P-UB-10	2-3/8	3-3/4	CTC-7X2808
SUSPENSION						
	1162836		P-U-3	7	8-1/2	CTC-1417296
SUSPENSION FRONT						
			P-UB-3	7	8	CTC-2950148
	01X2920-; 3BJ1-; 5TR; 6JR; 5SS; 6YS; 9XS; BCA; BBB					
			P-UB-3	7	8	CTC-1137475
SUSPENSION REAR						
			P-U-3	7	8-1/2	CTC-2959886
UNSPECIFIED APPLICATION						
	9J5476		P-UB-3	7	8	CTC-1137475
MODEL 771D						
HOIST						
	4T4168		I-SP-10	4,6-1/2	5-3/4	CTC-8T4772
	9J4149		I-SP-10	4,6-1/2	5-3/4	CTC-8T4772
STEERING						
			P-UB-10	2	3	CTC-2937596
	1100532		P-UB-10	2	3	CTC-7X2760
	9J1287		P-UB-10	2-3/8	3-3/4	CTC-7X2808
SUSPENSION						
	1162836		P-U-3	7	8-1/2	CTC-1417296
SUSPENSION FRONT						
	01X2920-; 3BJ1-; 5TR; 6JR; 5SS; 6YS; 9XS; BCA; BBB					
			P-UB-3	7	8	CTC-1137475
SUSPENSION REAR						
			P-U-3	7	8-1/2	CTC-2959886

REPLACEMENT KITS FOR CATERPILLAR® EQUIPMENT

Off-Highway Trucks						
APPLICATION	CYL #	Misc-Parts, Instructions, etc.	CODE	ROD	BORE	KIT #
MODEL 772, 772B						
DOOR						
	3G4640		P-UB-10	2-1/2	6	CTC-7X2669
	9J8157		P-UB-14	2-1/2	6	CTC-7X2836
HOIST						
	9J2017	772B only	I-SP-10	5,7-1/2	8-1/4	CTC-8T9042
	9T3122	772B only	I-SP-10	5,7-1/2	8-1/4	CTC-8T9042
STEERING						
			P-UB-10	2-3/8	4	CTC-2418925
			P-UB-10	2	3	CTC-2937596
SUSPENSION						
	8J2322		P-UB-3	7	8	CTC-1137475
SUSPENSION FRONT						
			P-UB-3	7	8	CTC-2950148
	1U4777		P-UB-3	7	8	CTC-1137478
	7J3480		P-UB-3	7	8	CTC-1137475
	64W168-					
			P-UB-3	7	8	CTC-1137478
SUSPENSION REAR						
			P-U-3	7	8-1/2	CTC-2959886
UNSPECIFIED APPLICATION						
	1163092		P-UB-3	7	8	CTC-1137478
MODEL 772E						
SUSPENSION REAR						
			P-U-3	7	8-1/2	CTC-2959886
MODEL 773						
STEERING						
			P-UB-10	2-3/8	4	CTC-2418925
SUSPENSION FRONT						
	63G-63G670					
	7J3480		P-UB-3	7	8	CTC-1137475
	63G671-					
	8J2322		P-UB-3	7	8	CTC-1137475
	63W1271-; 7XJ1-; 6KR; 7ER; 7CS; 8AS					
			P-UB-3	7	8	CTC-1137478
SUSPENSION REAR						
	63G; 63W1-63W1724					
	8J9332		I-SP-1	7	8-1/2	CTC-5J6572K
	63W1725-					
	8J9332		I-SP-1	7	8-1/2	CTC-3G0688K
MODEL 773B						
DOOR						
	3G4640		P-UB-10	2-1/2	6	CTC-7X2669
HOIST						
			I-SP-10	5,7-1/2	6-1/2,8-1/4	CTC-3126388
	9J2017		I-SP-10	5,7-1/2	8-1/4	CTC-8T9042
	9T3122		I-SP-10	5,7-1/2	8-1/4	CTC-8T9042

REPLACEMENT KITS FOR CATERPILLAR® EQUIPMENT

Off-Highway Trucks						
APPLICATION	CYL #	Misc-Parts, Instructions, etc.	CODE	ROD	BORE	KIT #
MODEL 773B						
STEERING RH						
	63G1-; 63W1-					
	7J7686		P-UB-10	2-3/8	4	CTC-8T1389
SUSPENSION						
	1162837		P-U-3	7	8-1/2	CTC-1417296
SUSPENSION FRONT						
			P-UB-3	7	8	CTC-2950148
	63W1271-; 7XJ1-; 6KR; 7ER; 7CS; 8AS					
			P-UB-3	7	8	CTC-1137478
SUSPENSION REAR						
	9T6082		P-U-3	7	8-1/2	CTC-1417296
	63G; 63W1-63W1724					
	8J9332		I-SP-1	7	8-1/2	CTC-5J6572K
	63W1725-					
	8J9332		I-SP-1	7	8-1/2	CTC-3G0688K
UNSPECIFIED APPLICATION						
	1163092		P-UB-3	7	8	CTC-1137478
MODEL 773D						
HOIST						
			I-SP-10	5,7-1/2	6-1/2,8-1/4	CTC-3126388
	1455155		I-SP-10	5,7-1/2	8-1/4	CTC-8T9042
	9J2017		I-SP-10	5,7-1/2	8-1/4	CTC-8T9042
STEERING RH						
	7J7686		P-UB-10	2-3/8	4	CTC-8T1389
SUSPENSION						
	1162837		P-U-3	7	8-1/2	CTC-1417296
SUSPENSION FRONT						
			P-UB-3	7	8	CTC-2950148
	1163092		P-UB-3	7	8	CTC-1137478
	1U4777		P-UB-3	7	8	CTC-1137478
	63W1271-; 7XJ1-; 6KR; 7ER; 7CS; 8AS					
			P-UB-3	7	8	CTC-1137478
SUSPENSION REAR						
	9T6082		P-U-3	7	8-1/2	CTC-1417296
MODEL 773E						
HOIST						
			I-SP-10	5,7-1/2	6-1/2,8-1/4	CTC-3126388
STEERING						
			P-UB-10	2-1/2	3-1/2	CTC-2949583
SUSPENSION FRONT						
			P-UB-3	7	8	CTC-2950148
SUSPENSION REAR						
			P-U-3	7	8-1/2	CTC-2976848
MODEL 773F						
SUSPENSION REAR						
			P-U-3	7	8-1/2	CTC-2976848

REPLACEMENT KITS FOR CATERPILLAR® EQUIPMENT

Off-Highway Trucks						
APPLICATION	CYL #	Misc-Parts, Instructions, etc.	CODE	ROD	BORE	KIT #
MODEL 775						
HOIST						
	9J2017		I-SP-10	5,7-1/2	8-1/4	CTC-8T9042
	9T3122		I-SP-10	5,7-1/2	8-1/4	CTC-8T9042
STEERING RH						
	7J7686		P-UB-10	2-3/8	4	CTC-8T1389
SUSPENSION						
	1162837		P-U-3	7	8-1/2	CTC-1417296
SUSPENSION REAR						
	9T6082		P-U-3	7	8-1/2	CTC-1417296
UNSPECIFIED APPLICATION						
	1163092		P-UB-3	7	8	CTC-1137478
	1U4777		P-UB-3	7	8	CTC-1137478
MODEL 775B						
HOIST						
			I-SP-10	5,7-1/2	6-1/2,8-1/4	CTC-3126388
SUSPENSION						
	1U4777		P-UB-3	7	8	CTC-1137478
SUSPENSION FRONT						
			P-UB-3	7	8	CTC-2950148
	63W1271-; 7XJ1-; 6KR; 7ER; 7CS; 8AS					
			P-UB-3	7	8	CTC-1137478
SUSPENSION REAR						
			P-U-3	7	8-1/2	CTC-2959886
MODEL 775D						
HOIST						
			I-SP-10	5,7-1/2	6-1/2,8-1/4	CTC-3126388
	1455155		I-SP-10	5,7-1/2	8-1/4	CTC-8T9042
	9J2017		I-SP-10	5,7-1/2	8-1/4	CTC-8T9042
	9T3122		I-SP-10	5,7-1/2	8-1/4	CTC-8T9042
STEERING RH						
	7J7686		P-UB-10	2-3/8	4	CTC-8T1389
SUSPENSION						
	1162837		P-U-3	7	8-1/2	CTC-1417296
SUSPENSION FRONT						
			P-UB-3	7	8	CTC-2950148
	63W1271-; 7XJ1-; 6KR; 7ER; 7CS; 8AS					
			P-UB-3	7	8	CTC-1137478
SUSPENSION REAR						
			P-U-3	7	8-1/2	CTC-2959886
UNSPECIFIED APPLICATION						
	1163092		P-UB-3	7	8	CTC-1137478
	1U4777		P-UB-3	7	8	CTC-1137478
	9T6082		P-U-3	7	8-1/2	CTC-1417296
MODEL 776, 776B						
DOOR						
	3G4640		P-UB-10	2-1/2	6	CTC-7X2669

REPLACEMENT KITS FOR CATERPILLAR® EQUIPMENT

Off-Highway Trucks						
APPLICATION	CYL #	Misc-Parts, Instructions, etc.	CODE	ROD	BORE	KIT #
MODEL 776, 776B						
STEERING						
			P-UB-10	2-3/8	4	CTC-2418925
SUSPENSION REAR						
	8J8865		I,P-U-13	9	10-1/2	CTC-1137482
MODEL 776C, 776D						
STEERING						
	8J9912		P-UB-10	2-3/8	4	CTC-8T1389
SUSPENSION REAR						
			P-UB-1	9	10-1/2	CTC-2959885
	8J8865		I,P-U-13	9	10-1/2	CTC-1137482
MODEL 777						
DOOR						
	3G4640		P-UB-10	2-1/2	6	CTC-7X2669
HOIST						
	8J8924		I-UB-10	5-1/2	9-1/2	CTC-8T1543
STEERING						
			P-UB-10	2-3/8	4	CTC-1945600
			P-UB-10	2-3/8	4	CTC-2418925
SUSPENSION FRONT						
	4T4756		I,P-U-3	9	10-3/4	CTC-1137463
SUSPENSION REAR						
	8J8865		I,P-U-13	9	10-1/2	CTC-1137482
	84A1284-; 4YC1-					
	8J8865		I-SP-1	9	10-1/2	CTC-9T3972K
	84A1-84A1283					
	8J8865		I-SP-1	9	10-1/2	CTC-8J8902K
MODEL 777B						
HOIST						
	8J8924		I-UB-10	5-1/2	9-1/2	CTC-8T1543
STEERING						
	8J9912		P-UB-10	2-3/8	4	CTC-8T1389
SUSPENSION FRONT						
	4T4756		I,P-U-3	9	10-3/4	CTC-1137463
SUSPENSION REAR						
	8J8865		I,P-U-13	9	10-1/2	CTC-1137482
	84A1284-; 4YC1-					
	8J8865		I-SP-1	9	10-1/2	CTC-9T3972K
	84A1-84A1283					
	8J8865		I-SP-1	9	10-1/2	CTC-8J8902K
MODEL 777C						
HOIST						
	8J8924		I-UB-10	5-1/2	9-1/2	CTC-8T1543
STEERING						
	8J9912		P-UB-10	2-3/8	4	CTC-8T1389
SUSPENSION FRONT						
	4T4756		I,P-U-3	9	10-3/4	CTC-1137463

REPLACEMENT KITS FOR CATERPILLAR® EQUIPMENT

Off-Highway Trucks						
APPLICATION	CYL #	Misc-Parts, Instructions, etc.	CODE	ROD	BORE	KIT #
MODEL 777C						
SUSPENSION REAR						
			P-UB-1	9	10-1/2	CTC-2959885
	8J8865		I,P-U-13	9	10-1/2	CTC-1137482
MODEL 777D						
HOIST						
			I-UB-10	5-1/2	9-1/2	CTC-3170942
	8J8924		I-UB-10	5-1/2	9-1/2	CTC-8T1543
STEERING						
	1052440		I-UB-10	2-1/2	3-1/2	CTC-3E3299
	8J9912		P-UB-10	2-3/8	4	CTC-8T1389
SUSPENSION FRONT						
	4T4756		I,P-U-3	9	10-3/4	CTC-1137463
SUSPENSION REAR						
			P-UB-1	9	10-1/2	CTC-2959885
	8J8865		I,P-U-13	9	10-1/2	CTC-1137482
MODEL 777F						
HOIST						
			I-UB-10	5-1/2	7-1/2	CTC-2950145
STEERING						
			P-UB-10	2-1/2	3-1/2	CTC-2949583
SUSPENSION FRONT						
			P-UB-1	9	10-3/4	CTC-3087849
SUSPENSION REAR						
			P-U-1	9	10-1/2	CTC-2976849
MODEL 783B						
HOIST						
		Includes extra parts	I-SP-10, 3	7-1/4, 10-1/2	9-1/4, 11-1/2	CTC-0715438
			I-SP-10, 3	7-1/4, 10-1/2	9-1/4, 11-1/2	CTC-8T4939
STEERING						
			P-UB-10	2-1/2	5	CTC-1304012
		Serial# 8GB1-316	P-UB-10	2-1/2	5	CTC-7X2658
SUSPENSION FRONT						
		Insert wiper kit	I-U-3	11	13-1/8	CTC-0711436
		Press-in wiper kit	P-U-3	11	13-1/8	CTC-0712436
		Combination kit	I,P-U-3	11	13-1/8	CTC-1137476
SUSPENSION REAR						
		Head# 1U4636	I-U-3	11	12-1/2	CTC-0713437
		Head# 1060856, 1072858	P-U-3	11	12-1/2	CTC-0714437
		Head# 1U4636, 1060856, 1072858	I,P-U-3	11	12-1/2	CTC-1565209
UNSPECIFIED APPLICATION						
	1072860		I,P-U-3	11	12-1/2	CTC-1565209
	4T5931		I-SP-10, 3	7-1/4, 10-1/2	9-1/4, 11-1/2	CTC-8T4939
MODEL 784B, 784C						
STEERING						
	6E5857		P-UB-10	2-1/2	5	CTC-1304012

REPLACEMENT KITS FOR CATERPILLAR® EQUIPMENT

Off-Highway Trucks						
APPLICATION	CYL #	Misc-Parts, Instructions, etc.	CODE	ROD	BORE	KIT #
MODEL 784B, 784C						
SUSPENSION REAR						
		Head# 1U4636	I-U-3	11	12-1/2	CTC-0713437
		Head# 1060856, 1072858	P-U-3	11	12-1/2	CTC-0714437
		Head# 1U4636, 1060856, 1072858	I,P-U-3	11	12-1/2	CTC-1565209
MODEL 784C						
STEERING						
	6E5857		P-UB-10	2-1/2	5	CTC-1304012
MODEL 785, 785B, 785C						
HOIST						
		Includes extra parts	I-SP-10, 3	7-1/4, 10-1/2	9-1/4, 11-1/2	CTC-0715438
			I-SP-10, 3	7-1/4, 10-1/2	9-1/4, 11-1/2	CTC-8T4939
STEERING						
			P-UB-10	2-1/2	5	CTC-1304012
			P-UB-10	2-1/2	5	CTC-7X2658
SUSPENSION FRONT						
		Insert wiper kit	I-U-3	11	13-1/8	CTC-0711436
		Press-in wiper kit	P-U-3	11	13-1/8	CTC-0712436
		Combination kit	I,P-U-3	11	13-1/8	CTC-1137476
SUSPENSION REAR						
		Head# 1U4636	I-U-3	11	12-1/2	CTC-0713437
		Head# 1060856, 1072858	P-U-3	11	12-1/2	CTC-0714437
		Head# 1U4636, 1060856, 1072858	I,P-U-3	11	12-1/2	CTC-1565209
UNSPECIFIED APPLICATION						
	1072860		I,P-U-3	11	12-1/2	CTC-1565209
	1U4651	785B, 785C	I,P-U-3	11	12-1/2	CTC-1565209
	4T5931	785C	I-SP-10, 3	7-1/4, 10-1/2	9-1/4, 11-1/2	CTC-8T4939
MODEL 786						
STEERING						
	7J9718		P-UB-10	2-1/4	5	CTC-7X2729
	7J9984		P-UB-10	2-1/4	5	CTC-7X2729
TILT LH						
	7J9762		P-UB-10	2-3/4	6-1/2	CTC-7X2689
TILT RH						
	7J9761		P-UB-10	2-3/4	6-1/2	CTC-7X2689
MODEL 787B						
STEERING						
	4T6797		P-UB-10	2-3/4	6	CTC-1363337
SUSPENSION						
	1061801		I,P-U-3	12-1/2	14-1/4	CTC-1137480
UNSPECIFIED APPLICATION						
	9T2807		I-SP-10, 3	7-1/4, 11	9-1/2, 12-1/4	CTC-8C5788
MODEL 789, 789B, 789C						
HOIST						
			I-SP-10, 3	7-1/4, 11	9-1/2, 12-1/4	CTC-0716439
		Includes rod wear rings	I-SP-10, 3	7-1/4, 11	9-1/2, 12-1/4	CTC-8C5788
STEERING						
			P-UB-10	2-3/4	6	CTC-2440953

REPLACEMENT KITS FOR CATERPILLAR® EQUIPMENT

Off-Highway Trucks						
APPLICATION	CYL #	Misc-Parts, Instructions, etc.	CODE	ROD	BORE	KIT #
MODEL 789, 789B, 789C						
SUSPENSION FRONT						
		Insert wiper kit	I-U-3	12-1/2	15-1/8	CTC-0717440
		Press-in wiper kit	P-U-3	12-1/2	15-1/8	CTC-0718440
		Combination kit	I,P-U-3	12-1/2	15-1/8	CTC-1131073
SUSPENSION REAR						
		Head# 4T4761	I-U-3	12-1/2	14-1/4	CTC-0719441
		Head# 1060904, 1061807, 1591977	P-U-3	12-1/2	14-1/4	CTC-0720441
		Head# 4T4761, 1060904, 1061807, 1591977	I,P-U-3	12-1/2	14-1/4	CTC-1137480
UNSPECIFIED APPLICATION						
	1061801	789C	I,P-U-3	12-1/2	14-1/4	CTC-1137480
	4T4844	789B, 789C	I,P-U-3	12-1/2	14-1/4	CTC-1137480
	9T2807	789C	I-SP-10, 3	7-1/4, 11	9-1/2, 12-1/4	CTC-8C5788
MODEL 793, 793B						
HOIST						
			I-SP-10, 3	8-3/4, 12-1/2	11, 13-3/4	CTC-1125343
STEERING						
			P-UB-10	2-3/4	5-1/2	CTC-2601518
SUSPENSION FRONT						
		Combination kit	I,P-U-3	13-1/2	16-1/8	CTC-1137472
		Insert wiper kit	I-U-3	13-1/2	16-1/8	CTC-7751023
		Press-in wiper kit	P-U-3	13-1/2	16-1/8	CTC-7761023
SUSPENSION REAR						
		Head# 4T4761	I-U-3	12-1/2	14-1/4	CTC-0719441
		Head# 1060904, 1061807, 1591977	P-U-3	12-1/2	14-1/4	CTC-0720441
		Head# 1946859; kit includes rod wear ring	P-U-3	12-1/2	14-1/4	CTC-0778441
		Head# 4T4761, 1060904, 1061807, 1591977	I,P-U-3	12-1/2	14-1/4	CTC-1137480
			I,P-U-3	12-1/2	14-1/4	CTC-1137480
MODEL 793C						
HOIST						
			I-SP-10, 3	7-3/4, 11-1/2	10, 12-1/2	CTC-1531282
STEERING						
			P-UB-10	2-3/4	5-1/2	CTC-2601518
SUSPENSION FRONT						
		Combination kit	I,P-U-3	13-1/2	16-1/8	CTC-1137472
		Insert wiper kit	I-U-3	13-1/2	16-1/8	CTC-7751023
		Press-in wiper kit	P-U-3	13-1/2	16-1/8	CTC-7761023
SUSPENSION REAR						
		Head# 4T4761	I-U-3	12-1/2	14-1/4	CTC-0719441
		Head# 1060904, 1061807, 1591977	P-U-3	12-1/2	14-1/4	CTC-0720441
		Head# 4T4761, 1060904, 1061807, 1591977	I,P-U-3	12-1/2	14-1/4	CTC-1137480
UNSPECIFIED APPLICATION						
	6E1101		I,P-U-3	12-1/2	14-1/4	CTC-1137480

REPLACEMENT KITS FOR CATERPILLAR® EQUIPMENT

Pipelayers						
APPLICATION	CYL #	Misc-Parts, Instructions, etc.	CODE	ROD	BORE	KIT #
MODEL 561B						
COUNTERWEIGHT LH						
	3G3504		P-UB-10	2	4-1/2	CTC-7X2768
COUNTERWEIGHT RH						
	3G3505		P-UB-10	2	4-1/2	CTC-7X2768
MODEL 561C, 561D						
COUNTERWEIGHT LH						
	3G3504		P-UB-10	2	4-1/2	CTC-7X2768
COUNTERWEIGHT RH						
	3G3505		P-UB-10	2	4-1/2	CTC-7X2768
TRACK ADJUSTER						
			TRK ADJ			CTC-FIG4400
MODEL 571A, 571F, 571G						
TRACK ADJUSTER						
			TRK ADJ			CTC-FIG3401
MODEL 572C, 572D, 572E, 572F						
TRACK ADJUSTER						
			TRK ADJ			CTC-FIG2400
			TRK ADJ			CTC-FIG3401
MODEL 572G						
DOZER LIFT LH						
	1U2136		P-UB-10	2-1/2	4-3/4	CTC-7X2660
DOZER LIFT RH						
	1U2135		P-UB-10	2-1/2	4-3/4	CTC-7X2660
TRACK ADJUSTER						
			TRK ADJ			CTC-FIG2400
			TRK ADJ			CTC-FIG3401
MODEL 578						
COUNTERWEIGHT						
	3G2918		P-V-10	2	4-1/2	CTC-7X2700
	9T0489		P-V-10	2	4-1/2	CTC-7X2700
MODEL 583H, 583K						
SIDE DUMP						
	8J5670		P-UB-10	2	4	CTC-7X2755
	8J5670		P-UB-10	2	4	CTC-7X7937
TRACK ADJUSTER						
			TRK ADJ			CTC-FIG1401
			TRK ADJ			CTC-FIG1402
MODEL 583R						
COUNTERWEIGHT						
	1333850		P-UB-10	2-1/8	4	CTC-1305923
MODEL 589						
COUNTERWEIGHT						
	3G2918		P-V-10	2	4-1/2	CTC-7X2700
MODEL 591						
COUNTERWEIGHT						
	3G9729		P-V-10	2	4-1/2	CTC-7X2700

REPLACEMENT KITS FOR CATERPILLAR® EQUIPMENT

Pipelayers						
APPLICATION	CYL #	Misc-Parts, Instructions, etc.	CODE	ROD	BORE	KIT #
MODEL 594, 594H						
LIFT						
	6J0416		P-V-10	2	5	CTC-7X2763
TRACK ADJUSTER						
			TRK ADJ			CTC-FIG0401
			TRK ADJ			CTC-FIG0402
MODEL MD7, MD8, MDW8						
COUNTERWEIGHT						
	3G3505		P-UB-10	2	4-1/2	CTC-7X2768
Scrapers						
APPLICATION	CYL #	Misc-Parts, Instructions, etc.	CODE	ROD	BORE	KIT #
MODEL 611						
BOWL						
	3G5679		P-UB-10	2-1/4	5	CTC-9X6392
LOAD						
	3G7274		P-UB-10	2-1/4	4-3/4	CTC-1318778
STEERING						
	6E3566		P-UB-10	2-1/4	4-1/2	CTC-1354392
MODEL 613						
BOWL LIFT						
	7J6058		P-UB-10	2	4	CTC-7X2755
EJECTOR						
	1U2012		P-UB-10	2-1/4	3-1/2	CTC-7X2818
FLOOR						
	7J5528		P-UB-10	2-1/2	5	CTC-7X2675
STEERING						
	7J6054		P-UB-10	2	4	CTC-7X2755
MODEL 613B						
BOWL LIFT						
	7J6058		P-UB-10	2	4	CTC-7X2755
EJECTOR						
	1U2012		P-UB-10	2-1/4	3-1/2	CTC-7X2818
FLOOR						
	7J5528		P-UB-10	2-1/2	5	CTC-7X2675
STEERING						
	1U2291		P-UB-10	2	4	CTC-1328816
	6E2968		P-UB-10	2	3-1/2	CTC-7X2783
	7J6054		P-UB-10	2	4	CTC-7X2755
	9T7900		P-UB-10	2	4	CTC-1328816
MODEL 613C						
BOWL LIFT						
	1U3124		P-UB-10	2	4	CTC-7X2789
EJECTOR						
	1U2012		P-UB-10	2-1/4	3-1/2	CTC-7X2818
FLOOR						
	1U2157		P-UB-10	2-1/2	5	CTC-7X2658
STEERING						
	1U2291		P-UB-10	2	4	CTC-7X2789

REPLACEMENT KITS FOR CATERPILLAR® EQUIPMENT

Scrapers						
APPLICATION	CYL #	Misc-Parts, Instructions, etc.	CODE	ROD	BORE	KIT #
MODEL 613SC						
BOWL						
	1U3124		P-UB-10	2	4	CTC-1328816
	3G5679		P-UB-10	2-1/4	5	CTC-9X6392
	7J6058		P-UB-10	2	4	CTC-7X2755
	9T8252		P-UB-10	2	4	CTC-1328816
EJECTOR						
	1U2012		P-UB-10	2-1/4	3-1/2	CTC-1358166
FLOOR						
	1U2157		P-UB-10	2-1/2	5	CTC-1315118
MODEL 615						
BOWL						
	3G5679		P-UB-10	2-1/4	5	CTC-9X6392
CUSHION HITCH						
	3G7274		P-UB-10	2-1/4	4-3/4	CTC-8T2216
DOOR						
	3G3883		P-UB-10	2-3/4	5-1/2	CTC-7X2690
EJECTOR						
	3G3892		P-UB-10	2-1/2	4-1/4	CTC-7X2663
LOAD						
	3G7274		P-UB-10	2-1/4	4-3/4	CTC-1318778
STEERING						
	5J1326		P-UB-10	2-1/4	5	CTC-7X2729
MODEL 615C						
BOWL LIFT						
	3G5679		P-UB-10	2-1/4	5	CTC-7X2729
DOOR						
	3G3883		P-UB-10	2-3/4	5-1/2	CTC-7X2690
EJECTOR						
	3G3892		P-UB-10	2-1/2	4-1/4	CTC-7X2663
LIFT						
	7J9902		P-UB-10	2	4-1/4	CTC-7X2819
LOAD						
	3G7274		P-UB-10	2-1/4	4-3/4	CTC-1318778
STEERING						
	5J1326		P-UB-10	2-1/4	5	CTC-7X2729
	6E2968		P-UB-10	2	3-1/2	CTC-7X2783
	6E3566		P-UB-10	2-1/4	4-1/2	CTC-1354392
MODEL 615SC						
BOWL						
	3G5679		P-UB-10	2-1/4	5	CTC-7X2729
	3G5679		P-UB-10	2-1/4	5	CTC-9X6392
EJECTOR						
	3G3892		P-UB-10	2-1/2	4-1/4	CTC-7X2663
STEERING						
	5J1326		P-UB-10	2-1/4	5	CTC-7X2729

REPLACEMENT KITS FOR CATERPILLAR® EQUIPMENT

Scrapers						
APPLICATION	CYL #	Misc-Parts, Instructions, etc.	CODE	ROD	BORE	KIT #
MODEL 621						
APRON						
	5J0778		P-UB-10	2-3/4	7-1/4	CTC-7X2681
BOWL LH						
	5J2450		P-UB-10	2-1/2	6	CTC-7X2662
BOWL RH						
	5J2449		P-UB-10	2-1/2	6	CTC-7X2662
EJECTOR						
	1U0408		P-UB-10	4	6-1/2	CTC-7X2765
	6J9689		P-UB-10	4	6-1/2	CTC-7X2765
FLOOR						
	7J5528		P-UB-10	2-1/2	5	CTC-7X2675
LOAD						
	8J0204		P-UB-10	2-1/2	5-1/2	CTC-9X2050
LOAD CUSHION HITCH						
	8J0204		P-UB-10	2-1/2	5-1/2	CTC-8T1374
	9J0537		P-UB-10	2-1/2	6-1/2	CTC-8T1376
	9J0537		P-SP-10	2-1/2	6-1/2	CTC-9X6024
	9T1803		P-UB-10	2-1/2	5-1/2	CTC-7X2653
STEERING						
	5J1326		P-UB-10	2-1/4	5	CTC-7X2729
MODEL 621B						
APRON						
	5J0778		P-UB-10	2-3/4	7-1/4	CTC-7X2681
BOWL LIFT						
	5J2449		P-UB-10	2-1/2	6	CTC-7X2662
	5J2450		P-UB-10	2-1/2	6	CTC-7X2662
EJECTOR						
	1U0408		P-UB-10	4	6-1/2	CTC-7X2765
	6J9573		P-UB-10	4	6-1/2	CTC-7X2765
LOAD						
	8J9446		P-UB-10	2-1/2	5-1/2	CTC-7X2653
	8J9446		P-UB-10	2-1/2	5-1/2	CTC-8T1374
	8J9446		P-UB-10	2-1/2	5-1/2	CTC-9X2050
STEERING						
	3G5192	1.11" wide wear ring, rod bearing incl	P-UB-10	2-1/2	5	CTC-1304012
	3G5192	1.55" wide wear ring	P-UB-10	2-1/2	5	CTC-7X2743
	5J1326		P-UB-10	2-1/4	5	CTC-7X2729
	8J7376		P-UB-10	2-1/2	5	CTC-1315106
MODEL 621E						
APRON						
	5J0778		P-UB-10	2-3/4	7-1/4	CTC-7X2681
BOWL LIFT						
	5J2449		P-UB-10	2-1/2	6	CTC-7X2662
	5J2450		P-UB-10	2-1/2	6	CTC-7X2662

REPLACEMENT KITS FOR CATERPILLAR® EQUIPMENT

Scrapers						
APPLICATION	CYL #	Misc-Parts, Instructions, etc.	CODE	ROD	BORE	KIT #
MODEL 621E						
EJECTOR						
	1U0408		P-UB-10	4	6-1/2	CTC-7X2765
	9T4885		P-UB-10	4	6-1/2	CTC-7X2765
LOAD						
	1083592		P-UB-10	2-1/2	5-1/2	CTC-7X2653
	9T1803		P-UB-10	2-1/2	5-1/2	CTC-7X2653
	9T1803		P-UB-10	2-1/2	5-1/2	CTC-8T1374
STEERING						
	3G5192	1.55" wide wear ring, rod bearing incl	P-UB-10	2-1/2	5	CTC-7X2658
	4T9364		P-UB-10	2-1/4	5	CTC-7X2729
	5J1326		P-UB-10	2-1/4	5	CTC-7X2729
MODEL 621F						
LOAD						
	1083592		P-UB-10	2-1/2	5-1/2	CTC-7X2653
STEERING						
	3G5192	1.11" wide wear ring, rod bearing incl	P-UB-10	2-1/2	5	CTC-1304012
	5J1326		P-UB-10	2-1/4	5	CTC-7X2729
MODEL 621G						
LOAD						
	1083592		P-UB-10	2-1/2	5-1/2	CTC-7X2653
MODEL 621R						
STEERING						
	3G5192	1.11" wide wear ring, rod bearing incl	P-UB-10	2-1/2	5	CTC-1304012
	3G5192	1.55" wide wear ring	P-UB-10	2-1/2	5	CTC-7X2743
MODEL 621S						
APRON						
	5J0778		P-UB-10	2-3/4	7-1/4	CTC-7X2681
	6E3690		P-UB-10	2-3/4	7-1/4	CTC-7X2681
BOWL LH						
	5J2450		P-UB-10	2-1/2	6	CTC-7X2662
BOWL RH						
	5J2449		P-UB-10	2-1/2	6	CTC-7X2662
EJECTOR						
	1U0408		P-UB-10	4	6-1/2	CTC-7X2765
STEERING						
	3G5192	1.11" wide wear ring, rod bearing incl	P-UB-10	2-1/2	5	CTC-1304012
MODEL 621SC						
APRON						
	5J0778		P-UB-10	2-3/4	7-1/4	CTC-7X2681
	6E3690		P-UB-10	2-3/4	7-1/4	CTC-7X2681
BOWL LH						
	5J2450		P-UB-10	2-1/2	6	CTC-7X2662
BOWL RH						
	5J2449		P-UB-10	2-1/2	6	CTC-7X2662

REPLACEMENT KITS FOR CATERPILLAR® EQUIPMENT

Scrapers						
APPLICATION	CYL #	Misc-Parts, Instructions, etc.	CODE	ROD	BORE	KIT #
MODEL 621SC						
EJECTOR						
	1U0408		P-UB-10	4	6-1/2	CTC-7X2765
	6J9689		P-UB-10	4	6-1/2	CTC-7X2765
	9T4885		P-UB-10	4	6-1/2	CTC-7X2765
LOAD						
	8J0204		P-UB-10	2-1/2	5-1/2	CTC-9X2050
STEERING						
	3G5192	1.11" wide wear ring, rod bearing incl	P-UB-10	2-1/2	5	CTC-1304012
	3G5192	1.55" wide wear ring	P-UB-10	2-1/2	5	CTC-7X2743
	5J1326		P-UB-10	2-1/4	5	CTC-7X2729
MODEL 623						
EJECTOR						
	8J5478		P-UB-10	2-1/2	5	CTC-1304012
	8J5478		P-UB-10	2-1/2	5	CTC-7X2658
FLOOR						
	8J1821		P-UB-10	3	6	CTC-7X2698
LIFT						
	8J1876		P-UB-10	2-1/2	6	CTC-7X2662
LOAD						
	8J0204		P-UB-10	2-1/2	5-1/2	CTC-8T1374
	8J0204		P-UB-10	2-1/2	5-1/2	CTC-9X2050
	9J0537		P-UB-10	2-1/2	6-1/2	CTC-8T1376
	9J0537		P-SP-10	2-1/2	6-1/2	CTC-9X6024
	9T1803		P-UB-10	2-1/2	5-1/2	CTC-7X2653
STEERING						
	5J1326		P-UB-10	2-1/4	5	CTC-7X2729
MODEL 623B						
BOWL LIFT						
	8J1876		P-UB-10	2-1/2	6	CTC-7X2662
EJECTOR						
	8J5478		P-UB-10	2-1/2	5	CTC-7X2658
FLOOR						
	8J1821		P-UB-10	3	6	CTC-7X2698
LOAD						
	8J9446		P-UB-10	2-1/2	5-1/2	CTC-7X2653
	8J9446		P-UB-10	2-1/2	5-1/2	CTC-8T1374
STEERING						
	3G5192	1.11" wide wear ring, rod bearing incl	P-UB-10	2-1/2	5	CTC-1304012
	3G5192	1.55" wide wear ring, rod bearing incl	P-UB-10	2-1/2	5	CTC-7X2658
	3G5192	1.55" wide wear ring	P-UB-10	2-1/2	5	CTC-7X2743
	8J7376		P-UB-10	2-1/2	5	CTC-1315106
WAGON DOOR						
	3G4640		P-UB-10	2-1/2	6	CTC-7X2669

REPLACEMENT KITS FOR CATERPILLAR® EQUIPMENT

Scrapers						
APPLICATION	CYL #	Misc-Parts, Instructions, etc.	CODE	ROD	BORE	KIT #
MODEL 623E						
BOWL LIFT						
	8J1876		P-UB-10	2-1/2	6	CTC-7X2662
EJECTOR						
	8J5478		P-UB-10	2-1/2	5	CTC-7X2658
	9T4886		P-UB-10	4-1/2	6	CTC-8C6958
FLOOR						
	8J1821		P-UB-10	3	6	CTC-7X2698
LOAD						
	1083592		P-UB-10	2-1/2	5-1/2	CTC-7X2653
	9T1803		P-UB-10	2-1/2	5-1/2	CTC-7X2653
	9T1803		P-UB-10	2-1/2	5-1/2	CTC-8T1374
STEERING						
	3G5192	1.55" wide wear ring, rod bearing incl	P-UB-10	2-1/2	5	CTC-7X2658
MODEL 623F, 623G						
LOAD						
	1083592		P-UB-10	2-1/2	5-1/2	CTC-7X2653
MODEL 623SC						
EJECTOR						
	8J5478		P-UB-10	2-1/2	5	CTC-1304012
	8J5478		P-UB-10	2-1/2	5	CTC-7X2658
FLOOR						
	8J1821		P-UB-10	3	6	CTC-7X2698
LIFT						
	8J1876		P-UB-10	2-1/2	6	CTC-7X2662
LOAD						
	8J0204		P-UB-10	2-1/2	5-1/2	CTC-9X2050
STEERING						
	3G5192	1.11" wide wear ring, rod bearing incl	P-UB-10	2-1/2	5	CTC-1304012
	3G5192	1.55" wide wear ring	P-UB-10	2-1/2	5	CTC-7X2743
	5J1326		P-UB-10	2-1/4	5	CTC-7X2729
MODEL 623SCG						
EJECTOR						
	8J5478		P-UB-10	2-1/2	5	CTC-1304012
LIFT						
	8J1876		P-UB-10	2-1/2	6	CTC-7X2662
STEERING						
	3G5192	1.11" wide wear ring, rod bearing incl	P-UB-10	2-1/2	5	CTC-1304012
MODEL 627						
APRON						
	5J0778		P-UB-10	2-3/4	7-1/4	CTC-7X2681
BAIL						
	4T5638		P-UB-10	1-3/4	3	CTC-7X2791
	8J6064		P-U-10	2	3-1/2	CTC-7X2806

REPLACEMENT KITS FOR CATERPILLAR® EQUIPMENT

Scrapers						
APPLICATION	CYL #	Misc-Parts, Instructions, etc.	CODE	ROD	BORE	KIT #
MODEL 627						
BOWL LH						
	5J2450	Incl. Buffer & Rod Brg - Wear Ring 1.74"	P-UB-10	2-1/2	6	CTC-7X2662
BOWL LIFT						
	5J2449	Piston # C9J8047 - Wear Ring 1.74"	P-V-10	2-1/2	6	CTC-0514131
	5J2449	Piston # C5J0968 - Wear Ring 1.31"	P-UB-10	2-1/2	6	CTC-7X2679
	5J2450	Piston # C9J8047 - Wear Ring 1.74"	P-V-10	2-1/2	6	CTC-0514131
	5J2450	Piston # C9J8047 - Wear Ring 1.31"	P-UB-10	2-1/2	6	CTC-7X2679
BOWL RH						
	5J2449	Incl. Buffer & Rod Brg - Wear Ring 1.74"	P-UB-10	2-1/2	6	CTC-7X2662
EJECTOR						
	1U0408		P-UB-10	4	6-1/2	CTC-7X2765
LOAD						
	8J0204		P-UB-10	2-1/2	5-1/2	CTC-9X2050
LOAD CUSHION HITCH						
	8J0204		P-UB-10	2-1/2	5-1/2	CTC-8T1374
	9J0537		P-UB-10	2-1/2	6-1/2	CTC-8T1376
	9J0537		P-SP-10	2-1/2	6-1/2	CTC-9X6024
	9T1803		P-UB-10	2-1/2	5-1/2	CTC-7X2653
STEERING						
	5J1326		P-UB-10	2-1/4	5	CTC-7X2729
MODEL 627B						
APRON						
	5J0778		P-UB-10	2-3/4	7-1/4	CTC-7X2681
BAIL						
	8J6064		P-U-10	2	3-1/2	CTC-7X2806
	8J8458		P-UB-10	1-1/2	3-1/2	CTC-7X2752
BOWL LIFT						
	5J2449	Piston # C9J8047 - Wear Ring 1.74"	P-V-10	2-1/2	6	CTC-0514131
	5J2449	Incl. Buffer & Rod Brg - Wear Ring 1.74"	P-UB-10	2-1/2	6	CTC-7X2662
	5J2449	Piston # C5J0968 - Wear Ring 1.31"	P-UB-10	2-1/2	6	CTC-7X2679
	5J2450	Piston # C9J8047 - Wear Ring 1.74"	P-V-10	2-1/2	6	CTC-0514131
	5J2450	Incl. Buffer & Rod Brg - Wear Ring 1.74"	P-UB-10	2-1/2	6	CTC-7X2662
	5J2450	Incl. Buffer & Rod Brg - Wear Ring 1.74"	P-UB-10	2-1/2	6	CTC-7X2662
	5J2450	Piston # C9J8047 - Wear Ring 1.31"	P-UB-10	2-1/2	6	CTC-7X2679
EJECTOR						
	1U0408		P-UB-10	4	6-1/2	CTC-7X2765
	6J9573		P-UB-10	4	6-1/2	CTC-7X2765

REPLACEMENT KITS FOR CATERPILLAR® EQUIPMENT

Scrapers						
APPLICATION	CYL #	Misc-Parts, Instructions, etc.	CODE	ROD	BORE	KIT #
MODEL 627B						
LOAD						
	8J9446		P-UB-10	2-1/2	5-1/2	CTC-7X2653
	8J9446		P-UB-10	2-1/2	5-1/2	CTC-8T1374
STEERING						
	3G5192	1.11" wide wear ring, rod bearing incl	P-UB-10	2-1/2	5	CTC-1304012
	3G5192	1.55" wide wear ring, rod bearing incl	P-UB-10	2-1/2	5	CTC-7X2658
	3G5192	1.55" wide wear ring	P-UB-10	2-1/2	5	CTC-7X2743
	5J1326		P-UB-10	2-1/4	5	CTC-7X2729
	8J7376		P-UB-10	2-1/2	5	CTC-1315106
MODEL 627E						
APRON						
	5J0778		P-UB-10	2-3/4	7-1/4	CTC-7X2681
BAIL						
	4T5638		P-UB-10	1-3/4	3	CTC-7X2791
BOWL LIFT						
	5J2449	Wear Ring 1.74"	P-UB-10	2-1/2	6	CTC-7X2662
	5J2450	Wear Ring 1.74"	P-UB-10	2-1/2	6	CTC-7X2662
EJECTOR						
	1U0408		P-UB-10	4	6-1/2	CTC-7X2765
	9T4885		P-UB-10	4	6-1/2	CTC-7X2765
LOAD						
	1083592		P-UB-10	2-1/2	5-1/2	CTC-7X2653
	9T1803		P-UB-10	2-1/2	5-1/2	CTC-7X2653
	9T1803		P-UB-10	2-1/2	5-1/2	CTC-8T1374
STEERING						
	3G5192	1.55" wide wear ring, rod bearing incl	P-UB-10	2-1/2	5	CTC-7X2658
	3G6904		P-UB-10	2-1/2	5	CTC-7X2658
	5J1326		P-UB-10	2-1/4	5	CTC-7X2729
MODEL 627F						
BAIL						
	6E0801		P-UB-10	1-3/4	3	CTC-7X2825
BOWL LIFT						
	5J2449	Wear Ring 1.74"	P-UB-10	2-1/2	6	CTC-7X2662
	5J2450	Wear Ring 1.74"	P-UB-10	2-1/2	6	CTC-7X2662
LOAD						
	1083592		P-UB-10	2-1/2	5-1/2	CTC-7X2653
MODEL 627G						
BOWL LIFT						
	5J2449	Wear Ring 1.74"	P-UB-10	2-1/2	6	CTC-7X2662
	5J2450	Wear Ring 1.74"	P-UB-10	2-1/2	6	CTC-7X2662
MODEL 627SC						
APRON						
	5J0778		P-UB-10	2-3/4	7-1/4	CTC-7X2681
	6E3690		P-UB-10	2-3/4	7-1/4	CTC-7X2681

REPLACEMENT KITS FOR CATERPILLAR® EQUIPMENT

Scrapers						
APPLICATION	CYL #	Misc-Parts, Instructions, etc.	CODE	ROD	BORE	KIT #
MODEL 627SC						
BAIL						
	7J2377		P-U-10	2	3-1/2	CTC-7X2806
	8J6064		P-U-10	2	3-1/2	CTC-7X2806
BOWL LH						
	5J2450		P-UB-10	2-1/2	6	CTC-7X2662
BOWL RH						
	5J2449		P-UB-10	2-1/2	6	CTC-7X2662
EJECTOR						
	1U0408		P-UB-10	4	6-1/2	CTC-7X2765
	9T4885		P-UB-10	4	6-1/2	CTC-7X2765
LOAD						
	8J0204		P-UB-10	2-1/2	5-1/2	CTC-9X2050
STEERING						
	3G5192	1.11" wide wear ring, rod bearing incl	P-UB-10	2-1/2	5	CTC-1304012
	3G5192	1.55" wide wear ring, rod bearing incl	P-UB-10	2-1/2	5	CTC-7X2658
	3G5192	1.55" wide wear ring	P-UB-10	2-1/2	5	CTC-7X2743
	5J1326		P-UB-10	2-1/4	5	CTC-7X2729
MODEL 630						
TRACTION CONTROL						
	4D0470		P-V-10	2	5	CTC-7X2763
	4D5543		P-V-10	2	5	CTC-7X2763
MODEL 630B						
BOWL						
	6J1983		P-UB-10	3	8-1/4	CTC-7X2695
EJECTOR						
	6J1419		I-U-10	6	8-1/4	CTC-1180672
	6J1419		P-V-10	6	8-1/4	CTC-8T1415
MODEL 630SC						
EJECTOR						
	6J1419		I-U-10	6	8-1/4	CTC-1180672
MODEL 631						
APRON						
	8J5931		P-UB-10	3	8-1/4	CTC-7X2695
LIFT RH						
	7J2395		P-UB-10	2-3/4	7-1/4	CTC-7X2687
LOAD						
	8J9959		P-UB-10	2-1/2	6-1/2	CTC-8T1376
MODEL 631B						
BOWL LIFT						
	3G9677		P-UB-10	2-3/4	7-1/4	CTC-7X2687
	7J2395		P-UB-10	2-3/4	7-1/4	CTC-7X2687
	7J2396		P-UB-10	2-3/4	7-1/4	CTC-7X2687
EJECTOR						
	6J1419		I-U-10	6	8-1/4	CTC-1180672
	6J1419		P-V-10	6	8-1/4	CTC-8T1415

REPLACEMENT KITS FOR CATERPILLAR® EQUIPMENT

Scrapers						
APPLICATION	CYL #	Misc-Parts, Instructions, etc.	CODE	ROD	BORE	KIT #
MODEL 631B						
LIFT						
	3G9677		P-UB-10	2-3/4	7-1/4	CTC-7X2687
LOAD CUSHION HITCH						
	9J0537		P-UB-10	2-1/2	6-1/2	CTC-8T1376
	9J0537		P-SP-10	2-1/2	6-1/2	CTC-9X6024
STEERING						
	3J9031		P-UB-10	2-1/2	6-1/2	CTC-8T1376
	5J1250		P-UB-10	2-1/2	6-1/2	CTC-8T1376
	5J7806		P-UB-10	2-1/2	6-1/2	CTC-8T1376
	5J8606		P-UB-10	2-1/2	6-1/2	CTC-1370264
	8J3544		P-UB-10	2-1/2	6-1/2	CTC-8T1376
STEERING RH						
	7J1693		P-UB-10	2-1/2	6-1/2	CTC-8T1376
MODEL 631C						
APRON						
	8J5931		P-UB-10	3	8-1/4	CTC-7X2695
BOWL LIFT						
	7J2395		P-UB-10	2-3/4	7-1/4	CTC-7X2687
	7J2396		P-UB-10	2-3/4	7-1/4	CTC-7X2687
EJECTOR						
	6J1419		I-U-10	6	8-1/4	CTC-1180672
	6J1419		P-V-10	6	8-1/4	CTC-8T1415
LIFT LH						
	7J2396		P-UB-10	2-3/4	7-1/4	CTC-7X2687
LIFT RH						
	7J2395		P-UB-10	2-3/4	7-1/4	CTC-7X2687
LOAD						
	7J3386		P-UB-14	2-1/2	6	CTC-7X2836
	9J0537		P-UB-10	2-1/2	6-1/2	CTC-8T1376
	9J0537		P-SP-10	2-1/2	6-1/2	CTC-9X6024
STEERING						
	5J7806		P-UB-10	2-1/2	6-1/2	CTC-8T1376
MODEL 631D						
APRON						
	8J5931		P-UB-10	3	8-1/4	CTC-7X2695
EJECTOR						
	6J1419		I-U-10	6	8-1/4	CTC-1180672
	6J1419		P-V-10	6	8-1/4	CTC-8T1415
	6J5824		P-V-10	6	8-1/4	CTC-8T1415
LIFT LH						
	9J0409		P-UB-10	2-3/4	7-1/4	CTC-7X2687
LIFT RH						
	9J0408		P-UB-10	2-3/4	7-1/4	CTC-7X2687
LOAD						
	8J9959		P-UB-10	2-1/2	6-1/2	CTC-1370264
	8J9959		P-UB-10	2-1/2	6-1/2	CTC-8T1376
	8J9959		P-SP-10	2-1/2	6-1/2	CTC-9X6024

REPLACEMENT KITS FOR CATERPILLAR® EQUIPMENT

Scrapers						
APPLICATION	CYL #	Misc-Parts, Instructions, etc.	CODE	ROD	BORE	KIT #
MODEL 631D						
STEERING						
	3G7607		P-UB-10	2-3/4	6-1/2	CTC-7X2689
	8J9918		P-UB-10	2-3/4	6-1/2	CTC-7X2689
MODEL 631E						
APRON						
	8J5931		P-UB-10	3	8-1/4	CTC-7X2695
EJECTOR						
	6E0897		P-UB-10	3	8-1/4	CTC-7X2695
	6J5824		P-V-10	6	8-1/4	CTC-8T1415
	9T3595		I-U-10	6	8-1/4	CTC-1180672
	9T3595		P-V-10	6	8-1/4	CTC-8T1415
	9T4887		I-U-10	6	8-1/4	CTC-1180672
	9T4887		P-V-10	6	8-1/4	CTC-8T1415
LIFT RH						
	9J0408		P-UB-10	2-3/4	7-1/4	CTC-7X2687
LOAD						
	8J9959		P-UB-10	2-1/2	6-1/2	CTC-1370264
	8J9959		P-UB-10	2-1/2	6-1/2	CTC-8T1376
	8J9959		P-SP-10	2-1/2	6-1/2	CTC-9X6024
STEERING						
	3G7607		P-UB-10	2-3/4	6-1/2	CTC-7X2689
	5J7806		P-UB-10	2-1/2	6-1/2	CTC-8T1376
MODEL 631SC						
APRON						
	8J5931		P-UB-10	3	8-1/4	CTC-7X2695
EJECTOR						
	6E0897		I-U-10	6	8-1/4	CTC-1180672
	6E0905		I-U-10	6	8-1/4	CTC-1180672
	6J1419		I-U-10	6	8-1/4	CTC-1180672
	6J5824		I-U-10	6	8-1/4	CTC-1180672
	6J5824		P-V-10	6	8-1/4	CTC-8T1415
	9T3595		I-U-10	6	8-1/4	CTC-1180672
	9T4887		I-U-10	6	8-1/4	CTC-1180672
LIFT LH						
	7J2396		P-UB-10	2-3/4	7-1/4	CTC-7X2687
	9J0409		P-UB-10	2-3/4	7-1/4	CTC-7X2687
LIFT RH						
	7J2395		P-UB-10	2-3/4	7-1/4	CTC-7X2687
	9J0408		P-UB-10	2-3/4	7-1/4	CTC-7X2687
LOAD						
	7J3386		P-UB-14	2-1/2	6	CTC-7X2836
	9J0537		P-SP-10	2-1/2	6-1/2	CTC-9X6024
STEERING						
	3G7607		P-UB-10	2-3/4	6-1/2	CTC-7X2689
	3J9031		P-UB-10	2-1/2	6-1/2	CTC-8T1376
	5J1250		P-UB-10	2-1/2	6-1/2	CTC-8T1376
	5J7806		P-UB-10	2-1/2	6-1/2	CTC-8T1376

REPLACEMENT KITS FOR CATERPILLAR® EQUIPMENT

Scrapers						
APPLICATION	CYL #	Misc-Parts, Instructions, etc.	CODE	ROD	BORE	KIT #
MODEL 632						
BOWL LIFT						
	6J1983		P-UB-10	3	8-1/4	CTC-7X2695
EJECTOR						
	6J1419		I-U-10	6	8-1/4	CTC-1180672
	6J1419		P-V-10	6	8-1/4	CTC-8T1415
TRACTION CONTROL						
	4D0470		P-V-10	2	5	CTC-7X2763
	4D5543		P-V-10	2	5	CTC-7X2763
MODEL 633						
BOWL LIFT						
	3G9677		P-UB-10	2-3/4	7-1/4	CTC-7X2687
LIFT						
	3G9677		P-UB-10	2-3/4	7-1/4	CTC-7X2687
LOAD CUSHION HITCH						
	9J0537		P-UB-10	2-1/2	6-1/2	CTC-8T1376
	9J0537		P-SP-10	2-1/2	6-1/2	CTC-9X6024
STEERING						
	5J7806		P-UB-10	2-1/2	6-1/2	CTC-1370264
	5J7806		P-UB-10	2-1/2	6-1/2	CTC-8T1376
	8J3544		P-UB-10	2-1/2	6-1/2	CTC-8T1376
STEERING RH						
	7J1693		P-UB-10	2-1/2	6-1/2	CTC-8T1376
MODEL 633B						
BOWL LIFT						
	3G9677		P-UB-10	2-3/4	7-1/4	CTC-7X2687
LOAD CUSHION HITCH						
	9J0537		P-UB-10	2-1/2	6-1/2	CTC-8T1376
	9J0537		P-SP-10	2-1/2	6-1/2	CTC-9X6024
STEERING						
	5J7806		P-UB-10	2-1/2	6-1/2	CTC-8T1376
	6J1516		P-UB-10	2-1/2	6-1/2	CTC-8T1376
	8J3544		P-UB-10	2-1/2	6-1/2	CTC-8T1376
STEERING RH						
	7J1693		P-UB-10	2-1/2	6-1/2	CTC-8T1376
MODEL 633C						
BOWL LIFT						
	3G9677		P-UB-10	2-3/4	7-1/4	CTC-7X2687
LIFT						
	3G9677		P-UB-10	2-3/4	7-1/4	CTC-7X2687
LOAD						
	7J3386		P-UB-14	2-1/2	6	CTC-7X2836
	9J0537		P-UB-10	2-1/2	6-1/2	CTC-1370264
	9J0537		P-UB-10	2-1/2	6-1/2	CTC-8T1376
	9J0537		P-SP-10	2-1/2	6-1/2	CTC-9X6024

REPLACEMENT KITS FOR CATERPILLAR® EQUIPMENT

Scrapers						
APPLICATION	CYL #	Misc-Parts, Instructions, etc.	CODE	ROD	BORE	KIT #
MODEL 633C						
STEERING						
	5J7806		P-UB-10	2-1/2	6-1/2	CTC-1370264
	5J7806		P-UB-10	2-1/2	6-1/2	CTC-8T1376
	6J1516		P-UB-10	2-1/2	6-1/2	CTC-8T1376
	8J3544		P-UB-10	2-1/2	6-1/2	CTC-1370264
	8J3544		P-UB-10	2-1/2	6-1/2	CTC-8T1376
STEERING RH						
	7J1693		P-UB-10	2-1/2	6-1/2	CTC-8T1376
MODEL 633D						
BOWL LIFT						
	3G9677		P-UB-10	2-3/4	7-1/4	CTC-7X2687
	7J0243		P-UB-10	2-3/4	7-1/4	CTC-7X2687
EJECTOR						
	9T3595		I-U-10	6	8-1/4	CTC-1180672
	9T3595		P-V-10	6	8-1/4	CTC-8T1415
LOAD						
	8J9959		P-UB-10	2-1/2	6-1/2	CTC-1370264
	8J9959		P-UB-10	2-1/2	6-1/2	CTC-8T1376
	8J9959		P-SP-10	2-1/2	6-1/2	CTC-9X6024
STEERING						
	3G7607		P-UB-10	2-3/4	6-1/2	CTC-7X2689
	6J1516		P-UB-10	2-1/2	6-1/2	CTC-8T1376
	8J9918		P-UB-10	2-3/4	6-1/2	CTC-7X2689
STEERING RH						
	7J1693		P-UB-10	2-1/2	6-1/2	CTC-8T1376
MODEL 633SC						
BOWL						
	1313223		P-UB-10	2-3/4	7-1/4	CTC-7X2687
EJECTOR						
	1U0408		P-UB-10	4	6-1/2	CTC-7X2765
LIFT						
	3G9677		P-UB-10	2-3/4	7-1/4	CTC-7X2687
LOAD						
	7J3386		P-UB-14	2-1/2	6	CTC-7X2836
	9J1188		P-SP-10	2-1/2	6-1/2	CTC-9X6024
STEERING						
	5J7806		P-UB-10	2-1/2	6-1/2	CTC-8T1376
	6J1516		P-UB-10	2-1/2	6-1/2	CTC-8T1376
	8J3544		P-UB-10	2-1/2	6-1/2	CTC-8T1376
STEERING RH						
	7J1693		P-UB-10	2-1/2	6-1/2	CTC-8T1376
MODEL 637						
APRON						
	8J5931		P-UB-10	3	8-1/4	CTC-7X2695

REPLACEMENT KITS FOR CATERPILLAR® EQUIPMENT

Scrapers						
APPLICATION	CYL #	Misc-Parts, Instructions, etc.	CODE	ROD	BORE	KIT #
MODEL 637						
BAIL						
	4T5638		P-UB-10	1-3/4	3	CTC-7X2791
	7J2377		P-U-10	2	3-1/2	CTC-7X2806
	8J6064		P-U-10	2	3-1/2	CTC-7X2806
BOWL LIFT						
	7J2395		P-UB-10	2-3/4	7-1/4	CTC-7X2687
	7J2396		P-UB-10	2-3/4	7-1/4	CTC-7X2687
EJECTOR						
	6J5824		I-U-10	6	8-1/4	CTC-1180672
	6J5824		P-V-10	6	8-1/4	CTC-8T1415
LIFT LH						
	7J2396		P-UB-10	2-3/4	7-1/4	CTC-7X2687
LIFT RH						
	7J2395		P-UB-10	2-3/4	7-1/4	CTC-7X2687
LOAD						
	7J3386		P-UB-14	2-1/2	6	CTC-7X2836
	8J9959		P-UB-10	2-1/2	6-1/2	CTC-8T1376
	9J0537		P-UB-10	2-1/2	6-1/2	CTC-1370264
	9J0537		P-UB-10	2-1/2	6-1/2	CTC-8T1376
	9J0537		P-SP-10	2-1/2	6-1/2	CTC-9X6024
STEERING						
	5J7806		P-UB-10	2-1/2	6-1/2	CTC-1370264
	5J7806		P-UB-10	2-1/2	6-1/2	CTC-8T1376
MODEL 637B						
APRON						
	8J5931		P-UB-10	3	8-1/4	CTC-7X2695
BOWL LIFT						
	7J2395		P-UB-10	2-3/4	7-1/4	CTC-7X2687
	7J2396		P-UB-10	2-3/4	7-1/4	CTC-7X2687
EJECTOR						
	6J5824		P-V-10	6	8-1/4	CTC-8T1415
MODEL 637D						
APRON						
	8J5931		P-UB-10	3	8-1/4	CTC-7X2695
BAIL						
	8J6064		P-U-10	2	3-1/2	CTC-7X2806
	8J8458		P-UB-10	1-1/2	3-1/2	CTC-7X2752
EJECTOR						
	6J5824		P-V-10	6	8-1/4	CTC-8T1415
LIFT LH						
	9J0409		P-UB-10	2-3/4	7-1/4	CTC-7X2687
LIFT RH						
	9J0408		P-UB-10	2-3/4	7-1/4	CTC-7X2687
LOAD						
	8J9959		P-UB-10	2-1/2	6-1/2	CTC-1370264
	8J9959		P-UB-10	2-1/2	6-1/2	CTC-8T1376
	8J9959		P-SP-10	2-1/2	6-1/2	CTC-9X6024

REPLACEMENT KITS FOR CATERPILLAR® EQUIPMENT

Scrapers						
APPLICATION	CYL #	Misc-Parts, Instructions, etc.	CODE	ROD	BORE	KIT #
MODEL 637D						
STEERING						
	3G7607		P-UB-10	2-3/4	6-1/2	CTC-7X2689
	8J9918		P-UB-10	2-3/4	6-1/2	CTC-7X2689
MODEL 637E						
APRON						
	8J5931		P-UB-10	3	8-1/4	CTC-7X2695
BAIL						
	4T5638		P-UB-10	1-3/4	3	CTC-7X2791
EJECTOR						
	6J5824		P-V-10	6	8-1/4	CTC-8T1415
	9T3595		I-U-10	6	8-1/4	CTC-1180672
	9T3595		P-V-10	6	8-1/4	CTC-8T1415
	9T4887		I-U-10	6	8-1/4	CTC-1180672
	9T4887		P-V-10	6	8-1/4	CTC-8T1415
LIFT LH						
	9J0409		P-UB-10	2-3/4	7-1/4	CTC-7X2687
LIFT RH						
	9J0408		P-UB-10	2-3/4	7-1/4	CTC-7X2687
LOAD						
	8J9959		P-UB-10	2-1/2	6-1/2	CTC-1370264
	8J9959		P-UB-10	2-1/2	6-1/2	CTC-8T1376
	8J9959		P-SP-10	2-1/2	6-1/2	CTC-9X6024
STEERING						
	3G7607		P-UB-10	2-3/4	6-1/2	CTC-7X2689
MODEL 637SC						
APRON						
	8J5931		P-UB-10	3	8-1/4	CTC-7X2695
BAIL						
	7J2377		P-U-10	2	3-1/2	CTC-7X2806
	8J6064		P-U-10	2	3-1/2	CTC-7X2806
EJECTOR						
	6E0897		I-U-10	6	8-1/4	CTC-1180672
	6E0905		I-U-10	6	8-1/4	CTC-1180672
	6J5824		I-U-10	6	8-1/4	CTC-1180672
	6J5824		P-V-10	6	8-1/4	CTC-8T1415
	9T3595		I-U-10	6	8-1/4	CTC-1180672
	9T4887		I-U-10	6	8-1/4	CTC-1180672
LIFT LH						
	7J2396		P-UB-10	2-3/4	7-1/4	CTC-7X2687
	9J0409		P-UB-10	2-3/4	7-1/4	CTC-7X2687
LIFT RH						
	7J2395		P-UB-10	2-3/4	7-1/4	CTC-7X2687
	9J0408		P-UB-10	2-3/4	7-1/4	CTC-7X2687
LOAD						
	7J3386		P-UB-14	2-1/2	6	CTC-7X2836
	9J0537		P-SP-10	2-1/2	6-1/2	CTC-9X6024

REPLACEMENT KITS FOR CATERPILLAR® EQUIPMENT

Scrapers						
APPLICATION	CYL #	Misc-Parts, Instructions, etc.	CODE	ROD	BORE	KIT #
MODEL 637SC						
STEERING						
	3G7607		P-UB-10	2-3/4	6-1/2	CTC-7X2689
	5J7806		P-UB-10	2-1/2	6-1/2	CTC-8T1376
MODEL 639D						
BOWL LIFT						
	3G9677		P-UB-10	2-3/4	7-1/4	CTC-7X2687
EJECTOR						
	3G2949		P-UB-10	2-1/2	4-1/2	CTC-7X2667
LOAD						
	8J9959		P-UB-10	2-1/2	6-1/2	CTC-1370264
	8J9959		P-UB-10	2-1/2	6-1/2	CTC-8T1376
	8J9959		P-SP-10	2-1/2	6-1/2	CTC-9X6024
STEERING						
	3G7607		P-UB-10	2-3/4	6-1/2	CTC-7X2689
MODEL 639SC						
EJECTOR						
	3G2949		P-UB-10	2-1/2	4-1/2	CTC-7X2667
LIFT						
	3G9677		P-UB-10	2-3/4	7-1/4	CTC-7X2687
MODEL 641, 641B						
APRON						
	5J8117		P-UB-10	3-1/4	9-1/4	CTC-7X2708
BOWL LIFT						
	6J1983		P-UB-10	3	8-1/4	CTC-7X2695
BOWL LIFT LH						
	7J4364		P-UB-10	3	8-1/4	CTC-7X2695
BOWL LIFT RH						
	7J4363		P-UB-10	3	8-1/4	CTC-7X2695
CUSHION HITCH						
	7J4623		P-UB-10	3-1/2	8-1/4	CTC-7X2725
LOAD						
	5J8623		P-UB-10	3-1/2	8-1/4	CTC-7X2728
	7J4623	641B only	P-UB-10	3-1/2	8-1/4	CTC-7X2725
STEERING						
	3G9689		P-UB-10	2-3/4	7-1/4	CTC-7X2687
MODEL 641SC						
BOWL						
	6J1983		P-UB-10	3	8-1/4	CTC-7X2695
BOWL LH						
	7J4364		P-UB-10	3	8-1/4	CTC-7X2695
BOWL RH						
	7J4363		P-UB-10	3	8-1/4	CTC-7X2695
LOAD						
	5J8623		P-UB-10	3-1/2	8-1/4	CTC-7X2728
	7J4623		P-UB-10	3-1/2	8-1/4	CTC-7X2725

REPLACEMENT KITS FOR CATERPILLAR® EQUIPMENT

Scrapers						
APPLICATION	CYL #	Misc-Parts, Instructions, etc.	CODE	ROD	BORE	KIT #
MODEL 650, 650B						
BOWL LIFT LH						
	7J4356		P-UB-10	3-1/4	9-1/4	CTC-7X2716
	7J4406		P-UB-10	3-1/4	9-1/4	CTC-7X2716
BOWL LIFT RH						
	7J4355		P-UB-10	3-1/4	9-1/4	CTC-7X2716
	7J4405		P-UB-10	3-1/4	9-1/4	CTC-7X2716
SPECIAL APPLICATION						
	4J2064	650 only	P-UB-10	2-1/2	6	CTC-7X2679
	4J9996	650 only	P-UB-10	2-1/2	7-1/4	CTC-7X2661
MODEL 651						
APRON						
	5J8117		P-UB-10	3-1/4	9-1/4	CTC-7X2708
BOWL LIFT LH						
	7J4398		P-UB-10	3-1/4	9-1/4	CTC-7X2716
BOWL LIFT RH						
	7J4397		P-UB-10	3-1/4	9-1/4	CTC-7X2716
CUSHION HITCH						
	7J4623		P-UB-10	3-1/2	8-1/4	CTC-7X2725
LOAD						
	3G8757		P-UB-10	3-1/2	8-1/4	CTC-7X2724
	5J8623		P-UB-10	3-1/2	8-1/4	CTC-7X2728
STEERING						
	3G9689		P-UB-10	2-3/4	7-1/4	CTC-7X2687
	4T8563		P-UB-10	3-1/4	7-1/4	CTC-7X2718
MODEL 651B						
APRON						
	5J8117		P-UB-10	3-1/4	9-1/4	CTC-7X2708
BOWL LIFT LH						
	7J4398		P-UB-10	3-1/4	9-1/4	CTC-7X2716
BOWL LIFT RH						
	7J4397		P-UB-10	3-1/4	9-1/4	CTC-7X2716
CUSHION HITCH						
	7J4623		P-UB-10	3-1/2	8-1/4	CTC-7X2725
LOAD						
	5J8623		P-UB-10	3-1/2	8-1/4	CTC-7X2728
	7J4623		P-UB-10	3-1/2	8-1/4	CTC-7X2725
STEERING						
	3G9689		P-UB-10	2-3/4	7-1/4	CTC-7X2687
	5J8149		P-UB-10	2-3/4	7-1/4	CTC-7X2687
MODEL 651C						
APRON						
	5J8117		P-UB-10	3-1/4	9-1/4	CTC-7X2708
STEERING						
	3G9689		P-UB-10	2-3/4	7-1/4	CTC-7X2687
	5J8149		P-UB-10	2-3/4	7-1/4	CTC-7X2687

REPLACEMENT KITS FOR CATERPILLAR® EQUIPMENT

Scrapers						
APPLICATION	CYL #	Misc-Parts, Instructions, etc.	CODE	ROD	BORE	KIT #
MODEL 651E						
APRON						
	3G8621		P-UB-10	3-1/4	9-1/4	CTC-7X2708
BOWL LIFT						
	4T5735		P-UB-10	3-1/4	9-1/4	CTC-7X2716
	4T5736		P-UB-10	3-1/4	9-1/4	CTC-7X2716
CUSHION HITCH						
	3G8757		P-UB-10	3-1/2	8-1/4	CTC-7X2724
LOAD						
	3G8757		P-UB-10	3-1/2	8-1/4	CTC-7X2724
STEERING						
	3G5516		P-UB-10	3-1/4	7-1/4	CTC-7X2718
	3G9689		P-UB-10	2-3/4	7-1/4	CTC-7X2687
	4T8563		P-UB-10	3-1/4	7-1/4	CTC-7X2718
MODEL 651SC						
APRON						
	3G8621		P-UB-10	3-1/4	9-1/4	CTC-7X2708
BOWL						
	7J4398		P-UB-10	3-1/4	9-1/4	CTC-7X2716
BOWL LH						
	4T5735		P-UB-10	3-1/4	9-1/4	CTC-7X2716
LOAD						
	5J8623		P-UB-10	3-1/2	8-1/4	CTC-7X2728
	7J4623		P-UB-10	3-1/2	8-1/4	CTC-7X2725
STEERING						
	4T8563		P-UB-10	3-1/4	7-1/4	CTC-7X2718
MODEL 657						
APRON						
	5J8117		P-UB-10	3-1/4	9-1/4	CTC-7X2708
BAIL						
	4T5638		P-UB-10	1-3/4	3	CTC-7X2791
	7J2377		P-U-10	2	3-1/2	CTC-7X2806
	8J6064		P-U-10	2	3-1/2	CTC-7X2806
	8J8458		P-UB-10	1-1/2	3-1/2	CTC-7X2752
BOWL LIFT LH						
	7J4398		P-UB-10	3-1/4	9-1/4	CTC-7X2716
BOWL LIFT RH						
	7J4397		P-UB-10	3-1/4	9-1/4	CTC-7X2716
LOAD						
	3G8757		P-UB-10	3-1/2	8-1/4	CTC-7X2724
LOAD CUSHION						
	5J8623		P-UB-10	3-1/2	8-1/4	CTC-7X2725
	5J8623		P-UB-10	3-1/2	8-1/4	CTC-7X2728
	7J4623		P-UB-10	3-1/2	8-1/4	CTC-7X2725

REPLACEMENT KITS FOR CATERPILLAR® EQUIPMENT

Scrapers						
APPLICATION	CYL #	Misc-Parts, Instructions, etc.	CODE	ROD	BORE	KIT #
MODEL 657						
STEERING						
	3G5516		P-UB-10	3-1/4	7-1/4	CTC-7X2718
	3G9689		P-UB-10	2-3/4	7-1/4	CTC-7X2687
	4T8563		P-UB-10	3-1/4	7-1/4	CTC-7X2718
	5J8149		P-UB-10	2-3/4	7-1/4	CTC-7X2687
MODEL 657B						
APRON						
	5J4354		P-UB-10	3-1/4	9-1/4	CTC-7X2708
	5J8117		P-UB-10	3-1/4	9-1/4	CTC-7X2708
BAIL						
	7J2377		P-U-10	2	3-1/2	CTC-7X2806
	8J6064		P-U-10	2	3-1/2	CTC-7X2806
	8J8458		P-UB-10	1-1/2	3-1/2	CTC-7X2752
BOWL LIFT LH						
	7J4398		P-UB-10	3-1/4	9-1/4	CTC-7X2716
BOWL LIFT RH						
	7J4397		P-UB-10	3-1/4	9-1/4	CTC-7X2716
LOAD						
	5J8623		P-UB-10	3-1/2	8-1/4	CTC-7X2728
	7J4623		P-UB-10	3-1/2	8-1/4	CTC-7X2725
LOAD CUSHION						
	5J8623		P-UB-10	3-1/2	8-1/4	CTC-7X2725
	7J4623		P-UB-10	3-1/2	8-1/4	CTC-7X2725
STEERING						
	3G9689		P-UB-10	2-3/4	7-1/4	CTC-7X2687
	5J8149		P-UB-10	2-3/4	7-1/4	CTC-7X2687
MODEL 657E						
APRON						
	3G8621		P-UB-10	3-1/4	9-1/4	CTC-7X2708
BAIL						
	4T5638		P-UB-10	1-3/4	3	CTC-7X2791
	8J8458		P-UB-10	1-1/2	3-1/2	CTC-7X2752
BOWL LIFT						
	4T5735		P-UB-10	3-1/4	9-1/4	CTC-7X2716
	4T5736		P-UB-10	3-1/4	9-1/4	CTC-7X2716
CUSHION HITCH						
	3G8757		P-UB-10	3-1/2	8-1/4	CTC-7X2724
EJECTOR						
	9T4886		P-UB-10	4-1/2	6	CTC-8C6958
	9T4887		I-U-10	6	8-1/4	CTC-1180672
	9T4887		P-V-10	6	8-1/4	CTC-8T1415
LOAD						
	3G8757		P-UB-10	3-1/2	8-1/4	CTC-7X2724
STEERING						
	3G5516		P-UB-10	3-1/4	7-1/4	CTC-7X2718
	4T8563		P-UB-10	3-1/4	7-1/4	CTC-7X2718

REPLACEMENT KITS FOR CATERPILLAR® EQUIPMENT

Scrapers						
APPLICATION	CYL #	Misc-Parts, Instructions, etc.	CODE	ROD	BORE	KIT #
MODEL 657SC						
APRON						
	3G8621		P-UB-10	3-1/4	9-1/4	CTC-7X2708
	5J8117		P-UB-10	3-1/4	9-1/4	CTC-7X2708
BAIL						
	7J2377		P-U-10	2	3-1/2	CTC-7X2806
	8J6062		P-U-10	2	3-1/2	CTC-7X2806
	8J8457		P-UB-10	1-1/2	3-1/2	CTC-7X2752
BOWL						
	7J4398		P-UB-10	3-1/4	9-1/4	CTC-7X2716
BOWL LH						
	4T5735		P-UB-10	3-1/4	9-1/4	CTC-7X2716
BOWL RH						
	7J4397		P-UB-10	3-1/4	9-1/4	CTC-7X2716
LOAD						
	5J8623		P-UB-10	3-1/2	8-1/4	CTC-7X2728
	7J4623		P-UB-10	3-1/2	8-1/4	CTC-7X2725
STEERING						
	4T8563		P-UB-10	3-1/4	7-1/4	CTC-7X2718
MODEL 660, 666B						
BOWL LIFT LH						
	7J4356		P-UB-10	3-1/4	9-1/4	CTC-7X2716
BOWL LIFT RH						
	7J4355		P-UB-10	3-1/4	9-1/4	CTC-7X2716
SPECIAL APPLICATION						
	4J2064	660 only	P-UB-10	2-1/2	6	CTC-7X2679
MODEL 660B, 666						
BOWL LIFT LH						
	7J4356		P-UB-10	3-1/4	9-1/4	CTC-7X2716
	7J4406		P-UB-10	3-1/4	9-1/4	CTC-7X2716
BOWL LIFT RH						
	7J4355		P-UB-10	3-1/4	9-1/4	CTC-7X2716
	7J4405		P-UB-10	3-1/4	9-1/4	CTC-7X2716
SPECIAL APPLICATION						
	4J2064		P-UB-10	2-1/2	6	CTC-7X2679
	4J9996	666 only	P-UB-10	2-1/2	7-1/4	CTC-7X2661
MODEL 660SC, 666SC						
BOWL LH						
	7J4356		P-UB-10	3-1/4	9-1/4	CTC-7X2716
MODEL J621						
FLOOR						
	7J5528		P-UB-10	2-1/2	5	CTC-7X2675
Skidders						
APPLICATION	CYL #	Misc-Parts, Instructions, etc.	CODE	ROD	BORE	KIT #
MODEL 508						
BOOM						
	4T0863		P-UB-10	1-3/4	3-1/2	CTC-7X2784

REPLACEMENT KITS FOR CATERPILLAR® EQUIPMENT

Skidders						
APPLICATION	CYL #	Misc-Parts, Instructions, etc.	CODE	ROD	BORE	KIT #
MODEL 508						
GRAPPLE						
	4T0859		P-UB-10	2-1/4	4-1/2	CTC-7X2748
LIFT LH						
	4T9394		P-UB-10	1-1/2	3	CTC-7X2751
LIFT RH						
	4T0862		P-UB-10	1-1/2	3	CTC-7X2751
STEERING LH						
	4T0861		P-UB-10	1-1/2	3-1/4	CTC-7X2741
STEERING RH						
	4T0860		P-UB-10	1-1/2	3-1/4	CTC-7X2741
TONG						
	4T0859		P-UB-10	2-1/4	4-1/2	CTC-1326770
MODEL 515, 525						
LIFT						
	1117951		P-UB-10	2	4	CTC-1113302
	1397547		P-UB-10	2	4	CTC-1113302
MODEL 517						
ANGLING						
	1006174		P-UB-10	1-3/4	3-1/2	CTC-7X2784
LIFT						
	6E0365		P-UB-10	2	4-1/4	CTC-7X2819
TILT						
	9T9557		P-UB-10	2	4-1/4	CTC-1378662
MODEL 518						
LIFT						
	7J8925		P-UB-10	2	4	CTC-1328816
	9T1773		P-UB-10	2-1/2	5	CTC-1315118
STEERING LH						
	7J3350		P-UB-10	1-3/4	3	CTC-7X2825
STEERING RH						
	7J3349		P-UB-10	1-3/4	3	CTC-7X2825
TILT LH						
	9T1777		P-UB-10	2-1/4	4-1/4	CTC-7X2750
TILT RH						
	9T1772		P-UB-10	2-1/4	4-1/4	CTC-7X2750
MODEL 518C, 520D, 522C						
LIFT						
	1117951		P-UB-10	2	4	CTC-1113302
	1397547		P-UB-10	2	4	CTC-1113302
	7J8925	518C & 522C only	P-UB-10	2	4	CTC-1328816
STEERING LH						
	7J3350		P-UB-10	1-3/4	3	CTC-7X2825
STEERING RH						
	7J3349		P-UB-10	1-3/4	3	CTC-7X2825
MODEL 520C						
LIFT						
	7J8925		P-UB-10	2	4	CTC-7X2789

REPLACEMENT KITS FOR CATERPILLAR® EQUIPMENT

Skidders						
APPLICATION	CYL #	Misc-Parts, Instructions, etc.	CODE	ROD	BORE	KIT #
MODEL 520C						
STEERING RH						
	7J3349		P-UB-10	1-3/4	3	CTC-7X2791
MODEL 525B						
LIFT						
	1600492		P-UB-10	2-1/4	4	CTC-1546526
MODEL 527						
LIFT						
	1418640		P-UB-10	2-1/4	3-3/4	CTC-1361897
	1607610		P-UB-10	2-1/2	4-3/4	CTC-1328811
	6E0366		P-UB-10	2-1/2	4-3/4	CTC-1328811
MODEL 528						
DOZER LIFT						
	7J9902		P-UB-10	2	4-1/4	CTC-7X2819
STEERING LH						
	7J9234		P-UB-10	1-1/2	3-1/2	CTC-7X2752
	9J5856		P-UB-10	1-3/4	3-3/4	CTC-1329361
STEERING RH						
	7J9233		P-UB-10	1-1/2	3-1/2	CTC-7X2752
	9J5854		P-UB-10	1-3/4	3-3/4	CTC-1329361
MODEL 528B						
DOZER						
	7J9902		P-UB-10	2	4-1/4	CTC-7X2819
STEERING LH						
	9J5856		P-UB-10	1-3/4	3-3/4	CTC-1329361
STEERING RH						
	9J5854		P-UB-10	1-3/4	3-3/4	CTC-1329361
MODEL 530B						
DOZER						
	7J9902		P-UB-10	2	4-1/4	CTC-7X2819
LIFT						
	7J9902		P-UB-10	2	4-1/4	CTC-7X2819
STEERING						
	9J5854		P-UB-10	1-3/4	3-3/4	CTC-1329361
	9J5856		P-UB-10	1-3/4	3-3/4	CTC-1329361
MODEL 535B, 545						
LIFT						
	1600492		P-UB-10	2-1/4	4	CTC-1546526
MODEL FB508						
GRAPPLE						
	4T0860		P-UB-10	1-1/2	3-1/4	CTC-7X2741
	4T0861		P-UB-10	1-1/2	3-1/4	CTC-7X2741
	9T5924		P-UB-10	1-1/2	3-1/4	CTC-7X2741
MODEL FB518						
LIFT						
	9T1773		P-UB-10	2-1/2	5	CTC-7X2658

REPLACEMENT KITS FOR CATERPILLAR® EQUIPMENT

Skidders						
APPLICATION	CYL #	Misc-Parts, Instructions, etc.	CODE	ROD	BORE	KIT #
MODEL FB518						
STEERING						
	7J3349		P-UB-10	1-3/4	3	CTC-7X2791
	7J3350		P-UB-10	1-3/4	3	CTC-7X2791
TILT LH						
	9T1777		P-UB-10	2-1/4	4-1/4	CTC-7X2750
TILT RH						
	9T1772		P-UB-10	2-1/4	4-1/4	CTC-7X2750
Soil Compactors						
APPLICATION	CYL #	Misc-Parts, Instructions, etc.	CODE	ROD	BORE	KIT #
MODEL 815						
LIFT						
	3G0881		P-UB-10	2	4	CTC-7X2789
	8J6809		P-UB-10	2	4	CTC-7X2755
	8J8756		P-UB-10	2	4	CTC-7X2789
LIFT RH						
	4J7859		P-UB-10	2	4	CTC-7X2755
STEERING						
	4T1574		P-UB-10	2	4	CTC-1328816
	4T1574		P-UB-10	2	4	CTC-7X2789
	7J6054		P-UB-10	2	4	CTC-7X2755
STEERING LH						
	7J9356		P-UB-10	2	4	CTC-7X2755
STEERING RH						
	7J9355		P-UB-10	2	4	CTC-7X2755
TILT						
	1U1988		P-UB-10	2	4	CTC-7X2755
MODEL 815B						
LIFT						
	3G0881		P-UB-10	2	4	CTC-1328816
	8J6809		P-UB-10	2	4	CTC-7X2755
STEERING						
	4T1574		P-UB-10	2	4	CTC-1328816
	6E5024		P-UB-10	2	4	CTC-1113302
TILT						
	1U1988		P-UB-10	2	4	CTC-7X2755
MODEL 815F						
LIFT						
	3G0881		P-UB-10	2	4	CTC-1328816
STEERING						
	4T1574		P-UB-10	2	4	CTC-1328816
	6E5024		P-UB-10	2	4	CTC-1113302
MODEL 815S						
TILT						
	1U1988		P-UB-10	2	4	CTC-7X2755

REPLACEMENT KITS FOR CATERPILLAR® EQUIPMENT

Soil Compactors						
APPLICATION	CYL #	Misc-Parts, Instructions, etc.	CODE	ROD	BORE	KIT #
MODEL 825						
LIFT						
	8J2650		P-UB-10	2	4-1/2	CTC-7X2768
	9J7934		P-UB-10	2	4-1/2	CTC-7X2768
STEERING LH						
	9J7087		P-UB-10	2-1/4	5	CTC-7X2729
STEERING RH						
	9J7086		P-UB-10	2-1/4	5	CTC-7X2729
TILT						
	9J7951		P-UB-10	2	4-1/2	CTC-7X2768
MODEL 825B						
LIFT						
	4J9233		P-V-10	2	4-1/2	CTC-7X2770
	7J9818		P-UB-10	3	7-1/4	CTC-7X2699
	8J2650		P-UB-10	2	4-1/2	CTC-7X2768
	9J7934		P-UB-10	2	4-1/2	CTC-7X2768
STEERING						
	6J7590		P-UB-10	2-1/4	5	CTC-7X2729
	7J9718		P-UB-10	2-1/4	5	CTC-7X2729
	7K9401		P-UB-10	2-1/4	5	CTC-7X2729
STEERING LH						
	9J7087		P-UB-10	2-1/4	5	CTC-7X2729
STEERING RH						
	9J7086		P-UB-10	2-1/4	5	CTC-7X2729
TILT						
	9J7951		P-UB-10	2	4-1/2	CTC-7X2768
MODEL 825C						
LIFT						
	7J9818		P-UB-10	3	7-1/4	CTC-7X2699
	8J2650		P-UB-10	2	4-1/2	CTC-7X2768
	9J7934		P-UB-10	2	4-1/2	CTC-7X2768
STEERING LH						
	9J7087		P-UB-10	2-1/4	5	CTC-9X6392
STEERING RH						
	9J7086		P-UB-10	2-1/4	5	CTC-9X6392
TILT						
	9J7951		P-UB-10	2	4-1/2	CTC-7X2768
MODEL 825G						
LIFT						
	1199226		P-UB-10	2-1/4	3-3/4	CTC-1361897
	1447349		P-UB-10	2-1/4	3-3/4	CTC-1361897
	1493236		P-UB-10	2-1/4	3-3/4	CTC-1361897
STEERING						
	1175151		P-UB-10	2-1/2	4-1/2	CTC-1113300
TILT						
	1198863		P-UB-10	2	3-3/4	CTC-7X7938

REPLACEMENT KITS FOR CATERPILLAR® EQUIPMENT

Soil Compactors						
APPLICATION	CYL #	Misc-Parts, Instructions, etc.	CODE	ROD	BORE	KIT #
MODEL 835						
LIFT	4J9233		P-V-10	2	4-1/2	CTC-7X2770
STEERING	7J9984		P-UB-10	2-1/4	5	CTC-7X2729
Telehandlers						
APPLICATION	CYL #	Misc-Parts, Instructions, etc.	CODE	ROD	BORE	KIT #
MODEL TH62, TH63, TH82, TH83						
MULTIPURPOSE BUCKET	9T4006		P-UB-10	1-1/2	3	CTC-1856583
UNSPECIFIED APPLICATION	9T4006		P-UB-10	1-1/2	3	CTC-7X2737
Wheel Dozers						
APPLICATION	CYL #	Misc-Parts, Instructions, etc.	CODE	ROD	BORE	KIT #
MODEL 814						
BLADE TIP	1U4744		P-UB-10	2	4	CTC-7X2755
DOZER	7J7028		P-UB-10	2-1/2	4-3/4	CTC-7X2773
DOZER LIFT	7J7028		P-UB-10	2-1/2	4-3/4	CTC-7X2660
LIFT	1U2088		P-UB-10	2-1/2	4-3/4	CTC-7X2660
LIFT RH	4J7859		P-UB-10	2	4	CTC-7X2755
STEERING	4T1574		P-UB-10	2	4	CTC-1328816
STEERING LH	7J9356		P-UB-10	2	4	CTC-7X2755
STEERING RH	7J9355		P-UB-10	2	4	CTC-7X2755
TILT	7J7295		P-UB-10	2	4-1/2	CTC-7X2768
MODEL 814B						
BLADE TIP	1U4744		P-UB-10	2	4	CTC-7X2755
DOZER	1U2088		P-UB-10	2-1/2	4-3/4	CTC-1328811
DOZER LIFT	1U2088		P-UB-10	2-1/2	4-3/4	CTC-7X2660
	7J7028		P-UB-10	2-1/2	4-3/4	CTC-7X2660
STEERING	4T1574		P-UB-10	2	4	CTC-1328816
	6E5024		P-UB-10	2	4	CTC-1113302
TILT	7J7295		P-UB-10	2	4-1/2	CTC-7X2768

REPLACEMENT KITS FOR CATERPILLAR® EQUIPMENT

Wheel Dozers						
APPLICATION	CYL #	Misc-Parts, Instructions, etc.	CODE	ROD	BORE	KIT #
MODEL 814F						
DOZER						
	1U2088		P-UB-10	2-1/2	4-3/4	CTC-1328811
STEERING						
	4T1574		P-UB-10	2	4	CTC-1328816
	6E5024		P-UB-10	2	4	CTC-1113302
MODEL 814S						
BLADE TIP						
	1U4744		P-UB-10	2	4	CTC-7X2755
TILT						
	7J7295		P-UB-10	2	4-1/2	CTC-7X2768
MODEL 824						
BLADE TIP						
	4J5632		P-V-10	2-1/2	6-1/2	CTC-7X2678
	4J6006	App requires 2 kits.	P-UB-10	2-1/2	6	CTC-7X2656
	4J6006	App requires 2 kits.	P-UB-10	2-1/2	6	CTC-7X2692
BLADE TIP LH						
	4J4498		P-UB-10	2-1/2	6	CTC-7X2656
LIFT						
	3J9307		P-V-10	2-1/2	6-1/2	CTC-7X2676
	4J6005		P-V-10	2-1/2	6-1/2	CTC-7X2676
	4J7621		P-V-10	2-1/2	6-1/2	CTC-7X2676
	4J9233		P-V-10	2	4-1/2	CTC-7X2770
	6J1269		P-V-10	2-1/2	6-1/2	CTC-7X2676
	6J1272		P-V-10	2-1/2	6-1/2	CTC-7X2676
	6J1273		P-V-10	2-1/2	6-1/2	CTC-7X2676
	9J7111		P-UB-10	2-1/2	5-1/2	CTC-7X2653
STEERING						
	7J9984		P-UB-10	2-1/4	5	CTC-7X2729
STEERING LH						
	9J7087		P-UB-10	2-1/4	5	CTC-7X2729
STEERING RH						
	9J7086		P-UB-10	2-1/4	5	CTC-7X2729
TILT RH						
	4J4497		P-V-10	2-1/2	6-1/2	CTC-7X2678
MODEL 824B						
BLADE						
	7K9401		P-UB-10	2-1/4	5	CTC-7X2729
BLADE LH						
	4J4498		P-UB-10	2-1/2	6	CTC-7X2656
BLADE TIP						
	4J6006	App requires 2 kits.	P-UB-10	2-1/2	6	CTC-7X2656
BLADE TIP LH						
	4J4498		P-UB-10	2-1/2	6	CTC-7X2656

REPLACEMENT KITS FOR CATERPILLAR® EQUIPMENT

Wheel Dozers						
APPLICATION	CYL #	Misc-Parts, Instructions, etc.	CODE	ROD	BORE	KIT #
MODEL 824B						
LIFT						
	3J9307		P-V-10	2-1/2	6-1/2	CTC-7X2676
	4J6005		P-V-10	2-1/2	6-1/2	CTC-7X2676
	4J7621		P-V-10	2-1/2	6-1/2	CTC-7X2676
	4J9233		P-V-10	2	4-1/2	CTC-7X2770
	6J1269		P-V-10	2-1/2	6-1/2	CTC-7X2676
	6J1272		P-V-10	2-1/2	6-1/2	CTC-7X2676
	6J1273		P-V-10	2-1/2	6-1/2	CTC-7X2676
	9J7111		P-UB-10	2-1/2	5-1/2	CTC-7X2653
STEERING						
	6J7590		P-UB-10	2-1/4	5	CTC-7X2729
	7J9718		P-UB-10	2-1/4	5	CTC-7X2729
	7J9984		P-UB-10	2-1/4	5	CTC-7X2729
STEERING LH						
	9J7087		P-UB-10	2-1/4	5	CTC-7X2729
STEERING RH						
	9J7086		P-UB-10	2-1/4	5	CTC-7X2729
TILT RH						
	4J4497		P-V-10	2-1/2	6-1/2	CTC-7X2678
MODEL 824C						
BLADE LH						
	4J4498		P-UB-10	2-1/2	6	CTC-7X2656
BLADE RH						
	4J4497		P-V-10	2-1/2	6-1/2	CTC-7X2678
BLADE TIP						
	4J4497		P-V-10	2-1/2	6-1/2	CTC-7X2678
	4J5632		P-V-10	2-1/2	6-1/2	CTC-7X2678
	4J6006	App requires 2 kits.	P-UB-10	2-1/2	6	CTC-7X2656
BLADE TIP LH						
	4J4498		P-UB-10	2-1/2	6	CTC-7X2656
LIFT						
	4J6005		P-V-10	2-1/2	6-1/2	CTC-7X2676
	6J1269		P-V-10	2-1/2	6-1/2	CTC-7X2676
	6J1272		P-V-10	2-1/2	6-1/2	CTC-7X2676
	6J1273		P-V-10	2-1/2	6-1/2	CTC-7X2676
	9J7111		P-UB-10	2-1/2	5-1/2	CTC-7X2653
LIFT LH						
	4J4498		P-UB-10	2-1/2	6	CTC-7X2656
STEERING LH						
	9J7087		P-UB-10	2-1/4	5	CTC-9X6392
STEERING RH						
	9J7086		P-UB-10	2-1/4	5	CTC-9X6392
MODEL 824S, 834S, 834U						
LIFT LH						
	4J4498		P-UB-10	2-1/2	6	CTC-7X2656
TILT RH						
	4J4497		P-V-10	2-1/2	6-1/2	CTC-7X2678

REPLACEMENT KITS FOR CATERPILLAR® EQUIPMENT

Wheel Dozers						
APPLICATION	CYL #	Misc-Parts, Instructions, etc.	CODE	ROD	BORE	KIT #
MODEL 830M						
DOZER LIFT						
	3R4109		P-UB-10	2-1/2	4-3/4	CTC-7X2660
LIFT						
	3J6439		P-UB-10	2-1/2	6	CTC-7X2679
RIPPER LIFT						
	3R6724		P-UB-10	2-1/2	6	CTC-7X2679
STEERING						
	5R0062		P-UB-10	2-1/4	5	CTC-7X2729
	7J9984		P-UB-10	2-1/4	5	CTC-7X2729
MODEL 834						
BLADE LH						
	4J4498		P-UB-10	2-1/2	6	CTC-7X2656
BLADE TIP						
	4J5632		P-V-10	2-1/2	6-1/2	CTC-7X2678
	4J6006	App requires 2 kits.	P-UB-10	2-1/2	6	CTC-7X2656
LIFT						
	4J6005		P-V-10	2-1/2	6-1/2	CTC-7X2676
	4J7621		P-V-10	2-1/2	6-1/2	CTC-7X2676
	4J9233		P-V-10	2	4-1/2	CTC-7X2770
	6J1269		P-V-10	2-1/2	6-1/2	CTC-7X2676
	6J1272		P-V-10	2-1/2	6-1/2	CTC-7X2676
STEERING						
	7J9984		P-UB-10	2-1/4	5	CTC-7X2729
	9J8165		P-UB-10	2-1/4	5	CTC-9X6392
TILT RH						
	4J4497		P-V-10	2-1/2	6-1/2	CTC-7X2678
MODEL 834B						
BLADE LH						
	4J4498		P-UB-10	2-1/2	6	CTC-7X2656
BLADE TIP						
	4J5632		P-V-10	2-1/2	6-1/2	CTC-7X2678
LIFT						
	4J7621		P-V-10	2-1/2	6-1/2	CTC-7X2676
	6J1272		P-V-10	2-1/2	6-1/2	CTC-7X2676
LIFT LH						
	4J4498		P-UB-10	2-1/2	6	CTC-7X2656
STEERING						
	9J8165		P-UB-10	2-1/4	5	CTC-9X6392
TILT RH						
	4J4497		P-V-10	2-1/2	6-1/2	CTC-7X2678
TIP						
	4J6006	App requires 2 kits.	P-UB-10	2-1/2	6	CTC-7X2656
MODEL 834C						
BLADE TIP						
	4J5632		P-V-10	2-1/2	6-1/2	CTC-7X2678
	4J6006	App requires 2 kits.	P-UB-10	2-1/2	6	CTC-7X2656

REPLACEMENT KITS FOR CATERPILLAR® EQUIPMENT

IMPORTANT – PLEASE READ

If a kit part number is unknown, the machine model number, serial number, and cylinder application will help identify the repair kit you need.

Example: Model Number **D5**
Serial Number **63J806**
Cylinder Application **Dozer Lift**

If none of the above information is known, size and description of the parts needed will almost always be sufficient.

NOTE: Caterpillar® kit numbers are used as a reference only. We do not imply that these kits are original REPLACEMENT KITS.

Kit Number	Code (Pg. xiv)	Rod X Bore Size	Kit Number	Code (Pg. xiv)	Rod X Bore Size
CTC-FIG0401	TRACK ADJUSTER KIT		CTC-0964395	P-UB-10	85 mm X 120 mm
CTC-FIG0402	TRACK ADJUSTER KIT		CTC-0964396	P-UB-10	95 mm X 130 mm
CTC-FIG0405	TRACK ADJUSTER KIT		CTC-0966457	P-UB-10	75 mm X 115 mm
CTC-FIG1401	TRACK ADJUSTER KIT		CTC-0967625	P-UB-10	65 x 100 mm
CTC-FIG1402	TRACK ADJUSTER KIT		CTC-0967786	P-UB-10	75 x 110 mm
CTC-FIG1405	TRACK ADJUSTER KIT		CTC-0967799	P-UB-10	80 mm X 120 mm
CTC-FIG2400	TRACK ADJUSTER KIT		CTC-0995310	P-UB-14	75 mm X 110 mm
CTC-FIG3400	TRACK ADJUSTER KIT		CTC-0995311	P-UB-14	80 mm X 120 mm
CTC-FIG3401	TRACK ADJUSTER KIT		CTC-0995312	P-UB-14	65 mm X 100 mm
CTC-FIG3404	TRACK ADJUSTER KIT		CTC-0995401	P-UB-14	70 X 100 mm
CTC-FIG4400	TRACK ADJUSTER KIT		CTC-1002931	P-UB-10	3-1/4 X 5-1/2
CTC-FIG4405	TRACK ADJUSTER KIT		CTC-1002932	P-UB-10	3-1/4 X 5-1/2
CTC-0514131	P-V-10	2-1/2 X 6	CTC-1002934	P-UB-10	4-1/4 X 6-1/2
CTC-0555211	I-U-10	3-1/2,5-1/2,6-1/2 X 5,6,7	CTC-1002935	P-UB-10	4-1/4 X 6-1/2
CTC-0711436	I-U-3	11 X 13-1/8	CTC-1002939	P-UB-10	3-3/4 X 6
CTC-0712436	P-U-3	11 X 13-1/8	CTC-1014201	P-UB-10	2-1/2 X 4-3/4
CTC-0713437	I-U-3	11 X 12-1/2	CTC-1016061	I-U-10	30 X 63 mm
CTC-0714437	P-U-3	11 X 12-1/2	CTC-1017554	P-UB-10	5-1/2 X 10-1/2
CTC-0715438	I-SP-10,3	7-1/4,10-1/2 X	CTC-1038333	P-UB-14	60 X 90 mm
CTC-0716439	I-SP-10,3	7-1/4,11	CTC-1040763	P-U-1	70 mm Rod Kit
CTC-0717440	I-U-3	12-1/2 X 15-1/8	CTC-1041023	P-U-1	75 mm Rod Kit
CTC-0718440	P-U-3	12-1/2 X 15-1/8	CTC-1045008	I-U-10	4 X 4-1/2
CTC-0719441	I-U-3	12-1/2 X 14-1/4	CTC-1052585	P-UB-10	90 X 130 mm
CTC-0720441	P-U-3	12-1/2 X 14-1/4	CTC-1052601	P-UB-10	85 X 130 mm
CTC-0728446	P-UB-1	9 X 10-3/4	CTC-1057253	P-UB-14	55 X 80 mm
CTC-0778441	P-U-3	12-1/2 X 14-1/4	CTC-1057255	P-UB-14	75 X 110 mm
CTC-0860174	P-UB-14	75 x 100 mm	CTC-1057359	P-UB-10	80 X 100 mm
CTC-0875387	P-UB-10	100 X 140 mm	CTC-1057379	P-UB-10	85 X 120 mm
CTC-0875394	P-UB-10	85 X 120 mm	CTC-1057397	P-UB-10	70 X 100 mm
CTC-0875407	P-UB-10	130 X 180 mm	CTC-1057480	P-UB-14	55 X 100 mm
CTC-0876654	P-UB-10	110 X 160 mm	CTC-1113300	P-UB-10	2-1/2 X 4-1/2
CTC-0901523	MULTI STAGE	2.50, 3.25, 4.00	CTC-1113301	P-UB-10	1-7/8 X 3
CTC-0912786	I-V-1	5,9	CTC-1113302	P-UB-10	2 X 4
CTC-0919842	P-U-14	45 X 90 mm	CTC-1125343	I-SP-10, 3	8-3/4, 12-1/2 X 11, 13-3/4
CTC-0933045	P-UB-15	50 mm X 90mm	CTC-1126550	P-UB-10	3 X 6-1/2
CTC-0938385	P-UB-15	70 mm X 110 mm	CTC-1131073	I,P-U-3	12 X 15-1/8
CTC-0938388	P-UB-15	80 mm X 120 mm	CTC-1132693	I-U-3	1-1/4 X 2-1/2
CTC-0938390	P-UB-15	65 mm X 110 mm	CTC-1137463	I, P-U-3	9 X 10-3/4
CTC-0939941	P-UB-14	90 mm X 140 mm	CTC-1137472	I,P-U-3	13-1/2 X 16-1/8
CTC-0940691	P-UB-10	85 mm X 125 mm	CTC-1137475	P-UB-3	7 X 8
CTC-0941910	P-UB-10	100 mm X 140 mm	CTC-1137476	I,P-U-3	11 X 13-1/8
CTC-0942697	P-UB-14	100 mm X 150 mm	CTC-1137478	P-UB-3	7 X 8
CTC-0942698	P-UB-14	110 mm X 160 mm	CTC-1137480	I,P-U-3	12-1/2 X 14-1/4

REPLACEMENT KITS FOR CATERPILLAR® EQUIPMENT

NOTE: Caterpillar® kit numbers are used as a reference only. We do not imply that these kits are original REPLACEMENT KITS.

Kit Number	Code (Pg. xiv)	Rod X Bore Size	Kit Number	Code (Pg. xiv)	Rod X Bore Size
CTC-1137482	I-UB-3	9 X 10-1/2	CTC-1326121	P-UB-10	2-3/4 x 5-1/4
CTC-1143616		O-Ring Kit	CTC-1326127	P-UB-10	3 X 7-1/4
CTC-1148290	P-UB-10	80 X 120 mm	CTC-1326148	P-UB-10	2-3/4 X 4-1/4
CTC-1148526	P-UB-10	75 X 110 mm	CTC-1326184	P-UB-10	3 X 7-1/4
CTC-1163529	P-UB-10	150 X 220 mm	CTC-1326770	P-UB-10	2-1/4 X 4-1/2
CTC-1163612	P-UB-10	105 X 150 mm	CTC-1326783	P-UB-10	4 X 7
CTC-1163649	P-UB-10	110 X 170 mm	CTC-1327058	P-UB-10	1-1/2 X 3-1/2
CTC-1169123K	P-UB-10	105 X 150 mm	CTC-1327131	P-UB-10	2-3/4 X 5-1/2
CTC-1180672	I-U-10	6 X 8-1/4	CTC-1328284	P-UB-10	2-3/4 X 7
CTC-1183946	P-UB-10	110 X 160 mm	CTC-1328491	P-UB-10	3 X 6-1/4
CTC-1184024	P-UB-10	100 X 140 mm	CTC-1328518	P-UB-10	3-1/4 X 7
CTC-1184131	P-UB-10	85 X 120 mm	CTC-1328770	P-UB-10	1-3/4 X 3-1/4
CTC-1184175	P-UB-10	90 X 130 mm	CTC-1328783	P-V-10	2 X 4-1/2
CTC-1186023	P-UB-10	85 X 120 mm	CTC-1328811	P-UB-10	2-1/2 X 4-3/4
CTC-1195435	P-UB-10	75 X 110 mm	CTC-1328816	P-UB-10	2 X 4
CTC-1195446	P-UB-10	80 X 120 mm	CTC-1329361	P-UB-10	1-3/4 X 3-3/4
CTC-1195457	P-UB-10	65 X 100 mm	CTC-1331747K	P-UB-10	2 X 3-1/2
CTC-1234121K	P-UB-10	2 X 4	CTC-1332962K	P-UB-10	3-1/4 X 9-1/4
CTC-1247005	P-UB-10	85 X 160 mm	CTC-1334802	P-UB-10	3-1/4 X 7
CTC-1247008	P-UB-10	85 X 120 mm	CTC-1336646	P-UB-10	80 X 110 mm
CTC-1247009	P-UB-10	80 X 110 mm	CTC-1336691	P-UB-10	70 X 100 mm
CTC-1261887	P-UB-10	90 X 130 mm	CTC-1336823	P-UB-10	100 X 140 mm
CTC-1261947	P-UB-10	85 X 120 mm	CTC-1344485K	P-UB-10	55 X 100 mm
CTC-1261979	P-UB-10	130 X 190 mm	CTC-1349838K	P-UB-10	35 X 70 mm
CTC-1270630	P-UB-10	100 X 140 mm	CTC-1350532K	P-UB-10	50 X 85 mm
CTC-1270631	P-UB-10	100 X 140 mm	CTC-1352167	P-UB-10	2-3/4 x 6
CTC-1270795	P-UB-10	2-1/2 X 5	CTC-1353223	P-UB-10	2-1/2 X 4
CTC-1279809	P-UB-10	3 X 6-1/2	CTC-1353253	P-UB-10	2-1/2 X 4
CTC-1281673	P-UB-10	3 x 5-1/2	CTC-1353802	P-UB-10	3 x 4-1/2
CTC-1289277	P-UB-10	105 X 150 mm	CTC-1354382	P-UB-10	5-3/4 X 11-1/2
CTC-1289278	P-UB-10	110 X 170 mm	CTC-1354392	P-UB-10	2-1/4 x 4-1/2
CTC-1289280	P-UB-10	110 X 160 mm	CTC-1354539	P-UB-14	3-1/4 X 5-1/2
CTC-1296156	P-UB-10	100 X 170 mm	CTC-1358166	P-UB-10	2-1/4 X 3-1/2
CTC-1304012	P-UB-10	2-1/2 X 5	CTC-1358695	P-UB-10	2-1/2 X 4-3/4
CTC-1305923	P-UB-10	2-1/8 X 4	CTC-1358736	P-UB-10	2-3/4 X 5-1/2
CTC-1309483	P-UB-10	3-1/2 x 7-1/4	CTC-1361131	P-UB-10	2-1/2 x 4-3/4
CTC-1315106	P-UB-10	2-1/2 X 5	CTC-1361171	P-UB-10	2-1/4 X 4
CTC-1315118	P-UB-10	2-1/2 X 5	CTC-1361599	P-UB-10	1-1/2 X 2-3/4
CTC-1315164	P-UB-10	2-1/2 X 6	CTC-1361897	P-UB-10	2-1/4 X 3-3/4
CTC-1315423	P-UB-10	3 X 4	CTC-1361908	P-UB-10	2-5/8 X 5-1/4
CTC-1316108	P-UB-10	1-3/4 X 4	CTC-1361967	P-UB-10	2-1/2 X 5
CTC-1316109	P-UB-10	3 X 4-3/4	CTC-1361990	P-UB-10	2-3/4 X 3-3/4
CTC-1318700	P-UB-10	2-1/2 X 3-3/4	CTC-1362025	P-UB-10	3 X 4-3/4
CTC-1318733	P-UB-10	3 X 6-1/2	CTC-1363084	P-UB-10	3 x 6
CTC-1318740	P-UB-10	3 X 6-1/2	CTC-1363121	P-UB-10	2-1/2 X 6
CTC-1318748	P-UB-10	2-1/2 X 4	CTC-1363337	P-UB-10	2-3/4 X 6
CTC-1318778	P-UB-10	2-1/4 x 4-3/4	CTC-1363741	P-UB-10	3 X 6-1/2
CTC-1324905	P-UB-10	3-1/2 X 8-1/4	CTC-1365158	P-UB-10	3-1/2 X 6-1/4
CTC-1324922	P-UB-10	4 X 9-1/4	CTC-1368341	P-UB-10	2-1/2 X 6-1/2
CTC-1324932	P-UB-10	4 x 10-1/2	CTC-1368797	P-UB-10	3-1/4 X 6-1/2
CTC-1324937	P-UB-10	3 X 6	CTC-1370264	P-UB-10	2-1/2 X 6-1/2
CTC-1324987	P-UB-10	3-1/4 X 7-1/4	CTC-1371384	P-UB-10	3-1/4 X 9-1/4

REPLACEMENT KITS FOR CATERPILLAR® EQUIPMENT

NOTE: Caterpillar® kit numbers are used as a reference only. We do not imply that these kits are original REPLACEMENT KITS.

Kit Number	Code (Pg. xiv)	Rod X Bore Size	Kit Number	Code (Pg. xiv)	Rod X Bore Size
CTC-1371946	P-UB-10	4-3/4 X 7	CTC-1659419	P-UB-10	95 mm X 130 mm
CTC-1371974	P-UB-10	3-1/2 X 8-1/4	CTC-1659420	P-UB-10	80 X110 mm
CTC-1372530	P-UB-10	1-1/2 X 3	CTC-1668140K	I-UB-10	2-3/4 X 3-3/4
CTC-1373529	P-UB-10	2-1/4 X 4-1/2	CTC-1668141K	I-UB-10	2-3/4 X 3-3/4
CTC-1373661	P-UB-10	100 X 140 mm	CTC-1680758	P-UB-10	105 X 150 mm
CTC-1373763	P-UB-10	85 X 120 mm	CTC-1680759	P-UB-10	110 X 170 mm
CTC-1373764	P-UB-10	100 X 140 mm	CTC-1680760	P-UB-10	110 X 160 mm
CTC-1373765	P-UB-10	90 X 130 mm	CTC-1686942K	P-UB-10	5 X 9-1/4
CTC-1373766	P-UB-10	100 X 140 mm	CTC-1686943K	P-UB-10	5 X 9-1/4
CTC-1373767	P-UB-10	105 X 150 mm	CTC-1686944K	P-UB-10	4-1/2 X 9-1/4
CTC-1373768	P-UB-10	90 X 130 mm	CTC-1697826	P-U-15	75 X 110 mm
CTC-1378662	P-UB-10	2 X 4-1/4	CTC-1697827	P-UB-14	60 mm X 90 mm
CTC-1417296	P-U-3	7 X 8-1/2	CTC-1697830	P-UB-10	65 mm X 100 mm
CTC-1417975	P-UB-4	3-1/2 X 4-1/2	CTC-1697835	P-UB-10	80 X 120 mm
CTC-1433201K	P-UB-10	100 X 170 mm	CTC-1697837	P-UB-10	75 x 110 mm
CTC-1438153	P-UB-10	65X100 mm	CTC-1697838	P-UB-10	80 x 120 mm
CTC-1469631	P-UB-10	3-1/4 X 9-1/4	CTC-1697839	P-UB-10	65 x 100 mm
CTC-1469860	P-UB-10	2-1/2 X 4-1/2	CTC-1697843	P-UB-10	70 X 130 mm
CTC-1475781	P-UB-10	85 x 125 mm	CTC-1697895	P-UB-14	55 X 90 mm
CTC-1518206K	P-UB-10	3-1/4 X 8-1/2	CTC-1699529K	P-UB-10	2 X 4
CTC-1529148K	P-UB-10	2-3/8 X 4-3/4	CTC-1700221	P-UB-10	2-1/2 X 4-3/4
CTC-1531282	I-SP-10, 3	7-3/4, 11-1/2 X 10, 12-1/2	CTC-1709937	P-UB-10	75 X 110 mm
CTC-1533724	P-UB-10	2-1/2 X 4	CTC-1709941	P-UB-10	65 X 100 mm
CTC-1539053	P-UB-10	1-3/4 X 2-3/4	CTC-1709999	P-UB-10	80 X 120 mm
CTC-1539054	P-UB-10	1-3/4 X 2-1/2	CTC-1702156	I-UB-10	125 X 220 mm
CTC-1540728	P-UB-10	85 X 120 mm	CTC-1709827	P-UB-10	70 X 100 mm
CTC-1540744	P-UB-10	85 X 120 mm	CTC-1721689	I-UB-5	2 X 4-1/2
CTC-1540748	P-UB-10	90 x 130 mm	CTC-1721690	P-UB-10	2 X 4-1/2
CTC-1540757	P-UB-10	90 X 130mm	CTC-1721691	P-UB-10	3-1/2 X 5-1/2
CTC-1540761	P-UB-10	100 X 140 mm	CTC-1756855K	P-UB-10	100 X 140 mm
CTC-1540766	P-UB-10	105 X 150 mm	CTC-1764914	P-UB-10	90 X 130 mm
CTC-1540773	P-UB-10	90 X 130mm	CTC-1764934	P-UB-10	85 X 120 mm
CTC-1542501	P-UB-10	2-1/2 X 4	CTC-1764935	P-UB-10	65 X 100 mm
CTC-1542502	P-UB-10	2-1/2 X 7-1/4	CTC-1764999	P-UB-10	95 X 130 mm
CTC-1542503	P-UB-10	3 X 4-3/4	CTC-1791715	I-U-3	3/4 X 1-1/2
CTC-1546526	P-UB-10	2-1/4 X 4	CTC-1791749	I-O-3	3/4 X 1-1/2
CTC-1560626	P-UB-10	140 x 200 mm	CTC-1799625	P-UB-10	80 X 110 mm
CTC-1560627	P-UB-10	150 X 220 mm	CTC-1799772	P-U-10	90 X 130 mm
CTC-1565209	I,P-U-3	11 X 12-1/2	CTC-1799634	P-UB-10	85 X 120 mm
CTC-1570284	P-UB-10	3-1/2 x 7-3/4	CTC-1799638	P-UB-10	70 X 100 mm
CTC-1570287	P-UB-10	2-3/4 X 5-1/2	CTC-1799764K	P-UB-10	90 X 130 mm
CTC-1570288	P-UB-10	3 X 4-3/4	CTC-1799785K	P-UB-10	105 X 150 mm
CTC-1586389	P-UB-10	75 X 110 mm	CTC-1799791K	P-UB-10	105 X 150 mm
CTC-1589092	P-UB-10	85 X 120 mm	CTC-1807482K	P-UB-10	2 X 85 mm
CTC-1589093	P-UB-10	100 X 140 mm	CTC-1807484K	P-UB-10	2-1/8 X 4
CTC-1597775	P-UB-10	85 X 120 mm	CTC-1807485K	P-UB-10	2-1/8 X 4
CTC-1605784	P-UB-10	3 X 5	CTC-1807490K	P-UB-10	2 X 85 mm
CTC-1605796	P-UB-10	3 x 7	CTC-1832848K	P-UB-10	2 X 85 mm
CTC-1647174K	P-UB-10	1-1/2 X 3	CTC-1832849K	P-UB-10	2-3/4 X 5-3/8
CTC-1649430K	P-UB-10	1-1/4 X 2-1/2	CTC-1832850K	P-UB-10	2-1/2 X 4-3/4
CTC-1659416	P-UB-10	130 X 190 mm	CTC-1832856K	P-UB-10	2 X 85 mm
CTC-1659418	P-UB-10	85 X 120 mm	CTC-1843709K	P-UB-10	2-1/2 X 4-1/2

REPLACEMENT KITS FOR CATERPILLAR® EQUIPMENT

NOTE: Caterpillar® kit numbers are used as a reference only. We do not imply that these kits are original REPLACEMENT KITS.

Kit Number	Code (Pg. xiv)	Rod X Bore Size	Kit Number	Code (Pg. xiv)	Rod X Bore Size
CTC-1847660K	P-UB-10	85 X 140 mm	CTC-1864368	P-UB-10	2-1/2 X 6
CTC-1850196	P-UB-10	90 X 130 mm	CTC-1864373	P-UB-10	2-1/2 X 4-1/4
CTC-1850223	P-UB-10	85 X 125 mm	CTC-1864378	P-UB-10	2-1/2 X 4-3/4
CTC-1851839K	P-UB-10	1-1/2 X 3	CTC-1864381	P-UB-10	2-1/2 X 4-3/4
CTC-1851851K	P-UB-10	1-7/8 X 3-1/4	CTC-1864382	P-UB-10	2-1/2 X 4-3/4
CTC-1855574	P-UB-10	95 X 160	CTC-1864386	P-UB-10	2-1/2 X 6-1/2
CTC-1856583	P-UB-10	1-1/2 X 3	CTC-1864391	P-UB-10	2-1/2 X 4-1/2
CTC-1856584	P-UB-10	1-1/2 X 4	CTC-1884219	P-UB-10	105 X 150 mm
CTC-1856586	P-UB-10	1-1/2 X 2-3/4	CTC-1864404	P-UB-10	2-1/8 X 4
CTC-1856587	P-UB-10	1-1/2 X 3	CTC-1884457	P-UB-10	95 X 160 mm
CTC-1856588	P-UB-10	1-1/2 X 3-1/2	CTC-1890263	P-UB-10	3-1/2 X 5-1/2
CTC-1856596	P-UB-10	1-1/2 X 2-3/4	CTC-1890264	P-UB-10	3-1/4 X 8-1/4
CTC-1856601	P-UB-10	1-1/2 X 2-1/2	CTC-1890268	P-U-10	2-3/4 X 5
CTC-1857018	P-UB-10	1-3/4 X 3-1/2	CTC-1890271	P-UB-10	2-3/8 X 3-3/4
CTC-1857024	P-UB-10	1-3/4 X 2-3/4	CTC-1890281	P-UB-10	100 X 140 mm
CTC-1857025	P-UB-10	1-3/4 X 3	CTC-1890282	P-UB-10	100 x 140 mm
CTC-1857036	P-UB-10	1-3/4 X 2-1/2	CTC-1895373	P-UB-10	3-1/4 X 8-1/4
CTC-1857667	P-UB-10	2 X 3	CTC-1895374	P-UB-10	3-1/4 X 7
CTC-1857669	P-UB-10	2 X 4-1/4	CTC-1895375	P-UB-10	3-1/4 X 7
CTC-1857671	P-UB-10	2 X 4-1/2	CTC-1895377	P-UB-10	3-1/4 x 9-1/4
CTC-1857672	P-UB-10	2 X 3-1/2	CTC-1895378	P-UB-10	3-1/4 X 9-1/4
CTC-1857674	P-UB-10	2 X 3-1/2	CTC-1895381	P-UB-10	3-1/4 X 5-1/2
CTC-1857678	P-UB-10	2 X 3-1/2	CTC-1895384	P-UB-10	3-1/4 X 7-3/4
CTC-1857681	P-U-10	2 X 3-1/2	CTC-1905432	P-UB-10	3-1/4 X 9-1/4
CTC-1857682	P-UB-10	2 X 4-1/4	CTC-1912322	P-UB-10	3 X 5-1/2
CTC-1857686	I-UB-10	2 X 4	CTC-1912430	P-U-10	3 X 6-1/2
CTC-1857687	N-UB-10	2 X 4	CTC-1912432	P-UB-10	3 X 6-1/2
CTC-1857688	P-UB-10	2 X 4	CTC-1912434	P-UB-10	3 X 7-1/4
CTC-1857699	I-UB-10	2 X 4-1/2	CTC-1913171	P-UB-10	110 X 170
CTC-1857700	P-UB-10	2 X 4-1/2	CTC-1913564	P-UB-10	3 X 6-1/2
CTC-1859502	P-UB-10	2-1/4 X 5	CTC-1913565	P-UB-10	3 X 6-1/2
CTC-1859503	P-UB-10	2-1/4 X 3-1/2	CTC-1915027	I-U-10	2-3/4 X 4
CTC-1859504	P-UB-10	2-3/4 X 4-1/2	CTC-1915028	P-UB-10	3 X 4-3/4
CTC-1859507	P-UB-10	2-1/4 X 4-1/4	CTC-1915030	P-UB-10	3 X 4-3/4
CTC-1859517	P-UB-10	2-1/4 X 4-1/4	CTC-1915031	P-UB-10	3 X 6
CTC-1859523	P-UB-10	2-1/4 X 4-1/2	CTC-1915551K	P-UB-10	115 X 170
CTC-1859527	P-UB-10	2-1/4 X 4	CTC-1915619	P-UB-10	105 X 150 mm
CTC-1859535	P-UB-10	2-1/4 X 4	CTC-1915649	P-UB-10	115 X 170
CTC-1864327	I-UB-10	2-1/2 X 3-1/2	CTC-1916508	P-UB-10	3 X 7-1/4
CTC-1864332	P-UB-10	2-1/2 X 5	CTC-1917694	P-UB-10	3 X 6-1/4
CTC-1864333	P-UB-10	2-1/2 X 4	CTC-1917721K	P-UB-10	1-1/2 X 3
CTC-1864336	P-UB-10	2-1/2 X 4-1/4	CTC-1917725K	P-UB-10	1-1/2 X 3
CTC-1864337	P-UB-10	2-1/2 X 4-1/4	CTC-1917753K	P-UB-10	2-3/8 X 4-1/2
CTC-1864338	P-UB-10	2-1/2 X 4	CTC-1917835K	I-UB-10	2-3/4 X 3-3/4
CTC-1864340	P-UB-10	2-1/2 X 6	CTC-1917839K	I-UB-10	2-3/4 X 3-3/4
CTC-1864341	P-UB-10	2-1/2 X 3-3/4	CTC-1917846K	P-UB-10	2-3/8 X 4-3/4
CTC-1864349	P-U-10	2-1/2 X 6	CTC-1918161K	P-UB-10	2 X 4
CTC-1864357	P-UB-10	2-1/2 X 6-1/2	CTC-1919204	P-UB-10	3 X 6
CTC-1864358	P-U-10	2-1/2 X 5-1/2	CTC-1921409	P-UB-10	3 X 7-1/4
CTC-1864362	P-UB-10	2-1/2 X 4-1/2	CTC-1923007	P-UB-10	3 X 4-3/4
CTC-1864363	P-UB-10	2-1/2 X 5	CTC-1923008	P-UB-10	3 X 4-3/4
CTC-1864365	P-UB-10	2-1/2 X 5	CTC-1923009	P-UB-10	2-3/4 X 6-1/4

REPLACEMENT KITS FOR CATERPILLAR® EQUIPMENT

NOTE: Caterpillar® kit numbers are used as a reference only. We do not imply that these kits are original REPLACEMENT KITS.

Kit Number	Code (Pg. xiv)	Rod X Bore Size	Kit Number	Code (Pg. xiv)	Rod X Bore Size
CTC-1923010	P-UB-10	3 X 5-1/4	CTC-2043628	P-UB-10	85 X 125
CTC-1923791K	P-UB-10	2 X 85 mm	CTC-2043629	P-UB-10	90 X 130 mm
CTC-1923884K	P-UB-10	2 X 85 mm	CTC-2043630	P-UB-10	90 X 130 mm
CTC-1924110K	P-UB-10	2 X 85 mm	CTC-2043692	P-UB-10	85 X 120
CTC-1933088	P-UB-10	1-7/8 X 3-1/4	CTC-2044910K	P-UB-10	90 X 130
CTC-1933097	P-UB-10	2-3/4 X 6-1/2	CTC-2044912K	P-UB-10	100 X 140
CTC-1933098	P-UB-10	4 X 10	CTC-2044914K	P-UB-10	90 X 130
CTC-1933092	P-UB-10	2-3/4 X 6-1/2	CTC-2058655K	P-UB-10	2-3/4 X 5-3/8
CTC-1933102	P-UB-10	4 X 9-1/4	CTC-2058656K	P-UB-10	2-1/2 X 4-3/4
CTC-1933112	P-UB-10	4 X 9-1/4	CTC-2060503K	P-UB-10	2-1/2 X 4-1/2
CTC-1933116	P-UB-10	3-1/2 X 7-3/4	CTC-2060520K	P-UB-10	2-1/8 X 4
CTC-1933117	P-UB-10	2-3/4 X 4-1/2	CTC-2060522K	P-UB-10	2-1/8 X 4
CTC-1935427	P-UB-10	2-3/4 X 6	CTC-2063553K	P-UB-10	1-7/8 X 3-1/4
CTC-1935431	P-UB-10	2-1/8 X 4	CTC-2063555K	P-UB-10	2 X 85 mm
CTC-1935433	P-UB-10	3-1/2 X 8-1/4	CTC-2063628K	P-UB-10	2-3/8 X 4-1/2
CTC-1937635	P-UB-10	3-1/2 X 6-1/4	CTC-2094979	P-UB-10	1-7/8 X 3-1/4
CTC-1935438	P-UB-10	2-3/4 X 6	CTC-2095874	P-UB-10	100 X 140 mm
CTC-1937620	P-UB-10	2-3/4 X 4-1/4	CTC-2107076K	P-UB-10	2-3/8 X 4-3/4
CTC-1937622	P-UB-10	3-1/2 X 7-1/2	CTC-2107077K	P-UB-10	2-1/4 X 4-1/4
CTC-1937639	P-UB-10	2-3/4 X 5-1/2	CTC-2107078K	P-UB-10	2-1/4 X 4-1/4
CTC-1939261	P-UB-10	2-3/4 X 6	CTC-2107081K	P-UB-10	2-1/2 X 4-3/4
CTC-1939264	P-UB-10	3-1/2 X 7-1/4	CTC-2107082K	P-UB-10	2-1/2 X 4-3/4
CTC-1939269	P-UB-10	2-3/4 X 5-1/2	CTC-2107085K	I-UB-10	2-3/8 X 85 mm
CTC-1939270	I-UB-10	2-3/4 X 3-3/4	CTC-2107086K	I-UB-10	2-3/8 X 85 mm
CTC-1939271	P-UB-10	2-3/4 X 9-1/4	CTC-2107087K	I-UB-10	2-1/2 X 3-1/2
CTC-1942756	P-UB-10	3-1/2 X 4-1/2	CTC-2107088K	I-UB-10	2-1/2 X 3-1/2
CTC-1944396	P-UB-10	4 X 4-1/2	CTC-2107091K	P-UB-10	2-1/2 X 5
CTC-1944397	P-UB-10	2-3/4 X 4	CTC-2107092K	P-UB-10	2-1/2 X 5
CTC-1944398	P-UB-10	4 X 4-1/2	CTC-2107096K	I-UB-10	2-3/4 X 3-3/4
CTC-1944399	P-UB-10	3-1/2 X 4-1/2	CTC-2107097K	P-UB-10	1-1/2 X 3
CTC-1945583	P-UB-10	2-3/8 X 4-1/2	CTC-2107098K	P-UB-10	1-1/2 X 3
CTC-1945586	P-UB-10	3-1/2 X 10-1/2	CTC-2119614	P-UB-10	90 X 130
CTC-1945588	P-UB-10	7 X 11	CTC-2138433	I-U-10	2-1/2 X 5
CTC-1945600	P-UB-10	2-3/8 X 4	CTC-2144502	P-UB-10	100 X 140
CTC-1945603	I-UB-10	2-3/4 X 3-3/4	CTC-2149170	P-UB-10	3-1/4 X 8-1/4
CTC-1945606	P-UB-10	4-1/4 X 7-3/4	CTC-2159985	P-UB-10	100 X 140 mm
CTC-1948235	P-UB-10	110 X 160	CTC-2159986	P-UB-10	90 X 130
CTC-1948396	P-UB-10	110 X 160	CTC-2159988	P-UB-10	110 X 160
CTC-1964523K	P-UB-10	2 X 85 mm	CTC-2159989	P-UB-10	110 X 160 mm
CTC-1980648K	I-U-10	45 X 60	CTC-2159990	P-UB-10	110 X 170
CTC-1997416	P-UB-10	105 X 150 mm	CTC-2159995	P-UB-10	140 X 200
CTC-1997417	P-UB-10	110 X 170	CTC-2159996	P-UB-10	130 mm X 180 mm
CTC-2003315	P-UB-10	105 X 150 mm	CTC-2179894	P-UB-10	55 mm X 4-1/2
CTC-2003498	P-UB-10	130 X 190	CTC-2222376	P-UB-10	65 mm X 100 mm
CTC-2003499	P-UB-10	130 X 180	CTC-2235944	I-UB-10	2-3/4 X 3-3/4
CTC-2003572	P-UB-10	110 mm X 160 mm	CTC-2235945	I-UB-10	2-1/2 X 3-1/2
CTC-2007128K	P-UB-10	2 X 4	CTC-2254625	P-UB-10	110 X 160
CTC-2042721	P-UB-10	110 X 160	CTC-2254646	P-UB-10	130 X 190
CTC-2043616	P-UB-10	100 X 140	CTC-2275347	P-UB-10	2-1/2 X 5
CTC-2043625	P-UB-10	85 X 120 mm	CTC-2275350	P-UB-10	1-3/4 X 3
CTC-2043626	P-UB-10	100 X 140 mm	CTC-2280808	P-UB-10	2-3/4 X 6-1/4
CTC-2043627	P-UB-10	85 X 120	CTC-2280809	P-UB-10	2-3/4 X 5-1/2

REPLACEMENT KITS FOR CATERPILLAR® EQUIPMENT

NOTE: Caterpillar® kit numbers are used as a reference only. We do not imply that these kits are original REPLACEMENT KITS.

Kit Number	Code (Pg. xiv)	Rod X Bore Size	Kit Number	Code (Pg. xiv)	Rod X Bore Size
CTC-2281775	P-UB-10	3-1/2 X 7-3/4	CTC-2369769K	P-UB-10	3 X 4-3/4
CTC-2281776	P-UB-10	3 X 5-1/4	CTC-2378277	P-UB-10	2 X 4
CTC-2281778	P-UB-10	2 X 3-1/2	CTC-2384462	P-UB-10	2 X 3
CTC-2281779	P-UB-10	3-1/4 X 7	CTC-2384487	P-V-10	2 X 5
CTC-2281780	P-UB-10	3-1/4 X 8-1/4	CTC-2384501	P-UB-10	2 X 4-1/4
CTC-2281792	P-UB-10	3-1/4 X 7	CTC-2386661	P-UB-10	2 X 3-1/4
CTC-2281793	P-UB-10	3 X 6	CTC-2386718	P-UB-10	2 X 4-1/2
CTC-2281795	P-UB-10	1-3/4 X 3-1/2	CTC-2386859	P-UB-10	2 X 3-1/2
CTC-2282533	P-UB-10	3-1/2 X 9-1/4	CTC-2401661	P-UB-10	1-3/4 X 3-1/2
CTC-2285271	P-UB-10	2-1/2 X 4-3/4	CTC-2401671	P-UB-10	1-3/4 X 3-1/4
CTC-2285272	P-UB-10	2-1/2 X 4-3/4	CTC-2401881	P-UB-10	1-3/4 X 3-1/2
CTC-2285273	P-UB-10	2-1/2 X 5-1/2	CTC-2402016	P-UB-10	1-3/4 X 3
CTC-2292626	P-UB-10	2-1/2 X 4	CTC-2402481	P-UB-10	1-3/4 X 3-3/4
CTC-2292758	P-UB-10	3 X 4-1/2	CTC-2402482	P-UB-10	1-3/4 X 2-3/4
CTC-2295507	P-UB-10	4 X 7	CTC-2404819	P-UB-10	1-3/4 X 4
CTC-2295546	P-UB-10	4-1/2 X 220 mm	CTC-2406899	P-UB-10	2 X 4
CTC-2297194	P-UB-10	2-1/2 X 4-1/2	CTC-2407308	P-UB-10	2 X 3-1/2
CTC-2304001	P-UB-10	110 X 180	CTC-2408523	P-UB-10	2 X 4-1/4
CTC-2309357	I-U-10	1-1/2 X 3	CTC-2408525	P-UB-10	2 X 3-1/4
CTC-2310898	P-UB-10	2-1/2 X 4-1/2	CTC-2409538	P-UB-10	2 X 4
CTC-2315021	I-UB-10	2-3/4 X 3-3/4	CTC-2410109	P-UB-10	2in x 75mm
CTC-2316844	P-UB-10	115 X 170	CTC-2410110	P-UB-10	2in x 85mm
CTC-2316845	P-UB-10	115 X 170	CTC-2410895	P-UB-10	2-1/4 X 5
CTC-2330763	P-UB-10	100 X 170	CTC-2410896	P-UB-10	2-1/4 X 4-1/2
CTC-2330764	P-UB-10	95 X 160 mm	CTC-2410897	P-UB-10	2-1/4 X 4-1/2
CTC-2332622	P-UB-10	50 mm X 100 mm	CTC-2410898	P-UB-10	2-1/4 X 4-1/4
CTC-2332623	P-UB-10	55 mm X 100 mm	CTC-2410900	P-UB-2	2-1/4 X 3-3/4
CTC-2332628	P-U-10	1-7/8 X 3-1/4	CTC-2410901	P-UB-10	2-1/4 X 4
CTC-2339204	P-UB-10	1-1/2 X 2-3/4	CTC-2410902	P-UB-10	2-1/4 X 4-3/4
CTC-2339205	P-UB-10	2 X 4	CTC-2417578	P-UB-10	2-1/4 X 5
CTC-2341948	P-UB-10	2-1/2 X 4-3/4	CTC-2418921	P-UB-10	2-1/4 X 4
CTC-2341949	P-UB-10	2-1/2 X 4	CTC-2418924	P-UB-10	2-3/4 X 4-1/2
CTC-2342591	P-UB-10	2-1/4 X 4	CTC-2418925	P-UB-10	2-3/8 X 4
CTC-2342593	P-UB-10	1-7/8 X 3-1/4	CTC-2422538	P-UB-10	2-1/2 X 4-1/4
CTC-2342595	P-UB-10	1-3/4 X 2-3/4	CTC-2422540	P-UB-10	2-1/2 X 6
CTC-2344442	P-UB-10	110 X 170	CTC-2422542	P-UB-10	2-1/2 X 5
CTC-2344488	P-UB-10	95 X 135	CTC-2422543	P-UB-10	2-1/1 X 4
CTC-2344566	P-UB-10	100 X 140	CTC-2422544	P-UB-10	2-1/2 X 7-1/4
CTC-2344576	P-UB-10	105 X 150	CTC-2422546	P-UB-10	2-1/2 X 4-1/4
CTC-2344587	P-UB-10	95 X 135	CTC-2422547	P-UB-10	2-1/2 X 4-1/4
CTC-2344666	P-UB-10	140 mm X 200 mm	CTC-2422548	P-UB-10	2-1/2 X 4
CTC-2344667	P-UB-10	150 X 220 mm	CTC-2422549	P-UB-10	2-1/2 X 6-1/2
CTC-2344673	P-UB-10	130 mm X 180 mm	CTC-2422550	P-UB-10	2-1/2 X 6
CTC-2344674	P-UB-10	110 X 160 mm	CTC-2422551	P-UB-10	2-1/2 X 3-3/4
CTC-2350351	P-UB-10	1-3/4 X 2-3/4	CTC-2422553	P-U-10	2-1/2 X 5
CTC-2350352	P-UB-10	1-3/4 X 2-3/4	CTC-2422556	P-U-10	2-1/2 X 6
CTC-2350354	P-UB-10	1-1/2 X 3	CTC-2422558	P-UB-10	2-1/2 X 6
CTC-2350973	P-UB-10	2-3/8 X 4-3/4	CTC-2424270K	P-UB-10	3-1/4 X 6-1/4
CTC-2355802	P-UB-10	2-3/4 X 6-1/2	CTC-2424271K	P-UB-10	3-1/4 X 5-3/4
CTC-2359829K	P-UB-10	2-1/2 X 4-1/2	CTC-2424272K	P-UB-10	3-1/4 X 5-3/4
CTC-2366368	P-UB-10	85 X 120	CTC-2424273K	P-UB-10	3-1/4 X 170 mm
CTC-2366389	P-U-10	85 X 120	CTC-2426840	P-UB-10	105 X 150

REPLACEMENT KITS FOR CATERPILLAR® EQUIPMENT

NOTE: Caterpillar® kit numbers are used as a reference only. We do not imply that these kits are original REPLACEMENT KITS.

Kit Number	Code (Pg. xiv)	Rod X Bore Size	Kit Number	Code (Pg. xiv)	Rod X Bore Size
CTC-2430381	P-UB-10	2-1/2 X 5-1/2	CTC-2456829	P-UB-10	3-1/2 X 6
CTC-2430383	P-UB-10	2-1/2 X 5-1/2	CTC-2456831	P-UB-10	3-1/2 X 7-1/2
CTC-2430384	P-UB-10	2-1/2 X 5	CTC-2456834	P-UB-10	3-1/2 X 7-1/2
CTC-2430386	P-UB-10	2-1/2 X 5	CTC-2456835	P-UB-10	3-1/2 X 8-1/4
CTC-2430391	P-UB-10	2-1/2 X 4	CTC-2456837	P-UB-10	3-1/2 X 8-1/4
CTC-2430397	P-UB-10	2-1/2 X 4	CTC-2456839	P-UB-10	3-1/2 X 7-1/4
CTC-2432276	P-U-10	50 mm X 85 mm	CTC-2457484K	P-UB-10	3-1/4 X 170 mm
CTC-2435796	P-UB-10	2-1/2 X 6-1/2	CTC-2457487K	P-UB-10	3-1/2 X 7-1/2
CTC-2435798	P-UB-10	2-1/2 X 4-1/2	CTC-2457491K	P-UB-10	3-1/4 X 6-1/4
CTC-2435805	P-UB-10	2-1/2 X 4-1/2	CTC-2459835	P-UB-10	2-3/8, 3-3/4, 6
CTC-2435808	P-UB-10	2-3/4 X 4-1/2	CTC-2459842	P-UB-10	100 mm X 140 mm
CTC-2435809	P-U-10	2-3/4 X 5	CTC-2460192K	P-UB-10	1-1/2 X 3
CTC-2435810	P-UB-10	2-3/4 X 5-1/4	CTC-2460638	P-UB-10	3-1/2 X 8-1/4
CTC-2435811	P-UB-10	2-3/4 X 5	CTC-2460648	P-UB-10	4 X 9-1/4
CTC-2435812	P-UB-10	2-3/4 X 6-1/2	CTC-2460652	P-UB-10	4 X 9-1/4
CTC-2435816	P-UB-10	2-3/4 X 6-1/2	CTC-2460649	P-UB-10	4 X 10-1/2
CTC-2440953	P-UB-10	2-3/4 X 6	CTC-2460659	P-UB-10	4 X 8-1/2
CTC-2440955	P-UB-10	2-3/4 X 6	CTC-2463427	P-UB-10	4 X 8-1/2
CTC-2440958	P-UB-10	2-3/4 X 5	CTC-2463437	P-UB-10	5-1/2 X 10-1/2
CTC-2440959	P-UB-10	2-3/4 X 4-1/4	CTC-2463439	P-UB-10	5-3/4 X 7
CTC-2440961	P-UB-10	2-3/4 X 6	CTC-2465907	P-UB-10	7 X 11-1/2
CTC-2440964	P-UB-10	2-3/4 X 4-1/4	CTC-2465909	P-UB-10	1-1/2 X 2-3/4
CTC-2440976	P-UB-10	3 X 4	CTC-2465910	P-UB-10	1-1/2 X 4
CTC-2440979	P-UB-10	3 X 5-1/2	CTC-2465911	P-UB-10	1-1/2 X 2-1/2
CTC-2440980	P-UB-10	3 X 6-1/2	CTC-2465912	P-UB-10	1-1/2 X 2-3/4
CTC-2442044	P-UB-10	3 X 6-1/2	CTC-2465913	P-UB-10	1-1/2 X 3
CTC-2442046	P-UB-10	3 X 7-1/4	CTC-2465914	P-UB-10	1-1/2 X 3-1/2
CTC-2442049	P-UB-10	3 X 6-1/2	CTC-2465915	P-UB-10	1-1/2 X 3-1/2
CTC-2442050	P-UB-10	3 X 6-1/2	CTC-2465916	P-UB-10	1-1/2 X 2-1/4
CTC-2442055	P-UB-10	3 X 6	CTC-2465922	P-UB-10	1-1/2 X 3
CTC-2442056	P-UB-10	3 X 7-1/4	CTC-2465925	P-UB-10	1-7/8 X 3
CTC-2442060	P-UB-10	3-1/4 X 6	CTC-2465926	P-UB-10	1-7/8 X 3-1/4
CTC-2442064	P-UB-10	3 X 6	CTC-2465927	P-UB-10	1-7/8 X 3
CTC-2442067	P-UB-10	3 X 7-1/4	CTC-2465929	P-UB-10	2-1/8 X 4
CTC-2442070	P-UB-10	3 X 4-3/4	CTC-2465937	P-UB-10	85 mm X 130 mm
CTC-2442073	P-UB-10	3 X 5-1/4	CTC-2465938	P-UB-10	85 mm X 120 mm
CTC-2442074	P-UB-10	3 X 5	CTC-2469885K	P-UB-10	2-1/4 X 4-1/2
CTC-2442079	P-UB-10	3-1/4 X 5-1/2	CTC-2478790	P-UB-10	85 X 120
CTC-2442080	P-UB-10	3-1/4 X 5-1/2	CTC-2478792	P-UB-10	100 X 140
CTC-2445647	P-UB-10	2-3/4 X 6	CTC-2478868	P-UB-10	85 X 120
CTC-2448777K	P-UB-10	3-3/4 X 7-3/4	CTC-2478878	P-UB-10	100 X 140
CTC-2450584	P-UB-10	3-1/4 X 8-1/4	CTC-2478888	P-UB-10	85 X 120
CTC-2450585	P-UB-10	3-1/4 X 7	CTC-2478974	P-UB-10	100 X 140
CTC-2450589	P-UB-10	3-1/4 X 9-1/4	CTC-2478996	P-UB-10	85 X 120
CTC-2450592	P-UB-10	3-1/4 X 5-1/2	CTC-2478998	P-UB-10	85 X 120
CTC-2450594	P-UB-10	3-1/4 X 7-3/4	CTC-2479000	P-UB-10	85 X 120
CTC-2450596	P-UB-10	3-1/4 X 7-1/4	CTC-2479001	P-UB-10	85 X 120
CTC-2450599	P-UB-10	3-1/4 X 8-1/4	CTC-2479005	P-UB-10	85 X 125
CTC-2450605	P-UB-10	3-1/4 X 8-1/4	CTC-2481162	P-UB-10	100 X 140 mm
CTC-2450617	P-UB-10	3-1/4 X 6	CTC-2481165	P-UB-10	100 X 140
CTC-2456815	P-V-10	1-1/4 X 4	CTC-2481166	P-UB-10	100 mm X 140 mm
CTC-2456824	P-UB-10	3-1/2 X 5-1/2	CTC-2481168	P-UB-10	105 mm X 150 mm

REPLACEMENT KITS FOR CATERPILLAR® EQUIPMENT

NOTE: Caterpillar® kit numbers are used as a reference only. We do not imply that these kits are original REPLACEMENT KITS.

Kit Number	Code (Pg. xiv)	Rod X Bore Size	Kit Number	Code (Pg. xiv)	Rod X Bore Size
CTC-2502475	P-UB-10	105 X 150	CTC-2668015	P-UB-10	100 X 140
CTC-2502485	P-UB-10	100 X 140	CTC-2668016	P-UB-10	105 X 150
CTC-2502486	P-UB-10	90 mm X 130 mm	CTC-2668045	P-UB-10	95 X 135
CTC-2502487	P-UB-10	85 X 120 mm	CTC-2668057	P-UB-10	85 X 120
CTC-2519341	P-UB-10	100 X 170	CTC-2689049K	P-UB-10	2-3/8 X 4-3/4
CTC-2519845	P-U-10	40 mm X 70 mm	CTC-2689051K	P-UB-10	3 X 5-1/4
CTC-2521191	P-UB-10	95 X 160	CTC-2737025K	P-U-10	55 X 100
CTC-2535204	P-UB-10	2-3/8 X 4-1/4	CTC-2742460	P-UB-10	110 X 160
CTC-2578422	P-UB-10	2-3/8 X 3-3/4	CTC-2742461	P-UB-10	130 X 190
CTC-2580313	P-UB-10	85 X 130	CTC-2742462	P-UB-10	110 X 170
CTC-2580500	P-UB-10	85 X 120	CTC-2742511	P-UB-10	85 X 120
CTC-2580501	P-UB-10	85 mm X 120 mm	CTC-2742515	P-UB-10	100 X 140
CTC-2590625	P-UB-10	90 X 130	CTC-2742526	P-UB-10	90 mm X 130 mm
CTC-2590626	P-UB-10	90 X 130	CTC-2764172	I-U-10	50 mm X 70 mm
CTC-2590627	P-UB-10	90 X 130	CTC-2773395	P-UB-14	55 X 95
CTC-2590628	P-UB-10	90 X 130	CTC-2774140	P-UB-14	50 X 85
CTC-2590631	P-UB-10	100 X 140	CTC-2774167	P-UB-14	45 X 75
CTC-2590632	P-UB-10	100 X 140	CTC-2788641	P-U-10	45 X 80
CTC-2590633	P-UB-10	100 X 140	CTC-2790639	P-U-10	50 X 85
CTC-2590634	P-UB-10	100 X 140	CTC-2797940	P-U-10	45 X 80
CTC-2590635	P-UB-10	100 X 140	CTC-2821535K	P-U-10	55 X 100
CTC-2590636	P-UB-10	105 X 150	CTC-2821537K	P-U-10	55 X 90
CTC-2590637	P-UB-10	105 X 150	CTC-2839122	P-U-10	35 X 65
CTC-2590648	P-UB-10	100 X 140	CTC-2860113	P-UB-10	70 mm X 100 mm
CTC-2590650	P-UB-10	105 X 150	CTC-2897878K	P-UB-10	90 X 130
CTC-2590656	P-UB-10	95 X 135	CTC-2937158K	P-U-10	55 X 90
CTC-2590678	P-UB-10	90 X 130	CTC-2937596	P-UB-10	2 X 3
CTC-2590695	P-UB-10	85 X 120	CTC-2949583	P-UB-10	2-1/2 X 3-1/2
CTC-2590699	P-UB-10	100 X 140	CTC-2950145	I-UB-10	5-1/2 X 7-1/2
CTC-2590706	P-UB-10	85 X 120	CTC-2950147	P-U-3	7 X 8-1/2
CTC-2590712	P-UB-10	90 X 130	CTC-2950148	P-UB-3	7 X 8
CTC-2590719	P-UB-10	90 X 130	CTC-2950148AV	P-SP-3	7 X 8
CTC-2590725	P-UB-10	100 X 140	CTC-2959885	P-UB-1	9 X 10-1/2
CTC-2590729	P-UB-10	105 X 150	CTC-2959886	P-U-3	7 X 8-1/2
CTC-2590743	P-UB-10	105 X 150	CTC-2959887	P-UB-10	3 X 5-1/4
CTC-2590751	P-UB-10	110 X 160	CTC-2959888	P-UB-10	3-1/2 X 6-1/4
CTC-2590768	P-UB-10	115 X 170	CTC-2959891	P-UB-10	2-1/4 X 4-1/2
CTC-2590775	P-UB-10	100 X 140	CTC-2959892	P-UB-10	3-1/2 X 5-1/2
CTC-2590779	P-UB-10	105 X 150	CTC-2959895	P-UB-10	130 X 180
CTC-2594733K	P-UB-10	2-1/2 X 4	CTC-2976848	P-U-3	7 X 8-1/2
CTC-2594737K	P-UB-10	2-1/2 X 4	CTC-2976849	P-U-1	9 X 10-1/2
CTC-2601518	P-UB-10	2-3/4 X 5-1/2	CTC-2976852	P-UB-1	9 X 10-3/4
CTC-2605317	P-UB-10	80 X 110	CTC-3076273	P-UB-10	2 X 3
CTC-2618001	P-UB-10	2-3/4 X 6	CTC-3087849	P-UB-1	9 X 10-3/4
CTC-2618566	P-UB-10	2 X 4	CTC-3126388	I-SP-10	5,7-1/2X 6-1/2, 8-1/4
CTC-2666967K	P-U-10	50 X 80	CTC-3170942	I-UB-10	5-1/2 X 9-1/2
CTC-2666975K	P-U-10	55 X 90	CTC-3193558	P-UB-10	3 X 4-3/4
CTC-2666977K	P-U-10	55 X 90	CTC-3206346	P-UB-10	65 mm X 100 mm
CTC-2667891	P-UB-10	85 X 120	CTC-3367341	P-UB-1	12-1/2
CTC-2667892	P-UB-10	85 X 120	CTC-3E3293	P-UB-10	3 X 5-1/4
CTC-2668011	P-UB-10	85 X 120	CTC-3E3297	P-UB-10	1-7/8 X 3-1/4
CTC-2668012	P-UB-10	100 X 140	CTC-3E3298	P-UB-10	2-1/8 X 4

REPLACEMENT KITS FOR CATERPILLAR® EQUIPMENT

NOTE: Caterpillar® kit numbers are used as a reference only. We do not imply that these kits are original REPLACEMENT KITS.

Kit Number	Code (Pg. xiv)	Rod X Bore Size	Kit Number	Code (Pg. xiv)	Rod X Bore Size
CTC-3E3299	P-UB-10	2-1/2 X 3-1/2	CTC-7X2718	P-UB-10	3-1/4 X 7-1/4
CTC-3E3300	P-UB-10	2-1/2 X 4-1/4	CTC-7X2719	P-UB-10	3-1/2 X 8-1/2
CTC-3E3301	P-UB-10	4-3/4 X 7	CTC-7X2720	P-UB-10	3-1/2 X 8-1/4
CTC-3E8877	P-UB-10	2-3/8 X 4-1/2	CTC-7X2721	P-UB-10	3-1/2 X 8-1/4
CTC-3E8878	P-UB-10	2-3/4 X 5	CTC-7X2722	P-UB-10	3-1/2 X 7-1/2
CTC-3E8880	P-UB-10	5-3/4 X 8-1/4	CTC-7X2724	P-UB-14	3-1/2 X 8-1/4
CTC-3E8883	P-UB-10	3 X 4-3/4	CTC-7X2725	P-UB-10	3-1/2 X 8-1/4
CTC-3E8887	P-UB-10	5 X 7-3/4	CTC-7X2726	P-UB-14	3-1/2 X 5-1/2
CTC-3E8888	P-UB-10	3-3/4 X 6	CTC-7X2727	P-UB-14	3-1/2 X 8-1/4
CTC-3E8889	P-UB-10	3-1/2 X 6	CTC-7X2728	P-UB-10	3-1/2 X 8-1/4
CTC-3G0688K	I-SP-1	7 X 8-1/2	CTC-7X2729	P-UB-10	2-1/4 X 5
CTC-4C4784	D-RING KIT		CTC-7X2730	P-UB-14	3-1/2 X 7-1/2
CTC-4C8253	SILICONE O-RING KIT		CTC-7X2731	P-UB-10	3-3/4 X 6-1/2
CTC-6E0274K	P-UB-10	2-3/8 X 4-1/2	CTC-7X2734	P-UB-10	4 X 8-1/2
CTC-7X2680	P-UB-10	2-3/4 X 6	CTC-7X2736	P-UB-10	1-1/2 X 2-3/4
CTC-7X2681	P-UB-10	2-3/4 X 7-1/4	CTC-7X2737	P-UB-10	1-1/2 X 3
CTC-7X2682	P-UB-10	2-3/4 X 5	CTC-7X2738	P-UB-10	1-1/2 X 4
CTC-7X2683	P-UB-14	2-3/4 X 4-1/2	CTC-7X2739	P-UB-10	1-1/2 X 2-1/2
CTC-7X2684	P-UB-10	2-3/4 X 5-1/2	CTC-7X2741	P-UB-10	1-1/2 X 3-1/4
CTC-7X2685	P-UB-14	2-3/4 X 4-1/2	CTC-7X2742	P-UB-14	4 X 8-1/2
CTC-7X2686	P-UB-14	2-3/4 X 6-1/2	CTC-7X2743	P-UB-10	2-1/2 X 5
CTC-7X2687	P-UB-10	2-3/4 X 7-1/4	CTC-7X2745	P-UB-10	1-1/2 X 3
CTC-7X2688	P-UB-14	2-3/4 X 6-1/4	CTC-7X2747	P-UB-10	2-1/4 X 4-1/2
CTC-7X2689	P-UB-10	2-3/4 X 6-1/2	CTC-7X2748	P-UB-10	2-1/4 X 4-1/2
CTC-7X2690	P-UB-10	2-3/4 X 5-1/2	CTC-7X2749	P-UB-10	1-1/2 X 2-3/4
CTC-7X2691	P-UB-14	2-3/4 X 7	CTC-7X2750	P-UB-10	2-1/4 X 4-1/4
CTC-7X2692	P-UB-10	2-1/2 X 6	CTC-7X2751	P-UB-10	1-1/2 X 3
CTC-7X2694	P-UB-10	3 X 6-1/2	CTC-7X2752	P-UB-10	1-1/2 X 3-1/2
CTC-7X2695	P-UB-10	3 X 8-1/4	CTC-7X2753	P-UB-10	2 X 3
CTC-7X2696	P-UB-10	3 X 6-1/2	CTC-7X2755	P-UB-10	2 X 4
CTC-7X2697	P-UB-10	3 X 6-1/4	CTC-7X2755A	P-UB-10	2 X 4
CTC-7X2698	P-UB-10	3 X 6	CTC-7X2756	P-UB-10	3 X 5-1/4
CTC-7X2699	P-UB-14	3 X 7-1/4	CTC-7X2757	P-UB-10	3-1/4 X 6
CTC-7X2700	P-V-10	2 X 4-1/2	CTC-7X2760	P-UB-10	2 X 3
CTC-7X2701	P-UB-14	3 X 6-1/4	CTC-7X2762	P-UB-10	1-3/4 X 3-1/2
CTC-7X2702	P-UB-10	3 X 7-1/4	CTC-7X2763	P-V-10	2 X 5
CTC-7X2703	P-UB-14	3-1/4 X 8-1/4	CTC-7X2764	P-UB-10	1-3/4 X 3-1/4
CTC-7X2704	P-UB-10	3-1/4 X 7	CTC-7X2765	P-UB-14	4 X 6-1/2
CTC-7X2705	P-UB-10	3-1/4 X 5-1/2	CTC-7X2766	P-UB-10	2 X 4-1/4
CTC-7X2706	P-UB-10	3-1/4 X 7-3/4	CTC-7X2767	P-UB-10	2 X 3-1/4
CTC-7X2707	P-UB-10	3-1/4 X 9-1/4	CTC-7X2768	P-UB-10	2 X 4-1/2
CTC-7X2707A	P-UB-10	3-1/4 X 9-1/4	CTC-7X2769	P-UB-10	2 X 3-1/2
CTC-7X2708	P-UB-10	3-1/4 X 9-1/4	CTC-7X2770	P-V-10	2 X 4-1/2
CTC-7X2709	P-UB-14	3-1/4 X 5-1/2	CTC-7X2773	P-UB-10	2-1/2 X 4-3/4
CTC-7X2710	P-UB-10	3-1/4 X 7	CTC-7X2782	P-UB-10	2 X 4
CTC-7X2711	P-UB-10	3-1/4 X 6-1/2	CTC-7X2783	P-UB-10	2 X 3-1/2
CTC-7X2712	P-UB-10	3-1/4 X 5-1/2	CTC-7X2784	P-UB-10	1-3/4 X 3-1/2
CTC-7X2713	P-UB-14	3-1/4 X 6-1/2	CTC-7X2785	P-UB-10	2 X 4
CTC-7X2714	P-UB-14	3-1/4 X 5-1/2	CTC-7X2787	P-UB-10	2 X 3-1/4
CTC-7X2715	P-UB-10	3-1/4 X 8-1/4	CTC-7X2788	P-UB-10	2 X 5
CTC-7X2716	P-UB-10	3-1/4 X 9-1/4	CTC-7X2789	P-UB-10	2 X 4
CTC-7X2717	P-UB-14	3-1/4 X 8-1/4	CTC-7X2790	P-UB-10	1-3/4 X 4

REPLACEMENT KITS FOR CATERPILLAR® EQUIPMENT

NOTE: Caterpillar® kit numbers are used as a reference only. We do not imply that these kits are original REPLACEMENT KITS.

Kit Number	Code (Pg. xiv)	Rod X Bore Size	Kit Number	Code (Pg. xiv)	Rod X Bore Size
CTC-7X2791	P-UB-10	1-3/4 X 3	CTC-8C9353	P-UB-10	2 X 4
CTC-7X2792	P-UB-10	2 X 3-1/2	CTC-8C9438	P-UB-10	2 X 4-1/2
CTC-7X2794	P-UB-10	3-3/4 X 6	CTC-8J8902K	I-SP-1	9 X 10-1/2
CTC-7X2795	P-UB-10	2-1/4 X 4	CTC-8T1370	P-UB-10	2 X 4
CTC-7X2797	P-V-10	2 X 5	CTC-8T1371	P-UB-10	1-3/4 X 4
CTC-7X2798	P-UB-10	2-1/4 X 3-3/4	CTC-8T1372	P-UB-10	1-1/2 X 3-1/2
CTC-7X2799	P-UB-10	4 X 9-1/4	CTC-8T1373	P-UB-10	1-3/4 X 3
CTC-7X2801	P-UB-10	3-1/4 X 8-1/4	CTC-8T1374	P-UB-10	2-1/2 X 5-1/2
CTC-7X2802	P-UB-10	2-1/4 X 4	CTC-8T1375	P-UB-10	2-1/2 X 5
CTC-7X2803	P-UB-10	2-3/4 X 6	CTC-8T1376	P-UB-10	2-1/2 X 6-1/2
CTC-7X2804	P-UB-14	2-3/4 X 6-1/2	CTC-8T1378	P-UB-10	2-1/2 X 4
CTC-7X2806	P-UB-10	2 X 3-1/2	CTC-8T1380	P-UB-10	2 X 3-1/2
CTC-7X2807	P-UB-10	1-3/4 X 3-3/4	CTC-8T1381	P-UB-10	2-1/2 X 4-3/4
CTC-7X2808	P-UB-10	2-3/8 X 3-3/4	CTC-8T1382	P-UB-10	1-1/2 X 4
CTC-7X2809	P-UB-10	7 X 11-1/2	CTC-8T1383	P-UB-10	2-3/4 X 6-1/2
CTC-7X2810	P-UB-14	4 X 10	CTC-8T1384	P-UB-10	4 x 8-1/2
CTC-7X2811	P-UB-14	4 X 10	CTC-8T1385	P-UB-10	2-1/4 X 5
CTC-7X2812	P-UB-10	1-1/2 X 3-1/2	CTC-8T1386	P-UB-10	2 X 4
CTC-7X2813	P-UB-10	3 X 5-1/2	CTC-8T1388	P-UB-10	1-3/4 X 3-1/2
CTC-7X2814	P-UB-14	3-3/4 X 6	CTC-8T1389	P-UB-10	2-3/8 X 4
CTC-7X2815	P-UB-10	2-1/4 X 4-3/4	CTC-8T1390	P-V-10	2 X 5
CTC-7X2816	P-UB-10	4 X 5	CTC-8T1391	P-UB-10	3-1/4 X 6-1/4
CTC-7X2818	P-UB-10	2-1/4 X 3-1/2	CTC-8T1395	P-UB-10	2-1/4 X 4-1/2
CTC-7X2819	P-UB-10	2 X 4-1/4	CTC-8T1396	P-UB-10	2-1/4 X 4-1/2
CTC-7X2820	P-UB-10	1-3/4 X 2-3/4	CTC-8T1398	P-UB-14	3-1/4 X 5-1/2
CTC-7X2821	P-UB-10	2 X 3-1/4	CTC-8T1400	P-UB-10	3 X 6-1/2
CTC-7X2822	P-U-10	2 X 3-1/2	CTC-8T1401	P-V-10	3-1/2 X 8-1/4
CTC-7X2823	P-UB-10	3-1/4 X 5-1/2	CTC-8T1402	P-UB-10	1-1/2 X 2-3/4
CTC-7X2824	P-U-10	2-3/4 X 5	CTC-8T1403	P-V-10	2-1/2 X 6
CTC-7X2825	P-UB-10	1-3/4 X 3	CTC-8T1404	P-UB-10	2-3/4 X 7-1/4
CTC-7X2826	P-UB-10	1-1/2 X 2-1/4	CTC-8T1405	P-UB-10	3 X 8-1/4
CTC-7X2827	P-UB-10	1-3/4 X 2-1/2	CTC-8T1406	P-V-10	2-1/2 X 5
CTC-7X2836	P-UB-14	2-1/2 X 6	CTC-8T1408	P-UB-10	3 X 6-1/2
CTC-7X7718	P-UB-10	4-3/4 X 6-1/2	CTC-8T1410	P-UB-10	3-1/2 X 8-1/4
CTC-7X7719	P-UB-10	4-3/4 X 6-1/2	CTC-8T1411	P-UB-10	3-1/4 X 9-1/4
CTC-7X7734	P-UB-10	4-3/4 X 7	CTC-8T1412	P-UB-10	2 X 4-1/4
CTC-7X7735	P-UB-10	3-1/2 X 6	CTC-8T1413	P-UB-10	2-1/4 X 4-1/4
CTC-7X7937	P-UB-10	2 X 4	CTC-8T1415	P-V-10	6 X 8-1/4
CTC-7X7938	P-UB-10	2 X 3-3/4	CTC-8T1416	P-UB-10	2-1/2 X 7-1/4
CTC-7Y4698	P-UB-10	105 X 150 mm	CTC-8T1417	P-UB-10	2-3/4 X 7-1/4
CTC-7Y5145	P-UB-10	85 X 130 mm	CTC-8T1418	P-V-10	2-1/2 X 6
CTC-7Y5147	P-UB-10	95 X 130 mm	CTC-8T1419	P-UB-10	2 X 4-1/2
CTC-8C3316	P-UB-10	1-1/2 X 3-1/2	CTC-8T1420	P-UB-10	2 X 3-1/2
CTC-8C3317	P-UB-10	1-1/2 X 2-3/4	CTC-8T1421	P-V-10	2 X 4-3/4
CTC-8C3319	P-UB-10	1-3/4 X 4	CTC-8T1422	P-V-10	2-1/2 X 6
CTC-8C3408	P-UB-10	2 X 3-1/2	CTC-8T1428	P-UB-10	3 X 5-1/4
CTC-8C4029	P-UB-10	1-1/2 X 3	CTC-8T1430	P-UB-10	3-1/4 X 9-1/4
CTC-8C4398	P-UB-10	5-3/4 x 7	CTC-8T1435	P-UB-10	1-1/2 X 3
CTC-8C5768	P-UB-10	2-1/2 X 6	CTC-8T1438	P-UB-10	2-1/2 X 4-1/4
CTC-8C5788	I-SP-10, 3	7-1/4, 11 X 9-1/2, 12-1/4	CTC-8T1439	P-UB-10	2-1/4 X 4
CTC-8C6896	P-UB-10	2-1/2 X 4-3/4	CTC-8T1451	P-UB-10	3 X 6-1/4
CTC-8C6958	P-UB-10	4-1/2 X 6	CTC-8T1456	P-UB-14	6-1/2 X 10-1/2

REPLACEMENT KITS FOR CATERPILLAR® EQUIPMENT

NOTE: Caterpillar® kit numbers are used as a reference only. We do not imply that these kits are original REPLACEMENT KITS.

Kit Number	Code (Pg. xiv)	Rod X Bore Size	Kit Number	Code (Pg. xiv)	Rod X Bore Size
CTC-8T1457	P-UB-10	4 X 7	CTC-8T3648	P-UB-10	3-1/4 X 9-1/4
CTC-8T1461	P-UB-10	4-1/4 X 6-1/2	CTC-8T3740	P-UB-10	3 X 7-1/4
CTC-8T1462	P-UB-14	4-3/4 X 6-1/2	CTC-8T3852	P-UB-10	1-7/8 X 3
CTC-8T1464	P-UB-10	2-3/8 X 4-1/4	CTC-8T4770	P-UB-10	3-1/4 X 7-1/4
CTC-8T1466	P-UB-10	2-1/2 X 4	CTC-8T4772	I-SP-10	4, 6-1/2 X 5-3/4
CTC-8T1468	P-UB-10	3-1/2 X 8-1/4	CTC-8T4939	I-SP-10, 3	7-1/4, 10-1/2 X 9-1/4, 11-1/2
CTC-8T1472	P-UB-10	2-1/2 X 6-1/2	CTC-8T4940	P-V-10	2-3/4 X 5
CTC-8T1474	P-UB-10	4 X 9-1/4	CTC-8T9042	I-SP-10	5, 7-1/2 X 8-1/4
CTC-8T1477	P-UB-14	3-1/2 X 8-1/4	CTC-9S3135	Split Flange O-Ring Kit	
CTC-8T1478	P-UB-10	3-1/4 X 7	CTC-9T0418	I-O-3	1 X 2
CTC-8T1479	P-UB-10	5 X 7-3/4	CTC-9T3972K	I-SP-1	9 X 10-1/2
CTC-8T1480	P-V-10	1-1/4 X 4	CTC-9T7125	P-SP-1	1" Rod Kit
CTC-8T1484	P-UB-10	2-1/4 X 4	CTC-9T8912K	I-U-1	2-3/4 X 5-1/2
CTC-8T1488	P-V-10	2-1/2 X 6	CTC-9X2020	I-UB-10	2-3/4 X 3-3/4
CTC-8T1489	P-UB-10	3 X 6	CTC-9X2047	P-UB-10	2-1/2 X 5-1/2
CTC-8T1525	P-UB-10	2-3/4 X 5-1/2	CTC-9X2050	P-UB-10	2-1/2 X 5-1/2
CTC-8T1527	P-UB-10	2-3/4 X 5	CTC-9X2151	P-UB-10	2-1/2 X 4-3/4
CTC-8T1532	P-V-10	2 X 3-1/2	CTC-9X2400	P-UB-10	2-1/8 X 4
CTC-8T1534	P-UB-10	2-1/2 X 4-1/2	CTC-9X2473	P-UB-10	2-3/4 X 6-1/2
CTC-8T1543	I-UB-10	5-1/2 X 9-1/2	CTC-9X2515	P-UB-10	2-1/4 X 4
CTC-8T1545	P-UB-14	4-3/4 X 7-1/4	CTC-9X2641	P-UB-10	2-1/4 X 4
CTC-8T1548	P-UB-10	1-1/2 X 3-1/2	CTC-9X2644	P-UB-10	3-1/2 X 7-3/4
CTC-8T1549	P-UB-14	3 X 5-1/2	CTC-9X6024	P-SP-10	2-1/2 X 6-1/2
CTC-8T1551	P-UB-14	3 X 7-1/4	CTC-9X6254	P-UB-10	4-1/4 X 6-1/2
CTC-8T1553	P-V-10	2-3/4 X 6	CTC-9X6255	P-UB-10	4-1/4 X 6-1/2
CTC-8T1554	P-V-14	2-3/4 X 6-1/2	CTC-9X6261	P-UB-10	4 X 6
CTC-8T1555	P-UB-14	3-1/4 X 6-1/2	CTC-9X6263	P-UB-10	4 X 6
CTC-8T1558	P-UB-10	5-3/4 X 8-1/4	CTC-9X6379	P-UB-10	4-1/4 X 6-1/2
CTC-8T1559	P-UB-10	3-1/2 X 8-1/4	CTC-9X6392	P-UB-10	2-1/4 X 5
CTC-8T1565	P-UB-14	4-3/4 X 7	CTC-9X6393	P-UB-10	3-3/4 X 6
CTC-8T1566	P-UB-14	3-1/4 X 6-1/2	CTC-C75300011	P-UB-13	70 X 110 mm
CTC-8T1567	P-UB-14	4-3/4 X 7	CTC-C75300021	P-UB-13	80 X 120 mm
CTC-8T1908	P-UB-14	4-3/4 X 6	CTC-C75300031	P-UB-13	65 X 110 mm
CTC-8T1909	P-UB-10	5 X 6	CTC-C95300623	P-UB-10	80 X 120 mm
CTC-8T2066	P-UB-10	2-1/2 X 6	CTC-C95300731	P-UB-10	65 X 100 mm
CTC-8T2166	P-UB-10	3-1/4 X 8-1/4	CTC-C95301729	P-UB-10	75 X 110 mm
CTC-8T2216	P-UB-10	2-1/4 X 4-3/4	CTC-E25300061	P-UB-14	90 X 140 mm
CTC-8T2583	P-UB-14	3-1/2 X 8-1/2	CTC-E35300040	P-UB-10	85 X 125 mm
CTC-8T3574	P-UB-10	2-1/4 X 3-1/2	CTC-E75300010	P-UB-10	100 X 140 mm
CTC-8T3575	P-UB-10	2 X 4-1/4	CTC-E85300011	P-UB-10	85 X 120 mm
CTC-8T3576	P-UB-10	2-1/2 X 5-1/2	CTC-E85300021	P-UB-10	95 X 130 mm
CTC-8T3589	P-UB-10	1-7/8 X 3-1/4	CTC-E85300031	P-UB-10	75 X 115 mm
CTC-8T3591	P-UB-10	2-1/8 X 3-1/2	CTC-F15300011	P-UB-14	100 X 150 mm
CTC-8T3593	P-UB-10	2-1/8 X 4	CTC-F15300021	P-UB-14	110 X 160 mm

REPLACEMENT PARTS FOR CATERPILLAR® EQUIPMENT

NOTE: Caterpillar® kit numbers are used as a reference only. We do not imply that these kits are original REPLACEMENT KITS.

PUMP KITS

Kit Number	Code (Pg. xiv)
CTC-3G1688	PUMP KITS
CTC-3G1689	PUMP KITS
CTC-3G1707	PUMP KITS
CTC-3G1708	PUMP KITS
CTC-4J9281	PUMP KITS
CTC-4J9285	PUMP KITS
CTC-8J8652	PUMP KITS
CTC-9J5108	PUMP KITS
CTC-9J5109	PUMP KITS
CTC-9J5110	PUMP KITS
CTC-9J5111	PUMP KITS
CTC-9J5112	PUMP KITS
CTC-9J5114	PUMP KITS
CTC-9J5115	PUMP KITS
CTC-9J5116	PUMP KITS

ROD BUSHINGS

Part Number	Rod Dia.
CTC-0964402	85 mm
CTC-0964430	95 mm
CTC-0965625	100 mm
CTC-0995572	105 mm
CTC-1052575	90 mm
CTC-1140750	75 mm
CTC-1140751	60 mm
CTC-1140753	70 mm
CTC-1140754	65 mm
CTC-1140755	80 mm
CTC-1140756	85 mm
CTC-1140757	100 mm
CTC-1140758	90 mm
CTC-1140760	105 mm
CTC-1140761	110 mm
CTC-1140762	110 mm
CTC-1289260	95 mm
CTC-1460742	65 mm
CTC-1890593	1-1/4
CTC-1934637	3-1/2
CTC-1U4626	11
CTC-6C6093	95 mm

SELF-ALIGNING BALL BUSHINGS

Part Number	Rod Dia.
CTC-058639	1
CTC-9M3914	3/4
CTC-2D8652	1-1/4
CTC-4D0298	1-1/2
CTC-4D4431	1-3/4
CTC-9M1328	2
CTC-6V5002	2
CTC-7J1309 *	2-1/2
CTC-5P7802	2-3/4
CTC-7J3216	2-3/4
CTC-5J6424	3
CTC-5P7487	3-1/2

* Sealed

WIPERS

Part Number	Rod Dia.
CTC-5M6708	0.6
CTC-6J1879	3/4
CTC-5J2274	5/8
CTC-6J2274	5/8
CTC-0352379	7/8
CTC-1K9060	7/8
CTC-3E4124	1
CTC-6J1890	1
CTC-3E4138	1-1/8
CTC-1890218	1-1/4
CTC-3E4125	1-1/4
CTC-3E4139	1-1/4
CTC-3E4160	1-1/4
CTC-4J8982	1-1/4
CTC-3E4140	1-3/8
CTC-3E4159	1-3/8
CTC-1672450	1-1/2
CTC-2268202	1-1/2
CTC-3E4161	1-1/2
CTC-4J8979	1-1/2
CTC-5J6795	1-1/2
CTC-8C9131	1-1/2
CTC-3E4103	1-1/2
CTC-3E4126	1-1/2
CTC-3E4141	1-1/2
CTC-4T0486	1-5/8
CTC-3E4104	1-5/8
CTC-1506739	1-3/4

WIPERS

Part Number	Rod Dia.
CTC-2313539	1-3/4
CTC-3E4105	1-3/4
CTC-3E4162	1-3/4
CTC-4J8980	1-3/4
CTC-7J6932	1-3/4
CTC-7K9202	1-3/4
CTC-8C9132	1-3/4
CTC-1672452	1-3/4
CTC-3E4127	1-3/4
CTC-3E4142	1-3/4
CTC-3E4150	1-3/4
CTC-1672455	1-7/8
CTC-2271143	1-7/8
CTC-3G4721	1-7/8
CTC-3P1347	1-7/8
CTC-4T6777	1-7/8
CTC-1672457	2
CTC-2299382	2
CTC-2332606	2
CTC-3081845	2
CTC-1K6981	2
CTC-3E4106	2
CTC-3E4128	2
CTC-3E4143	2
CTC-3E4151	2
CTC-3E4164	2
CTC-4T0415	2
CTC-5U3693	2
CTC-7K9203	2
CTC-8C9133	2
CTC-1506745	2-1/8
CTC-1672458	2-1/8
CTC-2271145	2-1/8
CTC-2332607	2-1/8
CTC-4T6125	2-1/8
CTC-3P1345	2-3/16
CTC-1672459	2-1/4
CTC-2313538	2-1/4
CTC-3E4107	2-1/4
CTC-4J3515	2-1/4
CTC-6J0217	2-1/4
CTC-7K9204	2-1/4
CTC-8C9134	2-1/4
CTC-3E4129	2-1/4
CTC-3E4144	2-1/4

REPLACEMENT PARTS FOR CATERPILLAR® EQUIPMENT

NOTE: Caterpillar® kit numbers are used as a reference only. We do not imply that these kits are original REPLACEMENT KITS.

WIPERS

Part Number	Rod Dia.
CTC-3E4152	2-1/4
CTC-3E4165	2-1/4
CTC-1672461	2-3/8
CTC-2313540	2-3/8
CTC-3P1461	2-3/8
CTC-5J8016	2-3/8
CTC-6J3892	2-3/8
CTC-8T1308	2-3/8
CTC-9J1319	2-3/8
CTC-1672463	2-1/2
CTC-2253281	2-1/2
CTC-2271148	2-1/2
CTC-7J8273	2-1/2
CTC-1K6982	2-1/2
CTC-3E4130	2-1/2
CTC-3E4153	2-1/2
CTC-5J8156	2-1/2
CTC-7K9205	2-1/2
CTC-8C3840	2-1/2
CTC-3E4108	2-1/2
CTC-3E4145	2-1/2
CTC-3E4166	2-1/2
CTC-3E4131	2-5/8
CTC-3G4719	2-5/8
CTC-7K9207	2-5/8
CTC-9X3569	2-5/8
CTC-1672467	2-3/4
CTC-2253283	2-3/4
CTC-1J3540	2-3/4
CTC-3E4109	2-3/4
CTC-3E4132	2-3/4
CTC-3E4168	2-3/4
CTC-3E4169	2-3/4
CTC-5J7036	2-3/4
CTC-7K9208	2-3/4
CTC-7J8274	2-3/4
CTC-7U4137	2-3/4
CTC-8C3842	2-3/4
CTC-9D6588	2-3/4
CTC-1672469	3
CTC-2253284	3
CTC-2J1411	3
CTC-3E4110	3
CTC-3E4133	3
CTC-3E4146	3

WIPERS

Part Number	Rod Dia.
CTC-3E4154	3
CTC-3E4170	3
CTC-5J7030	3
CTC-5P4061	3
CTC-7K9209	3
CTC-8C5218	3
CTC-8J0249	3
CTC-9D6589	3
CTC-3G5050	3-1/8
CTC-5P4196	3-1/8
CTC-5P4976	3-1/8
CTC-2253285	3-1/4
CTC-3E4173	3-1/4
CTC-5J7034	3-1/4
CTC-6J4169	3-1/4
CTC-7K9211	3-1/4
CTC-8T8389	3-1/4
CTC-1433672	3-1/2
CTC-1672474	3-1/2
CTC-3E4147	3-1/2
CTC-3E4176	3-1/2
CTC-4J8981	3-1/2
CTC-5J7032	3-1/2
CTC-7K9212	3-1/2
CTC-7K9213	3-1/2
CTC-8C5219	3-1/2
CTC-8C5219	3-1/2
CTC-9D6591	3-1/2
CTC-3E4112	3-1/2
CTC-3E4134	3-1/2
CTC-3E4155	3-1/2
CTC-5U3529	3-1/2
CTC-3G5052	3-3/8
CTC-5P1177	3-3/8
CTC-3E4111	3-3/8
CTC-2271149	3-3/4
CTC-3E4113	3-3/4
CTC-4T5540	3-3/4
CTC-5P5322	3-3/4
CTC-7K9214	3-3/4
CTC-8C9135	3-3/4
CTC-8J6069	3-3/4
CTC-9J1325	3-3/4
CTC-1389739	4
CTC-1672482	4

WIPERS

Part Number	Rod Dia.
CTC-3E4114	4
CTC-3E4135	4
CTC-3E4148	4
CTC-3E4156	4
CTC-3E4177	4
CTC-5J2221	4
CTC-7J5673	4
CTC-8C5220	4
CTC-3E4115	4-1/4
CTC-4T1637	4-1/4
CTC-5P3193	4-1/4
CTC-7J8942	4-1/4
CTC-3G5053	4-3/8
CTC-5P1176	4-3/8
CTC-3E4116	4-1/2
CTC-3E4136	4-1/2
CTC-3G8505	4-1/2
CTC-3J4458	4-1/2
CTC-7K9218	4-1/2
CTC-3E4157	4-1/2
CTC-3E4117	4-3/4
CTC-7J9256	4-3/4
CTC-0903016	5
CTC-3E4118	5
CTC-3E4137	5
CTC-3E4149	5
CTC-3E4158	5
CTC-7K9220	5
CTC-8J4520	5
CTC-9J2547	5
CTC-9X3582	5
CTC-4T5663	5-1/4
CTC-3E4119	5-1/4
CTC-6J3073	5-1/2
CTC-9X3573	5-1/2
CTC-9J5469	5-3/4
CTC-3E4120	5-3/4
CTC-1U2708	6
CTC-3E4121	6
CTC-3J7622	6
CTC-3E4122	6-1/2
CTC-5P2322	6-1/2
CTC-6J0542	6-1/2
CTC-7J2806	6-1/2
CTC-8J1877	6-1/2

REPLACEMENT PARTS FOR CATERPILLAR® EQUIPMENT

NOTE: Caterpillar® part numbers are used as a reference only. We do not imply that these kits are original REPLACEMENT PARTS.

WIPERS

Part Number	Rod Dia.
CTC-3E4123	6-3/4
CTC-3J4460	6-3/4
CTC-8C9146	6-3/4
CTC-2J4779	7
CTC-5J2682	7
CTC-8C9136	7
CTC-9X7333	7
CTC-9X7366	7
CTC-7J3320	7-1/2
CTC-8J9934	8-1/2
CTC-6J7694	9
CTC-1U4625	11
CTC-9X7368	11
CTC-4T4130	12-1/2
CTC-9X7369	12-1/2
CTC-1404934	35 mm
CTC-1754734	40 mm
CTC-6R8716	40 mm
CTC-1461086	45 mm
CTC-1980662	45 mm
CTC-2508702	45 mm
CTC-0957101	50 mm
CTC-1463958	50 mm
CTC-2725681	50 mm
CTC-2774129	50 mm
CTC-0996995	55 mm
CTC-1163392	55 mm
CTC-2725644	55 mm
CTC-2773381	55 mm
CTC-0931433	60 mm
CTC-1163391	60 mm
CTC-1183119	60 mm
CTC-1659281	60 mm
CTC-1163390	65 mm
CTC-1659282	65 mm
CTC-1948332	65 mm
CTC-0931434	70 mm
CTC-1163389	70 mm
CTC-1659283	70 mm
CTC-8Q5891	70 mm
CTC-1163388	75 mm
CTC-1659284	75 mm
CTC-A04501419	75 mm
CTC-0931379	80 mm
CTC-1163387	80 mm

WIPERS

Part Number	Rod Dia.
CTC-1659285	80 mm
CTC-0940707	85 mm
CTC-1140644	85 mm
CTC-1211611	85 mm
CTC-1540729	85 mm
CTC-1659286	85 mm
CTC-7Y5115	85 mm
CTC-0931441	90 mm
CTC-1163386	90 mm
CTC-1261885	90 mm
CTC-1540749	90 mm
CTC-1659287	90 mm
CTC-1672473	90 mm
CTC-7X4803	90 mm
CTC-1359054	95 mm
CTC-1505828	95 mm
CTC-1659288	95 mm
CTC-2590655	95 mm
CTC-7Y4626	95 mm
CTC-0960059	100 mm
CTC-1076254	100 mm
CTC-1140646	100 mm
CTC-1336904	100 mm
CTC-1540736	100 mm
CTC-1659289	100 mm
CTC-1672480	100 mm
CTC-1140647	105 mm
CTC-1336813	105 mm
CTC-1336909	105 mm
CTC-1540767	105 mm
CTC-1659290	105 mm
CTC-1672483	105 mm
CTC-1119957	110 mm
CTC-1336814	110 mm
CTC-1659291	110 mm
CTC-7Y4940	110 mm
CTC-A04903618	110 mm
CTC-1915648	115 mm
CTC-2095877	115 mm
CTC-1659292	125 mm
CTC-1704830	125 mm
CTC-1119958	130 mm
CTC-1659293	130 mm
CTC-1076615	140 mm
CTC-1659294	140 mm

WIPERS

Part Number	Rod Dia.
CTC-1076616	150 mm
CTC-1659296	150 mm

U-SEALS

Part Number	Rod Dia.
CTC-7J0375	5/8
CTC-6J1878	3/4
CTC-0352380	7/8
CTC-6J1889	1
CTC-1890217	1-1/4
CTC-4T0959	1-1/4
CTC-5J8125	1-1/4
CTC-2S5867	1-1/2
CTC-5J8150	1-1/2
CTC-9J4038	1-1/2
CTC-4T0488	1-5/8
CTC-1672300	1-3/4
CTC-5J8175	1-3/4
CTC-8J5816	1-3/4
CTC-1672302	1-7/8
CTC-2332609	1-7/8
CTC-4S9006	1-7/8
CTC-4T6898	1-7/8
CTC-1672304	2
CTC-2892946	2
CTC-3G3259	2
CTC-3G3260	2
CTC-5J8200	2
CTC-5U3644	2
CTC-9J1318	2
CTC-1672305	2-1/8
CTC-3P1344	2-1/8
CTC-4T6126	2-1/8
CTC-1672307	2-1/4
CTC-5J8225	2-1/4
CTC-7J4820	2-1/4
CTC-0917173	2-3/8
CTC-3G2911	2-3/8
CTC-5J8238	2-3/8
CTC-9J1322	2-3/8
CTC-1672314	2-1/2
CTC-3G3752	2-1/2

REPLACEMENT PARTS FOR CATERPILLAR® EQUIPMENT

NOTE: Caterpillar® part numbers are used as a reference only. We do not imply that these kits are original REPLACEMENT PARTS.

U-SEALS

Part Number	Rod Dia.
CTC-3G3809	2-1/2
CTC-4S9007	2-1/2
CTC-5J0964	2-1/2
CTC-7J4824	2-1/2
CTC-9X7257	2-1/2
CTC-3G4718	2-5/8
CTC-1672317	2-3/4
CTC-5J8275	2-3/4
CTC-9J2944	2-3/4
CTC-1P4879	3
CTC-5J8300	3
CTC-1672320	3-1/4
CTC-5J8325	3-1/4
CTC-7J2145	3-1/4
CTC-3G5051	3-3/8
CTC-5P1140	3-3/8
CTC-1049658	3-1/2
CTC-1672324	3-1/2
CTC-1P4880	3-1/2
CTC-5J8350	3-1/2
CTC-7J2150	3-1/2
CTC-5J8375	3-3/4
CTC-2U9113	4
CTC-5J8400	4
CTC-6J1425	4-1/4
CTC-9J1336	4-1/4
CTC-0917170	4-3/8
CTC-1672336	4-1/2
CTC-6J1450	4-1/2
CTC-9J1340	4-1/2
CTC-6J1475	4-3/4
CTC-9J1344	4-3/4
CTC-4T5664	4-7/8
CTC-2U5379	5
CTC-3G5056	5
CTC-5P1139	5
CTC-6K2430	5
CTC-8J4524	5
CTC-9J1684	5
CTC-4T5699	5-1/4
CTC-6J1550	5-1/2
CTC-9J1692	5-1/2
CTC-3G2286	5-3/4
CTC-9J5467	5-3/4
CTC-9J5470	5-3/4

U-SEALS

Part Number	Rod Dia.
CTC-6J1650	6-1/2
CTC-8J1880	6-1/2
CTC-8J4387	6-1/2
CTC-1672352	7
CTC-3G2649	7
CTC-6J1700	7
CTC-9X7388	12-1/2
CTC-2032344	35 mm
CTC-2126073	40 mm
CTC-6R8715	40 mm
CTC-1463916	45 mm
CTC-1980660	45 mm
CTC-1463957	50 mm
CTC-2332610	50 mm
CTC-2725679	50 mm
CTC-2332611	55 mm
CTC-2725642	55 mm
CTC-0931476	65 mm
CTC-1915683	65 mm
CTC-0931477	70 mm
CTC-1709857	70 mm
CTC-8Q5877	70 mm
CTC-A04600915	70 mm
CTC-0963468	75 mm
CTC-8Q6011	75 mm
CTC-A04600918	75 mm
CTC-0931479	80 mm
CTC-1709859	80 mm
CTC-A04600917	80 mm
CTC-0961567	85 mm
CTC-1540730	85 mm
CTC-1672322	85 mm
CTC-1709860	85 mm
CTC-2742497	85 mm
CTC-7Y5117	85 mm
CTC-0961587	90 mm
CTC-1052577	90 mm
CTC-1540750	90 mm
CTC-1672325	90 mm
CTC-2160003	90 mm
CTC-2742498	90 mm
CTC-1505826	95 mm
CTC-1672326	95 mm
CTC-2160004	95 mm
CTC-2590653	95 mm

U-SEALS

Part Number	Rod Dia.
CTC-7Y4629	95 mm
CTC-0962664	100 mm
CTC-1076256	100 mm
CTC-1211371	100 mm
CTC-1373659	100 mm
CTC-1540737	100 mm
CTC-1672329	100 mm
CTC-1672330	100 mm
CTC-2160005	100 mm
CTC-2742499	100 mm
CTC-8U6849	100 mm
CTC-1948354	105 mm
CTC-1948364	105 mm
CTC-2590733	105 mm
CTC-7Y4670	105 mm
CTC-1289270	110 mm
CTC-1672338	110 mm
CTC-2590734	110 mm
CTC-7Y4942	110 mm
CTC-1915646	115 mm
CTC-2042848	115 mm
CTC-2095876	115 mm
CTC-2590735	115 mm
CTC-2160008	130 mm
CTC-2590736	130 mm
CTC-2160009	140 mm
CTC-2160011	150 mm

REPLACEMENT PARTS FOR CATERPILLAR® EQUIPMENT

NON-CATERPILLAR U-SEALS

Part Number	Rod Dia.
CTC-3E4244	1
CTC-3E4245	1-1/8
CTC-3E4175	1-1/8
CTC-3E4284	1-1/8
CTC-3E4246	1-1/4
CTC-3E4180	1-1/4
CTC-3E4181	1-1/4
CTC-3E4193	1-1/4
CTC-3E4182	1-3/8
CTC-3E4194	1-3/8
CTC-3E4283	1-3/8
CTC-3E4247	1-1/2
CTC-3E4183	1-1/2
CTC-3E4195	1-1/2
CTC-3E4215	1-1/2
CTC-3E4184	1-5/8
CTC-3E4201	1-5/8
CTC-3E4248	1-5/8
CTC-3E4185	1-3/4
CTC-3E4216	1-3/4
CTC-3E4249	1-3/4
CTC-3E4287	1-3/4
CTC-3E4250	2
CTC-3E4186	2
CTC-3E4196	2
CTC-3E4217	2
CTC-3E4227	2
CTC-3E4251	2-1/4
CTC-3E4187	2-1/4
CTC-3E4197	2-1/4
CTC-3E4218	2-1/4
CTC-3E4228	2-1/4
CTC-3E4188	2-3/8
CTC-3E4204	2-3/8
CTC-3E4252	2-1/2
CTC-3E4189	2-1/2
CTC-3E4198	2-1/2
CTC-3E4219	2-1/2
CTC-3E4229	2-1/2
CTC-3E4285	2-1/2
CTC-3E4253	2-3/4
CTC-3E4199	2-3/4
CTC-3E4220	2-3/4
CTC-3E4230	2-3/4
CTC-3E4254	3

NON-CATERPILLAR U-SEALS

Part Number	Rod Dia.
CTC-3E4190	3
CTC-3E4200	3
CTC-3E4221	3
CTC-3E4231	3
CTC-3E4255	3-1/4
CTC-3E4222	3-3/8
CTC-3E4286	3-3/8
CTC-3E4256	3-1/2
CTC-3E4191	3-1/2
CTC-3E4202	3-1/2
CTC-3E4223	3-1/2
CTC-3E4232	3-1/2
CTC-3E4192	3-3/4
CTC-3E4203	3-3/4
CTC-3E4224	3-3/4
CTC-3E4225	4
CTC-3E4233	4
CTC-3E4205	4-1/4
CTC-3E4206	4-1/2
CTC-3E4234	4-1/2
CTC-3E4207	4-3/4
CTC-3E4208	5
CTC-3E4226	5
CTC-3E4235	5
CTC-3E4209	5-1/4
CTC-3E4210	5-1/2
CTC-3E4236	5-1/2
CTC-3E4211	6
CTC-3E4237	6
CTC-3E4212	6-1/2
CTC-3E4238	6-1/2
CTC-3E4213	7
CTC-3E4239	7
CTC-3E4240	7-1/2
CTC-3E4214	8

ROD VEE SETS

Part Number	Rod Dia.
CTC-1J0132	1-1/4
CTC-1K7110	1-1/4
CTC-3D1123	1-1/2
CTC-2K0248	1-3/4
CTC-1K7112	2
CTC-3F9609	2
CTC-2K4434	2-1/4
CTC-1K7114	2-1/2
CTC-4F8420	2-1/2
CTC-4J5830	2-1/2
CTC-5F3498	2-3/4
CTC-2J1408	3
CTC-2K1516	3
CTC-4J6897	3-1/4
CTC-1J2148	3-1/2
CTC-8M3912	3-1/2
CTC-2K0050	4
CTC-2K1335	4-1/2
CTC-3J7768	7-1/4

RECTANGULAR ROD SEALS

Part Number	Rod Dia.	Desc.
CTC-8C9139	2-1/2	Seal
CTC-8C9140	2-1/2	Back-up Ring
CTC-5J1731	7	Seal
CTC-5J5150	7	Back-up Ring
CTC-8T3539	7	Seal
CTC-8T3540	7	Back-up Ring
CTC-6J7693	9	Seal
CTC-8T3541	9	Seal
CTC-8T3542	9	Back-up Ring
CTC-9J4753	9	Back-up Ring

REPLACEMENT PARTS FOR CATERPILLAR® EQUIPMENT

NOTE: Caterpillar® part numbers are used as a reference only. We do not imply that these kits are original REPLACEMENT PARTS.

CUSHION SEALS

Part Number
CTC-0103834
CTC-0855864
CTC-0861089
CTC-0875389
CTC-0998282
CTC-1052581
CTC-1057265
CTC-1076260
CTC-1076266
CTC-1261870
CTC-1261876
CTC-1261879
CTC-1261935
CTC-1913128
CTC-1915706
CTC-2003620
CTC-2144501
CTC-2316805
CTC-2316843
CTC-2478791
CTC-2725637
CTC-2897921
CTC-6I6784
CTC-6I6785
CTC-6I6786
CTC-6I6787
CTC-6I6790
CTC-6I6791
CTC-6I6921
CTC-7I1352

DYR STYLE BUFFER RINGS

Part Number	Rod Dia.
CTC-1506744	2-1/8
CTC-1672186	1-1/2
CTC-1672191	1-3/4
CTC-1672192	1-7/8
CTC-1672197	2-1/8
CTC-1672198	2-1/8
CTC-1672200	2-1/4
CTC-1672201	2-1/2
CTC-1672202	2-3/8
CTC-1672204	2-1/2
CTC-1672208	3
CTC-1672209	3-1/4
CTC-1672214	3-3/4
CTC-1672725	5-1/2

1 PIECE BUFFER RINGS

Part Number	Rod Dia.
CTC-5P4673	7/8
CTC-9J3497	1-1/4
CTC-6J9733	1-1/2
CTC-6J9178	1-3/4
CTC-4T6778	1-7/8
CTC-9X3566	1-7/8
CTC-6J6917	2
CTC-4T6127	2-1/8
CTC-4T6127N	2-1/8
CTC-9X3568	2-1/8
CTC-5J3616	2-1/4
CTC-6J6916	2-3/8
CTC-5J3620	2-1/2
CTC-1U4020	2-5/8
CTC-9T9363	2-5/8
CTC-6J6553	2-3/4
CTC-6J6915	3
CTC-6J7167	3-1/4
CTC-6J6736	3-1/2

1 PIECE BUFFER RINGS

Part Number	Rod Dia.
CTC-8J6070	3-3/4
CTC-8J4627	4
CTC-7J8943	4-1/4
CTC-3G5055	4-3/8
CTC-7J9257	4-3/4
CTC-8J4509	5
CTC-9J5468	5-3/4
CTC-6J8631	6-1/2
CTC-9J2495	7
CTC-A04600811	65 mm
CTC-7Y4630	95 mm

2 PIECE BUFFER RINGS

Part Number	Rod Dia.
CTC-8C9122	1-1/2
CTC-1672190	1-3/4
CTC-8C9123	1-3/4
CTC-1672195	2
CTC-8C9124	2
CTC-8C9125	2-1/4
CTC-8C9138	2-3/8
CTC-8C3839	2-1/2
CTC-1672207	2-3/4
CTC-8C3841	2-3/4
CTC-8C9126	3
CTC-8C9121	3-1/4
CTC-1672211	3-1/2
CTC-8C9127	3-1/2
CTC-8C9128	3-3/4
CTC-1672216	4
CTC-8C9129	4
CTC-6E0425	4-1/4
CTC-1672220	4-1/2
CTC-3G8507	4-1/2
CTC-9X7261	4-3/4
CTC-9X3581	5

REPLACEMENT PARTS FOR CATERPILLAR® EQUIPMENT

NOTE: Caterpillar® part numbers are used as a reference only. We do not imply that these kits are original REPLACEMENT PARTS.

2 PIECE BUFFER RINGS

Part Number	Rod Dia.
CTC-9X7267	5-1/4
CTC-9X3575	5-3/4
CTC-8C9130	7
CTC-2774162	45 mm
CTC-2774131	50 mm
CTC-2773384	55 mm
CTC-0931481	60 mm
CTC-0931482	65 mm
CTC-1262149	65 mm
CTC-A04601014	65 mm
CTC-0931483	70 mm
CTC-1262150	70 mm
CTC-1709841	70 mm
CTC-A04601015	70 mm
CTC-0963469	75 mm
CTC-1262151	75 mm
CTC-A04601016	75 mm
CTC-0931484	80 mm
CTC-1262152	80 mm
CTC-1709843	80 mm
CTC-A04601017	80 mm
CTC-7Y5118	85 mm
CTC-1231943	85 mm
CTC-1540732	85 mm
CTC-1709844	85 mm
CTC-2043622	85 mm
CTC-2742494	85 mm
CTC-0961585	90 mm
CTC-1540752	90 mm
CTC-1672212	90 mm
CTC-1709845	90 mm
CTC-2043624	90 mm
CTC-2742495	90 mm
CTC-1672213	95 mm
CTC-1709846	95 mm
CTC-2095957	95 mm
CTC-2590652	95 mm
CTC-0962663	100 mm
CTC-1231983	100 mm

2 PIECE BUFFER RINGS

Part Number	Rod Dia.
CTC-1540739	100 mm
CTC-1672215	100 mm
CTC-1709847	100 mm
CTC-2043623	100 mm
CTC-2742496	100 mm
CTC-1231942	105 mm
CTC-1540770	105 mm
CTC-1672217	105 mm
CTC-2096009	105 mm
CTC-2667956	105 mm
CTC-1289266	110 mm
CTC-2667957	110 mm
CTC-7Y4943	110 mm
CTC-A04601018	110 mm
CTC-1915645	115 mm
CTC-2590773	115 mm
CTC-1704827	125 mm
CTC-0965169	130 mm
CTC-1709850	130 mm
CTC-2667958	130 mm
CTC-1672226	140 mm
CTC-1709851	140 mm
CTC-8C9189	140 mm
CTC-1672229	150 mm
CTC-1709853	150 mm
CTC-8C9193	150 mm

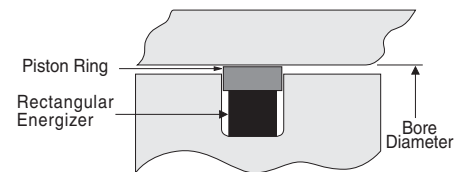
3 PIECE BUFFER RINGS

Part Number	Rod Dia.
CTC-2332616	50 mm
CTC-2332615	55 mm
CTC-1505840	80 mm
CTC-4I3611	85 mm
CTC-1052576	90 mm
CTC-1076257	100 mm
CTC-4I3626	100 mm
CTC-1140704	105 mm

RETAINER RINGS

Part Number
CTC-0950930
CTC-1H8397
CTC-2D0830
CTC-8H8024
CTC-9H5604
CTC-9H7668

2 PIECE PISTON SEALS



Part Number	Bore Dia.
CTC-5J7004A	2
CTC-1U3998A	2-1/4
CTC-8J6213A	2-1/2
CTC-5J7010A	2-3/4
CTC-6J1972A	3
CTC-6J0793A	3-1/4
CTC-5J7013A	3-1/2
CTC-2443839	3-1/4
CTC-5J8011A	3-3/4
CTC-5J5402A	4
CTC-5J7854A	4-1/4
CTC-5J4986A	4-1/2
CTC-5J4987A	4-3/4
CTC-5J5020A	5
CTC-5J7234A	5-1/4
CTC-5J4988A	5-1/2
CTC-9J4981A	5-3/4
CTC-5J4989A	6
CTC-5J4990A	6-1/4
CTC-5J4991A	6-1/2
CTC-5J4997A	7
CTC-5J4993A	7-1/4
CTC-9J7117A	7-1/2
CTC-5J7016A	7-3/4

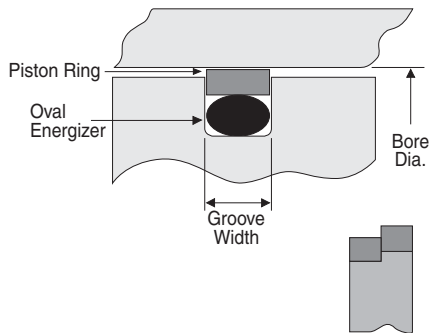
REPLACEMENT PARTS FOR CATERPILLAR® EQUIPMENT

NOTE: Caterpillar® part numbers are used as a reference only. We do not imply that these kits are original REPLACEMENT PARTS.

2 PIECE PISTON SEALS

Part Number	Bore Dia.
CTC-5J5559A	8-1/4
CTC-6J9385A	8-1/2
CTC-5J7019A	9-1/4
CTC-1980659	60 mm
CTC-1617145	70 mm
CTC-1200890	75 mm
CTC-1617149	85 mm
CTC-2332584	85 mm

2 PIECE STEP-CUT PISTON SEALS



Part Number	Bore Dia.	Groove Width
CTC-1665295	2-3/4	0.19
CTC-4T8054	3-1/2	0.19
CTC-8C9160	4	0.25
CTC-9X7269	4-1/2	0.25
CTC-9X7264	5	0.38
CTC-1546744	5-3/8	
CTC-8T0763	5-1/4	0.38
CTC-6E0465	5-1/2	0.38
CTC-4T5173	5-1/2	0.63
CTC-4T4144	6	0.63
CTC-4T8695	6-1/2	0.63
CTC-8T1789	7	0.63
CTC-8T1792	7-3/4	0.63
CTC-9T0119	8-1/2	0.63
CTC-8T1793	8-1/4	0.63
CTC-8T1794	10	0.69
CTC-8T1795	10-1/4	.069
CTC-8T1796	10-1/2	0.69

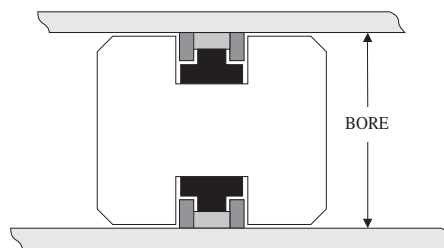
2 PIECE STEP-CUT PISTON SEALS

Part Number	Bore Dia.	Groove Width
CTC-8T1797	11-1/2	0.69
CTC-1846970	75 mm	
CTC-1841687	85 mm	
CTC-2332585	100 mm	
CTC-9X7298	100 mm	7.24 mm
CTC-9X7301	110 mm	7.24 mm
CTC-9X3589	115 mm	7.24 mm
CTC-9X3592	120 mm	7.24 mm
CTC-9X3595	130 mm	7.24 mm
CTC-2371934	135 mm	7.24 mm
CTC-9X3598	140 mm	9.63 mm
CTC-9X3601	150 mm	9.63 mm
CTC-9X3604	160 mm	9.63 mm
CTC-9X3607	170 mm	9.63 mm
CTC-9X3610	180 mm	9.63 mm

5 PIECE PISTON SEALS

Part Number	Bore Dia.
CTC-0931488	90 mm
CTC-A04601216	120 mm
CTC-8Q5983	140 mm
CTC-1843474	150 mm

CAPPED PISTON T-SEALS



Part Number	Bore Dia.
CTC-8J3747	4-1/2
CTC-9J7868	5
CTC-8J8767	5-1/2
CTC-9J1242	6

CAPPED PISTON T-SEALS

Part Number	Bore Dia.
CTC-9J5558	6-1/4
CTC-8J8703	6-1/2
CTC-8J3749	7
CTC-8J4510	7-1/4
CTC-9J5567	7-1/2
CTC-8J5644	7-3/4
CTC-8J4390	8-1/4
CTC-3G4762	8-1/2
CTC-9J3406	10
CTC-3G4765	10-1/2
CTC-9J2987	11-1/2
CTC-2508729	75 mm
CTC-0996998	80 mm
CTC-2639886	85 mm
CTC-0996973	90 mm
CTC-2773389	95 mm
CTC-5I5928	100 mm
CTC-0996922	110 mm
CTC-A04601713	110 mm
CTC-A04601719	160 mm

NON CATERPILLAR PISTON SEALS

Part Number	Bore Dia.
CTC-3E4244	1
CTC-3E4245	1-1/8
CTC-3E4246	1-1/4
CTC-3E4247	1-1/2
CTC-3E4248	1-5/8
CTC-3E4249	1-3/4
CTC-3E4250	2
CTC-3E4251	2-1/4
CTC-3E4252	2-1/2
CTC-3E4253	2-3/4
CTC-3E4254	3
CTC-3E4255	3-1/4
CTC-3E4256	3-1/2

REPLACEMENT PARTS FOR CATERPILLAR® EQUIPMENT

NOTE: Caterpillar® part numbers are used as a reference only. We do not imply that these kits are original REPLACEMENT PARTS.

OVERSIZED HEAD SEALS

Part Number	Bore Dia.
CTC-8T8373	4-3/4
CTC-8T8374	5
CTC-8T8376	5-1/2
CTC-8T8377	6
CTC-8T8379	6-1/2
CTC-8T8380	7
CTC-8T8381	7-1/4
CTC-8C4892	7-3/4
CTC-8T8382	8-1/4
CTC-8C4893	8-1/2

WEAR RINGS

Part Number	O.D. X Width
CTC-5J9073	1-1/2 X 0.485
CTC-8C9120	1-5/8 X 13/16
CTC-4T6780	1-5/8 X .98
CTC-8T5443	1-5/8 X 1-1/4
CTC-4T6907	1-7/8 X .98
CTC-8T6441	2 X 1/4
CTC-5J7942	2 X 1/2
CTC-8T6442	2 X .72
CTC-4T6779	2 X .98
CTC-4T5613	2-1/8 X 1
CTC-8T7030	2-1/8 X 1-1/4
CTC-8T6682	2-1/4 X .36
CTC-8T6681	2-1/4 X .72
CTC-7H2423	2-1/4 X 7/8
CTC-4T6128	2-1/4 X .98
CTC-8T4958	2-3/8 X 1
CTC-8T8204	2-3/8 X 1-3/16
CTC-8J6212	2-1/2 X 3/4
CTC-9X7260	2-1/2 X 1.246
CTC-009004097	2.51 X 3.11
CTC-8T0785	2-5/8 X .98
CTC-8T5668	2-5/8 X 1-1/4
CTC-8T8394	2-5/8 X 1-11/16
CTC-8T8365	2.7 X 2.28
CTC-8J0112	2-3/4 X 15/16
CTC-8T7372	2-3/4 X .97

WEAR RINGS

Part Number	O.D. X Width
CTC-8C9200	2-7/8 X 1
CTC-8C9114	2-7/8 X 1
CTC-6C2385	2-7/8 X 1-1/4
CTC-8T7849	2-7/8 X 1.57
CTC-8T7020	2-7/8 X 1-13/16
CTC-8T6743	2.95 X 1.96
CTC-2233353	3 X 3/4
CTC-6J5733	3 X .99
CTC-8T6443	3 X 1
CTC-4T7283	3 X 1.24
CTC-8C9161	3-1/8 X .97
CTC-9T0094	3-1/8 X 1.24
CTC-8T1714	3-1/8 X 1-9/16
CTC-8T7584	3-1/8 X 1-5/8
CTC-8C9153	3.20 X 1.17
CTC-8J2577	3-1/4 X 3/4
CTC-8J6371	3-1/4 X 1.11
CTC-8T6683	3-1/4 X 1-1/8
CTC-8T0777	3-3/8 X 1.74
CTC-2233502	3-3/8 X 3/4
CTC-8T4813	3.45 X 1-5/8
CTC-8T6745	3.45 X 1.96
CTC-8T6744	3.45 X 2.74
CTC-2233356	3-1/2 X 3/4
CTC-7J6916	3-1/2 X 5/8
CTC-6H5496	3-1/2 X 7/8
CTC-5J3326	3-1/2 X 1-1/8
CTC-7J9885	3-1/2 X 1-1/8
CTC-4J3236	3-1/2 X 1-1/2
CTC-8C5245	3-5/8 X 1.05
CTC-8T3329	3-5/8 X 1.88
CTC-8C3829	3.7 X 1.76
CTC-1324907	3.7 X 1.88
CTC-8T6746	3.7 X 2.36
CTC-2233357	3-3/4 X 3/4
CTC-8J6245	3-3/4 X 1
CTC-5J8019	3-3/4 X 1.24
CTC-6J3075	3-3/4 X 1.99
CTC-8T7848	3-7/8 X 1.57
CTC-8T3330	3.95 X 2-7/16
CTC-5J7154	4 X 5/8
CTC-8H0214	4 X 7/8
CTC-6J2797	4 X .99

WEAR RINGS

Part Number	O.D. X Width
CTC-6U3246	4 X 1
CTC-1M1571	4 x 1-1/4
CTC-3G4723	4-1/8 X .42
CTC-8T7538	4.2 X 1.56
CTC-8T6747	4.2 X 2.55
CTC-2259524	4-1/4 X 3/4
CTC-1194760	4-1/4 X 1
CTC-6J7264	4-1/4 X 1
CTC-6J4003	4-1/4 X 1-1/4
CTC-5J8157	4-1/4 X 1.49
CTC-4T4753	4-1/4 X 1.88
CTC-7J3300	4.258 X 2.49
CTC-8T6748	4.45 X 2-3/8
CTC-2264162	4-1/2 X 3/4
CTC-2233360	4-3/4 X 3/4
CTC-5U3531	4-1/2 X 3/4
CTC-6H6270	4-1/2 X 7/8
CTC-4J4605	4-1/2 X 15/16
CTC-1460744	4-1/2 X 1
CTC-4J3745	4-1/2 X 1
CTC-6U4154	4-1/2 X 1
CTC-4J2630	4-1/2 X 1-1/2
CTC-4J2620	4-1/2 X 1-1/2
CTC-6J4175	4-1/2 X 1.86
CTC-4T8758	4-1/2 X 1.86
CTC-0901301	4-1/2 X 2.362
CTC-4T9248	4-3/4 X 1-1/4
CTC-4J3342	4-3/4 X 1-1/4
CTC-5J3326	4-3/4 X 1-1/4
CTC-1317184	4-3/4 X 1.64
CTC-3J7663	4-3/4 X 1.99
CTC-9J9792	4-3/4 X 3-1/2
CTC-4T6929	4-3/4 X 3-1/2
CTC-8T7850	4.950 X 1.96
CTC-2263860	5 X 3/4
CTC-7J1627	5 X 0.85
CTC-4J4630	5 X 1-1/8
CTC-8M4226	5 X 1.24
CTC-4J3420	5 X 1.55
CTC-4T4752	5 X 1-3/4
CTC-8T3331	5.2 X 2-1/2
CTC-7J8878	5-1/4 X 3/16
CTC-9J7978	5-1/4 X 3/4

REPLACEMENT PARTS FOR CATERPILLAR® EQUIPMENT

NOTE: Caterpillar® part numbers are used as a reference only. We do not imply that these kits are original REPLACEMENT PARTS.

WEAR RINGS

Part Number	O.D. X Width
CTC-2D0714	5-1/4 X 1.02
CTC-4J3887	5-1/4 X 1.307
CTC-9J7978	5-1/4 X 1.49
CTC-9J3054	5-1/4 X 3.61
CTC-4T5718	5.45 X 2.49
CTC-1546747	5-3/8 X 1
CTC-5U4278	5-1/2 X 3/4
CTC-4J4606	5-1/2 X 1-1/4
CTC-3J9026	5-1/2 X 1-3/8
CTC-7J3303	5-1/2 X 1.61
CTC-9J7191	5-1/2 X 1.74
CTC-1898686	5-1/2 X 1-3/4
CTC-7J1731	5-1/2 X 1-3/4
CTC-4J3518	5-1/2 X 1.99
CTC-8C9112	5-1/2 X 1.99
CTC-8J1690	5-1/2 X 2.24
CTC-1724019	5-3/4 X 1.61
CTC-9J4164	5-3/4 X 1.62
CTC-6J3074	5-3/4 X 1.99
CTC-8J9917	5-3/4 X 2.36
CTC-8T7851	5.95 X 1.96
CTC-8T3332	5.95 X 3.61
CTC-7J8877	6 X 3/16
CTC-3G6537	6 X 1.07
CTC-5J0014	6 X 1-1/4
CTC-1J0708	6 X 1-5/16
CTC-9J5860	6 X 1-1/2
CTC-7J5326	6 X 1-3/4
CTC-4T6930	6 X 2.74
CTC-8J1746	6 X 2.74
CTC-8J1764	6 X 2.74
CTC-8J1714	6 X 2.86
CTC-5J3326	6-1/4 X 1.49
CTC-9J5550	6-1/4 X 1-3/4
CTC-4T9319	6-1/4 X 2.74
CTC-5J0058	6-1/2 X 1-1/4
CTC-7J8880	6-1/2 X 1/4
CTC-4J7532	6-1/2 X 1
CTC-3J9027	6-1/2 X 1.37
CTC-9T0096	6-1/2 X 1-1/2
CTC-3J9703	6-1/2 X 1-1/2
CTC-9J9806	6-1/2 X 1.74
CTC-7J1938	6-1/2 X 2

WEAR RINGS

Part Number	O.D. X Width
CTC-9J3055	6-1/2 X 2.74
CTC-7J9232	6-1/2 X 2.86
CTC-9J0811	6-1/2 X 3.485
CTC-7J8881	6-1/2 X 3.49
CTC-1915604	6-3/4 X 0.99
CTC-7J3302	6-7/8 X 2
CTC-8M4228	7 X 1.485
CTC-3G5098	7 X 1.74
CTC-9J0711	7 X 1.99
CTC-3G3470	7 X 2.365
CTC-8J1662	7 X 3-1/8
CTC-8T6749	7.2 X 3.14
CTC-1J2674	7-1/4 X 1-3/8
CTC-3J7848	7-1/4 X 2
CTC-1U1734	7-1/4 X 3-1/16
CTC-8T7693	7-1/4 X 7.1
CTC-4J7663	7-1/4 X 7.10
CTC-8T1127	7-3/8 X 1.61
CTC-1U2218	7-1/2 X 1-1/2
CTC-8J9936	7-1/2 X 2.36
CTC-9J5562	7-1/2 X 2-1/2
CTC-4T4811	7-1/2 X 2.95
CTC-7J8886	7-3/4 X 1/4
CTC-5J5037	7-3/4 X 1.61
CTC-9J5037	7-3/4 X 1.61
CTC-9J3624	7-3/4 X 1.99
CTC-7J9247	7-3/4 X 3-1/2
CTC-4T6932	7-3/4 X 4.49
CTC-3G4625	7-3/4 X 4.49
CTC-4J9047	8 X 5
CTC-8T7695	8 X 5
CTC-7J8887	8-1/4 X 1/4
CTC-1476584	8-1/2 X 1.17
CTC-2J0745	8-1/4 X 1-1/4
CTC-4J7376	8-1/4 X 1-1/2
CTC-3J8683	8-1/4 X 1-3/4
CTC-3G9882	8-1/4 X 1.99
CTC-8J8375	8-1/4 X 2-1/8
CTC-3J7632	8-1/4 X 2-1/4
CTC-7J3301	8-1/4 X 2.49
CTC-8J8826	8-1/4 X 2.74
CTC-9J8102	8-1/4 X 2.74
CTC-8T7694	8-1/2 X 3

WEAR RINGS

Part Number	O.D. X Width
CTC-4T9320	8-1/4 X 3-1/2
CTC-9J3056	8-1/4 X 4.11
CTC-7J8064	8-1/2 X 2.36
CTC-9M1604	8-1/2 X 3
CTC-1J5281	9-1/4 X 1-3/4
CTC-4T5949	9-1/4 X 1.96
CTC-7J2087	9-1/4 X 2-1/4
CTC-8C3846	9-3/8 X 9
CTC-4T6097	9-1/2 X 1.93
CTC-1214175	10 X 1.9
CTC-1178865	10 X 1-1/2
CTC-8C3843	10 X 2.74
CTC-9J3369	10 X 3-1/4
CTC-7J8890	10-1/4 X 0.243
CTC-9J1159	10 1/2 X 2.74
CTC-8J8900	10-1/2 X 3-3/4
CTC-8J5980	10-1/2 X 4
CTC-8T6637	10-3/4 X 6-1/2
CTC-6E0249	11 X 1.923
CTC-9J2991	11-1/2 X 3-7/8
CTC-4T6096	12-1/4 X 4
CTC-1U2694	12-1/2 X 4
CTC-1530119	12-3/4 X 4
CTC-8T1130	12-7/8 X 2.86
CTC-4T4827	12-7/8 X 12.18
CTC-1U4627	13-1/8 X 7.85
CTC-6E0247	13-3/4 X 4
CTC-4T4129	14-1/4 X 3.99
CTC-4T4825	15-1/8 X 7.71
CTC-9X3564	16-1/8 X 7.69
CTC-1410709	53 X 24.5 mm
CTC-0908007	55 X 7.9 mm
CTC-1980663	60 X 18 mm
CTC-1890589	63 X 20 mm
CTC-2377904	65 X 6 mm
CTC-1057252	71.3 X 5.9 mm
CTC-2377088	70 X 6 mm
CTC-2508733	75 X 10 mm
CTC-1438918	75 X 29.8 mm
CTC-2376136	80 X 6 mm
CTC-1931393	80 X 10 mm
CTC-1052630	81.3 X 5.9 mm
CTC-2781986	85 X 6 mm

REPLACEMENT PARTS FOR CATERPILLAR® EQUIPMENT

NOTE: Caterpillar® part numbers are used as a reference only. We do not imply that these kits are original REPLACEMENT PARTS.

WEAR RINGS

Part Number	O.D. X Width
CTC-2639887	85 X 12.5 mm
CTC-1512565	85 X 15 mm
CTC-1931367	90 X 10 mm
CTC-1057388	91.3 X 5.9 mm
CTC-2773390	95 X 12.5 mm
CTC-0931628	100 X 5.9 mm
CTC-1438033	100 X 5.9 mm
CTC-1438025	100 X 6 mm
CTC-1931769	100 X 10 mm
CTC-2332589	100 X 12.5 mm
CTC-1438024	100 X 22.4 mm
CTC-2332588	100 X 25 mm
CTC-0931605	100 X 30 mm
CTC-1195456	100 X 30 mm
CTC-1079306	105 X 15 mm
CTC-0931629	110 X 5.9 mm
CTC-1438031	110 X 5.9 mm
CTC-1438034	110 X 5.9 mm
CTC-1600033	110 X 5.9 mm
CTC-1505845	110 X 7.9 mm
CTC-0931603	110 X 30 mm
CTC-A04901911	110 X 30 mm
CTC-1438027	120 X 5.9 mm
CTC-1438035	120 X 5.9 mm
CTC-1261936	120 X 7.9 mm
CTC-1663003	120 X 7.9 mm
CTC-2478865	120 X 7.9 mm
CTC-0860255	120 X 8 mm
CTC-1589063	120 X 15.5 mm
CTC-1475837	120 X 27.35 mm
CTC-1184130	120 X 35 mm
CTC-0961565	125 X 8 mm
CTC-1261871	130 X 7.9 mm
CTC-1505884	130 X 7.9 mm
CTC-2479006	130 X 7.9 mm
CTC-419392	130 X 7.9 mm
CTC-0861346	130 X 8 mm
CTC-7Y4632	130 X 8 mm
CTC-1704829	130 X 15 mm
CTC-1799771	130 X 18.1 mm
CTC-1184019	130 X 40 mm
CTC-7Y4636	130 X 40 mm
CTC-2344485	135 X 7.75 mm

WEAR RINGS

Part Number	O.D. X Width
CTC-2344585	135 X 7.9 mm
CTC-2344586	135 X 8 mm
CTC-2344483	135 X 18.1 mm
CTC-0961571	140 X 8 mm
CTC-0961800	140 X 8 mm
CTC-1076264	140 X 8 mm
CTC-1076263	140 X 9.5 mm
CTC-1261877	140 X 9.5 mm
CTC-2478874	140 X 9.5 mm
CTC-1589065	140 X 20.35 mm
CTC-1183995	140 X 45 mm
CTC-1884218	150 X 7.8 mm
CTC-0961581	150 X 7.9 mm
CTC-1140713	150 X 8 mm
CTC-1948357	150 X 9.5 mm
CTC-2344574	150 X 9.5 mm
CTC-1873464	150 X 20 mm
CTC-1163589	150 X 45 mm
CTC-0963201	160 X 8.9 mm
CTC-1850231	160 X 8.9 mm
CTC-1850230	160 X 20.5 mm
CTC-1183944	160 X 45 mm
CTC-1915605	170 X 9.2 mm
CTC-1057262	170 X 50 mm
CTC-0965167	180 X 8.9 mm
CTC-1475787	180 X 8.9 mm
CTC-1438138	180 X 28 mm
CTC-1052653	180 X 55 mm
CTC-1261976	190 X 8.9 mm
CTC-2042846	190 X 9.2 mm
CTC-2042845	190 X 28.5 mm
CTC-1261974	190 X 55 mm
CTC-1475776	200 X 9 mm
CTC-9X3570	200 X 59.8 mm
CTC-1704828	220 X 15 mm
CTC-6E0496	220 X 59.8 mm

SILICONE O-RINGS

Part Number	Min. Pkgs.
CTC-1M6036	2
CTC-1S0004	5
CTC-1S2174	5
CTC-1S7462	6
CTC-1S9799	6
CTC-2M2561	3
CTC-2P3538	5
CTC-2S2251	5
CTC-5H7153	4
CTC-5H8853	20
CTC-5M3038	5
CTC-5P4932	11
CTC-5P6436	11
CTC-5P6620	20
CTC-6F0249	4
CTC-6L1648	4
CTC-6L1649	3
CTC-6L1650	3
CTC-6L1651	3
CTC-6L9284	3
CTC-7X4800	20
CTC-8M1112	6
CTC-8M4389	5
CTC-8M4390	3
CTC-8M4395	3
CTC-8M4431	4
CTC-8M4432	5
CTC-8M4435	5
CTC-8M4436	3
CTC-8M4437	10
CTC-8M4438	5
CTC-8M4443	3
CTC-8M4445	5
CTC-8M4446	5
CTC-8M4447	6
CTC-8M4448	5
CTC-8M4986	10
CTC-8M4987	10
CTC-8M4988	5
CTC-8M4989	2
CTC-8M4990	3

REPLACEMENT PARTS FOR CATERPILLAR® EQUIPMENT

NOTE: Caterpillar® part numbers are used as a reference only. We do not imply that these kits are original REPLACEMENT PARTS.

SILICONE O-RINGS

Part Number	Min. Pkgs.
CTC-8M4991	3
CTC-8M4992	3
CTC-8M5010	3
CTC-8M5127	12
CTC-8M5248	5
CTC-8M5249	5
CTC-8M5251	12
CTC-8M5252	3
CTC-8M5253	8
CTC-8M5254	5
CTC-8M5260	8
CTC-8M5661	3
CTC-8M8157	5
CTC-8M8281	5
CTC-8M8282	6
CTC-8M8283	3
CTC-8M8515	5
CTC-9H6067	5
CTC-9M4218	2
CTC-9M4849	5
CTC-9M7002	3
CTC-9M7539	3
CTC-9M9647	3

DUST SEALS

Part Number	Rod Dia.
CTC-1920638	40 mm
CTC-2725645	50 mm
CTC-2725665	45 mm
CTC-2773392	50 mm
CTC-2774134	45 mm

SHIMS

Part Number
CTC-0964441
CTC-0965741
CTC-1076265

O-RINGS

Part Number	Min. Pkgs.
CTC-0032770	1
CTC-0038137	50
CTC-0041963	20
CTC-0041964	20
CTC-0058592	50
CTC-0058593	20
CTC-0068350	1
CTC-0068352	10
CTC-0082103	50
CTC-0092061	3
CTC-0304605	50
CTC-0304606	10
CTC-0314392	5
CTC-0329714	20
CTC-0329882	20
CTC-0335853	10
CTC-0336027	10
CTC-0336031	2
CTC-0336032	15
CTC-0336033	20
CTC-0336034	10
CTC-0336038	3
CTC-0336039	15
CTC-0336041	10
CTC-0336042	10
CTC-0336044	15
CTC-0350273	2
CTC-0617538	30
CTC-0617539	5
CTC-0617540	3
CTC-0618341	3
CTC-0618561	2
CTC-0618639	15
CTC-0619455	3
CTC-0619456	2
CTC-0619457	2
CTC-0619458	5
CTC-0619729	1
CTC-0689002	5
CTC-0773241	50

O-RINGS

Part Number	Min. Pkgs.
CTC-0775843	20
CTC-0857537	50
CTC-0857538	50
CTC-0857539	50
CTC-0857540	20
CTC-0858219	1
CTC-0922304	25
CTC-0951508	100
CTC-0951509	100
CTC-0951510	100
CTC-0951511	100
CTC-0951512	100
CTC-0951513	100
CTC-0951514	100
CTC-0951515	100
CTC-0951516	100
CTC-0951517	100
CTC-0951518	100
CTC-0951519	100
CTC-0951521	100
CTC-0951522	100
CTC-0951524	100
CTC-0951525	25
CTC-0951526	25
CTC-0951527	25
CTC-0951528	25
CTC-0951530	20
CTC-0951531	20
CTC-0951532	20
CTC-0951533	20
CTC-0951534	20
CTC-0951536	20
CTC-0951537	20
CTC-0951538	20
CTC-0951539	20
CTC-0951540	20
CTC-0951541	20
CTC-0951543	10
CTC-0951544	10
CTC-0951545	10

REPLACEMENT PARTS FOR CATERPILLAR® EQUIPMENT

NOTE: Caterpillar® part numbers are used as a reference only. We do not imply that these kits are original REPLACEMENT PARTS.

O-RINGS

Part Number	Min. Pkgs.
CTC-0951546	5
CTC-0951547	10
CTC-0951549	2
CTC-0951550	2
CTC-0951551	2
CTC-0951552	2
CTC-0951553	2
CTC-0951554	2
CTC-0951555	2
CTC-0951556	2
CTC-0951557	2
CTC-0951558	2
CTC-0951559	2
CTC-0951560	2
CTC-0951561	2
CTC-0951562	2
CTC-0951563	2
CTC-0951564	2
CTC-0951565	1
CTC-0951566	1
CTC-0951567	1
CTC-0951568	1
CTC-0951569	1
CTC-0951571	100
CTC-0951572	100
CTC-0951573	100
CTC-0951574	50
CTC-0951575	50
CTC-0951576	50
CTC-0951577	25
CTC-0951578	50
CTC-0951579	25
CTC-0951580	25
CTC-0951581	20
CTC-0951583	20
CTC-0951584	20
CTC-0951585	20
CTC-0951587	20
CTC-0951589	20
CTC-0951590	20

O-RINGS

Part Number	Min. Pkgs.
CTC-0951591	20
CTC-0951592	20
CTC-0951593	20
CTC-0951594	10
CTC-0951595	10
CTC-0951597	10
CTC-0951598	10
CTC-0951599	10
CTC-0951600	10
CTC-0951601	10
CTC-0951602	10
CTC-0951603	10
CTC-0951604	10
CTC-0951605	10
CTC-0951606	10
CTC-0951608	5
CTC-0951609	5
CTC-0951610	5
CTC-0951611	5
CTC-0951612	5
CTC-0951613	5
CTC-0951615	5
CTC-0951616	5
CTC-0951617	5
CTC-0951618	2
CTC-0951621	2
CTC-0951623	2
CTC-0951624	2
CTC-0951625	2
CTC-0951626	2
CTC-0951627	2
CTC-0951628	2
CTC-0951629	2
CTC-0951630	2
CTC-0951631	2
CTC-0951632	2
CTC-0951633	2
CTC-0951634	2
CTC-0951635	2
CTC-0951636	1

O-RINGS

Part Number	Min. Pkgs.
CTC-0951637	1
CTC-0951639	1
CTC-0951640	1
CTC-0951641	1
CTC-0951642	1
CTC-0951657	25
CTC-0951658	20
CTC-0951659	20
CTC-0951662	10
CTC-0951663	10
CTC-0951671	5
CTC-0951673	5
CTC-0951674	5
CTC-0951675	5
CTC-0951676	5
CTC-0951678	5
CTC-0951679	2
CTC-0951680	2
CTC-0951681	2
CTC-0951682	2
CTC-0951683	2
CTC-0951684	2
CTC-0951685	2
CTC-0951686	2
CTC-0951687	2
CTC-0951688	2
CTC-0951689	2
CTC-0951690	2
CTC-0951691	2
CTC-0951692	1
CTC-0951693	1
CTC-0951694	1
CTC-0951695	1
CTC-0951696	25
CTC-0951698	20
CTC-0951700	20
CTC-0951704	10
CTC-0951705	10
CTC-0951706	5
CTC-0951707	5

REPLACEMENT PARTS FOR CATERPILLAR® EQUIPMENT

NOTE: Caterpillar® part numbers are used as a reference only. We do not imply that these kits are original REPLACEMENT PARTS.

O-RINGS		O-RINGS		O-RINGS	
Part Number	Min. Pkgs.	Part Number	Min. Pkgs.	Part Number	Min. Pkgs.
CTC-0951708	5	CTC-0960121	5	CTC-1135304	1
CTC-0951709	5	CTC-0963944	1	CTC-1137820	20
CTC-0951710	5	CTC-0964921	2	CTC-1137822	10
CTC-0951711	5	CTC-0965382	2	CTC-1149275	5
CTC-0951712	5	CTC-0965572	10	CTC-1163682	10
CTC-0951713	5	CTC-0966100	20	CTC-1171266	10
CTC-0951714	5	CTC-0967041	2	CTC-1171495	20
CTC-0951715	5	CTC-0990187	20	CTC-1177273	20
CTC-0951716	5	CTC-0994780	10	CTC-1177282	5
CTC-0951717	5	CTC-0994846	1	CTC-1178801	1
CTC-0951718	5	CTC-0998232	50	CTC-1178803	5
CTC-0951719	5	CTC-1038254	10	CTC-1182720	5
CTC-0951720	5	CTC-1038255	5	CTC-1183122	5
CTC-0951721	2	CTC-1073114	1	CTC-1183125	5
CTC-0951722	2	CTC-1073117	10	CTC-1183128	5
CTC-0951723	2	CTC-1074057	20	CTC-1183131	10
CTC-0951724	2	CTC-1076259	5	CTC-1197843	20
CTC-0951725	2	CTC-1077642	20	CTC-1197844	20
CTC-0951726	2	CTC-1085803	10	CTC-1197845	5
CTC-0951727	1	CTC-1085806	2	CTC-1199443	8
CTC-0951728	1	CTC-1092332	1	CTC-1217687	20
CTC-0951729	1	CTC-1092333	14	CTC-1218094	5
CTC-0951730	1	CTC-1093203	15	CTC-1218112	100
CTC-0951731	1	CTC-1093205	3	CTC-1218117	10
CTC-0951732	1	CTC-1093206	10	CTC-1228352	50
CTC-0951733	1	CTC-1095694	1	CTC-1229251	5
CTC-0951734	1	CTC-1095698	10	CTC-1232341	100
CTC-0951735	1	CTC-1095700	5	CTC-1232342	100
CTC-0951736	1	CTC-1095702	1	CTC-1232343	10
CTC-0951737	1	CTC-1095704	5	CTC-1241858	2
CTC-0951738	1	CTC-1097411	1	CTC-1241859	2
CTC-0951739	1	CTC-1097412	20	CTC-1249346	50
CTC-0951750	50	CTC-1099685	10	CTC-1251372	10
CTC-0951751	50	CTC-1117052	5	CTC-1254194	1
CTC-0951753	20	CTC-1120033	100	CTC-1259701	5
CTC-0958859	2	CTC-1120034	100	CTC-1259794	1
CTC-0960034	25	CTC-1123102	15	CTC-1264002	1
CTC-0960035	1	CTC-1123540	2	CTC-1264003	1
CTC-0960037	1	CTC-1126920	1	CTC-1266514	3
CTC-0960071	2	CTC-1132073	1	CTC-1266515	3

REPLACEMENT PARTS FOR CATERPILLAR® EQUIPMENT

NOTE: Caterpillar® part numbers are used as a reference only. We do not imply that these kits are original REPLACEMENT PARTS.

O-RINGS

Part Number	Min. Pkgs.
CTC-1266516	1
CTC-1300229	1
CTC-1313715	20
CTC-1313716	5
CTC-1313718	2
CTC-1323056	2
CTC-1324240	5
CTC-1334771	50
CTC-1345691	2
CTC-1356950	1
CTC-1357935	5
CTC-1362942	1
CTC-1367227	8
CTC-1374350	1
CTC-1376667	10
CTC-1400226	1
CTC-1400240	1
CTC-1407663	2
CTC-1410749	2
CTC-1411774	5
CTC-1434637	5
CTC-1447338	2
CTC-1490231	10
CTC-1522939	10
CTC-1531157	2
CTC-1534906	10
CTC-1534907	15
CTC-1548741	1
CTC-1565198	1
CTC-1598802	1
CTC-1614102	1
CTC-1616149	50
CTC-1618068	1
CTC-1618069	1
CTC-1629997	1
CTC-1654852	1
CTC-1654854	3
CTC-1658066	5
CTC-1659448	10
CTC-1697442	1

O-RINGS

Part Number	Min. Pkgs.
CTC-1704821	1
CTC-1704823	1
CTC-1704824	1
CTC-1704825	1
CTC-1705715	2
CTC-1705941	1
CTC-1707098	1
CTC-1707106	1
CTC-1738277	5
CTC-1753135	15
CTC-1755077	1
CTC-1757894	20
CTC-1757895	20
CTC-1757896	20
CTC-1757897	20
CTC-1757898	20
CTC-1757900	20
CTC-1757902	10
CTC-1757903	5
CTC-1757904	10
CTC-1757905	10
CTC-1761378	1
CTC-1776911	1
CTC-1799013	10
CTC-1802391	1
CTC-1808424	6
CTC-1808722	50
CTC-1871979	15
CTC-1878567	10
CTC-1882199	1
CTC-1903010	5
CTC-1903011	5
CTC-1931736	1
CTC-1949584	2
CTC-2332597	10
CTC-2332601	10
CTC-2332603	5
CTC-2639891	50
CTC-2667959	2
CTC-2667960	2

O-RINGS

Part Number	Min. Pkgs.
CTC-2667961	2
CTC-2667962	1
CTC-2667966	5
CTC-2667967	5
CTC-2667968	2
CTC-2667969	2
CTC-2668026	5
CTC-2742500	5
CTC-2742501	2
CTC-328970	15
CTC-1H0474	10
CTC-1H1023	50
CTC-1H5728	20
CTC-1H6227	10
CTC-1H7339	20
CTC-1H8128	20
CTC-1H8171	50
CTC-1H8278	5
CTC-1H8720	20
CTC-1H9696	20
CTC-1J2176	5
CTC-1J2859	10
CTC-1J2890	1
CTC-1J9671	50
CTC-1M0556	5
CTC-1M9015	1
CTC-1M1077	50
CTC-1M3548	5
CTC-1R5318	20
CTC-1S7408	10
CTC-1S8947	50
CTC-1T0132	1
CTC-1U3174	1
CTC-2A3676	5
CTC-2D0598	20
CTC-2D1692	1
CTC-2D6533	1
CTC-2D8009	5
CTC-2D8363	1
CTC-2D8364	1

REPLACEMENT PARTS FOR CATERPILLAR® EQUIPMENT

NOTE: Caterpillar® part numbers are used as a reference only. We do not imply that these kits are original REPLACEMENT PARTS.

O-RINGS		O-RINGS		O-RINGS	
Part Number	Min. Pkgs.	Part Number	Min. Pkgs.	Part Number	Min. Pkgs.
CTC-2D9572	1	CTC-3B8453	50	CTC-3J9015	20
CTC-2H2665	20	CTC-3C5546	10	CTC-3K0360	50
CTC-2H3927	20	CTC-3D2824	50	CTC-3K0715	10
CTC-2H3928	10	CTC-3D2898	20	CTC-3K4025	20
CTC-2H3931	20	CTC-3D2992	50	CTC-3P0439	20
CTC-2H3932	50	CTC-3D4245	50	CTC-3P0648	2
CTC-2H3933	20	CTC-3D7805	20	CTC-3P0649	1
CTC-2H3934	20	CTC-3D8241	1	CTC-3P0650	1
CTC-2H3935	10	CTC-3E4296	10	CTC-3P0651	1
CTC-2H4145	20	CTC-3E4297	1	CTC-3P0653	1
CTC-2H6124	5	CTC-3E4298	50	CTC-3P0654	1
CTC-2H6184	20	CTC-3E4299	20	CTC-3P0655	1
CTC-2H6338	20	CTC-3E6703	10	CTC-3P0656	1
CTC-2H6340	1	CTC-3E6730	20	CTC-3P0657	1
CTC-2H9247	10	CTC-3E6732	10	CTC-3P0658	1
CTC-2J8163	10	CTC-3E6735	10	CTC-3P1155	5
CTC-2K2939	5	CTC-3E6747	5	CTC-3S1223	5
CTC-2K4472	5	CTC-3E6749	5	CTC-3S6538	20
CTC-2K8198	50	CTC-3E6751	1	CTC-3S9233	50
CTC-2K8257	5	CTC-3E6760	50	CTC-3T7528	100
CTC-2M0340	1	CTC-3E6761	25	CTC-4D1577	1
CTC-2M1309	1	CTC-3E6766	2	CTC-4D2297	50
CTC-2M3340	1	CTC-3E6771	20	CTC-4D3107	20
CTC-2M4453	50	CTC-3E6773	2	CTC-4D4503	1
CTC-2M9780	50	CTC-3E6785	1	CTC-4D4508	1
CTC-2N3350	3	CTC-3E6788	5	CTC-4D6695	1
CTC-2P1692	5	CTC-3E6790	4	CTC-4F4097	20
CTC-2R0039	10	CTC-3E6799	2	CTC-4F5607	20
CTC-2S4078	20	CTC-3F1547	5	CTC-4F7387	10
CTC-2S8439	5	CTC-3F5792	10	CTC-4F7388	1
CTC-2T2691	20	CTC-3G1209	50	CTC-4F7389	20
CTC-2T2692	15	CTC-3H0442	50	CTC-4F7390	20
CTC-2T2695	5	CTC-3H0107	50	CTC-4F7391	50
CTC-2U5338	100	CTC-3H1461	20	CTC-4F7507	5
CTC-2U5341	5	CTC-3H2652	20	CTC-4F7952	20
CTC-2U5343	5	CTC-3H3385	50	CTC-4F8824	20
CTC-2Y2271	50	CTC-3H4970	50	CTC-4F8946	50
CTC-2Y2272	50	CTC-3J0634	5	CTC-4F9029	50
CTC-2Y2347	50	CTC-3J1907	50	CTC-4F9653	20
CTC-3A9280	10	CTC-3J7354	50	CTC-4H6520	5

REPLACEMENT PARTS FOR CATERPILLAR® EQUIPMENT

NOTE: Caterpillar® part numbers are used as a reference only. We do not imply that these kits are original REPLACEMENT PARTS.

O-RINGS

Part Number	Min. Pkgs.
CTC-4H6730	1
CTC-4H9105	10
CTC-4J0519	20
CTC-4J0520	20
CTC-4J0521	20
CTC-4J0522	20
CTC-4J0523	20
CTC-4J0524	20
CTC-4J0525	20
CTC-4J0526	20
CTC-4J0527	20
CTC-4J0528	20
CTC-4J0537	20
CTC-4J1253	1
CTC-4J4577	50
CTC-4J5140	50
CTC-4J5267	50
CTC-4J5268	50
CTC-4J5351	50
CTC-4J5477	50
CTC-4J5573	20
CTC-4J5733	50
CTC-4J7533	50
CTC-4J8996	50
CTC-4J8997	50
CTC-4J8998	20
CTC-4K1388	20
CTC-4K2039	50
CTC-4K4986	50
CTC-4K6804	1
CTC-4L7711	20
CTC-4L9564	10
CTC-4M0189	10
CTC-4M0661	1
CTC-4M0737	1
CTC-4N1230	1
CTC-4S5879	1
CTC-4S7762	1
CTC-4T4128	1
CTC-5D1071	1

O-RINGS

Part Number	Min. Pkgs.
CTC-5D1597	10
CTC-5D5957	1
CTC-5D5959	1
CTC-5D6428	1
CTC-5D6539	50
CTC-5D6543	20
CTC-5E8767	5
CTC-5E8768	5
CTC-5E8769	3
CTC-5E8770	2
CTC-5E9816	15
CTC-5F0149	10
CTC-5F1678	50
CTC-5F3092	10
CTC-5F3106	10
CTC-5F3144	10
CTC-5F3999	10
CTC-5F6222	1
CTC-5F7054	50
CTC-5F8000	20
CTC-5F9144	50
CTC-5F9657	20
CTC-5H2767	50
CTC-5H2824	5
CTC-5H3252	5
CTC-5H4909	1
CTC-5H5672	10
CTC-5H6005	50
CTC-5H6733	5
CTC-5H6734	10
CTC-5H7370	20
CTC-5H8038	50
CTC-5H8624	10
CTC-5H8848	20
CTC-5H9524	5
CTC-5J2383	1
CTC-5J2974	50
CTC-5J3886	5
CTC-5K0216	20
CTC-5K0227	20

O-RINGS

Part Number	Min. Pkgs.
CTC-5K1787	5
CTC-5K5221	20
CTC-5K5959	20
CTC-5K6526	20
CTC-5K9090	50
CTC-5L2727	20
CTC-5L4758	50
CTC-5L4759	50
CTC-5L5032	5
CTC-5M2057	20
CTC-5M5860	20
CTC-5M6200	1
CTC-5M6509	20
CTC-5M7142	5
CTC-5M7423	20
CTC-5P0840	8
CTC-5P0908	20
CTC-5P1480	2
CTC-5P1979	5
CTC-5P2235	1
CTC-5P2236	1
CTC-5P2545	1
CTC-5P2568	20
CTC-5P2569	10
CTC-5P2931	20
CTC-5P3108	50
CTC-5P3620	5
CTC-5P3863	20
CTC-5P3864	5
CTC-5P3881	20
CTC-5P3944	50
CTC-5P4268	3
CTC-5P4326	5
CTC-5P4342	1
CTC-5P4889	2
CTC-5P4892	2
CTC-5P4933	50
CTC-5P5397	5
CTC-5P5598	7
CTC-5P5600	15

REPLACEMENT PARTS FOR CATERPILLAR® EQUIPMENT

NOTE: Caterpillar® part numbers are used as a reference only. We do not imply that these kits are original REPLACEMENT PARTS.

O-RINGS		O-RINGS		O-RINGS	
Part Number	Min. Pkgs.	Part Number	Min. Pkgs.	Part Number	Min. Pkgs.
CTC-5P5601	10	CTC-6F0671	5	CTC-6V3831	1
CTC-5P5756	3	CTC-6F0711	20	CTC-6V3832	2
CTC-5P5757	2	CTC-6F4718	5	CTC-6V3833	1
CTC-5P5846	1	CTC-6F4855	50	CTC-6V3834	5
CTC-5P5874	50	CTC-6F5559	50	CTC-6V3835	1
CTC-5P6300	50	CTC-6F6673	50	CTC-6V3865	3
CTC-5P6302	10	CTC-6F8146	20	CTC-6V3907	1
CTC-5P6718	5	CTC-6H3977	20	CTC-6V3908	1
CTC-5P7530	10	CTC-6H4162	1	CTC-6V3922	50
CTC-5P7593	1	CTC-6H5672	50	CTC-6V3955	3
CTC-5P7701	4	CTC-6H9691	50	CTC-6V3967	1
CTC-5P7818	1	CTC-6J1038	50	CTC-6V3968	1
CTC-5P8065	5	CTC-6J2245	10	CTC-6V4297	1
CTC-5P8068	2	CTC-6J2419	20	CTC-6V4314	1
CTC-5P8118	4	CTC-6J2680	10	CTC-6V4315	1
CTC-5P8210	3	CTC-6J5541	5	CTC-6V4366	15
CTC-5P8211	3	CTC-6K6307	10	CTC-6V4367	5
CTC-5P8215	20	CTC-6K9149	5	CTC-6V4430	2
CTC-5P8286	1	CTC-6M5062	50	CTC-6V4480	2
CTC-5P8428	1	CTC-6R0365	10	CTC-6V4589	8
CTC-5P8429	1	CTC-6V1934	1	CTC-6V5049	14
CTC-5P8861	1	CTC-6V0357	50	CTC-6V5050	5
CTC-5P8862	1	CTC-6V0894	50	CTC-6V5051	1
CTC-5P8872	1	CTC-6V0895	20	CTC-6V5052	1
CTC-5P8883	3	CTC-6V0913	50	CTC-6V5053	1
CTC-5P8940	1	CTC-6V0973	1	CTC-6V5054	1
CTC-5P9217	1	CTC-6V1175	1	CTC-6V5055	1
CTC-5P9658	10	CTC-6V1195	1	CTC-6V5057	1
CTC-5P9757	15	CTC-6V1196	2	CTC-6V5060	1
CTC-5P9890	2	CTC-6V1197	1	CTC-6V5095	1
CTC-5P9939	20	CTC-6V1320	2	CTC-6V5101	1
CTC-5S0982	5	CTC-6V1902	1	CTC-6V5102	1
CTC-5S3676	1	CTC-6V3251	15	CTC-6V5103	1
CTC-5S6760	1	CTC-6V3319	1	CTC-6V5134	2
CTC-5S9134	1	CTC-6V3348	3	CTC-6V5142	15
CTC-5W9413	10	CTC-6V3349	1	CTC-6V5143	5
CTC-6D7128	12	CTC-6V3551	1	CTC-6V5167	1
CTC-6D7146	2	CTC-6V3684	1	CTC-6V5266	3
CTC-6D7889	2	CTC-6V3685	40	CTC-6V5375	1
CTC-6D9157	5	CTC-6V3830	1	CTC-6V5393	20

REPLACEMENT PARTS FOR CATERPILLAR® EQUIPMENT

NOTE: Caterpillar® part numbers are used as a reference only. We do not imply that these kits are original REPLACEMENT PARTS.

O-RINGS

Part Number	Min. Pkgs.
CTC-6V5553	1
CTC-6V5556	50
CTC-6V5586	50
CTC-6V5656	1
CTC-6V5657	5
CTC-6V5722	50
CTC-6V5758	10
CTC-6V5759	8
CTC-6V5862	1
CTC-6V6228	10
CTC-6V6339	50
CTC-6V6353	1
CTC-6V6580	50
CTC-6V6638	1
CTC-6V6707	10
CTC-6V6756	3
CTC-6V7350	1
CTC-6V7351	1
CTC-6V7610	5
CTC-6V7681	1
CTC-6V7701	1
CTC-6V8001	2
CTC-6V8002	2
CTC-6V8218	50
CTC-6V8260	1
CTC-6V8350	15
CTC-6V3263	1
CTC-6V8397	50
CTC-6V8398	50
CTC-6V8399	50
CTC-6V8400	50
CTC-6V8467	5
CTC-6V8676	3
CTC-6V8958	2
CTC-6V8978	50
CTC-6V9746	50
CTC-7D1195	5
CTC-7D7111	1
CTC-7D9014	5
CTC-7E4846	50

O-RINGS

Part Number	Min. Pkgs.
CTC-7E4847	20
CTC-7F2122	10
CTC-7F8267	20
CTC-7F8268	20
CTC-7H2444	10
CTC-7H9959	5
CTC-7J0204	50
CTC-7J2036	20
CTC-7J6285	10
CTC-7J8956	5
CTC-7J9108	50
CTC-7L4090	10
CTC-7L4774	5
CTC-7L9061	10
CTC-7M8485	20
CTC-7R8872	20
CTC-7S4001	10
CTC-7S8554	1
CTC-7S8561	1
CTC-7U3263	2
CTC-7U7852	1
CTC-7X1547	1
CTC-7X1550	50
CTC-7X4744	10
CTC-7X4745	3
CTC-7X4782	10
CTC-7X4805	10
CTC-7X4810	1
CTC-7X5494	10
CTC-7X8592	5
CTC-7X9372	10
CTC-7Y4277	1
CTC-7Y4294	1
CTC-7Y5219	50
CTC-7Y5269	20
CTC-7Y5280	100
CTC-8B7216	50
CTC-8C0563	20
CTC-8C0624	5
CTC-8C3057	5

O-RINGS

Part Number	Min. Pkgs.
CTC-8C3058	5
CTC-8C3059	2
CTC-8C3077	2
CTC-8C3079	3
CTC-8C3080	20
CTC-8C3081	20
CTC-8C3085	50
CTC-8C3086	50
CTC-8C3087	50
CTC-8C3088	50
CTC-8C3089	2
CTC-8C3093	15
CTC-8C3095	9
CTC-8C3097	20
CTC-8C3098	50
CTC-8C3101	5
CTC-8C3102	5
CTC-8C3103	1
CTC-8C3107	1
CTC-8C3131	20
CTC-8C3828	1
CTC-8C5197	2
CTC-8C5230	1
CTC-8B4967	50
CTC-8F4469	5
CTC-8F4994	50
CTC-8F5900	1
CTC-8F6230	1
CTC-8F6498	1
CTC-8F6711	20
CTC-8F7219	50
CTC-8F8230	1
CTC-8F8733	5
CTC-8F8861	1
CTC-8F8882	20
CTC-8F9206	50
CTC-8F9516	5
CTC-8F9538	50
CTC-8F9960	1
CTC-8H0273	5

REPLACEMENT PARTS FOR CATERPILLAR® EQUIPMENT

NOTE: Caterpillar® part numbers are used as a reference only. We do not imply that these kits are original REPLACEMENT PARTS.

O-RINGS		O-RINGS		O-RINGS	
Part Number	Min. Pkgs.	Part Number	Min. Pkgs.	Part Number	Min. Pkgs.
CTC-8H2046	10	CTC-8T9529	15	CTC-9X7458	5
CTC-8H7521	20	CTC-8U1958	2	CTC-9X7557	2
CTC-8H8257	1	CTC-8U4125	1	CTC-9X7562	1
CTC-8J1665	5	CTC-8U5927	2	CTC-9X7566	5
CTC-8J1688	5	CTC-8U5942	1	CTC-9X7676	15
CTC-8J2413	50	CTC-9C3493	1	CTC-9X7680	15
CTC-8J4351	3	CTC-9F1399	5	CTC-9X7681	15
CTC-8J4386	1	CTC-9F4446	10	CTC-9X7684	20
CTC-8J8343	50	CTC-9F7283	10	CTC-9X7688	0
CTC-8J8725	2	CTC-9H0846	1	CTC-9X7692	50
CTC-8J8879	1	CTC-9H4557	50	CTC-9X7712	3
CTC-8L2777	15	CTC-9J5686	20	CTC-9X7725	5
CTC-8L9241	1	CTC-9J6491	50	CTC-9X7734	8
CTC-8M8997	50	CTC-9M2092	10	CTC-9X7745	50
CTC-8P6357	1	CTC-9M3786	5	CTC-Z440101000	2
CTC-8S5011	2	CTC-9M5024	5	CTC-Z440101100	2
CTC-8S5953	20	CTC-9M5894	1	CTC-Z440201000	2
CTC-8T0116	100	CTC-9S3888	5	CTC-Z440201400	2
CTC-8T0135	20	CTC-9S8307	20	CTC-Z441001100	5
CTC-8T0315	20	CTC-9T4057	50	CTC-Z441101050	5
CTC-8T2148	20	CTC-9W3340	25	CTC-Z441101150	5
CTC-8T2360	3	CTC-9X3979	10	CTC-Z441101600	2
CTC-8T2361	3	CTC-9X4576	1		
CTC-8T2944	2	CTC-9X4611	10		
CTC-8T3013	1	CTC-9X4617	10		
CTC-8T3338	5	CTC-9X4626	10		
CTC-8T4811	1	CTC-9X7286	1		
CTC-8T4827	50	CTC-9X7287	1		
CTC-8T5049	10	CTC-9X7295	1		
CTC-8T5376	5	CTC-9X7357	10		
CTC-8T5452	10	CTC-9X7358	5		
CTC-8T6346	5	CTC-9X7371	1		
CTC-8T6404	5	CTC-9X7375	5		
CTC-8T6444	5	CTC-9X7377	10		
CTC-8T6447	50	CTC-9X7380	30		
CTC-8T6716	5	CTC-9X7383	15		
CTC-8T6717	3	CTC-9X7422	1		
CTC-8T7568	5	CTC-9X7430	10		
CTC-8T9522	5	CTC-9X7440	5		
CTC-8T9527	1	CTC-9X7454	50		

REPLACEMENT PARTS FOR CATERPILLAR® EQUIPMENT

NOTE: Caterpillar® part numbers are used as a reference only. We do not imply that these kits are original REPLACEMENT PARTS.

BACK-UP RINGS

Part Number	Min. Pkgs.
CTC-0306141	5
CTC-0875391	1
CTC-0875397	1
CTC-0875436	1
CTC-0875510	1
CTC-0875550	1
CTC-0931513	1
CTC-0931519	1
CTC-0951783	1
CTC-0951796	1
CTC-0961054	1
CTC-0961055	1
CTC-0961566	1
CTC-0961568	1
CTC-0961588	1
CTC-0962665	1
CTC-0963467	1
CTC-0963964	1
CTC-0990660	1
CTC-0990699	1
CTC-0995399	1
CTC-0996974	1
CTC-0997000	1
CTC-1052578	1
CTC-1052579	1
CTC-1052583	1
CTC-1057360	1
CTC-1057375	1
CTC-1057393	1
CTC-1076255	1
CTC-1076258	1
CTC-1076262	1
CTC-1079308	1
CTC-1140706	1
CTC-1140711	1
CTC-1211372	1
CTC-1214160	1
CTC-1220440	1
CTC-1238614	1
CTC-1261978	1

BACK-UP RINGS

Part Number	Min. Pkgs.
CTC-1336716	1
CTC-1373660	1
CTC-1400233	3
CTC-1407652	1
CTC-1475771	1
CTC-1505827	1
CTC-1505842	1
CTC-1540731	1
CTC-1540738	1
CTC-1540751	1
CTC-1559193	1
CTC-1583027	1
CTC-1583031	1
CTC-1583032	1
CTC-1627209	1
CTC-1663002	1
CTC-1682271	5
CTC-1704746	1
CTC-1704748	1
CTC-1704749	1
CTC-1843478	1
CTC-1890215	2
CTC-1915647	1
CTC-1948355	1
CTC-1948365	1
CTC-1980661	1
CTC-1982640	1
CTC-1982643	1
CTC-1982644	1
CTC-2151942	3
CTC-2159864	1
CTC-2332599	10
CTC-2344487	1
CTC-2344581	1
CTC-2344584	1
CTC-2376124	1
CTC-2377078	1
CTC-2378378	1
CTC-2443838	6
CTC-2448826	5

BACK-UP RINGS

Part Number	Min. Pkgs.
CTC-2462899	1
CTC-2508718	1
CTC-2590654	1
CTC-2593174	1
CTC-2639883	1
CTC-2725643	1
CTC-2725680	1
CTC-2773386	1
CTC-2774933	1
CTC-2788633	1
CTC-1K7095	4
CTC-1K7098	5
CTC-1S0668	6
CTC-1S0669	5
CTC-1S0670	8
CTC-1U1101	2
CTC-1U1626	1
CTC-1U1738	2
CTC-1U1770	2
CTC-1U3173	2
CTC-1U3307	2
CTC-1U3383	1
CTC-2J0744	2
CTC-2J3961	3
CTC-2J4066	5
CTC-2J7767	3
CTC-2K2940	2
CTC-2K2961	3
CTC-2K3258	2
CTC-2K4096	3
CTC-2K4473	2
CTC-2K6830	5
CTC-2K8256	2
CTC-2Y8973	6
CTC-3C3239	10
CTC-3E6795	1
CTC-3G3747	2
CTC-3J2688	1
CTC-3J8466	1
CTC-3J9742	2

REPLACEMENT PARTS FOR CATERPILLAR® EQUIPMENT

NOTE: Caterpillar® part numbers are used as a reference only. We do not imply that these kits are original REPLACEMENT PARTS.

BACK-UP RINGS

Part Number	Min. Pkgs.
CTC-3K7219	9
CTC-3K7863	9
CTC-3K8692	9
CTC-3K8699	10
CTC-3P1204	8
CTC-3P1205	8
CTC-3P1206	5
CTC-3P1207	7
CTC-4I3615	1
CTC-4I3627	1
CTC-4I3631	1
CTC-4I6330	1
CTC-4I6442	1
CTC-4J1151	1
CTC-4J6557	2
CTC-4J9218	2
CTC-4J9219	5
CTC-4J9220	5
CTC-4J9221	4
CTC-4J9223	2
CTC-4J9224	6
CTC-4J9225	7
CTC-4K4759	9
CTC-4T3107	2
CTC-4T5072	4
CTC-4T5929	1
CTC-5J0604	2
CTC-5J0605	10
CTC-5J3934	5
CTC-5J6444	2
CTC-5J7865	5
CTC-5K7865	5
CTC-5P0909	3
CTC-5P0910	4
CTC-5P0911	6
CTC-5P2134	8
CTC-5P2199	10
CTC-5P3235	2
CTC-5P7857	9
CTC-5P7858	9

BACK-UP RINGS

Part Number	Min. Pkgs.
CTC-5P8208	10
CTC-5P8921	4
CTC-5P9685	8
CTC-5P9686	8
CTC-5P9687	8
CTC-6J1021	10
CTC-6J1381	6
CTC-6J2418	8
CTC-6J2420	7
CTC-6J5731	7
CTC-6U3042	3
CTC-6U5640	3
CTC-6V1555	7
CTC-6V1556	8
CTC-6V1557	10
CTC-6V1558	7
CTC-6V1941	8
CTC-6V3299	8
CTC-6V3300	8
CTC-6V3580	1
CTC-6V3838	9
CTC-6V3956	9
CTC-7J4823	1
CTC-7J6287	10
CTC-7J6288	8
CTC-7J8955	2
CTC-7Y4941	1
CTC-7X4757	2
CTC-7X4807	2
CTC-7Y4628	1
CTC-7Y4633	1
CTC-7Y4669	1
CTC-7Y4673	1
CTC-7Y4945	1
CTC-7Y5116	1
CTC-8J0548	2
CTC-8J1666	2
CTC-8J1689	3
CTC-8J1717	2
CTC-8J2574	6

BACK-UP RINGS

Part Number	Min. Pkgs.
CTC-8J3752	4
CTC-8J4385	2
CTC-8J8880	1
CTC-8Q5979	1
CTC-8T8434	1
CTC-9J0240	9
CTC-9J0705	10
CTC-9J7861	3
CTC-9T8761	5
CTC-9X4596	1
CTC-9X4615	1
CTC-9X7273	2
CTC-9X7278	4
CTC-9X7279	3
CTC-A04700414	1
CTC-A04700712	1

D-RINGS

Part Number	I.D.
CTC-1P3700	19 mm
CTC-1P3702	25.4 mm
CTC-1P3703	31.9 mm
CTC-1P3704	38.2 mm
CTC-1P3705	44.7 mm
CTC-1P3706	51.1 mm
CTC-1P3707	54.2 mm
CTC-1P3708	57.4 mm
CTC-1P3709	63.9 mm

REPLACEMENT KITS FOR CATERPILLAR® EQUIPMENT

NOTE: Caterpillar® part numbers are used as a reference only. We do not imply that these kits are original REPLACEMENT PARTS.

CAT D-RING KIT

This handy kit, in an unbreakable box, contains the 9 most popular sized D-Rings used on Caterpillar® equipment.

Part Number: CTC-4C4784



CAT SILICONE O-RING KIT

This handy kit, in an unbreakable box, contains 149 silicone o-rings in the 32 most popular sizes used on Caterpillar® equipment.

Part Number: CTC-4C8253



CAT NITRILE O-RING KIT

This handy kit, in an unbreakable box, contains 570 nitrile o-rings in the 32 most popular sizes used on Caterpillar® equipment.

Part Number: CTC-4C4782



CAT KIT FACE KIT

This handy kit contains a total of 120 90 Durometer O-Rings in 8 different sizes.

Part Number: CTC-4C5859



CAT FLANGE KIT

This handy kit contains the 6 most popular sized flange seals O-Rings used on Caterpillar® equipment.

Part Number: CTC-2701545



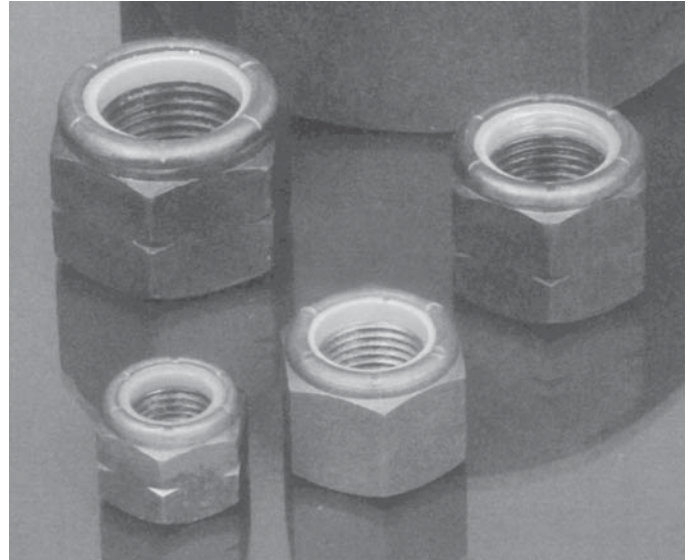
REPLACEMENT PARTS FOR CATERPILLAR® EQUIPMENT

NOTE: Caterpillar® part numbers are used as a reference only. We do not imply that these kits are original REPLACEMENT PARTS.

“NYLON INSERT” LOCKING NUTS

Manufactured from the finest quality steel and heat treated to offer superior strength, locking nuts with nylon inserts are specifically designed and manufactured to exact dimensions. The high temperature locking inserts are designed to withstand the high temperatures associated with close tolerance performance applications.

Part Number	Thread Size & Pitch	Height	O.D.
CTC-2J0564	2 - 12	1-5/8	3-1/8
CTC-2J3247	1-3/4 - 12	1-7/16	2-3/4
CTC-2J3950	1-1/2 - 12	1-5/16	2-3/8
CTC-2J6384	1-1/4 - 12	1-1/8	2
CTC-2J7686	2-1/2 - 12	2-3/16	4
CTC-3J6899	2-1/4 - 12	2-13/16	3-1/2
CTC-3J9449	2-1/2 - 12	2-5/8	4
CTC-3J9545	2 - 12	2-7/16	3-1/8
CTC-4J6888	2-3/4 - 12	2-1/4	4
CTC-4J8734	2-3/4 - 12	3-1/8	4
CTC-5J3488	2-1/4 - 12	1-15/16	3-1/2
CTC-5J5731	1-3/4 - 12	1-7/16	2-1/2
CTC-7J9250	3-1/4 - 12	3-1/8	4-1/2
CTC-7Y4622	72 mm - 2		105 mm
CTC-7Y4695	80 mm - 2		115 mm
CTC-7Y4956	90 mm - 2		130 mm
CTC-9X6018	4.00 - 12		5.62
CTC-0875385	95 mm - 2		135 mm
CTC-1163513	105 mm - 2		150 mm
CTC-1163516	120 mm - 2		170 mm
CTC-1232060	80 mm - 2		115 mm
CTC-1232112	90 mm - 2		130 mm
CTC-1261971	100 mm - 2		146 mm



REPLACEMENT KITS FOR CATERPILLAR TOWMOTOR LIFT TRUCKS

NOTE: If you can locate the cylinder group number, it can aid in identifying the proper kit.

Kit Number	Code (Pg. xiv)	Rode X Bore Size	Kit Number	Code (Pg. xiv)	Rode X Bore Size
TM-1033947	I-U-10	40 X 90 mm	TM-396846	P-UB-10	2 X 4-1/2
TM-1040763	P-U-1	70 mm	TM-396847	I-V-8	2 X 4.525
TM-1040900	I-U-10	37 X 71 mm	TM-396848	P-UB-11	1-1/4 X 3
TM-1040948	P-U-1	35 mm	TM-396849	I-V-8	2 X 5.025
TM-1041095	P-U-1	40 x 50 mm	TM-659060	O-RINGS	
TM-1042519	P-U-1	85 X 100 mm	TM-690003	I-U-5	2 X 5
TM-1042609	P-U-4	45 X 55 mm	TM-691389	I-OB-3	1-1/2 X 2-1/2
TM-1146727	P-U-14	50 X 110 mm	TM-693683	O-RINGS	
TM-324908	I-V-8	2 X 4.525	TM-694526	I-UB-5	2 X 5
TM-324958	P-I-N-8	3 X 4.025	TM-694527	I-UB-5	2-1/2 X 6
TM-375427	I-U-11	1 X 2-1/2	TM-694528	I-U-4, 10	2 X 4-1/2
TM-376968	I-U-1	2-1/2 Rod	TM-695522	I-UB-5	1-1/4 X 3-1/2
TM-388594-6	P-UB-10	1-1/2 X 3-1/2	TM-695523	I-UB-5	1-1/2 X 4
TM-396743	I-P-N-8	3 X 4.025	TM-901523	I-U-1	2-1/2, 3-1/4, 4 Stages
TM-396744	I-U-8	2-1/2 X 3.525	TM-905761	P-U-1	3-1/8, 4-3/8 Stages
TM-396746	I-P-U-1	2-1/4, 3-1/4, 4-1/8 Stages	TM-905771	P-U-1	2-3/8, 4-3/8 Stages
TM-396747	P-U-8	3 X 3.525	TM-905961	VALVE KIT	
TM-396748	I-U-8	3 X 4.025	TM-905962	VALVE KIT	
TM-396749	P-U-1	3-1/8, 4-3/8, 5 Stages	TM-906496	I-U-10	3 X 4
TM-396750	P-U-1	2-3/16 X 2-1/2	TM-911700	I-U-1	75 mm Rod Kit
TM-396751	P-U-8	3-3/4 X 5.025	TM-911701	I-U-N	50 mm Rod Kit
TM-396752	I-U-8	2-5/8 X 3.025	TM-911725	I-O-10	25 X 50 mm
TM-396754	I-U-8	2-1/2 X 3.025	TM-911726	I-U-10	35 X 80 mm
TM-396755	I-U-8	3 X 3.525	TM-911956	P-U-1	1-5/8 Rod Kit
TM-396756	I-P-1-8	3 X 4.025	TM-912067	P-UB-10	1-1/4 X 3
TM-396757	P-U-1	2-3/8, 4-3/8, 5 Stages	TM-912711	P-U-1	2-3/8 Rod Kit
TM-396758	I-P-U-1	1-7/8, 2-3/4, 3-5/8 Stages	TM-912748	P-U-1	2-3/8 Rod Kit
TM-396759	I-V-1	2.700, 3.450, 5.700 Stgs.	TM-914206	P-UB-10	2 X 4-1/2
TM-396760	I-V-1	2.200, 2.950, 4.700 Stgs.	TM-914634	I-U-N	3-3/4" Rod
TM-396761	I-P-N-8	3 X 5.025	TM-914635	I-U-10	2 X 2-1/2
TM-396801	P-U-1	3-3/8, 4-3/8, 5 Stages	TM-914636	N-U-10	4 X 4-1/2
TM-396842	P-UB-10	1-1/2 X 3-1/2	TM-918024	P-U-4	150 X 180 mm
TM-396843	P-U-11	1-1/2 X 3-1/2	TM-919851	P-U-15	120 X 180 mm
TM-396844	P-UB-11	1-1/2 X 3-1/2	TM-920666	I-U-N	50 mm Rod Kit
TM-396845	I-U-11	1-1/4 X 3	TM-923282	I-U-10	2 X 2-1/2

REPLACEMENT PARTS FOR CATERPILLAR TOWMOTOR LIFT TRUCKS

Part Number	Type	O.D.	I.D.	Hgt.
TM-5461	Vee Set	1-1/4	1-3/4VS	
TM-41248	Vee Set	2.200	2.700	1
TM-41250	Vee Set	2.950	3.450	1
TM-41252	Vee Set	4.700	5.290	1
TM-41340	Vee Set	4.025	5.025	1.3
TM-67841	Vee Set	2.700	3.450	
TM-67842	Vee Set	3.450	4.250	1.5

Part Number	Type	O.D.	I.D.	Hgt.
TM-67843	Vee Set	5.700	6.450	
TM-303231	Wiper	1	1-3/8	3/16
TM-303260	Vee Set	2.275	3.025	1.2
TM-371212	Modular Back-up Ring	5	5-3/4	.226
TM-903016	Wiper	5	5-3/4	3/8

CHAMPION MOTOR GRADER

Kit Number	Code (Pg. xiv)	Rode X Bore Size
CHMP-26408	1-3/8 X 3	I-U-5
CHMP-26409	2 X 4	I-U-5
CHMP-26410	2 X 5	I-U-5

CHAR-LYNN SEAL KITS

Char-Lynn Model Identification

XXX - XXX - XXX
 Product - Product - Engineering
 Line Identification Change Code

Kit Number	Series	Description	Model Number
CHR-6405	10,000 Note: The -002 and -003 bearingless motors use 4 seals while the -004 motor uses 3 seals. Note: This kit is not applicable to 10,000 series two speed motors.	Motor Seal Kit	119-XXXX-002;-003;-004 120-XXXX-002;-003;-004 121-XXXX-002;-003;-004
CHR-6406	10,000 Note: Applicable to 10,000 series two speed motors.	Shaft Seal Kit	119-XXXX-001;-002;-003;-004 120-XXXX-002;-003;-004 121-XXXX-001;-002;-003;-004
CHR-60023	H	Buna N Seal Kit	101-XXXX-007
	A	Buna N Seal Kit	130-XXXX-001
CHR-60026	S	Buna N Seal Kit	103-XXXX-007
CHR-60036	H	Buna N Seal Kit	101-XXXX-005
CHR-60042	S	Buna N Seal Kit	103-XXXX-006
CHR-60533	S	Buna N Seal Kit	103-XXXX-008
CHR-60539	S	Buna N Seal Kit	103-XXXX-009;-010
CHR-60540	A	Buna N Seal Kit	130-XXXX-002;-003
	H	Buna N Seal Kit	101-XXXX-008;-009
CHR-61104	6000	Shaft Seal Kit	112-XXXX-002;-003;-004 113-XXXX-002;-003;-004
CHR-61105	6000	Rear Motor Kit	112-XXXX-002;-003;-004 113-XXXX-002;-003;-004
CHR-61234	4000	Rear Motor Kit	109-XXXX-004; 110-XXXX-004
CHR-61236	4000	Shaft Seal Kit	109-XXXX-004; 110-XXXX-004
CHR-61237	6000	Shaft Seal Kit	112-XXXX-005; 113-XXXX-005
CHR-61238	6000	Rear Motor Kit	112-XXXX-005; 113-XXXX-005
CHR-61252	2000 Note: Not for 106- Bearingless motors.	Buna N Seal Kit	104-XXXX-003;-004;-005 105-XXXX-003;-004;-005
CHR-61258	2000	Buna N Seal Kit	104-XXXX-006; 105-XXXX-006
CHR-61259	2000 Note: Does not fit 106-XXXX-003;-004;-005 motors	Buna N Seal Kit	106-XXXX-006
CHR-64417	Steering unit with external shaft		
CHR-64418	Steering unit with internal spline		
CHR-64468	25	Buna N Seal Kit	251-XXXX-001;252-XXXX-001;253-XXXX-001

CHIEF CYLINDERS

Kit Number	Code (Pg. xiv)	Rod X Bore Size
CTR-203-001	P-OB-3	1-1/8" x 2"
CTR-203-002	P-OB-3	1-1/8" x 2-1/2"
CTR-203-004	P-OB-3	1-1/4" x 3-1/2"
CTR-203-005	P-OB-3	1-1/2" x 3-1/2"
CTR-203-006	P-OB-3	1-1/4" x 4"
CTR-203-011	P-OB-3	1-1/4" x 2-3/8"
CTR-203-029	P-OB-3	1-1/2" x 3"
CTR-203-150	P-U-10	1" x 1-1/2"
CTR-203-151	P-U-10	1-1/4" x 2"
CTR-203-152	P-U-10	1-3/8" x 2-1/2"
CTR-203-153	P-U-10	1-1/2" x 3"
CTR-781-007	I-U-1	1-1/2" Rod Kit
CTR-781-008	I-U-1	1-3/4" Rod Kit
CTR-781-009	I-U-1	2" Rod Kit
CTR-781-013	I-U-1	1-3/4" Rod Kit
CTR-781-014	I-U-1	2" Rod Kit
CTR-781-015	I-U-1	2-1/4" Rod Kit
CTR-781-020	I-U-1	2" Rod Kit
CTR-781-021	I-U-1	2-1/2" Rod Kit
CTR-781-022	I-U-1	2-3/4" Rod Kit
CTR-781-028	I-U-1	3" Rod Kit
CTR-781-029	I-U-1	3 1/2" Rod Kit
CTR-781-030	I-U-1	4" Rod Kit
CTR-781-034	I-U-1	4" Rod Kit
CTR-781-035	I-U-1	3-1/2" Rod Kit

Kit Number	Code (Pg. xiv)	Rod X Bore Size
CTR-781-036	I-U-1	4" Rod Kit
CTR-781-038	I-U-1	5" Rod Kit
CTR-781-039	I-U-1	1-1/8" Rod Kit
CTR-781-042	I-U-1	2-3/4" Rod Kit
CTR-781-043	I-U-1	1" Rod Kit
CTR-781-044	I-U-1	1-1/8" Rod Kit
CTR-781-049	I-U-1	2" Rod Kit
CTR-781-100	N-N-10	2" Piston Kit
CTR-781-101	N-N-10	2-1/2" Piston Kit
CTR-781-102	N-N-10	3" Piston Kit
CTR-781-103	N-N-10	3-1/2" Piston Kit
CTR-781-104	N-N-10	4" Piston Kit
CTR-781-105	N-N-10	4-1/2" Piston Kit
CTR-781-107	N-N-10	5-1/2" Piston Kit
CTR-781-108	N-N-10	6" Piston Kit
CTR-781-201	N-N-10	7" Piston Kit
CTR-781-203	N-N-10	9" Piston Kit
CTR-781-204	N-N-10	10" Piston Kit
CTR-781-206	N-N-10	12" Piston Kit
CTR-781-303	I-U-1	4" Rod Kit
CTR-781-305	I-U-1	2-1/4" Rod Kit
CTR-781-310	I-U-1	1-1/4" Rod Kit
CTR-781-312	I-U-1	1-3/4" Rod Kit
CTR-781-313	I-U-1	2" Rod Kit

CLARK LIFT TRUCKS

NOTE: A Clark deck number can positively identify the kit needed for lift cylinders. Looking at the upright (lift mechanism) from the driver's seat, the deck number is stamped on the right outer channel.

SAMPLE: MO141, HO351, FO168, etc.

ALSO NOTE: Kits with an "E" suffix contain original equipment u-seals. Kits without "E" suffix contain designed seals.

CLARK

Kit Number	Code (Pg. xiv)	Rod X Bore Size
CLK-179529	I-U-5	1-1/2 X 4
CLK-1810820	O-RINGS	
CLK-1811046	I-U-10	1-1/4 X 3
CLK-1811107	I-N-4	2 X 2-1/4
CLK-1811108	I-N-4	2-1/4 X 2-1/2
CLK-1811120		1-3/4, 3-1/8 VID, 3-7/8, 5-1/4 UID
CLK-1811120-E		1-3/4, 3-1/8 VID, 3-7/8, 5-1/4 UID
CLK-1811122		2-1/8 VID, 3-7/8, 4-3/4, 6-1/2 UID
CLK-1811122-E		2-1/8 VID, 3-7/8, 4-3/4, 6-1/2 UID
CLK-1811123		3-1/4, 4-1/4 VID'S, 6-1/2 UID'S
CLK-1811123-E		3-1/4, 4-1/4 VID'S, 6-1/2 UID'S
CLK-1811124		2-1/8, 3-1/8 VID'S
CLK-1811125		2-1/8, 3-1/8, 4-1/2 VID'S
CLK-1811126		2-3/4, 3-3/4, 5-3/4 VID'S
CLK-1811127		2-3/4, 3-3/4, 5-3/4 VID'S
CLK-1811129	I-N-4	2-1/2 X 4
CLK-1811130		1-3/4, 2-5/8, 3-3/4 VID'S
CLK-1811131		1-3/4, 3-1/8 VID, 3-7/8, 5-1/4 UID
CLK-1811131-E		1-3/4, 3-1/8 VID, 3-7/8, 5-1/4 UID
CLK-1811132		1-3/4, 2-5/8 VID, 3-3/8, 4-1/2 UID
CLK-1811132-E		1-3/4, 2-5/8 VID, 3-3/8, 4-1/2 UID
CLK-1811133		1-3/4, 2-5/8 VID'S
CLK-1811138		2-1/4, 3-1/4 VID'S
CLK-1811142		1-3/4, 2-5/8, 3-3/4 VID'S
CLK-1811148		2-1/8 VID, 3-7/8, 4-3/4, 6-1/2 UID
CLK-1811148-E		2-1/8 VID, 3-7/8, 4-3/4, 6-1/2 UID
CLK-1811149	I-U-4	3-1/2 X 4-3/4
CLK-1811154	I-U-1	2-1/2 X 3-1/4
CLK-1811155	I-N-4	2-1/2 X 3
CLK-1811157	I-U-5	5 X 7
CLK-1811158	I-U-5	4-1/2 X 6
CLK-1811158-E	I-U-5	4-1/2 X 6
CLK-1811159		1-3/4, 3-1/8 VID, 3-7/8, 5-1/4 UID
CLK-1811159-E		1-3/4, 3-1/8 VID, 3-7/8, 5-1/4 UID
CLK-1811160		1-3/4, 2-5/8 VID, 3-3/8, 4-1/2 UID
CLK-1811160-E		1-3/4, 2-5/8 VID, 3-3/8, 4-1/2 UID
CLK-1811161		1-3/4, 3-1/8 VID, 3-7/8, 5-1/4 UID
CLK-1811161-E		1-3/4, 3-1/8 VID, 3-7/8, 5-1/4 UID
CLK-1811162		2-1/8, 3-1/8, 4-1/2 UID'S
CLK-1811163		2-1/8, 3-1/8, 4-1/2 VID'S

Kit Number	Code (Pg. xiv)	Rod X Bore Size
CLK-1811164		1-3/4, 2-5/8, 3-3/8, 4-5/8 UID'S
CLK-1811164-E		1-3/4, 2-5/8, 3-3/8, 4-5/8 UID'S
CLK-1811179	I-V-5	1-1/2 X 4
CLK-1811180	I-V-5	1-1/4 X 4
CLK-1811184	I-V-5	1-1/4 X 3
CLK-1811200	I-V-4	2 X 6
CLK-1811200-E	I-V-4	2 X 6
CLK-1811204	I-V-1	1-1/4 ROD
CLK-1811206	I-V-5	3/4 X 1-5/8
CLK-1811207	I-V-5	1 X 2
CLK-1811209	I-V-5	1 X 2-1/4
CLK-1811210	I-V-5	1-1/4 X 2-3/4
CLK-1811212	I-V-5	1-1/4 X 3-1/4
CLK-1811217	I-V-5	1-3/4 X 4-1/2
CLK-1811218	I-V-5	2 X 6
CLK-1811231	N-N-5	2.26" Piston Kit
CLK-1811244	I-U-10	1-1/8 X 2-1/4
CLK-1811275	I-V-5	1-1/2 X 4
CLK-1811309	I-U-10	1 X 3
CLK-1811314		1-3/4 VID, 3-1/8, 3-7/8, 5-1/4 UID
CLK-1811314-E		1-3/4 VID, 3-1/8, 3-7/8, 5-1/4 UID
CLK-1811315		1-3/4 VID, 3-1/8, 3-7/8, 5-1/4 UID
CLK-1811315-E		1-3/4 VID, 3-1/8, 3-7/8, 5-1/4 UID
CLK-1811327		2-1/8 VID, 3-7/8, 4-3/4, 6-1/2 UID
CLK-1811327-E		2-1/8 VID, 3-7/8, 4-3/4, 6-1/2 UID
CLK-1811369	P-U-4	60 mm X 73 mm
CLK-1811376	I-U-10	40 mm X 4"
CLK-1811392	P-U-10	1-3/4 X 3
CLK-1811393	I-U-10	40 mm X 4"
CLK-1811415	P-U-4	60 X 78 mm
CLK-1811537	P-U-1	60 mm
CLK-1811538	I-U-4	40 X 56 mm
CLK-1811542	I-U-10	1-3/8 X 3
CLK-1811544	I-U-10	1 X 2
CLK-1811569	P-U-10	2 X 3-3/8
CLK-1811582	I-U-10	1-1/4 X 3-1/2
CLK-1811691	P-U-1	2 X 2.450
CLK-1811697	I-U-10	1-1/4 X 3-1/2
CLK-1811719	I-U-10	40 mm X 3-1/2
CLK-1811759	I-U-10	1-1/4 X 3

CLARK LIFT TRUCKS

Kit Number	Code (Pg. xiv)	Rod X Bore Size
CLK-1811785	I-U-10	40 mm x 3-1/2
CLK-1811799	I-U-10	2 X 3-3/8
CLK-1811820	I-U-10	2 X 3
CLK-1811828	I-U-10	2 X 3
CLK-1811852	I-U-1	3 X 3-1/2
CLK-1811855	P-U-1	60 mm X 72 mm
CLK-1811972	I-U-10	1-1/4 X 3
CLK-1813014	P-U-1	2 X 2-1/2
CLK-1813015	I-U-1	2-5/8 Rod Kit
CLK-1813016	I-U-1	3 X 3-1/2
CLK-1813017	P-U-1	60mm X 72 mm
CLK-1813023	I-U-1	40 mm X 2-3/16"
CLK-1813024	I-U-1	40 mm Rod Kit
CLK-1813032	I-U-10	50 mm X 3-3/8"
CLK-1813055	I-U-10	50 mm X 3-1/8"
CLK-1813075	I-U-10	40 mm X 3-1/2"
CLK-1813076	I-U-10	40 mm X 4"
CLK-1813082	I-U-10	50 X 86 mm
CLK-1813084	I-U-1	50 mm Rod Kit
CLK-1813176	I-U-4	60 X 73 mm
CLK-1818816	P-U-10	3/4 X 1-3/4
CLK-1818864	P-U-10	3/4 X 2
CLK-1821328	I-U-10	7/8 X 2
CLK-1830350	I-N-4	2 X 2-1/4
CLK-1830352	I-N-4	3-1/4 X 4
CLK-1830358	I-N-4	2-1/2 X 3-1/4
CLK-1830360	I-N-4	2-1/2 X 3
CLK-1830361	I-N-4	2-1/4 X 2-1/2
CLK-1830649	I-U-10	3/4 X 2-3/4
CLK-1831042		1-1/4" Rod Kit
CLK-1831074	I-U-10	1-3/4 X 4-1/2
CLK-1831075	I-V-1	3-1/4 Rod Kit

Kit Number	Code (Pg. xiv)	Rod X Bore Size
CLK-1831076	I-U-10	1-1/8 X 2-1/2
CLK-1991085	P-TR-10	2 X 4
CLK-2367420	I-U-1	2-1/4 X 3-1/4
CLK-3009626	P-U-10	25 mm X 50 mm
CLK-3986876	MOTOR KIT	
CLK-841270	P-U-10	2 X 3-3/4
CLK-886547	P-TR-12	1 X 2
CLK-896505	MOTOR KIT	
CLK-905074	MOTOR KIT	
CLK-907984	VALVE KIT	
CLK-908985	VALVE KIT	
CLK-909619	VALVE KIT	
CLK-912339	P-U-1	2-1/2 X 3
CLK-914698	I-U-4	1 X 2-1/2
CLK-914703	I-O-4	1-1/4 X 3
CLK-916351	MULTI STAGE	4, 4-3/4
CLK-917282	O-RING KIT	
CLK-917713	N-N-10	2" Piston Kit
CLK-918886	I-U-10	2 X 3-3/8
CLK-921115A	VALVE KIT	
CLK-990076	VALVE KIT	
CLK-990208	SWIVEL KIT	
CLK-990209	SWIVEL KIT	
CLK-992511	O-RING KIT	
CLK-994287	VALVE KIT	
CLK-995815	SWIVEL KIT	
CLK-999820	P-U-10	3/4 X 1-3/4

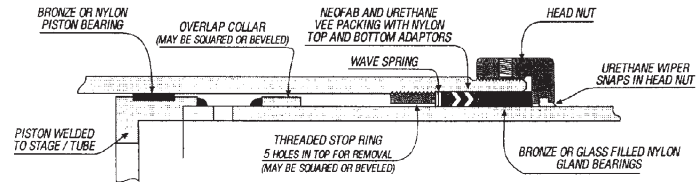
CLARK

**FOR CLARK-MICHIGAN CONSTRUCTION EQUIPMENT
SEE OUR LISTING OF KITS UNDER THE VOLVO SECTION IN THIS CATALOG.**

COMMERCIAL HYDRAULICS

- PACKING:** Vee packing with nylon top and bottom adaptors.
5/16" cross section.
- WIPERS:** .190 shoulder thickness on wipers.
- BEARINGS:** One above packing - may be either bronze or nylon.
- PISTON:** Welded to stage. Single action uses single nylon wear ring. Double action uses 3 cast iron piston rings and 2 nylon wear rings.
- STAGE O.D.'s:** 2.750; 3.750; 4.750; 5.750; 6.750; 7.905; 9.375
- SPECIAL INFO.:** Threaded internal stop ring. Uses wave spring under vee packing.
- IDENTIFICATION:** Cylinder number stamped on metal tag on cylinder body.
Ex: SD85MC-15-220 double acting
S85DC-40-190 single acting

COMMERCIAL



CYLINDER REBUILD KITS SINGLE ACTING DUMP BODY CYLINDERS	
Kit includes: Wiper Rings, Packing Assemblies, Bearing Rings, Piston Bearings, Wave Springs, Set Screws & Nylon Balls	
Part Number	Cyl. Model Number
CM-375-1804-017	S53
CM-375-1804-020	S62
CM-375-1804-018	S63
CM-375-1804-021	S64
CM-375-1804-019	S73
CM-375-1804-022	S74
CM-375-1804-023	S84
CM-375-1804-024	S85
CM-375-1804-025	S95
CYLINDER REPACK KITS SINGLE ACTING DUMP BODY CYLINDERS	
Kit includes: Wiper Rings, Packing Assemblies	
Part Number	Cyl. Model Number
CM-391-1804-020	S53
CM-375-1804-026	S62
CM-391-1804-109	S63
CM-391-1804-237	S64
CM-375-1804-002	S73
CM-375-1804-003	S74
CM-391-1804-054	S84
CM-391-1804-060	S85
CM-375-1804-004	S95

Part Number	Description
PACKING & WIPERS (INCLUDES SHIMS)	
CM-3VSW	2-3/4" Vee Set & Wiper
CM-4VSW	3-3/4" Vee Set & Wiper
CM-5VSW	4-3/4" Vee Set & Wiper
CM-6VSW	5-3/4" Vee Set & Wiper
CM-7VSW	6-3/4" Vee Set & Wiper
CM-8VSW	7.905" Vee Set & Wiper
CM-9.37VSW	9-3/8" Vee Set & Wiper

Part Number	Description
GLAND BEARINGS	
CM-275NB	2-3/4" Gland Bearing
CM-375NB	3-3/4" Gland Bearing
CM-475NB	4-3/4" Gland Bearing
CM-575NB	5-3/4" Gland Bearing
CM-675NB	6-3/4" Gland Bearing
CM-790NB	7.905" Gland Bearing
CM-937NB	9-3/8" Gland Bearing
GLAND BEARINGS KITS	
CM-NYB35	2-3/4" - 4-3/4" Gland Bearings
CM-NYB46	3-3/4" - 5-3/4" Gland Bearings
CM-NYB47	3-3/4" - 6-3/4" Gland Bearings
CM-NYB48	3-3/4" - 7.905" Gland Bearings
CM-NYB49	3-3/4" - 9-3/8" Gland Bearings
CM-NYB57	4-3/4" - 6-3/4" Gland Bearings
CM-NYB58	4-3/4" - 7.905" Gland Bearings
NYLON PISTON BEARINGS	
CM-U3023-32	2-3/4" Piston Bearing
CM-U3023-42	3-3/4" Piston Bearing
CM-U3023-52	4-3/4" Piston Bearing
CM-U3023-62	5-3/4" Piston Bearing
CM-U3023-72	6-3/4" Piston Bearing
CM-U3023-84	7.905" Piston Bearing
CM-U3023-98	9-3/8" Piston Bearing
CM-X29-1	Bleeder Valve
BRONZE PISTON BEARINGS	
CM-U3023-52B	4-3/4" Bronze Piston Bearings
CM-U3023-62B	5-3/4" Bronze Piston Bearings
CM-U3023-72B	6-3/4" Bronze Piston Bearings
CM-U3023-84B	7.905" Bronze Piston Bearings
CM-U3023-98B	9-3/8" Bronze Piston Bearings

COMMERCIAL HYDRAULICS

Part Number	Description
PISTON RINGS (Double Acting)	
CM-X78-4-25	3-3/4" Piston Ring
CM-X78-5-25	4-3/4" Piston Ring
CM-X78-6-25	5-3/4" Piston Ring
CM-X78-7-25	6-3/4" Piston Ring
CM-X78-8-437	7.905" Piston Ring
CM-X78-9-88	9-3/8" Piston Ring
KITS	
CM-35	2-3/4" - 4-3/4" Vee Sets & Wipers
CM-36	2-3/4" - 5-3/4" Vee Sets & Wipers
CM-38	2-3/4" - 7.905" Vee Sets & Wipers
CM-46	3-3/4" - 5-3/4" Vee Sets & Wipers
CM-47	3-3/4"-6-3/4" Vee Sets & Wipers
CM-48	3-3/4"-7.905" Vee Sets & Wipers
CM-49	3-3/4"-9-3/8" Vee Sets & Wipers
CM-56	4-3/4 - 5-3/4" Vee Sets & Wipers
CM-57	4-3/4"-6-3/4" Vee Sets & Wipers
CM-58	4-3/4"-7.905" Vee Sets & Wipers
CM-59	5"-9" Vee Sets & Wipers
CM-69	5-3/4"-9-3/8" Vee Sets & Wipers
CM-NPB35	2-3/4"-4-3/4" Piston Bearings
CM-NPB36	2-3/4"-5-3/4" Piston Bearings
CM-NPB46	3-3/4"-5-3/4" Piston Bearing
CM-NPB47	3-3/4"-6-3/4" Piston Bearings
CM-NPB48	3-3/4"-7.905" Piston Bearings
CM-NPB57	4-3/4"-6-3/4" Piston Bearings
CM-NPB58	4-3/4"-7.905" Piston Bearings
CM-NYB35	2-3/4"-4-3/4" Gland Bearings
CM-NYB36	2-3/4"-5-3/4" Gland Bearings
CM-NYB47	3-3/4"-6-3/4" Gland Bearings
CM-NYB48	3-3/4"-7.905" Gland Bearings
CM-NYB57	4-3/4"-6-3/4" Gland Bearings
CM-NYB58	4-3/4"-7.905" Gland Bearings
CM-NYB69	5-3/4"-9-3/8" Gland Bearings
CM-PR48	3-3/4"-7.905" Piston Rings
CM-PR58	4-3/4"-7.905" Piston Rings
THREADED STOPS	
CM-F3020	3-3/4" Threaded Stop Ring
CM-F4020	2-3/4" Threaded Stop Ring
CM-F5020	5-3/4" Threaded Stop Ring
CM-F6020	4-3/4" Threaded Stop Ring
CM-F7020	6-3/4" Threaded Stop Ring
CM-F9020	9-3/8" Threaded Stop Ring
CM-G8020	7.905" Threaded Stop Ring

Part Number	Description
HEAD NUTS (MEASURED AT WIPER I.D.)	
CM-MA3011-37	3-3/4" Bronze Internal Head Nut
CM-MA3011-47	4-3/4" Bronze Internal Head Nut
CM-MA3011-57	5-3/4" Bronze Internal Head Nut
CM-MA3011-67	6-3/4" Bronze Internal Head Nut
CM-MA3011-79	7.905" Bronze Internal Head Nut
CM-MA3011-93	9-3/8" Bronze Internal Head Nut
CM-YA3011-27	2-3/4" Steel External Head Nut
CM-YA3011-37	3-3/4" Steel External Head Nut
CM-YA3011-47	4-3/4" Steel External Head Nut
CM-YA3011-57	5-3/4" Steel External Head Nut
CM-YA3011-67	6-3/4" Steel External Head Nut
CM-YA3011-79	7.905" Steel External Head Nut
CM-YA3011-93	9-3/8" Steel External Head Nut
VALVE SERVICE KITS	
CM-391-1803-030	Valve Series A20 Service Kit
CM-391-1803-201	Valve Series A35 Service Kit
WAVE SPRINGS	
CM-P1327-27	2-3/4" Wave Spring
CM-P1327-37	3-3/4" Wave Spring
CM-P1327-47	4-3/4" Wave Spring
CM-P1327-57	5-3/4" Wave Spring
CM-P1327-67	6-3/4" Wave Spring
CM-P1327-79	7.905" Wave Spring
CM-P1327-93	9-3/8" Wave Spring

CROSS

Kit Number	Code (Pg. xiv)	Rod X Bore Size
CR-1C 1480	P-U-5	1-1/16 X 2
CR-1C 4147	P-OB-3	1-1/8 X 3
CR-1C 4244	P-OB-3	1-1/16 X 2
CR-1C 4429	P-OB-3	1-1/4 X 3-1/2
CR-1C 4430	P-OB-3	1-1/4 X 4
CR-1C 4433	P-OB-3	1-1/16 X 2-1/2
CR-1C 4629	P-OB-3	1-1/4 X 3
CR-1C 4630	P-OB-3	1-1/2 X 3
CR-1C 4631	P-OB-3	1-1/2 X 3-1/2
CR-1C 4637	P-OB-3	1-1/2 X 4
CR-1C 4638	P-OB-3	2 X 4
CR-1C 4642	P-OB-3	3/4 X 1-1/2
CR-1C 4750	P-OB-3	1 X 2
CR-1C 4759	P-OB-3	1-1/4 X 2-1/2
CR-1C 4765	P-OB-3	1-1/4 X 3
CR-1C 4785	P-OB-3	1-1/2 X 4
CR-1C 4786-A	P-OB-3	2 X 4
CR-1C 4796	P-OB-3	2-1/2 X 5
CR-1C 9964	P-U-5	2 X 4
CR-2C 1955	P-U-5	1-1/2 X 4
CR-2C 2842	P-OB-3	1-1/4 X 3
CR-2C 5395	P-U-5	3-1/2 X 6
CR-3C 2597	P-U-5	1-1/2 X 3
CR-3C 7684	P-OB-3	1-3/4 X 4

CROWN LIFT TRUCKS

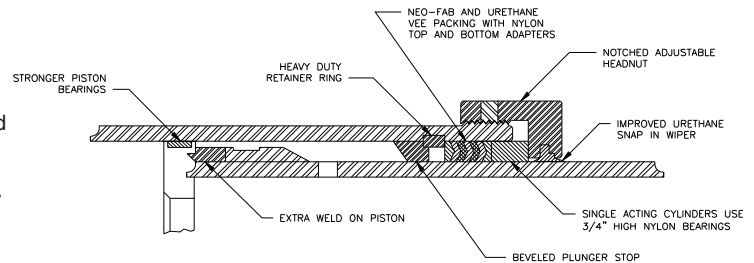
Kit Number	Code (Pg. xiv)	Rod X Bore Size
CRN-089178	I-U-13	1-3/4 X 3-1/2
CRN-101296	I-U-1	2-1/2" Rod Kit
CRN-101301	I-U-1	2 ROD KIT
CRN-101302	I-U-1	1-7/8 X 2-1/2
CRN-101305	I-U-1	1-5/8 X Rod Kit
CRN-101309	I-U-1	1-7/8" ROD KIT
CRN-101310	I-U-1	2-1/2" ROD KIT
CRN-101313	I-U-1	1-3/8" Rod Kit
CRN-101314	I-U-1	2-1/8" ROD KIT
CRN-101316	I-U-1	2-3/8" ROD KIT
CRN-101323	I-V-1	1-7/8" Rod Kit
CRN-101326	I-U-1	2-3/8" Rod Kit
CRN-101329	I-U-1	1-7/8, 2-5/8 Stages

CROWN LIFT TRUCKS

Kit Number	Code (Pg. xiv)	Rod X Bore Size
CRN-101331	I-U-1	1-3/4, 2-3/8 Stages
CRN-101332	I-U-1	1-3/4 X 2-1/2
CRN-101334	I-U-1	1-7/8, 2-5/8 Rod kit
CRN-101335	I-U-N	1-5/8, 2-1/4 Stages
CRN-101336	I-U-1	1-5/8, 2-1/4 Stages
CRN-101339	I-U-1	2" Rod Kit
CRN-101340	I-U-1	1-7/8 ROD KIT
CRN-101341	I-U-5	1-1/4 X 2-3/8
CRN-101342	I-U-3	1-1/2 X 3
CRN-101343	1-U-5	3/4 X 2
CRN-101346	I-U-5	3/4 X 1-3/4
CRN-101347	I-U-5	3/4 X 2-1/8
CRN-101376	I-U-5	1-1/4 X 3
CRN-101377	I-U-5	1 x 1-3/4
CRN-102659		VALVE KIT
CRN-105476004		O-RING
CRN-105476-6		O-RING
CRN-107366	I-O-1	1/2" Valve Kit
CRN-111573	I-U-1	3" ROD KIT
CRN-111574	I-U-1	2" ROD KIT
CRN-111790-001		O-RING
CRN-111790-12		O-RING
CRN-111790-2		O-RING
CRN-111790-3		O-RING
CRN-111790-4		O-RING
CRN-111790-9		O-RING
CRN-112022	I-U-4	7/8 X 2
CRN-112704		8, 9/16" Spools Rod Kit
CRN-113744	I-U-13	2-1/2 X 3-1/4
CRN-113745	I-U-13	3/4 x 1-3/4
CRN-115604	I-U-4	7/8 X 2
CRN-116360	N-O-1	o-ring
CRN-116820	I-U-1	2" rod kit
CRN-42249	I-U-1	56 X 80 mm
CRN-43023-1		VALVE KIT
CRN-78685		VALVE KIT
CRN-79017		VALVE KIT
CRN-87317	N-O-1	o-ring
CRN-87484		O-RING
CRN-88719		O-RING
CRN-89704	I-U-13	1-3/4 x 2-3/4
CRN-90880	I-U-5	3/4 X 1-3/4
CRN-93217		O-RING
CRN-94580	I-O-1	5/8" Rod kit

CUSTOM HOISTS 700 SERIES

PACKING:	Vee packing with nylon top and bottom adapters.
WIPERS:	An improved dual-lip snap in wiper to minimize contamination entry.
Bearing:	Top mineral filled nylon bearing.
Retainer Ring:	Heavy duty for improved strength.
Plunger Stop:	Beveled plunger stop for plunger center.
Piston Wear Ring:	Wear ring with increased cross-section for added strength.
Stage O.D.'S:	3-3/16", 4-1/8", 5-1/16" & 6"
Identification:	Part number and serial number stamped in body near base of cylinder. Ex. 63-702-120

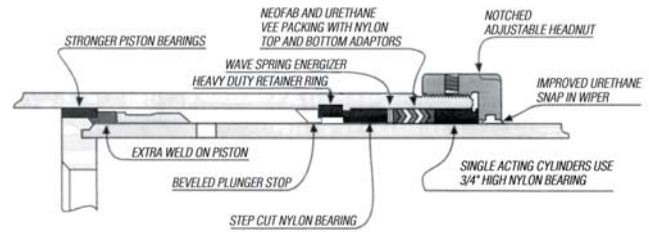


Part Number	Description
SEAL KITS	
CH-SK-53-700	3 - 5" Seal Kit
CH-SK-63-700	4 - 6" Seal Kit
CH-SK-64-700	3 - 6" Seal Kit
CH-SK-74-700	4 - 7" Seal Kit
MINOR PACKING KITS	
CH-MPK-53-700	3 - 5" Minor Packing Kit
CH-MPK-63-700	4 - 6" Minor Packing Kit
CH-MPK-64-700	3 - 6" Minor Packing Kit
CH-MPK-74-700	4 - 7" Minor Packing Kit
MAJOR PACKING KITS	
CH-MRK-53-700	3 - 5" Major Repair Kit
CH-MRK-63-700	4 - 6" Major Repair Kit
CH-MRK-64-700	3 - 6" Major Repair Kit
CH-MRK-74-700	4 - 7" Major Repair Kit
NYLON TOP BEARINGS	
CH-1BU11-3-3/16	3-3/16" Nylon Top Bearing
CH-1BU11-4-1/8	4-1/8" Nylon Top Bearing
CH-1BU11-5-1/16	5-1/16" Nylon Top Bearing
CH-1BU11-6	6" Nylon Top Bearing
CH-1BU11-7	7" Nylon Top Bearing
PACKINGS	
CH-700-3-3/16VS	3-3/16" Vee Set
CH-700-4-1/8VS	4-1/8" Vee Set
CH-700-5-1/16VS	5-1/16" Vee Set
CH-700-6VS	6" Vee Set
CH-PK-1-7	7" Vee Set

Part Number	Description
WIPERS	
CH-1WR1-3-3/16	3-3/16" Wiper
CH-1WR1-4-1/8	4-1/8" Wiper
CH-1WR1-5-1/16	5-1/16" Wiper
CH-1WR1-6	6" Wiper
CH-1WR1-7	7" Wiper
RETAINER RINGS	
CH-2RR58-368	3-11/16" Retainer Ring
CH-2RR58-462	4-5/8" Retainer Ring
CH-2RR58-550	5-1/2" Retainer Ring
CH-2RR58-650	6-1/2" Retainer Ring
CH-2RR58-750	7" Retainer Ring
PLUNGER STOP	
CH-2PS44-3-3/16	3-3/16" Plunger Stop
CH-2PS44-4-1/8	4-1/8" Plunger Stop
CH-2PS44-5-1/16	5-1/16" Plunger Stop
CH-2PS44-6	6" Plunger Stop
CH-2PS36-7	7" Plunger Stop
PISTON WEAR RINGS	
CH-2WG3-3-3/16	3-3/16" Piston Wear Ring
CH-2WG3-4-1/8	4-1/8" Piston Wear Ring
CH-2WG3-5-1/16	5-1/16" Piston Wear Ring
CH-2WG3-6	6" Piston Wear Ring
CH-2WG1-7	7" Piston Wear Ring
WAVE SPRING	
CH-1WA11-7	7" Wave Spring
BUSHING	
CH-1BU195-7	7" Bushing

CUSTOM HOISTS 400 SERIES

PACKING:	Vee packing with nylon top and bottom adapters.
WIPERS:	An improved dual-lip snap in wiper to minimize contamination entry.
WAVE SPRING:	To apply a continuous force on the packing.
BEARINGS:	Top and bottom mineral filled nylon bearing.
RETAINER RING:	Heavy duty for improved strength.
PLUNGER STOP:	Beveled plunger stop for plunger centering.
PISTON WEAR RING:	Wear ring with increased cross-section for added strength.
STAGE O.D.'S:	3, 4, 5, 6, 7, 8, 8-1/4, 9-1/8, 9-3/4
IDENTIFICATION:	Part number and serial number stamped in body near oil port near base of cylinder. Example: 85-402-250 single acting.

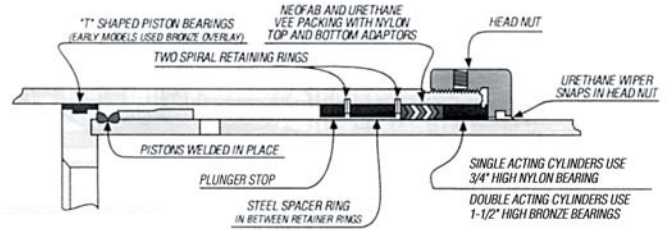


Part Number	Description
SEAL KITS	
CH-SK-53-400	3 - 5" Seal Kit
CH-SK-63-400	4 - 6" Seal Kit
CH-SK-64-400	3 - 6" Seal Kit
CH-SK-73-400	5 - 7" Seal Kit
CH-SK-74-400	4 - 7" Seal Kit
CH-SK-8-1/4 5-400	4 - 8-1/4" Seal Kit
CH-SK-84-400	5 - 8" Seal Kit
CH-SK-85-400	4 - 8" Seal Kit
CH-SK-95-400	5 - 9-1/8" Seal Kit
MINOR PACKING KITS	
CH-MPK-53-400	3 - 5" Minor Packing Kit
CH-MPK-63-400	4 - 6" Minor Packing Kit
CH-MPK-64-400	3 - 6" Minor Packing Kit
CH-MPK-73-400	5 - 7" Minor Packing Kit
CH-MPK-74-400	4 - 7" Minor Packing Kit
CH-MPK-8-1/4 5-400	4 - 8-1/4" Minor Packing Kit
CH-MPK-84-400	5 - 8" Minor Packing Kit
CH-MPK-85-400	4 - 8" Minor Packing Kit
CH-MPK-95-400	5 - 9" Minor Packing Kit
MAJOR REPAIR KITS	
CH-MRK-53-400	3 - 5" Major Repair Kit
CH-MRK-63-400	4 - 6" Major Repair Kit
CH-MRK-64-400	3 - 6" Major Repair Kit
CH-MRK-73-400	5 - 7" Major Repair Kit
CH-MRK-74-400	4 - 7" Major Repair Kit
CH-MRK-8-1/4 5-400	4 - 8" Major Repair Kit
CH-MRK-84-400	5 - 8" Major Repair Kit
CH-MRK-85-400	4 - 8" Major Repair Kit
CH-MRK-95-400	5 - 9" Major Repair Kit
PACKING & WIPERS	
CH-400-3VSW	3" Vee Set & Wiper
CH-400-4VSW	4" Vee Set & Wiper
CH-400-5VSW	5" Vee Set & Wiper
CH-400-6VSW	6" Vee Set & Wiper
CH-400-7VSW	7" Vee Set & Wiper
CH-400-8.25VSW	8-1/4" Vee Set & Wiper
CH-400-8VSW	8" Vee Set & Wiper
CH-400-9.12VSW	9-1/8" Vee Set & Wiper
NYLON BOTTOM BEARINGS	
CH-1BU195-3	3" Nylon Bottom Bearing
CH-1BU195-4	4" Nylon Bottom Bearing
CH-1BU195-5	5" Nylon Bottom Bearing
CH-1BU195-6	6" Nylon Bottom Bearing
CH-1BU195-7	7" Nylon Bottom Bearing
CH-1BU195-8	8" Nylon Bottom Bearing
CH-1BU195-825	8-1/4" Nylon Bottom Bearing
CH-1BU195-91	9-1/8" Nylon Bottom Bearing
NYLON TOP BEARINGS	
CH-1BU11-3	3" Nylon Top Bearing
CH-1BU11-4	4" Nylon Top Bearing

Part Number	Description
NYLON TOP BEARINGS	
CH-1BU11-5	5" Nylon Top Bearing
CH-1BU11-6	6" Nylon Top Bearing
CH-1BU11-7	7" Nylon Top Bearing
CH-1BU11-8	8" Nylon Top Bearing
CH-1BU11-82	8-1/4" Nylon Top Bearing
CH-1BU11-91	9-1/8" Nylon Top Bearing
RETAINER RINGS	
CH-2RR58-350	3-1/2" Retainer Ring
CH-2RR58-450	4-1/2" Retainer Ring
CH-2RR58-550	5-1/2" Retainer Ring
CH-2RR58-650	6-1/2" Retainer Ring
CH-2RR58-750	7-1/2" Retainer Ring
CH-2RR58-850	8-1/2" Retainer Ring
CH-2RR58-9	9" Retainer Ring
CH-2RR58-975	9-3/4" Retainer Ring
WAVE SPRINGS	
CH-1WA11-3	3" Wave Spring
CH-1WA11-4	4" Wave Spring
CH-1WA11-5	5" Wave Spring
CH-1WA11-6	6" Wave Spring
CH-1WA11-7	7" Wave Spring
CH-1WA11-8	8" Wave Spring
CH-1WA11-825	8-1/4" Wave Spring
CH-1WA11-91	9-1/8" Wave Spring
PLUNGER STOPS	
CH-2PS36-3	3" Plunger Stop
CH-2PS36-4	4" Plunger Stop
CH-2PS36-5	5" Plunger Stop
CH-2PS36-6	6" Plunger Stop
CH-2PS36-7	7" Plunger Stop
CH-2PS36-8	8" Plunger Stop
CH-2PS36-825	8-1/4" Plunger Stop
CH-2PS36-91	9-1/8" Plunger Stop
PISTON WEAR RINGS	
CH-2WG1-3	3" Piston Wear Ring
CH-2WG1-4	4" Piston Wear Ring
CH-2WG1-5	5" Piston Wear Ring
CH-2WG1-8	8" Piston Wear Ring
CH-2WG1-6	6" Piston Wear Ring
CH-2WG1-7	7" Piston Wear Ring
CH-2WG1-91	9-1/8" Piston Wear Ring
WIPERS	
CH-1WR1-3	3" WIPER
CH-1WR1-4	4" WIPER
CH-1WR1-5	5" WIPER
CH-1WR1-6	6" WIPER
CH-1WR1-7	7" WIPER
CH-1WR1-8	8" WIPER
CH-1WR1-825	8-1/4" WIPER
CH-1WR1-91	9.12" WIPER

CUSTOM HOISTS TELESCOPICS

- PACKING:** Vee packing with nylon top and bottom adaptors.
4" thru 8" all 1/4" c.s.
- WIPERS:** Snap in.
- BEARINGS:** One bronze or mineral filled nylon bearing above the packing.
- PISTON:** Steel pistons welded to stage. Replaceable "T" shaped nylon wear rings. Double action use 2 cast iron piston rings in separate grooves.
- STAGE O.D.'s:** 3, 4, 5, 6, 7, 8, 8-1/4, 9-1/8, 9-3/4
- SPECIAL INFO.:** Uses 2 spiral retainer rings with metal spacer in between.
- IDENTIFICATION:** Part number and serial number stamped in body near oil port near base of cylinder.
Example: 85-2-220 single acting;
DAT73-4-128 double acting



Part Number	Description
PACKING & WIPERS	
CH-3VSW	3" Vee Set & Wiper
CH-4VSW	4" Vee Set & Wiper
CH-5.87VSW	5-7/8" Vee Set & Wiper
CH-5VSW	5" Vee Set & Wiper
CH-6VSW	6" Vee Set & Wiper
CH-7VSW	7" Vee Set & Wiper
CH-8.25VSW	8-1/4" Vee Set & Wiper
CH-8VSW	8" Vee Set & Wiper
CH-9.12VSW	9-1/8" Vee Set & Wiper
CH-9.75VSW	9-3/4" Vee Set & Wiper
NYLON TOP BEARINGS	
CH-1BU11-3	3" Nylon Top Bearing
CH-1BU11-4	4" Nylon Top Bearing
CH-1BU11-5	5" Nylon Top Bearing
CH-1BU11-6	6" Nylon Top Bearing
CH-1BU11-7	7" Nylon Top Bearing
CH-1BU11-8	8" Nylon Top Bearing
CH-1BU11-82	8-1/4" Nylon Top Bearing
CH-1BU11-91	9-1/8" Nylon Top Bearing
CH-1BU1291/8	9-1/8" Nylon Top Bearing 1-1/2" Tall
BRONZE TOP BEARINGS	
CH-1BU3-3	3" X 3-1/2" X 1-1/2" Bronze Top Bearing
CH-1BU3-4	4" X 4-1/2" X 1-1/2" Bronze Top Bearing
CH-1BU3-5	5" X 5-1/2" X 1-1/2" Bronze Top Bearing
CH-1BU3-587	5-7/8" X 6-3/8" X 1-1/2" Bronze Top Bearing
CH-1BU3-6	6" X 6-1/2" X 1-1/2" Bronze Top Bearing
CH-1BU3-7	7" X 7-1/2" X 1-1/2" Bronze Top Bearing
CH-1BU3-8	8" X 8-1/2" X 1-1/2" Bronze Top Bearing
CH-1BU3-825	8-1/4" X 9" X 1-1/2" Bronze Top Bearing
CH-1BU3-975	9-3/4" X 10-1/2" X 1-1/2" Top Bearing
SPIRAL RETAINER RINGS	
CH-1RR1-35	3-1/2" Bore Spiral Retainer Ring
CH-1RR1-45	4-1/2" Bore Spiral Retainer Ring
CH-1RR1-55	5-1/2" Bore Spiral Retainer Ring
CH-1RR1-637	6-3/8" Bore Spiral Retainer Ring
CH-1RR1-65	6-1/2" Bore Spiral Retainer Ring
CH-1RR1-75	7-1/2" Bore Spiral Retainer Ring
CH-1RR1-85	8-1/2" Bore Spiral Retainer Ring
CH-1RR1-9	9" Bore Spiral Retainer Ring
CH-1RR1-97	9-3/4" Bore Spiral Retainer Ring
CH-1RR1-105	10-1/2" Bore Spiral Retainer Ring

Part Number	Description
SPACER RINGS	
CH-2SP1-3	3" Spacer
CH-2SP1-4	4" Spacer
CH-2SP1-5	5" Spacer
CH-2SP1-5-7/8	5-7/8" Spacer
CH-2SP1-6	6" Spacer
CH-2SP1-7	7" Spacer
CH-2SP1-8	8" Spacer
CH-2SP1-8.25	8-1/4" Spacer
CH-2SP1-9.12	9-1/8" Spacer
T-SHAPED PISTON WEAR RINGS	
CH-2GR6-3	3" Piston Wear Ring
CH-2GR6-4	4" Piston Wear Ring
CH-2GR6-5	5" Piston Wear Ring
CH-2GR6-587	5-7/8" Piston Wear Ring
CH-2GR6-6	6" Piston Wear Ring
CH-2GR6-7	7" Piston Wear Ring
CH-2GR6-8	8" Piston Wear Ring
CH-2GR6-825	8-1/4" Piston Wear Ring
CH-2GR6-91	9-1/8" Piston Wear Ring
CH-2GR6-975	9-3/4" Piston Wear Ring
PISTON WEAR RINGS	
CH-2WG1-3	3" Piston Wear Ring
CH-2WG1-4	4" Piston Wear Ring
CH-2WG1-5	5" Piston Wear Ring
CH-2WG1-8	8" Piston Wear Ring
CH-2WG1-6	6" Piston Wear Ring
CH-2WG1-7	7" Piston Wear Ring
CH-2WG1-91	9-1/8" Piston Wear Ring
PISTON RINGS (DOUBLE ACTING)	
CH-2PR3-35	3-1/2" Piston Ring
CH-2PR3-45	4-1/2" Piston Ring
CH-2PR3-55	5-1/2" Piston Ring
CH-2PR3-637	6-3/8" Piston Ring
CH-2PR3-65	6-1/2" Piston Ring
CH-2PR3-75	7-1/2" Piston Ring
CH-2PR3-85	8-1/2" Piston Ring
CH-2PR3-97	9-3/4" Piston Ring
CH-2PR3-105	10-1/2" Piston Ring

CUSTOM HOISTS TELESCOPICS

Part Number	Description
KITS	
CH-35	3" - 5" Vee Set & Wiper
CH-46	4" - 6" Vee Set & Wiper
CH-47	4" - 7" Vee Set & Wiper
CH-48	4" - 8" Vee Set & Wiper
CH-48-1/4	4" - 8 - 1/4" Vee Set & Wiper
CH-49	4" - 9 - 1/8" Vee Set & Wiper
CH-57	Custom #73-81-114, 129, 149
CH-57	5" - 7" Vee Set & Wiper
CH-58	5" - 8" Vee Set & Wiper
CH-59	5" - 9-1/8" Vee Set & Wiper
CH-NPB35	3" - 5" Nylon Piston Wear Ring Kit
CH-NPB36	3" - 6" Nylon Piston Wear Ring Kit
CH-NPB46	4" - 6" Nylon Piston Wear Ring Kit
CH-NPB47	4" - 7" Nylon Piston Wear Ring Kit
CH-NPB48	4" - 8" Nylon Piston Wear Ring Kit
CH-NPB48-1/4	4" - 8-1/4" Nylon Piston Wear Ring Kit
CH-NPB49	4" - 9-1/8" Nylon Piston Wear Ring
CH-NPB57	5" - 7" Piston Wear Ring Kit
CH-NPB58	5" - 8" Piston Wear Ring Kit
CH-NPB59	5" - 9-1/8" Piston Wear Ring Kit
CH-NYB35-DA	2 ea. 3" - 5" Nylon Top Bearings
CH-NYB35-SA	1 ea. 3" - 5" Nylon Top Bearings
CH-NYB36-DA	2 ea. 3" - 6" Nylon Top Bearings
CH-NYB36-SA	1 ea. 3" - 6" Nylon Top Bearings
CH-NYB46-DA	2 ea. 4" - 6" Nylon Top Bearings
CH-NYB46-SA	1 ea. 4" - 6" Nylon Top Bearings
CH-NYB47-DA	2 ea. 4" - 7" Nylon Top Bearings
CH-NYB47-SA	1 ea. 4" - 7" Nylon Top Bearings
CH-NYB48-1/4	1 ea. 4" - 8-1/4" Nylon Top Bearings
CH-NYB48-DA	2 ea. 4" - 8" Nylon Top Bearings
CH-NYB48-SA	1 ea. 4" - 8" Nylon Top Bearings
CH-NYB49-DA	2 ea. 4" - 8" Nylon Top Bearing & 1 ea. 9-1/8" Nylon Top Bearings
CH-NYB57-DA	2 ea. 5" - 7" Nylon Top Bearings
CH-NYB57-SA	1 ea. 5" - 7" Nylon Top Bearings
CH-NYB58-DA	2 ea. 5" - 8" Nylon Top Bearings
CH-NYB58-SA	1 ea. 5" - 8" Nylon Top Bearings
CH-NYB59-DA	2 ea. 5" - 9-1/8" Nylon Top Bearings
CH-NYB59-SA	1 ea. 5" - 9" Nylon Top Bearings
CH-PR35	2 ea. 3-1/2" - 5-1/2" Piston Rings
CH-PR36	2 ea. 3-1/2" - 6-1/2" Piston Rings
CH-PR46	2 ea. 4-1/2" - 6-1/2" Piston Rings
CH-PR47	2 ea. 4-1/2" - 7-1/2" Piston Rings
CH-PR48	2 ea. 4-1/2" - 8-1/2" Piston Rings
CH-PR49	2 ea. 4-1/2" - 9-3/4" Piston Rings
CH-PR57	2 ea. 5-1/2" - 7-1/2" Piston Rings
CH-PR58	2 ea. 5-1/2" - 8-1/2" Piston Rings

Part Number	Description
KITS	
CH-PR59	2 ea. 5-1/2" - 9-3/4" Piston Rings
CH-PS1-3	3" Plunger Stop
CH-PS1-4	4" Plunger Stop
CH-PS1-5	5" Plunger Stop
CH-PS1-587	5-7/8" Plunger Stop
CH-PS1-6	6" Plunger Stop
CH-PS1-7	7" Plunger Stop
CH-PS1-8	8" Plunger Stop
CH-PS1-82	8-1/4" Plunger Stop
CH-PS1-91	9-1/8" Plunger Stop
CH-PS1-975	9-3/4" Plunger Stop
CH-SR35	2 ea. 3-1/2" - 5-1/2" Spiral Retainer
CH-SR36	2 ea. 3-1/2" - 6-1/2" Spiral Retainer
CH-SR46	2 ea. 4-1/2" - 6-1/2" Spiral Retainer
CH-SR47	2 ea. 4-1/2" - 7-1/2" Spiral Retainer
CH-SR48	2 ea. 4-1/2" - 8-1/2" Spiral Retainer
CH-SR48-1/4	2 ea. 4-1/2" - 9" Spiral Retainer
CH-SR49	2 ea. 4-1/2" - 9-3/4" Spiral Retainer
CH-SR57	2 ea. 5-1/2" - 7-1/2" Spiral Retainer
CH-SR58	2 ea. 5-1/2" - 8-1/2" Spiral Retainer
CH-SR59	2 ea. 5-1/2" - 9-3/4" Spiral Retainer
HEAD NUTS (Measured at thread - have 12th/in)	
CH-2HN-4	4" Head Nut
CH-2HN-5	5" Head Nut
CH-2HN-6	6" Head Nut
CH-2HN-7	7" Head Nut
CH-2HN-8	8" Head Nut
CH-2HN-82	8-1/4" Head Nut
CH-2HN-9	9" Head Nut
CH-3HN1-11.25	11-1/4" Head Nut (over 9-3/4" Stage)
CH-3HN1-9.75	9-3/4" Head Nut (over 8-1/4" Stage)
CH-3HN1-11.25	11-1/4" Head Nut (over 9-3/4" Stage)
CH-3HN1-9.75	9-3/4" Head Nut (over 8-1/4" Stage)
MISCELLANEOUS PARTS	
CH-ABVA-1	Automatic Bleeder
CH-MBVA-1	Manual Bleeder valve
CH-MBVA-3	OEM Style Manual Bleeder Valve
CH-SL-2-1	Nylon Slug
CH-SS-3-1	Set Screw
MAJOR REPAIR KITS (SINGLE ACTING)	
Kits include: Packing, wipers, nylon bushings, snap rings, piston bearing, set screws and nylon slugs.	
CH-MRK-63	4" - 6"
CH-MRK-74	4" - 7"
CH-MRK-84	5" - 8"
CH-MRK-85	4" - 8"
CH-MRK-95	5" - 9-1/8"

CUSTOM HOISTS PISTON-ROD CYLINDERS

Kit Number	Cylinder Number	Code (Pg. xiv)	RodXBore Size
CH-SK-3-23		I-U-10	2 X 3
CH-SK-3-24		I-U-10	1-3/4 X 3
CH-SK-4-4	DA4-77-14	I-V-5	1-3/4 X 4
CH-SK-4-5	DA4-107-24	I-U-5	2-1/2 X 4
CH-SK-4-6	DA4-104-48	I-U-5	2 X 4
CH-SK-4-13	DA4-126-28	I-U-5	2-3/4 X 4
CH-SK-4-19	SA4-11-25	I-V-1	4" Rod Kit
CH-SK-4-21	DA4-142-21-1/2	I-V-10	2-1/2 X 4
CH-SK-4-23	DA4-171-27-3/4	I-V-10,12	2-3/4 X 4
CH-SK-4-49		I-V-10	2-3/4 X 4
CH-SK-4-53		I-U-10	2 X 4
CH-SK-4-1/2-6	DA4-1/2-21	I-U-11	2 X 4-1/2
CH-SK-4-1/2-8	DA4-1/2-41-48-5/8	P-U-12	2 X 4-1/2
CH-SK-4-1/2-15	DA4-1/2-44-21	I-V-5	3 X 4-1/2
CH-SK-4-1/2-26		P-UB-10	2 X 4-1/2
CH-SK-4-1/2-29		I-V-10	2 X 4-1/2
CH-SK-5-1	DA5-67-14	I-U-5	2 X 5
CH-SK-5-12	DA5-144-36	I-V-11,12	2-1/2 X 5
CH-SK-5-13	DA5-47-27	I-V-5	3 X 5
CH-SK-5-21	DA5-130-16	I-V-5	2-1/2 X 5
CH-SK-5-28	DA5-41-19,20,23	I-V-5	3 X 5
CH-SK-5-35	DA5-4-26	I-V-9	2-1/2 X 5
CH-SK-5-1/2-25		I-V-10,12	2-1/2 X 5-1/2
CH-SK-6-1	DA6-60, DA6-88, DA6-90	I-V-1	4-1/2 X 6
CH-SK-6-11	DA6-39-78	I-V-5	4-1/2 X 6
CH-SK-6-15		I-V-5	3-1/2 X 6
CH-SK-6-2	DA6-39-78, DA-87-67	I-U-12	4-1/2 X 6
CH-SK-6-22	DA6-140	I-V-5	4 x 6

Kit Number	Cylinder Number	Code (Pg. xiv)	RodXBore Size
CH-SK-6-23	DA6-92-46,62,68	I-V-12	4-1/2 X 6
CH-SK-6-26	DA6-73-34	I-V-5	2-1/2 X 6
CH-SK-6-29	DA6-158-42	I-U-5	2-3/4 X 6
CH-SK-6-30	DA6-49-78	I-U-12	4 X 6
CH-SK-6-31	DA6-40-108	I-U-12	4-1/2 X 6
CH-SK-6-33		I-U-1	4" Rod Kit
CH-SK-6-34	DA6-100-63	I-V-10	4 X 6
CH-SK-6-42	DA6-188-60, DA6-188-52-1/2, DA6-194-72	I-V-5	4 X 6
CH-SK-6-44	DA6-203-42	I-V-5	2-3/4 X 6
CH-SK-6-54	DA6-9-60-1/2, DA6-9-70-1/2	I-V-10	4 X 6
CH-SK-6-6	DA6-47-47	P-V-5	4 X 6
CH-SK-6-8	DA6-68-79	I-U-5	4 X 6
CH-SK-7-1	DA7-5	I-U-12	5-1/2 X 7
CH-SK-7-16	DA7-4-23	I-V-5	3 X 7
CH-SK-7-17	DA7-78-79	I-V-5	4 X 7
CH-SK-7-18	DA-7-29	I-U-10	5-1/2 X 7
CH-SK-7-20	DA7-36-78,	I-U-12	4-1/2 X 7
CH-SK-7-34		I-V-4, 12	2-1/2 X 7
CH-SK-7-35	DA7-121,78,83 or 55	I-U-10	4-1/2 X 7
CH-SK-7-43		I-U-4	2 X 7
CH-SK-7-5	DA7-36-115	I-U-12	4-1/2 X 7
CH-SK-7-9	DA7-63	I-U-10	4-1/2 X 7
CH-SK-8-1		I-V-4	3 X 8
CH-SK-8-21	DA8-16-25	I-V-12	2-1/2 X 8
CH-SK-8-3		I-U-5	3 X 8
CH-SK-9-2	DA9-19-19	I-V-5	3-1/2 X 9
CH-SK-42-60	42-60-43 or CH-475 3"-4" Vee Set & Wiper Telescopic		

DEMPSTER REFUSE TRUCKS

Kit Number	Cylinder Number	Code (Pg. xiv)	RodXBore Size
DD-350U	BB7053	P-U-5	2 X 3-1/2
DD-400V	CB3267, CB3574, CB3805	I-V-9	2 X 4
DD-401U	BB6579, 6581, 6583, 7999, 8004, 8010	P-U-5	2 X 4
DD-500V	CB3248	I-V-9	2-1/2 X 5
DD-501U	BB6451	P-U-5	2-1/2 X 5
DD-520U	BB8000	P-U-5	2 X 5
DD-5470K	CB5470	I-V-1	3 X 3-1/2
DD-5937K	BB5937	I-V-9	2 X 5
DD-5938K	BB5938	I-V-9	3 X 5
DD-6888K	BB6888, BB8281	P-N-1	2-1/2 X 3-1/2
DD-6996K	BB6996, BB8010	P-U-5	3 X 5
DD-6997K	BB6997	P-U-5	2 X 5
DD-8112K	BB8112	P-U-5	2-1/2 X 6
DD-8133K	BB8133	P-V-5	2-1/2 X 6
DD-8134K	BB8134	P-V-5	3 X 5
DD-8169K	BB8169	P-V-5	2 X 4
DD-8185K		P-V-5	2 X 5
DD-8206K		P-V-5	3 X 6
DD-8235K		P-U-5	3 X 5
DD-HA 2557	AB12308	N-OB-3	1-1/8 X 2-1/2
DD-HA 2561	AB12225	P-OB-3	1-1/8 X 2-1/2
DD-HA 2629	PI100-20	I-OB-3	1-1/2 X 3
DD-HA 2630	PI100-21	I-U-5	1-1/2 X 3-1/2
DD-HA 2632		I-U-4,12	4 X 4-1/2
DD-HA 2633		I-U-1	3" ROD
DD-HA 2634	PI100-94, CB10006	I-OB-3	1-1/2 X 2-1/2
DD-HA 2895	AB13978	I-OB-3	1-1/2 X 2-1/2
DD-HA 3300	BB8379-1, BB8748-1, BB8281-1	I-V-5	2 X 4
DD-HA 3301	BB6888, BB8281-1	I-N-4	2-1/2 X 3-1/2
DD-HA 3302	BB8133-1	I-V-5	2-1/2 X 6
DD-HA 3303	BB8374-1, BB8185-1	I-V-5	2 X 5
DD-HA 3304	BB8134-1	I-V-5	3 X 5
DD-HA 3527	AB19461, AB19462CH.	I-V-9	3 X 6
DD-HA 3541	AB19775TH	I-V-5,12	2 X 5
DD-HA 3542	AB19774TH	I-V-5,12	2 X 4
DD-HA 3557	AB19602TH	I-N-4	2-1/2 X 3-1/2
DD-HA 3558	AB19601TH	I-V-5	3 X 5
DD-HA 3559	AB19600TH	I-V-5	2-1/2 X 6
DD-HA 3562	AB19869TH	I-V-5	2 X 4
DD-HA 3563	AB19890TH	I-V-5	2 X 5
DD-HA 3775		I-U-5	1-3/4 X 4
DD-HA 3799		I-U-13	2-1/2 X 3-1/2

Kit Number	Cylinder Number	Code (Pg. xiv)	RodXBore Size
DD-HA 3809		I-U-10,12	2 X 4
DD-HA 3868		I-U-10,12	2-1/2 X 4-1/2
DD-HA 3869		I-U-4	1-1/4 X 2
DD-HA 4166		I-U-10,12	2-1/2 X 5
DD-HA 4263		I-U-1	3-1/2 X 4
DD-HA 4264		I-U-10	3 X 5
DD-HA 4265		I-U-10	2-1/2 X 6
DD-HA 4380		I-U-12	2 X 4
DD-HA 4387		I-U-10	2-1/2 X 4
DD-HA 4444		I-U-10	2" X 4"
DD-HYO 49	O-Ring Kit for 6 Stage Hyco 4"-9"		
DD-PK00107	DB07208, AB26635	P-V-5	2-1/2 X 6

DENSMORE

Kit Number	Code (Pg. xiv)	Rod X Bore Size
DN501220767A	I-U-3	1-1/4 X 5
DN6012272438	I-U-3	1-1/4 X 6
DN6014304312	I-U-3	1-1/2 X 6
DN6020304312	I-U-3	2 X 6
DN7014273372	I-U-3	1-1/2 X 7
DN7020303312	I-U-3	2 X 7

DOOSAN INFRACORE

Kit Number	Code (Pg. xiv)	Rod X Bore Size
DI-2440-9234KT	P-UB-14	85 X 120 mm
DI-2440-9236KT	P-UB-14	95 X 135 mm
DI-2440-9339KT	P-UB-14	80 X 120 mm
DI-440-00355AKT	P-UB-14	85 X 120 mm

DRILTECH

Kit Number	Code (Pg. xiv)	Rod X Bore Size
DT-1027-088	I-V-9	2-1/2 X 5
DT-1029-085	I-V-9	3 X 4-1/2
DT-12471-058	I-V-9	3-3/4 X 5
DT-1974-065	I-V-9	3 X 5
DT-3130-077	I-V-9	3 X 5

DYNAHOE

Kit Number	Code (Pg. xiv)	Rod X Bore Size
DH-116613	P-U-10	3 X 6
DH-116840	P-U-10	2-1/2 X 4

EATON-YALE, TIMBERJACK

Kit Number	Code (Pg. xiv)	Rod X Bore Size
EY-2106793	P-U-10	1-1/2 X 3
EY-6955800	I-U-10	2 X 3-1/2
EY-6955804	I-U-10	2-1/4 X 5
EY-6955805	I-U-10	2-1/2 X 5-1/2

EDBRO

Kit Number	Bore	Lip Hgt.	Thick-ness	Hole Size
9200-062ED	2	7/8	7/32	5/8
9262-087ED	2-5/8	7/8	7/32	7/8
9325-100ED	3-1/4	7/8	7/32	1
9387-112ED	3-7/8	7/8	7/32	1-1/8
9475-125ED	4-3/4	7/8	7/32	1-1/4
9575-150ED	5-3/4	7/8	7/32	1-1/2

EFFER CRANES

Kit Number	Code (Pg. xiv)	Rod X Bore Size
EF-2160990	I-U-15	100 X 140 mm
EF-2166980	I-U-15	35 X 50 mm
EF-2261990	I-U-15	130 X 220 mm
EF-2565990	I-U-15	70 X 90 mm
EF-2663990	I-U-15	65, 125, X 95, 150 mm
EF-2761990	I-U-15	110 X 150 mm
EF-3461990	I-U15	90 X 130 mm
EF-3760990	I-U-15	120 X 170 mm
EF-3761990	I-U-15	90 X 130 mm
EF-3764990	N-N-15	130 mm PISTON
EF-3861990	I-U-15	65 X 100 mm
EF-4464990	N-N-15	130 mm PISTON
EF-4469990	I-U-15	35, 75, 120 X 55, 90, 135 mm
EF-8086500	N-N-15	95, 150 PISTONS
EF-8087300	N-N-15	130 mm PISTON

ENERGY

Kit Number	Code (Pg. xiv)	Rod X Bore Size
EN-12621X	I-U-3	2 X 4
EN-A2430	P-OB-3	1-1/8 X 2
EN-A2859	P-U-3	1-1/4 X 3
EN-A7564	P-U-3	1-1/2 X 4

ESCO

Kit Number	Code (Pg. xiv)	Rod X Bore Size
ES-402965	O-Rings	
ES-402968	O-Rings/Back-Ups	
ES-402970	O-Rings/Back-Ups	
ES-4046426	I-U-5,10	2-1/2 X 5
ES-4049054	TRW Motor Kit	
ES-4050756	I-U-10	2-1/4 X 4
ES-4095570	I-U-10	2-1/4 X 4
ES-420885	I-U-5	1-1/2 X 3-1/2
ES-421446	I, P-U-5	2 X 4
ES-421461	I, P-U-5	2 X 5
ES-421479	P-U-5	2 X 6
ES-422204	I, P-U-5	2 X 3-1/2
ES-434043	I-U-10	2-1/2 X 5
ES-434837	I-U-4	2-1/2 X 4
ES-435261	I-U-5	1-1/2 X 3-1/2 Boom Cyl.
ES-435398	I-U-10	2 X 4
ES-435430	I-U-10	2 X 4
ES-435686	I-U-5,10	2-1/2 X 5
ES-435942	I-U-10	2-1/4 X 4

EUCLID TRUCKS

Kit Number	Code (Pg. xiv)	Description
EUC-12977806		Multi-Stage Kit 4, 6.5, 8.5
EUC-4046574		Multi-Stage Kit 6.25, 7, 8.25, 9, 10.5, 11
EUC-603323		Multi-Stage Kit 4, 6, 8
EUC-E12590794	P-U-10	2 X 4
EUC-E12631739	I-UB-11	6 X 8
EUC-E12631740	I-UB-11	5 X 8
EUC-R22HOIST		Multi-Stage Kit 4, 6.5, 8.5
EUC-R50HOIST		Multi-Stage Kit 3, 6, 8

FASSI-CRANE

Kit Number	Code (Pg. xiv)	Rod X Bore Size
FAS-GSC-21	I-U-1	25 mm Rod Kit
FAS-GSC-23	N-N-15	110 mm Piston Kit
FAS-GSC-33	N-N-15	160 mm Bore
FAS-GSC-35	N-N-15	80 mm Piston Kit
FAS-GSC-36	N-N-15	95 mm Piston Kit
FAS-GSC-56	I-U-15	80 X 95 mm
FAS-GSC-57	I-U-15	70 X 80 mm
FAS-GSC-62	I-U-15	80 X 95 mm
FAS-GSC-116	I-U-15	95 X 140 mm
FAS-GSC-125	I-U-15	95 X 140 mm
FAS-GSC-138	I-U-15	50 X 75 mm
FAS-GSC-140	I-U-1	30 mm Rod Kit
FAS-GSC-152		O-Ring Kit
FAS-GSC-156	I-U-15	60, 95 mm Stages
FAS-GSC-157	I-U-15	95 X 100 mm
FAS-GSC-158	I-U-15	60 X 90 mm
FAS-GSC-161	I-U-15	35 X 60 mm
FAS-GSC-162	I-U-15	35, 70 mm Stages
FAS-GSC-202	N-N-15	130 mm Rod Kit
FAS-GSC-203	I-U-15	100 X 170 mm
FAS-GSC-217	N-N-15	150 mm Piston Kit
FAS-GSC-228	I-U-15	55 X 95 mm
FAS-GSC-245	I-U-15	55 X 85 mm
FAS-GSC-277	I-U-15	45 X 70 mm
FAS-GSC-279	I-U-15	55 X 85 mm
FAS-GSC-288	I-U-15	120 x 190 mm

FIAT-ALLIS

Kit Number	Code (Pg. xiv)	Rod X Bore Size
FA-790458-11-1	P-U-13	70 X 125mm

FMC

Kit Number	Code (Pg. xiv)	Rod X Bore Size
FMC-232-7178-090	N-U,V-3	5/8 X 1-1/2
FMC-238-0858-090	P-V-7	2-1/2 X 5
FMC-238-4389-090	I-U-10	2-1/2 X 5
FMC-238-4529-090	P-V-7	1-1/2 X 4
FMC-239-4563-091	O-RING KIT	
FMC-239-8317-090	I-V-5	1 X 2
FMC-360-4-0006	I-V-N	4-1/2 X 5
FMC-3X0094	P-U-10	1-1/2 X 3
FMC-507065	I-U-10	1-1/4 X 3

FMC

Kit Number	Code (Pg. xiv)	Rod X Bore Size
FMC-514-0246-090	I-U-4	2-1/2 X 5
FMC-514-0247-090	I-U-5	2-1/2 X 5
FMC-514-0844-090	I-U-1	2-1/2 X 3-1/2
FMC-514-0856-090	I-V-1	4-1/2 ROD KIT
FMC-514-1536-090	I-U-4	1-1/2 X 3-1/2
FMC-515-4130-090	I-V-5	2-1/2 X 5
FMC-515-6322-090	I-V-1	4-1/2 ROD KIT
FMC-515-8903-090	I-U-10	1-1/8 X 2-1/2
FMC-517-2118	P-U-5	1-1/4 X 3
FMC-517-2880	P-OB-3	1-1/4 X 3
FMC-519-9547-090	N-N-5	8" PISTON KIT
FMC-519-9548-090	P-U-10	3-1/2 X 6
FMC-519-9887-090	I-U-11	1-1/4 X 3
FMC-620-0104-090	I-U-11	3/4 X 1-1/2
FMC-620-0188-090	I-U-4	3 X 5
FMC-620-0190-090	I-U-4	2 X 3-1/2
FMC-620-0236-090	I-U-5	2 X 3-1/2
FMC-620-0307-090	I-U-11	1/2 X 1
FMC-620-0736-090	I-U-11	1-1/4 X 2
FMC-620-1545-090	I-U-5	3 X 4
FMC-620-1571-090	I-U-1	2-1/2 X 3
FMC-621-3234-090	I-U-1	2-1/2
FMC-621-5638-090	I-U-10	3/4 X 1-1/2
FMC-621-5639-090	I-U-10	3/4 X 1-1/2
FMC-621-5641-090	I-U-1	2-1/2 ROD KIT
FMC-621-5644-090	I-U-10	3 X 5
FMC-621-5645-090	I-U-10	2 X 3-1/2
FMC-621-5646-090	I-U-10	2 X 3-1/2
FMC-621-5658	O-RING KIT	
FMC-624-0850-090	P-UB-10	55 X 85 mm

FONTAINE

Kit Number	Description
FNT-38	3" - 8" Vee Sets & Wipers
FNT-3VSW	3" Vee Set & Wiper
FNT-46	4" - 6" Vee Sets & Wipers
FNT-48	4" - 8" Vee Sets & Wipers
FNT-4VSW	4" Vee Set & Wiper
FNT-58	5" - 8" Vee Sets & Wipers
FNT-5VSW	5" Vee Set & Wiper
FNT-6VSW	6" Vee Set & Wiper
FNT-7VSW	7" Vee Set & Wiper
FNT-8VSW	8" Vee Set & Wiper

Replacement Kits For

FIAT-HITACHI

Excavators					
APPLICATION	CODE	ROD	BORE	MISC	KIT #
MODEL FH120, FH130-1, FH130-2					
ARM	P-UB-1	80 mm			FH-71400106
	N-N-14		115 mm		FH-71400116
	Bushing	80 mm			FH-71400109
BOOM	I-UB-1	75 mm			FH-71400089
	N-N-14		105 mm		FH-71400092
	Bushing	75 mm			FH-71400087
BUCKET					FH-71400056
					FH-71400069
	Bushing	65 mm			FH-71400058
MODEL FH130-3					
ARM	P-UB-1	80 mm			FH-71445694
	N-N-14		115 mm		FH-71445785
	Bushing	80 mm			FH-71447625
BOOM	I-UB-1	75 mm			FH-71445759
	N-N-10		105 mm		FH-71445781
	Bushing				FH-71447626
BUCKET	P-UB-1	65 mm			FH-71445753
	N-N-10		95 mm		FH-71445777
	Bushing				FH-71447627
MODEL FH150-1, FH150-1W, FH150-2					
ARM	P-UB-1	85 mm			FH-71400199
	N-N-14		120 mm		FH-71400231
	Bushing	85 mm			FH-71400202
BOOM	P-UB-1	80 mm			FH-71400106
	N-N-14		115 mm		FH-71400116
	Bushing	80 mm			FH-71400109
BUCKET	P-UB-1	80 mm			FH-71400106
	N-N-14		115 mm		FH-71400116
	Bushing	80 mm			FH-71400109
MODEL FH150-3					
ARM	P-UB-1	85 mm			FH-71445728
	N-N-14		120 mm		FH-71445708
	Bushing	85 mm			FH-71447620
BOOM	P-UB-1	80 mm			FH-71445694
	N-N-14		115 mm		FH-71445785
	Bushing	80 mm			FH-71447625
BUCKET	P-UB-1	80 mm			FH-71445694
	N-N-14		115 mm		FH-71445785
	Bushing	80 mm			FH-71447625
MODEL FH200-1, FH200-2					
ARM	P-UB-1	95 mm			FH-71400186
	N-N-14		135 mm		FH-71400161
	Bushing	95 mm			FH-71400189
BOOM	P-UB-1	85 mm			FH-71400199
	Bushing	85 mm			FH-71400202
BUCKET	P-UB-1	80 mm			FH-71400106

Replacement Kits For

FIAT-HITACHI

Excavators					
APPLICATION	CODE	ROD	BORE	MISC	KIT #
MODEL FH200-1, FH200-2					
BUCKET	N-N-14		120 mm		FH-71400231
	Bushing	80 mm			FH-71400109
MODEL FH200-3					
ARM	P-UB-1	95 mm			FH-71445615
	N-N-14		135 mm		FH-71445801
	Bushing	95 mm			FH-71447621
BOOM	P-UB-1	85 mm			FH-71445728
	N-N-14		120 mm		FH-71445708
	Bushing	85 mm			FH-71447620
BUCKET	P-UB-1	80 mm			FH-71445694
	N-N-14		120 mm		FH-71445708
	Bushing	80 mm			FH-71447625
MODEL FH220-1, FH220-2					
ARM	P-UB-1	100 mm			FH-71400133
	N-N-14		145 mm		FH-71400137
	Bushing	100 mm			FH-71400125
BOOM	P-UB-1	90 mm			FH-71400152
	N-N-14		135 mm		FH-71400161
	Bushing	90 mm			FH-71400155
BUCKET	P-UB-1	90 mm			FH-71400152
	N-N-14		135 mm		FH-71400161
	Bushing	90 mm			FH-71400155
MODEL FH220-3					
ARM	P-UB-1	100 mm			FH-71445765
	N-N-14		145 mm		FH-71445811
	Bushing	100 mm			FH-71447902
BOOM	P-UB-1	90 mm			FH-71445647
	N-N-14		135 mm		FH-71445801
	Bushing	90 mm			FH-71447622
BUCKET	P-UB-1	90 mm			FH-71445647
	N-N-14		135 mm		FH-71445801
	Bushing	90 mm			FH-71447622
MODEL FH300-1, FH300-2					
ARM	P-UB-1	110 mm			FH-71400275
	N-N-14		165 mm		FH-71400282
	Bushing	110 mm			FH-71400278
BOOM	P-UB-1	100 mm			FH-71400133
	N-N-14		145 mm		FH-71400137
	Bushing	100 mm			FH-71400125
BUCKET	P-UB-1	95 mm			FH-71400186
	N-N-14		145 mm		FH-71400137
	Bushing	95 mm			FH-71400189

REPLACEMENT KITS FOR FIAT-HITACHI

NOTE: Fiat-Hitachi part numbers are used as a reference only. We do not imply that these kit are original REPLACEMENT PARTS.

Kit Number	Rod Diameter	Bore Diameter	Kit Number	Rod Diameter	Bore Diameter
FH-14472680			FH-71400375	95 mm	
FH-71400056			FH-71418431	95 mm	
FH-71400058	65 mm		FH-71418444		130 mm
FH-71400066			FH-71418514		110 mm
FH-71400069			FH-71445615	95 mm	
FH-71400087	75 mm		FH-71445647	90 mm	
FH-71400089	75 mm		FH-71445694	80 mm	
FH-71400090			FH-71445708		120 mm
FH-71400092		105 mm	FH-71445728	85 mm	
FH-71400106	80 mm		FH-71445742		125 mm
FH-71400116		115 mm	FH-71445753	65 mm	
FH-71400133	100 mm		FH-71445759	75 mm	
FH-71400137		145 mm	FH-71445765	100 mm	
FH-71400152	90 mm		FH-71445777		95 mm
FH-71400161		135 mm	FH-71445781		105 mm
FH-71400186	95 mm		FH-71445785		115 mm
FH-71400199	85 mm		FH-71445801		135 mm
FH-71400231		120 mm	FH-71445811		145 mm
FH-71400275	110 mm		FH-71445827		
FH-71400282		165 mm	FH-71445830		

REPLACEMENT PARTS FOR FIAT-HITACHI - ROD BUSHINGS

NOTE: Fiat-Hitachi part numbers are used as a reference only. We do not imply that these kit are original REPLACEMENT PARTS.

Part Number	Rod Diameter	Part Number	Rod Diameter
FH-71400109	80 mm	FH-71447621	95 mm
FH-71400125	100 mm	FH-71447622	90 mm
FH-71400155	90 mm	FH-71447625	80 mm
FH-71400189	95 mm	FH-71447626	65 mm
FH-71400202	85 mm	FH-71447627	75 mm
FH-71400278	110 mm	FH-71447902	100 mm
FH-71447620	85 mm		

Replacement Kits For

FORD

Backhoe Loaders

APPLICATION	CYL #	Piston Type	SERIAL #	CODE	ROD	BORE	KIT #
MODEL 340, 540							
BACKHOE BUCKET	D8NN-B576-FB	2pc	78/9-81	P-UV-9	63 mm	90 mm	FD-251032
	D8NN-B576-FB	1pc	78/9-81	P-UV-10	63 mm	90 mm	FD-251321
BACKHOE CROWD	D8NN-B578-AA	2pc	78/9-81	P-V-9	50 mm	100 mm	FD-251035
	D8NN-B578-AA	1pc	78/9-81	P-SP-10	50 mm	100 mm	FD-251316
	D8NN-B578-CC	1pc	78/9-81	P-UV-10	63 mm	115 mm	FD-251319
	D8NN-B578-CC	2pc	78/9-81	P-UV-9	63 mm	115 mm	FD-251036
BACKHOE LIFT	D8NN-B577-BB	2pc	78/9-81	P-UV-9	56 mm	115 mm	FD-251034
	D8NN-B577-BB	1pc	78/9-81	P-UV-10	56 mm	115 mm	FD-251318
	D8NN-B577-CB	2pc	78/9-81	P-V-9	50 mm	100 mm	FD-251035
	D8NN-B577-CB	1pc	78/9-81	P-SP-10	50 mm	100 mm	FD-251316
BACKHOE STABILIZER	D8NN-B580-AA	2pc to 1pc	78/9-81	P-SP-10	50 mm	100 mm	FD-251339
	D8NN-B580-AA	2pc	78/9-81	P-UV-8	50 mm	100 mm	FD-251038
BACKHOE SWING	D8NN-B579-BE		78/9-81	P-UV-9	56 mm	110 mm	FD-251037
LOADER BUCKET	D8NN-L903-FC		3-81/9-81	P-U-10	35 mm	60 mm	FD-251369
LOADER LIFT	D8NN-L905-FD		3-81/9-81	P-SP-10	40 mm	60 mm	FD-251370
MODEL 340A, 540A							
BACKHOE BUCKET	D8NN-B576-EC	1pc	84/5-85	P-UV-10	63 mm	90 mm	FD-251321
	D8NN-B576-FB	1pc	10-81/5-85	P-UV-10	63 mm	90 mm	FD-251321
BACKHOE CROWD	D8NN-B578-AA	1pc	10-81/5-85	P-SP-10	50 mm	100 mm	FD-251316
	D8NN-B578-AB	1pc	82/5-85	P-SP-10	50 mm	100 mm	FD-251316
	D8NN-B578-CC	1pc	10-81/5-85	P-UV-10	63 mm	115 mm	FD-251319
BACKHOE LIFT	D8NN-B577-BB	1pc	10-81/5-85	P-UV-10	56 mm	115 mm	FD-251318
	D8NN-B577-CB	1pc	10-81/5-85	P-SP-10	50 mm	100 mm	FD-251316
BACKHOE STABILIZER	D8NN-B580-AA	2pc	10-81/1-83	P-UV-8	50 mm	100 mm	FD-251038
	D8NN-B580-AA	2pc to 1pc	10-81/1-83	P-SP-10	50 mm	100 mm	FD-251339
	D8NN-B580-AD	1pc	2-83/5-85	P-UV-10	56 mm	100 mm	FD-251315
BACKHOE SWING	D8NN-B579-BE		10-81/8-82	P-UV-9	56 mm	110 mm	FD-251037
	E0NN-B579-BB		9-82/5-85	P-UV-10	50 mm	110 mm	FD-251303
LOADER BUCKET	D8NN-L903-FC		10-81/5-85	P-U-10	35 mm	60 mm	FD-251369
LOADER LIFT	D8NN-L905-FD		10-81/5-85	P-SP-10	40 mm	60 mm	FD-251370
MODEL 340B, 540B							
BACKHOE BUCKET	D8NN-B576-EC	1pc	6-85/11-88	P-UV-10	63 mm	90 mm	FD-251321
	D8NN-B576-FB	1pc	6-85/11-88	P-UV-10	63 mm	90 mm	FD-251321
BACKHOE CROWD	D8NN-B578-AA	1pc	6-85/11-88	P-SP-10	50 mm	100 mm	FD-251316
	D8NN-B578-AB	1pc	6-85/11-88	P-SP-10	50 mm	100 mm	FD-251316
	D8NN-B578-CC	1pc	6-85/11-88	P-UV-10	63 mm	115 mm	FD-251319
BACKHOE LIFT	D8NN-B577-BB	1pc	6-85/11-88	P-UV-10	56 mm	115 mm	FD-251318
	D8NN-B577-CB	1pc	6-85/11-88	P-SP-10	50 mm	100 mm	FD-251316
BACKHOE STABILIZER	D8NN-B580-AD	1pc	6-85/6-87	P-UV-10	56 mm	100 mm	FD-251315
	E4NN-B580-AA	1pc	7-87/11-88	P-UV-10	56 mm	100 mm	FD-251315
BACKHOE SWING	E0NN-B579-BB		6-85/11-88	P-UV-10	50 mm	110 mm	FD-251303
LOADER BUCKET	D8NN-L903-FC		6-85/11-88	P-U-10	35 mm	60 mm	FD-251369
LOADER LIFT	D8NN-L905-FD		6-85/11-88	P-SP-10	40 mm	60 mm	FD-251370
MODEL 445							
BACKHOE BUCKET	D8NN-B576-EC	1pc	84/5-85	P-UV-10	63 mm	90 mm	FD-251321
	D8NN-B576-FB	2pc	78/11-81	P-UV-9	63 mm	90 mm	FD-251032

FORD

Replacement Kits For

Backhoe Loaders							
APPLICATION	CYL #	Piston Type	SERIAL #	CODE	ROD	BORE	KIT #
MODEL 445							
BACKHOE BUCKET	D8NN-B576-FB	1pc	78/5-85	P-UV-10	63 mm	90 mm	FD-251321
BACKHOE CROWD	D8NN-B578-AA	2pc	78/11-81	P-V-9	50 mm	100 mm	FD-251035
	D8NN-B578-AA	1pc	78/5-85	P-SP-10	50 mm	100 mm	FD-251316
	D8NN-B578-AB	1pc	82/5-85	P-SP-10	50 mm	100 mm	FD-251316
	D8NN-B578-CC	2pc	78/11-81	P-UV-9	63 mm	115 mm	FD-251036
	D8NN-B578-CC	1pc	78/5-85	P-UV-10	63 mm	115 mm	FD-251319
BACKHOE LIFT	D8NN-B577-BB	2pc	78/11-81	P-UV-9	56 mm	115 mm	FD-251034
	D8NN-B577-BB	1pc	78/5-85	P-UV-10	56 mm	115 mm	FD-251318
	D8NN-B577-CB	2pc	78/11-81	P-V-9	50 mm	100 mm	FD-251035
	D8NN-B577-CB	1pc	78/5-85	P-SP-10	50 mm	100 mm	FD-251316
BACKHOE STABILIZER	D8NN-B580-AA	2pc	78/1-83	P-UV-8	50 mm	100 mm	FD-251038
	D8NN-B580-AA	2pc to 1pc	78/1-83	P-SP-10	50 mm	100 mm	FD-251339
	D8NN-B580-AD	1pc	2-83/5-85	P-UV-10	56 mm	100 mm	FD-251315
BACKHOE SWING	D8NN-B579-BE		78/8-82	P-UV-9	56 mm	110 mm	FD-251037
	E0NN-B579-BB		9-82/5-85	P-UV-10	50 mm	110 mm	FD-251303
LOADER BUCKET	D8NN-L903-AF		78/5-85	P-SP-10	40 mm	70 mm	FD-251072
	D8NN-L903-DD		78/5-85	P-SP-10	40 mm	70 mm	FD-251072
LOADER LIFT	D8NN-L905-DG		78/5-85	P-SP-10	50 mm	70 mm	FD-251162
MODEL 445A							
BACKHOE BUCKET	D8NN-B576-EC	1pc	6-85/12-86	P-UV-10	63 mm	90 mm	FD-251321
	D8NN-B576-FB	1pc	6-85/12-86	P-UV-10	63 mm	90 mm	FD-251321
BACKHOE CROWD	D8NN-B578-AA	1pc	6-85/12-86	P-SP-10	50 mm	100 mm	FD-251316
	D8NN-B578-AB	1pc	6-85/12-86	P-SP-10	50 mm	100 mm	FD-251316
	D8NN-B578-CC	1pc	6-85/12-86	P-UV-10	63 mm	115 mm	FD-251319
BACKHOE LIFT	D8NN-B577-BB	1pc	6-85/12-86	P-UV-10	56 mm	115 mm	FD-251318
	D8NN-B577-CB	1pc	6-85/12-86	P-SP-10	50 mm	100 mm	FD-251316
BACKHOE STABILIZER	D8NN-B580-AD	1pc	6-85/12-86	P-UV-10	56 mm	100 mm	FD-251315
BACKHOE SWING	E0NN-B579-BB		6-85/12-86	P-UV-10	50 mm	110 mm	FD-251303
LOADER BUCKET	D8NN-L903-AF		6-85/12-86	P-SP-10	40 mm	70 mm	FD-251072
	D8NN-L903-DD		6-85/12-86	P-SP-10	40 mm	70 mm	FD-251072
LOADER LIFT	D8NN-L905-DG		6-85/12-86	P-SP-10	50 mm	70 mm	FD-251162
MODEL 445C							
LOADER BUCKET	F1NN-L903-BA		3-89/6-91, 7-91/-	P-UB-10	40 mm	70 mm	FD-FP419
LOADER LIFT	F1NN-L905-BB		3-89/6-91, 7-91/11-91	P-UB-10	50 mm	70 mm	FD-FP459
MODEL 445D							
LOADER BUCKET	F1NN-L903-BA		7-91/	P-UB-10	40 mm	70 mm	FD-FP419
LOADER LIFT	F1NN-L905-BB		7-91/11-92, 12-92/-	P-UB-10	50 mm	70 mm	FD-FP459
MODEL 450							
BACKHOE BUCKET	D8NN-B576-EC	1pc	87/11-88	P-UV-10	63 mm	90 mm	FD-251321
	D8NN-B576-FB	1pc	87/11-88	P-UV-10	63 mm	90 mm	FD-251321
BACKHOE CROWD	D8NN-B578-AA	1pc	87/11-88	P-SP-10	50 mm	100 mm	FD-251316
	D8NN-B578-AB	1pc	87/11-88	P-SP-10	50 mm	100 mm	FD-251316
	D8NN-B578-CC	1pc	87/11-88	P-UV-10	63 mm	115 mm	FD-251319
BACKHOE LIFT	D8NN-B577-BB	1pc	87/11-88	P-UV-10	56 mm	115 mm	FD-251318

FORD

Replacement Kits For

FORD

Backhoe Loaders

APPLICATION	CYL #	Piston Type	SERIAL #	CODE	ROD	BORE	KIT #
MODEL 450							
BACKHOE LIFT	D8NN-B577-CB	1pc	87/11-88	P-SP-10	50 mm	100 mm	FD-251316
BACKHOE STABILIZER	D8NN-B580-AD	1pc	1-87/6-87	P-UV-10	56 mm	100 mm	FD-251315
	E4NN-B580-AA	1pc	7-87/11-88	P-UV-10	56 mm	100 mm	FD-251315
BACKHOE SWING	E0NN-B579-BB		87/11-88	P-UV-10	50 mm	110 mm	FD-251303
LOADER BUCKET	D8NN-L903-DD		87/11-88	P-SP-10	40 mm	70 mm	FD-251072
LOADER LIFT	D8NN-L905-DG		87/11-88	P-SP-10	50 mm	70 mm	FD-251162
MODEL 455							
BACKHOE BUCKET	D8NN-B576-EC		7-87/11-88	P-UV-10	63 mm	90 mm	FD-251321
	D8NN-B576-FB		7-87/11-88	P-UV-10	63 mm	90 mm	FD-251321
BACKHOE CROWD	D8NN-B578-AB		7/87-11-88	P-SP-10	50 mm	100 mm	FD-251316
	E6NN-B578-AA		7/87-11-88	P-SP-10	50 mm	100 mm	FD-251316
BACKHOE EXTENDABLE DIPSTICK	E4NN-C492-AA		7-87/11-88	P-V-10	50 mm	80 mm	FD-251317
BACKHOE LIFT	E6NN-B577-AA		7-87/11-88	P-SP-10	50 mm	100 mm	FD-251316
	E9NN-B577-AA		7-87/11-88	P-SP-10	50 mm	100 mm	FD-251316
BACKHOE STABILIZER	E4NN-B580-AA		7-87/11-88	P-UV-10	56 mm	100 mm	FD-251315
BACKHOE SWING	E6NN-B579-AA		7-87/11-88	P-UV-10	50 mm	110 mm	FD-251303
LOADER BUCKET LH	E0NN-L904-AA		7-87/11-88	P-U-10	1-1/2	3	FD-251363
LOADER BUCKET RH	E0NN-L903-AA		7-87/11-88	P-U-10	1-1/2	3	FD-251363
LOADER LIFT	E4NN-L905-AA		7-87/11-88	P-U-10	2	3	FD-251362
MODEL 455C							
BACKHOE BUCKET	E7NN-B576-AB		12-88/8-92	P-U-10	63 mm	90 mm	FD-FP456
BACKHOE CROWD	E7NN-B578-BC		12-88/12-91	P-UB-10	63 mm	115 mm	FD-FP455
	F1NN-B578-BA		1-92/8-92	P-UB-10	63 mm	115 mm	FD-FP455
BACKHOE EXTENDABLE DIPSTICK	E7NN-C492-AB		12-88/8-92	P-UB-10	50 mm	80 mm	FD-FP457
BACKHOE LIFT	E7NN-B577-CC		12-88/12-91	P-UB-10	56 mm	115 mm	FD-FP454
	F1NN-B577-AA		1-92/8-92	P-UB-10	56 mm	115 mm	FD-FP454
BACKHOE STABILIZER	E7NN-B580-AE		12-88/4-92	P-UB-10	56 mm	100 mm	FD-FP458
	F1NN-B580-AA		5-92/8-92	P-UB-10	56 mm	100 mm	FD-FP458
BACKHOE SWING	E7NN-B579-AC		12-88/8-92	P-UB-10	50 mm	110 mm	FD-FP460
LOADER BUCKET	E7NN-L903-BA		12-88/6-91	P-UB-10	40 mm	80 mm	FD-85804740
	F1NN-L903-CA		7-91/8-92	P-UB-10	40 mm	80 mm	FD-85804740
LOADER LIFT	E7NN-L905-AC		12-88/8-92	P-UB-10	50 mm	80 mm	FD-FP417
MODEL 455D							
BACKHOE BUCKET	E7NN-B576-AB		9-92/	P-U-10	63 mm	90 mm	FD-FP456
BACKHOE CROWD	F1NN-B578-BA		9-92/	P-UB-10	63 mm	115 mm	FD-FP455
BACKHOE EXTENDABLE DIPSTICK	E7NN-C492-AB		9-92/8-93	P-UB-10	50 mm	80 mm	FD-FP457
	E7NN-C492-AD		9-93/	P-UB-10	50 mm	80 mm	FD-FP457
BACKHOE LIFT	F1NN-B577-AA		9-92/	P-UB-10	56 mm	115 mm	FD-FP454
BACKHOE STABILIZER	F1NN-B580-AA		9-92/8-93	P-UB-10	56 mm	100 mm	FD-FP458
	F2NN-B580-AA		9-93/	P-UB-10	56 mm	100 mm	FD-FP458
BACKHOE SWING	E7NN-B579-AC		9-92/8-93	P-UB-10	50 mm	110 mm	FD-FP460
	E7NN-B579-AD		9-93/	P-UB-10	50 mm	110 mm	FD-FP460
LOADER BUCKET	F1NN-L903-CA		9-92/	P-UB-10	40 mm	80 mm	FD-85804740

Replacement Kits For

FORD

Backhoe Loaders							
APPLICATION	CYL #	Piston Type	SERIAL #	CODE	ROD	BORE	KIT #
MODEL 455D							
LOADER LIFT	E7NN-L905-AC		9-92/	P-UB-10	50 mm	80 mm	FD-FP417
MODEL 545							
BACKHOE BUCKET	D8NN-B576-EC	1pc	84/5-85	P-UV-10	63 mm	90 mm	FD-251321
	D8NN-B576-FB	2pc	78/11-81	P-UV-9	63 mm	90 mm	FD-251032
	D8NN-B576-FB	1pc	78/5-85	P-UV-10	63 mm	90 mm	FD-251321
BACKHOE CROWD	D8NN-B578-AA	2pc	78/11-81	P-V-9	50 mm	100 mm	FD-251035
	D8NN-B578-AA	1pc	78/5-85	P-SP-10	50 mm	100 mm	FD-251316
	D8NN-B578-AB	1pc	82/5-85	P-SP-10	50 mm	100 mm	FD-251316
	D8NN-B578-CC	2pc	78/11-81	P-UV-9	63 mm	115 mm	FD-251036
	D8NN-B578-CC	1pc	78/5-85	P-UV-10	63 mm	115 mm	FD-251319
BACKHOE LIFT	D8NN-B577-BB	2pc	78/11-81	P-UV-9	56 mm	115 mm	FD-251034
	D8NN-B577-BB	1pc	78/5-85	P-UV-10	56 mm	115 mm	FD-251318
	D8NN-B577-CB	2pc	78/11-81	P-V-9	50 mm	100 mm	FD-251035
	D8NN-B577-CB	1pc	78/5-85	P-SP-10	50 mm	100 mm	FD-251316
BACKHOE STABILIZER	D8NN-B580-AA	2pc	78/1-83	P-UV-8	50 mm	100 mm	FD-251038
	D8NN-B580-AA	2pc to 1pc	78/1-83	P-SP-10	50 mm	100 mm	FD-251339
	D8NN-B580-AD	1pc	2-83/5-85	P-UV-10	56 mm	100 mm	FD-251315
BACKHOE SWING	D8NN-B579-BE		78/8-82	P-UV-9	56 mm	110 mm	FD-251037
	E0NN-B579-BB		9-82/5-85	P-UV-10	50 mm	110 mm	FD-251303
LOADER BUCKET	D8NN-L903-AF		78/5-85	P-SP-10	40 mm	70 mm	FD-251072
	D8NN-L903-CE		78/5-85	P-U-10	40 mm	80 mm	FD-251073
	D8NN-L903-DD		78/5-85	P-SP-10	40 mm	70 mm	FD-251072
LOADER LIFT	D8NN-L905-CE		78/5-85	P-SP-10	50 mm	80 mm	FD-251074
	D8NN-L905-DG		78/5-85	P-SP-10	50 mm	70 mm	FD-251162
MODEL 545A							
BACKHOE BUCKET	D8NN-B576-EC	1pc	6-85/11-88	P-UV-10	63 mm	90 mm	FD-251321
	D8NN-B576-FB	1pc	6-85/11-88	P-UV-10	63 mm	90 mm	FD-251321
BACKHOE CROWD	D8NN-B578-AA	1pc	6-85/11-88	P-SP-10	50 mm	100 mm	FD-251316
	D8NN-B578-AB	1pc	6-85/11-88	P-SP-10	50 mm	100 mm	FD-251316
	D8NN-B578-CC	1pc	6-85/11-88	P-UV-10	63 mm	115 mm	FD-251319
BACKHOE LIFT	D8NN-B577-BB	1pc	6-85/11-88	P-UV-10	56 mm	115 mm	FD-251318
	D8NN-B577-CB	1pc	6-85/11-88	P-SP-10	50 mm	100 mm	FD-251316
BACKHOE STABILIZER	D8NN-B580-AD	1pc	6-85/6-87	P-UV-10	56 mm	100 mm	FD-251315
	E4NN-B580-AA	1pc	7-87/11-88	P-UV-10	56 mm	100 mm	FD-251315
BACKHOE SWING	E0NN-B579-BB		6-85/11-88	P-UV-10	50 mm	110 mm	FD-251303
LOADER BUCKET	D8NN-L903-AF		6-85/11-88	P-SP-10	40 mm	70 mm	FD-251072
	D8NN-L903-CE		6-85/11-88	P-U-10	40 mm	80 mm	FD-251073
	D8NN-L903-DD		6-85/11-88	P-SP-10	40 mm	70 mm	FD-251072
LOADER LIFT	D8NN-L905-CE		6-85/11-88	P-SP-10	50 mm	80 mm	FD-251074
	D8NN-L905-DG		6-85/11-88	P-SP-10	50 mm	70 mm	FD-251162
MODEL 545C							
LOADER BUCKET	E7NN-L903-BA		3-89/6-91	P-UB-10	40 mm	80 mm	FD-85804740
	F1NN-L903-CA		7-91/	P-UB-10	40 mm	80 mm	FD-85804740
LOADER LIFT	E7NN-L905-DA		3-89/6-91	P-UB-10	50 mm	80 mm	FD-FP417
	F1NN-L905-AB		7-91/11-92	P-UB-10	50 mm	80 mm	FD-FP417

Replacement Kits For

FORD

Backhoe Loaders

APPLICATION	CYL #	Piston Type	SERIAL #	CODE	ROD	BORE	KIT #
MODEL 545D							
LOADER BUCKET	F1NN-L903-CA		7-91/	P-UB-10	40 mm	80 mm	FD-85804740
LOADER LIFT	F1NN-L905-AB		7-91/11-92, 12-92/	P-UB-10	50 mm	80 mm	FD-FP417
MODEL 550							
BACKHOE BUCKET	D5NN-B576-B		75/83		2-1/2	3.52	FD-309949
BACKHOE CROWD	D5NN-B578-C		75/83	P-V-9	2-1/4	4-1/2	FD-309948
	D7NN-B578-C		75/83	P-V-9	2	4	FD-309946
BACKHOE LIFT HEAVY DUTY	D7NN-B577-F		77/78	P-V-9	2-1/2	5	FD-309962
BACKHOE LIFT-CENTER PIVOT	D7NN-B577-B		75/83	P-V-9	2	4-1/2	FD-309947
	D7NN-B577-C		75/83	P-V-9	2	4	FD-309946
BACKHOE LIFT-SIDESHIFT	D7NN-B577-B		4-78/83	P-V-9	2	4-1/2	FD-309947
	D7NN-B577-D		75/3-78	P-V-9	2	4	FD-309946
BACKHOE STABILIZER-CENTERPIVOT	D7NN-B580-C		75/78	P-V-8	1-3/4	4	FD-309940
BACKHOE STABILIZER-SIDESHIFT	D8NN-B580-CA		75/83	P-V-8	1-1/2	3	FD-309974F
BACKHOE SWING-CENTER PIVOT	D7NN-B579-D		75/83	P-V-8	1-3/4	4-1/2	FD-309939
	D7NN-B579-E		75/83	P-V-8	1-3/4	4	FD-309940
LOADER BUCKET LH	D5NN-L904-A		75/83	P-U-8	1-1/2	3	FD-309985F
LOADER BUCKET RH	D5NN-L903-C		75/83	P-U-8	1-1/2	3	FD-309985F
LOADER LIFT	E3NN-L905-AA		75/83	P-U-8	2	3	FD-309984F
MODEL 555							
ARM		1pc		P-UV-10	63 mm	115 mm	FD-251319
		2pc		P-UV-9	63 mm	115 mm	FD-251036
BACKHOE BUCKET	D8NN-B576-EC	1pc	10-78/10-88	P-UV-10	63 mm	90 mm	FD-251321
	D8NN-B576-EC	2pc	10-78/11-81	P-UV-9	63 mm	90 mm	FD-251032
BACKHOE CROWD	D8NN-B578-BB	1pc	10-78/10-88	P-UV-10	63 mm	115 mm	FD-251319
	D8NN-B578-BB	2pc	10-78/11-81	P-UV-9	63 mm	115 mm	FD-251036
	D8NN-B578-CC	1pc	10-78/10-88	P-UV-10	63 mm	115 mm	FD-251319
	D8NN-B578-CC	2pc	10-78/11-81	P-UV-9	63 mm	115 mm	FD-251036
BACKHOE EXTENDABLE DIPSTICK	D8NN-C492-BB	1pc	10-78/7-87	P-V-10	50 mm	80 mm	FD-251317
BACKHOE LIFT	D8NN-B577-AB	1pc	10-78/10-88	P-UV-10	63 mm	125 mm	FD-251320
	D8NN-B577-AB	2pc	10-78/81	P-UV-9	63 mm	125 mm	FD-251033
	D8NN-B577-BB	1pc	10-78/10-88	P-UV-10	56 mm	115 mm	FD-251318
	D8NN-B577-BB	2pc	10-78/81	P-UV-9	56 mm	115 mm	FD-251034
BACKHOE STABILIZER-CENTERPIVOT	D8NN-B580-AA	2pc	10-78/1-83	P-UV-8	50 mm	100 mm	FD-251038
	D8NN-B580-AA	1pc	10-78/1-83	P-SP-10	50 mm	100 mm	FD-251339
	D8NN-B580-AD	1pc	2-83/6-87	P-UV-10	56 mm	100 mm	FD-251315
	E4NN-B580-AA	1pc	7-87/10-88	P-UV-10	56 mm	100 mm	FD-251315
BACKHOE STABILIZER-SIDESHIFT	E0NN-B580-AA		84/10-88	P-U-10	45 mm	70 mm	FD-251361
BACKHOE SWING	D8NN-B579-BE		10-78/8-82	P-UV-9	56 mm	110 mm	FD-251037

FORD

Replacement Kits For

Backhoe Loaders							
APPLICATION	CYL #	Piston Type	SERIAL #	CODE	ROD	BORE	KIT #
MODEL 555							
BACKHOE SWING-CENTER PIVOT	E6NN-B579-AA		9-82/10-88	P-UV-10	50 mm	110 mm	FD-251303
BACKHOE SWING-SIDESHIFT	E1NN-B579-AB		84/10-88	P-UV-10	50 mm	110 mm	FD-251303
LOADER BUCKET LH	D5NN-L904-A		10-78/83	P-U-8	1-1/2	3	FD-309985F
	E0NN-L904-AA		84/10-88	P-U-10	1-1/2	3	FD-251363
LOADER BUCKET RH	D5NN-L903-C		10-78/83	P-U-8	1-1/2	3	FD-309985F
	E0NN-L903-AA		84/10-88	P-U-10	1-1/2	3	FD-251363
LOADER LIFT	E3NN-L905-AA		10-78/83	P-U-8	2	3	FD-309984F
	E4NN-L905-AA		84/10-88	P-U-10	2	3	FD-251362
MODEL 555A							
BACKHOE BUCKET	D8NN-B576-EC	1pc	84/5-85	P-UV-10	63 mm	90 mm	FD-251321
BACKHOE CROWD	D8NN-B578-BB	1pc	84/5-85	P-UV-10	63 mm	115 mm	FD-251319
	D8NN-B578-CC	1pc	84/5-85	P-UV-10	63 mm	115 mm	FD-251319
BACKHOE EXTENDABLE DIPSTICK	D8NN-C492-BB	1pc	84/5-85	P-V-10	50 mm	80 mm	FD-251317
BACKHOE LIFT	D8NN-B577-AB	1pc	84/5-85	P-UV-10	63 mm	125 mm	FD-251320
	D8NN-B577-BB	1pc	84/5-85	P-UV-10	56 mm	115 mm	FD-251318
BACKHOE STABILIZER-CENTERPIVOT	D8NN-B580-AD	1pc	84/5-85	P-UV-10	56 mm	100 mm	FD-251315
BACKHOE STABILIZER-SIDESHIFT	E0NN-B580-AA		84/5-85	P-U-10	45 mm	70 mm	FD-251361
BACKHOE SWING-CENTER PIVOT	E6NN-B579-AA		84/5-85	P-UV-10	50 mm	110 mm	FD-251303
BACKHOE SWING-SIDESHIFT	E1NN-B579-AB		84/5-85	P-UV-10	50 mm	110 mm	FD-251303
LOADER BUCKET LH	E0NN-L904-AA		84/5-85	P-U-10	1-1/2	3	FD-251363
LOADER BUCKET RH	E0NN-L903-AA		84/5-85	P-U-10	1-1/2	3	FD-251363
LOADER LIFT	E4NN-L905-AA		84/5-85	P-U-10	2	3	FD-251362
MODEL 555A-XL							
BACKHOE BUCKET	D8NN-B576-EC			P-UV-10	63 mm	90 mm	FD-251321
BACKHOE CROWD	D8NN-B578-BB			P-UV-10	63 mm	115 mm	FD-251319
	D8NN-B578-CC			P-UV-10	63 mm	115 mm	FD-251319
BACKHOE EXTENDABLE DIPSTICK	D8NN-C492-BB			P-V-10	50 mm	80 mm	FD-251317
BACKHOE LIFT	D8NN-B577-AB			P-UV-10	63 mm	125 mm	FD-251320
	D8NN-B577-BB			P-UV-10	56 mm	115 mm	FD-251318
BACKHOE STABILIZER-CENTERPIVOT	D8NN-B580-AD			P-UV-10	56 mm	100 mm	FD-251315
BACKHOE STABILIZER-SIDESHIFT	E0NN-B580-AA			P-U-10	45 mm	70 mm	FD-251361
BACKHOE SWING-CENTER PIVOT	E6NN-B579-AA			P-UV-10	50 mm	110 mm	FD-251303
BACKHOE SWING-SIDESHIFT	E1NN-B579-AB			P-UV-10	50 mm	110 mm	FD-251303
LOADER BUCKET LH	E0NN-L904-AA			P-U-10	1-1/2	3	FD-251363
LOADER BUCKET RH	E0NN-L903-AA			P-U-10	1-1/2	3	FD-251363
LOADER LIFT	E4NN-L905-AA			P-U-10	2	3	FD-251362

FORD

Replacement Kits For

Backhoe Loaders

APPLICATION	CYL #	Piston Type	SERIAL #	CODE	ROD	BORE	KIT #
MODEL 555B							
BACKHOE BUCKET	D8NN-B576-EC	1pc	6-85/10-88	P-UV-10	63 mm	90 mm	FD-251321
BACKHOE CROWD	D8NN-B578-BB	1pc	6-85/10-88	P-UV-10	63 mm	115 mm	FD-251319
	D8NN-B578-CC	1pc	6-85/10-88	P-UV-10	63 mm	115 mm	FD-251319
BACKHOE LIFT	D8NN-B577-AB	1pc	6-85/10-88	P-UV-10	63 mm	125 mm	FD-251320
	D8NN-B577-BB	1pc	6-85/10-88	P-UV-10	56 mm	115 mm	FD-251318
BACKHOE STABILIZER-CENTERPIVOT	D8NN-B580-AD	1pc	6-85/6-87	P-UV-10	56 mm	100 mm	FD-251315
	E4NN-B580-AA	1pc	7-87/10-88	P-UV-10	56 mm	100 mm	FD-251315
BACKHOE STABILIZER-SIDESHIFT	E0NN-B580-AA		6-85/10-88	P-U-10	45 mm	70 mm	FD-251361
BACKHOE SWING-CENTER PIVOT	E6NN-B579-AA		6-85/10-88	P-UV-10	50 mm	110 mm	FD-251303
BACKHOE SWING-SIDESHIFT	E1NN-B579-AB		6-85/10-88	P-UV-10	50 mm	110 mm	FD-251303
LOADER BUCKET LH	E0NN-L904-AA		6-85/10-88	P-U-10	1-1/2	3	FD-251363
LOADER BUCKET RH	E0NN-L903-AA		6-85/10-88	P-U-10	1-1/2	3	FD-251363
LOADER LIFT	E4NN-L905-AA		6-85/10-88	P-U-10	2	3	FD-251362
MODEL 555C							
BACKHOE BUCKET	E7NN-B576-AB		11-88/8-92	P-U-10	63 mm	90 mm	FD-FP456
BACKHOE CROWD	F1NN-B578-AA		11-88/8-92	P-UB-10	63 mm	115 mm	FD-FP455
BACKHOE EXTENDABLE DIPSTICK	E7NN-C492-AB		11-88/8-92	P-UB-10	50 mm	80 mm	FD-FP457
BACKHOE LIFT W/HED	E7NN-B577-AE		11-88/12-91	P-UB-10	63 mm	125 mm	FD-85804741
BACKHOE LIFT W/O HED	E7NN-B577-BE		11-88/12-91	P-UB-10	56 mm	115 mm	FD-FP454
BACKHOE STABILIZER-CENTERPIVOT	F2NN-B580-AA		11-88/8-92	P-UB-10	56 mm	100 mm	FD-FP458
BACKHOE STABILIZER-SIDESHIFT	E7NN-B580-BA		11-88/8-92	P-UB-10	50 mm	70 mm	FD-FP459
BACKHOE SWING - CENTER PIVOT	E7NN-B579-BA		11-88/8-92	P-UB-10	50 mm	110 mm	FD-FP460
BACKHOE SWING - SIDE SHIFT	E7NN-B579-BA		11-88/8-92	P-UB-10	50 mm	110 mm	FD-FP460
LOADER BUCKET LH	F1NN-L904-AA		11-88/8-92	P-UB-10	40 mm	80 mm	FD-85804740
LOADER BUCKET RH	F1NN-L903-AA		11-88/8-92	P-UB-10	40 mm	80 mm	FD-85804740
LOADER BUCKET-MULTIPURPOSE	E7NN-A136-AA		11-88/5-92	P-UB-10	40 mm	70 mm	FD-FP419
LOADER LIFT	E7NN-L905-BB		11-88/8-92	P-UB-10	50 mm	80 mm	FD-FP417
MODEL 555D							
BACKHOE BUCKET	E7NN-B576-AB		9-92/	P-U-10	63 mm	90 mm	FD-FP456
BACKHOE CROWD	F1NN-B578-AA		9-92/	P-UB-10	63 mm	115 mm	FD-FP455
BACKHOE EXTENDABLE DIPSTICK	E7NN-C492-AB		9-92/8-93	P-UB-10	50 mm	80 mm	FD-FP457
	E7NN-C492-AD		9-93/	P-UB-10	50 mm	80 mm	FD-FP457
BACKHOE LIFT W/HED	F1NN-B577-CA		9-92/	P-UB-10	63 mm	125 mm	FD-85804741
BACKHOE LIFT W/O HED	F1NN-B577-BA		9-92/	P-UB-10	56 mm	115 mm	FD-FP454
BACKHOE STABILIZER-CENTERPIVOT	F2NN-B580-AA		9-92/	P-UB-10	56 mm	100 mm	FD-FP458

FORD

Replacement Kits For

Backhoe Loaders							
APPLICATION	CYL #	Piston Type	SERIAL #	CODE	ROD	BORE	KIT #
MODEL 555D							
BACKHOE STABILIZER- SIDESHIFT	E7NN-B580-BA		9-92/8-93	P-UB-10	50 mm	70 mm	FD-FP459
	E7NN-B580-BB		9-93/	P-UB-10	50 mm	70 mm	FD-FP459
BACKHOE SWING - CENTER PIVOT	E7NN-B579-AB		9-92/8-93	P-UB-10	50 mm	110 mm	FD-FP460
	E7NN-B579-AD		9-93/	P-UB-10	50 mm	110 mm	FD-FP460
BACKHOE SWING - SIDE SHIFT	E7NN-B579-BA		9-92/8-93	P-UB-10	50 mm	110 mm	FD-FP460
	E7NN-B579-BC		9-93/	P-UB-10	50 mm	110 mm	FD-FP460
LOADER BUCKET LH	F1NN-L904-AA		9-92/	P-UB-10	40 mm	80 mm	FD-85804740
LOADER BUCKET RH	F1NN-L903-AA		9-92/	P-UB-10	40 mm	80 mm	FD-85804740
LOADER BUCKET- MULTIPURPOSE	F1NN-A136-AA		9-92/	P-UB-10	40 mm	70 mm	FD-FP419
LOADER LIFT	E7NN-L905-BC		4-93/	P-UB-10	50 mm	80 mm	FD-FP417
POWER STEERING	F1NN-3A540- AA		5-92/	I-U-10	40 mm	2-3/4	FD-FINN3A539AA
MODEL 555E							
BACKHOE BOOM LIFT	85800400			P-UB-10	63 mm	125 mm	FD-85804741
BACKHOE BUCKET	83962129			P-U-10	63 mm	90 mm	FD-85804743
BACKHOE CROWD	81873434			P-UB-10	63 mm	115 mm	FD-85804742
BACKHOE H.E.D.	85800800			P-UB-10	50 mm	70 mm	FD-85802569
BACKHOE STABILIZER	85800600			P-UB-10	56 mm	100 mm	FD-83971999
BACKHOE SWING	85800300			P-UB-10	50 mm	110 mm	FD-85802570
LOADER BUCKET	85800500			P-UB-10	40 mm	80 mm	FD-85804740
LOADER LIFT	85800100			P-UB-10	50 mm	90 mm	FD-85802567
MODEL 575D							
BACKHOE BUCKET	E7NN-B576-AB		9-92/	P-U-10	63 mm	90 mm	FD-FP456
BACKHOE CROWD	F1NN-B578-AA		9-92/	P-UB-10	63 mm	115 mm	FD-FP455
BACKHOE EXTENDABLE DIPSTICK	E7NN-C492-AD		9-93/	P-UB-10	50 mm	80 mm	FD-FP457
BACKHOE STABILIZER- CENTERPIVOT	F2NN-B580-AA		9-92/	P-UB-10	56 mm	100 mm	FD-FP458
BACKHOE STABILIZER- SIDESHIFT	E7NN-B580-BA		9-92/8-93	P-UB-10	50 mm	70 mm	FD-FP459
	E7NN-B580-BB		9-93/	P-UB-10	50 mm	70 mm	FD-FP459
BACKHOE SWING - CENTER PIVOT	E7NN-B579-AD		9-93/	P-UB-10	50 mm	110 mm	FD-FP460
	E7NN-B579-BA		9-92/8-93	P-UB-10	50 mm	110 mm	FD-FP460
BACKHOE SWING - SIDE SHIFT	E7NN-B579-BA		9-92/8-93	P-UB-10	50 mm	110 mm	FD-FP460
	E7NN-B579-BC		9-93/	P-UB-10	50 mm	110 mm	FD-FP460
LOADER BUCKET LH	F1NN-L904-AA		9-92/	P-UB-10	40 mm	80 mm	FD-85804740
LOADER BUCKET RH	F1NN-L903-AA		9-92/	P-UB-10	40 mm	80 mm	FD-85804740
LOADER BUCKET- MULTIPURPOSE	F1NN-A136-AA		9-92/	P-UB-10	40 mm	70 mm	FD-FP419
LOADER LIFT	E7NN-L905-BC		4-93/	P-UB-10	50 mm	80 mm	FD-FP417
MODEL 575E							
BACKHOE BOOM LIFT	85800400			P-UB-10	63 mm	125 mm	FD-85804741
BACKHOE BUCKET	83962129			P-U-10	63 mm	90 mm	FD-85804743

Replacement Kits For

FORD

Backhoe Loaders

APPLICATION	CYL #	Piston Type	SERIAL #	CODE	ROD	BORE	KIT #
MODEL 575E							
BACKHOE CROWD	81873434			P-UB-10	63 mm	115 mm	FD-85804742
BACKHOE H.E.D.	85800800			P-UB-10	50 mm	70 mm	FD-85802569
BACKHOE STABILIZER	85800600			P-UB-10	56 mm	100 mm	FD-83971999
BACKHOE SWING	85800300			P-UB-10	50 mm	110 mm	FD-85802570
LOADER BUCKET	85800500			P-UB-10	40 mm	80 mm	FD-85804740
LOADER LIFT	85800100			P-UB-10	50 mm	90 mm	FD-85802567
MODEL 650							
BACKHOE BUCKET	D5NN-B576-B		11-75/77		2-1/2	3.52	FD-309949
BACKHOE CROWD	D7NN-B578-B		11-75/77	P-V-9	2-1/4	4-1/2	FD-309948
BACKHOE LIFT	D7NN-B577-F		11-75/77	P-V-9	2-1/2	5	FD-309962
BACKHOE STABILIZER	D7NN-B580-C		11-75/77	P-V-8	1-3/4	4	FD-309940
BACKHOE SWING	D7NN-B579-D		11-75/77	P-V-8	1-3/4	4-1/2	FD-309939
LOADER BUCKET	D7NN-L903-A		11-75/77	P-V-9	2-1/4	4	FD-309951
LOADER HYDRO BUCKET	7708113		11-75/77	P-U-13	2	3	FD-7708145
LOADER LIFT	D7NN-L905-F		11-75/77	P-V-9	2-1/4	4	FD-309951
MODEL 655							
BACKHOE BUCKET		2pc			2-1/2	3.52	FD-309949
	D8NN-B576-EC	1pc	7-85/10-88	P-UV-10	63 mm	90 mm	FD-251321
BACKHOE CROWD		2pc		P-V-9	2-1/4	4-1/2	FD-309948
	D8NN-B578-BB	1pc	7-85/10-88	P-UV-10	63 mm	115 mm	FD-251319
	D8NN-B578-CC	1pc	7-85/10-88	P-UV-10	63 mm	115 mm	FD-251319
BACKHOE EXTENDABLE DIPSTICK	D8NN-C492-BB	1pc	7-85/7-87	P-V-10	50 mm	80 mm	FD-251317
BACKHOE LIFT		2pc		P-V-9	2	4-1/2	FD-309947
	D8NN-B577-AB	1pc	7-85/10-88	P-UV-10	63 mm	125 mm	FD-251320
	D8NN-B577-BB	1pc	7-85/10-88	P-UV-10	56 mm	115 mm	FD-251318
BACKHOE STABILIZER		2pc		P-V-8	1-3/4	4	FD-309940
BACKHOE STABILIZER-CENTERPIVOT	D8NN-B580-AD	1pc	7-85/6-87	P-UV-10	56 mm	100 mm	FD-251315
	E4NN-B580-AA	1pc	7-87/10-88	P-UV-10	56 mm	100 mm	FD-251315
BACKHOE STABILIZER-SIDESHIFT	E0NN-B580-AA		7-85/10-88	P-U-10	45 mm	70 mm	FD-251361
BACKHOE SWING		2pc		P-V-8	1-3/4	4-1/2	FD-309939
BACKHOE SWING-CENTER PIVOT	E6NN-B579-AA		7-85/10-88	P-UV-10	50 mm	110 mm	FD-251303
BACKHOE SWING-SIDESHIFT	E1NN-B579-AB		7-85/10-88	P-UV-10	50 mm	110 mm	FD-251303
LOADER BUCKET LH	E0NN-L904-AA		7-85/10-88	P-U-10	1-1/2	3	FD-251363
LOADER BUCKET RH	E0NN-L903-AA		7-85/10-88	P-U-10	1-1/2	3	FD-251363
LOADER LIFT	E4NN-L905-AA		7-85/10-88	P-U-10	2	3	FD-251362
MODEL 655A							
BACKHOE BUCKET	D8NN-B576-EC	1pc	6-85/10-88	P-UV-10	63 mm	90 mm	FD-251321
BACKHOE CROWD	D8NN-B578-BB	1pc	6-85/10-88	P-UV-10	63 mm	115 mm	FD-251319
	D8NN-B578-CC	1pc	6-85/10-88	P-UV-10	63 mm	115 mm	FD-251319
BACKHOE EXTENDABLE DIPSTICK	D8NN-C492-BB	1pc	6-85/7-87	P-V-10	50 mm	80 mm	FD-251317
BACKHOE LIFT	D8NN-B577-AB	1pc	6-85/10-88	P-UV-10	63 mm	125 mm	FD-251320

FORD

Replacement Kits For

Backhoe Loaders							
APPLICATION	CYL #	Piston Type	SERIAL #	CODE	ROD	BORE	KIT #
MODEL 655A							
BACKHOE LIFT	D8NN-B577-BB	1pc	6-85/10-88	P-UV-10	56 mm	115 mm	FD-251318
BACKHOE STABILIZER-CENTERPIVOT	D8NN-B580-AD	1pc	6-85/6-87	P-UV-10	56 mm	100 mm	FD-251315
	E4NN-B580-AA	1pc	7-87/10-88	P-UV-10	56 mm	100 mm	FD-251315
BACKHOE STABILIZER-SIDESHIFT	E0NN-B580-AA		6-85/10-88	P-U-10	45 mm	70 mm	FD-251361
BACKHOE SWING-CENTER PIVOT	E6NN-B579-AA		6-85/10-88	P-UV-10	50 mm	110 mm	FD-251303
BACKHOE SWING-SIDESHIFT	E1NN-B579-AB		6-85/10-88	P-UV-10	50 mm	110 mm	FD-251303
LOADER BUCKET LH	E0NN-L904-AA		6-85/10-88	P-U-10	1-1/2	3	FD-251363
LOADER BUCKET RH	E0NN-L903-AA		6-85/10-88	P-U-10	1-1/2	3	FD-251363
LOADER LIFT	E4NN-L905-AA		6-85/10-88	P-U-10	2	3	FD-251362
MODEL 655C							
BACKHOE BUCKET	E7NN-B576-AB		11-88/8-92	P-U-10	63 mm	90 mm	FD-FP456
BACKHOE CROWD	F1NN-B578-AA		11-88/8-92	P-UB-10	63 mm	115 mm	FD-FP455
BACKHOE EXTENDABLE DIPSTICK	E7NN-C492-BD		11-88/8-92	P-UB-10	50 mm	80 mm	FD-FP457
BACKHOE LIFT	E7NN-B577-AE		11-88/12-91	P-UB-10	63 mm	125 mm	FD-85804741
BACKHOE STABILIZER-CENTERPIVOT	F2NN-B580-AA		11-88/8-92	P-UB-10	56 mm	100 mm	FD-FP458
BACKHOE STABILIZER-SIDESHIFT	E7NN-B580-BA		11-88/8-92	P-UB-10	50 mm	70 mm	FD-FP459
BACKHOE SWING - CENTER PIVOT	E7NN-B579-BA		11-88/8-92	P-UB-10	50 mm	110 mm	FD-FP460
BACKHOE SWING - SIDE SHIFT	E7NN-B579-BA		11-88/8-92	P-UB-10	50 mm	110 mm	FD-FP460
LOADER BUCKET LH	F1NN-L904-AA		11-88/8-92	P-UB-10	40 mm	80 mm	FD-85804740
LOADER BUCKET RH	F1NN-L903-AA		11-88/8-92	P-UB-10	40 mm	80 mm	FD-85804740
LOADER BUCKET-MULTIPURPOSE	E7NN-A136-AA		11-88/5-92	P-UB-10	40 mm	70 mm	FD-FP419
LOADER LIFT	E7NN-L905-BB		11-88/8-92	P-UB-10	50 mm	80 mm	FD-FP417
MODEL 655D							
BACKHOE BUCKET	E7NN-B576-AB		9-92/	P-U-10	63 mm	90 mm	FD-FP456
BACKHOE CROWD	F1NN-B578-AA		9-92/	P-UB-10	63 mm	115 mm	FD-FP455
BACKHOE EXTENDABLE DIPSTICK	E7NN-C492-BD		9-92/	P-UB-10	50 mm	80 mm	FD-FP457
BACKHOE LIFT	F1NN-B577-CA		9-92/	P-UB-10	63 mm	125 mm	FD-85804741
BACKHOE STABILIZER-CENTERPIVOT	F2NN-B580-AA		9-92/	P-UB-10	56 mm	100 mm	FD-FP458
BACKHOE STABILIZER-SIDESHIFT	E7NN-B580-BA		9-92/8-93	P-UB-10	50 mm	70 mm	FD-FP459
	E7NN-B580-BB		9-93/	P-UB-10	50 mm	70 mm	FD-FP459
BACKHOE SWING - CENTER PIVOT	E7NN-B579-AD		9-93/	P-UB-10	50 mm	110 mm	FD-FP460
	E7NN-B579-BA		9-92/8-93	P-UB-10	50 mm	110 mm	FD-FP460
BACKHOE SWING - SIDE SHIFT	E7NN-B579-BA		9-92/8-93	P-UB-10	50 mm	110 mm	FD-FP460
	E7NN-B579-BC		9-93/	P-UB-10	50 mm	110 mm	FD-FP460
LOADER BUCKET LH	F1NN-L904-AA		9-92/	P-UB-10	40 mm	80 mm	FD-85804740

Replacement Kits For

FORD

Backhoe Loaders

APPLICATION	CYL #	Piston Type	SERIAL #	CODE	ROD	BORE	KIT #
MODEL 655D							
LOADER BUCKET RH	F1NN-L903-AA		9-92/	P-UB-10	40 mm	80 mm	FD-85804740
LOADER BUCKET-MULTIPURPOSE	F1NN-A136-AA		9-92/	P-UB-10	40 mm	70 mm	FD-FP419
LOADER LIFT	E7NN-L905-BC		4-93/	P-UB-10	50 mm	80 mm	FD-FP417
MODEL 655E							
BACKHOE BOOM LIFT	85800200			P-UB-10	63 mm	5-1/8	FD-85802568
BACKHOE BUCKET	83962129			P-U-10	63 mm	90 mm	FD-85804743
BACKHOE CROWD	81873434			P-UB-10	63 mm	115 mm	FD-85804742
BACKHOE H.E.D.	85800700			P-UB-10	50 mm	70 mm	FD-85802569
BACKHOE STABILIZER	85800600			P-UB-10	56 mm	100 mm	FD-83971999
BACKHOE SWING	85800300			P-UB-10	50 mm	110 mm	FD-85802570
LOADER BUCKET	85800500			P-UB-10	40 mm	80 mm	FD-85804740
LOADER LIFT	85800100			P-UB-10	50 mm	90 mm	FD-85802567
MODEL 675D							
BACKHOE BUCKET	E7NN-B576-AB		9-92/	P-U-10	63 mm	90 mm	FD-FP456
BACKHOE CROWD	F1NN-B578-AA		9-92/	P-UB-10	63 mm	115 mm	FD-FP455
BACKHOE EXTENDABLE DIPSTICK	E7NN-C492-BD		9-92/	P-UB-10	50 mm	80 mm	FD-FP457
BACKHOE STABILIZER-CENTERPIVOT	F2NN-B580-AA		9-92/	P-UB-10	56 mm	100 mm	FD-FP458
BACKHOE STABILIZER-SIDESHIFT	E7NN-B580-BA		9-92/8-93	P-UB-10	50 mm	70 mm	FD-FP459
	E7NN-B580-BB		9-93/	P-UB-10	50 mm	70 mm	FD-FP459
BACKHOE SWING - CENTER PIVOT	E7NN-B579-AD		9-93/	P-UB-10	50 mm	110 mm	FD-FP460
	E7NN-B579-BA		9-92/8-93	P-UB-10	50 mm	110 mm	FD-FP460
BACKHOE SWING - SIDE SHIFT	E7NN-B579-BA		9-92/8-93	P-UB-10	50 mm	110 mm	FD-FP460
	E7NN-B579-BC		9-93/	P-UB-10	50 mm	110 mm	FD-FP460
LOADER BUCKET LH	F1NN-L904-AA		9-92/	P-UB-10	40 mm	80 mm	FD-85804740
LOADER BUCKET RH	F1NN-L903-AA		9-92/	P-UB-10	40 mm	80 mm	FD-85804740
LOADER BUCKET-MULTIPURPOSE	F1NN-A136-AA		9-92/	P-UB-10	40 mm	70 mm	FD-FP419
LOADER LIFT	E7NN-L905-BC		4-93/	P-UB-10	50 mm	80 mm	FD-FP417
MODEL 675E							
BACKHOE BOOM LIFT	85800200			P-UB-10	63 mm	5-1/8	FD-85802568
BACKHOE BUCKET	83962129			P-U-10	63 mm	90 mm	FD-85804743
BACKHOE CROWD	81873434			P-UB-10	63 mm	115 mm	FD-85804742
BACKHOE H.E.D.	85800700			P-UB-10	50 mm	70 mm	FD-85802569
BACKHOE STABILIZER	85800600			P-UB-10	56 mm	100 mm	FD-83971999
BACKHOE SWING	85800300			P-UB-10	50 mm	110 mm	FD-85802570
LOADER BUCKET	85800500			P-UB-10	40 mm	80 mm	FD-85804740
LOADER LIFT	85800100			P-UB-10	50 mm	90 mm	FD-85802567
MODEL 730							
LOADER BUCKET				P-V-8	1-1/4	2	FD-309957
LOADER LIFT				P-V-8	1-1/2	2	FD-309956
MODEL 740							
LOADER BUCKET				P-V-8	1-1/2	3	FD-309959

Replacement Kits For

FORD

Backhoe Loaders							
APPLICATION	CYL #	Piston Type	SERIAL #	CODE	ROD	BORE	KIT #
MODEL 740							
LOADER LIFT				P-V-8	2	3	FD-309960
MODEL 750							
BACKHOE BUCKET	D5NN-B576-C		11-75/78	P-V-9	2-1/2	4	FD-309970
BACKHOE CROWD	D7NN-B578-A		11-75/78	P-V-9	2-1/2	5	FD-309962
BACKHOE LIFT	D7NN-B577-A		11-75/78	P-V-9	2-1/2	5-1/2	FD-309963
BACKHOE STABILIZER	D7NN-B580-A		11-75/78	P-V-8	2	4-1/2	FD-309941
BACKHOE SWING	D5NN-B579-D		11-75/78	P-V-9	1-3/4	3-1/2	FD-309950
LOADER BUCKET	D7NN-L903-A		11-75/78	P-V-9	2-1/4	4	FD-309951
LOADER HYDRO BUCKET	7708113		11-75/78	P-U-13	2	3	FD-7708145
LOADER LIFT	D7NN-L905-A		11-75/78	P-V-9	2-1/4	3-3/4	FD-309969
MODEL 753							
BACKHOE BUCKET					2-1/2	3.52	FD-309949
BACKHOE CROWD				P-V-9	2	4	FD-309946
BACKHOE LIFT				P-V-9	2	4	FD-309946
BACKHOE STABILIZER				P-V-8	1-3/4	4	FD-309940
BACKHOE SWING				P-V-8	1-3/4	4	FD-309940
MODEL 755							
BACKHOE BUCKET		2pc			2-1/2	3.52	FD-309949
	D5NN-B576-C		78/83	P-V-9	2-1/2	4	FD-309970
BACKHOE CROWD		2pc		P-V-9	2-1/4	4-1/2	FD-309948
	D7NN-B578-A		78/5-79	P-V-9	2-1/2	5	FD-309962
	E8NN-B578-AA		6-79/83	P-UV-9	63 mm	125 mm	FD-251160
BACKHOE LIFT		2pc		P-V-9	2	4-1/2	FD-309947
	D7NN-B577-A		78/5-79	P-V-9	2-1/2	5-1/2	FD-309963
	D9NN-B577-AA		6-79/83	P-UV-9	63 mm	150 mm	FD-251159
BACKHOE STABILIZER		2pc		P-V-8	1-3/4	4	FD-309940
	D7NN-B580-A		78/83	P-V-8	2	4-1/2	FD-309941
BACKHOE SWING		2pc		P-V-8	1-3/4	4-1/2	FD-309939
	D5NN-B579-D		78/83	P-V-9	1-3/4	3-1/2	FD-309950
LOADER BUCKET	D7NN-L903-A		78/83	P-V-9	2-1/4	4	FD-309951
LOADER HYDRO BUCKET	7708113		78/83	P-U-13	2	3	FD-7708145
LOADER LIFT	D7NN-L905-A		78/83	P-V-9	2-1/4	3-3/4	FD-309969
MODEL 755A							
BACKHOE BUCKET	D5NN-B576-C		84/5-86	P-V-9	2-1/2	4	FD-309970
	E5NN-B576-AA		6-86/12-86	P-UV-10	56 mm	100 mm	FD-251315
BACKHOE CROWD	E8NN-B578-AA		84/86	P-UV-9	63 mm	125 mm	FD-251160
BACKHOE LIFT	D9NN-B577-AA		84/86	P-UV-9	63 mm	150 mm	FD-251159
BACKHOE STABILIZER	D7NN-B580-A		84/86	P-V-8	2	4-1/2	FD-309941
BACKHOE SWING	D5NN-B579-D		83/5-86	P-V-9	1-3/4	3-1/2	FD-309950
	E6NN-B579-AA		6-86/12-86	P-UV-10	50 mm	110 mm	FD-251303
LOADER BUCKET	D7NN-L903-A		84/5-86	P-V-9	2-1/4	4	FD-309951
	E5NN-L903-AA		6-86/12-86	P-UV-10	56 mm	100 mm	FD-251315
LOADER HYDRO BUCKET	7708113		84/86	P-U-13	2	3	FD-7708145

Replacement Kits For

FORD

Backhoe Loaders

APPLICATION	CYL #	Piston Type	SERIAL #	CODE	ROD	BORE	KIT #
MODEL 755A							
LOADER LIFT	D7NN-L905-A		84/5-86	P-V-9	2-1/4	3-3/4	FD-309969
	E5NN-L905-AA		6-86/12-86	P-UV-10	56 mm	100 mm	FD-251315
MODEL 755B							
BACKHOE BUCKET	E5NN-B576-AA		87/10-88	P-UV-10	56 mm	100 mm	FD-251315
	E8NN-B576-AA		11-88	P-UB-10	56 mm	100 mm	FD-FP398
BACKHOE CROWD	E8NN-B578-AA		11-88/	P-UB-9	63 mm	125 mm	FD-FP528
	E8NN-B578-AA		87/10-88	P-UV-9	63 mm	125 mm	FD-251160
BACKHOE EXTENDABLE DIPSTICK	E6NN-C492-AA		5-87/2-89	P-V-10	50 mm	80 mm	FD-251317
	E7NN-C492-BD		3-89/	P-UB-10	50 mm	80 mm	FD-FP457
BACKHOE LIFT	D9NN-B577-AA		87/	P-UV-9	63 mm	150 mm	FD-251159
BACKHOE STABILIZER	D7NN-B580-A		87/10-88	P-V-8	2	4-1/2	FD-309941
	E8NN-B580-AA		11-88/	P-UB-10	56 mm	115 mm	FD-FP410
BACKHOE SWING	E6NN-B579-AA		87/10-88	P-UV-10	50 mm	110 mm	FD-251303
	E7NN-B579-AB		11-88/	P-UB-10	50 mm	110 mm	FD-FP460
LOADER BUCKET	E5NN-L903-AA		87/10-88	P-UV-10	56 mm	100 mm	FD-251315
	E8NN-L903-AA		11-88/	P-UB-10	56 mm	100 mm	FD-FP398
LOADER HYDRO BUCKET	7708113		87/	P-U-13	2	3	FD-7708145
LOADER LIFT	E5NN-L905-AA		87/10-88	P-UV-10	56 mm	100 mm	FD-251315
	E8NN-L905-AA		11-88/	P-UB-10	56 mm	100 mm	FD-FP398
MODEL 5500-5550							
BACKHOE ARM				P-V-9	2-1/2	5	FD-309962
BACKHOE BUCKET					2-1/2	3.52	FD-309949
BACKHOE LIFT				P-V-9	2-1/2	5-1/2	FD-309963
BACKHOE STABILIZER				P-V-8	2	4-1/2	FD-309941
BACKHOE SWING				P-V-9	1-3/4	3-1/2	FD-309950
LOADER BUCKET				P-V-9	2-1/2	4	FD-309970
LOADER LIFT				P-V-9	2-1/4	4	FD-309951
MODEL 6500							
BACKHOE BUCKET	D5NN-B576-B		73/10-75		2-1/2	3.52	FD-309949
BACKHOE CROWD	D7NN-B578-B		73/10-75	P-V-9	2-1/4	4-1/2	FD-309948
BACKHOE LIFT	D7NN-B577-F		73/10-75	P-V-9	2-1/2	5	FD-309962
BACKHOE STABILIZER	D7NN-B580-C		73/10-75	P-V-8	1-3/4	4	FD-309940
BACKHOE SWING	D7NN-B579-D		73/10-75	P-V-8	1-3/4	4-1/2	FD-309939
LOADER BUCKET	D7NN-L903-A		73/10-75	P-V-9	2-1/4	4	FD-309951
LOADER HYDRO BUCKET	7708113		73/10-75	P-U-13	2	3	FD-7708145
LOADER LIFT	D7NN-L905-F		73/10-75	P-V-9	2-1/4	4	FD-309951
MODEL 7500							
BACKHOE BUCKET	D5NN-B576-C		73/10-75	P-V-9	2-1/2	4	FD-309970
BACKHOE CROWD	D7NN-B578-A		73/10-75	P-V-9	2-1/2	5	FD-309962
BACKHOE LIFT	D7NN-B577-A		73/10-75	P-V-9	2-1/2	5-1/2	FD-309963
BACKHOE STABILIZER	D7NN-B580-A		73/10-75	P-V-8	2	4-1/2	FD-309941
BACKHOE SWING	D5NN-B579-D		73/10-75	P-V-9	1-3/4	3-1/2	FD-309950
LOADER BUCKET	D7NN-L903-A		73/10-75	P-V-9	2-1/4	4	FD-309951

FORD

Replacement Kits For

Backhoe Loaders							
APPLICATION	CYL #	Piston Type	SERIAL #	CODE	ROD	BORE	KIT #
MODEL 7500							
LOADER HYDRO BUCKET	7708113		73/10-75	P-U-13	2	3	FD-7708145
LOADER LIFT	D7NN-L905-A		73/10-75	P-V-9	2-1/4	3-3/4	FD-309969
MODEL A62							
LOADER BUCKET				P-V-9	2-1/2	5-1/2	FD-309977
LOADER LIFT				P-V-9	2	4-1/2	FD-309980
MODEL A64							
LOADER BUCKET				P-V-9	3	6	FD-309978
LOADER LIFT				P-V-9	2	5	FD-309981
MODEL A66							
LOADER BUCKET				P-V-9	3	6-1/2	FD-309979
LOADER LIFT				P-V-9	2-1/2	5-1/2	FD-309963
Tractors							
APPLICATION	CYL #	Piston Type	SERIAL #	CODE	ROD	BORE	KIT #
MODEL							
	7102266			N-OB-1	1-1/4		FD-7102289
	CED2NNC846C			P-OB-10	1-1/4	3	FD-CE41300922
	CED2NNC846D			P-OB-10	7/8	2	FD-CE41200904
	D2NN-C846-A			I-U-3	1-3/8	3	FD-DHPNC846A
	D2NN-C846-B			I-TR-3	1-3/8	3-1/2	FD-DHPNC846D
	D2NN-C846-C			I-TR-3	1-3/8	3	FD-DHPNC846C
	D2NN-C846-D			I-TR-3	1	2	FD-DHPNC846B
	D8NN-C846-AA			I-U-3	1-3/8	3-1/2	FD-PRNPMCKS916
	MPP20TB08			I-TR-3	1	2	FD-DHPNC846B
	MPP30TB08			I-TR-3	1-3/8	3	FD-DHPNC846C
	MPP35TB08			I-TR-3	1-3/8	3-1/2	FD-DHPNC846D
MODEL 2600, 3600, 4600, 4600-SU							
ACCESSORY	D2NN-C846-B		75/81	I-TR-3	1-3/8	3-1/2	FD-DHPNC846D
	D2NN-C846-C		75/81	I-TR-3	1-3/8	3	FD-DHPNC846C
	D2NN-C846-D		75/81	I-TR-3	1	2	FD-DHPNC846B
MODEL 3400, 3500, 3550, 4400, 4500							
ACCESSORY	7102266		65/74	N-OB-1	1-1/4		FD-7102289
	D2NN-C846-B		65/74	I-TR-3	1-3/8	3-1/2	FD-DHPNC846D
	D2NN-C846-C		65/74	I-TR-3	1-3/8	3	FD-DHPNC846C
	D2NN-C846-D		65/74	I-TR-3	1	2	FD-DHPNC846B
MODEL 5600							
ACCESSORY	D2NN-C846-A		75/81	I-U-3	1-3/8	3	FD-DHPNC846A
	D8NN-C846-AA		75/81	I-U-3	1-3/8	3-1/2	FD-PRNPMCKS916
MODEL 6600, 7600							
ACCESSORY	D2NN-C846-A		75/81	I-U-3	1-3/8	3	FD-DHPNC846A
	D2NN-C846-B		75/81	I-TR-3	1-3/8	3-1/2	FD-DHPNC846D
	D2NN-C846-C		75/81	I-TR-3	1-3/8	3	FD-DHPNC846C
	D2NN-C846-D		75/81	I-TR-3	1	2	FD-DHPNC846B
	D8NN-C846-AA		75/81	I-U-3	1-3/8	3-1/2	FD-PRNPMCKS916

REPLACEMENT KITS FOR FORD EQUIPEMENT

Kit Number	Code (Pg. xiv)	Pist.	Rod X Bore Size
FD-251032	P-UV-9	2 pc.	63 X 90 mm
FD-251033	P-UV-9	2 pc.	63 X 125 mm
FD-251034	P-UV-9	2 pc.	56 X 115 mm
FD-251035	P-V-9	2 pc.	50 X 100 mm
FD-251036	P-UV-9	2 pc.	63 X 115 mm
FD-251037	P-UV-9	2 pc.	56 X 110 mm
FD-251038	P-UV-8	2 pc.	50 X 100 mm
FD-251072	P-UV-8	1 pc.	40 X 70 mm
FD-251073	P-U-10	1 pc.	40 X 80 mm
FD-251074	P-U-10	1 pc.	50 X 80 mm
FD-251074B	P-U-10	1 pc.	50 X 80 mm
FD-251159	P-UV-9	2 pc.	63 X 150 mm
FD-251160	P-UV-9	2 pc.	63 X 125 mm
FD-251162	P-U-10	1 pc.	50 X 70 mm
FD-251303	P-UV-10	1 pc.	50 X 110 mm
FD-251315	P-UV-10	1 pc.	56 X 100 mm
FD-251316	P-UV-10	1 pc.	50 X100 mm
FD-251317	P-V-10	1 pc.	50 X 80 mm
FD-251318	P-UV-10	1 pc.	56 X 115 mm
FD-251319	P-UV-10	1 pc.	63 X 115 mm
FD-251320	P-UV-10	1 pc.	63 X 125 mm
FD-251321	P-UV-10	1 pc.	63 X 90 mm
FD-251339	P-UV-10	2 pc.	50 X 100 mm
FD-251361	P-U-10	1 pc.	45 X 70 mm
FD-251362	P-U-10	1 pc.	2 X 3
FD-251363	P-U-10	1 pc.	1-1/2 X 3
FD-251369	P-U-10	1 pc.	35 X 60 mm
FD-251370	P-U-10	1 pc.	40 X 60 mm
FD-309938	P-V-8	2 pc.	1-3/4 x 3-1/2
FD-309939	P-V-8	2 pc.	1-3/4 X 4-1/2
FD-309940	P-V-8	2 pc.	1-3/4 X 4
FD-309941	P-V-8	2 pc.	2 X 4-1/2
FD-309945	P-V-9	2 pc.	1-3/4 X 3-1/2
FD-309946	P-V-9	2 pc.	2 X 4
FD-309947	P-V-9	2 pc.	2 X 4-1/2
FD-309948	P-V-9	2 pc.	2-1/4 X 4-1/2
FD-309949	P-V-9	2 pc.	2-1/2 X 3-1/2
FD-309950	P-V-9	2 pc.	1-3/4 X 3-1/2
FD-309951	P-V-9	2 pc.	2-1/4 X 4
FD-309956	P-V-8	2 pc.	1-1/2 X 2
FD-309957	P-V-8	2 pc.	1-1/4 X 2
FD-309959	P-V-8	2 pc.	1-1/2 X 3

Kit Number	Code (Pg. xiv)	Pist.	Rod X Bore Size
FD-309960	P-V-8	2 pc.	2 X 3
FD-309962	P-V-9	2 pc.	2-1/2 X 5
FD-309963	P-V-9	2 pc.	2-1/2 X 5-1/2
FD-309969	P-V-9	2 pc.	2-1/4 X 3-3/4
FD-309970	P-V-9	2 pc.	2-1/2 X 4
FD-309974F	P-V-8	2 pc.	1-1/2 X 3
FD-309977	P-V-9	2 pc.	2-1/2 X 5-1/2
FD-309978	P-V-9	2 pc.	3 X 6
FD-309979	P-V-9	2 pc.	3 X 6-1/2
FD-309980	P-V-9	2 pc.	2 X 4-1/2
FD-309981	P-V-9	2 pc.	2-1/2 X 5.025
FD-309984	P-U-8	2 pc.	2 X 3.025
FD-309984F	P-U-8	2 pc.	2 X 3
FD-309985	P-U-8	2 pc.	1-1/2 X 3.025
FD-309985F	P-U-8	2 pc.	1-1/2 X 3
FD-7708145	P-U-13	1 pc.	2 X 3
FD-83971999	P-UB-10	1 pc.	56 X 100 mm
FD-85802567	P-UB-10	1 pc.	50 X 90 mm
FD-85802568	P-UB-10	1 pc.	63 mm X 5.125
FD-85802569	P-UB-10	1 pc.	50 X 70 mm
FD-85802570	I-UB-10	1 pc.	50 X 110 mm
FD-85804740	P-UB-10	1 pc.	40 X 80 mm
FD-85804741	P-UB-10	1 pc.	63 X 125 mm
FD-85804742	P-UB-10	1 pc.	63 X 115 mm
FD-85804743	P-U-10	1 pc.	63 X 90 mm
FD-FINN3A539AA	I-U-10	1 pc.	40 mm X 2-3/4
FD-FINN3A539AA	I-U-10	1 pc.	40 mm x 2-3/4
FD-FP398	P-UB-10	1 pc.	56 X 100 mm
FD-FP410	P-UB-10	1 pc.	56 X 115 mm
FD-FP417	P-UB-10	1 pc.	50 X 80 mm
FD-FP419	P-UB-10	1 pc.	40 X 70 mm
FD-FP454	P-UB-10	1 pc.	56 x 115 mm
FD-FP455	P-UB-10	1 pc.	63 x 115 mm
FD-FP456	P-U-10	1 pc.	63 x 90 mm
FD-FP457	P-UB-10	1 pc.	50 X 80 mm
FD-FP458	P-UB-10	1 pc.	56 X 100 mm
FD-FP459	P-UB-10	1 pc.	50 X 70 mm
FD-FP460	P-UB-10	1 pc.	50 x 110 mm
FD-FP528	P-UB-9	1 pc.	63 X 125 mm

FORD TRACTORS

Kit Number	Code (Pg. xiv)	Rod X Bore Size
FD-7102289	N-OB-1	1-1/4 ROD
FD-CE41200904	P-OB-1	7/8 X 2
FD-CE41300922	P-OB-1	1-1/4 X 3
FD-DHPNC846A	I-U-3	1-3/8 X 3
FD-DHPNC846B	I-TR-3	1 X 2
FD-DHPNC846C	I-TR-3	1-3/8 X 3
FD-DHPNC846D	I-TR-3	1-3/8 X 3-1/2
FD-PRNPMCKS916	I-U-3	1-3/8 X 3-1/2

FORD VEE SETS

Part Number	I.D.	O.D.	H.
FVS12504S079	1-1/4	1-3/4	.079
FVS15004S128	1-1/2	2	1.265
FVS15004U087	1-1/2	2	7/8
FVS22504U087	2-1/4	2-3/4	7/8
FVS25004U087	2-1/2	3	7/8
FVS25004X100	2-1/2	3	1
FVS30206S118	2.275	3.025	1-3/16
FVS35206S102	2.775	3.525	1.015
FVS37706D102	3.025	3.775	1.015
FVS40206D102	3.275	4.025	1.015
FVS45206D102	3.775	4.525	1.015
FVS45206S102	3.775	4.525	1.015
FVS50206D102	4.275	5.025	1.015
FVS55206D102	4.775	5.525	1.015
FVS60206D102	5-1/4	6	1.015
FVS65206D102	5-3/4	6-1/2	1.015

FRANKLIN

Kit Number	Code (Pg. xiv)	Rod X Bore Size	Kit Number	Code (Pg. xiv)	Rod X Bore Size
FR-1023070	I-U-10	2-1/2 X 5	FR-1504353	I-V-12	2 X 4
FR-1025526	I-U-10	2-1/2 X 5	FR-1504669	P-V-10,12	2-1/2 X 4
FR-1026526	I-U-10	2-1/2 X 5	FR-1504704	P-V-10, 12	1-3/8 X 3
FR-1028996	I-U-10	1-3/4 X 3-1/2	FR-1504986	I-U-5	2-1/2 X 5
FR-1028997	I-U-10	3 X 6	FR-1505499	I-U-10	2-1/2 X 5
FR-1500278	2" Self-Aligning Bushing		FR-1505720	I-U-10	2-1/2 X 4
FR-1500328A	P-V-1	1-3/8 ROD	FR-1505721	I-U-10	2-1/2 X 4
FR-1500328B	P-V-12	1-3/8 X 3	FR-1505724	I-U-10	1-1/2 X 3
FR-1500341	P-V-7	1-3/8 X 3	FR-1505725	I-U-10	4 X 5
FR-1500525A	3" PISTON SEAL		FR-1505727	I-U-10	1-3/4 X 3-1/2
FR-1500527A	7" PISTON SEAL		FR-1505761	P-U-10	1-3/4 X 3-1/2
FR-1500568A	P-V-1	1-1/2 ROD	FR-1506186	I-U-10	2 X 4
FR-1500568B	P-V-12	1-1/2 X 3-1/2	FR-1507263	I-U-5	4 X 7
FR-1500893	P-V-10,12	2-1/2 X 4	FR-1507265	I-U-5	2 X 3
FR-1500893A	P-V-10	2-1/2 X 4	FR-1507266	I-U-5	2 X 3-1/2
FR-1500893B	P-V-10,12	2-1/2 X 4	FR-1507280	I-U-5	3 X 6
FR-1500900A	P-V-10	1-1/2 X 3-1/2	FR-1507281	I-U-5	3 X 7
FR-1500900B	P-V-10,12	1-1/2 X 3-1/2	FR-1507282	I-U-5	3 X 6
FR-1500921	3" Piston Kit		FR-1507283	I-U-5	1-1/2 X 3-1/2
FR-1501279	P-V-5	2 X 4-1/2	FR-1507284	I-U-5	1-1/2 X 3
FR-1501288	P-V-5	1-1/2 X 3-3/8	FR-H22/32/42	I-U-4	1-3/8 X 3-1/4
FR-1503650	P-V-12	2 X 3-1/2			
FR-1504074	I-U-5	2-1/2 X 5			
FR-1504160	P-V-7	2-1/2 X 4			

FRUEHAUF BOTTOM DUMP AIR CYLINDERS

Kit Number	Code (Pg. xiv)	Rod X Bore Size
FRU-D10252	I-V-5	1-5/8 X 7
FRU-D1052	I-V-5	1-5/8 X 6
FRU-HLA96845	I-V, U-5	1-5/8 X 6
FRU-HLA96855	I-V,U-5	1-5/8 X 7
FRU-HMD	I-U-11	1-1/2 X 3

FURUKAWA

Kit Number	Code (Pg. xiv)	Rod X Bore Size
FUR-341541-99110	P-U-5	40 X 80
FUR-341831-99110	P-U-5	65 X 140
FUR-341831-99120	I-U-5	55 X 110

GALBREATH ROLL-OFF

Kit Number	Code (Pg. xiv)	Rod X Bore Size
GLB-1110	I-U-12	4-1/2 X 6
GLB-2473	I-U-12	3 X 7
GLB-3135	I-U-1	3 Rod Kit

GALION-DRESSER

Kit Number	Description
GD-D48664	5-1/2" Double Acting Vee Set
GD-D50182	3-1/2" Double Acting Vee Set
GD-D63806	11-1/4" X 12 Vee Set

GARWOOD

Kit Number	Code (Pg. xiv)	Rod X Bore Size
GW-2044692K	I-V-5	2 X 7
GW-2061839K	I-V-5	1-3/4 X 4
GW-2061841K	I-V-1	3-1/8, 4-1/2, 5-3/4 Stgs
GW-2064753K	I-V-1	4, 5, 6 Stages
GW-2064754K	I-V-1	5, 6, 7 Stages
GW-2064755K	I-V-1	4, 5, 6, 7 Stages
GW-2069544K	I-TR-1	2-1/2, 3-1/4 Stages
GW-2072369	I-U-5	2-1/2 X 5
GW-2073610K	N-U-4	3-1/2 X 4
GW-2074132K	I-U-5	3-1/2 X 5
GW-2074169K	I-U-1	3-1/2, 4-1/2, 5-1/2 Stgs
GW-2074235K	N-N-4	3" Bore
GW-2074467K	I-U-5	2-1/2 X 5
GW-2079197K	I-U-5	3-1/2 X 5

Replacement Kits For

GEHL

Forklifts						
APPLICATION	CYL #	SERIAL #	CODE	ROD	BORE	KIT #
MODEL 552, 553						
ATTACHMENT ROTATE	L63594		I-U-10	1	2-1/2	GEHL-L99170
ATTACHMENT SLAVE	L63014		I-U-11	1-3/4	3-1/2	GEHL-L98527
ATTACHMENT TILT	L63013		I-U-11	2	4	GEHL-L98548
BOOM EXTEND	L63012		I-U-11	2-1/2	3-1/2	GEHL-L98558
BOOM LIFT	L63199		I-U-11	2-1/2	4-1/2	GEHL-L98521
FORK SHIFT	L66920		I-U-10	1-1/4	2	GEHL-L99958
FRAME LEVEL	L63015		I-U-11	1-3/4	4	GEHL-L98506
STEER	L98444		I-U-10	45 mm	90 mm	GEHL-L98565
MODEL 663						
BOOM EXTEND	L64333		I-U-10	3	4	GEHL-L99386
BOOM LIFT	L64014		I-U-10	3	4	GEHL-L99331
CARRIER SLAVE	L61869		I-U-10	1-3/4	3-1/2	GEHL-L99332
CARRIER TILT	L61868		I-U-10	2	4	GEHL-L99385
FRAME SWAY	L64054	Prior-4319	I-U-10	3	4	GEHL-L97674
	L64085	4320-4356	P-U-5	1-3/4	4	GEHL-L97903
	L64818	4357-UP	I-U-10	1-3/4	4	GEHL-L99382
ROTATE CARRIAGE	L61317		I-U-10	1-3/8	3	GEHL-L97769
STEER	L97649-L97976		I-U-10	1-1/8	2-1/4	GEHL-L97978
MODEL 883						
ATTACHMENT TILT	L49988A	7001-7004	I-U-10	2-1/2	5	GEHL-L97716
	L64086	7005-7444	P-U-10	2-1/2	5	GEHL-L97922
	L66665	7445-UP	I-U-11	2-1/2	5	GEHL-L99377
BOOM EXTEND	L64385	7001-7004	I-U-10	3-1/2	4-1/2	GEHL-L97713
	L66770	7446-UP	I-U-10	3-1/2	4-1/2	GEHL-L99376
BOOM LIFT	L64083	7005-7445	I-U-10	3-1/2	4-1/2	GEHL-L97908
	L64401	7001-7004	I-U-10	3-1/2	4-1/2	GEHL-L97711
	L66821	7446-UP	I-U-10	3-1/2	4-1/2	GEHL-L99329
BOOM SLAVE	L64087	7001-7004	I-U-10	2-1/4	4-1/2	GEHL-L97917
	L64087	7005-7171	I-U-10	2-1/4	4-1/2	GEHL-L97715
	L66032	7172-7444	I-U-10	2-1/4	4-1/2	GEHL-L97917
	L66666	7445-UP	I-U-11	2-1/4	5	GEHL-L99330
FORK SHIFT	L66920		I-U-10	1-1/4	2	GEHL-L99958
FRAME LEVEL	L64085	7005-7445	P-U-5	1-3/4	4	GEHL-L97903
	L64818	7001-7004, 7446-UP	I-U-10	1-3/4	4	GEHL-L99382
MAST LIFT	L66537		I-U-10	2	3	GEHL-L98848
OUTRIGGER	L64968	Prior-7386	I-U-10	2-1/2	4	GEHL-L97938
	L66642	7387-UP	I-U-11	2-1/2	4	GEHL-L99059
ROTATE CARRIAGE	L61317		I-U-10	1-3/8	3	GEHL-L97769
STEER	L97649		I-U-10	1-1/8	2-1/4	GEHL-L97978
	L99428		I-U-10	1-1/8	3	GEHL-L99430
SWING CARRIAGE	L63970	2781-UP	I-U-10	1-1/4	2-1/2	GEHL-L99944
	L65659	Prior-2780	I-U-10	1-3/8	3	GEHL-L97955

GEHL

Kit Number	Code (Pg. xiv)	Rod X Bore Size
GEHL-L97617	I-U-10	2 X 4
GEHL-L97674	I-U-10	3 X 4
GEHL-L97711	I-U-10	3-1/2 X 4-1/2
GEHL-L97713	I-U-10	3-1/2 X 4-1/2
GEHL-L97715	I-U-10	2-1/4 X 4-1/2
GEHL-L97716	I-U-10	2-1/2 X 5
GEHL-L97769	I-U-10	1-3/8 X 3
GEHL-L97903	P-U-5	1-3/4 X 4
GEHL-L97908	I-U-10	3-1/2 X 4-1/2
GEHL-L97917	I-U-10	2-1/4 X 4-1/2
GEHL-L97922	P-U-10	2-1/2 X 5
GEHL-L97938	I-U-10	2-1/2 X 4
GEHL-L97955	I-U-10	1-3/8 X 3
GEHL-L97978	I-U-10	1-1/8 X 2-1/4
GEHL-L98506	I-U-11	1-3/4 X 4
GEHL-L98521	I-U-11	2-1/2 X 4-1/2
GEHL-L98527	I-U-11	1-3/4 X 3-1/2
GEHL-L98548	I-U-11	2 X 4
GEHL-L98558	I-U-11	2-1/2 X 3-1/2
GEHL-L98565	I-U-10	45 X 90 mm
GEHL-L98848	I-U-10	2 X 3
GEHL-L99059	I-U-11	2-1/2 X 4
GEHL-L99170	I-U-10	1 X 2-1/2
GEHL-L99329	I-U-10	3-1/2 X 4-1/2
GEHL-L99330	I-U-11	2-1/4 X 5
GEHL-L99331	I-U-10	3 X 4

GEHL

Kit Number	Code (Pg. xiv)	Rod X Bore Size
GEHL-L99332	I-U-10	1-3/4 X 3-1/2
GEHL-L99376	I-U-10	3-1/2 X 4-1/2
GEHL-L99377	I-U-11	2-1/2 X 5
GEHL-L99382	I-U-10	1-3/4 X 4
GEHL-L99385	I-U-10	2 X 4
GEHL-L99386	I-U-10	3 X 4
GEHL-L99430	I-U-10	1-1/8 X 3
GEHL-L99944	I-U-10	1-1/4 X 2-1/2
GEHL-L99958	I-U-10	1-1/4 X 2

GLENCOE

Kit Number	Code (Pg. xiv)	Rod X Bore Size
GLC-TH200B-K	I-TR-1	2-1/2, 2-7/8, 3-3/8 Stages
GLC-TH80	I-TR-1	2-3/8, 2-7/8 Stages
GLC-UA80568	I-TR-1	2-7/8, 3-3/8 Stages
GLC-UA80569	I-TR-1	2-3/8, 2-7/8, 3-3/8 Stages
GLC-UA80570	I-TR-1	2-3/8, 2-7/8, 3-3/8, 3-7/8 Stgs
GLC-UA80589	I-TR-1	2-7/8, 3-3/8, 3-7/8 Stages

Replacement Kits For

GRADALL

Forklifts - Rough Terrain						
APPLICATION	CYL #	SERIAL #	CODE	ROD	BORE	KIT #
MODEL 532C-6						
COMPENSATING	9112-3049	0188002-UP	I-U-10	3-1/8	6-1/4	GRD-91124049
CROWD	9112-3009	0188002-UP	P-U-10	2-1/2	3-1/2	GRD-91124044
	9112-5024	0188153-UP	P-U-14	2-1/2	3-1/2	GRD-91123080
LIFT(IOWA)	9112-3111	0288587, 0288692	P-U-10	3	5-1/2	GRD-91124071
	9112-3111	0288695-0288715	P-U-10	3	5-1/2	GRD-91124071
	9112-3111	0288940H-0388020H	P-U-10	3	5-1/2	GRD-91124071
LIFT(SEITZ)	9112-3010	0188002-0288586	P-U-10	3	5-1/2	GRD-91124036
	9112-3010	0288588-0288691	P-U-10	3	5-1/2	GRD-91124036
	9112-3010	0288693, 0288694	P-U-10	3	5-1/2	GRD-91124036
	9112-3010	0288716-0288939	P-U-10	3	5-1/2	GRD-91124036
STEERING(IOWA)	9108-3467	0288587, 0288692	P-UB-10	1-1/4	2-1/2	GRD-91084305
	9108-3467	0288695-0288715	P-UB-10	1-1/4	2-1/2	GRD-91084305
	9108-3467	0288940H-0388020H	P-UB-10	1-1/4	2-1/2	GRD-91084305
STEERING(SEITZ)	9108-3281	0188002-0288586	P-U-10	1-1/4	2-1/2	GRD-91084183
	9108-3281	0288588-0288691	P-U-10	1-1/4	2-1/2	GRD-91084183
	9108-3281	0288693, 0288694	P-U-10	1-1/4	2-1/2	GRD-91084183
	9108-3281	0288716-0288939	P-U-10	1-1/4	2-1/2	GRD-91084183
SWAY(IOWA)	9108-3471	0288587, 0288692	P-UB-10	2	3-1/2	GRD-91084308
	9108-3471	0288695-0288715	P-UB-10	2	3-1/2	GRD-91084308
	9108-3471	0288940H-0388020H	P-UB-10	2	3-1/2	GRD-91084308
SWAY(SEITZ)	9108-3286	0188002-0288586	P-U-10	2	3-1/2	GRD-91084189
	9108-3286	0288588-0288691	P-U-10	2	3-1/2	GRD-91084189
	9108-3286	0288693, 0288694	P-U-10	2	3-1/2	GRD-91084189
	9108-3286	0288716-0288939	P-U-10	2	3-1/2	GRD-91084189
TILT	9112-3067	0188002-UP	P-U-10	2-1/2	5	GRD-91034278
MODEL 534B-6						
COMPENSATING	9103-3288	0144293H-UP	P-U-10	2-1/2	5	GRD-91034150
CROWD	9080-1293	8344001L-UP	I-U-10	2-1/2	4	GRD-90208023
CROWD(IOWA)	9103-3290	0144293H-UP	P-U-10	2-1/2	4	GRD-91034223
LIFT	9080-1333	8344001L-UP	I-U-10	2-1/2	5	GRD-90207953
LIFT(IOWA)	9103-3286	0144293H-UP	P-U-10	2-1/2	5	GRD-91034140
STEERING	9045-3034	For Service	P-UB-10	1-1/2	3	GRD-91144006
STEERING(IOWA)	9103-3291	0144293H-UP	P-U-10	1-1/2	3	GRD-91034145
STEERING(JARP)	9080-1313	8344001L-UP	I-U-10	1-1/2	3	GRD-90202551
SWAY	9080-1270	8344001L-8644030G	I-U-10	2	4	GRD-90201553
	9104-3139	8644031G-UP	I-U-10	2	4	GRD-91044205
SWAY(IOWA)	9104-3205	0144293H-UP	P-U-10	2	4	GRD-91044275
TILT	9080-1292	8344001L-8344011L	I-U-10	2	4	GRD-90201553
	9080-1357	8344012L-8744136G	I-U-10	2-1/2	4	GRD-91034049
TILT COMP	9080-1291	8344001L-8344011L	I-U-10	2	4	GRD-90201553
	9080-1356	8344012L-8744136G	I-U-10	2-1/2	4	GRD-91034049
TILT COMP(JARP)	9080-1328	8744142G-UP	I-U-10	2-1/2	5	GRD-90207954
TILT(IOWA)	9103-3287	0144293H-UP	P-U-10	2-1/2	5	GRD-91034150
TILT(JARP)	9080-1327	8744142G-UP	I-U-10	2-1/2	5	GRD-90207954
MODEL 534B-8						
COMPENSATING	9103-3288	0144293H-UP	P-U-10	2-1/2	5	GRD-91034150

Replacement Kits For

GRADALL

Forklifts - Rough Terrain						
APPLICATION	CYL #	SERIAL #	CODE	ROD	BORE	KIT #
MODEL 534B-8						
CROWD	9080-1293	8344001L-UP	I-U-10	2-1/2	4	GRD-90208023
CROWD(IOWA)	9103-3290	0144293H-UP	P-U-10	2-1/2	4	GRD-91034223
LIFT	9080-1180	8344001L-UP	I-U-10	2-1/2	4-1/2	GRD-90207956
LIFT(IOWA)	9103-3286	0144293H-UP	P-U-10	2-1/2	5	GRD-91034140
STEERING	9045-3034	For Service	P-UB-10	1-1/2	3	GRD-91144006
STEERING(IOWA)	9103-3291	0144293H-UP	P-U-10	1-1/2	3	GRD-91034145
STEERING(JARP)	9080-1313	8344001L-UP	I-U-10	1-1/2	3	GRD-90202551
SWAY	9080-1270	8344001L-8644030G	I-U-10	2	4	GRD-90201553
	9104-3139	8644031G-UP	I-U-10	2	4	GRD-91044205
SWAY(IOWA)	9104-3205	0144293H-UP	P-U-10	2	4	GRD-91044275
TILT COMP(JARP)	9080-1328	8344001L-UP	I-U-10	2-1/2	5	GRD-90207954
TILT(IOWA)	9103-3287	0144293H-UP	P-U-10	2-1/2	5	GRD-91034150
TILT(JARP)	9080-1327	8344001L-UP	I-U-10	2-1/2	5	GRD-90207954
MODEL 534B-9						
COMPENSATING	9104-3304	0144860S-UP	P-U-10	2-1/2	5	GRD-91034278
CROWD	9103-3368	0144860S-UP	P-U-10	2-1/2	4	GRD-91034290
LIFT	9103-3371	0144860S-UP	P-U-10	2-1/2	5	GRD-91034278
STEERING	9103-3478	0244089S-UP	P-U-10	1-1/2	3	GRD-91034301
	9104-3316	0144860S-UP	P-U-10	1-1/2	3	GRD-91034301
SWAY	9103-3367	0144860S-UP	P-U-10	2	4	GRD-91034297
TILT	9103-3369	0144860S-UP	P-U-10	2-1/2	5	GRD-91034278
MODEL 534C-6						
COMPENSATING(IOWA)	9108-3470	0288587, 0288692	P-UB-10	2-1/2	5	GRD-91034339
	9108-3470	0288695-0288715	P-UB-10	2-1/2	5	GRD-91034339
	9108-3470	0288940H-0388020H	P-UB-10	2-1/2	5	GRD-91034339
COMPENSATING(SEITZ)	9108-3285	0188002-0288586	P-U-10	2-1/2	5	GRD-91084169
	9108-3285	0288588-0288691	P-U-10	2-1/2	5	GRD-91084169
	9108-3285	0288693, 0288694	P-U-10	2-1/2	5	GRD-91084169
	9108-3285	0288716-0288939	P-U-10	2-1/2	5	GRD-91084169
CROWD	9112-3009	0188002-UP	P-U-10	2-1/2	3-1/2	GRD-91124044
	9112-5024	0188153-UP	P-U-14	2-1/2	3-1/2	GRD-91123080
LIFT(IOWA)	9112-3111	0288587, 0288692	P-U-10	3	5-1/2	GRD-91124071
	9112-3111	0288695-0288715	P-U-10	3	5-1/2	GRD-91124071
	9112-3111	0288940H-0388020H	P-U-10	3	5-1/2	GRD-91124071
LIFT(SEITZ)	9112-3010	0188002-0288586	P-U-10	3	5-1/2	GRD-91124036
	9112-3010	0288588-0288691	P-U-10	3	5-1/2	GRD-91124036
	9112-3010	0288693, 0288694	P-U-10	3	5-1/2	GRD-91124036
	9112-3010	0288716-0288939	P-U-10	3	5-1/2	GRD-91124036
STEERING(IOWA)	9108-3467	0288587, 0288692	P-UB-10	1-1/4	2-1/2	GRD-91084305
	9108-3467	0288695-0288715	P-UB-10	1-1/4	2-1/2	GRD-91084305
	9108-3467	0288940H-0388020H	P-UB-10	1-1/4	2-1/2	GRD-91084305
STEERING(SEITZ)	9108-3281	0188002-0288586	P-U-10	1-1/4	2-1/2	GRD-91084183
	9108-3281	0288588-0288691	P-U-10	1-1/4	2-1/2	GRD-91084183
	9108-3281	0288693, 0288694	P-U-10	1-1/4	2-1/2	GRD-91084183
	9108-3281	0288716-0288939	P-U-10	1-1/4	2-1/2	GRD-91084183
SWAY(IOWA)	9108-3471	0288587, 0288692	P-UB-10	2	3-1/2	GRD-91084308

Replacement Kits For

GRADALL

Forklifts - Rough Terrain

APPLICATION	CYL #	SERIAL #	CODE	ROD	BORE	KIT #
MODEL 534C-6						
SWAY(IOWA)	9108-3471	0288695-0288715	P-UB-10	2	3-1/2	GRD-91084308
	9108-3471	0288940H-0388020H	P-UB-10	2	3-1/2	GRD-91084308
SWAY(SEITZ)	9108-3286	0188002-0288586	P-U-10	2	3-1/2	GRD-91084189
	9108-3286	0288588-0288691	P-U-10	2	3-1/2	GRD-91084189
	9108-3286	0288693, 0288694	P-U-10	2	3-1/2	GRD-91084189
	9108-3286	0288716-0288939	P-U-10	2	3-1/2	GRD-91084189
TILT(IOWA)	9108-3472	0288587, 0288692	P-UB-10	2	4	GRD-91034337
	9108-3472	0288695-0288715	P-UB-10	2	4	GRD-91034337
	9108-3472	0288940H-0388020H	P-UB-10	2	4	GRD-91034337
TILT(SEITZ)	9108-3379	0188002-0288586	P-U-10	2	4	GRD-91034297
	9108-3379	0288588-0288691	P-U-10	2	4	GRD-91034297
	9108-3379	0288693, 0288694	P-U-10	2	4	GRD-91034297
	9108-3379	0288716-0288939	P-U-10	2	4	GRD-91034297

GRADALL

Kit Number	Code (Pg. xiv)	Rod X Bore Size
GRD-8692-5036	P-U-10	3-1/4 X 5
GRD-90201553	I-U-10	2X4
GRD-90202551	I-U-10	1-1/2X3
GRD-90207953	I-U-10	2-1/2X5
GRD-90207954	I-U-10	2-1/2X5
GRD-90207956	I-U-10	2-1/2X4-1/2
GRD-90208023	I-U-10	2-1/2X4
GRD-91034049	I-U-10	2-1/2X4
GRD-91034140	P-U-10	2-1/2X5
GRD-91034145	P-U-10	1-1/2X3
GRD-91034150	P-U-10	2-1/2X5
GRD-91034223	P-U-10	2-1/2X4
GRD-91034278	P-U-10	2-1/2X5
GRD-91034290	P-U-10	2-1/2X4
GRD-91034297	P-U-10	2X4
GRD-91034301	P-U-10	1-1/2X3
GRD-91034337	P-UB-10	2X4
GRD-91034339	P-UB-10	2-1/2X5
GRD-91044205	I-U-10	2X4
GRD-91044275	P-U-10	2X4

Kit Number	Code (Pg. xiv)	Rod X Bore Size
GRD-91044335	I-U-11, 12	2-1/2 X 5
GRD-91084169	P-U-10	2-1/2X5
GRD-91084183	P-U-10	1-1/4X2-1/2
GRD-91084189	P-U-10	2X3-1/2
GRD-91084305	P-UB-10	1-1/4X2-1/2
GRD-91084308	P-UB-10	2X3-1/2
GRD-91123080	P-U-14	2-1/2X3-1/2
GRD-91124036	P-U-10	3X5-1/2
GRD-91124044	P-U-10	2-1/2X3-1/2
GRD-91124049	I-U-10	3-1/8X6-1/4
GRD-91124071	P-UB-10	3X5-1/2
GRD-91144006	P-UB-10	1-1/2X3

Replacement Kits For

GROVE CRANE

Cranes - Rough Terrain					
APPLICATION	CODE	ROD	BORE	MISC	KIT #
MODEL RT58B, RT58C, RT58D					
BOOM LIFT	I-U-11	3-5/8	8-1/4		GC9752100164
BOOM TELE	I-U-11	4-1/2	6-1/2		GC9752100232
EXTENSION	I-U-11	3-5/8	7		GC9752100329
STABILIZER	I-U-11	3-5/8	7		GC9752100329
SWIVEL	SWIVEL		7-1/2		GC9752100358
MODEL RT60S					
BOOM LIFT	I-U-10	3-1/2	8-1/4		GC9752100027
BOOM TELE	I-U-11	3	4		GC9752100114
	I-U-11	3-5/8	5		GC9752100076
EXTENSION	I-U-11	1-3/4	3		GC9752100072
STABILIZER	I-U-11	3-5/8	5		GC9752100076
SWIVEL	SWIVEL		3-3/4		GC9752100303
	SWIVEL		8-1/4		GC9752100302
MODEL RT515, RT518, RT525, RT527					
BOOM LIFT	I-U-11	3-5/8	9		GC9752100199
BOOM TELE	I-U-11	5	6-1/2		GC9752100238
EXTENSION	I-U-11	1-3/4	3		GC9752100072
STABILIZER	I-U-11	4	5-1/2		GC9752100240
SWIVEL	SWIVEL		5-1/2		GC9752100312
	SWIVEL		8-1/2		GC9752100311
Cranes - Truck Mounted					
APPLICATION	CODE	ROD	BORE	MISC	KIT #
MODEL TM150, TM155					
BOOM LIFT	I-U-11	3-5/8	8-1/4		GC9752100074
	I-U-10	3-1/2	8-1/4		GC9752100027
BOOM TELE	I-U-11	2-5/8	4		GC9752100035
	I-U-11	3-5/8	5		GC9752100034
EXTENSION	I-U-11	1-3/4	3		GC9752100072
	I-U-10	1-3/4	3		GC9752100019
STABILIZER	I-U-10	3-5/8	5		GC9752100008
MODEL TM180					
BOOM LIFT	I-U-10	3-1/2	8-1/4		GC9752100027
BOOM TELE	I-U-11	2-5/8	4		GC9752100075
	I-U-11	3-5/8	5		GC9752100076
	I-U-11	3	4		GC9752100114
EXTENSION	I-U-11	1-3/4	3		GC9752100072
STABILIZER	I-U-11	3-5/8	5		GC9752100076
MODEL TM250					
BOOM LIFT	I-U-10	6	11		GC9752100029
BOOM TELE	I-U-11	5-1/2	7		GC9752100193
EXTENSION	I-U-11	1-3/4	3		GC9752100072
JACK	I-U-11	3-5/8	5		GC9752100229
STABILIZER	I-U-11	3-5/8	5		GC9752100229
SWIVEL	SWIVEL		8-1/2		GC9752100306
	SWIVEL		8-1/2		GC9752100314

Replacement Kits For

GROVE CRANE

Cranes - Truck Mounted					
APPLICATION	CODE	ROD	BORE	MISC	KIT #
MODEL TM300					
BOOM LIFT	I-U-10	6-1/2	8-1/4		GC9752100146
BOOM TELE	I-U-11	4-1/2	5-1/2		GC9752100157
EXTENSION	I-U-11	1-3/4	3		GC9752100072
JACK	I-U-11	3-5/8	5		GC9752100229
STABILIZER	I-U-11	4-3/4	6		GC9752100162
SWIVEL	SWIVEL		8-1/2		GC9752100314
MODEL TM400					
BOOM LIFT	I-U-10	6-1/2	12-1/2		GC9752100039
BOOM TELE	I-U-11	4-1/2	6		GC9752100077
	I-U-11	3-5/8	5		GC9752100076
EXTENSION	I-U-11	1-3/4	3		GC9752100072
STABILIZER	I-U-10	4-1/2	7-1/2		GC9576100048
MODEL TM475					
BOOM TELE	I-U-11	4-1/2	5-1/2		GC9752100202
EXTENSION	I-U-11	1-3/4	3		GC9752100072
JACK	I-U-11	3-5/8	5		GC9752100229
STABILIZER	I-U-11	4-3/4	6		GC9752100162
SWIVEL	SWIVEL		8-1/2		GC9752100314
MODEL TM750E					
BOOM TELE	I-U-11	5	6		GC9752100293
EXTENSION	I-U-11	1-3/4	3		GC9752100369
JACK	I-U-11	3-5/8	5		GC9752100364
STABILIZER	I-U-11	4-3/4	6		GC9752100163
SWIVEL	SWIVEL		5-1/2		GC9752100300
MODEL TM800					
EXTENSION	I-U-11	5-1/2	6-1/2		GC9752100090
MODEL TM870E					
BOOM LIFT	I-U-11	7	10		GC9752100286
EXTENSION	I-U-11	1-3/4	3		GC9752100072
JACK	I-U-11	4-3/4	6		GC9752100163
STABILIZER	I-U-11	4-3/4	6		GC9752100163
SWIVEL	SWIVEL		5-1/2		GC9752100300
MODEL TMS250EB					
BOOM LIFT	I-U-10	6	11		GC9752100029
BOOM TELE	I-U-11	5-1/2	7		GC9752100193
EXTENSION	I-U-11	1-1/2	2-1/2		GC9752100363
JACK	I-U-11	3-5/8	5		GC9752100364
STABILIZER	I-U-11	4	5-1/2		GC9752100387
SWIVEL	SWIVEL		8-1/2		GC9752100538
	SWIVEL		8-1/2		GC9752100306
MODEL TMS275					
BOOM LIFT	I-U-10	6	11		GC9752100029
BOOM TELE	I-U-11	3-5/8	5		GC9752100076
EXTENSION	I-U-10	1-3/4	3		GC9752100009
STABILIZER	I-U-10	3-1/2	5-7/8		GC9372100153

REPLACEMENT KITS FOR GROVE CRANE

Kit Number	Code (Pg. xiv)	Rod X Bore Size
GC360006321	I-OB-4	2-1/2 X 4-1/2
GC6576000014	I-U-10	2-5/8 X 4
GC9372100153	I-U-10	3-1/2 X 5-7/8
GC9372100165	I-U-10	6 X 11
GC9372101365	I-U-4	2-1/2 X 4-1/2
GC9576000014	I-U-10	2-5/8 X 4
GC9576100048	I-U-10	4-1/2 X 7-1/2
GC9752100002	I-U-10	2-5/8 X 5
GC9752100003	I-U-10	1-1/4 X 3
GC9752100004	I-U-10	2-5/8 X 7
GC9752100008	I-U-10	3-5/8 X 5
GC9752100009	I-U-10	1-3/4 X 3
GC9752100019	I-U-10	1-3/4 X 3
GC9752100027	I-U-10	3-1/2 X 8-1/4
GC9752100029	I-U-10	6 X 11
GC9752100032	I-U-10	2-5/8 X 4
GC9752100034	N-U-11	3-5/8 X 5
GC9752100035	I-U-11	2-5/8 X 4
GC9752100039	I-U-10	6-1/2 X 12-1/2
GC9752100072	I-U-11	1-3/4 X 3
GC9752100074	I-U-13	3-5/8 X 8-1/4
GC9752100075	I-U-11	2-5/8 X 4
GC9752100076	I-U-11	3-5/8 X 5
GC9752100077	I-U-11	4-1/2 X 6
GC9752100079	I-U-11	2-5/8 X 5
GC9752100081	I-U-11	3-5/8 X 7
GC9752100082	I-U-11	2-5/8 X 7
GC9752100083	I-U-11	3-5/8 X 6
GC9752100085	I-U-11	2 X 4
GC9752100090	I-U-11	5-1/2 X 6-1/2
GC9752100111	I-U-11	4-3/4 X 6
GC9752100112	I-U-11	5-1/2 X 7
GC9752100114	I-U-11	3 X 4
GC9752100115		EXTENSION LINE KIT
GC9752100116		O-RING KIT
GC9752100117		O-RING KIT
GC9752100119		TUBE EXTENSION KIT
GC9752100121		O-RING KIT
GC9752100123	N-U-4	5/8 X 1-7/8
GC9752100127	I-U-11	6 X 10

Kit Number	Code (Pg. xiv)	Rod X Bore Size
GC9752100137	I-U-10	6 X 10
GC9752100138	I-U-13	7 X 11
GC9752100146	I-U-10	6-1/2 X 8-1/4
GC9752100150	I-U-11	6 X 7
GC9752100152	I-U-10	7 X 11
GC9752100157	I-U-11	4-1/2 X 5-1/2
GC9752100160		O-RING KIT
GC9752100161		O-RING KIT
GC9752100162	I-U-11	4-3/4 X 6
GC9752100163	I-U-11	4-3/4 X 6
GC9752100164	I-U-11	3-5/8 X 8-1/4
GC9752100167	I-U-11	6 X 7
GC9752100168	I-U-11	5-1/2 X 7
GC9752100173	I-U-11	5-1/2 X 6-1/2
GC9752100180	I-U-11	6 X 8-1/4
GC9752100181	I-U-11	7 X 8-1/4
GC9752100182		VALVE KIT
GC9752100184	I-U-13	7 X 11
GC9752100184U	I-U-13	7 X 11 UNIV. KIT
GC9752100186	I-U-11	6 X 10
GC9752100187	I-U-11	3-5/8 X 6
GC9752100189	I-U-11	4-1/2 X 6
GC9752100192	I-U-10	6 X 11
GC9752100193	I-U-11	5-1/2 X 7
GC9752100198	I-U-11	7 X 11
GC9752100199	I-U-11	3-5/8 X 9
GC9752100202	I-U-11	4-1/2 X 5-1/2
GC9752100229	I-U-11	3-5/8 X 5
GC9752100232	I-U-11	4-1/2 X 6-1/2
GC9752100234	I-U-11	4-1/2 X 6
GC9752100235	I-U-11	2-5/8 X 5
GC9752100236	I-U-11	3-5/8 X 8-1/4
GC9752100238	I-U-11	5 X 6-1/2
GC9752100239	I-U-11	4 X 5-1/2
GC9752100240	I-U-11	4 X 5-1/2
GC9752100241	I-U-11	3-5/8 X 5
GC9752100242	I-U-11	2-5/8 X 5
GC9752100243	I-U-11	5-1/2 X 7
GC9752100267		O-RING KIT
GC9752100286	I-U-11	7 X 10

GROVE CRANE

Kit Number	Code (Pg. xiv)	Rod X Bore Size
GC9752100290	I-U-11	6 X 9
GC9752100293	I-U-11	5 X 6
GC9752100298		7-1/2" SWIVEL KIT
GC9752100299		6" SWIVEL KIT
GC9752100300		5-1/2" SWIVEL KIT
GC9752100301		8-1/2" SWIVEL KIT
GC9752100302		8-1/4" SWIVEL KIT
GC9752100303		3-3/4" SWIVEL KIT
GC9752100306		8-1/2" SWIVEL KIT
GC9752100307		8-1/2" SWIVEL KIT
GC9752100311		8-1/2" SWIVEL KIT
GC9752100312		5-1/2" SWIVEL KIT
GC9752100314		8-1/2" SWIVEL KIT
GC9752100324	I-U-10	1-3/4 X 3
GC9752100328		VALVE KIT
GC9752100329	I-U-11	3-5/8 X 7
GC9752100345	I-U-11	4-1/2 X 5-1/2
GC9752100358		7-1/2" SWIVEL KIT
GC9752100361		7" SWIVEL KIT
GC9752100363	I-U-13	1-1/2 X 2-1/2
GC9752100364	I-U-11	3-5/8 X 5
GC9752100369	I-U-11	1-3/4 X 3
GC9752100377	I-U-11	3 X 4-1/2
GC9752100385		5-1/2" SWIVEL KIT
GC9752100387	I-U-11	4 X 5-1/2
GC9752100391		Valve Kit
GC9752100445	I-U-11	6 X 9
GC9752100461	I-U-11	3-5/8 X 5
GC9752100463	I-UB-11	7 X 9
GC9752100466		EXTENSION LINE KIT

GROVE CRANE

Kit Number	Code (Pg. xiv)	Rod X Bore Size
GC9752100467	I-U-11	3-5/8 X 7
GC9752100468	I-U-11	3-5/8 X 5
GC9752100470	I-UB-11	5 X 8-1/4
GC9752100475	I-U-11	7 X 9
GC9752100477	I-U-11	3 X 5-1/2
GC9752100491	I-U-11	3-5/8 X 8-1/4
GC9752100498		EXTENSION LINE KIT
GC9752100532	I-UB-9	5 X 6
GC9752100538		8-1/2" SWIVEL KIT
GC9752100563		5-1/2" SWIVEL KIT
GC9752101126		8-1/2" SWIVEL KIT

HARSH MFG.

Kit Number	Code (Pg. xiv)	Rod X Bore Size
HM-A9112	I-OB-1	1-7/8 X 2-1/4
HM-A9114	I-OB-1	2-7/8" ROD
HM-A9115	I-OB-1	3-3/8" ROD
HM-A9116	I-OB-1	3-7/8" ROD

Replacement Kits For

HEIL

Refuse - Front Loaders							
APPLICATION	CYL #	SERIAL #	CODE	ROD	BORE	Miscellaneous	KIT #
MODEL Half Pak III Full Eject							
EJECTOR	1-6076		I,P-UB-12	3,4,5	STAGES		HL-K272-4872
EJECTOR CYL	1-4911		I-V-12	3,4,5	STAGES		HL-K272-3588
FORK	1-4868		I-V-10	2	4		HL-K272-3582
LIFT ARM	1-5150	3105106-	P-UB-14	2-1/2	4-1/2		HL-K272-3605
PACKER/EJECTOR	1-4911	SEPT 1998 - 3105162	I-V-12	3,4,5	STAGES		HL-K272-3588
	1-6076	3105300-	I,P-UB-12	3,4,5	STAGES		HL-K272-4872
Refuse - Rear Loaders							
APPLICATION	CYL #	SERIAL #	CODE	ROD	BORE	Miscellaneous	KIT #
MODEL Formula 4000 & 4000 MK IV							
BLADE	1-4108	4F-1014878 -	I-V-10, 12	2-1/2	4		HL-K272-956
CONTAINER ARM	1-4283	4F-1014878 -	I-V-10	1-1/2	3		HL-K272-966
EJECTOR	1-4050		I-V-12	2,3,4,5	STAGES	20 yd	HL-K272-933
	1-4050		I-V-12	2,3,4,5	STAGES	18, 20 yds, Narrow Units	HL-K272-933
	1-4053		I-V-12	2,3,4,5	STAGES	16, 18 yds, Narrow Units	HL-K272-933
	1-4053		I-V-12	2,3,4,5	STAGES	18 yd	HL-K272-933
	1-4054		I-V-12	2,3,4,5	STAGES	25 yd	HL-K272-933
	1-4054		I-V-12	2,3,4,5	STAGES	25 yd, Narrow Units	HL-K272-933
	1-6222		I-U-12	3,4,5	STAGES	11, 13 yds	HL-K272-4885
	1-6223		I-U-12	3,4,5	STAGES	11, 13 yds, Narrow Units	HL-K272-4885
	1-6224, 1-6225, 1-6226	4F-1014878 -	I-U-12	3,4,5,6	STAGES		HL-K272-4884
GRAB-BAR	1-5069	4F-1014878 -	I-U-10	1-1/2	2-1/2		HL-K272-958
GRAB-BAR MECHANISM	1-4105	4F-1014878 -	I-U-10	1-1/2	2-1/2		HL-K272-958
REEVING	1-6189	4F-1014878 -	I-U-10	4	5-1/2		HL-K272-989
SLIDE	1-4110	4F-1014878 -	I-V-10, 12	2	4-1/2		HL-K272-957
TAILGATE RAISE	1-4110	4F-1014878 -	I-V-1	2-1/2	3		HL-K272-937
MODEL Formula 5000 & 5000 MK V							
CONTAINER ARM MECHANISM	1-4105, 1-4264		I-U-10	1-1/2	2-1/2		HL-K272-958
CONTAINER DUMP	1-4283		I-V-10	1-1/2	3		HL-K272-966
EJECTOR	1-4261, 1-4266, 1-4267		I-V-12	4,5,6	STAGES		HL-K272-976
	1-4261, 63132-DA		I-V-12	4,5,6	STAGES	25 yd	HL-K272-976
	1-4266, 63108-DA		I-V-12	4,5,6	STAGES	20 yd	HL-K272-976
	1-4343	3722-	I-U-1	4,5,6,7	STAGES	32 yd	HL-K272-2774
	1-4821	2740 - 3721	I-V-12	4,5,6,7	STAGES	32 yd	HL-K272-3991
INSIDE LOWER PANEL	1-4347, 1-4887	2740 - 6845	I-V-10, 12	3-1/2	5-1/2		HL-K272-2776
	1-4887	2740 - 6845	I-V-10, 12	3-1/2	5-1/2		HL-K272-2776
	1-5111	6846-	P-UB-14	3-1/2	5-1/2		HL-K272-3609

Replacement Kits For

HEIL

Refuse - Rear Loaders							
APPLICATION	CYL #	SERIAL #	CODE	ROD	BORE	Miscellaneous	KIT #
MODEL Formula 5000 & 5000 MK V							
OUTSIDE UPPER PANEL	1-4824, 1-4884	2740 - 6845	I-V-10	2-1/2	5		HL-K272-2778
	1-5110	6846-	P-UB-14	2-1/2	5		HL-K272-3608
PACKER BLADE	1-4884		I-V-10	2-1/2	5	Outside Cylinder	HL-K272-2778
	1-4887		I-V-10, 12	3-1/2	5-1/2	Inside Cylinder	HL-K272-2776
REEVING	1-4309	5002740 - 5008724	I-U-10	4	5-1/2		HL-K272-989
	1-6160	5008725-	I-UB-4	1-1/8	3		HL-1-6160-100
	1-6160	5008725-	I-U-10	4	5-1/2		HL-K272-989
TAILGATE RAISE	1-4348	2740 - 4236	I-V-1	3-1/2	4		HL-K272-938
	1-4880	4237-	I-V-1	3-1/2	4		HL-K272-938
Refuse - Side Loaders							
APPLICATION	CYL #	SERIAL #	CODE	ROD	BORE	Miscellaneous	KIT #
MODEL Formula 7000							
BODY HOIST	1-4807	405-	I-V-1	3-1/4, 4	STAGES		HL-K272-3083
	1-4807	405 & up	I-V-5,12	1-1/2	3-1/2		HL-K272-3084
	1-6191	405-	I-U-4	3-1/4, 4	STAGES		HL-K272-4893
GRABBER	1-4297	405-	I-V-5,12	1-1/2	3-1/2		HL-272-2767
	1-4327	405-	I-V-12	1-1/2	3		HL-K272-981
	1-4843	405-	I-V-12	1-1/2	3		HL-K272-981
LIFT	1-4338	405-	I-V-12	1-1/2	3		HL-K272-981
PACKER	1-4298	1 - 447	I-U-10	4	5-1/2		HL-K272-989
	1-4878	448-	I-U-10	4	5-1/2		HL-K272-989
REACH	1-4276	405-	I-V-12	1-1/2	3		HL-K272-981
SIDE			I-V-10	3-1/2	5		HL-K272-969
TAILGATE	1-4305	405-	I-V-10	1-1/2	3		HL-K272-966
MODEL Rapid Rail Auto-Side Loader 01/2000 -							
ARM	1-6407		P-UB-14	2	3		HL-1-6404-100
BODY RAISE	1-6445		I-U-4	3-1/4	4		HL-K272-8491
DUMP	1-6407		P-UB-14	1-1/8	3		HL-1-6402-100
GRABBER CYL	1-6416		P-UB-14	1-1/8	3		HL-1-6402-100
IN-OUT	1-6403		I-UB-14	1-1/8	1-3/4		HL-1-6403-100
PACKER	1-6407		P-UB-14	1-1/2	5		HL-1-6406-100
TAILGATE RAISE	1-6405		P-UB-10	1-1/8	3	Units built Jan/2000 and after	HL-1-6405-100
	1-6754		I-U-10	1-1/2	3	Units built July/2003 and after	HL-1-6754-001
MODEL Rapid Rail Auto-Side Loader 10/94 - 6/98							
ARM	1-6404		P-UB-14	2	3		HL-1-6404-100
BODY RAISE	1-4807	-1837	I-V-1	3-1/4, 4	STAGES		HL-K272-3083
	1-6191	1838-	I-U-4	3-1/4, 4	STAGES	2 Stage	HL-K272-4893
DUMP	1-6160		I-UB-4	1-1/8	3		HL-1-6160-100
DUMP & GRAB	1-6407		P-UB-14	1-1/8	3		HL-1-6402-100
GRIP	1-6330	-0329	I-UB-4	1-1/8	2-1/2		HL-K272-6627
	1-6331	0330-	I-UB-4	1-1/8	3		HL-1-6160-100
IN-OUT	1-6162		I-UB-14	1-1/8	1-3/4		HL-1-6194-100

Replacement Kits For

HEIL

Refuse - Side Loaders							
APPLICATION	CYL #	SERIAL #	CODE	ROD	BORE	Miscellaneous	KIT #
MODEL Rapid Rail Auto-Side Loader 10/94 - 6/98							
IN-OUT	1-6403		I-UB-14	1-1/8	1-3/4		HL-1-6403-100
LIFT	1-6161		I-UB-4	2	3		HL-1-6161-100
PACKER	1-6164		I-UB-4	1-1/2	5		HL-1-6164-100
	1-6406		P-UB-14	1-1/2	5		HL-1-6406-100
TAILGATE	1-6405		P-UB-10	1-1/8	3		HL-1-6405-100
TAILGATE RAISE	1-6163		I-UB-4	1-1/8	3		HL-1-6160-100

HEIL REPAIR KITS

Kit Number	Cylinder Number	Description	Code	Rod	Bore
HL-001-6554-025			P-UB-10	1-1/2	3
HL-1-3690-09	1-3690, 1-3691		I-V-10	4	6
HL-1-3692-07	1-3692, 1-3695, 1-3717, 1-3719		I-U-10	1-1/2	2-1/2
HL-1-3693-09	1-3693		I-V-10	2-1/2	5
HL-1-3706-05	1-3705, 1-3706		I-V-10	4	6
HL-1-4098K	1-4098		I-V-10	2-1/2	7-1/2
HL-1-4181-16	1-4181		I-U-5	4	4-1/2
HL-1-5098K	1-5098		P-UB-14	2-1/2	4-1/2
HL-1-5110-10	1-5110		P-UB-14	2-1/2	5
HL-1-6070K	1-6070		P-UB-14,12	1-1/2	3
HL-1-6085-1K	1-6085		P-UB-12,14	1-1/2	3
HL-1-6160-100	1-6160, 1-6163, 1-6331		I-UB-4	1-1/8	3
HL-1-6161-100	1-6161		I-UB-4	2	3
HL-1-6164-100	1-6164		I-UB-4	1-1/2	5
HL-1-6194-100	1-6162		I-UB-14	1-1/8	1-3/4
HL-1-6402-100	1-6407		P-UB-14	1-1/8	3
HL-1-6403-100	1-6403		I-UB-14	1-1/8	1-3/4
HL-1-6404-100	1-6404		P-UB-14	2	3
HL-1-6405-100	1-6405		P-UB-10	1-1/8	3
HL-1-6406-100	1-6406		P-UB-14	1-1/2	5
HL-1-6754-001			I-U-10	1-1/2	3
HL-272-2767	001-4297		I-V-5,12	1-1/2	3-1/2
HL-6403-34	A1D3705,A1D3706		I-V-10	4	6
HL-A1C2819K	A1D2819		P-V-12	4-1/2	6-1/2
HL-A1D1275-2K	A1D1275-2K		I-V-1	3-1/2	
HL-A1D1276K	A1D1276		I-V-1	2,3-1/2	STAGES
HL-A1D1285K	A1D1285		I-V-1	2-3/8	
HL-A1D1868K		HH30 Reeving Cylinder	I-V-12	3-1/2	5
HL-A1D2105K	A1D2105		N-V-12	1-1/2	3
HL-A1D2801K	A1D2801		I-V-1	3-1/2	
HL-A1D2844K	A1D2844		P-V-12	2-3/4	5-1/2
HL-A1D2847-1	A1D2847		I-V-1	3-1/2	
HL-A1D2928K	A1D2928		I-V-12	2	4-1/2
HL-A1D3503K	A1D3503		I-V-1	3-1/2	
HL-A1D3523K	A1D3523		I-V-1	2,3-1/2	STAGES
HL-A1D3541-14		Load Lugger	I-U-10	4	4-1/2
HL-A1D3672K	A1D3672K		I-V-10, 12	2-1/4	3-1/2
HL-A1D3809K	3809		I-U-10	2	4-1/2
HL-A1D3856K	A1D3856		I-U-1	2-1/4	3-1/2
HL-A1D3874K	A1D3874		I-V-1	3-1/2	
HL-A1D3917	A1D3917		I-V-10	3-1/2	5
HL-K22-3132	A1D3606		I-U-10,12	1-1/2	3
HL-K252-9310	AIE2125		I-V-12	4-3/4, 6-1/4	STAGES
HL-K252-9312	AIE2108		I,P-V12	6-1/4, 8-5/8	STAGES
HL-K272-1024	1-4139, 1-4140, 1-4854, 1-4137, 1-4138		I-V-1	3-1/8,4,5	STAGES
HL-K272-1026	1-4141, 1-4142, 1-4143, 1-4144		I-V-1	4,5,6	STAGES
HL-K272-1027	1-4143, 1-4144, 1-4141, 1-4142		I-V-1	4,5,6	STAGES
HL-K272-2771	1-4344		I-V-10, 12	2	5

HEIL REPAIR KITS

Kit Number	Cylinder Number	Description	Code	Rod	Bore
HL-K272-2774	001-4343		I-U-1	4,5,6,7	STAGES
HL-K272-2775	1-4345		I-V-10, 12	2	4
HL-K272-2776	001-4887		I-V-10, 12	3-1/2	5-1/2
HL-K272-2778			I-V-10	2-1/2	5
HL-K272-2880	1-4467		I-U-1	4, 5	STAGES
HL-K272-2924		Valve Kit			
HL-K272-3083	001-4807		I-V-1	3-1/4, 4	STAGES
HL-K272-3334	1-4149		I-V-10	3-1/2	5
HL-K272-3572	1-4849		I-V-12	3-1/2	4
HL-K272-3581	1-4882		I-V-10	4	5-1/2
HL-K272-3582	1-4903, 1-6126, 1-4868, 1-4902		I-V-10	2	4
HL-K272-3583	1-4869		I-V-10	3-1/2	5
HL-K272-3584	1-4871		I-V-10, 12	2-1/2	4-1/2
HL-K272-3586	1-4876		I-U-5	1-1/2	2-1/8
HL-K272-3588	1-4911		I-V-12	3,4,5	STAGES
HL-K272-3594	1-5088		P-UB-10	1-3/4	3
HL-K272-3595	1-5082		P-UB-12,14	2	4
HL-K272-3600	1-5112, 1-5147		I,P-V,UB-1	3,4,5	STAGES
HL-K272-3605	1-5150		P-UB-14	2-1/2	4-1/2
HL-K272-3607	1-5146		P-UB-14	4	5-1/2
HL-K272-3608	001-5110		P-UB-14	2-1/2	5
HL-K272-3609	001-5111		P-UB-14	3-1/2	5-1/2
HL-K272-3991			I-V-12	4,5,6,7	STAGES
HL-K272-3991	1-4270		I-V-12	4,5,6,7	STAGES
HL-K272-4285			I-V-1	4,5,6	STAGES
HL-K272-4456			I-U-10	2	6
HL-K272-4872	1-6076, MRK-CYL 50009-53-189		I,P-UB-12	3,4,5	STAGES
HL-K272-4884	1-6224, 1-6225, 1-6226		I-U-12	3,4,5,6	STAGES
HL-K272-4885			I-U-12	3,4,5	STAGES
HL-K272-4893	1-6191		I-U-4	3-1/4, 4	STAGES
HL-K272-4932	A1E4159		I-U-1	3-1/8,4,5	STAGES
HL-K272-4933	1-4140, 1-4137, 1-4138, 1-4139, A1D-4437		I-V-1	3-1/8,4,5	STAGES
HL-K272-4938			I-U-1	4,5,6	STAGES
HL-K272-4939		Wipers, U-seals, Gland, & Piston Bearings		4,5,6	STAGES
HL-K272-659	A1D3873		I-V-12	2, 3-1/2	STAGES
HL-K272-660	A1D3923		I-V-10	3-1/2	5
HL-K272-661	A1D3924		I-V-10	3-1/2	5-1/2
HL-K272-662	A1D3605, 1-3623		I-U-1	2-1/2	3
HL-K272-6627	1-6330		I-UB-4	1-1/8	2-1/2
HL-K272-663	A1D3513		I-V-1	1-1/2	
HL-K272-664	A1D3921		I-U-10	2	4-1/2
HL-K272-665	A1D39021-4017		I-U-10	2-1/4	3-1/2
HL-K272-666	4 STAGE EJECTOR		I-V-12	2,3,4,5	STAGES
HL-K272-667	A1D3904		I-U-10	2-3/4	5-1/2
HL-K272-668	A1D3903		I-U-10	3-1/2	5
HL-K272-669	A1D3802		I-U-1	3-1/2	4
HL-K272-672	A001-3807		I-U-10	2-1/4	5-1/2
HL-K272-673	A001-3531		I-U-10	1-1/2	3

HEIL REPAIR KITS

Kit Number	Cylinder Number	Description	Code	Rod	Bore
HL-K272-674	A001-3525		I-U-10	2	4
HL-K272-676	A1D3835		I-V-12	2,3,4	STAGES
HL-K272-677				2,3,4	BEARING
HL-K272-8491	001-6445		I-U-4	3-1/4	4
HL-K272-933	1-4050, 1-4053, 1-4054		I-V-12	2,3,4,5	STAGES
HL-K272-934	1-4052		I-V-12	2,3,4	STAGES
HL-K272-937	1-4820, 1-4070		I-V-1	2-1/2	3
HL-K272-938	1-4272, 1-4348, 1-4880		I-V-1	3-1/2	4
HL-K272-939		Tailgate Cylinder	I-V-12	2-1/2	3
HL-K272-941	1-4081		I-U-10, 12	2-3/4	5-1/2
HL-K272-944	A1D4100		I-V-10	2-1/4	3-1/2
HL-K272-945	A1D4101		I-V-10	2	4-1/2
HL-K272-946	A1D4092		I-N-4	1-3/4	3
HL-K272-948	A1D4093, 1-4340		I-V-10, 12	2-1/2	5
HL-K272-949	A1D4094		I-V-10, 12	3	5
HL-K272-950	1-4097		I-V-10, 12	3	4-1/2
HL-K272-951			I-V-10	2-1/2	7-1/2
HL-K272-953	A1D4103		I-V-10	3-1/2	5
HL-K272-954	A1D4104		I-V-10	3-1/2	5-1/2
HL-K272-955	A1D4106		I-V-10, 12	2, 3-1/2	STAGES
HL-K272-956	A1D4108		I-V-10, 12	2-1/2	4
HL-K272-956A	A1D4108		I-V-10	2-1/2	4
HL-K272-957	A1D4110		I-V-10, 12	2	4-1/2
HL-K272-957A	A1D4110		I-V-10	2	4-1/2
HL-K272-958	1-4339, 1-4105, 1-4264		I-U-10	1-1/2	2-1/2
HL-K272-959	1-4341, 1-4864		I-V-10	2	4
HL-K272-962	A001-4114		I-V-12	1-1/2	3
HL-K272-963	1-4265		I-V-10, 12	2-1/4	5-1/2
HL-K272-966			I-V-10	1-1/2	3
HL-K272-966	1-4305, 1-4283, 1-4870		I-V-10	1-1/2	3
HL-K272-969			I-V-10	3-1/2	5
HL-K272-971	1-4134		I-V-12	3, 4	STAGES
HL-K272-974			I-U-10	2	4
HL-K272-976	A001-4261		I-V-12	4,5,6	STAGES
HL-K272-980			N-N-12		4
HL-K272-981	1-4883, 1-4276, 1-4338, 1-4327		I-V-12	1-1/2	3
HL-K272-983			I-U-5	4	4-1/2
HL-K272-989	1-4309, 1-4298, 1-4878, 1-6160, 1-6189		I-U-10	4	5-1/2
HL-K272-994	1-4328, 1-4330		I-V-10	4	6

REPLACEMENT CYLINDERS FOR HEIL HPT SERIES DUMP BODIES

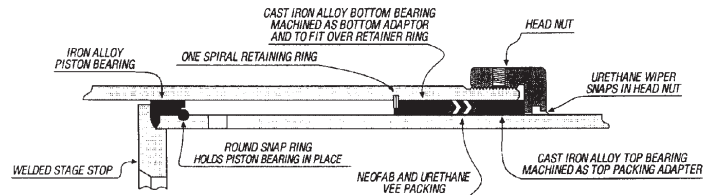
Part Number	Original Part Number	Changed To	Changed To	Changed To	Current Part Number
HPT53100	A1D1972	A1D3140	A1D3887	A1E3983	A1-4137
HPT53110	A1D1766	A1D3141	A1D3888	A1E3984	A1-4138
HPT53120	A1D1973	A1D3058	A1D3889	A1E3985	A1-4139
HPT53130	A1D1974	A1D3139	A1D3890	A1E3986	A1-4140
HPT63120	A1D2043	A1D3177	A1D3891	A1E3998	A1-4141
HPT63130	A1D2044	A1D3178	A1D3892	A1E3999	A1-4142
HPT63140	A1D2298	A1D3179	A1D3893	A1E4000	A1-4143
HPT63160	A1D2624	A1D3180	A1D3180	A1E3180	A1-4144

HEIL REPLACEMENT PARTS FOR DOUBLE ACTING AND SINGLE ACTING TELESCOPIC CYLINDERS

NOTE: The following parts and kits are for the old style Heil telescopic cylinders with vee packing and spiral retainer rings.

- PACKING:** Vee packing with no adaptors.
- WIPERS:** Some cylinders used bronze wipers trapped between the gland collar and the top bearing. Some cylinders used "AN" wipers which snap into a groove in the gland collar.
- BEARINGS:** Cast iron that serve as top and bottom adaptors for vee packing.
- STAGE O.D.s:** 3-1/8 (3/16" C.S.), 4, 5, 6, (1/4" C.S.)
- SPECIAL INFO.:** Uses one spiral type retainer ring per stage as internal stop. Gland collars have 2 "ears" cast 180° apart.
- IDENTIFICATION:** Metal tag attached to cylinder body with model/part number.
Example: AID3140

HEIL "OLD STYLE" HPT SERIES



Part Number	Description
HL26B2090-2A	2" VEE SET & WIPER
HL26B2090-3A	3" VEE SET & WIPER
HL26B2266-1A	3-1/8" VEE SET & WIPER
HL26B2260-1A	4" VEE SET & WIPER
HL26B2260-2A	5" VEE SET & WIPER
HL26B2260-3A	6" VEE SET & WIPER
HL26A2083-1	2" SPIRAL RETAINER
HL26A2083-2	3" SPIRAL RETAINER
HL26A2240-1	3-1/8" SPIRAL RETAINER
HL26A2083-3	4" SPIRAL RETAINER
HL26A2083-4	5" SPIRAL RETAINER
HL26A2406-1	6" SPIRAL RETAINER
HL26A2080	2" PISTON RING
HL26A2081	3" PISTON RING
HL26A2082	4" PISTON RING
HL26B2221	5" PISTON RING
HL-26A4142	4" PISTON SEAL
HL-26A4149	4-1/2" PISTON SEAL
HL-26A4151	5" PISTON SEAL

Part Number	Description
HL-24	2" - 4" VEE SETS W/ WIPERS
HL-25	2" - 5" VEE SETS W/ WIPERS
HL-35	3-1/8" - 5" VEE SETS W/ WIPERS
HL-46	4" - 6" VEE SETS W/ WIPERS

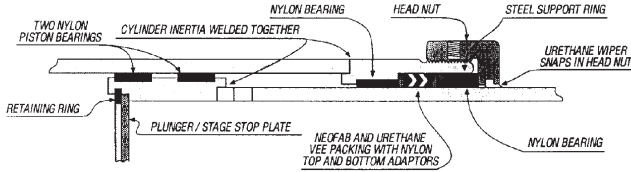
The following kits contain packing, wiper, top & bottom bearings & spiral snap ring.

Kit Number	Stage O.D.
HL-2PBTK	2"
HL-3PBTK	3"
HL-3.12PBTK	3-1/8"
HL-4PBTK	4"
HL-5PBTK	5"
HL-6PBTK	6"
HL-24PBTK	2" - 4"
HL-25PBTK	2" - 5"
HL-35PBTK	3-1/8" - 5"
HL-46PBTK	4" - 6"

HEIL REPLACEMENT PARTS FOR SINGLE ACTING DUMP TRUCK CYLINDERS

NOTE: The following parts and kits are for the new style Heil telescopic dump cylinders with welded stop rings and the base held in with snap rings.

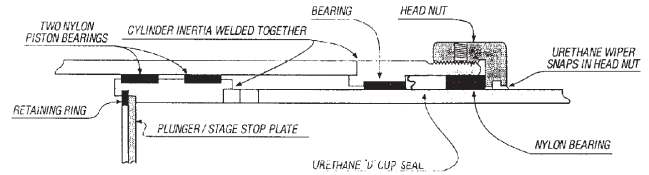
HEIL "NEW STYLE" HPT SERIES



PACKING: Vee packing with nylon top and bottom adaptors.
WIPERS: AN Style
BEARINGS: Split 1/8" thick nylon wear rings.
STAGE O.D.'s: 3-1/8, 4, 5, 6
SPECIAL INFO.: Has welded stop in gland. Cylinder disassembles by removing large Tru-Arc type snap ring which retains the cylinder base and bottom of each stage.
IDENTIFICATION: Metal tag attached to cylinder body with model/part number.
 Example: AIE3938

Part Number	Description
HL26-4157-3	5" ID UPPER WEAR RING
HL26-4157-4	6" ID UPPER WEAR RING
HL26-4176-4	6-1/2" OD LOWER WEAR RING
HL26-4394-1	3-1/8" ID UPPER WEAR RING
HL26-4394-2	4" ID UPPER WEAR RING
HL26-4395-1	3-1/2" OD LOWER WEAR RING
HL26-4395-2	4-1/2" OD LOWER WEAR RING
HL26-4395-3	5-1/2" OD LOWER WEAR RING
HL-K272-1024	3-1/8" - 5" PACKING, WIPERS, O-RING
HL-K272-1026	4" - 6" PACKING, WIPERS, O-RING
HL-K272-1027	4" - 6" PACKING, WIPERS, WEAR RINGS

HEIL "NEW STYLE" HPT SERIES



PACKING: Urethane U-Seals
WIPERS: AN Style
BEARINGS: Nylon bearings above and below U-Seal
STAGE O.D.'s: 3-1/8, 4, 5, 6
SPECIAL INFO.: Welded stop in gland. Tru-Arc type snap ring which retains the cylinder base and bottom of each stage.
IDENTIFICATION: Metal tag attached to cylinder body with model/part number.
 Example: AIE4159

Part Number	Description
HL-K272-3588	3, 4, 5" stages - vee-set, wipers, gland bearing, quattro rings, nylon slug, set screw
HL-K272-4932	3-1/8, 4, 5" stages - U-seals, wipers, gland bearing, quattro rings, nylon slug, set screw
HL-K272-4938	4, 5, 6" stages - U-seals, wipers, gland bearings, quattro ring, nylon slug, set screw
HL-K272-4939	4, 5, 6" stages - U-seals, wipers, bearings, quattro ring, nylon slug, set screw

HEIL SPECIAL HEIL TELESCOPIC VEE SETS

Part Number	Size
HL26A2038	2-1/2 X 2-7/8
HL26A2039	3-1/4 X 3-5/8
HL26A2215	1-3/4 X 2-1/8
HL26B2191-2	6-1/4 X 6-3/4
HL26B2202-1H	2 X 3 W/WIPER

Part Number	Size
HL26B2203-1H	3-1/2 X 5 W/WIPER
HL26B2482-1	8-5/8 X 9-5/16
HL26B2484-1	6-1/4 X 7-5/16
HL30004X182	3 X 3-1/2 X 1.825
HL40004X184	4 X 4-1/2 X 1.845

Replacement Kits For

HIAB

Cranes							
APPLICATION	CYL #	SERIAL #	CODE	ROD	BORE	Miscellaneous	KIT #
MODEL 045							
1ST EXTENSION			P-U-15	40 mm	55 mm		HIAB-542121
2ND & 3RD EXT.			P-U-15	30 mm	50 mm		HIAB-542130
INNER BOOM			P-U-15	50 mm	90 mm		HIAB-542105
LONG OUTRIGGER			P-U-15	50 mm	70 mm		HIAB-542156
OUTER BOOM			P-U-15	50 mm	90 mm		HIAB-542113
SWING			I-N-15	N/A	100 mm		HIAB-542148
MODEL 070							
BOOM EXT			P-U-13	33 mm	60 mm		HIAB-330-0897
	AW		P-U-13	35, 80 mm	60, 92 mm	2-Stage Telescopic	HIAB-330-0731
INNER BOOM			P-U-13	90 mm	125 mm		HIAB-330-0871
OUTER BOOM			P-U-13	70 mm	100 mm		HIAB-330-0889
MODEL 071							
BOOM EXT	3400441		P-U-13	35, 80 mm	60, 92 mm		HIAB-330-0731
	3478378		I-U-15	50 mm	80 mm		HIAB-330-1044
	3501515		I-U-15	50 mm	80 mm		HIAB-330-1044
	3509052		P-U-13	35, 80 mm	60, 92 mm		HIAB-330-0731
INNER BOOM	3554589		P-U-13	90 mm	125 mm		HIAB-330-0871
OUTER BOOM	3300889		P-U-13	70 mm	100 mm		HIAB-330-0889
OUTRIGGER	3502414		P-U-15	70 mm	90 mm		HIAB-330-1028
MODEL 100							
BOOM EXT	A		P-SP-15	45 mm	70 mm		HIAB-330-0714
INNER BOOM			I-SP-15	80 mm	125 mm		HIAB-330-0692
MODEL 120							
BOOM EXT			P-U-15	45 mm	63 mm		HIAB-330-1311
			P-U-15	40 mm	63 mm	Updated Version	HIAB-330-1320
OUTER BOOM			P-U-15	90 mm	125 mm		HIAB-330-1303
MODEL 140							
BOOM EXT			I-U-15	50 mm	80 mm		HIAB-330-1044
	AW		P-U-13	40, 90 mm	70, 105 mm		HIAB-330-0668
	AWV		I-U-13	33 mm	60 mm		HIAB-330-1001
INNER BOOM			I-U-13	80 mm	140 mm		HIAB-330-1036
OUTER BOOM			I-U-13	80 mm	140 mm		HIAB-330-1036
MODEL 175							
BOOM EXT	3608603		P-U-15	40 mm	63 mm		HIAB-330-1613
	3616819		P-U-15	45 mm	70 mm		HIAB-330-1583
	3622100		P-U-15	45 mm	70 mm		HIAB-330-1583
	3625681		P-U-15	40 mm	63 mm		HIAB-330-1613
EXTENSION	3583872		P-U-15	25 mm	40 mm		HIAB-330-1052
INNER BOOM	3625745		P-U-15	100 mm	160 mm		HIAB-330-1443
OUTER BOOM	3561330		P-U-15	100 mm	140 mm		HIAB-330-1290
OUTRIGGER	3531031		P-U-15	70 mm	90 mm		HIAB-330-1028
	3592774		P-U-15	70 mm	90 mm		HIAB-330-1028
	3594769		P-U-15	70 mm	90 mm		HIAB-330-1028
MODEL 650							
BOOM EXT	3088031		I-U-13	33 mm	60 mm		HIAB-330-1001

Replacement Kits For

HIAB

Cranes							
APPLICATION	CYL #	SERIAL #	CODE	ROD	BORE	Miscellaneous	KIT #
MODEL 650							
BOOM EXT	AW		P-U-13	32, 85 mm	65, 100 mm	2-Stage Telescopic	HIAB-330-0633
	AW		P-U-13	35, 80 mm	60, 92 mm	Model 650/1, 2-Stage Telescopic	HIAB-330-0731
D. BOOM EXT	3080005		P-U-13	35, 80 mm	60, 92 mm		HIAB-330-0731
	3199622		P-U-13	32, 85 mm	65, 100 mm		HIAB-330-0633
	3402746		P-U-13	32, 85 mm	65, 100 mm		HIAB-330-0633
	3411176		P-U-13	32, 85 mm	65, 100 mm		HIAB-330-0633
	3419258		P-U-13	35, 80 mm	60, 92 mm		HIAB-330-0731
	6216765		P-U-13	32, 85 mm	65, 100 mm		HIAB-330-0633
D.A. INNER BOOM	3051919		I-U-15	100 mm	140 mm		HIAB-330-0501
	3091919		I-U-15	100 mm	140 mm		HIAB-330-0501
	3099199	90001-->	I-U-13	100 mm	140 mm		HIAB-330-0749
INNER BOOM		90001-->	I-U-13	100 mm	140 mm		HIAB-330-0749
	3155528	-->65450	I-U-1	140 mm	160 mm		HIAB-330-0218
MODEL 985							
1ST EXTENSION			P-SP-15	45 mm	70 mm		HIAB-330-0714
2ND EXTENSION			P-U-13	35, 80 mm	60, 92 mm		HIAB-330-0731
3RD EXTENSION			I-U-15	33 mm	60 mm		HIAB-330-0595
AH EXTENSION			P-SP-15	45 mm	70 mm		HIAB-330-0714
INNER BOOM			I-SP-15	80 mm	125 mm		HIAB-330-0692
OUTER BOOM			I-SP-15	80 mm	125 mm		HIAB-330-0692
MODEL 1165							
INNER BOOM			I-SP-15	80 mm	140 mm		HIAB-622-1688
OUTER BOOM			I-SP-15	80 mm	140 mm		HIAB-622-1688
MODEL 1165/1							
BOOM EXT	A		I-U-15	50 mm	80 mm		HIAB-330-1044
	AW	TO 1977	P-U-13	40, 90 mm	70, 105 mm	2-Stage Telescopic	HIAB-330-0668
INNER BOOM			I-U-13	80 mm	140 mm		HIAB-330-1036
OUTER BOOM			I-U-13	80 mm	140 mm		HIAB-330-1036
MODEL 1165/2							
BOOM EXT	3407110		P-U-13	40, 90 mm	70, 105 mm		HIAB-330-0668
	3430405		I-U-13	33 mm	60 mm		HIAB-330-1001
	6215645		I-U-15	50 mm	80 mm		HIAB-330-1044
INNER BOOM	3445038		I-SP-15	80 mm	140 mm		HIAB-622-1688
OUTER BOOM	3445852		I-SP-15	80 mm	140 mm		HIAB-622-1688
MODEL 1770							
BOOM EXT	A		I-U-15	50 mm	80 mm		HIAB-330-1044
	AW		P-U-13	40, 90 mm	70, 105 mm	2-Stage Telescopic	HIAB-330-0668
INNER BOOM			P-U-13	80 mm	125 mm		HIAB-872-8330
OUTER BOOM			P-U-13	100 mm	180 mm		HIAB-872-8348
OUTRIGGER			P-U-15	90 mm	110 mm	13 Ton Leg	HIAB-330-0773
MODEL 2640							
BOOM EXT			I-U-13	63 mm	100 mm		HIAB-330-0641
INNER BOOM			P-U-13	100 mm	140 mm		HIAB-872-8038
OUTER BOOM			P-U-13	100 mm	140 mm		HIAB-872-8038

REPLACEMENT KITS FOR HIAB

Kit Number	Code (Pg. xiv)	Rod X Bore Size
HIAB-121039	P-U-15	63 x 110 mm
HIAB-330-0218	I-U-1	140 X 160 mm
HIAB-330-0315	N-N-5	100 mm Piston Kit
HIAB-330-0498	N-N-5	105 MM Piston Kit
HIAB-330-0501	I-U-15	100 X 140 mm
HIAB-330-0528	N-N-5	105 mm Piston Kit
HIAB-330-0595	I-U-15	33 X 60 mm
HIAB-330-0625	P-O-1	78 mm Rod Kit
HIAB-330-0633	P-U-15	32, 85 X 65, 100 mm
HIAB-330-0641	I-U-15	63 X 100 mm
HIAB-330-0668	P-U-15	40 , 90 mm Stages
HIAB-330-0692	I-U-15	80 X 125 mm
HIAB-330-0714	P-SP-15	45 X 70 mm
HIAB-330-0731	P-U-15	35, 80 mm Stages
HIAB-330-0749	I-U-15	100 X 140 mm
HIAB-330-0773	P-U-15	90 X 110 mm
HIAB-330-0871	P-U-15	90 X 125 mm
HIAB-330-0889	P-U-15	70 X 100 mm
HIAB-330-0897	P-U-15	33 X 60 mm
HIAB-330-0951	P-U-15	100 X 180 mm
HIAB-330-1001	I-U-15	33 X 60 mm
HIAB-330-1028	P-U-15	70 X 90 mm
HIAB-330-1036	I-U-15	80 X 140 mm
HIAB-330-1044	I-U-15	50 X 80 mm
HIAB-330-1052	P-U-15	25 X 40 mm
HIAB-330-1061	P-U-15	70 X 125 mm
HIAB-330-1231	P-U-15	90 X 160 mm
HIAB-330-1249	P-U-15	40 x 70 mm
HIAB-330-1290	P-U-15	100 X 140 mm
HIAB-330-1303	P-U-15	90 X 125 mm
HIAB-330-1311	P-U-15	45 X 63 mm

Kit Number	Code (Pg. xiv)	Rod X Bore Size
HIAB-330-1320	P-U-15	40 X 63 mm
HIAB-330-1443	P-U-15	100 X 160 mm
HIAB-330-1583	P-U-15	45 X 70 mm
HIAB-330-1613	P-U-15	40 X 63 mm
HIAB-542105	P-U-15	50 X 90 mm
HIAB-542113	P-U-15	50 X 90 mm
HIAB-542121	P-U-15	40 X 55 mm
HIAB-542130	P-U-15	30 X 50 mm
HIAB-542148	I-N-15	100 mm Piston Kit
HIAB-542156	P-U-15	50 X 70 mm
HIAB-607-2267	I-O-15	74 X 85 mm
HIAB-622-1599	I-U-15	63 X 125 mm
HIAB-622-1661	I-SP-15	63 X 140 mm
HIAB-622-1670	I-SP-15	70 X 140 mm
HIAB-622-1688	I-SP-15	80 X 140 mm
HIAB-622-2170	I-U-15	32, 90 mm Stages
HIAB-711-4659	P-U-15	50 x 110 mm
HIAB-711-4660	I-U-15	30 x 50 mm
HIAB-711-5366	I,P-U-15	80 X 140 mm
HIAB-711-5834	I-U-15	30 X 70 mm
HIAB-712-4173	P,I-U-15	100 x 180 mm
HIAB-712-4174	I-U-15	50 x 90 mm
HIAB-825-2050	P-U-15	45 X 80 mm
HIAB-872-8038	P-U-15	100 X 140 mm
HIAB-872-8046	P-U-15	100 X 140 mm
HIAB-872-8330	P-U-15	80 X 125 mm
HIAB-872-8348	P-U-15	100 X 180 mm
HIAB-872-8356	I-SP-15	50 X 80 mm
HIAB-995-0621	N-N-4	100 mm Piston Kit
HIAB-995-9122	N-N-5	105 mm Piston Kit

Replacement Kits For

HITACHI

Excavators							
APPLICATION	CYL #	SERIAL #	CODE	ROD	BORE	Misc	KIT #
MODEL EX100							
ARM			P-UB-10	75 mm	105 mm		HIT-4206343
BOOM			P-UB-10	70 mm	95 mm		HIT-4206340
BUCKET			P-UB-10	65 mm	95 mm		HIT-4206345
MODEL EX120							
ARM			P-UB-10	80 mm	115 mm		HIT-4206344
BOOM			P-UB-10	75 mm	105 mm		HIT-4206343
BUCKET			P-UB-10	65 mm	95 mm		HIT-4206345
MODEL EX120-2							
ARM			P-UB-10	80 mm	110 mm		HIT-4286463
BOOM			P-UB-10	70 mm	105 mm		HIT-4286459
BUCKET			P-UB-10	65 mm	95 mm		HIT-4286739
MODEL EX150							
ARM	4193532	01001-	P-UB-10	85 mm	120 mm		HIT-4216264P
BOOM LH	4193533	01001-	P-UB-10	80 mm	115 mm		HIT-4369893P
BOOM RH	4193531	01001-	P-UB-10	80 mm	115 mm		HIT-4369893P
BUCKET	4193534	01001-	P-UB-10	80 mm	115 mm		HIT-4369893P
MODEL EX150LC-5, EX160LC-5							
ARM	4370784	1002-	P-UB-10	85 mm	115 mm		HIT-4389720
	4370784	1002-	Bushing	85 mm			HIT-4272960
	4370784	1002-	Wear Ring		115 mm		HIT-0686405
	4370784	1002-	Wear Ring		115 mm		HIT-0310908
BOOM LH	4370783	1002-	P-UB-10	80 mm	110 mm		HIT-4389719
	4370783	1002-	Bushing	80 mm			HIT-0309304
	4370783	1002-	Wear Ring		110 mm		HIT-0298907
	4370783	1002-	Wear Ring		110 mm		HIT-0667008
BOOM RH	4370782	1002-	P-UB-10	80 mm	110 mm		HIT-4389719
	4370782	1002-	Bushing	80 mm			HIT-0309304
	4370782	1002-	Wear Ring		110 mm		HIT-0667008
	4370782	1002-	Wear Ring		110 mm		HIT-0298907
BUCKET	4370785	1002-	P-UB-10	75 mm	105 mm		HIT-4389721
	4370785	1002-	Bushing	75 mm			HIT-0310504
	4370785	1002-	Wear Ring		105 mm		HIT-0666808
	4370785	1002-	Wear Ring		105 mm		HIT-0310510
MODEL EX200, EX200LC							
ARM	4180278	30001-	P-UB-10	95 mm	135 mm		HIT-4206019
BOOM LH	4180277	30001-	P-UB-10	85 mm	125 mm		HIT-4206018
	4223826	30001-	P-UB-10	85 mm	125 mm		HIT-4206018
BOOM RH	4180276	30001-	P-UB-10	85 mm	125 mm		HIT-4206018
	4223825	30001-	P-UB-10	85 mm	125 mm		HIT-4206018
BUCKET	4180279	30001-	P-UB-10	80 mm	120 mm		HIT-4206020
CLAMSHELL	2024987	30001-	P-UB-10	85 mm	135 mm		HIT-4214722
MODEL EX200-2, EX200LC-2							
ARM	4250226	60001-	P-UB-10	95 mm	130 mm		HIT-4286780
	4250226	60001-	Bushing	95 mm			HIT-0309204
	4250226	60001-	Wear Ring		130 mm		HIT-0409912
	4250226	60001-	Wear Ring		130 mm		HIT-0254309

Replacement Kits For

HITACHI

HITACHI

Excavators							
APPLICATION	CYL #	SERIAL #	CODE	ROD	BORE	Misc	KIT #
MODEL EX200-2, EX200LC-2							
BOOM LH	4250224	60001-	P-UB-10	85 mm	120 mm		HIT-4286774
	4250224	60001-	Bushing	85 mm			HIT-4272960
	4250224	60001-	Wear Ring		120 mm		HIT-0309309
	4250224	60001-	Wear Ring		120 mm		HIT-0261308
BOOM RH	4250223	60001-	P-UB-10	85 mm	120 mm		HIT-4286774
	4250223	60001-	Bushing	85 mm			HIT-4272960
	4250223	60001-	Wear Ring		120 mm		HIT-0309309
	4250223	60001-	Wear Ring		120 mm		HIT-0261308
BUCKET	4250225	60001-	P-UB-10	75 mm	110 mm		HIT-4286784
	4250225	60001-	Bushing	75 mm			HIT-0310504
	4250225	60001-	Wear Ring		110 mm		HIT-0298907
	4250225	60001-	Wear Ring		110 mm		HIT-0410005
	4287889	60001-	Bushing	65 mm		River	HIT-0310604
	4287889	60001-	Wear Ring		95 mm	River	HIT-0310610
	4287889	60001-	Wear Ring		95 mm	River	HIT-0310609
	4287889	60001-D91/12	P-UB-10	65 mm	95 mm	River	HIT-4286739
CLAMSHELL	4288743	60001-	P-UB-10	85 mm	125 mm		HIT-4369902
	4288743	60001-	Bushing	85 mm			HIT-4272960
	4288743	60001-	Wear Ring		125 mm		HIT-0309009
	4288743	60001-	Wear Ring		125 mm		HIT-0223713
ROLLING	4305528	65612-	P-UB-10	95 mm	150 mm		HIT-4320954
	4305528	65612-	Bushing	95 mm			HIT-0309204
	4305528	65612-	Wear Ring		150 mm		HIT-0237220
	4305528	65612-	Wear Ring		150 mm		HIT-0387305
MODEL EX200-3, EX200LC-3, EX200H-3, EX200LCH-3							
ARM	4314778	78001-	Bushing	95 mm			HIT-0309204
	4314778	78001-	Wear Ring		130 mm		HIT-0254309
	4314778	78001-	Wear Ring		130 mm		HIT-0409912
	4314778	D95/06-	P-UB-10	95 mm	130 mm		HIT-4369914
BOOM LH	4250224	78001-	P-UB-10	85 mm	120 mm		HIT-4369901
	4250224	78001-	Bushing	85 mm			HIT-4272960
	4250224	78001-	Wear Ring		120 mm		HIT-0261308
	4250224	78001-	Wear Ring		120 mm		HIT-0309309
	4250224	D95/06-	P-UB-10	85 mm	120 mm		HIT-4369901
BOOM RH	4250223	78001-	Bushing	85 mm			HIT-4272960
	4250223	78001-	Wear Ring		120 mm		HIT-0261308
	4250223	78001-	Wear Ring		120 mm		HIT-0309309
	4250223	D95/06-	P-UB-10	85 mm	120 mm		HIT-4369901
BUCKET	4250225	78001-	Bushing	75 mm			HIT-0310504
	4250225	78001-	Wear Ring		110 mm		HIT-0298907
	4250225	78001-	Wear Ring		110 mm		HIT-0410005
	4250225	D95/06-	P-UB-10	75 mm	110 mm		HIT-4369890
	4287889	78001-	Bushing	65 mm		River	HIT-0310604
	4287889	78001-	Wear Ring		95 mm	River	HIT-0310610
	4287889	78001-	Wear Ring		95 mm	River	HIT-0310609
	4287889	D95/06-	P-UB-10	65 mm	95 mm	River	HIT-4369766

Replacement Kits For

HITACHI

Excavators							
APPLICATION	CYL #	SERIAL #	CODE	ROD	BORE	Misc	KIT #
MODEL EX200-3, EX200LC-3, EX200H-3, EX200LCH-3							
CLAMSHELL	4288743	78001-	Bushing	85 mm			HIT-4272960
	4288743	78001-	Wear Ring		125 mm		HIT-0309009
	4288743	78001-	Wear Ring		125 mm		HIT-0223713
	4288743	78001-D95/05	P-UB-10	85 mm	125 mm		HIT-4369902
	4288743	D95/06-	P-UB-10	85 mm	125 mm		HIT-4369902
MODEL EX200-5, EX200LC-5, EX210H-5, EX210LCH-5							
ARM	4316930	050001-	P-UB-10	95 mm	130 mm		HIT-4364916
	4316930	050001-	P-UB-10	95 mm	130 mm		HIT-4364916-EX
	4316930	050001-	Bushing	95 mm			HIT-0309204
	4316930	050001-	Wear Ring		130 mm		HIT-0254309
	4316930	050001-	Wear Ring		130 mm		HIT-0667409
	4372914	050001-	P-UB-10	95 mm	130 mm		HIT-4364916
	4372914	050001-	P-UB-10	95 mm	130 mm		HIT-4364916-EX
	4372914	050001-	Bushing	95 mm			HIT-0309204
	4372914	050001-	Wear Ring		130 mm		HIT-0667409
	4372914	050001-	Wear Ring		130 mm		HIT-0254309
BOOM LH	4317394	050001-	P-UB-10	85 mm	120 mm		HIT-4364915
	4317394	050001-	P-UB-10	85 mm	120 mm		HIT-4364915-EX
	4317394	050001-	Bushing	85 mm			HIT-4272960
	4317394	050001-	Wear Ring		120 mm		HIT-0261308
	4317394	050001-	Wear Ring		120 mm		HIT-0667206
	4372913	050001-	P-UB-10	85 mm	120 mm		HIT-4364915
	4372913	050001-	P-UB-10	85 mm	120 mm		HIT-4364915-EX
	4372913	050001-	Bushing	85 mm			HIT-4272960
	4372913	050001-	Wear Ring		120 mm		HIT-0261308
	4372913	050001-	Wear Ring		120 mm		HIT-0667206
BOOM RH	4317393	050001-	P-UB-10	85 mm	120 mm		HIT-4364915
	4317393	050001-	P-UB-10	85 mm	120 mm		HIT-4364915-EX
	4317393	050001-	Bushing	85 mm			HIT-4272960
	4317393	050001-	Wear Ring		120 mm		HIT-0667206
	4317393	050001-	Wear Ring		120 mm		HIT-0261308
	4372912	050001-	P-UB-10	85 mm	120 mm		HIT-4364915
	4372912	050001-	P-UB-10	85 mm	120 mm		HIT-4364915-EX
	4372912	050001-	Bushing	85 mm			HIT-4272960
	4372912	050001-	Wear Ring		120 mm		HIT-0261308
	4372912	050001-	Wear Ring		120 mm		HIT-0667206
BUCKET	4318327	050001-	P-UB-10	75 mm	110 mm		HIT-4369890
	4318327	050001-	P-UB-10	75 mm	110 mm		HIT-4369890-EX
	4318327	050001-	Bushing	75 mm			HIT-0310504
	4318327	050001-	Wear Ring		110 mm		HIT-0410005
	4318327	050001-	Wear Ring		110 mm		HIT-0298907
	4371061	050001-	P-UB-10	65 mm	95 mm	River	HIT-4369766
	4371061	050001-	P-UB-10	65 mm	95 mm	River	HIT-4369766-EX
	4371061	050001-	Bushing	65 mm		River	HIT-0310604
	4371061	050001-	Wear Ring		95 mm	River	HIT-0310609
	4371061	050001-	Wear Ring		95 mm	River	HIT-0310610

Replacement Kits For

HITACHI

Excavators							
APPLICATION	CYL #	SERIAL #	CODE	ROD	BORE	Misc	KIT #
MODEL EX200-5, EX200LC-5, EX210H-5, EX210LCH-5							
BUCKET	4372915	050001-	P-UB-10	75 mm	110 mm		HIT-4369890
	4372915	050001-	P-UB-10	75 mm	110 mm		HIT-4369890-EX
	4372915	050001-	Bushing	75 mm			HIT-0310504
	4372915	050001-	Wear Ring		110 mm		HIT-0410005
	4372915	050001-	Wear Ring		110 mm		HIT-0298907
CLAMSHELL	4288743	050001-	P-UB-10	85 mm	125 mm		HIT-4369902
	4288743	050001-	Bushing	85 mm			HIT-4272960
	4288743	050001-	Wear Ring		125 mm		HIT-0309009
	4288743	050001-	Wear Ring		125 mm		HIT-0223713
MODEL EX220							
ARM			P-UB-14	100 mm	145 mm		HIT-4203831
BOOM			P-UB-10	90 mm	135 mm		HIT-4203830
BUCKET			P-UB-10	90 mm	135 mm		HIT-4203830
MODEL EX220-2							
ARM			P-UB-10	100 mm	135 mm		HIT-9103843
BOOM			P-UB-10	90 mm	125 mm		HIT-9103842
BUCKET			P-UB-10	85 mm	125 mm		HIT-9103844
MODEL EX220-3, EX220LC-3							
ARM	9101317	10001-	P-UB-10	100 mm	135 mm		HIT-9103843
	9101317	10001-	Bushing	100 mm			HIT-4272963
	9101317	10001-	Wear Ring		135 mm		HIT-4185246
	9101317	10001-	Wear Ring		135 mm		HIT-4252191
BOOM LH	9101316	10001-	P-UB-10	90 mm	125 mm		HIT-9103842
	9101316	10001-	Bushing	90 mm			HIT-4272961
	9101316	10001-	Wear Ring		125 mm		HIT-4253562
	9101316	10001-	Wear Ring		125 mm		HIT-4168234
BOOM RH	9101315	10001-	P-UB-10	90 mm	125 mm		HIT-9103842
	9101315	10001-	Bushing	90 mm			HIT-4272961
	9101315	10001-	Wear Ring		125 mm		HIT-4168234
	9101315	10001-	Wear Ring		125 mm		HIT-4253562
BUCKET	9101318	10001-	P-UB-10	85 mm	125 mm		HIT-9103844
	9101318	10001-	Bushing	85 mm			HIT-4272960
	9101318	10001-	Wear Ring		125 mm		HIT-4168234
	9101318	10001-	Wear Ring		125 mm		HIT-4253562
MODEL EX220-5, EX220LC-5, EX230-5, EX230LC-5, EX230H-5, EX230LCH-5							
ARM	4380500	1001-	P-UB-10	105 mm	145 mm	River	HIT-4369943
	4380500	1001-	Bushing	105 mm		River	HIT-0373405
	4380500	1001-	Wear Ring		145 mm	River	HIT-0373413
	4380500	1001-	Wear Ring		145 mm	River	HIT-0492209
	9101317	1001-	P-UB-14	100 mm	135 mm		HIT-9178284
	9101317	1001-	Bushing	100 mm			HIT-4272963
	9101317	1001-	Wear Ring		135 mm		HIT-4185246
	9101317	1001-	Wear Ring		135 mm		HIT-4252191
	9147233	1001-	Bushing	100 mm			HIT-4272963
	9147233	1001-	Wear Ring		135 mm		HIT-4252191
	9147233	1001-	Wear Ring		135 mm		HIT-4185246

Replacement Kits For

HITACHI

Excavators							
APPLICATION	CYL #	SERIAL #	CODE	ROD	BORE	Misc	KIT #
MODEL EX220-5, EX220LC-5, EX230-5, EX230LC-5, EX230H-5, EX230LCH-5							
ARM	9147233	D96/12-	P-UB-14	100 mm	135 mm		HIT-9178284
BOOM LH	9101316	1001-	P-UB-14	90 mm	125 mm		HIT-9178283
	9101316	1001-	Bushing	90 mm			HIT-4272961
	9101316	1001-	Wear Ring		125 mm		HIT-4168234
	9101316	1001-	Wear Ring		125 mm		HIT-4253562
	9147232	1001-	Bushing	90 mm			HIT-4272961
	9147232	1001-	Wear Ring		125 mm		HIT-4253562
	9147232	1001-	Wear Ring		125 mm		HIT-4168234
	9147232	D96/12-	P-UB-14	90 mm	125 mm		HIT-9178283
BOOM RH	9101315	1001-	P-UB-14	90 mm	125 mm		HIT-9178283
	9101315	1001-	Bushing	90 mm			HIT-4272961
	9101315	1001-	Wear Ring		125 mm		HIT-4168234
	9101315	1001-	Wear Ring		125 mm		HIT-4253562
	9147231	1001-	P-UB-14	90 mm	125 mm		HIT-9178283
	9147231	1001-	Bushing	90 mm			HIT-4272961
	9147231	1001-	Wear Ring		125 mm		HIT-4253562
	9147231	1001-	Wear Ring		125 mm		HIT-4168234
BUCKET	4371061	1001-	P-UB-10	65 mm	95 mm	River	HIT-4369766
	4371061	1001-	Bushing	65 mm		River	HIT-0310604
	4371061	1001-	Wear Ring		95 mm	River	HIT-0310609
	4371061	1001-	Wear Ring		95 mm	River	HIT-0310610
	9101318	1001-	P-UB-14	85 mm	125 mm		HIT-9178294
	9101318	1001-	Bushing	85 mm			HIT-4272960
	9101318	1001-	Wear Ring		125 mm		HIT-4168234
	9101318	1001-	Wear Ring		125 mm		HIT-4253562
	9147234	1001-	Bushing	85 mm			HIT-4272960
	9147234	1001-	Wear Ring		125 mm		HIT-4168234
	9147234	1001-	Wear Ring		125 mm		HIT-4253562
	9147234	D96/12-	P-UB-14	85 mm	125 mm		HIT-9178294
MODEL EX270, EX270LC							
ARM	9076106	50001-	P-UB-14	105 mm	150 mm		HIT-9078844
BOOM	ALL	50001-	P-UB-10	95 mm	145 mm		HIT-9078843
BUCKET	ALL	50001-	P-UB-10	95 mm	145 mm		HIT-9078843
MODEL EX270-5, EX270LC-5, EX280H-5, EX280LCH-5							
ARM	9147237	10001-	P-UB-14	100 mm	145 mm		HIT-9180579
	9147237	10001-	Bushing	100 mm			HIT-4272963
	9147237	10001-	Wear Ring		145 mm		HIT-4185247
	9147237	10001-	Wear Ring		145 mm		HIT-4194621
BOOM LH	9147236	10001-	P-UB-14	95 mm	135 mm		HIT-9180587
	9147236	10001-	Bushing	95 mm			HIT-4272962
	9147236	10001-	Wear Ring		135 mm		HIT-4252191
	9147236	10001-	Wear Ring		135 mm		HIT-4185246
BOOM RH	9147235	10001-	P-UB-14	95 mm	135 mm		HIT-9180587
	9147235	10001-	Bushing	95 mm			HIT-4272962
	9147235	10001-	Wear Ring		135 mm		HIT-4252191
	9147235	10001-	Wear Ring		135 mm		HIT-4185246

Replacement Kits For

HITACHI

Excavators							
APPLICATION	CYL #	SERIAL #	CODE	ROD	BORE	Misc	KIT #
MODEL EX270-5, EX270LC-5, EX280H-5, EX280LCH-5							
BUCKET	9147238	10001-	P-UB-14	90 mm	135 mm		HIT-9180580
	9147238	10001-	Bushing	90 mm			HIT-4272961
	9147238	10001-	Wear Ring		135 mm		HIT-4185246
	9147238	10001-	Wear Ring		135 mm		HIT-4252191
MODEL EX300, EX300LC							
ARM			P-UB-10	110 mm	165 mm		HIT-9078846
BOOM			P-UB-14	100 mm	145 mm		HIT-9078845
BUCKET			P-UB-10	95 mm	145 mm		HIT-9078843
MODEL EX300-3, EX300LC-3, EX300H-3, EX300LCH-3							
ARM	9122617		P-UB-14	110 mm	165 mm		HIT-9123264
	9122617	7001-	Bushing	110 mm			HIT-4284534
	9122617	7001-	Wear Ring		165 mm		HIT-4194623
	9122617	7001-	Wear Ring		165 mm		HIT-4194624
BOOM LH	9122616	7001-	P-UB-14	100 mm	145 mm		HIT-9078845
	9122616	7001-	Bushing	100 mm			HIT-4272963
	9122616	7001-	Wear Ring		145 mm		HIT-4185249
	9122616	7001-	Wear Ring		145 mm		HIT-4185247
BOOM RH	9122615	7001-	P-UB-14	100 mm	145 mm		HIT-9078845
	9122615	7001-	Bushing	100 mm			HIT-4272963
	9122615	7001-	Wear Ring		145 mm		HIT-4185249
	9122615	7001-	Wear Ring		145 mm		HIT-4185247
BUCKET	4326775	7001-	P-UB-10	65 mm	100 mm	River	HIT-4369767
	4326775	7001-	Bushing	65 mm		River	HIT-0310604
	4326775	7001-	Wear Ring		100 mm	River	HIT-0254908
	4326775	7001-	Wear Ring		100 mm	River	HIT-0326005
	9122618	7001-	Bushing	95 mm			HIT-4284535
	9122618	7001-	Wear Ring		145 mm		HIT-4185247
	9122618	7001-	Wear Ring		145 mm		HIT-4185249
	9122618	7001-HL803556	P-UB-14	95 mm	145 mm		HIT-9123265
9122618	HL803557-	P-UB-14	95 mm	145 mm		HIT-9175564	
MODEL EX300-5, EX330-5, EX350-5, EX370-5 (H,HD,K,&LC)							
ARM	9164990	20001-	P-UB-14	115 mm	170 mm		HIT-9180582
	9164990	20001-	Bushing	115 mm			HIT-4370337
	9164990	20001-	Wear Ring		170 mm		HIT-4370063
	9164990	20001-	Wear Ring		170 mm		HIT-4370064
BOOM LH	9164872	20001-	P-UB-14	105 mm	150 mm		HIT-9180581
	9164872	20001-	Bushing	105 mm			HIT-4383093
	9164872	20001-	Wear Ring		150 mm		HIT-4171490
	9164872	20001-	Wear Ring		150 mm		HIT-4194622
BOOM RH	9164874	20001-	P-UB-14	105 mm	150 mm		HIT-9180581
	9164874	20001-	Bushing	105 mm			HIT-4383093
	9164874	20001-	Wear Ring		150 mm		HIT-4194622
	9164874	20001-	Wear Ring		150 mm		HIT-4171490
BUCKET	9164997	20001-	P-UB-14	95 mm	145 mm		HIT-9175564
	9164997	20001-	Bushing	95 mm			HIT-4284535
	9164997	20001-	Wear Ring		145 mm		HIT-4185249

Replacement Kits For

HITACHI

Excavators							
APPLICATION	CYL #	SERIAL #	CODE	ROD	BORE	Misc	KIT #
MODEL EX300-5, EX330-5, EX350-5, EX370-5 (H,HD,K,&LC)							
BUCKET	9164997	20001-	Wear Ring		145 mm		HIT-4185247
MODEL EX400, EX400LC, EX400H, EX400LCH							
ARM	4206480	02001-	P-UB-10	130 mm	190 mm		HIT-4236058
BOOM LH	4206479	02001-	P-UB-10	115 mm	170 mm		HIT-4236057
BOOM RH	4206478	02001-	P-UB-10	115 mm	170 mm		HIT-4236057
BUCKET	4206481	02001-	P-UB-10	115 mm	170 mm		HIT-4236057
MODEL EX400-3, EX400LC-3, EX400H-3, EX400LCH-3							
ARM	4219778	5001-	P-UB-10	115 mm	170 mm	Load Shovel	HIT-4236057
	4219778	5001-	Bushing	115 mm		Load Shovel	HIT-0352704
	4219778	5001-	Bushing	115 mm		Load Shovel	HIT-0352708
	4219778	5001-	Wear Ring		170 mm	Load Shovel	HIT-0352712
	4219778	5001-	Wear Ring		170 mm	Load Shovel	HIT-0259307
	4310243	5001-	P-UB-10	130 mm	190 mm		HIT-4438679
	4310243	5001-	Bushing	130 mm			HIT-0417605
	4310243	5001-	Bushing	130 mm			HIT-0353004
	4310243	5001-	Wear Ring		190 mm		HIT-0242512
	4310243	5001-	Wear Ring		190 mm		HIT-0420307
BOOM LH	4249749	5162, 5164	P-UB-10	115 mm	170 mm	Load Shovel	HIT-4236057
	4249749	5162, 5164	Bushing	115 mm		Load Shovel	HIT-0352708
	4249749	5162, 5164	Bushing	115 mm		Load Shovel	HIT-0352704
	4249749	5162, 5164	Wear Ring		170 mm	Load Shovel	HIT-0352712
	4249749	5162, 5164	Wear Ring		170 mm	Load Shovel	HIT-0259307
	4310242	5001-	P-UB-10	115 mm	170 mm		HIT-4438672
	4310242	5001-	Bushing	115 mm			HIT-0460004
	4310242	5001-	Bushing	115 mm			HIT-0352704
	4310242	5001-	Wear Ring		170 mm		HIT-0259307
	4310242	5001-	Wear Ring		170 mm		HIT-0420109
	4350424	5001-	P-UB-10	115 mm	170 mm	Load Shovel	HIT-4438672
	4350424	5001-	Bushing	115 mm		Load Shovel	HIT-0352704
	4350424	5001-	Bushing	115 mm		Load Shovel	HIT-0460004
	4350424	5001-	Wear Ring		170 mm	Load Shovel	HIT-0259307
	4350424	5001-	Wear Ring		170 mm	Load Shovel	HIT-0420109
BOOM RH	4249748	5162, 5164	P-UB-10	115 mm	170 mm	Load Shovel	HIT-4236057
	4249748	5162, 5164	Bushing	115 mm		Load Shovel	HIT-0352708
	4249748	5162, 5164	Bushing	115 mm		Load Shovel	HIT-0352704
	4249748	5162, 5164	Wear Ring		170 mm	Load Shovel	HIT-0352712
	4249748	5162, 5164	Wear Ring		170 mm	Load Shovel	HIT-0259307
	4310241	5001-	P-UB-10	115 mm	170 mm		HIT-4438672
	4310241	5001-	Bushing	115 mm			HIT-0352704
	4310241	5001-	Bushing	115 mm			HIT-0460004
	4310241	5001-	Wear Ring		170 mm		HIT-0259307
	4310241	5001-	Wear Ring		170 mm		HIT-0420109
	4350423	5001-	P-UB-10	115 mm	170 mm	Load Shovel	HIT-4438672
	4350423	5001-	Bushing	115 mm		Load Shovel	HIT-0352704
	4350423	5001-	Bushing	115 mm		Load Shovel	HIT-0460004
	4350423	5001-	Wear Ring		170 mm	Load Shovel	HIT-0259307

HITACHI

Replacement Kits For

Excavators							
APPLICATION	CYL #	SERIAL #	CODE	ROD	BORE	Misc	KIT #
MODEL EX400-3, EX400LC-3, EX400H-3, EX400LCH-3							
BOOM RH	4350423	5001-	Wear Ring		170 mm	Load Shovel	HIT-0420109
BUCKET	4310244	5001-	P-UB-10	115 mm	170 mm		HIT-4438672
	4310244	5001-	Bushing	115 mm			HIT-0352704
	4310244	5001-	Bushing	115 mm			HIT-0460004
	4310244	5001-	Wear Ring		170 mm		HIT-0259307
	4310244	5001-	Wear Ring		170 mm		HIT-0420109
	4390024	ALL	P-UB-10	120 mm	170 mm		HIT-4438681
	4390024	ALL	Bushing	120 mm			HIT-0450508
	4390024	ALL	Bushing	120 mm			HIT-0450506
	4390024	ALL	Wear Ring		170 mm		HIT-0259307
	4390024	ALL	Wear Ring		170 mm		HIT-0420109
	9138785	5001-	P-UB-14	95 mm	145 mm	Long Arm	HIT-9123265
	9138785	5001-	Bushing	95 mm		Long Arm	HIT-4284535
	9138785	5001-	Wear Ring		145 mm	Long Arm	HIT-4185249
	9138785	5001-	Wear Ring		145 mm	Long Arm	HIT-4185247
BUCKET LH	4219781	5001-	P-UB-10	115 mm	150 mm	Load Shovel	HIT-4255532
	4219781	5001-	Bushing	115 mm		Load Shovel	HIT-0352704
	4219781	5001-	Bushing	115 mm		Load Shovel	HIT-0352708
	4219781	5001-	Wear Ring		150 mm	Load Shovel	HIT-0387305
	4219781	5001-	Wear Ring		150 mm	Load Shovel	HIT-0237220
BUCKET RH	4219780	5001-	P-UB-10	115 mm	150 mm	Load Shovel	HIT-4255532
	4219780	5001-	Bushing	115 mm		Load Shovel	HIT-0352704
	4219780	5001-	Bushing	115 mm		Load Shovel	HIT-0352708
	4219780	5001-	Wear Ring		150 mm	Load Shovel	HIT-0387305
	4219780	5001-	Wear Ring		150 mm	Load Shovel	HIT-0237220
DUMP	4219782	5001-	P-UB-10	65 mm	100 mm	Load Shovel	HIT-4255533
	4219782	5001-	Bushing	65 mm		Load Shovel	HIT-0310604
	4219782	5001-	Bushing	65 mm		Load Shovel	HIT-0387503
	4219782	5001-	Wear Ring		100 mm	Load Shovel	HIT-0254908
	4219782	5001-	Wear Ring		100 mm	Load Shovel	HIT-0326005
LEVEL	4219779	5001-	P-UB-10	115 mm	170 mm	Load Shovel	HIT-4236057
	4219779	5001-	Bushing	115 mm		Load Shovel	HIT-0352708
	4219779	5001-	Bushing	115 mm		Load Shovel	HIT-0352704
	4219779	5001-	Wear Ring		170 mm	Load Shovel	HIT-0352712
	4219779	5001-	Wear Ring		170 mm	Load Shovel	HIT-0259307
LOADING SHOVEL	4344048	5001-	P-U-10	65 mm	130 mm		HIT-4363078
	4344048	5001-	Bushing	65 mm			HIT-0657704
	4344048	5001-	Wear Ring		130 mm		HIT-0657706
MODEL EX400-3C, EX400LC-3C, EX450H-3C, EX450LCH-3C							
ARM	4310243	6001-	P-UB-10	130 mm	190 mm		HIT-4438679
	4310243	6001-	Bushing	130 mm			HIT-0353004
	4310243	6001-	Bushing	130 mm			HIT-0417605
	4310243	6001-	Wear Ring		190 mm		HIT-0420307
	4310243	6001-	Wear Ring		190 mm		HIT-0242512
BOOM LH	4310242	6001-	P-UB-10	115 mm	170 mm		HIT-4438672
	4310242	6001-	Bushing	115 mm			HIT-0352704

Replacement Kits For

HITACHI

Excavators							
APPLICATION	CYL #	SERIAL #	CODE	ROD	BORE	Misc	KIT #
MODEL EX400-3C, EX400LC-3C, EX450H-3C, EX450LCH-3C							
BOOM LH	4310242	6001-	Bushing	115 mm			HIT-0460004
	4310242	6001-	Wear Ring		170 mm		HIT-0420109
	4310242	6001-	Wear Ring		170 mm		HIT-0259307
BOOM RH	4310241	6001-	P-UB-10	115 mm	170 mm		HIT-4438672
	4310241	6001-	Bushing	115 mm			HIT-0460004
	4310241	6001-	Bushing	115 mm			HIT-0352704
	4310241	6001-	Wear Ring		170 mm		HIT-0259307
	4310241	6001-	Wear Ring		170 mm		HIT-0420109
BUCKET	4310244	6001-	P-UB-10	115 mm	170 mm		HIT-4438672
	4310244	6001-	Bushing	115 mm			HIT-0352704
	4310244	6001-	Bushing	115 mm			HIT-0460004
	4310244	6001-	Wear Ring		170 mm		HIT-0259307
	4310244	6001-	Wear Ring		170 mm		HIT-0420109
	9138785	6001-	P-UB-14	95 mm	145 mm	Long Arm	HIT-9123265
	9138785	6001-	Bushing	95 mm		Long Arm	HIT-4284535
	9138785	6001-	Wear Ring		145 mm	Long Arm	HIT-4185249
	9138785	6001-	Wear Ring		145 mm	Long Arm	HIT-4185247
LOADING SHOVEL	4344048	6001-	P-U-10	65 mm	130 mm		HIT-4363078
	4344048	6001-	Bushing	65 mm			HIT-0657704
	4344048	6001-	Wear Ring		130 mm		HIT-0657706
MODEL EX400-5, EX400LC-5, EX450LC-5, EX450LCH-5							
ARM	4310243	7001-	P-UB-10	130 mm	190 mm		HIT-4438679
	4310243	7001-	Bushing	130 mm			HIT-0353004
	4310243	7001-	Bushing	130 mm			HIT-0417605
	4310243	7001-	Wear Ring		190 mm		HIT-0242512
	4310243	7001-	Wear Ring		190 mm		HIT-0420307
BOOM LH	4310242	7001-	P-UB-10	115 mm	170 mm		HIT-4438672
	4310242	7001-	Bushing	115 mm			HIT-0460004
	4310242	7001-	Bushing	115 mm			HIT-0352704
	4310242	7001-	Wear Ring		170 mm		HIT-0259307
	4310242	7001-	Wear Ring		170 mm		HIT-0420109
BOOM RH	4310241	7001-	P-UB-10	115 mm	170 mm		HIT-4438672
	4310241	7001-	Bushing	115 mm			HIT-0460004
	4310241	7001-	Bushing	115 mm			HIT-0352704
	4310241	7001-	Wear Ring		170 mm		HIT-0420109
	4310241	7001-	Wear Ring		170 mm		HIT-0259307
BUCKET	4310244		P-UB-10	115 mm	170 mm		HIT-4438672
	4310244		Bushing	115 mm			HIT-0460004
	4310244		Bushing	115 mm			HIT-0352704
	4310244		Wear Ring		170 mm		HIT-0420109
	4310244		Wear Ring		170 mm		HIT-0259307
	4390024		P-UB-10	120 mm	170 mm		HIT-4438681
	4390024		Bushing	120 mm			HIT-0450506
	4390024		Bushing	120 mm			HIT-0450508
	4390024		Wear Ring		170 mm		HIT-0259307
	4390024		Wear Ring		170 mm		HIT-0420109

HITACHI

Replacement Kits For

Excavators							
APPLICATION	CYL #	SERIAL #	CODE	ROD	BORE	Misc	KIT #
MODEL EX400-5, EX400LC-5, EX450LC-5, EX450LCH-5							
BUCKET	9138785	7001-	P-UB-14	95 mm	145 mm	Long Arm	HIT-9123265
	9138785	7001-	Bushing	95 mm		Long Arm	HIT-4284535
	9138785	7001-	Wear Ring		145 mm	Long Arm	HIT-4185247
	9138785	7001-	Wear Ring		145 mm	Long Arm	HIT-4185249
LOADING SHOVEL	4344048	7001-	P-U-10	65 mm	130 mm		HIT-4363078
	4344048	7001-	Bushing	65 mm			HIT-0657704
	4344048	7001-	Wear Ring		130 mm		HIT-0657706
MODEL EX700, EX700H							
ARM	4218518	01003-	P-UB-10	150 mm	215 mm		HIT-4254042
	4253060	6/89-	P-UB-10	150 mm	215 mm		HIT-4266596
BOOM	4218516	01003-	P-UB-10	140 mm	200 mm		HIT-4254041
	4218517	01003-	P-UB-10	140 mm	200 mm		HIT-4254041
BUCKET	4251780	01003-	P-UB-10	130 mm	190 mm		HIT-4256119
	4253061	6/89-	P-UB-10	150 mm	215 mm		HIT-4266596
MODEL EX1000							
ARM	4157138	101-	P-U-10	150 mm	225 mm		HIT-4163898
	4157138	101-	P-UB-10	150 mm	225 mm		HIT-4171991
BOOM	4157139	101-	P-U-10	160 mm	240 mm		HIT-4163899
	4157139	101-	P-UB-10	160 mm	240 mm		HIT-4171990
BUCKET	4174020	101-	P-UB-10	160 mm	240 mm		HIT-4171990
	4193517	101-	P-UB-10	160 mm	240 mm		HIT-4171990
DUMP	4157143	101-	P-U-10	80 mm	140 mm		HIT-4163901
	4157143	101-	P-UB-10	80 mm	140 mm		HIT-4171993
LEVEL	4157142	101-	P-UB-10	160 mm	240 mm		HIT-4171990
	4157142	101-	P-U-10	160 mm	240 mm		HIT-4163899
TILT	4157140	101-	P-U-10	140 mm	190 mm		HIT-4163900
	4157140	101-	P-UB-10	140 mm	190 mm		HIT-4171992
MODEL EX1800							
DUMP	4248484		P-UB-10	110 mm	190 mm		HIT-4221872
MODEL EX3500							
DUMP			P-UB-10	130 mm	225 mm		HIT-4210676
MODEL UH07-3							
ARM			P-UB-5	85 mm	125 mm		HIT-4094458
BOOM			P-UB-5	85 mm	125 mm		HIT-4094457
BUCKET			I-U-5	70 mm	125 mm		HIT-4071694
MODEL UH07-5							
ARM			P-UB-5	90 mm	130 mm		HIT-4104127
BOOM			P-UB-5	85 mm	125 mm		HIT-4117741
BUCKET			P-UB-5	75 mm	125 mm		HIT-4117743
MODEL UH07-7							
ARM			P-UB-10	100 mm	140 mm		HIT-4153211
BOOM			P-UB-10	90 mm	130 mm		HIT-4153209
BUCKET			P-UB-10	80 mm	125 mm		HIT-4153213
MODEL UH009							
ARM			I-U-5	95 mm	150 mm		HIT-4064636
BOOM			I-U-5	90 mm	150 mm		HIT-4064635

Replacement Kits For

HITACHI

Excavators							
APPLICATION	CYL #	SERIAL #	CODE	ROD	BORE	Misc	KIT #
MODEL UH009							
BUCKET			I-U-5	90 mm	150 mm		HIT-4064635
MODEL UH010							
ARM			P-UB-5	105 mm	150 mm		HIT-4096959
BOOM			P-UB-5	95 mm	150 mm		HIT-4096957
BUCKET			P-UB-5	95 mm	150 mm		HIT-4096960
MODEL UH012							
ARM			P-U-5	110 mm	180 mm		HIT-4509364
BOOM			P-U-5	110 mm	180 mm		HIT-4509364
BUCKET			P-U-5	120 mm	180 mm		HIT-4509365
MODEL UH016							
ARM	3022991	005-009;053-069	P-UB-5	110 mm	170 mm		HIT-4153235
	3027628	001-165	P-UB-5	120 mm	190 mm		HIT-4162027
	3031888	166-	P-UB-10	120 mm	190 mm		HIT-4176980
	4167618	001-004;010-052;070-	P-UB-10	110 mm	170 mm		HIT-4167722
BOOM LH	3026175		P-UB-5	110 mm	170 mm	Old Style	HIT-4162026
	4167617		P-UB-10	110 mm	170 mm	New Style	HIT-4167721
BOOM RH	3026114		P-UB-5	110 mm	170 mm	Old Style	HIT-4162026
	4167616		P-UB-10	110 mm	170 mm	New Style	HIT-4167721
BUCKET	3026115	001-145	P-UB-5	110 mm	170 mm		HIT-4162028
	3027022	001-	P-UB-5	95 mm	150 mm		HIT-4150681
	3031889	146-	P-UB-10	110 mm	170 mm		HIT-4167721
DUMP	3024187	001-	P-UB-5	55 mm	100 mm		HIT-4144635
LEVEL	3025213	001-	P-UB-5	110 mm	170 mm		HIT-4153237
MODEL UH035							
ARM	4157138	002-	P-U-10	150 mm	225 mm		HIT-4163898
BOOM	4157139	002-	P-U-10	160 mm	240 mm		HIT-4163899
DUMP	4157143	002-	P-U-10	80 mm	140 mm		HIT-4163901
LEVEL	4157142	002-	P-U-10	160 mm	240 mm		HIT-4163899
TILT LH	4157141	002-	P-U-10	140 mm	190 mm		HIT-4163900
TILT RH	4157140	002-	P-U-10	140 mm	190 mm		HIT-4163900
MODEL UH045, UH061							
ARM			I-U-5	80 mm	130 mm		HIT-4101443
BOOM			I-U-5	70 mm	120 mm		HIT-4101442
BUCKET			I-U-5	70 mm	120 mm		HIT-4101442
MODEL UH083, UH083LC							
ARM	4132364	20001-20010	P-UB-5	100 mm	140 mm		HIT-4153205
	4132364	20051-	P-UB-5	100 mm	140 mm		HIT-4153205
	4153281	20011-20050	P-UB-10	100 mm	140 mm		HIT-4153211
BOOM LH	4128103	20001-20010	P-UB-5	85 mm	125 mm		HIT-4153203
	4153280	20011-20050	P-UB-10	90 mm	130 mm		HIT-4153209
	4153312	20051-	P-UB-5	85 mm	125 mm		HIT-4153203
BOOM RH	4128102	20001-20010	P-UB-5	85 mm	125 mm		HIT-4153203
	4153279	20011-20050	P-UB-10	90 mm	130 mm		HIT-4153209
	4153311	20051-	P-UB-5	85 mm	125 mm		HIT-4153203
BUCKET	4128105	20001-20010	P-UB-5	80 mm	125 mm		HIT-4153207

HITACHI

Replacement Kits For

Excavators							
APPLICATION	CYL #	SERIAL #	CODE	ROD	BORE	Misc	KIT #
MODEL UH083, UH083LC							
BUCKET	4128105	20051-	P-UB-5	80 mm	125 mm		HIT-4153207
	4153282	20011-20050	P-UB-10	80 mm	125 mm		HIT-4153213
MODEL UH107							
ARM			P-UB-5	105 mm	150 mm		HIT-4096959
BOOM			P-UB-5	95 mm	150 mm		HIT-4096957
BUCKET			P-UB-5	95 mm	150 mm		HIT-4096960
MODEL UH122, UH122LC							
ARM	3011918	125	P-UB-5	105 mm	150 mm		HIT-4096958
	3015873	351-605	P-UB-5	105 mm	150 mm		HIT-4096959
	3019398	835-	P-UB-5	105 mm	150 mm		HIT-4122040
	3020009	606-834	P-UB-5	105 mm	150 mm		HIT-4117746
BOOM LH	3010528	125-605	P-UB-5	95 mm	150 mm		HIT-4096957
	3020012	606-835	P-UB-5	95 mm	150 mm		HIT-4117745
	3020973	836-	P-UB-5	95 mm	150 mm		HIT-4122039
BOOM RH	3010527	125-605	P-UB-5	95 mm	150 mm		HIT-4096957
	3020011	606-835	P-UB-5	95 mm	150 mm		HIT-4117745
	3020972	836-	P-UB-5	95 mm	150 mm		HIT-4122039
BUCKET	3010530	125-	P-UB-5	95 mm	150 mm		HIT-4096960
MODEL UH123							
ARM	4170628	3001-	P-UB-10	105 mm	150 mm		HIT-4163569
BOOM LH	4170627	3001-	P-UB-10	95 mm	150 mm		HIT-4179470
BOOM RH	4173626	3001-	P-UB-10	95 mm	150 mm		HIT-4179470
BUCKET	4170629	3001-	P-UB-10	95 mm	150 mm		HIT-4163573
MODEL UH172							
ARM	3015411	601-	P-UB-5	120 mm	190 mm		HIT-4101392
BOOM LH	3014038		P-UB-5	110 mm	170 mm		HIT-4094852
BOOM RH	3013801		P-UB-5	110 mm	170 mm		HIT-4094852
BUCKET	3014042	001-	P-UB-5	110 mm	170 mm		HIT-4094852
MODEL UH181							
ARM	3022991	005-009;053-069	P-UB-5	110 mm	170 mm		HIT-4153235
	3027628	001-165	P-UB-5	120 mm	190 mm		HIT-4162027
	3031888	166-	P-UB-10	120 mm	190 mm		HIT-4176980
	4167618	001-004;010-052	P-UB-10	110 mm	170 mm		HIT-4167722
	4167618	070-	P-UB-10	110 mm	170 mm		HIT-4167722
BOOM LH	3026175		P-UB-5	110 mm	170 mm		HIT-4162026
	4167617		P-UB-10	110 mm	170 mm		HIT-4167721
BOOM RH	3026114		P-UB-5	110 mm	170 mm		HIT-4162026
	4167616		P-UB-10	110 mm	170 mm		HIT-4167721
BUCKET	3026115	001-145	P-UB-5	110 mm	170 mm		HIT-4162028
	3027022	001-	P-UB-5	95 mm	150 mm		HIT-4150681
	3031889	146-	P-UB-10	110 mm	170 mm		HIT-4167721
DUMP	3024187	001-	P-UB-5	55 mm	100 mm		HIT-4144635
LEVEL	3025213	001-	P-UB-5	110 mm	170 mm		HIT-4153237
TILT	3022992	005-009;053-069	P-UB-5	110 mm	150 mm		HIT-4153236
	4167620	001-004;010-052;070-	P-UB-10	110 mm	140 mm		HIT-4167724

Replacement Kits For

HITACHI

Excavators							
APPLICATION	CYL #	SERIAL #	CODE	ROD	BORE	Misc	KIT #
MODEL UH501							
ARM	4157138	002-	P-U-10	150 mm	225 mm		HIT-4163898
BOOM	4157139	002-	P-U-10	160 mm	240 mm		HIT-4163899
DUMP	4157143	002-	P-U-10	80 mm	140 mm		HIT-4163901
LEVEL	4157142	002-	P-U-10	160 mm	240 mm		HIT-4163899
TILT LH	4157141	002-	P-U-10	140 mm	190 mm		HIT-4163900
TILT RH	4157140	002-	P-U-10	140 mm	190 mm		HIT-4163900
MODEL ZX35U-2							
ARM	4632807	010001-	P-U-10	45 mm	75 mm		HIT-4634034
BLADE	4617784	010001-	P-U-14	45 mm	95 mm		HIT-4622066
BOOM	4632805	010001-	P-U-10	50 mm	85 mm		HIT-4634033
	4632806	010001-	P-U-10	50 mm	85 mm		HIT-4634033
BUCKET	4608466	010001-	P-U-10	40 mm	65 mm		HIT-4614058
SWING	4608470	010001-	P-U-10	45 mm	85 mm		HIT-4614059
MODEL ZX50U-2							
ARM	4632810	010001-	P-U-10	50 mm	80 mm		HIT-4634036
	4632813	010001-	P-U-10	50 mm	80 mm		HIT-4634036
BLADE	4618628	010001-	P-U-14	50 mm	105 mm		HIT-4622067
BOOM	4628947	010001-	P-U-10	45 mm	75 mm		HIT-4614069
MODEL ZX60							
ARM	4665900	00100001-	P-UB-10	55 mm	85 mm		HIT-4681368
BOOM	4665903	00100001-	P-UB-10	60 mm	105 mm		HIT-4681367
BUCKET	4665902	00100001-	P-UB-10	50 mm	80 mm		HIT-4681369
MODEL ZX70, ZX70LC							
ARM	4388224	060001-	P-UB-10	60 mm	95 mm	Offset Boom	HIT-4415584
	4388224	060001-	P-UB-10	60 mm	95 mm	Offset Boom	HIT-4415584-EX
	4388224	060001-	Wear Ring		95 mm	Offset Boom	HIT-0333007
	4446255	060001-	P-UB-10	60 mm	95 mm	Mono Boom, Swing Boom	HIT-4464985
	4446255	060001-	P-UB-10	60 mm	95 mm	Mono Boom, Swing Boom	HIT-4464985-EX
	4446255	060001-	Wear Ring		95 mm	Mono Boom, Swing Boom	HIT-0667108
	4458862	060001-	P-UB-10	60 mm	95 mm	Mono Boom, Swing Boom	HIT-4464985
	4458862	060001-	P-UB-10	60 mm	95 mm	Mono Boom, Swing Boom	HIT-4464985-EX
	4458862	060001-	Wear Ring		95 mm	Mono Boom, Swing Boom	HIT-0667108
BLADE	4452571	060001-	P-UB-10	70 mm	120 mm		HIT-4465736
	4452571	060001-	P-UB-10	70 mm	120 mm		HIT-4465736-EX
	4452571	060001-	Bushing	70 mm			HIT-0310304
	4452571	060001-	Wear Ring		120 mm		HIT-0667206
BOOM	4446254	060001-	P-UB-10	65 mm	115 mm	Mono Boom, Swing Boom	HIT-4464984
	4446254	060001-	P-UB-10	65 mm	115 mm	Mono Boom, Swing Boom	HIT-4464984-EX
	4446254	060001-	Bushing	65 mm		Mono Boom, Swing Boom	HIT-0310604

Replacement Kits For

HITACHI

Excavators							
APPLICATION	CYL #	SERIAL #	CODE	ROD	BORE	Misc	KIT #
MODEL ZX70, ZX70LC							
BOOM	4446254	060001-	Wear Ring		115 mm	Mono Boom, Swing Boom	HIT-0686405
	4612822	060001-	P-UB-10	65 mm	115 mm	Swing Boom	HIT-4464984
	4612822	060001-	P-UB-10	65 mm	115 mm	Swing Boom	HIT-4464984-EX
	4612822	060001-	Wear Ring		115 mm	Swing Boom	HIT-0686405
BUCKET	4446258	060001-	P-UB-10	55 mm	85 mm		HIT-4464986
	4446258	060001-	P-UB-10	55 mm	85 mm		HIT-4464986-EX
	4446258	060001-	Wear Ring		85 mm		HIT-0827011
MODEL ZX80, ZX80LCK, ZX80SB, ZX80SBLC							
ARM	4388224	060001-	P-UB-10	60 mm	95 mm	Offset Boom	HIT-4415584
	4388224	060001-	P-UB-10	60 mm	95 mm	Offset Boom	HIT-4415584-EX
	4388224	060001-	Wear Ring		95 mm	Offset Boom	HIT-0333007
	4446255	060001-	P-UB-10	60 mm	95 mm	Mono Boom, Swing Boom	HIT-4464985
	4446255	060001-	P-UB-10	60 mm	95 mm	Mono Boom, Swing Boom	HIT-4464985-EX
	4446255	060001-	Wear Ring		95 mm	Mono Boom, Swing Boom	HIT-0667108
	4458862	060001-	P-UB-10	60 mm	95 mm	Mono Boom, Swing Boom	HIT-4464985
	4458862	060001-	P-UB-10	60 mm	95 mm	Mono Boom, Swing Boom	HIT-4464985-EX
	4458862	060001-	Wear Ring		95 mm	Mono Boom, Swing Boom	HIT-0667108
BLADE	4452571	060001-	P-UB-10	70 mm	120 mm		HIT-4465736
	4452571	060001-	P-UB-10	70 mm	120 mm		HIT-4465736-EX
	4452571	060001-	Bushing	70 mm			HIT-0310304
	4452571	060001-	Wear Ring		120 mm		HIT-0667206
BOOM	4446254	060001-	P-UB-10	65 mm	115 mm	Mono Boom, Swing Boom	HIT-4464984
	4446254	060001-	P-UB-10	65 mm	115 mm	Mono Boom, Swing Boom	HIT-4464984-EX
	4446254	060001-	Bushing	65 mm		Mono Boom, Swing Boom	HIT-0310604
	4446254	060001-	Wear Ring		115 mm	Mono Boom, Swing Boom	HIT-0686405
	4612822	060001-	P-UB-10	65 mm	115 mm	Swing Boom	HIT-4464984
	4612822	060001-	P-UB-10	65 mm	115 mm	Swing Boom	HIT-4464984-EX
	4612822	060001-	Wear Ring		115 mm	Swing Boom	HIT-0686405
BUCKET	4446258	060001-	P-UB-10	55 mm	85 mm		HIT-4464986
	4446258	060001-	P-UB-10	55 mm	85 mm		HIT-4464986-EX
	4446258	060001-	Wear Ring		85 mm		HIT-0827011
MODEL ZX120, ZX120E, ZX130H, ZX130K, ZX130LCN							
ARM	4423852	060001-	P-UB-10	80 mm	115 mm	Mono Boom	HIT-4448396
	4423852	060001-	P-UB-10	80 mm	115 mm	Mono Boom	HIT-4448396-EX
	4423852	060001-	Bushing	80 mm		Mono Boom	HIT-0309304
	4423852	060001-	Wear Ring		115 mm	Mono Boom	HIT-0310908
	4423852	060001-	Wear Ring		115 mm	Mono Boom	HIT-0686405
	4438210	060001-	P-UB-10	80 mm	115 mm	Mono Boom	HIT-4448396

Replacement Kits For

HITACHI

Excavators							
APPLICATION	CYL #	SERIAL #	CODE	ROD	BORE	Misc	KIT #
MODEL ZX120, ZX120E, ZX130H, ZX130K, ZX130LCN							
ARM	4438210	060001-	P-UB-10	80 mm	115 mm	Mono Boom	HIT-4448396-EX
	4438210	060001-	Bushing	80 mm		Mono Boom	HIT-0309304
	4438210	060001-	Wear Ring		115 mm	Mono Boom	HIT-0686405
	4438210	060001-	Wear Ring		115 mm	Mono Boom	HIT-0310908
	4608256	060001-	P-UB-10	80 mm	115 mm	2P-Boom	HIT-4448396
	4608256	060001-	P-UB-10	80 mm	115 mm	2P-Boom	HIT-4448396-EX
	4608256	060001-	Bushing	80 mm		2P-Boom	HIT-0309304
	4608256	060001-	Wear Ring		115 mm	2P-Boom	HIT-0310908
	4608256	060001-	Wear Ring		115 mm	2P-Boom	HIT-0686405
	4612138	060001-	P-UB-10	80 mm	115 mm	2P-Boom	HIT-4448396
	4612138	060001-	P-UB-10	80 mm	115 mm	2P-Boom	HIT-4448396-EX
	4612138	060001-	Bushing	80 mm		2P-Boom	HIT-0309304
	4612138	060001-	Wear Ring		115 mm	2P-Boom	HIT-0686405
	4612138	060001-	Wear Ring		115 mm	2P-Boom	HIT-0310908
BLADE LH	4432509	060001-	P-UB-10	70 mm	100 mm		HIT-4388027
BLADE RH	4432510	060001-	P-UB-10	70 mm	100 mm		HIT-4388027
BOOM LH	4428437	060001-	P-UB-10	70 mm	105 mm		HIT-4448395
	4428437	060001-	P-UB-10	70 mm	105 mm		HIT-4448395-EX
	4428437	060001-	Bushing	70 mm			HIT-0310304
	4428437	060001-	Wear Ring		105 mm		HIT-0666808
	4428437	060001-	Wear Ring		105 mm		HIT-0310510
	4438211	060001-	P-UB-10	70 mm	105 mm		HIT-4448395
	4438211	060001-	P-UB-10	70 mm	105 mm		HIT-4448395-EX
	4438211	060001-	Bushing	70 mm			HIT-0310304
	4438211	060001-	Wear Ring		105 mm		HIT-0666808
	4438211	060001-	Wear Ring		105 mm		HIT-0310510
	4438211	060001-	Wear Ring		105 mm		HIT-0666808
	4438211	060001-	Wear Ring		105 mm		HIT-0666808
BOOM RH	4428436	060001-	P-UB-10	70 mm	105 mm		HIT-4448395
	4428436	060001-	P-UB-10	70 mm	105 mm		HIT-4448395-EX
	4428436	060001-	Bushing	70 mm			HIT-0310304
	4428436	060001-	Wear Ring		105 mm		HIT-0310510
	4428436	060001-	Wear Ring		105 mm		HIT-0666808
	4438212	060001-	P-UB-10	70 mm	105 mm		HIT-4448395
	4438212	060001-	P-UB-10	70 mm	105 mm		HIT-4448395-EX
	4438212	060001-	Bushing	70 mm			HIT-0310304
	4438212	060001-	Wear Ring		105 mm		HIT-0310510
	4438212	060001-	Wear Ring		105 mm		HIT-0666808
	4438212	060001-	Wear Ring		105 mm		HIT-0666808
BUCKET	4423853	060001-	P-UB-10	70 mm	100 mm		HIT-4448397
	4423853	060001-	P-UB-10	70 mm	100 mm		HIT-4448397-EX
	4423853	060001-	Bushing	70 mm			HIT-0310304
	4423853	060001-	Wear Ring		100 mm		HIT-0686707
	4423853	060001-	Wear Ring		100 mm		HIT-0254908
MODEL ZX160LC							
ARM	4448533	005001-	P-UB-10	90 mm	120 mm	Mono Boom	HIT-4467380
	4448533	005001-	Bushing	90 mm		Mono Boom	HIT-0325904
	4448533	005001-	Wear Ring		120 mm	Mono Boom	HIT-0261308

Replacement Kits For

HITACHI

HITACHI

Excavators								
APPLICATION	CYL #	SERIAL #	CODE	ROD	BORE	Misc	KIT #	
MODEL ZX160LC								
ARM	4448533	005001-	Wear Ring		120 mm	Mono Boom	HIT-0667206	
	4458882	005001-	P-UB-10	90 mm	120 mm	Mono Boom	HIT-4467380	
	4458882	005001-	Bushing	90 mm		Mono Boom	HIT-0325904	
	4458882	005001-	Wear Ring		120 mm	Mono Boom	HIT-0667206	
	4458882	005001-	Wear Ring		120 mm	Mono Boom	HIT-0261308	
	4474565	005001-	P-UB-10	90 mm	120 mm	2P-Boom	HIT-4467380	
	4474565	005001-	Bushing	90 mm		2P-Boom	HIT-0325904	
	4474565	005001-	Wear Ring		120 mm	2P-Boom	HIT-0667206	
	4474565	005001-	Wear Ring		120 mm	2P-Boom	HIT-0261308	
	4485923	005001-	P-UB-10	90 mm	120 mm	2P-Boom	HIT-4467380	
	4485923	005001-	Bushing	90 mm		2P-Boom	HIT-0325904	
	4485923	005001-	Wear Ring		120 mm	2P-Boom	HIT-0667206	
	4485923	005001-	Wear Ring		120 mm	2P-Boom	HIT-0261308	
	BOOM LH	4448532	005001-	P-UB-10	80 mm	110 mm		HIT-4467379
4448532		005001-	Bushing	80 mm			HIT-0309304	
4448532		005001-	Wear Ring		110 mm		HIT-0667008	
4448532		005001-	Wear Ring		110 mm		HIT-0298907	
4458884		005001-	P-UB-10	80 mm	110 mm	Mono Boom	HIT-4467379	
4458884		005001-	Bushing	80 mm		Mono Boom	HIT-0309304	
4458884		005001-	Wear Ring		110 mm	Mono Boom	HIT-0667008	
4458884		005001-	Wear Ring		110 mm	Mono Boom	HIT-0298907	
4607550		005001-	P-UB-10	80 mm	110 mm	2P-Boom	HIT-4467379	
4607550		005001-	Bushing	80 mm		2P-Boom	HIT-0309304	
4607550		005001-	Wear Ring		110 mm	2P-Boom	HIT-0667008	
4607550		005001-	Wear Ring		110 mm	2P-Boom	HIT-0298907	
BOOM RH		4448531	005001-	P-UB-10	80 mm	110 mm		HIT-4467379
		4448531	005001-	Bushing	80 mm			HIT-0309304
	4448531	005001-	Wear Ring		110 mm		HIT-0667008	
	4448531	005001-	Wear Ring		110 mm		HIT-0298907	
	4458883	005001-	P-UB-10	80 mm	110 mm	Mono Boom	HIT-4467379	
	4458883	005001-	Bushing	80 mm		Mono Boom	HIT-0309304	
	4458883	005001-	Wear Ring		110 mm	Mono Boom	HIT-0298907	
	4458883	005001-	Wear Ring		110 mm	Mono Boom	HIT-0667008	
	4607549	005001-	P-UB-10	80 mm	110 mm	2P-Boom	HIT-4467379	
	4607549	005001-	Bushing	80 mm		2P-Boom	HIT-0309304	
	4607549	005001-	Bushing	80 mm		2P-Boom	HIT-0309304	
	4607549	005001-	Wear Ring		110 mm	2P-Boom	HIT-0298907	
	BUCKET	4448534	005001-	P-UB-10	75 mm	105 mm		HIT-4467381
		4448534	005001-	Bushing	75 mm			HIT-0310504
4448534		005001-	Wear Ring		105 mm		HIT-0310510	
MODEL ZX200, ZX200LC, ZX210, ZX210LC, ZX210LCH, ZX210K, ZX210LCK, ZX210N, ZX240								
ARM	4316930	100001-	P-UB-10	95 mm	130 mm	River Maint	HIT-4364916	
	4316930	100001-	P-UB-10	95 mm	130 mm	River Maint	HIT-4364916-EX	
	4316930	100001-	Bushing	95 mm		River Maint	HIT-0309204	
	4316930	100001-	Wear Ring		130 mm	River Maint	HIT-0667409	
	4316930	100001-	Wear Ring		130 mm	River Maint	HIT-0254309	

Replacement Kits For

HITACHI

Excavators								
APPLICATION	CYL #	SERIAL #	CODE	ROD	BORE	Misc	KIT #	
MODEL ZX200, ZX200LC, ZX210, ZX210LC, ZX210LCH, ZX210K, ZX210LCK, ZX210N, ZX240								
ARM	4385638	100001-103568	P-UB-10	95 mm	135 mm	Mono Boom	HIT-4448399	
	4385638	100001-103568	P-UB-10	95 mm	135 mm	Mono Boom	HIT-4448399-EX	
	4385638	100001-103568	Bushing	95 mm		Mono Boom	HIT-0309204	
	4385638	100001-103568	Wear Ring		135 mm	Mono Boom	HIT-0789110	
	4385638	100001-103568	Wear Ring		135 mm	Mono Boom	HIT-0309212	
	4438207	100001-	P-UB-10	95 mm	135 mm	Mono Boom	HIT-4448399	
	4438207	100001-	P-UB-10	95 mm	135 mm	Mono Boom	HIT-4448399-EX	
	4438207	100001-	Bushing	95 mm		Mono Boom	HIT-0309204	
	4438207	100001-	Wear Ring		135 mm	Mono Boom	HIT-0789110	
	4438207	100001-	Wear Ring		135 mm	Mono Boom	HIT-0309212	
	4470801	103569-	P-UB-10	100 mm	135 mm	K	HIT-4477841	
	4470801	103569-	P-UB-10	100 mm	135 mm	K	HIT-4477841-EX	
	4470801	103569-	Bushing	100 mm		K	HIT-0836104	
	4470801	103569-	Wear Ring		135 mm	K	HIT-0309212	
	4470801	103569-	Wear Ring		135 mm	K	HIT-0789110	
	4474568	100001-	P-UB-10	95 mm	135 mm	2P-Boom	HIT-4448399	
	4474568	100001-	P-UB-10	95 mm	135 mm	2P-Boom	HIT-4448399-EX	
	4474568	100001-	Bushing	95 mm		2P-Boom	HIT-0309204	
	4474568	100001-	Wear Ring		135 mm	2P-Boom	HIT-0789110	
	4474568	100001-	Wear Ring		135 mm	2P-Boom	HIT-0309212	
	4485921	100001-	P-UB-10	95 mm	135 mm	2P-Boom	HIT-4448399	
	4485921	100001-	P-UB-10	95 mm	135 mm	2P-Boom	HIT-4448399-EX	
	4485921	100001-	Bushing	95 mm		2P-Boom	HIT-0309204	
	4485921	100001-	Wear Ring		135 mm	2P-Boom	HIT-0309212	
	4485921	100001-	Wear Ring		135 mm	2P-Boom	HIT-0789110	
	BOOM LH	4410247	100001-	P-UB-10	85 mm	120 mm		HIT-4448398
		4410247	100001-	P-UB-10	85 mm	120 mm		HIT-4448398-EX
		4410247	100001-	Bushing	85 mm			HIT-0309004
		4410247	100001-	Wear Ring		120 mm		HIT-0667206
		4410247	100001-	Wear Ring		120 mm		HIT-0261308
4438208		100001-	P-UB-10	85 mm	120 mm	Mono Boom	HIT-4448398	
4438208		100001-	P-UB-10	85 mm	120 mm	Mono Boom	HIT-4448398-EX	
4438208		100001-	Bushing	85 mm		Mono Boom	HIT-0309004	
4438208		100001-	Wear Ring		120 mm	Mono Boom	HIT-0667206	
4438208		100001-	Wear Ring		120 mm	Mono Boom	HIT-0261308	
4607535		100001-	P-UB-10	85 mm	120 mm	2P-Boom	HIT-4448398	
4607535		100001-	P-UB-10	85 mm	120 mm	2P-Boom	HIT-4448398-EX	
4607535		100001-	Bushing	85 mm		2P-Boom	HIT-0309004	
4607535		100001-	Wear Ring		120 mm	2P-Boom	HIT-0261308	
4607535		100001-	Wear Ring		120 mm	2P-Boom	HIT-0667206	
BOOM RH	4410244	100001-	P-UB-10	85 mm	120 mm		HIT-4448398	
	4410244	100001-	P-UB-10	85 mm	120 mm		HIT-4448398-EX	
	4410244	100001-	Bushing	85 mm			HIT-0309004	
	4410244	100001-	Wear Ring		120 mm		HIT-0261308	
	4410244	100001-	Wear Ring		120 mm		HIT-0667206	
	4438209	100001-	P-UB-10	85 mm	120 mm	Mono Boom	HIT-4448398	

Replacement Kits For

HITACHI

HITACHI

Excavators							
APPLICATION	CYL #	SERIAL #	CODE	ROD	BORE	Misc	KIT #
MODEL ZX200, ZX200LC, ZX210, ZX210LC, ZX210LCH, ZX210K, ZX210LCK, ZX210N, ZX240							
BOOM RH	4438209	100001-	P-UB-10	85 mm	120 mm	Mono Boom	HIT-4448398-EX
	4438209	100001-	Bushing	85 mm		Mono Boom	HIT-0309004
	4438209	100001-	Wear Ring		120 mm	Mono Boom	HIT-0261308
	4438209	100001-	Wear Ring		120 mm	Mono Boom	HIT-0667206
	4607534	100001-	P-UB-10	85 mm	120 mm	2P-Boom	HIT-4448398
	4607534	100001-	P-UB-10	85 mm	120 mm	2P-Boom	HIT-4448398-EX
	4607534	100001-	Bushing	85 mm		2P-Boom	HIT-0309004
	4607534	100001-	Wear Ring		120 mm	2P-Boom	HIT-0667206
	4607534	100001-	Wear Ring		120 mm	2P-Boom	HIT-0261308
BUCKET	4371061	100001-	P-UB-10	65 mm	95 mm	River Maint	HIT-4364914
	4385637	100001-	P-UB-10	80 mm	115 mm		HIT-4448400
	4385637	100001-	P-UB-10	80 mm	115 mm		HIT-4448400-EX
	4385637	100001-	Bushing	80 mm			HIT-0309304
	4385637	100001-	Wear Ring		115 mm		HIT-0686405
	4385637	100001-	Wear Ring		115 mm		HIT-0310908
MODEL ZX200-3							
ARM	4613950	00100001-	P-UB-10	95 mm	135 mm		HIT-4654422
	4613950	00100001-	P-UB-10	95 mm	135 mm		HIT-4654422-EX
	4613950	00100001-	Bushing	95 mm			HIT-0309204
	4613950	00100001-	Wear Ring		135 mm		HIT-0962104
	4613950	00100001-	Wear Ring		135 mm		HIT-0309212
BOOM LH	4664872	00100001-	P-UB-10	85 mm	120 mm		HIT-4661485
	4664872	00100001-	P-UB-10	85 mm	120 mm		HIT-4661485-EX
	4664872	00100001-	Bushing	85 mm			HIT-0309004
	4664872	00100001-	Wear Ring		120 mm		HIT-0998904
	4664872	00100001-	Wear Ring		120 mm		HIT-0261308
BOOM RH	4664871	00100001-	P-UB-10	85 mm	120 mm		HIT-4661485
	4664871	00100001-	P-UB-10	85 mm	120 mm		HIT-4661485-EX
	4664871	00100001-	Bushing	85 mm			HIT-0309004
	4664871	00100001-	Wear Ring		120 mm		HIT-0998904
	4664871	00100001-	Wear Ring		120 mm		HIT-0261308
BUCKET	4629154	00100001-	P-UB-10	80 mm	115 mm		HIT-1102306
MODEL ZX210LC-3							
ARM	4613950	00100001-	P-UB-10	95 mm	135 mm		HIT-4654422
	4613950	00100001-	P-UB-10	95 mm	135 mm		HIT-4654422-EX
	4613950	00100001-	Bushing	95 mm			HIT-0309204
	4613950	00100001-	Wear Ring		135 mm		HIT-0962104
	4613950	00100001-	Wear Ring		135 mm		HIT-0309212
BOOM LH	4664872	00100001-	P-UB-10	85 mm	120 mm		HIT-4661485
	4664872	00100001-	P-UB-10	85 mm	120 mm		HIT-4661485-EX
	4664872	00100001-	Bushing	85 mm			HIT-0309004
	4664872	00100001-	Wear Ring		120 mm		HIT-0998904
	4664872	00100001-	Wear Ring		120 mm		HIT-0261308
BOOM RH	4664871	00100001-	P-UB-10	85 mm	120 mm		HIT-4661485
	4664871	00100001-	P-UB-10	85 mm	120 mm		HIT-4661485-EX
	4664871	00100001-	Bushing	85 mm			HIT-0309004

Replacement Kits For

HITACHI

Excavators							
APPLICATION	CYL #	SERIAL #	CODE	ROD	BORE	Misc	KIT #
MODEL ZX210LC-3							
BOOM RH	4664871	00100001-	Wear Ring		120 mm		HIT-0261308
	4664871	00100001-	Wear Ring		120 mm		HIT-0998904
BUCKET	4629154	00100001-	P-UB-10	80 mm	115 mm		HIT-1102306
MODEL ZX230, ZX230LC							
ARM	4613898	D04/05-	P-UB-10	105 mm	140 mm	Mono Boom	HIT-4631062
	4613898	D04/05-	P-UB-10	105 mm	140 mm	Mono Boom	HIT-4631062-EX
	4613898	D04/05-	Bushing	105 mm		Mono Boom	HIT-0373405
	4613898	D04/05-	Wear Ring		140 mm	Mono Boom	HIT-0224108
	4613898	D04/05-	Wear Ring		140 mm	Mono Boom	HIT-0937408
	4630579	D04/08-	P-UB-10	105 mm	140 mm	2P-Boom	HIT-4631062
	4630579	D04/08-	P-UB-10	105 mm	140 mm	2P-Boom	HIT-4631062-EX
	4630579	D04/08-	Bushing	105 mm		2P-Boom	HIT-0373405
	4630579	D04/08-	Wear Ring		140 mm	2P-Boom	HIT-0960302
	4630579	D04/08-	Wear Ring		140 mm	2P-Boom	HIT-0224108
	9187392	010001-D04/04	P-UB-14	105 mm	140 mm	Mono Boom	HIT-4485613
	9187392	010001-D04/04	P-UB-14	105 mm	140 mm	Mono Boom	HIT-4485613-EX
	9187392	010001-D04/04	Bushing	105 mm		Mono Boom	HIT-4432450
	9187392	010001-D04/04	Wear Ring		140 mm	Mono Boom	HIT-4414671
	9187392	010001-D04/04	Wear Ring		140 mm	Mono Boom	HIT-4168233
	9232344	010001-D04/07	P-UB-14	105 mm	140 mm	2P-Boom	HIT-9207059
	9232344	010001-D04/07	P-UB-14	105 mm	140 mm	2P-Boom	HIT-9207059-EX
	9232344	010001-D04/07	Bushing	105 mm		2P-Boom	HIT-4432450
	9232344	010001-D04/07	Wear Ring		140 mm	2P-Boom	HIT-4414671
	9232344	010001-D04/07	Wear Ring		140 mm	2P-Boom	HIT-4168233
	BOOM LH	4613893	D03/08-	P-UB-10	90 mm	125 mm	
4613893		D03/08-	P-UB-10	90 mm	125 mm		HIT-4624394-EX
4613893		D03/08-	Bushing	90 mm			HIT-0325904
4613893		D03/08-	Wear Ring		125 mm		HIT-0926604
4613893		D03/08-	Wear Ring		125 mm		HIT-0223713
9187391		010001-D03/07	P-UB-14	90 mm	125 mm		HIT-4485612
9187391		010001-D03/07	P-UB-14	90 mm	125 mm		HIT-4485612-EX
9187391		010001-D03/07	Bushing	90 mm			HIT-4272961
9187391		010001-D03/07	Wear Ring		125 mm		HIT-4253562
9187391		010001-D03/07	Piston Ring		130 mm		HIT-4431271
BOOM RH	4613892	D03/08-	P-UB-10	90 mm	125 mm		HIT-4624394
	4613892	D03/08-	P-UB-10	90 mm	125 mm		HIT-4624394-EX
	4613892	D03/08-	Bushing	90 mm			HIT-0325904
	4613892	D03/08-	Wear Ring		125 mm		HIT-0223713
	4613892	D03/08-	Wear Ring		125 mm		HIT-0926604
	9187390	010001-D03/07	P-UB-14	90 mm	125 mm		HIT-4485612
	9187390	010001-D03/07	P-UB-14	90 mm	125 mm		HIT-4485612-EX
	9187390	010001-D03/07	Bushing	90 mm			HIT-4272961
	9187390	010001-D03/07	Piston Ring		130 mm		HIT-4431271
	9187390	010001-D03/07	Bushing	90 mm			HIT-4272961
BUCKET	4613899	D03/11-	P-UB-10	90 mm	130 mm		HIT-4627361
	4613899	D03/11-	P-UB-10	90 mm	130 mm		HIT-4627361-EX

Replacement Kits For

HITACHI

HITACHI

Excavators							
APPLICATION	CYL #	SERIAL #	CODE	ROD	BORE	Misc	KIT #
MODEL ZX230, ZX230LC							
BUCKET	4613899	D03/11-	Bushing	90 mm			HIT-0325904
	4613899	D03/11-	Wear Ring		130 mm		HIT-0932805
	4613899	D03/11-	Wear Ring		130 mm		HIT-0254309
	9187393	010001-D03/10	P-UB-14	90 mm	130 mm		HIT-4485614
	9187393	010001-D03/10	P-UB-14	90 mm	130 mm		HIT-4485614-EX
	9187393	010001-D03/10	Bushing	90 mm			HIT-4272961
	9187393	010001-D03/10	Wear Ring		130 mm		HIT-4431329
9187393	010001-D03/10	Piston Ring		135 mm		HIT-4431272	
MODEL ZX240-3, ZX240LC-3							
ARM	4618364	020001-	P-UB-10	100 mm	140 mm		HIT-4649050
	4618364	020001-	P-UB-10	100 mm	140 mm		HIT-4649050-EX
	4618364	020001-	Bushing	100 mm			HIT-0836104
	4618364	020001-	Wear Ring		140 mm		HIT-0224108
	4618364	020001-	Wear Ring		140 mm		HIT-0960302
BOOM LH	4628627	020001-	P-UB-10	90 mm	125 mm		HIT-4650419
	4628627	020001-	P-UB-10	90 mm	125 mm		HIT-4650419-EX
	4628627	020001-	Bushing	90 mm			HIT-0325904
	4628627	020001-	Wear Ring		125 mm		HIT-0223713
	4628627	020001-	Wear Ring		125 mm		HIT-0926604
BOOM RH	4628626	020001-	P-UB-10	90 mm	125 mm		HIT-4650419
	4628626	020001-	P-UB-10	90 mm	125 mm		HIT-4650419-EX
	4628626	020001-	Bushing	90 mm			HIT-0325904
	4628626	020001-	Wear Ring		125 mm		HIT-0926604
	4628626	020001-	Wear Ring		125 mm		HIT-0223713
BUCKET	4628634	020001-	P-UB-10	90 mm	130 mm		HIT-4650433
	4628634	020001-	P-UB-10	90 mm	130 mm		HIT-4650433-EX
	4628634	020001-	Bushing	90 mm			HIT-0325904
	4628634	020001-	Wear Ring		130 mm		HIT-0254309
	4628634	020001-	Wear Ring		130 mm		HIT-0974906
MODEL ZX240H, ZX240LCH, ZX240K, ZX240LCK							
ARM	4613898	D04/05-	P-UB-10	105 mm	140 mm	Mono Boom	HIT-4631062
	4613898	D04/05-	P-UB-10	105 mm	140 mm	Mono Boom	HIT-4631062-EX
	4613898	D04/05-	Bushing	105 mm		Mono Boom	HIT-0373405
	4613898	D04/05-	Wear Ring		140 mm	Mono Boom	HIT-0224108
	4613898	D04/05-	Wear Ring		140 mm	Mono Boom	HIT-0937408
	4630579	D04/08-	P-UB-10	105 mm	140 mm	2P-Boom	HIT-4631062
	4630579	D04/08-	P-UB-10	105 mm	140 mm	2P-Boom	HIT-4631062-EX
	4630579	D04/08-	Bushing	105 mm		2P-Boom	HIT-0373405
	4630579	D04/08-	Wear Ring		140 mm	2P-Boom	HIT-0960302
	4630579	D04/08-	Wear Ring		140 mm	2P-Boom	HIT-0224108
	9187392	010001-D04/04	P-UB-14	105 mm	140 mm	Mono Boom	HIT-4485613
	9187392	010001-D04/04	P-UB-14	105 mm	140 mm	Mono Boom	HIT-4485613-EX
	9187392	010001-D04/04	Bushing	105 mm		Mono Boom	HIT-4432450
	9187392	010001-D04/04	Wear Ring		140 mm	Mono Boom	HIT-4168233
	9187392	010001-D04/04	Wear Ring		140 mm	Mono Boom	HIT-4414671
	9232344	010001-D04/07	P-UB-14	105 mm	140 mm	2P-Boom	HIT-9207059

Replacement Kits For

HITACHI

Excavators							
APPLICATION	CYL #	SERIAL #	CODE	ROD	BORE	Misc	KIT #
MODEL ZX240H, ZX240LCH, ZX240K, ZX240LCK							
ARM	9232344	010001-D04/07	P-UB-14	105 mm	140 mm	2P-Boom	HIT-9207059-EX
	9232344	010001-D04/07	Bushing	105 mm		2P-Boom	HIT-4432450
	9232344	010001-D04/07	Wear Ring		140 mm	2P-Boom	HIT-4168233
	9232344	010001-D04/07	Wear Ring		140 mm	2P-Boom	HIT-4414671
BOOM LH	4613893	D03/08-	P-UB-10	90 mm	125 mm		HIT-4624394
	4613893	D03/08-	P-UB-10	90 mm	125 mm		HIT-4624394-EX
	4613893	D03/08-	Bushing	90 mm			HIT-0325904
	4613893	D03/08-	Wear Ring		125 mm		HIT-0223713
	4613893	D03/08-	Wear Ring		125 mm		HIT-0926604
	9187391	010001-D03/07	P-UB-14	90 mm	125 mm		HIT-4485612
	9187391	010001-D03/07	P-UB-14	90 mm	125 mm		HIT-4485612-EX
	9187391	010001-D03/07	Bushing	90 mm			HIT-4272961
	9187391	010001-D03/07	Wear Ring		125 mm		HIT-4253562
	9187391	010001-D03/07	Piston Ring		130 mm		HIT-4431271
BOOM RH	4613892	D03/08-	P-UB-10	90 mm	125 mm		HIT-4624394
	4613892	D03/08-	P-UB-10	90 mm	125 mm		HIT-4624394-EX
	4613892	D03/08-	Bushing	90 mm			HIT-0325904
	4613892	D03/08-	Wear Ring		125 mm		HIT-0926604
	4613892	D03/08-	Wear Ring		125 mm		HIT-0223713
	9187390	010001-D03/07	P-UB-14	90 mm	125 mm		HIT-4485612
	9187390	010001-D03/07	P-UB-14	90 mm	125 mm		HIT-4485612-EX
	9187390	010001-D03/07	Wear Ring		125 mm		HIT-4253562
	9187390	010001-D03/07	Piston Ring		130 mm		HIT-4431271
	9187390	010001-D03/07	Bushing	90 mm			HIT-4272961
BUCKET	4613899	D03/11-	P-UB-10	90 mm	130 mm		HIT-4627361
	4613899	D03/11-	P-UB-10	90 mm	130 mm		HIT-4627361-EX
	4613899	D03/11-	Bushing	90 mm			HIT-0325904
	4613899	D03/11-	Wear Ring		130 mm		HIT-0254309
	4613899	D03/11-	Wear Ring		130 mm		HIT-0932805
	9187393	010001-D03/10	P-UB-14	90 mm	130 mm		HIT-4485614
	9187393	010001-D03/10	P-UB-14	90 mm	130 mm		HIT-4485614-EX
	9187393	010001-D03/10	Bushing	90 mm			HIT-4272961
	9187393	010001-D03/10	Wear Ring		130 mm		HIT-4431329
	9187393	010001-D03/10	Piston Ring		135 mm		HIT-4431272
MODEL ZX250, ZX250LC, ZX250LCN							
ARM	4613898	D04/05-	P-UB-10	105 mm	140 mm	Mono Boom	HIT-4631062
	4613898	D04/05-	P-UB-10	105 mm	140 mm	Mono Boom	HIT-4631062-EX
	4613898	D04/05-	Bushing	105 mm		Mono Boom	HIT-0373405
	4613898	D04/05-	Wear Ring		140 mm	Mono Boom	HIT-0937408
	4613898	D04/05-	Wear Ring		140 mm	Mono Boom	HIT-0224108
	4630579	D04/08-	P-UB-10	105 mm	140 mm	2P-Boom	HIT-4631062
	4630579	D04/08-	P-UB-10	105 mm	140 mm	2P-Boom	HIT-4631062-EX
	4630579	D04/08-	Bushing	105 mm		2P-Boom	HIT-0373405
	4630579	D04/08-	Wear Ring		140 mm	2P-Boom	HIT-0960302
	4630579	D04/08-	Wear Ring		140 mm	2P-Boom	HIT-0224108
	9187390	010001-D03/07	P-UB-14	90 mm	125 mm		HIT-4485612

HITACHI

Replacement Kits For



Excavators							
APPLICATION	CYL #	SERIAL #	CODE	ROD	BORE	Misc	KIT #
MODEL ZX250, ZX250LC, ZX250LCN							
ARM	9187390	010001-D03/07	P-UB-14	90 mm	125 mm		HIT-4485612-EX
	9187390	010001-D03/07	Bushing	90 mm			HIT-4272961
	9187390	010001-D03/07	Wear Ring		125 mm		HIT-4253562
	9187390	010001-D03/07	Piston Ring		130 mm		HIT-4431271
	9187392	010001-D04/04	P-UB-14	105 mm	140 mm	Mono Boom	HIT-4485613
	9187392	010001-D04/04	P-UB-14	105 mm	140 mm	Mono Boom	HIT-4485613-EX
	9187392	010001-D04/04	Bushing	105 mm		Mono Boom	HIT-4432450
	9187392	010001-D04/04	Wear Ring		140 mm	Mono Boom	HIT-4414671
	9187392	010001-D04/04	Wear Ring		140 mm	Mono Boom	HIT-4168233
	9232344	010001-D04/07	P-UB-14	105 mm	140 mm	2P-Boom	HIT-9207059
	9232344	010001-D04/07	P-UB-14	105 mm	140 mm	2P-Boom	HIT-9207059-EX
	9232344	010001-D04/07	Bushing	105 mm		2P-Boom	HIT-4432450
	9232344	010001-D04/07	Wear Ring		140 mm	2P-Boom	HIT-4168233
	9232344	010001-D04/07	Wear Ring		140 mm	2P-Boom	HIT-4414671
BOOM LH	4613893	D03/08-	P-UB-10	90 mm	125 mm		HIT-4624394
	4613893	D03/08-	P-UB-10	90 mm	125 mm		HIT-4624394-EX
	4613893	D03/08-	Bushing	90 mm			HIT-0325904
	4613893	D03/08-	Wear Ring		125 mm		HIT-0223713
	4613893	D03/08-	Wear Ring		125 mm		HIT-0926604
	9187391	010001-D03/07	P-UB-14	90 mm	125 mm		HIT-4485612
	9187391	010001-D03/07	P-UB-14	90 mm	125 mm		HIT-4485612-EX
	9187391	010001-D03/07	Bushing	90 mm			HIT-4272961
	9187391	010001-D03/07	Wear Ring		125 mm		HIT-4253562
	9187391	010001-D03/07	Piston Ring		130 mm		HIT-4431271
BOOM RH	4613892	D03/08-	P-UB-10	90 mm	125 mm		HIT-4624394
	4613892	D03/08-	P-UB-10	90 mm	125 mm		HIT-4624394-EX
	4613892	D03/08-	Bushing	90 mm			HIT-0325904
	4613892	D03/08-	Wear Ring		125 mm		HIT-0926604
	4613892	D03/08-	Wear Ring		125 mm		HIT-0223713
BUCKET	4613899	D03/11-	P-UB-10	90 mm	130 mm		HIT-4627361
	4613899	D03/11-	P-UB-10	90 mm	130 mm		HIT-4627361-EX
	4613899	D03/11-	Bushing	90 mm			HIT-0325904
	4613899	D03/11-	Wear Ring		130 mm		HIT-0932805
	4613899	D03/11-	Wear Ring		130 mm		HIT-0254309
	9187393	010001-D03/10	P-UB-14	90 mm	130 mm		HIT-4485614
	9187393	010001-D03/10	P-UB-14	90 mm	130 mm		HIT-4485614-EX
	9187393	010001-D03/10	Bushing	90 mm			HIT-4272961
	9187393	010001-D03/10	Wear Ring		130 mm		HIT-4431329
	9187393	010001-D03/10	Piston Ring		135 mm		HIT-4431272
MODEL ZX250LC-3, ZX250LCN-3, ZX250H-3, ZX250LCH-3, ZX250K-3, ZX250LCK							
BUCKET	4628634	020001-	P-UB-10	90 mm	130 mm		HIT-4650433
	4628634	020001-	P-UB-10	90 mm	130 mm		HIT-4650433-EX
	4628634	020001-	Bushing	90 mm			HIT-0325904
	4628634	020001-	Wear Ring		130 mm		HIT-0254309
	4628634	020001-	Wear Ring		130 mm		HIT-0974906

Replacement Kits For

HITACHI

Excavators							
APPLICATION	CYL #	SERIAL #	CODE	ROD	BORE	Misc	KIT #
MODEL ZX250LC-3, ZX250LCN-3, ZX250H-3, ZX250LCH-3, ZX250K-3, ZX250LCK-3							
ARM	4618364	020001-	P-UB-10	100 mm	140 mm		HIT-4649050
	4618364	020001-	P-UB-10	100 mm	140 mm		HIT-4649050-EX
	4618364	020001-	Bushing	100 mm			HIT-0836104
	4618364	020001-	Wear Ring		140 mm		HIT-0960302
	4618364	020001-	Wear Ring		140 mm		HIT-0224108
BOOM LH	4628627	020001-	P-UB-10	90 mm	125 mm		HIT-4650419
	4628627	020001-	P-UB-10	90 mm	125 mm		HIT-4650419-EX
	4628627	020001-	Bushing	90 mm			HIT-0325904
	4628627	020001-	Wear Ring		125 mm		HIT-0926604
	4628627	020001-	Wear Ring		125 mm		HIT-0223713
BOOM RH	4628626	020001-	P-UB-10	90 mm	125 mm		HIT-4650419
	4628626	020001-	P-UB-10	90 mm	125 mm		HIT-4650419-EX
	4628626	020001-	Bushing	90 mm			HIT-0325904
	4628626	020001-	Wear Ring		125 mm		HIT-0926604
	4628626	020001-	Wear Ring		125 mm		HIT-0223713
MODEL ZX270, ZX270LC, ZX280LC, ZX280LCN							
ARM	4628581	D04/08-, D05/01-	P-UB-10	100 mm	145 mm	Mono Boom	HIT-4639938
	4628581	D04/08-, D05/01-	Bushing	100 mm		Mono Boom	HIT-0836104
	4628581	D04/08-, D05/01-	Wear Ring		145 mm	Mono Boom	HIT-0962008
	4628581	D04/08-, D05/01-	Wear Ring		145 mm	Mono Boom	HIT-0373413
	9186598	020001-D04/07, 020001-D04/12	P-UB-14	100 mm	145 mm	Mono Boom	HIT-9180579
	9186598	020001-D04/07, 020001-D04/12	P-UB-14	100 mm	145 mm	Mono Boom	HIT-9180579-EX
	9186598	020001-D04/07, 020001-D04/12	Bushing	100 mm		Mono Boom	HIT-4272963
	9186598	020001-D04/07, 020001-D04/12	Wear Ring		145 mm	Mono Boom	HIT-4194621
	9186598	020001-D04/07, 020001-D04/12	Wear Ring		145 mm	Mono Boom	HIT-4185247
	9232345	020001-D04/07, 020001-D04/12	P-UB-14	100 mm	145 mm	2P-Boom	HIT-9180579
	9232345	020001-D04/07, 020001-D04/12	P-UB-14	100 mm	145 mm	2P-Boom	HIT-9180579-EX
	9232345	020001-D04/07, 020001-D04/12	Bushing	100 mm		2P-Boom	HIT-4272963
	9232345	020001-D04/07, 020001-D04/12	Wear Ring		145 mm	2P-Boom	HIT-4194621
	9232345	020001-D04/07, 020001-D04/12	Wear Ring		145 mm	2P-Boom	HIT-4185247
BOOM LH	4628583	D04/08-, D05/01-	P-UB-10	95 mm	135 mm		HIT-4639936
	4628583	D04/08-, D05/01-	P-UB-10	95 mm	135 mm		HIT-4639936-EX
	4628583	D04/08-, D05/01-	Wear Ring		135 mm		HIT-0962104
	9186597	020001-D04/07, 020001-D04/12	P-UB-14	95 mm	135 mm		HIT-4485615
	9186597	020001-D04/07, 020001-D04/12	P-UB-14	95 mm	135 mm		HIT-4485615-EX
	9186597	020001-D04/07, 020001-D04/12	Bushing	95 mm			HIT-4272962

Replacement Kits For

HITACHI

Excavators							
APPLICATION	CYL #	SERIAL #	CODE	ROD	BORE	Misc	KIT #
MODEL ZX270, ZX270LC, ZX280LC, ZX280LCN							
BOOM LH	9186597	020001-D04/07, 020001-D04/12	Wear Ring		135 mm		HIT-4252191
	9186597	020001-D04/07, 020001-D04/12	Wear Ring		135 mm		HIT-4185246
	9186598	D04/08-, D05/01-	P-UB-10	95 mm	135 mm		HIT-4639936
BOOM RH	4628582	D04/08-, D05/01-	P-UB-10	95 mm	135 mm		HIT-4639936
	4628582	D04/08-, D05/01-	P-UB-10	95 mm	135 mm		HIT-4639936-EX
	4628582	D04/08-, D05/01-	Bushing	95 mm			HIT-0309204
	4628582	D04/08-, D05/01-	Wear Ring		135 mm		HIT-0309212
	4628582	D04/08-, D05/01-	Wear Ring		135 mm		HIT-0962104
	9186596	020001-D04/07, 020001-D04/12	P-UB-14	95 mm	135 mm		HIT-4485615
	9186596	020001-D04/07, 020001-D04/12	P-UB-14	95 mm	135 mm		HIT-4485615-EX
	9186596	020001-D04/07, 020001-D04/12	Bushing	95 mm			HIT-4272962
	9186596	020001-D04/07, 020001-D04/12	Wear Ring		135 mm		HIT-4185246
	9186596	020001-D04/07, 020001-D04/12	Wear Ring		135 mm		HIT-4252191
BUCKET	4628580	D04/08-, D05/01-	P-UB-10	90 mm	135 mm		HIT-4639939
	4628580	D04/08-, D05/01-	P-UB-10	90 mm	135 mm		HIT-4639939-EX
	4628580	D04/08-, D05/01-	Bushing	90 mm			HIT-0325904
	4628580	D04/08-, D05/01-	Wear Ring		135 mm		HIT-0309212
	4628580	D04/08-, D05/01-	Wear Ring		135 mm		HIT-0962104
	9186599	020001-D04/07, 020001-D04/12	P-UB-14	90 mm	135 mm		HIT-9180580
	9186599	020001-D04/07, 020001-D04/12	P-UB-14	90 mm	135 mm		HIT-9180580-EX
	9186599	020001-D04/07, 020001-D04/12	Bushing	90 mm			HIT-4272961
	9186599	020001-D04/07, 020001-D04/12	Wear Ring		135 mm		HIT-4252191
	9186599	020001-D04/07, 020001-D04/12	Wear Ring		135 mm		HIT-4185246
MODEL ZX270-3							
ARM	4628630	00100001-	P-UB-14	105 mm	150 mm		HIT-4649752
BOOM LH	4628631	00100001-	P-UB-14	95 mm	135 mm		HIT-4649745
BOOM RH	4628632	00100001-	P-UB-14	95 mm	135 mm		HIT-4649745
BUCKET	4628628	00100001-	P-UB-14	90 mm	135 mm		HIT-4649751
MODEL ZX330, ZX330LC, ZX350LC, ZX350LCH, ZX350H, ZX350K, ZX350LCK, ZX370, ZX370MTH							
ARM	4611472	D04/08-	P-UB-14	115 mm	170 mm	Mono Boom	HIT-4640118
	4611472	D04/08-	Piston Ring		170 mm	Mono Boom	HIT-0961424
	9186602	030001-D04/07	P-UB-14	115 mm	170 mm	Mono Boom	HIT-9180582
	9186602	030001-D04/07	P-UB-14	115 mm	170 mm	Mono Boom	HIT-9180582-EX
	9186602	030001-D04/07	Bushing	115 mm		Mono Boom	HIT-4370337
	9186602	030001-D04/07	Wear Ring		170 mm	Mono Boom	HIT-4370063
	9186602	030001-D04/07	Wear Ring		170 mm	Mono Boom	HIT-4370064
	9232346	030001-	P-UB-14	115 mm	170 mm	2P-Boom	HIT-9180582

HITACHI

Replacement Kits For

HITACHI

Excavators							
APPLICATION	CYL #	SERIAL #	CODE	ROD	BORE	Misc	KIT #
MODEL ZX330, ZX330LC, ZX350LC, ZX350LCH, ZX350H, ZX350K, ZX350LCK, ZX370, ZX370MTH							
ARM	9232346	030001-	P-UB-14	115 mm	170 mm	2P-Boom	HIT-9180582-EX
	9232346	030001-	Bushing	115 mm		2P-Boom	HIT-4370337
	9232346	030001-	Wear Ring		170 mm	2P-Boom	HIT-4370063
BOOM LH	4611474	D04/08-	P-UB-14	105 mm	150 mm		HIT-4640107
	9186601	030001-D04/07	P-UB-14	105 mm	150 mm		HIT-9180581
	9186601	030001-D04/07	P-UB-14	105 mm	150 mm		HIT-9180581-EX
	9186601	030001-D04/07	Bushing	105 mm			HIT-4383093
	9186601	030001-D04/07	Wear Ring		150 mm		HIT-4171490
	9186601	030001-D04/07	Wear Ring		150 mm		HIT-4194622
BOOM RH	4611473	D04/08-	P-UB-14	105 mm	150 mm		HIT-4640107
	9186600	030001-D04/07	P-UB-14	105 mm	150 mm		HIT-9180581
	9186600	030001-D04/07	P-UB-14	105 mm	150 mm		HIT-9180581-EX
	9186600	030001-D04/07	Bushing	105 mm			HIT-4383093
	9186600	030001-D04/07	Wear Ring		150 mm		HIT-4171490
	9186600	030001-D04/07	Wear Ring		150 mm		HIT-4194622
BUCKET	4611475	D04/08-	P-UB-14	95 mm	145 mm		HIT-4640108
	9186603	030001-D04/07	P-UB-14	95 mm	145 mm		HIT-9175564
	9186603	030001-D04/07	P-UB-14	95 mm	145 mm		HIT-9175564-EX
	9186603	030001-D04/07	Bushing	95 mm			HIT-4284535
	9186603	030001-D04/07	Wear Ring		145 mm		HIT-4185247
	9186603	030001-D04/07	Wear Ring		145 mm		HIT-4185249
MODEL ZX330-3, ZX330LC-3							
ARM	4628635	050001-	P-UB-10	115 mm	170 mm		HIT-4649051
	4628635	050001-	P-UB-10	115 mm	170 mm		HIT-4649051-EX
	4628635	050001-	Bushing	115 mm			HIT-0352704
	4628635	050001-	Wear Ring		170 mm		HIT-0259307
	4628635	050001-	Wear Ring		170 mm		HIT-0975411
	4639441	050001-	P-UB-10	115 mm	170 mm		HIT-4649051
	4639441	050001-	P-UB-10	115 mm	170 mm		HIT-4649051-EX
	4639441	050001-	Bushing	115 mm			HIT-0352704
	4639441	050001-	Wear Ring		170 mm		HIT-0975411
	4639441	050001-	Wear Ring		170 mm		HIT-0259307
	4644677	050001-	P-UB-10	115 mm	170 mm		HIT-4649051
	4644677	050001-	P-UB-10	115 mm	170 mm		HIT-4649051-EX
	4644677	050001-	Bushing	115 mm			HIT-0352704
	4644677	050001-	Wear Ring		170 mm		HIT-0975411
	4644677	050001-	Wear Ring		170 mm		HIT-0259307
	4646776	050001-	P-UB-10	115 mm	170 mm		HIT-4649051
	4646776	050001-	P-UB-10	115 mm	170 mm		HIT-4649051-EX
	4646776	050001-	Bushing	115 mm			HIT-0352704
	4646776	050001-	Wear Ring		170 mm		HIT-0975411
	4646776	050001-	Wear Ring		170 mm		HIT-0259307
BOOM LH	4628637	050001-	P-UB-10	100 mm	145 mm		HIT-4649049
	4628637	050001-	P-UB-10	100 mm	145 mm		HIT-4649049-EX
	4628637	050001-	Bushing	100 mm			HIT-0836104
	4628637	050001-	Wear Ring		145 mm		HIT-0962008

Replacement Kits For

HITACHI

HITACHI

Excavators							
APPLICATION	CYL #	SERIAL #	CODE	ROD	BORE	Misc	KIT #
MODEL ZX330-3, ZX330LC-3							
BOOM LH	4628637	050001-	Wear Ring		145 mm		HIT-0373413
	4638831	050001-	P-UB-10	100 mm	145 mm		HIT-4649049
	4638831	050001-	P-UB-10	100 mm	145 mm		HIT-4649049-EX
	4638831	050001-	Bushing	100 mm			HIT-0836104
	4638831	050001-	Wear Ring		145 mm		HIT-0373413
	4638831	050001-	Wear Ring		145 mm		HIT-0962008
BOOM RH	4628636	050001-	P-UB-10	100 mm	145 mm		HIT-4649049
	4628636	050001-	P-UB-10	100 mm	145 mm		HIT-4649049-EX
	4628636	050001-	Bushing	100 mm			HIT-0836104
	4628636	050001-	Wear Ring		145 mm		HIT-0373413
	4628636	050001-	Wear Ring		145 mm		HIT-0962008
	4644670	050001-	P-UB-10	100 mm	145 mm		HIT-4649049
	4644670	050001-	P-UB-10	100 mm	145 mm		HIT-4649049-EX
	4644670	050001-	Bushing	100 mm			HIT-0836104
	4644670	050001-	Wear Ring		145 mm		HIT-0962008
	4644670	050001-	Wear Ring		145 mm		HIT-0373413
BUCKET	4643260	050001-	P-UB-10	95 mm	140 mm		HIT-4649053
	4643260	050001-	P-UB-10	95 mm	140 mm		HIT-4649053-EX
	4643260	050001-	Bushing	95 mm			HIT-0309204
	4643260	050001-	Wear Ring		140 mm		HIT-0224108
	4643260	050001-	Wear Ring		140 mm		HIT-0960302
MODEL ZX350LC-3, ZX350LCN-3, ZX350H-3, ZX350LCH-3, ZX350K-3, ZX350LCK-3							
ARM	4628635	050001-	P-UB-10	115 mm	170 mm		HIT-4649051
	4628635	050001-	P-UB-10	115 mm	170 mm		HIT-4649051-EX
	4628635	050001-	Bushing	115 mm			HIT-0352704
	4628635	050001-	Wear Ring		170 mm		HIT-0975411
	4628635	050001-	Wear Ring		170 mm		HIT-0259307
	4639441	050001-	P-UB-10	115 mm	170 mm		HIT-4649051
	4639441	050001-	P-UB-10	115 mm	170 mm		HIT-4649051-EX
	4639441	050001-	Bushing	115 mm			HIT-0352704
	4639441	050001-	Wear Ring		170 mm		HIT-0259307
	4639441	050001-	Wear Ring		170 mm		HIT-0975411
	4644677	050001-	P-UB-10	115 mm	170 mm		HIT-4649051
	4644677	050001-	P-UB-10	115 mm	170 mm		HIT-4649051-EX
	4644677	050001-	Bushing	115 mm			HIT-0352704
	4644677	050001-	Wear Ring		170 mm		HIT-0259307
	4644677	050001-	Wear Ring		170 mm		HIT-0975411
	4646776	050001-	P-UB-10	115 mm	170 mm		HIT-4649051
	4646776	050001-	P-UB-10	115 mm	170 mm		HIT-4649051-EX
	4646776	050001-	Bushing	115 mm			HIT-0352704
	4646776	050001-	Wear Ring		170 mm		HIT-0259307
	4646776	050001-	Wear Ring		170 mm		HIT-0975411
BOOM LH	4628637	050001-	P-UB-10	100 mm	145 mm		HIT-4649049
	4628637	050001-	P-UB-10	100 mm	145 mm		HIT-4649049-EX
	4628637	050001-	Bushing	100 mm			HIT-0836104
	4628637	050001-	Wear Ring		145 mm		HIT-0962008

Replacement Kits For

HITACHI

Excavators							
APPLICATION	CYL #	SERIAL #	CODE	ROD	BORE	Misc	KIT #
MODEL ZX350LC-3, ZX350LCN-3, ZX350H-3, ZX350LCH-3, ZX350K-3, ZX350LCK-3							
BOOM LH	4628637	050001-	Wear Ring		145 mm		HIT-0373413
	4638831	050001-	P-UB-10	100 mm	145 mm		HIT-4649049
	4638831	050001-	P-UB-10	100 mm	145 mm		HIT-4649049-EX
	4638831	050001-	Bushing	100 mm			HIT-0836104
	4638831	050001-	Wear Ring		145 mm		HIT-0962008
	4638831	050001-	Wear Ring		145 mm		HIT-0373413
BOOM RH	4628636	050001-	P-UB-10	100 mm	145 mm		HIT-4649049
	4628636	050001-	P-UB-10	100 mm	145 mm		HIT-4649049-EX
	4628636	050001-	Bushing	100 mm			HIT-0836104
	4628636	050001-	Wear Ring		145 mm		HIT-0373413
	4628636	050001-	Wear Ring		145 mm		HIT-0962008
	4644670	050001-	P-UB-10	100 mm	145 mm		HIT-4649049
	4644670	050001-	P-UB-10	100 mm	145 mm		HIT-4649049-EX
	4644670	050001-	Bushing	100 mm			HIT-0836104
	4644670	050001-	Wear Ring		145 mm		HIT-0962008
	4644670	050001-	Wear Ring		145 mm		HIT-0373413
BUCKET	4643260	050001-	P-UB-10	95 mm	140 mm		HIT-4649053
	4643260	050001-	P-UB-10	95 mm	140 mm		HIT-4649053-EX
	4643260	050001-	Bushing	95 mm			HIT-0309204
	4643260	050001-	Wear Ring		140 mm		HIT-0224108
	4643260	050001-	Wear Ring		140 mm		HIT-0960302
MODEL ZX360LC-3							
ARM	4628635	00100001-	P-UB-10	115 mm	170 mm		HIT-4649051
	4628635	00100001-	P-UB-10	115 mm	170 mm		HIT-4649051-EX
	4628635	00100001-	Bushing	115 mm			HIT-0352704
	4628635	00100001-	Wear Ring		170 mm		HIT-0259307
	4628635	00100001-	Wear Ring		170 mm		HIT-0975411
BOOM LH	4628637	00100001-	P-UB-10	100 mm	145 mm		HIT-4649049
	4628637	00100001-	P-UB-10	100 mm	145 mm		HIT-4649049-EX
	4628637	00100001-	Bushing	100 mm			HIT-0836104
	4628637	00100001-	Wear Ring		145 mm		HIT-0373413
	4628637	00100001-	Wear Ring		145 mm		HIT-0962008
BOOM RH	4628636	00100001-	P-UB-10	100 mm	145 mm		HIT-4649049
	4628636	00100001-	P-UB-10	100 mm	145 mm		HIT-4649049-EX
	4628636	00100001-	Bushing	100 mm			HIT-0836104
	4628636	00100001-	Wear Ring		145 mm		HIT-0962008
	4628636	00100001-	Wear Ring		145 mm		HIT-0373413
BUCKET	4643260	00100001-	P-UB-10	95 mm	140 mm		HIT-4649053
	4643260	00100001-	P-UB-10	95 mm	140 mm		HIT-4649053-EX
	4643260	00100001-	Bushing	95 mm			HIT-0309204
	4643260	00100001-	Wear Ring		140 mm		HIT-0224108
	4643260	00100001-	Wear Ring		140 mm		HIT-0960302
MODEL ZX450, ZX450LC, ZX450H, ZX450LCH, ZX460LCH, ZX480MT, ZX480MTH							
BACKHOE ARM	4310243	010001-	P-UB-10	130 mm	190 mm		HIT-4438679
	4310243	010001-	Bushing	130 mm			HIT-0353004
	4310243	010001-	Wear Ring		190 mm		HIT-0242512

Replacement Kits For

HITACHI

Excavators								
APPLICATION	CYL #	SERIAL #	CODE	ROD	BORE	Misc	KIT #	
MODEL ZX450, ZX450LC, ZX450H, ZX450LCH, ZX460LCH, ZX480MT, ZX480MTH								
BACKHOE ARM	4310243	010001-	Wear Ring		190 mm		HIT-0420307	
	4310243	050001-	P-UB-10	130 mm	190 mm		HIT-4438679	
BACKHOE BOOM LH	4310242	010001-D03-/07	P-UB-10	115 mm	170 mm		HIT-4438672	
	4310242	010607-010612, 010621-010626, 010638-	P-UB-10	115 mm	170 mm		HIT-4438672	
	4310242	010607-010612, 010621-010626, 010638-	Bushing	115 mm			HIT-0352704	
	4310242	010607-010612, 010621-010626, 010638-	Wear Ring		170 mm		HIT-0420109	
	4310242	010607-010612, 010621-010626, 010638-	Wear Ring		170 mm		HIT-0259307	
	4310242	050002-	P-UB-10	115 mm	170 mm		HIT-4438672	
	9174340	010001-010606, 010613-010620, 010627-010637	P-UB-14	115 mm	170 mm		HIT-9180582	
	9174340	010001-010606, 010613-010620, 010627-010637	Bushing	115 mm			HIT-4370337	
	9174340	010001-010606, 010613-010620, 010627-010637	Wear Ring		170 mm		HIT-4370063	
	9174340	010001-010606, 010613-010620, 010627-010637	Wear Ring		170 mm		HIT-4370064	
	9174340	010001-D03-/07	P-UB-14	115 mm	170 mm		HIT-9180582	
	9174340	050001	P-UB-14	115 mm	170 mm		HIT-9180582	
	BACKHOE BOOM RH	4310241	010607-010612, 010621-010626, 010638-	P-UB-10	115 mm	170 mm		HIT-4438672
		4310241	010607-010612, 010621-010626, 010638-	Bushing	115 mm			HIT-0352704
4310241		010607-010612, 010621-010626, 010638-	Wear Ring		170 mm		HIT-0420109	
4310241		010607-010612, 010621-010626, 010638-	Wear Ring		170 mm		HIT-0259307	
4310241		050002-	P-UB-10	115 mm	170 mm		HIT-4438672	
4310241		D03/08-	P-UB-10	115 mm	170 mm		HIT-4438672	
9174339		010001-010606, 010613-010620, 010627-010637	P-UB-14	115 mm	170 mm		HIT-9180582	
9174339		010001-010606, 010613-010620, 010627-010637	Bushing	115 mm			HIT-4370337	
9174339		010001-010606, 010613-010620, 010627-010637	Wear Ring		170 mm		HIT-4370063	

Replacement Kits For

HITACHI

Excavators							
APPLICATION	CYL #	SERIAL #	CODE	ROD	BORE	Misc	KIT #
MODEL ZX450, ZX450LC, ZX450H, ZX450LCH, ZX460LCH, ZX480MT, ZX480MTH							
BACKHOE BOOM RH	9174339	010001-010606, 010613-010620, 010627-010637	Wear Ring		170 mm		HIT-4370064
	9174339	010001-D03/07	P-UB-14	115 mm	170 mm		HIT-9180582
	9174339	050001	P-UB-14	115 mm	170 mm		HIT-9180582
	9209136	010001-	P-UB-14	115 mm	170 mm	Long Arm	HIT-9180582
BACKHOE BUCKET	4390024	010001-	P-UB-10	120 mm	170 mm		HIT-4438681
	4390024	010001-	Bushing	120 mm			HIT-0450506
	4390024	010001-	Wear Ring		170 mm		HIT-0259307
	4390024	010001-	Wear Ring		170 mm		HIT-0420109
	4390024	050001-	P-UB-10	120 mm	170 mm		HIT-4438681
	9138785	010001-	P-UB-14	95 mm	145 mm	Long Arm	HIT-9123265
	9138785	010001-	Bushing	95 mm		Long Arm	HIT-4284535
	9138785	010001-	Wear Ring		145 mm	Long Arm	HIT-4185247
9138785	010001-	Wear Ring		145 mm	Long Arm	HIT-4185249	
CYLINDER	4344048	010001-	P-UB-10	65 mm	100 mm		HIT-4255533
	4344048	010001-	Bushing	65 mm			HIT-0657704
	4344048	010001-	Wear Ring		130 mm		HIT-0657706
LOADER ARM	4219778	010001-	P-UB-10	115 mm	170 mm		HIT-4255531
	4219778	010001-	P-UB-10	115 mm	170 mm		HIT-4438758
LOADER BOOM LH	9209137	010001-	P-UB-14	115 mm	170 mm		HIT-9180582
	9209137	010001-	Bushing	115 mm			HIT-4370337
	9209137	010001-	Wear Ring		170 mm		HIT-4370064
	9209137	010001-	Wear Ring		170 mm		HIT-4370063
LOADER BOOM RH	9209136	010001-	P-UB-14	115 mm	170 mm		HIT-9180582
	9209136	010001-	Bushing	115 mm			HIT-4370337
	9209136	010001-	Wear Ring		170 mm		HIT-4370063
	9209136	010001-	Wear Ring		170 mm		HIT-4370064
LOADER BUCKET LH	4219781	010001-	P-UB-10	115 mm	150 mm		HIT-4255532
	4219781	010001-	Bushing	115 mm			HIT-0352704
	4219781	010001-	Wear Ring		150 mm		HIT-0387305
	4219781	010001-	Wear Ring		150 mm		HIT-0237220
LOADER BUCKET RH	4219780	010001-	P-UB-10	115 mm	150 mm		HIT-4255532
	4219780	010001-	Bushing	115 mm			HIT-0352704
	4219780	010001-	Wear Ring		150 mm		HIT-0237220
	4219780	010001-	Wear Ring		150 mm		HIT-0387305
LOADER DUMP	4219782	010001-	P-UB-10	65 mm	100 mm		HIT-4255533
	4219782	010001-	Bushing	65 mm			HIT-0310604
	4219782	010001-	Wear Ring		100 mm		HIT-0326005
	4219782	010001-	Wear Ring		100 mm		HIT-0254908
LOADER LEVEL	4219779	010001-	P-UB-10	115 mm	170 mm		HIT-4255531
	4219779	010001-	P-UB-10	115 mm	170 mm		HIT-4438758
MODEL ZX450-3, ZX450LC-3							
ARM	4637753	020001-	P-UB-10	130 mm	190 mm		HIT-4653041
	4637753	020001-	P-UB-10	130 mm	190 mm		HIT-4653041-EX
	4637753	020001-	Bushing	130 mm			HIT-0353004

HITACHI

Replacement Kits For

Excavators							
APPLICATION	CYL #	SERIAL #	CODE	ROD	BORE	Misc	KIT #
MODEL ZX450-3, ZX450LC-3							
ARM	4637753	020001-	Wear Ring		190 mm		HIT-0972305
	4637753	020001-	Wear Ring		190 mm		HIT-0242512
BOOM LH	4637752	020001-	P-UB-10	115 mm	170 mm		HIT-4653040
	4637752	020001-	P-UB-10	115 mm	170 mm		HIT-4653040-EX
	4637752	020001-	Bushing	115 mm			HIT-0352704
	4637752	020001-	Wear Ring		170 mm		HIT-0972106
	4637752	020001-	Wear Ring		170 mm		HIT-0259307
BOOM RH	4637751	020001-	P-UB-10	115 mm	170 mm		HIT-4653040
	4637751	020001-	P-UB-10	115 mm	170 mm		HIT-4653040-EX
	4637751	020001-	Bushing	115 mm			HIT-0352704
	4637751	020001-	Wear Ring		170 mm		HIT-0259307
	4637751	020001-	Wear Ring		170 mm		HIT-0972106
BUCKET	4637754	020001-	P-UB-10	120 mm	170 mm		HIT-4653042
	4637754	020001-	P-UB-10	120 mm	170 mm		HIT-4653042-EX
	4637754	020001-	Bushing	120 mm			HIT-0450506
	4637754	020001-	Wear Ring		170 mm		HIT-0972106
	4637754	020001-	Wear Ring		170 mm		HIT-0259307
MODEL ZX470H-3, ZX470LCH-3							
ARM	4637753	020001-	P-UB-10	130 mm	190 mm		HIT-4653041
	4637753	020001-	P-UB-10	130 mm	190 mm		HIT-4653041-EX
	4637753	020001-	Bushing	130 mm			HIT-0353004
	4637753	020001-	Wear Ring		190 mm		HIT-0242512
	4637753	020001-	Wear Ring		190 mm		HIT-0972305
BOOM LH	4637752	020001-	P-UB-10	115 mm	170 mm		HIT-4653040
	4637752	020001-	P-UB-10	115 mm	170 mm		HIT-4653040-EX
	4637752	020001-	Bushing	115 mm			HIT-0352704
	4637752	020001-	Wear Ring		170 mm		HIT-0259307
	4637752	020001-	Wear Ring		170 mm		HIT-0972106
BOOM RH	4637751	020001-	P-UB-10	115 mm	170 mm		HIT-4653040
	4637751	020001-	P-UB-10	115 mm	170 mm		HIT-4653040-EX
	4637751	020001-	Bushing	115 mm			HIT-0352704
	4637751	020001-	Wear Ring		170 mm		HIT-0972106
	4637751	020001-	Wear Ring		170 mm		HIT-0259307
BUCKET	4637754	020001-	P-UB-10	120 mm	170 mm		HIT-4653042
	4637754	020001-	P-UB-10	120 mm	170 mm		HIT-4653042-EX
	4637754	020001-	Bushing	120 mm			HIT-0450506
	4637754	020001-	Wear Ring		170 mm		HIT-0259307
	4637754	020001-	Wear Ring		170 mm		HIT-0972106
MODEL ZX500LC-3							
ARM	4637753	020001-	P-UB-10	130 mm	190 mm		HIT-4653041
	4637753	020001-	P-UB-10	130 mm	190 mm		HIT-4653041-EX
	4637753	020001-	Bushing	130 mm			HIT-0353004
	4637753	020001-	Wear Ring		190 mm		HIT-0972305
	4637753	020001-	Wear Ring		190 mm		HIT-0242512
BOOM LH	4637752	020001-	P-UB-10	115 mm	170 mm		HIT-4653040
	4637752	020001-	P-UB-10	115 mm	170 mm		HIT-4653040-EX



Replacement Kits For

HITACHI

Excavators							
APPLICATION	CYL #	SERIAL #	CODE	ROD	BORE	Misc	KIT #
MODEL ZX500LC-3							
BOOM LH	4637752	020001-	Bushing	115 mm			HIT-0352704
	4637752	020001-	Wear Ring		170 mm		HIT-0972106
	4637752	020001-	Wear Ring		170 mm		HIT-0259307
BOOM RH	4637751	020001-	P-UB-10	115 mm	170 mm		HIT-4653040
	4637751	020001-	P-UB-10	115 mm	170 mm		HIT-4653040-EX
	4637751	020001-	Bushing	115 mm			HIT-0352704
	4637751	020001-	Wear Ring		170 mm		HIT-0972106
	4637751	020001-	Wear Ring		170 mm		HIT-0259307
BUCKET	4637754	020001-	P-UB-10	120 mm	170 mm		HIT-4653042
	4637754	020001-	P-UB-10	120 mm	170 mm		HIT-4653042-EX
	4637754	020001-	Bushing	120 mm			HIT-0450506
	4637754	020001-	Wear Ring		170 mm		HIT-0259307
	4637754	020001-	Wear Ring		170 mm		HIT-0972106
MODEL ZX520LCH-3							
ARM	4637753	020001-	P-UB-10	130 mm	190 mm		HIT-4653041
	4637753	020001-	P-UB-10	130 mm	190 mm		HIT-4653041-EX
	4637753	020001-	Bushing	130 mm			HIT-0353004
	4637753	020001-	Wear Ring		190 mm		HIT-0972305
	4637753	020001-	Wear Ring		190 mm		HIT-0242512
BOOM LH	4637752	020001-	P-UB-10	115 mm	170 mm		HIT-4653040
	4637752	020001-	P-UB-10	115 mm	170 mm		HIT-4653040-EX
	4637752	020001-	Bushing	115 mm			HIT-0352704
	4637752	020001-	Wear Ring		170 mm		HIT-0259307
	4637752	020001-	Wear Ring		170 mm		HIT-0972106
BOOM RH	4637751	020001-	P-UB-10	115 mm	170 mm		HIT-4653040
	4637751	020001-	P-UB-10	115 mm	170 mm		HIT-4653040-EX
	4637751	020001-	Bushing	115 mm			HIT-0352704
	4637751	020001-	Wear Ring		170 mm		HIT-0972106
	4637751	020001-	Wear Ring		170 mm		HIT-0259307
BUCKET	4637754	020001-	P-UB-10	120 mm	170 mm		HIT-4653042
	4637754	020001-	P-UB-10	120 mm	170 mm		HIT-4653042-EX
	4637754	020001-	Bushing	120 mm			HIT-0450506
	4637754	020001-	Wear Ring		170 mm		HIT-0259307
	4637754	020001-	Wear Ring		170 mm		HIT-0972106

REPLACEMENT KITS FOR HITACHI

Part Number	Code (Pg. xiv)	Rod X Bore Size
HIT-0843808	P-U-10	50 X 100
HIT-0843907	P-U-10	55 X 100
HIT-0844705	P-U-10	45 X 75
HIT-0847204	P-U-10	40 X 75
HIT-0850309	P-U-10	45 X 80
HIT-4064635	I-U-5	90 X 150
HIT-4064636	I-U-5	95 X 150
HIT-4071694	I-U-5	70 X 125
HIT-4094457	P-UB-5	85 X 125
HIT-4094458	P-UB-5	85 X 125
HIT-4094852	P-UB-5	110 X 170
HIT-4096957	P-UB-5	95 X 150
HIT-4096958	P-UB-5	105 X 150
HIT-4096959	P-UB-5	105 X 150
HIT-4096960	P-UB-5	95 X 150
HIT-4101392	P-UB-5	120 X 190
HIT-4101442	I-U-5	70 X 120
HIT-4101443	I-U-5	80 X 130
HIT-4104127	P-UB-5	90 X 130
HIT-4117741	P-UB-5	85 X 125
HIT-4117743	P-UB-5	75 X 125
HIT-4117745	P-UB-5	95 X 150
HIT-4117746	P-UB-5	105 X 150
HIT-4122039	P-UB-5	95 X 150
HIT-4122040	P-UB-5	105 X 150
HIT-4124367	P-UB-5	140 X 200
HIT-4125182	P-UB-5	95 X 150
HIT-4125183	P-UB-5	105 X 150
HIT-4144635	P-UB-5	55 X 100
HIT-4150681	P-UB-5	95 X 150
HIT-4153203	P-UB-5	85 X 125
HIT-4153205	P-UB-5	100 X 140
HIT-4153207	P-UB-5	80 X 125
HIT-4153209	P-UB-10	90 X 130
HIT-4153211	P-UB-10	100 X 140
HIT-4153213	P-UB-10	80 X 125
HIT-4153235	P-UB-5	110 X 170
HIT-4153236	P-UB-5	110 X 150
HIT-4153237	P-UB-5	110 X 170
HIT-4162026	P-UB-5	110 X 170
HIT-4162027	P-UB-5	120 X 190
HIT-4162028	P-UB-5	110 X 170
HIT-4163569	P-UB-10	105 X 150
HIT-4163573	P-UB-10	95 X 150
HIT-4163898	P-U-10	150 X 225
HIT-4163899	P-U-10	160 X 240
HIT-4163900	P-U-10	140 X 190
HIT-4163901	P-U-10	80 X 140
HIT-4167721	P-UB-10	110 X 170
HIT-4167722	P-UB-10	110 X 170

Part Number	Code (Pg. xiv)	Rod X Bore Size
HIT-4167724	P-UB-10	110 X 140
HIT-4171990	P-UB-10	160 X 240
HIT-4171991	P-UB-10	150 X 225
HIT-4171992	P-UB-10	140 X 190
HIT-4171993	P-UB-10	80 X 140
HIT-4176980	P-UB-10	120 X 190
HIT-4179470	P-UB-10	95 X 150
HIT-4203830	P-UB-14	90 X 135
HIT-4203831	P-UB-10	100 X 145
HIT-4206018	P-UB-10	85 X 125
HIT-4206019	P-UB-10	95 X 135
HIT-4206020	P-UB-10	80 X 120
HIT-4206340	P-UB-10	70 X 95
HIT-4206343	P-UB-10	75 X 105
HIT-4206344	P-UB-10	80 X 115
HIT-4206345	P-UB-10	65 X 95
HIT-4210676	P-UB-10	130 X 225
HIT-4214722	P-UB-10	85 X 135
HIT-4216264P	P-UB-10	85 X 120
HIT-4221872	P-UB-10	110 X 190
HIT-4223636	P-UB-10	35 X 65
HIT-4236057	P-UB-10	115 X 170
HIT-4236058	P-UB-10	130 X 190
HIT-4254041	P-UB-10	140 X 200
HIT-4254042	P-UB-10	150 X 215
HIT-4255532	P-UB-10	115 X 150
HIT-4255533	P-UB-10	65 X 100
HIT-4256119	P-UB-10	130 X 190
HIT-4266596	P-UB-10	150 X 215
HIT-4286459	P-UB-10	70 X 105
HIT-4286463	P-UB-10	80 X 110
HIT-4286739	P-UB-10	65 X 95
HIT-4286774	P-UB-10	85 X 120
HIT-4286780	P-UB-10	95 X 130
HIT-4286784	P-UB-10	75 X 110
HIT-4320954	P-UB-10	95 X 150
HIT-4340620	P-UB-10	115 X 170
HIT-4340621	P-UB-10	130 X 190
HIT-4363078	P-U-10	65 X 130
HIT-4364915	P-UB-10	85 X 120
HIT-4364916	P-UB-10	95 X 130
HIT-4369766	P-UB-10	65 X 95
HIT-4369767	P-UB-10	65 X 100
HIT-4369890	P-UB-10	75 X 110
HIT-4369893P	P-UB-10	80 X 115
HIT-4369901	P-UB-10	85 X 120
HIT-4369902	P-UB-10	85 X 125
HIT-4369914	P-UB-10	95 X 130
HIT-4369943	P-UB-10	105 X 145
HIT-4389719	P-UB-10	80 X 110

REPLACEMENT KITS FOR HITACHI

Part Number	Code (Pg. xiv)	Rod X Bore Size
HIT-0843808	P-U-10	50 X 100
HIT-0843907	P-U-10	55 X 100
HIT-0844705	P-U-10	45 X 75
HIT-0847204	P-U-10	40 X 75
HIT-0850309	P-U-10	45 X 80
HIT-1102306	P-UB-10	80 X115
HIT-4064635	I-U-5	90 X 150
HIT-4064636	I-U-5	95 X 150
HIT-4071694	I-U-5	70 X 125
HIT-4094457	P-UB-5	85 X 125
HIT-4094458	P-UB-5	85 X 125
HIT-4094852	P-UB-5	110 X 170
HIT-4096957	P-UB-5	95 X 150
HIT-4096958	P-UB-5	105 X 150
HIT-4096959	P-UB-5	105 X 150
HIT-4096960	P-UB-5	95 X 150
HIT-4101392	P-UB-5	120 X 190
HIT-4101442	I-U-5	70 X 120
HIT-4101443	I-U-5	80 X 130
HIT-4104127	P-UB-5	90 X 130
HIT-4117741	P-UB-5	85 X 125
HIT-4117743	P-UB-5	75 X 125
HIT-4117745	P-UB-5	95 X 150
HIT-4117746	P-UB-5	105 X 150
HIT-4122039	P-UB-5	95 X 150
HIT-4122040	P-UB-5	105 X 150
HIT-4124367	P-UB-5	140 X 200
HIT-4125182	P-UB-5	95 X 150
HIT-4125183	P-UB-5	105 X 150
HIT-4144635	P-UB-5	55 X 100
HIT-4150681	P-UB-5	95 X 150
HIT-4153203	P-UB-5	85 X 125
HIT-4153205	P-UB-5	100 X 140
HIT-4153207	P-UB-5	80 X 125
HIT-4153209	P-UB-10	90 X 130
HIT-4153211	P-UB-10	100 X 140
HIT-4153213	P-UB-10	80 X 125
HIT-4153235	P-UB-5	110 X 170
HIT-4153236	P-UB-5	110 X 150
HIT-4153237	P-UB-5	110 X 170
HIT-4162026	P-UB-5	110 X 170
HIT-4162027	P-UB-5	120 X 190
HIT-4162028	P-UB-5	110 X 170
HIT-4163569	P-UB-10	105 X 150
HIT-4163573	P-UB-10	95 X 150
HIT-4163898	P-U-10	150 X 225
HIT-4163899	P-U-10	160 X 240
HIT-4163900	P-U-10	140 X 190
HIT-4163901	P-U-10	80 X 140
HIT-4167721	P-UB-10	110 X 170

Part Number	Code (Pg. xiv)	Rod X Bore Size
HIT-4167722	P-UB-10	110 X 170
HIT-4167724	P-UB-10	110 X 140
HIT-4171990	P-UB-10	160 X 240
HIT-4171991	P-UB-10	150 X 225
HIT-4171992	P-UB-10	140 X 190
HIT-4171993	P-UB-10	80 X 140
HIT-4176980	P-UB-10	120 X 190
HIT-4179470	P-UB-10	95 X 150
HIT-4203830	P-UB-14	90 X 135
HIT-4203831	P-UB-10	100 X 145
HIT-4206018	P-UB-10	85 X 125
HIT-4206019	P-UB-10	95 X 135
HIT-4206020	P-UB-10	80 X 120
HIT-4206340	P-UB-10	70 X 95
HIT-4206343	P-UB-10	75 X 105
HIT-4206344	P-UB-10	80 X 115
HIT-4206345	P-UB-10	65 X 95
HIT-4210676	P-UB-10	130 X 225
HIT-4214722	P-UB-10	85 X 135
HIT-4216264P	P-UB-10	85 X 120
HIT-4221872	P-UB-10	110 X 190
HIT-4223636	P-UB-10	35 X 65
HIT-4236057	P-UB-10	115 X 170
HIT-4236058	P-UB-10	130 X 190
HIT-4246423	I-UB-10	70 X 120
HIT-4254041	P-UB-10	140 X 200
HIT-4254042	P-UB-10	150 X 215
HIT-4255532	P-UB-10	115 X 150
HIT-4255533	P-UB-10	65 X 100
HIT-4256119	P-UB-10	130 X 190
HIT-4266596	P-UB-10	150 X 215
HIT-4286459	P-UB-10	70 X 105
HIT-4286463	P-UB-10	80 X 110
HIT-4286739	P-UB-10	65 X 95
HIT-4286774	P-UB-10	85 X 120
HIT-4286780	P-UB-10	95 X 130
HIT-4286784	P-UB-10	75 X 110
HIT-4320954	P-UB-10	95 X 150
HIT-4340620	P-UB-10	115 X 170
HIT-4340621	P-UB-10	130 X 190
HIT-4363078	P-U-10	65 X 130
HIT-4364914	P-UB-10	65 X 95
HIT-4364915	P-UB-10	85 X 120
HIT-4364915-EX	P-UB-10	85 X 120
HIT-4364916	P-UB-10	95 X 130
HIT-4364916-EX	P-UB-10	95 X 130
HIT-4369766	P-UB-10	65 X 95
HIT-4369767	P-UB-10	65 X 100
HIT-4369766-EX	P-UB-10	65 X 95
HIT-4369890	P-UB-10	75 X 110

REPLACEMENT KITS FOR HITACHI

Part Number	Code (Pg. xiv)	Rod X Bore Size
HIT-4369890-EX	P-UB-10	75 X 110
HIT-4369893P	P-UB-10	80 X 115
HIT-4369901	P-UB-10	85 X 120
HIT-4369902	P-UB-10	85 X 125
HIT-4369914	P-UB-10	95 X 130
HIT-4369943	P-UB-10	105 X 145
HIT-4389719	P-UB-10	80 X 110
HIT-4389720	P-UB-10	85 X 115
HIT-4389721	P-UB-10	75 X 105
HIT-4415584	P-UB-10	60 X 95
HIT-4415584-EX	P-UB-10	60 X 95
HIT-4438672	P-UB-10	115 X 170
HIT-4438679	P-UB-10	130 X 190
HIT-4438681	P-UB-10	120 X 170
HIT-4438758	P-UB-10	115 X 170
HIT-4448395-EX	P-UB-10	70 X 105
HIT-4448396-EX	P-UB-10	80 X 115
HIT-4448397-EX	P-UB-10	70 X 100
HIT-4448398-EX	P-UB-10	85 X 120
HIT-4448399-EX	P-UB-10	95 X 135
HIT-4448400-EX	P-UB-10	80 X 115
HIT-4464984	P-UB-10	65 X 115
HIT-4464984-EX	P-UB-10	65 X 115
HIT-4464985	P-UB-10	60 X 95
HIT-4464985-EX	P-UB-10	60 X 95
HIT-4464986	P-UB-10	55 X 85
HIT-4464986-EX	P-UB-10	55 X 85
HIT-4465736	P-UB-10	70 X 120
HIT-4465736-EX	P-UB-10	70 X 120
HIT-4477841-EX	P-UB-10	100 X 135
HIT-4485612	P-UB-14	90 X 125
HIT-4485612-EX	P-UB-14	90 X 125
HIT-4485613	P-UB-14	105 X 140
HIT-4485613-EX	P-UB-14	105 X 140
HIT-4485614	P-UB-14	90 X 130
HIT-4485614-EX	P-UB-14	90 X 130
HIT-4485615-EX	P-UB-14	95 X 135
HIT-4509364	P-U-5	110 X 180
HIT-4509365	P-U-5	120 X 180
HIT-4614058	P-U-10	40 X 65
HIT-4614059	P-U-10	45 X 85
HIT-4614069	P-U-10	45 X 75
HIT-4622066	P-U-14	45 X 95
HIT-4622067	P-U-14	50 X 105
HIT-4622067	P-U-14	50 X 105
HIT-4624394	P-UB-10	90 X 125
HIT-4624394-EX	P-UB-10	90 X 125
HIT-4627361	P-UB-10	90 X 130
HIT-4627361-EX	P-UB-10	90 X 130
HIT-4631062	P-UB-10	105 X 140

Part Number	Code (Pg. xiv)	Rod X Bore Size
HIT-4631062-EX	P-UB-10	105 X 140
HIT-4634033	P-U-10	50 X 85
HIT-4634034	P-U-10	45 X 75
HIT-4634036	P-U-10	50 X 80
HIT-4639936-EX	P-UB-10	95 X 135
HIT-4639939-EX	P-UB-10	90 X 135
HIT-4640118	P-UB-14	115 X 170
HIT-4649049	P-UB-10	100 X 145
HIT-4649049-EX	P-UB-10	100 X 145
HIT-4649050	P-UB-10	100 X 140
HIT-4649050-EX	P-UB-10	100 X 140
HIT-4649051	P-UB-10	115 X 170
HIT-4649051-EX	P-UB-10	115 X 170
HIT-4649053	P-UB-10	95 X 140
HIT-4649053-EX	P-UB-10	95 X 140
HIT-4649745	P-UB-14	95 X 135
HIT-4649751	P-UB-14	90 X 135
HIT-4649752	P-UB-14	105 X 150
HIT-4650419	P-UB-10	90 X 125
HIT-4650419-EX	P-UB-10	90 X 125
HIT-4650433	P-UB-10	90 X 130
HIT-4650433-EX	P-UB-10	90 X 130
HIT-4653040	P-UB-10	115 X 170
HIT-4653040-EX	P-UB-10	115 X 170
HIT-4653041	P-UB-10	130 X 190
HIT-4653041-EX	P-UB-10	130 X 190
HIT-4653042	P-UB-10	120 X 170
HIT-4653042-EX	P-UB-10	120 X 170
HIT-4654422	P-UB-10	95 X 135
HIT-4654422-EX	P-UB-10	95 X 135
HIT-4661485	P-UB-10	85 X 120
HIT-4661485-EX	P-UB-10	85 X 120
HIT-4662069	P-UB-10	90 X 125
HIT-4662069-EX	P-UB-10	90 X 125
HIT-4681367	P-UB-10	60 X 105
HIT-4681368	P-UB-10	55 X 85
HIT-4681369	P-UB-10	50 X 80
HIT-9078843	P-UB-10	95 X 145
HIT-9078844	P-UB-14	105 X 150
HIT-9078845	P-UB-10	100 X 145
HIT-9078846	P-UB-10	110 X 165
HIT-9103842	P-UB-10	90 X 125
HIT-9103843	P-UB-14	100 X 135
HIT-9103844	P-UB-10	85 X 125
HIT-9123264	P-UB-14	110 X 165
HIT-9123265	P-UB-14	95 X 145
HIT-9156441	P-UB-14	100 X 135
HIT-9175562	P-UB-14	100 X 145
HIT-9175563	P-UB-14	110 X 165
HIT-9175564	P-UB-14	95 X 145

REPLACEMENT KITS FOR HITACHI

Part Number	Code (Pg. xiv)	Rod X Bore Size
HIT-9175564-EX	P-UB-14	95 X 145
HIT-9178283	P-UB-14	90 X 125
HIT-9178284	P-UB-14	100 X 135
HIT-9178294	P-UB-14	85 X 125
HIT-9180579	P-UB-14	100 X 145
HIT-9180579-EX	P-UB-14	100 X 145
HIT-9180580	P-UB-14	90 X 135
HIT-9180580-EX	P-UB-14	90 X 135
HIT-9180581	P-UB-14	105 X 150
HIT-9180581-EX	P-UB-14	105 X 150
HIT-9180582	P-UB-14	115 X 170
HIT-9180582-EX	P-UB-14	115 X 170
HIT-9180587	P-UB-14	95 X 135
HIT-9207059	P-UB-14	105 X 140
HIT-9207059-EX	P-UB-14	105 X 140
HIT-4255531	P-UB-10	115 X 170
HIT-4388027	P-UB-10	70 X 100

Part Number	Code (Pg. xiv)	Rod X Bore Size
HIT-4448395	P-UB-10	70 X 105
HIT-4448396	P-UB-10	80 X 115
HIT-4448397	P-UB-10	70 X 100
HIT-4448398	P-UB-10	85 X 120
HIT-4448399	P-UB-10	95 X 135
HIT-4448400	P-UB-10	80 X 115
HIT-4467379	P-UB-10	80 X 110
HIT-4467380	P-UB-10	90 X 120
HIT-4467381	P-UB-10	75 X 105
HIT-4477841	P-UB-10	100 X 135
HIT-4485615	P-UB-14	95 X 135
HIT-4639936	P-UB-10	95 X 135
HIT-4639938	P-UB-10	100 X 145
HIT-4639939	P-UB-10	90 X 135
HIT-4640107	P-UB-14	105 X 150
HIT-4640108	P-UB-14	95 X 145
HIT-AT196469	P-UB-10	65 X 95

REPLACEMENT PARTS FOR HITACHI

NOTE: Hitachi part numbers are used as a reference only. We do not imply that these kits are original REPLACEMENT PARTS.

ROD U-SEALS

Part Number	Rod Diameter
HIT-4070039	55 mm
HIT-225611	65 mm
HIT-271309	70 mm
HIT-4508829	70 mm
HIT-127710	75 mm
HIT-240911	75 mm
HIT-208605	80 mm
HIT-128606	85 mm
HIT-208305	85 mm
HIT-4039668	90 mm
HIT-4094890	90 mm
HIT-4168226	90 mm
HIT-127207	95 mm
HIT-146407	95 mm
HIT-4034640	95 mm
HIT-4171484	95 mm
HIT-4070021	100 mm
HIT-4168227	100 mm
HIT-127408	105 mm
HIT-4069701	110 mm
HIT-4505060	110 mm
HIT-352706	115 mm
HIT-4069711	120 mm
HIT-4505951	120 mm
HIT-191405	130 mm
HIT-4094949	140 mm
HIT-4070027	150 mm
HIT-4105385	160 mm

WIPERS

Part Number	Rod Diameter
HIT-4094867	55 mm
HIT-225610	65 mm
HIT-271308	70 mm
HIT-4036973	70 mm
HIT-240910	72 mm
HIT-4103699	75 mm
HIT-208607	80 mm
HIT-128607	85 mm
HIT-208307	85 mm
HIT-4039669	90 mm
HIT-4124849	90 mm
HIT-127208	95 mm
HIT-146409	95 mm
HIT-236920	95 mm
HIT-309206	95 mm
HIT-4039686	95 mm
HIT-4171482	95 mm
HIT-208507	100 mm
HIT-4074008	100 mm
HIT-4131730	100 mm
HIT-808507	100 mm
HIT-127409	105 mm
HIT-237216	105 mm
HIT-4171483	105 mm
HIT-237310	110 mm
HIT-4505063	110 mm
HIT-352709	115 mm
HIT-4505954	120 mm
HIT-257006	130 mm
HIT-242506	140 mm
HIT-242707	150 mm
HIT-242306	160 mm

REPLACEMENT PARTS FOR HITACHI

NOTE: Hitachi part numbers are used as a reference only. We do not imply that these kits are original REPLACEMENT PARTS.

BUFFER RINGS

Part Number	Rod Diameter
HIT-201003	55 mm
HIT-187305	60 mm
HIT-225613	65 mm
HIT-409104	65 mm
HIT-271311	70 mm
HIT-408804	70 mm
HIT-158102	75 mm
HIT-240913	75 mm
HIT-409605	75 mm
HIT-174506	80 mm
HIT-309305	80 mm
HIT-409004	80 mm
HIT-128603	85 mm
HIT-157801	85 mm
HIT-309005	85 mm
HIT-4108704	90 mm
HIT-4253560	90 mm
HIT-127205	95 mm
HIT-127221	95 mm
HIT-151902	95 mm
HIT-309205	95 mm
HIT-4171486	95 mm
HIT-208505	100 mm
HIT-4131728	100 mm
HIT-127407	105 mm
HIT-127419	105 mm
HIT-151703	105 mm
HIT-4171487	105 mm
HIT-165702	110 mm
HIT-336805	110 mm
HIT-4094814	110 mm
HIT-165903	120 mm
HIT-4094836	120 mm
HIT-353005	130 mm
HIT-380004	130 mm
HIT-187705	140 mm
HIT-379807	140 mm
HIT-242705	150 mm
HIT-292303	150 mm
HIT-379906	150 mm
HIT-336605	170 mm

PISTON SEALS

Part Number	Bore Diameter
HIT-310608	95 mm
HIT-201006	100 mm
HIT-240915	110 mm
HIT-258205	120 mm
HIT-128611	125 mm
HIT-223706	125 mm
HIT-4092193	125 mm
HIT-4124860	125 mm
HIT-4085439	130 mm
HIT-309210	135 mm
HIT-133505	140 mm
HIT-224106	140 mm
HIT-4185245	145 mm
HIT-127210	150 mm
HIT-127412	150 mm
HIT-187405	150 mm
HIT-237218	150 mm
HIT-4128769	150 mm
HIT-4171492	150 mm
HIT-165703	170 mm
HIT-4094809	170 mm
HIT-4170547	170 mm
HIT-105707	190 mm
HIT-161603	190 mm
HIT-242510	190 mm
HIT-380006	190 mm
HIT-379811	200 mm
HIT-379911	215 mm
HIT-392305	215 mm
HIT-242712	225 mm
HIT-242310	240 mm

PISTON RINGS

Part Number	Bore Diameter
HIT-0961221	150 mm
HIT-0961424	170 mm
HIT-0961518	145 mm
HIT-4431271	130 mm
HIT-4431272	135 mm

WEAR RINGS

Part Number	OD X Width
HIT-0387503	70 X 9.5 mm
HIT-0827011	85 X 6 mm
HIT-0310609	95 X 6 mm
HIT-0310610	95 X 6 mm
HIT-0667108	95 X 6.1 mm
HIT-0333007	95 X 14.8 mm
HIT-0254908	100 X 5.9 mm
HIT-0326005	100 X 6 mm
HIT-0310510	105 X 6 mm
HIT-0666808	105 X 6 mm
HIT-0686707	100 X 6 mm
HIT-0298907	110 X 5.9 mm
HIT-0410005	110 X 7.9 mm
HIT-0667008	110 X 7.9 mm
HIT-410005	110 X 7.9 mm
HIT-0352708	115 X 14.8 mm
HIT-0310908	115 X 6 mm
HIT-0686405	115 X 7.9 mm
HIT-1102304	115 X 7.9 mm
HIT-0450508	120 X 14.8 mm
HIT-0460004	120 X 15 mm
HIT-0667206	120 X 7.9 mm
HIT-309309	120 X 7.9 mm
HIT-0261308	120 X 8 mm
HIT-0998904	120 X 8 mm
HIT-261308	120 X 8 mm
HIT-0309009	125 X 7.9 mm
HIT-0309309	125 X 7.9 mm
HIT-0926604	125 X 7.9 mm
HIT-309009	125 X 7.9 mm
HIT-0223713	125 X 8 mm
HIT-4168234	125 X 9.7 mm
HIT-4253562	125 X 9.9 mm
HIT-0932805	130 X 7.9 mm
HIT-0974906	130 X 7.9 mm
HIT-4431329	130 X 10 mm
HIT-0657706	130 X 11.6 mm
HIT-0417605	130 X 14.8 mm
HIT-0409912	130 X 7.9 mm
HIT-0667409	130 X 7.9 mm
HIT-223707	130 X 7.9 mm

REPLACEMENT PARTS FOR HITACHI

NOTE: Hitachi part numbers are used as a reference only. We do not imply that these kits are original REPLACEMENT PARTS.

WEAR RINGS

Part Number	OD X Width
HIT-0254309	130 X 8 mm
HIT-223713	130 X 8 mm
HIT-4185248	135 X 14.8 mm
HIT-0789110	135 X 7.9 mm
HIT-0962104	135 X 7.9 mm
HIT-309211	135 X 7.9 mm
HIT-0309212	135 X 8 mm
HIT-4185246	135 X 9.7 mm
HIT-4252191	135 X 9.8 mm
HIT-224107	140 X 7.9 mm
HIT-0224108	140 X 8 mm
HIT-0937408	140 X 9.5 mm
HIT-0960302	140 X 9.5 mm
HIT-4168233	140 X 9.7 mm
HIT-4414671	140 X 10 mm
HIT-0962008	145 X 9.5 mm
HIT-4S00803	145 X 9.5 mm
HIT-4185249	145 X 14.8 mm
HIT-0373413	145 X 7.9 mm
HIT-0492209	145 X 9.5 mm
HIT-4194621	145 X 9.5 mm
HIT-4185247	145 X 9.7 mm
HIT-4194622	150 X 14.8 mm
HIT-0237220	150 X 8 mm
HIT-237220	150 X 8 mm
HIT-0387305	150 X 9.5 mm
HIT-237219	150 X 9.5 mm
HIT-4171490	150 X 9.7 mm
HIT-0352712	160 X 9.5 mm
HIT-4194623	165 X 15 mm
HIT-4194624	165 X 9.7 mm
HIT-4370064	170 X 14.8 mm
HIT-0420109	170 X 9.5 mm
HIT-0972106	170 X 9.5 mm
HIT-0975411	170 X 9.5 mm
HIT-259306	170 X 9.5 mm
HIT-352712	170 X 9.5 mm
HIT-4S00797	170 X 9.5 mm
HIT-0259307	170 X 9.7 mm
HIT-4370063	170 X 9.7 mm
HIT-0420307	190 X 14.8 mm

WEAR RINGS

Part Number	OD X Width
HIT-0972305	190 X 14.8 mm
HIT-242511	190 X 15 mm
HIT-336808	190 X 15 mm
HIT-0242512	190 X 9.7 mm
HIT-242512	190 X 9.7 mm

ROD BUSHINGS

Part Number	Rod Diameter
HIT-0310604	65 mm
HIT-0657704	65 mm
HIT-0310304	70 mm
HIT-0310504	75 mm
HIT-0309304	80 mm
HIT-0309004	85 mm
HIT-4272960	85 mm
HIT-4272961	90 mm
HIT-0325904	90 mm
HIT-0309204	95 mm
HIT-4272962	95 mm
HIT-4171488	95 mm
HIT-4284535	95 mm
HIT-0836104	100 mm
HIT-4272963	100 mm
HIT-0373405	105 mm
HIT-4383093	105 mm
HIT-4432450	105 mm
HIT-336804	110 mm
HIT-4284534	110 mm
HIT-0352704	115 mm
HIT-4370337	115 mm
HIT-0450506	120 mm
HIT-0353004	130 mm
HIT-317404	130 mm

O-RINGS

Part Number	Min Pkg Qty
HIT-127216	2
HIT-127218	3
HIT-127414	5
HIT-127417	2
HIT-128605	3
HIT-128609	3
HIT-128610	6
HIT-128612	3
HIT-136004	3
HIT-146423	10
HIT-148310	1
HIT-1486206	2
HIT-150609	1
HIT-166010	3
HIT-186206	2
HIT-208509	2
HIT-4007528	1
HIT-4007535	1
HIT-4031027	2
HIT-4033451	2
HIT-4033751	2
HIT-4034653	2
HIT-4034654	2
HIT-4034655	1
HIT-4034656	2
HIT-4034657	5
HIT-4034658	10
HIT-4035039	2
HIT-4037888	10
HIT-4038304	2
HIT-4039611	1
HIT-4039657	2
HIT-4039659	1
HIT-4039678	2
HIT-4039679	2
HIT-4040565	3
HIT-4046608	2
HIT-4049492	3
HIT-4049494	2
HIT-4049565	3

REPLACEMENT PARTS FOR HITACHI

NOTE: Hitachi part numbers are used as a reference only. We do not imply that these kits are original REPLACEMENT PARTS.

O-RINGS

Part Number	Min Pkg Qty
HIT-4049568	2
HIT-4068626	2
HIT-4068628	4
HIT-4068632	2
HIT-4068682	2
HIT-4070046	3
HIT-4070049	10
HIT-4087852	2
HIT-4094815	1
HIT-4094908	15
HIT-4095999	3
HIT-4101722	3
HIT-4103701	3
HIT-4104498	15
HIT-4105424	18
HIT-4113165	1
HIT-4123447	3
HIT-4138931	18
HIT-4140487	1
HIT-4140491	1
HIT-4253563	2
HIT-4505080	1
HIT-4505082	1
HIT-808509	1
HIT-939306	10
HIT-954488	3
HIT-955612	10
HIT-984614	10
HIT-985098	10
HIT-A810025	15
HIT-A810085	4
HIT-A810125	3
HIT-A810130	3
HIT-A810155	2
HIT-A810165	2
HIT-A810170	2

O-RINGS 90 DUROMETER

Part Number	Min Pkg Qty
HIT-317406	1
HIT-317717	1
HIT-4007534	1
HIT-4104135	3
HIT-4123441	1
HIT-4203611	3
HIT-4506405	30
HIT-4506408	25
HIT-4506424	1
HIT-4506428	12
HIT-4506430	12
HIT-A811025	1
HIT-A811030	12
HIT-A811035	10
HIT-A811040	10
HIT-A811045	10
HIT-A811050	8
HIT-A811070	5
HIT-A811075	4
HIT-A811080	4
HIT-A811085	3
HIT-A811090	3
HIT-A811100	3
HIT-A811105	3
HIT-A811110	3
HIT-A811115	3
HIT-A811120	3
HIT-A811125	3
HIT-A811130	2
HIT-A811135	2
HIT-A811140	2
HIT-A811145	2
HIT-A811150	1
HIT-A811160	2
HIT-A811180	1
HIT-A811190	1
HIT-A812180	1

BACK-UP RINGS

Part Number	Min Pkg Qty
HIT-133704	1
HIT-133707	1
HIT-136006	1
HIT-146416	1
HIT-150610	1
HIT-1660019	1
HIT-166009	1
HIT-167721	1
HIT-208306	1
HIT-208308	1
HIT-208508	1
HIT-208522	1
HIT-208606	1
HIT-219405	1
HIT-223704	1
HIT-225612	1
HIT-236919	1
HIT-237215	1
HIT-237217	1
HIT-237309	1
HIT-239506	1
HIT-240912	1
HIT-242307	1
HIT-242507	1
HIT-242708	1
HIT-257007	1
HIT-257510	1
HIT-261310	1
HIT-262403	1
HIT-271310	1
HIT-298904	1
HIT-309207	1
HIT-310506	1
HIT-310606	1
HIT-317710	1
HIT-317718	1
HIT-336610	1
HIT-379908	1
HIT-4007510	1
HIT-403347	1

HITACHI**BACK-UP RINGS**

Part Number	Min Pkg Qty
HIT-4033747	1
HIT-4034645	1
HIT-4034646	1
HIT-4034647	1
HIT-4035029	1
HIT-4035030	1
HIT-4039658	1
HIT-4039660	1
HIT-4061803	1
HIT-4061827	1
HIT-4067085	1
HIT-4067140	1
HIT-4068627	1
HIT-4070047	1
HIT-4087862	1
HIT-4094811	1
HIT-4094816	1
HIT-4094817	1
HIT-4103695	1
HIT-4103705	1
HIT-4104134	1
HIT-4113178	1
HIT-4113180	1
HIT-4170546	1
HIT-4170548	1
HIT-4505081	1
HIT-4505083	1
HIT-4505752	1
HIT-4509747	1
HIT-4510854	1
HIT-4510878	1
HIT-487862	1

HUSKY BRUTE

Kit Number	Kit Reference Number	Code (Pg. xiv)	Rod X Bore Size
HB-790-030-004		P-V-8	2 X 4
HB-790-030-015		I-U-10, 12	2 X 5
HB-790-030-016		I-U-10, 12	2 X 5
HB-790-030-017		I-U-10, 12	2-1/2 X 6
HB-790-030-018		I-U-10, 12	2-1/2 X 6
HB-790-030-019		I-U-10, 12	3 X 6
HB-790-030-020		I-U-10, 12	2 X 5
HB-790-030-022		I-U-10, 12	3-1/2 X 7
HB-790-030-023		I-O-4	2-1/2 X 6
HB-790-030-024		5" Piston Kit	
HB-790-035-501		P-OB-12	1-3/8 X 3-1/2
HB-790-035-502		5" Piston Kit	
HB-790-035-504		P-OB-12	1-3/4 X 5
HB-790-035-507		I-U-5	3 X 6
HB-790-035-508		P-OB-12	2-1/2 X 6
HB-790-035-510		I-U-5	2-1/2 X 5
HB-790-035-519		I-V-9	2 X 4
HB-790-035-530		I-U-4	4 X 6-1/4
HB-790-035-531		I-U-5	4 X 7
HB-790-035-536		P-U-11	3-1/2 X 6
HB-790-120-019		I-U-5	4 X 7
HB-790-121-092		I-U-10, 12	2 X 5
HB-790-121-093		I-U-4	3-1/2 X 6
HB-790-121-097	790-121-097	I-U-4	4 X 7
HB-790-121-111		I-U-5	3 X 6
HB-790-122-302		6" Piston Kit	
HB-790-200-011	790-200-011	I-U-5	2 X 3-1/2
HB-790-200-023		I-U-4	2-1/2 X 5
HBPMCK-D1192	790-035-50	P-OB-2,12	1-3/8 X 3-1/2
HBPMCK-F715	CYL. # F715	I-N-10,12	2 X 5
HBPMCK-F716	CYL. #716	I-U-10,12	2 X 5
HBPMCK-F717	790-030-018	I-N-10,12	2-1/2 X 6
HBPMCK-F718	CYL. #F718	I-U-10,12	2-1/2 X 6
HBPMCK-F721	790-030-019	I-U-10,12	3 X 6
HBPMCK-F726	CYL. #F726	I-U-10,12	2 X 5
HBPMCK-G968	790-030-022	I-U-10,12	3-1/2 X 7
HBPMCK-H163	CYL. #H163	I-N-4	2-1/2 X 6
HBPMCK-H182	790-030-024	I-N-4	2 X 5

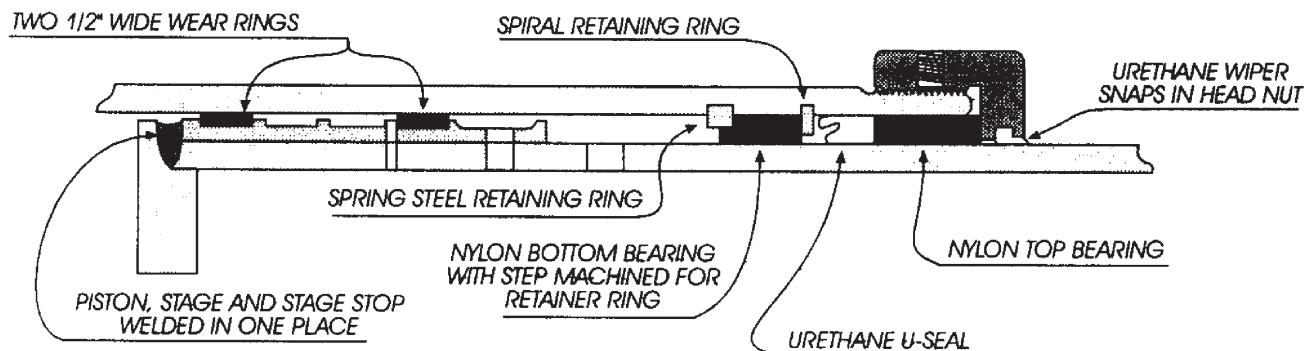
HYCO TELESCOPIC CYLINDERS

IMPORTANT NOTE

When ordering hyco telescopic parts it is helpful to provide a model number and serial number. The serial number is stamped into the base of the cylinder body or is just above the cylinder port. The serial number is the first four or five digits of the number. The last three or four digits indicate the date of manufacture.

EXAMPLE 12345 10 93
 SERIAL # MONTH YEAR

70,000 SERIES SINGLE ACTING



70,000 SERIES SINGLE ACTING

PACKING:	Normally uses urethane u-seals, but may be retrofitted with vee packing. All sizes 1/4" c.s.
WIPERS:	Urethane snap-in type.
BEARINGS:	Nylon bearings. Outer bearing is flat on the top and bottom. Inner bearing is "trapped" between two retainers. The bottom side of the inner bearing is "step-cut" on the o.d. to pilot over snap ring. c/s = .245"
PISTON:	Welded to stage. Uses 2 replaceable wear rings per stage.
STAGE O.D.'s:	3", 4", 5", 6", 7", 8-1/8", 9-3/8"
SPECIAL INFO.:	Spring steel type snap ring serves as internal stop. Uses a spiral retainer to "trap" lower bearing.
IDENTIFICATION:	Cylinder model number and serial number stamped on cylinder body near base of cylinder. Ex: 70000-815-180D

70,000 Series single action cylinders are manufactured to use urethane u-seals but may be retrofitted with a vee packing set if desired. We stock both types of packing for your convenience.

70,000 SERIES SINGLE ACTING PACKING SETS

Our company offers two types of packing for Hyco 70,000 series cylinders. Type 1 kits are identical to the original Hyco packing sets and utilize Parker u-seals. Type 2 kits contain a vee packing set retrofit for the original u-seal packing. The vee packing can be more effective in sealing an older cylinder with abrasive scoring or other surface blemishes.

HYCO TELESCOPIC CYLINDERS

70,000 SERIES CYLINDERS WITH K STYLE WIPER

Part Number	Description
TYPE 1: U-SEALS, WIPERS, NYLON BEARINGS AND RETAINER KITS	
HY-034-00070-300	3" Pack Kit
HY-034-00070-400	4" Pack Kit
HY-034-00070-500	5" Pack Kit
HY-034-00070-600	6" Pack Kit
HY-034-00070-700	7" Pack Kit
HY-034-00070-812	8-1/8" Pack Kit
HY-034-00070-938	9-3/8" Pack Kit
MULTIPLE STAGE KITS	
HY-034-00070-46	4 - 6"
HY-034-00070-47	4 - 7"
HY-034-00070-48-1/8	4 - 8-1/8"
HY-034-00070-49-3/8	4 - 9-3/8"
HY-034-00070-57	5 - 7"
HY-034-00070-58-1/8	5 - 8-1/8"

Part Number	Description
TYPE 2: OPTIONAL VEE SETS, WIPERS, NYLON BEARINGS AND RETAINER KITS	
HY-034-00072-300	3" Pack Kit
HY-034-00072-400	4" Pack Kit
HY-034-00072-500	5" Pack Kit
HY-034-00072-600	6" Pack Kit
HY-034-00072-700	7" Pack Kit
HY-034-00072-812	8-1/8" Pack Kit
HY-034-00072-938	9-3/8" Pack Kit
MULTIPLE STAGE KITS	
HY-034-00072-46	4" - 6"
HY-034-00072-47	4" - 7"
HY-034-00072-48-1/8	4" - 8-1/8"
HY-034-00072-49-3/8	4" - 9-3/8"
HY-034-00072-57	5" - 7"
HY-034-00072-58-1/8	5" - 8-1/8"

HYCO TELESCOPIC CYLINDERS

70,000 SERIES CYLINDERS

Part Number	Description
TYPE 1: U-SEALS, WIPERS, NYLON BEARINGS AND RETAINER KITS	
HY-B15252-300	3" Pack Kit
HY-B15252-400	4" Pack Kit
HY-B15252-600	6" Pack Kit
HY-B15252-700	7" Pack Kit
HY-B15252-812	8-1/8" Pack Kit
HY-B15252-938	9-3/8" Pack Kit
MULTIPLE STAGE KITS	
HY-B15252-46	4" - 6"
HY-B15252-47	4" - 7"
HY-B15252-48-1/8	4" - 8-1/8"
HY-B15252-49-3/8	4" - 9-3/8"
HY-B15252-500	5" Pack Kit
HY-B15252-57	5" - 7"
HY-B15252-58-1/8	5" - 8-1/8"

Part Number	Description
TYPE 2: OPTIONAL VEE SETS, WIPERS, NYLON BEARINGS AND RETAINER KITS	
HY-B15255-300	3" Pack Kit
HY-B15255-400	4" Pack Kit
HY-B15255-500	5" Pack Kit
HY-B15255-600	6" Pack Kit
HY-B15255-700	7" Pack Kit
HY-B15255-812	8-1/8" Pack Kit
HY-B15255-938	9-3/8" Pack Kit
MULTIPLE STAGE KITS	
HY-B15255-46	4" - 6"
HY-B15255-47	4" - 7"
HY-B15255-48-1/8	4" - 8-1/8"
HY-B15255-49-3/8	4" - 9-3/8"
HY-B15255-57	5" - 7"
HY-B15255-58-1/8	5" - 8-1/8"

HYCO TELESCOPIC CYLINDERS

70,000 SERIES CYLINDERS

INDIVIDUAL PARTS

Part Number	Description
RETAINER RINGS	
HY-083-50002-00350	3" Retainer Ring
HY-083-50002-00450	4" Retainer Ring
HY-B9971-5.5	5" Retainer Ring
HY-B9971-6.5	6" Retainer Ring
HY-B9971-7.5	7" Retainer Ring
HY-B9971-862	8-1/8" Retainer Ring
HY-B9971-988	9-3/8" Retainer Ring
PISTON WEAR RINGS	
HY-10764-300	3-1/2" Nylon Piston Wear Ring
HY-10764-400	4-1/2" Nylon Piston Wear Ring
HY-10764-500	5-1/2" Nylon Piston Wear Ring
HY-10764-600	6-1/2" Nylon Piston Wear Ring
HY-10764-700	7-1/2" Nylon Piston Wear Ring
HY-10764-812	8-5/8" Nylon Piston Wear Ring
HY-10764-938	9-7/8" Nylon Piston Wear Ring
MISCELLANEOUS PARTS	
HY-A20419	Set Screw for Headnut
HY-A20420	Nylon Slug for Headnut
HY-A2688	Manual Bleeder Valve (Min Pack 3)
INDIVIDUAL WIPERS	
HY-080-0005-300	3" Wiper
HY-080-0005-400	4" Wiper
HY-080-0005-500	5" Wiper
HY-080-0005-600	6" Wiper
HY-080-0005-700	7" Wiper
HY-080-0005-800	8" Wiper
HY-080-0005-812	8-1/8" Wiper
HY-080-0005-912	9-1/8" Wiper
HY-080-0005-938	9-3/8" Wiper
MULTIPLE STAGE WIPER KITS	
HY-080-0005-46	4" - 6"
HY-080-0005-47	4" - 7"
HY-080-0005-48-1/8	4" - 7" & 8-1/8"
HY-080-0005-49-1/8	4" - 8" & 9-1/8"
HY-080-0005-49-3/8	4" - 7", 8-1/8" & 9-3/8"
HY-080-0005-57	5" - 7"
HY-080-0005-58-1/8	5" - 7" & 8-1/8"

CAUTION:
Getting the correct Hyco headnut can be a problem. If you are unsure, call our sales department. Headnuts are measured at the I.D. of the wiper.

Part Number	Size - Wiper I.D.
HEADNUTS	
HY-011-39001-125	3" Headnut
HY-011-49003-125	4" Headnut
HY-011-59002-125	5" Headnut
HY-011-69002-125	6" Headnut
HY-011-79002-125	7" Headnut
HY-011-93001-125	8-1/8" Headnut
HY-011-11001-125	9-3/8" Headnut
Part Number	Description
BEARINGS	
HY-B12075-3	3" Bearing
HY-B12075-4	4" Bearing
HY-B12075-5	5" Bearing
HY-B12075-6	6" Bearing
HY-B12075-7	7" Bearing
HY-B12075-8	8" Bearing
HY-B12075-8.12	8-1/8" Bearing
HY-B12075-9.12	9-1/8" Bearing
HY-B12075-9.38	9-3/8" Bearing
U-SEALS	
HY-085-00001-0300	3" U-SEAL
HY-085-00001-0400	4" U-SEAL
HY-085-00001-0500	5" U-SEAL
HY-085-00001-0600	6" U-SEAL
HY-085-00001-0700	7" U-SEAL
HY-085-00001-0812	8-1/8" U-SEAL
HY-085-00001-0938	9-3/8" U-SEAL

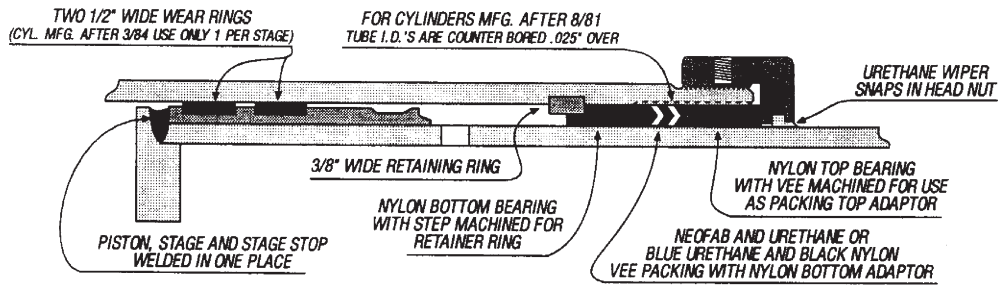
HYCO TELESCOPIC CYLINDERS

IMPORTANT NOTE

When ordering hyco telescopic parts it is helpful to provide a model number and serial number. The serial number is stamped into the base of the cylinder body or is just above the cylinder port. The serial number is the first four or five digits of the number. The last three or four digits indicate the date of manufacture.

EXAMPLE 12345 10 93
SERIAL # MONTH YEAR

30,000 SERIES SINGLE ACTING MANUFACTURED AFTER AUGUST 1, 1981



- PACKING:** Vee packing. Outer bearing serves as top adaptor for vee set. Note: Packing area is .025" over nominal bore. There is a "step" above the retainer ring groove where the bore dimension returns to nominal size.
- WIPERS:** Urethane snap-in type.
- BEARINGS:** Glass filled nylon. Outer bearing serves as top adaptor for vee set. Inner bearing is "step cut" on o.d. to pilot over snap ring.
- PISTON:** Welded to stage. Uses 1/2" wide replaceable wear rings as bearings. Cylinders manufactured 3/84 and before use 2 wear rings per stage. Cylinders manufactured after 3/84 use 1 per stage.
- STAGE O.D.'s:** 3", 4", 5", 6", 7", 8", 8-1/8", 8-1/4", 9-1/8", 9-3/8"
- SPECIAL INFO.:** Packing area bore diameter is .025" over nominal dimension. 3/8" thick spring steel snap ring serves as internal stop.
- IDENTIFICATION:** Cylinder model number and serial number stamped on cylinder body near base of cylinder.
Ex: 30001-85-220

The plungers and cylinder tube assembly have a "step" on the inside diameter above retaining ring groove. As a result packing surface is .025" over the plunger base I.D.. Pack sets contain wiper, vee packing, glass filled nylon top & bottom bearings, retainer rings are 3/8" wide, piston guide rings 1/2" wide, cylinders manufactured after 3/84 may only use one wear ring per stage.

Part Number	Description
VEE PACKING, AND WIPER KITS	
HY-14750-300VSW	3" Packing & Wiper Kit
HY-14750-400VSW	4" Packing & Wiper Kit
HY-14750-500VSW	5" Packing & Wiper Kit
HY-14750-600VSW	6" Packing & Wiper Kit
HY-14750-700VSW	7" Packing & Wiper Kit
HY-14750-800VSW	8" Packing & Wiper Kit
HY-14750-812VSW	8-1/8" Packing & Wiper Kit
HY-14750-912VSW	9-1/8" Packing & Wiper Kit

Part Number	Description
VEE PACKING, BUSHING AND WIPER KITS	
HY-14750-300	3" Pack Kit
HY-14750-400	4" Pack Kit
HY-14750-500	5" Pack Kit
HY-14750-600	6" Pack Kit
HY-14750-700	7" Pack Kit
HY-14750-800	8" Pack Kit
HY-14750-812	8-1/8" Pack Kit
HY-14750-825	8-1/4" Pack Kit
HY-14750-912	9-1/8" Pack Kit
HY-14750-938	9-3/8" Pack Kit

HYCO TELESCOPIC CYLINDERS

30,000 SERIES CYLINDERS

INDIVIDUAL PARTS

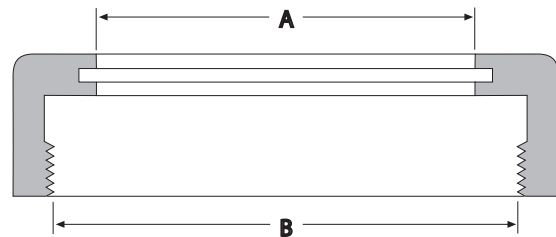
Part Number	Description
VEE PACKING, BUSHING AND WIPER KITS	
HY-14750-46	4 - 6" Pack Kit
HY-14750-47	4 - 7" Pack Kit
HY-14750-48	4 - 8" Pack Kit
HY-14750-482	4 - 8-1/4" Pack Kit
HY-14750-57	5 - 7" Pack Kit
HY-14750-58	5 - 8" Pack Kit
MAJOR REPAIR KITS	
Contain vee packing, bushings, wear rings, retainer rings and wipers.	
HY-MRK-14750-46	4" - 6"
HY-MRK-14750-47	4" - 7"
HY-MRK-14750-48	4" - 8"
RETAINER RINGS	
HY-B9971-3.5	3" Retainer Ring
HY-B9971-4.5	4" Retainer Ring
HY-B9971-5.5	5" Retainer Ring
HY-B9971-6.5	6" Retainer Ring
HY-B9971-7.5	7" Retainer Ring
HY-B9971-8.5	8" Retainer Ring
HY-B9971-862	8-1/8" Retainer Ring
HY-B9971-900	8-1/4" Retainer Ring
HY-B9971-962	9-1/8" Retainer Ring
HY-B9971-988	9-3/8" Retainer Ring
PISTON WEAR RINGS	
HY-10764-300	3-1/2" Nylon Piston Wear Ring
HY-10764-400	4-1/2" Nylon Piston Wear Ring
HY-10764-500	5-1/2" Nylon Piston Wear Ring
HY-10764-600	6-1/2" Nylon Piston Wear Ring
HY-10764-700	7-1/2" Nylon Piston Wear Ring
HY-10764-800	8-1/2" Nylon Piston Wear Ring
HY-10764-812	8-5/8" Nylon Piston Wear Ring
HY-10764-825	9" Nylon Piston Wear Ring
HY-10764-900	9-3/4" Nylon Piston Wear Ring
HY-10764-938	9-7/8" Nylon Piston Wear Ring
PISTON WEAR RING KITS	
HY-10764-46	4-1/2" - 6-1/2" Kit (1 ea. size)
HY-10764-47	4-1/2" - 7-1/2" Kit (1 ea. size)
HY-10764-48	4-1/2" - 8-1/2" Kit (1 ea. size)
HY-10764-48.2	4-1/2" - 9" Kit (1 ea. size)
HY-10764-49	4-1/2" - 9-3/4" Kit (1 ea. size)
HY-10764-57	5-1/2" - 7-1/2" Kit (1 ea. size)
HY-10764-58	5-1/2" - 8-1/2" Kit (1 ea. size)

Part Number	Description
MISCELLANEOUS PARTS	
HY-ABV100	Automatic Bleeder Valve (For cylinders MFG prior to 1-1-88)
HY-ABV103	Automatic Bleeder Valve with S.A.E. O-Ring Seals (For cylinders MFG after 1-1-88)
HY-A20419	Set Screw for Headnut
HY-A20420	Nylon Slug for Headnut
HY-A20866	Nylon Slug & Set Screw

HEADNUTS

CAUTION:

Getting the correct Hyco headnut can be a problem. If you are unsure, call our sales department. Headnuts are measured at the I.D. of the wiper.



Part Number	"A" Wiper I.D.	"B" Thread I.D.	Threads/ Inch
HY-A2527	3"	3.840"	12
HY-A2217	4"	4.840"	12
HY-A2216	5"	5.840"	12
HY-A2215	6"	6.840"	12
HY-A2406	7"	7.840"	12
HY-A3535	7" Headnut		
HY-A20621	8"	9.020"	12
(For 30,000 Series prior to 9-1-87)			
HY-A22747	8"	8.990"	12
(For 30,000 Series after 9-1-87 and for threading on all 9-1/8" Stages)			
HY-A20558	8-1/8"	9.220"	12
HY-A3534	8-1/4" Headnut		
(For 30,000 Series after 9/81)			
HY-A20599	9-3/8"	10.670"	12

NOTE:

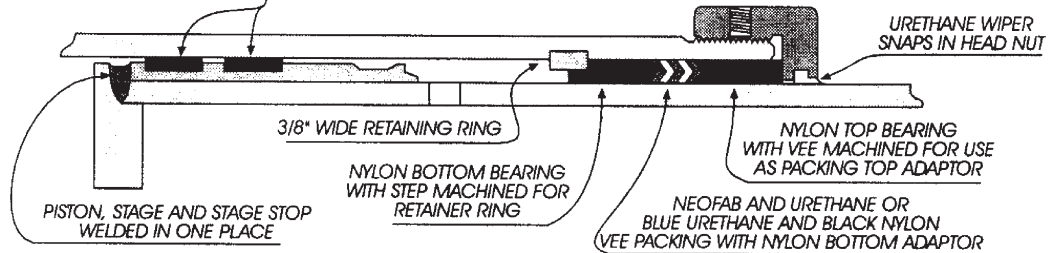
REPLACEMENT STAGES AVAILABLE UPON REQUEST.
CYLINDER SERIAL NUMBER IS IMPORTANT

HYCO TELESCOPIC CYLINDERS

30,000 SERIES SINGLE ACTING

MANUFACTURED BEFORE AUGUST 1, 1981

TWO 1/2" WIDE WEAR RINGS
(CYL. MFG. AFTER 3/84 USE ONLY 1 PER STAGE)



20,000 SERIES DOUBLE ACTING ALL

HYCO 30,000 SERIES

- PACKING:** Vee packing. Outer bearing serves as top adaptor for vee set. All packing is 1/4" cross section, except 9" stage has 3/8" c/s packing and 9-1/8" stage has 5/16" c/s packing.
- WIPERS:** Urethane snap-in type.
- BEARINGS:** Glass filled nylon. Outer bearing serves as top adaptor for vee set. Inner bearing is "step-cut" on o.d. to pilot over snap ring.
- PISTON:** Welded to stage. Uses 1/2" wide replaceable wear rings as bearings.
- STAGE O.D.'s:** 3", 4", 5", 6", 7", 8", 8-1/8", 8-1/4", 9", 9-1/8", 9-3/8"
- SPECIAL INFO.:** 3/8" spring steel snap ring serves as internal stop.
- IDENTIFICATION:** Cylinder model number and serial number stamped on cylinder body near base of cylinder. Ex: 30001-85-220

HYCO 20,000 SERIES DOUBLE ACTION

- PACKING:** Vee packing with bottom adaptor. 4" through 8" sizes 1/4" c.s.; 9" is 3/8" c.s.; 9-1/8" is 5/16".
- WIPERS:** Urethane snap-in type.
- BEARINGS:** Glass filled nylon. Top bearing serves as top adaptor for vee packing. Inner bearing is step-cut to pilot over snap ring.
- PISTON:** Welded to stage. Uses 1, 1/2" wide nylon wear ring and 2 iron piston rings in separate grooves.
- STAGE O.D.'s:** 3", 4", 5", 6", 7", 8", 9", 9-1/8"
- SPECIAL INFO.:** 3/8" spring steel snap ring serves as internal stop.
- IDENTIFICATION:** Cylinder model number and serial number stamped on cylinder body near base.

Part Number	Description
VEE PACKING, NYLON TOP & BOTTOM BEARINGS AND WIPER KITS	
HY-14411-300N	3" Pack Kit
HY-14411-400N	4" Pack Kit
HY-14411-500N	5" Pack Kit
HY-14411-600N	6" Pack Kit
HY-14411-700N	7" Pack Kit
HY-14411-800N	8" Pack Kit
HY-14411-812N	8-1/8" Pack Kit
HY-14411-825N	8-1/4" Pack Kit
HY-14411-900N	9" Pack Kit
HY-14411-912N	9-1/8" Pack Kit
HY-14411-938N	9-3/8" Pack Kit
MULTIPLE STAGE KITS	
HY-14411-46N	4" - 6" Pack Kit
HY-14411-47N	4" - 7" Pack Kit
HY-14411-48N	4" - 8" Pack Kit
HY-14411-491N	4" - 9-1/8" Pack Kit
HY-14411-49N	4" - 9" Pack Kit

Part Number	Description
VEE PACKING, BRONZE TOP BEARING, AND NYLON BOTTOM BEARING AND WIPER KITS	
HY-14411-300B	3" Pack Kit Hytrel & Fab Vees
HY-14411-400B	4" Pack Kit Hytrel & Fab Vees
HY-14411-500B	5" Pack Kit Hytrel & Fab Vees
HY-14411-600B	6" Pack Kit Hytrel & Fab Vees
HY-14411-700B	7" Pack Kit Hytrel & Fab Vees
HY-14411-800B	8" Pack Kit Hytrel & Fab Vees
HY-14411-812B	8-1/8" Pack Kit Hytrel & Fab Vees
HY-14411-825B	8-1/4" Pack Kit Hytrel & Fab Vees
HY-14411-900B	9" Pack Kit Hytrel & Fab Vees
HY-14411-912B	9-1/8" Pack Kit w/Nyl Top Bearing
HY-14411-938B	9-3/8" Pack Kit Hytrel & Fab Vees
Part Number	Stages
MAJOR REPAIR KITS - SINGLE ACTING	
Contains vee packing, bushings, wear rings, retainer rings and wipers.	
HY-MRK-14411-46	4" - 6"
HY-MRK-14411-47	4" - 7"
HY-MRK-14411-48	4" - 8"

HYCO TELESCOPIC CYLINDERS

30,000 SERIES CYLINDERS & 20,000 SERIES CYLINDERS

(MANUFACTURED BEFORE AUGUST 1, 1981)

(ALL)

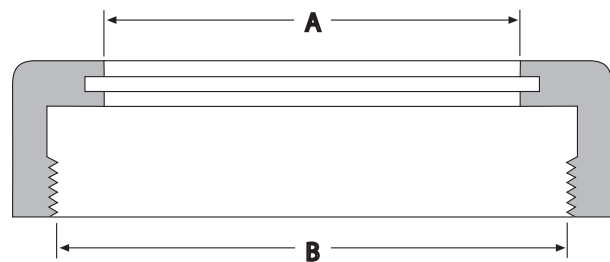
Part Number	Description
RETAINER RINGS	
HY-B9971-3.5	3" Retainer Ring
HY-B9971-4.5	4" Retainer Ring
HY-B9971-5.5	5" Retainer Ring
HY-B9971-6.5	6" Retainer Ring
HY-B9971-7.5	7" Retainer Ring
HY-B9971-8.5	8" Retainer Ring
HY-B9971-862	8-1/8" Retainer Ring
HY-B9971-900	8-1/4" Retainer Ring
HY-B9971-962	9-1/8" Retainer Ring
HY-B9971-988	9-3/8" Retainer Ring
PISTON WEAR RINGS	
HY-10764-300	3-1/2" Nylon Piston Wear Ring
HY-10764-400	4-1/2" Nylon Piston Wear Ring
HY-10764-500	5-1/2" Nylon Piston Wear Ring
HY-10764-600	6-1/2" Nylon Piston Wear Ring
HY-10764-700	7-1/2" Nylon Piston Wear Ring
HY-10764-800	8-1/2" Nylon Piston Wear Ring
HY-10764-812	8-5/8" Nylon Piston Wear Ring
HY-10764-825	9" Nylon Piston Wear Ring
HY-10764-900	9-3/4" Nylon Piston Wear Ring
HY-10764-938	9-7/8" Nylon Piston Wear Ring
PISTON WEAR RING KITS	
HY-10764-46	4-1/2" - 6-1/2" Kit (1 ea. size)
HY-10764-47	4-1/2" - 7-1/2" Kit (1 ea. size)
HY-10764-48	4-1/2" - 8-1/2" Kit (1 ea. size)
HY-10764-48.2	4-1/2" - 9" Kit (1 ea. size)
HY-10764-49	4-1/2" - 9-3/4" Kit (1 ea. size)
HY-10764-57	5-1/2" - 7-1/2" Kit (1 ea. size)
HY-10764-58	5-1/2" - 8-1/2" Kit (1 ea. size)
CAST IRON PISTON RINGS FOR DOUBLE ACTING CYLINDERS 1/2" WIDE	
HY-B12071-3	3-1/2 Cast Iron Piston Ring
HY-B12071-4	4-1/2 Cast Iron Piston Ring
HY-B12071-49	4-1/2-9-3/4 Cast Iron Piston Ring Kit
HY-B12071-5	5-1/2 Cast Iron Piston Ring
HY-B12071-6	6-1/2 Cast Iron Piston Ring
HY-B12071-7	7-1/2 Cast Iron Piston Ring
HY-B12071-8	8-1/2 Cast Iron Piston Ring
HY-B12071-812	8-5/8 Cast Iron Piston Ring
HY-B12071-9	9-3/4 Cast Iron Piston Ring
HY-B12071-938	9-7/8 Cast Iron Piston Ring

Part Number	Description
MISCELLANEOUS PARTS	
HY-A20419	Set Screw for Headnut
HY-A20420	Nylon Slug for Headnut
HY-A20866	Nylon Slug & Set Screw
HY-A2688	1/8" NPT Manual Bleeder Valve (Min Pack - 3)
HY-ABV100	Automatic Bleeder Valve

HEADNUTS

CAUTION:

Getting the correct Hyco headnut can be a problem. If you are unsure, call our sales department. Headnuts are measured at the I.D. of the wiper.



Part Number	"A" Wiper I.D.	"B" Thread I.D.	Threads/ Inch
HY-A2527	3"	3.840"	12
HY-A2217	4" Headnut		
HY-A2216	5"	5.840"	12
HY-A2215	6"	6.840"	12
HY-A2406	7"	7.840"	12
HY-A3535	7"	8.100"	12
		(For threading on 8-1/4" Stage)	
HY-A22747	8"	8.990"	12
		(For 30,000 Series after 9-1-87 and for threading on all 9-1/8" Stages)	
HY-A20621	8"	9.020"	12
		(For 30,000 Series prior to 9-1-87)	
HY-A3534	8-1/4"	9.780"	12
HY-A20558	8-1/8"	9.220"	12
HY-A22483	9-1/8"		12
		(For 30,000 Series after 9/81)	
HY-A20599	9-3/8"	10.670"	12

HYCO TELESCOPIC CYLINDERS

20,000 SERIES CYLINDERS WITH K-STYLE WIPERS

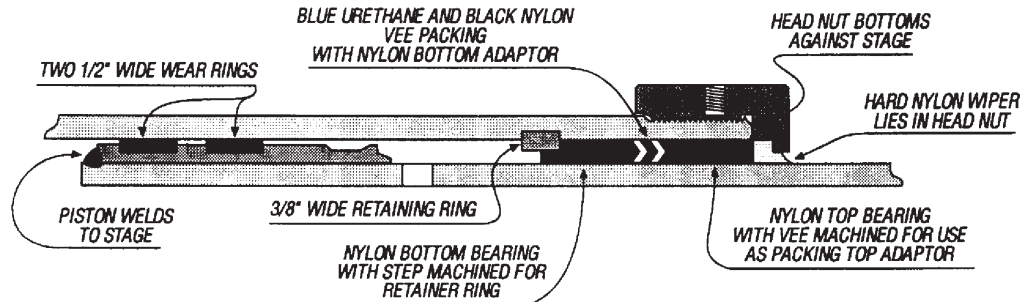
Part Number	Description
MAJOR REPAIR KITS - SINGLE ACTING	
HY-MRK-034-00020-46	4" - 6" Pack Kit
HY-MRK-034-00020-47	4" - 7" Pack Kit
HY-MRK-034-00020-48	4" - 8" Pack Kit
VEE PACKING, BRONZE TOP & NYLON BOTTOM BEARINGS AND 2 WIPER KITS	
HY-034-00020-300B	3" Pack Kit
HY-034-00020-400B	4" Pack Kit
HY-034-00020-500B	5" Pack Kit
HY-034-00020-600B	6" Pack Kit
HY-034-00020-700B	7" Pack Kit
HY-034-00020-800B	8" Pack Kit
HY-034-00020-812B	8.12" Pack Kit
HY-034-00020-912B	9.12" Pack Kit
HY-034-00020-938B	9.38" Pack Kit

Part Number	Description
VEE PACKING, NYLON TOP & BOTTOM BEARINGS AND 2 WIPER KITS	
HY-034-00020-300N	3" Pack Kit
HY-034-00020-400N	4" Pack Kit
HY-034-00020-500N	5" Pack Kit
HY-034-00020-600N	6" Pack Kit
HY-034-00020-700N	7" Pack Kit
HY-034-00020-800N	8" Pack Kit
HY-034-00020-812N	8.12" Pack Kit
HY-034-00020-912N	9.12" Pack Kit
HY-034-00020-938N	9.38" Pack Kit
MULTIPLE STAGE KITS	
HY-034-00020-46N	4" - 6" Pack Kit
HY-034-00020-47N	4" - 7" Pack Kit
HY-034-00020-48N	4" - 8" Pack Kit
HY-034-00020-491N	4" - 9-1/8" Pack Kit

HYCO TELESCOPIC CYLINDERS

10,000 SERIES CYLINDER CYLINDERS

MANUFACTURED FROM JULY, 1974 THROUGH AUGUST, 1976



- PACKING: Vee packing. Outer bearing serves as top adapter for vee set.
- WIPERS: Hard black nylon. Does NOT snap into a groove. Wiper is "trapped" between head nut and top bearing.
- BEARINGS: Glass filled nylon. Outer bearing serves as top adapter for vee set. Inner bearing is "step-cut" to pilot over snap ring.
- PISTON: Welded to stage. Uses 2 replaceable 1/2" wide wear rings. Pistons are open through the bottom; they have no "plug", so a smaller stage will pass out through the bottom of the piston on a larger stage when the headnut is removed and the stages are removed from the cylinder body.
- STAGE O.D.'s: 3", 4", 5", 6", 7", 8", 8-1/4"
- SPECIAL INFO.: 3/8" spring steel snap ring serves as internal stop. Rod eye threads into stage.
- IDENTIFICATION: Cylinder model number and serial number stamped on cylinder body near base.

For all 10,000 Series Single Acting Cylinders manufactured from 7/74 through 8/76, kits include hard black wipers, vee sets and top and bottom bearings.

Part Number	Description
PISTON WEAR RINGS	
HY-10764-400	4-1/2" Nylon Piston Wear Ring
HY-10764-500	5-1/2" Nylon Piston Wear Ring
HY-10764-600	6-1/2" Nylon Piston Wear Ring
HY-10764-700	7-1/2" Nylon Piston Wear Ring
HY-10764-800	8-1/2" Nylon Piston Wear Ring
HY-10764-825	9" Nylon Piston Wear Ring
RETAINER RINGS	
HY-B9971-4.5	4" Retainer Ring
HY-B9971-5.5	5" Retainer Ring
HY-B9971-6.5	6" Retainer Ring
HY-B9971-7.5	7" Retainer Ring
HY-B9971-8.5	8" Retainer Ring
HY-B9971-900	8-1/4" Retainer Ring

Part Number	Description
VEE PACKING, NYLON TOP & BOTTOM BEARINGS AND WIPER KITS	
HY-11426-300	3" Pack Kit
HY-11426-400	4" Pack Kit
HY-11426-500	5" Pack Kit
HY-11426-600	6" Pack Kit
HY-11426-700	7" Pack Kit
HY-11426-800	8" Pack Kit
HY-11426-825	8-1/4" Pack Kit
MULTIPLE STAGE KITS	
HY-11426-48	4" - 8" Pack Kit

HYCO TELESCOPIC CYLINDERS

IMPORTANT NOTE:

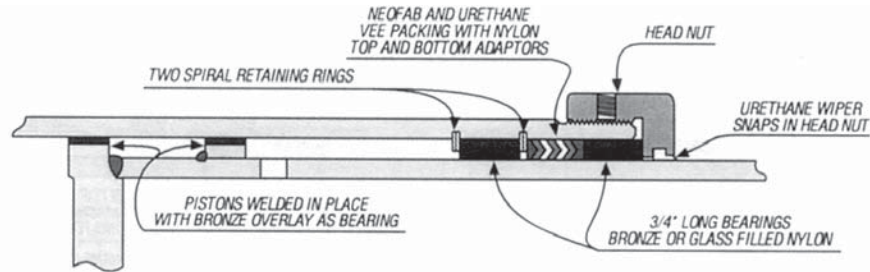
WHEN ORDERING HYCO TELESCOPIC PARTS IT IS HELPFUL TO PROVIDE A MODEL NUMBER AND SERIAL NUMBER. THE SERIAL NUMBER IS STAMPED ONTO A METAL TAG APPLIED TO THE CYLINDER BODY. THE SERIAL NUMBER IS THE FIRST FOUR OR FIVE DIGITS OF THE NUMBER. THE LAST THREE OR FOUR DIGITS INDICATE THE DATE OF MANUFACTURE.

EXAMPLE 12345 10 93
SERIAL # MONTH YEAR

C900 - C2000 SERIES SINGLE ACTING

MANUFACTURED BEFORE JULY 10, 1974

C9000 SERIES DOUBLE ACTING ALL



- PACKING:** Vee packing with nylon top and bottom adaptors 1/4" c.s. on 4" through 8".
- WIPERS:** Urethane snap-in type.
- BEARINGS:** 2 bearings, one above the vee packing and the other "trapped" between the two spiral retainers. Original bearings were bronze. Currently many replacements are glass filled or mineral filled nylon.
- PISTON:** Single acting cylinders have piston welded to stage. Piston bearings are bronze overlay on steel nylon. Double acting cylinders have steel piston which threads onto stage. Contains 2, 1/2" wide nylon wear rings and 2 cast iron piston rings in common groove.
- STAGE O.D.'s:** 3", 4", 5", 6", 7", 8", 8-1/4", 9", 9-3/4"
- SPECIAL INFO.:** 2 spiral retaining rings with bearings "trapped" between them serving as internal stop.
- IDENTIFICATION:** Cylinder model number and serial number stamped on metal tag applied to cylinder body.

For all C900 - C2000 Series single acting cylinders manufactured before 7/74 and all C9000 Series double acting telescopic cylinders, pack kits include only the wiper and vee packing. Nylon and bronze bearings are offered separately.

Part Number	Description
INDIVIDUAL STAGE VEE PACKING AND WIPER SETS	
HY-2VSW	2" Packing & Wiper
HY-3VSW	3" Packing & Wiper
HY-4VSW	4" Packing & Wiper
HY-5VSW	5" Packing & Wiper
HY-6VSW	6" Packing & Wiper
HY-7VSW	7" Packing & Wiper
HY-8VSW	8" Packing & Wiper
HY-8.12VSW	8-1/8" Packing & Wiper
HY-8.25VSW	8-1/4" Packing & Wiper
HY-9VSW	9" Packing & Wiper
HY-9.12VSW	9-1/8" Packing & Wiper
HY-9.37VSW	9-3/8" Packing & Wiper
HY-9.75VSW	9-3/4" Packing & Wiper

Part Number	Description
MULTIPLE STAGE VEE PACKING AND WIPER SETS	
HY-35	3" - 5" Pack Kit
HY-36	3" - 6" Pack Kit
HY-38	3" - 8" Pack Kit
HY-46	4" - 6" Pack Kit
HY-47	4" - 7" Pack Kit
HY-48	4" - 8" Pack Kit
HY-48-1/4	4" - 8-1/4" Pack Kit
HY-49	4" - 9" Pack Kit
HY-57	5" - 7" Pack Kit
HY-58	5" - 8" Pack Kit
HY-59-3/4	5" - 9-3/4" Pack Kit

HYCO TELESCOPIC CYLINDERS

C900 - C2000 SERIES SINGLE ACTING

MANUFACTURED BEFORE JULY10, 1974

AND

C9000 SERIES DOUBLE ACTING

ALL

Part Number	Description
NYLON BEARINGS	
HY-A2475N	3" Nylon Bearing
HY-A2227N	4" Nylon Bearing
HY-A2226N	5" Nylon Bearing
HY-A2225N	6" Nylon Bearing
HY-A2411N	7" Nylon Bearing
HY-A2447N	8" Nylon Bearing
HY-A3438N	8-1/4" Nylon Bearing
HY-A18415N	9" Nylon Bearing
NYLON BEARING KITS	
HY-NYB38	2 ea. 3" - 8" Nylon Bearings
HY-NYB46	2 ea. 4" - 6" Nylon Bearings
HY-NYB47	2 ea. 4" - 7" Nylon Bearings
HY-NYB48	2 ea. 4" - 8" Nylon Bearings
HY-NYB48-1/4	2 ea. 4" - 8-1/4" Nylon Bearings
HY-NYB49	2 ea. 4" - 9" Nylon Bearings
HY-NYB57	2 ea. 5" - 7" Nylon Bearings
HY-NYB58	2 ea. 5" - 8" Nylon Bearings
BRONZE BEARINGS	
HY-A2475B	3" Bronze Bearing
HY-A2227B	4" Bronze Bearing
HY-A2226B	5" Bronze Bearing
HY-A2225B	6" Bronze Bearing
HY-A2411B	7" Bronze Bearing
HY-A2447B	8" Bronze Bearing
HY-A3438B	8-1/4" Bronze Bearing
HY-A18415B	9" Bronze Bearing
HY-A8258	9-3/4" Bottom Bronze Bearing
HY-A8308	9-3/4" Top Bronze Bearing
SPIRAL RETAINERS	
HY-A2477	3" Spiral Retainer
HY-A17794	4" Spiral Retainer
HY-A17793	5" Spiral Retainer
HY-A2228	6" Spiral Retainer
HY-A3012	7" Spiral Retainer
HY-A3013	8" Spiral Retainer
HY-A4616	8-1/4" Spiral Retainer
HY-A18387	9" Spiral Retainer
HY-A8246	9-3/4" Spiral Retainer
SPIRAL RETAINER KITS	
HY-SR48	2 ea. 4" - 8" Spiral Retainers
HY-SR49	2 ea. 4" - 9" Spiral Retainers
HY-SR58	2 ea. 5" - 8" Spiral Retainers

Part Number	Description
PISTON RINGS Double Acting Only	
HY-A18029	4-1/2" O.D. Cast Iron Piston Ring
HY-A18028	5-1/2" O.D. Cast Iron Piston Ring
HY-A18027	6-1/2" O.D. Cast Iron Piston Ring
HY-A18026	7-1/2" O.D. Cast Iron Piston Ring
HY-A18025	8-1/2" O.D. Cast Iron Piston Ring
HY-A18385	9-3/4" O.D. Cast Iron Piston Ring
PISTON RING KITS Double Acting Only	
HY-PR48	2 ea. 4-1/2"-8-1/2" Piston Rings
HY-PR49	2 ea. 4-1/2"-9-3/4" Piston Rings
PISTON WEAR RINGS Double Acting Only	
HY-10764-400	4-1/2" O.D. Piston Wear Ring
HY-10764-500	5-1/2" O.D. Piston Wear Ring
HY-10764-600	6-1/2" O.D. Piston Wear Ring
HY-10764-700	7-1/2" O.D. Piston Wear Ring
HY-10764-800	8-1/2" O.D. Piston Wear Ring
HY-10764-900	9-3/4" O.D. Piston Wear Ring
NYLON PISTON WEAR RING KITS Double Acting Only	
HY-NPB48	2 ea. 4-1/2"-8-1/2" Piston Wear Rings
HY-NPB49	2 ea. 4-1/2"-9-3/4" Piston Wear Rings
HEADNUTS	
Getting the correct Hyco headnut can be a problem. If you are unsure, call our sales department. Headnuts are measured at the I.D. of the wiper.	
HY-A2527	3" Headnut
HY-A2217	4" Headnut
HY-A2216	5" Headnut
HY-A2215	6" Headnut
HY-A2406	7" Headnut
HY-A3535	7" Headnut
HY-A2442	8" Headnut
HY-A3534	8-1/4" Headnut
HY-A18411	9" Headnut

HYCO

HYCO PISTON-ROD CYLINDERS

Kit Number	Cylinder Number	Code (Pg. xiv)	Rod X Bore Size
HY-A18881	C4979	I-V-12	2 X 4-1/2
HY-A22227	C6312	I-V-5	2 X 4
HY-A22228	C6404	I-N-4	2-1/2 X 3-1/2
HY-A22229	C6403	I-V-5	2-1/2 X 6
HY-A22230	C6443	I-V-5	2 X 5
HY-A22231	C6402	I-V-5	3 X 5
HY-A22286	C6304	I-U-5	3 X 5
HY-A22368	C5845	I-U-5	2-1/2 X 5
HY-A22891	C6591	I-U-5	3-1/2 X 4-1/2
HY-C2062K	C2062	I-V-9	2 X 6-1/2
HY-C2526K	C2526	I-V-7	2-1/2 X 5
HY-C2670K	C2670	I-V-5	2 X 3-1/4
HY-C2672K	C2672	I-V-5	2-1/2 X 5
HY-C2699K	C2699	I-V-5	2 X 4
HY-C3571K	C3571	I-V-9	1-1/2 X 3-1/2
HY-C3650K	C3650	I-V-5	3 X 6
HY-C3651K	C3651	I-V-5	3 X 7
HY-C4658K	C4658	I-V-5	3 X 7
HY-C4794K	C4794	I-V-5	3 X 7
HY-C4797K	C4797	I-V-9	3 X 7
HY-C6217K	C6217	I-V-9	2 X 6
HY-C6410K	C6410	I-U-5	2 X 4
HY-C6429K	C6429	I-V-5	3 X 7

HYDRO-AX

Kit Number	Code (Pg. xiv)	Rod X Bore Size
HA-2401-1046	P-V-12	2 X 3-1/2
HA-2401-1097	I-U-11	2 x 3-1/2
HA-2401-1100	I-U-11	1-1/4 X 3
HA-3002-1016	I-U-10	2 X 3-1/2
HA-3002-1031	I-U-10	1-1/2 X 3
HA-3002-1086	I-U-10	2-1/2 X 5-1/2
HA-3002-1092	P-U-10	1-1/4 X 2-1/2
HA-8711016	I-U-10	2 X 3-1/2
HA-8711031	I-U-10	1-1/2 X 3
HA-8711056	I-U-10	2-1/2 X 4-1/2
HA-8711086	I-U-10	2-1/2 X 5-1/2
HA-8711090	I-U-10	3 X 6
HA-8804019	I-U-11	2 X 3-1/2
HA-8804032	I-U-11	2-1/2 X 4
HA-8804048	I-U-13	1-1/2 X 3
HA-8804062	I-U-11	1-1/4 X 2-1/2
HA-8804076	I-U-13	2-1/2 X 4-1/2
HA-8804094	I-U-11	3 X 6
HA-8804105	I-U-13	2-1/2 X 5-1/2
HA-8804125	I-U-11	4-1/2 X 8
HA-8804138	I-U-11	4 X 7
HA-8804178	I-U-13	2-1/2 X 5
HA-8804197	I-U-11	4 X 6
HA-8804213	I-U-11	4-1/2 X 8
HA-8804214	I-U-11	4 X 7
HA-8804232	I-U-11	4 X 6

HYSTER

Kit Number	Code (Pg. xiv)	Rod X Bore Size
HYS-1332565	I-U-N	1-7/8 X 2-1/4
HYS-1334570	I-U-4	3-1/2 X 4
HYS-1334571	I-N-5	4 X 4-1/2
HYS-133462	I-V-1	1-3/4" ROD
HYS-144267		O-RING KIT
HYS-148292	N-N-8	3-1/4" PISTON KIT
HYS-148414	I-V-1	1-3/4" ROD
HYS-149193	N-N-P	2-1/2" BORE
HYS-149194	P-V-1	1-3/4 X 2-1/2
HYS-149254	I-V-1	1-3/4" ROD
HYS-149258	P-V-1	2" ROD
HYS-149259	N-V-1	2-1/4" ROD
HYS-149260	I-V-1	1-1/4" ROD
HYS-149292		O-RING KIT
HYS-1494726	P-U-10	1-3/4 X 4
HYS-168801	N-U-12	1 X 3
HYS-170881	P-V-8	1-1/4 X 3
HYS-2026822	P-U-10	35 X 65 mm
HYS-226074	I-U-8	1-1/2 X 3-1/2
HYS-2302714	I-U-11	28 mm X 2-1/2
HYS-2303974	I-U-1	3 X 3-3/4
HYS-250050	P-U-10	1-1/2 X 3-1/2
HYS-250051	P-U-10	1-1/4 X 3
HYS-250550	I-U-4	4-1/4 X 6
HYS-250559	I-U-4	5-1/4 X 7-1/2
HYS-250603	I-U-8	1 X 2-1/2
HYS-250937	I-U-8	1-1/2 X 3.525
HYS-250943	I-U-1	3.70, 5.45 Stages
HYS-280182	I-O-10	1 X 2-1/4
HYS-280537	I-U-4	2-1/8 X 2-1/2

Kit Number	Code (Pg. xiv)	Rod X Bore Size
HYS-281474	P-U-10	1-1/2 X 3-1/2
HYS-281815	I-U-10	1-3/4 X 3-1/2
HYS-281822	I-U-10	1-1/4 X 3
HYS-281855	I-U-10, 12	1-3/4 X 3-1/2
HYS-281859	I-U-10, 12	2-1/4 X 3-1/2
HYS-281864	I-U-10	1-3/4 X 3-1/2
HYS-314993		O-RING KIT
HYS-318005	I-U-1	2-3/4, 3-3/4 Stages
HYS-321758	I-U-10	2-1/4 X 4-1/2
HYS-321909	I-U-5	3 X 4-3/4
HYS-323645	I-U-8	1-3/4 X 4
HYS-327393	I-U-4	2-1/8 X 2-1/2
HYS-328074	I-U-10	1-1/4 X 2-3/4
HYS-328121	P-U-10	1-1/4 X 3
HYS-328226	P-U-10	1-3/4 X 4-1/4
HYS-333742	P-U-10	2-1/8 X 3
HYS-334997	I-U-10	1-1/4 X 2-3/4
HYS-337281	I-U-4	1-3/8 X 2
HYS-339347	I-U-4	4, 5 Stages
HYS-340079	N-U-4	1-3/4 X 2-3/4
HYS-355695	P-U-10	1-3/8 X 3
HYS-355909	I-U-5	1-1/2 X 4
HYS-381762	I-U-10	2-7/8 X 4-1/2
HYS-383991	P-U-10	1-1/4 X 3
HYS-48628	I-U-4	3/4 X 1-5/8
HYS-629326		HOSE REEL KIT
HYS-639456	I-U-4	3 X 3-1/2
HYS-643280	I-U-4	3 X 3-1/2

Replacement Kits For

HYUNDAI

Excavators				
APPLICATION	CODE	ROD	BORE	KIT #
MODEL 130LC				
ARM	P-UB-10	80 mm	115 mm	HYU-91E6-2712
BOOM	P-UB-10	75 mm	105 mm	HYU-91E6-2711
BUCKET	P-UB-10	70 mm	100 mm	HYU-91E6-2713
MODEL R200LC, R210LC				
ARM	P-UB-14	95 mm	140 mm	HYU-91E1-2707
BOOM	P-UB-14	85 mm	125 mm	HYU-91E1-2706
BUCKET	P-UB-14	80 mm	120 mm	HYU-91E1-2708
MODEL R210LC-7				
ARM	P-UB-14	100 mm	140 mm	HYU-31Y1-15230N
ARM (LR)	P-UB-14	95 mm	140 mm	HYU-31Y1-06731N
BOOM	P-UB-14	85 mm	120 mm	HYU-31Y1-15880N
BUCKET	P-UB-14	85 mm	125 mm	HYU-31Y1-15700N
BUCKET (LR)	P-UB-14	70 mm	100 mm	HYU-31Y1-13800N
MODEL R280LC, R320LC-1				
ARM	P-UB-10	105 mm	150 mm	HYU-91E2-2708
BOOM	P-UB-10	95 mm	145 mm	HYU-91E2-2707
BUCKET	P-UB-10	95 mm	145 mm	HYU-91E2-2709
MODEL R420LC, R450LC				
ARM	P-UB-14	120 mm	185 mm	HYU-31E7-2712
BOOM	P-UB-14	110 mm	160 mm	HYU-31E7-2711
BUCKET	P-UB-14	110 mm	160 mm	HYU-31E7-2713

HYUNDAI

Kit Number	Code (Pg. xiv)	Rod X Bore Size
HYU-31E7-2711	P-UB-14	110 X 160 mm
HYU-31E7-2712	P-UB-14	120 X 185 mm
HYU-31E7-2713	P-UB-14	110 X 160 mm
HYU-31Y1-05260	P-UB-14	85 X 125 mm
HYU-31Y1-06731N	P-UB-14	95 X 140 mm
HYU-31Y1-13800N	P-UB-14	70 X 100 mm
HYU-31Y1-15230N	P-UB-14	100 X 140 mm
HYU-31Y1-15700N	P-UB-14	85 X 125 mm
HYU-31Y1-15880N	P-UB-14	85 X 120 mm
HYU-91E1-2706	P-UB-14	85 X 125 mm
HYU-91E1-2707	P-UB-14	95 X 140 mm

Kit Number	Code (Pg. xiv)	Rod X Bore Size
HYU-91E1-2708	P-UB-14	80 X 120 mm
HYU-91E2-2707	P-UB-10	95 X 145 mm
HYU-91E2-2708	P-UB-10	105 X 150 mm
HYU-91E2-2709	P-UB-10	95 X 145 mm
HYU-91E6-2711	P-UB-10	75 X 105 mm
HYU-91E6-2712	P-UB-10	80 X 115 mm
HYU-91E6-2713	P-UB-10	70 X 100 mm
HYU-91E8-2707	P-UB-14	100 X 140 mm
HYU-91E8-2708	P-UB-14	110 X 160 mm
HYU-91E8-2709	P-UB-14	100 X 140 mm

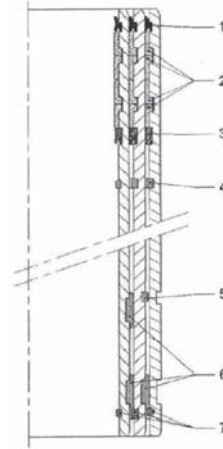
HYVA TELESCOPICS

Our company provides repair kits for the popular front-end tipping cylinders with Outer Cover (FC) and with Rod Eye (FE) mount.

PACKING KIT
CONSISTS OF:

- 1 - Wiper
- 2 - Bearings
- 3 - U-seals

PACKING: Twin lip 92A urethane U-seals
 WIPERS: Dual lips snap-in 92A urethane
 BEARINGS: Polyacetal L-shaped bearing rings
 STAGES: 60, 78, 99, 120, 141, 162, 183 and 207



Kit Number	Description
Wiper, U-Seal and Bearing Kits	
HYVA-017-600-87K	60 mm Pack Kit
HYVA-017-600-75K	78 mm Pack Kit
HYVA-017-600-63K	99 mm Pack Kit
HYVA-017-600-51K	120 mm Pack Kit
HYVA-017-600-40K	141 mm Pack Kit
HYVA-017-600-38K	162 mm Pack Kit
HYVA-017-600-26K	183 mm Pack Kit
HYVA-017-600-14K	207 mm Pack Kit

Kit Number	Description
Multi-Stage Kits	
HYVA-120-3	78, 99 & 120 Kit
HYVA-141-4	78, 99, 120 & 141 Kit
HYVA-162-4	99, 120, 141 & 162 Kit
HYVA-183-5	99, 120, 141, 162 & 183 Kit
HYVA-207-5	120, 141, 162, 183 & 207 Kit

INGERSOLL-RAND

Kit Number	Code (Pg. xiv)	Rod X Bore Size
IR-50428648	I-U-10	3 X 5
IR-50779636	P-U-10	3 X 6
IR-51318095	O-RING KIT	
IR-51324887	I-SPB-1	53,63
IR-51779346	I-U-5	1-1/4 X 1-1/2
IR-52119906	VALVE KIT	
IR-52163987	P-U-10	3 X 4
IR-58150798	I-U-5	1-1/2 X 3-1/2
IR-59484246	I-U-10	1-1/8 X 2-1/2
IR-6589792	I-U-10	1-1/2 X 3-1/4
IR-6661441	P-O-1	1-1/8 Shaft Kit
IR-6803329	I-U-10	1-1/4 X 2
IR-6803472	I-U-10	1 X 2
IR-6804605	I-U-10	1-1/2 X 3-1/4
IR-70035308	I-V-5	70 X 100 mm
IR-70035324	I-U-10	63 X 100 mm
IR-95295879	O-RING	
IR-97114698	OIL SEAL	
IR-97120679	PUMP KIT	

INTERNATIONAL HARVESTER

Kit Number	Code (Pg. xiv)	Rod X Bore Size
IH1124732C94	P-U-10	1-1/2 X 3
IH1124738C91	P-U-10	1-1/2 X 4
IH1124745C91	P-U-10	2 X 4
IH1124749C91	P-U-10	2-3/4 X 4-1/2
IH1124749C93	P-U-10	2-3/4 X 4-1/2
IH1124749C94	P-UB-10	2-3/4 X 4-1/2
IH1124757C94	P-UB-10	2-3/4 X 5-1/2
IH1124774C93	P-U-10	3-1/2 X 7
IH1124867C91	P-U-10, 12	3-3/4, 5-3/4, 6-3/4 Stages
IH1124857C94	P-UB-10	4-1/4 X 8-1/2
IH1126587C91	P-U-10	2 X 3-1/2
IH1126592C91	P-U-10	2-3/4 X 4-1/2
IH1126614C91	P-U-10	2-1/2 X 6-1/2
IH386693R92	P-OB-10	1-1/2 X 2-1/2
IH471270R95	P-U-10, 12	1-1/2 X 2-1/2
IH533625R93	P-U-10	2-1/2 X 4-1/2
IH533626R93	P-U-10	2-1/2 X 4
IH545299R92	P-U-10	2-1/4 X 3-1/2
IH545300R93	P-U-10	2-1/4 X 4-1/2
IH545829R93	P-U-10	2 X 3-1/2
IH545831R93	P-U-10	2-1/4 X 4
IH546214R93	P-U-10	2 X 3-1/2
IH609615C1	I-N-U	2-1/2 X 2-1/2
IH622825C91	Track Adjuster for a TD8	
IH626199C1	P-U-10	1-1/2 X 3

INTERNATIONAL HARVESTER

Kit Number	Code (Pg. xiv)	Rod X Bore Size
IH626230C3	P-U-10	1-3/4 X 3-1/2
IH626230C6	P-UB-10	1-3/4 X 3-1/2
IH626232C2	P-U-10	2-1/4 X 3-1/2
IH626233C2	P-U-10	2-1/2 X 4
IH626234C3	P-U-10	1-3/4 X 4
IH63577C91	P-U-10	2-1/4 X 4
IH63581C91	P-U-10	2-1/4 X 3-1/2
IH636139C91	I-U-10	2-3/4 X 5
IH636144C91	P-U-10	2-1/2 X 5-1/2
IH636145C91	P-U-10	2-1/2 X 5-1/2
IH636146C91	P-U-10	3 X 5-1/2
IH636147C91	P-U-10	3 X 5-1/2
IH636149C91	P-U-10	2-1/2 X 6-1/2
IH636229C91	P-U-10	2-3/4 X 6-1/2
IH636230C91	P-U-10	3 X 7
IH63698C91	P-U-10	2 X 3
IH679325C91	P-U-10	2-1/4 X 4-1/2
IH679328C91	P-U-10	2-3/4 X 5
IH679330C91	P-U-10	2-3/4 X 6-1/2
IH679331C91	P-U-10	2-3/4 X 6-1/2
IH679332C91	P-U-10	3 X 7
IH-906000	TRACK ADJUSTER	
IH-906001	TRACK ADJUSTER	
IH-906004	TRACK ADJUSTER	
IH927444C91	O-Rings	
IH933310C91	P-U-10	4-1/2 X 9
IH933419C91	P-U-10	2 X 4
IH935799C91	P-U-10	1-1/2 X 4
IH943746C91	P-OB-10	1 X 3

Replacement Kits For

JCB

Backhoe Loaders						
APPLICATION	CYL #	SERIAL #	CODE	ROD	BORE	KIT #
MODEL 1CX						
BACKHOE BOOM		00807553-00808999, 01050000-0105199, 01298000-01299998, 00727000-00727999, 00751000-00751599	I-U-10	40 mm	70 mm	JCB-991-10152
BACKHOE BUCKET		00807553-00808999, 01050000-0105199, 01298000-01299998, 00727000-00727999, 00751000-00751599	I-U-10	40 mm	70 mm	JCB-991-10152
BACKHOE DIPPER		00807553-00808999, 01050000-0105199, 01298000-01299998, 00727000-00727999, 00751000-00751599	I-U-10	40 mm	70 mm	JCB-991-10152
CLAM SHOVEL		00807553-00808999, 01050000-0105199, 01298000-01299998, 00727000-00727999, 00751000-00751599, 00751600-00752999	I-U-10	25 mm	50 mm	JCB-991-00097
FRONT SHOVEL		00807553-00808999, 01050000-0105199, 01298000-01299998, 00727000-00727999, 00751000-00751599	I-U-10	30 mm	60 mm	JCB-991-00098
GRAB		00807553-00808999, 01050000-0105199, 01298000-01299998, 00727000-00727999, 00751000-00751599	I-U-10	25 mm	50 mm	JCB-991-00097
HIGH TIP		00807553-00808999, 01050000-0105199, 01298000-01299998, 00751600-00752999, 00806000-00807552	I-U-15	1-3/8"	2"	JCB-903-10301
LIFT		00807553-00808999, 01050000-0105199, 01298000-01299998, 00727000-00727999, 00751000-00751599	I-U-10	30 mm	60 mm	JCB-991-00098
SIDE TIP SHOVEL		00807553-00808999, 01050000-0105199, 01298000-01299998, 00751000-00751599, 00751600-00752999	I-U-15	1-1/2"	2-1/2"	JCB-997-00908
STABILIZER		00807553-00808999, 01050000-0105199, 01298000-01299998	I-U-10	30 mm	50 mm	JCB-991-10141
		00807553-00808999, 01050000-0105199, 01298000-01299998, 00727000-00727999, 00751000-00751599	I-U-10	30 mm	60 mm	JCB-991-00098
MODEL 2CX						
BACKHOE BOOM		00655030-00656999	I-U-10	40 mm	70 mm	JCB-991-00095

Replacement Kits For

JCB

Backhoe Loaders						
APPLICATION	CYL #	SERIAL #	CODE	ROD	BORE	KIT #
MODEL 2CX						
BACKHOE BOOM		00657000-00659598, 00489696-00499999, 00920001-00929999, 0069599-00659999, 00760001-00764999	I-U-10	50 mm	80 mm	JCB-991-00102
		00930001-00959999, 00960000-00989999, 01327000-01349999	I-U-10	50 mm	90 mm	JCB-991-00103
BACKHOE BUCKET		00655030-00656999	I-U-10	40 mm	70 mm	JCB-991-00095
		00657000-00659598, 00489696-00499999, 00920001-00929999, 0069599-00659999, 00760001-00764999, 00960000-00989999, 01327000-01349999, 00930001-00959999	I-U-10	40 mm	70 mm	JCB-991-10152
BACKHOE DIPPER		00655030-00656999	I-U-10	40 mm	70 mm	JCB-991-00095
		00657000-00659598, 00489696-00499999, 00920001-00929999, 0069599-00659999, 00760001-00764999	I-U-10	50 mm	80 mm	JCB-991-00102
		00930001-00959999, 00960000-00989999, 01327000-01349999	I-U-10	50 mm	90 mm	JCB-991-00103
CLAM SHOVEL		00655030-00656999		30 mm	60 mm	JCB-991-00052
		00657000-00659598, 00489696-00499999, 00920001-00929999, 0069599-00659999, 00760001-00764999, 00930001-00959999, 00960000-00989999, 01327000-01349999, 00480600-00489695	I-U-10	30 mm	60 mm	JCB-991-00098
EXTENSION, EXTRADIG DIPPER		00657000-00659598, 00489696-00499999, 00920001-00929999, 0069599-00659999, 00760001-00764999, 00930001-00959999, 00960000-00989999, 01327000-01349999	I-U-10	30 mm	60 mm	JCB-991-00098
HYDRACLAMP		00655030-00656999	I-U-10	25 mm	50 mm	JCB-991-00097
		00655030-00656999	I-U-10	25 mm	50 mm	JCB-991-00054
LOADER LIFT		00655030-00656999	I-U-10	40 mm	70 mm	JCB-991-00095
		00657000-00659598, 00489696-00499999, 00920001-00929999, 0069599-00659999, 00760001-00764999, 00930001-00959999, 00960000-00989999, 01327000-01349999, 00480600-00489695	I-U-10	40 mm	70 mm	JCB-991-10152

Replacement Kits For

JCB

Backhoe Loaders						
APPLICATION	CYL #	SERIAL #	CODE	ROD	BORE	KIT #
MODEL 2CX						
QUICK HITCH		00655030-00656999, 00930001-00959999, 00960000-00989999, 01327000-01349999		1/2"	25 mm	JCB-548-12801
SHOVEL		00655030-00656999	I-U-10	40 mm	70 mm	JCB-991-00095
		00657000-00659598, 00489696-00499999, 00920001-00929999, 0069599-00659999, 00760001-00764999, 00930001-00959999, 00960000-00989999, 01327000-01349999, 00480600-00489695	I-U-10	40 mm	70 mm	JCB-991-10152
SLEW/SWING		00655030-00656999	I-U-10	40 mm	70 mm	JCB-991-00095
		00657000-00659598, 00489696-00499999, 00920001-00929999, 0069599-00659999, 00760001-00764999, 00930001-00959999	I-U-10	40 mm	70 mm	JCB-991-10152
		00960000-00989999, 01327000-01349999	I-U-10	40 mm	70 mm	JCB-991-10151
STABILIZER		00655030-00656999	I-U-10	40 mm	70 mm	JCB-991-00095
		00657000-00659598, 00489696-00499999, 00920001-00929999, 0069599-00659999, 00760001-00764999, 00930001-00959999	I-U-10	40 mm	70 mm	JCB-991-10152
		00930001-00959999, 00960000-00989999, 01327000-01349999	I-U-10	40 mm	60 mm	JCB-991-10081
STEERING		00655030-00656999		30 mm	60 mm	JCB-991-00052
		00657000-00659598, 00489696-00499999, 00920001-00929999, 0069599-00659999, 00760001-00764999, 00930001-00959999, 00960000-00989999, 01327000-01349999, 00480600-00489695	I-U-10	30 mm	60 mm	JCB-991-00098
TOW HITCH		00659599-00659598, 00760001-00764999	I-U-10	25 mm	50 mm	JCB-991-00097
MODEL 3C MIII						
BACKHOE BUCKET		M125001-M290000	I-SP-13	2"	4"	JCB-991-00003
BACKHOE DIPPER		M125001-M290000	I-SP-13	2"	4"	JCB-991-00003
BACKHOE GRAB		M125001-M290000	I-U-15	2-1/2"	4-1/2"	JCB-991-00008
DIPPER EXTENSION		M125001-M290000	I-U-15	2"	3-5/8"	JCB-991-00002
JAW BUCKET		M125001-M290000	I-SP-13	2"	4"	JCB-991-00003
LOADER BOOM		M125001-M290000	I-U-15	2"	4-1/2"	JCB-991-00004
LOADER LIFT		M125001-M290000	I-SP-13	2"	4"	JCB-991-00003
LOADER STABILIZER		M125001-M290000	I-U-15	2"	3-5/8"	JCB-991-00002



Replacement Kits For

JCB

Backhoe Loaders						
APPLICATION	CYL #	SERIAL #	CODE	ROD	BORE	KIT #
MODEL 3C MIII						
LOADER TILT		M125001-M290000	I-U-15	2"	3-5/8"	JCB-991-00002
POLE PLANTER RAM		M125001-M290000	I-SP-15	1-1/2"	2-3/4"	JCB-991-00001
STEERING		M125001-M290000	I-U-15	1"	2"	JCB-991-00009
MODEL 3CX						
BACKHOE BUCKET		-->M319999	I-U-15	50 mm	90 mm	JCB-991-00013
		M320000-UP	I-U-15	50 mm	90 mm	JCB-991-00096
BACKHOE BOOM & STICK		-->M319999	I-U-15	60 mm	100 mm	JCB-991-00012
		M320000-UP	I-U-15	60 mm	100 mm	JCB-991-00055
LOADER LIFT		-->M319999	I-U-15	50 mm	80 mm	JCB-991-00016
		M320000-UP	I-U-15	50 mm	80 mm	JCB-991-00061
LOADER TILT		-->M319999	I-U-15	40 mm	70 mm	JCB-991-00015
		M320000-UP	I-U-15	40 mm	70 mm	JCB-991-00122
STABILIZER - Heavy Duty		-->M319999	I-U-15	60 mm	100 mm	JCB-991-00012
		M320000-UP	I-U-15	60 mm	100 mm	JCB-991-00055
STABILIZER - Standard		-->M319999	I-U-15	40 mm	70 mm	JCB-991-00015
		M320000-UP	I-U-15	40 mm	70 mm	JCB-991-00122
STEERING-2WD		M290000-M300725	I-U-15	30 mm	60 mm	JCB-991-00017
		M300726-M337000	I-U-14	30 mm	60 mm	JCB-991-00021
		M337001-M356443	I-U-15	30 mm	70 mm	JCB-991-00036
STEERING-4WD		M290000-M297207	I-U-15	30 mm	60 mm	JCB-991-00017
		M297208-M319999	I-U-14	30 mm	60 mm	JCB-991-00020
		M320000-M337000	I-U-14	30 mm	60 mm	JCB-991-00021
STICK EXTENSION		-->M319999	I-U-15	40 mm	70 mm	JCB-991-00015
		M320000-UP	I-U-15	40 mm	70 mm	JCB-991-00122
SWING		-->M319999	I-U-15	60 mm	100 mm	JCB-991-00012
		M320000-UP	I-U-15	60 mm	100 mm	JCB-991-00055
	557-60018	M921696	I-U-10	50 mm	90 mm	JCB-991-00163
SWING w/ Side Shift		-->M319999	N-N-15		110 mm	JCB-991-00018
MODEL 3CX SITEMASTER						
BACHOE BOOM		M320000-UP	I-U-15	60 mm	110 mm	JCB-991-00058
BACKHOE BUCKET		M320000-UP	I-U-15	50 mm	90 mm	JCB-991-00096
LOADER LIFT		M320000-UP	I-U-15	50 mm	80 mm	JCB-991-00061
LOADER TILT		M320000-UP	I-U-15	40 mm	70 mm	JCB-991-00122
STABILIZER - Heavy Duty		M320000-UP	I-U-15	60 mm	100 mm	JCB-991-00055
STABILIZER - Standard		M320000-UP	I-U-15	40 mm	70 mm	JCB-991-00122
STEERING-2WD		M300726-M337000	I-U-14	30 mm	60 mm	JCB-991-00021
		M337001-M356443	I-U-15	30 mm	70 mm	JCB-991-00036
STEERING-4WD		M290000-M297206	I-U-15	30 mm	60 mm	JCB-991-00017
		M297207-M319999	I-U-14	30 mm	60 mm	JCB-991-00020
		M320000-M337000	I-U-14	30 mm	60 mm	JCB-991-00021
STICK		M320000-UP	I-U-15	60 mm	100 mm	JCB-991-00055
STICK EXTENSION		M320000-UP	I-U-15	40 mm	70 mm	JCB-991-00122
SWING		M320000-UP	I-U-15	60 mm	100 mm	JCB-991-00055
MODEL 3D						
ARM		M320000 UP	I-U-15	60 mm	100 mm	JCB-991-00130
		to M319999	I-U-15	60 mm	100 mm	JCB-991-00012

Replacement Kits For

JCB

Backhoe Loaders						
APPLICATION	CYL #	SERIAL #	CODE	ROD	BORE	KIT #
MODEL 3D						
BOOM		M320000 UP	I-U-15	60 mm	110 mm	JCB-991-00131
		to M319999	I-U-15	60 mm	110 mm	JCB-991-00014
BUCKET		M320000 UP	I-U-15	50 mm	90 mm	JCB-991-00127
		to M319999	I-U-15	50 mm	90 mm	JCB-991-00013
EXTENSION		M320000 UP	I-U-15	40 mm	70 mm	JCB-991-00122
		to M319999	I-U-15	40 mm	70 mm	JCB-991-00015
JAW BUCKET		to M319999 - M320000 UP	I-SP-13	2"	4"	JCB-991-00003
LIFT		M320000 UP	I-U-15	50 mm	80 mm	JCB-991-00123
		to M319999	I-U-15	50 mm	80 mm	JCB-991-00016
SLEW CENTER MOUNT		to M319999	I-U-15	60 mm	100 mm	JCB-991-00012
SLEW SIDE SHIFT		to M319999	N-N-15		110 mm	JCB-991-00018
STABILIZER		M400000 UP	I-U-10	40 mm	70 mm	JCB-991-00095
STABILIZER 2WD		M356444 UP	I-U-10	30 mm	70 mm	JCB-991-00099
STABILIZER HD		M320000 UP	I-U-15	60 mm	100 mm	JCB-991-00130
		to M319999	I-U-15	60 mm	100 mm	JCB-991-00012
STABILIZER STD		M320000 UP	I-U-15	40 mm	70 mm	JCB-991-00122
		to M319999	I-U-15	40 mm	70 mm	JCB-991-00015
TILT		M320000 UP	I-U-15	40 mm	70 mm	JCB-991-00122
		to M319999	I-U-15	40 mm	70 mm	JCB-991-00015
MODEL 3D MKII						
ARM			I-U-15	2-1/2"	4-1/2"	JCB-991-00008
BOOM			I-U-15	2-1/2"	4-1/2"	JCB-991-00008
BUCKET / JAW BUCKET			I-SP-13	2"	4"	JCB-991-00003
LIFT			I-U-15	2-1/2"	4"	JCB-991-00005
SLEW HD			N-N-13		5"	JCB-991-00010
SLEW STD			N-N-8		4-1/2"	JCB-991-00011
STABILIZER			I-U-15	2"	3-5/8"	JCB-991-00002
STEERING			I-U-15	1"	2"	JCB-991-00009
TILT			I-SP-13	2"	4"	JCB-991-00003
MODEL 3D MKIII						
ARM		M125001-M290000	I-U-15	2-1/2"	4-1/2"	JCB-991-00008
BUCKET		M125001-M290000	I-SP-13	2"	4"	JCB-991-00003
DIPPER		M125001-M290000	I-U-15	2-1/2"	4-1/2"	JCB-991-00008
EXTENSION		M125001-M290000	I-SP-15	1-1/2"	2-3/4"	JCB-991-00001
GRAB		M125001-M290000	I-U-15	2-1/2"	4-1/2"	JCB-991-00008
GRAB 6 IN 1		M125001-M290000	I-U-15	2"	3-5/8"	JCB-991-00002
JAW BUCKET		M125001-M290000	I-SP-13	2"	4"	JCB-991-00003
LOADER BOOM		M125001-M290000	I-U-15	2-1/2"	4-1/2"	JCB-991-00008
LOADER LIFT		M125001-M290000	I-U-15	2-1/2"	4"	JCB-991-00005
LOADER TILT		M125001-M290000	I-SP-13	2"	4"	JCB-991-00003
		M125986	I-U-15	63 mm	5"	JCB-991-00007
POLE PLANTER RAM		M125001-M290000	I-SP-15	1-1/2"	2-3/4"	JCB-991-00001
STABILIZER		M125001-M290000	I-U-15	2"	3-5/8"	JCB-991-00002
STEERING		M125001-M290000	I-U-15	1"	2"	JCB-991-00009

Replacement Kits For

JCB

Backhoe Loaders						
APPLICATION	CYL #	SERIAL #	CODE	ROD	BORE	KIT #
MODEL 4CN, 4C TURBO						
BACKHOE BOOM		-->M319999	I-U-15	60 mm	110 mm	JCB-991-00014
		M320000-UP	I-U-15	60 mm	110 mm	JCB-991-00058
BACKHOE BUCKET		-->M319999	I-U-15	50 mm	90 mm	JCB-991-00013
		M320000-UP	I-U-15	50 mm	90 mm	JCB-991-00096
LOADER LIFT		-->M319999	I-U-15	50 mm	80 mm	JCB-991-00016
		M320000-UP	I-U-15	50 mm	80 mm	JCB-991-00061
LOADER TILT		-->M319999	I-U-15	40 mm	70 mm	JCB-991-00015
		M320000-UP	I-U-15	40 mm	70 mm	JCB-991-00122
STABILIZER		-->M319999	I-U-15	60 mm	100 mm	JCB-991-00012
		M320000-UP	I-U-15	60 mm	100 mm	JCB-991-00055
STEERING-2WD		M290000-M300725	I-U-15	30 mm	60 mm	JCB-991-00017
		M300726-M337000	I-U-14	30 mm	60 mm	JCB-991-00021
STEERING-4WD		M290000-M297207	I-U-15	30 mm	60 mm	JCB-991-00017
		M297208-M319999	I-U-14	30 mm	60 mm	JCB-991-00020
		M320000-M337000	I-U-14	30 mm	60 mm	JCB-991-00021
		M337001-M356443	I-U-15	30 mm	70 mm	JCB-991-00036
STICK		-->M319999	I-U-15	60 mm	100 mm	JCB-991-00012
		M320000-UP	I-U-15	60 mm	100 mm	JCB-991-00055
STICK EXTENSION		-->M319999	I-U-15	40 mm	70 mm	JCB-991-00015
		M32000-UP	I-U-15	40 mm	70 mm	JCB-991-00122
SWING - Heavy Duty		-->M319999	I-U-15	60 mm	110 mm	JCB-991-00014
		M32000-UP	I-U-15	60 mm	110 mm	JCB-991-00058
SWING - Standard		-->M319999	I-U-15	60 mm	100 mm	JCB-991-00012
		M320000-UP	I-U-15	60 mm	100 mm	JCB-991-00055
MODEL 208S, 208S HF						
BOOM	556-60025	M751600-UP	I-U-10	40 mm	70 mm	JCB-991-00100
BUCKET 7' 3"	556-60026	M751600-UP	I-U-10	40 mm	70 mm	JCB-991-00100
BUCKET 8' 4"	556-60049	M751600-UP	I-U-10	40 mm	70 mm	JCB-991-00100
CLAMSHOVEL	551-60021	M751600-UP	I-U-10	25 mm	50 mm	JCB-991-00097
	980-38800	M751600-UP	I-U-10	25 mm	50 mm	JCB-991-00097
DIPPER	556-60027	M751600-UP	I-U-10	40 mm	70 mm	JCB-991-00100
HIGHTIP	997-07700	M751600-UP	I-U-15	1-3/8"	2"	JCB-903-10301
LIFT	553-60005	M751600-UP	I-U-10	30 mm	60 mm	JCB-991-00098
SHOVEL	553-60004	M751600-UP	I-U-10	30 mm	60 mm	JCB-991-00098
SIDETIP	997-0090	M751600-UP	I-U-15	1-1/2"	2-1/2"	JCB-997-00908
STABILIZER	553-60006	M751600-UP	I-U-10	30 mm	60 mm	JCB-991-00098
MODEL 210S, 210SU						
BUCKET	556-60000	M762248-M769999	I-U-10	40 mm	70 mm	JCB-991-00100
EXTENSION	553-60010	M762248-M769999	I-U-10	30 mm	60 mm	JCB-991-00098
	553-60022	M762248-M769999	I-U-10	30 mm	60 mm	JCB-991-00098
LIFT	556-60017	M762248-M769999	I-U-10	40 mm	70 mm	JCB-991-00100
LIFT LH	556-60023	M762248-M769999	I-U-10	40 mm	70 mm	JCB-991-00100
LIFT RH	556-60024	M762248-M769999	I-U-10	40 mm	70 mm	JCB-991-00100
SHOVEL	556-60084	M762248-M769999	I-U-10	40 mm	70 mm	JCB-991-00100
STABILIZER	556-60003	M762248-M769999	I-U-10	40 mm	70 mm	JCB-991-00100
	556-60093	M762248-M769999	I-U-10	40 mm	70 mm	JCB-991-00100

Replacement Kits For

JCB

Backhoe Loaders						
APPLICATION	CYL #	SERIAL #	CODE	ROD	BORE	KIT #
MODEL 210S, 210SU						
SWING	556-60010	M762248-M769999	I-U-10	40 mm	70 mm	JCB-991-00100
MODEL 214						
BOOM	561-39000	M400001-M430000	I-U-15	60 mm	110 mm	JCB-991-00131
	561-39100	M400001-M430000	I-U-15	60 mm	110 mm	JCB-991-00131
	561-60028	M400001-M430000	I-U-10	60 mm	110 mm	JCB-991-00110
	561-90011	M400001-M430000	I-U-10	60 mm	110 mm	JCB-991-00110
BUCKET	557-16000	M400001-M430000	I-U-15	50 mm	90 mm	JCB-991-00127
	557-16600	M400001-M430000	I-U-10	50 mm	90 mm	JCB-991-00103
	557-60006	M400001-M430000	I-U-15	50 mm	90 mm	JCB-991-00013
CLAMSHOVEL	556-31900	M400001-M430000	I-U-15	40 mm	70 mm	JCB-991-00122
	556-44000	M400001-M430000	I-U-10	40 mm	70 mm	JCB-991-00100
	556-60019	M400001-M430000	I-U-10	40 mm	70 mm	JCB-991-00100
DIPPER	559-50000	M400001-M430000	I-U-15	60 mm	100 mm	JCB-991-00055
	559-50100	M400001-M430000	I-U-15	60 mm	100 mm	JCB-991-00055
	559-60009	M400001-M430000	I-U-10	60 mm	100 mm	JCB-991-00145
	559-60019	M400001-M430000	I-U-10	60 mm	100 mm	JCB-991-00145
EXTENSION	556-31000	M400001-M430000	I-U-15	40 mm	70 mm	JCB-991-00122
	556-44500	M400001-M430000	I-U-10	40 mm	70 mm	JCB-991-00100
	556-45400	M400001-M430000	I-U-15	40 mm	70 mm	JCB-991-00122
	556-60057	M400001-M430000	I-U-10	40 mm	70 mm	JCB-991-00100
JAW BUCKET	560-34300	M400001-M430000	I-SP-13	2"	4"	JCB-991-00003
LIFT	576-22100	M400001-M430000	I-U-15	50 mm	80 mm	JCB-991-00123
	576-60000	M400001-M430000	I-U-10	50 mm	80 mm	JCB-991-00102
SHOVEL	556-28900	M400001-M430000	I-U-15	40 mm	70 mm	JCB-991-00122
	556-44700	M400001-M430000	I-U-10	40 mm	70 mm	JCB-991-00095
STABILIZER	556-43700	M400001-M430000	I-U-10	40 mm	70 mm	JCB-991-00100
	559-53600	M400001-M430000	I-U-15	60 mm	100 mm	JCB-991-00055
	559-53700	M400001-M430000	I-U-15	60 mm	100 mm	JCB-991-00055
	559-60004	M400001-M430000	I-U-10	60 mm	100 mm	JCB-991-00145
	559-60005	M400001-M430000	I-U-10	60 mm	100 mm	JCB-991-00145
STEERING	556-33800	M400001-M430000	I-U-10	30 mm	70 mm	JCB-991-00099
	556-34000	M400001-M430000	I-U-10	30 mm	70 mm	JCB-991-00099
	556-46400	M400001-M430000	I-U-10	30 mm	70 mm	JCB-991-00099
	556-46500	M400001-M430000	I-U-10	30 mm	70 mm	JCB-991-00099
SWING	557-60074	M921696-	I-U-10	50 mm	90 mm	JCB-991-00163
	559-53400	M400001-M430000	I-U-15	60 mm	100 mm	JCB-991-00055
	559-53500	M400001-M430000	I-U-15	60 mm	100 mm	JCB-991-00055
MODEL 214E						
BOOM	561-60028	M430001-UP	I-U-10	60 mm	110 mm	JCB-991-00110
BUCKET	557-60006	M430001-UP	I-U-10	50 mm	90 mm	JCB-991-00103
DIPPER	559-60019	M430001-UP	I-U-10	60 mm	100 mm	JCB-991-00145
EXTENSION	556-60057	M430001-UP	I-U-10	40 mm	70 mm	JCB-991-00100
LIFT	576-60000	M430001-UP	I-U-10	50 mm	80 mm	JCB-991-00102
SHOVEL	556-44700	M430001-UP	I-U-10	40 mm	70 mm	JCB-991-00100
STABILIZER LH	559-60004	M430001-UP	I-U-10	60 mm	100 mm	JCB-991-00145
STABILIZER RH	559-60005	M430001-UP	I-U-10	60 mm	100 mm	JCB-991-00145

Replacement Kits For

JCB

Backhoe Loaders						
APPLICATION	CYL #	SERIAL #	CODE	ROD	BORE	KIT #
MODEL 214E						
STEERING	556-46400	M430001-UP	I-U-10	30 mm	70 mm	JCB-991-00099
	556-46500	M430001-UP	I-U-10	30 mm	70 mm	JCB-991-00099
SWING	559-53400	M430001-UP	I-U-15	60 mm	100 mm	JCB-991-00055
	559-53500	M430001-UP	I-U-15	60 mm	100 mm	JCB-991-00055
MODEL 214SM-4						
BOOM LIFT	563-60028	M460001-UP	I-U-10	65 mm	120 mm	JCB-991-00115
	563-60029	M460001-UP	I-U-10	65 mm	120 mm	JCB-991-00115
BUCKET	557-60006	M460001-UP	I-U-10	50 mm	90 mm	JCB-991-00103
	557-60016	M460001-UP	I-U-10	50 mm	90 mm	JCB-991-00103
	557-60030	M460001-UP	I-U-10	60 mm	90 mm	JCB-991-00147
CLAMSHOVEL	556-60077	M460001-UP	I-U-10	40 mm	70 mm	JCB-991-00100
DIPPER LIFT	561-60060	M460001-UP	I-U-10	60 mm	110 mm	JCB-991-00148
	561-60061	M460001-UP	I-U-10	60 mm	110 mm	JCB-991-00148
	561-60071	M460001-UP	I-U-10	60 mm	110 mm	JCB-991-00148
EXTENSION	556-60057	M460001-UP	I-U-10	40 mm	70 mm	JCB-991-00100
JAW BUCKET	560-34300	M460001-UP	I-SP-13	2"	4"	JCB-991-00003
LIFT	576-60000	M460001-UP	I-U-10	50 mm	80 mm	JCB-991-00102
SHOVEL	556-44700	M460001-UP	I-U-10	40 mm	70 mm	JCB-991-00100
STABILIZER	559-60063	M460001-UP	I-U-10	60 mm	100 mm	JCB-991-00145
	559-60069	M460001-UP	I-U-10	60 mm	100 mm	JCB-991-00152
STEERING	573-20001	M460001-UP	I-U-10	45 mm	75 mm	JCB-991-00156
SWING	559-60069	M460001-UP	I-U-10	60 mm	100 mm	JCB-991-00152
MODEL 215-4 CENTERMONUNT SERIES 3						
BOOM	556-60004	M460001-UP	I-U-10	75 mm	140 mm	JCB-991-00144
BUCKET	559-60024	M460001-UP	I-U-10	60 mm	100 mm	JCB-991-00145
	559-60074	M460001-UP	I-U-10	60 mm	100 mm	JCB-991-00145
CLAMSHOVEL	556-60077	M460001-UP	I-U-10	40 mm	70 mm	JCB-991-00100
DIPPER	561-60048	M460001-UP	I-U-10	65 mm	110 mm	JCB-991-00146
	561-60085	M460001-UP	I-U-10	65 mm	110 mm	JCB-991-00146
EXTENSION	556-60057	M460001-UP	I-U-10	40 mm	70 mm	JCB-991-00100
JAW BUCKET	560-34300	M460001-UP	I-SP-13	2"	4"	JCB-991-00003
LIFT	576-60000	M460001-UP	I-U-10	50 mm	80 mm	JCB-991-00102
SHOVEL	556-44700	M460001-UP	I-U-10	40 mm	70 mm	JCB-991-00100
SHOVEL C/W Reset Bracket	556-60022	M460001-UP	I-U-10	40 mm	70 mm	JCB-991-00100
STABILIZER	559-60063	M460001-UP	I-U-10	60 mm	100 mm	JCB-991-00145
STEERING	573-10001	M460001-UP	I-U-10	45 mm	75 mm	JCB-991-00156
SWING	559-60069	M460001-UP	I-U-10	60 mm	100 mm	JCB-991-00152
MODEL 215S						
BOOM	563-22600	M400001-M430000	I-U-15	65 mm	120 mm	JCB-991-00135
	563-60007	M400001-M430000	I-U-10	65 mm	120 mm	JCB-991-00115
	565-60004	M400001-M430000	I-U-10	70 mm	130 mm	JCB-991-00120
BUCKET	557-16000	M400001-M430000	I-U-15	50 mm	90 mm	JCB-991-00127
	557-16600	M400001-M430000	I-U-10	50 mm	90 mm	JCB-991-00103
CLAMSHOVEL	553-13800	M400001-M430000	I-U-15	40 mm	70 mm	JCB-991-00122
	556-44000	M400001-M430000	I-U-10	40 mm	70 mm	JCB-991-00095
	556-60019	M400001-M430000	I-U-10	40 mm	70 mm	JCB-991-00095

Replacement Kits For

JCB

Backhoe Loaders						
APPLICATION	CYL #	SERIAL #	CODE	ROD	BORE	KIT #
MODEL 215S						
CLAMSHOVEL	556-60051	M400001-M430000	I-U-10	40 mm	70 mm	JCB-991-00095
DIPPER	559-50200	M400001-M430000	I-U-15	60 mm	100 mm	JCB-991-00130
	559-60013	M400001-M430000	I-U-10	60 mm	100 mm	JCB-991-00145
EXTENSION	556-31000	M400001-M430000	I-U-15	40 mm	70 mm	JCB-991-00122
	556-44500	M400001-M430000	I-U-10	40 mm	70 mm	JCB-991-00095
	556-45400	M400001-M430000	I-U-15	40 mm	70 mm	JCB-991-00122
JAW BUCKET	560-34300	M400001-M430000	I-SP-13	2"	4"	JCB-991-00003
LIFT	557-13100	M400001-M430000	I-U-15	50 mm	90 mm	JCB-991-00127
	557-16100	M400001-M430000	I-U-15	50 mm	90 mm	JCB-991-00127
	557-60000	M400001-M430000	I-U-10	50 mm	90 mm	JCB-991-00103
	557-60004	M400001-M430000	I-U-10	50 mm	90 mm	JCB-991-00103
SHOVEL	556-28900	M400001-M430000	I-U-15	40 mm	70 mm	JCB-991-00122
	556-44700	M400001-M430000	I-U-10	40 mm	70 mm	JCB-991-00095
	556-60022	M400001-M430000	I-U-10	40 mm	70 mm	JCB-991-00095
STABILIZER	559-53600	M400001-M430000	I-U-15	60 mm	100 mm	JCB-991-00130
	559-53700	M400001-M430000	I-U-15	60 mm	100 mm	JCB-991-00130
	559-60004	M400001-M430000	I-U-10	60 mm	100 mm	JCB-991-00145
	559-60005	M400001-M430000	I-U-10	60 mm	100 mm	JCB-991-00145
STEERING LH - Front	553-09600	M400001-M430000	I-U-10	30 mm	60 mm	JCB-991-00098
	553-13400	M400001-M430000	I-U-10	30 mm	60 mm	JCB-991-00098
STEERING LH - Rear	553-09800	M400001-M430000	I-U-10	30 mm	60 mm	JCB-991-00098
	553-13800	M400001-M430000	I-U-10	30 mm	60 mm	JCB-991-00098
	553-14100	M400001-M430000	I-U-10	30 mm	60 mm	JCB-991-00098
STEERING RH - Front	553-09700	M400001-M430000	I-U-10	30 mm	60 mm	JCB-991-00098
	553-13600	M400001-M430000	I-U-10	30 mm	60 mm	JCB-991-00098
STEERING RH - Rear	553-09900	M400001-M430000	I-U-10	30 mm	60 mm	JCB-991-00098
	553-13800	M400001-M430000	I-U-10	30 mm	60 mm	JCB-991-00098
	553-14300	M400001-M430000	I-U-10	30 mm	60 mm	JCB-991-00098
SWING	559-52800	M400001-M430000	I-U-15	60 mm	100 mm	JCB-991-00130
	559-52900	M400001-M430000	I-U-15	60 mm	100 mm	JCB-991-00130
	559-53400	M400001-M430000	I-U-15	60 mm	100 mm	JCB-991-00130
	559-53500	M400001-M430000	I-U-15	60 mm	100 mm	JCB-991-00130
MODEL 1400, 1400B						
BOOM	561-31200	M337001-M399999	I-U-15	60 mm	110 mm	JCB-991-00131
	561-39000	M337001-M399999	I-U-15	60 mm	110 mm	JCB-991-00131
	561-60011	M337001-M399999	I-U-15	60 mm	110 mm	JCB-991-00131
CLAMSHOVEL	556-23700	TO M435696	I-U-15	40 mm	70 mm	JCB-991-00122
	556-31900	M337001-M399999	I-U-15	40 mm	70 mm	JCB-991-00122
DIPPER	557-12900	M337001-M399999	I-U-15	50 mm	90 mm	JCB-991-00127
	557-16600	M337001-M399999	I-U-15	50 mm	90 mm	JCB-991-00127
	559-44000	M337001-M399999	I-U-15	60 mm	100 mm	JCB-991-00130
	559-50000	M337001-M399999	I-U-15	60 mm	100 mm	JCB-991-00130
EXTENSION	556-23800	M337001-M399999	I-U-15	40 mm	70 mm	JCB-991-00122
	556-31000	M337001-M399999	I-U-15	40 mm	70 mm	JCB-991-00122
JAW BUCKET	560-34300	M337001-M399999	I-SP-13	2"	4"	JCB-991-00003
	560-34300	M337001-M399999	I-SP-13	2"	4"	JCB-991-00003

Replacement Kits For

JCB

Backhoe Loaders						
APPLICATION	CYL #	SERIAL #	CODE	ROD	BORE	KIT #
MODEL 1400, 1400B						
LIFT	576-14100	M337001-M399999	I-U-15	50 mm	80 mm	JCB-991-00123
SHOVEL	556-23900	M337001-M399999	I-U-15	40 mm	70 mm	JCB-991-00122
STABILIZER	556-23600	M337001-M399999	I-U-15	40 mm	70 mm	JCB-991-00122
STABILIZER LH	559-36300	M337001-M399999	I-U-15	60 mm	100 mm	JCB-991-00130
	559-53600	M337001-M399999	I-U-15	60 mm	100 mm	JCB-991-00130
	559-60004	M337001-M399999	I-U-15	60 mm	100 mm	JCB-991-00130
STABILIZER RH	559-36400	M337001-M399999	I-U-15	60 mm	100 mm	JCB-991-00130
	559-53700	M337001-M399999	I-U-15	60 mm	100 mm	JCB-991-00130
	559-60005	M337001-M399999	I-U-15	60 mm	100 mm	JCB-991-00130
STEERING	556-27600	M337001-M399999	I-U-15	30 mm	70 mm	JCB-991-00036
	556-28700	M337001-M399999	I-U-15	30 mm	70 mm	JCB-991-00036
	556-46400	M337001-M399999	I-U-10	30 mm	70 mm	JCB-991-00099
	556-46500	M337001-M399999	I-U-10	30 mm	70 mm	JCB-991-00099
SWING LH	559-53400	M337001-M399999	I-U-15	60 mm	100 mm	JCB-991-00130
SWING RH	559-53500	M337001-M399999	I-U-15	60 mm	100 mm	JCB-991-00130
MODEL 1550, 1550B						
BOOM	563-15500	M337001-M399999	I-U-15	65 mm	120 mm	JCB-991-00135
BUCKET	557-12900	M337001-M399999	I-U-15	50 mm	90 mm	JCB-991-00127
	557-16000	M337001-M399999	I-U-15	50 mm	90 mm	JCB-991-00127
	557-16600	M337001-M399999	I-U-15	50 mm	90 mm	JCB-991-00127
CLAMSHOVEL	556-23700	M337001-M399999	I-U-15	40 mm	70 mm	JCB-991-00122
	556-31900	M337001-M399999	I-U-15	40 mm	70 mm	JCB-991-00122
	556-44000	M337001-M399999	I-U-15	40 mm	70 mm	JCB-991-00122
DIPPER	559-43200	M337001-M399999	I-U-15	60 mm	100 mm	JCB-991-00130
	559-50200	M337001-M399999	I-U-15	60 mm	100 mm	JCB-991-00130
EXTENSION - Long Type	556-23800	M337001-M399999	I-U-15	40 mm	70 mm	JCB-991-00122
	556-31000	M337001-M399999	I-U-15	40 mm	70 mm	JCB-991-00122
	556-44500	M337001-M399999	I-U-15	40 mm	70 mm	JCB-991-00122
JAW BUCKET	560-34300	M337001-M399999	I-SP-13	2"	4"	JCB-991-00003
LIFT	576-14100	M337001-M399999	I-U-15	50 mm	80 mm	JCB-991-00123
SHOVEL	556-23900	M337001-M399999	I-U-15	40 mm	70 mm	JCB-991-00122
STABILIZER	5568-36400	M337001-M399999	I-U-15	60 mm	100 mm	JCB-991-00130
	559-53700	M337001-M399999	I-U-15	60 mm	100 mm	JCB-991-00130
	559-60005	M337001-M399999	I-U-15	60 mm	100 mm	JCB-991-00130
STEERING	556-27600	M337001-M399999	I-U-15	30 mm	70 mm	JCB-991-00036
	556-28700	M337001-M399999	I-U-15	30 mm	70 mm	JCB-991-00036
	556-33800	M337001-M399999	I-U-15	30 mm	70 mm	JCB-991-00036
	556-33800	M337001-M399999	I-U-10	30 mm	70 mm	JCB-991-00099
	556-34000	M337001-M399999	I-U-15	30 mm	70 mm	JCB-991-00036
	556-34000	M337001-M399999	I-U-10	30 mm	70 mm	JCB-991-00099
	556-46400	M337001-M399999	I-U-10	30 mm	70 mm	JCB-991-00099
	556-46500	M337001-M399999	I-U-10	30 mm	70 mm	JCB-991-00099
SWING	559-53400	M337001-M399999	I-U-15	60 mm	100 mm	JCB-991-00130
MODEL 1700B						
BUCKET	557-12900	M337001-M399999	I-U-15	50 mm	90 mm	JCB-991-00127
	557-16000	M337001-M399999	I-U-15	50 mm	90 mm	JCB-991-00127

Replacement Kits For

JCB

Backhoe Loaders						
APPLICATION	CYL #	SERIAL #	CODE	ROD	BORE	KIT #
MODEL 1700B						
BUCKET	557-16600	M337001-M399999	I-U-15	50 mm	90 mm	JCB-991-00127
	559-36100	M337001-M399999	I-U-15	60 mm	100 mm	JCB-991-00130
CLAMSHOVEL	556-23700	TO M345696	I-U-15	40 mm	70 mm	JCB-991-00122
	556-44000	M337001-M399999	I-U-15	40 mm	70 mm	JCB-991-00122
EXTENSION	556-23800	M337001-M399999	I-U-15	40 mm	70 mm	JCB-991-00122
	556-31000	M337001-M399999	I-U-15	40 mm	70 mm	JCB-991-00122
	556-44500	M337001-M399999	I-U-15	40 mm	70 mm	JCB-991-00122
JAW BUCKET	560-34300	M337001-M399999	I-SP-13	2"	4"	JCB-991-00003
LIFT	576-14100	M337001-M399999	I-U-15	50 mm	80 mm	JCB-991-00123
SHOVEL	576-14300	M337001-M399999	I-U-15	50 mm	80 mm	JCB-991-00123
	576-20200	M337001-M399999	I-U-15	50 mm	80 mm	JCB-991-00123
STABILIZER LH	559-36300	M337001-M399999	I-U-15	60 mm	100 mm	JCB-991-00130
	559-53600	M337001-M399999	I-U-15	60 mm	100 mm	JCB-991-00130
	559-60004	M337001-M399999	I-U-15	60 mm	100 mm	JCB-991-00130
STABILIZER RH	559-36400	M337001-M399999	I-U-15	60 mm	100 mm	JCB-991-00130
	559-53700	M337001-M399999	I-U-15	60 mm	100 mm	JCB-991-00130
	559-60005	M337001-M399999	I-U-15	60 mm	100 mm	JCB-991-00130
STEERING	556-27600	M337001-M399999	I-U-15	30 mm	70 mm	JCB-991-00036
	556-428700	M337001-M399999	I-U-15	30 mm	70 mm	JCB-991-00036
	556-46400	M337001-M399999	I-U-10	30 mm	70 mm	JCB-991-00099
	556-46500	M337001-M399999	I-U-10	30 mm	70 mm	JCB-991-00099
SWING LH	559-53400	M337001-M399999	I-U-15	60 mm	100 mm	JCB-991-00130
SWING RH	559-53500	M337001-M399999	I-U-15	60 mm	100 mm	JCB-991-00130
MODEL Midi CX						
BACKHOE BOOM		00972175-00989999, 01327000-01349999	I-U-10	45 mm	80 mm	JCB-991-10001
BACKHOE BUCKET		00972175-00989999, 01327000-01349999	I-U-10	40 mm	60 mm	JCB-991-10081
		00972175-00989999, 01327000-01349999	I-U-10	35 mm	60 mm	JCB-991-00170
BACKHOE DIPPER		00972175-00989999, 01327000-01349999	I-U-10	45 mm	80 mm	JCB-991-10001
KERB GRAB		00972175-00989999, 01327000-01349999	I-U-10	25 mm	50 mm	JCB-991-00097
LOADER LIFT		00972175-00989999, 01327000-01349999	I-U-10	35 mm	60 mm	JCB-991-00170
LOADER SHOVEL		00972175-00989999, 01327000-01349999	I-U-10	30 mm	60 mm	JCB-991-00098
SLEW/SWING		00972175-00989999, 01327000-01349999	I-U-10	40 mm	70 mm	JCB-991-10151
STABILIZER, CENTERMOUNT		00972175-00989999, 01327000-01349999	I-U-10	40 mm	70 mm	JCB-991-10152
STABILIZER, SIDESHIFT		00972175-00989999, 01327000-01349999	I-U-10	40 mm	60 mm	JCB-991-10081
MODEL SITEMASTER						
BACKHOE BOOM	561-31200	M337001-M399999	I-U-15	60 mm	110 mm	JCB-991-00131
	561-60011	M337001-M399999	I-U-15	60 mm	110 mm	JCB-991-00131
BACKHOE BUCKET	557-12900	M337001-M399999	I-U-15	50 mm	90 mm	JCB-991-00127
	557-16000	M337001-M399999	I-U-15	50 mm	90 mm	JCB-991-00127

Replacement Kits For

JCB

Backhoe Loaders						
APPLICATION	CYL #	SERIAL #	CODE	ROD	BORE	KIT #
MODEL SITEMASTER						
BACKHOE BUCKET	557-16600	M337001-M399999	I-U-15	50 mm	90 mm	JCB-991-00127
CLAMSHOVEL	556-23700	M337001-M399999	I-U-15	40 mm	70 mm	JCB-991-00122
	556-31900	M337001-M399999	I-U-15	40 mm	70 mm	JCB-991-00122
	556-44000	M337001-M399999	I-U-15	40 mm	70 mm	JCB-991-00122
DIPPER	559-44000	M337001-M399999	I-U-15	60 mm	100 mm	JCB-991-00130
	559-50000	M337001-M399999	I-U-15	60 mm	100 mm	JCB-991-00130
	559-50000	M337001-M399999	I-U-15	60 mm	100 mm	JCB-991-00130
EXTENSION	556-23800	M337001-M399999	I-U-15	40 mm	70 mm	JCB-991-00122
	556-31000	M337001-M399999	I-U-15	40 mm	70 mm	JCB-991-00122
	556-44500	M337001-M399999	I-U-15	40 mm	70 mm	JCB-991-00122
JAW BUCKET	560-34300	M337001-M399999	I-SP-13	2"	4"	JCB-991-00003
LIFT	576-14100	M337001-M399999	I-U-15	50 mm	80 mm	JCB-991-00123
LOADER BOOM	561-39000	M337001-M399999	I-U-15	60 mm	110 mm	JCB-991-00131
SHOVEL	556-23900	M337001-M399999	I-U-15	40 mm	70 mm	JCB-991-00122
STABILIZER	559-36400	M337001-M399999	I-U-15	60 mm	100 mm	JCB-991-00130
STEERING	556-27600	M337001-M399999	I-U-15	30 mm	70 mm	JCB-991-00036
	556-28700	M337001-M399999	I-U-15	30 mm	70 mm	JCB-991-00036
	556-33800	M337001-M399999	I-U-15	30 mm	70 mm	JCB-991-00036
	556-34000	M337001-M399999	I-U-15	30 mm	70 mm	JCB-991-00036
	556-46400	M337001-M399999	I-U-10	30 mm	70 mm	JCB-991-00099
	556-46500	M337001-M399999	I-U-10	30 mm	70 mm	JCB-991-00099
SWING	559-53400	M337001-M399999	I-U-15	60 mm	100 mm	JCB-991-00130
Excavators						
APPLICATION	CYL #	SERIAL #	CODE	ROD	BORE	KIT #
MODEL JS210						
BOOM		00705001-00707999	P-UB-10	85 mm	125 mm	JCB-998-10020
		01018001-01020001, 01202500-01204022, 01503300-01504499, 01701500-01702499, 01610000-01612499, 01613000-01613999	P-UB-10	85 mm	125 mm	JCB-331-39036
BUCKET		01018001-01020001, 01202500-01204022, 01503300-01504499, 01701500-01702499, 01610000-01612499, 01613000-01613999	P-UB-10	85 mm	115 mm	JCB-331-39041
BUCKET, LONG REACH		00705001-00707999		70 mm	95 mm	JCB-991-10129
CAB RAISE		01018001-01020001, 01202500-01204022, 01503300-01504499, 01701500-01702499, 01610000-01612499, 01613000-01613999	I-U-10	60 mm	90 mm	JCB-991-00147
DIPPER		01018001-01020001, 01202500-01204022, 01503300-01504499, 01701500-01702499, 01610000-01612499, 01613000-01613999		95 mm	130 mm	JCB-331-39047

Replacement Kits For

JCB

Excavators						
APPLICATION	CYL #	SERIAL #	CODE	ROD	BORE	KIT #
MODEL JS210						
DIPPER, LONG REACH		00705001-00707999		105 mm	150 mm	JCB-998-10022
MODEL JS240						
BOOM		00708501-00709199, 01040003-01041999	P-UB-10	105 mm	150 mm	JCB-998-10021
		01504700-01505099, 01040003-01041999	P-UB-14	90 mm	130 mm	JCB-903-21037
BUCKET		00708501-00709199	P-UB-10	90 mm	135 mm	JCB-998-10023
		01040003-01041999	P-UB-10	95 mm	130 mm	JCB-331-38788
		01504700-01505099, 01040003-01041999	P-UB-14	95 mm	130 mm	JCB-903-21049
DIPPER		00708501-00709199		105 mm	150 mm	JCB-998-10022
		01040003-01041999	P-UB-10	100 mm	140 mm	JCB-991-10127
		01504700-01505099, 01040003-01041999	P-UB-14	100 mm	140 mm	JCB-903-21165
Excavators - Compact						
APPLICATION	CYL #	SERIAL #	CODE	ROD	BORE	KIT #
MODEL 801						
ARM		M645001-M645999 M648000-M649999	I-U-5	30 mm	50 mm	JCB-231-02906
		M648652-M649999	I-U-10	30 mm	50 mm	JCB-231-02909
BLADE		M645001-M645999 M648000-M648696	I-U-5	35 mm	70 mm	JCB-231-22506
		M648697-M649999	I-U-10	35 mm	70 mm	JCB-231-32807
BOOM		M645001-M645999 M648000-M649999	I-U-5	30 mm	50 mm	JCB-231-02906
BUCKET		M645001-M645999 M648000-M649999	I-U-5	30 mm	50 mm	JCB-231-02906
		M648652-M649999	I-U-10	30 mm	50 mm	JCB-231-02909
SWING		M645001-M645999 M648000-M648651	I-U-5	30 mm	50 mm	JCB-231-02906
		M648652-M649999	I-U-10	30 mm	50 mm	JCB-231-02909
MODEL 803						
ARM		M665001-M665736 M666001-M666935	I-U-10	40 mm	70 mm	JCB-232-02906
		M666936-M667435	I-U-10	40 mm	70 mm	JCB-232-56352
BLADE		M665001-M665736 M666001-M666930	I-U-10	45 mm	90 mm	JCB-232-22510
		M666931-M667435	I-U-10	45 mm	90 mm	JCB-232-56754
BOOM		M665001-M665736 M666001-M666956	I-U-10	40 mm	80 mm	JCB-232-08512
		M666957-M667435	I-U-10	40 mm	80 mm	JCB-232-56152
BUCKET		M665001-M665736 M666001-M666956	I-UB-10	50 mm	75 mm	JCB-232-03407
		M666957-M667435	I-U-10	50 mm	75 mm	JCB-232-56507
SWING		M666001-M666333	I-U-10	40 mm	80 mm	JCB-232-08512
		M666334-M667435	I-U-10	50 mm	80 mm	JCB-232-56956
MODEL 803 Magnum, 803 Plus						
ARM		M765607-M765699	I-U-10	40 mm	70 mm	JCB-232-56352
		M765700-Sept 98	I-U-10	40 mm	70 mm	JCB-232-95956
		M827240-	P-U-10	40 mm	70 mm	JCB-991-10112

Replacement Kits For

JCB

Excavators - Compact						
APPLICATION	CYL #	SERIAL #	CODE	ROD	BORE	KIT #
MODEL 803 Magnum, 803 Plus						
ARM		Sept 98-M827239	P-U-10	40 mm	70 mm	JCB-991-10112
BLADE		M765607-M827239	I-U-10	45 mm	90 mm	JCB-232-56754
		M827240-	I-U-10	45 mm	90 mm	JCB-232-56754
BOOM		M765607-M827239	P-U-10	40 mm	80 mm	JCB-991-10111
		M765607-M827239	I-U-10	40 mm	80 mm	JCB-232-56152
		M827240-	P-U-10	40 mm	80 mm	JCB-991-10111
BUCKET		M765607-M827239	I-U-10	50 mm	75 mm	JCB-232-56507
		M827240-	P-U-10	50 mm	75 mm	JCB-991-10113
SWING		M765607-M827239	I-U-10	50 mm	80 mm	JCB-232-56956
		M827240-	I-U-10	40 mm	80 mm	JCB-991-00167
MODEL 803 Super						
ARM		M765607-M827239	P-U-10	40 mm	70 mm	JCB-991-10112
		M827240	I-U-10	40 mm	70 mm	JCB-232-56352
BLADE		M765607-M827239 M827240	I-U-10	45 mm	90 mm	JCB-232-56754
BOOM		M765607-M827239 M827240-	P-U-10	40 mm	80 mm	JCB-991-10111
BUCKET		M795607-M827239	P-U-10	50 mm	75 mm	JCB-991-10113
		M827240-	I-UB-10	50 mm	75 mm	JCB-232-03407
SWING		M765607-M827239 M827240	I-U-10	50 mm	80 mm	JCB-232-56956
MODEL 804						
ARM		M734001-M734401	I-U-10	45 mm	75 mm	JCB-232-51254
BLADE		M734001-M734135	I-U-10	45 mm	90 mm	JCB-232-22510
		M734136-M734401	I-U-10	45 mm	90 mm	JCB-232-56754
BOOM		M734001-M734401	I-U-10	45 mm	90 mm	JCB-232-51155
BUCKET		M734001-M734401	I-U-10	45 mm	75 mm	JCB-232-51254
SWING		M734001-M734135	I-U-10	40 mm	80 mm	JCB-232-08512
		M734136-M734401	I-U-10	45 mm	90 mm	JCB-232-56754
MODEL 804 Plus						
ARM			I-U-10	40 mm	70 mm	JCB-232-56352
		M734402-M734629	P-U-10	40 mm	70 mm	JCB-991-10112
BLADE		M734402-M734629	I-U-10	45 mm	90 mm	JCB-232-56754
BOOM		M734402-M734629	P-U-10	40 mm	80 mm	JCB-991-10111
BUCKET		M734402-M734629	P-U-10	50 mm	75 mm	JCB-991-10113
SWING		M734402-M734629	I-U-10	50 mm	80 mm	JCB-232-56956
MODEL 804 Super						
ARM		M34630-M734629 M734834-	I-U-10	45 mm	75 mm	JCB-991-00166
		M34630-M734629 M734834-	P-U-10	45 mm	90 mm	JCB-991-00165
BOOM		M34630-M734629 M734834-	I-U-10	45 mm	95 mm	JCB-991-00164
BUCKET		M34630-M734629 M734834-	I-U-10	50 mm	80 mm	JCB-991-00102
SWING		M34630-M734629 M734834-	I-U-10	40 mm	80 mm	JCB-991-00167

Replacement Kits For

JCB

Excavators - Compact						
APPLICATION	CYL #	SERIAL #	CODE	ROD	BORE	KIT #
MODEL 8014						
ARM		M791000-M795999	P-U-10	30 mm	50 mm	JCB-231-35313
BLADE			I-U-5	35 mm	70 mm	JCB-231-22506
		M791000-M795999	I-U-10	35 mm	70 mm	JCB-236-11516
BOOM		M791000-M791222	P-U-10	30 mm	50 mm	JCB-231-34316
		M791223-M795999	P-U-10	30 mm	55 mm	JCB-231-77408
BUCKET		M791000-M795999	P-U-10	30 mm	50 mm	JCB-231-35313
SWING			P-U-10	30 mm	50 mm	JCB-991-10102
MODEL 8015						
ARM		M730800-M731999 M820000-M821999 M894000-M895999	P-U-10	30 mm	50 mm	JCB-231-35313
BLADE		M730800-M731179 M820000-M821999 M894000-M895999	I-U-10	35 mm	70 mm	JCB-236-11516
BOOM		M730800-M731999	P-U-10	30 mm	50 mm	JCB-231-34316
		M820000-M821999	P-U-10	30 mm	55 mm	JCB-231-77408
BUCKET		M730800-M731999 M820000-M821999 M894000-M894877	P-U-10	30 mm	50 mm	JCB-231-35313
		M894878-M895999	I-U-10	30 mm	50 mm	JCB-231-35413
SWING		M894200-M895999	P-U-10	30 mm	50 mm	JCB-991-10102
MODEL 8017						
ARM		M800000-M800999 M896000-M896999	P-U-10	30 mm	50 mm	JCB-231-35313
BLADE		M800000-M800999 M896000-M896999	I-U-10	35 mm	70 mm	JCB-231-22509
BOOM		M800000-M800999 M896000-M896999	P-U-10	30 mm	55 mm	JCB-231-77408
BUCKET		M800000-M800999 M896000-M896999	P-U-10	30 mm	50 mm	JCB-231-35313
SWING		M800000-M800999 M896000-M896999	P-U-10	30 mm	50 mm	JCB-991-10102
MODEL 8052						
ARM		M802000-	I-U-10	60 mm	90 mm	JCB-991-00147
BLADE		M802000-M802678	I-U-10	50 mm	80 mm	JCB-991-00102
		M802679-	I-U-10	60 mm	110 mm	JCB-991-00110
BOOM		M802000-	I-U-10	60 mm	100 mm	JCB-991-00145
BUCKET		M802000-	I-U-10	50 mm	80 mm	JCB-991-00102
SWING		M802000-	I-U-10	50 mm	90 mm	JCB-991-00103
Telehandlers						
APPLICATION	CYL #	SERIAL #	CODE	ROD	BORE	KIT #
MODEL 505-19 F.M						
BOX TIPPER, STRIMECH	983-00130	M561011-M579360	I-U-15	50 mm	100 mm	JCB-983-00154
CARRIAGE - Sideshift	547-42101	M561011-M579360	I-U-4	7/8"	2"	JCB-547-42102
CLAMSHOVEL	556-44000	M561011-M579360	I-U-15	40 mm	70 mm	JCB-991-00122
	556-60019	M561011-M579360	I-U-10	40 mm	70 mm	JCB-991-00095
DISPLACEMENT	561-24200	M569247	I-U-15	50 mm	110 mm	JCB-991-00126
	561-60006	M561011-M579360	I-U-15	50 mm	110 mm	JCB-991-00126
	561-60019	M561011-M579360	I-U-10	50 mm	110 mm	JCB-991-00109

Replacement Kits For

JCB

Telehandlers						
APPLICATION	CYL #	SERIAL #	CODE	ROD	BORE	KIT #
MODEL 505-19 F.M						
EXTENSION	553-13800	M561011-M579360	I-U-15	50 mm	70 mm	JCB-556-24900K
EXTENSION - Metric	556-60062	M561011-M579360	I-U-10	50 mm	70 mm	JCB-991-00105
LIFT	561-23600	M567495	I-U-15	60 mm	110 mm	JCB-991-00131
	561-42800	M569262	I-U-15	60 mm	110 mm	JCB-991-00131
	561-60005	M561011-M579360	I-U-15	60 mm	110 mm	JCB-991-00131
	561-60017	M561011-M579360	I-U-10	60 mm	110 mm	JCB-991-00110
LIFT - Float	561-60039	M561011-M579360	I-U-10	60 mm	110 mm	JCB-991-00110
LOG GRAB	545-45300	M561011-M579360	I-U-10	1-1/2"	2-3/8"	JCB-545-45307
MANURE FORK	980-35601	M561011-M579360	I-U-10	1-1/2"	3"	JCB-980-35603
STEERING - Front	551-06200	M561011-M579360	I-U-10	25 mm	50 mm	JCB-993-46200K
STEERING - Front & Rear	551-06400	M561011-M579360	I-U-10	25 mm	50 mm	JCB-991-00071
	551-08500	M568555	I-U-10	25 mm	50 mm	JCB-991-00054
	551-10100	M561011-M579360	I-U-10	25 mm	50 mm	JCB-991-00097
STEERING - Front, JCB Option	993-46200	M561011-M579360	I-U-10	25 mm	50 mm	JCB-993-46200K
STEERING - Rear	551-06300	M561011-M579360	I-U-10	25 mm	50 mm	JCB-993-46200K
STEERING - Rear, JCB Option	993-46400	M561011-M579360	I-U-10	25 mm	50 mm	JCB-993-46200K
TILT	553-02000	M561011-M579360	I-U-14	30 mm	60 mm	JCB-991-00021
	553-04300	M561011-M579360	I-U-14	30 mm	60 mm	JCB-991-00021
	561-23900	M561307	I-U-15	50 mm	110 mm	JCB-991-00126
	561-33500	M569262	I-U-15	50 mm	110 mm	JCB-991-00126
	561-60009	M561011-M579360	I-U-15	50 mm	110 mm	JCB-991-00126
	561-60020	M561011-M579360	I-U-10	50 mm	110 mm	JCB-991-00109
TILT - Boom Float	561-60038	M561011-M579360	I-U-10	50 mm	110 mm	JCB-991-00109
TOW HITCH	556-31100	M561011-M579360	I-U-10	30 mm	70 mm	JCB-991-00069
	556-42200	M568560	I-U-10	30 mm	70 mm	JCB-991-00099
	556-46700	M561011-M579360	I-U-10	30 mm	70 mm	JCB-991-00099
MODEL 505-22, 505-22 SWAY						
BOX TIPPER, STRIMECH	983-00130	M561011-M579360	I-U-15	50 mm	100 mm	JCB-983-00154
CARRIAGE - Sideshift	547-42101	M561011-M579360	I-U-4	7/8"	2"	JCB-547-42102
	993-34500	M561011-M579360	I-U-4	1"	2-1/2"	JCB-993-34509
CLAMSHOVEL	556-44000	M561011-M579360	I-U-15	40 mm	70 mm	JCB-991-00122
	556-60019	M561011-M579360	I-U-10	40 mm	70 mm	JCB-991-00095
DISPLACEMENT	561-32400	M569237	I-U-15	50 mm	110 mm	JCB-991-00126
	561-60008	M561011-M579360	I-U-15	50 mm	110 mm	JCB-991-00126
	561-60025	M561011-M579360	I-U-10	50 mm	110 mm	JCB-991-00109
EXTENSION	556-32700	M561011-M579360	I-U-15	50 mm	70 mm	JCB-556-24900K
	556-60050	M561011-M579360	I-U-10	50 mm	70 mm	JCB-991-00105
LIFT	561-24500	M567495	I-U-15	60 mm	110 mm	JCB-991-00131
	561-42700	M569149	I-U-15	60 mm	110 mm	JCB-991-00131
	561-60004	M561011-M579360	I-U-15	60 mm	110 mm	JCB-991-00131
	561-60015	M561011-M579360	I-U-10	60 mm	110 mm	JCB-991-00110
LOG GRAB	545-45300	M561011-M579360	I-U-10	1-1/2"	2-3/8"	JCB-545-45307
MANURE FORK	980-35601	M561011-M579360	I-U-10	1-1/2"	3"	JCB-980-35603
STEERING - Front	551-06200	M561011-M579360	I-U-10	25 mm	50 mm	JCB-993-46200K
STEERING - Front & Rear	551-06400	M561011-M579360	I-U-10	25 mm	50 mm	JCB-991-00071
	551-08500	M568555	I-U-10	25 mm	50 mm	JCB-991-00054

Replacement Kits For

JCB

Telehandlers						
APPLICATION	CYL #	SERIAL #	CODE	ROD	BORE	KIT #
MODEL 505-22, 505-22 SWAY						
STEERING - Front & Rear	551-10100	M561011-M579360	I-U-10	25 mm	50 mm	JCB-991-00097
STEERING - Front, JCB Option	993-46200	M561011-M579360	I-U-10	25 mm	50 mm	JCB-993-46200K
STEERING - Rear	551-06300	M561011-M579360	I-U-10	25 mm	50 mm	JCB-993-46200K
STEERING - Rear, JCB Option	993-46400	M561011-M579360	I-U-10	25 mm	50 mm	JCB-993-46200K
SWAY	561-24800	M569212	I-U-15	50 mm	110 mm	JCB-991-00126
	561-60012	M561011-M579360	I-U-15	50 mm	110 mm	JCB-991-00126
	561-60023	M561011-M579360	I-U-10	50 mm	110 mm	JCB-991-00109
TILT	553-02000	M561011-M579360	I-U-14	30 mm	60 mm	JCB-991-00021
	553-04300	M561011-M579360	I-U-14	30 mm	60 mm	JCB-991-00021
	561-23900	M561307	I-U-15	50 mm	110 mm	JCB-991-00126
	561-33500	M569262	I-U-15	50 mm	110 mm	JCB-991-00126
	561-60009	M561011-M579360	I-U-15	50 mm	110 mm	JCB-991-00126
	561-60020	M561011-M579360	I-U-10	50 mm	110 mm	JCB-991-00109
TOW HITCH	556-31100	M561011-M579360	I-U-10	30 mm	70 mm	JCB-991-00069
	556-42200	M568560	I-U-10	30 mm	70 mm	JCB-991-00099
	556-46700	M561011-M579360	I-U-10	30 mm	70 mm	JCB-991-00099
MODEL 506B						
DISPLACEMENT	563-60012	M570000	I-U-10	65 mm	120 mm	JCB-991-00115
EXTENSION	903-05900	M570000	I-U-10	70 mm	110 mm	JCB-991-00112
	903-06100	M570000	I-U-10	70 mm	110 mm	JCB-991-00112
LIFT	561-60018	M570000	I-U-10	65 mm	110 mm	JCB-991-00111
STEERING - Front & Rear	551-10100	M570000	I-U-10	25 mm	50 mm	JCB-991-00097
SWAY	561-60012	M570000	I-U-15	50 mm	110 mm	JCB-991-00126
	561-60023	M570000	I-U-10	50 mm	110 mm	JCB-991-00109
TILT	563-60011	M570000	I-U-10	65 mm	120 mm	JCB-991-00115
MODEL 525B-4HL						
ATTACHMENT	545-45300	M272000-M276567	I-U-10	1-1/2"	2-3/8"	JCB-545-45307
DISPLACEMENT	561-09900	M272000-M276567	I-U-15	60 mm	110 mm	JCB-991-00058
EXTENSION	556-08300	M272050	I-SP-15	50 mm	70 mm	JCB-556-08300K
	556-12900	M272000-M276567	I-SP-15	50 mm	70 mm	JCB-556-08300K
EXTENSION w/ Check Valve	556-13400	M272000-M276567	I-SP-15	50 mm	70 mm	JCB-556-08300K
LIFT - 7' Mast - 1st Stage	547-41700	M272000-M276567	P-U-10	2"	2-1/2"	JCB-991-03900
LIFT - 7' Mast - 2nd Stage	547-41700	M272000-M276567	I-U-15	2-7/8"	3-1/2"	JCB-991-03800
TILT	561-29600	M272000-M276567	I-SP-15	60 mm	110 mm	JCB-561-10200K
TILT - Side	553-04300	M272000-M276567	I-U-14	30 mm	60 mm	JCB-991-00021
MODEL 530B-4HL						
ATTACHMENT	545-45300	M580001-M584435	I-U-10	1-1/2"	2-3/8"	JCB-545-45307
BOOM LIFT	561-13800	M580970	I-U-15	60 mm	110 mm	JCB-991-00014
	561-22400	M580001-M584435	I-U-15	60 mm	110 mm	JCB-991-00029
CLAMSHOVEL	556-23700	M580001-M584435	I-U-15	40 mm	70 mm	JCB-991-00015
	556-31900	M580001-M584435	I-U-15	40 mm	70 mm	JCB-991-00122
DISPLACEMENT	563-05600	M580001-M584435	I-U-15	65 mm	120 mm	JCB-991-00030
EXTENSION - Inner	557-06700	M580001-M584435	I-SP-15	60 mm	90 mm	JCB-557-06700K
EXTENSION - Outer	561-17200	M581764	I-U-15	60 mm	110 mm	JCB-991-00014
	561-29500	M580001-M584435	I-U-15	60 mm	110 mm	JCB-991-00029
LIFT - 7' Mast - 1st Stage	547-41700	M580001-M584435	P-U-10	2"	2-1/2"	JCB-991-03900

Replacement Kits For

JCB

Telehandlers						
APPLICATION	CYL #	SERIAL #	CODE	ROD	BORE	KIT #
MODEL 530B-4HL						
LIFT - 7' Mast - 2nd Stage	547-41700	M580001-M584435	I-U-15	2-7/8"	3-1/2"	JCB-991-03800
STABILIZER	559-23100	M580810	I-U-15	60 mm	100 mm	JCB-991-00012
	559-32200	M580001-M584435	I-U-15	60 mm	100 mm	JCB-991-00028
TILT	563-23700	M580001-M584435	I-U-15	65 mm	120 mm	JCB-991-00030
TILT - Side	553-04300	M580001-M584435	I-U-14	30 mm	60 mm	JCB-991-00021
Wheel Dozers/Loaders						
APPLICATION	CYL #	SERIAL #	CODE	ROD	BORE	KIT #
MODEL 426, 426B						
LIFT		01231500-01232499, 01295000- 01295999, 00531000-00531299, 00531300-00531800, 00532100- 00532499, 00532500-00532999, 00533300-00533699, 01173000-01173999	I-U-10	60 mm	110 mm	JCB-991-00110
QUICK HITCH		00532500-00532999, 01173000-01173999	I-U-15	30 mm	60 mm	JCB-262-83024
		01231500-01232499, 01295000-01295999, 00531000-00531299, 00531300- 00531800, 00533300-00533699,	I-U-10	25 mm	50 mm	JCB-991-00097
STEERING		01231500-01232499, 01295000-01295999, 00531000-00531299, 00531300-00531800, 00532100- 00532499, 00532500-00532999, 00533300-00533699, 01173000-01173999	I-U-10	50 mm	80 mm	JCB-991-00102
TILT		01231500-01232499, 01295000- 01295999, 00531000-00531299, 00531300-00531800, 00532100- 00532499, 00532500-00532999, 00533300-00533699, 01173000-01173999	I-U-10	60 mm	100 mm	JCB-991-00145
TILT (Z-BAR)		00531000-00531299		80 mm	160 mm	JCB-998-10374
		01231500-01232499, 01295000- 01295999, 00531000-00531299, 00531300-00531800, 00532100- 00532499, 00532500-00532999, 00533300-00533699, 01173000-01173999	I-U-10	70 mm	130 mm	JCB-991-00120

Replacement Kits For

JCB

Wheel Dozers/Loaders						
APPLICATION	CYL #	SERIAL #	CODE	ROD	BORE	KIT #
MODEL 436, 436B						
LIFT		01305000-01305999, 01410000-01410999, 00533000-00533299, 00533300-00533699, 00533700- 00534199,00534200- 00534999	I-U-10	70 mm	130 mm	JCB-991-00120
QUICK HITCH		01305000-01305999, 01410000-01410999, 00533000-00533299, 00534200-00534999, 00533300-00533699,	I-U-10	25 mm	50 mm	JCB-991-00097
STEERING		01305000-01305999, 01410000-01410999, 00533000-00533299, 00533300-00533699, 00533700-00534199, 00534200-00534999	I-U-10	50 mm	80 mm	JCB-991-00102
TILT	from: M533210	01305000-01305999, 01410000-01410999, 00533000-00533299, 00534200-00534999, 00533700-00534199,	I-U-10	65 mm	110 mm	JCB-991-00111
	to: M633209	00533000-00533299, 00533300-00533699,	I-U-10	60 mm	110 mm	JCB-991-00110
TILT (Z-BAR)		00533000-00533299, 00533300-00533699, 00533700-00534199	I-U-14	80 mm	160 mm	JCB-991-00149
	from: M1305060	01305000-01305999, 01410000-01410999	P-UB-14	90 mm	160 mm	JCB-991-10156
	to: M1305059	01305000-01305999, 00534200-00534999		80 mm	160 mm	JCB-998-10374
MODEL 456, 456B						
LIFT		00539000-00539228	I-U-14	80 mm	160 mm	JCB-991-00149
		00539229-00539399		80 mm	160 mm	JCB-998-10374
		00539400-00539807		80 mm	160 mm	JCB-998-10374
	from: M1169139	1169001-1169999	P-UB-14	80 mm	160 mm	JCB-991-10154
	from: M1239002	01239000-01239499	P-UB-14	80 mm	160 mm	JCB-991-10154
	from: M539185	00539000-00539228		80 mm	160 mm	JCB-998-10374
	to: M1169138	1169001-1169999		80 mm	160 mm	JCB-998-10374
	to: M1239001	01239000-01239499		80 mm	160 mm	JCB-998-10374
STEERING		00539229-00539399, 00539400-00539807, 00539000-00539228, 01239000-01239499	I-U-10	50 mm	90 mm	JCB-991-00103
TILT		00539229-00539399		90 mm	180 mm	JCB-998-10375
		00539400-00539807		90 mm	180 mm	JCB-998-10375
	from: M1169140	1169001-1169999		90 mm	180 mm	JCB-991-10158
	from: M1239008	01239000-01239499		90 mm	180 mm	JCB-991-10158



Replacement Kits For

JCB

Wheel Dozers/Loaders

APPLICATION	CYL #	SERIAL #	CODE	ROD	BORE	KIT #
MODEL 456, 456B						
TILT	from: M539185	00539000-00539228		90 mm	180 mm	JCB-998-10375
	to: M1169139	1169001-1169999		90 mm	180 mm	JCB-998-10375
	to: M1239007	01239000-01239499		90 mm	180 mm	JCB-998-10375
TILT (Z-BAR)	from: M1169140	1169001-1169999		90 mm	180 mm	JCB-991-10158
	from: M1239008	01239000-01239499		90 mm	180 mm	JCB-991-10158

REPLACEMENT KITS FOR JCB

Kit Number	Rod X Bore Size	Kit Number	Rod X Bore Size
JCB-20-602005		JCB-556-08300K	50 X 70 mm
JCB-20-950206		JCB-556-24900K	50 X 70 mm
JCB-25-221906		JCB-557-06700K	60 X 90 mm
JCB-231-02906	30 X 50	JCB-561-10200K	60 X 110 mm
JCB-231-02909	30 X 50	JCB-690-00754	100 X 135 mm
JCB-231-22506	35 X 70	JCB-690-00801	80 X 120 mm
JCB-231-22509	35 X 70	JCB-903-10301	1-3/8 X 2
JCB-231-32807	35 X 70	JCB-903-21037	90 X 130 mm
JCB-231-34316	30 X 50	JCB-903-21049	95 X 130 mm
JCB-231-35313	30 X 50	JCB-903-21165	100 X 140 mm
JCB-231-35413	30 X 50 mm	JCB-904-20156	
JCB-231-77408	30 X 55	JCB-980-35603	1-1/2 X 3
JCB-232-02906	40 X 70	JCB-983-00154	50 X 100 mm
JCB-232-03407	50 X 75 mm	JCB-991-00001	1-1/2 X 2-3/4
JCB-232-08512	40 X 80	JCB-991-00002	2 X 3-5/8
JCB-232-22510	45 X 90	JCB-991-00003	2 X 4
JCB-232-51155	45 X 90	JCB-991-00004	2 X 4-1/2
JCB-232-51254	45 X 75	JCB-991-00005	2-1/2 X 4
JCB-232-56152	40 X 80	JCB-991-00007	63 mm X 5
JCB-232-56352	40 X 70 mm	JCB-991-00008	2-1/2 X 4-1/2
JCB-232-56507	50 X 75	JCB-991-00009	1 X 2
JCB-232-56754	45 X 90	JCB-991-00010	5 Piston Kit
JCB-232-56956	50 X 80	JCB-991-00011	4-1/2 Piston Kit
JCB-232-95956	40 X 70 mm	JCB-991-00012	60 X 100 mm
JCB-236-11516	35 X 70	JCB-991-00013	50 X 90 mm
JCB-262-83024	30 X 60 mm	JCB-991-00014	60 X 110 mm
JCB-331-38788	95 X 130 mm	JCB-991-00015	40 X 70 mm
JCB-331-39036	85 X 125 mm	JCB-991-00016	50 X 80 mm
JCB-331-39041	85 X 115 mm	JCB-991-00017	30 X 60 mm
JCB-331-39047	95 X 130 mm	JCB-991-00018	110 mm Piston Kit
JCB-545-45307	1-1/2 X 2-3/8	JCB-991-00020	30X 60 mm
JCB-547-42102	7/8 X 2	JCB-991-00021	30 X 60 mm
JCB-548-12801	1/2 X 25 mm	JCB-991-00026	50 x 80 mm

REPLACEMENT KITS FOR JCB

Kit Number	Rod X Bore Size
JCB-991-00027	50 x 90 mm
JCB-991-00028	60 X 100 mm
JCB-991-00029	60 X 110 mm
JCB-991-00030	65 X 120 mm
JCB-991-00036	30 X 70 mm
JCB-991-00054	25 X 50 mm
JCB-991-00055	60 X 100 mm
JCB-991-00058	60 X 110 mm
JCB-991-00061	50 X 80 mm
JCB-991-00069	30 X 70 mm
JCB-991-00071	25 X 50 mm
JCB-991-00095	40 X 70 mm
JCB-991-00096	50 X 90 mm
JCB-991-00097	25 X 50 mm
JCB-991-00098	30 X 60 mm
JCB-991-00099	30 X 70 mm
JCB-991-00100	40 X 70 mm
JCB-991-00102	50 X 80 mm
JCB-991-00103	50 X 90 mm
JCB-991-00105	50 X 70 mm
JCB-991-00109	50 X 110 mm
JCB-991-00110	60 X 110 mm
JCB-991-00111	65 X 110 mm
JCB-991-00112	70 X 110 mm
JCB-991-00115	65 X 120 mm
JCB-991-00120	70 X 130 mm
JCB-991-00122	40 X 70 mm
JCB-991-00123	50 X 80 mm
JCB-991-00126	50 X 110 mm
JCB-991-00127	50 X 90 mm
JCB-991-00130	60 X 100 mm
JCB-991-00131	60 X 110 mm
JCB-991-00135	65 X 120 mm
JCB-991-00144	75 X 140 mm
JCB-991-00145	60 X 100 mm
JCB-991-00146	65 X 110 mm
JCB-991-00147	60 X 90 mm
JCB-991-00148	60 X 110 mm
JCB-991-00149	80 X 160 mm
JCB-991-00152	60 X 100 mm
JCB-991-00156	45 X 75 mm
JCB-991-00163	50 X 90 mm
JCB-991-00164	45 X 90
JCB-991-00165	45 X 90
JCB-991-00166	45 X 75

Kit Number	Rod X Bore Size
JCB-991-00167	40 X 80
JCB-991-00170	35 X 60 mm
JCB-991-03800	2-7/8 X 3-1/2
JCB-991-03900	2 X 2-1/2
JCB-991-10001	45 X 80 mm
JCB-998-10020	85 X 125 mm
JCB-998-10021	90 X 130 mm
JCB-998-10022	
JCB-998-10023	90 X 135 mm
JCB-991-10081	40 X 60 mm
JCB-991-10102	30 X 50
JCB-991-10111	40 X 80
JCB-991-10112	40 X 70
JCB-991-10113	50 X 75
JCB-991-10121	60 X 110 mm
JCB-991-10122	50 X 90 mm
JCB-991-10127	100 X 140 mm
JCB-991-10129	70 X 95 mm
JCB-991-10141	30 X 50 mm
JCB-991-10142	60 X 100 mm
JCB-991-10151	40 X 70 mm
JCB-991-10154	80 X 160 mm
JCB-991-10156	90 X 160 mm
JCB-991-10158	
JCB-993-34509	1 X 2-1/2
JCB-993-46200K	25 X 50 mm
JCB-993-99610	
JCB-997-00908	1-1/2 X 2-1/2
JCB-998-10200	
JCB-998-10220	
JCB-998-10242	
JCB-998-10374	
JCB-998-10375	
JCB-LQU0096	55 X 85 mm
JCB-LQU-0138	95 X 130 mm
JCB-LQU-0142	80 X 120 mm
JCB-LQU-0164	80 X 115
JCB-SKJ-CB7560	60 X
JCB-SKJ-CB9035	35 X 90 mm

REPLACEMENT KITS FOR JLG INDUSTRIES

JLG

Kit Number	Code (Pg. xiv)	Rod X Bore Size
JLG-2900003	N-N-11	5" SWIVEL KIT
JLG-2900005	P-V-1	2 X 3
JLG-2900006	P-V-11	2 X 5
JLG-2900007	I-U, V-11	1 X 3
JLG-2900008	P-V-11	1 X 3
JLG-2900009	P-V-11	2 X 4
JLG-2900010	P-V-11	2-1/2 X 6
JLG-2900088	P-U-8	3 X 7
JLG-2900094	P-U-10	2 X 3
JLG-2900095	P-U-10	1-1/4 X 2-1/2
JLG-2900099	I-U-11	1-1/4 X 2-1/4
JLG-2900100	I-U-10, 12	2 X 6
JLG-2900101	P-V-11	1 X 2
JLG-2900102	P-V-11	2 X 3
JLG-2900103	P-V-11	1-1/4 X 3
JLG-2900104	I-U-11	1 X 3
JLG-2900107	P-V-11	1-1/2 X 4
JLG-2900108	I-U-10, 12	3-1/2 X 8
JLG-2900109	P-U-11	1 X 3
JLG-2900109M	P-U-13	1 X 3
JLG-2900110	P-U-11	1-1/2 X 4
JLG-2900111	P-U-11	1-1/4 X 3
JLG-2900111M	P-U-13	1-1/4 X 3
JLG-2900112	I-U-10, 12	2 X 5
JLG-2900113	I-U-10, 12	3-1/2 X 9
JLG-2900114	P-V-1	3-1/2 X 8
JLG-2900119	I,P,U-11	1-1/4 X 3
JLG-2900120	PUMP SEAL KIT	
JLG-2900123	P-U-11	2 X 4
JLG-2900124	I-U-11	1 X 2
JLG-2900125	I-U-11	2 X 3
JLG-2900126	P-U-11	1-1/4 X 3
JLG-2900127	N-N-11	5-7/8" SWIVEL KIT
JLG-2900142	P-U-11	2-1/2 X 6
JLG-2900156	I-U-11	1 X 2
JLG-2900157	I-U-11	2-1/2 X 4
JLG-2900158	VALVE KIT	
JLG-2900166	P-U-11	1-1/4 X 2
JLG-2900168	MOTOR KIT	
JLG-2900173	P-U-11	2 X 4
JLG-2900175	I-OB-2	1/2 X 1
JLG-2900184	N-U-10, 12	2 X 3
JLG-2900188	P-O-11	3/4 X 2
JLG-2900197	P-U-11	2 X 3
JLG-2900203	I-U-11	3 X 4
JLG-2900208	I-U-11	2 X 3
JLG-2900209	I-U-11	2 X 5
JLG-2900242	P-O-11	3/4 X 2
JLG-2900292	P-U-11	2-1/2 X 6
JLG-2900293	I-U-11	3 X 5

Kit Number	Code (Pg. xiv)	Rod X Bore Size
JLG-2900295	I-U-10	1-1/4 X 3
JLG-2900338	P-U-1	3-1/2 X 8
JLG-2900344	P-U-10	1 X 2 DOUBLE ROD
JLG-2900347	P-U-1	2 X 3
JLG-2900347	P-U-1	2 X 3
JLG-2900348	P-U-10	1-1/4 X 3
JLG-2900350	P-U-11	2 X 3
JLG-2900351	I-U-10	1-1/2 X 3
JLG-2900352	P-U-10	1-1/4 X 2-1/2
JLG-2900357	P-U-10	2 X 3
JLG-2900364	P-U-10	1-1/4 X 3
JLG-2900367	P-U-11	1-1/4 X 3
JLG-2900368	P-U-11	2 X 3
JLG-2900381	P-U-11	1-1/4 X 2-1/2
JLG-2900398	P-U-11	1-1/2 X 2-1/2
JLG-2900400	O-RING KIT	
JLG-2900408	I-U-11	1 X 2
JLG-2900409	2-1/2, 3-1/2 STAGES	
JLG-2900412	2-1/2, 3-1/2, 4-5/8 STAGES	
JLG-2900426	P-U-11	1-1/4 X 3
JLG-2900427	1-5/8" SWIVEL KIT	
JLG-2900429	P-U-11	1-1/2 X 2-1/2
JLG-2900431	P-U-11	2 X 4
JLG-2900432	P-U-11	2 X 3
JLG-2900432M	P-U-13	2 X 3
JLG-2900454	P-U-11	1-1/2 X 4
JLG-2900469	P-U-11	2 X 5
JLG-2900473	I-U-10, 12	4 X 5-1/2
JLG-2900485	P-U-10	3/4 X 2
JLG-2900499	2-1/2, 3-1/2, 4-5/8 STAGES	
JLG-2900511	2-1/2, 3-1/2 STAGES	
JLG-2900578	I-U-11	1-1/4 X 2
JLG-2900579	P-U-9	2-1/2 X 5
JLG-2900683	O-RING KIT	
JLG-2900700	P-OB-3	1-1/8 X 2
JLG-2900701	N-OB-13	1 X 1-1/2
JLG-2901007	I-U-10	2 X 3-1/2
JLG-2901009	O-RING KIT	
JLG-2901034	I-OB-3	1-1/2 X 3-1/2
JLG-2901103	P-U-11	1-1/2 X 4
JLG-2901105	P-U-11	2-1/2 X 6
JLG-2901115	P-U-10	3 X 5
JLG-2901119	P-U-11	1-1/4 X 2-1/2
JLG-2901127	P-U-13	1 X 3
JLG-2901133	P-U-13	1-1/4 X 3
JLG-2901138	P-U-13	1-1/2 X 4
JLG-2901146	5" SWIVEL KIT	
JLG-2901180	P-U-9	2-3/4 X 3-1/2
JLG-7000312	1-1/2" PISTON KIT	

REPLACEMENT SEAL KITS FOR JOHN DEERE EQUIPMENT*

Replacement Seal Kits By Machine Type

Table of Contents

Machine Type		Page
Backhoe Loaders	210C, 300B, 302A, 310, 310A, 310B, 310C, 310D, 310E, 310G, 310SE, 310SG, 315SE, 401C, 401D, 410, 410B, 410C, 410D, 410E, 410G, 415B, 500A, 500B, 500C, 510, 510B, 510C, 510D, 515B, 610B, 610C, 710B, 710C, 710D, 710G, 710J	584 - 603
Compactors	646, 646B, 646C	603
Crawler Dozers/ Loaders	350, 350B, 350C, 350D, 355D, 450, 450B, 450C, 450D, 450E, 450G, 450H, 450J, 455D, 455E, 455G, 550, 550A, 550B, 550G, 550H, 550J, 555, 555A, 555B, 555G, 650G, 650H, 650J, 655, 655B, 700H, 700J, 750B, 750C, 750C-II, 750J, 850, 850B, 850C, 850C-II, 850J	604 - 617
Excavators	70, 70D, 80, 110, 120, 120C, 135C, 160 LC, 160C LC, 190E, 200 LC, 200C LC, 225C LC, 230 LC, 230C LC, 270C LC, 290D, 330 LC, 330C LC, 370, 370C, 450 LC, 450C LC, 490D, 490E, 495D, 590D, 690, 690A, 690B, 690C, 690CR, 690D, 690E, 690E LC, 790, 790D, 790E LC, 792, 792D, 792D LC, 890, 890A, 892D, 892D LC, 892E, 892E LC, 990, 992D, 992D LC, 992E, 992E LC	617 - 628
Excavators - Compact	27 ZTS, 27C ZTS, 35 ZTS, 35C ZTS, 35D, 50 ZTS, 50C ZTS, 50D, 75C, 80C	628 - 630
Forestry - Feller Bunchers	493D, 653E, 693B, 693C, 693D, 743,743A Tree Harvesters, 793D, 853	630 - 631
Loaders - Skid Steer	240, 250	631 - 632
Loaders - Wheel	300, 344E, 400, 401A, 444, 444C, 444CH, 444D, 444E, 444H, 444H LL, 444J, 544, 544A, 544B, 544C, 544D, 544E, 544E LL, 544E TC, 544G, 544H, 544H LL, 544J, 624E, 624G, 624H, 624J, 644, 644A, 644B, 644C, 644D, 644E, 644ER, 644G, 644H, 644J, 744E, 744H, 744J, 824J, 844, TC44H, TC54H	632 - 642
Motor Graders	570, 570A, 570B, 670,670A,670B,672A,672B, 770,770A,770B,772A,772B	642 - 643
Scrapers	760, 760A, 762,762A,762B, 860,860A,860B, 862, 862B, 1312C, 1510C, 1512C, 1810C, 1812C, 1814C, 2112C, 5010	643 - 645
Skidders	340D, 440, 440A, 440B, 440C Skidders/Grapple Skidders, 440D, 448 Skidders/Grapple Skidders, 540, 540A, 540B, 540D, 548D Grapple Skidders, 640 Skidders/Grapple Skidders, 640D, 648D Grapple Skidders, 740, 740A, 3605 Grapple Skidders	645 - 647
Alpha-Numeric Kit Listing		648 - 652
John Deere Individual Parts		653 - 656

Replacement Kits For

JOHN DEERE

Backhoe Loaders							
APPLICATION	CYL #	SERIAL #	Misc	CODE	ROD	BORE	KIT #
MODEL 210C							
BACKHOE BOOM	RE27508 RE32890	-742688, 742689		P-UB-1	50 mm		JD-RE20595
	RE27508 RE32890	-742688, 742689		N-N-14		100 mm	JD-AH212101
BACKHOE BUCKET				P-UB-1	45 mm		JD-RE20434
				N-N-14		80 mm	JD-AH212091
BOOM LIFT	AH154790			I,P-UB-1	45 mm		JD-AH149813
	AH154790			N-N-14		70 mm	JD-AH212089
CROWD				P-UB-1	45 mm		JD-RE20434
				N-N-14		90 mm	JD-AH212096
EXT CROWD				I-U-4	1-1/4	2-1/2	JD-AT101377
LOADER BOOM				P-UB-1	45 mm		JD-RE20434
				N-N-14		70 mm	JD-AH212089
LOADER BUCKET				P-UB-1	40 mm		JD-RE20433
				N-N-14		70 mm	JD-RE20428
STABILIZER	RE20440			P-UB-1	45 mm		JD-RE20434
	RE20440			N-N-14		90 mm	JD-AH212096
SWING				P-UB-1	45 mm		JD-RE20434
				N-N-14		80 mm	JD-AH212091
MODEL 300B							
Backhoe Arrangement			9250, 9250A				
BACKHOE BOOM		All		P-V-8	2	4	JD-RE18732
BACKHOE BUCKET		All		P-V-8	1-3/4	3	JD-RE18751
BACKHOE CROWD		All		P-V-8	1-3/4	3-1/2	JD-RE18755
BACKHOE STABILIZER		All		P-V-8	1-3/4	3-1/2	JD-RE18754
BACKHOE SWING		All	9250	P-V-8	2	4	JD-RE18732
		39797-	9250A	P-U-10	1-3/4	3-1/2	JD-RE18756
LOADER BOOM LIFT		All		P-V-8	1-3/4	2-3/4	JD-RE19220
		All		P-V-8	1-3/4	2-3/4	JD-RE19220
LOADER BUCKET TILT		All		P-V-8	1-1/2	2-1/2	JD-RE19217
		All		P-V-8	1-1/2	2-1/2	JD-RE19217
MODEL 302A							
Backhoe Arrangement			9250, 9250A				
BACKHOE BOOM		All		P-V-8	2	4	JD-RE18732
BACKHOE BUCKET		All		P-V-8	1-3/4	3	JD-RE18751
BACKHOE CROWD		All		P-V-8	1-3/4	3-1/2	JD-RE18755
BACKHOE STABILIZER		All		P-V-8	1-3/4	3-1/2	JD-RE18754
BACKHOE SWING		All	9250	P-V-8	2	4	JD-RE18732
		39797-	9250A	P-U-10	1-3/4	3-1/2	JD-RE18756
MODEL 310							
Backhoe Arrangement			9450, 9500				
BACKHOE BOOM		All		P-V-8	2-1/4	4-1/2	JD-AR105355
BACKHOE BUCKET		All		P-V-8	2-1/4	3-1/2	JD-RE18757
BACKHOE CROWD		All		P-V-8	2	4	JD-AR105387
BACKHOE STABILIZER		All	9405	P-V-8	1-3/4	3-1/2	JD-RE18754
		All	9500	P-V-8	1-3/4	3	JD-RE18751

LA - Long Arm LGP - Low Ground Pressure LT - Long Track MFWD - Mechanical Front Wheel Drive MP - Multi-Purpose
 IDM - Inside Dozer Mount ODM - Outside Dozer Mount SLF - Super Long Front STD - Straight Dozer WT - Wide Track

Replacement Kits For

JOHN DEERE

Backhoe Loaders							
APPLICATION	CYL #	SERIAL #	Misc	CODE	ROD	BORE	KIT #
MODEL 310							
Backhoe Arrangement			9450, 9500				
BACKHOE STABILIZER	AT45903	All		P-V-8	1-3/4	3-1/2	JD-AR96518
BACKHOE SWING		All	9405	P-V-8	1-3/4	4	JD-RE18730
		Field Replacement	9405	P-V-8	2	4	JD-AR105387
	AT36160	All		P-V-8	1-3/4	4	JD-AR96527
EXT CROWD	AT50186		Major Repair	I-U-12	1-1/4	2-1/2	JD-AT50214
	AT50186	All	Major Repair	I-U-12	1-1/4	2-1/2	JD-AT50214
	AT50186	All	Soft Seal Repair	I-U-1	1-1/4		JD-AT50213
	AT50186		Soft Seal Repair	I-U-1	1-1/4		JD-AT50213
LOADER BOOM LIFT		-192003		P-V-8	1-3/4	2-3/4	JD-AR105403
		192004-		P-V-8	1-3/4	3	JD-RE18751
LOADER BUCKET TILT		All		P-V-8	1-3/4	3	JD-RE18751
STEERING		237996-		P-U-10	7/8	2	JD-RE18749
MODEL 310A, 310B							
Backhoe Arrangement			9450, 9500				
BACKHOE BOOM		701220-	9405	P-V-14	2-1/4	4-1/2	JD-RE18764
		-701219	9405, 9500	P-V-8	2-1/4	4-1/2	JD-AR105355
BACKHOE BUCKET		-701219	9405, 9500	P-V-8	2-1/4	3-1/2	JD-RE18757
		701220-	9405	P-V-14	2-1/4	3-1/2	JD-RE18758
BACKHOE CROWD		700423-		P-V-14	2	4	JD-RE18741
		-700422	9405, 9500	P-V-8	2	4	JD-AR105387
BACKHOE STABILIZER		All	9500	P-V-8	1-3/4	3	JD-RE18751
		700423-	9405	P-V-14	1-3/4	3-1/2	JD-RE12912
		-700422	9405	P-V-8	1-3/4	3-1/2	JD-RE18754
BACKHOE SWING		346262-700422	9405	P-V-8	2	4	JD-AR105387
		700423-	9405	P-V-14	2	4	JD-RE18741
		-346261	9405	P-V-8	1-3/4	4	JD-RE18730
LOADER BOOM LIFT		291986-		P-V-8	1-3/4	3-1/4	JD-AR105402
		-291985		P-V-8	1-3/4	3	JD-RE18751
LOADER BUCKET TILT		291986-		P-V-8	1-1/2	3-1/4	JD-AR105429
		-291985		P-V-8	1-3/4	3	JD-RE18751
STEERING		All		P-U-10	7/8	2	JD-RE18749
MODEL 310C							
Backhoe Arrangement			9450, 9500				
BACKHOE BOOM	AH150110			P-UB-1	56 mm		JD-AH149814
	AH150110			N-N-14		115 mm	JD-AH149846
	RE23999	-740892		P-UB-1	50 mm		JD-RE20595
	RE23999	-740892		N-N-14		115 mm	JD-AH149846
	RE31721	740893-		P-UB-1	56 mm		JD-RE31716
	RE31721	740893-		N-N-14		115 mm	JD-AH149846
BACKHOE BUCKET	AH147722			P-UB-1	50 mm		JD-AH148164
	AH147722			N-N-14		90 mm	JD-AH149843
	RE20829			P-UB-1	50 mm		JD-RE20595
	RE20829	-729080		N-N-14		90 mm	JD-AH149843
BACKHOE CROWD	AH138661	740539-		P-UB-1	56 mm	JD-RE31716	

JOHN DEERE

LA - Long Arm LGP - Low Ground Pressure LT - Long Track MFW - Mechanical Front Wheel Drive MP - Multi-Purpose
 IDM - Inside Dozer Mount ODM - Outside Dozer Mount SLF - Super Long Front STD - Straight Dozer WT - Wide Track

Replacement Kits For

JOHN DEERE

Backhoe Loaders							
APPLICATION	CYL #	SERIAL #	Misc	CODE	ROD	BORE	KIT #
MODEL 310C							
		Backhoe Arrangement		9450, 9500			
BACKHOE CROWD	AH138661	740539-		N-N-14		100 mm	JD-AH149844
	AH150119			P-UB-1	56 mm		JD-AH149814
	AH150119			N-N-14		100 mm	JD-AH149844
BACKHOE STABILIZER	AH150103			I,P-UB-1	45 mm		JD-AH149813
	AH150103			N-N-14		90 mm	JD-AH149843
	AH150392			P-UB-1	50 mm		JD-AH148164
	AH150392			N-N-14		100 mm	JD-AH149844
	RE20830	-727315		P-UB-1	45 mm		JD-RE20434
	RE20830	-727315		N-N-14		90 mm	JD-AH149843
	RE26578	761935-		P-UB-1	50 mm		JD-RE20595
	RE26578	761935-		N-N-14		100 mm	JD-AH149844
	RE26990	727316-761934		P-UB-1	45 mm		JD-RE20434
	RE26990	727316-761934		N-N-14		90 mm	JD-AH149843
	BACKHOE SWING	AH148696			P-UB-1	50 mm	
AH148696				N-N-14		100 mm	JD-AH149844
RE20831				P-UB-1	50 mm		JD-RE20595
RE20831				N-N-14		100 mm	JD-AH149844
Replacement				P-UB-1	50 mm		JD-RE20595
Replacement				N-N-14		100 mm	JD-AH137687
BUCKET (MP)	AT142578			P-U-10	2	3	JD-AT142582
EXT DIPPERSTICK	AH144391			P-UB-1	45 mm		JD-RE20434
	AH144391			N-N-10		80 mm	JD-RE37003
	AH154784			I,P-UB-1	45 mm		JD-AH149813
	AH154784			N-N-10		80 mm	JD-RE37003
	AT101011			I-U-4	1-1/4	2-1/2	JD-AT101377
LOADER BOOM	AH138930	774762-		P-UB-1	45 mm		JD-RE20434
	AH138930	774762-		N-N-14		80 mm	JD-AH149842
	AH154778			I,P-UB-1	45 mm		JD-AH149813
	AH154778			N-N-14		80 mm	JD-AH149842
	RE20825	-774761		P-UB-1	45 mm		JD-RE20434
	RE20825	-774761		N-N-14		80 mm	JD-AH149842
LOADER BUCKET	AH154793			I,P-UB-1	45 mm		JD-AH149813
	AH154793			N-N-14		90 mm	JD-AH149843
	RE20826			P-UB-1	45 mm		JD-RE20434
	RE20826			N-N-14		90 mm	JD-AH149843
STEERING				I-U-10	32 mm	60 mm	JD-AT108329
STEERING (Hydrostatic)	AT76043			I-U-10	25 mm	50 mm	JD-AT78498
STEERING (Power)	AH139130			P-UB-1	25 mm		JD-RE21875
	AH139130			N-N-10		2	JD-AH137789
	AH154780			P-U-1	25 mm		JD-AU149810
	AH154780			N-N-10		2	JD-AH137789
	RE18712	-726006		P-U-1	1		JD-RE14552
	RE18712	-726006		N-N-10		2	JD-RE14551
	RE21961	726007-746966		P-UB-1	25 mm		JD-RE21875
	RE21961	726007-746966		N-N-14		50 mm	JD-RE21874

LA - Long Arm LGP - Low Ground Pressure LT - Long Track MFWD - Mechanical Front Wheel Drive MP - Multi-Purpose
 IDM - Inside Dozer Mount ODM - Outside Dozer Mount SLF - Super Long Front STD - Straight Dozer WT - Wide Track

Replacement Kits For

JOHN DEERE

Backhoe Loaders							
APPLICATION	CYL #	SERIAL #	Misc	CODE	ROD	BORE	KIT #
MODEL 310C							
Backhoe Arrangement			9450, 9500				
STEERING (Power)	RE33800	746967-		P-UB-1	25 mm		JD-RE21875
	RE33800	746967-		N-N-14		50 mm	JD-RE33803
MODEL 310D							
BACKHOE ARM				P-UB-1	56 mm		JD-RE31716
				N-N-14		100 mm	JD-AH149844
BACKHOE BOOM				N-N-14		115 mm	JD-AH149846
	RE31721	740893-		P-UB-1	56 mm		JD-RE31716
BACKHOE BUCKET		817498-		P-UB-1	50 mm		JD-AH148164
				N-N-14		90 mm	JD-AH149843
	AH211073	-817497		P-UB-1	50 mm		JD-RE20595
	AH211073	817498-		N-N-14		90 mm	JD-AH212096
	AH211073	-817497		N-N-14		90 mm	JD-AH212096
BACKHOE STABILIZER				P-UB-1	50 mm		JD-AH148164
				N-N-14		100 mm	JD-AH137687
				N-N-14		100 mm	JD-AH149844
CROWD	AH154776			P-UB-1	56 mm		JD-RE31716
	AH154776			N-N-14		100 mm	JD-AH212101
EXT DIPPERSTICK	AH154784	787834-		P-UB-1	45 mm		JD-RE20434
	AH154784	787834-		N-N-10		80 mm	JD-AH212092
LOADER BOOM				P-UB-1	45 mm		JD-RE20434
				N-N-14		80 mm	JD-AH149842
	AH154778			I,P-UB-1	45 mm		JD-AH149813
	AH154778			N-N-14		80 mm	JD-AH212091
LOADER BUCKET				P-UB-1	45 mm		JD-RE20434
				N-N-14		90 mm	JD-AH149843
	AH154793			I,P-UB-1	45 mm		JD-AH149813
	AH154793			N-N-14		90 mm	JD-AH212096
STABILIZER	AH135635	-817458		P-UB-1	50 mm		JD-RE20595
	AH135635	-817458		N-N-14		100 mm	JD-AH212101
	AH135636	-817458		P-UB-1	50 mm		JD-RE20595
	AH135636	-817458		N-N-14		100 mm	JD-AH212101
	AH143513	-817458		P-UB-1	50 mm		JD-RE20595
	AH143513	-817458		N-N-14		100 mm	JD-AH212101
	AH143514	-817458		P-UB-1	50 mm		JD-RE20595
	AH143514	-817458		N-N-14		100 mm	JD-AH212101
SWING				P-UB-1	50 mm		JD-AH148164
				N-N-14		100 mm	JD-AH149844
	AH136574	-817517		P-UB-1	50 mm		JD-RE20595
	AH145619	-817517		N-N-14		100 mm	JD-AH212101
MODEL 310E							
BACKHOE BOOM				P-UB-1	56 mm		JD-AH149814
				N-N-14		110 mm	JD-AH212585
BACKHOE BUCKET				P-UB-1	50 mm		JD-AH210484
				N-N-14		80 mm	JD-AH212091
BACKHOE CROWD				P-UB-1	56 mm		JD-AH149814

LA - Long Arm LGP - Low Ground Pressure LT - Long Track MFWD - Mechanical Front Wheel Drive MP - Multi-Purpose
 IDM - Inside Dozer Mount ODM - Outside Dozer Mount SLF - Super Long Front STD - Straight Dozer WT - Wide Track

Replacement Kits For

JOHN DEERE

Backhoe Loaders							
APPLICATION	CYL #	SERIAL #	Misc	CODE	ROD	BORE	KIT #
MODEL 310E							
BACKHOE CROWD				N-N-14		110 mm	JD-AH212585
BACKHOE STABILIZER LH	AH149971			P-UB-1	50 mm		JD-AH210484
	AH149971			N-N-14		80 mm	JD-AH212091
	AH176122			P-UB-1	50 mm		JD-AH210484
	AH176122			N-N-10		80 mm	JD-AH212092
	AH219499			P-UB-1	50 mm		JD-AH210484
	AH219499			N-N-10		80 mm	JD-AH212092
BACKHOE STABILIZER RH	AH149972			P-UB-1	50 mm		JD-AH210484
	AH149972			N-N-14		80 mm	JD-AH212091
	AH173202			P-UB-1	50 mm		JD-AH210484
	AH173202			N-N-10		80 mm	JD-AH212092
	AH219500			P-UB-1	50 mm		JD-AH210484
	AH219500			N-N-10		80 mm	JD-AH212092
BUCKET (MP)				I-U-10	2	3	JD-AT190898
LOADER BOOM				P-UB-1	50 mm		JD-AH210484
				N-N-14		80 mm	JD-AH212091
LOADER BUCKET				P-UB-1	45 mm		JD-AH147868
				N-N-14		80 mm	JD-AH212091
MODEL 310G							
BACKHOE BOOM	AH146874	-926493		P-UB-1	50 mm		JD-AH210484
	AH146874	-926493		N-N-14		80 mm	JD-AH212091
	AH211131	926130-		P-UB-1	56 mm		JD-AH149814
	AH211131	-926129		P-UB-1	56 mm		JD-AH149814
	AH211131	-926129 ; 926130-		N-N-14		110 mm	JD-AH149845
BACKHOE BUCKET	AH209080	910901-925926 ; 925927-		P-UB-1	50 mm		JD-AH210484
	AH209080	910900		P-UB-1	50 mm		JD-AH210484
	AH209080	910901-925926 ; 925927-		N-N-10		80 mm	JD-AH212092
	AH209080	910900		N-N-14		80 mm	JD-AH212091
BACKHOE CROWD	AH157980			P-UB-1	63 mm		JD-AH149815
	AH157980			N-N-14		110 mm	JD-AH149845
BACKHOE STABILIZER	AH219499	925947-951996		P-UB-1	50 mm		JD-AH210484
	AH219499	925947-951996		N-N-10		80 mm	JD-AH212092
	AH219500	-925946		N-N-14		80 mm	JD-AH212091
BACKHOE SWING	AH220099	-957128 ; 957129-		I,P-UB-1	45 mm		JD-AH149813
	AH220099	-957128		N-N-14		80 mm	JD-AH149842
	AH220099	957129-		N-N-14		80 mm	JD-AH212091
BUCKET (MP)				I-U-10	2	3	JD-AT190898
EXT DIPPERSTICK	AH218606	953471-		I-U-1	32 mm		JD-AH148823
	AH218606	953471-		N-N-10		2-1/2	JD-AH212088
LOADER BUCKET	AH216338	-941225 ; 941226-		P-UB-1	50 mm		JD-AH210484
	AH216338	-941225 ; 941226-		N-N-14		90 mm	JD-AH212096
MODEL 310SE							
BACKHOE BOOM	AH211132			P-UB-1	56 mm		JD-AH149814

LA - Long Arm LGP - Low Ground Pressure LT - Long Track MFWD - Mechanical Front Wheel Drive MP - Multi-Purpose
 IDM - Inside Dozer Mount ODM - Outside Dozer Mount SLF - Super Long Front STD - Straight Dozer WT - Wide Track

Replacement Kits For

JOHN DEERE

Backhoe Loaders							
APPLICATION	CYL #	SERIAL #	Misc	CODE	ROD	BORE	KIT #
MODEL 310SE							
BACKHOE BOOM	AH211132			P-UB-1	56 mm		JD-AH149814
	AH211132			N-N-14		120 mm	JD-AH149847
BACKHOE CROWD	AH164137	837258-873597		P-UB-1	63 mm		JD-AH149815
	AH164137	837258-873597		N-N-14		115 mm	JD-AH212103
BACKHOE STABILIZER LH	AH207327			P-UB-1	50 mm		JD-AH210484
	AH207327			N-N-14		90 mm	JD-AH212096
	AH210901			P-UB-1	50 mm		JD-AH210484
	AH210901			N-N-10		90 mm	JD-AH212097
	AH219537			P-UB-1	50 mm		JD-AH210484
	AH219537			N-N-10		90 mm	JD-AH212097
BACKHOE STABILIZER RH	AH207328			P-UB-1	50 mm		JD-AH210484
	AH207328			N-N-14		90 mm	JD-AH212096
	AH210902			P-UB-1	50 mm		JD-AH210484
	AH210902			N-N-10		90 mm	JD-AH212097
	AH219538			P-UB-1	50 mm		JD-AH210484
	AH219538			N-N-10		90 mm	JD-AH212097
EXT ARM	AH211361			I,P-UB-1	45 mm		JD-AH149813
	AH211361			N-N-14		70 mm	JD-AH212089
EXT DIPPERSTICK	AH211361			I,P-UB-1	45 mm		JD-AH149813
	AH211361			N-N-14		70 mm	JD-AH212089
LOADER BOOM	AH146874			P-UB-1	50 mm		JD-AH210484
	AH146874			N-N-14		80 mm	JD-AH212091
LOADER BOOM LIFT	AH211206			P-UB-1	50 mm		JD-AH210484
	AH211206			N-N-10		80 mm	JD-AH212092
LOADER BUCKET	AH146873	-881677		P-UB-1	45 mm		JD-AH147868
	AH146873	-881677		N-N-14		80 mm	JD-AH212091
	AH216338	881678-		P-UB-1	50 mm		JD-AH210484
	AH216338	881678-		N-N-14		90 mm	JD-AH212096
SWING	AH147888			P-UB-1	50 mm		JD-AH210484
	AH147888			N-N-14		90 mm	JD-AH212096
MODEL 310SG							
BACKHOE BUCKET	AH149791	-926788		P-UB-1	63 mm		JD-AH149815
	AH149791	-926788		N-N-14		100 mm	JD-AH212101
	AH208379	-926129		P-UB-1	56 mm		JD-AH149814
	AH208379	926130-		P-UB-1	56 mm		JD-AH149814
	AH208379	-926129		N-N-14		90 mm	JD-AH212096
	AH208379	926130-		N-N-14		90 mm	JD-AH212096
	AH220526	926789-		P-UB-1	63 mm		JD-AH149815
	AH220526	926789-		N-N-14		100 mm	JD-AH212101
BACKHOE CROWD	AH164137			P-UB-1	63 mm		JD-AH149815
	AH164137			N-N-14		115 mm	JD-AH212103
BACKHOE STABILIZER	AH210901	-926206		P-UB-1	50 mm		JD-AH210484
	AH210901	-926206		N-N-14		90 mm	JD-AH212096
	AH219537	926207-952148		P-UB-1	50 mm		JD-AH210484

JOHN DEERE

LA - Long Arm LGP - Low Ground Pressure LT - Long Track MFWD - Mechanical Front Wheel Drive MP - Multi-Purpose
 IDM - Inside Dozer Mount ODM - Outside Dozer Mount SLF - Super Long Front STD - Straight Dozer WT - Wide Track

Replacement Kits For

JOHN DEERE

Backhoe Loaders							
APPLICATION	CYL #	SERIAL #	Misc	CODE	ROD	BORE	KIT #
MODEL 310SG							
BACKHOE STABILIZER	AH219537	926207-952148		N-N-10		90 mm	JD-AH212097
EXT BACKHOE STABILIZER	AH212541	-925993		P-UB-1	50 mm		JD-AH210484
	AH212541	-925993		N-N-14		100 mm	JD-AH212101
EXT DIPPERSTICK	AH211361	910901-926427		I,P-UB-1	45 mm		JD-AH149813
	AH211361	-910900		I,P-UB-1	45 mm		JD-AH149813
	AH211361	-910900		N-N-14		70 mm	JD-RE20428
	AH211361	-910900		N-N-14		70 mm	JD-AH212089
	AH211361	910901-926427		N-N-10		70 mm	JD-AH212090
LOADER BOOM	AH211206	926249-		P-UB-1	50 mm		JD-AH210484
	AH211206	-910491		P-UB-1	50 mm		JD-AH210484
	AH211206	910492-926248		P-UB-1	50 mm		JD-AH210484
	AH211206	910492-926248		N-N-10		80 mm	JD-AH212092
	AH211206	910492-926248		N-N-10		80 mm	JD-AH212092
	AH211206	-910491		N-N-14		80 mm	JD-AH212091
	AH211206	926249-		N-N-10		80 mm	JD-AH212092
LOADER BUCKET	AH216338	-941225		P-UB-1	50 mm		JD-AH210484
	AH216338	941226-		P-UB-1	50 mm		JD-AH210484
	AH216338	-941225		N-N-14		90 mm	JD-AH212096
	AH216338	941226-		N-N-14		90 mm	JD-AH212096
SWING	AH220108	957115-		P-UB-1	50 mm		JD-AH210484
	AH220108	-957114		P-UB-1	50 mm		JD-AH210484
	AH220108	957115-		N-N-14		90 mm	JD-AH212096
	AH220108	-957114		N-N-14		90 mm	JD-AH212096
MODEL 315SE							
BACKHOE BOOM	AH211132			P-UB-1	56 mm		JD-AH149814
	AH211132			P-UB-1	56 mm		JD-AH149814
	AH211132			N-N-14		120 mm	JD-AH149847
BACKHOE CROWD	AH164137	837258-873597		P-UB-1	63 mm		JD-AH149815
	AH164137	837258-873597		N-N-14		115 mm	JD-AH212103
BACKHOE STABILIZER	AH154788			P-UB-1	45 mm		JD-RE20434
	AH154788			N-N-14		70 mm	JD-AH212089
	AH211348			I,P-UB-1	45 mm		JD-AH149813
	AH211348			N-N-14		70 mm	JD-AH212089
	RE32168			P-UB-1	45 mm		JD-RE20434
	RE32168			N-N-14		70 mm	JD-AH212089
EXT ARM	AH211361			I,P-UB-1	45 mm		JD-AH149813
	AH211361			N-N-14		70 mm	JD-AH212089
EXT DIPPERSTICK	AH211361			I,P-UB-1	45 mm		JD-AH149813
	AH211361			N-N-14		70 mm	JD-AH212089
LOADER BOOM	AH146874			P-UB-1	50 mm		JD-AH210484
	AH146874			N-N-14		80 mm	JD-AH212091
LOADER BOOM LIFT	AH211206			P-UB-1	50 mm		JD-AH210484
	AH211206			N-N-10		80 mm	JD-AH212092
LOADER BUCKET	AH146873	-881677		P-UB-1	45 mm		JD-AH147868
	AH146873	-881677		N-N-14		80 mm	JD-AH212091

LA - Long Arm LGP - Low Ground Pressure LT - Long Track MFWD - Mechanical Front Wheel Drive MP - Multi-Purpose
 IDM - Inside Dozer Mount ODM - Outside Dozer Mount SLF - Super Long Front STD - Straight Dozer WT - Wide Track

Replacement Kits For

JOHN DEERE

Backhoe Loaders							
APPLICATION	CYL #	SERIAL #	Misc	CODE	ROD	BORE	KIT #
MODEL 315SE							
LOADER BUCKET	AH216338	881678-		P-UB-1	50 mm		JD-AH210484
	AH216338	881678-		N-N-14		90 mm	JD-AH212096
SWING	AH147888			P-UB-1	50 mm		JD-AH210484
	AH147888			N-N-14		90 mm	JD-AH212096
MODEL 401C							
Backhoe Arrangement			9250, 9250A				
BACKHOE BOOM		All		P-V-8	2	4	JD-RE18732
BACKHOE BUCKET		All		P-V-8	1-3/4	3	JD-RE18751
BACKHOE CROWD		All		P-V-8	1-3/4	3-1/2	JD-RE18755
BACKHOE STABILIZER		All		P-V-8	1-3/4	3-1/2	JD-RE18754
BACKHOE SWING		All	9250	P-V-8	2	4	JD-RE18732
		39797-	9250A	P-U-10	1-3/4	3-1/2	JD-RE18756
LOADER BOOM LIFT		All		P-V-8	1-3/4	2-3/4	JD-RE19220
LOADER BUCKET TILT		All		P-V-8	1-1/4	2-1/2	JD-AR105453
MODEL 401D							
Backhoe Arrangement			9250B				
BACKHOE BOOM		All		P-V-1	2		JD-RE16119
		All		N-N-14		4	JD-RE16118
BACKHOE BUCKET		All		P-V-8	1-3/4	3	JD-RE18751
BACKHOE CROWD		All		P-V-8	1-3/4	3-1/2	JD-RE18755
BACKHOE STABILIZER		All		P-V-8	1-3/4	3-1/2	JD-RE18754
BACKHOE SWING		All		P-U-10	1-3/4	3-1/2	JD-RE18756
LOADER BOOM LIFT		Non-Self Lvl Bucket		P-V-8	1-3/4	2-3/4	JD-RE19220
		Self Lvl Bucket		P-V-1	1-3/4		JD-RE16209
		Self Lvl Bucket		N-N-14		3-1/4	JD-RE30816
LOADER BUCKET TILT		Self Lvl Bucket		P-V-8	1-1/4	2-1/2	JD-AR105453
		Non-Self Lvl Bucket		P-V-8	1-1/2	2-1/2	JD-RE19217
STEERING		All		P-U-10	7/8	2	JD-RE18749
MODEL 410							
Backhoe Arrangement			9410, 9500				
BACKHOE BOOM		All		P-V-8	2-1/4	4-1/2	JD-AR105355
		Field Replacement		P-V-14	2-1/4	4-1/2	JD-RE18764
BACKHOE BUCKET		All		P-V-8	2-1/4	3-1/2	JD-RE18757
		Field Replacement		P-V-14	2-1/4	3-1/2	JD-RE18758
BACKHOE CROWD		All	9410	P-V-8	2-1/4	4-1/2	JD-AR105355
		All	9500	P-V-8	2	4	JD-AR105387
		Field Replacement	9410	P-V-14	2-1/4	4-1/2	JD-RE18764
BACKHOE STABILIZER		All	9410	P-V-8	1-3/4	3-1/2	JD-RE18754
		Field Replacement	9410	P-V-14	1-3/4	3-1/2	JD-RE12912
		All	9500	P-V-8	1-3/4	3	JD-RE18751
BACKHOE SWING		303203-	9410	P-V-8	2	4	JD-AR105387

JOHN DEERE

LA - Long Arm LGP - Low Ground Pressure LT - Long Track MFWD - Mechanical Front Wheel Drive MP - Multi-Purpose
 IDM - Inside Dozer Mount ODM - Outside Dozer Mount SLF - Super Long Front STD - Straight Dozer WT - Wide Track

Replacement Kits For

JOHN DEERE

Backhoe Loaders							
APPLICATION	CYL #	SERIAL #	Misc	CODE	ROD	BORE	KIT #
MODEL 410							
Backhoe Arrangement			9410, 9500				
BACKHOE SWING		-303202	9410	P-V-8	1-3/4	4	JD-RE18730
		303203-	9410	P-V-14	2	4	JD-RE18741
LOADER BOOM LIFT		All		P-V-8	1-3/4	3-1/4	JD-AR105402
LOADER BUCKET TILT		All		P-V-8	1-1/2	3-1/4	JD-AR105429
MODEL 410B							
BACKHOE BOOM		All		P-V-1	2-1/4		JD-RE14208
		All		N-N-14		4-1/2	JD-RE14523
BACKHOE BUCKET		-711906		P-U-1	2-1/2		JD-RE14516
		711907-		P-V-1	2-1/4		JD-RE14538
		-711906		N-N-14		3-1/2	JD-RE16076
		711907-		N-N-14		3-1/2	JD-RE16076
BACKHOE CROWD		All		P-V-1	2		JD-RE16119
		All		N-N-14		4	JD-RE16118
BACKHOE STABILIZER		-719446		P-V-1	2		JD-RE16119
		719447-		P-UB-1	50 mm		JD-RE20595
		-719446		N-N-14		4	JD-RE16118
		719447-		N-N-14		100 mm	JD-RE31139
BACKHOE SWING		All		P-V-1	2		JD-RE16119
		All		N-N-14		4	JD-RE16118
LOADER BOOM LIFT		All		P-V-1	1-3/4		JD-RE16209
		All		N-N-14		3-1/4	JD-RE30816
LOADER BUCKET TILT		All		P-V-1	1-3/4		JD-RE30874
		All		N-N-14		3-1/2	JD-RE14517
STEERING		All		P-U-1	1		JD-RE14552
		All		N-N-10		2	JD-RE14551
MODEL 410C							
BACKHOE BOOM	AH135265	All		P-UB-1	63 mm		JD-RE25151
	AH135265	All		N-N-14		115 mm	JD-RE31140
	RE21962	All		P-UB-1	63 mm		JD-RE25151
	RE21962	All		N-N-14		115 mm	JD-RE31140
BACKHOE BUCKET	RE25622	All		P-UB-1	50 mm		JD-RE20595
BACKHOE CROWD	AH138661	740539-		P-UB-1	56 mm		JD-RE31716
	AH138661	740539-		N-N-14		100 mm	JD-AH137687
BACKHOE STABILIZER	RE26578	All		P-UB-1	50 mm		JD-RE20595
	RE26578	All		N-N-14		100 mm	JD-AH137687
BACKHOE SWING	RE15638	-737926		P-V-1	2		JD-RE16119
	RE15638	-737926		N-N-14		4	JD-RE16118
	RE33472	737927-		P-UB-1	50 mm		JD-RE20595
	RE33472	737927-		N-N-14		100 mm	JD-AH137687
BUCKET (MP)				I-U-10	2	3	JD-AT190898
DIPPER EXTENSION	AT101063	All		I-U-4	1-1/2	3	JD-AT79722
LOADER BOOM LIFT	AH138930	All		P-UB-1	45 mm		JD-RE20434
	AH138930	All		N-N-14		80 mm	JD-RE31138
	RE20825	All		P-UB-1	45 mm		JD-RE20434
	RE20825	All		N-N-14		80 mm	JD-RE31138

LA - Long Arm LGP - Low Ground Pressure LT - Long Track MFWD - Mechanical Front Wheel Drive MP - Multi-Purpose

IDM - Inside Dozer Mount ODM - Outside Dozer Mount SLF - Super Long Front STD - Straight Dozer WT - Wide Track

Replacement Kits For

JOHN DEERE

Backhoe Loaders							
APPLICATION	CYL #	SERIAL #	Misc	CODE	ROD	BORE	KIT #
MODEL 410C							
LOADER BUCKET TILT	RE20826	All		P-UB-1	45 mm		JD-RE20434
	RE20826	All		N-N-14		90 mm	JD-RE20430
	RE38227	All		P-UB-1	45 mm		JD-RE20434
	RE38227	All		N-N-14		90 mm	JD-RE20430
LOADER CLAM	AT142578	769393-		P-U-10	2	3	JD-AT142582
STEERING (Hydrostatic)	AT108335	749406-		I-U-10	32 mm	60 mm	JD-AT108329
	AT76403	-749405		I-U-10	25 mm	50 mm	JD-AT78498
STEERING (Power)	AH139130			P-UB-1	25 mm		JD-RE21875
	AH139130			N-N-10		2	JD-AH137789
	RE18712		Flame Cut Head	P-U-1	1		JD-RE14552
	RE18712		Flame Cut Head	N-N-10		2	JD-RE14551
	RE21961	-746966	Forged Head	P-UB-1	25 mm		JD-RE21875
	RE21961	-746966	Forged Head	N-N-14		50 mm	JD-RE21874
	RE33803	746967-XXXX		P-UB-1	25 mm		JD-RE21875
	RE33803	746967-XXXX		N-N-14		50 mm	JD-RE33803
MODEL 410D							
BACKHOE BOOM	AH135265	All	Std Boom	P-UB-1	63 mm		JD-RE25151
	AH135265	All	Std Boom	N-N-14		115 mm	JD-RE31140
	RE15647	All	Hvy Lift Boom	P-V-1	2-1/2		JD-RE14745
	RE15647	All	Hvy Lift Boom	N-N-14		5	JD-RE14744
BACKHOE BUCKET	RE25622	All		P-UB-1	50 mm		JD-RE20595
	RE25622	All		N-N-14		90 mm	JD-RE20430
BACKHOE CROWD	AH135266	All	Hvy Lift Boom	P-UB-1	63 mm		JD-RE25151
	AH135266	All	Hvy Lift Boom	N-N-14		115 mm	JD-RE31140
	AH138661	All	Std Boom	P-UB-1	56 mm		JD-RE31716
	AH138661	All	Std Boom	N-N-14		100 mm	JD-AH137687
BACKHOE STABILIZER	AH135635	All		P-UB-1	50 mm		JD-RE20595
	AH135636	All		N-N-14		100 mm	JD-AH137687
BACKHOE SWING	RE33472	All		P-UB-1	50 mm		JD-RE20595
	RE33472	All		N-N-14		100 mm	JD-AH137687
DIPPER EXT (1.2M)	AH141377			P-UB-1	45 mm		JD-RE20434
	AH141377			N-N-10		80 mm	JD-RE37003
	AT10163			I-U-4	1-1/2	3	JD-AT79722
DIPPER EXT (1.5M)	AH141378			P-UB-1	45 mm		JD-RE20434
	AH141378			N-N-10		80 mm	JD-RE37003
	AT84174			I-U-4	1-1/2	3	JD-AT79722
LOADER BOOM LIFT	AH138931	All		P-UB-1	45 mm		JD-RE20434
	AH138931	All		N-N-14		90 mm	JD-RE20430
LOADER BUCKET TILT	RE38227	All		P-UB-1	45 mm		JD-RE20434
	RE38227	All		N-N-14		90 mm	JD-RE20430
LOADER CLAM	AT142578	All		P-U-10	2	3	JD-AT142582
STEERING	AT195570			I-U-10	36 mm	65 mm	JD-T153744
STEERING (Power)	AH134479	780659-		P-UB-1	25 mm		JD-RE21875
	AH134479	780659-		N-N-10		2-1/2	JD-RE30100
	AH13930	-780658		P-UB-1	25 mm		JD-RE21875
	AH13930	-780658		N-N-10		2	JD-AH137789

JOHN DEERE

LA - Long Arm LGP - Low Ground Pressure LT - Long Track MFWD - Mechanical Front Wheel Drive MP - Multi-Purpose
 IDM - Inside Dozer Mount ODM - Outside Dozer Mount SLF - Super Long Front STD - Straight Dozer WT - Wide Track

Replacement Kits For

JOHN DEERE

Backhoe Loaders							
APPLICATION	CYL #	SERIAL #	Misc	CODE	ROD	BORE	KIT #
MODEL 410E							
BACKHOE BOOM	AH175366			P-UB-1	63 mm		JD-AH149815
	AH175366			N-N-14		125 mm	JD-AH149848
BACKHOE BUCKET	AH220526			P-UB-1	63 mm		JD-AH149815
	AH220526			N-N-14		100 mm	JD-AH212101
BACKHOE CROWD	AH164138	837229-873597		P-UB-1	63 mm		JD-AH149815
	AH164138	873598-		P-UB-1	63 mm		JD-AH149815
	AH164138	-837228		P-UB-1	63 mm		JD-AH149815
	AH164138	837229-873597		N-N-14		115 mm	JD-AH212103
	AH164138	-837228		N-N-14		115 mm	JD-AH212103
	AH164138	873598-		N-N-14		115 mm	JD-AH212103
BACKHOE DIPPER STICK	AH209719			N-N-14		70 mm	JD-AH212089
BACKHOE STABILIZER	AH219541			P-UB-1	50 mm		JD-AH210484
	AH219541			N-N-14		100 mm	JD-AH212101
BACKHOE SWING	AH147888			P-UB-1	50 mm		JD-AH210484
	AH147888			N-N-14		90 mm	JD-AH212096
LOADER BOOM	AH211206			P-UB-1	50 mm		JD-AH210484
	AH211206			P-UB-1	50 mm		JD-AH210484
	AH211206			N-N-14		80 mm	JD-AH212091
	AH211206			N-N-10		80 mm	JD-AH212092
LOADER BUCKET	AH146873	-88167		P-UB-1	45 mm		JD-AH147868
	AH146873	-88167		N-N-14		80 mm	JD-AH212091
	AH216338	881678-		N-N-14		90 mm	JD-AH212096
MODEL 410G							
BACKHOE BOOM		-945072		P-UB-1	63 mm		JD-AH149815
		-945072		N-N-14		125 mm	JD-AH149848
	AH175366	945073-		P-UB-1	63 mm		JD-AH149815
	AH175366	945073-		N-N-14		125 mm	JD-AH149848
BACKHOE BUCKET	AH149791	-926799		P-UB-1	63 mm		JD-AH149815
	AH149791	-926799		N-N-14		100 mm	JD-AH212101
	AH220526	926800-		P-UB-1	63 mm		JD-AH149815
	AH220526	926800-		N-N-14		100 mm	JD-AH212101
BACKHOE STABILIZER		925994-952006		P-UB-1	50 mm		JD-AH210484
		-925993		P-UB-1	50 mm		JD-AH210484
		925994-952006		N-N-10		100 mm	JD-AH212102
		-925993		N-N-14		100 mm	JD-AH212101
	AH219541	952007-		P-UB-1	50 mm		JD-AH210484
	AH219541	952007-		N-N-10		100 mm	JD-AH212102
	AH219542	952007-		P-UB-1	50 mm		JD-AH210484
	AH219542	952007-		N-N-10		100 mm	JD-AH212102
BACKHOE SWING		-957114		P-UB-1	50 mm		JD-AH210484
		-957114		N-N-14		90 mm	JD-AH212096
	AH220108	957115-		P-UB-1	50 mm		JD-AH210484
	AH220108	957115-		N-N-14		90 mm	JD-AH212096
BOOM	AH211206	926301-		P-UB-1	50 mm		JD-AH210484
	AH211206	926301-		N-N-10		80 mm	JD-AH212092

LA - Long Arm LGP - Low Ground Pressure LT - Long Track MFWD - Mechanical Front Wheel Drive MP - Multi-Purpose
 IDM - Inside Dozer Mount ODM - Outside Dozer Mount SLF - Super Long Front STD - Straight Dozer WT - Wide Track

Replacement Kits For

JOHN DEERE

Backhoe Loaders							
APPLICATION	CYL #	SERIAL #	Misc	CODE	ROD	BORE	KIT #
MODEL 410G							
BOOM LIFT	AH211206	-910494		P-UB-1	50 mm		JD-AH210484
	AH211206	810495-926300		P-UB-1	50 mm		JD-AH210484
	AH211206	-910494		N-N-14		80 mm	JD-AH212091
	AH211206	810495-926300		N-N-10		80 mm	JD-AH212092
BUCKET (MP)		-925076		I-U-10	2	3	JD-AT190898
CROWD	AH164138			P-UB-1	63 mm		JD-AH149815
	AH164138			N-N-14		115 mm	JD-AH212103
EXT CROWD		911726-927725		I,P-UB-1	45 mm		JD-AH149813
		-911725		I,P-UB-1	45 mm		JD-AH149813
		-911725		N-N-14		70 mm	JD-AH212089
		911726-927725		N-N-10		70 mm	JD-AH212090
	AH209719	927726-		I,P-UB-1	40 mm		JD-AH149194
	AH209719	927726-		N-N-10		70 mm	JD-AH212090
LOADER BUCKET	AH216338	-941225		P-UB-1	50 mm		JD-AH210484
	AH216338	941226-		P-UB-1	50 mm		JD-AH210484
	AH216338	-941225		N-N-14		90 mm	JD-AH212096
	AH216338	941226-		N-N-14		90 mm	JD-AH212096
STEERING (MFWD)	AT195570	-911131		I-U-10	36 mm	65 mm	JD-T153744
STEERING (Power)				P-UB-1	25 mm		JD-AH149810
			w/o MFWD	N-N-10		2-1/2	JD-RE30100
MODEL 415B							
BACKHOE BOOM		All		P-V-1	2-1/4		JD-RE14208
		All		N-N-14		4-1/2	JD-RE14523
BACKHOE BUCKET		All		P-U-1	2-1/2		JD-RE14516
		All		N-N-14		3-1/2	JD-RE16076
BACKHOE CROWD		All		P-V-1	2		JD-RE16119
		All		N-N-14		4	JD-RE16118
BACKHOE STABILIZER		All		N-N-14		3	JD-RE14082
BACKHOE SWING		All		P-U-1	2		JD-RE14556
		All		N-N-10		4	JD-RE14555
LOADER BOOM LIFT		All		P-V-1	1-3/4		JD-RE16209
		All		N-N-14		3-1/4	JD-RE30816
LOADER BUCKET TILT		All		P-V-1	1-3/4		JD-RE30874
		All		N-N-14		3-1/2	JD-RE14517
STEERING		All		P-U-1	1		JD-RE14552
		All		N-N-10		2	JD-RE14551
MODEL 500A							
		Backhoe Arrangement	95, 97, 9700				
BACKHOE BOOM		All		P-V-8	2-1/4	4-1/2	JD-RE10640
BACKHOE BUCKET		All		P-V-8	2-1/4	3-1/2	JD-RE18757
BACKHOE CROWD		All		P-V-8	2	4	JD-AR105387
BACKHOE STABILIZER		All	97, 9700	P-V-8	1-3/4	3-1/2	JD-RE18754
		All	95	P-V-8	1-3/4	3	JD-RE18751
BACKHOE SWING		All	9700	P-V-8	1-3/4	4	JD-RE18730
LOADER BOOM LIFT		All		P-V-8	1-1/2	2-3/4	JD-AR105430
LOADER BUCKET TILT		All		P-V-8	1-1/2	2-3/4	JD-AR105430

LA - Long Arm LGP - Low Ground Pressure LT - Long Track MFWD - Mechanical Front Wheel Drive MP - Multi-Purpose
 IDM - Inside Dozer Mount ODM - Outside Dozer Mount SLF - Super Long Front STD - Straight Dozer WT - Wide Track

Replacement Kits For

JOHN DEERE

Backhoe Loaders							
APPLICATION	CYL #	SERIAL #	Misc	CODE	ROD	BORE	KIT #
MODEL 500B							
Backhoe Arrangement			9900				
BACKHOE BOOM		All others		P-V-8	2-1/2	5-1/2	JD-AR105281
	AT37797	All		P-V-8	2-1/2	5-1/2	JD-RE13277
	AU43137	All		P-V-8	2-1/2	5-1/2	JD-AR105443
BACKHOE BUCKET		All		P-V-8	2-1/2	4	JD-AR96526
BACKHOE CROWD	AT35944			P-V-8	2-1/2	5-1/2	JD-AR105443
	AT38002	All		P-V-8	2-1/2	5-1/2	JD-RE18734
	AU42875	All		P-V-8	2-1/2	5-1/2	JD-AR105443
BACKHOE STABILIZER		All		P-V-8	2-1/2	4-1/2	JD-AR105441
BACKHOE SWING		All		P-V-8	2	4-1/2	JD-AR105384
LOADER BOOM LIFT		All		P-V-8	2	3-1/2	JD-AR105392
LOADER BUCKET TILT		All		P-V-8	1-3/4	3	JD-RE18751
MODEL 500C							
Backhoe Arrangement			9500, 9705				
BACKHOE BOOM		700718-	9705	P-V-14	2-1/4	4-1/2	JD-RE18764
		-700717	9500, 9705	P-V-8	2-1/4	4-1/2	JD-AR105355
BACKHOE BUCKET		-700717	9500, 9705	P-V-8	2-1/4	3-1/2	JD-RE18757
		700718-	9705	P-V-14	2-1/4	3-1/2	JD-RE18758
BACKHOE CROWD		700718-	9705	P-V-14	2-1/4	4-1/2	JD-RE18764
		All	9500	P-V-8	2	4	JD-AR105387
		-700717	9705	P-V-8	2-1/4	4-1/2	JD-AR105355
BACKHOE STABILIZER		700718-	9705	P-V-14	1-3/4	3-1/2	JD-RE12912
		All	9500	P-V-8	1-3/4	3	JD-RE18751
		-700717	9705	P-V-8	1-3/4	3-1/2	JD-RE18754
BACKHOE SWING		-303508	9705	P-V-8	1-3/4	4	JD-RE18730
		303509-700717	9705	P-V-8	2	4	JD-AR105387
		700718	9705	P-V-14	2	4	JD-RE18741
LOADER BOOM LIFT		All		P-V-8	1-3/4	3-1/4	JD-AR105402
LOADER BUCKET TILT		All		P-V-8	1-1/2	3-1/4	JD-AR105429
MODEL 510							
Backhoe Arrangement			9900				
BACKHOE BOOM		-155578	9900	P-V-8	2-1/2	5-1/2	JD-AR105443
		155579-249770	9900	P-V-8	2-1/2	5-1/2	JD-RE13277
		700718-	9900	P-UB-10	2-1/2	5-1/2	JD-RE18745
		249771-700717	9900	P-V-8	2-1/2	5-1/2	JD-AR105281
BACKHOE BUCKET		700718-	9900	P-V-14	2-1/2	4	JD-RE18735
		-700717	9900	P-V-8	2-1/2	4	JD-AR96526
BACKHOE CROWD		155579-700717	9900	P-V-8	2-1/2	5-1/2	JD-RE18734
		700718-		P-V-14	2-1/2	5-1/2	JD-RE18740
		-155578	9900	P-V-8	2-1/2	5-1/2	JD-AR105443
BACKHOE STABILIZER		-700717	9900	P-V-8	2-1/2	4-1/2	JD-AR105441
		700718-	9900	P-V-1	2-1/2		JD-RE17345
		700718-	9900	N-N-14		4-1/2	JD-RE14094
BACKHOE SWING		-700717	9900	P-V-8	2	4-1/2	JD-AR105384
		700718-	9900	P-V-14	2	4-1/2	JD-RE19225
LOADER BOOM LIFT		All		P-V-8	2	3-3/4	JD-AR105381

LA - Long Arm LGP - Low Ground Pressure LT - Long Track MFWD - Mechanical Front Wheel Drive MP - Multi-Purpose
 IDM - Inside Dozer Mount ODM - Outside Dozer Mount SLF - Super Long Front STD - Straight Dozer WT - Wide Track

Replacement Kits For

JOHN DEERE

JOHN DEERE

Backhoe Loaders							
APPLICATION	CYL #	SERIAL #	Misc	CODE	ROD	BORE	KIT #
MODEL 510							
Backhoe Arrangement			9900				
LOADER BUCKET TILT		All		P-V-8	2	3-1/2	JD-AR105392
LOADER CLAM		All		P-U-9	2	4	JIC-G32299
MODEL 510B							
BACKHOE BOOM		All		P-V-1	2-1/2		JD-RE14745
		All		N-N-14		5	JD-RE14744
BACKHOE BUCKET		All		P-V-1	2-1/4		JD-RE14538
		All		N-N-14		3-1/2	JD-RE16076
BACKHOE CROWD		All		P-V-1	2-1/4		JD-RE14208
		All		N-N-14		4-1/2	JD-RE14094
BACKHOE STABILIZER		-719455		P-V-1	2		JD-RE16119
		719456-		P-UB-1	50 mm		JD-RE20595
		-719455		N-N-14		4	JD-RE16118
		719456-		N-N-14		100 mm	JD-RE31139
BACKHOE SWING		All		P-V-1	2		JD-RE16119
		All		N-N-14		4	JD-RE16118
LOADER BOOM LIFT		All		P-V-1	1-3/4		JD-RE16209
		All		N-N-14		3-1/2	JD-RE14517
LOADER BUCKET TILT		All		P-V-1	2		JD-RE16119
		All		N-N-14		4	JD-RE14567
STEERING		All		P-U-1	1		JD-RE14552
		All		N-N-10		2	JD-RE14551
MODEL 510C							
BACKHOE BOOM	RE15647	All		P-V-1	2-1/2		JD-RE14745
	RE15647	All		N-N-14		5	JD-RE14744
BACKHOE BUCKET	RE25622	All		P-UB-1	50 mm		JD-RE20595
	RE25622	All		N-N-14		90 mm	JD-RE20430
BACKHOE CROWD	AH135266	-762814		P-UB-1	63 mm		JD-RE25151
	AH135266	-762814		N-N-14		115 mm	JD-RE31140
	AH142934	762815-		P-UB-1	63 mm		JD-RE25151
	AH142934	762815-		N-N-14		115 mm	JD-AH149846
	RE21965	-762814		P-UB-1	63 mm		JD-RE25151
	RE21965	-762814		N-N-14		115 mm	JD-RE31140
BACKHOE STABILIZER	RE26578	All		P-UB-1	50 mm		JD-RE20595
	RE26578	All		N-N-14		100 mm	JD-AH137687
BACKHOE SWING	RE15638	-737926		P-V-1	2		JD-RE16119
	RE15638	-737926		N-N-14		4	JD-RE16118
	RE33472	737927-		P-UB-1	50 mm		JD-RE20595
	RE33472	737927-		N-N-14		100 mm	JD-AH137687
BUCKET (MP)				I-U-10	2	3	JD-AT190898
DIPPER EXTENSION	AT84174	All		I-U-4	1-1/2	3	JD-AT79722
LOADER BOOM LIFT	AH138931	All		P-UB-1	45 mm		JD-RE20434
	AH138931			N-N-14		90 mm	JD-RE20430
	RE21959	All		P-UB-1	45 mm		JD-RE20434
	RE21959	All		N-N-14		90 mm	JD-RE20430
LOADER BUCKET TILT	RE21966	All		P-UB-1	50 mm		JD-RE20595

LA - Long Arm LGP - Low Ground Pressure LT - Long Track MFWD - Mechanical Front Wheel Drive MP - Multi-Purpose
 IDM - Inside Dozer Mount ODM - Outside Dozer Mount SLF - Super Long Front STD - Straight Dozer WT - Wide Track

Replacement Kits For

JOHN DEERE

Backhoe Loaders							
APPLICATION	CYL #	SERIAL #	Misc	CODE	ROD	BORE	KIT #
MODEL 510C							
LOADER BUCKET TILT	RE38230	All		N-N-14		100 mm	JD-AH137687
LOADER CLAM	AT142578	769393-		P-U-10	2	3	JD-AT142582
STEERING (Hydrostatic)	AT108335	749406-		I-U-10	32 mm	60 mm	JD-AT108329
	AT76403	-749405		I-U-10	25 mm	50 mm	JD-AT78498
STEERING (Power)	AH139130			P-UB-1	25 mm		JD-RE21875
	AH139130			N-N-10		2	JD-AH137789
	RE18712		Flame Cut Head	P-U-1	1		JD-RE14552
	RE18712		Flame Cut Head	N-N-10		2	JD-RE14551
	RE21961	-746966	Forged Head	P-UB-1	25 mm		JD-RE21875
	RE21961	-746966	Forged Head	N-N-14		50 mm	JD-RE21874
	RE33803	746967-		P-UB-1	25 mm		JD-RE21875
	RE33803	746967-		N-N-14		50 mm	JD-RE33803
MODEL 510D							
BACKHOE BOOM	RE15647	All		P-V-1	2-1/2		JD-RE14745
	RE15647	All		N-N-14		5	JD-RE14744
BACKHOE BUCKET	RE25622	All		P-UB-1	45 mm		JD-RE20434
	RE25622	All		N-N-14		90 mm	JD-RE20430
BACKHOE CROWD	AH135266	All		P-UB-1	63 mm		JD-RE25151
	AH135266	All		N-N-14		115 mm	JD-RE31140
BACKHOE STABILIZER	AH135635	All		P-UB-1	50 mm		JD-RE20595
	AH135635	All		N-N-14		100 mm	JD-AH137687
	AH135636			P-UB-1	50 mm		JD-RE20595
	AH135636			N-N-14		100 mm	JD-AH137687
BACKHOE SWING	RE33472	All		P-UB-1	50 mm		JD-RE20595
	RE33472	All		N-N-14		100 mm	JD-AH137687
DIPPER EXTENSION	AH141378			P-UB-1	45 mm		JD-RE20434
	AH141378			N-N-10		80 mm	JD-RE37003
	AT84174			I-U-4	1-1/2	3	JD-AT79722
LOADER BOOM LIFT	AH138931	All		P-UB-1	45 mm		JD-RE20434
	AH138931	All		N-N-14		90 mm	JD-RE20430
LOADER BUCKET TILT	RE38230	All		P-UB-1	50 mm		JD-RE20595
	RE38230	All		N-N-14		100 mm	JD-AH137687
LOADER CLAM	AT142578	All		P-U-10	2	3	JD-AT142582
STEERING	AT195570			I-U-10	36 mm	65 mm	JD-T153744
STEERING (Power)	AH134479	780659-		P-UB-1	25 mm		JD-RE21875
	AH134479	780659-		N-N-10		2-1/2	JD-RE30100
	AH139130	-780658		P-UB-1	25 mm		JD-RE21875
	AH139130	-780658		N-N-10		2	JD-AH137789
MODEL 515B							
BACKHOE BOOM		All		P-V-1	2-1/4		JD-RE14208
		All		N-N-14		4-1/2	JD-RE14523
BACKHOE BUCKET		All		P-V-1	2-1/4		JD-RE14538
		All		N-N-14		3-1/2	JD-RE16076
BACKHOE CROWD		All		P-U-1	2-1/4		JD-AH139417
		All		N-N-14		4-1/2	JD-RE14523
BACKHOE STABILIZER		All		N-N-14		3	JD-RE14082

LA - Long Arm LGP - Low Ground Pressure LT - Long Track MFWD - Mechanical Front Wheel Drive MP - Multi-Purpose

IDM - Inside Dozer Mount ODM - Outside Dozer Mount SLF - Super Long Front STD - Straight Dozer WT - Wide Track

Replacement Kits For

JOHN DEERE

Backhoe Loaders							
APPLICATION	CYL #	SERIAL #	Misc	CODE	ROD	BORE	KIT #
MODEL 515B							
BACKHOE SWING		All		P-U-1	2		JD-RE14556
		All		N-N-10		4	JD-RE14555
LOADER BOOM LIFT		All		P-V-1	1-3/4		JD-RE16209
		All		N-N-14		3-1/2	JD-RE14517
LOADER BUCKET TILT		All		P-V-1	2		JD-RE16119
		All		N-N-14		4	JD-RE14567
STEERING		All		P-U-1	1		JD-RE14552
		All		N-N-10		2	JD-RE14551
MODEL 610B							
BACKHOE BOOM		All		P-V-1	2-1/2		JD-RE14745
		All		N-N-14		5	JD-RE14744
BACKHOE BUCKET		All		P-V-1	2-1/4		JD-RE14538
		All		N-N-14		3-1/2	JD-RE16076
BACKHOE CROWD		All		P-V-1	2-1/4		JD-RE14208
		All		N-N-14		4-1/2	JD-RE14094
BACKHOE STABILIZER		-719557		P-V-1	2		JD-RE16119
		719558-		P-UB-1	50 mm		JD-RE20595
		-719557		N-N-14		4	JD-RE16118
		719558-		N-N-14		100 mm	JD-RE31139
BACKHOE SWING		All		P-V-1	2		JD-RE16119
		All		N-N-14		4	JD-RE16118
LOADER BOOM LIFT		All		P-V-1	1-3/4		JD-RE16209
		All		N-N-14		3-1/2	JD-RE14517
LOADER BUCKET TILT		All		P-V-1	2		JD-RE16119
		All		N-N-14		4	JD-RE14567
STEERING		All		P-U-1	1		JD-RE14552
		All		N-N-10		2	JD-RE14551
MODEL 610C							
BACKHOE BOOM	RE15647	All		P-V-1	2-1/2		JD-RE14745
	RE15647	All		N-N-14		5	JD-RE14744
BACKHOE BUCKET	RE25622	All		P-UB-1	50 mm		JD-RE20595
	RE25622	All		N-N-14		90 mm	JD-RE20430
BACKHOE CROWD	AH135266			P-UB-1	63 mm		JD-RE25151
	AH135266			N-N-14		115 mm	JD-RE31140
	AH142934	762815-		P-UB-1	63 mm		JD-RE25151
	AH142934	762815-		N-N-14		115 mm	JD-AH149846
	RE21965	-762814		P-UB-1	63 mm		JD-RE25151
	RE21965	-762814		N-N-14		115 mm	JD-RE31140
BACKHOE STABILIZER	RE26578	All		P-UB-1	50 mm		JD-RE20595
	RE26578	All		N-N-14		100 mm	JD-AH137687
BACKHOE SWING	RE15638	-737926		P-V-1	2		JD-RE16119
	RE15638	-737926		N-N-14		4	JD-RE16118
	RE33472	737927		P-UB-1	50 mm		JD-RE20595
	RE33472	737927		N-N-14		100 mm	JD-AH137687
BUCKET (MP)				I-U-10	2	3	JD-AT190898
DIPPER EXTENSION	AT84174	All		I-U-4	1-1/2	3	JD-AT79722

JOHN DEERE

LA - Long Arm LGP - Low Ground Pressure LT - Long Track MFWD - Mechanical Front Wheel Drive MP - Multi-Purpose
 IDM - Inside Dozer Mount ODM - Outside Dozer Mount SLF - Super Long Front STD - Straight Dozer WT - Wide Track

Replacement Kits For

JOHN DEERE

Backhoe Loaders

APPLICATION	CYL #	SERIAL #	Misc	CODE	ROD	BORE	KIT #
MODEL 610C							
LOADER BOOM LIFT	AH138931	All		P-UB-1	45 mm		JD-RE20434
	AH138931	All		N-N-14		90 mm	JD-RE20430
	RE21959	All		P-UB-1	45 mm		JD-RE20434
	RE21959	All		N-N-14		90 mm	JD-RE20430
LOADER BUCKET TILT	RE21966	All		P-UB-1	50 mm		JD-RE20595
	RE21966	All		N-N-14		100 mm	JD-AH137687
	RE38230	All		P-UB-1	50 mm		JD-RE20595
	RE38230	All		N-N-14		100 mm	JD-AH137687
LOADER CLAM	AT142578	769393-		P-U-10	2	3	JD-AT142582
STEERING (Hydrostatic)	AT108335	749406-		I-U-10	32 mm	60 mm	JD-AT108329
	AT76403	-749405		I-U-10	25 mm	50 mm	JD-AT78498
STEERING (Power)	AH139130			P-UB-1	25 mm		JD-RE21875
	AH139130			N-N-10		2	JD-AH137789
	RE18712		Flame Cut Head	P-U-1	1		JD-RE14552
	RE18712		Flame Cut Head	N-N-10		2	JD-RE14551
	RE21961	-746966	Forged Head	P-UB-1	25 mm		JD-RE21875
	RE21961	-746966	Forged Head	N-N-14		50 mm	JD-RE21874
	RE33803	746967-		P-UB-1	25 mm		JD-RE21875
	RE33803	746967-		N-N-14		50 mm	JD-RE33803
MODEL 710B							
BACKHOE BOOM		All		P-U-1	2-3/4		JD-RE14880
		All		N-N-14		6	JD-RE14879
BACKHOE BUCKET		All		P-U-1	2-1/2		JD-RE14516
		All		N-N-14		4	JD-RE14567
BACKHOE CROWD		All		P-V-1	2-3/4		JD-RE14878
		All		N-N-14		5-1/2	JD-RE14877
BACKHOE STABILIZER		All		P-V-1	2-1/2		JD-RE14745
		All		N-N-14		4-1/2	JD-RE14094
BACKHOE SWING		All		P-U-1	2-1/4		JD-AH139417
		All		N-N-14		4-1/2	JD-RE14523
LOADER BOOM LIFT		All		P-V-1	2		JD-RE30817
		All		N-N-14		3-3/4	JD-RE14771
LOADER BUCKET TILT		All		P-V-1	2		JD-RE16119
		All		N-N-14		4-1/2	JD-RE14523
STEERING		All		P-U-1	1-1/4		JD-RE14773
		All		N-N-10		2-3/4	JD-RE14772
MODEL 710C							
BACKHOE BOOM	AH136547			P-UB-1	80 mm		JD-RE25152
	AH136547			N-N-14		160 mm	JD-AH137210
	AH142928			P-UB-1	80 mm		JD-RE25152
	AH142928			N-N-14		160 mm	JD-AH137210
BACKHOE BUCKET	AH140866			P-UB-1	63 mm		JD-AH134477
	AH140866			N-N-14		100 mm	JD-AH149844
	AH142927			P-UB-1	63 mm		JD-RE25151
	AH142927			N-N-14		100 mm	JD-AH149844
BACKHOE CROWD	AH136539			P-UB-1	70 mm		JD-RE37462

LA - Long Arm LGP - Low Ground Pressure LT - Long Track MFWD - Mechanical Front Wheel Drive MP - Multi-Purpose
 IDM - Inside Dozer Mount ODM - Outside Dozer Mount SLF - Super Long Front STD - Straight Dozer WT - Wide Track

Replacement Kits For

JOHN DEERE

JOHN DEERE

Backhoe Loaders							
APPLICATION	CYL #	SERIAL #	Misc	CODE	ROD	BORE	KIT #
MODEL 710C							
BACKHOE CROWD	AH136539			N-N-14		140 mm	JD-AH137209
BACKHOE STABILIZER	AH154791			P-UB-1	63 mm		JD-AH149815
	AH154791			N-N-14		115 mm	JD-AH149846
	RE36942			P-UB-1	63 mm		JD-RE28899
	RE36942			N-N-14		115 mm	JD-AH149846
BACKHOE SWING	AH139415			P-U-1	2-1/4		JD-AH139417
	AH139415			N-N-14		4-1/2	JD-RE14523
	AH141405			P-UB-1	56 mm		JD-RE31716
	AH141405			N-N-14		115 mm	JD-AH149846
	AH154781			P-UB-1	56 mm		JD-AH149814
	AH154781			N-N-14		115 mm	JD-AH149846
	AR104407	-704673		P-U-1	2-1/4		JD-AH139417
	AR104407	-704673		N-N-14		4-1/2	JD-RE14523
	RE15499	-704673		P-U-1	2-1/4		JD-AH139417
	RE15499	-704673		N-N-14		4-1/2	JD-RE14523
EXT DIPPERSTICK	AH155668			I,P-UB-1	45 mm		JD-AH149813
	AH155668			N-N-10		80 mm	JD-RE37003
LOADER BOOM	AH154789			P-UB-1	56 mm		JD-AH149814
	AH154789			N-N-14		100 mm	JD-AH137687
	RE32557			P-UB-1	56 mm		JD-RE31716
	RE32557			N-N-14		100 mm	JD-AH137687
LOADER BUCKET	AH154792			P-UB-1	56 mm		JD-AH149814
	AH154792			N-N-14		115 mm	JD-AH149846
	RE37702			P-UB-1	56 mm		JD-RE31716
	RE37702			N-N-14		115 mm	JD-AH149846
MULTI-PURPOSE	AT142582	768252-		P-U-10	2	3	JD-AT142582
STEERING (Power)	AH154794			I-U-1	32 mm		JD-AH148823
	AH154794			N-N-14		70 mm	JD-RE20428
	RE38529			P-UB-1	32 mm		JD-RE21873
	RE38529			N-N-14		70 mm	JD-RE20428
MODEL 710D							
BACKHOE BOOM	AH142928			P-UB-1	80 mm		JD-RE25152
	AH142928			N-N-14		160 mm	JD-AH137210
BACKHOE BUCKET	AH142927			P-UB-1	63 mm		JD-RE25151
	AH142927			N-N-14		100 mm	JD-AH149844
BACKHOE CROWD	AH142926			P-UB-1	70 mm		JD-AH142089
	AH142926			N-N-14		140 mm	JD-AH137209
BACKHOE STABILIZER	AH154791	831990-		P-UB-1	63 mm		JD-AH149815
	AH154791	831990-		N-N-14		115 mm	JD-AH149846
	RE36942			P-UB-1	63 mm		JD-RE28899
	RE36942	-831989		N-N-14		115 mm	JD-AH149846
BACKHOE SWING	AH141405			P-UB-1	56 mm		JD-RE31716
	AH141405			N-N-14		115 mm	JD-AH149846
	AH154781			P-UB-1	56 mm		JD-AH149814
	AH154781			N-N-14		115 mm	JD-AH149846
EXT DIPPERSTICK	AH146325			P-UB-1	45 mm		JD-RE20434

LA - Long Arm LGP - Low Ground Pressure LT - Long Track MFWD - Mechanical Front Wheel Drive MP - Multi-Purpose
 IDM - Inside Dozer Mount ODM - Outside Dozer Mount SLF - Super Long Front STD - Straight Dozer WT - Wide Track

Replacement Kits For

JOHN DEERE

Backhoe Loaders							
APPLICATION	CYL #	SERIAL #	Misc	CODE	ROD	BORE	KIT #
MODEL 710D							
EXT DIPPERSTICK	AH146325			N-N-10		80 mm	JD-RE37003
	AH155668			I,P-UB-1	45 mm		JD-AH149813
	AH155668			N-N-10		80 mm	JD-RE37003
LOADER BOOM	AH154789			P-UB-1	56 mm		JD-AH149814
	AH154789			N-N-14		100 mm	JD-AH149844
	RE32557			P-UB-1	56 mm		JD-RE31716
	RE32557			N-N-14		100 mm	JD-AH149844
LOADER BUCKET	AH154792			P-UB-1	56 mm		JD-AH149814
	AH154792			N-N-14		115 mm	JD-AH149846
	RE37702			P-UB-1	56 mm		JD-RE31716
	RE37702			N-N-14		115 mm	JD-AH149846
MULTI-PURPOSE	AT142578			P-U-10	2	3	JD-AT142582
STEERING (Power)	AH154794			I-U-1	32 mm		JD-AH148823
	AH154794			N-N-14		70 mm	JD-RE20428
	RE38529			P-UB-1	32 mm		JD-RE21873
	RE38529			N-N-14		70 mm	JD-RE20428
MODEL 710G							
BOOM				P-UB-1	95 mm		JD-AH159192
				N-N-14		160 mm	JD-AH137210
BOOM LIFT		-943817		P-UB-1	56 mm		JD-AH149814
		-943817		N-N-14		100 mm	JD-AH212101
	AH211105	943818-		P-UB-1	56 mm		JD-AH149814
	AH211105	943818-		N-N-14		100 mm	JD-AH212101
BUCKET				P-UB-1	70 mm		JD-AH156466
				N-N-14		110 mm	JD-AH149845
BUCKET (MP)	AT190880	-925076		I-U-10	2	3	JD-AT190898
CROWD				N-N-14		140 mm	JD-AH216299
EXTENSION		-945479		I,P-UB-1	45 mm		JD-AH149813
		-945479		N-N-10		80 mm	JD-AH212092
	AH216318	945480-		I,P-UB-1	45 mm		JD-AH149813
	AH216318	945480-		N-N-10		80 mm	JD-AH212092
LOADER BUCKET				P-UB-1	56 mm		JD-AH149814
				N-N-14		110 mm	JD-AH212585
STABILIZER		-932172		P-UB-1	63 mm		JD-AH149815
		932173-952813		P-UB-1	63 mm		JD-AH149815
		932173-952813		N-N-14		115 mm	JD-AH212103
		-932172		N-N-14		115 mm	JD-AH212103
	AH218930	952814-		P-UB-1	63 mm		JD-AH149815
	AH218930	952814-		N-N-14		115 mm	JD-AH212103
STEERING (MFWD)	AT191187			I-U-14	50 mm	75 mm	JD-AT301907
SWING		-957322		P-UB-1	56 mm		JD-AH149814
		-957322		N-N-14		110 mm	JD-AH210287
	AH223267	957323-		P-UB-1	56 mm		JD-AH149814
	AH223267	957323-		N-N-14		110 mm	JD-AH212585
MODEL 710J							
BOOM	AH225720			P-UB-1	95 mm		JD-AH159192

LA - Long Arm LGP - Low Ground Pressure LT - Long Track MFWD - Mechanical Front Wheel Drive MP - Multi-Purpose
 IDM - Inside Dozer Mount ODM - Outside Dozer Mount SLF - Super Long Front STD - Straight Dozer WT - Wide Track

Replacement Kits For

JOHN DEERE

Backhoe Loaders							
APPLICATION	CYL #	SERIAL #	Misc	CODE	ROD	BORE	KIT #
MODEL 710J							
BOOM	AH225720			N-N-14		160 mm	JD-AH137210
BOOM LIFT	AH211105			P-UB-1	56 mm		JD-AH149814
	AH211105			N-N-14		100 mm	JD-AH212101
BUCKET	AH220411			P-UB-1	70 mm		JD-AH156466
	AH220411			N-N-14		110 mm	JD-AH149845
CROWD	AH225656			P-UB-1	85 mm		JD-AH207190
	AH225656			N-N-14		140 mm	JD-AH216299
LOADER BUCKET	AH220446			P-UB-1	56 mm		JD-AH149814
	AH220446			N-N-14		110 mm	JD-AH212585
STABILIZER	AH218930			P-UB-1	63 mm		JD-AH149815
	AH218930			N-N-14		115 mm	JD-AH212103
STEERING (MFWD)	AT191187			I-U-14	50 mm	75 mm	JD-AT301907
SWING	AH223267			P-UB-1	56 mm		JD-AH149814
	AH223267			N-N-14		110 mm	JD-AH212585
Compactors							
APPLICATION	CYL #	SERIAL #	Misc	CODE	ROD	BORE	KIT #
MODEL 646, 646B							
BOOM LIFT		All		P-V-8	2-3/4	6-1/4	JD-RE18744
BUCKET TILT		-223644		P-V-8	2-1/4	4-1/2	JD-AR105355
		223645-		P-V-8	2-3/4	6-1/4	JD-RE18744
CLAM (MP)		-223644		P-U-9	2	4	JIC-G32299
		223645-		P-V-8	2	4	JD-AR105387
STEERING		247907-		P-UB-10	3-3/4	4	JD-AT34932
STEERING LH		-247906		P-UB-10	3-3/4	4	JD-AT34933
STEERING RH		-247906		P-UB-10	3-3/4	4	JD-AT34932
MODEL 646C							
BOOM LIFT		505144-		P-V-1	2-3/4		JD-RE16991
		505144-		N-N-14		6-1/4	JD-RE14022
BUCKET TILT		505144-		P-V-1	3		JD-RE16992
		505144-		N-N-14		6-1/4	JD-RE14022
CLAM (MP)		All		P-V-8	2	4	JD-AR105387
STEERING		-505143		P-UB-10	1-3/4	3-3/4	JD-AR105320
		505144-		P-V-1	1-3/4		JD-RE16209
		505144-		N-N-10		3-3/4	JD-RE17099
Crawler Dozers/Loaders							
APPLICATION	CYL #	SERIAL #	Misc	CODE	ROD	BORE	KIT #
MODEL 350, 350B							
		Bulldozer Arrangement	6300, 6305, 6310				
		Ripper Arrangement	3100, 3110				
		Backhoe Arrangement	93, 93A, 95, 95A, 9250, 9300, 9550				
		Log Loader Arrangement	7702				
3 POINT HITCH		All		P-V-8	1-1/4	2-1/2	JD-AR105453
BACKHOE BOOM		All	93, 93A, 95, 95A	P-V-8	2-1/4	4-1/2	JD-RE10640
		8250-	9250, 9550	P-V-8	2	4	JD-RE18732
		-8249	9250	P-V-8	2	4	JD-AR105387
		-700717	9300	P-V-8	2-1/4	4-1/2	JD-AR105355

LA - Long Arm LGP - Low Ground Pressure LT - Long Track MFWD - Mechanical Front Wheel Drive MP - Multi-Purpose
 IDM - Inside Dozer Mount ODM - Outside Dozer Mount SLF - Super Long Front STD - Straight Dozer WT - Wide Track

Replacement Kits For

JOHN DEERE

Crawler Dozers/Loaders							
APPLICATION	CYL #	SERIAL #	Misc	CODE	ROD	BORE	KIT #
MODEL 350, 350B							
		Bulldozer Arrangement	6300, 6305, 6310				
		Ripper Arrangement	3100, 3110				
		Backhoe Arrangement	93, 93A, 95, 95A, 9250, 9300, 9550				
		Log Loader Arrangement	7702				
BACKHOE BOOM		700718-	9300	P-V-14	2-1/4	4-1/2	JD-RE18764
BACKHOE BUCKET		-700717	93, 93A, 95, 95A, 9300	P-V-8	2-1/4	3-1/2	JD-RE18757
		700718-	9300	P-V-14	2-1/4	3-1/2	JD-RE18758
		All	9250, 9550	P-V-8	1-3/4	3	JD-RE18751
BACKHOE CROWD		All	9250, 9550	P-V-8	1-3/4	3-1/2	JD-RE18755
		700718-		P-V-14	2	4	JD-RE18741
		-700717	93, 93A, 95, 95A, 9300	P-V-8	2	4	JD-AR105387
BACKHOE STABILIZER		All	9300	P-V-8	2	4	JD-AR105387
		All	93, 93A, 9250, 9550	P-V-8	1-3/4	3-1/2	JD-RE18754
BACKHOE SWING		-8249	9250	P-V-8	2	4	JD-AR105393
		8250-	9250	P-V-8	2	4	JD-RE18732
		39797-	9550	P-U-10	1-3/4	3-1/2	JD-RE18756
		T60873 piston -39796	9550	P-U-10	1-3/4	3-1/2	JD-RE18756
DOZER ANGLE		Yr 1968-	6305	P-V-8	1-1/4	3	JD-AR105454
DOZER LIFT		Yr 1968-		P-V-8	1-1/4	3	JD-AR105454
DOZER TILT		59100-	6305	P-V-8	1-1/4	2-1/2	JD-AR105453
GRAPPLE		59100-		P-V-8	1-1/2	2-1/2	JD-RE19217
LOADER BOOM LIFT		All	350	P-V-8	2	4	JD-AR105387
		All	350B	P-V-8	2	3-3/4	JD-AR105381
LOADER BUCKET TILT		All	350	P-V-8	1-1/2	2-3/4	JD-AR105430
		All	350B	P-V-8	1-1/2	2-3/4	JD-RE19222
MULTI-PURPOSE		All		P-V-8	1-3/4	3	JD-RE18751
RIPPER		59100-		P-V-8	1-1/4	2-1/2	JD-AR105453
MODEL 350C							
		Bulldozer Arrangement	6300, 6305, 6310				
		Ripper Arrangement	3110				
		Backhoe Arrangement	93, 93A, 9250, 9300, 9550				
		Log Loader Arrangement	7702				
3 POINT HITCH		All		P-V-8	1-1/4	2-1/2	JD-AR105453
BACKHOE BOOM		700423-	9300	P-V-14	2-1/4	4-1/2	JD-RE18764
		-700422	9300	P-V-8	2-1/4	4-1/2	JD-AR105355
			93, 93A	P-V-8	2-1/4	4-1/2	JD-RE10640
			9250, 9550	P-V-8	2	4	JD-RE18732
BACKHOE BUCKET		700423-	9300	P-V-14	2-1/4	3-1/2	JD-RE18758
		All	9250, 9550	P-V-8	1-3/4	3	JD-RE18751
		-700422	93, 93A, 9300	P-V-8	2-1/4	3-1/2	JD-RE18757
BACKHOE CROWD		All	9250, 9550	P-V-8	1-3/4	3-1/2	JD-RE18755
		700423-	9300	P-V-14	2	4	JD-RE18741
		-700422	93, 93A, 9300	P-V-8	2	4	JD-AR105387
BACKHOE STABILIZER		All	9300	P-V-8	2	4	JD-AR105387

LA - Long Arm LGP - Low Ground Pressure LT - Long Track MFWD - Mechanical Front Wheel Drive MP - Multi-Purpose
 IDM - Inside Dozer Mount ODM - Outside Dozer Mount SLF - Super Long Front STD - Straight Dozer WT - Wide Track

Replacement Kits For

JOHN DEERE

Crawler Dozers/Loaders							
APPLICATION	CYL #	SERIAL #	Misc	CODE	ROD	BORE	KIT #
MODEL 350C							
		Bulldozer Arrangement	6300, 6305, 6310				
		Ripper Arrangement	3110				
		Backhoe Arrangement	93, 93A, 9250, 9300, 9550				
		Log Loader Arrangement	7702				
BACKHOE STABILIZER		All	93, 93A, 9250, 9550	P-V-8	1-3/4	3-1/2	JD-RE18754
BACKHOE SWING		39797-		P-U-10	1-3/4	3-1/2	JD-RE18756
		All	9250	P-V-8	2	4	JD-RE18732
	T60873 piston	-39796	9550	P-U-10	1-3/4	3-1/2	JD-RE18756
DOZER ANGLE		All	6305	P-V-8	1-1/4	3	JD-AR105454
DOZER LIFT		All		P-V-8	1-1/4	3	JD-AR105454
DOZER TILT		All	6305	P-V-8	1-1/4	2-1/2	JD-AR105453
GRAPPLE		All		P-V-8	1-1/2	2-1/2	JD-RE19217
LOADER BOOM LIFT		All		P-V-8	2	3-3/4	JD-AR105381
LOADER BUCKET TILT		All		P-V-8	1-1/2	2-3/4	JD-RE19222
MULTI-PURPOSE		All		P-V-8	1-3/4	3	JD-RE18751
RIPPER		All		P-V-8	1-1/4	2-1/2	JD-AR105453
MODEL 350D							
3 POINT HITCH		All		P-V-8	1-1/4	2-1/2	JD-AR105453
BACKHOE BOOM		-700717	9300	P-V-8	2-1/4	4-1/2	JD-AR105355
		All	9550	P-V-8	2	4	JD-RE18732
		700718-	9300	P-V-14	2-1/4	4-1/2	JD-RE18764
BACKHOE BUCKET		700718-	9300	P-V-14	2-1/4	3-1/2	JD-RE18758
		-700717	9300	P-V-8	2-1/4	3-1/2	JD-RE18757
		All	9550	P-V-8	1-3/4	3	JD-RE18751
BACKHOE CROWD		-700717	9300	P-V-8	2	4	JD-AR105387
		700718-	9300	P-V-14	2	4	JD-RE18741
		All		P-V-8	1-3/4	3-1/2	JD-RE18755
BACKHOE STABILIZER		All	9550	P-V-8	1-3/4	3-1/2	JD-RE18754
		All		P-V-8	1-3/4	3-1/2	JD-RE18754
		All	9300	P-V-8	2	4	JD-AR105387
BACKHOE SWING		All	9550	P-U-10	1-3/4	3-1/2	JD-RE18756
DOZER ANGLE		All	6305	P-V-8	1-1/4	3	JD-AR105454
DOZER LIFT		All		P-V-8	1-1/4	3	JD-AR105454
DOZER TILT		All	6305	P-V-8	1-1/4	2-1/2	JD-AR105453
MODEL 355D							
3 POINT HITCH		All		P-V-8	1-1/4	2-1/2	JD-AR105453
BACKHOE BOOM		700718-	9300	P-V-14	2-1/4	4-1/2	JD-RE18764
		-700717	9300	P-V-8	2-1/4	4-1/2	JD-AR105355
		All	9550	P-V-8	2	4	JD-RE18732
BACKHOE BUCKET		-700717	9300	P-V-8	2-1/4	3-1/2	JD-RE18757
		All	9550	P-V-8	1-3/4	3	JD-RE18751
		700718-	9300	P-V-14	2-1/4	3-1/2	JD-RE18758
BACKHOE CROWD		All		P-V-8	1-3/4	3-1/2	JD-RE18755
		700718-	9300	P-V-14	2	4	JD-RE18741
		-700717	9300	P-V-8	2	4	JD-AR105387

LA - Long Arm LGP - Low Ground Pressure LT - Long Track MFWD - Mechanical Front Wheel Drive MP - Multi-Purpose
 IDM - Inside Dozer Mount ODM - Outside Dozer Mount SLF - Super Long Front STD - Straight Dozer WT - Wide Track

Replacement Kits For

JOHN DEERE

Crawler Dozers/Loaders								
APPLICATION	CYL #	SERIAL #	Misc	CODE	ROD	BORE	KIT #	
MODEL 355D								
BACKHOE STABILIZER		All	9550	P-V-8	1-3/4	3-1/2	JD-RE18754	
		All		P-V-8	1-3/4	3-1/2	JD-RE18754	
		All	9300	P-V-8	2	4	JD-AR105387	
BACKHOE SWING		All	9550	P-U-10	1-3/4	3-1/2	JD-RE18756	
LOADER BOOM LIFT		All		P-V-8	2	3-3/4	JD-AR105381	
LOADER BUCKET TILT		All		P-V-8	1-1/2	2-3/4	JD-RE19222	
MULTI-PURPOSE		All		P-V-8	1-3/4	3	JD-RE18751	
MODEL 450, 450B								
		Bulldozer Arrangement	6400, 6405, 6410, 6415					
		Ripper Arrangement	3100, 3110					
		Backhoe Arrangement	93, 93A, 95, 95A, 9250, 9300, 9550					
		Log Loader Arrangement	7712					
BACKHOE BOOM		All	93, 93A, 95, 95A	P-V-8	2-1/4	4-1/2	JD-RE10640	
		-700717	9300	P-V-8	2-1/4	4-1/2	JD-AR105355	
		8250-	9250, 9550	P-V-8	2	4	JD-RE18732	
		-8249	9250	P-V-8	2	4	JD-AR105387	
		700718-	9300	P-V-14	2-1/4	4-1/2	JD-RE18764	
BACKHOE BUCKET		All	9250, 9550	P-V-8	1-3/4	3	JD-RE18751	
		-700717	93, 93A, 95, 95A, 9300	P-V-8	2-1/4	3-1/2	JD-RE18757	
		700718-	9300	P-V-14	2-1/4	3-1/2	JD-RE18758	
BACKHOE CROWD		-700717	93, 93A, 95, 95A, 9300	P-V-8	2	4	JD-AR105387	
		700718-	9300	P-V-14	2	4	JD-RE18741	
		All	9250, 9550	P-V-8	1-3/4	3-1/2	JD-RE18755	
BACKHOE STABILIZER		All	93, 93A, 9250, 9550	P-V-8	1-3/4	3-1/2	JD-RE18754	
		All	9300	P-V-8	2	4	JD-AR105387	
		All	95, 95A	P-V-8	1-3/4	3	JD-RE18751	
		39797-	9550	P-U-10	1-3/4	3-1/2	JD-RE18756	
BACKHOE SWING		-8249	9250	P-V-8	2	4	JD-AR105393	
		8250-	9250	P-V-8	2	4	JD-RE18732	
		T60873 piston	-39796	9550	P-U-10	1-3/4	3-1/2	JD-RE18756
DOZER ANGLE		All	6405	P-V-8	1-1/2	3-1/2	JD-AR105432	
DOZER LIFT		All		P-V-8	1-1/2	3-1/2	JD-AR105432	
DOZER TILT			6415	P-V-8	2-1/4	4-1/2	JD-AR105355	
			6405	P-V-8	1-1/2	3-1/2	JD-AR105432	
		4pc Piston Seal	6415	P-V-1	2-1/4		JD-RE14208	
		4pc Piston Seal	6415	N-N-14		4-1/2	JD-RE14094	
GRAPPLE		All		P-V-8	1-3/4	3-1/2	JD-RE18754	
GRAPPLE CLAMP		All		P-V-8	2-1/4	5-1/4	JD-AR105346	
LOADER BOOM LIFT		All	450	P-V-8	2-1/4	4-1/2	JD-RE10640	
		All	450B	P-V-8	2-1/4	4-1/4	JD-RE18739	
LOADER BUCKET TILT		All	450B	P-V-8	2	3-1/2	JD-RE18748	
		All	450	P-V-8	2	3-1/2	JD-AR105392	
MULTI-PURPOSE		All		P-V-8	2	4	JD-AR105387	
RIPPER		59100-		P-V-8	1-1/4	2-1/2	JD-AR105453	

LA - Long Arm LGP - Low Ground Pressure LT - Long Track MFWD - Mechanical Front Wheel Drive MP - Multi-Purpose

IDM - Inside Dozer Mount ODM - Outside Dozer Mount SLF - Super Long Front STD - Straight Dozer WT - Wide Track

Replacement Kits For

JOHN DEERE

Crawler Dozers/Loaders							
APPLICATION	CYL #	SERIAL #	Misc	CODE	ROD	BORE	KIT #
MODEL 450C							
		Bulldozer Arrangement	6400, 6405, 6410, 6415				
		Ripper Arrangement	3110				
		Backhoe Arrangement	93, 93A, 95, 95A, 9250, 9300, 9550				
		Log Loader Arrangement	7712				
BACKHOE BOOM		All	93, 93A, 95, 95A	P-V-8	2-1/4	4-1/2	JD-RE10640
		All	9250, 9550	P-V-8	2	4	JD-RE18732
		-700385	9300	P-V-8	2-1/4	4-1/2	JD-AR105355
		700386-	9300	P-V-14	2-1/4	4-1/2	JD-RE18764
BACKHOE BUCKET		-700385	93, 93A, 95, 95A, 9300	P-V-8	2-1/4	3-1/2	JD-RE18757
		700386-	9300	P-V-14	2-1/4	3-1/2	JD-RE18758
		All	9250, 9550	P-V-8	1-3/4	3	JD-RE18751
BACKHOE CROWD		All		P-V-8	1-3/4	3-1/2	JD-RE18755
		-700385	93, 93A, 95, 95A, 9300	P-V-8	2	4	JD-AR105387
		700386-	9300	P-V-14	2	4	JD-RE18741
BACKHOE STABILIZER		All	93, 93A, 9250, 9550	P-V-8	1-3/4	3-1/2	JD-RE18754
		All	95, 95A	P-V-8	1-3/4	3	JD-RE18751
		All	9300	P-V-8	2	4	JD-AR105387
BACKHOE SWING		All	9250	P-V-8	2	4	JD-RE18732
		39797-	9550	P-U-10	1-3/4	3-1/2	JD-RE18756
		T60873 piston -39796	9550	P-U-10	1-3/4	3-1/2	JD-RE18756
DOZER ANGLE		All	6405	P-V-8	1-1/2	3-1/2	JD-AR105432
DOZER LIFT		All		P-V-8	1-1/2	3-1/2	JD-AR105432
DOZER TILT		All	6405	P-V-8	1-1/2	3-1/2	JD-AR105432
		All	6415	P-V-8	2-1/4	4-1/2	JD-AR105355
		Field Replacement	6415	P-V-1	2-1/4		JD-RE14208
		Field Replacement	6415	N-N-14		4-1/2	JD-RE14094
GRAPPLE		All		P-V-8	1-3/4	3-1/2	JD-RE18754
GRAPPLE CLAMP		All		P-V-8	2-1/4	5-1/4	JD-AR105346
LOADER BOOM LIFT		All		P-V-8	2-1/4	4-1/4	JD-RE18739
LOADER BUCKET TILT		205021-		P-V-8	1-3/4	3-1/2	JD-RE18754
		-205020		P-V-8	2	3-1/2	JD-RE18748
MULTI-PURPOSE		All		P-V-8	2	4	JD-AR105387
RIPPER		All		P-V-8	1-1/4	2-1/2	JD-AR105453
MODEL 450D, 450E							
BACKHOE BOOM		-700717	9300	P-V-8	2-1/4	4-1/2	JD-AR105355
		700718-	9300	P-V-14	2-1/4	4-1/2	JD-RE18764
		All	9550	P-V-8	2	4	JD-RE18732
BACKHOE BUCKET		700718-	9300	P-V-14	2-1/4	3-1/2	JD-RE18758
		All	9550	P-V-8	1-3/4	3	JD-RE18751
		-700717	9300	P-V-8	2-1/4	3-1/2	JD-RE18757
BACKHOE CROWD		700718-	9300	P-V-14	2	4	JD-RE18741
		All	9550	P-V-8	1-3/4	3-1/2	JD-RE18755

LA - Long Arm LGP - Low Ground Pressure LT - Long Track MFWD - Mechanical Front Wheel Drive MP - Multi-Purpose
 IDM - Inside Dozer Mount ODM - Outside Dozer Mount SLF - Super Long Front STD - Straight Dozer WT - Wide Track

Replacement Kits For

JOHN DEERE

Crawler Dozers/Loaders							
APPLICATION	CYL #	SERIAL #	Misc	CODE	ROD	BORE	KIT #
MODEL 450D, 450E							
BACKHOE CROWD		-700717	9300	P-V-8	2	4	JD-AR105387
BACKHOE STABILIZER		All	9300	P-V-8	2	4	JD-AR105387
		All	9550	P-V-8	1-3/4	3-1/2	JD-RE18754
BACKHOE SWING		All	9550	P-U-10	1-3/4	3-1/2	JD-RE18756
DOZER ANGLE		All	6405	P-V-8	1-1/2	3-1/2	JD-AR105432
DOZER LIFT		All		P-V-8	1-1/2	3-1/2	JD-AR105432
DOZER TILT		-712333	6415	P-V-8	2-1/4	4-1/2	JD-AR105355
		All	6405	P-V-8	1-1/2	3-1/2	JD-AR105432
		712334-	6415	P-V-1	2-1/4		JD-RE14208
		712334-	6415	N-N-14		4-1/2	JD-RE14094
MODEL 450G							
DOZER ANGLE	AH137775	-822210		P-UB-1	40 mm		JD-RE20433
	AH137775	-822210		N-N-14		70 mm	JD-RE20428
	AH149949	-846913		I,P-UB-1	40 mm		JD-AH149194
	AH149949	-846913		N-N-14		70 mm	JD-RE20428
	AH161764	All		I,P-UB-1	40 mm		JD-AH149194
	AH161764	All		N-N-10		70 mm	JD-RE37004
DOZER ANGLE (WT)	AH137776	All		P-UB-1	45 mm		JD-RE20434
	AH137776	All		N-N-14		80 mm	JD-AH149842
	AH149950	-846912		I,P-UB-1	45 mm		JD-AH149813
	AH149950	-846912		N-N-14		80 mm	JD-AH149842
	AH161770	846913-		I,P-UB-1	45 mm		JD-AH149813
	AH161770	846913-		N-N-10		80 mm	JD-RE37003
DOZER LIFT	AH150067	-846999		I,P-UB-1	40 mm		JD-AH149194
	AH150067	-790250		P-UB-1	40 mm		JD-RE20433
	AH150067	-790250		N-N-14		80 mm	JD-AH149842
	AH150067	-846999		N-N-14		80 mm	JD-AH149842
	AH161762	846843-		I,P-UB-1	40 mm		JD-AH149194
	AH161762	846843-		N-N-10		80 mm	JD-RE37003
	RE28350	-822042		P-UB-1	40 mm		JD-RE20433
	RE28350	-822042		N-N-14		80 mm	JD-AH149842
DOZER LIFT (WT) (LGP)	AH143026	790251-822042		P-UB-1	40 mm		JD-RE20433
	AH143026	790251-822042		N-N-14		80 mm	JD-AH149842
	AH150066	-846842		I,P-UB-1	40 mm		JD-AH149194
	AH150066	-846842		N-N-14		80 mm	JD-AH149842
	AH161767	847000-		I,P-UB-1	40 mm		JD-AH149194
	AH161767	847000-		N-N-10		80 mm	JD-RE37003
RIPPER	AU41772	59100-		P-V-8	1-1/4	2-1/2	JD-AR105453
TILT	AH151379	822043-846913		I,P-UB-1	45 mm		JD-AH149813
	AH151379	822043-846913		N-N-14		90 mm	JD-AH149843
	AH161772	846914-		I,P-UB-1	45 mm		JD-AH149813
	AH161772	846914-		N-N-10		90 mm	JD-AH134955
	RE35814	-822042		P-UB-1	45 mm		JD-RE20434
RE35814	-822042		N-N-14		90 mm	JD-AH149843	
MODEL 450H							
BLADE ANGLE	AH216716			P-UB-14	40 mm	63 mm	JD-AH153497

LA - Long Arm LGP - Low Ground Pressure LT - Long Track MFWD - Mechanical Front Wheel Drive MP - Multi-Purpose
 IDM - Inside Dozer Mount ODM - Outside Dozer Mount SLF - Super Long Front STD - Straight Dozer WT - Wide Track

Replacement Kits For

JOHN DEERE

Crawler Dozers/Loaders							
APPLICATION	CYL #	SERIAL #	Misc	CODE	ROD	BORE	KIT #
MODEL 450H							
BLADE ANGLE	AH216716			N-N-10		2-1/2	JD-AH212088
BLADE LIFT	AH150349	-925555		I,P-UB-1	40 mm		JD-AH149194
	AH150349	-925555		N-N-10		80 mm	JD-RE37003
	AH210530	925556-		I,P-UB-1	40 mm		JD-AH149194
	AH210530	925556-		N-N-10		80 mm	JD-AH212092
BLADE TILT	AH150351	-925555		I,P-UB-1	45 mm		JD-AH149813
	AH150351	-925555		N-N-10		90 mm	JD-AH212097
	AH211381	925556-		I,P-UB-1	45 mm		JD-AH149813
	AH211381	925556-		N-N-10		90 mm	JD-AH212097
MODEL 450J							
BLADE ANGLE		102818-XXXXXX		P-UB-14	40 mm	63 mm	JD-AH153497
		-102817		P-UB-14	40 mm	63 mm	JD-AH153497
		-102817		N-N-10		2-1/2	JD-AH212088
		102818-XXXXXX		N-N-10		2-1/2	JD-AH212088
	AH216716	XXXXXX-		P-UB-14	40 mm	63 mm	JD-AH153497
	AH216716	XXXXXX-		N-N-10		2-1/2	JD-AH212088
	ALL			P-UB-14	40 mm	63 mm	JD-AH153497
BLADE LIFT	AH211370			I,P-UB-1	40 mm		JD-AH149194
	AH211370			N-N-10		80 mm	JD-AH212092
BLADE TILT	AH211381			I,P-UB-1	45 mm		JD-AH149813
	AH211381			N-N-10		90 mm	JD-AH212097
MODEL 455D, 455E							
BACKHOE BOOM		All	9550	P-V-8	2	4	JD-RE18732
		-700717	9300	P-V-8	2-1/4	4-1/2	JD-AR105355
		700718-	9300	P-V-14	2-1/4	4-1/2	JD-RE18764
BACKHOE BUCKET		-700717	9300	P-V-8	2-1/4	3-1/2	JD-RE18757
		700718-	9300	P-V-14	2-1/4	3-1/2	JD-RE18758
		All	9550	P-V-8	1-3/4	3	JD-RE18751
BACKHOE CROWD		-700717	9300	P-V-8	2	4	JD-AR105387
		700718-	9300	P-V-14	2	4	JD-RE18741
		All	9550	P-V-8	1-3/4	3-1/2	JD-RE18755
BACKHOE STABILIZER		All	9300	P-V-8	2	4	JD-AR105387
		All	9550	P-V-8	1-3/4	3-1/2	JD-RE18754
BACKHOE SWING		All	9550	P-U-10	1-3/4	3-1/2	JD-RE18756
GRAPPLE CLAMP		All		P-V-8	2-1/4	5-1/4	JD-AR105346
LOADER BOOM LIFT		All		P-V-8	2-1/4	4-1/4	JD-RE18739
LOADER BUCKET TILT		All		P-V-8	1-3/4	3-1/2	JD-RE18754
MULTI-PURPOSE		All		P-V-8	2	4	JD-AR105387
MODEL 455G							
BUCKET CLAM	AH148714	All		P-UB-1	50 mm		JD-AH148164
	AH148714	All		N-N-14		100 mm	JD-AH149844
	RE25702	-822210		P-UB-1	50 mm		JD-RE20595
	RE25702	-822210		N-N-14		100 mm	JD-AH149844
LOADER BOOM	AH134483	-760572		P-UB-1	50 mm		JD-RE20595
	AH134483	760573-823917		P-UB-1	56 mm		JD-RE31716
	AH134483	-823917		N-N-14		100 mm	JD-AH149844

LA - Long Arm LGP - Low Ground Pressure LT - Long Track MFWD - Mechanical Front Wheel Drive MP - Multi-Purpose
 IDM - Inside Dozer Mount ODM - Outside Dozer Mount SLF - Super Long Front STD - Straight Dozer WT - Wide Track

Replacement Kits For

JOHN DEERE

Crawler Dozers/Loaders							
APPLICATION	CYL #	SERIAL #	Misc	CODE	ROD	BORE	KIT #
MODEL 455G							
LOADER BOOM	AH150117	All		P-UB-1	56 mm		JD-AH149814
	AH150117	All		N-N-14		100 mm	JD-AH149844
LOADER BUCKET	AH148736	All		P-UB-1	50 mm		JD-AH148164
	AH148736	All		N-N-14		90 mm	JD-AH149843
	RE28353	-802210		P-UB-1	50 mm		JD-RE20595
	RE28353	-802210		N-N-14		90 mm	JD-AH149843
MULTI-PURPOSE	AH148736	All		P-UB-1	50 mm		JD-AH148164
	AH148736	All		N-N-14		90 mm	JD-AH149843
	RE28353	-802210		P-UB-1	50 mm		JD-RE20595
	RE28353	-802210		N-N-14		90 mm	JD-AH149843
RIPPER	AU41772	59100-		P-V-8	1-1/4	2-1/2	JD-AR105453
MODEL 550							
BACKHOE BOOM		700718-	9300	P-V-14	2-1/4	4-1/2	JD-RE18764
		All	9550	P-V-8	2	4	JD-RE18732
		-700717	9300	P-V-8	2-1/4	4-1/2	JD-AR105355
BACKHOE BUCKET		-700717	9300	P-V-8	2-1/4	3-1/2	JD-RE18757
		700718-	9300	P-V-14	2-1/4	3-1/2	JD-RE18758
		All	9550	P-V-8	1-3/4	3	JD-RE18751
BACKHOE CROWD		-700717	9300	P-V-8	2	4	JD-AR105387
		All	9550	P-V-8	1-3/4	3-1/2	JD-RE18755
BACKHOE STABILIZER		All	9300	P-V-8	2	4	JD-AR105387
		All	9550	P-V-8	1-3/4	3-1/2	JD-RE18754
BACKHOE SWING		39797-	9550	P-U-10	1-3/4	3-1/2	JD-RE18756
		T60873 piston -39796	9550	P-U-10	1-3/4	3-1/2	JD-RE18756
DOZER ANGLE		All	6405	P-V-8	1-1/2	3-1/2	JD-AR105432
DOZER LIFT		All		P-V-8	1-1/2	3-1/2	JD-AR105432
DOZER TILT		All	6415	P-V-8	2-1/4	4-1/2	JD-AR105355
		All	6405	P-V-8	1-1/2	3-1/2	JD-AR105432
		Field Replacement	6415	P-V-1	2-1/4		JD-RE14208
		Field Replacement	6415	N-N-14		4-1/2	JD-RE14094
RIPPER		All		P-V-8	1-1/4	2-1/2	JD-AR105453
MODEL 550A, 550B							
BACKHOE BOOM		All	9550	P-V-8	2	4	JD-RE18732
		700718-	9300	P-V-14	2-1/4	4-1/2	JD-RE18764
		-700717	9300	P-V-8	2-1/4	4-1/2	JD-AR105355
BACKHOE BUCKET		All	9550	P-V-8	1-3/4	3	JD-RE18751
		700718-	9300	P-V-14	2-1/4	3-1/2	JD-RE18758
		-700717	9300	P-V-8	2-1/4	3-1/2	JD-RE18757
BACKHOE CROWD		All		P-V-8	1-3/4	3-1/2	JD-RE18755
		700718-	9300	P-V-14	2	4	JD-RE18741
		-700717	9300	P-V-8	2	4	JD-AR105387
BACKHOE STABILIZER		All	9300	P-V-8	2	4	JD-AR105387
		All	9550	P-V-8	1-3/4	3-1/2	JD-RE18754
BACKHOE SWING		All	9550	P-U-10	1-3/4	3-1/2	JD-RE18756

LA - Long Arm LGP - Low Ground Pressure LT - Long Track MFWD - Mechanical Front Wheel Drive MP - Multi-Purpose
 IDM - Inside Dozer Mount ODM - Outside Dozer Mount SLF - Super Long Front STD - Straight Dozer WT - Wide Track

Replacement Kits For

JOHN DEERE

Crawler Dozers/Loaders							
APPLICATION	CYL #	SERIAL #	Misc	CODE	ROD	BORE	KIT #
MODEL 550A, 550B							
DOZER ANGLE		All	6405	P-V-8	1-1/2	3-1/2	JD-AR105432
DOZER LIFT		All		P-V-8	1-1/2	3-1/2	JD-AR105432
DOZER TILT		-712333	6415	P-V-8	2-1/4	4-1/2	JD-AR105355
		All	6405	P-V-8	1-1/2	3-1/2	JD-AR105432
		712334-	6415	P-V-1	2-1/4		JD-RE14208
		712334-	6415	N-N-14		4-1/2	JD-RE14094
MODEL 550G							
DOZER ANGLE	AH137776	All		P-UB-1	45 mm		JD-RE20434
	AH137776	All		N-N-14		80 mm	JD-AH149842
	AH149950	-846912		I,P-UB-1	45 mm		JD-AH149813
	AH149950	-846912		N-N-14		80 mm	JD-AH149842
	AH161770	846913-		I,P-UB-1	45 mm		JD-AH149813
	AH161770	846913-		N-N-10		80 mm	JD-RE37003
DOZER LIFT	AH150066	-846842		I,P-UB-1	40 mm		JD-AH149194
	AH150066	-846842		N-N-14		80 mm	JD-AH149842
	AH150067	-846999		I,P-UB-1	40 mm		JD-AH149194
	AH150067	-790250		P-UB-1	40 mm		JD-RE20433
	AH150067	-790250		N-N-14		80 mm	JD-AH149842
	AH150067	-846999		N-N-14		80 mm	JD-AH149842
	AH161762	846843-		I,P-UB-1	40 mm		JD-AH149194
	AH161762	846843-		N-N-10		80 mm	JD-RE37003
	AH161767	847000-		I,P-UB-1	40 mm		JD-AH149194
	AH161767	847000-		N-N-10		80 mm	JD-RE37003
TILT	AH151379	All		I,P-UB-1	45 mm		JD-AH149813
	AH151379	All		N-N-14		90 mm	JD-AH149843
	AH161772	846914-		I,P-UB-1	45 mm		JD-AH149813
	AH161772	846914-		N-N-10		90 mm	JD-AH134955
	RE35814	-822042		P-UB-1	45 mm		JD-RE20434
	RE35814	-822042		N-N-14		90 mm	JD-AH149843
MODEL 550H							
BLADE ANGLE	AH165689	-925555		I,P-UB-1	45 mm		JD-AH149813
	AH165689	-925555		N-N-10		70 mm	JD-AH212090
	AH211365	925556-		I,P-UB-1	45 mm		JD-AH149813
	AH211851	925556-		N-N-10		70 mm	JD-AH212090
BLADE LIFT	AH163865	-925555		I,P-UB-1	40 mm		JD-AH149194
	AH163865	-925555		N-N-10		80 mm	JD-RE37003
	AH211370	925556-		I,P-UB-1	40 mm		JD-AH149194
	AH211370	925556-		N-N-10		80 mm	JD-AH212092
BLADE TILT	AH158633	-925555		I,P-UB-1	45 mm		JD-AH149813
	AH158633	-925555		N-N-10		90 mm	JD-AH212097
	AH211381	925556-		I,P-UB-1	45 mm		JD-AH149813
	AH211381	925556-		N-N-10		90 mm	JD-AH212097
MODEL 550J							
BLADE ANGLE	AH211851			I,P-UB-1	45 mm		JD-AH149813
	AH211851			N-N-10		70 mm	JD-AH212090
BLADE LIFT	AH211370			I,P-UB-1	40 mm		JD-AH149194

LA - Long Arm LGP - Low Ground Pressure LT - Long Track MFWD - Mechanical Front Wheel Drive MP - Multi-Purpose
 IDM - Inside Dozer Mount ODM - Outside Dozer Mount SLF - Super Long Front STD - Straight Dozer WT - Wide Track

Replacement Kits For

JOHN DEERE

Crawler Dozers/Loaders							
APPLICATION	CYL #	SERIAL #	Misc	CODE	ROD	BORE	KIT #
MODEL 550J							
BLADE LIFT	AH211370			N-N-10		80 mm	JD-AH212092
BLADE TILT	AH211381			I,P-UB-1	45 mm		JD-AH149813
	AH211381			N-N-10		90 mm	JD-AH212097
MODEL 555							
BACKHOE BOOM		700718-	9300	P-V-14	2-1/4	4-1/2	JD-RE18764
		-700717	9300	P-V-8	2-1/4	4-1/2	JD-AR105355
BACKHOE BUCKET		700718-	9300	P-V-14	2-1/4	3-1/2	JD-RE18758
		-700717	9300	P-V-8	2-1/4	3-1/2	JD-RE18757
BACKHOE CROWD		700718-	9300	P-V-14	2	4	JD-RE18741
		-700717	9300	P-V-8	2	4	JD-AR105387
BACKHOE STABILIZER		All		P-V-8	2	4	JD-AR105387
GRAPPLE		All		P-V-8	1-3/4	3-1/2	JD-RE18754
GRAPPLE CLAMP		All		P-V-8	2-1/4	5-1/4	JD-AR105346
LOADER BOOM LIFT		-294037		I-U-8	2-1/4	4-1/4	JD-AH139418
		294038-		P-V-8	2-1/4	4-1/4	JD-RE18739
LOADER BUCKET TILT		All		P-V-8	1-3/4	3-1/2	JD-RE18754
MULTI-PURPOSE		All		P-V-8	2	4	JD-AR105387
RIPPER		All		P-V-8	1-1/4	2-1/2	JD-AR105453
MODEL 555A, 555B							
BACKHOE BOOM		700718-	9300	P-V-14	2-1/4	4-1/2	JD-RE18764
		-700717	9300	P-V-8	2-1/4	4-1/2	JD-AR105355
BACKHOE BUCKET		-700717	9300	P-V-8	2-1/4	3-1/2	JD-RE18757
		700718-	9300	P-V-14	2-1/4	3-1/2	JD-RE18758
BACKHOE CROWD		-700717	9300	P-V-8	2	4	JD-AR105387
		700718-	9300	P-V-14	2	4	JD-RE18741
BACKHOE STABILIZER		All		P-V-8	2	4	JD-AR105387
GRAPPLE CLAMP		All		P-V-8	2-1/4	5-1/4	JD-AR105346
LOADER BOOM LIFT		All		P-V-8	2-1/4	4-1/4	JD-RE18739
LOADER BUCKET TILT		All		P-V-8	1-3/4	3-1/2	JD-RE18754
MULTI-PURPOSE		All		P-V-8	2	4	JD-AR105387
MODEL 555G							
BUCKET CLAM	AH148714	All		P-UB-1	50 mm		JD-AH148164
	AH148714	All		N-N-14		100 mm	JD-AH149844
	RE25702	-822210		P-UB-1	50 mm		JD-RE20595
	RE25702	-822210		N-N-14		100 mm	JD-AH149844
LOADER BOOM	AH150111	All		P-UB-1	63 mm		JD-AH149815
	AH150111	All		N-N-14		115 mm	JD-AH149846
	RE26632	-823917		P-UB-1	63 mm		JD-RE28899
	RE26632	-823917		N-N-14		115 mm	JD-AH149846
LOADER BUCKET	AH148715	All		P-UB-1	50 mm		JD-AH148164
	AH148715	All		N-N-14		100 mm	JD-AH149844
	RE26633	-818179		P-UB-1	50 mm		JD-AH148164
	RE26633	-818179		N-N-14		100 mm	JD-AH149844
MODEL 650G							
DOZER ANGLE				N-N-14		80 mm	JD-RE31138
	AH137776	-822211		P-UB-1	45 mm		JD-RE20434

LA - Long Arm LGP - Low Ground Pressure LT - Long Track MFWD - Mechanical Front Wheel Drive MP - Multi-Purpose
 IDM - Inside Dozer Mount ODM - Outside Dozer Mount SLF - Super Long Front STD - Straight Dozer WT - Wide Track

Replacement Kits For

JOHN DEERE

Crawler Dozers/Loaders							
APPLICATION	CYL #	SERIAL #	Misc	CODE	ROD	BORE	KIT #
MODEL 650G							
DOZER ANGLE	AH137776	-822211		N-N-14		80 mm	JD-AH149842
	AH149950	-846912		I,P-UB-1	45 mm		JD-AH149813
	AH149950	-846912		N-N-14		80 mm	JD-AH149842
	AH161770	846913-		I,P-UB-1	45 mm		JD-AH149813
	AH161770	846913-		N-N-10		80 mm	JD-RE37003
DOZER LIFT				P-UB-1	40 mm		JD-RE20433
				N-N-14		80 mm	JD-RE31138
	AH143026	790251-822042		P-UB-1	40 mm		JD-RE20433
	AH143026	790251-822042		N-N-14		80 mm	JD-AH149842
	AH150066	847000-		I,P-UB-1	40 mm		JD-AH149194
	AH150066	847000-		N-N-10		80 mm	JD-RE37003
	RE28350	-790250		P-UB-1	40 mm		JD-RE20433
	RE28350	-790250		N-N-14		80 mm	JD-AH149842
LIFT	RE28350	-790250		P-UB-1	40 mm		JD-RE20433
	RE28350	-790250		N-N-14		80 mm	JD-AH212091
TILT				N-N-14		100 mm	JD-RE31139
	AH149951	All		P-UB-1	50 mm		JD-RE20595
	AH149951	-822042		P-UB-1	50 mm		JD-RE20595
	AH149951	All		N-N-14		100 mm	JD-AH137687
	AH149951	-822042		N-N-14		100 mm	JD-AH212101
	AH161766	All		P-UB-1	50 mm		JD-AH148164
	AH161766	All		N-N-10		100 mm	JD-AH161781
	RE35808	-822042		P-UB-1	50 mm		JD-RE20595
	RE35808	-822042		N-N-14		100 mm	JD-AH149844
MODEL 650H							
BLADE ANGLE	AH165689	-925555		I,P-UB-1	45 mm		JD-AH149813
	AH165689	-925555		N-N-10		70 mm	JD-AH212090
	AH211365	925556-		I,P-UB-1	45 mm		JD-AH149813
	AH211851	925556-		N-N-10		70 mm	JD-AH212090
BLADE LIFT	AH163865	-925555		I,P-UB-1	40 mm		JD-AH149194
	AH163865	-925555		N-N-10		80 mm	JD-RE37003
	AH211370	925556-		I,P-UB-1	40 mm		JD-AH149194
	AH211370	925556-		N-N-10		80 mm	JD-AH212092
BLADE TILT	AH158633	-925555		P-UB-1	50 mm		JD-AH210484
	AH158633	-925555		N-N-10		100 mm	JD-AH212102
	AH212097	925556-		P-UB-1	50 mm		JD-AH210484
	AH212097	925556-		N-N-10		100 mm	JD-AH212102
MODEL 650J							
BLADE ANGLE	AH211851			I,P-UB-1	45 mm		JD-AH149813
	AH211851			N-N-10		70 mm	JD-AH212090
BLADE LIFT	AH211370			I,P-UB-1	40 mm		JD-AH149194
	AH211370			N-N-10		80 mm	JD-AH212092
BLADE TILT	AH210979			P-UB-1	50 mm		JD-AH210484
	AH210979			N-N-10		100 mm	JD-AH212102
MODEL 655							
LOADER BOOM LIFT		All		P-U-8	3-3/4	5-1/2	JD-RE18763

JOHN DEERE

LA - Long Arm LGP - Low Ground Pressure LT - Long Track MFWD - Mechanical Front Wheel Drive MP - Multi-Purpose
 IDM - Inside Dozer Mount ODM - Outside Dozer Mount SLF - Super Long Front STD - Straight Dozer WT - Wide Track

Replacement Kits For

JOHN DEERE

Crawler Dozers/Loaders							
APPLICATION	CYL #	SERIAL #	Misc	CODE	ROD	BORE	KIT #
MODEL 655							
LOADER BUCKET TILT		All		P-V-8	2-1/4	4-1/2	JD-AR105355
		Field Replacement		P-V-1	2-1/4		JD-RE14208
		Field Replacement		N-N-14		4-1/2	JD-RE14094
MULTI-PURPOSE		All		P-V-8	2	4	JD-AR105387
				P-V-1	2-1/2		JD-RE17345
	RE22315	All		N-N-14		5-1/2	JD-RE14102
TRACK ADJUSTER		All		I-U-4	3-3/4	3	JD-905001
MODEL 655B							
LOADER BOOM LIFT		All		P-U-1	3-3/4		JD-RE31528
		All		N-N-14		5-1/2	JD-RE15907
LOADER BUCKET TILT		All		P-V-1	2-1/4		JD-RE14208
		All		N-N-14		4-1/2	JD-RE14094
MULTI-PURPOSE		All		P-V-1	2-1/2		JD-RE17345
		All		N-N-14		5-1/2	JD-RE14102
TRACK ADJUSTER		All		I-U-4	3-3/4	3	JD-905001
MODEL 700H							
DOZER ANGLE		-925555		P-UB-1	56 mm		JD-AH149814
		-925555		N-N-10		90 mm	JD-AH212097
	AH211335	925556-		P-UB-1	56 mm		JD-AH149814
	AH211335	925556-		N-N-10		90 mm	JD-AH212097
DOZER LIFT	AH160177	-942019		P-UB-1	50 mm		JD-AH210484
	AH160177	-942019		N-N-10		100 mm	JD-AH212102
	AH215878	942020-		P-UB-1	50 mm		JD-AH210484
DOZER TILT		-942019		P-UB-1	50 mm		JD-AH210484
		-942019		N-N-10		100 mm	JD-AH212102
	AH216998	942020-		P-UB-1	50 mm		JD-AH210484
MODEL 700J							
DOZER ANGLE	AH211335	-139435		P-UB-1	56 mm		JD-AH149814
	AH211335	139436-		P-UB-1	56 mm		JD-AH149814
	AH211335	-139435		N-N-10		90 mm	JD-AH212097
	AH211335	139436-		N-N-10		90 mm	JD-AH212097
DOZER LIFT	AH215878	139436-		P-UB-1	50 mm		JD-AH210484
	AH215878	-139435		P-UB-1	50 mm		JD-AH210484
DOZER TILT	AH216998	-139435		P-UB-1	50 mm		JD-AH210484
	AH216998	139436-		P-UB-1	50 mm		JD-AH210484
MODEL 750B							
ANGLE (Inside Dozer)	RE17343	-743282		P-V-1	2-3/4		JD-RE17342
	RE17343	-743282		N-N-14		6-1/4	JD-RE14022
DOZER LIFT	AH150118	779602-		P-UB-1	56 mm		JD-AH149814
	AH150118	779602-		N-N-14		100 mm	JD-AH149844
	AT101434	779602-		P-UB-1	56 mm		JD-RE31716
	AT101434	779602-		N-N-14		100 mm	JD-AH137687
	RE17453	-779601		N-N-14		4-1/4	JD-RE17458
	RE17459	-743282		N-N-14		4-1/4	JD-RE17458

LA - Long Arm LGP - Low Ground Pressure LT - Long Track MFWD - Mechanical Front Wheel Drive MP - Multi-Purpose
 IDM - Inside Dozer Mount ODM - Outside Dozer Mount SLF - Super Long Front STD - Straight Dozer WT - Wide Track

Replacement Kits For

JOHN DEERE

Crawler Dozers/Loaders							
APPLICATION	CYL #	SERIAL #	Misc	CODE	ROD	BORE	KIT #
MODEL 750B							
DOZER LIFT	RE17462	All		N-N-14		4-1/4	JD-RE17458
	RE35226	743283-		N-N-14		4-1/4	JD-RE17458
TILT	AH145297			P-V-1	2-1/2		JD-RE17345
	AH145297			P-UB-1	80 mm		JD-RE25152
	AH145297			N-N-14		160 mm	JD-AH137210
	AH145297			N-N-14		5-1/2	JD-RE14102
	RE17344			P-V-1	2-1/2		JD-RE17345
	RE17344			N-N-14		5-1/2	JD-RE14102
TILT (Angle Dozer)	RE17350		6520	P-V-1	2-1/2		JD-RE17345
	RE17350		6520	N-N14		5-1/2	JD-RE17351
TILT (Insider Dozer)	RE17341	-743282		P-V-1	2-3/4		JD-RE17342
	RE17341	-743282		N-N-14		6-1/4	JD-RE14022
MODEL 750C							
LIFT	AH141866	-823539		P-UB-1	56 mm		JD-RE31716
	AH141866	-823539		N-N-14		100 mm	JD-AH212101
TILT	AH160105	871488-		P-UB-1	80 mm		JD-AH156874
	AH160105	-871487		P-UB-1	80 mm		JD-RE25152
	AH160105	-871487		N-N-14		160 mm	JD-AH137210
	AH160105	871488-		N-N-14		160 mm	JD-AH137210
TILT ANGLE	RE17350			P-V-1	2-1/2		JD-RE17345
	RE17350			N-N14		5-1/2	JD-RE17351
MODEL 750C-II							
ANGLE	RE17350			P-V-1	2-1/2		JD-RE17345
	RE17350			N-N14		5-1/2	JD-RE17351
LIFT	AH150120	-943853		P-UB-1	56 mm		JD-AH149814
	AH150120	-943853		N-N-14		100 mm	JD-AH212101
	AH216805	943854-		P-UB-1	56 mm		JD-AH149814
	AH216805	943854-		N-N-14		100 mm	JD-AH212101
TILT	AH160105			P-UB-1	80 mm		JD-AH156874
	AH160105			N-N-14		160 mm	JD-AH137210
	AH175471	904887-		P-UB-1	63 mm		JD-AH149815
	AH175471	904887-		N-N-14		140 mm	JD-AH216299
MODEL 750J							
DOZER ANGLE	AH217118	-141343, 141344-	(IDM)	P-UB-1	70 mm		JD-AH156466
	AH217118	-141343, 141344-	(IDM)	N-N-14		110 mm	JD-AH212585
DOZER LIFT	AH208632	-141343, 141344-	(IDM)	P-UB-1	56 mm		JD-AH149814
	AH208632	-141343, 141344-	(IDM)	N-N-10		100 mm	JD-AH212102
	AH221187	-141343, 141344-	(ODM)	P-UB-1	56 mm		JD-AH149814
	AH221187	-141343, 141344-	(ODM)	N-N-14		90 mm	JD-AH212096
DOZER TILT	AH208633	-141343, 141344-	(IDM)	P-UB-1	63 mm		JD-AH149815
	AH208633	-141343, 141344-	(IDM)	N-N-14		125 mm	JD-AH149848
	AH208635	-141343, 141344-	(ODM)	P-UB-1	63 mm		JD-AH149815
	AH208635	-141343, 141344-	(ODM)	N-N-14		125 mm	JD-AH149848
MODEL 850							
Bulldozer Arrangement			6540, 6545				
DOZER LIFT	AR105285	All	6540	P-U-10	2-1/2	4-1/4	JD-RE18731

JOHN DEERE

LA - Long Arm LGP - Low Ground Pressure LT - Long Track MFWD - Mechanical Front Wheel Drive MP - Multi-Purpose
 IDM - Inside Dozer Mount ODM - Outside Dozer Mount SLF - Super Long Front STD - Straight Dozer WT - Wide Track

Replacement Kits For

JOHN DEERE

Crawler Dozers/Loaders							
APPLICATION	CYL #	SERIAL #	Misc	CODE	ROD	BORE	KIT #
MODEL 850							
Bulldozer Arrangement			6540, 6545				
DOZER LIFT	AT52374	-307525	6545	P-U-10	2-1/2	4-1/4	JD-RE18731
DOZER LIFT (LGP)	RE17462	All	6540, 6545	P-V-1	2-1/2		JD-AH142440
	RE17462	All		N-N-14		4-1/4	JD-RE17458
DOZER TILT	AR105289	All	6540	P-U-10	2-1/2	5-1/2	JD-AR105275
	RE17350	All	6540	P-V-1	2-1/2		JD-RE17345
	RE17350	All	6540	N-N14		5-1/2	JD-RE17351
DOZER TILT (LGP) (LT)	AR89587	-705569	6545	P-V-8	2-3/4	6-1/4	JD-RE18744
	AT52367	-318357	6545	P-V-8	2-3/4	6-1/4	JD-RE18744
	RE16538	All	6545	P-V-8	2-3/4	6-1/4	JD-RE18744
	RE17349	All	6545	P-V-1	2-3/4		JD-RE17342
	RE17349	All	6545	N-N-14		6-1/4	JD-RE14104
MODEL 850B							
Bulldozer Arrangement			6540, 6545				
DOZER LIFT	RE17459	All	6540, 6545	P-V-1	2-1/2		JD-AH142440
	RE17459	All	6540, 6545	N-N-14		4-1/4	JD-RE17458
DOZER LIFT (LGP) (LT)	RE17462	All		P-V-1	2-1/2		JD-AH142440
	RE17462	-747861		N-N-14		4-1/4	JD-RE17458
	RE35226	747862-		P-V-1	2-1/2		JD-AH142440
	RE35226	747862-		N-N-14		4-1/4	JD-RE17458
DOZER LIFT (LT)	AH136158	779602-		P-UB-1	56 mm		JD-RE31716
	AH136158	779602-		N-N-14		100 mm	JD-AH137687
DOZER TILT	AH145297	All		P-UB-1	80 mm		JD-RE25152
	AH145297	All		N-N-14		180 mm	JD-AH137211
	RE17350	All	6540	P-V-1	2-1/2		JD-RE17345
	RE17350	All	6540	N-N14		5-1/2	JD-RE17351
DOZER TILT (STD) (LGP) (LT)	RE17349	All	6545	P-V-1	2-3/4		JD-RE17342
	RE17349	All	6545	N-N-14		6-1/4	JD-RE14104
MODEL 850C							
LIFT	AH216805			P-UB-1	56 mm		JD-AH149814
	AH216805			N-N-14		100 mm	JD-AH212101
TILT		-848638		P-UB-1	80 mm		JD-RE25152
		-848638		N-N-14		180 mm	JD-AH137211
	AH159739	848639-		P-UB-1	80 mm		JD-AH156874
	AH159739	848639-		N-N-14		180 mm	JD-AH137211
TILT ANGLE	RE17350			P-V-1	2-1/2		JD-RE17345
	RE17350			N-N14		5-1/2	JD-RE17351
MODEL 850C-II							
LIFT	AH150120	-943853		P-UB-1	56 mm		JD-AH149814
	AH150120	-943853		N-N-14		100 mm	JD-AH212101
	AH216805	943854-		P-UB-1	56 mm		JD-AH149814
	AH216805	943854-		N-N-14		100 mm	JD-AH212101
LIFT (LGP)	AH150121	-943853		P-UB-1	56 mm		JD-AH149814
	AH150121	-943853		N-N-14		100 mm	JD-AH212101
TILT	AH159739			P-UB-1	80 mm		JD-AH156874

LA - Long Arm LGP - Low Ground Pressure LT - Long Track MFWD - Mechanical Front Wheel Drive MP - Multi-Purpose
 IDM - Inside Dozer Mount ODM - Outside Dozer Mount SLF - Super Long Front STD - Straight Dozer WT - Wide Track

Replacement Kits For

JOHN DEERE

Crawler Dozers/Loaders							
APPLICATION	CYL #	SERIAL #	Misc	CODE	ROD	BORE	KIT #
MODEL 850C-II							
TILT	AH159739			N-N-14		180 mm	JD-AH137211
	AH175471	904887-		P-UB-1	63 mm		JD-AH149815
	AH175471	904887-		N-N-14		140 mm	JD-AH216299
TILT ANGLE	RE17350			P-V-1	2-1/2		JD-RE17345
	RE17350			N-N14		5-1/2	JD-RE17351
MODEL 850J							
DOZER ANGLE	AH208628		(IDM)	P-UB-1	70 mm		JD-AH156466
	AH208628		(IDM)	N-N-14		115 mm	JD-AH212103
DOZER LIFT	AH208630		(IDM)	P-UB-1	63 mm		JD-AH149815
	AH208630		(IDM)	N-N-14		115 mm	JD-AH212103
	AH221183		(ODM)	P-UB-1	56 mm		JD-AH149814
	AH221183		(ODM)	N-N-14		90 mm	JD-AH212096
DOZER TILT	AH208631		(ODM)	P-UB-1	70 mm		JD-AH156466
	AH208631		(ODM)	N-N-10		6	JD-AH167533
	AH210140		(IDM)	P-UB-1	63 mm		JD-AH149815
	AH210140		(IDM)	N-N-14		125 mm	JD-AH149848
Excavators							
APPLICATION	CYL #	SERIAL #	Misc	CODE	ROD	BORE	KIT #
MODEL 70							
ARM	TH105922			P-UB-10	60 mm	100 mm	JD-TH106099
ARM/OFFSET BOOM	TH105901			P-UB-10	60 mm	100 mm	JD-TH106099
	TH106735			P-UB-10	60 mm	100 mm	JD-TH106099
BLADE	TH105913			P-UB-10	55 mm	90 mm	JD-TH110663
BOOM	TH105921			P-UB-10	65 mm	115 mm	JD-TH111701
BUCKET	TH105901			P-UB-10	55 mm	90 mm	JD-TH106853
OFFSET BOOM	TH106736			P-UB-10	60 mm	110 mm	JD-TH106874
MODEL 70D							
ARM	TH110528	All		P-UB-10	60 mm	100 mm	JD-TH110662
	TH110645	All		P-UB-10	60 mm	100 mm	JD-TH110662
ARM OFFSET	TH110645	All		P-UB-10	60 mm	100 mm	JD-TH110662
BLADE	TH110626	All		P-UB-10	55 mm	90 mm	JD-TH110663
BOOM	TH110527	All		P-UB-10	65 mm	115 mm	JD-TH110661
BUCKET	TH110529	All		P-UB-10	55 mm	90 mm	JD-TH110663
OFFSET CYL	TH110644	All		P-UB-10	60 mm	110 mm	JD-TH106874
MODEL 80							
ARM	AP36041	All		P-UB-10	60 mm	95 mm	JD-AT200549
BOOM	AP36040	All		P-UB-10	65 mm	115 mm	JD-AT200548
BUCKET	AT250786	All		P-UB-10	55 mm	85 mm	JD-AT200550
MODEL 110							
BUCKET	AH148041	All		P-UB-10	65 mm	95 mm	JD-AH150595
MODEL 120							
ARM	AH149792	All		P-UB-10	80 mm	110 mm	JD-AH149796
BOOM (LH)	AH153169	All		P-UB-10	70 mm	105 mm	JD-AH151107
BOOM (RH)	AH153168	All		P-UB-10	70 mm	105 mm	JD-AH151107
BUCKET	AH148041	All		P-UB-10	65 mm	95 mm	JD-AH150595

JOHN DEERE

LA - Long Arm LGP - Low Ground Pressure LT - Long Track MFWD - Mechanical Front Wheel Drive MP - Multi-Purpose
 IDM - Inside Dozer Mount ODM - Outside Dozer Mount SLF - Super Long Front STD - Straight Dozer WT - Wide Track

Replacement Kits For

JOHN DEERE

Excavators							
APPLICATION	CYL #	SERIAL #	Misc	CODE	ROD	BORE	KIT #
MODEL 120C							
ARM	9183013J			P-UB-10	80 mm	115 mm	JD-4448396
BLADE (LH)				P-UB-10	70 mm	100 mm	JD-4388027
	9187647	Field Replacement		P-UB-10	70 mm	100 mm	JD-4388027
BLADE (RH)				P-UB-10	70 mm	100 mm	JD-4388027
	9187648	Field Replacement		P-UB-10	70 mm	100 mm	JD-4388027
BOOM (LH)	4428437Y			P-UB-10	70 mm	105 mm	JD-4662895
BOOM (RH)	4428436Y			P-UB-10	70 mm	105 mm	JD-4662895
BUCKET	9183014J			P-UB-10	70 mm	100 mm	JD-4448397
MODEL 135C							
ARM	9197519			P-UB-10	80 mm	115 mm	JD-4448396
BLADE	4472591			P-U-10	50 mm	95 mm	JD-0745308
BLADE (LH)	9187647			P-UB-10	70 mm	100 mm	JD-4388027
BLADE (RH)	9187648			P-UB-10	70 mm	100 mm	JD-4388027
BOOM (LH)	9197517			P-UB-10	70 mm	105 mm	JD-4662895
BOOM (RH)	9197518			P-UB-10	70 mm	105 mm	JD-4662895
BUCKET	9183014J			P-UB-10	70 mm	100 mm	JD-4448397
MODEL 160 LC							
ARM	AH155022	All		P-UB-10	85 mm	115 mm	JD-AH155025
BOOM (LH)	AH155042	All		P-UB-10	80 mm	110 mm	JD-AH155045
BOOM (RH)	AH155051	All		P-UB-10	80 mm	110 mm	JD-AH155045
BUCKET	AH155037	All		P-UB-10	75 mm	105 mm	JD-AH155040
MODEL 160C LC							
ARM	9206378J			P-UB-10	90 mm	120 mm	JD-4467380
BOOM (LH)	9206377J			P-UB-10	80 mm	110 mm	JD-4467379
BOOM (RH)	9206376J			P-UB-10	80 mm	110 mm	JD-4467379
BUCKET	9206379J			P-UB-10	75 mm	105 mm	JD-4467381
MODEL 190E							
ARM	AT200453			P-UB-10	60 mm	95 mm	JD-AT200549
BLADE	AT200491			P-UB-10	50 mm	80 mm	JD-AT200574
BOOM	AT200452			P-UB-10	65 mm	115 mm	JD-AT200548
BUCKET	AT182460			P-UB-10	55 mm	85 mm	JD-AT200550
OFFSET BOOM ARM	AT200518			P-UB-10	60 mm	95 mm	JD-AT200549
OFFSET BOOM CYL	AT200507			P-UB-10	60 mm	105 mm	JD-AT200573
MODEL 200 LC							
ARM		051019-		P-UB-14	100 mm	145 mm	JD-AT264438
	AH148451	All		P-UB-10	95 mm	130 mm	JD-AH148453
BOOM (LH)	AH148792	All		P-UB-10	85 mm	120 mm	JD-AH148785
BOOM (RH)	AH148782	All		P-UB-10	85 mm	120 mm	JD-AH148785
BUCKET	AH148761	All		P-UB-10	75 mm	110 mm	JD-AH148776
MODEL 200C LC							
ARM	9169805Y			P-UB-10	95 mm	135 mm	JD-AH173444
BOOM (LH)	9175423Y			P-UB-10	85 mm	120 mm	JD-AH173457
BOOM (LH) (SLF)	AH165673			P-UB-10	85 mm	120 mm	JD-AH173457
BOOM (RH)	9175422Y			P-UB-10	85 mm	120 mm	JD-AH173457

LA - Long Arm LGP - Low Ground Pressure LT - Long Track MFWD - Mechanical Front Wheel Drive MP - Multi-Purpose
 IDM - Inside Dozer Mount ODM - Outside Dozer Mount SLF - Super Long Front STD - Straight Dozer WT - Wide Track

Replacement Kits For

JOHN DEERE

Excavators							
APPLICATION	CYL #	SERIAL #	Misc	CODE	ROD	BORE	KIT #
MODEL 200C LC							
BOOM (RH) (SLF)	AH148786			P-UB-10	85 mm	120 mm	JD-AH173457
BUCKET		-503594 ; 503595-		P-UB-10	80 mm	115 mm	JD-AH173451
BUCKET (SLF)				P-UB-10	65 mm	95 mm	JD-AT196469
MODEL 225C LC							
ARM	9169805			P-UB-10	95 mm	135 mm	JD-4661594
BOOM (LH)	9196649			P-UB-10	85 mm	120 mm	JD-AH225136
BOOM (RH)	9196650			P-UB-10	85 mm	120 mm	JD-AH225136
BUCKET	DH900365J			P-UB-10	80 mm	115 mm	JD-AH173451
MODEL 230 LC							
ARM	AT154865	All		P-UB-14	100 mm	135 mm	JD-AT183658
	AT154865	All		Bushing	100 mm		JD-AT131414
	AT154865	All		Wear Ring		135 mm	JD-TH110033
	AT154865	All		Wear Ring		135 mm	JD-AT154718
BOOM (LH)	AT154864	All		P-UB-14	90 mm	125 mm	JD-AT154867
	AT154864	All		Bushing	90 mm		JD-AT154779
	AT154864	All		Wear Ring		125 mm	JD-AT154735
	AT154864	All		Wear Ring		125 mm	JD-AT154700
BOOM (RH)	AT154864	All		P-UB-14	90 mm	125 mm	JD-AT154867
	AT154864	All		Bushing	90 mm		JD-AT154779
	AT154864	All		Wear Ring		125 mm	JD-AT154700
	AT154864	All		Wear Ring		125 mm	JD-AT154735
BUCKET	AT182459	All		P-UB-14	85 mm	125 mm	JD-AT181250
	AT182459	All		Bushing	85 mm		JD-AT154778
	AT182459	All		Wear Ring		125 mm	JD-AT154700
	AT182459	All		Wear Ring		125 mm	JD-AT154735
MODEL 230C LC							
ARM		-603582		P-UB-14	105 mm	140 mm	JD-9207059
	9234731J	603583-		P-UB-10	105 mm	140 mm	JD-4631062
ARM (SLF)				P-UB-10	105 mm	145 mm	JD-4369943
BOOM (LH)		603538-603552 ; 603514		P-UB-14	90 mm	125 mm	JD-4485612
	9234729J	603515-603552 ; 603553-		P-UB-10	90 mm	125 mm	JD-4662069
BOOM (RH)		603538-603552 ; 603514		P-UB-14	90 mm	125 mm	JD-4485612
	9234729J	603515-603537 ; 603533-		P-UB-10	90 mm	125 mm	JD-4662069
BUCKET		-603533		P-UB-14	90 mm	130 mm	JD-4485614
BUCKET (SLF)				P-UB-10	65 mm	95 mm	JD-AT196469
MODEL 270C LC							
ARM			- Aug 2004	P-UB-14	100 mm	145 mm	JD-AT264438
			Aug 2004 -	P-UB-10	100 mm	145 mm	JD-4639938
ARM (SLF)				P-UB-10	105 mm	145 mm	JD-4369943
BOOM (LH)			Aug 2004 -	P-UB-10	95 mm	135 mm	JD-4639936
	9245979J		- Aug 2004	P-UB-14	95 mm	135 mm	JD-4485615
BOOM (RH)			Aug 2004 -	P-UB-10	95 mm	135 mm	JD-4639936
	9245978J		- Aug 2004	P-UB-14	95 mm	135 mm	JD-4485615

LA - Long Arm LGP - Low Ground Pressure LT - Long Track MFWD - Mechanical Front Wheel Drive MP - Multi-Purpose
 IDM - Inside Dozer Mount ODM - Outside Dozer Mount SLF - Super Long Front STD - Straight Dozer WT - Wide Track

Replacement Kits For

JOHN DEERE

Excavators							
APPLICATION	CYL #	SERIAL #	Misc	CODE	ROD	BORE	KIT #
MODEL 270C LC							
BUCKET			Aug 2004 -	P-UB-10	90 mm	135 mm	JD-4639939
			- Aug 2004	P-UB-14	90 mm	135 mm	JD-AT264439
BUCKET (SLF)				P-UB-10	65 mm	95 mm	JD-AT196469
MODEL 290D							
ARM	AT130515	All		P-UB-10	70 mm	105 mm	JD-AT130601
BOOM	AT130512	All		P-UB-10	65 mm	95 mm	JD-AT130600
	AT130513	All		P-UB-10	65 mm	95 mm	JD-AT130600
BUCKET	AT182454	All		P-UB-10	60 mm	95 mm	JD-AT130602
MODEL 330 LC							
BOOM (Log Loader) (LH)		051012-		P-UB-14	115 mm	170 mm	JD-AT264441
BOOM (Log Loader) (RH)		051012-		P-UB-14	115 mm	170 mm	JD-AT264441
BUCKET	AT250263	All		P-UB-14	95 mm	145 mm	JD-AT181792
	AT250263	All		Bushing	95 mm		JD-AT131420
	AT250263	All		Wear Ring		145 mm	JD-TH110062
	AT250263	All		Wear Ring		145 mm	JD-TH110063
MODEL 330C LC							
ARM	0961401JEX		Aug 2004 -	P-UB-14	115 mm	170 mm	JD-4640118
	TH9206360		- Aug 2004	P-UB-14	115 mm	170 mm	JD-AT264441
BOOM (LH)	0961201JEX	804316-		P-UB-14	105 mm	150 mm	JD-4640107
	TH9206359	-804315		P-UB-14	105 mm	150 mm	JD-AT264440
BOOM (RH)	0961201JEX	804316-		P-UB-14	105 mm	150 mm	JD-4640107
	TH9206359	-804315		P-UB-14	105 mm	150 mm	JD-AT264440
BUCKET	0961501JEX		Aug 2004 -	P-UB-14	95 mm	145 mm	JD-4640108
	TH9206361		- Aug 2004	P-UB-14	95 mm	145 mm	JD-AT264430
MODEL 370							
BOOM (Log Loader) (LH)		051005-		P-UB-14	115 mm	170 mm	JD-AT264441
BOOM (Log Loader) (RH)		051005-		P-UB-14	115 mm	170 mm	JD-AT264441
BUCKET	AT250263	All		P-UB-14	95 mm	145 mm	JD-AT181792
	AT250263	All		Bushing	95 mm		JD-AT131420
	AT250263	All		Wear Ring		145 mm	JD-TH110063
	AT250263	All		Wear Ring		145 mm	JD-TH110062
MODEL 370C							
ARM	0961401JEX		Aug 2004 -	P-UB-14	115 mm	170 mm	JD-4640118
	TH9206360		- Aug 2004	P-UB-14	115 mm	170 mm	JD-AT264441
BOOM (LH)	0961201JEX	083163-		P-UB-14	105 mm	150 mm	JD-4640107
	TH9206359	-083162		P-UB-14	105 mm	150 mm	JD-AT264440
BOOM (RH)	0961201JEX	083163-		P-UB-14	105 mm	150 mm	JD-4640107
	TH9206359	-083162		P-UB-14	105 mm	150 mm	JD-AT264440
BUCKET	0961501JEX		Aug 2004 -	P-UB-14	95 mm	145 mm	JD-4640108
	TH9206361		- Aug 2004	P-UB-14	95 mm	145 mm	JD-AT264430
MODEL 450 LC							
BUCKET LONG ARM	AT182461	803513-		P-UB-14	95 mm	145 mm	JD-AT181792
	AT182461	-803512		P-UB-14	95 mm	145 mm	JD-AT201185
	AT182461	All		Bushing	95 mm		JD-AT131420

LA - Long Arm LGP - Low Ground Pressure LT - Long Track MFWD - Mechanical Front Wheel Drive MP - Multi-Purpose
 IDM - Inside Dozer Mount ODM - Outside Dozer Mount SLF - Super Long Front STD - Straight Dozer WT - Wide Track

Replacement Kits For

JOHN DEERE

Excavators							
APPLICATION	CYL #	SERIAL #	Misc	CODE	ROD	BORE	KIT #
MODEL 450 LC							
BUCKET LONG ARM	AT182461	All		Wear Ring		145 mm	JD-TH110062
	AT182461	All		Wear Ring		145 mm	JD-TH110063
MODEL 450C LC							
ARM				P-UB-10	130 mm	190 mm	JD-AT302758
BOOM (LH)		091287-		P-UB-10	115 mm	170 mm	JD-AT196471
		-091286		P-UB-14	115 mm	170 mm	JD-9180582
BOOM (RH)		-091286		P-UB-14	115 mm	170 mm	JD-9180582
		091287-		P-UB-10	115 mm	170 mm	JD-AT196471
BUCKET (LA)			- Dec 2005	P-UB-14	95 mm	145 mm	JD-AT264430
MODEL 490D							
ARM	TH109346	All		P-UB-10	80 mm	115 mm	JD-TH109366
	TH109346	All		Bushing	80 mm		JD-T108041
	TH109346	All		Wear Ring		115 mm	JD-TH109356
	TH109346	All		Wear Ring		115 mm	JD-TH109357
BOOM	TH109307	All		P-UB-10	75 mm	105 mm	JD-TH109339
	TH109307	All		Bushing	75 mm		JD-TH109311
	TH109307	All		Wear Ring		105 mm	JD-TH109323
	TH109307	All		Wear Ring		105 mm	JD-TH109324
BUCKET	TH109368	All		P-UB-10	65 mm	95 mm	JD-TH109390
	TH109368	All		Bushing	65 mm		JD-TH109372
	TH109368	All		Wear Ring		95 mm	JD-TH109377
	TH109368	All		Wear Ring		95 mm	JD-TH109378
MODEL 490E							
ARM	AT154402	All		P-UB-10	80 mm	110 mm	JD-AT177556
	AT154402	All		Bushing	80 mm		JD-T108041
	AT154402	All		Wear Ring		110 mm	JD-AT153830
	AT154402	All		Wear Ring		110 mm	JD-AT153936
BOOM (LH)	AT154399	All		P-UB-10	70 mm	105 mm	JD-AT176822
	AT154399	All		Bushing	70 mm		JD-AT133645
	AT154399	All		Wear Ring		105 mm	JD-TH109324
	AT154399	All		Wear Ring		105 mm	JD-TH109323
BOOM (RH)	AT154396	All		P-UB-10	70 mm	105 mm	JD-AT176822
	AT154396	All		Bushing	70 mm		JD-AT133645
	AT154396	All		Wear Ring		105 mm	JD-TH109323
	AT154396	All		Wear Ring		105 mm	JD-TH109324
BUCKET	AT154407	All		P-UB-10	65 mm	95 mm	JD-AT176737
	AT154407	All		Bushing	65 mm		JD-TH109372
	AT154407	All		Wear Ring		95 mm	JD-TH109378
	AT154407	All		Wear Ring		95 mm	JD-TH109377
MODEL 495D							
ARM	AT127253	All		P-UB-10	75 mm	105 mm	JD-TH109339
	AT127253	All		Bushing	75 mm		JD-TH109311
	AT127253	All		Wear Ring		105 mm	JD-TH109323
	AT127253	All		Wear Ring		105 mm	JD-TH109324
BUCKET	AT182453	All		P-UB-10	65 mm	95 mm	JD-TH109390
	AT182453	All		Bushing	65 mm		JD-TH109372

JOHN DEERE

LA - Long Arm LGP - Low Ground Pressure LT - Long Track MFWD - Mechanical Front Wheel Drive MP - Multi-Purpose
 IDM - Inside Dozer Mount ODM - Outside Dozer Mount SLF - Super Long Front STD - Straight Dozer WT - Wide Track

Replacement Kits For

JOHN DEERE

Excavators							
APPLICATION	CYL #	SERIAL #	Misc	CODE	ROD	BORE	KIT #
MODEL 495D							
BUCKET	AT182453	All		Wear Ring		95 mm	JD-TH109378
	AT182453	All		Wear Ring		95 mm	JD-TH109377
MODEL 590D							
ARM	AT127249	All		P-UB-10	85 mm	120 mm	JD-AT192075
	AT127249	All		Bushing	85 mm		JD-T108019
	AT127249	All		Wear Ring		120 mm	JD-TH104923
	AT127249	All		Wear Ring		120 mm	JD-T108046
BOOM (LH)	AT127250	All		P-UB-10	80 mm	115 mm	JD-AT194335
	AT127250	All		Bushing	80 mm		JD-T108041
	AT127250	All		Wear Ring		115 mm	JD-TH109356
	AT127250	All		Wear Ring		115 mm	JD-TH109357
BOOM (RH)	AT127251	All		P-UB-10	80 mm	115 mm	JD-AT194335
	AT127251	All		Bushing	80 mm		JD-T108041
	AT127251	All		Wear Ring		115 mm	JD-TH109357
	AT127251	All		Wear Ring		115 mm	JD-TH109356
BUCKET	AT127248	All		P-UB-10	80 mm	115 mm	JD-AT194335
	AT127248	All		Bushing	80 mm		JD-T108041
	AT127248	All		Wear Ring		115 mm	JD-TH109357
	AT127248	All		Wear Ring		115 mm	JD-TH109356
	AT182452	All		P-UB-10	80 mm	115 mm	JD-AT194335
	AT182452	All		Bushing	80 mm		JD-T108041
	AT182452	All		Wear Ring		115 mm	JD-TH109357
	AT182452	All		Wear Ring		115 mm	JD-TH109356
MODEL 690, 690A							
BOOM		000750-001662		P-V-8	2-3/4	5	JD-AR105309
	AR89435	001663-		P-V-8	2-3/4	5	JD-AR105309
	RE21394	All		P-U-1	2-3/4		JD-RE21395
	RE21394	All		N-N-14		5	JD-RE15905
BUCKET		All		P-V-8	3-1/4	5-1/2	JD-AR105312
CROWD (Arm)		Field Replacement		P-V-1	3-1/4		JD-RE15906
		Field Replacement		N-N-14		5-1/2	JD-RE15907
	AT32257	All		P-V-8	3-1/4	5-1/2	JD-AR105312
	AT41907	All		P-V-8	3-1/4	5-1/2	JD-AR105313
	AU43243	All		P-V-8	3-1/4	5-1/2	JD-AR105312
MODEL 690B							
BOOM	AR89435	-501306		P-V-8	2-3/4	5	JD-AR105309
	RE12257	501307-		P-V-1	2-3/4		JD-RE17342
	RE12257	501307-		N-N-14		5	JD-RE15905
	RE21394	All		P-U-1	2-3/4		JD-RE21395
	RE21394	All		N-N-14		5	JD-RE15905
BUCKET	RE11341	-501306		P-V-8	3-1/4	5-1/2	JD-AR105312
	RE21400	All		P-U-1	3-1/4		JD-RE21401
	RE21400	501307-		P-V-1	3-1/4		JD-RE15906
	RE21400	501307-		N-N-14		5-1/2	JD-RE14102

LA - Long Arm LGP - Low Ground Pressure LT - Long Track MFWD - Mechanical Front Wheel Drive MP - Multi-Purpose
 IDM - Inside Dozer Mount ODM - Outside Dozer Mount SLF - Super Long Front STD - Straight Dozer WT - Wide Track

Replacement Kits For

JOHN DEERE

Excavators							
APPLICATION	CYL #	SERIAL #	Misc	CODE	ROD	BORE	KIT #
MODEL 690B							
BUCKET	RE21400	All		N-N-14		5-1/2	JD-RE14102
CROWD (Arm)		501307-		P-V-1	3-1/4		JD-RE15906
	AT41907	-501306		P-V-8	3-1/4	5-1/2	JD-AR105313
	RE21406	501307-		P-U-1	3-1/4		JD-RE21401
	RE21406	501307-		N-N-14		5-1/2	JD-RE15907
MODEL 690C							
BOOM	RE18949	-509184		P-V-1	2-3/4		JD-RE17342
	RE18949	-509184		N-N-14		5	JD-RE15905
	RE21394	509185-		P-U-1	2-3/4		JD-RE21395
	RE21394	509185-		N-N-14		5	JD-RE15905
BUCKET	RE18950	-509184		P-V-1	3-1/4		JD-RE15906
	RE18950	-509184		N-N-14		5-1/2	JD-RE14102
	RE21400	509185-		P-U-1	3-1/4		JD-RE21401
	RE21400	509185-		N-N-14		5-1/2	JD-RE14102
CROWD (Arm)	RE18951	-509184		P-V-1	3-1/4		JD-RE15906
	RE18951	-509184		N-N-14		5-1/2	JD-RE15907
	RE21406	509185-		P-U-1	3-1/4		JD-RE21401
	RE21406	509185-		N-N-14		5-1/2	JD-RE15907
MODEL 690CR							
ANGLING	AU13861	All		P-V-8	1-1/2	3-1/2	JD-AR105432
ARM	RE21406	All		P-U-1	3-1/4		JD-RE21401
	RE21406	All		N-N-14		5-1/2	JD-RE15907
BOOM	RE18949	-509184		P-V-1	2-3/4		JD-RE17342
	RE18949	-509184		N-N-14		5	JD-RE15905
	RE21394	509185-		P-U-1	2-3/4		JD-RE21395
	RE21394	509185-		N-N-14		5	JD-RE15905
BUCKET	RE21400	All		P-U-1	3-1/4		JD-RE21401
	RE21400	All		N-N-14		5-1/2	JD-RE14102
LIFT	AU13861	All		P-V-8	1-1/2	3-1/2	JD-AR105432
TILT	AU13847	All		P-V-8	1-1/2	3-1/2	JD-AR105432
MODEL 690D							
ARM	AT114837	All		P-UB-10	95 mm	135 mm	JD-AT114831
BOOM	AT112705	All		P-UB-10	85 mm	125 mm	JD-AT114822
	AT112705	All		Bushing	85 mm		JD-T108019
	AT112705	All		Wear Ring		125 mm	JD-T108024
	AT112705	All					
BUCKET	AT114838	All		P-UB-10	80 mm	120 mm	JD-AT114836
	AT182451	All		P-UB-10	80 mm	120 mm	JD-AT114836
	AT182451	All		Bushing	80 mm		JD-T108041
	AT182451	All		Wear Ring		120 mm	JD-TH104923
	AT182451	All		Wear Ring		120 mm	JD-T108046
MODEL 690E							
ARM	AH144677			P-UB-14	95 mm	130 mm	JD-AH144595
BOOM	AH140588			P-UB-14	85 mm	120 mm	JD-AH144594
	AH144671			P-UB-14	85 mm	120 mm	JD-AH144594
	AH144674			P-UB-14	85 mm	120 mm	JD-AH144594
BUCKET	AH140587			P-UB-14	75 mm	110 mm	JD-AH144593

LA - Long Arm LGP - Low Ground Pressure LT - Long Track MFWD - Mechanical Front Wheel Drive MP - Multi-Purpose

IDM - Inside Dozer Mount ODM - Outside Dozer Mount SLF - Super Long Front STD - Straight Dozer WT - Wide Track

Replacement Kits For

JOHN DEERE

Excavators							
APPLICATION	CYL #	SERIAL #	Misc	CODE	ROD	BORE	KIT #
MODEL 690E							
BUCKET	AH142409			P-UB-14	75 mm	110 mm	JD-AH144593
MODEL 690E LC							
ARM	AH140590	-544625		P-UB-14	95 mm	130 mm	JD-AH144595
	AH140590	-544625		Bushing	95 mm		JD-H146481
	AH144677	544626-		P-UB-14	95 mm	130 mm	JD-AH144595
	AH144677	544626-		Bushing	95 mm		JD-H146481
BOOM (LH)	AH140588	-544743		P-UB-14	85 mm	120 mm	JD-AH144594
	AH140588	-544743		Bushing	85 mm		JD-H146480
	AH144671	544744-		P-UB-14	85 mm	120 mm	JD-AH144594
	AH144671	544744-		Bushing	85 mm		JD-H146480
BOOM (RH)	AH140589	-544743		P-UB-14	85 mm	120 mm	JD-AH144594
	AH140589	-544743		Bushing	85 mm		JD-H146480
	AH144674	544744-		P-UB-14	85 mm	120 mm	JD-AH144594
	AH144674	544744-		Bushing	85 mm		JD-H146480
BUCKET	AH142409	-538666		P-UB-14	75 mm	110 mm	JD-AH144593
	AH142409	538667-544273		P-UB-14	75 mm	110 mm	JD-AH144593
	AH142409	-538666		Bushing	75 mm		JD-H146479
	AH142409	538667-544273		Bushing	75 mm		JD-H146479
	AH144595	544274-544696		Bushing	75 mm		JD-H146479
	AH162295	544697-		P-UB-14	75 mm	110 mm	JD-AH144593
	AH162295	544274-544696		P-UB-14	75 mm	110 mm	JD-AH144593
	AH162295	544697-		Bushing	75 mm		JD-H146479
BUCKET (SLF)	AT159611	All		P-UB-10	65 mm	95 mm	JD-AT176737
	AT159611	All		Bushing	65 mm		JD-TH109372
	AT159611	All		Wear Ring		95 mm	JD-TH109378
	AT159611	All		Wear Ring		95 mm	JD-TH109377
MODEL 790							
ARM	TH106316	All		P-UB-14	105 mm	150 mm	JD-TH102827
	TH106316	All		Wear Ring		150 mm	JD-TH102826
	TH106316	All		Wear Ring		150 mm	JD-TH102825
BOOM	TH102467	All		P-UB-14	95 mm	140 mm	JD-TH102798
	TH106315	All		P-UB-14	95 mm	140 mm	JD-TH102798
	TH106315	All		Bushing	95 mm		JD-TH102765
	TH106315	All		Wear Ring		140 mm	JD-TH102797
	TH106315	All		Wear Ring		140 mm	JD-TH102796
BUCKET	AT182467	All		P-UB-10	90 mm	140 mm	JD-TH102845
	AT182467	All		Wear Ring		140 mm	JD-TH102796
	AT182467	All		Wear Ring		140 mm	JD-TH102797
	TH106317	All		P-UB-10	90 mm	140 mm	JD-TH102845
MODEL 790D							
ARM	AT131428	007004-		P-UB-14	100 mm	145 mm	JD-TH110064
	AT131428	007004-		Wear Ring		145 mm	JD-TH110062
	AT131428	007004-		Wear Ring		145 mm	JD-TH110063
	TH110043	-007003		P-UB-14	100 mm	145 mm	JD-TH110064
	TH110043	-007003		Wear Ring		145 mm	JD-TH110063
	TH110043	-007003		Wear Ring		145 mm	JD-TH110062

LA - Long Arm LGP - Low Ground Pressure LT - Long Track MFWD - Mechanical Front Wheel Drive MP - Multi-Purpose
 IDM - Inside Dozer Mount ODM - Outside Dozer Mount SLF - Super Long Front STD - Straight Dozer WT - Wide Track

Replacement Kits For

JOHN DEERE

Excavators							
APPLICATION	CYL #	SERIAL #	Misc	CODE	ROD	BORE	KIT #
MODEL 790D							
ARM (SLF)	AT114837	All		P-UB-10	95 mm	135 mm	JD-AT114831
	AT114837	All		Bushing	95 mm		JD-T108050
BOOM	AT131425	All		P-UB-14	90 mm	135 mm	JD-TH110035
	AT131425	All		Wear Ring		135 mm	JD-TH110034
	AT131425	All		Wear Ring		135 mm	JD-TH110033
BUCKET	AT131430	All		P-UB-14	90 mm	135 mm	JD-TH110035
	AT131430	All		Wear Ring		135 mm	JD-TH110033
	AT131430	All		Wear Ring		135 mm	JD-TH110034
MODEL 790E LC							
ARM	AT154865	HJ900101-		P-UB-14	100 mm	135 mm	JD-AT183658
	AT154865	-HJ900100		P-UB-14	100 mm	135 mm	JD-AT154868
	AT154865	-HJ900100		Bushing	100 mm		JD-AT131414
	AT154865	HJ900101-		Bushing	100 mm		JD-AT131414
	AT154865	-HJ900100		Wear Ring		135 mm	JD-TH110033
	AT154865	HJ900101-		Wear Ring		135 mm	JD-AT154718
	AT154865	HJ900101-		Wear Ring		135 mm	JD-TH110033
	AT154865	-HJ900100		Wear Ring		135 mm	JD-AT154718
ARM (SLF)	AT161589	All		P-UB-14	105 mm	145 mm	JD-AT176734
	AT161589	All		Bushing	105 mm		JD-AT161596
	AT161589	All		Wear Ring		145 mm	JD-AT161607
	AT161589	All		Wear Ring		145 mm	JD-AT161608
BOOM (LH)	AT154864	All		P-UB-14	90 mm	125 mm	JD-AT154867
	AT154864	All		Bushing	90 mm		JD-AT154779
	AT154864	All		Wear Ring		125 mm	JD-AT154735
	AT154864	All		Wear Ring		125 mm	JD-AT154700
BOOM (RH)	AT154864	All		P-UB-14	90 mm	125 mm	JD-AT154867
	AT154864	All		Bushing	90 mm		JD-AT154779
	AT154864	All		Wear Ring		125 mm	JD-AT154700
	AT154864	All		Wear Ring		125 mm	JD-AT154735
BUCKET	AT182459	All		P-UB-14	85 mm	125 mm	JD-AT181250
	AT182459	All		Bushing	85 mm		JD-AT154778
	AT182459	All		Wear Ring		125 mm	JD-AT154700
	AT182459	All		Wear Ring		125 mm	JD-AT154735
BUCKET (SLF)	AT159611	All		P-UB-10	65 mm	95 mm	JD-AT176737
	AT159611	All		Bushing	65 mm		JD-TH109372
	AT159611	All		Wear Ring		95 mm	JD-TH109378
	AT159611	All		Wear Ring		95 mm	JD-TH109377
MODEL 792							
ARM	TH106313	All		P-UB-10	110 mm	160 mm	JD-TH103347
	TH106313	All		Bushing	110 mm		JD-TH103332
	TH106313	All		Wear Ring		160 mm	JD-TH103345
	TH106313	All		Wear Ring		160 mm	JD-TH103346
BOOM	TH102340	All		P-UB-10	100 mm	150 mm	JD-AT194457
	TH106312	All		P-UB-10	110 mm	160 mm	JD-TH103324
	TH106312	All		P-UB-10	100 mm	150 mm	JD-AT194457
	TH106312	All		Bushing	100 mm		JD-TH103307

JOHN DEERE

LA - Long Arm LGP - Low Ground Pressure LT - Long Track MFWD - Mechanical Front Wheel Drive MP - Multi-Purpose
 IDM - Inside Dozer Mount ODM - Outside Dozer Mount SLF - Super Long Front STD - Straight Dozer WT - Wide Track

Replacement Kits For

JOHN DEERE

Excavators							
APPLICATION	CYL #	SERIAL #	Misc	CODE	ROD	BORE	KIT #
MODEL 792							
BOOM	TH106312	All		Wear Ring		150 mm	JD-TH102826
BUCKET	AT182466	All		P-UB-10	95 mm	150 mm	JD-TH103357
	AT182466	All		Bushing	95 mm		JD-TH102765
	AT182466	All		Wear Ring		150 mm	JD-TH102826
	AT182466	All		Wear Ring		150 mm	JD-TH102825
	TH106314	All		P-UB-10	95 mm	150 mm	JD-TH103357
MODEL 792D, 792D LC							
ARM	AT205924	All		P-UB-14	105 mm	150 mm	JD-TH111854
	AT205924	All		Wear Ring		150 mm	JD-TH111846
	AT205924	All		Wear Ring		150 mm	JD-TH111845
BOOM	AT205923	All		P-UB-14	95 mm	145 mm	JD-TH111625
	AT205923	All		Bushing	95 mm		JD-AT131420
	AT205923	All		Wear Ring		145 mm	JD-TH110062
	AT205923	All		Wear Ring		145 mm	JD-AT159585
BUCKET	AT205925	803513-		P-UB-14	95 mm	145 mm	JD-AT181792
	AT205925	-803512		P-UB-14	95 mm	145 mm	JD-TH111625
	AT205925	All		Bushing	95 mm		JD-AT131420
	AT205925	All		Wear Ring		145 mm	JD-AT159585
	AT205925	All		Wear Ring		145 mm	JD-TH110062
MODEL 890							
BOOM	RE11569	All	Capseal Style	N-N-14		7-1/2	JD-RE14033
	RE21201	All	Re-Capseal Style	P-U-1	3-3/4		JD-RE21202
	RE21201	All	Re-Capseal Style	N-N-14		7-1/2	JD-RE14033
BUCKET	RE11571	All	Capseal Style	N-N-14		7-1/2	JD-RE14033
CROWD	RE11568	All	Capseal Style	N-N-14		7-1/2	JD-RE14033
	RE21195	All	Replacement	N-N-14		7-1/2	JD-RE14033
MODEL 890A							
BOOM	RE21210	All	Replacement	P-U-1	3-3/4		JD-RE21202
MODEL 892D, 892D LC							
ARM	AT131416	703550-		P-UB-14	110 mm	165 mm	JD-AT181799
	AT131416	-703549		P-UB-14	110 mm	165 mm	JD-TH111627
	AT131416	All		Bushing	110 mm		JD-AT131417
	AT131416	All		Wear Ring		165 mm	JD-TH111274
	AT131416	All		Wear Ring		165 mm	JD-TH111273
	TH111616	703550-		P-UB-14	110 mm	165 mm	JD-AT181799
	TH111616	-703549		P-UB-14	110 mm	165 mm	JD-TH111627
	TH111616	All		Bushing	110 mm		JD-AT131417
	TH111616	All		Wear Ring		165 mm	JD-TH111274
	TH111616	All		Wear Ring		165 mm	JD-TH111273
ARM (SLF)	AT130835	All		P-UB-14	105 mm	150 mm	JD-TH111854
	AT130835	All		Wear Ring		150 mm	JD-TH111845
	AT130835	All		Wear Ring		150 mm	JD-TH111846
BOOM (LH)	AT131413	603427-		P-UB-14	100 mm	145 mm	JD-AT181794
	AT131413	-603426		P-UB-14	100 mm	145 mm	JD-TH111626

LA - Long Arm LGP - Low Ground Pressure LT - Long Track MFWD - Mechanical Front Wheel Drive MP - Multi-Purpose
 IDM - Inside Dozer Mount ODM - Outside Dozer Mount SLF - Super Long Front STD - Straight Dozer WT - Wide Track

Replacement Kits For

JOHN DEERE

Excavators							
APPLICATION	CYL #	SERIAL #	Misc	CODE	ROD	BORE	KIT #
MODEL 892D, 892D LC							
BOOM (LH)	AT131413	All		Bushing	100 mm		JD-AT131414
	AT131413	All		Wear Ring		145 mm	JD-TH110063
	AT131413	All		Wear Ring		145 mm	JD-TH110062
BOOM (RH)	AT131413	503425-		P-UB-14	100 mm	145 mm	JD-AT181794
	AT131413	-503424		P-UB-14	100 mm	145 mm	JD-TH111626
	AT131413	All		Bushing	100 mm		JD-AT131414
	AT131413	All		Wear Ring		145 mm	JD-TH110063
	AT131413	All		Wear Ring		145 mm	JD-TH110062
BUCKET	AT182455	803513-		P-UB-14	95 mm	145 mm	JD-AT181792
	AT182455	-803512		P-UB-14	95 mm	145 mm	JD-TH111625
	AT182455	All		Bushing	95 mm		JD-AT131420
	AT182455	All		Wear Ring		145 mm	JD-TH110062
	AT182455	All		Wear Ring		145 mm	JD-TH110063
BUCKET (SLF)	AT86766	All		Wear Ring		100 mm	JD-TH111728
	AT86766	All		Wear Ring		100 mm	JD-TH111727
MODEL 892E, 892E LC							
ARM			892E LC	P-UB-14	110 mm	165 mm	JD-AT196472
	AT201181	703550-		P-UB-14	110 mm	165 mm	JD-AT181799
	AT201181	-703549		P-UB-14	110 mm	165 mm	JD-AT201184
	AT201181	All		Bushing	110 mm		JD-AT131417
	AT201181	All		Wear Ring		165 mm	JD-TH111273
	AT201181	All		Wear Ring		165 mm	JD-TH111274
BOOM (LH)			892E LC	P-UB-14	100 mm	145 mm	JD-AT196475
	AT201180	603427-		P-UB-14	100 mm	145 mm	JD-AT181794
	AT201180	-603426		P-UB-14	100 mm	145 mm	JD-TH111626
	AT201180	All		Bushing	100 mm		JD-AT131414
	AT201180	All		Wear Ring		145 mm	JD-TH110063
	AT201180	All		Wear Ring		145 mm	JD-TH110062
BOOM (RH)			892E LC	P-UB-14	100 mm	145 mm	JD-AT196475
	AT201180	-503424		P-UB-14	100 mm	145 mm	JD-TH111626
	AT201180	503425-		P-UB-14	100 mm	145 mm	JD-AT181794
	AT201180	All		Bushing	100 mm		JD-AT131414
	AT201180	All		Wear Ring		145 mm	JD-TH110063
	AT201180	All		Wear Ring		145 mm	JD-TH110062
BUCKET			892E LC	P-UB-14	95 mm	145 mm	JD-AT264430
		-803512	Incl Bushing & Wear Rings	P-UB-14	95 mm	145 mm	JD-AT196473
	AT182461	803513-		P-UB-14	95 mm	145 mm	JD-AT181792
	AT182461	-803512		P-UB-14	95 mm	145 mm	JD-AT201185
	AT182461	All		Bushing	95 mm		JD-AT131420
	AT182461	All		Wear Ring		145 mm	JD-TH110063
	AT182461	All		Wear Ring		145 mm	JD-TH110062
	AT201182	803513-		P-UB-14	95 mm	145 mm	JD-AT181792
	AT201182	-803512		P-UB-14	95 mm	145 mm	JD-AT201185
	AT201182	All		Bushing	95 mm		JD-AT131420
	AT201182	All		Wear Ring		145 mm	JD-TH110062

JOHN DEERE

LA - Long Arm LGP - Low Ground Pressure LT - Long Track MFWD - Mechanical Front Wheel Drive MP - Multi-Purpose
 IDM - Inside Dozer Mount ODM - Outside Dozer Mount SLF - Super Long Front STD - Straight Dozer WT - Wide Track

Replacement Kits For

JOHN DEERE

Excavators							
APPLICATION	CYL #	SERIAL #	Misc	CODE	ROD	BORE	KIT #
MODEL 892E, 892E LC							
BUCKET	AT201182	All		Wear Ring		145 mm	JD-TH110063
BUCKET (SLF)	AT168750	011000-		P-UB-10	65 mm	100 mm	JD-AT168764
	AT168750	011000-		Bushing	65 mm		JD-TH109372
	AT168750	011000-		Wear Ring		100 mm	JD-TH111728
	AT168750	011000-		Wear Ring		100 mm	JD-TH111727
MODEL 990							
BOOM				N-N-14		7-1/2	JD-RE14033
	RE11569	510036-		N-N-14		7-1/2	JD-RE14033
	RE21201	All	Replacement	P-U-1	3-3/4		JD-RE21202
	RE21201	All	Replacement	N-N-14		7-1/2	JD-RE14033
BUCKET	RE11570	-510035		N-N-14		7-1/2	JD-RE14033
	RE21207	510036-		N-N-14		7-1/2	JD-RE14033
CROWD	RE11568	-510035		N-N-14		7-1/2	JD-RE14033
	RE21195	510036-		N-N-14		7-1/2	JD-RE14033
MODEL 992D, 992D LC							
ARM	AT131955	All		P-UB-10	130 mm	190 mm	JD-AT132412
	AT131955	All		Wear Ring		190 mm	JD-AT132170
	AT131955	All		Wear Ring		190 mm	JD-AT132186
	AT132310			P-UB-10	130 mm	190 mm	JD-AT132412
BOOM	AT131954	All		P-UB-10	115 mm	170 mm	JD-AT132411
	AT131954	All		Wear Ring		170 mm	JD-AT132291
	AT131954	All		Wear Ring		170 mm	JD-AT132175
	AT132280	5222		P-UB-10	115 mm	170 mm	JD-AT132411
BUCKET 2.9M, 3.9M ARM	AT132280	5222		P-UB-10	115 mm	170 mm	JD-AT132411
	AT182457	All		P-UB-10	115 mm	170 mm	JD-AT132411
	AT182457	All		Wear Ring		170 mm	JD-AT132175
	AT182457	All		Wear Ring		170 mm	JD-AT132291
BUCKET 4.9M ARM	AT182455	All		P-UB-14	95 mm	145 mm	JD-AT181792
	AT182455	All		P-UB-14	95 mm	145 mm	JD-TH111625
	AT182455	All		Bushing	95 mm		JD-AT131420
	AT182455	All		Wear Ring		145 mm	JD-TH110063
	AT182455	All		Wear Ring		145 mm	JD-TH110062
MODEL 992E, 992E LC							
BUCKET 4.9M ARM	AT182461	803513-		P-UB-14	95 mm	145 mm	JD-AT181792
	AT182461	-803512		P-UB-14	95 mm	145 mm	JD-AT201185
	AT182461	All		Bushing	95 mm		JD-AT131420
	AT182461	All		Wear Ring		145 mm	JD-TH110062
	AT182461	All		Wear Ring		145 mm	JD-TH110063
Excavators - Compact							
APPLICATION	CYL #	SERIAL #	Misc	CODE	ROD	BORE	KIT #
MODEL 27 ZTS							
ARM				P-U-10	40 mm	70 mm	JD-TH0744010
BLADE				P-U-10	45 mm	85 mm	JD-TH0729006
BUCKET				P-U-10	35 mm	60 mm	JD-0744105
BUCKET CLAMP	AH216639			P-U-10	1	2	JD-AT191403

LA - Long Arm LGP - Low Ground Pressure LT - Long Track MFWD - Mechanical Front Wheel Drive MP - Multi-Purpose
 IDM - Inside Dozer Mount ODM - Outside Dozer Mount SLF - Super Long Front STD - Straight Dozer WT - Wide Track

Replacement Kits For

JOHN DEERE

Excavators - Compact							
APPLICATION	CYL #	SERIAL #	Misc	CODE	ROD	BORE	KIT #
MODEL 27C ZTS							
ARM	4472578			P-U-10	40 mm	70 mm	JD-TH0744010
BLADE	4472581			P-U-10	45 mm	85 mm	JD-TH0729006
BOOM	4472577			P-U-10	40 mm	75 mm	JD-TH0743805
BUCKET	4472579			P-U-10	35 mm	60 mm	JD-0744105
BUCKET CLAMP	AH216639			P-U-10	1	2	JD-AT191403
SWING	4472580			P-U-10	40 mm	75 mm	JD-0847204
MODEL 35 ZTS							
ARM	9184958			P-U-10	45 mm	75 mm	JD-0744408
BLADE LIFT	9184976			P-U-10	50 mm	95 mm	JD-0745308
BOOM	9184960			P-U-10	50 mm	80 mm	JD-0656714
BUCKET	9178101			P-U-10	40 mm	65 mm	JD-0744707
BUCKET CLAMP	AH216639			P-U-10	1	2	JD-AT191403
SWING	9179219			P-U-10	45 mm	65 mm	JD-0744808
MODEL 35C ZTS							
ARM	4472590			P-U-10	45 mm	75 mm	JD-0849304
BLADE LIFT	4472591			P-U-10	50 mm	95 mm	JD-0745308
BOOM	4467672			P-U-10	45 mm	80 mm	JD-0850309
BUCKET	4472585			P-U-10	40 mm	60 mm	JD-0849503
BUCKET CLAMP	AH216639			P-U-10	1	2	JD-AT191403
SWING	4472586			P-U-10	45 mm	85 mm	JD-TH0729006
MODEL 35D							
ARM	4632807G			P-U-10	45 mm	75 mm	JD-4634034
BLADE	4617784			P-U-14	45 mm	95 mm	JD-4622066
BOOM	4632806G			P-U-10	50 mm	85 mm	JD-4634033
BUCKET	4608466G			P-U-10	40 mm	65 mm	JD-4614058
SWING	4608470			P-U-10	45 mm	85 mm	JD-4614059
MODEL 50 ZTS							
ARM	4468846			P-U-10	50 mm	80 mm	JD-0843613
	9171446, AT251618			P-U-10	50 mm	80 mm	JD-0656714
BLADE TILT	AT191390			P-V-10	1-1/2	3	JD-AT191391
BOOM	9171448			P-U-10	55 mm	95 mm	JD-0735309
BUCKET	9171447			P-U-10	45 mm	75 mm	JD-0735609
BUCKET CLAMP	AH216808			P-UB-10	1-1/4	2	JD-AT260416
SWING	4463353			P-U-10	50 mm	100 mm	JD-0656604
MODEL 50C ZTS							
ARM	4468846			P-U-10	50 mm	80 mm	JD-0843613
BLADE LIFT	4468880			P-U-10	55 mm	100 mm	JD-0843907
BLADE TILT	AT191390			P-V-10	1-1/2	3	JD-AT191391
BOOM				P-U-10	55 mm	95 mm	JD-0844807
BUCKET	4468847			P-U-10	45 mm	75 mm	JD-0844705
BUCKET CLAMP	AH216808			P-UB-10	1-1/4	2	JD-AT260416
SWING	4463353			P-U-10	50 mm	100 mm	JD-0843808
MODEL 50D							
ARM	4632813G			P-U-10	50 mm	80 mm	JD-4634036
BLADE	4618628			P-U-14	50 mm	105 mm	JD-4622067

LA - Long Arm LGP - Low Ground Pressure LT - Long Track MFWD - Mechanical Front Wheel Drive MP - Multi-Purpose
 IDM - Inside Dozer Mount ODM - Outside Dozer Mount SLF - Super Long Front STD - Straight Dozer WT - Wide Track

Replacement Kits For

JOHN DEERE

Excavators - Compact							
APPLICATION	CYL #	SERIAL #	Misc	CODE	ROD	BORE	KIT #
MODEL 50D							
BUCKET	4628947G			P-U-10	45 mm	75 mm	JD-4614069
BUCKET CLAMP				P-UB-10	1-1/4	2	JD-AT260416
MODEL 75C							
ARM	9197150			P-UB-10	60 mm	95 mm	JD-4464985
BOOM	9211074J			P-UB-10	65 mm	115 mm	JD-4464984
BUCKET	9197151			P-UB-10	55 mm	85 mm	JD-4464986
MODEL 80C							
ARM	9163825			P-UB-10	60 mm	95 mm	JD-4415584
	9197150			P-UB-10	60 mm	95 mm	JD-4464985
BLADE	9201173			P-UB-10	70 mm	120 mm	JD-4465736
BOOM	9197149			P-UB-10	65 mm	115 mm	JD-4464984
BUCKET	9197151			P-UB-10	55 mm	85 mm	JD-4464986
Forestry - Feller Bunchers							
APPLICATION	CYL #	SERIAL #	Misc	CODE	ROD	BORE	KIT #
MODEL 493D							
ARM	TH109346	All		P-UB-10	80 mm	115 mm	JD-TH109366
BOOM	TH109307	All		P-UB-10	75 mm	105 mm	JD-TH109339
BUCKET	TH109368	All		P-UB-10	65 mm	95 mm	JD-TH109390
MODEL 653E							
ARM	AH142919			P-UB-14	85 mm	120 mm	JD-AH144594
BOOM	AH142577			P-UB-14	85 mm	120 mm	JD-AH144594
HEAD TILT	AH144660			P-UB-14	75 mm	110 mm	JD-AH144593
MODEL 693B							
BOOM		-501444		P-V-8	2-3/4	5	JD-AR105309
		501445-		P-V-1	2-3/4		JD-RE17342
		501445-		N-N-14		5	JD-RE15905
		RE21394	501445-		P-U-1	2-3/4	JD-RE21395
		RE21394	501445-		N-N-14		5
CROWD		-501444		P-V-8	3-1/4	5-1/2	JD-AR105313
		501445-		P-V-1	3-1/4		JD-RE15906
		501445-		N-N-14		5-1/2	JD-RE15907
MULTI-STEM		All		P-U-10	1-3/4	4	JD-AT55695
SHEAR		All		P-U-10	2-1/2	6-1/2	JD-AR105280
SHEAR TILT		All		P-V-8	2-1/4	4-1/2	JD-AR105355
TILT		-501444		P-V-8	3-1/4	5-1/2	JD-AR105312
		501445-		P-V-1	3-1/4		JD-RE15906
		501445-		N-N-14		5-1/2	JD-RE14102
		RE21400	501307-		P-U-1	3-1/4	JD-RE21401
		RE21400	501307-		N-N-14		5-1/2
MODEL 693C							
BOOM		509185-		P-U-1	2-3/4		JD-RE21395
		-509184		P-V-1	2-3/4		JD-RE17342
		-509184		N-N-14		5	JD-RE15905
		509185-		N-N-14		5	JD-RE15905
HEAD TILT		509185-		P-U-1	3-1/4		JD-RE21401
		-509184		P-V-1	3-1/4		JD-RE15906

LA - Long Arm LGP - Low Ground Pressure LT - Long Track MFWD - Mechanical Front Wheel Drive MP - Multi-Purpose
 IDM - Inside Dozer Mount ODM - Outside Dozer Mount SLF - Super Long Front STD - Straight Dozer WT - Wide Track

Replacement Kits For

JOHN DEERE

Forestry - Feller Bunchers							
APPLICATION	CYL #	SERIAL #	Misc	CODE	ROD	BORE	KIT #
MODEL 693C							
HEAD TILT		509185-		N-N-14		5-1/2	JD-RE14102
		-509184		N-N-14		5-1/2	JD-RE14102
MODEL 693D							
ARM	AT112705	All		P-UB-10	85 mm	125 mm	JD-AT114822
	AT112705	All		Bushing	85 mm		JD-T108019
	AT112705	All		Wear Ring		125 mm	JD-T108024
BOOM	AT112705	All		P-UB-10	85 mm	125 mm	JD-AT114822
	AT112705	All		Bushing	85 mm		JD-T108019
	AT112705	All		Wear Ring		125 mm	JD-T108024
BUCKET	AT114838	All		P-UB-10	80 mm	120 mm	JD-AT114836
	AT182451	All		P-UB-10	80 mm	120 mm	JD-AT114836
	AT182451	All		Bushing	80 mm		JD-T108041
	AT182451	All		Wear Ring		120 mm	JD-TH104923
	AT182451	All		Wear Ring		120 mm	JD-T108046
MODEL 743,743A Tree Harvesters							
AXLE STABILIZER		All		P-U-5	2	4-1/2	JD-AR105515
DOZER LIFT		All		P-V-8	2	5	JD-RE18743
		Field Replacement		P-V-1	2		JD-RE30817
		Field Replacement		N-N-14		5	JD-RE15905
FEED ROLL		All		P-V-8	1-1/4	2-1/2	JD-AR105453
GRAPPLE		All		P-U-10	1-3/4	4	JD-AT55695
LOG ACCUMULATOR		All		P-V-8	1-3/4	3	JD-RE18751
MAIN LIFT		All		P-V-8	3-1/4	6-1/4	JD-RE18762
SECONDARY LIFT		All		P-V-8	2-1/2	4-1/2	JD-RE18760
SHEAR		All		P-U-10	2-1/2	6-1/2	JD-AR105280
STEERING		All		P-UB-10	4-1/4	4.40	JD-RE19224
TILT		All		P-V-8	2-1/4	4-1/2	JD-AR105355
MODEL 793D							
ARM	AT131425	All		P-UB-14	90 mm	135 mm	JD-TH110035
	AT131425	All		Wear Ring		135 mm	JD-TH110033
	AT131425	All		Wear Ring		135 mm	JD-TH110034
BOOM	AT131425	All		P-UB-14	90 mm	135 mm	JD-TH110035
	AT131425	All		Wear Ring		135 mm	JD-TH110034
	AT131425	All		Wear Ring		135 mm	JD-TH110033
BUCKET	AT131430	All		P-UB-14	90 mm	135 mm	JD-TH110035
	AT131430	All		Wear Ring		135 mm	JD-TH110034
	AT131430	All		Wear Ring		135 mm	JD-TH110033
MODEL 853							
				P-UB-14	85 mm	120 mm	JD-AH144594
				P-UB-14	75 mm	110 mm	JD-AH144593
Loaders - Skid Steer							
APPLICATION	CYL #	SERIAL #	Misc	CODE	ROD	BORE	KIT #
MODEL 240							
BOOM (LH)	AH210318	925239-		I-U-10	40 mm	2-1/4	JD-AH160844

LA - Long Arm LGP - Low Ground Pressure LT - Long Track MFWD - Mechanical Front Wheel Drive MP - Multi-Purpose
 IDM - Inside Dozer Mount ODM - Outside Dozer Mount SLF - Super Long Front STD - Straight Dozer WT - Wide Track

Replacement Kits For

JOHN DEERE

Loaders - Skid Steer							
APPLICATION	CYL #	SERIAL #	Misc	CODE	ROD	BORE	KIT #
MODEL 240							
BOOM (RH)	AH210319	925239-		I-U-10	36 mm	2-1/4	JD-AH168977
BUCKET	AH212126	-925238		I-U-10	32 mm	2-1/4	JD-AH160843
BUCKET (LH)	AH211533 AH218165	925239-		I-U-10	32 mm	2-1/4	JD-AH160843
BUCKET (RH)	AH210320 AH218164	925239-		I-U-10	32 mm	2-1/4	JD-AH160843
MODEL 250							
BOOM		-925238		I-U-10	40 mm	2-1/4	JD-AH160844
		251874-		I-U-10	36 mm	2-1/4	JD-AH168977
BOOM (LH)	AH210318	925239-		I-U-10	40 mm	2-1/4	JD-AH160844
BOOM (RH)	AH210319	925239-		I-U-10	36 mm	2-1/4	JD-AH168977
BUCKET	AH212126	-925238		I-U-10	32 mm	2-1/4	JD-AH160843
BUCKET (LH)	AH211533 AH218165	925239-		I-U-10	32 mm	2-1/4	JD-AH160843
BUCKET (RH)	AH210320 AH218164	925239-		I-U-10	32 mm	2-1/4	JD-AH160843
Loaders - Wheel							
APPLICATION	CYL #	SERIAL #	Misc	CODE	ROD	BORE	KIT #
MODEL 300							
		Loader Arrangement	7300, 7320				
		Backhoe Arrangement	92, 9250				
BACKHOE BOOM		-8249	9250	P-V-8	2	4	JD-AR105387
		8250-	9250	P-V-8	2	4	JD-RE18732
		All		P-V-8	1-3/4	3-1/2	JD-RE18754
BACKHOE BUCKET		All		P-V-8	1-3/4	3	JD-RE18751
BACKHOE CROWD		All		P-V-8	1-3/4	3-1/2	JD-RE18754
		All	9250	P-V-8	1-3/4	3-1/2	JD-RE18755
BACKHOE STABILIZER		All		P-V-8	1-3/4	3-1/2	JD-RE18754
BACKHOE SWING		8250-	9250	P-V-8	2	4	JD-RE18732
		All		P-V-8	1-3/4	3-1/2	JD-AR105412
		-8249	9250	P-V-8	2	4	JD-AR105393
LOADER BOOM LIFT		All	7320	P-V-8	1-1/2	2-1/2	JD-RE19217
		Yr 1969-	7300	P-U-8	1-1/2	2-1/4	JD-AR96532
LOADER BUCKET TILT		All	7320	P-V-8	1-1/2	2-1/2	JD-RE19217
		Yr 1967-	7300	P-V-8	1-1/4	2-1/2	JD-AR105453
MODEL 344E							
BOOM	AT122273	All		P-UB-10	60 mm	110 mm	JD-AT122564
BUCKET	AT122274	All		P-UB-10	60 mm	110 mm	JD-AT122564
STEERING	AT122275	All		P-UB-10	35 mm	60 mm	JD-AT122580
MODEL 400, 401A							
		Loader Arrangement	7300, 7320				
		Backhoe Arrangement	92, 9250				
BACKHOE BOOM		-8249	9250	P-V-8	2	4	JD-AR105387
		8250-	9250	P-V-8	2	4	JD-RE18732
		All	92	P-V-8	1-3/4	3-1/2	JD-RE18754
		All	94, 95, 95A, 9400	P-V-8	2-1/4	4-1/2	JD-RE10640

LA - Long Arm LGP - Low Ground Pressure LT - Long Track MFWD - Mechanical Front Wheel Drive MP - Multi-Purpose
 IDM - Inside Dozer Mount ODM - Outside Dozer Mount SLF - Super Long Front STD - Straight Dozer WT - Wide Track

Replacement Kits For

JOHN DEERE

Loaders - Wheel							
APPLICATION	CYL #	SERIAL #	Misc	CODE	ROD	BORE	KIT #
MODEL 400, 401A							
		Loader Arrangement	7300, 7320				
		Backhoe Arrangement	92, 9250				
BACKHOE BUCKET		All	94, 95, 95A, 9400	P-V-8	2-1/4	3-1/2	JD-RE18757
		All	92, 9250	P-V-8	1-3/4	3	JD-RE18751
BACKHOE CROWD		All	92	P-V-8	1-3/4	3-1/2	JD-RE18754
		All	9250	P-V-8	1-3/4	3-1/2	JD-RE18755
		All	94, 95, 95A, 9400	P-V-8	2	4	JD-AR105387
BACKHOE STABILIZER		All	92, 94, 9250, 9400	P-V-8	1-3/4	3-1/2	JD-RE18754
		All	95, 95A	P-V-8	1-3/4	3	JD-RE18751
BACKHOE SWING		-8249	9250	P-V-8	2	4	JD-AR105393
		8250-	9250	P-V-8	2	4	JD-RE18732
		All	92	P-V-8	1-3/4	3-1/2	JD-AR105412
		All	9400	P-V-8	1-3/4	4	JD-RE18730
LOADER BOOM LIFT		Yr 1967, S/N 4600		P-V-8	1-1/2	2-1/2	JD-RE19217
		4601-		P-V-8	1-3/4	2-3/4	JD-RE19220
LOADER BUCKET TILT		All		P-V-8	1-1/4	2-1/2	JD-AR105453
MODEL 444, 444C, 444CH							
		Backhoe Arrangement	9450				
BACKHOE BOOM		All		P-V-8	2	4	JD-RE18732
BACKHOE BUCKET		All		P-V-8	1-3/4	3	JD-RE18751
BACKHOE CROWD		All		P-V-8	1-3/4	3-1/2	JD-RE18755
BACKHOE STABILIZER		All		P-V-8	1-3/4	3-1/2	JD-RE18754
BACKHOE SWING		-39796	9450	P-U-10	1-3/4	3-1/2	JD-RE18756
		39797-	9450	P-U-10	1-3/4	3-1/2	JD-RE18756
LOADER BOOM LIFT		-503064		P-V-8	2-1/4	5-1/4	JD-AR105346
		503065-		P-V-1	2-1/4		JD-RE14208
		503065-		N-N-14		5-1/4	JD-RE14100
LOADER BUCKET TILT		-503064		P-V-8	2-1/4	5-1/4	JD-AR105356
		503065-		P-V-1	2-1/4		JD-RE14454
		503065-		N-N-14		5-1/4	JD-RE14100
LUMBER CLAMP		All		P-V-8	2	4	JD-AR105387
MULTI-PURPOSE		All		P-V-8	2	4	JD-AR105387
STEERING		All	444	I-U-10	3-3/8	3-5/8	JD-RE19227
		-505310	444, 444CH	P-UB-10	1-1/2	3	JD-AR105272
		505311-	444C, 444CH	P-V-1	1-1/2		JD-RE18203
		505311-	444C, 444CH	N-N-10		3	JD-RE18202
MODEL 444D							
LOADER BOOM LIFT		All		P-V-1	2-1/4		JD-RE14208
		All		N-N-14		5-1/4	JD-RE14100
LOADER BUCKET TILT		All		P-V-1	2-1/4		JD-RE14454
		All		N-N-14		5-1/4	JD-RE14100
LUMBER FORK		All		P-V-8	2	4	JD-AR105387
MULTI-PURPOSE		All		P-V-8	2	4	JD-AR105387
STEERING		All		P-V-1	1-1/2		JD-RE18203

LA - Long Arm LGP - Low Ground Pressure LT - Long Track MFWD - Mechanical Front Wheel Drive MP - Multi-Purpose
 IDM - Inside Dozer Mount ODM - Outside Dozer Mount SLF - Super Long Front STD - Straight Dozer WT - Wide Track

Replacement Kits For

JOHN DEERE

Loaders - Wheel							
APPLICATION	CYL #	SERIAL #	Misc	CODE	ROD	BORE	KIT #
MODEL 444D							
STEERING		All		N-N-10		3	JD-RE18202
MODEL 444E							
BOOM	AT121333	All		P-UB-10	60 mm	110 mm	JD-AT121500
BUCKET	AT121334	All		P-UB-10	65 mm	120 mm	JD-AT121501
STEERING	AT121335	All		P-UB-10	35 mm	65 mm	JD-AT121499
MODEL 444H							
BOOM	AH152902	-570411		P-UB-1	56 mm		JD-AH149814
	AH152902	-570411		N-N-14		100 mm	JD-AH212101
	AH216284	570412-		P-UB-1	56 mm		JD-AH149814
	AH216284	Field Replacement		P-UB-1	56 mm		JD-AH149814
	AH216284	570412-		N-N-14		100 mm	JD-AH212101
	AH216284	Field Replacement		N-N-14		100 mm	JD-AH212101
BUCKET	AH174752	-577511 : 577512-		P-UB-1	63 mm		JD-AH149815
	AH174752	-577511 : 577512-		N-N-14		115 mm	JD-AH212103
STEERING	AH147585	-568518		I-UB-14	32 mm	56 mm	JD-AH153496
	AH205056	568519-		P-UB-1	32 mm		JD-AH161589
	AH205056	568519-		N-N-14		56 mm	JD-AH161591
MODEL 444H LL							
BOOM	AH149101	-570613		P-UB-1	63 mm		JD-AH149815
	AH149101	-570613		N-N-14		110 mm	JD-AH163670
	AT152715	570614-		P-UB-1	63 mm		JD-AH149815
	AT152715	570614-		N-N-14		110 mm	JD-AH163670
BUCKET	AH152715			P-UB-1	63 mm		JD-AH149815
	AH152715			N-N-14		100 mm	JD-AH212101
STEERING	AH147585			I-UB-14	32 mm	56 mm	JD-AH153496
	AH205056			P-UB-1	32 mm		JD-AH161589
	AH205056			N-N-14		56 mm	JD-AH161591
MODEL 444J							
BOOM (Powerllel™)	AH209498	-611274		P-UB-1	56 mm		JD-AH149814
	AH209498	611275-		P-UB-1	56 mm		JD-AH149814
	AH209498	611275-		N-N-14		100 mm	JD-AH212101
	AH209498	-611274		N-N-14		100 mm	JD-AH212101
BOOM (Tool Carrier)	AH163628	-611274		P-UB-1	63 mm		JD-AH149815
	AH163628	-611274		N-N-14		110 mm	JD-AH163670
BOOM (Z-Bar)	AH163627	-595722		P-UB-1	56 mm		JD-AH149814
	AH163627	-595722		N-N-14		100 mm	JD-AH212101
	AH216284	595723-		P-UB-1	56 mm		JD-AH149814
	AH216284	611275-		P-UB-1	56 mm		JD-AH149814
	AH216284	595723-		N-N-14		100 mm	JD-AH212101
	AH216284	611275-		N-N-14		100 mm	JD-AH212101
BUCKET	AH174752	611275-		P-UB-1	63 mm		JD-AH149815
	AH174752	-611274		P-UB-1	63 mm		JD-AH149815
	AH174752	611275-		N-N-14		115 mm	JD-AH212103
	AH174752	-611274		N-N-14		115 mm	JD-AH212103

LA - Long Arm LGP - Low Ground Pressure LT - Long Track MFWD - Mechanical Front Wheel Drive MP - Multi-Purpose
 IDM - Inside Dozer Mount ODM - Outside Dozer Mount SLF - Super Long Front STD - Straight Dozer WT - Wide Track

JOHN DEERE

Replacement Kits For

Loaders - Wheel							
APPLICATION	CYL #	SERIAL #	Misc	CODE	ROD	BORE	KIT #
MODEL 444J							
BUCKET (Powerllel™)	AH154570	611275-		P-UB-1	75 mm		JD-AH154570
	AH154570	611275-		N-N-14		125 mm	JD-AH149848
	AH208164	-611274		P-UB-1	75 mm		JD-AH154570
	AH208164	-611274		N-N-14		125 mm	JD-AH149848
STEERING	AH205056	-611274		P-UB-1	32 mm		JD-AH161589
	AH205056	611275-		P-UB-1	32 mm		JD-AH161589
	AH205056	-611274		N-N-14		56 mm	JD-AH161591
	AH205056	611275-		N-N-14		56 mm	JD-AH161591
TILT (Tool Carrier)	AH152715	-611274		P-UB-1	63 mm		JD-AH149815
	AH152715	-611274		N-N-14		100 mm	JD-AH149844
MODEL 544, 544A							
		Backhoe Arrangement		93, 93A, 9305			
BACKHOE BOOM		-701219	9305	P-V-8	2-1/4	4-1/2	JD-AR105355
		All	93, 93A	P-V-8	2-1/4	4-1/2	JD-RE10640
		701220-	9305	P-V-14	2-1/4	4-1/2	JD-RE18764
BACKHOE BUCKET		-701219	93, 93A, 9305	P-V-8	2-1/4	3-1/2	JD-RE18757
		701220-	9305	P-V-14	2-1/4	3-1/2	JD-RE18758
BACKHOE CROWD		-701219	93, 93A, 9305	P-V-8	2	4	JD-AR105387
		701220-		P-V-14	2	4	JD-RE18741
BACKHOE STABILIZER		All	9305	P-V-8	2	4	JD-AR105387
		All	93, 93A	P-V-8	1-3/4	3-1/2	JD-RE18754
GRAPPLE		All		P-V-8	1-3/4	3-1/2	JD-RE18754
LOADER BOOM LIFT		All		P-V-8	2-1/4	5-1/4	JD-AR105346
LOADER BUCKET TILT		All		P-V-8	2	3-1/2	JD-RE18748
LUMBER CLAMP		All		P-V-8	2-1/4	5-1/4	JD-AR105346
STEERING		All		I-U-1	3-3/8	3-5/8	JD-RE19226
		All		I-U-10	3-3/8	3-5/8	JD-RE19227
MODEL 544B							
		Backhoe Arrangement		9305			
BACKHOE BOOM		701220-	9305	P-V-14	2-1/4	4-1/2	JD-RE18764
		-01219	9305	P-V-8	2-1/4	4-1/2	JD-AR105355
BACKHOE BUCKET		701220-	9305	P-V-14	2-1/4	3-1/2	JD-RE18758
		-701219	9305	P-V-8	2-1/4	3-1/2	JD-RE18757
BACKHOE CROWD		-701219	9305	P-V-8	2	4	JD-AR105387
		701220-	9305	P-V-14	2	4	JD-RE18741
BACKHOE STABILIZER		All		P-V-8	2	4	JD-AR105387
GRAPPLE		All		P-V-8	1-3/4	3-1/2	JD-RE18754
LOADER BOOM LIFT		All		P-V-8	2-1/4	5-1/4	JD-AR105346
LOADER BUCKET TILT		All		P-V-8	2-1/4	5-1/4	JD-AR105356
LUMBER CLAMP		226224-		P-V-8	2	4	JD-AR105387
		-226223		P-V-8	2-1/4	5-1/4	JD-AR105346
MULTI-PURPOSE		All		P-V-8	2	4	JD-AR105387
STEERING		-247599		I-U-1	3-3/8	3-5/8	JD-RE19226
		247600-		I-U-10	3-3/8	3-5/8	JD-RE19227
		All		I-U-10	3-3/8	3-5/8	JD-RE19227

JOHN DEERE

LA - Long Arm LGP - Low Ground Pressure LT - Long Track MFWD - Mechanical Front Wheel Drive MP - Multi-Purpose
 IDM - Inside Dozer Mount ODM - Outside Dozer Mount SLF - Super Long Front STD - Straight Dozer WT - Wide Track

Replacement Kits For

JOHN DEERE

Loaders - Wheel							
APPLICATION	CYL #	SERIAL #	Misc	CODE	ROD	BORE	KIT #
MODEL 544C							
		Backhoe Arrangement		9450			
BACKHOE BOOM		All		P-V-8	2	4	JD-RE18732
BACKHOE BUCKET		All		P-V-8	1-3/4	3	JD-RE18751
BACKHOE CROWD		All		P-V-8	1-3/4	3-1/2	JD-RE18755
BACKHOE STABILIZER		All		P-V-8	1-3/4	3-1/2	JD-RE18754
BACKHOE SWING		All		P-U-10	1-3/4	3-1/2	JD-RE18756
LOADER BOOM LIFT		504463-		P-V-1	2-1/2		JD-RE13745
		504463-		N-N-14		5-1/2	JD-RE14910
LOADER BUCKET TILT		504664-		N-N-14		5-1/2	JD-RE14910
LUMBER FORK		All		P-V-8	2	4	JD-AR105387
MULTI-PURPOSE		All		P-V-8	2	4	JD-AR105387
STEERING		-505253		P-UB-10	1-1/2	3	JD-AR105272
		505254-		P-V-1	1-1/2		JD-RE18203
		505254-		N-N-10		3	JD-RE18202
MODEL 544D							
LOADER BOOM LIFT		All		P-V-1	2-1/2		JD-RE13745
		All		N-N-14		5-1/2	JD-RE14910
LOADER BUCKET		All		N-N-14		5-1/2	JD-RE14910
LUMBER FORK		All		P-V-8	2	4	JD-RE18733
MULTI-PURPOSE		All		P-V-8	2	4	JD-AR105387
STEERING		All		P-V-1	1-1/2		JD-RE18203
		All		N-N-10		3	JD-RE18202
MODEL 544E, 544E LL, 544E TC							
BOOM	AH136532	All		P-UB-1	63 mm		JD-RE25151
	AH136532	All		N-N-14		125 mm	JD-AH137208
	AH136534			P-UB-1	63 mm		JD-RE25151
	AH136534			N-N-14		125 mm	JD-AH137208
BUCKET	AH136537	All		P-UB-1	63 mm		JD-RE25151
	AH136537	All		N-N-14		140 mm	JD-AH137209
	AH136544	All		P-UB-1	80 mm		JD-RE25152
	AH136544	All		N-N-14		160 mm	JD-AH137210
	AH139262			P-UB-1	63 mm		JD-RE25151
	AH139262			N-N-14		140 mm	JD-AH137209
STEERING	RE27701	All		P-UB-1	40 mm		JD-RE20433
	RE27701	All		N-N-14		70 mm	JD-RE20428
MODEL 544G							
BOOM				P-UB-1	63 mm		JD-RE25151
				N-N-14		125 mm	JD-AH137208
BUCKET				P-UB-1	63 mm		JD-RE25151
				N-N-14		140 mm	JD-AH137209
STEERING				P-UB-1	40 mm		JD-RE20433
				N-N-14		70 mm	JD-RE20428
MODEL 544H							
BOOM	AH147533	-570068		P-UB-1	63 mm		JD-AH149815
	AH147533	-570068		N-N-14		115 mm	JD-AH163671
	AH163629	570069-		P-UB-1	63 mm		JD-AH149815

LA - Long Arm LGP - Low Ground Pressure LT - Long Track MFWD - Mechanical Front Wheel Drive MP - Multi-Purpose
 IDM - Inside Dozer Mount ODM - Outside Dozer Mount SLF - Super Long Front STD - Straight Dozer WT - Wide Track

Replacement Kits For

JOHN DEERE

Loaders - Wheel							
APPLICATION	CYL #	SERIAL #	Misc	CODE	ROD	BORE	KIT #
MODEL 544H							
BOOM	AH163629	570069-		N-N-14		115 mm	JD-AH163671
BUCKET	AH152676	-579834		P-UB-1	75 mm		JD-AH154570
	AH152676	-579834		N-N-14		125 mm	JD-AH149848
	AH172986	579835-		P-UB-1	75 mm		JD-AH154570
	AH172986	579835-		N-N-14		125 mm	JD-AH149848
STEERING	AH147586	-568522		P-UB-14	40 mm	63 mm	JD-AH153497
	AH160118	568523-589817		I,P-UB-1	40 mm		JD-AH149194
	AH160118	568523-589817		N-N-14		63 mm	JD-AH212087
	AH211379	589818-		I,P-UB-1	40 mm		JD-AH149194
	AH211379	589818-		N-N-14		63 mm	JD-AH212087
MODEL 544H LL							
BOOM	AH147533	-570068		P-UB-1	63 mm		JD-AH149815
	AH147533	-570068		N-N-14		115 mm	JD-AH163671
	AH163629	570069-		P-UB-1	63 mm		JD-AH149815
	AH163629	570069-		N-N-14		115 mm	JD-AH163671
BUCKET	AH153921	All		P-UB-1	70 mm		JD-AH156466
	AH153921	All		N-N-14		110 mm	JD-AH149845
STEERING	AH147586	-568522		P-UB-14	40 mm	63 mm	JD-AH153497
	AH160118	568523-589817		I,P-UB-1	40 mm		JD-AH149194
	AH160118	568523-589817		N-N-14		63 mm	JD-AH212087
	AH211379	589818-		I,P-UB-1	40 mm		JD-AH149194
	AH211379	589818-		N-N-14		63 mm	JD-AH212087
MODEL 544J							
BOOM	AH206281	-611799 ; 611800-		P-UB-1	63 mm		JD-AH149815
	AH206281	-611799 ; 611800-		N-N-14		120 mm	JD-AH149847
BOOM (Powerllel™)	AH208215	-611799 ; 611800-		P-UB-1	63 mm		JD-AH149815
	AH208215	-611799 ; 611800-		N-N-14		115 mm	JD-AH163671
BOOM (Tool Carrier)	AH163629	-611799		P-UB-1	63 mm		JD-AH149815
	AH163629	-611799		N-N-14		115 mm	JD-AH163671
BUCKET	AH172986	-611799 ; 611800-		P-UB-1	75 mm		JD-AH154570
	AH172986	-611799 ; 611800-		N-N-14		125 mm	JD-AH149848
BUCKET (Powerllel™)	AH225345	-611799 ; 611800-		P-UB-1	80 mm		JD-AH156874
	AH225345	-611799 ; 611800-		N-N-14		140 mm	JD-AH216299
STEERING	AH211379	-611799 ; 611800-		I,P-UB-1	40 mm		JD-AH149194
	AH211379	-611799 ; 611800-		N-N-14		63 mm	JD-AH212087
MODEL 624E, 624G							
BOOM	AH136535	All		P-UB-1	63 mm		JD-RE25151
	AH136535	All		N-N-14		140 mm	JD-AH137209
BUCKET	AH136542	All		P-UB-1	80 mm		JD-RE25152
	AH136542	All		N-N-14		160 mm	JD-AH137210
STEERING	RE36926	All		P-UB-1	45 mm		JD-RE20434
	RE36926	All		N-N-14		80 mm	JD-RE31138
MODEL 624H							
BOOM	AH156875	-570361		N-N-14		125 mm	JD-AH163672
	AH163630	570362-		N-N-14		125 mm	JD-AH163672
	AT311670			P-UB-1	63 mm		JD-AH149815

LA - Long Arm LGP - Low Ground Pressure LT - Long Track MFWD - Mechanical Front Wheel Drive MP - Multi-Purpose
 IDM - Inside Dozer Mount ODM - Outside Dozer Mount SLF - Super Long Front STD - Straight Dozer WT - Wide Track

JOHN DEERE

Replacement Kits For

JOHN DEERE

Loaders - Wheel							
APPLICATION	CYL #	SERIAL #	Misc	CODE	ROD	BORE	KIT #
MODEL 624H							
BOOM	AT311670			N-N-14		125 mm	JD-AH163672
BOOM (Tool Carrier & Log Loader)	AH154122	-570463		N-N-14		125 mm	JD-AH163672
	AH163631	570464-		N-N-14		125 mm	JD-AH163672
BUCKET				P-UB-1	80 mm		JD-AH156874
		582051-		N-N-14		140 mm	JD-AH216299
		-582050		N-N-14		140 mm	JD-AH137209
	AH210133			P-UB-1	80 mm		JD-AH156874
	AH210133			N-N-14		140 mm	JD-AH137209
	AT311652	-582050		P-UB-1	80 mm		JD-AH156874
	AT311652	-582050		N-N-14		140 mm	JD-AH137209
STEERING	AH212033			I,P-UB-1	40 mm		JD-AH149194
	AH212033			N-N-14		70 mm	JD-AH212089
MODEL 624J							
BOOM	AH163630	611797-		P-UB-1	63 mm		JD-AH149815
	AH163630	-611796		P-UB-1	63 mm		JD-AH149815
	AH163630	611797-		N-N-14		125 mm	JD-AH163672
	AH163630	-611796		N-N-14		125 mm	JD-AH163672
	AH163631	-611796		P-UB-1	63 mm		JD-AH149815
BOOM (Powerllel™)	AH208687	-611796		P-UB-1	63 mm		JD-AH149815
	AH208687	611797-		P-UB-1	63 mm		JD-AH149815
	AH208687	-611796		N-N-14		125 mm	JD-AH149848
	AH208687	611797-		N-N-14		125 mm	JD-AH149848
BOOM (Tool Carrier)	AH163631	-611796		P-UB-1	63 mm		JD-AH149815
	AH163631			N-N-14		125 mm	JD-AH163672
BUCKET	AH225343	-611796		P-UB-1	80 mm		JD-AH156874
	AH225343	611797-		P-UB-1	80 mm		JD-AH156874
	AH225343	611797-		N-N-14		140 mm	JD-AH216299
BUCKET (Powerllel™)	AH225717	611797-		P-UB-1	95 mm		JD-AH159192
	AH225717	-611796		P-UB-1	95 mm		JD-AH159192
	AH225717	-611796		N-N-14		160 mm	JD-AH137210
	AH225717	611797-		N-N-14		160 mm	JD-AH137210
STEERING	AH212033	611797-		I,P-UB-1	40 mm		JD-AH149194
	AH212033	-611796		I,P-UB-1	40 mm		JD-AH149194
	AH212033	-611796		N-N-14		70 mm	JD-AH212089
	AH212033	611797-		N-N-14		70 mm	JD-AH212089
TILT	AH154123	-611796		P-UB-1	70 mm		JD-AH156466
	AH154123	-611796		N-N-14		115 mm	JD-AH212103
TILT (Tool Carrier)	AH154123	-611796		P-UB-1	70 mm		JD-AH156466
	AH154123	-611796		N-N-14		115 mm	JD-AH212103
MODEL 644, 644A							
		Backhoe Arrangement		93, 93A, 9305			
BACKHOE BOOM		-701219	9305	P-V-8	2-1/4	4-1/2	JD-AR105355
		701220-	9305	P-V-14	2-1/4	4-1/2	JD-RE18764
		All	93, 93A	P-V-8	2-1/4	4-1/2	JD-RE10640
BACKHOE BUCKET		-701219	93, 93A, 9305	P-V-8	2-1/4	3-1/2	JD-RE18757

LA - Long Arm LGP - Low Ground Pressure LT - Long Track MFWD - Mechanical Front Wheel Drive MP - Multi-Purpose
 IDM - Inside Dozer Mount ODM - Outside Dozer Mount SLF - Super Long Front STD - Straight Dozer WT - Wide Track

JOHN DEERE

Replacement Kits For

JOHN DEERE

Loaders - Wheel							
APPLICATION	CYL #	SERIAL #	Misc	CODE	ROD	BORE	KIT #
MODEL 644, 644A							
Backhoe Arrangement			93, 93A, 9305				
BACKHOE BUCKET		701220-	9305	P-V-14	2-1/4	3-1/2	JD-RE18758
BACKHOE CROWD		-701219	93, 93A, 9305	P-V-8	2	4	JD-AR105387
		701220-	9305	P-V-14	2	4	JD-RE18741
BACKHOE STABILIZER		All	93, 93A	P-V-8	1-3/4	3-1/2	JD-RE18754
			9305	P-V-8	2	4	JD-AR105387
LOADER BOOM LIFT		All		P-V-8	2-3/4	6-1/4	JD-RE18744
LOADER BUCKET TILT		All		P-V-8	2-1/4	4-1/2	JD-AR105355
LOADER CLAM		303-		P-U-9	2	4	JIC-G32299
LUMBER CLAMP		All		P-V-8	2-1/4	5-1/4	JD-AR105346
STEERING LH				P-UB-10	3-3/4	4	JD-AT34933
STEERING RH		All		P-UB-10	3-3/4	4	JD-AT34932
MODEL 644B							
LOADER BOOM LIFT		All		P-V-8	2-3/4	6-1/4	JD-RE18744
LOADER BUCKET TILT		All		P-V-8	2-3/4	6-1/4	JD-RE18744
LUMBER CLAMP		All		P-V-8	2-1/4	5-1/4	JD-AR105346
		All		P-V-8	2	4	JD-AR105387
MULTI-PURPOSE		All		P-V-8	2	4	JD-AR105387
STEERING		-247612		P-UB-10	3-3/4	4	JD-AT34933
		247613-		P-UB-10	3-3/4	4	JD-AT34932
		All		P-UB-10	3-3/4	4	JD-AT34932
MODEL 644C							
LOADER BOOM LIFT		505377-		P-V-1	2-3/4		JD-RE16991
		505377-		N-N-14		6-1/4	JD-RE14022
LOADER BUCKET TILT		505377-		P-V-1	3		JD-RE16992
		505377-		N-N-14		6-1/4	JD-RE14022
LUMBER FORK		All		P-V-8	2	4	JD-AR105387
MULTI-PURPOSE		All		P-V-8	2	4	JD-AR105387
STEERING		All		P-V-1	1-3/4		JD-RE30874
		All		N-N-10		3-1/2	JD-RE17097
MODEL 644D							
LOADER BOOM LIFT		All		P-V-1	2-3/4		JD-RE16991
		All		N-N-14		6-1/4	JD-RE14022
LOADER BUCKET TILT		All		P-V-1	3		JD-RE16992
		All		N-N-14		6-1/4	JD-RE14022
LUMBER FORK		All		P-V-8	2	4	JD-RE18733
MULTI-PURPOSE		All		P-V-8	2	4	JD-AR105387
STEERING		All		P-UB-1	45 mm		JD-RE20434
		All		N-N-14		90 mm	JD-RE20430
MODEL 644E, 644ER							
LOADER BOOM LIFT	AH136545	All		P-UB-1	80 mm		JD-RE25152
	AH136545	All		N-N-14		160 mm	JD-AH137210
	AH136546	All		P-UB-1	80 mm		JD-RE25152
	AH136546	All		N-N-14		160 mm	JD-AH137210
LOADER BUCKET TILT	AH136549	All		P-UB-1	80 mm		JD-RE25152
	AH136549	All		N-N-14		180 mm	JD-AH137211

LA - Long Arm LGP - Low Ground Pressure LT - Long Track MFWD - Mechanical Front Wheel Drive MP - Multi-Purpose
 IDM - Inside Dozer Mount ODM - Outside Dozer Mount SLF - Super Long Front STD - Straight Dozer WT - Wide Track

Replacement Kits For

JOHN DEERE

Loaders - Wheel							
APPLICATION	CYL #	SERIAL #	Misc	CODE	ROD	BORE	KIT #
MODEL 644E, 644ER							
LOADER BUCKET TILT	AH136551	All		P-UB-1	80 mm		JD-RE25152
	AH136551	All		N-N-14		180 mm	JD-AH137211
STEERING	RE24865	All		P-UB-1	45 mm		JD-RE20434
	RE24865	All		N-N-14		90 mm	JD-RE20430
MODEL 644G							
LOADER BOOM LIFT	AH139265	All		P-UB-1	80 mm		JD-RE25152
	AH139265	All		N-N-14		160 mm	JD-AH137210
LOADER BUCKET TILT	AH139266	All		P-UB-1	80 mm		JD-RE25152
	AH139266	All		N-N-14		180 mm	JD-AH137211
STEERING	AH150098	All		I,P-UB-1	45 mm		JD-AH149813
	AH150098	All		N-N-14		90 mm	JD-AH149843
	RE24865	All		P-UB-1	45 mm		JD-RE20434
	RE24865	All		N-N-14		90 mm	JD-AH149843
MODEL 644H							
BOOM	AT311653	-570486		P-UB-1	70 mm		JD-AH156466
	AT311653	570487-589874		P-UB-1	70 mm		JD-AH156466
	AT311653	589875-		P-UB-1	70 mm		JD-AH156466
	AT311653	-570486		N-N-14		140 mm	JD-AH163673
	AT311653	570487-589874		N-N-14		140 mm	JD-AH163673
	AT311653	589875-		N-N-14		140 mm	JD-AH163673
BUCKET	AT311654			P-UB-1	95 mm		JD-AH159192
	AT311654			N-N-14		160 mm	JD-AH137210
STEERING	AH150468			N-N-14		80 mm	JD-AH212091
	AH211112			I,P-UB-1	45 mm		JD-AH149813
MODEL 644J							
LOADER BOOM	AH225288	-611231		P-UB-1	70 mm		JD-AH156466
	AH225288	-611231		N-N-14		140 mm	JD-AH163673
LOADER BUCKET	AH225719	611232-		P-UB-1	95 mm		JD-AH159192
	AH225719	-611231		N-N-14		160 mm	JD-AH137210
	AH225719	611232-		N-N-14		160 mm	JD-AH137210
STEERING	AH211112	611232-		I,P-UB-1	45 mm		JD-AH149813
	AH211112	-611231		I,P-UB-1	45 mm		JD-AH149813
	AH211112	-611231		N-N-14		80 mm	JD-AH212091
	AH211112	611232-		N-N-14		80 mm	JD-AH212091
MODEL 744E							
LOADER BOOM LIFT	AT137814	All		P-UB-10	95 mm	170 mm	JD-AT138138
	AT161735	All		P-UB-10	95 mm	170 mm	JD-AT138138
LOADER BUCKET TILT	AT137796	All		P-UB-10	100 mm	200 mm	JD-AT138137
STEERING	AT137406	All		P-UB-10	50 mm	100 mm	JD-AT138119
	AT158546	All		P-UB-10	50 mm	100 mm	JD-AT138119
MODEL 744H							
BOOM	AH153813	-582317		P-UB-1	95 mm		JD-AH151382
	AH153813	-582317		N-N-14		180 mm	JD-AH137211
	AH175186	582318-		P-UB-1	95 mm		JD-AH159192
	AH175186	582318-		N-N-14		180 mm	JD-AH137211
	AT311655			P-UB-1	95 mm		JD-AH159192

LA - Long Arm LGP - Low Ground Pressure LT - Long Track MFWD - Mechanical Front Wheel Drive MP - Multi-Purpose
 IDM - Inside Dozer Mount ODM - Outside Dozer Mount SLF - Super Long Front STD - Straight Dozer WT - Wide Track

Replacement Kits For

JOHN DEERE

JOHN DEERE

Loaders - Wheel							
APPLICATION	CYL #	SERIAL #	Misc	CODE	ROD	BORE	KIT #
MODEL 744H							
BOOM	AT311655			N-N-14		180 mm	JD-AH137211
BUCKET	AT311656			P-UB-1	115 mm		JD-AH207243
	AT311656	575056-		P-UB-1	100 mm		JD-AH151321
	AT311656	575056-		N-N-14		200 mm	JD-AH151320
	AT311656			N-N-14		200 mm	JD-AH151320
	AT311657			P-UB-1	115 mm		JD-AH207243
	AT311657			N-N-14		200 mm	JD-AH151320
STEERING	AH148443			I,P-UB-1	45 mm		JD-AH149813
	AH148443			N-N-14		90 mm	JD-AH212096
MODEL 744J							
BOOM	AH222725	-590125		P-UB-1	95 mm		JD-AH159192
	AH222725	612700-		P-UB-1	95 mm		JD-AH159192
	AH222725	XXXXX-612699		P-UB-1	95 mm		JD-AH159192
	AH222725	-590125		N-N-14		180 mm	JD-AH137211
	AH222725	612700-		N-N-14		180 mm	JD-AH137211
	AH222725	XXXXX-612699		N-N-14		180 mm	JD-AH137211
BUCKET	AH222726	595693-612700		P-UB-1	115 mm		JD-AH207243
	AH222726	595693-612700		N-N-14		200 mm	JD-AH151320
STEERING	AH222727	612700-		I,P-UB-1	45 mm		JD-AH149813
	AH222727	-612699		I,P-UB-1	45 mm		JD-AH149813
	AH222727	-612699		N-N-14		90 mm	JD-AH212096
	AH222727	612700-		N-N-14		90 mm	JD-AH212096
MODEL 824J							
BOOM	AH222725			P-UB-1	95 mm		JD-AH159192
	AH222725	612711-		P-UB-1	95 mm		JD-AH159192
	AH222725	XXXXXX-612710		P-UB-1	95 mm		JD-AH159192
	AH222725			N-N-14		180 mm	JD-AH137211
	AH222725	612711-		N-N-14		180 mm	JD-AH137211
	AH222725	XXXXXX-612710		N-N-14		180 mm	JD-AH137211
STEERING		-612710		I,P-UB-1	45 mm		JD-AH149813
		-612710		N-N-14		90 mm	JD-AH212096
	AH222727	612711-		I,P-UB-1	45 mm		JD-AH149813
	AH222727	612711-		N-N-14		90 mm	JD-AH212096
MODEL 844							
BOOM		507993-510358		P-V-1	3-3/4		JD-RE15708
		510359-		P-U-1	3-3/4		JD-RE21202
		507993-510358		N-N-14		7-1/2	JD-RE14033
		510359-		N-N-14		7-1/2	JD-RE14033
BUCKET		508226-510358		P-V-1	3-3/4		JD-RE15708
		510359-		P-U-1	3-3/4		JD-RE21202
		508226-510358		N-N-14		7-1/2	JD-RE14033
		510359-		N-N-14		7-1/2	JD-RE14033
STEERING		All		P-V-8	2	3-3/4	JD-AR105381
MODEL TC44H							
BOOM	AH149101	-570613		P-UB-1	63 mm		JD-AH149815
	AH149101	-570613		N-N-14		110 mm	JD-AH163670

LA - Long Arm LGP - Low Ground Pressure LT - Long Track MFWD - Mechanical Front Wheel Drive MP - Multi-Purpose
 IDM - Inside Dozer Mount ODM - Outside Dozer Mount SLF - Super Long Front STD - Straight Dozer WT - Wide Track

Replacement Kits For

JOHN DEERE

Loaders - Wheel							
APPLICATION	CYL #	SERIAL #	Misc	CODE	ROD	BORE	KIT #
MODEL TC44H							
BOOM	AT152715	570614-		P-UB-1	63 mm		JD-AH149815
	AT152715	570614-		N-N-14		110 mm	JD-AH163670
BUCKET	AH152715			P-UB-1	63 mm		JD-AH149815
	AH152715			N-N-14		100 mm	JD-AH212101
STEERING	AH147585			I-UB-14	32 mm	56 mm	JD-AH153496
	AH205056			P-UB-1	32 mm		JD-AH161589
	AH205056			N-N-14		56 mm	JD-AH161591
MODEL TC54H							
BOOM	AH147533	-570068		P-UB-1	63 mm		JD-AH149815
	AH147533	-570068		N-N-14		115 mm	JD-AH163671
	AH163629	570069-		P-UB-1	63 mm		JD-AH149815
	AH163629	570069-		N-N-14		115 mm	JD-AH163671
BUCKET	AH153921	All		P-UB-1	70 mm		JD-AH156466
	AH153921	All		N-N-14		110 mm	JD-AH149845
STEERING	AH147586	-568522		P-UB-14	40 mm	63 mm	JD-AH153497
	AH160118	568523-589817		I,P-UB-1	40 mm		JD-AH149194
	AH160118	568523-589817		N-N-14		63 mm	JD-AH212087
	AH211379	589818-		I,P-UB-1	40 mm		JD-AH149194
	AH211379	589818-		N-N-14		63 mm	JD-AH212087
Motor Graders							
APPLICATION	CYL #	SERIAL #	Misc	CODE	ROD	BORE	KIT #
MODEL 570, 570A, 570B							
BLADE LIFT		All		P-V-8	1-3/4	3	JD-RE18751
BLADE PITCH		All		P-V-8	1-1/4	2-1/2	JD-AR105453
BLADE SIDESHIFT		All		P-V-8	1-1/2	2-1/2	JD-RE19217
CIRCLE SIDESHIFT		All		P-V-8	1-3/4	3	JD-RE18751
SCARIFIER & SNOW PLOW LIFT		All		P-V-8	1-3/4	4	JD-RE10223
STEERING (Rear)		All		P-V-8	1-1/4	3	JD-AR105454
WHEEL LEAN		All		P-V-8	1-1/4	3	JD-AR105454
MODEL 670,670A,670B,672A,672B							
BLADE LIFT		All		P-V-8	2	3-1/4	JD-RE18747
BLADE SIDESHIFT		All		P-V-10	1-1/2	3-1/2	JD-RE18742
BLADE TILT		All		P-V-8	1-3/4	4	JD-RE18736
CIRCLE SIDESHIFT		All		P-V-8	2	3-1/4	JD-RE18747
FRONT MOUNTED EQ		All		P-V-8	2	5	JD-RE18743
RIPPER		All		P-V-8	2-1/4	5-1/4	JD-AR105346
SCARIFIER		All		P-V-8	2	5	JD-RE18743
STEERING (Front)		All		P-U-8	1-1/4	3	JD-RE18750
STEERING (Rear)		All	670, 670A, 672A	P-V-8	1-3/4	3-1/2	JD-RE18754
		All	670B, 672B	P-UB-1	45 mm		JD-RE20434
		All	670B, 672B	N-N-14		90 mm	JD-RE20430
WHEEL LEAN		All		P-V-8	2	4	JD-RE18733
MODEL 770,770A,770B,772A,772B							
BLADE LIFT		All		P-V-8	2	3-1/2	JD-RE18748
BLADE SIDESHIFT		All		P-V-10	1-1/2	3-1/2	JD-RE18742

LA - Long Arm LGP - Low Ground Pressure LT - Long Track MFWD - Mechanical Front Wheel Drive MP - Multi-Purpose
 IDM - Inside Dozer Mount ODM - Outside Dozer Mount SLF - Super Long Front STD - Straight Dozer WT - Wide Track

Replacement Kits For

JOHN DEERE

Motor Graders							
APPLICATION	CYL #	SERIAL #	Misc	CODE	ROD	BORE	KIT #
MODEL 770,770A,770B,772A,772B							
BLADE TILT		All		P-V-8	1-3/4	4	JD-RE18736
CIRCLE SIDESHIFT		All		P-V-8	1-3/4	3-1/2	JD-RE18754
FRONT MOUNTED EQ		All		P-V-8	2	5	JD-RE18743
RIPPER		All		P-V-8	2-1/4	5-1/4	JD-AR105346
SCARIFIER		All		P-V-8	2	5	JD-RE18743
STEERING (Front)		All		P-U-8	1-1/4	3	JD-RE18750
STEERING (Rear)		All		P-V-8	2	4	JD-RE18733
WHEEL LEAN		All		P-V-8	2	4	JD-RE18733
Scrapers							
APPLICATION	CYL #	SERIAL #	Misc	CODE	ROD	BORE	KIT #
MODEL 760							
BOWL LIFT		All		P-V-8	2	4	JD-AR105387
SCARIFIER		All		P-V-8	1-1/2	3	JD-AR105722
SLIDING FLOOR		1001-		P-V-8	2-1/4	4-1/2	JD-AR105351
		-1000		P-V-8	2-1/4	4-1/2	JD-AR105355
MODEL 760A							
BOWL LIFT		All		P-V-8	2	4	JD-AR105387
EJECTOR GATE	RE19217			P-V-8	1-1/2	2-1/2	JD-RE19217
SCARIFIER		All		P-V-8	1-1/2	3	JD-AR105722
SLIDING FLOOR		-2505		P-V-8	2-1/4	4-1/2	JD-AR105351
		2506-		P-V-8	2-1/4	5	JD-RE18759
MODEL 762,762A,762B							
BOWL LIFT		All		P-V-8	2	4-1/2	JD-RE18737
EJECTOR GATE		All		P-V-8	1-1/2	2-1/2	JD-RE19217
SLIDING FLOOR		All		P-V-8	2-1/4	5-1/4	JD-AR105346
STEERING		All		P-V-10	2	3-1/2	JD-RE18765
STEERING (Follow-Up)		All	762, 762A	P-U-10	1/2	1	JD-AH65915
MODEL 860,860A,860B							
BOWL LIFT		All		P-V-8	2	5	JD-RE18743
EJECTOR GATE		All		P-V-8	1-3/4	3	JD-RE18752
SLIDING FLOOR		All		P-V-8	2-1/2	5-1/4	JD-RE18746
STEERING		All		P-V-10	2	4	JD-RE18738
STEERING (Follow-Up)		All		P-OB-10	11/16	1-3/4	JD-AU43367
MODEL 862							
AXLE SUSPENSION				P-V-1	2		JD-RE16119
				N-N-14		4	JD-RE16118
BOWL LIFT				P-V-8	2	5	JD-RE18743
EJECTOR GATE		4283-781780		P-U-8	2	3	JD-RE19218
		-4283		P-V-8	1-3/4	3	JD-RE18752
SLIDING FLOOR				P-V-8	2-1/2	5-1/4	JD-RE18746
STEERING				P-V-10	2	4	JD-RE18738
STEERING (Follow-Up)				P-U-10	1/2	1	JD-AH65915
MODEL 862B							
BOWL LIFT		781781-		P-UB-1	63 mm		JD-RE25151
		781781-		N-N-14		140 mm	JD-AH137209
EJECTOR GATE		4283-781780		P-U-8	2	3	JD-RE19218

LA - Long Arm LGP - Low Ground Pressure LT - Long Track MFWD - Mechanical Front Wheel Drive MP - Multi-Purpose
 IDM - Inside Dozer Mount ODM - Outside Dozer Mount SLF - Super Long Front STD - Straight Dozer WT - Wide Track

Replacement Kits For

JOHN DEERE

Scrapers							
APPLICATION	CYL #	SERIAL #	Misc	CODE	ROD	BORE	KIT #
MODEL 862B							
EJECTOR GATE		781781-		P-UB-1	50 mm		JD-RE20595
		781781-		N-N-14		80 mm	JD-RE31138
STEERING				P-V-10	2	4	JD-RE18738
	RE18738	781781-		P-UB-1	50 mm		JD-RE20595
	RE18738	781781-		N-N-14		100 mm	JD-AH137687
MODEL 1312C							
BUCKET	AH163552		-2003	I,P-UB-1	45 mm		JD-AH149813
	AH163552		-2003	N-N-10		90 mm	JD-AH202290
GATE & WHEEL FRAME	AH166738		-2003	P-UB-1	63 mm		JD-AH149815
	AH166738		-2003	N-N-10		6	JD-AH167533
MODEL 1510C							
BUCKET	AH163552		-2003	I,P-UB-1	45 mm		JD-AH149813
	AH163552	-050001	2004-	I,P-UB-1	45 mm		JD-AH149813
	AH163552		-2003	N-N-10		90 mm	JD-AH202290
	AH163552	-050001	2004-	N-N-10		90 mm	JD-AH202290
	AH216652	050002-	2004-	I,P-UB-1	45 mm		JD-AH149813
	AH216652	050002-	2004-	N-N-10		90 mm	JD-AH212097
GATE & WHEEL FRAME	AH166738		-2003	P-UB-1	63 mm		JD-AH149815
	AH166738	-050004	2004-	P-UB-1	63 mm		JD-AH149815
	AH166738		-2003	N-N-10		6	JD-AH167533
	AH166738	-050004	2004-	N-N-10		6	JD-AH167533
	AH216715	050005-	2004-	P-UB-1	63 mm		JD-AH149815
	AH216715	050005-	2004-	N-N-10		6	JD-AH167533
MODEL 1512C							
BUCKET	AH163552	-050001	2004-	I,P-UB-1	45 mm		JD-AH149813
	AH163552	-050001	2004-	N-N-10		90 mm	JD-AH202290
	AH216652	050002-	2004-	I,P-UB-1	45 mm		JD-AH149813
	AH216652	050002-	2004-	N-N-10		90 mm	JD-AH212097
GATE & WHEEL FRAME	AH166738	-050004	2004-	P-UB-1	63 mm		JD-AH149815
	AH166738	-050004	2004-	N-N-10		6	JD-AH167533
	AH216715	050005-	2004-	P-UB-1	63 mm		JD-AH149815
	AH216715	050005-	2004-	N-N-10		6	JD-AH167533
MODEL 1810C							
BUCKET		060201-	Mfg 2006	P-UB-1	56 mm		JD-AH149814
		060201-	Mfg 2006	N-N-10		100 mm	JD-AH212102
LIFT GATE	AH149815	060201-		P-UB-1	63 mm		JD-AH149815
	AH149815	060201-		N-N-10		6	JD-AH167533
MODEL 1812C							
BUCKET	AH163552		-2003	I,P-UB-1	45 mm		JD-AH149813
	AH163552	-050001	2004-	I,P-UB-1	45 mm		JD-AH149813
	AH163552	-050001	2004-	N-N-10		90 mm	JD-AH202290
	AH163552		-2003	N-N-10		90 mm	JD-AH202290
	AH216652	050002-	2004-	I,P-UB-1	45 mm		JD-AH149813
	AH216652	050002-	2004-	N-N-10		90 mm	JD-AH212097
GATE & WHEEL FRAME	AH166738		-2003	P-UB-1	63 mm		JD-AH149815
	AH166738	-050004	2004-	P-UB-1	63 mm		JD-AH149815

LA - Long Arm LGP - Low Ground Pressure LT - Long Track MFWD - Mechanical Front Wheel Drive MP - Multi-Purpose
 IDM - Inside Dozer Mount ODM - Outside Dozer Mount SLF - Super Long Front STD - Straight Dozer WT - Wide Track

Replacement Kits For

JOHN DEERE

Scrapers							
APPLICATION	CYL #	SERIAL #	Misc	CODE	ROD	BORE	KIT #
MODEL 1812C							
GATE & WHEEL FRAME	AH166738		-2003	N-N-10		6	JD-AH167533
	AH166738	-050004	2004-	N-N-10		6	JD-AH167533
	AH216715	050005-	2004-	P-UB-1	63 mm		JD-AH149815
	AH216715	050005-	2004-	N-N-10		6	JD-AH167533
MODEL 1814C							
BUCKET	AH163552	-050001	2004-	I,P-UB-1	45 mm		JD-AH149813
	AH163552		-2003	I,P-UB-1	45 mm		JD-AH149813
	AH163552		-2003	N-N-10		90 mm	JD-AH202290
	AH163552	-050001	2004-	N-N-10		90 mm	JD-AH202290
	AH216652	050002-	2004-	I,P-UB-1	45 mm		JD-AH149813
	AH216652	050002-	2004-	N-N-10		90 mm	JD-AH212097
GATE & WHEEL FRAME	AH166738		-2003	P-UB-1	63 mm		JD-AH149815
	AH166738	-050004	2004-	P-UB-1	63 mm		JD-AH149815
	AH166738		-2003	N-N-10		6	JD-AH167533
	AH166738	-050004	2004-	N-N-10		6	JD-AH167533
	AH216715	050005-	2004-	P-UB-1	63 mm		JD-AH149815
	AH216715	050005-	2004-	N-N-10		6	JD-AH167533
MODEL 2112C							
BUCKET		060201-	Mfg 2006	P-UB-1	56 mm		JD-AH149814
		060201-	Mfg 2006	N-N-10		100 mm	JD-AH212102
LIFT GATE	AH149815	060201-		P-UB-1	63 mm		JD-AH149815
	AH149815	060201-		N-N-10		6	JD-AH167533
MODEL 5010							
BOWL LIFT		All		P-V-8	2	4	JD-AR105387
EJECTOR GATE		All		P-OB-8	1-1/2	2-1/2	JD-AR99785
		All		P-V-8	1-1/2	2-1/2	JD-RE19217
SCARIFIER		All		P-V-8	1-1/2	3	JD-AR105722
SLIDING FLOOR		All		P-V-8	2	4-1/2	JD-AR105384
Skidders							
APPLICATION	CYL #	SERIAL #	Misc	CODE	ROD	BORE	KIT #
MODEL 340D							
BLADE LIFT		All		P-V-1	1-1/2		JD-RE14088
		All		N-N-14		3-1/2	JD-RE16076
STEERING		All		P-V-10	1-3/4	2-3/4	JD-AR105537
MODEL 440, 440A, 440B							
Backhoe Arrangement			93, 93A, 95, 95A				
BACKHOE BOOM		All		P-V-8	2-1/4	4-1/2	JD-RE10640
BACKHOE BUCKET		All		P-V-8	2-1/4	3-1/2	JD-RE18757
BACKHOE CROWD		All		P-V-8	2	4	JD-AR105387
BACKHOE STABILIZER		All	93, 93A	P-V-8	1-3/4	3-1/2	JD-RE18754
		All	95, 95A	P-V-8	1-3/4	3	JD-RE18751
FRONT BLADE		All		P-V-8	1-1/2	3	JD-AR105722
STEERING		All		P-U-10	2-5/8	3	JD-AT38068
		All		P-U-1	2-5/8	3	JD-AT39022
MODEL 440C Skidders/Grapple Skidders							
BLADE LIFT		-282545		P-V-8	1-1/2	3	JD-AR105722

LA - Long Arm LGP - Low Ground Pressure LT - Long Track MFWD - Mechanical Front Wheel Drive MP - Multi-Purpose
 IDM - Inside Dozer Mount ODM - Outside Dozer Mount SLF - Super Long Front STD - Straight Dozer WT - Wide Track

Replacement Kits For

JOHN DEERE

Skidders							
APPLICATION	CYL #	SERIAL #	Misc	CODE	ROD	BORE	KIT #
MODEL 440C Skidders/Grapple Skidders							
BLADE LIFT		282546-		P-V-1	1-1/2		JD-RE14088
		282546-		N-N-14		3	JD-RE14082
BOOM		All		P-V-8	2	4	JD-AR105387
		All		P-V-1	2		JD-RE16119
		All		N-N-14		4	JD-RE16118
GRAPPLE		-405023		P-V-8	2-1/4	5-1/4	JD-AR105346
		405024-		P-V-1	2-1/4		JD-RE14208
		405024-		N-N-14		5-1/4	JD-RE14100
STEERING		-400823		P-UB-10	3	3-1/4	JD-RE19216
		400824-		P-V-10	1-3/4	2-3/4	JD-AR105537
MODEL 440D, 448 Skidders/Grapple Skidders							
ARCH & BOOM		All	448D	P-V-1	2		JD-RE16119
		All	448D	N-N-14		4	JD-RE16118
BLADE LIFT		All		P-V-1	1-1/2		JD-RE14088
		All		N-N-14		3-1/2	JD-RE16076
GRAPPLE		-501505	448D	P-V-8	2-1/4	5-1/4	JD-AR105346
		501506-	448D	P-V-1	2-1/4		JD-RE14208
		501506-	448D	N-N-14		5-1/4	JD-RE14100
STEERING		All		P-V-10	1-3/4	2-3/4	JD-AR105537
MODEL 540, 540A							
FRONT BLADE		119501-, 40400-		P-V-8	1-1/2	3-1/2	JD-AR105432
		-119500, -40399		P-V-8	1-1/2	3	JD-AR105722
STEERING		All		P-U-10	3	3-1/4	JD-AT35142
		All		P-UB-1	3	3-1/4	JD-AT39023
MODEL 540B							
BLADE LIFT		-500808		P-V-8	1-1/2	3-1/2	JD-AR105432
		500809-		P-V-1	1-1/2		JD-RE14088
		500809-		N-N-14		3-1/2	JD-RE16076
BOOM		-500808		P-V-8	2	4	JD-AR105387
		500809-		P-V-1	2		JD-RE16119
		500809-		N-N-14		4	JD-RE16118
GRAPPLE		-501541		P-V-8	2-1/4	5-1/4	JD-AR105346
		501542-		P-V-1	2-1/4		JD-RE14208
		501542-		N-N-14		5-1/4	JD-RE14100
STEERING		-400571		P-UB-10	3	3-1/4	JD-RE19216
		400572-		P-V-10	1-3/4	2-3/4	JD-AR105537
MODEL 540D, 548D Grapple Skidders							
BLADE LIFT		All		P-V-1	1-1/2		JD-RE14088
		All		N-N-14		3-1/2	JD-RE16076
BOOM		All	548D	P-V-1	2		JD-RE16119
		All	548D	N-N-14		4	JD-RE16118
GRAPPLE		All	548D	P-V-1	2-1/4		JD-RE14208
		All	548D	N-N-14		5-1/4	JD-RE14100
STEERING		All		P-V-10	1-3/4	2-3/4	JD-AR105537
MODEL 640 Skidders/Grapple Skidders							
ARCH & BOOM		-500986		P-V-8	2	4	JD-AR105387

LA - Long Arm LGP - Low Ground Pressure LT - Long Track MFWD - Mechanical Front Wheel Drive MP - Multi-Purpose
 IDM - Inside Dozer Mount ODM - Outside Dozer Mount SLF - Super Long Front STD - Straight Dozer WT - Wide Track

Replacement Kits For

JOHN DEERE

Skidders							
APPLICATION	CYL #	SERIAL #	Misc	CODE	ROD	BORE	KIT #
MODEL 640 Skidders/Grapple Skidders							
ARCH & BOOM		500987-		P-V-1	2		JD-RE16119
		500987-		N-N-14		4	JD-RE16118
BLADE LIFT		-500986		P-V-8	1-3/4	4	JD-RE10223
		500987-		P-V-1	1-3/4		JD-RE30874
		500987-		N-N-14		4	JD-RE16118
BOOM (Single Function)		All		P-V-1	2		JD-RE16119
		All		N-N-14		4	JD-RE14567
GRAPPLE		-502132		P-V-8	2-1/2	5-1/2	JD-RE10224
		502133-		P-V-1	2-1/2		JD-RE17345
		502133-		N-N-14		5-1/2	JD-RE14102
STEERING		All		I-U-10	3-3/8	3-5/8	JD-RE19227
TILT		-503561		P-V-8	2-1/4	4-1/2	JD-AR105355
		503562-		P-V-1	2-1/4		JD-RE14208
		503562-		N-N-14		4-1/2	JD-RE14094
MODEL 640D, 648D Grapple Skidders							
ARCH & BOOM		All	648D	P-V-1	2		JD-RE16119
		All	648D	N-N-14		4	JD-RE16118
BLADE LIFT		All		P-V-1	1-3/4		JD-RE30874
		All		N-N-14		4	JD-RE16118
BOOM (Single Function)		All	648D	P-V-1	2		JD-RE16119
		All	648D	N-N-14		4	JD-RE14567
GRAPPLE		All	648D	P-V-1	2-1/2		JD-RE17345
		All	648D	N-N-14		5-1/2	JD-RE14102
STEERING		All		P-V-1	1-3/4		JD-RE16209
		All		N-N-14		3	JD-RE16208
TILT		All		P-V-1	2-1/4		JD-RE14208
		All		N-N-14		4-1/2	JD-RE14094
MODEL 740, 740A							
ARCH & BOOM		-708051		P-V-8	2	4-1/4	JD-AR105391
		708052-	740A	P-V-1	2		JD-RE30817
		708052-	740A	N-N-14		4-1/4	JD-RE17458
GRAPPLE		-708051		P-V-8	2-3/4	6-1/4	JD-RE18744
		708052-	740A	P-V-1	2-3/4		JD-RE17342
		708052-	740A	N-N-14		6-1/4	JD-RE14104
LIFT		-708051		P-V-8	2	5	JD-RE18743
		708052-	740A	P-V-1	2		JD-RE30817
		708052-	740A	N-N-14		5	JD-RE15905
STEERING		All		P-UB-10	4-1/4	4.40	JD-RE19224
TILT		-708051		P-V-8	2-1/4	4-1/2	JD-AR105355
		708052-	740A	P-V-1	2-1/4		JD-RE14208
		708052-	740A	N-N-14		4-1/2	JD-RE14094
MODEL 3605 Grapple Skidders							
BOOM		10201-		P-V-8	1-3/4	3-1/2	JD-RE18754
GRAPPLE		10201-		P-V-8	1-3/4	3-1/2	JD-RE18754

JOHN DEERE

LA - Long Arm LGP - Low Ground Pressure LT - Long Track MFWD - Mechanical Front Wheel Drive MP - Multi-Purpose
 IDM - Inside Dozer Mount ODM - Outside Dozer Mount SLF - Super Long Front STD - Straight Dozer WT - Wide Track

REPLACEMENT KITS FOR JOHN DEERE

IMPORTANT - PLEASE READ

If a kit part number is unknown, the machine model number, serial number, and cylinder application will help identify the repair kit you need.

Example: Model Number **580C**
 Serial Number **5411021**
 Cylinder Application **Backhoe Swing**

If none of the above information is known, size and description of the parts needed will almost always be sufficient.

Kit Number	Code (Pg. xiv)	Rod X Bore Size
JD-905000	Track Adjuster Kit	
JD-905001	Track Adjuster Kit	
JD-905002	Track Adjuster Kit	
JD-905003	Track Adjuster Kit	
JD-0656604	P-U-10	50 X 100 mm
JD-0656714	P-U-10	50 X 80 mm
JD-0735309	P-U-10	55 X 95 mm
JD-0735609	P-U-10	45 X 75 mm
JD-0744105	P-U-10	35 X 60 mm
JD-0744408	P-U-10	45 X 75 mm
JD-0744707	P-U-10	40 X 65 mm
JD-0744808	P-U-10	45 X 65 mm
JD-0745308	P-U-10	50 X 95 mm
JD-0843613	P-U-10	50 X 80 mm
JD-0843808	P-U-10	50 X 100 mm
JD-0843907	P-U-10	55 X 100 mm
JD-0844705	P-U-10	45 X 75 mm
JD-0844807	P-U-10	55 X 95 mm
JD-0847204	P-U-10	40 X 75 mm
JD-0849304	P-U-10	45 X 75 mm
JD-0849503	P-U-10	40 X 60 mm
JD-0850309	P-U-10	45 X 80 mm
JD-4369943	P-UB-10	105 X 145 mm
JD-4388027	P-UB-10	70 X 100 mm
JD-4415584	P-UB-10	60 X 95 mm
JD-4448396	P-UB-10	80 X 115 mm
JD-4448397	P-UB-10	70 X 100 mm
JD-4448398	P-UB-10	85 X 120 mm
JD-4448399	P-UB-10	95 X 135 mm
JD-4464984	P-UB-10	65 X 115 mm
JD-4464985	P-UB-10	60 X 95 mm
JD-4464986	P-UB-10	55 X 85 mm
JD-4465736	P-UB-10	70 X 120 mm
JD-4467379	P-UB-10	80 X 110 mm
JD-4467380	P-UB-10	90 X 120 mm
JD-4467381	P-UB-10	75 X 105 mm
JD-4485612	P-UB-14	90 X 125 mm
JD-4485614	P-UB-14	90 X 130 mm
JD-4485615	P-UB-14	95 X 135 mm
JD-4614058	P-U-10	40 X 65 mm
JD-4614059	P-U-10	45 X 85 mm
JD-4614069	P-U-10	45 X 75 mm
JD-4622066	P-U-14	45 X 95 mm
JD-4622067	P-U-14	50 X 105 mm
JD-4631062	P-UB-10	105 X 140 mm
JD-4634033	P-U-10	50 X 85 mm

Kit Number	Code (Pg. xiv)	Rod X Bore Size
JD-4634034	P-U-10	45 X 75 mm
JD-4634036	P-U-10	50 X 80 mm
JD-4639936	P-UB-10	95 X 135 mm
JD-4639938	P-UB-10	100 X 145 mm
JD-4639939	P-UB-10	90 X 135 mm
JD-4640107	P-UB-14	105 X 150 mm
JD-4640108	P-UB-14	95 X 145 mm
JD-4640118	P-UB-14	115 X 170 mm
JD-4649745	P-UB-14	95 X 135 mm
JD-4660570	P-UB-10	95 X 145 mm
JD-4661594	P-UB-10	95 X 135 mm
JD-4662069	P-UB-10	90 X 125 mm
JD-4662895	P-UB-10	70 X 105 mm
JD-4S00961	P-UB-10	115 X 170 mm
JD-9180582	P-UB-14	115 X 170 mm
JD-9207059	P-UB-14	105 X 150 mm
JD-AH134477	P-UB-1	63 mm Rod Kit
JD-AH134955	N-N-10	90 mm Piston Kit
JD-AH137208	N-N-14	125 mm Piston Kit
JD-AH137209	N-N-14	140 mm Piston Kit
JD-AH137210	N-N-14	160 mm Piston Kit
JD-AH137211	N-N-14	180 mm Piston Kit
JD-AH137687	N-N-14	100 mm Piston Kit
JD-AH137789	N-N-10	2" Piston Kit
JD-AH139417	P-U-1	2-1/4 Rod Kit
JD-AH139418	I-U-8	2-1/4 X 4-1/4
JD-AH142089	P-UB-1	70 mm Rod Kit
JD-AH142440	P-V-1	2-1/2 Rod Kit
JD-AH144593	P-UB-14	75 X 110 mm
JD-AH144594	P-UB-14	85 X 120 mm
JD-AH144595	P-UB-14	95 X 130 mm
JD-AH147868	P-UB-1	45 mm Rod Kit
JD-AH148164	P-UB-1	50 mm Rod Kit
JD-AH148453	P-UB-10	95 X 130 mm
JD-AH148776	P-UB-10	75 X 110 mm
JD-AH148785	P-UB-10	85 X 120 mm
JD-AH148823	I-U-1	32 mm Rod Kit
JD-AH149194	I-UB-1	40 mm Rod Kit
JD-AH149796	P-UB-10	80 X 110 mm
JD-AH149810	P-UB-1	25mm Rod Kit
JD-AH149813	I,P-UB-1	45 mm Rod Kit
JD-AH149814	P-UB-1	56 mm Rod Kit
JD-AH149815	P-UB-1	63 mm Rod Kit
JD-AH149842	N-N-14	80 mm Piston Kit
JD-AH149843	N-N-14	90 mm Piston Kit
JD-AH149844	N-N-14	100 mm Piston Kit

REPLACEMENT KITS FOR JOHN DEERE

Kit Number	Code (Pg. xiv)	Rod X Bore Size
JD-AH149845	N-N-14	110 mm Piston Kit
JD-AH149846	N-N-14	115 mm Piston Kit
JD-AH149847	N-N-14	102 mm Piston Kit
JD-AH149848	N-N-14	125 mm Piston Kit
JD-AH150595	P-UB-10	65 X 95 mm
JD-AH151107	P-UB-10	70 X 105 mm
JD-AH151320	N-N-14	200 mm Piston Kit
JD-AH151321	P-UB-1	100 mm Rod Kit
JD-AH151382	P-UB-1	95 mm Rod Kit
JD-AH153496	I-UB-14	32 X 56 mm
JD-AH153497	P-UB-14	40 X 63 mm
JD-AH154570	P-UB-1	75 mm Rod Kit
JD-AH155025	P-UB-10	85 X 115
JD-AH155040	P-UB-10	75 X 105
JD-AH155045	P-UB-10	80X110
JD-AH156466	P-UB-1	70 mm Rod Kit
JD-AH156874	P-UB-1	80 mm Rod Kit
JD-AH159192	P-UB-1	95 mm Rod Kit
JD-AH160843	I-U-10	32 mm X 2-1/4
JD-AH160844	I-U-10	40 mm X 2-1/4
JD-AH161589	P-UB-1	32 mm Rod Kit
JD-AH161590	N-N-14	63 mm Piston Kit
JD-AH161591	N-N-14	56 mm Piston Kit
JD-AH161781	N-N-14	100 mm Piston Kit
JD-AH163670	N-N-14	110 mm Piston Kit
JD-AH163671	N-N-14	115 mm Piston Kit
JD-AH163672	N-N-14	125 mm Piston Kit
JD-AH163673	N-N-14	140 mm Piston Kit
JD-AH167533	N-N-10	6 Piston Kit
JD-AH167552	N-N-10	2 Piston Kit
JD-AH168977	I-U-10	36 mm X 2-1/4
JD-AH173444	P-UB-10	95 X 135 mm
JD-AH173451	P-UB-10	80 X 115 mm
JD-AH173457	P-UB-10	85 X 120 mm
JD-AH202290	N-N-10	90 mm Piston Kit
JD-AH207190	P-UB-1	85 mm Rod Kit
JD-AH207243	P-UB-1	115 mm Rod Kit
JD-AH209022	I-U-14	50 mm X 3
JD-AH210287	N-N-14	110 mm Piston Kit
JD-AH210484	P-UB-1	50 mm Rod Kit
JD-AH212087	N-N-14	63 mm Piston Kit
JD-AH212088	N-N-10	2-1/2" Piston Kit
JD-AH212089	N-N-14	70 mm Piston Kit
JD-AH212090	N-N-10	70 mm Piston Kit
JD-AH212091	N-N-14	80 mm Piston Kit
JD-AH212092	N-N-10	80 mm Piston Kit
JD-AH212096	N-N-14	90 mm Piston Kit
JD-AH212097	N-N-10	90 mm Piston Kit
JD-AH212101	N-N-14	100 mm Piston Kit
JD-AH212102	N-N-10	100 mm Piston Kit
JD-AH212103	N-N-14	115 mm Piston Kit
JD-AH212585	N-N-14	110 mm Piston Kit
JD-AH216299	N-N-14	140 mm Piston Kit

Kit Number	Code (Pg. xiv)	Rod X Bore Size
JD-AH225136	P-UB-10	85 X 120 mm
JD-AH225137	P-UB-10	80 X 115 mm
JD-AH65915	N-OB-10	1/2 X 1
JD-AR105272	P-U-10	1-1/2 X 3
JD-AR105273	P-U-5	2-1/2 X 5-1/2
JD-AR105275	P-U-10	2-1/2 X 5-1/2
JD-AR105280	P-U-12	2-1/2 X 6-1/2
JD-AR105281	P-U-8	2-1/2 X 5-1/2
JD-AR105309	P-V-8	2-3/4 X 5
JD-AR105312	P-V-8	3-1/4 X 5-1/2
JD-AR105313	P-V-8	3-1/4 X 5-1/2
JD-AR105320	P-U-10	1-3/4 X 3-3/4
JD-AR105346	P-V-8	2-1/4 X 5-1/4
JD-AR105350	USE JD-RE18759	
JD-AR105351	P-V-8	2-1/4 X 4-1/2
JD-AR105352	USE JD-RE10640	
JD-AR105353	USE JD-AR105355	
JD-AR105354	USE JD-RE18757	
JD-AR105355	P-V-8	2-1/4 X 4-1/2
JD-AR105356	P-V-8	2-1/4 X 5-1/4
JD-AR105381	P-V-8	2 X 3-3/4
JD-AR105384	P-V-8	2 X 4-1/2
JD-AR105387	P-V-8	2 X 4
JD-AR105391	P-V-8	2 X 4-1/4
JD-AR105392	P-V-8	2 X 3-1/2
JD-AR105393	P-V-8	2 X 4
JD-AR105402	P-V-8	1-3/4 X 3-1/4
JD-AR105403	P-V-8	1-3/4 X 2-3/4
JD-AR105404	USE JD-RE19220	
JD-AR105407	USE JD-RE18754	
JD-AR105408	P-V-8	1-3/4 X 4
JD-AR105410	USE JD-RE10223	
JD-AR105412	P-V-8	1-3/4 X 4
JD-AR105429	P-V-8	1-1/2 X 3-1/4
JD-AR105430	P-V-8	1-1/2 X 2-3/4
JD-AR105432	P-V-8	1-1/2 X 3-1/2
JD-AR105441	P-V-8	2-1/2 X 4-1/2
JD-AR105443	P-V-8	2-1/2 X 5-1/2
JD-AR105453	P-V-8	1-1/4 X 2-1/2
JD-AR105454	P-V-8	1-1/4 X 3
JD-AR105515	P-U-5	2 X 4-1/2
JD-AR105537	P-V-10	1-3/4 X 2-3/4
JD-AR105722	P-V-8	1-1/2 X 3
JD-AR105932	P-V-8	2 X 3-1/2
JD-AR96518	P-V-8	1-3/4 X 3-1/2
JD-AR96526	P-V-8	2-1/2 X 4
JD-AR96527	P-V-8	1-3/4 X 4
JD-AR96532	P-U-8	1-3/4 X 2-1/4
JD-AR98255	P-U-5	2-5/8 X 5-1/2
JD-AR99785	P-OB-V	1-1/2 X 2-1/2
JD-AT101337	I-U-4	1-1/4 X 2-1/2
JD-AT101377	I-U-4	1-1/4 X 2-1/2
JD-AT108329	I-U-10	32 X 60 mm

REPLACEMENT KITS FOR JOHN DEERE

JOHN DEERE

Kit Number	Code (Pg. xiv)	Rod X Bore Size
JD-AT114822	P-UB-10	85 X 125 mm
JD-AT114831	P-UB-10	95 X 135 mm
JD-AT114836	P-UB-10	80 X 120 mm
JD-AT119302	P-UB-1	2-1/2" Rod Kit
JD-AT119307	N-N-10	4" Piston Kit
JD-AT120007	N-N-10	7" Piston Kit
JD-AT120008	P-UB-1	4" Rod Kit
JD-AT121499	P-UB-10	35 X 65 mm
JD-AT121500	P-UB-10	60 X 110 mm
JD-AT121501	P-UB-10	65 X 120 mm
JD-AT122564	P-UB-10	60 X 110 mm
JD-AT122580	P-UB-10	35 X 60 mm
JD-AT130600	P-UB-10	65 X 95 mm
JD-AT130601	P-UB-10	70 X 105 mm
JD-AT130602	P-UB-10	60 X 95 mm
JD-AT132411	P-UB-10	115 X 170 MM
JD-AT132412	P-UB-10	130 X 190 MM
JD-AT138119	P-UB-10	50 X 100 mm
JD-AT138137	P-UB-10	100 X 200 mm
JD-AT138138	P-UB-10	95 X 170 mm
JD-AT142582	P-U-13	2 X 3
JD-AT154867	P-UB-14	90 X 125
JD-AT154868	P-UB-14	100 X 135
JD-AT161017	P-U-10	4 X 7
JD-AT168764	P-UB-10	65 X 100 mm
JD-AT176734	P-UB-10	105X145
JD-AT176737	P-UB-10	65 X 95 mm
JD-AT176822	P-UB-10	70X105
JD-AT177556	P-UB-10	80 X 110
JD-AT180161		3-5/8 Swivel Kit
JD-AT181250	P-UB-14	85X125
JD-AT181792	P-UB-14	95 X 145 mm
JD-AT181794	P-UB-14	100 X 145 mm
JD-AT181799	P-UB-14	110 X 165 mm
JD-AT183658	P-UB-14	100X135
JD-AT190898	I-U-10	2 X 3
JD-AT191391	P-V-10	1-1/4 X 3
JD-AT191403	P-U-10	1 X 2
JD-AT192075	P-UB-10	85X120
JD-AT194335	P-U-10	80 X 115
JD-AT194457	P-UB-10	100 X 150
JD-AT196469	P-UB-10	65 X 95 mm
JD-AT196471	P-UB-10	115 X 170 mm
JD-AT196472	P-UB-14	110 X 165 mm
JD-AT196473	P-UB-14	95 X 145 mm
JD-AT196475	P-UB-14	100 X 145 mm
JD-AT200548	P-UB-10	65 X 115
JD-AT200549	P-UB-10	60 X 95
JD-AT200550	P-UB-10	55 X 85
JD-AT200573	P-UB-10	60 X 105
JD-AT200574	P-UB-10	50 X 80
JD-AT201184	P-UB-14	110 X 165 mm
JD-AT201185	P-UB-14	95 X 145 mm
JD-AT205923	P-UB-14	95 X 145

Kit Number	Code (Pg. xiv)	Rod X Bore Size
JD-AT217906	P-UB-14	100 X 135
JD-AT251859	P-U-10	50 X 100 mm
JD-AT251867	P-U-10	50 X 80 mm
JD-AT251952	P-U-10	55 X 95 mm
JD-AT251964	P-U-10	45 X 75 mm
JD-AT260416	P-UB-10	1-1/4 X 2
JD-AT264430	P-UB-14	95 X 135 mm
JD-AT264438	P-UB-14	100 X 145 mm
JD-AT264439	P-UB-14	90 X 135 mm
JD-AT264440	P-UB-14	105 X 150 mm
JD-AT264441	P-UB-14	115 X 170 mm
JD-AT301907	I-U-14	50 X 75 mm
JD-AT302758	P-UB-10	130 X 190 mm
JD-AT304940	3-5/8 Swivel Kit	
JD-AT314427	P-UB-14	120 X 170 mm
JD-AT33350	USE JD-AR105402	
JD-AT33351	USE JD-AR105429	
JD-AT34930	USE JD-RE18744	
JD-AT34932	I-U-10	3-3/4 X 4
JD-AT34933	I-U-1	3-3/4 X 4
JD-AT35142	P-U-10	3 X 3-1/4
JD-AT35678	USE JD-AR105381	
JD-AT35775	USE JD-RE18759	
JD-AT35932	USE JD-AR105430	
JD-AT35934	USE JD-RE19217	
JD-AT35935	USE JD-AR105453	
JD-AT35939	USE JD-RE18739	
JD-AT35940	USE JD-RE19222	
JD-AT36404	USE JD-AR105384	
JD-AT36452	USE JD-AR105441	
JD-AT36453	USE JD-AR96526	
JD-AT36454	USE JD-AR105443	
JD-AT36829	USE JD-RE18751	
JD-AT36830	USE JD-RE18755	
JD-AT36831	USE JD-AR105355	
JD-AT36833	USE JD-RE18757	
JD-AT36835	USE JD-RE18730	
JD-AT36908	USE JD-RE18746	
JD-AT36910	USE JD-RE18738	
JD-AT36911	USE JD-RE18752	
JD-AT37322	USE JD-AR105312	
JD-AT37323	USE JD-AR105309	
JD-AT37347	USE JD-AR96532	
JD-AT38068	P-U-10	2-5/8 X 3
JD-AT38582	USE JD-RE18732	
JD-AT38583	USE JD-RE13277	
JD-AT39022	P-U-1	2-5/8 X 3
JD-AT39023	P-UB-1	3 X 3-1/4
JD-AT41687	P-U-8	1-1/4 X 2-1/4
JD-AT41688	P-U-8	1-1/2 X 2-1/4
JD-AT42765	USE JD-AR105454	
JD-AT43470	USE JD-AR105313	
JD-AT49348	USE JD-AR105356	
JD-AT50213	I-U-1	1-1/4 Soft Seal Rod Kit

REPLACEMENT KITS FOR JOHN DEERE

Kit Number	Code (Pg. xiv)	Rod X Bore Size
JD-AT50214	I-U-12	1-1/4 X 2-1/2 Major Kit
JD-AT52702	USE JD-RE18748	
JD-AT52703	USE JD-RE18754	
JD-AT52704	USE JD-RE18750	
JD-AT52705	USE JD-RE18736	
JD-AT52706	USE JD-RE18742	
JD-AT52707	USE JD-AR105346	
JD-AT52708	USE JD-RE18743	
JD-AT52709	USE JD-RE18747	
JD-AT52710	USE JD-AR105387	
JD-AT52712	USE JD-RE18737	
JD-AT55691	USE JD-AR105355	
JD-AT55692	USE JD-RE18731	
JD-AT55695	P-U-10	1-3/4 X 4
JD-AT56582	USE JD-AR105281	
JD-AT78498	I-U-10	25 X 50 mm
JD-AT79722	I-U-5	1-1/2 X 3
JD-AU149810	P-U-1	25 mm Rod Kit
JD-AU41182	USE JD-AR105351	
JD-AU41735	USE JD-AR105432	
JD-AU42199	USE JD-RE19226	
JD-AU42200	USE JD-RE19227	
JD-AU43367	P-OB-10	.11/16 X 1-3/4
JD-AU43986	USE JD-AR105392	
JD-F435828	P-UB-10	3-1/2 X 7
JD-RE10223	P-V-8	1-3/4 X 4
JD-RE10224	P-V-8	2-1/2 X 5-1/2
JD-RE10640	P-V-8	2-1/4 X 4-1/2
JD-RE12912	P-V-14	1-3/4 X 3-1/2
JD-RE13277	P-V-8	2-1/2 X 5-1/2
JD-RE13745	P-V-1	2-1/2 Rod Kit
JD-RE14022	N-N-14	6-1/4 Piston Kit
JD-RE14033	N-N-14	7-1/2 Piston Kit
JD-RE14082	N-N-14	3 Piston Kit
JD-RE14088	P-V-1	1-1/2 Rod Kit
JD-RE14094	N-N-14	4-1/2 Piston Kit
JD-RE14100	N-N-14	5-1/4 Piston Kit
JD-RE14102	N-N-14	5-1/2 Piston Kit
JD-RE14104	N-N-14	6-1/4 Piston Kit
JD-RE14208	P-V-1	2-1/4 Rod Kit
JD-RE14454	P-V-1	2-1/4 Rod Kit
JD-RE14516	P-U-1	2-1/2 Rod Kit
JD-RE14517	N-N-14	3-1/2 Piston Kit
JD-RE14523	N-N-14	4-1/2 Piston Kit
JD-RE14538	P-V-1	2-1/4 Rod Kit
JD-RE14551	N-N-10	2 Piston Kit
JD-RE14552	P-U-1	1 Rod Kit
JD-RE14555	N-N-14	4 Piston Kit
JD-RE14556	P-U-1	2 Rod Kit
JD-RE14563	N-N-10	4-1/4 Piston Kit
JD-RE14567	N-N-14	4 Piston Kit
JD-RE14744	N-N-14	5 Piston Kit
JD-RE14745	P-V-1	2-1/2 Rod Kit
JD-RE14771	N-N-14	3-3/4 Piston Kit

Kit Number	Code (Pg. xiv)	Rod X Bore Size
JD-RE14772	N-N-10	2-3/4 Piston Kit
JD-RE14773	P-U-1	1-1/4 Rod Kit
JD-RE14877	N-N-14	5-1/2 Piston Kit
JD-RE14878	P-V-1	2-3/4 Rod Kit
JD-RE14879	N-N-14	6 Piston Kit
JD-RE14880	P-U-1	2-3/4 Rod Kit
JD-RE14910	N-N-14	5-1/2 Piston Kit
JD-RE15708	P-V-1	3-3/4 Rod Kit
JD-RE15905	N-N-14	5 Piston Kit
JD-RE15906	P-V-1	3-1/4 Rod Kit
JD-RE15907	N-N-14	5-1/2 Piston Kit
JD-RE16076	N-N-14	3-1/2 Piston Kit
JD-RE16118	N-N-14	4 Piston Kit
JD-RE16119	P-V-1	2 Rod Kit
JD-RE16208	N-N-14	3 Piston Kit
JD-RE16209	P-V-1	1-3/4 Rod Kit
JD-RE16991	P-V-1	2-3/4 Rod Kit
JD-RE16992	P-V-1	3 Rod Kit
JD-RE17097	N-N-10	3-1/2 Piston Kit
JD-RE17099	N-N-10	3-3/4 Piston Kit
JD-RE17342	P-V-1	2-3/4 Rod Kit
JD-RE17345	P-V-1	2-1/2 Rod Kit
JD-RE17351	N-N-14	5-1/2 Piston Kit
JD-RE17458	N-N-14	4-1/4 Piston Kit
JD-RE18202	N-N-10	3 Piston Kit
JD-RE18203	P-V-1	1-1/2 Rod Kit
JD-RE18708	N-N-14	3-1/2 Piston Kit
JD-RE18730	P-V-8	1-3/4 X 4
JD-RE18731	P-U-10	2-1/2 X 4-1/4
JD-RE18732	P-V-8	2 X 4
JD-RE18733	P-V-8	2 X 4
JD-RE18734	P-V-8	2-1/2 X 5-1/2
JD-RE18735	P-V-14	2-1/2 X 4
JD-RE18736	P-V-8	1-3/4 X 4
JD-RE18737	P-V-8	2 X 4-1/2
JD-RE18738	P-V-10	2 X 4
JD-RE18739	P-V-10	2-1/4 X 4-1/4
JD-RE18740	P-V-14	2-1/2 X 5-1/2
JD-RE18741	P-V-14	2 X 4
JD-RE18742	P-V-10	1-1/2 X 3-1/2
JD-RE18743	P-V-8	2 X 5
JD-RE18744	P-V-8	2-3/4 X 6-1/4
JD-RE18745	P-U-14	2-1/2 X 5-1/2
JD-RE18746	P-V-8	2-1/2 X 5-1/4
JD-RE18747	P-V-8	2 X 3-1/4
JD-RE18748	P-V-8	2 X 3-1/2
JD-RE18749	P-U-10	7/8 X 2
JD-RE18750	P-U-8	1-1/4 X 3
JD-RE18751	P-V-8	1-3/4 X 3
JD-RE18752	P-V-8	1-3/4 X 3
JD-RE18754	P-V-8	1-3/4 X 3-1/2
JD-RE18755	P-V-8	1-3/4 X 3-1/2
JD-RE18756	P-U-10	1-3/4 X 3-1/2
JD-RE18757	P-V-8	2-1/4 X 3-1/2

REPLACEMENT KITS FOR JOHN DEERE

Kit Number	Code (Pg. xiv)	Rod X Bore Size
JD-RE18758	P-V-14	2-1/4 X 3-1/2
JD-RE18759	P-V-8	2-1/4 X 5
JD-RE18760	P-V-8	2-1/2 X 4-1/2
JD-RE18762	P-V-8	3-1/4 X 6-1/4
JD-RE18763	P-U-8	3-3/4 X 5-1/2
JD-RE18764	P-V-14	2-1/4 X 4-1/2
JD-RE18765	P-V-10, 12	2 X 3-1/2
JD-RE19216	P-U-10	3 X 3-1/4
JD-RE19217	P-V-8	1-1/2 X 2-1/2
JD-RE19218	P-U-8	2 X 3
JD-RE19220	P-V-8	1-3/4 X 2-3/4
JD-RE19222	P-V-8	1-1/2 X 2-3/4
JD-RE19224	I-U-10	4-1/4 X 4.40
JD-RE19225	P-V-14	2 X 4-1/2
JD-RE19226	I-U-1	3-3/8 X 3-5/8
JD-RE19227	I-U-10	3-3/8 X 3-5/8
JD-RE20323	P-V-1	4 Rod Kit
JD-RE20329	P-V-1	3-3/4 Rod Kit
JD-RE20351	P-V-1	2-1/2 Rod Kit
JD-RE20428	N-N-14	70 mm Piston Kit
JD-RE20430	N-N-14	90 mm Piston Kit
JD-RE20433	P-UB-1	40 mm Rod Kit
JD-RE20434	P-UB-1	45 mm Rod Kit
JD-RE20595	P-U-1	50 mm Rod Kit
JD-RE20874	P-V-1	1-3/4 Rod Kit
JD-RE21202	P-UB-1	3-3/4 Rod Kit
JD-RE21395	P-UB-1	2-3/4 Rod Kit
JD-RE21401	P-UB-1	3-1/4 Rod Kit
JD-RE21873	P-UB-1	32 mm Rod Kit
JD-RE21874	N-N-14	50 mm Piston Kit
JD-RE21875	P-UB-1	25 mm Rod Kit
JD-RE25151	P-UB-1	63 mm Rod Kit
JD-RE25152	P-UB-1	80 mm Rod Kit
JD-RE28899	P-UB-1	63 mm Rod Kit
JD-RE30100	N-N-10	2-1/4 Piston Kit
JD-RE30816	N-N-14	3-1/4 Piston Kit
JD-RE30817	P-V-1	2 Rod Kit
JD-RE30874	P-V-1	1-3/4 Rod Kit
JD-RE31138	N-N-14	80 mm Piston Kit

Kit Number	Code (Pg. xiv)	Rod X Bore Size
JD-RE31139	N-N-14	100 mm Piston Kit
JD-RE31140	N-N-14	115 mm Piston Kit
JD-RE31528	P-U-1	3-3/4 Rod Kit
JD-RE31716	P-UB-1	56 mm Rod Kit
JD-RE33803	N-N-14	50 mm Piston Kit
JD-RE37003	N-N-10	80 mm Piston Kit
JD-RE37004	N-N-10	70 mm Piston Kit
JD-RE37462	P-UB-1	70 mm Piston Kit
JD-T153744	I-U-10	36 X 65 mm
JD-TH0729006	P-U-10	45 X 85 mm
JD-TH0743805	P-U-10	40 X 75 mm
JD-TH0744010	P-U-10	40 X 70 mm
JD-TH0744408	P-U-10	45 X 75 mm
JD-TH0744707	P-U-10	40 X 65 mm
JD-TH0744808	P-U-10	45 X 85 mm
JD-TH0745308	P-U-10	50 X 95 mm
JD-TH102798	P-UB-10	95 X 140 mm
JD-TH102827	P-UB-10	105 X 150 mm
JD-TH102845	P-UB-10	90 X 140 mm
JD-TH103324	P-UB-10	110 X 160 mm
JD-TH103347	P-UB-10	110 X 160 mm
JD-TH103357	P-UB-10	95 X 150 mm
JD-TH106099	P-UB-10	60 X 100 mm
JD-TH106853	P-UB-10	55 X 90 mm
JD-TH106874	P-UB-10	60 X 110 mm
JD-TH109339	P-UB-10	75 X 105 mm
JD-TH109366	P-UB-10	80 X 115 mm
JD-TH109390	P-UB-10	65 X 95 mm
JD-TH110035	P-UB-14	90 X 135 mm
JD-TH110064	P-UB-14	100 X 145 mm
JD-TH110661	P-UB-10	65 X 115 mm
JD-TH110662	P-UB-10	60 X 100 mm
JD-TH110663	P-UB-10	55 X 90 mm
JD-TH111625	P-UB-14	95 X 145 mm
JD-TH111626	P-UB-14	100 X 145 mm
JD-TH111626	P-UB-14	100 X 145 mm
JD-TH111627	P-UB-14	110 X 165 mm
JD-TH111701	P-UB-10	65 X 115 mm
JD-TH111854	P-UB-14	105 X 150 mm

JOHN DEERE WEAR RINGS

Original equipment John Deere metric kits do not include the wear rings required to rebuild a cylinder. The John Deere metric kits listed in this catalog reflect this design. However, we do offer the necessary wear rings required to rebuild John Deere cylinders. The cross reference chart below lists the wear rings needed to accompany the packing kits. If you have any questions, please contact one of our sales engineers.

Kit Number JD-	Wear Ring Part Number	QTY	Kit Number JD-	Wear Ring Part Number	QTY	Kit Number JD-	Wear Ring Part Number	QTY
TH102798	TH102796	2	TH111625	TH110062	2	AT176737	TH109377	2
	TH102797	2		AT159585	2		TH109378	2
TH102827	TH102825	2	TH111626	TH110062	2	AT201184	TH111273	2
	TH102826	2		TH110063	2		TH111274	2
TH102845	TH102796	2	TH111627	TH111273	2	AT201185	TH110062	2
	TH102797	2		TH111274	2		TH110063	2
TH103347	TH103345	2	TH111854	TH111845	2			
	TH103346	2		TH111846	2			
TH103357	TH102825	2	AT132412	AT132186	2			
	TH102826	2		AT132170	2			

REPLACEMENT PARTS FOR JOHN DEERE

NOTE: John Deere part numbers are used as a reference only. We do not imply that these kits are original REPLACEMENT PARTS.

WEAR RINGS

Part Number	O.D. X Width
JD-U41824	1-1/2 X 1
JD-U41825	1-3/4 X 1
JD-T51865	1-7/8 X 1-1/2
JD-T48209	2 X 3/16
JD-U41823	2 X 1
JD-U42668	2-1/4 X 5/16
JD-C19240	2-1/4 X 5/8
JD-U17335	2-1/2 X 5/16
JD-U16379	2-1/2 X 1/2
JD-T40855	2-1/2 X 1
JD-U42716	2-1/2 X 1-35/64
JD-W20503	2-3/4 X 5/16
JD-U17336	2-3/4 X 5/8
JD-T58314	2-3/4 X 1
JD-T36524	3 X .212
JD-H139507	3 X 3/8
JD-T40416	3 X 1/2
JD-R82412	3 X 1.192
JD-R80337	3 X 1.382
JD-T36525	3-1/4 X .212
JD-R92819	3-1/4 X 1/4
JD-A29497	3-1/4 X 3/8
JD-T47976	3-1/4 X 3/4
JD-U42862	3-1/4 X 1
JD-R70098	3-1/4 X 1-9/16
JD-R77807	3-1/2 X 3/8
JD-U16397	3-1/2 X 1/2
JD-U43261	3-1/2 X 1/2
JD-U17217	3-1/2 X 5/8
JD-U42863	3-1/2 X 5/8
JD-U42704	3-1/2 X 3/4
JD-T36526	3.605 X .212
JD-U46592	3-3/4 X 5/8
JD-T36527	3.939 X .212
JD-R77825	4 X 3/8
JD-U16387	4 X 5/8
JD-U17337	4 X 5/8
JD-U43367	4 X 5/8
JD-U43356	4 X 3/4
JD-R83321	4 X 1.378
JD-U46747	4-1/4 X 5/8
JD-U17225	4-1/2 X 5/8
JD-U44508	5 X 5/8
JD-U42719	5-1/4 X 5/8
JD-R80526	5-1/2 X 1/2
JD-U45180	5-1/2 X 5/8

WEAR RINGS

Part Number	O.D. X Width
JD-T42985	5-1/2 X 1
JD-U42985	5-1/2 X 1
JD-R77837	6 X 1
JD-R78603	6-1/4 X 5/8
JD-U43397	6-1/4 X 1
JD-T52419	6-1/2 X 1
JD-R76907	7 X 1
JD-R77642	7-1/2 X 1
JD-R81780	46 X 20 mm
JD-R82569	50 X 5 mm
JD-R81779	51 X 22.5 mm
JD-R81975	56 X 25 mm
JD-R92310	62 X 25 mm
JD-0652205	65 X 9.5 mm
JD-R81774	70 X 10 mm
JD-TH109743	70 X 14.5 mm
JD-0479010	75 X 11.8 mm
JD-R81777	80 X 10 mm
JD-0380914	80 X 11.8 mm
JD-TH111224	85 X 14.5 mm
JD-AT264287	85 X 15 mm
JD-R85230	86 X 40 mm
JD-R81776	90 X 15 mm
JD-TH109377	95 X 6 mm
JD-H158170	95 X 6.1 mm
JD-TH109378	95 X 8 mm
JD-AT264229	95 X 14.8 mm
JD-0686707	100 X 6 mm
JD-TH111727	100 X 6 mm
JD-TH111728	100 X 6 mm
JD-4S00154	100 X 14.8 mm
JD-R81775	100 X 15 mm
JD-H158459	105 X 6 mm
JD-TH109323	105 X 6 mm
JD-TH109324	105 X 6 mm
JD-AT153830	110 X 5.9 mm
JD-AT153936	110 X 7.9 mm
JD-H155873	110 X 7.9 mm
JD-TH109357	115 X 6 mm
JD-H163432	115 X 7.9 mm
JD-H227907	115 X 7.9 mm
JD-TH109356	115 X 7.9 mm
JD-R82095	115 X 15 mm
JD-H155917	120 X 7.9 mm
JD-T108046	120 X 7.9 mm
JD-H227906	120 X 8 mm

WEAR RINGS

Part Number	O.D. X Width
JD-TH104923	120 X 8 mm
JD-4S00708	125 X 7.9 mm
JD-T108024	125 X 7.9 mm
JD-AT154700	125 X 9.7 mm
JD-AT154735	125 X 9.9 mm
JD-R90653	125 X 20 mm
JD-4S00712	130 X 7.9 mm
JD-H155317	130 X 7.9 mm
JD-H155318	130 X 8 mm
JD-H227905	135 X 7.9 mm
JD-TH110033	135 X 9.7 mm
JD-AT154718	135 X 9.8 mm
JD-TH110034	135 X 14.8 mm
JD-TH102797	140 X 8 mm
JD-4S00705	140 X 9.5 mm
JD-TH102796	140 X 9.5 mm
JD-4414671	140 X 10 mm
JD-R85192	140 X 20 mm
JD-AT161608	145 X 7.9 mm
JD-AT159585	145 X 9.5 mm
JD-AT161607	145 X 9.5 mm
JD-TH110062	145 X 9.7 mm
JD-TH110063	145 X 14.8 mm
JD-TH102826	150 X 8 mm
JD-TH102825	150 X 9.5 mm
JD-TH111845	150 X 9.7 mm
JD-TH111846	150 X 14.8 mm
JD-TH103345	160 X 9.5 mm
JD-TH103346	160 X 9.7 mm
JD-R85228	160 X 20 mm
JD-TH111274	165 X 9.7 mm
JD-TH111273	165 X 14.8 mm
JD-4S00797	170 X 9.5 mm
JD-AT132291	170 X 9.5 mm
JD-AT132175	170 X 9.7 mm
JD-R85229	180 X 20 mm
JD-AT132170	190 X 9.7 mm
JD-0972305	190 X 14.8 mm
JD-AT132186	190 X 15 mm

REPLACEMENT PARTS FOR JOHN DEERE

NOTE: John Deere part numbers are used as a reference only. We do not imply that these kits are original REPLACEMENT PARTS.

WIPERS

Part Number	Rod Diameter
JD-T51863	1-1/4
JD-T63053	1-3/4
JD-U11019	1-3/4
JD-U16406	1-3/4
JD-U11022	2-1/4
JD-AT124100	2-3/8
JD-T60752	3
JD-T47532	5
JD-AH151380	25 mm
JD-TH100374	65 mm
JD-H159361	80 mm
JD-TH102446	80 mm
JD-TH102445	90 mm
JD-TH102411	100 mm
JD-AT131682	110 mm

VEE SETS

Part Number	O.D.
JD-U41824	1-1/2 X 1
JD-U41825	1-3/4 X 1
JD-T36998	2-1/4
JD-T54815	2-1/4
JD-C14517	2-1/2
JD-R76790	2-3/4
JD-T35851	2-3/4
JD-T38194	3
JD-T38193	3-1/2
JD-R76810	3-1/4
JD-R78605	3-3/4
JD-T37381	4
JD-R72828	4-1/2
JD-T37379	4-1/2
JD-U12974	4-1/2
JD-T37380	5
JD-W37380	5
JD-U42717	5-1/4
JD-T52425	5-1/2

ROD U-SEALS

Part Number	Rod Diameter
JD-AT333702	105 mm

PISTON SEALS

Part Number	Bore Diameter
JD-RE11905	4-1/2
JD-RE11920	5-1/2
JD-4177837	70 mm
JD-RE20342	70 mm
JD-4137866	85 mm
JD-RE20344	90 mm
JD-RE20343	100 mm
JD-AH138032	110 mm
JD-RE20809	115 mm
JD-4431271	130 mm
JD-4431272	135 mm
JD-RE25102	140 mm

BUSHINGS

Part Number	Rod Diameter
JD-0658604	40 mm
JD-0479002	45 mm
JD-0735604	45 mm
JD-AT251961	45 mm
JD-0478703	50 mm
JD-AT251760	50 mm
JD-0479203	55 mm
JD-AT251769	55 mm
JD-TH109372	65 mm
JD-AT133645	70 mm
JD-H146479	75 mm
JD-TH109311	75 mm
JD-T108041	80 mm
JD-AT154778	85 mm
JD-H146480	85 mm
JD-T108019	85 mm
JD-AT154779	90 mm
JD-AT131420	95 mm
JD-H146481	95 mm
JD-T108050	95 mm
JD-TH102765	95 mm
JD-0836104	100 mm
JD-AT131414	100 mm
JD-TH103307	100 mm
JD-4432450	105 mm
JD-AT161596	105 mm
JD-AT131417	110 mm
JD-TH103332	110 mm

BACK-UP RINGS

Part Number	Min. Pkg. Qty
JD-L2309CU	5
JD-R78806	5
JD-R78807	2
JD-R78993	10
JD-R79001	5
JD-R81194	10
JD-U10748	5

O-RINGS 90 DUROMETER

Part Number	Min. Pkg. Qty
JD-4113162	2
JD-T76938	25
JD-T77613	34
JD-T77814	34
JD-T77857	34
JD-T77858	25
JD-T77932	29
JD-T78612	20
JD-T78784	20

O-RINGS

Part Number	Min. Pkg. Qty
JD-R76030	10
JD-T159362	1
JD-T159472	1
JD-T46620	1

PISTON INSTALLATION TOOLS

Part Number	Bore Diameter
JD-6.00X0.40-IT	6"
JD-70MM-IT	70 mm
JD-80MM-IT	80 mm
JD-90MM-IT	90 mm
JD-100MM-IT	100 mm

REPLACEMENT PARTS FOR JOHN DEERE - UNITIZED PISTONS

NOTE: John Deere part numbers are used as a reference only. We do not imply that these kits are original REPLACEMENT PARTS.

Part Number	Bore Diameter	Hole Diameter	Piston Width
JD-AH138200	50	16.56	31.24
JD-AH135785	56	16.59	31.24
JD-AH136453	90	27.58	45.75
JD-AH137177	63	22.58	31.24
JD-AH139078	80	24.56	29.08
JD-AH141183	90	30.58	45.75
JD-AH142159	63	20.57	31.24
JD-AH158623	70	24.56	36.25
JD-AH159034	100	30.58	45.75
JD-AH160647	63	22.58	31.24
JD-AH164620	100	33.83	45.75
JD-AH165826	80	27.58	40.74
JD-AH165962	70	27.58	36.25
JD-AH166138	63	22.58	31.24
JD-AH166637	100	33.63	45.75

Part Number	Bore Diameter	Hole Diameter	Piston Width
JD-AH167446	125	36.63	55.25
JD-AH168884	115	36.63	45.75
JD-AH169436	90	30.58	45.75
JD-AH169826	100	26.09	45.75
JD-AH169827	90	26.09	45.75
JD-AH172352	70	22.58	36.25
JD-AH173410	80	30.58	40.74
JD-AH174930	50	20.55	31.24
JD-AH205062	90	30.58	45.75
JD-AH227867	70	27.58	36.25
JD-AH228448	63	24.56	31.24
JD-RE29383	63	22.2	31.24
JD-RE33968	80	27.58	40.74
JD-RE34084	70	24.56	36.25
JD-RE34085	80	27.58	40.74

JOHNSON

Part Number	Description
JO-225VPW	2-1/4" VEE SET & WIPER
JO-325VPW	3-1/4" VEE SET & WIPER
JO-425VPW	4-1/4" VEE SET & WIPER
JO-525VPW	5-1/4" VEE SET & WIPER
JO-625NVPW	6-1/4" VEE SET & WIPER
JO-750NVPW	7-1/2" VEE SET & WIPER
JO-875NVPW	8-3/4" VEE SET & WIPER
JO-RB392	3-3/4" BORE SNAP RING
JO-RC495	4-3/4" BORE SNAP RING
JO-RD595	5-3/4" BORE SNAP RING
JO-RE724	6-7/8" BORE SNAP RING
JO-RF849	8-1/8" BORE SNAP RING

KALMAR

Part Number	Code (Pg. xiv)	Rod X Bore Size
KAL-920670.0003	P-U-13	32 X 63 mm
KAL-920673.0005	P-U-15	80 X 125 mm
KAL-920744.0001	P-U-13	32 X 63 mm
KAL-920744.0002	I-U-13	40 X 80 mm
KAL-920744.0003	P-U-10	60 X 80 mm
KAL-920744.0005	P-U-10	70 X 125 mm
KAL-920744.0006	P-U-15	70 X 160 mm
KAL-920744.0013	P-U-15	90 X 180 mm
KAL-921307.0001	P-U-10	50 X 100 mm

Replacement Kits For

KATO

Excavators					
APPLICATION	SERIAL #:	CODE	ROD	BORE	KIT #
MODEL HD-700SEV, HD-700II, HD-720VII					
ARM	329-1719-0	P-UB-10	95 mm	135 mm	KATO-329-17190000
BOOM	329-1169-0	P-UB-10	85 mm	125 mm	KATO-329-11690000
BUCKET	329-2389-0	P-UB-10	80 mm	120 mm	KATO-329-23890000
MODEL HD-770SEII					
ARM	309-754-1	P-UB-10	90 mm	130 mm	KATO-309-75400001
BOOM	309-960-2	P-UB-10	85 mm	130 mm	KATO-309-96000002
BUCKET	309-785-1	P-UB-10	85 mm	130 mm	KATO-309-78500001
MODEL HD-800SEV, HD-880SEII					
ARM	309-755-1	P-UB-10	100 mm	140 mm	KATO-309-75500001
BOOM	309-967-2	P-UB-10	85 mm	130 mm	KATO-309-96700002
BUCKET	309-786-1	P-UB-10	85 mm	125 mm	KATO-309-78600001
MODEL HD-800VII					
ARM	329-1729-0	P-UB-10	105 mm	150 mm	KATO-329-17290000
BOOM	329-1399-0	P-UB-10	85 mm	140 mm	KATO-329-13990000
BUCKET	309-7869-10	P-UB-10	85 mm	130 mm	KATO-309-78690010
MODEL HD-900SEV					
ARM	329-172-1	P-UB-10	105 mm	150 mm	KATO-329-17200001
BOOM	309-967-11	P-UB-10	85 mm	140 mm	KATO-309-96700011
BUCKET	309-786-11	P-UB-10	85 mm	130 mm	KATO-309-78600011
MODEL HD-1250SEV					
ARM	329-175-3	P-UB-10	110 mm	160 mm	KATO-329-17500003
BOOM	329-121-2	P-UB-10	100 mm	150 mm	KATO-329-12100002
BUCKET	329-241-2	P-UB-10	100 mm	150 mm	KATO-329-24100002
MODEL HD-1250VII					
ARM	329-1759-0	P-UB-10	110 mm	160 mm	KATO-329-17590000
BOOM	329-2419-2	P-UB-10	100 mm	150 mm	KATO-329-24190002
BUCKET	329-2419-2	P-UB-10	100 mm	150 mm	KATO-329-24190002

KATO EXCAVATORS

Part Number	Code (Pg. xiv)	Rod X Bore Size
KATO-309-13790020	P-U-5	90 X 150 mm
KATO-309-75400001	P-UB-10	90 X 130 mm
KATO-309-75500001	P-UB-10	100 X 140 mm
KATO-309-75590000	P-UB-10	100 X 140 mm
KATO-309-78500001	P-UB-10	85 X 130 mm
KATO-309-78590010	P-UB-10	85 X 125 mm
KATO-309-78600001	P-UB-10	85 X 125 mm
KATO-309-78600011	P-UB-10	85 X 130 mm
KATO-309-78690010	P-UB-10	85 X 130 mm
KATO-309-96000002	P-UB-10	85 X 130 mm
KATO-309-96090010	P-UB-10	85 X 130 mm
KATO-309-96700002	P-UB-10	85 X 130 mm
KATO-309-96700011	P-UB-10	85 X 140 mm
KATO-329-11690000	P-UB-10	85 X 125 mm

Part Number	Code (Pg. xiv)	Rod X Bore Size
KATO-329-12090000	P-UB-10	100 X 150 mm
KATO-329-12100002	P-UB-10	100 X 150 mm
KATO-329-13990000	P-UB-10	85 X 140 mm
KATO-329-17190000	P-UB-10	95 X 135 mm
KATO-329-17200001	P-UB-10	105 X 150 mm
KATO-329-17290000	P-UB-10	105 X 150 mm
KATO-329-17500003	P-UB-10	110 X 160 mm
KATO-329-17590000	P-UB-10	110 X 160 mm
KATO-329-23790000	P-UB-10	65 X 95 mm
KATO-329-23890000	P-UB-10	80 X 120 mm
KATO-329-23890001	P-UB-10	80 X 120 mm
KATO-329-24100002	P-UB-10	100 X 150 mm
KATO-329-24190002	P-UB-10	100 X 150 mm
KATO-75590020	P-U-10	100 X 140 mm

Replacement Kits For

KOBELCO

Excavators						
APPLICATION	CYL #	SERIAL #	CODE	ROD	BORE	KIT #
MODEL K903II						
ARM			P-UB-1	65 mm		KOB-2438U1097R100
			N-N-10		110 mm	KOB-2438U716R140
BOOM			P-UB-1	70 mm		KOB-2438U721R100
			N-N-10		125 mm	KOB-2438U1094R140
BUCKET			P-UB-1	60 mm		KOB-2438U1096R100
			N-N-10		95 mm	KOB-2438U1096R200
MODEL K904II						
ARM			P-UB-1	75 mm		KOB-2438U991R100
			N-N-10		115 mm	KOB-2438U991R200
BOOM			P-UB-1	70 mm		KOB-2438U989R100
			N-N-10		100 mm	KOB-2438U989R200
BUCKET			P-UB-1	65 mm		KOB-2438U992R100
			N-N-10		95 mm	KOB-2438U992R200
MODEL K904III						
ARM			P-UB-1	75 mm		KOB-2438U1098R100
			N-N-10		115 mm	KOB-2438U1098R200
BOOM			P-UB-1	70 mm		KOB-2438U1099R100
			N-N-10		100 mm	KOB-2438U1123R200
BUCKET			P-UB-1	65 mm		KOB-2438U1097R100
			N-N-10		95 mm	KOB-2438U1097R200
MODEL K905II						
ARM	2438U973F1		P-UB-1	80 mm		KOB-2438U973R100
	2438U973F1		N-N-10		120 mm	KOB-2438U973R200
BOOM	2438U971F2, 972FS		P-UB-1	70 mm		KOB-2438U971R100
	2438U971F2, 972FS		N-N-10		105 mm	KOB-2438U971R200
BUCKET	2438U974F1		P-UB-1	65 mm		KOB-2438U974R100
	2438U974F1		N-N-10		100 mm	KOB-2438U974R200
MODEL K907D						
ARM	2438U921F1, F2		P-UB-1	95 mm		KOB-2438U921R100
	2438U921F1, F2		N-N-10		145 mm	KOB-2438U921R110
BOOM	2438U914D1F1, D2F1		P-UB-1	85 mm		KOB-2438U914R100
	2438U914D1F1, D2F1		N-N-10		125 mm	KOB-2438U914R200
BUCKET	2438U915F1		P-UB-1	75 mm		KOB-2438U915R100
	2438U915F1		N-N-10		120 mm	KOB-2438U915R110
MODEL K907II						
ARM	2438U941F1		P-UB-1	100 mm		KOB-2438U941R100
	2438U941F1		N-N-10		145 mm	KOB-2438U941R200
BOOM	2438U996F1, 997F1		P-UB-1	85 mm		KOB-2438U996R100
	2438U996F1, 997F1		N-N-14		125 mm	KOB-2438U996R200
BUCKET	2438U995F1		P-UB-1	80 mm		KOB-2438U995R100
	2438U995F1		N-N-14		120 mm	KOB-2438U995R200

Replacement Kits For

KOBELCO

Excavators						
APPLICATION	CYL #	SERIAL #	CODE	ROD	BORE	KIT #
MODEL K909A						
ARM			P-UB-1	100 mm		KOB-2438U588R110
			N-N-10		150 mm	KOB-2438U588R120
BOOM			P-UB-1	90 mm		KOB-2438U587R100
			N-N-10		140 mm	KOB-2438U587R110
BUCKET			P-UB-1	90 mm		KOB-2438U568R100
			N-N-10		130 mm	KOB-2438U568R110
MODEL K909II						
ARM	2438U953F1		P-UB-1	105 mm		KOB-2438U953R100
	2438U953F1		N-N-10		150 mm	KOB-2438U953R200
BOOM	2438U999F1, 1000F1		P-UB-1	90 mm		KOB-2438U999R100
	2438U999F1, 1000F1		N-N-10		140 mm	KOB-2438U999R200
BUCKET	2438U959F1		P-UB-1	85 mm		KOB-2438U959R100
	2438U959F1		N-N-10		130 mm	KOB-2438U959R200
MODEL K912II						
ARM	2438U1323F1		P-UB-1	110 mm		KOB-2438U1323R100
	2438U1323F1		N-N-10		160 mm	KOB-2438U1323R110
BOOM	2438U776F1		P-UB-1	95 mm		KOB-2438U776R100
	2438U776F1		N-N-10		150 mm	KOB-2438U776R110
BUCKET	2438U1324F1		P-UB-1	100 mm		KOB-2438U1324R100
	2438U1324F1		N-N-10		150 mm	KOB-2438U1324R110
MODEL K916II						
ARM	2438U1029F1		P-UB-1	130 mm		KOB-2438U1029R100
	2438U1029F1		N-N-14		180 mm	KOB-2438U1029R200
BOOM	2438U1028D1F1, D2F1		P-UB-1	110 mm		KOB-2438U1028R100
	2438U1028D1F1, D2F1		N-N-14		170 mm	KOB-2438U1028R200
BUCKET	2438U1030F1		P-UB-1	120 mm		KOB-2438U1030R100
	2438U1030F1		N-N-14		170 mm	KOB-2438U1030R200
MODEL SK60						
ARM			P-UB-1	65 mm		KOB-2438U1097R100
			N-N-10		110 mm	KOB-2438U716R140
BOOM			P-UB-1	70 mm		KOB-2438U721R100
			N-N-10		125 mm	KOB-2438U1094R140
BUCKET			P-UB-1	60 mm		KOB-2438U1096R100
			N-N-10		95 mm	KOB-2438U1096R200
MODEL SK70SR						
ARM	YT01V00002F1	YT01-00101 -	N-N-10		95 mm	KOB-2438U1096R200
BOOM	YT01V00001F1	YT01-00101 -	N-N-10		110 mm	KOB-2438U716R140
MODEL SK70SR-1E						
ARM	YT01V00002F1	YT02-04001 - YT02-05431	N-N-10		95 mm	KOB-2438U1096R200
	YT01V00002F1	YT03-05432 -	N-N-10		95 mm	KOB-2438U1096R200
	YT01V00002F1	YT04-07001 -	N-N-10		95 mm	KOB-2438U1096R200
BOOM	YT01V00004F1	YT04-07001 -	N-N-10		110 mm	KOB-2438U716R140
	YT01V00004F2	YT04-07001 -	N-N-10		110 mm	KOB-2438U716R140

Replacement Kits For

KOBELCO

Excavators						
APPLICATION	CYL #	SERIAL #	CODE	ROD	BORE	KIT #
MODEL SK70SR-1E						
BOOM Straight Boom	YT01V00004F1	YT02-04001 - YT02-05431	N-N-10		110 mm	KOB-2438U716R140
	YT01V00004F1	YT03-05432 -	N-N-10		110 mm	KOB-2438U716R140
	YT01V00004F2	YT02-04001 - YT02-05431	N-N-10		110 mm	KOB-2438U716R140
	YT01V00004F2	YT03-05432 -	N-N-10		110 mm	KOB-2438U716R140
MODEL SK70SR-1ES						
ARM	YT01V00002F1	YT04-07001 -	N-N-10		95 mm	KOB-2438U1096R200
BOOM	YT01V00004F1	YT04-07001 -	N-N-10		110 mm	KOB-2438U716R140
	YT01V00004F2	YT04-07001 -	N-N-10		110 mm	KOB-2438U716R140
MODEL SK80CS						
ARM	YT01V00002F1	LF01-00501 - LF01-00861	N-N-10		95 mm	KOB-2438U1096R200
BOOM	LF01V00003F1	LF01-00501 - LF01-00861	N-N-10		110 mm	KOB-2438U716R140
MODEL SK80CS-1E						
ARM	YT01V00002F1	LF02-01001 - LF02-01279	N-N-10		95 mm	KOB-2438U1096R200
	YT01V00002F1	LF03-01280 -	N-N-10		95 mm	KOB-2438U1096R200
	YT01V00002F1	LF04-02001 -	N-N-10		95 mm	KOB-2438U1096R200
MODEL SK80MSR						
ARM	YT01V00002F1	LF01-00501 - LF01-00861	N-N-10		95 mm	KOB-2438U1096R200
BOOM	LF01V00003F1	LF01-00501 - LF01-00861	N-N-10		110 mm	KOB-2438U716R140
MODEL SK80MSR-1E						
ARM	YT01V00002F1	LF01-01001 - LF02-01001-01279	N-N-10		95 mm	KOB-2438U1096R200
	YT01V00002F1	LF02-01001 -	N-N-10		95 mm	KOB-2438U1096R200
	YT01V00002F1	LF03-01280 -	N-N-10		95 mm	KOB-2438U1096R200
	YT01V00002F1	LF04-02001 -	N-N-10		95 mm	KOB-2438U1096R200
MODEL SK80MSR-1ES						
ARM	YT01V00002F1	LF04-02001 -	N-N-10		95 mm	KOB-2438U1096R200
MODEL SK100						
ARM			P-UB-1	75 mm		KOB-2438U1098R100
			N-N-10		115 mm	KOB-2438U1098R200
BOOM			P-UB-1	70 mm		KOB-2438U1099R100
			N-N-10		100 mm	KOB-2438U1123R200
BUCKET			P-UB-1	65 mm		KOB-2438U1097R100
			N-N-10		95 mm	KOB-2438U1097R200
MODEL SK115DZ						
ARM	2438U1132F1	LPU5001 -	P-UB-10	80 mm	120 mm	KOB-2438U1132R300
	2438U1132F1	LPU5001 -	P-UB-1	80 mm		KOB-2438U1132R100
	2438U1132F1	LPU5001 -	N-N-10		120 mm	KOB-2438U1132R200
BOOM LH	2438U1134F1	LPU5001 -	P-UB-10	70 mm	105 mm	KOB-2438U1133R300
	2438U1134F1	LPU5001 -	P-UB-1	70 mm		KOB-2438U1133R100
	2438U1134F1	LPU5001 -	N-N-10		105 mm	KOB-2438U1133R200
BOOM RH	2438U1133F1	LPU5001 -	P-UB-10	70 mm	105 mm	KOB-2438U1133R300
	2438U1133F1	LPU5001 -	P-UB-1	70 mm		KOB-2438U1133R100
	2438U1133F1	LPU5001 -	N-N-10		105 mm	KOB-2438U1133R200
BUCKET	2438U1131F1	LPU5001 -	P-UB-10	65 mm	100 mm	KOB-2438U1131R300
	2438U1131F1	LPU5001 -	P-UB-1	65 mm		KOB-2438U1131R100

Replacement Kits For

KOBELCO

Excavators						
APPLICATION	CYL #	SERIAL #	CODE	ROD	BORE	KIT #
MODEL SK115DZ						
BUCKET	2438U1131F1	LPU5001 -	N-N-10		100 mm	KOB-2438U1131R200
MODEL SK120						
ARM	2438U1132F1	LPU1001 -	P-UB-10	80 mm	120 mm	KOB-2438U1132R300
	2438U1132F1	LPU1001 -	P-UB-1	80 mm		KOB-2438U1132R100
	2438U1132F1	LPU1001 -	N-N-10		120 mm	KOB-2438U1132R200
BOOM LH	2438U1134F1	LPU1001 -	P-UB-10	70 mm	105 mm	KOB-2438U1133R300
	2438U1134F1	LPU1001 -	P-UB-1	70 mm		KOB-2438U1133R100
	2438U1134F1	LPU1001 -	N-N-10		105 mm	KOB-2438U1133R200
BOOM RH	2438U1133F1	LPU1001 -	P-UB-10	70 mm	105 mm	KOB-2438U1133R300
	2438U1133F1	LPU1001 -	P-UB-1	70 mm		KOB-2438U1133R100
	2438U1133F1	LPU1001 -	N-N-10		105 mm	KOB-2438U1133R200
BUCKET	2438U1131F1	LPU1001 -	P-UB-10	65 mm	100 mm	KOB-2438U1131R300
	2438U1131F1	LPU1001 -	P-UB-1	65 mm		KOB-2438U1131R100
	2438U1131F1	LPU1001 -	N-N-10		100 mm	KOB-2438U1131R200
MODEL SK120LC						
ARM	2438U1132F1	YPU1001 -	P-UB-10	80 mm	120 mm	KOB-2438U1132R300
	2438U1132F1	YPU1001 -	P-UB-1	80 mm		KOB-2438U1132R100
	2438U1132F1	YPU1001 -	N-N-10		120 mm	KOB-2438U1132R200
BOOM LH	2438U1134F1	YPU1001 -	P-UB-10	70 mm	105 mm	KOB-2438U1133R300
	2438U1134F1	YPU1001 -	P-UB-1	70 mm		KOB-2438U1133R100
	2438U1134F1	YPU1001 -	N-N-10		105 mm	KOB-2438U1133R200
BOOM RH	2438U1133F1	YPU1001 -	P-UB-10	70 mm	105 mm	KOB-2438U1133R300
	2438U1133F1	YPU1001 -	P-UB-1	70 mm		KOB-2438U1133R100
	2438U1133F1	YPU1001 -	N-N-10		105 mm	KOB-2438U1133R200
BUCKET	2438U1131F1	YPU1001 -	P-UB-10	65 mm	100 mm	KOB-2438U1131R300
	2438U1131F1	YPU1001 -	P-UB-1	65 mm		KOB-2438U1131R100
	2438U1131F1	YPU1001 -	N-N-10		100 mm	KOB-2438U1131R200
MODEL SK150, SK150LC						
ARM	2438U1948F1	YMU1001 -	P-UB-10	90 mm	130 mm	KOB-2438U1948R500
	2438U1948F1	YMU1001 -	P-UB-1	90 mm		KOB-2438U1948R400
	2438U1948F1	YMU1001 -	N-N-10		130 mm	KOB-2438U1948R200
BOOM LH	2438U1947F1	YMU1001 -	P-UB-10	80 mm	120 mm	KOB-2438U1946R300
	2438U1947F1	YMU1001 -	P-UB-1	80 mm		KOB-2438U1105R400
	2438U1947F1	YMU1001 -	N-N-10		120 mm	KOB-2438U1946R200
BOOM RH	2438U1946F1	YMU1001 -	P-UB-10	80 mm	120 mm	KOB-2438U1946R300
	2438U1946F1	YMU1001 -	P-UB-1	80 mm		KOB-2438U1105R400
	2438U1946F1	YMU1001 -	N-N-10		120 mm	KOB-2438U1946R200
BUCKET	2438U1949F1	YMU1001 -	P-UB-10	75 mm	110 mm	KOB-2438U1949R500
	2438U1949F1	YMU1001 -	P-UB-10	75 mm		KOB-2438U1949R400
	2438U1949F1	YMU1001 -	N-N-10		110 mm	KOB-2438U1949R200
MODEL SK150LC III						
ARM	2438U1948F1	YM000101 -	P-UB-10	90 mm	130 mm	KOB-2438U1948R500
	2438U1948F1	YM000101 -	P-UB-1	90 mm		KOB-2438U1948R400
	2438U1948F1	YM000101 -	N-N-10		130 mm	KOB-2438U1948R200
BOOM LH	2438U1947F1	YM000101 -	P-UB-10	80 mm	120 mm	KOB-2438U1946R300
	2438U1947F1	YM000101 -	P-UB-1	80 mm		KOB-2438U1105R400

Replacement Kits For

KOBELCO

Excavators						
APPLICATION	CYL #	SERIAL #	CODE	ROD	BORE	KIT #
MODEL SK150LC III						
BOOM LH	2438U1947F1	YM000101 -	P-UB-1	80 mm		KOB-2438U1105R400
	2438U1947F1	YM000101 -	N-N-10		120 mm	KOB-2438U1946R200
BOOM RH	2438U1946F1	YM000101 -	P-UB-10	80 mm	120 mm	KOB-2438U1946R300
	2438U1946F1	YM000101 -	P-UB-1	80 mm		KOB-2438U1105R400
	2438U1946F1	YM000101 -	P-UB-1	80 mm		KOB-2438U1105R400
	2438U1946F1	YM000101 -	N-N-10		120 mm	KOB-2438U1946R200
	2438U1946F1	YM000101 -	N-N-10		120 mm	KOB-2438U1946R200
BUCKET	2438U1949F1	YM000101 -	P-UB-10	75 mm	110 mm	KOB-2438U1949R500
	2438U1949F1	YM000101 -	P-UB-10	75 mm		KOB-2438U1949R400
	2438U1949F1	YM000101 -	P-UB-10	75 mm		KOB-2438U1949R400
	2438U1949F1	YM000101 -	N-N-10		110 mm	KOB-2438U1949R200
MODEL SK150LC IV						
ARM	2438U1948F1	YMU1001 - YMU1500	N-N-10		130 mm	KOB-2438U1948R200
	2438U1948F1	YMU1501 -	N-N-10		130 mm	KOB-2438U1948R200
BOOM LH	2438U1947F1	YMU1001 - YMU1500	P-UB-10	80 mm	120 mm	KOB-2438U1946R300
	2438U1947F1	YMU1001 - YMU1500	P-UB-1	80 mm		KOB-2438U1105R400
	2438U1947F1	YMU1001 - YMU1500	N-N-10		120 mm	KOB-2438U1946R200
	2438U1947F1	YMU1501 -	P-UB-10	80 mm	120 mm	KOB-2438U1946R300
	2438U1947F1	YMU1501 -	P-UB-1	80 mm		KOB-2438U1105R400
	2438U1947F1	YMU1501 -	N-N-10		120 mm	KOB-2438U1946R200
BOOM RH	2438U1946F1	YMU1001 - YMU1500	P-UB-10	80 mm	120 mm	KOB-2438U1946R300
	2438U1946F1	YMU1001 - YMU1500	P-UB-1	80 mm		KOB-2438U1105R400
	2438U1946F1	YMU1001 - YMU1500	N-N-10		120 mm	KOB-2438U1946R200
	2438U1967F1	YMU1501 -	P-UB-10	80 mm	120 mm	KOB-2438U1946R300
	2438U1967F1	YMU1501 -	P-UB-1	80 mm		KOB-2438U1105R400
	2438U1967F1	YMU1501 -	N-N-10		120 mm	KOB-2438U1946R200
BUCKET	2438U1949F1	YMU1001 - YMU1500	P-UB-10	75 mm		KOB-2438U1949R400
	2438U1949F1	YMU1001 - YMU1500	N-N-10		110 mm	KOB-2438U1949R200
	2438U1949F1	YMU1501 -	P-UB-10	75 mm		KOB-2438U1949R400
	2438U1949F1	YMU1501 -	N-N-10		110 mm	KOB-2438U1949R200
MODEL SK160LC IV						
ARM	2438U1948F1	YM02U10101 -	N-N-10		130 mm	KOB-2438U1948R200
BOOM LH	2438U1947F1	YM02U10101 -	P-UB-10	80 mm	120 mm	KOB-2438U1946R300
	2438U1947F1	YM02U10101 -	P-UB-1	80 mm		KOB-2438U1105R400
	2438U1947F1	YM02U10101 -	N-N-10		120 mm	KOB-2438U1946R200
BOOM RH	2438U1946F1	YM02U10101 -	P-UB-10	80 mm	120 mm	KOB-2438U1946R300
	2438U1946F1	YM02U10101 -	P-UB-1	80 mm		KOB-2438U1105R400
	2438U1946F1	YM02U10101 -	N-N-10		120 mm	KOB-2438U1946R200
BUCKET	2438U1949F1	YM02U10101 -	P-UB-10	75 mm		KOB-2438U1949R400
	2438U1949F1	YM02U10101 -	N-N-10		110 mm	KOB-2438U1949R200
MODEL SK200						
ARM	2438U1104F1	YNU0001 -	P-UB-10	100 mm	145 mm	KOB-2438U1104R500
	2438U1104F1	YNU0001 -	P-UB-1	100 mm		KOB-2438U1104R400
	2438U1104F1	YNU0001 -	N-N-10		145 mm	KOB-2438U1104R200
	2438U1108F1	YNU0001 -	P-UB-14	100 mm	145 mm	KOB-2438U1108R300
	2438U1108F1	YNU0001 -	P-UB-1	100 mm		KOB-2438U1108R100
	2438U1108F1	YNU0001 -	N-N-14		145 mm	KOB-2438U1108R200

Replacement Kits For

KOBELCO

Excavators						
APPLICATION	CYL #	SERIAL #	CODE	ROD	BORE	KIT #
MODEL SK200						
BOOM LH	2438U1103F1	YNU0001 -	P-UB-10	85 mm	125 mm	KOB-2438U1102R500
	2438U1103F1	YNU0001 -	P-UB-1	85 mm		KOB-2438U1102R600
	2438U1103F1	YNU0001 -	N-N-10		125 mm	KOB-2438U1102R200
	2438U1107F1	YNU0001 -	P-UB-10	85 mm	125 mm	KOB-2438U1106R300
	2438U1107F1	YNU0001 -	P-UB-1	85 mm		KOB-2438U1106R100
	2438U1107F1	YNU0001 -	N-N-10		125 mm	KOB-2438U1106R200
BOOM RH	2438U1102F1	YNU0001 -	P-UB-10	85 mm	125 mm	KOB-2438U1102R500
	2438U1102F1	YNU0001 -	P-UB-1	85 mm		KOB-2438U1102R600
	2438U1102F1	YNU0001 -	N-N-10		125 mm	KOB-2438U1102R200
	2438U1106F1	YNU0001 -	P-UB-10	85 mm	125 mm	KOB-2438U1106R300
	2438U1106F1	YNU0001 -	P-UB-1	85 mm		KOB-2438U1106R100
	2438U1106F1	YNU0001 -	N-N-10		125 mm	KOB-2438U1106R200
BUCKET	2438U1105F1	YNU0001 -	P-UB-10	80 mm	120 mm	KOB-2438U1105R500
	2438U1105F1	YNU0001 -	P-UB-1	80 mm		KOB-2438U1105R400
	2438U1105F1	YNU0001 -	N-N-10		120 mm	KOB-2438U1105R200
	2438U1109F1	YNU0001 -	P-UB-10	80 mm	120 mm	KOB-2438U1109R300
	2438U1109F1	YNU0001 -	P-UB-1	80 mm		KOB-2438U1109R200
	2438U1109F1	YNU0001 -	N-N-10		120 mm	KOB-2438U1109R100
MODEL SK200 III						
ARM	2438U1104F1		P-UB-1	100 mm		KOB-2438U1104R400
	2438U1104F1		N-N-10		145 mm	KOB-2438U1104R200
	2438U1108F1		P-UB-14	100 mm	145 mm	KOB-2438U1108R300
	2438U1108F1		P-UB-1	100 mm		KOB-2438U1108R100
	2438U1108F1		N-N-14		145 mm	KOB-2438U1108R200
	2438U1129F1		P-UB-10	120 mm	180 mm	KOB-2438U1129R300
	2438U1129F1		P-UB-1	120 mm		KOB-2438U1129R100
	2438U1129F1		N-N-10		180 mm	KOB-2445R174R200
BOOM LH	2438U1103F1		P-UB-1	85 mm		KOB-2438U1102R600
	2438U1103F1		N-N-10		125 mm	KOB-2438U1102R200
	2438U1107F1		P-UB-10	85 mm	125 mm	KOB-2438U1106R300
	2438U1107F1		P-UB-1	85 mm		KOB-2438U1106R100
	2438U1107F1		N-N-10		125 mm	KOB-2438U1106R200
BOOM RH	2438U1102F1		P-UB-1	85 mm		KOB-2438U1102R600
	2438U1102F1		N-N-10		125 mm	KOB-2438U1102R200
	2438U1106F1		P-UB-10	85 mm	125 mm	KOB-2438U1106R300
	2438U1106F1		P-UB-1	85 mm		KOB-2438U1106R100
	2438U1106F1		N-N-10		125 mm	KOB-2438U1106R200
BUCKET	2438U1097F1		P-UB-1	65 mm		KOB-2438U1097R100
	2438U1097F1		N-N-10		95 mm	KOB-2438U1097R200
	2438U1097F2		P-UB-1	65 mm		KOB-2438U1097R100
	2438U1097F2		N-N-10		95 mm	KOB-2438U1097R200
	2438U1105F1		P-UB-1	80 mm		KOB-2438U1105R400
	2438U1105F1		N-N-10		120 mm	KOB-2438U1105R200
	2438U1109F1		P-UB-10	80 mm	120 mm	KOB-2438U1109R300
	2438U1109F1		N-N-10		120 mm	KOB-2438U1109R100
	2438U1109F1		P-UB-1	80 mm		KOB-2438U1109R200

Replacement Kits For

KOBELCO

Excavators						
APPLICATION	CYL #	SERIAL #	CODE	ROD	BORE	KIT #
MODEL SK200 IV						
ARM	2438U1104F1	YNU0201 - YNU0500	P-UB-1	100 mm		KOB-2438U1104R400
	2438U1104F1	YNU0201 - YNU0500	N-N-10		145 mm	KOB-2438U1104R200
	2438U1104F1	YNU0501 -	P-UB-10	100 mm	145 mm	KOB-2438U1104R500
	2438U1104F1	YNU0501 -	P-UB-1	100 mm		KOB-2438U1104R400
	2438U1104F1	YNU0501 -	N-N-10		145 mm	KOB-2438U1104R200
BOOM LH	2438U1103F1	YNU0201 - YNU0500	P-UB-1	85 mm		KOB-2438U1102R600
	2438U1103F1	YNU0201 - YNU0500	N-N-10		125 mm	KOB-2438U1102R200
	2438U1103F1	YNU0501 -	P-UB-10	85 mm	125 mm	KOB-2438U1102R500
	2438U1103F1	YNU0501 -	P-UB-1	85 mm		KOB-2438U1102R600
	2438U1103F1	YNU0501 -	N-N-10		125 mm	KOB-2438U1102R200
BOOM RH	2438U1102F1	YNU0201 - YNU0500	P-UB-1	85 mm		KOB-2438U1102R600
	2438U1102F1	YNU0201 - YNU0500	N-N-10		125 mm	KOB-2438U1102R200
	2438U1102F1	YNU0501 -	P-UB-10	85 mm	125 mm	KOB-2438U1102R500
	2438U1102F1	YNU0501 -	P-UB-1	85 mm		KOB-2438U1102R600
	2438U1102F1	YNU0501 -	N-N-10		125 mm	KOB-2438U1102R200
BUCKET	2438U1097F2	YNU0501 -	P-UB-1	65 mm		KOB-2438U1097R100
	2438U1105F1	YNU0201 - YNU0500	P-UB-1	80 mm		KOB-2438U1105R400
	2438U1105F1	YNU0201 - YNU0500	N-N-10		120 mm	KOB-2438U1105R200
	2438U1105F1	YNU0501 -	P-UB-10	80 mm	120 mm	KOB-2438U1105R500
	2438U1105F1	YNU0501 -	P-UB-1	80 mm		KOB-2438U1105R400
	2438U1105F1	YNU0501 -	N-N-10		120 mm	KOB-2438U1105R200
MODEL SK200 V						
ARM	YN01V00003F1	YN018001 - YN022848	P-UB-1	95 mm		KOB-YN01V00003R100
	YN01V00003F1	YQ02801 -	P-UB-1	95 mm		KOB-YN01V00003R100
	YN01V00003F3	YN018001 - YN022848	P-UB-1	95 mm		KOB-YN01V00003R100
	YN01V00003F3	YQ02801 -	P-UB-1	95 mm		KOB-YN01V00003R100
	YN01V00019F1	YNT00001 -	P-UB-1	95 mm		KOB-YN01V00003R100
	YN01V00019F1	YQ02801 -	P-UB-1	95 mm		KOB-YN01V00003R100
	YN01V00019F2	YNT00001 -	P-UB-1	95 mm		KOB-YN01V00003R100
	YN01V00019F2	YQ02801 -	P-UB-1	95 mm		KOB-YN01V00003R100
MODEL SK200-6						
ARM	YN01V00039F1	YN30001 -	P-UB-1	95 mm		KOB-YN01V00003R100
ARM HD, Dismantle	YN01V00078F1	YN30001 -	P-UB-1	95 mm		KOB-YN01V00003R100
BOOM LH	YN01V00038F1	YN30001 -	P-UB-1	85 mm		KOB-YN01V00052R100
BOOM RH	YN01V00037F1	YN30001 -	P-UB-1	85 mm		KOB-YN01V00052R100
BUCKET	YN01V00068F1	YN30001 -	P-UB-14	80 mm	115 mm	KOB-YN01V00068R300
	YN01V00068F1	YN30001 -	P-UB-1	80 mm		KOB-YN01V00068R100
	YN01V00068F1	YN30001 -	N-N-14		115 mm	KOB-YN01V00068R200
BUCKET HD, Dismantle	YN01V00077F1	YN30001 -	P-UB-1	80 mm		KOB-YN01V00068R100
	YN01V00077F1	YN30001 -	N-N-14		115 mm	KOB-YN01V00068R200
MODEL SK200-6ES						
ARM	YN01V00132F1	YN10-38001 - YN10-41732	P-UB-10	95 mm	135 mm	KOB-YN01V00105R900
	YN01V00132F2	YN10-38001 - YN10-41732	P-UB-10	95 mm	135 mm	KOB-YN01V00105R900
	YN01V00132F3	YN10-38001 - YN10-41732	P-UB-10	95 mm	135 mm	KOB-YN01V00105R900

KOBELCO

Replacement Kits For

Excavators						
APPLICATION	CYL #	SERIAL #	CODE	ROD	BORE	KIT #
MODEL SK200-6ES						
ARM	YN01V00132F4	YN10-38001 - YN10-41732	P-UB-10	95 mm	135 mm	KOB-YN01V00105R900
	YN01V00132F5	YN10-38001 - YN10-41732	P-UB-10	95 mm	135 mm	KOB-YN01V00105R900
BOOM LH	YN01V00104F1	YN10-38001 - YN10-41732	P-UB-10	85 mm	125 mm	KOB-YN01V00103R900
	YN01V00104F2	YN10-38001 - YN10-41732	P-UB-10	85 mm	125 mm	KOB-YN01V00103R900
	YN01V00104F3	YN10-38001 - YN10-41732	P-UB-10	85 mm	125 mm	KOB-YN01V00103R900
BOOM RH	YN01V00103F1	YN10-38001 - YN10-41732	P-UB-10	85 mm	125 mm	KOB-YN01V00103R900
	YN01V00103F2	YN10-38001 - YN10-41732	P-UB-10	85 mm	125 mm	KOB-YN01V00103R900
	YN01V00103F3	YN10-38001 - YN10-41732	P-UB-10	85 mm	125 mm	KOB-YN01V00103R900
BUCKET	YN01V00112F1	YN10-38001 - YN10-41732	P-UB-10	80 mm	120 mm	KOB-YN01V00112R900
	YN01V00112F2	YN10-38001 - YN10-41732	P-UB-10	80 mm	120 mm	KOB-YN01V00112R900
	YN01V00112F4	YN10-38001 - YN10-41732	P-UB-10	80 mm	120 mm	KOB-YN01V00112R900
	YN01V00112F5	YN10-38001 - YN10-41732	P-UB-10	80 mm	120 mm	KOB-YN01V00112R900
MODEL SK200LC						
ARM	2438U1104F1	YQU0701 -	P-UB-10	100 mm	145 mm	KOB-2438U1104R500
	2438U1104F1	YQU0701 -	P-UB-1	100 mm		KOB-2438U1104R400
	2438U1104F1	YQU0701 -	N-N-10		145 mm	KOB-2438U1104R200
	2438U1108F1	YQU0701 -	P-UB-14	100 mm	145 mm	KOB-2438U1108R300
	2438U1108F1	YQU0701 -	P-UB-1	100 mm		KOB-2438U1108R100
	2438U1108F1	YQU0701 -	N-N-14		145 mm	KOB-2438U1108R200
BOOM LH	2438U1103F1	YQU0701 -	P-UB-10	85 mm	125 mm	KOB-2438U1102R500
	2438U1103F1	YQU0701 -	P-UB-1	85 mm		KOB-2438U1102R600
	2438U1103F1	YQU0701 -	N-N-10		125 mm	KOB-2438U1102R200
	2438U1107F1	YQU0701 -	P-UB-10	85 mm	125 mm	KOB-2438U1106R300
	2438U1107F1	YQU0701 -	P-UB-1	85 mm		KOB-2438U1106R100
	2438U1107F1	YQU0701 -	N-N-10		125 mm	KOB-2438U1106R200
BOOM RH	2438U1102F1	YQU0701 -	P-UB-10	85 mm	125 mm	KOB-2438U1102R500
	2438U1102F1	YQU0701 -	P-UB-1	85 mm		KOB-2438U1102R600
	2438U1102F1	YQU0701 -	N-N-10		125 mm	KOB-2438U1102R200
	2438U1106F1	YQU0701 -	P-UB-10	85 mm	125 mm	KOB-2438U1106R300
	2438U1106F1	YQU0701 -	P-UB-1	85 mm		KOB-2438U1106R100
	2438U1106F1	YQU0701 -	N-N-10		125 mm	KOB-2438U1106R200
BUCKET	2438U1105F1	YQU0701 -	P-UB-10	80 mm	120 mm	KOB-2438U1105R500
	2438U1105F1	YQU0701 -	P-UB-1	80 mm		KOB-2438U1105R400
	2438U1105F1	YQU0701 -	N-N-10		120 mm	KOB-2438U1105R200
	2438U1109F1	YQU0701 -	P-UB-10	80 mm	120 mm	KOB-2438U1109R300
	2438U1109F1	YQU0701 -	P-UB-1	80 mm		KOB-2438U1109R200
	2438U1109F1	YQU0701 -	N-N-10		120 mm	KOB-2438U1109R100
MODEL SK200LC III						
ARM	2438U1104F1		P-UB-1	100 mm		KOB-2438U1104R400
	2438U1104F1		N-N-10		145 mm	KOB-2438U1104R200
	2438U1108F1		P-UB-14	100 mm	145 mm	KOB-2438U1108R300
	2438U1108F1		P-UB-1	100 mm		KOB-2438U1108R100
	2438U1108F1		N-N-14		145 mm	KOB-2438U1108R200
	2438U1129F1		P-UB-10	120 mm	180 mm	KOB-2438U1129R300
	2438U1129F1		P-UB-1	120 mm		KOB-2438U1129R100
	2438U1129F1		N-N-10		180 mm	KOB-2445R174R200

Replacement Kits For

KOBELCO

Excavators						
APPLICATION	CYL #	SERIAL #	CODE	ROD	BORE	KIT #
MODEL SK200LC III						
BOOM LH	2438U1103F1		P-UB-1	85 mm		KOB-2438U1102R600
	2438U1103F1		N-N-10		125 mm	KOB-2438U1102R200
	2438U1107F1		P-UB-10	85 mm	125 mm	KOB-2438U1106R300
	2438U1107F1		P-UB-1	85 mm		KOB-2438U1106R100
	2438U1107F1		N-N-10		125 mm	KOB-2438U1106R200
BOOM RH	2438U1102F1		P-UB-1	85 mm		KOB-2438U1102R600
	2438U1102F1		N-N-10		125 mm	KOB-2438U1102R200
	2438U1106F1		P-UB-10	85 mm	125 mm	KOB-2438U1106R300
	2438U1106F1		P-UB-1	85 mm		KOB-2438U1106R100
	2438U1106F1		N-N-10		125 mm	KOB-2438U1106R200
BUCKET	2438U1097F1		P-UB-1	65 mm		KOB-2438U1097R100
	2438U1097F1		N-N-10		95 mm	KOB-2438U1097R200
	2438U1097F2		P-UB-1	65 mm		KOB-2438U1097R100
	2438U1097F2		N-N-10		95 mm	KOB-2438U1097R200
	2438U1105F1		P-UB-1	80 mm		KOB-2438U1105R400
	2438U1105F1		N-N-10		120 mm	KOB-2438U1105R200
	2438U1109F1		P-UB-10	80 mm	120 mm	KOB-2438U1109R300
	2438U1109F1		N-N-10		120 mm	KOB-2438U1109R100
	2438U1109F1		P-UB-1	80 mm		KOB-2438U1109R200
MODEL SK200LC IV						
ARM	2438U1104F1	YQU2001 - YQU3000	P-UB-1	100 mm		KOB-2438U1104R400
	2438U1104F1	YQU2001 - YQU3000	N-N-10		145 mm	KOB-2438U1104R200
	2438U1104F1	YQU3101 -	P-UB-10	100 mm	145 mm	KOB-2438U1104R500
	2438U1104F1	YQU3101 -	P-UB-1	100 mm		KOB-2438U1104R400
	2438U1104F1	YQU3101 -	N-N-10		145 mm	KOB-2438U1104R200
BOOM LH	2438U1103F1	YQU2001 - YQU3000	P-UB-1	85 mm		KOB-2438U1102R600
	2438U1103F1	YQU2001 - YQU3000	N-N-10		125 mm	KOB-2438U1102R200
	2438U1103F1	YQU3101 -	P-UB-10	85 mm	125 mm	KOB-2438U1102R500
	2438U1103F1	YQU3101 -	P-UB-1	85 mm		KOB-2438U1102R600
	2438U1103F1	YQU3101 -	N-N-10		125 mm	KOB-2438U1102R200
BOOM RH	2438U1102F1	YQU2001 - YQU3000	P-UB-1	85 mm		KOB-2438U1102R600
	2438U1102F1	YQU2001 - YQU3000	N-N-10		125 mm	KOB-2438U1102R200
	2438U1102F1	YQU3101 -	P-UB-1	85 mm		KOB-2438U1102R600
	2438U1102F1	YQU3101 -	N-N-10		125 mm	KOB-2438U1102R200
BUCKET	2438U1105F1	YQU3101 -	P-UB-10	80 mm	120 mm	KOB-2438U1105R500
	2438U1105F1	YQU3101 -	P-UB-1	80 mm		KOB-2438U1105R400
	2438U1105F1	YQU3101 -	N-N-10		120 mm	KOB-2438U1105R200
BUCKET Long Reach	2438U1097F2	YQU3101 -	P-UB-1	65 mm		KOB-2438U1097R100
	2438U1097F2	YQU3101 -	N-N-10		95 mm	KOB-2438U1097R200
MODEL SK200LC V						
ARM	YN01V00003F1	YQ002301 - YQ002645	P-UB-1	95 mm		KOB-YN01V00003R100
	YN01V00003F1	YQ02801 -	P-UB-1	95 mm		KOB-YN01V00003R100
	YN01V00003F3	YQ002301 - YQ002645	P-UB-1	95 mm		KOB-YN01V00003R100
	YN01V00003F3	YQ02801 -	P-UB-1	95 mm		KOB-YN01V00003R100
	YN01V00019F1	YQ02801 -	P-UB-1	95 mm		KOB-YN01V00003R100

Replacement Kits For

KOBELCO

Excavators						
APPLICATION	CYL #	SERIAL #	CODE	ROD	BORE	KIT #
MODEL SK200LC V						
ARM	YN01V00019F1	YQT00001 -	P-UB-1	95 mm		KOB-YN01V00003R100
	YN01V00019F2	YQ02801 -	P-UB-1	95 mm		KOB-YN01V00003R100
	YN01V00019F2	YQT00001 -	P-UB-1	95 mm		KOB-YN01V00003R100
MODEL SK200LC-6						
ARM	YN01V00039F1	YQ03501 -	P-UB-1	95 mm		KOB-YN01V00003R100
ARM HD, Dismantle	YN01V00078F1	YQ03501 -	P-UB-1	95 mm		KOB-YN01V00003R100
BOOM LH	YN01V00038F1	YQ03501 -	P-UB-1	85 mm		KOB-YN01V00052R100
BOOM RH	YN01V00037F1	YQ03501 -	P-UB-1	85 mm		KOB-YN01V00052R100
BUCKET	YN01V00068F1	YQ03501 -	P-UB-14	80 mm	115 mm	KOB-YN01V00068R300
	YN01V00068F1	YQ03501 -	P-UB-1	80 mm		KOB-YN01V00068R100
	YN01V00068F1	YQ03501 -	N-N-14		115 mm	KOB-YN01V00068R200
BUCKET HD, Dismantle	YN01V00077F1	YQ03501 -	P-UB-1	80 mm		KOB-YN01V00068R100
	YN01V00077F1	YQ03501 -	N-N-14		115 mm	KOB-YN01V00068R200
MODEL SK210 IV						
ARM	2438U1104F1	YNU0501 -	P-UB-10	100 mm	145 mm	KOB-2438U1104R500
	2438U1104F1	YNU0501 -	P-UB-1	100 mm		KOB-2438U1104R400
	2438U1104F1	YNU0501 -	N-N-10		145 mm	KOB-2438U1104R200
BOOM LH	2438U1103F1	YNU0501 -	P-UB-10	85 mm	125 mm	KOB-2438U1102R500
	2438U1103F1	YNU0501 -	P-UB-1	85 mm		KOB-2438U1102R600
	2438U1103F1	YNU0501 -	N-N-10		125 mm	KOB-2438U1102R200
BOOM RH	2438U1102F1	YNU0501 -	P-UB-1	85 mm		KOB-2438U1102R600
	2438U1102F1	YNU0501 -	N-N-10		125 mm	KOB-2438U1102R200
BUCKET	2438U1105F1	YNU0501 -	P-UB-10	80 mm	120 mm	KOB-2438U1105R500
	2438U1105F1	YNU0501 -	P-UB-1	80 mm		KOB-2438U1105R400
	2438U1105F1	YNU0501 -	N-N-10		120 mm	KOB-2438U1105R200
BUCKET Long Reach	2438U1097F2	YNU0501 -	P-UB-1	65 mm		KOB-2438U1097R100
	2438U1097F2	YNU0501 -	N-N-10		95 mm	KOB-2438U1097R200
MODEL SK210LC						
ARM	2438U1104F1	YQU3101 -	P-UB-10	100 mm	145 mm	KOB-2438U1104R500
	2438U1104F1	YQU3101 -	P-UB-1	100 mm		KOB-2438U1104R400
	2438U1104F1	YQU3101 -	N-N-10		145 mm	KOB-2438U1104R200
	YN01V00039F1	YQ07U0101 -	P-UB-1	95 mm		KOB-YN01V00003R100
BOOM LH	2438U1103F1	YQU3101 -	P-UB-10	85 mm	125 mm	KOB-2438U1102R500
	2438U1103F1	YQU3101 -	P-UB-1	85 mm		KOB-2438U1102R600
	2438U1103F1	YQU3101 -	N-N-10		125 mm	KOB-2438U1102R200
	YN01V00038F1	YQ07U0101 -	P-UB-1	85 mm		KOB-YN01V00052R100
BOOM RH	2438U1102F1	YQU3101 -	P-UB-1	85 mm		KOB-2438U1102R600
	2438U1102F1	YQU3101 -	N-N-10		125 mm	KOB-2438U1102R200
	YN01V00037F1	YQ07U0101 -	P-UB-1	85 mm		KOB-YN01V00052R100
BUCKET	2438U1105F1	YQU3101 -	P-UB-10	80 mm	120 mm	KOB-2438U1105R500
	2438U1105F1	YQU3101 -	P-UB-1	80 mm		KOB-2438U1105R400
	2438U1105F1	YQU3101 -	N-N-10		120 mm	KOB-2438U1105R200
	YN01V00068F1	YQ07U0101 -	P-UB-14	80 mm	115 mm	KOB-YN01V00068R300
	YN01V00068F1	YQ07U0101 -	P-UB-1	80 mm		KOB-YN01V00068R100

Replacement Kits For

KOBELCO

Excavators						
APPLICATION	CYL #	SERIAL #	CODE	ROD	BORE	KIT #
MODEL SK210LC						
BUCKET	YN01V00068F1	YQ07U0101 -	N-N-14		115 mm	KOB-YN01V00068R200
BUCKET Long Reach	2438U1097F2	YQU3101 -	P-UB-1	65 mm		KOB-2438U1097R100
	2438U1097F2	YQU3101 -	N-N-10		95 mm	KOB-2438U1097R200
MODEL SK210LC-6E						
ARM	YN01V00105F2	YQ08U0969 -	P-UB-10	95 mm	135 mm	KOB-YN01V00105R900
	YN01V00132F1	YQ08U0969 -	P-UB-10	95 mm	135 mm	KOB-YN01V00105R900
	YN01V00132F4	YQ08U0969 -	P-UB-10	95 mm	135 mm	KOB-YN01V00105R900
BUCKET	YN01V00112F5	YQ08U0969 -	P-UB-10	80 mm	120 mm	KOB-YN01V00112R900
MODEL SK210LC-8						
ARM	YN01V00172F1	YQ09U3301 -	P-UB-10	95 mm	135 mm	KOB-YN01V00175R300
	YN01V00175F1	YQ09U3301 -	P-UB-10	95 mm	135 mm	KOB-YN01V00175R300
BOOM	YN01V00151F1	YQ09U3301 -	P-UB-10	85 mm	120 mm	KOB-YN01V00151R300
BUCKET	YN01V00153F1	YQ09U3301 -	P-UB-10	80 mm	120 mm	KOB-YN01V00153R300
MODEL SK220 III, SK220LC III, SK220 IV, SK220LC IV						
ARM	2438U1137F1	LQU0001 -, LLU0601 -	P-UB-1	105 mm		KOB-2438U953R100
	2438U1137F1	LQU0001 -, LLU0601 -	N-N-10		150 mm	KOB-2438U953R200
BOOM LH	2438U1136F1	LQU0001 -, LLU0601 -	P-UB-10	90 mm	140 mm	KOB-2438U1135R300
	2438U1136F1	LQU0001 -, LLU0601 -	P-UB-1	90 mm		KOB-2438U999R100
	2438U1136F1	LQU0001 -, LLU0601 -	N-N-10		140 mm	KOB-2438U999R200
BOOM RH	2438U1135F1	LQU0001 -, LLU0601 -	P-UB-10	90 mm	140 mm	KOB-2438U1135R300
	2438U1135F1	LQU0001 -, LLU0601 -	P-UB-1	90 mm		KOB-2438U999R100
	2438U1135F1	LQU0001 -, LLU0601 -	N-N-10		140 mm	KOB-2438U999R200
BUCKET	2438U1097F1.F2	LQU0001 -, LLU0601 -	P-UB-1	65 mm		KOB-2438U1097R100
	2438U1097F1.F2	LQU0001 -, LLU0601 -	N-N-10		95 mm	KOB-2438U1097R200
	2438U1138F1	LQU0001 -, LLU0601 -	P-UB-1	85 mm		KOB-2438U959R100
	2438U1138F1	LQU0001 -, LLU0601 -	N-N-10		130 mm	KOB-2438U959R200
MODEL SK235SR						
ARM	YN01V00039F1	YF01-00101 -	P-UB-1	95 mm		KOB-YN01V00003R100
ARM HD, Dismantle	YN01V00078F1	YF01-00101 -	P-UB-1	95 mm		KOB-YN01V00003R100
BOOM LH	YN01V00053F1	YF01-00101 -	P-UB-1	85 mm		KOB-YN01V00052R100
	YN01V00053F2	YF01-00101 -	P-UB-1	85 mm		KOB-YN01V00052R100
BOOM RH	YN01V00052F1	YF01-00101 -	P-UB-1	85 mm		KOB-YN01V00052R100
	YN01V00052F2	YF01-00101 -	P-UB-1	85 mm		KOB-YN01V00052R100
BUCKET	YN01V00068F1	YF01-00101 -	P-UB-14	80 mm	115 mm	KOB-YN01V00068R300
	YN01V00068F1	YF01-00101 -	P-UB-1	80 mm		KOB-YN01V00068R100
	YN01V00068F1	YF01-00101 -	N-N-14		115 mm	KOB-YN01V00068R200
MODEL SK235SR-1E						
ARM	YN01V00105F1	YF02-01201 - YF02-01299	P-UB-10	95 mm	135 mm	KOB-YN01V00105R900
	YN01V00105F1	YF03-01300 - YF03-01421	P-UB-10	95 mm	135 mm	KOB-YN01V00105R900
	YN01V00105F2	YF02-01201 - YF02-01299	P-UB-10	95 mm	135 mm	KOB-YN01V00105R900
	YN01V00105F2	YF03-01300 - YF03-01421	P-UB-10	95 mm	135 mm	KOB-YN01V00105R900
	YN01V00105F3	YF02-01201 - YF02-01299	P-UB-10	95 mm	135 mm	KOB-YN01V00105R900
	YN01V00105F3	YF03-01300 - YF03-01421	P-UB-10	95 mm	135 mm	KOB-YN01V00105R900
	YN01V00105F4	YF02-01201 - YF02-01299	P-UB-10	95 mm	135 mm	KOB-YN01V00105R900
	YN01V00105F4	YF03-01300 - YF03-01421	P-UB-10	95 mm	135 mm	KOB-YN01V00105R900

Replacement Kits For

KOBELCO

Excavators						
APPLICATION	CYL #	SERIAL #	CODE	ROD	BORE	KIT #
MODEL SK235SR-1E						
ARM	YN01V00105F4	YF03-01300 - YF03-01421	P-UB-10	95 mm	135 mm	KOB-YN01V00105R900
	YN01V00105F5	YF02-01201 - YF02-01299	P-UB-10	95 mm	135 mm	KOB-YN01V00105R900
	YN01V00105F5	YF03-01300 - YF03-01421	P-UB-10	95 mm	135 mm	KOB-YN01V00105R900
	YN01V00105F6	YF02-01201 - YF02-01299	P-UB-10	95 mm	135 mm	KOB-YN01V00105R900
	YN01V00105F6	YF03-01300 - YF03-01421	P-UB-10	95 mm	135 mm	KOB-YN01V00105R900
	YN01V00132F1	YF02-01201 - YF02-01299	P-UB-10	95 mm	135 mm	KOB-YN01V00105R900
	YN01V00132F1	YF03-01300 - YF03-01421	P-UB-10	95 mm	135 mm	KOB-YN01V00105R900
	YN01V00132F1	YF04-01501 -	P-UB-10	95 mm	135 mm	KOB-YN01V00105R900
	YN01V00132F2	YF02-01201 - YF02-01299	P-UB-10	95 mm	135 mm	KOB-YN01V00105R900
	YN01V00132F2	YF03-01300 - YF03-01421	P-UB-10	95 mm	135 mm	KOB-YN01V00105R900
	YN01V00132F2	YF04-01501 -	P-UB-10	95 mm	135 mm	KOB-YN01V00105R900
	YN01V00132F3	YF02-01201 - YF02-01299	P-UB-10	95 mm	135 mm	KOB-YN01V00105R900
	YN01V00132F3	YF03-01300 - YF03-01421	P-UB-10	95 mm	135 mm	KOB-YN01V00105R900
	YN01V00132F3	YF04-01501 -	P-UB-10	95 mm	135 mm	KOB-YN01V00105R900
	YN01V00132F4	YF02-01201 - YF02-01299	P-UB-10	95 mm	135 mm	KOB-YN01V00105R900
	YN01V00132F4	YF03-01300 - YF03-01421	P-UB-10	95 mm	135 mm	KOB-YN01V00105R900
	YN01V00132F4	YF04-01501 -	P-UB-10	95 mm	135 mm	KOB-YN01V00105R900
	YN01V00132F5	YF02-01201 - YF02-01299	P-UB-10	95 mm	135 mm	KOB-YN01V00105R900
	YN01V00132F5	YF03-01300 - YF03-01421	P-UB-10	95 mm	135 mm	KOB-YN01V00105R900
	YN01V00132F5	YF04-01501 -	P-UB-10	95 mm	135 mm	KOB-YN01V00105R900
BOOM LH	YN01V00108F1	YF02-01201 - YF02-01299	P-UB-10	85 mm	125 mm	KOB-YN01V00103R900
	YN01V00108F1	YF03-01300 - YF03-01421	P-UB-10	85 mm	125 mm	KOB-YN01V00103R900
	YN01V00108F1	YF04-01501 -	P-UB-10	85 mm	125 mm	KOB-YN01V00103R900
	YN01V00108F2	YF02-01201 - YF02-01299	P-UB-10	85 mm	125 mm	KOB-YN01V00103R900
	YN01V00108F2	YF03-01300 - YF03-01421	P-UB-10	85 mm	125 mm	KOB-YN01V00103R900
	YN01V00108F2	YF04-01501 -	P-UB-10	85 mm	125 mm	KOB-YN01V00103R900
	YN01V00108F3	YF02-01201 - YF02-01299	P-UB-10	85 mm	125 mm	KOB-YN01V00103R900
	YN01V00108F3	YF03-01300 - YF03-01421	P-UB-10	85 mm	125 mm	KOB-YN01V00103R900
	YN01V00108F3	YF04-01501 -	P-UB-10	85 mm	125 mm	KOB-YN01V00103R900
BOOM RH	YN01V00107F1	YF02-01201 - YF02-01299	P-UB-10	85 mm	125 mm	KOB-YN01V00103R900
	YN01V00107F1	YF03-01300 - YF03-01421	P-UB-10	85 mm	125 mm	KOB-YN01V00103R900
	YN01V00107F1	YF04-01501 -	P-UB-10	85 mm	125 mm	KOB-YN01V00103R900
	YN01V00107F2	YF02-01201 - YF02-01299	P-UB-10	85 mm	125 mm	KOB-YN01V00103R900
	YN01V00107F2	YF03-01300 - YF03-01421	P-UB-10	85 mm	125 mm	KOB-YN01V00103R900
	YN01V00107F2	YF04-01501 -	P-UB-10	85 mm	125 mm	KOB-YN01V00103R900
	YN01V00107F3	YF02-01201 - YF02-01299	P-UB-10	85 mm	125 mm	KOB-YN01V00103R900
	YN01V00107F3	YF03-01300 - YF03-01421	P-UB-10	85 mm	125 mm	KOB-YN01V00103R900
	YN01V00107F3	YF04-01501 -	P-UB-10	85 mm	125 mm	KOB-YN01V00103R900
BUCKET	YN01V00112F1	YF02-01201 - YF02-01299	P-UB-10	80 mm	120 mm	KOB-YN01V00112R900
	YN01V00112F1	YF03-01300 - YF03-01421	P-UB-10	80 mm	120 mm	KOB-YN01V00112R900
	YN01V00112F1	YF04-01501 -	P-UB-10	80 mm	120 mm	KOB-YN01V00112R900
	YN01V00112F2	YF02-01201 - YF02-01299	P-UB-10	80 mm	120 mm	KOB-YN01V00112R900
	YN01V00112F2	YF03-01300 - YF03-01421	P-UB-10	80 mm	120 mm	KOB-YN01V00112R900
	YN01V00112F2	YF04-01501 -	P-UB-10	80 mm	120 mm	KOB-YN01V00112R900
	YN01V00112F3	YF02-01201 - YF02-01299	P-UB-10	80 mm	120 mm	KOB-YN01V00112R900
	YN01V00112F3	YF03-01300 - YF03-01421	P-UB-10	80 mm	120 mm	KOB-YN01V00112R900

Replacement Kits For

KOBELCO

Excavators						
APPLICATION	CYL #	SERIAL #	CODE	ROD	BORE	KIT #
MODEL SK235SR-1E						
BUCKET	YN01V00112F3	YF04-01501 -	P-UB-10	80 mm	120 mm	KOB-YN01V00112R900
	YN01V00112F4	YF02-01201 - YF02-01299	P-UB-10	80 mm	120 mm	KOB-YN01V00112R900
	YN01V00112F4	YF03-01300 - YF03-01421	P-UB-10	80 mm	120 mm	KOB-YN01V00112R900
	YN01V00112F4	YF04-01501 -	P-UB-10	80 mm	120 mm	KOB-YN01V00112R900
	YN01V00112F5	YF04-01501 -	P-UB-10	80 mm	120 mm	KOB-YN01V00112R900
MODEL SK235SR-1ES						
ARM	YN01V00132F1	YF04-01501 -	P-UB-10	95 mm	135 mm	KOB-YN01V00105R900
	YN01V00132F2	YF04-01501 -	P-UB-10	95 mm	135 mm	KOB-YN01V00105R900
	YN01V00132F3	YF04-01501 -	P-UB-10	95 mm	135 mm	KOB-YN01V00105R900
	YN01V00132F4	YF04-01501 -	P-UB-10	95 mm	135 mm	KOB-YN01V00105R900
	YN01V00132F5	YF04-01501 -	P-UB-10	95 mm	135 mm	KOB-YN01V00105R900
BOOM LH	YN01V00108F1	YF04-01501 -	P-UB-10	85 mm	125 mm	KOB-YN01V00103R900
	YN01V00108F2	YF04-01501 -	P-UB-10	85 mm	125 mm	KOB-YN01V00103R900
	YN01V00108F3	YF04-01501 -	P-UB-10	85 mm	125 mm	KOB-YN01V00103R900
BOOM RH	YN01V00107F1	YF04-01501 -	P-UB-10	85 mm	125 mm	KOB-YN01V00103R900
	YN01V00107F2	YF04-01501 -	P-UB-10	85 mm	125 mm	KOB-YN01V00103R900
	YN01V00107F3	YF04-01501 -	P-UB-10	85 mm	125 mm	KOB-YN01V00103R900
BUCKET	YN01V00112F1	YF04-01501 -	P-UB-10	80 mm	120 mm	KOB-YN01V00112R900
	YN01V00112F2	YF04-01501 -	P-UB-10	80 mm	120 mm	KOB-YN01V00112R900
	YN01V00112F3	YF04-01501 -	P-UB-10	80 mm	120 mm	KOB-YN01V00112R900
	YN01V00112F4	YF04-01501 -	P-UB-10	80 mm	120 mm	KOB-YN01V00112R900
	YN01V00112F5	YF04-01501 -	P-UB-10	80 mm	120 mm	KOB-YN01V00112R900
MODEL SK235SR-2						
ARM	YN01V00175F1	YF05-02001 -	P-UB-10	95 mm	135 mm	KOB-YN01V00175R300
	YN01V00175F2	YF05-02001 -	P-UB-10	95 mm	135 mm	KOB-YN01V00175R300
BUCKET	YN01V00153F1	YF05-02001 -	P-UB-10	80 mm	120 mm	KOB-YN01V00153R300
	YN01V00153F2	YF05-02001 -	P-UB-10	80 mm	120 mm	KOB-YN01V00153R300
MODEL SK235SRLC						
ARM	YN01V00039F1	YU01-00101 -	P-UB-1	95 mm		KOB-YN01V00003R100
	YN01V00078F1	YU01-00101 -	P-UB-1	95 mm		KOB-YN01V00003R100
BOOM LH	YN01V00053F1	YU01-00101 -	P-UB-1	85 mm		KOB-YN01V00052R100
	YN01V00053F2	YU01-00101 -	P-UB-1	85 mm		KOB-YN01V00052R100
BOOM RH	YN01V00052F1	YU01-00101 -	P-UB-1	85 mm		KOB-YN01V00052R100
	YN01V00052F2	YU01-00101 -	P-UB-1	85 mm		KOB-YN01V00052R100
BUCKET	YN01V00068F1	YU01-00101 -	P-UB-14	80 mm	115 mm	KOB-YN01V00068R300
	YN01V00068F1	YU01-00101 -	P-UB-1	80 mm		KOB-YN01V00068R100
	YN01V00068F1	YU01-00101 -	N-N-14		115 mm	KOB-YN01V00068R200
MODEL SK235SRLC-1E						
ARM	YN01V00105F1	YU02-00501 - YU02-00647	P-UB-10	95 mm	135 mm	KOB-YN01V00105R900
	YN01V00105F1	YU03-00648 - YU03-00770	P-UB-10	95 mm	135 mm	KOB-YN01V00105R900
	YN01V00105F2	YU02-00501 - YU02-00647	P-UB-10	95 mm	135 mm	KOB-YN01V00105R900
	YN01V00105F2	YU03-00648 - YU03-00770	P-UB-10	95 mm	135 mm	KOB-YN01V00105R900
	YN01V00105F3	YU02-00501 - YU02-00647	P-UB-10	95 mm	135 mm	KOB-YN01V00105R900
	YN01V00105F3	YU03-00648 - YU03-00770	P-UB-10	95 mm	135 mm	KOB-YN01V00105R900
	YN01V00105F4	YU02-00501 - YU02-00647	P-UB-10	95 mm	135 mm	KOB-YN01V00105R900
	YN01V00105F4	YU03-00648 - YU03-00770	P-UB-10	95 mm	135 mm	KOB-YN01V00105R900

Replacement Kits For

KOBELCO

Excavators						
APPLICATION	CYL #	SERIAL #	CODE	ROD	BORE	KIT #
MODEL SK235SRLC-1E						
ARM	YN01V00105F5	YU02-00501 - YU02-00647	P-UB-10	95 mm	135 mm	KOB-YN01V00105R900
	YN01V00105F5	YU03-00648 - YU03-00770	P-UB-10	95 mm	135 mm	KOB-YN01V00105R900
	YN01V00105F6	YU02-00501 - YU02-00647	P-UB-10	95 mm	135 mm	KOB-YN01V00105R900
	YN01V00105F6	YU03-00648 - YU03-00770	P-UB-10	95 mm	135 mm	KOB-YN01V00105R900
	YN01V00132F1	YU02-00501 - YU02-00647	P-UB-10	95 mm	135 mm	KOB-YN01V00105R900
	YN01V00132F1	YU03-00648 - YU03-00770	P-UB-10	95 mm	135 mm	KOB-YN01V00105R900
	YN01V00132F1	YU04-00801 -	P-UB-10	95 mm	135 mm	KOB-YN01V00105R900
	YN01V00132F2	YU02-00501 - YU02-00647	P-UB-10	95 mm	135 mm	KOB-YN01V00105R900
	YN01V00132F2	YU03-00648 - YU03-00770	P-UB-10	95 mm	135 mm	KOB-YN01V00105R900
	YN01V00132F2	YU04-00801 -	P-UB-10	95 mm	135 mm	KOB-YN01V00105R900
	YN01V00132F3	YU02-00501 - YU02-00647	P-UB-10	95 mm	135 mm	KOB-YN01V00105R900
	YN01V00132F3	YU03-00648 - YU03-00770	P-UB-10	95 mm	135 mm	KOB-YN01V00105R900
	YN01V00132F3	YU04-00801 -	P-UB-10	95 mm	135 mm	KOB-YN01V00105R900
	YN01V00132F4	YU02-00501 - YU02-00647	P-UB-10	95 mm	135 mm	KOB-YN01V00105R900
	YN01V00132F4	YU03-00648 - YU03-00770	P-UB-10	95 mm	135 mm	KOB-YN01V00105R900
	YN01V00132F4	YU04-00801 -	P-UB-10	95 mm	135 mm	KOB-YN01V00105R900
	YN01V00132F5	YU02-00501 - YU02-00647	P-UB-10	95 mm	135 mm	KOB-YN01V00105R900
	YN01V00132F5	YU03-00648 - YU03-00770	P-UB-10	95 mm	135 mm	KOB-YN01V00105R900
	YN01V00132F5	YU04-00801 -	P-UB-10	95 mm	135 mm	KOB-YN01V00105R900
BOOM LH	YN01V00108F1	YU02-00501 - YU02-00647	P-UB-10	85 mm	125 mm	KOB-YN01V00103R900
	YN01V00108F1	YU03-00648 - YU03-00770	P-UB-10	85 mm	125 mm	KOB-YN01V00103R900
	YN01V00108F1	YU04-00801 -	P-UB-10	85 mm	125 mm	KOB-YN01V00103R900
	YN01V00108F2	YU02-00501 - YU02-00647	P-UB-10	85 mm	125 mm	KOB-YN01V00103R900
	YN01V00108F2	YU03-00648 - YU03-00770	P-UB-10	85 mm	125 mm	KOB-YN01V00103R900
	YN01V00108F2	YU04-00801 -	P-UB-10	85 mm	125 mm	KOB-YN01V00103R900
	YN01V00108F3	YU02-00501 - YU02-00647	P-UB-10	85 mm	125 mm	KOB-YN01V00103R900
	YN01V00108F3	YU03-00648 - YU03-00770	P-UB-10	85 mm	125 mm	KOB-YN01V00103R900
	YN01V00108F3	YU04-00801 -	P-UB-10	85 mm	125 mm	KOB-YN01V00103R900
BOOM RH	YN01V00107F1	YU02-00501 - YU02-00647	P-UB-10	85 mm	125 mm	KOB-YN01V00103R900
	YN01V00107F1	YU03-00648 - YU03-00770	P-UB-10	85 mm	125 mm	KOB-YN01V00103R900
	YN01V00107F1	YU04-00801 -	P-UB-10	85 mm	125 mm	KOB-YN01V00103R900
	YN01V00107F2	YU02-00501 - YU02-00647	P-UB-10	85 mm	125 mm	KOB-YN01V00103R900
	YN01V00107F2	YU03-00648 - YU03-00770	P-UB-10	85 mm	125 mm	KOB-YN01V00103R900
	YN01V00107F2	YU04-00801 -	P-UB-10	85 mm	125 mm	KOB-YN01V00103R900
	YN01V00107F3	YU02-00501 - YU02-00647	P-UB-10	85 mm	125 mm	KOB-YN01V00103R900
	YN01V00107F3	YU03-00648 - YU03-00770	P-UB-10	85 mm	125 mm	KOB-YN01V00103R900
	YN01V00107F3	YU04-00801 -	P-UB-10	85 mm	125 mm	KOB-YN01V00103R900
BUCKET	YN01V00112F1	YU02-00501 - YU02-00647	P-UB-10	80 mm	120 mm	KOB-YN01V00112R900
	YN01V00112F1	YU03-00648 - YU03-00770	P-UB-10	80 mm	120 mm	KOB-YN01V00112R900
	YN01V00112F1	YU04-00801 -	P-UB-10	80 mm	120 mm	KOB-YN01V00112R900
	YN01V00112F2	YU02-00501 - YU02-00647	P-UB-10	80 mm	120 mm	KOB-YN01V00112R900
	YN01V00112F2	YU03-00648 - YU03-00770	P-UB-10	80 mm	120 mm	KOB-YN01V00112R900
	YN01V00112F2	YU04-00801 -	P-UB-10	80 mm	120 mm	KOB-YN01V00112R900
	YN01V00112F3	YU02-00501 - YU02-00647	P-UB-10	80 mm	120 mm	KOB-YN01V00112R900
	YN01V00112F3	YU03-00648 - YU03-00770	P-UB-10	80 mm	120 mm	KOB-YN01V00112R900
	YN01V00112F3	YU04-00801 -	P-UB-10	80 mm	120 mm	KOB-YN01V00112R900

Replacement Kits For

KOBELCO

Excavators						
APPLICATION	CYL #	SERIAL #	CODE	ROD	BORE	KIT #
MODEL SK235SRLC-1E						
BUCKET	YN01V00112F4	YU02-00501 - YU02-00647	P-UB-10	80 mm	120 mm	KOB-YN01V00112R900
	YN01V00112F4	YU03-00648 - YU03-00770	P-UB-10	80 mm	120 mm	KOB-YN01V00112R900
	YN01V00112F4	YU04-00801 -	P-UB-10	80 mm	120 mm	KOB-YN01V00112R900
	YN01V00112F5	YU04-00801 -	P-UB-10	80 mm	120 mm	KOB-YN01V00112R900
MODEL SK235SRLC-1ES						
ARM	YN01V00132F1	YU04-00801 -	P-UB-10	95 mm	135 mm	KOB-YN01V00105R900
	YN01V00132F2	YU04-00801 -	P-UB-10	95 mm	135 mm	KOB-YN01V00105R900
	YN01V00132F3	YU04-00801 -	P-UB-10	95 mm	135 mm	KOB-YN01V00105R900
	YN01V00132F4	YU04-00801 -	P-UB-10	95 mm	135 mm	KOB-YN01V00105R900
	YN01V00132F5	YU04-00801 -	P-UB-10	95 mm	135 mm	KOB-YN01V00105R900
BOOM LH	YN01V00108F1	YU04-00801 -	P-UB-10	85 mm	125 mm	KOB-YN01V00103R900
	YN01V00108F2	YU04-00801 -	P-UB-10	85 mm	125 mm	KOB-YN01V00103R900
	YN01V00108F3	YU04-00801 -	P-UB-10	85 mm	125 mm	KOB-YN01V00103R900
BOOM RH	YN01V00107F1	YU04-00801 -	P-UB-10	85 mm	125 mm	KOB-YN01V00103R900
	YN01V00107F2	YU04-00801 -	P-UB-10	85 mm	125 mm	KOB-YN01V00103R900
	YN01V00107F3	YU04-00801 -	P-UB-10	85 mm	125 mm	KOB-YN01V00103R900
BUCKET	YN01V00112F1	YU04-00801 -	P-UB-10	80 mm	120 mm	KOB-YN01V00112R900
	YN01V00112F2	YU04-00801 -	P-UB-10	80 mm	120 mm	KOB-YN01V00112R900
	YN01V00112F3	YU04-00801 -	P-UB-10	80 mm	120 mm	KOB-YN01V00112R900
	YN01V00112F4	YU04-00801 -	P-UB-10	80 mm	120 mm	KOB-YN01V00112R900
	YN01V00112F5	YU04-00801 -	P-UB-10	80 mm	120 mm	KOB-YN01V00112R900
MODEL SK235SRLC-2						
ARM	YN01V00175F1	YU05-02001 -	P-UB-10	95 mm	135 mm	KOB-YN01V00175R300
	YN01V00175F2	YU05-02001 -	P-UB-10	95 mm	135 mm	KOB-YN01V00175R300
BUCKET	YN01V00153F1	YU05-02001 -	P-UB-10	80 mm	120 mm	KOB-YN01V00153R300
	YN01V00153F2	YU05-02001 -	P-UB-10	80 mm	120 mm	KOB-YN01V00153R300
MODEL SK250 IV						
ARM	2438U1137F1	LQU0101 -	P-UB-1	105 mm		KOB-2438U953R100
	2438U1137F1	LQU0101 -	N-N-10		150 mm	KOB-2438U953R200
BOOM LH	2438U1136F1	LQU0101 -	P-UB-10	90 mm	140 mm	KOB-2438U1135R300
	2438U1136F1	LQU0101 -	P-UB-1	90 mm		KOB-2438U999R100
	2438U1136F1	LQU0101 -	N-N-10		140 mm	KOB-2438U999R200
BOOM RH	2438U1135F1	LQU0101 -	P-UB-10	90 mm	140 mm	KOB-2438U1135R300
	2438U1135F1	LQU0101 -	P-UB-1	90 mm		KOB-2438U999R100
	2438U1135F1	LQU0101 -	N-N-10		140 mm	KOB-2438U999R200
BUCKET	2438U1138F1	LQU0101 -	P-UB-1	85 mm		KOB-2438U959R100
	2438U1138F1	LQU0101 -	N-N-10		130 mm	KOB-2438U959R200
MODEL SK250LC IV						
ARM	2438U1137F1	LLU1201 -	P-UB-1	105 mm		KOB-2438U953R100
	2438U1137F1	LLU1201 -	N-N-10		150 mm	KOB-2438U953R200
	2438U1137F1	LLU1801 -	P-UB-1	105 mm		KOB-2438U953R100
	2438U1137F1	LLU1801 -	N-N-10		150 mm	KOB-2438U953R200
BOOM LH	2438U1136F1	LLU1201 -	P-UB-10	90 mm	140 mm	KOB-2438U1135R300
	2438U1136F1	LLU1201 -	P-UB-1	90 mm		KOB-2438U999R100
	2438U1136F1	LLU1201 -	N-N-10		140 mm	KOB-2438U999R200
	2438U1136F1	LLU1801 -	P-UB-10	90 mm	140 mm	KOB-2438U1135R300

Replacement Kits For

KOBELCO

Excavators						
APPLICATION	CYL #	SERIAL #	CODE	ROD	BORE	KIT #
MODEL SK250LC IV						
BOOM LH	2438U1136F1	LLU1801 -	P-UB-1	90 mm		KOB-2438U999R100
	2438U1136F1	LLU1801 -	N-N-10		140 mm	KOB-2438U999R200
BOOM RH	2438U1135F1	LLU1201 -	P-UB-10	90 mm	140 mm	KOB-2438U1135R300
	2438U1135F1	LLU1201 -	P-UB-1	90 mm		KOB-2438U999R100
	2438U1135F1	LLU1201 -	N-N-10		140 mm	KOB-2438U999R200
	2438U1135F1	LLU1801 -	P-UB-10	90 mm	140 mm	KOB-2438U1135R300
	2438U1135F1	LLU1801 -	P-UB-1	90 mm		KOB-2438U999R100
	2438U1135F1	LLU1801 -	N-N-10		140 mm	KOB-2438U999R200
BUCKET	2438U1138F1	LLU1201 -	P-UB-1	85 mm		KOB-2438U959R100
	2438U1138F1	LLU1201 -	N-N-10		130 mm	KOB-2438U959R200
	2438U1138F1	LLU1801 -	P-UB-1	85 mm		KOB-2438U959R100
	2438U1138F1	LLU1801 -	N-N-10		130 mm	KOB-2438U959R200
MODEL SK250NLC IV						
ARM	2438U1137F1	LLU5059 -	P-UB-1	105 mm		KOB-2438U953R100
	2438U1137F1	LLU5059 -	N-N-10		150 mm	KOB-2438U953R200
BOOM LH	2438U1136F1	LLU5059 -	P-UB-10	90 mm	140 mm	KOB-2438U1135R300
	2438U1136F1	LLU5059 -	P-UB-1	90 mm		KOB-2438U999R100
	2438U1136F1	LLU5059 -	N-N-10		140 mm	KOB-2438U999R200
BOOM RH	2438U1135F1	LLU5059 -	P-UB-10	90 mm	140 mm	KOB-2438U1135R300
	2438U1135F1	LLU5059 -	P-UB-1	90 mm		KOB-2438U999R100
	2438U1135F1	LLU5059 -	N-N-10		140 mm	KOB-2438U999R200
BUCKET	2438U1138F1	LLU5059 -	P-UB-1	85 mm		KOB-2438U959R100
	2438U1138F1	LLU5059 -	N-N-10		130 mm	KOB-2438U959R200
MODEL SK300 III						
ARM	2438U11071F1-F4	LCU0001 -	P-UB-10	120 mm	170 mm	KOB-2438U1171R300
	2438U11071F1-F4	LCU0001 -	P-UB-1	120 mm		KOB-2438U1171R100
	2438U11071F1-F4	LCU0001 -	N-N-10		170 mm	KOB-2438U1171R200
BOOM LH	2438U1177F1-F4	LCU0001 -	P-UB-10	100 mm	150 mm	KOB-2438U1170R300
	2438U1177F1-F4	LCU0001 -	P-UB-1	100 mm		KOB-2438U1170R100
BOOM RH	2438U1170F1-F4	LCU0001 -	P-UB-10	100 mm	150 mm	KOB-2438U1170R300
	2438U1170F1-F4	LCU0001 -	P-UB-1	100 mm		KOB-2438U1170R100
BUCKET	2438U1172F1-F5	LCU0001 -	P-UB-10	100 mm	150 mm	KOB-2438U1172R500
	2438U1172F1-F5	LCU0001 -	N-N-10		150 mm	KOB-2438U1172R200
MODEL SK300 IV						
ARM	2438U11071F1-F4	LCU0101 -	P-UB-10	120 mm	170 mm	KOB-2438U1171R300
	2438U11071F1-F4	LCU0101 -	P-UB-1	120 mm		KOB-2438U1171R100
	2438U11071F1-F4	LCU0101 -	N-N-10		170 mm	KOB-2438U1171R200
BOOM LH	2438U1177F1-F4	LCU0101 -	P-UB-10	100 mm	150 mm	KOB-2438U1170R300
	2438U1177F1-F4	LCU0101 -	P-UB-1	100 mm		KOB-2438U1170R100
BOOM RH	2438U1170F1-F4	LCU0101 -	P-UB-10	100 mm	150 mm	KOB-2438U1170R300
	2438U1170F1-F4	LCU0101 -	P-UB-1	100 mm		KOB-2438U1170R100
BUCKET	2438U1172F1-F5	LCU0101 -	P-UB-10	100 mm	150 mm	KOB-2438U1172R500
	2438U1172F1-F5	LCU0101 -	N-N-10		150 mm	KOB-2438U1172R200
MODEL SK300LC III						
ARM	2438U11071F1-F4	YCU0001 -	P-UB-10	120 mm	170 mm	KOB-2438U1171R300
	2438U11071F1-F4	YCU0001 -	P-UB-1	120 mm		KOB-2438U1171R100

Replacement Kits For

KOBELCO

Excavators						
APPLICATION	CYL #	SERIAL #	CODE	ROD	BORE	KIT #
MODEL SK300LC III						
ARM	2438U11071F1-F4	YCU0001 -	N-N-10		170 mm	KOB-2438U1171R200
BOOM LH	2438U1177F1-F4	YCU0001 -	P-UB-10	100 mm	150 mm	KOB-2438U1170R300
	2438U1177F1-F4	YCU0001 -	P-UB-1	100 mm		KOB-2438U1170R100
BOOM RH	2438U1170F1-F4	YCU0001 -	P-UB-10	100 mm	150 mm	KOB-2438U1170R300
	2438U1170F1-F4	YCU0001 -	P-UB-1	100 mm		KOB-2438U1170R100
BUCKET	2438U1172F1-F5	YCU0001 -	P-UB-10	100 mm	150 mm	KOB-2438U1172R500
	2438U1172F1-F5	YCU0001 -	N-N-10		150 mm	KOB-2438U1172R200
MODEL SK300LC IV						
ARM	2438U11071F1-F4	YCU0603, YCU0607, YCU0611 -	P-UB-10	120 mm	170 mm	KOB-2438U1171R300
	2438U11071F1-F4	YCU0603, YCU0607, YCU0611 -	P-UB-1	120 mm		KOB-2438U1171R100
	2438U11071F1-F4	YCU0603, YCU0607, YCU0611 -	N-N-10		170 mm	KOB-2438U1171R200
BOOM LH	2438U1177F1-F4	YCU0603, YCU0607, YCU0611 -	P-UB-10	100 mm	150 mm	KOB-2438U1170R300
	2438U1177F1-F4	YCU0603, YCU0607, YCU0611 -	P-UB-1	100 mm		KOB-2438U1170R100
BOOM RH	2438U1170F1-F4	YCU0603, YCU0607, YCU0611 -	P-UB-10	100 mm	150 mm	KOB-2438U1170R300
	2438U1170F1-F4	YCU0603, YCU0607, YCU0611 -	P-UB-1	100 mm		KOB-2438U1170R100
BUCKET	2438U1172F1-F5	YCU0603, YCU0607, YCU0611 -	P-UB-10	100 mm	150 mm	KOB-2438U1172R500
	2438U1172F1-F5	YCU0603, YCU0607, YCU0611 -	N-N-10		150 mm	KOB-2438U1172R200
MODEL SK330 IV						
ARM	2438U1171F1	LCU0101 -	N-N-10		170 mm	KOB-2438U1171R200
	2438U1171F2	LCU0101 -	P-UB-10	120 mm	170 mm	KOB-2438U1171R300
	2438U1171F2	LCU0101 -	P-UB-1	120 mm		KOB-2438U1171R100
	2438U1171F2	LCU0101 -	N-N-10		170 mm	KOB-2438U1171R200
	2438U1171F3	LCU0101 -	P-UB-10	120 mm	170 mm	KOB-2438U1171R300
	2438U1171F3	LCU0101 -	P-UB-1	120 mm		KOB-2438U1171R100
	2438U1171F3	LCU0101 -	N-N-10		170 mm	KOB-2438U1171R200
	2438U1171F4	LCU0101 -	P-UB-10	120 mm	170 mm	KOB-2438U1171R300
	2438U1171F4	LCU0101 -	P-UB-1	120 mm		KOB-2438U1171R100
BOOM LH	2438U1177F1	LCU0101 -	N-N-10		170 mm	KOB-2438U1171R200
	2438U1177F1	LCU0101 -	P-UB-10	100 mm	150 mm	KOB-2438U1170R300
	2438U1177F2	LCU0101 -	P-UB-10	100 mm	150 mm	KOB-2438U1170R300
	2438U1177F2	LCU0101 -	P-UB-1	100 mm		KOB-2438U1170R100
	2438U1177F3	LCU0101 -	P-UB-1	100 mm		KOB-2438U1170R100
	2438U1177F4	LCU0101 -	P-UB-10	100 mm	150 mm	KOB-2438U1170R300
BOOM RH	2438U1177F4	LCU0101 -	P-UB-1	100 mm		KOB-2438U1170R100
	2438U1170F2	LCU0101 -	P-UB-10	100 mm	150 mm	KOB-2438U1170R300
	2438U1170F2	LCU0101 -	P-UB-1	100 mm		KOB-2438U1170R100
	2438U1170F3	LCU0101 -	P-UB-10	100 mm	150 mm	KOB-2438U1170R300
	2438U1170F3	LCU0101 -	P-UB-1	100 mm		KOB-2438U1170R100
2438U1170F4	LCU0101 -	P-UB-10	100 mm	150 mm	KOB-2438U1170R300	

KOBELCO

Replacement Kits For

Excavators						
APPLICATION	CYL #	SERIAL #	CODE	ROD	BORE	KIT #
MODEL SK330 IV						
BOOM RH	2438U1170F4	LCU0101 -	P-UB-1	100 mm		KOB-2438U1170R100
BUCKET	2438U1172F3	LCU0101 -	P-UB-10	100 mm	150 mm	KOB-2438U1172R500
	2438U1172F3	LCU0101 -	P-UB-1	100 mm		KOB-2438U1170R100
MODEL SK330LC IV						
ARM	2438U1171F2	YCU0603, YCU0611 -	P-UB-10	120 mm	170 mm	KOB-2438U1171R300
	2438U1171F2	YCU0603, YCU0611 -	P-UB-1	120 mm		KOB-2438U1171R100
	2438U1171F2	YCU0603, YCU0611 -	N-N-10		170 mm	KOB-2438U1171R200
	2438U1171F3	YCU0603, YCU0611 -	P-UB-10	120 mm	170 mm	KOB-2438U1171R300
	2438U1171F3	YCU0603, YCU0611 -	P-UB-1	120 mm		KOB-2438U1171R100
	2438U1171F3	YCU0603, YCU0611 -	N-N-10		170 mm	KOB-2438U1171R200
	2438U1171F4	YCU0603, YCU0611 -	P-UB-10	120 mm	170 mm	KOB-2438U1171R300
	2438U1171F4	YCU0603, YCU0611 -	P-UB-1	120 mm		KOB-2438U1171R100
BOOM LH	2438U1177F1	YCU0603, YCU0611 -	P-UB-10	100 mm	150 mm	KOB-2438U1170R300
	2438U1177F2	YCU0603, YCU0611 -	P-UB-10	100 mm	150 mm	KOB-2438U1170R300
	2438U1177F2	YCU0603, YCU0611 -	P-UB-1	100 mm		KOB-2438U1170R100
	2438U1177F3	YCU0603, YCU0611 -	P-UB-1	100 mm		KOB-2438U1170R100
	2438U1177F4	YCU0603, YCU0611 -	P-UB-10	100 mm	150 mm	KOB-2438U1170R300
	2438U1177F4	YCU0603, YCU0611 -	P-UB-1	100 mm		KOB-2438U1170R100
BOOM RH	2438U1170F2	YCU0603, YCU0611 -	P-UB-10	100 mm	150 mm	KOB-2438U1170R300
	2438U1170F2	YCU0603, YCU0611 -	P-UB-1	100 mm		KOB-2438U1170R100
	2438U1170F3	YCU0603, YCU0611 -	P-UB-10	100 mm	150 mm	KOB-2438U1170R300
	2438U1170F3	YCU0603, YCU0611 -	P-UB-1	100 mm		KOB-2438U1170R100
	2438U1170F4	YCU0603, YCU0611 -	P-UB-10	100 mm	150 mm	KOB-2438U1170R300
	2438U1170F4	YCU0603, YCU0611 -	P-UB-1	100 mm		KOB-2438U1170R100
BUCKET	2438U1172F3	YCU0603, YCU0611 -	P-UB-10	100 mm	150 mm	KOB-2438U1172R500
	2438U1172F3	YCU0603, YCU0611 -	P-UB-1	100 mm		KOB-2438U1170R100

KOBELCO

REPLACEMENT KITS FOR KOBELCO

Kit Number	Code (Pg. xiv)	Rod X Bore Size
KOB-24038R42F1	N-N-14	120 mm Piston Kit
KOB-2438U1028R100	P-UB-1	110 mm Rod Kit
KOB-2438U1028R200	N-N-14	170 mm Piston Kit
KOB-2438U1029R100	P-UB-1	130 mm Rod Kit
KOB-2438U1029R200	N-N-14	180 mm Piston Kit
KOB-2438U1030R100	P-UB-1	120 mm Rod Kit
KOB-2438U1030R200	N-N-14	170 mm Piston Kit
KOB-2438U1094R140	N-N-10	125 mm Piston Kit
KOB-2438U1096R100	P-UB-1	60 mm Rod Kit
KOB-2438U1096R200	N-N-10	95 mm Piston Kit
KOB-2438U1097R100	P-UB-1	65 mm Rod Kit
KOB-2438U1097R200	N-N-10	95 mm Piston Kit
KOB-2438U1098R100	P-UB-1	75 mm Rod Kit
KOB-2438U1098R200	N-N-10	115 mm Piston Kit
KOB-2438U1099R100	P-UB-1	70 mm Rod Kit

Kit Number	Code (Pg. xiv)	Rod X Bore Size
KOB-2438U1102R200	N-N-10	125 mm Piston Kit
KOB-2438U1102R500	P-UB-10	85 X 125 mm
KOB-2438U1102R600	P-UB-1	85 mm Rod Kit
KOB-2438U1104R200	N-N-10	145 mm Piston Kit
KOB-2438U1104R400	P-UB-1	100 mm Rod Kit
KOB-2438U1104R500	P-UB-10	100 X 145 mm
KOB-2438U1105R200	N-N-10	120 mm Piston Kit
KOB-2438U1105R400	P-UB-1	80 mm Rod Kit
KOB-2438U1105R500	P-UB-10	80 X 120 mm
KOB-2438U1106R100	P-UB-1	85 mm Rod Kit
KOB-2438U1106R200	N-N-10	125 mm Piston Kit
KOB-2438U1106R300	P-UB-10	85 X 125 mm
KOB-2438U1108R100	P-UB-1	100 mm Rod Kit
KOB-2438U1108R200	N-N-14	145 mm Piston Kit
KOB-2438U1108R300	P-UB-14	100 X 145 mm

REPLACEMENT KITS FOR KOBELCO

KOBELCO

Kit Number	Code (Pg. xiv)	Rod X Bore Size
KOB-2438U1109R100	N-N-10	120 mm Piston Kit
KOB-2438U1109R200	P-UB-1	80 mm Rod Kit
KOB-2438U1109R300	P-UB-10	80 X 120 mm
KOB-2438U1123R200	N-N-10	100 mm Piston Kit
KOB-2438U1129R100	P-UB-1	120 mm
KOB-2438U1129R300	P-UB-10	120 X 180 mm
KOB-2438U1131R100	P-UB-1	65mm Rod Kit
KOB-2438U1131R200	N-N-10	100mm Piston Kit
KOB-2438U1131R300	P-UB-10	65 X 100 mm
KOB-2438U1132R100	P-UB-1	80 mm Rod Kit
KOB-2438U1132R200	N-N-10	120 mm Piston Kit
KOB-2438U1132R300	P-UB-10	80 X 120 mm
KOB-2438U1133R100	P-UB-1	70 mm Rod Kit
KOB-2438U1133R200	N-N-10	105 mm Piston Kit
KOB-2438U1133R300	P-UB-10	70 X 105 mm
KOB-2438U1135R300	P-UB-10	90 X 140 mm
KOB-2438U1146R300	P-UB-10	75 X 110 mm
KOB-2438U1170R100	P-UB-1	100 Rod Kit
KOB-2438U1170R300	P-UB-10	100 X 150mm
KOB-2438U1171R100	P-UB-1	120 Rod Kit
KOB-2438U1171R200	N-N-10	170 mm Piston Kit
KOB-2438U1171R300	P-UB-10	120 X 170 mm
KOB-2438U1172R200	N-N-10	150 Piston Kit
KOB-2438U1172R500	P-UB-10	100 X150 mm
KOB-2438U1173R300	P-UB-14	115 X 170 mm
KOB-2438U1174R300	P-UB-14	130 X 190 mm
KOB-2438U1323R100	P-UB-1	110 mm Rod Kit
KOB-2438U1323R110	N-N-10	160 mm Piston Kit
KOB-2438U1324R100	P-UB-1	100 mm Rod Kit
KOB-2438U1324R110	N-N-10	150 mm Piston Kit
KOB-2438U1343R120	P-U-1	130 mm Rod Kit
KOB-2438U1946R200	N-N-10	120 mm Piston Kit
KOB-2438U1946R300	P-UB-10	80 X 120 mm
KOB-2438U1948R200	N-N-10	130 mm Piston Kit
KOB-2438U1948R400	P-UB-1	90 mm Rod Kit
KOB-2438U1948R500	P-UB-10	90 X 130 mm
KOB-2438U1949R200	N-N-10	110 mm Piston Kit
KOB-2438U1949R400	P-UB-10	75 mm Rod Kit
KOB-2438U1949R500	P-UB-10	75 X 110 mm
KOB-2438U553R100	P-U-1	75 mm Rod Kit
KOB-2438U568R100	P-UB-10	90 mm Rod Kit
KOB-2438U568R110	P-UB-10	130 mm Piston Kit
KOB-2438U587R100	P-UB-1	90 mm Rod Kit
KOB-2438U587R110	N-N-10	140 mm Piston Kit
KOB-2438U588R110	P-UB-10	100 mm Rod Kit
KOB-2438U588R120	N-N-10	150 mm Piston Kit
KOB-2438U716R140	N-N-10	110 mm Piston Kit
KOB-2438U721R100	P-UB-1	70 mm Rod Kit
KOB-2438U776R100	P-UB-1	95 mm Rod Kit

Kit Number	Code (Pg. xiv)	Rod X Bore Size
KOB-2438U776R110	N-N-10	150 mm Piston Kit
KOB-2438U914R100	P-UB-1	85 mm Rod Kit
KOB-2438U914R200	N-N-10	125 mm Piston Kit
KOB-2438U915R100	P-UB-1	75 mm Rod Kit
KOB-2438U915R110	N-N-10	120 mm Piston Kit
KOB-2438U921R100	P-UB-1	95 mm Rod Kit
KOB-2438U921R110	N-N-10	145 mm Piston Kit
KOB-2438U941R100	P-UB-1	100 mm Rod Kit
KOB-2438U941R200	N-N-14	145 mm Piston Kit
KOB-2438U953R100	P-UB-1	105 mm Rod Kit
KOB-2438U953R200	N-N-10	150 mm Piston Kit
KOB-2438U959R100	P-UB-1	85 mm Rod Kit
KOB-2438U959R200	N-N-10	130 mm Piston Kit
KOB-2438U971R100	P-UB-1	70 mm Rod Kit
KOB-2438U971R200	N-N-10	105 mm Piston Kit
KOB-2438U973R100	P-UB-1	80 mm Rod Kit
KOB-2438U973R200	N-N-10	120 mm Piston Kit
KOB-2438U974R100	P-UB-10	65 mm Rod Kit
KOB-2438U974R200	N-N-10	100 mm Piston Kit
KOB-2438U985R300	N-N-14	180 mm Piston Kit
KOB-2438U989R100	P-UB-1	70 mm Rod Kit
KOB-2438U989R200	N-N-10	100 mm Piston Kit
KOB-2438U991R100	P-UB-1	75 mm Rod Kit
KOB-2438U991R200	N-N-10	115 mm Piston Kit
KOB-2438U992R100	P-UB-1	65 mm Rod Kit
KOB-2438U992R200	N-N-10	95 mm Piston Kit
KOB-2438U995R100	P-UB-1	80 mm Rod Kit
KOB-2438U995R200	N-N-14	120 mm Piston Kit
KOB-2438U996R100	P-UB-1	85 mm Rod Kit
KOB-2438U996R200	N-N-14	125 mm Piston Kit
KOB-2438U999R100	P-UB-1	90 mm Rod Kit
KOB-2438U999R200	N-N-10	140 mm Piston Kit
KOB-2445R174R200	N-N-10	180 mm
KOB-2445Z-921F1	N-N-10	100 mm Piston Kit
KOB-2445Z-922F1	P-UB-1	50 mm Rod Kit
KOB-YN01V00003R100	P-UB-1	95 mm
KOB-YN01V00052R100	P-UB-1	85 mm
KOB-LQ01V0005R300	P-UB-10	90 X 135 mm
KOB-YN01V00103R900	P-UB-10	85 X 125 mm
KOB-YN01V00105R900	P-UB-10	95 X 135 mm
KOB-YN01V00112R900	P-UB-10	80 X 120 mm
KOB-YN01V00151R300	P-UB-10	85 X 120 mm
KOB-YN01V00153R300	P-UB-10	80 X 120 mm
KOB-YN01V00068R100	P-UB-1	80 mm
KOB-YN01V00068R200	N-N-14	115 mm
KOB-YN01V00068R300	P-UB-14	80 X 115 mm
KOB-YN01V00175R300	P-UB-10	95 X 135 mm

REPLACEMENT PARTS FOR KOBELCO

NOTE: Kobelco part numbers are used as a reference only. We do not imply that these kits are original REPLACEMENT PARTS.

WIPERS

Part Number	Rod Dia.
KOB-2438U908S27	65 mm
KOB-2438U922S25	70 mm
KOB-2438U922S31	70 mm
KOB-2438U915S26	75 mm
KOB-2438U928S24	80 mm
KOB-2438U928S33	80 mm
KOB-2438U914D1S22	85 mm
KOB-2438U914S28	85 mm
KOB-2438U999S10	90 mm
KOB-2438U776S9	95 mm
KOB-2438U921S34	95 mm
KOB-2438U1324S9	100 mm
KOB-2438U588S38	100 mm
KOB-2438U953S10	105 mm
KOB-2438U1323S9	110 mm
KOB-2438U510S29	110 mm
KOB-2438U1343S28	130 mm

U-SEALS

Part Number	Rod Dia.
KOB-2438U561S11	70 mm
KOB-2438U309S35	75 mm
KOB-2418U130D34	80 mm
KOB-2438U914D1S21	85 mm
KOB-2438U959S7	85 mm
KOB-2438U999S7	90 mm
KOB-2438U720S21	95 mm
KOB-2438U776S7	95 mm
KOB-2438U1324S7	100 mm
KOB-24838U17-18	100 mm
KOB-2438U953S7	105 mm
KOB-2418U130D23	110 mm
KOB-2438U1323S7	110 mm
KOB-2438U352S10	120 mm
KOB-2418U130D29	130 mm

PISTON SEALS

Part Number	Bore Dia.
KOB-2438U995S8	120 mm
KOB-2438U980S8	125 mm
KOB-2438U982S6	145 mm
KOB-2438U984S10	170 mm
KOB-2438U985S8	180 mm

2 PIECE PISTON SEALS

Part Number	Bore Dia.
KOB-2438U504S7	100 mm
KOB-2438U807S4	105 mm
KOB-2438U695S6	120 mm
KOB-2438U1382S15	130 mm
KOB-2438U999S16	140 mm
KOB-2438U706S6	145 mm
KOB-2438U1324S15	150 mm
KOB-2438U776S15	150 mm
KOB-2438U1323S15	160 mm

BUFFER SEALS

Part Number	Rod Dia.
KOB-R45P0050D6	65 mm
KOB-R45P0050D1	70 mm
KOB-R45P0050D2	75 mm
KOB-R45P0050D9	80 mm
KOB-2438U278S25	85 mm
KOB-2438U959S6	85 mm
KOB-2438U999S6	90 mm
KOB-2438U720S19	95 mm
KOB-2438U776S6	95 mm
KOB-2438U1324S6	100 mm
KOB-R45P0050D11	100 mm
KOB-2438U953S6	105 mm
KOB-2438U1323S6	110 mm
KOB-R45P0050D12	110 mm
KOB-R45P0050D4	120 mm
KOB-R45P0050D13	130 mm

ROD BUSHING

Part Number	Rod Dia.
KOB-2438U1324S4	100 mm

REPLACEMENT PARTS FOR KOBELCO

NOTE: Kobelco part numbers are used as a reference only. We do not imply that these kits are original REPLACEMENT PARTS.

O-RINGS

Part Number	Min. Pkg Qty
KOB-2429U71S19	10
KOB-2438U1323S10	2
KOB-2438U1324S10	2
KOB-2438U776S10	2
KOB-2438U914D1S14	10
KOB-45Z91D125	5
KOB-ZD11P11000	3
KOB-ZD12G06500	5
KOB-ZD12G07500	5
KOB-ZD12G08000	5
KOB-ZD12G09000	4
KOB-ZD12G09500	4
KOB-ZD12G10000	4
KOB-ZD12G10500	3
KOB-ZD12G11000	3
KOB-ZD12G11500	3
KOB-ZD12G12000	3
KOB-ZD12G16000	2
KOB-ZD12G17000	2
KOB-ZD12P09000	3

O-RINGS

Part Number	Min. Pkg Qty
KOB-ZD12P09500	3
KOB-ZD12P11000	3
KOB-ZD12P11500	2
KOB-ZD12P12000	2
KOB-ZD12P13000	2
KOB-ZD12P13500	2
KOB-ZD12P14000	2

BACK-UP RINGS

Part Number	Min. Pkg Qty
KOB-2429U71S18	1
KOB-2438U1029S20	1
KOB-2438U1323S8	1
KOB-2438U1323S11	1
KOB-2438U1324S8	1
KOB-2438U1324S11	1
KOB-2438U738S26	1
KOB-2438U776S8	1
KOB-2438U776S11	1

BACK-UP RINGS

Part Number	Min. Pkg Qty
KOB-2438U897S13	1
KOB-2438U914S27	1
KOB-2438U915S13	1
KOB-2438U921S16	1
KOB-2438U921S33	1
KOB-2438U922S17	1
KOB-2438U953S8	1
KOB-2438U959S8	1
KOB-2438U959S12	1
KOB-2438U999S8	1
KOB-2438U999S12	1
KOB-2445R216D22	1
KOB-ZD75G07500	1
KOB-ZD75G08000	1
KOB-ZD75G09000	1
KOB-ZD75G09500	1
KOB-ZD75G10000	1
KOB-ZD75G10500	1
KOB-ZD75G11500	1
KOB-ZD85P11000	1

KOEHRING

Kit Number	Code (Pg. xiv)	Rod X Bore Size
KR-203088	O-RING KIT	
KR-204650	P-U-10	3-1/4 X 4-3/4
KR-207889	I-U-10	5-1/2 X 11
KR-24589	I-U-10	3-1/2 X 6-1/2
KR-28054	P-U-10	2-1/2 X 4
KR-29760	I-U-10	2-1/2 X 4
KR-603E2503	I-U-12	1-3/4 X 3-1/2
KR-6620BC	P-U-14	80 X 120 mm
KR-7004208	P-U-9	2 X 4
KR-8030236	P-U-10	1 X 2-3/4
KR-8032707	I-U-10	2 X 5
KR-8032718	I-U-10	3 X 5-1/2
KR-8032957	O-RING KIT	
KR-8033253	I-U-10	1-1/8 X 2-1/4
KR-8033489	I-U-13	1-1/2 X 2-1/4
KR-8205601	I-V-1	3-1/2" ROD

Kit Number	Code (Pg. xiv)	Rod X Bore Size
KR-8205602	P-V-9	3 X 4
KR-8205603	I-V-9	2 X 4
KR-8205604	I-V-9	1-1/2 X 4
KR-8205629	P-OB-10	7/8 X 2-1/4
KR-8205635	I-U-9	2 X 4
KR-8205639	I-U-5	2-1/2 X 6
KR-8205640	I-U-5	1-3/4 X 4-1/4
KR-8205641	I-U-5	2 X 5
KR-8205642	I-U-9	3 X 4
KR-8205642-1	I-U-10	3 X 4-1/2
KR-8205643	I-U-5	1-1/2 X 3
KR-8205646	I-U-10	3 X 4-1/2
KR-8205648	I-U-10	1-1/4 X 2-1/2
KR-8205668	P-U-10	3 X 5-1/2
KR-A24589	I-U-10	3-1/2 X 6-1/2

REPLACEMENT SEAL KITS FOR KOMATSU EQUIPMENT*

Replacement Seal Kits By Machine Type

Table of Contents

Machine Type	Page
Backhoe Loaders	680 - 686
WB140-2, WB140-2N, WB140PS-2, WB140PS-2N, WB146-5, WB146PS-5, WB150-2, WB150-2N, WB150AWS-2, WB150AWS-2N, WB150PS-2, WB150PS-2N	
Crawler Dozers	686 - 709
D20A-5, D20A-6, D20A-7, D21A-7, D20P-5, D20P-5A, D20P-6, D20P-6A, D20P-7A, D21P-7A, D20PL-5, D20PL-6, D20Q-5, D20Q-6, D20S-6, D20S-5, D21A-5, D21A-6, D21A-8, D21P-8, D21E-6, D21P-5, D21P-5A, D21P-6, D21P-6A, D21P-6B, D21PL-5, D21Q-5, D21Q-6, D21S-5, D21S-6, D31A-17, D31E-18, D31E-20, D31EX-21, D31PX-21, D31EX-21A, D31PX-21A, D31P-17, D31P-17A, D31P-17B, D31P-18, D31PL-18, D31PLL-18, D31P-18A, D31P-20, D31PL-17, D31PLL-17, D31Q-17, D31Q-18, D31Q-20, D31S-17, D31S-18, D31S-20, D37E-1, D37P-1, D37E-2, D37P-2, D37E-5, D37P-5, D37EX-21, D37PX-21, D37EX-21A, D37PX-21A, D39EX-21, D39PX-21, D39EX-21A, D39PX-21A, D40A-1, D40P-1, D40A-3, D40F-3, D40P-3, D40PL-3, D40PL-3, D40PL-1, D41A-3, D41A-6, D41E-3, D41E-6, D41P-6, D41P-3, D41Q-3, D41S-3, D45A-1, D45E-1, D45P-1, D45S-1, D50-17, D50A-16, D50A-17, D50P-16, D50P-17, D50PL-17, D50S-16, D53-17, D53A-16, D53A-17, D53P-16, D53P-17, D53S-16, D53S-17, D57S-1, D57S-1B, D58E-1, D58E-1B, D58P-1, D60A-7, D60E-7, D60A-8, D60A-8, D65A-8, D60E-8, D60P-7, D60PL-7, D60P-8, D60PL-8, D60S-7, D60S-8, D61EX-12, D61PX-12, D61EX-15, D61PX-15, D63E-1, D65A-6, D65A-7, D65E-7, D65A-8, D65E-8, D65E-12, D65EX-12, D65EX-15, D65P-6, D65P-7, D65P-8, D65P-12, D65PX-12, D65PX-15, D65S-7, D65S-8, D66S-1, D68E-1, D68P-1, D75A-1, D75S-3, D75S-5, D80A-18, D80E-18, D83E-1, D83P-1, D85A-18, D85A-21, D85A-21, D85E-21, D85E-18, D85E-21, D85E-SS-2A, D85P-21, D95S-2, D135A-1, D135A-2, D155A-1, D155A-2, D155A-3, D155AX-3, D155AX-5, D155AX-6, D275A-2, D275A-5, D355A-3, D355A-5, D375A-1, D375A-2, D375A-3, D475A-1, D475A-2, D475A-3, D475A-3 SD, WA180-3	
Excavators	709 - 741
PC05-5, PC05-6, PC10-5, PC10-6, PC10-7, PC12R-8, PC12UU-1, PC15-1, PC15-2, PC15-3, PC15R-8, PC20-5, PC20-6, PC20-7, PC20MRX-1, PC20R-8, PC25-1, PC25R-8, PC27MR-2, PC27MRX-1, PC27R-8, PC28UU-1, PC30-5, PC30-6, PC30-7, PC30MRX-1, PC35MR-2, PC35MRX-1A, PC35R-8, PC38UU-1, PC40-5, PC40-6, PC40-7, PC40MR-1, PC40MRX-1, PC40MR-2, PC40R-8, PC45-1, PC45MR-3, PC45MRX-1, PC45R-8, PC50MR-2, PC50UU-1, PC50UU-2, PC60-5, PC60-6, PC60-7, PC60L-5, PC60L-6, PC60U-5, PC75UU-1, PC75UU-2, PC75UU-3, PC78MR-6, PC78US-5, PC78US-6, PC80-3, PC80LC-3, PC90-1, PC95R-2, PC100-1, PC100-2, PC100-3, PC100-5, PC100-6, PC100L-3, PC100L-5, PC100U-3, PC120-3, PC120-5, PC120-6, PC128US-2, PC128UU, PC128UU-2, PC130-6, PC130-7K, PC138USLC-2, PC150-1, PC150-3, PC150-5, PC150-6K, PC150LC-6K, PC150LC-3, PC160-6K, PC160LC-7, PC160LC-7-E0, PC160LC-7K, PC180LC-6K, PC180LC-7K, PC180NLC-6K, PC180NLC-7K, PC200-1, PC200-2, PC200-3, PC200LC-3, PC200-5, PC200LC-5, PC200-6, PC200-6S, PC200LC-6S, PC200-7, PC200LC-7, PC200LC-6, PC200LC-6LE, PC200LC-7L, PC200LC-7-US, PC210-3, PC210LC-3, PC210-6, PC210-6K, PC210-7K, PC210LC-6, PC210LC-6K, PC210LC-7K, PC210NLC-7K, PC220, PC220LC, PC220-2, PC220LC-2, PC220-3, PC220LC-3, PC220-5, PC220LC-5, PC220-6, PC220LC-6, PC220LC-6LC, PC220LC-6LE, PC220LC-7, PC220LC-7L, PC228USLC-1, PC228USLC-2, PC228USLC-3, PC228USLC-3E0, PC228USLC-3S, PC230-6, PC240-6K, PC240LC-6K, PC240LC-7K, PC240NLC-6K, PC240NLC-7K, PC250LC-6, PC270-8, PC270LC-7L, PC270LC-8, PC270LL-7L, PC280LC-3, PC290LC-6K, PC290LC-7K, PC290NLC-6K, PC290NLC-7K, PC300-3, PC300LC-3, PC300-5, PC300LC-5, PC300-6, PC300-7, PC300HD-7E0, PC300HD-7L, PC300LC-7, PC300LC-7E0, PC300LC-7L, PC300LL-7E0, PC300LL-7L, PC308USLC-3, PC308USLC-3E0-W1, PC340-6K, PC340LC-6K, PC340LC-7K, PC340NLC-6K, PC340NLC-7K, PC350-6, PC360LC-3, PC400-3, PC400LC-3, PC400-5 L/S, PC400-5, PC400LC-5, PC400-6, PC400-7, PC400LC-7, PC400-7E0, PC400LC-7E0, PC400LC-7L, PC450-6, PC450-6K, PC450-7K, PC450LC-6K, PC450LC-7K, PC600-6, PC600LC-6, PC600LC-6A, PC600LC-6K, PC600LC-7, PC600LC-8, PC650-1, PC650-3, PC650-5, PC710-5, PC750-6, PC750SE-6, PC800-6, PC800-7, PC800SE-6, PC1000-1, PC1000SE-1, PC1000SP-1	
Excavators - Wheel	741 - 743
PW05-1, PW20-1, PW30-1, PW60-N-1, PW60-3, PW100-1, PW100-3, PW100N-3, PW150-1, PW210-1	
Loaders - Skid Steer	743
SK815-5, SK815-5N, SK1020-5, SK1020-5N, SK1020-5NA	
Loaders - Wheel	743 - 753
WA20-1, WA30-1, WA30-2, WA40-1, WA50-3, WA65-3, WA65-5, WA70-1, WA100-1, WA120-1, WA120-3, WA150-1, WA180-1, WA180-3, WA200-1, WA200-5L, WA200L-5, WA250-1, WA250-3, WA250-5, WA250-5L, WA250L-5, WA250PT-5L, WA250PTL-5, WA300-1, WA320-1, WA320-3, WA320-3L, WA320-5L, WA350-1, WA380-1, WA380-3, WA380-5L, WA400-1, WA420-1, WA420-3, WA430-6, WA450-1, WA450-2, WA450-3, WA450-5L, WA450-6, WA470-1, WA470-3, WA470-5, WA500-1, WA500-3LE, WA500-6, WA600-1, WA600-3, WA600-3L, WA600-6, WA700-1, WA700-3, WA800-1, WA800-2, WA800-3, WA900-1, WA900-3	
Motor Graders	754 - 758
GD200A-1, GD300A-1, GD313A-1, GD405A-1, GD461A-1, GD500R-2, GD505A-2, GD505R-2, GD510R-1, GD511A-1, GD513A-1, GD513R-1, GD515A-1, GD521A-1, GD521R-1, GD523A-1, GD523R-1, GD525A-1, GD600R-3, GD605A-3, GD611A-1, GD611R-1, GD613A-1, GD613R-1, GD615A-1, GD621A-1, GD621R-1, GD623A-1, GD623R-1, GD663A-1, GD663A-1, GD625A-1, GD663A-1, GD705A-3, GD705A-4, GD725A-1, GD825A-1, GD825A-2	
Off-Highway Trucks	758
830, 930, HD205-3, HD325-3, HD325-5, HD465-3, HD785-3, HD785-5, HD985-3, HD1200M-1	
Wheel Dozers	758 - 759
WD600-3	
Alpha-Numeric Kit Listing	760 - 767
Komatsu Lift Trucks	768
Komatsu Individual Parts	769 - 774

Replacement Kits For

KOMATSU

Backhoe Loaders							
APPLICATION	CYL #	SERIAL #	Misc	CODE	ROD	BORE	KIT #
MODEL WB140-2							
B/H ARM	395002005	140F10001-		P-UB-14	60 mm	110 mm	KOM-878000490
B/H BOOM	395001007	140F10001- 140F10943		P-UB-14	60 mm	120 mm	KOM-878000489
	395001009	140F11531-		P-UB-14	60 mm	120 mm	KOM-878000489
B/H BOOM SWING LH	395005010	140F10001- 140F11408		P-UB-14	50 mm	115 mm	KOM-878000542
	395005018	140F11409-		P-UB-14	50 mm	115 mm	KOM-878000542
	707-02-11510	30026-		P-U-14	50 mm	115 mm	KOM-707-98-33500
	707-02-11510	30026-		Bushing	50 mm		KOM-07177-05030
B/H BOOM SWING RH	395005009	140F10001- 140F11408		P-UB-14	50 mm	115 mm	KOM-878000542
	395005017	140F11409-		P-UB-14	50 mm	115 mm	KOM-878000542
	707-02-11520	30026-		P-U-14	50 mm	115 mm	KOM-707-98-33500
	707-02-11520	30026-		Bushing	50 mm		KOM-07177-05030
B/H BUCKET	395003003	140F10001- 140F11530		P-UB-14	60 mm	95 mm	KOM-878000492
	395003005	140F11531-		P-UB-14	60 mm	95 mm	KOM-878000492
B/H OUTRIGGER LH	395011005	140F10001- 140F10792		P-UB-14	55 mm	110 mm	KOM-878000494
	395011008	140F10793-		P-UB-14	55 mm	110 mm	KOM-878000494
B/H OUTRIGGER RH	395011006	140F10001- 140F10792		P-UB-14	55 mm	110 mm	KOM-878000494
	395011007	140F10793-		P-UB-14	55 mm	110 mm	KOM-878000494
	395009001	140F10001- 140F11530		P-UB-10	40 mm	70 mm	KOM-878000388
B/H TELESCOPIC ARM	395009006	140F11531-		P-UB-10	40 mm	70 mm	KOM-878000388
	395012014	140F10001-		P-UB-14	50 mm	85 mm	KOM-878000486
L/S BOOM	707-00-80C10	30026-		P-U-14	50 mm	80 mm	KOM-707-98-25090
	707-00-80C10	30026-		Bushing	50 mm		KOM-07177-05030
	395013017	140F10001- 140F11450		P-UB-14	50 mm	80 mm	KOM-878000487
L/S BUCKET	707-00-85080	30026-		P-U-14	50 mm	85 mm	KOM-707-98-25830
	707-00-85080	30026-		Bushing	50 mm		KOM-07177-05030
L/S BUCKET LH	395013017	140F11451-		P-UB-14	50 mm	80 mm	KOM-878000487
L/S BUCKET MP	312230674	140F10001-		I-U-15	40 mm	80 mm	KOM-827020113
L/S BUCKET QC	200060282	140F10001-		I-SP-10	18 mm	30 mm	KOM-42N-879-1980
L/S BUCKET RH	395013019	140F11451-		P-UB-14	50 mm	80 mm	KOM-878000487
OUTRIGGER LH	721-00-11540	30026-		P-U-14	55 mm	110 mm	KOM-707-98-34460
	721-00-11540	30026-		Bushing	55 mm		KOM-07177-05530
OUTRIGGER RH	721-00-11550	30026-		P-U-14	55 mm	110 mm	KOM-707-98-34460
	721-00-11550	30026-		Bushing	55 mm		KOM-07177-05530
MODEL WB140-2N							
B/H ARM	2938-856-730	A20814-		P-UB-14	60 mm	110 mm	KOM-878000490
	395002005	A20001-A20813		P-UB-14	60 mm	110 mm	KOM-878000490
B/H BOOM	395001007	A20637-		P-UB-14	60 mm	120 mm	KOM-878000489
	395001009	A20001-A20636		P-UB-14	60 mm	120 mm	KOM-878000489
B/H BOOM SWING LH	395005018	A20001-A20636		P-UB-14	50 mm	115 mm	KOM-878000542
	395005022	A20637-		P-UB-14	50 mm	115 mm	KOM-878000542

LT - Large size tire L/S - Loading Shovel SLF - Super Long Front B/H - Backhoe HD - Heavy Duty L BUCKET - Large Bucket
K-LINK - K-type Linkage Blade LB HI-LIFT - High Lift Arm w Large Bucket HI-LIFT - High Lift Arm S HI-LIFT - Super High Lift Arm

Replacement Kits For

KOMATSU

KOMATSU

Backhoe Loaders							
APPLICATION	CYL #	SERIAL #	Misc	CODE	ROD	BORE	KIT #
MODEL WB140-2N							
B/H BOOM SWING RH	395005017	A20001-A20636		P-UB-14	50 mm	115 mm	KOM-878000542
	395005021	A20637-		P-UB-14	50 mm	115 mm	KOM-878000542
B/H BUCKET	395003005	A20001-		P-UB-14	60 mm	95 mm	KOM-878000492
B/H OUTRIGGER	395011007	A20637-		P-UB-14	55 mm	110 mm	KOM-878000494
B/H OUTRIGGER LH	395011008	A20001-A20636		P-UB-14	55 mm	110 mm	KOM-878000494
B/H OUTRIGGER RH	395011007	A20001-A20636		P-UB-14	55 mm	110 mm	KOM-878000494
B/H TELESCOPIC ARM	395009005	A20637-		P-UB-10	40 mm	70 mm	KOM-878000388
	395009006	A20001-A20636		P-UB-10	40 mm	70 mm	KOM-878000388
L/S BOOM	2938-62-1290	A20814-		P-UB-14	50 mm	85 mm	KOM-878000486
	395012014	A20001-A20813		P-UB-14	50 mm	85 mm	KOM-878000486
L/S BUCKET	395013017	A20001-A20636		P-UB-14	50 mm	80 mm	KOM-878000487
L/S BUCKET LH	395013017	A20637-A20813		P-UB-14	50 mm	80 mm	KOM-878000487
L/S BUCKET MP	312230674	A20001-		I-U-15	40 mm	80 mm	KOM-827020113
L/S BUCKET QC	200060282	A20001-A20636		I-SP-10	18 mm	30 mm	KOM-42N-879-1980
L/S BUCKET RH	395013019	A20637-A20813		P-UB-14	50 mm	80 mm	KOM-878000487
	395013022	A20814-		P-UB-14	50 mm	80 mm	KOM-878000487
MODEL WB140PS-2							
B/H ARM	395002005	140F50001-		P-UB-14	60 mm	110 mm	KOM-878000490
B/H BOOM	395001007	140F50001- 140F50091		P-UB-14	60 mm	120 mm	KOM-878000489
	395001009	140F50092-		P-UB-14	60 mm	120 mm	KOM-878000489
B/H BOOM SWING LH	395005010	140F50001-		P-UB-14	50 mm	115 mm	KOM-878000542
	395005018	140F50092-		P-UB-14	50 mm	115 mm	KOM-878000542
B/H BOOM SWING RH	395005009	140F50001-		P-UB-14	50 mm	115 mm	KOM-878000542
	395005017	140F50092-		P-UB-14	50 mm	115 mm	KOM-878000542
B/H BUCKET	395003003	140F50001- 140F50091		P-UB-14	60 mm	95 mm	KOM-878000492
	395003005	140F50092-		P-UB-14	60 mm	95 mm	KOM-878000492
B/H OUTRIGGER LH	395011008	140F50001-		P-UB-14	55 mm	110 mm	KOM-878000494
B/H OUTRIGGER RH	395011007	140F50001-		P-UB-14	55 mm	110 mm	KOM-878000494
B/H TELESCOPIC ARM	395009001	140F50001- 140F50091		P-UB-10	40 mm	70 mm	KOM-878000388
	395009006	140F50092-		P-UB-10	40 mm	70 mm	KOM-878000388
L/S BOOM	395012014	140F50001-		P-UB-14	50 mm	85 mm	KOM-878000486
L/S BUCKET	395013017	140F5001- 140F50091		P-UB-14	50 mm	80 mm	KOM-878000487
L/S BUCKET LH	395013017	140F50092-		P-UB-14	50 mm	80 mm	KOM-878000487
L/S BUCKET MP	312230674	140F50001-		I-U-15	40 mm	80 mm	KOM-827020113
L/S BUCKET QC	200060282	140F50001-		I-SP-10	18 mm	30 mm	KOM-42N-879-1980
L/S BUCKET RH	395013019	140F50092-		P-UB-14	50 mm	80 mm	KOM-878000487
MODEL WB140PS-2N							
B/H ARM	2938-856-730	A40043-		P-UB-14	60 mm	110 mm	KOM-878000490
	395002005	A40034-A40042		P-UB-14	60 mm	110 mm	KOM-878000490
	395002006	A40001-A40033		P-UB-14	60 mm	115 mm	KOM-878000491
B/H BOOM	395001007	A40034-		P-UB-14	60 mm	120 mm	KOM-878000489
	395001010	A40001-A40033		P-UB-14	60 mm	125 mm	KOM-878000541

LT - Large size tire L/S - Loading Shovel SLF - Super Long Front B/H - Backhoe HD - Heavy Duty L BUCKET - Large Bucket
 K-LINK - K-type Linkage Blade LB HI-LIFT - High Lift Arm w Large Bucket HI-LIFT - High Lift Arm S HI-LIFT - Super High Lift Arm

Replacement Kits For

KOMATSU

Backhoe Loaders							
APPLICATION	CYL #	SERIAL #	Misc	CODE	ROD	BORE	KIT #
MODEL WB140PS-2N							
B/H BOOM SWING LH	395005018	A40001-A40033		P-UB-14	50 mm	115 mm	KOM-878000542
	395005022	A40034-		P-UB-14	50 mm	115 mm	KOM-878000542
B/H BOOM SWING RH	395005017	A40001-A40033		P-UB-14	50 mm	115 mm	KOM-878000542
	395005021	A40034-		P-UB-14	50 mm	115 mm	KOM-878000542
B/H BUCKET	395003005	A40001-		P-UB-14	60 mm	95 mm	KOM-878000492
B/H OUTRIGGER	395011007	A40034-		P-UB-14	55 mm	110 mm	KOM-878000494
	395011008	A40001-A40033		P-UB-14	55 mm	110 mm	KOM-878000494
B/H TELESCOPIC ARM	395009005	A40034-		P-UB-10	40 mm	70 mm	KOM-878000388
	395009006	A40001-A40033		P-UB-10	40 mm	70 mm	KOM-878000388
L/S BOOM	2938-62-1290	A40043-		P-UB-14	50 mm	85 mm	KOM-878000486
	395012014	A40001-A40042		P-UB-14	50 mm	85 mm	KOM-878000486
L/S BUCKET LH	395013017	A40001-		P-UB-14	50 mm	80 mm	KOM-878000487
L/S BUCKET MP	312230674	A40001-		I-U-15	40 mm	80 mm	KOM-827020113
L/S BUCKET QC	200060282	A40001-A40033		I-SP-10	18 mm	30 mm	KOM-42N-879-1980
L/S BUCKET RH	395013019	A40001-A40042		P-UB-14	50 mm	80 mm	KOM-878000487
	395013022	A40043-		P-UB-14	50 mm	80 mm	KOM-878000487
MODEL WB146-5							
B/H ARM	707-00-0Y873	A23001-		P-UB-14	60 mm	115 mm	KOM-707-99-35590
B/H BOOM	707-00-0Y942	A23001-		P-UB-14	60 mm	120 mm	KOM-707-99-41270
B/H BUCKET	707-00-0Y902	A23001-		P-UB-14	55 mm	90 mm	KOM-707-99-26530
B/H OUTRIGGER LH	707-00-0Y830	A23001-		P-UB-14	50 mm	100 mm	KOM-707-99-32190
B/H OUTRIGGER RH	707-00-0Y840	A23001-		P-UB-14	50 mm	100 mm	KOM-707-99-32190
B/H SWING	707-02-07731	A23001-		P-UB-14	50 mm	100 mm	KOM-707-99-32070
B/H TELESCOPIC ARM	42N-6C-13301	A23001-		P-UB-10	40 mm	70 mm	KOM-42N-6C-13330
L/S BOOM	42N-6C-A1500	A23001-		P-UB-14	50 mm	90 mm	KOM-2938-6C-1290
L/S BUCKET LH	42N-6C-A1700	A23001-		P-UB-14	45 mm	70 mm	KOM-2938-6C-1480
L/S BUCKET MP	42N-6C-12800	A23001-		P-UB-14	40 mm	70 mm	KOM-42N-6C-13340
L/S BUCKET RH	42N-6C-A1800	A23001-		P-UB-14	45 mm	70 mm	KOM-2938-6C-1480
MODEL WB146PS-5							
B/H ARM	707-00-0Y873	A43001-		P-UB-14	60 mm	115 mm	KOM-707-99-35590
B/H BOOM	707-00-0Y942	A43001-		P-UB-14	60 mm	120 mm	KOM-707-99-41270
B/H BUCKET	707-00-0Y902	A43001-		P-UB-14	55 mm	90 mm	KOM-707-99-26530
B/H OUTRIGGER LH	707-00-0Y830	A43001-		P-UB-14	50 mm	100 mm	KOM-707-99-32190
B/H OUTRIGGER RH	707-00-0Y840	A43001-		P-UB-14	50 mm	100 mm	KOM-707-99-32190
B/H SWING	707-02-07731	A43001-		P-UB-14	50 mm	100 mm	KOM-707-99-32070
B/H TELESCOPIC ARM	42N-6C-13301	A43001-		P-UB-10	40 mm	70 mm	KOM-42N-6C-13330
L/S BOOM	42N-6C-A1500	A43001-		P-UB-14	50 mm	90 mm	KOM-2938-6C-1290
L/S BUCKET LH	42N-6C-A1700	A43001-		P-UB-14	45 mm	70 mm	KOM-2938-6C-1480
L/S BUCKET MP	42N-6C-12800	A43001-		P-UB-14	40 mm	70 mm	KOM-42N-6C-13340
L/S BUCKET RH	42N-6C-A1800	A43001-		P-UB-14	45 mm	70 mm	KOM-2938-6C-1480
MODEL WB150-2							
B/H ARM	395002006	150F10001-		P-UB-14	60 mm	115 mm	KOM-878000491
B/H BOOM	395001008	150F10001- 150F10164		P-UB-14	60 mm	125 mm	KOM-878000541

LT - Large size tire L/S - Loading Shovel SLF - Super Long Front B/H - Backhoe HD - Heavy Duty L BUCKET - Large Bucket
K-LINK - K-type Linkage Blade LB HI-LIFT - High Lift Arm w Large Bucket HI-LIFT - High Lift Arm S HI-LIFT - Super High Lift Arm

Replacement Kits For

KOMATSU

KOMATSU

Backhoe Loaders							
APPLICATION	CYL #	SERIAL #	Misc	CODE	ROD	BORE	KIT #
MODEL WB150-2							
B/H BOOM	395001010	150F10165-		P-UB-14	60 mm	125 mm	KOM-878000541
B/H BUCKET	395003003	150F10001-		P-UB-14	60 mm	95 mm	KOM-878000492
	395003005	150F10293-		P-UB-14	60 mm	95 mm	KOM-878000492
B/H OUTRIGGER LH	395011005	150F10001- 150F10124		P-UB-14	55 mm	110 mm	KOM-878000494
	395011008	150F10125-		P-UB-14	55 mm	110 mm	KOM-878000494
B/H OUTRIGGER RH	395011006	150F10001- 150F10124		P-UB-14	55 mm	110 mm	KOM-878000494
	395011007	150F10125-		P-UB-14	55 mm	110 mm	KOM-878000494
B/H SWING LH	395005010	150F10001- 150F10277		P-UB-14	50 mm	115 mm	KOM-878000542
	395005018	150F10278-		P-UB-14	50 mm	115 mm	KOM-878000542
B/H SWING RH	395005009	150F10001- 150F10277		P-UB-14	50 mm	115 mm	KOM-878000542
	395005017	150F10278-		P-UB-14	50 mm	115 mm	KOM-878000542
B/H TELESCOPIC ARM	395009001	150F10001-		P-UB-10	40 mm	70 mm	KOM-878000388
	395009006	150F10293-		P-UB-10	40 mm	70 mm	KOM-878000388
L/S BOOM	395012014	150F10001-		P-UB-14	50 mm	85 mm	KOM-878000486
L/S BUCKET	395013017	150F10001-		P-UB-14	50 mm	80 mm	KOM-878000487
L/S BUCKET LH	395013017	150F10293-		P-UB-14	50 mm	80 mm	KOM-878000487
L/S BUCKET MP	312230674	150F10001-		I-U-15	40 mm	80 mm	KOM-827020113
L/S BUCKET QC	200060282	150F10001-		I-SP-10	18 mm	30 mm	KOM-42N-879-1980
L/S BUCKET RH	395013019	150F10293-		P-UB-14	50 mm	80 mm	KOM-878000487
MODEL WB150-2N							
B/H ARM	2938-856-730	A60049-		P-UB-14	60 mm	110 mm	KOM-878000490
	395002005	A60029-A60048		P-UB-14	60 mm	110 mm	KOM-878000490
	395002006	A60001-A60028		P-UB-14	60 mm	115 mm	KOM-878000491
B/H BOOM	395001007	A60029-		P-UB-14	60 mm	120 mm	KOM-878000489
	395001010	A60001-A60028		P-UB-14	60 mm	125 mm	KOM-878000541
B/H BUCKET	395003005	A60001-		P-UB-14	60 mm	95 mm	KOM-878000492
B/H OUTRIGGER	395011007	A60029-		P-UB-14	55 mm	110 mm	KOM-878000494
B/H OUTRIGGER LH	395011008	A60001-A60028		P-UB-14	55 mm	110 mm	KOM-878000494
B/H OUTRIGGER RH	395011007	A60001-A60028		P-UB-14	55 mm	110 mm	KOM-878000494
B/H SWING LH	395005018	A60001-A60028		P-UB-14	50 mm	115 mm	KOM-878000542
	395005022	A60029-		P-UB-14	50 mm	115 mm	KOM-878000542
B/H SWING RH	395005017	A60001-A60028		P-UB-14	50 mm	115 mm	KOM-878000542
	395005021	A60029-		P-UB-14	50 mm	115 mm	KOM-878000542
B/H TELESCOPIC ARM	395009005	A60029-		P-UB-10	40 mm	70 mm	KOM-878000388
	395009006	A60001-A60028		P-UB-10	40 mm	70 mm	KOM-878000388
L/S BOOM	2938-62-1290	A60049-		P-UB-14	50 mm	85 mm	KOM-878000486
	395012014	A60001-A60048		P-UB-14	50 mm	85 mm	KOM-878000486
L/S BUCKET LH	395013017	A60001-		P-UB-14	50 mm	80 mm	KOM-878000487
L/S BUCKET MP	312230674	A60001-		I-U-15	40 mm	80 mm	KOM-827020113
L/S BUCKET QC	200060282	A60001-A60028		I-SP-10	18 mm	30 mm	KOM-42N-879-1980
L/S BUCKET RH	395013019	A60001-A60048		P-UB-14	50 mm	80 mm	KOM-878000487

LT - Large size tire L/S - Loading Shovel SLF - Super Long Front B/H - Backhoe HD - Heavy Duty L BUCKET - Large Bucket
K-LINK - K-type Linkage Blade LB HI-LIFT - High Lift Arm w Large Bucket HI-LIFT - High Lift Arm S HI-LIFT - Super High Lift Arm

Replacement Kits For

KOMATSU

Backhoe Loaders							
APPLICATION	CYL #	SERIAL #	Misc	CODE	ROD	BORE	KIT #
MODEL WB150-2N							
L/S BUCKET RH	395013022	A60049-		P-UB-14	50 mm	80 mm	KOM-878000487
MODEL WB150AWS-2							
B/H ARM	395002006	150F80001-		P-UB-14	60 mm	115 mm	KOM-878000491
B/H BOOM	395001010	150F80001-		P-UB-14	60 mm	125 mm	KOM-878000541
B/H BUCKET	395003005	150F80001-		P-UB-14	60 mm	95 mm	KOM-878000492
B/H OUTRIGGER LH	395011008	150F80001-		P-UB-14	55 mm	110 mm	KOM-878000494
B/H OUTRIGGER RH	395011007	150F80001-		P-UB-14	55 mm	110 mm	KOM-878000494
B/H SWING LH	395005018	150F80001-		P-UB-14	50 mm	115 mm	KOM-878000542
B/H SWING RH	395005017	150F80001-		P-UB-14	50 mm	115 mm	KOM-878000542
B/H TELESCOPIC ARM	395009006	150F80001-		P-UB-10	40 mm	70 mm	KOM-878000388
L/S BOOM	395012014	150F80001-		P-UB-14	50 mm	85 mm	KOM-878000486
L/S BUCKET LH	395013017	150F80001-		P-UB-14	50 mm	80 mm	KOM-878000487
L/S BUCKET MP	312230674	150F80001-		I-U-15	40 mm	80 mm	KOM-827020113
L/S BUCKET QC	200060282	150F80001-		I-SP-10	18 mm	30 mm	KOM-42N-879-1980
L/S BUCKET RH	395013019	150F80001-		P-UB-14	50 mm	80 mm	KOM-878000487
MODEL WB150AWS-2N							
B/H ARM	2938-856-730	A90002-		P-UB-14	60 mm	110 mm	KOM-878000490
	2938-856-740	A90002-		P-UB-14	60 mm	115 mm	KOM-878000491
	395002005	A90002-		P-UB-14	60 mm	110 mm	KOM-878000490
	395002006	A90001		P-UB-14	60 mm	115 mm	KOM-878000491
B/H ARM OFFSET	395006003	A90020-A90025		P-UB-14	60 mm	110 mm	KOM-878000490
B/H BOOM	395001007	A90002-		P-UB-14	60 mm	120 mm	KOM-878000489
	395001010	A90001		P-UB-14	60 mm	125 mm	KOM-878000541
B/H BOOM (Long Arm)	395001008	A90002-A90019		P-UB-14	60 mm	125 mm	KOM-878000541
B/H BOOM (Offset Arm)	395001009	A90020-A90025		P-UB-14	60 mm	120 mm	KOM-878000489
B/H BUCKET	395003005	A90001-		P-UB-14	60 mm	95 mm	KOM-878000492
B/H OFFSET ARM	200063140	A90020-A90025		I-SP-15	45 mm	85 mm	KOM-855660112
B/H OUTRIGGER	395011007	A90002-		P-UB-14	55 mm	110 mm	KOM-878000494
B/H OUTRIGGER LH	395011008	A90001-		P-UB-14	55 mm	110 mm	KOM-878000494
B/H OUTRIGGER RH	395011007	A90001-		P-UB-14	55 mm	110 mm	KOM-878000494
B/H SWING LH	395005018	A90001		P-UB-14	50 mm	115 mm	KOM-878000542
	395005022	A90002-		P-UB-14	50 mm	115 mm	KOM-878000542
B/H SWING RH	395005017	A90001		P-UB-14	50 mm	115 mm	KOM-878000542
	395005021	A90002-		P-UB-14	50 mm	115 mm	KOM-878000542
B/H TELESCOPIC ARM	395009005	A90002-		P-UB-10	40 mm	70 mm	KOM-878000388
	395009006	A90001-		P-UB-10	40 mm	70 mm	KOM-878000388
L/S BOOM	2938-62-1290	A90009-		P-UB-14	50 mm	85 mm	KOM-878000486
	395012014	A90001-, A90002-A90008		P-UB-14	50 mm	85 mm	KOM-878000486
L/S BUCKET LH	395013017	A90001-		P-UB-14	50 mm	80 mm	KOM-878000487
L/S BUCKET MP	312230674	A90001-		I-U-15	40 mm	80 mm	KOM-827020113
L/S BUCKET RH	395013019	A90001-A90008		P-UB-14	50 mm	80 mm	KOM-878000487
	395013022	A90009-		P-UB-14	50 mm	80 mm	KOM-878000487

LT - Large size tire L/S - Loading Shovel SLF - Super Long Front B/H - Backhoe HD - Heavy Duty L BUCKET - Large Bucket
K-LINK - K-type Linkage Blade LB HI-LIFT - High Lift Arm w Large Bucket HI-LIFT - High Lift Arm S HI-LIFT - Super High Lift Arm

KOMATSU

Replacement Kits For

Backhoe Loaders							
APPLICATION	CYL #	SERIAL #	Misc	CODE	ROD	BORE	KIT #
MODEL WB150PS-2							
B/H ARM	395002006	150F50001-		P-UB-14	60 mm	115 mm	KOM-878000491
B/H BOOM	395001008	150F50001- 150F50019		P-UB-14	60 mm	125 mm	KOM-878000541
	395001010	150F50020-		P-UB-14	60 mm	125 mm	KOM-878000541
B/H BUCKET	395003003	150F50001-		P-UB-14	60 mm	95 mm	KOM-878000492
	395003005	150F50020-		P-UB-14	60 mm	95 mm	KOM-878000492
B/H OUTRIGGER LH	395011008	150F50001-		P-UB-14	55 mm	110 mm	KOM-878000494
B/H OUTRIGGER RH	395011007	150F50001-		P-UB-14	55 mm	110 mm	KOM-878000494
B/H SWING LH	395005010	150F50001- 150F50019		P-UB-14	50 mm	115 mm	KOM-878000542
	395005018	150F50020-		P-UB-14	50 mm	115 mm	KOM-878000542
B/H SWING RH	395005009	150F50001- 150F50019		P-UB-14	50 mm	115 mm	KOM-878000542
	395005017	150F50020-		P-UB-14	50 mm	115 mm	KOM-878000542
B/H TELESCOPIC ARM	395009001	150F50001-		P-UB-10	40 mm	70 mm	KOM-878000388
	395009006	150F50020-		P-UB-10	40 mm	70 mm	KOM-878000388
L/S BOOM	395012014	150F50001-		P-UB-14	50 mm	85 mm	KOM-878000486
L/S BUCKET	395013017	150F50001- 150F50019		P-UB-14	50 mm	80 mm	KOM-878000487
L/S BUCKET LH	395013017	150F50020-		P-UB-14	50 mm	80 mm	KOM-878000487
L/S BUCKET MP	312230674	150F50001-		I-U-15	40 mm	80 mm	KOM-827020113
L/S BUCKET QC	200060282	150F50001-		I-SP-10	18 mm	30 mm	KOM-42N-879-1980
L/S BUCKET RH	395013019	150F50020-		P-UB-14	50 mm	80 mm	KOM-878000487
MODEL WB150PS-2N							
B/H ARM	2938-856-730	A70014-		P-UB-14	60 mm	110 mm	KOM-878000490
	2938-856-740	A70014-		P-UB-14	60 mm	115 mm	KOM-878000491
	395002005	A70010-A70013		P-UB-14	60 mm	110 mm	KOM-878000490
	395002006	A70001-A70009		P-UB-14	60 mm	115 mm	KOM-878000491
B/H BOOM	395001007	A70010-		P-UB-14	60 mm	120 mm	KOM-878000489
	395001010	A70001-A70009		P-UB-14	60 mm	125 mm	KOM-878000541
B/H BOOM (Long Arm)	395001008	A70010-		P-UB-14	60 mm	125 mm	KOM-878000541
B/H BUCKET	395003005	A70001-		P-UB-14	60 mm	95 mm	KOM-878000492
B/H OUTRIGGER	395011007	A70010-		P-UB-14	55 mm	110 mm	KOM-878000494
	395011008	A70001-A70009		P-UB-14	55 mm	110 mm	KOM-878000494
B/H SWING LH	395005018	A70001-A70009		P-UB-14	50 mm	115 mm	KOM-878000542
	395005022	A70010-		P-UB-14	50 mm	115 mm	KOM-878000542
B/H SWING RH	395005017	A70001-A70009		P-UB-14	50 mm	115 mm	KOM-878000542
	395005021	A70010-		P-UB-14	50 mm	115 mm	KOM-878000542
B/H TELESCOPIC ARM	395009005	A70010-		P-UB-10	40 mm	70 mm	KOM-878000388
	395009006	A70001-A70009		P-UB-10	40 mm	70 mm	KOM-878000388
L/S BOOM	2938-62-1290	A70014-		P-UB-14	50 mm	85 mm	KOM-878000486
	395012014	A70001-A70013		P-UB-14	50 mm	85 mm	KOM-878000486
L/S BUCKET LH	395013017	A70001-		P-UB-14	50 mm	80 mm	KOM-878000487
L/S BUCKET MP	312230674	A70001-		I-U-15	40 mm	80 mm	KOM-827020113
L/S BUCKET QC	200060282	A70001-A70009		I-SP-10	18 mm	30 mm	KOM-42N-879-1980

LT - Large size tire L/S - Loading Shovel SLF - Super Long Front B/H - Backhoe HD - Heavy Duty L BUCKET - Large Bucket
 K-LINK - K-type Linkage Blade LB HI-LIFT - High Lift Arm w Large Bucket HI-LIFT - High Lift Arm S HI-LIFT - Super High Lift Arm

KOMATSU

Replacement Kits For

KOMATSU

Backhoe Loaders							
APPLICATION	CYL #	SERIAL #	Misc	CODE	ROD	BORE	KIT #
MODEL WB150PS-2N							
L/S BUCKET RH	395013019	A70001-A70013		P-UB-14	50 mm	80 mm	KOM-878000487
	395013022	A70014-		P-UB-14	50 mm	80 mm	KOM-878000487
Crawler Dozers							
APPLICATION	CYL #	SERIAL #	Misc	CODE	ROD	BORE	KIT #
MODEL D20A-5							
PAT ANGLE	101-63-55100	45001-53337		P-U-5	35 mm	70 mm	KOM-707-99-13410
	101-63-55101	53338-		P-U-5	35 mm	70 mm	KOM-707-99-13410
PAT LIFT	101-63-13100	45001-53337		P-U-5	35 mm	70 mm	KOM-707-99-13410
	101-63-13101	53338-		P-U-5	35 mm	70 mm	KOM-707-99-13410
	101-63-13200	45001-53337		P-U-5	35 mm	70 mm	KOM-707-99-13410
	101-63-13201	53338-		P-U-5	35 mm	70 mm	KOM-707-99-13410
PAT TILT	101-63-54100	45001-53337		P-U-5	40 mm	80 mm	KOM-707-99-23010
	101-63-54101	53338-		P-U-5	40 mm	80 mm	KOM-707-99-23010
TRIMMING	101-63-79300	45001-		P-U-14	35 mm	70 mm	KOM-707-98-12440
	101-63-79400	45001-		P-U-14	35 mm	70 mm	KOM-707-98-12440
TRIMMING LIFT	101-63-69300	45001-		P-U-5	35 mm	70 mm	KOM-707-99-13410
	101-63-69400	45001-		P-U-5	35 mm	70 mm	KOM-707-99-13410
MODEL D20A-6							
3-POINT HITCH	101-63-02130	60001-		P-U-10	35 mm	70 mm	KOM-707-98-12450
	101-63-02140	60001-		P-U-10	35 mm	70 mm	KOM-707-98-12450
ANGLE LIFT	10G-63-02010	60001-		P-U-10	35 mm	50 mm	KOM-707-98-05420
	10G-63-02020	60001-		P-U-10	35 mm	50 mm	KOM-707-98-05420
PAT ANGLE	101-63-02030	60001-		P-U-10	35 mm	70 mm	KOM-707-98-12490
PAT LIFT	101-63-02010	60001-		P-U-10	35 mm	70 mm	KOM-707-98-12510
PAT TILT	101-63-02040	60001-		P-U-10	40 mm	80 mm	KOM-707-98-23030
TRIMMING	101-63-02060	60001-		P-U-10	35 mm	70 mm	KOM-707-98-12450
	101-63-02070	60001-		P-U-10	35 mm	70 mm	KOM-707-98-12450
TRIMMING LIFT	101-63-02080	60001-		P-U-10	45 mm	70 mm	KOM-707-98-15410
	101-63-02090	60001-		P-U-10	45 mm	70 mm	KOM-707-98-15410
MODEL D20A-7, D21A-7							
3-POINT HITCH LH	101-63-02130	75001-		P-U-14	35 mm	70 mm	KOM-101-63-02130K
	101-63-02130	75001-		Bushing	35 mm		KOM-07177-03525
	101-63-02130	78604-		P-U-14	35 mm	70 mm	KOM-101-63-02130K
	101-63-02130	78604-		Bushing	35 mm		KOM-07177-03525
3-POINT HITCH RH	101-63-02140	75001-		P-U-14	35 mm	70 mm	KOM-101-63-02140K
	101-63-02140	75001-		Bushing	35 mm		KOM-07177-03525
	101-63-02140	78604-		P-U-14	35 mm	70 mm	KOM-101-63-02140K
	101-63-02140	78604-		Bushing	35 mm		KOM-07177-03525
ANGLE (PAT)	101-63-02030	75001-78603		P-U-14	35 mm	70 mm	KOM-101-63-02030K
	101-63-02030	75001-78603		Bushing	35 mm		KOM-07177-03525
	101-63-02031	78604-		P-U-14	35 mm	70 mm	KOM-707-98-13420
	101-63-02031	78604-		Bushing	35 mm		KOM-07177-03525
BLADE LIFT LH	10G-63-02010	78604-		P-U-10	35 mm	50 mm	KOM-10G-63-02010K
	10G-63-02010	78604-		Bushing	35 mm		KOM-07177-03525
BLADE LIFT LH (PAT)	101-63-02011	78604-		P-U-14	35 mm	70 mm	KOM-707-98-13420
	101-63-02011	78604-		Bushing	35 mm		KOM-07177-03525

LT - Large size tire L/S - Loading Shovel SLF - Super Long Front B/H - Backhoe HD - Heavy Duty L BUCKET - Large Bucket
 K-LINK - K-type Linkage Blade LB HI-LIFT - High Lift Arm w Large Bucket HI-LIFT - High Lift Arm S HI-LIFT - Super High Lift Arm

KOMATSU

Replacement Kits For

Crawler Dozers							
APPLICATION	CYL #	SERIAL #	Misc	CODE	ROD	BORE	KIT #
MODEL D20A-7, D21A-7							
BLADE LIFT RH	10G-63-02020	78604-		P-U-10	35 mm	50 mm	KOM-10G-63-02020K
	10G-63-02020	78604-		Bushing	35 mm		KOM-07177-03525
BLADE LIFT RH (PAT)	101-63-02021	78604-		P-U-14	35 mm	70 mm	KOM-707-98-13420
	101-63-02021	78604-		Bushing	35 mm		KOM-07177-03525
GUIDE PLATE (PAT)	21S-63-02050	78604-	D20A-7	P-U-10	25 mm	50 mm	KOM-21S-63-02050K
	21S-63-02050	78604-		Bushing	25 mm		KOM-07177-02525
LIFT (PAT)	101-63-02010	75001-78603		P-U-14	35 mm	70 mm	KOM-101-63-02010K
	101-63-02010	75001-78603		Bushing	35 mm		KOM-07177-03525
LIFT LH	10G-63-02010	75001-		P-U-10	35 mm	50 mm	KOM-10G-63-02010K
	10G-63-02010	75001-		Bushing	35 mm		KOM-07177-03525
LIFT LH (PAT)	101-63-02011	78604-		P-U-14	35 mm	70 mm	KOM-707-98-13420
	101-63-02011	78604-		Bushing	35 mm		KOM-07177-03525
LIFT RH	10G-63-02020	75001-		P-U-10	35 mm	50 mm	KOM-10G-63-02020K
	10G-63-02020	75001-		Bushing	35 mm		KOM-07177-03525
LIFT RH (PAT)	101-63-02021	78604-		P-U-14	35 mm	70 mm	KOM-707-98-13420
	101-63-02021	78604-		Bushing	35 mm		KOM-07177-03525
TILT (PAT)	101-63-02040	75001-78603		P-U-10	40 mm	80 mm	KOM-101-63-02040K
	101-63-02040	75001-78603		Bushing	40 mm		KOM-07177-04025
	101-63-02041	78604-		P-U-10	40 mm	80 mm	KOM-707-98-23070
	101-63-02041	78604-		Bushing	40 mm		KOM-07177-04025
MODEL D20P-5							
LIFT	10G-63-13100	45003-53245		P-U-5	35 mm	70 mm	KOM-707-99-13410
	10G-63-13101	53246-		P-U-5	35 mm	70 mm	KOM-707-99-13410
	10G-63-13200	45003-53245		P-U-5	35 mm	70 mm	KOM-707-99-13410
	10G-63-13201	53246-		P-U-5	35 mm	70 mm	KOM-707-99-13410
TILT	101-63-52100	45003-53245		P-U-14	40 mm	80 mm	KOM-707-99-22010
	101-63-52101	53246-		P-U-14	40 mm	80 mm	KOM-707-99-22010
TRIMMING	101-63-79300	45003-		P-U-14	35 mm	70 mm	KOM-707-98-12440
	101-63-79400	45003-		P-U-14	35 mm	70 mm	KOM-707-98-12440
TRIMMING LIFT	101-63-69300	45003-		P-U-5	35 mm	70 mm	KOM-707-99-13410
	101-63-69400	45003-		P-U-5	35 mm	70 mm	KOM-707-99-13410
MODEL D20P-5A							
PAT ANGLE	101-63-55100	45003-		P-U-5	35 mm	70 mm	KOM-707-99-13410
PAT LIFT	101-63-13100	45003-		P-U-5	35 mm	70 mm	KOM-707-99-13410
PAT TILT	101-63-54100	45003-		P-U-5	40 mm	80 mm	KOM-707-99-23010
MODEL D20P-6							
3-POINT HITCH	101-63-02130	60001-		P-U-10	35 mm	70 mm	KOM-707-98-12450
	101-63-02140	60001-		P-U-10	35 mm	70 mm	KOM-707-98-12450
LIFT	10G-63-02010	60001-		P-U-10	35 mm	50 mm	KOM-707-98-05420
TILT	101-63-02050	60001-		P-U-10	40 mm	80 mm	KOM-707-98-23030
TRIMMING	101-63-02060	60001-		P-U-10	35 mm	70 mm	KOM-707-98-12450
	101-63-02070	60001-		P-U-10	35 mm	70 mm	KOM-707-98-12450
TRIMMING LIFT	101-63-02080	60001-		P-U-10	45 mm	70 mm	KOM-707-98-15410
	101-63-02090	60001-		P-U-10	45 mm	70 mm	KOM-707-98-15410
MODEL D20P-6A							
3-POINT HITCH	101-63-02130	60001-		P-U-10	35 mm	70 mm	KOM-707-98-12450

LT - Large size tire L/S - Loading Shovel SLF - Super Long Front B/H - Backhoe HD - Heavy Duty L BUCKET - Large Bucket
 K-LINK - K-type Linkage Blade LB HI-LIFT - High Lift Arm w Large Bucket HI-LIFT - High Lift Arm S HI-LIFT - Super High Lift Arm



Replacement Kits For

KOMATSU

Crawler Dozers							
APPLICATION	CYL #	SERIAL #	Misc	CODE	ROD	BORE	KIT #
MODEL D20P-6A							
3-POINT HITCH	101-63-02140	60001-		P-U-10	35 mm	70 mm	KOM-707-98-12450
PAT ANGLE	101-63-02030	60001-		P-U-10	35 mm	70 mm	KOM-707-98-12490
PAT LIFT	101-63-02010	60001-		P-U-10	35 mm	70 mm	KOM-707-98-12510
PAT TILT	101-63-02040	60001-		P-U-10	40 mm	80 mm	KOM-707-98-23030
MODEL D20P-7A, D21P-7A							
3-POINT HITCH LH	101-63-02130	75001-		P-U-14	35 mm	70 mm	KOM-101-63-02130K
	101-63-02130	75001-		Bushing	35 mm		KOM-07177-03525
	101-63-02130	78604-		P-U-14	35 mm	70 mm	KOM-101-63-02130K
	101-63-02130	78604-		Bushing	35 mm		KOM-07177-03525
3-POINT HITCH RH	101-63-02140	75001-		P-U-14	35 mm	70 mm	KOM-101-63-02140K
	101-63-02140	75001-		Bushing	35 mm		KOM-07177-03525
	101-63-02140	78604-		P-U-14	35 mm	70 mm	KOM-101-63-02140K
	101-63-02140	78604-		Bushing	35 mm		KOM-07177-03525
ANGLE	101-63-02030	75001-78603		P-U-14	35 mm	70 mm	KOM-101-63-02030K
	101-63-02030	75001-78603		Bushing	35 mm		KOM-07177-03525
	101-63-02031	78604-		P-U-14	35 mm	70 mm	KOM-707-98-13420
	101-63-02031	78604-		Bushing	35 mm		KOM-07177-03525
BLADE LIFT LH	101-63-02011	78604-		P-U-14	35 mm	70 mm	KOM-707-98-13420
	101-63-02011	78604-		Bushing	35 mm		KOM-07177-03525
BLADE LIFT RH	101-63-02021	78604-		P-U-14	35 mm	70 mm	KOM-707-98-13420
	101-63-02021	78604-		Bushing	35 mm		KOM-07177-03525
LIFT	101-63-02010	75001-78603		P-U-14	35 mm	70 mm	KOM-101-63-02010K
	101-63-02010	75001-78603		Bushing	35 mm		KOM-07177-03525
LIFT LH	101-63-02011	78604-		P-U-14	35 mm	70 mm	KOM-707-98-13420
	101-63-02011	78604-		Bushing	35 mm		KOM-07177-03525
LIFT RH	101-63-02021	78604-		P-U-14	35 mm	70 mm	KOM-707-98-13420
	101-63-02021	78604-		Bushing	35 mm		KOM-07177-03525
TILT	101-63-02040	75001-78603		P-U-10	40 mm	80 mm	KOM-101-63-02040K
	101-63-02040	75001-78603		Bushing	40 mm		KOM-07177-04025
	101-63-02041	78604-		P-U-10	40 mm	80 mm	KOM-707-98-23070
	101-63-02041	78604-		Bushing	40 mm		KOM-07177-04025
MODEL D20PL-5							
LIFT	10G-63-13100	45001-50601		P-U-5	35 mm	70 mm	KOM-707-99-13410
	10G-63-13101	50602-		P-U-5	35 mm	70 mm	KOM-707-99-13410
	10G-63-13200	45001-50601		P-U-5	35 mm	70 mm	KOM-707-99-13410
	10G-63-13201	50602-		P-U-5	35 mm	70 mm	KOM-707-99-13410
TILT	101-63-52100	45001-50601		P-U-14	40 mm	80 mm	KOM-707-99-22010
	101-63-52101	50602-		P-U-14	40 mm	80 mm	KOM-707-99-22010
MODEL D20PLL-6							
3-POINT HITCH	101-63-02130	60001-		P-U-10	35 mm	70 mm	KOM-707-98-12450
	101-63-02140	60001-		P-U-10	35 mm	70 mm	KOM-707-98-12450
LIFT	10G-63-02030	60001-60204		P-U-10	35 mm	50 mm	KOM-707-98-05420
	10G-63-02040	60001-60204		P-U-10	35 mm	50 mm	KOM-707-98-05420
	10G-63-02111	60205-		P-U-10	35 mm	50 mm	KOM-707-98-05420
	10G-63-02121	60205-		P-U-10	35 mm	50 mm	KOM-707-98-05420
TILT	101-63-02050	60001-		P-U-10	40 mm	80 mm	KOM-707-98-23030

LT - Large size tire L/S - Loading Shovel SLF - Super Long Front B/H - Backhoe HD - Heavy Duty L BUCKET - Large Bucket
 K-LINK - K-type Linkage Blade LB HI-LIFT - High Lift Arm w Large Bucket HI-LIFT - High Lift Arm S HI-LIFT - Super High Lift Arm

KOMATSU

Replacement Kits For

Crawler Dozers							
APPLICATION	CYL #	SERIAL #	Misc	CODE	ROD	BORE	KIT #
MODEL D20Q-5							
LIFT	103-63-22100	45368-51505		P-U-5	45 mm	80 mm	KOM-707-98-24050
	103-63-22101	51506-		P-U-5	45 mm	80 mm	KOM-707-98-24050
	103-63-22200	45368-51505		P-U-5	45 mm	80 mm	KOM-707-98-24050
	103-63-22201	51506-		P-U-5	45 mm	80 mm	KOM-707-98-24050
MODEL D20Q-6, D20S-6							
3-POINT HITCH	101-33-02130	60001-		P-U-10	35 mm	70 mm	KOM-707-98-12450
	101-63-02140	60001-		P-U-10	35 mm	70 mm	KOM-707-98-12450
DUMP	103-63-02030	60001-		P-U-10	35 mm	60 mm	KOM-707-98-12130
	103-63-02040	60001-		P-U-10	35 mm	60 mm	KOM-707-98-12130
MODEL D20S-5							
LIFT	103-63-22100	45001-51497		P-U-5	45 mm	80 mm	KOM-707-98-24050
	103-63-22101	51498-		P-U-5	45 mm	80 mm	KOM-707-98-24050
	103-63-22200	45001-51497		P-U-5	45 mm	80 mm	KOM-707-98-24050
	103-63-22201	51498-		P-U-5	45 mm	80 mm	KOM-707-98-24050
MODEL D21A-5							
PAT ANGLE	101-63-55100	45001-53276		P-U-5	35 mm	70 mm	KOM-707-99-13410
	101-63-55101	53277-		P-U-5	35 mm	70 mm	KOM-707-99-13410
PAT LIFT	101-63-13100	45001-53276		P-U-5	35 mm	70 mm	KOM-707-99-13410
	101-63-13101	53277-		P-U-5	35 mm	70 mm	KOM-707-99-13410
	101-63-13200	45001-53276		P-U-5	35 mm	70 mm	KOM-707-99-13410
	101-63-13201	53277		P-U-5	35 mm	70 mm	KOM-707-99-13410
PAT TILT	101-63-54100	45001-53276		P-U-5	40 mm	80 mm	KOM-707-99-23010
	101-63-54101	53277-		P-U-5	40 mm	80 mm	KOM-707-99-23010
MODEL D21A-6							
3-POINT HITCH	101-63-02130	60001-		P-U-10	35 mm	70 mm	KOM-707-98-12450
	101-63-02140	60001-		P-U-10	35 mm	70 mm	KOM-707-98-12450
ANGLE LIFT	10G-63-02010	60001-		P-U-10	35 mm	50 mm	KOM-707-98-05420
	10G-63-02020	60001-		P-U-10	35 mm	50 mm	KOM-707-98-05420
PAT ANGLE	101-63-02030	60001-		P-U-10	35 mm	70 mm	KOM-707-98-12490
PAT LIFT	101-63-02030	60001-		P-U-10	35 mm	70 mm	KOM-707-98-12510
PAT TILT	101-63-02040	60001-		P-U-10	40 mm	80 mm	KOM-707-98-23030
TRIMMING	101-63-02060	60001-		P-U-10	35 mm	70 mm	KOM-707-98-12450
	101-63-02070	60001-		P-U-10	35 mm	70 mm	KOM-707-98-12450
TRIMMING LIFT	101-63-02080	60001-		P-U-10	45 mm	70 mm	KOM-707-98-15410
	101-63-02090	60001-		P-U-10	45 mm	70 mm	KOM-707-98-15410
MODEL D21A-8, D21P-8							
3-POINT HITCH LH	707-00-0E980	83001-		P-U-14	35 mm	70 mm	KOM-707-98-12760
	707-00-0E980	83001-		Bushing	35 mm		KOM-07177-03525
3-POINT HITCH RH	707-00-0E990	83001-		P-U-14	35 mm	70 mm	KOM-707-98-12760
	707-00-0E990	83001-		Bushing	35 mm		KOM-07177-03525
BLADE ANGLE	707-00-0E920	83001-		P-U-14	35 mm	70 mm	KOM-707-98-12750
	707-00-0E920	83001-		Bushing	35 mm		KOM-07177-03525
BLADE LIFT LH	707-00-0E870	83001-		P-U-14	35 mm	70 mm	KOM-707-98-12740
	707-00-0E870	83001-		Bushing	35 mm		KOM-07177-03525
	707-00-0E930	83001-	D21A-8	P-U-10	35 mm	50 mm	KOM-707-98-05460
	707-00-0E930	83001-		Bushing	35 mm		KOM-07177-03525

LT - Large size tire L/S - Loading Shovel SLF - Super Long Front B/H - Backhoe HD - Heavy Duty L BUCKET - Large Bucket
 K-LINK - K-type Linkage Blade LB HI-LIFT - High Lift Arm w Large Bucket HI-LIFT - High Lift Arm S HI-LIFT - Super High Lift Arm



Replacement Kits For

KOMATSU

Crawler Dozers							
APPLICATION	CYL #	SERIAL #	Misc	CODE	ROD	BORE	KIT #
MODEL D21A-8, D21P-8							
BLADE LIFT RH	707-00-0E880	83001-		P-U-14	35 mm	70 mm	KOM-707-98-12740
	707-00-0E880	83001-		Bushing	35 mm		KOM-07177-03525
	707-00-0E940	83001-	D21A-8	P-U-10	35 mm	50 mm	KOM-707-98-05460
	707-00-0E940	83001-		Bushing	35 mm		KOM-07177-03525
BLADE TILT	707-00-0E910	83001-		P-U-10	40 mm	80 mm	KOM-707-98-22290
	707-00-0E910	83001-		Bushing	40 mm		KOM-07177-04025
MODEL D21E-6							
3-POINT HITCH	101-63-02130	60001-		P-U-10	35 mm	70 mm	KOM-707-98-12450
	101-63-02140	60001-		P-U-10	35 mm	70 mm	KOM-707-98-12450
PAT ANGLE	101-63-02030	60001-		P-U-10	35 mm	70 mm	KOM-707-98-12490
PAT LIFT	101-63-02010	60001-		P-U-10	35 mm	70 mm	KOM-707-98-12510
PAT TILT	101-63-02040	60001-		P-U-10	40 mm	80 mm	KOM-707-98-23030
MODEL D21P-5							
LIFT	10G-63-13100	45007-53306		P-U-5	35 mm	70 mm	KOM-707-99-13410
	10G-63-13101	53307-		P-U-5	35 mm	70 mm	KOM-707-99-13410
	10G-63-13200	45007-53306		P-U-5	35 mm	70 mm	KOM-707-99-13410
	10G-63-13201	53307-		P-U-5	35 mm	70 mm	KOM-707-99-13410
TILT	101-63-52100	45007-53306		P-U-14	40 mm	80 mm	KOM-707-99-22010
	101-63-52101	53307-		P-U-14	40 mm	80 mm	KOM-707-99-22010
MODEL D21P-5A							
PAT ANGLE	101-63-55100	45007-		P-U-5	35 mm	70 mm	KOM-707-99-13410
PAT LIFT	101-63-13100	45007-		P-U-5	35 mm	70 mm	KOM-707-99-13410
PAT TILT	101-63-54100	45007-		P-U-5	40 mm	80 mm	KOM-707-99-23010
MODEL D21P-6							
3-POINT HITCH	101-63-02130	60001-		P-U-10	35 mm	70 mm	KOM-707-98-12450
	101-63-02140	60001-		P-U-10	35 mm	70 mm	KOM-707-98-12450
LIFT	10G-63-02010	60001-		P-U-10	35 mm	50 mm	KOM-707-98-05420
TILT	101-63-02050	60001-		P-U-10	40 mm	80 mm	KOM-707-98-23030
TRIMMING	101-63-02060	60001-		P-U-10	35 mm	70 mm	KOM-707-98-12450
	101-63-02070	60001-		P-U-10	35 mm	70 mm	KOM-707-98-12450
TRIMMING LIFT	101-63-02080	60001-		P-U-10	45 mm	70 mm	KOM-707-98-15410
	101-63-02090	60001-		P-U-10	45 mm	70 mm	KOM-707-98-15410
MODEL D21P-6A, D21P-6B							
3-POINT HITCH	101-63-02130	60001-		P-U-10	35 mm	70 mm	KOM-707-98-12450
	101-63-02140	60001-		P-U-10	35 mm	70 mm	KOM-707-98-12450
PAT ANGLE	101-63-02030	60001-		P-U-10	35 mm	70 mm	KOM-707-98-12490
PAT LIFT	101-63-02010	60001-		P-U-10	35 mm	70 mm	KOM-707-98-12510
PAT TILT	101-63-02040	60001-		P-U-10	40 mm	80 mm	KOM-707-98-23030
MODEL D21PL-5							
LIFT	10G-63-13100	45013-50606		P-U-5	35 mm	70 mm	KOM-707-99-13410
	10G-63-13101	50607-		P-U-5	35 mm	70 mm	KOM-707-99-13410
	10G-63-13200	45013-50606		P-U-5	35 mm	70 mm	KOM-707-99-13410
	10G-63-13201	50607-		P-U-5	35 mm	70 mm	KOM-707-99-13410
TILT	101-63-52100	45013-50606		P-U-14	40 mm	80 mm	KOM-707-99-22010
	101-63-52101	50607-		P-U-14	40 mm	80 mm	KOM-707-99-22010

LT - Large size tire L/S - Loading Shovel SLF - Super Long Front B/H - Backhoe HD - Heavy Duty L BUCKET - Large Bucket
 K-LINK - K-type Linkage Blade LB HI-LIFT - High Lift Arm w Large Bucket HI-LIFT - High Lift Arm S HI-LIFT - Super High Lift Arm

KOMATSU

Replacement Kits For

Crawler Dozers							
APPLICATION	CYL #	SERIAL #	Misc	CODE	ROD	BORE	KIT #
MODEL D21Q-5							
LIFT	103-63-22100	45094-51497		P-U-5	45 mm	80 mm	KOM-707-98-24050
	103-63-22101	51493-		P-U-5	45 mm	80 mm	KOM-707-98-24050
	103-63-22200	45094-51497		P-U-5	45 mm	80 mm	KOM-707-98-24050
	103-63-22201	51493-		P-U-5	45 mm	80 mm	KOM-707-98-24050
MODEL D21Q-6							
3-POINT HITCH	101-33-02130	60001-		P-U-10	35 mm	70 mm	KOM-707-98-12450
	101-63-02140	60001-		P-U-10	35 mm	70 mm	KOM-707-98-12450
DUMP	103-63-02030	60001-		P-U-10	35 mm	60 mm	KOM-707-98-12130
	103-63-02040	60001-		P-U-10	35 mm	60 mm	KOM-707-98-12130
MODEL D21S-5							
LIFT	103-63-22100	45003-51526		P-U-5	45 mm	80 mm	KOM-707-98-24050
	103-63-22101	51527-		P-U-5	45 mm	80 mm	KOM-707-98-24050
	103-63-22200	45003-51526		P-U-5	45 mm	80 mm	KOM-707-98-24050
	103-63-22201	51527-		P-U-5	45 mm	80 mm	KOM-707-98-24050
MODEL D21S-6							
3-POINT HITCH	101-33-02130	60001-		P-U-10	35 mm	70 mm	KOM-707-98-12450
	101-63-02140	60001-		P-U-10	35 mm	70 mm	KOM-707-98-12450
DUMP	103-63-02030	60001-		P-U-10	35 mm	60 mm	KOM-707-98-12130
	103-63-02040	60001-		P-U-10	35 mm	60 mm	KOM-707-98-12130
MODEL D31A-17							
PAT ANGLE	114-63-55500	32001-		P-U-14	40 mm	90 mm	KOM-114-63-05030
PAT LIFT	114-63-12500	32001-		P-U-14	40 mm	90 mm	KOM-114-63-05030
	114-63-12600	32001-		P-U-14	40 mm	90 mm	KOM-114-63-05030
PAT TILT	114-63-54501	32001-		P-U-14	40 mm	90 mm	KOM-114-63-05030
RIPPER	113-63-42501	32001-		P-U-14	40 mm	90 mm	KOM-707-98-22500
TRIMMING	114-63-79500	32001-		P-U-14	40 mm	90 mm	KOM-707-98-22500
	114-63-79600	32001-		P-U-14	40 mm	90 mm	KOM-707-98-22500
TRIMMING LIFT	114-63-69500	32001-		P-U-14	40 mm	90 mm	KOM-707-98-22500
	114-63-69600	32001-		P-U-14	40 mm	90 mm	KOM-707-98-22500
MODEL D31E-18							
3-POINT HITCH	113-63-49500	40001-		P-U-14	45 mm	80 mm	KOM-707-98-24150
	113-63-49600	40001-		P-U-14	45 mm	80 mm	KOM-707-98-24150
ANGLE LIFT	11G-63-02011	40001-		P-U-10	45 mm	70 mm	KOM-707-98-15610
	11G-63-02021	40001-		P-U-10	45 mm	70 mm	KOM-707-98-15610
PAT ANGLE	114-63-02031	40001-		P-U-10	40 mm	90 mm	KOM-707-98-22420
PAT LIFT	114-63-02011	40001-		P-U-10	40 mm	90 mm	KOM-707-98-22420
PAT TILT	114-63-02041	40001-		P-U-10	40 mm	90 mm	KOM-707-98-22420
RIPPER	113-63-42501	40001-		P-U-14	40 mm	90 mm	KOM-707-98-22500
TRIMMING	114-63-02050	40001-		P-U-10	40 mm	90 mm	KOM-707-98-22410
TRIMMING LIFT	114-63-02070	40001-		P-U-10	40 mm	90 mm	KOM-707-98-22410
MODEL D31E-20							
ANGLE	114-63-02031	42001-		P-U-10	40 mm	90 mm	KOM-707-98-22410
	114-63-02031	42001-		Bushing	40 mm		KOM-07177-04025
LIFT	11G-63-02011	42001-		P-U-10	45 mm	70 mm	KOM-707-98-15610
	11G-63-02011	42001-		Bushing	45 mm		KOM-07177-04530
	11G-63-02021	42001-		P-U-10	45 mm	70 mm	KOM-707-98-15610

LT - Large size tire L/S - Loading Shovel SLF - Super Long Front B/H - Backhoe HD - Heavy Duty L BUCKET - Large Bucket
 K-LINK - K-type Linkage Blade LB HI-LIFT - High Lift Arm w Large Bucket HI-LIFT - High Lift Arm S HI-LIFT - Super High Lift Arm



Replacement Kits For

KOMATSU

Crawler Dozers							
APPLICATION	CYL #	SERIAL #	Misc	CODE	ROD	BORE	KIT #
MODEL D31E-20							
LIFT	11G-63-02021	42001-		Bushing	45 mm		KOM-07177-04530
TILT	114-63-02041	42001-		P-U-10	40 mm	90 mm	KOM-707-98-22410
	114-63-02041	42001-		Bushing	40 mm		KOM-07177-04025
MODEL D31EX-21, D31PX-21							
ANGLE	707-00-0A031	50001-		P-U-14	40 mm	75 mm	KOM-707-98-22850
	707-00-0A031	50001-		Bushing	40 mm		KOM-707-52-10410
LIFT LH	707-00-0A011	50001-		P-U-14	40 mm	85 mm	KOM-707-98-22910
	707-00-0A011	50001-		Bushing	40 mm		KOM-07177-04025
LIFT RH	707-00-0A021	50001-		P-U-14	40 mm	85 mm	KOM-707-98-22910
	707-00-0A021	50001-		Bushing	40 mm		KOM-07177-04025
RIPPER	707-00-0C050	50001-	D31EX-21	P-U-14	45 mm	90 mm	KOM-707-98-24720
	707-00-0C050	50001-		Bushing	45 mm		KOM-07177-04530
TILT	707-00-0A041	50001-		P-U-14	45 mm	90 mm	KOM-707-98-24710
	707-00-0A041	50001-		Bushing	45 mm		KOM-07177-04530
MODEL D31EX-21A, D31PX-21A							
ANGLE	707-00-0A032	50501-50683	D31EX-21A	P-UB-14	40 mm	75 mm	KOM-707-99-14930
	707-00-0A032	50501-50897	D31PX-21A	P-UB-14	40 mm	75 mm	KOM-707-99-14930
	707-00-0A033	50684-	D31EX-21A	P-UB-14	40 mm	75 mm	KOM-707-99-14930
	707-00-0A033	50898-	D31PX-21A	P-UB-14	40 mm	75 mm	KOM-707-99-14930
LIFT LH	707-00-0A012	50501-		P-UB-14	40 mm	85 mm	KOM-707-99-23910
LIFT RH	707-00-0A022	50501-		P-UB-14	40 mm	85 mm	KOM-707-99-23910
RIPPER	707-00-0C051	50501-	D31EX-21A	P-UB-14	45 mm	90 mm	KOM-707-99-24660
TILT	707-00-0A042	50501-		P-UB-14	45 mm	90 mm	KOM-707-99-24670
MODEL D31P-17							
LIFT	11G-63-13500	32001-		P-U-14	40 mm	90 mm	KOM-114-63-05030
	11G-63-13600	32001-		P-U-14	40 mm	90 mm	KOM-114-63-05030
TILT	11G-63-52500	32001-		P-U-14	40 mm	90 mm	KOM-707-98-22500
TRIMMING	114-63-79500	32001-		P-U-14	40 mm	90 mm	KOM-707-98-22500
	114-63-79600	32001-		P-U-14	40 mm	90 mm	KOM-707-98-22500
TRIMMING LIFT	114-63-69500	32001-		P-U-14	40 mm	90 mm	KOM-707-98-22500
	114-63-69600	32001-		P-U-14	40 mm	90 mm	KOM-707-98-22500
MODEL D31P-17A, D31P-17B							
3-POINT HITCH	113-63-49500	32001-		P-U-14	45 mm	80 mm	KOM-707-98-24150
	113-63-49600	32001-		P-U-14	45 mm	80 mm	KOM-707-98-24150
PAT ANGLE	114-63-55500	32001-		P-U-14	40 mm	90 mm	KOM-114-63-05030
PAT LIFT	114-63-12500	32001-		P-U-14	40 mm	90 mm	KOM-114-63-05030
	114-63-12600	32001-		P-U-14	40 mm	90 mm	KOM-114-63-05030
PAT TILT	114-63-54501	32001-		P-U-14	40 mm	90 mm	KOM-114-63-05030
MODEL D31P-18, D31PL-18, D31PLL-18							
3-POINT HITCH	113-63-49500	40001-		P-U-14	45 mm	80 mm	KOM-707-98-24150
	113-63-49600	40001-		P-U-14	45 mm	80 mm	KOM-707-98-24150
LIFT	11G-63-02011	40001-		P-U-10	45 mm	70 mm	KOM-707-98-15610
	11G-63-02021	40001-		P-U-10	45 mm	70 mm	KOM-707-98-15610
TILT	11G-63-02051	40001-		P-U-10	40 mm	90 mm	KOM-707-98-22410
MODEL D31P-18A							
3-POINT HITCH	113-63-49500	40001-		P-U-14	45 mm	80 mm	KOM-707-98-24150

LT - Large size tire L/S - Loading Shovel SLF - Super Long Front B/H - Backhoe HD - Heavy Duty L BUCKET - Large Bucket
 K-LINK - K-type Linkage Blade LB HI-LIFT - High Lift Arm w Large Bucket HI-LIFT - High Lift Arm S HI-LIFT - Super High Lift Arm

KOMATSU

Replacement Kits For

Crawler Dozers							
APPLICATION	CYL #	SERIAL #	Misc	CODE	ROD	BORE	KIT #
MODEL D31P-18A							
3-POINT HITCH	113-63-49600	40001-		P-U-14	45 mm	80 mm	KOM-707-98-24150
PAT ANGLE	114-63-02031	40001-		P-U-10	40 mm	90 mm	KOM-707-98-22410
PAT LIFT	114-63-02011	40001-		P-U-10	40 mm	90 mm	KOM-707-98-22410
PAT TILT	114-63-02041	40001-		P-U-10	40 mm	90 mm	KOM-707-98-22410
MODEL D31P-20							
ANGLE	114-63-02031	45001-		P-U-10	40 mm	90 mm	KOM-707-98-22410
LIFT	114-63-02011	45001-		P-U-10	40 mm	90 mm	KOM-707-98-22410
TILT	114-63-02041	45001-		P-U-10	40 mm	90 mm	KOM-707-98-22410
MODEL D31PL-17, D31PLL-17							
LIFT	11G-63-13500	32001-		P-U-14	40 mm	90 mm	KOM-114-63-05030
	11G-63-13600	32001-		P-U-14	40 mm	90 mm	KOM-114-63-05030
TILT	11G-63-52500	32001-		P-U-14	40 mm	90 mm	KOM-707-98-22500
MODEL D31Q-17							
DUMP	113-63-32500	32001-		P-U-14	45 mm	80 mm	KOM-707-98-24150
	113-63-32600	32001-		P-U-14	45 mm	80 mm	KOM-707-98-24150
LIFT	113-63-22500	32001-		P-U-14	50 mm	100 mm	KOM-707-99-32010
	113-63-22600	32001-		P-U-14	50 mm	100 mm	KOM-707-99-32010
MODEL D31Q-18							
3-POINT HITCH	113-63-49500	40001-		P-U-14	45 mm	80 mm	KOM-707-98-24150
	113-63-49600	40001-		P-U-14	45 mm	80 mm	KOM-707-98-24150
LIFT	113-63-02011	40001-		P-U-14	50 mm	100 mm	KOM-707-98-32050
	113-63-02021	40001-		P-U-14	50 mm	100 mm	KOM-707-98-32050
MODEL D31Q-20							
LIFT	113-63-02011	42001-		P-U-14	50 mm	100 mm	KOM-707-98-32050
	113-63-02021	42001-		P-U-14	50 mm	100 mm	KOM-707-98-32050
MODEL D31S-17							
BUCKET CLAM (MP)	113-63-59500	32001-		P-U-14	45 mm	80 mm	KOM-707-98-24150
DUMP	113-63-32500	32001-		P-U-14	45 mm	80 mm	KOM-707-98-24150
	113-63-32600	32001-		P-U-14	45 mm	80 mm	KOM-707-98-24150
LIFT	113-63-22500	32001-		P-U-14	50 mm	100 mm	KOM-707-99-32010
	113-63-22600	32001-		P-U-14	50 mm	100 mm	KOM-707-99-32010
MODEL D31S-18							
3-POINT HITCH	113-63-49500	40001-		P-U-14	45 mm	80 mm	KOM-707-98-24150
	113-63-49600	40001-		P-U-14	45 mm	80 mm	KOM-707-98-24150
BUCKET CLAM (MP)	113-63-59500	40001-		P-U-14	45 mm	80 mm	KOM-707-98-24150
LIFT	113-63-02011	40001-		P-U-14	50 mm	100 mm	KOM-707-98-32050
	113-63-02021	40001-		P-U-14	50 mm	100 mm	KOM-707-98-32050
RIPPER	113-63-42501	40001-		P-U-14	40 mm	90 mm	KOM-707-98-22500
MODEL D31S-20							
LIFT	113-63-02011	42001-		P-U-14	50 mm	100 mm	KOM-707-98-32050
	113-63-02021	42001-		P-U-14	50 mm	100 mm	KOM-707-98-32050
MODEL D37E-1, D37P-1							
3-POINT HITCH	113-63-49500	1001-		P-U-14	45 mm	80 mm	KOM-707-98-24150
	113-63-49600	1001-		P-U-14	45 mm	80 mm	KOM-707-98-24150
ANGLE LIFT	11G-63-13500	1001-		P-U-14	40 mm	90 mm	KOM-114-63-05030
	11G-63-13600	1001-		P-U-14	40 mm	90 mm	KOM-114-63-05030

LT - Large size tire L/S - Loading Shovel SLF - Super Long Front B/H - Backhoe HD - Heavy Duty L BUCKET - Large Bucket
 K-LINK - K-type Linkage Blade LB HI-LIFT - High Lift Arm w Large Bucket HI-LIFT - High Lift Arm S HI-LIFT - Super High Lift Arm



Replacement Kits For

KOMATSU

Crawler Dozers							
APPLICATION	CYL #	SERIAL #	Misc	CODE	ROD	BORE	KIT #
MODEL D37E-1, D37P-1							
PAT ANGLE	114-63-55500	1001-		P-U-14	40 mm	90 mm	KOM-114-63-05030
PAT LIFT	114-63-12500	1001-		P-U-14	40 mm	90 mm	KOM-114-63-05030
	114-63-12600	1001-		P-U-14	40 mm	90 mm	KOM-114-63-05030
PAT TILT	114-63-54501	1001-		P-U-14	40 mm	90 mm	KOM-114-63-05030
RIPPER	113-63-42501	1001-	D37E-1	P-U-14	40 mm	90 mm	KOM-707-98-22500
MODEL D37E-2, D37P-2							
3-POINT HITCH	113-63-49500	2001-		P-U-14	45 mm	80 mm	KOM-707-98-24150
	113-63-49600	2001-		P-U-14	45 mm	80 mm	KOM-707-98-24150
PAT ANGLE	114-63-02031	2001-		P-U-10	40 mm	90 mm	KOM-707-98-22420
PAT LIFT	114-63-02011	2001-		P-U-10	40 mm	90 mm	KOM-707-98-22420
PAT TILT	114-63-02041	2001-		P-U-10	40 mm	90 mm	KOM-707-98-22420
RIPPER	113-63-42501	2001-	D37E-2	P-U-14	40 mm	90 mm	KOM-707-98-22500
MODEL D37E-5, D37P-5							
ANGLE	114-63-02031	3001-		P-U-10	40 mm	90 mm	KOM-707-98-22410
	114-63-02031	3001-		Bushing	40 mm		KOM-07177-04025
LIFT	114-63-02011	3001-		P-U-10	40 mm	90 mm	KOM-707-98-22410
	114-63-02011	3001-		Bushing	40 mm		KOM-07177-04025
TILT	114-63-02011	3001-		P-U-10	40 mm	90 mm	KOM-707-98-22410
	114-63-02011	3001-		Bushing	40 mm		KOM-07177-04025
MODEL D37EX-21, D37PX-21							
ANGLE	707-00-0A031	5001-		P-U-14	40 mm	75 mm	KOM-707-98-22850
	707-00-0A031	5001-		Bushing	40 mm		KOM-707-52-10410
LIFT LH	707-00-0A011	5001-		P-U-14	40 mm	85 mm	KOM-707-98-22910
	707-00-0A011	5001-		Bushing	40 mm		KOM-07177-04025
LIFT RH	707-00-0A021	5001-		P-U-14	40 mm	85 mm	KOM-707-98-22910
	707-00-0A021	5001-		Bushing	40 mm		KOM-07177-04025
RIPPER	707-00-0C050	5001-	D37EX-21	P-U-14	45 mm	90 mm	KOM-707-98-24720
	707-00-0C050	5001-		Bushing	45 mm		KOM-07177-04530
TILT	707-00-0A041	5001-		P-U-14	45 mm	90 mm	KOM-707-98-24710
	707-00-0A041	5001-		Bushing	45 mm		KOM-07177-04530
MODEL D37EX-21A, D37PX-21A							
ANGLE	707-00-0A032	5501-5681	D37PX-21A	P-UB-14	40 mm	75 mm	KOM-707-99-14930
	707-00-0A032	5501-5736	D37EX-21A	P-UB-14	40 mm	75 mm	KOM-707-99-14930
	707-00-0A033	5682-	D37PX-21A	P-UB-14	40 mm	75 mm	KOM-707-99-14930
	707-00-0A033	5737-	D37EX-21A	P-UB-14	40 mm	75 mm	KOM-707-99-14930
LIFT LH	707-00-0A012	5501-		P-UB-14	40 mm	85 mm	KOM-707-99-23910
LIFT RH	707-00-0A022	5501-		P-UB-14	40 mm	85 mm	KOM-707-99-23910
RIPPER	707-00-0C051	5501-	D37EX-21A	P-UB-14	45 mm	90 mm	KOM-707-99-24660
TILT	707-00-0A042	5501-		P-UB-14	45 mm	90 mm	KOM-707-99-24670
MODEL D39EX-21, D39PX-21							
ANGLE	707-00-0A300	1001-		P-U-14	45 mm	85 mm	KOM-707-98-24910
	707-00-0A300	1001-		Bushing	45 mm		KOM-07177-04530
LIFT LH	707-00-0A280	1001-		P-U-14	45 mm	90 mm	KOM-707-98-24700
	707-00-0A280	1001-		Bushing	45 mm		KOM-07177-04530
LIFT RH	707-00-0A290	1001-		P-U-14	45 mm	90 mm	KOM-707-98-24700
	707-00-0A290	1001-		Bushing	45 mm		KOM-07177-04530

LT - Large size tire L/S - Loading Shovel SLF - Super Long Front B/H - Backhoe HD - Heavy Duty L BUCKET - Large Bucket
 K-LINK - K-type Linkage Blade LB HI-LIFT - High Lift Arm w Large Bucket HI-LIFT - High Lift Arm S HI-LIFT - Super High Lift Arm

KOMATSU

Replacement Kits For

Crawler Dozers							
APPLICATION	CYL #	SERIAL #	Misc	CODE	ROD	BORE	KIT #
MODEL D39EX-21, D39PX-21							
RIPPER	707-00-0C050	1001-	D39EX-21	P-U-14	45 mm	90 mm	KOM-707-98-24720
	707-00-0C050	1001-		Bushing	45 mm		KOM-07177-04530
TILT	707-00-0A310	1001-		P-U-14	45 mm	90 mm	KOM-707-98-24710
	707-00-0A310	1001-		Bushing	45 mm		KOM-07177-04530
MODEL D39EX-21A, D39PX-21A							
ANGLE	707-00-0A301	1501-1806	D39EX-21A	P-UB-14	45 mm	85 mm	KOM-707-99-24930
	707-00-0A301	1501-1870	D39PX-21A	P-UB-14	45 mm	85 mm	KOM-707-99-24930
	707-00-0A302	1807-	D39EX-21A	P-UB-14	45 mm	85 mm	KOM-707-99-24930
	707-00-0A302	1871-	D39PX-21A	P-UB-14	45 mm	85 mm	KOM-707-99-24930
LIFT LH	707-00-0E680	1501-		P-UB-14	45 mm	90 mm	KOM-707-99-24640
LIFT RH	707-00-0E690	1501-		P-UB-14	45 mm	90 mm	KOM-707-99-24640
RIPPER	707-00-0C051	1501-		P-UB-14	45 mm	90 mm	KOM-707-99-24660
TILT	707-00-0A311	1501-		P-UB-14	45 mm	90 mm	KOM-707-99-24650
MODEL D40A-1, D40P-1							
LIFT	12F-63-13100	1501-2200		P-U-5	50 mm	80 mm	KOM-707-98-25050
	12F-63-13103	2201-		P-U-5	50 mm	80 mm	KOM-707-98-25050
	12F-63-13200	1501-2200		P-U-5	50 mm	80 mm	KOM-707-98-25050
	12F-63-13203	2201-		P-U-5	50 mm	80 mm	KOM-707-98-25050
MODEL D40A-3							
LIFT	12F-63-13701	6001-		P-U-14	45 mm	70 mm	KOM-12F-63-05020
	12F-63-13801	6001-		P-U-14	45 mm	70 mm	KOM-12F-63-05020
RIPPER	125-63-42300	6001-		P-U-14	60 mm	120 mm	KOM-707-98-41130
TRIMMING	124-63-79500	6001-		P-U-14	45 mm	90 mm	KOM-707-98-24530
	124-63-79600	6001-		P-U-14	45 mm	90 mm	KOM-707-98-24530
TRIMMING LIFT	124-63-69500	6001-		P-U-14	45 mm	70 mm	KOM-707-98-15650
	124-63-69600	6001-		P-U-14	45 mm	70 mm	KOM-707-98-15650
MODEL D40F-3							
TOOL BAR	120-63-48100	6221-		P-U-14	70 mm	140 mm	KOM-707-98-52100
	120-63-48200	6221-		P-U-14	70 mm	140 mm	KOM-707-98-52100
MODEL D40P-3, D40PL-3, D40PLL-3							
LIFT	12F-63-13701	6001-		P-U-14	45 mm	70 mm	KOM-12F-63-05020
	12F-63-13801	6001-		P-U-14	45 mm	70 mm	KOM-12F-63-05020
TILT	12F-63-52500	6001-		P-U-14	50 mm	100 mm	KOM-12F-63-05060
MODEL D40PL-1							
LIFT	12F-63-13100	1925-2200		P-U-5	50 mm	80 mm	KOM-707-98-25050
	12F-63-13103	2201-		P-U-5	50 mm	80 mm	KOM-707-98-25050
	12F-63-13200	1925-2200		P-U-5	50 mm	80 mm	KOM-707-98-25050
	12F-63-13203	2201-		P-U-5	50 mm	80 mm	KOM-707-98-25050
MODEL D41A-3							
LIFT	12F-63-13701	6001-		P-U-14	45 mm	70 mm	KOM-12F-63-05020
	12F-63-13801	6001-		P-U-14	45 mm	70 mm	KOM-12F-63-05020
RIPPER	125-63-42300	6001-		P-U-14	60 mm	120 mm	KOM-707-98-41130
TRIMMING	124-63-79500	6001-		P-U-14	45 mm	90 mm	KOM-707-98-24530
	124-63-79600	6001-		P-U-14	45 mm	90 mm	KOM-707-98-24530
TRIMMING LIFT	124-63-69500	6001-		P-U-14	45 mm	70 mm	KOM-707-98-15650
	124-63-69600	6001-		P-U-14	45 mm	70 mm	KOM-707-98-15650

LT - Large size tire L/S - Loading Shovel SLF - Super Long Front B/H - Backhoe HD - Heavy Duty L BUCKET - Large Bucket
 K-LINK - K-type Linkage Blade LB HI-LIFT - High Lift Arm w Large Bucket HI-LIFT - High Lift Arm S HI-LIFT - Super High Lift Arm



Replacement Kits For

KOMATSU

Crawler Dozers							
APPLICATION	CYL #	SERIAL #	Misc	CODE	ROD	BORE	KIT #
MODEL D41A-6							
BLADE ANGLE	124-63-02210	B20001-		P-U-10	65 mm	130 mm	KOM-707-98-42420
BLADE LIFT	124-63-02201	B20001-		P-U-14	50 mm	105 mm	KOM-707-98-32820
BLADE TILT	124-63-02222	B20001-		P-U-14	55 mm	110 mm	KOM-707-98-34590
MODEL D41E-3							
LIFT	12F-63-13701	6001-		P-U-14	45 mm	70 mm	KOM-12F-63-05020
	12F-63-13801	6001-		P-U-14	45 mm	70 mm	KOM-12F-63-05020
PAT ANGLE	124-63-55500	6001-		P-U-14	65 mm	100 mm	KOM-707-98-36180
	124-63-55600	6001-		P-U-14	65 mm	100 mm	KOM-707-98-36180
PAT TILT	124-63-54500	6001-		P-U-14	60 mm	120 mm	KOM-707-98-41120
TILT	12F-63-52500	6001-		P-U-14	50 mm	100 mm	KOM-12F-63-05060
MODEL D41E-6, D41P-6							
ANGLE	124-63-02210	B20001-		P-U-10	65 mm	130 mm	KOM-707-98-42420
	124-63-02210	B20001-		Bushing	65 mm		KOM-707-52-10660
BLADE LIFT	124-63-02201	B20001-		P-U-14	50 mm	105 mm	KOM-707-98-32820
LIFT	124-63-02201	B20001-		P-U-14	50 mm	105 mm	KOM-707-98-32820
	124-63-02201	B20001-		Bushing	50 mm		KOM-07177-05030
RIPPER	125-63-42300	B20001-		P-U-14	60 mm	120 mm	KOM-707-98-41130
	125-63-42300	B20001-		Bushing	60 mm		KOM-07177-06030
TILT	124-63-02221	B20001-		P-U-10	65 mm	130 mm	KOM-707-98-42420
	124-63-02221	B20001-		Bushing	55 mm		KOM-07177-05530
	124-63-02222	B20001-		P-U-14	55 mm	110 mm	KOM-707-98-34590
MODEL D41P-3							
LIFT	12F-63-13701	6001-		P-U-14	45 mm	70 mm	KOM-12F-63-05020
	12F-63-13801	6001-		P-U-14	45 mm	70 mm	KOM-12F-63-05020
TILT	12F-63-52500	6001-		P-U-14	50 mm	100 mm	KOM-12F-63-05060
MODEL D41Q-3, D41S-3							
BUCKET CLAM (MP)	125-63-59500	6001-		P-U-14	50 mm	90 mm	KOM-707-98-25510
LIFT	125-63-22701	6001-		P-U-14	60 mm	110 mm	KOM-707-98-35510
	125-63-22801	6001-		P-U-14	60 mm	110 mm	KOM-707-98-35510
SIDE DUMP	125-63-97500	6001-		P-U-14	50 mm	80 mm	KOM-707-98-25170
MODEL D45A-1							
LIFT	12F-63-13100	1501-1800		P-U-5	50 mm	80 mm	KOM-707-98-25050
	12F-63-13103	1801-		P-U-5	50 mm	80 mm	KOM-707-98-25050
	12F-63-13200	1501-1800		P-U-5	50 mm	80 mm	KOM-707-98-25050
	12F-63-13203	1801-		P-U-5	50 mm	80 mm	KOM-707-98-25050
MODEL D45E-1							
LIFT	12F-63-13103	1803-		P-U-5	50 mm	80 mm	KOM-707-98-25050
	12F-63-13203	1803-		P-U-5	50 mm	80 mm	KOM-707-98-25050
MODEL D45P-1							
LIFT	12F-63-13103	1801-		P-U-5	50 mm	80 mm	KOM-707-98-25050
	12F-63-13203	1801-		P-U-5	50 mm	80 mm	KOM-707-98-25050
MODEL D45S-1							
DUMP	125-63-32100	1501-		P-U-5	65 mm	120 mm	KOM-707-99-42020
	125-63-32200	1501-		P-U-5	65 mm	120 mm	KOM-707-99-42020
MODEL D50-17							
BLADE LIFT (A)	130-63-12300	80001-		P-U-5	55 mm	90 mm	KOM-707-98-26540

LT - Large size tire L/S - Loading Shovel SLF - Super Long Front B/H - Backhoe HD - Heavy Duty L BUCKET - Large Bucket
 K-LINK - K-type Linkage Blade LB HI-LIFT - High Lift Arm w Large Bucket HI-LIFT - High Lift Arm S HI-LIFT - Super High Lift Arm

KOMATSU

Replacement Kits For

Crawler Dozers							
APPLICATION	CYL #	SERIAL #	Misc	CODE	ROD	BORE	KIT #
MODEL D50-17							
BLADE LIFT (A)	130-63-12400	80001-		P-U-5	55 mm	90 mm	KOM-707-98-26540
BLADE LIFT (P)	13F-63-14300	80001-		P-U-5	55 mm	90 mm	KOM-707-98-26540
	13F-63-14400	80001-		P-U-5	55 mm	90 mm	KOM-707-98-26540
BLADE TILT	130-63-52500	80001-		P-U-14	70 mm	160 mm	KOM-707-98-60120
MODEL D50A-16							
LIFT	130-63-12005	65001-		P-U-5	55 mm	90 mm	KOM-707-99-26410
	130-63-12105	65001-		P-U-5	55 mm	90 mm	KOM-707-99-26410
MODEL D50A-17							
LIFT	130-63-12006	80001-		P-U-5	55 mm	90 mm	KOM-707-98-26540
	130-63-12106	80001-		P-U-5	55 mm	90 mm	KOM-707-98-26540
MAP TILT	144-63-53300	80001-		P-U-14	70 mm	160 mm	KOM-707-98-60110
	144-63-53400	80001-		P-U-14	70 mm	160 mm	KOM-707-98-60110
TRIMMING LIFT	130-63-69100	80001-		P-U-5	55 mm	90 mm	KOM-707-98-26540
	130-63-69200	80001-		P-U-5	55 mm	90 mm	KOM-707-98-26540
MODEL D50P-16							
LIFT	13F-63-13100	65001-65007		P-U-5	55 mm	90 mm	KOM-130-63-05020
	13F-63-13101	65008-		P-U-5	55 mm	90 mm	KOM-130-63-05020
	13F-63-13200	65001-65007		P-U-5	55 mm	90 mm	KOM-130-63-05020
	13F-63-13201	65008-		P-U-5	55 mm	90 mm	KOM-130-63-05020
MODEL D50P-17, D50PL-17							
LIFT	13F-63-13102	80001-		P-U-5	55 mm	90 mm	KOM-707-98-26540
	13F-63-13202	80001-		P-U-5	55 mm	90 mm	KOM-707-98-26540
TILT	130-63-52500	80001-		P-U-14	70 mm	160 mm	KOM-707-98-60120
MODEL D50S-16							
DUMP	131-63-32002	65001-		P-U-5	65 mm	130 mm	KOM-131-63-05020
	131-63-32102	65001-		P-U-5	65 mm	130 mm	KOM-131-63-05020
LIFT	131-63-22003	65001-		P-U-5	65 mm	140 mm	KOM-131-63-05040
	131-63-22103	65001-		P-U-5	65 mm	140 mm	KOM-131-63-05040
MODEL D53-17							
BLADE LIFT (A)	130-63-12300	80001-		P-U-5	55 mm	90 mm	KOM-707-98-26540
	130-63-12400	80001-		P-U-5	55 mm	90 mm	KOM-707-98-26540
BLADE LIFT (P)	13F-63-14300	80001-		P-U-5	55 mm	90 mm	KOM-707-98-26540
	13F-63-14400	80001-		P-U-5	55 mm	90 mm	KOM-707-98-26540
BLADE TILT	130-63-52500	80001-		P-U-14	70 mm	160 mm	KOM-707-98-60120
MODEL D53A-16							
LIFT	130-63-12005	65001-		P-U-5	55 mm	90 mm	KOM-707-99-26410
	130-63-12105	65001-		P-U-5	55 mm	90 mm	KOM-707-99-26410
MODEL D53A-17							
LIFT	130-63-12006	80001-		P-U-5	55 mm	90 mm	KOM-707-98-26540
	130-63-12106	80001-		P-U-5	55 mm	90 mm	KOM-707-98-26540
MAP TILT	144-63-53300	80001-		P-U-14	70 mm	160 mm	KOM-707-98-60110
	144-63-53400	80001-		P-U-14	70 mm	160 mm	KOM-707-98-60110
TRIMMING LIFT	130-63-69100	80001-		P-U-5	55 mm	90 mm	KOM-707-98-26540
	130-63-69200	80001-		P-U-5	55 mm	90 mm	KOM-707-98-26540
MODEL D53P-16							
LIFT	13F-63-13100	65280-		P-U-5	55 mm	90 mm	KOM-130-63-05020

LT - Large size tire L/S - Loading Shovel SLF - Super Long Front B/H - Backhoe HD - Heavy Duty L BUCKET - Large Bucket
 K-LINK - K-type Linkage Blade LB HI-LIFT - High Lift Arm w Large Bucket HI-LIFT - High Lift Arm S HI-LIFT - Super High Lift Arm



Replacement Kits For

KOMATSU

Crawler Dozers							
APPLICATION	CYL #	SERIAL #	Misc	CODE	ROD	BORE	KIT #
MODEL D53P-16							
LIFT	13F-63-13200	65280-		P-U-5	55 mm	90 mm	KOM-130-63-05020
MODEL D53P-17							
LIFT	13F-63-13102	80001-		P-U-5	55 mm	90 mm	KOM-707-98-26540
	13F-63-13202	80001-		P-U-5	55 mm	90 mm	KOM-707-98-26540
TILT	130-63-52500	80001-		P-U-14	70 mm	160 mm	KOM-707-98-60120
MODEL D53S-16							
DUMP	131-63-32002	65001-		P-U-5	65 mm	130 mm	KOM-131-63-05020
	131-63-32102	65001-		P-U-5	65 mm	130 mm	KOM-131-63-05020
LIFT	131-63-22003	65001-		P-U-5	65 mm	140 mm	KOM-131-63-05040
	131-63-22103	65001-		P-U-5	65 mm	140 mm	KOM-131-63-05040
MODEL D53S-17							
DUMP	131-63-32004	80001-		P-U-14	65 mm	130 mm	KOM-707-98-42410
	131-63-32104	80001-		P-U-14	65 mm	130 mm	KOM-707-98-42410
LIFT	131-63-22005	80001-		P-U-14	65 mm	140 mm	KOM-707-98-51100
	131-63-22105	80001-		P-U-14	65 mm	140 mm	KOM-707-98-51100
MODEL D57S-1							
BOTH-SIDE DUMP	135-63-93100	-9000		P-U-5	55 mm	100 mm	KOM-707-99-34030
DUMP	135-63-32305	6501-9000		P-U-5	65 mm	140 mm	KOM-707-98-51110
	135-63-32306	9001-		P-U-14	65 mm	140 mm	KOM-707-98-51100
	135-63-32406	6501-9000		P-U-5	65 mm	140 mm	KOM-707-98-51110
	135-63-32407	9001-		P-U-14	65 mm	140 mm	KOM-707-98-51100
LIFT	135-63-22304	6501-9000		P-U-5	70 mm	150 mm	KOM-707-98-52420
	135-63-22305	9001-		P-U-14	70 mm	150 mm	KOM-707-98-52430
	135-63-22404	6501-9000		P-U-5	70 mm	150 mm	KOM-707-98-52420
	135-63-22405	9001-		P-U-14	70 mm	150 mm	KOM-707-98-52430
MODEL D57S-1B							
DUMP	135-63-32306	20001-		P-U-14	65 mm	140 mm	KOM-135-63-05020
	135-63-32407	20001-		P-U-14	65 mm	140 mm	KOM-135-63-05020
LIFT	135-63-22305	20001-		P-U-14	70 mm	150 mm	KOM-135-63-05060
	135-63-22405	20001-		P-U-14	70 mm	150 mm	KOM-135-63-05060
MODEL D58E-1							
LIFT	130-63-12006	80888-		P-U-5	55 mm	90 mm	KOM-707-98-26540
	130-63-12106	80888-		P-U-5	55 mm	90 mm	KOM-707-98-26540
MAP TILT	144-63-53300	80888-		P-U-14	70 mm	160 mm	KOM-707-98-60110
	144-63-53400	80888-		P-U-14	70 mm	160 mm	KOM-707-98-60110
TILT	130-63-52500	80888-		P-U-14	70 mm	160 mm	KOM-707-98-60120
MODEL D58E-1B							
PAT ANGLE	13F-63-02110	81285-		P-U-10	60 mm	120 mm	KOM-707-98-41020
PAT TILT	13F-63-02080	81285-		P-U-14	75 mm	150 mm	KOM-707-98-53410
MODEL D58P-1							
LIFT	13F-63-13102	80588-		P-U-5	55 mm	90 mm	KOM-707-98-26540
	13F-63-13202	80588-		P-U-5	55 mm	90 mm	KOM-707-98-26540
TILT	130-63-52500	80588-		P-U-14	70 mm	160 mm	KOM-707-98-60120
MODEL D60A-7, D60E-7							
LIFT	144-63-12601	40001-		P-U-14	65 mm	110 mm	KOM-707-99-36420

LT - Large size tire L/S - Loading Shovel SLF - Super Long Front B/H - Backhoe HD - Heavy Duty L BUCKET - Large Bucket
 K-LINK - K-type Linkage Blade LB HI-LIFT - High Lift Arm w Large Bucket HI-LIFT - High Lift Arm S HI-LIFT - Super High Lift Arm

KOMATSU

Replacement Kits For

Crawler Dozers							
APPLICATION	CYL #	SERIAL #	Misc	CODE	ROD	BORE	KIT #
MODEL D60A-8							
LIFT	144-63-12502	45001-		P-U-14	65 mm	110 mm	KOM-144-63-05050
	144-63-12602	45001-		P-U-14	65 mm	110 mm	KOM-144-63-05050
MAP TILT	144-63-53300	45001-		P-U-14	70 mm	160 mm	KOM-707-98-60110
	144-63-53400	45001-		P-U-14	70 mm	160 mm	KOM-707-98-60110
RIPPER	144-63-42100	45001-		P-U-14	75 mm	160 mm	KOM-707-98-61100
TRIMMING	144-63-97300	45001-		P-U-14	55 mm	120 mm	KOM-707-99-40040
	144-63-97400	45001-		P-U-14	55 mm	120 mm	KOM-707-99-40040
TRIMMING LIFT	144-63-69500	45001-		P-U-14	65 mm	110 mm	KOM-707-99-36420
	144-63-69600	45001-		P-U-14	65 mm	110 mm	KOM-707-99-36420
MODEL D60A-8, D65A-8							
LIFT (FOR EC)	144-63-02011	45001-		P-U-10	65 mm	110 mm	KOM-707-98-36411
	144-63-02021	45001-		P-U-10	65 mm	110 mm	KOM-707-98-36411
MODEL D60E-8							
LIFT	144-63-13502	45001-		P-N-14	65 mm	110 mm	KOM-144-63-05020
	144-63-13602	45001-		P-N-14	65 mm	110 mm	KOM-144-63-05020
RIPPER	144-63-42100	45001-		P-U-14	75 mm	160 mm	KOM-707-98-61100
TILT	144-63-52200	45001-		P-U-14	70 mm	160 mm	KOM-144-63-05080
MODEL D60P-7, D60PL-7							
LIFT	144-63-13502	40001-		P-N-14	65 mm	110 mm	KOM-144-63-05020
	144-63-13602	40001-		P-N-14	65 mm	110 mm	KOM-144-63-05020
TILT	144-63-52200	40001-		P-U-14	70 mm	160 mm	KOM-144-63-05080
MODEL D60P-8, D60PL-8							
LIFT	144-63-13503	45001-		P-U-14	65 mm	110 mm	KOM-144-63-05050
	144-63-13603	45001-		P-U-14	65 mm	110 mm	KOM-144-63-05050
TILT	144-63-52200	45001-		P-U-14	70 mm	160 mm	KOM-144-63-05080
MODEL D60S-7							
DUMP	141-63-32300	40001-		P-U-14	60 mm	140 mm	KOM-141-63-05010
	141-63-32400	40001-		P-U-14	60 mm	140 mm	KOM-141-63-05010
DUMP (HI-LIFT)	141-63-33100	40001-		P-U-14	60 mm	140 mm	KOM-707-98-50100
	141-63-33200	40001-		P-U-14	60 mm	140 mm	KOM-707-98-50100
LIFT	141-63-22300	40001-		P-U-14	75 mm	160 mm	KOM-141-63-05050
	141-63-22400	40001-		P-U-14	75 mm	160 mm	KOM-141-63-05050
MODEL D60S-8							
DUMP	141-63-32300	45001-		P-U-14	60 mm	140 mm	KOM-141-63-05010
	141-63-32400	45001-		P-U-14	60 mm	140 mm	KOM-141-63-05010
DUMP (HI-LIFT)	141-63-33100	45001-		P-U-14	60 mm	140 mm	KOM-707-98-50100
	141-63-33200	45001-		P-U-14	60 mm	140 mm	KOM-707-98-50100
LIFT	141-63-22300	45001-		P-U-14	75 mm	160 mm	KOM-141-63-05050
	141-63-22400	45001-		P-U-14	75 mm	160 mm	KOM-141-63-05050
MODEL D61EX-12, D61PX-12							
ANGLE (PAT)	134-63-01070	1001-1181, B3001-		I-UB-14	60 mm	100 mm	KOM-707-99-35160
	134-63-01071	1182-		P-UB-14	60 mm	100 mm	KOM-707-99-35170
LIFT (PAT)	134-63-01012	1001-1181, B3001-		I-U-14	55 mm	110 mm	KOM-707-98-34580
	134-63-01013	1182-		P-UB-14	55 mm	110 mm	KOM-707-99-34600

LT - Large size tire L/S - Loading Shovel SLF - Super Long Front B/H - Backhoe HD - Heavy Duty L BUCKET - Large Bucket
 K-LINK - K-type Linkage Blade LB HI-LIFT - High Lift Arm w Large Bucket HI-LIFT - High Lift Arm S HI-LIFT - Super High Lift Arm



Replacement Kits For

KOMATSU

Crawler Dozers							
APPLICATION	CYL #	SERIAL #	Misc	CODE	ROD	BORE	KIT #
MODEL D61EX-12, D61PX-12							
LIFT (SU, STT)	134-63-01060	1001-, B3001-		P-U-14	55 mm	110 mm	KOM-707-98-34640
RIPPER	14X-63-01052	1001-, B3001-	D61EX-12	P-U-14	70 mm	140 mm	KOM-707-98-52130
TILT (PAT)	134-63-01031	1001-1181, B3001-		I-U-14	70 mm	130 mm	KOM-707-98-43620
	134-63-01032	1182-		P-UB-14	70 mm	130 mm	KOM-707-99-43680
TILT (SU, STT)	134-63-01041	1001-, B3001-		P-U-14	70 mm	140 mm	KOM-707-98-52140
MODEL D61EX-15, D61PX-15							
ANGLE (PAT)	707-00-0C691	B40001-, B45001-		P-UB-14	65 mm	110 mm	KOM-707-99-36550
	707-00-0C691	B40001-, B45001-		Bushing	65 mm		KOM-707-52-90400
LIFT	707-00-0C671	B40001-, B45001-		P-UB-14	55 mm	110 mm	KOM-707-99-34620
LIFT (PAT)	707-00-0C681	B40001-, B45001-		P-UB-14	55 mm	110 mm	KOM-707-99-34630
RIPPER	707-01-0C851	B40001-, B45001-	D61EX-15	P-UB-14	70 mm	140 mm	KOM-707-99-52170
TILT	707-01-0C521	B40001-, B45001-		P-UB-14	70 mm	140 mm	KOM-707-99-52160
TILT (PAT)	707-00-0C821	B40001-, B45001-		P-UB-14	70 mm	130 mm	KOM-707-99-43690
MODEL D63E-1							
LIFT	130-63-12006	1001-		P-U-5	55 mm	90 mm	KOM-707-98-26540
	130-63-12106	1001-		P-U-5	55 mm	90 mm	KOM-707-98-26540
MAP TILT	144-63-53300	1001-		P-U-14	70 mm	160 mm	KOM-707-98-60110
	144-63-53400	1001-		P-U-14	70 mm	160 mm	KOM-707-98-60110
TILT	130-63-52500	1001-		P-U-14	70 mm	160 mm	KOM-707-98-60120
MODEL D65A-6							
LIFT	144-60-00040	20006-20021		P-U-10	65 mm	110 mm	KOM-144-60-00050K
	144-60-00041	20024-		P-U-10	65 mm	110 mm	KOM-144-60-00050K
	144-60-00050	20006-20021		P-U-10	65 mm	110 mm	KOM-144-60-00050K
	144-60-00051	20024-		P-U-10	65 mm	110 mm	KOM-144-60-00050K
	144-60-15004	-28883		P-U-10	65 mm	110 mm	KOM-144-60-00050K
	144-60-15104	-28883		P-U-10	65 mm	110 mm	KOM-144-60-00050K
	144-63-12100	28884-		P-U-5	65 mm	110 mm	KOM-144-63-12200K
	144-63-12200	28884-		P-U-5	65 mm	110 mm	KOM-144-63-12200K
MODEL D65A-7, D65E-7							
LIFT	144-63-12501	40001-		P-U-14	65 mm	110 mm	KOM-707-99-36420
MODEL D65A-8							
LIFT	144-63-12602	45001-		P-U-14	65 mm	110 mm	KOM-144-63-05050
	144-63-69600	45001-		P-U-14	65 mm	110 mm	KOM-144-63-05050
MAP TILT	144-63-53300	45001-		P-U-14	70 mm	160 mm	KOM-707-98-60110
	144-63-53400	45001-		P-U-14	70 mm	160 mm	KOM-707-98-60110
RIPPER	144-63-42100	45001-		P-U-14	75 mm	160 mm	KOM-707-98-61100
TRIMMING	144-63-97300	45001-		P-U-14	55 mm	120 mm	KOM-707-99-40040
	144-63-97400	45001-		P-U-14	55 mm	120 mm	KOM-707-99-40040
TRIMMING LIFT	144-63-69500	45001-		P-U-14	65 mm	110 mm	KOM-707-99-36420
	144-63-69600			P-U-14	65 mm	110 mm	KOM-707-99-36420

LT - Large size tire L/S - Loading Shovel SLF - Super Long Front B/H - Backhoe HD - Heavy Duty L BUCKET - Large Bucket
K-LINK - K-type Linkage Blade LB HI-LIFT - High Lift Arm w Large Bucket HI-LIFT - High Lift Arm S HI-LIFT - Super High Lift Arm

KOMATSU

Replacement Kits For

Crawler Dozers							
APPLICATION	CYL #	SERIAL #	Misc	CODE	ROD	BORE	KIT #
MODEL D65E-8							
LIFT	144-63-12502	45001-		P-U-14	65 mm	110 mm	KOM-144-63-05050
	144-63-12602	45001-		P-U-14	65 mm	110 mm	KOM-144-63-05050
LIFT (FOR EC)	144-63-02011	45001-		P-U-10	65 mm	110 mm	KOM-707-98-36411
	144-63-02021	45001-		P-U-10	65 mm	110 mm	KOM-707-98-36411
RIPPER	144-63-42100	45001-		P-U-14	75 mm	160 mm	KOM-707-98-61100
TILT	144-63-52200	45001-		P-U-14	70 mm	160 mm	KOM-144-63-05080
MODEL D65E-12							
LIFT	14X-63-01063	60942-		P-U-10	65 mm	95 mm	KOM-707-98-28600
	14X-63-01063	60942-		Bushing	65 mm		KOM-707-52-10660
LIFT (TRIMMING)	14X-63-07011	60942-60993		P-U-10	65 mm	95 mm	KOM-707-98-28600
	14X-63-07011	60942-60993		Bushing	65 mm		KOM-707-52-10660
	14X-63-07012	60994-		P-U-10	65 mm	95 mm	KOM-707-98-28600
	14X-63-07012	60994-		Bushing	65 mm		KOM-707-52-10660
RIPPER	14X-63-01052	60942-		P-U-14	70 mm	140 mm	KOM-707-98-52130
	14X-63-01052	60942-		Bushing	70 mm		KOM-707-52-10700
TILT	14Y-63-01032	61027-65558		P-U-14	70 mm	140 mm	KOM-707-98-52140
	14Y-63-01033	60942-61026		P-U-14	70 mm	140 mm	KOM-707-98-52140
	707-01-0C300	6559-65582		P-U-14	70 mm	140 mm	KOM-707-98-52210
	707-01-0C301	65583-		P-UB-14	70 mm	140 mm	KOM-707-99-52160
TRIMMING LH	14X-63-07030	60942-		P-U-14	55 mm	120 mm	KOM-707-98-40020
	14X-63-07030	60942-		Bushing	55 mm		KOM-07177-05530
TRIMMING RH	14X-63-07040	60942-		P-U-14	55 mm	120 mm	KOM-707-98-40020
	14X-63-07040	60942-		Bushing	55 mm		KOM-07177-05530
MODEL D65EX-12							
LIFT	14X-63-01062	60001-60475		P-U-10	65 mm	95 mm	KOM-707-98-28600
	14X-63-01062	60001-60475		Bushing	65 mm		KOM-707-52-10660
	14X-63-01063	60476-		P-U-10	65 mm	95 mm	KOM-707-98-28600
	14X-63-01063	60476-		Bushing	65 mm		KOM-707-52-10660
	14Y-63-01014	60942-		P-U-10	65 mm	95 mm	KOM-707-98-28600
	14Y-63-01014	60942-		Bushing	65 mm		KOM-707-52-10660
LIFT (TRIMMING)	14X-63-07010	60001-60542		P-U-10	65 mm	95 mm	KOM-707-98-28600
	14X-63-07010	60001-60542		Bushing	65 mm		KOM-707-52-10660
	14X-63-07011	60543-60993		P-U-10	65 mm	95 mm	KOM-707-98-28600
	14X-63-07011	60543-60993		Bushing	65 mm		KOM-707-52-10660
	14X-63-07012	60994-		P-U-10	65 mm	95 mm	KOM-707-98-28600
	14X-63-07012	60994-		Bushing	65 mm		KOM-707-52-10660
RIPPER	14X-63-01052	60001-		P-U-14	70 mm	140 mm	KOM-707-98-52130
	14X-63-01052	60001-		Bushing	70 mm		KOM-707-52-10700
TILT	14Y-63-52142	61027-65558		P-U-14	70 mm	140 mm	KOM-707-98-52140
	14Y-63-52142	61027-65558		Bushing	70 mm		KOM-707-52-10700
	14Y-63-52143	60942-61026		P-U-14	70 mm	140 mm	KOM-707-98-52140
	14Y-63-52143	60942-61026		Bushing	70 mm		KOM-707-52-10700
	707-01-0C300	65559-65582		P-U-14	70 mm	140 mm	KOM-707-98-52210
	707-01-0C301	65583-		P-UB-14	70 mm	140 mm	KOM-707-99-52160
TILT/PITCH	14Y-63-01032	60476-		P-U-14	70 mm	140 mm	KOM-707-98-52140
	14Y-63-01032	60476-		Bushing	70 mm		KOM-707-52-10700

LT - Large size tire L/S - Loading Shovel SLF - Super Long Front B/H - Backhoe HD - Heavy Duty L BUCKET - Large Bucket
K-LINK - K-type Linkage Blade LB HI-LIFT - High Lift Arm w Large Bucket HI-LIFT - High Lift Arm S HI-LIFT - Super High Lift Arm

Replacement Kits For

KOMATSU

Crawler Dozers							
APPLICATION	CYL #	SERIAL #	Misc	CODE	ROD	BORE	KIT #
MODEL D65EX-12							
TILT/PITCH	14Y-63-01033	60001-60475		P-U-14	70 mm	140 mm	KOM-707-98-52140
	14Y-63-01033	60001-60475		Bushing	70 mm		KOM-707-52-10700
TRIMMING LH	14X-63-07030	60001-		P-U-14	55 mm	120 mm	KOM-707-98-40020
	14X-63-07030	60001-		Bushing	55 mm		KOM-07177-05530
TRIMMING RH	14X-63-07040	60001-		P-U-14	55 mm	120 mm	KOM-707-98-40020
	14X-63-07040	60001-		Bushing	55 mm		KOM-07177-05530
MODEL D65EX-15							
LIFT	707-02-00270	67001-67430		P-U-14	65 mm	95 mm	KOM-707-98-28640
	707-02-00270	67001-67430		Bushing	65 mm		KOM-707-52-10660
	707-02-00271	67431-, 69001-		P-UB-14	65 mm	95 mm	KOM-707-99-25880
	707-02-00271	67431-, 69001-		Bushing	65 mm		KOM-707-52-90400
LIFT (LONG TRACK)	707-02-00220	67001-67430		P-U-14	65 mm	95 mm	KOM-707-98-28640
	707-02-00220	67001-67430		Bushing	65 mm		KOM-707-52-10660
	707-02-0380	67431-, 69001-		P-UB-14	65 mm	95 mm	KOM-707-99-25880
	707-02-0380	67431-, 69001-		Bushing	65 mm		KOM-707-52-90400
RIPPER	707-01-0C850	67001-67319		P-U-14	70 mm	140 mm	KOM-707-98-52220
	707-01-0C850	67001-67319		Bushing	70 mm		KOM-707-52-10700
	707-01-0C851	67320-, 69001-		P-UB-14	70 mm	140 mm	KOM-707-99-52170
TILT/PITCH	707-01-0C300	67001-67430		P-U-14	70 mm	140 mm	KOM-707-98-52210
	707-01-0C301	67431-, 69001-		P-UB-14	70 mm	140 mm	KOM-707-99-52160
TRIMMING LH	707-63-0F230	67001-, 69001-		P-UB-14	55 mm	120 mm	KOM-707-99-40120
TRIMMING RH	707-63-0F240	67001-, 69001-		P-UB-14	55 mm	120 mm	KOM-707-99-40120
MODEL D65P-6							
LIFT	144-63-13100	30001-32000		P-U-5	65 mm	110 mm	KOM-144-63-12200K
	144-63-13200	30001-32000		P-U-5	65 mm	110 mm	KOM-144-63-12200K
	144-63-13300	30001-		P-U-5	65 mm	110 mm	KOM-144-63-12200K
	144-63-13400	30001-		P-U-5	65 mm	110 mm	KOM-144-63-12200K
TILT	144-63-52100	30001-31000		P-U-5	70 mm	160 mm	KOM-144-63-52100K
	144-63-52101	31001-		P-U-5	70 mm	160 mm	KOM-144-63-52100K
MODEL D65P-7							
LIFT	144-63-13502	40001-		P-N-14	65 mm	110 mm	KOM-144-63-05020
	144-63-13602	40001-		P-N-14	65 mm	110 mm	KOM-144-63-05020
TILT	144-63-52200	40001-		P-U-14	70 mm	160 mm	KOM-144-63-05080
MODEL D65P-8							
LIFT	144-63-13503	45001-		P-U-14	65 mm	110 mm	KOM-144-63-05050
	144-63-13603	45001-		P-U-14	65 mm	110 mm	KOM-144-63-05050
LIFT (FOR EC)	14F-63-02012	45001-		P-U-10	65 mm	110 mm	KOM-707-98-36411
	14F-63-02022	45001-		P-U-10	65 mm	110 mm	KOM-707-98-36411
TILT	144-63-52200	45001-		P-U-14	70 mm	160 mm	KOM-144-63-05080
MODEL D65P-12							
LIFT	14X-63-01013	60001-		P-U-10	65 mm	95 mm	KOM-707-98-28600
TILT	14X-63-01032	60001-		P-U-14	70 mm	140 mm	KOM-707-98-52140
MODEL D65PX-12							
LIFT	14Y-63-01013	60001-60508		P-U-10	65 mm	95 mm	KOM-707-98-28600
	14Y-63-01013	60001-60508		Bushing	65 mm		KOM-707-52-10660
	14Y-63-01014	60509-		P-U-10	65 mm	95 mm	KOM-707-98-28600

LT - Large size tire L/S - Loading Shovel SLF - Super Long Front B/H - Backhoe HD - Heavy Duty L BUCKET - Large Bucket
K-LINK - K-type Linkage Blade LB HI-LIFT - High Lift Arm w Large Bucket HI-LIFT - High Lift Arm S HI-LIFT - Super High Lift Arm

Replacement Kits For

KOMATSU

Crawler Dozers							
APPLICATION	CYL #	SERIAL #	Misc	CODE	ROD	BORE	KIT #
MODEL D65PX-12							
LIFT	14Y-63-01014	60509-		Bushing	65 mm		KOM-707-52-10660
PITCH	707-01-0C301	65582-		P-UB-14	70 mm	140 mm	KOM-707-99-52160
TILT	707-01-0C300	65582-65590		P-U-14	70 mm	140 mm	KOM-707-98-52210
	707-01-0C301	65591-		P-UB-14	70 mm	140 mm	KOM-707-99-52160
TILT/PITCH	14Y-63-01032	60476-65581		P-U-14	70 mm	140 mm	KOM-707-98-52140
	14Y-63-01032	60476-65581		Bushing	70 mm		KOM-707-52-10700
	14Y-63-01033	60001-60475		P-U-14	70 mm	140 mm	KOM-707-98-52140
	14Y-63-01033	60001-60475		Bushing	70 mm		KOM-707-52-10700
MODEL D65PX-15							
LIFT	707-02-00220	67001-67401		P-U-14	65 mm	95 mm	KOM-707-98-28640
	707-02-00220	67001-67401		Bushing	65 mm		KOM-707-52-10660
	707-02-00380	67402-, 69001-		P-UB-14	65 mm	95 mm	KOM-707-99-25880
	707-02-00380	67402-, 69001-		Bushing	65 mm		KOM-707-52-90400
TILT/PITCH	707-01-0C300	67001-67401		P-U-14	70 mm	140 mm	KOM-707-98-52210
	707-01-0C301	67402-, 69001-		P-UB-14	70 mm	140 mm	KOM-707-99-52160
MODEL D65S-7							
DUMP	141-63-32300	40001-		P-U-14	60 mm	140 mm	KOM-141-63-05010
	141-63-32400	40001-		P-U-14	60 mm	140 mm	KOM-141-63-05010
DUMP (HI-LIFT)	141-63-33100	40001-		P-U-14	60 mm	140 mm	KOM-707-98-50100
	141-63-33200	40001-		P-U-14	60 mm	140 mm	KOM-707-98-50100
LIFT	141-63-22300	40001-		P-U-14	75 mm	160 mm	KOM-141-63-05050
	141-63-22400	40001-		P-U-14	75 mm	160 mm	KOM-141-63-05050
MODEL D65S-8							
DUMP	141-63-32300	45001-		P-U-14	60 mm	140 mm	KOM-141-63-05010
	141-63-32400	45001-		P-U-14	60 mm	140 mm	KOM-141-63-05010
DUMP (HI-LIFT)	141-63-33100	45001-		P-U-14	60 mm	140 mm	KOM-707-98-50100
	141-63-33200	45001-		P-U-14	60 mm	140 mm	KOM-707-98-50100
LIFT	141-63-22300	45001-		P-U-14	75 mm	160 mm	KOM-141-63-05050
	141-63-22400	45001-		P-U-14	75 mm	160 mm	KOM-141-63-05050
MODEL D66S-1							
BOTH-SIDE DUMP	142-63-99101	1001-		P-U-14	60 mm	120 mm	KOM-707-98-41140
BUCKET CLAM (MP)	142-63-59101	1001-		P-U-14	60 mm	120 mm	KOM-707-98-41130
	142-63-59201	1001-		P-U-14	60 mm	120 mm	KOM-707-98-41130
DUMP	142-63-32300	1001-		P-U-14	100 mm	180 mm	KOM-707-98-66410
LIFT	142-63-22200	1001-		P-U-14	80 mm	150 mm	KOM-707-98-54510
MODEL D68E-1							
LIFT	144-63-16100	1001-		P-U-14	65 mm	110 mm	KOM-144-63-05050
	144-63-16200	1001-		P-U-14	65 mm	110 mm	KOM-144-63-05050
MODEL D68P-1							
LIFT	144-63-13503	45590-		P-U-14	65 mm	110 mm	KOM-144-63-05050
	144-63-13603	45590-		P-U-14	65 mm	110 mm	KOM-144-63-05050
RIPPER				P-U-14	75 mm	160 mm	KOM-707-98-61100
TILT	144-63-52200	45590-		P-U-14	70 mm	160 mm	KOM-144-63-05080
MODEL D75A-1							
ANGLE LIFT	144-63-12502	50001-		P-U-14	65 mm	110 mm	KOM-144-63-05050
	144-63-12602	50001-		P-U-14	65 mm	110 mm	KOM-144-63-05050

LT - Large size tire L/S - Loading Shovel SLF - Super Long Front B/H - Backhoe HD - Heavy Duty L BUCKET - Large Bucket
 K-LINK - K-type Linkage Blade LB HI-LIFT - High Lift Arm w Large Bucket HI-LIFT - High Lift Arm S HI-LIFT - Super High Lift Arm

Replacement Kits For

KOMATSU

Crawler Dozers							
APPLICATION	CYL #	SERIAL #	Misc	CODE	ROD	BORE	KIT #
MODEL D75A-1							
BLADE TILT (STT)	14F-63-03030	50281-		P-U-14	70 mm	160 mm	KOM-707-98-60100
RIPPER	144-63-42100	50001-		P-U-14	75 mm	160 mm	KOM-707-98-61100
STT LIFT	144-63-16100	50001-		P-U-14	65 mm	110 mm	KOM-144-63-05050
	144-63-16200	50001-		P-U-14	65 mm	110 mm	KOM-144-63-05050
TILT	144-63-52200	50001-		P-U-14	70 mm	160 mm	KOM-144-63-05080
MODEL D75S-3							
DUMP	145-63-32601	7001-10000		P-U-5	70 mm	150 mm	KOM-707-98-52420
	145-63-32602	10001-		P-U-14	70 mm	150 mm	KOM-707-98-52410
	145-63-32701	7001-10000		P-U-5	70 mm	150 mm	KOM-707-98-52420
	145-63-32702	10001-		P-U-14	70 mm	150 mm	KOM-707-98-52410
LIFT	145-63-23300	7001-10000		P-U-14	90 mm	180 mm	KOM-707-98-64450
	145-63-23301	10001-		P-U-14	90 mm	180 mm	KOM-707-98-64420
	145-63-23400	7001-10000		P-U-14	90 mm	180 mm	KOM-707-98-64450
	145-63-23401	10001-		P-U-14	90 mm	180 mm	KOM-707-98-64420
MODEL D75S-5							
BUCKET CLAM (MP)	145-63-59100	15001-		P-U-14	60 mm	140 mm	KOM-707-98-50100
	145-63-59200	15001-		P-U-14	60 mm	140 mm	KOM-707-98-50100
DUMP	145-63-32602	15001-		P-U-14	70 mm	150 mm	KOM-707-98-52410
	145-63-32702	15001-		P-U-14	70 mm	150 mm	KOM-707-98-52410
DUMP (SCORIA)	145-63-33600	15001-		P-U-5	70 mm	150 mm	KOM-707-98-52420
	145-63-33700	15001-		P-U-5	70 mm	150 mm	KOM-707-98-52420
LIFT	145-63-23301	15001-		P-U-14	90 mm	180 mm	KOM-707-98-64420
	145-63-23401	15001-		P-U-14	90 mm	180 mm	KOM-707-98-64420
LIFT (SCORIA)	145-63-23800	15001-		P-U-14	90 mm	180 mm	KOM-707-98-64450
	145-63-23900	15001-		P-U-14	90 mm	180 mm	KOM-707-98-64450
SIDE DUMP	145-63-97101	15001-		P-U-5	60 mm	110 mm	KOM-707-99-36410
MODEL D80A-18							
LIFT	154-63-12604	25001-		P-U-5	70 mm	120 mm	KOM-707-99-43010
	154-63-12704	25001-		P-U-5	70 mm	120 mm	KOM-707-99-43010
MAP TILT	154-63-52500	25001-		P-U-14	70 mm	160 mm	KOM-707-98-60121
	154-63-52600	25001-		P-U-14	70 mm	160 mm	KOM-707-98-60120
RIPPER	154-63-42503	25001-		P-U-14	70 mm	150 mm	KOM-707-98-52410
	154-63-42603	25001-		P-U-14	70 mm	150 mm	KOM-707-98-52410
TILT	154-63-52402	25001-26042		P-U-14	90 mm	200 mm	KOM-707-99-71100
TRIMMING	154-63-79400	25001-		P-U-14	70 mm	150 mm	KOM-707-98-52410
MODEL D80E-18							
RIPPER	154-63-42503	25001-		P-U-14	70 mm	150 mm	KOM-707-98-52410
	154-63-42603	25001-		P-U-14	70 mm	150 mm	KOM-707-98-52410
TILT	154-63-52402	25001-26042		P-U-14	90 mm	200 mm	KOM-707-99-71100
MODEL D83E-1							
LIFT	14F-63-02012	1001-		P-U-10	65 mm	110 mm	KOM-707-98-36411
	14F-63-02022	1001-		P-U-10	65 mm	110 mm	KOM-707-98-36411
MAP TILT	154-63-52500	1001-		P-U-14	70 mm	160 mm	KOM-707-98-60121
	154-63-52600	1001-		P-U-14	70 mm	160 mm	KOM-707-98-60120
RIPPER	144-63-42100	1001-		P-U-14	75 mm	160 mm	KOM-707-98-61100
TILT	144-63-52200	1001-		P-U-14	70 mm	160 mm	KOM-144-63-05080

LT - Large size tire L/S - Loading Shovel SLF - Super Long Front B/H - Backhoe HD - Heavy Duty L BUCKET - Large Bucket
K-LINK - K-type Linkage Blade LB HI-LIFT - High Lift Arm w Large Bucket HI-LIFT - High Lift Arm S HI-LIFT - Super High Lift Arm

Replacement Kits For

KOMATSU

KOMATSU

Crawler Dozers							
APPLICATION	CYL #	SERIAL #	Misc	CODE	ROD	BORE	KIT #
MODEL D83P-1							
LIFT	14F-63-02012	1001-		P-U-10	65 mm	110 mm	KOM-707-98-36411
	14F-63-02022	1001-		P-U-10	65 mm	110 mm	KOM-707-98-36411
TILT	144-63-52200	1001-		P-U-14	70 mm	160 mm	KOM-144-63-05080
MODEL D85A-18							
LIFT	154-63-12604	25001-		P-U-5	70 mm	120 mm	KOM-707-99-43010
	154-63-12704	25001-		P-U-5	70 mm	120 mm	KOM-707-99-43010
MAP TILT	154-63-52500	25001-		P-U-14	70 mm	160 mm	KOM-707-98-60121
	154-63-52600	25001-		P-U-14	70 mm	160 mm	KOM-707-98-60120
RIPPER	154-63-42503	25001-		P-U-14	70 mm	150 mm	KOM-707-98-52410
	154-63-42603	25001-		P-U-14	70 mm	150 mm	KOM-707-98-52410
TILT	154-63-52402	25001-28323		P-U-14	90 mm	200 mm	KOM-707-99-71100
TRIMMING	154-63-79400	25001-		P-U-14	70 mm	150 mm	KOM-707-98-52410
MODEL D85A-21							
BLADE LIFT	154-63-02010	36534-		P-U-14	70 mm	110 mm	KOM-707-98-37580
	154-63-02010	36534-		Bushing	70 mm		KOM-07177-07030
BLADE LIFT (A)	154-63-02010	35001-		P-U-14	70 mm	110 mm	KOM-707-98-37580
BLADE LIFT (E)	154-63-02050	35001-		P-U-14	70 mm	110 mm	KOM-707-98-37580
MODEL D85A-21, D85E-21							
LIFT	154-63-02010	35001-		P-U-14	70 mm	110 mm	KOM-707-98-37580
MAP TILT	154-63-02120	35001-		P-U-14	70 mm	140 mm	KOM-707-98-52110
	154-63-02130	35001-		P-U-14	70 mm	140 mm	KOM-707-98-52110
RIPPER	154-63-02081	35001-		P-U-14	70 mm	140 mm	KOM-707-98-52110
TILT	154-63-02070	35001-		P-U-14	80 mm	160 mm	KOM-707-98-62120
MODEL D85E-18							
RIPPER	154-63-42503	25001-		P-U-14	70 mm	150 mm	KOM-707-98-52410
	154-63-42603	25001-		P-U-14	70 mm	150 mm	KOM-707-98-52410
TILT	154-63-52402	25001-28323		P-U-14	90 mm	200 mm	KOM-707-99-71100
MODEL D85E-21							
BLADE LIFT (A)	154-63-02010	35001-		P-U-14	70 mm	110 mm	KOM-707-98-37580
BLADE LIFT (E)	154-63-02050	35001-		P-U-14	70 mm	110 mm	KOM-707-98-37580
MODEL D85E-SS-2A							
BLADE LIFT	14Y-63-01013	3001-		P-U-10	65 mm	95 mm	KOM-707-98-28600
BLADE TILT	14Y-63-01032	3001-		P-U-14	70 mm	140 mm	KOM-707-98-52140
RIPPER	14X-63-01052	3001-		P-U-14	70 mm	140 mm	KOM-707-98-52130
MODEL D85P-21							
TILT	154-63-02070	3001-		P-U-14	80 mm	160 mm	KOM-707-98-62120
MODEL D95S-2							
DUMP	155-63-32104	2001-2129		P-U-5	75 mm	160 mm	KOM-707-98-61110
	155-63-32204	2001-2129		P-U-5	75 mm	160 mm	KOM-707-98-61110
LIFT	155-63-22501	2112-		P-U-14	90 mm	180 mm	KOM-707-98-64450
	155-63-22601	2112-		P-U-14	90 mm	180 mm	KOM-707-98-64450
MODEL D135A-1							
LIFT	15A-63-02010	10001-		P-U-14	80 mm	130 mm	KOM-707-98-45610
PIN PULLER	15A-63-02080	10001-		P-U-10	30 mm	60 mm	KOM-707-98-11020
RIPPER LIFT	15A-63-02140	10001-		P-U-14	80 mm	160 mm	KOM-707-98-62100
	15A-63-02150	10001-		P-U-14	80 mm	160 mm	KOM-707-98-62100

LT - Large size tire L/S - Loading Shovel SLF - Super Long Front B/H - Backhoe HD - Heavy Duty L BUCKET - Large Bucket
 K-LINK - K-type Linkage Blade LB HI-LIFT - High Lift Arm w Large Bucket HI-LIFT - High Lift Arm S HI-LIFT - Super High Lift Arm

Replacement Kits For

KOMATSU

Crawler Dozers							
APPLICATION	CYL #	SERIAL #	Misc	CODE	ROD	BORE	KIT #
MODEL D135A-1							
RIPPER TILT	15A-63-02160	10001-		P-U-14	80 mm	150 mm	KOM-707-98-54500
	15A-63-02170	10001-		P-U-14	80 mm	150 mm	KOM-707-98-54500
TILT	15A-63-02130	10001-		P-U-14	90 mm	180 mm	KOM-707-98-64410
MODEL D135A-2							
LIFT	15A-63-02010	10301-		P-U-14	80 mm	130 mm	KOM-707-98-45610
PIN PULLER	15A-63-02080	10301-		P-U-10	30 mm	60 mm	KOM-707-98-11020
RIPPER LIFT	15A-63-02140	10301-		P-U-14	80 mm	160 mm	KOM-707-98-62100
	15A-63-02150	10301-		P-U-14	80 mm	160 mm	KOM-707-98-62100
RIPPER TILT	15A-63-02160	10301-		P-U-14	80 mm	150 mm	KOM-707-98-54500
	15A-63-02170	10301-		P-U-14	80 mm	150 mm	KOM-707-98-54500
TILT	15A-63-02130	10301-		P-U-14	90 mm	180 mm	KOM-707-98-64410
MODEL D155A-1							
PIN PULLER	175-63-49102	15001-		P-U-5	35 mm	70 mm	KOM-707-99-12420
RIPPER LIFT	175-63-42700	17001-		P-U-14	90 mm	225 mm	KOM-707-99-71420
	175-63-42800	17001-		P-U-14	90 mm	225 mm	KOM-707-99-71420
RIPPER TILT	175-63-43700	17001-		P-U-14	90 mm	225 mm	KOM-707-99-71420
	175-63-43800	17001-		P-U-14	90 mm	225 mm	KOM-707-99-71420
TILT	175-63-52700	20004-		P-U-14	90 mm	225 mm	KOM-175-63-05140
MODEL D155A-2							
LIFT	175-63-02111	50001-		P-U-14	75 mm	140 mm	KOM-707-98-53100
	175-63-02111	50001-		Bushing	75 mm		KOM-07177-07530
PIN PULLER	175-63-49102	50001-		P-U-5	35 mm	70 mm	KOM-707-99-12420
RIPPER LIFT	175-63-42701	50001-		P-U-14	90 mm	225 mm	KOM-707-99-71420
	175-63-42701	50001-		Bushing	90 mm		KOM-07177-09035
	175-63-42801	50001-		P-U-14	90 mm	225 mm	KOM-707-99-71420
	175-63-42801	50001-		Bushing	90 mm		KOM-07177-09035
RIPPER TILT	175-63-43700	50001-		P-U-14	90 mm	225 mm	KOM-707-99-71420
	175-63-43700	50001-		Bushing	90 mm		KOM-07177-09035
	175-63-43800	50001-		P-U-14	90 mm	225 mm	KOM-707-99-71420
	175-63-43800	50001-		Bushing	90 mm		KOM-07177-09035
TILT	175-63-52700	50001-		P-U-14	90 mm	225 mm	KOM-175-63-05140
	175-63-52700	50001-		Bushing	90 mm		KOM-07177-09035
MODEL D155A-3, D155AX-3							
DUAL TILT	17A-63-02190	60001-		P-U-14	90 mm	200 mm	KOM-707-98-71020
	17A-63-02190	60001-		Bushing	90 mm		KOM-707-52-10910
LIFT	17A-63-01210	60001-		P-U-14	75 mm	120 mm	KOM-707-98-44200
	17A-63-01210	60001-		Bushing	75 mm		KOM-707-52-10750
RIPPER LIFT	17A-63-02140	60001-		P-U-14	80 mm	160 mm	KOM-707-98-62131
RIPPER TILT	17A-63-02160	60001-		P-U-14	80 mm	160 mm	KOM-707-98-62131
TILT	17A-63-02130	60001-		P-U-14	90 mm	180 mm	KOM-707-98-64410
	17A-63-02130	60001-		Bushing	90 mm		KOM-707-52-10910
MODEL D155AX-5							
DUAL TILT	17A-63-02190	70001-		P-U-14	90 mm	200 mm	KOM-707-98-71020
	17A-63-02190	70001-		Bushing	90 mm		KOM-707-52-10910
LIFT	17A-63-02110	70001-		P-U-14	75 mm	120 mm	KOM-707-98-44200
	17A-63-02110	70001-		Bushing	75 mm		KOM-707-52-10750

LT - Large size tire L/S - Loading Shovel SLF - Super Long Front B/H - Backhoe HD - Heavy Duty L BUCKET - Large Bucket
K-LINK - K-type Linkage Blade LB HI-LIFT - High Lift Arm w Large Bucket HI-LIFT - High Lift Arm S HI-LIFT - Super High Lift Arm

Replacement Kits For

KOMATSU

KOMATSU

Crawler Dozers							
APPLICATION	CYL #	SERIAL #	Misc	CODE	ROD	BORE	KIT #
MODEL D155AX-5							
PIN PULLER	15A-63-02080	70001-		P-U-10	30 mm	60 mm	KOM-707-98-11070
RIPPER LIFT	17A-63-02140	70001-		P-U-14	80 mm	160 mm	KOM-707-98-62131
RIPPER TILT	17A-63-02160	70001-		P-U-14	80 mm	160 mm	KOM-707-98-62131
TILT	17A-63-02110	70001-		P-U-14	90 mm	180 mm	KOM-707-98-64410
MODEL D155AX-6							
BLADE LIFT LH	707-02-00660	80001-		P-UB-14	75 mm	110 mm	KOM-707-99-38740
	707-02-00660	80001-		Bushing	75 mm		KOM-707-52-90500
BLADE LIFT RH	707-02-00670	80001-		P-UB-14	75 mm	110 mm	KOM-707-99-38740
	707-02-00670	80001-		Bushing	75 mm		KOM-707-52-90500
BLADE TILT	707-04-00190	80001-		P-UB-14	90 mm	160 mm	KOM-707-99-64230
	707-04-00200	80001-		P-UB-14	90 mm	160 mm	KOM-707-99-64230
	707-04-00220	80001-		P-UB-14	90 mm	160 mm	KOM-707-99-64230
	707-04-00240	80001-		P-UB-14	90 mm	160 mm	KOM-707-99-64250
PIN PULLER	707-04-00210	80001-		P-U-3	30 mm	60 mm	KOM-707-98-11350
	707-04-00210	80001-		Bushing	30 mm		KOM-07177-03025
RIPPER LIFT	707-01-0K410	80001-		P-UB-14	100 mm	180 mm	KOM-707-99-66660
RIPPER TILT	707-01-0K420	80001-		P-UB-14	110 mm	200 mm	KOM-707-99-74200
MODEL D275A-2							
BLADE LIFT	17M-63-01011	10001-		P-U-14	80 mm	130 mm	KOM-707-98-45620
BLADE TILT	17M-63-01031	10001-		P-U-14	100 mm	200 mm	KOM-707-98-73020
DUAL TILT	17M-63-01081	10001-		P-U-14	100 mm	200 mm	KOM-707-98-73020
	17M-63-01091	10001-		P-U-14	100 mm	225 mm	KOM-707-98-73400
PIN PULLER	175-63-02080	10001-		P-U-10	30 mm	60 mm	KOM-707-98-11020
RIPPER LIFT	17M-63-01041	10001-		P-U-14	100 mm	200 mm	KOM-707-98-73010
RIPPER TILT	17M-63-01061	10001-		P-U-14	90 mm	180 mm	KOM-707-98-64400
MODEL D275A-5							
BLADE LIFT	707-02-00200	25001-		P-UB-14	80 mm	120 mm	KOM-707-99-45310
BLADE TILT	707-01-0C160	25001-		P-UB-14	100 mm	180 mm	KOM-707-99-66600
RIPPER LIFT	707-01-0C170	25001-		P-UB-14	100 mm	180 mm	KOM-707-99-66610
	707-01-0C180	25001-		P-UB-14	100 mm	180 mm	KOM-707-99-66610
RIPPER TILT	707-01-0C190	25001-		P-UB-14	90 mm	160 mm	KOM-707-99-64200
	707-01-0C200	25001-		P-UB-14	90 mm	160 mm	KOM-707-99-64200
MODEL D355A-3							
LIFT	195-63-13700	4001-		P-U-5,14	90 mm	160 mm	KOM-195-63-05120
	195-63-13800	4001-		P-U-5,14	90 mm	160 mm	KOM-195-63-05120
PIN PULLER	175-63-49101	1632-		P-U-5	35 mm	70 mm	KOM-707-99-12420
TILT	195-63-52500	3301-		P-U-5	90 mm	160 mm	KOM-195-63-05130
MODEL D355A-5							
LIFT	195-63-01110	12959		P-U-5,14	90 mm	160 mm	KOM-195-63-05120
	195-63-01120	12959		P-U-5,14	90 mm	160 mm	KOM-195-63-05120
	195-63-13700	12622-12958		P-U-5,14	90 mm	160 mm	KOM-195-63-05120
	195-63-13800	12622-12958		P-U-5,14	90 mm	160 mm	KOM-195-63-05120
PIN PULLER	175-63-49102	12622-		P-U-5	35 mm	70 mm	KOM-707-99-12420
TILT	195-63-01130	12959-		P-U-5	90 mm	160 mm	KOM-195-63-05130
	195-63-52500	12622-12958		P-U-5	90 mm	160 mm	KOM-195-63-05130

LT - Large size tire L/S - Loading Shovel SLF - Super Long Front B/H - Backhoe HD - Heavy Duty L BUCKET - Large Bucket
 K-LINK - K-type Linkage Blade LB HI-LIFT - High Lift Arm w Large Bucket HI-LIFT - High Lift Arm S HI-LIFT - Super High Lift Arm

Replacement Kits For

KOMATSU

Crawler Dozers							
APPLICATION	CYL #	SERIAL #	Misc	CODE	ROD	BORE	KIT #
MODEL D375A-1							
LIFT	195-63-01101	15001-		P-U-14	90 mm	150 mm	KOM-707-98-56600
	195-63-01201	15001-		P-U-14	90 mm	150 mm	KOM-707-98-56600
	195-63-01410	16001-		P-U-14	90 mm	150 mm	KOM-707-98-56610
PIN PULLER	195-63-49200	15001-		P-U-10	30 mm	60 mm	KOM-707-98-11020
RIPPER LIFT	195-63-01301	15001-		P-U-14	110 mm	225 mm	KOM-707-98-74400
	195-63-01401	15001-		P-U-14	110 mm	225 mm	KOM-707-98-74400
RIPPER TILT	195-63-01501	15001-		P-U-14	110 mm	200 mm	KOM-707-98-74100
	195-63-01601	15001-		P-U-14	110 mm	200 mm	KOM-707-98-74100
TILT	195-63-53200	15001-15413		P-U-14	110 mm	225 mm	KOM-707-98-74410
	195-63-53200	15417-15422		P-U-14	110 mm	225 mm	KOM-707-98-74410
	195-63-53400	15414-15416		P-U-14	110 mm	225 mm	KOM-707-98-74420
	195-63-53400	15423-		P-U-14	110 mm	225 mm	KOM-707-98-74420
MODEL D375A-2							
LIFT	195-63-01420	16001-		P-U-14	90 mm	150 mm	KOM-707-98-56610
PIN PULLER	175-63-02080	16001-		P-U-10	30 mm	60 mm	KOM-707-98-11020
RIPPER LIFT	195-63-01440	16001-		P-U-14	110 mm	225 mm	KOM-707-98-74400
	195-63-01450	16001-		P-U-14	110 mm	225 mm	KOM-707-98-74400
RIPPER TILT	195-63-01501	16001-		P-U-14	110 mm	200 mm	KOM-707-98-74100
	195-63-01601	16001-		P-U-14	110 mm	200 mm	KOM-707-98-74100
MODEL D375A-3							
LIFT	195-63-01410	17001-		P-U-14	90 mm	150 mm	KOM-707-98-56610
	195-63-01410	17001-		Bushing	90 mm		KOM-07177-09035
	195-63-01420	17001-		P-U-14	90 mm	150 mm	KOM-707-98-56610
	195-63-01420	17001-		Bushing	90 mm		KOM-07177-09035
PIN PULLER	175-63-02080	17001-		P-U-10	30 mm	60 mm	KOM-707-98-11020
	175-63-02080	17001-		Bushing	30 mm		KOM-07177-03025
RIPPER LIFT LH	195-63-01440	17001-		P-U-14	110 mm	225 mm	KOM-707-98-74400
	195-63-01440	17001-		Bushing	110 mm		KOM-07177-01135
RIPPER LIFT RH	195-63-01450	17001-		P-U-14	110 mm	225 mm	KOM-707-98-74400
	195-63-01450	17001-		Bushing	110 mm		KOM-07177-01135
RIPPER TILT	195-63-01501	17001-		P-U-14	110 mm	200 mm	KOM-707-98-74100
	195-63-01501	17001-		Bushing	110 mm		KOM-07177-01135
	195-63-01601	17001-		P-U-14	110 mm	200 mm	KOM-707-98-74100
	195-63-01601	17001-		Bushing	110 mm		KOM-07177-01135
TILT	195-63-53401	17001-		P-U-14	110 mm	225 mm	KOM-707-98-74410
	195-63-53401	17001-		Bushing	110 mm		KOM-07177-01135
TILT (LH Pitch)	195-63-01311	17001-		P-U-14	110 mm	225 mm	KOM-707-98-74410
	195-63-01311	17001-		Bushing	110 mm		KOM-707-52-11110
TILT (RH Pitch)	195-63-01321	17001-		P-U-14	110 mm	250 mm	KOM-707-98-81010
	195-63-01321	17001-		Bushing	110 mm		KOM-707-52-11110
MODEL D475A-1							
TILT (K Link)	198-63-02130	10001-		P-U-14	140 mm	250 mm	KOM-707-98-84011
MODEL D475A-2							
TILT	198-63-02130	10201-		P-U-14	140 mm	250 mm	KOM-707-98-84011
MODEL D475A-3							
BLADE TILT	198-63-02131	10601-		P-U-14	140 mm	250 mm	KOM-707-98-84011

LT - Large size tire L/S - Loading Shovel SLF - Super Long Front B/H - Backhoe HD - Heavy Duty L BUCKET - Large Bucket
 K-LINK - K-type Linkage Blade LB HI-LIFT - High Lift Arm w Large Bucket HI-LIFT - High Lift Arm S HI-LIFT - Super High Lift Arm

Replacement Kits For

KOMATSU

Crawler Dozers							
APPLICATION	CYL #	SERIAL #	Misc	CODE	ROD	BORE	KIT #
MODEL D475A-3							
DUAL TILT	198-63-02131	10601-		P-U-14	140 mm	250 mm	KOM-707-98-84011
MODEL D475A-3 SD							
BLADE TILT	198-63-02230	10601-		P-U-14	140 mm	250 mm	KOM-707-98-84011
DUAL TILT	198-63-02230	10601-		P-U-14	140 mm	250 mm	KOM-707-98-84011
MODEL WA180-3							
DUMP	707-00-03231	53001-		P-U-14	60 mm	120 mm	KOM-707-99-41130
	707-00-03231	53001-		Bushing	60 mm		KOM-07177-06030
Excavators							
APPLICATION	CYL #	SERIAL #	Misc	CODE	ROD	BORE	KIT #
MODEL PC05-5							
BLADE	707-00-60340	10401-		P-U-10	30 mm	60 mm	KOM-707-98-11090
MODEL PC05-6							
BLADE	707-00-60390	11701-		P-U-10	30 mm	60 mm	KOM-707-98-11090
BOOM	707-00-50660	11701-		P-U-10	30 mm	50 mm	KOM-707-98-04500
MODEL PC10-5							
ARM	20N-63-66701	10201-		P-U-10	35 mm	70 mm	KOM-707-98-12450
BLADE	20N-63-96300	10201-		P-U-10	35 mm	70 mm	KOM-707-98-12450
BOOM	20N-63-56700	10201-		P-U-10	35 mm	70 mm	KOM-707-98-12530
BOOM SWING	20N-63-86701	10201-		P-U-10	35 mm	70 mm	KOM-707-98-12520
BUCKET	20N-63-76500	10201-		P-U-10	35 mm	60 mm	KOM-707-98-12150
MODEL PC10-6							
BLADE	20N-63-02060	10501-10554		P-U-14	35 mm	70 mm	KOM-707-98-12410
BUCKET	20N-63-02040	10501-		P-U-10	35 mm	60 mm	KOM-707-98-12020
MODEL PC10-7							
ARM	20N-63-02222	25001-		P-U-14	40 mm	70 mm	KOM-707-98-14610
BLADE LIFT	20C-63-02050	25001-25857		P-U-10	35 mm	70 mm	KOM-707-98-12700
	20P-63-02140	25858-		P-U-14	35 mm	70 mm	KOM-707-98-12410
MODEL PC12R-8							
ARM	20M-63-02121	10001-		P-U-14	30 mm	50 mm	KOM-707-98-04640
BOOM SWING	20M-63-02140	10001-		P-U-14	30 mm	60 mm	KOM-707-98-11310
BUCKET	20M-63-02130	10001-		P-U-14	30 mm	50 mm	KOM-707-98-04640
MODEL PC12UU-1							
ARM	20C-63-02020	1001-		P-U-10	40 mm	70 mm	KOM-707-98-14710
BLADE	20C-63-02050	1001-		P-U-10	35 mm	70 mm	KOM-707-98-12700
BUCKET	20C-63-02030	1001-		P-U-10	35 mm	60 mm	KOM-707-98-12160
OFF-SET	20C-63-02040	1001-		P-U-14	35 mm	70 mm	KOM-707-98-12410
MODEL PC15-1							
ARM	20P-63-02020	1001-		P-U-10	40 mm	70 mm	KOM-707-98-14410
BLADE	20N-63-96300	1001-		P-U-10	35 mm	70 mm	KOM-707-98-12450
BOOM	20P-63-02010	1001-		P-U-10	40 mm	70 mm	KOM-707-99-14410
BOOM SWING	20P-63-02040	1001-		P-U-10	35 mm	70 mm	KOM-707-98-12520
BUCKET	20P-63-02030	1001-		P-U-10	35 mm	60 mm	KOM-707-98-12150
MODEL PC15-2							
ARM	20P-63-02070	2001-		P-U-10	40 mm	70 mm	KOM-707-98-14410
BLADE	20C-63-02050	2001-		P-U-10	35 mm	70 mm	KOM-707-98-12700
BOOM (Cab)	20P-63-02060	2001-		P-U-10	40 mm	70 mm	KOM-707-99-14410

LT - Large size tire L/S - Loading Shovel SLF - Super Long Front B/H - Backhoe HD - Heavy Duty L BUCKET - Large Bucket
K-LINK - K-type Linkage Blade LB HI-LIFT - High Lift Arm w Large Bucket HI-LIFT - High Lift Arm S HI-LIFT - Super High Lift Arm

Replacement Kits For

KOMATSU

Excavators							
APPLICATION	CYL #	SERIAL #	Misc	CODE	ROD	BORE	KIT #
MODEL PC15-2							
BOOM (Canopy)	20P-63-02050	2001-		P-U-10	40 mm	70 mm	KOM-707-99-14410
BUCKET	20P-63-02040	2001-		P-U-10	35 mm	70 mm	KOM-707-98-12520
MODEL PC15-3							
BLADE LIFT	20P-63-02251	5001-		P-U-14	35 mm	70 mm	KOM-707-98-12410
MODEL PC15R-8							
ARM	20W-63-02121	10001-		P-U-14	30 mm	50 mm	KOM-707-98-04640
BLADE	20W-63-02150	10001-		P-U-14	35 mm	70 mm	KOM-707-98-12660
BOOM (Cab)	20W-63-02160	10001-		P-U-14	35 mm	60 mm	KOM-707-98-12330
BOOM (Canopy)	20W-63-02111	10001-		P-U-14	35 mm	60 mm	KOM-707-98-12330
BOOM (Swing)	20M-63-02140	10001-		P-U-14	30 mm	60 mm	KOM-707-98-11310
BUCKET	20M-63-02130	10001-		P-U-14	30 mm	50 mm	KOM-707-98-04640
MODEL PC20-5							
ARM	20R-63-66300	18001-		P-U-14	40 mm	80 mm	KOM-707-98-22120
BLADE	20S-63-96300	18001-		P-U-14	45 mm	90 mm	KOM-707-98-24600
BOOM	20R-63-56500	18001-		P-U-14	40 mm	80 mm	KOM-707-98-22030
BOOM SWING	20S-63-86301	18001-		P-U-14	35 mm	70 mm	KOM-707-98-12440
BUCKET	20R-63-76301	18001-		P-U-14	35 mm	70 mm	KOM-707-98-12440
MODEL PC20-6							
ARM	20R-63-02030	24001-		P-U-14	40 mm	75 mm	KOM-707-98-22200
BLADE	20S-63-02062	24001-		P-U-14	45 mm	90 mm	KOM-707-98-24520
BOOM (Cab)	20R-63-02011	24001-		P-U-14	45 mm	80 mm	KOM-707-99-24200
BOOM (Canopy)	20R-63-02021	24001-		P-U-14	45 mm	80 mm	KOM-707-99-24200
BOOM SWING	20S-63-02050	24001-		P-U-14	45 mm	85 mm	KOM-707-98-24510
BUCKET	20R-63-02040	24001-		P-U-14	35 mm	65 mm	KOM-707-98-12211
MODEL PC20-7							
ARM	20N-63-02222	35001-37000		P-U-14	40 mm	70 mm	KOM-707-98-14610
BLADE LIFT	20N-63-02251	35001-		P-U-14	35 mm	70 mm	KOM-707-98-12410
BUCKET	20P-63-02130	42355-		P-U-14	35 mm	60 mm	KOM-707-98-12310
	20P-63-02131	35001-		P-U-14	35 mm	60 mm	KOM-707-98-12310
MODEL PC20MRX-1							
ARM	22K-63-02131	10001-		P-U-14	40 mm	70 mm	KOM-707-98-14610
MODEL PC20R-8							
ARM	20N-63-02523	10001-		P-U-14	40 mm	65 mm	KOM-707-98-14830
BLADE LIFT (MAPI)	20N-63-02011	10001-		P-U-14	35 mm	70 mm	KOM-707-98-12410
MODEL PC25-1							
ARM	20R-63-02212	1001-		P-U-14	40 mm	75 mm	KOM-707-98-22200
BLADE LIFT	20S-63-02260	1001-		P-U-14	45 mm	95 mm	KOM-707-98-24610
BLADE TILT	20U-63-02090	1001-		P-U-14	45 mm	90 mm	KOM-707-98-24550
BOOM SWING	20S-63-02240	1001-		P-U-14	45 mm	85 mm	KOM-707-98-24510
BUCKET	20R-63-02222	1001-		P-U-14	40 mm	65 mm	KOM-707-98-14830
MODEL PC25R-8							
ARM	20P-63-02522	10001-		P-U-14	40 mm	70 mm	KOM-707-98-14610
BLADE	20P-63-02451	10001-		P-U-14	35 mm	70 mm	KOM-707-98-12670
BLADE LIFT	20N-63-02271	10001-		P-U-14	35 mm	70 mm	KOM-707-98-12410
BOOM (Cab)	20P-63-02512	10001-		P-U-14	45 mm	75 mm	KOM-707-98-24890
BOOM (Canopy)	20P-63-02502	10001-		P-U-14	45 mm	75 mm	KOM-707-98-24890

LT - Large size tire L/S - Loading Shovel SLF - Super Long Front B/H - Backhoe HD - Heavy Duty L BUCKET - Large Bucket
 K-LINK - K-type Linkage Blade LB HI-LIFT - High Lift Arm w Large Bucket HI-LIFT - High Lift Arm S HI-LIFT - Super High Lift Arm

KOMATSU

Replacement Kits For

Excavators							
APPLICATION	CYL #	SERIAL #	Misc	CODE	ROD	BORE	KIT #
MODEL PC25R-8							
BOOM SWING	20P-63-02541	10001-		P-U-14	40 mm	80 mm	KOM-707-98-23130
MODEL PC27MR-2							
ARM	707-00-0F460	15001-		P-U-14	40 mm	65 mm	KOM-707-98-14910
BLADE LIFT	707-00-0E550	15001-		P-U-14	45 mm	85 mm	KOM-707-98-24930
BOOM	707-00-0F450	15001-		P-U-14	45 mm	75 mm	KOM-707-98-23890
BOOM SWING	707-00-0F480	15001-		P-U-14	40 mm	75 mm	KOM-707-98-22890
BUCKET	707-00-0F470	15001-		P-U-14	35 mm	55 mm	KOM-707-98-13990
MODEL PC27MRX-1							
ARM	22L-63-02230	10001-10878		P-U-14	40 mm	70 mm	KOM-707-98-14610
	22L-63-02231	10879-		P-U-14	40 mm	70 mm	KOM-707-98-14610
BLADE	21U-63-02451	10001-		P-U-14	40 mm	80 mm	KOM-707-98-22180
BOOM	22L-63-02112	10001-		P-U-14	45 mm	75 mm	KOM-707-98-24890
	22L-63-02113	10001-		P-U-14	45 mm	75 mm	KOM-707-98-24890
	22L-63-02122	10001-		P-U-14	45 mm	75 mm	KOM-707-98-24890
	22L-63-02123	10001-		P-U-14	45 mm	75 mm	KOM-707-98-24890
BOOM (Cab)	707-00-75330	10001-		P-U-14	45 mm	75 mm	KOM-707-98-24890
	707-00-75331	10001-		P-U-14	45 mm	75 mm	KOM-707-98-24890
BOOM SWING	721-00-80500	10001-		P-U-14	40 mm	80 mm	KOM-707-98-23130
BOOM SWING (Cab)	22L-63-86242	10001-		P-U-14	40 mm	80 mm	KOM-707-98-23130
BOOM SWING (Canopy)	22L-63-86142	10001-		P-U-14	40 mm	80 mm	KOM-707-98-23130
BUCKET	21U-63-02480	10001-		P-U-14	40 mm	70 mm	KOM-707-98-14610
	22L-63-02240	10001-		P-U-14	35 mm	60 mm	KOM-707-98-12310
	22L-63-02240	10001-		P-U-14	35 mm	60 mm	KOM-707-98-12310
MODEL PC27R-8							
ARM	20P-63-02522	10001-		P-U-14	40 mm	70 mm	KOM-707-98-14610
BLADE	20P-63-02552	10001-		P-U-14	35 mm	70 mm	KOM-707-98-12670
BLADE LIFT	20P-63-02140	10001-		P-U-14	35 mm	70 mm	KOM-707-98-12410
BOOM (Cab)	20P-63-02512	10001-		P-U-14	45 mm	75 mm	KOM-707-98-24890
BOOM (Canopy)	20P-63-02502	10001-		P-U-14	45 mm	75 mm	KOM-707-98-24890
BOOM (Swing)	20P-63-02541	10001-		P-U-14	40 mm	80 mm	KOM-707-98-23130
BUCKET	20P-63-02531	10001-		P-U-14	35 mm	60 mm	KOM-707-98-12310
MODEL PC28UU-1							
ARM	21U-63-02020	1001-		P-U-10	40 mm	80 mm	KOM-707-98-22080
BLADE	21U-63-02050	1001-3652		P-U-10	40 mm	80 mm	KOM-707-98-22060
	21U-63-02060	3653-		P-U-10	40 mm	80 mm	KOM-707-98-22060
BOOM	21U-63-02011	1001-		P-U-10	45 mm	80 mm	KOM-707-98-24060
BUCKET	21U-63-02030	1001-1825		P-U-14	35 mm	70 mm	KOM-707-98-12410
	21U-63-02031	1826-		P-U-14	35 mm	70 mm	KOM-707-98-12410
OFF-SET	21U-63-02041	1001-1825		P-U-14	35 mm	70 mm	KOM-707-98-12410
	21U-63-02042	1826-		P-U-14	35 mm	70 mm	KOM-707-98-12410
MODEL PC30-5							
ARM	20S-63-66300	6001-		P-U-14	40 mm	80 mm	KOM-707-98-22120
BLADE	20S-63-96300	6001-		P-U-14	45 mm	90 mm	KOM-707-98-24600
BOOM	20S-63-56500	6001-		P-U-14	40 mm	80 mm	KOM-707-98-22030
BOOM SWING	20S-63-86300	6001-		P-U-14	35 mm	70 mm	KOM-707-98-12440

LT - Large size tire L/S - Loading Shovel SLF - Super Long Front B/H - Backhoe HD - Heavy Duty L BUCKET - Large Bucket
K-LINK - K-type Linkage Blade LB HI-LIFT - High Lift Arm w Large Bucket HI-LIFT - High Lift Arm S HI-LIFT - Super High Lift Arm

Replacement Kits For

KOMATSU

Excavators							
APPLICATION	CYL #	SERIAL #	Misc	CODE	ROD	BORE	KIT #
MODEL PC30-5							
BUCKET	20S-63-76102	6001-		P-U-14	40 mm	70 mm	KOM-707-98-14430
MODEL PC30-6							
ARM	20S-63-02030	10001-		P-U-14	40 mm	75 mm	KOM-707-98-22200
BLADE	20S-63-02062	10001-		P-U-14	45 mm	90 mm	KOM-707-98-24520
BLADE TILT	20U-63-02090	10001-		P-U-14	45 mm	90 mm	KOM-707-98-24550
BOOM (Cab)	20S-63-02021	10001-		P-U-14	45 mm	80 mm	KOM-707-99-24200
BOOM (Canopy)	20S-63-02011	10001-		P-U-14	45 mm	80 mm	KOM-707-99-24200
BOOM SWING	20S-63-02050	10001-		P-U-14	45 mm	85 mm	KOM-707-98-24510
BUCKET	20S-63-02040	10001-		P-U-14	40 mm	70 mm	KOM-707-98-14610
MODEL PC30-7							
ARM	20S-63-02202	18001-		P-U-14	45 mm	75 mm	KOM-707-98-24820
BLADE LIFT	20S-63-02260	18001-		P-U-14	45 mm	95 mm	KOM-707-98-24610
BLADE TILT	20U-63-02090	18001-		P-U-14	45 mm	90 mm	KOM-707-98-24550
BOOM	20S-63-02231	18001-		P-U-14	45 mm	85 mm	KOM-707-98-24920
BOOM SWING	20S-63-02240	18001-		P-U-14	45 mm	85 mm	KOM-707-98-24510
BUCKET	20S-63-02212	18001-		P-U-14	40 mm	70 mm	KOM-707-98-14610
MODEL PC30MRX-1							
BLADE	20U-63-02451	10001-		P-U-14	40 mm	80 mm	KOM-707-98-22180
BOOM (Cab)	707-00-75330	10001-		P-U-14	45 mm	75 mm	KOM-707-98-24890
BOOM (Canopy)	707-00-75320	10001-		P-U-14	45 mm	75 mm	KOM-707-98-24890
BOOM SWING (Cab)	721-00-80500	10001-		P-U-14	40 mm	80 mm	KOM-707-98-23130
BOOM SWING (Canopy)	721-00-80400	10001-		P-U-14	40 mm	80 mm	KOM-707-98-23130
BUCKET	20U-63-02432	10001-		P-U-14	40 mm	65 mm	KOM-707-98-14830
MODEL PC35MR-2							
ARM	707-00-0E570	5001-		P-U-14	45 mm	75 mm	KOM-707-98-23870
BLADE ANGLE	707-00-0G340	5001-		P-U-14	35 mm	60 mm	KOM-707-98-13220
BLADE LIFT	707-00-0E590	5001-		P-U-14	45 mm	95 mm	KOM-707-98-24770
	707-00-0F370	5001-		P-U-14	45 mm	95 mm	KOM-707-98-24770
BOOM	707-00-0E560	5001-		P-U-14	45 mm	80 mm	KOM-707-98-24330
BOOM SWING	707-00-0E580	5001-		P-U-14	50 mm	95 mm	KOM-707-98-29630
BUCKET	707-00-0E530	5001-		P-U-14	40 mm	65 mm	KOM-707-98-14930
MODEL PC35MRX-1A							
ARM	22F-63-02121	1001-		P-U-14	45 mm	75 mm	KOM-707-98-23810
BLADE	22F-63-02152	1001-		P-U-14	45 mm	95 mm	KOM-707-98-24610
BOOM	22F-63-02112	3930-		P-U-14	45 mm	80 mm	KOM-707-98-24281
BOOM SWING	22F-63-02142	1001-1008		P-U-14	50 mm	95 mm	KOM-707-98-29661
	22F-63-02143	1009-		P-U-14	50 mm	95 mm	KOM-707-98-29661
BUCKET	20S-63-02423	3930-		P-U-14	40 mm	65 mm	KOM-707-98-14830
MODEL PC35R-8							
ARM	20S-63-02414	35001-		P-U-14	45 mm	75 mm	KOM-707-98-23810
BUCKET	20S-63-02423	35001-		P-U-14	40 mm	65 mm	KOM-707-98-14830
MODEL PC38UU-1							
BLADE	21X-63-02050	1001-		P-U-14	50 mm	95 mm	KOM-707-98-25610
BOOM	21X-63-02010	1001-		P-U-14	50 mm	90 mm	KOM-707-98-25600
BUCKET	21X-63-02030	1001-		P-U-14	40 mm	70 mm	KOM-707-98-14610

LT - Large size tire L/S - Loading Shovel SLF - Super Long Front B/H - Backhoe HD - Heavy Duty L BUCKET - Large Bucket
K-LINK - K-type Linkage Blade LB HI-LIFT - High Lift Arm w Large Bucket HI-LIFT - High Lift Arm S HI-LIFT - Super High Lift Arm

KOMATSU

Replacement Kits For

Excavators							
APPLICATION	CYL #	SERIAL #	Misc	CODE	ROD	BORE	KIT #
MODEL PC38UU-1							
OFF-SET	21X-63-02040	1001-		P-U-14	45 mm	85 mm	KOM-707-98-24510
MODEL PC40-5							
ARM	20T-63-02021	8501-		P-U-14	55 mm	80 mm	KOM-707-98-26100
BLADE	20S-63-96300	8501-		P-U-14	45 mm	90 mm	KOM-707-98-24600
BOOM	20T-63-02011	8501-		P-U-14	55 mm	90 mm	KOM-707-98-26570
BUCKET	20T-63-02031	8501-		P-U-14	55 mm	80 mm	KOM-707-98-26100
SWING	20T-63-02040	8501-		P-U-14	50 mm	90 mm	KOM-707-98-25500
MODEL PC40-6							
ARM	20T-63-02070	10001-		P-UB-14	50 mm	80 mm	KOM-707-98-25110
BLADE	20T-63-02091	10001-13021		P-U-14	60 mm	100 mm	KOM-707-98-35100
	20U-63-02080	13022-		P-U-14	60 mm	100 mm	KOM-707-98-35100
BOOM (Cab)	20T-63-02050	10001-		P-U-14	55 mm	90 mm	KOM-707-98-26550
BOOM (Canopy)	20T-63-02060	10001-		P-U-14	55 mm	90 mm	KOM-707-98-26550
BUCKET	20T-63-02080	10001-		P-UB-14	50 mm	80 mm	KOM-707-98-25110
SWING	20T-63-02140	10001-		P-U-14	50 mm	90 mm	KOM-707-98-25510
TILT	20U-63-02090	11899-		P-U-14	45 mm	90 mm	KOM-707-98-24550
MODEL PC40-7							
ARM	20T-63-02201	18001-		P-UB-14	50 mm	80 mm	KOM-707-98-25110
	20T-63-02201	18001-		Bushing	50 mm		KOM-07177-05030
BLADE	20T-63-02231	18001-		P-U-14	50 mm	100 mm	KOM-707-98-32120
BLADE LIFT	20T-63-02260	18001-		P-UB-14	50 mm	105 mm	KOM-707-98-32810
BLADE TILT	20U-63-02090	18001-		P-U-14	45 mm	90 mm	KOM-707-98-24550
	20U-63-02090	18001-		Bushing	45 mm		KOM-07177-04530
BOOM	20T-63-02241	18001-		P-U-14	55 mm	90 mm	KOM-707-98-26560
	20T-63-02241	18001-		Bushing	55 mm		KOM-07177-05530
BOOM SWING	20T-63-02221	18001-		P-UB-14	50 mm	90 mm	KOM-707-98-25520
BUCKET	20T-63-02211	18001-		P-UB-14	45 mm	75 mm	KOM-707-98-24210
MODEL PC40MR-1, PC40MRX-1							
ARM	22M-63-02122	1001-5500		P-U-14	50 mm	80 mm	KOM-707-98-25250
	707-00-0C460	5501-		P-U-14	50 mm	80 mm	KOM-707-98-25350
BLADE	22N-63-02153	1001-5500		P-UB-14	50 mm	105 mm	KOM-707-98-32810
	707-00-0C500	5501-		P-U-14	50 mm	105 mm	KOM-707-98-32900
BOOM (Cab)	22N-63-02112	1001-5500		P-U-14	50 mm	90 mm	KOM-707-98-25560
	707-00-0C450	5501-		P-U-14	50 mm	90 mm	KOM-707-98-25700
BOOM (Canopy)	22N-63-02102	1001-5500	PC40MR-1	P-U-14	50 mm	90 mm	KOM-707-98-25560
	707-00-0C440	5501-	PC40MR-1	P-U-14	50 mm	90 mm	KOM-707-98-25700
BOOM SWING	22M-63-02142	1001-5500		P-UB-14	50 mm	90 mm	KOM-707-98-25520
	707-00-0C490	5501-		P-U-14	50 mm	90 mm	KOM-707-98-25710
BUCKET	20T-63-02425	1001-5500		P-U-14	45 mm	70 mm	KOM-707-98-15690
	20T-63-02524	1001-5500		P-U-14	50 mm	75 mm	KOM-707-98-25910
	707-00-0C470	5501-		P-U-14	45 mm	70 mm	KOM-707-98-15740
	707-00-0C480	5501-		P-U-14	50 mm	75 mm	KOM-707-98-25970
MODEL PC40MR-2							
ARM	707-00-0E650	8001-		P-U-14	50 mm	80 mm	KOM-707-98-25350
BLADE	707-00-0E640	8001-		P-U-14	50 mm	110 mm	KOM-707-98-32550
BLADE (PAT)	707-00-0F400	8001-		P-U-14	55 mm	115 mm	KOM-707-98-34670

LT - Large size tire L/S - Loading Shovel SLF - Super Long Front B/H - Backhoe HD - Heavy Duty L BUCKET - Large Bucket
K-LINK - K-type Linkage Blade LB HI-LIFT - High Lift Arm w Large Bucket HI-LIFT - High Lift Arm S HI-LIFT - Super High Lift Arm

Replacement Kits For

KOMATSU

Excavators							
APPLICATION	CYL #	SERIAL #	Misc	CODE	ROD	BORE	KIT #
MODEL PC40MR-2							
BOOM	707-00-0E600	8001-		P-U-14	50 mm	90 mm	KOM-707-98-29500
BOOM SWING	707-00-0E630	8001-		P-U-14	50 mm	90 mm	KOM-707-98-29510
BUCKET	707-00-0E610	8001-		P-U-14	45 mm	70 mm	KOM-707-98-15760
MODEL PC40R-8							
ARM	20T-63-02414	30001-		P-U-14	50 mm	80 mm	KOM-707-98-25250
BLADE	20T-63-02441	30001-		P-U-14	50 mm	100 mm	KOM-707-98-32120
BOOM	20T-63-02402	30001-		P-U-14	50 mm	90 mm	KOM-707-98-25560
BOOM SWING	20T-63-02433	30001-		P-UB-14	50 mm	90 mm	KOM-707-98-25520
BUCKET	20T-63-02425	30001-		P-U-14	45 mm	70 mm	KOM-707-98-15690
MODEL PC45-1							
ARM	20T-63-02310	1001-		P-U-14	50 mm	85 mm	KOM-707-98-25820
BLADE	20T-63-02231	1001-		P-U-14	50 mm	100 mm	KOM-707-98-32120
BLADE LIFT	20T-63-02260	1001-		P-UB-14	50 mm	105 mm	KOM-707-98-32810
BLADE TILT	20U-63-02090	1001-		P-U-14	45 mm	90 mm	KOM-707-98-24550
BOOM	20T-63-02300	1001-		P-U-14	55 mm	95 mm	KOM-707-98-34140
BOOM SWING	20T-63-02330	1001-		P-U-14	50 mm	95 mm	KOM-707-98-25620
BUCKET	20T-63-02320	1001-		P-UB-14	50 mm	80 mm	KOM-707-98-25110
MODEL PC45MR-3							
ARM	707-00-0H710	5001-		P-U-14	45 mm	70 mm	KOM-707-98-15770
BLADE	707-00-0H720	5001-		P-U-14	50 mm	110 mm	KOM-707-98-32570
BLADE (PAT)	707-00-0F400	5001-		P-U-14	55 mm	115 mm	KOM-707-98-34670
BLADE TILT	707-00-0G490	5001-		P-U-14	40 mm	70 mm	KOM-707-98-14770
BOOM	707-00-0H690	5001-		P-U-14	50 mm	90 mm	KOM-707-98-25750
	707-00-0H700	5001-		P-U-14	50 mm	80 mm	KOM-707-98-26300
BOOM SWING	707-00-0H660	5001-		P-U-14	50 mm	90 mm	KOM-707-98-25760
MODEL PC45MRX-1							
ARM	22N-63-02121	1001-3000		P-U-14	50 mm	85 mm	KOM-707-98-25830
	707-00-0C540	3001-		P-U-14	50 mm	85 mm	KOM-707-98-25870
BLADE	22N-63-02153	1001-3000		P-UB-14	50 mm	105 mm	KOM-707-98-32810
	707-00-0C500	3001-		P-U-14	50 mm	105 mm	KOM-707-98-32900
BOOM SWING	22N-63-02142	1001-3000		P-U-14	50 mm	95 mm	KOM-707-98-29661
	707-00-0C570	3001-		P-U-14	50 mm	95 mm	KOM-707-98-29620
BUCKET	20T-63-02524	1001-3000		P-U-14	50 mm	75 mm	KOM-707-98-25910
	707-00-0C480	3001-		P-U-14	50 mm	75 mm	KOM-707-98-25970
SLIDE	707-00-0C580	2240-		P-U-14	45 mm	75 mm	KOM-707-98-23860
MODEL PC45R-8							
ARM	20T-63-02514	5001-		P-U-14	50 mm	85 mm	KOM-707-98-25830
BOOM	20T-63-02402	5001-		P-U-14	50 mm	90 mm	KOM-707-98-25560
MODEL PC50MR-2							
ANGLE	707-00-0G490	5001-		P-U-14	40 mm	70 mm	KOM-707-98-14770
ARM	707-00-0E620	5001-		P-U-14	50 mm	85 mm	KOM-707-98-25870
BLADE	707-00-0E640	5001-		P-U-14	50 mm	110 mm	KOM-707-98-32550
	707-00-0F400	5001-		P-U-14	55 mm	115 mm	KOM-707-98-34670
BOOM	707-00-0E600	5001-		P-U-14	50 mm	90 mm	KOM-707-98-29500
BOOM SWING	707-00-0E670	5001-		P-U-14	50 mm	95 mm	KOM-707-98-29640
BUCKET	707-00-0E660	5001-		P-U-14	50 mm	75 mm	KOM-707-98-25980

LT - Large size tire L/S - Loading Shovel SLF - Super Long Front B/H - Backhoe HD - Heavy Duty L BUCKET - Large Bucket
 K-LINK - K-type Linkage Blade LB HI-LIFT - High Lift Arm w Large Bucket HI-LIFT - High Lift Arm S HI-LIFT - Super High Lift Arm

Replacement Kits For

KOMATSU

Excavators							
APPLICATION	CYL #	SERIAL #	Misc	CODE	ROD	BORE	KIT #
MODEL PC50UU-1							
ARM	201-63-02030	4335-		P-U-14	55 mm	90 mm	KOM-707-98-26520
	20U-63-02020	1001-1566		P-U-14	55 mm	80 mm	KOM-707-98-26110
	20U-63-02021	1567-		P-U-14	55 mm	80 mm	KOM-707-98-26110
BLADE	20U-63-02050	1001-1767		P-U-14	60 mm	100 mm	KOM-20U-63-02050K
	20U-63-02051	1768-3400		P-U-14	60 mm	100 mm	KOM-20U-63-02051K
	20U-63-02080	3401-		P-U-14	60 mm	100 mm	KOM-707-98-35100
BOOM	20U-63-02060	1001-3400		P-U-14	55 mm	100 mm	KOM-707-98-34120
	20U-63-02062	3401-		P-U-14	55 mm	100 mm	KOM-707-98-34120
	20U-63-02160	4335-		P-U-14	55 mm	100 mm	KOM-707-98-34120
BOOM OFFSET	20U-63-02040	1001-		P-U-14	55 mm	100 mm	KOM-707-98-34160
BUCKET	20U-63-02030	1001-		P-U-14	55 mm	80 mm	KOM-707-98-26120
TILT	20U-63-02090	3401-		P-U-14	45 mm	90 mm	KOM-707-98-24550
MODEL PC50UU-2							
ARM	20U-63-02312	10835-12761	EU	P-U-14	55 mm	90 mm	KOM-707-98-26620
	20U-63-02312	8001-12771		P-U-14	55 mm	90 mm	KOM-707-98-26620
	20U-63-02313	12762-12799	EU	P-U-14	55 mm	90 mm	KOM-707-98-26620
	20U-63-02313	12772-14992		P-U-14	55 mm	90 mm	KOM-707-98-26620
	20U-63-02314	12800-	EU	P-U-14	55 mm	90 mm	KOM-707-98-26620
	20U-63-02314	14993-		P-U-14	55 mm	90 mm	KOM-707-98-26620
ARM (Mono Boom)	20T-63-02310	8001-14992		P-U-14	50 mm	85 mm	KOM-707-98-25820
	20U-63-02460	14993-		P-U-14	50 mm	85 mm	KOM-707-98-25820
BLADE	20U-63-02250	10835-12799	EU	P-U-14	50 mm	100 mm	KOM-707-98-32120
	20U-63-02250	8001-14992		P-U-14	50 mm	100 mm	KOM-707-98-32120
	20U-63-02251	12800-	EU	P-U-14	50 mm	100 mm	KOM-707-98-32120
	20U-63-02251	14993-18000		P-U-14	50 mm	100 mm	KOM-707-98-32120
	20U-63-02270	10835-12799	EU	P-UB-14	50 mm	105 mm	KOM-707-98-32810
	20U-63-02270	8001-14992		P-UB-14	50 mm	105 mm	KOM-707-98-32810
	20U-63-02271	12800-	EU	P-UB-14	50 mm	105 mm	KOM-707-98-32810
	20U-63-02271	14993-18000		P-UB-14	50 mm	105 mm	KOM-707-98-32810
	20U-63-02380	8001-14992		P-U-14	60 mm	110 mm	KOM-707-98-35520
	20U-63-02381	14993-		P-U-14	60 mm	110 mm	KOM-707-98-35520
	20U-63-02650	18001-		P-U-14	50 mm	100 mm	KOM-707-98-32120
	20U-63-02660	18001-		P-UB-14	50 mm	105 mm	KOM-707-98-32810
	BOOM	20U-63-02201	10835-12761	EU	P-U-14	55 mm	100 mm
20U-63-02201		8001-12771		P-U-14	55 mm	100 mm	KOM-707-98-34120
20U-63-02202		12762-12799	EU	P-U-14	55 mm	100 mm	KOM-707-98-34180
20U-63-02202		12772-14992		P-U-14	55 mm	100 mm	KOM-707-98-34180
20U-63-02203		12800-	EU	P-U-14	55 mm	100 mm	KOM-707-98-34180
20U-63-02203		14993-		P-U-14	55 mm	100 mm	KOM-707-98-34180
BOOM (Mono Boom)	20U-63-02300	8001-14992		P-U-14	55 mm	100 mm	KOM-707-98-34120
	20U-63-02301	14993-		P-U-14	55 mm	100 mm	KOM-707-98-34120
BUCKET	20U-63-02221	10835-12799	EU	P-UB-14	50 mm	80 mm	KOM-707-98-25110
	20U-63-02221	8001-14992		P-UB-14	50 mm	80 mm	KOM-707-98-25110
	20U-63-02222	12800-	EU	P-UB-14	50 mm	80 mm	KOM-707-98-25110
	20U-63-02222	14993-		P-UB-14	50 mm	80 mm	KOM-707-98-25110
	20U-63-02281	12800-	EU	P-UB-14	50 mm	80 mm	KOM-707-98-25110

LT - Large size tire L/S - Loading Shovel SLF - Super Long Front B/H - Backhoe HD - Heavy Duty L BUCKET - Large Bucket
K-LINK - K-type Linkage Blade LB HI-LIFT - High Lift Arm w Large Bucket HI-LIFT - High Lift Arm S HI-LIFT - Super High Lift Arm

Replacement Kits For

KOMATSU

Excavators							
APPLICATION	CYL #	SERIAL #	Misc	CODE	ROD	BORE	KIT #
MODEL PC50UU-2							
BUCKET	20U-63-02281	14993-		P-UB-14	50 mm	80 mm	KOM-707-98-25110
	20U-63-02320	10835-12799	EU	P-UB-14	50 mm	80 mm	KOM-707-98-25110
	20U-63-02320	8001-14992		P-UB-14	50 mm	80 mm	KOM-707-98-25110
	20U-63-02470	16328-		P-UB-14	50 mm	80 mm	KOM-707-98-25110
OFFSET	20U-63-02230	10835-12799	EU	P-UB-14	50 mm	90 mm	KOM-707-98-25520
	20U-63-02230	8001-14992		P-UB-14	50 mm	90 mm	KOM-707-98-25520
	20U-63-02231	12800-	EU	P-UB-14	50 mm	90 mm	KOM-707-98-25520
	20U-63-02231	14993-		P-UB-14	50 mm	90 mm	KOM-707-98-25520
SLIDE	20T-63-02290	8617-		P-U-14	45 mm	75 mm	KOM-707-98-24820
SLIDE ARM	20U-63-02392	10835-12761	EU	P-U-14	35 mm	60 mm	KOM-707-98-12320
	20U-63-02392	8001-12771		P-U-14	35 mm	60 mm	KOM-707-98-12320
	20U-63-02393	12762-12799	EU	P-U-14	35 mm	60 mm	KOM-707-98-12320
	20U-63-02393	12772-14992		P-U-14	35 mm	60 mm	KOM-707-98-12320
	20U-63-02394	12800-	EU	P-U-14	35 mm	60 mm	KOM-707-98-12320
	20U-63-02394	14993-		P-U-14	35 mm	60 mm	KOM-707-98-12320
TILT	20U-63-02090	8001-14992		P-U-14	45 mm	90 mm	KOM-707-98-24550
	20U-63-02091	14993-18000		P-U-14	45 mm	90 mm	KOM-707-98-24550
	20U-63-02670	18001-		P-U-14	45 mm	90 mm	KOM-707-98-24550
MODEL PC60-5							
ARM	201-63-02020	20501-		P-U-14	60 mm	90 mm	KOM-707-98-27500
BLADE	201-63-02070	20501-		P-U-14	60 mm	100 mm	KOM-707-98-35130
	201-63-02080	20501-		P-U-14	60 mm	100 mm	KOM-707-98-35130
BOOM	201-63-02010	20501-		P-U-14	65 mm	100 mm	KOM-707-99-36260
BUCKET	201-63-02030	20501-		P-U-14	55 mm	90 mm	KOM-707-98-26520
MODEL PC60-6							
ARM	201-63-02210	28001-		P-U-14	60 mm	90 mm	KOM-707-99-27600
BLADE	201-63-02220	28001-		P-U-14	70 mm	130 mm	KOM-707-98-43530
BOOM	201-63-02200	28001-		P-U-14	65 mm	100 mm	KOM-707-99-36220
BUCKET	20X-63-02220	28001-		P-U-14	55 mm	90 mm	KOM-707-99-26620
MODEL PC60-7							
ARM	201-63-02312	45001-52273		P-U-14	60 mm	100 mm	KOM-707-99-35230
BOOM	201-63-02302	45001-52273		P-U-14	65 mm	115 mm	KOM-707-99-36630
BUCKET	201-63-02322	45001-52273		P-U-14	55 mm	90 mm	KOM-707-99-26640
MODEL PC60L-5							
ARM	201-63-02020	7501-		P-U-14	60 mm	90 mm	KOM-707-98-27500
BOOM	201-63-02010	7501-		P-U-14	65 mm	100 mm	KOM-707-99-36260
BUCKET	201-63-02030	7501-		P-U-14	55 mm	90 mm	KOM-707-98-26520
MODEL PC60L-6							
ARM	201-63-02210	28001-		P-U-14	60 mm	90 mm	KOM-707-99-27600
BOOM	201-63-02200	28001-		P-U-14	65 mm	100 mm	KOM-707-99-36220
BUCKET	20X-63-02220	28001-		P-U-14	55 mm	90 mm	KOM-707-99-26620
MODEL PC60U-5							
ARM	201-63-02050	4501-		P-U-14	60 mm	90 mm	KOM-707-98-27500
BLADE	201-63-02070	4501-		P-U-14	60 mm	100 mm	KOM-707-98-35130
	201-63-02080	4501-		P-U-14	60 mm	100 mm	KOM-707-98-35130
BOOM	201-63-02040	4501-		P-U-14	65 mm	100 mm	KOM-707-99-36260

LT - Large size tire L/S - Loading Shovel SLF - Super Long Front B/H - Backhoe HD - Heavy Duty L BUCKET - Large Bucket
 K-LINK - K-type Linkage Blade LB HI-LIFT - High Lift Arm w Large Bucket HI-LIFT - High Lift Arm S HI-LIFT - Super High Lift Arm

Replacement Kits For

KOMATSU

Excavators							
APPLICATION	CYL #	SERIAL #	Misc	CODE	ROD	BORE	KIT #
MODEL PC60U-5							
BUCKET	201-63-02030	4501-		P-U-14	55 mm	90 mm	KOM-707-98-26520
MODEL PC75UU-1							
ARM	21W-63-02021	1001-		P-U-14	60 mm	90 mm	KOM-707-98-27500
	21W-63-02090	2655-		P-U-14	60 mm	90 mm	KOM-707-98-27500
BLADE	21W-63-02051	1001-		P-U-14	70 mm	130 mm	KOM-707-98-43510
BOOM	21W-63-02011	1001-1679		P-U-14	70 mm	110 mm	KOM-707-98-37600
	21W-63-02012	1680-		P-U-14	70 mm	110 mm	KOM-707-98-37600
	21W-63-02080	2655-		P-U-14	70 mm	110 mm	KOM-707-98-37600
BOOM OFFSET	21W-63-02041	1001-		P-U-14	55 mm	110 mm	KOM-707-98-34520
BUCKET	201-63-02030	1001-		P-U-14	55 mm	90 mm	KOM-707-98-26520
	21W-63-02030	1001-		P-U-14	55 mm	90 mm	KOM-707-98-26520
MODEL PC75UU-2							
ARM	21W-63-02141	5001-		P-U-14	65 mm	110 mm	KOM-707-98-36600
	21W-63-02220	7075-7345		P-U-14	60 mm	100 mm	KOM-21W-63-02220K
	21W-63-02221	7346-		P-U-14	60 mm	100 mm	KOM-21W-63-02221K
BLADE	21W-63-02051	5001-		P-U-14	70 mm	130 mm	KOM-707-98-43510
BOOM	21W-63-02131	5001-10370		P-U-14	70 mm	120 mm	KOM-707-98-43200
	21W-63-02310	10371-		P-U-14	70 mm	120 mm	KOM-707-98-43210
BOOM (Mono Boom)	21W-63-02210	7075-		P-U-14	70 mm	120 mm	KOM-707-98-43200
BUCKET	21W-63-02151	5001-		P-UB-14	55 mm	90 mm	KOM-707-98-26580
BUCKET (Mono Boom)	20X-63-02220	7075-		P-U-14	55 mm	90 mm	KOM-707-99-26620
BUCKET (Slide Arm)	21W-63-02290	5001-		P-UB-14	55 mm	90 mm	KOM-707-98-26580
OFFSET	21W-63-02161	5001-		P-U-14	55 mm	110 mm	KOM-707-98-34560
SLIDE ARM	21W-63-02280	5001-10370		P-U-14	45 mm	75 mm	KOM-707-98-24830
	21W-63-02281	10371-		P-U-14	45 mm	75 mm	KOM-707-98-24830
MODEL PC75UU-3							
ARM	21W-63-02322	15001-		P-U-14	65 mm	110 mm	KOM-707-98-36630
BLADE	21W-63-02051	15001-19000		P-U-14	70 mm	130 mm	KOM-707-98-43510
	21W-63-02052	19001-		P-U-14	70 mm	130 mm	KOM-707-98-43510
BOOM	21W-63-02360	15001-		P-U-14	70 mm	120 mm	KOM-707-98-43210
BOOM OFFSET	21W-63-02161	15001-		P-U-14	55 mm	110 mm	KOM-707-98-34560
BUCKET	21W-63-02330	15001-		P-UB-14	55 mm	90 mm	KOM-707-98-26580
	21W-63-02690	16142-		P-UB-14	55 mm	90 mm	KOM-707-98-26580
TILT	21W-63-07110	15001-		P-U-10	40 mm	90 mm	KOM-707-98-22410
MODEL PC78MR-6							
ARM	707-00-0A640	1001-3460		P-U-14	60 mm	100 mm	KOM-707-98-35310
	707-00-0A641	3461-		P-U-14	60 mm	100 mm	KOM-707-98-35310
BLADE	707-00-0A660	1001-3034		P-U-14	65 mm	130 mm	KOM-707-98-42700
	707-00-0A661	3035-		P-U-14	65 mm	130 mm	KOM-707-98-42700
BOOM	707-00-0E250	1001-3460		P-U-14	65 mm	115 mm	KOM-707-98-36700
	707-00-0E251	3461-		P-U-14	65 mm	115 mm	KOM-707-98-36700
BOOM SWING	707-00-0E260	1001-3034		P-U-14	60 mm	120 mm	KOM-707-98-41330
	707-00-0E261	3035-		P-U-14	60 mm	120 mm	KOM-707-98-41330
BUCKET	707-00-0A650	1001-3460		P-U-14	55 mm	90 mm	KOM-707-98-26720
	707-00-0A651	3461-		P-U-14	55 mm	90 mm	KOM-707-98-26720

LT - Large size tire L/S - Loading Shovel SLF - Super Long Front B/H - Backhoe HD - Heavy Duty L BUCKET - Large Bucket
K-LINK - K-type Linkage Blade LB HI-LIFT - High Lift Arm w Large Bucket HI-LIFT - High Lift Arm S HI-LIFT - Super High Lift Arm

Replacement Kits For

KOMATSU

Excavators							
APPLICATION	CYL #	SERIAL #	Misc	CODE	ROD	BORE	KIT #
MODEL PC78US-5							
ARM	201-63-02511	1001-		P-U-14	60 mm	100 mm	KOM-707-98-35181
BLADE	21W-63-02052	1001-		P-U-14	70 mm	130 mm	KOM-707-98-43510
BOOM	21W-63-02574	1001-		P-U-14	70 mm	120 mm	KOM-707-98-43200
BUCKET	201-63-02520	1001-		P-UB-14	55 mm	90 mm	KOM-707-98-26580
MODEL PC78US-6							
ARM	707-00-0A640	4001-12048		P-U-14	60 mm	100 mm	KOM-707-98-35310
	707-00-0A641	12049-		P-U-14	60 mm	100 mm	KOM-707-98-35310
BLADE	707-00-0A660	4001-10418		P-U-14	65 mm	130 mm	KOM-707-98-42700
	707-00-0A661	10419-		P-U-14	65 mm	130 mm	KOM-707-98-42700
BOOM	707-00-0A630	4001-12048		P-U-14	65 mm	115 mm	KOM-707-98-36700
	707-00-0A631	12049-		P-U-14	65 mm	115 mm	KOM-707-98-36700
BUCKET	707-00-0A650	4001-12048		P-U-14	55 mm	90 mm	KOM-707-98-26720
	707-00-0A651	12049-		P-U-14	55 mm	90 mm	KOM-707-98-26720
MODEL PC80-3,PC80LC-3							
ARM	20X-63-02020	2001-		P-U-14	65 mm	100 mm	KOM-707-99-36270
BOOM	20X-63-02010	2001-		P-U-14	70 mm	110 mm	KOM-707-98-37600
BUCKET	20X-63-02030	2001-		P-U-14	55 mm	90 mm	KOM-707-98-26520
MODEL PC90-1							
ARM	20X-63-02210	1001-		P-U-14	65 mm	105 mm	KOM-707-99-36620
BOOM	20X-63-02200	1001-		P-UB-14	70 mm	110 mm	KOM-707-99-37610
BUCKET	20X-63-02220	1001-		P-U-14	55 mm	90 mm	KOM-707-99-26620
MODEL PC95R-2							
ARM	226-61-11400	21D5220114- 21D5220430		P-UB-14	60 mm	100 mm	KOM-878000425
	707-01-0S650	21D5220431-		P-UB-14	60 mm	100 mm	KOM-707-99-35310
ARM (2pc Boom)	21D-61-12300	21D5220114- 21D5220430		P-UB-14	60 mm	100 mm	KOM-878000425
	707-01-0S650	21D5220431-		P-UB-14	60 mm	100 mm	KOM-707-99-35310
BLADE	226-61-11600	21D5220114- 21D5220430		P-UB-14	60 mm	120 mm	KOM-878000365
	707-01-0S620	21D5220431-		P-UB-14	60 mm	120 mm	KOM-707-99-41300
BOOM	226-31-11200	21D5220114- 21D5220430		P-UB-14	70 mm	120 mm	KOM-878000607
	707-01-0S640	21D5220431-		P-UB-14	70 mm	120 mm	KOM-707-99-43300
BOOM LH	226-61-11340	21D5220114- 21D5220430		P-UB-14	50 mm	90 mm	KOM-878000608
	707-01-0S670	21D5220431-		P-UB-14	50 mm	90 mm	KOM-707-99-25700
BOOM RH	226-61-11300	21D5220114- 21D5220430		P-UB-14	50 mm	90 mm	KOM-878000608
	707-01-0S670	21D5220431-		P-UB-14	50 mm	90 mm	KOM-707-99-25700
BOOM SWING	226-61-11100	21D5220114- 21D5220430		P-UB-14	60 mm	100 mm	KOM-21D-61-14140
	707-01-0S610	21D5220431-		P-UB-14	60 mm	100 mm	KOM-707-99-35300
BUCKET	226-61-11500	21D5220114- 21D5220430		P-UB-14	60 mm	90 mm	KOM-21D-61-13160
	707-01-0S690	21D5220431-		P-UB-14	50 mm	90 mm	KOM-707-99-27650
MODEL PC100-1, PC100-2							
ARM	202-63-62140			P-U-14	70 mm	120 mm	KOM-707-99-43100

LT - Large size tire L/S - Loading Shovel SLF - Super Long Front B/H - Backhoe HD - Heavy Duty L BUCKET - Large Bucket
K-LINK - K-type Linkage Blade LB HI-LIFT - High Lift Arm w Large Bucket HI-LIFT - High Lift Arm S HI-LIFT - Super High Lift Arm

Replacement Kits For

KOMATSU

KOMATSU

Excavators							
APPLICATION	CYL #	SERIAL #	Misc	CODE	ROD	BORE	KIT #
MODEL PC100-3							
ARM	202-63-62500	10001-19852		P-U-14	75 mm	110 mm	KOM-707-98-38600
	202-63-69300	19853-		P-U-14	75 mm	110 mm	KOM-707-98-38600
BOOM	202-63-52500	18001-22872		P-UB-14	65 mm	100 mm	KOM-707-98-36100
	202-63-52600	18001-22872		P-UB-14	65 mm	100 mm	KOM-707-98-36100
	202-63-59300	22873-		P-UB-14	65 mm	100 mm	KOM-707-99-36200
	202-63-59400	22873-		P-UB-14	65 mm	100 mm	KOM-707-99-36200
BUCKET	203-63-72500	10001-19852		P-UB-14	65 mm	100 mm	KOM-707-98-36110
	203-63-79300	19853-		P-UB-14	65 mm	100 mm	KOM-707-99-36210
MODEL PC100-5							
ARM	202-63-02120	28001-		P-UB-14	75 mm	115 mm	KOM-707-99-44200
BOOM	202-63-02100	28001-		P-UB-14	65 mm	95 mm	KOM-707-98-36200
BUCKET	202-63-02130	28001-		P-UB-14	60 mm	90 mm	KOM-707-98-27600
MODEL PC100-6							
ARM	202-63-02322	40001-44999		P-UB-14	75 mm	115 mm	KOM-707-99-44200
	202-63-07720	45000-		P-UB-14	75 mm	115 mm	KOM-707-99-44220
BOOM	202-63-02303	40001-44999		P-UB-14	65 mm	95 mm	KOM-707-98-36200
BUCKET	202-63-02332	40001-44999		P-UB-14	60 mm	90 mm	KOM-707-98-27600
	202-63-07730	45000-		P-UB-14	60 mm	90 mm	KOM-707-98-27620
MODEL PC100L-3							
ARM	202-63-62500	12001-12137		P-U-14	75 mm	110 mm	KOM-707-98-38600
	202-63-69300	12138-		P-U-14	75 mm	110 mm	KOM-707-98-38600
BOOM	202-63-52500	12001-12367		P-UB-14	65 mm	100 mm	KOM-707-98-36100
	202-63-52600	12001-12367		P-UB-14	65 mm	100 mm	KOM-707-98-36100
	202-63-59300	12368-		P-UB-14	65 mm	100 mm	KOM-707-99-36200
	202-63-59400	12368-		P-UB-14	65 mm	100 mm	KOM-707-99-36200
BUCKET	203-63-72500	12001-12137		P-UB-14	65 mm	100 mm	KOM-707-98-36110
	203-63-79300	12138-		P-UB-14	65 mm	95 mm	KOM-707-98-36210
MODEL PC100L-5							
ARM	202-63-02120	14001-		P-UB-14	75 mm	115 mm	KOM-707-99-44200
BOOM	202-63-02100	14001-		P-UB-14	65 mm	95 mm	KOM-707-98-36200
BUCKET	202-63-02130	14001-		P-UB-14	60 mm	90 mm	KOM-707-98-27600
MODEL PC100U-3							
ARM	202-63-62500	12001-12019		P-U-14	75 mm	110 mm	KOM-707-98-38600
	202-63-62502	12020-		P-U-14	75 mm	110 mm	KOM-707-98-38600
	203-63-62340			P-U-14	80 mm	130 mm	KOM-707-98-45700
BOOM	202-63-53500	12001-		P-UB-14	65 mm	100 mm	KOM-707-98-36100
	202-63-53600	12001-		P-UB-14	65 mm	100 mm	KOM-707-98-36100
	203-63-52340			P-U-14	70 mm	120 mm	KOM-707-99-43100
BOOM SWING	202-63-13501	12001-		P-U-14	75 mm	120 mm	KOM-707-98-44120
BUCKET	202-63-72500	12001-12019		P-UB-14	65 mm	100 mm	KOM-707-98-36110
	203-63-72340			P-U-14	70 mm	120 mm	KOM-707-99-43100
	203-63-72501	12020-		P-UB-14	65 mm	100 mm	KOM-707-98-36110
MODEL PC120-3							
ARM	203-63-62500	18001-20335		P-U-14	75 mm	110 mm	KOM-707-98-38600
	203-63-62502	20336-24709		P-U-14	75 mm	110 mm	KOM-707-98-38600
	203-63-69300	24710-		P-U-14	75 mm	110 mm	KOM-707-98-38600

LT - Large size tire L/S - Loading Shovel SLF - Super Long Front B/H - Backhoe HD - Heavy Duty L BUCKET - Large Bucket
K-LINK - K-type Linkage Blade LB HI-LIFT - High Lift Arm w Large Bucket HI-LIFT - High Lift Arm S HI-LIFT - Super High Lift Arm

Replacement Kits For

KOMATSU

Excavators							
APPLICATION	CYL #	SERIAL #	Misc	CODE	ROD	BORE	KIT #
MODEL PC120-3							
BOOM	203-63-52500	18001-24709		P-U-14	70 mm	110 mm	KOM-707-98-37500
	203-63-52600	18001-24709		P-U-14	70 mm	110 mm	KOM-707-98-37500
	203-63-59300	24710-		P-UB-14	70 mm	110 mm	KOM-707-99-37600
	203-63-59400	24710-		P-UB-14	70 mm	110 mm	KOM-707-99-37600
BUCKET	203-63-72500	18001-20335		P-UB-14	65 mm	100 mm	KOM-707-98-36110
	203-63-79300	20336-		P-UB-14	65 mm	100 mm	KOM-707-99-36210
MODEL PC120-5							
ARM	203-63-02120	30001-		P-UB-14	75 mm	115 mm	KOM-707-99-44200
BOOM	203-63-02100	30001-		P-UB-14	70 mm	105 mm	KOM-707-98-37620
BUCKET	203-63-02130	30001-		P-UB-14	65 mm	95 mm	KOM-707-98-36210
MODEL PC120-6							
ARM	203-63-02322	45001-56999		P-UB-14	75 mm	115 mm	KOM-707-99-44200
	203-63-02322	45001-56999		Bushing	75 mm		KOM-707-52-90500
BOOM	203-63-02303	45001-56999		P-UB-14	70 mm	105 mm	KOM-707-98-37620
	203-63-02303	45001-56999		Bushing	70 mm		KOM-707-52-90450
BUCKET	203-63-02332	45001-56999		P-UB-14	65 mm	95 mm	KOM-707-98-36210
	203-63-02332	45001-56999		Bushing	65 mm		KOM-707-52-90400
MODEL PC128US-2							
ARM	203-63-02721	5001-		P-UB-14	75 mm	115 mm	KOM-707-99-44220
	203-63-02722	5001-		P-UB-14	75 mm	115 mm	KOM-707-98-44310
BLADE LH	22B-63-02450	5001-		P-UB-14	75 mm	115 mm	KOM-707-99-44270
BLADE RH	22B-63-02460	5001-		P-UB-14	75 mm	115 mm	KOM-707-99-44270
BOOM	22B-63-02500	5001-		P-UB-14	70 mm	105 mm	KOM-707-99-37230
BOOM LH	22B-63-02400	5001-		P-UB-14	70 mm	105 mm	KOM-707-99-37230
BOOM RH	22B-63-02410	5001-		P-UB-14	70 mm	105 mm	KOM-707-99-37230
BUCKET	203-63-02731	5001-		P-UB-14	65 mm	95 mm	KOM-707-98-36240
MODEL PC128UU							
ARM	21Y-53-02121	1001-		P-U-14	75 mm	115 mm	KOM-707-99-44310
BOOM	21Y-63-02101	1001-		P-UB-14	70 mm	105 mm	KOM-707-98-37620
BUCKET	21Y-63-02131	1001-		P-UB-14	60 mm	90 mm	KOM-707-98-27600
MODEL PC128UU-2							
ARM	21Y-63-02720	5001-		P-UB-14	75 mm	115 mm	KOM-707-99-44280
BOOM	21Y-63-02700	5001-		P-UB-14	70 mm	105 mm	KOM-707-98-37670
BUCKET	21Y-63-02730	5001-		P-UB-14	60 mm	90 mm	KOM-707-98-27620
OFFSET	21Y-63-09140	5001-		P-U-14	70 mm	130 mm	KOM-707-98-43530
MODEL PC130-6							
ARM	203-63-02321	45001-47712		P-UB-14	75 mm	115 mm	KOM-707-99-44200
	203-63-02321	45001-47712		Bushing	75 mm		KOM-707-52-90500
	203-63-02322	47713-50999		P-UB-14	75 mm	115 mm	KOM-707-99-44200
	203-63-02322	47713-50999		Bushing	75 mm		KOM-707-52-90500
	203-63-02721	51000-51134		P-UB-14	75 mm	115 mm	KOM-707-99-44220
	203-63-02722	51135-		P-UB-14	75 mm	115 mm	KOM-707-99-44230
	203-63-07720	51000-51134		P-UB-14	75 mm	115 mm	KOM-707-99-44220
	203-63-07721	51135-		P-UB-14	75 mm	115 mm	KOM-707-99-44230
BOOM	203-63-02302	45001-47712		P-UB-14	70 mm	105 mm	KOM-707-98-37620
	203-63-02302	45001-47712		Bushing	70 mm		KOM-707-52-90450

LT - Large size tire L/S - Loading Shovel SLF - Super Long Front B/H - Backhoe HD - Heavy Duty L BUCKET - Large Bucket
K-LINK - K-type Linkage Blade LB HI-LIFT - High Lift Arm w Large Bucket HI-LIFT - High Lift Arm S HI-LIFT - Super High Lift Arm

Replacement Kits For

KOMATSU

KOMATSU

Excavators							
APPLICATION	CYL #	SERIAL #	Misc	CODE	ROD	BORE	KIT #
MODEL PC130-6							
BOOM	203-63-02303	47713-50999		P-UB-14	70 mm	105 mm	KOM-707-98-37620
	203-63-02303	47713-50999		Bushing	70 mm		KOM-707-52-90450
	203-63-02701	51000-		P-UB-14	70 mm	105 mm	KOM-707-98-37670
	203-63-02900	51000-		P-UB-14	70 mm	105 mm	KOM-707-99-37230
BUCKET	203-63-02331	45001-47712		P-UB-14	65 mm	95 mm	KOM-707-98-36210
	203-63-02331	45001-47712		Bushing	65 mm		KOM-707-52-90400
	203-63-02332	47713-50999		P-UB-14	65 mm	95 mm	KOM-707-98-36210
	203-63-02332	47713-50999		Bushing	65 mm		KOM-707-52-90400
	203-63-02731	51000-		P-UB-14	65 mm	95 mm	KOM-707-98-36240
	203-63-07730	51000-		P-UB-14	65 mm	95 mm	KOM-707-98-36240
MODEL PC130-7K							
ARM	707-01-0F030	70001-		P-UB-14	75 mm	115 mm	KOM-707-99-44340
BLADE LH	22B-63-02450	70001-		P-UB-14	75 mm	115 mm	KOM-707-99-44270
BLADE RH	22B-63-02460	70001-		P-UB-14	75 mm	115 mm	KOM-707-99-44270
BOOM	707-01-0G070	70001-		P-UB-14	70 mm	105 mm	KOM-707-99-37310
	707-01-0G230	70001-		P-UB-14	70 mm	105 mm	KOM-707-99-37300
BOOM ADJUST	20E-63-K2500	70001-		P-UB-14	70 mm	140 mm	KOM-20E-63-K2500K
BOOM LIFT	20E-63-03240	70001-		P-UB-14	70 mm	105 mm	KOM-20E-63-03240K
BUCKET	707-01-0F040	70001-		P-UB-14	65 mm	95 mm	KOM-707-99-25870
MODEL PC138USLC-2							
ARM	203-63-02722	1001-		P-UB-14	75 mm	115 mm	KOM-707-98-44310
	707-01-0G140	1501-		P-UB-14	75 mm	115 mm	KOM-707-99-44380
BLADE LH	22B-63-02450	1029-		P-UB-14	75 mm	115 mm	KOM-707-99-44270
	707-01-0G160	1501-		P-UB-14	75 mm	115 mm	KOM-707-99-44290
BLADE RH	22B-63-02460	1029-		P-UB-14	75 mm	115 mm	KOM-707-99-44270
	707-01-0G170	1501-		P-UB-14	75 mm	115 mm	KOM-707-99-44290
BOOM	22B-63-02500	1001-		P-UB-14	70 mm	105 mm	KOM-707-99-37230
	707-01-0G120	1501-		P-UB-14	70 mm	105 mm	KOM-707-99-37340
BUCKET	22B-63-02240	1001-		P-UB-14	65 mm	100 mm	KOM-707-99-36300
	707-01-0G150	1501-		P-UB-14	65 mm	100 mm	KOM-707-99-36330
MODEL PC150-1							
ARM	21K-63-66301	1001-		P-U-14	80 mm	120 mm	KOM-707-98-45100
	21K-63-66301	1001-		Bushing	80 mm		KOM-07177-08030
BOOM LH	21K-63-56301	1001-		P-U-14	75 mm	110 mm	KOM-707-98-38510
	21K-63-56301	1001-		Bushing	75 mm		KOM-07177-07530
BOOM RH	21K-63-56401	1001-		P-U-14	75 mm	110 mm	KOM-707-98-38510
	21K-63-56401	1001-		Bushing	75 mm		KOM-07177-07530
BUCKET	21K-63-76301	1001-		P-U-14	70 mm	110 mm	KOM-707-98-37510
	21K-63-76301	1001-		Bushing	70 mm		KOM-07177-07030
MODEL PC150-3							
ARM	21K-63-66500	3001-4369		P-U-14	80 mm	120 mm	KOM-707-98-45200
	21K-63-66501	4370-		P-U-14	80 mm	120 mm	KOM-707-98-45200
BOOM	21K-63-56500	3001-4207		P-U-14	75 mm	110 mm	KOM-707-98-38510
	21K-63-56501	4208-		P-U-14	75 mm	110 mm	KOM-707-98-38510
	21K-63-56600	3001-4207		P-U-14	75 mm	110 mm	KOM-707-98-38510
	21K-63-56601	4208-		P-U-14	75 mm	110 mm	KOM-707-98-38510

LT - Large size tire L/S - Loading Shovel SLF - Super Long Front B/H - Backhoe HD - Heavy Duty L BUCKET - Large Bucket
 K-LINK - K-type Linkage Blade LB HI-LIFT - High Lift Arm w Large Bucket HI-LIFT - High Lift Arm S HI-LIFT - Super High Lift Arm

Replacement Kits For

KOMATSU

Excavators							
APPLICATION	CYL #	SERIAL #	Misc	CODE	ROD	BORE	KIT #
MODEL PC150-3							
BUCKET	21K-63-76500	3001-3480		P-UB-14	70 mm	100 mm	KOM-707-98-37110
	21K-63-76501	3481-		P-UB-14	70 mm	100 mm	KOM-707-98-37130
MODEL PC150-5							
ARM	21K-63-02120	6001-		P-UB-14	85 mm	120 mm	KOM-707-99-46200
BOOM	21K-63-02100	6001-		P-UB-14	75 mm	110 mm	KOM-707-98-38520
BUCKET	21K-63-02130	6001-		P-UB-14	70 mm	100 mm	KOM-707-98-37110
MODEL PC150-6K, PC150LC-6K							
ARM	21P-63-03120	K30667-		P-UB-14	85 mm	120 mm	KOM-21P-63-03120K
	21P-63-K1711	K30001-K30666		P-UB-14	85 mm	120 mm	KOM-21P-63-K1711K
ARM (2pc Boom)	21P-63-03120	K32001-		P-UB-14	85 mm	120 mm	KOM-21P-63-03120K
BOOM	21P-63-03200	K32001-		P-UB-14	75 mm	110 mm	KOM-21P-63-03200K
	21P-63-K1611	K30001-K31999		P-UB-14	75 mm	110 mm	KOM-21P-63-K1611K
BOOM (2pc - 1st Cyl)	20G-63-03240	K32001-		P-UB-14	85 mm	120 mm	KOM-20G-63-03240K
BOOM (2pc - 2nd Cyl)	20G-63-K1110	K32001-		P-UB-14	100 mm	160 mm	KOM-20G-63-K1110K
BUCKET	21P-63-03130	K30667-	LC-6K	P-UB-14	70 mm	105 mm	KOM-21P-63-03130K
	21P-63-K1821	K30001-	PC150-6K	P-UB-14	75 mm	110 mm	KOM-21P-63-K1821K
	21P-63-K3600	K30001-K30666	LC-6K	P-UB-12	70 mm	105 mm	KOM-21P-63-K3600K
MODEL PC150LC-3							
ARM	21K-63-66500	3001-4384		P-U-14	80 mm	120 mm	KOM-707-98-45200
	21K-63-66501	4385-		P-U-14	80 mm	120 mm	KOM-707-98-45200
BOOM	21K-63-56500	3001-4207		P-U-14	75 mm	110 mm	KOM-707-98-38510
	21K-63-56501	4208-		P-U-14	75 mm	110 mm	KOM-707-98-38510
	21K-63-56600	3001-4207		P-U-14	75 mm	110 mm	KOM-707-98-38510
	21K-63-56601	4208-		P-U-14	75 mm	110 mm	KOM-707-98-38510
BUCKET	21K-63-76500	3001-3493		P-UB-14	70 mm	100 mm	KOM-707-98-37110
	21K-63-76501	3494-		P-UB-14	70 mm	100 mm	KOM-707-98-37130
MODEL PC160-6K							
ARM (1 & 2pc Boom)	21P-63-K1711	K30001-K30197		P-UB-14	85 mm	120 mm	KOM-21P-63-K1711K
ARM (2pc Boom)	21P-63-03120	K30198-		P-UB-14	85 mm	120 mm	KOM-21P-63-03120K
BOOM	21P-63-03200	K32001-		P-UB-14	75 mm	110 mm	KOM-21P-63-03200K
	21P-63-K1611	K30001-K31999		P-UB-14	75 mm	110 mm	KOM-21P-63-K1611K
BOOM (2pc - 1st Cyl)	20G-63-03240	K32001-		P-UB-14	85 mm	120 mm	KOM-20G-63-03240K
	20G-63-K1410	K30001-K31999		P-UB-14	85 mm	120 mm	KOM-20G-63-K1410K
BOOM (2pc - 2nd Cyl)	20G-63-K1110	K30001-		P-UB-14	100 mm	160 mm	KOM-20G-63-K1110K
BUCKET	21P-63-03130	K30198-		P-UB-14	70 mm	105 mm	KOM-21P-63-03130K
	21P-63-K3600	K30001-K30197		P-UB-12	70 mm	105 mm	KOM-21P-63-K3600K
MODEL PC160LC-7							
ARM	707-01-0E510	10001-, K40001-		P-UB-14	85 mm	120 mm	KOM-707-99-46320
BOOM	707-01-0E490	10001-, K40001-		P-UB-14	75 mm	110 mm	KOM-707-99-38720
BUCKET	707-01-0E520	10001-10408, K40001-		P-UB-14	70 mm	105 mm	KOM-707-99-37290
	707-01-0H390	10409-		P-UB-14	70 mm	105 mm	KOM-707-99-37290
MODEL PC160LC-7-E0							
ARM	707-01-0L120	K45001-		P-UB-14	85 mm	120 mm	KOM-707-99-46420

LT - Large size tire L/S - Loading Shovel SLF - Super Long Front B/H - Backhoe HD - Heavy Duty L BUCKET - Large Bucket
K-LINK - K-type Linkage Blade LB HI-LIFT - High Lift Arm w Large Bucket HI-LIFT - High Lift Arm S HI-LIFT - Super High Lift Arm

Replacement Kits For

KOMATSU

Excavators							
APPLICATION	CYL #	SERIAL #	Misc	CODE	ROD	BORE	KIT #
MODEL PC160LC-7-E0							
BOOM	707-01-0L100	20001-, K45001-		P-UB-14	75 mm	110 mm	KOM-707-99-38760
BUCKET	707-01-0L130	20001-		P-UB-14	70 mm	105 mm	KOM-707-99-37150
	707-01-0L500	20001-, K45001-		P-UB-14	70 mm	105 mm	KOM-707-99-37150
MODEL PC160LC-7K							
ARM	707-01-0E510	K40001-		P-UB-14	85 mm	120 mm	KOM-707-99-46320
BOOM	707-01-0E490	K40001-		P-UB-14	75 mm	110 mm	KOM-707-99-38720
BUCKET	707-01-0E520	K40001-		P-UB-14	70 mm	105 mm	KOM-707-99-37290
MODEL PC180LC-6K							
ARM	21P-63-K1711	K30001-		P-UB-14	85 mm	120 mm	KOM-21P-63-K1711K
BOOM LH	21P-63-K1611	K30001-		P-UB-14	75 mm	110 mm	KOM-707-98-38520
BOOM RH	21P-63-K1611	K30001-		P-UB-14	75 mm	110 mm	KOM-707-98-38520
BUCKET	21P-63-K3600	K30001-		P-UB-14	70 mm	105 mm	KOM-707-98-37620
MODEL PC180LC-7K							
ARM	707-01-0E510	K40001-		P-UB-14	85 mm	120 mm	KOM-707-99-46320
BOOM	707-01-0E490	K40001-		P-UB-14	75 mm	110 mm	KOM-707-99-38720
BUCKET	707-01-0E520	K40001-		P-UB-14	70 mm	105 mm	KOM-707-99-37290
MODEL PC180NLC-6K							
ARM	21P-63-K1711	K30001-		P-UB-14	85 mm	120 mm	KOM-21P-63-K1711K
BOOM LH	21P-63-K1611	K30001-		P-UB-14	75 mm	110 mm	KOM-707-98-38520
BOOM RH	21P-63-K1611	K30001-		P-UB-14	75 mm	110 mm	KOM-707-98-38520
BUCKET	21P-63-K3600	K30001-		P-UB-14	70 mm	105 mm	KOM-707-98-37620
MODEL PC180NLC-7K							
ARM	707-01-0E510	K40001-		P-UB-14	85 mm	120 mm	KOM-707-99-46320
BOOM	707-01-0E490	K40001-		P-UB-14	75 mm	110 mm	KOM-707-99-38720
BUCKET	707-01-0E520	K40001-		P-UB-14	70 mm	105 mm	KOM-707-99-37290
MODEL PC200-1							
BOOM	205-63-55141	10001-20000		P-U-14	90 mm	130 mm	KOM-707-98-47500
BUCKET	205-63-75141			P-U-14	80 mm	130 mm	KOM-707-98-45700
MODEL PC200-2							
BUCKET	206-63-75141			P-U-14	80 mm	130 mm	KOM-707-98-45700
MODEL PC200-3, PC200LC-3							
ARM	205-63-62101	20001-35302		P-U-14	95 mm	130 mm	KOM-707-98-48600
	205-63-69300	35303-		P-UB-14	95 mm	130 mm	KOM-707-99-48610
BOOM	205-63-52100	20001-35302		P-U-14	85 mm	120 mm	KOM-707-98-46200
	205-63-52200	20001-35302		P-U-14	85 mm	120 mm	KOM-707-98-46200
	205-63-59300	35303-45000		P-UB-14	85 mm	120 mm	KOM-707-98-46270
	205-63-59400	35303-45000		P-UB-14	85 mm	120 mm	KOM-707-98-46270
BOOM (SLF)	206-63-52100	20001-35302		P-U-14	90 mm	130 mm	KOM-707-98-47600
	206-63-52200	20001-35302		P-U-14	90 mm	130 mm	KOM-707-98-47600
	206-63-59300	35303-		P-UB-14	90 mm	130 mm	KOM-707-98-47620
	206-63-59400	35303-		P-UB-14	90 mm	130 mm	KOM-707-98-47620
BUCKET	205-63-72100	20001-35302		P-U-14	75 mm	110 mm	KOM-707-98-38500
	205-63-79300	35303-		P-U-14	75 mm	110 mm	KOM-707-98-38500
BUCKET (1.8M Arm)	205-63-72301	20001-		P-U-14	85 mm	120 mm	KOM-707-98-46100

LT - Large size tire L/S - Loading Shovel SLF - Super Long Front B/H - Backhoe HD - Heavy Duty L BUCKET - Large Bucket
K-LINK - K-type Linkage Blade LB HI-LIFT - High Lift Arm w Large Bucket HI-LIFT - High Lift Arm S HI-LIFT - Super High Lift Arm

Replacement Kits For

KOMATSU

Excavators							
APPLICATION	CYL #	SERIAL #	Misc	CODE	ROD	BORE	KIT #
MODEL PC200-3, PC200LC-3							
BUCKET (1.8M Arm)	205-63-79700			P-UB-14	85 mm	120 mm	KOM-707-99-46210
BUCKET (SLF)	203-63-72500	20001-		P-UB-14	65 mm	100 mm	KOM-707-98-36110
MODEL PC200-5, PC200LC-5							
ARM	205-63-02120	45001-		P-UB-14	95 mm	135 mm	KOM-707-99-57200
BOOM	205-63-02100	45001-		P-UB-14	85 mm	120 mm	KOM-707-99-46600
BOOM (SLF)	206-63-02100	45001-		P-UB-14	90 mm	130 mm	KOM-707-99-47600
BUCKET	205-63-02130	45001-		P-UB-14	80 mm	115 mm	KOM-707-98-45220
BUCKET (HD)	206-63-02130	45001-		P-UB-14	90 mm	130 mm	KOM-707-98-47620
BUCKET (SLF)	203-63-02130	45001-		P-UB-14	65 mm	95 mm	KOM-707-98-36210
MODEL PC200-6							
ARM	205-63-02521	80001-84384		P-UB-14	95 mm	135 mm	KOM-707-99-57200
	205-63-02521	80001-84384		Bushing	95 mm		KOM-707-52-90710
	205-63-02521	A80001-, A82001-		P-UB-14	95 mm	135 mm	KOM-707-99-57200
	205-63-02521	A80001-, A82001-		Bushing	95 mm		KOM-707-52-90710
	205-63-02522	84385-		P-UB-14	95 mm	135 mm	KOM-707-99-57200
	205-63-02522	84385-		Bushing	95 mm		KOM-707-52-90710
BOOM	205-63-02501	80001-84384		P-UB-14	85 mm	120 mm	KOM-707-99-46600
	205-63-02501	80001-84384		Bushing	85 mm		KOM-707-52-90600
	205-63-02502	84385-		P-UB-14	85 mm	120 mm	KOM-707-99-46600
	205-63-02502	84385-		Bushing	85 mm		KOM-707-52-90600
	206-63-02501	A80001-, A82001-		P-UB-14	90 mm	130 mm	KOM-707-99-47600
	206-63-02501	A80001-, A82001-		Bushing	90 mm		KOM-707-52-90650
	20Y-63-03101	96514-		P-UB-14	85 mm	120 mm	KOM-707-99-46270
BUCKET	205-63-02130	A80001-, A82001-		P-UB-14	80 mm	115 mm	KOM-707-98-45220
	205-63-02130	A80001-, A82001-		Bushing	80 mm		KOM-707-52-90550
	205-63-02131	80001-84384		P-UB-14	80 mm	115 mm	KOM-707-98-45220
	205-63-02131	80001-84384		Bushing	80 mm		KOM-707-52-90550
	205-63-02132	84385-		P-UB-14	80 mm	115 mm	KOM-707-98-45220
	205-63-02132	84385-		Bushing	80 mm		KOM-707-52-90550
	205-63-02140	A80001-, A82001-		P-UB-14	85 mm	125 mm	KOM-205-63-02140K
	205-63-02140	A80001-, A82001-		Bushing	85 mm		KOM-707-52-90600
MODEL PC200-6S, PC200LC-6S							
ARM	205-63-03122	C10001-		P-UB-14	95 mm	135 mm	KOM-707-99-57250
BOOM	205-63-03101	C10001-		P-UB-14	85 mm	120 mm	KOM-707-99-46270
	205-63-07240	C10001-		P-UB-14	85 mm	120 mm	KOM-707-99-46270
BOOM (2pc - 1st Cyl)	205-63-03300	C10001-		P-UB-14	85 mm	120 mm	KOM-707-99-46270
BOOM (2pc - 2nd Cyl)	205-63-02821	C10001-		P-UB-14	110 mm	160 mm	KOM-707-99-67610
BUCKET	205-63-03131	C10001-		P-UB-14	80 mm	100 mm	KOM-707-98-45250
	205-63-03140	C10001-		P-UB-14	85 mm	125 mm	KOM-707-99-46290
	205-63-07132	C10001-		P-UB-14	80 mm	115 mm	KOM-707-98-45240

LT - Large size tire L/S - Loading Shovel SLF - Super Long Front B/H - Backhoe HD - Heavy Duty L BUCKET - Large Bucket
K-LINK - K-type Linkage Blade LB HI-LIFT - High Lift Arm w Large Bucket HI-LIFT - High Lift Arm S HI-LIFT - Super High Lift Arm

Replacement Kits For

KOMATSU

Excavators							
APPLICATION	CYL #	SERIAL #	Misc	CODE	ROD	BORE	KIT #
MODEL PC200-6S, PC200LC-6S							
BUCKET	205-63-07230	C10001-		P-UB-14	80 mm	100 mm	KOM-707-98-45250
	205-63-07280	C10001-		P-UB-14	85 mm	125 mm	KOM-707-99-46290
	205-63-07290	C10001-		P-UB-14	80 mm	115 mm	KOM-707-98-45240
BUCKET (Demo Spec)	206-63-03130	C10001-		P-UB-14	90 mm	130 mm	KOM-707-99-47670
	206-63-07290	C10001-		P-UB-14	90 mm	130 mm	KOM-707-99-47670
MODEL PC200-7, PC200LC-7							
ARM	707-01-0A310	200001-202830		P-UB-14	95 mm	135 mm	KOM-707-99-57160
	707-01-0A310	C70001-		P-UB-14	95 mm	135 mm	KOM-707-99-57160
	707-01-0A311	202831-		P-UB-14	95 mm	135 mm	KOM-707-99-57160
	707-01-0A312	205865-		P-UB-14	95 mm	135 mm	KOM-707-99-57160
	707-01-0C420	200001-202830		P-UB-14	95 mm	135 mm	KOM-707-99-57160
	707-01-0C421	202831-		P-UB-14	95 mm	135 mm	KOM-707-99-57160
BOOM	707-01-0A290	200001-		P-UB-14	85 mm	120 mm	KOM-707-99-46130
	707-01-0A290	C70001-		P-UB-14	85 mm	120 mm	KOM-707-99-46130
	707-01-0C400	200001-		P-UB-14	85 mm	120 mm	KOM-707-99-46130
BOOM (Lrg Dia Type)		C70001-		P-UB-14	90 mm	130 mm	KOM-707-99-47790
	707-01-0A940	200001-	LC-7	P-UB-14	90 mm	130 mm	KOM-707-99-47790
BUCKET	707-01-0A320	200001-		P-UB-14	80 mm	115 mm	KOM-707-99-45230
	707-01-0A320	C70001-		P-UB-14	80 mm	115 mm	KOM-707-99-45230
	707-01-0A321	205831-		P-UB-14	80 mm	115 mm	KOM-707-99-45230
	707-01-0A321	250001-254768	LC-7	P-UB-14	80 mm	115 mm	KOM-707-99-45230
	707-01-0C430	200001-		P-UB-14	80 mm	115 mm	KOM-707-99-45230
	707-01-0C431	205381-		P-UB-14	80 mm	115 mm	KOM-707-99-45230
	707-01-0C431	254769-	LC-7	P-UB-14	80 mm	115 mm	KOM-707-99-45230
	707-01-0C880	200001-		P-UB-14	85 mm	125 mm	KOM-707-99-46120
	707-01-0E081	250001-		P-UB-14	85 mm	125 mm	KOM-707-99-46120
	707-01-0G710	205865-		P-UB-14	85 mm	125 mm	KOM-707-99-46120
	707-01-0G871	255788-		P-UB-14	80 mm	115 mm	KOM-707-99-45230
MODEL PC200LC-6							
ARM	205-63-02521	80001-84384		P-UB-14	95 mm	135 mm	KOM-707-99-57200
	205-63-02521	A80001-, A82001-		P-UB-14	95 mm	135 mm	KOM-707-99-57200
	205-63-02522	84385-96513		P-UB-14	95 mm	135 mm	KOM-707-99-57200
	205-63-03121	96514-99471		P-UB-14	95 mm	135 mm	KOM-707-99-57250
	205-63-03122	99472-110674		P-UB-14	95 mm	135 mm	KOM-707-99-57270
	707-01-0E570	110675-		P-UB-14	95 mm	135 mm	KOM-707-99-57270
BOOM	205-63-02501	80001-84384		P-UB-14	85 mm	120 mm	KOM-707-99-46600
	205-63-02502	84385-96513		P-UB-14	85 mm	120 mm	KOM-707-99-46600
	205-63-02801	80001-96513		P-UB-14	85 mm	120 mm	KOM-707-99-46600
	205-63-03101	96514-		P-UB-14	85 mm	120 mm	KOM-707-99-46270
	205-63-03150	101894-		P-UB-14	90 mm	130 mm	KOM-707-99-47740
	205-63-03300	96514-		P-UB-14	85 mm	120 mm	KOM-707-99-46270
	205-63-07140	80001-96513		P-UB-14	85 mm	120 mm	KOM-707-99-46600
	205-63-07240	96514-		P-UB-14	85 mm	120 mm	KOM-707-99-46270
	206-63-02501	A80001-, A82001-		P-UB-14	90 mm	130 mm	KOM-707-99-47600

LT - Large size tire L/S - Loading Shovel SLF - Super Long Front B/H - Backhoe HD - Heavy Duty L BUCKET - Large Bucket
K-LINK - K-type Linkage Blade LB HI-LIFT - High Lift Arm w Large Bucket HI-LIFT - High Lift Arm S HI-LIFT - Super High Lift Arm

Replacement Kits For

KOMATSU

Excavators							
APPLICATION	CYL #	SERIAL #	Misc	CODE	ROD	BORE	KIT #
MODEL PC200LC-6							
BUCKET	205-63-02130	A80001-, A82001-		P-UB-14	80 mm	115 mm	KOM-707-98-45220
	205-63-02131	80001-84384		P-UB-14	80 mm	115 mm	KOM-707-98-45220
	205-63-02132	84385-96513		P-UB-14	80 mm	115 mm	KOM-707-98-45220
	205-63-02140	80001-96513		P-UB-14	85 mm	125 mm	KOM-205-63-02140K
	205-63-02140	A80001-, A82001-		P-UB-14	85 mm	125 mm	KOM-205-63-02140K
	205-63-03131	94999-, 96514-		P-UB-14	80 mm	100 mm	KOM-707-98-45250
	205-63-03140	96514-		P-UB-14	85 mm	125 mm	KOM-707-99-46290
	205-63-07132	80001-		P-UB-14	80 mm	115 mm	KOM-707-98-45240
	205-63-07230	94999-		P-UB-14	80 mm	100 mm	KOM-707-98-45250
	205-63-07280	94999-		P-UB-14	85 mm	125 mm	KOM-707-99-46290
205-63-07290	94999-		P-UB-14	80 mm	115 mm	KOM-707-98-45240	
BUCKET (Demo Spec)	206-63-02130	80001-96513		P-UB-14	90 mm	130 mm	KOM-707-98-47620
	206-63-03130	96514-		P-UB-14	90 mm	130 mm	KOM-707-99-47670
	206-63-07290	94999-		P-UB-14	90 mm	130 mm	KOM-707-99-47670
MODEL PC200LC-6LE							
ARM	205-63-03121	A83001-		P-UB-14	95 mm	135 mm	KOM-707-99-57250
BOOM LH	206-63-03200	A83001-		P-UB-14	90 mm	130 mm	KOM-707-99-47660
BOOM RH	206-63-03100	A83001-		P-UB-14	90 mm	130 mm	KOM-707-99-47660
BUCKET	205-63-03131	A83001-		P-UB-14	90 mm	130 mm	KOM-707-99-47670
	205-63-03140	A83001-		P-UB-14	85 mm	125 mm	KOM-707-99-46290
BUCKET (Demo Spec)	206-63-03130	A83001-		P-UB-14	90 mm	130 mm	KOM-707-99-47670
MODEL PC200LC-7L							
ARM	707-01-0A310	A86001-		P-UB-14	95 mm	135 mm	KOM-707-99-57160
BOOM (Lrg Dia Type)	707-01-0A940	A86001-		P-UB-14	90 mm	130 mm	KOM-707-99-47790
BUCKET	707-01-0A320	A86001-		P-UB-14	80 mm	115 mm	KOM-707-99-45230
MODEL PC200LC-7-US							
ARM	707-01-0A310	200001-, C50001-		P-UB-14	95 mm	135 mm	KOM-707-99-57160
	707-01-0Z840	C70001-		P-UB-14	95 mm	135 mm	KOM-707-99-57160
BOOM	707-01-0A290	C70001-		P-UB-14	85 mm	120 mm	KOM-707-99-46130
BOOM (Lrg Dia Type)	707-01-0A940	200001-, C50001-		P-UB-14	90 mm	130 mm	KOM-707-99-47790
BUCKET	707-01-0A320	200001-, C50001-		P-UB-14	80 mm	115 mm	KOM-707-99-45230
MODEL PC210-3, PC210LC-3							
ARM	205-63-62101	10001-		P-U-14	95 mm	130 mm	KOM-707-98-48600
BOOM LH	205-63-52100	10001-		P-U-14	85 mm	120 mm	KOM-707-98-46200
BOOM RH	205-63-52200	10001-		P-U-14	85 mm	120 mm	KOM-707-98-46200
BUCKET	205-63-72100	10001-		P-U-14	75 mm	110 mm	KOM-707-98-38500
MODEL PC210-6							
ARM	205-63-02521	80001-84384		P-UB-14	95 mm	135 mm	KOM-707-99-57200
	205-63-02521	80001-84384		Bushing	95 mm		KOM-707-52-90710
	205-63-02522	34385-		P-UB-14	95 mm	135 mm	KOM-707-99-57200
	205-63-02522	34385-		Bushing	95 mm		KOM-707-52-90710
	205-63-63340	A82001-		P-UB-14	95 mm	135 mm	KOM-707-99-57200

LT - Large size tire L/S - Loading Shovel SLF - Super Long Front B/H - Backhoe HD - Heavy Duty L BUCKET - Large Bucket
K-LINK - K-type Linkage Blade LB HI-LIFT - High Lift Arm w Large Bucket HI-LIFT - High Lift Arm S HI-LIFT - Super High Lift Arm

KOMATSU

Replacement Kits For

Excavators							
APPLICATION	CYL #	SERIAL #	Misc	CODE	ROD	BORE	KIT #
MODEL PC210-6							
BOOM	205-63-02051	80001-84384		P-U-14	90 mm	130 mm	KOM-707-98-47600
	205-63-02501	80001-84384		Bushing	85 mm		KOM-707-52-90600
	205-63-02502	84385-		P-UB-14	85 mm	120 mm	KOM-707-99-46600
	205-63-02502	84385-		Bushing	75 mm		KOM-707-52-90500
	206-63-54141	A82001-		P-UB-14	90 mm	130 mm	KOM-707-99-47600
	20Y-63-03101	96514-		P-UB-14	85 mm	120 mm	KOM-707-99-46270
BUCKET	205-63-02131	80001-84384		P-UB-14	80 mm	115 mm	KOM-707-98-45220
	205-63-02131	80001-84384		Bushing	80 mm		KOM-707-52-90550
	205-63-02132	84385-		P-UB-14	80 mm	115 mm	KOM-707-98-45220
	205-63-02132	84385-		Bushing	80 mm		KOM-707-52-90550
	205-63-73340	A82001-		P-UB-14	80 mm	115 mm	KOM-707-98-45220
	208-63-73340	A82001-		P-UB-14	80 mm	115 mm	KOM-707-98-45220
BUCKET (Demo Spec)	206-63-73340	A82001-		P-UB-14	90 mm	130 mm	KOM-707-98-47620
MODEL PC210-6K							
ARM	20Y-63-K1170	K30001-		P-UB-14	95 mm	135 mm	KOM-707-99-57200
BOOM (2pc - 1st Cyl)	205-63-K1360	K30001-K30873		P-UB-14	85 mm	120 mm	KOM-707-99-46600
	205-63-K1361	K30874-		P-UB-14	85 mm	120 mm	KOM-707-99-46600
BOOM (2pc - 2nd Cyl)	205-63-K1370	K30001-		P-UB-14	110 mm	160 mm	KOM-205-63-K1370K
BOOM LH	205-63-K1170	K30001-K30873		P-UB-14	85 mm	120 mm	KOM-707-99-46600
	205-63-K1171	K30874-		P-UB-14	85 mm	120 mm	KOM-707-99-46600
BOOM RH	205-63-K1180	K30001-K30873		P-UB-14	85 mm	120 mm	KOM-707-99-46600
	205-63-K1181	K30874-		P-UB-14	85 mm	120 mm	KOM-707-99-46600
BUCKET	20Y-63-K1180	K30001-		P-UB-14	85 mm	125 mm	KOM-707-99-46290
MODEL PC210-7K							
ARM	707-01-0A310	K40001-		P-UB-14	95 mm	135 mm	KOM-707-99-57160
BOOM	707-01-0A290	K40001-		P-UB-14	85 mm	120 mm	KOM-707-99-46130
BUCKET	707-01-0A320	K40001-		P-UB-14	80 mm	115 mm	KOM-707-99-45230
MODEL PC210LC-6							
ARM	205-63-02521	A80001-		P-UB-14	95 mm	135 mm	KOM-707-99-57200
	205-63-63340	A82001-		P-UB-14	95 mm	135 mm	KOM-707-99-57200
BOOM	206-63-02501	A80001-		P-UB-14	90 mm	130 mm	KOM-707-99-47600
	206-63-54141	A82001-		P-UB-14	90 mm	130 mm	KOM-707-99-47600
BUCKET	205-63-73340	A82001-		P-UB-14	80 mm	115 mm	KOM-707-98-45220
	208-63-73340	A82001-		P-UB-14	80 mm	115 mm	KOM-707-98-45220
BUCKET (2.9M Arm)	205-63-02130	A80001-		P-UB-14	80 mm	115 mm	KOM-707-98-45220
	206-63-02130	A80001-	Demo Spec	P-UB-14	90 mm	130 mm	KOM-707-98-47620
BUCKET (Demo Spec)	206-63-73340	A82001-		P-UB-14	90 mm	130 mm	KOM-707-98-47620
MODEL PC210LC-6K							
ARM	20Y-63-K1170	K30001-		P-UB-14	95 mm	135 mm	KOM-707-99-57200
BOOM (2pc - 1st Cyl)	205-63-K1360	K30001-K30873		P-UB-14	85 mm	120 mm	KOM-707-99-46600
	205-63-K1361	K30874-		P-UB-14	85 mm	120 mm	KOM-707-99-46600
BOOM (2pc - 2nd Cyl)	205-63-K1370	K30001-		P-UB-14	110 mm	160 mm	KOM-205-63-K1370K
BOOM LH	205-63-K1170	K30001-K30873		P-UB-14	85 mm	120 mm	KOM-707-99-46600
	205-63-K1171	K30874-		P-UB-14	85 mm	120 mm	KOM-707-99-46600
BOOM RH	205-63-K1180	K30001-K30873		P-UB-14	85 mm	120 mm	KOM-707-99-46600
	205-63-K1181	K30874-		P-UB-14	85 mm	120 mm	KOM-707-99-46600

LT - Large size tire L/S - Loading Shovel SLF - Super Long Front B/H - Backhoe HD - Heavy Duty L BUCKET - Large Bucket
K-LINK - K-type Linkage Blade LB HI-LIFT - High Lift Arm w Large Bucket HI-LIFT - High Lift Arm S HI-LIFT - Super High Lift Arm

Replacement Kits For

KOMATSU

Excavators							
APPLICATION	CYL #	SERIAL #	Misc	CODE	ROD	BORE	KIT #
MODEL PC210LC-6K							
BUCKET	20Y-63-K1180	K30001-		P-UB-14	85 mm	125 mm	KOM-707-99-46290
MODEL PC210LC-7K							
ARM	707-01-0A310	K40001-		P-UB-14	95 mm	135 mm	KOM-707-99-57160
BOOM	707-01-0A290	K40001-		P-UB-14	85 mm	120 mm	KOM-707-99-46130
BUCKET	707-01-0A320	K40001-		P-UB-14	80 mm	115 mm	KOM-707-99-45230
MODEL PC210NLC-7K							
ARM	707-01-0A310	K40001-		P-UB-14	95 mm	135 mm	KOM-707-99-57160
BOOM	707-01-0A290	K40001-		P-UB-14	85 mm	120 mm	KOM-707-99-46130
BUCKET	707-01-0A320	K40001-		P-UB-14	80 mm	115 mm	KOM-707-99-45230
MODEL PC220,PC220LC,PC220-2,PC220LC-2							
ARM	206-63-65101	11001-		P-U-14	100 mm	150 mm	KOM-PC-1
BOOM LH	206-63-55300	11001-		P-U-14	90 mm	140 mm	KOM-PC-2
BUCKET	205-63-75101	11001-		P-U-14	80 mm	140 mm	KOM-PC-3
MODEL PC220-3, PC220LC-3							
ARM	206-63-62101	20001-23737		P-U-14	95 mm	140 mm	KOM-707-98-57201
ARM (SLF)	205-63-62101	2001-23614		P-U-14	95 mm	130 mm	KOM-707-98-48600
	205-63-69300	23615-		P-UB-14	95 mm	130 mm	KOM-707-99-48610
BOOM	206-63-52100	20001-23737		P-U-14	90 mm	130 mm	KOM-707-98-47600
	206-63-52200	20001-23737		P-U-14	90 mm	130 mm	KOM-707-98-47600
	206-63-59300	23738-		P-UB-14	90 mm	130 mm	KOM-707-98-47620
	206-63-59400	23738-		P-UB-14	90 mm	130 mm	KOM-707-98-47620
BUCKET	206-63-72100	20001-23737		P-U-14	90 mm	130 mm	KOM-707-98-47500
	206-63-79300	23738-		P-UB-14	90 mm	130 mm	KOM-707-99-47610
BUCKET (2M Arm)	206-63-72300	20001-		P-U-14	100 mm	140 mm	KOM-707-98-58230
BUCKET (SLF)	203-63-72500	20001-		P-UB-14	65 mm	100 mm	KOM-707-98-36110
MODEL PC220-5, PC220LC-5							
ARM	206-63-02120	35001-		P-UB-14	100 mm	140 mm	KOM-707-99-58200
ARM (SLF)	205-63-02120	35001-		P-UB-14	95 mm	135 mm	KOM-707-99-57200
BOOM	206-63-02100	35001-		P-UB-14	90 mm	130 mm	KOM-707-99-47600
BUCKET	206-63-02130	35001-		P-UB-14	90 mm	130 mm	KOM-707-98-47620
BUCKET (SLF)	203-63-02130	35001-		P-UB-14	65 mm	95 mm	KOM-707-98-36210
MODEL PC220-6							
ARM	206-63-02521	40001-52851		P-UB-14	100 mm	140 mm	KOM-707-99-58200
	206-63-03120	52852-53173		P-UB-14	100 mm	140 mm	KOM-707-99-58300
	206-63-03121	53174-56420		P-UB-14	100 mm	140 mm	KOM-707-99-58350
	707-01-0E580	56421-		P-UB-14	100 mm	140 mm	KOM-707-99-58350
BOOM	206-63-02501	40001-52851		P-UB-14	90 mm	130 mm	KOM-707-99-47600
	206-63-03100	52852-		P-UB-14	90 mm	130 mm	KOM-707-99-47660
	206-63-07100	50001-52851		P-UB-14	90 mm	130 mm	KOM-707-99-47600
	206-63-07200	52852-		P-UB-14	90 mm	130 mm	KOM-707-99-47660
BOOM LIFT	206-63-02801	50001-52851		P-UB-14	100 mm	140 mm	KOM-707-99-58260
	206-63-03300	52852-		P-UB-14	100 mm	140 mm	KOM-707-99-58310
	206-63-07140	50001-52851		P-UB-14	100 mm	140 mm	KOM-707-99-58260
	206-63-07240	52852-		P-UB-14	100 mm	140 mm	KOM-707-99-58310
BUCKET	206-63-02130	40001-52851		P-UB-14	90 mm	130 mm	KOM-707-98-47620
	206-63-02140	40001-52851		P-UB-14	100 mm	140 mm	KOM-707-98-58240

LT - Large size tire L/S - Loading Shovel SLF - Super Long Front B/H - Backhoe HD - Heavy Duty L BUCKET - Large Bucket
 K-LINK - K-type Linkage Blade LB HI-LIFT - High Lift Arm w Large Bucket HI-LIFT - High Lift Arm S HI-LIFT - Super High Lift Arm

Replacement Kits For

KOMATSU

KOMATSU

Excavators							
APPLICATION	CYL #	SERIAL #	Misc	CODE	ROD	BORE	KIT #
MODEL PC220-6							
BUCKET	206-63-02140	50001-52851		P-UB-14	100 mm	140 mm	KOM-707-99-58240
	206-63-03130	52852-		P-UB-14	90 mm	130 mm	KOM-707-99-47670
	206-63-03140	52852-		P-UB-14	100 mm	140 mm	KOM-707-99-58320
	206-63-07030	50001-		P-UB-14	90 mm	130 mm	KOM-707-98-47620
MODEL PC220LC-6							
ARM	206-63-02521	50001-		Bushing	100 mm		KOM-707-52-90750
	206-63-02521	50001-52851		P-UB-14	100 mm	140 mm	KOM-707-99-58200
	206-63-02521	A80001-		Bushing	100 mm		KOM-707-52-90750
	206-63-02521	A80001-A82000		P-UB-14	100 mm	140 mm	KOM-707-99-58200
	206-63-03120	52852-53173		P-UB-14	100 mm	140 mm	KOM-707-99-58300
	206-63-03121	53174-56420		P-UB-14	100 mm	140 mm	KOM-707-99-58350
	707-01-0E580	56421-		P-UB-14	100 mm	140 mm	KOM-707-99-58350
BOOM	206-63-02501	50001-		Bushing	90 mm		KOM-707-52-90650
	206-63-02501	50001-52851		P-UB-14	90 mm	130 mm	KOM-707-99-47600
	206-63-02801	A80001-		Bushing	100 mm		KOM-707-52-90750
	206-63-02801	A80001-A82000		P-UB-14	100 mm	140 mm	KOM-707-99-58260
	206-63-03100	52852-		P-UB-14	90 mm	130 mm	KOM-707-99-47660
	206-63-07100	50001-52851		P-UB-14	90 mm	130 mm	KOM-707-99-47600
	206-63-07200	52852-		P-UB-14	90 mm	130 mm	KOM-707-99-47660
BOOM LIFT	206-63-02801	50001-52851		P-UB-14	100 mm	140 mm	KOM-707-99-58260
	206-63-03300	52852-		P-UB-14	100 mm	140 mm	KOM-707-99-58310
	206-63-07140	50001-52851		P-UB-14	100 mm	140 mm	KOM-707-99-58260
	206-63-07240	52852-		P-UB-14	100 mm	140 mm	KOM-707-99-58310
BUCKET	206-63-02130	50001-		Bushing	90 mm		KOM-707-52-90650
	206-63-02130	50001-52851		P-UB-14	90 mm	130 mm	KOM-707-98-47620
	206-63-02130	A80001-		Bushing	90 mm		KOM-707-52-90650
	206-63-02130	A80001-A82000		P-UB-14	90 mm	130 mm	KOM-707-98-47620
	206-63-02140	50001-52851		P-UB-14	100 mm	140 mm	KOM-707-99-58240
	206-63-02140	A80001-A82000		P-UB-14	100 mm	140 mm	KOM-707-99-58240
	206-63-03130	52852-		P-UB-14	90 mm	130 mm	KOM-707-99-47670
	206-63-03140	52852-		P-UB-14	100 mm	140 mm	KOM-707-99-58320
	206-63-07030	50001-		P-UB-14	90 mm	130 mm	KOM-707-98-47620
MODEL PC220LC-6LC							
ARM	206-63-02521	A82001-A83000		P-UB-14	100 mm	140 mm	KOM-707-99-58200
BOOM	206-63-02801	A82001-A83000		P-UB-14	100 mm	140 mm	KOM-707-99-58260
BUCKET	206-63-02130	A82001-A83000		P-UB-14	90 mm	130 mm	KOM-707-98-47620
	206-63-02140	A82001-A83000		P-UB-14	100 mm	140 mm	KOM-707-99-58240
MODEL PC220LC-6LE							
ARM	206-63-03120	A83001-A83986		P-UB-14	100 mm	140 mm	KOM-707-99-58350
	206-63-03121	A83987-		P-UB-14	100 mm	140 mm	KOM-707-99-58350
BOOM	206-63-02801	A83001-		P-UB-14	100 mm	140 mm	KOM-707-99-58260
	206-63-03300	A83001-		P-UB-14	100 mm	140 mm	KOM-707-99-58310
BUCKET	206-63-02140	A83001-		P-UB-14	100 mm	140 mm	KOM-707-99-58240
	206-63-03130	A83001-		P-UB-14	90 mm	130 mm	KOM-707-98-47670
	206-63-03140	A83001-		P-UB-14	100 mm	140 mm	KOM-707-99-58320

LT - Large size tire L/S - Loading Shovel SLF - Super Long Front B/H - Backhoe HD - Heavy Duty L BUCKET - Large Bucket
K-LINK - K-type Linkage Blade LB HI-LIFT - High Lift Arm w Large Bucket HI-LIFT - High Lift Arm S HI-LIFT - Super High Lift Arm

Replacement Kits For

KOMATSU

Excavators							
APPLICATION	CYL #	SERIAL #	Misc	CODE	ROD	BORE	KIT #
MODEL PC220LC-7							
ARM	707-01-0A370	60001-60273		P-UB-14	100 mm	140 mm	KOM-707-99-58070
	707-01-0A371	60274-		P-UB-14	100 mm	140 mm	KOM-707-99-58070
	707-01-0A372	60767-		P-UB-14	100 mm	140 mm	KOM-707-99-58070
	707-01-0C690	60001-60273		P-UB-14	100 mm	140 mm	KOM-707-99-58070
	707-01-0C691	60274-		P-UB-14	100 mm	140 mm	KOM-707-99-58070
ARM (SLF)	707-01-0A311	60001-65888		P-UB-14	95 mm	135 mm	KOM-707-99-57160
	707-01-0A312	65889-		P-UB-14	95 mm	135 mm	KOM-707-99-57160
BOOM	707-01-0A350	60001-		P-UB-14	90 mm	130 mm	KOM-707-99-47790
	707-01-0C670	60001-		P-UB-14	90 mm	130 mm	KOM-707-99-47790
BOOM (Lrg Dia Type)	707-01-0C040	60001-		P-UB-14	95 mm	135 mm	KOM-707-99-50620
BUCKET	707-01-0A240	60001-		P-UB-14	100 mm	140 mm	KOM-707-99-58060
	707-01-0A380	60001-		P-UB-14	90 mm	130 mm	KOM-707-99-47570
	707-01-0A381	60759-		P-UB-14	90 mm	130 mm	KOM-707-99-47570
	707-01-0A382	60767-		P-UB-14	90 mm	130 mm	KOM-707-99-47570
	707-01-0C700	60001-		P-UB-14	90 mm	130 mm	KOM-707-99-47570
	707-01-0C701	60759-		P-UB-14	90 mm	130 mm	KOM-707-99-47570
	707-01-0G492	65889-		P-UB-14	90 mm	130 mm	KOM-707-99-47570
	707-01-0G502	60767-		P-UB-14	100 mm	140 mm	KOM-707-99-58060
	707-01-0H430	65001-		P-UB-14	100 mm	140 mm	KOM-707-99-58060
	707-01-0H720	65889-		P-UB-14	90 mm	130 mm	KOM-707-99-47570
	707-13-13611	65001-		P-UB-14	90 mm	130 mm	KOM-707-99-47570
BUCKET (SLF)	707-01-0F040	65272-		P-UB-14	65 mm	95 mm	KOM-707-99-25870
MODEL PC220LC-7L							
ARM	707-01-0A371	A86001-		P-UB-14	100 mm	140 mm	KOM-707-99-58070
BOOM (Lrg Dia Type)	707-01-0C040	A86001-		P-UB-14	95 mm	135 mm	KOM-707-99-50620
BUCKET	707-01-0A380	A86001-		P-UB-14	90 mm	130 mm	KOM-707-99-47570
MODEL PC228USLC-1							
ARM	22U-63-02222	11001-		P-UB-14	95 mm	135 mm	KOM-707-99-57270
BOOM	22U-63-02203	11001-		P-UB-14	85 mm	120 mm	KOM-707-98-46220
BUCKET	22U-63-02240	11001-		P-UB-14	90 mm	130 mm	KOM-707-99-47670
MODEL PC228USLC-2							
ARM	205-63-03122	15001-15922		P-UB-14	95 mm	135 mm	KOM-707-99-57270
	707-01-0E570	15923-		P-UB-14	95 mm	135 mm	KOM-707-99-57270
BOOM	22U-63-02103	15001-		P-UB-14	90 mm	130 mm	KOM-707-99-47730
	22U-63-02450	15321-		P-UB-14	85 mm	120 mm	KOM-707-98-46220
BUCKET	205-63-03131	15001-		P-UB-14	80 mm	100 mm	KOM-707-98-45250
MODEL PC228USLC-3							
ARM	707-01-0A311	30001-		P-UB-14	95 mm	135 mm	KOM-707-99-57160
BLADE LH	22U-63-02550	30001-		P-UB-14	100 mm	140 mm	KOM-707-99-58390
BLADE RH	22U-63-02560	30001-		P-UB-14	100 mm	140 mm	KOM-707-99-58390
BOOM	707-01-0E770	30001-		P-UB-14	85 mm	120 mm	KOM-707-99-46130
	707-01-0F300	30001-		P-UB-14	85 mm	120 mm	KOM-707-99-46130
BOOM (Lrg Dia Type)	707-01-0E790	30001-		P-UB-14	90 mm	130 mm	KOM-707-99-47790
BOOM ADJUST	707-01-0E270	30001-		P-UB-14	120 mm	185 mm	KOM-707-99-68730
BUCKET	707-01-0A320	30001-		P-UB-14	80 mm	115 mm	KOM-707-99-45230

LT - Large size tire L/S - Loading Shovel SLF - Super Long Front B/H - Backhoe HD - Heavy Duty L BUCKET - Large Bucket
K-LINK - K-type Linkage Blade LB HI-LIFT - High Lift Arm w Large Bucket HI-LIFT - High Lift Arm S HI-LIFT - Super High Lift Arm

Replacement Kits For

KOMATSU

Excavators							
APPLICATION	CYL #	SERIAL #	Misc	CODE	ROD	BORE	KIT #
MODEL PC228USLC-3E0							
ARM	707-01-0H600	40001-		P-UB-14	95 mm	135 mm	KOM-707-98-48610
BOOM	707-01-0K860	40001-		P-UB-14	85 mm	120 mm	KOM-707-98-46300
BOOM (Lrg Dia Type)	707-01-0K880	40001-		P-UB-14	90 mm	130 mm	KOM-707-98-47740
BUCKET	707-01-0H740	40001-		P-UB-14	80 mm	115 mm	KOM-707-98-39610
MODEL PC228USLC-3S							
ARM	22U-63-02623	20001-21274		P-UB-14	95 mm	135 mm	KOM-707-99-57180
	707-01-0X430	21275-21502		P-UB-14	95 mm	135 mm	KOM-707-99-57160
	707-01-0X431	21503-		P-UB-14	95 mm	135 mm	KOM-707-99-57160
BOOM	22U-63-02651	20001-		P-UB-14	90 mm	130 mm	KOM-707-99-47780
BUCKET	22U-63-02633	20001-21221		P-UB-14	80 mm	115 mm	KOM-707-99-45220
	707-01-0C890	21222-		P-UB-14	80 mm	115 mm	KOM-707-99-45230
MODEL PC230-6							
ARM	206-63-02521	40001-52851		P-UB-14	100 mm	140 mm	KOM-707-99-58200
	206-63-03121	52852-		P-UB-14	100 mm	140 mm	KOM-707-99-58350
BOOM	206-63-02501	40001-52851		P-UB-14	90 mm	130 mm	KOM-707-99-47600
	206-63-03100	52852-		P-UB-14	90 mm	130 mm	KOM-707-99-47660
BUCKET	206-63-02130	40001-52851		P-UB-14	90 mm	130 mm	KOM-707-98-47620
	206-63-02140	40001-52851		P-UB-14	100 mm	140 mm	KOM-707-98-58240
	206-63-03130	52852-		P-UB-14	90 mm	130 mm	KOM-707-98-47670
	206-63-03140	52852-		P-UB-14	100 mm	140 mm	KOM-707-99-58320
MODEL PC240-6K							
ARM	206-63-K1140	K30001-		P-UB-14	95 mm	135 mm	KOM-707-99-57200
BOOM	206-63-K2120	K30001-		P-UB-14	95 mm	135 mm	KOM-206-63-K2120K
	206-63-K2150	K30001-		P-UB-14	120 mm	185 mm	KOM-206-63-K2150K
BOOM LH	206-63-K1240	K30001-		P-UB-14	95 mm	135 mm	KOM-206-63-K1240K
BOOM RH	206-63-K1250	K30001-		P-UB-14	95 mm	135 mm	KOM-206-63-K1250K
BUCKET	206-63-K2110	K30001-		P-UB-14	100 mm	140 mm	KOM-707-99-58240
MODEL PC240LC-6K							
ARM	206-63-K1140	K30001-		P-UB-14	95 mm	135 mm	KOM-707-99-57200
BOOM	206-63-K2120	K30001-		P-UB-14	95 mm	135 mm	KOM-206-63-K2120K
	206-63-K2150	K30001-		P-UB-14	120 mm	185 mm	KOM-206-63-K2150K
BOOM LH	206-63-K1240	K30001-		P-UB-14	95 mm	135 mm	KOM-206-63-K1240K
BOOM RH	206-63-K1250	K30001-		P-UB-14	95 mm	135 mm	KOM-206-63-K1250K
BUCKET	206-63-K2110	K30001-		P-UB-14	100 mm	140 mm	KOM-707-99-58240
MODEL PC240LC-7K							
ARM	707-01-XC120	K40019-		P-UB-14	100 mm	140 mm	KOM-707-99-58070
ARM (w/ Burst Valve)	707-01-XE050	K40019-		P-UB-14	100 mm	140 mm	KOM-707-99-58070
BOOM	707-01-0C040	K40019-		P-UB-14	95 mm	135 mm	KOM-707-99-50620
BOOM LIFT (2pc Boom)	707-01-0F050	K40019-		P-UB-14	100 mm	140 mm	KOM-707-99-58050
BUCKET (2, 2.5M Arm)	707-01-0A420	K40019-		P-UB-14	100 mm	140 mm	KOM-707-99-58060
BUCKET (3, 3.5M Arm)	707-01-XC130	K40019-		P-UB-14	90 mm	130 mm	KOM-707-99-47570
MODEL PC240NLC-6K							
ARM	206-63-K1140	K30001-		P-UB-14	95 mm	135 mm	KOM-707-99-57200
BOOM	206-63-K2120	K30001-		P-UB-14	95 mm	135 mm	KOM-206-63-K2120K
	206-63-K2150	K30001-		P-UB-14	120 mm	185 mm	KOM-206-63-K2150K

LT - Large size tire L/S - Loading Shovel SLF - Super Long Front B/H - Backhoe HD - Heavy Duty L BUCKET - Large Bucket
K-LINK - K-type Linkage Blade LB HI-LIFT - High Lift Arm w Large Bucket HI-LIFT - High Lift Arm S HI-LIFT - Super High Lift Arm

Replacement Kits For

KOMATSU

Excavators							
APPLICATION	CYL #	SERIAL #	Misc	CODE	ROD	BORE	KIT #
MODEL PC240NLC-6K							
BOOM LH	206-63-K1240	K30001-		P-UB-14	95 mm	135 mm	KOM-206-63-K1240K
BOOM RH	206-63-K1250	K30001-		P-UB-14	95 mm	135 mm	KOM-206-63-K1250K
BUCKET	206-63-K2110	K30001-		P-UB-14	100 mm	140 mm	KOM-707-99-58240
MODEL PC240NLC-7K							
ARM	707-01-XC120	K40019-		P-UB-14	100 mm	140 mm	KOM-707-99-58070
ARM (w/ Burst Valve)	707-01-XE050	K40019-		P-UB-14	100 mm	140 mm	KOM-707-99-58070
BOOM	707-01-0C040	K40019-		P-UB-14	95 mm	135 mm	KOM-707-99-50620
BOOM LIFT (2pc Boom)	707-01-0F050	K40019-		P-UB-14	100 mm	140 mm	KOM-707-99-58050
BUCKET (2, 2.5M Arm)	707-01-0A420	K40019-		P-UB-14	100 mm	140 mm	KOM-707-99-58060
BUCKET (3, 3.5M Arm)	707-01-XC130	K40019-		P-UB-14	90 mm	130 mm	KOM-707-99-47570
MODEL PC250LC-6							
ARM	206-63-03120, -64740	A83001-A83986		P-UB-14	100 mm	140 mm	KOM-707-99-58350
	206-63-03121, -64741	A83987-		P-UB-14	100 mm	140 mm	KOM-707-99-58350
BUCKET (2M Arm)	206-63-02140	A83001-		P-UB-14	100 mm	140 mm	KOM-707-99-58240
	206-63-02140	A83001-		Bushing	100 mm		KOM-707-52-90750
BUCKET (3.05 HD Arm)	206-63-07030	A83001-		P-UB-14	90 mm	130 mm	KOM-707-98-47620
	206-63-07030	A83001-		Bushing	90 mm		KOM-707-52-90650
MODEL PC270-8							
ARM	707-01-0H950	20001-		P-UB-14	110 mm	150 mm	KOM-707-99-59740
	707-01-0K400	20001-		P-UB-14	110 mm	150 mm	KOM-707-99-59740
BOOM	707-01-0H930	20001-		P-UB-14	100 mm	140 mm	KOM-707-99-59320
	707-01-0K380	20001-		P-UB-14	100 mm	140 mm	KOM-707-99-59320
	707-01-0L941	25015-		P-UB-14	100 mm	140 mm	KOM-707-99-59320
BOOM LH	707-01-0H930	20001-		P-UB-14	100 mm	140 mm	KOM-707-99-59330
BOOM RH	707-01-0H930	20001-25014		P-UB-14	100 mm	140 mm	KOM-707-99-59330
	707-01-0H931	25015-		P-UB-14	100 mm	140 mm	KOM-707-99-59320
BUCKET	707-01-0H910	20001-		P-UB-14	100 mm	140 mm	KOM-707-99-59020
	707-01-0J900	20001-		P-UB-14	100 mm	140 mm	KOM-707-99-59020
	707-01-0J910	20001-		P-UB-14	100 mm	140 mm	KOM-707-99-59020
	707-01-0J920	20001-		P-UB-14	90 mm	130 mm	KOM-707-98-47720
MODEL PC270LC-7L							
ARM	707-01-0Z941	A86001-A86168		P-UB-14	110 mm	150 mm	KOM-707-99-59620
	707-01-0Z942	A86169-		P-UB-14	110 mm	150 mm	KOM-707-99-59620
	707-13-15240	A86001-		P-UB-14	110 mm	150 mm	KOM-707-99-59620
BOOM (Lrg Dia Type)	707-01-0A390	A86001-		P-UB-14	100 mm	140 mm	KOM-707-99-58050
	707-13-14560	A86001-		P-UB-14	100 mm	140 mm	KOM-707-99-58050
BUCKET	707-01-0A420	A86001-		P-UB-14	100 mm	140 mm	KOM-707-99-58060
	707-13-13570	A86001-		P-UB-14	100 mm	140 mm	KOM-707-99-58060
MODEL PC270LC-8							
ARM	707-01-0S910	A87001-		P-UB-14	110 mm	150 mm	KOM-707-99-59740
	707-13-15280	A87001-		P-UB-14	110 mm	150 mm	KOM-707-99-59740
BOOM	707-01-0H930	A87001-		P-UB-14	100 mm	140 mm	KOM-707-99-59320
	707-13-14860	A87001-		P-UB-14	100 mm	140 mm	KOM-707-99-59320

LT - Large size tire L/S - Loading Shovel SLF - Super Long Front B/H - Backhoe HD - Heavy Duty L BUCKET - Large Bucket
 K-LINK - K-type Linkage Blade LB HI-LIFT - High Lift Arm w Large Bucket HI-LIFT - High Lift Arm S HI-LIFT - Super High Lift Arm

KOMATSU

Replacement Kits For

Excavators							
APPLICATION	CYL #	SERIAL #	Misc	CODE	ROD	BORE	KIT #
MODEL PC270LC-8							
BUCKET	707-01-0H910	A87001-		P-UB-14	100 mm	140 mm	KOM-707-99-59020
	707-13-14840	A87001-		P-UB-14	100 mm	140 mm	KOM-707-99-59020
MODEL PC270LL-7L							
ARM	707-01-0Z942	A86001-		P-UB-14	110 mm	150 mm	KOM-707-99-59620
BOOM (Lrg Dia Type)	707-01-0A390	A86001-		P-UB-14	100 mm	140 mm	KOM-707-99-58050
BUCKET	707-01-0A380	A86001-		P-UB-14	90 mm	130 mm	KOM-707-99-47570
MODEL PC280LC-3							
ARM	206-63-62101	10001-		P-U-14	95 mm	140 mm	KOM-707-98-57201
ARM (SLF)	205-63-62101	10001-		P-U-14	95 mm	130 mm	KOM-707-98-48600
BOOM	206-63-52100	10001-		P-U-14	90 mm	130 mm	KOM-707-98-47600
	206-63-52200	10001-		P-U-14	90 mm	130 mm	KOM-707-98-47600
BUCKET	206-63-72100	10001-		P-U-14	90 mm	130 mm	KOM-707-98-47500
BUCKET (2M Arm)	206-63-72300	10001-		P-U-14	100 mm	140 mm	KOM-707-98-58230
BUCKET (SLF)	203-63-72500	10001-		P-UB-14	65 mm	100 mm	KOM-707-98-36110
CLAMSHELL	206-63-96101	10001-		P-U-14	90 mm	130 mm	KOM-707-98-47680
MODEL PC290LC-6K							
ARM	206-63-K1610	K30001-		P-UB-14	110 mm	150 mm	KOM-206-63-K1610K
BOOM	206-63-K1721	K30001-		P-UB-14	100 mm	140 mm	KOM-206-63-K1721K
BOOM (2pc)	206-63-K1980	K30001-		P-UB-14	100 mm	140 mm	KOM-206-63-K1980K
BUCKET	206-63-K1911	K30001-		P-UB-14	100 mm	140 mm	KOM-206-63-K1911K
MODEL PC290LC-7K							
ARM	707-01-0Z940	K40001-K40182		P-UB-14	110 mm	150 mm	KOM-707-99-59620
	707-01-0Z941	K40183-		P-UB-14	110 mm	150 mm	KOM-707-99-59620
BOOM	707-01-0A390	K40001-		P-UB-14	100 mm	140 mm	KOM-707-99-58050
BOOM LIFT	707-01-0F050	K40001-		P-UB-14	100 mm	140 mm	KOM-707-99-58050
BUCKET	707-01-0A420	K40001-		P-UB-14	100 mm	140 mm	KOM-707-99-58060
	707-01-0C860	K40001-		P-UB-14	90 mm	130 mm	KOM-707-99-47570
	707-01-0C870	K40001-		P-UB-14	100 mm	140 mm	KOM-707-99-58060
MODEL PC290NLC-6K							
ARM	206-63-K1610	K30001-		P-UB-14	110 mm	150 mm	KOM-206-63-K1610K
BOOM	206-63-K1721	K30001-		P-UB-14	100 mm	140 mm	KOM-206-63-K1721K
BOOM (2pc)	206-63-K1980	K30001-		P-UB-14	100 mm	140 mm	KOM-206-63-K1980K
BUCKET	206-63-K1911	K30001-		P-UB-14	100 mm	140 mm	KOM-206-63-K1911K
MODEL PC290NLC-7K							
ARM	707-01-0Z940	K40001-K40182		P-UB-14	110 mm	150 mm	KOM-707-99-59620
	707-01-0Z941	K40183-		P-UB-14	110 mm	150 mm	KOM-707-99-59620
BOOM	707-01-0A390	K40001-		P-UB-14	100 mm	140 mm	KOM-707-99-58050
BOOM LIFT	707-01-0F050	K40001-		P-UB-14	100 mm	140 mm	KOM-707-99-58050
BUCKET	707-01-0A420	K40001-		P-UB-14	100 mm	140 mm	KOM-707-99-58060
	707-01-0C860	K40001-		P-UB-14	90 mm	130 mm	KOM-707-99-47570
	707-01-0C870	K40001-		P-UB-14	100 mm	140 mm	KOM-707-99-58060
MODEL PC300-3, PC300LC-3							
ARM	207-63-62101	12001-		P-U-14	110 mm	160 mm	KOM-707-98-67100
BOOM	207-63-52100	12001-		P-U-14	100 mm	140 mm	KOM-707-98-58200
	207-63-52200	12001-		P-U-14	100 mm	140 mm	KOM-707-98-58200
BUCKET	207-63-72101	12001-		P-U-14	100 mm	140 mm	KOM-707-98-58210

LT - Large size tire L/S - Loading Shovel SLF - Super Long Front B/H - Backhoe HD - Heavy Duty L BUCKET - Large Bucket
K-LINK - K-type Linkage Blade LB HI-LIFT - High Lift Arm w Large Bucket HI-LIFT - High Lift Arm S HI-LIFT - Super High Lift Arm

Replacement Kits For

KOMATSU

Excavators							
APPLICATION	CYL #	SERIAL #	Misc	CODE	ROD	BORE	KIT #
MODEL PC300-3, PC300LC-3							
CLAMSHELL	206-63-96101	12001-		P-U-14	90 mm	130 mm	KOM-707-98-47680
WEIGHT REMOVER	208-63-07011	12001-		P-U-14	85 mm	130 mm	KOM-707-98-46600
MODEL PC300-5, PC300LC-5							
ARM	207-63-02120	20001-		P-UB-14	110 mm	160 mm	KOM-707-99-67110
BOOM	207-63-02100	20001-		P-UB-14	100 mm	140 mm	KOM-707-99-58210
BUCKET	207-63-02130	20001-		P-UB-14	100 mm	140 mm	KOM-707-99-58110
MODEL PC300-6							
ARM	207-63-02120	80001-		P-UB-14	110 mm	160 mm	KOM-707-99-67110
	207-63-02120	80001-		Bushing	110 mm		KOM-707-52-90860
BOOM	207-63-02301	80001-		P-UB-14	100 mm	140 mm	KOM-707-99-58210
	207-63-02301	80001-		Bushing	100 mm		KOM-07177-01040
	207-63-02501	33001-		P-UB-14	100 mm	140 mm	KOM-707-99-58360
BUCKET	207-63-02130	80001-		P-UB-14	100 mm	140 mm	KOM-707-99-58110
	207-63-02130	80001-		Bushing	100 mm		KOM-707-52-90750
MODEL PC300-7							
ARM	707-01-0A450	J20001-		P-UB-14	100 mm	160 mm	KOM-707-99-67090
BOOM	707-01-0A430	J20001-		P-UB-14	100 mm	140 mm	KOM-707-99-58080
BUCKET	707-01-0A460	J20001-		P-UB-14	90 mm	140 mm	KOM-707-99-58090
	707-01-0A470	J20001-		P-UB-14	110 mm	150 mm	KOM-707-99-59610
MODEL PC300HD-7E0							
ARM	707-01-0A452	A86001-		P-UB-14	110 mm	160 mm	KOM-707-99-72300
BOOM	707-01-0A430	A86001-		P-UB-14	100 mm	140 mm	KOM-707-99-58080
BUCKET	707-01-0H770	A86001-		P-UB-14	90 mm	140 mm	KOM-707-99-58090
MODEL PC300HD-7L							
ARM	707-01-0A450	A85001-		P-UB-14	100 mm	160 mm	KOM-707-99-67090
BOOM	707-01-0A430	A85001-		P-UB-14	100 mm	140 mm	KOM-707-99-58080
BUCKET	707-01-0A461	A85001-		P-UB-14	90 mm	140 mm	KOM-707-99-58090
	707-01-0A471	A85001-		P-UB-14	110 mm	150 mm	KOM-707-99-59610
MODEL PC300LC-7							
ARM	707-01-0A450	40001-		P-UB-14	100 mm	160 mm	KOM-707-99-67090
	707-01-0A451	41266-46350		P-UB-14	110 mm	160 mm	KOM-707-99-72300
	707-01-0A452	46351-		P-UB-14	110 mm	160 mm	KOM-707-99-72300
	707-01-0C600	40001-46350		P-UB-14	100 mm	160 mm	KOM-707-99-67090
	707-01-0C601	46351-		P-UB-14	110 mm	160 mm	KOM-707-99-72300
BOOM	707-01-0A430	40001-46350		P-UB-14	100 mm	140 mm	KOM-707-99-58080
	707-01-0A431	46351-		P-UB-14	100 mm	140 mm	KOM-707-99-58080
	707-01-0C580	40001-46350		P-UB-14	100 mm	140 mm	KOM-707-99-58080
	707-01-0C581	46351-		P-UB-14	100 mm	140 mm	KOM-707-99-58080
	707-01-0E230	40001-46350		P-UB-14	100 mm	140 mm	KOM-707-99-58030
	707-01-0E231	46351-		P-UB-14	100 mm	140 mm	KOM-707-99-58030
BUCKET	707-01-0A460	40001-40836		P-UB-14	90 mm	140 mm	KOM-707-99-58090
	707-01-0A461	40837-		P-UB-14	90 mm	140 mm	KOM-707-99-58090
	707-01-0A463	41266-46350		P-UB-14	90 mm	140 mm	KOM-707-99-58090
	707-01-0A464	46351-		P-UB-14	90 mm	140 mm	KOM-707-99-58090
	707-01-0A470	40001-40527		P-UB-14	110 mm	150 mm	KOM-707-99-59610
	707-01-0A471	40528-		P-UB-14	110 mm	150 mm	KOM-707-99-59610

LT - Large size tire L/S - Loading Shovel SLF - Super Long Front B/H - Backhoe HD - Heavy Duty L BUCKET - Large Bucket
 K-LINK - K-type Linkage Blade LB HI-LIFT - High Lift Arm w Large Bucket HI-LIFT - High Lift Arm S HI-LIFT - Super High Lift Arm

Replacement Kits For

KOMATSU

KOMATSU

Excavators							
APPLICATION	CYL #	SERIAL #	Misc	CODE	ROD	BORE	KIT #
MODEL PC300LC-7							
BUCKET	707-01-0A473	41266-46350		P-UB-14	110 mm	150 mm	KOM-707-99-59610
	707-01-0A474	46351-		P-UB-14	110 mm	150 mm	KOM-707-99-59610
	707-01-0C610	40001-40527		P-UB-14	90 mm	140 mm	KOM-707-99-58090
	707-01-0C611	40528-46350		P-UB-14	90 mm	140 mm	KOM-707-99-58090
	707-01-0C612	46351-		P-UB-14	90 mm	140 mm	KOM-707-99-58090
	707-01-0C620	40001-40527		P-UB-14	110 mm	150 mm	KOM-707-99-59610
	707-01-0C621	40528-46350		P-UB-14	110 mm	150 mm	KOM-707-99-59610
	707-01-0C622	46351-		P-UB-14	110 mm	150 mm	KOM-707-99-59610
	707-01-0H780	41266-46350		P-UB-14	110 mm	150 mm	KOM-707-99-59610
707-01-0H781	46351-		P-UB-14	110 mm	150 mm	KOM-707-99-59610	
MODEL PC300LC-7E0							
ARM	707-01-0A451	50001-55786		P-UB-14	110 mm	160 mm	KOM-707-99-72300
	707-01-0A452	55787-		P-UB-14	110 mm	160 mm	KOM-707-99-72300
	707-01-0A452	A88001-		P-UB-14	110 mm	160 mm	KOM-707-99-72300
	707-01-0C600	50001-55786		P-UB-14	100 mm	160 mm	KOM-707-99-67090
	707-01-0C601	55787-		P-UB-14	110 mm	160 mm	KOM-707-99-72300
BOOM	707-01-0A430	50001-55786		P-UB-14	100 mm	140 mm	KOM-707-99-58080
	707-01-0A431	55787-		P-UB-14	100 mm	140 mm	KOM-707-99-58080
	707-01-0A431	A88001-		P-UB-14	100 mm	140 mm	KOM-707-99-58080
	707-01-0C580	50001-55786		P-UB-14	100 mm	140 mm	KOM-707-99-58080
	707-01-0C581	55787-		P-UB-14	100 mm	140 mm	KOM-707-99-58080
BUCKET	707-01-0C611	50001-55786		P-UB-14	90 mm	140 mm	KOM-707-99-58090
	707-01-0C612	55787-		P-UB-14	90 mm	140 mm	KOM-707-99-58090
	707-01-0C621	50001-55786		P-UB-14	110 mm	150 mm	KOM-707-99-59610
	707-01-0C622	55787-		P-UB-14	110 mm	150 mm	KOM-707-99-59610
	707-01-0H770	50001-55786		P-UB-14	90 mm	140 mm	KOM-707-99-58090
	707-01-0H771	55787-		P-UB-14	90 mm	140 mm	KOM-707-99-58090
	707-01-0H771	A88001-		P-UB-14	90 mm	140 mm	KOM-707-99-58090
	707-01-0H780	50001-55786		P-UB-14	110 mm	150 mm	KOM-707-99-59610
	707-01-0H781	55787-		P-UB-14	110 mm	150 mm	KOM-707-99-59610
707-01-0H781	A88001-		P-UB-14	110 mm	150 mm	KOM-707-99-59610	
MODEL PC300LC-7L							
ARM	707-01-XA450	A85001-		P-UB-14	100 mm	160 mm	KOM-707-99-67090
BOOM	707-01-0A430	A85001-		P-UB-14	100 mm	140 mm	KOM-707-99-58080
BUCKET	707-01-0A461	A85001-		P-UB-14	90 mm	140 mm	KOM-707-99-58090
	707-01-0A471	A85001-		P-UB-14	110 mm	150 mm	KOM-707-99-59610
MODEL PC300LL-7E0							
ARM	707-01-0A451	A86001-		P-UB-14	110 mm	160 mm	KOM-707-99-72300
	707-01-0L350	A86001-		P-UB-14	140 mm	200 mm	KOM-707-99-77140
BOOM	707-01-0A430	A86001-		P-UB-14	100 mm	140 mm	KOM-707-99-58080
BOOM LIFT	707-01-0L140	A86001-		P-UB-14	110 mm	160 mm	KOM-707-99-67870
BUCKET	707-01-0H770	A86001-		P-UB-14	90 mm	140 mm	KOM-707-99-58090
HEEL	707-01-0H821	A86001-		P-UB-14	100 mm	160 mm	KOM-707-99-66240
MODEL PC300LL-7L							
ARM	707-01-0A450	A85001-		P-UB-14	100 mm	160 mm	KOM-707-99-67090
BOOM	707-01-0A430	A85001-		P-UB-14	100 mm	140 mm	KOM-707-99-58080

LT - Large size tire L/S - Loading Shovel SLF - Super Long Front B/H - Backhoe HD - Heavy Duty L BUCKET - Large Bucket
 K-LINK - K-type Linkage Blade LB HI-LIFT - High Lift Arm w Large Bucket HI-LIFT - High Lift Arm S HI-LIFT - Super High Lift Arm

Replacement Kits For

KOMATSU

Excavators							
APPLICATION	CYL #	SERIAL #	Misc	CODE	ROD	BORE	KIT #
MODEL PC300LL-7L							
BUCKET	707-01-0A460	A85001-		P-UB-14	90 mm	140 mm	KOM-707-99-58090
MODEL PC308USLC-3							
ARM	707-01-0Z941	20001-		P-UB-14	110 mm	150 mm	KOM-707-99-59620
BOOM	707-01-0A390	20001-		P-UB-14	100 mm	140 mm	KOM-707-99-58080
BUCKET	707-01-0A420	20001-		P-UB-14	100 mm	140 mm	KOM-707-99-58060
MODEL PC308USLC-3E0-W1							
ARM	707-01-0H950	30001-		P-UB-14	110 mm	150 mm	KOM-707-99-59740
BOOM	707-01-0H930	30001-		P-UB-14	100 mm	140 mm	KOM-707-99-59320
BUCKET	707-01-0H910	30001-		P-UB-14	100 mm	140 mm	KOM-707-99-59020
	707-01-0H960	30001-		P-UB-14	100 mm	140 mm	KOM-707-99-59020
	707-01-0J860	30001-		P-UB-14	90 mm	130 mm	KOM-707-98-47720
MODEL PC340-6K							
ARM	207-63-02120	K30001-		P-UB-14	110 mm	160 mm	KOM-707-99-67110
BOOM	207-63-K1230	K30001-		P-UB-14	100 mm	140 mm	KOM-207-63-K1230K
	207-63-K1230	K30188-		P-UB-14	100 mm	140 mm	KOM-207-63-K1230K
BUCKET	207-63-02130	K30001-		P-UB-14	100 mm	140 mm	KOM-707-99-58110
MODEL PC340LC-6K							
ARM	207-63-02120	K30001-		P-UB-14	110 mm	160 mm	KOM-707-99-67110
BOOM	207-63-K1230	K30001-		P-UB-14	100 mm	140 mm	KOM-207-63-K1230K
	207-63-K1230	K30188-		P-UB-14	100 mm	140 mm	KOM-207-63-K1230K
BUCKET	207-63-02130	K30001-		P-UB-14	100 mm	140 mm	KOM-707-99-58110
MODEL PC340LC-7K							
ARM	707-01-0A450	K40001-		P-UB-14	100 mm	160 mm	KOM-707-99-67090
ARM (w/ Burst Valve)	707-01-0A450	K40001-		P-UB-14	100 mm	160 mm	KOM-707-99-67090
BOOM	701-01-0A430	K40001-		P-UB-14	100 mm	140 mm	KOM-707-99-58080
BUCKET (2.2, 2.6M Arm)	707-01-0A470	K40001-		P-UB-14	110 mm	150 mm	KOM-707-99-59610
BUCKET (3.2, 4M Arm)	707-01-0A460	K40001-		P-UB-14	90 mm	140 mm	KOM-707-99-58090
MODEL PC340NLC-6K							
ARM	207-63-02120	K30001-		P-UB-14	110 mm	160 mm	KOM-707-99-67110
BOOM	207-63-K1230	K30001-		P-UB-14	100 mm	140 mm	KOM-207-63-K1230K
	207-63-K1230	K30188-		P-UB-14	100 mm	140 mm	KOM-207-63-K1230K
BUCKET	207-63-02130	K30001-		P-UB-14	100 mm	140 mm	KOM-707-99-58110
MODEL PC340NLC-7K							
ARM	707-01-0A450	K40001-		P-UB-14	100 mm	160 mm	KOM-707-99-67090
ARM (w/ Burst Valve)	707-01-0A450	K40001-		P-UB-14	100 mm	160 mm	KOM-707-99-67090
BOOM	701-01-0A430	K40001-		P-UB-14	100 mm	140 mm	KOM-707-99-58080
BUCKET (2.2, 2.6M Arm)	707-01-0A470	K40001-		P-UB-14	110 mm	150 mm	KOM-707-99-59610
BUCKET (3.2, 4M Arm)	707-01-0A460	K40001-		P-UB-14	90 mm	140 mm	KOM-707-99-58090
MODEL PC350-6							
ARM	207-63-02341	10001-11999		P-UB-14	110 mm	160 mm	KOM-707-99-67110
	207-63-02541	12001-		P-UB-14	110 mm	160 mm	KOM-707-99-67280
BOOM	207-63-02301	10001-11999		P-UB-14	100 mm	140 mm	KOM-707-99-58210
	207-63-02501	12001-		P-UB-14	100 mm	140 mm	KOM-707-99-58360
BUCKET	207-63-02130	10001-11999		P-UB-14	100 mm	140 mm	KOM-707-99-58110

LT - Large size tire L/S - Loading Shovel SLF - Super Long Front B/H - Backhoe HD - Heavy Duty L BUCKET - Large Bucket
 K-LINK - K-type Linkage Blade LB HI-LIFT - High Lift Arm w Large Bucket HI-LIFT - High Lift Arm S HI-LIFT - Super High Lift Arm

Replacement Kits For

KOMATSU

KOMATSU

Excavators							
APPLICATION	CYL #	SERIAL #	Misc	CODE	ROD	BORE	KIT #
MODEL PC350-6							
BUCKET	207-63-02531	12001-		P-UB-14	100 mm	140 mm	KOM-707-99-58370
MODEL PC360LC-3							
ARM	207-63-62101	10001-		P-U-14	110 mm	160 mm	KOM-707-98-67100
BOOM	207-63-52100	10001-		P-U-14	100 mm	140 mm	KOM-707-98-58200
	207-63-52200	10001-		P-U-14	100 mm	140 mm	KOM-707-98-58200
BUCKET	207-63-72101	10001-		P-U-14	100 mm	140 mm	KOM-707-98-58210
CLAMSHELL	206-63-96101	10001-		P-U-14	90 mm	130 mm	KOM-707-98-47680
WEIGHT REMOVER	208-63-07011	10001-		P-U-14	85 mm	130 mm	KOM-707-98-46600
MODEL PC400-3, PC400LC-3							
ARM (B/H)	208-63-62101	11001-		P-U-14	120 mm	180 mm	KOM-707-98-68500
ARM (L/S)	208-63-64101	11001-		P-U-14	120 mm	180 mm	KOM-707-98-68400
BOOM (B/H)	208-63-52101	11001-		P-U-14	110 mm	160 mm	KOM-707-98-67100
	208-63-52201	11001-		P-U-14	110 mm	160 mm	KOM-707-98-67100
BOOM (L/S)	208-63-54103	11001-		P-U-14	110 mm	160 mm	KOM-707-98-67110
	208-63-54203	11001-		P-U-14	110 mm	160 mm	KOM-707-98-67110
BOTTOM DUMP	208-63-94100	11001-		P-U-14	95 mm	130 mm	KOM-707-98-48500
	208-63-94200	11001-		P-U-14	95 mm	130 mm	KOM-707-98-48500
BUCKET (B/H)	208-63-72101	11001-		P-U-14	120 mm	180 mm	KOM-707-98-68500
BUCKET (L/S)	208-63-74100	11001-		P-U-14	95 mm	130 mm	KOM-707-98-48510
	208-63-74200	11001-		P-U-14	95 mm	130 mm	KOM-707-98-48510
CLAMSHELL	208-63-92100	11001-		P-U-14	100 mm	140 mm	KOM-707-98-58230
WEIGHT REMOVER	208-63-07011	11001-		P-U-14	85 mm	130 mm	KOM-707-98-46600
MODEL PC400-5 L/S							
ARM	208-63-03120	20001-		P-UB-14	120 mm	185 mm	KOM-707-99-68510
	208-63-03120	20001-		Bushing	120 mm		KOM-707-52-90950
BOOM	208-63-03100	20001-		P-UB-14	110 mm	160 mm	KOM-707-99-67121
	208-63-03100	20001-		Bushing	110 mm		KOM-707-52-90860
BOTTOM DUMP	208-63-03150	20001-		P-U-14	90 mm	130 mm	KOM-707-98-47600
BUCKET	208-63-03130	20001-		P-UB-14	95 mm	135 mm	KOM-707-99-57200
	208-63-03130	20001-		Bushing	95 mm		KOM-707-52-90710
MODEL PC400-5, PC400LC-5							
ARM	208-63-02120	20001-		P-UB-14	120 mm	185 mm	KOM-707-99-68510
BOOM	208-63-02100	20001-		P-UB-14	110 mm	160 mm	KOM-707-99-67120
	208-63-02100	20001-		Bushing	110 mm		KOM-707-52-90860
BUCKET	208-63-02130	20001-		P-UB-14	110 mm	160 mm	KOM-707-99-67010
MODEL PC400-6							
ARM (B/H)	208-63-02120	30001-31999		P-UB-14	120 mm	185 mm	KOM-707-99-68510
	208-63-02521	32001-		P-U-14	120 mm	185 mm	KOM-707-99-68560
ARM (L/S)	208-63-03120	30001-		P-UB-14	120 mm	185 mm	KOM-707-99-68510
BOOM (B/H)	208-63-02301	30001-31999		P-UB-14	110 mm	160 mm	KOM-707-99-67120
	208-63-02501	32001-		P-UB-14	110 mm	160 mm	KOM-707-99-67300
BOTTOM DUMP (L/S)	208-63-03150			P-UB-14	90 mm	130 mm	KOM-707-99-47600
BUCKET (B/H)	207-63-02531	32001-		P-UB-14	110 mm	160 mm	KOM-707-99-67310
	207-63-02531	32001-		P-UB-14	110 mm	160 mm	KOM-707-99-67310
	208-63-02130	30001-31999		P-UB-14	110 mm	160 mm	KOM-707-99-67010
BUCKET (L/S)	208-63-03130	30001-		P-UB-14	95 mm	135 mm	KOM-707-99-57200

LT - Large size tire L/S - Loading Shovel SLF - Super Long Front B/H - Backhoe HD - Heavy Duty L BUCKET - Large Bucket
 K-LINK - K-type Linkage Blade LB HI-LIFT - High Lift Arm w Large Bucket HI-LIFT - High Lift Arm S HI-LIFT - Super High Lift Arm

Replacement Kits For

KOMATSU

Excavators							
APPLICATION	CYL #	SERIAL #	Misc	CODE	ROD	BORE	KIT #
MODEL PC400-7, PC400LC-7							
ARM	707-01-0F690	50001-50146		P-UB-14	120 mm	185 mm	KOM-707-99-68780
	707-01-0F691	50147-		P-UB-14	120 mm	185 mm	KOM-707-99-68780
	707-01-0F710	50001-		P-UB-14	130 mm	185 mm	KOM-707-99-69710
	707-01-0F741	50001-		P-UB-14	120 mm	185 mm	KOM-707-99-68780
	707-01-0F810	50001-		P-UB-14	120 mm	185 mm	KOM-707-99-68780
	707-01-0F840	50001-		P-UB-14	120 mm	185 mm	KOM-707-99-68780
	707-01-0G370	50001-		P-UB-14	120 mm	185 mm	KOM-707-99-68780
	707-01-0G570	50197-	PC400-7	P-UB-14	130 mm	185 mm	KOM-707-99-69740
BOOM	707-01-0F670	50001-		P-UB-14	110 mm	160 mm	KOM-707-99-67870
	707-01-0F790	50001-		P-UB-14	110 mm	160 mm	KOM-707-99-67870
	707-01-0G350	50001-		P-UB-14	100 mm	160 mm	KOM-707-99-67090
	707-01-0G550	50197-	PC400-7	P-UB-14	110 mm	160 mm	KOM-707-99-67070
BOTTOM DUMP	707-01-0G400	50001-		P-UB-14	90 mm	130 mm	KOM-707-99-47800
BUCKET	707-01-0F700	50001-50419		P-UB-14	100 mm	160 mm	KOM-707-99-66240
	707-01-0F701	50420-50472		P-UB-14	100 mm	160 mm	KOM-707-99-66240
	707-01-0F702	50473-		P-UB-14	110 mm	160 mm	KOM-707-99-72240
	707-01-0F820	50001-50472		P-UB-14	100 mm	160 mm	KOM-707-99-66240
	707-01-0F821	50473-		P-UB-14	110 mm	160 mm	KOM-707-99-72240
	707-01-0G580	50197-50295	PC400-7	P-UB-14	110 mm	160 mm	KOM-707-99-72240
	707-01-0G581	50296-50472	PC400-7	P-UB-14	110 mm	160 mm	KOM-707-99-72240
	707-01-0G582	50473-	PC400-7	P-UB-14	110 mm	160 mm	KOM-707-99-72240
MODEL PC400-7E0, PC400LC-7E0							
ARM	707-01-0F691	60001-		P-UB-14	120 mm	185 mm	KOM-707-99-68780
	707-01-0F691	A87001-	LC-7E0	P-UB-14	120 mm	185 mm	KOM-707-99-68780
	707-01-0F711	60001-		P-UB-14	130 mm	185 mm	KOM-707-99-69710
	707-01-0F711	A87001-	LC-7E0	P-UB-14	130 mm	185 mm	KOM-707-99-69710
	707-01-0F741	60001-		P-UB-14	120 mm	185 mm	KOM-707-99-68780
	707-01-0F741	A87001-	LC-7E0	P-UB-14	120 mm	185 mm	KOM-707-99-68780
	707-01-0F810	60001-		P-UB-14	120 mm	185 mm	KOM-707-99-68780
	707-01-0G370	60001-		P-UB-14	120 mm	185 mm	KOM-707-99-68780
BOOM	707-01-0F670	60001-		P-UB-14	110 mm	160 mm	KOM-707-99-67870
	707-01-0F670	A87001-	LC-7E0	P-UB-14	110 mm	160 mm	KOM-707-99-67870
	707-01-0F790	60001-		P-UB-14	110 mm	160 mm	KOM-707-99-67870
	707-01-0G350	60001-		P-UB-14	100 mm	160 mm	KOM-707-99-67090
BOTTOM DUMP	707-01-0G400	60001-		P-UB-14	90 mm	130 mm	KOM-707-99-47800
BUCKET	707-01-0F702	60001-		P-UB-14	110 mm	160 mm	KOM-707-99-72240
	707-01-0F702	A87001-	LC-7E0	P-UB-14	110 mm	160 mm	KOM-707-99-72240
	707-01-0F821	60001-		P-UB-14	110 mm	160 mm	KOM-707-99-72240
	707-01-0G380	60001-		P-UB-14	95 mm	135 mm	KOM-707-99-50650
WEIGHT REMOVER	707-00-0F111	A87001-	LC-7E0	P-U-14	60 mm	120 mm	KOM-707-98-41170
MODEL PC400LC-7L							
ARM	707-01-0F690	A86001-		P-UB-14	120 mm	185 mm	KOM-707-99-68780
	707-01-0F710	A86001-		P-UB-14	130 mm	185 mm	KOM-707-99-69710
BOOM	707-01-0F670	A86001-		P-UB-14	110 mm	160 mm	KOM-707-99-67870
BUCKET	707-01-0F700	A86001-		P-UB-14	100 mm	160 mm	KOM-707-99-66240

LT - Large size tire L/S - Loading Shovel SLF - Super Long Front B/H - Backhoe HD - Heavy Duty L BUCKET - Large Bucket
 K-LINK - K-type Linkage Blade LB HI-LIFT - High Lift Arm w Large Bucket HI-LIFT - High Lift Arm S HI-LIFT - Super High Lift Arm

Replacement Kits For

KOMATSU

KOMATSU

Excavators							
APPLICATION	CYL #	SERIAL #	Misc	CODE	ROD	BORE	KIT #
MODEL PC450-6							
ARM	208-63-02341	10001-11999		P-UB-14	130 mm	185 mm	KOM-707-99-69500
MODEL PC450-6K							
ARM	208-63-K2120	K30001-		P-UB-14	120 mm	185 mm	KOM-707-99-68510
BOOM	208-63-K2301	K30075-		P-UB-14	110 mm	160 mm	KOM-707-99-67120
	208-63-K2320	K30001-K30074		P-UB-14	110 mm	160 mm	KOM-707-99-67120
BUCKET	208-63-02130	K30001-		P-UB-14	110 mm	160 mm	KOM-707-99-67010
MODEL PC450-7K							
ARM	707-01-0F691	K40001-		P-UB-14	120 mm	185 mm	KOM-707-99-68780
ARM (2.4M Arm)	707-01-0F741	K40001-		P-UB-14	120 mm	185 mm	KOM-707-99-68780
ARM (w/ Burst Valve)	707-01-0F691	K40001-		P-UB-14	120 mm	185 mm	KOM-707-99-68780
BOOM	707-01-0F670	K40001-		P-UB-14	110 mm	160 mm	KOM-707-99-67870
BUCKET	707-01-0F700	K40001-		P-UB-14	100 mm	160 mm	KOM-707-99-66240
MODEL PC450LC-6K							
ARM	208-63-K2120	K30001-		P-UB-14	120 mm	185 mm	KOM-707-99-68510
BOOM	208-63-K2301	K30075-		P-UB-14	110 mm	160 mm	KOM-707-99-67120
	208-63-K2320	K30001-K30074		P-UB-14	110 mm	160 mm	KOM-707-99-67120
BUCKET	208-63-02130	K30001-		P-UB-14	110 mm	160 mm	KOM-707-99-67010
MODEL PC450LC-7K							
ARM	707-01-0F691	K40001-		P-UB-14	120 mm	185 mm	KOM-707-99-68780
ARM (2.4M Arm)	707-01-0F741	K40001-		P-UB-14	120 mm	185 mm	KOM-707-99-68780
ARM (w/ Burst Valve)	707-01-0F691	K40001-		P-UB-14	120 mm	185 mm	KOM-707-99-68780
BOOM	707-01-0F670	K40001-		P-UB-14	110 mm	160 mm	KOM-707-99-67870
BUCKET	707-01-0F700	K40001-		P-UB-14	100 mm	160 mm	KOM-707-99-66240
MODEL PC600-6, PC600LC-6							
ARM	21M-63-02121	10001-		P-UB-14	140 mm	200 mm	KOM-707-99-77140
BOOM	21M-63-02101	10001-		P-UB-14	120 mm	185 mm	KOM-707-99-68580
BUCKET	21M-63-02131	10001-		P-U-14	120 mm	185 mm	KOM-707-99-68560
	21M-63-02140	10001-	LC-6	P-U-14	120 mm	185 mm	KOM-707-99-68560
MODEL PC600LC-6A							
ARM	21M-63-02121	10001-		P-UB-14	140 mm	200 mm	KOM-707-99-77140
	707-01-0E890	11107-		P-UB-14	140 mm	200 mm	KOM-707-99-77160
BOOM	21M-63-02101	10001-		P-UB-14	120 mm	185 mm	KOM-707-99-68580
	707-01-0E870	11107-		P-UB-14	130 mm	185 mm	KOM-707-99-69700
BOTTOM DUMP	707-01-0C500	11107-		P-UB-14	90 mm	140 mm	KOM-707-99-56220
BUCKET	21M-63-02131	10001-		P-U-14	120 mm	185 mm	KOM-707-99-68560
	21M-63-02140	10001-		P-U-14	120 mm	185 mm	KOM-707-99-68560
	707-01-0E900	11107-		P-UB-14	110 mm	160 mm	KOM-707-99-67830
MODEL PC600LC-6K							
ARM	21M-63-02121	K30001-		P-UB-14	140 mm	200 mm	KOM-707-99-77140
BOOM	21M-63-02101	K30001-		P-UB-14	120 mm	185 mm	KOM-707-99-68580
BUCKET	21M-63-02131	K30001-		P-U-14	120 mm	185 mm	KOM-707-99-68560
	21M-63-02140	K30001-		P-U-14	120 mm	185 mm	KOM-707-99-68560
MODEL PC600LC-7							
ARM	21M-63-02121	20001-		P-UB-14	140 mm	200 mm	KOM-707-99-77140
BOOM	21M-63-02101	20001-		P-UB-14	120 mm	185 mm	KOM-707-99-68580
BUCKET	21M-63-02131	20001-		P-U-14	120 mm	185 mm	KOM-707-99-68560

LT - Large size tire L/S - Loading Shovel SLF - Super Long Front B/H - Backhoe HD - Heavy Duty L BUCKET - Large Bucket
 K-LINK - K-type Linkage Blade LB HI-LIFT - High Lift Arm w Large Bucket HI-LIFT - High Lift Arm S HI-LIFT - Super High Lift Arm

Replacement Kits For

KOMATSU

Excavators							
APPLICATION	CYL #	SERIAL #	Misc	CODE	ROD	BORE	KIT #
MODEL PC600LC-7							
BUCKET	21M-63-02140	20001-		P-U-14	120 mm	185 mm	KOM-707-99-68560
WEIGHT REMOVER	209-63-07010	20032-		P-U-14	85 mm	130 mm	KOM-209-63-07010K
	707-01-0G420	20050-		P-UB-14	120 mm	185 mm	KOM-707-99-68780
MODEL PC600LC-8							
BUCKET	707-01-0J660	30001-		P-UB-14	130 mm	185 mm	KOM-707-99-69790
	707-01-0J670	30001-	SE Spec.	P-UB-14	130 mm	185 mm	KOM-707-99-69790
LOADER ARM	707-01-0E890	30001-		P-UB-14	140 mm	200 mm	KOM-707-99-77160
LOADER BOOM	707-01-0E870	30001-		P-UB-14	130 mm	185 mm	KOM-707-99-69700
LOADER BOTTOM DUMP	707-01-0C500	30001-		P-UB-14	90 mm	140 mm	KOM-707-99-56220
LOADER BUCKET	707-01-0E900	30001-		P-UB-14	110 mm	160 mm	KOM-707-99-67830
WEIGHT REMOVER	707-00-0X500	30001-	Counter Weight 1	P-U-14	50 mm	95 mm	KOM-707-98-29650
	707-01-0K360	30001-	Counter Weight 2	P-UB-14	85 mm	120 mm	KOM-707-99-46030
MODEL PC650-1							
BOTTOM DUMP	209-63-96103	10007-		P-UB-14	130 mm	180 mm	KOM-707-99-69600
PCOMPENSATION	209-63-86302	10007-		P-U-14	120 mm	200 mm	KOM-707-98-75020
	209-63-86402	10007-		P-U-14	120 mm	200 mm	KOM-707-98-75020
MODEL PC650-3							
ARM (B/H)	209-63-02031	10501-		P-UB-14	140 mm	200 mm	KOM-707-99-77240
BOOM (B/H)	209-63-02011	10501-		P-UB-14	140 mm	200 mm	KOM-707-99-77240
BUCKET (B/H)	209-63-02040	10501-10632		P-UB-14	130 mm	180 mm	KOM-707-99-69600
	209-63-02042			P-UB-14	130 mm	180 mm	KOM-707-99-69600
BUCKET (L/S)	209-63-03041	10501-		P-UB-14	130 mm	180 mm	KOM-707-99-69600
MODEL PC650-5							
ARM (B/H)	209-63-02120	20169-		P-UB-14	140 mm	200 mm	KOM-707-99-77240
BUCKET (B/H)	209-63-02130	20169-		P-UB-14	130 mm	180 mm	KOM-707-99-69600
BUCKET (L/S)	209-63-03041	20164-		P-UB-14	130 mm	180 mm	KOM-707-99-69600
MODEL PC710-5							
ARM	209-63-02120	11019-		P-UB-14	140 mm	200 mm	KOM-707-99-77240
BOOM	209-63-02100	11019-		P-UB-14	140 mm	200 mm	KOM-707-99-77240
BUCKET	209-63-02130	11019-		P-UB-14	130 mm	180 mm	KOM-707-99-69600
MODEL PC750-6							
ARM (B/H)	209-63-02381	10001-		P-UB-14	140 mm	200 mm	KOM-707-99-77380
BOOM (B/H)	209-63-02301	10001-		P-UB-14	140 mm	200 mm	KOM-707-99-77380
BOOM (L/S)	209-63-03311	10001-		P-UB-14	140 mm	200 mm	KOM-707-99-77380
BUCKET (B/H)	209-63-02372	10001-		P-UB-14	120 mm	185 mm	KOM-707-99-68510
MODEL PC750SE-6							
ARM	209-63-02351	10001-		P-UB-14	120 mm	185 mm	KOM-707-99-68510
BOOM	209-63-02301	10001-		P-UB-14	140 mm	200 mm	KOM-707-99-77380
MODEL PC800-6							
ARM	209-63-02351	30001-		P-UB-14	120 mm	185 mm	KOM-707-99-68510
BOOM	209-63-02301	30001-		P-UB-14	140 mm	200 mm	KOM-707-99-77380
BUCKET	209-63-02372	30001-		P-UB-14	120 mm	185 mm	KOM-707-99-68510

LT - Large size tire L/S - Loading Shovel SLF - Super Long Front B/H - Backhoe HD - Heavy Duty L BUCKET - Large Bucket
 K-LINK - K-type Linkage Blade LB HI-LIFT - High Lift Arm w Large Bucket HI-LIFT - High Lift Arm S HI-LIFT - Super High Lift Arm

Replacement Kits For

KOMATSU

KOMATSU

Excavators							
APPLICATION	CYL #	SERIAL #	Misc	CODE	ROD	BORE	KIT #
MODEL PC800-7							
ARM	707-01-0A531	40001-		P-UB-14	120 mm	185 mm	KOM-707-99-68660
BOOM	707-01-0A510	40001-		P-UB-14	140 mm	200 mm	KOM-707-99-77300
	707-01-0Y020	40001-		P-UB-14	140 mm	200 mm	KOM-707-99-77300
BUCKET	209-63-02540	40001-		P-U-14	120 mm	185 mm	KOM-707-99-68560
MODEL PC800SE-6							
ARM	209-63-02351	30001-		P-UB-14	120 mm	185 mm	KOM-707-99-68510
BOOM	209-63-02301	30001-		P-UB-14	140 mm	200 mm	KOM-707-99-77380
MODEL PC1000-1							
ARM (B/H)	21N-63-02030	10001-		P-UB-14	170 mm	250 mm	KOM-707-99-89200
ARM (L/S)	21N-63-03030	10001-		P-UB-14	130 mm	180 mm	KOM-707-99-69620
BOOM (B/H)	21N-63-02010	10001-		P-UB-14	160 mm	225 mm	KOM-707-99-78620
BOOM (L/S)	21N-63-03010	10001-		P-UB-14	160 mm	225 mm	KOM-707-99-78620
BOTTOM DUMP	21N-63-03071	10001-		P-UB-14	90 mm	140 mm	KOM-707-99-56310
BUCKET (B/H)	21N-63-02040	10001-		P-UB-14	160 mm	225 mm	KOM-707-99-78630
BUCKET (L/S)	21N-63-03050	10001-		P-UB-14	140 mm	200 mm	KOM-707-99-77250
MODEL PC1000SE-1, PC1000SP-1							
ARM	21N-63-02030	10001-	SE-1	P-UB-14	170 mm	250 mm	KOM-707-99-89200
	21N-63-02031	10001-		P-UB-14	170 mm	250 mm	KOM-707-99-89200
BOOM	21N-63-02010	10001-	SE-1	P-UB-14	160 mm	225 mm	KOM-707-99-78620
	21N-63-02011	10001-		P-UB-14	160 mm	225 mm	KOM-707-99-78620
BUCKET	21N-63-02060	10001-		P-UB-14	160 mm	225 mm	KOM-707-99-78630
Excavators - Wheel							
APPLICATION	CYL #	SERIAL #	Misc	CODE	ROD	BORE	KIT #
MODEL PW05-1							
BLADE	707-00-60340	1001-		P-U-10	30 mm	60 mm	KOM-707-98-11090
BOOM	707-00-50650	1001-		P-U-10	30 mm	50 mm	KOM-707-98-04500
STEERING	707-00-60350	1001-		P-U-10	30 mm	60 mm	KOM-707-98-11090
SUSPENSION LOCK	707-00-40020	1001-		P-U-1	40 mm		KOM-707-98-06010
MODEL PW20-1							
ARM	20R-63-66300	1001-		P-U-14	40 mm	80 mm	KOM-707-98-22040
BLADE	21E-63-02010	1001-		P-U-14	45 mm	90 mm	KOM-707-98-24430
BOOM	20R-63-56500	1001-		P-U-14	40 mm	80 mm	KOM-707-98-22110
BOOM SWING	20S-63-86301	1001-		P-U-14	35 mm	70 mm	KOM-707-98-12440
BUCKET	20R-63-76301	1001-		P-U-14	35 mm	70 mm	KOM-707-98-12440
STEERING	21E-63-02020	1001-		P-U-10	35 mm	70 mm	KOM-707-98-12450
MODEL PW30-1							
ARM	20R-63-66300	1001-		P-U-14	40 mm	80 mm	KOM-707-98-22040
BLADE	21E-63-02010	1001-		P-U-14	45 mm	90 mm	KOM-707-98-24430
BOOM	20R-63-56500	1001-		P-U-14	40 mm	80 mm	KOM-707-98-22110
BOOM SWING	20S-63-86301	1001-		P-U-14	35 mm	70 mm	KOM-707-98-12440
BUCKET	20S-63-76102	1001-		P-U-14	40 mm	70 mm	KOM-707-98-14600
STEERING	21E-63-02020	1001-		P-U-10	35 mm	70 mm	KOM-707-98-12450
MODEL PW60,N-1							
BUCKET	201-63-26301	1501-		P-U-5	55 mm	90 mm	KOM-707-99-26600
OUTRIGGER	20B-63-12102	1501-		P-U-5	55 mm	90 mm	KOM-707-99-26600
STEERING	20B-63-22101	1501-		P-U-10	25 mm	50 mm	KOM-707-99-03500

LT - Large size tire L/S - Loading Shovel SLF - Super Long Front B/H - Backhoe HD - Heavy Duty L BUCKET - Large Bucket
K-LINK - K-type Linkage Blade LB HI-LIFT - High Lift Arm w Large Bucket HI-LIFT - High Lift Arm S HI-LIFT - Super High Lift Arm

Replacement Kits For

KOMATSU

Excavators - Wheel							
APPLICATION	CYL #	SERIAL #	Misc	CODE	ROD	BORE	KIT #
MODEL PW60-3							
BLADE	20B-63-02060	2001-		P-U-14	45 mm	70 mm	KOM-707-98-15720
BOOM	201-63-02010	2001-		P-U-14	65 mm	100 mm	KOM-707-99-36260
BUCKET	201-63-02030	2001-		P-U-14	55 mm	90 mm	KOM-707-98-26520
OUTRIGGER	20B-63-02020	2001-		P-U-14	45 mm	70 mm	KOM-707-98-15700
MODEL PW100-1							
ARM	202-63-62100	1003-		P-U-14	70 mm	120 mm	KOM-707-98-43100
BLADE	20D-63-96300	1003-		P-U-14	50 mm	90 mm	KOM-707-98-25510
	20D-63-96400	1003-		P-U-14	50 mm	90 mm	KOM-707-98-25510
BOOM	202-63-52100	1003-		P-U-14	65 mm	110 mm	KOM-707-98-36510
	202-63-52200	1003-		P-U-14	65 mm	110 mm	KOM-707-98-36510
BUCKET	202-63-72100	1003-		P-U-14	65 mm	110 mm	KOM-707-98-36520
OUTRIGGER	20D-63-12700	1003-		P-U-14	65 mm	110 mm	KOM-707-98-36500
	20D-63-12800	1003-		P-U-14	65 mm	110 mm	KOM-707-98-36500
STEERING	20D-63-22301	1003-		P-U-14	30 mm	60 mm	KOM-707-99-11030
MODEL PW100-3							
OUTRIGGER	20G-63-12101	1601-		P-U-14	70 mm	110 mm	KOM-707-98-37500
	20G-63-12201	1601-		P-U-14	70 mm	110 mm	KOM-707-98-37500
MODEL PW100N-3							
ARM	202-63-62500	1601-1667		P-U-14	75 mm	110 mm	KOM-707-98-38600
	202-63-62502	1668-2300		P-U-14	75 mm	110 mm	KOM-707-98-38600
	20D-63-02030	2301-		P-U-14	75 mm	110 mm	KOM-707-98-38600
BOOM	202-63-52500	1601-2300		P-UB-14	65 mm	100 mm	KOM-707-98-36100
	202-63-52600	1601-2300		P-UB-14	65 mm	100 mm	KOM-707-98-36100
	20D-63-02010	2301-		P-UB-14	65 mm	100 mm	KOM-707-98-36100
BUCKET	202-63-72500	1601-1667		P-UB-14	65 mm	100 mm	KOM-707-98-36110
	202-63-72501	1668-2300		P-UB-14	65 mm	100 mm	KOM-707-98-36110
	20D-63-02040	2301-		P-UB-14	65 mm	100 mm	KOM-707-98-36110
OUTRIGGER	20D-63-13100	1601-		P-U-14	65 mm	110 mm	KOM-707-98-36560
	20D-63-13200	1601-		P-U-14	65 mm	110 mm	KOM-707-98-36560
STEERING	20D-63-22502	1601-		P-U-14	35 mm	70 mm	KOM-707-98-12410
MODEL PW150-1							
ARM	20G-63-62100	1001-		P-U-14	90 mm	130 mm	KOM-707-98-47510
ARM (Lock Valve)	20G-63-62141	1001-		P-U-14	90 mm	130 mm	KOM-707-98-47510
BLADE	20G-63-92110	1001-		P-U-14	70 mm	110 mm	KOM-707-98-37500
BOOM	20G-63-52100	1001-1024		P-U-14	70 mm	110 mm	KOM-707-98-37600
	20G-63-52101	1025-1220		P-U-14	70 mm	110 mm	KOM-707-98-37600
	20G-63-52102	1221-		P-U-14	70 mm	110 mm	KOM-707-98-37600
BOOM (Lock Valve)	20G-63-52110	1001-		P-U-14	70 mm	110 mm	KOM-707-98-37600
BUCKET	20G-63-72100	1001-		P-U-14	70 mm	110 mm	KOM-707-98-37610
OUTRIGGER	20G-63-12100	1001-1283		P-U-14	70 mm	110 mm	KOM-707-98-37500
	20G-63-12101	1284-		P-U-14	70 mm	110 mm	KOM-707-98-37500
	20G-63-12200	1001-1283		P-U-14	70 mm	110 mm	KOM-707-98-37500
	20G-63-12201	1284-		P-U-14	70 mm	110 mm	KOM-707-98-37500
STEERING	20G-63-22100	1001-		P-U-10	40 mm	80 mm	KOM-707-98-22010
	20G-63-22100	1284-		P-U-10	40 mm	80 mm	KOM-707-98-22010
SUSPENSION LOCK	20G-63-32100	1001-		P-U-14	70 mm	110 mm	KOM-707-98-37500

LT - Large size tire L/S - Loading Shovel SLF - Super Long Front B/H - Backhoe HD - Heavy Duty L BUCKET - Large Bucket
 K-LINK - K-type Linkage Blade LB HI-LIFT - High Lift Arm w Large Bucket HI-LIFT - High Lift Arm S HI-LIFT - Super High Lift Arm

Replacement Kits For

KOMATSU

KOMATSU

Excavators - Wheel							
APPLICATION	CYL #	SERIAL #	Misc	CODE	ROD	BORE	KIT #
MODEL PW210-1							
ARM	205-63-62101	10001-		P-U-14	95 mm	130 mm	KOM-707-98-48600
	205-63-69300	10035-		P-UB-14	75 mm	110 mm	KOM-707-98-38551
BOOM	205-63-52100	10001-		P-U-14	85 mm	120 mm	KOM-707-98-46200
	205-63-52200	10001-		P-U-14	85 mm	120 mm	KOM-707-98-46200
BUCKET	205-63-72100	10001-		P-U-14	75 mm	110 mm	KOM-707-98-38500
	205-63-72100	10035-		P-UB-14	75 mm	110 mm	KOM-707-98-38551
BUCKET (1.8M)	205-63-72301	10001-		P-U-14	85 mm	120 mm	KOM-707-98-46100
OUTRIGGER	20K-63-02010	10001-		P-U-14	80 mm	130 mm	KOM-707-98-45700
STEERING	20K-63-02030	10001-		P-U-14	40 mm	90 mm	KOM-707-98-22430
SUSPENSION LOCK	20G-63-32100	10001-		P-U-14	70 mm	110 mm	KOM-707-98-37500
Loaders - Skid Steer							
APPLICATION	CYL #	SERIAL #	Misc	CODE	ROD	BORE	KIT #
MODEL SK815-5							
BUCKET LH	37A-6C-11201	37BTF00003-, 37BF00006-		P-U-14	30 mm	60 mm	KOM-878010240
BUCKET RH	37A-6C-11301	37BTF00003-, 37BF00006-		P-U-14	30 mm	60 mm	KOM-878010240
LIFT	37B-6C-11101	37BTF00003-, 37BF00006-		P-U-14	35 mm	55 mm	KOM-878010241
MODEL SK815-5N							
BUCKET LH	37A-6C-11201	A30001-		P-U-14	30 mm	60 mm	KOM-878010240
BUCKET RH	37A-6C-11301	A30001-		P-U-14	30 mm	60 mm	KOM-878010240
LIFT	37B-6C-11101	A30001-		P-U-14	35 mm	55 mm	KOM-878010241
MODEL SK1020-5							
BUCKET LH	37C-6C-11200	37CTF00003-, 37CF00004-		P-U-14	35 mm	65 mm	KOM-878010284
BUCKET RH	37C-6C-11300	37CTF00003-, 37CF00004-		P-U-14	35 mm	65 mm	KOM-878010284
LIFT	37C-6C-11100	37CTF00003-, 37CF00004-		P-U-14	40 mm	65 mm	KOM-878010285
MODEL SK1020-5N							
BUCKET LH	37C-6C-11200	A70001-		P-U-14	35 mm	65 mm	KOM-878010284
BUCKET RH	37C-6C-11300	A70001-		P-U-14	35 mm	65 mm	KOM-878010284
LIFT	37C-6C-11100	A70001-		P-U-14	40 mm	65 mm	KOM-878010285
MODEL SK1020-5NA							
BUCKET LH	37C-6C-11200	A60001-		P-U-14	35 mm	65 mm	KOM-878010284
BUCKET RH	37C-6C-11300	A60001-		P-U-14	35 mm	65 mm	KOM-878010284
LIFT	37C-6C-11100	A60001-		P-U-14	40 mm	65 mm	KOM-878010285
Loaders - Wheel							
APPLICATION	CYL #	SERIAL #	Misc	CODE	ROD	BORE	KIT #
MODEL WA20-1							
CLAM	361-63-59100	1001-		P-U-10	25 mm	50 mm	KOM-707-98-03530
DUMP	361-63-22100	1001-		P-U-10	35 mm	60 mm	KOM-707-98-12080
STEERING	361-63-52100	1001-		P-U-10	25 mm	50 mm	KOM-707-98-03530
MODEL WA30-1							
DUMP	362-63-22101	1001-		P-U-14	35 mm	60 mm	KOM-707-98-12110
LIFT	362-63-12100	1001-		P-U-14	35 mm	60 mm	KOM-707-98-12100

LT - Large size tire L/S - Loading Shovel SLF - Super Long Front B/H - Backhoe HD - Heavy Duty L BUCKET - Large Bucket
K-LINK - K-type Linkage Blade LB HI-LIFT - High Lift Arm w Large Bucket HI-LIFT - High Lift Arm S HI-LIFT - Super High Lift Arm

Replacement Kits For

KOMATSU

Loaders - Wheel							
APPLICATION	CYL #	SERIAL #	Misc	CODE	ROD	BORE	KIT #
MODEL WA30-1							
LIFT	362-63-12200	1001-		P-U-14	35 mm	60 mm	KOM-707-98-12100
STEERING	362-63-52101	1001-		P-U-14	30 mm	60 mm	KOM-707-99-11040
MODEL WA30-2							
DUMP	362-63-22101	3001-4101		P-U-14	35 mm	60 mm	KOM-707-98-12110
	362-63-22300	4102-		P-U-10	35 mm	60 mm	KOM-707-98-12080
GRAPPLE	362-63-97100	3001-		P-U-10	30 mm	50 mm	KOM-707-99-04410
LIFT	362-63-12100	3001-4101		P-U-14	35 mm	60 mm	KOM-707-98-12100
	362-63-12200	3001-4101		P-U-14	35 mm	60 mm	KOM-707-98-12100
	362-63-12300	4102-		P-U-10	35 mm	60 mm	KOM-707-98-12080
	362-63-12400	4102-		P-U-10	35 mm	60 mm	KOM-707-98-12080
STEERING	362-63-52101	3001-4101		P-U-14	30 mm	60 mm	KOM-707-99-11040
MODEL WA40-1							
CLAM	363-63-22200	1001-		P-U-10	30 mm	60 mm	KOM-707-98-11090
GRAPPLE	362-63-97100	1001-		P-U-10	30 mm	50 mm	KOM-707-99-04410
STEERING	363-63-52100	1001-		P-U-10	35 mm	70 mm	KOM-707-98-12450
MODEL WA50-3							
DUMP	42A-63-01020	20642-		P-U-14	45 mm	75 mm	KOM-707-98-24820
MODEL WA65-3							
DUMP	42T-63-13170	HA940549-771, H20761-		P-UB-10	45 mm	80 mm	KOM-42T-63-H0P01
LIFT	42T-63-12110	HA940549-771, H20761-		P-UB-14	50 mm	95 mm	KOM-42T-63-H0P18
STEERING	42U-63-11110	HA940549-771, H20761-		P-U-10	35 mm	70 mm	KOM-42U-63-H0P12
MODEL WA65-5							
DUMP	42T-63-23100	H50051-		P-U-10	50 mm	85 mm	KOM-42U-63-H0P43
	42T-63-23110	H50051-		P-U-10	50 mm	85 mm	KOM-42T-63-H0P70
LIFT	42T-63-22100	H50051-		P-U-10	50 mm	95 mm	KOM-42U-63-H0P56
	42T-63-22120	H50051-		P-U-10	50 mm	95 mm	KOM-42T-63-H0P61
STEERING	42T-63-21010	H50051-		P-U-10	35 mm	70 mm	KOM-42U-63-H0P67
	42T-63-21020	H50051-		P-U-10	35 mm	70 mm	KOM-42T-63-H0P52
MODEL WA70-1							
DUMP	707-00-01200	12001-		P-U-14	40 mm	80 mm	KOM-707-99-22100
	707-00-80041	10001-11999		P-U-14	40 mm	80 mm	KOM-707-99-22100
DUMP (HI-LIFT)	707-00-80540	10001-11999		P-U-14	40 mm	80 mm	KOM-707-99-22100
LIFT	707-00-01000	1200-		P-U-14	45 mm	80 mm	KOM-707-99-24100
	707-00-80033	10001-11999		P-U-14	45 mm	80 mm	KOM-707-99-24100
LIFT (HI-LIFT)	707-00-80530	10001-11999		P-U-14	45 mm	80 mm	KOM-707-99-24100
MODEL WA100-1							
CLAM	707-00-90010	10001-		P-U-14	50 mm	90 mm	KOM-707-99-25520
DUMP	707-00-10031	10001-		P-U-14	50 mm	100 mm	KOM-707-99-32100
DUMP (HI-LIFT)	707-00-10400	10001-		P-U-14	50 mm	100 mm	KOM-707-99-32100
DUMP (L BUCKET)	707-00-11210	10001-		P-U-14	55 mm	110 mm	KOM-707-99-34500
DUMP (LB HI-LIFT)	707-00-11220	10001-		P-U-14	55 mm	110 mm	KOM-707-99-34500
DUMP (S HI-LIFT)	707-00-11230	10001-		P-U-14	55 mm	110 mm	KOM-707-99-34500
GRAPPLE	707-00-80330	10001-		P-U-14	40 mm	80 mm	KOM-707-99-22100

LT - Large size tire L/S - Loading Shovel SLF - Super Long Front B/H - Backhoe HD - Heavy Duty L BUCKET - Large Bucket
K-LINK - K-type Linkage Blade LB HI-LIFT - High Lift Arm w Large Bucket HI-LIFT - High Lift Arm S HI-LIFT - Super High Lift Arm

Replacement Kits For

KOMATSU

Loaders - Wheel							
APPLICATION	CYL #	SERIAL #	Misc	CODE	ROD	BORE	KIT #
MODEL WA100-1							
LIFT	707-00-10011	10001-		P-U-14	55 mm	100 mm	KOM-707-99-34100
	707-00-10021	10001-		P-U-14	55 mm	100 mm	KOM-707-99-34100
STEERING	707-00-60011	10001-19999		P-U-14	40 mm	60 mm	KOM-707-99-14200
	707-00-60012	20001-		P-U-14	40 mm	60 mm	KOM-707-99-14200
	707-00-60021	10001-19999		P-U-14	40 mm	60 mm	KOM-707-99-14200
	707-00-60022	20001-		P-U-14	40 mm	60 mm	KOM-707-99-14200
MODEL WA120-1							
DUMP	707-00-12140	10001-		P-U-14	60 mm	120 mm	KOM-707-99-41100
LIFT	707-00-11320	10001-		P-U-14	70 mm	110 mm	KOM-707-99-37500
	707-00-11330	10001-		P-U-14	70 mm	110 mm	KOM-707-99-37500
STEERING	707-00-60012	10001-		P-U-14	40 mm	60 mm	KOM-707-99-14200
	707-00-60022	10001-		P-U-14	40 mm	60 mm	KOM-707-99-14200
MODEL WA120-3							
DUMP	707-00-03211	50001-		P-U-14	50 mm	100 mm	KOM-707-99-32110
STEERING	707-00-60012	50001-		P-U-14	40 mm	60 mm	KOM-707-99-14200
	707-00-60022	50001-		P-U-14	40 mm	60 mm	KOM-707-99-14200
MODEL WA150-1							
CLAM	707-0090010	10001-		P-U-14	50 mm	90 mm	KOM-707-99-25520
DUMP	707-00-12022	10001-		P-U-14	60 mm	120 mm	KOM-707-99-41100
DUMP (HI-LIFT)	707-00-12300	10001-		P-U-14	60 mm	120 mm	KOM-707-99-41100
GRAPPLE	707-00-80330	10001-		P-U-14	40 mm	80 mm	KOM-707-99-22100
LIFT	707-00-11031	10001-		P-U-14	70 mm	110 mm	KOM-707-99-37500
	707-00-11041	10001-		P-U-14	70 mm	110 mm	KOM-707-99-37500
STEERING	707-00-60011	10001-19999		P-U-14	40 mm	60 mm	KOM-707-99-14200
	707-00-60012	20001-		P-U-14	40 mm	60 mm	KOM-707-99-14200
	707-00-60021	10001-19999		P-U-14	40 mm	60 mm	KOM-707-99-14200
	707-00-60022	20001-		P-U-14	40 mm	60 mm	KOM-707-99-14200
MODEL WA180-1							
CLAM	707-00-90010	10001-		P-U-14	50 mm	90 mm	KOM-707-99-25520
DUMP	707-01-13190	10001-		P-U-14	70 mm	130 mm	KOM-707-99-43500
	707-01-13510	10001-		P-U-14	70 mm	130 mm	KOM-707-99-43500
LIFT	707-00-12080	10001-10088		P-U-14	70 mm	120 mm	KOM-707-99-43100
	707-00-12081	10089-		P-U-14	70 mm	120 mm	KOM-707-99-43100
STEERING	707-00-70410	10001-		P-U-14	45 mm	70 mm	KOM-707-99-15600
	707-00-70420	10001-		P-U-14	45 mm	70 mm	KOM-707-99-15600
MODEL WA180-3							
DUMP	707-01-02310	50001-		P-U-14	70 mm	130 mm	KOM-707-99-43520
LIFT	707-00-03030	50001-		P-U-14	70 mm	110 mm	KOM-707-99-37510
	707-00-06130	50001-		P-U-14	70 mm	110 mm	KOM-707-99-37510
STEERING	707-00-60012	50001-		P-U-14	40 mm	60 mm	KOM-707-99-14200
	707-00-60022	50001-		P-U-14	40 mm	60 mm	KOM-707-99-14200
MODEL WA200-1							
CLAM	707-00-10080	10001-		P-U-14	50 mm	100 mm	KOM-707-99-32100
DUMP	707-00-13011	10001-		P-U-14	70 mm	130 mm	KOM-707-99-43500
DUMP (HI-LIFT)	707-01-13020	10001-		P-U-14	70 mm	130 mm	KOM-707-99-43500
GRAPPLE	707-00-80330	10001-		P-U-14	40 mm	80 mm	KOM-707-99-22100

LT - Large size tire L/S - Loading Shovel SLF - Super Long Front B/H - Backhoe HD - Heavy Duty L BUCKET - Large Bucket
 K-LINK - K-type Linkage Blade LB HI-LIFT - High Lift Arm w Large Bucket HI-LIFT - High Lift Arm S HI-LIFT - Super High Lift Arm

Replacement Kits For

KOMATSU

Loaders - Wheel							
APPLICATION	CYL #	SERIAL #	Misc	CODE	ROD	BORE	KIT #
MODEL WA200-1							
LIFT	707-00-12011	10001-29999		P-U-14	70 mm	120 mm	KOM-707-99-43100
STEERING	707-00-70131	10001-19999		P-U-14	40 mm	70 mm	KOM-707-99-14600
	707-00-70132	20001-29999		P-U-14	40 mm	70 mm	KOM-707-99-14600
MODEL WA200-5L							
BOOM LH	707-00-0E720	A82001-		P-U-14	65 mm	120 mm	KOM-707-98-42150
	707-00-0E720	A82001-		Bushing	65 mm		KOM-707-52-10660
BOOM RH	707-00-0E730	A82001-		P-U-14	65 mm	120 mm	KOM-707-98-42150
	707-00-0E730	A82001-		Bushing	65 mm		KOM-707-52-10660
BUCKET	707-00-0E740	A82001-		P-U-14	65 mm	130 mm	KOM-707-98-42540
	707-00-0E740	A82001-		Bushing	65 mm		KOM-707-52-10660
BUCKET (HI-LIFT)	707-00-0F220	A82001-		P-U-14	65 mm	130 mm	KOM-707-98-42540
	707-00-0F220	A82001-		Bushing	65 mm		KOM-707-52-10660
STEERING	707-00-0C190	A82001-		P-U-14	40 mm	70 mm	KOM-707-99-14760
	707-00-0C190	A82001-		Bushing	40 mm		KOM-07177-04025
MODEL WA200L-5							
BOOM LH	707-00-0E720	65001-68260		P-U-14	65 mm	120 mm	KOM-707-98-42150
	707-00-0E720	65001-68260		Bushing	65 mm		KOM-707-52-10660
	707-00-0E721	68261-		P-U-14	65 mm	120 mm	KOM-707-98-42150
	707-00-0E721	68261-		Bushing	65 mm		KOM-707-52-10660
BOOM RH	707-00-0E730	65001-68260		P-U-14	65 mm	120 mm	KOM-707-98-42150
	707-00-0E730	65001-68260		Bushing	65 mm		KOM-707-52-10660
	707-00-0E731	68261-		P-U-14	65 mm	120 mm	KOM-707-98-42150
	707-00-0E731	68261-		Bushing	65 mm		KOM-707-52-10660
BUCKET	707-00-0E740	65001-		P-U-14	65 mm	130 mm	KOM-707-98-42540
	707-00-0E740	65001-		Bushing	65 mm		KOM-707-52-10660
STEERING	707-00-0C190	65001-		P-U-14	40 mm	70 mm	KOM-707-99-14760
	707-00-0C190	65001-		Bushing	40 mm		KOM-07177-04025
MODEL WA250-1							
DUMP	707-01-15030	10001-		P-U-14	75 mm	150 mm	KOM-707-99-53500
LIFT	707-01-13520	10001-		P-U-14	70 mm	130 mm	KOM-707-99-43500
STEERING	707-00-01350	10629-		P-U-14	40 mm	70 mm	KOM-707-99-14610
	707-00-70131	10001-10628		P-U-14	40 mm	70 mm	KOM-707-99-14600
MODEL WA250-3							
LIFT	707-01-03151	50001-		P-U-14	70 mm	120 mm	KOM-707-99-43110
STEERING	707-00-01350-	50001-		P-U-14	40 mm	70 mm	KOM-707-99-14600
MODEL WA250-5							
BUCKET	418-63-33111	H50051-		P-U-14	75 mm	150 mm	KOM-418-63-05000
	418-63-33111	H50051-		Bushing	75 mm		KOM-707-52-10750
BUCKET (HI-LIFT)	418-850-3410	H50051-		P-U-14	75 mm	150 mm	KOM-418-63-05000
	418-850-3410	H50051-		Bushing	75 mm		KOM-707-52-10750
LIFT	418-63-32110	H50051-		P-U-14	70 mm	130 mm	KOM-418-62-05000
	418-63-32110	H50051-		Bushing	70 mm		KOM-707-52-10700
STEERING	419-63-H1120	H50051-		P-U-14	40 mm	70 mm	KOM-419-63-H0P12
MODEL WA250-5L							
BOOM	418-63-32110	A73001-		P-U-14	70 mm	130 mm	KOM-418-62-05000
	418-63-32110	A73001-		Bushing	70 mm		KOM-707-52-10700

LT - Large size tire L/S - Loading Shovel SLF - Super Long Front B/H - Backhoe HD - Heavy Duty L BUCKET - Large Bucket
 K-LINK - K-type Linkage Blade LB HI-LIFT - High Lift Arm w Large Bucket HI-LIFT - High Lift Arm S HI-LIFT - Super High Lift Arm

Replacement Kits For

KOMATSU

Loaders - Wheel							
APPLICATION	CYL #	SERIAL #	Misc	CODE	ROD	BORE	KIT #
MODEL WA250-5L							
BUCKET	418-63-33111	A73001-		P-U-14	75 mm	150 mm	KOM-418-63-05000
	418-63-33111	A73001-		Bushing	75 mm		KOM-707-52-10750
BUCKET (HI-LIFT)	418-850-3410	A73001-		P-U-14	75 mm	150 mm	KOM-418-63-05000
	418-850-3410	A73001-		Bushing	75 mm		KOM-707-52-10750
STEERING	707-00-0C190	A73001-		P-U-14	40 mm	70 mm	KOM-707-99-14760
	707-00-0C190	A73001-		Bushing	40 mm		KOM-07177-04025
MODEL WA250L-5							
BUCKET	418-63-33111	70001-		P-U-14	75 mm	150 mm	KOM-418-63-05000
	418-63-33111	70001-		Bushing	75 mm		KOM-707-52-10750
LIFT	418-63-32110	70001-		P-U-14	70 mm	130 mm	KOM-418-62-05000
	418-63-32110	70001-		Bushing	70 mm		KOM-707-52-10700
STEERING	707-00-0C190	70001-		P-U-14	40 mm	70 mm	KOM-707-99-14760
	707-00-0C190	70001-		Bushing	40 mm		KOM-07177-04025
MODEL WA250PT-5							
BUCKET	707-01-0F750	70001-		P-U-14	90 mm	180 mm	KOM-707-99-64450
	707-01-0F750	70001-		Bushing	90 mm		KOM-707-52-10910
LIFT	418-63-32110	70001-		P-U-14	70 mm	130 mm	KOM-418-62-05000
	418-63-32110	70001-		Bushing	70 mm		KOM-707-52-10700
STEERING	707-00-0C190	70001-		P-U-14	40 mm	70 mm	KOM-707-99-14760
	707-00-0C190	70001-		Bushing	40 mm		KOM-07177-04025
MODEL WA250PT-5L							
BOOM	418-63-32110	A79001-		P-U-14	70 mm	130 mm	KOM-418-62-05000
	418-63-32110	A79001-		Bushing	70 mm		KOM-707-52-10700
BUCKET	707-01-X7830	A79001-		P-U-14	90 mm	180 mm	KOM-707-99-64450
	707-01-X7830	A79001-		Bushing	90 mm		KOM-707-52-10910
COUPLER	707-00-02460	A79001-		P-U-10	20 mm	35 mm	KOM-707-00-02460K
STEERING	707-00-0C190	A79001-		P-U-14	40 mm	70 mm	KOM-707-99-14760
	707-00-0C190	A79001-		Bushing	40 mm		KOM-07177-04025
MODEL WA250PTL-5							
BUCKET	707-01-0E460	70001-		P-U-14	90 mm	180 mm	KOM-707-99-64450
	707-01-0E460	70001-		Bushing	90 mm		KOM-707-52-10910
LIFT	418-63-32110	70001-		P-U-14	70 mm	130 mm	KOM-418-62-05000
	418-63-32110	70001-		Bushing	70 mm		KOM-707-52-10700
MULTI-COUPLER	707-00-02460	70001-		P-U-10	20 mm	35 mm	KOM-707-00-02460K
STEERING	707-00-0C190	70001-		P-U-14	40 mm	70 mm	KOM-707-99-14760
	707-00-0C190	70001-		Bushing	40 mm		KOM-07177-04025
MODEL WA300-1							
CLAM	707-00-12040	10001-29999		P-U-14	60 mm	120 mm	KOM-707-99-41140
DUMP	707-01-16151	10001-29999		P-U-14	80 mm	160 mm	KOM-707-99-62010
GRAPPLE	707-00-10040	10001-29999		P-U-14	50 mm	100 mm	KOM-707-99-32100
LIFT	707-01-14131	10001-29999		P-U-14	80 mm	140 mm	KOM-707-99-54100
STEERING	707-00-70131	10001-29999		P-U-14	40 mm	70 mm	KOM-707-99-14600
MODEL WA320-1							
DUMP	707-01-03710	20001-29999		P-U-14	80 mm	160 mm	KOM-707-99-62020
	707-01-16151	10001-19999		P-U-14	80 mm	160 mm	KOM-707-99-62010
LIFT		20001-29999		P-U-14	75 mm	140 mm	KOM-707-99-53100

LT - Large size tire L/S - Loading Shovel SLF - Super Long Front B/H - Backhoe HD - Heavy Duty L BUCKET - Large Bucket
 K-LINK - K-type Linkage Blade LB HI-LIFT - High Lift Arm w Large Bucket HI-LIFT - High Lift Arm S HI-LIFT - Super High Lift Arm

Replacement Kits For

KOMATSU

Loaders - Wheel							
APPLICATION	CYL #	SERIAL #	Misc	CODE	ROD	BORE	KIT #
MODEL WA320-1							
LIFT	707-01-03510	20001-29999		P-U-14	80 mm	140 mm	KOM-707-99-54100
	707-01-14131	10001-19999		P-U-14	80 mm	140 mm	KOM-707-99-54100
STEERING	707-00-01380	20001-29999		P-U-14	40 mm	70 mm	KOM-707-99-14610
	707-00-70131	10001-19999		P-U-14	40 mm	70 mm	KOM-707-99-14600
MODEL WA320-3							
DUMP		30001-		P-U-14	80 mm	160 mm	KOM-707-99-62020
		30001-		Bushing	80 mm		KOM-07177-08040
	707-01-02550	50001-, 53001-		P-U-14	80 mm	160 mm	KOM-707-99-62020
	707-01-03251	30001-		P-U-14	70 mm	130 mm	KOM-707-99-43520
GRAPPLE		30001-		P-U-14	50 mm	100 mm	KOM-707-99-32100
		30001-		Bushing	50 mm		KOM-07177-05030
LIFT		30001-		P-U-14	75 mm	140 mm	KOM-707-99-53100
	707-01-03510	50001-		P-U-14	80 mm	140 mm	KOM-707-99-54100
	707-01-03510	53001-53046		P-U-14	75 mm	140 mm	KOM-707-99-53100
STEERING	707-00-01350	30001-, 53001-		P-U-14	40 mm	70 mm	KOM-707-99-14610
MODEL WA320-3L							
DUMP	707-01-03721	A30001-		P-U-14	80 mm	160 mm	KOM-707-99-62020
DUMP (HI-LIFT)	707-01-02440	A30001-		P-U-14	80 mm	160 mm	KOM-707-99-62020
LIFT	707-01-03511	A30001-		P-U-14	75 mm	140 mm	KOM-707-99-53100
STEERING	707-00-03310	A30001-		P-UB-14	40 mm	70 mm	KOM-707-99-14750
MODEL WA320-5L							
BOOM	707-01-0F060	A32001-		P-UB-14	75 mm	140 mm	KOM-707-99-53170
DUMP	707-01-0F080	A32001-		P-UB-14	80 mm	160 mm	KOM-707-99-62120
STEERING	707-00-0Z680	A32001-		P-UB-14	40 mm	70 mm	KOM-707-99-14770
MODEL WA350-1							
CLAM	707-00-12030	10001-		P-U-14	60 mm	120 mm	KOM-707-99-41140
DUMP	707-01-03700	20001-		P-U-14	90 mm	180 mm	KOM-707-99-64410
	707-01-18081	10001-19999		P-U-14	90 mm	180 mm	KOM-707-99-64400
GRAPPLE	707-00-10040	10001-		P-U-14	50 mm	100 mm	KOM-707-99-32100
LIFT	707-01-03500	20001-		P-U-14	85 mm	150 mm	KOM-707-99-55500
	707-01-15071	10001-19999		P-U-14	90 mm	150 mm	KOM-707-99-56500
STEERING	707-00-01800	20001-		P-U-14	45 mm	80 mm	KOM-707-99-24120
	707-00-80021	10001-19999		P-U-14	45 mm	80 mm	KOM-707-99-24110
MODEL WA380-1							
DUMP	707-01-03700	20001-		P-U-14	90 mm	180 mm	KOM-707-99-64400
	707-01-18082	10001-19999		P-U-14	90 mm	180 mm	KOM-707-99-64400
LIFT	707-01-01080	20001-		P-U-14	90 mm	160 mm	KOM-707-99-64010
	707-01-16280	10001-19999		P-U-14	90 mm	160 mm	KOM-707-99-64010
STEERING	707-00-01800	20001-		P-U-14	45 mm	80 mm	KOM-707-99-24120
	707-00-80021	10001-19999		P-U-14	45 mm	80 mm	KOM-707-99-24110
MODEL WA380-3							
DUMP	707-01-03290	50001-		P-U-14	90 mm	180 mm	KOM-707-99-64410
	707-01-03290	50001-		Bushing	90 mm		KOM-707-52-10910
	707-01-03290	A50001-		P-U-14	90 mm	180 mm	KOM-707-99-64410
LIFT	707-01-01080	50001-		P-U-14	90 mm	160 mm	KOM-707-99-64040
	707-01-01080	50001-		Bushing	90 mm		KOM-07177-09035

LT - Large size tire L/S - Loading Shovel SLF - Super Long Front B/H - Backhoe HD - Heavy Duty L BUCKET - Large Bucket
 K-LINK - K-type Linkage Blade LB HI-LIFT - High Lift Arm w Large Bucket HI-LIFT - High Lift Arm S HI-LIFT - Super High Lift Arm

Replacement Kits For

KOMATSU

KOMATSU

Loaders - Wheel							
APPLICATION	CYL #	SERIAL #	Misc	CODE	ROD	BORE	KIT #
MODEL WA380-3							
LIFT ARM	707-01-01080	A50001-		P-U-14	90 mm	160 mm	KOM-707-99-64040
LIFT ARM (HI-LIFT)	707-01-02210	A50001-		P-U-14	90 mm	160 mm	KOM-707-99-64040
STEERING	707-00-01800	50001-		P-U-14	45 mm	80 mm	KOM-707-99-24120
	707-00-01800	50001-		Bushing	45 mm		KOM-07177-04530
	707-00-01800	A50001-		P-U-14	45 mm	80 mm	KOM-707-99-24120
MODEL WA380-5L							
BOOM LH	707-01-0A790	A52001-		P-UB-14	90 mm	160 mm	KOM-707-99-64080
BOOM RH	707-01-0A800	A52001-		P-UB-14	90 mm	160 mm	KOM-707-99-64080
DUMP	707-01-0A810	A52001-		P-UB-14	90 mm	180 mm	KOM-707-99-64540
DUMP (HI-LIFT)	707-01-XC990	A52001-		P-UB-14	90 mm	180 mm	KOM-707-99-64540
DUMP (Logging)	707-01-XE090	A52001-		P-UB-14	100 mm	200 mm	KOM-707-99-73160
STEERING	707-00-07F80	A52001-		P-UB-14	45 mm	90 mm	KOM-707-99-24630
MODEL WA400-1							
DUMP	707-01-03271	20001-		P-U-14	100 mm	200 mm	KOM-707-99-73020
	707-01-20081	10001-19999		P-U-14	100 mm	200 mm	KOM-707-99-73010
LIFT	707-01-01070	20001-		P-U-14	90 mm	160 mm	KOM-707-99-64010
	707-01-16081	10001-19999		P-U-14	100 mm	160 mm	KOM-707-99-66010
LOG GRAPPLE	707-01-13260	10001-19999		P-U-14	70 mm	130 mm	KOM-707-99-43540
LUMBER GRAPPLE	707-00-10040	10001-19999		P-U-14	50 mm	100 mm	KOM-707-99-32100
STEERING	707-00-01820	20001-		P-U-14	45 mm	90 mm	KOM-707-99-24510
	707-00-90221	10001-19999		P-U-14	45 mm	90 mm	KOM-707-99-24500
MODEL WA420-1							
DUMP	707-01-01270	20001-		P-U-14	100 mm	200 mm	KOM-707-99-73010
	707-01-20083	10001-19999		P-U-14	100 mm	200 mm	KOM-707-99-73010
LIFT	707-01-01070	20001-		P-U-14	90 mm	160 mm	KOM-707-99-64010
	707-01-16081	10001-19999		P-U-14	100 mm	160 mm	KOM-707-99-66010
STEERING	707-00-01820	20001-		P-U-14	45 mm	90 mm	KOM-707-99-24510
	707-00-90221	10001-19999		P-U-14	45 mm	90 mm	KOM-707-99-24500
MODEL WA420-3							
DUMP	707-01-03272	30001-		P-U-14	100 mm	200 mm	KOM-707-99-73020
	707-01-03272	30001-		Bushing	100 mm		KOM-707-52-11010
LIFT	707-01-03081	30001-		P-U-14	90 mm	160 mm	KOM-707-99-64030
	707-01-03081	30001-		Bushing	90 mm		KOM-707-52-10910
STEERING	707-00-01820	30001-		P-U-14	45 mm	90 mm	KOM-707-99-24510
	707-00-01820	30001-		Bushing	45 mm		KOM-07177-04530
MODEL WA430-6							
BUCKET	707-01-0K830	65001-		P-UB-14	100 mm	160 mm	KOM-707-99-66380
	707-01-0K830	A14001-	Large Bucket	P-UB-14	100 mm	160 mm	KOM-707-99-66380
	707-01-0L840	65001-	Hi-Lift Bucket	P-UB-14	90 mm	150 mm	KOM-707-99-56620
	707-01-0L840	A14001-	Hi-Lift Bucket	P-UB-14	90 mm	150 mm	KOM-707-99-56620
LIFT LH	707-01-0AL40	65340-		P-UB-14	95 mm	135 mm	KOM-707-99-50740
	707-01-0AL40	A14001-		P-UB-14	95 mm	135 mm	KOM-707-99-50740
	707-01-0K810	65001-65339		P-UB-14	90 mm	130 mm	KOM-707-99-47860
LIFT RH	707-01-0AL50	65340-		P-UB-14	95 mm	135 mm	KOM-707-99-50740

LT - Large size tire L/S - Loading Shovel SLF - Super Long Front B/H - Backhoe HD - Heavy Duty L BUCKET - Large Bucket
 K-LINK - K-type Linkage Blade LB HI-LIFT - High Lift Arm w Large Bucket HI-LIFT - High Lift Arm S HI-LIFT - Super High Lift Arm

Replacement Kits For

KOMATSU

Loaders - Wheel							
APPLICATION	CYL #	SERIAL #	Misc	CODE	ROD	BORE	KIT #
MODEL WA430-6							
LIFT RH	707-01-0AL50	A14001-		P-UB-14	95 mm	135 mm	KOM-707-99-50740
	707-01-0K820	65001-65339		P-UB-14	90 mm	130 mm	KOM-707-99-47860
STEERING	707-00-XX750	65001-		P-UB-14	45 mm	75 mm	KOM-707-99-15810
	707-00-XX750	A14001-		P-UB-14	45 mm	75 mm	KOM-707-99-15810
MODEL WA450-1							
DUMP	707-01-03250	20001-		P-U-14	100 mm	200 mm	KOM-707-99-73020
	707-01-20121	10001-19999		P-U-14	100 mm	200 mm	KOM-707-99-73010
LIFT	707-01-03050	20001-		P-U-14	95 mm	180 mm	KOM-707-99-65400
	707-01-18121	10001-19999		P-U-14	100 mm	180 mm	KOM-707-99-66400
STEERING	707-00-01840	20001-		P-U-14	50 mm	100 mm	KOM-707-99-32110
	707-00-01940	20001-		P-U-14	50 mm	100 mm	KOM-707-99-32110
	707-00-10211	10001-19999		P-U-14	50 mm	100 mm	KOM-707-99-32100
	707-00-10231	10001-19999		P-U-14	50 mm	100 mm	KOM-707-99-32100
MODEL WA450-2							
DUMP	707-01-03250	A25001-		P-U-14	100 mm	200 mm	KOM-707-99-73020
	707-01-03250	A25001-		Bushing	100 mm		KOM-707-52-11010
LIFT	707-01-03050	A25001-		P-U-14	95 mm	180 mm	KOM-707-99-65400
STEERING LH	707-00-01840	A25001-		P-U-14	50 mm	100 mm	KOM-707-99-32110
	707-00-01840	A25001-		Bushing	50 mm		KOM-07177-05030
STEERING RH	707-00-01940	A25001-		P-U-14	50 mm	100 mm	KOM-707-99-32110
	707-00-01940	A25001-		Bushing	50 mm		KOM-07177-05030
MODEL WA450-3							
DUMP	707-01-03251	30001		P-U-14	100 mm	200 mm	KOM-707-99-73020
	707-01-03251	30001		Bushing	100 mm		KOM-707-52-11010
LIFT	707-01-03150	30001		P-U-14	95 mm	180 mm	KOM-707-99-65400
STEERING LH	707-00-01840	30001		P-U-14	50 mm	100 mm	KOM-707-99-32110
	707-00-01840	30001		Bushing	50 mm		KOM-07177-05030
STEERING RH	707-00-01940	30001		P-U-14	50 mm	100 mm	KOM-707-99-32110
	707-00-01940	30001		Bushing	50 mm		KOM-07177-05030
MODEL WA450-5L							
DUMP	707-01-0A270	A36001-		P-UB-14	100 mm	200 mm	KOM-707-99-73150
	707-13-20222	A36001-		P-UB-14	100 mm	200 mm	KOM-707-99-73150
DUMP (HI-LIFT)	707-01-0C390	A36001-		P-UB-14	100 mm	200 mm	KOM-707-99-73150
	707-13-20222	A36001-		P-UB-14	120 mm	225 mm	KOM-707-99-75490
DUMP (L BUCKET)	707-01-0A691	A36001-		P-UB-14	120 mm	225 mm	KOM-707-99-75490
	707-13-22070	A36001-		P-UB-14	120 mm	225 mm	KOM-707-99-75490
LIFT LH	707-01-0A250	A36001-		P-UB-14	95 mm	180 mm	KOM-707-99-65420
	707-13-18231	A36001-		P-UB-14	95 mm	180 mm	KOM-707-99-65420
LIFT RH	707-01-0A260	A36001-		P-UB-14	95 mm	180 mm	KOM-707-99-65420
	707-13-18241	A36001-		P-UB-14	95 mm	180 mm	KOM-707-99-65420
STEERING LH	707-00-07D90	A36001-		P-UB-14	50 mm	100 mm	KOM-707-99-32250
	707-11-10A81	A36001-		P-UB-14	50 mm	100 mm	KOM-707-99-32250
STEERING RH	707-00-07E00	A36001-		P-UB-14	50 mm	100 mm	KOM-707-99-32250
	707-11-10A91	A36001-		P-UB-14	50 mm	100 mm	KOM-707-99-32250
MODEL WA450-6							
BUCKET	707-01-0K630	66001-		P-UB-14	100 mm	160 mm	KOM-707-99-66360

LT - Large size tire L/S - Loading Shovel SLF - Super Long Front B/H - Backhoe HD - Heavy Duty L BUCKET - Large Bucket
 K-LINK - K-type Linkage Blade LB HI-LIFT - High Lift Arm w Large Bucket HI-LIFT - High Lift Arm S HI-LIFT - Super High Lift Arm

KOMATSU

Replacement Kits For

Loaders - Wheel							
APPLICATION	CYL #	SERIAL #	Misc	CODE	ROD	BORE	KIT #
MODEL WA450-6							
DUMP	707-13-16190	66001-		P-UB-14	100 mm	160 mm	KOM-707-99-66360
LIFT LH	707-01-0K610	66001-		P-UB-14	95 mm	140 mm	KOM-707-99-57310
	707-13-14910	66001-		P-UB-14	95 mm	140 mm	KOM-707-99-57310
LIFT RH	707-01-0K620	66001-		P-UB-14	95 mm	140 mm	KOM-707-99-57310
	707-13-14920	66001-		P-UB-14	95 mm	140 mm	KOM-707-99-57310
STEERING LH	707-00-0G760	66001-		P-UB-14	50 mm	90 mm	KOM-707-99-25710
	721-11-90750	66001-		P-UB-14	50 mm	90 mm	KOM-707-99-25710
STEERING RH	707-00-0G770	66001-		P-UB-14	50 mm	90 mm	KOM-707-99-25710
	721-11-90760	66001-		P-UB-14	50 mm	90 mm	KOM-707-99-25710
MODEL WA470-1							
DUMP	707-01-03250	20001-		P-U-14	100 mm	200 mm	KOM-707-99-73020
	707-01-20121	10001-19999		P-U-14	100 mm	200 mm	KOM-707-99-73010
LIFT	707-01-03050	20001-		P-U-14	95 mm	180 mm	KOM-707-99-65400
	707-01-18121	10001-19999		P-U-14	100 mm	180 mm	KOM-707-99-66400
STEERING	707-00-01840	20001-		P-U-14	50 mm	100 mm	KOM-707-99-32110
	707-00-01940	20001-		P-U-14	50 mm	100 mm	KOM-707-99-32110
	707-00-10211	10001-19999		P-U-14	50 mm	100 mm	KOM-707-99-32100
	707-00-10231	10001-19999		P-U-14	50 mm	100 mm	KOM-707-99-32100
MODEL WA470-3							
DUMP	421-63-H3020	-H20942		P-UB-14	100 mm	200 mm	KOM-421-63-H0P05
	421-63-H3021	H20943-		P-UB-14	100 mm	200 mm	KOM-707-99-H0P03
	707-01-03251	50001-52999		P-U-14	100 mm	200 mm	KOM-707-99-73020
	707-01-08691	53001-		P-U-14	100 mm	200 mm	KOM-707-99-73020
DUMP (HI-LIFT)	421-V50-H021	H20942-		P-UB-14	100 mm	200 mm	KOM-707-99-H0P03
DUMP (MAGNUM)	421-V58-H021	H20942-		P-UB-14	100 mm	200 mm	KOM-707-99-H0P03
LIFT	421-63-H2020	-H20946		P-U-14	95 mm	180 mm	KOM-707-99-H0P01
	421-63-H2021	-H20946		P-U-14	95 mm	180 mm	KOM-707-99-H0P01
	421-63-H2021	H20947-		P-UB-14	95 mm	180 mm	KOM-707-99-H0P10
	707-01-03150	50001-52999		P-U-14	95 mm	180 mm	KOM-707-99-65400
	707-01-08621	53001-		P-U-14	95 mm	180 mm	KOM-707-99-65400
STEERING	707-00-01840	50001-52999		P-U-14	50 mm	100 mm	KOM-707-99-32110
	707-00-01940	50001-52999		P-U-14	50 mm	100 mm	KOM-707-99-32110
	707-00-08741	53001-		P-U-14	50 mm	100 mm	KOM-707-99-32110
	707-00-08751	53001-		P-U-14	50 mm	100 mm	KOM-707-99-32110
STEERING LH	707-00-H1841	H20942-		P-UB-14	50 mm	100 mm	KOM-707-99-H0P11
STEERING RH	707-00-H1941	H20942-		P-UB-14	50 mm	100 mm	KOM-707-99-H0P11
MODEL WA470-5							
DUMP	707-01-0A270	70001-		P-UB-14	100 mm	200 mm	KOM-707-99-73150
DUMP (HI-LIFT)	707-01-0C390	70001-		P-UB-14	100 mm	200 mm	KOM-707-99-73150
DUMP (L BUCKET)	707-01-0A691	70001-		P-UB-14	120 mm	225 mm	KOM-707-99-75490
LIFT LH	707-01-0A250	70001-		P-UB-14	95 mm	180 mm	KOM-707-99-65420
LIFT RH	707-01-0A260	70001-		P-UB-14	95 mm	180 mm	KOM-707-99-65420
STEERING LH	707-00-0A500	70001-		P-UB-14	50 mm	100 mm	KOM-707-99-32250
STEERING RH	707-00-0A510	70001-		P-UB-14	50 mm	100 mm	KOM-707-99-32250
MODEL WA500-1							
DUMP	707-01-22014	10001-		P-U-14	120 mm	225 mm	KOM-707-99-75400

LT - Large size tire L/S - Loading Shovel SLF - Super Long Front B/H - Backhoe HD - Heavy Duty L BUCKET - Large Bucket
K-LINK - K-type Linkage Blade LB HI-LIFT - High Lift Arm w Large Bucket HI-LIFT - High Lift Arm S HI-LIFT - Super High Lift Arm

Replacement Kits For

KOMATSU

Loaders - Wheel							
APPLICATION	CYL #	SERIAL #	Misc	CODE	ROD	BORE	KIT #
MODEL WA500-1							
DUMP (L BUCKET)	707-01-25010	10001-		P-U-14	140 mm	250 mm	KOM-707-99-84010
GRAPPLE	707-01-14011	10001-		P-U-14	70 mm	140 mm	KOM-707-99-52100
LIFT	707-01-20012	10001-		P-U-14	110 mm	200 mm	KOM-707-99-74010
STEERING	707-00-11011	10001-		P-U-14	55 mm	110 mm	KOM-707-99-34500
	707-00-11021	10001-		P-U-14	55 mm	110 mm	KOM-707-99-34500
MODEL WA500-3							
BOOM	707-01-03041	A70001-		P-U-14	110 mm	200 mm	KOM-707-99-74120
DUMP	707-01-03242	50001-		P-U-14	120 mm	225 mm	KOM-707-99-75450
	707-01-03242	50001-		Bushing	120 mm		KOM-707-52-90950
	707-01-03242	A70001-		P-U-14	120 mm	225 mm	KOM-707-99-75450
LIFT	707-01-03041	50001-		P-U-14	110 mm	200 mm	KOM-707-99-74120
	707-01-03041	50001-		Bushing	110 mm		KOM-707-52-90860
STEERING	707-00-03852	50001-		P-U-14	55 mm	110 mm	KOM-707-99-34550
	707-00-03952	50001-		P-U-14	55 mm	110 mm	KOM-707-99-34550
STEERING LH	707-00-03852	A70001-		P-U-14	55 mm	110 mm	KOM-707-99-34550
STEERING RH	707-00-03952	A70001-		P-U-14	55 mm	110 mm	KOM-707-99-34550
MODEL WA500-3LE							
BOOM	707-01-03041	A70001-		P-U-14	110 mm	200 mm	KOM-707-99-74120
DUMP	707-01-03242	A70001-		P-U-14	120 mm	225 mm	KOM-707-99-75450
STEERING LH	707-00-03852	A70001-		P-U-14	55 mm	110 mm	KOM-707-99-34550
STEERING RH	707-00-03952	A70001-		P-U-14	55 mm	110 mm	KOM-707-99-34550
MODEL WA500-6							
DUMP	707-01-0J730	A92001-		P-UB-14	120 mm	185 mm	KOM-707-99-68430
	707-13-18970	A92001-		P-UB-14	120 mm	185 mm	KOM-707-99-68430
DUMP (HI-LIFT)	707-01-0J740	A92001-		P-UB-14	120 mm	185 mm	KOM-707-99-68430
	707-13-18970	A92001-		P-UB-14	120 mm	185 mm	KOM-707-99-68430
LIFT LH	707-01-0J710	A92001-		P-UB-14	120 mm	160 mm	KOM-707-99-68420
	721-13-16110	A92001-		P-UB-14	120 mm	160 mm	KOM-707-99-68420
LIFT RH	707-01-0J710	A92001-		P-UB-14	120 mm	160 mm	KOM-707-99-68420
	721-13-16110	A92001-		P-UB-14	120 mm	160 mm	KOM-707-99-68420
STEERING LH	707-00-0G640	A92001-		P-UB-14	60 mm	100 mm	KOM-707-99-35320
	707-11-10G80	A92001-		P-UB-14	60 mm	100 mm	KOM-707-99-35320
STEERING RH	707-00-0G640	A92001-		P-UB-14	60 mm	100 mm	KOM-707-99-35320
	707-11-10G80	A92001-		P-UB-14	60 mm	100 mm	KOM-707-99-35320
MODEL WA600-1							
DUMP	707-01-28014	10001-10234		P-U-14	140 mm	280 mm	KOM-707-99-84400
	707-01-28014	10001-10234		Bushing	140 mm		KOM-707-52-11410
	707-01-28015	10235-11463		P-U-14	140 mm	280 mm	KOM-707-99-84400
GRAPPLE	707-01-14011	10001-		P-U-14	70 mm	140 mm	KOM-707-99-52100
LIFT	707-01-22111	10001-		P-U-14	120 mm	225 mm	KOM-707-99-75410
	707-01-22112	11464-		P-UB-14	120 mm	225 mm	KOM-707-99-75440
STEERING	707-00-13082	11464-		P-UB-14	70 mm	130 mm	KOM-707-99-43570
	707-01-13071	10001-		P-U-14	70 mm	130 mm	KOM-707-99-43500
	707-01-13072	11464-		P-UB-14	70 mm	130 mm	KOM-707-99-43570
	707-01-13081	10001-		P-U-14	70 mm	130 mm	KOM-707-99-43500

LT - Large size tire L/S - Loading Shovel SLF - Super Long Front B/H - Backhoe HD - Heavy Duty L BUCKET - Large Bucket
 K-LINK - K-type Linkage Blade LB HI-LIFT - High Lift Arm w Large Bucket HI-LIFT - High Lift Arm S HI-LIFT - Super High Lift Arm

KOMATSU

Replacement Kits For

Loaders - Wheel							
APPLICATION	CYL #	SERIAL #	Misc	CODE	ROD	BORE	KIT #
MODEL WA600-3							
DUMP	707-01-03231	50001-		P-UB-14	140 mm	280 mm	KOM-707-99-84450
	707-01-03231	A52001-		P-UB-14	140 mm	280 mm	KOM-707-99-84450
LIFT	707-01-03030	50001-		P-U-14	120 mm	225 mm	KOM-707-99-75450
	707-01-03030	A52001-		P-U-14	120 mm	225 mm	KOM-707-99-75450
STEERING	707-00-03061	50001-		P-UB-14	70 mm	130 mm	KOM-707-99-43590
	707-00-03861	A52001-		P-UB-14	70 mm	130 mm	KOM-707-99-43590
MODEL WA600-3L							
DUMP	707-01-03231	A52001-		P-UB-14	140 mm	280 mm	KOM-707-99-84450
LIFT	707-01-03030	A52001-		P-U-14	120 mm	225 mm	KOM-707-99-75450
STEERING	707-00-03861	A52001-		P-UB-14	70 mm	130 mm	KOM-707-99-43590
MODEL WA600-6							
DUMP 3850mm Link	707-01-0J620	60001-		P-UB-14	140 mm	225 mm	KOM-707-99-77630
DUMP 3990mm Link	707-01-0J020	60001-		P-UB-14	140 mm	225 mm	KOM-707-99-77630
LIFT LH	707-01-0H990	60001-		P-UB-14	140 mm	200 mm	KOM-707-99-77090
LIFT RH	707-01-0H990	60001-		P-UB-14	140 mm	200 mm	KOM-707-99-77090
STEERING LH	707-01-0J030	60001-		P-UB-14	75 mm	115 mm	KOM-707-99-44060
STEERING LH (LDT)	707-01-0J130	60001-		P-UB-14	90 mm	130 mm	KOM-707-99-47830
STEERING RH	707-01-0J040	60001-		P-UB-14	75 mm	115 mm	KOM-707-99-44060
STEERING RH (LDT)	707-01-0J140	60001-		P-UB-14	90 mm	130 mm	KOM-707-99-47830
MODEL WA700-1							
DUMP	707-01-01220	10001-		P-U-14	170 mm	280 mm	KOM-707-99-86600
LIFT	707-01-01020	10001-		P-U-14	140 mm	225 mm	KOM-707-99-77600
STEERING	707-01-01320	10001-		P-U-14	85 mm	130 mm	KOM-707-99-46620
	707-01-01420	10001-		P-U-14	85 mm	130 mm	KOM-707-99-46620
MODEL WA700-3							
DUMP	707-01-01220	50001-		P-U-14	170 mm	280 mm	KOM-707-99-86600
LIFT	707-01-01020	50001-		P-U-14	140 mm	225 mm	KOM-707-99-77600
STEERING	707-01-01320	50001-		P-U-14	85 mm	130 mm	KOM-707-99-46620
	707-01-01420	50001-		P-U-14	85 mm	130 mm	KOM-707-99-46620
MODEL WA800-1							
DUMP	707-01-01210	10001-		P-UB-14	180 mm	300 mm	KOM-707-99-96200
DUMP (HI-LIFT)	707-01-02100	10001-		P-UB-14	180 mm	300 mm	KOM-707-99-96200
LIFT	707-01-01010	10001-		P-UB-14	160 mm	260 mm	KOM-707-99-85900
LIFT (HI-LIFT)	707-01-02090	10001-		P-UB-14	160 mm	260 mm	KOM-707-99-85900
STEERING	707-01-16181	10001-		P-UB-14	100 mm	160 mm	KOM-707-99-66210
	707-01-16191	10001-		P-UB-14	100 mm	160 mm	KOM-707-99-66210
MODEL WA800-2							
DUMP	707-01-01210	10501-		P-UB-14	180 mm	300 mm	KOM-707-99-96200
DUMP (HI-LIFT)	707-01-02100	10501-		P-UB-14	180 mm	300 mm	KOM-707-99-96200
LIFT	707-01-01010	10501-		P-UB-14	160 mm	260 mm	KOM-707-99-85900
LIFT (HI-LIFT)	707-01-02090	10501-		P-UB-14	160 mm	260 mm	KOM-707-99-85900
STEERING	707-01-16181	10501-		P-UB-14	100 mm	160 mm	KOM-707-99-66210
	707-01-16191	10501-		P-UB-14	100 mm	160 mm	KOM-707-99-66210
MODEL WA800-3							
DUMP	707-01-03210	50001-		P-UB-14	180 mm	300 mm	KOM-707-99-96200
LIFT	707-01-03011	50001-		P-UB-14	160 mm	260 mm	KOM-707-99-85900

LT - Large size tire L/S - Loading Shovel SLF - Super Long Front B/H - Backhoe HD - Heavy Duty L BUCKET - Large Bucket
K-LINK - K-type Linkage Blade LB HI-LIFT - High Lift Arm w Large Bucket HI-LIFT - High Lift Arm S HI-LIFT - Super High Lift Arm

Replacement Kits For

KOMATSU

Loaders - Wheel							
APPLICATION	CYL #	SERIAL #	Misc	CODE	ROD	BORE	KIT #
MODEL WA800-3							
STEERING	707-01-16181	50001-		P-UB-14	100 mm	160 mm	KOM-707-99-66210
	707-01-16191	50001-		P-UB-14	100 mm	160 mm	KOM-707-99-66210
MODEL WA900-1							
DUMP	707-01-03210	10001-		P-UB-14	180 mm	300 mm	KOM-707-99-96200
LIFT	707-01-01010	10001-		P-UB-14	160 mm	260 mm	KOM-707-99-85900
STEERING	707-01-16181	10001-		P-UB-14	100 mm	160 mm	KOM-707-99-66210
	707-01-16191	10001-		P-UB-14	100 mm	160 mm	KOM-707-99-66210
MODEL WA900-3							
DUMP	707-01-03212	50001-		P-UB-14	180 mm	300 mm	KOM-707-99-96200
LIFT	707-01-03011	50001-		P-UB-14	160 mm	260 mm	KOM-707-99-85900
STEERING	707-01-16181	50001-		P-UB-14	100 mm	160 mm	KOM-707-99-66210
	707-01-16191	50001-		P-UB-14	100 mm	160 mm	KOM-707-99-66210
Motor Graders							
APPLICATION	CYL #	SERIAL #	Misc	CODE	ROD	BORE	KIT #
MODEL GD200A-1							
SCARIFIER	237-63-32500	2001-		P-U-14	40 mm	80 mm	KOM-707-98-22120
MODEL GD300A-1							
ARTICULATE	237-63-62501	2001-		P-U-14	60 mm	120 mm	KOM-707-98-41030
BLADE LIFT	237-63-12500	2001-		P-U-14	35 mm	70 mm	KOM-707-98-12550
BLADE SHIFT	237-63-42500	2001-		P-U-14	40 mm	60 mm	KOM-707-98-14240
FRONT BLADE	237-63-32500	2001-		P-U-14	40 mm	80 mm	KOM-707-98-22120
SCARIFIER	237-63-32500	2001-		P-U-14	40 mm	80 mm	KOM-707-98-22120
MODEL GD313A-1							
ARTICULATE	23E-63-62101	30001-		P-U-10	40 mm	70 mm	KOM-707-98-14410
BLADE LIFT	23E-63-12101	30001-		P-U-10	35 mm	60 mm	KOM-707-98-12120
BLADE SHIFT	23E-63-42101	30001-		P-U-10	40 mm	60 mm	KOM-707-98-14040
STEERING	23E-63-72300	30001-		P-U-10	25 mm	60 mm	KOM-707-98-11380
MODEL GD405A-1							
ARTICULATE	233-63-62300	50002-50610		P-U-14	50 mm	90 mm	KOM-707-98-25500
	233-63-62500	50611-		P-U-14	50 mm	90 mm	KOM-707-98-25430
BLADE LIFT	233-63-12300	50002-50610		P-U-14	40 mm	70 mm	KOM-707-98-14700
BLADE SHIFT	233-63-42300	50002-50610		P-U-14	40 mm	70 mm	KOM-707-98-14600
DRAWBAR SHIFT	233-63-22300	50002-50610		P-U-14	40 mm	70 mm	KOM-707-98-14700
LEANING	233-63-52300	50002-50610		P-U-14	35 mm	70 mm	KOM-707-98-12600
POWER TILT	233-63-18300	50002-		P-U-14	40 mm	80 mm	KOM-707-98-22100
SCARIFIER	238-63-32100	50002-50610		P-U-14	50 mm	80 mm	KOM-707-98-25170
MODEL GD461A-1							
ARTICULATE	23E-63-62101	10001-		P-U-10	40 mm	70 mm	KOM-707-98-14410
BLADE SHIFT	23E-63-42101	10001-		P-U-10	40 mm	60 mm	KOM-707-98-14040
DRAWBAR SHIFT	23D-63-22300	10001-		P-U-10	35 mm	60 mm	KOM-707-98-12120
STEERING	23E-63-72300	10001-		P-U-10	25 mm	60 mm	KOM-707-98-11380
MODEL GD500R-2							
BLADE LIFT	238-63-12100	11002-		P-U-14	50 mm	80 mm	KOM-707-98-25070
BLADE SHIFT	238-63-42100	11002-		P-U-14	50 mm	80 mm	KOM-707-98-25170
DRAWBAR SHIFT	238-63-22100	11002-		P-U-14	50 mm	80 mm	KOM-707-98-25070
FRONT BLADE	232-63-33300	11002-		P-U-5	50 mm	80 mm	KOM-707-98-25060

LT - Large size tire L/S - Loading Shovel SLF - Super Long Front B/H - Backhoe HD - Heavy Duty L BUCKET - Large Bucket
K-LINK - K-type Linkage Blade LB HI-LIFT - High Lift Arm w Large Bucket HI-LIFT - High Lift Arm S HI-LIFT - Super High Lift Arm

KOMATSU

Replacement Kits For

Motor Graders							
APPLICATION	CYL #	SERIAL #	Misc	CODE	ROD	BORE	KIT #
MODEL GD500R-2							
LEANING	238-63-52100	11002-		P-U-14	35 mm	70 mm	KOM-707-98-12600
POWER TILT	238-63-18101	11002-		P-U-14	40 mm	80 mm	KOM-707-98-22100
SCARIFIER	238-63-32100	11002-		P-U-14	50 mm	80 mm	KOM-707-98-25170
MODEL GD505A-2							
ARTICULATE	233-63-62300	50003-		P-U-14	50 mm	90 mm	KOM-707-98-25500
BLADE LIFT	238-63-12100	50003-		P-U-14	50 mm	80 mm	KOM-707-98-25070
BLADE SHIFT	238-63-42100	50003-		P-U-14	50 mm	80 mm	KOM-707-98-25170
DRAWBAR SHIFT	238-63-22100	50003-		P-U-14	50 mm	80 mm	KOM-707-98-25070
FRONT BLADE	232-63-33300	50003-		P-U-5	50 mm	80 mm	KOM-707-98-25060
LEANING	238-63-52100	50003-		P-U-14	35 mm	70 mm	KOM-707-98-12600
POWER TILT	238-63-18101	50003-		P-U-14	40 mm	80 mm	KOM-707-98-22100
SCARIFIER	238-63-32100	50003-		P-U-14	50 mm	80 mm	KOM-707-98-25170
MODEL GD505R-2							
BLADE LIFT	238-63-12100	30002-		P-U-14	50 mm	80 mm	KOM-707-98-25070
BLADE SHIFT	238-63-42100	30002-		P-U-14	50 mm	80 mm	KOM-707-98-25170
DRAWBAR SHIFT	238-63-22100	30002-		P-U-14	50 mm	80 mm	KOM-707-98-25070
FRONT BLADE	232-63-33300	30002-		P-U-5	50 mm	80 mm	KOM-707-98-25060
LEANING	238-63-52100	30002-		P-U-14	35 mm	70 mm	KOM-707-98-12600
POWER TILT	238-63-18101	30002-		P-U-14	40 mm	80 mm	KOM-707-98-22100
SCARIFIER	238-63-32100	30002-		P-U-14	50 mm	80 mm	KOM-707-98-25170
MODEL GD510R-1							
LEANING	23A-63-52101	15001-		P-U-14	35 mm	70 mm	KOM-707-98-12470
MODEL GD511A-1							
LEANING	23A-63-52101	10001-		P-U-14	35 mm	70 mm	KOM-707-98-12470
MODEL GD513A-1							
LEANING	23A-63-52101	10001-		P-U-14	35 mm	70 mm	KOM-707-98-12470
MODEL GD513R-1							
LEANING	23A-63-52101	30001-		P-U-14	35 mm	70 mm	KOM-707-98-12470
MODEL GD515A-1							
LEANING	23A-63-52101	50001-		P-U-14	35 mm	70 mm	KOM-707-98-12470
POWER TILT	23B-63-18101	50001-		P-U-10	40 mm	80 mm	KOM-707-98-23030
STEERING	23B-63-72501	50001-		P-U-10	35 mm	50 mm	KOM-707-98-05410
MODEL GD521A-1, GD521R-1							
BLADE LIFT	238-63-12301	10001-		P-U-14	50 mm	80 mm	KOM-707-98-25030
BLADE SHIFT	23B-63-42300	10001-		P-U-14	50 mm	80 mm	KOM-707-98-25040
DRAWBAR SHIFT	23B-63-22102	10001-		P-U-14	45 mm	80 mm	KOM-707-98-24040
FRONT BLADE	232-63-38100	10001-		P-U-14	45 mm	90 mm	KOM-707-98-24430
LEANING	23A-63-52102	10001-		P-U-14	35 mm	70 mm	KOM-707-98-12470
MODEL GD523A-1, GD523R-1							
BLADE LIFT	238-63-12301	30001-		P-U-14	50 mm	80 mm	KOM-707-98-25030
BLADE SHIFT	23B-63-42300	30001-		P-U-14	50 mm	80 mm	KOM-707-98-25040
DRAWBAR SHIFT	23B-63-22102	30001-		P-U-14	45 mm	80 mm	KOM-707-98-24040
FRONT BLADE	232-63-38100	30001-		P-U-14	45 mm	90 mm	KOM-707-98-24430
LEANING	23A-63-52102	30001-		P-U-14	35 mm	70 mm	KOM-707-98-12470
STEERING	23B-63-72302	30001-		P-U-10	35 mm	50 mm	KOM-707-98-05410

LT - Large size tire L/S - Loading Shovel SLF - Super Long Front B/H - Backhoe HD - Heavy Duty L BUCKET - Large Bucket
K-LINK - K-type Linkage Blade LB HI-LIFT - High Lift Arm w Large Bucket HI-LIFT - High Lift Arm S HI-LIFT - Super High Lift Arm

Replacement Kits For

KOMATSU

Motor Graders							
APPLICATION	CYL #	SERIAL #	Misc	CODE	ROD	BORE	KIT #
MODEL GD525A-1							
BLADE LIFT	238-63-12301	50001-		P-U-14	50 mm	80 mm	KOM-707-98-25030
BLADE SHIFT	23B-63-42301	50001-		P-U-14	50 mm	80 mm	KOM-707-98-25040
DRAWBAR SHIFT	23B-63-22102	50001-		P-U-14	45 mm	80 mm	KOM-707-98-24040
LEANING	23A-63-52102	50001-		P-U-14	35 mm	70 mm	KOM-707-98-12470
POWER TILT	23B-63-18101	50001-		P-U-10	40 mm	80 mm	KOM-707-98-23030
STEERING	23B-63-72302	50001-		P-U-10	35 mm	50 mm	KOM-707-98-05410
MODEL GD600R-3							
BLADE LIFT	238-63-12100	14001-		P-U-14	50 mm	80 mm	KOM-707-98-25070
DRAWBAR SHIFT	238-63-22100	14001-		P-U-14	50 mm	80 mm	KOM-707-98-25070
FRONT BLADE	232-63-33300	14001-		P-U-5	50 mm	80 mm	KOM-707-98-25060
POWER TILT	238-63-18101	14001-		P-U-14	40 mm	80 mm	KOM-707-98-22100
RIPPER	232-63-25101	14001-		P-U-5	50 mm	120 mm	KOM-707-99-40100
STEERING	232-63-76101	14001-		P-U-14	35 mm	60 mm	KOM-707-98-12200
MODEL GD605A-3							
ARTICULATE	233-63-62300	54001-		P-U-14	50 mm	90 mm	KOM-707-98-25500
BLADE LIFT	238-63-12100	54001-		P-U-14	50 mm	80 mm	KOM-707-98-25070
DRAWBAR SHIFT	238-63-22100	54001-		P-U-14	50 mm	80 mm	KOM-707-98-25070
FRONT BLADE	232-63-33300	54001-		P-U-5	50 mm	80 mm	KOM-707-98-25060
POWER TILT	238-63-18101	54001-		P-U-14	40 mm	80 mm	KOM-707-98-22100
RIPPER	232-63-25101	54001-		P-U-5	50 mm	120 mm	KOM-707-99-40100
STEERING	232-63-76101	54001-		P-U-14	35 mm	60 mm	KOM-707-98-12200
MODEL GD611A-1, GD611R-1							
ARTICULATE	23B-63-62101	10001-	GD611A-1	P-U-14	50 mm	90 mm	KOM-707-98-25430
BLADE LIFT	238-63-12301	10001-		P-U-14	50 mm	80 mm	KOM-707-98-25030
DRAWBAR SHIFT	23B-63-22102	10001-		P-U-14	45 mm	80 mm	KOM-707-98-24040
FRONT BLADE	232-63-38100	10001-		P-U-14	45 mm	90 mm	KOM-707-98-24430
LEANING	23B-63-52102	10001-		P-U-10	40 mm	80 mm	KOM-707-98-22140
POWER TILT	23B-63-18101	10001-		P-U-10	40 mm	80 mm	KOM-707-98-23030
MODEL GD613A-1, GD613R-1							
ARTICULATE	23B-63-62101	30001-	GD613A-1	P-U-14	50 mm	90 mm	KOM-707-98-25430
BLADE LIFT	238-63-12301	30001-		P-U-14	50 mm	80 mm	KOM-707-98-25030
DRAWBAR SHIFT	23B-63-22100	30001-		P-U-14	45 mm	80 mm	KOM-707-98-24040
LEANING	23B-63-52101	30001-		P-U-10	40 mm	80 mm	KOM-707-98-22140
STEERING	23B-63-72302	30001-		P-U-10	35 mm	50 mm	KOM-707-98-05410
MODEL GD615A-1							
ARTICULATE	23B-63-62101	50001-		P-U-14	50 mm	90 mm	KOM-707-98-25430
BLADE LIFT	238-63-12301	50001-		P-U-14	50 mm	80 mm	KOM-707-98-25030
BLADE SHIFT	23B-63-42301	50001-		P-U-14	50 mm	80 mm	KOM-707-98-25040
DRAWBAR SHIFT	23B-63-22102	50001-		P-U-14	45 mm	80 mm	KOM-707-98-24040
LEANING	23B-63-52102	50001-		P-U-10	40 mm	80 mm	KOM-707-98-22140
POWER TILT	23B-63-18101	50001-		P-U-10	40 mm	80 mm	KOM-707-98-23030
STEERING	23B-63-72501	50001-		P-U-10	35 mm	50 mm	KOM-707-98-05410
MODEL GD621A-1, GD621R-1							
ARTICULATE	23B-63-62101	10001-	GD621A-1	P-U-14	50 mm	90 mm	KOM-707-98-25430
BLADE LIFT	238-63-12301	10001-		P-U-14	50 mm	80 mm	KOM-707-98-25030

LT - Large size tire L/S - Loading Shovel SLF - Super Long Front B/H - Backhoe HD - Heavy Duty L BUCKET - Large Bucket
 K-LINK - K-type Linkage Blade LB HI-LIFT - High Lift Arm w Large Bucket HI-LIFT - High Lift Arm S HI-LIFT - Super High Lift Arm

KOMATSU

Replacement Kits For

Motor Graders							
APPLICATION	CYL #	SERIAL #	Misc	CODE	ROD	BORE	KIT #
MODEL GD621A-1, GD621R-1							
BLADE SHIFT	23B-63-42300	10001-		P-U-14	50 mm	80 mm	KOM-707-98-25040
DRAWBAR SHIFT	23B-63-22102	10001-		P-U-14	45 mm	80 mm	KOM-707-98-24040
FRONT BLADE	232-63-38100	10001-		P-U-14	45 mm	90 mm	KOM-707-98-24430
LEANING	23B-63-52102	10001-		P-U-10	40 mm	80 mm	KOM-707-98-22140
POWER TILT	23B-63-18101	10001-		P-U-10	40 mm	80 mm	KOM-707-98-23030
MODEL GD623A-1							
ARTICULATE	23B-63-62101	30001-		P-U-14	50 mm	90 mm	KOM-707-98-25430
BLADE LIFT	238-63-12301	30001-		P-U-14	50 mm	80 mm	KOM-707-98-25030
DRAWBAR SHIFT	23B-63-22100	30001-		P-U-14	45 mm	80 mm	KOM-707-98-24040
FRONT BLADE	232-63-38100	30001-		P-U-14	45 mm	90 mm	KOM-707-98-24430
LEANING	23B-63-52102	30001-		P-U-10	40 mm	80 mm	KOM-707-98-22140
POWER TILT	23B-63-18101	30001-		P-U-10	40 mm	80 mm	KOM-707-98-23030
SCARIFIER	23B-63-32102	30001-		P-U-14	50 mm	90 mm	KOM-707-98-25430
STEERING	23B-63-72302	30001-		P-U-10	35 mm	50 mm	KOM-707-98-05410
MODEL GD623R-1							
STEERING	23B-63-72302	30001-		P-U-10	35 mm	50 mm	KOM-707-98-05410
MODEL GD623R-1, GD663A-1							
ARTICULATE	23B-63-62101	30001-	GD663A-1	P-U-14	50 mm	90 mm	KOM-707-98-25430
BLADE LIFT	238-63-12301	30001-		P-U-14	50 mm	80 mm	KOM-707-98-25030
DRAWBAR SHIFT	23B-63-22100	30001-		P-U-14	45 mm	80 mm	KOM-707-98-24040
LEANING	23B-63-52102	30001-		P-U-10	40 mm	80 mm	KOM-707-98-22140
MODEL GD625A-1							
ARTICULATE	23B-63-62101	50001-		P-U-14	50 mm	90 mm	KOM-707-98-25430
BLADE LIFT	23B-63-18101	50001-		P-U-10	40 mm	80 mm	KOM-707-98-23030
BLADE SHIFT	23B-63-42301	50001-		P-U-14	50 mm	80 mm	KOM-707-98-25040
DRAWBAR SHIFT	23B-63-22102	50001-		P-U-14	45 mm	80 mm	KOM-707-98-24040
LEANING	23B-63-52100	50001-		P-U-10	40 mm	80 mm	KOM-707-98-22140
	23B-63-52102	60001-		P-U-10	40 mm	80 mm	KOM-707-98-22140
	23B-63-52102	60001-		Bushing	40 mm		KOM-07177-04025
POWER TILT	23B-63-18101	50001-		P-U-10	40 mm	80 mm	KOM-707-98-23030
SCARIFIER	23B-63-32102	50001-		P-U-14	50 mm	90 mm	KOM-707-98-25430
STEERING	23B-63-72501	50001-		P-U-10	35 mm	50 mm	KOM-707-98-05410
MODEL GD663A-1							
STEERING	23B-63-72302	30001-		P-U-10	35 mm	50 mm	KOM-707-98-05410
MODEL GD705A-3							
BLADE LIFT	234-63-13001	10002-		P-U-5	55 mm	90 mm	KOM-707-98-26600
DRAWBAR SHIFT	234-63-23000	10002-		P-U-5	55 mm	90 mm	KOM-707-98-26600
LEANING	234-63-53002	10002-		P-U-14	45 mm	90 mm	KOM-707-98-24530
POWER TILT	234-63-28001	10002-		P-U-14	50 mm	100 mm	KOM-707-99-33010
RIPPER	234-63-25000	10002-		P-U-14	70 mm	140 mm	KOM-707-98-52100
MODEL GD705A-4							
BLADE LIFT	234-63-13001	31001-		P-U-5	55 mm	90 mm	KOM-707-98-26600
DRAWBAR SHIFT	234-63-23001	31001-		P-U-5	55 mm	90 mm	KOM-707-98-26600
LEANING	234-63-53002	31001-		P-U-14	45 mm	90 mm	KOM-707-98-24530
POWER TILT	234-63-28100	31001-		P-U-14	50 mm	100 mm	KOM-707-99-32010
RIPPER	234-63-25001	31001-		P-U-14	70 mm	140 mm	KOM-707-98-52100

LT - Large size tire L/S - Loading Shovel SLF - Super Long Front B/H - Backhoe HD - Heavy Duty L BUCKET - Large Bucket
K-LINK - K-type Linkage Blade LB HI-LIFT - High Lift Arm w Large Bucket HI-LIFT - High Lift Arm S HI-LIFT - Super High Lift Arm

Replacement Kits For

KOMATSU

Motor Graders							
APPLICATION	CYL #	SERIAL #	Misc	CODE	ROD	BORE	KIT #
MODEL GD705A-4							
MODEL GD725A-1							
ARTICULATE	23C-63-63101	50001-		P-U-10	55 mm	110 mm	KOM-707-98-34410
BLADE LIFT	23C-63-13101	50001-		P-U-10	55 mm	90 mm	KOM-707-98-26450
BLADE SHIFT	23C-63-43101	50001-		P-U-10	55 mm	90 mm	KOM-707-98-26441
DRAWBAR SHIFT	23C-63-23101	50001-		P-U-10	55 mm	90 mm	KOM-707-98-26450
POWER TILT	23C-63-28101	50001-		P-U-10	50 mm	100 mm	KOM-707-98-33010
STEERING	23C-63-72101	50001-		P-U-10	35 mm	50 mm	KOM-707-98-05410
MODEL GD825A-1							
ARTICULATE	235-63-63000	10002-		P-U-14	65 mm	120 mm	KOM-707-98-41110
BLADE LIFT	235-63-16100	10002-		P-U-14	65 mm	100 mm	KOM-707-98-36230
BLADE SHIFT	235-63-42000	10002-		P-U-14	65 mm	100 mm	KOM-707-98-36140
DRAWBAR SHIFT	235-63-22000	10002-		P-U-14	60 mm	100 mm	KOM-707-98-35110
LEANING	235-63-53100	10002-		P-U-14	45 mm	90 mm	KOM-707-98-24500
POWER TILT	235-63-28000	10002-		P-U-14	65 mm	120 mm	KOM-707-98-42100
RIPPER	235-63-25200	10002-		P-U-14	70 mm	140 mm	KOM-707-98-52100
STEERING	235-63-76301	10002-10043		P-U-14	40 mm	60 mm	KOM-707-98-14030
	235-63-76303	10044-		P-U-14	40 mm	60 mm	KOM-707-98-14030
MODEL GD825A-2							
ARTICULATE	235-63-63000	11001-		P-U-14	65 mm	120 mm	KOM-707-98-41110
BLADE SHIFT	235-63-16100	11001-		P-U-14	65 mm	100 mm	KOM-707-98-36230
BLADE SIDE SHIFT	235-63-42000	11001-		P-U-14	65 mm	100 mm	KOM-707-98-36140
DRAWBAR SHIFT	235-63-22000	11001-		P-U-14	60 mm	100 mm	KOM-707-98-35110
POWER TILT	235-63-28000	11001-		P-U-14	65 mm	120 mm	KOM-707-98-42100
RIPPER	235-63-25200	11001-		P-U-14	70 mm	140 mm	KOM-707-98-52100
STEERING	235-63-76400	11001-		P-U-14	40 mm	60 mm	KOM-707-98-14030
Off-Highway Trucks							
APPLICATION	CYL #	SERIAL #	Misc	CODE	ROD	BORE	KIT #
MODEL 830							
HOIST	EJ6695				7, 10-1/2, 13	9-1/2, 11-1/2, 14	KOM-AK4892
STEERING				P-U-14	3	6	KOM-AK4370
SUSPENSION FRONT	EJ6895	AF050-BU		I-UB-N	14		KOM-AK4441
SUSPENSION REAR	EH9424			I-UB-N	12		KOM-AK4446
MODEL 930							
SUSPENSION REAR	EH9424	AFE50-AN		I-UB-N	12		KOM-AK4446
MODEL HD205-3							
STEERING	567-63-12600	1003-		P-U-14	40 mm	60 mm	KOM-707-98-14200
	567-63-12600	1003-		P-U-14	40 mm	60 mm	KOM-707-98-14200
MODEL HD325-3							
STEERING	566-63-11500	1501-		P-U-14	60 mm	80 mm	KOM-707-98-27100
MODEL HD325-5							
STEERING	566-63-11500	2001-		P-U-14	60 mm	80 mm	KOM-707-98-27100
MODEL HD465-3							
STEERING	569-63-41203	2001-		P-U-14	60 mm	80 mm	KOM-707-98-27100
STEERING (LT)	569-63-41303	2001-		P-U-14	60 mm	80 mm	KOM-707-98-27100

LT - Large size tire L/S - Loading Shovel SLF - Super Long Front B/H - Backhoe HD - Heavy Duty L BUCKET - Large Bucket
 K-LINK - K-type Linkage Blade LB HI-LIFT - High Lift Arm w Large Bucket HI-LIFT - High Lift Arm S HI-LIFT - Super High Lift Arm

Replacement Kits For

KOMATSU

Off-Highway Trucks							
APPLICATION	CYL #	SERIAL #	Misc	CODE	ROD	BORE	KIT #
MODEL HD785-3							
STEERING	561-63-61102	2001-		P-U-14	70 mm	110 mm	KOM-707-98-37570
MODEL HD785-5							
STEERING	561-63-61102	4001-		P-U-14	70 mm	110 mm	KOM-707-98-37570
MODEL HD985-3							
STEERING	585-63-11100	1001-		P-U-14	70 mm	110 mm	KOM-707-98-37570
	585-63-11100	1021-		P-U-14	70 mm	110 mm	KOM-707-98-37570
MODEL HD1200M-1							
TAILGATE	566-63-41001			P-U-14	75 mm	140 mm	KOM-707-98-53100
	568-63-12101			P-U-14	75 mm	140 mm	KOM-707-98-53100
Wheel Dozers							
APPLICATION	CYL #	SERIAL #	Misc	CODE	ROD	BORE	KIT #
MODEL WD600-3							
LIFT	707-01-02030	50001-		P-U-14	90 mm	160 mm	KOM-707-99-64050
	707-01-02030	50001-		Bushing	90 mm		KOM-707-52-10910
	707-01-08240	50001-		P-U-14	90 mm	160 mm	KOM-707-99-64050
	707-01-08240	50001-		Bushing	90 mm		KOM-707-52-10910
STEERING	707-01-XE630	50001-		P-UB-14	75 mm	140 mm	KOM-707-99-53160
TILT AND PITCH	707-01-02760	50001-		P-UB-14	90 mm	180 mm	KOM-707-99-64520
	707-01-08310	50001-		P-UB-14	90 mm	180 mm	KOM-707-99-64520

KOMATSU

LT - Large size tire L/S - Loading Shovel SLF - Super Long Front B/H - Backhoe HD - Heavy Duty L BUCKET - Large Bucket
 K-LINK - K-type Linkage Blade LB HI-LIFT - High Lift Arm w Large Bucket HI-LIFT - High Lift Arm S HI-LIFT - Super High Lift Arm

REPLACEMENT KITS FOR KOMATSU CONSTRUCTION EQUIPMENT

KOMATSU

Kit Number	Code (Pg. xiv)	Rod X Bore Size
KOM-10G-63-02010K	P-U-10	35 X 50 mm
KOM-10G-63-02020K	P-U-10	35 X 50 mm
KOM-12F-63-05020	P-U-14	45 X 70 mm
KOM-12F-63-05060	P-U-14	45 X 100 mm
KOM-101-63-02010K	P-U-14	35 X 70 mm
KOM-101-63-02030K	P-U-14	35 X 70 mm
KOM-101-63-02040K	P-U-10	40 X 80 mm
KOM-101-63-02130K	P-U-14	35 X 70 mm
KOM-101-63-02140K	P-U-14	35 X 70 mm
KOM-114-63-05030	P-U-14	40 X 90 mm
KOM-130-63-05020	P-U-5	55 X 90 mm
KOM-131-63-05020	P-U-5	65 X 130 mm
KOM-131-63-05040	P-U-5	65 X 140 mm
KOM-135-63-05020	P-U-14	65 X 140 mm
KOM-135-63-05060	P-U-14	70 X 150 mm
KOM-141-63-05010	P-U-14	60 X 140 mm
KOM-141-63-05050	P-U-14	75 X 160 mm
KOM-144-60-00050K	P-U-10	65 X 110 mm
KOM-144-63-05020	P-N-14	65 X 110 mm
KOM-144-63-05050	P-U-14	65 X 110 mm
KOM-144-63-05080	P-U-14	70 X 160 mm
KOM-144-63-12200K	P-U-5	65 X 110 mm
KOM-144-63-52100K	P-U-5	70 X 160
KOM-175-63-05140	P-U-14	90 X 225 mm
KOM-195-63-05120	P-U-5,14	90 X 160 mm
KOM-195-63-05130	P-U-5	90 X 160 mm
KOM-205-63-02140K	P-UB-14	85 X 125 mm
KOM-205-63-K1360K	P-UB-14	85 X 120 mm
KOM-205-63-K1361K	P-UB-14	85 X 120 mm
KOM-205-63-K1370K	P-UB-14	110 X 160 mm
KOM-206-63-K1240K	P-UB-14	95 X 135 mm
KOM-206-63-K1250K	P-UB-14	95 X 135 mm
KOM-206-63-K1610K	P-UB-14	110 X 150 mm
KOM-206-63-K1721K	P-UB-14	100 X 140 mm
KOM-206-63-K1911K	P-UB-14	100 X 140 mm
KOM-206-63-K1980K	P-UB-14	100 X 140 mm
KOM-206-63-K2120K	P-UB-14	95 X 135 mm
KOM-206-63-K2150K	P-UB-14	120 X 185 mm
KOM-207-63-K1230K	P-UB-14	100 X 140 mm
KOM-209-63-07010K	P-U-14	85 X 130 mm
KOM-209-63-07010K	P-U-14	85 X 130 mm
KOM-20E-63-03240K	P-UB-14	70 X 105 mm
KOM-20E-63-K2500K	P-UB-14	70 X 140 mm
KOM-20G-63-03240K	P-UB-14	85 X 120 mm
KOM-20G-63-K1110K	P-UB-14	100 X 160 mm
KOM-20G-63-K1410K	P-UB-14	85 X 120 mm
KOM-20U-63-02050K	P-U-14	60 X 100 mm
KOM-20U-63-02051K	P-U-14	60 X 100 mm
KOM-21D-61-13160	P-UB-14	60 X 90 mm
KOM-21D-61-14140	P-UB-14	60 X 100 mm
KOM-21P-63-K1711K	P-UB-14	85 X 120 mm

Kit Number	Code (Pg. xiv)	Rod X Bore Size
KOM-21P-63-03120K	P-UB-14	85 X 120 mm
KOM-21P-63-03130K	P-UB-14	70 X 105 mm
KOM-21P-63-03200K	P-UB-14	75 X 110 mm
KOM-21P-63-K1611K	P-UB-14	75 X 110 mm
KOM-21P-63-K1821K	P-UB-14	75 X 110 mm
KOM-21P-63-K3600K	P-UB-12	70 X 105 mm
KOM-21S-63-02050K	P-U-10	25 X 50 mm
KOM-21W-63-02220K	P-U-14	60 X 100 mm
KOM-21W-63-02221K	P-U-14	60 X 100 mm
KOM-2938-6C-1290	P-UB-14	50 X 90 mm
KOM-2938-6C-1480	P-UB-14	45 X 70 mm
KOM-418-62-05000	P-U-14	70 X 130 mm
KOM-418-63-05000	P-U-14	75 X 150 mm
KOM-419-63-H0P12	P-U-14	40 X 70 mm
KOM-421-63-H0P05	P-UB-14	100 X 200 mm
KOM-423-63-H2P07	P-U-14	90 X 160 mm
KOM-423-63-H3P07	P-U-14	90 X 180 mm
KOM-42N-6C-13330	P-UB-10	40 X 70 mm
KOM-42N-6C-13340	P-UB-14	40 X 70 mm
KOM-42N-879-1980	I-SP-10	18 X 30 mm
KOM-42T-63-H0P01	P-UB-10	45 X 80 mm
KOM-42T-63-H0P18	P-UB-14	50 X 95 mm
KOM-42T-63-H0P52	P-U-10	35 X 70 mm
KOM-42T-63-H0P61	P-U-10	50 X 95 mm
KOM-42T-63-H0P70	P-U-10	50 X 85 mm
KOM-42U-63-H0P12	P-U-10	35 X 70 mm
KOM-42U-63-H0P43	P-U-10	50 X 85 mm
KOM-42U-63-H0P56	P-U-10	50 X 95 mm
KOM-42U-63-H0P67	P-U-10	35 X 70 mm
KOM-707-00-02460K	P-U-10	20 X 35 mm
KOM-707-01-02670K	P-UB-14	130 X 200 mm
KOM-707-98-03530	P-U-10	25 X 50 mm
KOM-707-98-04500	P-U-10	30 X 50 mm
KOM-707-98-04600	P-U-14	30 X 50 mm
KOM-707-98-04640	P-U-14	30 X 50 mm
KOM-707-98-05410	P-U-10	35 X 50 mm
KOM-707-98-05420	P-U-10	35 X 50 mm
KOM-707-98-05460	P-U-10	35 X 50 mm
KOM-707-98-05460	P-U-10	35 X 50 mm
KOM-707-98-06010	P-U-1	40 mm Rod Kit
KOM-707-98-11020	P-U-10	30 X 60 mm
KOM-707-98-11070	P-U-10	30 X 60 mm
KOM-707-98-11090	P-U-10	30 X 60 mm
KOM-707-98-11310	P-U-14	30 X 60 mm
KOM-707-98-11350	P-U-3	30 X 60 mm
KOM-707-98-11380	P-U-10	25 X 60 mm
KOM-707-98-12020	P-U-10	35 X 60 mm
KOM-707-98-12080	P-U-10	35 X 60 mm
KOM-707-98-12100	P-U-14	35 X 60 mm
KOM-707-98-12110	P-U-14	35 X 60 mm
KOM-707-98-12120	P-U-10	35 X 60 mm

REPLACEMENT KITS FOR KOMATSU CONSTRUCTION EQUIPMENT

Kit Number	Code (Pg. xiv)	Rod X Bore Size
KOM-707-98-12130	P-U-10	35 X 60 mm
KOM-707-98-12150	P-U-10	35 X 60 mm
KOM-707-98-12160	P-U-10	35 X 60 mm
KOM-707-98-12200	P-U-14	35 X 60 mm
KOM-707-98-12211	P-U-14	35 X 65 mm
KOM-707-98-12310	P-U-14	35 X 63 mm
KOM-707-98-12320	P-U-14	35 X 60 mm
KOM-707-98-12330	P-U-14	35 X 60 mm
KOM-707-98-12410	P-U-14	35 X 70 mm
KOM-707-98-12440	P-U-14	35 X 70 mm
KOM-707-98-12450	P-U-10	35 X 70 mm
KOM-707-98-12470	P-U-14	35 X 70 mm
KOM-707-98-12490	P-U-10	35 X 70 mm
KOM-707-98-12510	P-U-10	35 X 70 mm
KOM-707-98-12520	P-U-10	35 X 70 mm
KOM-707-98-12530	P-U-10	35 X 70 mm
KOM-707-98-12550	P-U-14	35 X 70 mm
KOM-707-98-12600	P-U-14	35 X 70 mm
KOM-707-98-12660	P-U-14	35 X 70 mm
KOM-707-98-12670	P-U-14	35 X 70 mm
KOM-707-98-12700	P-U-10	35 X 70 mm
KOM-707-98-12740	P-U-14	35 X 70 mm
KOM-707-98-12750	P-U-14	35 X 70 mm
KOM-707-98-12760	P-U-14	35 X 70 mm
KOM-707-98-13220	P-U-14	35 X 60 mm
KOM-707-98-13420	P-U-14	35 X 70 mm
KOM-707-98-13990	P-U-14	35 X 55 mm
KOM-707-98-14030	P-U-14	40 X 60 mm
KOM-707-98-14040	P-U-10	40 X 60 mm
KOM-707-98-14200	P-U-14	40 X 60 mm
KOM-707-98-14240	P-U-14	40 X 60 mm
KOM-707-98-14410	P-U-10	40 X 70 mm
KOM-707-98-14430	P-U-14	40 X 70 mm
KOM-707-98-14600	P-U-14	40 X 70 mm
KOM-707-98-14610	P-U-14	40 X 70 mm
KOM-707-98-14700	P-U-14	40 X 70 mm
KOM-707-98-14710	P-U-10	40 X 70 mm
KOM-707-98-14770	P-U-14	40 X 70 mm
KOM-707-98-14830	P-U-14	40 X 65 mm
KOM-707-98-14910	P-U-14	40 X 65 mm
KOM-707-98-14930	P-U-14	40 X 65 mm
KOM-707-98-15410	P-U-10	45 X 70 mm
KOM-707-98-15610	P-U-10	45 X 70 mm
KOM-707-98-15650	P-U-14	45 X 70 mm
KOM-707-98-15690	P-U-14	45 X 70 mm
KOM-707-98-15700	P-U-14	45 X 70 mm
KOM-707-98-15720	P-U-14	45 X 70 mm
KOM-707-98-15740	P-U-14	45 X 70 mm
KOM-707-98-15760	P-U-14	45 X 70 mm
KOM-707-98-15770	P-U-14	45 X 70 mm
KOM-707-98-22010	P-U-10	40 X 80 mm
KOM-707-98-22030	P-U-14	40 X 80 mm

Kit Number	Code (Pg. xiv)	Rod X Bore Size
KOM-707-98-22040	P-U-14	40 X 80 mm
KOM-707-98-22060	P-U-10	40 X 80 mm
KOM-707-98-22080	P-U-10	40 X 80 mm
KOM-707-98-22100	P-U-14	40 X 80 mm
KOM-707-98-22110	P-U-14	40 X 80 mm
KOM-707-98-22120	P-U-14	40 X 80 mm
KOM-707-98-22140	P-U-10	40 X 80 mm
KOM-707-98-22180	P-U-14	40 X 80 mm
KOM-707-98-22200	P-U-14	40 X 75 mm
KOM-707-98-22290	P-U-10	40 X 80 mm
KOM-707-98-22410	P-U-10	40 X 80 mm
KOM-707-98-22420	P-U-10	40 X 90 mm
KOM-707-98-22430	P-U-14	40 X 90 mm
KOM-707-98-22500	P-U-14	40 X 90 mm
KOM-707-98-22850	P-U-14	40 X 75 mm
KOM-707-98-22890	P-U-14	40 X 75 mm
KOM-707-98-22910	P-U-14	40 X 85 mm
KOM-707-98-23030	P-U-10	40 X 80 mm
KOM-707-98-23070	P-U-10	40 X 80 mm
KOM-707-98-23130	P-U-14	40 X 80 mm
KOM-707-98-23810	P-U-14	45 X 75 mm
KOM-707-98-23860	P-U-14	45 X 75 mm
KOM-707-98-23870	P-U-14	45 X 75 mm
KOM-707-98-23890	P-U-14	45 X 75 mm
KOM-707-98-24040	P-U-14	45 X 80 mm
KOM-707-98-24050	P-U-5	45 X 80 mm
KOM-707-98-24060	P-U-10	45 X 80 mm
KOM-707-98-24150	P-U-14	45 X 80 mm
KOM-707-98-24210	P-UB-14	45 X 75 mm
KOM-707-98-24281	P-U-14	45 X 80 mm
KOM-707-98-24330	P-U-14	45 X 80 mm
KOM-707-98-24430	P-U-14	45 X 90 mm
KOM-707-98-24500	P-U-14	45 X 90 mm
KOM-707-98-24510	P-U-14	45 X 85 mm
KOM-707-98-24520	P-U-14	45 X 90 mm
KOM-707-98-24530	P-U-14	45 X 90 mm
KOM-707-98-24550	P-U-14	45 X 90 mm
KOM-707-98-24600	P-U-14	45 X 90 mm
KOM-707-98-24610	P-U-14	45 X 95 mm
KOM-707-98-24700	P-U-14	45 X 90 mm
KOM-707-98-24710	P-U-14	45 X 90 mm
KOM-707-98-24720	P-U-14	45 X 90 mm
KOM-707-98-24770	P-U-14	45 X 95 mm
KOM-707-98-24820	P-U-14	45 X 75 mm
KOM-707-98-24830	P-U-14	45 X 75 mm
KOM-707-98-24890	P-U-14	45 X 75 mm
KOM-707-98-24910	P-U-14	45 X 85 mm
KOM-707-98-24920	P-U-14	45 X 85 mm
KOM-707-98-24930	P-U-14	45 X 85 mm
KOM-707-98-25030	P-U-14	50 X 80 mm
KOM-707-98-25040	P-U-14	50 X 80 mm
KOM-707-98-25050	P-U-5	50 X 80 mm

REPLACEMENT KITS FOR KOMATSU CONSTRUCTION EQUIPMENT

Kit Number	Code (Pg. xiv)	Rod X Bore Size
KOM-707-98-25060	P-U-5	50 X 80 mm
KOM-707-98-25070	P-U-14	50 X 80 mm
KOM-707-98-25090	P-U-14	50 X 80 mm
KOM-707-98-25110	P-UB-14	50 X 80 mm
KOM-707-98-25170	P-U-14	50 X 80 mm
KOM-707-98-25250	P-U-14	50 X 80 mm
KOM-707-98-25350	P-U-14	50 X 80 mm
KOM-707-98-25430	P-U-14	50 X 90 mm
KOM-707-98-25500	P-U-14	50 X 90 mm
KOM-707-98-25510	P-U-14	50 X 90 mm
KOM-707-98-25520	P-UB-14	50 X 90 mm
KOM-707-98-25560	P-U-14	50 X 90 mm
KOM-707-98-25600	P-U-14	50 X 90 mm
KOM-707-98-25610	P-U-14	50 X 95 mm
KOM-707-98-25620	P-U-14	50 X 90 mm
KOM-707-98-25700	P-U-14	50 X 90 mm
KOM-707-98-25710	P-U-14	50 X 90 mm
KOM-707-98-25750	P-U-14	50 X 90 mm
KOM-707-98-25760	P-U-14	50 X 90 mm
KOM-707-98-25820	P-U-14	50 X 85 mm
KOM-707-98-25830	P-U-14	50 X 85 mm
KOM-707-98-25870	P-U-14	50 X 85 mm
KOM-707-98-25910	P-U-14	50 X 75 mm
KOM-707-98-25970	P-U-14	50 X 75 mm
KOM-707-98-25980	P-U-14	50 X 75 mm
KOM-707-98-26100	P-U-14	55 X 80 mm
KOM-707-98-26110	P-U-14	55 X 80 mm
KOM-707-98-26120	P-U-14	55 X 80 mm
KOM-707-98-26300	P-U-14	50 X 80 mm
KOM-707-98-26441	P-U-10	55 X 90 mm
KOM-707-98-26450	P-U-10	55 X 90 mm
KOM-707-98-26520	P-U-14	55 X 90 mm
KOM-707-98-26540	P-U-5	55 X 90 mm
KOM-707-98-26550	P-U-14	55 X 90 mm
KOM-707-98-26560	P-U-14	55 X 90 mm
KOM-707-98-26570	P-U-14	55 X 90 mm
KOM-707-98-26580	P-UB-14	55 X 90 mm
KOM-707-98-26600	P-U-5	55 X 90 mm
KOM-707-98-26620	P-U-14	55 X 90 mm
KOM-707-98-26720	P-U-14	55 X 90 mm
KOM-707-98-27100	P-U-14	60 X 80 mm
KOM-707-98-27500	P-U-14	60 X 90 mm
KOM-707-98-27600	P-UB-14	60 X 90 mm
KOM-707-98-27620	P-UB-14	60 X 90 mm
KOM-707-98-28600	P-U-10	65 X 95 mm
KOM-707-98-28640	P-U-14	65 X 95 mm
KOM-707-98-29500	P-U-14	50 X 90 mm
KOM-707-98-29510	P-U-14	50 X 90 mm
KOM-707-98-29620	P-U-14	50 X 95 mm
KOM-707-98-29630	P-U-14	50 X 95 mm
KOM-707-98-29640	P-U-14	50 X 95 mm
KOM-707-98-29650	P-U-14	50 X 95 mm

Kit Number	Code (Pg. xiv)	Rod X Bore Size
KOM-707-98-29661	P-U-14	50 X 95 mm
KOM-707-98-32050	P-U-14	50 X 100 mm
KOM-707-98-32120	P-U-14	50 X 100 mm
KOM-707-98-32550	P-U-14	50 X 110 mm
KOM-707-98-32570	P-U-14	50 X 110 mm
KOM-707-98-32810	P-UB-14	50 X 105 mm
KOM-707-98-32820	P-U-14	50 X 105 mm
KOM-707-98-32900	P-U-14	50 X 105 mm
KOM-707-98-33010	P-U-10	50 X 100 mm
KOM-707-98-33500	P-U-14	50 X 115 mm
KOM-707-98-34120	P-U-14	55 X 100 mm
KOM-707-98-34140	P-U-14	55 X 95 mm
KOM-707-98-34160	P-U-14	55 X 100 mm
KOM-707-98-34180	P-U-14	55 X 110 mm
KOM-707-98-34410	P-U-10	55 X 110 mm
KOM-707-98-34460	P-U-14	55 X 110 mm
KOM-707-98-34520	P-U-14	55 X 110 mm
KOM-707-98-34560	P-U-14	55 X 110 mm
KOM-707-98-34580	I-U-14	55 X 110 mm
KOM-707-98-34590	P-U-14	55 X 110 mm
KOM-707-98-34640	P-U-14	55 X 110 mm
KOM-707-98-34670	P-U-14	55 X 115 mm
KOM-707-98-35100	P-U-14	60 X 100 mm
KOM-707-98-35110	P-U-14	60 X 100 mm
KOM-707-98-35130	P-U-14	60 X 100 mm
KOM-707-98-35181	P-U-14	60 X 100 mm
KOM-707-98-35310	P-U-14	60 X 100 mm
KOM-707-98-35510	P-U-14	60 X 110 mm
KOM-707-98-35520	P-U-14	60 X 110 mm
KOM-707-98-36100	P-UB-14	65 X 100 mm
KOM-707-98-36110	P-UB-14	65 X 100 mm
KOM-707-98-36140	P-U-14	65 X 100 mm
KOM-707-98-36180	P-U-14	65 X 100 mm
KOM-707-98-36200	P-UB-14	65 X 95 mm
KOM-707-98-36210	P-U-14	65 X 95 mm
KOM-707-98-36230	P-U-14	65 X 100 mm
KOM-707-98-36240	P-UB-14	65 X 95 mm
KOM-707-98-36280	P-U-14	65 X 100 mm
KOM-707-98-36411	P-U-10	65 X 110 mm
KOM-707-98-36450	P-U-14	65 X 110 mm
KOM-707-98-36500	P-U-14	65 X 110 mm
KOM-707-98-36510	P-U-14	65 X 110 mm
KOM-707-98-36520	P-U-14	65 X 110 mm
KOM-707-98-36560	P-U-14	65 X 110 mm
KOM-707-98-36590	P-U-14	65 X 115 mm
KOM-707-98-36600	P-U-14	65 X 110 mm
KOM-707-98-36630	P-U-14	65 X 110 mm
KOM-707-98-36700	P-U-14	65 X 115 mm
KOM-707-98-37110	P-UB-14	70 X 100 mm
KOM-707-98-37130	P-UB-14	70 X 100 mm
KOM-707-98-37500	P-U-14	70 X 110 mm
KOM-707-98-37510	P-U-14	70 X 110 mm

REPLACEMENT KITS FOR KOMATSU CONSTRUCTION EQUIPMENT

Kit Number	Code (Pg. xiv)	Rod X Bore Size	Kit Number	Code (Pg. xiv)	Rod X Bore Size
KOM-707-98-37570	P-U-14	70 X 110 mm	KOM-707-98-47500	P-U-14	90 X 130 mm
KOM-707-98-37580	P-U-14	70 X 110 mm	KOM-707-98-47510	P-U-14	90 X 130 mm
KOM-707-98-37600	P-U-14	70 X 110 mm	KOM-707-98-47600	P-U-14	90 X 130 mm
KOM-707-98-37610	P-U-14	70 X 110 mm	KOM-707-98-47620	P-UB-14	90 X 130 mm
KOM-707-98-37620	P-UB-14	70 X 105 mm	KOM-707-98-47670	P-UB-14	90 X 130 mm
KOM-707-98-37670	P-UB-14	70 X 105 mm	KOM-707-98-47680	P-U-14	90 X 130 mm
KOM-707-98-38500	P-U-14	75 X 110 mm	KOM-707-98-47720	P-UB-14	90 X 130 mm
KOM-707-98-38510	P-U-14	75 X 110 mm	KOM-707-98-47730	P-UB-14	90 X 130 mm
KOM-707-98-38520	P-UB-14	75 X 110 mm	KOM-707-98-47740	P-UB-14	90 X 130 mm
KOM-707-98-38551	P-UB-14	75 X 110 mm	KOM-707-98-48500	P-U-14	95 X 130 mm
KOM-707-98-38600	P-U-14	75 X 110 mm	KOM-707-98-48510	P-U-14	95 X 130 mm
KOM-707-98-39610	P-UB-14	80 X 115 mm	KOM-707-98-48600	P-U-14	95 X 130 mm
KOM-707-98-40020	P-U-14	55 X 120 mm	KOM-707-98-48610	P-UB-14	95 X 135 mm
KOM-707-98-41020	P-U-10	60 X 120 mm	KOM-707-98-50100	P-U-14	60 X 140 mm
KOM-707-98-41030	P-U-14	60 X 120 mm	KOM-707-98-51100	P-U-14	65 X 140 mm
KOM-707-98-41110	P-U-14	65 X 120 mm	KOM-707-98-51110	P-U-5	65 X 140 mm
KOM-707-98-41120	P-U-14	60 X 120 mm	KOM-707-98-52100	P-U-14	70 X 140 mm
KOM-707-98-41130	P-U-14	60 X 120 mm	KOM-707-98-52110	P-U-14	70 X 140 mm
KOM-707-98-41140	P-U-14	60 X 120 mm	KOM-707-98-52130	P-U-14	70 X 140 mm
KOM-707-98-41170	P-U-14	60 X 120 mm	KOM-707-98-52140	P-U-14	70 X 140 mm
KOM-707-98-41330	P-U-14	60 X 120 mm	KOM-707-98-52210	P-U-14	70 X 140 mm
KOM-707-98-42100	P-U-14	65 X 120 mm	KOM-707-98-52220	P-U-14	70 X 140 mm
KOM-707-98-42150	P-U-14	65 X 120 mm	KOM-707-98-52410	P-U-14	70 X 150 mm
KOM-707-98-42410	P-U-14	65 X 130 mm	KOM-707-98-52420	P-U-14	70 X 150 mm
KOM-707-98-42420	P-U-10	65 X 130 mm	KOM-707-98-52430	P-U-14	70 X 150 mm
KOM-707-98-42540	P-U-14	65 X 130 mm	KOM-707-98-53100	P-U-14	75 X 140 mm
KOM-707-98-42700	P-U-14	65 X 130 mm	KOM-707-98-53410	P-U-14	75 X 150 mm
KOM-707-98-43100	P-U-14	70 X 120 mm	KOM-707-98-54500	P-U-14	80 X 150 mm
KOM-707-98-43130	P-U-14	70 X 120 mm	KOM-707-98-54510	P-U-14	80 X 150 mm
KOM-707-98-43200	P-U-14	70 X 120 mm	KOM-707-98-56600	P-U-14	90 X 150 mm
KOM-707-98-43210	P-U-14	70 X 120 mm	KOM-707-98-56610	P-U-14	90 X 150 mm
KOM-707-98-43510	P-U-14	70 X 130 mm	KOM-707-98-57201	P-U-14	95 X 140 mm
KOM-707-98-43530	P-U-14	70 X 130 mm	KOM-707-98-58200	P-U-14	100 X 140 mm
KOM-707-98-43620	I-U-14	70 X 130 mm	KOM-707-98-58210	P-U-14	100 X 140 mm
KOM-707-98-44120	P-U-14	75 X 120 mm	KOM-707-98-58230	P-U-14	100 X 140 mm
KOM-707-98-44200	P-U-14	75 X 120 mm	KOM-707-98-58240	P-UB-14	100 X 140 mm
KOM-707-98-44310	P-UB-14	75 X 115 mm	KOM-707-98-60100	P-U-14	70 X 160 mm
KOM-707-98-45100	P-U-14	80 X 120 mm	KOM-707-98-60110	P-U-14	70 X 160 mm
KOM-707-98-45200	P-U-14	80 X 120 mm	KOM-707-98-60120	P-U-14	70 X 160 mm
KOM-707-98-45220	P-UB-14	80 X 115 mm	KOM-707-98-60121	P-U-14	70 X 160 mm
KOM-707-98-45240	P-UB-14	80 X 11 mm	KOM-707-98-61100	P-U-14	75 X 160 mm
KOM-707-98-45250	P-UB-14	80 X 100 mm	KOM-707-98-61110	P-U-5	75 X 160 mm
KOM-707-98-45610	P-U-14	80 X 130 mm	KOM-707-98-62100	P-U-14	80 X 160 mm
KOM-707-98-45620	P-U-14	80 X 130 mm	KOM-707-98-62120	P-U-14	80 X 160 mm
KOM-707-98-45700	P-U-14	80 X 130 mm	KOM-707-98-62131	P-U-14	80 X 160 mm
KOM-707-98-46100	P-U-14	85 X 120 mm	KOM-707-98-64400	P-U-14	90 X 180 mm
KOM-707-98-46200	P-U-14	85 X 120 mm	KOM-707-98-64410	P-U-14	90 X 180 mm
KOM-707-98-46220	P-UB-14	85 X 120 mm	KOM-707-98-64420	P-U-14	90 X 180 mm
KOM-707-98-46270	P-UB-14	85 X 120 mm	KOM-707-98-64450	P-U-14	90 X 180 mm
KOM-707-98-46280	P-UB-14	85 X 120 mm	KOM-707-98-66410	P-U-14	100 X 180 mm
KOM-707-98-46300	P-UB-14	85 X 120 mm	KOM-707-98-67100	P-U-14	110 X 160 mm
KOM-707-98-46600	P-U-14	85 X 130 mm	KOM-707-98-67110	P-U-14	110 X 160 mm

REPLACEMENT KITS FOR KOMATSU CONSTRUCTION EQUIPMENT

Kit Number	Code (Pg. xiv)	Rod X Bore Size
KOM-707-98-68400	P-U-14	120 X 180 mm
KOM-707-98-68500	P-U-14	120 X 180 mm
KOM-707-98-71020	P-U-14	90 X 200 mm
KOM-707-98-73010	P-U-14	100 X 200 mm
KOM-707-98-73020	P-U-14	100 X 200 mm
KOM-707-98-73400	P-U-14	100 X 225 mm
KOM-707-98-74100	P-U-14	110 X 200 mm
KOM-707-98-74400	P-U-14	110 X 225
KOM-707-98-74410	P-U-14	110 X 225 mm
KOM-707-98-74420	P-U-14	110 X 225 mm
KOM-707-98-75020	P-U-14	120 X 200 mm
KOM-707-98-81010	P-U-14	110 X 250 mm
KOM-707-98-84011	P-U-14	140 X 250 mm
KOM-707-99-03500	P-U-10	25 X 50 mm
KOM-707-99-04410	P-U-10	30 X 50 mm
KOM-707-99-11030	P-U-14	30 X 60 mm
KOM-707-99-11040	P-UB-14	30 X 60 mm
KOM-707-99-12420	P-U-5	35 X 70 mm
KOM-707-99-13410	P-U-5	35 X 70 mm
KOM-707-99-14200	P-U-14	40 X 60 mm
KOM-707-99-14410	P-U-10	40 X 70 mm
KOM-707-99-14600	P-U-14	40 X 70 mm
KOM-707-99-14610	P-U-14	40 X 70 mm
KOM-707-99-14750	P-UB-14	40 X 70 mm
KOM-707-99-14760	P-U-14	40 X 70 mm
KOM-707-99-14770	P-UB-14	40 X 70 mm
KOM-707-99-14930	P-UB-14	40 X 75 mm
KOM-707-99-15600	P-U-14	45 X 70 mm
KOM-707-99-15810	P-UB-14	45 X 75 mm
KOM-707-99-22010	P-U-14	40 X 80 mm
KOM-707-99-22100	P-U-14	40 X 80 mm
KOM-707-99-23010	P-U-5	40 X 80 mm
KOM-707-99-23910	P-UB-14	40 X 85 mm
KOM-707-99-24100	P-U-14	45 X 80 mm
KOM-707-99-24110	P-U-14	45 X 80 mm
KOM-707-99-24120	P-U-14	45 X 80 mm
KOM-707-99-24200	P-U-14	45 X 80 mm
KOM-707-99-24500	P-U-14	45 X 90 mm
KOM-707-99-24510	P-U-14	45 X 90 mm
KOM-707-99-24630	P-UB-14	45 X 90 mm
KOM-707-99-24640	P-UB-14	45 X 90 mm
KOM-707-99-24650	P-UB-14	45 X 90 mm
KOM-707-99-24660	P-UB-14	45 X 90 mm
KOM-707-99-24670	P-UB-14	45 X 90 mm
KOM-707-99-24930	P-UB-14	45 X 85 mm
KOM-707-99-25520	P-U-14	50 X 90 mm
KOM-707-99-25700	P-UB-14	50 X 90 mm
KOM-707-99-25710	P-UB-14	50 X 90 mm
KOM-707-99-25720	P-UB-14	50 X 90 mm
KOM-707-99-25730	P-UB-14	50 X 90 mm
KOM-707-99-25870	P-UB-14	65 X 95 mm
KOM-707-99-25880	P-UB-14	65 X 95 mm

Kit Number	Code (Pg. xiv)	Rod X Bore Size
KOM-707-99-26410	P-U-5	55 X 90 mm
KOM-707-99-26530	P-UB-14	55 x 90 mm
KOM-707-99-26600	P-U-5	55 X 90 mm
KOM-707-99-26620	P-U-14	55 X 90 mm
KOM-707-99-26640	P-U-14	55 X 90 mm
KOM-707-99-27600	P-U-14	60 X 90 mm
KOM-707-99-27650	P-UB-14	60 X 90 mm
KOM-707-99-32010	P-U-14	50 X 100 mm
KOM-707-99-32070	P-UB-14	50 X 100 mm
KOM-707-99-32100	P-U-14	50 X 100 mm
KOM-707-99-32110	P-U-14	50 X 100 mm
KOM-707-99-32190	P-UB-14	50 X 100 mm
KOM-707-99-32250	P-UB-14	50 X 100 mm
KOM-707-99-33010	P-U-14	50 X 100 mm
KOM-707-99-34030	P-U-5	55 X 100 mm
KOM-707-99-34100	P-U-14	55 X 100 mm
KOM-707-99-34500	P-U-14	55 X 110 mm
KOM-707-99-34510	P-U-14	55 X 110 mm
KOM-707-99-34550	P-U-14	55 X 110 mm
KOM-707-99-34600	P-UB-14	55 X 110 mm
KOM-707-99-34620	P-UB-14	55 X 110 mm
KOM-707-99-34630	P-UB-14	55 X 110 mm
KOM-707-99-35160	I-UB-14	60 X 100 mm
KOM-707-99-35170	P-UB-14	60 X 100 mm
KOM-707-99-35230	P-U-14	60 X 100 mm
KOM-707-99-35300	P-UB-14	60 X 100 mm
KOM-707-99-35310	P-UB-14	60 X 100 mm
KOM-707-99-35320	P-UB-14	60 X 100 mm
KOM-707-99-35590	P-UB-14	60 X 115 mm
KOM-707-99-36200	P-UB-14	65 X 100 mm
KOM-707-99-36210	P-UB-14	65 X 100 mm
KOM-707-99-36220	P-U-14	65 X 100 mm
KOM-707-99-36260	P-U-14	65 X 100 mm
KOM-707-99-36270	P-U-14	65 X 100 mm
KOM-707-99-36300	P-UB-14	65 X 100 mm
KOM-707-99-36330	P-UB-14	65 x 100 mm
KOM-707-99-36410	P-U-5	60 X 110 mm
KOM-707-99-36420	P-U-14	65 X 110 mm
KOM-707-99-36550	P-UB-14	65 X 110 mm
KOM-707-99-36620	P-UB-14	65 X 105 mm
KOM-707-99-36630	P-U-14	65 X 115 mm
KOM-707-99-37150	P-UB-14	70 X 105 mm
KOM-707-99-37230	P-UB-14	70 X 105 mm
KOM-707-99-37290	P-UB-14	70 X 105 mm
KOM-707-99-37300	P-UB-14	70 X 105 mm
KOM-707-99-37310	P-UB-14	70 X 105 mm
KOM-707-99-37340	P-UB-14	70 X 105 mm
KOM-707-99-37500	P-U-14	70 X 110 mm
KOM-707-99-37510	P-U-14	70 X 110 mm
KOM-707-99-37600	P-UB-14	70 X 110 mm
KOM-707-99-37610	P-UB-14	70 X 110 mm
KOM-707-99-38720	P-UB-14	75 X 110 mm

REPLACEMENT KITS FOR KOMATSU CONSTRUCTION EQUIPMENT

Kit Number	Code (Pg. xiv)	Rod X Bore Size	Kit Number	Code (Pg. xiv)	Rod X Bore Size
KOM-707-99-38740	P-UB-14	75 X 110 mm	KOM-707-99-47740	P-UB-14	90 X 130 mm
KOM-707-99-38760	P-UB-14	75 X 110 mm	KOM-707-99-47780	P-UB-14	90 X 130 mm
KOM-707-99-40040	P-U-14	55 X 120 mm	KOM-707-99-47790	P-UB-14	90 X 130 mm
KOM-707-99-40100	P-U-5	50 X 120 mm	KOM-707-99-47800	P-UB-14	90 X 130 mm
KOM-707-99-40120	P-UB-14	55 X 120 mm	KOM-707-99-47830	P-UB-14	90 X 130 mm
KOM-707-99-41100	P-U-14	60 X 120 mm	KOM-707-99-47860	P-UB-14	90 X 130 mm
KOM-707-99-41130	P-U-14	60 X 120 mm	KOM-707-99-48610	P-UB-14	95 X 130 mm
KOM-707-99-41140	P-U-14	60 X 120 mm	KOM-707-99-50620	P-UB-14	95 X 135 mm
KOM-707-99-41270	P-UB-14	60 X 120 mm	KOM-707-99-50650	P-UB-14	95 X 135 mm
KOM-707-99-41300	P-UB-14	60 X 120 mm	KOM-707-99-50740	P-UB-14	95 X 135 mm
KOM-707-99-42020	P-U-5	65 X 120 mm	KOM-707-99-52100	P-U-14	70 X 140 mm
KOM-707-99-43010	P-U-5	70 X 120 mm	KOM-707-99-52160	P-UB-14	70 X 140 mm
KOM-707-99-43100	P-U-14	70 X 120 mm	KOM-707-99-52170	P-UB-14	70 X 140 mm
KOM-707-99-43110	P-U-14	70 X 120 mm	KOM-707-99-53100	P-U-14	75 X 140 mm
KOM-707-99-43300	P-UB-14	70 X 120 mm	KOM-707-99-53160	P-UB-14	75 X 140 mm
KOM-707-99-43500	P-U-14	70 X 130 mm	KOM-707-99-53170	P-UB-14	75 X 140 mm
KOM-707-99-43520	P-U-14	70 X 130 mm	KOM-707-99-53500	P-U-14	75 X 150 mm
KOM-707-99-43540	P-U-14	70 X 130 mm	KOM-707-99-54100	P-U-14	80 X 140 mm
KOM-707-99-43570	P-UB-14	70 X 130 mm	KOM-707-99-55500	P-U-14	85 X 150 mm
KOM-707-99-43590	P-UB-14	70 X 130 mm	KOM-707-99-56220	P-UB-14	90 X 140 mm
KOM-707-99-43680	P-UB-14	70 X 130 mm	KOM-707-99-56310	P-U-14	90 X 140 mm
KOM-707-99-43690	P-UB-14	70 X 130 mm	KOM-707-99-56500	P-U-14	90 X 150 mm
KOM-707-99-44060	P-UB-14	75 X 115 mm	KOM-707-99-56620	P-UB-14	90 X 150 mm
KOM-707-99-44200	P-UB-14	75 X 115 mm	KOM-707-99-57160	P-UB-14	95 X 135 mm
KOM-707-99-44220	P-UB-14	75 X 115 mm	KOM-707-99-57180	P-UB-14	95 X 135 mm
KOM-707-99-44230	P-UB-14	75 X 115 mm	KOM-707-99-57200	P-UB-14	95 X 135 mm
KOM-707-99-44270	P-UB-14	75 X 115 mm	KOM-707-99-57250	P-UB-14	95 X 135 mm
KOM-707-99-44280	P-UB-14	75 X 115 mm	KOM-707-99-57270	P-UB-14	95 X 135 mm
KOM-707-99-44290	P-UB-14	75 X 115 mm	KOM-707-99-57310	P-UB-14	95 X 140 mm
KOM-707-99-44310	P-UB-14	75 X 115 mm	KOM-707-99-58030	P-UB-14	100 X 140 mm
KOM-707-99-44340	P-UB-14	75 X 115 mm	KOM-707-99-58050	P-UB-14	100 X 140 mm
KOM-707-99-44380	P-UB-14	75 X 115 mm	KOM-707-99-58060	P-UB-14	100 X 140 mm
KOM-707-99-45220	P-UB-14	80 X 115 mm	KOM-707-99-58070	P-UB-14	100 X 140 mm
KOM-707-99-45230	P-UB-14	80 X 115 mm	KOM-707-99-58080	P-UB-14	100 X 140 mm
KOM-707-99-45310	P-UB-14	80 X 120 mm	KOM-707-99-58090	P-UB-14	100 X 140 mm
KOM-707-99-46030	P-UB-14	85 X 120 mm	KOM-707-99-58110	P-UB-14	100 X 140 mm
KOM-707-99-46120	P-UB-14	85 X 125 mm	KOM-707-99-58200	P-UB-14	100 X 140 mm
KOM-707-99-46130	P-UB-14	85 X 120 mm	KOM-707-99-58210	P-UB-14	100 X 140 mm
KOM-707-99-46200	P-UB-14	85 X 120 mm	KOM-707-99-58240	P-UB-14	100 X 140 mm
KOM-707-99-46210	P-UB-14	85 X 120 mm	KOM-707-99-58260	P-UB-14	100 X 140 mm
KOM-707-99-46270	P-UB-14	85 X 120 mm	KOM-707-99-58300	P-UB-14	100 X 140 mm
KOM-707-99-46290	P-UB-14	85 X 125 mm	KOM-707-99-58310	P-UB-14	100 X 140 mm
KOM-707-99-46320	P-UB-14	85 X 120 mm	KOM-707-99-58320	P-UB-14	100 X 140 mm
KOM-707-99-46420	P-UB-14	85 X 120 mm	KOM-707-99-58350	P-UB-14	100 X 140 mm
KOM-707-99-46600	P-UB-14	85 X 120 mm	KOM-707-99-58360	P-UB-14	100 X 140 mm
KOM-707-99-46620	P-UB-14	85 X 130 mm	KOM-707-99-58370	P-UB-14	100 X 140 mm
KOM-707-99-47570	P-UB-14	90 X 130 mm	KOM-707-99-58390	P-UB-14	100 X 140 mm
KOM-707-99-47600	P-UB-14	90 X 130 mm	KOM-707-99-59020	P-UB-14	100 X 140 mm
KOM-707-99-47610	P-UB-14	90 X 130 mm	KOM-707-99-59320	P-UB-14	100 X 140 mm
KOM-707-99-47660	P-UB-14	90 X 130 mm	KOM-707-99-59330	P-UB-14	100 X 140 mm
KOM-707-99-47670	P-UB-14	90 X 130 mm	KOM-707-99-59600	P-UB-14	100 X 150 mm
KOM-707-99-47730	P-UB-14	90 X 130 mm	KOM-707-99-59610	P-UB-14	110 X 150 mm

REPLACEMENT KITS FOR KOMATSU CONSTRUCTION EQUIPMENT

Kit Number	Code (Pg. xiv)	Rod X Bore Size	Kit Number	Code (Pg. xiv)	Rod X Bore Size
KOM-707-99-59620	P-UB-14	110 X 150 mm	KOM-707-99-69500	P-UB-14	130 X 185 mm
KOM-707-99-59740	P-UB-14	110 X 150 mm	KOM-707-99-69600	P-U-14	130 X 180 mm
KOM-707-99-62010	P-U-14	80 X 160 mm	KOM-707-99-69620	P-U-14	130 X 180 mm
KOM-707-99-62020	P-U-14	80 X 160 mm	KOM-707-99-69700	P-UB-14	130 X 185 mm
KOM-707-99-62120	P-UB-14	80 X 160 mm	KOM-707-99-69710	P-UB-14	130 X 185 mm
KOM-707-99-64010	P-U-14	90 X 160 mm	KOM-707-99-69740	P-UB-14	130 X 185 mm
KOM-707-99-64030	P-U-14	90 X 160 mm	KOM-707-99-69790	P-UB-14	130 X 185 mm
KOM-707-99-64040	P-U-14	90 X 160 mm	KOM-707-99-71100	P-U-14	90 X 200 mm
KOM-707-99-64050	P-U-14	90 X 160 mm	KOM-707-99-71420	P-U-14	90 X 225 mm
KOM-707-99-64080	P-UB-14	90 X 160 mm	KOM-707-99-72240	P-UB-14	110 X 160 mm
KOM-707-99-64200	P-UB-14	90 X 160 mm	KOM-707-99-72300	P-UB-14	110 X 160 mm
KOM-707-99-64230	P-UB-14	90 X 160 mm	KOM-707-99-73010	P-U-14	100 X 200 mm
KOM-707-99-64250	P-UB-14	90 X 160 mm	KOM-707-99-73020	P-U-14	100 X 200 mm
KOM-707-99-64400	P-U-14	90 X 180 mm	KOM-707-99-73150	P-UB-14	100 X 200 mm
KOM-707-99-64410	P-U-14	90 X 180 mm	KOM-707-99-73160	P-UB-14	100 X 200 mm
KOM-707-99-64450	P-U-14	90 X 180 mm	KOM-707-99-74010	P-U-14	110 X 200 mm
KOM-707-99-64520	P-UB-14	90 X 180 mm	KOM-707-99-74120	P-U-14	110 X 200 mm
KOM-707-99-64540	P-UB-14	90 X 180 mm	KOM-707-99-74140	P-UB-14	110 X 200 mm
KOM-707-99-65400	P-U-14	95 X 180 mm	KOM-707-99-74200	P-UB-14	110 X 200 mm
KOM-707-99-65420	P-UB-14	95 X 180 mm	KOM-707-99-75400	P-U-14	120 X 225 mm
KOM-707-99-66010	P-U-14	100 X 160 mm	KOM-707-99-75410	P-U-14	120 X 225 mm
KOM-707-99-66210	P-U-14	100 X 160 mm	KOM-707-99-75420	P-U-14	120 X 225 mm
KOM-707-99-66240	P-UB-14	100 X 160 mm	KOM-707-99-75440	P-UB-14	120 X 225 mm
KOM-707-99-66360	P-UB-14	100 X 160 mm	KOM-707-99-75450	P-UB-14	120 X 225 mm
KOM-707-99-66380	P-UB-14	100 X 160 mm	KOM-707-99-75470	P-UB-14	120 X 225 mm
KOM-707-99-66400	P-U-14	100 X 180 mm	KOM-707-99-75490	P-UB-14	120 X 225 mm
KOM-707-99-66600	P-UB-14	100 X 180 mm	KOM-707-99-77090	P-UB-14	140 X 200 mm
KOM-707-99-66610	P-UB-14	100 X 180 mm	KOM-707-99-77120	P-UB-14	140 X 200 mm
KOM-707-99-66660	P-UB-14	100 X 180 mm	KOM-707-99-77140	P-UB-14	140 X 200 mm
KOM-707-99-67010	P-UB-14	110 X 160 mm	KOM-707-99-77160	P-UB-14	140 X 200 mm
KOM-707-99-67070	P-UB-14	110 X 160 mm	KOM-707-99-77240	P-U-14	140 X 200 mm
KOM-707-99-67090	P-UB-14	110 X 160 mm	KOM-707-99-77250	P-U-14	140 X 200 mm
KOM-707-99-67110	P-UB-14	110 X 160 mm	KOM-707-99-77300	P-UB-14	140 X 200 mm
KOM-707-99-67120	P-UB-14	110 X 160 mm	KOM-707-99-77380	P-UB-14	140 X 200 mm
KOM-707-99-67121	P-UB-14	110 X 160 mm	KOM-707-99-77600	P-UB-14	140 X 225 mm
KOM-707-99-67280	P-UB-14	110 X 160 mm	KOM-707-99-77630	P-UB-14	140 X 225 mm
KOM-707-99-67290	P-UB-14	110 X 160 mm	KOM-707-99-78620	P-UB-14	160 X 225 mm
KOM-707-99-67300	P-UB-14	110 X 160 mm	KOM-707-99-78630	P-UB-14	160 X 225 mm
KOM-707-99-67310	P-UB-14	110 X 160 mm	KOM-707-99-84010	P-U-14	140 X 250 mm
KOM-707-99-67610	P-UB-14	110 X 160 mm	KOM-707-99-84400	P-U-14	140 X 280 mm
KOM-707-99-67830	P-UB-14	110 X 160 mm	KOM-707-99-84450	P-UB-14	140 X 280 mm
KOM-707-99-67840	P-UB-14	110 X 160 mm	KOM-707-99-85900	P-UB-14	160 X 260 mm
KOM-707-99-67870	P-UB-14	110 X 160 mm	KOM-707-99-86600	P-UB-14	170 X 280 mm
KOM-707-99-68420	P-UB-14	120 X 160 mm	KOM-707-99-89200	P-U-14	170 X 250 mm
KOM-707-99-68430	P-UB-14	120 X 185 mm	KOM-707-99-96200	P-UB-14	180 X 300 mm
KOM-707-99-68510	P-UB-14	120 X 185 mm	KOM-707-99-H0P01	P-U-14	95 X 180 mm
KOM-707-99-68560	P-UB-14	120 X 185 mm	KOM-707-99-H0P03	P-UB-14	100 X 200 mm
KOM-707-99-68580	P-UB-14	120 X 185 mm	KOM-707-99-H0P10	P-UB-14	95 X 180 mm
KOM-707-99-68660	P-UB-14	120 X 185 mm	KOM-707-99-H0P11	P-UB-14	50 X 100 mm
KOM-707-99-68730	P-UB-14	120 X 185 mm	KOM-780-454-73	N-N-10	200 mm
KOM-707-99-68780	P-UB-14	120 X 185 mm	KOM-827020113	I-U-15	40 X 80 mm
KOM-707-99-68910	P-UB-14	120 X 170 mm	KOM-855660112	I-SP-15	45 X 85 mm

REPLACEMENT KITS FOR KOMATSU CONSTRUCTION EQUIPMENT

Kit Number	Code (Pg. xiv)	Rod X Bore Size
KOM-878000365	P-UB-14	60 X 120 mm
KOM-878000388	P-UB-10	40 X 70 mm
KOM-878000425	P-UB-14	60 X 100 mm
KOM-878000486	P-UB-14	50 X 85 mm
KOM-878000487	P-UB-14	50 X 80 mm
KOM-878000489	P-UB-14	60 X 120 mm
KOM-878000490	P-UB-14	60 X 110 mm
KOM-878000491	P-UB-14	60 X 115 mm
KOM-878000492	P-UB-14	60 X 95 mm
KOM-878000494	P-UB-14	55 X 110 mm
KOM-878000541	P-UB-14	60 X 125 mm
KOM-878000542	P-UB-14	50 X 115 mm
KOM-878000607	P-UB-14	70 X 120 mm
KOM-878000608	P-UB-14	50 X 90 mm

Kit Number	Code (Pg. xiv)	Rod X Bore Size
KOM-878000617	I-SP-10	18 X 30 mm
KOM-878010240	P-U-14	30 X 60 mm
KOM-878010241	P-U-14	35 X 55 mm
KOM-878010284	P-U-14	35 X 65 mm
KOM-878010285	P-U-14	40 X 65 mm
KOM-AK4370	P-U-14	3 X 6
KOM-AK4441	I-UB-N	14" ROD KIT
KOM-AK4446	I-UB-N	12" ROD KIT
KOM-AK4892	AK4892	
KOM-PC-1	P-U-14	100 X 150 mm
KOM-PC-2	P-U-14	90 X 140 mm
KOM-PC-3	P-U-14	80 X 140 mm
KOM-RK1887		SHOCK STRUT VALVE

KOMATSU TRACK ADJUSTER KITS

Kit Number	Code (Pg. xiv)	Bore Size
KOM-1909018	P-N-4	60 mm
KOM-1909019	N-N-4	70 mm
KOM-1909020	N-N-4	70 mm
KOM-1909021	P-N-4	70 mm
KOM-1909022	P-N-4	90 mm

Kit Number	Code (Pg. xiv)	Bore Size
KOM-1909023	N-N-4	100 mm
KOM-1909025	P-N-4	100 mm
KOM-1909041	P-OB-N	40 mm Rod
KOM-1909043	N-N-4	40 mm

REPLACEMENT KITS FOR KOMATSU LIFT TRUCKS

NOTE: Komatsu part numbers are used as a reference only. We do not imply that these kits are original REPLACEMENT PARTS.

Kit Number	Code (Pg. xiv)	Rod X Bore Size
KOM-34A-63-05010	I-U-4,12	50 X 70 mm
KOM-34A-64-05010	I-U-1	30mm Rod Kit
KOM-34B-63-05011	I-U-4,10	55 X 80 mm
KOM-34B-63-05021	I-U-4,10	60 X 80 mm
KOM-34B-64-05010	I-U-1	35 X 50 mm
KOM-3EA-64-05020	I-U-1	25 X 60 mm
KOM-3EA-64-05030	I-U-1	35mm Rod Kit
KOM-3EA-64-05190	I-U-10	1 X 2-1/2
KOM-3EB-34-05010	O-Ring Kit	
KOM-3EB-63-05010	P-U-4	40 X 50 mm
KOM-3EB-63-05020	P-U-4	45 X 55 mm
KOM-3EB-64-05010	I-U-1	25 X 50 mm
KOM-3EB-64-05020	I-U-1	25 X 50 mm

Kit Number	Code (Pg. xiv)	Rod X Bore Size
KOM-3EB-64-05020L	P-U-10	25 X 50mm
KOM-3EB-64-05050	I-U-1	30 X 70 mm
KOM-3EB-64-05050L	I-U-3	30 X 70 mm
KOM-3EB-64-05060	I-U-1	35 X 65 mm
KOM-3EB-64-05091	I-U-3	30 X 70
KOM-3EB-64-05190	I-U-10	1-1/4 X 2-3/4
KOM-3EB-64-A2000	I-U-10	1-5/8 X 2-1/2
KOM-3EB-64-A5191	I-U-10	1-1/4 X 2-3/4
KOM-3EC-63-05020	P-U-4	50 X 70
KOM-3EC-64-05010L	I-U-3	45 X 90 mm
KOM-3EC-64-05190	I-U-10	1-3/4 X 3-1/2
KOM-3EC-64-A2390	I-U-10	1 X 2
KOM-ON43001-07567	I-U-10	50 X 75 mm

REPLACEMENT PARTS FOR KOMATSU EQUIPMENT

WIPERS

Part Number	Rod Diam.
KOM-707-56-20590	20 mm
KOM-175-63-75190	35 mm
KOM-07016-20407	40 mm
KOM-198-63-75190	40 mm
KOM-707-56-45510	40 mm
KOM-07016-20457	45 mm
KOM-707-56-45740	45 mm
KOM-07016-20507	50 mm
KOM-113-30-24240	50 mm
KOM-130-09-12931	50 mm
KOM-07016-00558	55 mm
KOM-707-56-55510	55 mm
KOM-07016-20608	60 mm
KOM-141-63-93270	60 mm
KOM-07016-00658	65 mm
KOM-07016-20658	65 mm
KOM-144-63-92170	65 mm
KOM-07016-00708	70 mm
KOM-07016-20708	70 mm
KOM-144-63-95170	70 mm
KOM-07016-20758	75 mm
KOM-144-63-94170	75 mm
KOM-07016-20808	80 mm
KOM-195-63-92190	80 mm
KOM-07016-20858	85 mm
KOM-707-56-85510	85 mm
KOM-07016-00908	90 mm
KOM-195-63-74170	90 mm
KOM-195-63-94170	90 mm
KOM-07016-20958	95 mm
KOM-707-56-95510	95 mm
KOM-07016-01008	100 mm
KOM-07016-21008	100 mm
KOM-176-63-56170	100 mm
KOM-208-70-12231	100 mm
KOM-07016-21109	110 mm
KOM-198-63-94170	110 mm
KOM-07016-21209	120 mm
KOM-195-63-93170	120 mm
KOM-707-56-13520	130 mm
KOM-07016-21400	140 mm
KOM-198-50-11171	140 mm
KOM-566-63-22241	160 mm
KOM-707-56-17580	170 mm

ROD U-SEALS

Part Number	Rod Diam.
KOM-707-51-20030	20 mm
KOM-707-51-30210	30 mm
KOM-707-51-35210	35 mm
KOM-707-51-40030	40 mm
KOM-707-51-40210	40 mm
KOM-707-51-45030	45 mm
KOM-707-51-45210	45 mm
KOM-707-51-50030	50 mm
KOM-707-51-50110	50 mm
KOM-707-51-50210	50 mm
KOM-707-51-50211	50 mm
KOM-130-63-12173	55 mm
KOM-707-51-55030	55 mm
KOM-707-51-55110	55 mm
KOM-707-51-55211	55 mm
KOM-707-51-60030	60 mm
KOM-707-51-60060	60 mm
KOM-707-51-60211	60 mm
KOM-707-51-65030	65 mm
KOM-707-51-65110	65 mm
KOM-707-51-65211	65 mm
KOM-154-63-42370	70 mm
KOM-154-63-42373	70 mm
KOM-707-51-70030	70 mm
KOM-707-51-70110	70 mm
KOM-707-51-70211	70 mm
KOM-707-51-75030	75 mm
KOM-707-51-75110	75 mm
KOM-707-51-75211	78 mm
KOM-707-51-80030	80 mm
KOM-707-51-80110	80 mm
KOM-707-51-80211	80 mm
KOM-707-51-85030	85 mm
KOM-707-51-85211	85 mm
KOM-154-63-52171	90 mm
KOM-154-63-52173	90 mm
KOM-707-51-90030	90 mm
KOM-707-51-90110	90 mm
KOM-707-51-90211	90 mm
KOM-707-51-95030	95 mm
KOM-707-51-95211	95 mm
KOM-707-51-10030	100 mm
KOM-707-51-10110	100 mm
KOM-707-51-10130	100 mm

ROD U-SEALS

Part Number	Rod Diam.
KOM-707-51-10211	100 mm
KOM-707-51-11030	110 mm
KOM-707-51-11110	110 mm
KOM-707-51-12030	120 mm
KOM-707-51-12110	120 mm
KOM-707-51-13030	130 mm
KOM-707-51-13130	130 mm
KOM-707-51-14080	140 mm
KOM-707-51-14110	140 mm
KOM-707-51-14130	140 mm
KOM-707-51-17130	170 mm
KOM-707-51-20250	200 mm

REPLACEMENT PARTS FOR KOMATSU EQUIPMENT

NOTE: Komatsu part numbers are used as a reference only. We do not imply that these kits are original REPLACEMENT PARTS.

BUFFER RINGS

Part Number	Bore Diam.
KOM-707-51-80630	80 mm
KOM-707-51-85630	85 mm
KOM-707-51-90630	90 mm
KOM-707-51-95630	95 mm
KOM-707-51-10630	100 mm
KOM-707-51-10640	100 mm
KOM-707-51-13650	130 mm

RETAINER RINGS

Part Number	Housing
KOM-07179-12047	48 mm

PISTON SEALS

Part Number	Bore Diam.
KOM-707-44-60180	60 mm
KOM-707-44-70070	70 mm
KOM-707-44-70080	70 mm
KOM-707-44-70180	70 mm
KOM-707-44-80080	80 mm
KOM-707-44-80180	80 mm
KOM-707-44-90070	90 mm
KOM-707-44-90080	90 mm
KOM-707-44-90180	90 mm
KOM-707-44-95180	95 mm
KOM-707-44-10080	100 mm
KOM-707-44-10180	100 mm
KOM-707-44-10280	105 mm
KOM-707-44-11080	110 mm
KOM-707-44-11180	110 mm
KOM-707-44-11280	115 mm
KOM-707-44-12080	120 mm
KOM-707-44-12180	120 mm
KOM-707-44-12280	125 mm
KOM-707-44-13070	130 mm
KOM-707-44-13080	130 mm
KOM-707-44-13180	130 mm
KOM-707-44-13280	135 mm
KOM-707-44-14080	140 mm
KOM-707-44-14180	140 mm
KOM-707-44-14280	145 mm
KOM-707-44-15080	150 mm
KOM-707-44-15180	150 mm
KOM-707-44-16080	160 mm
KOM-707-44-16180	160 mm
KOM-707-44-16280	165 mm

PISTON SEALS

Part Number	Bore Diam.
KOM-707-44-18080	180 mm
KOM-707-44-18180	180 mm
KOM-707-44-18250	185 mm
KOM-707-44-18280	185 mm
KOM-707-44-20080	200 mm
KOM-707-44-20180	200 mm
KOM-707-44-22080	225 mm
KOM-707-44-22180	225 mm
KOM-707-44-22280	225 mm
KOM-707-44-25080	250 mm
KOM-707-44-25180	250 mm
KOM-707-44-26180	260 mm
KOM-707-44-28080	280 mm
KOM-707-44-28180	280 mm

PISTON U-SEALS

Part Number	Bore Diam.
KOM-707-44-35010	35 mm
KOM-110-61-14250	100 mm
KOM-707-42-12012	100 mm

REPLACEMENT PARTS FOR KOMATSU EQUIPMENT

NOTE: Komatsu part numbers are used as a reference only. We do not imply that these kits are original REPLACEMENT PARTS.

ROD BUSHING

Part Number	Rod Diam.
KOM-07177-02525	25 mm
KOM-07177-03025	30 mm
KOM-07177-03525	35 mm
KOM-07177-04025	40 mm
KOM-707-52-10410	40 mm
KOM-07177-04530	45 mm
KOM-07177-05030	50 mm
KOM-07177-05530	55 mm
KOM-07177-06030	60 mm
KOM-07177-06515	65 mm
KOM-07177-06530	65 mm
KOM-707-52-10660	65 mm
KOM-707-52-90400	65 mm
KOM-07177-07015	70 mm
KOM-07177-07030	70 mm
KOM-707-52-10700	70 mm
KOM-707-52-90450	70 mm
KOM-07177-07530	75 mm
KOM-707-52-90500	75 mm
KOM-07177-08030	80 mm
KOM-07177-08040	80 mm
KOM-707-52-10750	80 mm
KOM-707-52-90550	80 mm
KOM-707-52-10850	85 mm
KOM-707-52-90600	85 mm
KOM-07177-09035	90 mm
KOM-07177-09040	90 mm
KOM-707-52-10910	90 mm
KOM-707-52-90650	90 mm
KOM-707-52-10950	95 mm
KOM-707-52-90710	95 mm
KOM-07177-01035	100 mm
KOM-07177-01040	100 mm
KOM-707-52-11010	100 mm
KOM-707-52-90750	100 mm
KOM-07177-01135	110 mm
KOM-07177-01140	110 mm
KOM-707-52-11110	110 mm
KOM-707-52-90860	110 mm
KOM-07177-01240	120 mm
KOM-707-52-11210	120 mm
KOM-707-52-90950	120 mm
KOM-707-52-11410	140 mm

WEAR RINGS

Part Number	OD X Width
KOM-707-39-35010	35 X 9.85 mm
KOM-707-39-55110	55 X 9.85 mm
KOM-07155-00615	60 X 14.5 mm
KOM-07155-00720	70 X 20 mm
KOM-07155-00820	80 X 20 mm
KOM-707-39-90110	90 X 12.5 mm
KOM-07155-00925	90 X 25 mm
KOM-707-39-95120	95 X 12.5 mm
KOM-07156-01012	100 X 12.5 mm
KOM-07155-01025	100 X 25 mm
KOM-707-39-10520	105 X 12.5 mm
KOM-07156-01112	110 X 12.5 mm
KOM-707-39-11110	110 X 12.5 mm
KOM-07155-01125	110 X 25 mm
KOM-707-39-11510	115 X 15 mm
KOM-707-39-12110	120 X 15 mm
KOM-07155-01230	120 X 30 mm
KOM-707-39-12560	125 X 9.8 mm
KOM-07156-01315	130 X 14.8 mm
KOM-707-39-13110	130 X 15 mm
KOM-07155-01330	130 X 30 mm
KOM-707-39-13510	135 X 15 mm
KOM-07156-01417	140 X 17.5 mm
KOM-707-39-14820	140 X 17.5 mm
KOM-07155-01435	140 X 35 mm
KOM-707-39-15820	150 X 17.5 mm
KOM-707-44-01580	150 X 17.5 mm
KOM-07155-01535	150 X 35 mm
KOM-07156-01620	160 X 20 mm
KOM-707-39-16820	160 X 20 mm
KOM-07155-01640	160 X 40 mm
KOM-07156-01822	180 X 22.5 mm
KOM-07155-01845	180 X 45 mm
KOM-707-39-18830	185 X 22.5 mm
KOM-07156-02022	200 X 22 mm
KOM-07155-02045	200 X 45 mm
KOM-07156-02225	225 X 25 mm
KOM-07155-02250	225 X 50 mm
KOM-07155-02555	250 X 55 mm
KOM-707-39-25820	250 X 27.5 mm
KOM-07155-02860	280 X 60 mm

DUST SEALS

Part Number	Rod Diam.
KOM-22L-70-21550	35 mm
KOM-419-09-11120	40 mm
KOM-707-77-40020	40 mm
KOM-07145-00045	45 mm
KOM-20U-70-42530	45 mm
KOM-07145-00050	50 mm
KOM-707-77-50020	50 mm
KOM-07145-00055	55 mm
KOM-07145-00060	60 mm
KOM-21W-70-41440	60 mm
KOM-07145-00065	65 mm
KOM-707-77-65110	65 mm
KOM-07145-00070	70 mm
KOM-418-09-11110	70 mm
KOM-07145-00075	75 mm
KOM-07145-00080	80 mm
KOM-07145-00085	85 mm
KOM-07145-00090	90 mm
KOM-07145-00095	95 mm
KOM-07145-00100	100 mm
KOM-07145-00110	110 mm
KOM-07145-00120	120 mm

REPLACEMENT PARTS FOR KOMATSU EQUIPMENT

NOTE: Komatsu part numbers are used as a reference only. We do not imply that these kits are original REPLACEMENT PARTS.

O-RINGS

Part Number	Min Pkg Qty
KOM-07000-01125	5
KOM-07000-02005	100
KOM-07000-02010	100
KOM-07000-02011	100
KOM-07000-02012	100
KOM-07000-02014	100
KOM-07000-02015	100
KOM-07000-02016	100
KOM-07000-02018	100
KOM-07000-02020	100
KOM-07000-02050	10
KOM-07000-02055	10
KOM-07000-02060	10
KOM-07000-02065	10
KOM-07000-02070	10
KOM-07000-02075	5
KOM-07000-02080	5
KOM-07000-02085	5
KOM-07000-02090	5
KOM-07000-02095	5
KOM-07000-02100	5
KOM-07000-02105	5
KOM-07000-02110	5
KOM-07000-02115	5
KOM-07000-02120	5
KOM-07000-02125	5
KOM-07000-02130	5
KOM-07000-02135	2
KOM-07000-02140	2
KOM-07000-02145	5
KOM-07000-03022	25
KOM-07000-03025	25
KOM-07000-03028	20
KOM-07000-03030	20
KOM-07000-03032	20
KOM-07000-03035	20
KOM-07000-03038	20
KOM-07000-03040	20
KOM-07000-03042	20
KOM-07000-03045	10
KOM-07000-03048	10
KOM-07000-03050	10
KOM-07000-03070	20
KOM-07000-03092	20
KOM-07000-03095	20
KOM-07000-03098	20

O-RINGS

Part Number	Min Pkg Qty
KOM-07000-03105	10
KOM-07000-03110	10
KOM-07000-03115	10
KOM-07000-03120	10
KOM-07000-03130	10
KOM-07000-03140	5
KOM-07000-05055	5
KOM-07000-05060	2
KOM-07000-05065	2
KOM-07000-05070	2
KOM-07000-05075	2
KOM-07000-05080	2
KOM-07000-05085	2
KOM-07000-05090	2
KOM-07000-05095	2
KOM-07000-05100	2
KOM-07000-05105	2
KOM-07000-05110	2
KOM-07000-05120	2
KOM-07000-05125	2
KOM-07000-05130	2
KOM-07000-05135	2
KOM-07000-05140	2
KOM-07000-05145	2
KOM-07000-05150	2
KOM-07000-05155	2
KOM-07000-05160	2
KOM-07000-05165	2
KOM-07000-05170	2
KOM-07000-05175	2
KOM-07000-05180	2
KOM-07000-05185	2
KOM-07000-05190	2
KOM-07000-05195	2
KOM-07000-05200	2
KOM-07000-05210	2
KOM-07000-05220	2
KOM-07000-05225	1
KOM-07000-05230	1
KOM-07000-05235	1
KOM-07000-05240	1
KOM-07000-05250	1
KOM-07000-05260	1
KOM-07000-05270	1
KOM-07000-05280	1
KOM-07000-05290	1

O-RINGS

Part Number	Min Pkg Qty
KOM-07000-05300	1
KOM-07000-05305	1
KOM-07000-05310	1
KOM-07000-05345	1
KOM-07000-05400	1
KOM-07000-05430	1
KOM-07000-05435	1
KOM-07000-05440	1
KOM-07000-05445	1
KOM-07000-05460	1
KOM-07000-05465	1
KOM-07000-05470	1
KOM-07000-05480	1
KOM-07000-05490	1
KOM-07000-05495	1
KOM-07000-05500	1
KOM-07000-22070	10
KOM-07000-32055	10
KOM-07000-62018	100
KOM-07000-62070	10
KOM-07000-62115	5
KOM-07000-62130	5
KOM-07000-63045	10
KOM-07000-65190	2
KOM-07002-02034	50
KOM-07002-02434	50
KOM-07002-03634	50
KOM-07002-12034	50
KOM-07002-13034	50
KOM-07002-13634	50
KOM-198-63-43430	5
KOM-21T-09-11430	25
KOM-21T-09-11450	20
KOM-21T-09-11460	2
KOM-21T-09-11470	2
KOM-707-34-36000	25

REPLACEMENT PARTS FOR KOMATSU EQUIPMENT

NOTE: Komatsu part numbers are used as a reference only. We do not imply that these kits are original REPLACEMENT PARTS.

O-RINGS 90 DUROMETER

Part Number	Min Pkg Qty
KOM-07000-11009	50
KOM-07000-12010	25
KOM-07000-12011	25
KOM-07000-12012	25
KOM-07000-12014	20
KOM-07000-12015	20
KOM-07000-12016	20
KOM-07000-12018	20
KOM-07000-12055	10
KOM-07000-12060	5
KOM-07000-12065	5
KOM-07000-12070	5
KOM-07000-12075	5
KOM-07000-12080	5
KOM-07000-12085	5
KOM-07000-12090	5
KOM-07000-12095	5
KOM-07000-12100	5
KOM-07000-12105	5
KOM-07000-12110	5
KOM-07000-12115	5
KOM-07000-12125	5
KOM-07000-12130	5
KOM-07000-12135	2
KOM-07000-12145	5
KOM-07000-13022	25

O-RINGS 90 DUROMETER

Part Number	Min Pkg Qty
KOM-07000-13025	20
KOM-07000-13028	10
KOM-07000-13030	10
KOM-07000-13032	10
KOM-07000-13035	10
KOM-07000-13038	10
KOM-07000-13040	10
KOM-07000-13042	10
KOM-07000-13045	5
KOM-07000-13048	5
KOM-07000-13050	5
KOM-07000-13090	8
KOM-07000-13110	2
KOM-07000-13140	3
KOM-07000-15058	2
KOM-07000-15070	2
KOM-07000-15085	2
KOM-07000-15090	2
KOM-07000-15095	2
KOM-07000-15100	2
KOM-07000-15105	2
KOM-07000-15110	2
KOM-07000-15115	2
KOM-07000-15120	2
KOM-07000-15125	2

O-RINGS 90 DUROMETER

Part Number	Min Pkg Qty
KOM-07000-15130	2
KOM-07000-15135	2
KOM-07000-15140	2
KOM-07000-15145	2
KOM-07000-15150	2
KOM-07000-15160	2
KOM-07000-15165	1
KOM-07000-15170	1
KOM-07000-15175	1
KOM-07000-15180	1
KOM-07000-15185	1
KOM-07000-15190	1
KOM-07000-15195	1
KOM-07000-15200	1
KOM-07000-15220	1
KOM-07000-15230	1
KOM-07000-15240	1
KOM-07000-15250	1
KOM-07000-15260	1
KOM-07000-15270	1
KOM-07000-15275	1
KOM-07000-15280	1
KOM-07000-15290	1
KOM-07000-16150	2
KOM-07002-03034	20

REPLACEMENT PARTS FOR KOMATSU EQUIPMENT

NOTE: Komatsu part numbers are used as a reference only. We do not imply that these kits are original REPLACEMENT PARTS.

BACK-UP RINGS

Part Number	Min Pkg Qty
KOM-07001-02018	1
KOM-07001-02020	1
KOM-07001-02055	1
KOM-07001-02060	1
KOM-07001-02065	1
KOM-07001-02070	1
KOM-07001-02075	1
KOM-07001-02080	1
KOM-07001-02085	1
KOM-07001-02090	1
KOM-07001-02095	1
KOM-07001-03022	1
KOM-07001-03040	1
KOM-07001-05055	1
KOM-07001-05090	1
KOM-07001-05095	1
KOM-07001-05100	1
KOM-07001-05110	1
KOM-07001-05115	1
KOM-07001-05118	1
KOM-07001-05120	1
KOM-07001-05125	1
KOM-07001-05130	1
KOM-07001-05135	1
KOM-07001-05155	1
KOM-07001-05170	1

BACK-UP RINGS

Part Number	Min Pkg Qty
KOM-07001-05175	1
KOM-07001-05180	1
KOM-07001-05220	1
KOM-07146-02006	1
KOM-07146-02056	1
KOM-07146-02066	1
KOM-07146-02076	1
KOM-07146-02086	1
KOM-07146-02096	1
KOM-07146-02106	1
KOM-07146-02116	1
KOM-07146-02126	1
KOM-07146-02128	1
KOM-07146-02136	1
KOM-07146-02146	1
KOM-07146-05152	1
KOM-07146-05172	1
KOM-07146-05192	1
KOM-07146-05242	1
KOM-111-63-81230	1
KOM-178-63-22460	1
KOM-20D-63-32290	1
KOM-569-63-42190	1
KOM-707-35-52660	1
KOM-707-35-52690	1
KOM-707-35-52700	1

BACK-UP RINGS

Part Number	Min Pkg Qty
KOM-707-35-52760	1
KOM-707-35-52830	1
KOM-707-35-52860	1
KOM-707-35-52880	1
KOM-707-35-52900	1
KOM-707-35-52910	1
KOM-707-35-52911	1
KOM-707-35-52920	1
KOM-707-35-52930	1
KOM-707-35-52940	1
KOM-707-35-52950	1
KOM-707-35-90960	1
KOM-707-35-91010	1
KOM-707-35-91100	1
KOM-707-35-91140	1
KOM-707-35-91200	1
KOM-707-35-91440	1
KOM-707-35-91550	1
KOM-707-35-91650	1
KOM-707-35-91750	1
KOM-707-35-91850	1
KOM-707-35-92600	1
KOM-707-35-92900	1
KOM-707-35-93020	1
KOM-707-35-99500	1
KOM-707-35-99510	1

Replacement Kits For

KUBOTA

Excavators						
APPLICATION	CYL #	SERIAL #	CODE	ROD	BORE	KIT #
MODEL KH-28L						
ARM	68271-67600		I-U-5	55 mm	90 mm	KUB-68271-99400
BOOM LH	68271-67510		I-U-5	50 mm	80 mm	KUB-68271-99300
BOOM RH	68271-67520		I-U-5	50 mm	80 mm	KUB-68271-99300
BUCKET	68271-67800		I-U-5	50 mm	80 mm	KUB-68271-99500
DOZER	68081-75100		I-U-5	45 mm	80 mm	KUB-68271-99800
SWING	68271-67400		I-U-5	55 mm	100 mm	KUB-68271-99600
MODEL KH-41(H)						
ARM	68501-67600		I-U-10	30 mm	50 mm	KUB-68721-91130
	68511-67600		I-U-10	30 mm	55 mm	KUB-68511-91110
BOOM	68501-67503		P-U-10	30 mm	55 mm	KUB-68191-91020
	68511-67503		P-U-10	30 mm	55 mm	KUB-68191-91020
BUCKET	68501-67800		I-U-10	30 mm	50 mm	KUB-68721-91130
	68511-67800		I-U-10	30 mm	55 mm	KUB-68511-91110
DOZER	68501-75100		I-U-10	35 mm	65 mm	KUB-68721-91160
	68511-75102		I-UB-10	35 mm	70 mm	KUB-68511-91120
SWING	68513-67400		P-U-10	30 mm	55 mm	KUB-68511-91010
MODEL KH-90(H)						
ARM	68761-67602		P-UB-10	45 mm	80 mm	KUB-68761-91130
BOOM	68761-67501		P-U-10	45 mm	90 mm	KUB-68761-91120
BUCKET	68761-67802		P-UB-10	45 mm	70 mm	KUB-68761-91040
DOZER	68761-75101		P-UB-10	45 mm	90 mm	KUB-68761-91150
SWING	68741-67401		P-UB-10	45 mm	70 mm	KUB-68741-91010
MODEL KH-91(H)						
ARM	68571-67600		P-U-10	45 mm	80 mm	KUB-68581-91030
BOOM	68581-67500		P-U-10	45 mm	90 mm	KUB-68581-91020
BUCKET	68541-67800		P-U-10	40 mm	70 mm	KUB-68761-91060
DOZER	68581-75100		P-UB-10	45 mm	90 mm	KUB-68761-91050
SWING	68541-67400		P-UB-10	40 mm	80 mm	KUB-68541-91010
MODEL KH-171L						
ARM	68271-67600		I-U-5	55 mm	90 mm	KUB-68271-99400
BOOM LH	68271-67510		I-U-5	50 mm	80 mm	KUB-68271-99300
BOOM RH	68271-67520		I-U-5	50 mm	80 mm	KUB-68271-99300
BUCKET	68271-67800		I-U-5	50 mm	80 mm	KUB-68271-99500
DOZER	68081-75100		I-U-5	45 mm	80 mm	KUB-68271-99800
SWING	68271-67400		I-U-5	55 mm	100 mm	KUB-68271-99600
MODEL KH-191						
ARM	68493-67600		P-U-10	55 mm	90 mm	KUB-68493-91030
BOOM	68493-67502		P-U-10	65 mm	120 mm	KUB-68493-91020
BUCKET	68493-67800		P-U-10	50 mm	80 mm	KUB-68493-91040
DOZER	68493-75100		P-U-10	60 mm	110 mm	KUB-68493-91050
SWING	68499-67400		P-U-10	55 mm	100 mm	KUB-68499-91010
MODEL KX41(H)						
ARM	RB208-67600		P-U-10	35 mm	60 mm	KUB-RB201-91050
BLADE	RB208-75100		P-U-10	35 mm	70 mm	KUB-RB201-91030
BOOM	RB208-67700		P-U-10	30 mm	55 mm	KUB-RB201-91010
BUCKET	RB108-67800	-11244	P-U-10	30 mm	55 mm	KUB-RB101-91020

Replacement Kits For

KUBOTA

Excavators						
APPLICATION	CYL #	SERIAL #	CODE	ROD	BORE	KIT #
MODEL KX41(H)						
BUCKET	RB208-67800	11245-	P-U-10	30 mm	55 mm	KUB-RB101-91020
SWING	RB108-67400		P-U-10	30 mm	55 mm	KUB-RB101-91020
MODEL KX101(H)						
ARM	68658-67600		P-U-10	45 mm	80 mm	KUB-68651-91030
BLADE	68318-75100		P-U-10	45 mm	90 mm	KUB-68301-91050
BOOM	68658-67700		P-U-10	45 mm	90 mm	KUB-68651-91020
BUCKET	68396-67800		P-U-10	40 mm	70 mm	KUB-68861-93300
SWING	68316-67400		P-U-10	40 mm	80 mm	KUB-68311-91010

REPLACEMENT KITS FOR KUBOTA EQUIPMENT

NOTE: Kubota part numbers are used as a reference only. We do not imply that these kits are original REPLACEMENT PARTS.

Kit Number	Code (Pg. xiv)	Rod X Bore Size
KUB-68191-91020	P-U-10	30 X 55 mm
KUB-68271-99300	I-U-5	50 X 80 mm
KUB-68271-99400	I-U-5	55 X 90 mm
KUB-68271-99500	I-U-5	50 X 80 mm
KUB-68271-99600	I-U-5	55 X 100 mm
KUB-68271-99800	I-U-5	45 X 80 mm
KUB-68301-91050	P-U-10	45 X 90 mm
KUB-68311-91010	P-U-10	40 X 80 mm
KUB-68493-91020	P-U-10	65 X 120 mm
KUB-68493-91030	P-U-10	55 X 90 mm
KUB-68493-91040	P-U-10	50 X 80 mm
KUB-68493-91050	P-U-10	60 X 110 mm
KUB-68499-91010	P-U-10	55 X 100 mm
KUB-68511-91010	P-U-10	30 X 55 mm
KUB-68511-91110	I-U-10	30 X 55 mm
KUB-68511-91120	I-U-10	35 X 70 mm
KUB-68541-91010	I-U-10	40 X 80 mm
KUB-68581-91020	P-U-10	45 X 90 mm
KUB-68581-91030	P-U-10	45 X 80 mm
KUB-68651-91020	P-U-10	45 X 90 mm

Kit Number	Code (Pg. xiv)	Rod X Bore Size
KUB-68651-91030	P-U-10	45 X 80 mm
KUB-68721-91110	I-U-5	30 X 50 mm
KUB-68721-91130	I-U-10	45 X 80 mm
KUB-68721-91160	I-U-10	35 X 65 mm
KUB-68741-91010	P-UB-10	45 X 70 mm
KUB-68741-91020	P-U-10	40 X 80 mm
KUB-68761-91040	P-UB-10	45 X 70 mm
KUB-68761-91050	P-UB-10	45 X 90 mm
KUB-68761-91060	P-U-10	40 X 70 mm
KUB-68761-91120	P-U-10	45 X 90 mm
KUB-68761-91130	P-UB-10	45 X 80 mm
KUB-68761-91150	P-UB-10	45 X 90 mm
KUB-68811-93070	P-UB-10	40 X 70 mm
KUB-68861-93300	P-U-10	40 X 70 mm
KUB-69521-91110	P-U-10	30 X 55 mm
KUB-69521-91130	P-U-10	30 X 55 mm
KUB-RB101-91020	P-U-10	30 X 55 mm
KUB-RB201-91010	P-U-10	30 X 55 mm
KUB-RB201-91030	P-U-10	35 X 70 mm
KUB-RB201-91050	P-U-10	35 X 60 mm



LEACH

Kit Number	Cylinder	Code (Pg. xiv)	Rod X Bore Size
LCH-10035		4 X 6	I-U-5
LCH-101102	300600	2-1/4 X 4	P-U-5
LCH-101103	401054	3-1/2 X 5	I-U-10
LCH-101238		1-3/4 X 6	I-N-4
LCH-102168	401207	2 X 4	I-U-5
LCH-102169		3-1/2 X 5	I-U-13
LCH-102559		2 X 5	I-U-4
LCH-102565	2RII T.G. LIFT	2-1/4 X 4	I-U-4
LCH-102566	402161, 402162	2-1/4 X 4	P-N-4
LCH-102567	402314, 402315	2-1/4 X 4	P-U-4
LCH-103945	2-3/8, 2-7/8, 3-3/8,	3-7/8 Stages	
LCH-15452	15026	2-1/4 X 6	P-U-5
LCH-15452U	15026	2-1/4 X 6	P-U-5
LCH-15453	15074	2-1/4 X 4	P-N-6
LCH-15454	15049	2 X 5	I-U-4
LCH-15454U	15049	2 X 5	I-U-4
LCH-15468	15373	2-1/4 X 4	P-U-5
LCH-15468U	15373	2-1/4 X 4	P-U-5
LCH-2R1054	2R1054	4 X 6	I-U-5
LCH-2R2008K	2R1008	4-1/2 X 6	I-V-7
LCH-2R2114	2R1006	4-1/2 X 6	I-V-7
LCH-2R2114A	2R1006A, 2R1008A	4-1/2 X 6	I-U-5

LEACH

Kit Number	Cylinder	Code (Pg. xiv)	Rod X Bore Size
LCH-2R2114AU	2R1006A, 2R1008A	4-1/2 X 6	I-U-5
LCH-30653	18974, 18975,	2 X 4	I-U-5
LCH-30654	17001	2 X 5	I-U-5
LCH-33557		2-1/4 X 5	I-U-5
LCH-33558	31778	2-1/4 X 4	P-U-5
LCH-36363		2-1/4 X 3-1/2	I-U-10
LCH-950051	4, 5, 6 - Wipers, U-seals, Bearings		
LCH-P16-541	P16-273	2-1/4 X 4	P-V-7
LCH-P16-569	P16-204	2-1/4 X 3	P-N-6
LCH-P16-570	P16-7	4" BORE	N-N-6
LCH-P16-934K	P16-934	2-1/4 X 4	P-U-6
LCH-P25-29K	P25-29	3 X 6	I-U-5
LCH-PO1148	PO-1166	4-1/2 X 6	N-V-7
LCH-PO-1567	PO-265	2-1/4 X 4	I-O-6
LCH-SR7145	Valve Kit 2R1696		
LCH-SR7158	SR6002	2 X 5	I-OB-7
LCH-SR7162		2-1/4 X 6	P-V-7
LCH-SR9002	SR6021	2-1/4 X 6	P-V-7
LCH-U1291D	U1158, 15527	2-1/4 X 6	P-U-5
LCH-U1291DU		2-1/4 X 6	P-U-5

Replacement Kits For

LIEBHERR

Excavators					
APPLICATION	MISC:	CODE	ROD	BORE	KIT #
MODEL R900 C-LI, R900 C HD-S LI, R900 C HD-SL LI					
Boom Adj (Hyd Adj)		N-N-10		140 mm	LBH-9165363
Boom Lift (Hyd Adj & Std)		I-BB-1	70 mm		LBH-9172122
		N-N-10		120 mm	LBH-9172577
Boom Lift (Ind Boom)		I-BB-1	85 mm		LBH-9158175
		N-N-10		125 mm	LBH-9060977
Boom Offset	100mm Bore Cyl	I-BB-1	50 mm		LBH-9062932
	100mm Bore Cyl	N-N-10		100 mm	LBH-9156042
	90mm Bore Cyl	I-BB-1	50 mm		LBH-9061030
	90mm Bore Cyl	N-N-10		90 mm	LBH-9061380
Bucket (2.05m, 2.45m, 2.65m, 3.05m Stick)		I-BB-1	70 mm		LBH-9951829
		N-N-10		105 mm	LBH-9951831
Bucket (2.25m Stick)		I-BB-1	70 mm		LBH-9951829
Bucket (2.25m, 2.45m, 2.65m Stick)		I-BB-1	70 mm		LBH-9172117
		N-N-10		100 mm	LBH-9174200
Bucket (5.2m Stick)		I-BB-1	60 mm		LBH-9061404
		N-N-10		90 mm	LBH-9061380
Bucket (Ditch Clean)	1600mm & 2000mm	I-BB-1	90 mm		LBH-9967796
Dozer Blade		I-BB-1	70 mm		LBH-9116590
		N-N-10		130 mm	LBH-9111341
Stick		N-N-10		130 mm	LBH-9171671
Swivel Rotary (C-LI)		I-SP-1	95 mm		LBH-9265132
Swivel Rotary (HDS & HD-SL)		I-SP-1	95 mm		LBH-9144401
MODEL R904 C-LI, R904 C HD-SL 2000 LI, R904 C-HD-SL 2250 LI					
Boom Adj (Hyd Adj)		I-BB-1	80 mm		LBH-9063173
		N-N-10		140 mm	LBH-9165363
Boom Lift (Hyd Adj)		I-BB-1	85 mm		LBH-9060195
		N-N-10		130 mm	LBH-9171671
Boom Offset		I-BB-1	50 mm		LBH-9061030
		N-N-10		90 mm	LBH-9061380
Bucket		I-BB-1	80 mm		LBH-9172118
		N-N-10		120 mm	LBH-9172577
Bucket (Ditch Clean)	1600mm	I-BB-1	90 mm		LBH-9967796
	1700mm	I-BB-1	50 mm		LBH-9061030
	1700mm	N-N-10		90 mm	LBH-9061380
Stick (Hyd Adj Boom)		I-BB-1	85 mm		LBH-9060195
		N-N-10		130 mm	LBH-9171671
Stick (Ind Boom)		I-BB-1	80 mm		LBH-9172118
		N-N-10		120 mm	LBH-9172577
Stick (Lat Adj Boom)		I-BB-1	85 mm		LBH-9060195
		N-N-10		130 mm	LBH-9171671
Stick (Std Boom)		N-N-10		130 mm	LBH-9171671
Swivel Rotary		I-SP-1	95 mm		LBH-9144401
MODEL R912 HD-SL, R912 LC					
Boom Lift		I-BB-1	85 mm		LBH-9060195
		N-N-10		130 mm	LBH-9171671
Boom Lift (Hyd Adj)		I-BB-1	90 mm		LBH-9060196

Replacement Kits For

LIEBHERR

Excavators					
APPLICATION	MISC:	CODE	ROD	BORE	KIT #
MODEL R912 HD-SL, R912 LC					
Boom Lift (Hyd Adj)		N-N-10		140 mm	LBH-9165363
Boom Lift (Std & Ind Boom)		I-BB-1	85 mm		LBH-9158175
		N-N-10		125 mm	LBH-9060977
Bucket (5.5m Stick)		I-BB-1	80 mm		LBH-9172118
		N-N-10		120 mm	LBH-9172577
Bucket (Std)		I-BB-1	85 mm		LBH-9158175
		N-N-10		125 mm	LBH-9060977
Stick (4.0m, 5.0m, 5.65m, 7.2m Std Boom)		I-BB-1	95 mm		LBH-9060197
		N-N-10		140 mm	LBH-9165363
Stick (6.8m Std Boom)		I-BB-1	85 mm		LBH-9158175
		N-N-10		125 mm	LBH-9060977
Stick (9.7m LR)		I-BB-1	85 mm		LBH-9158175
		N-N-10		125 mm	LBH-9060977
Swivel Rotary		I-SP-1	95 mm		LBH-9144401
MODEL R914 B, R914 B HD-S, R914 B HD-SL					
Boom Adj (Hyd Adj)		I-BB-1	95 mm		LBH-9063136
		N-N-10		160 mm	LBH-9154141
Boom Lift	130mm Bore Cyl	I-BB-1	85 mm		LBH-9060195
	130mm Bore Cyl	N-N-10		130 mm	LBH-9171671
	140mm Bore Cyl	I-BB-1	90 mm		LBH-9060196
	140mm Bore Cyl	N-N-10		140 mm	LBH-9165363
	150mm Bore Cyl	I-BB-1	95 mm		LBH-9062534
	150mm Bore Cyl	N-N-10		150 mm	LBH-9165440
Boom Offset		I-BB-1	50 mm		LBH-9061030
		N-N-10		90 mm	LBH-9061380
Bucket (1.8m, 2.4m, 2.7m, 3m, 3.7m, 5.0m, 5.2m Stick)		I-BB-1	85 mm		LBH-9060195
		N-N-10		130 mm	LBH-9171671
Bucket (2.1m, 2.4m, 2.7m, 3m, 3.7m Stick)		I-BB-1	85 mm		LBH-9158175
		N-N-10		125 mm	LBH-9060977
Bucket (5.0m Ind Stick)		I-BB-1	80 mm		LBH-9172118
		N-N-10		120 mm	LBH-9172577
Bucket (5.2m, 6.0m, 6.8m Stick)		I-BB-1	80 mm		LBH-9172118
		N-N-10		120 mm	LBH-9172577
Bucket (7.4m LR Stick)		I-BB-1	60 mm		LBH-9061404
		N-N-10		90 mm	LBH-9061380
Bucket (Ditch Clean)		I-BB-1	90 mm		LBH-9967796
Dozer Blade		I-BB-1	70 mm		LBH-9116590
		N-N-10		130 mm	LBH-9111341
Stick (4.0m Hyd Adj Boom)	140mm Bore Cyl	I-BB-1	95 mm		LBH-9060197
	140mm Bore Cyl	N-N-10		140 mm	LBH-9165363
	s/n -13609	I-BB-1	105 mm		LBH-9158311
	s/n -13609	N-N-10		150 mm	LBH-9165440
	s/n 13610-	I-BB-1	105 mm		LBH-9158311
	s/n 13610-	N-N-10		150 mm	LBH-9165440
Stick (5.0m, 5.5m Hyd Adj Boom)	140mm Bore Cyl	N-N-10		140 mm	LBH-9165363

Replacement Kits For

LIEBHERR

Excavators					
APPLICATION	MISC:	CODE	ROD	BORE	KIT #
MODEL R914 B, R914 B HD-S, R914 B HD-SL					
Stick (5.0m, 5.5m Hyd Adj Boom)	150mm Bore Cyl	I-BB-1	105 mm		LBH-9158311
	150mm Bore Cyl	N-N-10		150 mm	LBH-9165440
Stick (5.0m, 5.7m, 7.2m, 7.6m, 8.2m Std Boom)		N-N-10		140 mm	LBH-9165363
Stick (5.6m Ind Boom)		I-BB-1	80 mm		LBH-9172118
		N-N-10		120 mm	LBH-9172577
Stick (5.7m, 8.2m, 9.0m Std Boom)		I-BB-1	105 mm		LBH-9158311
		N-N-10		150 mm	LBH-9165440
Stick (6.0m Std Boom)	s/n -13679	N-N-10		140 mm	LBH-9165363
	s/n 13680-	I-BB-1	105 mm		LBH-9158311
	s/n 13680-	N-N-10		150 mm	LBH-9165440
Stick (6.5m, 6.8m Ind Boom)		I-BB-1	85 mm		LBH-9158175
		N-N-10		125 mm	LBH-9060977
Stick (Lat Adj Boom)		I-BB-1	95 mm		LBH-9060197
		N-N-10		140 mm	LBH-9165363
Swivel Rotary		I-SP-1	95 mm		LBH-9144401
MODEL R924 B HD-SL LI					
Boom Adj (Hyd Adj)		I-BB-1	95 mm		LBH-9063136
		N-N-10		160 mm	LBH-9154141
Boom Lift	130mm Bore Cyl	I-BB-1	85 mm		LBH-9060195
	130mm Bore Cyl	N-N-10		130 mm	LBH-9171671
	140mm Bore Cyl	I-BB-1	90 mm		LBH-9060196
	140mm Bore Cyl	N-N-10		140 mm	LBH-9165363
	150mm Bore Cyl	I-BB-1	95 mm		LBH-9062534
	150mm Bore Cyl	N-N-10		150 mm	LBH-9165440
Bucket (3.2m Ind Stick)		I-BB-1	105 mm		LBH-9061003
		N-N-10		160 mm	LBH-9154141
Bucket (3.7m FS Stick)		I-BB-1	85 mm		LBH-9158175
		N-N-10		125 mm	LBH-9060977
Bucket (4.0m, 5.0m Ind Stick)		I-BB-1	80 mm		LBH-9172118
Bucket (7.4m LR Stick)		I-BB-1	60 mm		LBH-9061404
		N-N-10		90 mm	LBH-9061380
Bucket (Ditch Clean)		I-BB-1	90 mm		LBH-9967796
Clam 10B		I-BB-1	60 mm		LBH-9114673
		N-N-10		85 mm	LBH-9113351
Clam 70C		I-BB-1	50 mm		LBH-9155154
		N-N-10		70 mm	LBH-9063464
Stick (4.0m Hyd Adj Boom)	s/n -13609	I-BB-1	95 mm		LBH-9060197
	s/n -13609	N-N-10		140 mm	LBH-9165363
	s/n 13610-	I-BB-1	105 mm		LBH-9158311
	s/n 13610-	N-N-10		150 mm	LBH-9179503
Stick (5.0m, 5.5m Hyd Adj Boom)	140mm Bore Cyl	I-BB-1	95 mm		LBH-9060197
	140mm Bore Cyl	N-N-10		140 mm	LBH-9165363
	150mm Bore Cyl	I-BB-1	105 mm		LBH-9158311
	150mm Bore Cyl	N-N-10		150 mm	LBH-9179503

Replacement Kits For

LIEBHERR

Excavators					
APPLICATION	MISC:	CODE	ROD	BORE	KIT #
MODEL R924 B HD-SL LI					
Stick (5.0m, 5.7m, 6.0m, 7.6m, 8.2m Std Boom)		I-BB-1	95 mm		LBH-9060197
		N-N-10		140 mm	LBH-9165363
Stick (5.7m, 5.9m, 6.0m, 8.2m, 9.0m Std Boom)		I-BB-1	105 mm		LBH-9158311
		N-N-10		150 mm	LBH-9179503
Stick (Ind Boom)	6.8m & 7.8m Boom	I-BB-1	85 mm		LBH-9158175
	6.8m & 7.8m Boom	N-N-10		125 mm	LBH-9060977
Stick (LR)		I-BB-1	85 mm		LBH-9060195
		N-N-10		130 mm	LBH-9171671
Swivel Rotary		I-SP-1	95 mm		LBH-9144401
MODEL R924 Compact					
Boom Adj (Hyd Adj)		I-BB-1	95 mm		LBH-9063136
		N-N-10		160 mm	LBH-9154141
Boom Lift		I-BB-1	90 mm		LBH-9172119
		N-N-10		130 mm	LBH-9171671
Boom Offset		I-BB-1	50 mm		LBH-9061030
		N-N-10		90 mm	LBH-9061380
Bucket		I-BB-1	80 mm		LBH-9172118
		N-N-10		120 mm	LBH-9172577
Bucket (Ditch Clean)		I-BB-1	90 mm		LBH-9967796
Stick		I-BB-1	95 mm		LBH-9060197
		N-N-10		140 mm	LBH-9165363
Swivel Rotary	198 Litronic	I-SP-1	95 mm		LBH-9265132
	911 Litronic	I-SP-1	95 mm		LBH-9144401
MODEL R932 EW, R932 HD-SL					
Boom Adj (Hyd Adj)	160mm Bore Cyl	I-BB-1	105 mm		LBH-9061003
	160mm Bore Cyl	N-N-10		160 mm	LBH-9154141
	180mm Bore Cyl	N-N-10		180 mm	LBH-9169654
Boom Lift		I-BB-1	95 mm		LBH-9060197
		N-N-10		140 mm	LBH-9165363
Bucket (1.9m Stick)		I-BB-1	95 mm		LBH-9060197
		N-N-10		140 mm	LBH-9165363
Stick (4.0m Hyd Adj Boom)		I-BB-1	105 mm		LBH-9158311
		N-N-10		150 mm	LBH-9156782
Swivel Rotary		I-SP-1	95 mm		LBH-9144401
MODEL R934 B, R934 C, R934 EW, R934 HD-SL					
Boom Lift		I-BB-1	95 mm		LBH-9062534
		N-N-10		150 mm	LBH-9165440
Boom Lift (Ind Boom)		I-BB-1	105 mm		LBH-9158311
		N-N-10		150 mm	LBH-9156782
Bucket (3.0m Stick)		I-BB-1	80 mm		LBH-9172118
		N-N-10		120 mm	LBH-9172577
Bucket (4.8m Ind Stick)		I-BB-1	70 mm		LBH-9062256
		N-N-10		125 mm	LBH-9060977
Bucket (5.2m Demolition)		I-BB-1	85 mm		LBH-9060195

Replacement Kits For

LIEBHERR

Excavators					
APPLICATION	MISC:	CODE	ROD	BORE	KIT #
MODEL R934 B, R934 C, R934 EW, R934 HD-SL					
Bucket (5.2m Demolition)		N-N-10		130 mm	LBH-9171671
Bucket (8.8m, 7.5m LR Stick)		I-BB-1	70 mm		LBH-9172117
		N-N-10		100 mm	LBH-9174200
Stick (10.0m LR)		I-BB-1	90 mm		LBH-9060196
		N-N-10		140 mm	LBH-9165363
Stick (11.5m LR)		I-BB-1	95 mm		LBH-9060197
		N-N-10		140 mm	LBH-9165363
Stick (4.0m, 5.2m, 6.2m Hyd Adj Boom)		I-BB-1	105 mm		LBH-9158311
		N-N-10		150 mm	LBH-9165440
Stick (7.0m Ind Boom)		I-BB-1	95 mm		LBH-9060197
		N-N-10		140 mm	LBH-9165363
Stick (Std Boom)		I-BB-1	105 mm		LBH-9158311
		N-N-10		150 mm	LBH-9165440
Swivel Rotary		I-SP-1	95 mm		LBH-9144401
MODEL R934 C HD-S, R934 C HD-SL					
Boom Adj (Hyd Adj)		I-BB-1	110 mm		LBH-9158144
		N-N-10		180 mm	LBH-9169654
Boom Lift		I-BB-1	95 mm		LBH-9062534
		N-N-10		150 mm	LBH-9165440
Boom Lift (Ind Boom)		I-BB-1	100 mm		LBH-9596597
		N-N-10		150 mm	LBH-9165440
Bucket (3.1m Stick)		I-BB-1	85 mm		LBH-9060195
		N-N-10		130 mm	LBH-9171671
Bucket (3.6m Ind Stick)		I-BB-1	110 mm		LBH-9158144
		N-N-10		170 mm	LBH-9062821
Bucket (4.8m Ind Stick)		I-BB-1	70 mm		LBH-9062256
		N-N-10		125 mm	LBH-9060977
Bucket (Ditch Clean)	2000mm	I-BB-1	100 mm		LBH-9581868
	2400mm 1.15M3 (2x45° Adj)	I-BB-1	50 mm		LBH-9155154
	2400mm 1.15M3 (2x45° Adj)	N-N-10		70 mm	LBH-9119033
	2400mm 1.45M3 (2x50° Swiveling)	I-BB-1	100 mm		LBH-9581868
Clam 65		I-BB-1	50 mm		LBH-9155154
		N-N-10		70 mm	LBH-9063464
Stick (4.2m Hyd Adj Boom)		I-BB-1	105 mm		LBH-9061003
		N-N-10		160 mm	LBH-9154141
Stick (5.2m Hyd Adj Boom)		I-BB-1	105 mm		LBH-9158311
		N-N-10		150 mm	LBH-9179503
Stick (Ind Boom)		I-BB-1	95 mm		LBH-9060197
		N-N-10		140 mm	LBH-9165363
Stick (Std Boom)		I-BB-1	105 mm		LBH-9158311
		N-N-10		150 mm	LBH-9179503
Swivel Rotary		I-SP-1	95 mm		LBH-9144401
MODEL R942 HD-SL					
Boom Lift		I-BB-1	105 mm		LBH-9158311

Replacement Kits For

LIEBHERR

Excavators					
APPLICATION	MISC:	CODE	ROD	BORE	KIT #
MODEL R942 HD-SL					
Boom Lift		N-N-10		150 mm	LBH-9156782
Bucket (2.1m, 2.6m, 3.3m, 4.1m Stick)		I-BB-1	105 mm		LBH-9158311
		N-N-10		150 mm	LBH-9156782
Bucket (4.8m Stick)		I-BB-1	95 mm		LBH-9060197
		N-N-10		140 mm	LBH-9165363
Stick (4.5m, 5.5m, 6.0m Stick)		N-N-10		160 mm	LBH-9154141
Stick (6.3m Std Boom)		I-BB-1	105 mm		LBH-9061003
		N-N-10		160 mm	LBH-9154141
		N-N-10		160 mm	LBH-9154141
Stick (7.7m, 9.0m, 10.5m Ind Boom)		I-BB-1	105 mm		LBH-9158311
		N-N-10		150 mm	LBH-9156782
Swivel Rotary		I-SP-1	95 mm		LBH-9144401
MODEL R944 B, R944 C, R944 HD-SL					
Boom Lift		I-BB-1	105 mm		LBH-9061003
		N-N-10		160 mm	LBH-9154141
Bucket (2.1m Stick)		I-BB-1	105 mm		LBH-9061003
		N-N-10		160 mm	LBH-9154141
Bucket (2.6m, 3.3m, 4.1m Stick)		I-BB-1	105 mm		LBH-9158311
		N-N-10		150 mm	LBH-9156782
Bucket (4.0m Stick)		I-BB-1	80 mm		LBH-9172118
		N-N-10		120 mm	LBH-9172577
Bucket (4.1m Curved Stick)		I-BB-1	105 mm		LBH-9158311
		N-N-10		150 mm	LBH-9156782
Bucket (4.1m Stick)		I-BB-1	105 mm		LBH-9061003
		N-N-10		160 mm	LBH-9154141
Bucket (5.5m Curved Stick)		I-BB-1	95 mm		LBH-9060197
		N-N-10		140 mm	LBH-9165363
Stick (6.3m, 7.5m, 10.4m Std Boom)		I-BB-1	110 mm		LBH-9063688
		N-N-10		160 mm	LBH-9154141
Swivel Rotary		I-SP-1	95 mm		LBH-9144401
MODEL R954 B, R954 C, R954 HD					
Boom Lift (FS Bucket)		I-BB-1	125 mm		LBH-9062985
		N-N-10		180 mm	LBH-9062632
Boom Lift (Std)		I-BB-1	110 mm		LBH-9158144
		N-N-10		180 mm	LBH-9062632
Bucket		I-BB-1	105 mm		LBH-9158311
Bucket (2.35m Stick)		I-BB-1	110 mm		LBH-9158144
		N-N-10		180 mm	LBH-9062632
Bucket (2.9m Stick)		I-BB-1	110 mm		LBH-9158144
		N-N-10		170 mm	LBH-9169653
Bucket (Demolition)		I-BB-1	95 mm		LBH-9060197
		N-N-10		140 mm	LBH-9165363
Stick (10.3m Stick)		N-N-10		170 mm	LBH-9062821
Stick (6.7m Std Boom)		I-BB-1	125 mm		LBH-9062985
		N-N-10		180 mm	LBH-9062632
Stick (7.0m Ind Boom)		I-BB-1	125 mm		LBH-9064091

LIEBHERR

Replacement Kits For

Excavators					
APPLICATION	MISC:	CODE	ROD	BORE	KIT #
MODEL R954 B, R954 C, R954 HD					
Stick (8.8m, 11.3m Ind Boom)		I-BB-1	110 mm		LBH-9063688
		N-N-10		160 mm	LBH-9154141
Stick (Std Boom)		I-BB-1	125 mm		LBH-9062985
		N-N-10		180 mm	LBH-9062632
Swivel Rotary		I-SP-1	130 mm		LBH-9265064
MODEL R964 C					
Boom Lift		N-N-10		180 mm	LBH-9169654
	1x6.3mm & 1x8.1mm wide rod seals	I-BB-1	125 mm		LBH-9062985
	2x6.3mm wide rod seals	I-BB-1	125 mm		LBH-9158145
Bucket (2.6m Stick)		N-N-10		180 mm	LBH-9062632
	1x6.3mm & 1x8.1mm wide rod seals	I-BB-1	125 mm		LBH-9062985
	2x6.3mm wide rod seals	I-BB-1	125 mm		LBH-9158145
Bucket (3.4m Stick)		I-BB-1	110 mm		LBH-9158144
		N-N-10		180 mm	LBH-9062632
	2x6.3mm wide rod seals	I-BB-1	125 mm		LBH-9158145
Bucket (4.2m Stick)		I-BB-1	125 mm		LBH-9062985
		N-N-10		180 mm	LBH-9062632
Bucket (5.0m Stick)		I-BB-1	110 mm		LBH-9158144
		N-N-10		170 mm	LBH-9062821
Stick (7.0m, 8.2m, 10m Std Boom)		N-N-10		210 mm	LBH-9159705
	1x6.3mm & 1x8.1mm wide rod seals	I-BB-1	140 mm		LBH-9062984
	2x6.3mm wide rod seals	I-BB-1	140 mm		LBH-9061471
Swivel Rotary		I-SP-1	130 mm		LBH-9265064
Excavators - Wheel					
APPLICATION	MISC:	CODE	ROD	BORE	KIT #
MODEL A309 LI					
Boom Adj (Hyd Adj)		I-BB-1	70 mm		LBH-9062256
		N-N-10		125 mm	LBH-9060977
Boom Lift		I-BB-1	70 mm		LBH-9583532
		N-N-10		115 mm	LBH-9113343
Bucket		I-BB-1	50 mm		LBH-9063554
		N-N-10		80 mm	LBH-9062172
Bucket (Ditch Clean)	1300mm	I-BB-1	36 mm		LBH-9063270
	1300mm	N-N-10		70 mm	LBH-9155949
	1500mm & 1700mm	I-BB-1	80 mm		LBH-9592551
Oscillating Axle Stabilizer		I-BB-1	85 mm		LBH-9158310
Stabilizers		I-BB-1	50 mm		LBH-9159738
		N-N-10		110 mm	LBH-9063452
Stick		I-BB-1	60 mm		LBH-9061404
		N-N-10		90 mm	LBH-9061380
Swivel Rotary		I-SP-1	95 mm		LBH-9265132
MODEL A311 LI					
Boom Adj (Hyd Adj)		I-BB-1	70 mm		LBH-9062256
		N-N-10		125 mm	LBH-9060977

Replacement Kits For

LIEBHERR

Excavators - Wheel					
APPLICATION	MISC:	CODE	ROD	BORE	KIT #
MODEL A311 LI					
Boom Lift		I-BB-1	70 mm		LBH-9062256
		N-N-10		125 mm	LBH-9060977
Bucket		I-BB-1	60 mm		LBH-9061404
		N-N-10		90 mm	LBH-9061380
Bucket (Ditch Clean)	1200mm	I-BB-1	80 mm		LBH-9592551
	1500mm 0,33M3	I-BB-1	36 mm		LBH-9063270
	1500mm 0,33M3	N-N-10		70 mm	LBH-9155949
	1500mm 0,36M3	I-BB-1	80 mm		LBH-9592551
	1700mm 0,37M3	I-BB-1	50 mm		LBH-9155154
	1700mm 0,37M3	N-N-10		70 mm	LBH-9119033
	1700mm 0,41M3	I-BB-1	80 mm		LBH-9592551
Dozer Blade	2550mm	I-BB-1	50 mm		LBH-9159738
	2550mm	N-N-10		110 mm	LBH-9063452
Oscillating Axle Stabilizer		I-BB-1	85 mm		LBH-9158310
Stabilizers		I-BB-1	50 mm		LBH-9159738
		N-N-10		110 mm	LBH-9063452
Stick		I-BB-1	70 mm		LBH-9172117
		N-N-10		100 mm	LBH-9174200
Swivel Rotary		I-SP-1	95 mm		LBH-9265132
MODEL A312 LI					
Boom Adj (Hyd Adj)		I-BB-1	80 mm		LBH-9063173
		N-N-10		140 mm	LBH-9165363
Boom Lift		I-BB-1	70 mm		LBH-9172117
		N-N-10		100 mm	LBH-9174200
Bucket		I-BB-1	60 mm		LBH-9061404
		N-N-10		90 mm	LBH-9061380
Bucket (Ditch Clean)	1200mm	I-BB-1	80 mm		LBH-9592551
	1500mm	I-BB-1	90 mm		LBH-9967796
	1600mm	I-BB-1	90 mm		LBH-9967796
	2000mm	I-BB-1	90 mm		LBH-9967796
Dozer Blade	110mm Bore Cyl	I-BB-1	60 mm		LBH-9063449
	110mm Bore Cyl	N-N-10		110 mm	LBH-9063452
	90mm Bore Cyl	I-BB-1	50 mm		LBH-9061030
	90mm Bore Cyl	N-N-10		90 mm	LBH-9061380
Oscillating Axle Stabilizer		I-BB-1	85 mm		LBH-9158310
Stabilizers		I-BB-1	70 mm		LBH-9193515
		N-N-10		120 mm	LBH-9172577
Stick		I-BB-1	75 mm		LBH-9064496
		N-N-10		110 mm	LBH-9159131
Swing		I-BB-1	50 mm		LBH-9061030
		N-N-10		90 mm	LBH-9061380
Swivel Rotary		I-SP-1	95 mm		LBH-9265132
MODEL A314 LI					
Boom Adj (Hyd Adj)		I-BB-1	80 mm		LBH-9063173
		N-N-10		140 mm	LBH-9165363
Boom Lift		I-BB-1	70 mm		LBH-9063172

Replacement Kits For

LIEBHERR

Excavators - Wheel					
APPLICATION	MISC:	CODE	ROD	BORE	KIT #
MODEL A314 LI					
Boom Lift		N-N-10		110 mm	LBH-9159131
Boom Offset		I-BB-1	50 mm		LBH-9061030
		N-N-10		90 mm	LBH-9061380
Bucket		I-BB-1	60 mm		LBH-9061404
		N-N-10		90 mm	LBH-9061380
Bucket (Ditch Clean)		I-BB-1	90 mm		LBH-9967796
Dozer Blade	110mm Bore Cyl	I-BB-1	60 mm		LBH-9063449
	110mm Bore Cyl	N-N-10		110 mm	LBH-9063452
	90mm Bore Cyl	I-BB-1	50 mm		LBH-9061030
	90mm Bore Cyl	N-N-10		90 mm	LBH-9061380
Oscillating Axle Stabilizer		I-BB-1	85 mm		LBH-9063709
Stabilizers		I-BB-1	70 mm		LBH-9193515
		N-N-10		120 mm	LBH-9172577
Stick		I-BB-1	75 mm		LBH-9064577
		N-N-10		115 mm	LBH-9113343
Stick (3.2m Boom)	-1997	I-BB-1	70 mm		LBH-9063172
	-1997	N-N-10		110 mm	LBH-9159131
	2001-	I-BB-1	75 mm		LBH-9064577
	2001-	N-N-10		115 mm	LBH-9113343
Stick (4.3m Std, Lat Adj Boom)	s/n -28989	I-BB-1	75 mm		LBH-9064577
	s/n -28989	N-N-10		115 mm	LBH-9113343
Stick (4.5m Std Boom)		I-BB-1	70 mm		LBH-9063172
		N-N-10		110 mm	LBH-9159131
	2001-	I-BB-1	75 mm		LBH-9064577
	2001-	N-N-10		115 mm	LBH-9113343
Stick (4.9m Std Boom, Lat Adj)		I-BB-1	75 mm		LBH-9064577
		N-N-10		115 mm	LBH-9113343
Stick (5.0m Std Boom)		I-BB-1	75 mm		LBH-9064577
		N-N-10		115 mm	LBH-9113343
Swivel Bucket 1500mm		I-BB-1	90 mm		LBH-9967796
Swivel Rotary		I-SP-1	95 mm		LBH-9265132
MODEL A316 LI					
Boom Adj (Hyd Adj)		I-BB-1	80 mm		LBH-9063173
		N-N-10		140 mm	LBH-9165363
Boom Lift		I-BB-1	70 mm		LBH-9172122
		N-N-10		120 mm	LBH-9172577
Boom Offset		I-BB-1	50 mm		LBH-9061030
		N-N-10		90 mm	LBH-9061380
Bucket		I-BB-1	70 mm		LBH-9172117
		N-N-10		100 mm	LBH-9174200
Bucket (Ditch Clean)		I-BB-1	90 mm		LBH-9967796
Cab Elevation		I-BB-1	50 mm		LBH-9063554
		N-N-10		80 mm	LBH-9061383
Dozer Blade	100mm Bore Cyl	I-BB-1	60 mm		LBH-9174143
	100mm Bore Cyl	N-N-10		100 mm	LBH-9174142
	110mm Bore Cyl	I-BB-1	60 mm		LBH-9063449

Replacement Kits For

LIEBHERR

Excavators - Wheel					
APPLICATION	MISC:	CODE	ROD	BORE	KIT #
MODEL A316 LI					
Dozer Blade	110mm Bore Cyl	N-N-10		110 mm	LBH-9063452
	90mm Bore Cyl	I-BB-1	50 mm		LBH-9061030
	90mm Bore Cyl	N-N-10		90 mm	LBH-9061380
Oscillating Axle Stabilizer		I-BB-1	85 mm		LBH-9063709
Stabilizers		I-BB-1	70 mm		LBH-9193515
		N-N-10		120 mm	LBH-9172577
Stick		I-BB-1	80 mm		LBH-9172118
		N-N-10		120 mm	LBH-9172577
Stick (4.6m Ind Boom)		I-BB-1	70 mm		LBH-9063172
		N-N-10		110 mm	LBH-9159131
Swivel Rotary		I-SP-1	95 mm		LBH-9265132
MODEL A900 C-LI					
Boom Adj (Hyd Adj)		I-BB-1	80 mm		LBH-9063173
		N-N-10		140 mm	LBH-9165363
Boom Lift		I-BB-1	85 mm		LBH-9158175
		N-N-10		125 mm	LBH-9060977
Boom Offset	100mm Bore Cyl	I-BB-1	50 mm		LBH-9062932
	100mm Bore Cyl	N-N-10		100 mm	LBH-9156042
	90mm Bore Cyl	I-BB-1	50 mm		LBH-9061030
	90mm Bore Cyl	N-N-10		90 mm	LBH-9061380
Bucket (2.05m, 2.25m, 2.45m, 2.65m, 3.05m, 3.65m S)		I-BB-1	70 mm		LBH-9951829
		N-N-10		105 mm	LBH-9951831
Bucket (2.65m, 3.05m Stick)		I-BB-1	70 mm		LBH-9172117
		N-N-10		100 mm	LBH-9174200
Bucket (5.2m Stick)		I-BB-1	60 mm		LBH-9061404
		N-N-10		90 mm	LBH-9061380
Bucket (Ditch Clean)		I-BB-1	90 mm		LBH-9967796
Dozer Blade		I-BB-1	50 mm		LBH-9061030
		N-N-10		90 mm	LBH-9061380
Oscillating Axle Stabilizer		I-BB-1	85 mm		LBH-9063709
Stabilizers		I-BB-1	70 mm		LBH-9193515
		N-N-10		120 mm	LBH-9172577
Stick		I-BB-1	85 mm		LBH-9060195
		N-N-10		130 mm	LBH-9171671
Swivel Bucket		I-BB-1	90 mm		LBH-9967796
Swivel Rotary		I-SP-1	95 mm		LBH-9265132
MODEL A904 C-LI					
Boom Adj (Hyd Adj)		I-BB-1	80 mm		LBH-9063173
		N-N-10		140 mm	LBH-9165363
	for Deep Hole	I-BB-1	90 mm		LBH-9060196
	for Deep Hole	N-N-10		140 mm	LBH-9165363
Boom Lift (Hyd Adj)		I-BB-1	85 mm		LBH-9285625
		N-N-10		135 mm	LBH-9285577
Boom Lift (Ind Boom)		I-BB-1	85 mm		LBH-9060195
		N-N-10		130 mm	LBH-9171671

LIEBHERR

Replacement Kits For

Excavators - Wheel					
APPLICATION	MISC:	CODE	ROD	BORE	KIT #
MODEL A904 C-LI					
Boom Lift (Std Boom)		I-BB-1	85 mm		LBH-9285625
		N-N-10		135 mm	LBH-9285577
Bucket (2.25m, 2.45m, 2.65m, 3.05m, 4.25m Stick)		I-BB-1	80 mm		LBH-9172118
		N-N-10		120 mm	LBH-9172577
Bucket (3.5m, 4.5m Ind Stick)		I-BB-1	80 mm		LBH-9172118
		N-N-10		120 mm	LBH-9172577
Bucket (4.3m Ind Stick)		I-BB-1	70 mm		LBH-9062256
		N-N-10		125 mm	LBH-9060977
Bucket (4.6m LR Stick)		I-BB-1	60 mm		LBH-9061404
		N-N-10		90 mm	LBH-9061380
Bucket (5.0m Stick)		I-BB-1	60 mm		LBH-9061404
		N-N-10		90 mm	LBH-9061380
Bucket (Ditch Clean)		I-BB-1	90 mm		LBH-9967796
Dozer Blade	Front Dual Cyl	I-BB-1	50 mm		LBH-9158084
	Front Dual Cyl	N-N-10		100 mm	LBH-9156042
	Front Single Cyl	I-BB-1	60 mm		LBH-9174143
	Front Single Cyl	N-N-10		100 mm	LBH-9174142
	Prop Up 2550mm	I-BB-1	60 mm		LBH-9063449
	Prop Up 2550mm	N-N-10		110 mm	LBH-9063452
	Prop Up 2550mm, 2750mm	I-BB-1	50 mm		LBH-9158084
	Prop Up 2550mm, 2750mm	N-N-10		100 mm	LBH-9156042
Oscillating Axle Stabilizer		I-BB-1	85 mm		LBH-9063709
Stabilizers		I-BB-1	70 mm		LBH-9193515
		N-N-10		120 mm	LBH-9172577
Stick		I-BB-1	85 mm		LBH-9060195
		N-N-10		130 mm	LBH-9171671
Stick (4.6m, 6.8m LR Stick)		I-BB-1	70 mm		LBH-9583532
		N-N-10		115 mm	LBH-9113343
Stick (5.2m Std Boom, Lat Adj)		I-BB-1	85 mm		LBH-9060195
		N-N-10		130 mm	LBH-9171671
Stick (5.3m, 7.4m, 5.6m Std Boom)		I-BB-1	85 mm		LBH-9060195
		N-N-10		130 mm	LBH-9171671
Stick (5.5m Boom Low-Curved)		I-BB-1	85 mm		LBH-9060195
		N-N-10		130 mm	LBH-9171671
Stick (6.0m Ind Boom-Angled)		I-BB-1	80 mm		LBH-9172118
		N-N-10		120 mm	LBH-9172577
Stick (6.1m, 6.6m, 7.0m, 7.1m Ind Boom)		I-BB-1	80 mm		LBH-9172118
		N-N-10		120 mm	LBH-9172577
Swing		I-BB-1	60 mm		LBH-9159680
		N-N-10		120 mm	LBH-9111605
Swivel Bucket		I-BB-1	90 mm		LBH-9967796
Swivel Rotary		I-SP-1	95 mm		LBH-9265132

Replacement Kits For

LIEBHERR

Loaders - Wheel					
APPLICATION	MISC:	CODE	ROD	BORE	KIT #
MODEL L506 Stereo					
Loader Lift		I-BB-1	40 mm		LBH-9063465
		N-N-10		80 mm	LBH-9061383
Loader Tilt		I-BB-1	40 mm		LBH-9063465
		N-N-10		80 mm	LBH-9061383
Steering	s/n -99998	I-BB-1	30 mm		LBH-9063423
	s/n -99998	N-N-10		70 mm	LBH-9064914
MODEL L507 Stereo					
Loader Lift	s/n -99998	I-BB-1	40 mm		LBH-9063465
	s/n -99998	N-N-10		80 mm	LBH-9061383
Loader Tilt		I-BB-1	40 mm		LBH-9063465
		N-N-10		80 mm	LBH-9061383
Steering	s/n -99998	I-BB-1	30 mm		LBH-9063423
	s/n -99998	N-N-10		70 mm	LBH-9064914
MODEL L508 Stereo					
Loader Lift		I-BB-1	50 mm		LBH-9063162
		N-N-10		100 mm	LBH-9156042
Loader Tilt		I-BB-1	50 mm		LBH-9063162
		N-N-10		100 mm	LBH-9156042
Steering	s/n -99998	I-BB-1	30 mm		LBH-9063423
	s/n -99998	N-N-10		70 mm	LBH-9064914
MODEL L509 Stereo					
Loader Lift	s/n -99998	I-BB-1	50 mm		LBH-9063162
	s/n -99998	N-N-10		100 mm	LBH-9156042
Loader Tilt	s/n -99998	I-BB-1	50 mm		LBH-9063162
	s/n -99998	N-N-10		100 mm	LBH-9156042
Steering	s/n -99998	I-BB-1	30 mm		LBH-9063423
	s/n -99998	N-N-10		70 mm	LBH-9064914
MODEL L538, L538 (Z-bar)					
Loader Lift		I-BB-1	60 mm		LBH-9177617
		N-N-10		110 mm	LBH-9159131
Loader Tilt		I-BB-1	50 mm		LBH-9061030
		N-N-10		90 mm	LBH-9061380
Steering		I-BB-1	40 mm		LBH-9061381
		N-N-10		90 mm	LBH-9063712
MODEL L544					
Loader Lift		I-BB-1	80 mm		LBH-9063757
		N-N-10		130 mm	LBH-9111341
Loader Tilt		I-BB-1	80 mm		LBH-9063173
		N-N-10		150 mm	LBH-91113131
Steering		I-BB-1	40 mm		LBH-9063465
		N-N-10		80 mm	LBH-9061383
MODEL L556 2plus2, L556 2plus2 High Lift					
Loader Lift		I-BB-1	80 mm		LBH-9063757
		N-N-10		130 mm	LBH-9111341
Loader Tilt		I-BB-1	80 mm		LBH-9063173
		N-N-10		150 mm	LBH-91113131

Replacement Kits For

LIEBHERR

Loaders - Wheel					
APPLICATION	MISC:	CODE	ROD	BORE	KIT #
MODEL L556 2plus2, L556 2plus2 High Lift					
Steering		I-BB-1	40 mm		LBH-9063465
		N-N-10		80 mm	LBH-9061383
MODEL L564					
Loader Lift		I-BB-1	80 mm		LBH-9196096
		N-N-10		150 mm	LBH-9113131
Loader Tilt		I-BB-1	90 mm		LBH-9158397
		N-N-10		170 mm	LBH-9062821
Steering		I-BB-1	40 mm		LBH-9061381
		N-N-10		90 mm	LBH-9063712
MODEL L566 2plus2, L566 2plus2 High Lift					
Loader Lift		I-BB-1	80 mm		LBH-9196096
		N-N-10		150 mm	LBH-9113131
Loader Tilt		I-BB-1	90 mm		LBH-9158397
		N-N-10		170 mm	LBH-9062821
Steering		I-BB-1	40 mm		LBH-9061381
		N-N-10		90 mm	LBH-9063712
Off-Highway Trucks					
APPLICATION	MISC:	CODE	ROD	BORE	KIT #
MODEL KL2420					
Steering	Cyl 13029-D	P-U-10	2-3/4	5-1/2	LBH-13029-C-1

LIEBHERR

Kit Number	Code (Pg. xiv)	Rod X Bore Size
LBH-13029-C-1	P-U-10	2-3/4 X 5-1/2
LBH-5708-876-08	N-N-15	160 mm Piston
LBH-9060195	I-SP-1	85 mm Rod Kit
LBH-9060196	I-SP-1	90 mm Rod Kit
LBH-9060197	I-SP-1	95 mm Rod Kit
LBH-9060977	N-N-10	125 mm Piston Kit
LBH-9061003	I-SP-1	105 mm Rod Kit
LBH-9061030	I-BB-1	50 mm Rod Kit
LBH-9061380	N-N-10	90 mm Piston Kit
LBH-9061381	I-BB-1	40 mm Rod Kit
LBH-9061383	N-N-10	80 mm Piston Kit
LBH-9061404	I-BB-1	60 mm Rod Kit
LBH-9061471		Seal Kit
LBH-9062172	N-N-10	80 mm Piston Kit
LBH-9062256	I-BB-1	70 mm Rod Kit
LBH-9062534	I-BB-1	95 mm Rod Kit
LBH-9062632	N-N-10	180 mm Piston Kit
LBH-9062821	N-N-10	170 mm Piston Kit
LBH-9062932	I-BB-1	50 mm Rod Kit
LBH-9062984		Seal Kit
LBH-9062985	I-BB-1	125 mm Rod Kit
LBH-9063136	I-BB-1	95 mm Rod Kit
LBH-9063162	I-BB-1	50 mm Rod Kit
LBH-9063172	I-BB-1	70 mm Rod Kit
LBH-9063173	I-BB-1	80 mm Rod Kit
LBH-9063270	I-BB-1	36 mm Rod Kit
LBH-9063423	I-BB-1	30 mm Rod Kit
LBH-9063449	I-BB-1	60 mm Rod Kit
LBH-9063452	N-N-10	110 mm Piston Kit
LBH-9063464	N-N-10	70 mm Piston Kit
LBH-9063465	I-BB-1	40 mm Rod Kit
LBH-9063554	I-BB-1	50 mm Rod Kit
LBH-9063688	I-BB-1	110 mm Rod Kit
LBH-9063709	I-BB-1	85 mm Rod Kit
LBH-9063712	N-N-10	90 mm Piston Kit
LBH-9063757	I-BB-1	80 mm Rod Kit
LBH-9064091	I-BB-1	125 mm Rod Kit
LBH-9064496	I-BB-1	75 mm Rod Kit
LBH-9064577	I-BB-1	75 mm Rod Kit
LBH-9064914	N-N-10	70 mm Piston Kit
LBH-9111341	N-N-10	130 mm Piston Kit
LBH-9111605	N-N-10	120 mm Piston Kit
LBH-91113131	N-N-10	150 mm Piston Kit
LBH-91113343	N-N-10	115 mm Piston Kit
LBH-91113351	N-N-10	85 mm Piston Kit
LBH-9114673	I-BB-1	60 mm Rod Kit
LBH-9116590	I-BB-1	70 mm Rod Kit

LIEBHERR

Kit Number	Code (Pg. xiv)	Rod X Bore Size
LBH-9124375	N-N-10	85 mm Piston Kit
LBH-9124376	I-SP-1	50 mm Rod Kit
LBH-9144401	I-BB-1	95mm Rod Kit
LBH-9154141	N-N-10	160 mm Piston Kit
LBH-9154605	N-N-10	85 mm Piston Kit
LBH-9154606	I-SP-1	36 mm Rod Kit
LBH-9155154	I-SP-1	50 mm Rod Kit
LBH-9155949	N-N-10	70 mm Piston Kit
LBH-9156042	N-N-10	100 mm Piston Kit
LBH-9156782	N-N-10	150 mm Piston Kit
LBH-9156961	N-N-10	230 mm Piston Kit
LBH-9156962	I-SP-1	170 mm Rod Kit
LBH-9158084	I-BB-1	50 mm Rod Kit
LBH-9158144	I-SP-1	110 mm Rod Kit
LBH-9158145	I-SP-1	125 mm Rod Kit
LBH-9158175	I-SP-1	85 mm Rod Kit
LBH-9158310	I-BB-1	85 mm Rod Kit
LBH-9158311	I-SP-1	105 mm Rod Kit
LBH-9158397	I-BB-1	90 mm Rod Kit
LBH-9158674	I-SP-1	100 mm Rod Kit
LBH-9159131	N-N-10	100 mm Piston Kit
LBH-9159132	I-SP-1	70 mm Rod Kit
LBH-9159680	I-BB-1	60mm Rod Kit
LBH-9159705	N-N-10	210 mm Piston Kit
LBH-9159738	I-BB-1	50mm Rod Kit
LBH-9159739	I-SP-1	150 mm Rod Kit
LBH-9165363	N-N-10	140 mm Piston
LBH-9165440	N-N-10	150 mm Piston
LBH-9165441	I-BB-1	100 mm
LBH-9169653	N-N-10	170 mm Piston
LBH-9169654	N-N-10	180 mm Piston
LBH-9169656	I-SP-1	110 mm Rod Kit
LBH-9170257	N-N-10	200 mm Piston
LBH-9170258	I-SP-1	110 mm Rod Kit
LBH-9170276	P-SP-1	140 mm Rod Kit
LBH-9171670	I-SP-1	80 mm Rod Kit
LBH-9171671	N-N-10	130 mm Piston Kit
LBH-9172117	I-SP-1	70 mm Rod Kit
LBH-9172118	I-SP-1	80 mm Rod Kit
LBH-9172119	I-BB-1	90mm Rod Kit
LBH-9172122	I-SP-1	70 mm Rod Kit
LBH-9172123	I-SP-1	110 mm Rod Kit
LBH-9172577	N-N-10	120 mm Piston Kit
LBH-9174142	N-N-10	100 mm Piston Kit
LBH-9174143	I-BB-1	60 mm Rod Kit
LBH-9174200	N-N-10	100 mm Piston Kit
LBH-9174519	I-SP-1	70 mm Rod Kit

LIEBHERR

Kit Number	Code (Pg. xiv)	Rod X Bore Size
LBH-9174575	I-SP-1	80 mm Rod Kit
LBH-9177617	I-BB-1	60 mm Rod Kit
LBH-9179503	N-N-10	150 mm Piston Kit
LBH-9193515	I-BB-1	70 mm Rod Kit
LBH-9196096	I-BB-1	80 mm Rod Kit
LBH-9265064	I-BB-1	130mm Rod Kit
LBH-9265132	I-BB-1	95 mm Rod Kit
LBH-9285577	N-N-10	135 mm Piston Kit
LBH-9285625	I-BB-1	85 mm Rod Kit

LIEBHERR

Kit Number	Code (Pg. xiv)	Rod X Bore Size
LBH-9374710	I-U-15	140 X 160 mm
LBH-9581868	I-BB-1	100 mm Rod Kit
LBH-9583532	I-BB-1	70 mm Rod Kit
LBH-9592551	I-BB-1	80 mm Rod Kit
LBH-9596597	I-BB-1	100 mm Rod Kit
LBH-9951829	I-BB-1	70 mm Rod Kit
LBH-9951831	N-N-10	105 mm Piston Kit
LBH-9967796	I-BB-1	90 mm Rod Kit

LINK BELT

Kit Number	Code (Pg. xiv)	Rod X Bore Size
LB-3J12501	I-UB-11	3-1/2 X 4-1/2
LB-3X-0082	I-U-10	1-1/2 X 2-1/2
LB-3X-0106	I-OB-3	3-1/2 X 4-1/2
LB-3X-0256	P-U-10	5-1/2 X 8
LB-3X-0264	I-U-10	1-1/8 X 3
LB-587V305	I-U14	4-1/2 X 7-1/2
LB-LQU-0008	P-UB-10	100 X 150 mm
LB-LQU-0009	P-UB-10	110 X 160 mm
LB-LQU-0010	P-UB-10	95 X 140 mm
LB-LQU-0011	P-UB-10	70 X 110 mm
LB-LQU-0012	P-UB-10	85 X 125 mm
LB-LQU-0015	P-UB-10	70 X 110 mm
LB-LQU-0017	P-UB-14	110 X 160 mm
LB-LQU-0020	P-UB-10	85 X 125 mm
LB-LQU-0021	P-UB-10	100 X 140 mm
LB-LQU-0022	P-UB-10	80 X 120 mm
LB-LQU-0028	P-UB-10	90 X 140 mm
LB-LQU-0029	P-UB-10	105 X 150 mm
LB-LQU-0030	P-UB-10	90 X 130 mm
LB-LQU-0037	P-UB-10	85 X 130 mm

LOADMASTER

Kit Number	Code (Pg. xiv)	Rod X Bore Size
LM-150129	P-U-10	2-1/2 X 5-1/4
LM-157615	I-U-5	2-1/2 X 4-1/4
LM-15762	I-U-1	4-3/4 X 5-1/2
LM-157625	I-U-1	4-3/4 X 5-1/2
LM-15768	I-U-5	2-1/2 X 5-1/4
LM-157685	I-U-5	2-1/2 X 5-1/4
LM-157775	I-U-5	2-1/4 X 4-1/4
LM-157785	I-U-5	2-1/2 X 5-1/2
LM-157845	I-U-5	2-1/2 X 4-3/4
LM-158725	I-U-5	2-1/2 X 7-1/4
LM-20663	I-U-5	3-1/2 X 5-1/2
LM-24861	I-U-5	2-1/2 X 5-1/2
LM-24862	I-U-5	2-1/2 X 5-1/2
LM-750006K	I-U-1	4-3/4 X 5-1/2
LM-750008-10	I-U-5	2-1/2 X 4-1/4
LM-750008-K	I-U-5	2-1/2 X 4-1/4
LM-750010K	I-U-5	2-1/2 X 5-1/2
LM-750011-10	I-U-5	2-1/2 X 5-1/4
LM-750012K	I-U-5	2-1/2 X 7-1/4
LM-750013K	I-U-5	1-1/2 X 4-1/4
LM-750094K	I-U-5	2-1/2 X 4-3/4
LM-750182K	I-U-5	2-1/2 X 5-1/2

LOG HOG

Kit Number	Code (Pg. xiv)	Rod X Bore Size
LGH-28-04-30	I-U-3	1-1/2 X 3
LGH-37-06-05	I-U-3	1-1/2 X 3-1/2
LGH-37-06-05-HD	I-U-3	1-1/2 X 3-1/2
LGH-37-06-06	I-N-4	1-3/4 X 5
LGH-37-06-06-HD	I-N-4	1-3/4 X 5
LGH-37-06-07	I-U-5	2 X 5
LGH-37-06-08	I-U-5	2-1/2 X 6
LGH-37-06-08-HD	I-U-5	2-1/2 X 6
LGH-37-07-13	I-U-5	3 X 6
LGH-37-07-13-HD	I-U-5	3 X 6
LGH-37-07-29	I-N-4	2-1/2 X 6
LGH-37-07-29-HD	I-N-4	2-1/2 X 6
LGH-37-12-54	I-U-5	1-1/2 X 3-1/2
LGH-37-12-54-HD	I-U-5	1-1/2 X 3-1/2
LGH-37-12-59	I-U-5	1-3/4 X 4
LGH-37-12-59-HD	I-U-5	1-3/4 X 4
LGH-37-14-47	I-U-5	2-1/2 X 5
LGH-37-14-47-HD	I-U-5	2-1/2 X 5
LGH-37-17-48	I-N-4	3 X 7
LGH-37-17-48-HD	I-N-4	3 X 7
LGH-37-17-49	I-U-5	3-1/2 X 7
LGH-37-17-49-HD	I-U-5	3-1/2 X 7
LGH-37-17-50	I-U-5	3 X 7
LGH-37-17-50-HD	I-U-5	3 X 7

LOG HOG

Kit Number	Code (Pg. xiv)	Rod X Bore Size
LGH-37-21-05	P-N-4	1-3/4 X 5
LGH-37-21-05-HD	P-N-4	1-3/4 X 5
LGH-37-53-34	I-U-5	1-3/4 X 4
LGH-37-53-52	I-U-5	3-1/2 X 7
LGH-37-53-52-HD	I-U-5	3-1/2 X 7
LGH-37-53-53-HD	I-U-5	1-1/2 X 3-1/2
LGH-37-53-54	I-U-5	3 X 7
LGH-37-53-54-HD	I-U-5	3 X 7
LGH-37-53-88	I-U-5	3 X 6
LGH-37-53-88-HD	I-U-5	3 X 6
LGH-37-68-68	5" Swivel Kit	
LGH-37-72-98	I-U-5	3 X 5
LGH-37-72-98-HD	I-U-5	3 X 5
LGH-37-73-06	I-U-5	3 X 6
LGH-37-73-06-HD	I-U-5	3 X 6
LGH-37-75-43-HD	I-U-5	3 X 6
LGH-37-75-47	I-U-5	4 X 7
LGH-37-75-47-HD	I-U-5	4 X 7
LGH-37-90-77-HD	P-U-10	3-1/2 X 7
LGH-37-90-79	P-U-10	3 X 6
LGH-37-90-79-HD	P-U-10	3 X 6
LGH-37-90-80-HD	I-U-10	2-1/2 X 5
LGH-37-97-15	6 - 1/2" Swivel Kit	
LGH-38-11-44	I-U-10	3 X 6

LORAIN

Kit Number	Code (Pg. xiv)	Rod X Bore Size
LOR-1103	I-N-10	4-1/4 X 6
LOR-1103U	I-U-10	4-1/4 X 6
LOR-1139	I-U-10	3/4 , 1-1/2 X 2-1/2
LOR-1179	I-U-10	1-1/2 X 2-1/2
LOR-1191	O-Ring Kit	
LOR-201521	P-U-10	3-1/2 X 5
LOR-201778	P-U-10	4 X 6
LOR-23699	P-U-3	2 X 3-1/2
LOR-28687	I-N-10	4 X 5
LOR-28696	I-OB-10	1-1/2 X 2
LOR-80187	I-U-10	3 X 4
LOR-963A	I-U-12	7 X 8-1/8
LOR-983-C	I-U-10, 12	4-1/2 X 8-1/8

LUCKY LOADER

Kit Number	Code (Pg. xiv)	Rod X Bore Size
LK-GL400-1000-250A	I-U-5	2-1/2 X 4
LK-GL700-3000-400	I-U-5	4 X 7
LK-L400-800-200	I-U-5	2 X 4
LK-L700-3600-400-A3	I-U-5	4 X 7
LK-TL600-2087-250	I-U-5	2-1/2 X 6
LK-TL600-2087-300	I-U-5	3 X 6

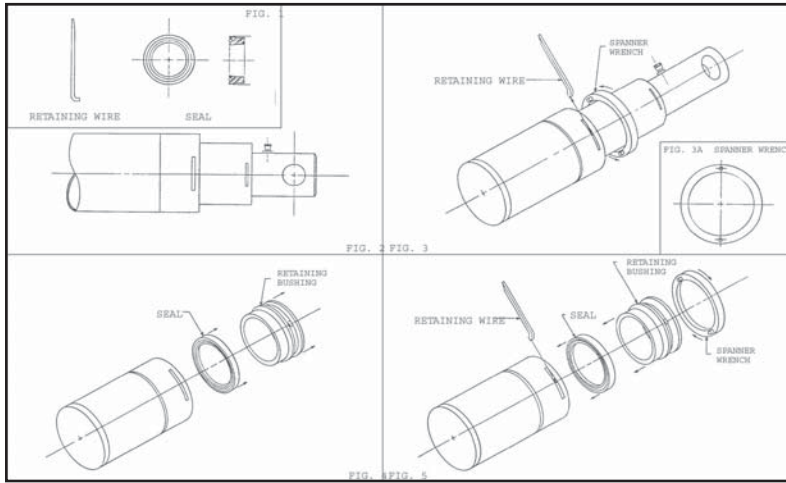
LULL

Kit Number	Code (Pg. xiv)	Rod X Bore Size
LULL-3586-34	I-U-10	1-1/8 X 3
LULL-P19382	I-U-10	1-1/8 X 2-1/2

MAILHOT TELESCOPIC CYLINDERS

Kit Number	Cylinder Number	Description	Stage I.D.
MH-009-SK	M134-6-3	3 Stage, U-Seals & Keepers	4, 5, 6
MH-078-SK	M150-6-4	4 Stage, U-Seals & Keepers	3-1/4, 4, 5, 6
MH-119-SK	M130-5.5-3	3 Stage, U-Seals & Keepers	3-1/2, 4-1/2, 5-1/2
MH-124-SK	M150-6.5-4	4 Stage, U-Seals & Keepers	3-1/2, 4-1/2, 5-1/2, 6-1/2
MH-125-SK	M160-6.5-4	4 Stage, U-Seals & Keepers	3-1/2, 4-1/2, 5-1/2, 6-1/2
MH-9000025-SK	C190-8-5	5 Stage, Z-Seals & Wipers	4, 5, 6, 7, 8
MH-9000030-SK	C200-8-5	5 Stage, Z-Seals & Wipers	4, 5, 6, 7, 8
MH-9000034-SK	C135-7-4, C162-7-4	4 Stage, Z-Seals & Wipers	4, 5, 6, 7
MH-9000035-SK	C111-7-3	3 Stage, Z-Seals & Wipers	5, 6, 7

MARION TELESCOPIC CYLINDERS



INSTRUCTIONS:

Remove cylinder and lie flat with sides parallel to ground. Drain oil from cylinder leaving stages slightly extended as shown in FIG. 2, exposing retaining wire slots. Using spanner wrench (FIG. 3A) or equivalent, remove retaining wire by turning retaining bushing counter-clockwise (FIG.3). After retaining wire is out, remove retaining bushing and seal, FIG. 4. Replace with seal provided in kit, FIG. 1. Retaining bushing (FIG. 5) and secure with retaining wire (FIG.1). Repeat steps for all other stages and other tubes.

Part Number	Stage Size	I.D.	O.D.	Height
STAGE BEARINGS				
MARION-35120	1-7/8	1-7/8	2-1/4	1
MARION-35130	2-3/4	2-3/4	3-1/4	1
MARION-35140	3-3/4	3-3/4	4-1/4	1
MARION-35150	4-3/4	4-3/4	5-1/4	1
MARION-35160	5-3/4	5-3/4	6-1/4	1
WIPERS				
MARION-35731	2-3/4	2-3/4	3.114	0.12
MARION-35741	3-3/4	3-3/4	3.996	0.11
MARION-35751	4-3/4	4-3/4	4.996	0.11
MARION-35761	5-3/4	5-3/4	5.996	0.11
MARION-35771	6-3/4	6-3/4	6.996	0.11
PISTON BEARINGS				
MARION-35420	2	1-7/8	2-1/4	1/2
MARION-35430	3	2-3/4	3-1/4	1/2
MARION-35440	4	3-3/4	4-1/4	1/2
MARION-35450	5	4-3/4	5-1/4	1/2
MARION-35460	6	5-3/4	6-1/4	1/2

Part Number	Stage Size	Length	Square C/S
RETAINING WIRE			
MARION-35240	2-3/4	10-1/4	1/8
MARION-35250	3-3/4	13-3/8	1/8
MARION-35260	4-3/4	16-3/8	1/8
MARION-35270	5-3/4	19-1/4	1/8

COMPLETE REPAIR KITS		
Part Number	Series	Stage Sizes
Kits contain rod seals and retaining wire for each stage		
MARION-35704	32 series	1-7/8, 2-3/4
MARION-35705	42 series	2-3/4, 3-3/4
MARION-35706	43 series	1-7/8, 2-3/4, 3-3/4
MARION-35707	53 series	2-3/4, 3-3/4, 4-3/4
Kits contain rod seals, wipers and retaining wire for each stage		
MARION-35708	63 series	3-3/4, 4-3/4, 5-3/4
MARION-35709	64 series	2-3/4, 3-3/4, 4-3/4, 5-3/4
MARION-35715	62 series	4-3/4, 5-3/4
MARION-35716	52 series	3-3/4, 4-3/4

MARK HI-LIFT

Kit Number	Code (Pg. xiv)	Rod X Bore Size
ML-16963		Valve Kit
ML-20042	I-U-3	7/8 X 1-1/2
ML-20127	I-U-5	2-1/2 X 3-1/2
ML-20128	I-U-5	1-1/4 X 3-1/2
ML-244-A	I-OB-2	1 X 2
ML-3009A	I-OB-3	1-1/2 X 3-1/2
ML-3011-A	I-OB-3	1-1/2 X 3-1/2
ML-3012-1	I-OB-3	1-1/4 X 2
ML-3062-1	I-OB-3	3/4 X 1-1/2
ML-3065-A	I-N-3	1-1/2 X 4
ML-66017	I-U-5	2 X 4
ML-66041	I-U-10	1-1/2 X 3-1/2
ML-66043	I-U-5	3-1/2 X 6
ML-66044	I-U-5	1-3/8 X 2-1/2
ML-66045	I-U-5	2 X 3-1/2
ML-66165	I-U-5	2 X 5
ML-66226	I-U-10	1-1/2 X 3
ML-66227	I-U-10, 12	2-1/2 X 3-1/2
ML-66363	I-U-10, 12	2-3/4 X 3-3/4

Kit Number	Code (Pg. xiv)	Rod X Bore Size
ML-66502	I-U-10	2-1/2 X 5
ML-66548	I-U-3	1 X 2
ML-66563	I-U-3	1-1/4 X 3-1/2
ML-66651	I-U-3	1-3/8 X 2-1/2
ML-66657	I-U-1	4-1/2" ROD
ML-66721	I-U-10	3-1/2 X 6
ML-66806	Valve Kit	
ML-66818	2 Stage	3-1/2, 4-1/2
ML-66895	I-U-10	2 X 4-1/2
ML-66971	Motor Kit	
ML-67040	I-U-10	2 X 3-1/2
ML-67051	I-U-10	1-1/2 X 2-1/2
ML-67150	Valve Kit	
ML-67214	Special	
ML-67842	I-U-10	1-1/2 X 2-1/2
ML-67843	I-U-13	1 X 2
ML-67845	I-U-1	3-1/2 X 4
ML-68518	P-O-1	7/16 SHAFT KIT
ML-68948	I-U-11	3/4 X 2

MASSEY FERGUSON

Replacement Kits For

Loaders - Wheel

APPLICATION	CYL #	CODE	ROD	BORE	KIT #
MODEL 50H					
ARM	1605081M94	P-U-10	2	4-1/4	MF-1607730M91
BOOM	1605245M91	P-U-8	2	4-1/4	MF-1607427M91
BUCKET TILT	1605045M93	P-U-10	40 mm	2-1/2	MF-1606502M94
STABILIZER	1605174M92	P-U-10	2	3-1/2	MF-1607915M92
SWING	1605262M91	P-U-14	40 mm	75 mm	MF-3402545M91
MODEL 250					
LIFT		P-U-10	45 mm	75 mm	MF-1606583M93
		P-U-10	45 mm	65 mm	MF-3443575M93

Kit Number	Code (Pg. xiv)	Rod X Bore Size
MF-1606487M93	I-U-10	2-1/4 x 3
MF-1606502M94	P-U-10	40 mm X 2-1/2"
MF-1606583M93	P-U-10	45 X 75 mm
MF-1606681M92	O-RING KIT	
MF-1607427M91	P-U-8	2 X 4-1/4
MF-1607730M91	P-U-10	2 X 4-1/4
MF-1607915M92	P-U-10	2 X 3-1/2
MF-1609031M93	I-U-10	1-3/4 X 2-1/4
MF-3402545M91	P-U-14	40 X 75 mm

Kit Number	Code (Pg. xiv)	Rod X Bore Size
MF-3443575M93	P-U-10	40 X 65 mm
MF-3484947M93	P-U-10	35 X 65 mm
MF-3484955M92	P-U-10	50 X 70 mm
MF-3485221M93	P-U-10	40 X 75 mm
MF-3485304M92	P-U-10	35 X 70 mm
MF-3485427M92	P-U-10	45 X 80 mm
MF-704643M91	P-OB-3	1-1/4 X 2-1/2
MF-836994M91	P-U-10	2 X 4

Replacement Kits For

McNEILUS

Refuse - Front Loaders						
APPLICATION	CYL #	SERIAL #	CODE	ROD	BORE	KIT #
MODEL 4020, 4320						
ARM	0619891	B5788	I-U-10/12	2-1/2	4-1/2	MTM-614472
	614366, D4496		I-U-10/12	2-1/2	4-1/2	MTM-614398
BODY LIFT	1000078, C4542		I-U-13	2-1/2	2-7/8	MTM-619976
FORK	0614333, DC33CC		I-U-10	2	3-1/2	MTM-614467
TAILGATE	0649881, C5219		I-U-1	2		MTM-619885
TOP DOOR	0614371, B4388		I-U-10	1-1/2	2	MTM-614384
MODEL 4022						
PACKER	D4210		I-U-10	4	6	MTM-614126
MODEL 4029, 4329						
ARM	0619891	B5788	I-U-10/12	2-1/2	4-1/2	MTM-614472
	0619891	B5788	I-U-10/12	2-1/2	4-1/2	MTM-614398
FORK	0614333, DC35CC-16-26		I-U-10	2	3-1/2	MTM-614467
TAILGATE	0619882, C5220		I-U-1	2		MTM-619978
TOP DOOR	0660778, B6151		I-U-10	1-1/2	2	MTM-123045
Refuse - Rear Loaders						
APPLICATION	CYL #	SERIAL #	CODE	ROD	BORE	KIT #
MODEL HD						
SLIDE	604146, D4265		I-U-10/12	4	5	MTM-604986
MODEL Metro-Pak						
SLIDE	0606960, C3850		I-U-10/12	2	4-1/2	MTM-606961
TAILGATE	0606953, B5347		I-U-10/12	2	4-1/2	MTM-606961
MODEL Tag Axle						
SLIDE	604976, D4541		I-U-10/12	4	5	MTM-379-6804-541
TAILGATE	0604136, D4190		I-U-1	3	3-1/2	MTM-602685
MODEL XC High Comp						
CONTAINER REEVING	0605700, B5473		I-U-10	3-1/2	5	MTM-605752
	0605702, B5806		I-U-10/12	1-3/4	3	MTM-375-1805-567
SLIDE	604135, D4171		I-U-10	4-1/2	5-1/2	MTM-602650
TAILGATE	0604136, D4190		I-U-1	3	3-1/2	MTM-602685
Refuse - Side Loaders						
APPLICATION	CYL #	SERIAL #	CODE	ROD	BORE	KIT #
MODEL Auto Reach						
ARM EXTEND	1132630, D20DD-3-67		I-U-10	1-1/4	2	MTM-1143852
ARM LIFT	643701, B5495		I-U-10	2	3-1/2	MTM-123016
ARM SWIVEL			I-U-10	1-1/4	2	MTM-379-6806-387
GRABBER	1132629, D20DD-4-6.25		P-U-10/12	1	2	MTM-644187
	643706, B5429		P-U-10/12	1	2	MTM-644187
PACKER			I-U-10/12	3	4-1/2	MTM-379-6806-231
PRE CRUSH	615860, C4539		I-U-10/12	2	3	MTM-630804
TAILGATE	D25LL-8-38		I-U-10	1-1/2	2-1/2	MTM-123060
MODEL Manual						
PACKER	630861, D4596		I-U-10/12	4	5	MTM-630862
	635876, B5489		I-U10/12	4	5	MTM-635878
	663500, B6314		I-U10/12	4	5	MTM-635878
PRE CRUSH	615860		I-U-10/12	2	3	MTM-630804
TAILGATE	0619882, C5220		I-U-1	2		MTM-619978

MCNEILUS REFUSE TRUCKS

Kit Number	Code (Pg. xiv)	Rod X Bore Size
MTM-0601488	I-U-1	2-1/2 Rod Kit
MTM-0604136	I-U-1	3 X 3/12
MTM-0604146	I-U-10/12	4 X 5
MTM-0605700	I-U-10	3-1/2 X 5
MTM-0605702	I-U-10/12	1-3/4 X 3
MTM-0606953	I-U-1	2-1/2 X 3
MTM-0606960	I-U-10/12	2 X 4-1/2
MTM-0614333	I-U-10	2 X 3-1/2
MTM-0614371	I-U-10	1-1/2 X 2
MTM-0615860	I-U-10	2 X 3
MTM-0619881	I-U-1	2 Rod Kit
MTM-0619882	I-U-1	
MTM-0630861	I-U-10/12	4 X 5
MTM-0635878	I-U-10,12	4 X 5
MTM-0637010	I-U-10	1-1/2 X 2-1/2
MTM-0643701	I-U-10	2 X 3-1/2
MTM-0660778	I-U-10	1-1/2 X 2
MTM-1000078	I-U-1	2-1/2 X 2-7/8
MTM-1100031	I-U-10/12	3 X 4-1/2
MTM-1100106	I-U-10	1-1/4 X 2
MTM-1132629	P-U-10/12	1 X 2
MTM-1132630	I-U-10	1-1/4 X 2
MTM-1143852	I-U-10	1-1/4 X 2
MTM-123016	I-U-10	2 X 3-1/2
MTM-123045	I-U-10	1-1/2 X 2

Kit Number	Code (Pg. xiv)	Rod X Bore Size
MTM-123060	I-U-10	1-1/2 X 2-1/2
MTM-375-1805-567	I-U-10/12	1-3/4 X 3
MTM-379-6804-541	I-U-10/12	4 X 5
MTM-379-6806-231	I-U-10/12	3 X 4-1/2
MTM-379-6806-387	I-U-10	1-1/4 X 2
MTM-601488	I-U-1	
MTM-602650	I-U-10	4-1/2 X 5-1/2
MTM-602685	I-U-1	3 X 3-1/2
MTM-604126	I-U-10	4 X 6
MTM-604986	I-U-10/12	4 X 5
MTM-605752	I-U-10	3-1/2 X 5
MTM-606961	I-U-10/12	2 X 4-1/2
MTM-614126	I-U-10	4 X 6
MTM-614384	I-U-10	1-1/2 X 2
MTM-614398	I-U-10/12	2-1/2 X 4-1/2
MTM-614467	I-U-10	2 X 3-1/2
MTM-614472	I-U-10/12	2-1/2 X 4-1/2
MTM-619885	I-U-1	2 Rod Kit
MTM-619976	I-U-13	2-1/2 X 2-7/8
MTM-619978	I-U-1	2 Rod Kit
MTM-630804	I-U-10/12	2 X 3
MTM-630862	I-U-10/12	4 X 5
MTM-635878	I-U10/12	4 X 5
MTM-644187	P-U-10/12	1 X 2
MTM-9570643701	I-U-10	2 X 3-1/2

MCNEILUS - MEYER

MEYER PRODUCTS

Kit Number	Code (Pg. xiv)	Rod X Bore Size
MY-15254	P-O-6	1-1/8 X 1-3/4
MY-15456	P-OB-6	1-1/8 X 1-3/4

Kit Number	Code (Pg. xiv)	Rod X Bore Size
MY-15707	P-U-6	1-1/8 X 1-3/4
MY-7705	I-V-1	1-1/2" ROD

Replacement Kits For

MITSUBISHI

Excavators					
APPLICATION	CYL #	CODE	ROD	BORE	KIT #
MODEL MS-110-5, MS-110L-5, MS-110D-5, MS-110S-5					
ARM	C25320004	P-UB-15	80 mm	120 mm	MIT-C75300020
	C25320005	P-UB-15	80 mm	120 mm	MIT-C75300020
BOOM	C25300104	P-UB-15	70 mm	110 mm	MIT-C75300010
BUCKET	C25340004	P-UB-15	65 mm	110 mm	MIT-C75300030
	C25340005	P-UB-15	65 mm	110 mm	MIT-C75300030
MODEL MS-120-2, MS-120S-2, MS-120SS-2					
ARM	C65320002	P-UB-14	80 mm	120 mm	MIT-C65300022
	C65320003	P-UB-14	80 mm	120 mm	MIT-C65300022
	C65320004	P-UB-14	80 mm	120 mm	MIT-C65300022
BOOM	C65300102	P-UB-14	75 mm	110 mm	MIT-C65300012
	C65300103	P-UB-14	75 mm	110 mm	MIT-C65300012
	C65300104	P-UB-14	75 mm	110 mm	MIT-C65300012
BUCKET	C65340003	P-UB-14	70 mm	110 mm	MIT-C65300032
	C65340004	P-UB-14	70 mm	110 mm	MIT-C65300032
	C65340005	P-UB-14	70 mm	110 mm	MIT-C65300032
MODEL MS-180-3, MS-180S-3, MS-180LC-3					
ARM	E35300201	P-UB-5	90 mm	130 mm	MIT-E15300023
BOOM	E35300101	P-UB-5	85 mm	125 mm	MIT-E15300013
BUCKET	E35300301	P-UB-5	75 mm	120 mm	MIT-E15300033
MODEL MS-180-8					
ARM	E75300301	P-UB-10	100 mm	140 mm	MIT-E75300010
BOOM	E75300101	P-UB-10	85 mm	125 mm	MIT-E35300040
	E75300201	P-UB-10	85 mm	125 mm	MIT-E35300040
BUCKET	E75300401	P-UB-10	85 mm	125 mm	MIT-E35300040

REPLACEMENT KITS FOR MITSUBISHI EQUIPMENT

Kit Number	Code (Pg. xiv)	Rod X Bore Size
MIT-C65300012	P-UB-14	75 X 110 mm
MIT-C65300022	P-UB-14	80 X 120 mm
MIT-C65300032	P-UB-14	70 X 110 mm
MIT-C75300010	P-UB-15	70 X 110 mm
MIT-C75300020	P-UB-15	80 X 120 mm
MIT-C75300030	P-UB-15	65 X 110 mm
MIT-E15300013	P-UB-5	85 X 125 mm

Kit Number	Code (Pg. xiv)	Rod X Bore Size
MIT-E15300023	P-UB-5	90 X 130 mm
MIT-E15300033	P-UB-5	75 X 120 mm
MIT-E25300061	P-UB-14	90 X 140 mm
MIT-E35300040	P-UB-10	85 X 125 mm
MIT-E75300010	P-UB-10	100 X 140 mm
MIT-F15300011	P-UB-14	100 X 150 mm

REPLACEMENT PARTS FOR MITSUBISHI EQUIPMENT

NOTE: Mitsubishi part numbers are used as a reference only. We do not imply that these kits are original REPLACEMENT PARTS.

WIPERS

Part Number	Rod Dia.
MIT-05566-13030	30 mm
MIT-05566-13530	35 mm
MIT-64374-79200	40 mm
MIT-A04500812	50 mm
MIT-A04501417	65 mm
MIT-A04500815	70 mm
MIT-A04500822	70 mm
MIT-A04501418	70 mm
MIT-C45300148	75 mm
MIT-E35300325	75 mm
MIT-1853252	80 mm
MIT-A04500817	80 mm
MIT-A04501420	80 mm
MIT-E15300392	85 mm
MIT-E35300127	85 mm
MIT-1853094	90 mm
MIT-A04501422	90 mm
MIT-F25340118	90 mm
MIT-E85300320	95 mm
MIT-1853143	100 mm
MIT-A04501423	100 mm
MIT-F15302319	100 mm
MIT-F25340058	100 mm
MIT-A04903618	110 mm

ROD U-SEALS

Part Number	Rod Dia.
MIT-A04600911	45 mm
MIT-A04600912	50 mm
MIT-A04600914	65 mm
MIT-A04600915	70 mm
MIT-A04700415	70 mm
MIT-7953042	75 mm
MIT-A04600918	75 mm
MIT-C45300134	75 mm
MIT-E35302115	75 mm

ROD U-SEALS

Part Number	Rod Dia.
MIT-E35302116	75 mm
MIT-1853083	80 mm
MIT-A04600917	80 mm
MIT-A04700417	80 mm
MIT-48-7953142	85 mm
MIT-7953142	85 mm
MIT-E15301215	85 mm
MIT-E35301915	85 mm
MIT-E35301916	85 mm
MIT-1853057	90 mm
MIT-1853239	90 mm
MIT-A04600925	90 mm
MIT-A04700423	90 mm
MIT-E15301116	90 mm
MIT-E85300317	95 mm
MIT-E85300318	95 mm
MIT-1853136	100 mm
MIT-A04600926	100 mm
MIT-A04700424	100 mm
MIT-94319-02400	112 mm

PISTON U-SEALS

Part Number	Bore Dia.
MIT-05565-07010	70 mm
MIT-A04601211	70 mm
MIT-05565-08010	80 mm
MIT-A04601213	90 mm
MIT-A04601215	110 mm
MIT-A04601311	110 mm
MIT-E85300439	115 mm
MIT-A04601216	120 mm
MIT-A04601312	120 mm
MIT-C45300229	120 mm
MIT-E85300137	120 mm
MIT-E153-00386	125 mm
MIT-E35301920	125 mm

PISTON U-SEALS

Part Number	Bore Dia.
MIT-2153243	130 mm
MIT-E85300347	130 mm
MIT-4653414	140 mm
MIT-A04601314	140 mm
MIT-E75300322	140 mm
MIT-1853063	150 mm
MIT-A04601315	150 mm
MIT-4653514	160 mm
MIT-A04601719	160 mm

BUFFER RINGS

Part Number	Rod Dia.
MIT-05566-03520	35 mm
MIT-A04600815	50 mm
MIT-A04600811	65 mm
MIT-A04601014	65 mm
MIT-A04600812	70 mm
MIT-A04601015	70 mm
MIT-A04601016	75 mm
MIT-E15302312	75 mm
MIT-E85300437	75 mm
MIT-A04600813	80 mm
MIT-A04601017	80 mm
MIT-E15300372	85 mm
MIT-E85300140	85 mm
MIT-A04601024	90 mm
MIT-E85300344	95 mm
MIT-A04601025	100 mm
MIT-F15302316	100 mm
MIT-A04601018	110 mm

REPLACEMENT PARTS FOR MITSUBISHI EQUIPMENT

NOTE: Mitsubishi part numbers are used as a reference only. We do not imply that these kits are original REPLACEMENT PARTS.

WEAR RINGS

Part Number	O.D. X Width
MIT-E85300345	100 X 9.7 mm
MIT-A04903612	110 X 6 mm
MIT-E85300420	115 X 6 mm
MIT-E85300440	115 X 7.9 mm
MIT-A04901912	120 X 6 mm
MIT-A04903613	120 X 7.9 mm
MIT-E85300136	120 X 8 mm
MIT-E85300120	120 X 30 mm
MIT-E35301921	125 X 8 mm
MIT-E85300326	130 X 7.9 mm
MIT-E85300438	130 X 8 mm
MIT-A04901915	140 X 8 mm
MIT-A04903616	140 X 8 mm
MIT-E75300323	140 X 40 mm
MIT-A04901916	150 X 8 mm
MIT-A04903617	150 X 40 mm

BACK-UP RINGS

Part Number	Min Pkg Qty
MIT-05568-90700	1
MIT-05568-90800	1
MIT-4653425	1
MIT-4653623	1
MIT-4753177	1
MIT-94153-07300	1
MIT-A04700312	1
MIT-A04700313	1
MIT-A04700314	1
MIT-A04700315	1
MIT-A04700324	1
MIT-A04700325	1
MIT-E15301130	1
MIT-E15302093	1
MIT-E25310020	1

BACK-UP RINGS

Part Number	Min Pkg Qty
MIT-E35300217	1
MIT-E35300315	1
MIT-E35301917	1
MIT-E35302130	1
MIT-E75300317	1
MIT-E75300318	1
MIT-E85300321	1
MIT-E85300416	1
MIT-F15300921	1
MIT-F15301418	1

O-RINGS

Part Number	Min Pkg Qty
MIT-2153222	2
MIT-4753176	2
MIT-7953122	2
MIT-91254-06300	20
MIT-94004-00900	5
MIT-F3150-04900	7
MIT-F3150-06000	5
MIT-F3150-07000	4
MIT-F3153-04000	10
MIT-F3153-05000	10
MIT-Z440101000	3
MIT-Z440101100	3
MIT-Z440200600	5
MIT-Z440201100	3
MIT-Z440201150	2
MIT-Z440201200	2
MIT-Z440201250	2
MIT-Z440201300	2
MIT-Z440201400	2
MIT-Z440201500	2
MIT-Z440201550	1
MIT-Z441101000	4
MIT-Z441101100	3

O-RINGS

Part Number	Min Pkg Qty
MIT-Z441101150	3
MIT-Z441101200	3
MIT-Z441101250	3
MIT-Z441101300	3
MIT-Z441101450	2
MIT-Z441101600	1

O-RINGS 90 DUROMETER

Part Number	Min Pkg Qty
MIT-Z440200800	3
MIT-Z441001150	3
MIT-Z441101050	3

MITSUBISHI LIFT TRUCKS

Kit Number	Code (Pg. xiv)	Rod X Bore Size
MIT-91254-10330	P-U-10	22 X 45mm
MIT-91254-30330	P-U-10	22 X 45mm
MIT-91255-11120	I-U-10	22.4 X 45 mm
MIT-91273-30150	Valve Kit	
MIT-91273-30220	Valve Kit	
MIT-91854-15310	I-U-10	25 X 55 mm
MIT-91854-40230	P-U-10	25 X 55 mm
MIT-91872-22120	Valve Kit	
MIT-93051-00028	I-U-4	2 in X 75 mm
MIT-93051-10068	I-U-4	40 X 50 mm
MIT-94004-00120	P-UB-1	30 mm Rod Kit
MIT-94004-00130	N-N-15	63 mm Piston Kit
MIT-94104-00110	N-N-13	70 mm Piston Kit
MIT-94104-00120	P-UB-1	35 mm Rod Kit for 70 mm Bore
MIT-94104-00170	I-U-10	30 X 63 mm
MIT-94114-00110	I-U-4	50 X 70 mm
MIT-94114-00210	I-U-4	60 X 70 mm
MIT-94119-00018	I-U-1	70 mm Rod Kit
MIT-94119-00048	I-U-1	50 mm Rod Kit
MIT-94119-00068	P-U-1	32 mm Rod Kit
MIT-94119-00088	P-U-1	32 mm
MIT-94133-00018	I-N-4	40 X 50 mm
MIT-94151-00018	P-U-1	70 mm Rod Kit
MIT-94151-00028	P-U-1	70 mm Rod Kit
MIT-94162-00018	P-U-4	35 X 45 mm
MIT-94204-10120	I-U-10	35 X 70 mm
MIT-94219-00018	P-U-1	35 mm Rod Kit
MIT-94219-00028	P-U-1	35 mm Rod Kit
MIT-94251-00018	I-U-1	75 mm Rod Kit
MIT-94251-00038	P-U-1	75 mm Rod Kit
MIT-94251-00058	P-U-1	75 mm Rod Kit
MIT-94262-00028	P-U-4	40 X 50 mm
MIT-94304-00110	N-N-13	80 mm Piston Kit
MIT-94304-00120	P-UB-1	35 mm Rod Kit for 80 mm Bore
MIT-94304-10140	I-U-10	35 X 80 mm
MIT-94314-00110	I-U-1	65 X 80 mm
MIT-94319-00018	I-U-1	60 mm Rod Kit
MIT-94319-00038	I-U-1	85 mm Rod Kit
MIT-94319-00068	P-U-1	40 mm Rod Kit
MIT-94319-00088	I-U-1	40 mm Rod Kit

MITSUBISHI LIFT TRUCKS

Kit Number	Code (Pg. xiv)	Rod X Bore Size
MIT-94351-00018	I-U-1	80 mm Rod Kit
MIT-94351-00028	P-U-1	45 X 55 mm
MIT-94351-00038	P-U-1	85 mm Rod Kit
MIT-94351-00068	P-U-1	85 mm Rod Kit
MIT-94362-00018	P-U-1	45 X 55 mm
MIT-94404-00120	P-UB-3	45 X 90 mm
MIT-94404-10140	I-U-10	40 X 80 mm
MIT-94404-10160	I-U-10	40 X 90 mm
MIT-94504-02090	P-U-1	40 X 100 mm

MOFFETT

Kit Number	Code (Pg. xiv)	Rod X Bore Size
MOFT-270021	I-V-15	40 X 75 mm
MOFT-270078	I-V-15	1-3/4 X 90 mm
MOFT-270711	I-U-15	1 X 2
MOFT-519-023-0000	I-U-15	25 X 50 mm

MONARCH ROAD MACHINERY

Kit Number	Code (Pg. xiv)	Rod X Bore Size
MRM-5117	I-V-1	1-1/2" ROD
MRM-5127	I-V-1	2" ROD
MRM-5137	I-V-1	2-1/2" ROD
MRM-5147	I-V-1	3" ROD
MRM-5157	I-V-1	3-1/2" ROD
MRM-5385	I-V-7	1-1/2 X 3
MRM-637405	P-OB-3	1-1/4 X 4

MORBARK

Kit Number	Code (Pg. xiv)	Rod X Bore Size
MB25180-210	I-U-5	2 X 4
MB26815-053	P-U-10	1-1/4 X 2-1/2
MB26815-054	I-U-10	1-1/2 X 3
MB26815-059	I-U-10	2-1/2 X 5
MB26815-060	I-U-10	2-1/2 X 5-1/2
MB26815-061-M	I-U-10	2 X 4
MB26815-071	I-U-10	3 X 6
MB26815-071-A	I-U-10	3 X 6

Replacement Kits For

NEW HOLLAND

Backhoe Loaders							
APPLICATION	CYL #	SERIAL #	Misc	CODE	ROD	BORE	KIT #
MODEL 555E							
LOADER BUCKET	85800500	1/96 -		P-UB-10	40 mm	80 mm	NH-85804740
LOADER LIFT	85800100	1/96 -		P-UB-10	50 mm	90 mm	NH-85802567
STABILIZER	85800600	1/96 -		P-UB-10	56 mm	100 mm	NH-85802571
SWING	85800300	1/96 -		P-UB-10	50 mm	110 mm	NH-85802570
MODEL B95							
BACKHOE CROWD	87315531	1/06 - 2/13/08		P-UB-10	2-1/2	4-1/2	NH-87428632
	87315531	2/13/08 -		P-UB-10	2-1/2	4-1/2	NH-87633295
BACKHOE LIFT	87315532	1/06 -		P-UB-10	2-1/2	130 mm	NH-87428633
LOADER BUCKET	87315521	1/06 -		P-UB-10	1-5/8	80 mm	NH-87428627
LOADER LIFT	87315525	1/06 -		P-UB-10	2	90 mm	NH-87428628
STABILIZER	84209918	1/06 -		N-UB-1	2-1/4		NH-87414975
MODEL LB75							
BACKHOE CROWD	85800940	9/00 -		P-UB-10	63 mm	4-1/2	NH-85819350
	87410343	9/00 -		P-UB-10	2-1/2	4-1/2	NH-87633295
	87410343	9/00 - 2/3/08		P-UB-10	2-1/2	4-1/2	NH-87428632
BACKHOE LIFT	87410346	9/00 -		P-UB-10	2-1/2	130 mm	NH-87428633
LOADER BUCKET	85800500	6/99 - 8/00		P-UB-10	40 mm	80 mm	NH-85804740
	87410327	9/00 -		P-UB-10	1-5/8	80 mm	NH-87428627
	9968163	6/99 - 8/00		P-U-15	1-1/2	2-3/4	NH-9968164
LOADER LIFT	85800100	6/99 - 8/00		P-UB-10	50 mm	90 mm	NH-85802567
	87410330	9/00 -		P-UB-10	2	90 mm	NH-87428628
STABILIZER	85800660	9/00 -		P-UB-10	50 mm	110 mm	NH-85819356
SWING	85800360	9/00 -		P-UB-10	50 mm	110 mm	NH-85802570
MODEL LB75B							
BACKHOE LIFT	87410346			P-UB-10	2-1/2	130 mm	NH-87428633
LOADER LIFT	87410330	031044851-		P-UB-10	2	90 mm	NH-87428628
STABILIZER	87410336 85800660	031044851-		P-UB-10	2-1/4	4	NH-87428630
SWING	87450926	031044854-		P-UB-10	2	110 mm	NH-87428631
Loaders - Skid Steer							
APPLICATION	CYL #	SERIAL #	Misc	CODE	ROD	BORE	KIT #
MODEL L170							
BOOM	86633432	- N7M456356		P-U-11	1-3/8	2-1/2	NH-86570922
	86633432	N7M456357 -		P-U-11	1-3/8	2-1/2	NH-86570922
	86633432	N7M468800 -	Europe	P-U-11	1-3/8	2-1/2	NH-86570922
	87038977	- N7M456356		P-U-11	1-3/8	2-1/2	NH-86570922
	87038977	N7M456357 -		P-U-11	1-3/8	2-1/2	NH-86570922
	87038977	N7M468800 -	Europe	P-U-11	1-3/8	2-1/2	NH-86570922
BOOM LH	87701857	- N7M456356		P-UB-10	1-3/8	2-1/2	NH-87644127
	87701857	N7M456357 -		P-UB-10	1-3/8	2-1/2	NH-87644127
	87701857	N7M468800 -	Europe	P-UB-10	1-3/8	2-1/2	NH-87644127
BOOM RH	87701856	- N7M456356		P-UB-10	1-3/8	2-1/2	NH-87644127
	87701856	N7M456357 -		P-UB-10	1-3/8	2-1/2	NH-87644127
	87701856	N7M468800 -	Europe	P-UB-10	1-3/8	2-1/2	NH-87644127
BUCKET	86633433	- N7M456356		P-U-11	1-1/4	2-1/4	NH-86570919
	87038978	- N7M456356		P-U-11	1-1/4	2-1/4	NH-86570919

Replacement Kits For

NEW HOLLAND

NEW HOLLAND

Loaders - Skid Steer							
APPLICATION	CYL #	SERIAL #	Misc	CODE	ROD	BORE	KIT #
MODEL L170							
BUCKET	87038978	N7M456357 -		P-U-11	1-1/4	2-1/4	NH-86570919
	87038978	N7M468800 -	Europe	P-U-11	1-1/4	2-1/4	NH-86570919
MODEL L180							
BOOM	87038980	- N8M464425		P-U-11	1-1/2	2-1/2	NH-86570933
	87038980	N8M421368 -	Europe	P-U-11	1-1/2	2-1/2	NH-86570933
	87038980	N8M464426 -		P-U-11	1-1/2	2-1/2	NH-86570933
BOOM LH	87701859	- N8M464425		P-UB-10	1-1/2	2-1/2	NH-87644128
	87701859	N8M421368 -	Europe	P-UB-10	1-1/2	2-1/2	NH-87644128
	87701859	N8M464426 -		P-UB-10	1-1/2	2-1/2	NH-87644128
BOOM RH	87701858	- N8M464425		P-UB-10	1-1/2	2-1/2	NH-87644128
	87701858	N8M421368 -	Europe	P-UB-10	1-1/2	2-1/2	NH-87644128
	87701858	N8M464426 -		P-UB-10	1-1/2	2-1/2	NH-87644128
BUCKET	87038982	- N8M464425		P-U-11	1-1/4	2-1/2	NH-86570931
	87038982	N8M421368 -	Europe	P-U-11	1-1/4	2-1/2	NH-86570931
	87038982	N8M464426 -		P-U-11	1-1/4	2-1/2	NH-86570931
MODEL L185							
BOOM	87038980	- N8M465246		P-U-11	1-1/2	2-1/2	NH-86570933
	87038980	N8M465247 -		P-U-11	1-1/2	2-1/2	NH-86570933
	87038980	N8M467462 -	Europe	P-U-11	1-1/2	2-1/2	NH-86570933
BOOM LH	87701859	- N8M465246		P-UB-10	1-1/2	2-1/2	NH-87644128
	87701859	N8M465247 -		P-UB-10	1-1/2	2-1/2	NH-87644128
	87701859	N8M467462 -	Europe	P-UB-10	1-1/2	2-1/2	NH-87644128
BOOM RH	87701858	- N8M465246		P-UB-10	1-1/2	2-1/2	NH-87644128
	87701858	N8M465247 -		P-UB-10	1-1/2	2-1/2	NH-87644128
	87701858	N8M467462 -	Europe	P-UB-10	1-1/2	2-1/2	NH-87644128
BUCKET	87038982	- N8M465246		P-U-11	1-1/4	2-1/2	NH-86570931
MODEL L190							
BOOM	87038985	- N7M459486		P-U-11	1-3/4	2-3/4	NH-86536101
	87038985	N7M459487 -		P-U-11	1-3/4	2-3/4	NH-86536101
BOOM LH	87701861	- N7M459486		P-U-10	1-3/4	2-3/4	NH-87644129
	87701861	N7M459487 -		P-U-10	1-3/4	2-3/4	NH-87644129
BOOM RH	87701860	- N7M459486		P-U-10	1-3/4	2-3/4	NH-87644129
	87701860	N7M459487 -		P-U-10	1-3/4	2-3/4	NH-87644129
BUCKET	87038986	- N7M459486		P-U-11	1-1/4	2-1/2	NH-86537054
	87038986	N7M459487 -		P-U-11	1-1/4	2-1/2	NH-86537054
MODEL L454, L455							
BOOM	593204			I-U-10	1-1/4	1-1/2	NH-9610763
BUCKET	593390			P-U-10	1-1/2	3	NH-9610764
MODEL L553, L555							
BOOM	592567			I-U-10	1-1/2	1-7/8	NH-782679
BUCKET	593558			P-U-10	1-1/2	3	NH-9610764
MODEL L565, LX565, LX665							
BOOM (New)	86528677			P-U-10	1-3/8	3	NH-86527694
BOOM (Old)	9622429			P-U-10	1-3/8	2-1/2	NH-9801209
BUCKET(New)	86528678			P-U-11	1-1/4	2-1/4	NH-86570919
BUCKET(Old)	9622430			P-U-11	1-1/4	2-1/4	NH-86570919

Replacement Kits For

NEW HOLLAND

Loaders - Skid Steer							
APPLICATION	CYL #	SERIAL #	Misc	CODE	ROD	BORE	KIT #
MODEL L565, LX565, LX665							
GRAPPLE	9847007			P-U-10	1	1-1/2	NH-9600405
MODEL L781, L783, L785							
BOOM	86509051			I-U-10	1-1/2	2	NH-771707
BUCKET	771699			P-U-10	1-1/8	2-1/4	NH-771700
	86509051			P-U-10	1-1/8	2-1/4	NH-86509056
SELF LEVELING	264205			P-U-10	1-1/8	2-1/4	NH-219505
MODEL L865, LX865, L885, LX885							
BOOM	86528680			P-U-11	1-1/2	2-1/2	NH-86570933
	9845805			P-U-10	1-3/8	2-1/2	NH-9801209
BUCKET	86528679			P-U-10	1-1/4	2-1/2	NH-9843717
MODEL LS140							
BOOM	86590821	9/99 -		P-U-11	1-1/4	2-1/4	NH-86570919
	87038973	9/99 -		P-U-11	1-1/4	2-1/4	NH-86570919
BUCKET	86631753	9/99 -		P-U-11	1-1/8	1-7/8	NH-86570916
	87038971	9/99 -		P-U-11	1-1/8	1-7/8	NH-86570916
MODEL LS150							
BOOM	86590848	9/99 -		P-U-11	1-3/8	2-1/2	NH-86570922
	87038975	9/99 -		P-U-11	1-3/8	2-1/2	NH-86570922
BUCKET	86631753	9/99 -		P-U-11	1-1/8	1-7/8	NH-86570916
	87038971	9/99 -		P-U-11	1-1/8	1-7/8	NH-86570916
MODEL LS160							
BOOM	86633432	9/99 -		P-U-11	1-3/8	2-1/2	NH-86570922
	87038977	9/99 -		P-U-11	1-3/8	2-1/2	NH-86570922
BUCKET	86633433	9/99 -		P-U-11	1-1/4	2-1/4	NH-86570919
	87038978	9/99 -		P-U-11	1-1/4	2-1/4	NH-86570919
MODEL LS170							
BOOM	86633432	9/99 -		P-U-11	1-3/8	2-1/2	NH-86570922
	87038977	9/99 -		P-U-11	1-3/8	2-1/2	NH-86570922
BUCKET	86633433	9/99 -		P-U-11	1-1/4	2-1/4	NH-86570919
	87038978	9/99 -		P-U-11	1-1/4	2-1/4	NH-86570919
MODEL LS180							
BOOM	86590828	9/99 -		P-U-11	1-1/2	2-1/2	NH-86570933
BUCKET	86590829	9/99 -		P-U-11	1-1/4	2-1/2	NH-86570931
MODEL LS180B							
BOOM	87038980	3/05 -		P-U-11	1-1/2	2-1/2	NH-86570933
BOOM LH	87701859	3/05 -		P-UB-10	1-1/2	2-1/2	NH-87644128
BOOM RH	87701858	3/05 -		P-UB-10	1-1/2	2-1/2	NH-87644128
BUCKET	87038982	3/05 -		P-U-11	1-1/4	2-1/2	NH-86570931
MODEL LS185B							
BOOM	87038980			P-U-11	1-1/2	2-1/2	NH-86570933
BOOM LH	87701859			P-UB-10	1-1/2	2-1/2	NH-87644128
BOOM RH	87701858			P-UB-10	1-1/2	2-1/2	NH-87644128
BUCKET	87038982			P-U-11	1-1/4	2-1/2	NH-86570931
MODEL LS190							
BOOM	86836659	9/99 -		P-U-11	1-3/4	2-3/4	NH-86536101
BUCKET	86537048	9/99 -		P-U-11	1-1/4	2-1/2	NH-86537054

Replacement Kits For

NEW HOLLAND

Loaders - Skid Steer							
APPLICATION	CYL #	SERIAL #	Misc	CODE	ROD	BORE	KIT #
MODEL LS190B							
BOOM	87038985			P-U-11	1-3/4	2-3/4	NH-86536101
BOOM LH	87701861			P-U-10	1-3/4	2-3/4	NH-87644129
BOOM RH	87701860			P-U-10	1-3/4	2-3/4	NH-87644129
BUCKET	87038986			P-U-11	1-1/4	2-1/2	NH-86537054
MODEL LX565							
BOOM	86528677	1/94 - 9/99		P-U-11	1-3/8	2-1/2	NH-86570922
	9622429	1/94 - 9/99		P-UB-11	1-3/8	2-1/2	NH-86518276
BUCKET	86633433	1/94 - 9/99		P-U-11	1-1/4	2-1/4	NH-86570919
	9622430	1/94 - 9/99		P-U-11	1-1/4	2-1/4	NH-86570919
MODEL LX665							
BOOM	86528677	1/94 - 9/99		P-U-11	1-3/8	2-1/2	NH-86570922
	9622429	1/94 - 9/99		P-UB-11	1-3/8	2-1/2	NH-86518276
BUCKET	86633433	1/94 - 9/99		P-U-11	1-1/4	2-1/4	NH-86570919
	9622430	1/94 - 9/99		P-U-11	1-1/4	2-1/4	NH-86570919
MODEL LX865							
BOOM	86528680	11/94 - 9/99		P-U-11	1-1/2	2-1/2	NH-86570933
	86590828	11/94 - 9/99		P-U-11	1-1/2	2-1/2	NH-86570933
	9845805	11/94 - 9/99		P-UB-11	1-3/8	2-1/2	NH-86518276
BUCKET	86570930	11/94 - 9/99		P-U-11	1-1/4	2-1/2	NH-86570931
	86590829	11/94 - 9/99		P-U-11	1-1/4	2-1/2	NH-86570931
MODEL LX885							
BOOM	86528680	11/94 - 9/99		P-U-11	1-1/2	2-1/2	NH-86570933
	86590828	11/94 - 9/99		P-U-11	1-1/2	2-1/2	NH-86570933
	9845805	11/94 - 9/99		P-UB-11	1-3/8	2-1/2	NH-86518276
BUCKET	86570930	11/94 - 9/99		P-U-11	1-1/4	2-1/2	NH-86570931
	86590829	11/94 - 9/99		P-U-11	1-1/4	2-1/2	NH-86570931

REPLACEMENT KITS FOR NEW HOLLAND EQUIPMENT

Kit Number	Code (Pg. xiv)	Rod X Bore Size	Kit Number	Code (Pg. xiv)	Rod X Bore Size
NH-219505	P-U-10	1-1/8 X 2-1/4	NH-87312900	P-UB-10	2-1/2 X 5
NH-771700	P-U-13	1-1/8 X 2-1/4	NH-87414975	N-UB-1	2-1/4
NH-771707	1-U-13	1-1/2 X 2	NH-87428620	P-UB-10	2 X 70 mm
NH-782679	1-U-13	1-1/2 X 1-7/8	NH-87428627	P-UB-10	1-5/8 X 80 mm
NH-83962835	I-U-10	1 X 50 mm	NH-87428628	P-UB-10	2 X 90 mm
NH-84209920	P-UB-14	2-1/4 X 4	NH-87428629	P-UB-10	2-1/2 X 90 mm
NH-85802567	P-UB-10	50 X 90 mm	NH-87428630	P-UB-2	2-1/4 X 4
NH-85802570	P-UB-10	50 X 110 mm	NH-87428631	P-UB-10	2 X 110 mm
NH-85802571	P-UB-10	56 X 100 mm	NH-87428632	P-UB-10	2-1/2 X 4-1/2
NH-85804740	P-UB-10	40 X 80 mm	NH-87428633	P-UB-10	2-1/2 X 130 mm
NH-85805990	I-U-10	38 X 63 mm	NH-87432515	P-UB-10	2 X 80 mm
NH-85819350	P-UB-10	63 X 4-1/2	NH-87633295	P-UB-10	2-1/2 X 4-1/52
NH-85819356	P-UB-10	50 X 110 mm	NH-87644127	P-UB-10	1-3/8 X 2-1/2
NH-86509056	P-U-13	1-1/8 X 2-1/4	NH-87644128	P-UB-10	1-1/2 X 2-1/2
NH-86518276	P-U-11	1-3/8 X 2-1/2	NH-87644129	P-UB-10	1-3/4 X 2-3/4
NH-86527694	P-U-13	1-3/8 X 2-1/2	NH-9600405	P-U-13	1 X 1-1/2
NH-86536101	P-U-11	1-3/4 X 2-3/4	NH-9610763	1-U-13	1-1/4 X 1-1/2
NH-86537054	P-U-11	1-1/4 X 2-1/2	NH-9610764	P-U-13	1-1/2 X 3
NH-86570916	P-U-11	1-1/8 X 1-7/8	NH-9801209	P-U-13	1-3/8 X 2-1/2
NH-86570919	P-U-11	1-1/4 X 2-1/4	NH-9843717	P-U-13	1-1/4 X 2-1/2
NH-86570922	P-U-11	1-3/8 X 2-1/2	NH-9968164	P-U-15	1-1/2 X 2-3/4
NH-86570931	P-U-11	1-1/4 X 2-1/2	NH-C5NN3N713A	Seal Kit	Seal Kit
NH-86570933	P-U-11	1-1/2 X 2-1/2	NH-EHPN3A540AA	P-U-1	20mm Rod Kit

REPLACEMENT PARTS FOR NEW HOLLAND - UNITIZED PISTONS

NOTE: New Holland part numbers are used as a reference only. We do not imply that these kits are original REPLACEMENT PARTS.

Part Number	Bore Diameter	Hole Diameter	Piston Width	Part Number	Bore Diameter	Hole Diameter	Piston Width
NH-81875232	110	30.25	45.09	NH-85800982	100	30.78	41.28
NH-83962807	80	24.26	29.08	NH-85800983	115	33.76	40.31
NH-85800981	90	24.26	29.08	NH-87432513	80	24.26	29.08

REPLACEMENT KITS FOR NISSAN LIFT TRUCKS

NOTE: A cylinder number will help in determining the proper kit part number. If no cylinder number is available, furnish rod and bore sizes and description of parts.

Kit Number	Code (Pg. xiv)	Rod X Bore Size	Kit Number	Code (Pg. xiv)	Rod X Bore Size
NN-49440-00H00	MOTOR KIT		NN-58099-0G511	I-U-4	2 in X 80 mm
NN-49510-L6025	P-U-10	25 X 55 mm	NN-58099-10H00	P-U-5	40 X 50 mm
NN-49599-11H00	P-U-10	40 X 60 Double Rod	NN-58099-10H60	P-U-4	40 X 50 mm
NN-49599-51K00	P-U-10	40 X 65 mm	NN-58099-20H12	P-U-4	45 X 60 mm
NN-58099-00H00	P-U-4	35 X 45 mm	NN-58099-20H62	P-U-4	45 X 60 mm
NN-58099-00H60	P-U-4	35 X 45 mm	NN-58099-23H00	P-U-1	45 X 55 mm
NN-58099-0G211	I-U-4	2 in X 75 mm	NN-58099-23H60	P-U-4	45 X 55 mm

REPLACEMENT KITS FOR NISSAN LIFT TRUCKS

NOTE: A cylinder number will help in determining the proper kit part number. If no cylinder number is available, furnish rod and bore sizes and description of parts.

Kit Number	Code (Pg. xiv)	Rod X Bore Size
NN-58099-31K11	I-U-4	2" X 2-3/4"
NN-58099-51H10	P-U-14	50 X 70 mm
NN-58099-51H60	P-U-4	50 X 65 mm
NN-58099-51H70	P-U-15	50 X 70 mm
NN-58099-L2600	P-U-4	40 X 50 mm
NN-58099-L4900	P-U-1	55 mm Rod Kit
NN-58099-L6000	P-U-4	50 X 70 mm
NN-58099-L6001	P-U-4	60 X 70 mm
NN-58099-L900	P-U-1	55 mm Rod Kit
NN-58099-L9010	P-U-15	60 X 80 mm
NN-58099-L9016	P-U-15	65 X 80 mm
NN-58199-L1100	I-U-4	50 X 70 mm
NN-58199-L1300	I-U-4	60 X 80 mm
NN-58199-L1400	I-U-4	45 X 65 mm
NN-58199-L1700	I-U-4	50 X 70 mm
NN-58199-L6000	I-U-4	65 X 90 mm
NN-58199-L6100	I-U-4	70 X 100 mm
NN-58299-01H00	P-U-1	32 mm Rod Kit
NN-58299-11H00	P-U-1	35 X 55 mm
NN-58299-L1100	I-U-1	60, 80, 112mm Stages
NN-58399-L1100	I-U-4	60 X 90 mm
NN-58499-02H10	P-U-1	70 mm Rod Kit
NN-58499-12H11	P-U-1	75 X 85 mm
NN-58499-22H10	P-U-1	90 mm Rod Kit
NN-58499-25H10	P-U-1	80 mm Rod Kit
NN-58499-6G500	I-U-4	2 in X 60 mm
NN-58499-L1100	I-U-1	80 mm Rod Kit
NN-58499-L1101	I-U-1	50 mm Rod Kit

Kit Number	Code (Pg. xiv)	Rod X Bore Size
NN-58499-L1102	I-U-1	50 mm Rod Kit
NN-58499-L1400	I-U-1	70 mm Rod Kit
NN-58499-L1401	I-U-1	45 mm Rod Kit
NN-58499-L1402	I-U-1	45 mm Rod Kit
NN-58499-L6000	I-U-4	70 X 100 mm
NN-58499-L6001	P-U-1	65mm Rod Kit
NN-58499-L7401	P-U-1	45 mm Rod Kit
NN-58699-00H00	P-U-1	25 X 65 mm
NN-58699-05H00	P-U-1	30 X 65 mm
NN-58699-10H00	P-U-3	30 X 70 mm
NN-58699-14H00	P-U-3	35 X 70 mm
NN-58699-20H00	P-U-1	35 X 80 mm
NN-58699-21H00	P-U-1	40 X 80 mm
NN-58699-51K00	P-U-3	30 X 60 mm
NN-58699-L1125	I-U-1	35 mm Rod Kit
NN-58699-L1126	I-U-1	35 mm Rod Kit
NN-58699-L1425	I-U-1	30 mm Rod Kit
NN-58699-L1426	I-U-1	30 mm Rod Kit
NN-58699-L6000	I-U-1	40 mm Rod Kit
NN-58699-L6011	I-U-1	40 mm Rod Kit
NN-58699-L6800	I-U-1	45 mm Rod Kit
NN-58699-L6811	I-U-1	45 mm Rod Kit
NN-58699-L8100	I-U-1	35 X 80 mm
NN-58699-L9000	I-U-1	50mm Rod Kit
NN-58699-L9010	I-U-1	50 X 100 mm
NN-69399-90H00		9/16" Valve Kit
NN-69399-L1202		9/16" Valve Kit

NPK

Kit Number
NPK-10X
NPK-10XB
NPK-16X
NPK-20X
NPK-4X
NPK-7XB
NPK-8XA
NPK-8XB

PANDROL-JACKSON

Kit Number	Code (Pg. xiv)	Rod X Bore Size
PJ-170217	I-U-4	3 X 6
PJ-170225	I-U-5	2 X 4
PJ-170225-1	I-U-5	2 X 4
PJ-170233-1	I-U-5	2-1/4 X 3-1/2
PJ-170452-1	P-U-10	2-1/2 X 3-1/2
PJ-240237-1	I-U-10	2-3/4 X 4
PJ-240266-1	P-U10	1 X 2
PJ-240268	P-U-10	1-1/2 X 2
PJ-240273-2	P-U-5	1-1/4 X 2-1/2
PJ-240312-1	P-U-5	1-1/2 X 3
PJ-240313	P-U-10	1-3/4 X 3-1/2
PJ-240316	I-U-5	1-1/2 X 2-1/2
PJ-240316-1	I-U-5	1-1/2 X 2-1/2
PJ-240370	P-U-5	1-3/4 X 3-1/2
PJ-240461	I-U-10	1-1/2 X 2-1/2

Replacement Kits For

PAK-MOR

Refuse - Front Loaders						
APPLICATION	CYL #:	MISC	CODE	ROD	BORE	KIT #
MODEL FHC 800, FHC 8338						
CONTAINER LEVELING	4148009AC		I-U-5	2	4	PKM-4148096
LIFT ARM	4149004AA		I-U-5	2	5	PKM-4148090
PACKER		Commercial Hyd. Cyl. w/ 3-3/4"-7.905" stages or Custom Hoist Cyl. w/ 4"-8" stages.				SEE NOTE
REAR DOOR	4148048AD		I-U-5	1-1/2	3	PKM-4148097
TILT ARM	4148077AB		I-U-5	2	4	PKM-4148098
TOP DOOR	4148078AC		I-U-5	2	4	PKM-4148096
Refuse - Rear Loaders						
APPLICATION	CYL #:	MISC	CODE	ROD	BORE	KIT #
MODEL R100B						
EJECTOR	2000102	Telescopic Cylinder	I-V-12	4, 5	4-1/2, 5-1/2	PKM-2843163
	2001102	Telescopic Cylinder	I-V-12	4, 5	4-1/2, 5-1/2	PKM-2843163
	4148038AB	Piston Type Cylinder	I-U-5	2-1/2	5	PKM-4148092
	4148039AC	Piston Type Cylinder	I-U-5	4	5	PKM-4149001
	4148040AC	Piston Type Cylinder	I-U-5	4	5	PKM-4149001
	SD52DC-8-119	2 Stage Commercial Hyd. Cyl., 3-1/4" & 4-3/4" stages.				SEE NOTE
	SD52DC-8-140	2 Stage Commercial Hyd. Cyl., 3-1/4" & 4-3/4" stages.				SEE NOTE
PACKER	4148003		I-U-5	2-1/2	4	PKM-4148094
SWEEP	4148006AD		I-U-5	2-1/2	4	PKM-4148094
TAILGATE	4149039		I-U-4	2-1/2	3-1/2	PKM-4148093
WINCH	4148044AC		I-U-5	3	6	PKM-4148091
MODEL R200						
CONTAINER	466-01		I-OB-3	1-1/4	3-1/2	PKM-UD648-34
EJECTOR	2149-LM		I-U-5	2-1/2	5	PKM-2019-34
	2957-LM		I-U-5	2-1/2	5	PKM-2671-34
	2958-LM, 2959-L		I-U-5	4	5	PKM-1471-34
	D52CD-77-80	Single Stage Commercial Hyd. Cyl., 4-3/4" stage.				SEE NOTE
	D52CD-77-86 1/2	Single Stage Commercial Hyd. Cyl., 4-3/4" stage.				SEE NOTE
	SC52DC-8-140	2 Stage Commercial Hyd. Cyl., 3-3/4" & 4-3/4" stages.				SEE NOTE
	SD52DC-8-119	2 Stage Commercial Hyd. Cyl., 3-3/4" & 4-3/4" stages.				SEE NOTE
PACKER	3802-LM		I-U-5	2-1/2	5	PKM-1362-34
SWEEP	3809-LM		I-U-5	2-1/2	5	PKM-1362-34
TAILGATE	792-LM		I-U-5	2-1/2	3-1/2	PKM-UD2167-34
MODEL R200B						
EJECTOR	2000102	Telescopic Cylinder	I-V-12	4, 5	4-1/2, 5-1/2	PKM-2843163
	2001102	Telescopic Cylinder	I-V-12	4, 5	4-1/2, 5-1/2	PKM-2843163
	4148038AB	Piston Type Cylinder	I-U-5	2-1/2	5	PKM-4148092
	4148039AC	Piston Type Cylinder	I-U-5	4	5	PKM-4149001
	4148040AC	Piston Type Cylinder	I-U-5	4	5	PKM-4149001
	SD52DC-8-119	2 Stage Commercial Hyd. Cyl., 3-1/4" & 4-3/4" stages.				SEE NOTE

Replacement Kits For

PAK-MOR

Refuse - Rear Loaders						
APPLICATION	CYL #:	MISC	CODE	ROD	BORE	KIT #
MODEL R200B						
EJECTOR	SD52DC-8-140	2 Stage Commercial Hyd. Cyl., 3-1/4" & 4-3/4" stages.				SEE NOTE
PACKER	4148023		I-U-5	2-1/2	5	PKM-4148089
SWEEP	4148022		I-U-5	2-1/2	5	PKM-4148089
WINCH	4148044AC		I-U-5	3	6	PKM-4148091
MODEL R300B						
EJECTOR	2000102	Telescopic Cylinder	I-V-12	4, 5	4-1/2, 5-1/2	PKM-2843163
	2001102	Telescopic Cylinder	I-V-12	4, 5	4-1/2, 5-1/2	PKM-2843163
	4148038AB	Piston Type Cylinder	I-U-5	2-1/2	5	PKM-4148092
	4148039AC	Piston Type Cylinder	I-U-5	4	5	PKM-4149001
	4148040AC	Piston Type Cylinder	I-U-5	4	5	PKM-4149001
	SD52DC-8-119	2 Stage Commercial Hyd. Cyl., 3-1/4" & 4-3/4" stages.				SEE NOTE
	SD52DC-8-140	2 Stage Commercial Hyd. Cyl., 3-1/4" & 4-3/4" stages.				SEE NOTE
PACKER	4148037		I-U-5	3	6	PKM-4148091
SWEEP	4148000AC		I-U-5	3	6	PKM-4148091
TAILGATE	4148018AE		I-U-4	2-1/2	3-1/2	PKM-4148093
WINCH	4148044AC		I-U-5	3	6	PKM-4148091

For applications using Commercial Hydraulics telescopic cylinders, please see the Commercial Hydraulics section of this catalog for a listing of available replacement parts.

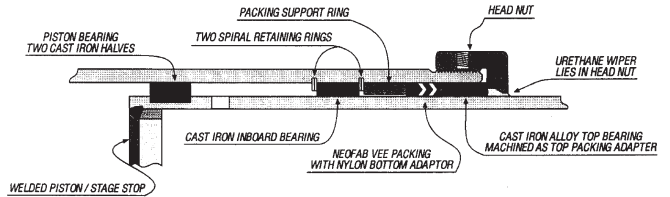
Kit Number	Code (Pg. xiv)	Rod X Bore Size	Kit Number	Code (Pg. xiv)	Rod X Bore Size
PKM-1101-34	I-U-5	1-1/2 X 3	PKM-4148091	I-U-5	3 X 6
PKM-1128-34	I-U-5	3 X 5	PKM-4148092	I-U-5	2-1/2 X 5
PKM-1362-34	I-U-5	2-1/2 X 5	PKM-4148093	I-U-4	2-1/2 X 3-1/2
PKM-1471-34	I-U-5	4 X 5	PKM-4148094	I-U-5	2-1/2 X 4
PKM-1963-34	I-OB-3	1-1/2 X 2-1/2	PKM-4148096	I-U-5	2 X 4
PKM-2019-34	I-U-5	2-1/2 X 5	PKM-4148097	I-U-5	1-1/2 X 3
PKM-2194LM	I-U-5	5 X 6	PKM-4148098	I-U-5	2 X 4
PKM-2302-34	I-OB-3	3/4 X 1-1/2	PKM-4149001	I-U-5	4 X 5
PKM-2608-34	I-OB-4	2-1/2 X 4	PKM-4149037	I-U-5	1-1/2 X 2-1/2
PKM-2671-34	I-U-5	2-1/2 X 5	PKM-4149048	I-U-5	1-1/2 X 3-1/3
PKM-2843115	I-U-5	1-1/2 X 3	PKM-4149051	I-U-5	2 X 4
PKM-2843129	I-OB-3	3/4 X 1-1/2	PKM-4149052	I-U-5	1-1/2 X 2-1/2
PKM-2843163	Repair kit for cyl 2000102, 2001102		PKM-4149066	I-U-5	2-1/2 X 3-1/2
PKM-2843164	Vee Sets & Wipers for above		PKM-4149107	I-U-5,12	1-1/2 X 2-1/2
PKM-2843168	Vee Sets, Wipers & Bushings for above		PKM-4149116	I-U-5,12	1-1/2 X 3
PKM-3016-34	I-U-10	2-1/2 X 3-1/2	PKM-4149118	I-U-5,12	1-1/4 X 2
PKM-4148024	I-U-5	2-1/2 X 4	PKM-4149124	I-U-5,12	1-1/2 X 3-1/2
PKM-4148027	I-U-5	1-1/2 X 2-1/2	PKM-625-34	I-U-5	2 X 4
PKM-4148032	I-U-4	2-1/2 X 3-1/2	PKM-646-34	I-OB-1	1-3/4 X 2-1/2
PKM-4148034	I-U-5	2-1/2 X 5	PKM-647-34	I-U-5	2 X 3
PKM-4148035	I-U-4	2-1/2 X 4	PKM-989-34	I-OB-3	1-1/2 X 2-1/2
PKM-4148036	I-U-5	3 X 6	PKM-UD1990-34	I-U-5	2-1/2 X 4
PKM-4148089	I-U-5	2-1/2 X 5	PKM-UD2167-34	I-U-5	2-1/2 X 3-1/2
PKM-4148090	I-U-5	2 X 5	PKM-UD648-34	I-OB-3	1-1/4 X 3-1/2

REPLACEMENT KITS FOR PEABODY GALION TELESCOPIC CYLINDER PARTS & KITS

PACKING: Vee packing - no top adaptor. .275" c.s.
WIPERS: Urethane; wiper does not snap into a groove, but is trapped between the head nut and top bearing.
BEARINGS: Castiloid (cast iron) outer bearing, grooved to serve as top adaptor for packing. Single action cylinders have inner bearing trapped between 2 spiral retainer rings. Double action cylinders (see below).
PISTON: Single action cylinder has 2 half-moon shaped castiloid bearings that fit into a groove at piston end of stage.
STAGE O.D.'s: 1.970; through 7.970; 9.125.
SPECIAL INFO: Stage diameters all .030" under nominal inch except 9.125. All stage bores .020 over nominal half-inch.
IDENTIFICATION: Model number stamped into "steadrest" area near gland collar on body.

DOUBLE ACTION SAME AS ABOVE EXCEPT:
BEARINGS: Has no inner bearing. Instead there is a steel spacer ring "trapped" between the two spiral retainers.
PISTON: Double action cylinder has bronze piston and threads onto stage. 2 or 3 "butt-cut" piston rings per stage in separate grooves.

PEABODY GALION



PEABODY

Part Number	Description
PACKINGS AND WIPERS	
PG-2VSW	1.970" Vee Set & Wiper
PG-3VSW	2.970" Vee Set & Wiper
PG-4VSW	3.970" Vee Set & Wiper
PG-5VSW	4.970" Vee Set & Wiper
PG-6VSW	5.970" Vee Set & Wiper
PG-7VSW	6.970" Vee Set & Wiper
PG-8VSW	7.970" Vee Set & Wiper
PG-9VSW	9.125" Vee Set & Wiper
PACKING & BEARING KITS	
PG-3PBK	2.970" Vee Set, Wiper & Top Bearing
PG-4PBK	3.970" Vee Set, Wiper & Top Bearing
PG-5PBK	4.970" Vee Set, Wiper & Top Bearing
PG-6PBK	5.970" Vee Set, Wiper & Top Bearing
PG-7PBK	6.970" Vee Set, Wiper & Top Bearing
PG-8PBK	7.970" Vee Set, Wiper & Top Bearing
PG-9PBK	9.125" Vee Set, Wiper & Top Bearing
RETAINER RINGS	
PG10-5304	2" SPIRAL RETAINER RING
PG10-25689	3" SPIRAL RETAINER RING
PG10-25688	4" SPIRAL RETAINER RING
PG10-25687	5" SPIRAL RETAINER RING
PG10-25686	6" SPIRAL RETAINER RING
PG10-25718	7" SPIRAL RETAINER RING
PG10-25729	8" SPIRAL RETAINER RING
PG10-26982	9-1/8" SPIRAL RETAINER RING
PISTON RINGS - DOUBLE ACTION ONLY	
PG10-25892	3-1/2" PISTON RING
PG10-25880	4-1/2" PISTON RING
PG10-28824	4.54" PISTON RING
PG10-30863	5.00" PISTON RING
PG10-28825	5.54" PISTON RING
PG10-25868	5-1/2" PISTON RING
PG10-25867	6-1/2" PISTON RING
PG10-25866	7-1/2" PISTON RING
PG10-25891	8-1/2" PISTON RING

Part Number	Description
STOP RINGS	
1 piece = 1/2 stop ring	
PG10-5224	4" Stop Ring
PG10-5226	6" Stop Ring
PG10-5299	7" Stop Ring
HEAD NUTS (MEASURED AT THREAD I.D.)	
PG10-25673	4" HEAD NUT
PG10-25672	5" HEAD NUT
PG10-25671	6" HEAD NUT
PG10-25670	7" HEAD NUT
PG10-25708	8" HEAD NUT
PG10-25709	9" HEAD NUT
MISCELLANEOUS PARTS	
PG10-11641	NYLON SLUG
PG10-25440	BLEEDER VALVE (MIN PACK - 3)
PG10-27728	SET SCREW
KITS	
PG-35PBK	3" - 5" Vee Set, Wiper & Top Bearing
PG-37PBK	3" - 7" Packing, Wiper, Top Bearing, Set Screws & Slugs
PG-38PBK	3" - 8" Packing, Wiper, Top Bearing, Set Screws & Slugs
PG-46PBK	4" - 6" Packing, Wiper, Top Bearing, Set Screws & Slugs
PG-47PBK	4" - 7" Packing, Wiper, Top Bearing, Set Screws & Slugs
PG-48PBK	4" - 8" Packing, Wiper, Top Bearing, Set Screws & Slugs
PG-49PBK	4" - 9" Vee Set, Wiper & Top Bearing
PG-57PBK	5" - 7" Packing, Wiper, Top Bearing, Set Screws & Slugs
PG-58PBK	5" - 8" Packing, Wiper, Top Bearing, Set Screws & Slugs
PG-67PBK	6" - 7" Packing, Wiper, Top Bearing, Set Screws & Slugs

REPLACEMENT KITS FOR PEABODY GALION TELESCOPIC CYLINDER PARTS & KITS

Part Number	Description
KITS	
PG-68PBK	6" - 8" Packing, Wiper, Top Bearing, Set Screws & Slugs
PG-3TA	2.970" TOP ADAPTOR
PG-4TA	3.970" TOP ADAPTOR
PG-5TA	4.970" TOP ADAPTOR
PG-6TA	5.970" TOP ADAPTOR
PG-7TA	6.970" TOP ADAPTOR
PG-8TA	7.970" TOP ADAPTOR
PG-10-40938	1-1/4" VEE SET
PG-10-12546	3.997" ID WIPER
PG-35	3" - 5" Packing, Wiper, Set Screw, Slug
PG-36	3" - 6" Packing, Wiper, Set Screw, Slug
PG-37	3" - 7" Packing, Wiper, Set Screw, Slug
PG-38	3" - 8" Packing, Wiper, Set Screw, Slug
PG-45	4" - 5" Vee Set & Wiper Set Screw, Slug
PG-46	4" - 6" Packing, Wiper, Set Screw, Slug
PG-47	4" - 7" Packing, Wiper, Set Screw, Slug
PG-48	4" - 8" Packing, Wiper, Set Screw, Slug
PG-49	4" - 9" Packing, Wiper, Set Screw, Slug

Part Number	Description
KITS	
PG-56	5" - 6" Vee Set & Wiper Set Screw, Slug
PG-57	5" - 7" Packing, Wiper, Set Screw, Slug
PG-58	5" - 8" Packing, Wiper, Set Screw, Slug
PG-67	6" - 7" Packing, Wiper, Set Screw, Slug
PG-68	6" - 8" Packing, Wiper, Set Screw, Slug
PG-SR38	3" - 8" Spiral Snap Ring Kit
PG-PR38	3-1/2" - 8-1/2" Piston Ring Kit
PG-PR48	4-1/2" - 8-1/2" Piston Ring Kit
PG91-04176	6" , 7-1/8", 8-3/8", 9-3/4" Vee Sets, Wipers and Piston Bearings
PARTS FOR 104176-ADA	
PG91-04176	6" , 7-1/8", 8-3/8", 9-3/4" Vee Sets, Wipers and Piston Bearings
PG10-51431	6" Cast Iron Bushing
PG10-51445	6-1/2" OD Cast Iron Piston Ring
PG10-51430	7-1/8" Cast Iron Bushing
PG10-17892	8 X .310 X .265/.295 Piston Ring
PG10-51429	8-3/8" Cast Iron Bushing
PG10-51428	9-3/4" Cast Iron Bushing

PEABODY GALION E-Z PACK GARBAGE TRUCK KITS

Kit Number	Cylinder	Code (Pg. xiv)	Rod X Bore Size
PG-2.5UW	2.470" ROD U-SEAL & WIPER		
PG-2101220	K4549-LDA	P-UB-12,14..2	2 X 4-1/2
PG-2115K	2115	I-V-1	2" ROD
PG-2534DAK	2534DA	I-U-5	1-3/4 X 2-1/2
PG-2UW	1.970" ROD U-SEAL & WIPER		
PG-3021CDAK	3021 CDA	I-U-5	2 X 3
PG-3027DAK	3027DA, 3032DA	I-U-5	2 X 3
PG-3032DAK	3032DA	I-U-5	2 X 3
PG-3120K	3120	I-V-1	3" ROD
PG-3128DAK	3128A	I-V-1	3" ROD
PG-3514DAK	3514DA	I-U-5	2-1/2 X 3-1/2
PG-3530ADAK	3530ADA	I-U-5	1-3/4 X 3-1/2
PG-3UW	2.970" ROD U-SEAL & WIPER		
PG-4021EDAK	4021EDA	I-U-5,12	2-1/2 X 4
PG-4027CDAK	4027CDA, 4032DA, 4037CDA	I-U-5	2-1/2 X 4
PG-4030DAK	4030DA	I-U-5	2 X 4
PG-4032DAK	4032DA	I-U-4	2-1/2 X 4
PG-4033BDAPR	4033BDA	I-U-12	2-1/2 X 4
PG-4042BDAK	4042BDA	I-U-10	2-1/4 X 4
PG-4042DAKPR	4042DA	I-U-12	2-1/2 X 4
PG-4046ADAK	4046ADA	I-V-1	3 X 4
PG-4128K	4128C	I-V-1	4" ROD
PG-4521DAK	4521DA	I-V-1	2 X 4-1/2
PG-4521DAKPR	4521DA	I-V-12	2 X 4-1/2
PG-4522DAK	4522DA	I-V-1	2 X 4-1/2

Kit Number	Cylinder	Code (Pg. xiv)	Rod X Bore Size
PG-4522DAKPR	4522DA	I-V-12	2 X 4-1/2
PG-4522EDAK	4522EDA	I-U-1	2 X 4-1/2
PG-4522EDAPR	4522EDA	I-U-12	2 X 4-1/2
PG-4522JDAK	D4522JDA	I-U-12	2 X 4-1/2
PG-4538BDAK	4538BDA	1-V-10,12	2 X 4-1/2
PG-4543DAKPR	4543DA	I-U-12	2 X 4-1/2
PG-4546DAPR	4546DA	I-U-12	2 X 4-1/2
PG-4UW	3.970" ROD U-SEAL & WIPER		
PG-5054ADAK	5054ADA	I-U-1	3 X 5
PG-5054ADAPR	5054ADA	I-U-12	3 X 5
PG-5055ADAK	5055ADA	I-U-1	4 X 5
PG-5055ADAPR	5055ADA	I-U-12	4 X 5
PG-5532DAKPR	5532DA	"I-U-5,12"	2-3/4 X 5-1/2
PG-5553DAK	5553DA	I-V-1	3 X 5-1/2
PG-5553DAKPR	5553	I-V-12	3 X 5-1/2
PG-5554DAK	5554DA	I-V-1	3 X 5-1/2
PG-5554DAKPR	5554DA	I-V-12	3 X 5-1/2
PG-5554EDAK	5554EDA	I-U-1	3 X 5-1/2
PG-5554EDAPR	5554 EDA	I-U-12	3 X 5-1/2
PG-5UW	4.970" ROD U-SEAL & WIPER		
PG-6054DAK	6054	I-V-1	3 X 6
PG-6540ADAK	6540ADA	I-V-5	4 X 6-1/2
PG-6540DAK	6540DA	I-V-12	4 X 6-1/2
PG-6553DAK	6553DA	I-V-1	3 X 6-1/2
PG-7078DAK	7078D	I-U-5	5 X 7

PEABODY GALION

E-Z PACK GARBAGE TRUCK KITS - FOR DANA BUILD CYLINDERS

Kit Number	Cylinder	Code (Pg. xiv)	Rod X Bore Size
PG59-01478	D63124FDA	I-V-1	4, 5, 6, Stages
PG59-01501	D74162ADA	I-V-1	4, 5, 6, 7 Stages
PG59-01504	D5391	I-V-1	3, 4, 5 Stages
PG59-01505	D4258	I-V-1	3, 4 Stages
PG59-01507	D6292CDA	I-V-1	5, 6 Stages
PG59-02563	D2534CDA, D2563BDA	I-U-10	1-3/4 X 2-1/2
PG59-03021	D3021GDA	I-U-10	2 X 3
PG59-03128	D3128C	I-V-1	3 X 3-1/2
PG59-03516	D3516CDA	I-U-10	1-3/4 X 3-1/2
PG59-03526	D3526HDA	I-U-10	1-3/4 X 3-1/2
PG59-04028	D4028CDA,	I-U-10	2-3/4 X 4
PG59-04030	D4030EDA	I-U-10	2 X 4
PG59-04035	D4035HDA	I-U-10	2-1/2 X 4
PG59-04526	D4548 DA	I-U-12	2 X 4-1/2
PG59-04548		I-U-12	2 X 4-1/2
PG59-04549	D4549BDA	I-U-10,12	2 X 4-1/2

Kit Number	Cylinder	Code (Pg. xiv)	Rod X Bore Size
PG59-05532	D5532DDA	I-U-10,12	2-3/4 X 5-1/2
PG59-05554	D5554GDA	I-U-12	3 X 5-1/2
PG59-06042	D6042BDA	I-U-10,12	2-3/4 X 6
PG59-4028GDA	D4028GDA	I-V-10	2-3/4 X 4
PG59-46124		I-V-10	2 X 7
PG59-46135	D5054CDA	I-U-12	3 X 5
PG59-46139	D6067ADA	I-V-10	5 X 6
PG59-46150	D3018DDA	I-U-10	2 X 3
PG59-46156		I-U-10,12	2-3/4 X 5-1/2
PG59-46167	D1510	I-OB-1	1 X 1-1/2
PG59-46173		I-U-10	3 X 8
PG59-46818	D3549ADA	I-U-10,12	2 X 3-1/2
PG59-46819	D3016ADA	I-U-10	1-1/2 X 3
PG59-46823	D5067ADA	I-V-10	4 X 5
PG59-47048	D3033ADA	I-U-10	1-3/4 X 3
PG59-48531		I-V-10	2 X 3-1/2
PG59-49897		I-V-14	2-1/4 X 4

PEABODY GALION

E-Z PACK GARBAGE TRUCK KITS - FOR PEABODY GALION BUILD CYLINDERS

Kit Number	Cylinder	Code (Pg. xiv)	Rod X Bore Size
PG-2115045		I-V-10	2-3/4 X 4
PG-2115917		I-U-10	2 X 3
PG-2116324		I-U-10	1-3/4 X 3
PG-2116498		I-U-10	2 X 4
PG-2117001		P-UB-10	2 X 4-1/2
PG-2117025		I-V-10,12	2-1/2 X 5-1/2
PG-2118322		I-V-10	2 X 4-1/2
PG-EZSK-6-84		I-U-10	5 X 6
PG91-01530		P-U-4	2-1/2 X 5
PG91-01533	5381B	I-V-1	3, 4, 5 Stages
PG91-02534	2534BDA, 2563ADA	I-U-5	1-3/4 X 2-1/2
PG91-03021	3021CDA	I-U-5	2 X 3
PG91-03036		I-U-5	1-3/4 X 3-1/2
PG91-03516	3516CDA	I-U-4,10	1-3/4 X 3-1/2
PG91-03530	3526CDA, 3526EDA	I-U-5	1-3/4 X 3-1/2
PG91-04016		I-U-5	1-3/4 X 4

Kit Number	Cylinder	Code (Pg. xiv)	Rod X Bore Size
PG91-04028	4028DA	I-U-4	2-3-4 X 4
PG91-04035	4035CDA	I-U-5	2-1/2 X 4
PG91-04526		I-U-12	2 X 4-1/2
PG91-04546	4548DA	I-U-12	2 X 4-1/2
PG91-05054		I-U-12	3 X 5
PG91-06042	6042DA	I-U-5,12	2-3/4 X 6
PG91-06067	6067ADA	I-U-10	5 X 6
PG91-13021	3021FDA	I-U-10	2 X 3
PG91-13516	3516BDA	I-U-10	1-3/4 X 3-1/2
PG91-13526		I-U-10	1-3/4 X 3-1/2
PG91-14028	4028BDA	I-U-10	2-3/4 X 4
PG91-14030	4030DDA	I-U-10	2 X 4
PG91-14035	4035EDA, 4035FDA	I-U-10	2-1/2 X 4
PG91-14549	4549DA, 4549ADA	I-U-10,12	2 X 4-1/2
PG91-16042	6042ADA	I-U-10,12	2-3/4 X 6
PG91-25554	5554FDA	I-U-12	3 X 5-1/2

PEABODY GALION

PEABODY GALION GALION-DAYBROOK LIFT GATE KITS

Part Number	Description
PG-10-40938	MODEL T1000, G10E
PG-20-33398	MODEL T8000E, T888R-CF, G8E, G8E-CG

PEABODY GALION GALION DUMP PUMP PARTS

Part Number	Description
PG10-147	BEARING - 1-1/2" O.D.
PG10-17635	PUMP HOUSING GASKET
PG10-17662	BEARING - 1-5/16" O.D.
PG-20-23878	13/16" VEE SET ONLY
PG-91-02101	13/16" COMPLETE SHAFT END COVER KIT

Replacement Kits For

PEERLESS

Forestry - Log Loaders

APPLICATION	CODE	ROD	BORE	KIT #
MODEL 2170B				
JIB BOOM	I-U-10	3	7	PRLS-842937500
MAIN BOOM	I-U-10	3	6	PRLS-842936800
STABILIZER	I-U-10	3	6	PRLS-842936800
MODEL 2770				
JIB BOOM	I-U-10	3-1/2	7	PRLS-842938200
MAIN BOOM	I-U-10	3	6	PRLS-842936800
STABILIZER	I-U-10	3	6	PRLS-842936800

PEERLESS

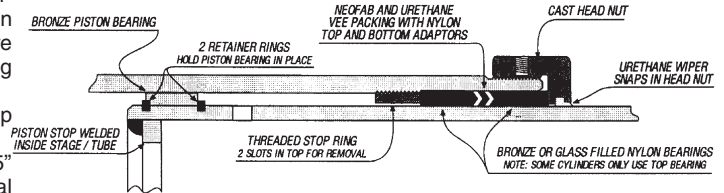
Kit Number	Code (Pg. xiv)	Rod X Bore Size
PRLS-300-4-446-4	I-U-13	3 X 6
PRLS-300-4-534-4	I-U-10	3 X 7
PRLS-300-5-510-4	I-U-10	3 X 7
PRLS-300-5-511-4	I-U-10	3 X 6

Kit Number	Code (Pg. xiv)	Rod X Bore Size
PRLS-842936800	I-U-10, 12	3 X 6
PRLS-842937500	I-U-10	3 X 7
PRLS-842938200	I-U-10	3-1/2 X 7

PERFECTION - COBEY TELESCOPIC CYLINDER PARTS

- PACKING:** Vee packing with top and bottom adapters.
3, 4, & 5" stages have .265" CS.
6,7, & 8 have 1/4" CS. 9" stage has 3/8" CS.
- WIPERS:** Urethane snap-in type.
- BEARINGS:** Original were bronze. Many replacements being offered in either glass-filled nylon or mineral filled nylon material. 3" through 6" stages have bearings above and below packing. 7" and 8" stages have bearing above packing only.
- PISTON:** Bronze bearing held in place by 2 spring steel snap rings.
- STAGE O.D.'s:** 2.580", 3.580", 4.580", 5.445", 6.445", 7.445", 8.445"
- SPECIAL INFO.** Internally threaded ring which serves as internal stop.
- IDENTIFICATION:** Model number and serial number stamped near base of cylinder.

PERFECTION



Kit Number	Stage O.D.	Description
PACKING & WIPERS		
PF-3VSW	2.580	Vee Set & Wiper
PF-4VSW	3.580	Vee Set & Wiper
PF-5VSW	4.580	Vee Set & Wiper
PF-6VSW	5.445	Vee Set & Wiper
PF-7VSW	6.445	Vee Set & Wiper
PF-8VSW	7.445	Vee Set & Wiper
PF-9VSW	8.445	Vee Set & Wiper
BEARINGS		
PF-4NB	3.580	Gland Bearing
PF-5NB	4.580	Gland Bearing
PF-6NB	5.445	Gland Bearing
PF-7NB	6.445	Gland Bearing
PF-8NB	7.445	Gland Bearing

Part Number	Description
KITS	
PF-35	3" - 5" Vee Set & Wiper
PF-46	4" - 6" Vee Set & Wiper
PF-47	4" - 7" Vee Set & Wiper
PF-48	4" - 8" Vee Set & Wiper
PF-49	4" - 9" Vee Set & Wiper
PF-57	5" - 7" Vee Set & Wiper
KITS	
PF-58	5" - 8" Vee Set & Wiper
PF-59	5" - 9" Vee Set & Wiper
PF-68	6" - 8" Vee Set & Wiper
PF-49U	4" - 9" U-Seal & Wiper
MISCELLANEOUS PARTS	
PF-19120	Bleeder Valve (Min Pack - 3)

REPLACEMENT KITS FOR PERFECTION - COBEY

NOTE:
HEAD NUTS, END BEARINGS AND SNAP RINGS
ARE AVAILABLE. CALL FOR PRICE.

PERFECTION - COBEY SEAL KITS FOR TWIN TELESCOPICS

Kit Number	Cyl. Number	Stage Sizes	Description
PF-50493	475	3.220, 3.830	O-Rings, Back-Ups, Wipers
PF-50494	375	2.580, 3.220	O-Rings, Back-Ups, Wipers
PF-50530	495, 498	2.580, 3.220, 3.830	O-Rings, Back-Ups, Wipers
PF-88799	375	2.580, 3.220	U-Seals, O-Rings, Wipers
PF-88800	475	3.220, 3.830	U-Seals, O-Rings, Wipers
PF-88801	495, 498	2.580, 3.220, 3.830	U-Seals, O-Rings, Wipers

NOTE:

THE ABOVE CYLINDER ASSEMBLIES ARE AVAILABLE FROM STOCK. CALL FOR PRICES.

PERFECTION - COBEY DUMP TRUCK PUMP PARTS

Part Number	Description
PF-75175	7/8" ID Vee Set
PF-75175 Kit	7/8" Vee Sets, O-Rings, Valve Gaskets
PF-78317+BU	7/8 " Shaft Seal & Back Up
PF-81566 Kit	3/4" Vee Sets, O-Rings, Valve Gaskets
PF-86081	3/4" ID Oil Seal
PF-86082	7/8 " ID Oil Seal
PF-86082 Kit	7/8" Shaft Pump Kit

PERFECTION - COBEY MISCELLANEOUS PERFECTION KITS & PARTS

Part Number	Description
PF-17658	#780 Valve Gasket
PF-18273	2-3/4" Rod Vee Set
PF-18274	2" Rod Vee Set
PF-22001	2.54" Rod Dia.
PF-22002	3.22" Rod Dia.
PF-22003	3.83" Rod Dia.
PF-45007	1-1/4" ID Vee Set
PF-45030	2" ID Vee Set
PF-55152	2-1/2" ID Vee Set

Part Number	Description
PF-62463	2" ID Vee Set
PF-75175	7/8" I.D. Vee Set (each)
PF-81566	3/4" ID Vee Set
PF-84598K	P-U-52-1/2 X 4-1/2
PF-86081	3/4" I.D. Oil Seal
PF-86082	7/8 " ID Oil Seal

Replacement Kits For

PETTIBONE

Forklifts - Rough Terrain					
APPLICATION	CYL #	CODE	ROD	BORE	KIT #
MODEL 636					
BOOM EXT.	AL-11621-10	P-U-5	2-1/4	4	PB-LL-6014-17
FORK/TILT	AL-10774	I-U-10	3	6	PB-LL-6018-16
LIFT	AL-10775	I-U-10	4	5	PB-LL-6016-31
REAR STAB.	AL-11263-1	I-U-10	2	3-1/2	PB-LL-6013-5
SIDE TILT/FORK 48"	AL-10089	P-V-10	1-1/4	2-1/4	PB-LL-6010-2
STEERING LH	LL-2989-315	P-U-10	1-1/8	2-1/4	PB-LL-2989-325
STEERING RH	LL-2989-316	P-U-10	1-1/8	2-1/4	PB-LL-2989-325
SWAY	AL11263	I-U-10	2	3-1/2	PB-LL-6013-5
MODEL B-66					
BOOM EXT.	AL-8935	P-U-5	2-1/4	4	PB-LL-4647-15
FORK	BL-9198	P-V-10, 12	2-1/2	6	PB-LL-4647-11
SWAY L	LL-218-2035	P-V-5	1-1/4	2-1/2	PB-LL-218-2037
SWAY R	LL-218-2036	P-V-5	1-1/4	2-1/2	PB-LL-218-2037
MODEL B-66B					
BOOM EXT.	AL-8935-H	P-U-5	2-1/4	4	PB-LL-4647-15
FORK/LIFT	AL-11091	P-U-10	2-1/2	6	PB-LL-6018-18
LIFT	AL-10156	P-V-10	4-1/4	5	PB-LL-218-2320
SWAY L	AL-10355	P-V-10	1-1/4	3	PB-LL-6012-2
SWAY R	AL-10356	P-V-10	1-1/4	3	PB-LL-6012-2
MODEL B-66C					
BOOM EXT.	AL-11621-8	P-U-5	2-1/4	4	PB-LL-6014-17
FORK/TILT	AL-11091	P-U-10	2-1/2	6	PB-LL-6018-18
LIFT	AL-10157-2	P-V-10	4-1/4	5	PB-LL-218-2320
SIDE TILT/FORK 48"	AL10089	P-V-10	1-1/4	2-1/4	PB-LL-6010-2
SIDE TILT/FORK 72"	AL-10397	P-V-10	1-1/4	2-1/4	PB-LL-6010-2
STEERING	LL-2989-	I-U-10	1-1/8	2-1/4	PB-LL-2989-104
SWAY	AL-11263	I-U-10	2	3-1/2	PB-LL-6013-5
MODEL C8042					
BOOM EXT.	SK-00052	I-U-10	3	5	PB-LL-6016-3
FORK/TILT	AL-10388	I-U-10	3	7	PB-LL-6019-2
LIFT	AL-10386	I-U-10	4	5	PB-LL-6016-31
STEERING LH - Front	AL-10319	P-V-10	1-1/4	2-1/2	PB-LL-6011-2
STEERING RH - Front	AL-10321	P-V-10	1-1/4	2-1/2	PB-LL-6011-2
SWAY	BL-9813	I-U-10	3	5	PB-LL-6016-28

PETTIBONE

Kit Number	Code (Pg. xiv)	Rod X Bore Size
PB-KM-3-62	I-U-5	1-1/4 X 3
PB-KM-3-63	I-V-11	1 X 2
PB-KM-3-64	I-U-1	3, 4, 5-1/2 Tele.
PB-KM-3-66	P-OB-3	1 X 2
PB-KMP-3404	3-3/8, 4-1/2, 5-1/4 UID	
PB-L7595	P-V-5	3-1/2 X 6
PB-LA6414-1	I-U-4	3 X 4-1/2
PB-LL-218-1202	P-V-4	2-1/2 X 5
PB-LL-218-170	Wiper	
PB-LL-218-179	P-V-7	2 X 3-1/2
PB-LL-218-190	P-V-7	1-1/4 X 3
PB-LL-218-195	P-V-7	1-3/8 X 3-1/2
PB-LL-218-2037	P-V-5	1-1/2 X 2
PB-LL-218-2090	1-1/4 X 2-1/2	P-V-10
PB-LL-218-2320	P-V-10	4-1/4 X 5
PB-LL-218-592	P-V-10,12	1 X 2
PB-LL-2580-4	Piston Ring	
PB-LL-2989-104	I-U-10	1-1/8 X 2-1/4
PB-LL-2989-325	P-U-10	1-1/8 X 2-1/4
PB-LL-4647-11	P-V-10, 12	2-1/2 X 6
PB-LL-4647-15	P-U-5	2-1/4 X 4
PB-LL-6010-2	P-V-10	1-1/4 X 2-1/4
PB-LL-6011-2	P-V-10	1-1/4 X 2-1/2
PB-LL-6012-2	P-V-10	1-1/4 X 3
PB-LL-6012-4	P-V-10	1-1/2 X 3
PB-LL-6012-6	P-V-10	1-1/4 X 3
PB-LL-6013-5	I-U-10	2 X 3-1/2
PB-LL-6014-10	I-V-7	2-1/4 X 4
PB-LL-6014-15	P-U-10	1-1/2 X 4
PB-LL-6014-17	P-U-5	2-1/4 X 4
PB-LL-6016-15	P-U-10	1-1/2 X 5
PB-LL-6016-28	I-U-10	3 X 5
PB-LL-6016-3	I-U-10	3 X 5
PB-LL-6016-31	I-U-10	4 X 5
PB-LL-6016-6.	P-V-10	2-1/2 X 5
PB-LL-6018-13	P-U-10	3-1/2 X 6
PB-LL-6018-16	I-U-10	3 X 6
PB-LL-6018-18	P-U-10	2-1/2 X 6
PB-LL-6019-2	I-U-10	3 X 7
PB-LL-6290	I-V-10	2 X 4
PB-LL-731-3	Vee Set	

P & H CRANES

Kit Number	Code (Pg. xiv)	Rod X Bore Size
PH-1045Z1795	I-U-10,12	5 X 6
PH-1045Z1925	P, I-OB-5	1-1/2 X 3-1/2
PH-1100P351F7	I-U-10	1-1/2 X 2-1/2
PH-1100P354F3	I-U-10	2 X 4
PH-1100P357F2	I-U-10	2 X 4-1/2
PH-1100P359F1	I-U-10	4 X 4-3/4
PH-1100P361F1	I-U-10,12	4-1/4 X 5
PH-1100P362F2	I-U-10, 12	4-1/4 X 5-1/4
PH-1100P366-2	I-U-4	4 X 6
PH-1100P366F1	I-U-10	4 X 6
PH-1100P369-1	I-U-10	4-1/4 X 6-1/2
PH-1100P370-1	I-U-1-	4-3/4 X 6-1/2
PH-1100P372F1	I-U-10, 12	4-1/4 X 7
PH-1100P380F1	I-U-10, 12	4-1/4 X 9
PH-1100P381F1	I-U-10, 12	6-1/2 X 9
PH-1100P386F6	I-U-10, 12	7 X 10-1/2
PH-1100P419F2		7-3/4" Swivel

Replacement Kits For

PRENTICE

Crane Loaders						
APPLICATION	CYL #	Misc - Serial #, Date, etc.	CODE	ROD	BORE	KIT #
MODEL 110 BC & SR						
FORK	110083		P-V-5	1-3/4	4	PR-147842
GRAPPLE	110087		P-V-5	1-1/2	3-1/2	PR-147819
	110266		I-U-5	1-1/2	3-1/2	PR-147753
MAIN BOOM	110260	STYLE III	I-V-5	4	6	PR-147858
	110274	STYLE III	I-V-5	4	6	PR-147858
	110295	STYLE III	I-V-5	4	6	PR-147858
	110312	STYLE III	I-U-5	4	6	PR-147734
STABILIZER	110102		P-V-5	2-1/2	4	PR-147830
	110262	STYLE III	I-U-5	2-1/2	4	PR-147751
	110294	STYLE II	P-V-5	2-1/2	4	PR-147857
STICK BOOM	110253	STYLE III	P-U-5	2	5	PR-147747
	110255		P-U-5	2	5	PR-147849
TELE STABILIZER	110297	STYLE III	I-U-5	2-1/2	4	PR-147751
MODEL 120						
GRAPPLE - 442	110415		I-U-11	2	3-1/2	PR-147770
GRAPPLE - 656	110435		I-U-11	2	3-1/2	PR-147770
MAIN BOOM	110407		I-U-11	2-1/2	5	PR-147780
	110407	STYLE IV	I-U-11	2-1/2	5	PR-10032269
STABILIZER	110448	STYLE IV	I-U-11	2	3-1/2	PR-10032265
	110448		I-U-11	2	3-1/2	PR-147770
STICK BOOM	110367		I-U-11	2-1/2	5	PR-147780
	110367	STYLE IV	I-U-11	2-1/2	5	PR-10032269
TELE STICK	110357	STYLE IV	I-U-11	2	3-1/2	PR-10032265
	110357		I-U-11	2	3-1/2	PR-147770
MODEL 150						
GRAPPLE	110360		I-U-11	1-1/2	3-1/2	PR-147788
	110376		I-U-11	2	3-1/2	PR-147770
MAIN BOOM	110359		I-U-11	4	6	PR-147781
	110359	STYLE IV	I-U-11	4	6	PR-10032275
STABILIZER	110375		I-U-11	2-1/2	5	PR-147780
	110375	STYLE IV	I-U-11	2-1/2	5	PR-10032269
STICK BOOM	110359		I-U-11	4	6	PR-147781
	110359	STYLE IV	I-U-11	4	6	PR-10032275
MODEL 180						
MAIN BOOM	110344	STYLE IV	I-U-11	4	7	PR-10032276
	110344		I-U-11	4	7	PR-147769
STABILIZER	110375	STYLE IV	I-U-11	2-1/2	5	PR-10032269
	110375		I-U-11	2-1/2	5	PR-147780
STICK BOOM	110322	STYLE IV	I-U-11	3	6	PR-10032274
	110322		I-U-11	3	6	PR-147786
MODEL 180B						
GRAPPLE	110415		I-U-11	2	3-1/2	PR-147770
MAIN BOOM	110344		I-U-11	4	7	PR-147769
STABILIZER	110375		I-U-11	2-1/2	5	PR-147780
STICK BOOM	110322		I-U-11	3	6	PR-147786

Replacement Kits For

PRENTICE

Crane Loaders							
APPLICATION	CYL #	Misc - Serial #, Date, etc.	CODE	ROD	BORE	KIT #	
MODEL 210							
MAIN BOOM	110272	STYLE III	I-U-5	4	6	PR-147734	
STABILIZER	110252	STYLE III	I-U-5	2-1/2	5	PR-147746	
	110273	STYLE III	P-V-5	2-1/2	5	PR-147731	
STICK BOOM	110251	STYLE III	I-U-5	4	6	PR-147734	
TELE STICK BOOM	110304	STYLE III	P-U-5	1-3/4	3-1/2	PR-147754	
	110311	STYLE III	P-U-5	1-3/4	3-1/2	PR-147754	
MODEL 210B							
MAIN BOOM	110351		I-U-11	4	6	PR-147781	
STABILIZER	110350		I-U-11	3	6	PR-147786	
STICK BOOM	110351		I-U-11	4	6	PR-147781	
MODEL 210C							
HEEL	110524		I-U-11	4	6	PR-147111	
MAIN BOOM	110464		I-U-11	4	6	PR-147781	
STABILIZER	110350		I-U-11	3	6	PR-147786	
STICK BOOM	110489		I-U-11	4	6	PR-147781	
MODEL 210D							
JIB BOOM	110524		I-U-11	4	6	PR-147111	
MAIN BOOM	110524		I-U-11	4	6	PR-147111	
STABILIZER	110551		I-U-11	3	6	PR-147786	
STICK BOOM	110524		I-U-11	4	6	PR-147111	
MODEL 410							
BYPASS GRAPPLE	110267		P-U-5	1-3/4	3-1/2	PR-147754	
	110276		P-V-5	1-3/4	3-1/2	PR-147736	
GRAPPLE	110239	STYLE III	P-V-5	2	5	PR-147735	
	110261	STYLE III	P-U-5	2	5	PR-147747	
	110285		P-V-5	2	5	PR-147735	
	110302		I-U-5	2-1/2	4	PR-147751	
	110303		I-U-5	2-1/2	5	PR-147746	
	110310		I-U-5	2-1/2	5	PR-147746	
	110313		I-U-11	2-1/2	5	PR-147763	
	110321		I-U-11	2-1/2	4	PR-147766	
JIB BOOM	110251		I-U-5	4	6	PR-147734	
	110272		I-U-5	4	6	PR-147734	
MAIN BOOM	110258	STYLE III	I-U-5	4	6	PR-147734	
	110291	STYLE III	I-U-5	4	6	PR-147734	
STABILIZER	110257	STYLE III	I-U-5	4	6	PR-147734	
	110290	STYLE III	I-V-5	4	6	PR-147732	
STICK BOOM	110241		I-U-5	4	7	PR-147748	
	110271	STYLE III	I-U-5	4	7	PR-147729	
	110304		P-U-5	1-3/4	3-1/2	PR-147754	
	110314		I-U-11	4	7	PR-147765	
	110329		I-U-11	4	7	PR-147782	
TELE STICK BOOM	110179	STYLE III	P-V-5	1-3/4	3-1/2	PR-147736	
	110304	STYLE III	P-U-5	1-3/4	3-1/2	PR-147754	
MODEL 410B							
BRAKE ACTIVATING	110345	STYLE IV	I-U-11	2-1/2	5	PR-10032269	

Replacement Kits For

PRENTICE

Crane Loaders						
APPLICATION	CYL #	Misc - Serial #, Date, etc.	CODE	ROD	BORE	KIT #
MODEL 410B						
JIB BOOM	110326	STYLE IV	I-U-11	4	6	PR-10032275
MAIN BOOM	110348	STYLE IV	I-U-11	4	6	PR-10032275
STABILIZER	110349	STYLE IV	I-U-11	4	6	PR-10032275
STEERING	110340	STYLE IV	I-U-11	2	3-1/2	PR-10032265
STICK BOOM	110323	STYLE IV	I-U-11	4	7	PR-10032276
TELE BOOM	110366	STYLE IV	I-U-11	2	3-1/2	PR-10032265
MODEL 410C						
JIB BOOM	110525	STYLE IV	I-U-11	4	6	PR-10032275
MAIN BOOM	110510	STYLE IV	I-U-11	4	6	PR-10032275
STABILIZER	110517	STYLE IV	I-U-11	4	6	PR-10032275
STICK BOOM	110513	STYLE IV	I-U-11	4	7	PR-10032276
TELE BOOM	110366	STYLE IV	I-U-11	2	3-1/2	PR-10032265
MODEL 410D						
CAB TILT	513714	S/N 27337 --> : STYLE I	P-N-2	1	2	PR-147618
JIB BOOM	110524	S/N 27337 -->	I-U-11	4	6	PR-147111
MAIN BOOM	110521	S/N 27337 -->	I-U-11	4	6	PR-147111
	110521	S/N 27337 --> : STYLE IV	I-U-11	4	6	PR-10032275
STABILIZER	110552	S/N 27337 -->	I-U-11	4	6	PR-147111
	110552	S/N 27337 --> : STYLE IV	I-U-11	4	6	PR-10032275
STEERING	110340	S/N 27337 --> : STYLE IV	I-U-11	2	3-1/2	PR-10032265
	110340	S/N 27337 -->	I-U-11	2	3-1/2	PR-147770
STICK BOOM	110513	S/N 27337 -->	I-U-11	4	7	PR-147794
TELE BOOM	110366	S/N 27337 --> : STYLE IV	I-U-11	2	3-1/2	PR-10032265
	110366	S/N 27337 -->	I-U-11	2	3-1/2	PR-147770
MODEL 410-DX						
CAB TILT	513714		P-N-2	1	2	PR-147618
STABILIZER	110552		I-U-11	4	6	PR-147111
STEERING	110340		I-U-11	4	6	PR-147111
STICK BOOM	10001524		I-U-11	4	6	PR-147111
MODEL 610						
GRAPPLE	110239		P-V-5	2	5	PR-147735
	110261		P-U-5	2	5	PR-147747
	110267		P-U-5	1-3/4	3-1/2	PR-147754
	110276		P-V-5	1-3/4	3-1/2	PR-147736
	110285		P-V-5	2	5	PR-147735
	110303		I-U-5	2-1/2	5	PR-147746
JIB BOOM	110259	STYLE III	I-U-5	4	6	PR-147734
	110372		I-U-11	4	6	PR-147781
	110372	STYLE IV	I-U-11	4	6	PR-10032275
MAIN BOOM	110254		I-U-5	4	7	PR-147748
	110316		I-U-11	4	7	PR-147765
	110331	STYLE IV	I-U-11	4	7	PR-10032276
	110331		I-U-11	4	7	PR-147769
	110370	STYLE IV	I-U-11	4	7	PR-10032276
	110370		I-U-11	4	7	PR-147769
STABILIZER	110242		I-U-5	4	7	PR-147748

Replacement Kits For

PRENTICE

Crane Loaders						
APPLICATION	CYL #	Misc - Serial #, Date, etc.	CODE	ROD	BORE	KIT #
MODEL 610						
STABILIZER	110369	STYLE IV	I-U-11	4	7	PR-10032276
	110369		I-U-11	4	7	PR-147769
STEERING	110250	STYLE III	P-V-5	1-3/4	4	PR-147740
	110265	STYLE III	P-U-5	1-3/4	4	PR-147752
	110365		I-U-11	2-1/2	4	PR-147771
	110365	STYLE IV	I-U-11	2-1/2	4	PR-10032267
STICK BOOM	110258		I-U-5	4	6	PR-147734
	110348		I-U-11	4	6	PR-147781
MODEL RT-610						
GRAPPLE	110239		P-V-5	2	5	PR-147735
	110261		P-U-5	2	5	PR-147747
	110267		P-U-5	1-3/4	3-1/2	PR-147754
	110276		P-V-5	1-3/4	3-1/2	PR-147736
	110285		P-V-5	2	5	PR-147735
	110303		I-U-5	2-1/2	5	PR-147746
JIB BOOM	110259		I-U-5	4	6	PR-147734
	110372		I-U-11	4	6	PR-147781
MAIN BOOM	110254		I-U-5	4	7	PR-147748
	110316		I-U-11	4	7	PR-147765
	110331		I-U-11	4	7	PR-147769
	110370		I-U-11	4	7	PR-147769
STABILIZER	110242		I-U-5	4	7	PR-147748
	110369		I-U-11	4	7	PR-147769
STEERING	110250		P-V-5	1-3/4	4	PR-147740
	110265		P-U-5	1-3/4	4	PR-147752
	110365		I-U-11	2-1/2	4	PR-147771
STICK BOOM	110258		I-U-5	4	6	PR-147734
	110348		I-U-11	4	6	PR-147781
MODEL SERIES-3B3						
HOIST	110045	S/N 364 -->	I-V-5	4	5	PR-147809
	110045	S/N Prior - 363	I-V-7	4	5	PR-147604
	110045	S/N All	I-V-1	4		PR-147504
MODEL SERIES-4B4						
STABILIZER-TYPE 1 (Bolt On Head)	110102	Cyls after 11/68	P-V-5	2-1/2	4	PR-147830
	110102	Cyls prior to 11/68	P-V-7	1-3/4	4	PR-147627
STICK BOOM	110214	S/N Prior - 363	P-V-7	2	5	PR-147608
	110214	S/N 364 -->	P-V-5	2	5	PR-147811
	110214	S/N All	P-V-1	2		PR-147508
MODEL SERIES-4BL						
HOIST	110044	S/N All	I-V-1	4		PR-147504
	110044	S/N Prior - 363	I-V-7	4	5	PR-147604
	110044	S/N 364 -->	I-V-5	4	5	PR-147809
MODEL SERIES-4L4						
HOIST	110044	S/N All	I-V-1	4		PR-147504
	110044	S/N Prior - 363	I-V-7	4	5	PR-147604
	110044	S/N 364 -->	I-V-5	4	5	PR-147809

Replacement Kits For

PRENTICE

Crane Loaders						
APPLICATION	CYL #	Misc - Serial #, Date, etc.	CODE	ROD	BORE	KIT #
MODEL SERIES-4L4						
STABILIZER-TYPE 1 (Bolt On Head)	110102	Cyls prior to 11/68	P-V-7	1-3/4	4	PR-147627
	110102	Cyls after 11/68	P-V-5	2-1/2	4	PR-147830
MODEL SERIES-G						
MAIN BOOM	110036	S/N Prior - 363	I-V-7	4	6	PR-147605
	110036	S/N 364 -->	I-V-5	4	6	PR-147800
	110036	S/N All	I-V-1	4		PR-147505
STICK BOOM	110212	S/N All	P-V-1	2-1/2		PR-147513
	110212	S/N Prior - 363	P-V-7	2-1/2	5	PR-147613
	110212	S/N 364 -->	P-V-5	2-1/2	5	PR-147803
MODEL SERIES-GBL						
KNUCKLE (Bolt On Head)	110102	Cyls prior to 11/68	P-V-7	1-3/4	4	PR-147627
	110102	Cyls after 11/68	P-V-5	2-1/2	4	PR-147830
KNUCKLE (Snap Ring Head)	110012	Cyls prior to 11/68	P-O-7	1-3/4	4	PR-147602
	110012	Cyls after 11/68	P-O-5	1-3/4	4	PR-147807
MAIN BOOM	110036	S/N All	I-V-1	4		PR-147505
	110036	S/N Prior - 363	I-V-7	4	6	PR-147605
	110036	S/N 364 -->	I-V-5	4	6	PR-147800
STABILIZER-TYPE 1 (Snap Ring Head)	110013	Cyls after 11/68	P-O-5	1-3/4	4	PR-147807
	110013	Cyls prior to 11/68	P-O-7	1-3/4	4	PR-147602
STABILIZER-TYPE 2 (Bolt On Head)	110121	Cyls prior to 11/68	P-V-5	2-1/2	4-1/2	PR-147821
	110121	Cyls after 11/68	P-V-7	2-1/2	4-1/2	PR-147621
STABILIZER-TYPE 4 (Bolt On Head)	110042	Cyls after 8/23/68	P-V-5	2	5	PR-147811
	110042	Cyls prior to 8/23/68	P-V-7	2	5	PR-147608
STICK BOOM	110212	S/N All	P-V-1	2-1/2		PR-147513
	110212	S/N 364 -->	P-V-5	2-1/2	5	PR-147803
	110212	S/N Prior - 363	P-V-7	2-1/2	5	PR-147613
SWING (400° Swing)	204507	S/N Prior - 370	N-N-9		5	PR-147629
	204507	S/N 371 - 495	I-N-5		5	PR-147817
	204507	S/N 496 -->	N-N-9		5	PR-147629
MODEL SERIES-H						
MAIN BOOM	110037	S/N 373 -->	I-V-5	4	7	PR-147802
	110037	S/N Prior - 372	I-V-7	4	7	PR-147606
STABILIZER-TYPE 1 (Bolt On Head)	110158		P-V-5	2-1/2	4	PR-147814
STABILIZER-TYPE 1 (Screw On Head)	110067	Cyls prior to 11/68	P-V-7	2-1/2	4	PR-147612
	110067	Cyls after 11/68	P-V-5	2-1/2	4	PR-147814
STICK BOOM	110218	S/N All	P-V-5	2-1/2	6	PR-147801
	110218	S/N All	P-V-1	2-1/2	6	PR-147514
MODEL SERIES-HBL						
KNUCKLE (Bolt On Head)	110102	Cyls after 11/68	P-V-5	2-1/2	4	PR-147830
	110102	Cyls prior to 11/68	P-V-7	1-3/4	4	PR-147627
KNUCKLE (Snap Ring Head)	110012	Cyls prior to 11/68	P-O-7	1-3/4	4	PR-147602
	110012	Cyls after 11/68	P-O-5	1-3/4	4	PR-147807
STABILIZER-TYPE 1 (Snap Ring Head)	110013	Cyls prior to 11/68	P-O-7	1-3/4	4	PR-147602
	110013	Cyls after 11/68	P-O-5	1-3/4	4	PR-147807
STABILIZER-TYPE 2 (Bolt On Head)	110121	Cyls after 11/68	P-V-7	2-1/2	4-1/2	PR-147621
	110121	Cyls prior to 11/68	P-V-5	2-1/2	4-1/2	PR-147821

Replacement Kits For

PRENTICE

Crane Loaders						
APPLICATION	CYL #	Misc - Serial #, Date, etc.	CODE	ROD	BORE	KIT #
MODEL SERIES-HBL						
STABILIZER-TYPE 4 (Bolt On Head)	110042	Cyls after 8/23/68	P-V-5	2	5	PR-147811
	110042	Cyls prior to 8/23/68	P-V-7	2	5	PR-147608
SWING (400° Swing)	204507	S/N 496 -->	N-N-9		5	PR-147629
	204507	S/N Prior - 370	N-N-9		5	PR-147629
	204507	S/N 371 - 495	I-N-5		5	PR-147817
Grapples & Attachments						
APPLICATION	CYL #	Misc - Serial #, Date, etc.	CODE	ROD	BORE	KIT #
MODEL ALL MODELS						
CLAM BKT CYL - 1041-5/8 YD	110137		P-V-5	2-1/2	4	PR-147830
	110137		P-U-5	1-3/4	4	PR-147752
	110379		I-U-11	2-1/2	4	PR-147771
FORK CYL - 1053	110342		I-U-11	2-1/2	4	PR-147771
GRAPPLE	110353	STYLE IV	I-U-11	2-1/2	4	PR-10032267
	110354	STYLE IV	I-U-11	2-1/2	4	PR-10032267
	110355	STYLE IV	I-U-11	2-1/2	5	PR-10032269
	110376	STYLE IV	I-U-11	2	3-1/2	PR-10032265
	110380	STYLE IV	I-U-11	2-1/2	4	PR-10032267
	110386	STYLE IV	I-U-11	2-1/2	5	PR-10032269
	110415	STYLE IV	I-U-11	2	3-1/2	PR-10032265
	110428	STYLE IV	I-U-11	2	3-1/2	PR-10032265
	110435	STYLE IV	I-U-11	2	3-1/2	PR-10032265
GRAPPLE - 1/2 Cord 270/CR, 848 Wedge 270/CR	110302		I-U-5	2-1/2	4	PR-147751
	110354		I-U-11	2-1/2	4	PR-147771
GRAPPLE - 1/2 Cord Slasher C/R	110321		I-U-11	2-1/2	4	PR-147766
	110353		I-U-11	2-1/2	4	PR-147771
GRAPPLE - 3/4 & 1 Cord 270/CR	110386		I-U-11	2-1/2	5	PR-147780
GRAPPLE - 3/4 & 1 Cord 270/CR & 955, 1060, 1066, &	110303		I-U-5	2-1/2	5	PR-147746
GRAPPLE - 310/410,342,351,CBP	110266		I-U-5	1-1/2	3-1/2	PR-147753
GRAPPLE - 315	110376		I-U-11	2	3-1/2	PR-147770
GRAPPLE - 442, AC442, TC442, & CX442	110415		I-U-11	2	3-1/2	PR-147770
GRAPPLE - 734	110428		I-U-11	2	3-1/2	PR-147770
GRAPPLE - 742 Wedge 270/CR	110267		P-U-5	1-3/4	3-1/2	PR-147754
	110358		I-U-11	2	3-1/2	PR-147770
	110358	STYLE IV	I-U-11	2	3-1/2	PR-10032265
GRAPPLE - 955, 1060, 1066, & 1372 Wedge 270/CR	110355		I-U-11	2-1/2	5	PR-147780
GRAPPLE - C554	110501		I-U-11	2-1/2	4	PR-147771
GRAPPLE - C656S, CX656S, C762S, CX762S	110435		I-U-11	2	3-1/2	PR-147770
GRAPPLE - C752S	110380		I-U-11	2-1/2	4	PR-147771
SLASHER - 752	110380		I-U-11	2-1/2	4	PR-147771

Replacement Kits For

PRENTICE

Knuckle Boom Loaders						
APPLICATION	CYL #	Misc - Serial #, Date, etc.	CODE	ROD	BORE	KIT #
MODEL 410C, SERIES F						
GRAPPLE	110087	S/N All	P-V-5	1-1/2	3-1/2	PR-147819
	110087	S/N All	P-V-1	1-1/2		PR-147515
	110134	S/N All	P-V-5	1-3/4	4	PR-147812
	110134	S/N All	P-V-1	1-3/4		PR-147509
SWING ASSY	110035	S/N - 8199	I-V-7	4	6	PR-147605
	110036	S/N 8200 - 10067	N-N-5		4	PR-147816
	110060	S/N 10068 -	N-N-9		4	PR-147628
MODEL 410C, SERIES G						
GRAPPLE	110087	S/N All	P-V-1	1-1/2		PR-147515
	110087	S/N All	P-V-5	1-1/2	3-1/2	PR-147819
	110134	S/N All	P-V-1	1-3/4		PR-147509
	110134	S/N All	P-V-5	1-3/4	4	PR-147812
H.D. STABILIZER	110042	S/N All	P-V-1	2		PR-147508
	110042	S/N All	P-V-5	2	5	PR-147811
MAIN BOOM	110036	S/N All	I-V-1	4		PR-147505
	110036	S/N All	I-V-5	4	6	PR-147800
STICK BOOM	110214	S/N All	P-V-1	2		PR-147508
	110214	S/N All	P-V-5	2	5	PR-147811
SWING ASSY	110035	S/N - 8199	I-V-7	4	6	PR-147605
	110036	S/N 8200 - 10067	N-N-5		4	PR-147816
	110060	S/N 10068 -	N-N-9		4	PR-147628
MODEL 410C, SERIES H						
GRAPPLE	110087	S/N All	P-V-1	1-1/2		PR-147515
	110087	S/N All	P-V-5	1-1/2	3-1/2	PR-147819
	110134	S/N All	P-V-5	1-3/4	4	PR-147812
	110134	S/N All	P-V-1	1-3/4		PR-147509
H.D. STABILIZER	110042	S/N All	P-V-1	2		PR-147508
	110042	S/N All	P-V-5	2	5	PR-147811
MAIN BOOM	110037	S/N All	I-V-5	4	7	PR-147802
	110037	S/N All	I-V-1	4		PR-147506
STICK BOOM	110216	S/N All	P-V-5	2-1/2	6	PR-147801
	110216	S/N All	P-V-1	2-1/2	6	PR-147514
SWING ASSY	111047	Cyls prior to 6/65	N-N-9		5	PR-147616
	111079	S/N 8200-HP7007, 11001 : 11/68 - 7/70	I-N-5		5	PR-147817
	111080	S/N 8200-HP7007, 11001 : 11/68 - 7/70	I-N-5		5	PR-147817
	111081	S/N 8200-HP7007, 11001 : 11/68 - 7/70	I-N-5		5	PR-147817
	204511	S/N 11002 -	N-N-9		5	PR-147629
	204512	S/N 11002 -	N-N-9		5	PR-147629

REPLACEMENT KITS FOR PRENTICE EQUIPEMENT

Kit Number	Code (Pg. xiv)	Rod X Bore Size
PR-147100	I-U-13	1-1/2 X 3
PR-147101	I-U-13	2-1/2 X 4-1/2
PR-147102	I-U-13	2-1/2 X 5-1/2
PR-147103	I-U-11	1-1/4 X 2-1/2
PR-147108	I-U-11	4-1/2 X 8
PR-147109	I-OB-1	3/4 Rod Kit
PR-147110	I-U-11	2-1/2 X 4
PR-147111	I-U-11	4 X 6
PR-147282	P-U-5	2 X 3-1/2
PR-147504	I-V-0	4" Rod Kit
PR-147505	I-V-1	4 X 6
PR-147506	I-V-0	4" Rod Kit
PR-147508	P-V-1	2" Rod Kit
PR-147509	P-V-1	1-3/4" Rod Kit
PR-147510	P-V-2	1-3/4 X 4-1/2
PR-147513	P-V-1	2-1/2 X 5
PR-147514	P-V-1	2-1/2 X 6
PR-147515	P-V-1	1-1/2 X 3-1/2
PR-147522	P-V-0	2-1/2" Rod Kit
PR-147530	P-V-1	1-3/4 X 4
PR-147532	I-U-1	4" Rod Kit
PR-147600	P-O-7	1-1/2 X 3-1/2
PR-147602	P-O-7	1-3/4 X 4
PR-147603	P-V-7	2 X 4-1/2
PR-147604	I-V-7	4-1/4 X 5
PR-147605	I-V-7	4 X 6
PR-147606	I-V-7	4 X 7
PR-147608	P-V-7	2 X 5
PR-147609	P-V-7	1-3/4 X 4
PR-147612	P-V-11	2-1/2 X 4
PR-147613	P-V-7	2-1/2 X 5
PR-147615	N-N-9	4" Piston Kit
PR-147616	N-N-9	5" Piston Kit
PR-147617	I-V-9	4 X 5
PR-147618	P-O-1	1" Rod Kit
PR-147619	P-V-7	1-1/2 X 3-1/2
PR-147621	P-V-11	2-1/2 X 4-1/2
PR-147627	P-V-11	1-3/4 X 4
PR-147628	I-N-9	4" Piston Kit
PR-147629	I-N-9	5" Piston Kit
PR-147703	Rotary Actuator	
PR-147729	I-U-5	4 X 7
PR-147731	P-V-5	2-1/2 X 5
PR-147732	I-V-5	4 X 6
PR-147733	I-V-5	4 X 7
PR-147734	I-U-5	4 X 6
PR-147735	P-V-5	2 X 5
PR-147736	P-V-5	1-3/4 X 3-1/2
PR-147738	Rotary Actuator Kit	2 X 6-3/4
PR-147740	P-V-5	1-3/4 X 4

Kit Number	Code (Pg. xiv)	Rod X Bore Size
PR-147746	I-U-5	2-1/2 X 5
PR-147747	P-U-5	2 X 5
PR-147748	I-U-5	4 X 7
PR-147750	PUMP KIT	
PR-147751	I-U-5	2-1/2 X 4
PR-147752	P-U-5	1-3/4 X 4
PR-147753	I-U-5	1-1/2 X 3-1/2
PR-147754	P-U-5	1-3/4 X 3-1/2
PR-147763	I-U-11	2-1/2 X 5
PR-147765	I-U-11	4 X 7
PR-147766	I-U-11	2-1/2 X 4
PR-147769	I-U-11	4 X 7
PR-147770	I-U-11	2 X 3-1/2
PR-147771	I-U-11	2-1/2 X 4
PR-147780	I-U-11	2-1/2 X 5
PR-147781	I-U-11	4 X 6
PR-147782	I-U-11	4 X 7
PR-147783	I-U-11	4-1/2 X 8
PR-147786	I-U-11	3 X 6
PR-147788	I-U-11	1-1/2 X 3-1/2
PR-147794	I-U-11	4 X 7
PR-147800	I-V-5	4 X 6
PR-147801	P-V-5	2-1/2 X 6
PR-147802	I-V-5	4 X 7
PR-147803	P-V-5	2-1/2 X 5
PR-147804	P-V-5	1-3/4 X 4-1/2
PR-147807	P-O-5	1-3/4 X 4
PR-147808	P-V-5	2 X 4-1/2
PR-147809	I-V-5	4 X 5
PR-147810	P-V-5	1-3/4 X 3-1/2
PR-147811	P-V-5	2 X 5
PR-147812	P-V-5	1-3/4 X 4
PR-147813	P-V-5	1-1/2 X 3-1/2
PR-147814	P-V-5	2-1/2 X 4
PR-147815	P-V-5	2-1/2 X 6
PR-147816	I-N-5	4" PISTON KIT
PR-147817	I-N-5	5" PISTON KIT
PR-147819	P-V-5	1-1/2 X 3-1/2
PR-147821	P-V-5	2-1/2 X 4-1/2
PR-147826	P-V-1	2-1/2 X 7
PR-147828	P-U-5	2 X 3-1/2
PR-147829	P-U-5	1-3/4 X 3
PR-147830	P-V-5	1-3/4 X 4
PR-147831	P-V-5	2-1/2 X 6
PR-147832	I-U-5	4 X 7
PR-147833	I-U-5	2-1/2 X 6
PR-147834	I-U-5	4 X 6
PR-147835	I-V-5	4 X 7
PR-147836	I-V-5	4 X 6
PR-147842	P-V-5	1-3/4 X 4

REPLACEMENT KITS FOR PRENTICE EQUIPEMENT

Kit Number	Code (Pg. xiv)	Rod X Bore Size
PR-147849	P-V-5	2 X 5
PR-147857	P-V-5	2-1/2 X 4
PR-147858	I-V-5	4 X 6
PR-563594	I-U-1	1" Rod Kit
PR-10028680	I-U-11	2 x 3-1/2
PR-10032263	I-U-11	1-1/2 X 3
PR-10032264	I-U-11	1-1/2 X 3-1/2
PR-10032265	I-U-11	2 X 3-1/2
PR-10032266	I-U-11	2 X 4
PR-10032267	I-U-11	2-1/2 X 4
PR-10032268	I-U-11	2-1/2 X 4-1/2
PR-10032269	I-U-11	2-1/2 X 5

Kit Number	Code (Pg. xiv)	Rod X Bore Size
PR-10032270	I-U-11	3 X 5
PR-10032274	I-U-11	3 X 6
PR-10032275	I-U-11	4 X 6
PR-10032276	I-U-11	4 X 7
PR-10034620	I-U-11	2-1/2 X 4
PR-10034622	I-U-11	2-1/2 x 5
PR-10034624	I-U-11	3 X 6
PR-10034628	I-U-5	4 X 6
PR-10034629	I-U-11	4 X 6
PR-10034630	I-U-11	4 X 7
PR-30007033	P-U-14	2-1/2 X 5
PR-30007301	P-U-14	2-1/2 X 5

PRINCE

Kit Number	Code (Pg. xiv)	Rod X Bore Size
PC-10200	I-OB-5	1-1/4 X 2-3/8
PC-19700	I-U-10	1-3/8 X 3
PC-31841	I-U-10, 12	1-3/4 X 6
PC-31842	I-U-10, 12	2 X 6
PC-A807	P-V-9	2 X 5
PC-D1192	P-O-3, 12	1-3/8 X 3-1/4
PC-F-1121	I-OB-10	1-3/4 X 4
PC-F-1122	I-OB-10	1-3/4 X 3
PC-F237	I-OB-12	3 X 7
PC-G476	I-OB-3, 12	2 X 6
PC-H304	I-N-4	2-3/8, 3-3/8, 4-3/8 Stages
PC-H346	I-U-1	2-3/8, 3-3/8 Stages
PC-J1335	I-U-12	4-1/2 X 6
PC-J421	I-U-10, 12	1-1/2 X 3
PC-K1215	I-U-4	3, 4-1/2 Stages
PC-M387	I-U-3, 12	2-1/2 X 3-1/2
PMCK-10000	I-U-5	3 X 6
PMCK-19400	I-U-10	3/4 X 1-1/2
PMCK-19500	I-U-10	1-1/8 X 2
PMCK-19900	I-U-10	1-3/4 X 4
PMCK-21000	I-U-10	2-1/2 X 5
PMCK-22000	I-U-10	3 X 6
PMCK-35000	I, P-U-13	2 X 5
PMCK-42000	I-U-13	1-1/8 X 2
PMCK-43000	I-U-13	1-3/8 X 3
PMCK-43500	I-U-13	1-1/2 X 3-1/2
PMCK-44000	I-U-11	1-3/4 X 4

Kit Number	Code (Pg. xiv)	Rod X Bore Size
PMCK-5400	I-OB-3, 12	1-3/8 X 2-1/2
PMCK-5500	I-OB-3, 12	1-1/2 X 3-1/2
PMCK-5600	I-OB-3, 12	2 X 4
PMCK-7000	I-U-3	1-1/8 X 2-1/2
PMCK-7100	I-U-3	1-1/8 X 3
PMCK-8300	I-OB-3, 12	1-1/2 X 3
PMCK-8400	I-U-11	1 X 2
PMCK-9000	I-U-3	1-1/8 X 2
PMCK-9100	I-U-3	1-1/4 X 2-1/2
PMCK-9200	I-U-3	1-3/8 X 3
PMCK-9300	I-U-3	1-3/8 X 3-1/2
PMCK-9400	I-U-3	1-3/4 X 4
PMCK-9500	I-U-3	2 X 5
PMCK-95388	P-U-10	1-1/4 X 2-1/2
PMCK-9900	I-U-5	2-1/2 X 5
PMCK-AA-606	I-U-5	1-1/2 X 4
PMCK-AD414	I-U-13	2-1/2 X 4
PMCK-AE-343	I-U-2	3 X 8
PMCK-AF962	I-U-13	2-1/2 X 4
PMCK-AK-84	P-U-10	1-3/4 X 2-1/2
PMCK-AM-1139	P-U-10	1-3/4 X 2-1/2
PMCK-B200000	I-U-10	1-1/8 X 2
PMCK-B250000	P-U-10	1-1/4 X 2-1/2
PMCK-B300000	P-U-10	1-3/8 X 3
PMCK-B400000	P-U-10	1-3/4 X 4
PMCK-B450000	P-U-10	2 X 4-1/2
PMCK-B500000		

RAYMOND LIFT TRUCKS

Kit Number	Code (Pg. xiv)	Rod X Bore Size
RAY-400-148-01	O-RING KIT	
RAY-500-412-02	O-RING KIT	
RAY-520-037-15	O-RING KIT	
RAY-520-038-12	O-RING KIT	
RAY-520-041-01	O-RING KIT	
RAY-520-044-01	O-RING KIT	
RAY-520047004	P-U-10	3/4 X 1-3/4
RAY-520-053-01	O-RING KIT	
RAY-520-066-01	O-RING KIT	
RAY-520-077-01	VALVE KIT	
RAY-520-817-08	O-RING KIT	
RAY-520-899-113	O-RING KIT	
RAY-53072101	I-U-11	3/4 X 2-1/2
RAY-530-722-02	I-U-11	1 X 2-1/2
RAY-53072702	P-U-1	1-3/4
RAY-53073101	I-U-11	1-1/4 X 2-1/2
RAY-53073102	I-U-11	1-1/4 X 3
RAY-54004105	P-OB-10	3/4 X 1-3/4
RAY-540041105	P-OB-10	3/4 X 1-3/4
RAY-540-043-07	P-OB-10	3/4 X 1-3/4
RAY-540-046-05	P-OB-10	3/4 X 1-3/4
RAY-540-052-01	SEAL KIT	
RAY-540-056-06	SEAL KIT	
RAY-540067214	I-U-13	1-3/4 X 3-1/2
RAY-540113269	I-U-13	1-3/4 X 3-1/2
RAY-870-460-217	VALVE KIT	
RAY-870-607-26	VALVE KIT	

RED LION TIE-ROD CYLINDERS

Kit Number	Code (Pg. xiv)	Rod X Bore Size
RL-492901	P-OB-3	1-1/8 X 2
RL-492903	P-OB-3	1-1/8 X 2-1/2
RL-492907	P-OB-3	1-1/4 X 3
RL-492911	P-OB-3	1-1/4 X 3-1/2
RL-492915	P-OB-3	1-1/4 X 4
RL-RK-20TR-112	P-OB-3	1-1/8 X 2

REYNOLDS SCRAPER

Kit Number	Code (Pg. xiv)	Rod X Bore Size
RE-1020306	I-U-10,12	2 X 6
RE-1020878	I-U-10,12	2 X 6
RE-1020879	I-U-10,12	2 X 3-1/2
RE-1023060	I-U-10,12	2-1/2 X 6

REYNOLDS SCRAPER

Kit Number	Code (Pg. xiv)	Rod X Bore Size
RE-7040H012	I-U-10,12	1-1/2 X 3-1/2
RE-7040H012NPR	I-U-10	1-1/2 X 3-1/2
RE-7040H014	I-U-10,12	1-1/2 X 3
RE-7040H014NPR	I-U-10	1-1/2 X 3
RE-7040H017	I-U-10	2 X 3-1/2
RE-7040H017NPR	I-U-10	2 X 3-1/2
RE-7040H019	I-U-10,12	1-3/4 X 4
RE-7040H019NPR	I-U-10	1-3/4 X 4
RE-7040H022	I-U-10,12	1-1/2 X 4
RE-7040H022NPR	I-U-10	1-1/2 X 4
RE-7040H023	I-U-10,12	2 X 5
RE-7040H023NPR	I-U-10	2 X 5
RE-7040H026	I-U-10,12	1-1/2 X 2-1/2
RE-7040H026NPR	I-U-10	1-1/2 X 2

RONEN

Kit Number	Cylinder	Code (Pg. xiv)	Rod X Bore Size
RO-3.5K	GRAPPLE CYL.	P-U-10	2 X 3-1/2
RO-4.0K	SHEAR CYL.	I-U-5	2 X 4
RO-5.0K	BOOM CYL.	P-U-5	2-1/2 X 5
RO-6.0K	BOOM CYL.	P-U-5	2-1/2 X 6
RO-7.0K	BOOM CYL.	P-U-5	3 X 7
RO-PK-4		P-U-10	2 X 4
RO-PK-5		P-U-10	2-1/2 X 5
RO-PK-6		P-U-10	3 X 6
RO-PK-7		P-U-10	3-1/2 X 7

SAMSUNG

Kit Number	Code (Pg. xiv)	Rod X Bore Size
SAM-8048-00070	P-UB-14	80 X 120 mm
SAM-8048-00130	P-UB-14	105 X 160 mm
SAM-8048-00150	P-UB-14	105 X 150 mm
SAM-8130-00420	P-UB-14	95 X 140 mm

SKYJACK

Kit Number	Code (Pg. xiv)	Rod X Bore Size
SKY-105816	I-U-4	3/4 X 1-1/2
SKY-105888	I-U-2	3 X 3-1/2
SKY-113873	I-U-4	2-1/2 X 3-3/8

SNORKEL

Kit Number	Code (Pg. xiv)	Rod X Bore Size
SN-007-2833	P-U-5	1-3/4 X 3-1/2
SN-015-0555	P-U-11	1 X 2-1/2
SN-015-0557	P, I-U-10	1 X 2
SN-2012	I-OB-10	1 X 1-1/2
SN-2030-2	I-U-4	2-1/8 X 4
SN-2123	I-OB-10	2 X 5
SN-300752	P-U-1	2-1/2 Rod Kit
SN-44000-4	I-V-1	1-1/4 Rod Kit
SN-45540-6		2-5/8 , 3-1/2 Stages
SN-45540-6N		1-3/4 X 3-1/2 2 Stage
SN-46102-6N		1-3/4 X 3-1/2 2 Stage
SN-467066	I-U-1	2 Stage 3, 3-1/2
SN-47514-4	I, P-OB-3	5/8 X 1-1/2
SN-4772866		3, 3-1/2 Stages
SN-48798-6		3 Stage 2-1/4, 3, 3-1/2
SN-48801-6		1-1/8, 2-5/8, 3-1/2 Stages
SN-55269-4	I-U-3	1 X 1-1/2
SN-56359-6	I-U-10, 12	1 X 2
SN-58400-6	I-U-4	2-1/4 X 4
SN-60549-6	I-U-11,12	2 X 3
SN-60556-6	I-U-10,12	1-1/2 X 2-1/2
SN-62167-6	I-U-10,12	1-3/4 X 3-1/2
SN-62197-6	I-U-12,12	1-3/4 X 3-1/2
SN-A007-1478-A	I-U-5	1-3/4 X 2-1/2
SN-A007-1479-B	I-U-5	1-1/2 X 3
SN-A007-3286	I-U-10, 12	2-1/2 X 3-1/2
SN-A007-3857	I-U-11, 12	2-1/2 X 5
SN-C007-1486	N-U-11	1-3/4 X 3-1/2

STEELMASTER

Kit Number	Cylinder	Code (Pg. xiv)	Rod X Bore Size
SM-TBN		I-U-5	3 X 6
SM-TFC	Telescopic Boom Fork Cyl.	I-U-5	1-1/4 X 4-1/2
SM-TTC	Telescopic Trolley Cyl.	I-U-5	2-1/2 X 3-1/2

SUMITOMO

Kit Number	Code (Pg. xiv)	Rod X Bore Size
SUMO-LZ00476	P-UB-10	105 X 150 mm
SUMO-LZ00477	P-UB-10	100 X 145 mm
SUMO-LZ006960	P-UB-14	125 X 180 mm
SUMO-LZ006970	P-UB-14	130 X 190 mm
SUMO-LZ006980	P-UB-14	140 X 200 mm
SUMO-LZ007310	P-UB-14	105 X 150 mm
SUMO-LZ007320	P-UB-10	120 X 170 mm
SUMO-LZ008050	P-UB-10	105 X 145 mm
SUMO-LZ008160	P-UB-10	90 X 130 mm
SUMO-LZ008380	P-UB-10	115 X 165 mm

TAMROCK

Kit Number	Code (Pg. xiv)	Rod X Bore Size
TAMR-85069909	P-U-14	25 X 40 mm
TAMR-85577709	P-U-15	50 X 125 mm
TAMR-85711149	O-RING KIT	
TAMR-87285619	I-UB-10	50 X 70 mm

Replacement Kits For

TAKEUCHI

Excavators						
APPLICATION	CYL #	SERIAL #	CODE	ROD	BORE	KIT #
MODEL TB015						
ARM	19000-61400	1153001-	P-U-10	30 mm	55 mm	TAK-19000-58099
BLADE	19000-59200	1153001-	P-U-10	35 mm	55 mm	TAK-19000-53499
BOOM	19000-61200	1153001-	P-U-10	30 mm	55 mm	TAK-19000-61299
BUCKET	19000-61500	1153001-	P-U-10	30 mm	50 mm	TAK-19000-61599
BUCKET TEL. A.	19000-62700	1153001-	P-U-10	30 mm	55 mm	TAK-19000-51999
SPANNER	19000-59300	1153001-	P-U-10	30 mm	55 mm	TAK-19000-51999
SWING	19000-57700	1153001-	P-U-10	35 mm	60 mm	TAK-19000-53399
TELESCOPIC	19000-62900	1153001-	P-U-13	25 mm	40 mm	TAK-19000-62699
MODEL TB025						
ARM	19000-52500	1255001-	I-U-14	40 mm	70 mm	TAK-19000-43999
BLADE	19000-52700	1255001-	I-U-14	45 mm	85 mm	TAK-19000-44299
BOOM	19000-52300	1255001-	P-U-14	40 mm	75 mm	TAK-19000-43899
BOOM CABIN	19000-52400	1255001-	P-U-14	40 mm	75 mm	TAK-19000-43899
	19000-69900	1255001-	P-U-14	40 mm	75 mm	TAK-19000-43899
BUCKET	19000-52600	1255001-	I-U-14	35 mm	60 mm	TAK-19000-44099
SWING	19000-51300	1255001-	I-U-14	40 mm	75 mm	TAK-19000-46199
MODEL TB035						
ARM	19000-56200	1355001-	P-U-10	45 mm	80 mm	TAK-19000-54999
BLADE	19000-55100	1355001-	P-U-10	55 mm	100 mm	TAK-19000-55199
BOOM	19000-54700	1355001-	P-U-10	45 mm	85 mm	TAK-19000-54799
BOOM CABIN	19000-54800	1355001-	P-U-10	45 mm	85 mm	TAK-19000-54799
	19000-70100	1355001-	P-U-10	45 mm	85 mm	TAK-19000-54799
BUCKET	19000-56300	1355001-	P-U-10	40 mm	70 mm	TAK-19000-52099
SWING	19000-56100	1355001-	P-U-10	45 mm	80 mm	TAK-19000-54199
TELESCOPIC	19000-62000	1355001-	P-U-10	40 mm	65 mm	TAK-19000-62099
MODEL TB036						
ARM	19000-11400	36003-.1140	P-U-5	45 mm	80 mm	TAK-19000-05099
ARM EXT. ARM	19000-16000	36003-.1140	P-U-5	45 mm	80 mm	TAK-19000-05099
BLADE	19000-12400	36003-.1140	P-U-5	40 mm	70 mm	TAK-19000-12299
	19000-12500	36003-.1140	P-U-5	40 mm	70 mm	TAK-19000-12299
BOOM LH - New	19000-32500	36003-.1140	P-U-5	40 mm	70 mm	TAK-19000-11299
BOOM LH - Old	19000-11300	36003-.1140	P-U-5	40 mm	70 mm	TAK-19000-11299
BOOM RH - New	19000-32400	36003-.1140	P-U-5	40 mm	70 mm	TAK-19000-11299
BOOM RH - Old	19000-11299	36003-.1140	P-U-5	40 mm	70 mm	TAK-19000-11299
BUCKET	19000-35400	36003-.1140	P-U-5	40 mm	70 mm	TAK-19000-05199
EXTENSION	19000-37700	36003-.1140	I-U-5	40 mm	60 mm	TAK-19000-37799
SWING	19000-25100	36003-.1140	P-U-5	45 mm	80 mm	TAK-19000-39199
MODEL TB068						
ARM	19000-19600	68003-68914&68233-68242	P-U-5	65 mm	105 mm	TAK-19000-19699
	19000-26400	68243-,68195-68232	P-U-5	65 mm	105 mm	TAK-19000-19699
BLADE LH	19000-16500	68003-68914&68233-68242	P-U-5	60 mm	100 mm	TAK-19000-16499
	19000-25900	68195-68232&68243-	P-U-5	60 mm	100 mm	TAK-19000-16499
BLADE RH	19000-16600	68003-68914&68233-68242	P-U-5	60 mm	100 mm	TAK-19000-16499
	19000-25800	68195-68232&68243-	P-U-5	60 mm	100 mm	TAK-19000-16499
BOOM LH	19000-26100	68195-68232&68243-68295	P-U-5	55 mm	85 mm	TAK-19000-16199
	19000-32900	68296,68596-	P-U-5	55 mm	85 mm	TAK-19000-16199

Replacement Kits For

TAKEUCHI

Excavators						
APPLICATION	CYL #	SERIAL #	CODE	ROD	BORE	KIT #
MODEL TB068						
BOOM RH	19000-26200	68195-68232&68243-68295	P-U-5	55 mm	85 mm	TAK-19000-16199
	19000-32800	68296, 68596-	P-U-5	55 mm	85 mm	TAK-19000-16199
BUCKET	19000-26000	68195-68232&68243-	P-U-5	55 mm	90 mm	TAK-19000-16399
SWING	19000-26300	63203-	P-U-5	60 mm	100 mm	TAK-19000-16499

REPLACEMENT KITS FOR TAKEUCHI JAPANESE EXCAVATOR

Kit Number	Code (Pg. xiv)	Rod X Bore Size	Kit Number	Code (Pg. xiv)	Rod X Bore Size
TAK-03315-06199	P-08-1	35 mm Rod Kit	TAK-19000-47195	P-U-10	50 X 90 mm
TAK-03515-04299	P-08-1	40 mm Rod Kit	TAK-19000-47295	P-U-10	45 X 80 mm
TAK-03715-01599	P-08-1	45 mm Rod Kit	TAK-19000-47695	P-U-10	55 X 100 mm
TAK-03915-04199	P-08-1	50 mm Rod Kit	TAK-19000-51699	P-U-10	35 X 65mm
TAK-19000-00199	P-U-5	45 X 80 mm	TAK-19000-51899	P-U-10	35 X 63 mm
TAK-19000-00399	P-U-5	35 X 60 mm	TAK-19000-51999	P-U-10	30 X 55 mm
TAK-19000-00599	P-U-5	40 X 70 mm	TAK-19000-52099	P-U-10	40 X 70 mm
TAK-19000-02699	P-U-5	35 X 70 mm	TAK-19000-53399	P-U-10	35 X 60 mm
TAK-19000-04599	P-U-5	45 X 80 mm	TAK-19000-53499	P-U-10	30 X 55 mm
TAK-19000-04799	P-U-5	55 X 95 mm	TAK-19000-54199	P-U-10	45 X 80 mm
TAK-19000-04899	P-U-5	50 X 90 mm	TAK-19000-54399	P-U-10	40 X 75 mm
TAK-19000-04999	P-U-5	45 X 80 mm	TAK-19000-54499	P-U-10	35 X 65 mm
TAK-19000-05099	P-U-5	45 X 80 mm	TAK-19000-54799	P-U-10	45 X 85 mm
TAK-19000-05199	P-U-5	40 X 70 mm	TAK-19000-54999	P-U-10	45 X 80 mm
TAK-19000-09599	P-U-5	45 X 85 mm	TAK-19000-55099	P-U-10	40 X 70 mm
TAK-19000-09899	P-U-5	35 X 60 mm	TAK-19000-55199	P-U-10	55 X 100 mm
TAK-19000-09999	P-I-U-5	35 X 60 mm	TAK-19000-56999	P-U-10	25 X 50 mm
TAK-19000-10599	P-U-5	50 X 90 mm	TAK-19000-57199	P-U-10	25 X 50 mm
TAK-19000-11199	P-U-5	40 X 63 mm	TAK-19000-58099	P-U-10	30 X 55 mm
TAK-19000-11299	P-U-5	40 X 70 mm	TAK-19000-58199	P-U-10	40 X 65 mm
TAK-19000-11899	P-U-5	35 X 65 mm	TAK-19000-60699	I-U-14	35 X 60 mm
TAK-19000-12199	P-U-5	50 X 85 mm	TAK-19000-61299	P-U-10	30 X 55 mm
TAK-19000-12299	P-U-5	40 X 70 mm	TAK-19000-61599	P-U-10	30 X 50 mm
TAK-19000-13499	P-U-5	45 X 75 mm	TAK-19000-62099	P-U-10	40 X 65 mm
TAK-19000-16199	P-U-5	55 X 85 mm	TAK-19000-62699	P-U-13	25 X 40 mm
TAK-19000-16399	P-U-5	55 X 90 mm	TAK-19000-63499	P-UB-10	65 X 95 mm
TAK-19000-16499	P-U-5	60 X 100 mm	TAK-19000-63599	P-UB-10	55 X 85 mm
TAK-19000-19699	P-U-5	65 X 105 mm	TAK-19000-63699	P-UB-10	75 X 120 mm
TAK-19000-24599	P-U-5	40 X 70 mm	TAK-19000-63799	P-UB-10	60 X 100 mm
TAK-19000-27399	P-U-5	53 X 100 mm	TAK-19000-63999	P-U-1	60 X 110 mm
TAK-19000-30599	P-U-5	45 X 75 mm	TAK-19000-65199	P-UB-10	55 X 80 mm
TAK-19000-30699	P-U-5	45 X 75 mm	TAK-19000-70499	P-U-10	30 X 55 mm
TAK-19000-37799	I-U-5	40 X 60 mm	TAK-19000-70599	P-U-10	35 X 60 mm
TAK-19000-39199	P-U-5	45 X 80 mm	TAK-19000-72299	P-U-10	30 X 50 mm
TAK-19000-43899	P-U-14	40 X 75 mm	TAK-19000-75699	I-U-14	55 X 110 mm
TAK-19000-43999	I-U-14	40 X 70 mm	TAK-19000-75799	I-UB-14	50 X 90 mm
TAK-19000-44099	I-U-14	35 X 60 mm	TAK-19000-76399	P-UB-10	65 X 95 mm
TAK-19000-44299	I-U-14	45 X 85 mm	TAK-19000-77499	P-U-10	40 X 70 mm
TAK-19000-46199	I-U-14	40 X 75 mm	TAK-19000-77999	P-U-10	40 X 70 mm

REPLACEMENT KITS FOR TAKEUCHI JAPANESE EXCAVATOR

Kit Number	Code (Pg. xiv)	Rod X Bore Size	Kit Number	Code (Pg. xiv)	Rod X Bore Size
TAK-19000-78299	P-U-10	45 X 85 mm	TAK-19000-87299	P-U-10	25 X 50 mm
TAK-19000-78999	P-UB-10	55 X 80 mm	TAK-19000-87499	P-U-10	30 X 55 mm
TAK-19000-79399	P-UB-10	75 X 120 mm	TAK-19000-87999	P-U-10	50 X 90 mm
TAK-19000-79499	P-UB-10	60 X 100 mm	TAK-19000-89599	P-UB-10	70 X 100 mm
TAK-19000-81599	P-U-10	50 X 90 mm	TAK-19000-91499	P-U-10	45 X 80 mm
TAK-19000-81899	P-U-10	40 X 65 mm	TAK-19017-30599		O-RING KIT
TAK-19000-83299	P-U-10	55 X 85 mm	TAK-19029-03199		O-RING KIT

Replacement Kits For

TCM

Loaders - Wheel

APPLICATION	CODE	ROD	BORE	Bearings Needed	KIT #
MODEL 720, 860					
BOOM	P-UB-10	75 mm	140 mm	MDU-75X80X30	TCM-26508-47011
BUCKET	P-UB-10	95 mm	190 mm	MDU-95X100X30	TCM-26608-57011
STEERING	P-UB-10	40 mm	80 mm		TCM-26604-57001
MODEL 870					
BUCKET	P-UB-10	95 mm	170 mm		TCM-26708-47001

REPLACEMENT KITS FOR TCM CONSTRUCTION EQUIPMENT

Kit Number	Code (Pg. xiv)	Rod X Bore Size	Kit Number	Code (Pg. xiv)	Rod X Bore Size
TCM-234A8-59801	P-U-10	30 X 70 mm	TCM-26438-57001	P-UB-10	70 X 130 mm
TCM-23918-59823	P-U-5	40 X 100 mm	TCM-26508-47011	P-UB-10	75 X 140 mm
TCM-24328-59815	P-U-5	50 X 100 mm	TCM-26604-57001	P-UB-10	40 X 80 mm
TCM-24358-59803	P-U-5	50 X 100 mm	TCM-26608-57011	P-UB-10	95 X 190 mm
TCM-25784-59803	P-U-10	30 X 70 mm	TCM-26708-47001	P-UB-10	95 X 170 mm

REPLACEMENT KITS FOR TCM LIFT TRUCKS

Kit Number	Code (Pg. xiv)	Rod X Bore Size	Kit Number	Code (Pg. xiv)	Rod X Bore Size
TCM-20804-59801	P-U-10	25 X 60 mm	TCM-23658-59813	P-U-5	32 X 70 mm
TCM-210F0-89804	P-U-4	35 X 45 mm	TCM-23678-59801	P-U-5	32 X 71 mm
TCM-210F8-49804	P-U-4	35 X 46 mm	TCM-24239-49801	P-U-1	35 X 45 mm
TCM-214A0-59801	P-U-10	75 X 90 mm	TCM-24239-49804	P-U-1	35 X 45 mm
TCM-214A0-59821	P-U-1	35 X 45 mm	TCM-24240-89801	P-U-1	70 X 80 mm
TCM-214A0-89804	P-U-4	40 X 50 mm	TCM-24248-59802	P-U-5	30 X 63 mm
TCM-214A4-59801	P-U-10	25 X 50 mm	TCM-24248-59807	P-U-5	30 X 63 mm
TCM-214A8-49804	P-U-4	40 X 50 mm	TCM-24328-59804	P-U-5	50 X 100 mm
TCM-214A8-49812	P-U-4	40 X 50 mm	TCM-24450-89803	P-U-1	85 mm
TCM-214A8-59801	P-U-5	32 X 71 mm	TCM-24450-89823	P-U-4	45 X 55 mm
TCM-214J0-59812	P-U-1	40 X 50 mm	TCM-24458-59812	P-U-10	32 X 71 mm
TCM-214J8-49804	P-U-4	45 X 55 mm	TCM-24469-49803	P-U-4	45 X 55 mm
TCM-214T0-89811	P-U-4	50 X 60 mm	TCM-24600-89902	P-U-1	50 X 60 mm
TCM-214T8-49801	P-U-4	50 X 60 mm	TCM-24608-59803	P-U-10	50 X 90 mm
TCM-22438-49811	P-N-4	60 X 90 mm	TCM-25594-59802	P-U-10	22 X 50 mm
TCM-22438-49812	P-N-4	60 X 90 mm	TCM-25954-59802	P-U-10	25 X 60 mm
TCM-22438-59804	P-U-5	40 X 90 mm	TCM-26094-17161	VALVE KIT	
TCM-224T8-49803	P-U-1	50 X 65 mm	TCM-27248-49801	P-N-4	50 X 80 mm
TCM-22578-49801	P-N-4	45 X 63 mm	TCM-27390-59801	P-U-10	70 X 80 mm
TCM-22580-89801	P-N-4	45 X 70 mm	TCM-27390-59902	P-U-1	32 mm Rod Kit
TCM-22678-59801	P-U-5	32 X 80 mm	TCM-27410-89811	P-U-1	75 mm
TCM-228C0-59801	P-U-1	112 X 130 mm	TCM-277H8-59802	P-U-5	30 X 63 mm
TCM-23460-89801	P-N-4	50 X 90 mm	TCM-27830-89802	P-U-10	85 X 100 mm
TCM-234A8-49803	P-U-4	40 X 50 mm	TCM-510F0-59801	P-U-1	32 X 45 mm
TCM-234A8-59805	P-U-5	30 X 71 mm	TCM-510F2-40601	P-U-10	40 X 70 mm
TCM-234F8-49801	P-U-4	45 X 55 mm	TCM-514A2-40552	P-U-10	50 X 80 mm
TCM-23650-59801	P-U-1	35 X 45 mm	TCM-514A2-40554	P-U-10	50 X 80 mm
TCM-23650-59802	P-U-1	35 X 45 mm	TCM-514A2-42631	VALVE KIT	
TCM-23650-89802	P-U-1	40 X 50 mm	TCM-52486-09811	VALVE KIT	
TCM-23650-89803	P-N-4	40 X 50 mm			
TCM-23650-89822	P-U-1	75 X 90 mm			
TCM-23650-89841	P-U-N	40 mm			
TCM-23654-52201	I-U-10	25 X 60 mm			
TCM-23658-59811	P-U-5	32 X 70 mm			

Replacement Kits For

TEREX

Scrapers						
APPLICATION	CYL #	CODE	ROD	BORE	KIT #	
MODEL S23E						
STEERING	9066953	P-V-12	2-1/2	5-1/2	TX-15050390	
	9066954	P-V-12	2-1/2	5-1/2	TX-15050390	
MODEL S24						
APRON / EJECTOR	9217579	P-V-1	7.925	9-1/8	TX-15050409	
BOWL	9217584	P-V-1	7.925	9-1/8	TX-15050409	
STEERING	9062928	P-V-12	3	7	TX-15050396	
MODEL S24B						
APRON	15014766	I-V-12	2-1/2	6-1/4	TX-15050394	
	15016260	I-V-12	2-1/2	6-1/4	TX-15050394	
BOWL	9272694	P-U-10	3-1/2	8	TX-15050399	
EJECTOR	15015718	I-SP-12	4-1/2	7-1/2	TX-15050415	
RIDE	9062425	I,P-U-12	7	8	TX-15050406	
STEERING	15005121	P-V-12	3	7	TX-15050396	
	15009641	P-V-12	3	7	TX-15050396	
MODEL S24C						
APRON	15014766	I-V-12	2-1/2	6-1/4	TX-15050394	
	15016260	I-V-12	2-1/2	6-1/4	TX-15050394	
BOWL	9272694	P-U-10	3-1/2	8	TX-15050399	
EJECTOR	15015718	I-SP-12	4-1/2	7-1/2	TX-15050415	
STEERING	15005121	P-V-12	3	7	TX-15050396	
	15009641	P-V-12	3	7	TX-15050396	
MODEL TS14						
APRON / EJECTOR	9217579	P-V-1	7.925	9-1/8	TX-15050409	
BOWL	9005146	P-V-1	7.925	9-1/8	TX-15050409	
	9217584	P-V-1	7.925	9-1/8	TX-15050409	
MODEL TS14B						
APRON / EJECTOR	9217579	P-V-1	7.925	9-1/8	TX-15050409	
BOWL	9005146	P-V-1	7.925	9-1/8	TX-15050409	
STEERING	9066951	P-V-12	2-1/2	5-1/2	TX-15050390	
	9066952	P-V-12	2-1/2	5-1/2	TX-15050390	
	9382500	P-U-12	2-1/2	5-1/2	TX-9397201	
	9382501	P-U-12	2-1/2	5-1/2	TX-9397201	
MODEL TS14C						
APRON / EJECTOR	9217579	P-V-1	7.925	9-1/8	TX-15050409	
BOWL	15007421	P-U-10	3-1/2	8	TX-15050399	
STEERING	9382500	P-U-12	2-1/2	5-1/2	TX-9397201	
	9382501	P-U-12	2-1/2	5-1/2	TX-9397201	
MODEL TS18A						
APRON	9217579	P-V-1	7.925	9-1/8	TX-15050409	
MODEL TS24						
APRON / EJECTOR	9217579	P-V-1	7.925	9-1/8	TX-15050409	
BOWL	9217584	P-V-1	7.925	9-1/8	TX-15050409	
STEERING	15009641	P-V-12	3	7	TX-15050396	
	9062928	P-V-12	3	7	TX-15050396	
MODEL TS24A						
APRON	15014766	I-V-12	2-1/2	6-1/4	TX-15050394	

Replacement Kits For

TEREX

Scrapers						
APPLICATION	CYL #	CODE	ROD	BORE	KIT #	
MODEL TS24A						
APRON	15016260	I-V-12	2-1/2	6-1/4	TX-15050394	
	15016261	I-V-12	2-1/2	6-1/4	TX-15050394	
STEERING	15005121	P-V-12	3	7	TX-15050396	
	15009641	P-V-12	3	7	TX-15050396	
	9062928	P-V-12	3	7	TX-15050396	
MODEL TS24B						
APRON	15014766	I-V-12	2-1/2	6-1/4	TX-15050394	
	15016260	I-V-12	2-1/2	6-1/4	TX-15050394	
BOWL	9272694	P-U-10	3-1/2	8	TX-15050399	
EJECTOR	15015718	I-SP-12	4-1/2	7-1/2	TX-15050415	
RIDE	9062425	I,P-U-12	7	8	TX-15050406	
STEERING	15005121	P-V-12	3	7	TX-15050396	
	15009641	P-V-12	3	7	TX-15050396	
	9062928	P-V-12	3	7	TX-15050396	
MODEL TS24C						
APRON	15014766	I-V-12	2-1/2	6-1/4	TX-15050394	
	15016260	I-V-12	2-1/2	6-1/4	TX-15050394	
BOWL	9272694	P-U-10	3-1/2	8	TX-15050399	
EJECTOR	15015718	I-SP-12	4-1/2	7-1/2	TX-15050415	
STEERING	15005121	P-V-12	3	7	TX-15050396	
	15009641	P-V-12	3	7	TX-15050396	

TEREX

Kit Number	Code (Pg. xiv)	Rod X Bore Size
TX-15050390	P-V-12	2-1/2 X 5-1/2
TX-15050394	I-V-12	2-1/2 X 6-1/4
TX-15050396	P-U-12	3 X 7
TX-15050399	P-U-10	3-1/2 X 8
TX-15050406	I, P-U-12	7 X 8
TX-15050409	P-V-1	7.925 Rod Kit
TX-15050415	I-SP-12	4-1/2, 6, 7-1/2 Stages
TX-15050416	I-U-12	5-1/4, 6-3/4 Stages
TX-15921417		Valve Kit
TX-181976999248	I-U-10,12	50 X 70 mm

Kit Number	Code (Pg. xiv)	Rod X Bore Size
TX-2766978	I-UB-10	160 X 220 mm
TX-3307F	I-U-1	7" Rod Front Suspension
TX-3307R	I-U-1	8-1/4" Rod Rear Suspension
TX-3307SC	I-U-12	1-3/4 X 3-1/4
TX-3311HC	I-U-12	6-3/4 X 8-1/4
TX-4525978K	I-UB-10	170 X 230 mm
TX-607325	P-V-12	3 X 7
TX-9397201	P-U-12	2-1/2 X 5-1/2
TX-TS24EJ	I-V-1	4, 5-3/4, 7-1/2 Tele

Replacement Kits For

TIGERCAT

Forestry - Feller Bunchers				
APPLICATION	CODE	ROD	BORE	KIT #
MODEL 720, 726				
LIFT	P-U-4	1-3/4	3	TGC-90004
STEERING	P-U-4	2-1/2	4-1/2	TGC-90006
TILT	P-U-4	1-3/4	3	TGC-90004

TIGERCAT

Kit Number	Code (Pg. xiv)	Rod X Bore Size	Kit Number	Code (Pg. xiv)	Rod X Bore Size
TGC-90004	P-U-4	1-3/4 X 3	TGC-90006	P-U-4	2-1/4 X 4-1/2

Replacement Kits For

TIMBERJACK

Forestry - Log Loaders						
APPLICATION	CYL #	SERIAL #	CODE	ROD	BORE	KIT #
MODEL 330						
JIB BOOM			I-U-10	3	7	TBJ-842937500
MAIN BOOM			I-U-10	3	6	TBJ-842936800
STABILIZER			I-U-10	3	6	TBJ-842936800
MODEL 430						
JIB BOOM			I-U-10	3-1/2	7	TBJ-842938200
MAIN BOOM			I-U-10	3	6	TBJ-842936800
STABILIZER			I-U-10	3	6	TBJ-842936800
Skidders						
APPLICATION	CYL #	SERIAL #	CODE	ROD	BORE	KIT #
MODEL 240						
DOZER	8256787		P-U-10	1-3/4	4	TBJ-231384700
STEERING	2313806		I-U-10	2	4-1/2	TBJ-231383200
	2313816		P-U-10	1-3/4	4	TBJ-231384700
MODEL 240A						
ARCH-SINGLE	8259164		P-U-10	1-3/4	4	TBJ-231384700
	8268592		P-U-10	1-3/4	4	TBJ-845167600
DOZER	8260240		P-U-10	1-3/4	4	TBJ-231384700
GRAPPLE	8424465		I-U-5	2-1/2	4	TBJ-8429306
	8427905		I-U-5	2	4	TBJ-843010000
STEERING	2313806		I-U-10	2	4-1/2	TBJ-231383200
	8268602		P-U-10	2	4-1/2	TBJ-845167700
MODEL 240B						
ARCH-SINGLE	8268592		P-U-10	1-3/4	4	TBJ-845167600
DOZER	8268597		P-U-10	1-3/4	4	TBJ-845167600
	8268597		P-U-10	1-3/4	4	TBJ-845167600
GRAPPLE	8419398		I-U-5	2-1/2	4	TBJ-842249600
	8424465		I-U-5	2-1/2	4	TBJ-8429306
	8427905		I-U-5	2	4	TBJ-843010000
	F431703		P-UB-10	2	4	TBJ-F434195
	F431737		P-UB-10	2-1/2	4	TBJ-F434787
STEERING	8268602		P-U-10	2	4-1/2	TBJ-845167700
MODEL 360						
ARCH	F120710		I-UB-1	50 mm		TBJ-F432351
	F120710		N-N-14		100 mm	TBJ-842884100
CAB TILT	8119718		I-U-10	25 mm	2	TBJ-8431265
DOZER	F120975		N-N-14		90 mm	TBJ-F434056
	F120975		P-UB-1	45 mm		TBJ-F433400
GRAPPLE	F431737		P-UB-10	2-1/2	4	TBJ-F434787
	F431738		P-UB-10	2-1/2	4-1/2	TBJ-F434785
	F434169		P-UB-10	2	4	TBJ-F434195
	F434381		P-UB-10	2	4	TBJ-F434195
STEERING	F120975		N-N-14		90 mm	TBJ-F434056
	F120975		P-UB-1	45 mm		TBJ-F433400
MODEL 380, 380A, 380B						
ARCH	2315925		I-U-10	1-3/4	3-1/2	TBJ-845089800
ARCH LH	8216620		I-U-5	1-3/4	4-1/2	TBJ-8450282

Replacement Kits For

TIMBERJACK

Skidders						
APPLICATION	CYL #	SERIAL #	CODE	ROD	BORE	KIT #
MODEL 380, 380A, 380B						
ARCH RH	8216621		I-U-5	1-3/4	4-1/2	TBJ-8450282
ARCH-DUAL	2315925		I-U-10	1-3/4	3-1/2	TBJ-845089800
ARCH-SINGLE	8256796		I-U-10	1-3/4	4	TBJ-845109500
BOOM	2315925		I-U-10	1-3/4	3-1/2	TBJ-845089800
DOZER	8256792		I-U-10	1-3/4	3-1/2	TBJ-231385100
GRAPPLE	8245558		I-U-10	2-1/2	5-1/2	TBJ-845089900
	8414685		I-U-10	2-1/2	5	TBJ-841468700
	8417513		I-U-10	2-1/2	5	TBJ-8417516
	8417552		I-U-5	2-1/2	4	TBJ-842249600
	8419223		I-U-10	3-1/2	6-1/2	TBJ-841923200
	8419398		I-U-5	2-1/2	4	TBJ-842249600
	8419398		I-U-5	2-1/2	4	TBJ-842249600
	8419411		I-U-10	2-1/2	5	TBJ-8417516
8424465		I-U-5	2-1/2	4	TBJ-8429306	
STEERING	8256798		I-U-10	1-3/4	3-1/2	TBJ-231385100
UNSPECIFIED APPLICATION	2313814		I-U-10	1-3/4	3-1/2	TBJ-231385100
MODEL 380, 450C						
ARCH-DUAL	8268601		P-U-10	1-3/4	3-1/2	TBJ-845167400
ARCH-SINGLE	8268593		P-U-10	1-3/4	4	TBJ-845167600
BOOM	8268601		P-U-10	1-3/4	3-1/2	TBJ-845167400
DOZER	8268596		P-U-10	1-3/4	4	TBJ-845167600
	8268600		P-U-10	1-3/4	3-1/2	TBJ-845167400
GRAPPLE	8419411		I-U-10	2-1/2	5	TBJ-843009800
	8424465	10650-14999	I-U-5	2-1/2	4	TBJ-842249600
	8424465		I-U-5	2-1/2	4	TBJ-8429306
	8425715		I-U-5	2-1/2	4-1/2	TBJ-843011300
	8427905		I-U-5	2	4	TBJ-843010000
	8428962		I-U-10	2-1/2	5-1/2	TBJ-843009900
	F431703		P-UB-10	2	4	TBJ-F434195
	F431737		P-U-10	2-1/2	4	TBJ-843113700
F431738		P-UB-10	2-1/2	4-1/2	TBJ-F434785	
GRAPPLE T.J. 105"	8247956		I-U-10	2-1/2	5-1/2	TBJ-845089900
STEERING	8268599		P-U-10	1-3/4	3-1/2	TBJ-845167400
MODEL 450						
ARCH	2315925		I-U-10	1-3/4	3-1/2	TBJ-845089800
	8244039		I-U-10	1-3/4	4	TBJ-845109500
	8256796		I-U-10	1-3/4	4	TBJ-845109500
ARCH-DUAL	2315925		I-U-10	1-3/4	3-1/2	TBJ-845089800
ARCH-SINGLE	8256796		I-U-10	1-3/4	4	TBJ-845109500
BOOM	2315925		I-U-10	1-3/4	3-1/2	TBJ-845089800
	8244039		I-U-10	1-3/4	4	TBJ-845109500
	8256796		I-U-10	1-3/4	4	TBJ-845109500
DOZER	8256792		I-U-10	1-3/4	3-1/2	TBJ-231385100
GRAPPLE	8247955		I-U-10	1-3/4	4	TBJ-845109500
	8414685		I-U-10	2-1/2	5	TBJ-841468700
	8417513		I-U-10	2-1/2	5	TBJ-8417516

Replacement Kits For

TIMBERJACK

Skidders						
APPLICATION	CYL #	SERIAL #	CODE	ROD	BORE	KIT #
MODEL 450						
GRAPPLE	8417552		I-U-5	2-1/2	4	TBJ-842249600
	8419223		I-U-10	3-1/2	6-1/2	TBJ-841923200
	8419224		I-U-10	3-1/2	6-1/2	TBJ-841923200
	8419398		I-U-5	2-1/2	4	TBJ-842249600
	8419411		I-U-10	2-1/2	5	TBJ-8417516
	8424465		I-U-5	2-1/2	4	TBJ-842249600
GRAPPLE T.J.105"	8247956		I-U-10	2-1/2	5-1/2	TBJ-845089900
STEERING	8256798		I-U-10	1-3/4	3-1/2	TBJ-231385100
UNSPECIFIED APPLICATION	2313814		I-U-10	1-3/4	3-1/2	TBJ-231385100
MODEL 460						
ARCH-DUAL	F120977		P-UB-1	45 mm		TBJ-F433400
	F120977		N-N-14		90 mm	TBJ-F434056
ARCH-SINGLE	F120710		N-N-14		100 mm	TBJ-842884100
	F120710		I-UB-1	50 mm		TBJ-F432351
BOOM	F122026		N-N-14		90 mm	TBJ-F434056
	F122026		I-UB-1	50 mm		TBJ-F432351
CAB TILT	8119718		N-O-1			TBJ-F033365
	8119718		I-U-10	25 mm	2	TBJ-8431265
DOZER	F120709		I-UB-1	50 mm		TBJ-F432351
	F120709		N-N-14		100 mm	TBJ-842884100
GRAPPLE	F431737		P-UB-10	2-1/2	4	TBJ-F434787
	F431738		P-UB-10	2-1/2	4-1/2	TBJ-F434785
	F433137		P-UB-10	2-1/2	5-1/2	TBJ-F433145
	F433146		P-UB-10	2-1/2	5-1/2	TBJ-F433145
	F434169		P-UB-10	2	4	TBJ-F434195
	F434381		P-UB-10	2	4	TBJ-F434195
STEERING	F120975		P-UB-1	45 mm		TBJ-F433400
	F120975		N-N-14		90 mm	TBJ-F434056
UNSPECIFIED APPLICATION	F122183		N-N-14		125 mm	TBJ-F434140
	F122183		P-UB-10	63 mm		TBJ-F433415

TIMBERJACK

REPLACEMENT KITS FOR TIMBERJACK EQUIPMENT

Kit Number	Code (Pg. xiv)	Rod X Bore Size
TBJ-231383200	I-U-10	2 X 4-1/2
TBJ-231384700	I-U-1	1-3/4 X 4
TBJ-231385100	I-U-10	1-3/4 X 3-1/2
TBJ-41468700	I-U-10	2-1/2 X 5
TBJ-41477400	P-U-5	2 X 4
TBJ-41478200	I-U-5	1-1/2 X 3-1/2
TBJ-42289700	I-U-4	2-1/2 X 4
TBJ-450999	I-U-8	1 X 3-1/2
TBJ-700797300	P-UB-10	2 X 4
TBJ-700867900	P-UB-10	3 X 5

Kit Number	Code (Pg. xiv)	Rod X Bore Size
TBJ-700884400	P-UB-14	3 X 5
TBJ-841468700	I-U-10	2-1/2 X 5
TBJ-8417516	I-U-10	2-1/2 X 5
TBJ-841923200	I-U-10	3-1/2 X 6-1/2
TBJ-842249600	I-U-5	2-1/2 X 4
TBJ-842884100	N-N-14	100 mm
TBJ-8429306	I-U-5	2-1/2 X 4
TBJ-842936800	I-U-10	3 X 6
TBJ-842937500	I-U-10	3 X 7
TBJ-842938200	I-U-10	3-1/2 X 7

TIMBERJACK

Kit Number	Code (Pg. xiv)	Rod X Bore Size
TBJ-842961900	I-U-10	3-1/2 X 7
TBJ-843009800	I-U-10	2-1/2 X 5
TBJ-843009900	I-U-10	2-1/2 X 5-1/2
TBJ-843010000	1-U-5	2 X 4
TBJ-843011300	I-U-5	2-1/2 X 4-1/2
TBJ-843032500	I-U-10	3 X 7
TBJ-843032800	I-U-10	3 X 6
TBJ-843113700	P-U-10	2-1/2 X 4
TBJ-8431265	I-U-10	25 mm X 2 in
TBJ-8450282	I-U-5	1-3/4 X 4-1/2
TBJ-8450446	I-V-9	2 X 4-1/2
TBJ-8450702	I-U-5	1-3/4 X 4
TBJ-8450703	I-U-5	1-3/4 X 4-1/2
TBJ-8450704	I-U-5	2-1/2 X 6
TBJ-8450705	I-U-5	2-1/2 X 4-1/2
TBJ-8450706	I-U-4	1 X 3-1/2
TBJ-8450709	I-U-12	1-3/4 X 4
TBJ-8450710	I-U-5	1-3/4 X 3-1/2
TBJ-845089800	I-U-10	1-3/4 X 3-1/2
TBJ-845089900	I-U-10	2-1/2 X 5-1/2
TBJ-845109500	I-U-10	1-3/4 X 4
TBJ-845167400	P-U-10	1-3/4 X 3-1/2
TBJ-845167600	P-U-10	1-3/4 X 4
TBJ-845167700	P-U-10	2 X 4-1/2
TBJ-F033365	N-O-N	-
TBJ-F305716	N-N-10	6,6-1/2 Bore
TBJ-F432351	I-UB-1	50 mm
TBJ-F433145	P-UB-10	2-1/2 X 5-1/2
TBJ-F433400	P-UB-1	45 mm
TBJ-F433415	P-UB-10	63 mm
TBJ-F434056	N-N-14	90 mm
TBJ-F434140	N-N-14	125 mm
TBJ-F434195	P-UB-10	2 X 4
TBJ-F434785	P-UB-10	2-1/2 X 4-1/2
TBJ-F434787	P-UB-10	2-1/2 X 4
TBJ-F436221	BORE SWIVEL KIT	6, 6-1/2

TOWMOTOR - CATERPILLAR® LIFT TRUCKS

FOR A LIST OF TOWMOTOR / CATERPILLAR® LIFT TRUCKS

SEE OUR LISTING OF KITS UNDER THE
CATERPILLAR® SECTION IN THIS CATALOG

TOYOTA LIFT TRUCKS

Kit Number	Code (Pg. xiv)	Rod X Bore Size
TOY-04431-30091-71	P-U-5	60 X 90 mm
TOY-04433-10010-71	P-U-10	40 X 60 mm
TOY-04433-10020-71	P-U-10	40 X 60 mm
TOY-04433-20011-71	I-U-10	50 X 75 mm
TOY-04433-20030-71	I-U-10	50 X 80 mm
TOY-04433-U1010-71	I-U-10	40 mm X 2-3/8 in
TOY-04433-U2040-71	I-U-10	50 mm X 3
TOY-04433-U2050-71	I-U-10	50 mm X 3-1/8 in
TOY-04433-U3010-71	I-U-10	50 mm X 3-1/8 in
TOY-04451-10070-71	P-V-12	22 X 40 mm
TOY-04451-10090-71	P-U-12	22 X 40 mm
TOY-04451-10120-71	P-U-12	22 X 45 mm
TOY-04451-20100-71	P-V-12	22 X 50 mm
TOY-04451-20101-71	P-U-12	22 X 50 mm
TOY-04451-20170-71	P-V-12	22 X 50 mm
TOY-04451-20171-71	P-U-12	22 X 50 mm
TOY-04455-U2010-71		OVERHAUL STEER KIT
TOY-04456-10020-71	P-U-10	22 X 50 mm
TOY-04456-10031-71	P-U-5	30 X 55 mm
TOY-04456-10050-71	P-U-12	22 X 45 mm
TOY-04456-20010-71	P-U-12	22 X 40 mm
TOY-04456-20020-71	P-U-12	22 X 40 mm
TOY-04456-20030-71	N-U-12	22 X 50 mm
TOY-04456-20060-71	I-U-12	22 X 50 mm
TOY-04456-30010-71	P-U-1	25 X 55 mm
TOY-04456-30011-71	P-U-12	25 X 55 mm
TOY-04651-10060-71	P-N-4	50 X 80 mm
TOY-04651-10132-71	P-U-5	30 X 80 mm
TOY-04651-10330-71	P-U-5	30 X 70 mm
TOY-04651-10333-71	P-U-5	30 X 70 mm
TOY-04651-10334-71	P-U-5	30 X 70 mm
TOY-04651-10652-71	P-U-4	50 X 65 mm
TOY-04651-10662-71	P-U-4	50 X 65 mm
TOY-04651-10671-71	P-U-1	70 mm Rod Kit
TOY-04651-10870-71	P-U-1	70 X 80 mm
TOY-04651-10871-71	P-U-1	70 mm Rod Kit
TOY-04651-10882-71	P-U-5	30 X 70 mm
TOY-04651-10892-71	P-U-5	30 X 70 mm
TOY-04651-11032-71	P-U-1	35 X 50 mm
TOY-04651-11061-71	P-U-4	40 X 50 mm
TOY-04651-11250-71	P-U-1	75 X 90 mm
TOY-04651-11261-71	P-U-1	35 X 50 mm
TOY-04651-11270-71	P-U-1	75 X 90 mm
TOY-04651-11271-71	P-U-1	75 mm Rod Kit
TOY-04651-11290-71	P-U-4	40 X 50 mm
TOY-04651-11291-71	P-U-4	40 X 50 mm
TOY-04651-11300-71	N-U-4	50 X 65 mm
TOY-04651-11390-71	P-U-4	40 X 50 mm
TOY-04651-20132-71	P-U-1	60 X 70 mm
TOY-04651-20133-71	P-U-4	60 X 70 mm
TOY-04651-20141-71	P-U-4	50 X 70 mm
TOY-04651-20142-71	P-U-4	50 X 70 mm
TOY-04651-20151-71	P-V-5	30 X 70 mm
TOY-04651-20182-71	P-U-4	60 X 75 mm
TOY-04651-20184-71	P-U-1	75 X 90 mm
TOY-04651-20185-71	P-U-1	75 X 90 mm
TOY-04651-20186-71	P-U-1	75 X 90 mm

TOYOTA LIFT TRUCKS

Kit Number	Code (Pg. xiv)	Rod X Bore Size
TOY-04651-20260-71	P-U-1	50 X 70 mm
TOY-04651-20262-71	P-U-1	50 X 70 mm
TOY-04651-20262-71	P-U-1	50 X 70 mm
TOY-04651-20390-71	P-U-4	50 X 70 mm
TOY-04651-20400-71	P-U-4	60 X 70 mm
TOY-04651-20421-71	P-U-4	50 X 70 mm
TOY-04651-20441-71	P-U-5	30 X 70 mm
TOY-04651-20442-71	P-U-5	30 X 70 mm
TOY-04651-20841-71	P-U-1	75 X 90 mm
TOY-04651-20970-71	P-U-1	75 X 90 mm
TOY-04651-20971-71	P-U-1	75 mm Rod Kit
TOY-04651-20980-71	P-U-4	40 X 50 mm
TOY-04651-20992-71	P-U-1	35 X 50 mm
TOY-04651-21150-71	P-U-4	40 X 50 mm
TOY-04651-21151-71	P-U-4	40 X 50 mm
TOY-04651-21290-71	P-U-4	40 X 50 mm
TOY-04651-21310-71	P-U-1	35 X 50 mm
TOY-04651-21340-71	P-U-1	35 X 50 mm
TOY-04651-21350-71	P-U-4	40 X 50 mm
TOY-04651-30111-71	P-N-4	60 X 100 mm
TOY-04651-30170-71	P-U-5	40 X 100 mm
TOY-04651-30181-71	I-U-1	30 X 90 mm
TOY-04651-30211-71	P-N-4	60 X 80 mm
TOY-04651-30212-71	P-U-4	60 X 80 mm
TOY-04651-30292-71	I-U-4	80 X 105 mm
TOY-04651-30561-71	P-U-4	60 X 80 mm
TOY-04651-30841-71	P-U-1	90 X 105 mm
TOY-04651-30842-71	P-U-1	90 X 105 mm
TOY-04651-30911-71	P-U-1	60 X 80 mm
TOY-04651-30920-71	P-U-4	60 X 80 mm
TOY-04651-30980-71	P-U-4	60 X 80 mm
TOY-04651-30991-71	P-U-5	40 X 100 mm
TOY-04651-31170-71	P-U-1	55 X 65 mm
TOY-04651-31180-71	P-U-4	50 X 65 mm
TOY-04651-31181-71	P-U-4	50 X 65 mm
TOY-04651-31210-71	P-U-1	90 X 105 mm
TOY-04651-31211-71	P-U-1	85 X 105 mm
TOY-04651-31220-71	P-U-1	40 X 60 mm
TOY-04651-31230-71	P-U-1	40 X 60 mm
TOY-04651-31240-71	P-U-1	55 X 65 mm
TOY-04651-31250-71	P-U-1	55 X 65 mm
TOY-04651-31280-71	P-U-4	50 X 65 mm
TOY-04651-31281-71	P-U-4	50 X 65 mm
TOY-04651-31282-71	P-U-4	50 X 65 mm
TOY-04651-31290-71	P-U-4	60 X 90 mm
TOY-04651-31302-71	P-U-1	95 mm Rod Kit
TOY-04651-31311-71	P-U-1	105 mm Rod Kit
TOY-04651-31410-71	P-U-1	45 X 65 mm
TOY-04651-31420-71	P-U-1	45 X 65 mm
TOY-04651-31430-71	P-U-1	55 X 65 mm
TOY-04651-31440-71	P-U-1	55 X 65 mm
TOY-04651-31450-71	P-U-4	70 X 90 mm
TOY-04651-31500-71	P-U-4	45 X 55 mm
TOY-04651-31510-71	P-U-4	45 X 55 mm
TOY-04651-31520-71	P-U-4	45 X 55 mm
TOY-04651-31530-71	P-U-4	45 X 55 mm
TOY-04651-31800-71	P-U-4	55 X 80 mm

TOYOTA LIFT TRUCKS

Kit Number	Code (Pg. xiv)	Rod X Bore Size
TOY-04651-31810-71	P-U-4	55 X 80 mm
TOY-04651-31820-71	P-U-5	70 X 120 mm
TOY-04651-31830-71	P-U-5	70 X 110 mm
TOY-04652-10020-71	P-U-1	70 X 80 mm
TOY-04652-10030-71	P-U-1	70 X 80 mm
TOY-04652-10170-71	P-U-1	70 mm Rod Kit
TOY-04652-10191-71	P-U-1	70 X 85 mm
TOY-04652-10300-71	P-U-10	50 X 70 mm
TOY-04652-20031-71	P-U-1	75 X 90 mm
TOY-04652-20040-71	P-U-1	75 X 90 mm
TOY-04652-30010-71	P-U-1	90 X 105 mm
TOY-04652-30011-71	P-U-1	85 X 105 mm
TOY-04652-30020-71	P-U-1	40 X 60 mm
TOY-04652-30030-71	P-U-1	40 X 60 mm
TOY-04652-30040-71	P-U-1	50 X 70 mm
TOY-04652-30050-71	P-U-1	50 X 70 mm
TOY-04652-30131-71	P-U-1	85 X 105 mm
TOY-04652-30132-71	P-U-1	85 X 105 mm
TOY-04652-30150-71	P-U-1	85 X 105 mm
TOY-04652-U1020-71	I-U-4	2 X 2-3/4
TOY-04652-U2010-71	I-U-4	50 X 75 mm
TOY-04652-U2020-71	I-U-4	2" X 75 mm
TOY-04653-10020-71	P-U-4	35 X 45 mm
TOY-04653-10030-71	P-U-4	35 X 45 mm
TOY-04653-10040-71	P-U-4	35 X 45 mm
TOY-04653-10050-71	P-U-4	35 X 45 mm
TOY-04653-10060-71	P-U-1	35 X 50 mm
TOY-04653-10170-71	P-U-1	35 mm
TOY-04653-10500-71	P-U-1	35 X 45 mm
TOY-04653-10530-71	P-U-4	35 X 45 mm
TOY-04653-20071-71	P-U-4	40 X 50 mm
TOY-04653-20081-71	P-U-4	40 X 50 mm
TOY-04653-20090-71	P-U-1	35 X 50 mm
TOY-04653-20100-71	P-U-1	35 mm Rod Kit
TOY-04653-20110-71	P-U-1	35 X 50 mm
TOY-04653-20130-71	P-U-1	40 X 50 mm
TOY-04653-30010-71	P-U-1	55 X 65 mm
TOY-04653-30020-71	P-U-1	55 X 65 mm
TOY-04653-30030-71	P-U-1	115 mm Rod Kit
TOY-04653-30050-71	P-U-5	45 X 55 mm
TOY-04653-30060-71	P-U-4	45 X 55 mm
TOY-04653-30111-71	P-U-1	90 mm
TOY-04653-30211-71	P-U-4	45 X 55 mm
TOY-04653-30221-71	P-U-4	45 X 55 mm
TOY-04653-30230-71	P-U-1	40 X 55 mm
TOY-04653-30240-71	P-U-1	40 X 55 mm
TOY-04653-30310-71	P-U-3	50 X 70 mm
TOY-04653-U1010-71	I-U-1	32 mm X 1-3/4
TOY-04653-U1011-71	I-U-1	3 X 1-3/4
TOY-04653-U2010-71	I-U-4	1-3/8 X 2
TOY-04653-U3010-71	I-U-1	40 mm X 2-1/8
TOY-04654-10020-71	P-U-4	35 X 45 mm
TOY-04654-10030-71	P-U-4	35 X 45 mm
TOY-04654-20020-71	P-U-1	40 X 50 mm
TOY-04654-30020-71	P-U-4	45 X 55 mm
TOY-04654-30030-71	P-U-4	45 X 55 mm
TOY-04654-U1010-71	I-U-1	1-3/8 X 1-3/4

TOYOTA LIFT TRUCKS

Kit Number	Code (Pg. xiv)	Rod X Bore Size
TOY-04654-U3010-71	I-U-4	45 X 55 mm
TOY-04655-20030-71	P-U-5	30 X 70 mm
TOY-04655-20080-71	P-U-5	30 X 70 mm
TOY-04655-20090-71	I-U-13	30 X 70 mm
TOY-04655-30040-71	P-U-5	40 X 90 mm
TOY-04655-30041-71	P-U-5	40 X 90 mm
TOY-04655-30300-71	P-U-5	45X100 in
TOY-04655-U1010-71	I-U-10	30 X 70 mm
TOY-04655-U2010-71	I-U-10	1-1/4 X 2-3/4
TOY-04655-U3010-71	I-U-10	1-1/4 X 3
TOY-04671-20380-71	VALVE KIT	
TOY-04671-20390-71	VALVE KIT	
TOY-04676-20370-71	VALVE KIT	
TOY-04676-20380-71	VALVE KIT	
TOY-04676-20421-71	VALVE KIT	
TOY-04676-20431-71	VALVE KIT	
TOY-04676-20441-71	VALVE KIT	
TOY-04676-20491-71	VALVE KIT	
TOY-04676-20501-71	VALVE KIT	
TOY-04676-20511-71	VALVE KIT	
TOY-04676-20521-71	VALVE KIT	
TOY-04676-20560-71	VALVE KIT	
TOY-04676-20570-71	VALVE KIT	
TOY-04676-20580-71	VALVE KIT	
TOY-04676-20590-71	VALVE KIT	
TOY-04676-20600-71	VALVE KIT	
TOY-04676-20680-71	VALVE KIT	
TOY-04676-20690-71	VALVE KIT	
TOY-04676-20700-71	VALVE KIT	
TOY-04676-20722-71	VALVE KIT	
TOY-04676-20742-71	O-RING KIT	
TOY-04676-30312-71	VALVE KIT	
TOY-04676-30313-71	VALVE KIT	
TOY-04676-30331-71	VALVE KIT	
TOY-04676-30332-71	VALVE KIT	
TOY-04676-30341-71	VALVE KIT	
TOY-04676-30342-71	VALVE KIT	
TOY-04676-30620-71	VALVE KIT	
TOY-04676-30920-71	VALVE KIT	
TOY-04676-30930-71	VALVE KIT	
TOY-04676-30940-71	VALVE KIT	
TOY-04676-30950-71	VALVE KIT	
TOY-04676-30970-71	VALVE KIT	
TOY-04676-30980-71	VALVE KIT	
TOY-04676-30990-71	VALVE KIT	
TOY-04676-31000-71	VALVE KIT	
TOY-04676-31010-71	VALVE KIT	
TOY-04676-31020-71	VALVE KIT	
TOY-04676-31161-71	VALVE KIT	
TOY-04676-31171-71	O-RING KIT	
TOY-04676-U2010-71	VALVE KIT	
TOY-04676-30311-71	VALVE KIT	

TROJAN LOADER

Kit Number	Code (Pg. xiv)	Rod X Bore Size
TJN-2112888	P-U-10	2-3/4 X 6-1/4
TJN-2112889	P-U-10	4 X 9
TJN-2114241	P-U-10	3 X 7
TJN-3000SC	I-U-1	1-3/4 X 4
TJN-6755591	P-U-9	3 X 6-1/2

UP-RIGHT

Kit Number	Code (Pg. xiv)	Rod X Bore Size
UPRT-060211-014	I-U-4	1 X 2
UPRT-063905-010	I-U-11	1-1/4 X 2-1/2
UPRT-101015-010	I-U-10	1 X 2-1/4
UPRT-63904-010	I-U-4	2-1/2 X 5
UPRT-64346-010	I-U-11	1-1/4 X 3
UPRT-65397-011	I-U-11	3/4 X 2-1/4
UPRT-65970-011	I-U-10	3/4 X 1-1/4
UPRT-68457-010	I-U-11	3/4 X 2-1/4

VANGUARD

Kit Number	Code (Pg. xiv)	Rod X Bore Size
VG-101422	I-U-3	2-1/2 X 4
VG-10756	I-U-10	1-1/2 X 3-1/2
VG-10758	I-U-11,12	
VG-10759	I-U-12	2 X 4
VG-17579	P-OB-3	1-1/4 X 3
VG-25068	I-U-10	2-1/2 X 4
VG-47105	I-U-10	1-1/4 X 3
VG-47107	I-U-10,12	2-1/2 X 4
VG-47152	I-U-12	1-3/8 X 3-1/4
VG-47763	I-U-10	1-1/4 X 3
VG-53957	I-U-10	1-1/2 X 3
VG-A13215651	I-U-5	2-1/2 X 4

VENCO LIFTGATES

Kit Number	Code (Pg. xiv)	Rod X Bore Size
VE-13088	P-U-4	1-1/4 X 4
VE-13089	P-U-4	1-1/4 X 3-1/2
VE-13090	P-U-4	1-1/8 X 3

REPLACEMENT SEAL KITS FOR VOLVO EQUIPMENT*

Replacement Seal Kits By Machine Type

Table of Contents

Machine Type		Page
Dump Trucks - Articulated	5350B, A20, A25, A25B, A25C, A25D, A25E, A30, A30C, A30D, A30E, A35, A35C, A35D, A35E, A40, A40D, A40E	846 - 847
Excavators	EC140B LC, EC140B LCM, EC160B LC, EC160B NLC, EC210B, EC230B, EC240B, EC240B FX, EC240B LC, EC240B LR, EC240B NLC, EC280, EC290B FX, EC290B LC, EC290B LR, EC290B NLC, EC340, EC360, EC360B LC, EC360B LR, EC360B NLC, EC460B LC, EC460B LR, ECR88	847 - 856
Forestry - Log Skidders	662, 664, 664B, 664C, 664D, 666, 666B, 666C, 666D, 667C, 667D, 668, 668B, 668C, 668D, F65, F665, F666, F668	856 - 858
Loaders - Wheel	12B, 35A, 35AWS, 35B, 35C, 35R, 45A, 45B, 45FB, 45C, 55A, 55A-II, 55-III, 55-III A, 55-III A GRR, 55B, 55C, 75A-II, 75B, LF75B, 75C, 75-III, 75-III A, 85A, 85A-II, 85A-II, 85-III, 85-III A, 125A, 125A-II, 125-111A, 125B, 125C, 175A, 175A-II, 175B, 175C, 175-III, 175-III A, 275B, 275C, 275-III, 275-III A, 475B, 475C, 475CT, 475-III A, 675B, L20B, L25B, L30, L30B, L35B, L40B, L45B, L50, L50B, L50C, L50C OR, L50D, L70, L70B, L70C, L70C BM, L70D, L70E, L90, L90B, L90C, L90C BM, L90D, L90E, L120, L120B, L120C, L120C BM, L120D, L120E, L140, L150, L150C, L150C BM, L150D, L150E, L160, L180, L180C, L180C BM, L180D, L180D HL, L180E, L180E HL, L190, L220D, L220E, L270, L270B, L320, L330C, L330C BM, L330C LL, L330C LL BM, L330D, L330E, L480, L480B, L480T	858 - 876
Motor Graders	710-740A, 750A & 780A, G930	876
Scrapers	T450D	876
Wheel Dozers	180, 180-III, 280, 280B, 280C, 280-III, 280-III A, 380B, 380-III, 380-III A, W380	876 - 878
Alpha-Numeric Kit Listing		879 - 881

Replacement Kits For

VOLVO

Dump Trucks - Articulated						
APPLICATION	CYL #	SERIAL #	CODE	ROD	BORE	KIT #
MODEL 5350B						
STEERING	4782849-6	-2475	P-U-15	70 mm	100 mm	VME-6630443
	4833274-6	2746-	P-U-15	70 mm	100 mm	VME-6630443
TILT	11053261-1		6 stage	60-140		VME-6630839
	11053262-9		6 stage	75-160		VME-6630852
	4941338-8		6 stage	60-140		VME-6630839
	4941761-1		4 stage	70-140		VME-6213407
	4942058-1		6 stage	75-160		VME-6630852
MODEL A20						
STEERING	4833274-6		P-U-15	70 mm	100 mm	VME-6630443
TILT	11053261-1	1533-	6 stage	60-140		VME-6630839
	11053262-9	1127-1532	6 stage	75-160		VME-6630852
	4942058-1	-1126	6 stage	75-160		VME-6630852
MODEL A25						
STEERING	4833274-6		P-U-15	70 mm	100 mm	VME-6630443
TILT	11043078-2	4067-5598	3 stage	75-140		VME-11991589
	11053261-1	4092-5486	6 stage	60-140		VME-6630839
	11053262-9	-5486	6 stage	75-160		VME-6630852
	11061382-5	5487-	5 stage	75-140		VME-11993411
	11061383-3	5599-	3 stage	75-140		VME-11993103
	4941338-8	-4091	6 stage	60-140		VME-6630839
	4941761-1	-4066	4 stage	70-140		VME-6213407
MODEL A25B						
STEERING	4833274-6		P-U-15	70 mm	100 mm	VME-6630443
MODEL A25C						
STEERING	4833274-6	-10256;-60911	P-U-15	70 mm	100 mm	VME-6630443-7
TIPPING (4X4)	11088346-9	-10256;-60911	P-U-13	70 mm	125 mm	VME-11990351-
TIPPING (6X6)	11005475-6	-10256;-60911	P-U-13	70 mm	125 mm	VME-11990351-
MODEL A25D						
STEERING	11296026	11560-12999;13034-	I-UB-10	60 mm	100 mm	VME-11712387
	11296026	13001-20000;13001-;72001-	I-UB-10	60 mm	100 mm	VME-11712387
MODEL A25E						
STEERING	11296026	13001-;73001-	I-UB-10	60 mm	100 mm	VME-11712387
MODEL A30						
STEERING	11005212-3		P-U-15	60 mm	100 mm	VME-6630843-8
	11088154-7		P-U-15	60 mm	100 mm	VME-6630843-8
TIPPING	11005120-8		P-U-15	80 mm	140 mm	VME-11990170-
	11088306-3		P-U-15	80 mm	140 mm	VME-11990170-
MODEL A30C						
HOIST	11088306-3	-2320;-2275	P-U-15	80 mm	140 mm	VME-11990170-
	11088815-3	-2320;-2275	P-U-15	80 mm	140 mm	VME-11990170-
STEERING	11088154-7	-2320;-2275	P-U-15	60 mm	100 mm	VME-6630843-8
MODEL A30D						
STEERING	11296026	73000-80000;12001-20000;10001-11999;70001-72999;60001-60093	I-UB-10	60 mm	100 mm	VME-11712387
MODEL A30E						
STEERING	11296026	72001-;12001-	I-UB-10	60 mm	100 mm	VME-11712387

LR - Long Reach SLF - Super Long Front QF - Quick Fit FS - Front Shovel MH - Material Handle AS - Articulate Slope

VOLVO

Replacement Kits For

Dump Trucks - Articulated						
APPLICATION	CYL #	SERIAL #	CODE	ROD	BORE	KIT #
MODEL A35						
STEERING	11088155-4	1882-;1886(USA)-	P-U-15	70 mm	110 mm	VME-11990070
	4833125-0	-1881-;1885(USA)	P-U-15	70 mm	110 mm	VME-11990070
TILT	11043080-8	-1194-;1200(USA)	3 stage	75-140		VME-11991589
	11061384-1	1195-;1201(USA)-	3 stage	75-140		VME-11993103
MODEL A35C						
STEERING	11088751-0	-4260	P-U-15	70 mm	110 mm	VME-11701665-
TILT	11061384-1	-4260	3 stage	75-140		VME-11993103-
MODEL A35D						
HOIST	11296032	11001-60000;70001-99999;61001-70000	P-U-10	90 mm	150 mm	VME-11711945
STEERING	11149000	11001-60000;70001-99999;61001-70000	P-U-15	70 mm	120 mm	VME-11700151
	11296028	11001-60000;70001-99999;61001-70000	I-UB-10	70 mm	120 mm	VME-11712388
MODEL A35E						
HOIST	11296034	10001-	P-U-10	90 mm	150 mm	VME-11711945
STEERING	11296028	10001-	I-UB-10	70 mm	120 mm	VME-11712388
MODEL A40						
HOIST	11088003	1001-1151;60001-60026;1001-1097;60101-70000;1201-10000	P-UB-13	90 mm	160 mm	VME-11700176
STEERING	11088298	1001-1151;60001-60026;1001-1097;60101-70000;1201-10000	P-U-15	70 mm	120 mm	VME-11700151
MODEL A40D						
HOIST	11296032	10001-60000;70001-99999;60001-70000	P-U-10	90 mm	150 mm	VME-11711945
STEERING	11149000	10001-60000;700001-99999;60001-70000	P-U-15	70 mm	120 mm	VME-11700151
	11296028	11001-60000;70001-99999;61001-70000	I-UB-10	70 mm	120 mm	VME-11712388
MODEL A40E						
HOIST	11296034	10001-	P-U-10	90 mm	150 mm	VME-11711945
STEERING	11296028	11001-	I-UB-10	70 mm	120 mm	VME-11712388
Excavators						
APPLICATION	CYL #	SERIAL #	CODE	ROD	BORE	KIT #
MODEL EC140B LC, EC140B LCM						
BOOM	14513832	10001-12687	P-UB-10	70 mm	105 mm	VME-14516932
	14513833	10001-12687	P-UB-10	70 mm	110 mm	VME-14516933
	14514845	10001-12687	P-UB-10	70 mm	105 mm	VME-14516932
	14514847	10001-12687	P-UB-10	70 mm	110 mm	VME-14516933
	14563313	12688-	P-UB-10	70 mm	105 mm	VME-14516932
	14564035	12688-	P-UB-10	70 mm	105 mm	VME-14516932
	14564141	12688-	P-UB-10	70 mm	110 mm	VME-14516933
	14564147	12688-	P-UB-10	70 mm	110 mm	VME-14516933
BOOM (Adj 2nd)	14513834	10001-12687	P-UB-10	90 mm	160 mm	VME-14516934
	14514848	10001-12687	P-UB-10	90 mm	160 mm	VME-14516934
	14564150	12688-	P-UB-10	90 mm	160 mm	VME-14516934
	14564156	12688-	P-UB-10	90 mm	160 mm	VME-14516934
BUCKET	14510883	10001-10835	P-UB-10	70 mm	100 mm	VME-14547310
	14514560	10001-10838	P-UB-10	70 mm	100 mm	VME-14547310
	14522846	10836-12687	P-UB-10	70 mm	100 mm	VME-14547310
	14522900	10839-12687	P-UB-10	70 mm	100 mm	VME-14547310
	14564132	12688-	P-UB-10	70 mm	100 mm	VME-14547310

LR - Long Reach SLF - Super Long Front QF - Quick Fit FS - Front Shovel MH - Material Handle AS - Articulate Slope

Replacement Kits For

VOLVO

Excavators						
APPLICATION	CYL #	SERIAL #	CODE	ROD	BORE	KIT #
MODEL EC140B LC, EC140B LCM						
BUCKET	14564139	12688-	P-UB-10	70 mm	100 mm	VME-14547310
DIPPER ARM	14513836	10001-10786	P-UB-10	80 mm	120 mm	VME-14515053
	14514846	10001-10892	P-UB-10	80 mm	120 mm	VME-14515053
	14522843	10787-12687	P-UB-10	80 mm	120 mm	VME-14515053
	14522844	10893-12687	P-UB-10	80 mm	120 mm	VME-14515053
	14563395	12688-	P-UB-10	80 mm	120 mm	VME-14515053
	14564129	12688-	P-UB-10	80 mm	120 mm	VME-14515053
DOZER BLADE	14507885	10001-;20001-	P-UB-10	90 mm	130 mm	VME-14517001
	14507886	10001-;20001-	P-UB-10	90 mm	130 mm	VME-14517001
QUICK-FIT	1171-90610	10001-10943	P-U-10	25 mm	50 mm	VME-14510910
	14522369	10944-	P-U-10	25 mm	50 mm	VME-14523116
MODEL EC160B LC, EC160B NLC						
BOOM	14517998	10001-11551	P-UB-10	75 mm	115 mm	VME-14519503
	14518003	10001-11551	P-UB-10	75 mm	115 mm	VME-14519503
	14564001	11552-	P-UB-10	75 mm	115 mm	VME-14519503
	14564007	11552-	P-UB-10	75 mm	115 mm	VME-14519503
BOOM (Adj 2nd)	14518890	10086-11551	P-UB-10	90 mm	160 mm	VME-14516934
	14521288	10086-11551	P-UB-10	90 mm	160 mm	VME-14516934
	14556577	11552-	P-UB-10	90 mm	160 mm	VME-14516934
	14564032	11552-	P-UB-10	90 mm	160 mm	VME-14516934
BUCKET	14518000	10001-10153	P-UB-10	75 mm	105 mm	VME-14519504
	14518290	10001-10153	P-UB-10	75 mm	105 mm	VME-14519504
	14523674	10154-11551	P-UB-10	75 mm	105 mm	VME-14519504
	14523675	10154-11551	P-UB-10	75 mm	105 mm	VME-14519504
	14564024	11552-	P-UB-10	75 mm	105 mm	VME-14519504
	14564030	11552-	P-UB-10	75 mm	105 mm	VME-14519504
DIPPER ARM	14517999	10001-11551	P-UB-10	80 mm	120 mm	VME-14519505
	14518289	10001-11551	P-UB-10	80 mm	120 mm	VME-14519505
	14564010	11552-	P-UB-10	80 mm	120 mm	VME-14519505
	14564016	11552-	P-UB-10	80 mm	120 mm	VME-14519505
DOZER BLADE	14515318	10001-99999	P-UB-10	95 mm	140 mm	VME-14519624
	14515319	10001-99999	P-UB-10	95 mm	140 mm	VME-14519624
QUICK-FIT	1171-90610	10001-10223	P-U-10	25 mm	50 mm	VME-14510910
	14522369	10224-	P-U-10	25 mm	50 mm	VME-14523116
	14522370	10224-	P-U-10	32 mm	70 mm	VME-14523132
MODEL EC210B						
ARM	14512429	10001-12065;30001-30156	P-UB-10	95 mm	135 mm	VME-14515052
	14522908	12066-14998;20001-20073;30157-30792	P-UB-10	95 mm	135 mm	VME-14515052
	14523658	10001-14998;20001-20073;30001-30792	P-UB-10	95 mm	135 mm	VME-14515052
	14534547	14999-;30793-;20074-	P-UB-10	95 mm	135 mm	VME-14515052
	14535513	14999-;30793-;20074-	P-UB-10	95 mm	135 mm	VME-14515052
ARM (SLF)	14512432		P-UB-10	95 mm	135 mm	VME-14515052
	14514852		P-UB-10	95 mm	135 mm	VME-14515052
BOOM	14512428		P-UB-10	80 mm	125 mm	VME-14515051
	14524660		P-UB-10	80 mm	125 mm	VME-14515051
BOOM (SLF)	14512431		P-UB-10	105 mm	160 mm	VME-14514456

LR - Long Reach SLF - Super Long Front QF - Quick Fit FS - Front Shovel MH - Material Handle AS - Articulate Slope

VOLVO

Replacement Kits For

Excavators						
APPLICATION	CYL #	SERIAL #	CODE	ROD	BORE	KIT #
MODEL EC210B						
BOOM (SLF)	14514853		P-UB-10	105 mm	160 mm	VME-14514456
BUCKET	14512430	10001-12065;30001-30156	P-UB-10	80 mm	120 mm	VME-14515053
	14523659	12066-;30157-	P-UB-10	80 mm	120 mm	VME-14515053
	14523664	10001-12065;12066-;30001-30156;30157-	P-UB-10	80 mm	120 mm	VME-14515053
BUCKET (SLF)	14522846	12066-;30157-	P-UB-10	70 mm	100 mm	VME-14547310
	14522900	12066-;30157-	P-UB-10	70 mm	100 mm	VME-14547310
MODEL EC230B						
BOOM (FS)	142508811	0-4655	P-UB-11	105 mm	160 mm	VME-11997089-
	142654656	4656-	P-UB-11	105 mm	160 mm	VME-11997089-
BOOM (MH)	142479005	0-4655	P-UB-11	105 mm	160 mm	VME-11997089-
	142654649	4656-	P-UB-11	105 mm	160 mm	VME-11997089-
BUCKET	142508902	0-4655	P-UB-14	90 mm	140 mm	VME-11997091-
	142654664	4656-	P-UB-14	90 mm	140 mm	VME-11997091-
BUCKET (AS)	142459759		P-U-14	50 mm	70 mm	VME-11997227
BUCKET (QF)	142357003	0-4465	P-UB-10	32 mm	70 mm	VME-11999887
	142616416	4466-	P-UB-10	32 mm	70 mm	VME-11999887
DIPPER ARM	140533530		P-UB-14	105 mm	150 mm	VME-11997226
KNUCKLE	142654680	ALL	P-UB-11	105 mm	160 mm	VME-11997089-
KNUCKLE (FS)	140533357		P-UB-15	80 mm	125 mm	VME-11997225
MODEL EC240B						
ARM	14510809	10001-10841	P-UB-10	100 mm	140 mm	VME-14514457
	14510810	10001-	P-UB-10	100 mm	140 mm	VME-14514457
	14514829	10001-	P-UB-10	100 mm	140 mm	VME-14514457
	14514837	10001-10841	P-UB-10	100 mm	140 mm	VME-14514457
	14521659	10842-12112	P-UB-10	100 mm	140 mm	VME-14514457
	14521758	10842-12112	P-UB-10	100 mm	140 mm	VME-14514457
	14535044	12113-	P-UB-10	100 mm	140 mm	VME-14514457
	14536159	12113-	P-UB-10	100 mm	140 mm	VME-14514457
BOOM	14510808	10001-12641- INT;80001-EU,NA	P-UB-14	90 mm	135 mm	VME-14514455
	14510811	10001-12641- INT;80001-EU,NA	P-UB-10	105 mm	160 mm	VME-14514456
	14514827	10001-12641- INT;80001-EU,NA	P-UB-10	105 mm	160 mm	VME-14514456
	14514840	10001-12641- INT;80001-EU,NA	P-UB-14	90 mm	135 mm	VME-14514455
	14530665	10001-12641- INT;80001-EU,NA	P-UB-14	90 mm	135 mm	VME-14514455
	14541247	10001-12641- INT;80001-EU,NA	P-UB-14	90 mm	135 mm	VME-14514455
BUCKET	14514833	10001-12641- INT;80001-EU,NA	P-UB-10	90 mm	130 mm	VME-14514454
	14523665	10001-12641- INT;80001-EU,NA	P-UB-10	90 mm	130 mm	VME-14514454
	14523666	10001-12641- INT;80001-EU,NA	P-UB-10	90 mm	130 mm	VME-14514454
MODEL EC240B FX						
BOOM	14510808	10001-12786;30001-30243	P-UB-14	90 mm	135 mm	VME-14514455
	14514840	10001-12786;30001-30243	P-UB-14	90 mm	135 mm	VME-14514455
	14530665	12787-13234;30244-;80001-81034	P-UB-14	90 mm	135 mm	VME-14514455
	14541247	12787-13234;30244-;80001-81034	P-UB-14	90 mm	135 mm	VME-14514455
	14563900	13235-;81035-	P-UB-14	90 mm	135 mm	VME-14514455
	14563929	13235-;81035-	P-UB-14	90 mm	135 mm	VME-14514455
BOOM (Adj 2nd)	14510811	12641-13234;80001-81034	P-UB-10	105 mm	160 mm	VME-14514456
	14514827	12641-13234;80001-81034	P-UB-10	105 mm	160 mm	VME-14514456

LR - Long Reach SLF - Super Long Front QF - Quick Fit FS - Front Shovel MH - Material Handle AS - Articulate Slope

Replacement Kits For

VOLVO

Excavators						
APPLICATION	CYL #	SERIAL #	CODE	ROD	BORE	KIT #
MODEL EC240B FX						
BOOM (Adj 2nd)	14563950	13235-;81035-	P-UB-10	105 mm	160 mm	VME-14514456
	14563956	13235-;81035-	P-UB-10	105 mm	160 mm	VME-14514456
BUCKET	14504187	10001-10973	P-UB-10	90 mm	130 mm	VME-14514454
	14514833	10001-10973	P-UB-10	90 mm	130 mm	VME-14514454
	14523665	10974-12768;30001-30243	P-UB-10	90 mm	130 mm	VME-14514454
	14541237	12787-13234;80001-81034;30244-	P-UB-10	90 mm	130 mm	VME-14514454
	14541267	10974-12729;12787-13234;30001-30243;30244-;80001-81034	P-UB-10	90 mm	130 mm	VME-14514454
	14563959	13235-;81035-	P-UB-10	90 mm	130 mm	VME-14514454
	14563965	13235-;81035-	P-UB-10	90 mm	130 mm	VME-14514454
BUCKET (LR)	14510883	10001-10973	P-UB-10	70 mm	100 mm	VME-14547310
	14514560	10001-10973	P-UB-10	70 mm	100 mm	VME-14547310
	14522846	10974-13234;80001-81034;30001-	P-UB-10	70 mm	100 mm	VME-14547310
	14522900	10974-13234;80001-81034;30001-	P-UB-10	70 mm	100 mm	VME-14547310
	14564132	13235-;81035-	P-UB-10	70 mm	100 mm	VME-14547310
	14564139	13235-;81035-	P-UB-10	70 mm	100 mm	VME-14547310
DIPPER ARM	14510809	10001-10841	P-UB-10	100 mm	140 mm	VME-14514457
	14510810	12641-13234;80001-81034	P-UB-10	100 mm	140 mm	VME-14514457
	14514829	12641-13234;80001-81034	P-UB-10	100 mm	140 mm	VME-14514457
	14514837	10001-10841	P-UB-10	100 mm	140 mm	VME-14514457
	14521659	10842-12112	P-UB-10	100 mm	140 mm	VME-14514457
	14521758	10842-12112	P-UB-10	100 mm	140 mm	VME-14514457
	14535044	12113-13234;80001-81034	P-UB-10	100 mm	140 mm	VME-14514457
	14536159	12113-13234;80001-81034	P-UB-10	100 mm	140 mm	VME-14514457
	14563932	13235-;81035-	P-UB-10	100 mm	140 mm	VME-14514457
	14563938	13235-;81035-	P-UB-10	100 mm	140 mm	VME-14514457
	14563941	13235-;81035-	P-UB-10	100 mm	140 mm	VME-14514457
	14563947	13235-;81035-	P-UB-10	100 mm	140 mm	VME-14514457
QUICK-FIT	14522370	11090-	P-U-10	32 mm	70 mm	VME-14523132
MODEL EC240B LC						
BOOM	14510808	10001-12786;30001-30243	P-UB-14	90 mm	135 mm	VME-14514455
	14514840	10001-12786;30001-30243	P-UB-14	90 mm	135 mm	VME-14514455
	14530665	12787-13235;30244-;80001-81034	P-UB-14	90 mm	135 mm	VME-14514455
	14541247	12787-13235;30244-;80001-81034	P-UB-14	90 mm	135 mm	VME-14514455
	14563900	13235-;81035-	P-UB-14	90 mm	135 mm	VME-14514455
	14563929	13235-;81035-	P-UB-14	90 mm	135 mm	VME-14514455
BOOM (Adj 2nd)	14510811	10001-13234;30001-30258;80001-81034	P-UB-10	105 mm	160 mm	VME-14514456
	14514827	10001-13234;30001-30258;80001-81034	P-UB-10	105 mm	160 mm	VME-14514456
	14563950	13235-;81035-	P-UB-10	105 mm	160 mm	VME-14514456
	14563956	13235-;81035-	P-UB-10	105 mm	160 mm	VME-14514456
BUCKET	14504187	10001-10973	P-UB-10	90 mm	130 mm	VME-14514454
	14514833	10001-10973	P-UB-10	90 mm	130 mm	VME-14514454
	14523665	10974-12786;30001-30243	P-UB-10	90 mm	130 mm	VME-14514454
	14541237	12787-13234;30244-;80001-81034	P-UB-10	90 mm	130 mm	VME-14514454
	14541267	10974-12729;12787-13234;30001-30243;30244-;80001-81034	P-UB-10	90 mm	130 mm	VME-14514454

LR - Long Reach SLF - Super Long Front QF - Quick Fit FS - Front Shovel MH - Material Handle AS - Articulate Slope

VOLVO

Replacement Kits For

Excavators						
APPLICATION	CYL #	SERIAL #	CODE	ROD	BORE	KIT #
MODEL EC240B LC						
BUCKET	14563959	13235-;81035-	P-UB-10	90 mm	130 mm	VME-14514454
	14563965	13235-;81035-	P-UB-10	90 mm	130 mm	VME-14514454
BUCKET (LR)	14510883	10001-10973	P-UB-10	70 mm	100 mm	VME-14547310
	14514560	10001-10973	P-UB-10	70 mm	100 mm	VME-14547310
	14522846	10974-13234;30001-;80001-81034	P-UB-10	70 mm	100 mm	VME-14547310
	14522900	10974-13234;30001-;80001-81034	P-UB-10	70 mm	100 mm	VME-14547310
	14564132	13235-;81035-	P-UB-10	70 mm	100 mm	VME-14547310
	14564139	13235-;81035-	P-UB-10	70 mm	100 mm	VME-14547310
DIPPER ARM	14510809	10001-10841	P-UB-10	100 mm	140 mm	VME-14514457
	14510810	10001-13234;30001-30258;80001-81034	P-UB-10	100 mm	140 mm	VME-14514457
	14514829	10001-13234;30001-30258;80001-81034	P-UB-10	100 mm	140 mm	VME-14514457
	14514837	10001-10841	P-UB-10	100 mm	140 mm	VME-14514457
	14521659	10842-12112	P-UB-10	100 mm	140 mm	VME-14514457
	14521758	10842-12112	P-UB-10	100 mm	140 mm	VME-14514457
	14535044	12113-13234;80001-81034	P-UB-10	100 mm	140 mm	VME-14514457
	14536159	12113-13234;80001-81034	P-UB-10	100 mm	140 mm	VME-14514457
	14563932	13235-;81035-	P-UB-10	100 mm	140 mm	VME-14514457
	14563938	13235-;81035-	P-UB-10	100 mm	140 mm	VME-14514457
	14563941	13235-;81035-	P-UB-10	100 mm	140 mm	VME-14514457
	14563947	13235-;81035-	P-UB-10	100 mm	140 mm	VME-14514457
QUICK-FIT	14522370	11090-	P-U-10	32 mm	70 mm	VME-14523132
MODEL EC240B LR, EC240B NLC						
BOOM	14510808	10001-12786;30001-30243	P-UB-14	90 mm	135 mm	VME-14514455
	14514840	10001-12786;30001-30243	P-UB-14	90 mm	135 mm	VME-14514455
	14530665	12787-13234;30244-;80001-81034	P-UB-14	90 mm	135 mm	VME-14514455
	14541247	12787-13234;30244-;80001-81034	P-UB-14	90 mm	135 mm	VME-14514455
	14563900	13235-;81035-	P-UB-14	90 mm	135 mm	VME-14514455
	14563929	13235-;81035-	P-UB-14	90 mm	135 mm	VME-14514455
BOOM (Adj 2nd)	14510811	10001-13234;30001-30258;80001-81034	P-UB-10	105 mm	160 mm	VME-14514456
	14514827	10001-13234;30001-30258;80001-81034	P-UB-10	105 mm	160 mm	VME-14514456
	14563950	13235-;81035-	P-UB-10	105 mm	160 mm	VME-14514456
	14563956	13235-;81035-	P-UB-10	105 mm	160 mm	VME-14514456
BUCKET	14504187	10001-10973	P-UB-10	90 mm	130 mm	VME-14514454
	14514833	10001-10973	P-UB-10	90 mm	130 mm	VME-14514454
	14523665	10974-12786;30001-30243	P-UB-10	90 mm	130 mm	VME-14514454
	14541237	12787-13234;30244-;80001-81034	P-UB-10	90 mm	130 mm	VME-14514454
	14541267	10974-12729;12787-13234;30001-30243;30244-;80001-81034	P-UB-10	90 mm	130 mm	VME-14514454
	14563959	13235-;81035-	P-UB-10	90 mm	130 mm	VME-14514454
	14563965	13235-;81035-	P-UB-10	90 mm	130 mm	VME-14514454
BUCKET (LR)	14510883	10001-10973	P-UB-10	70 mm	100 mm	VME-14547310
	14514560	10001-10973	P-UB-10	70 mm	100 mm	VME-14547310
	14522846	10974-13234;30001-;80001-81034	P-UB-10	70 mm	100 mm	VME-14547310
	14522900	10974-13234;30001-;80001-81034	P-UB-10	70 mm	100 mm	VME-14547310
	14564132	13235-;81035-	P-UB-10	70 mm	100 mm	VME-14547310
	14564139	13235-;81035-	P-UB-10	70 mm	100 mm	VME-14547310

LR - Long Reach SLF - Super Long Front QF - Quick Fit FS - Front Shovel MH - Material Handle AS - Articulate Slope

Replacement Kits For

VOLVO

Excavators						
APPLICATION	CYL #	SERIAL #	CODE	ROD	BORE	KIT #
MODEL EC240B LR, EC240B NLC						
DIPPER ARM	14510809	10001-10841	P-UB-10	100 mm	140 mm	VME-14514457
	14510810	10001-13234;30001-30258;80001-81034	P-UB-10	100 mm	140 mm	VME-14514457
	14514829	10001-13234;30001-30258;80001-81034	P-UB-10	100 mm	140 mm	VME-14514457
	14514837	10001-10841	P-UB-10	100 mm	140 mm	VME-14514457
	14521659	10842-12112	P-UB-10	100 mm	140 mm	VME-14514457
	14521758	10842-12112	P-UB-10	100 mm	140 mm	VME-14514457
	14535044	12113-13234;80001-81034	P-UB-10	100 mm	140 mm	VME-14514457
	14536159	12113-13234;80001-81034	P-UB-10	100 mm	140 mm	VME-14514457
	14563932	13235-;81035-	P-UB-10	100 mm	140 mm	VME-14514457
	14563938	13235-;81035-	P-UB-10	100 mm	140 mm	VME-14514457
	14563941	13235-;81035-	P-UB-10	100 mm	140 mm	VME-14514457
14563947	13235-;81035-	P-UB-10	100 mm	140 mm	VME-14514457	
QUICK-FIT	14522370	11090-	P-U-10	32 mm	70 mm	VME-14523132
MODEL EC280						
ARM	143446169		P-UB-10	110 mm	160 mm	VME-11705818
BOOM	143446151		P-UB-10	100 mm	150 mm	VME-11703474
BUCKET	143446169		P-UB-10	110 mm	160 mm	VME-11705818
	143446177		P-UB-10	95 mm	140 mm	VME-11705814
QUICK FIT	143419398		P-UB-10	32 mm	70 mm	VME-11702311
MODEL EC290B FX						
BOOM	14510288	10001-13846;30001-30270	P-UB-10	95 mm	140 mm	VME-14513714
	14514556	10001-13846;30001-30270	P-UB-10	95 mm	140 mm	VME-14513714
	14530664	13847-14793;30271-;80001-81090	P-UB-10	95 mm	140 mm	VME-14541717
	14539227	13847-14793;30271-;80001-81090	P-UB-10	95 mm	140 mm	VME-14541717
	14563840	14794-;81091-	P-UB-10	95 mm	140 mm	VME-14541717
	14563846	14794-;81091-	P-UB-10	95 mm	140 mm	VME-14541717
BOOM (Adj 2nd)	14513283	10270-14793;80001-81090	P-UB-10	110 mm	170 mm	VME-14519359
	14516724	10270-14793;80001-81090	P-UB-10	110 mm	170 mm	VME-14519359
	14563883	14794-;81091-	P-UB-10	110 mm	170 mm	VME-14519359
	14563889	14794-;81091-	P-UB-10	110 mm	170 mm	VME-14519359
BUCKET	14510293	10001-11245;30001-30036	P-UB-10	95 mm	140 mm	VME-14513714
	14514558	10001-11245;30001-30036	P-UB-10	95 mm	140 mm	VME-14541717
	14522904	11246-13846;30037-30270;80001-80042	P-UB-10	95 mm	140 mm	VME-14513714
	14522906	11246-13846;30037-30270;80001-80042	P-UB-10	95 mm	140 mm	VME-14541717
	14533937	13847-14793;80043-81090;30271-	P-UB-10	95 mm	140 mm	VME-14513714
	14541245	13847-14793;80043-81090;30271-	P-UB-10	95 mm	140 mm	VME-14541717
	14563892	14794-;81091-	P-UB-10	95 mm	140 mm	VME-14513714
	14563898	14794-;81091-	P-UB-10	95 mm	140 mm	VME-14541717
BUCKET (LR)	14510883	10001-11206;30001-30018	P-UB-10	70 mm	100 mm	VME-14547310
	14514560	10001-11206;30001-30018	P-UB-10	70 mm	100 mm	VME-14547310
	14522846	11207-14793;80001-81090;30019-	P-UB-10	70 mm	100 mm	VME-14547310
	14522900	11207-;30019-	P-UB-10	70 mm	100 mm	VME-14547310
	14564132	14794-;81091-	P-UB-10	70 mm	100 mm	VME-14547310
	14564139	30290-;13562-;80001-	P-UB-10	70 mm	100 mm	VME-14547310
DIPPER ARM	14510443	10001-10951;30001-30006	P-UB-10	105 mm	150 mm	VME-14513715
	14510790	13562-14793;80001-81090	P-UB-10	105 mm	150 mm	VME-14513715

LR - Long Reach SLF - Super Long Front QF - Quick Fit FS - Front Shovel MH - Material Handle AS - Articulate Slope

VOLVO

Replacement Kits For

Excavators						
APPLICATION	CYL #	SERIAL #	CODE	ROD	BORE	KIT #
MODEL EC290B FX						
DIPPER ARM	14514557	10001-10951;30001-30006	P-UB-10	105 mm	150 mm	VME-14513715
	14514559	13562-14793;80001-81090	P-UB-10	105 mm	150 mm	VME-14513715
	14521658	10952-11245;30007-30036	P-UB-10	105 mm	150 mm	VME-14513715
	14521664	10952-11245;30007-30036	P-UB-10	105 mm	150 mm	VME-14513715
	14522902	11246-12927;30037-	P-UB-10	105 mm	150 mm	VME-14513715
	14522903	11246-12927;30037-	P-UB-10	105 mm	150 mm	VME-14513715
	14535421	12928-14793;80001-81090	P-UB-10	105 mm	150 mm	VME-14513715
	14536161	12928-14793;80001-81090	P-UB-10	105 mm	150 mm	VME-14513715
	14563849	14794-;81091-	P-UB-10	105 mm	150 mm	VME-14513715
	14563855	14794-;81091-	P-UB-10	105 mm	150 mm	VME-14513715
	14563858	14794-;81091-	P-UB-10	105 mm	150 mm	VME-14513715
	14563880	14794-;81091-	P-UB-10	105 mm	150 mm	VME-14513715
QUICK-FIT	14522370	11436-	P-U-10	32 mm	70 mm	VME-14523132
MODEL EC290B LC, EC290B LR						
BOOM	14510288	10001-13846;30001-30270	P-UB-10	95 mm	140 mm	VME-14513714
	14514556	10001-13846;30001-30270	P-UB-10	95 mm	140 mm	VME-14513714
	14530664	13847-14793;30271-;80001-81090	P-UB-10	95 mm	140 mm	VME-14541717
	14539227	13847-14793;30271-;80001-81090	P-UB-10	95 mm	140 mm	VME-14541717
	14540644	13847-;30271-	P-UB-10	95 mm	140 mm	VME-14541717
	14563840	14794-;81091-	P-UB-10	95 mm	140 mm	VME-14541717
	14563846	14794-;81091-	P-UB-10	95 mm	140 mm	VME-14541717
BOOM (Adj 2nd)	14513283	10001-13561;30001-30289	P-UB-10	110 mm	170 mm	VME-14519359
	14513283	10270-14793;80001-81090	P-UB-10	110 mm	170 mm	VME-14519359
	14516724	10001-13561;30001-30289	P-UB-10	110 mm	170 mm	VME-14519359
	14516724	10270-14793;80001-81090	P-UB-10	110 mm	170 mm	VME-14519359
	14563883	14794-;81091-	P-UB-10	110 mm	170 mm	VME-14519359
	14563889	14794-;81091-	P-UB-10	110 mm	170 mm	VME-14519359
BUCKET	14510293	10001-11245;30001-30036	P-UB-10	95 mm	140 mm	VME-14513714
	14514558	10001-11245;30001-30036	P-UB-10	95 mm	140 mm	VME-14541717
	14514558	10001-11245;30001-30036	P-UB-10	95 mm	140 mm	VME-14541717
	14522904	11246-13846;30037-30270;80001-80042	P-UB-10	95 mm	140 mm	VME-14513714
	14522906	11246-13846;30037-30270	P-UB-10	95 mm	140 mm	VME-14541717
	14522906	11246-13846;30037-30270;80001-80042	P-UB-10	95 mm	140 mm	VME-14541717
	14533937	13847-;30271-	P-UB-10	95 mm	140 mm	VME-14513714
	14533937	13847-14793;80043-81090;30271-	P-UB-10	95 mm	140 mm	VME-14513714
	14541245	13847-14793;80043-81090;30271-	P-UB-10	95 mm	140 mm	VME-14541717
	14563892	14794-;81091-	P-UB-10	95 mm	140 mm	VME-14513714
	14563898	14794-;81091-	P-UB-10	95 mm	140 mm	VME-14541717
	BUCKET (LR)	14510883	10001-11206;30001-30018	P-UB-10	70 mm	100 mm
14514560		10001-11206;30001-30018	P-UB-10	70 mm	100 mm	VME-14547310
14522846		11207-14793;30019-;80001-81090	P-UB-10	70 mm	100 mm	VME-14547310
14522900		11207-;30019-	P-UB-10	70 mm	100 mm	VME-14547310
14564132		14794-;81091-	P-UB-10	70 mm	100 mm	VME-14547310
14564139		30290-;13562-;80001-	P-UB-10	70 mm	100 mm	VME-14547310
DIPPER ARM	14510443	10001-10951;30001-30006	P-UB-10	105 mm	150 mm	VME-14513715
	14510790	10001-14793;30001-30289;80001-81090	P-UB-10	105 mm	150 mm	VME-14513715

LR - Long Reach SLF - Super Long Front QF - Quick Fit FS - Front Shovel MH - Material Handle AS - Articulate Slope

VOLVO

Replacement Kits For

Excavators						
APPLICATION	CYL #	SERIAL #	CODE	ROD	BORE	KIT #
MODEL EC290B LC, EC290B LR						
DIPPER ARM	14514557	10001-10951;30001-30006	P-UB-10	105 mm	150 mm	VME-14513715
	14514559	10001-14793;30001-30289;80001-81090	P-UB-10	105 mm	150 mm	VME-14513715
	14521658	10952-11245;30007-30036	P-UB-10	105 mm	150 mm	VME-14513715
	14521664	10952-11245;30007-30036	P-UB-10	105 mm	150 mm	VME-14513715
	14522902	11246-12927;30037-	P-UB-10	105 mm	150 mm	VME-14513715
	14522903	11246-12927;30037-	P-UB-10	105 mm	150 mm	VME-14513715
	14535421	12928-14793;80001-81090	P-UB-10	105 mm	150 mm	VME-14513715
	14536161	12928-14793;80001-81090	P-UB-10	105 mm	150 mm	VME-14513715
	14563849	14794-;81091-	P-UB-10	105 mm	150 mm	VME-14513715
	14563855	14794-;81091-	P-UB-10	105 mm	150 mm	VME-14513715
	14563858	14794-;81091-	P-UB-10	105 mm	150 mm	VME-14513715
	14563880	14794-;81091-	P-UB-10	105 mm	150 mm	VME-14513715
QUICK-FIT	14522370	11436-	P-U-10	32 mm	70 mm	VME-14523132
MODEL EC290B NLC						
BOOM	14510288	10001-13846;30001-30270	P-UB-10	95 mm	140 mm	VME-14513714
	14514556	10001-13846;30001-30270	P-UB-10	95 mm	140 mm	VME-14513714
	14530664	13847-14793;30271-;80001-81090	P-UB-10	95 mm	140 mm	VME-14541717
	14539227	13847-14793;30271-;80001-81090	P-UB-10	95 mm	140 mm	VME-14541717
	14540644	13847-;30271-	P-UB-10	95 mm	140 mm	VME-14541717
	14563840	14794-;81091-	P-UB-10	95 mm	140 mm	VME-14541717
	14563846	14794-;81091-	P-UB-10	95 mm	140 mm	VME-14541717
BOOM (Adj 2nd)	14513283	10001-13561;30001-30289	P-UB-10	110 mm	170 mm	VME-14519359
	14513283	10270-14793;80001-81090	P-UB-10	110 mm	170 mm	VME-14519359
	14516724	10001-13561;30001-30289	P-UB-10	110 mm	170 mm	VME-14519359
	14516724	10270-14793;80001-81090	P-UB-10	110 mm	170 mm	VME-14519359
	14563883	14794-;81091-	P-UB-10	110 mm	170 mm	VME-14519359
	14563889	14794-;81091-	P-UB-10	110 mm	170 mm	VME-14519359
BUCKET	14510293	10001-11245;30001-30036	P-UB-10	95 mm	140 mm	VME-14513714
	14514558	10001-11245;30001-30036	P-UB-10	95 mm	140 mm	VME-14541717
	14514558	10001-11245;30001-30036	P-UB-10	95 mm	140 mm	VME-14541717
	14522904	11246-13846;30037-30270;80001-80042	P-UB-10	95 mm	140 mm	VME-14513714
	14522906	11246-13846;30037-30270	P-UB-10	95 mm	140 mm	VME-14541717
	14522906	11246-13846;30037-30270;80001-80042	P-UB-10	95 mm	140 mm	VME-14541717
	14533937	13847-;30271-	P-UB-10	95 mm	140 mm	VME-14513714
	14533937	13847-14793;80043-81090;30271-	P-UB-10	95 mm	140 mm	VME-14513714
	14541245	13847-14793;30271-;80043-81090	P-UB-10	95 mm	140 mm	VME-14541717
	14563892	14794-;81091-	P-UB-10	95 mm	140 mm	VME-14513714
	14563898	14794-;81091-	P-UB-10	95 mm	140 mm	VME-14541717
	BUCKET (LR)	14510883	10001-11206;30001-30018	P-UB-10	70 mm	100 mm
14514560		10001-11206;30001-30018	P-UB-10	70 mm	100 mm	VME-14547310
14522846		11207-14793;30019-;80001-81090	P-UB-10	70 mm	100 mm	VME-14547310
14522900		11207-;30019-	P-UB-10	70 mm	100 mm	VME-14547310
14564132		14794-;81091-	P-UB-10	70 mm	100 mm	VME-14547310
14564139		30290-;13562-;80001-	P-UB-10	70 mm	100 mm	VME-14547310
DIPPER ARM	14510443	10001-10951;30001-30006	P-UB-10	105 mm	150 mm	VME-14513715
	14510790	10001-14793;30001-30289;80001-81090	P-UB-10	105 mm	150 mm	VME-14513715

LR - Long Reach SLF - Super Long Front QF - Quick Fit FS - Front Shovel MH - Material Handle AS - Articulate Slope

VOLVO

Replacement Kits For

Excavators						
APPLICATION	CYL #	SERIAL #	CODE	ROD	BORE	KIT #
MODEL EC290B NLC						
DIPPER ARM	14514557	10001-10951;30001-30006	P-UB-10	105 mm	150 mm	VME-14513715
	14514559	10001-14793;30001-30289;80001-81090	P-UB-10	105 mm	150 mm	VME-14513715
	14521658	10952-11245;30007-30036	P-UB-10	105 mm	150 mm	VME-14513715
	14521664	10952-11245;30007-30036	P-UB-10	105 mm	150 mm	VME-14513715
	14522902	11246-12927;30037-	P-UB-10	105 mm	150 mm	VME-14513715
	14522903	11246-12927;30037-	P-UB-10	105 mm	150 mm	VME-14513715
	14535421	12928-14793;80001-81090	P-UB-10	105 mm	150 mm	VME-14513715
	14536161	12928-14793;80001-81090	P-UB-10	105 mm	150 mm	VME-14513715
	14563849	14794-;81091-	P-UB-10	105 mm	150 mm	VME-14513715
	14563855	14794-;81091-	P-UB-10	105 mm	150 mm	VME-14513715
	14563858	14794-;81091-	P-UB-10	105 mm	150 mm	VME-14513715
	14563880	14794-;81091-	P-UB-10	105 mm	150 mm	VME-14513715
QUICK-FIT	14522370	11436-	P-U-10	32 mm	70 mm	VME-14523132
MODEL EC340						
ARM	143423911		P-UB-10	125 mm	170 mm	VME-11702757
BOOM	143446185		P-UB-10	105 mm	150 mm	VME-11702744
BUCKET	143423911		P-UB-10	125 mm	170 mm	VME-11702757
BUCKET (QF)	143419398		P-UB-10	32 mm	70 mm	VME-11702311
MODEL EC360						
BOOM	114604980	Standard seal kit	P-UB-14	105 mm	160 mm	VME-814816020
	114607440	Tropical seal kit	P-UB-14	105 mm	160 mm	VME-814816130
BUCKET		Tropical seal kit	P-UB-14	105 mm	150 mm	VME-814816150
	114605000	Standard seal kit	P-UB-14	105 mm	150 mm	VME-814816030
DIPPER ARM	114604990	Standard seal kit	P-UB-14	115 mm	170 mm	VME-814816040
	114607450	Tropical seal kit	P-UB-14	115 mm	170 mm	VME-814816140
MODEL EC360B LC, EC360B LR						
BOOM	14508896	10001-12151;12152-12657;80001-80899	P-UB-10	105 mm	160 mm	VME-14512948
	14563810	12152-;80001-	P-UB-10	105 mm	160 mm	VME-14512948
BUCKET	14501282	10001-10692	P-UB-10	100 mm	145 mm	VME-14512961
	14506018	10001-12151;12152-12657;80001-80899	P-UB-10	105 mm	160 mm	VME-14512955
	14523667	10693-;12152-12657;80001-80899	P-UB-10	100 mm	145 mm	VME-14512961
	14563823	12658-12815;80900-80940	P-UB-10	100 mm	145 mm	VME-14512961
	14563830	12658-12815;80900-80940	P-UB-10	105 mm	160 mm	VME-14512955
	14572517	12152-;80001-	P-UB-10	100 mm	145 mm	VME-14512961
	14572519	12816-;80941-	P-UB-10	105 mm	160 mm	VME-14512955
COUNTERWEIGHT	14507604	10001-12151;12152-;80001-	P-UB-14	80 mm	160 mm	VME-14510588
DIPPER ARM	14501281	10001-10589	P-UB-10	115 mm	175 mm	VME-14512950
	14521660	10590-11505	P-UB-10	115 mm	175 mm	VME-14512950
	14535416	11506-;12152-12657;80001-80899	P-UB-10	115 mm	175 mm	VME-14512950
	14563816	12658-;80900-	P-UB-10	115 mm	175 mm	VME-14512950
QUICK-FIT	1171-90630	10001-12151	P-U-10	32 mm	90 mm	VME-14510912
	14522371	10001-12151;12152-;80001-	P-U-10	32 mm	90 mm	VME-14522992
MODEL EC360B NLC						
BOOM	14508896	10001-12657;80001-80899	P-UB-10	105 mm	160 mm	VME-14512948
	14563810	12152-;80001-	P-UB-10	105 mm	160 mm	VME-14512948
BUCKET	14501282	10001-10692	P-UB-10	100 mm	145 mm	VME-14512961

LR - Long Reach SLF - Super Long Front QF - Quick Fit FS - Front Shovel MH - Material Handle AS - Articulate Slope

VOLVO

Replacement Kits For

Excavators						
APPLICATION	CYL #	SERIAL #	CODE	ROD	BORE	KIT #
MODEL EC360B NLC						
BUCKET	14506018	10001-12657;80001-80899	P-UB-10	105 mm	160 mm	VME-14512955
	14523667	10693-;12152-12657;80001-80899	P-UB-10	100 mm	145 mm	VME-14512961
	14563823	12658-12815;80900-80940	P-UB-10	100 mm	145 mm	VME-14512961
	14563830	12658-12815;80900-80940	P-UB-10	105 mm	160 mm	VME-14512955
	14572517	12152-;80001-	P-UB-10	100 mm	145 mm	VME-14512961
	14572519	12816-;80941-	P-UB-10	105 mm	160 mm	VME-14512955
COUNTERWEIGHT	14507604	10001-12151;12152-;80001-	P-UB-14	80 mm	160 mm	VME-14510588
DIPPER ARM	14501281	10001-10589	P-UB-10	115 mm	175 mm	VME-14512950
	14521660	10590-11505	P-UB-10	115 mm	175 mm	VME-14512950
	14535416	11506-;12152-12657;12658-;80001-80899;80900-	P-UB-10	115 mm	175 mm	VME-14512950
QUICK-FIT	1171-90630	10001-12151	P-U-10	32 mm	90 mm	VME-14510912
	14522371	10001-12151;12152-;80001-	P-U-10	32 mm	90 mm	VME-14522992
MODEL EC460B LC, EC460B LR						
BOOM	14508475	10001-11514	P-UB-10	110 mm	165 mm	VME-14513726
	14508475	11515-12094;80001-82626	P-UB-10	110 mm	165 mm	VME-14513726
	14556580	12095-;82627-	P-UB-10	110 mm	165 mm	VME-14513726
BUCKET	1146-07300	10001-10485	P-UB-10	110 mm	165 mm	VME-14513726
	14505615	10001-12094;80001-80626	P-UB-10	115 mm	175 mm	VME-14512950
	14523673	10486-;11515-12094;80001-80626	P-UB-10	110 mm	165 mm	VME-14513726
	14559350	12095-12214;80627-80639	P-UB-10	110 mm	165 mm	VME-14513726
	14561138	12095-12214;80627-80639	P-UB-10	115 mm	175 mm	VME-14512950
	14572137	12215-;80640-	P-UB-10	110 mm	165 mm	VME-14513726
	14572515	12215-;80640-	P-UB-10	115 mm	175 mm	VME-14512950
COUNTERWEIGHT	14507604	10001-11514;11515-;80001-	P-UB-14	80 mm	160 mm	VME-14510588
DIPPER ARM	1146-07290	10001-10485	P-UB-10	130 mm	190 mm	VME-14513727
	14523672	10486-11124	P-UB-10	130 mm	190 mm	VME-14513727
	14535510	11125-;11515-12094;80001-82626	P-UB-10	130 mm	190 mm	VME-14513727
	14559322	12095-;82627-	P-UB-10	130 mm	190 mm	VME-14513727
QUICK-FIT	1171-90630	10001-11514	P-U-10	32 mm	90 mm	VME-14510912
	14522371	10001-11514;11515-;80001-	P-U-10	32 mm	90 mm	VME-14522992
MODEL ECR88						
BOOM	14528551	10001-	P-UB-10	70 mm	105 mm	VME-14530833
	14528552	10001-	P-UB-10	70 mm	105 mm	VME-14530833
BUCKET	14522092	10001-	P-UB-10	55 mm	80 mm	VME-14530719
	14522093	10001-	P-UB-10	55 mm	80 mm	VME-14530719
DIPPER ARM	14520122	10001-11285	P-UB-10	60 mm	90 mm	VME-14530716
	14521325	1001-11285	P-UB-10	60 mm	90 mm	VME-14530716
	14546791	11286-	P-UB-10	60 mm	90 mm	VME-14530716
	14549303	11286-	P-UB-10	60 mm	90 mm	VME-14530716
DOZER BLADE	14520124	10001-	P-UB-10	95 mm	130 mm	VME-14530717
SWING	14520125	10001-	P-UB-10	55 mm	100 mm	VME-14530718
Forestry - Log Skidders						
APPLICATION	CYL #	SERIAL #	CODE	ROD	BORE	KIT #
MODEL 662						
STEER & BLADE	1904666	501A;501B;502A;502B	P-U-10	1-3/4	3-1/2	VME-1991086

LR - Long Reach SLF - Super Long Front QF - Quick Fit FS - Front Shovel MH - Material Handle AS - Articulate Slope

VOLVO

Replacement Kits For

Forestry - Log Skidders						
APPLICATION	CYL #	SERIAL #	CODE	ROD	BORE	KIT #
MODEL 664						
STEER & BLADE	1904674	C9014;C9024;C9034;C9044	P-U-10	1-3/4	3-1/2	VME-1991086
	1906258	C9014;C9024;C9034;C9044	P-U-10	1-3/4	3-1/2	VME-1991086
MODEL 664B						
ARCH	1906258	514E;514F;508A;508B;508C	P-U-10	1-3/4	3-1/2	VME-1991086
GRAPPLE	1916232	514E;514F;508A;508B;508C	P-TR-10	2-3/4	6	VME-1991089
STEER & BLADE	1906258	514E;514F;508A;508B;508C	P-U-10	1-3/4	3-1/2	VME-1991086
MODEL 664C						
ARCH	1904666	514H;508H;546H	P-U-10	1-3/4	3-1/2	VME-1991086
GRAPPLE	1916232	514H;508H;546H	P-TR-10	2-3/4	6	VME-1991089
STEER & BLADE	1904666	514H;508H;546H	P-U-10	1-3/4	3-1/2	VME-1991086
MODEL 664D						
ARCH	2552115	528A-528D;540A;529C;551D-551G	P-UB-10	2	4	VME-2551403
STEER & BLADE	2552115	528A-528D;540A;529C;551D-551G	P-UB-10	2	4	VME-2551403
MODEL 666						
STEER & BLADE	1904674	C9016;C9026;C9036;C9046	P-U-10	1-3/4	3-1/2	VME-1991086
	1906258	C9016;C9026;C9036;C9046	P-U-10	1-3/4	3-1/2	VME-1991086
MODEL 666B						
ARCH	1906258	513E-513G;515A;500D-500G;526A	P-U-10	1-3/4	3-1/2	VME-1991086
GRAPPLE	1916232	513E-513G;515A;500D-500G;526A	P-TR-10	2-3/4	6	VME-1991089
STEER & BLADE	1904674	513E-513G;515A;500D-500G;526A	P-U-10	1-3/4	3-1/2	VME-1991086
	1906258	513E-513G;515A;500D-500G;526A	P-U-10	1-3/4	3-1/2	VME-1991086
MODEL 666C						
ARCH	1904666	513H;500H;515H;542H;526H	P-U-10	1-3/4	3-1/2	VME-1991086
GRAPPLE	1916232	513H;500H;515H;542H;526H	P-TR-10	2-3/4	6	VME-1991089
	2552121	513H;500H;515H;542H;526H	P-UB-10	2	4	VME-2551403
STEER & BLADE	1904666	513H;500H;515H;542H;526H	P-U-10	1-3/4	3-1/2	VME-1991086
	1904666	513H;500H;515H;542H;526H	P-U-10	1-3/4	3-1/2	VME-1991086
MODEL 666D						
ARCH	2552115	548A;549A;552A;555A;559A;564B	P-UB-10	2	4	VME-2551403
BOOM	2552115	548A;549A;552A;555A;559A;564B	P-UB-10	2	4	VME-2551403
GRAPPLE	2552115	548A;549A;552A;555A;559A;564B	P-UB-10	2	4	VME-2551403
	2552121	548A;549A;552A;555A;559A;564B	P-UB-10	2	4	VME-2551403
STEER & BLADE	2552361	548A;549A;552A;555A;559A;564B	P-UB-10	1-3/4	3-1/2	VME-2542570
MODEL 667C						
ARCH	1917220	503B;504B-C;509B;510B-C;534B-C;535A;536B-C;537A	P-U-10	1-3/4	3-1/2	VME-1991086
	2552115	503B;504B-C;509B;510B-C;534B-C;535A;536B-C;537A	P-UB-10	2	4	VME-2551403
BOOM	1919023	503B;504B-C;509B;510B-C;534B-C;535A;536B-C;537A	P-U-10	1-3/4	3-1/2	VME-1991086
GRAPPLE	1916232	503B;504B-C;509B;510B-C;534B-C;535A;536B-C;537A	P-TR-10	2-3/4	6	VME-1991089
STEER & BLADE	1917220	503B;504B-C;509B;510B-C;534B-C;535A;536B-C;537A	P-U-10	1-3/4	3-1/2	VME-1991086
MODEL 667D						
ARCH	2552115	534D;534E;535D-G;536D-E;537D-G;556G;557G	P-UB-10	2	4	VME-2551403

LR - Long Reach SLF - Super Long Front QF - Quick Fit FS - Front Shovel MH - Material Handle AS - Articulate Slope

VOLVO

Replacement Kits For

Forestry - Log Skidders						
APPLICATION	CYL #	SERIAL #	CODE	ROD	BORE	KIT #
MODEL 667D						
BOOM	1919023	534D;534E;535D-G;536D-E;537D-G;556G;557G	P-U-10	1-3/4	3-1/2	VME-1991086
	2552115	534D;534E;535D-G;536D-E;537D-G;556G;557G	P-UB-10	2	4	VME-2551403
STEER & BLADE	2552361	534D;534E;535D-G;536D-E;537D-G;556G;557G	P-UB-10	1-3/4	3-1/2	VME-2542570
MODEL 668						
TILT	2518802	505A;507A	P-U-10	1-3/4	3-1/2	VME-2538177
MODEL 668B						
TILT	2518802	505B;507B	P-U-10	1-3/4	3-1/2	VME-2538177
MODEL 668C						
STEER & BLADE	2537607	505C;507C;532A;533A;538C;539C	P-U-10	2	4	VME-2530107
MODEL 668D						
STEER & BLADE	2552141	507D;507E;532D;532E;539D;539E	P-UB-10	2	4	VME-2551403
MODEL F65						
ARCH	2552115	553G;553GC;554G;554GC	P-UB-10	2	4	VME-2551403
GRAPPLE	2552121	553G;553GC;554G;554GC	P-UB-10	2	4	VME-2551403
STEER & BLADE	2552115	553G;553GC;554G;554GC	P-UB-10	2	4	VME-2551403
MODEL F665						
ARCH	2552115	553G;554G	P-UB-10	2	4	VME-2551403
GRAPPLE	2552121	553G;554G	P-UB-10	2	4	VME-2551403
STEER & BLADE	2552115	553G;554G	P-UB-10	2	4	VME-2551403
MODEL F666						
ARCH	2552115	559B;555B;564B	P-UB-10	2	4	VME-2551403
BOOM	2552115	559B;555B;564B	P-UB-10	2	4	VME-2551403
GRAPPLE	2552121	559B;555B;564B	P-UB-10	2	4	VME-2551403
STEER & BLADE	2552361	559B;555B;564B	P-UB-10	1-3/4	3-1/2	VME-2542570
MODEL F668						
STEER & BLADE	2552141	565A;566A	P-UB-10	2	4	VME-2551403
Loaders - Wheel						
APPLICATION	CYL #	SERIAL #	CODE	ROD	BORE	KIT #
MODEL 12B						
BUCKET	1503797		I-U-10	1-3/4	3-1/2	VME-2516072
MODEL 35A						
BOOM	1504471		P-V-10	2-3/4	6	VME-2516065
BUCKET	1504470		P-U-10	2	5	VME-2516059
CLAMP	2512955		P-V-10	1-3/4	3-1/2	VME-2516071
STEERING	1524562		I-U-10	1	2-1/2	VME-2516055
	1524563		I-U-10	1	2-1/2	VME-2516055
MODEL 35AWS						
BOOM	1504471	C5WG9-301-999;7WG101-;C3WA9-91-999	P-V-10	2-3/4	6	VME-2516065
BUCKET	1504470	C5WG9-301-999;7WG101-;C3WA9-91-999	P-U-10	2	5	VME-2516059
CLAMP	2512955		P-V-10	1-3/4	3-1/2	VME-2516071
STEERING	1524562	C5WG9-301-999;7WG101-;C3WA9-91-999	I-U-10	1	2-1/2	VME-2516055

LR - Long Reach SLF - Super Long Front QF - Quick Fit FS - Front Shovel MH - Material Handle AS - Articulate Slope

VOLVO

Replacement Kits For

Loaders - Wheel						
APPLICATION	CYL #	SERIAL #	CODE	ROD	BORE	KIT #
MODEL 35AWS						
STEERING	1524563	C5WG9-301-999;7WG101-;C3WA9-91-999	I-U-10	1	2-1/2	VME-2516055
MODEL 35B						
CLAMP			P-V-10	1-3/4	3-1/2	VME-2516071
STEERING	1524562		I-U-10	1	2-1/2	VME-2516055
	1524563		I-U-10	1	2-1/2	VME-2516055
MODEL 35C						
BOOM	2521773	458A101CB-116CB;472A101CB-255CB	P-U-10	2	4	VME-2530107
	2521774	458A101CB-116CB;472A101CB-255CB	P-U-10	2	4	VME-2530107
	2523265	458A117CB-;472A256CB-	P-U-10	2	4	VME-2530107
	2523266	458A101CB-116CB;472A101CB-255CB	P-U-10	2	4	VME-2530107
	2530960	472D9101-;807B9101-	P-UB-10	2	4-1/2	VME-2551398
	2530961	472D9101-;807B9101-	P-UB-10	2	4-1/2	VME-2551398
	2533144	472D101CB-;807B101CB-	P-UB-10	2	4	VME-2551403
	2533145	472D101CB-;807B101CB-	P-UB-10	2	4	VME-2551403
	2538680	472C220CB-	P-U-10	2	4	VME-2530107
	2538682	472C220CB-	P-U-10	2	4	VME-2530107
	2538691	472C9101-;807A9101-	P-U-10	2	4-1/2	VME-2538178
	2538692	472C9101-;807A9101-	P-U-10	2	4-1/2	VME-2538178
BUCKET	2521041	458A101CB-116CB;472A101CB-255CB	P-U-10	1-3/4	3-1/2	VME-2538174
	2521043	458A101CB-116CB;472A101CB-255CB	P-U-10	1-3/4	3-1/2	VME-2538174
	2523229	458A117CB-;472A256CB-327CB	P-U-10	1-3/4	3-1/2	VME-2538174
	2523230	458A117CB-;472A256CB-327CB	P-U-10	1-3/4	3-1/2	VME-2538174
	2526749	472A328CB-	P-U-10	1-3/4	3-1/2	VME-2538174
	2526750	472A328CB-	P-U-10	1-3/4	3-1/2	VME-2538174
	2533903	472D9101CB-;807B9101CB-	P-UB-10	1-3/4	3-1/2	VME-2542570
	2533904	472D101CB-;807B101CB-	P-UB-10	1-3/4	3-1/2	VME-2542570
	2533905	472D101CB-;807B101CB-	P-UB-10	1-3/4	3-1/2	VME-2542570
	2533906	472D101CB-;807B101CB-	P-UB-10	1-3/4	3-1/2	VME-2542570
	2538686	472C220CB-	P-U-10	1-3/4	3-1/2	VME-2538174
	2538687	472C220CB-	P-U-10	1-3/4	3-1/2	VME-2538174
	2538696	807A9101-	P-U-10	1-3/4	3-1/2	VME-2538174
	2538697	472C9101-	P-U-10	1-3/4	3-1/2	VME-2538174
MODEL 35R						
BOOM			P-V-10	2-3/4	6	VME-2516065
BUCKET			P-U-10	2	5	VME-2516059
CLAMP			P-V-10	1-3/4	3-1/2	VME-2516071
STEERING			I-U-10	1	2-1/2	VME-2516055
MODEL 45A						
BOOM	1504472		P-U-10	2-3/4	7	VME-2516148
BUCKET	1504470		P-U-10	2	5	VME-2516059
STEERING	1524562		I-U-10	1	2-1/2	VME-2516055
	1524563		I-U-10	1	2-1/2	VME-2516055
MODEL 45B, 45FB						
BOOM	3980095		P-V-10	2	4-1/2	VME-2516271
BUCKET	3980108		P-U-10	1-3/4	3-1/2	VME-2516270

LR - Long Reach SLF - Super Long Front QF - Quick Fit FS - Front Shovel MH - Material Handle AS - Articulate Slope

VOLVO

Replacement Kits For

Loaders - Wheel							
APPLICATION	CYL #	SERIAL #	CODE	ROD	BORE	KIT #	
MODEL 45B, 45FB							
BUCKET	3980125		P-U-10	1-3/4	3-1/2	VME-2516270	
CLAMP	1539308		P-V-10	1-3/4	3-1/2	VME-2516071	
GRAPPLE	1539308		P-V-10	1-3/4	3-1/2	VME-2516071	
STEERING	3980906		I-U-10	1-1/4	2-1/2	VME-2516272	
MODEL 45C							
BOOM	2521767	459A101CB-140CB;473A101CB-322CB	P-U-10	2	4-1/2	VME-2538178	
	2521768	459A101CB-140CB;473A101CB-322CB	P-U-10	2	4-1/2	VME-2538178	
	2522734	459A141CB-;473A323CB-	P-U-10	2	4-1/2	VME-2538178	
	2522735	459A141CB-;473A323CB-	P-U-10	2	4-1/2	VME-2538178	
	2530960	459E101CB-;473D101CB-;485B101CB-	P-UB-10	2	4-1/2	VME-2551398	
	2530961	459E101CB-;473D101CB-;485B101CB-	P-UB-10	2	4-1/2	VME-2551398	
	2531210	459C9501-;473C9501-;485A9501-;459E9101CB-;473D9101CB-;485B9101CB-	P-UB-10	2-1/4	5	VME-2542577	
	2531211	459C9501-;473C9501-;485A9501-;459E9101CB-;473D9101CB-;485B9101CB-	P-UB-10	2-1/4	5	VME-2542577	
	2538691	459A141CB-;473A323CB-	P-U-10	2	4-1/2	VME-2538178	
	2538692	459D123CB-;473C	P-U-10	2	4-1/2	VME-2538178	
BUCKET			P-UB-10	2	3-1/2	VME-2538184	
	2521042	459A101CB-140CB;473A101CB-322CB	P-U-10	1-3/4	3-1/2	VME-2538174	
	2521044	459A101CB-140CB;473A101CB-322CB	P-U-10	1-3/4	3-1/2	VME-2538174	
	2522923	459A141CB-155CB;473A323CB-403CB	P-U-10	1-3/4	3-1/2	VME-2538174	
	2522924	459A141CB-155CB;473A323CB-403CB	P-U-10	1-3/4	3-1/2	VME-2538174	
	2526536	459A156CB-;473A404CB-	P-U-10	1-3/4	3-1/2	VME-2538174	
	2526537	459A156CB-;473A404CB-	P-U-10	1-3/4	3-1/2	VME-2538174	
	2531024	459C9501CB-;473C9501-;485A9501-	P-UB-10	2	4	VME-2551403	
	2531025	459C9501CB-;473C9501-;485A9501-	P-UB-10	2	4	VME-2551403	
	2533903	459E101CB-;473D101CB-;485B101CB-	P-UB-10	1-3/4	3-1/2	VME-2542570	
	2533905	459E101CB-;473D101CB-;485B101CB-	P-UB-10	1-3/4	3-1/2	VME-2542570	
	2538696	459D123CB-;473C	P-U-10	1-3/4	3-1/2	VME-2538174	
	2538697	459D123CB-;473C	P-U-10	1-3/4	3-1/2	VME-2538174	
	MODEL 55A, 55A-II, 55-III, 55-III A, 55-III A GRR						
	BOOM			P-U-10	2-1/4	5	VME-2530108
			P-UB-10	2-1/4	5	VME-2542577	
			P-V-10	1-3/4	3-1/2	VME-2516071	
1507822		416A101-416A499;4160A101FSC-4160A499FSC	I-U-10	2-1/4	5	VME-2516060	
1507823		416A101-416A499;4160A101FSC-4160A499FSC	I-U-10	2-1/4	5	VME-2516060	
1508377		9BG101-;9BA101-	P-U-10	2	3-1/2	VME-2516073	
1546056		433A101-;416A500-;4160A500FSC-;4152A102FSC-	I-U-10	2-1/4	5	VME-2516060	
1546057		433A101-;416A500-;4160A500FSC-;4152A102FSC-	I-U-10	2-1/4	5	VME-2516060	
2514111		433B700CAC-;433B395FSC-;416C857CAC-;416C205FSC-	P-U-10	2-1/4	5	VME-2516058	
2514122		433B700CAC-;433B395FSC-;416C857CAC-;416C205FSC-	P-U-10	2-1/4	5	VME-2516058	

LR - Long Reach SLF - Super Long Front QF - Quick Fit FS - Front Shovel MH - Material Handle AS - Articulate Slope

VOLVO

Replacement Kits For

Loaders - Wheel						
APPLICATION	CYL #	SERIAL #	CODE	ROD	BORE	KIT #
MODEL 55A, 55A-II, 55-III, 55-III A, 55-III A GRR						
BUCKET			P-U-10	2	4	VME-2530107
			P-UB-10	2	4	VME-2551403
	1507711	9BG101-;9BA101-	P-U-10	2	3-1/2	VME-2516073
	1539308		P-V-10	1-3/4	3-1/2	VME-2516071
	1545412	433A101-433A110;416A101- 416A519;4160A500FSC-;4152A102FSC-	P-U-10	2	4	VME-2516090
	1549758	433A111-;416A520-	P-U-10	2	4	VME-2516090
CLAMP	1539308		P-V-10	1-3/4	3-1/2	VME-2516071
SIDE DUMP	1545577		P-U-10	2	3-1/2	VME-2516073
STEERING			P-UB-10	1-3/4	3-1/2	VME-2542570
			P-U-10	1-3/4	3-1/2	VME-2538177
	1503828	9BG101-;9BA101-	I-U-10	1	2-1/2	VME-2516055
	1508904	416C101FSC-273;4152101ENC- ;4152C101FSC-	I-U-10	1-3/4	3-1/2	VME-2516072
	1508904	433B101C-;433B101ENC-;433B101FSC- 631FSC;416C101C-	I-U-10	1-3/4	3-1/2	VME-2516072
MODEL 55B						
BOOM			P-U-10	2-1/4	5	VME-2530108
			P-V-10	1-3/4	3-1/2	VME-2516071
			P-U-10	2	3-1/2	VME-2516073
			I-U-10	2-1/4	5	VME-2516060
			P-UB-10	2-1/4	5	VME-2542577
	2514111		P-U-10	2-1/4	5	VME-2516058
	2514122		P-U-10	2-1/4	5	VME-2516058
BUCKET			P-V-10	1-3/4	3-1/2	VME-2516071
			P-UB-10	2	4	VME-2551403
			P-U-10	2	3-1/2	VME-2516073
			P-U-10	2	4	VME-2516090
	2532635		P-U-10	2	4	VME-2530107
			P-U-10	2	4	VME-2530107
CLAMP	1539306		P-V-10	1-3/4	3-1/2	VME-2516071
SIDE DUMP	1545577		P-U-10	2	3-1/2	VME-2516073
STEERING			P-UB-10	1-3/4	3-1/2	VME-2542570
			I-U-10	1	2-1/2	VME-2516055
			I-U-10	1-3/4	3-1/2	VME-2516072
	2532705		P-U-10	1-3/4	3-1/2	VME-2538177
MODEL 55C						
BOOM	2523872	480A;480B101CB- 152CB;481A;481B101CB-136CB	P-U-10	2-1/4	5	VME-2530108
	2523873	480A;480B101CB- 152CB;481A;481B101CB-136CB	P-U-10	2-1/4	5	VME-2530108
	2531210		P-UB-10	2-1/4	5	VME-2542577
	2531211		P-UB-10	2-1/4	5	VME-2542577
	2538706	480B153CB-;481B137CB-	P-U-10	2-1/4	5	VME-2530108
	2538707	480B153CB-;481B137CB-	P-U-10	2-1/4	5	VME-2530108
	BUCKET	2526667		P-U-10	2	4
2526668			P-U-10	2	4	VME-2530107
2531024			P-UB-10	2	4	VME-2551403

LR - Long Reach SLF - Super Long Front QF - Quick Fit FS - Front Shovel MH - Material Handle AS - Articulate Slope

Replacement Kits For

VOLVO

Loaders - Wheel						
APPLICATION	CYL #	SERIAL #	CODE	ROD	BORE	KIT #
MODEL 55C						
BUCKET	2531025		P-UB-10	2	4	VME-2551403
	2538701		P-U-10	2	4	VME-2530107
	2538702		P-U-10	2	4	VME-2530107
MODEL 75A-II						
BOOM			P-U-10	2-1/4	5	VME-2516061
			P-V-10	2-1/4	4-1/2	VME-2516070
			P-U-10	2	5	VME-2516059
BUCKET			P-V-10	2-1/4	4-1/2	VME-2516070
			P-U-10	2	4	VME-2516088
			P-U-10	2	5	VME-2516059
CLAMP			P-V-10	1-3/4	3-1/2	VME-2516071
SIDE DUMP			P-V-10	1-3/4	3-1/2	VME-2516071
STEERING			P-V-10	1-3/4	3-1/2	VME-2516071
	1503828		I-U-10	1	2-1/2	VME-2516055
MODEL 75B, LF75B						
BOOM	1518977		P-U-10	2-1/4	5	VME-2516058
	1518977		P-U-10	2-1/4	5	VME-2530108
	1518978		P-U-10	2-1/4	5	VME-2530108
	1518978		P-U-10	2-1/4	5	VME-2516058
	1546056		I-U-10	2-1/4	5	VME-2516060
	1546057		I-U-10	2-1/4	5	VME-2516060
	2514111		P-U-10	2-1/4	5	VME-2516058
	2514122		P-U-10	2-1/4	5	VME-2516058
	2518075		P-U-10	2-1/4	5	VME-2530108
	2518075		P-U-10	2-1/4	5	VME-2516058
	2518076		P-U-10	2-1/4	5	VME-2530108
	2518076		P-U-10	2-1/4	5	VME-2516058
	2527513		P-U-10	2-1/4	5	VME-2530108
	2527549		P-U-10	2-1/4	5	VME-2530108
	2528565		P-U-10	2-1/4	5	VME-2530108
	2528566		P-U-10	2-1/4	5	VME-2530108
	2541827		P-UB-10	2-1/4	5	VME-2542577
	2541828		P-UB-10	2-1/4	5	VME-2542577
	BUCKET			P-U-10	2-1/4	5
1511554			P-V-10	2-1/4	4-1/4	VME-2516054
2518071			P-V-10	2-1/4	4-1/4	VME-2516054
2520412			P-U-10	2-1/4	5	VME-2516058
2532204			P-U-10	2-1/4	5	VME-2516058
964581			P-UB-10	2-1/4	5	VME-2542577
CLAMP	1539308		P-V-10	1-3/4	3-1/2	VME-2516071
SIDE DUMP	1545577		P-U-10	2	3-1/2	VME-2516073
STEERING			P-U-10	1-3/4	3-1/2	VME-2538177
	1508904		I-U-10	1-3/4	3-1/2	VME-2516072
	2532706		P-UB-10	1-3/4	3-1/2	VME-2542570
MODEL 75C						
BOOM			P-U-10	2-1/4	5	VME-2530108

LR - Long Reach SLF - Super Long Front QF - Quick Fit FS - Front Shovel MH - Material Handle AS - Articulate Slope

VOLVO

Replacement Kits For

Loaders - Wheel						
APPLICATION	CYL #	SERIAL #	CODE	ROD	BORE	KIT #
MODEL 75C						
BOOM	2541827		P-UB-10	2-1/4	5	VME-2542577
	2541828		P-UB-10	2-1/4	5	VME-2542577
BUCKET			P-U-10	2-3/4	5	VME-2538187
			P-U-10	2-1/4	5	VME-2530108
			P-U-10	2-1/4	5	VME-2516058
	2532204		P-UB-10	2-1/4	5	VME-2542577
	2541652		P-UB-10	2-3/4	5	VME-2542569
	964581		P-UB-10	2-1/4	5	VME-2542577
STEERING			P-U-10	1-3/4	3-1/2	VME-2538177
	2529205		P-UB-10	1-3/4	3-1/2	VME-2542570
	2532705		P-UB-10	1-3/4	3-1/2	VME-2542570
	2541853		P-UB-10	1-3/4	3-1/2	VME-2542570
	964667		P-UB-10	1-3/4	3-1/2	VME-2542570
	964792		P-UB-10	1-3/4	3-1/2	VME-2542570
MODEL 75-III						
BOOM	1503887	10CG101-	P-V-10	2-1/4	4-1/2	VME-2516070
BUCKET	1503233	10CG101-	P-U-10	2	4	VME-2516088
	1507808	10CG101-	P-U-10	2	4	VME-2516088
STEERING	1503828	10CG101-	I-U-10	1	2-1/2	VME-2516055
MODEL 75-III A						
BOOM			P-U-10	2	5	VME-2516059
	1535946		P-U-10	2-1/4	5	VME-2516061
BUCKET			P-U-10	2	5	VME-2516059
	1509802		P-V-10	2-1/4	4-1/2	VME-2516070
	1536064		P-V-10	2-1/4	4-1/2	VME-2516070
CLAMP	1539308		P-V-10	1-3/4	3-1/2	VME-2516071
SIDE DUMP			P-V-10	1-3/4	3-1/2	VME-2516071
STEERING	1504836		P-V-10	1-3/4	3-1/2	VME-2516071
MODEL 85A, 85A-II						
STEERING	1503828		I-U-10	1	2-1/2	VME-2516055
	1503875		I-U-10	1	2-1/2	VME-2516055
MODEL 85A-II, 85-III, 85-III A						
BOOM			P-U-10	2	5	VME-2516059
	1502853		P-V-10	2-3/4	6	VME-2516065
	1502854		P-V-10	2-3/4	6	VME-2516065
	1503887		P-V-10	2-1/4	4-1/2	VME-2516070
BUCKET			P-V-10	2-3/4	6	VME-2516065
	1507808		P-U-10	2	4	VME-2516088
	1509813		P-V-10	2-1/4	4-1/2	VME-2516070
CLAMP			P-V-10	2-1/4	4-1/2	VME-2516070
SIDE DUMP			P-U-10	2	5	VME-2516059
STEERING	1503875		I-U-10	1	2-1/2	VME-2516055
	1531950		P-V-10	1-3/4	3-1/2	VME-2516071
MODEL 125A, 125A-II, 125-111A						
BOOM	1503235	12AFC101-;12AFG101-	P-V-10	2-3/4	6	VME-2516065
	1503236		P-U-10	2-3/4	7	VME-2516148

LR - Long Reach SLF - Super Long Front QF - Quick Fit FS - Front Shovel MH - Material Handle AS - Articulate Slope

Replacement Kits For

VOLVO

Loaders - Wheel							
APPLICATION	CYL #	SERIAL #	CODE	ROD	BORE	KIT #	
MODEL 125A, 125A-II, 125-111A							
BUCKET			P-U-10	2-3/4	7	VME-2516148	
	1503234	404A101-404A299;403A101-403A299	P-V-10	2-3/4	6	VME-2516065	
	1509846	12AFC101-;12AFG101-	P-V-10	2-1/4	4-1/2	VME-2516070	
	1543216	404A300-;403A300-	P-V-10	2-3/4	6	VME-2516065	
STEERING			P-V-10	1-3/4	3-1/2	VME-2516071	
MODEL 125B							
BOOM			P-U-10	2-3/4	6	VME-2538182	
			P-UB-10	2-3/4	6	VME-2542568	
	1519174		P-V-10	2-3/4	6	VME-2518493	
	1519175		P-V-10	2-3/4	6	VME-2518493	
	2517389		P-V-10	2-3/4	6	VME-2518493	
	2517390		P-V-10	2-3/4	6	VME-2518493	
BUCKET			P-U-10	2-3/4	5	VME-2538187	
			P-U-10	2-1/4	4-1/2	VME-2538179	
			P-UB-10	2-1/4	4-1/2	VME-2542576	
			P-UB-10	2-3/4	5	VME-2542569	
	1519173		P-V-10	2-1/4	4-1/2	VME-2516152	
	2517395		P-V-10	2-1/4	4-1/2	VME-2516152	
STEERING			P-UB-10	1-3/4	3-1/2	VME-2542570	
			P-U-10	1-3/4	3-1/2	VME-2538177	
	2501171		I-U-10	1-3/4	3-1/2	VME-2516072	
MODEL 125C							
BOOM	2528568		P-U-10	2-3/4	6	VME-2538182	
	2528570		P-U-10	2-3/4	6	VME-2538182	
	2528982		P-U-10	2-3/4	6	VME-2538182	
	2528983		P-U-10	2-3/4	6	VME-2538182	
	2541356	496A170CB-;497A171CB-;4244A157FSC-	P-UB-10	2-3/4	6	VME-2542568	
	2541357	496A170CB-;497A171CB-;4244A157FSC-	P-UB-10	2-3/4	6	VME-2542568	
	2554419		P-UB-10	2-3/4	6	VME-2542568	
	2561089		P-UB-10	2-3/4	6	VME-2542568	
	964597	496A101CB-130CB;497A101CB-146CB	P-UB-10	2-3/4	6	VME-2542568	
	964598	496A101CB-130CB;497A101CB-146CB	P-UB-10	2-3/4	6	VME-2542568	
	964793	496A131CB-169CB;497A147CB-170CB;4244A101FSC-156FSC	P-UB-10	2-3/4	6	VME-2542568	
	964794	496A131CB-169CB;497A147CB-170CB;4244A101FSC-156FSC	P-UB-10	2-3/4	6	VME-2542568	
	BUCKET	2532213		P-U-10	2-3/4	5	VME-2538187
		2541648	496A170CB-;497A191CB-;4244A169FSC-	P-UB-10	2-3/4	5	VME-2542569
2554081			P-UB-10	2-3/4	5	VME-2542569	
2561088			P-UB-10	2-3/4	5	VME-2542569	
964796		496A101CB-169CB;497A101CB-190CB;4244A101FSC-169FSC	P-UB-10	2-3/4	5	VME-2542569	
STEERING	2525743		P-U-10	1-3/4	3-1/2	VME-2538174	
	2541852	496A170CB-;497A191CB-;4244A160FSC-	P-UB-10	1-3/4	3-1/2	VME-2542570	
	964797	496A101CB-169CB;497A101CB-190CB;4244A101FSC-159FSC	P-UB-10	1-3/4	3-1/2	VME-2542570	

LR - Long Reach SLF - Super Long Front QF - Quick Fit FS - Front Shovel MH - Material Handle AS - Articulate Slope

VOLVO

Replacement Kits For

VOLVO

Loaders - Wheel						
APPLICATION	CYL #	SERIAL #	CODE	ROD	BORE	KIT #
MODEL 175A						
STEERING	1503987		P-V-10	1-3/4	3-1/2	VME-2516071
MODEL 175A-II						
STEERING	1503987		P-V-10	1-3/4	3-1/2	VME-2516071
MODEL 175B						
BOOM			P-V-10	2-3/4	7	VME-2516155
	1518400		P-V-10	2-3/4	7	VME-2518494
	2518119		P-V-10	2-3/4	7	VME-2518494
	2528567		P-UB-10	2-3/4	7	VME-2551397
	964596		P-U-10	2-3/4	7	VME-2538183
BUCKET			P-V-10	2-3/4	6	VME-2516065
	1511622		P-V-10	2-3/4	6	VME-2518493
	1517851		P-V-10	2-3/4	6	VME-2518493
	2518125		P-V-10	2-3/4	6	VME-2518493
	2524276		P-U-10	2-3/4	6	VME-2538182
	964798		P-UB-10	2-3/4	6	VME-2542568
STEERING	1511641		P-V-10	2	4-1/2	VME-2516151
	2518117		P-V-10	2	4-1/2	VME-2516151
	2532353		P-U-10	2	4-1/2	VME-2538178
	964586		P-UB-10	2	4-1/2	VME-2551398
MODEL 175C						
BOOM	2524467		P-U-10	3	7	VME-2541637
	2541825		P-UB-10	3	7	VME-2542571
	964789		P-UB-10	3	7	VME-2542571
BUCKET	2524276		P-U-10	2-3/4	6	VME-2538182
	2541789		P-UB-10	2-3/4	6	VME-2542568
	964796		P-UB-10	2-3/4	6	VME-2542568
STEERING	2528848		P-U-10	2-1/4	4-1/2	VME-2538179
	2541510		P-UB-10	2-1/4	4-1/2	VME-2542576
	964801		P-UB-10	2-1/4	4-1/2	VME-2542576
MODEL 175-III, 175-IIIA						
BOOM	1503236		P-U-10	2-3/4	7	VME-2516148
BUCKET	1503234		P-V-10	2-3/4	6	VME-2516065
	1543216		P-V-10	2-3/4	6	VME-2516065
MODEL 275B						
BOOM			P-UB-10	3-1/2	9	VME-2551396
			P-U-10	3-1/2	9	VME-2538180
	1511407		P-V-10	3-1/2	9	VME-2516242
	1511408		P-V-10	3-1/2	9	VME-2516242
	1518399		P-V-10	3-1/2	9	VME-2516242
	1537215		I-U-10	3-1/2	9	VME-2516228
	1537216		I-U-10	3-1/2	9	VME-2516228
	2504218		P-V-10	3-1/2	9	VME-2516242
	BUCKET			P-UB-10	2-3/4	7
			P-U-10	2-3/4	7	VME-2538183
1511406			P-V-10	2-3/4	7	VME-2516155
1513815			P-V-10	2-3/4	7	VME-2518494

LR - Long Reach SLF - Super Long Front QF - Quick Fit FS - Front Shovel MH - Material Handle AS - Articulate Slope

Replacement Kits For

VOLVO

Loaders - Wheel						
APPLICATION	CYL #	SERIAL #	CODE	ROD	BORE	KIT #
MODEL 275B						
BUCKET	2516176		P-V-10	2-3/4	7	VME-2518494
	947456		P-V-10	2-3/4	7	VME-2516155
STEERING			P-U-10	2-1/4	5-1/4	VME-2538181
			P-UB-10	2-1/4	5-1/4	VME-2551399
	1511749		P-V-10	2-1/4	5-1/4	VME-2516274
	1538181		I-U-10	2-1/4	5-1/4	VME-2516156
	2516160		P-V-10	2-1/4	5-1/4	VME-2516274
MODEL 275C						
BOOM	2525863		P-U-10	4	9	VME-2538193
	2541292	492A239C;243C-999C;492A201CAC-	P-UB-10	4	9	VME-2542574
	2554810		P-UB-10	4	9	VME-2542574
	964802	492A101C-238C;240C;241C;242C	P-UB-10	4	9	VME-2542574
BUCKET	2541297	492A226C-235C	P-UB-10	2-3/4	7	VME-2551397
	964803	492A101C-225C	P-UB-10	2-3/4	7	VME-2551397
STEERING	2529566		P-U-10	2-1/4	4-1/2	VME-2538179
	2541515	492A239C;243C-251C;253C;255C-999C;492A201CAC-	P-UB-10	2-1/4	4-1/2	VME-2542576
	964804	492A101C-238C;240C;241C;242C;252C;254C;255C	P-UB-10	2-1/4	4-1/2	VME-2542576
MODEL 275-III						
BUCKET	1503231		P-U-10	2-3/4	7	VME-2516148
	1543895		P-U-10	2-3/4	7	VME-2516148
MODEL 275-IIIA						
BUCKET	1503231		P-U-10	2-3/4	7	VME-2516148
	1543895		P-U-10	2-3/4	7	VME-2516148
STEERING	1503241		P-U-10	2-1/4	5-1/2	VME-2516094
	1515236		P-U-10	2-1/4	5-1/2	VME-2516094
MODEL 475B						
BUCKET	1513011		P-V-10	4-1/2	9	VME-2516230
	2514104		P-V-10	4-1/2	9	VME-2516230
STEERING			P-U-10	2-3/4	7	VME-2526058
			P-UB-10	2-3/4	7	VME-2551397
	1503659		P-U-10	2-3/4	7	VME-2516148
	2514101		P-V-10	2-3/4	7	VME-2518494
MODEL 475C, 475CT						
STEERING	2527900	483A;487A;488A	P-U-10	2-3/4	6	VME-2538182
	2541333	487C;487B;483B;483C	P-UB-10	2-3/4	6	VME-2542568
	964807	483A;487A;488A	P-UB-10	2-3/4	6	VME-2542568
MODEL 475-IIIA						
BUCKET	1513011		P-V-10	4-1/2	9	VME-2516230
STEERING	1503659	3AYC101-	P-U-10	2-3/4	7	VME-2516148
	2514101		P-V-10	2-3/4	7	VME-2518494
MODEL 675B						
STEERING	1512049	436A	P-V-10	3-1/2	8	VME-2516187
MODEL L20B						
LIFT	2812347	1700001-1700999	I-UB-10	50 mm	100 mm	VME-11370055

LR - Long Reach SLF - Super Long Front QF - Quick Fit FS - Front Shovel MH - Material Handle AS - Articulate Slope

VOLVO

Replacement Kits For

Loaders - Wheel						
APPLICATION	CYL #	SERIAL #	CODE	ROD	BORE	KIT #
MODEL L20B						
STEERING	2808059	1700001-1700999	P-U-10	32 mm	70 mm	VME-2906622
TILT	2812348	1700001-1700499	I-UB-10	50 mm	100 mm	VME-11370055
MODEL L25B						
LIFT	2812347	1750001-1759999	I-UB-10	50 mm	100 mm	VME-11370055
STEERING	2808059	1750001-1759999	P-U-10	32 mm	70 mm	VME-2906622
TILT	11308884	1752065-	I-UB-10	50 mm	100 mm	VME-11370055
	2812348	1750001-1752064	I-UB-10	50 mm	100 mm	VME-11370055
MODEL L30						
ATTACHMENT	11001980	70118-	P-U-1	20 mm		VME-11990060
	11005340	-70117	P-U-1	25 mm		VME-11990175
	4833424	-70117	P-U-1	20 mm		VME-11990060
LIFT	11001575	70118-	P-U-15	50 mm	100 mm	VME-6630564
	11005193	-70117	P-U-15	50 mm	100 mm	VME-6630513
STEERING	11001574	70118-	P-U-15	32 mm	63 mm	VME-6630661
	11005192	-70117	P-U-15	32 mm	63 mm	VME-6630661
TILT	11001576	70118-	P-U-15	40 mm	80 mm	VME-6630662
	11005194	-70117	P-U-15	40 mm	80 mm	VME-11990106
MODEL L30B						
LIFT	2808056	1802201-1802999;1812201-1812999; 1822201-1822999;1823601-1823999	P-U-10	45 mm	80 mm	VME-2907081
	2808056	1832201-1832999;1833601-1833999; 1852201-1852999;1853601-1853999	P-U-10	45 mm	80 mm	VME-2907081
STEERING	2808059	1802201-1802999;1812201-1812999; 1822201-1822999;1823601-1823999	P-U-10	32 mm	70 mm	VME-2906622
	2808059	1832201-1832999;1833601-1833999; 1852201-1852999;1853601-1853999	P-U-10	32 mm	70 mm	VME-2906622
TILT	2808057	1802201-1802999;1812201-1812999; 1822201-1822999;1823601-1823999	P-U-10	55 mm	100 mm	VME-2907091
	2808057	1832201-1832999;1833601-1833999; 1852201-1852999;1853601-1853999	P-U-10	55 mm	100 mm	VME-2907091
MODEL L35B						
LIFT	2808049	1862201-1862999;1863601-1869999; 1872201-1872999;1873601-1879999	P-U-10	50 mm	85 mm	VME-2907070
	2808049	1882201-1882999;1883601-1889999; 1892201-1892999;1893601-1899999	P-U-10	50 mm	85 mm	VME-2907070
STEERING	2808059	1862201-1862999;1863601-1869999; 1872201-1872999;1873601-1879999	P-U-10	32 mm	70 mm	VME-2906622
	2808059	1882201-1882999;1883601-1889999; 1892201-1892999;1893601-1899999	P-U-10	32 mm	70 mm	VME-2906622
TILT	2808057	1862201-1862999;1863601-1869999; 1872201-1872999;1873601-1879999	P-U-10	55 mm	100 mm	VME-2907091
	2808057	1882201-1882999;1883601-1889999; 1892201-1892999;1893601-1899999	P-U-10	55 mm	100 mm	VME-2907091
MODEL L40B						
LIFT	11306083	1911001-1911499;1921001-1921499	P-U-10	50 mm	110 mm	VME-2907415
	11306297	1911001-1911499;1921001-1921499	P-U-10	50 mm	100 mm	VME-11370826
	11306961	1921500-1929999	P-U-10	50 mm	110 mm	VME-11370773
STEERING	2808059	1911001-1911499;1921001-1929999	P-U-10	32 mm	70 mm	VME-2906622
TILT	11306298	-1911117;-1921325	P-U-10	63 mm	125 mm	VME-2907389

LR - Long Reach SLF - Super Long Front QF - Quick Fit FS - Front Shovel MH - Material Handle AS - Articulate Slope

Replacement Kits For

VOLVO

Loaders - Wheel						
APPLICATION	CYL #	SERIAL #	CODE	ROD	BORE	KIT #
MODEL L40B						
TILT	11306298	1911118-;1921326-	P-U-10	63 mm	125 mm	VME-2907389
	11306298	1921001-1921499;1911001-1911499	P-U-10	65 mm	125 mm	VME-11370750
	11306298	1921500-1929999	P-U-10	65 mm	125 mm	VME-11370750
MODEL L45B						
LIFT	11306083	1951001-1951499;1941001-1941499	P-U-10	50 mm	110 mm	VME-2907415
	11306961	1951500-1959999;1941500-1949999	P-U-10	50 mm	110 mm	VME-11370773
STEERING	2808059	1951001-1959999;1941001-1949999	P-U-10	32 mm	70 mm	VME-2906622
TILT	11306298	-1941180-;1951383	P-U-10	63 mm	125 mm	VME-2907389
	11306298	1941181-;1951384-	P-U-10	63 mm	125 mm	VME-2907389
	11306298	1951001-1951499;1941001-1941499	P-U-10	65 mm	125 mm	VME-11370750
	11306298	1951500-1959999;1941500-1949999	P-U-10	65 mm	125 mm	VME-11370750
MODEL L50						
ATTACHMENT	11005340	ALL	P-U-1	25 mm		VME-11990175
	4833424	ALL	P-U-1	20 mm		VME-11990060
LIFT	11005271	6401-;60301(USA)-	P-U-15	50 mm	90 mm	VME-11990244
	4782418	-6400-;60300(USA)	P-U-15	40 mm	80 mm	VME-6630560
	4784618	-6400-;60300(USA)	P-U-15	50 mm	100 mm	VME-6630513
STEERING	4784920	ALL	P-U-15	32 mm	63 mm	VME-6630661
TILT	110052630	6401-;60301(USA)-	P-U-15	45 mm	80 mm	VME-11990243
	4782424	-6400-;60300(USA)	P-U-15	50 mm	100 mm	VME-6630562
	4833111	-6400-;60300(USA)	P-U-15	50 mm	90 mm	VME-6630858
MODEL L50B						
LIFT	11088016	ALL	P-U-15	60 mm	90 mm	VME-11990438
STEERING	11005137	ALL	P-U-15	40 mm	63 mm	VME-11990439
	11088072	ALL	P-U-15	40 mm	63 mm	VME-11990439
TILT	11088017	ALL	P-U-15	70 mm	125 mm	VME-11990437
MODEL L50C						
LIFT	11088016	9001-10005	P-U-15	60 mm	90 mm	VME-11990438
	11088559	10006-11954	P-UB-13	70 mm	100 mm	VME-11998810
	11088855	11955-13000	P-UB-13	70 mm	100 mm	VME-11998810
STEERING	11005137	10006-13000	P-U-15	40 mm	63 mm	VME-11990439
	11088072	10006-13000	P-U-15	40 mm	63 mm	VME-11990439
TILT	11088017	-9441	P-U-15	70 mm	125 mm	VME-11990437
	11088445	9442-11954	P-U-15	70 mm	125 mm	VME-11990437
	11088854	11955-	P-U-15	70 mm	125 mm	VME-11990437
MODEL L50C OR						
LIFT	11088016	9001-10005	P-U-15	60 mm	90 mm	VME-11990438
	11088559	10006-11954	P-UB-13	70 mm	100 mm	VME-11998810
	11088855	11955-13000	P-UB-13	70 mm	100 mm	VME-11998810
STEERING	11005137	10006-10966;35001-40000	P-U-15	40 mm	63 mm	VME-11990439
	11088072	10006-10966;35001-40000	P-U-15	40 mm	63 mm	VME-11990439
TILT	11088017	-9441	P-U-15	70 mm	125 mm	VME-11990437
	11088445	9442-11954	P-U-15	70 mm	125 mm	VME-11990437
	11088854	11955-	P-U-15	70 mm	125 mm	VME-11990437
MODEL L50D						
LIFT	11088855	70101-80000;13002-14100	P-UB-13	70 mm	100 mm	VME-11998810

LR - Long Reach SLF - Super Long Front QF - Quick Fit FS - Front Shovel MH - Material Handle AS - Articulate Slope

VOLVO

Replacement Kits For

Loaders - Wheel						
APPLICATION	CYL #	SERIAL #	CODE	ROD	BORE	KIT #
MODEL L50D						
STEERING	11005137	70101-80000;13002-14100	P-U-15	40 mm	63 mm	VME-11990439
	11088072	70101-80000;13002-14100	P-U-15	40 mm	63 mm	VME-11990439
TILT	11088854	70101-80000;13002-14100	P-U-15	70 mm	125 mm	VME-11990437
MODEL L70						
ATTACHMENT	11005340	ALL	P-U-1	25 mm		VME-11990175
	4833424	ALL	P-U-1	20 mm		VME-11990060
LIFT	11005288	7401-;60501(USA)-	P-U-15	60 mm	100 mm	VME-11990181
	4833304	-7400;-60500(USA)	P-UB-15	60 mm	110 mm	VME-11990028
STEERING	11005388	ALL	P-U-15	36 mm	70 mm	VME-6630909
	4784940	ALL	P-U-15	36 mm	70 mm	VME-6630909
TILT	11005284	7401-;60501(USA)-	P-U-15	50 mm	100 mm	VME-11990180
	4833399	-7400;-60500(USA)	P-U-15	50 mm	100 mm	VME-6630513
MODEL L70B						
LIFT	11088340	ALL	P-UB-13	70 mm	100 mm	VME-11998810
STEERING	11088289	ALL	P-U-15	40 mm	63 mm	VME-11990439
TILT	11088333	ALL	P-UB-14	80 mm	150 mm	VME-11998809
MODEL L70C						
LIFT	11088340	-15067	P-UB-13	70 mm	100 mm	VME-11998810
	11088857	15068-	P-UB-13	70 mm	100 mm	VME-11998810
QUICK-FIT	11082447	70007-70300;13116-16500	P-U-15	25 mm	45 mm	VME-11999362
	11142695	70007-70300;13116-16500	P-U-10	16 mm	32 mm	VME-11705087
	11157123	70007-70300;13116-16500	P-U-10	16 mm	32 mm	VME-11709111
STEERING	11088289	70007-70300;13116-16500	P-U-15	40 mm	63 mm	VME-11990439
TILT	11088500	-15067	P-UB-14	80 mm	150 mm	VME-11998809
	11088856	15068-	P-UB-14	80 mm	150 mm	VME-11998809
MODEL L70C BM						
LIFT	11088340	11246-13115	P-UB-13	70 mm	100 mm	VME-11998810
QUICK-FIT	11082447	11246-13115	P-U-15	25 mm	45 mm	VME-11999362
STEERING	11088289	11246-13115	P-U-15	40 mm	63 mm	VME-11990439
TILT	11088333	-10161	P-UB-14	80 mm	150 mm	VME-11998809
	11088460	10162-10790	P-UB-14	80 mm	150 mm	VME-11998809
	11088500	10791-	P-UB-14	80 mm	150 mm	VME-11998809
MODEL L70D						
LIFT	11088857	17002-60000	P-UB-13	70 mm	100 mm	VME-11998810
QUICK-FIT	11142695	17002-60000	P-U-10	16 mm	32 mm	VME-11705087
	11157123	17002-60000	P-U-10	16 mm	32 mm	VME-11709111
STEERING	11088289	17002-60000	P-U-15	40 mm	63 mm	VME-11990439
TILT	11088856	17002-60000	P-UB-14	80 mm	150 mm	VME-11998809
MODEL L70E						
LIFT	11107644	-21028	P-UB-10	70 mm	110 mm	VME-11709998
	11107824	21001-22957;60001-;71001-	P-UB-10	70 mm	120 mm	VME-11715864
	11107851	21029-	P-UB-10	70 mm	110 mm	VME-11709998
QUICK-FIT	11157123	21001-22957;60001-;71001-	P-U-10	16 mm	32 mm	VME-11709111
STEERING	11107530	21001-22957;60001-;71001-	P-UB-15	45 mm	70 mm	VME-11709872
	11107764	21001-22957;60001-;71001-	P-UB-15	45 mm	70 mm	VME-11709872
	11107837	21001-22957;60001-;71001-	P-UB-15	45 mm	70 mm	VME-11709872

LR - Long Reach SLF - Super Long Front QF - Quick Fit FS - Front Shovel MH - Material Handle AS - Articulate Slope

VOLVO

Replacement Kits For

VOLVO

Loaders - Wheel						
APPLICATION	CYL #	SERIAL #	CODE	ROD	BORE	KIT #
MODEL L70E						
TILT	11107846	21001-22957;60001-;71001-	P-UB-10	90 mm	160 mm	VME-11709965
	11107852	21001-22957;60001-;71001-	P-UB-10	90 mm	160 mm	VME-11709965
MODEL L90						
ATTACHMENT	11005340	ALL	P-U-1	25 mm		VME-11990175
	4741301	ALL	P-U-1	20 mm		VME-6630475
	4833424	ALL	P-U-1	20 mm		VME-11990060
LIFT	11005000	ALL	P-U-15	60 mm	120 mm	VME-11990026
	11005178	ALL	P-U-15	60 mm	120 mm	VME-11990026
STEERING	4784553	ALL	P-U-15	50 mm	80 mm	VME-11990050
TILT	11088064	11016-	P-UB-15	60 mm	110 mm	VME-11990028
	4833225	-11015	P-UB-15	60 mm	110 mm	VME-11990028
MODEL L90B						
ATTACHMENT	11005340	ALL	P-U-1	25 mm		VME-11990175
LIFT	11088062	ALL	P-U-15	60 mm	120 mm	VME-11990026
STEERING	11088065	ALL	P-U-15	50 mm	80 mm	VME-11990050
TILT	11088064	ALL	P-UB-15	60 mm	110 mm	VME-11990028
MODEL L90C						
LIFT	11088764	14305-17000;62463-65000;70060-80000	P-UB-14	70 mm	130 mm	VME-11999895
	11107308	14305-17000;62463-65000;70060-80000	P-UB-10	70 mm	130 mm	VME-11707023
QUICK-FIT	11082447	14305-17000;62463-65000;70060-80000	P-U-15	25 mm	45 mm	VME-11999362
	11142695	14305-17000;62463-65000;70060-80000	P-U-10	16 mm	32 mm	VME-11705087
	11157123	14305-17000;62463-65000;70060-80000	P-U-10	16 mm	32 mm	VME-11709111
STEERING	11088546	14305-17000;62463-65000;70060-80000	P-U-15	40 mm	70 mm	VME-11999907
TILT	11088769	14305-17000;62463-65000;70060-80000	P-UB-14	90 mm	190 mm	VME-11999893
	11107306	14305-17000;62463-65000;70060-80000	P-UB-10	90 mm	190 mm	VME-11707028
MODEL L90C BM						
LIFT	11088635	-13784	P-UB-14	70 mm	130 mm	VME-11999895
	11088764	13785-	P-UB-14	70 mm	130 mm	VME-11999895
QUICK-FIT	11082447	13001-14304;61901-62462;70001-70052	P-U-15	25 mm	45 mm	VME-11999362
STEERING	11088546	13001-14304;61901-62462;70001-70052	P-U-15	40 mm	70 mm	VME-11999907
TILT	11088636	-13784	P-UB-14	90 mm	190 mm	VME-11999893
	11088769	13785-	P-UB-14	90 mm	190 mm	VME-11999893
MODEL L90D						
LIFT	11088764	-17003	P-UB-14	70 mm	130 mm	VME-11999895
	11107308	17004-;64001-;70501-	P-UB-10	70 mm	130 mm	VME-11707023
QUICK-FIT	11082447	17001-20000;64001-64937;70501-70800	P-U-15	25 mm	45 mm	VME-11999362
	11142695	17001-20000;64001-64937;70501-70800	P-U-10	16 mm	32 mm	VME-11705087
	11157123	17001-20000;64001-64937;70501-70800	P-U-10	16 mm	32 mm	VME-11709111
STEERING	11088546	17001-20000;64001-64937;70501-70800	P-U-15	40 mm	70 mm	VME-11999907
TILT	11088769	-17003	P-UB-14	90 mm	190 mm	VME-11999893
	11107306	17004-;64001-;70501-	P-UB-10	90 mm	190 mm	VME-11707028
MODEL L90E						
LIFT	11107844	20005-30000;66001-70000;70801-80000	P-UB-10	70 mm	125 mm	VME-11715865
	11107853	20005-30000;66001-70000;70801-80000	P-UB-10	70 mm	120 mm	VME-11709829
STEERING	11107525	-20837;-66464;-70887	P-UB-15	50 mm	80 mm	VME-11709817
	11107787	20838-;66465;-70888-	P-UB-15	50 mm	80 mm	VME-11709817

LR - Long Reach SLF - Super Long Front QF - Quick Fit FS - Front Shovel MH - Material Handle AS - Articulate Slope

VOLVO

Replacement Kits For

Loaders - Wheel						
APPLICATION	CYL #	SERIAL #	CODE	ROD	BORE	KIT #
MODEL L90E						
TILT	11107847	20005-30000;66001-70000;70801-80000	P-UB-10	90 mm	180 mm	VME-11709832
	11107854	20005-30000;66001-70000;70801-80000	P-UB-10	90 mm	180 mm	VME-11709832
MODEL L120						
ATTACHMENT	11005340	ALL	P-U-1	25 mm		VME-11990175
	4741301	ALL	P-U-1	20 mm		VME-6630475
	4833424	ALL	P-U-1	20 mm		VME-11990060
LIFT	4833249	ALL	P-U-15	70 mm	140 mm	VME-11990029
STEERING	4833261	ALL	P-U-15	50 mm	80 mm	VME-11990050
TILT	4833231	ALL	P-U-15	70 mm	125 mm	VME-11990027
MODEL L120B						
ATTACHMENT	11005340	ALL	P-U-1	25 mm		VME-11990175
LIFT	11088048	ALL	P-U-15	70 mm	140 mm	VME-11990404
STEERING	11088049	ALL	P-U-15	50 mm	80 mm	VME-11990050
TILT	11088046	ALL	P-UB-15	60 mm	125 mm	VME-11990405
MODEL L120C						
LIFT	11088637	11319-60000;70075-80000;61677-70000	P-UB-14	80 mm	160 mm	VME-11999894
	11088778	11319-60000;70075-80000;61677-70000	P-UB-14	90 mm	170 mm	VME-11990349
	11107316	11319-60000;70075-80000;61677-70000	P-UB-10	90 mm	170 mm	VME-11707447
QUICK-FIT	11082447	11319-60000;70075-80000;61677-70000	P-U-15	25 mm	45 mm	VME-11999362
	11142695	11319-60000;70075-80000;61677-70000	P-U-10	16 mm	32 mm	VME-11705087
	11157123	11319-60000;70075-80000;61677-70000	P-U-10	16 mm	32 mm	VME-11709111
STEERING	11088537	11319-60000;70075-80000;61677-70000	P-UB-15	50 mm	80 mm	VME-11999906
TILT	11088773	11319-60000;70075-80000;61677-70000	P-UB-14	110 mm	230 mm	VME-11999892
	11088785	11319-60000;70075-80000;61677-70000	P-UB-14	110 mm	230 mm	VME-11999892
	11107105	11319-60000;70075-80000;61677-70000	P-UB-14	110 mm	230 mm	VME-11999892
MODEL L120C BM						
LIFT	11088637	9901-11318;61301-61676	P-UB-14	80 mm	160 mm	VME-11999894
	11088778	9901-11318;61301-61676	P-UB-14	90 mm	170 mm	VME-11990349
STEERING	11088537	9901-11318;61301-61676	P-UB-15	50 mm	80 mm	VME-11999906
TILT	11088638	-10639	P-UB-14	110 mm	230 mm	VME-11999892
	11088773	9901-11318;61301-61676	P-UB-14	110 mm	230 mm	VME-11999892
	11088785	10640-	P-UB-14	110 mm	230 mm	VME-11999892
MODEL L120D						
LIFT	11088637	-14003	P-UB-14	80 mm	160 mm	VME-11999894
	11107312	14004-;63001-;70501-	P-UB-10	80 mm	180 mm	VME-11707024
	11107316	14001-15418;70501-70615;63001-63291	P-UB-10	90 mm	170 mm	VME-11707447
QUICK-FIT	11142695	14001-15418;70501-70615;63001-63291	P-U-10	16 mm	32 mm	VME-11705087
	11157123	14001-15418;70501-70615;63001-63291	P-U-10	16 mm	32 mm	VME-11709111
STEERING	11088537	14001-15418;70501-70615;63001-63291	P-UB-15	50 mm	80 mm	VME-11999906
TILT	11107105	-14003	P-UB-14	110 mm	230 mm	VME-11999892
	11107310	14004-;63001-;70501-	P-UB-10	110 mm	230 mm	VME-11707029
	11107314	14001-15418;70501-70615;63001-63291	P-UB-10	110 mm	230 mm	VME-11707029
MODEL L120E						
LIFT	11107561	-16797-;64229-;70730	P-UB-10	80 mm	150 mm	VME-11708825
	11107855	16798-19668;19804-;64230-66000;66001-;70731-71400;71401-	P-UB-10	80 mm	150 mm	VME-11708825

LR - Long Reach SLF - Super Long Front QF - Quick Fit FS - Front Shovel MH - Material Handle AS - Articulate Slope

Replacement Kits For

VOLVO

Loaders - Wheel						
APPLICATION	CYL #	SERIAL #	CODE	ROD	BORE	KIT #
MODEL L120E						
LIFT	11107857	16001-19668;19804-;64001-66000;66001-;70701-71400;71401-	P-UB-10	90 mm	160 mm	VME-11709384
QUICK-FIT	11157115	16001-19668;19804-;64001-66000;66001-;70701-71400;71401-	P-U-15	25 mm	45 mm	VME-11999362
	11157123	16001-19668;19804-;64001-66000;66001-;70701-71400;71401-	P-U-10	16 mm	32 mm	VME-11709111
STEERING	11107516	16001-19668;70701-71400;64001-66000	P-UB-15	50 mm	80 mm	VME-11709817
	11107790	16001-19668;19804-;64001-66000;66001-;70701-71400;71401-	P-UB-15	50 mm	80 mm	VME-11709817
TILT	11107244	16001-19668;70701-71400;64001-66000	P-UB-10	110 mm	220 mm	VME-11708833
	11107856	16001-19668;19804-;64001-66000;66001-;70701-71400;71401-	P-UB-10	110 mm	220 mm	VME-11708833
	11107858	16001-19668;19804-;64001-66000;66001-;70701-71400;71401-	P-UB-10	110 mm	220 mm	VME-11708833
MODEL L140						
LIFT	2561089	831A;831AC	P-UB-10	2-3/4	6	VME-2542568
TILT	2561088	831A;831AC	P-UB-10	2-3/4	5	VME-2542569
MODEL L150						
ATTACHMENT	11005392	ALL	P-U-15	32 mm	63 mm	VME-6630661
LIFT	11005470	-1233;-60096(USA)	P-UB-14	90 mm	170 mm	VME-11990349
	11088115	1234-;60097(USA)-	P-UB-14	90 mm	170 mm	VME-11990349
STEERING	11005294	ALL	P-U-15	50 mm	90 mm	VME-11990347
TILT	11005462	ALL	P-UB-14	120 mm	250 mm	VME-11990348
MODEL L150C						
LIFT	11088807	2768-10000;60701-70000	P-UB-14	90 mm	170 mm	VME-11990349
QUICK-FIT	11005392	2768-10000;60701-70000	P-U-15	32 mm	63 mm	VME-6630661
	11045365	2768-10000;60701-70000	P-U-15	32 mm	63 mm	VME-11704254
STEERING	11088296	2768-10000;60701-70000	P-U-15	50 mm	90 mm	VME-11990347
TILT	11088805	2768-10000;60701-70000	P-UB-14	120 mm	250 mm	VME-11990348
MODEL L150C BM						
LIFT	11005470	-1233;-60096	P-UB-14	90 mm	170 mm	VME-11990349
	11088115	1234-1792;60097-60333	P-UB-14	90 mm	170 mm	VME-11990349
	11088497	1793-2697;60334-60710	P-UB-14	90 mm	170 mm	VME-11990349
	11088807	2698-;60711-	P-UB-14	90 mm	170 mm	VME-11990349
QUICK-FIT	11005392	2081-2767;60501-60708	P-U-15	32 mm	63 mm	VME-6630661
STEERING	11005294	-1662;-60267	P-U-15	50 mm	90 mm	VME-11990347
	11088296	1663-;60268-	P-U-15	50 mm	90 mm	VME-11990347
TILT	11005462	-2006;-60419	P-UB-14	120 mm	250 mm	VME-11990348
	11088474	2007-2693;60420-60710	P-UB-14	120 mm	250 mm	VME-11990348
	11088805	2694-;60711-	P-UB-14	120 mm	250 mm	VME-11990348
MODEL L150D						
LIFT	11088807	-5004	P-UB-14	90 mm	170 mm	VME-11990349
	11107320	5005-;62501-62658	P-UB-10	90 mm	170 mm	VME-11707025
QUICK-FIT	11045365	62501-70000;5002-6000	P-U-15	32 mm	63 mm	VME-11704254
	11157116	62501-70000;5002-6000	P-U-15	32 mm	63 mm	VME-11704254
STEERING	11088296	62501-70000;5002-6000	P-U-15	50 mm	90 mm	VME-11990347
TILT	11088805	-5004	P-UB-14	120 mm	250 mm	VME-11990348

LR - Long Reach SLF - Super Long Front QF - Quick Fit FS - Front Shovel MH - Material Handle AS - Articulate Slope

VOLVO

Replacement Kits For

Loaders - Wheel						
APPLICATION	CYL #	SERIAL #	CODE	ROD	BORE	KIT #
MODEL L150D						
TILT	11107318	5005-;62501-62658	P-UB-10	120 mm	250 mm	VME-11707030
	11107322	62501-70000;5002-6000	P-UB-10	120 mm	230 mm	VME-11707450
MODEL L150E						
LIFT	11107539	-6534	P-UB-10	90 mm	160 mm	VME-11709018
	11107714	6535-8721	P-UB-10	90 mm	160 mm	VME-11709018
	11107859	8722-10000;10002-63000	P-UB-10	90 mm	160 mm	VME-11709018
QUICK-FIT	11157116	10002-63000	P-U-15	32 mm	63 mm	VME-11704254
STEERING	11107333	6001-10000;10002-63000;63001-80000	P-UB-15	50 mm	90 mm	VME-11709029
TILT	11107256	63001-80000;6001-8721	P-UB-10	110 mm	230 mm	VME-11709026
	11107386	63001-80000;6001-8721	P-UB-10	110 mm	230 mm	VME-11709026
	11107860	8722-10000;10002-63000	P-UB-10	110 mm	230 mm	VME-11709026
	11107861	8722-10000;10002-63000	P-UB-10	110 mm	230 mm	VME-11709026
MODEL L160						
ATTACHMENT	11005392	ALL	P-U-15	32 mm	63 mm	VME-6630661
	4782979	ALL	P-U-15	60 mm	125 mm	VME-11000107
	4782993	ALL	P-U-15	50 mm	100 mm	VME-6630513
	4784151	ALL	P-U-15	60 mm	125 mm	VME-11000107
	4784247	ALL	P-U-15	28 mm	63 mm	VME-6630749
	4833321	ALL	P-U-15	70 mm	140 mm	VME-6630650
LIFT	11005152	-2704;60117(USA)-	P-U-15	80 mm	170 mm	VME-6630510
	11005153	2705-2981	P-U-15	80 mm	170 mm	VME-6630510
	11005247	2982-;60208(USA)-	P-U-15	80 mm	160 mm	VME-11990158
	11005251	2982-	P-U-15	80 mm	160 mm	VME-11990158
	4833410	-2704;60117(USA)-	P-U-15	80 mm	170 mm	VME-6630510
	4833411	-2704	P-U-15	80 mm	170 mm	VME-6630510
STEERING	4782803	ALL	P-U-15	50 mm	110 mm	VME-6630511
TILT	4833412	ALL	P-U-15	70 mm	140 mm	VME-6630938
MODEL L180						
BRACKET	11005392	ALL	P-U-15	32 mm	63 mm	VME-6630661
LIFT	11088007	ALL	P-UB-14	90 mm	190 mm	VME-11990396
LIFT, HIGH	11088169	ALL	P-U-13	70 mm	140 mm	VME-11998574
	11088171	ALL	P-U-13	100 mm	140 mm	VME-11998575
	4782993	ALL	P-U-15	50 mm	100 mm	VME-6630513
	4833321	ALL	P-U-15	70 mm	140 mm	VME-6630650
STEERING	11005404	ALL	P-U-15	50 mm	100 mm	VME-11990398
TILT	11088000	ALL	P-UB-14	120 mm	260 mm	VME-11990395
MODEL L180C						
LIFT	11088808	2533-4000;60465-70000	P-UB-14	90 mm	190 mm	VME-11990396
QUICK-FIT	11005392	2533-4000;60465-70000	P-U-15	32 mm	63 mm	VME-6630661
	11045365	2533-4000;60465-70000	P-U-15	32 mm	63 mm	VME-11704254
STEERING	11088297	2533-4000;60465-70000	P-U-15	50 mm	100 mm	VME-11990398
TILT	11088806	2533-4000;60465-70000	P-UB-14	120 mm	260 mm	VME-11990395
	11088810	2533-4000;60465-70000	P-UB-14	120 mm	250 mm	VME-11701531
MODEL L180C BM						
LIFT	11088007	-1530;-60154	P-UB-14	90 mm	190 mm	VME-11990396
	11088498	1531-2473;60155-60476	P-UB-14	90 mm	190 mm	VME-11990396

LR - Long Reach SLF - Super Long Front QF - Quick Fit FS - Front Shovel MH - Material Handle AS - Articulate Slope

VOLVO

Replacement Kits For

VOLVO

Loaders - Wheel						
APPLICATION	CYL #	SERIAL #	CODE	ROD	BORE	KIT #
MODEL L180C BM						
LIFT	11088808	2474-;60477-	P-UB-14	90 mm	190 mm	VME-11990396
QUICK-FIT	11005392	1836-2532;60301-60464	P-U-15	32 mm	63 mm	VME-6630661
STEERING	11005404	-1396;-60106	P-U-15	50 mm	100 mm	VME-11990398
	11088297	1397-;60107-	P-U-15	50 mm	100 mm	VME-11990398
TILT	11088000	-1769;-60204	P-UB-14	120 mm	260 mm	VME-11990395
	11088475	1770-2470;60205-60477	P-UB-14	120 mm	260 mm	VME-11990395
	11088674	-2470;-60477	P-UB-14	120 mm	250 mm	VME-11701531
	11088806	2471-;60478-	P-UB-14	120 mm	260 mm	VME-11990395
	11088810	2471-;60478-	P-UB-14	120 mm	250 mm	VME-11701531
MODEL L180D						
LIFT	11088808	-4004	P-UB-14	90 mm	190 mm	VME-11990396
	11107229	4005-;62001-70000	P-UB-10	90 mm	190 mm	VME-11707026
QUICK-FIT	11045365	62001-70000;4002-5000	P-U-15	32 mm	63 mm	VME-11704254
	11157116	62001-70000;4002-5000	P-U-15	32 mm	63 mm	VME-11704254
STEERING	11088297	62001-70000;4002-5000	P-U-15	50 mm	100 mm	VME-11990398
TILT	11088806	-4004	P-UB-14	120 mm	260 mm	VME-11990395
	11107324	4005-;62001-70000	P-UB-10	120 mm	260 mm	VME-11707031
	11107326	62001-70000;4002-5000	P-UB-10	120 mm	250 mm	VME-11707451
MODEL L180D HL						
LIFT	11088169	62001-70000;4002-5000	P-U-13	100 mm	140 mm	VME-11998575
	11107595	62001-70000;4002-5000	P-U-13	100 mm	140 mm	VME-11998575
STEERING	11088297	62001-70000;4002-5000	P-U-15	50 mm	100 mm	VME-11990398
TILT	11088171	62001-70000;4002-5000	P-U-13	70 mm	140 mm	VME-11998574
	11107600	62001-70000;4002-5000	P-U-13	70 mm	140 mm	VME-11998574
MODEL L180E						
LIFT	11107534	-5426	P-UB-10	90 mm	180 mm	VME-11709019
	11107862	5427-9999	P-UB-10	90 mm	180 mm	VME-11709019
QUICK-FIT	11157116	8001-9999	P-U-15	32 mm	63 mm	VME-11704254
STEERING	11107334	5001-9999;62501-69999	P-UB-15	50 mm	100 mm	VME-11709028
TILT	11107863	5001-9999;62501-69999	P-UB-10	120 mm	250 mm	VME-11709025
	11107864	5001-9999;62501-69999	P-UB-10	120 mm	250 mm	VME-11709025
MODEL L180E HL						
LIFT	11088169	5086-8000	P-U-13	100 mm	140 mm	VME-11998575
	11107595	5086-9999	P-U-13	100 mm	140 mm	VME-11998575
STEERING	11107334	5086-9999	P-UB-15	50 mm	100 mm	VME-11709028
TILT	11088171	5086-8000	P-U-13	70 mm	140 mm	VME-11998574
	11107600	5086-9999	P-U-13	70 mm	140 mm	VME-11998574
MODEL L190						
TILT	2562742	828A101-828A672;828AC673-828AC788	P-UB-10	2-3/4	6	VME-2542568
MODEL L220D						
LIFT	11107552	1001-10000	P-UB-10	90 mm	190 mm	VME-11705882
QUICK-FIT	11157116	1001-10000	P-U-15	32 mm	63 mm	VME-11704254
STEERING	11107057	1001-10000	P-U-10	50 mm	100 mm	VME-11703689
TILT	11107050	1001-10000	P-UB-14	120 mm	260 mm	VME-11703860
	11107118	1001-10000	P-UB-14	120 mm	260 mm	VME-11703860
	11107328	1001-10000	P-UB-10	120 mm	260 mm	VME-11707027

LR - Long Reach SLF - Super Long Front QF - Quick Fit FS - Front Shovel MH - Material Handle AS - Articulate Slope

VOLVO

Replacement Kits For

Loaders - Wheel						
APPLICATION	CYL #	SERIAL #	CODE	ROD	BORE	KIT #
MODEL L220D						
TILT	11107330	1001-10000	P-UB-10	120 mm	260 mm	VME-11707027
MODEL L220E						
LIFT	11107794	2005-3566;4003-9999	P-UB-10	90 mm	190 mm	VME-11705882
STEERING	11107793	2005-3566;4003-9999	P-UB-10	60 mm	100 mm	VME-11714561
TILT	11107795	2005-3566;4003-9999	P-UB-10	120 mm	260 mm	VME-11707027
	11107829	2005-3566;4003-9999	P-UB-10	120 mm	260 mm	VME-11707027
MODEL L270						
LIFT	2561435	827A101-	P-UB-10	4	9	VME-2542574
STEERING	12579007	827A101-	P-UB-10	2-3/4	5	VME-2562115
	2559738	827A101-	P-UB-10	2-3/4	5	VME-2562115
TILT	2561422	827A101-	P-UB-10	3-1/2	7-1/2	VME-2562116
MODEL L270B						
LIFT	2561435	827BC00501-	P-UB-10	4	9	VME-2542574
STEERING	12579007	827BC00501-	P-UB-10	2-3/4	5	VME-2562115
TILT	2561422	827BC00501-	P-UB-10	3-1/2	7-1/2	VME-2562116
MODEL L320						
LIFT	2558980	811A101-;811AC00651-	P-UB-10	4-1/2	9	VME-2562117
STEERING	12579807	811A101-;811AC00651-	P-UB-10	2-3/4	5	VME-2562115
TILT	2559495	811A101-;811AC00651-	P-UB-10	3-1/2	7-1/2	VME-2562116
MODEL L330C						
LIFT	11088626	60001-60086	P-SP-14	120 mm	230 mm	VME-11707904
	11088795	60001-61000	P-SP-14	120 mm	230 mm	VME-11707904
	11088795	60188-61000	P-SP-14	120 mm	230 mm	VME-11707904
STEERING	11107381	60188-61000	P-UB-15	70 mm	125 mm	VME-15012903
	11107382	60188-61000	P-UB-15	70 mm	125 mm	VME-15012903
STEERING LH	11088529	60001-61000	P-UB-15	70 mm	125 mm	VME-11707902
STEERING RH	11088531	60001-61000	P-UB-15	70 mm	125 mm	VME-11707902
TILT	11088625	60001-61000	P-UB-14	90 mm	190 mm	VME-11707903
	11088625	60188-61000	P-UB-14	90 mm	190 mm	VME-11707903
MODEL L330C BM						
LIFT	11088626	-60086	P-SP-14	120 mm	230 mm	VME-11707904
	11088795	60087-	P-SP-14	120 mm	230 mm	VME-11707904
STEERING	11107381	60001-60187	P-UB-15	70 mm	125 mm	VME-15012903
	11107382	60001-60187	P-UB-15	70 mm	125 mm	VME-15012903
TILT	11088625	60001-60187	P-UB-14	90 mm	190 mm	VME-11707903
MODEL L330C LL						
LIFT	11088626	60001-60086	P-SP-14	120 mm	230 mm	VME-11707904
	11088795	60001-61000	P-SP-14	120 mm	230 mm	VME-11707904
	11088795	68052-70000	P-SP-14	120 mm	230 mm	VME-11707904
STEERING	11107381	68052-70000	P-UB-15	70 mm	125 mm	VME-15012903
	11107382	68052-70000	P-UB-15	70 mm	125 mm	VME-15012903
STEERING LH	11088529	60001-61000	P-UB-15	70 mm	125 mm	VME-11707902
STEERING RH	11088531	60001-61000	P-UB-15	70 mm	125 mm	VME-11707902
TILT	11088625	60001-61000	P-UB-14	90 mm	190 mm	VME-11707903
	11088625	68052-70000	P-UB-14	90 mm	190 mm	VME-11707903

LR - Long Reach SLF - Super Long Front QF - Quick Fit FS - Front Shovel MH - Material Handle AS - Articulate Slope

Replacement Kits For

VOLVO

Loaders - Wheel						
APPLICATION	CYL #	SERIAL #	CODE	ROD	BORE	KIT #
MODEL L330C LL BM						
LIFT	11088626	-60086	P-SP-14	120 mm	230 mm	VME-11707904
	11088795	60087-	P-SP-14	120 mm	230 mm	VME-11707904
STEERING	11107381	60001-60189	P-UB-15	70 mm	125 mm	VME-15012903
	11107382	60001-60189	P-UB-15	70 mm	125 mm	VME-15012903
TILT	11088625	60001-60189	P-UB-14	90 mm	190 mm	VME-11707903
MODEL L330D						
LIFT	11107383	61001-70000	P-UB-10	110 mm	200 mm	VME-11707905
STEERING	11107981	61001-70000	P-UB-15	70 mm	125 mm	VME-15012903
	11107982	61001-70000	P-UB-15	70 mm	125 mm	VME-15012903
TILT	11107148	-61084	P-UB-10	90 mm	170 mm	VME-11709226
	11107494	61085-62017	P-UB-10	90 mm	170 mm	VME-11709226
	11107505	62018-	P-UB-10	90 mm	170 mm	VME-11709226
MODEL L330E						
LIFT	11107579	-62117	P-UB-10	110 mm	200 mm	VME-11707905
	11107865	62118-	P-UB-10	110 mm	200 mm	VME-11707905
	11107867	62006-99999	P-UB-10	120 mm	230 mm	VME-11712156
STEERING	11107381	62006-99999	P-UB-15	70 mm	125 mm	VME-15012903
	11107382	62006-99999	P-UB-15	70 mm	125 mm	VME-15012903
	11107929	62006-99999	P-UB-15	70 mm	125 mm	VME-15012903
	11107930	62006-99999	P-UB-15	70 mm	125 mm	VME-15012903
TILT	11088625	62006-99999	P-UB-14	90 mm	190 mm	VME-11707903
	11107866	62006-99999	P-UB-10	90 mm	170 mm	VME-11709226
MODEL L480						
STEERING	2541333	830A101-	P-UB-10	2-3/4	6	VME-2542568
MODEL L480B						
STEERING	12584868	830BC00301-	P-UB-10	2-3/4	6	VME-2542568
MODEL L480T						
STEERING	2541333	829A201-	P-UB-10	2-3/4	6	VME-2542568
Motor Graders						
APPLICATION	CYL #	SERIAL #	CODE	ROD	BORE	KIT #
MODEL 710-740A						
CIRCLE SHIFT	89013	24736-;24483;24598;24599;24619;24620	I-U-5	2	4	VME-12724303
MODEL 750A & 780A						
CIRCLE TURN	89011	24736-;24483;24598;24599;24619;24620	I-U-5	1-3/8	3	VME-12724304
MODEL G930						
ARTICULATION	12744475	39300-99999;501000-	I-U-5	2	4-1/2	VME-12743310
Scrapers						
APPLICATION	CYL #	SERIAL #	CODE	ROD	BORE	KIT #
MODEL T450D						
STEERING	11296028	17001-99999	I-UB-10	70 mm	120 mm	VME-11712388
Wheel Dozers						
APPLICATION	CYL #	SERIAL #	CODE	ROD	BORE	KIT #
MODEL 180						
PITCH	1503598	2892-2942;2LC52-;2LG101-	P-V-10	2-3/4	6	VME-2516065
TILT	1503598	1896;1898-1902;2823-2891;1823-1895;1897;1903;1904	P-V-10	2-3/4	6	VME-2516065

LR - Long Reach SLF - Super Long Front QF - Quick Fit FS - Front Shovel MH - Material Handle AS - Articulate Slope

VOLVO

Replacement Kits For

Wheel Dozers						
APPLICATION	CYL #	SERIAL #	CODE	ROD	BORE	KIT #
MODEL 180						
TILT	1503986	2892-2942;2LC52-;2LG101-	P-V-10	1-3/4	3-1/2	VME-2516071
MODEL 180-III						
LIFT	1503608	5LC101-;6LG101-;4035B101FSC-	P-U-10	2	5	VME-2516059
PITCH	1503598	5LC101-;6LG101-;4035B101FSC-	P-V-10	2-3/4	6	VME-2516065
STEERING	1503987	5LC101-;6LG101-;4035B101FSC-	P-V-10	1-3/4	3-1/2	VME-2516071
TILT	1503986	5LC101-;6LG101-;4035B101FSC-	P-V-10	1-3/4	3-1/2	VME-2516071
MODEL 280						
LIFT	1503604	32123-32999;1MC156-3MC999;1MG1-3MG999	P-V-10	2-3/4	6	VME-2516065
PITCH	1503607	32123-32999;1MC156-3MC999;1MG1-3MG999	P-V-10	2-3/4	6	VME-2516065
MODEL 280B						
LIFT	2522607	498A;499A	P-U-10	2-3/4	6	VME-2538182
	962698	498A;499A	P-UB-10	2-3/4	6	VME-2542568
PITCH	964665	498A;499A	P-UB-10	2	4-1/2	VME-2551398
STEERING	2528419	498A;499A	P-U-10	2-1/4	5-1/4	VME-2538181
	964663	498A;499A	P-UB-10	2-1/4	5-1/4	VME-2551399
TILT	2522880	498A;499A	P-U-10	2-1/4	5-1/4	VME-2538181
	964662	498A;499A	P-UB-10	2-1/4	5-1/4	VME-2551399
MODEL 280C						
LIFT	12565916	819A	P-U-10	2-3/4	6	VME-2538182
	2522607	819A	P-U-10	2-3/4	6	VME-2538182
	962698	819A	P-UB-10	2-3/4	6	VME-2542568
PITCH	964665	819A	P-UB-10	2	4-1/2	VME-2551398
STEERING	2528419	819A	P-U-10	2-1/4	5-1/4	VME-2538181
	964663	819A	P-UB-10	2-1/4	5-1/4	VME-2551399
TILT	2522880	819A	P-U-10	2-1/4	5-1/4	VME-2538181
	964662	819A	P-UB-10	2-1/4	5-1/4	VME-2551399
MODEL 280-III						
LIFT	1503604	4MC102-6MC999;4MG101-8MG999	P-V-10	2-3/4	6	VME-2516065
PITCH	1503607	4MC102-6MC999;4MG101-8MG999	P-V-10	2-3/4	6	VME-2516065
MODEL 280-III A						
LIFT	1503604	8AMC192-;9AMG425-;4047B101FSC;456B101-999;456C101-145C;460D101C-130C	P-V-10	2-3/4	6	VME-2516065
	1503605	8AMC101-8AMC192;9AMG125-9AMG424	P-U-10	2-1/4	5-1/2	VME-2516094
	2522607	456C146C-;460D131C-	P-U-10	2-3/4	6	VME-2538182
PITCH	964665	460D131C-	P-UB-10	2	4-1/2	VME-2551398
STEERING	1503241	8AMC101-8AMC217;9AMG125-9AMG469	P-U-10	2-1/4	5-1/2	VME-2516094
	1503606	456B101-999;456C101-145C	P-U-10	2-1/4	5-1/2	VME-2516094
	1515236	3AMC218-;9AMG470-;4047B101FSC-;456B101-999;456C101C-145C;460D101-130C	P-U-10	2-1/4	5-1/2	VME-2516094
	2522880	456C146C-	P-U-10	2-1/4	5-1/4	VME-2538181
	2522932	456C146C-;460D131C-	P-U-10	2-1/4	5-1/4	VME-2538181
	964584	456C146C-	P-UB-10	2-1/4	5-1/4	VME-2551399
TILT	1503606	8AMC101-9AMC999;9AMG122;9AMG124-;4047B101FSC-;460D101-130C	P-U-10	2-1/4	5-1/2	VME-2516094

LR - Long Reach SLF - Super Long Front QF - Quick Fit FS - Front Shovel MH - Material Handle AS - Articulate Slope

VOLVO

Replacement Kits For

Wheel Dozers						
APPLICATION	CYL #	SERIAL #	CODE	ROD	BORE	KIT #
MODEL 280-IIIA						
TILT	2522880	460D131C-	P-U-10	2-1/4	5-1/4	VME-2538181
	964662	460D131C-	P-UB-10	2-1/4	5-1/4	VME-2551399
MODEL 380B						
LIFT	12568715	813A;813B;813BC	P-UB-10	2-3/4	6	VME-2542568
	12572636	813A;813B;813BC	P-UB-10	2-3/4	6	VME-2542568
	1510225	418F101K-114K;484B101K-108K;434C101K-104K	P-V-10	2-3/4	6	VME-2516065
	2522115	418F115K-;484B109K-;434C105K-;484C101C-136C	P-U-10	2-3/4	6	VME-2538182
	2522115	808A101C-110C;810A101C-999C;434D101C-999C	P-U-10	2-3/4	6	VME-2538182
	2552344	418F;484B;434C;813A;813B;813BC	P-U-10	2-3/4	6	VME-2538182
	2556914	813A;813B;813BC	P-UB-10	2-3/4	6	VME-2542568
	962697	484C101C-136C;808A101C-110C;810A101C-999C;434D101C-999C	P-UB-10	2-3/4	6	VME-2542568
	964787	484C137C-999C;808A111C-999C;808A101CAC-;484C101CAC-;810A101CAC-	P-UB-10	2-3/4	6	VME-2542568
PITCH	1505457	418F101K-114K;484B101K-108K;434C101K-104K	P-U-10	2-1/4	5-1/2	VME-2516094
	2522411	418F115K-;484B109K-;434C105K-;484C;808A;434D;810A;813A;813B;813BC	P-U-10	2-1/4	5-1/4	VME-2538181
	2556971	813A;813B;813BC	P-UB-10	2-1/4	5-1/4	VME-2551399
	964583	418F115K-;484B109K-;434C105K-;484C;808A;434D;810A;813A;813B;813BC	P-UB-10	2-1/4	5-1/4	VME-2551399
STEERING	2522598	418F115K-;484B109K-;434C105K-;484C;808A;434D;810A;813A;813B;813BC	P-UB-10	3-1/2	8	VME-2538186
TILT	2522120	418F115K-;484B109K-;434C105K-;484C;808A;434D;810A;813A;813B;813BC	P-U-10	2-3/4	6	VME-2538182
	964577	418F115K-;484B109K-;434C105K-;484C;808A;434D;810A;813A;813B;813BC	P-UB-10	2-3/4	6	VME-2542568
MODEL 380-III						
LIFT	1503610	5RG101-	P-U-10	2-3/4	7	VME-2516148
TILT	1503603	5RG101-	P-V-10	2-3/4	6	VME-2516065
MODEL 380-IIIA						
LIFT	1510225	418A406-;418D;484A;434A	P-V-10	2-3/4	6	VME-2516065
	1531615	418A101-418A405;434A	P-V-10	2-3/4	6	VME-2516065
PITCH	1505457	418A101-999;418D;484A;434A	P-U-10	2-1/4	5-1/2	VME-2516094
MODEL W380						
TILT	2561629		P-UB-10	2-3/4	6	VME-2542568

LR - Long Reach SLF - Super Long Front QF - Quick Fit FS - Front Shovel MH - Material Handle AS - Articulate Slope

REPLACEMENT KITS FOR VOLVO EQUIPMENT

Kit Number	Code (Pg. xiv)	Rod X Bore Size	Kit Number	Code (Pg. xiv)	Rod X Bore Size
VME-11000107	P-U-15	60 X 125 mm	VME-11709965	P-UB-10	90 X 160 mm
VME-11088272	Wear Ring	100 X 18	VME-11709998	P-UB-10	70 X 110 mm
VME-11370055	I-UB-10	50 X 100 mm	VME-11711945	P-U-10	90 X 150 mm
VME-11370750	P-U-10	65 X 125 mm	VME-11712156	P-UB-10	120 X 230 mm
VME-11370773	P-U-10	50 X 110 mm	VME-11712387	I-UB-10	60 X 100 mm
VME-11370826	P-U-10	50 X 100 mm	VME-11712388	I-UB-10	70 X 120 mm
VME-11700151	P-U-15	70 X 120 mm	VME-11714561	P-UB-10	60 X 100 mm
VME-11700176	P-UB-13	90 X 160 mm	VME-11715864	P-UB-10	70 X 120 mm
VME-11701531	P-UB-14	120 X 250 mm	VME-11715865	P-UB-10	70 X 125 mm
VME-11701665-9	P-U-15	70 X 110 mm	VME-11990026	P-U-15	60 X 120 mm
VME-11702311	P-U-10	32 X 70 mm	VME-11990027	P-U-15	70 X 125 mm
VME-11702744	P-UB-10	105 X 150 mm	VME-11990028	P-UB-15	60 X 110 mm
VME-11702757	P-UB-10	125 X 170 mm	VME-11990029	P-U-15	70 X 140 mm
VME-11703474	P-UB-10	100 X 150 mm	VME-11990050	P-U-15	50 X 80 mm
VME-11703689	P-U-10	50 X 100 mm	VME-11990060	P-U-1	20 mm Rod Kit
VME-11703860	P-UB-14	120 X 260 mm	VME-11990070	P-U-15	70 X 110 mm
VME-11704254	P-U-15	32 X 63 mm	VME-11990106	P-U-15	40 X 80 mm
VME-11705087	P-U-10	16 X 32 mm	VME-11990158	P-U-15	80 X 160 mm
VME-11705814	P-UB-10	95 X 140 mm	VME-11990170-0	P-U-15	80 X 140 mm
VME-11705815	P-UB-10	105 X 150 mm	VME-11990175	P-U-1	25 mm Rod Kit
VME-11705818	P-UB-10	110 X 160 mm	VME-11990180	P-U-15	50 X 100 mm
VME-11705882	P-UB-10	90 X 190 mm	VME-11990181	P-U-15	60 X 100 mm
VME-11707023	P-UB-10	70 X 130 mm	VME-11990243	P-U-15	45 X 80 mm
VME-11707024	P-UB-10	80 X 180 mm	VME-11990244	P-U-15	50 X 90 mm
VME-11707025	P-UB-10	90 X 170 mm	VME-11990347	P-U-15	50 X 90 mm
VME-11707026	P-UB-10	90 X 190 mm	VME-11990348	P-UB-14	120 X 250 mm
VME-11707027	P-UB-10	120 X 260 mm	VME-11990349	P-UB-14	90 X 170 mm
VME-11707028	P-UB-10	90 X 190 mm	VME-11990351-6	P-U-13	70 X 135 mm
VME-11707029	P-UB-10	110 X 230 mm	VME-11990395	P-UB-14	120 X 260 mm
VME-11707030	P-UB-10	120 X 250 mm	VME-11990396	P-UB-14	90 X 190 mm
VME-11707031	P-UB-10	120 X 260 mm	VME-11990398	P-U-15	50 X 100 mm
VME-11707447	P-UB-10	90 X 170 mm	VME-11990404	P-U-15	70 X 140 mm
VME-11707450	P-UB-10	120 X 230 mm	VME-11990405	P-UB-15	60 X 125 mm
VME-11707451	P-UB-10	120 X 250 mm	VME-11990437	P-U-15	70 X 125 mm
VME-11707902	P-UB-15	70 X 125 mm	VME-11990438	P-U-15	60 X 90 mm
VME-11707903	P-UB-14	90 X 190 mm	VME-11990439	P-U-15	40 X 63 mm
VME-11707904	P-SP-14	120 X 230 mm	VME-11991589	75,120,140 mm Telescopic	
VME-11707905	P-UB-10	110 X 200 mm	VME-11993103	75,120,140 mm Telescopic	
VME-11708825	P-UB-10	80 X 150 mm	VME-11993103-8	75,120,140 mm Telescopic	
VME-11708833	P-UB-10	110 X 220 mm	VME-11993411	75,95,105,120,140 mm Telescopic	
VME-11709018	P-UB-10	90 X 160 mm	VME-11997089-5	P-U-14	105 X 160 mm
VME-11709019	P-UB-10	90 X 180 mm	VME-11997091-1	P-UB-14	90 X 140 mm
VME-11709025	P-UB-10	120 X 250 mm	VME-11997225	P-U-15	80 X 125 mm
VME-11709026	P-UB-10	110 X 230 mm	VME-11997226	P-U-14	105 X 150 mm
VME-11709028	P-UB-15	50 X 100 mm	VME-11997227	P-U-14	50 X 70 mm
VME-11709029	P-UB-15	50 X 90 mm	VME-11998574	P-U-13	70 X 140 mm
VME-11709111	P-U-10	16 X 32 mm	VME-11998575	P-U-13	100 X 140 mm
VME-11709226	P-UB-10	90 X 170 mm	VME-11998809	P-UB-14	80 X 150 mm
VME-11709384	P-UB-10	90 X 160 mm	VME-11998810	P-UB-13	70 X 100 mm
VME-11709817	P-UB-15	50 X 80 mm	VME-11999362	P-U-15	25 X 45 mm
VME-11709829	P-UB-10	70 X 120 mm	VME-11999887	P-UB-10	32 X 70 mm
VME-11709832	P-UB-10	90 X 180 mm	VME-11999892	P-UB-14	110 X 230 mm
VME-11709872	P-UB-15	45 X 70 mm			

REPLACEMENT KITS FOR VOLVO EQUIPMENT

VOLVO

Kit Number	Code (Pg. xiv)	Rod X Bore Size
VME-11999893	P-UB-14	90 X 190 mm
VME-11999894	P-UB-14	80 X 160 mm
VME-11999895	P-UB-14	70 X 130 mm
VME-11999906	P-UB-15	50 X 80 mm
VME-11999907	P-U-15	40 X 70 mm
VME-12619709	I-UB-10	4,7
VME-12724303	I-U-5	2 X 4 mm
VME-12724304	I-U-5	1-3/8 X 3
VME-12724306	I-U-5	2 X 3-1/2
VME-12743310	I-U-5	2 X 4-1/2
VME-12969637		VALVE KIT
VME-14510588	P-UB-14	80 X 160 mm
VME-14510910	P-U-10	25 X 50 mm
VME-14510911	P-U-10	32 X 70 mm
VME-14510912	P-U-10	32 X 90 mm
VME-14512948	P-UB-10	105 X 160 mm
VME-14512950	P-UB-10	115 X 175 mm
VME-14512955	P-UB-10	105 X 160 mm
VME-14512961	P-UB-10	100 X 145 mm
VME-14513714	P-UB-10	95 X 140 mm
VME-14513715	P-UB-10	105 X 150 mm
VME-14513726	P-UB-10	110 X 165 mm
VME-14513727	P-UB-10	130 X 190 mm
VME-14514454	P-UB-10	90 X 130 mm
VME-14514455	P-UB-10	90 X 135 mm
VME-14514456	P-UB-10	105 X 160 mm
VME-14514457	P-UB-10	100 X 140 mm
VME-14515051	P-UB-10	80 X 125 mm
VME-14515052	P-UB-10	95 X 135 mm
VME-14515053	P-UB-10	80 X 120 mm
VME-14516932	P-UB-10	70 X 105 mm
VME-14516933	P-UB-10	70 X 110 mm
VME-14516934	P-UB-10	90 X 160 mm
VME-14517001	P-UB-10	90 X 130 mm
VME-14519359	P-UB-10	110 X 170 mm
VME-14519503	P-UB-10	75 X 115 mm
VME-14519504	P-UB-10	75 X 105 mm
VME-14519505	P-UB-10	80 X 120 mm
VME-14519624	P-UB-10	95 X 140 mm
VME-14522992	P-U-10	32 X 90 mm
VME-14523116	P-U-10	25 X 50 mm
VME-14523132	P-U-10	32 X 70 mm
VME-14530716	P-UB-10	60 X 90 mm
VME-14530717	P-UB-10	95 X 130 mm
VME-14530718	P-UB-10	55 X 100 mm
VME-14530719	P-UB-10	55 X 80 mm
VME-14530833	P-UB-10	70 X 105 mm
VME-14541717	P-UB-10	95 X 140 mm
VME-14547310	P-UB-10	70 X 100 mm
VME-14589199	P-UB-14	95 X 140 mm
VME-15012903	P-UB-15	70 X 125 mm
VME-1991086	P-U-10	1-3/4 X 3-1/2

Kit Number	Code (Pg. xiv)	Rod X Bore Size
VME-1991089	PTR-10	2-3/4 X 6
VME-2516054	P-V-10	2-1/4 X 4-1/4
VME-2516055	I-U-10	1 X 2-1/2
VME-2516058	P-U-10	2-1/4 X 5
VME-2516059	P-U-10	2 X 5
VME-2516060	I-U-10	2-1/4 X 5
VME-2516061	P-U-10	2-1/4 X 5
VME-2516065	P-V-10	2-3/4 X 6
VME-2516070	P-V-10	2-1/4 X 4-1/2
VME-2516071	P-V-10	1-3/4 X 3-1/2
VME-2516072	I-U-10	1-3/4 X 3-1/2
VME-2516073	P-U-10	2 X 3-1/2
VME-2516088	P-U-10	2 X 4
VME-2516090	P-U-10	2 X 4
VME-2516094	P-U-10	2-1/4 X 5-1/2
VME-2516148	P-U-10	2-3/4 X 7
VME-2516151	P-V-10	2 X 4-1/2
VME-2516152	P-V-10	2-1/4 X 4-1/2
VME-2516155	P-V-10	2-3/4 X 7
VME-2516156	I-U-10	2-1/4 X 5-1/4
VME-2516187	P-U-10	3-1/2 X 8
VME-2516228	I-U-10	3-1/2 X 9
VME-2516230	P-V-10	4-1/2 X 9
VME-2516242	P-V-10	3-1/2 X 9
VME-2516270	P-U-10	1-3/4 X 3-1/2
VME-2516271	P-V-10	2 X 4-1/2
VME-2516272	I-U-10	1-1/4 X 2-1/2
VME-2516274	P-V-10	2-1/4 X 5-1/4
VME-2518493	P-V-10	2-3/4 X 6
VME-2518494	P-V-10	2-3/4 X 7
VME-2526058	P-U-10	2-3/4 X 7
VME-2530107	P-U-10	2 X 4
VME-2530108	P-U-10	2-1/4 X 5
VME-2538174	P-U-10	1-3/4 X 3-1/2
VME-2538177	P-U-10	1-3/4 X 3-1/2
VME-2538178	P-U-10	2 X 4-1/2
VME-2538179	P-U-10	2-1/4 X 4-1/2
VME-2538180	P-U-10	3-1/2 X 9
VME-2538181	P-U-10	2-1/4 X 5-1/4
VME-2538182	P-U-10	2-3/4 X 6
VME-2538183	P-U-10	2-3/4 X 7
VME-2538184	P-UB-10	2 X 3-1/2
VME-2538186	P-UB-10	3-1/2 X 8
VME-2538187	P-U-10	2-3/4 X 5
VME-2538193	P-U-10	4 X 9
VME-2541637	P-U-10	3 X 7
VME-2542568	P-UB-10	2-3/4 X 6
VME-2542569	P-UB-10	2-3/4 X 5
VME-2542570	P-UB-10	1-3/4 X 3-1/2
VME-2542571	P-UB-10	3 X 7
VME-2542574	P-UB-10	4 X 9
VME-2542576	P-UB-10	2-1/4 X 4-1/2

REPLACEMENT KITS FOR VOLVO EQUIPMENT

Kit Number	Code (Pg. xiv)	Rod X Bore Size
VME-2542577	P-UB-10	2-1/4 X 5
VME-2551396	P-UB-10	3-1/2 X 9
VME-2551397	P-UB-10	2-3/4 X 7
VME-2551398	P-UB-10	2 X 4-1/2
VME-2551399	P-UB-10	2-1/4 X 5-1/4
VME-2551403	P-UB-10	2 X 4
VME-2562115	P-UB-10	2-3/4 X 5
VME-2562116	P-UB-10	3-1/2 X 7-1/2
VME-2562117	P-UB-10	4-1/2 X 9
VME-2906622	P-U-10	32 X 70 mm
VME-2907070	P-U-10	50 X 85 mm
VME-2907081	P-U-10	45 X 80 mm
VME-2907091	P-U-10	55 X 100 mm
VME-2907389	P-U-10	63 X 125 mm
VME-2907415	P-U-10	50 X 110 mm
VME-6213407	70,105,120,140 mm Telescopic	
VME-6630100	70,105,120,140 mm Telescopic	
VME-6630443	P-U-15	70 X 100 mm
VME-6630443-7	P-U-15	70 X 100 mm
VME-6630475	P-U-1	20 mm Rod Kit
VME-6630498-1	P-U-15	70 X 140 mm
VME-6630510	P-U-15	80 X 170 mm
VME-6630511	P-U-15	50 X 110 mm
VME-6630513	P-U-15	50 X 100 mm

Kit Number	Code (Pg. xiv)	Rod X Bore Size
VME-6630560	P-U-15	40 X 80 mm
VME-6630562	P-U-15	50 X 100 mm
VME-6630564	P-U-15	50 X 100 mm
VME-6630637-4	P-U-15	60 X 110 mm
VME-6630650	P-U-15	50 X 100 mm
VME-6630574	P-U-15	36 X 75 mm
VME-6630661	P-U-15	32 X 63 mm
VME-6630662	P-U-15	40 X 80 mm
VME-6630749	P-U-15	28 X 63 mm
VME-6630839	60,75,90,105,120,140 mm Tele.	
VME-6630843-8	P-U-15	60 X 100 mm
VME-6630852	75,90,105,120,140,160 mm Tele.	
VME-6630858	P-U-15	50 X 90 mm
VME-6630909	P-U-15	36 X 70 mm
VME-6630938	P-U-15	70 X 140 mm
VME-814810131	P-UB-14	100 X 140 mm
VME-814810151	P-UB-14	90 X 130 mm
VME-814816020	P-UB-14	105 X 160 mm
VME-814816030	P-UB-14	105 X 150 mm
VME-814816040	P-UB-14	115 X 170 mm
VME-814816130	P-UB-14	105 X 160 mm
VME-814816140	P-UB-14	115 X 170 mm
VME-814816150	P-UB-14	115 X 150 mm

WABCO TRUCKS

Kit Number	Code (Pg. xiv)	Rod X Bore Size
WBC-587294	3 Stage Tele.	6-1/4, 8-1/8, 9-3/4
WBC-AK0076	2-1/2 X 5	P-U-10
WBC-AK0700	3 Stage Tele	3-3/4, 5-1/4, 6-3/4
WBC-RK1655	3 Stage Tele.	3-3/4, 5-1/4, 6-3/4

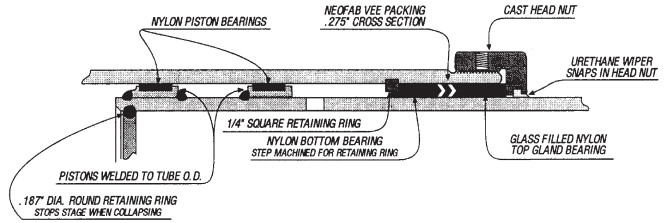
WALTCO LIFT GATE

Kit Number	Code (Pg. xiv)	Rod X Bore Size
WC-1111-5	1-1/4 X 4	I-OB-10
WC-20280095	1-3/4 X 4	I-OB-10
WC-2500	1-3/4 X 4	I-OB-10
WC-70270081	2 X 4-3/4	I-OB-3
WC-70270091	2 X 4-3/4	N-OB-3
WC-70270681	2 X 4-3/4	I-U-4
WC-LD-81	1-1/4 X 4	I-OB-10

WARD TELESCOPIC CYLINDER PARTS

PACKING: Vee packing with top and bottom adapters. All .275 c.s.
WIPERS: Urethane snap-in type.
BEARINGS: Originally nylon, reinforced with metal. Outer bearing is flat on both sides. Inner bearing is step-cut on o.d. to pilot over snap ring.
PISTON: Steel, welded to stage. Double action has 3 replaceable nylon wear rings and 2 cast iron piston rings in separate grooves. Single action has 2 replaceable nylon wear rings.
STAGE O.D.'s: 3.950", 4.950", 5.950", 6.950", 7.950", 8.950"
SPECIAL INFO. 1/4" spring steel snap ring serves as internal stop. Gland collars are cast steel, have square reliefs in casting and "ears" on bottom of gland collar for set screw.

WARD CO



Part Number	Description
PACKING & WIPER	
WD-3VSW	2.950" I.D. Vee Set & Wiper
WD-4VSW	3.950" I.D. Vee Set & Wiper
WD-5VSW	4.950" I.D. Vee Set & Wiper
WD-6VSW	5.950" I.D. Vee Set & Wiper
WD-7VSW	6.950" I.D. Vee Set & Wiper
WD-8VSW	7.950" I.D. Vee Set & Wiper
WD-9VSW	8.950" I.D. Vee Set & Wiper
TOP BEARINGS	
WD-4NGTB	3.950" I.D. Top Bearing
WD-5NGTB	4.950" I.D. Top Bearing
WD-6NGTB	5.950" I.D. Top Bearing
WD-7NGTB	6.950" I.D. Top Bearing
WD-8NGTB	7.950" I.D. Top Bearing
WD-9NGTB	8.950" I.D. Top Bearing
BOTTOM BEARINGS	
WD-4NGBB	3.950" I.D. Bottom Bearing
WD-5NGBB	4.950" I.D. Bottom Bearing
WD-6NGBB	5.950" I.D. Bottom Bearing
WD-7NGBB	6.950" I.D. Bottom Bearing
WD-8NGBB	7.950" I.D. Bottom Bearing
WD-9NGBB	8.950" I.D. Bottom Bearing
PISTON WEAR RINGS	
WD310-737-40	4-1/2" O.D. Piston Wear Rings
WD310-737-50	5-1/2" O.D. Piston Wear Rings
WD310-764-60	6-1/2" O.D. Piston Wear Rings
WD310-764-70	7-1/2" O.D. Piston Wear Rings
WD310-764-80	8-1/2" O.D. Piston Wear Rings
WD310-764-90	9-1/2" O.D. Piston Wear Rings
SNAP RINGS	
WD560-009-40	4-1/2" Stage I.D. Snap Ring
WD560-009-90	9-1/2" Stage I.D. Snap Ring

Part Number	Description
PISTON RINGS - DOUBLE ACTION ONLY	
WD505-066-17	4-1/2" O.D. Piston Ring
WD505-066-24	5-1/2" O.D. Piston Ring
WD505-066-28	6-1/2" O.D. Piston Ring
WD505-066-35	7-1/2" O.D. Piston Ring
WD505-066-38	8-1/2" O.D. Piston Ring
WD505-066-40	9-1/2" O.D. Piston Ring
KITS	
WD-48	4" - 8" Vee Sets & Wipers
WD-49	4" - 9" Vee Sets & Wipers
WD-BNB48	4" - 8" Bottom Bearings
WD-BNB49	4" - 9" Bottom Bearings
WD-PR48	4-1/2" - 8-1/2" Piston Rings
WD-PR49	4-1/2" - 9-1/2" Piston Rings
WD-SR48	4" - 8" Snap Rings
WD-SR49	4" - 9" Snap Rings
WD-TNB48	4" - 8" Top Bearings
WD-TNB49	4" - 9" Top Bearings
WD-WR48	4-1/2" - 8-1/2" Piston Wear Rings
WD-WR49	4-1/2" - 9-1/2" Piston Wear Rings

WHITE LIFT TRUCK

Kit Number	Code (Pg. xiv)	Rod X Bore Size
WLT-20-7300283	I-U-4	1-3/4 X 4
WLT-20-7302715	I-U-10	1-1/2 X 3-1/2
WLT-30-3305457	P-U-10	1-1/2 X 3-1/2

WHITEMAN / CONSPRAY

Kit Number	Code (Pg. xiv)	Rod X Bore Size
WCS-02KS-4963	I-U-11	3 X 4
WCS-02KS-4964	I-U-5	3-1/2 X 8
WCS-02KS-4966	I-U-10	5-1/2 X 6-1/2
WCS-02KS-85A		Pump Kit
WCS-02KS-954		6" Rod Kit
WCS-05KS-8451	I-U-10	1-3/4 X 3-1/4

YALE LIFT TRUCKS

Kit Number	Code (Pg. xiv)	Rod X Bore Size
YA-066414600	4-1/16 Rod Wiper	
YA-5001689-04	4-1/16 ID Vee Set	
YA-502566003	I-N-8	2-1/2 X 3-1/2
YA-502566004	I-N-8	2 X 3-1/2
YA-503130000	P-V-4	2 X 3-1/4
YA-504236229	P-U-10	2-1/8 X 2-3/4
YA-504236245	P-U-10	1-3/8 X 3
YA-504853000	I-U-5	1-1/4 X 3
YA-504857000	I-N-8	2-1/4 X 4
YA-5048620	I-N-8	1-3/4 X 2-1/2
YA-505136003	I-N-8	2-1/2 X 3-1/2
YA-505136004	I-N-8	2 X 3-1/2
YA-505136007	I-U-1	1-5/8 X 2-1/4
YA-505136008	I-U-1	1-5/16 X 2-1/4
YA-505136009	I-U-1	3-1/4" Rod
YA-505136010	I-U-1	1-7/8 X 2-1/2
YA-505136012	I-U-11	1-7/8 X 2-1/4
YA-505136013	I-U-1	2-5/8 Rod Kit
YA-505136014	I-U-1	3-3/4 ROD
YA-505136015	I-U-10	2-5/8 X 3
YA-505136027	I-U-1	1-5/8 X 2
YA-505136028	i-u-4	1-3/8 x 2
YA-505136031	I-U-1	3 X 3-3/4
YA-505136035	I-U-4	1-3/8 X 2
YA-505136036	I-U-4	1-5/8 X 2
YA-505136037	I-U-12	1-3/8 X 2
YA-505136040	I-U-4	1-5/8 X 1-7/8
YA-505136059	I-U-1	1-1/4 X 1-3/4
YA-505142000	I-V-1	3-3/8, 4-1/16 Stages
YA-505143000	I-V-1	2-1/2, 3 Stages
YA-505163001	ROD KIT	
YA-506785001	I-N-8	2-1/4 X 4
YA-506786002	I-N-8	2-3/4 X 4
YA-506787001	I-N-8	2-3/4 X 4-1/2
YA-506788001	I-N-8	2-3/4 X 4-1/2
YA-507016002	I-V-5	1-1/2 x 4
YA-509753000	I-V-12	1 X 2

YALE LIFT TRUCKS

Kit Number	Code (Pg. xiv)	Rod X Bore Size
YA-510078000	I-U-5	1 X 2-1/2
YA-510398000	I-V-1	2-1/4, 3, 3-3/4 Stages
YA-510659001	I-V-2	1-1/4 X 3-1/2
YA-512944003	I-U-10	1 X 2
YA-513355800	O-RING KIT	
YA-514527000	I-V-1	3, 3-3/4 Stages
YA-515229000	I-U-4	2-1/4 X 3-3/4
YA-516149002	I-U-11	1 X 2
YA-516149005	I-U-11	1 X 2
YA-516149006	I-U-11	1-1/8 X 2-1/2
YA-5178128-17	SHAFT KIT	
YA-518617001	I-V-10	1-1/4 X 2-1/2
YA-519132600	I-U-5	1-3/4 X 3-1/2
YA-519675801	O-RING KIT	
YA-580026957	P-U-10	2-1/8 X 2-3/4
YA-580060036	P-U-10	2-1/8 X 2-3/4
YA-900299851	65 mm, 80 mm 2 Stage	
YA-900847850	P-U-10	25 X 60 mm
YA-900879850	I-U-3	35 X 80 mm
YA-901115850	P-U-1	32 mm Rod Kit
YA-9012238-07	P-U-10	40 X 70 mm
YA-9017888-10	P-U-10	35 X 70 mm
YA-9019058-52	P-U-10	35 X 65 mm
YA-9022018-50	SHAFT KIT	
YA-9042841-00	VALVE KIT	

YAN MAR EXCAVATORS

Kit Number	Code (Pg. xiv)	Rod X Bore Size
YAN-172147-99340	P-U-14	55 X 95 mm
YAN-172425-72500	P-U-1	55 mm Rod Kit
YAN-172425-72600	N-N-14	90 mm Piston Kit
YAN-933138-70699	P-U-5	40 X 88 mm
YAN-933711-33599	P-U-5	50 X 80 mm
YAN-933711-34799	P-U-5	40 X 75 mm

Replacement Kits For

YUTANI

Excavators					
APPLICATION	CYL #	CODE	ROD	BORE	KIT #
MODEL MD-120LC					
ARM	2438U983F1	P-UB-1	80 mm		YUT-2438U928R100
BOOM L	2438U923F1	P-UB-1	70 mm		YUT-2438U922R100
BOOM R	2438U922F1	P-UB-1	70 mm		YUT-2438U922R100
BUCKET	2438U897F1	P-UB-1	65 mm		YUT-2438U897R100
	2438U897F1	P-UB-1		100 mm	YUT-2438U897R110
MODEL MD-140BLC					
ARM	2438U973F1	N-N-10		120 mm	YUT-2438U973R200
	2438U973F1	P-UB-1	80 mm		YUT-2438U973R100
BOOM L	2438U972F2	P-UB-1	70 mm		YUT-2438U971R100
	2438U972F2	N-N-10		105 mm	YUT-2438U971R200
BOOM R	2438U971F2	P-UB-1	70 mm		YUT-2438U971R100
	2438U971F2	N-N-10		105 mm	YUT-2438U971R200
BUCKET	2438U974F1	N-N-10		100 mm	YUT-2438U974R200
	2438U974F1	P-UB-10	65 mm		YUT-2438U974R100
MODEL MD-180LC					
ARM	2438U921F1	P-UB-1	95 mm		YUT-2438U921R100
	2438U921F1	N-N-10		145 mm	YUT-2438U921R110
	2438U921F2	P-UB-1	95 mm		YUT-2438U921R100
	2438U921F2	N-N-10		145 mm	YUT-2438U921R110
	2438U982F1	P-UB-1	95 mm		YUT-2438U921R100
BOOM	2438U914D1F1	P-UB-1	85 mm		YUT-2438U914R100
	2438U914D2F1	P-UB-1	85 mm		YUT-2438U914R100
BOOM L	2438U981F1	P-UB-1	85 mm		YUT-2438U914R100
BOOM R	2438U980F1	P-UB-1	85 mm		YUT-2438U914R100
BUCKET	2438U915F1	P-UB-1	75 mm		YUT-2438U915R100
	2438U915F1	N-N-10		120 mm	YUT-2438U915R110
MODEL MD-200BLC					
ARM	2438U941F1	N-N-14		145 mm	YUT-2438U941R200
	2438U941F1	P-UB-1	100 mm		YUT-2438U941R100
BOOM L	2438U996F1	P-UB-1	85 mm		YUT-2438U996R100
	2438U996F1	N-N-14		125 mm	YUT-2438U996R200
BOOM R	2438U997F1	N-N-14		125 mm	YUT-2438U996R200
	2438U997F1	P-UB-1	85 mm		YUT-2438U996R100
BUCKET	2438U995F1	N-N-14		120 mm	YUT-2438U995R200
	2438U995F1	P-UB-1	80 mm		YUT-2438U995R100
MODEL MD-240BLC					
ARM	2438U953F1	N-N-10		150 mm	YUT-2438U953R200
	2438U953F1	P-UB-1	105 mm		YUT-2438U953R100
BOOM L	2438U1000F1	P-UB-1	90 mm		YUT-2438U999R100
	2438U1000F1	N-N-10		140 mm	YUT-2438U999R200
BOOM R	2438U999F1	P-UB-1	90 mm		YUT-2438U999R100
	2438U999F1	N-N-10		140 mm	YUT-2438U999R200
BUCKET	2438U959F1	N-N-10		130 mm	YUT-2438U959R200
	2438U959F1	P-UB-1	85 mm		YUT-2438U959R100
MODEL MD-300LC					
ARM	2438U1323F1	P-UB-1	110 mm		YUT-2438U1323R100

Replacement Kits For

YUTANI

Excavators					
APPLICATION	CYL #	CODE	ROD	BORE	KIT #
MODEL MD-300LC					
ARM	2438U1323F1	N-N-10		160 mm	YUT-2438U1323R110
BOOM	2438U776F1	P-UB-1	95 mm		YUT-2438U776R100
	2438U776F1	N-N-10		150 mm	YUT-2438U776R110
BUCKET	2438U1324F1	P-UB-1	100 mm		YUT-2438U1324R100
	2438U1324F1	N-N-10		150 mm	YUT-2438U1324R110
MODEL MD-450BLC					
ARM	2438U1029F1	N-N-14		180 mm	YUT-2438U1029R200
	2438U1029F1	P-UB-1	130 mm		YUT-2438U1029R100
BOOM	2438U1028D1F1	P-UB-1	110 mm		YUT-2438U1028R100
	2438U1028D1F1	N-N-14		170 mm	YUT-2438U1028R200
	2438U1028D2F1	P-UB-1	110 mm		YUT-2438U1028R100
	2438U1028D2F1	N-N-14		170 mm	YUT-2438U1028R200
BUCKET	2438U1030F1	N-N-14		170 mm	YUT-2438U1030R200
	2438U1030F1	P-UB-1	120 mm		YUT-2438U1030R100

REPLACEMENT KITS FOR YUTANI EQUIPMENT

Kit Number	Description
YUT-2438U1028R100	110 mm Rod Kit
YUT-2438U1028R200	170 mm Piston Kit
YUT-2438U1029R100	130 mm Rod Kit
YUT-2438U1029R200	180 mm Piston Kit
YUT-2438U1030R100	120 mm Rod Kit
YUT-2438U1030R200	170 mm Piston Kit
YUT-2438U1323R100	110 mm Rod Kit
YUT-2438U1323R110	160 mm Piston Kit
YUT-2438U1324R100	100 mm Rod Kit
YUT-2438U1324R110	150 mm Piston Kit
YUT-2438U776R100	95 mm Rod Kit
YUT-2438U776R110	150 mm Piston Kit
YUT-2438U897R100	65 mm Rod Kit
YUT-2438U897R110	100 mm Piston Kit
YUT-2438U914R100	85 mm Rod Kit
YUT-2438U915R100	75 mm Rod Kit
YUT-2438U915R110	120 mm Piston Kit
YUT-2438U921R100	95 mm Rod Kit
YUT-2438U921R110	145 mm Piston Kit
YUT-2438U922R100	70 mm Rod Kit

Kit Number	Description
YUT-2438U928R100	80 mm Rod Kit
YUT-2438U941R100	100 mm Rod Kit
YUT-2438U941R200	145 mm Piston Kit
YUT-2438U953R100	105 mm Rod Kit
YUT-2438U953R200	150 mm Piston Kit
YUT-2438U959R100	85 mm Rod Kit
YUT-2438U959R200	130 mm Piston Kit
YUT-2438U971R100	70 mm Rod Kit
YUT-2438U971R200	105 mm Piston Kit
YUT-2438U973R100	80 mm Rod Kit
YUT-2438U973R200	120 mm Piston Kit
YUT-2438U974R100	65 mm Rod Kit
YUT-2438U974R200	100 mm Piston Kit
YUT-2438U985R200	180 mm Piston Kit
YUT-2438U995R100	80 mm Rod Kit
YUT-2438U995R200	120 mm Piston Kit
YUT-2438U996R100	85 mm Rod Kit
YUT-2438U996R200	125 mm Piston Kit
YUT-2438U999R100	90 mm Rod Kit
YUT-2438U999R200	140 mm Piston Kit

NOTES

NOTES



Pumps, Motors and Valve Kits

Contents	Page
Pump Repair Kits	889 - 906
Gresen Pump Repair Kits	907 - 912
Vickers Pump Repair Kits	913 - 917
Char-Lynn and White Motors Repair Kits	919 - 929
Commercial and Gresen Valve Repair Kits	931 - 932

NOTES

NOTES



Pump Repair Kits

Contents	Page
Identifying Pumps & Motors	890
Pump/Motor Seal Kits	891 - 893
Repair Parts	894
Parts Breakdown	895
• C101/102 Parts Breakdown	895
• G101/102 Parts Breakdown	896
• P20 Parts Breakdown	897
• P30 Parts Breakdown	898
• P31 Parts Breakdown	899
• P50 Parts Breakdown	900
• P51 Parts Breakdown	901
• P75 Parts Breakdown	902
• P76 Parts Breakdown	903
• P330 Parts Breakdown	904
• P350 Parts Breakdown	905
• P365 Parts Breakdown	906

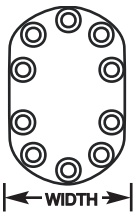
IDENTIFYING PUMPS & MOTORS



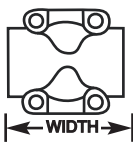
By the Shape and Size of the Port End Cover

1. Look at the Unit from the Port End, see which example it matches the closest. Include the Shape, Size, and most importantly the Bolt Pattern.
2. Measure the overall width of the Unit, then match the width to the chart beside the Port End you chose in step #1.
3. If there is not a "See Also" block on the chart you used, then you've identified the Unit. Otherwise move to step #4.
4. A Numbered Note marker will direct you to the next step or steps.

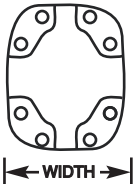
PORT END VIEW



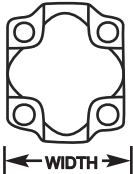
Series	"D"
Width	4.50



Series	315	330	350	365
Side Ported Width	4.25	6.68	7.12	7.38
Unported Width	4.00	4.81	5.75	6.25



Series	37X	75/76	125
Width	5.12	6.13	7.00
See Also		②	

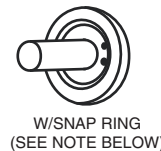


Series	15H	25X	20	30/31	50/51
Width	4.38	4.94	4.50	4.81	4.94
See Also		①		②	①②

1 - SHAFT END VIEW

Look at the Unit from the Shaft End, compare it to the views below. Select the Shaft type on your Unit.

SERIES 31/51



25X/37X



2 - DISASSEMBLE UNIT

This step requires the Port End Cover of the Unit to be removed & inspected for Dowel Pins. This is the only way to tell the difference between some Series.

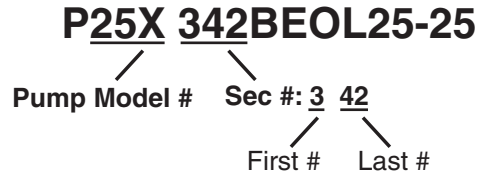
Series 31/51/76: Assembled with Dowel Pins.

**Call Our Component Sales Team
If You Need More Assistance**

PUMP/MOTOR SEAL KITS



Identify kits by using model and shaft end cover numbers. Example:



37X SERIES

Kit Part #	Application	SEC First #	SEC Last #
Pumps CM-P37SBSK	Type I, Single Bearing	1, 2, 3	11, 12, 23, 42, 63, 77, 78, 81, 97
Motors CM-M37SBSK	Type I, Single Bearing	7, 9	11, 12, 23, 42, 63, 78, 81, 97, 98
CM-M37DBSK	Type II, Double Bearing	8	11, 42, 78
Multiple Section Pumps & Motors CM-MP30MSSK Note: Use 1 Kit per section in a multi-section Pump or Motor			

50 SERIES

Kit Part #	Application	SEC First #	SEC Last #
Pumps CM-P50SPSK		1 - 6	00 - 98
Motors CM-M50SPSK		8 - 9	00 - 98
Multiple Section Pumps & Motors CM-MP50MSSK Note: Use 1 Kit per section in a multi-section Pump or Motor			

75 SERIES

Kit Part #	Application	SEC First #	SEC Last #
Pumps CM-P75SPSK		1 - 6	42 - 98
Motors CM-M75SPSK		8 - 9	42 - 98
Multiple Section Pumps & Motors CM-MP75MSSK Note: Use 1 Kit per section in a multi-section Pump or Motor			

REPAIR PARTS



STANDARD SERIES PUMP PARTS

Description	Engineering #	Part #
P20/30/31 SERIES		
Snap Ring	X134-206	CM-391-2686-063
Outboard Bearing	X69-40	CM-391-0381-040
Seal (pump)	X73-37-16	CM-391-2883-058
Check Assemblies	M1391K	CM-391-3681-001
Plug	T1391	CM-391-2286-004
Spacer	VB1669-2	CM-391-3383-069
Seal Retainer	AE1669	CM-391-3381-040
Hi Pressure Seal	X73-50-9	CM-391-2883-119
Ring Seals	LB1669-1	CM-391-2585-006
Roller Bearings	Y1032	CM-391-0381-906
Thrust Plates	AA1058	CM-391-2185-913
P50/51 SERIES		
Snap Ring	X134-283	CM-391-2686-063
Outboard Bearing	X69-58	CM-391-0381-040
Seal (pump)	X73-37-17	CM-391-2883-058
Check Assemblies	M1391K	CM-391-3681-001
Plug	T1391	CM-391-2286-004
Spacer	VB1669-1	CM-391-3383-069
Seal Retainer	AC1669	CM-391-3381-040
Hi Pressure Seal	X73-50-8	CM-391-2883-119
Ring Seals	NB1669-1	CM-391-2585-006
Roller Bearings	S1032	CM-391-0381-906
Thrust Plates	Y1058	CM-391-2185-913
P75/76 SERIES		
Snap Ring	X96-315	CM-391-2686-025
Outboard Bearing	X69-59	CM-391-0381-078
Spacer	VB1669	CM-391-3383-018
Seal Retainer	RA1072	CM-391-2584-051
O Ring	L3006-164	CM-391-2881-457
Seal (pump)	X73-37-10	CM-391-2883-052
(motor)	X73-50-1	CM-391-2883-094
Check Assemblies	M1391K	CM-391-3681-001

Description	Engineering #	Part #
P75/76 SERIES		
Plug	T1391	CM-391-2286-004
Ring Seals	WB1669-1	CM-391-2585-011
Roller Bearings	R1032	CM-391-0381-904
Pocket Seals	BA3026-6	CM-391-2882-084
Thrust Plates	BA1058	CM-391-2185-920
P330 SERIES		
Snap Ring		300-206
Outboard Bearing	X69-40	CM-391-0381-040
Seal	X73-37-16	CM-391-2883-058
Bushings	(330) BUSHINGS	CM-391-0482-306
Channel Seal	P330 CHNL SEAL	CM-391-2885-065
Thrust Plates	P330 THRUST PLT	CM-391-2185-956
Gasket Seal	SOR-75NBR-4x1/8-C/S	580-242
Dowel Pins (Solid)	P31 DOWEL PINS	CM-391-2082-032
P350 SERIES		
Snap Ring		WHM-283
Outboard Bearing	X69-58	CM-391-0381-077
Seal	X73-37-16	CM-391-2883-103
Bushings	(330) BUSHINGS	CM-391-0482-308
Channel Seal	P330 CHNL SEAL	CM-391-2885-066
Thrust Plates	P330 THRUST PLT	CM-391-2185-957
Gasket Seal	SOR-75NBR-4.5x1/8-C/S	580-246
Dowel Pins (Solid)	P31 DOWEL PINS	CM-391-2082-032
P365 SERIES		
Snap Ring		300-315
Outboard Bearing	X69-59	CM-391-0381-078
Seal	X73-37-10	CM-391-2883-052
Bushings	BUSHING 365	CM-391-0482-307
Channel Seal	CHANNELSEAL	CM-391-2885-064
Thrust Plates	P365 THRUST PLT	CM-391-2185-955
Gasket Seal	SOR-75NBR-5x1/8-C/S	580-250
Dowel Pins (Solid)	PIN,DOWEL	CM-391-2082-062

C101/C102 PARTS BREAKDOWN

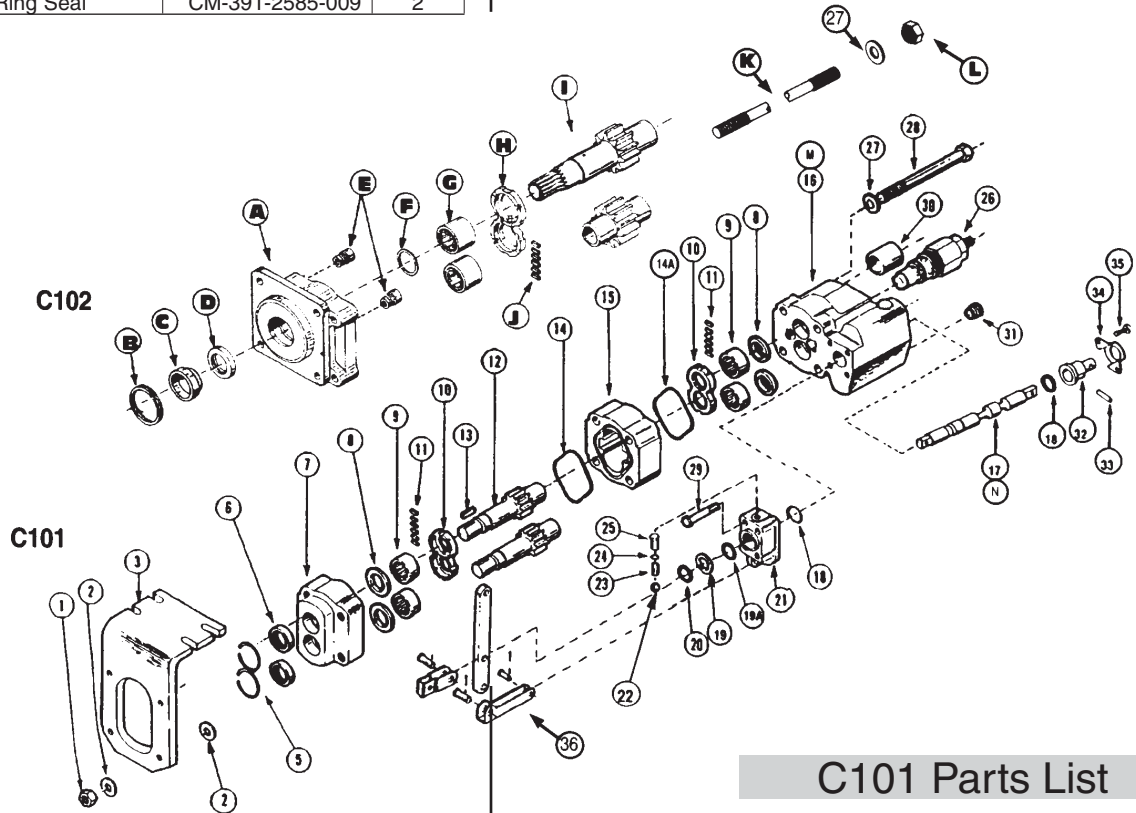


Seal Kit for C101 - CM-HC101
Seal Kit for C102 - CM-HC102

Typical Parts

Item	Description	Part #	Req
A	Shaft End Cover	For reference only	1
B	Snap Ring	CM-391-2686-065	1
C	Seal Retainer	CM-391-3383-087	1
D	Lip Seal	CM-391-2883-115	1
E	Check Assembly	CM-393-3681-001	2
F	Ring Seal	CM-391-2585-009	2

Item	Description	Part #	Req
G	Roller Bearing	CM-391-0381-905	4
H	Thrust Plate	CM-391-2185-912	2
J	Pocket Seal	CM-391-2882-050	12
M	Port End Cover	For reference only	1
N	Valve Spool	For reference only	1



C101 Parts List

Item	Description	Part #	Req
1	Hex Nut	For reference only	4
2	Washer	For reference only	8
3	Bracket (optional)	For reference only	1
5	Snap Ring	CM-391-2681-493	2
6	Lip Seal	CM-391-2883-096	2
7	Shaft End Cover	For reference only	1
8	Ring Seal	CM-391-2585-009	4
9	Roller Bearing	CM-391-0381-905	4
10	Thrust Plate	CM-391-2185-916	2
11	Pocket Seals	CM-391-2882-050	12
12	Gear Set 2"	For reference only	1
	2 1/2"	For reference only	1
13	Shaft Key	For reference only	1
14	Gasket Seal	For reference only	2
15	Gear 2"	For reference only	1
	Housing 2 1/2"	For reference only	1
	Port End Cover	For reference only	1
17*	Valve Spool	For reference only	1
18	"O" Ring	CM-391-2881-103	2
19A	Wiper Ring	CM-391-2883-147	1
19	Retainer Ring	CM-391-3782-126	1
20	Snap Ring	CM-391-2688-003	1

Item	Description	Part #	Req
21	Detent Cap	For reference only	1
22	Detent Ball	For reference only	1
23	Detent Spring	For reference only	1
24	Lock Washer	For reference only	1
25	Detent Retainer	For reference only	1
26	Relief Valve	For reference only	1
27	Washer	For reference only	4
28	Cap Screw 2"	For reference only	4
	2 1/2"	For reference only	4
29	Cap Screw	For reference only	4
30	Sleeve (optional)	For reference only	1
31	Pipe Plug - 1" NPT	For reference only	1
32	Spool End Cap	For reference only	1
33	Spiral Pin	For reference only	1
34	Bracket	For reference only	1
35	Socket Hd.	For reference only	2
	Cap Screw		
36	Handle Ass'y (optional)	For reference only	1

*Items 16, 17 M and N are not serviceable parts.

G101/G102 PARTS BREAKDOWN

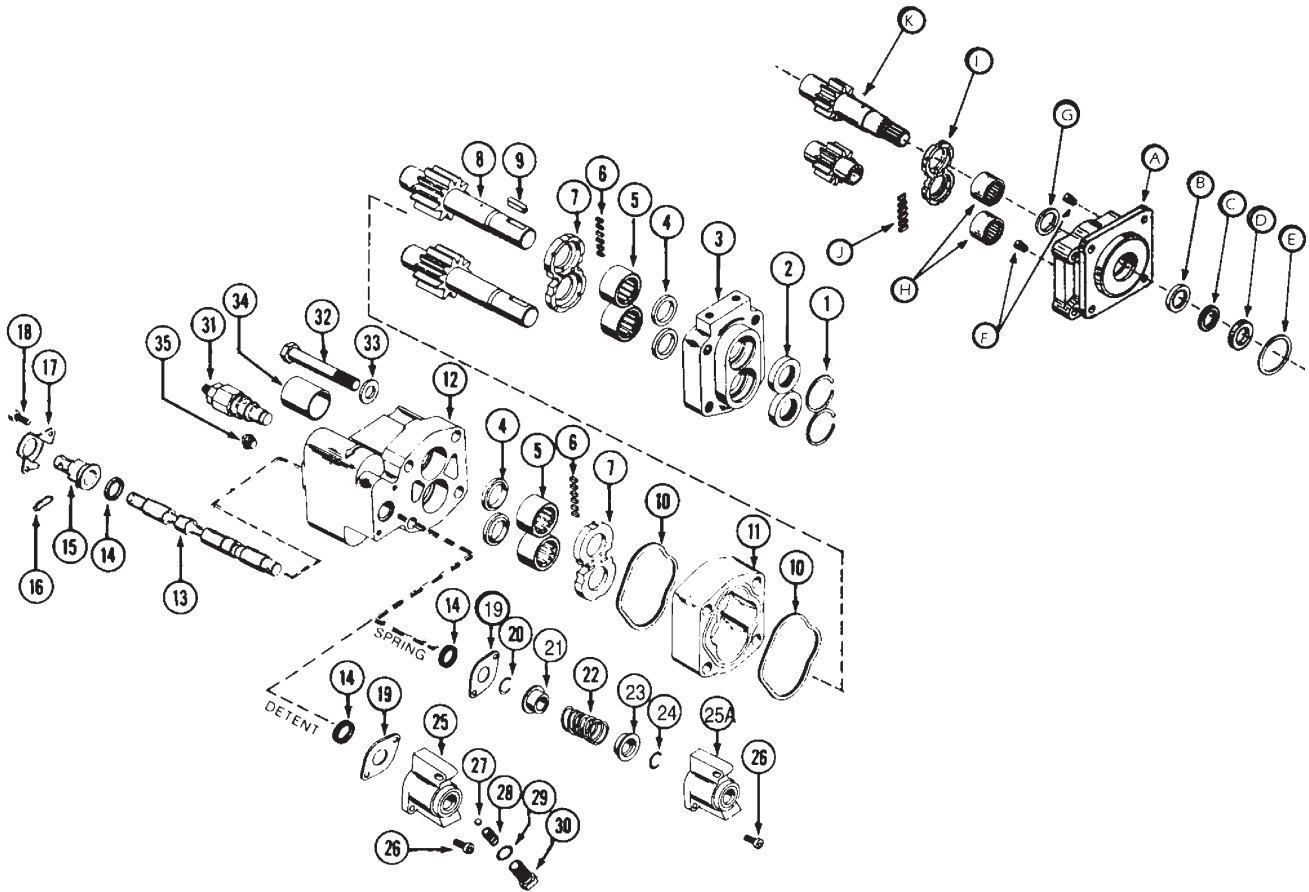


Seal Kit for G101 - CM-HG101
Seal Kit for G102 - CM-HG102

Item	Description	Part #	Req
B	Lip Seal	CM-391-2883-119	1
C	Seal Retainer	CM-391-3381-040	1
D	Spacer	CM-391-3383-069	1
E	Snap Ring	CM-391-2686-063	1
F	Checks	CM-391-3681-001	2

Item	Description	Part #	Req
G	Ring Seal	CM-391-2585-006	2
H	Roller Bearing	CM-391-0381-906	4
I	Thrust Plate	CM-391-2185-913	2
J	Pocket Seal	568C-093	1ft

COMMERCIAL - G101/G102 BREAKDOWN



Item	Description	Part #	Req
1	Snap Ring	CM-391-2681-487	2
2	Lip Seal	CM-391-2883-119	2
4	Ring Seal	CM-391-2585-006	4
5	Roller Bearing	CM-391-0381-906	4

Item	Description	Part #	Req
6	Pocket Seal	568C-093	1ft
7	Thrust Plate	CM-391-2185-913	2
14	Quad Ring Seal	CM-391-1985-014	2

P20 PARTS BREAKDOWN



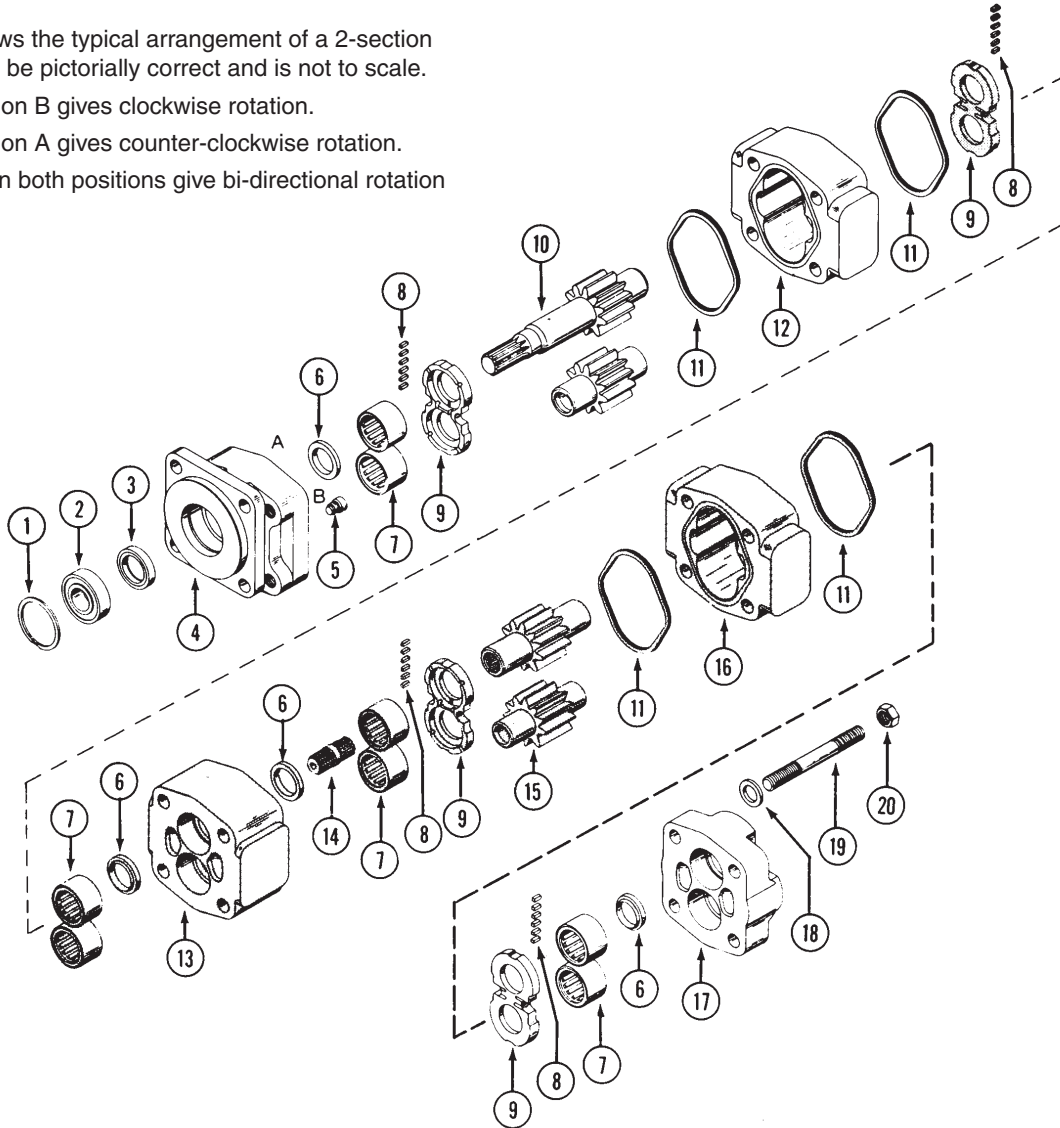
Note:

This page shows the typical arrangement of a 2-section unit. It may not be pictorially correct and is not to scale.

Plug 5 in position B gives clockwise rotation.

Plug 5 in position A gives counter-clockwise rotation.

Check valves in both positions give bi-directional rotation



Item	Description	Part #
1	Snap Ring	CM-391-2686-063
2	Outboard Bearing	CM-391-0381-040
3	Seal	CM-391-2883-058
4	Shaft End Cover	For reference only
5	Check Assemblies or Plug	CM-391-3681-001
6	Ring Seals	CM-391-2585-006
7	Roller Bearings	CM-391-0381-906
8	Pocket Seals	568C-093
9	Thrust Plates	CM-391-2185-913
10	Integral Drive Shaft and Gear Set	For reference only

Item	Description	Part #
11	Gasket Seals	580-239
12	Gear Housing	For reference only
13	Bearing Carrier	For reference only
14	Connecting Shaft	For reference only
15	Matched Gear Set	For reference only
16	Gear Housing	For reference only
17	Port End Cover	For reference only
18	Washers	For reference only
19	Studs or Cap Screws	For reference only
20	Nuts	For reference only

P30 PARTS BREAKDOWN



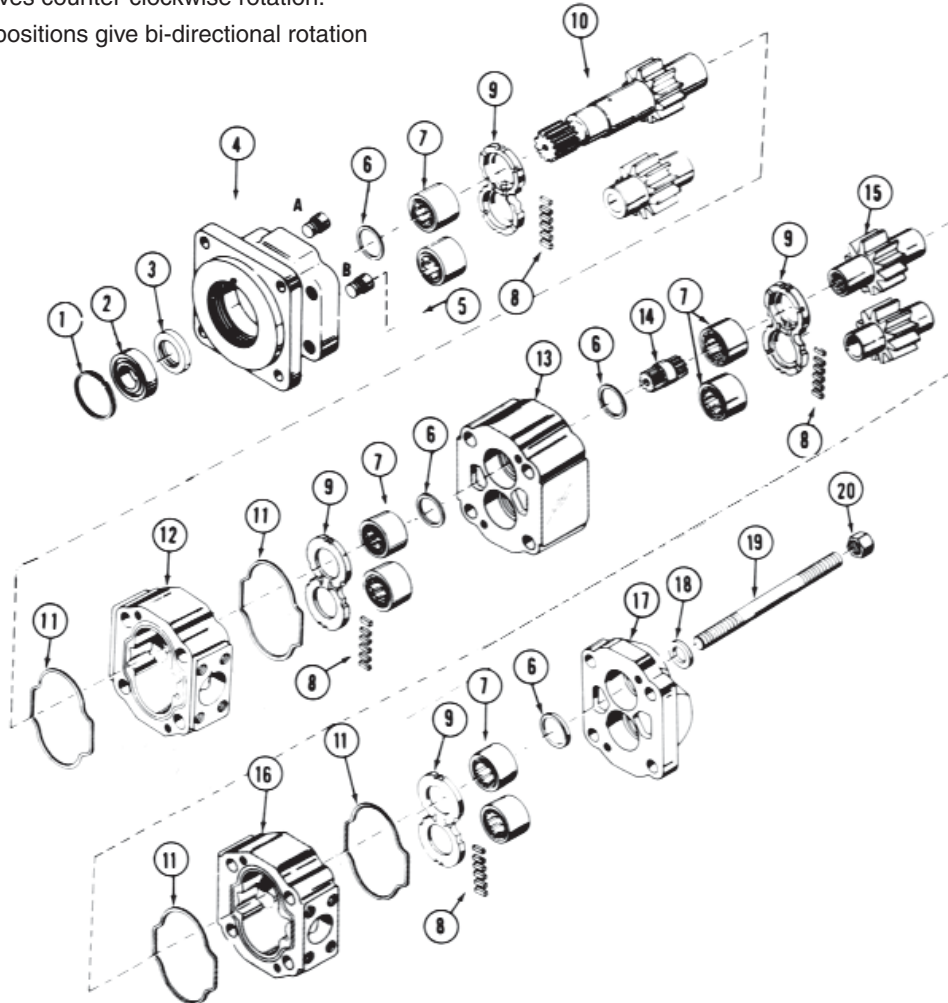
Note:

This page shows the typical arrangement of a 2-section unit. It may not be pictorially correct and is not to scale.

Plug 5 in position B gives clockwise rotation.

Plug 5 in position A gives counter-clockwise rotation.

Check valves in both positions give bi-directional rotation



Item	Description	Part #
1	Snap Ring	CM-391-2686-063
2	Outboard Bearing	CM-391-0381-040
3	Seal (Pump)	CM-391-2883-058
	Hi Pressure Seal (Motor)	CM-391-2883-119
4	Shaft End Cover	For reference only
5	Check Assemblies	CM-391-3681-001
	Plug	CM-391-2286-004
6	Ring Seals	CM-391-2585-006
7	Roller Bearings	CM-391-0381-906
8	Pocket Seals	568C-093
9	Thrust Plates	CM-391-2185-913
10	Integral Drive Shaft and Gear Set	For reference only

Item	Description	Part #
11	Gasket Seals	CM-391-2884-050
12	Gear Housing	For reference only
13	Bearing Carrier	For reference only
14	Connecting Shaft	For reference only
15	Matched Gear Set	For reference only
16	Gear Housing	For reference only
17	Port End Cover	For reference only
18	Washers	For reference only
19	Studs or Cap Screws	For reference only
20	Nuts	For reference only

P31 PARTS BREAKDOWN



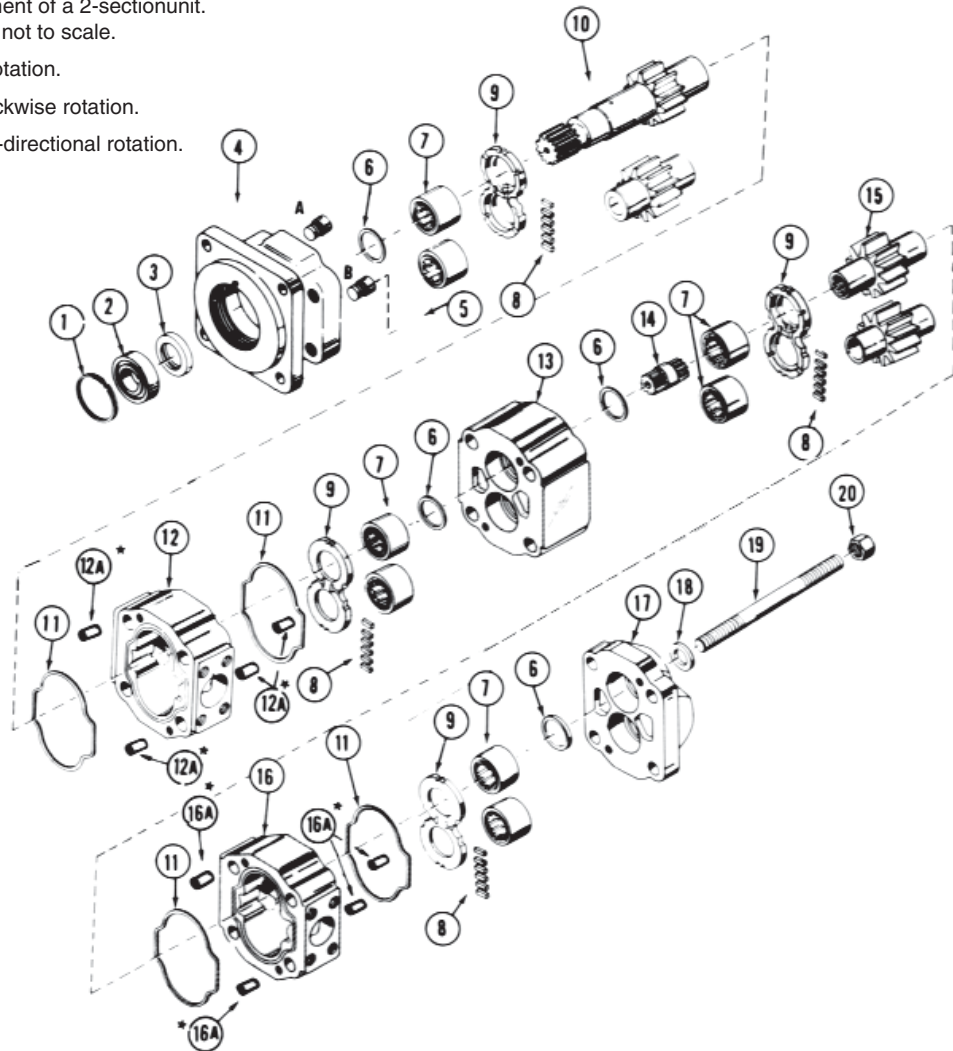
Note:

This page shows the typical arrangement of a 2-section unit. It may not be pictorially correct and is not to scale.

Plug 5 in position B gives clockwise rotation.

Plug 5 in position A gives counter-clockwise rotation.

Check valves in both positions give bi-directional rotation.



Item	Description	Part #	Item	Description	Part #
1	Snap Ring	CM-391-2686-063	11	Gasket Seals	CM-391-2884-050
2	Outboard Bearing	CM-391-0381-040	12	Gear Housing	For reference only
3	Seal (Pump) Hi Pressure Seal (Motor)	CM-391-2883-058 CM-391-2883-119	12A	Dowel Pins	CM-391-2082-032
4	Shaft End Cover	For reference only	13	Bearing Carrier	For reference only
5	Check Assemblies Plug	CM-391-3681-001 CM-391-2286-004	14	Connecting Shaft	For reference only
6	Ring Seals	CM-391-2585-006	15	Matched Gear Set	For reference only
7	Roller Bearings	CM-391-0381-906	16	Gear Housing	For reference only
8	Pocket Seals	568C-093	16A	Dowel Pins	CM-391-2082-032
9	Thrust Plates	CM-391-2185-913	17	Port End Cover	For reference only
10	Integral Drive Shaft and Gear Set	For reference only	18	Washers	For reference only
			19	Studs or Cap Screws	For reference only
			20	Nuts	For reference only

P50 PARTS BREAKDOWN



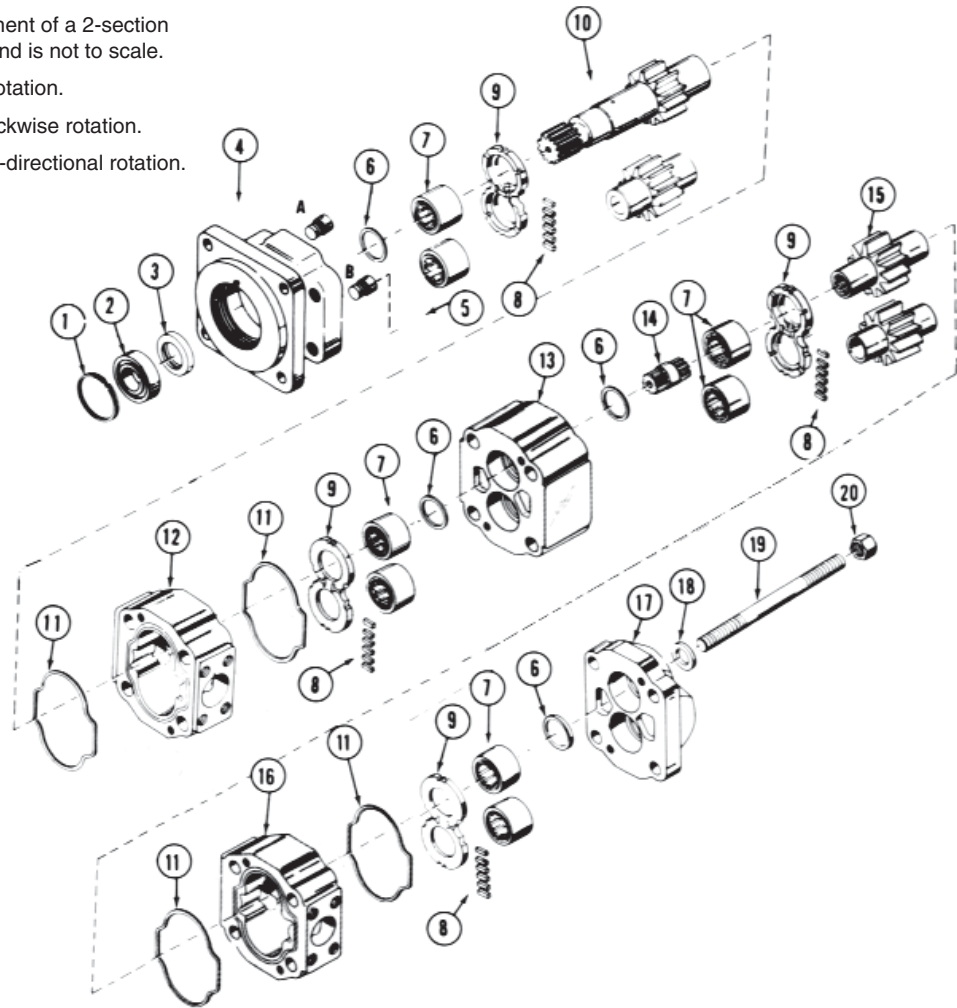
Note:

This page shows the typical arrangement of a 2-section unit. It may not be pictorially correct and is not to scale.

Plug 5 in position B gives clockwise rotation.

Plug 5 in position A gives counter-clockwise rotation.

Check valves in both positions give bi-directional rotation.



Item	Description	Part #
1	Snap Ring	CM-391-2686-065
2	Outboard Bearing	CM-391-0381-077
3	Seal (Pump)	CM-391-2883-103
	Hi Pressure Seal (Motor)	CM-391-2883-115
4	Shaft End Cover	For reference only
5	Check Assemblies	CM-391-3681-001
	Plug	CM-391-2286-004
6	Ring Seals	CM-391-2585-009
7	Roller Bearings	CM-391-0381-905
8	Pocket Seals	580C-093
9	Thrust Plates	CM-391-2185-912
10	Integral Drive Shaft and Gear Set	For reference only

Item	Description	Part #
11	Gasket Seals	CM-391-2884-021
12	Gear Housing	For reference only
13	Bearing Carrier	For reference only
14	Connecting Shaft	For reference only
15	Matched Gear Set	For reference only
16	Gear Housing	For reference only
17	Port End Cover	For reference only
18	Washers	For reference only
19	Studs or Cap Screws	For reference only
20	Nuts	For reference only

P51 PARTS BREAKDOWN



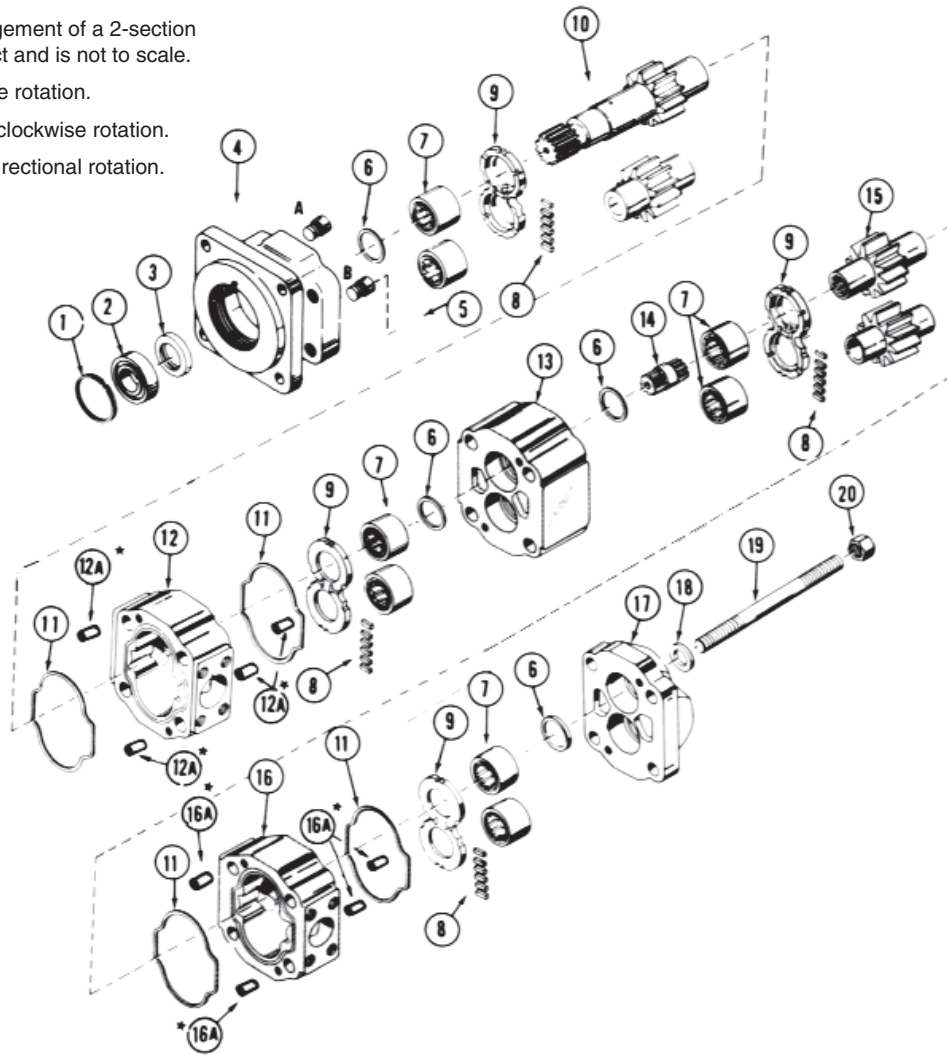
Note:

This page shows the typical arrangement of a 2-section unit. It may not be pictorially correct and is not to scale.

Plug 5 in position B gives clockwise rotation.

Plug 5 in position A gives counter-clockwise rotation.

Check s in both positions give bi-directional rotation.



Item	Description	Part #
1	Snap Ring	CM-391-2686-065
2	Outboard Bearing	CM-391-0381-077
3	Seal	CM-391-2883-103
	Hi Pressure Seal (Motor)	CM-391-2883-115
4	Shaft End Cover	For reference only
5	Check Assemblies	CM-391-3681-001
	Plug	CM-391-2286-004
6	Ring Seals	CM-391-2585-009
7	Roller Bearings	CM-391-0381-905
8	Pocket Seals	580C-093
9	Thrust Plates	CM-391-2185-912
10	Integral Drive Shaft and Gear Set	For reference only

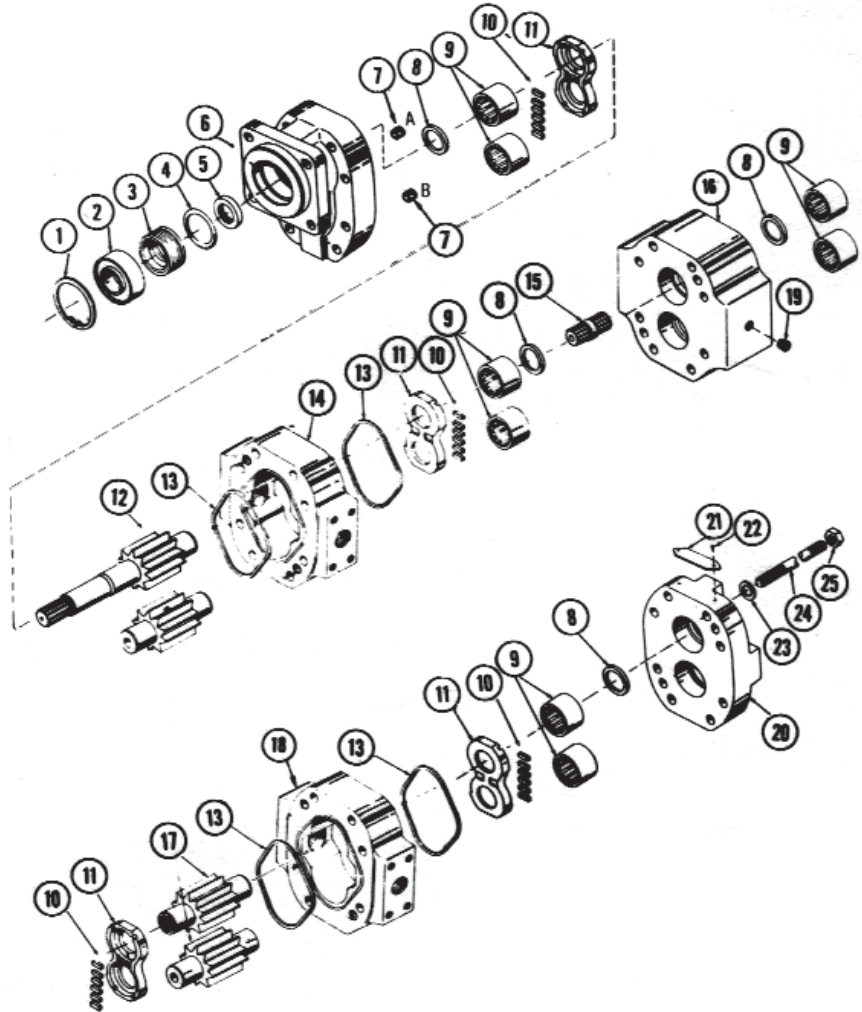
Item	Description	Part #
11	Gasket Seals	CM-391-2884-021
12	Gear Housing	For reference only
12A	Dowel Pins	CM-391-2082-032
13	Bearing Carrier	For reference only
14	Connecting Shaft	For reference only
15	Matched Gear Set	For reference only
16	Gear Housing	For reference only
16A	Dowel Pins	CM-391-2082-032
17	Port End Cover	For reference only
18	Washers	For reference only
19	Studs or Cap Screws	For reference only
20	Nuts	For reference only

P75 PARTS BREAKDOWN



Note:

Plug 7 in position B gives clockwise rotation.
 Plug 7 in position A gives counter-clockwise rotation.
 Check valves in both positions
 give bi-directional rotation.



Item	Description	Part #
1	Snap Ring	CM-391-2686-025
2	Outboard Bearing	CM-391-0381-078
	Spacer	CM-391-3383-018
3	Seal Retainer	CM-391-2584-051
4	"O" Ring	CM-391-2881-457
5	Seal (Pump)	CM-391-2883-052
	Seal (Motor)	CM-391-2883-094
6	Shaft End Cover	For reference only
7	Check Assemblies	CM-391-3681-001
	Plug	CM-391-2286-004
8	Ring Seals	CM-391-2585-011
9	Roller Bearings	CM-391-0381-904
10	568C-125	CM-391-2282-084
11	Thrust Plates	CM-391-2185-920

Item	Description	Part #
12	Integral Drive Shaft	For reference only
13	Gasket Seals	580-252
14	Gear Housing	For reference only
15	Connecting Shaft	For reference only
16	Bearing Carrier	For reference only
17	Matched Gear Set	For reference only
18	Gear Housing	For reference only
19	Plug	For reference only
20	Port End Cover	For reference only
21	Name Plate	For reference only
22	Drive Screws	For reference only
23	Washers	For reference only
24	Studs or Cap Screws	For reference only
25	Nuts	For reference only

P76 PARTS BREAKDOWN



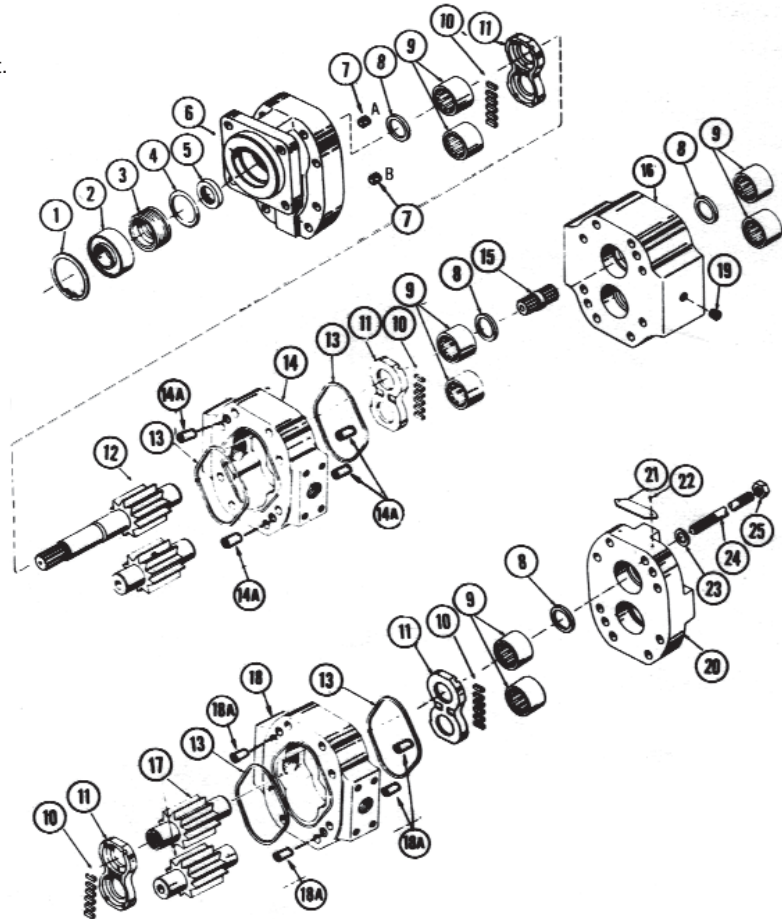
Note:

This page shows the typical arrangement of a 2-section unit. It may not be pictorially correct and is not to scale.

Plug 7 in position B gives clockwise rotation.

Plug 7 in position A gives counter-clockwise rotation.

Check valves in both positions give bi-directional rotation.



Item	Description	Part #
1	Snap Ring	CM-391-2686-025
2	Outboard Bearing	CM-391-0381-078
3	Seal Retainer	CM-391-2584-051
4	"O" Ring	CM-391-2881-457
5	Seal (Pump)	CM-391-2883-052
6	Seal (Motor)	CM-391-2883-094
7	Shaft End Cover	For reference only
7	Check Assemblies	CM-391-3681-001
7	Plug	CM-391-2286-004
8	Ring Seals	CM-391-2585-011
9	Roller Bearings	CM-391-0381-904
10	Pocket Seals	568C-125
11	Thrust Plates	CM-391-2185-920
12	Integral Drive Shaft and Gear Set	For reference only
13	Gasket Seals	580-252

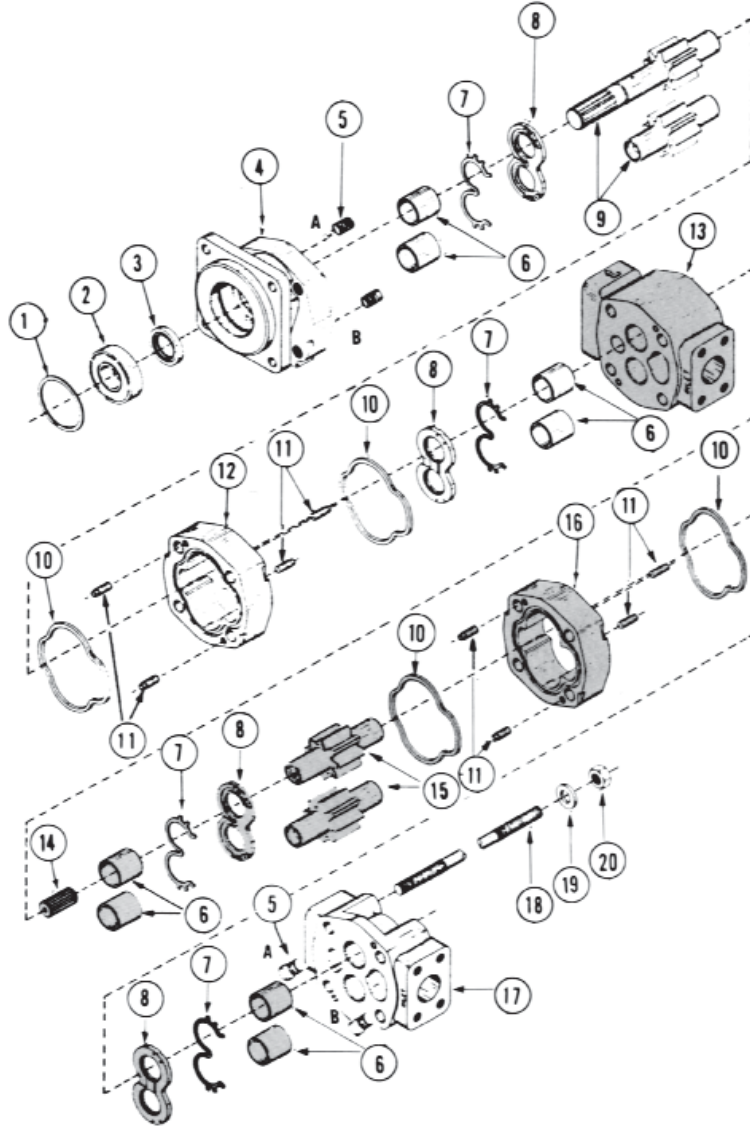
Item	Description	Part #
14	Gear Housing	For reference only
14A	Dowel Pins	For reference only
15	Connecting Shaft	For reference only
16	Bearing Carrier	For reference only
17	Matched Gear Set	For reference only
18	Gear Housing	For reference only
18A	Dowel Pins	For reference only
19	Plug	For reference only
20	Port End Cover	For reference only
21	Name Plate	For reference only
22	Drive Screws	For reference only
23	Washers	For reference only
24	Studs or Cap Screws	For reference only
25	Nuts	For reference only

P330 PARTS BREAKDOWN



Note:

Plug 5 required in position A and B.



COMMERCIAL - P330 BREAKDOWN

Item	Description	Part #
1	Snap Ring	300-206
2	Outboard Bearing	CM-391-0381-040
3	Seal	CM-391-2883-058
4	Shaft End Cover	For reference only
5	Plug	CM-391-2286-004
6	Bushings	CM-391-0482-306
7	Channel Seal	CM-391-2885-065
8	Thrust Plates	CM-391-2185-956
9	Integral Drive Shaft and Gear Set	For reference only
10	Gasket Seal	580-242

Item	Description	Part #
11	Dowel Pins (Hollow)	CM-391-2082-032
12	Gear Housing	For reference only
13	Bearing Carrier	For reference only
14	Connection Shaft	For reference only
15	Matched Gear Set	For reference only
16	Gear Housing	For reference only
17	Port End Cover	For reference only
18	Studs or Cap Screws	For reference only
19	Washers	For reference only
20	Nuts	For reference only

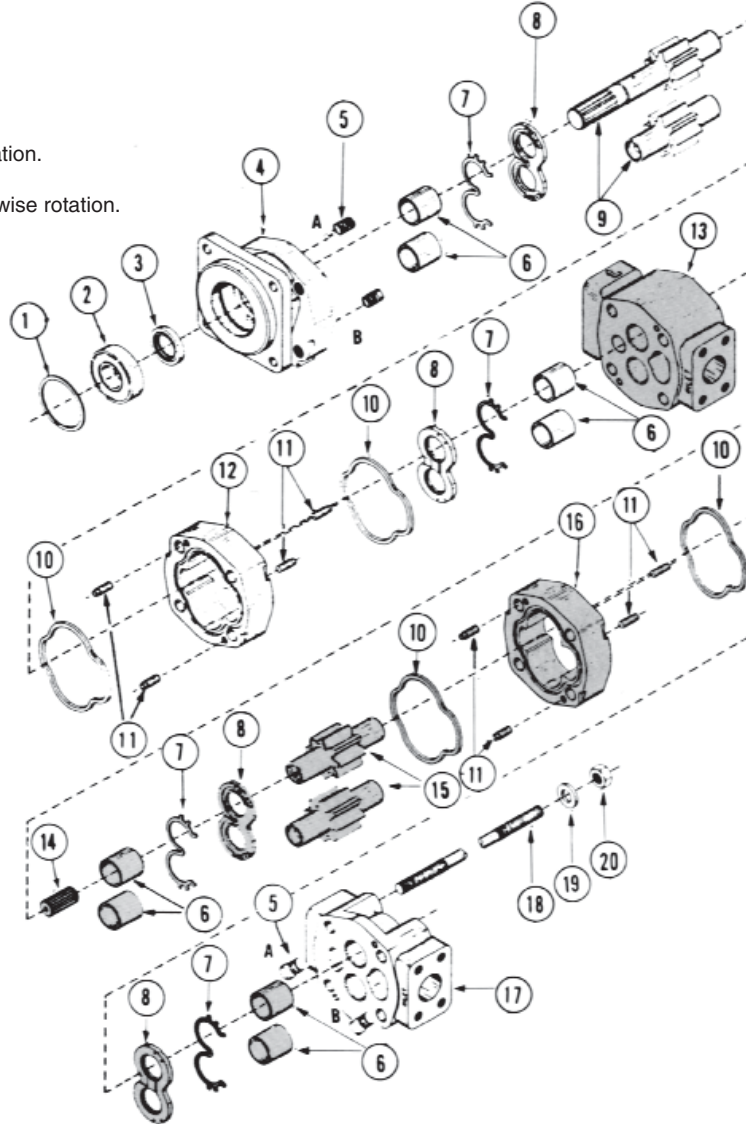
P350 PARTS BREAKDOWN



Note:

Plug 5 in position B gives clockwise rotation.

Plug 5 in position A gives counter-clockwise rotation.



Item	Description	Part #
1	Snap Ring	WHM-283
2	Outboard Bearing	CM-391-0381-077
3	Seal	CM-391-2883-103
4	Shaft End Cover	For reference only
5	Plug	CM-391-2286-004
6	Bushings	CM-391-0482-308
7	Channel Seal	CM-391-2885-066
8	Thrust Plates	CM-391-2185-957
9	Integral Drive Shaft and Gear Set	For reference only
10	Gasket Seal	580-246

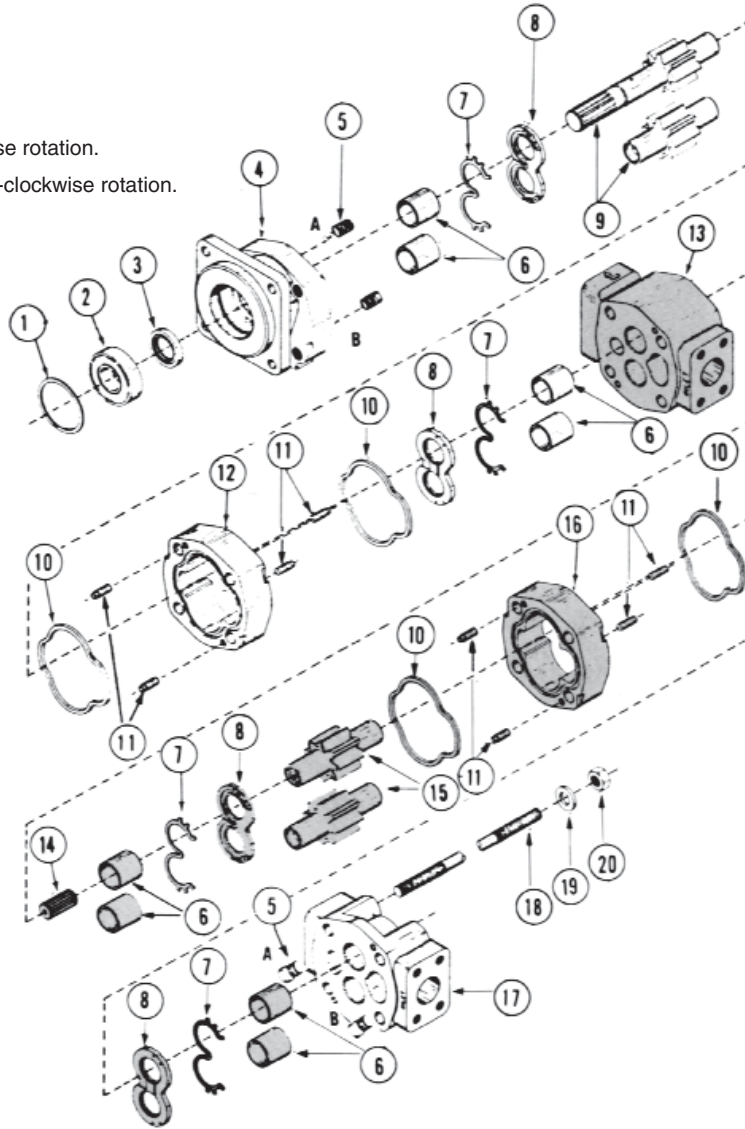
Item	Description	Part #
11	Dowel Pins (Solid)	CM-391-2082-032
12	Gear Housing	For reference only
13	Bearing Carrier	For reference only
14	Connection Shaft	For reference only
15	Matched Gear Set	For reference only
16	Gear Housing	For reference only
17	Port End Cover	For reference only
18	Studs or Cap Screws	For reference only
19	Washers	For reference only
20	Nuts	For reference only

P365 PARTS BREAKDOWN



Note:

Plug 5 in position B gives clockwise rotation.
 Plug 5 in position A gives counter-clockwise rotation.



COMMERCIAL - P365 BREAKDOWN

Item	Description	Part #
1	Snap Ring	300-315
2	Outboard Bearing	CM-391-0381-078
3	Seal	CM-391-2883-052
4	Shaft End Cover	For reference only
5	Plug	CM-391-2286-004
6	Bushings	CM-391-0482-307
7	Channel Seal	CM-391-2885-064
8	Thrust Plates	CM-391-2185-955
9	Integral Drive Shaft and Gear Set	For reference only
10	Gasket Seal	580-250

Item	Description	Part #
11	Dowel Pins (Hollow)	CM-391-2082-032
12	Gear Housing	For reference only
13	Bearing Carrier	For reference only
14	Connection Shaft	For reference only
15	Matched Gear Set	For reference only
16	Gear Housing	For reference only
17	Port End Cover	For reference only
18	Studs or Cap Screws	For reference only
19	Washers	For reference only
20	Nuts	For reference only

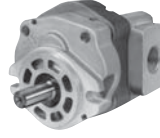
GRESEN

Pump Repair Kits

Contents	Page
Gear Pump Parts	908
• P16, TP16 - 2 Place, TP16 - 3 Place	908
• PVP16, CP16, 20	909
• R20, TP20 - 2 Place, TP20 - 3 Place	910
• M20 Motor	911
Assembly Torque Values	912
Overhung Load Data	912

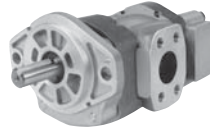
P16 PUMP PARTS

GRESEN®



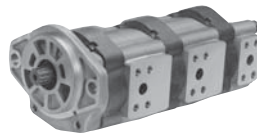
Part #	Description	Pump Model
TY-17098	Dowel pins	All
TY-15419	Service kit	All
TY-27163	Pressure plate	All
TY-14881	Shaft Seal	All

TP16 PUMP PARTS 2 PLACE



Part #	Description	Pump Model
TY-17098	Dowel pins	All
TY-15623	Service kit	All
TY-27163	Pressure plate	All
TY-14881	Shaft Seal	All

TP16 PUMP PARTS 3 PLACE



Part #	Description	Pump Model
TY-17098	Dowel pins	All
TY-15609	Service kit	All
TY-27163	Pressure plate	All
TY-14881	Shaft Seal	All

PVP16 PUMP PARTS

GRESEN®



Part #	Description	Pump Model
TY-17098	Dowel pins	All
TY-15419	Service kit	All
TY-27163	Pressure plate	All
TY-14881	Shaft Seal	All

CP16 PUMP PARTS



Part #	Description	Pump Model
TY-17098	Dowel pins	All
TY-15419	Service kit	All
TY-27163	Pressure plate	All
TY-14881	Shaft Seal	All

SERIES 20 PUMP PARTS



Part #	Description	Pump Model
TY-15629	Soft goods service kit - Shaft #4	All
TY-15630	Soft goods service kit - Shaft #1,2,3,5,6,7	All
TY-14145	Shaft seal - Shaft #1,2,3,5	All
TY-14416	Shaft seal - Shaft #4	All

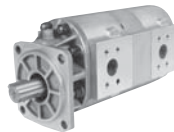
R20 PUMP PARTS

GRESEN®



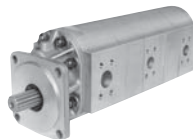
Part #	Description	Pump Model
TY-14662	Soft goods service kit - Shaft #1,2,3,5,6	All
TY-14305	Soft goods service kit - Shaft #4	All
TY-22792	Pressure Plate	All
TY-14145	Shaft seal - Shaft #1,2,3,5	All
TY-14416	Shaft seal - Shaft #4	All

TP20 PUMP PARTS 2 PLACE



Part #	Description	Pump Model
TY-15672	Seal kit	All
TY-23403	Pressure plate	20080—20150
TY-22195	Pressure plate	20200—20450
TY-14145	Shaft Seal	All

TP20 PUMP PARTS 3 PLACE



Part #	Description	Pump Model
TY-15672	Seal kit	All
TY-23403	Pressure plate	20080—20150
TY-22195	Pressure plate	20200—20450
TY-14145	Shaft Seal	All

M20 MOTOR PARTS

GRESEN®



Part #	Description	Pump Model
TY-14306	Soft goods service kit - Shaft #1,2,3,5,6	All
TY-15382	Soft goods service kit - Shaft #4	All
TY-28077	Pressure Plate	All
TY-15483	Shaft seal - Shaft #1,2,3,5	All

ASSEMBLY TORQUE VALUES



Assembly Torque Values

NOTES:

All torque values are based on a lubricated condition. If capscrews and/or nuts are dirty, they must be washed, blown dry, and re-oiled prior to installation. All studs must be washed and blown dry—DO NOT re-oil.

The following torque values are to be used in the assembly of pumps and motors:

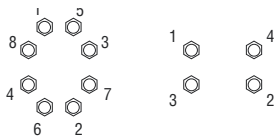
Series	Size	Torque (Ft.-Lbs)
P1	5/16 "	20-25
P12	M10	20-25
P14, FP14, TFP14, TP16	3/8 "	30-35
SSFP14	1/2 "	80-90
P2	3/8 "	30-35
P16, HP16, TP16	1/2 "	70-75
FPR16	1/2 "	80-90
FP16	5/8 "	160-175
TFP16	5/8 "	160-175
SSFP16	5/8 "	160-175
DP16	1/2 "	70-75
DP16 (valve)	3/8 "	30-35
FP17	5/16 "	18-20
20, M20, FP20	1/2 "	80-90
P6, FM6, TM6	1/2 "	80-90
25, M25, FP25	5/8 "	160-175
FP257, FPW257	5/8 "	160-175
HP7, HM7, FP7	3/4 "	240-250
SL7	5/8 "	160-175
HP8, HM8, FP8, SL8	3/4 "	240-250
PM23	5/8 "	180-190
DPH	5/8 "	180-190
HILLSDALE	3/8 "	40-45
HILLSDALE	7/16 "	50-55
T101/102	5/8 "	195-200
MGG/PGG (body)	5/16 "	21-24
MGG/PGG (flange)	#10	46-54 (in.-lb.)

NOTES:

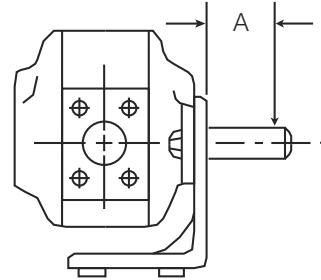
For "Mixed" Series, ie: TP25450-20200-P14-45A, use torque values corresponding to each section: 25 Series for the 25450 (160-175), 20 Series for the 20200 (80-90), and P14 Series for the P14-45 (30-35). Verify stud/capscrew sizes.

Torque value should be divided into two or three equal values, and applied in stages. e.g. P16 should be first torqued to 35 ft. lbs. then torqued to the final value of 70-75 ft. lbs.

While torquing the pump please follow pattern as shown below:



Overhung Load Data



PUMP SIZE	Dim. "A"	Allowable Load "L"	Allowable Operating Pressure
P12-17	1.00 "	100 Lbs..	2000 PSI
-22	"	"	"
-28	"	"	"
-34	"	"	"
-40	"	"	"
-45	"	"	"
P14-42	1.00 "	200 Lbs..	2000 PSI
-59	"	"	"
-74	"	"	"
-91	"	"	"
-108	"	"	"
P16-45	1.00 "	390 Lbs..	2200 PSI
-65	"	"	2200 PSI
-85	"	"	2100 PSI
-100	"	"	2100 PSI
-115	"	"	2000 PSI
-150	"	"	1800 PSI
-180	"	"	1700 PSI
-200	"	"	1600 PSI
20150	1.50 "	1050 Lbs..	2000 PSI
20200	"	"	"
20250	"	"	"
20300	"	"	"
20350	"	"	"
20400	"	"	"
20450	"	"	"
25500	1.50 "	1050 Lbs..	1800 PSI
25550	"	"	1600 PSI
25600	"	"	1350 PSI
25770	"	"	1150 PSI
25950	"	"	900 PSI
HP7	1.50 "	1300 Lbs..	3000 PSI
HP8	1.50 "	1300 Lbs..	2800 PSI

Allowable Load "L" must not be exceeded.

When Belt Drive is used, "L" must include both belt pre-tension and torque load.

VICKERS

Pump Repair Kits

Contents	Page
VQ Series and Cartridge Kits	914 - 915
V & Motor Seal Kits	916
Shaft Seals and Bearings	917

VQ SEAL VQ SEAL KITS

VICKERS® PART #	DESCRIPTION
20 VQ	
VI-433762	20 Seal Pack (4 Req'd)
25 VQ	
VI-920021	Single VQ Seal Kit
VI-920023	Single VQ Seal Kit - Viton
VI-920022	Double VQ Seal Kit
VI-920024	Double VQ Seal Kit - Viton
VI-433764	Seal Pack (4 Req'd)
35 VQ	
VI-920015	Single VQ Seal Kit
VI-920029	Single VQ Seal Kit - Viton
VI-920016	Double VQ Seal Kit
VI-920030	Double VQ Seal Kit - Viton
VI-433766	Seal Pack (4 Req'd)
45 VQ	
VI-920025	Single VQ Seal Kit
VI-920027	Single VQ Seal Kit - Viton
VI-920026	Double VQ Seal Kit
VI-920028	Double VQ Seal Kit - Viton
VI-433768	Seal Pack (4 Req'd)
2520 VQ	
VI-920040	Single VQ Seal Kit
VI-920042	Single VQ Seal Kit - Viton
VI-920041	Double VQ Seal Kit
VI-920043	Double VQ Seal Kit - Viton

VICKERS® PART #	DESCRIPTION
3520 VQ	
VI-920048	Single VQ Seal Kit
VI-920050	Single VQ Seal Kit - Viton
VI-920049	Double VQ Seal Kit
VI-920051	Double VQ Seal Kit - Viton
3525 VQ	
VI-920056	Single VQ Seal Kit
VI-920058	Single VQ Seal Kit - Viton
VI-920057	Double VQ Seal Kit
VI-920059	Double VQ Seal Kit - Viton
4520 VQ	
VI-920060	Single VQ Seal Kit
VI-920062	Single VQ Seal Kit - Viton
VI-920061	Double VQ Seal Kit
VI-920063	Double VQ Seal Kit - Viton
4525 VQ	
VI-920068	Single VQ Seal Kit
VI-920070	Single VQ Seal Kit - Viton
VI-920069	Double VQ Seal Kit
VI-920071	Double VQ Seal Kit - Viton
4535 VQ	
VI-920072	Single VQ Seal Kit
VI-920074	Single VQ Seal Kit - Viton
VI-920073	Double VQ Seal Kit
VI-920075	Double VQ Seal Kit - Viton

VQ CARTRIDGE KITS 10 VANE VQ SERIES

VITON SEALS

GPM	VICKERS® PART #
20 VQ	
5	VI-421588
7	VI-421589
9	VI-423097
11	VI-421590
12	VI-421591
14	VI-421592
25 VQ	
12	VI-421570
14	VI-421571
17	VI-421572
19	VI-421573
21	VI-421574

GPM	VICKERS® PART #
35 VQ	
21	VI-421582
25	VI-421583
30	VI-421584
35	VI-421585
38	VI-421586
45 VQ	
42	VI-419511
47	VI-421954
50	VI-419510
67	VI-421955
60	VI-419509

All Cartridge Kits are 100% tested and are guaranteed to be free of defects in material and workmanship. Each Kit meets or exceeds flow and pressure specifications.

All Cartridge Kits will be clockwise rotation unless otherwise specified.

ORDER BY
THE VICKERS®
PART NUMBER!

V & MOTOR SEAL KITS

VICKERS® PART #	DESCRIPTION
25 V/30 V	
VI-922850	Seal Kit
VI-919656	Seal Kit - Viton
35 V	
VI-922851	Seal Kit
VI-919262	Seal Kit - Viton
45 V	
VI-919850	Seal Kit
VI-919632	Seal Kit - Viton
50 V	
VI-922853	Seal Kit
2520 V	
VI-922856	Seal Kit
VI-919303	Seal Kit - Viton
3520 V	
VI-922859	Seal Kit
VI-919304	Seal Kit - Viton
3525 V	
VI-922862	Seal Kit
VI-919305	Seal Kit - Viton
4520 V	
VI-922863	Seal Kit
VI-919616	Seal Kit - Viton
4525 V	
VI-922865	Seal Kit
VI-919345	Seal Kit - Viton
4535 V	

VICKERS® PART #	DESCRIPTION
VI-922866	Seal Kit
VI-919346	Seal Kit - Viton
25 M	
VI-923157	Seal Kit
35 M	
VI-923163	Seal Kit
45 M	
VI-923106	Seal Kit
50 M	
VI-923096	Seal Kit
V 10	
VI-923548	Seal Kit
V 110	
VI-922793	Seal Kit
V 210	
VI-922732	Seal Kit
V 210/V 20	
VI-922733	Seal Kit
V 2010	
VI-923577	Seal Kit
V 2020	
VI-923174	Seal Kit

Equipment manufacturer's names, part numbers and descriptions are used for reference purposes only. We do not imply that any part shown is the product of these manufacturers.

SHAFT SEALS AND BEARINGS

SHAFT SEALS		
VICKERS® PART #	DESCRIPTION	SERIES
VI-229235	Primary	V20
VI-229236	Primary	V20
VI-394976	Primary	25130
VI-429286	Primary Viton	25130
VI-429283	Secondary	25130
VI-394973	Primary	35V
VI-429284	Primary Viton	35VV
VI-429281	Secondary	35V
VI-394974	Primary	45V
VI-429285	Primary Viton	45VV
VI-429282	Secondary	45VS

BEARINGS		
VICKERS® PART #	DESCRIPTION	SERIES
VI-98574	Standard	V20
VI-1705	Standard	25V
VI-232750	Heavy Duty	26131
VI-38441	Standard	35V
VI-131812	Standard	45V

**ORDER BY THE VICKERS®
PART NUMBER**

Our complete line of seals and bearings assures your repair is right the first time!

NOTES

NOTES



CHAR-LYNN AND WHITE MOTORS Repair Kits

Contents

Char-Lynn Seal Kits	920
White RS Series	921
• Motor Breakdown & Components	921
White RE Series	922
• Motor Breakdown & Components	922
• 72 mm Bearing Motor Breakdown	923
• 1.5" Bearing Motor Breakdown & Components	924
• 1.5" Bearing Wheel Motor Breakdown & Components	925
• 1.5" Bearing SAE "A" Style Flange Motor Breakdown & Components	926
• 125 mm Bearing Motor Breakdown & Components	927
• 12 Housing Brake Motor Breakdown & Components	928
White DR Series	929
• Motor Breakdown & Components	929

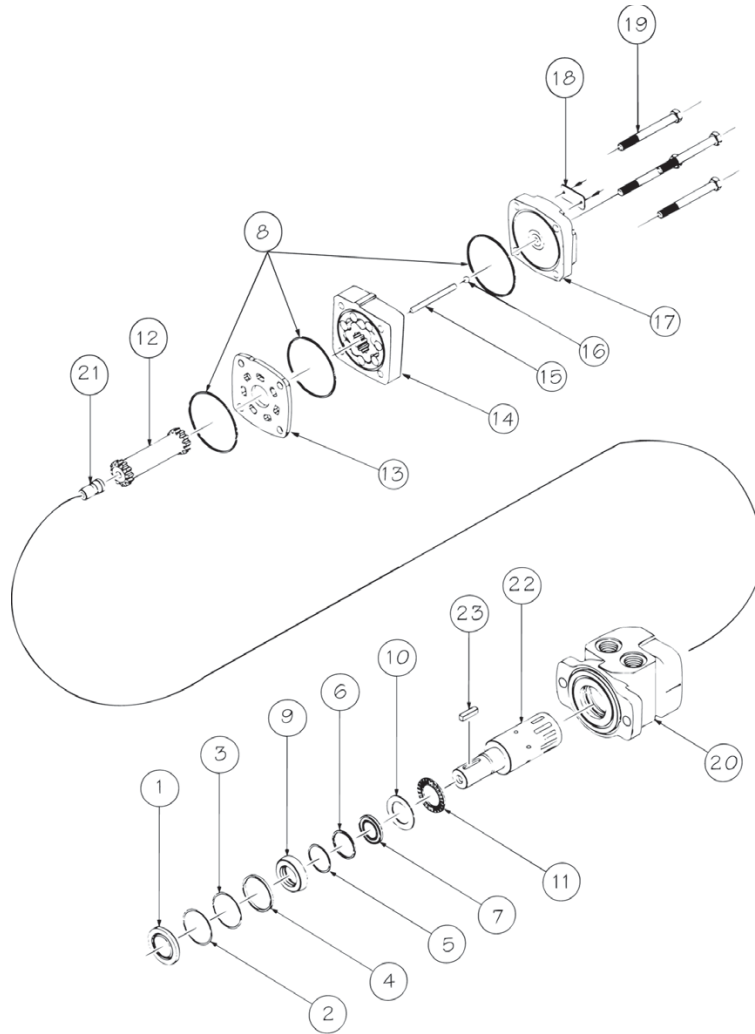
CHAR-LYNN SEAL KITS

Char-lynn Model Identification

XXX - XXX - XXX
 Product Line Product Identification Engineering Change Code

Kit Number	Series	Description	Model Number
CHR-6405	10,000 Note: The -002 and -003 bearingless motors use 4 seals while the -004 motor uses 3 seals. Note: This kit is not applicable to 10,000 series two speed motors.	Motor Seal Kit	119-XXXX-002;-003;-004 120-XXXX-002;-003;-004 121-XXXX-002;-003;-004
CHR-6406	10,000 Note: Applicable to 10,000 series two speed motors.	Shaft Seal Kit	119-XXXX-001;-002;-003;-004 120-XXXX-002;-003;-004 121-XXXX-001;-002;-003;-004
CHR-60023	H A	Buna N Seal Kit Buna N Seal Kit	101-XXXX-007 130-XXXX-001
CHR-60026	S	Buna N Seal Kit	103-XXXX-007
CHR-60036	H	Buna N Seal Kit	101-XXXX-005
CHR-60042	S	Buna N Seal Kit	103-XXXX-006
CHR-60533	S	Buna N Seal Kit	103-XXXX-008
CHR-60539	S	Buna N Seal Kit	103-XXXX-009;-010
CHR-60540	A H	Buna N Seal Kit Buna N Seal Kit	130-XXXX-002;-003 101-XXXX-008;-009
CHR-61104	6000	Shaft Seal Kit	112-XXXX-002;-003;-004 113-XXXX-002;-003;-004
CHR-61105	6000	Rear Motor Kit	112-XXXX-002;-003;-004 113-XXXX-002;-003;-004
CHR-61234	4000	Rear Motor Kit	109-XXXX-004; 110-XXXX-004
CHR-61236	4000	Shaft Seal Kit	109-XXXX-004; 110-XXXX-004
CHR-61237	6000	Shaft Seal Kit	112-XXXX-005; 113-XXXX-005
CHR-61238	6000	Rear Motor Kit	112-XXXX-005; 113-XXXX-005
CHR-61252	2000 Note: Not for 106- Bearingless motors.	Buna N Seal Kit	104-XXXX-003;-004;-005 105-XXXX-003;-004;-005
CHR-61258	2000	Buna N Seal Kit	104-XXXX-006; 105-XXXX-006
CHR-61259	2000 Note: Does not fit 106-XXXX-003;-004;-005 motors	Buna N Seal Kit	106-XXXX-006
CHR-64417	Steering unit with external shaft		
CHR-64418	Steering unit with internal spline		
CHR-64468	25	Buna N Seal Kit	251-XXXX-001;252-XXXX-001;253-XXXX-001

STANDARD RS SERIES MOTOR



WHITE - RS BREAKDOWN

STANDARD SEAL KITS

KIT #	DESCRIPTION	ITEMS
WTE-200222001	PS-222001	1 - 10
WTE-200222002	PS-222002	1 - 8
WTE-200222003	PS-222003	9 - 10

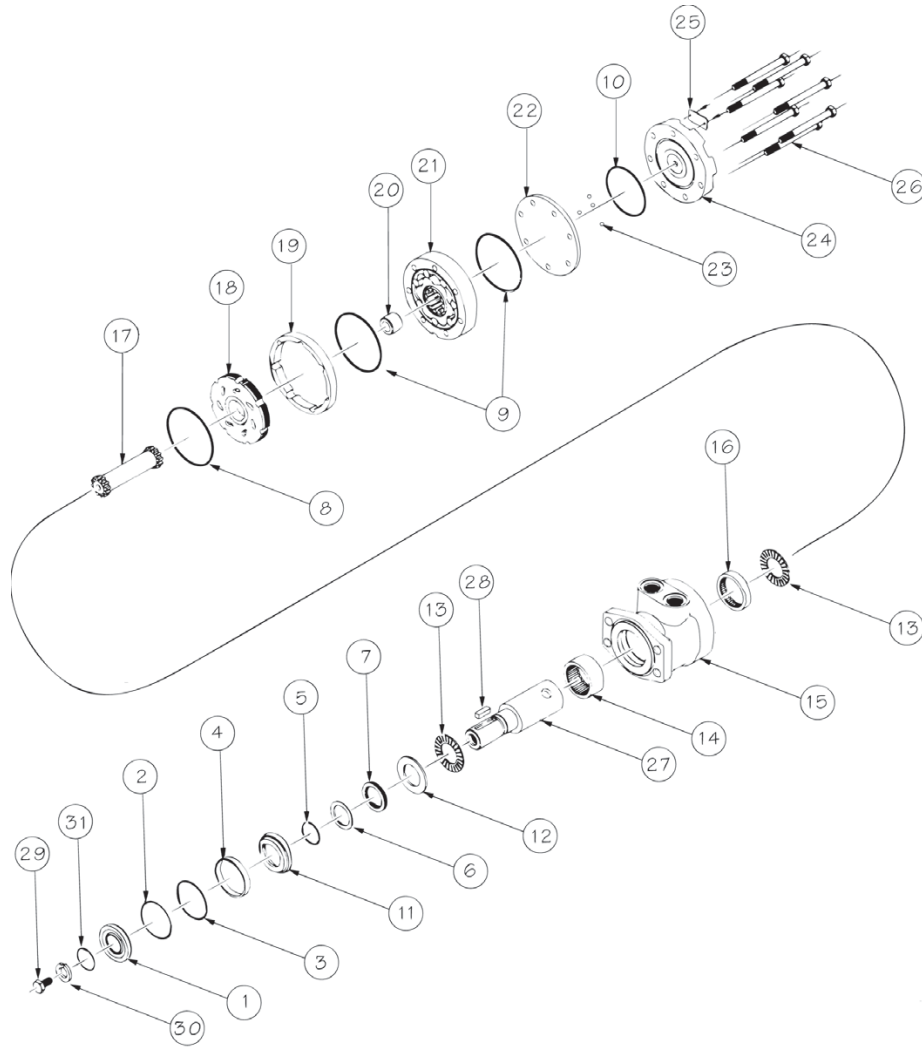
DESCRIPTION	EXPLODED VIEW ITEM #
DUST SEAL	1
SPLIT WIRE RING	2
METAL BACKUP SHIM	3
HIGH PRESSURE SEAL	4
METAL BACKUP SHIM	5
TEFLON BACKUP SHIM	6
SHAFT SEAL	7
BODY SEALS (3)	8
SEAL CARRIER	9
THRUST WASHER	10

HOUSING TYPES

DESCRIPTION
#01 4-HOLE W/ 1/2" NPT
#02 4-HOLE W/ 7/8" O-RING
#03 2-HOLE W/ 1/2" NPT
#04 2-HOLE W/ 7/8" O-RING
#05 4-HOLE W/ MANIFOLD PORTS
#06 2-HOLE W/ MANIFOLD PORTS
#07 2-HOLE W/ OFFSET 1/2" BSPF
#09 2-HOLE W/ OFFSET MNFLD. W/ 1/2" BSPF
#10 2-HOLE W/ALIGNED 1/2" BSPF
#11 6-HOLE W/ 7/8" O-RING
#12 4-HOLE W/ MILLED MANIFOLD
#13 2-HOLE W/ MILLED MANIFOLD
#14 6-HOLE W/ 1/2" NPT
#17 2-HOLE MLD. & SPTFCD. W/OFST. 1/2" BSPF

DESCRIPTION
#18 4-HOLE REAR MOUNT W/ 9/16 O-RING
#20 2-HOLE ALIGNED W/ 1/2" BSPF
#21 4-HOLE METRIC MOUNT W/ 1/2" BSPF
#25 4-HOLE METRIC MNT. W/ MANIFOLD PORTS
#26 2-HOLE METRIC MNT. W/ MANIFOLD PORTS
#27 2-HOLE W/OFFSET BSPF AND .200 PILOT
#29 2-HOLE W/OFFSET MNFLD. AND .200 PILOT
#30 2-HOLE W/OFFSET 7/8" O-RING & RLF. PORT
#32 4-HOLE W/OFFSET 7/8" O-RING & RLF. PORT
#34 2-HOLE W/ 7/8" O-RING
#37 2-HOLE W/ 1/2" BSPF W/ RLF PRT & .200 PLT.
#40 2-HOLE W/ALIGNED 1/2" BSPF & .200 PILOT
#46 2-HOLE W/METRIC MNFLD. MNT. & .200 PILOT

STANDARD RE SERIES MOTOR



WHITE - RE BREAKDOWN

STANDARD SEAL KITS

KIT #	DESCRIPTION	ITEMS
WTE-500444001	PE-444001	1 - 12
WTE-500444002	PE-444002	1 - 10
WTE-500444003	PE-444003	11 - 12

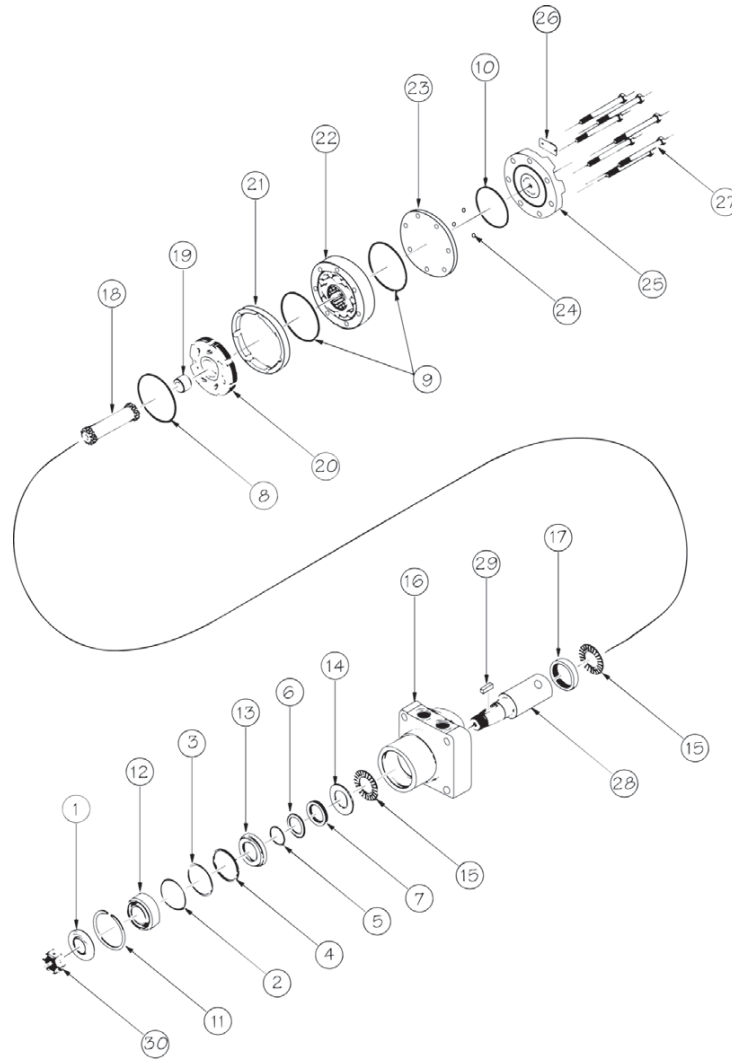
DESCRIPTION	EXPLODED VIEW ITEM #
DUST SEAL	1
SPLIT WIRE RING	2
METAL BACKUP SHIM	3
HIGH PRESSURE SEAL	4
METAL BACKUP SHIM	5
TEFLON BACKUP SHIM	6
SHAFT SEAL	7
REAR HOUSING SEAL	8
BODY SEALS (2)	9
ENDCOVER SEAL	10
SEAL CARRIER	11
THRUST WASHER	12

HOUSING TYPES

DESCRIPTION
#02 4-HOLE W/O PILOT & RS 4-HOLE BLT PTRN.
#05 SETBACK W/ 1/2" BSPF
#06 4-HOLE SAE "A" STYLE W/ 1/2" BSPF
#07 SETBACK W/ 7/8" O-RING
#08 4-HOLE SAE "A" STYLE W/ 7/8" O-RING
#11 SETBACK W/ BRAKE MOUNT W/ 7/8" O-RING
#16 2-HOLE SAE "A" STYLE W/ 7/8" O-RING
#17 2-HOLE SAE "A" STYLE W/ 1/2" BSPF

DESCRIPTION
#18 6-HOLE SAE "A" STYLE W/ 7/8" O-RING
#19 6-HOLE SAE "A" STYLE W/ 1/2" BSPF
#35 SETBACK W/RELIEF PRT W/ 1/2" BSPF
#36 4-HOLE SAE "A" W/RLF. PRT & 1/2" BSPF
#37 SETBACK W/RLF. PORT & 7/8" O-RING
#38 4-HOLE SAE "A" W/RLF. PRT & 7/8" O-RING
#48 6-HOLE SAE "A" W/RLF. PRT & 7/8" O-RING
#49 6-HOLE SAE "A" W/RLF. PRT & 1/2" BSPF

RE 72 MM BEARING MOTOR



WHITE - RE BREAKDOWN

STANDARD SEAL KITS

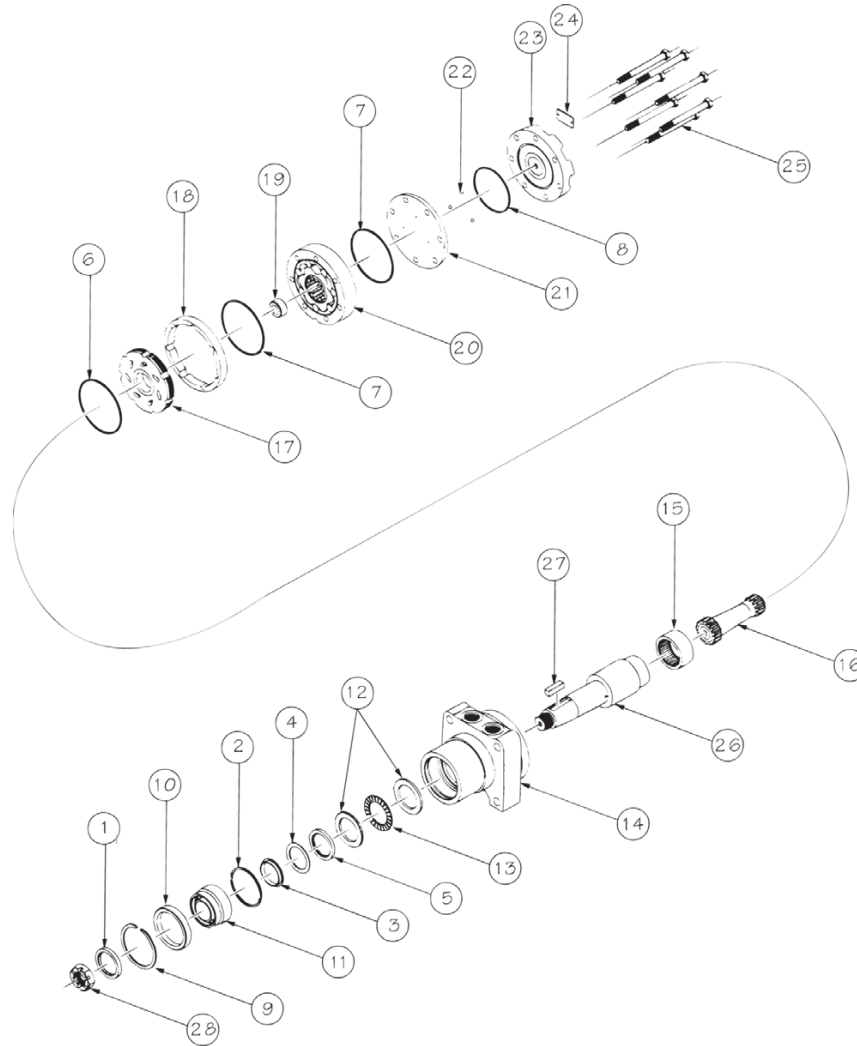
KIT #	DESCRIPTION	ITEMS
WTE-500444001	PE-444001	1 - 12
WTE-500444002	PE-444002	1 - 10
WTE-500444003	PE-444003	11 - 12

DESCRIPTION	EXPLODED VIEW ITEM #
DUST SEAL	1
SPLIT WIRE RING	2
METAL BACKUP SHIM	3
HIGH PRESSURE SEAL	4
METAL BACKUP SHIM	5
TEFLON BACKUP SHIM	6
SHAFT SEAL	7
REAR HOUSING SEAL	8
BODY SEALS (2)	9
ENDCOVER SEAL	10
SEAL CARRIER	11
THRUST WASHER	12

HOUSING TYPES

DESCRIPTION
#09 SETBACK W/ 7/8" O-RING
#14 SETBACK W/ 1/2" BSP.F
#15 SETBACK W/TURNED PILOT W/ 7/8" O-RING
#22 SETBACK W/"C" FRONT MNT. W/ 7/8" O-RING
#24 SETBACK W/"C" FRONT MNT. W/ 1/2" BSP.F
#39 SETBACK W/RELIEF PORT W/ 7/8" O-RING
#44 SETBACK W/RELIEF PORT W/ 1/2" BSP.F

RE 1.5" BEARING MOTOR



WHITE - RE BREAKDOWN

STANDARD SEAL KITS

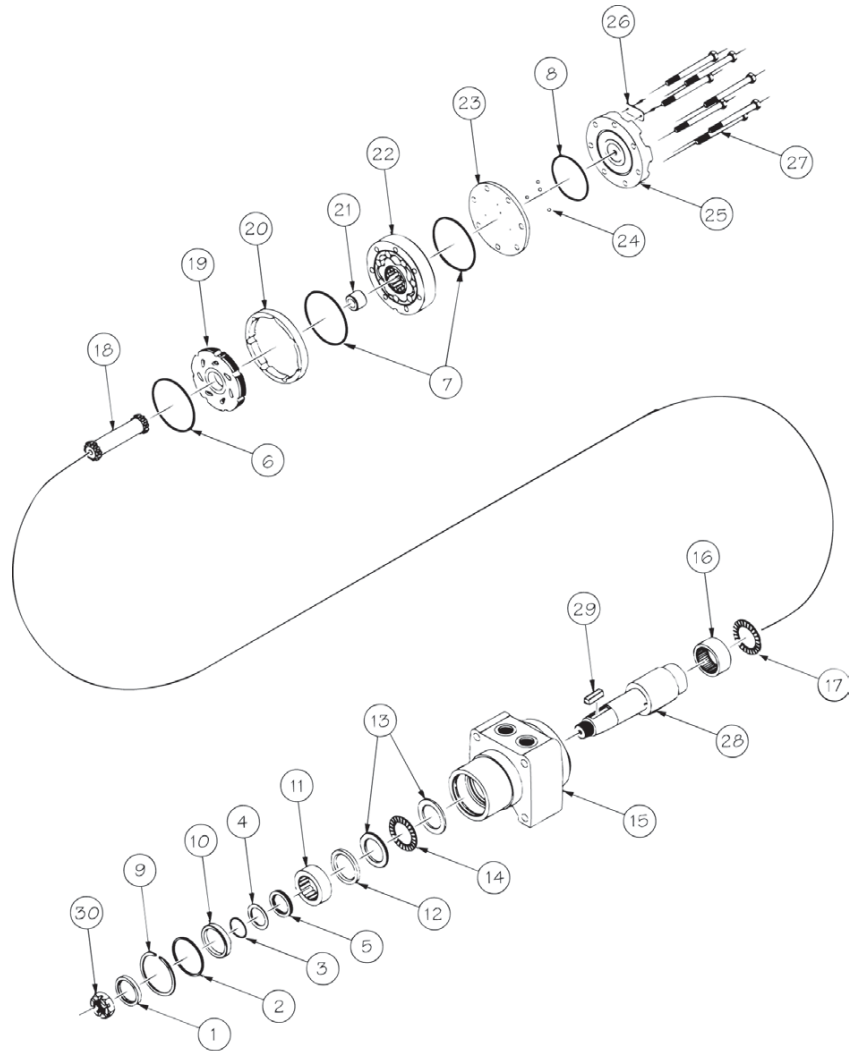
KIT #	DESCRIPTION	ITEMS
WTE-700666000	PT-666000	1 - 8

DESCRIPTION	EXPLODED VIEW ITEM #
DUST SEAL	1
HIGH PRESSURE SEAL	2
METAL BACKUP SHIM	3
TEFLON BACKUP SEAL	4
SHAFT SEAL	5
REAR HOUSING SEAL	6
BODY SEALS (2)	7
ENDCOVER SEAL	8

HOUSING TYPES

DESCRIPTION
#20 SETBACK W/ 7/8" O-RING
#21 SETBACK W/ 1/2" BSP.F
#23 SETBACK W/ SAE "C" FRONT MOUNT W/ 7/8" O-RING
#25 SETBACK W/ SAE "C" FRONT MOUNT W/ 1/2" BSP.F
#50 SETBACK W/ RELIEF PORT AND 7/8" O-RING
#53 SETBACK W/ SAE "C" FRONT MOUNT W/RELIEF PORT & 7/8" O-RING

RE 1.5" BEARING WHEEL MOTOR



WHITE - RE BREAKDOWN

STANDARD SEAL KITS

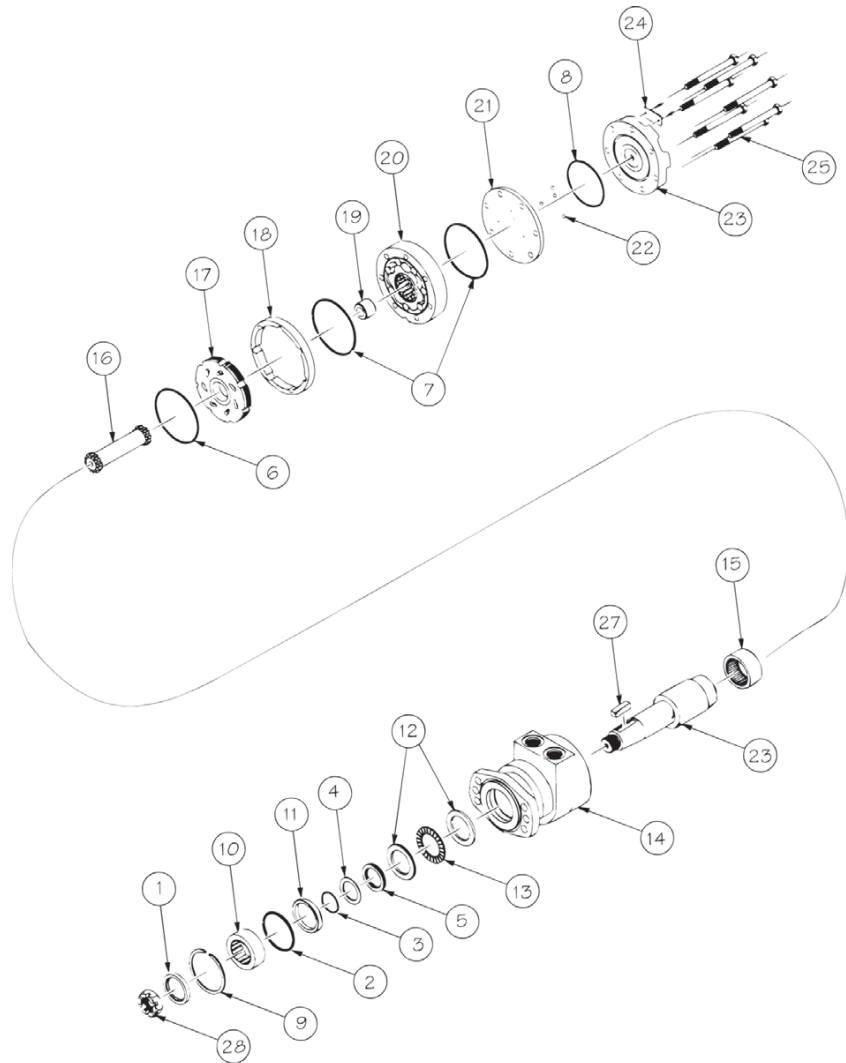
KIT #	DESCRIPTION	ITEMS
WTE-700666000	PT-666000	1 - 8

DESCRIPTION	EXPLODED VIEW ITEM #
DUST SEAL	1
HIGH PRESSURE SEAL	2
METAL BACKUP SHIM	3
TEFLON BACKUP SEAL	4
SHAFT SEAL	5
REAR HOUSING SEAL	6
BODY SEALS (2)	7
ENDCOVER SEAL	8

HOUSING TYPES

DESCRIPTION
#67 WHEEL MOTOR W/ 7/8" O-RING PORTS

RE 1.5" BEARING SAE "A" STYLE FLANGE MOTOR



WHITE - RE BREAKDOWN

STANDARD SEAL KITS

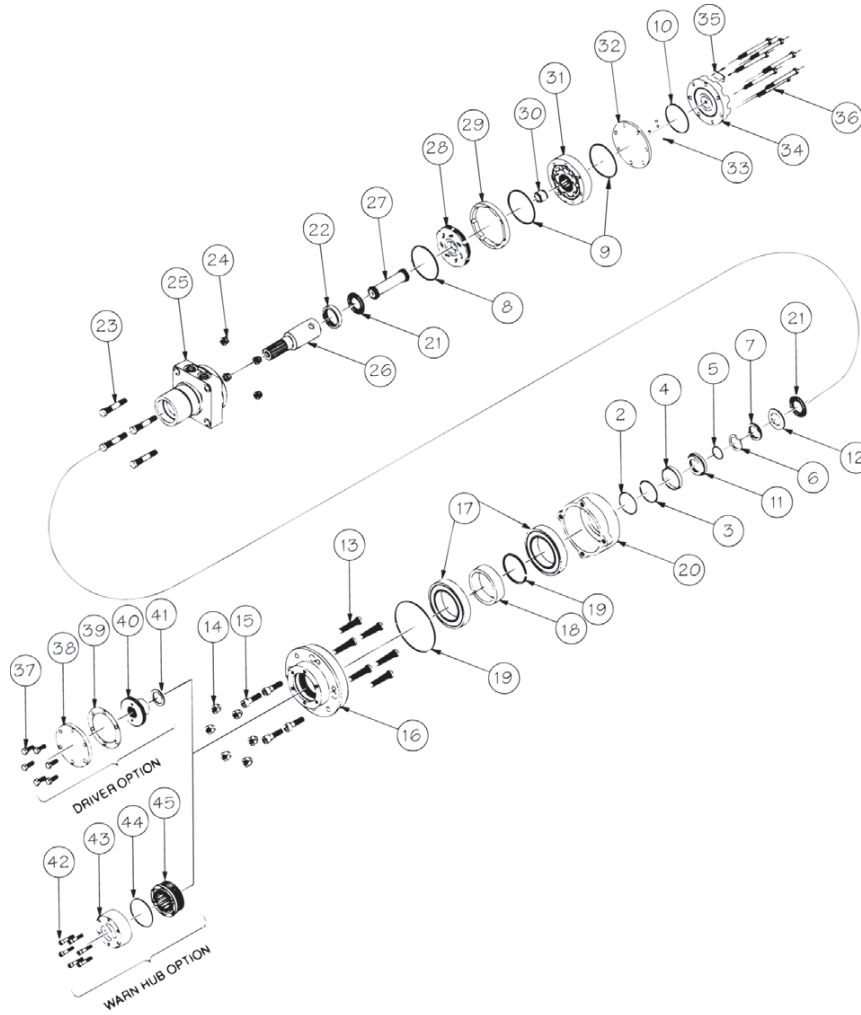
KIT #	DESCRIPTION	ITEMS
WTE-700666000	PT-666000	1 - 8

DESCRIPTION	EXPLODED VIEW ITEM #
DUST SEAL	1
HIGH PRESSURE SEAL	2
METAL BACKUP SHIM	3
TEFLON BACKUP SHIM	4
SHAFT SEAL	5
REAR HOUSING SEAL	6
BODY SEALS (2)	7
ENDCOVER SEAL	8

HOUSING TYPES

DESCRIPTION
#62 6-HOLE SAE "A" STYLE FLANGE W/ 7/8" O-RING
#66 6-HOLE SAE "A" STYLE FLANGE W/ 1/2" BSP.F
#68 6-HOLE SAE "A" STYLE FLANGE W/ MNFLD. PORTS
#92 6-HOLE SAE "A" STYLE FLANGE W/ 7/8" O-RING & RLF. PRT.
#96 6-HOLE SAE "A" STYLE FLANGE W/ 1/2" BSP.F & RLF. PRT.

RE 125 MM BEARING MOTOR



WHITE - RE BREAKDOWN

STANDARD SEAL KITS

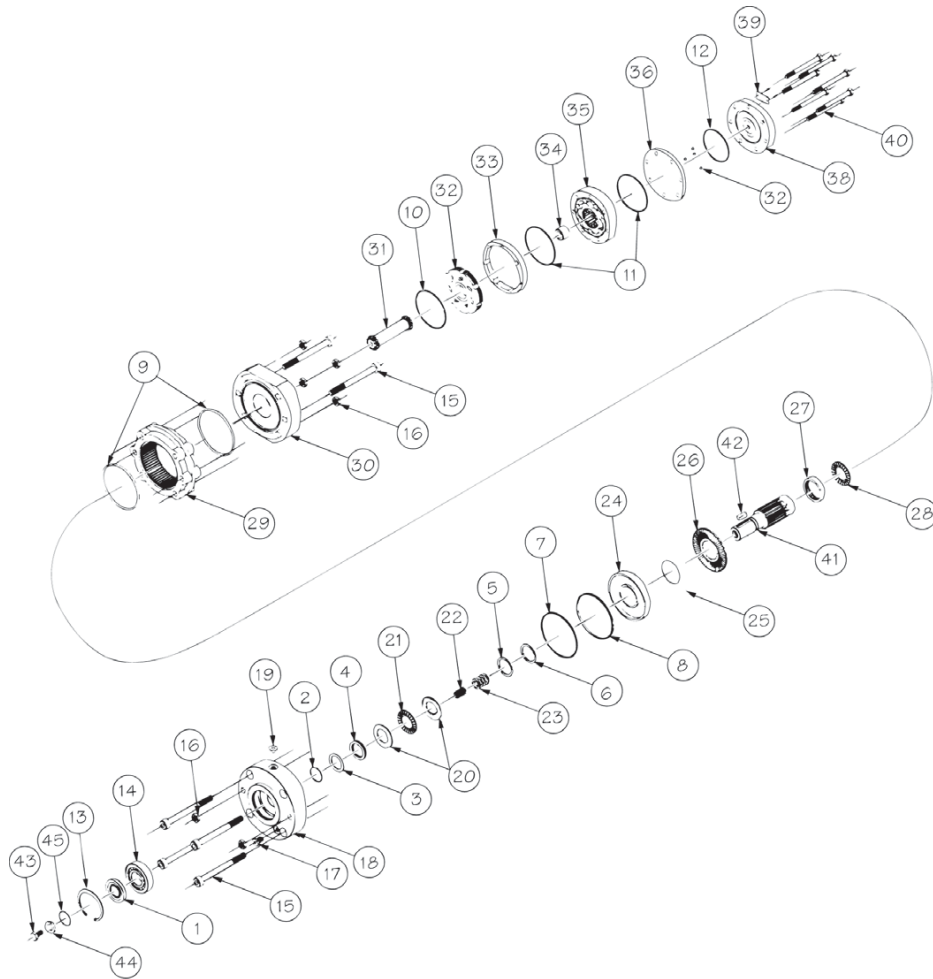
KIT #	DESCRIPTION	ITEMS
WTE-500444125	PE-444125	1 - 10, 39
WTE-500444003	PE-444003	11 - 12

DESCRIPTION	EXPLODED VIEW ITEM #
FLANGE SEAL	1
WIRE RING	2
METAL BACKUP SHIM	3
HIGH PRESSURE SEAL	4
METAL BACKUP SHIM	5
TEFLON BACKUP SEAL	6
SHAFT SEAL	7
REAR HOUSING SEAL	8
BODY SEAL	9
ENDCOVER SEAL	10
PAPER GASKET	39
SEAL CARRIER	11
THRUST WASHER	12

HOUSING TYPES

DESCRIPTION
#10 SETBACK W/ 7/8" O-RING

RE 12 HOUSING BRAKE MOTOR



WHITE - RE BREAKDOWN

STANDARD SEAL KITS

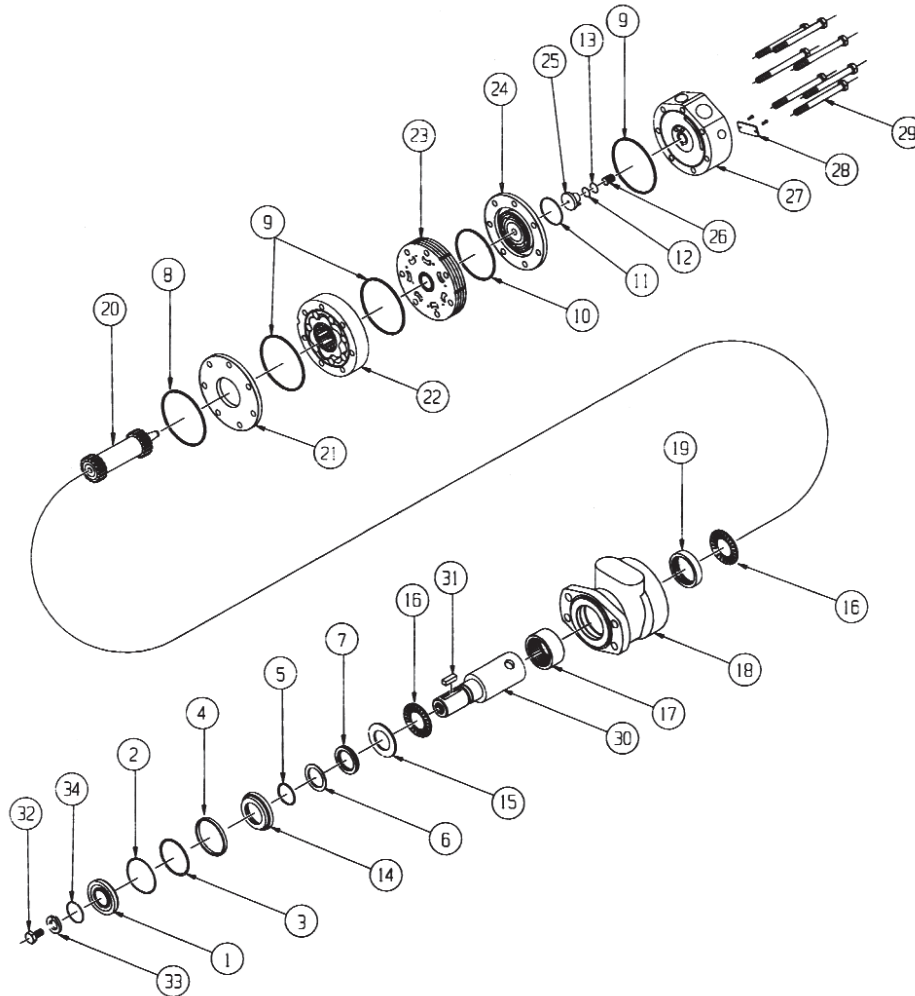
KIT #	DESCRIPTION	ITEMS
WTE-500444500	PE-444500	1 - 12

DESCRIPTION	EXPLODED VIEW ITEM #
DUST SEAL	1
METAL BACKUP SHIM	2
TEFLON BACKUP SEAL	3
SHAFT SEAL	4
SMALL O-RING PISTON SEAL	5
SMALL TEFLON PISTON SEAL	6
LARGE O-RING PISTON SEAL	7
LARGE TEFLON PISTON SEAL	8
HOUSING SEALS (2)	9
REAR HOUSING SEAL	10
BODY SEALS (2)	11
ENDCOVER SEAL	12

HOUSING TYPES

DESCRIPTION
FRONT HOUSING SECTION (INCLUDES ITEMS #1, 13, 14 & 18)
CENTER HOUSING SECTION
REAR HOUSING SECTION (INCLUDES ITEMS #27 & 30)

STANDARD DR SERIES MOTOR



STANDARD SEAL KITS

KIT #	DESCRIPTION	ITEMS
WTE-600555000	PR-555000	1 - 13
WTE-500444003	PE-444003	14 - 15

DESCRIPTION	EXPLODED VIEW ITEM #
DUST SEAL	1
SPLIT WEAR RING	2
METAL BACKUP SHIM	3
HIGH PRESSURE SEAL	4
METAL BACK UP SHIM	5
TEFLON BACKUP SEAL	6
SHAFT SEAL	7
REAR HOUSING SEAL	8
BODY SEALS (3)	9
MANIFOLD SEALS	10
COMMUTATOR SEAL	11
O-RING SEAL	12
TEFLON BACKUP SEAL	13
SEAL CARRIER	14
THRUST WASHER	15

HOUSING TYPES

DESCRIPTION
#07 SETBACK W/ 7/8" O-RING
#08-4-HOLES SAE "A" STYLE
#11-SETBACK W/BRAKE MOUNT
#16-2-HOLE SAE "A" STYLE
#18-6-HOLE SAE "A" STYLE

WHITE - DR BREAKDOWN

NOTES

NOTES



COMMERCIAL AND GRESEN Valve Repair Kits

Contents	Page
Commercial Valve Repair Kits	932
Gresen Valve Repair Kits	932
• 25P & V42	932
• SP, SPK & SSK	932
• 300 & 400	932

COMMERCIAL VALVE SERVICE KITS

VALVE SERVICE KITS	
CM-391-1803-030	Valve Series A20 Service Kit
CM-391-1803-201	Valve Series A35 Service Kit

GRESEN VALVE SERVICE KITS

Part Number	Bill Material	Description
25P & V42 CONTROL VALVES		
GR-K-7001	6432001	Seal Kit, One Section Only
GR-K-7004	6430001	Seal Kit, KC Main Relief
GR-K-7037	10825001	Seal Kit, RP51 Relief
SP, SPK & SSK VALVES		
GR-K-2001	6459001	Seal Kit-1 spool valve w/adjustment relief
GR-K-2002	6458001	Seal Kit-2 spool valve w/adjustable relief
GR-K-2003	6460001	Seal Kit-3 spool valve w/adjustable relief
GR-K-2029	12759001	Standard Relief Kit, SP
GR-K-2030	12758001	High Pressure Relief Kit, SP
300 & 400 CONTROL VALVES		
GR-K-3001	6467001	Spool Seals

Kits & Tools

Contents	Page
O-Ring Kits	934 - 943
O-Ring Splice Kits	944
Back-Up Ring Kits	945 - 946
Retainer Ring Kits	947 - 948
Assortment Kits	948 - 953
Installation Tools	953
Remanufacturing Tools	954 - 955
Testing Tools	956 - 957
Removal Tools	958 - 961
Dismantling Tools	962
Leak Detection Products	963
Measuring Tools	964 - 966

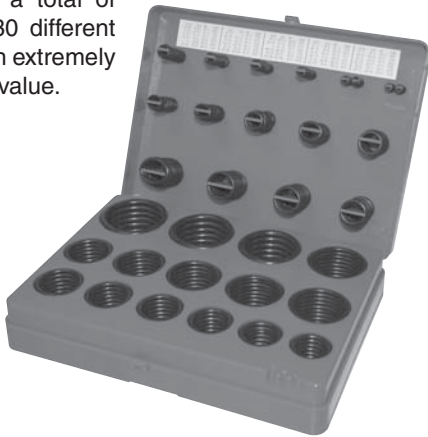
O-RING KITS

O-RING KIT

Part Number: 568 KIT-A

PART NUMBER	QTY	PART NUMBER	QTY
006-012	20	210-222	10
110-116	13	325-327	7

This kit contains a total of 382 O-Rings in 30 different sizes, providing an extremely low cost per size value.



O-RING METRIC KIT

Part Number: METRIC O KIT-J-A

I.D X C.S. (mm)	QTY	I.D X C.S. (mm)	QTY
3 X 2.0	16	20 X 3.0	12
4 X 2.0	16	22 X 3.0	12
5 X 2.0	16	24 X 3.0	12
6 X 2.0	16	25 X 3.0	12
7 X 2.0	16	27 X 3.0	12
8 X 2.0	16	28 X 3.0	12
10 X 2.0	16	30 X 3.0	12
10 X 2.5	16	32 X 3.0	12
11 X 2.5	13	33 X 3.0	12
12 X 2.5	13	35 X 3.0	12
14 X 2.5	13	36 X 3.0	12
16 X 2.5	13	38 X 3.0	12
17 X 2.5	13	38 X 4.0	9
19 X 2.5	13	41 X 4.0	9
19 X 3.0	12	44 X 4.0	9

The Metric O-Kit J-A contains a total of 389 O-Rings in 30 different sizes, another extremely low cost per size value.



O-RING KITS

U.S. INDUSTRIAL O-RING KIT

Part Number: 568 KIT

PART NUMBER	QTY	PART NUMBER	QTY
005-011	25	111-116	10
012	15	117-121	7
013-018	10	210-211	10
110	15	212-219	7

This kit contains a total of 436 70 Durometer O-Rings in 36 different sizes, providing an extremely low cost per size value.



QUAD WAREHOUSE KIT

Part Number: QUAD-RING WH KIT

PART NUMBER	QTY	PART NUMBER	QTY
QR-4004-012	10	QR-4125-135	3
QR-4013-030	5	QR-4136-154	2
QR-4031-038	3	QR-4204-216	5
QR-4039-048	2	QR-4217-229	3
QR-4108-116	10	QR-4230-338	2
QR-4117-124	5		

Similar to the O-Ring Warehouse kit, the Quad Seal Warehouse kit contains a total of 583 four-lobed seals in 145 different sizes. This kit is ideal for the small distributor who wishes to have a comprehensive on-hand inventory of Quad seals for counter sales.



ASSORTMENT KITS AND TOOLS

O-RING KITS

O-RING WAREHOUSE KIT

Part Number: 568 WH KIT

PART NUMBER	QTY	PART NUMBER	QTY
001-016	20	217-229	5
017-024	10	230-232	3
025-031	7	233-237	2
032-043	5	325-328	5
044-046	2	329-330	4
110-116	15	331-338	2
117-124	10	901-914	5
125-142	5	916, 918	5
143-146	3	920, 924	5
147-151	2	928, 932	5
210-216	10		

Our O-ring Warehouse kit is ideally suited for the repair shop that needs a large on-hand selection of O-rings to insure quick repair of all machine types. 1,110 O-Rings in 150 different sizes are included in this kit. Each size is individually packaged in heavy duty ziploc bags to protect against environmental exposure and contamination. All packages are then stored in a sturdy styrene cabinet with pull-out drawers for easy access to parts. Included card shows size, dimensions, and drawer location for each ring.



90 DUROMETER O-RING WAREHOUSE KIT

Part Number: 568 WH KIT-90D

PART NUMBER	QTY	PART NUMBER	QTY
001-016-90D	20	217-229-90D	5
017-024-90D	10	230-232-90D	3
025-031-90D	7	233-237-90D	2
032-043-90D	5	325-328-90D	5
044-046-90D	2	329-330-90D	4
110-116-90D	15	331-338-90D	2
117-124-90D	10	901-914-90D	5
125-142-90D	5	916, 918-90D	5
143-146-90D	3	920, 924-90D	5
147-151-90D	2	928, 932-90D	5
210-216-90D	10		

Our 90 Durometer O-ring Warehouse kit is ideally suited for the repair shop that needs a large on-hand selection of O-Rings to insure quick repair of all machine types. 1,110 O-Rings in 150 different sizes are included in this kit.



O-RING KITS

90 DUROMETER O-RING KIT

Part Number: 568 90D KIT

PART NUMBER	QTY	PART NUMBER	QTY
005-011-90D	25	111-116-90D	10
012-90D	15	117-121-90D	7
013-018-90D	10	210-211-90D	10
110-90D	15	212-219-90D	7

This kit contains a total of 436 90 Durometer O-Rings in 36 different sizes, providing an extremely low cost per size value.



SAE 900 O-RING BOSS KIT

Part Number: 900 BOSS KIT

PART NUMBER	QTY	SAE PORT SIZE	PART NUMBER	QTY	SAE PORT SIZE
568-904	35	-4	568-910	20	-10
568-905	30	-5	568-911	15	-11
568-906	30	-6	568-912	15	-12
568-907	20	-7	568-913	15	-13
568-908	20	-8	568-914	15	-14
568-909	20	-9	568-916	15	-16

This 250 piece assortment contains the most popular size 90 Durometer Boss O-rings in 12 different fitting sizes, individually separated, which will supply your shop, service truck, or parts counter with the sizes you need!



FLUOROCARBON O-RING KIT

Part Number: 568 FC KIT

PART NUMBER	QTY	PART NUMBER	QTY
005-011V	25	111-116V	10
012V	15	117-121V	7
013-018V	10	210-211V	10
110V	15	212-219V	7

This kit contains a total of 436 75 Durometer Fluorocarbon O-Rings in 36 different sizes, providing an extremely low cost per size value.



O-RING KITS

MAX O-RING KIT

Part Number:
MAX 1381 KIT

Part Number:
MAX 1381 KIT-90D

These sturdy kits, packaged in a heavy duty box, contain 1415 O-Rings in the most popular sizes. Every service truck should have one of these. Five internal boxes contain 1/16" C/S, 3/32" C/S, 1/8" C/S, Boss, and Flange fitting o-rings. Contents and quantities are listed below.

Flange Seals

FLANGE NUMBER	QTY	FLANGE NUMBER	QTY
8	10	20	5
12	10	24	5
16	10	32	5

Boss O-Rings

BOSS NUMBER	QTY	BOSS NUMBER	QTY
903	15	907	25
904	25	910	25
906	15	912	15
908	25	916	10

1/16" C/S O-Rings

O-RING NUMBER	QTY	O-RING NUMBER	QTY
006 - 118	25	028	15
019 - 021	20	029	10
022 - 026	15	030	10



3/32" C/S O-Rings

O-RING NUMBER	QTY	O-RING NUMBER	QTY
109 - 118	25	129	10
119 - 120	20	131	10
121 - 127	15	133	10
128	10	135	5

1/8" C/S O-Rings

O-RING NUMBER	QTY	O-RING NUMBER	QTY
210 - 214	20	228	10
215 - 222	15	232	10
223 - 224	10	236	10
226	10		

O-RING KITS

SAE 900 O-RING BOSS FLUOROCARBON KIT

Part Number: 900 BOSS FC

PART NUMBER	QTY	SAE PORT SIZE	PART NUMBER	QTY	SAE PORT SIZE
568-904V	35	-4	568-910V	20	-10
568-905V	30	-5	568-911V	15	-11
568-906V	30	-6	568-912V	15	-12
568-907V	20	-7	568-913V	15	-13
568-908V	20	-8	568-914V	15	-14
568-909V	20	-9	568-916V	15	-16



This 250 piece assortment contains the most popular size 90 Durometer FKM Boss O-rings in 12 different fitting sizes, individually separated, which will supply your shop, service truck, or parts counter with the sizes you need!

PTFE O-RING KIT

Part Number: 568 PTFE KIT

This kit contains a total of 325 PTFE O-Rings (55 - 58 Shore D) in 36 different sizes. PTFE O-Rings can withstand temperatures up to 500° F and are impervious to a wide range of chemicals.

PART NUMBER	QTY
005-012T	15
013-018T	10
110-116T	10
117-121T	5
210-219T	5



QUAD RING KIT

Part Number: QUAD-RING KIT

PART NUMBER	QTY	PART NUMBER	QTY
4005-4012	10	4110-4116	6
4013-4016	6	4117-4121	4
4017-4018	5	4210-4219	5

This kit contains a total of 226 Quad rings in 36 different sizes, providing an extremely low cost per size value.



O-RING KITS

O-RING FACE KIT

Part Number: **568 FACE KIT**

PART NUMBER	QTY	PART NUMBER	QTY
011-90D	25	018-90D	20
012-90D	25	021-90D	15
014-90D	25	025-90D	10
016-90D	25	029-90D	10

This kit contains a total of 155 90 Durometer O-Rings in 8 different sizes, providing an extremely low cost per size value.



O-RING FLANGE KIT

Part Number: **568 FLANGE KIT**

PART NUMBER	QTY	PART NUMBER	QTY
210-90D	10	225-90D	10
214-90D	10	228-90D	10
219-90D	10	232-90D	10
222-90D	10		

This kit contains a total of 70, 90 Durometer O-Rings, in 7 different sizes, providing an extremely low cost per size value.



SPLIT FLANGE SEAL KIT

Part Number: **SFS KIT**

PART NUMBER	QTY	PART NUMBER	QTY
SFS-8	5	SFS-24	5
SFS-12	5	SFS-32	5
SFS-16	5	SFS-40	5
SFS-20	5		

This kit contains 35 Split Flange Seals in 7 popular sizes.



O-RING KITS

HOSE END & ADAPTER KIT

Part Number: O-R FITTING KIT

This handy kit contains 27 sizes and 216 pieces of 90A Durometer O-rings for boss, split flange, and flat face hose end fittings and adapters. Each box has a graphic label identifying the type of application and dash number for the seal. A chart on the back of the box lists popular OEM part number matches for each O-ring. Due to popular demand, these kits are now available individually.



SAE FLANGE SEALS

Part Number: SAE FLANGE SEALS

BOX PART NUMBER	PART NUMBER	QTY
-8	568-210-90D	8
-12	568-214-90D	8
-16	568-219-90D	8
-20	568-222-90D	8
-24	568-225-90D	8
-32	568-228-90D	8

FLAT FACE SEALS

Part Number: FLAT FACE O-RINGS

BOX PART NUMBER	PART NUMBER	QTY
-4	568-011-90D	8
-6	568-012-90D	8
-8	568-014-90D	8
-10	568-016-90D	8
-12	568-018-90D	8
-16	568-021-90D	8
-20	568-025-90D	8
-24	568-029-90D	8

BOSS & TUBE SEALS

Part Number: BOSS & TUBE FITTINGS-1

Part Number: BOSS & TUBE FITTINGS-2

BOX PART NUMBER	PART NUMBER	QTY	KIT NUMBER
-2	568-902	8	FITTINGS-1
-3	568-903	8	FITTINGS-1
-4	568-904	8	FITTINGS-1
-5	568-905	8	FITTINGS-1
-6	568-906	8	FITTINGS-1
-8	568-908	8	FITTINGS-1
-10	568-910	8	FITTINGS-1

BOX PART NUMBER	PART NUMBER	QTY	KIT NUMBER
-12	568-912	8	FITTINGS-1
-14	568-914	8	FITTINGS-1
-16	568-916	8	FITTINGS-2
-20	568-920	8	FITTINGS-2
-24	568-924	8	FITTINGS-2
-32	568-932	8	FITTINGS-2

O-RING KITS

COMMON JAPANESE SIZE O-RINGS IN 70 DUROMETER

Part Number: **METRIC O KIT-J**



This 380 piece kit contains the most popular Japanese Industrial metric O-ring sizes.

I.D.	C.S	QTY	I.D.	C.S	QTY
2.8	1.9	25	20.8	2.4	8
3.8	1.9	20	21.8	2.4	8
4.8	1.9	20	24.4	3.1	6
5.8	1.9	20	29.4	3.1	7
6.8	1.9	15	21.7	3.5	5
7.8	1.9	15	22.1	3.5	5
8.8	1.9	15	23.7	3.5	7
9.8	1.9	15	24.7	3.5	7
9.8	2.4	15	25.2	3.5	7
10.8	2.4	15	25.7	3.5	7
11.0	2.4	15	27.7	3.5	7
11.8	2.4	12	28.7	3.5	6
12.8	2.4	12	29.2	3.5	6
13.8	2.4	12	29.7	3.5	6
14.8	2.4	12	30.7	3.5	6
15.8	2.4	12	31.2	3.5	6
17.8	2.4	8	14.5	4.0	4
19.8	2.4	8	23.5	4.0	6

COMMON JAPANESE SIZE O-RINGS IN 90 DUROMETER

Part Number: **METRIC O KIT-J-90D**



This 380 piece kit contains the most popular Japanese Industrial metric O-ring sizes in 90 durometer NBR.

I.D.	C.S	QTY	I.D.	C.S	QTY
2.8	1.9	25	20.8	2.4	8
3.8	1.9	20	21.8	2.4	8
4.8	1.9	20	24.4	3.1	6
5.8	1.9	20	29.4	3.1	7
6.8	1.9	15	21.7	3.5	5
7.8	1.9	15	22.1	3.5	5
8.8	1.9	15	23.7	3.5	7
9.8	1.9	15	24.7	3.5	7
9.8	2.4	15	25.2	3.5	7
10.8	2.4	15	25.7	3.5	7
11.0	2.4	15	27.7	3.5	7
11.8	2.4	12	28.7	3.5	6
12.8	2.4	12	29.2	3.5	6
13.8	2.4	12	29.7	3.5	6
14.8	2.4	12	30.7	3.5	6
15.8	2.4	12	31.2	3.5	6
17.8	2.4	8	14.5	4.0	4
19.8	2.4	8	23.5	4.0	6

O-RING KITS

COMMON EUROPEAN SIZE O-RINGS IN 70 DUROMETER

Part Number: METRIC O KIT-E



This 500 piece kit contains the most popular European metric O-ring sizes.

I.D.	C.S.	QTY	I.D.	C.S.	QTY
5.0	1.5	20	19.0	2.0	10
13.0	1.5	15	20.0	2.0	10
16.0	1.5	10	4.3	2.4	15
2.2	1.6	20	5.3	2.4	15
3.1	1.6	20	5.6	2.4	15
4.1	1.6	20	7.6	2.4	15
7.1	1.6	20	8.3	2.4	15
9.1	1.6	15	8.6	2.4	15
10.1	1.6	15	10.0	2.5	10
13.1	1.6	15	13.0	2.5	10
4.0	2.0	20	14.0	2.5	10
6.0	2.0	20	15.0	2.5	10
8.0	2.0	15	17.0	2.5	10
9.0	2.0	15	18.0	2.5	10
10.0	2.0	15	19.0	2.5	10
12.0	2.0	15	9.0	3.0	10
14.0	2.0	10	10.0	3.0	10
16.0	2.0	10	11.0	3.0	10

COMMON EUROPEAN SIZE O-RINGS IN 90 DUROMETER

Part Number: METRIC O KIT-E-90D



This 500 piece kit contains the most popular European metric O-ring sizes.

I.D.	C.S.	QTY	I.D.	C.S.	QTY
5.0	1.5	20	19.0	2.0	10
13.0	1.5	15	20.0	2.0	10
16.0	1.5	10	4.3	2.4	15
2.2	1.6	20	5.3	2.4	15
3.1	1.6	20	5.6	2.4	15
4.1	1.6	20	7.6	2.4	15
7.1	1.6	20	8.3	2.4	15
9.1	1.6	15	8.6	2.4	15
10.1	1.6	15	10.0	2.5	10
13.1	1.6	15	13.0	2.5	10
4.0	2.0	20	14.0	2.5	10
6.0	2.0	20	15.0	2.5	10
8.0	2.0	15	17.0	2.5	10
9.0	2.0	15	18.0	2.5	10
10.0	2.0	15	19.0	2.5	10
12.0	2.0	15	9.0	3.0	10
14.0	2.0	10	10.0	3.0	10
16.0	2.0	10	11.0	3.0	10

O-RING SPLICE KITS

O-RING SPLICE KIT INCH SIZES

Part Number: **568 SPLICE KIT**

Kit Contains:

1. Stock of 70 Durometer Buna O-ring Cord
2. Razor Blade
3. Splicing tool
4. Tube of Adhesive

Replacement Parts

Parts:

- #568 Splice Tool
- #568 Adhesive
- 70 Duro. Cord

O-RING SPLICE KIT INCH & METRIC SIZES

Part Number: **MET/INCH SPLICE KIT**

This kit can produce O-Rings of any standard inch size cross-section plus a wide variety of metric sizes. Each kit contains quick drying adhesive, cutting and splicing jig, razor blade, and 14 lengths of 70 Durometer Buna-N cord stock as follows:

- Inch cross-sections: (inch)**
 1/16" (.070), 3/32" (.103), 1/8" (.139),
 3/16" (.210), 1/4" (.275)
- Metric cross-sections: (mm)**
 1.6, 2.0, 2.5, 3.0, 3.5, 4.0, 5.0, 5.7, 8.4



These kits can produce O-Rings of any circumference. The 568 kit contains the most popular inch cross sectional sized O-ring cord. The Metric and Inch Kit has both standard inch size cross sectional cord plus a wide variety of metric sized cord. Both kits contain quick drying adhesive, a cutting and splicing jig, a razor blade and 70 Durometer Buna-N cord.

FLUOROCARBON O-RING SPLICE KIT INCH SIZES

Part Number: **568 FC SPLICE KIT**

Kit Contains:

1. Stock of 75 Durometer Fluorocarbon Cord
2. Razor Blade
3. Splicing tool
4. Tube of Adhesive

Replacement Parts

Parts:

- #568 Splice Tool
- #568 Adhesive
- 75 Duro. Fluorocarbon Cord



BACK-UP RING KITS

574 BACK-UP RING KIT

Part Number: 574 KIT

PART NUMBER	QTY	PART NUMBER	QTY
574-005	10	574-114	10
574-006	10	574-115	10
574-007	10	574-116	10
574-008	10	574-117	5
574-009	10	574-118	5
574-010	10	574-119	5
574-011	10	574-120	5
574-012	10	574-121	5
574-013	10	574-210	7
574-014	10	574-211	7
574-015	10	574-212	7
574-016	10	574-213	7
574-017	10	574-214	5
574-018	10	574-215	5
574-110	10	574-216	5
574-111	10	574-217	5
574-112	10	574-218	5
574-113	10	574-219	5



This 293 piece kit contains 36 of the most popular size "Parback®" Style Dished Cross Section back-up rings. Molded of 90A Durometer Buna-N Rubber, they stretch for installation and return quickly to their original size. SIZES CORRESPOND TO O-RING NUMBERS. Your shop and service truck should not be without this handy kit.

575 BACK-UP RING KIT

Part Number: 575 KIT

PART NUMBER	QTY	PART NUMBER	QTY
575-111	25	575-216	25
575-112	25	575-217	15
575-113	25	575-218	15
575-114	25	575-219	15
575-115	25	575-220	15
575-116	25	575-221	15
575-210	25	575-222	15
575-211	25	575-223	15
575-212	25	575-224	15
575-213	25	575-325	10
575-214	25	575-326	10
575-215	25	575-327	10



This 475 piece kit contains 24 of the most popular size urethane back-up rings. This assortment is essential for parts counters, shop use, and service trucks.

BACK-UP RING KITS

PTFE BACK-UP RING KIT

Part Number: 575 PTFE KIT S

PART NUMBER	QTY	PART NUMBER	QTY
575-005ST	15	575-114ST	10
575-006ST	15	575-115ST	10
575-007ST	15	575-116ST	10
575-008ST	15	575-117ST	5
575-009ST	15	575-118ST	5
575-010ST	15	575-119ST	5
575-011ST	15	575-120ST	5
575-012ST	15	575-121ST	5
575-013ST	10	575-210ST	5
575-014ST	10	575-211ST	5
575-015ST	10	575-212ST	5
575-016ST	10	575-213ST	5
575-017ST	10	575-214ST	5
575-018ST	10	575-215ST	5
575-110ST	10	575-216ST	5
575-111ST	10	575-217ST	5
575-112ST	10	575-218ST	5
575-113ST	10	575-219ST	5



This 325 piece kit contains 36 of the most popular size PTFE Back-up Rings. These rings are compatible with all hydraulic fluids, since they are virtually chemically inert, and can be used in applications involving elevated operating temperatures. These rings are scarf cut to facilitate installation.

RETAINER RING KITS

Each kit has an assortment of retainer rings (Tru-arc, Eaton, or spiral wound style) packed in a reusable plastic box. All rings are made in the USA from carbon spring steel.

Each kit contains: 18 sizes - 9 internal, 9 external • 216 rings per box • 12 rings per size

TRU-ARC

Part Number: 300-310 KIT

PART NUMBER	QTY.	PART NUMBER	QTY.
300-050	12	310-050	12
300-062	12	310-062	12
300-075	12	310-075	12
300-087	12	310-087	12
300-100	12	310-100	12
300-112	12	310-112	12
300-125	12	310-125	12
300-137	12	310-137	12
300-150	12	310-150	12



SPIRAL WOUND

Part Number: SRR KIT

PART NUMBER	QTY.	PART NUMBER	QTY.
WHM-050	12	WSM-050	12
WHM-062	12	WSM-062	12
WHM-075	12	WSM-075	12
WHM-087	12	WSM-087	12
WHM-100	12	WSM-100	12
WHM-112	12	WSM-112	12
WHM-125	12	WSM-125	12
WHM-137	12	WSM-137	12
WHM-150	12	WSM-150	12



EATON

Part Number: ERR KIT

PART NUMBER	QTY.	PART NUMBER	QTY.
NAN-050	12	XAN-050	12
NAN-062	12	XAN-062	12
NAN-075	12	XAN-075	12
NAN-087	12	XAN-087	12
NAN-100	12	XAN-100	12
NAN-112	12	XAN-112	12
NAN-125	12	XAN-125	12
NAN-137	12	XAN-137	12
NAN-150	12	XAN-150	12



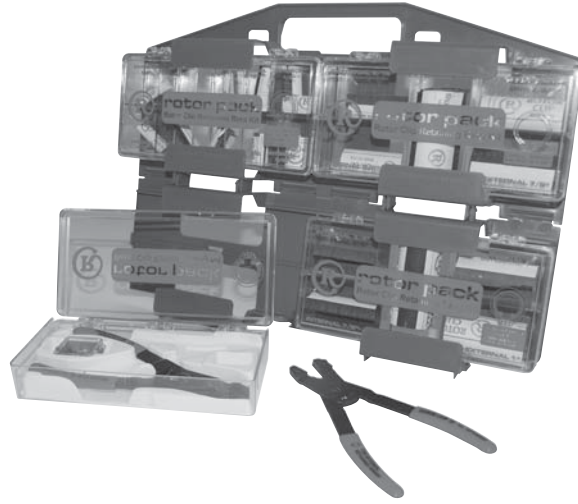
ASSORTMENT KITS AND TOOLS

RETAINER RING KITS

ROTOR PACK KIT

Part Number: RPK 4 KIT

Packaged in four plastic cases with a handy carrying case, our rotor pack kit contains approximately 50 each of 20 common internal/external retaining ring sizes. The internal rings fit housings or bores from 3/8" internal diameter to 1-1/8". External rings accommodate shaft sizes from 1/4" internal diameter to 1-1/8". Two retainer ring installation pliers are also included.



EXTERNAL RETAINER RINGS

Part Number: 310 KIT

PART NUMBER	SHAFT SIZE	QTY.	PART NUMBER	SHAFT SIZE	QTY.
310-100	1.000	5	310-200	2.000	5
310-125	1.250	5	310-225	2.250	5
310-137	1.375	5	310-250	2.500	5
310-150	1.500	5	310-275	2.750	3
310-175	1.750	5	310-300	3.000	3

These assortments contain the most popular size retainer rings, boxed in a handy storage and display case, which will supply your shop, service truck, or parts counter with the sizes you need!



INTERNAL RETAINER RINGS

Part Number: 300 KIT

PART NUMBER	BORE SIZE	QTY.	PART NUMBER	BORE SIZE	QTY.
300-075	0.750	10	300-200	2.000	10
300-087	0.875	10	300-225	2.250	5
300-100	1.000	10	300-250	2.500	5
300-112	1.125	10	300-275	2.750	5
300-125	1.250	10	300-300	3.000	5
300-137	1.375	10	300-350	3.500	5
300-150	1.500	10	300-400	4.000	5
300-162	1.625	10	300-450	4.500	2
300-175	1.750	10	300-500	5.000	2



ASSORTMENT KITS

CAT® O-RING KIT

Part Number: **CTC-4C4784**

This handy kit, in an unbreakable box, contains the 9 most popular sized D-Rings used on Caterpillar® equipment.



CAT® SILICONE O-RING KIT

Part Number: **CTC-4C8253**

This handy kit, in an unbreakable box, contains 149 silicone o-rings in the 32 most popular sizes used on Caterpillar® equipment.



CAT® FLANGE KIT

Part Number: **CTC-2701545**

This handy kit contains the 6 most popular sized flange seals O-Rings used on Caterpillar® equipment.



CAT® NITRILE O-RING KIT

Part Number: **CTC-4C4782**

This handy kit, in an unbreakable box, contains 570 nitrile o-rings in the 32 most popular sizes used on Caterpillar® equipment.



ASSORTMENT KITS AND TOOLS

NOTE: Caterpillar® part numbers are used as a reference only. We do not imply that these parts are original equipment parts.

ASSORTMENT KITS

THE ULTIMATE NITRILE O-RING ASSORTMENT

Part Number: 568 KIT-ULTIMATE



Includes: 12 drawers and 3 slide racks, plus base. Total weight 232 lbs.

214 Items, 1324 Pieces.

Sizes Include:

-001, -002, -003, -004, -005, -006, -007, -008, -009, -010, -012, -013, -014, -015, -016, -017, -018, -019, -020, -021, -022, -023, -024, -025, -026, -027, -028, -029, -030, -031, -032, -033, -034, -035, -036, -037, -038, -039, -040, -041, -042, -043, -044, -045, -046, -047, -048, -049, -050

-106, -107, -108, -109, -110, -111, -112, -113, -114, -115, -116, -117, -118, -119, -120, -121, -122, -123, -124, -125, -126, -127, -128, -129, -130, -131, -132, -133, -134, -135, -136, -137, -138, -139, -140, -141, -142, -143, -144, -145, -146, -147, -148, -149, -150, -151, -152, -153, -154, -155, -156, -157, -158, -159, -160, -161, -162, -163

-204, -205, -206, -207, -208, -209, -210, -211, -212, -213, -214, -215, -216, -217, -218, -219, -220, -221, -222, -223, -224, -225, -226, -227, -228, -229, -230, -231, -232, -233, -234, -235, -236, -237, -238, -239, -240, -241, -242, -243, -244, -245, -246, -247, -248, -249, -250, -251, -252, -253, -254, -255, -256, -257, -258, -259, -260, -261, -262

-314, -315, -316, -317, -318, -319, -320, -321, -322, -323, -324, -325, -326, -327, -328, -329, -330, -331, -332, -333, -334, -335, -336, -337, -338, -339, -340, -341, -342, -343, -344, -345, -346, -347, -348, -349, -350, -351, -352, -353, -354, -355

-425, -426, -427, -428, -429

3 racks - each one is: 20" wide x 15-3/4" deep x 15" high
 1 base - 20-3/8" wide x 16" deep x 15-1/8" high
 Approximately 61" from top to bottom

ASSORTMENT KITS

THE ULTIMATE FLUOROCARBON O-RING ASSORTMENT

Part Number: 568 FC KIT-ULTIMATE



Includes: 12 drawers and 3 slide racks, plus base. Total weight 232 lbs.

214 Items, 1324 Pieces.

Sizes Include:

-001, -002, -003, -004, -005, -006, -007, -008, -009,
-010, -012, -013, -014, -015, -016, -017, -018, -019,
-020, -021, -022, -023, -024, -025, -026, -027, -028,
-029, -030, -031, -032, -033, -034, -035, -036, -037,
-038, -039, -040, -041, -042, -043, -044, -045, -046,
-047, -048, -049, -050

-106, -107, -108, -109, -110, -111, -112, -113, -114,
-115, -116, -117, -118, -119, -120, -121, -122, -123,
-124, -125, -126, -127, -128, -129, -130, -131, -132,
-133, -134, -135, -136, -137, -138, -139, -140, -141,
-142, -143, -144, -145, -146, -147, -148, -149, -150,
-151, -152, -153, -154, -155, -156, -157, -158, -159,
-160, -161, -162, -163

-204, -205, -206, -207, -208, -209, -210, -211, -212,
-213, -214, -215, -216, -217, -218, -219, -220, -221,
-222, -223, -224, -225, -226, -227, -228, -229, -230,
-231, -232, -233, -234, -235, -236, -237, -238, -239,
-240, -241, -242, -243, -244, -245, -246, -247, -248,
-249, -250, -251, -252, -253, -254, -255, -256, -257,
-258, -259, -260, -261, -262

-314, -315, -316, -317, -318, -319, -320, -321, -322,
-323, -324, -325, -326, -327, -328, -329, -330, -331,
-332, -333, -334, -335, -336, -337, -338, -339, -340,
-341, -342, -343, -344, -345, -346, -347, -348, -349,
-350, -351, -352, -353, -354, -355

-425, -426, -427, -428, -429

3 racks - each one is: 20" wide x 15-3/4" deep x 15" high


1 base - 20-3/8" wide x 16" deep x 15-1/8" high
Approximately 61" from top to bottom

ASSORTMENT KITS

COTTER PIN KIT

Part Number: **COTTER PIN KIT**




	1/16" X 1" 150 pcs.	3/32" X 1" 150 pcs.
	1/8" X 1 1/4" 75 pcs.	3/32" X 1 1/2" 100 pcs.
	1/8" X 2" 50 pcs.	5/32" X 2 1/2" 30 pcs.
555 Pieces		

WOODRUFF KEY KIT

Part Number: **WOODRUFF KEYS KIT**




	1/8" X 1/2" No. 3 16 pcs.	1/8" X 5/8" No. 5 15 pcs.
	3/32" X 5/8" No. 6 15 pcs.	3/16" X 3/4" No. 9 10 pcs.
	1/4" X 7/8" No. A 5 pcs.	1/4" X 1" No. 15 4 pcs.
65 Pieces		

GREASE FITTING KIT

Part Number: **GREASE FITTING KIT**



	1/8" NPT Straight 6 pcs.	1/4" - 28 Straight 6 pcs.
	3/16" Drive Straight 4 pcs.	1/8" NPT 45 1/8" NPT 90 3 pcs. ea.
	1/4" - 28 45 1/4" - 28 90 3 pc. ea.	5/16" Drive Straight 4 pcs.
32 Pieces		

SET SCREW KIT

Part Number: **SSK-INCH**



Use these set screws in confined areas, where there is no room for a protruding head. Nine coarse sizes, three fine sizes.

Hex wrench shown not included. Coarse sizes: 1/8"-40 x 3/16", 5/32"-32 x 3/16", 3/16"-24 x 1/4", 1/4"-20 x 1/4", 1/4"-20 x 3/8", 5/16"-18 x 3/8", 5/16"-18 x 1/2", 3/8"-16 x 3/8", and 3/8"-16 x 1/2". Fine sizes: 1/4"-28 x 1/4", 5/16"-24 x 3/8", 3/8"-24 x 3/8"

ASSORTMENT KITS

CAP PLUG KIT

Part Number: CAP PLUG KIT



Our new and improved cap plug kit contains 22% more cap plugs in an environmentally friendly corrugated box. Separated areas hold 625 cap plugs in 24 of the most popular sizes.

Cap Plug Number	QTY	Cap Plug Number	QTY	Cap Plug Number	QTY
CAP-2-X	50	CAP-PD-100	25	CAP-G-22	20
CAP-4	50	CAP-PD-120	25	CAP-G-25	20
CAP-6-X	50	CAP-PD-140	20	CAP-G-27	20
CAP-9	50	CAP-PD-160	20	CAP-P-28	25
CAP-12-X	25	CAP-G-2	20	CAP-P-38	25
CAP-14	20	CAP-G-8	20	CAP-P-48	25
CAP-PD-60	25	CAP-G-14	20	CAP-P-68-H	25
CAP-PD-80	25	CAP-G-18	20	CAP-P-88-H	20

INSTALLATION TOOLS

ROD U-SEAL INSTALLATION TOOLS

Part Number	Seal ID Range
IT 100	3/4" to 1-1/4"
IT 150	1-3/8" to 1-7/8"
IT 200	2" to 3"
IT 100-NN	3/4" to 1-1/4"
IT 150-NN	1-3/8" to 1-7/8"
IT 200-NN	2" to 3"

These tools aid U-seal installation, eliminating the risk of damaging the seal lip.

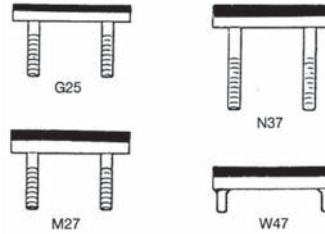


ASSORTMENT KITS AND TOOLS

REMANUFACTURING TOOLS

HONE STONE SETS

Stone sets for 2.5" to 60"* diameter, portable tools (two stones and two guides per set). For Industrial applications. From fast stock removal in deburred, bored, ground, or reamed holes to fine finishing in previously honed holes, these hone stone sets are in stock and ready for next day delivery.



Stone Number	Diameter
G25	2.5 - 2.7
M27	2.7 - 4.1
N37	3.5 - 5.5
W47	4.1 - 60.0*

* Requires Master Holder Set - Limited to 21" with H-AN-815

PART NUMBER	BORE SIZE	MATERIAL	GRIT SIZE	HARDNESS	LUBRICANT
H-G25-A25	2.5 - 2.7	Aluminum Oxide	80	Medium	N/A
H-G25-A43	2.5 - 2.7	Aluminum Oxide	150	Soft	N/A
H-G25-A45	2.5 - 2.7	Aluminum Oxide	150	Medium	N/A
H-G25-A65	2.5 - 2.7	Aluminum Oxide	280	Medium	N/A
H-G25-J45	2.5 - 2.7	Silicon Carbide	150	Medium	N/A
H-G25-J65	2.5 - 2.7	Silicon Carbide	280	Medium	N/A
H-G25-J85	2.5 - 2.7	Silicon Carbide	400	Medium	N/A
H-G25-J87	2.5 - 2.7	Silicon Carbide	400	Hard	N/A
H-G25-R25X	2.5 - 2.7	Red Aluminum Oxide	80	Medium	Sulfur Impregnated
H-M27-A25	2.7 - 4.1	Aluminum Oxide	80	Medium	N/A
H-M27-A43	2.7 - 4.1	Aluminum Oxide	150	Soft	N/A
H-M27-A45	2.7 - 4.1	Aluminum Oxide	150	Medium	N/A
H-M27-A65	2.7 - 4.1	Aluminum Oxide	280	Medium	N/A
H-M27-J45	2.5 - 2.7	Silicon Carbide	150	Medium	N/A
H-M27-J55	2.5 - 2.7	Silicon Carbide	220	Medium	N/A
H-M27-J65	2.5 - 2.7	Silicon Carbide	280	Medium	N/A
H-M27-J85	2.5 - 2.7	Silicon Carbide	400	Medium	N/A
H-M27-J87	2.5 - 2.7	Silicon Carbide	400	Hard	N/A
H-M27-R25X	2.7 - 4.1	Red Aluminum Oxide	80	Medium	Sulfur Impregnated
H-N37-A25	3.5 - 5.5	Aluminum Oxide	80	Medium	N/A
H-N37-A43	3.5 - 5.5	Aluminum Oxide	150	Soft	N/A
H-N37-A65	3.5 - 5.5	Aluminum Oxide	280	Medium	N/A
H-N37-A45	3.5 - 5.5	Aluminum Oxide	150	Medium	N/A
H-N37-A63	3.5 - 5.5	Aluminum Oxide	280	Soft	N/A
H-N37-J45	3.5 - 5.5	Silicon Carbide	150	Medium	N/A
H-N37-J65	3.5 - 5.5	Silicon Carbide	280	Medium	N/A
H-N37-J85	3.5 - 5.5	Silicon Carbide	400	Medium	N/A
H-N37-J87	3.5 - 5.5	Silicon Carbide	400	Hard	N/A
H-N37-R25X	3.5 - 5.5	Red Aluminum Oxide	80	Medium	Sulfur Impregnated
H-W47-A25	4.1 - 60.0*	Aluminum Oxide	80	Medium	N/A
H-W47-A43	4.1 - 60.0*	Aluminum Oxide	150	Soft	N/A
H-W47-A45	4.1 - 60.0*	Aluminum Oxide	150	Medium	N/A
H-W47-A65	4.1 - 60.0*	Aluminum Oxide	280	Medium	N/A
H-W47-J45	4.1 - 60.0*	Silicon Carbide	150	Medium	N/A
H-W47-J65	4.1 - 60.0*	Silicon Carbide	280	Medium	N/A
H-W47-J85	4.1 - 60.0*	Silicon Carbide	400	Medium	N/A
H-W47-J87	4.1 - 60.0*	Silicon Carbide	400	Hard	N/A
H-W47-R25X	4.1 - 60.0*	Red Aluminum Oxide	80	Medium	Sulfur Impregnated

* Requires Master Holder Set - Limited to 21" with H-AN-815

REMANUFACTURING TOOLS

PORTABLE HONES

Part Number: **H-AN-815**



Additional sizes and accessories shown below.

Illustration shows standard AN-815 Portable Hone assembled with single length master holder set and stone set. Requires 16 mm (5/8") chuck capacity for 63.5-127 mm (2.5"-5") diameter. Requires 19mm (3/4") chuck capacity for 127-381 mm (5"-15") diameter. Requires 25.4 mm (1") chuck capacity for larger than 381 mm (15") diameter.

Weight 2.3 kg (5 lbs).

HONING OIL - 5 GALLON PAIL

Part Number: **H-TA-230-5**



Honing oil is specially compounded for ferrous and non ferrous honing to:

- Dissipate heat from the workpiece
- Lubricate tool contact surfaces (guides)
- Flush bore free of honing swarf
- And maintain clean, free cutting abrasive conditions

Recommended for continuous honing of most materials, including: steel, cast iron, carbide, aluminum, bronze and ceramics. Use with any make honing equipment or tooling.

FOR A COMPLETE PORTABLE HONE ORDER A + B + C + D + E				A - BASIC HONE	B - MASTER HOLDER SETS		C - STONE SUPPORT		D - STONE SET	E - SHAFT EXTEN- SION
Diameter Range					Single Length	Double Length				
General Purpose Stone Sets		Guideless and Keyway Stone Sets								
mm	Inches	mm	Inches	Part Number	Part Number	Part Number	Part Number			
64-140	2.5-5.5	64-142	2.5-5.6	H-AN-815	None	None	None	See Table on page 954 for portable hone stone sets	For holes longer than 508 mm (20") see table below for Shaft Extensions.	
104-160	4.1-6.3	114-165	4.5-6.5	H-AN-815	H-AN-345	None	None			
119-178	4.7-7.0	130-183	5.1-7.2	H-AN-815	H-AN-355	H-AN-855	None			
152-229	6.0-9.0	163-234	6.4-9.2	H-AN-815	H-AN-365	H-AN-865	H-AN-260			
206-305	8.1-12.0	213-310**	8.4-12.2**	H-AN-815	H-AN-375	H-AN-875	H-AN-280			
279-381	11.0-15.0	284-386**	11.2-15.2**	H-AN-815	H-AN-385	H-AN-885	H-AN-290			
356-457	14.0-18.0	363-465**	14.3-18.3**	H-AN-815*	H-AN-395	H-AN-895	H-AN-340			
432-533	17.0-21.0	437-538**	17.2-21.2**	H-AN-815*	H-AN-415	H-AN-915	H-AN-450			

* For light work only in this diameter range.

** Do not use WW (Guideless) Stone Sets in this range due to lack of stability.

Length		Drive Shanks		Shaft Extensions		Master Holder Sets and Stone Supports	
mm	Inches	Part Number		Part Number		Master Holder Sets, listed in the table above, are used with Type W47, WW51 and WY51 Stone Sets. Double Length Master Holders require two stone sets—use when it is necessary to bridge interruptions in the bore. Each Master Holder Set consists of two holders for stones and two holders for guides. Stone Supports are required to give rigidity to the hone assembly when honing bores larger than 178 mm (7") diameter.	
76	3	H-AN-608A		None			
152	6	H-AN-618A***		H-AN-840			
305	12	None		H-AN-841***			
610	24	None		H-AN-842			
1220	48	None		H-AN-844			
Furnished with 152 mm (6") Drive Shank and 305 mm (12") Shaft Extension. Other shanks or extensions may be selected from the table above to make up any practical length (either drive shank can be used with any combination of extensions).							

*** Supplied with hone.

TESTING TOOLS

FasTest® WEH 17 SERIES



Your Ergonomic Solution to Eliminate Wrenches and Bottle-Necks

FasTest® WEH 17 connectors provide leak tight connections for filling, charging, evacuation and pressure testing. The WEH 17 automatically seals when pressurized. Available in lever or pneumatically activated versions to grip and seal to female threads. Test pressures to 3500 psi.

How to Operate

To Connect: Collapse split collets in accordance with the operating method you have selected. Insert collets into female thread of the component to be tested. Expand collet to grip and seal. Activate test media through connector side port.

To Disconnect: Deactivate test pressure. Collapse split collets in accordance with the operating method you have selected. Remove connector from test piece.
Caution: WEH Series 17 connectors are not internally valved. Disconnecting while pressurized will cause leakage of test media.

Technical Data

Seals: Nitrile
Materials: Stainless steel
Temperature: -40° to +250°F
Pressure Ranges: 0 to 5000 psi. (static)
Pneumatic Operation: Requires a minimum air supply of 75 psi.
Rated Pressure: Based on test results using threaded ports manufactured to the referenced specifications and steel material. Other materials or deviations from those specifications may reduce the safe working pressure and should be verified by test. For dynamic pressure cycles or heavy side-load applications please see **FasMate®** Series.

NPTF Pipe Thread



PART NUMBER	CONNECTS TO FEMALE THREAD	RATED PRESSURE	MAIN SEAL SET 5/PKG
HH17H-40204041-1BB1	1/4" NPTF	5000	S17-041B
HH17H-40206061-1BB1*	3/8" NPTF	5000	S17-061B
HH17H-40208081-1BB1	1/2" NPTF	5000	S17-081B
HH17H-40212121-1BB1	3/4" NPTF	3500	S17-121B

SAE O-Ring



PART NUMBER	CONNECTS TO FEMALE THREAD	RATED PRESSURE	MAIN SEAL SET 5/PKG
HH17H-044021-1BB1	-4 (7/16-20)	5000	S17-042B
HH17H-064041-1BB1	-6 (9/16-18)	5000	S17-062B
HH17H-084061-1BB1*	-8 (3/4-16)	5000	S17-082B
HH17H-104081-1BB1	-10 (7/8-14)	5000	S17-102B
HH17H-124121-1BB1	-12 (1 1/16-12)	3500	S17-122B

* In-stock. Additional sizes available for order.

TESTING TOOLS

TwistMate® MIT SERIES

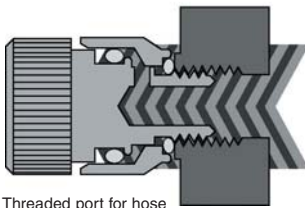


No Wrenches Needed • Hand Tighten Your Port Adapters • Shortens Testing Time

Twistmate® MIT mechanical internal thread connectors and plugs provide fast leak tight threaded connections for testing, filling, flushing, plugging, calibrating or venting applications. The patented pressure assisted sealing eliminates wrench tightening and thread sealants for safe secure connections up to 10,000 psi. With sizes up to 4" NPTF, and high flow design, the MIT is ideal for large unit run testing. Fast and reliable sealing reduces test time and production losses from scrap, rework, and re-testing. Full-flow design for shortest filling and test times.

Spin Twistmate® finger-tight onto thread until face seal contacts test piece. They seal automatically when the system is pressurized. Air, gas or hydraulic pressure in the system provides a sealing force that presses the urethane main seal against the face of the threads. This automatic internal piston action maintains the seal with minimum pressure.

Piston Action



Threaded port for hose quick disconnect.

Operation

- Step 1. Spin **Twistmate®** into the threaded port until the seal makes contact.
- Step 2. Introduce the media and pressure. The external sleeve automatically moves toward the test port enhancing the seal squeeze. Vacuum applications will require finger-tightening.

Technical Data

Seals: Urethane and Nitrile
 Materials: Steel with QPQ or Stainless Steel
 Temperature: -40° to +200°F
 Pressure: Vacuum to 10,000 psi
 Rated Pressure: Based on test results using threaded ports manufactured to the referenced specifications and steel material. Other materials or deviations from those specifications may reduce the safe working pressure and should be verified by test.

ASSORTMENT KITS AND TOOLS

NPTF Pipe Thread



PART NUMBER	CONNECTS TO FEMALE THREAD	RATED PRESSURE	CONNECTOR TYPE	MAIN SEAL SET 5/PKG
HHMIT-022021	1/8" NPTF	5000	SWIVEL	S1109-U70
HHMIT-042041	1/4" NPTF	5000	SWIVEL	S1111-U70
HHMIT-062061	3/8" NPTF	5000	SWIVEL	S1113-U70
HHMIT-082081	1/2" NPTF	5000	SWIVEL	S1209-U70
HHMIT-122121X	3/4" NPTF	5000	CONNECTOR	S1213-U70
HHMIT-162161X	1" NPTF	5000	CONNECTOR	S1216-U70
HHMIT-202201X	1-1/2" NPTF	5000	CONNECTOR	S1222-U70
HHMIT-242241X	2" NPTF	5000	CONNECTOR	S1327-U70

SAE O-Ring



PART NUMBER	CONNECTS TO FEMALE THREAD	RATED PRESSURE	CONNECTOR TYPE	MAIN SEAL SET 5/PKG
HHMIT-044021X	-04 (7/16-20)	5000	CONNECTOR	S1109-U70
HHMIT-064041X	-06 (9/16-18)	5000	CONNECTOR	S1111-U70
HHMIT-084081X	-08 (3/4-16)	4000	CONNECTOR	S1209-U70
HHMIT-104081X	-10 (7/8-14)	4000	CONNECTOR	S1209-U70
HHMIT-124121X	-12 (1 1/16-12)	4000	CONNECTOR	S1213-U70
HHMIT-164161X	-16 (1 5/16-12)	4000	CONNECTOR	S1217-U70
HHMIT-204201X	-20 (1 5/8-12)	4000	CONNECTOR	S1222-U70

REMOVAL TOOLS

**We have the packing removal tools to fit your needs.
Try out these high quality tools in your shop.**

Proper tools make the job of servicing cylinders easier and faster and reduce the possibility of damaging the finely machined surfaces. The handy tools listed on this page aid in the repair of telescopic cylinders and make it easier to do a quality job.

O-RING PICK SET 1

Part Number: O-RING PICK

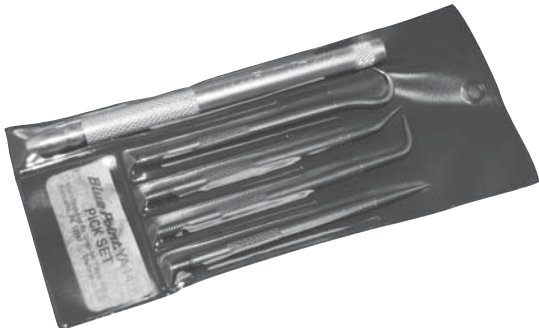
These Bronze O-ring Picks, w/ black vinyl case, aid in the installation and extraction of O-rings.



O-RING PICK SET 3

Part Number: O PICK SET

Packaged in a clear vinyl pouch, kit contains a knurled handle and four screw-in picks with different hook configurations. Set includes straight tip, o-ring 90° tip, hook tip, and angle tip.



O-RING PICK SET 2

Part Number: ORP-B

Part Number: ORP-SS

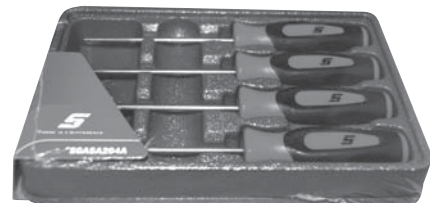
Available in brass (ORP-B) or stainless steel (ORP-SS), these tools have been specifically engineered to enhance o-ring removal and replacement. Coated handles increase the tools performance in less than perfect environments.



O-RING PICK SET 4

Part Number: MAXI PICK SET

Packaged in a plastic pouch, these highly visible picks feature screwdriver-type colored handles. Set includes awl, hook tip, 45° bent tip tool, and 90° bent tip tool.



REMOVAL TOOLS

**We have the packing removal tools to fit your needs.
Try out these high quality tools in your shop.**

Proper tools make the job of servicing cylinders easier and faster and reduce the possibility of damaging the finely machined surfaces. The handy tools listed on this page aid in the repair of telescopic cylinders and make it easier to do a quality job.

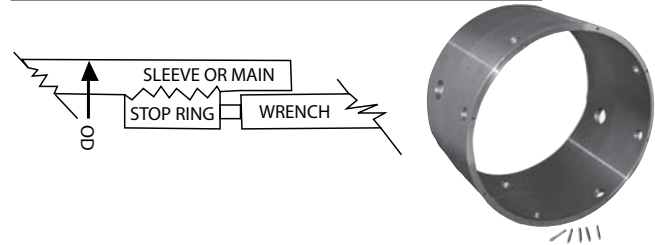
5 PIECE TOOL KIT SET

Part Number: CH-TK-1



STOP RING WRENCH

Part Number	Sleeve or Plunger O.D.	Pins
CM-376-6067-047	2-3/4"	5 Pins
CM-376-6067-048	3-3/4"	5 Pins
CM-376-6067-049	4-3/4"	7 Pins
CM-376-6067-050	5-3/4"	7 Pins
CM-376-6067-051	6-3/4"	7 Pins
CM-376-6067-052	7-7/8"	8 Pins
CM-376-6067-053	9-3/8"	8 Pins



FLEXIBLE PACKING HOOKS

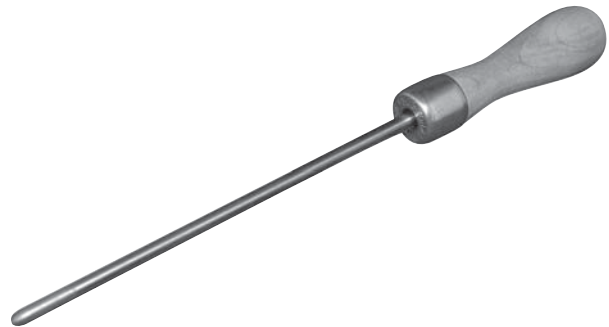
Part Number	Packing Space	Length
FPH-187	3/16"-up	6-1/2"
FPH-312R	5/16"-up	7-1/2"
FPH-437R	7/16"-up	10-1/2"
FPH-500R	1/2"-up	14-1/2"

With a tempered tool steel corkscrew tip and a woven strand steel flexible shaft, this tool makes hard to reach packing easy to pull out. Works best by using two hooks at diametrically opposed points (180°).



CHEVRON ASSEMBLY TOOL

Part Number: CM-376-9067-001



ASSORTMENT KITS AND TOOLS

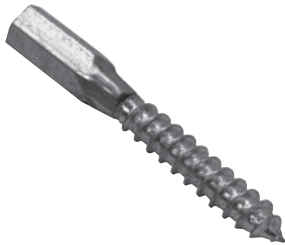
REMOVAL TOOLS

**We have the packing removal tools to fit your needs.
Try out these high quality tools in your shop.**

Proper tools make the job of servicing cylinders easier and faster and reduce the possibility of damaging the finely machined surfaces. The handy tools listed on this page aid in the repair of telescopic cylinders and make it easier to do a quality job.

REPLACEABLE WOODSCREW TIPS

Part Number	Packing Space
FPH-RTW312	5/16"-up
FPH-RTW437	7/16"-up



REPLACEABLE CORKSCREW TIPS

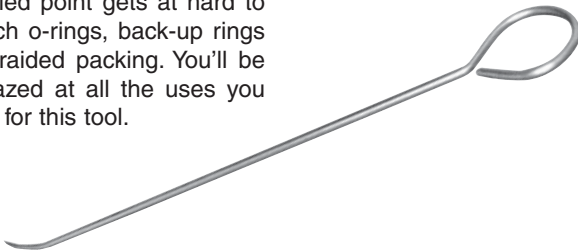
Part Number	Packing Space
FPH-RTC312	5/16"-up
FPH-RTC437	7/16"-up
FPH-RTC500	1/2"-up



SOLID SHAFT PICKS

Part Number	Packing Space	Length
SSP-125		9-1/2"
SSP-312	5/16"-up	10"

Formed from hardened steel, this tool's length and sharp angled point gets at hard to reach o-rings, back-up rings & braided packing. You'll be amazed at all the uses you find for this tool.



REMOVAL TOOLS

**We have the packing removal tools to fit your needs.
Try out these high quality tools in your shop.**

Proper tools make the job of servicing cylinders easier and faster and reduce the possibility of damaging the finely machined surfaces. The handy tools listed on this page aid in the repair of telescopic cylinders and make it easier to do a quality job.

11 PIECE PACKING TOOL KIT

Part Number: PACK TOOL SET-11

PART NUMBER	QTY	PART NUMBER	QTY
FPH-312R	2	FPH-RTC312	1
FPH-437R	2	FPH-RTC437	1
SSP-125	1	WRENCH	1
SSP-187	1	BOX	1
SSP-312	1		



17 PIECE PACKING TOOL KIT

Part Number: PACK TOOL SET-17

PART NUMBER	QTY	PART NUMBER	QTY
FPH-312R	2	FPH-RTC437	1
FPH-437R	2	FPH-RTC500	1
FPH-500R	2	FPH-RTW312	1
SSP-125	1	FPH-RTW437	1
SSP-187	1	FPH-RTW500	1
SSP-312	1	WRENCH	1
FPH-RTC312	1	BOX	1



ASSORTMENT KITS AND TOOLS

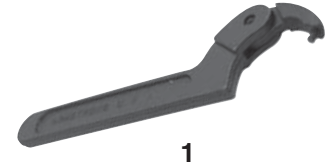


DISMANTLING TOOLS

SPANNER WRENCHES

(1) ADJUSTABLE HEAD — PIN STYLE

PART NUMBER	PART OD RANGE		PIN DIA.	PIN LGTH.
SPAP-2.00X0.13	3/4" to 2"	(19mm to 50mm)	1/8"	1/8"
SPAP-2.00X0.19	3/4" to 2"	(19mm to 50mm)	3/16"	5/32"
SPAP-3.00X0.19	1-1/4" to 3"	(32mm to 76mm)	3/16"	3/16"
SPAP-3.00X0.25	1-1/4" to 3"	(32mm to 76mm)	1/4"	7/32"
SPAP-4.75X0.25	2" to 4-3/4"	(51mm to 120mm)	1/4"	1/4"
SPAP-6.25X0.38	4-1/2" to 6-1/4"	(115mm to 159mm)	3/8"	1/4"



1

(2) ADJUSTABLE HEAD — HOOK STYLE

PART NUMBER	PART OD RANGE		HOOK WD.	HOOK DP.
SPAH-2.00	3/4" to 2"	(19mm to 50mm)	11/32"	1/8"
SPAH-3.00	1-1/4" to 3"	(32mm to 76mm)	13/32"	5/32"
SPAH-4.75	2" to 4-3/4"	(51mm to 120mm)	15/32"	3/16"
SPAH-6.25	4-1/2" to 6-1/4"	(115mm to 159mm)	15/32"	1/4"
SPAH-8.75	6-1/8" to 8-3/4"	(155mm to 222mm)	15/32"	5/16"



2

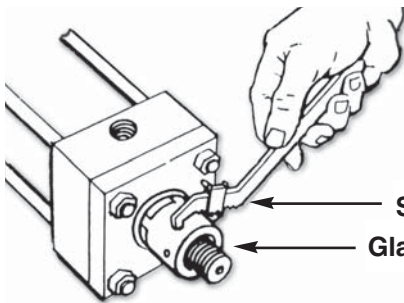
(3) ADJUSTABLE FACE — PIN STYLE

PART NUMBER	DIA. RANGE (CENTER TO CENTER)		PIN DIA.	PIN LGTH.
SPAPF-2.00X0.19	5/8" to 2"	(16mm to 50mm)	3/16"	1/8"
SPAPF-3.00X0.25	5/8" to 3"	(16mm to 76mm)	1/4"	3/16"
SPAPF-4.00X0.31	5/8" to 4"	(16mm to 101mm)	5/16"	1/4"



3

PARKER GLAND WRENCHES



Spanner Wrench (Sold Separately Above)

Gland Wrench



Rod Dia.	Kit #	ID X OD X HT	Spanner (Sold Separately Above)
1/2", 5/8", 12mm & 14mm	PKH-069590	11/16" X 1-1/8" X 1-3/8"	SPAP-2.00X0.19
18mm	PKH-084765	13/16" X 1-1/4" X 1-7/16"	SPAP-2.00X0.19 or SPAP-3.00X0.19
1" & 22mm	PKH-069591	1-1/16" X 1-5/8" X 1-1/2"	SPAP-2.00X0.19 or SPAP-3.00X0.19
28mm	PKH-084766	1-1/4" X 1-11/16" X 9/16"	SPAP-2.00X0.19 or SPAP-3.00X0.19
1-3/8" & 36mm	PKH-069592	1-7/16" X 1-7/8" X 1-5/8"	SPAP-2.00X0.19 or SPAP-3.00X0.19
1-3/4" & 45mm	PKH-069593	1-13/16" X 2-1/4" X 1-5/8"	SPAP-3.00X0.25 or SPAP-4.75X0.25
2"	PKH-069594	2-1/16" X 2-1/2" X 2"	SPAP-3.00X0.25 or SPAP-4.75X0.25
2-1/2" & 56mm	PKH-069595	2-9/16" X 3" X 2-1/8"	SPAP-3.00X0.25 or SPAP-4.75X0.25
70mm	PKH-069596	2-15/16" X 3-1/2" X 2-3/8"	SPAP-4.75X0.25

LEAK DETECTION

LEAK DETECTION KIT

Part Number: LDU-OPK-341

HOW IT WORKS

A small amount of liquid fluorescent dye is added to a circulating fluid system that is being inspected for leaks. The system is then run for a short time to allow the dye to mix and circulate with the host fluid. The dye/fluid mixture escapes with the host fluid wherever there is a leak and glows a bright yellow/green when inspected with a high-intensity ultraviolet or UV/black light lamp. This method is extremely effective in locating even the smallest, most elusive leaks, as well as multiple leaks.



INDIVIDUAL LEAK DETECTION PRODUCTS

Part Number	Description
LDU-CR-800	CLEANER, 8 OZ SPRAY
LDU-MD-500	DETECTOR, ULTRASONIC, W/O EMITTER
LDU-OIL-GLO-44-G	DYE, ALL-IN-ONE, 1 GALLON
LDU-OIL-GLO-44-P	DYE, ALL-IN-ONE, 16 OZ
LDU-OPX-3000	LAMP, LED, 115V CHARGER
LDU-UVS-40	SPECTACLES, UV ENHANCING

MEASURING TOOLS

HIGH QUALITY DIGITAL CALIPER

Part

Number

HH-CALIPER-6-FR

This high quality instrument measures to 6" (150 mm). A push of a button changes from inches, mm, and fractions. Functions also include: On/Off function, zero key, data input capabilities, test for low voltage, and "Auto Off" function when unit sits dormant for more than 4 minutes.



DIGITAL CALIPERS

Part

Number

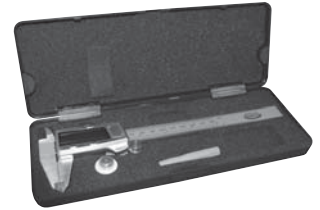
HH-CALIPER-6

HH-CALIPER-6-P

HH-CALIPER-12

HH-CALIPER-12-P

Quality calipers able to measure up to 6" (150mm) or 12" (300mm). A push of a button changes from inches to metric. A clear LCD display shows a reading with a resolution of 0.0005" (0.01mm) that is accurate to ± 0.001 " (± 0.03 mm). These calipers come in a sturdy, padded plastic case with instructions and a spare battery.



O-RING MEASURING CONE

Part Number: O RING CONE-INCH

Handy cone provides o-ring dash numbers instantly. Measures 184 of the most widely used sizes in 5 standard widths, 1/4" ID to 5-5/8" ID. Made of high density polyurethane, the cone stands 17-1/2" high.



MEASURING TOOLS

PI TAPES

Part Number	Size
PI-212	2" - 12"

This handy tool allows for quick, accurate measuring of the outside diameters (OD) of vee packing, large U-Seals, Piston Rings, and metal parts such as cylinder stages, rams and rods. This tape comes with certificate of calibration. Accurate to .001".



O-RING GAUGE

Part Number: OR-GAUGE

Slide gauge for measuring standard cross-section o-rings with an inside diameter up to 13".



POWER PUNCH MAXI SET

Part Number: MAXI PUNCH SET

PART NUMBER	PUNCH RANGE
Punch Set	1/4, 5/16, 3/8, 7/16, 1/2, 16,5/8, 1/16, 3/4, 3/16, 7/8, 5/16, 1

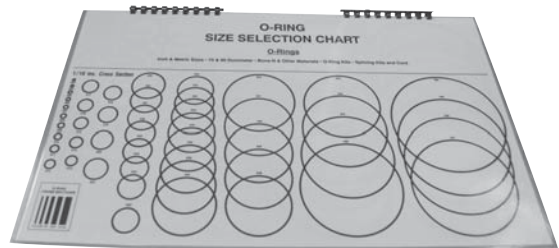
This extremely high quality punch set includes 13 punches, power punch, centering pin, punch pad and carrying case. Durable cutting heads cut washers and bolt holes effortlessly.



O-RING CHART

Part Number: O-RING CHART NN

Durable, Accurate, and Fast, these charts allow for easy Standard O-ring size identification. No shop should be without one!



NOTES

NOTES



Appendix

Contents	Page
Metric / Inch Conversion Table	970 - 971
Common Telescopic Cylinders - Distinguishing Characteristics	972 - 981

Inches		Millimeter
Fractions	Decimals	
—	.0004	.01
—	.004	.10
—	.01	.25
1/64	.0156	.397
—	.0197	.50
—	.0295	.75
1/32	.03125	.794
—	.0394	1.0
3/64	.0469	1.191
—	.059	1.5
1/16	.062	1.588
5/64	.0781	1.984
—	.0787	2.0
3/32	.094	2.381
—	.0984	2.5
7/64	.109	2.778
—	.1181	3.0
1/8	.125	3.175
—	.1378	3.5
9/64	.141	3.572
5/32	.156	3.969
—	.1575	4.0
11/64	.172	4.366
—	.177	4.5
3/16	.1875	4.763
—	.1969	5.0
13/64	.203	5.159
—	.2165	5.5
7/32	.219	5.556
15/64	.234	5.953
—	.2362	6.0
1/4	.250	6.350
—	.2559	6.5
17/64	.2656	6.747
—	.2756	7.0
9/32	.281	7.144
—	.2953	7.5
19/64	.297	7.541
5/16	.312	7.938
—	.315	8.0
21/64	.328	8.334
—	.335	8.5
11/32	.344	8.731
—	.3543	9.0
23/64	.359	9.128

Inches		Millimeter
Fractions	Decimals	
—	.374	9.5
3/8	.375	9.525
25/64	.391	9.922
—	.3937	10.0
13/32	.406	10.319
—	.413	10.5
27/64	.422	10.716
—	.4331	11.0
7/16	.438	11.113
29/64	.453	11.509
15/32	.469	11.906
—	.4724	12.0
31/64	.484	12.303
—	.492	12.5
1/2	.500	12.700
—	.5118	13.0
33/64	.5156	13.097
17/32	.531	13.494
35/64	.547	13.891
—	.5512	14.0
9/16	.563	14.288
—	.571	14.5
37/64	.578	14.684
—	.5906	15.0
19/32	.594	15.081
39/64	.609	15.478
5/8	.625	15.875
—	.6299	16.0
41/64	.6406	16.272
—	.6496	16.5
21/32	.658	16.669
—	.6693	17.0
43/64	.672	17.066
11/16	.6875	17.463
45/64	.703	17.859
—	.7087	18.0
23/32	.719	18.256
—	.7283	18.5
47/64	.734	18.653
—	.7480	19.0
3/4	.750	19.050
49/64	.7656	19.447
25/32	.781	19.844
—	.7874	20.0
51/64	.797	20.241

Inches		Millimeter
Fractions	Decimals	
13/16	.8125	20.638
—	.8268	21.0
53/64	.828	21.034
27/32	.844	21.431
55/64	.859	21.828
—	.8661	22.0
7/8	.875	22.225
57/64	.8906	22.622
—	.9055	23.0
29/32	.9062	23.019
59/64	.922	23.416
15/16	.9375	23.813
—	.9449	24.0
61/64	.953	24.209
31/32	.969	24.606
—	.9843	25.0
63/64	.9844	25.003
1	1.000	25.400
—	1.0236	26.0
1-1/32	1.0312	26.194
1-1/16	1.062	26.988
—	1.063	27.0
1-3/32	1.094	27.781
—	1.1024	28.0
1-1/8	1.125	28.575
—	1.1417	29.0
1-5/32	1.156	29.369
—	1.1811	30.0
1-3/16	1.1875	30.163
1-7/32	1.219	30.956
—	1.2205	31.0
1-1/4	1.250	31.750
—	1.2598	32.0
1-9/32	1.281	32.544
—	1.2992	33.0
1-5/16	1.312	33.338
—	1.3386	34.0
1-11/32	1.344	34.131
1-3/8	1.375	34.925
—	1.3779	35.0
1-13/32	1.406	35.719
—	1.4173	36.0
1-7/16	1.438	36.513
—	1.4567	37.0
1-15/32	1.469	37.306

Inches		Millimeter
Fractions	Decimals	
—	1.4961	38.0
1-1/2	1.500	38.100
1-17/32	1.531	38.894
—	1.5354	39.0
1-9/16	1.562	39.688
—	1.5748	40.0
1-19/32	1.594	40.481
—	1.6142	41.0
1-5/8	1.625	41.275
—	1.6535	42.0
1-21/32	1.6562	42.069
1-11/16	1.6875	42.863
—	1.6929	43.0
1-23/32	1.719	43.656
—	1.7323	44.0
1-3/4	1.750	44.450
—	1.7717	45.0
1-25/32	1.781	45.244
—	1.8110	46.0
1-13/16	1.8125	46.038
1-27/32	1.844	46.831
—	1.8504	47.0
1-7/8	1.875	47.625
—	1.8898	48.0
1-29/32	1.9062	48.419
—	1.9291	49.0
1-15/16	1.9375	49.213
—	1.9685	50.0
1-31/32	1.969	50.006
2	2.000	50.800
—	2.0079	51.0
2-1/32	2.03125	51.594
—	2.0472	52.0
2-1/6	2.062	52.388
—	2.0866	53.0
2-3/32	2.094	53.181
2-1/8	2.125	53.975
—	2.126	54.0
2-5/32	2.156	54.769
—	2.165	55.0
2-3/16	2.1875	55.563
—	2.2047	56.0
2-7/32	2.219	56.356
—	2.244	57.0
2-1/4	2.250	57.150

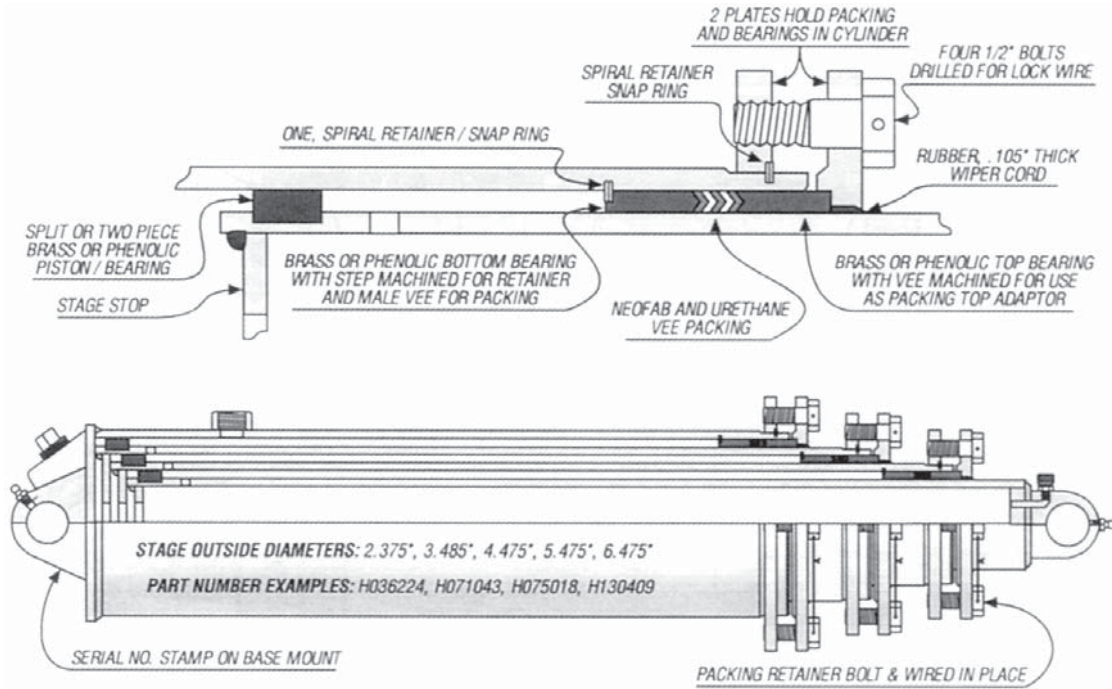
Inches		Millimeter
Fractions	Decimals	
2-9/32	2.281	57.944
—	2.2835	58.0
2-5/16	2.312	58.738
—	2.3228	59.0
2-11/32	2.344	59.531
—	2.3622	60.0
2-3/8	2.375	60.325
—	2.4016	61.0
2-13/32	2.406	61.119
2-7/16	2.438	61.913
—	2.4409	62.0
2-15/32	2.469	62.706
—	2.4803	63.0
2-1/2	2.500	63.500
—	2.5197	64.0
2-17/32	2.531	64.294
—	2.559	65.0
2-9/16	2.562	65.088
2-19/32	2.594	65.881
—	2.5984	66.0
2-5/8	2.625	66.675
—	2.638	67.0
2-21/32	2.656	67.469
—	2.6772	68.0
2-11/16	2.6875	68.263
—	2.7165	69.0
2-23/32	2.719	69.056
2-3/4	2.750	69.850
—	2.7559	70.0
2-25/32	2.781	70.6439
—	2.7953	71.0
2-13/16	2.8125	71.4376
—	2.8346	72.0
2-27/32	2.844	72.2314
—	2.8740	73.0
2-7/8	2.875	73.025
2-29/32	2.9062	73.819
—	2.9134	74.0
2-15/16	2.9375	74.613
—	2.9527	75.0
2-31/32	2.969	75.406
—	2.9921	76.0
3	3.000	76.200
3-1/32	3.0312	76.994
—	3.0315	77.0

Inches		Millimeter
Fractions	Decimals	
3-1/16	3.062	77.788
—	3.0709	78.0
3-3/32	3.094	78.581
—	3.1102	79.0
3-1/8	3.125	79.581
—	3.1496	80.0
3-5/32	3.156	80.169
3-3/16	3.1875	80.963
—	3.1890	81.0
3-7/32	3.219	81.756
—	3.2283	82.0
3-1/4	3.250	82.550
—	3.2677	83.0
3-9/32	3.281	83.344
—	3.3071	84.0
3-5/16	3.312	84.1377
3-11/32	3.344	84.9314
—	3.3464	85.0
3-3/8	3.375	85.725
—	3.3858	86.0
3-13/32	3.406	86.519
—	3.4252	87.0
3-7/16	3.438	87.313
—	3.4648	88.0
3-15/32	3.469	88.108
3-1/2	3.500	88.900
—	3.5039	89.0
3-17/32	3.531	89.694
—	3.5433	90.0
3-9/16	3.562	90.4877
—	3.5827	91.0
3-19/32	3.594	91.281
—	3.622	92.0
3-5/8	3.625	92.075
3-21/32	3.656	92.869
—	3.6614	93.0
3-11/16	3.6875	93.663
—	3.7008	94.0
3-23/32	3.719	94.456
—	3.7401	95.0
3-3/4	3.750	95.250
—	3.7795	96.0
3-25/32	3.781	96.044
3-13/16	3.8125	96.838
—	3.8189	97.0

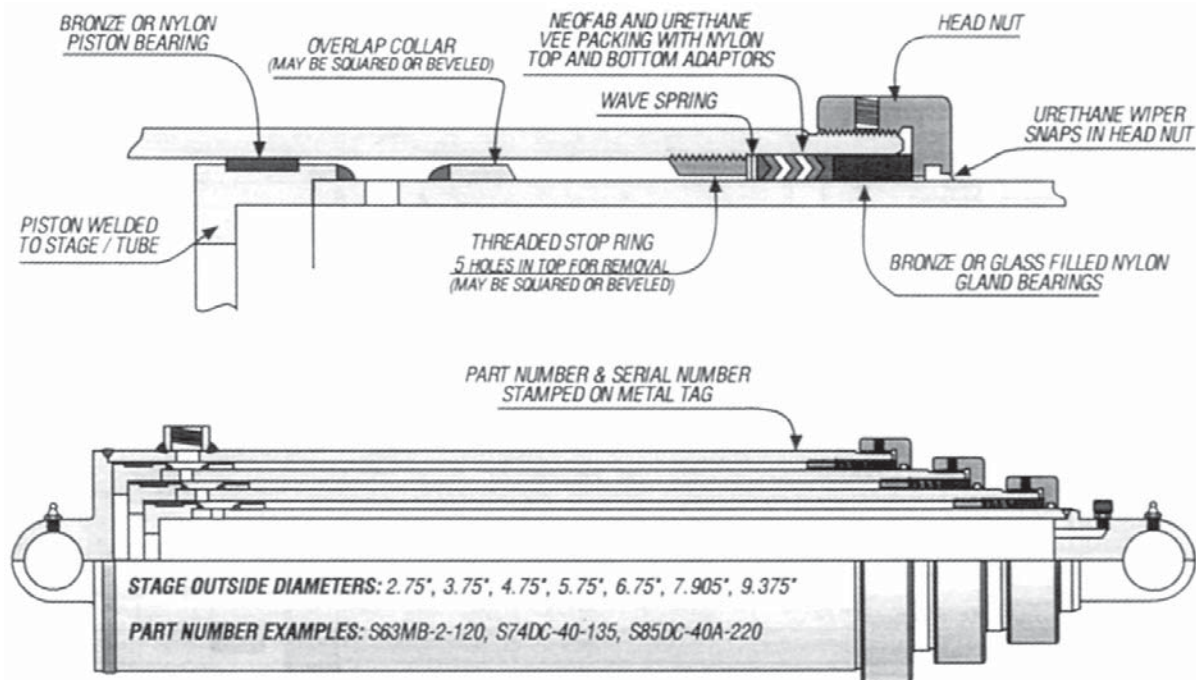
Inches		Millimeter
Fractions	Decimals	
3-27/32	3.844	97.631
—	3.8583	98.0
3-7/8	3.875	98.425
—	3.8976	99.0
3-29/32	3.9062	99.219
—	3.9370	100.0
3-15/16	3.9375	100.013
3-31/32	3.969	100.806
—	3.9764	101.0
4	4.000	101.600
4-1/16	4.062	103.188
4-1/8	4.125	104.775
—	4.1338	105.0
4-3/16	4.1875	106.363
4-1/4	4.250	107.950
4-5/16	4.312	109.538
—	4.3307	110.0
4-3/8	4.375	111.125
4-7/16	4.438	112.713
4-1/2	4.500	114.300
—	4.5275	115.0
4-9/16	4.562	115.888
4-5/8	4.625	117.475
4-11/16	4.6875	119.063
—	4.7244	120.0
4-3/4	4.750	120.650
4-13/16	4.8125	122.238
4-7/8	4.875	123.825
—	4.9212	125.0
4-15/16	4.9375	125.413
5	5.000	127.000
—	5.1181	130.0
5-1/4	5.250	133.350
5-1/2	5.500	139.700
—	5.5118	140.0
5-3/4	5.750	146.050
—	5.9055	150.0
6	6.000	152.400
6-1/4	6.250	158.750
—	6.2992	160.0
6-1/2	6.500	165.100
—	6.6929	170.0
6-3/4	6.750	171.450
7	7.000	177.800
—	7.0866	180.0

Inches		Millimeter
Fractions	Decimals	
—	7.4803	190.0
7-1/2	7.500	190.500
—	7.8740	200.0
8	8.000	203.200
—	8.2677	210.0
8-1/2	8.500	215.900
—	8.6614	220.0
9	9.000	228.600
—	9.0551	230.0
—	9.4488	240.0
9-1/2	9.500	241.300
—	9.8425	250.0
10	10.000	254.001
—	10.2362	260.0
—	10.6299	270.0
11	11.000	279.401
—	11.0236	280.0
—	11.4173	290.0
—	11.8110	300.0
12	12.000	304.801
13	13.000	330.201
—	13.7795	350.0
14	14.000	355.601
15	15.000	381.001
—	15.7480	400.0
16	16.000	406.401
17	17.000	431.801
—	17.7165	450.0
18	18.000	457.201
19	19.000	482.601
—	19.6850	500.0
20	20.000	508.001

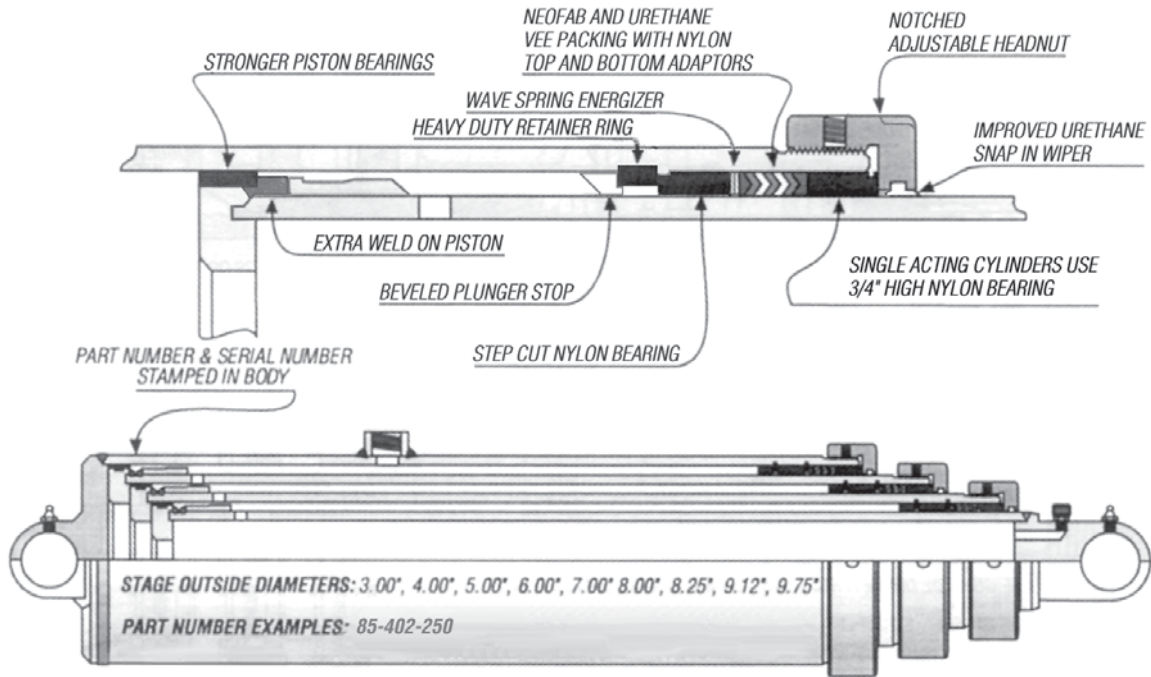
ANTHONY



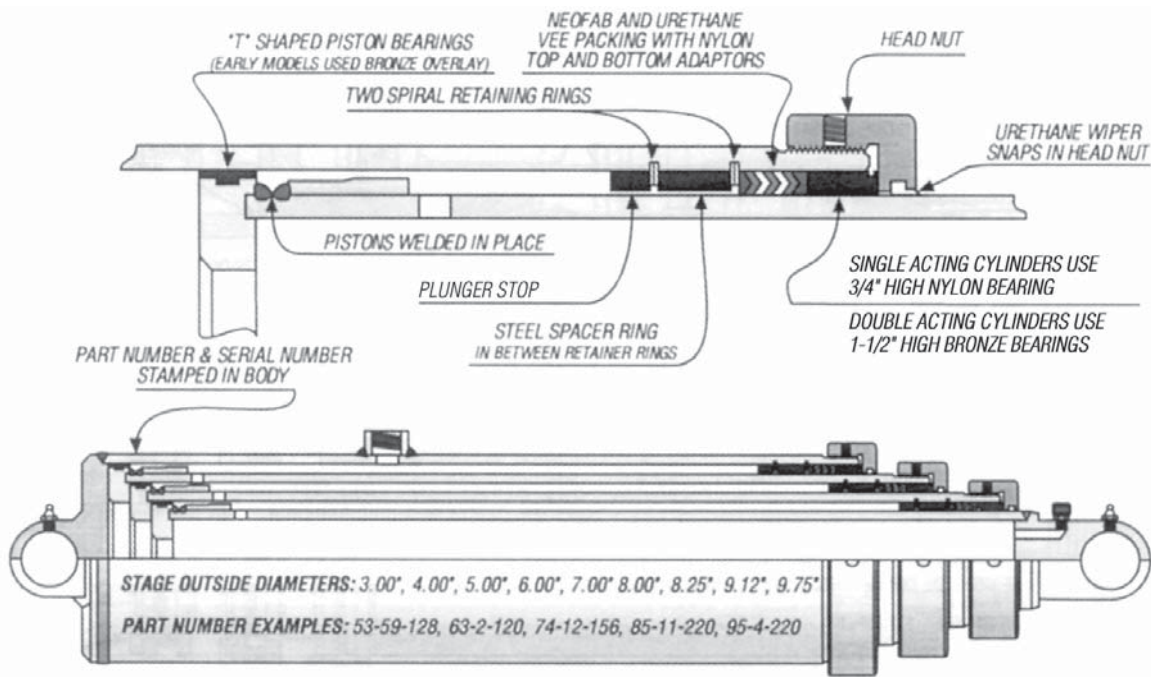
COMMERCIAL



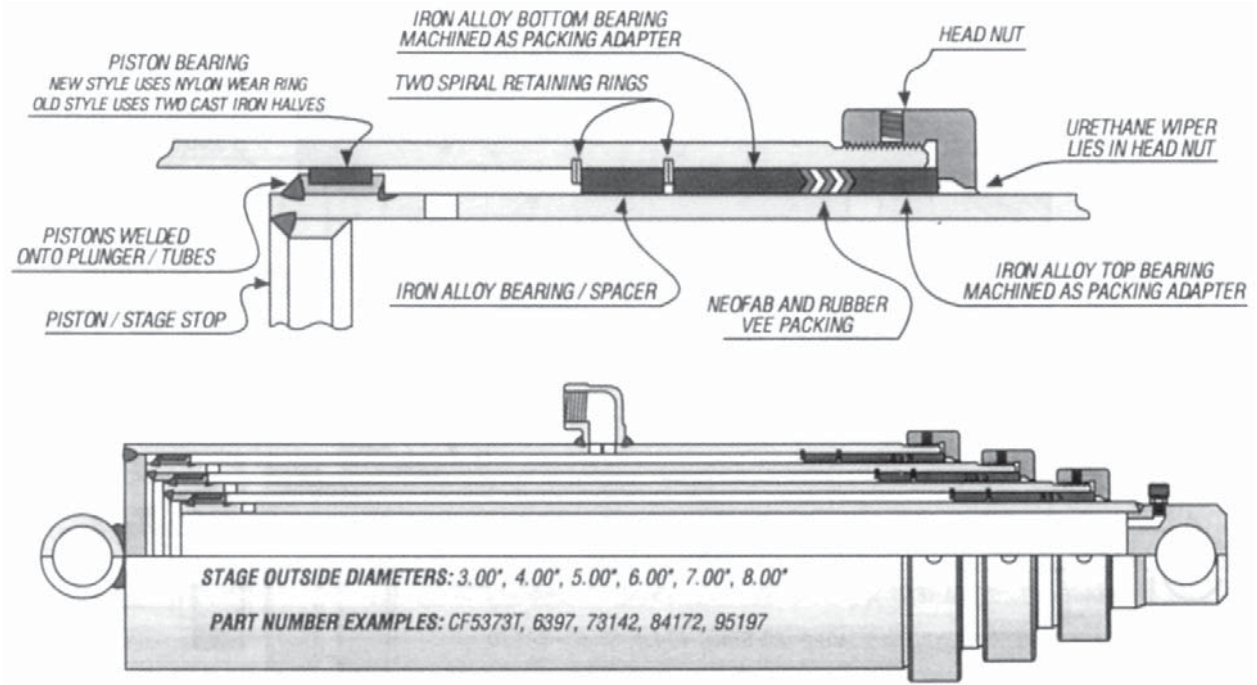
CUSTOM HOISTS 400 SERIES



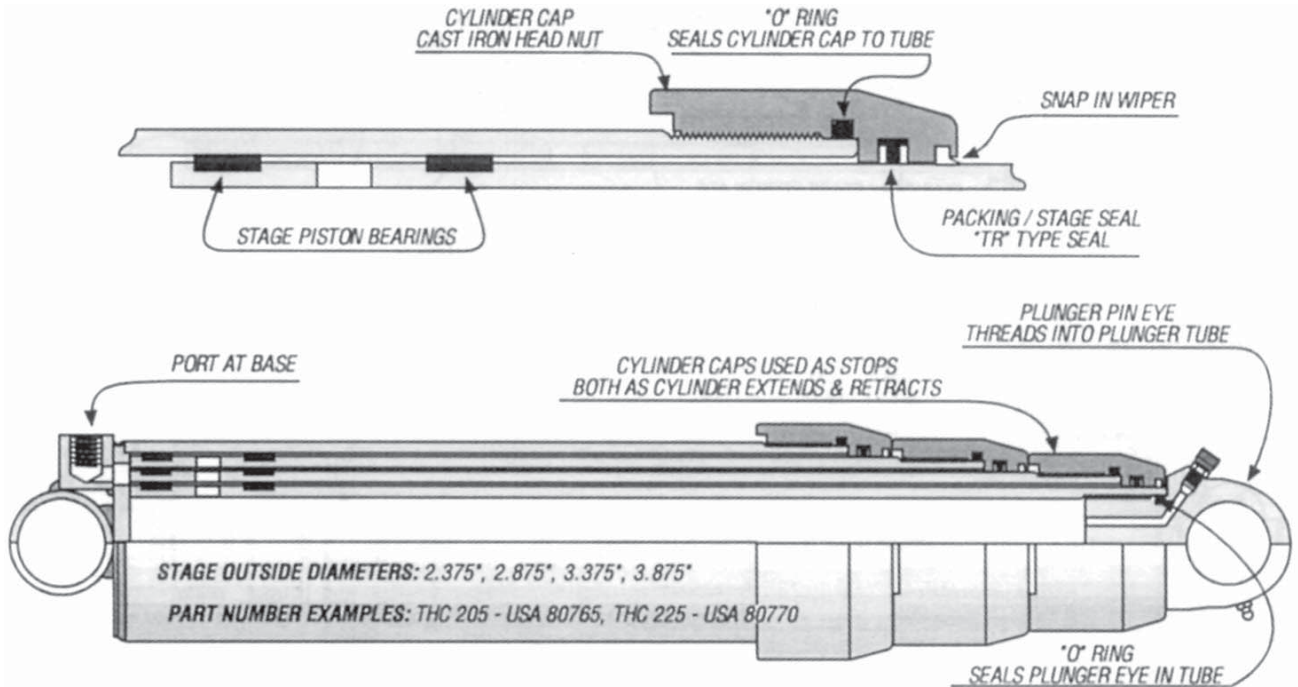
CUSTOM HOISTS OLD SERIES



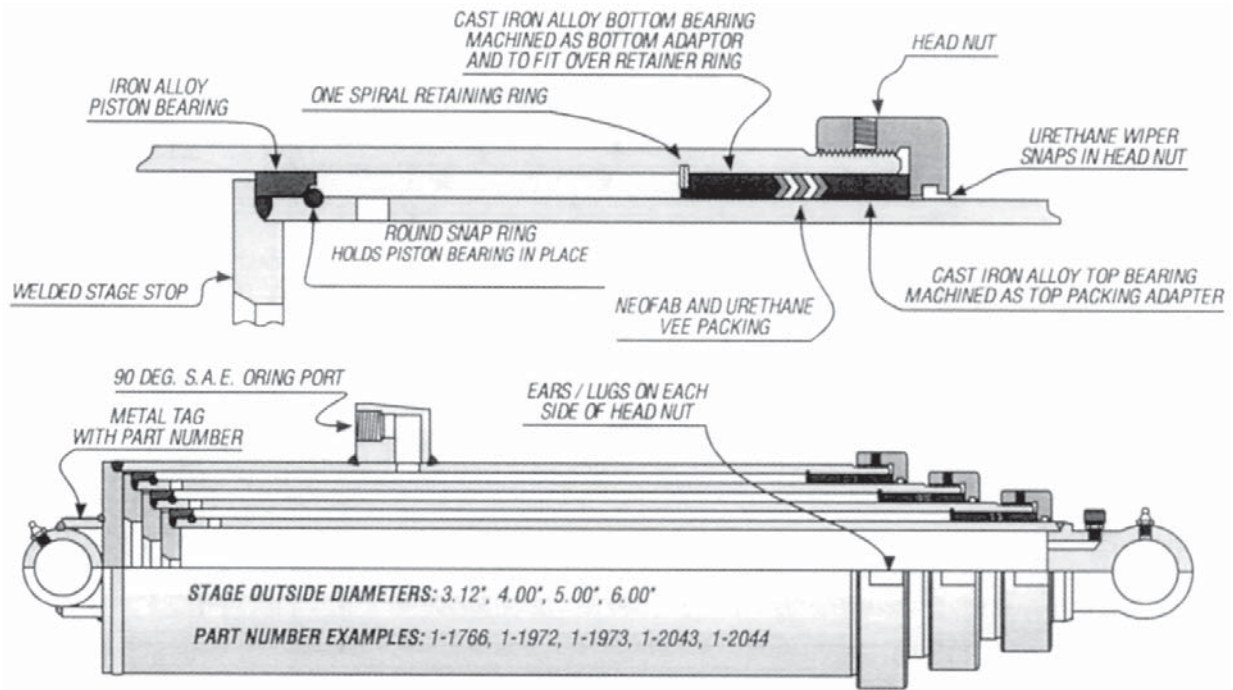
FONTAINE



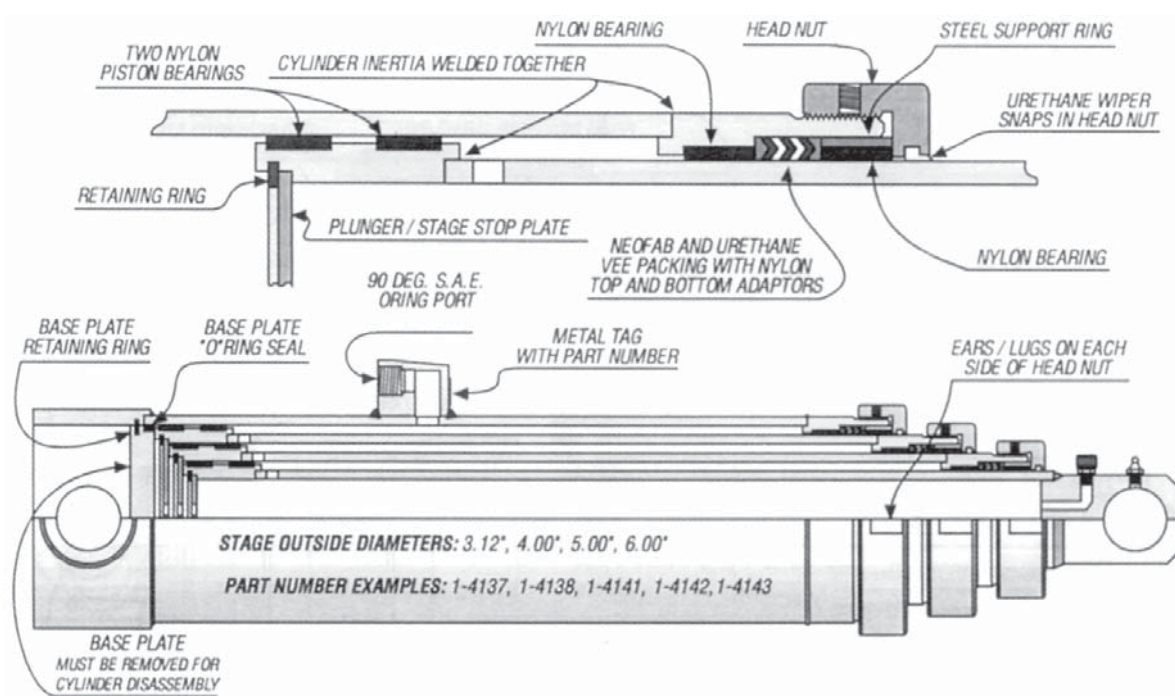
GLENCO / FARMHAND



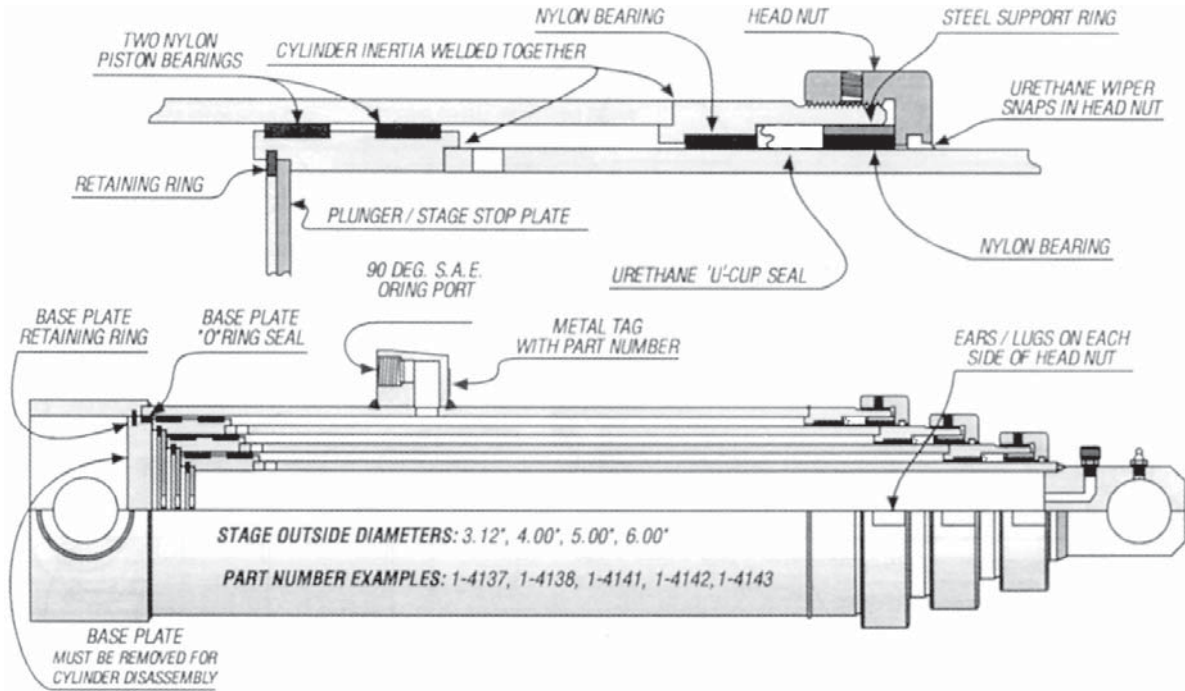
HEIL "OLD STYLE" HPT SERIES



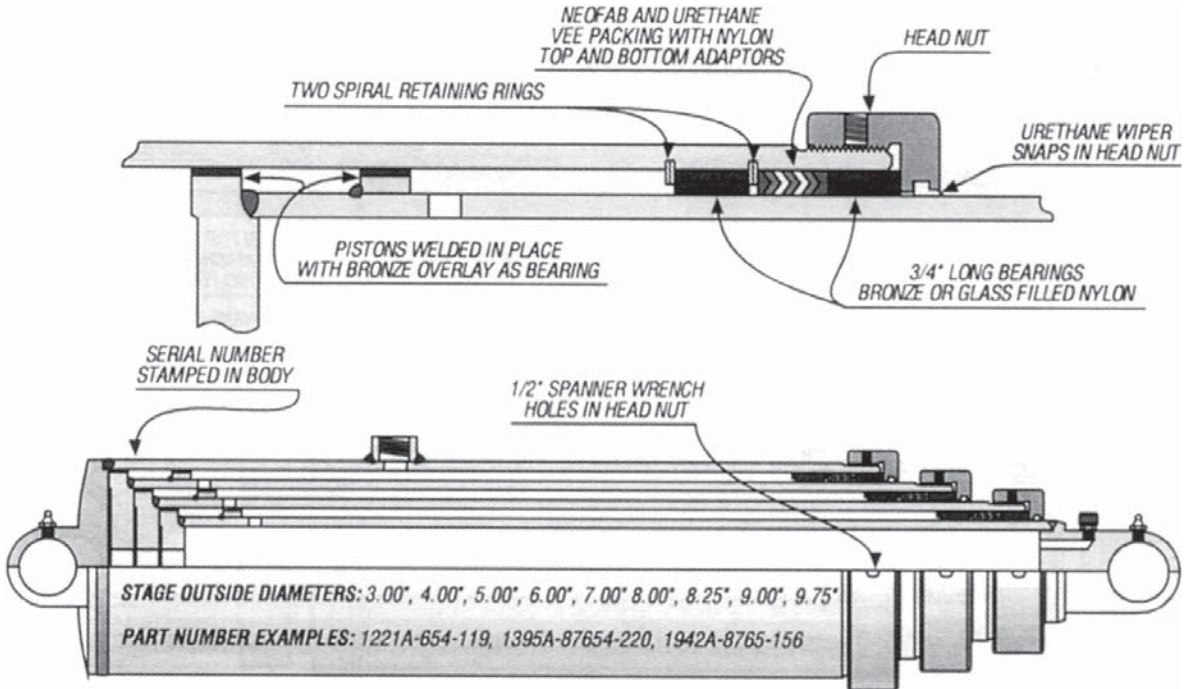
HEIL "NEW STYLE" HPT SERIES



HEIL "NEW STYLE" HPT SERIES

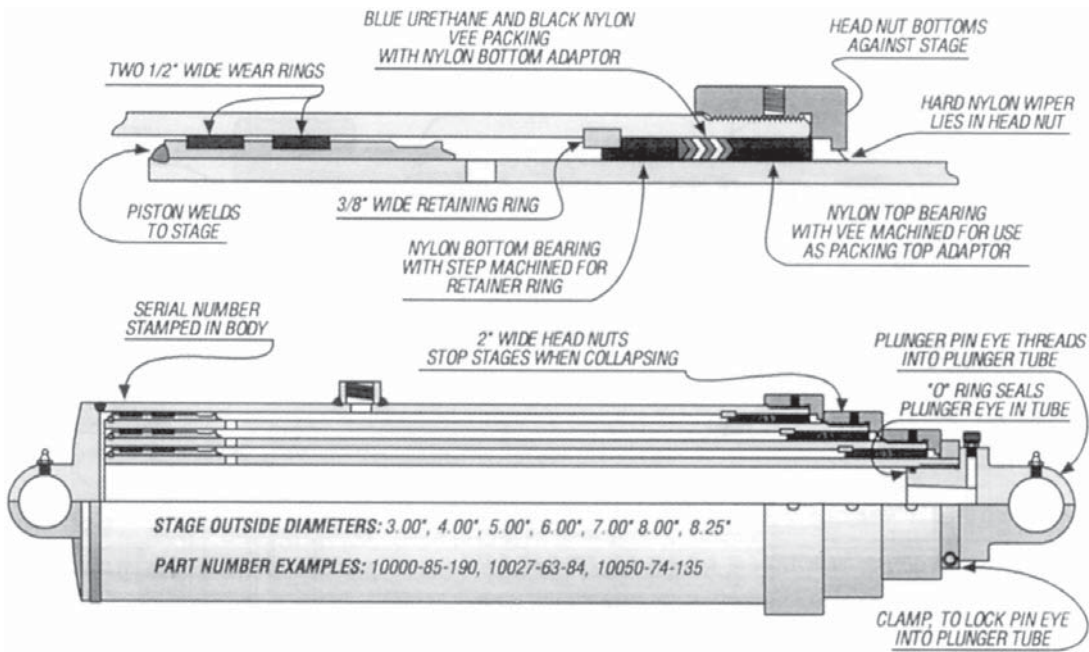


HYCO 900 - 2000 SERIES (MFG. PRIOR TO 6/74)



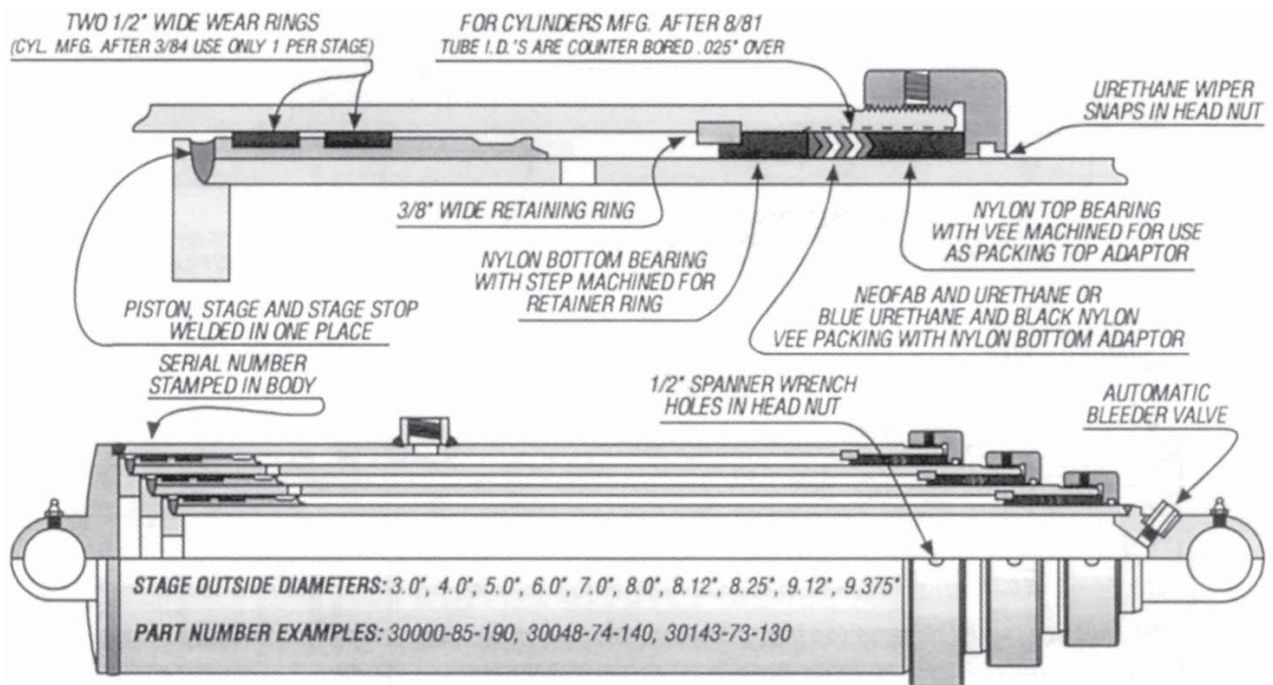
HYCO 10,000 SERIES

(MFG. PRIOR TO 7/74 TO 8/76)



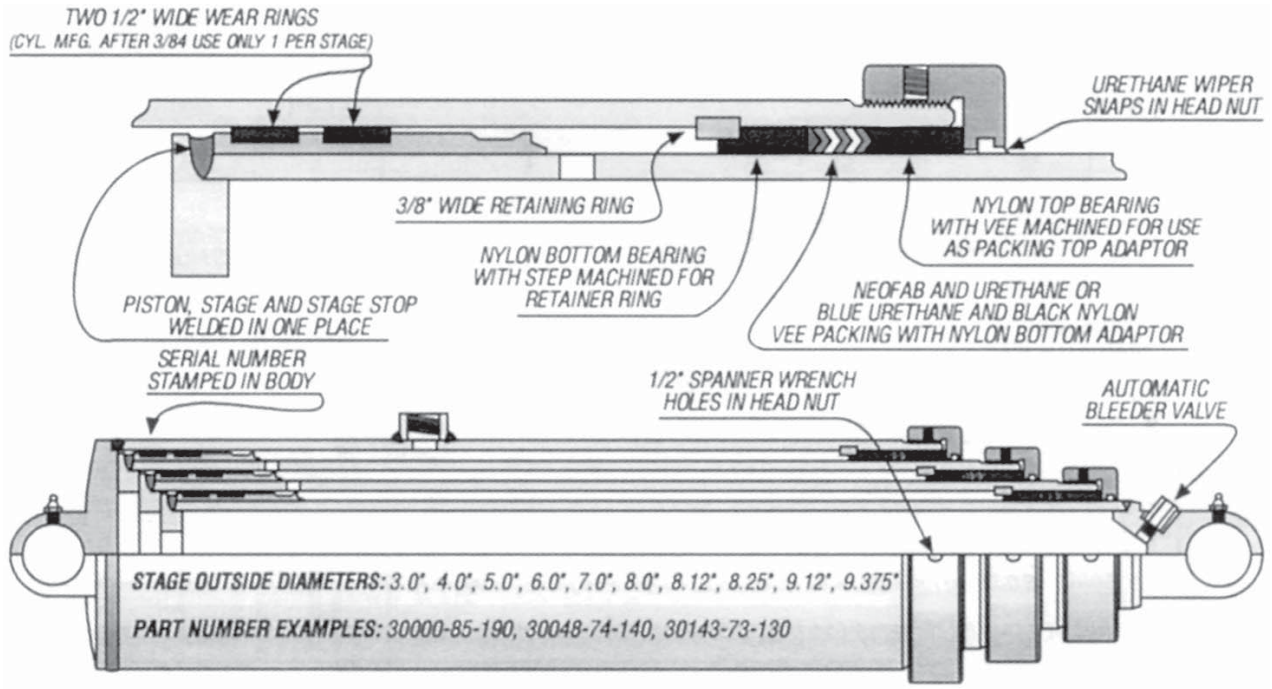
HYCO 30,000 SERIES

(OLD STYLE MFG. FROM 8/76 TO 7/81)
 (NEW STYLE MFG. FROM 8/81 TO PRESENT)

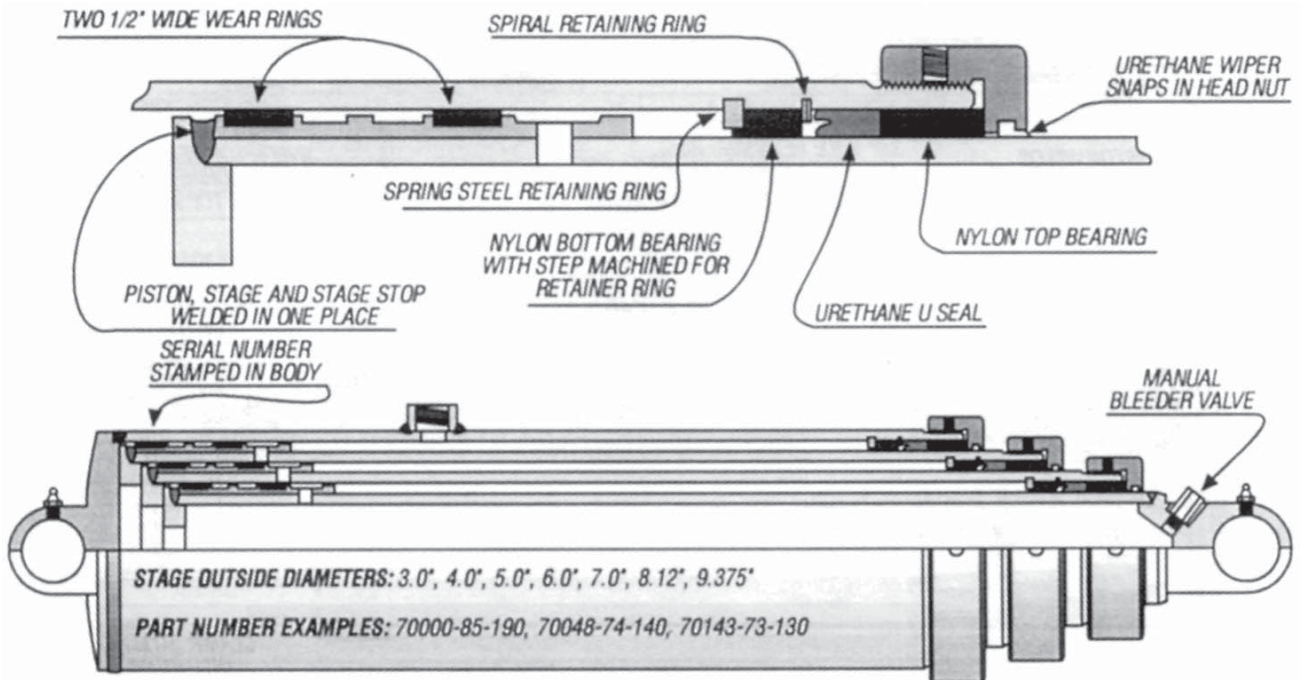


HYCO 30,000 SERIES

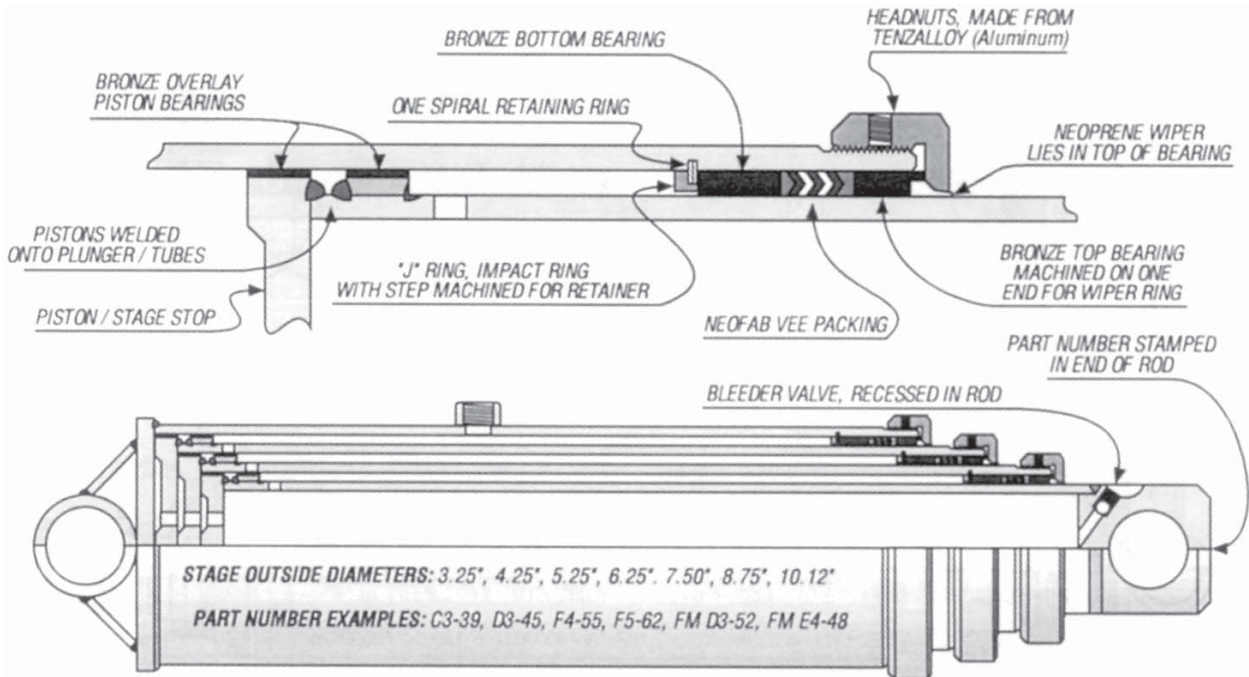
(NEW STYLE MFG. FROM 8/76 TO 7/81)



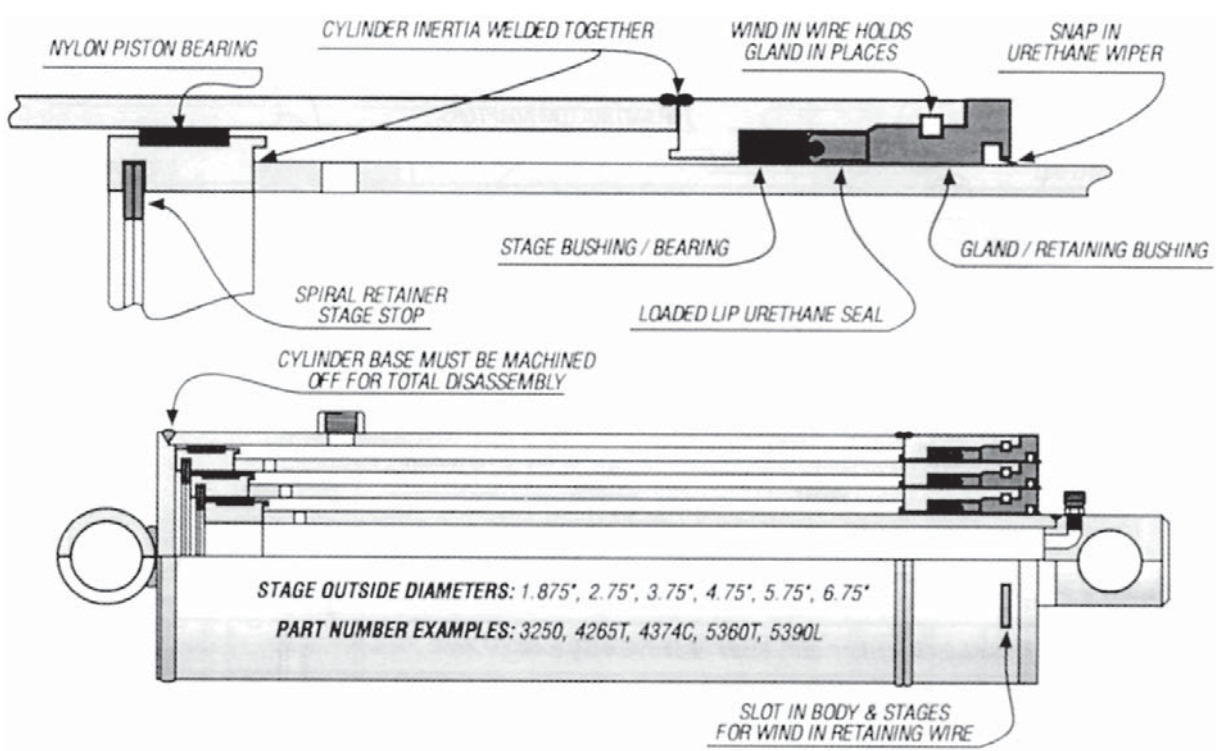
HYCO 70,000 SERIES



JOHNSON

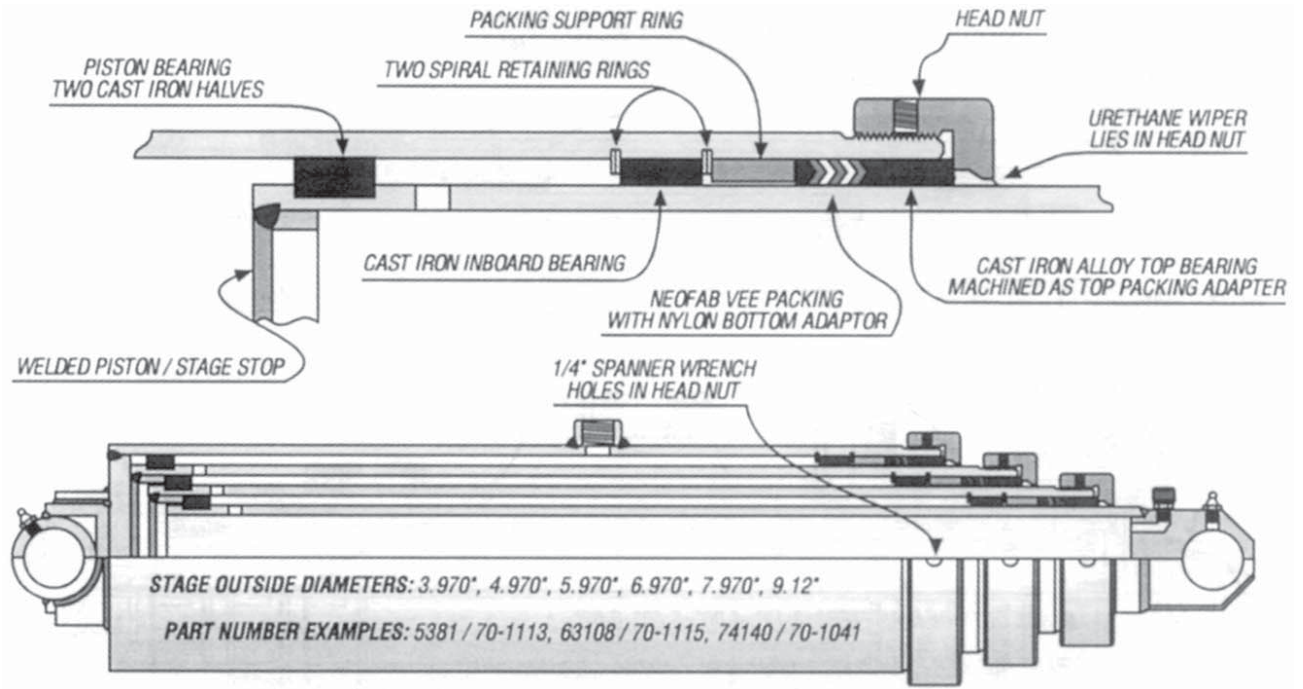


MARION MFG.

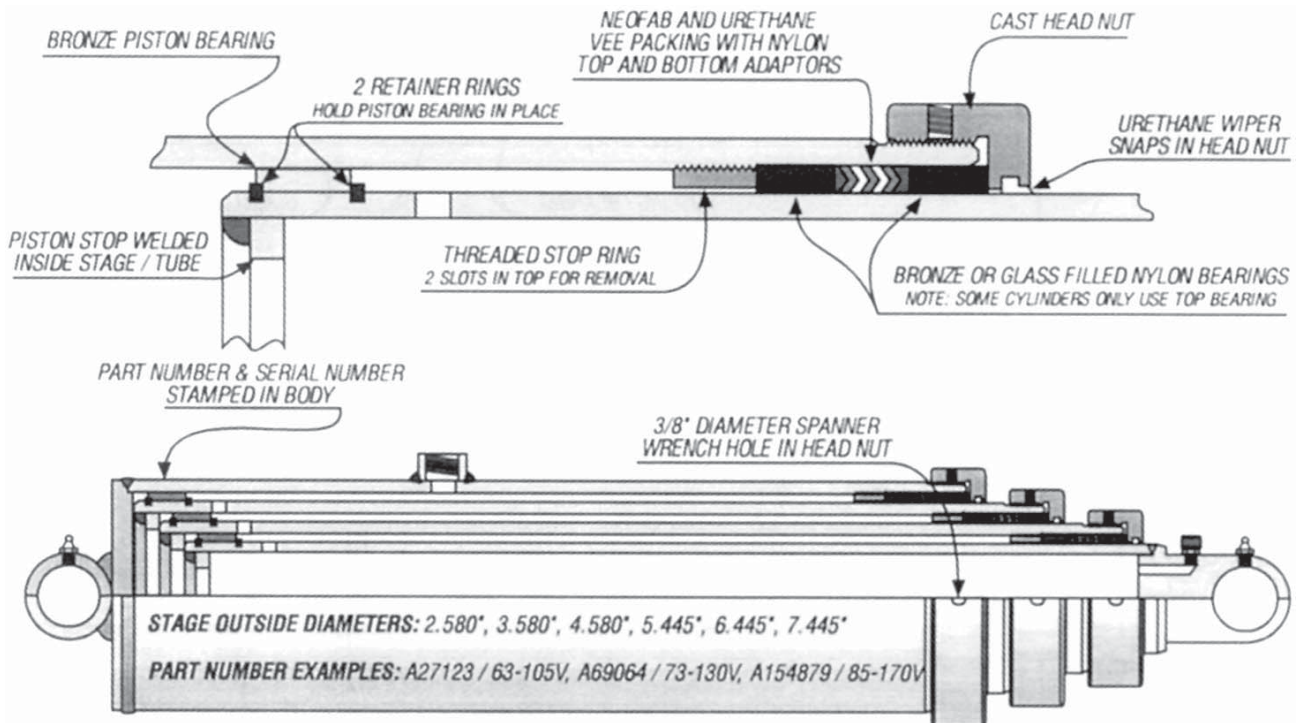


APPENDIX

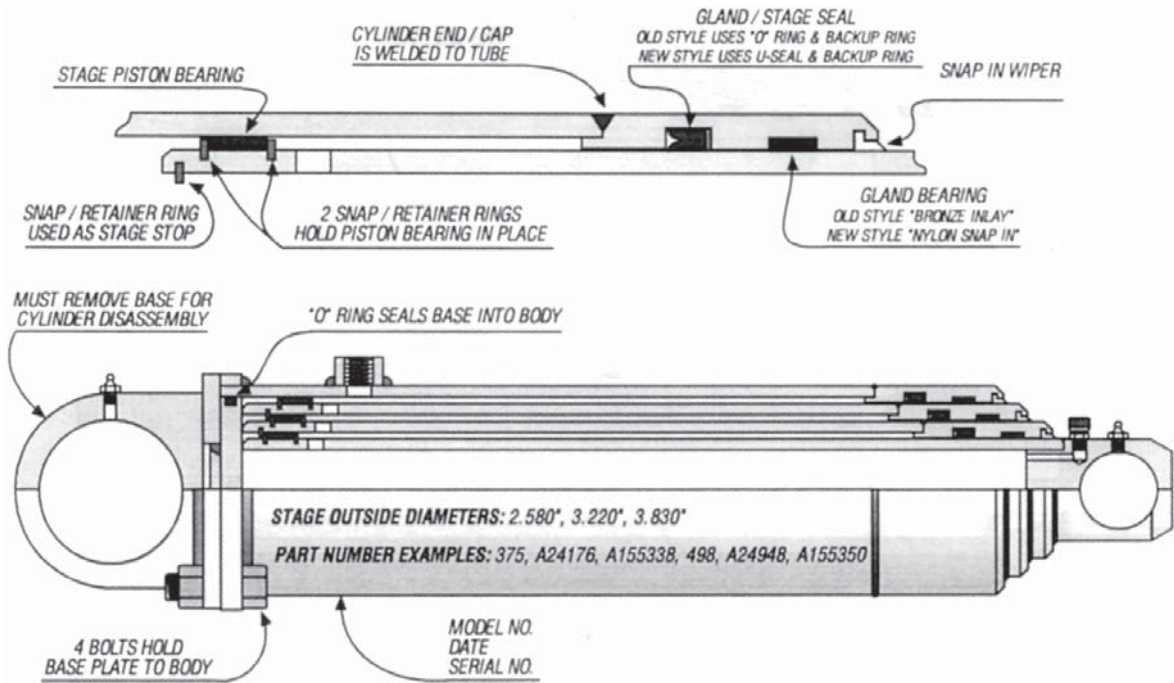
PEABODY GALION



PERFECTION



PERFECTION FARM HOISTS



WARD CO.

