

Fibre-optic sensors and cables

Fibre-optic sensors and fibre-optic cables for a wide range of applications

FL 20

from Page 394

- Fibre-optic sensor in miniature housing for installation in restricted spaces
- Simple and reliable mounting of fibre-optic cables via clamping bracket

FL 70

from Page 398

- High-end fibre-optic sensor with 4-digit display
- Cuboid housing for DIN-rail mounting
- PNP, NPN or analogue output options
- Communication prevents mutual interference

FMS 18/FMS 30/FSG 30

from Page 404

- Fibre-optic sensors in robust full-metal housings for harsh operating conditions
- Large selection of robust fibre-optic cables
- PNP, NPN or analogue output options

Fibre-optic cables – standard

from Page 418

- Wide range of photoelectric sensor and proximity sensor variants
- Fibre-optic cables with lateral light exit for restricted spaces
- Proximity sensors and through-beam photoelectric sensors with long ranges
- Robust fibre and sheath materials for harsh operating conditions



Fibre-optic cable systems from SensoPart are the solution when installation space is restricted or operating conditions are hot or dirty. Robust sheath and fibre materials in the fibre-optic cable also offer excellent protection against aggressive chemicals. The sensors are protected in a switching cabinet or at a safe distance, while the fibre-optic cable heads are mounted in the immediate vicinity of the target objects. The large selection of different cable heads opens up numerous application possibilities for our customers as well as providing a high level of flexibility regarding mounting.

Some fibre-optic cable systems from SensoPart cover the same applications as conventional optical sensors. Depending on the customer's application, they are available as photoelectric sensors or proximity sensors. Whereby the powerful fibre-optic sensors ensure high levels of functionality and reliability.

High flexibility and low weight on the gripper of a robot, aggressive detergents in the pharmaceutical or food industries, red-hot objects, minimal light spot dimensions for the detection of small parts, strip edge control, or the detection of liquids and levels in pipes and vessels – high-quality fibre-optic cable systems from SensoPart are predestined for use in all these applications.

Applications in which differing detection tasks have to be carried out in the smallest of spaces often pose the risk of mutual interference. This can lead to unwanted spurious switching. No problem for the FL 70 series: it has a communication interface that ensures that several FL 70 sensors can be synchronised and always switch correctly. The communication takes place fully automatically after battery installation, without any additional adjustment effort for customers. In other words, extremely simple installation and precise detection in the smallest of spaces.

**Fibre-optic cables –
focused optics**
from Page 460

- Precise, small light spot for small-part detection
- Adjustable scanning distance and light spot size



**Fibre-optic cables –
light strips**
from Page 466

- Photoelectric sensor and proximity sensor variants
- Variety of light strip widths and ranges



**Fibre-optic cables –
special**
from Page 474

- Bendable fibre-optic cable tips for particularly restricted installation conditions
- Prism scanner for filling level measurement
- V-scanner for small objects or liquid and level measurements
- Fork sensors in small housings



**Fibre-optic cables –
accessories**
from Page 486

- Fibre-optic cable by the metre
- Ancillary lenses for extending ranges
- Cutting tool for shortening and bending fibre-optic cables



TYPICAL SENSOPART

- Sub-miniature FL 20 housing for simple integration in machines
- Powerful & variable FL 70 fibre-optic cable sensors
- FMS/FSG series: powerful sensors for extreme demands
- Wide range of fibre-optic cables for standard applications or individual customer requirements
- Numerous adjustment possibilities: stable or dynamic teach-in, external control line, accuracy and speed adjustment, timing functions
- Intelligent fibre-optic sensor and cable mounting solutions for easy installation and adjustment
- Reliable operation without mutual interference thanks to communication between FL 70 devices

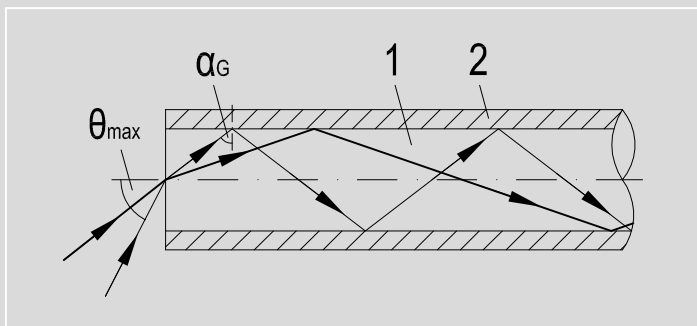
Fibre-optic cable sensors

System description

How fibre-optic cables function

Light guidance is based on the physical effect of total reflection, whereby light coupled into a glass fibre is repeatedly reflected back into the glass fibre from the boundary surface. The major advantage of this technology is that the light can be transported over long distances with almost no loss.

Fibre-optic sensors use this principle to bring the transmitted light to an inaccessible location and take up the reflected light again to return it to the sensor, mounted where more space is available. This technology, which can also be used for the detection of very small objects, is characterised by precision and reliability.



Light guidance in fibre-optic cable

The light is transported in the fibre-optic cable in an axial direction as a result of total reflection at the boundary surface between the sheath (2) and the core (1). The size of the limit angle of the total reflection (α_G) defines the acceptance angle of the fibre-optic cable (θ_{max}). Light hitting the face of the fibre at this or a smaller angle is transported in the fibre-optic cable.

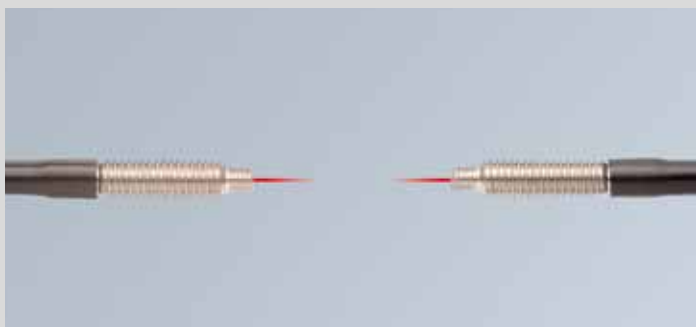
Fibre-optic cable materials



Fibre-optic cables differ in the transmission material used – glass or plastic. SensoPart offers the so-called fibre material in both variants. Glass fibres are highly resistant to chemicals and high temperatures. Suitable metal or silicone sheath materials allow the use of glass fibres in harsh environmental and process conditions. Larger glass-fibre cross-sections offer high functional reserves and reliability, even in dusty and dirty environments.

Fibre-optic cables as through-beam photoelectric sensors

The transmission and receiver fibre-optic cables of through-beam photoelectric sensors run in two separate fibre-optic cables. Both fibre-optic cables are optically connected to the sensor via a coupling. Whereby one fibre-optic cable transports the transmission light from the sensor to the detection location while the other, opposite, fibre-optic cable transports the light back to the receiver. The sensor switches if the light path between the two facing fibre-optic cable heads is interrupted by an object. Relatively long ranges are achieved with through-beam photoelectric sensors.



The photoelectric sensor type

Transmitter cables and receiver cables are laid in two separate sheaths and are connected to the appropriate optical component of the sensor via a coupling.

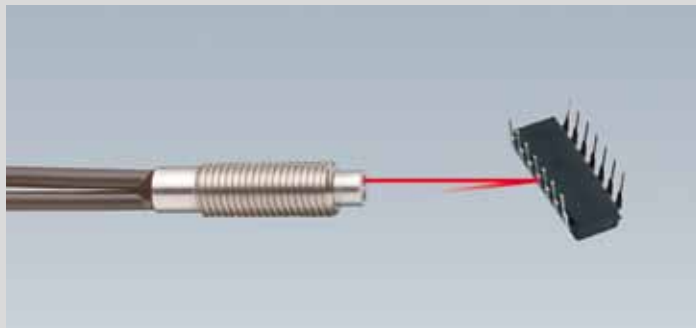
The fibre-optic cable as photoelectric proximity sensor

In the photoelectric proximity sensor variant, the transmitter and receiver cables are combined in one light exit sheath. While one of the fibre-optic cable strands is connected with the transmitter, the other strand transports the light reflected from the target object back to the sensor's receiver. The sensor switches.

The advantages of this cable arrangement lie in the very low space requirement and reduced mounting effort. The fibre-optic cable heads must be brought close to the target object because of the detection principle used. Expanded ranges can be achieved by using larger glass-fibre cross-sections.

Parallel vs. coaxial fibres

In the case of scanner fibre-optic cables, one also differentiates between two different fibre arrangements. In the standard design, the transmitter and receiver fibres run parallel, in coaxial fibre-optic cables the receiver fibres are arranged concentrically around the transmission fibres. When using supplementary optics for focusing (c.f. P. 460) the coaxial design offers application advantages, namely a smaller light spot, in particular, and thus improved small-part detection.



The photoelectric proximity sensor type

In photoelectric proximity sensor versions the transmission and receiver fibres are combined in a single cable and discharge in a light exit sleeve.

The fibre-optic cable head – numerous different tips

Compact designs of machines and plant with extremely restricted spaces – access to the target objects is often difficult. But the heads of the fibre-optic cables are as varied as the tasks. Particularly fine or bendable fibre-optic cable heads and highly flexible fibre-optic cables provide access in these situations. Fibre-optic cable heads with a lateral light exit that deflect the light by 90° in the smallest of spaces provide assistance in restricted or blocked spaces, in particular. The use of fibre-optic cables together with appropriate cable heads provides flexibility with moving machine parts, low weight, and high impact and vibration resistance – ensuring trouble-free and reliable function.



FL 20 – sensor for plastic fibre-optic cable adaptation

Small, compact amplifier



 made in Germany



Fibre assembly / mounting

- Simple exchange of the fibre-optic cables even in mounted state
- No tool necessary
- Secure clamping:
 1. Open clamping bracket
 2. Feed fibre-optic cables into the holder until you reach the stop (get past the resistance from the O-ring)
 3. Close clamping bracket

TYPICAL FL 20

- Miniature housing $32 \times 20 \times 12 \text{ mm}^3$ for simple integration in machines
- Teach-in with button or control input
- Dynamic adjustment possible
- High switching frequency
- Red light, 660 nm
- N.O./N.C. switchable
- For fibre-optic cables with diameter of 2.2 mm
- Wide range of adaptable fibre-optic cables

The FL 20 fibre-optic sensor impresses with its small dimensions and convincing performance data. It covers all the requirements of opto-sensors under restricted space conditions and offers highly precise detection with simple handling.

Simple adjustment via teach-in or the control input and its robust metal plug design confirm the uncompromising industrial suitability of the FL 20 fibre-optic sensor.

A broad portfolio of fibre-optic cables with differing heads and a variety of sheath materials solves all tasks precisely and reliably.

FL 20 – Product Overview			
	Type of light	Special features	Page
FL 20	LED, red	Small housing, simple adjustment	396

FL 20 R

Fibre-optic sensor



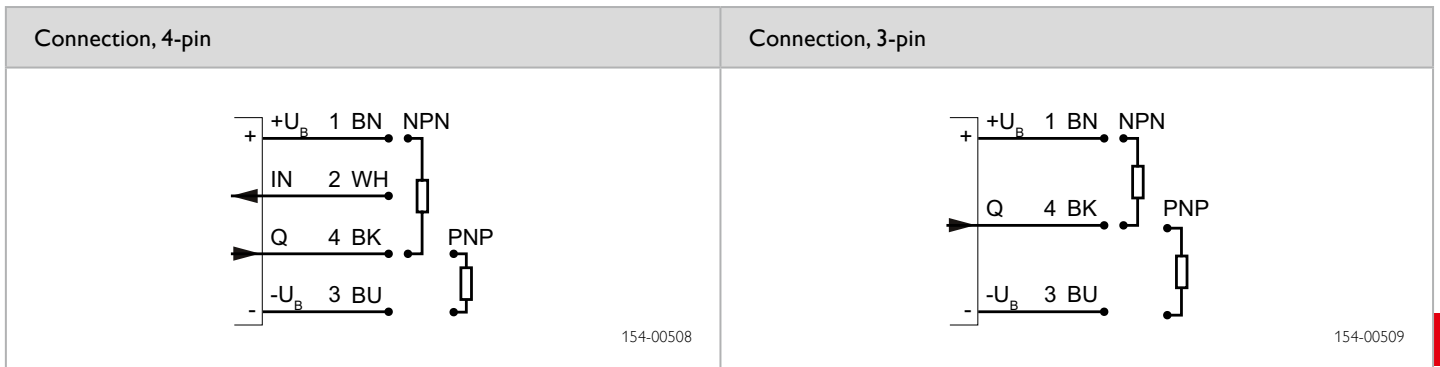
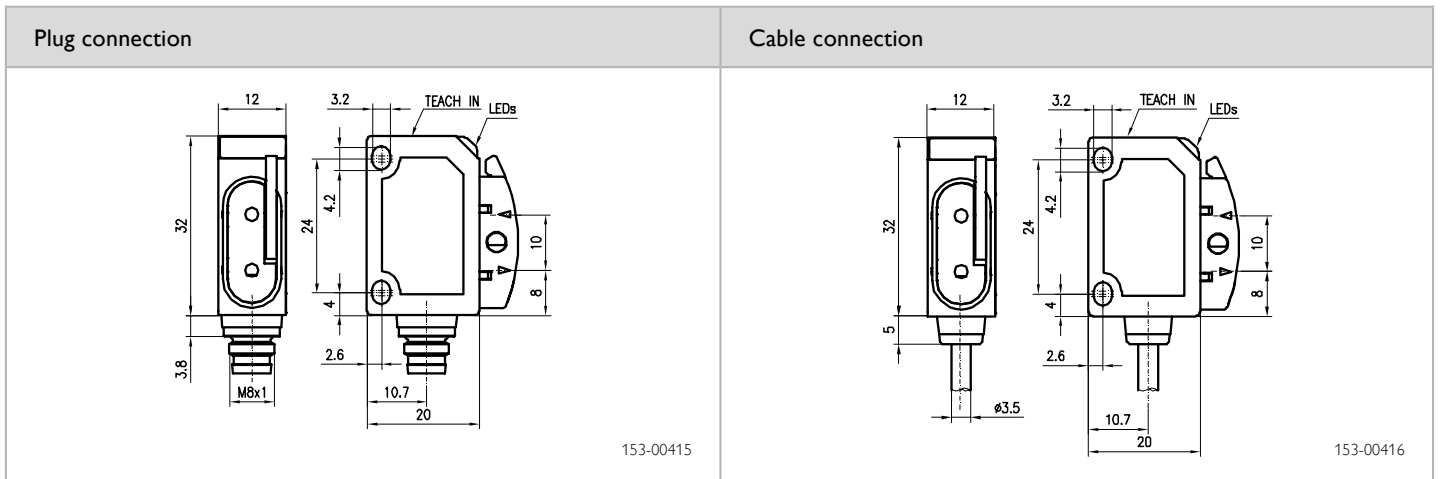
PRODUCT HIGHLIGHTS

- Simple teach-in via button
- Control line for teach-in and button lock
- Contamination indicator
- N.O./N.C. switchable
- For fibre-optic cables with diameter of 2.2 mm

Optical data		Functions	
Scanning distance	Dependant on fibre-optic cable (scanner) ¹	Indicator LED, green	Stability indicator
Operating range	Dependant on fibre-optic cable (cabinet)	Indicator LED, yellow	Light reception indicator
Type of light	LED, red, 660 nm	Sensor adjustment ²	Via Teach-in button and control input
Distance hysteresis	< 10 % of set scanning distance	Adjustment possibilities	Button lock via control input
		Default setting	N.O.
Functions		Mechanical data	
Operating voltage, +U _b	10 ... 30V DC	Dimensions	32 x 20 x 12 mm ³
Current consumption without load	≤ 25 mA	Enclosure rating	IP 67 ³
Output current, I _e	100 mA	Material, housing	ABS
Protective circuits	Reverse-polarity protection, U _b / short-circuit protection (Q)	Type of connection	(See Selection Table)
Protection Class	2	Ambient temperature: operation	-20 ... +60 °C
Switching output, Q	PNP/NPN (see Selection Table)	Ambient temperature: storage	-20 ... +80 °C
Output function	N.O.	Weight (plug device)	10 g
Switching frequency, f (ti/tp 1:1)	1000 Hz	Weight (cable device)	40 g
Control input, I _N : (only 4-pin version)	+U _b = teach-in -U _b = button locked Open = normal operation		

¹ Reference material: white, 90 % reflectivity ² Only 4-pin version ³ With suitable fibre-optic cable

Switching output	Type of connection	Part number	Article number
PNP	Plug, M8x1, 4-pin	FL 20 R-PSM4	551-71000
PNP	Cable, 2 m, 4-wire	FL 20 R-PSK4	551-71001
NPN	Plug, M8x1, 4-pin	FL 20 R-NSM4	551-71002
NPN	Cable, 2 m, 4-wire	FL 20 R-NSK4	551-71003
PNP	Plug, M8x1, 3-pin	FL 20 R-PSM3	551-71004




Accessories	
Connection cables	From Page 670
Brackets	From Page 642


FL 70 – sensors for plastic fibre-optic cable adaptation


Functional DIN-rail devices




 made in Germany



 LOC = lock function – reliably secures against deliberate or accidental tampering

 ADJ = adjustment – the sensor is in setup mode

 SP1 = switching window 1 – window 1 has been taught-in



Monitoring accumulations with fibre-optic cables

Small plastic plugs are fed in on a vibration conveyor and individualised on a conveyor section. The monitoring of accumulations is carried out with an FL 70 R-PSD fibre-optic sensor in combination with SensoPart's K2L-34 plastic fibre-optic cable. The FL 70 R-PSD sensor is installed in a switching cabinet here. This is not strictly necessary because mounting directly on the machine would have been possible thanks to the robust housing and high enclosure rating of IP 64.

TYPICAL FL 70

- Very user-friendly teach-in
- High level of accuracy
- High switching frequency
- No mutual interference thanks to automatic optical communication during battery installation
- DIN-rail mounting
- Robust enclosure rating of IP 64
- Wide range of fibre-optic cables

FL 70 R

The FL 70 R variant manages without a display and is the more economical alternative for standard applications. All variants offer simple operation via teach-in, which is achieved by button or via the teach-in line. The buttons can be locked via the external teach-in line.

FL 70 R-...D

The FL 70 R-...D is the high-end fibre-optic device with a 4-character display. It is characterised by simple setting and many supplementary functions, e.g. fine adjustment of the switching point, inversion of the switching output, accuracy and speed adaptation, window programming, timer functions and reliable tamper-proofing. The display is always easy to read because it can be rotated through 180°.

FL 70 RA-...D

The FL 70 RA-...D has a supplementary analogue output which is a major advantage for complex applications, in particular, such as connecting a so-called cross-section converter. This allows, for example, edge control and inspections on the basis of object size.

FL 70 – Product Overview			
	Type of light	Special features	Page
FL 70 R	LED, red	Teach-in	400
FL 70 R-...D	LED, red	Teach-in, display	402
FL 70 RA-...D	LED, red	Teach-in, display, analogue output	402

FL 70 R

Fibre-optic sensor



PRODUCT HIGHLIGHTS

- Fibre-optic sensor for the adaptation of a wide variety of fibre-optic cables
- DIN-rail mounting
- No mutual interference thanks to automatic communication
- Simple operation via electronic Teach-in button or control line
- Robust plastic housing (IP 64)

Optical data		Functions	
Scanning distance	Dependant on fibre-optic cable (scanner) ¹	Indicator LED, green	Operating voltage indicator
Operating range	Dependant on fibre-optic cable (cabinet)	Indicator LED, yellow	Switching output indicator
Type of light	LED, red, 660 nm	Scanning distance adjustment	Via Teach-in button and control input
Distance hysteresis	< 10 % of set scanning distance	Adjustment possibilities	Button lock via control input; N.O./N.C.
		Default setting	N.O.
Functions		Mechanical data	
Operating voltage, +U _B	10 ... 30V DC ²	Dimensions	84 x 35 x 10 mm ³
No-load current, I ₀	≤ 20 mA	Enclosure rating	IP 64 ³
Output current, I _e	≤ 100 mA	Material, housing	ABS
Protective circuits	Reverse-polarity protection, U _B / short-circuit protection (Q)	Type of connection	(See Selection Table)
Protection Class	2	Ambient temperature: operation	-20 ... +60 °C
Switching output, Q	PNP/NPN (see Selection Table)	Ambient temperature: storage	-20 ... +80 °C
Output function	N.O./N.C.	Weight (plug device)	20 g
Switching frequency, f (ti/tp 1:1)	≤ 1500 Hz	Weight (cable device)	50 g
Control input, IN (only 4-pin version)	+U _B = teach-in -U _B = button locked Open = normal operation		

¹ Reference material: white, 90 % reflectivity ² Max. 10 % ripple, within U_B ³ With connected IP 64 plug

Switching output	Type of connection	Part number	Article number
PNP	Plug, M8x1, 4-pin	FL 70 R-PS-M4	567-71000
NPN	Plug, M8x1, 4-pin	FL 70 R-NS-M4	567-71001
PNP	Cable, 2 m, 4-wire	FL 70 R-PS-K4	567-71002
NPN	Cable, 2 m, 4-wire	FL 70 R-NS-K4	567-71003

Plug connection	Cable connection
<p style="text-align: right;">153-01049</p>	<p style="text-align: right;">153-01050</p>

Connection, 4-pin
<p style="text-align: right;">154-00508</p>

Accessories	
Connection cables	From Page 670
Brackets	From Page 642

FL 70 R-...D / FL 70 RA-...D

Fibre-optic sensor with display



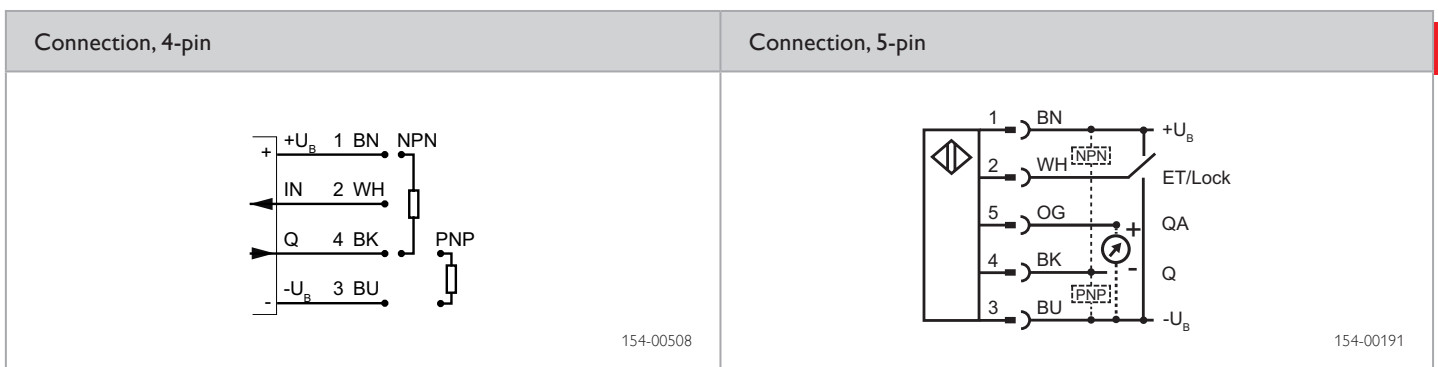
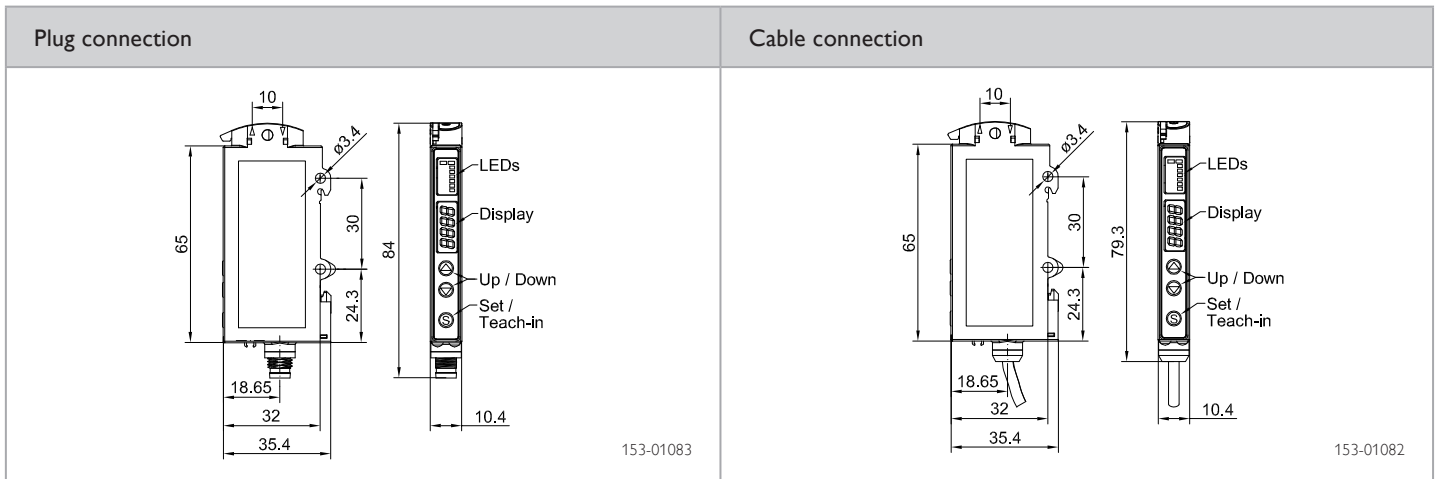
PRODUCT HIGHLIGHTS

- Fibre-optic sensor for the adaptation of a wide variety of fibre-optic cables
- Very user-friendly thanks to combination of display and teach-in
- Several operating modes for individual adaptation to the application
- DIN-rail mounting
- No mutual interference thanks to automatic communication
- Variants with supplementary analogue output

Optical data		Functions	
Scanning distance	Dependant on fibre-optic cable (scanner) ¹	Indicator LED, green	Operating voltage indicator
Operating range	Dependant on fibre-optic cable (cabinet)	Indicator LED, yellow	Switching output indicator
Type of light	LED, red, 630 nm	Indicator LEDs, red (x6)	Feedback on selected functions
Distance hysteresis	< 10 % of set scanning distance	Teach-in modes	Switching point / switching window
		Scanning distance adjustment	Fine adjustment of the switching point
		Adjustment possibilities	Via teach-in and control input
			Invert switching output
			Switching frequency / accuracy
			Timer function (e.g. switch-on delay)
			Button lock, default settings
		Default settings	N.O. / no special functions active
Functions		Mechanical data	
Operating voltage, +U _B	10 ... 30V DC ²	Dimensions	84 x 35 x 10 mm ³
No-load current, I ₀	≤ 25 mA	Enclosure rating	IP 64 ³
Output current, I _e	≤ 100 mA	Material, housing	ABS
Protective circuits	Reverse-polarity protection, U _B / short-circuit protection (Q)	Type of connection	(See Selection Table)
Protection Class	2	Ambient temperature: operation	-20 ... +60 °C
Switching output, Q	PNP/NPN (see Selection Table)	Ambient temperature: storage	-20 ... +80 °C
Output function	N.O.	Weight (plug device)	20 g
Switching frequency, f (ti/tp 1:1)	Dependent on the setting / operating mode Standard Mode 1000 Hz / Fast Mode 8000 Hz Fine Mode 125 Hz / High Distance Mode 125 Hz	Weight (cable device)	50 g
Control input, I _N (only 4-pin version)	+ U _B = teach-in - U _B = button locked Open = normal operation		
Analogue output (non-scalable)	See Selection Table		
Display value 0000	0V		
Display value 4095	10V		

¹ Reference material: white, 90 % reflectivity ² Max. 10 % ripple, within U_B ³ With connected IP 64 plug

Switching output	Analogue output	Type of connection	Part number	Article number
PNP	No	Plug, M8x1, 4-pin	FL 70 R-PSD-M4	567-71004
NPN	No	Plug, M8x1, 4-pin	FL 70 R-NSD-M4	567-71005
PNP	0...10V / 2 mA	Cable, 2 m, 5-wire	FL 70 RA-PSD-K5	567-71006
NPN	0...10V / 2 mA	Cable, 2 m, 5-wire	FL 70 RA-NSD-K5	567-71007



Accessories	
Connection cables	From Page 670
Brackets	From Page 642

FMS 18 / FMS 30 / FSG 30 – sensors for glass fibre adaptation

Robust, strong, reliable



 made in Germany



Switching of output function and scanning distance

The N.C./N.O. function is set via the sliding switch on the front. The switching position "Sn/2" reduces the scanning distance by 50 % and thus permits improved small-part detection



Uncomplicated adaptation of fibre-optic cable and amplifier

The glass fibres can be adapted by simply screwing them to the FMS sensors (here the FMS 30).

TYPICAL FMS 18 / FMS 30 / FSG 30

- Operating range: scanner max. 800 mm (depending on the fibre-optic cable used)
- Operating range: photoelectric sensor max. 4800 mm (depending on the fibre-optic cable used)
- Robust metal housings
- Antivalent switching output
- N.O./N.C. switchable
- Various sheaths for glass fibres
- Fibre-optic cables for temperatures up to 160°C
- Resolution/scanning distance switchable
- Cross-section converter adaptable

FMS 18

The FMS 18-4 U fibre-optic sensor operates at minimum to medium switching distances and ranges. The device is particularly suitable for reliable non-contact detection in rapid processes as a result of its high switching frequency of 1 kHz. Despite the device's small size, its output signal can be inverted by using a plug-in bridge on the front. The sensor also has two separate outputs: P- and N-switching.

FMS 30

The FMS 30-4 U fibre-optic sensor operates throughout the entire range from low to very long switching distances and ranges. The switching distance can be halved by using the switch on the front of the device. This simplifies accurate adjustment of the switching point at close range and improves small-part detection.

A second switch on the front inverts the output signal. The sensor can thus provide the logically correct signal, i.e. N.O. or N.C. depending on the particular application. Every device also has two separate outputs: P- and N-switching.

FSG 30

The FSG 30-UA fibre-optic sensor is characterised by an extremely high switching frequency of up to 20 kHz. This has been made possible by its reliable and highly precise source of constant light.

FMS 18/FMS 30/FSG 30 – Product Overview			
	Type of light	Special features	Page
FMS 18	LED infrared, red	Extremely robust	406
FMS 30	LED infrared, red	Extremely robust, powerful	408
FSG 30	LED infrared	Very high switching frequency	414

FMS 18-34 U

Photoelectric proximity sensor for adaptation of fibre-optic cables



PRODUCT HIGHLIGHTS

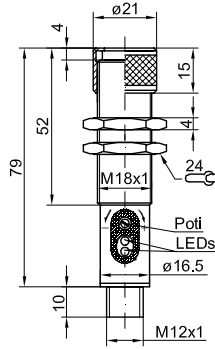
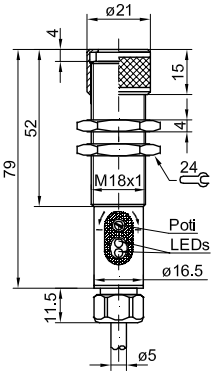
- Scanning distance dependant on fibre-optic cable
- Fibre-optic cable adaptable
- Universal PNP/NPN output
- N.O./N.C. selectable
- M18 metal threaded sleeve

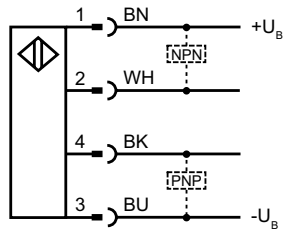
Optical data		Functions	
Scanning distance	(See Selection Table) ¹	Indicator LED, green	Operating voltage indicator
Type of light	(See Selection Table)	Indicator LED, yellow	Switching output indicator
Distance hysteresis ¹	< 10 % of the set scanning distance	Indicator LED, red	Contamination indicator
		Sensitivity adjustment	Via 18-step potentiometer
Electrical data		Mechanical data	
Operating voltage, +U _B	10 ... 30V DC ² / 15 ... 30V DC ³	Dimensions	M12 x 79 mm
No-load current, I ₀	≤ 25 mA	Enclosure rating	IP 65 ⁵
Output current, I _e	≤ 200 mA	Material, housing	Brass, nickel-plated
Pull-up resistance	22 kΩ	Type of connection	(See Selection Table)
Pull-down resistance	22 kΩ	Ambient temperature: operation	-20 ... +60 °C
Protective circuits	Reverse-polarity protection, U _B / short-circuit protection (Q)	Ambient temperature: storage	-40 ... +80 °C
Protection Class	2	Weight (plug device)	85 g
Standby time	≤ 300 ms	Weight (cable device)	185 g
Switching output, Q	PNP/NPN	Vibration and impact resistance	EN 60947-5-2
Output function	N.O./N.C.		
Switching frequency, f (ti/tp 1:1)	≤ 1000 Hz / 5000 Hz ⁴		

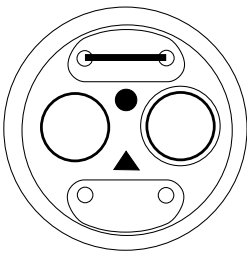
¹ Reference material: white, 90 % reflectivity ² Type of light: infrared 880 nm ³ 10 % ripple, within U_B ⁴ Type of light: infrared 880 nm with scanning distance of 1 m

⁵ With connected IP 65 plug

Scanning distance	Type of light	Type of connection	Part number	Article number
500 mm	Infrared, 880 nm	Plug, M12, 4-pin	FMS 18-34 UL4-60	510-51590
1000 mm	Infrared, 880 nm	Plug, M12, 4-pin	FMS 18-34 UL4	510-51589
500 mm	Infrared, 880 nm	Cable, 3 m, 4-wire	FMS 18-34 U-60	510-51588
1000 mm	Infrared, 880 nm	Cable, 3 m, 4-wire	FMS 18-34 U	510-51587
250 mm	Red, 645 nm	Plug, M12, 4-pin	FMS 18-34 UL4-52	510-51602
500 mm	Infrared, 950 nm	Plug, M12, 4-pin	FMS 18-34 UL4-54	510-51605
250 mm	Red, 645nm	Cable, 3 m, 4-wire	FMS 18-34 U-52	510-51603
500 mm	Infrared, 950 nm	Cable, 3 m, 4-wire	FMS 18-34 U-54	510-51604

Plug connection	Cable connection
 <p style="text-align: right;">153-00002</p>	 <p style="text-align: right;">153-00001</p>

Connection, 4-pin
 <p style="text-align: right;">154-00282</p>

N.O./N.C. function			
Selectable via plug-in bridge on the front	Plug-in bridge	Scanner operation	Through-beam operation
 <p style="text-align: right;">155-00921</p>	●	N.C.	N.O.
	Without plug-in bridge	N.O.	N.C.
	▲	Parking position	Parking position

FMS 30-44 U

Photoelectric proximity sensor for adaptation of fibre-optic cables



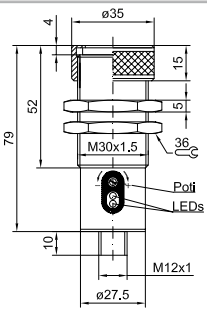
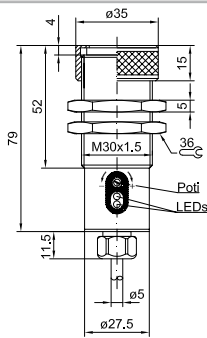
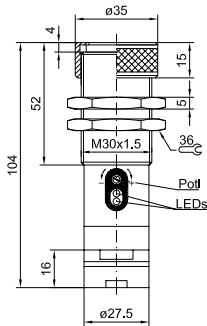
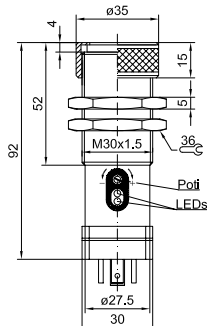
PRODUCT HIGHLIGHTS

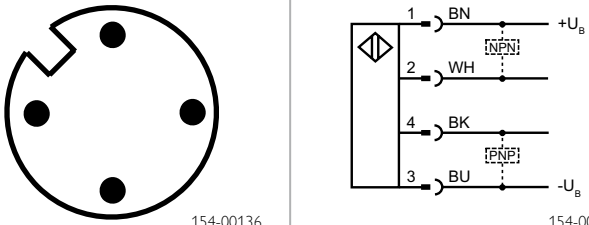
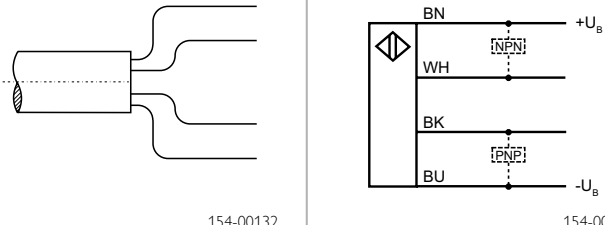
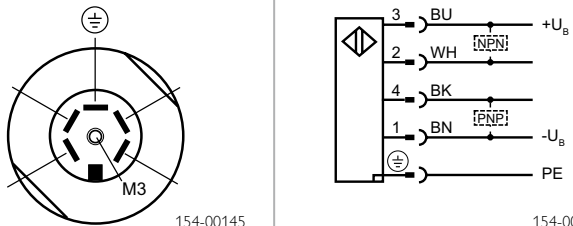
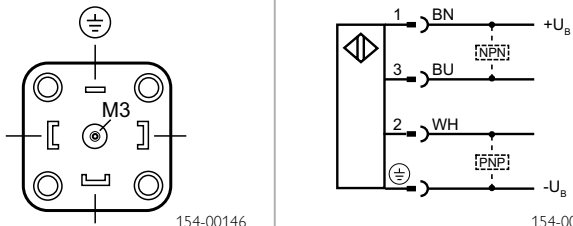
- Scanning distance dependant on fibre-optic cable
- High switching frequency, 1 kHz, 5 kHz
- Fibre-optic cable adaptable
- Universal PNP/NPN output
- N.O./N.C. selectable
- M30 metal threaded sleeve

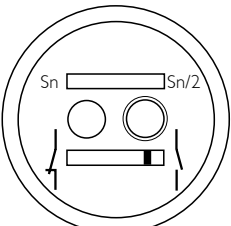
Optical data		Functions	
Scanning distance	0.5 m / 1m ¹	Indicator LED, green	Operating voltage indicator
Type of light	Infrared, 880 nm	Indicator LED, yellow	Switching output indicator
Distance hysteresis ¹	< 10 % of the set scanning distance	Indicator LED, red	Contamination indicator
		Sensitivity adjustment	Via 18-step potentiometer
Electrical data		Mechanical data	
Operating voltage, +U _B	10 ... 30V DC ²	Dimensions	(See connection diagram)
No-load current, I ₀	≤ 25 mA	Enclosure rating	IP 65 ³
Output current, I _e	≤ 200 mA	Material, housing	Brass, nickel-plated
Pull-up resistance	22 kΩ	Type of connection	(See Selection Table)
Pull-down resistance	22 kΩ	Ambient temperature: operation	-20 ... +60 °C
Protective circuits	Reverse-polarity protection, U _B / short-circuit protection (Q)	Ambient temperature: storage	-40 ... +80 °C
Protection Class	2	Weight	(See Selection Table)
Standby time	≤ 300 ms	Vibration and impact resistance	EN 60947-5-2
Switching output, Q	PNP/NPN		
Output function	N.O./N.C.		
Switching frequency, f (ti/tp 1:1)	(See Selection Table)		

¹ Reference material: white, 90 % reflectivity ² 10 % ripple, within U_B ³ With connected IP 65 plug

Scanning distance	Switching frequency, f (ti/tp 1:1)	Type of connection	Weight	Part number	Article number	No.
1 m	1000 Hz	Plug, M12, 4-pin	210 g	FMS 30-44 UL4-56	530-51591	1
0.5 m	5000 Hz	Plug, M12, 4-pin	210 g	FMS 30-44 UL4-60	530-51592	1
1 m	1000 Hz	Cable, 3 m, 4-wire	320 g	FMS 30-44 U-56	530-51587	2
0.5 m	5000 Hz	Cable, 3 m, 4-wire	310 g	FMS 30-44 U-60	530-51588	2
0.5 m	5000 Hz	Plug, M12, 5-pin	240 g	FMS 30-44 UT-60	530-51596	3
1 m	1000 Hz	Plug, M12, 5-pin	240 g	FMS 30-44 UG-56	530-51590	3
0.5 m	5000 Hz	Plug, M12, 4-pin	240 g	FMS 30-44 UG-60	530-51589	4

<p>Plug connection, No. 1</p>  <p>153-00005</p>	<p>Cable connection, No. 2</p>  <p>153-00004</p>
<p>Plug connection, No. 3</p>  <p>153-00006</p>	<p>Cable connection, No. 4</p>  <p>153-00007</p>

<p>Connection, 4-pin, No. 1</p>  <p>154-00136</p> <p>154-00282</p>	<p>Connection, 4-pin, No. 2</p>  <p>154-00132</p> <p>154-00282</p>
<p>Connection, 5-pin, No. 3</p>  <p>154-00145</p> <p>154-00260</p>	<p>Connection, 4-pin, No. 4</p>  <p>154-00146</p> <p>154-00261</p>

<p>N.O./N.C. function</p>  <p>155-00927</p>	<p>N.O./N.C. function is set via the sliding switch on the front. Switch position "Sn/2" halves scanning distance but permits better resolution.</p>
---	--

FMS 30-35 U

Photoelectric proximity sensor for adaptation of fibre-optic cables



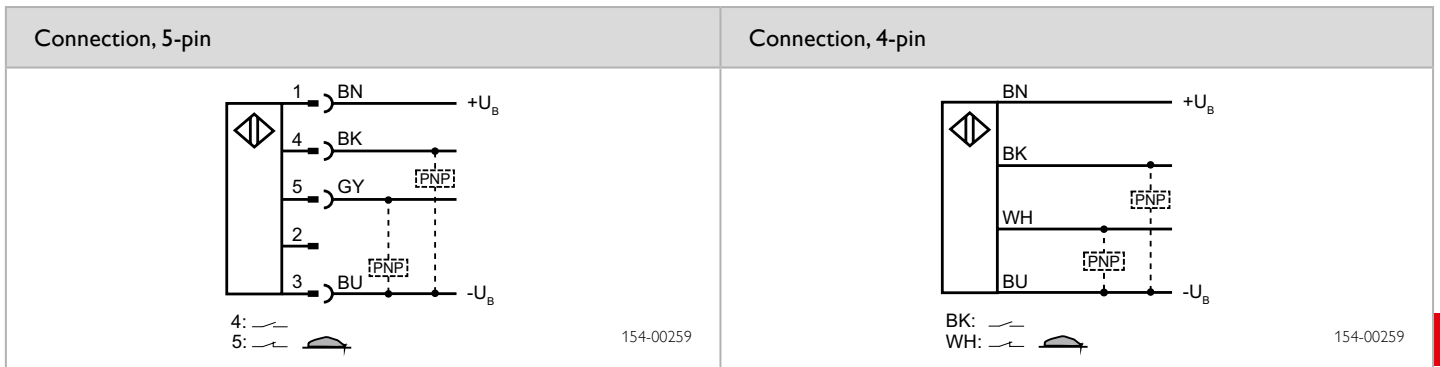
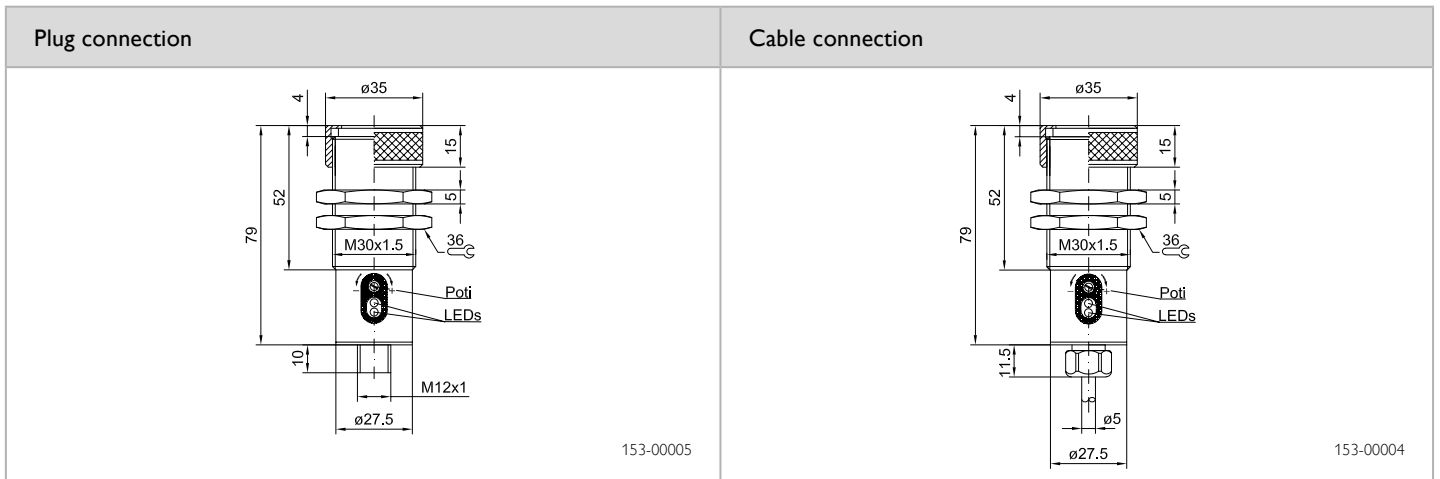
PRODUCT HIGHLIGHTS

- Scanning distance dependant on fibre-optic cable
- Fibre-optic cable adaptable
- Universal PNP/NPN output
- N.O./N.C. selectable
- Contamination indicator / output
- M30 metal threaded sleeve

Optical data		Functions	
Scanning distance	2 m ¹	Indicator LED, green	Operating voltage indicator
Type of light	Infrared, 880 nm	Indicator LED, yellow	Switching output indicator
Distance hysteresis ¹	≤ 10 % of the set scanning distance	Indicator LED, red	Contamination indicator
Aperture angle	< 18 %	Sensitivity adjustment	Via 18-step potentiometer
Electrical data		Mechanical data	
Operating voltage, +U _B	10 ... 30V DC ²	Dimensions	M12 × 79 mm
No-load current, I ₀	≤ 40 mA	Enclosure rating	IP 65 ³
Output current, I _e	≤ 200 mA	Material, housing	Brass, nickel-plated
Pull-up resistance	22 kΩ	Type of connection	(See Selection Table)
Pull-down resistance	22 kΩ	Ambient temperature: operation	-20 ... +60 °C
Protective circuits	Reverse-polarity protection, U _B / short-circuit protection (Q)	Ambient temperature: storage	-40 ... +80 °C
Protection Class	2	Weight (plug device)	215 g
Standby time	≤ 300 ms	Weight (cable device)	315 g
Switching output, Q	PNP	Vibration and impact resistance	EN 60947-5-2
Output function	N.O./N.C.		
Switching frequency, f (ti/tp 1:1)	≤ 100 Hz		

¹ Reference material: white, 90 % reflectivity ² 10 % ripple, within U_B ³ With connected IP 65 plug

Type of connection	Part number	Article number
Cable, 3 m, 4-wire	FMS 30-35 U	544-51323
Plug, M12, 5-pin	FMS 30-35 UL5	544-51324



FMS 30-34 U

Photoelectric proximity sensor for adaptation of fibre-optic cables



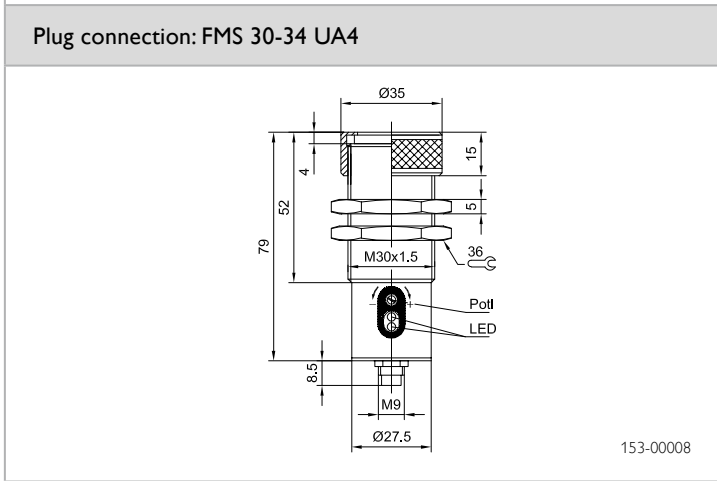
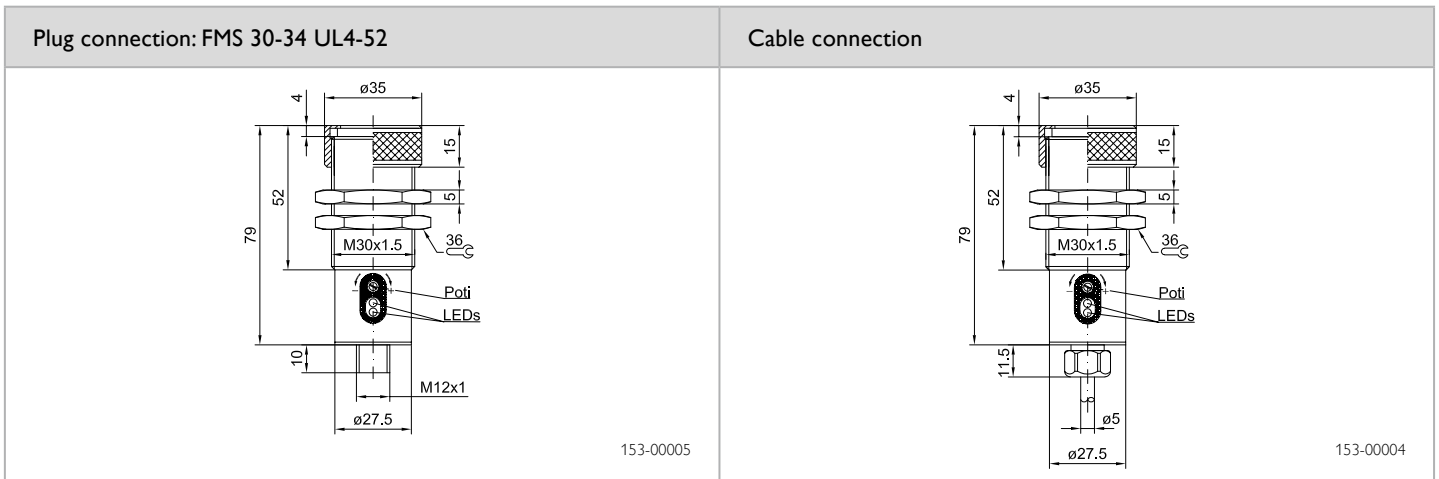
PRODUCT HIGHLIGHTS

- Red light, infrared
- Scanning distance dependant on fibre-optic cable
- Fibre-optic cable adaptable
- N.O./N.C. selectable
- Contamination indicator / output
- M30 metal threaded sleeve

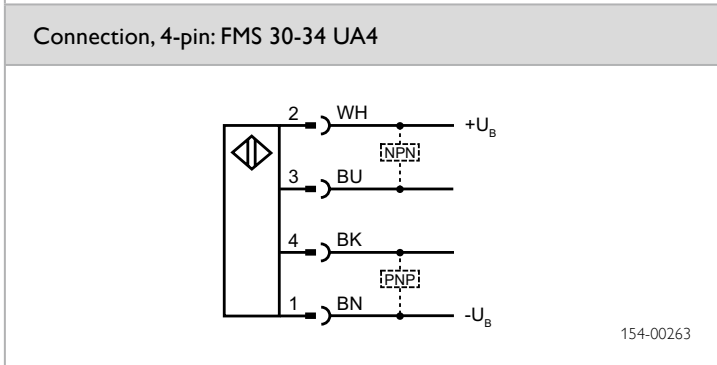
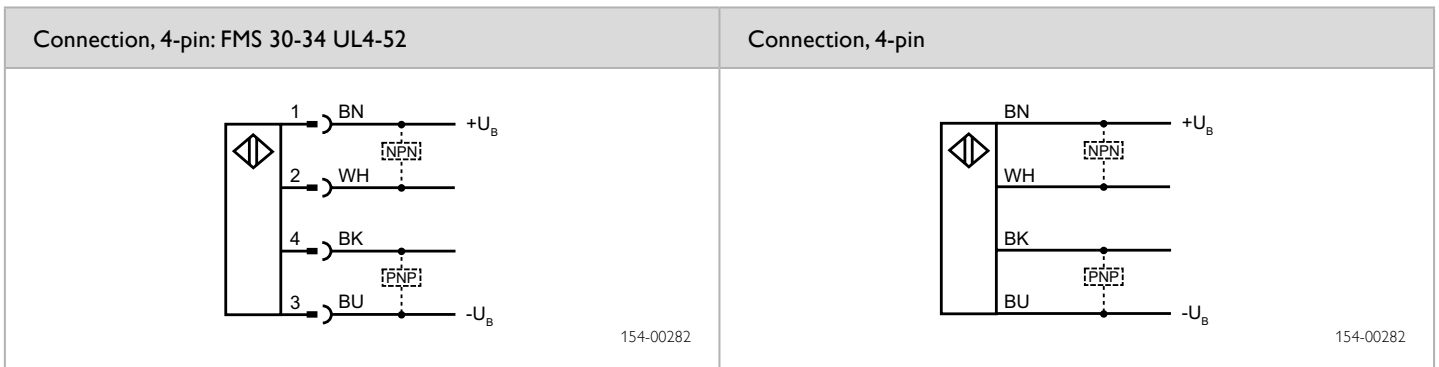
Optical data		Functions	
Scanning distance	1.5 m / 2 m ¹	Indicator LED, green	Operating voltage indicator
Type of light	Red, 645 nm / infrared, 950 nm	Indicator LED, yellow	Switching output indicator
Distance hysteresis ¹	< 10 % of the set scanning distance	Indicator LED, red	Contamination indicator
		Sensitivity adjustment	Via 18-step potentiometer
Electrical data		Mechanical data	
Operating voltage, +U _B	10 ... 30V DC ²	Dimensions	M12 x 79 mm
No-load current, I ₀	≤ 40 mA	Enclosure rating	IP 65 ³
Output current, I _e	≤ 200 mA	Material, housing	Brass, nickel-plated
Pull-up resistance	22 kΩ	Type of connection	(See Selection Table)
Pull-down resistance	22 kΩ	Ambient temperature: operation	-20 ... +60 °C
Protective circuits	Reverse-polarity protection, U _B / short-circuit protection (Q)	Ambient temperature: storage	-40 ... +80 °C
Protection Class	2	Weight (plug device)	210 g
Standby time	≤ 300 ms	Weight (cable device)	315 g
Switching output, Q	PNP/NPN	Vibration and impact resistance	EN 60947-5-2
Output function	N.O./N.C.		
Switching frequency, f (ti/tp 1:1)	≤ 100 Hz		

¹ Reference material: white, 90 % reflectivity ² 10 % ripple, within U_B ³ With connected IP 65 plug

Scanning distance	Type of light	Type of connection	Part number	Article number
2 m	Red, 645 nm	Plug, M12, 4-pin	FMS 30-34 UL4-52	540-51607
2 m	Red, 645 nm	Cable, 3 m, 4-wire	FMS 30-34 U-52	540-51604
1.5 m	Infrared, 950 nm	Cable, 3 m, 4-wire	FMS 30-34 U-54	540-51605
2 m	Infrared, 950 nm	Plug, M12, 4-pin	FMS 30-34 UA4	540-51606



9



FSG 30 UA

Photosensor with digital output



PRODUCT HIGHLIGHTS

- Device operates with constant light for extremely high switching frequency (20 kHz)
- Wide range of differing optical fibres
- M30 metal threaded sleeve
- Scanning distance dependant on fibre-optic cable

Optical data		Functions	
Scanning distance	25 mm ^{1,2}	Indicator LED, green	Switching output indicator
Type of light	Infrared, 880 nm	Sensitivity adjustment	Via 18-step potentiometer
Distance hysteresis	≤ 10 % of the set scanning distance		
Electrical data		Mechanical data	
Operating voltage, +U _B	24 V ± 10 % ³	Dimensions	M30 / Ø 35 × 60 mm
No-load current, I ₀	≤ 75 mA	Enclosure rating	IP 54 ⁴
Output current, I _e	≤ 200 mA	Material, housing	Brass, nickel-plated
Short-circuit current	≤ 170 mA	Type of connection	(See Selection Table)
Protective circuits	Reverse-polarity protection, U _B / thermal short-circuit protection	Ambient temperature: operation	0 ... +60 °C
Standby time	≤ 350 ms	Ambient temperature: storage	-40 ... +80 °C
Switching output, Q	P-channel, antivalent		
Switching frequency, f (ti/tp 1:1)	20 kHz		

¹ Reference material: white, 90 % reflectivity

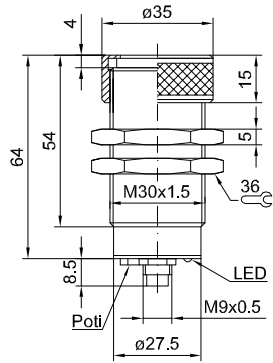
² Reliable operation only when ambient light effects are prevented

³ 10 % ripple, within U_B

⁴ With connected IP 54 plug

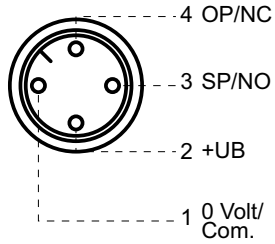
Type of connection	Part number	Article number
Plug, 3 m, 4-pin	FSG 30-UA	570-50153

Plug connection



153-01019

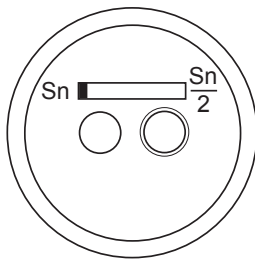
Connection, 4-pin



154-00326

Operating element

Switch to halve switching distance



155-01609

Fibre-optic cables – standard

The right variant for every task



Look round the corner

When space is restricted it can be advantageous to use fibre-optic cables with lateral (radial) light exits – available with differing side lengths, depending on the model.



The protective sheath

Variants with a helical metal sheath (MSC devices) usually meet normal demands. For more difficult operating conditions – for example constant mechanical movements and loads or exposure to water spray, oil, coolants or high temperatures – SensoPart offers fibre-optic cables with silicone sheaths (Si devices).

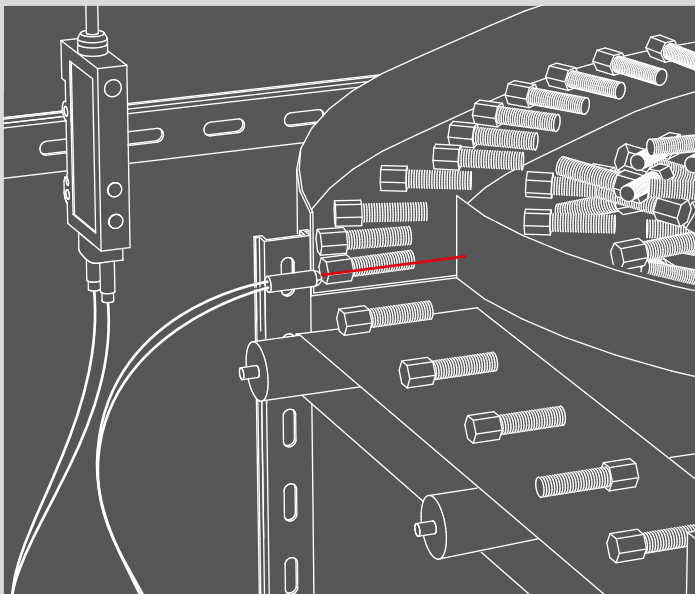
TYPICAL SENSOPART FIBRE-OPTIC CABLES

- Long ranges in combination with appropriate photoelectric sensors and proximity sensors
- Variety of sheath materials, also for harsh operating conditions
- Radial or axial light exit for simple installation, even when space is restricted
- Particularly high light output with glass fibres
- High temperature resistance with glass fibres (up to 160°C)
- Coaxial fibres for precise small-part detection
- Flexible plastic fibre-optic cables with very fine mounting heads
- Variety of mounting possibilities (adapters or heads)

Every task is unique and requires an individual sensor solution. Selection of the correct fibre-optic cable is of decisive importance, particularly with difficult and restricted space conditions. We place particular importance on the careful machining of the fibre material, fibre-optic cable ends and sheaths. This special treatment allows long ranges to be achieved, i.e. a sufficiently high light output reaches the target object, is guided back, and reliably evaluated.

Our fibre-optic cables can be adapted to almost every task thanks to the wide range of cables with differing heads and mounting possibilities – from the sheaths, through threaded sleeves or flexible and bendable needle sleeves, to cables that can see around corners.

Special materials, such as PVC, silicone or metal tubes, protect the fibre-optic cables against chemical and mechanical effects and make them temperature-resistant up to 160°C. Whether glass fibres for high light outputs or flexible plastic fibre-optic cables with the smallest of bending angles and very high resistance to vibrations and impacts, our standard fibre-optic cables prove their precision and reliability in everyday harsh industrial use.



Checking the presence of small parts on a vibration conveyor system

Page 398

An **FL 70 fibre-optic sensor** registers the presence of work-pieces at the end of the feed section.


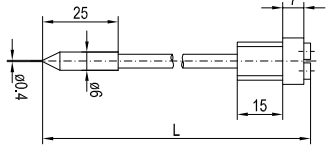
- Extremely precise switching behaviour
- Simple teach-in with the help of a display
- Very good small-part detection through the use of focused fibre-optic cables
- Broad and individual range of fibre-optic cables for differing tasks
- Flexible arrangement of the fibre-optic cable

Fibre-optic cables – standard


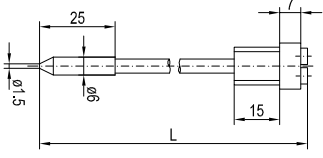

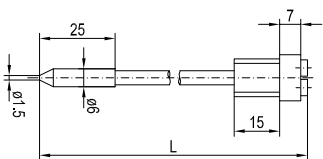

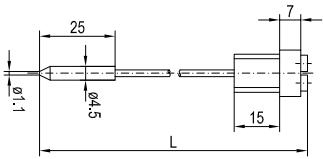
Fibre-optic cable	Proximity sensor (T) Photoelectric sensor (L)	Typical scanning distance / range	Light exit	Special features	For fibre-optic sensors	
18/30 R. 0,4/xxxx-Si		T	Up to 3 mm	Axial	<ul style="list-style-type: none"> Small mounting dimensions Robust design 	FMS 18 / FMS 30 / FAV 30
18/30 R. 1/xxxx-Si/MSC/PVC		T	Up to 15 mm	Axial	<ul style="list-style-type: none"> Small mounting dimensions Robust design 	FMS 18 / FMS 30 / FAV 30
18/30 R. 2/xxxx-Si/MSC/PVC		T	Up to 60 mm	Axial	<ul style="list-style-type: none"> Robust design 	FMS 18 / FMS 30 / FAV 30
18/30 R. 3/xxxx-Si/MSC/PVC		T	Up to 200 mm	Axial	<ul style="list-style-type: none"> Robust design 	FMS 18 / FMS 30 / FAV 30
18/30 R. 4/xxxx-Si/MSC		T	Up to 400 mm	Axial	<ul style="list-style-type: none"> Long range Robust design 	FMS 18 / FMS 30 / FAV 30
18/30 R. 12/xxxx-Si/MSC		T	Up to 800 mm	Axial	<ul style="list-style-type: none"> Long range Immune to contamination Robust design 	FMS 18 / FMS 30 / FAV 30
K1R-101		T	Up to 95 mm	Axial	<ul style="list-style-type: none"> Small mounting dimensions Suitable for ancillary lens 	FL 70 / FL 20
K2R-102		T	Up to 295 mm	Axial	<ul style="list-style-type: none"> Short fastening sleeve 	FL 70 / FL 20
K2R-6		T	Up to 265 mm	Axial	<ul style="list-style-type: none"> Short fastening sleeve 	FL 70 / FL 20
K2R-67		T	Up to 295 mm	Axial	<ul style="list-style-type: none"> Oil-resistant Expanded temperature range 	FL 70 / FL 20
LLK1RM3-PE-1m		T	Up to 55 mm	Axial	<ul style="list-style-type: none"> Stainless steel head with low head diameter 	FL 70 / FL 20
LLK2RM6-PE-1m		T	Up to 280 mm	Axial	<ul style="list-style-type: none"> Stainless steel head 	FL 70 / FL 20
33R1/xxx-MSC/Si		T	Up to 210 mm	Axial	<ul style="list-style-type: none"> Robust design Low damping 	FL 70 / FL 20
K1R-68		T	Up to 200 mm	Axial	<ul style="list-style-type: none"> Very small bending radius Suitable for ancillary lens 	FL 70 / FL 20
K1R-35		T	Up to 80 mm	Axial	<ul style="list-style-type: none"> Precise switching behaviour on lateral approach Fibre length individually cuttable Suitable for ancillary lens 	FL 70 / FL 20
K2R-25		T	Up to 240 mm	Axial	<ul style="list-style-type: none"> Precise switching behaviour on lateral approach Short fastening sleeve 	FL 70 / FL 20
LLK1RKM3-PE-1m		T	Up to 150 mm	Axial	<ul style="list-style-type: none"> Precise switching behaviour on lateral approach Suitable for ancillary lens 	FL 70 / FL 20
LLK1RKM3-18-PE-2m		T	Up to 150 mm	Axial	<ul style="list-style-type: none"> Precise switching behaviour on lateral approach Short fastening sleeve Suitable for ancillary lens 	FL 70 / FL 20
LLK2RKM6-PE-1m		T	Up to 310 mm	Axial	<ul style="list-style-type: none"> Precise switching behaviour on lateral approach 	FL 70 / FL 20
18/30 RZ 1/xxxx-Si/MSC		T	Up to 15 mm	Radial	<ul style="list-style-type: none"> For restricted spaces Robust design Low damping 	FMS 18 / FMS 30 / FAV 30
18/30 RZ 2/xxxx-Si/MSC/PVC		T	Up to 60 mm	Radial	<ul style="list-style-type: none"> For restricted spaces Robust design Low damping 	FMS 18 / FMS 30 / FAV 30
18/30 RZ 3/xxxx-Si/MSC/PVC		T	Up to 200 mm	Radial	<ul style="list-style-type: none"> For restricted spaces Robust design Low damping 	FMS 18 / FMS 30 / FAV 30
18/30 RZ 4/xxxx-Si/MSC		T	Up to 400 mm	Radial	<ul style="list-style-type: none"> For restricted spaces Long range Robust design 	FMS 18 / FMS 30 / FAV 30
18/30 RZ 12/xxxx-Si/MSC		T	Up to 800 mm	Radial	<ul style="list-style-type: none"> For restricted spaces Long range Robust design Immune to contamination 	FMS 18 / FMS 30 / FAV 30
33 RZ 1/xxx-MSC		T	Up to 210 mm	Radial	<ul style="list-style-type: none"> For restricted spaces Robust design Low damping 	FL 70 / FL 20
LLK2RZ (LS=10)		T	Up to 200 mm	Radial	<ul style="list-style-type: none"> For restricted spaces Precise switching behaviour on lateral approach 	FL 70 / FL 20

Fibre-optic cable	Proximity sensor (T) Photoelectric sensor (L)	Typical scanning distance / range	Light exit	Special features	For fibre-optic sensors
K1RZ-31	 T	Up to 30 mm	Radial	<ul style="list-style-type: none"> For restricted spaces Very fine stainless steel tip 	FL 70 / FL 20
18/30 L 0,4/xxxx-Si	 L	Up to 20 mm	Axial	<ul style="list-style-type: none"> Small mounting dimensions Robust design 	FMS 18 / FMS 30 / FAV 30
18/30 L 1/xxxx-Si/MSC/PVC	 L	Up to 100 mm	Axial	<ul style="list-style-type: none"> Small mounting dimensions Robust design 	FMS 18 / FMS 30 / FAV 30
18/30 L 2/xxxx-Si/MSC/PVC	 L	Up to 400 mm	Axial	<ul style="list-style-type: none"> Robust design 	FMS 18 / FMS 30 / FAV 30
18/30 L 3/xxxx-Si/MSC/PVC	 L	Up to 1000 mm	Axial	<ul style="list-style-type: none"> Long range Robust design 	FMS 18 / FMS 30 / FAV 30
18/30 L 4/xxxx-Si/MSC	 L	Up to 3000 mm	Axial	<ul style="list-style-type: none"> Long range Robust design 	FMS 18 / FMS 30 / FAV 30
18/30 L 12/xxxx-Si/MSC	 L	Up to 4800 mm	Axial	<ul style="list-style-type: none"> Long range Robust design Immune to contamination 	FMS 18 / FMS 30 / FAV 30
K2L-201	 L	Up to 200 mm	Axial	<ul style="list-style-type: none"> Small mounting dimensions Suitable for ancillary lens 	FL 70 / FL 20
K2L-202	 L	Up to 800 mm	Axial	<ul style="list-style-type: none"> Short fastening sleeve Suitable for ancillary lens 	FL 70 / FL 20
K2L-7	 L	Up to 810 mm	Axial	<ul style="list-style-type: none"> Small mounting dimensions Suitable for ancillary lens 	FL 70 / FL 20
K2L-77	 L	Up to 550 mm	Axial	<ul style="list-style-type: none"> Oil-resistant Expanded temperature range Suitable for ancillary lens 	FL 70 / FL 20
LLK2LM3-PE-1m	 L	Up to 240 mm	Axial	<ul style="list-style-type: none"> Stainless steel head Suitable for ancillary lens Small mounting dimensions 	FL 70 / FL 20
LLK2LM4-PE-1m	 L	Up to 780 mm	Axial	<ul style="list-style-type: none"> Stainless steel head Suitable for ancillary lens 	FL 70 / FL 20
K1L-78	 L	Up to 405 mm	Axial	<ul style="list-style-type: none"> Very small bending radius Small mounting dimensions Suitable for ancillary lens 	FL 70 / FL 20
33L1/500-MSC	 L	Up to 550 mm	Axial	<ul style="list-style-type: none"> Robust design Low damping Suitable for ancillary lens 	FL 70 / FL 20
18/30 LZ 1/xxxx-Si/MSC	 L	Up to 100 mm	Radial	<ul style="list-style-type: none"> For restricted spaces Robust design Low damping 	FMS 18 / FMS 30 / FAV 30
18/30 LZ 2/xxxx-Si/MSC/PVC	 L	Up to 400 mm	Radial	<ul style="list-style-type: none"> For restricted spaces Robust design Various sheaths Low damping 	FMS 18 / FMS 30 / FAV 30
18/30 LZ 3/xxxx-Si/MSC/PVC	 L	Up to 1000 mm	Radial	<ul style="list-style-type: none"> For restricted spaces Robust design Low damping Expanded range 	FMS 18 / FMS 30 / FAV 30
18/30 LZ 4/xxxx-Si/MSC	 L	Up to 3000 mm	Radial	<ul style="list-style-type: none"> For restricted spaces Robust design Low damping Long range 	FMS 18 / FMS 30 / FAV 30
18/30 LZ 12/xxxx-Si/MSC	 L	Up to 4800 mm	Radial	<ul style="list-style-type: none"> For restricted spaces Robust design Low damping Long range Immune to contamination 	FMS 18 / FMS 30 / FAV 30
33 LZ 1/xxx-Si/MSC	 L	Up to 550 mm	Radial	<ul style="list-style-type: none"> For restricted spaces Robust design Low damping 	FL 70 / FL 20
LLK2LZ	 L	Up to 600 mm	Radial	<ul style="list-style-type: none"> For restricted spaces Precise switching behaviour on lateral approach Fibre length individually cuttable 	FL 70 / FL 20
K2L-34	 L	Up to 150 mm	Radial	<ul style="list-style-type: none"> For restricted spaces Very fine tip 	FL 70 / FL 20

Fibre-optic cables – standard


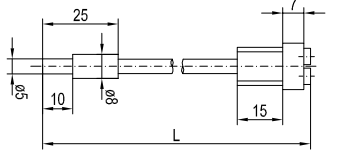

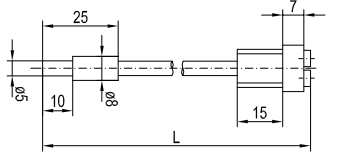

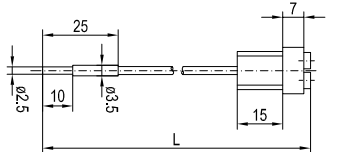
18/30 R 0,4/...-Si fibre-optic cable					Highlights				
					<ul style="list-style-type: none"> • Photoelectric proximity sensor • Silicone sheath • Small axial light exit • Robust design • -20 ... 160 °C • Fixing via mounting block MB 6 (Article number 903-05139) • For FMS/FAV devices 				
		153-00141							
Fibre arrangement	FMS 18 typ. scanning distance/range (mm)	FMS 30 typ. scanning distance/range (mm)	Core fibre Ø (mm) material	Sheath material	Ambient temperature (rigid installation)	Bending radius (mm)	Cable length (m)	Collar bushing Ø (mm)	LS (mm)
Axial	1	3	1 x 0,4 Glass	Silicone (Si)	-20 ... 160 °C	15	See Selection Table	6	-

Length (m)	Part number	Article number
0.25	18/30 R 0,4/250-Si	979-50551
0.5	18/30 R 0,4/500-Si	979-50552
1	18/30 R 0,4/1000-Si	979-50544
2	18/30 R 0,4/2000Si	979-50553


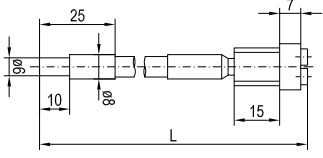

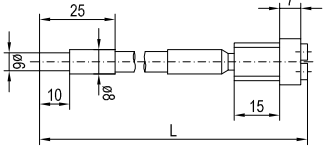

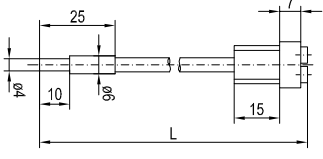
18/30 R 1/...-Si fibre-optic cable		Highlights								
		<ul style="list-style-type: none"> • Photoelectric proximity sensor • Silicone, metal or PVC sheath • Small axial light exit • Robust design • -20 ... +80°C / +160 °C • Fixing via mounting block MB 6 (MSC/Si) (Article number 903-05139) • Fixing via mounting block MB 4.5 (PVC) (Article number 903-50314) • For FMS/FAV devices 								
153-00145										
18/30 R 1/...-MSC fibre-optic cable										
										
153-00145										
18/30 R 1/...-PVC fibre-optic cable										
										
153-00129										
Fibre arrangement Light exit	FMS 18 typ. scanning distance/range (mm)	FMS 30 typ. scanning distance/range (mm)	Core fibre Ø (mm) material	Sheath material	Ambient temperature (rigid installation)	Bending radius (mm)	Cable length (m)	Collar bushing Ø (mm)	LS (mm)	
Axial	5	15	1 x 0.8 (Si/MSC) 1 x 1.0 (PVC) Glass	See Selection Table	-20 ... +160 °C (Si/MSC) -20 ... +80 °C (PVC)	15 = (Si/MSC) 10 = (PVC)	See Selection Table	6 = (Si/MSC) 4.5 = (PVC)	-	

Length (m)	Sheath material	Part number	Article number
0.25	Silicone (Si)	18/30 R 1/250-Si	979-08081
0.5	Silicone (Si)	18/30 R 1/500-Si	979-08082
0.75	Silicone (Si)	18/30 R 1/750-Si	979-08407
1	Silicone (Si)	18/30 R 1/1000-Si	979-08083
1.5	Silicone (Si)	18/30 R 1/1500-Si	979-08408
2	Silicone (Si)	18/30 R 1/2000-Si	979-08084
0.25	Brass, chrome-plated (MSC)	18/30 R 1/250-MSC	979-08057
0.5	Brass, chrome-plated (MSC)	18/30 R 1/500-MSC	979-08058
0.75	Brass, chrome-plated (MSC)	18/30 R 1/750-MSC	979-08387
1	Brass, chrome-plated (MSC)	18/30 R 1/1000-MSC	979-08059
1.5	Brass, chrome-plated (MSC)	18/30 R 1/1500-MSC	979-08388
2	Brass, chrome-plated (MSC)	18/30 R 1/2000-MSC	979-08060
0.25	PVC	18/30 R 1/250 PVC	979-08044
0.5	PVC	18/30 R 1/500 PVC	979-08045
0.75	PVC	18/30 R 1/750-PVC	979-08381
1	PVC	18/30 R 1/1000 PVC	979-08046
1.5	PVC	18/30 R 1/1500 PVC	979-08382
2	PVC	18/30 R 1/2000 PVC	979-08047

Fibre-optic cables – standard

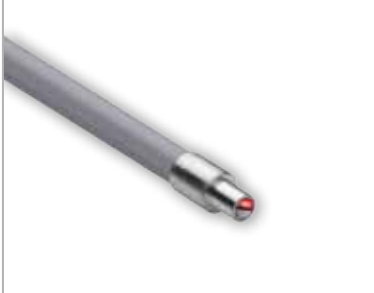
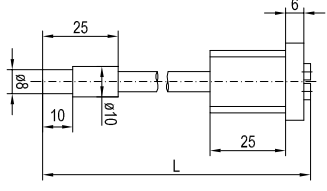

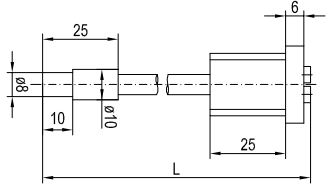
18/30 R 2/...-Si fibre-optic cable					Highlights				
					<ul style="list-style-type: none"> • Photoelectric proximity sensor • Silicone, metal or PVC sheath • Axial light exit • Robust design • -20 ... +80 °C / +160 °C • Fixing via mounting block MB 8 (MSC/Si) (Article number 903-05141) • Fixing via mounting block MB 3.5 (PVC) (Article number 903-50313) • For FMS/FAV devices 				
									
									
Fibre arrangement	FMS 18 typ. scanning distance/range (mm)	FMS 30 typ. scanning distance/range (mm)	Core fibre Ø (mm) material	Sheath material	Ambient temperature (rigid installation)	Bending radius (mm)	Cable length (m)	Collar bushing Ø (mm)	LS (mm)
Axial	50	60	1 x 1.6 (Si/MSC) 1 x 1.5 (PVC) Glass	See Selection Table	-20 ... +160 °C (Si/MSC) -20 ... +80 °C (PVC)	20 = (Si/MSC) 15 = (PVC)	See Selection Table	8 = (Si/MSC) 3.5 = (PVC)	-

Length (m)	Sheath material	Part number	Article number
0.25	Silicone (Si)	18/30 R 2/250-Si	979-08089
0.5	Silicone (Si)	18/30 R 2/500-Si	979-08090
0.75	Silicone (Si)	18/30 R 2/750-Si	979-08411
1	Silicone (Si)	18/30 R 2/1000-Si	979-08091
1.5	Silicone (Si)	18/30 R 2/1500-Si	979-08412
2	Silicone (Si)	18/30 R 2/2000-Si	979-08092
0.25	Brass, chrome-plated (MSC)	18/30 R 2/250-MSC	979-08061
0.5	Brass, chrome-plated (MSC)	18/30 R 2/500-MSC	979-08062
0.75	Brass, chrome-plated (MSC)	18/30 R 2/750-MSC	979-08389
1	Brass, chrome-plated (MSC)	18/30 R 2/1000-MSC	979-08063
1.5	Brass, chrome-plated (MSC)	18/30 R 2/1500-MSC	979-08390
2	Brass, chrome-plated (MSC)	18/30 R 2/2000-MSC	979-08064
0.25	PVC	18/30 R 2/250 PVC	979-08048
0.5	PVC	18/30 R 2/500 PVC	979-08049
0.75	PVC	18/30 R 2/750 PVC	979-08383
1	PVC	18/30 R 2/1000 PVC	979-08050
1.5	PVC	18/30 R 2/1500 PVC	979-08384
2	PVC	18/30 R 2/2000 PVC	979-08051

18/30 R 3/...-Si fibre-optic cable				Highlights						
				<ul style="list-style-type: none"> • Photoelectric proximity sensor • Silicone, metal or PVC sheath • Axial light exit • Robust design • -20 ... +80 °C / +160 °C • Fixing via mounting block MB 8 (MSC/Si) (Article number 903-05141) • Fixing via mounting block MB 6 (PVC) (Article number 903-05139) • For FMS/FAV devices 						
153-00153										
18/30 R 3/...-MSC fibre-optic cable										
				<ul style="list-style-type: none"> • Fixing via mounting block MB 8 (MSC/Si) (Article number 903-05141) • Fixing via mounting block MB 6 (PVC) (Article number 903-05139) • For FMS/FAV devices 						
153-00153										
18/30 R 3/...-PVC fibre-optic cable										
				<ul style="list-style-type: none"> • For FMS/FAV devices 						
153-00137										
Fibre arrangement	FMS 18	FMS 30	Core fibre Ø (mm)							
Light exit	typ. scanning distance/range (mm)	typ. scanning distance/range (mm)	material		(rigid installation)	(mm)	(m)	(mm)	(mm)	
Axial	160	200	2 x 2.0 (Si/MSC) 1 x 2.8 (PVC) Glass	See Selection Table	-20 ... +160 °C (Si/MSC) -20 ... +80 °C (PVC)	25 = (Si/MSC) 30 = (PVC)	See Selection Table	8 = (Si/MSC) 6 = (PVC)	-	

Length (m)	Sheath material	Part number	Article number
0.25	Silicone (Si)	18/30 R 3/250-Si	979-08093
0.5	Silicone (Si)	18/30 R 3/500/Si	979-08094
0.75	Silicone (Si)	18/30 R 3/750-Si	979-08413
1	Silicone (Si)	18/30 R 3/1000-Si	979-08095
1.5	Silicone (Si)	18/30 R 3/1500-Si	979-08414
2	Silicone (Si)	18/30 R 3/2000-Si	979-08096
0.25	Brass, chrome-plated (MSC)	18/30 R 3/250-MSC	979-08065
0.5	Brass, chrome-plated (MSC)	18/30 R 3/500-MSC	979-08066
0.75	Brass, chrome-plated (MSC)	18/30 R 3/750-MSC	979-08391
1	Brass, chrome-plated (MSC)	18/30 R 3/1000-MSC	979-08067
1.5	Brass, chrome-plated (MSC)	18/30 R 3/1500-MSC	979-08392
2	Brass, chrome-plated (MSC)	18/30 R 3/2000-MSC	979-08068
0.25	PVC	18/30 R 3/250 PVC	979-08052
0.5	PVC	18/30 R 3/500 PVC	979-08053
0.75	PVC	18/30 R 3/750 PVC	979-08385
1	PVC	18/30 R 3/1000 PVC	979-08054
1.5	PVC	18/30 R 3/1500 PVC	979-08386
2	PVC	18/30 R 3/2000 PVC	979-08055

Fibre-optic cables – standard


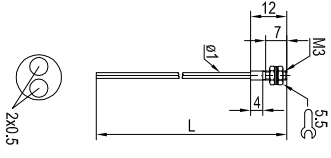
30 R 4/...-Si fibre-optic cable					Highlights				
					<ul style="list-style-type: none"> • Photoelectric proximity sensor • Silicone, metal or PVC sheath • Axial light exit • Long scanning distance/range • Robust design • -20 ... +160 °C • Fixing via mounting block MB 10 (Article number 903-05142) • For FMS/FAV devices 				
153-00159									
30 R 4/...-MSC fibre-optic cable									
									
153-00159									
Fibre arrangement	FMS 18 typ. scanning distance/range (mm)	FMS 30 typ. scanning distance/range (mm)	Core fibre Ø (mm) material	Sheath material	Ambient temperature (rigid installation)	Bending radius (mm)	Cable length (m)	Collar bushing Ø (mm)	LS (mm)
Axial	–	400	2 x 2.3 Glass	See Selection Table	-20 ... +160 °C	25	See Selection Table	10	–

Length (m)	Sheath material	Part number	Article number
0.25	Silicone (Si)	30 R 4/250-Si	979-06924
0.5	Silicone (Si)	30 R 4/500-Si	979-06925
0.75	Silicone (Si)	30 R 4/750-Si	979-08415
1	Silicone (Si)	30 R 4/1000-Si	979-06926
1.5	Silicone (Si)	30 R 4/1500-Si	979-08416
2	Silicone (Si)	30 R 4/2000-Si	979-06927
0.25	Brass, chrome-plated (MSC)	30 R 4/250-MSC	979-06654
0.5	Brass, chrome-plated (MSC)	30 R 4/500-MSC	979-06655
0.75	Brass, chrome-plated (MSC)	30 R 4/750-MSC	979-08393
1	Brass, chrome-plated (MSC)	30 R 4/1000-MSC	979-06656
1.5	Brass, chrome-plated (MSC)	30 R 4/1500-MSC	979-08394
2	Brass, chrome-plated (MSC)	30 R 4/2000-MSC	979-06657


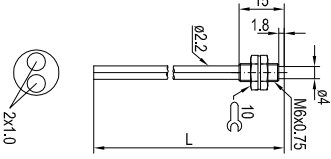
30 R 12/...-Si fibre-optic cable				Highlights						
				<ul style="list-style-type: none"> • Photoelectric proximity sensor • Silicone, metal or PVC sheath • Axial light exit • Extremely insensitive to contamination • Long scanning distance/range • Robust design • -20 ... +160 °C • Fixing via mounting block MB 10 (Article number 903-05142) • For FMS/FAV devices 						
30 R 12/...-MSC fibre-optic cable										
				153-00161						
Fibre arrangement	FMS 18 typ. scanning distance/range (mm)	FMS 30 typ. scanning distance/range (mm)	Core fibre Ø (mm) material	Sheath material	Ambient temperature (rigid installation)	Bending radius (mm)	Cable length (m)	Collar bushing Ø (mm)	LS (mm)	
Axial	–	800	2 x 3.5 Glass	See Selection Table	-20 ... +160 °C	45	See Selection Table	12	–	

Length (m)	Sheath material	Part number	Article number
0.25	Silicone (Si)	30 R 12/250-Si	979-06940
0.5	Silicone (Si)	30 R 12/500-Si	979-06941
0.75	Silicone (Si)	30 R 12/750-Si	979-08417
1	Silicone (Si)	30 R 12/1000-Si	979-06942
1.5	Silicone (Si)	30 R 12/1500-Si	979-08418
2	Silicone (Si)	30 R 12/2000-Si	979-06943
0.25	Brass, chrome-plated (MSC)	30 R 12/250-MSC	979-06646
0.5	Brass, chrome-plated (MSC)	30 R 12/500-MSC	979-06647
0.75	Brass, chrome-plated (MSC)	30 R 12/750-MSC	979-08395
1	Brass, chrome-plated (MSC)	30 R 12/1000-MSC	979-06648
1.5	Brass, chrome-plated (MSC)	30 R 12/1500-MSC	979-08396
2	Brass, chrome-plated (MSC)	30 R 12/2000-MSC	979-06643

Fibre-optic cables – standard

K1R-101 fibre-optic cable						Highlights					
						<ul style="list-style-type: none"> • Photoelectric proximity sensor • Small installation dimensions • Fibre length individually cuttable • For FL 70/FL 20 devices 					
		153-00079									
Design	FL 70	FL 20	Fibre	Suitable for	Core fibre Ø (mm)	Sheath material	Ambient	Fibre	Cable	Collar	LS (mm)
Light exit	typ. scanning distance (mm) Standard / Fine / High	typ. scanning distance (mm) Default setting	arrangement	ancillary lens	(T = Transmitter; R = Receiver) Material		temperature (rigid installation)	bending radius (mm)	length	bushing	
Mono/axial	60 / 25 / 95	–	See drawing	LVL6-M3	2 x 0.5 (T/R) PMMA	Polyethylene (PE)	-40 ... +70 °C	25	2 m Cuttable	M3 Stainless steel	–

Part number	Article number
K1R-101	720-50766

K2R-102 fibre-optic cable						Highlights					
						<ul style="list-style-type: none"> • Photoelectric proximity sensor • Short mounting sleeve • Fibre length individually cuttable • For FL 70/FL 20 devices 					
		153-00083									
Design	FL 70	FL 20	Fibre	Suitable for	Core fibre Ø (mm)	Sheath material	Ambient	Fibre	Cable	Collar	LS (mm)
Light exit	typ. scanning distance (mm) Standard / Fine / High	typ. scanning distance (mm) Default setting	arrangement	ancillary lens	(T = Transmitter; R = Receiver) Material		temperature (rigid installation)	bending radius (mm)	length	bushing	
Mono/axial	150 / 85 / 295	80	See drawing	–	2 x 1.0 (T/R) PMMA	Polyethylene (PE)	-40 ... +70 °C	25	2 m Cuttable	M6x0.75 Stainless steel	–

Part number	Article number
K2R-102	720-50767


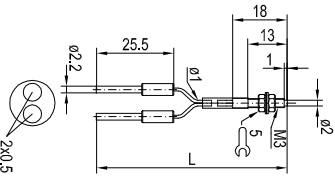
K2R-6 fibre-optic cable						Highlights					
		<p style="text-align: right;">153-00269</p>				<ul style="list-style-type: none"> • Photoelectric proximity sensor • Fibre length individually cuttable • For FL 70/FL 20 devices 					
Design Light exit	FL 70 typ. scanning distance (mm) Standard / Fine / High	FL 20 typ. scanning distance (mm) Default setting	Fibre arrangement	Suitable for ancillary lens	Core fibre Ø (mm) (T = Transmitter; R = Receiver) Material	Sheath material	Ambient temperature (rigid installation)	Fibre bending radius (mm)	Cable length	Collar bushing	LS (mm)
Mono/axial	100 / 55 / 265	50	See drawing	–	2 x 1.0 (T/R) PMMA	Polyethylene (PE)	-40 ... +70 °C	25	2 m Cutable	M6x0.75 Brass, nickel-plated	–

Part number	Article number
K2R-6	841-21000


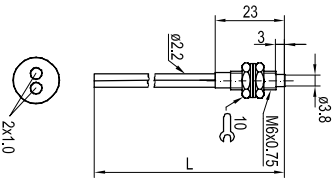
K2R-67 fibre-optic cable						Highlights					
		<p style="text-align: right;">153-00270</p>				<ul style="list-style-type: none"> • Photoelectric proximity sensor • Oil-resistant • Expanded temperature range • Fibre length individually cuttable • For FL 70/FL 20 devices 					
Design Light exit	FL 70 typ. scanning distance (mm) Standard / Fine / High	FL 20 typ. scanning distance (mm) Default setting	Fibre arrangement	Suitable for ancillary lens	Core fibre Ø (mm) (T = Transmitter; R = Receiver) Material	Sheath material	Ambient temperature (rigid installation)	Fibre bending radius (mm)	Cable length	Collar bushing	LS (mm)
Mono/axial	120 / 70 / 295	60	See drawing	–	2 x 1.0 (T/R) PMMA	Polycarbonate (PC)	-40 ... +85 °C	25	2 m Cutable	M6x0.75 Brass, nickel-plated	–

Part number	Article number
K2R-67	841-21001

Fibre-optic cables – standard

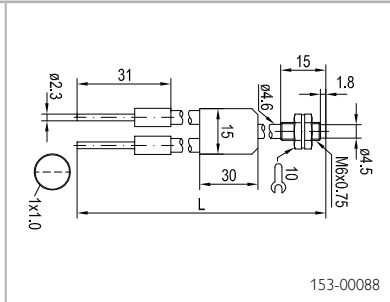
LLK1RM3-PE-1m fibre-optic cable						Highlights					
						<ul style="list-style-type: none"> • Photoelectric proximity sensor • Very small head diameter • Stainless steel head • Fibre length individually cutable • For FL 70/FL 20 devices 					
153-00450											
Design	FL 70	FL 20	Fibre	Suitable for	Core fibre Ø (mm)	Sheath material	Ambient	Fibre	Cable	Collar	LS (mm)
Light exit	typ. scanning distance (mm) Standard / Fine / High	typ. scanning distance (mm) Default setting	arrangement	ancillary lens	(T = Transmitter; R = Receiver) Material		temperature (rigid installation)	bending radius (mm)	length	bushing	
Mono/axial	50 / 20 / 55	–	See drawing	LVL6-M3	2 x 0.5 (T/R) PMMA	Polyethylene (PE)	-40 ... +60 °C	15	1 m Cutable	M3 Stainless steel	–

Part number	Article number
LLK1RM3-PE-1m	750-21000

LLK2RM6-PE-1m fibre-optic cable						Highlights					
						<ul style="list-style-type: none"> • Photoelectric proximity sensor • Robust design • Stainless steel head • Fibre length individually cutable • For FL 70/FL 20 devices 					
153-00452											
Design	FL 70	FL 20	Fibre	Suitable for	Core fibre Ø (mm)	Sheath material	Ambient	Fibre	Cable	Collar	LS (mm)
Light exit	typ. scanning distance (mm) Standard / Fine / High	typ. scanning distance (mm) Default setting	arrangement	ancillary lens	(T = Transmitter; R = Receiver) Material		temperature (rigid installation)	bending radius (mm)	length	bushing	
Mono/axial	150 / 90 / 280	80	See drawing	–	2 x 1.0 (T/R) PMMA	Polyethylene (PE)	-40 ... +60 °C	25	1 m Cutable	M6x0.75 Stainless steel	–

Part number	Article number
LLK2RM6-PE-1m	750-21001

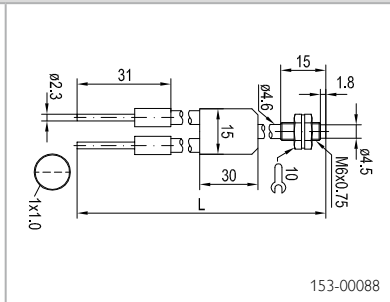
33 R 1/...-Si fibre-optic cable **Highlights**



153-00088

- Photoelectric proximity sensor
- Silicone or metal sheath
- Robust design
- -20 ... +160 °C
- Low damping
- For FL 70/FL 20 devices

33 R 1/...-MSC fibre-optic cable




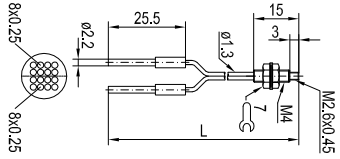
153-00088

Design Light exit	FL 70 typ. scanning distance (mm) Standard / Fine / High	FL 20 typ. scanning distance (mm) Default setting	Fibre arrangement	Suitable for ancillary lens	Core fibre ϕ (mm) (T = Transmitter; R = Receiver) Material	Sheath material	Ambient temperature (rigid installation)	Fibre bending radius (mm)	Cable length	Collar bushing	LS (mm)
Axial	100 / 55 / 210	50	See drawing	-	1 x 1.0 (T/R) Glass	See Selection Table	-20 ... +160 °C	15	See Selection Table	M6x0,75 Brass, nickel-plated	-


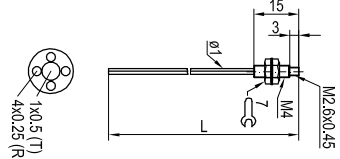
9

Length (m)	Sheath material	Part number	Article number
0.5	Silicone (Si)	33 R 1/500-Si	979-51445
0.5	Brass, chrome-plated (MSC)	33 R 1/500 MSC	979-51443
1	Brass, chrome-plated (MSC)	33 R 1/1000 MSC	979-51448
1.5	Brass, chrome-plated (MSC)	33 R 1/1500 MSC	979-51444
2	Brass, chrome-plated (MSC)	33 R 1/2000 MSC	979-51456

Fibre-optic cables – standard

K1R-68 fibre-optic cable						Highlights						
						<ul style="list-style-type: none"> • Photoelectric proximity sensor • Very small bending radius • Head with mounting thread for attachments • Fibre length individually cuttable • For FL 70/FL 20 devices 						
153-00271												
Design	Light exit	FL 70 typ. scanning distance (mm) Standard / Fine / High	FL 20 typ. scanning distance (mm) Default setting	Fibre arrangement	Suitable for ancillary lens	Core fibre Ø (mm) (T = Transmitter; R = Receiver) Material	Sheath material	Ambient temperature (rigid installation)	Fibre bending radius (mm)	Cable length	Collar bushing	LS (mm)
Axial		100 / 40 / 200	50	See drawing	LVL F6-M4	8 x 0.25 (T) 8 x 0.25 (R) PMMA	Polyethylene (PE)	-40 ... +70 °C	3	2 m Cuttable	M4 Brass, nickel-plated	–

Part number	Article number
K1R-68	951-50001

K1R-35 fibre-optic cable						Highlights						
						<ul style="list-style-type: none"> • Photoelectric proximity sensor • Precise switching behaviour on lateral approach • Head with mounting thread for attachments • Fibre length individually cuttable • For FL 70/FL 20 devices 						
153-00274												
Design	Light exit	FL 70 typ. scanning distance (mm) Standard / Fine / High	FL 20 typ. scanning distance (mm) Default setting	Fibre arrangement	Suitable for ancillary lens	Core fibre Ø (mm) (T = Transmitter; R = Receiver) Material	Sheath material	Ambient temperature (rigid installation)	Fibre bending radius (mm)	Cable length	Collar bushing	LS (mm)
Coaxial		50 / 20 / 80	–	See drawing	LVL F6-M4	4 x 0.25 (T) 1 x 0.5 (R) PMMA	Polyethylene (PE)	-40 ... +70 °C	15	2 m Cuttable	M4 Brass, nickel-plated	–

Part number	Article number
K1R-35	841-21005


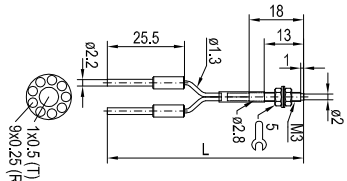
K2R-25 fibre-optic cable						Highlights						
						<ul style="list-style-type: none"> • Photoelectric proximity sensor • Precise switching behaviour on lateral approach • Short mounting sleeve • Fibre length individually cuttable • For FL 70/FL 20 devices 						
153-00273												
Design	Light exit	FL 70 typ. scanning distance (mm) Standard / Fine / High	FL 20 typ. scanning distance (mm) Default setting	Fibre arrangement	Suitable for ancillary lens	Core fibre Ø (mm) (T = Transmitter; R = Receiver) Material	Sheath material	Ambient temperature (rigid installation)	Fibre bending radius (mm)	Cable length	Collar bushing	LS (mm)
Coaxial		130 / 60 / 240	70	See drawing	–	16 x 0.25 (T) 1 x 1.0 (R) PMMA	Polyethylene (PE)	-40 ... +70 °C	25	2 m Cuttable	M6x0.75 Brass, nickel- plated	–

Part number	Article number
K2R-25	841-21004


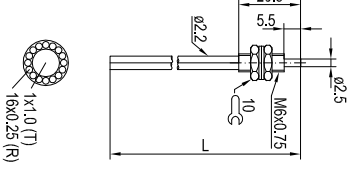
LLK1RKM3-PE-1m fibre-optic cable						Highlights						
						<ul style="list-style-type: none"> • Photoelectric proximity sensor • Precise switching behaviour on lateral approach • Very small head diameter • Stainless steel head • Fibre length individually cuttable • For FL 70/FL 20 devices 						
153-00451												
Design	Light exit	FL 70 typ. scanning distance (mm) Standard / Fine / High	FL 20 typ. scanning distance (mm) Default setting	Fibre arrangement	Suitable for ancillary lens	Core fibre Ø (mm) (T = Transmitter; R = Receiver) Material	Sheath material	Ambient temperature (rigid installation)	Fibre bending radius (mm)	Cable length	Collar bushing	LS (mm)
Coaxial		70 / 35 / 150	–	See drawing	LVLf6-M3	9 x 0.25 (T) 1 x 0.5 (R) PMMA	Polyethylene (PE)	-40 ... +60 °C	15	1 m Cuttable	M3 Stainless steel	–

Part number	Article number
LLK1RKM3-PE-1m	750-21002

Fibre-optic cables – standard

LLK1RKM3-18 PE-2m fibre-optic cable						Highlights					
						<ul style="list-style-type: none"> • Photoelectric proximity sensor • Precise switching behaviour on lateral approach • Short mounting sleeve • Fibre length individually cuttable • For FL 70/FL 20 devices 					
		153-00692									
Design	FL 70	FL 20	Fibre	Suitable for	Core fibre Ø (mm)	Sheath material	Ambient	Fibre	Cable	Collar	LS (mm)
Light exit	typ. scanning distance (mm)	typ. scanning distance (mm)	arrangement	ancillary lens	(T = Transmitter; R = Receiver)		temperature (rigid installation)	bending radius (mm)	length	bushing	
Axial	Standard / Fine / High	Default setting	See drawing	LVL F6-M3	Material	Polyethylene (PE)	-40 ... +70 °C	15	2 m Cutable	M3 Stainless steel	-

Part number	Article number
LLK1RKM3-18 PE-2m	750-21005


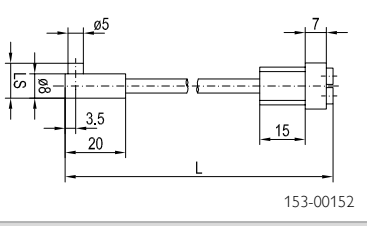

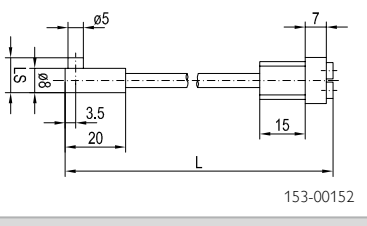

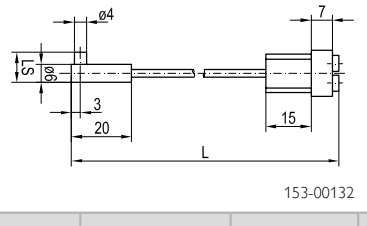
LLK2RKM6-PE-1m fibre-optic cable						Highlights					
						<ul style="list-style-type: none"> • Photoelectric proximity sensor • Precise switching behaviour on lateral approach • Robust design • Fibre length individually cuttable • For FL 70/FL 20 devices 					
		153-00453									
Design	FL 70	FL 20	Fibre	Suitable for	Core fibre Ø (mm)	Sheath material	Ambient	Fibre	Cable	Collar	LS (mm)
Light exit	typ. scanning distance (mm)	typ. scanning distance (mm)	arrangement	ancillary lens	(T = Transmitter; R = Receiver)		temperature (rigid installation)	bending radius (mm)	length	bushing	
Coaxial	Standard / Fine / High	Default setting	See drawing	-	Material	Polyethylene (PE)	-40 ... +60 °C	25	1 m Cutable	M6x0.75 Stainless steel	-

Part number	Article number
LLK2RKM6-PE-1m	750-21003

18/30 RZ 1/...-Si fibre-optic cable		Highlights							
		<ul style="list-style-type: none"> • Photoelectric proximity sensor • Silicone or metal sheath • Radial light exit • Robust design • -20 ... +160 °C • Fixing via mounting block MB 6 (Article number 903-05139) • For FMS/FAV devices 							
18/30 RZ 1/...-MSC fibre-optic cable									
Fibre arrangement Light exit	FMS 18 typ. scanning distance/range (mm)	FMS 30 typ. scanning distance/range (mm)	Core fibre Ø (mm) material	Sheath material	Ambient temperature (rigid installation)	Bending radius (mm)	Cable length (m)	Collar bushing Ø (mm)	LS (mm)
Radial	5	15	1 x 1.0 Glass	See Selection Table	-20 ... +160 °C	15	See Selection Table	6	See Selection Table

LS (mm)	Length (m)	Sheath material	Part number	Article number
10	0.25	Silicone (Si)	18/30 RZ 1/250-Si	979-06146
14	0.25	Silicone (Si)	18/30 RZ 1/250-Si	979-06147
10	0.5	Silicone (Si)	18/30 RZ 1/500-Si	979-06152
14	0.5	Silicone (Si)	18/30 RZ 1/500-Si	979-06153
10	0.75	Silicone (Si)	18/30 RZ 1/750 Si	979-06158
14	0.75	Silicone (Si)	18/30 RZ 1/750 Si	979-06159
10	1	Silicone (Si)	18/30 RZ 1/1000-Si	979-06164
14	1	Silicone (Si)	18/30 RZ 1/1000-Si	979-06165
10	1.5	Silicone (Si)	18/30 RZ 1/1500-Si	979-06170
14	1.5	Silicone (Si)	18/30 RZ 1/1500-Si	979-06171
10	2	Silicone (Si)	18/30 RZ 1/2000-Si	979-06176
14	2	Silicone (Si)	18/30 RZ 1/2000-Si	979-06177
10	0.25	Brass.chrome-plated (MSC)	18/30 RZ 1/250-MSC	979-06144
14	0.25	Brass.chrome-plated (MSC)	18/30 RZ 1/250-MSC	979-06145
10	0.5	Brass.chrome-plated (MSC)	18/30 RZ 1/500-MSC	979-06150
14	0.5	Brass.chrome-plated (MSC)	18/30 RZ 1/500-MSC	979-06151
10	0.75	Brass.chrome-plated (MSC)	18/30 RZ 1/750-MSC	979-06156
14	0.75	Brass.chrome-plated (MSC)	18/30 RZ 1/750-MSC	978-06157
10	1	Brass.chrome-plated (MSC)	18/30 RZ 1/1000-MSC	979-06162
14	1	Brass.chrome-plated (MSC)	18/30 RZ 1/1000-MSC	979-06163
10	1.5	Brass.chrome-plated (MSC)	18/30 RZ 1/1500-MSC	979-06168
14	1.5	Brass.chrome-plated (MSC)	18/30 RZ 1/1500-MSC	979-06169
10	2	Brass.chrome-plated (MSC)	18/30 RZ 1/2000-MSC	979-06174
14	2	Brass.chrome-plated (MSC)	18/30 RZ 1/2000-MSC	979-06175


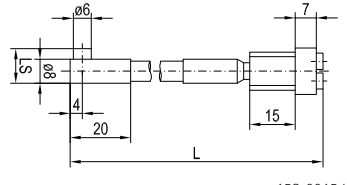

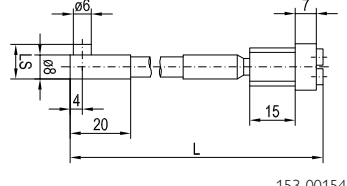

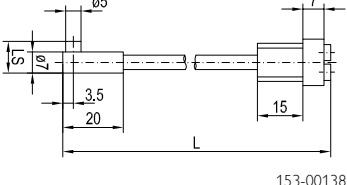
Fibre-optic cables – standard

18/30 RZ 2/...-Si fibre-optic cable		18/30 RZ 2/...-MSC fibre-optic cable		18/30 RZ 2/...-PVC fibre-optic cable		Highlights					
						<ul style="list-style-type: none"> • Photoelectric proximity sensor • Silicone, metal or PVC sheath • Radial light exit • Robust design • -20 ... +80°C / +160 °C • Fixing via mounting block MB 8 (MSC/Si) (Article number 903-05141) • Fixing via mounting block MB 6 (PVC) (Article number 903-05139) • For FMS/FAV devices 					
153-00152		153-00152		153-00132							
Fibre arrangement	FMS 18 typ. scanning distance/range (mm)	FMS 30 typ. scanning distance/range (mm)	Core fibre Ø (mm) material	Sheath material	Ambient temperature (rigid installation)		Bending radius (mm)	Cable length (m)	Collar bushing Ø (mm)	LS (mm)	
Radial	50	60	2 x 1.0 (Si/MSC) 1 x 1.5 (PVC) Glass	See Selection Table	-20 ... +160 °C (Si/MSC) -20 ... +80 °C (PVC)	8	See Selection Table	8 = (Si/MSC) 6 = (PVC)	See Selection Table		

LS (mm)	Length (m)	Sheath material	Part number	Article number
10	0.25	Silicone (Si)	18/30 RZ 2/250-Si	979-06182
14	0.25	Silicone (Si)	18/30 RZ 2/250-Si	979-06183
10	0.5	Silicone (Si)	18/30 RZ 2/500-Si	979-06188
14	0.5	Silicone (Si)	18/30 RZ 2/500-Si	979-06189
10	0.75	Silicone (Si)	18/30 RZ 2/750-Si	979-06194
14	0.75	Silicone (Si)	18/30 RZ 2/750-Si	979-06195
10	1	Silicone (Si)	18/30 RZ 2/1000-Si	979-06200
14	1	Silicone (Si)	18/30 RZ 2/1000-Si	979-06201
10	1.5	Silicone (Si)	18/30 RZ 2/1500-Si	979-06206
14	1.5	Silicone (Si)	18/30 RZ 2/1500-Si	979-06207
10	2	Silicone (Si)	18/30 RZ 2/2000-Si	979-06212
14	2	Silicone (Si)	18/30 RZ 2/2000-Si	979-06213

LS (mm)	Length (m)	Sheath material	Part number	Article number
10	0.25	Brass, chrome-plated (MSC)	18/30 RZ 2/250-MSC	979-06180
14	0.25	Brass, chrome-plated (MSC)	18/30 RZ 2/250-MSC	979-06181
10	0.5	Brass, chrome-plated (MSC)	18/30 RZ 2/500-MSC	979-06186
14	0.5	Brass, chrome-plated (MSC)	18/30 RZ 2/500-MSC	979-06187
10	0.75	Brass, chrome-plated (MSC)	18/30 RZ 2/750-MSC	979-06192
14	0.75	Brass, chrome-plated (MSC)	18/30 RZ 2/750-MSC	979-06193
10	1	Brass, chrome-plated (MSC)	18/30 RZ 2/1000-MSC	979-06198
14	1	Brass, chrome-plated (MSC)	18/30 RZ 2/1000-MSC	979-06199
10	1.5	Brass, chrome-plated (MSC)	18/30 RZ 2/1500-MSC	979-06204
14	1.5	Brass, chrome-plated (MSC)	18/30 RZ 2/1500-MSC	979-06205
10	2	Brass, chrome-plated (MSC)	18/30 RZ 2/2000-MSC	979-06210
14	2	Brass, chrome-plated (MSC)	18/30 RZ 2/2000-MSC	979-06211
10	0.25	PVC	18/30 RZ 2/250-PVC	979-06178
14	0.25	PVC	18/30 RZ 2/250-PVC	979-06179
10	0.5	PVC	18/30 RZ 2/500-PVC	979-06184
14	0.5	PVC	18/30 RZ 2/500-PVC	979-06185
10	0.75	PVC	18/30 RZ 2/750-PVC	979-06190
14	0.75	PVC	18/30 RZ 2/750-PVC	979-06191
10	1	PVC	18/30 RZ 2/1000-PVC	979-06196
14	1	PVC	18/30 RZ 2/1000-PVC	979-06197
10	1.5	PVC	18/30 RZ 2/1500-PVC	979-06202
14	1.5	PVC	18/30 RZ 2/1500-PVC	979-06203
10	2	PVC	18/30 RZ 2/2000-PVC	979-06208
14	2	PVC	18/30 RZ 2/2000-PVC	979-06209


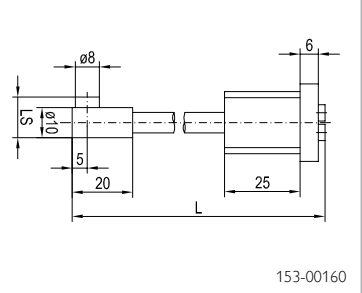

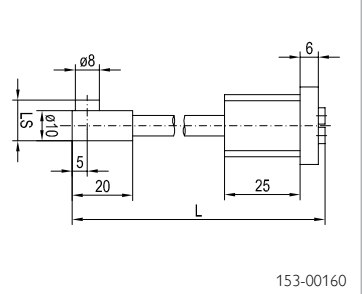
Fibre-optic cables – standard

18/30 RZ 3/...-Si fibre-optic cable					Highlights				
					<ul style="list-style-type: none"> • Photoelectric proximity sensor • Silicone, metal or PVC sheath • Radial light exit • Robust design • -20 ... +80°C / +160 °C • Fixing via mounting block MB 8 (Si/MSC) (Article number 903-05141) • Fixing via mounting block MB 7 (PVC) (Article number 903-05140) • For FMS/FAV devices 				
									
									
Fibre arrangement	FMS 18 typ. scanning distance/range (mm)	FMS 30 typ. scanning distance/range (mm)	Core fibre Ø (mm) material	Sheath material	Ambient temperature (rigid installation)	Bending radius (mm)	Cable length (m)	Collar bushing Ø (mm)	LS (mm)
Radial	160	200	2 x 2.0 (Si/MSC) 1 x 2.8 (PVC) Glass	See Selection Table	-20 ... +160 °C (Si/MSC) -20 ... +80 °C (PVC)	25 = (Si/MSC) 35 = (PVC)	See Selection Table	8 = (Si/MSC) 7 = (PVC)	See Selection Table


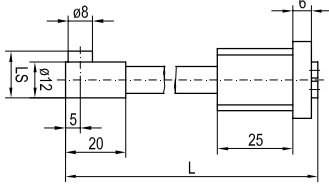

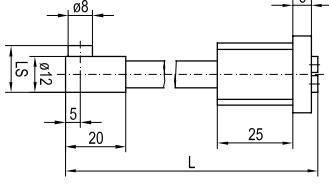
LS (mm)	Length (m)	Sheath material	Part number	Article number
10	0.25	Silicone (Si)	18/30 RZ 3/250 Si	979-06218
14	0.25	Silicone (Si)	18/30 RZ 3/250 Si	979-06219
10	0.5	Silicone (Si)	18/30 RZ 3/500 Si	979-06224
14	0.5	Silicone (Si)	18/30 RZ 3/500 Si	979-06225
10	0.75	Silicone (Si)	18/30 RZ 3/750-Si	979-06230
14	0.75	Silicone (Si)	18/30 RZ 3/750-Si	979-06231
10	1	Silicone (Si)	18/30 RZ 3/1000 Si	979-06236
14	1	Silicone (Si)	18/30 RZ 3/1000 Si	979-06237
10	1.5	Silicone (Si)	18/30 RZ 3/1500-Si	979-06242
14	1.5	Silicone (Si)	18/30 RZ 3/1500-Si	979-06243
10	2	Silicone (Si)	18/30 RZ 3/2000-Si	979-06248
14	2	Silicone (Si)	18/30 RZ 3/2000-Si	979-06249

LS (mm)	Length (m)	Sheath material	Part number	Article number
10	0.25	Brass, chrome-plated (MSC)	18/30 RZ 3/250-MSC	979-06216
14	0.25	Brass, chrome-plated (MSC)	18/30 RZ 3/250-MSC	979-06217
10	0.5	Brass, chrome-plated (MSC)	18/30 RZ 3/500-MSC	979-06222
14	0.5	Brass, chrome-plated (MSC)	18/30 RZ 3/500-MSC	979-06223
10	0.75	Brass, chrome-plated (MSC)	18/30 RZ 3/750-MSC	979-06228
14	0.75	Brass, chrome-plated (MSC)	18/30 RZ 3/750-MSC	979-06229
10	1	Brass, chrome-plated (MSC)	18/30 RZ 3/1000-MSC	979-06234
14	1	Brass, chrome-plated (MSC)	18/30 RZ 3/1000-MSC	979-06235
10	1.5	Brass, chrome-plated (MSC)	18/30 RZ 3/1500-MSC	979-06240
14	1.5	Brass, chrome-plated (MSC)	18/30 RZ 3/1500-MSC	979-06241
10	2	Brass, chrome-plated (MSC)	18/30 RZ 3/2000-MSC	979-06246
14	2	Brass, chrome-plated (MSC)	18/30 RZ 3/2000-MSC	979-06247
10	0.25	PVC	18/30 RZ 3/250-PVC	979-06214
14	0.25	PVC	18/30 RZ 3/250-PVC	979-06215
10	0.5	PVC	18/30 RZ 3/500-PVC	979-06220
14	0.5	PVC	18/30 RZ 3/500-PVC	979-06221
10	0.75	PVC	18/30 RZ 3/750-PVC	979-06226
14	0.75	PVC	18/30 RZ 3/750-PVC	979-06227
10	1	PVC	18/30 RZ 3/1000-PVC	979-06232
14	1	PVC	18/30 RZ 3/1000-PVC	979-06233
10	1.5	PVC	18/30 RZ 3/1500-PVC	979-06238
14	1.5	PVC	18/30 RZ 3/1500-PVC	979-06239
10	2	PVC	18/30 RZ 3/2000-PVC	979-06244
14	2	PVC	18/30 RZ 3/2000-PVC	979-06245

Fibre-optic cables – standard


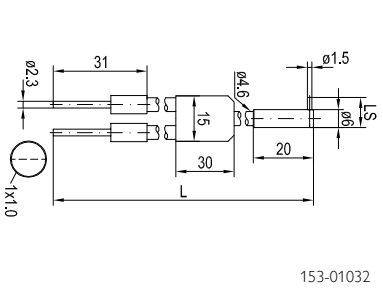
30 RZ 4/...-Si fibre-optic cable				Highlights					
				<ul style="list-style-type: none"> • Photoelectric proximity sensor • Silicone or metal sheath • Radial light exit • Robust design • -20 ... +160 °C • Fixing via mounting block MB 10 (Article number 903-05142) • For FMS/FAV devices 					
									
153-00160									
153-00160									
Fibre arrangement	FMS 18 typ. scanning distance/range (mm)	FMS 30 typ. scanning distance/range (mm)	Core fibre Ø (mm) material	Sheath material	Ambient temperature (rigid installation)	Bending radius (mm)	Cable length (m)	Collar bushing Ø (mm)	LS (mm)
Radial	–	400	2 x 2.3 Glass	See Selection Table	-20 ... +160 °C	25	See Selection Table	10	See Selection Table

LS (mm)	Length (m)	Sheath material	Part number	Article number
16	0.25	Silicone (Si)	30 RZ 4/250-Si	979-06252
20	0.25	Silicone (Si)	30 RZ 4/250-Si	979-06253
16	0.5	Silicone (Si)	30 RZ 4/500-Si	979-06256
20	0.5	Silicone (Si)	30 RZ 4/500-Si	979-06257
16	0.75	Silicone (Si)	30 RZ 4/750-Si	979-06260
20	0.75	Silicone (Si)	30 RZ 4/750-Si	979-06261
16	1	Silicone (Si)	30 RZ 4/1000-Si	979-06264
20	1	Silicone (Si)	30 RZ 4/1000-Si	979-06265
16	1.5	Silicone (Si)	30 RZ 4/1500-Si	979-06268
20	1.5	Silicone (Si)	30 RZ 4/1500-Si	979-06269
16	2	Silicone (Si)	30 RZ 4/2000-Si	979-06272
20	2	Silicone (Si)	30 RZ 4/2000-Si	979-06273
16	0.25	Brass, chrome-plated (MSC)	30 RZ 4/250-MSC	979-06250
20	0.25	Brass, chrome-plated (MSC)	30 RZ 4/250-MSC	979-06251
16	0.5	Brass, chrome-plated (MSC)	30 RZ 4/500-MSC	979-06254
20	0.5	Brass, chrome-plated (MSC)	30 RZ 4/500-MSC	979-06255
16	0.75	Brass, chrome-plated (MSC)	30 RZ 4/750-MSC	979-06258
20	0.75	Brass, chrome-plated (MSC)	30 RZ 4/750-MSC	979-06259
16	1	Brass, chrome-plated (MSC)	30 RZ 4/1000-MSC	979-06262
20	1	Brass, chrome-plated (MSC)	30 RZ 4/1000-MSC	979-06263
16	1.5	Brass, chrome-plated (MSC)	30 RZ 4/1500-MSC	979-06266
20	1.5	Brass, chrome-plated (MSC)	30 RZ 4/1500-MSC	979-06267
16	2	Brass, chrome-plated (MSC)	30 RZ 4/2000-MSC	979-06270
20	2	Brass, chrome-plated (MSC)	30 RZ 4/2000-MSC	979-06271


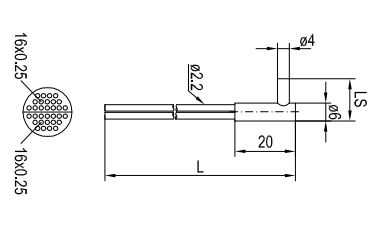
30 RZ 12/...-Si fibre-optic cable				Highlights					
				<ul style="list-style-type: none"> • Photoelectric proximity sensor • Silicone or metal sheath • Radial light exit • Robust design • -20 ... +160 °C • Fixing via mounting block MB 10 (Article number 903-05142) • For FMS/FAV devices 					
		153-00162							
30 RZ 12/...-MSC fibre-optic cable									
									
		153-00162							
Fibre arrangement	FMS 18 typ. scanning distance/range (mm)	FMS 30 typ. scanning distance/range (mm)	Core fibre Ø (mm) material	Sheath material	Ambient temperature (rigid installation)	Bending radius (mm)	Cable length (m)	Collar bushing Ø (mm)	LS (mm)
Radial	–	800	2 x 3.5 Glass	See Selection Table	-20 ... +160 °C	45	See Selection Table	12	See Selection Table

LS (mm)	Length (m)	Sheath material	Part number	Article number
16	0.25	Silicone (Si)	30 RZ 12/250-Si	979-06308
20	0.25	Silicone (Si)	30 RZ 12/250-Si	979-06309
16	0.5	Silicone (Si)	30 RZ 12/500-Si	979-06312
20	0.5	Silicone (Si)	30 RZ 12/500-Si	979-06313
16	0.75	Silicone (Si)	30 RZ 12/750-Si	979-06316
20	0.75	Silicone (Si)	30 RZ 12/750-Si	979-06317
16	1	Silicone (Si)	30 RZ 12/1000-Si	979-06320
20	1	Silicone (Si)	30 RZ 12/1000-Si	979-06321
16	1.5	Silicone (Si)	30 RZ 12/1500-Si	979-06324
20	1.5	Silicone (Si)	30 RZ 12/1500-Si	979-06325
16	2	Silicone (Si)	30 RZ 12/2000-Si	979-06328
20	2	Silicone (Si)	30 RZ 12/2000-Si	979-06329
16	0.25	Brass. chrome-plated (MSC)	30 RZ 12/250-MSC	979-06306
20	0.25	Brass. chrome-plated (MSC)	30 RZ 12/250-MSC	979-06307
16	0.5	Brass. chrome-plated (MSC)	30 RZ 12/500-MSC	979-06310
20	0.5	Brass. chrome-plated (MSC)	30 RZ 12/500-MSC	979-06311
16	0.75	Brass. chrome-plated (MSC)	30 RZ 12/750-MSC	979-06314
20	0.75	Brass. chrome-plated (MSC)	30 RZ 12/750-MSC	979-06315
16	1	Brass. chrome-plated (MSC)	30 RZ 12/1000-MSC	979-06318
20	1	Brass. chrome-plated (MSC)	30 RZ 12/1000-MSC	979-06319
16	1.5	Brass. chrome-plated (MSC)	30 RZ 12/1500-MSC	979-06322
20	1.5	Brass. chrome-plated (MSC)	30 RZ 12/1500-MSC	979-06323
16	2	Brass. chrome-plated (MSC)	30 RZ 12/2000-MSC	979-06326
20	2	Brass. chrome-plated (MSC)	30 RZ 12/2000-MSC	979-06327


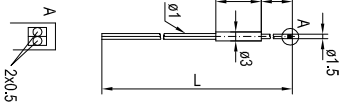
Fibre-optic cables – standard

33 RZ 1/...-MSC fibre-optic cable						Highlights					
						<ul style="list-style-type: none"> • Photoelectric proximity sensor • Metal sheath • Robust design • -20 ... +160 °C • Fixing via mounting block MB 6 (Article number 903-05139) • For FL 70/FL 20 devices 					
153-01032											
Design	FL 70	FL 20	Fibre	Suitable for	Core fibre Ø (mm)	Sheath material	Ambient	Fibre	Cable	Collar	LS (mm)
Light exit	typ. scanning distance (mm) Standard / Fine / High	typ. scanning distance (mm) Default setting	arrangement	ancillary lens	(T = Transmitter; R = Receiver) Material		temperature (rigid installation)	bending radius (mm)	length	bushing	
Axial	100 / 55 / 210	50	See drawing	–	1 x 1.0 (T/R) Glass	Brass, chrome-plated (MSC)	-20 ... +160 °C	15	See Selection Table	Ø 6 mm Aluminium	10


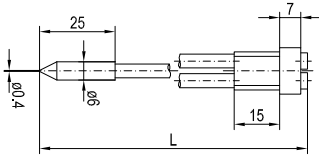
Length (m)	Part number	Article number
0.5	33 RZ 1/500 MSC	979-51457
1.5	33 RZ 1/1500 MSC	979-51459
2	33 RZ 1/2000 MSC	979-51458

LLK2RZ LS=10 fibre-optic cable						Highlights					
						<ul style="list-style-type: none"> • Photoelectric proximity sensor • Precise switching behaviour on lateral approach • Lateral light exit • Fixing via mounting block MB 6 (Article number 903-05139) • Fibre length individually cuttable • For FL 70/FL 20 devices 					
153-00605											
Design	FL 70	FL 20	Fibre	Suitable for	Core fibre Ø (mm)	Sheath material	Ambient	Fibre	Cable	Collar	LS (mm)
Light exit	typ. scanning distance (mm) Standard / Fine / High	typ. scanning distance (mm) Default setting	arrangement	ancillary lens	(T = Transmitter; R = Receiver) Material		temperature (rigid installation)	bending radius (mm)	length	bushing	
Radial	100 / 50 / 200	50	See drawing	–	16 x 0.25 (T) 16 x 0.25 (R) PMMA	Polyethylene (PE)	-40 ... +70 °C	15	2 m Cuttable	Ø 6 mm Aluminium	10

Part number	Article number
LLK2RZ	951-50012


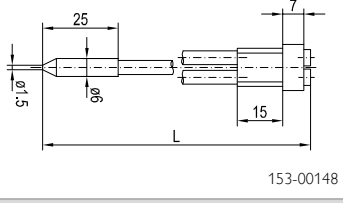

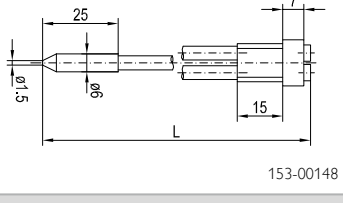

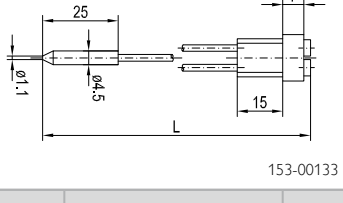
K1RZ-31 fibre-optic cable						Highlights					
						<ul style="list-style-type: none"> • Photoelectric proximity sensor • Precise switching behaviour on lateral approach • Lateral light exit • Particularly suitable for restricted spaces • Fibre length individually cuttable • For FL 70/FL 20 devices 					
Design	FL 70 typ. scanning distance (mm) Standard / Fine / High	FL 20 typ. scanning distance (mm) Default setting	Fibre arrangement	Suitable for ancillary lens	Core fibre Ø (mm) (T = Transmitter; R = Receiver) Material	Sheath material	Ambient temperature (rigid installation)	Fibre bending radius (mm)	Cable length	Collar bushing	LS (mm)
Mono/axial	20 / 10 / 30	–	See drawing	–	2 x 0.5 (T/R) PMMA	Polyethylene (PE)	-40 ... +70 °C	15	2 m Cuttable	Ø 1.5 mm Stainless steel	–

Part number	Article number
K1RZ-31	841-21003

18/30 L 0,4/...-Si fibre-optic cable					Highlights					
					<ul style="list-style-type: none"> • Through-beam photoelectric sensor • Silicone sheath • Small axial light exit • Robust design • -20 ... +160 °C • Fixing via mounting block MB 6 (Article number 903-05139) • For FMS/FAV devices 					
Fibre arrangement	FMS 18 typ. scanning distance/range (mm)	FMS 30 typ. scanning distance/range (mm)	Core fibre Ø (mm) (T=Transmitter; R=Receiver) Material	Sheath material	Ambient temperature (rigid installation)	Bending radius (mm)	Cable length (m)	Collar bushing Ø (mm)	LS (mm)	
Axial	10	20	1 x 0.4 (T) / 1 x 0.4 (R) Glass	Silicone (Si)	-20 ... +160 °C	15	See Selection Table	6	–	

Length (m)	Part number	Article number
0.25	18/30 L 0,4/250-Si	978-50548
0.5	18/30 L 0,4/500-Si	978-50549
1	18/30 L 0,4/1000-Si	978-50545
2	18/30 L 0,4/2000-Si	978-50550

Fibre-optic cables – standard




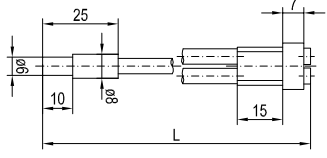
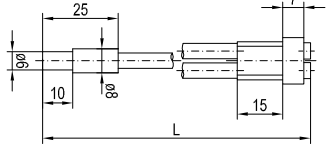
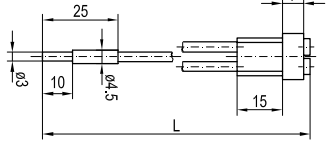
18/30 L 1/...-Si fibre-optic cable		Highlights								
				<ul style="list-style-type: none"> • Through-beam photoelectric sensor • Silicone, metal or PVC sheath • Small axial light exit • Robust design • -20 ... +80 °C / +160 °C (PVC)/(Si/MSc) • Fixing via mounting block MB 6 (MSC/Si) (Article number 903-05139) • Fixing via mounting block MB 4.5 (PVC) (Article number 903-50314) • For FMS/FAV devices 						
153-00148										
18/30 L 1/...-MSC fibre-optic cable						153-00148				
18/30 L 1/...-PVC fibre-optic cable						153-00133				
Fibre arrangement	FMS 18 typ. scanning distance/range (mm)	FMS 30 typ. scanning distance/range (mm)	Core fibre Ø (mm) (T=Transmitter; R=Receiver) Material	Sheath material	Ambient temperature (rigid installation)	Bending radius (mm)	Cable length (m)	Collar bushing Ø (mm)	LS (mm)	
Axial	80	100	1 x 0.8 (T) / 1 x 0.8 (R) (Si/MSc) 1 x 1.0 (T) / 1 x 1.0 (R) (PVC) Glass	See Selection Table	-20 ... +160 °C	15	See Selection Table	6	-	

Length (m)	Sheath material	Part number	Article number
0.25	Silicone (Si)	18/30 L 1/250-Si	978-08230
0.5	Silicone (Si)	18/30 L 1/500-Si	978-08231
0.75	Silicone (Si)	18/30 L 1/750-Si	978-08567
1	Silicone (Si)	18/30 L 1/1000-Si	978-08232
1.5	Silicone (Si)	18/30 L 1/1500-Si	978-08568
2	Silicone (Si)	18/30 L 1/2000-Si	978-08233
0.25	Brass, chrome-plated (MSC)	18/30 L 1/250-MSC	978-08206
0.5	Brass, chrome-plated (MSC)	18/30 L 1/500-MSC	978-08207
0.75	Brass, chrome-plated (MSC)	18/30 L 1/750-MSC	978-08547
1	Brass, chrome-plated (MSC)	18/30 L 1/1000-MSC	978-08208
1.5	Brass, chrome-plated (MSC)	18/30 L 1/1500-MSC	978-08548
2	Brass, chrome-plated (MSC)	18/30 L 1/2000-MSC	978-08209
0.25	PVC	18/30 L 1/250-PVC	978-08193
0.5	PVC	18/30 L 1/500-PVC	978-08194
0.75	PVC	18/30 L 1/750-PVC	978-08541
1	PVC	18/30 L 1/1000-PVC	978-08195
1.5	PVC	18/30 L 1/1500-PVC	978-08542
2	PVC	18/30 L 1/2000-PVC	978-08196

18/30 L 2/...-Si fibre-optic cable		Highlights							
		<ul style="list-style-type: none"> Through-beam photoelectric sensor Silicone, metal or PVC sheath Axial light exit Robust design -20 ... +80 °C / +160 °C (PVC)/(Si/MSC) Fixing via mounting block MB 8 (MSC/Si) (Article number 903-05141) Fixing via mounting block MB 3.5 (PVC) (Article number 903-50313) For FMS/FAV devices 							
18/30 L 2/...-MSC fibre-optic cable									
18/30 L 2/...-PVC fibre-optic cable									
Fibre arrangement Light exit	FMS 18 typ. scanning distance/range (mm)	FMS 30 typ. scanning distance/range (mm)	Core fibre Ø (mm) (T=Transmitter; R=Receiver) Material	Sheath material	Ambient temperature (rigid installation)	Bending radius (mm)	Cable length (m)	Collar bushing Ø (mm)	LS (mm)
Axial	360	400	1 x 1.6 (T) / 1 x 1.6 (R) (Si/MSC) 1 x 1.5 (T) / 1 x 1.5 (R) (PVC) Glass	See Selection Table	-20 ... +160 °C (Si/MSC) -20 ... +80 °C (PVC)	20 = (Si/MSC) 15 = (PVC)	See Selection Table	8 = (Si/MSC) 3.5 = (PVC)	-

Length (m)	Sheath material	Part number	Article number
0.25	Silicone (Si)	18/30 L 2/250-Si	978-08238
0.5	Silicone (Si)	18/30 L 2/500-Si	978-08239
0.75	Silicone (Si)	18/30 L 2/750-Si	978-08571
1	Silicone (Si)	18/30 L 2/1000-Si	978-08240
1.5	Silicone (Si)	18/30 L 2/1500-Si	978-08572
2	Silicone (Si)	18/30 L 2/2000-Si	978-08241
0.25	Brass, chrome-plated (MSC)	18/30 L 2/250-MSC	978-08210
0.5	Brass, chrome-plated (MSC)	18/30 L 2/500-MSC	978-08211
0.75	Brass, chrome-plated (MSC)	18/30 L 2/750-MSC	978-08549
1	Brass, chrome-plated (MSC)	18/30 L 2/1000-MSC	978-08212
1.5	Brass, chrome-plated (MSC)	18/30 L 2/1500-MSC	978-08550
2	Brass, chrome-plated (MSC)	18/30 L 2/2000-MSC	978-08213
0.25	PVC	18/30 L 2/250-PVC	978-08197
0.5	PVC	18/30 L 2/500-PVC	978-08198
0.75	PVC	18/30 L 2/750-PVC	978-08543
1	PVC	18/30 L 2/1000-PVC	978-08199
1.5	PVC	18/30 L 2/1500-PVC	978-08544
2	PVC	18/30 L 2/2000-PVC	978-08200

Fibre-optic cables – standard


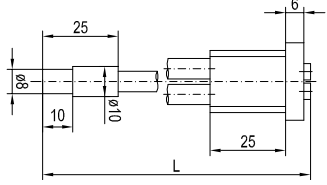

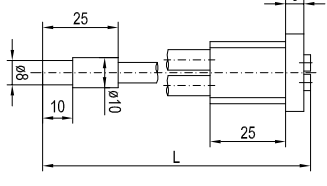
18/30 L 3/...-Si fibre-optic cable		18/30 L 3/...-MSC fibre-optic cable		18/30 L 3/...-PVC fibre-optic cable		Highlights				
						<ul style="list-style-type: none"> • Through-beam photoelectric sensor • Silicone, metal or PVC sheath • Axial light exit • Robust design • -20 ... +80°C / +160 °C • Fixing via mounting block MB 8 (MSC/Si) (Article number 903-05141) • Fixing via mounting block MB 4.5 (PVC) (Article number 903-50314) • For FMS/FAV devices 				
										
153-00157		153-00157		153-00139						
Fibre arrangement	FMS 18 typ. scanning distance/range (mm)	FMS 30 typ. scanning distance/range (mm)	Core fibre Ø (mm) (T=Transmitter; R=Receiver) Material	Sheath material	Ambient temperature (rigid installation)	Bending radius (mm)	Cable length (m)	Collar bushing Ø (mm)	LS (mm)	
Axial	700	1000	1 x 2.0 (T) / 1 x 2.0 (R) Glass	See Selection Table	-20 ... +160 °C (Si/MSC) -20 ... +80 °C (PVC)	20	See Selection Table	8 = (Si/MSC) 4.5 = (PVC)	-	

Length (m)	Sheath material	Part number	Article number
0.25	Silicone (Si)	18/30 L 3/250-Si	978-08242
0.5	Silicone (Si)	18/30 L 3/500-Si	978-08243
0.75	Silicone (Si)	18/30 L 3/750-Si	978-08573
1	Silicone (Si)	18/30 L 3/1000-Si	978-08244
1.5	Silicone (Si)	18/30 L 3/1500-Si	978-08574
2	Silicone (Si)	18/30 L 3/2000-Si	978-08245
0.25	Brass, chrome-plated (MSC)	18/30 L 3/250-MSC	978-08214
0.5	Brass, chrome-plated (MSC)	18/30 L 3/500-MSC	978-08215
0.75	Brass, chrome-plated (MSC)	18/30 L 3/750-MSC	978-08551
1	Brass, chrome-plated (MSC)	18/30 L 3/1000-MSC	978-08216
1.5	Brass, chrome-plated (MSC)	18/30 L 3/1500-MSC	978-08552
2	Brass, chrome-plated (MSC)	18/30 L 3/2000-MSC	978-08217
0.25	PVC	18/30 L 3/250-PVC	978-08201
0.5	PVC	18/30 L 3/500-PVC	978-08202
0.75	PVC	18/30 L 3/750-PVC	978-08545
1	PVC	18/30 L 3/1000-PVC	978-08203
1.5	PVC	18/30 L 3/1500-PVC	978-08546
2	PVC	18/30 L 3/2000-PVC	978-08204

30 L 4/...-Si fibre-optic cable				Highlights						
				<ul style="list-style-type: none"> • Through-beam photoelectric sensor • Silicone or metal sheath • Axial light exit • Long range • Robust design • -20 ... +160 °C • Fixing via mounting block MB 10 (Article number 903-05142) • For FMS/FAV devices 						
<p style="text-align: right;">153-00163</p>										
30 L 4/...-MSC fibre-optic cable										
<p style="text-align: right;">153-00163</p>										
Fibre arrangement	FMS 18	FMS 30	Core fibre Ø (mm)							
Light exit	typ. scanning distance/range (mm)	typ. scanning distance/range (mm)	(T=Transmitter; R=Receiver) Material		(rigid installation)	(mm)	(m)	(mm)	(mm)	
Axial	–	3000	1 x 2.3 (T) / 1 x 2.3 (R) Glass	See Selection Table	-20 ... +160 °C	25	See Selection Table	10	–	

Length (m)	Sheath material	Part number	Article number
0.25	Silicone (Si)	30 L 4/250-Si	978-06932
0.5	Silicone (Si)	30 L 4/500-Si	978-06933
0.75	Silicone (Si)	30 L 4/750-Si	978-08575
1	Silicone (Si)	30 L 4/1000-Si	978-06934
1.5	Silicone (Si)	30 L 4/1500-Si	978-08576
2	Silicone (Si)	30 L 4/2000-Si	978-06935
0.25	Brass. chrome-plated (MSC)	30 L 4/250-MSC	978-06650
0.5	Brass. chrome-plated (MSC)	30 L 4/500-MSC	978-06651
0.75	Brass. chrome-plated (MSC)	30 L 4/750-MSC	978-08553
1	Brass. chrome-plated (MSC)	30 L 4/1000-MSC	978-06652
1.5	Brass. chrome-plated (MSC)	30 L 4/1500-MSC	978-08554
2	Brass. chrome-plated (MSC)	30 L 4/2000-MSC	978-06653

Fibre-optic cables – standard

30 L 12/...-Si fibre-optic cable				Highlights						
				<ul style="list-style-type: none"> • Through-beam photoelectric sensor • Silicone or metal sheath • Axial light exit • Extremely insensitive to contamination • Long scanning distance/range • Robust design • -20 ... +160 °C • Fixing via mounting block MB 10 (Article number 903-05142) • For FMS/FAV devices 						
153-00165										
30 L 12/...-MSC fibre-optic cable										
										
153-00165										
Fibre arrangement	FMS 18 typ. scanning distance/range (mm)	FMS 30 typ. scanning distance/range (mm)	Core fibre Ø (mm) (T=Transmitter; R=Receiver) Material	Sheath material	Ambient temperature (rigid installation)	Bending radius (mm)	Cable length (m)	Collar bushing Ø (mm)	LS (mm)	
Axial	–	4800	1 x 3.5 (T) / 1 x 3.5 (R) Glass	See Selection Table	-20 ... +160 °C	25	See Selection Table	12	–	

Length (m)	Sheath material	Part number	Article number
0.25	Silicone (Si)	30 L 12/250-Si	978-06948
0.5	Silicone (Si)	30 L 12/500-Si	978-06949
0.75	Silicone (Si)	30 L 12/750-Si	978-08577
1	Silicone (Si)	30 L 12/1000-Si	978-06950
1.5	Silicone (Si)	30 L 12/1500-Si	978-08578
2	Silicone (Si)	30 L 12/2000-Si	978-06951
0.25	Brass, chrome-plated (MSC)	30 L 12/250-MSC	978-06797
0.5	Brass, chrome-plated (MSC)	30 L 12/500-MSC	978-06798
0.75	Brass, chrome-plated (MSC)	30 L 12/750-MSC	978-08555
1	Brass, chrome-plated (MSC)	30 L 12/1000-MSC	978-06799
1.5	Brass, chrome-plated (MSC)	30 L 12/1500-MSC	978-08556
2	Brass, chrome-plated (MSC)	30 L 12/2000-MSC	978-06800


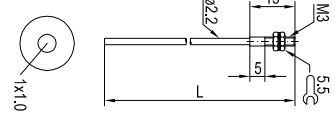
K2L-201 fibre-optic cable						Highlights					
						<ul style="list-style-type: none"> • Through-beam photoelectric sensor • Small installation dimensions • Suitable for ancillary optics for range expansion • Fibre length individually cuttable • For FL 70/FL 20 devices 					
Design Light exit	FL 70 typ. scanning distance (mm) Standard / Fine / High	FL 20 typ. scanning distance (mm) Default setting	Fibre arrangement	Suitable for ancillary lens	Core fibre Ø (mm) (T = Transmitter; R = Receiver) Material	Sheath material	Ambient temperature (rigid installation)	Fibre bending radius (mm)	Cable length	Collar bushing	LS (mm)
Mono/axial	120 / 60 / 200	–	See drawing	LVLf6-M3	1 x 0.5 (T) 1 x 0.5 (R) PMMA	Polyethylene (PE)	-40 ... +70 °C	25	2 m Cuttable	M3 Stainless steel	–

Part number	Article number
K2L-201	721-50771

K2L-202 fibre-optic cable						Highlights					
						<ul style="list-style-type: none"> • Through-beam photoelectric sensor • Short mounting sleeve • Suitable for ancillary optics for range expansion • Fibre length individually cuttable • For FL 70/FL 20 devices 					
Design Light exit	FL 70 typ. scanning distance (mm) Standard / Fine / High	FL 20 typ. scanning distance (mm) Default setting	Fibre arrangement	Suitable for ancillary lens	Core fibre Ø (mm) (T = Transmitter; R = Receiver) Material	Sheath material	Ambient temperature (rigid installation)	Fibre bending radius (mm)	Cable length	Collar bushing	LS (mm)
Mono/axial	350 / 200 / 800	180	See drawing	LVLf6-M4	1 x 1.0 (T) 1 x 1.0 (R) PMMA	Polyethylene (PE)	-40 ... +70 °C	25	2 m Cuttable	M4 Stainless steel	–


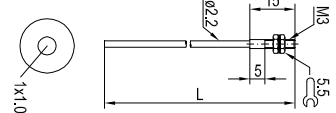
Part number	Article number
K2L-202	721-50772

Fibre-optic cables – standard

K2L-7 fibre-optic cable						Highlights					
						<ul style="list-style-type: none"> • Through-beam photoelectric sensor • Small installation dimensions • Suitable for ancillary optics for range expansion • Fibre length individually cuttable • For FL 70/FL 20 devices 					
153-00276											

Design	FL 70 typ. scanning distance (mm) Standard / Fine / High	FL 20 typ. scanning distance (mm) Default setting	Fibre arrangement	Suitable for ancillary lens	Core fibre Ø (mm) (T = Transmitter; R = Receiver) Material	Sheath material	Ambient temperature (rigid installation)	Fibre bending radius (mm)	Cable length	Collar bushing	LS (mm)
Mono/axial	350 / 220 / 810	180	See drawing	LVL6-M3	1 x 1.0 (T) 1 x 1.0 (R) PMMA	Polyethylene (PE)	-40 ... +70 °C	25	2 m Cuttable	M3 Brass, nickel-plated	–

Part number	Article number
K2L-7	840-11000

K2L-77 fibre-optic cable						Highlights					
						<ul style="list-style-type: none"> • Through-beam photoelectric sensor • Oil-resistant • Expanded temperature range • Suitable for ancillary optics for range expansion • Fibre length individually cuttable • For FL 70/FL 20 devices 					
153-00277											

Design	FL 70 typ. scanning distance (mm) Standard / Fine / High	FL 20 typ. scanning distance (mm) Default setting	Fibre arrangement	Suitable for ancillary lens	Core fibre Ø (mm) (T = Transmitter; R = Receiver) Material	Sheath material	Ambient temperature (rigid installation)	Fibre bending radius (mm)	Cable length	Collar bushing	LS (mm)
Mono/axial	270 / 145 / 550	140	See drawing	LVL6-M3	1 x 1.0 (T) 1 x 1.0 (R) PC	Polyamid (PA)	-40 ... +85 °C	25	2 m Cuttable	M3 Brass, nickel-plated	–

Part number	Article number
K2L-77	840-11001


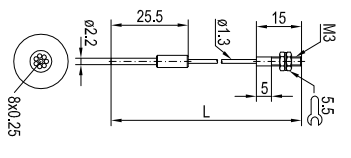
LLK2LM3-PE-1m fibre-optic cable						Highlights					
						<ul style="list-style-type: none"> • Through-beam photoelectric sensor • Stainless steel head with very small head diameter • Suitable for ancillary optics for range expansion • Fibre length individually cuttable • For FL 70/FL 20 devices 					
Design Light exit	FL 70 typ. scanning distance (mm) Standard / Fine / High	FL 20 typ. scanning distance (mm) Default setting	Fibre arrangement	Suitable for ancillary lens	Core fibre Ø (mm) (T = Transmitter; R = Receiver) Material	Sheath material	Ambient temperature (rigid installation)	Fibre bending radius (mm)	Cable length	Collar bushing	LS (mm)
Mono/axial	150 / 60 / 240	80	See drawing	LVLf6-M3	1 x 1.0 (T) 1 x 1.0 (R) PMMA	Polyethylene (PE)	-40 ... +60 °C	25	1 m Cuttable	M3 Stainless steel	–

Part number	Article number
LLK2LM3-PE-1m	750-11000


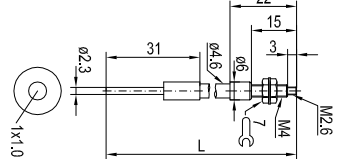
LLK2LM4-PE-1m fibre-optic cable						Highlights					
						<ul style="list-style-type: none"> • Through-beam photoelectric sensor • Suitable for ancillary optics for range expansion • Fibre length individually cuttable • For FL 70/FL 20 devices 					
Design Light exit	FL 70 typ. scanning distance (mm) Standard / Fine / High	FL 20 typ. scanning distance (mm) Default setting	Fibre arrangement	Suitable for ancillary lens	Core fibre Ø (mm) (T = Transmitter; R = Receiver) Material	Sheath material	Ambient temperature (rigid installation)	Fibre bending radius (mm)	Cable length	Collar bushing	LS (mm)
Mono/axial	400 / 240 / 780	200	See drawing	LVLf6-M4	1 x 1.0 (T) 1 x 1.0 (R) PMMA	Polyethylene (PE)	-40 ... +60 °C	25	1 m Cuttable	M4 Stainless steel	–

Part number	Article number
LLK2LM4-PE-1m	750-11001

Fibre-optic cables – standard

K1L-78 fibre-optic cable						Highlights					
						<ul style="list-style-type: none"> • Through-beam photoelectric sensor • Very small bending radius • Suitable for ancillary optics for range expansion • Fibre length individually cuttable • For FL 70/FL 20 devices 					
153-00278											
Design	FL 70	FL 20	Fibre	Suitable	Core fibre	Sheath	Ambient	Fibre	Cable	Collar	LS
Light exit	typ. scanning distance (mm) Standard / Fine / High	typ. scanning distance (mm) Default setting	arrangement	for ancillary lens	Ø (mm) (T = Transmitter; R = Receiver) Material	material	temperature (rigid installation)	bending radius (mm)	length	bushing	(mm)
Axial	200 / 120 / 405	100	See drawing	LVL6-M3	8 x 0.25 (T) 8 x 0.25 (R) PMMA	Polyethylene (PE)	-40 ... +70 °C	3	2 m Cuttable	M3 Brass, nickel-plated	–

Part number	Article number
K1L-78	840-11002


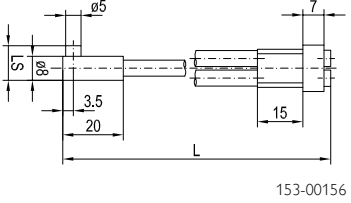

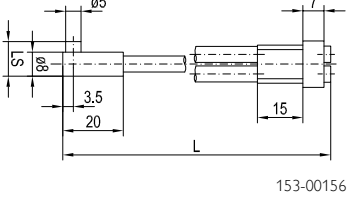

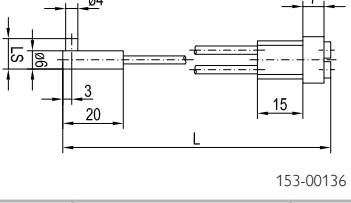
33 L 1/...-MSC fibre-optic cable						Highlights					
						<ul style="list-style-type: none"> • Through-beam photoelectric sensor • Metal sheath • Robust design • -20 ... +160 °C • Suitable for ancillary optics for range expansion • Fixing via mounting block MB 6 (Article number 903-05139) • For FL 70/FL 20 devices 					
153-00089											
Design	FL 70	FL 20	Fibre	Suitable	Core fibre	Sheath	Ambient	Fibre	Cable	Collar	LS
Light exit	typ. scanning distance (mm) Standard / Fine / High	typ. scanning distance (mm) Default setting	arrangement	for ancillary lens	Ø (mm) (T = Transmitter; R = Receiver) Material	material	temperature (rigid installation)	bending radius (mm)	length	bushing	(mm)
Mono/axial	270 / 165 / 550	140	See drawing	LVL6-M4	1 x 1.0 (T) 1 x 1.0 (R) Glass	Brass, chrome-plated (MSC)	-20 ... +160 °C	15	See Selection Table	M4 Brass, nickel-plated	–

Length (m)	Part number	Article number
0.25	33 L1/250-MSC	978-51650
0.5	33 L1/500-MSC	978-51444
1	33 L1/1000-MSC	978-51657
2	33 L1/2000-MSC	978-51682

18/30 LZ 1/...-Si fibre-optic cable				Highlights					
				<ul style="list-style-type: none"> • Through-beam photoelectric sensor • Silicone or metal sheath • Radial light exit • Robust design • -20 ... +160 °C • Fixing via mounting block MB 6 (Article number 903-05139) • For FMS/FAV devices 					
153-00149									
18/30 LZ 1/...-MSC fibre-optic cable									
153-00149									
Fibre arrangement	FMS 18	FMS 30	Core fibre Ø (mm)	Sheath material	Ambient temperature	Bending radius	Cable length	Collar bushing Ø	LS
Light exit	typ. scanning distance/range (mm)	typ. scanning distance/range (mm)	(T=Transmitter; R=Receiver) Material		(rigid installation)	(mm)	(m)	(mm)	(mm)
Radial	80	100	1 x 1.0 (T) / 1 x 1.0 (R) Glass	See Selection Table	-20 ... +160 °C	15	See Selection Table	6	See Selection Table

LS (mm)	Length (m)	Sheath material	Part number	Article number
10	0.25	Silicone (Si)	18/30 LZ 1/250-Si	978-06366
14	0.25	Silicone (Si)	18/30 LZ 1/250-Si	978-06367
10	0.5	Silicone (Si)	18/30 LZ 1/500-Si	978-06372
14	0.5	Silicone (Si)	18/30 LZ 1/500-Si	978-06373
10	0.75	Silicone (Si)	18/30 LZ 1/750-Si	978-06378
14	0.75	Silicone (Si)	18/30 LZ 1/750-Si	978-06379
10	1	Silicone (Si)	18/30 LZ 1/1000-Si	978-06384
14	1	Silicone (Si)	18/30 LZ 1/1000-Si	978-06385
10	1.5	Silicone (Si)	18/30 LZ 1/1500-Si	978-06390
14	1.5	Silicone (Si)	18/30 LZ 1/1500-Si	978-06391
10	2	Silicone (Si)	18/30 LZ 1/2000-Si	978-06396
14	2	Silicone (Si)	18/30 LZ 1/2000-Si	978-06397
10	0.25	Brass.chrome-plated (MSC)	18/30 LZ 1/250-MSC	978-06364
14	0.25	Brass.chrome-plated (MSC)	18/30 LZ 1/250-MSC	978-06365
10	0.5	Brass.chrome-plated (MSC)	18/30 LZ 1/500-MSC	978-06370
14	0.5	Brass.chrome-plated (MSC)	18/30 LZ 1/500-MSC	978-06371
10	0.75	Brass.chrome-plated (MSC)	18/30 LZ 1/750-MSC	978-06376
14	0.75	Brass.chrome-plated (MSC)	18/30 LZ 1/750-MSC	978-06377
10	1	Brass.chrome-plated (MSC)	18/30 LZ 1/1000-MSC	978-06382
14	1	Brass.chrome-plated (MSC)	18/30 LZ 1/1000-MSC	978-06383
10	1.5	Brass.chrome-plated (MSC)	18/30 LZ 1/1500-MSC	978-06388
14	1.5	Brass.chrome-plated (MSC)	18/30 LZ 1/1500-MSC	978-06389
10	2	Brass.chrome-plated (MSC)	18/30 LZ 1/2000-MSC	978-06394
14	2	Brass.chrome-plated (MSC)	18/30 LZ 1/2000-MSC	978-06395


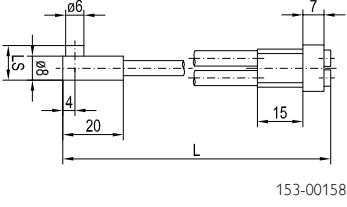

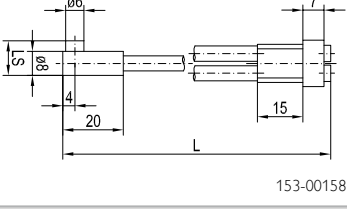

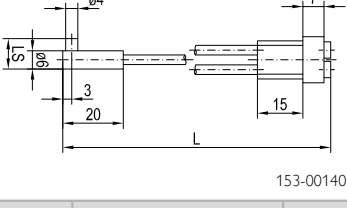
Fibre-optic cables – standard

18/30 LZ 2/...-Si fibre-optic cable		Highlights							
		<ul style="list-style-type: none"> • Through-beam photoelectric sensor • Silicone, metal or PVC sheath • Radial light exit • Robust design • -20 ... +80°C / +160 °C • Fixing via mounting block MB 8 (MSC/Si) (Article number 903-05141) • Fixing via mounting block MB 6 (PVC) (Article number 903-05139) • For FMS/FAV devices 							
18/30 LZ 2/...-MSC fibre-optic cable									
									
18/30 LZ 2/...-PVC fibre-optic cable		<ul style="list-style-type: none"> • Through-beam photoelectric sensor • Silicone, metal or PVC sheath • Radial light exit • Robust design • -20 ... +80°C / +160 °C • Fixing via mounting block MB 8 (MSC/Si) (Article number 903-05141) • Fixing via mounting block MB 6 (PVC) (Article number 903-05139) • For FMS/FAV devices 							
									
Fibre arrangement Light exit	FMS 18 typ. scanning distance/range (mm)								
Radial	360	400	1 x 1.6 (T) / 1 x 1.6 (R) (Si/MSC) 1 x 1.5 (T) / 1 x 1.5 (R) (PVC) Glass	See Selection Table	-20 ... +160 °C (Si/MSC) -20 ... +80 °C (PVC)	20 = (Si/MSC) 15 = (PVC)	See Selection Table	8 = (Si/MSC) 6 = (PVC)	See Selection Table

LS (mm)	Length (m)	Sheath material	Part number	Article number
10	0.25	Silicone (Si)	18/30 LZ 2/250-Si	978-06402
14	0.25	Silicone (Si)	18/30 LZ 2/250-Si	978-06403
10	0.5	Silicone (Si)	18/30 LZ 2/500-Si	978-06408
14	0.5	Silicone (Si)	18/30 LZ 2/500-Si	978-06409
10	0.75	Silicone (Si)	18/30 LZ 2/750-Si	978-06414
14	0.75	Silicone (Si)	18/30 LZ 2/750-Si	978-06415
10	1	Silicone (Si)	18/30 LZ 2/1000-Si	978-06420
14	1	Silicone (Si)	18/30 LZ 2/1000-Si	978-06421
10	1.5	Silicone (Si)	18/30 LZ 2/1500-Si	978-06426
14	1.5	Silicone (Si)	18/30 LZ 2/1500-Si	978-06427
10	2	Silicone (Si)	18/30 LZ 2/2000-Si	978-06432
14	2	Silicone (Si)	18/30 LZ 2/2000-Si	978-06433

LS (mm)	Length (m)	Sheath material	Part number	Article number
10	0.25	Brass, chrome-plated (MSC)	18/30 LZ 2/250-MSC	978-06400
14	0.25	Brass, chrome-plated (MSC)	18/30 LZ 2/250-MSC	978-06401
10	0.5	Brass, chrome-plated (MSC)	18/30 LZ 2/500-MSC	978-06406
14	0.5	Brass, chrome-plated (MSC)	18/30 LZ 2/500-MSC	978-06407
10	0.75	Brass, chrome-plated (MSC)	18/30 LZ 2/750-MSC	978-06412
14	0.75	Brass, chrome-plated (MSC)	18/30 LZ 2/750-MSC	978-06413
10	1	Brass, chrome-plated (MSC)	18/30 LZ 2/1000-MSC	978-06418
14	1	Brass, chrome-plated (MSC)	18/30 LZ 2/1000-MSC	978-06419
10	1.5	Brass, chrome-plated (MSC)	18/30 LZ 2/1500-MSC	978-06424
14	1.5	Brass, chrome-plated (MSC)	18/30 LZ 2/1500-MSC	978-06425
10	2	Brass, chrome-plated (MSC)	18/30 LZ 2/2000-MSC	978-06430
14	2	Brass, chrome-plated (MSC)	18/30 LZ 2/2000-MSC	978-06431
10	0.25	PVC	18/30 LZ 2/250-PVC	978-06398
14	0.25	PVC	18/30 LZ 2/250-PVC	978-06399
10	0.5	PVC	18/30 LZ 2/500-PVC	978-06404
14	0.5	PVC	18/30 LZ 2/500-PVC	978-06405
10	0.75	PVC	18/30 LZ 2/750-PVC	978-06410
14	0.75	PVC	18/30 LZ 2/750-PVC	978-06411
10	1	PVC	18/30 LZ 2/1000-PVC	978-06416
14	1	PVC	18/30 LZ 2/1000-PVC	978-06417
10	1.5	PVC	18/30 LZ 2/1500-PVC	978-06422
14	1.5	PVC	18/30 LZ 2/1500-PVC	978-06423
10	2	PVC	18/30 LZ 2/2000-PVC	978-06428
14	2	PVC	18/30 LZ 2/2000-PVC	978-06429


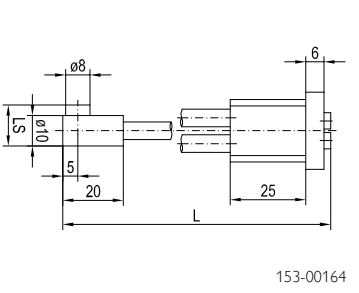

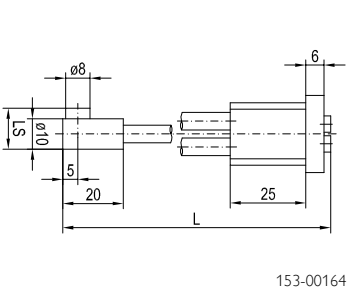
Fibre-optic cables – standard

18/30 LZ 3/...-Si fibre-optic cable		Highlights							
		<ul style="list-style-type: none"> • Through-beam photoelectric sensor • Silicone, metal or PVC sheath • Radial light exit • Robust design • -20 ... +80°C / +160 °C • Fixing via mounting block MB 8 (Si/MSC) (Article number 903-05141) • Fixing via mounting block MB 6 (PVC) (Article number 903-05139) • For FMS/FAV devices 							
18/30 LZ 3/...-MSC fibre-optic cable									
									
18/30 LZ 3/...-PVC fibre-optic cable		<ul style="list-style-type: none"> • For FMS/FAV devices 							
									
18/30 LZ 3/...-PVC fibre-optic cable									
Fibre arrangement	FMS 18 typ. scanning distance/range (mm)	FMS 30 typ. scanning distance/range (mm)	Core fibre Ø (mm) (T=Transmitter; R=Receiver) Material	Sheath material	Ambient temperature (rigid installation)	Bending radius (mm)	Cable length (m)	Collar bushing Ø (mm)	LS (mm)
Radial	700	1000	1 x 2.0 (T) / 1 x 2.0 (R) Glass	See Selection Table	-20 ... +160 °C (Si/MSC) -20 ... +80 °C (PVC)	20	See Selection Table	8 = (Si/MSC) 6 = (PVC)	See Selection Table

LS (mm)	Length (m)	Sheath material	Part number	Article number
10	0.25	Silicone (Si)	18/30 LZ 3/250-Si	978-06438
14	0.25	Silicone (Si)	18/30 LZ 3/250-Si	978-06439
10	0.5	Silicone (Si)	18/30 LZ 3/500-Si	978-06444
14	0.5	Silicone (Si)	18/30 LZ 3/500-Si	978-06445
10	0.75	Silicone (Si)	18/30 LZ 3/750-Si	978-06450
14	0.75	Silicone (Si)	18/30 LZ 3/750-Si	978-06451
10	1	Silicone (Si)	18/30 LZ 3/1000-Si	978-06456
14	1	Silicone (Si)	18/30 LZ 3/1000-Si	978-06457
10	1.5	Silicone (Si)	18/30 LZ 3/1500-Si	978-06462
14	1.5	Silicone (Si)	18/30 LZ 3/1500-Si	978-06463
10	2	Silicone (Si)	18/30 LZ 3/2000-Si	978-06468
14	2	Silicone (Si)	18/30 LZ 3/2000-Si	978-06469

LS (mm)	Length (m)	Sheath material	Part number	Article number
10	0.25	Brass, chrome-plated (MSC)	18/30 LZ 3/250-MSC	978-06436
14	0.25	Brass, chrome-plated (MSC)	18/30 LZ 3/250-MSC	978-06437
10	0.5	Brass, chrome-plated (MSC)	18/30 LZ 3/500-MSC	978-06442
14	0.5	Brass, chrome-plated (MSC)	18/30 LZ 3/500-MSC	978-06443
10	0.75	Brass, chrome-plated (MSC)	18/30 LZ 3/750-MSC	978-06448
14	0.75	Brass, chrome-plated (MSC)	18/30 LZ 3/750-MSC	978-06449
10	1	Brass, chrome-plated (MSC)	18/30 LZ 3/1000-MSC	978-06454
14	1	Brass, chrome-plated (MSC)	18/30 LZ 3/1000-MSC	978-06455
10	1.5	Brass, chrome-plated (MSC)	18/30 LZ 3/1500-MSC	978-06460
14	1.5	Brass, chrome-plated (MSC)	18/30 LZ 3/1500-MSC	978-06461
10	2	Brass, chrome-plated (MSC)	18/30 LZ 3/2000-MSC	978-06466
14	2	Brass, chrome-plated (MSC)	18/30 LZ 3/2000-MSC	978-06467
10	0.25	PVC	18/30 LZ 3/250-PVC	978-06434
14	0.25	PVC	18/30 LZ 3/250-PVC	978-06435
10	0.5	PVC	18/30 LZ 3/500-PVC	978-06440
14	0.5	PVC	18/30 LZ 3/500-PVC	978-06441
10	0.75	PVC	18/30 LZ 3/750-PVC	978-06446
14	0.75	PVC	18/30 LZ 3/750-PVC	978-06447
10	1	PVC	18/30 LZ 3/1000-PVC	978-06452
14	1	PVC	18/30 LZ 3/1000-PVC	978-06453
10	1.5	PVC	18/30 LZ 3/1500-PVC	978-06458
14	1.5	PVC	18/30 LZ 3/1500-PVC	978-06459
10	2	PVC	18/30 LZ 3/2000-PVC	978-06464
14	2	PVC	18/30 LZ 3/2000-PVC	978-06465

Fibre-optic cables – standard


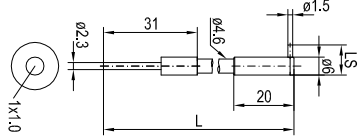

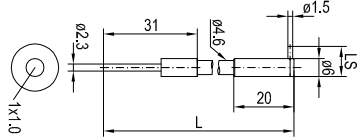
30 LZ 4/...-Si fibre-optic cable				Highlights						
				<ul style="list-style-type: none"> • Through-beam photoelectric sensor • Silicone or metal sheath • Radial light exit • Long range • Robust design • -20 ... +160 °C • Fixing via mounting block MB 10 (Article number 903-05142) • For FMS/FAV devices 						
<p style="text-align: right;">153-00164</p>										
30 LZ 4/...-MSC fibre-optic cable										
										
<p style="text-align: right;">153-00164</p>										
Fibre arrangement	FMS 18 typ. scanning distance/range (mm)	FMS 30 typ. scanning distance/range (mm)	Core fibre Ø (mm) (T=Transmitter; R=Receiver) Material	Sheath material	Ambient temperature (rigid installation)	Bending radius (mm)	Cable length (m)	Collar bushing Ø (mm)	LS (mm)	
Radial	–	3000	1 × 2.3 (T) / 1 × 2.3 (R) Glass	See Selection Table	-20 ... +160 °C	25	See Selection Table	10	See Selection Table	

LS (mm)	Length (m)	Sheath material	Part number	Article number
16	0.25	Silicone (Si)	30 LZ 4/250-Si	978-06472
20	0.25	Silicone (Si)	30 LZ 4/250-Si	978-06473
16	0.5	Silicone (Si)	30 LZ 4/500-Si	978-06476
20	0.5	Silicone (Si)	30 LZ 4/500-Si	978-06477
16	0.75	Silicone (Si)	30 LZ 4/750-Si	978-06481
20	0.75	Silicone (Si)	30 LZ 4/750-Si	978-06482
16	1	Silicone (Si)	30 LZ 4/1000-Si	978-06485
20	1	Silicone (Si)	30 LZ 4/1000-Si	978-06486
16	1.5	Silicone (Si)	30 LZ 4/1500-Si	978-06489
20	1.5	Silicone (Si)	30 LZ 4/1500-Si	978-06490
16	2	Silicone (Si)	30 LZ 4/2000-Si	978-06493
20	2	Silicone (Si)	30 LZ 4/2000-Si	978-06494
16	0.25	Brass, chrome-plated (MSC)	30 LZ 4/250-MSC	978-06470
20	0.25	Brass, chrome-plated (MSC)	30 LZ 4/250-MSC	978-06471
16	0.5	Brass, chrome-plated (MSC)	30 LZ 4/500-MSC	978-06474
20	0.5	Brass, chrome-plated (MSC)	30 LZ 4/500-MSC	978-06475
16	0.75	Brass, chrome-plated (MSC)	30 LZ 4/750-MSC	978-06478
20	0.75	Brass, chrome-plated (MSC)	30 LZ 4/750-MSC	978-06480
16	1	Brass, chrome-plated (MSC)	30 LZ 4/1000-MSC	978-06483
20	1	Brass, chrome-plated (MSC)	30 LZ 4/1000-MSC	978-06484
16	1.5	Brass, chrome-plated (MSC)	30 LZ 4/1500-MSC	978-06487
20	1.5	Brass, chrome-plated (MSC)	30 LZ 4/1500-MSC	978-06488
16	2	Brass, chrome-plated (MSC)	30 LZ 4/2000-MSC	978-06491
20	2	Brass, chrome-plated (MSC)	30 LZ 4/2000-MSC	978-06492

30 LZ 12/...-Si fibre-optic cable				Highlights					
				<ul style="list-style-type: none"> • Through-beam photoelectric sensor • Silicone or metal sheath • Radial light exit • Extremely insensitive to contamination • Robust design • -20 ... +160 °C • Fixing via mounting block MB 10 (Article number 903-05142) • For FMS/FAV devices 					
30 LZ 12/...-MSC fibre-optic cable									
Fibre arrangement	FMS 18 typ. scanning distance/range (mm)	FMS 30 typ. scanning distance/range (mm)	Core fibre Ø (mm) (T=Transmitter; R=Receiver) Material	Sheath material	Ambient temperature (rigid installation)	Bending radius (mm)	Cable length (m)	Collar bushing Ø (mm)	LS (mm)
Radial	–	4800	1 x 3.5 (T) / 1 x 3.5 (R) Glass	See Selection Table	-20 ... +160 °C	25	See Selection Table	10	See Selection Table

LS (mm)	Length (m)	Sheath material	Part number	Article number
16	0.25	Silicone (Si)	30 LZ 12/250-Si	978-06529
20	0.25	Silicone (Si)	30 LZ 12/250-Si	978-06530
16	0.5	Silicone (Si)	30 LZ 12/500-Si	978-06533
20	0.5	Silicone (Si)	30 LZ 12/500-Si	978-06534
16	0.75	Silicone (Si)	30 LZ 12/750-Si	978-06537
20	0.75	Silicone (Si)	30 LZ 12/750-Si	978-06538
16	1	Silicone (Si)	30 LZ 12/1000-Si	978-06541
20	1	Silicone (Si)	30 LZ 12/1000-Si	978-06542
16	1.5	Silicone (Si)	30 LZ 12/1500-Si	978-06545
20	1.5	Silicone (Si)	30 LZ 12/1500-Si	978-06546
16	2	Silicone (Si)	30 LZ 12/2000-Si	978-06549
20	2	Silicone (Si)	30 LZ 12/2000-Si	978-06550
16	0.25	Brass. chrome-plated (MSC)	30 LZ 12/250-MSC	978-06527
20	0.25	Brass. chrome-plated (MSC)	30 LZ 12/250-MSC	978-06528
16	0.5	Brass. chrome-plated (MSC)	30 LZ 12/500-MSC	978-06531
20	0.5	Brass. chrome-plated (MSC)	30 LZ 12/500-MSC	978-06532
16	0.75	Brass. chrome-plated (MSC)	30 LZ 12/750-MSC	978-06535
20	0.75	Brass. chrome-plated (MSC)	30 LZ 12/750-MSC	978-06536
16	1	Brass. chrome-plated (MSC)	30 LZ 12/1000-MSC	978-06539
20	1	Brass. chrome-plated (MSC)	30 LZ 12/1000-MSC	978-06540
16	1.5	Brass. chrome-plated (MSC)	30 LZ 12/1500-MSC	978-06543
20	1.5	Brass. chrome-plated (MSC)	30 LZ 12/1500-MSC	978-06544
16	2	Brass. chrome-plated (MSC)	30 LZ 12/2000-MSC	978-06547
20	2	Brass. chrome-plated (MSC)	30 LZ 12/2000-MSC	978-06548

Fibre-optic cables – standard

33 LZ 1/...-Si fibre-optic cable				Highlights							
				<ul style="list-style-type: none"> • Through-beam photoelectric sensor • Silicone or metal sheath • Robust design • -20 ... +160 °C • Fixing via mounting block MB 6 (Article number 903-05139) • For FL 70/FL 20 devices 							
		153-01033									
33 LZ 1/...-MSC fibre-optic cable											
											
		153-01033									
Design	FL 70	FL 20	Fibre	Suitable for	Core fibre Ø (mm)	Sheath material	Ambient temperature	Fibre bending radius	Cable length	Collar bushing Ø	LS (mm)
Light exit	typ. scanning distance (mm) Standard / Fine / High	typ. scanning distance (mm) Default setting	arrangement	ancillary lens	(T = Transmitter; R = Receiver) Material		(rigid installation)	(mm)		(mm)	
Axial	270 / 165 / 550	140	See drawing	LVL F6-M4	1 x 1.0 (T) 1 x 1.0 (R) Glass	See Selection Table	-20 ... +160 °C	15	See Selection Table	6	10

Cable length	Sheath material	Part number	Article number
Up to 2 m	Silicone (Si)	33 LZ 1/...-Si	978-51581
Up to 2 m	Brass, chrome-plated (MSC)	33 LZ 1/...-MSC	978-51580

LLK2LZ fibre-optic cable						Highlights					
						<ul style="list-style-type: none"> • Through-beam photoelectric sensor • Lateral light exit • Robust design • Fixing via mounting block MB 6 (Article number 903-05139) • Fibre length individually cuttable • For FL 70/FL 20 devices 					
Design	FL 70	FL 20	Fibre	Suitable	Core fibre Ø (mm)	Sheath material	Ambient	Fibre	Cable	Collar	LS (mm)
Light exit	typ. scanning distance (mm)	typ. scanning distance (mm)	arrangement	for ancillary lens	(T = Transmitter; R = Receiver) Material		temperature (rigid installation)	bending radius (mm)	length	bushing Ø (mm)	
Radial	Standard / Fine / High	Default setting	See drawing	–	16 x 0.25 (T) 16 x 0.25 (R) PMMA	Polyethylene (PE)	-40 ... +70 °C	15	2 m Cuttable	8 Aluminium	10

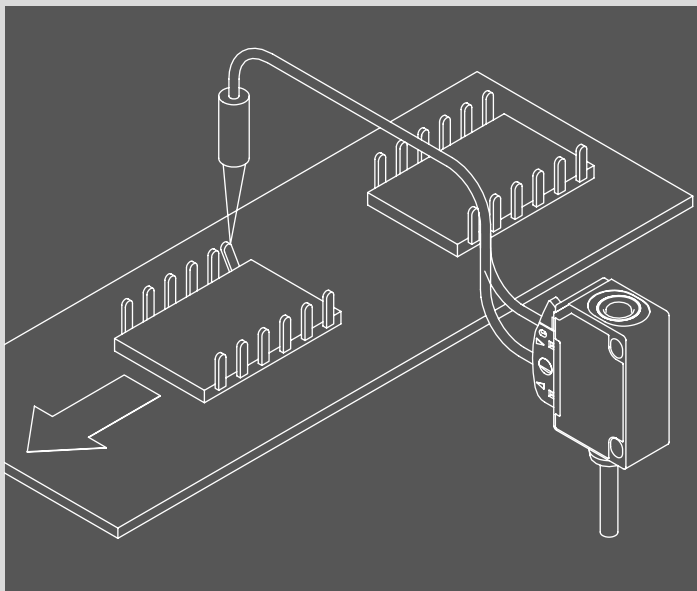
Part number	Article number
LLK2LZ	950-50007

K2L-34 fibre-optic cable						Highlights					
						<ul style="list-style-type: none"> • Through-beam photoelectric sensor • Lateral light exit • Bendable stainless steel tip • Particularly suitable for restricted spaces • Fibre length individually cuttable • For FL 70/FL 20 devices 					
Design	FL 70	FL 20	Fibre	Suitable	Core fibre Ø (mm)	Sheath material	Ambient	Fibre	Cable	Collar	LS (mm)
Light exit	typ. scanning distance (mm)	typ. scanning distance (mm)	arrangement	for ancillary lens	(T = Transmitter; R = Receiver) Material		temperature (rigid installation)	bending radius (mm)	length	bushing	
Bendable mono / radial tip	Standard / Fine / High	Default setting	–	–	1 x 1.0 (T) 1 x 1.0 (R) PMMA	Polyethylene (PE)	-40 ... +70 °C	15	2 m Cuttable	Ø 1.5 mm Stainless steel	–

Part number	Article number
K2L-34	950-50002

Fibre-optic cables – focused optics

The ideal solution for small-part detection



Detection of IC pins

Even the smallest of objects, such as IC pins in electronics production, are reliably detected thanks to focused optics and a small light spot diameter.

TYPICAL SENSOPART FIBRE-OPTIC CABLES

- Flexible plastic fibre-optic cables
- Coaxial fibres for precise object detection
- Adjustable scanning distances and light spot sizes

Coaxial fibre-optic cables are available with special ancillary optics for differing fixed or variable focus distances, especially for the detection of small objects. Light spot sizes of from 1.3 mm to 0.65 mm can be achieved with focusable coaxial fibre-optic cables. Special cable variants are also available for hole detection.


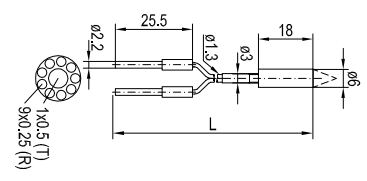


Focused light spot:

The three LLK1RDxV6 fixed focus variants with fixed focal distances (8/12/20 mm) offer maximum precision for small-part detection. The focus of the Varifocus LLK1RVV6 fibre-optic cable can be manually adjusted within a range of from 8 to 20 mm.

Fibre-optic cables – with focused optics

Fibre-optic cable	Proximity sensor (T) Photoelectric sensor (L)	Typical scanning distance/range	Light exit	Special features	For fibre-optic sensors
LLK1RD8V6-PE-1m	T	8 mm	Axial	<ul style="list-style-type: none"> 8 mm operating distance Very good small-part detection Small light spot 	FL 70 / FL 20
LLK1RD12V6-PE-1m	T	12 mm	Axial	<ul style="list-style-type: none"> 12 mm operating distance Very good small-part detection Small light spot 	FL 70 / FL 20
LLK1RD20V6-PE-1m	T	16 mm	Axial	<ul style="list-style-type: none"> 16 mm operating distance Very good small-part detection Small light spot 	FL 70 / FL 20
LLK1RVV6-PE-1m	T	8 ... 20 mm	Axial	<ul style="list-style-type: none"> Very good small-part detection Scanning distance and light spot size, adjustable from 8 to 20 mm 	FL 70 / FL 20
LLK2LV6-PE-1m	L	> 2000 mm	Axial	<ul style="list-style-type: none"> Very long range 	FL 70 / FL 20

LLK1RD8V6-PE-1m fibre-optic cable					Highlights						
					 <p>153-00362</p>						
Design	FL 70 typ. scanning distance (mm) Standard / Fine / High	FL 20 typ. scanning distance (mm) Default setting	Fibre arrangement	Suitable for ancillary lens	Core fibre Ø (mm) (T = Transmitter; R = Receiver) Material	Sheath material	Ambient temperature (rigid installation)	Fibre bending radius (mm)	Cable length	Collar bushing / ancillary optics	LS (mm)
Coaxial, focused 8 mm, spot Ø 0.6 mm	8 / 8 / 8	–	See drawing	–	9 x 0.25 (T) 1 x 0.5 (R) PMMA	Polyethylene (PE)	-40 ... +60 °C	15	1 m Cutable	Ø 6 mm Aluminium	–

Part number	Article number
LLK1RD8V6-PE-1m	951-50009


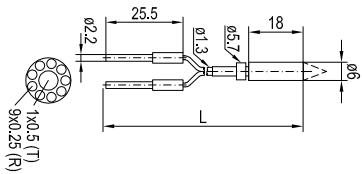
LLK1RD12V6-PE-1m fibre-optic cable						Highlights					
						<ul style="list-style-type: none"> • Photoelectric proximity sensor • Focused light spot at distance of 12.5 mm • For small-part detection • Fibre length individually cuttable • For FL 70/FL 20 devices 					
153-00362											
Design Light exit	FL 70 typ. scanning distance (mm) Standard / Fine / High	FL 20 typ. scanning distance (mm) Default setting	Fibre arrangement	Suitable for ancillary lens	Core fibre Ø (mm) (T = Transmitter; R = Receiver) Material	Sheath material	Ambient temperature (rigid installation)	Fibre bending radius (mm)	Cable length	Collar bushing / ancillary optics	LS (mm)
Coaxial, focused 12 mm, spot Ø 0.7 mm	12 / 12 / 12	–	See drawing	–	9 × 0.25 (T) 1 × 0.5 (R) PMMA	Polyethylene (PE)	-40 ... +60 °C	15	1 m Cuttable	Ø 6 mm Aluminium	–

Part number	Article number
LLK1RD12V6-PE-1m	951-50010


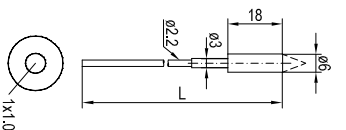
LLK1RD20V6-PE-1m fibre-optic cable						Highlights					
						<ul style="list-style-type: none"> • Photoelectric proximity sensor • Focused light spot at distance of 16 mm • For small-part detection • Fibre length individually cuttable • For FL 70/FL 20 devices 					
153-00362											
Design Light exit	FL 70 typ. scanning distance (mm) Standard / Fine / High	FL 20 typ. scanning distance (mm) Default setting	Fibre arrangement	Suitable for ancillary lens	Core fibre Ø (mm) (T = Transmitter; R = Receiver) Material	Sheath material	Ambient temperature (rigid installation)	Fibre bending radius (mm)	Cable length	Collar bushing / ancillary optics	LS (mm)
Coaxial, focused 16 mm, spot Ø 1.3 mm	16 / 16 / 16	–	See drawing	–	9 × 0.25 (T) 1 × 0.5 (R) PMMA	Polyethylene (PE)	-40 ... +60 °C	15	1 m Cuttable	Ø 6 mm Aluminium	–

Part number	Article number
LLK1RD20V6-PE-1m	951-50011

Fibre-optic cables – with focused optics

LLK1RVV6-PE-1m fibre-optic cable						Highlights						
						<ul style="list-style-type: none"> • Photoelectric proximity sensor • Focal distance of light spot adjustable between 8 – 20 mm • For small-part detection • Fibre length individually cuttable • For FL 70/FL 20 devices 						
153-00361												
Design	Light exit	FL 70 typ. scanning distance (mm) Standard / Fine / High	FL 20 typ. scanning distance (mm) Default setting	Fibre arrange- ment	Suitable for ancillary lens	Core fibre Ø (mm) (T = Transmitter; R = Receiver) Material	Sheath material	Ambient temperature (rigid installation)	Fibre bending radius (mm)	Cable length	Collar bushing / ancillary optics	LS (mm)
Coaxial, variable focus 8-20 mm, spot Ø 0.6-1.3 mm		8-20 / 8-20 / 8-20	–	See drawing	–	9 x 0.25 (T) 1 x 0.5 (R) PMMA	Polyethylene (PE)	-40 ... +60 °C	15	1 m Cuttable	Ø 6 mm Aluminium	–

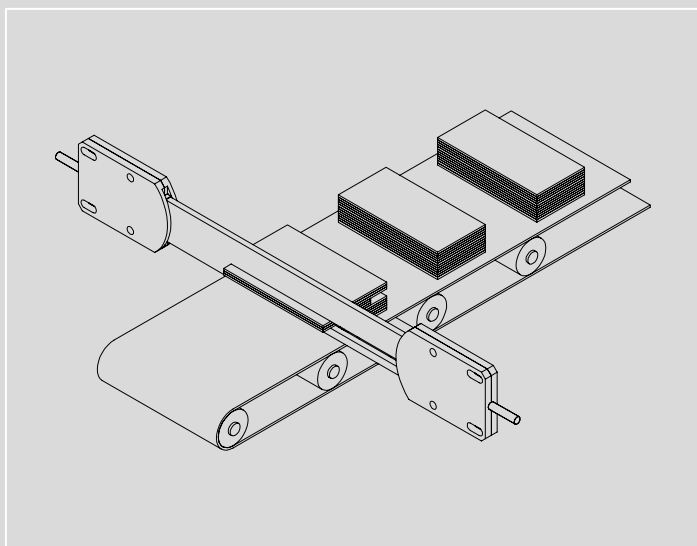
Part number	Article number
LLK1RVV6-PE-1m	951-50008

LLK2LV6-PE-1m fibre-optic cable						Highlights						
						<ul style="list-style-type: none"> • Through-beam photoelectric sensor • Expanded range due to ancillary lens • Fibre length individually cuttable • For FL 70/FL 20 devices 						
153-00456												
Design	Light exit	FL 70 typ. scanning distance (mm) Standard / Fine / High	FL 20 typ. scanning distance (mm) Default setting	Fibre arrange- ment	Suitable for ancillary lens	Core fibre Ø (mm) (T = Transmitter; R = Receiver) Material	Sheath material	Ambient temperature (rigid installation)	Fibre bending radius (mm)	Cable length	Collar bushing / ancillary optics	LS (mm)
Axial, collimation optics		> 2000 / > 2000 / > 2000	1000	See drawing	–	1 x 1.0 (T) 1 x 1.0 (R) PMMA	Polyethylene (PE)	-40 ... +60 °C	25	1 m Cuttable	Ø 6 mm Aluminium	–

Part number	Article number
LLK2LV6-PE-1m	950-50006

Fibre-optic cables – light strips

For edge control and area detection



Monitoring stack height

When an object enters the detection area of the LLK2SLR fibre-optic cable, the connected FL 70 RA sensor receives a weakened light signal. The transmitted analogue value is proportional to the light signal and thus allows monitoring of the stack height.

TYPICAL SENSOPART FIBRE-OPTIC CABLES

- Long ranges
- Several light strip widths available
- Special designs for harsh operating conditions



Cross-section converter

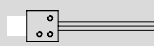
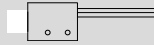

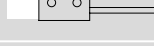
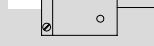

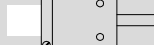
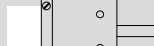
While the light exit of standard glass fibres is round, cross-section converters have a light exit that is designed as a rectangle or a thin line, for example.


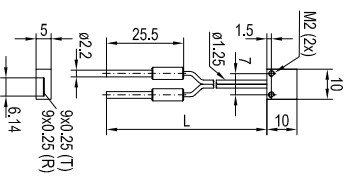
A light strip can be of advantage for particular applications, e.g. for edge control during the production of foils, paper, sheet metals or textiles, or for measuring thickness and position. For such cases, fibre-optic cables are used with a special light exit sleeve – a so-called cross-section converter that generates a wide rectangular light strip. Sensopart offers light strips in a variety of designs and materials.

LLK2SLR fibre-optic cables combined with the FL 70 RA fibre-optic sensor are of particular importance. This system allows determination of the size of objects in the optical path.

LLK2SLR fibre-optic cables spread a light strip in through-beam photoelectric sensor operation. When an object enters the optical path, the information is passed on to the FL 70 RA fibre-optic sensor which provides an absolute value via its analogue output. This allows, for example, the monitoring of stack heights, the sorting of small parts, the measurement of thicknesses and much more besides.

Fibre-optic cables – light strips

Fibre-optic cable	Proximity sensor (T) Photoelectric sensor (L)	Typical range	Light exit	Special features	For fibre-optic sensors
LLK1QRR10x10-PE-2m	 T	Up to 15 mm	Axial	<ul style="list-style-type: none"> Small design for restricted spaces Precise switching behaviour on lateral approach 	FL 70 / FL 20
LLK2QRR19x25-PE-2m	 T	Up to 15 mm	Axial	<ul style="list-style-type: none"> Precise switching behaviour on lateral approach 	FL 70 / FL 20
LLK2SLR10-PE-2m	 L	Up to 2000 mm	Axial	<ul style="list-style-type: none"> Small-part detection to 0.5 mm Wide detection area Long range 	FL 70 / FL 20
K2Q-12	 L	Up to 550 mm	Axial	<ul style="list-style-type: none"> Small design for restricted spaces 	FL 70 / FL 20
30 QL 0,2x10/...-Si	 L	Up to 500 mm	Axial	<ul style="list-style-type: none"> 10 mm light strip width Robust design 	FMS 18 / FMS 30 / FAV 30
30 QL 0,2x20/...-Si	 L	Up to 500 mm	Axial	<ul style="list-style-type: none"> 20 mm light strip width Robust design 	FMS 18 / FMS 30 / FAV 30
30 QL 0,2x30/...-Si	 L	Up to 500 mm	Axial	<ul style="list-style-type: none"> 30 mm light strip width Robust design 	FMS 18 / FMS 30 / FAV 30
30 QL 0,2x40/...-Si	 L	Up to 500 mm	Axial	<ul style="list-style-type: none"> 40 mm light strip width Long range Robust design 	FMS 18 / FMS 30 / FAV 30

LLK1QRR10x10-PE-2m fibre-optic cable						Highlights											
												<ul style="list-style-type: none"> Photoelectric proximity sensor For area monitoring or position detection Precise switching behaviour on lateral approach Elongated light exit (0.25 x 6.14 mm²) Fibre length individually cuttable For FL 70/FL 20 devices 					
153-00609																	
Design	FL 70 typ. scanning distance (mm) Standard / Fine / High	FL 20 typ. scanning distance (mm) Default setting	Fibre arrangement	Suitable for ancillary lens	Core fibre Ø (mm) (T = Transmitter; R = Receiver) Material	Sheath material	Ambient temperature (rigid installation)	Fibre bending radius (mm)	Cable length	Collar bushing / head	LS (mm)						
Cross-section converter line	1-15 / 1-15 / 1-15	1-15	See drawing	–	9 x 0.25 (T) 9 x 0.25 (R) PMMA	Polyethylene (PE)	-40 ... +70 °C	25	2 m Cuttable	10 x 10 x 5 mm M2 Brass, nickel-plated	–						

Part number	Article number
LLK1QRR10x10-PE-2m	750-11003


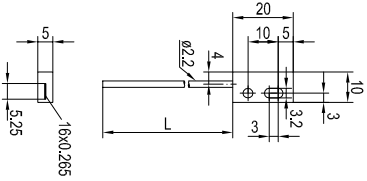
LLK2QRR19x25-PE-2m fibre-optic cable						Highlights					
						<ul style="list-style-type: none"> • Photoelectric proximity sensor • For area monitoring or position detection • Precise switching behaviour on lateral approach • Elongated light exit (0.25 x 11 mm²) • Fibre length individually cuttable • For FL 70/FL 20 devices 					
Design	FL 70	FL 20	Fibre	Suitable	Core fibre	Sheath	Ambient	Fibre	Cable	Collar	LS
Light exit	typ. scanning distance (mm)	typ. scanning distance (mm)	arrangement	for ancillary lens	Ø (mm)	material	temperature (rigid installation)	bending radius (mm)	length	bushing / head	(mm)
	Standard / Fine / High	Default setting			(T = Transmitter; R = Receiver) Material						
Cross-section converter line	1-15 / 1-15 / 1-15	1-15	See drawing	–	16 x 0.25 (T) 16 x 0.25 (R) PMMA	Polyethylene (PE)	-40 ... +70 °C	25	2 m Cutable	19 x 25 x 6 mm M3 Brass, nickel-plated	–

Part number	Article number
LLK2QRR19x25-PE-2m	750-11004


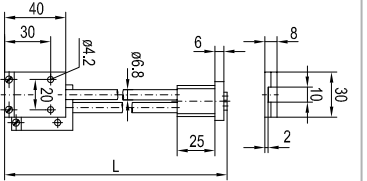
LLK2SLR10-PE-2m fibre-optic cable						Highlights					
						<ul style="list-style-type: none"> • Through-beam photoelectric sensor • Wide detection range (15 mm) • Small-part detection to 0.5 mm • Flexible mounting possibilities • For measuring thickness and position • Long range • High-quality glass optics • Parallel beam guidance • Robust metal housing • For FL 70/FL 20 devices 					
Design	FL 70	FL 20	Fibre	Suitable	Core fibre	Sheath	Ambient	Fibre	Cable	Collar	LS
Light exit	typ. scanning distance (mm)	typ. scanning distance (mm)	arrangement	for ancillary lens	Ø (mm)	material	temperature (rigid installation)	bending radius (mm)	length	bushing / head	(mm)
	Standard / Fine / High	Default setting			(T = Transmitter; R = Receiver) Material						
Axial	600-1500 / 0-600 / 1300-2000	1-15	–	–	1 x 0.25 PMMA Glass optics	Polyethylene (PE)	-20 ... +60 °C	25	2 m Cutable	See drawing	–

Part number	Article number
LLK2SLR10-PE-2m	952-50001

Fibre-optic cables – light strips

K2Q-12 fibre-optic cable						Highlights					
						<ul style="list-style-type: none"> • Through-beam photoelectric sensor • Light strip for position detection or area monitoring • Fibre length individually cuttable • For FL 70/FL 20 devices 					
		153-00275									
Design Light exit	FL 70 typ. scanning distance (mm) Standard / Fine / High	FL 20 typ. scanning distance (mm) Default setting	Fibre arrangement	Suitable for ancillary lens	Core fibre Ø (mm) (T = Transmitter; R = Receiver) Material	Sheath material	Ambient temperature (rigid installation)	Fibre bending radius (mm)	Cable length	Collar bushing / head	LS (mm)
Cross-section converter	250 / 155 / 550	130	See drawing	–	16 x 0.265 (T) 16 x 0.265 (R) PMMA	Polyethylene (PE)	-40 ... +70 °C	15	2 m Cuttable	20 x 10 mm Brass, nickel-plated	–

Part number	Article number
K2Q-12	952-50000

30 QL 0,2x10/...-Si fibre-optic cable					Highlights					
					<ul style="list-style-type: none"> • Through-beam photoelectric sensor • Cross-section converter • 10 mm light exit • Robust design with silicone sheath • -20 ... +160 °C • For FMS/FAV devices 					
		153-00176								
Fibre arrangement Light exit	FAV 30 Distance: transmitter – receiver (mm)	Operating range (mm)	Core fibre Ø (mm) (T=Transmitter;R=Receiver) Material	Sheath material	Ambient temperature (rigid installation)	Bending radius (mm)	Cable length (m)	Collar bushing / head	LS (mm)	
Cross-section converter	50 - 80	6	0.2 x 10 (T) / 0.2 x 10 (R) Glass	Silicone (Si)	-20 ... +160 °C	25	See Selection Table	See drawing	–	

Length (m)	Part number	Article number
0.5	30 QL 0,2x10/500-Si	974-09621
1	30 QL 0,2x10/1000-Si	974-09617


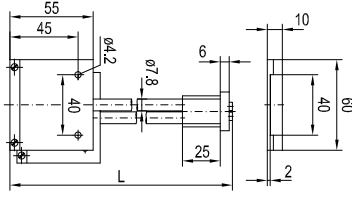
30 QL 0,2x20/...-Si fibre-optic cable				Highlights						
				<ul style="list-style-type: none"> • Through-beam photoelectric sensor • Cross-section converter • 20 mm light exit • Robust design with silicone sheath • -20 ... +160 °C • For FMS/FAV devices 						
Fibre arrangement Light exit	FAV 30 Distance: transmitter – receiver (mm)	Operating range (mm)	Core fibre Ø (mm) (T=Transmitter; R=Receiver) Material	Sheath material	Ambient temperature (rigid installation)	Bending radius (mm)	Cable length (m)	Collar bushing / head	LS (mm)	
Cross-section converter	50 - 200	12	0,2 x 20 (T) / 0,2 x 20 (R) Glass	Silicone (Si)	-20 ... +160 °C	25	See Selection Table	See drawing	–	

Length (m)	Part number	Article number
0,5	30 QL 0,2x20/500-Si	974-09622
1	30 QL 0,2x20/1000-Si	974-09618

30 QL 0,2x30/...-Si fibre-optic cable				Highlights						
				<ul style="list-style-type: none"> • Through-beam photoelectric sensor • Cross-section converter • 30 mm light exit • Robust design with silicone sheath • -20 ... +160 °C • For FMS/FAV devices 						
Fibre arrangement Light exit	FAV 30 Distance: transmitter – receiver (mm)	Operating range (mm)	Core fibre Ø (mm) (T=Transmitter; R=Receiver) Material	Sheath material	Ambient temperature (rigid installation)	Bending radius (mm)	Cable length (m)	Collar bushing / head	LS (mm)	
Cross-section converter	100 - 300	18	0,2 x 30 (T) / 0,2 x 30 (R) Glass	Silicone (Si)	-20 ... +160 °C	25	See Selection Table	See drawing	–	

Length (m)	Part number	Article number
0,5	30 QL 0,2x30/500-Si	974-09623
1	30 QL 0,2x30/1000-Si	974-09619

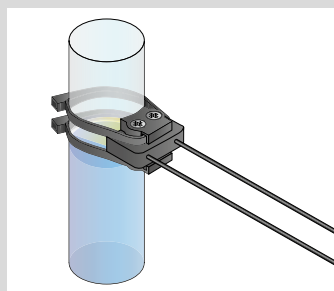
Fibre-optic cables – light strips

30 QL 0,2x40/...-Si fibre-optic cable				Highlights					
				<ul style="list-style-type: none"> • Through-beam photoelectric sensor • Cross-section converter • 40 mm light exit • Robust design with silicone sheath • -20 ... 160 °C • For FMS/FAV devices 					
Fibre arrangement	FAV 30	Operating range (mm)	Core fibre Ø (mm)	Sheath material	Ambient temperature (rigid installation)	Bending radius (mm)	Cable length (m)	Collar bushing / head	LS (mm)
Light exit	Distance: transmitter – receiver (mm)		(T=Transmitter; R=Receiver) Material						
Cross-section converter	220 - 500	24	0.2 x 40 (T) / 0.2 x 40 (R) Glass	Silicone (Si)	-20 ... +160 °C	25	See Selection Table	See drawing	–

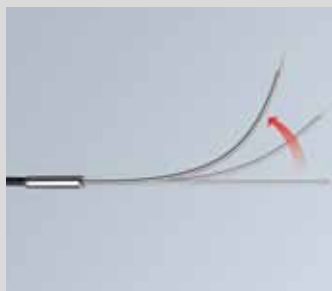
Length (m)	Part number	Article number
0.5	30 QL 0,2x40/500-Si	974-09624
1	30 QL 0,2x40/1000-Si	974-09620

Fibre-optic cables – special designs

Fibre-optic cables for special requirements



Level measurement with fibre-optic cables: This photoelectric proximity sensor can be mounted on transparent vessels, pipes and tubes with diameters of 6 to 26 mm. Reliable detection of liquids and levels is guaranteed – even with non-transparent liquids.



Flexible scanning heads
The bundle of glass-fibres in a fibre-optic cable ends with a flexible scanning head in a small, thin, bendable stainless steel tube. This tube can be bent into the necessary shape for mounting in hard-to-reach locations.

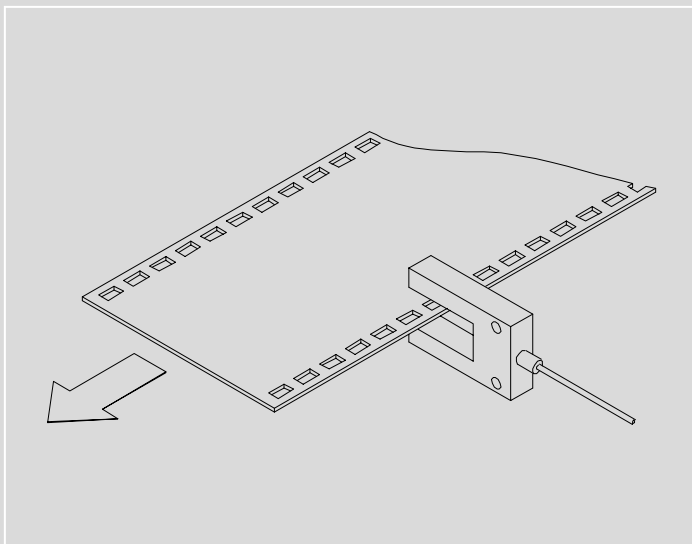
TYPICAL SENSOPART FIBRE-OPTIC CABLES

- Fine, flexible stainless steel tips for highly restricted and hard-to-reach installation locations
- V-scanners with small, flexible mounting heads for detecting small objects
- Prismatic scanners and V-scanners for monitoring liquids and filling levels
- Fork sensors in particularly small housings
- Compact installation dimensions
- Reliable detection

SensoPart offers a variety of special fibre-optic cable designs for particular applications and installation situations. Fork sensors, for example: in the fork design, the transmitter and receiver are precisely adjusted towards one another so that no alignment is necessary. Typical applications are the reliable detection of marks on continuous strips and small-part detection from a diameter of 0.2 mm.

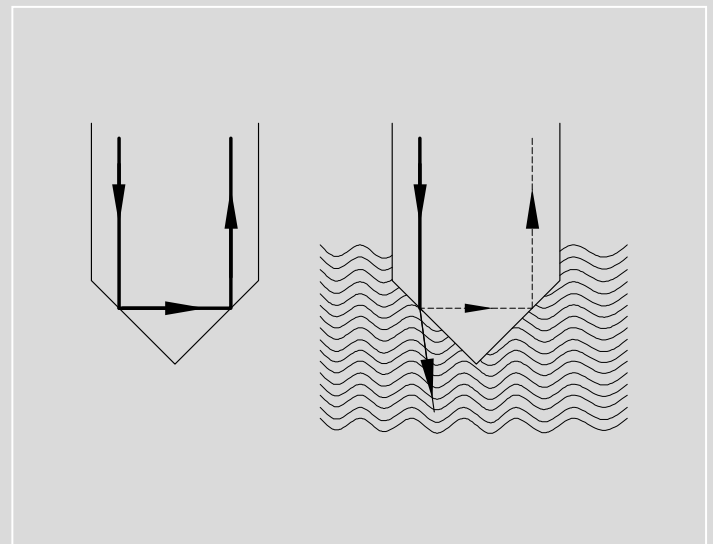
Fibre-optic cables with very fine, flexible stainless steel tips are another highlight. The extraordinarily thin tube diameter allows access to extremely restricted spaces. The stainless steel tip can be individually reshaped with small bending radii and remains stable in this position. This ensures smooth process operation.

Particularly precise filling level monitoring is achieved by level sensors with glass tips. The sensor operates according to the principle of total reflection. The transmitted light is totally reflected in air in the prismatic tip and reaches the receiver without any appreciable loss. If the tip is now immersed in liquid, the refractive index changes and some of the light is refracted in the liquid. The light now arriving at the receiver is dampened and the sensor switches.



Perforation detection with a fork sensor

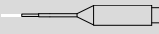
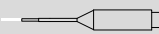
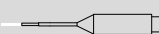
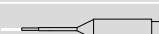

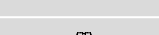

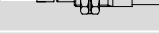
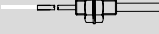
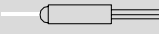
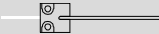
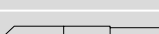




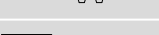

The fork sensor reliably detects the pattern of holes on the strip. Simple alignment and mounting, as well as its reliable detection principle, ensures trouble-free production processes.


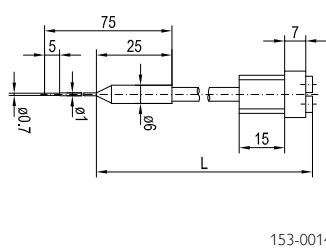


Method of function of the prismatic scanner


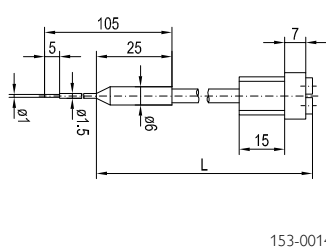
If the glass prism of the prismatic scanner is in air (left), total reflection results in almost all the light energy being reflected back to the receiver element of the fibre-optic sensor. If the refractive index of the surrounding liquid medium is large enough ($n > 1.20$), most of the light energy is coupled on the interface of the prismatic tip. The fibre-optic sensor switches.

Fibre-optic cables – special designs

Fibre-optic cable	Proximity sensor (T) Photoelectric sensor (L)	Typical range	Light exit	Special features	For fibre-optic sensors
18/30 R 0,5/xxxx-Si	 T	Up to 3 mm	Axial	<ul style="list-style-type: none"> Very fine bendable stainless steel tip For restricted spaces 	FMS 18 / FMS 30 / FAV 30
18/30 R 1,5/xxxx-Si	 T	Up to 15 mm	Axial	<ul style="list-style-type: none"> Bendable stainless steel tip For restricted spaces 	FMS 18 / FMS 30 / FAV 30
18/30 L 0,5/xxxx-Si	 L	Up to 20 mm	Axial	<ul style="list-style-type: none"> Very fine bendable stainless steel tip For restricted spaces 	FMS 18 / FMS 30 / FAV 30
18/30 L 1,5/xxxx-Si	 L	Up to 100 mm	Axial	<ul style="list-style-type: none"> Bendable stainless steel tip For restricted spaces 	FMS 18 / FMS 30 / FAV 30
K1R-103	 T	Up to 105 mm	Axial	<ul style="list-style-type: none"> Very fine bendable stainless steel tip For restricted spaces 	FL 70 / FL 20
K2R-100	 T	Up to 290 mm	Axial	<ul style="list-style-type: none"> Bendable stainless steel tip For restricted spaces 	FL 70 / FL 20
K2L-203	 L	Up to 190 mm	Axial	<ul style="list-style-type: none"> Very fine bendable stainless steel tip For restricted spaces 	FL 70 / FL 20
K2L-204	 L	Up to 720 mm	Axial	<ul style="list-style-type: none"> Bendable stainless steel tip For restricted spaces 	FL 70 / FL 20
K1R-104	 T	Up to 205 mm	Axial	<ul style="list-style-type: none"> Small-part and hole detection 	FL 70 / FL 20
LLK1L10x10-PE-2m	 L	Up to 220 mm	Axial	<ul style="list-style-type: none"> Particularly flat and flexible mounting head Fibre length individually cutable 	FL 70 / FL 20
18/30 RP 2/xxxx-Si	 T	–	–	<ul style="list-style-type: none"> Prismatic scanner for level detection Stainless steel head with glass prism 	FMS 18 / FMS 30 / FAV 30
LLK2PR2-PE-2m	 T	–	–	<ul style="list-style-type: none"> Prismatic scanner for level detection Stainless steel head with glass prism 	FL 70 / FL 20
LLK1VRR22x15-PE-2m	 T	–	V-scanner	<ul style="list-style-type: none"> V-scanner for liquid or level detection Small housing 	FL 70 / FL 20
18/30 R 12/xxxx-N-02	 T	Up to 800 mm	Axial	<ul style="list-style-type: none"> Long range Immune to contamination Up to 250 °C 	FMS 18 / FMS 30 / FAV 30
LLK1VRF5-PE-2m	 T	4 mm	V-scanner	<ul style="list-style-type: none"> V-scanner with lateral light exit Small housing 	FL 70 / FL 20
LLK1VRF17x18-PE-2m	 T	7 mm	V-scanner	<ul style="list-style-type: none"> V-scanner with lateral light exit Small housing 	FL 70 / FL 20
LLK1GL5-PE-2m	 L	5 mm	Fork sensor	<ul style="list-style-type: none"> Very compact housing 	FL 70 / FL 20
LLK1GL10-PE-2m	 L	10 mm	Fork sensor	<ul style="list-style-type: none"> Very compact housing 	FL 70 / FL 20

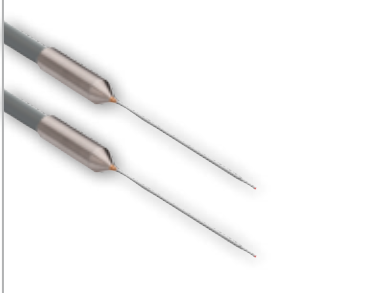
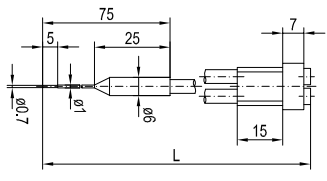
18/30 R 0,5/...-Si fibre-optic cable					Highlights				
					<ul style="list-style-type: none"> • Photoelectric proximity sensor • Very fine bendable stainless steel tip • Small axial light exit • Robust design with silicone sheath • -20 ... 160 °C • Fixing via mounting block MB 6 (Article number 903-05139) • For FMS/FAV devices 				
Fibre arrangement	FMS 18 typ. scanning distance/range (mm)	FMS 30 typ. scanning distance/range (mm)	Core fibre Ø (mm) material	Sheath material	Ambient temperature (rigid installation)	Bending radius (mm)	Cable length (m)	Collar bushing Ø (mm)	LS (mm)
Axial	1	3	1 × 0.4 Glass	Silicone (Si)	-20 ... 160 °C	15 (Si sheath) 5 (tip)	See Selection Table	6	-

Length (m)	Part number	Article number
0.25	18/30 R 0,5/250-Si	979-08069
0.5	18/30 R 0,5/500-Si	979-08097
1	18/30 R 0,5/750-Si	979-08070
2	18/30 R 0,5/1000-Si	979-08098


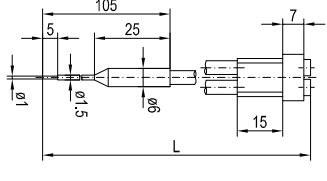
18/30 R 1,5/...-Si fibre-optic cable					Highlights				
					<ul style="list-style-type: none"> • Photoelectric proximity sensor • Bendable stainless steel tip • Small axial light exit • Robust design with silicone sheath • -20 ... +160 °C • Fixing via mounting block MB 6 (Article number 903-05139) • For FMS/FAV devices 				
Fibre arrangement	FMS 18 typ. scanning distance/range (mm)	FMS 30 typ. scanning distance/range (mm)	Core fibre Ø (mm) material	Sheath material	Ambient temperature (rigid installation)	Bending radius (mm)	Cable length (m)	Collar bushing Ø (mm)	LS (mm)
Axial	5	15	1 × 0.8 Glass	Silicone (Si)	-20 ... 160 °C	15 (Si sheath) 5 (tip)	See Selection Table	6	-

Length (m)	Part number	Article number
0.25	18/30 R 1,5/250-Si	979-08085
0.5	18/30 R 1,5/500-Si	979-08086
0.75	18/30 R 1,5/750-Si	979-08409
1	18/30 R 1,5/1000-Si	979-08087
1.5	18/30 R 1,5/1500-Si	979-08410
2	18/30 R 1,5/2000-Si	979-08088

Fibre-optic cables – special designs

18/30 L 0,5/...-Si fibre-optic cable				Highlights						
				<ul style="list-style-type: none"> • Through-beam photoelectric sensor • Flexible, bendable stainless steel tip • Small axial light exit • Robust design with silicone sheath • -20 ... +160 °C • Fixing via mounting block MB 6 (Article number 903-05139) • For FMS/FAV devices 						
		153-00144								
Fibre arrangement	FMS 18 typ. scanning distance/ range (mm)	FMS 30 typ. scanning distance/ range (mm)	Core fibre Ø (mm) (T=Transmitter; R=Receiver) Material	Sheath material	Ambient temperature (rigid installation)	Bending radius (mm)	Cable length (m)	Collar bushing Ø (mm)	LS (mm)	
Axial	10	20	1 x 0.4 (T) / 1 x 0.4 (R) Glass	Silicone (Si)	-20 ... +160 °C	15 (Si sheath) 5 (tip)	See Selection Table	6	-	

Length (m)	Part number	Article number
0.25	18/30 L 0,5/250-Si	978-08218
0.5	18/30 L 0,5/500-Si	978-08246
0.75	18/30 L 0,5/750-Si	978-08219
1	18/30 L 0,5/1000-Si	978-08247

18/30 L 1,5/...-Si fibre-optic cable				Highlights						
				<ul style="list-style-type: none"> • Through-beam photoelectric sensor • Flexible, bendable stainless steel tip • Small axial light exit • Robust design with silicone sheath • -20 ... +160 °C • Fixing via mounting block MB 6 (Article number 903-05139) • For FMS/FAV devices 						
		153-00150								
Fibre arrangement	FMS 18 typ. scanning distance/ range (mm)	FMS 30 typ. scanning distance/ range (mm)	Core fibre Ø (mm) (T=Transmitter; R=Receiver) Material	Sheath material	Ambient temperature (rigid installation)	Bending radius (mm)	Cable length (m)	Collar bushing Ø (mm)	LS (mm)	
Axial	80	100	1 x 0.8 (T) / 1 x 0.8 (R) Glass	Silicone (Si)	-20 ... +160 °C	15 (Si sheath) 5 (tip)	See Selection Table	6	-	

Length (m)	Part number	Article number
0.25	18/30 L 1,5/250-Si	978-08234
0.5	18/30 L 1,5/500-Si	978-08235
0.75	18/30 L 1,5/750-Si	978-08569
1	18/30 L 1,5/1000-Si	978-08236
1.5	18/30 L 1,5/1500-Si	978-08570
2	18/30 L 1,5/2000-Si	978-08237

K1R-103 fibre-optic cable					Highlights						
					<ul style="list-style-type: none"> • Photoelectric proximity sensor • Very fine bendable stainless steel tip • Particularly suitable for restricted spaces • Fibre length individually cuttable • For FL 70/FL 20 devices 						
Design Light exit	FL 70 typ. scanning distance (mm) Standard / Fine / High	FL 20 typ. scanning distance (mm) Default setting	Fibre arrangement	Suitable for ancillary lens	Core fibre Ø (mm) (T = Transmitter; R = Receiver) Material	Sheath material	Ambient temperature (rigid installation)	Fibre bending radius (mm)	Cable length	Collar bushing	LS (mm)
Mono / axial Bendable tip	60 / 20 / 105	–	See drawing	–	2 x 0.5 (T/R) PMMA	Polyethylene (PE)	-40 ... +70 °C	25	2 m Cuttable	M3 Stainless steel	–

Part number	Article number
K1R-103	720-50769

K2R-100 fibre-optic cable					Highlights						
					<ul style="list-style-type: none"> • Photoelectric proximity sensor • Bendable stainless steel tip • Particularly suitable for restricted spaces • Robust design • Fibre length individually cuttable • For FL 70/FL 20 devices 						
Design Light exit	FL 70 typ. scanning distance (mm) Standard / Fine / High	FL 20 typ. scanning distance (mm) Default setting	Fibre arrangement	Suitable for ancillary lens	Core fibre Ø (mm) (T = Transmitter; R = Receiver) Material	Sheath material	Ambient temperature (rigid installation)	Fibre bending radius (mm)	Cable length	Collar bushing	LS (mm)
Mono/axial	140 / 70 / 290	70	See drawing	–	2 x 1.0 (T/R) PMMA	Polyethylene (PE)	-40 ... +70 °C	25	2 m Cuttable	M6x0.75 Stainless steel	–

Part number	Article number
K2R-100	720-50770

Fibre-optic cables – special designs

K2L-203 fibre-optic cable						Highlights					
						<ul style="list-style-type: none"> • Through-beam photoelectric sensor • Very fine bendable stainless steel tip • Particularly suitable for restricted spaces • Fibre length individually cuttable • For FL 70/FL 20 devices 					
		153-00085									
Design	FL 70	FL 20	Fibre	Suitable	Core fibre	Sheath	Ambient	Fibre	Cable	Collar	LS
Light exit	typ. scanning distance (mm)	typ. scanning distance (mm)	arrangement	for ancillary lens	Ø (mm)	material	temperature (rigid installation)	bending radius (mm)	length	bushing	(mm)
	Standard / Fine / High	Default setting			(T = Transmitter; R = Receiver)						
Mono / axial	120 / 60 / 190	–	See drawing	–	1 x 0.5 (T) 1 x 0.5 (R) PMMA	Polyethylene (PE)	-40 ... +70 °C	15	2 m Cuttable	M3 Stainless steel	–
Bendable tip											

Part number	Article number
K2L-203	721-50773

K2L-204 fibre-optic cable						Highlights					
						<ul style="list-style-type: none"> • Through-beam photoelectric sensor • Very fine bendable stainless steel tip • Particularly suitable for restricted spaces • Fibre length individually cuttable • For FL 70/FL 20 devices 					
		153-00086									
Design	FL 70	FL 20	Fibre	Suitable	Core fibre	Sheath	Ambient	Fibre	Cable	Collar	LS
Light exit	typ. scanning distance (mm)	typ. scanning distance (mm)	arrangement	for ancillary lens	Ø (mm)	material	temperature (rigid installation)	bending radius (mm)	length	bushing	(mm)
	Standard / Fine / High	Default setting			(T = Transmitter; R = Receiver)						
Mono / axial	350 / 195 / 720	180	See drawing	–	1 x 1.0 (T) 1 x 1.0 (R) PMMA	Polyethylene (PE)	-40 ... +70 °C	25	2 m Cuttable	M4 Stainless steel	–
Bendable tip											

Part number	Article number
K2L-204	721-50774


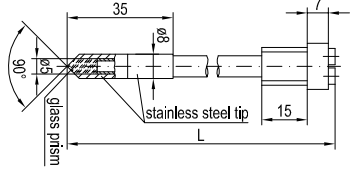
K1R-104 fibre-optic cable						Highlights					
						<ul style="list-style-type: none"> • Photoelectric proximity sensor • For detecting small parts and holes • Spherical optics for cylindrical light beam • Precise switching behaviour on lateral approach • Fibre length individually cuttable • For FL 70/FL 20 devices 					
153-00305											
Design Light exit	FL 70 typ. scanning distance (mm) Standard / Fine / High	FL 20 typ. scanning distance (mm) Default setting	Fibre arrangement	Suitable for ancillary lens	Core fibre Ø (mm) (T = Transmitter; R = Receiver) Material	Sheath material	Ambient temperature (rigid installation)	Fibre bending radius (mm)	Cable length	Collar bushing	LS (mm)
Spherical optics	80 / 45 / 205	–	See drawing	–	2 x 0.5 (T/R) PMMA	Polyethylene (PE)	-40 ... +70 °C	15	2 m Cuttable	Ø 4 mm Stainless steel	–

Part number	Article number
K1R-104	841-21006


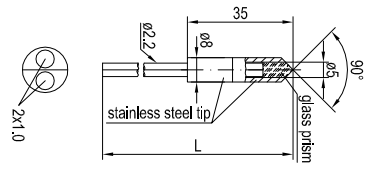
LLK1L10x10-PE-2m fibre-optic cable						Highlights					
						<ul style="list-style-type: none"> • Through-beam photoelectric sensor • Very small bending radius • Particularly flat and flexible mounting head • Fibre length individually cuttable • For FL 70/FL 20 devices 					
153-00620											
Design Light exit	FL 70 typ. scanning distance (mm) Standard / Fine / High	FL 20 typ. scanning distance (mm) Default setting	Fibre arrangement	Suitable for ancillary lens	Core fibre Ø (mm) (T = Transmitter; R = Receiver) Material	Sheath material	Ambient temperature (rigid installation)	Fibre bending radius (mm)	Cable length	Collar bushing	LS (mm)
Flat measurement head	120 / 50 / 220	–	See drawing	–	1 x 0.5 (T) 1 x 0.5 (R) PMMA	Polyethylene (PE)	-40 ... +70 °C	1	2 m Cuttable	10 x 10 mm ² M2 Brass, nickel-plated	–

Part number	Article number
LLK1L10x10-PE-2m	750-11010

Fibre-optic cables – special designs

18/30 RP 2 /-Si fibre-optic cable				Highlights						
				<ul style="list-style-type: none"> • Prismatic scanner for liquid and level detection • Radial light exit • Robust design with silicone sheath • -20 ... +120 °C • Fixing via mounting block MB 8 (Article number 903-05141) • For FMS/FAV devices 						
		153-00184								
Fibre arrangement	FMS 18 typ. scanning distance/range (mm)	FMS 30 typ. scanning distance/range (mm)	Core fibre Ø (mm) material	Sheath material	Ambient temperature (rigid installation)	Bending radius (mm)	Cable length (m)	Collar bushing Ø (mm)	LS (mm)	
Axial	–	–	2 x 1.6 Glass	Silicone (Si)	-25 ... +120 °C	20	See Selection Table	8 Stainless steel	See Selection Table	

Length (m)	Part number	Article number
0.25	18/30 RP 2/250-Si	975-06584
0.5	18/30 RP 2/500-Si	975-06585
1	18/30 RP 2/1000-Si	975-06586
2	18/30 RP 2/2000-Si	975-06587

LLK2PR2-PE-2m fibre-optic cable					Highlights						
					<ul style="list-style-type: none"> • Prismatic scanner for liquid and level detection • Fibre length individually cuttable • For FL 70/FL 20 devices 						
		153-00625									
Design	FL 70 typ. scanning distance (mm) Standard / Fine / High	FL 20 typ. scanning distance (mm) Default setting	Fibre arrangement	Suitable for ancillary lens	Core fibre Ø (mm) (T = Transmitter; R = Receiver) Material	Sheath material	Ambient temperature (rigid installation)	Fibre bending radius (mm)	Cable length	Collar bushing	LS (mm)
Prismatic scanner	–	–	See drawing	–	2 x 1.0 (T/R) PMMA	Polyethylene (PE)	-40 ... +70 °C	25	2 m Cutable	Ø 8 mm Stainless steel	–

Part number	Article number
LLK2PR2-PE-2m	951-50013


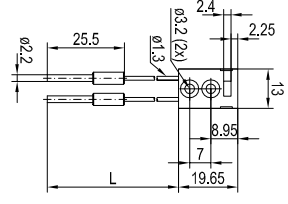
LLK1VRR22x15-PE-2m fibre-optic cable						Highlights						
						<ul style="list-style-type: none"> • V-scanner for liquid and level detection in transparent vessels or tubes • Small housing • Fibre length individually cuttable • For FL 70/FL 20 devices 						
153-00606												
Design	Light exit	FL 70 typ. scanning distance (mm) Standard / Fine / High	FL 20 typ. scanning distance (mm) Default setting	Fibre arrange- ment	Suitable for ancillary lens	Core fibre Ø (mm) (T = Transmitter; R = Receiver) Material	Sheath material	Ambient temperature (rigid installation)	Fibre bending radius (mm)	Cable length	Collar bushing	LS (mm)
V-scanner		Ø 6-26 / Ø 6-26 / Ø 6-26	Ø 6-26	-	-	2 x 0.5 (T/R) PMMA	Polyethylene (PE)	-40 ... +70 °C	15	2 m Cuttable	15.5 x 22 x 11 mm ³ Polycarbonate (PC)	-

Part number	Article number
LLK1VRR22x15-PE-2m	750-11006


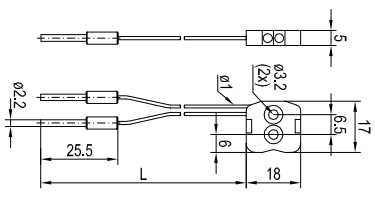
30 R 12/...-N-02 fibre-optic cable					Highlights					
					<ul style="list-style-type: none"> • Photoelectric proximity sensor • Axial light exit • High scanning distance/range • Extremely robust design with stainless steel sheath • -25 ... +250 °C • For FMS/FAV devices 					
153-00171										
Fibre arrangement	Light exit	FMS 18 typ. scanning distance/ range (mm)	FMS 30 typ. scanning distance/ range (mm)	Core fibre Ø (mm) material	Sheath material	Ambient temperature (rigid installation)	Bending radius (mm)	Cable length (m)	Collar bushing Ø (mm)	LS (mm)
Axial		-	800	2 x 3.5 Glass	Stainless steel, helical sleeve	-25 ... +250 °C	45 (once) 100 (more than once)	See Selection Table	M18 x 1	-

Length (m)	Part number	Article number
0.5	30 R 12/500-N-02	979-05281
0.75	30 R 12/750-N-02	979-50546
1	30 R 12/1000-N-02	979-05280
1.5	30 R 12/1500-N-02	979-05279
2	30 R 12/2000-N-02	979-05278

Fibre-optic cables – special designs

LLK1VRF5-PE-2m fibre-optic cable						Highlights						
						<ul style="list-style-type: none"> • V-scanner with lateral light exit • Small housing • Precise switching behaviour within operating range • Fibre length individually cuttable • For FL 70/FL 20 devices 						
153-00611												
Design	Light exit	FL 70 typ. scanning distance (mm) Standard / Fine / High	FL 20 typ. scanning distance (mm) Default setting	Fibre arrange- ment	Suitable for ancillary lens	Core fibre Ø (mm) (T = Transmitter; R = Receiver) Material	Sheath material	Ambient temperature (rigid installation)	Fibre bending radius (mm)	Cable length	Collar bushing	LS (mm)
V-scanner	Transp. Media Radial	4 / 4 / 4	4	–	–	2 x 1.0 (T/R) PMMA	Polyethylene (PE)	-40 ... +70 °C	25	2 m Cuttable	19,6 x 13 x 5 mm ³ M3 ABS plastic	–

Part number	Article number
LLK1VRF5-PE-2m	750-11005

LLK1VRF17x18-PE-2m fibre-optic cable						Highlights						
						<ul style="list-style-type: none"> • V-scanner with lateral light exit • Small housing • Precise switching behaviour within operating range • Fibre length individually cuttable • For FL 70/FL 20 devices 						
153-00619												
Design	Light exit	FL 70 typ. scanning distance (mm) Standard / Fine / High	FL 20 typ. scanning distance (mm) Default setting	Fibre arrange- ment	Suitable for ancillary lens	Core fibre Ø (mm) (T = Transmitter; R = Receiver) Material	Sheath material	Ambient temperature (rigid installation)	Fibre bending radius (mm)	Cable length	Collar bushing	LS (mm)
V-scanner		7 / 7 / 7	–	–	–	2 x 0.5 (T/R) PMMA	Polyethylene (PE)	-40 ... +70 °C	15	2 m Cuttable	17 x 18 x 5 mm ³ M3 Polycarbonate (PC)	–

Part number	Article number
LLK1VRF17x18-PE-2m	750-11009

LLK1GL5-PE-2m fibre-optic cable						Highlights					
						<ul style="list-style-type: none"> Fork sensor with very compact housing Fibre length individually cuttable For FL 70/FL 20 devices 					
						153-00607					
Design Light exit	FL 70 typ. scanning distance (mm) Standard / Fine / High	FL 20 typ. scanning distance (mm) Default setting	Fibre arrangement	Suitable for ancillary lens	Core fibre Ø (mm) (T = Transmitter; R = Receiver) Material	Sheath material	Ambient temperature (rigid installation)	Fibre bending radius (mm)	Cable length	Collar bushing	LS (mm)
Fork sensor 5 mm	5 / 5 / 5	5	–	–	1 × 0.25 (T) 1 × 0.25 (R) PMMA	Polyethylene (PE)	-40 ... +70 °C	10	2 m Cuttable	31,7×20×7mm ³ M3 ABS plastic	–

Part number	Article number
LLK1GL5-PE-2m	750-11008

LLK1GL10-PE-2m fibre-optic cable						Highlights					
						<ul style="list-style-type: none"> Fork sensor with very compact housing Fibre length individually cuttable For FL 70/FL 20 devices 					
						153-00608					
Design Light exit	FL 70 typ. scanning distance (mm) Standard / Fine / High	FL 20 typ. scanning distance (mm) Default setting	Fibre arrangement	Suitable for ancillary lens	Core fibre Ø (mm) (T = Transmitter; R = Receiver) Material	Sheath material	Ambient temperature (rigid installation)	Fibre bending radius (mm)	Cable length	Collar bushing	LS (mm)
Fork sensor 10 mm	10 / 10 / 10	10	–	–	1 × 0.25 (T) / 1 × 0.25 (R) PMMA	Polyethylene (PE)	-40 ... +70 °C	10	2 m Cuttable	40,7×15×7mm ³ M3 ABS plastic	–

Part number	Article number
LLK1GL10-PE-2m	750-11007

Fibre-optic cables – accessories

Everything needed for using fibre-optic cable systems



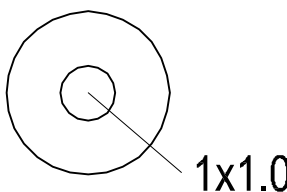
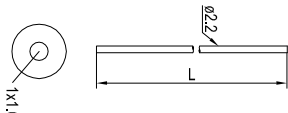
TYPICAL SENSOPART FIBRE-OPTIC CABLES

- Ancillary lenses for expanding the range of standard fibre-optic cables
- Deflection head for restricted spaces
- Connection adapter for all conventional fibre-optic sensors
- Precise shortening and bending of fibre-optic cables with almost no performance loss

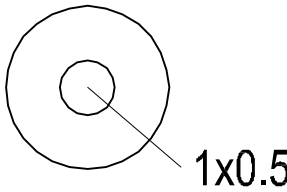
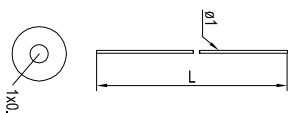
From products “by the metre” to ancillary lenses – SensoPart offers all the accessories necessary for the use of fibre-optic sensors. The comprehensive range also includes a special combination tool with which the sensitive fibre-optic cables can be shortened and bent with almost no performance loss.

Fibre-optic cables – accessories

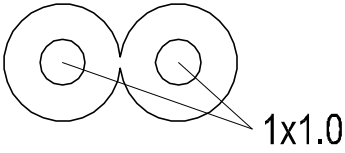
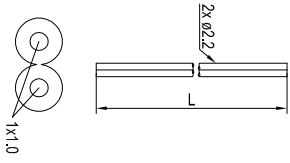
- Metre goods
- Adapters
- Cutting tool
- Ancillary lenses

K2L 1,0 POF simplex fibre-optic cable				Highlights		
				<ul style="list-style-type: none"> • Simplex plastic fibre-optic cable • Fibre length individually cuttable 		
		153-01034				
Core fibre Ø (mm)	Fibre material	External diameter (mm)	Sheath material	Numerical aperture	Damping at 650 nm (dB/km)	Fibre bending radius (mm)
1 x 1.0	PMMA	2.2	Polyethylene (PE)	0.5	≤ 150	25


Part number	Article number
K2L 1,0 POF simplex	978-51680

K2L 0,5 POF simplex fibre-optic cable				Highlights		
				<ul style="list-style-type: none"> • Simplex plastic fibre-optic cable • Fibre length individually cuttable 		
		153-01035				
Core fibre Ø (mm)	Fibre material	External diameter (mm)	Sheath material	Numerical aperture	Damping at 650 nm (dB/km)	Fibre bending radius (mm)
1 x 0.5	PMMA	1.0	Polyethylene (PE)	0.5	≤ 180	15


Part number	Article number
K2L 0.5 simplex	978-51688

K2R 1,0 POF duplex fibre-optic cable				Highlights		
				<ul style="list-style-type: none"> • Duplex plastic fibre-optic cable • Fibre length individually cuttable 		
153-01021						
Core fibre Ø (mm)	Fibre material	External diameter (mm)	Sheath material	Numerical aperture	Damping at 650 nm (dB/km)	Fibre bending radius (mm)
2 x 1.0	PMMA	2 x 2.0	Polyethylene (PE)	0.46	≤ 150	25

Part number	Article number
K2R 1.0 POF duplex	979-51694


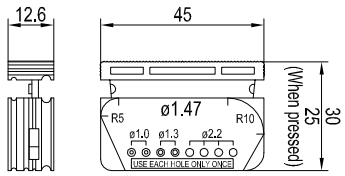
LMS 1,0-S2,2	Highlights
	<ul style="list-style-type: none"> • Connection adapter (1.0 / 2.2 mm) for connecting fibres with external diameter of 1.0 mm to FL 20/FL 70 sensors

Part number	Article number
LMS1,0-S2,2	724-01000


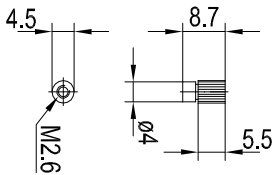
LMS 1,3-S2,2	Highlights
	<ul style="list-style-type: none"> • Connection adapter (1.3 / 2.2 mm) for connecting fibres with external diameter of 1.3 mm to FL 20/FL 70 sensors

Part number	Article number
LMS1,3-S2,2	724-01001


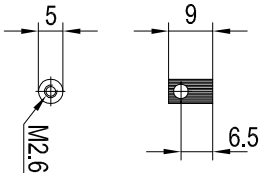
Fibre-optic cables – accessories

Cutting/bending tool		Highlights
		<ul style="list-style-type: none"> • Combination tool for cutting and bending fibre-optic cables and fibre-optic cables with bendable tips


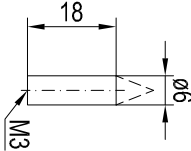
Part number	Article number
Cutting tool	724-50799

33 LVL 2,2		Highlights
		<ul style="list-style-type: none"> • Ancillary lens for plastic fibres • For increasing the range of photoelectric sensors and reducing the aperture angle • Suitable for fibres with an external diameter of 2.2 mm or M2.6 sleeve • Axial light exit


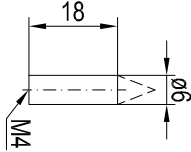
Part number	Article number
33 LVL 2,2	722-50775

33 LVL 2,2-90°		Highlights
		<ul style="list-style-type: none"> • Deflection prism: 90° for plastic fibres • Suitable for fibres with an external diameter of 2.2 mm or M2.6 sleeve • Radial light exit

Part number	Article number
33 LVL 2,2-90 Grad	722-50776

LVLF6-M3		Highlights
	 <p style="text-align: right;">153-00617</p>	<ul style="list-style-type: none"> • Ancillary lens for fibre-optic cables • For increasing the range of photoelectric sensors, reducing the aperture angle, or focusing the operating distance • Can be used with collar bushings with an M3 external thread

Part number	Article number
LVLF6-M3	722-01003

LVLF6-M4		Highlights
	 <p style="text-align: right;">153-00618</p>	<ul style="list-style-type: none"> • Ancillary lens for fibre-optic cables • For increasing the range of photoelectric sensors, reducing the aperture angle, or focusing the operating distance • Can be used with collar bushings with an M4 external thread

Part number	Article number
LVLF6-M4	722-01004