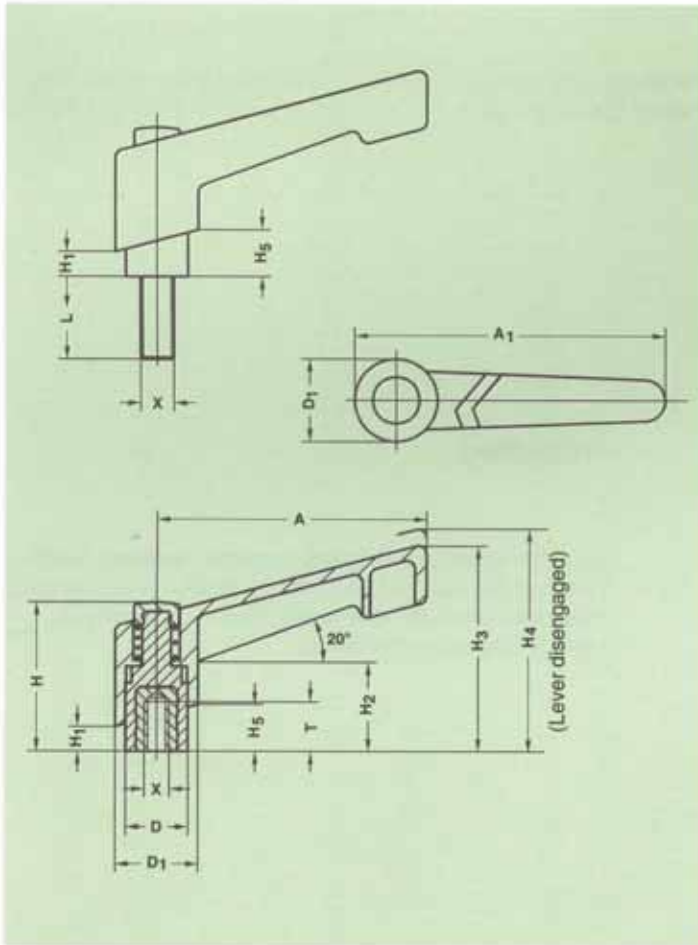




adjustable
Special glass-fibre reinforced Polyamide
At excellent prices



Ergonomy and handling perfectly joined.
Convincing quality. The optimum solution for
clamping operations. Resistant to oils, solvents,
and other chemicals.

Model: Handle from special glass-fibre reinforced
polyamide. Bush resp. screw from zinc-plated steel
quality 4.8, surrounded by plastic body.

Standard colours:
Handle and push button: black RAL 9005 or
orange RAL 2004.

Other colours on request.

Zimmermann Clamp Levers - Internal thread

order no. handle black, push button black	order no. handle black, push button orange	order no. handle orange, push button black	size	internal thread X	A	A ₁	D	D ₁	H	H ₁	H ₂	H ₃	H ₄	H ₅	T	no. of teeth	weight approx. kg
13 042 04 999 00	13 042 04 999 01	13 042 04 999 10		M 4													
13 042 05 999 00	13 042 05 999 01	13 042 05 999 10	42	M 5	42	50	12	16	26,5	3,2	15,9	34,9	37,7	7,5	9	10	0,010
13 042 06 999 00	13 042 06 999 01	13 042 06 999 10		M 6													
13 065 06 999 00	13 065 06 999 01	13 065 06 999 10	65	M 6	65	75	15	20	36	6	21,5	49,7	53,7	11,4	12	12	0,022
13 065 08 999 00	13 065 08 999 01	13 065 08 999 10		M 8													
13 080 08 999 00	13 080 08 999 01	13 080 08 999 10		M 8													
13 080 10 999 00	13 080 10 999 01	13 080 10 999 10	80	M 10	80	92,5	20	25	46	7,5	28,3	63,1	67,1	14,2	17	12	0,051
13 080 12 999 00	13 080 12 999 01	13 080 12 999 10		M 12													

Zimmermann Clamp Levers - External thread

order no. handle black, push button black	order no. handle black, push button orange	order no. handle orange, push button black	size	external thread X	length of screw L (mm)		
13 042 04 ... 00	13 042 04 ... 01	13 042 04 ... 10		M 4	10		
13 042 05 ... 00	13 042 05 ... 01	13 042 05 ... 10	42	M 5	10	20	30
13 042 06 ... 00	13 042 06 ... 01	13 042 06 ... 10		M 6	10	15	20
13 065 06 ... 00	13 065 06 ... 01	13 065 06 ... 10	65	M 6	10		30
13 065 08 ... 00	13 065 08 ... 01	13 065 08 ... 10		M 8		15	20
13 080 10 ... 00	13 080 10 ... 01	13 080 10 ... 10	80	M 10		20	25
13 080 12 ... 00	13 080 12 ... 01	13 080 12 ... 10		M 12			30
							40
							50

... Please indicate here the desired length of screw e.g. 025 for L = 25 mm.

Clamp Levers



adjustable
Special glass-fibre reinforced Polyamide
Steel Parts from Stainless Steel

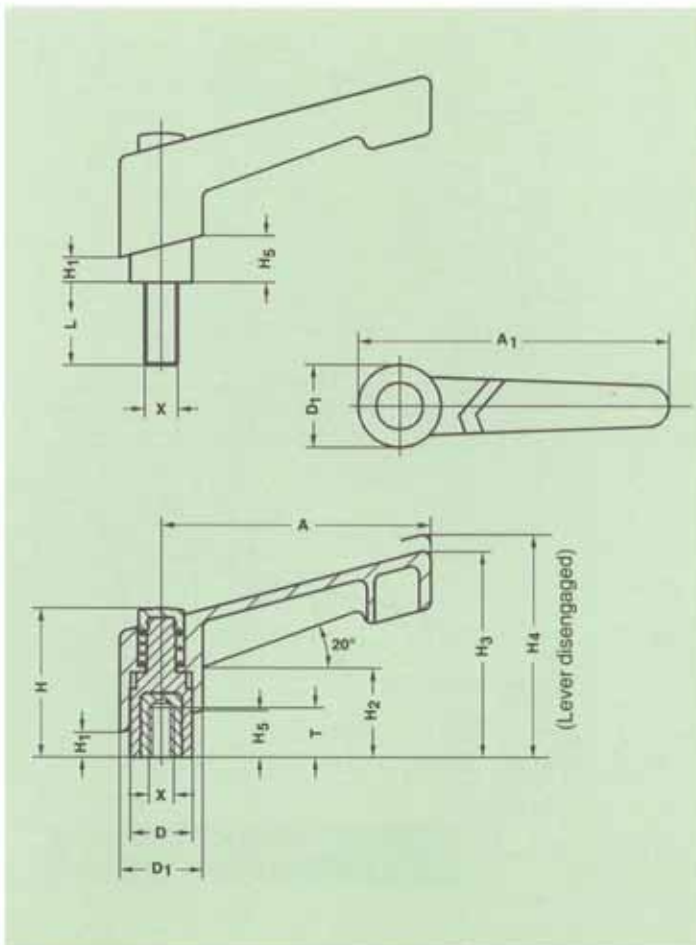


Ergonomy and handling perfectly joined. Convincing quality. The optimum solution for clamping operations. Resistant to oils, solvents, and other chemicals.

Model: Handle from special glass-fibre reinforced polyamide. Bush resp. screw from stainless steel, surrounded by plastic body.

Standard colours:
Handle and push button: black RAL 9005 or orange RAL 2004.

Other colours on request.



Zimmermann Clamp Levers with Stainless Steel Parts - Internal thread

order no. handle black, push button black	order no. handle black, push button orange	order no. handle orange, push button black	size	internal thread X	A	A ₁	D	D ₁	H	H ₁	H ₂	H ₃	H ₄	H ₅	T	no. of teeth	weight approx. kg
13 042 04 999 00 E0A	13 042 04 999 01 E0A	13 042 04 999 10 E0A	42	M 4													
13 042 05 999 00 E0A	13 042 05 999 01 E0A	13 042 05 999 10 E0A		M 5	42	50	12	16	26,5	3,2	15,9	34,9	37,7	7,5	9	10	0,010
13 042 06 999 00 E0A	13 042 06 999 01 E0A	13 042 06 999 10 E0A	65	M 6													
13 065 06 999 00 E0A	13 065 06 999 01 E0A	13 065 06 999 10 E0A		M 6	65	75	15	20	36	6	21,5	49,7	53,7	11,4	12	12	0,022
13 065 08 999 00 E0A	13 065 08 999 01 E0A	13 065 08 999 10 E0A	80	M 8													
13 080 08 999 00 E0A	13 080 08 999 01 E0A	13 080 08 999 10 E0A		M 8													
13 080 10 999 00 E0A	13 080 10 999 01 E0A	13 080 10 999 10 E0A	80	M 10													
13 080 12 999 00 E0A	13 080 12 999 01 E0A	13 080 12 999 10 E0A		M 12	80	92,5	20	25	46	7,5	28,3	63,1	67,1	14,2	17	12	0,051

Zimmermann Clamp Levers with Stainless Steel Parts - External thread

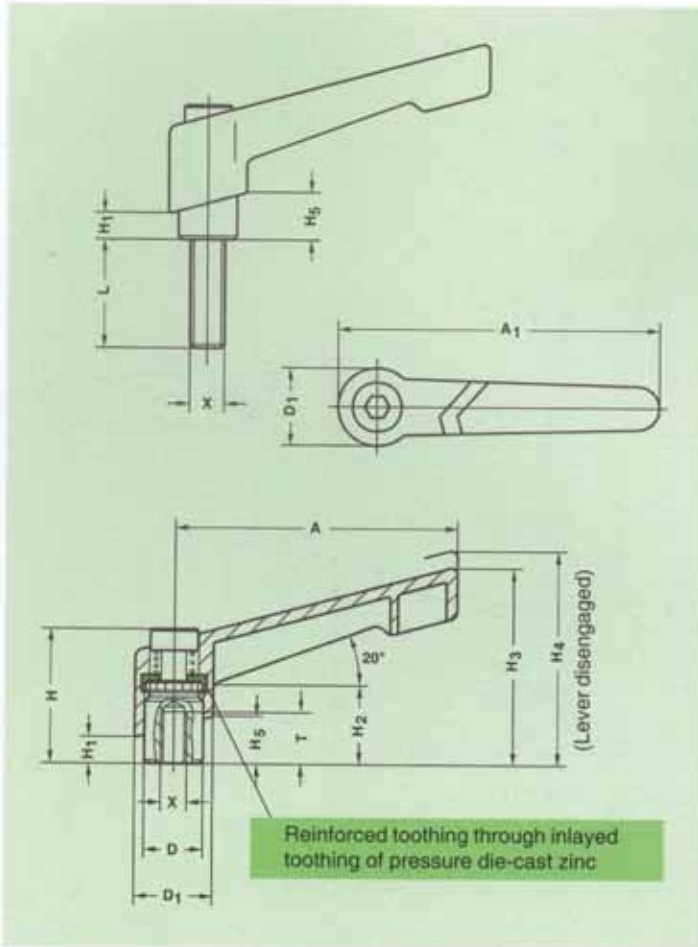
order no. handle black, push button black	order no. handle black, push button orange	order no. handle orange, push button black	size	external thread X	length of screw L (mm)
13 042 04 ... 00 E0A	13 042 04 ... 01 E0A	13 042 04 ... 10 E0A	42	M 4	10
13 042 05 ... 00 E0A	13 042 05 ... 01 E0A	13 042 05 ... 10 E0A		M 5	10
13 042 06 ... 00 E0A	13 042 06 ... 01 E0A	13 042 06 ... 10 E0A	65	M 6	10
13 065 06 ... 00 E0A	13 065 06 ... 01 E0A	13 065 06 ... 10 E0A		M 6	10
13 065 08 ... 00 E0A	13 065 08 ... 01 E0A	13 065 08 ... 10 E0A	80	M 8	15
13 080 10 ... 00 E0A	13 080 10 ... 01 E0A	13 080 10 ... 10 E0A		M 10	20
					50

... Please indicate here the desired length of screw e.g. 020 for L = 20 mm.



adjustable

Handle from special Polyamide Reinforced Design



Registered Design

Zimmermann Clamp Levers. Modern design. Convincing quality.

Model: Handle from polyamide. Reinforced by glassfibre. Reinforced toothing with zinc ring of pressure die-cast zinc. Steel parts stability class 5.8, black oxide finished. Reinforced toothing through inlayed toothing from pressure die-cast zinc.

Standard colours of the handle: black RAL 9005 and orange RAL 2004.

Special types such as other thread diameter, screw length etc. are available on request.

Zimmermann Clamp Levers with Handle from Polyamide - Internal Thread

Order No.	Order No.	Size	Internal Thread X	A	A ₁	D	D ₁	H	H ₁	H ₂	H ₃	H ₄	H ₅	T	No. of Teeth	Weight approx. kg
Black	Orange			mm	mm	mm	mm	mm	mm	mm	mm	mm	mm	mm		
10 042 04 999 sw	10 042 04 999 or		M 4													
10 042 05 999 sw	10 042 05 999 or	42	M 5	42	49	10	14	24,5	3,2	15,4	33,5	37	6,8	9	18	0,014
10 042 06 999 sw	10 042 06 999 or		M 6													
10 065 06 999 sw	10 065 06 999 or	65	M 6	65	74	13,5	18	31	6	18,4	45,5	49,5	10,5	11	24	0,031
10 065 08 999 sw	10 065 08 999 or		M 8													
10 078 08 999 sw	10 078 08 999 or	78	M 8	78	89	16	22	36	7,5	22,3	54	58	13	14	26	0,048
10 078 10 999 sw	10 078 10 999 or		M 10													
10 092 10 999 sw	10 092 10 999 or	92	M 10	92	105	19	25	43	9	27	64	68	15,2	17	28	0,084
10 092 12 999 sw	10 092 12 999 or		M 12													

Zimmermann Clamp Levers with Handle from Polyamide - External Thread

Order No.	Order No.	Size	External Thread X	Length of Screw L (mm)								
Black	Orange											
10 042 04 ... sw	10 042 04 ... or		M 4	12	16	20	25	32				
10 042 05 ... sw	10 042 05 ... or	42	M 5	12	16	20	25	32	40	50		
10 042 06 ... sw	10 042 06 ... or		M 6	12	16	20	25	32	40	50		
10 065 08 ... sw	10 065 08 ... or	65	M 8	12	16	20	25	32	40	50	63	
10 065 10 ... sw	10 065 10 ... or		M 10			20	25	32	40	50	63	
10 078 08 ... sw	10 078 08 ... or	78	M 8		16	20	25	32	40	50	63	
10 078 10 ... sw	10 078 10 ... or		M 10			20	25	32	40	50	63	
10 092 10 ... sw	10 092 10 ... or	92	M 10			20	25	32	40	50	63	80
10 092 12 ... sw	10 092 12 ... or		M 12			20	25	32	40	50	63	80

... Please indicate here the desired length of Screw e.g., 025 for L = 25 mm.



adjustable, Handle from special Polyamide
Reinforced Design, Steel Parts
from Stainless Steel



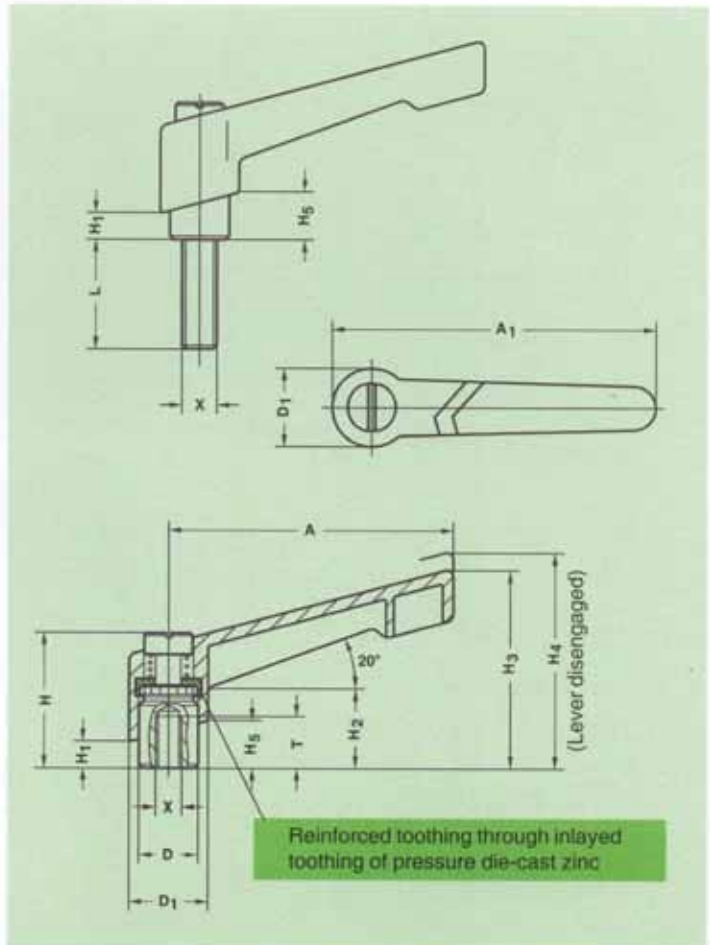
Registered Design

Zimmermann Clamp Levers. Handle from special polyamide and steel parts from stainless steel. For special demand e.g. hospitals and laboratories, food- and beverage industries.

Model: Handle from polyamide with zinc ring from pressure die-cast zinc. Stainless steel parts, material no. 1.4305. Reinforced toothing through inlayed toothing from pressure die-cast zinc

Standard colours of the handle: black RAL 9005 and orange RAL 2004.

Special types such as different thread diameter, screw length etc. are available on request.



Zimmermann Clamp Levers with Handle from Polyamide and Stainless Steel Parts - Internal Thread

Order No. Black	Order No. Orange	Size	Internal Thread X	A mm	A ₁ mm	D mm	D ₁ mm	H mm	H ₁ mm	H ₂ mm	H ₃ mm	H ₄ mm	H ₅ mm	T mm	No. of Teeth	Weight approx. Kg
10 042 05 999 sw E0A	10 042 05 999 or E0A	42	M 5	42	49	10	14	24,5	3,2	15,4	33,5	37	6,8	9	18	0,014
10 042 06 999 sw E0A	10 042 06 999 or E0A		M 6													
10 065 06 999 sw E0A	10 065 06 999 or E0A	65	M 6	65	74	13,5	18	31	6	18,4	45,5	49,5	10,5	11	24	0,031
10 065 08 999 sw E0A	10 065 08 999 or E0A		M 8													
10 078 08 999 sw E0A	10 078 08 999 or E0A	78	M 8	78	89	16	22	36	7,5	22,3	54	58	13	14	26	0,048
10 078 10 999 sw E0A	10 078 10 999 or E0A		M 10													
10 092 10 999 sw E0A	10 092 10 999 or E0A	92	M 10	92	105	19	25	43	9	27	64	68	15,2	17	28	0,084
10 092 12 999 sw E0A	10 092 12 999 or E0A		M 12													

Zimmermann Clamp Levers with Handle from Polyamide and Stainless Steel Parts - External Thread

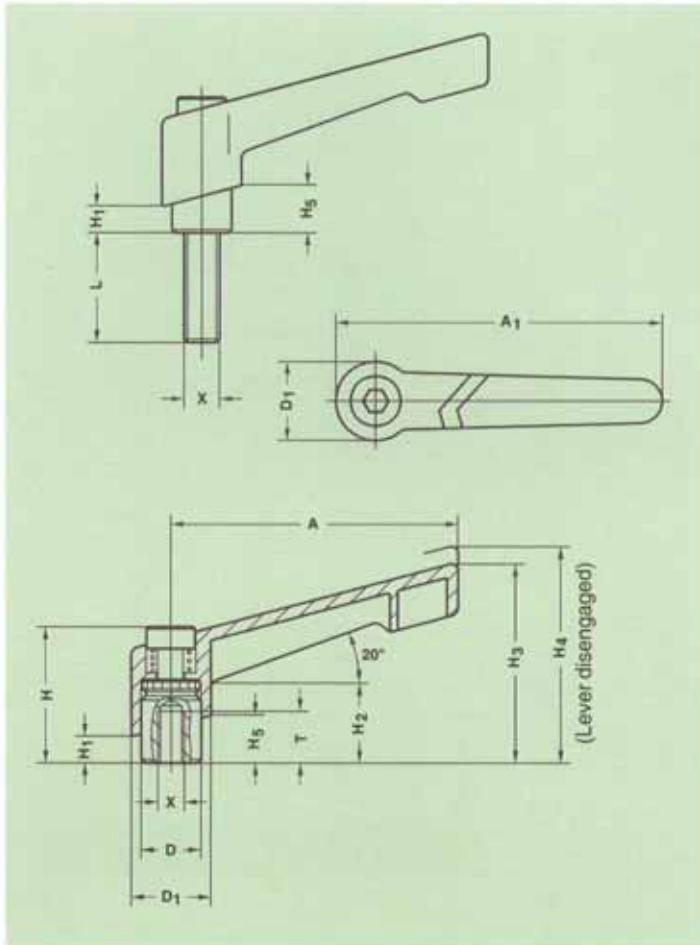
Order No. Black	Order No. Orange	Size	External Thread X	Length of Screw L (mm)												
10 042 05 ... sw E0A	10 042 05 ... or E0A	42	M 5	12	16	20	25	32	40	50						
10 042 06 ... sw E0A	10 042 06 ... or E0A		M 6	12	16	20	25	32	40	50						
10 065 06 ... sw E0A	10 065 06 ... or E0A	65	M 6		16	20	25	32	40	50						
10 065 08 ... sw E0A	10 065 08 ... or E0A		M 8		16	20	25	32	40	50	63					
10 078 10 ... sw E0A	10 078 10 ... or E0A	78	M 10			20	25	32	40	50	63	80				
10 092 10 ... sw E0A	10 092 10 ... or E0A	92	M 10			20	25	32	40	50	63	80				
10 092 12 ... sw E0A	10 092 12 ... or E0A		M 12			20	25	32	40	50	63	80				

... Please indicate here the desired length of screw e.g. 025 for L = 25 mm.



adjustable

Handle from Pressure Die-Cast Zinc
For Heavy Load



Registered Design

Zimmermann Clamp Levers. Extremely high safety handle. Convincing quality. Modern and functional design. For heavy load.

Model: Handle from pressure die-cast zinc, plastic coated. Steel parts stability class 5.8, black oxide finished.

Standard colours of the handle: black RAL 9005 and orange RAL 2004.

Special types such as other thread diameter, screw length, etc. are available on request.

Zimmermann Clamp Levers with Handle from Pressure Die-Cast Zinc - Internal Thread

Order No. Black	Order No. Orange	Size	Internal Thread X	A mm	A ₁ mm	D mm	D ₁ mm	H mm	H ₁ mm	H ₂ mm	H ₃ mm	H ₄ mm	H ₅ mm	T mm	No. of Teeth	Weight approx. kg
11 042 04 999 sw	11 042 04 999 or		M 4													
11 042 05 999 sw	11 042 05 999 or	42	M 5	42	49	10	14	24,5	3,2	15,4	33,5	37	6,8	9	18	0,030
11 042 06 999 sw	11 042 06 999 or		M 6													
11 065 06 999 sw	11 065 06 999 or	65	M 6	65	74	13,5	18	31	6	18,4	45,5	49,5	10,5	11	24	0,072
11 065 08 999 sw	11 065 08 999 or		M 8													
11 078 08 999 sw	11 078 08 999 or	78	M 8	78	89	16	22	36	7,5	22,3	54	58	13	14	26	0,105
11 078 10 999 sw	11 078 10 999 or		M 10													
11 092 10 999 sw	11 092 10 999 or	92	M 10	92	105	19	25	43	9	27	64	68	15,2	17	28	0,170
11 092 12 999 sw	11 092 12 999 or		M 12													
11 108 12 999 sw	11 108 12 999 or	108	M 12	108	123	23	30	50,5	11	30	75	80	17	23	30	0,265
11 108 16 999 sw	11 108 16 999 or		M 16													

Zimmermann Clamp Levers with Handle from Pressure Die-Cast Zinc - External Thread

Order No. Black	Order No. Orange	Size	External Thread X	Length of Screw L (mm)												
11 042 04 ... sw	11 042 04... or		M 4	12	16	20	25	32								
11 042 05 ... sw	11 042 05... or	42	M 5	12	16	20	25	32	40	50						
11 042 06 ... sw	11 042 06... or		M 6	12	16	20	25	32	40	50						
11 065 08 ... sw	11 065 08... or	65	M 8	12	16	20	25	32	40	50	63					
11 065 10 ... sw	11 065 10... or		M 10			20	25	32	40	50	63					
11 078 08 ... sw	11 078 08... or	78	M 8		16	20	25	32	40	50	63					
11 078 10 ... sw	11 078 10... or		M 10			20	25	32	40	50	63	80				
11 092 10 ... sw	11 092 10... or	92	M 10			20	25	32	40	50	63	80				
11 092 12 ... sw	11 092 12... or		M 12			20	25	32	40	50	63	80				
11 108 12 ... sw	11 108 12... or	108	M 12			25	32	40	50	63	80					
11 108 16 ... sw	11 108 16... or		M 16			25	32	40	50	63	80					

... Please indicate here the desired length of screw e.g. 025 for L = 25 mm.

Clamp Levers

METALIKA
COMPONENTS FOR INDUSTRY
www.metatika-kacin.com

ZIMMERMANN



adjustable, Handle from Pressure Die-Cast Zinc
For Heavy Load, Steel Parts
from Stainless Steel



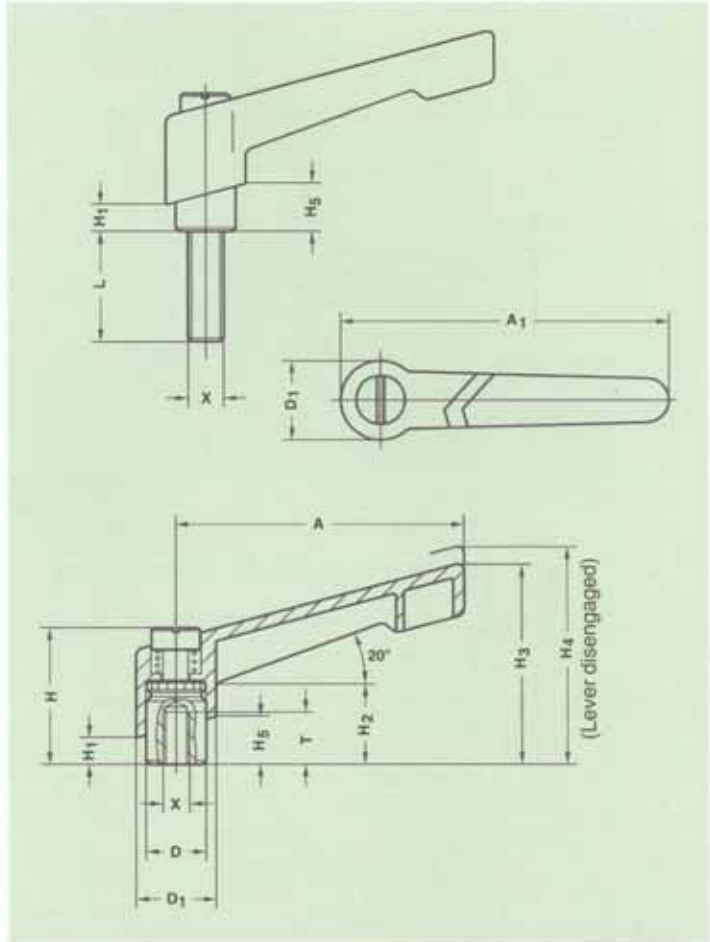
Registered Design

Zimmermann Clamp Levers. For special demand, e.g. hospitals and laboratories, food- and beverage industries.

Model: Handle from pressure die-cast zinc, plastic coated. Stainless steel parts, material no. 1.4305.

Standard colours of the handle: black RAL 9005 and orange RAL 2004.

Special types such as different thread diameter, screw length, etc. are available on request.



Zimmermann Clamp Levers with Handle from Pressure Die-Cast Zinc, Stainless Steel - Internal Thread

Order No.	Order No.	Size	Internal Thread X	A mm	A1 mm	D mm	D1 mm	H mm	H1 mm	H2 mm	H3 mm	H4 mm	H5 mm	T mm	No. of Teeth	Weight approx. kg
Black	Orange															
11 042 05 999 sw E0A	11 042 05 999 or E0A	42	M 5	42	49	10	14	24,5	3,2	15,4	33,5	37	6,8	9	18	0,014
11 042 06 999 sw E0A	11 042 06 999 or E0A		M 6													
11 065 06 999 sw E0A	11 065 06 999 or E0A	65	M 6	65	74	13,5	18	31	6	18,4	45,5	49,5	10,5	11	24	0,031
11 065 08 999 sw E0A	11 065 08 999 or E0A		M 8													
11 078 08 999 sw E0A	11 078 08 999 or E0A	78	M 8	78	89	16	22	36	7,5	22,3	54	58	13	14	26	0,048
11 078 10 999 sw E0A	11 078 10 999 or E0A		M 10													
11 092 10 999 sw E0A	11 092 10 999 or E0A	92	M 10	92	105	19	25	43	9	27	64	68	15,2	17	28	0,084
11 092 12 999 sw E0A	11 092 12 999 or E0A		M 12													
11 108 12 999 sw E0A	11 108 12 999 or E0A	108	M 12	108	123	23	30	50,5	11	30	75	80	17	23	30	0,265
11 108 16 999 sw E0A	11 108 16 999 or E0A		M 16													

Zimmermann Clamp Levers with Handle from Pressure Die-Cast Zinc, Stainless Steel - External Thread

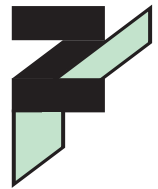
Order No.	Order No.	Size	External Thread X	Length of Screw L (mm)				No. of Teeth	Weight approx. kg			
Black	Orange			12	16	20	25					
11 042 05 ... sw E0A	11 042 05 ... or E0A	42	M 5	12	16	20	25	32	40	50	63	80
11 042 06 ... sw E0A	11 042 06 ... or E0A		M 6									
11 065 06 ... sw E0A	11 065 06 ... or E0A	65	M 6	16	20	25	32	40	50	63	80	
11 065 08 ... sw E0A	11 065 08 ... or E0A		M 8									
11 078 10 ... sw E0A	11 078 10 ... or E0A	78	M 10	20	25	32	40	50	63	80		
11 092 10 ... sw E0A	11 092 10 ... or E0A		M 10									
11 092 12 ... sw E0A	11 092 12 ... or E0A	92	M 12	20	25	32	40	50	63	80		
11 108 16 ... sw E0A	11 108 16 ... or E0A		M 16									

... Please indicate here the desired length of screw e.g. 025 for L = 25 mm.

Flat Clamp Lever

METALIKA
COMPONENTS FOR INDUSTRY **KACIN**
www.metALIKA-kacin.com

ZIMMERMANN



Adjustable
Special glass-fibre reinforced Polyamide
New design



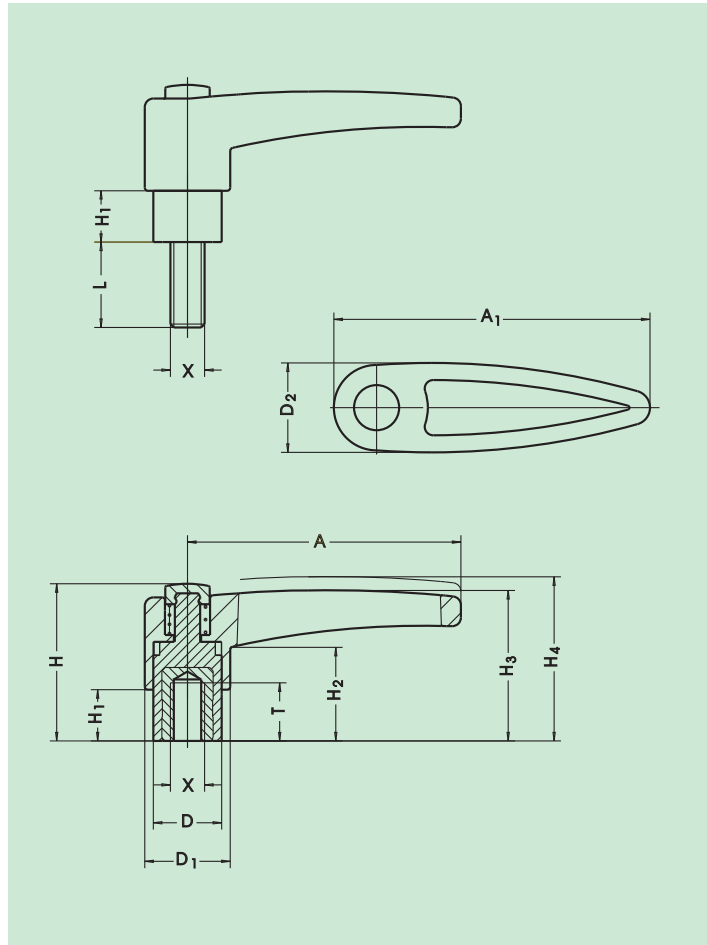
Completely new design with perfect handling. In high quality. Zimmermann Flat Clamp Levers maximize handling and tensioning. Especially suitable in hygiene areas such as hospital equipping and food stuffs or fitness equipment.

Model: Handle from special glass-fibre reinforced polyamide. Bush resp. screw from zinc-plated steel quality 4.8, surrounded by plastic body.

Standard colours:

Handle and push button: black RAL 9005 or orange RAL 2004.

Other colours on request.



Zimmermann Flat Clamp Lever - Internal thread

order no. handle black, push button black	order no. handle black, push button orange	order no. handle orange, push button black	size	internal thread X	A mm	A ₁ mm	D mm	D ₁ mm	H mm	H ₁ mm	H ₂ mm	H ₃ mm	H ₄ mm	T mm	no. of teeth	weight approx. kg
17 042 04 999 00	17 042 04 999 01	17 042 04 999 10	42	M 4	42	50	12	16	26,5	7,5	15,1	25,8	28,6	9	10	0,010
17 042 05 999 00	17 042 05 999 01	17 042 05 999 10		M 5												
17 042 06 999 00	17 042 06 999 01	17 042 06 999 10		M 6												
17 065 06 999 00	17 065 06 999 01	17 065 06 999 10	65	M 6	65	75	15	23	36	8	17	35	39	12	12	0,026
17 065 08 999 00	17 065 08 999 01	17 065 08 999 10		M 8												
17 080 08 999 00	17 080 08 999 01	17 080 08 999 10		M 8												
17 080 10 999 00	17 080 10 999 01	17 080 10 999 10	80	M 10	80	92,5	20	25	46	15	27,4	44	48	17	12	0,051
17 080 12 999 00	17 080 12 999 01	17 080 12 999 10		M 12												

Zimmermann Flat Clamp Lever - External thread

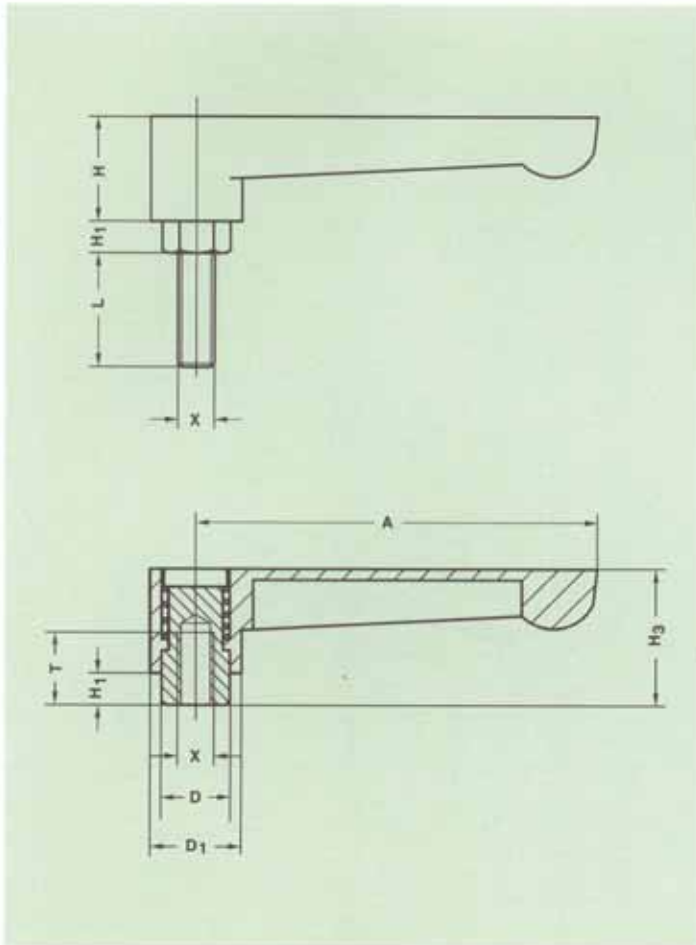
order no. handle black, push button black	order no. handle black, push button orange	order no. handle orange, push button black	size	external thread X	length of screw L (mm)												
17 042 04 ... 00	17 042 04 ... 01	17 042 04 ... 10	42	M 4	10												
17 042 05 ... 00	17 042 05 ... 01	17 042 05 ... 10		M 5	20												
17 042 06 ... 00	17 042 06 ... 01	17 042 06 ... 10		M 6	10	15	20	25	30								45
17 065 06 ... 00	17 065 06 ... 01	17 065 06 ... 10	65	M 6	10												
17 065 08 ... 00	17 065 08 ... 01	17 065 08 ... 10		M 8	15	20	25	30	35	40							50
17 080 10 ... 00	17 080 10 ... 01	17 080 10 ... 10		80	M 10	20											
17 080 12 ... 00	17 080 12 ... 01	17 080 12 ... 10	M 12		30												50

... Please indicate here the desired length of screw , e.g. 025 for L = 25 mm.



adjustable

Handle from Pressure Die-Cast Zinc



Zimmermann Flat Clamp Levers. For clamping needs where the vertical space is extremely restricted.

Model: Handle from pressure die-cast zinc, plastic coated. Steel parts stability class 5.8, black oxide finished.

Standard colours of the handle: black RAL 9005 and orange RAL 2004.

Special types such as different thread diameter, screw length, etc. are available on request.

Zimmermann Flat Clamp Levers - Internal Thread

Order No.	Order No.	Internal Thread	X	A	D	D ₁	H	H ₁	H ₂	T	Weight approx. kg
Black	Orange			mm	mm	mm	mm	mm	mm	mm	
16 064 06 999 sw	16 064 06 999 or	M 6	64	10	15	19	6	24	11	0,042	
16 088 08 999 sw	16 088 08 999 or	M 8	88	13	20	22	7	29	15	0,080	
16 112 10 999 sw	16 112 10 999 or	M 10	112	17	25	28	9	37	23	0,136	
16 133 12 999 sw	16 133 12 999 or	M 12	133	19	28	32	11	43	24	0,194	

Zimmermann Flat Clamp Levers - External Thread

Order No.	Order No.	External Thread	Length of Screw L (mm)							
Black	Orange	X	10	15	20	25	30	40	50	60
16 064 06 ... sw	16 064 06 ... or	M 6								
16 088 08 ... sw	16 088 08 ... or	M 8								
16 112 10 ... sw	16 112 10 ... or	M 10								
16 133 12 ... sw	16 133 12 ... or	M 12								

... Please indicate here the desired length of screw e.g. 025 for L = 25 mm.

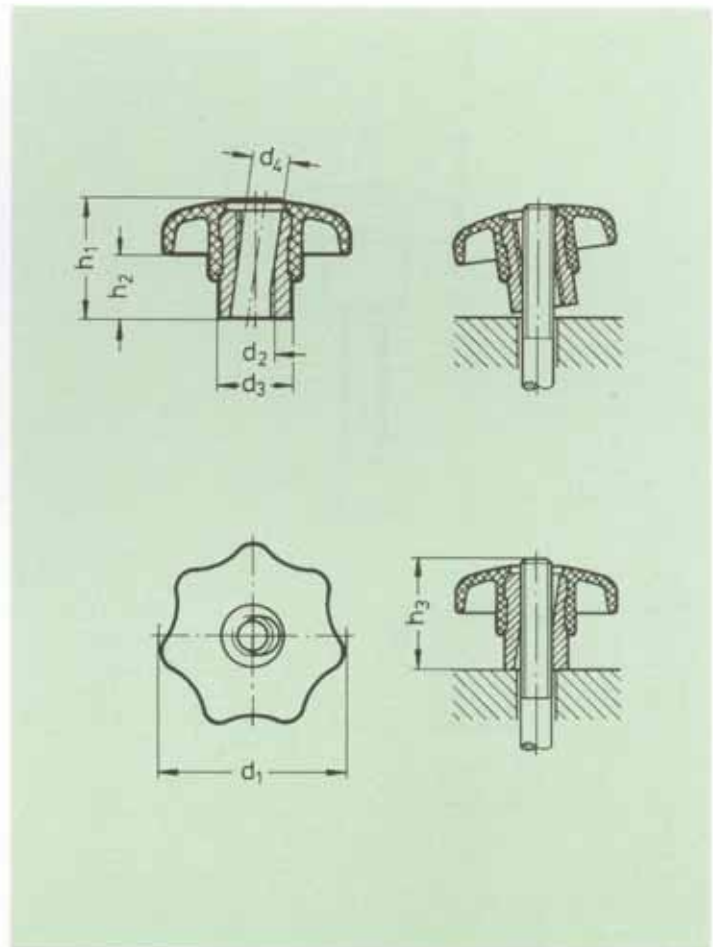


Quick acting star knobs are used in such applications where the knob has to be completely removed after the releasing operation and refitted very rapidly for re-clamping.

The knob is tilted over the threaded spindle. When in position, the knob is brought into a straight position for meshing of the two threads on nut and spindle. The knob will then have to be turned only by fraction of a rotation to achieve clamping.

The use of this knob is, however, limited to such applications where relatively low clamping forces are required.

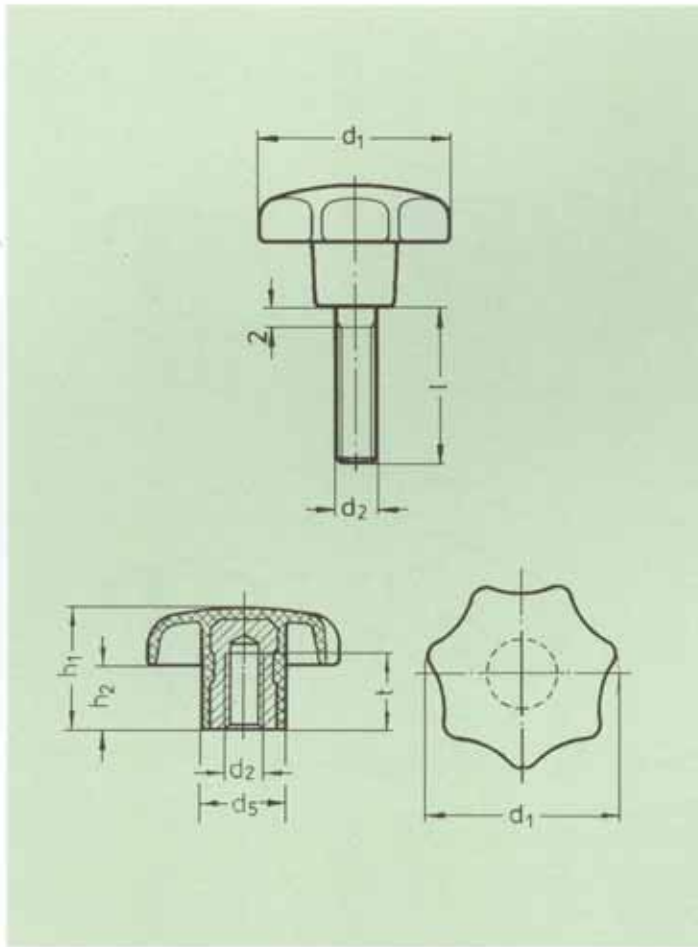
Model: Body from reinforced polyamide, black matt. Bush from steel, zinc-plated.



Zimmermann Quick Acting Star Knobs

Order No.	Internal Thread d_2	Size d_1 mm	d_4 mm	d_5 mm	h_1 mm	h_2 = mm	h_3 min. mm	Weight approx. g
25 40 08	M 8	40	8,4	16	26	13	24	31
25 50 10	M 10	50	10,5	20	34	17	30	61
25 63 12	M 12	63	13	26	42	21	37	130

similar to DIN 6336



Zimmermann Star Knobs for various applications and individual solutions. Zimmermann star knobs offer high flexibility and captivate by their modern design and nice surface finish.

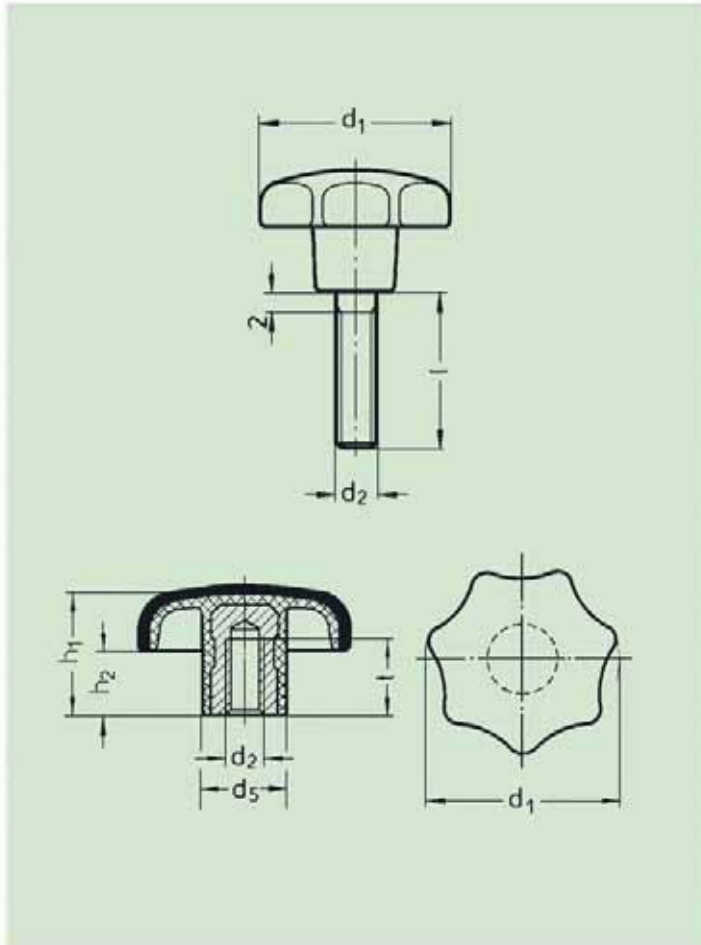
Model: Body from reinforced polyamide, black matt. Bush resp. screw from steel, zinc-plated.

Star knobs with fitting hole H7 and star knobs from cast iron or aluminium are available on request.

Zimmermann Star Knobs similar to DIN 6336

Order No.	Internal Thread	Internal Thread d ₂	t mm	Weight approx. g	Order No.	External Thread	External Thread d ₂	Length of Screw l (mm)					Size d ₁ mm	d ₅ mm	h ₁ mm	h ₂ mm
24 25 04	M 4		7,5													
24 25 05	M 5		8,5	5	24 25 05 ...	M 5	10	15	20	25	30	25	12	16	8	
24 25 06	M 6		9		24 25 06 ...	M 6	10	15	20	25	30					
24 32 05	M 5		8,5													
24 32 06	M 6		9	8	24 32 06 ...	M 6	11	16	21	26	31	32	14	20	10	
					24 32 08 ...	M 8		15	20	25	30	40				
24 40 05	M 5		8,5	15												
24 40 06	M 6		9	16								40	18	25	13	
24 40 08	M 8		14	17	24 40 08 ...	M 8		15	20	25	30	40				
24 50 08	M 8		14	31	24 50 08 ...	M 8		14	19	24	29	39	50	22	32	17
24 50 10	M 10		21	30	24 50 10 ...	M 10			20		30	40	50			
24 63 10	M 10		23	85									63	26	40	21
24 63 12	M 12		23	82	24 63 12 ...	M 12				25	30	40	60			

... Please indicate here the desired length of screw e.g. 025 for l = 25 mm.



The soft coating of the handles guarantees an ergonomic and safe touch. The soft surface of the handle makes handling of the knob especially agreeable and natural.

Model: Body from reinforced polyamide. Coated with soft thermoplast, black matt. Bush resp. screw from steel, zinc-plated .

Zimmermann Soft Touch Star Knobs

Order No. Internal Thread	Internal Thread d ₂	t mm	Order No. External Thread	External Thread d ₂	Length of Screw l (mm)			Size			
					d ₁ mm	d ₅ mm	h ₁ mm	h ₂ mm			
89 45 06	M 6	9	89 45 06 ...	M 6	20	30	43	17	28	13	
89 45 08	M 8	9	89 45 08 ...	M 8	20	25 30					
89 55 08	M 8	14	89 55 08 ...	M 8	20	30 40	52	21	38	17	
89 55 10	M 10	14	89 55 10 ...	M 10	25	35 50					

... Please indicate here the desired length of screw , e.g. 020 for l = 20 mm.



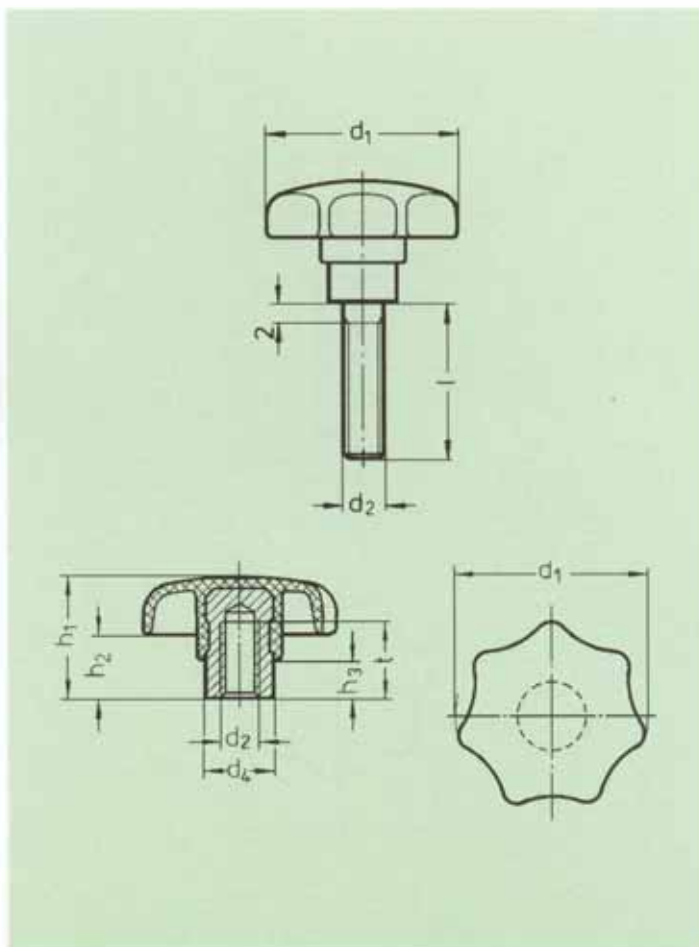
with Projecting Steel or Stainless Steel Bush



Zimmermann Star Knobs with projecting steel bush. Especially suitable for cross pin connections.

Model: Body from reinforced polyamide, black matt. Bush resp. screw from steel, zinc-plated resp. from stainless steel, material no. 1.4305.

Star knobs with fitting hole H7 are available on request.



Zimmermann Star Knobs with Projecting Bush - Steel

Order No.	Internal Thread	Internal Thread d_2	t mm	Order No.	External Thread	External Thread d_2	Length of Screw l (mm)			Size d_1 mm	d_4 mm	h_1 mm	h_2 mm	h_3 mm
26 32 06	M 6		12	26 32 06 ...	M 6	16	25	30	32	12	21	11	8,5	
26 40 06	M 6		14						40	14	26	14	10	
26 40 08	M 8			26 40 08 ...	M 8	16	30	40						
26 50 08	M 8		18						50	18	32	17	10	
26 50 10	M 10			26 50 10 ...	M 10		25	35	55					
26 63 10	M 10		22						63	20	40	21	14	
26 63 12	M 12			26 63 12 ...	M 12		30		60					

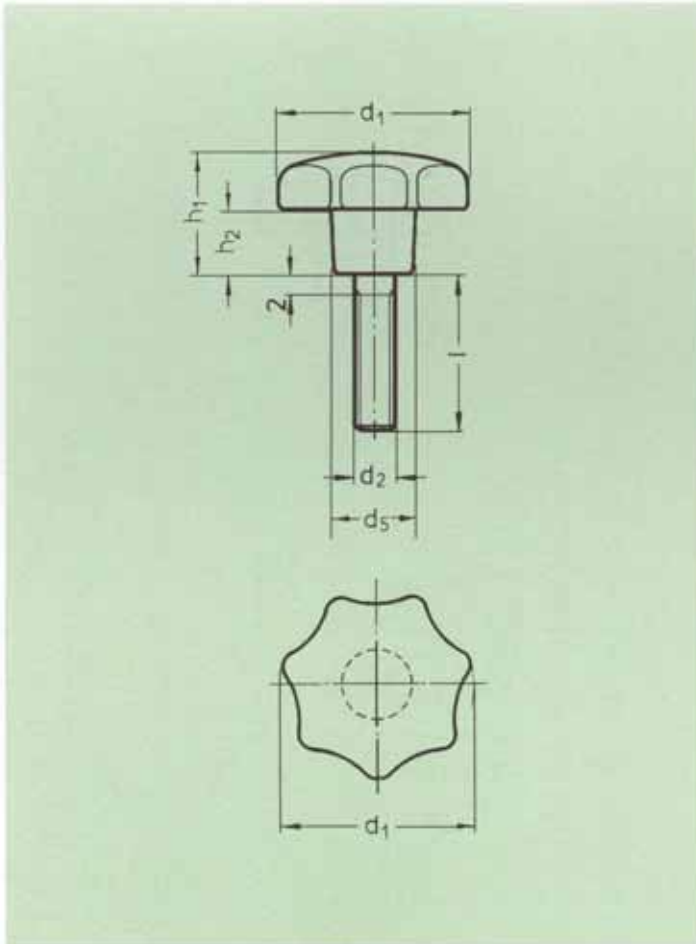
... Please indicate here the desired length of screw e.g. 025 for l = 25 mm.

Zimmermann Star Knobs with Projecting Bush - Stainless Steel

Order No.	Internal Thread d_2	t mm	Size d_1 mm	d_4 mm	h_1 mm	h_2 mm	h_3 mm
26 32 06 E0A	M 6	12	32	12	21	11	8,5
26 40 08 E0A	M 8	14	40	14	26	14	10
26 50 10 E0A	M 10	18	50	18	32	17	10
26 63 12 E0A	M 12	22	63	22	40	21	14



Steel Parts from Stainless Steel
Similar to DIN 6336



Model: Body from reinforced polyamide, black matt.
Screw from stainless steel, material no. 1.4567.

Zimmermann Star Knobs similar to DIN 6336 - Stainless Steel

Order No. External Thread	External Thread d ₂	Length of Screw l (mm)				Size			
		d ₁ mm	d ₅ mm	h ₁ mm	h ₂ mm				
24 25 05 ... E0A	M 5	10	15	25	25	12	16	8	
24 32 06 ... E0A	M 6			21 26 31	32	14	20	10	
24 40 08 ... E0A	M 8			20 30 40	40	18	25	13	
24 50 10 ... E0A	M 10			25 30 45	50	22	32	17	
24 63 12 ... E0A	M 12			30 40 50	63	26	40	21	

... Please indicate here the desired length of screw e.g. 025 for l = 25 mm.

Star Knobs



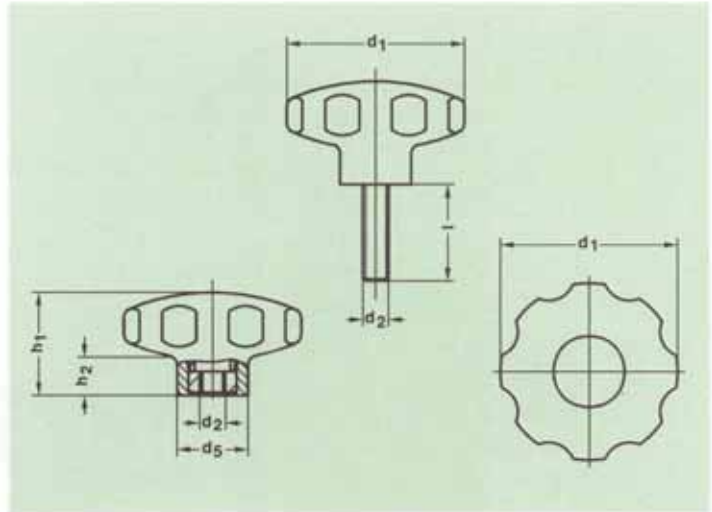
Closed Shape



Due to their closed shape and smooth surface these star knobs meet great demands on hygiene. Knobs size 55 are also available as safety star knobs.

Model: Body from glass-fibre reinforced polyamide, black matt. Nut resp. screw acc. to DIN 934.

Knobs are also available disassembled or without nuts/screws.



Zimmermann Star Knobs closed shape

Order No.	Internal Thread	Internal Thread d_2	Order No.	External Thread	External Thread d_2	Length of Screw l (mm)	Size d_1 mm	d_5 mm	h_1 mm	h_2 mm
29 32 05	M 5		29 32 05 ...	M 5	10	14 28	32	19	19	10
29 32 06	M 6		29 32 06 ...	M 6		14 23 28				
29 39 06	M 6		29 39 06 ...	M 6	14	23 28	39	23	27	11
29 39 08	M 8		29 39 08 ...	M 8		18 23 33 38				
29 55 08	M 8		29 55 08 ...	M 8		18 23 33 38	55	22	32	13

... Please indicate here the desired length of screw e.g. 023 for $l = 23$ mm.

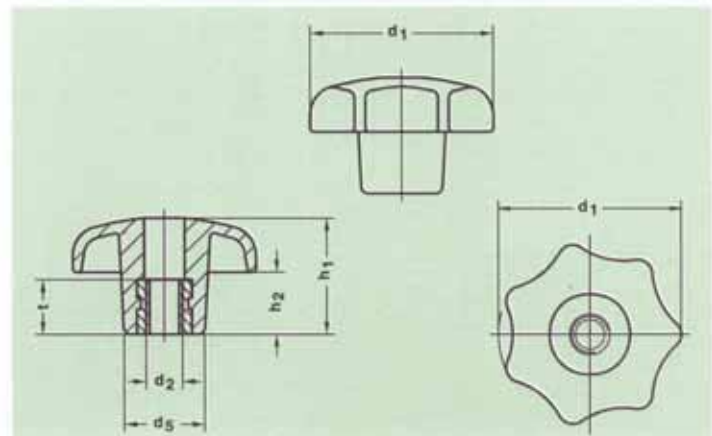
Star Knobs



similar to DIN 6336 threaded through-bore

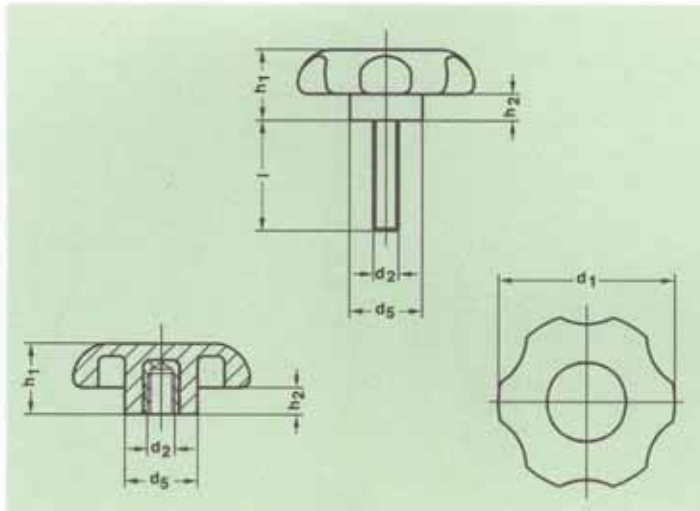


Model: Body from glass-fibre reinforced polyamide, black matt. Bush from steel, zinc-plated.



Zimmermann Star Knobs similar to DIN 6336, threaded through-bore

Order No.	Internal Thread d_2	t mm	Size d_1 mm	d_5 mm	h_1 mm	h_2 mm	Weight approx. g
71 32 06	M 6	11	32	14	20	10	9
71 40 08	M 8	14	40	18	25	13	17
71 50 10	M 10	15	50	22	32	17	33
71 63 12	M 12	20	63	26	40	21	60



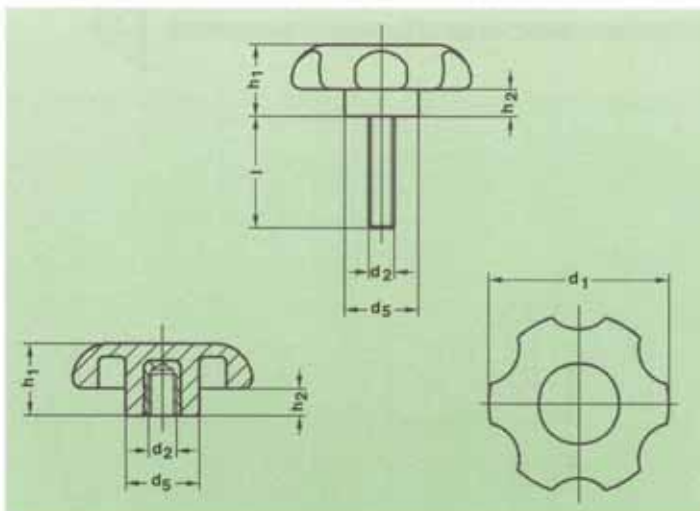
At excellent prices.

Model: Body from polyamide, black. Bush resp. screw from steel, zinc-plated.

Zimmermann Star Knobs

Order No. Internal Thread	Internal Thread d ₂	t mm	Order No. External Thread	External Thread d ₂	Length of Screw l (mm)			Size d ₁ mm	d ₅ mm	h ₁ mm	h ₂ mm
68 32 06	M 6	9	68 32 06 ...	M 6	15	20	30	32	12	16	5
68 32 08	M 8		68 32 08 ...	M 8	15	20	30				
68 40 06	M 6	15	68 40 06 ...	M 6	18	28		40	17	25	10
68 40 08	M 8		68 40 08 ...	M 8	18	28					

... Please indicate here the desired length of screw e.g. 020 for l = 20 mm.



At excellent prices.

Model: Body from polyamide, black. Bush resp. screw from steel, zinc-plated.

Zimmermann Star Knobs

Order No. Internal Thread	Internal Thread d ₂	t mm	Order No. External Thread	External Thread d ₂	Length of Screw l (mm)			Size d ₁ mm	d ₅ mm	h ₁ mm	h ₂ mm
69 55 06	M 6	9	69 55 06 ...	M 6	17	22	32	55	22,5	22,5	9
69 55 08	M 8	15	69 55 08 ...	M 8	17	32	47	55	22,5	22,5	9
69 55 10	M10	15	69 55 10 ...	M10		32	42 47	55	22,5	22,5	9

... Please indicate here the desired length of screw e.g. 032 for l = 32 mm.

Cross Knobs

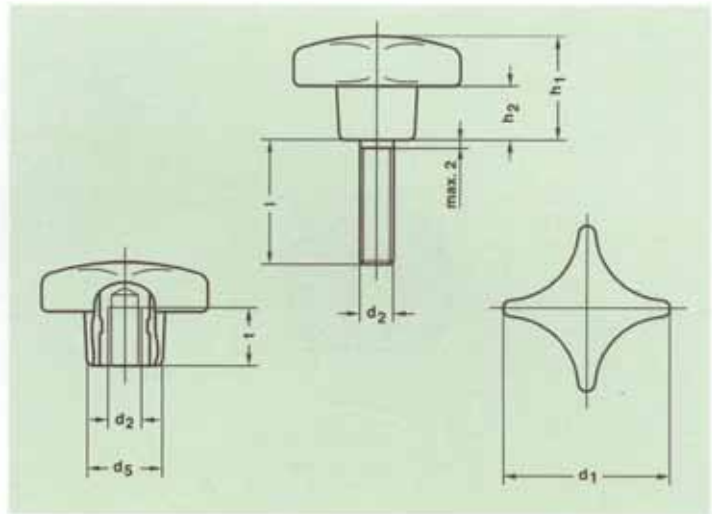


similar to DIN 6335



Model: Body from duroplastic FS 31.
Bush resp. screw from steel, zinc-plated.

Cross knobs from cast iron or aluminium are available on request.



Zimmermann Cross Knobs similar to DIN 6335

Order No.	Internal Thread	t	Weight approx.	Order No.	External Thread	Length of Screw l (mm)				Size	d ₁	d ₅	h ₁	h ₂
Internal Thread	d ₂	mm	kg	External Thread	d ₂					mm	mm	mm	mm	mm
21 25 05	M 5	10,5	0,006	21 25 05 ...	M 5	10	15	20		25	11	17	9	
21 32 06	M 6	13,5	0,010	21 32 06 ...	M 6		15	20	30	32	14	20	10	
21 40 08	M 8	16	0,018	21 40 08 ...	M 8		15	20	30	40	18	26	15	
21 50 10	M 10	21	0,033	21 50 10 ...	M 10			20	30	40	22	23	20	
21 63 12	M 12	25	0,061	21 63 12 ...	M 12			25	40	63	27	40	23	

... Please indicate here the desired length of screw e.g. 020 for l = 20 mm.

Cross Kobs



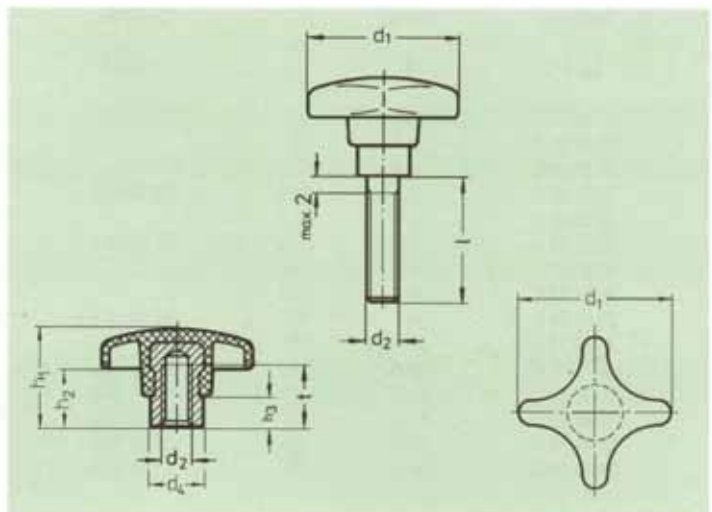
with Projecting Steel Bush



Zimmermann Cross Knobs with projecting steel bush. Especially suitable for cross pin connections.

Model: Body from polyamide, black matt. Bush resp. screw from steel, zinc-plated.

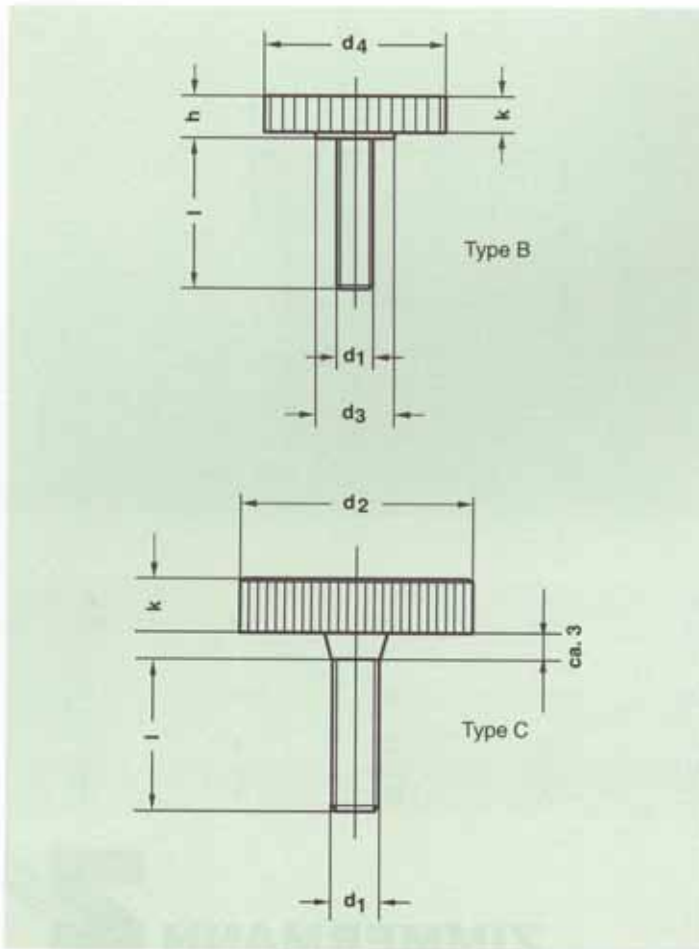
Cross Knobs with fitting hole H7 are available on request.



Zimmermann Cross Knobs with Projecting Steel Bush

Order No.	Internal Thread	t	Order No.	External Thread	Length of Screw l (mm)				Size	d ₁	d ₄	h ₁	h ₂	h ₃
Internal Thread	d ₂	mm	External Thread	d ₂					mm	mm	mm	mm	mm	mm
23 32 06	M 6	12	23 32 06 ...	M 6	16	20	30		32	12	20	10	9	
23 40 08	M 8	14	23 40 08 ...	M 8	16		25	40	40	14	25	13	10	
23 50 10	M 10	18	23 50 10 ...	M 10			25	35	55	50	18	32	20	12
23 63 12	M 12	22	23 63 12 ...	M 12			30	40	60	63	20	40	25	14

... Please indicate here the desired length of screw e.g. 020 for l = 20 mm.



Model: Body from polyamide, black. Screw from steel, zinc-plated.

Other colours on request.

Zimmermann Knurl Screws resp. Height Adjusters Type B

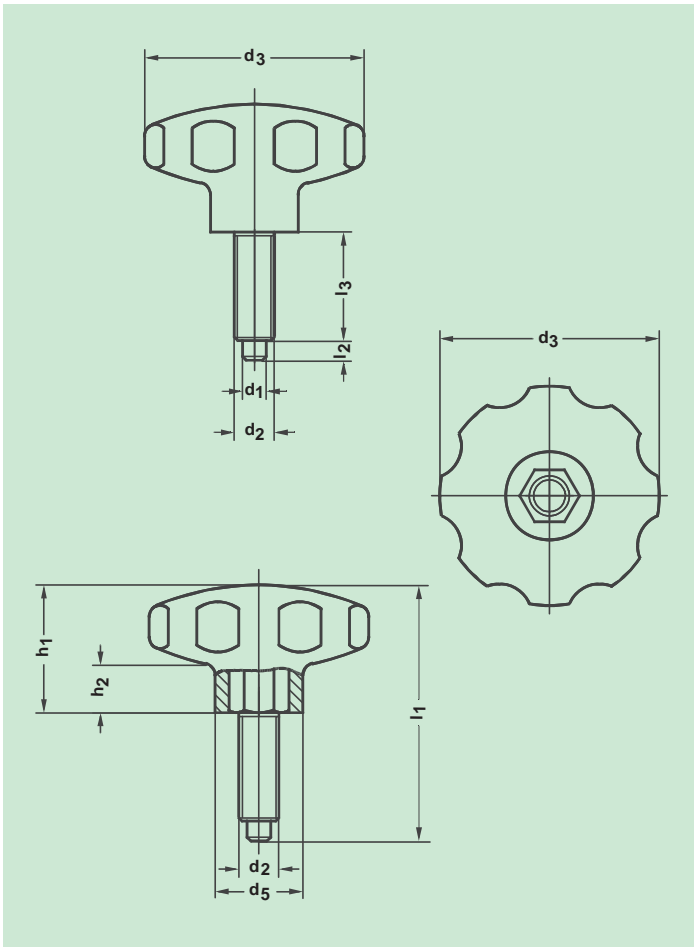
Order No.	External Thread d_1	Length of Screw l (mm)					Size d_2 mm	d_3 mm	h mm	k mm
27 14 04 ... B	M 4		14	15	19	14	10	6	5	
27 20 04 ... B	M 4	10		15						
27 20 05 ... B	M 5	10		15	20	20	13	7	6	
27 20 06 ... B	M 6	10		15	20	20	13	7	6	

... Please indicate here the desired length of screw e.g. 020 for $l = 20$ mm.

Zimmermann Knurl Screws resp. Height Adjusters Type C

Order No.	External Thread d_1	Length of Screw l (mm)					Size d_2 mm	k mm
27 25 06 ... C	M 6		17	27		25	7	
27 30 06 ... C	M 6		17	27		30	7	
27 30 08 ... C	M 8		16	26		36	7	
27 35 08 ... C	M 8		16	26		36	7	
27 35 10 ... C	M 10	15			35	45	7	

... Please indicate here the desired length of screw e.g. 016 for $l = 16$ mm.



Zimmermann Fixing and Clamping Knobs allow for quick and precise positioning, securing and clamping of adjusting elements.

Especially efficient for moving telescopes or similar applications.

Model: Body from polyamide, black. Screw from steel, zinc-plated.

Zimmermann Fixing- and Clamping Knobs

Order No.	External Thread d ₂	Size d ₃ mm	d ₁ mm	d ₅ mm	l ₁ mm	l ₂ mm	l ₃ mm	h ₁ mm	h ₂ mm
49 025 08 04	M8 x 1	25	4	12	35	5	10	20	8
49 025 10 05	M10 x 1	25	5	12	38	5	13	20	8
49 025 12 06	M12 x 1,5	25	6	12	43	6	17	20	8
49 035 10 05	M10 x 1	35	5	17	47	5	15	27	10
49 055 10 05	M10 x 1	55	5	25	52	5	15	32	12
49 055 12 06	M12 x 1,5	55	6	25	58	6	20	32	12
49 055 16 08	M16 x 1,5	55	8	25	68	9	27	32	12
49 065 16 08	M16 x 1,5	65	8	30	70	8	22	40	14

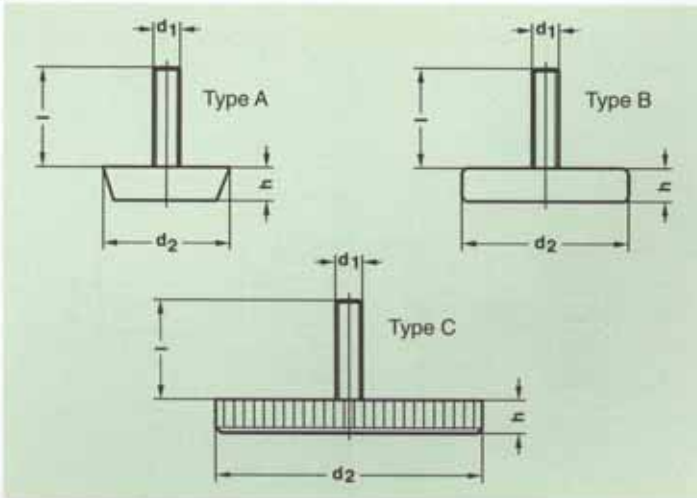


ZIMMERMANN

METALIKA
COMPONENTS FOR INDUSTRY
www.metatika-kocin.com

Levelling Elements

resp. Height Adjusters



Model: Disk from polyamide, black. Screw from steel, zinc-plated.

Zimmermann Levelling Elements resp. Height Adjusters

Order No. Form A	Order No. Type B	Order No. Type C	External Thread d_1	Length of Screw l (mm)		Size d_2 mm	h mm
80 38 06 ... A			M 6	15	30	38	10
80 38 08 ... A			M 8		30		
	80 50 06 ... B		M 6		20	50	10
	80 50 08 ... B		M 8		20		
	80 50 10 ... B		M 10		20		
		80 60 08 ... C	M 8	15	35	60	8
		80 60 10 ... C	M 10	15	35		

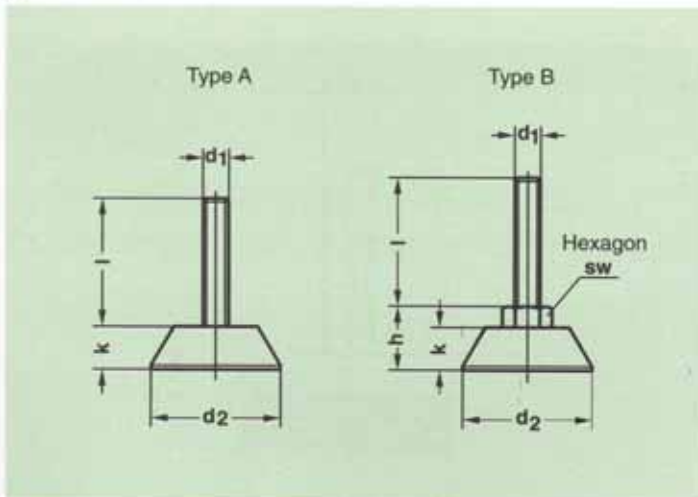
... Please indicate here the desired length of screw e.g. 020 for $l = 20$ mm.



ZIMMERMANN

Levelling Elements

resp. Height Adjusters



Model: Body from polyamide, black. Screw from steel, zinc-plated.

Type A: without Hexagon.
Type B: with Hexagon.

Zimmermann Levelling Elements resp. Height Adjusters

Order No. Type A	Order No. Type B	External Thread d_1	Length of Screw l (mm)				Size d_2 mm	h mm	k mm	sw
28 30 06 ... A	28 30 06 ... B	M 6	20	30	40	30	15	10	13	
28 30 08 ... A	28 30 08 ... B	M 8	20	30	40					
28 47 08 ... A	28 47 08 ... B	M 8	20	40	50	47	15	10	13	
28 47 10 ... A	28 47 10 ... B	M 10		30	50					60

... Please indicate here the desired screw length e.g. 020 for $l = 20$ mm.

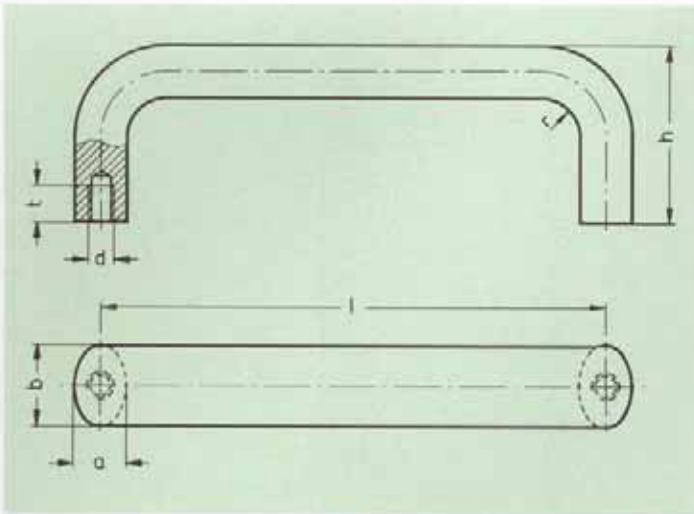


ZIMMERMANN

METALIKA
COMPONENTS FOR INDUSTRY KACIN
www.metaliika-kacin.com

Pull Handles

from Aluminium resp. Stainless Steel



Grip from aluminium profile with high stability and smooth surface. Modern design and ergonomical points of view were the standard basis for the design.

Due to the production system (bending), special lengths can be delivered also in small quantities.

Model Aluminium: Plastic coated black RAL 9011, matt finish or blank, bright tumbled finish.

Model Stainless Steel: Material No. 1.4301, sand-blasted matt.

Zimmermann Pull Handles - Aluminium resp. Stainless Steel

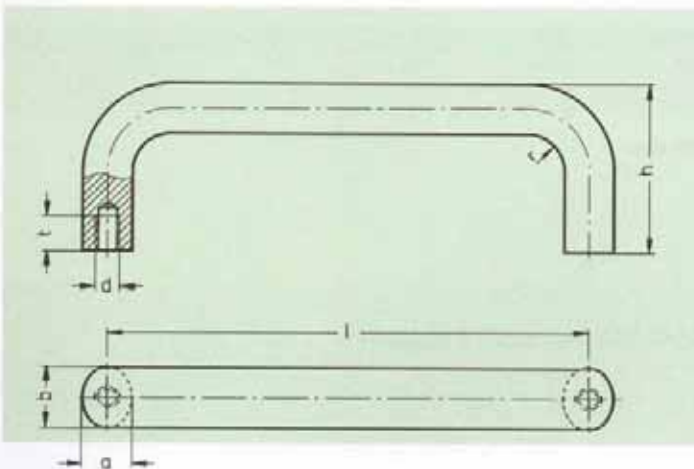
Order No. Black	Order No. Blank	Order No. Stainless Steel	b mm	l mm	a mm	Thread d	h mm	r	t mm
63 20 100 sw	63 20 100 bl		20	100	13	M 6	47	13	10
		63 20 112 E0A	20	112	13	M 6	49	13	10
63 20 128 sw	63 20 128 bl	63 20 128 E0A	20	128	13	M 6	51	13	10
63 26 128 sw	63 26 128 bl		26	128	17	M 8	55	17	12
63 26 160 sw	63 26 160 bl		26	160	17	M 8	57	17	12
63 26 192 sw	63 26 192 bl		26	192	17	M 8	57	17	12
63 26 300 sw	63 26 300 bl		26	300	17	M 8	57	17	12



ZIMMERMANN

Pull Handles

from Plastic



Model: Polyamide black. Thread from brass MS 58.

Zimmermann Pull Handles - Plastic

Order No.	b mm	l mm	a mm	Thread d	h mm	r	t mm
64 12 088 sw	12	88	9	M 5	40	22	7,5
64 12 100 sw	12	100	9	M 5	40	22	7,5
64 12 120 sw	12	120	9	M 5	40	22	7,5



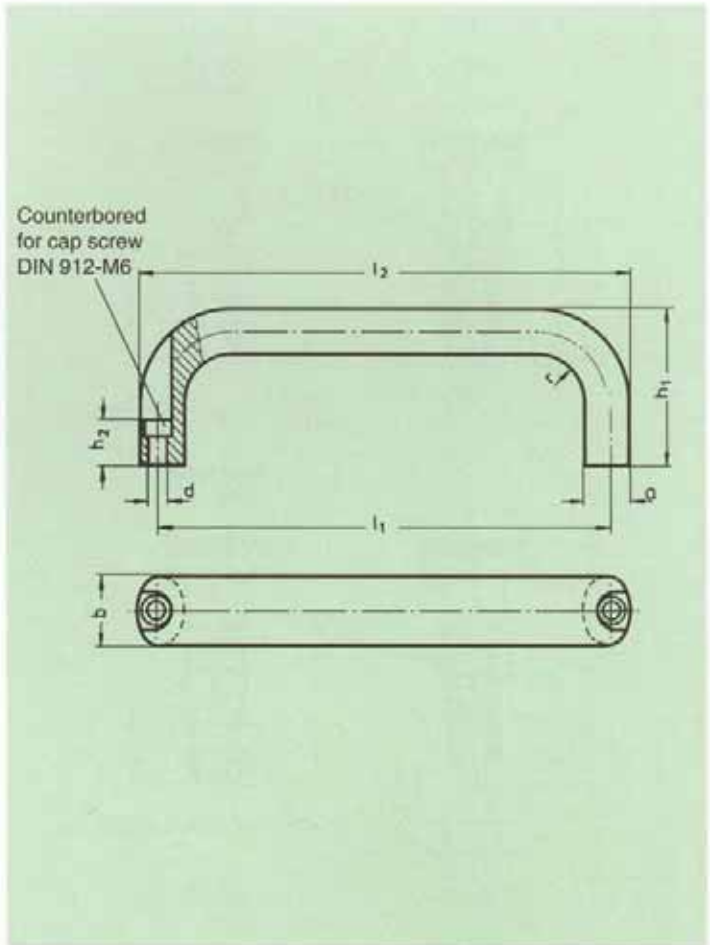
from Aluminium
to assemble from front side



These pull handles allow assembling from front side.

Grip from aluminium profile with high stability and smooth surface. Modern design and ergonomical points of view were the standard basis for the design. Due to the production system (bending), special lengths can be delivered also in small quantities.

Model: Aluminium, Plastic coated black RAL 9011, matt finish or blank, bright tumbled finish.



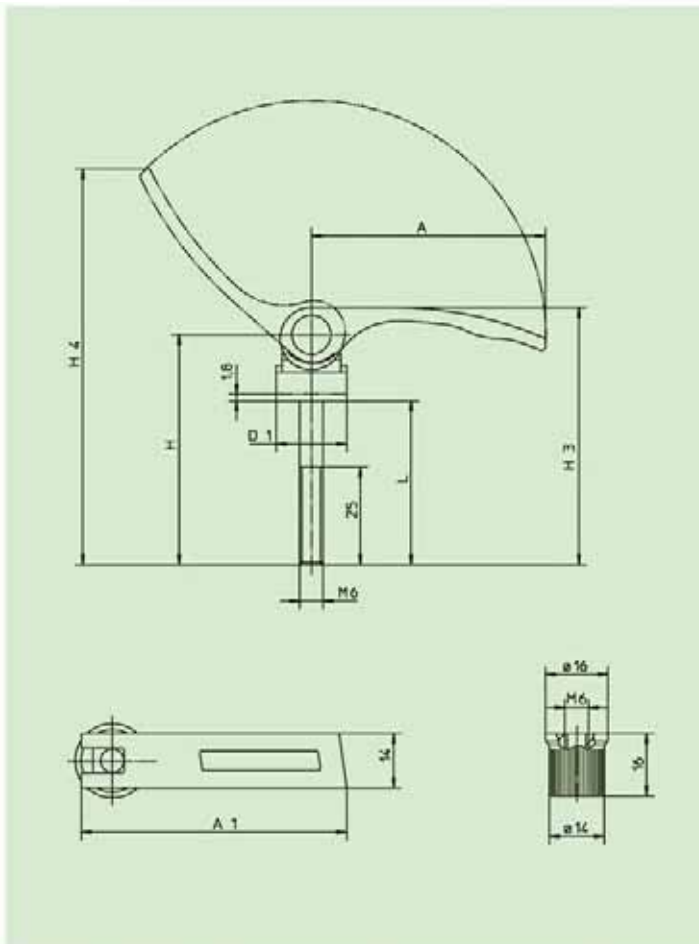
Zimmermann Pull Handles to assemble from front side - Aluminium

Order No. Black	Order No. Blank	b mm	l ₁ mm	l ₂ mm	a mm	d mm	h ₁ mm	h ₂ mm	r
66 26 116 sw	66 26 116 bl	26	116	130	17	6,3	53	17	17
66 26 132 sw	66 26 132 bl	26	132	146	17	6,3	55	17	17
66 26 164 sw	66 26 164 bl	26	164	178	17	6,3	57	17	17
66 26 196 sw	66 26 196 bl	26	196	210	17	6,3	57	17	17

Quick Release Handle



METALIKA
COMPONENTS FOR INDUSTRY **KACIM**
www.metaliika-kacim.com



Designed for agreeable and safe operating.

Model: Handle and nut from aluminium, anodet. Srew from steel quality 5.8, black oxide finished.

Type A: without nut

Type B: with nut

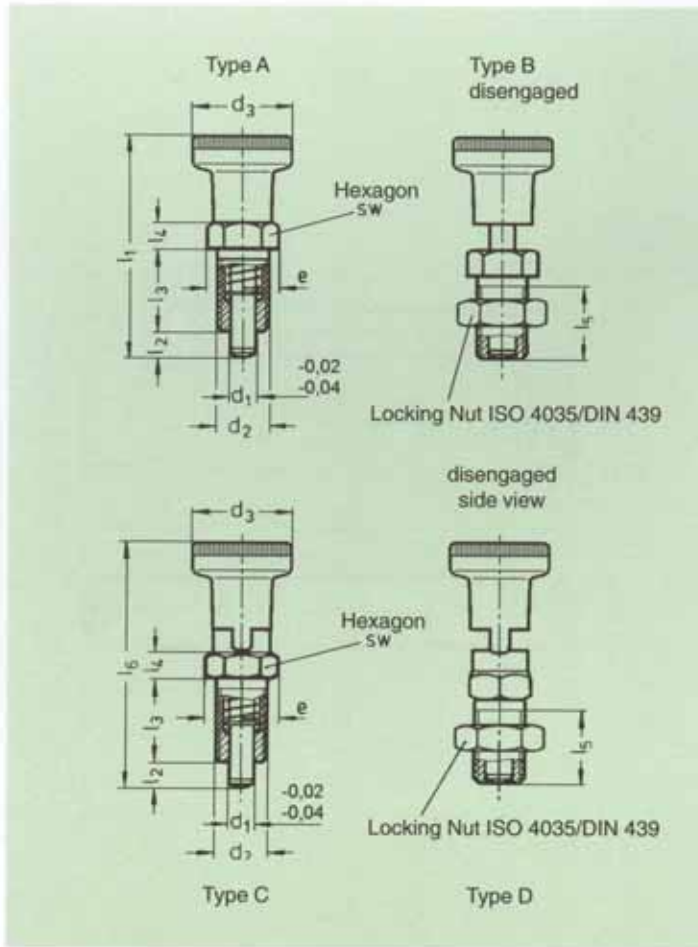
Other srewlengths on request.

Zimmermann Quick Release Handle

Order No.	Order No.		L	A	A ₁	D ₁	H	H ₁	H ₂	H ₃	H ₄	Weight approx. g
Type A	Type B	Thread	mm	mm	mm	mm	mm	mm	mm	mm	mm	
95 62 06 043 A	95 62 06 043 B	M6	43	62	71	18	58	66	104			41



from Steel resp. Stainless Steel



Model Steel: Knob from polyamide black matt. Steel parts stability class 5.8, black oxide finish. Locking bolt hardened and ground.

Model Stainless Steel: Knob from polyamide black matt. Steel parts from stainless steel, Material No. 1.4305. Locking bolt ground and nitrated.

- Type A:** without Fixing Slot, without Locking Nut
- Type B:** without Fixing Slot, with Locking Nut
- Type C:** with Fixing Slot, without Locking Nut
- Type D:** with Fixing Slot, with Locking Nut

Note for Zimmermann Fixing Bolts:

Fixing bolts are used when a change of resting position by axial loads has to be avoided. Another resting position only can be choiced if bolt has been pressed out manually. If fixing pin has to be locked out longer time and unintentional resting has to be avoided, please use Type C resp. Type D.

Zimmermann Fixing Bolts - Steel

Order No.	Order No.	Order No.	Order No.	Size	d ₁	d ₂	d ₃	e	l ₁	l ₂ min.	l ₃	l ₄	l ₅	l ₆ min.	sw
Type A	Type B	Type C	Type D		mm	mm	mm	mm	mm	mm	mm	mm	mm	mm	
30 05 A	30 05 B	30 05 C	30 05 D	5	M 10 x 1	21	13,8	45	5	17	5	15	51	12	
30 06 A	30 06 B	30 06 C	30 06 D	6	M 12 x 1,5	25	16,2	54,5	6	20	6	17	61	14	
30 08 A	30 08 B	30 08 C	30 08 D	8	M 16 x 1,5	31	21,9	69	8	26	8	23	75,5	19	
30 10 A	30 10 B	30 10 C	30 10 D	10	M 20 x 1,5	31	25,4	80	10	33	10	30	91	22	

Zimmermann Fixing Bolts - Stainless Steel

Order No.	Order No.	Order No.	Order No.	Size	d ₁	d ₂	d ₃	e	l ₁	l ₂ min.	l ₃	l ₄	l ₅	l ₆ min.	sw
Type A	Type B	Type C	Type D		mm	mm	mm	mm	mm	mm	mm	mm	mm	mm	
30 05 A E0A	30 05 B E0A	30 05 C E0A	30 05 D E0A	5	M 10 x 1	21	13,8	45	5	17	5	15	51	12	
30 06 A E0A	30 06 B E0A	30 06 C E0A	30 06 D E0A	6	M 12 x 1,5	25	16,2	54,5	6	20	6	17	61	14	
30 08 A E0A	30 08 B E0A	30 08 C E0A	30 08 D E0A	8	M 16 x 1,5	31	21,9	69	8	26	8	23	75,5	19	
30 10 A E0A	30 10 B E0A			10	M 20 x 1,5	31	25,4	80	10	33	10	30		22	

Fixing Bolts



without Collar Steel/ Stainless Steel

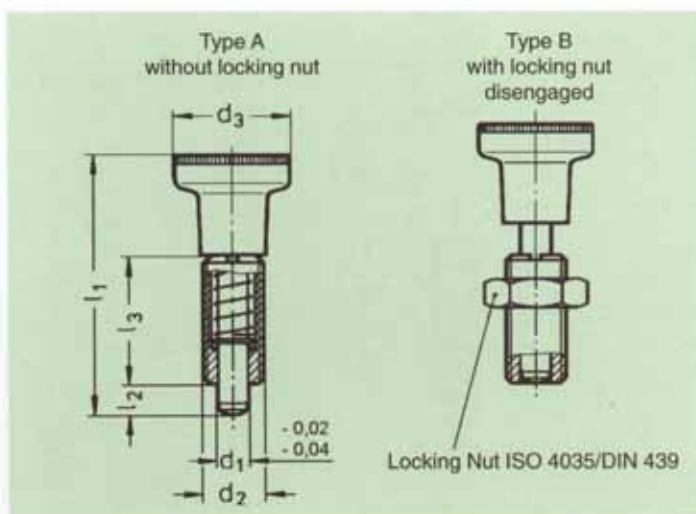


Fixing bolts without collar are a low cost alternative.

Model Steel: Knob from polyamide black matt. Steel parts stability class 5.8, black oxide finished. Locking bolt hardened and ground.

Model Stainless Steel: Steel parts from stainless steel, material no. 1.4305. Locking bolt ground and nitrated.

A special screwdriver is available. Two slots are provided in the upper end of the body which are accessible with the knob in its retracted position.



Zimmermann Fixing Bolts without Collar - Steel resp. Stainless Steel

Order No. Steel Type A	Order No. Steel Type B	Order No. Stainless Steel Type A	Order No. Stainless Steel Type B	Größe d ₁ mm	d ₂ mm	d ₃ mm	l ₁ mm	l ₂ min. mm	l ₃ mm	Order No. Screw Driver
59 05 A	59 05 B	59 05 A E0A	59 05 B E0A	5	M 10 x 1	21	44	5	22	59 05 S
59 06 A	59 06 B	59 06 A E0A	59 06 B E0A	6	M 12 x 1,5	25	53	6	26	59 06 S
59 08 A	59 08 B	59 08 A E0A	59 08 B E0A	8	M 16 x 1,5	31	67	8	34	59 08 S
59 10 A	59 10 B	59 10 A E0A	59 10 B E0A	10	M 20 x 1,5	31	78	10	43	59 10 S

FIXING BOLTS

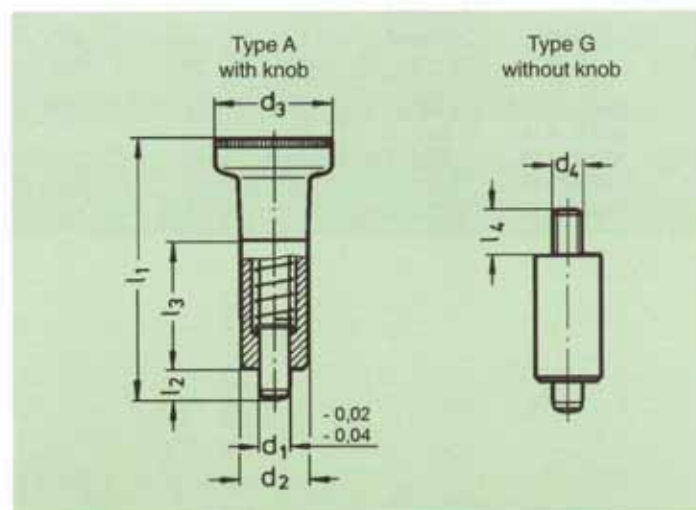


without Thread



Fixing bolts without thread are for applications where welding or resin bonding is favoured. Type G with threaded bolt end are for applications where a special knob to customers own design is required or for such cases where the spindle is linked directly to an operating mechanism.

Model: Knob from polyamide black matt. Steel parts black oxide finished, weldable. Locking bolt hardened and ground.



Zimmermann Fixing Bolts without Thread

Order No. Type A	Order No. Type G	Size d ₁ mm	d ₂₊₆ mm	d ₃ mm	d ₄ mm	l ₁ mm	l ₂ min. mm	l ₃ mm	l ₄ mm
58 05 A	58 05 G	5	12	21	M 5	44	5	22	6
58 06 A	58 06 G	6	14	25	M 6	53	6	26	10
58 08 A	58 08 G	8	18	31	M 8	67	8	34	12

Indexing Bolts

METALIKA
COMPONENTS FOR INDUSTRY
www.metatika-kacin.com

ZIMMERMANN



from Steel resp. Stainless Steel

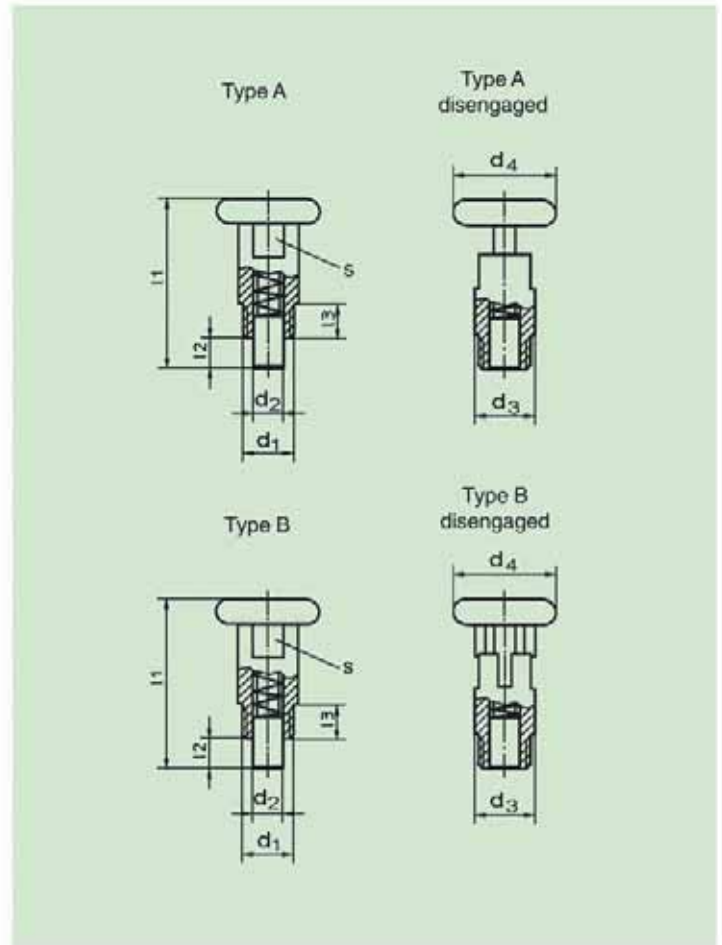


Indexing Bolts have the same application as Fixing Bolts. However they are a low-cost alternative to them.

Model: Head from pressure die-cast zinc, zinc plated. Sleeve and bolt from steel, zinc plated or stainless steel.

Type A: without Fixing Slot

Type B: with Fixing Slot



Zimmermann Indexing Bolts - Steel

Order No. Type A	Order No. Type B	Size d_4 mm	d_1 mm	d_2 mm	d_3 mm	l_1 mm	l_2 mm	l_3 mm	Type A s	Type B s
77 06 A	77 06 B	18	M10x1	6	11,4	31	7	4	10	10
77 07 A	77 07 B	24	M12x1,75	7	14,0	40	7	8	12	12

Zimmermann Indexing Bolts - Stainless Steel

Order No. Type A	Order No. Type B	Size d_4 mm	d_1 mm	d_2 mm	d_3 mm	l_1 mm	l_2 mm	l_3 mm	Type A s	Type B s
77 06 A E0A	77 06 B E0A	18	M10x1	6	11,4	31	7	4	10	10
77 07 A E0A	77 07 B E0A	24	M12x1,75	7	14,0	40	7	8	12	12