

TIRE & WHEEL SERVICE

Mounting Compounds
Bead Breaking Equipment
Bead Seating and Inflation Devices
Tire Service Supplies
Tire Specialty Tools





**TOOLS DESIGNED BY TIRE PROFESSIONALS
FOR TIRE PROFESSIONALS**



11010



11000



11070



15920



15001



15000



Tire Lubricants

Ascot Tire and Tube Mounting Compound

- Now with rust inhibitor
- Makes tire mounting and dismounting faster and easier
- Approved by major rubber companies
- Lubricates all rubber parts—stops rubber squeaks



432-02028

432-02029



Ascot No.	Mfg. No.	Description
432-02028	2028	Tire/Tube Mounting Compound, 8 Lbs. Pail
432-02029	2029	Tire/Tube Mounting Compound, 25 Lbs. Pail
432-02035	2035	Tire/Tube Mounting Compound, 40 Lbs. Pail
432-02012	2012	Tire/Tube Mounting Compound, 125 Lbs. Drum
432-02022	2022	Tire/Tube Mounting Compound, 445 Lbs. Drum
437-00491	-	Swab - For All Center Posts And Rim Clamps
437-20366	-	Swab - For Models 5000, 6000, 9000
437-00001	TS-1	Swab - 11" OAL x 2" Diameter
437-00002	TS-2	Swab - 15" OAL x 2" Diameter
437-00003	TS-3	Swab - 18" OAL x 3" Diameter

No Rim Rust

- Protects tires. Tire bead won't fuse to rim
- Helps prevent corrosion on rims and rigs
- Helps you comply with OSHA Regulation 3086



Ascot No.	Mfg. No.	Capacity
435-00015	FL4-1	4-1/2 Lbs. Pail
435-00125	FL25-1	25 Lbs. Pail
435-01120	FL120-1	120 Lbs. Drum



Universal Mounting Paste

- Makes mounting and demounting tires easier and faster and helps alleviate stress on and damage to the bead area of tires
- Tire mounting paste applies with a sponge and will not corrode or discolor aluminum or alloy wheels, won't freeze or harden
- Rubber Lubricant is a liquid concentrate that makes one gallon of rust-inhibiting water-based mounting lubricant

Ascot No.	Mfg. No.	Description	Units/Box
432-00720	72	Rema Rubber Lubricant, 16 Oz. Can, Concentrate	12
432-00730	73	Mounting Paste Brush for Car/Light Truck	1
432-00731	73T	Mounting Paste Brush for Trucks	1
432-00740	74	Universal Mounting Paste, 22 Lbs.	1
432-00750	75	High Profile Universal Mounting Paste, 7.7 Lbs.	1
432-01750	75N	Low Profile Universal Mounting Paste, 7.7 Lbs.	1
432-00751	75B	Bracket For Mounting Paste	1
437-00001	TS-1	Swab - 11" OAL x 2" Diameter	1
437-00002	TS-2	Swab - 15" OAL x 2" Diameter	1
437-00003	TS-3	Swab - 18" OAL x 3" Diameter	2



Murphy's Non-Rust Rim-Kote

- Contains no petroleum - prevents rim rust and scale
- Acts as tire mounting lubricant - prevents tire bead "freezing"
- Great for seating tubeless bias, belted and radial tires
- Recommended for mounting tires on heavy duty trucks, buses and off-the-road vehicles



Ascot No.	Mfg. No.	Description
434-02020	2020	Liquid-Lube, 1-Gallon
434-02105	2105	Non-Rust Rim-Kote, 7 Lbs. Can
434-02110	2110	Non-Rust Rim-Kote, 25 Lbs. Pail
434-02120	2120	Non-Rust Rim-Kote, 40 Lbs. Pail

Black Rim Rust Retardant & Tire Lube



Ascot No.	Mfg. No.	Description
435-06001	065-2539	Black Rim Rust Retardant Tire Lube (6 - 5 Lbs.)
435-06002	025-2539	Black Rim Rust Retardant Tire Lube (25 Lbs.)
435-06003	040-2539	Black Rim Rust Retardant Tire Lube (40 Lbs.)
435-06004	120-2539	Black Rim Rust Retardant Tire Lube (120 Lbs.)
435-07001	041-2541	Tire Mounting & Rubber Lubricant (4 Gal.)
435-07002	005-2541	Tire Mounting & Rubber Lubricant (5 Gal.)
435-08001	048-2540	Tire Mounting & Rubber Lubricant Paste (8 Lbs.)
435-08002	025-2540	Tire Mounting & Rubber Lubricant Paste (25 Lbs.)
435-08003	040-2540	Tire Mounting & Rubber Lubricant Paste (40 Lbs.)

Tire Service Supplies

Paintstik® Markers



- Real paint in stick form
- Ideal for coding tire casings
- Marks are long lasting, water resistant and weather resistant
- Marks will withstand vulcanizing and recap temperatures
- Non-toxic, contains no lead
- Marking range -50°F to 150°F (-46°C to 66°C)
- 12 sticks per box, 12 boxes per case

Ascot No.	Color	Ascot No.	Color
459-80257	White	459-80227	Pink
459-80258	Yellow	459-80228	Purple
459-80222	Red	459-80229	Brown
459-80223	Black	459-80230	Gray
459-80271	Orange	459-80231	Gold
459-80225	Blue	459-80232	Aluminum
459-80226	Green		

Markal Crayon

- Ideal for temporary marking of tires
- Marks easily on wet or cold surfaces
- Lead-free, zinc-free marks can be painted over
- Size: 1/2" X 4-5/8"
- Marking range: -20°F to 130°F (-29°C to 24°C)
- 12 sticks per box, 12 boxes per case



Ascot No.	Mfg. No.	Description
459-54221	51422	Red Crayon
459-54222	51421	Yellow Crayon
459-54220	51420	White Crayon

B Hex White Tire Paintstick

- Ideal for temporary marking of tires
- Marks easily on wet or cold surfaces
- 12 sticks per box, 12 boxes per case



Ascot No.	Mfg. No.	Description
459-80250	80250	B Hex White Tire Paintstick

Paintstik® Marker Holder



Ascot No.	Mfg. No.	Description
459-85000	85000	5" Metal Holder for Paintstik Marker
459-85100	85100	6" Push-Button Metal Holder for B-Paintstik

E-Z Break Anti-Seize Compound-Copper Grade

- Prevents lug nuts from rusting to wheel studs
- Prevents seizing of aluminum wheels to steel brake drums or rotors
- Will not wash off in rain or snow
- Other applications include head bolts, exhaust manifolds and muffler connections, brackets and engine bolts
- Withstands temperatures to 1800°F (982°C)



Ascot No.	Mfg. No.	Description
494-01010	08910	10 Oz. Can With Brush in Cap
494-08916	08916	14 Oz. Aerosol Can
494-08907	08907	16 Oz. Can with Brush in Cap
494-08930	08930	2.25 Oz. Stick

Penetrants/Air Leak Detector

- PB Blaster quickly breaks loose the surface tension of frozen parts and protects against further and corrosion



Ascot No.	Mfg. No.	Description
408-00016	16PB	Blaster Penetrating Catalyst, 11 Oz.
328-05001	022-1071	Ultra Pen Lube 2000 Penetrant Lubricant, 1- 22 Oz.
328-05003	001-1071	Ultra Pen Lube 2000 Penetrant Lubricant, 1 Gal.
328-05005	005-1071	Ultra Pen Lube 2000 Penetrant Lubricant, 5 Gal.
433-35805	35805	Detecto Mist Air Leak Locator, 1 Qt.

Sure Shot Pressure Sprayers

- Air pressurized and refillable
- Environmentally safe - eliminates aerosol usage
- For brake and parts cleaner, penetrating oils, lubricants, degreasers, solvents
- Made in USA



Ascot No.	Mfg. No.	Description
632-01002	A1002	Black Enameled Steel Sprayer With Adjustable Plastic Nozzle
632-02000	A2000	Plated Brass Sprayer
632-10001	A1000R	Enameled Steel Sprayer - Red
632-10002	A1000G	Enameled Steel Sprayer - Green
632-00005	K-5	Partial Repair Kit For Model A
632-00010	K-10	Complete Repair Kit For Model A

Tire Sealants

STS Tire Sealant

Ascot No.	Mfg. No.	Capacity
STS TIRE SEALANT		
451-00248	STS-CS24-8	(24) 8 Oz. Cartridges
451-04128	STS-CS4-128	(4) 1-Gallon/Case
451-00640	STS-640	5-Gallon Pail
451-00006	STS-6G	6-Gallon Pail
451-00055	STS-55G	55-Gallon Drum
STS CONCENTRATE TIRE SEALANT		
451-01248	STS-CON-CS24-8	(24) 8 Oz. Cartridges
451-14128	STS-CON-CS4-128	(4) 1-Gallon/Case
451-01640	STS-CON-640	5-Gallon Pail
451-00026	STSCON-6G	6-Gallon Pail
451-00155	STS-CON-55G	55-Gallon Drum
STS OTR TIRE SEALANT		
451-24128	STS-OTR-CS4-128	(4) 1-Gallon/Case
451-02640	STS-OTR-640	5-Gallon Pail
451-00036	STSOTR-6G	6-Gallon Pail
451-00255	STS-OTR-55G	55-Gallon Drum

Chemical Bead Boss

- Very slippery for easy mounting or dismounting
- Contains anti-rust chemicals for preventing rim rust at the bead area
- Easy release of the bead for removing the tire
- Can be diluted with water up to 1 to 8 (1:8) for lubricant purposes only
- Does not damage the bead
- Used as a sealant to seat and seal bead on tire beads



Ascot No.	Mfg. No.	Capacity
504-10080	CS-80	(4) 1-Gallon Plastic Containers
504-10085	CS-85	5-Gallon Pail
504-10090	CS-90	55-Gallon Drum

Chemical Flat Stop

- Instant puncture protection-repairs any pneumatic, tubeless or tube tire
- Prevents flats from cactus needles, thorns, stickers and most small nails
- Prevents high pressure and rim leaks
- Not harmful to rubber or cord and will not affect wheel balance



Ascot No.	Mfg. No.	Capacity
504-30035	FS-35	(4) 1-Gallon Plastic Containers
504-30050	FS-50	5-Gallon Pail
504-30065	FS-65	55-Gallon Drum
504-30010	FS-15	Applicator Pump w/1 6" Hose
504-20505	MR-50-5	Pump Fits 5-Gallon Pail With 1 Ft. Hose
504-20050	MR-50	Barrel Pump Fits 55-Gallon Drum

STS Tool and Accessories



Ascot No.	Mfg. No.	Capacity
451-00101	ST-XM-1	1-Gallon Hand Pump
451-00440	ST-XM-44	5-Gallon Hand Pump
451-00005	5-FAVA-5	5-Gallon Pneumatic Pump
451-00550	5-FAVA-55	55-Gallon Pneumatic Pump
469-02311	VCR-A	Auto Valve Core Tool
469-02312	VCR-F	Farm Valve Core Tool
451-00707	ST-TTS-WW	STS Display Stand

Chemical Shur Seal

- For tubeless tires
- Seals rim, bead leaks, hard-to-find slow leaks
- Reduces ply separation in new and recapped tubeless tires
- Ends need for tubes in recapped tubeless tires
- Helps keep tires fully inflated



Ascot No.	Mfg. No.	Capacity
504-20024	SS-24	(24) 4 Oz. Bottles
504-20060	SS-60	(4) 1-Gallon Plastic Containers
504-20053	SS-53	5-Gallon Pail
504-20070	SS-70	55-Gallon Drum
504-20010	CR-10	Applicator Pump w/1 6" Hose & Choke Valve
504-20505	MR-50-5	Applicator Pump Fits 5-Gallon Pail With 1 Ft. Hose
504-20050	MR-50	Barrel Pump Fits 55-Gallon Drum

Tire Sealants (Cont.)

EcoSeal

- Permanently seals punctures up to 1/4"
- Prevents wheel corrosion
- Uses recycled rubber and 100 percent biodegradable ingredients
- Non-combustible by NFPA standards (flashpoint over 700°F)
- Low freeze point (-10°F)
- Freeze/thaw stable

Ascot No.	Mfg. No.	Description
504-00005	ECO5G	5-Gallon Pail
504-00055	ECO55G	55-Gallon Drum
504-00275	ECO275G	275-Gallon Tote
451-05510	ST-XM55	5-Gallon EcoSeal Hand Pump



Tire Brander

Electric Tire Brander

- 110 volt and 220 volt electric versions available
- Propane brander also available
- 1" letters (A-Z) & numbers (0-9) sold separately
- Hardwood handle

Ascot No.
452-01200



Tire Brander Letters



Tire Brander Numbers

Serial Number Removal Tool



531-95001



531-95002



Ascot No.	Mfg. No.	Description
531-95001	TTHB-1	Serial Number Remover Tool
531-95002	RRB-1	12-Pack Replacement Blades

Tire Brander End-Lock

Ascot No.
452-00300



Tire Regrooving Tools & Accessories



455-12500



455-00003



Ascot No.	Mfg. No.	Description
455-00003	RC400	Rubber Cut 400 Rema Regroover
455-00401	W-1	Regroover Blades 20-Pack
455-00402	W-2	Regroover Blades 20-Pack
455-00403	W-3	Regroover Blades 20-Pack
455-00404	W-4	Regroover Blades 20-Pack
455-00405	W-5	Regroover Blades 20-Pack
455-00406	W-6	Regroover Blades 20-Pack

Ascot No.	Mfg. No.	Description
455-12500	125	Heavy Duty Pistol Grip Tire Groover
455-00444	No. 4 Head	Replacement Head for No. 125 Groover
455-04444	No. 4 Bld.	Replacement Blades for 125 Groover

Bead Breakers

"Combi" Tire Bead Breaker

- Works on a single, two and three-piece truck, agricultural and earthmover tire/rim
- Breaks beads in seconds using 10,000 Lbs. of force
- No screws, bolts or attachments
- "Combi" bead breaker will not work on five-piece earth mover giant wheel/rim



422-12000



422-12020



422-16200

422-11010

Ascot No.	Mfg. No.	Description
422-11010	11010	Bead Breaker
422-16200	16200	Conversion Kit for Combi Bead Breaker
422-12000	12000	Bead Breaker Kit includes: 11010 Bead Breaker, 15000 Pump and 16040 Hose Assembly
422-12020	12020	Bead Breaker Kit includes: 11010 Bead Breaker, 15920 Pump and 16040 Hose Assembly

Giant Tire/Earthmover Tire Bead Breaker

- Use on 5-piece rims 15" to 51" without pry bar/bead loosening pockets
- Model 15000, 1520 or 15040 air/hydraulic pump recommended for operation
- Replaces Goodyear TO-100-HA

Ascot No.	Mfg. No.
422-11040	11040



Giant Tire/Earthmover Tire Bead Breaker

- Use on 5-piece rim 25" to 51" with pry bar/bead loosening pocket
- Replaces Goodyear TO-1600-HA
- 4-1/4" stroke, 14-ton ram will break the toughest beads
- Same as IMT-1800
- Model 15000, 15020 or 15040 air/hydraulic pump recommended



422-11000

Ascot No.	Mfg. No.	Description
422-11000	11000	Bead Breaker
422-12070	12070	Bead Breaker Kit includes: 11000 Bead Breaker, 15000 Pump, 16040 Hose Assembly
422-12090	12090	Bead Breaker Kit includes: 11000 Bead Breaker, 15920 Pump, 16040 Hose Assembly

Dual Agricultural Tractor Tire Bead Breaker

- Heavy duty - 10-tons of force breaks the toughest beads
- Breaks inside bead on outside dual farm tractor tires
- Requires just 3" of operating space between dual tractor tires
- Use with 10,000 PSI air/hydraulic pump
- No need to remove outside wheel to change tire on outside dual

Ascot No.	Mfg. No.
422-11060	11060



Giant Tire/Earthmover Tire Bead Breaker

- Use on all 39", 45", 49", 51", 57" and 63" wheel sizes
- In most cases you must first use Model 10105 or 10100 bead breaker to start the movement of the rim flange. Model 11030 can then be used
- Model 15020 or 15040 air/hydraulic pump recommended for operation
- Replaces Goodyear TO-2000-HA



Ascot No.	Mfg. No.	Description
422-10103	11030	Giant Tire Earthmover Bead Breaker
422-12110	12110	Kit Contains 11030 Bead Breaker, 15040 Pump And 16020 Hose Assembly

Pumps & Bead Breakers

Economy Air Hydraulic Pump

- Provides up to 10,000 PSI with standard shop air supply
- Reservoir made of durable aluminum
- Built-in pressure bypass system to prevent overload of operation
- User-friendly foot-actuated design for easy control of moving fluid



Ascot No.	Mfg. No.	Description
422-22903	22903	1.39 Quart Capacity
422-22905	22905	1.75 Quart Capacity



"Maxi" Bead Breaker

- Newly redesigned bead breaker, works on ALL 3-piece wheels that replace older 5-piece wheels
- Designed to work on front or back of wheel with no attachments or accessories
- Unit clamps easily to wheel – no setup time



Ascot No.	Mfg. No.
318-11020	11020



Turbo II Air Hydraulic Pump-3.5-Quart Oil Capacity

- Rugged polyglass reservoir with sight gauge
- 10,000 PSI hydraulic pressure
- Easily works on rams and bead breakers with oil to spare
- Unique design easily fits truck storage bins
- Turbo II pump-fastest pump available
- Redesigned air motor is inexpensive to service



Ascot No.	Mfg. No.	Capacity
318-15000	15000	3.5-Quart Air Hydraulic Pump
318-15010	15010	Above Pump With Hydraulic Hose
318-15020	15020	5-Quart Air Hydraulic Pump

Stinger Bead Breaker

- OTR Bead Breaker for heavy duty 3-piece rims that replace standard 5-piece rims
- Works on both front and back of wheel without dismounting wheel from vehicle
- Works on all new 3 piece 25" wheels or larger
- Works on all wheels with CAT "Shur-Lok" safety feature



Ascot No.	Mfg. No.	Description
318-11090	11090	Stinger Bead Breaker



Air Hydraulic Pump 5-Quart Oil Capacity

- Rugged 5 quart metal reservoir
- Air inlet filter keeps air clean
- All metal air motor
- 10,000 PSI hydraulic pressure



Ascot No.	Mfg. No.	Capacity
318-15920	15920	5-Quart Air Hydraulic Pump
318-15930	15930C	Air Hydraulic Pump w/Hose & Coupler

"Maxi-Lite" Bead Breaker

- Lightweight Aluminum reduces weight by 40%
- Adjustable clamp allows for a perfect fit – regardless of the size of the wheel
- Unit delivers 10 Tons of force
- 2.75" (7 cm) stroke breaks beads, often with only one "bite"
- Model 11071 has increased length on jaws
- Model 11070-041 needed for some wheels with little clearance
- Weight – 31 Lbs. (14 kg)

Ascot No.	Mfg. No.
422-11070	11070



11070-041

Air Hydraulic Pump 2-Gallon Oil Capacity

- Rugged 2-gallon metal reservoir
- 10,000 PSI hydraulic pressure
- Air inlet filter keeps air clean
- All metal air motor



Ascot No.	Mfg. No.	Capacity
318-15940	15940	2-Gallon Air Hydraulic Pump
318-15950	15950C	2-Gallon Air Hydraulic Pump w/Hose & Coupler

Ask About Our Tire Bead Breaker and Hydraulic Pump Repair Program.

Hydraulic Rams and Accessories

Hydraulic Rams

- Used to push off rear rim flange and tire bead on earthmover wheels
- For all earthmover tires, trucks and perfect for construction



Ascot No.	Mfg. No.	Capacity (Tons)	Stroke	Retracted Height
422-13010	13010	10	2-1/8"	4-3/4"
422-13020	13020	10	4"	6-3/4"
422-13030	13030	10	6-1/8"	9-3/4"
422-13040	13040	10	8"	11-3/4"
422-13050	13050	10	10-1/8"	13-3/4"
422-13060	13060	30	2-7/16"	4-5/8"
422-13090	13090	25	8-1/4"	12-3/4"
422-13100	13100	25	6-1/4"	10"

Hydraulic Hose Assemblies

- 8 or 10 feet in length
- Swivel fittings, hose won't kink
- Reinforced with 2 layers of braided steel
- Use with any 10,000 PSI pump, ram and bead breaker



Ascot No.	Description
318-04960	8 Ft. with Half Coupler
318-04120	10 Ft. with Half Coupler

55-Ton and 100-Ton Aluminum Rams

- Lightweight yet durable
- For use with 10,000 PSI pumps
- Ships completely assembled with valve, coupler and base
- Perfect for off highway truck work
- The preferred jack for road service



318-13080

318-13120

318-13000

318-13140

Ascot No.	Mfg. No.	Recommended Pump	Weight Capacity	Collapsed Height	Extended Height	Weight
318-13080	13080	15930C	55-Tons	12"	18"	32 Lbs.
318-13120	13120	15930C	55-Tons	12-1/4"	18-1/4"	29 Lbs.
318-13000	13000	15930C	100-Tons	11-3/4"	17-3/4"	38 Lbs.
318-13140	13140	15930C	100-Tons	16-1/4"	26-1/4"	53 Lbs.

Hy-Flo Hydraulic Coupler

- Lightweight yet durable
- Includes ram and hose portions
- Interchanges with OTC, Power Team and ESCO hydraulic products



135-10606

135-10605

135-16000

Ascot No.	Mfg. No.	Description
135-16000	16000	Hy-Flo Hydraulic Coupler
135-10606	16060	Ram Female Half Coupler
135-10605	16050	Hose Male Half Coupler

Quick Couplers

- Precision built and designed for high pressure
- Permits disconnecting without loss of oil
- 3/8" NPTF

Ascot No.	Mfg. No.	Description
318-09795	9795	Complete Quick Coupler
318-09796	9796	Ram Half Coupler And Dust Cap
318-09797	9797	Ram Half Coupler Dust Cap Only
318-09798	9798	Hose Half Coupler Only
318-09799	9799	Hose Half Coupler Dust Cap Only
318-09866	9866	Hose or Ram Half Dust Cap



319-09795



319-09796



319-09798



319-09797



319-09866

OTR Service Tools & Accessories

Flange Ring Puller

- Lifts the rim base and bead seat band from the tire
- Aids in bead seating during inflation
- Attaches to a standard boom style service truck
- 4 point hook/chain assembly for optimal lifting
- Chain lengths of 30" (76.2 cm)
- Includes 2 flat hooks and 2 tapered hooks to allow use on all rim styles
- Weight - 32 Lbs.

Ascot No.	Mfg. No.	Capacity
402-08029	93000	5,000 Lbs.



2-Way Push Bar

- Two-way push bar allows for quick and easy depression of the bead seat band flange ring and rim for removal of the lock ring and O-ring
- Can also be used to retain the tire during inflation

Ascot No.	Mfg. No.	Capacity
429-08837	92000	25" to 51"
429-06661	92005	33" to 57"



Bead Hooks



429-00441 429-01601

Ascot No.	Mfg. No.	Description	Capacity
429-00441	B0441PC	Bead Hook	12,000 Lbs.
429-01601	D1601PC	Bead Hook	16,000 Lbs.

Earthmover Tire Bead Hook

- Used to connect with hydraulic boom on tire service truck for transport of tires
- Model 94000 has slim design which will fit inside all tires – even ones that have been stacked
- Model 94000 – 5,000 Lbs. (2,260 kg) capacity
- Model 94020 – 12,000 Lbs. (5,400 kg) capacity
- Model 94010 – 16,000 Lbs. (7,250 kg) capacity



Ascot No.	Mfg. No.	Capacity
429-90403	94000	4,000 Lbs.
429-90402	94020	12,000 Lbs.
429-90401	94010	16,000 Lbs.

Bead Push Off Tool

- Lightweight tool for removing combine and tractor tires after breaking the bead
- Pushing force of 8,000 Lbs. and a 5.5" stroke, a removable handle for compact storage and uses hydraulic pressure to force the tire off the rim. Hooks between the rim and the tire bead



Ascot No.	Mfg. No.	Description
429-10108	11080	Bead Push Off Tool

Tire Sling

- Adjustable locking sling for dismantling single or dual assembly tires
- With locking mechanism so tires don't rotate



Ascot No.	Mfg. No.	Capacity	Description
402-06662	91000	6,500 Lbs.	Small Sling Assembly

Cribbing Sets

Cribbing Set for 55-Ton Ram Nestling

Ascot No.	Mfg. No.	Description	Size
429-08075	15012	Cribbing Set	3"
429-08076	15022	Cribbing Set	6"
429-08077	15032	Cribbing Set	9"



429-08075

Steel Crib Kit

- Durable Steel Cribbing – will not bend or warp
- Model 15002 is a complete set – 3", 6" and 9" stands
- Units can be nested together for 18" of total lift
- Recessed area on cribbing fits 7" square plate on 55 Ton Cylinders
- Each unit has carry handle

Ascot No.	Mfg. No.
429-08074	15002



Super Stacker Cribbing

- Industrial cribbing blocks made from 100% Recycled plastic
- Provide superior strength compared to hardwood or softwood
- Provide visual warning of overload
- Interlocking and aggressive non-slip surfaces
- Non conductive plastic construction
- Carry lanyards provided on all 6x7 and 4x4 blocks
- Rated up to 198,000 Lbs. (depending on configuration)
- Testing paperwork available and can be filed on service truck

Ascot No.	Mfg. No.	Description
429-15255	15255	Kit includes (6) 15230, (3) 15210 and (1) 14465
429-15250	15250	Kit includes (3) 15230, (3) 15220 and (3) 15200
429-15260	15260	Kit includes (12) 15230 (140T capacity when used in 3 block configuration, pyramid mating)



429-15250



429-15255

Bead Seating Devices

5-Gallon Cheetah Bead Seater

- Makes seating the most difficult bead safe and simple
- 5-gallon capacity
- Designed for commercial use on large truck tires, passenger and ATV tires to 24.5"
- Fill tank from any service station chuck or service truck air compressor

Ascot No.	Mfg. No.	Description
473-00500	CH-5	Cheetah Bead Seater - 5-Gallon
473-00501	CH5AL	Same As Above With Aluminum Tank



13-Gallon Cheetah Bead Seater

- 13-gallon capacity - ASME certified tank
- Seats bead on tractor & heavy equipment tires from 24.5" to 54"
- Includes a straight barrel, new Magnum barrel (for larger tires) and safety goggles as standard equipment
- Extends tire service capability not possible with portable unit

Ascot No.	Mfg. No.	Description
473-00012	CH-13	13-Gallon
473-00013	CH-13AL	13-Gallon With Aluminum Tank



10-Gallon Cheetah Bead Seater

- 10-gallon capacity with ASME certified tank
- Designed for small rear agri/grader or smaller tires
- Standard for fleet work, farm and service trucks

Ascot No.	Mfg. No.	Description
473-00010	CH-10	10-Gallon
473-00011	CH-10AL	10-Gallon With Aluminum Tank



Bead Seating Devices (Cont.)

Boa Constrictor

- Hammerless bead breaking system
- Uses a high pressure vacuum to literally "squeeze" the tire away from the wheel
- Eliminates the need for a hammer in the tire break-down process
- Ideal for aluminum & steel wheels
- Connects to any standard air line - perfect for on-the-road service



Ascot No.	Mfg. No.	Description
421-00004	BC-04	Bead Breaking System

Tubeless Truck Bead Sealer O-Ring Type

- Helps seat beads that will not properly seat
- One-piece rubber tubes that fit over the rim between the beads and the rim flange, making a seal which allows the tire to be inflated
- Models available for both tubeless truck and passenger tires



Ascot No.	Mfg. No.	Description
471-20100	20100 (PC-1)	For Passenger Rim Size 13"-14"
471-20101	20101 (PC-2)	For Passenger Rim Size 14"-15"
471-20200	20200 (TC-50)	For Truck Rim Size 16.5"-17.5"
471-20202	20202 (TC-60)	For Truck Rim Size 19.5"
471-20204	20204 (TC-70)	For Truck Rim Sizes 22.5"-24.5"

Bead Seater

- Provides an efficient and quick way to seat the beads of truck tires
- Easy to operate-twist valve with man-size handle
- Includes 8 feet of 1" diameter hose, hand-operated valve and choice of one ring-specify ring part number

Ascot No.	Mfg. No.	Description
473-00880	GB-8A	Bead Seater

Pneumatic Bead Expanders

- Fits most bias ply passenger tires
- Pliable neoprene rubber tube encased in tough nylon cover
- Withstands contact with oil, grease, solvents and acid



Ascot No.	Mfg. No.	Min./Max. Dia.	Tube Dia.	Weight
471-31432	31432	24"-34"	2-1/4"	2.8 Lbs.
471-31433	31433	22"-32"	3/4"	.75 Lbs.

B&J Standard Duty Bead Seating System

- Provides an efficient and quick way to seat the beads of truck tires
- Easy to operate-twist valve with man-size handle
- Includes 8 feet of 1" diameter hose, hand-operated valve and choice of one ring-specify ring part number

Ascot No.	Mfg. No.	Description
474-21373	31212	For Rim Sizes 14.5" To 16.5"
474-21372	31211	For Rim Sizes 17.5" To 19.5"
474-21371	31210	For Rim Sizes 20" To 24.5"
474-21374	31213	For Rim Sizes 17.5" Only
474-21375	31214	For Rim Sizes 22.5" Only
474-31701	31701	20 Gallon Surge Tank
474-31303	31303	8 Ft. Hose
474-31401	31401	1" Valve



Chloride Pumps

"Mini-Mite" Chloride/Methanol Pumper

- Double diaphragm 1/2" capacity pump
- No lubrication required - self-priming - non-stalling
- Aluminum alloy casting
- Simple, yet highly effective operating principal
- Muffler enclosed in body
- On/off ball valve - 1/2" brass quick couplers for fast flow reversal
- Two 10' hoses (250 Lb. rated)
- Air/water adapter and stainless steel strainer



MOV-IT TIRE PRODUCTS ○ ○ ○

Ascot No.	Mfg. No.	Description
475-00010	10A	Chloride/Methanol Pumper

Calcium Chloride Pump

- Now available with polyvinyl valve (Model #10509) or anodized aircraft aluminum valve (Model #10509M)
- Pumps 34 gallons of calcium chloride per minute
- Newly designed valve will not leak
- Spring reinforced hoses for fill and evacuate
- Comes complete with valve adapters for all valves (large bore and standard)
- Gauges are protected
- Unit is portable or can be mounted in tire service trucks
- Double diaphragm pump, 1 to 1 ratio
- 10' hoses gives plenty of room to operate
- Includes hoses & calcium tire filled gun
- USA made pump



Ascot No.	Mfg. No.	Description
475-10509	10509	Calcium Chloride Pump with Polyvinyl Valve
475-11590	10509M	Calcium Chloride Pump with Aircraft Aluminum Valve

"Wonder Pump" Pneumatic Double Diaphragm Calcium Chloride Pump

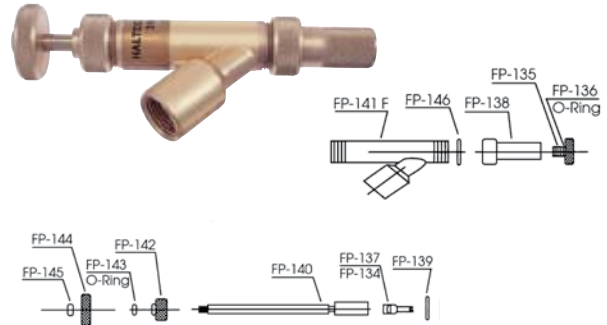
- No lubrication required
- Self-priming; non-stalling; low noise level
- Diaphragms have no stress points and "less flex" for longer life
- No gradual loss of pump performance due to wear
- Can run dry indefinitely
- Protected by an air filter/regulator
- 4-way valve - 1/4 turn reverses the flow - no need to change hoses
- 35 gallon per minute free flow



Ascot No.	Mfg. No.	Description
475-18001	30A Plus	1" Capacity Standard Package

Valve Adapter Gun

- 1/2" female pipe thread
- Will attach to any calcium tire filling pump
- Will extract valve core from a standard bore valve or core housing from tractor valve
- Securely holds valve core or core housing up in the gun body during the filling or evacuation of liquid from tire



Ascot No.	Mfg. No.	Description
464-00310	310	Valve Adapter Gun
464-00134	FP-134	Large Bore Core Remover
464-00135	FP-135	Adapter For Standard Valve
464-00136	FP-136	O-Ring For FP-135
464-00137	FP-137	Standard Valve Core Remover
464-00138	FP-138	Ejector Union With FP-136 O-Ring
464-00139	FP-139	Gasket
464-00140	FP-140	Stem
464-00141	FP-141F	Adapter Body
464-00142	FP-142	Stem Sealing Nut
464-00143	FP-143	O-Ring For FP-142
464-00144	FP-144	Hand Wheel
464-00145	FP-145	Lock Nut
464-00146	FP-146	Teflon Gasket

Tubeless Tire Irons

Gaither's Bead Saver System

- Patented design
- By using simple principles of leverage, the Bead Saver System actually works with tire and rim to do the work for you
- Safest, fastest, easiest way ever invented to change tubeless truck tires
- Guaranteed not to damage tire beads



Ascot No.	Mfg. No.	Description
448-12880	12880	Bead Saver System

Ref. No.	Ascot No.	Description
1	448-12902	Clevis (Demounting Tool)
2	448-12883	Right Wing For Clevis
3	448-12884	Left Wing For Clevis
4	448-12897	Bolts For Clevis Wing (Set Of 2)
5	448-12903	Rollers For Clevis (Black & White Roller Including Pins)
6	448-12909	Wire Handle For Clevis (Includes Screws)
7	448-12892	On/Off Plate
8	448-12893	Wedge
9	448-12899	Beavertail
10	448-12901	Rollers For Beavertail (Set Of 2 Includes Screws)
11	448-12886	Lever Bar
12	448-22886	Crook End For Lever Bar
13	448-32886	Spoon End For Lever Bar
14	448-12894	Beadkeeper (1 Included In Standard Set)
15	448-12898	Clevis Assist (Not Included In Standard Set)
16	448-12900	Heavy Duty Carrying Case
17	448-12904	Gaither's Super Slick'em (Replacement Sold by The Case) - 4 Gallons w/Applicator
18	448-12905	Instructional Video (Available in PAL Also)

Beadkeepers

- Old reliable beadkeeper with a new heavy duty plastic cover to protect aluminum wheels during the tire mounting process



448-12894 448-32894

Ascot No.	Mfg. No.	Description
448-22894	12894	Steel Beadkeeper
448-12894	12894-C	Rubber Head Beadkeeper
448-32894	12894-CS	Blue Wide Mouth Rubber Head Beadkeeper

Golden Tool Tubeless Truck Tire Mount/Demount Tool

448-00202

- Demounts most tubeless tires in 8 seconds with ease - remount them in 20 seconds with equal ease - all without the need to lift tire and rim to remove rear bead
- Demounts/mounts 17.5" to 24.5" tires
- Use on all tubeless truck tires including super single/duplex tires, radial and bias
- For Dayton-type wheels (centerless) and Budd type disc wheels
- Eliminates the need to lift tire and rim to remove the bottom bead, preventing possible strain or even serious injury



Ascot No.	Mfg. No.	Description
448-00100	TNT-100	Tire Mount/Demout Tool Complete
448-00101	TNT-100-1	Demount Tool Only
448-01008	TNT-100-8	Roll Pins for TNT-9 (Need 2)
448-01009	TNT-100-9	Small Tire Roller (Need 2)
448-10010	TNT-100-10	Main Roller
448-10011	TNT-100-11	Roll Pin For TNT-100-1 (Need 1)
448-00200	TNT-200	Super Single Tire Mount/Demount Tool
448-00201	TNT-200D	Super Demount Tool
448-00202	TNT200M	Single Mount Tool
448-00301	TNT-300-1	New 445 Super Single Demount Tool

Easy-Way™ Tubeless Truck Tire Demounting System

- Demount tubeless truck tire in 8 seconds
- Never lift tire to demount rear or bottom bead
- Eliminates bead damage
- Handles all tubeless truck tires 16.5"-24.5" diameter and some super single "floats"
- No damage to aluminum or painted wheels

Ascot No.	Mfg. No.	Description
402-70100	70100	Complete Kit
402-70101	70101	Top Bead Tool
402-70102	70102	Bottom Bead Tool
402-70103	70103	Rim Protector



Mount/Demount Tools

37" Classic Tubeless Tire Iron

- Ken-Tool's patented designs offer one-piece construction and assure long life for many tire changing applications
- Tip ends insert easily and will not cut or rip bead or sidewall. These designs make it easier to mount and demount tires without changing the way the tool is used
- Mount end: Precision-forged knob grips rim. Tip designs won't slip during tire mounting. Special curve design always grabs the bead edge
- Demount end: Precision-forged angled tip slides between bead and rim easily. Forged design won't slip when demounting the second bead



Ascot No.	Mfg. No.	Length	Stock	Weight
402-34645	T45AC	37"	3/4"	4.6 Lbs.

Tire Mount/Demount Irons

- Many sizes for use on truck, agricultural and industrial tires
- Straight and offset tire irons for use on large, wide-base tires
- T45 series for use on standard truck tires
- New 402-45005 allows the professional to lift the bead over the rim with less effort than conventional methods



402-45005

Ascot No.	Mfg. No.	Length	Stock	Weight
402-45003	T45A	37"	3/4"	4.6 Lbs.
402-45005	T45A-2000K	38"	3/4"	5 Lbs.
402-45004	T45HD	41"	7/8"	7 Lbs.
402-45006	T47A	52"	1"	11 Lbs.

Tire Demount Tool

- Demounts both beads on most truck tires with the need for lifting the tire/wheel assembly off the ground and then dropping it
- Heat-treated alloy steel for maximum durability and strength

Ascot No.	Mfg. No.	Length	Stock	Weight
402-02001	T2001	39"	3/4"	6.5 Lbs.

Tire Mount Tool

- Wing shaped designed to stop against rim, remove itself from between rim and bead
- Small end gets under stretched bead for last pull

Ascot No.	Mfg. No.	Length	Stock	Weight
402-02002	T2002	38"	1 1/16"	4 Lbs.

Super Serpent Mount Tool

- It may seem funny looking, but every inch of this innovative design is purely serious
- Delivers Twice the leverage of any "Straight-type" tire mounting tool



Ascot No.	Mfg. No.	Length	Stock	Weight
402-02005	T2005	37"	3/4"	6.6 Lbs.

Super Serpent Demount Tool

- At only 5-1/2 pounds, this unique, lightweight demount tool for super singles can be lugged around on a fingertip
- Delivers incredible leverage right where it's needed

Ascot No.	Mfg. No.	Length	Stock	Weight
402-02006	T2006	37"	3/4"	5.5 Lbs.

Tire Spoons

- General purpose tire irons for all mounting and demounting needs
- Use 18" and 24" spoons to mount or demount passenger car, motorcycle, ATV and light truck tires
- 30" spoons provide enough strength and leverage to work on large truck, bus, off-road vehicle, tractor and aircraft tires



STRAIGHT

Ascot No.	Mfg. No.	Length	Stock	Weight
402-32101	T1X	18"	1 1/16"	1.8 Lbs.
402-32119	T19	24"	1 1/16"	2.5 Lbs.
402-33219	T19A	30"	1 1/16"	3 Lbs.
402-33022	33022	30"	3/4"	3.4 Lbs.
402-33238	T38	30"	7/8"	4.8 Lbs.



DROP-CENTER

Ascot No.	Mfg. No.	Length	Stock	Weight
402-02100	T21R	18"	1 1/16"	1.8 Lbs.
402-02101	T21F	24"	1 1/16"	2.5 Lbs.
402-33020	33020	30"	1 1/16"	3.1 Lbs.
402-33024	33024	30"	3/4"	3.4 Lbs.
402-02102	T21HD	30"	7/8"	4.5 Lbs.



CURVED

Ascot No.	Mfg. No.	Length	Stock	Weight
402-32102	T2X	18"	1 1/16"	1.8 Lbs.
402-32120	T20	24"	1 1/16"	2.4 Lbs.
402-33220	T20A	30"	1 1/16"	3.1 Lbs.
402-31820	31820	18"	1 1/16"	1.8 Lbs.
402-32420	32420	24"	1 1/16"	2.5 Lbs.
402-33021	33021	30"	1 1/16"	3.1 Lbs.
402-33052	33052	30"	3/4"	3.1 Lbs.
402-33062	33062	30"	7/8"	3.4 Lbs.
402-33239	T39	30"	7/8"	4.5 Lbs.

Mount/Demount Tools (Cont.)

Tubeless Tire Iron Sets

- Sets provide all irons necessary for a variety of tire changing applications
- Use C bar with the B extension bar for easier use on large, wide-base truck tires
- Use on standard and large truck tires, including industrial, farm, buses and tractors



Ascot No.	Mfg. No.	Description	Length	Stock	Weight
Adapter Plugs					
402-46000	T46	Tire Iron Set. Includes T46A, T46B, T46C	—	3/4"	12 Lbs.
402-46001	T46A	Med. Duty Mount/Demount Iron	36"	3/4"	4.5 Lbs.
402-46002	T46B	Mount/Demount Iron	36"	3/4"	4.5 Lbs.
402-46003	T46C	Offset Bar For Deep Well Tires	22"	3/4"	4.5 Lbs.
Heavy					
402-47000	T47	Tire Iron Set. Contains: T47A, T47B, T47C	—	1"	29 Lbs.
402-47001	T47A	Ultra Duty Mount/Demount Iron	52"	1"	11 Lbs.
402-47002	T47B	Mount/Demount Iron	49-1/2"	1"	11 Lbs.
402-47003	T47C	Offset Bar For Deep Well Tires	27"	1"	6.6 Lbs.

Small Mount/Demount Tools

- Design based on popular European styles
- Extended length of the flat curved sliding surface provides comparable mounting ability of much longer traditional tire irons

Tire Irons - Small Tire



- Pro tire changing tools for small tires
- Ideal for mounting and demounting motorcycle, ATV, lawn, golf cart and small tires by hand
- Rounded ends will not pinch tube

Ascot No.	Mfg. No.	Length	Stock	Weight
402-00900	T9A	9"	7/16"	.4 Lbs.
402-00160	T16A	16"	7/16"	.7 Lbs.
402-01900	T9C	2 Piece Set - Contains (2) T9A 9" Bars		
402-01160	T16C	2 Piece Set - Contains (2) T16A 16" Bars		

Tire Irons - Small Tire



- Pro tire changing tools for small tires
- Sturdy, comfortable plastic handles
- Ideal for mounting and demounting motorcycle, ATV, lawn tractor, golf cart and small tires by hand
- Rounded ends will not pinch tube

Ascot No.	Mfg. No.	Length	Stock
402-00050	T5	16" (41 Cm)	.8 Lbs
402-00080	T8	16" (41 Cm)	.8 Lbs

Tire Irons - Small Tire



- Pro tire changing tools for small tires
- Ideal for mounting and demounting motorcycle, ATV, lawn, golf cart and small tires by hand
- Rounded ends will not pinch tube

Ascot No.	Mfg. No.	Length	Stock	Weight
402-00060	T6A	16-1/2"	5/8"	1.5 Lbs.

Motorcycle/Small Wheel



Ascot No.	Mfg. No.	Length	Stock	Weight
402-04311	T43A	15"	3/4"	1.8 Lbs.

European Style Tools

- Use on car, motorcycle, truck and agricultural tires
- Designed for mounting and demounting tires
- Best if used in pairs



Ascot No.	Mfg. No.	Length	Stock	Weight
402-04300	T43C	21"	7/8"	3.1 Lbs.
402-04301	T43D	30"	7/8"	4.5 Lbs.
402-04401	T44	31"	7/8"	5.3 Lbs.

Bead Breakers

Impact Bead Breaker

- Loosens the most stubborn beads with floating bead breaking foot and ram bar
- Forces wedge foot between head and rim flange
- Delivers blow directly to the tip
- Designed for shop or road use



Ascot No.	Mfg. No.	Description	Length	Length Ext.	Weight
427-35924	T24B	Economy	46"	72"	13.5 Lbs.
427-35926	T26B	Heavy Duty	50"	80"	23 Lbs.

Floor Type Bead Breaker

- Use on custom wheels, without center holes, wide based motorcycle tires, ATV tires
- Used to prevent bending of wheels



Ascot No.	Mfg. No.	Description	Tread Width	Weight
421-00098	T98	Deluxe	Up to 11"	28.5 Lbs.

Portable Bead Breaker

- Breaks beads on most sizes of passenger tires & light trucks



Ascot No.	Mfg. No.	Handle Length	Weight
421-00100	T100	36"	5.2 Lbs.

Driving Iron

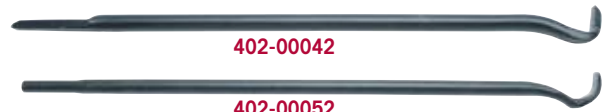
- Used for loosening rusted truck and bus beads



Ascot No.	Mfg. No.	Length	Stock	Weight
427-26000	T26A	11-3/4"	1-1/4"	4.4 Lbs.

"Swan Neck" Bead Breaking Tools

- Portable tools - great alternative to handled bead breaking wedges or hydraulic bead breakers



Ascot No.	Mfg. No.	Length	Stock	Weight
427-00041	T41	30"	7/8"	5.3 Lbs.
427-00042	T42	30"	7/8"	4.8 Lbs.
427-00052	T52	33"	7/8"	5.5 Lbs.

Lock Ring Tools

Truck Lock Ring Remover

- Designed for small diameter wheels



Ascot No.	Mfg. No.	Length	Diameter	Weight
402-32123	T23	24"	1 1/16"	2.4 Lbs.
402-33223	T23A	30"	1 1/16"	3.1 Lbs.



Special Lock Ring Tool

- Long tapered curved end for continuous side rings



Ascot No.	Mfg. No.	Length	Diameter	Weight
402-32127	T27	18"	1 1/16"	1.8 Lbs.

Combination Rim/Ring Tool

- Flat tapered end ideal for all around ring and rim work



Ascot No.	Mfg. No.	Length	Diameter	Weight
402-33224	T23B	23-1/2"	1 1/16"	2.4 Lbs.

Lock Ring Tool

- Removes continuous side rings on two-piece truck rims



Ascot No.	Mfg. No.	Length	Diameter	Weight
402-32128	T27A	18"	1 1/16"	1.8 Lbs.

Rim Lock Tool

- For servicing wide base rims



Ascot No.	Mfg. No.	Length	Diameter	Weight
402-32125	T25	18"	5/8"	1.8 Lbs.

Heavy Duty Lock Ring Tool

- Use for multi-piece wheels, especially hub type



Ascot No.	Mfg. No.	Length	Diameter	Weight
402-34648	T48A	37"	3/4"	4.6 Lbs.

General Purpose Hammers

Wooden Handle Hammers

- Designed for tire service in variety of sizes



Ascot No.	Mfg. No.	Handle No.	Length	Weight
426-35311	T11B	T11BH	14-1/2"	4.5 Lbs.
426-35317	T33R	T11HN	14"	2.3 Lbs.

Fiberglass Handle Hammers



Ascot No.	Mfg. No.	Handle No.	Length	Weight
426-35411	TG11B	TG11BH	16"	4.8 Lbs.
426-35417	TG33R	TG31H	16"	2.5 Lbs.

Heavy Duty Hammers

Wooden Handle Hammers

- Used for mounting and demounting tires
- Makes tire changing easier for passenger car, truck, bus, farm tractor and aircraft tires



Ascot No.	Mfg. No.	Handle No.	Length	Head Weight	Weight
425-35321	T34	T11CH	17"	4.8 Lbs.	5.4 Lbs.
425-35323	T35	T11CH	16-1/2"	5.5 Lbs.	6.1 Lbs.
425-35325	T36	T11CH	16-1/2"	5.8 Lbs.	5.3 Lbs.
425-35105	T34RH	Rubberhead Replacement			

Fiberglass Handle Hammers



Ascot No.	Mfg. No.	Handle No.	Length	Head Weight	Weight
425-35421	TG34	TG11CH	18"	5.5 Lbs.	6 Lbs.
425-35423	TG35	TG11CH	18"	4.8 Lbs.	6.6 Lbs.
425-35425	TG36	TG11CH	18"	5.8 Lbs.	6 Lbs.

Replacement Handles

Fiberglass Replacement Handles



Ascot No.	Mfg. No.	Handle No.	Length	Weight
429-35206	TG31H	TG11R, TG31, TG33R	16"	1 Lb.
429-35211	TG11BH	TG11B	16"	1.3 Lbs.
429-35219	TG11CH	TG11C, TG34, TG35, TG36	18"	2.5 Lbs.
429-35227	TG11DH	TG11D	18"	1.2 Lbs.
429-35229	TG11EH	TG11E	32"	2.3 Lbs.



Aluminum Replacement Handles



Ascot No.	Mfg. No.	For Hammer No.	Length	Head Weight	Weight
429-35529	T11AH	T11E, TG11E	32"	4.3 Lbs.	6 Lbs.

Hickory Replacement Handles



Ascot No.	Mfg. No.	For Hammer No.	Length	Weight
429-35111	T11BH	T11B	15"	.75 Lbs.
429-35113	T11HN	T11R, T31, T33R	15"	.75 Lbs.
429-35119	T11CH	T11C, T34, T35, T36	17"	.75 Lbs.
429-35127	T11DH	T11D	17"	.75 Lbs.
429-35129	T11EH	T11E	30"	1.2 Lbs.

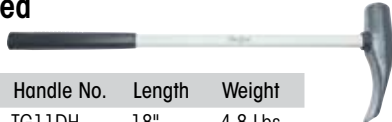
Wedges & Hammers

Duck Billed Bead Breaking Wedges - Wood Handled



Ascot No.	Mfg. No.	Handle No.	Length	Weight
424-35327	T11D	T11DH	17"	4.8 Lbs.
424-35329	T11E	T11EH	30"	9.2 Lbs.

Duck Billed Bead Breaking Wedges- Fiberglass Handled



Ascot No.	Mfg. No.	Handle No.	Length	Weight
424-35427	TG11D	TG11DH	18"	4.8 Lbs.
424-35429	TG11E	TG11EH	32"	9.1 Lbs.

Duck Billed Polymer Handled Bead Breaking Wedge



- Hump design prevents tool from wedging between rim and bead
- Breaks bead with little or no prying
- New polymer handle design with fiberglass core

Ascot No.	Mfg. No.	Handle No.	Length	Weight
424-35460	T11K	T11KH	32"	10.5 Lbs.

Ascot No.	Mfg. No.	Description
429-35230	T11KH	Replacement Handle for T11K

Double Faced Sledge Hammer



- High carbon steel, heat treated. Machined, polished face
- Top grade U.S. hickory handle

Ascot No.	Mfg. No.	Handle Length	Face	Eye Size	Weight
428-37302	84H-2	15"	1-1/2"	3/4" x 1"	2 Lbs.
428-37304	84H-4	15"	1-3/4"	3/4" x 1"	4 Lbs.
428-37308	84H-8	32"	2"	1" x 1-3/8"	8 Lbs.
428-37310	84H-10	36"	2-1/8"	1" x 1-3/8"	10 Lbs.
428-37312	84H-12	36"	2-1/8"	1" x 1-3/8"	12 Lbs.
428-37316	84H-16	36"	2-3/8"	1" x 1-3/8"	16 Lbs.
428-37320	84H-20	36"	3"	2" x 1-1/2"	20 Lbs.

2 Lb. Rubber Mallet



- Rubber head prevents marring surfaces

Ascot No.	Mfg. No.	Handle Length	Weight
426-35310	T32	17"	2 Lbs.

Cross-Pein/Blacksmith Hammer



Ascot No.	Mfg. No.	Handle Length	Face	Eye Size	Weight
426-37103	85H-3	16"	1-5/8"	1" x 1-3/4"	3 Lbs.

New England Pattern Hand-Drilling Hammers



Ascot No.	Mfg. No.	Handle Length	Face	Face Size	Weight
426-37003	80H-3	10-1/2"	1-1/2"	1" x 3/4"	3 Lbs.
426-37004	80H-4	10-1/2"	1-5/8"	1" x 3/4"	4 Lbs.

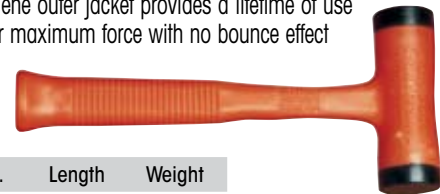
Tire Knocker



Ascot No.	Mfg. No.	Handle Length	Face	Eye Size	Weight
426-35110	35110	18"	.7 Lbs.	1" x 3/4"	3 Lbs.

Dead Blow Hammers

- Economy version for DIYers or home workshops
- One-piece polypropylene outer jacket provides a lifetime of use
- Head is shot-filled for maximum force with no bounce effect



Ascot No.	Mfg. No.	Length	Weight
426-35335	T335	12"	1.5 Lbs.

Professional Dead Blow Hammers



Ascot No.	Mfg. No.	Description	Length	Weight
426-35331	TG331	1 lb. Head	12-1/4"	1.8 Lbs.
426-35332	TG332	2 lb. Head	13-1/2"	1.9 Lbs.
426-35333	TG333	3 lb. Head	14-1/2"	2.7 Lbs.
426-35334	TG334	4 lb. Head	15-1/2"	3.4 Lbs.
426-35337	TG337	Steel Face/Soff Face	13-1/2"	2.2 Lbs.

Shop Service Tools

Wheel Cover Pullers/Replacers

- Remove wheel covers quickly and easily without gouging or scratching
- Rubber head T11RH prevents damage to hubcap and is replaceable



Ascot No.	Mfg. No.	Length	Stock	Weight
402-31567	T67	17-1/2"	9/16"	1.8 Lbs.
402-31568	T68	14"	7/16"	1.3 Lbs.

Center Cap Removers



Ascot No.	Mfg. No.	Length	Stock	Weight
402-31565	T65	7-3/4"	5/16"	.2 Lbs.
402-31566	T66	7-3/4"	5/16"	.2 Lbs.

Bead Holder

- Holds the bead in place against the wheel when mounting the tire on the wheel



Ascot No.	Mfg. No.	Length	Stock	Weight
472-31710	31710	Solid Brass	1.4 Lbs.	1.8 Lbs.

Aluminum Wheel Protector

- Protects wheel rims from damage
- U.S. Patent No. 6,991,018



Ascot No.	Mfg. No.	Weight
472-31810	31810	12 Lbs. (5.4 kg)

Wrenches

KenTool Porkchop™ Wrenches

- Holds outer cap nut on dual wheels while turning inner nut
- Lip fits in hole to secure wrench in place
- Fits standard and metric cap nuts



Ascot No.	Mfg. No.	Description	Size	Weight
406-30609	TX9	SAE	1-1/2"	.4 Lbs.
406-30610	TX10	Metric	35mm	.4 Lbs.
406-30612	TX12	Metric	41mm	.4 Lbs.

Combination Cap Nut Wrenches

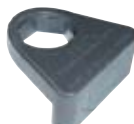
- Combination wrench offers you the versatility of two wrenches in one
- Fit one end onto the outer cap nut with other end through center hole
- Slides underneath center disc of wheel reducing slipping during nut removal



Ascot No.	Mfg. No.	Description	Size	Weight
406-30620	TX50	SAE & Metric	41mm	1.3 Lbs.

Heavy Duty Nut Wrenches

- Heavy duty design will not slip out of position
- Rests snugly against the center hole reducing the possibility of rim damage
- Great for aluminum rims



Ascot No.	Mfg. No.	Description	Size	Weight
406-30618	TX200	SAE	1-1/2"	2.6 Lbs.
406-30619	TX241	Metric	41mm	2.6 Lbs.

Budd Nut Wrenches

- New design won't slip out of rim hole
- Will not damage aluminum/chrome rim
- Holds outer cap nut securely
- This adaptation of an old product solves the problem of damage to wheels, as well as broken toes and injuries to the feet
- Model 60301 has a replaceable polymer covered tail that locks the tool securely in place



Ascot No.	Mfg. No.	Description
406-60301	60301	Budd Nut Wrench
406-60302	60302	Budd Nut Wrench - 35mm
406-60303	60303	Budd Nut Wrench - 41mm
406-60908	60908	Replaceable Polymer Tail

Budd Nut Wrenches

- Eliminates the need for hand and foot aid in separating the nuts, therefore reducing needless injury
- Reduces the work and potential for back strain because there is no need to lay down the tire
- Will not lose its grip on the outer cap nut so there is no loss of torque, which will give the impact wrench maximum power and efficiency



Ascot No.	Mfg. No.
406-60300	60300

Lug Wrenches

Power Wrench

- Designed for dual nut systems
- Has 13/16" square end to hold inner nut, with a 1-1/2" hex drive to spin outer nut off

Ascot No.	Mfg. No.	Length
404-34543	TR43	Basic Set Consists Of Power Drive And Two Handles (Solid Bar - 20-1/2" Long And Tube - 20" Long)
404-34545	TR44X	Budd Wheel Set Contains Power Drive, One Bar, One Tube Handle, A 3/4" Service Adapter And One 13/16" Square Adapter
404-34547	TR44SW	Universal Set Consists of Power Drive, One 20-1/2" Bar, One 36" Tube Handle, A 3/4" Service Adapter, A 13/16" Square Adapter, And Six 3/4" Impact Sockets (7/8", 15/16", 1-1/16", 1-1/8", 1-3/16", 1-1/2")



404-34547

Double End Truck Wrenches

- Double end truck wrenches for on-the-road service
- Sizes available for all standard lug nuts
- Constructed from 1" high quality steel for greatest strength and durability
- All will take our standard TR5 (ASCOT Order No. 405-32318) leverage handle. Handle hex opening: 3/4"
- Length: 16"; Weight: 4-1/2 Lbs.



Ascot No.	Mfg. No.	Socket Size	Weight
SAE			
405-32501	TR1	1-1/8", 13/16" Square, 1-1/2"	4.6 Lbs.
405-32502	TR2	1, 1-1/4", 5/8" Square	4.3 Lbs.
405-32504	TR2X	15/16", 7/8"	4.5 Lbs.
405-32503	TR3	7/8", 1-1/16"	4.5 Lbs.
405-32505	TR3A	1-1/8", 1-1/16"	4.5 Lbs.
405-32506	TR3X	1-1/16", 1-3/16"	4.5 Lbs.
405-32509	TR9	1-1/4", 1-1/16"	4.5 Lbs.
405-32508	TR98	1-1/2", 13/16" Square	4.5 Lbs.

METRIC			
405-32551	TRM1	35mm Sq. x 17mm Square	4.5 Lbs.
405-32552	TRM2	24mm x 33mm	4.4 Lbs.
405-32553	TRM3	27mm x 30mm	4.5 Lbs.
405-32556	TRM6	41mm x 21mm Square	4.5 Lbs.
405-32557	TRM7	33mm x 30mm Square	4.5 Lbs.

Heavy-Duty Truck Wrenches

- Use for off-the-road Budd-type wheels
- Use TR11 handle



Ascot No.	Mfg. No.	Length	Stock	Weight
405-34401	TR10	29-1/2"	1-3/4" Hex x 15/16" Square	12.2 Lbs.
402-34402	TR11	30"	1-1/4"	6.5 Lbs.



404-34545



Dual Wheel Lug Stud Remover

- Special self-tapping splines provide maximum grip to remove stripped lug studs
- Use with TR1 and TR98 truck wrenches
- Also used with open end wrench
- Use with soft-faced hammer



Ascot No.	Mfg. No.	Length	Weight
492-30165	30165	Fits 13/16" Sq. Inner Nut	1 Lb.

Lug Wrenches (Cont.)

Professional Lug Wrenches

- Most popular 4-way lug wrench - polished sockets
- For passenger cars



Ascot No.	Mfg. No.	Length	Stock	Weight	Socket Size
403-35657	T57	23"	5/8"	4-1/2 Lbs.	3/4", 13/16", 7/8", 15/16"
403-35656	T56	20"	5/8"	4 Lbs.	17, 19, 21, 22mm

Standard Lug Wrenches

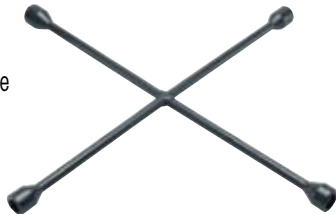
- Welded center construction for strength and durability
- Premium grade, special bar quantity steel for extra strength
- T59 series for passenger cars and T90 series for light truck



Ascot No.	Mfg. No.	Length	Stock	Weight	Socket Size
403-35659	T59	22"	5/8"	4.5 Lbs.	3/4", 13/16", 7/8", 15/16"
405-35690	T90	25"	3/4"	7.2 Lbs.	7/8", 15/16", 1", 1-1/16"

Economy Lug Wrenches

- Designed with welded centers which stand up to everyday use
- For passenger cars



Ascot No.	Mfg. No.	Length	Stock	Weight	Socket Size
403-35620	T9520	20"	9/16"	3.4 Lbs.	3/4", 13/16", 7/8", 17mm
403-35661	T61	22"	9/16"	3.8 Lbs.	3/4", 13/16", 7/8", 17mm
403-35662	T62	18"	9/16"	3.2 Lbs.	3/4", 13/16", 7/8", 17mm
403-35663	T63	18"	9/16"	3.2 Lbs.	17, 19, 21, 22mm



Heavy Duty Truck Four-Way Lug Wrenches

- Drop-forged center
- Heavy duty truck, bus, tractor four-way
- Center hole for leverage bar
- T96 with heavy duty solid center



Ascot No.	Mfg. No.	Length	Stock	Weight	Socket Size
403-35695	T95	27-1/2"	1"	13.8 Lbs.	1-1/16", 1-1/4", 1-1/2", 13/16" Sq.
403-35795	TM95	27-1/2"	1"	13.5 Lbs.	24, 27, 30, 33mm

- 3/4" service arm that will take any standard 3/4" drive socket



Ascot No.	Mfg. No.	Length	Stock	Weight	Socket Size
403-35697	T95A	27-1/2"	1"	13.5 Lbs.	1-1/4", 1-1/2", 13/16" Sq., 3/4" Service Arm



Ascot No.	Mfg. No.	Length	Stock	Weight	Socket Size
403-35696	T96	27-1/2"	1"	13.5 Lbs.	1-1/16", 1-1/4", 1-1/2", 13/16" Sq.



Ascot No.	Mfg. No.	Length	Stock	Weight	Socket Size
403-35595	TC95	27-1/2"	1"	14.2	1-1/2", 13/16" Sq., 30, 33mm

Tire Service Tools

Small Tire Snake



- Included with T600 Tire Changer

Ascot No.	Mfg. No.	Length	Stock	Weight
402-34672	34672	22"	5/8"	2 Lbs.

Medium Tire Snake



- Included with T601 Tire Changer
- Designed for wheels from 4" to 13"
- Longer length provides greater strength

Ascot No.	Mfg. No.	Length	Stock	Weight
402-34674	34674	28"	5/8"	2.5 Lbs.

Large Tire Snake



- Included with T600 Tire Changer

Ascot No.	Mfg. No.	Length	Stock	Weight
402-34678	34678	40"	3/4"	5.3 Lbs.

Air Blast Bead Seater for Small Tires

- Fast and easy way to seat beads in one simple operation
- Seat the bead on most small tubeless tires with rims ranging from 4" to 12"
- One-man operation—just point and release



Ascot No.	Mfg. No.	Weight
473-31440	31440	5.6 Lbs.

ATV Bead Breaker

- Constructed of heavy duty steel
- Works with any center-post tire changing machine and adjusts to sizes of 6" to 12" ATV rims
- No hammers, wrenches or additional tools required



Ascot No.	Mfg. No.	Weight
421-38620	38620	7 Lbs.

Floor Mount Manual Tire Changer

- Mounts and demounts a full range of tires on rim diameters from 4" to 15"
- Tapered bearing guide positively centers straight shaft hubs of all diameters
- Built-in adjustable bead breaker works on rims up to 13" in diameters and 24" in width without disassembly
- Includes a 28" tire snake mount/demount tool

Ascot No.	Mfg. No.	Height	Weight
441-38601	T601	32"	31 Lbs.



Bench Mount Rim-Clamp Manual Tire Changer

- Mounts and demounts a full range of tires on rim diameters from 4" to 12"
- Mounts easily to a bench or in any standard, four-position rim-clamp tire changer
- Built-in, three-fin centering device mounts standard lug-type rims with 2" and larger center hole
- Square base prevents turning in the changer during use
- Includes a 22" tire snake mount/demount tool



Ascot No.	Mfg. No.	Height	Weight
441-38600	T600	16.5"	21.7 Lbs.

Multi Tire Changer

- For changing small tires and wheels
- Includes everything needed to change 4" to 16.5" tires including rim
- Rim clamp mechanism
- 2 center posts (for open or hub type wheels and bearing type wheels)
- Also includes the CH-4 Mongoose tire tool
- Can be mounted on a bench, tire stand or tire changer

Ascot No.	Mfg. No.	Description	Weight
441-00220	CH-22	Multi-Tire Changer	23 Lbs.
441-00230	CH-23	Tire Stand	70 Lbs.



Tire Service Tools (Cont.)

Automatic Tire Inflation Systems

All systems feature an operating range of 5-145 PSI, accurate within .3 PSI. Units are housed in weather resistant aluminum casings. All provide an easy to use and affordable way to assure precise inflation. Units available with 110 volt AC electric or battery hook up. Optional heater available for outdoor units.

Multiple Tires

For Fleet Operations, Service Centers, or Mounters

- For 19.5" and larger rims
- Capable of inflating four 22.5" tires from 5 to 100 PSI in 5 minutes

Ascot No.	Mfg. No.
475-89003	89 XDB



Multiple Tire Inflation Hoses and Accessories

Ascot No.	Mfg. No.	Description
475-00891	89HKC-LM	Straight Hose w/CH-3605 Air Chuck
475-00892	89HKT-LM	Straight Hose w/Coupler & CH-330-LO Air Chuck
475-00893	89HKI-25	Straight Hose w/Coupler & IN-20 Tool (Single Tire)
475-00894	89-HMVN	4-Way Manifold
475-00895	89-3W	Air Flow Control Valve
478-00360	CH-360S	Chip-On Style Air Chuck (Closed) w/Spring
478-03300	CH-330-LO	Lock-On Style Air Chuck (Dual Wheels)
475-00896	STAND-4	4' Mounting Steel Stand w/Square Base

Specify Hose length when ordering. Components available separately.



478-00360

Portable Tire Inflator

Easy to maneuver. Perfect in service bay or on truck. High capacity battery means long life between recharges. Walk right up to the point of inflation!

Ascot No.	Mfg. No.
475-01891	89 PIU



Single Tire

For Dealerships, Rental Facilities, Service Centers and Quick Lubes

Ascot No.	Mfg. No.
475-89001	89 XDA



Single Tire Inflation Hoses and Accessories

Ascot No.	Mfg. No.	Description
475-01892	89HKC-L	Straight Hose w/Coupler & CH3600P Chuck
475-01893	89HKC-LC	Coil Hose w/Coupler & CH-360CP Chuck
475-01894	89HKT-L	Straight Hose w/Coupler & CH 330-LO-OP Chuck
475-01895	89HK1-25	Straight Hose w/Coupler & IN-20 Tool
475-01896	89-2 WASV	2 Way Automatic Switching Valve (2 Hoses)
475-01897	89-3 WASV	3 Way Automatic Switching Valve (3 Hoses)
475-01898	89-3 WTK	3 Way Automatic Switching Valve Kit
475-00896	STAND-4	4' Mounting Steel Stand w/Square Base



475-01898

Components available separately. Specify hose length - 50 foot maximum.

Over Inflation and High Volume

For Retreaders, Fleets or Mounters

- Inflate multiple tires to a preset over-pressure setting
- Unit then performs a leak test for "zipper leaks"
- Deflates to final preset required PSI setting
- Features 3 preset PSI settings

Ascot No.	Mfg. No.
475-89004	89 XDZ



Nitrogen Tire Inflation System

- For any service center inflating with nitrogen
- Use with any nitrogen generator
- Convert up to 4 tires at once
- Optional heater available

Ascot No.	Mfg. No.
475-59005	89 XDB-G



Mobile Inflation

- Nitrogen or air
- Trolley design provides mobility
- Nitrogen software will purge the air out of any size tire, re-inflate with nitrogen, while maintaining .3 PSI accuracy
- Designate the number of purge cycles needed to obtain the benefits of nitrogen

Ascot No.	Mfg. No.
475-89106	89 TRL-6B



Tire Service Tools (Cont.)

Blue Cobra™ Truck Tire Demount Tool

- Ergonomic shaped steel handle with no-slip grip for optimum leverage
- Change nearly any 20", 22.5" and 24.5" tube-type and tubeless truck tires, up to a 13" wide one-piece wheel



Ascot No.	Mfg. No.	Length	Weight
402-35440	35440	54"	22 Lbs.

Easy-Lift™ Bead Seating Stand

- With hub facing out, simply roll mounted tire and wheel assembly to front of stand
- Push assembly onto crown – tire and wheel will automatically fall onto center of stand and rest with bead centered on bottom wheel flange
- Seat beads by inflating tire to 4 PSI (max.)
- Step around stand and easily lift assembly into vertical position
- Roll assembly into tire inflation safety cage for final inflation
- Portable for field service, or can be bolted to the floor
- 24"H x 26"W x 27"L
- Made of high grade steel



Ascot No.	Mfg. No.	Description	Weight
473-36016	36016	Std. Crown for 8-3/4" Dia. Hubs	36 Lbs.
473-36017	36017	Large Crown for 11" Euro Hubs	37 Lbs.

Ironman™ Ergonomic Wheel Lifting Bar

- Easily and safely lift heavy, awkward truck tire and wheel assemblies
- Extremely useful in outdoor conditions – when truck tire and wheel assemblies can become wet & slippery
- Protect your workers and yourself – reduce injuries & claims – keep insurance premiums down
- Specially designed forged ends work from either side of the wheel assembly as it lays flat
- Lift all sizes and types of small and large heavy truck wheels: Standard sizes including 22.5" and 24.5" wheels, plus European (which have 1" lug holes), Super Wide and even the Super Single (a 340 Lb. assembly) size



Ascot No.	Mfg. No.	Length	Weight
402-34950	34950	58"	10 Lbs.

Nineteen-Five™ Tire Mounting & Demounting Tool Set for 19.5" Truck Tires

- New tire bar uniquely designed to work on hub side of wheel - where hub protrudes above rim
- Specially designed ends manipulate tire with less effort
- Tools are powder coated to protect from rust and corrosion
- Forged from high-grade carbon steel and heat-treated for longlasting strength and durability
- Specially designed Bead Holder to hold bead on 19.5" aluminum wheels
- Solid brass Bead Holder for steel wheels
- Aluminum Wheel Protector - thick leather pad helps protect rims from marring and scratching

Ascot No.	Mfg. No.	Description
402-33195	33195	Nineteen-Five™ Tire Mounting and Demounting Set



Set Includes:

Ascot No.	Mfg. No.	Description	Length	Weight
402-33199	33199	Tire Mounting/ Demounting Tool	38"	7 Lbs.
402-33196	33196	Bead Holder for 19.5" Aluminum Wheels	7-1/2"	1 Lb.
402-31710	31710	Bead Holder for Steel Wheels - Solid Brass	4-1/2"	1 Lb.
402-31810	31810	Aluminum Wheel Protector - Leather	6"	.35 Lbs.

Industrial Wheel Lock Ring Tool Set

- Helps prevent injury – easier to keep hands safely outside of press cage
- Tools are powder coated to protect from rust and corrosion; bright orange color helps prevent lost tools
- Forged from high-grade carbon steel and heat-treated for long lasting strength and durability



Ascot No.	Mfg. No.	Description
402-32129	32129	2 Pc. Industrial Wheel Lock Ring Set

Set Includes:

#3130 Mount/Demount Tool

- Demount end lifts split ring progressively around wheel until fully demounted
- Mount end used to mount split ring

#3132 Demount Prep Tool

- Separator end separates split ring from solid flange ring to form gap
- Pry-out end reaches behind slotted end of split ring to pry in out and over the flange of the wheel

Ascot No.	Mfg. No.	Description	Length	Width
402-32130	32130	Mount/Demount Tool	15-3/4"	1.8 Lbs.
402-32131	32131	Demount Prep Tool	15-1/2"	1.5 Lbs.

Safety Inflation Cages

Safety Inflation Cages

A safety inflation cage is mandatory in any shop for tubeless and multi-piece rims. Ascot offers a size and design for all your needs. Constructed of heavy gauge steel welded to a steel base. Guards against blown lock rings, exploding rims and ruptured fire explosions when used properly. These cages meet OSHA safety requirements (29-CFR Part 1910.177).



479-36001



479-36006



479-02130



479-36003



479-36004



479-36002



479-36005



479-02260



479-36011

Ascot No.	Mfg. No.	Description	Handles Tires	Base Plate	Inside Height	Inside Dimensions	Weight
479-36001	MIC-2	Portable 2-Bar Safety Cage	12"- 24"	6" x 21-1/2"	54"	41" H x 16" W	60 Lbs.
479-36011	MIC-2WB	Portable 2-Bar Safety Cage (Super Single)	12"- 24"	-	43"	-	70 Lbs.
479-36006	MIC-3	3-Bar Safety Cage	14"- 24"	26" x 22"	43-1/2"	43-1/2" H x 20-1/2" W	134 Lbs.
473-36004	T104	3-Bar Safety Cage for Off Road	-	30" x 27"	65"	65" H x 24" W	158 Lbs.
479-02130	2130	3-Bar Passenger/Light Truck Cage	Up to 27"	-	-	-	100 Lbs.
479-36002	MIC-4	4-Bar Safety Cage (Super Single)	-	31-1/2" x 26"	43-1/2"	43-1/2" H x 20-1/2" W	146 Lbs.
479-36003	T103	3-Bar Safety Cage/Light Truck Cage	-	21-1/2" x 22"	30"	30" H x 16" W	80 Lbs.
479-36005	MIC-5	5-Bar Safety Cage	-	41" x 26"	43-1/2"	43-1/2" H x 20-1/2" W	182 Lbs.
479-02260	2260	6-Bar Safety Cage	14"- 24" or 54" Super Single	-	-	-	275 Lbs.

Work safely. Always use an inflation cage when inflating tires. Follow OSHA regulation 29-CFR Part 1910.177 whenever changing tires.

Truck Tire Changing Stand

- Handles wheels or open rims 16.5" to 24"
- Double-slide adjustment with locking device prevents twisting so it stays aligned with the wheel or rim
- Ideal height for driving off beads or demounting tire



Ascot No.	Mfg. No.	Description
479-36015	T115	Truck Tire Changing Stand

Heavy Duty Inflation Chamber

- Fast accurate inflation using pressure limiter
- Liquid filled pressure gauges
- Automatic shut-off when desired pressure is reached
- Bleed valve for releasing air in the tire if defect is found while inflating
- Complies with federal law covering the service of single or multi-piece wheels
- Max. tire diameter: 51"; Max. tire width: 23"



Ascot No.	Mfg. No.	Description
479-06160	6160	Heavy Duty Inflation Chamber

