



MARINE HEATERS FANS & ACCESSORIES PRODUCT LINE



VOLUME 3

www.maradynemarine.com



Who we are . . .

MARADYNE® Marine Products is a brand name owned by DCM Manufacturing, a wholly-owned subsidiary of Dreison International, Inc. DCM Manufacturing manufactures and sells accessories and components serving the marine, off-road equipment, agricultural machinery, automotive, heavy-duty truck, bus, RV, and military markets.

DCM manufacturing facilities are located in Cleveland, OH, Grand Prairie, TX, China and Empalme, Mexico. DCM also has strategic manufacturing alliances in Turkey and China. Each international facility has on site engineering capabilities that are supported by our team of engineers in the United States as well as DCM employees in Asia and Mexico. All of our products are produced to meet USA design specifications, using quality components. DCM's Grand Prairie, TX and Empalme, Mexico facilities are ISO 9001: 2008 certified.



These companies are operated by the Berger family, which has taken an active role in their management for 30 years and has focused on providing quality products and premier service.

Dreison currently employs approximately three hundred fifty people, and annual revenues are approximately fifty million U.S. dollars. The philosophy to produce and distribute a quality product at a fair price, backed with service is a family tradition that ensures continual growth.





Who we are . . .

A strong family-operated business 2

Marine Heaters

Stoker™ Series

9" Stoker™ Heater 4
16" Stoker™ Heater 4

Stoker™ Series

Part No. MM-A1090001 – 9" Stoker™ Heater w/Two-3" Outlets 5
Part No. MM-A1090007 – 9" Stoker™ Heater w/Three-2" Outlets 5
Part No. MM-A1160001 – 16" Stoker™ Heater w/Three-3" Outlets 6
Part No. MM-A1160002 – 16" Stoker™ Heater w/Four-3" Outlets 6

Stoker™ Cabin Series

Part No. MM-A1090005 – 9" Stoker™ Cabin Heater w/Grille Face 7
Part No. MM-A1160003 – 16" Stoker™ Cabin Heater w/Grille Face 7

Marine Heater Accessories

Louver Options

Part No. TA8000505 – Stoker™ Tube with Grille Face 8
Part No. TA8000506 – Stoker™ Tube w/Rotating Adj. Louver 8
Part No. TA8001468 – Stoker™ Tube w/Triple Vane Louver 8
Part No. TA8000462 – 3" Stoker™ Dome Style Louver 8
Part No. TA8000477 – 4" Round Vent with 3" Step Down 8
Part No. 2288 – 2" Round Eurostyle Louver 9
Part No. 2385 – 2" Round Global Style Louver 9
Part No. 2179 – 3" Round Eurostyle Louver 9
Part No. 2381 – 3" Round Global Style Louver 9

Heater Kits

Part No. TA8000689 – Engine Plumbing Kit 10
Part No. TA8000492 & TA8000466 – Heater Hose Kit 10
Part No. 2226 – 5.5" x 12" Air Return Grille 10
Part No. 2223 – 2.75" x 12" Air Return Grille 10
Part No. 2241 – 5" x 6" Air Return Grille 10
Part No. H-5670014 – Switch Kit 10
Part No. TA7000078 – Switch Kit 10
Part No. H-5670004 – Switch Kit w/Wire Harness 10

Defrost & Louver Kits • Defrost Parts

Part No. MFA126 – Defrost Kit for Wall/Floor Mount Heaters 11
Part No. MFA127 – Louver Kit for Wall/Floor Mount Heaters 11
Part No. MFA128 – Defrost Kit for Stoker™ Series Heaters 11
Part No. MFA130 – Louver Kit for Stoker™ Series Heaters 11
Part No. 2454-1 – 7.25" x 1" Defrost Chute 11
Part No. 2454 – 7.25" x 1" Defrost Chute 11
Part No. 2063 – 21.6" x 2" Defrost Chute Deflector 11
Part No. 2453 – 7" x 1.5" Defrost Chute Grille 11

Flex Hose "Y" Connectors & Water Hose Protector

Part No. TA8000448 – 3" "Y" Connector 12
Part No. 1661 – Water Hose Protector 12

Water Hose Fittings & New Copper "Y" Connector

Part No. 1663 – 5" Long "Y" Hose Fitting 12
Part No. 1906 – 4" Long "Y" Hose Fitting 12
Part No. 2059 – 3.5" Long Water Hose Splice 12
Part No. TA8001409 – 5" Long Copper Material "Y" Hose Fitting 12

Bilge & Replacement Blowers

Part No. 2898-125-001 – Single Bilge Blower Assembly 12
Part No. TA1160007 – Single Replacement Blower Assembly 13
Part No. TA1000021 – Double Replacement Blower Assembly 13

Exhaust Fans

Part No. TA09R2010 – 9" Reversible S-Blade 14
Part No. TA10R2012 – 10" Reversible S-Blade 14
Part No. TA11R3004 – 11" Reversible Straight Blade Fan 15
Part No. TA12R3002 – 12" Reversible Straight Blade Fan 15

Auxiliary Fans

4000 Series Auxiliary Fans 16
8000 Series Auxiliary Fans 16
9000 Series Auxiliary Fans 17
Auxiliary Fan Options 17

Auxiliary Heaters

Part No. H-503012 – Wall/Floor Mount Heater 18
Part No. H-803012 – Wall/Floor Mount Heater 18

Index

Index of Parts 19

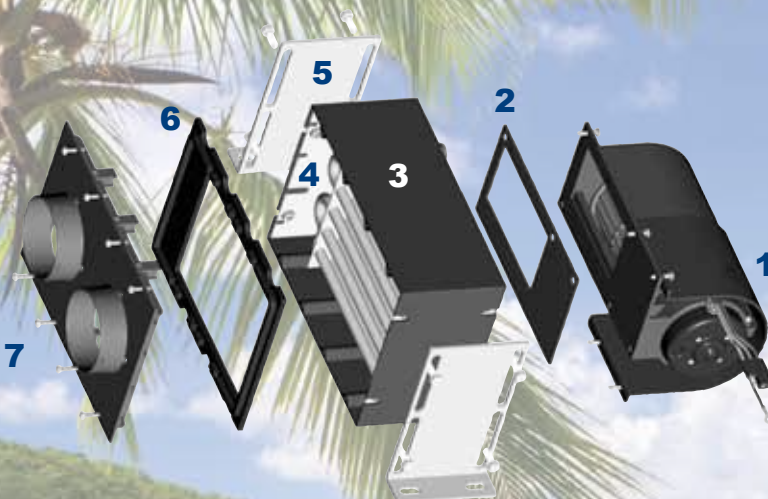
Part Number Cross Reference

DESCRIPTION	HEATERCRAFT #	MARADYNE PART #
Two-Outlet 9" Heater	200-H	MM-A1090001
Three-Outlet 9" Heater	201-H-B	MM-A1090007
Three-Outlet 16" Stoker™ Heater	300-H	MM-A1160001
Four-Outlet 16" Stoker™ Heater	317-H4B	MM-A1160002
Small Cabin Heater with Grille	500-H	MM-A1090005
Large Cabin Heater with Grille	400-HB	MM-A1160003
Stoker™ Tube with Grille	H-509-B	TA8000505
3" Euro Style Louver	H-5041-B	TA8000462
4" Round Vent with 3" Step	H-5061-B	TA8000477
3" Air Y Connector	H-503	TA8000448
Standard Heater Hose	H-501-3	TA8000492
Standard Fitting Kit		TA8000466
4 Position Switch	E-112	TA7000076
Switch Plate Black	E-113-B	TA9000770

Technical Breakdown

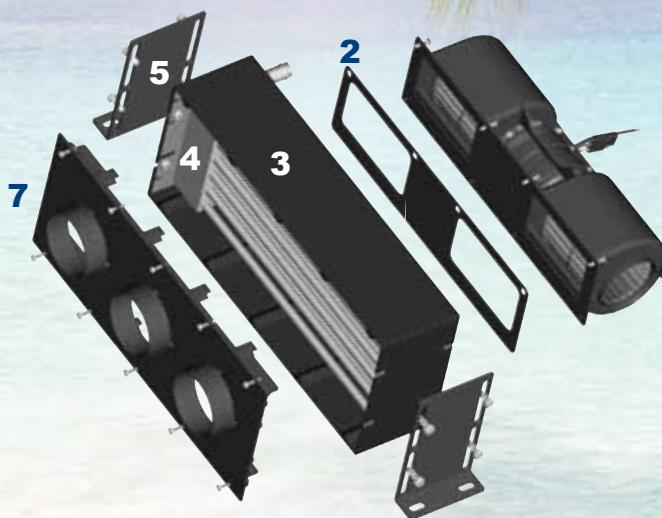
- 1 Engineered motor cooling duct for increased life
- 2 Thermoplastic blower gasket
- 3 Heavy duty glass-filled nylon heater box
- 4 Inner wall strengthening plates with threaded 1/4-20 nuts
- 5 Heavy duty mounting brackets
- 6 Thermoplastic coil compression gasket
- 7 One-piece glass-filled nylon outlet or vented covers with optional outlets available (also available in corrosion resistant powder coated metal, minimum quantities required)

9" STOKER™ HEATER* **



- Conforms to SAE J1171, ISO 8846 and ISO 9097 for ignition protection
- All hardware is marine grade
- Full selection of accessories and mounting kits

16" STOKER™ HEATER* **



* **Non corrosive construction**

** **See page 3 cross reference list for replacement information.**

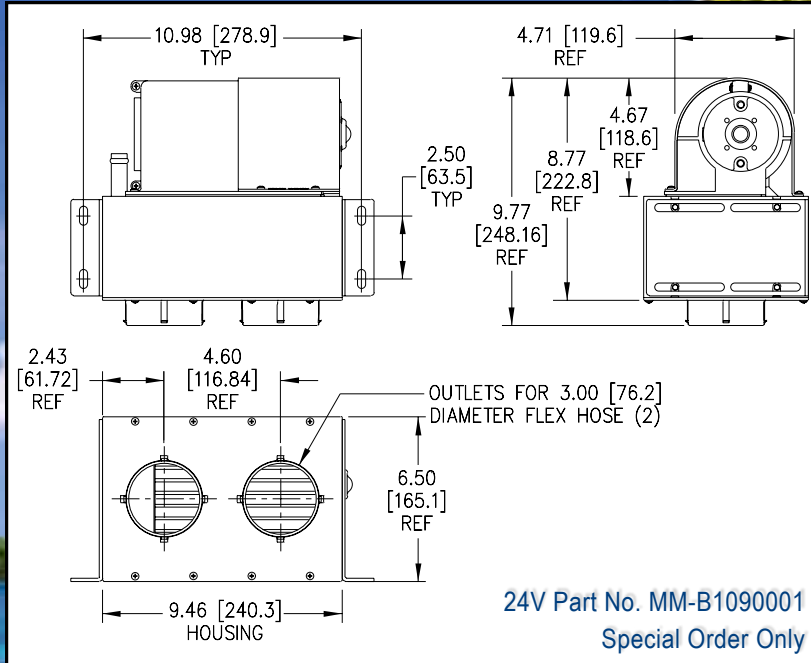
9" HEATER SPECIFICATIONS

Unit	9.5"W x 6.5"H x 9"D
Face Plate	11.37"W x 7.5"H
Air Flow Heating	200 CFM
Current – 12V	Low – 4.9 Amp
	Med – 6.6 Amp
	High – 9.6 Amp
Hose Barb	5/8"
Fan	12v DC 3-Speed
	24v DC Optional
BTUs Per Hour	28,000 Est.

16" HEATER SPECIFICATIONS

Unit	15.9"W x 7"H x 9.6"D
Face Plate	15.9"W x 7"H
Air Flow Heating	300 CFM
Current – 12V	Low – 5.5 Amp
	Med – 7.1 Amp
	High – 11.6 Amp
Hose Barb	5/8"
Fan	12v DC 3-Speed
	24v DC Optional
BTUs Per Hour	40,000 Est.

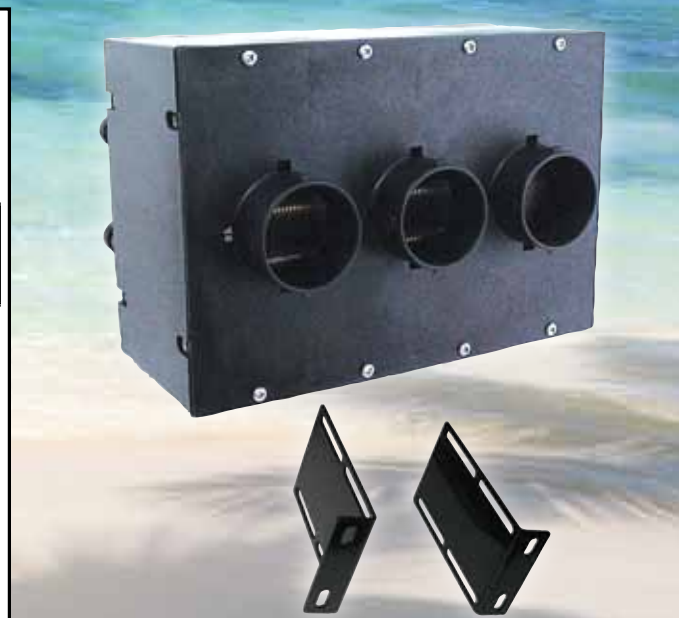
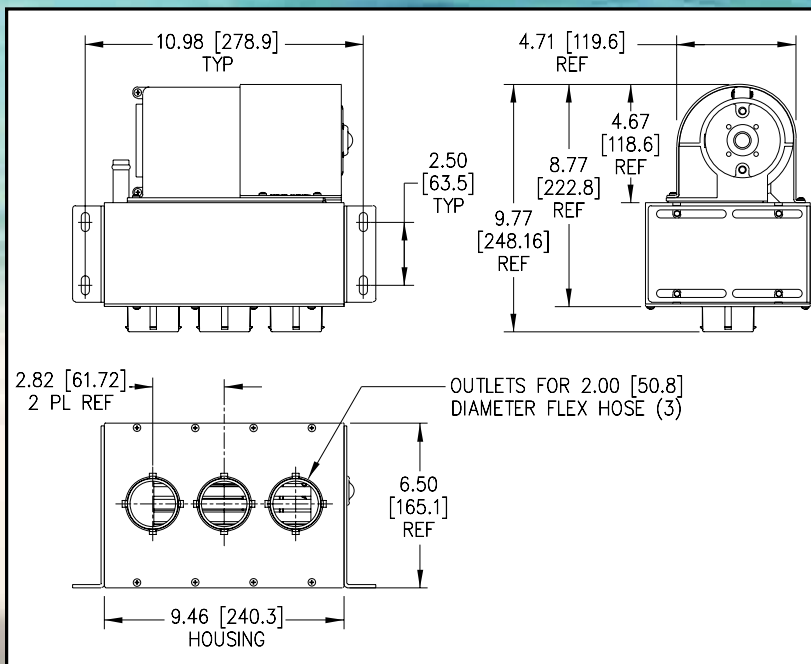
MM-A1090001 – 12V 9" STOKER™ HEATER WITH TWO 3" OUTLETS



MOUNTING BRACKETS & HARDWARE (included)

Custom injection molded face panels available (minimum quantities apply). Also available with permanent magnet motors for variable Speed Control.

MM-A1090008 – 12V 9" STOKER™ HEATER WITH THREE 2" OUTLETS



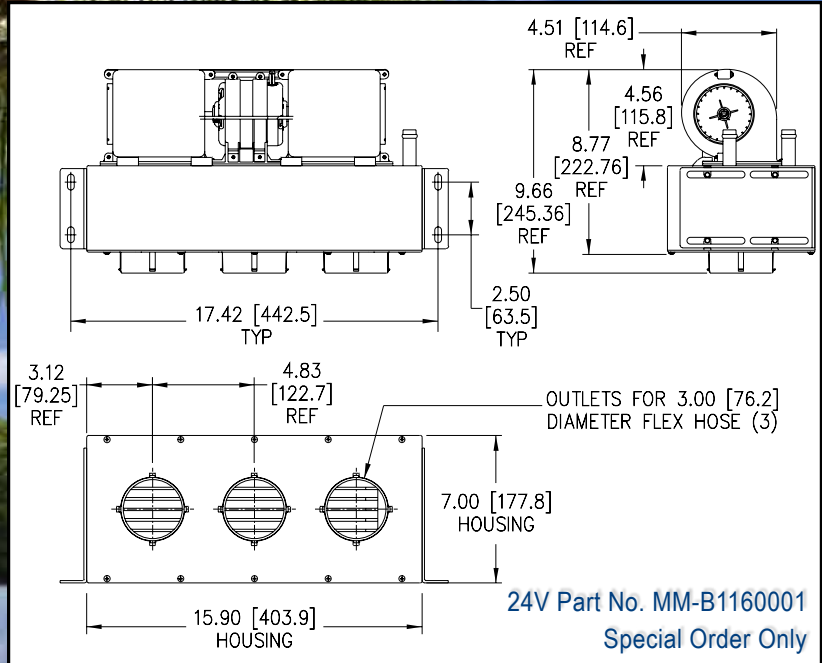
MOUNTING BRACKETS & HARDWARE (included)

Custom injection molded face panels available (minimum quantities apply). Also available with permanent magnet motors for variable Speed Control.

MM-A1160001 – 12V 16" STOKER™ HEATER WITH THREE 3" OUTLETS



MOUNTING BRACKETS & HARDWARE (included)

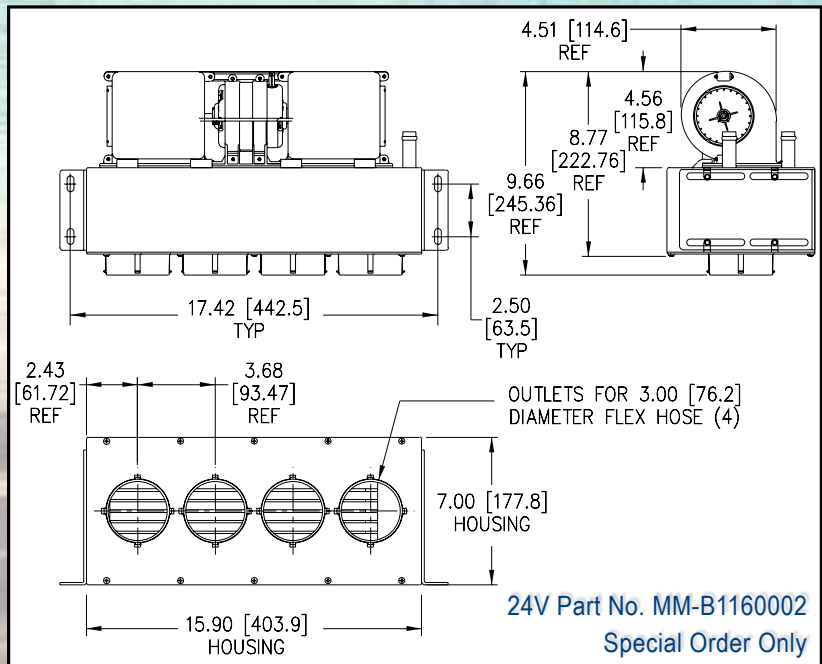


Custom injection molded face panels available (minimum quantities apply). Also available with permanent magnet motors for variable Speed Control.

MM-A1160002 – 12V 16" STOKER™ HEATER WITH FOUR 3" OUTLETS

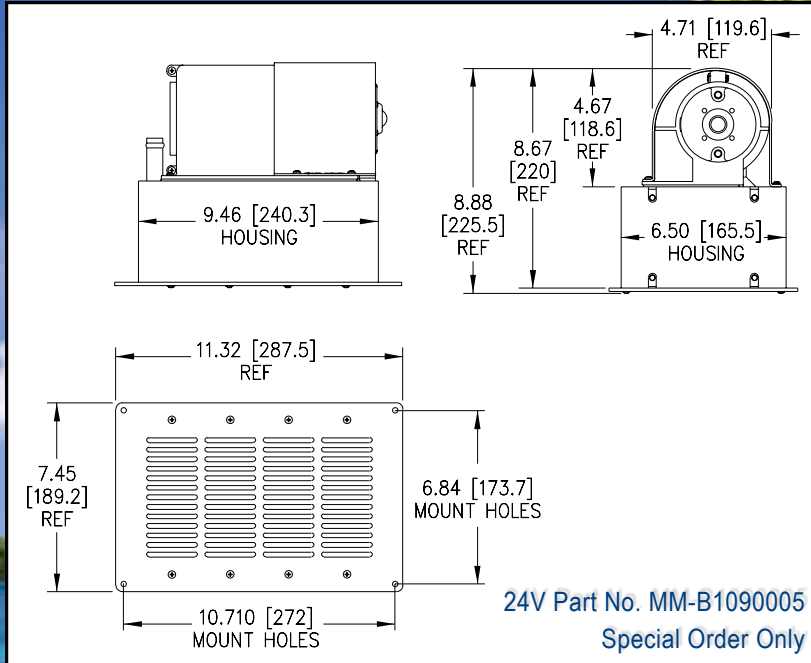


MOUNTING BRACKETS & HARDWARE (included)



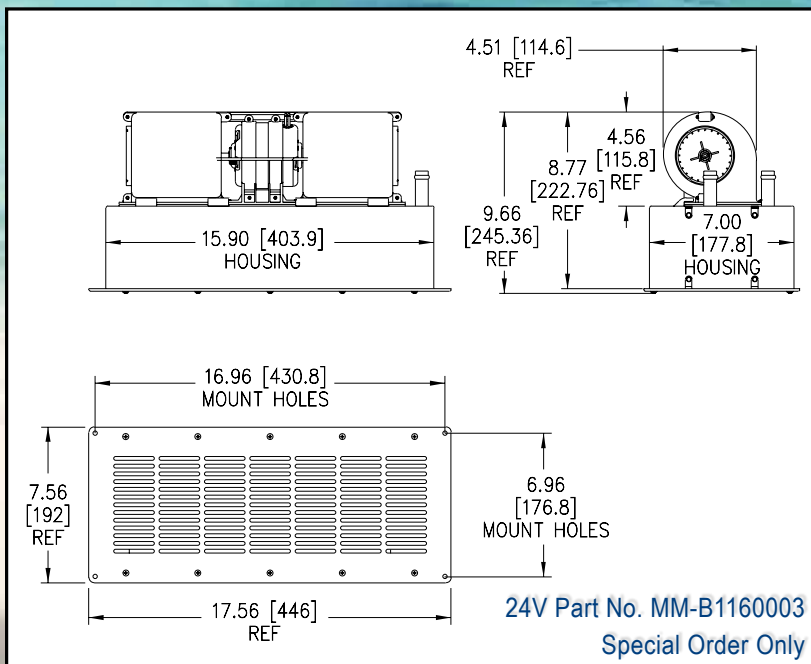
Custom injection molded face panels available (minimum quantities apply). Also available with permanent magnet motors for variable Speed Control.

MM-A1090005 – 12V 9" STOKER™ CABIN HEATER WITH GRILLE FACE



Custom injection molded face panels available (minimum quantities apply). Also available with permanent magnet motors for variable Speed Control.

MM-A1160003 – 12V 16" STOKER™ CABIN HEATER WITH GRILLE FACE



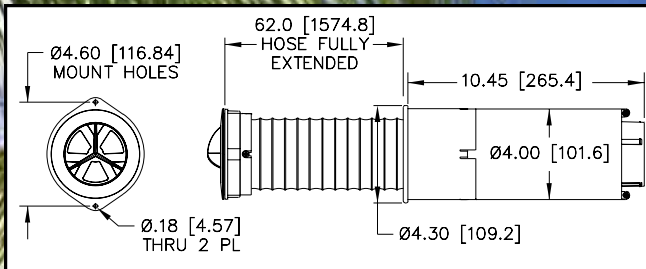
Custom injection molded face panels available (minimum quantities apply). Also available with permanent magnet motors for variable Speed Control.

TA8001492 – STOKER™ TUBE WITH TRIPLE VANE LOUVER

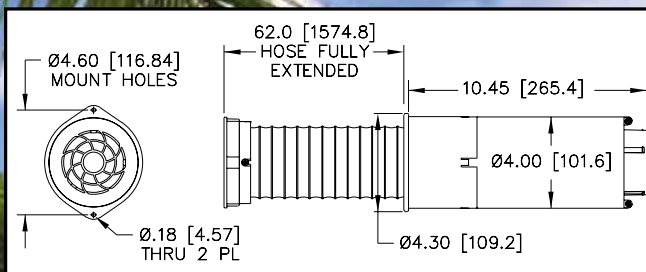
NEW!

FOR 2013

Also available in white, P/N TA8001493 (minimum quantities apply).



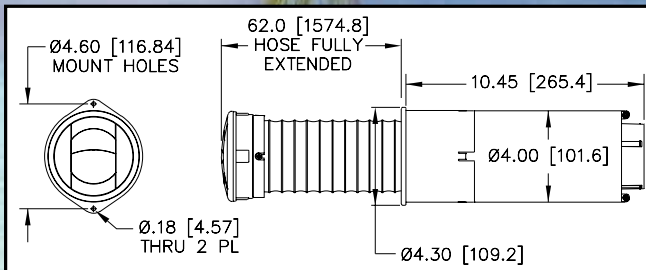
TA8000505 – STOKER™ TUBE WITH GRILLE FACE



TA8000506 – STOKER™ TUBE WITH ROTATING ADJUSTABLE LOUVER



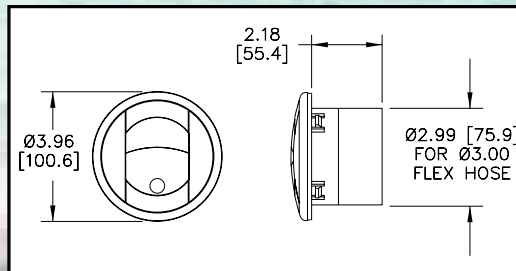
Also available in white, P/N TA8001491 (minimum quantities apply).



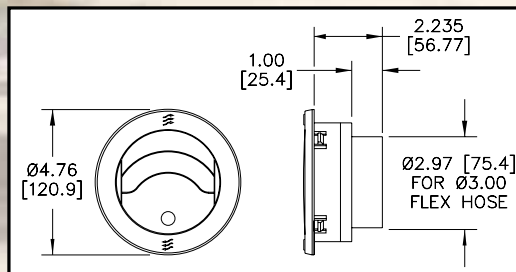
TA8000462 – 3" STOKER™ DOME STYLE LOUVER



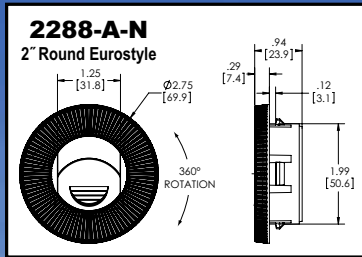
Also available in white, P/N 2381-A-14 (minimum quantities apply).



TA8000477 – 4" ROUND VENT WITH 3" STEP DOWN



2288 - 2" EUROSTYLE SERIES LOUVER

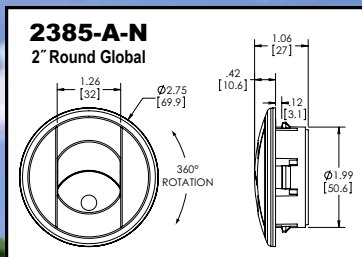


EUROSTYLE

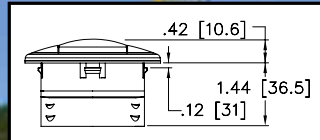
PART #	DESCRIPTION
2288-A-N	W/O H.A.
2288-A-2	W/2" H.A.



2385 - 2" GLOBAL SERIES LOUVER



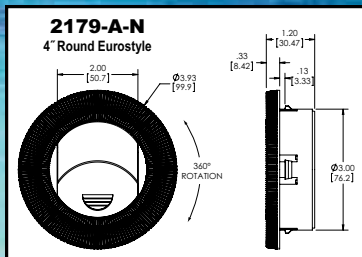
GLOBAL STYLE



PART #	DESCRIPTION
2385-A-N	W/O H.A.
2385-A-2	W/2" H.A.
2385-LA	W/O RETAINER



2179 - 3" EUROSTYLE SERIES LOUVER

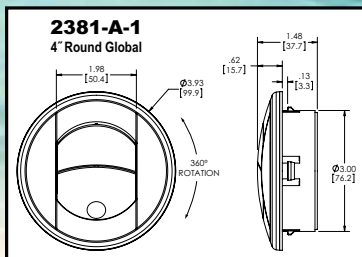


EUROSTYLE

PART #	DESCRIPTION
2179-A-N	W/O H.A.
2179-A	W/2.5" H.A.
2179-A-3	W/3" H.A.

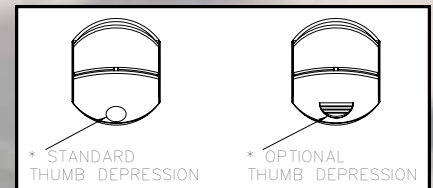
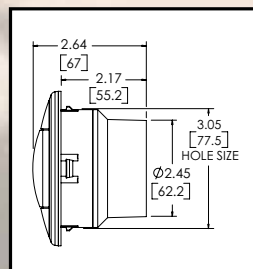
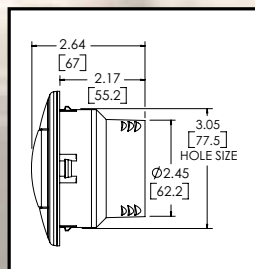
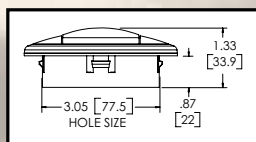


2381 - 3" GLOBAL SERIES LOUVER



GLOBAL STYLE

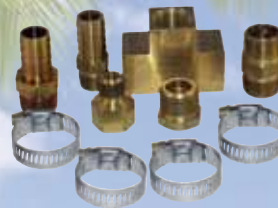
PART #	DESCRIPTION
2381-A-1	W/O H.A.
2381-A	W/2.5" H.A.
2381-A-2	W/2.5" BARB H.A.
2381-LA	W/O RETAINER
	W/2383 H.A.
2381-A-4	Opt. Thumb Dep.



HEATER HOSE KIT



TA8000492



TA8000466

Engine Plumbing Kit includes:
 TA8000492 (25' - 5/8" Heater Hose) &
 TA8000466 (1/2" FPT Tee, 3/8" MPT x 5/8" Hose Barb, 1/2" MPT x 3/8" FPT Bushing,
 1/2" x 1/2" MPT Union, 1/2" MPT x 5/8" Hose Barb and 4 Hose Clamps).
 Part #'s TA8000492 & TA8000466 also sold separately.

AIR RETURN GRILLES



2226

5.5" x 12" Air Return Grille



2223

2.75" x 12" Air Return Grille



2241

5" x 6" Air Return Grille

SWITCH KITS (FOR THREE-SPEED MOTORS)



H-5670014

Switch Kit



H-5670004

Switch Kit With 3' Wire Harness



TA7000078

Switch Kit

DEFROST & LOUVER KITS • DEFROST PARTS



MFA126

Defrost Kit w/2" x 10' Flex Duct
For H-503012 & H-803012 Heaters



MFA127

Louver Kit w/2" x 10' Flex Duct
For H-503012 & H-803012 Heaters



MFA128

Defrost Kit w/2.5" x 8' Flex Duct
(includes 3" to 2.5" reducer)
For Stoker™ Series Heaters



MFA130

Louver Kit w/3" x 12.5' Flex Duct
For Stoker™ Series Heaters



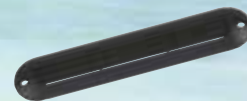
2454-1

7.25" x 1" Defrost Chute
w/2" Hose End



2454

7.25" x 1" Defrost Chute
w/2.5" Hose End



2453

7" x 1.5" Defrost Chute Grille



2063

21.6" x 2" Defrost Grille



3" DUCT HOSE

TA8000539 – 3" x 25' Duct Hose
TA8000463 – 3" x 12.5' Duct Hose
TA8000407 – 3" x 6.25' Duct Hose

FLEX HOSE "Y" CONNECTORS & WATER HOSE PROTECTOR



TA8000448

3" "Y" Connector



1661

Water Hose Protector

WATER HOSE FITTINGS & NEW COPPER "Y" CONNECTOR



1663

5/8" & 3/4" Water Hose "Y" Fitting (5" Long)



1906

5/8" & 3/4" Short Water Hose "Y" Fitting (4" Long)



2059

5/8" & 3/4" Water Hose Splice (3.5" Long)

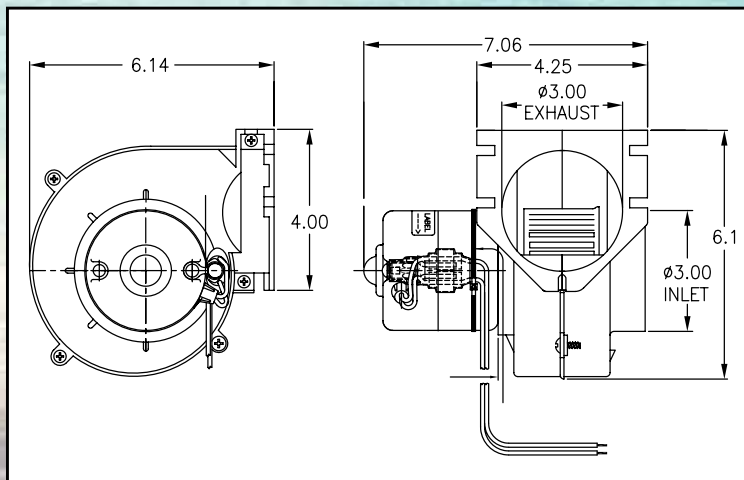


TA8001409*

1 1/4" & 5/8" Copper Material "Y" Fitting (4" Long)

* Relocates the return line for the heater to the inlet side of water pump, increasing water flow thru the heater core at idle speeds.

2898-125-001 - FLANGE MOUNT BLOWER



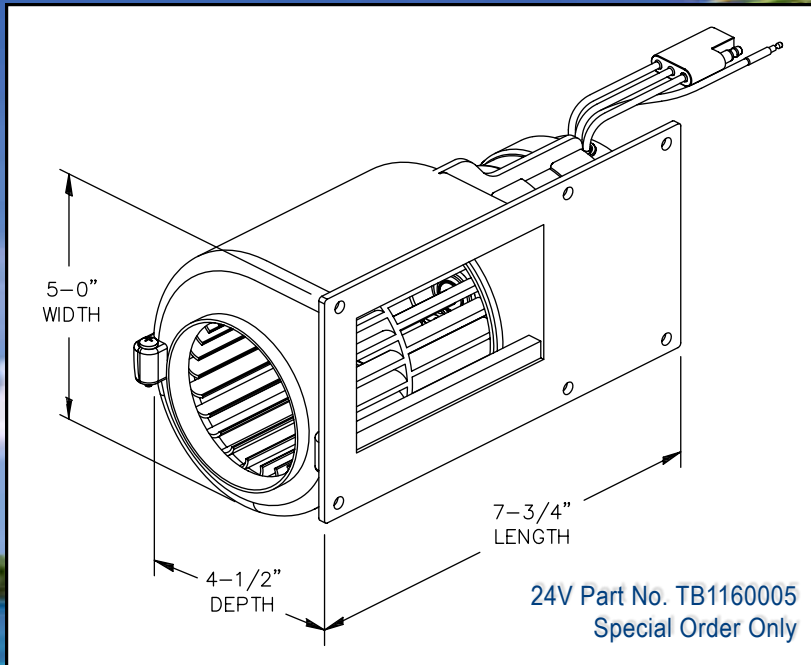
FEATURES

- Wound Field Motor 12V or 24V
- Blower Housing and Wheel are Manufactured from Glass reinforced, Engineering Grade, High Impact Nylon
- Mounting Hardware & Gasket
- Low Current Draw
- Corrosion Resistant Material
- Excellent for Small Areas that Need Ventilation
- 3" Diameter Intake and Outlet
- Estimated Shipping Weight - 5 lbs.

Replacement Blowers



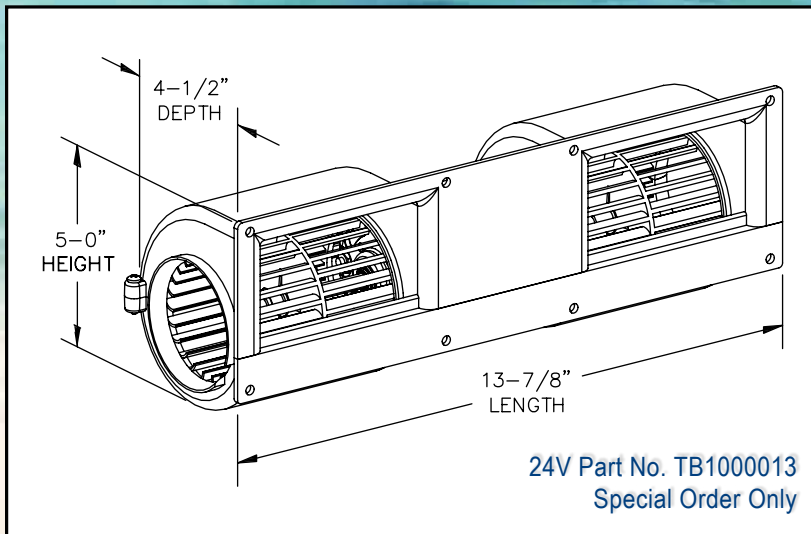
TA1160007 - REPLACEMENT BLOWER FOR 9" STOKER™ HEATERS



OPTIONS

12V Ignition Proof	TA1160007
24V Ignition Proof	TB1160005

TA1000021 - REPLACEMENT BLOWER FOR 16" STOKER™ HEATERS



OPTIONS

12V Ignition Proof	TA1000021
24V Ignition Proof	TB1000013

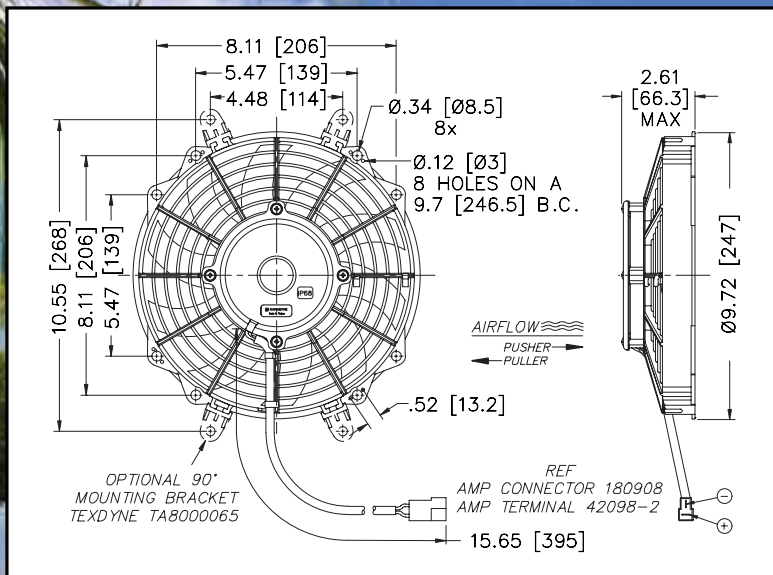
TA09R2010 - 9" REVERSIBLE S-BLADE



IGNITION PROOF

SPECIFICATIONS

Sealed Long-Life Motor	130W Heavy Duty
Airflow @ 0" Static	737 CFM
Depth	2.61" Maximum
Amp Draw	7.7
Available in 24V	Part No. TB09R2005



All exhaust fans available in bulk pack and pallet quantities only. Full range of fans available. See www.dcm-mfg.com for complete listing.

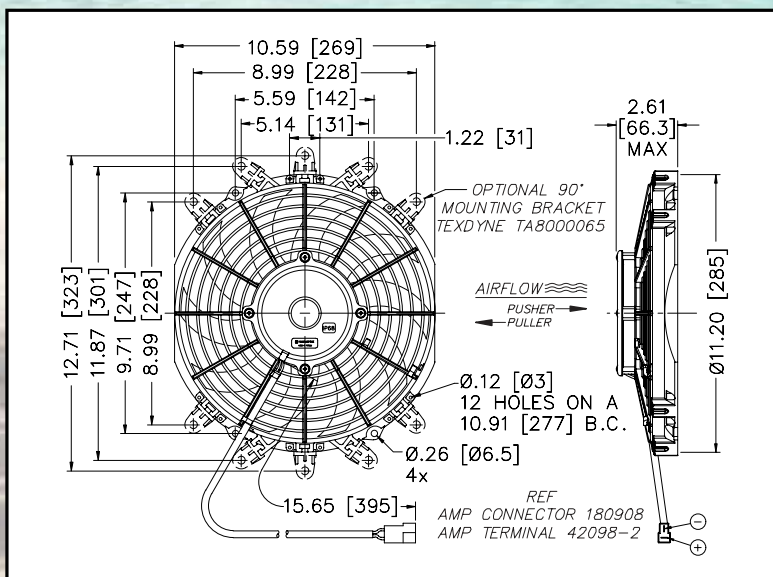
TA10R2012 - 10" REVERSIBLE S-BLADE



IGNITION PROOF

SPECIFICATIONS

Sealed Long-Life Motor	130W Heavy Duty
Airflow @ 0" Static	882 CFM
Depth	2.61" Maximum
Amp Draw	7.9
Available in 24V	Part No. TB10R2003



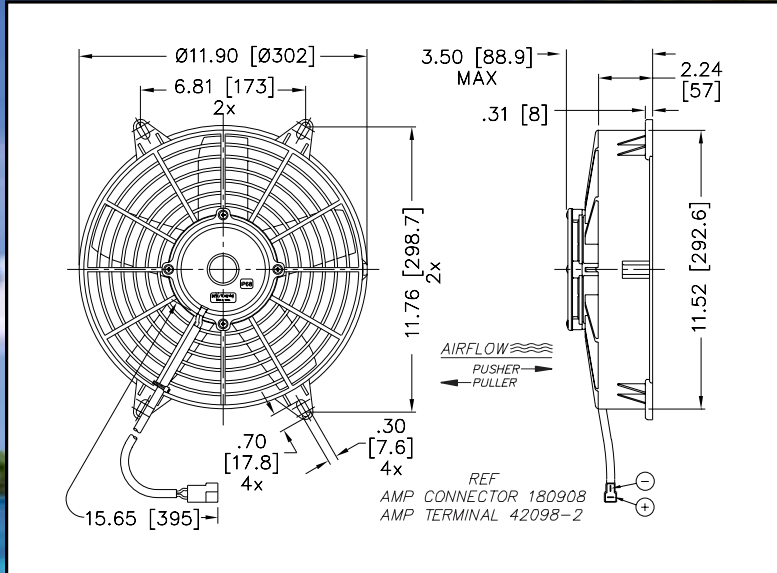
All exhaust fans available in bulk pack and pallet quantities only. Full range of fans available. See www.dcm-mfg.com for complete listing.

Exhaust Fans



TA11R3004 – 11" HIGH PROFILE REVERSIBLE STRAIGHT BLADE

IGNITION PROOF



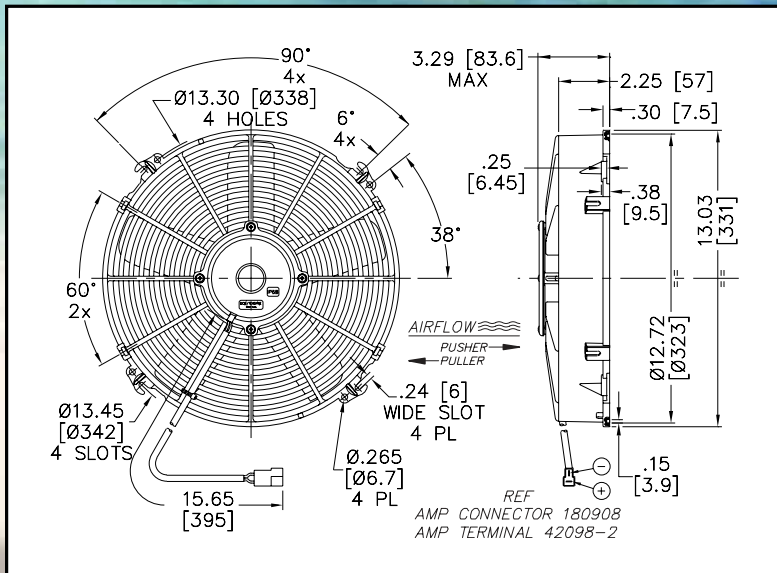
SPECIFICATIONS

Sealed Long-Life Motor	225W Heavy Duty
Airflow @ 0" Static	1283 CFM
Depth	3.50" Maximum
Amp Draw	14.7
Available in 24V	Part No. TB11R3004

All exhaust fans available in bulk pack and pallet quantities only. Full range of fans available. See www.dcm-mfg.com for complete listing.

TA12R3002 – 12" HIGH PROFILE REVERSIBLE PADDLE BLADE

IGNITION PROOF



SPECIFICATIONS

Sealed Long-Life Motor	225W Heavy Duty
Airflow @ 0" Static	1600 CFM
Depth	3.29" Maximum
Amp Draw	18
Available in 24V	Part No. TB12R3002

All exhaust fans available in bulk pack and pallet quantities only. Full range of fans available. See www.dcm-mfg.com for complete listing.

4000 SERIES - HEAVY DUTY VENTILATION/DEFROST FANS



NEW!

FEATURES

- Heavy Duty Die Cast Base or Stamped Metal
- Square Four-Hole Mount
- Adjustable Tension Swivel
- Two-Speed Wound Field Motor
- Mounting Hardware & Gasket

OPTIONS

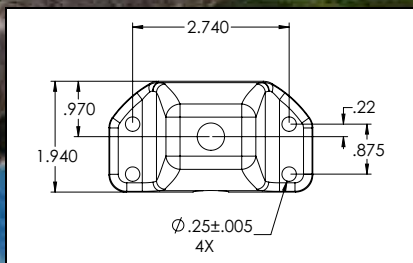
- Volts:** 12V or 24V
- Base:** Zinc or Black
- Guard:** Black or Chrome
- Blade:** Aluminum or Black
- Switch:** Three-Position Toggle or None
- Box Qty.:** 6

CFM High: 270
CFM Low: 220

Amps High: 2.7
Amps Low: 1.6

NEW ADJUSTABLE TENSION SWIVEL DESIGN

Part # F-400312



OPTIONS					
12V PART #	24V PART #	BLADE	GUARD	BASE	SWITCH
F-400312	F-400324	Aluminum	Chrome	Zinc	None
F-404412	F-404424	Black	Black	Black	None
F-404512	F-404524	Aluminum	Black	Black	None
F-420312	F-420324	Aluminum	Chrome	Zinc	Toggle
F-424412	F-424424	Black	Black	Black	Toggle
F-424512	F-424524	Aluminum	Black	Black	Toggle

8000 SERIES - HEAVY DUTY VENTILATION/DEFROST FANS



NEW!

FEATURES

- Heavy Duty Die Cast Base
- Flat Four-Hole Mount
- Adjustable Tension Swivel
- One or Two-Speed Wound Field Motor
- Mounting Hardware & Gasket

OPTIONS

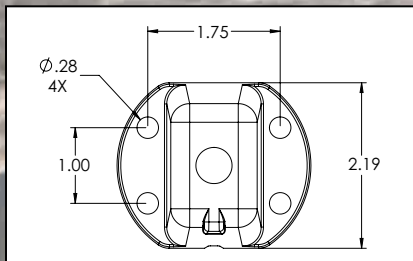
- Volts:** 12V or 24V
- Base:** Black
- Guard:** Black
- Blade:** Aluminum
- Switch:** Rheostat, Three-Position Toggle or None
- Box Qty.:** 6

CFM High: 270
CFM Low: 220

Amps High: 2.7
Amps Low: 1.6

NEW ADJUSTABLE TENSION SWIVEL DESIGN

Part # F-804412



OPTIONS				
12V PART #	24V PART #	BLADE	GUARD	SWITCH
F-320012	F-320024	ALUMINUM	CHROME	TOGGLE
F-320912	F-320912	ALUMINUM	CHROME	NONE
F-4670176	F-4670177	BLACK	BLACK	TOGGLE
F-4670176MS	F-4670177MS	BLACK	BLACK	NONE
F-4670176UG	N/A	BLACK	ULTRA	TOGGLE

Auxiliary Fans



9000 SERIES - HEAVY DUTY VENTILATION/DEFROST FANS

FEATURES

- Heavy Duty Die Cast Base
- Round Three-Hole Mount
- Adjustable Position Swivel
- Two-Speed Wound Field Motor
- Mounting Hardware & Gasket (included)

OPTIONS

- Volts:** 12V or 24V
- Base:** Black or Chrome
- Guard:** Black, Chrome, Plastic
- Blade:** Aluminum or Black
- Switch:** Three-Position Toggle or None
- Box Qty.:** 6

NEW!



Part # F-924512

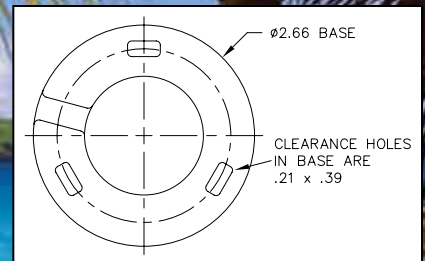
CFM High: 270
CFM Low: 220

Amps High: 2.7
Amps Low: 1.6



ADJUSTABLE TENSION SWIVEL DESIGN

OPTIONS				
12V PART #	24V PART #	BLADE	GUARD	SWITCH
F-923012-3W	F-923024-3W	ALUMINUM	PLASTIC	TOGGLE
F-903012-3W	F-903024-3W	ALUMINUM	PLASTIC	NONE
F-920612	F-920624	ALUMINUM	CHROME	TOGGLE
F-900612	F-900624	ALUMINUM	CHROME	NONE
F-924512	F-924524	ALUMINUM	BLACK	NONE
F-924812-3W	F-924824-3W	BLACK	BLACK	TOGGLE



AUXILIARY FAN OPTIONS



Auxiliary Fan Options

- Speed control options for multiple speeds:

- 1 M-53099-G1 - Toggle
- 2 M-53025 - Rheostat

- Base Options

- 3 4000 Series (Zinc or Black)
TA8001117 (Zinc w/no switch hole)
TA8001255 (Zinc w/switch hole)
TA8001123 (Black w/no switch hole)
TA8001253 (Black w/switch hole)
- 4 8000 Series (Zinc or Black)
TA8001119 (Zinc w/no switch hole)
TA8001178 (Zinc w/switch hole)
TA8001124 (Black w/no switch hole)
TA8001444 (Black w/switch hole)
- 5 9000 Series (Black)
TA8001126

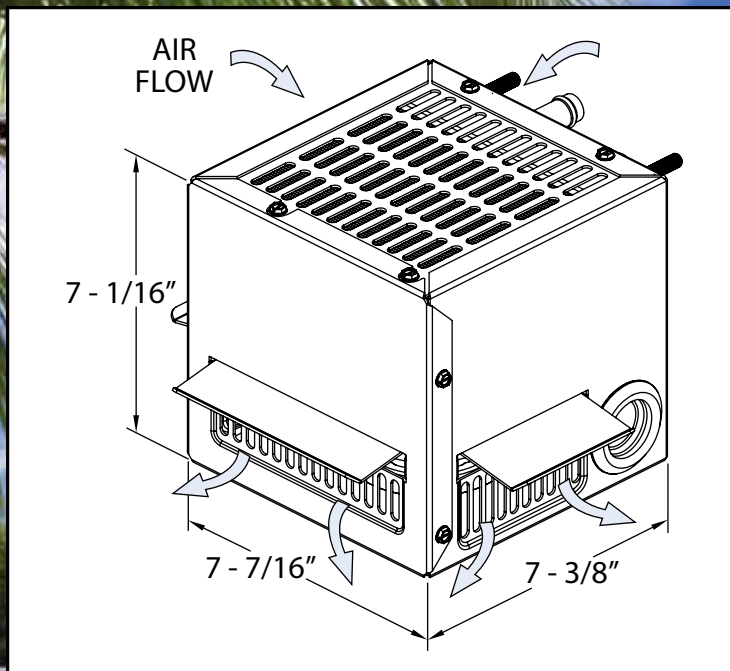
H-503012 - WALL/FLOOR MOUNT HEATER



SWITCH
Three Speed Motor

SPECIFICATIONS

Unit	7.56"W x 7.06"H x 7.38"D
Current	2.9A @ 12VDC 1.5A @ 24VDC
BTUs/Hr	12,500 Est.
Fan	12VDC 3-Speed
24VDC	Part No. H-503024



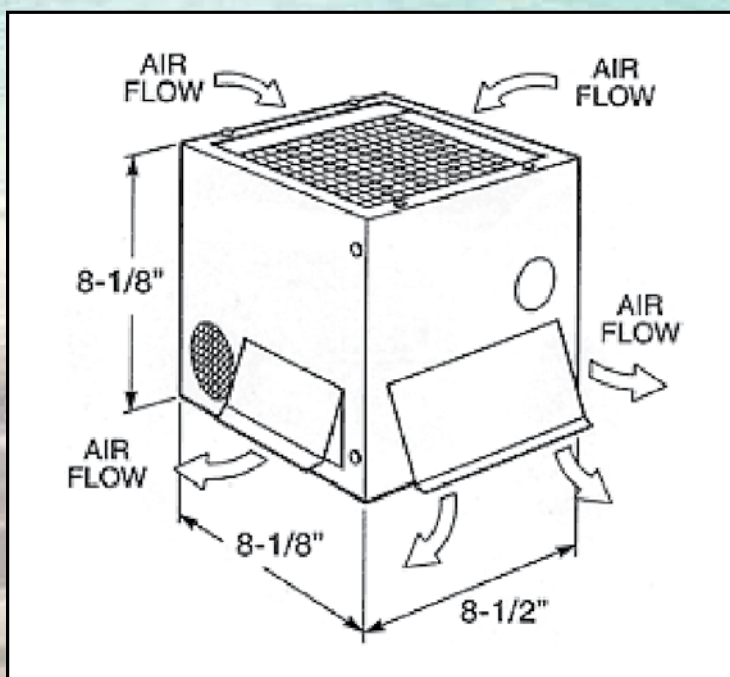
H-803012 - WALL/FLOOR MOUNT HEATER



SWITCH
Three Speed Motor

SPECIFICATIONS

Unit	8.5"W x 8.12"H x 8.12"D
Current	5A @ 12VDC 2.5A @ 24VDC
BTUs/Hr	25,000 Est.
Fan	12VDC 3-Speed
24VDC	Part No. H-803024



Part # Index



Part #	Description	Page #	Part #	Description	Page #
1661	Water Hose Protector	12	H-5670014	Switch Kit	10
1663	.625" x .75" x 5" Water Hose "Y" Fitting	12	H-803012	12V Wall/Floor Mount Heater	18
1906	.625" x .75" x 4" Short Water Hose "Y" Fitting	12	H-803024	24V Wall/Floor Mount Heater	18
2059	.625" x .75 x 3.5" Water Hose Splice	12	M-53025	Various Speed Rheostat Switch	17
2063	21.6" x 2" Defrost Chute Deflector	11	M-53099-G1	Two-Speed Toggle Switch	17
2223	2.75" x 12" Air Return Grille	10	MFA126	Defrost Kit for Wall/Floor Mount Heaters	11
2226	5.5" x 12" Air Return Grille	10	MFA127	Louver Kit for Wall/Floor Mount Heaters	11
2241	5" x 6" Air Return Grille	10	MFA128	Defrost Kit for Stoker™ Heaters	11
2453	7" x 1.5" Defrost Chute Grille	11	MFA130	Louver Kit for Stoker™ Heaters	11
2454	7.25" x 1" Defrost Chute w/2.5" Hose End	11	MM-A1090001	12V 2-Outlet 9" Stoker™ Heater	5
2179-A	3" Eurostyle Louver w/2.5" Hose Adapter	9	MM-A1090005	12V Cabin 9" Stoker™ Heater	7
2179-A-3	3" Eurostyle Louver w/3" Hose Adapter	9	MM-A1090008	12V 3-Outlet 9" Stoker™ Heater	5
2179-A-N	3" Eurostyle Louver w/o Hose Adapter	9	MM-A1160001	12V 3-Outlet 16" Stoker™ Heater	6
2288-A-2	2" Eurostyle Louver w/2" Hose Adapter	9	MM-A1160002	12V 4-Outlet 16" Stoker™ Heater	6
2288-A-N	2" Eurostyle Louver w/o Hose Adapter	9	MM-A1160003	12V Cabin 16" Stoker™ Heater	7
2381-A	3" Global w/2.5" Hose Adapter	9	MM-B1090001	24V 2-Outlet 9" Stoker™ Heater	5
2381-A-1	3" Global w/o Hose Adapter	9	MM-B1090005	24V Cabin 9" Stoker™ Heater	7
2381-A-14	3" Stoker™ Dome Style Louver (White)	8	MM-B1160001	24V 3-Outlet 16" Stoker™ Heater	6
2381-A-2	3" Global w/2.5" Barbed Hose Adapter	9	MM-B1160002	24V 4-Outlet 16" Stoker™ Heater	6
2381-A-4	3" Global w/Hose Adapter (opt. thumb dep.)	9	MM-B1160003	24V Cabin 16" Stoker™ Heater	7
2381-LA	3" Global w/o Retainer	9	TA09R2010	12V 9" Rev. "S" Blade Exhaust Fan	14
2385-A-2	2" Global w/2" Hose Adapter	9	TA1000011	12V Vented Blower for 16" Stoker™ Heaters	13
2385-A-N	2" Global w/o Hose Adapter	9	TA1000021	12V Ignition Proof Blower for 16" Stoker™ Heaters	13
2385-LA	2" Global w/o Retainer	9	TA10R2012	12V 10" Rev. "S" Blade Exhaust Fan	14
2454-1	7.25" x 1" Defrost Chute w/2" Hose End	11	TA1160003	12V Non-Vented Blower for 9" Stoker™ Heaters	13
2898-125-001	12V Single Scroll Blower	12	TA1160004	12V Vented Blower for 9" Stoker™ Heaters	13
F-320012	12V Heavy Duty 8000 Series Dash Fan	16	TA1160007	12V Ignition Proof Blower for 9" Stoker™ Heaters	13
F-320024	24V Heavy Duty 8000 Series Dash Fan	16	TA11R3004	12V 11" Hi Prof. Rev. Straight Blade Exhaust Fan	15
F-320912	12V Heavy Duty 8000 Series Dash Fan	16	TA12R3002	12V 12" Hi Prof. Rev. Paddle Blade Exhaust Fan	15
F-320912	24V Heavy Duty 8000 Series Dash Fan	16	TA7000078	Switch Kit	10
F-400312	12V Heavy Duty 4000 Series Dash Fan	16	TA8000407	6.25' - 3" Duct Hose	11
F-400324	24V Heavy Duty 4000 Series Dash Fan	16	TA8000448	3" "Y" Connector	12
F-404412	12V Heavy Duty 4000 Series Dash Fan	16	TA8000462	3" Stoker™ Dome Style Louver	8
F-404424	24V Heavy Duty 4000 Series Dash Fan	16	TA8000463	12.5' - 3" Duct Hose	11
F-404512	12V Heavy Duty 4000 Series Dash Fan	16	TA8000466	Clamps & Brass Fittings	10
F-404524	24V Heavy Duty 4000 Series Dash Fan	16	TA8000477	4" Round Vent w/3" Step Down	8
F-420312	12V Heavy Duty 4000 Series Dash Fan	16	TA8000492	25' - .625" Heater Hose	10
F-420324	24V Heavy Duty 4000 Series Dash Fan	16	TA8000505	Stoker™ Tube w/Grille Face	8
F-424412	12V Heavy Duty 4000 Series Dash Fan	16	TA8000506	Stoker™ Tube w/Rotating Adjustable Louver	8
F-424424	24V Heavy Duty 4000 Series Dash Fan	16	TA8000539	25' - 3" Duct Hose	11
F-424512	12V Heavy Duty 4000 Series Dash Fan	16	TA8000689	Engine Plumbing Kit	10
F-424524	24V Heavy Duty 4000 Series Dash Fan	16	TA8001117	4000 Series Zinc Base w/no switch hole	17
F-4670176	12V Heavy Duty 8000 Series Dash Fan	16	TA8001119	8000 Series Zinc Base w/no switch hole	17
F-4670176MS	12V Heavy Duty 8000 Series Dash Fan	16	TA8001123	4000 Series Black Base w/no switch hole	17
F-4670176UG	12V Heavy Duty 8000 Series Dash Fan	16	TA8001124	8000 Series Black Base w/no switch hole	17
F-4670177	24V Heavy Duty 8000 Series Dash Fan	16	TA8001126	9000 Series Black Base	17
F-4670177MS	24V Heavy Duty 8000 Series Dash Fan	16	TA8001178	8000 Series Zinc Base w/switch hole	17
F-900612	12V Heavy Duty 9000 Series Dash Fan	17	TA8001253	4000 Series Zinc Base w/switch hole	17
F-900624	24V Heavy Duty 9000 Series Dash Fan	17	TA8001255	4000 Series Zinc Base w/switch hole	17
F-903012-3W	12V Heavy Duty 9000 Series Dash Fan	17	TA8001409	1.25" x .625" x 4" Copper Material "Y" Connector	12
F-903024-3W	24V Heavy Duty 9000 Series Dash Fan	17	TA8001444	8000 Series Black Base w/switch hole	17
F-920612	12V Heavy Duty 9000 Series Dash Fan	17	TA8001491	Stoker™ Tube w/Rotating Adjustable Louver (White)	8
F-920624	24V Heavy Duty 9000 Series Dash Fan	17	TA8001492	Stoker™ Tube w/Triple Vane Louver	8
F-923012-3W	12V Heavy Duty 9000 Series Dash Fan	17	TA8001493	Stoker™ Tube w/Triple Vane Louver (White)	8
F-923024-3W	24V Heavy Duty 9000 Series Dash Fan	17	TB09R2005	24V 9" Rev. "S" Blade Exhaust Fan	14
F-924524	24V Heavy Duty 9000 Series Dash Fan	17	TB1000007	24V Vented Blower for 16" Stoker™ Heaters	13
F-924812-3W	12V Heavy Duty 9000 Series Dash Fan	17	TB1000013	24V Ignition Proof Blower for 16" Stoker™ Heaters	13
F-924824-3W	24V Heavy Duty 9000 Series Dash Fan	17	TB10R2003	24V 10" Rev. "S" Blade Exhaust Fan	14
F-934512	12V Heavy Duty 9000 Series Dash Fan	17	TB1160003	24V Vented Blower for 9" Stoker™ Heaters	13
H-503012	12V Wall/Floor Mount Heater	18	TB1160005	24V Ignition Proof Blower for 9" Stoker™ Heaters	13
H-503024	24V Wall/Floor Mount Heater	18	TB11R3004	24V 11" Hi Prof. Rev. Straight Blade Exhaust Fan	15
H-5670004	Switch Kit w/3' Wire Harness	10	TB12R3002	24V 12" Hi Prof. Rev. Paddle Blade Exhaust Fan	15



MARINE HEATERS • FANS • ACCESSORIES



4540 W. 160th Street ♦ Cleveland, OH 44135 ♦ Ph: (800) 403-7953 ♦ Fax: (216) 362-6342

www.maradynemarine.com