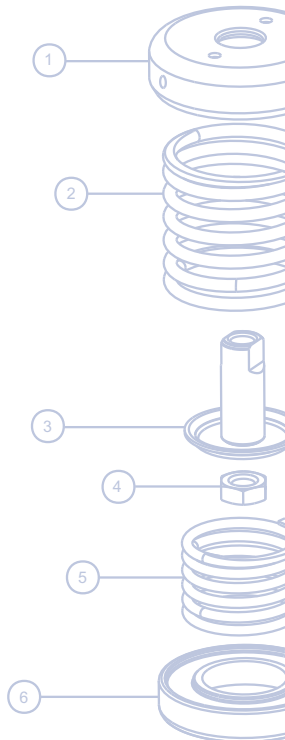




TWINACT &  
UNIACT  
RELIEF VALVE  
CATALOGUE  
//



The Fort Vale  
Range of Twinact  
& Uniact Relief  
Valves

# RELIEF VALVE RANGE



## SUPER MAXI RELIEF VALVE

Developed to cater for the IMDG fire engulfment regulations for IMO1, IMO2 and IMO4 tanks. The flow capacity has been witnessed and is certified by Lloyds Register of Shipping. The Mk3 Super Maxi is available in 2½" BSP screwed male fitting or DN65 and DN80 flanged models for use in combination with a bursting disc. The drilling patterns cover most popular standards (ASA, DIN etc.). The Mk3 Super Maxi can be supplied as a combined pressure/vacuum valve or as a pressure only valve. (See the Fort Vale Super Maxi & Hyperflow Relief Valve Catalogue, ref. **LCATMAXI**)

**PRESSURE = 3 - 66 PSIG (0.21 - 4.55 bar) VACUUM = 0.5" - 24" Hg (0.02 - 0.81 bar)**

## HYPERFLOW RELIEF VALVE

An 80mm flanged Mk3 Maxi Highflow valve fitted with special springs giving increased flow capacity at low pressures. For swap bodies and tank containers of ultra large capacity and low pressure ratings. (See the Fort Vale Super Maxi & Hyperflow Relief Valve Catalogue, ref. **LCATMAXI**)

**PRESSURE = 3 - 66 PSIG (0.21 - 4.55 bar) VACUUM = 0.5" - 24" Hg (0.02 - 0.81 bar)**

## TWINACT RELIEF VALVE

Designed for use on road tankers, process and static tanks. Twinacts are offered with both 2½" and 1½" BSP male connections with matching venting nominal bore to cater for different sizes of vessels. All valves relieve under vacuum and pressure. The vacuum system is equipped with a manual push button which allows the vessel to be bled back to atmospheric pressure if necessary. (See the Fort Vale Twinact & Uniact Relief Valve Catalogue, ref. **LCATTWIN**)

**PRESSURE = 1 - 63 PSIG (0.07 - 4.34 bar) VACUUM = 0.5" - 24" Hg (0.02 - 0.81 bar)**

## UNIACT RELIEF VALVE

Single action valve designed to relieve pressure **OR** vacuum on pressure vessels of all kinds. Available with 1½" or 2" BSP male fitting. The Uniact relief valves can be covered with an aluminium or stainless steel cap for weather protection. They can also be used as an in-line fitting thus providing a spring loaded non-return valve. (See the Fort Vale Twinact & Uniact Relief Valve Catalogue, ref. **LCATTWIN**)

**PRESSURE = 1 - 72 PSIG (0.07 - 4.97 bar) VACUUM = 0.5" - 29" Hg (0.02 - 0.98 bar)**

## MINNOW RELIEF VALVE

1" NB version of Twinact range and is specifically designed for IBC tanks or very small vessels. Can be supplied with or without vent button and with or without venting lock. Tank connections available are 1" BSP male and 1" BSP female. (See the Fort Vale Twinact & Uniact Relief Valve Catalogue, ref. **LCATTWIN**)

**PRESSURE = 1 - 45 PSIG (0.07 - 3.10 bar) VACUUM = 0.5" - 3" Hg (0.02 - 0.10 bar)**

## STEAM RELIEF VALVE

Mounted on the inlet of steam lines used to heat container tanks and road tankers to prevent over pressure of steam circuit. Supplied with a ¾" BSPT screwed fitting. (See the Fort Vale Twinact & Uniact Relief Valve Catalogue, ref. **LCATTWIN**)

**RANGE : PRESSURE = 15 - 145 PSIG (1.03 - 10 Bar)**

## APPROVALS

All Relief Valves have full design approval from Lloyds Register of Shipping. Tests may be witnessed and valves individually stamped by an independent inspectorate by arrangement.



## 3/4" STEAM RELIEF VALVES //

- » 3/4" BSPT STEAM TELL-TALE VALVE
- » 3/4" BSPT STEAM RELIEF VALVE

## 1" BSP MINNOW RELIEF VALVES //

- » 1" BSP PRESSURE/VACUUM MINNOW IBC RELIEF VALVE
- » 1" BSP PRESSURE ONLY MINNOW IBC RELIEF VALVE
- » 1" BSP PRESSURE/VACUUM MINNOW VENTLOCK IBC RELIEF VALVE

## UNIACT RELIEF VALVES

- » 1 1/2" BSP PRESSURE ONLY UNIACT RELIEF VALVE
- » 1 1/2" BSP VACUUM ONLY UNIACT RELIEF VALVE
- » 2" BSP VACUUM ONLY UNIACT RELIEF VALVE

## 1 1/2" BSP TWINACT RELIEF VALVES

- » 1 1/2" BSP PRESSURE/VACUUM TWINACT RELIEF VALVE
- » 1 1/2" BSP PRESSURE ONLY TWINACT RELIEF VALVE
- » 1 1/2" MILK FITTING PRESSURE/VACUUM TWINACT

## 2 1/2" BSP TWINACT RELIEF VALVES

- » 2 1/2" BSP PRESSURE/VACUUM TWINACT RELIEF VALVE
- » 2 1/2" BSP PRESSURE ONLY TWINACT RELIEF VALVE
- » 2 1/2" MILK FITTING PRESSURE/VACUUM TWINACT RELIEF VALVE

## ANCILLARIES

- » RELIEF VALVE ANCILLARIES



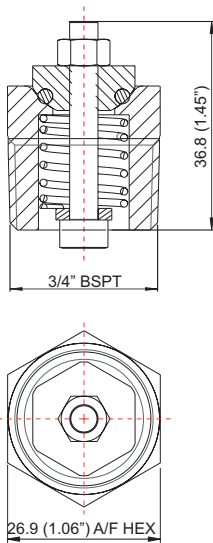


3/4" BSPT Steam Tell-Tale Valve - 3/4" BSPT (taper) male connection. Suitable for a pressure range of between 7 - 150 PSI (0.48 - 10.34 bar). Contact parts manufactured in 316 stainless steel fitted with Viton seal as standard.

Options - extended body version. 3/4" NPT threaded connection available.

Fitting Details

Example shown : 56/0XXX0



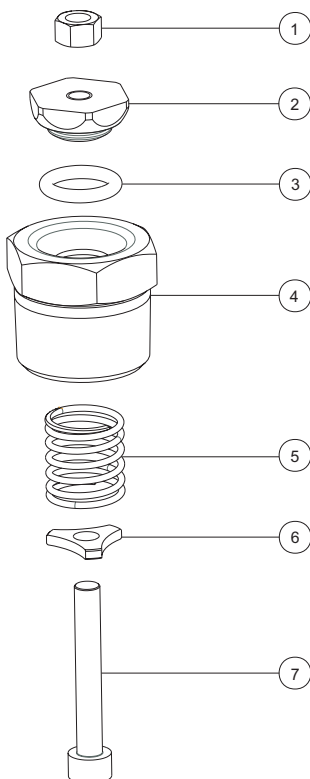
Specification

Weight 0.2 Kg  
Design Temperature 200°C (392°F)

Range

Part No.	Description
56/0XXX0	3/4" BSPT Steam Tell-Tale Valve
52/0XXX0	3/4" NPTM Steam Tell-Tale Valve

Parts Drawing



Item	Description	Part No.
1	M5 nut	5112-010
2	Poppet head	54/00003
3	Viton O ring	5005-650
4	Body	54/00001
5	Spring <i>Part no. varies</i>	5104-XXXXA
6	Spring locator	54/00002
7	M5 cap screw	5111-128

Visual inspection and service (where necessary) is recommended on a 6 monthly basis.

In-house test certificates confirming valve settings and serial numbers are supplied as standard.

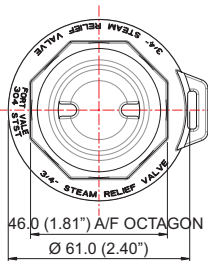
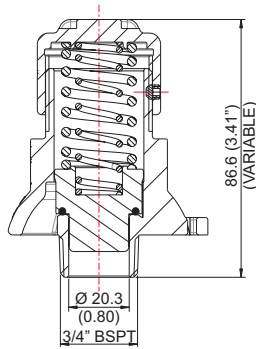


3/4" BSPT Steam Relief Valve - 3/4" BSPT (taper) male connection. Suitable for a pressure range of between 15 - 220 PSI (1.03 - 15.17 Bar). Contact parts manufactured in stainless steel fitted with Viton GF seal as standard.

Options - 3/4" NPT threaded connection available. Available with CE marking to PED.

Fitting Details

Example shown : 58/0XXX00



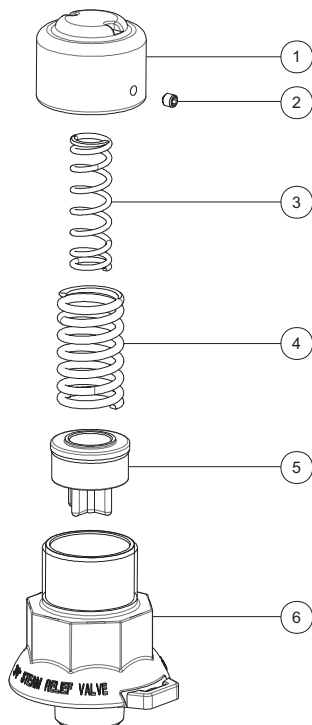
Specification

Weight 0.6 Kg  
 Design Temperature -20°C to 200°C (-4°F to 392°F)

Range

Part No.	Description
58/0XXX00	3/4" BSPT steam relief valve
CE58/0XXX00	3/4" BSPT steam relief vlv with CE mark
58/0XXX00NPT	3/4" NPT steam relief valve

Parts Drawing



Item	Description	Part No.
1	Cap	58/03650
2	Setscrew	5121-001
3	Inner spring * See note	5104-90XX
4	Outer spring * See note	5104-9XXX
5	Poppet assembly with Viton GF seal * See note	58/0362X
6	Body	58/03640

**NOTE :** Inner/Outer spring part numbers and Poppet assembly part number varies depending upon valve set pressure.

Visual inspection and service (where necessary) is recommended on a 6 monthly basis.

In-house test certificates confirming valve settings and serial numbers are supplied as standard.





1" BSP Minnow IBC Relief Valve - 1" BSP male connection. Suitable for a pressure range of between 1 - 45 PSI (0.07 - 3.10 Bar) and a vacuum range of between 0.5" - 7" Hg (0.02 - 0.24 Bar). Contact parts manufactured in 316 stainless steel fitted with Viton seals as standard. Complete with PTFE tank seal.

Options - pressure only version. Alternative seal materials available. Manual vacuum vent button option. Ventlock option. 1" BSP female connection available. 1"NPT version.

**Specification**

Weight	0.2 Kg
Seal Temperature Range:	
Viton	-20°C to +200°C
Perfluoroelastomer	-15°C to +240°C
EPDM	-20°C to +150°C
Silicone	-20°C to +200°C

Test certificates supplied as standard.

Visual inspection and service (where necessary) is recommended on a 6 monthly basis.

**Range**

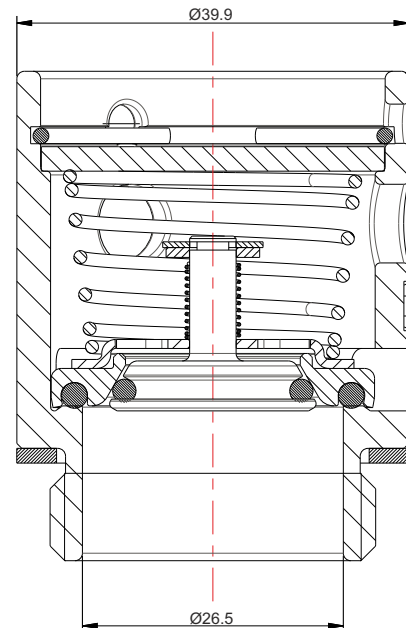
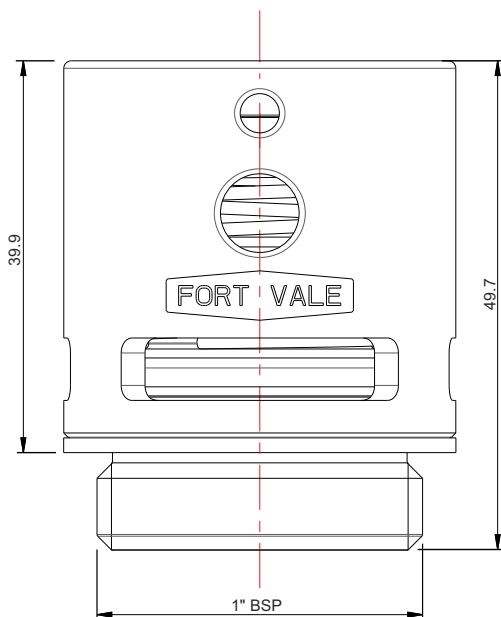
Part No.	Description
65/XXXXX	1" BSPM standard valve
65/XXXXXNPT	1" NPT standard valve
65B/XXXXX	1" BSPM valve with manual vent button
65BT/XXXXX	1" BSPM valve with manual vent button & TIR facility
68/XXXXX	1" BSPM valve with manual vent button & ventlock facility
66/XXXXX	1" BSPF standard valve
69/XXXXX	1" BSPF valve with manual vent button & ventlock facility

**Associated Parts**

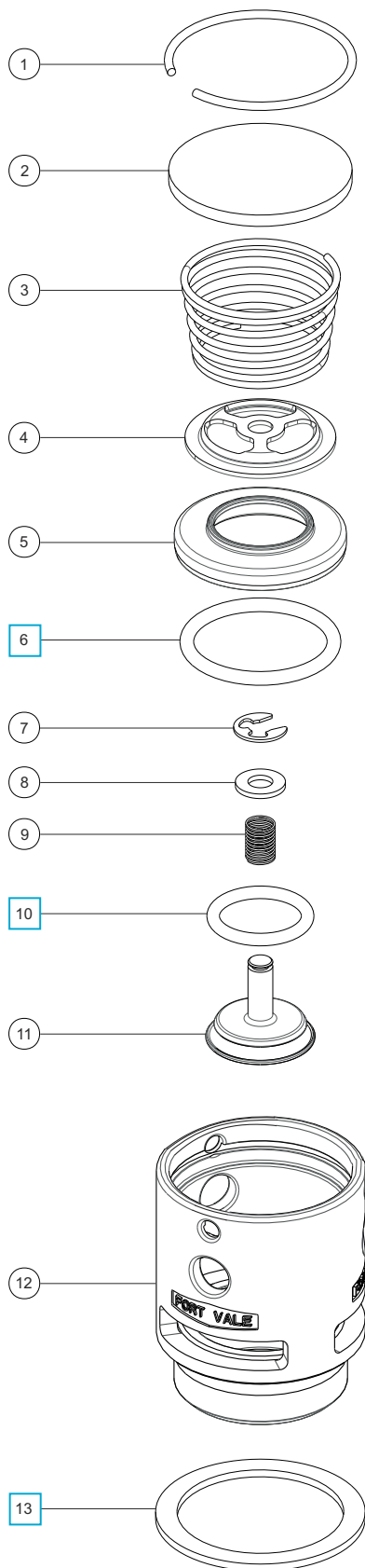
Part No.	Description
600/1025	1" Tank weld-in socket
600/1026	1" Tank weld-in nipple
179/0300	1" Clamped type gauze ring

**Fitting Details**

Example shown 65/XXXXX



## Parts drawing



Item	Description	Part No.
1	Retaining clip (below 10 PSI/0.69 Bar)	5120-015
	Retaining clip (above 10 PSI/0.69 Bar)	5120-021
2	Top cap	179/0010
3	Pressure spring <b>See Table 1</b>	5104-XXX
4	Poppet guide	179/0055
5	Pressure plate <b>See NOTE</b>	179/0040XX
6	Pressure o ring <b>See Table 3 &amp; NOTE</b>	5005-XXX <input type="checkbox"/>
7	Circlip	5120-002
8	Plain washer	5113-017
9	Vacuum spring <b>See Table 2</b>	5104-XXX
10	Vacuum o ring <b>See Table 3</b>	5005-XXX <input type="checkbox"/>
11	Vacuum poppet	179/0020
12	Body	179/0100
13	PTFE gasket	5005-553 <input type="checkbox"/>

### SEAL KIT

Part number **65/XPVSK** contains all parts marked  (Part number varies according to seal material).

### NOTE

Please note that additional tooling is required topeen the pressure o ring into the pressure plate. When a pressure o ring requires replacing, Fort Vale strongly recommends the purchase of a pressure plate with a factory-fit pressure o ring. (See Table 4)

**TABLE 1**

Common Pressure Settings	Pressure Spring Part No.
3 PSI (0.21 Bar)	5104-653
6 PSI (0.41 Bar)	5104-656
9 PSI (0.62 Bar)	5104-659

Pressure springs are available from 1 PSI (0.07 Bar) to 45 PSI (3.10 Bar)

**TABLE 2**

Common Vacuum Setting	Vacuum Spring Part No.
1" Hg (0.03 Bar)	5104-671

Vacuum springs are available from 0.5"Hg (0.02 Bar) to 7"Hg (0.24 Bar)

**TABLE 3 - See NOTE**

Seal Material	Pressure Seal	Vacuum Seal
Viton	5005-552	20361
EPDM	5005-651	5005-652
Perfluoroelastomer	5005-585	5005-586
Silicone	5005-615	5005-614

**TABLE 4**

Seal Material	Pressure plate with o ring
Viton	179/0040VS
EPDM	179/0040ES
Perfluoroelastomer	179/0040PERS
Silicone	179/0040SS





1" BSP Minnow IBC Relief Valve - 1" BSP male connection. Suitable for a pressure range of between 1 - 45 PSI (0.07 - 3.10 Bar). Contact parts manufactured in 316 stainless steel fitted with Viton seals as standard. Complete with PTFE tank seal.

**Options** - combined pressure/vacuum version. Alternative seal materials available. Manual vent button option. Ventlock option. 1" BSP female connection available. 1"NPT version.

## Specification

Weight	0.18 Kg
Seal Temperature Range :	
Viton	-20°C to +200°C
Perfluoroelastomer	-15°C to +240°C
EPDM	-20°C to +200°C
Silicone	-20°C to +200°C

Test certificates supplied as standard.

Visual inspection and service (where necessary) is recommended on a 6 monthly basis.

## Range

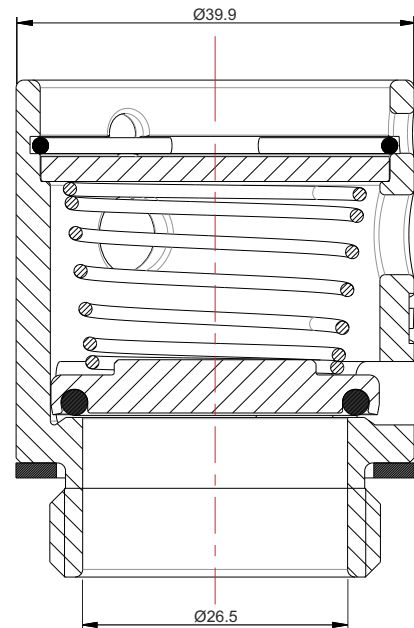
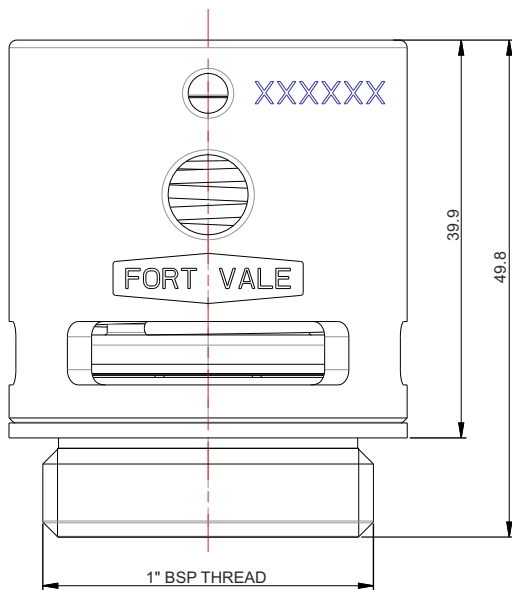
Part No.	Description
65/XXX00	1" BSPM standard valve
65/XXX00NPT	1" NPT standard valve
65B/XXX00	1" BSPM valve with manual vent button
65BT/XXX00	1" BSPM valve with manual vent button & TIR facility
68/XXX00	1" BSPM valve with manual vent button & ventlock facility
66/XXX00	1" BSPF standard valve
69/XXX00	1" BSPF valve with manual vent button & ventlock facility

## Associated Parts

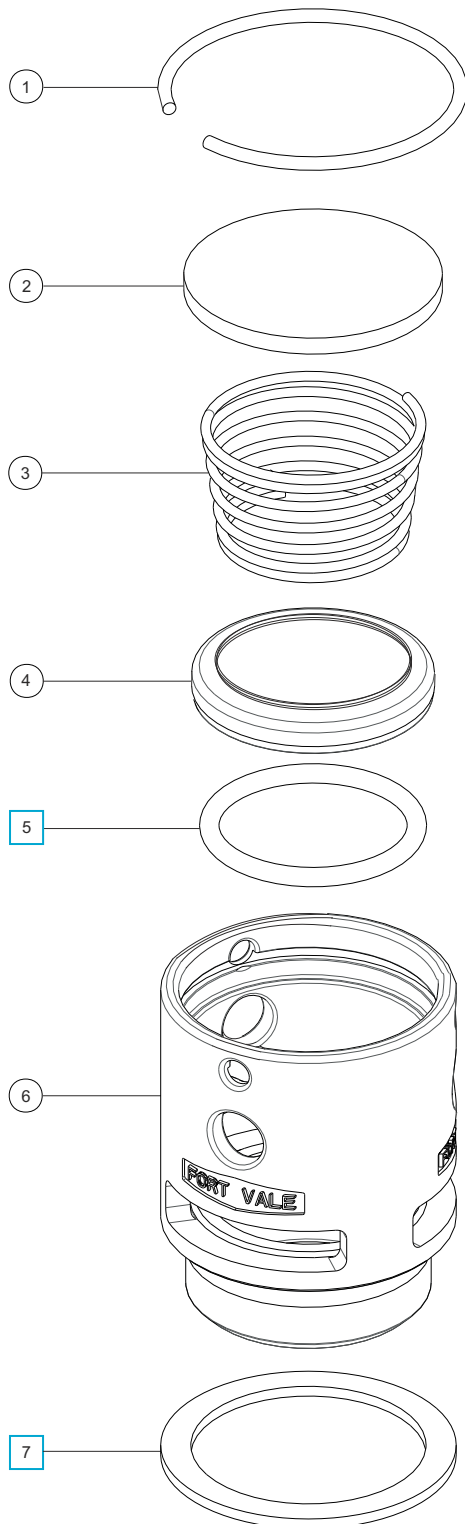
Part No.	Description
600/1025	1" tank weld-in socket
600/1026	1" tank weld-in nipple
179/0300	1" Clamped type gauze ring

## Fitting Details

Example shown 65/XXX00



## Parts drawing



Item	Description	Part No.
1	Retaining clip (below 10 PSI/0.69 Bar)	5120-015
	Retaining clip (above 10 PSI/0.69 Bar)	5120-021
2	Top cap	179/0010
3	Pressure spring <b>See Table 1</b>	5104-XXX
4	Pressure plate <b>See NOTE</b>	179/0050XX
5	Pressure o ring <b>See Table 2 &amp; NOTE</b>	5005-XXX <input type="checkbox"/>
6	Body	179/0100
7	PTFE gasket	5005-553 <input type="checkbox"/>

### SEAL KIT

Part number **65/XPSK** contains all parts marked   
(Part number varies according to seal material).

### NOTE

Please note that additional tooling is required to peen the pressure o ring into the pressure plate.  
When a pressure o ring requires replacing, Fort Vale strongly recommends the purchase of a pressure plate with a factory-fit pressure o ring. (See Table 2)

TABLE 1

Common Pressure Settings	Pressure Spring Part No.
3 PSI (0.21 Bar)	5104-653
6 PSI (0.41 Bar)	5104-656
9 PSI (0.62 Bar)	5104-659
30 PSI (2 Bar)	5104-695

Pressure springs are available from 1 PSI (0.07 Bar) to 45 PSI (3.10 Bar)

TABLE 2 - See **NOTE**

Seal Material	Pressure o ring	Pressure plate with o ring
Viton	5005-552	179/0050VS
EPDM	5005-651	179/0050ES
Perfluoroelastomer	5005-585	179/0050PERS
Silicone	5005-615	179/0050SS



1" BSP Minnow Ventlock IBC Relief Valve - 1" BSP male connection. Suitable for a pressure range of between 1 - 9 PSI (0.07 - 0.62 Bar) and a vacuum range of between 0.5" - 7" Hg (0.02 - 0.24 Bar). Contact parts manufactured in 316 stainless steel fitted with Viton seals as standard. Complete with manual vent button, ventlock facility and PTFE tank seal.

The locking bracket can only be used at pressures of 9 PSI and below. For greater pressures, a valve without the locking bracket is required (See REL019 & REL020)

**Options** - Alternative seal materials available. 1" BSP Female thread connection available. 1" NPT version.

## Specification

Weight	0.2 Kg
Seal Temperature Range :	
Viton	-20°C to +200°C
Perfluoroelastomer	-15°C to +240°C
EPDM	-20°C to +150°C
Silicone	-20°C to +200°C

Test certificates supplied as standard.

Visual inspection and service (where necessary) is recommended on a 6 monthly basis.

## Range

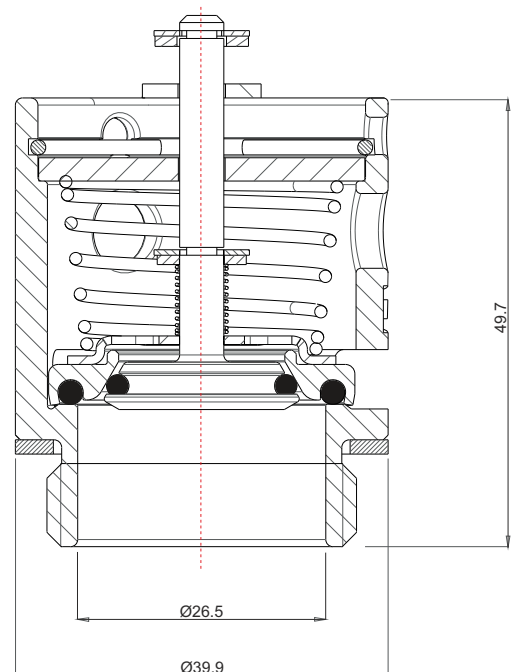
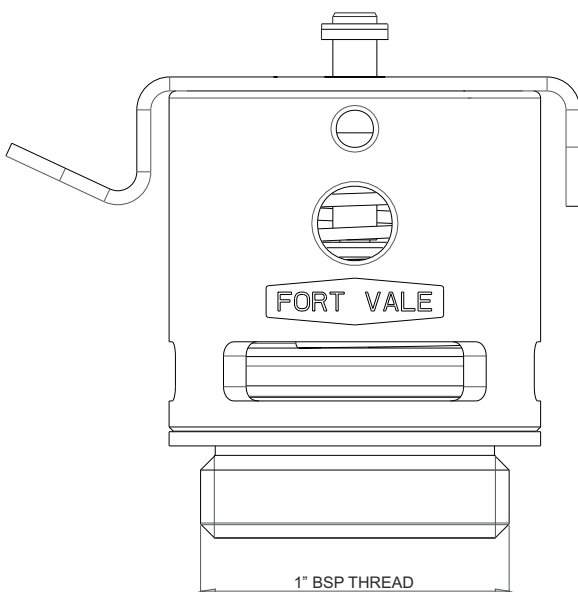
Part No.	Description
65/XXXXX	1" BSPM standard valve
65/XXXXXNPT	1" NPT standard valve
65B/XXXXX	1" BSPM valve with manual vent button
65BT/XXXXX	1" BSPM valve with manual vent button & TIR facility
68/XXXXX	1" BSPM valve with manual vent button & ventlock facility
66/XXXXX	1" BSPF standard valve
69/XXXXX	1" BSPF valve with manual vent button & ventlock facility

## Associated Parts

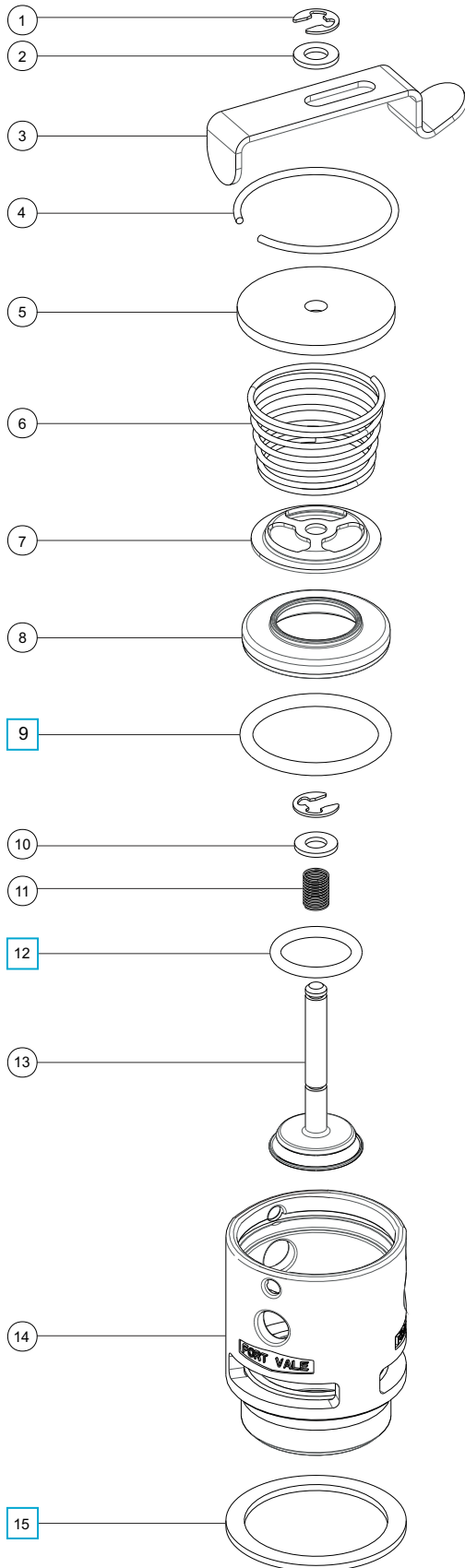
Part No.	Description
600/1025	1" Tank weld-in socket
600/1026	1" Tank weld-in nipple
179/0300	1" Clamped type gauze ring

## Fitting Details

Example shown 68/XXXXX



## Parts drawing



Item	Description	Part No.
1	Circlip (2)	5120-002
2	Plain washer	5113-015
3	Locking bracket	179/0150
4	Retaining clip (below 20 PSI/1.38 Bar)	5120-015
5	Top cap	179/0060
6	Pressure spring <b>See Table 1</b>	5104-XXX
7	Poppet guide	179/0055
8	Pressure plate <b>See NOTE</b>	179/0040XX
9	Pressure o ring <b>See Table 3 &amp; NOTE</b>	5005-XXX <input type="checkbox"/>
10	Plain washer	5113-017
11	Vacuum spring <b>See Table 2</b>	5104-XXX
12	Vacuum o ring <b>See Table 3</b>	5005-XXX <input type="checkbox"/>
13	Vacuum poppet	179/0090
14	Body	179/0100
15	PTFE gasket	5005-553 <input type="checkbox"/>

### SEAL KIT

Part number **65/XPVSK** contains all parts marked  (Part number varies according to seal material).

### NOTE

Please note that additional tooling is required to peen the pressure o ring into the pressure plate. When a pressure o ring requires replacing, Fort Vale strongly recommends the purchase of a pressure plate with a factory-fit pressure o ring. (See Table 4)

**TABLE 1**

Common Pressure Settings	Pressure Spring Part No.
3 PSI (0.21 Bar)	5104-653
6 PSI (0.41 Bar)	5104-656
9 PSI (0.62 Bar)	5104-659

Pressure springs are available from 1 PSI (0.07 Bar) to 9 PSI (0.62 Bar)

### PLEASE NOTE!

The locking bracket can only be used at pressures of 9 PSI and below. For greater pressures, a valve without the locking bracket is required. (See REL019 & REL020)

**TABLE 2**

Common Vacuum Setting	Vacuum Spring Part No.
1" Hg (0.03 Bar)	5104-671

Vacuum springs are available from 0.5"Hg (0.02 Bar) to 7"Hg (0.24 Bar)

**TABLE 3 - See NOTE**

Seal Material	Pressure O ring	Vacuum O Ring
Viton	5005-552	20361
EPDM	5005-651	5005-652
Perfluoroelastomer	5005-585	5005-586
Silicone	5005-615	5005-614

**TABLE 4**

Seal Material	Pressure plate with o ring
Viton	179/0040VS
EPDM	179/0040ES
Perfluoroelastomer	179/0040PERS
Silicone	179/0040SS



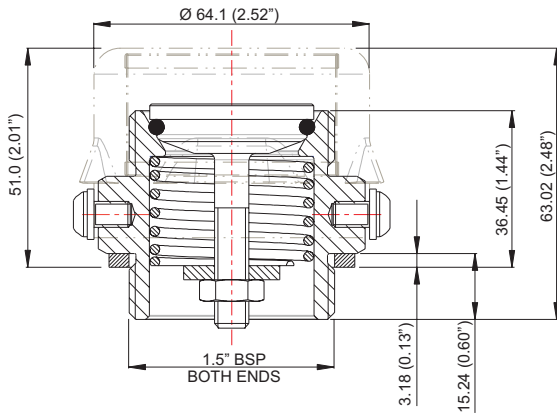
47/XXX00A illustrated

1½" BSP Uniact Relief Valve - 1½" BSP male connection. Suitable for a pressure range of between 1 - 72 PSI (0.07 - 4.97 bar). Single acting valve - pressure only. Contact parts manufactured in 316 stainless steel fitted with Fortyt seal (FEP encapsulated silicone O ring) as standard. Complete with CNAF tank seal.

**Options** - vacuum only version. 1¼" and 2" BSP versions. Milk fitting version for hygienic applications. Also available with flanged connection. Viton, Perfluoroelastomer, EPDM and High Temperature Fortyt O rings available. Hastelloy valve. PTFE tank seal option.

## Fitting Details

Example shown 47/XXX00A

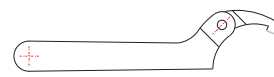


## Specification

Weight 0.8 Kg

In-house test certificates confirming valve settings and serial numbers are supplied as standard.

Visual inspection and service (where necessary) is recommended on a 6 monthly basis.



**C SPANNER - 400/3000**  
For relief valve fitting and removal. Size range 1¼" to 3"

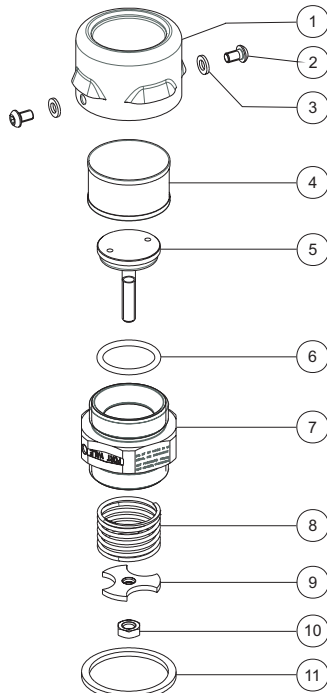
## Associated Parts

Part No.	Associated Parts
600/1010	1½" tank weld-in socket
176/2660	50mm DIN 11851 milk fitting socket
176/2670	50mm DIN 11851 milk fitting nut
10217/1	Pressed stainless steel cap
10217/1GZ	Pressed stainless steel cap with gauze

Part No.	Description
47/XXX00A	1½" BSP standard valve
47/XXX00AC	1½" BSP standard valve, cowl
47/XXX00AGZ	1½" BSP standard valve, cowl & gauze
47M/XXX00A	1½" Milk fitting valve
47H/XXX00AX	1½" BSP Hastelloy valve
47V/XXX00A	1½" BSP valve with PTFE tank seal

## Parts Drawing

47/XXX00AGZ illustrated



Item	Description	Part No.
1	Cap	10217/1
2	M6 button screw (2)	5111-611
3	M6 spring washer (2)	5113-008
4	Gauze ring	10204
5	Poppet	10983V
6	O ring (see table 2)	5005-XXX
7	Body	10213
8	Spring (see table 1)	5104-XXX
9	Spring pad	10215
10	M8 half nut	5112-004
11	CNAF gasket tank seal	5005-011

Table 1

Pressure Setting	Pressure Spring
30 PSI	5104-630

Table 2

O ring Material	Temp. Range	Pressure Seal
Viton	-20°C to +200°C	5005-107
Fortyt	-55°C to +200°C	5005-108H
Perfluoroelastomer	-15°C to +260°C	5005-764
EPDM	-20°C to +150°C	5005-255
High Temp. Fortyt	-55°C to +260°C	5005-108HPFA





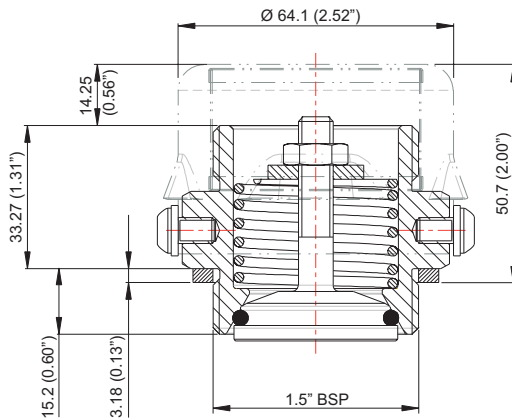
47/X00XXAGZ illustrated

1½" BSP Uniact Relief Valve - 1½" BSP male connection. Suitable for a vacuum range of between 0.5" - 26" Hg (-0.02 to -0.9 Bar). Single acting valve - vacuum only. Contact parts manufactured in 316 stainless steel fitted with Fortyt seal (FEP encapsulated silicone O ring) as standard. Complete with stainless steel gauzed cap and CNAF tank seal.

**Options** - pressure only version. 1¼" and 2" BSP versions. Milk fitting version for hygienic applications. Also available with flanged connection. Viton, Perfluoroelastomer, EPDM and High Temperature Fortyt O rings available. Hastelloy valve. PTFE tank seal option.

## Fitting Details

Example shown 47/X00XXA

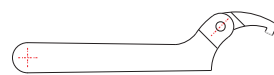


## Specification

Weight 0.8 Kg

In-house test certificates confirming valve settings and serial numbers are supplied as standard.

Visual inspection and service (where necessary) is recommended on a 6 monthly basis.



**C SPANNER - 400/3000**  
For relief valve fitting and removal. Size range 1¼" to 3".

## Associated Parts

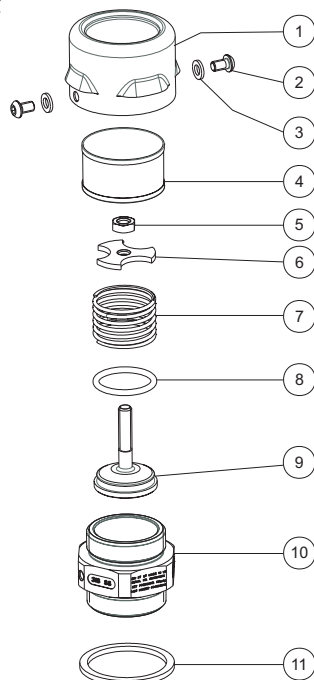
Part No.	Associated Parts
600/1010	1½" tank weld-in socket
176/2660	50mm DIN 11851 milk fitting socket
176/2670	50mm DIN 11851 milk fitting nut
10217/1	Pressed stainless steel cap
10217/1GZ	Pressed stainless steel cap with gauze

## Range

Part No.	Description
47/X00XXA	1½" BSP standard valve
47/X00XXAC	1½" BSP standard valve, cowl
47/X00XXAGZ	1½" BSP standard valve, cowl & gauze
47/X00XXVBA	1½" BSP valve with manual vent button
47M/X00XXA	1½" milk fitting valve
47H/X00XXAX	1½" BSP Hastelloy valve
47V/X00XXAX	1½" BSP valve with PTFE tank seal

## Parts Drawing

47/X00XXAGZ illustrated



Item	Description	Part No.
1	Cap	10217/1
2	M6 button screw (2)	5111-611
3	M6 spring washer (2)	5113-008
4	Gauze ring	10204
5	M8 half nut	5112-004
6	Spring pad	10215
7	Spring (see table 1)	5104-XXX
8	O ring (see table 2)	5005-XXX
9	Poppet	10983V
10	Body	10213
11	CNAF gasket	5005-011

Table 1

Vacuum Setting	Vacuum Spring
1" Hg	5104-601

Table 2

O ring Material	Temp. Range	Vacuum Seal
Viton	-20°C to +200°C	5005-107
Fortyt	-55°C to +200°C	5005-108H
Perfluoroelastomer	-15°C to +260°C	5005-764
EPDM	-20°C to +150°C	5005-255
High Temp. Fortyt	-55°C to +260°C	5005-108HPFA



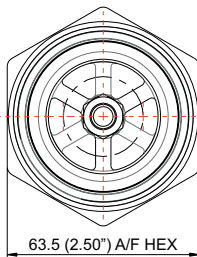
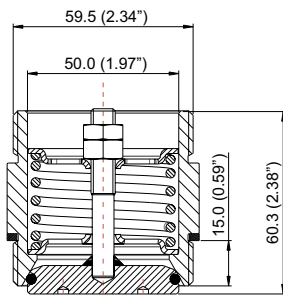


2" BSP Uniact Relief Valve - 2" BSP male connection. Suitable for a vacuum setting of between 0.5" - 29" Hg (0.02 - 0.98 bar) or a pressure setting of between 1 - 60 PSI (0.07 - 4.14 bar). Single acting valve. Contact parts manufactured in 316 stainless steel fitted with Fortyt seal as standard. Complete with PTFE tank seal.

**Options** - pressure or vacuum only versions. 1½" BSP version. Milk fitting version for hygienic applications. Available with pneumatic actuator. Stainless steel cap with/without gauze. Valve may be fitted with Viton seal.

**Fitting Details**

Example shown : 85/XXXXXA



**Specification**

Weight (standard valve) 1.2 Kg  
 Fortyt seal temperature range -55°C to +200°C  
 Viton seal temperature range -20°C to +200°C

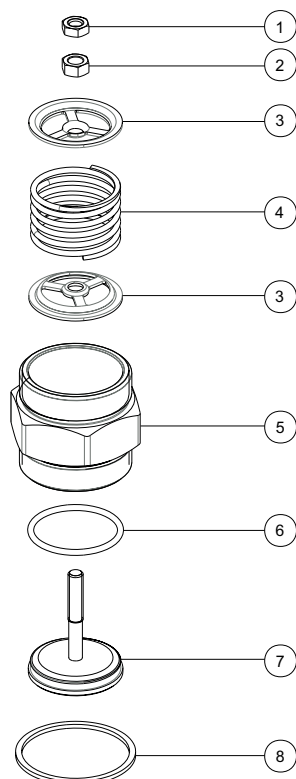
**Range**

Part No.	Description
85/XXXXXA	Standard 2" BSP Uniact Relief Valve
85M/XXXXXA	2" BSP Uniact with DIN 11851 milk fitting tank connection
85/XPNXXA	2" BSP Uniact with pneumatic actuator

**Associated Parts**

Part No.	Description
600/1017	2" Tank weld-in socket
176/2645	65mm DIN 11851 milk fitting socket
176/2630	65mm DIN 11851 milk fitting nut
10218GZ	Stainless steel gauzed cap
10218	Stainless steel cap – no gauze

**Parts Drawing**



Item	Description	Part No.
1	M8 half nut	5112-004
2	M8 full nut	5112-001
3	Spring pad (2)	85/1003
4	Vacuum spring <i>Part no. varies</i>	5104-XXX
5	Body	85/1000
6	Fortyt main O ring	5005-118
7	Poppet	85/1015
8	PTFE tank seal	5005-575



**C SPANNER - PART NUMBER 400/3000**

For relief valve fitting and removal. Size range 1¼" to 3".

Visual inspection and service (where necessary) is recommended on a 6 monthly basis.

In-house test certificates confirming valve settings and serial numbers are supplied as standard.





1½" BSP Twinact Relief Valve - 1½" BSP male connection. Suitable for a pressure range of between 1 - 64 PSI (0.07 - 4.41 Bar) and a vacuum range of between 0.5" - 28" Hg (0.02 - 0.94 Bar). Contact parts manufactured in 316 stainless steel fitted with Fortyt (FEP encapsulated silicone O ring) seals as standard. Complete with manual vent button and CNAF tank seal.

**Options** - pressure only version. Milk fitting version for hygienic applications. Viton seals available. Flameproof gauze available. Other seal materials available.

## Specification

Weight	0.76 Kg
Fortyt seal Temperature Range	-55°C to +200°C
Viton seal Temperature Range	-20°C to +200°C

In-house test certificates confirming valve settings and serial numbers are supplied as standard.

Visual inspection and service (where necessary) is recommended on a 6 monthly basis.

## Range

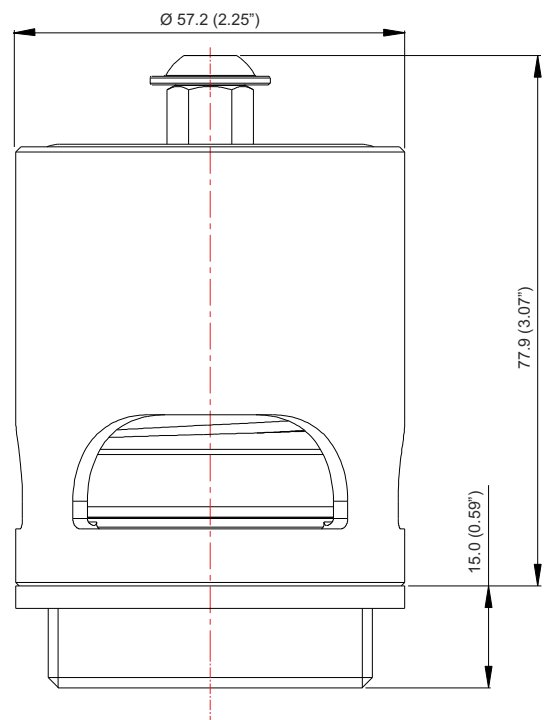
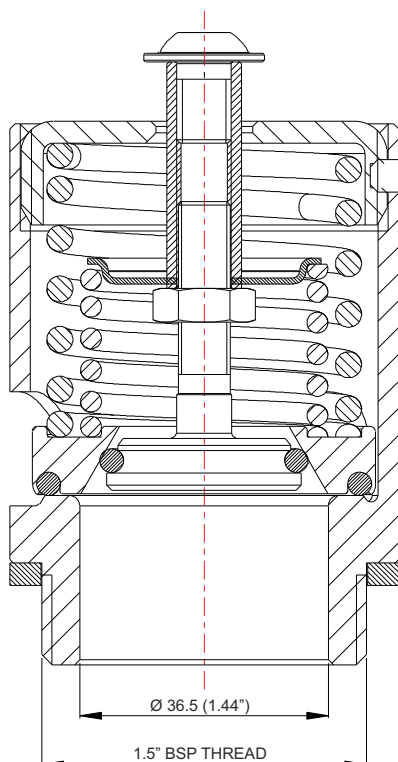
Part No.	Description
30/XXXXX	Standard pressure/vacuum valve
30/XXX00	Standard pressure only valve
3M/XXXXX	1½" Milk fitting Twinact
30/XXXXXH	1½" Twinact with Hastelloy wetted parts

## Associated Parts

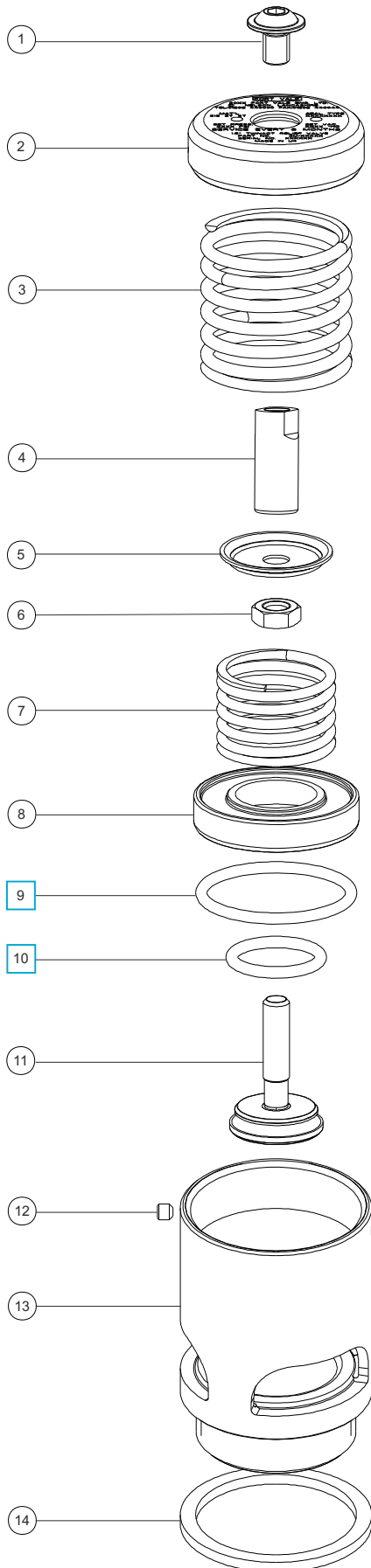
Part No.	Associated Parts
600/1010	1½" Tank weld-in socket
200/5000	1½" clamped gauze ring
5005-012	PTFE tank seal

## Fitting Details

Example shown : 30/XXXXX



Parts drawing



Item	Description	Part No.
1	Flanged button screw	5111-9812
2	Top cap	11004
3	Pressure spring <b>See Table 1</b>	5104-XXX
4	Spring stem	10984
5	Spring pad	11006XX
6	M8 half nut	5112-004
7	Vacuum spring <b>See Table 2</b>	5104-XXX
8	Pressure plate <b>See NOTE</b>	11002X
9	Vacuum o ring <b>See Table 3</b>	5005-XXX <input type="checkbox"/>
10	Pressure o ring <b>See Table 3 &amp; NOTE</b>	5005-XXX <input type="checkbox"/>
11	Vacuum poppet	11003
12	Grubscrew	5121-001
13	Body assembly	11001
14	CNAF tank seal	5005-011

**SEAL KIT** - contains all parts marked

Part number **30/1PVSK** contains Fortyt O rings

Part number **30/0PVSK** contains Viton O rings

**NOTE**

Please note that additional tooling is required topeen the pressure o ring into the pressure plate. When a pressure plate needs replacing, Fort Vale strongly recommends the purchase of a pressure plate with a factory-fit pressure o ring. (See Table 4)

**TABLE 1**

Common Pressure Settings	Pressure Spring Part No
3 PSI (0.21 Bar)	5104-703
29 to 32 PSI (2.0 – 2.21 Bar)	5104-730

Pressure springs are available from 1 PSI (0.07 Bar) to 64 PSI (4.41 Bar)

**TABLE 2**

Common Vacuum Settings	Vacuum Spring Part No
0.5" Hg (0.02 Bar)	5104-760
1" Hg (0.03 Bar)	5104-761
3" Hg (0.10 Bar)	5104-765

Vacuum springs are available from 0.5"Hg (0.02 Bar) to 28"Hg (0.94 Bar)

**TABLE 3 - See NOTE**

Seal Material	Pressure o ring	Vacuum o ring
Fortyt	5005-118	5005-114
Viton	5005-110	5005-112

**TABLE 4**

Seal Material	Pressure plate with o ring
Fortyt	11002F
Viton	11002V



**C SPANNER - PART NUMBER 400/3000**

For relief valve fitting and removal.

Size range 1¼" to 3".



1½" BSP Twinact Relief Valve - 1½" BSP male connection. Suitable for a pressure range of between 1 - 64 PSI (0.07 - 4.41 bar). Contact parts manufactured in 316 stainless steel fitted with Fortyt (FEP encapsulated silicone O ring) seal as standard. Complete with CNAF tank seal.

**Options** - combined pressure/vacuum version. Milk fitting version for hygienic applications. Viton seal available. Other seal materials available.

**Specification**

Weight	0.7 Kg
Fortyt Seal Temperature Range	-55°C to +200°C
Viton Seal Temperature Range	-20°C to +200°C

In-house test certificates confirming valve settings and serial numbers are supplied as standard.

Visual inspection and service (where necessary) is recommended on a 6 monthly basis.

**Range**

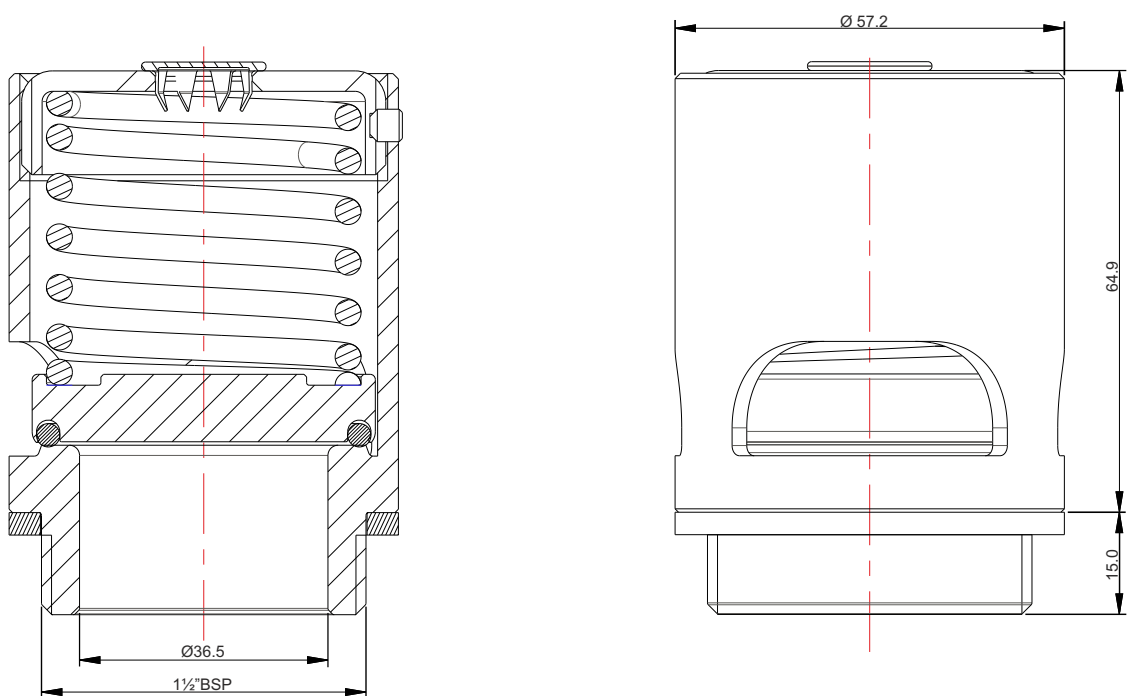
Part No.	Description
30/XXX00	Standard pressure only valve
30/XXXXX	Standard pressure/vacuum valve
3M/XXXXX	1½" Milk Fitting Twinact

**Associated Parts**

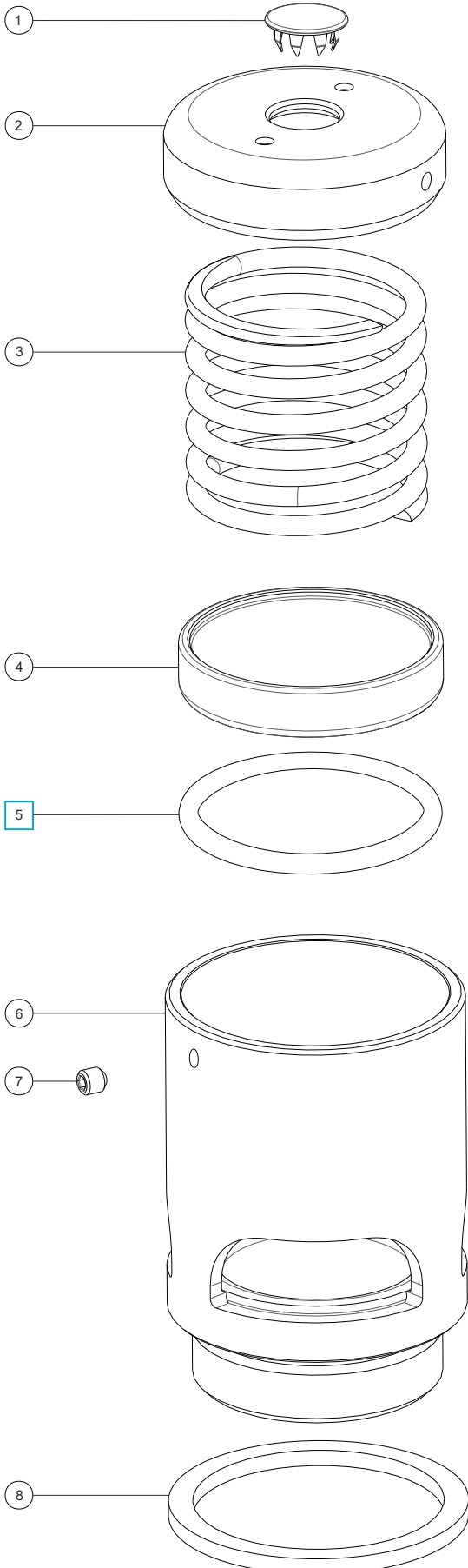
Part No.	Description
600/1010	1½" tank weld-in socket
200/5000	1½" clamped gauze ring
5005-012	PTFE tank seal

**Fitting Details**

Example shown : 30/XXX00



**Fitting Details**



Item	Description	Part No.
1	Stainless steel plug	10978
2	Top cap	11004
3	Pressure spring <b>See Table 1</b>	5104-XXX
4	Pressure plate <b>See NOTE</b>	11002/2X
5	Pressure o ring <b>See Table 2 &amp; NOTE</b>	5005-XXX <input type="checkbox"/>
6	Body assembly	11001
7	Grubscrew	5121-001
8	CNAF tank seal	5005-011

**SEAL KIT** - contains parts marked   
 Part number **30/1PSK** contains Fortyt O ring  
 Part number **30/0PSK** contains Viton O ring

**NOTE**  
 Please note that additional tooling is required to peen the pressure o ring into the pressure plate. When a pressure plate needs replacing, Fort Vale strongly recommends the purchase of a pressure plate with a factory-fit pressure o ring. (See Table 2)

**TABLE 1**

Common Pressure Settings	Pressure Spring Part No
3 PSI (0.21 Bar)	5104-703
29 to 32 PSI (2.0 to 2.21 Bar)	5104-730

Pressure springs are available from 1 PSI (0.07 Bar) to 64 PSI (4.41 Bar)

**TABLE 2 - See NOTE**

Seal Material	Pressure o ring	Pressure plate with o ring
Fortyt	5005-118	11002/2F
Viton	5005-110	11002/2V



**C SPANNER - PART NUMBER 400/3000**  
 For relief valve fitting and removal.  
 Size range 1¼" to 3".





1½" Milk Fitting Twinact Relief Valve - DIN 11851/50mm connection. Suitable for a pressure range of between 1 - 64 PSI (0.07 - 4.41 Bar) and a vacuum range of between 0.5" - 28" Hg (0.02 - 0.94 bar). Contact parts manufactured in 316 stainless steel fitted with Fortyt (FEP encapsulated silicone O ring) seals as standard. Complete with manual vent button.

**Options** - Pressure only version. Valve also available with Viton seals. Other seal materials available, including high temperature option. Flameproof gauze available. Full range of BSP valves.

## Specification



Weight	0.96 Kg
Fortyt Seal Temperature Range	-55°C to +200°C
Viton Seal Temperature Range	-20°C to +200°C

In-house test certificates confirming valve settings and serial numbers are supplied as standard.

Visual inspection and service (where necessary) is recommended on a 6 monthly basis.

## Range



Part No.	Description
3M/XXXXXX	Standard milk fitting 1½" Twinact, pressure/ vacuum
3M/XXX00	Standard milk fitting 1½" Twinact, pressure only

## Associated Parts

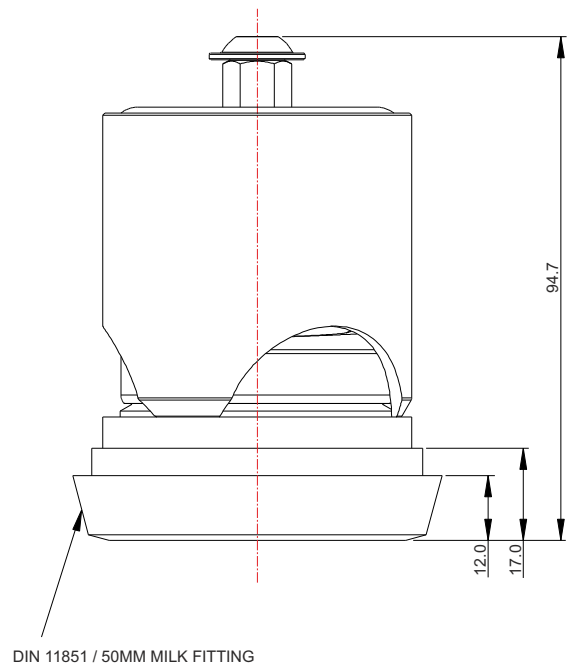
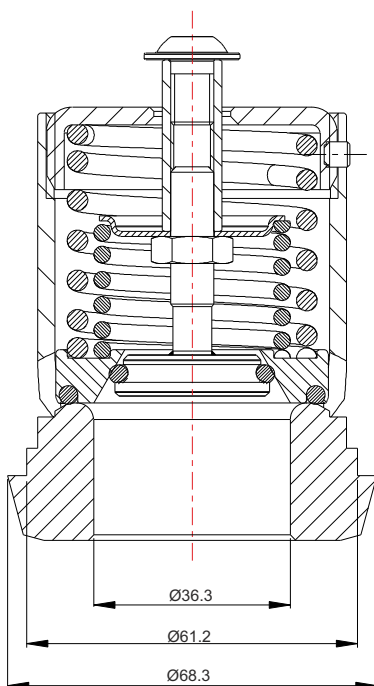


Part No.	Associated Parts
176/2660	50mm DIN 11851 milk fitting socket
176/2670	50mm DIN 11851 milk fitting nut
176/2675S	50mm DIN 11851 silicone seal
200/5000	1½" clamped gauze ring

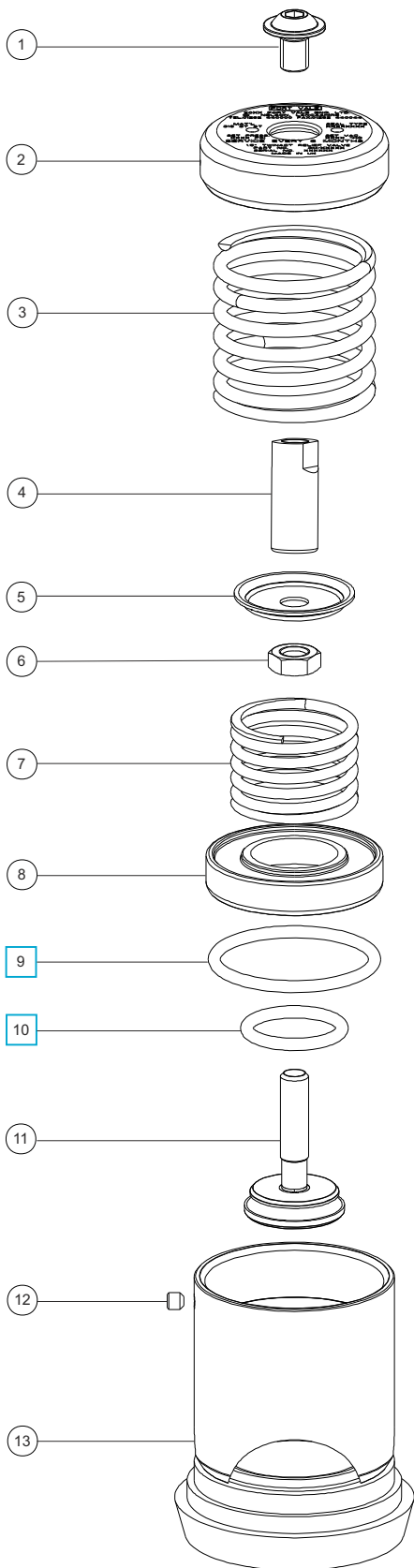
## Fitting Details



Example shown : 3M/XXXXXX



Parts drawing



Item	Description	Part No.
1	Flanged button screw	5111-9812
2	Top cap	11004
3	Pressure spring <b>See Table 1</b>	5104-XXX
4	Spring stem	10984
5	Spring pad	11006XX
6	M8 half nut	5112-004
7	Vacuum spring <b>See Table 2</b>	5104-XXX
8	Pressure plate <b>See NOTE</b>	11002XX
9	Pressure o ring <b>See Table 3 &amp; NOTE</b>	5005-XXX <input type="checkbox"/>
10	Vacuum o ring <b>See Table 3</b>	5005-XXX <input type="checkbox"/>
11	Vacuum poppet	11003
12	Grubscrew	5121-001
13	Body	10990

**SEAL KIT** - contains all parts marked   
 Part number **30/1PVSK** contains Fortyt O rings  
 Part number **30/0PVSK** contains Viton O rings

**NOTE**

Please note that additional tooling is required to peen the pressure o ring into the pressure plate.  
 When a pressure plate needs replacing, Fort Vale strongly recommends the purchase of a pressure plate with a factory-fit pressure o ring. (See Table 4)

**TABLE 1**

Common Pressure Settings	Pressure Spring Part No
3 PSI (0.21 Bar)	5104-703
29 to 32 PSI (2.0 – 2.21 Bar)	5104-730

Pressure springs are available from 1 PSI (0.07 Bar) to 64 PSI (4.41 Bar)

**TABLE 2**

Common Vacuum Settings	Vacuum Spring Part No
0.5" Hg (0.02 Bar)	5104-760
1" Hg (0.03 Bar)	5104-761
3" Hg (0.10 Bar)	5104-765

Vacuum springs are available from 0.5"Hg (0.02 Bar) to 28"Hg (0.94 Bar)

**TABLE 3 - See NOTE**

Seal Material	Pressure o ring	Vacuum o ring
Fortyt	5005-118	5005-114
Viton	5005-110	5005-112

**TABLE 4**

Seal Material	Pressure plate with o ring
Fortyt	11002F
Viton	11002V



**C SPANNER - PART NUMBER 400/3000**  
 For relief valve fitting and removal.  
 Size range 1¼" to 3".



2½” BSP Twinact Relief Valve - 2½” BSP male connection. Suitable for a pressure range of between 1 - 63 PSI (0.07 - 4.34 bar) and a vacuum range of between 0.5” - 28” Hg (0.02 - 0.94 bar). Contact parts manufactured in 316 stainless steel fitted with Fortyt (FEP encapsulated silicone O ring) seals as standard. Complete with manual vent button and rubber/PTFE tank seal.

**Options** - pressure only version. Milk fitting version for hygienic applications. Nickel plated version. Other seal materials available.

**Specification**

Weight 1.48 Kg

Fortyt Seal Temperature Range -55°C to +200°C  
 Viton Seal Temperature Range -20°C to +200°C

In-house test certificates confirming valve settings and serial numbers are supplied as standard.

Visual inspection and service (where necessary) is recommended on a 6 monthly basis.

**Range**

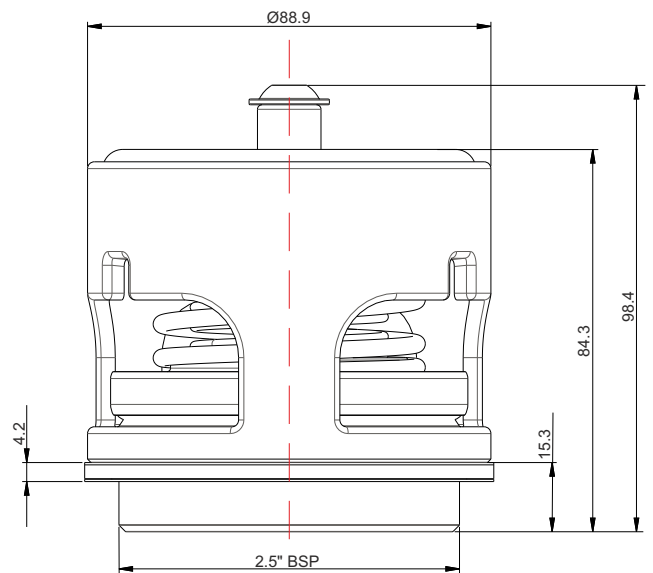
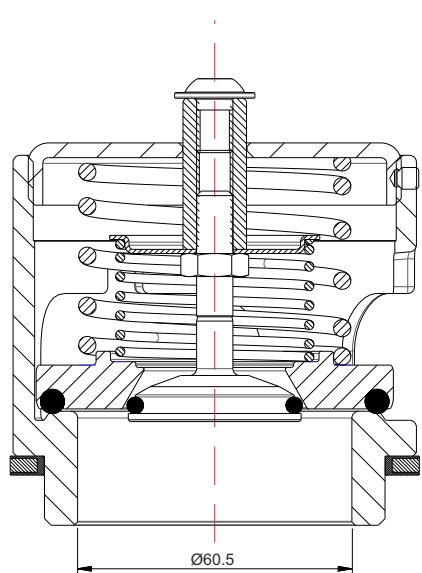
Part No.	Description
20/XXX00	Standard pressure only valve
20/XXXXX	Standard pressure / vacuum valve
2N/XXXXX	2½” Nickel plated valve, pressure/ vacuum
2M/XXXXX	2½” Milk Fitting valve

**Associated Parts**

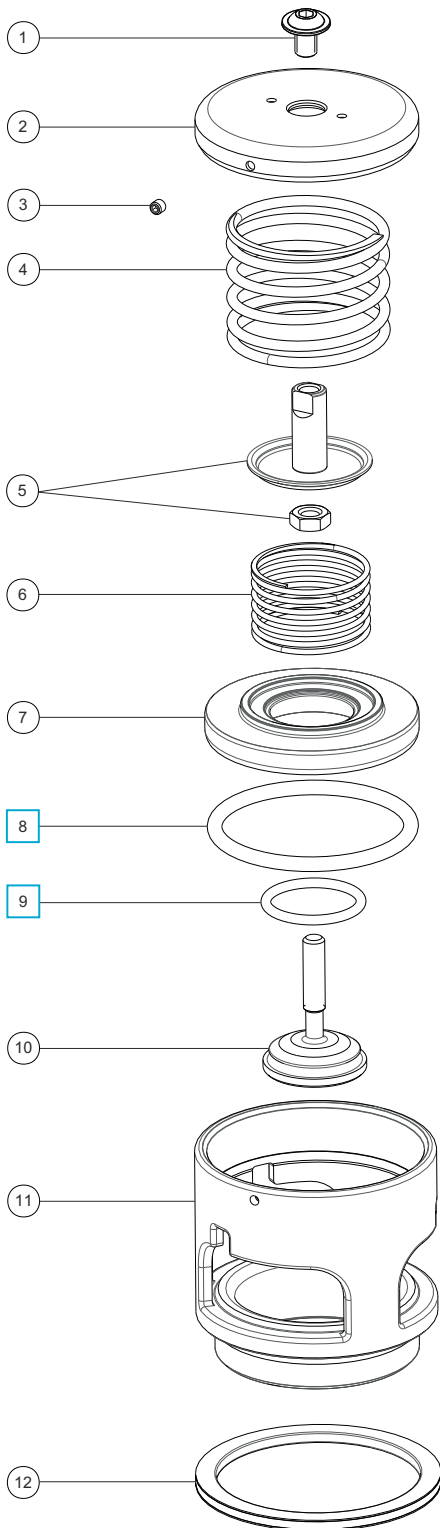
Part No.	Description
600/1000	2½” Tank weld-in socket
176/3150	2½” Tank weld-in flange
130/5000	2½” Clamped type gauze ring
5005-046	Rubber/PTFE tank seal
5005-026	CNAF tank seal (high temp. application)

**Fitting Details**

Example shown : 20/XXXXX



Parts drawing



Item	Description	Part No.
1	Flanged button screw	5111-9812
2	Top cap	10967/1
3	Grub screw	5121-001
4	Pressure spring <b>See Table 1</b>	5104-XXX
5	Spring pad assembly	130/0010
6	Vacuum spring <b>See Table 2</b>	5104-XXX
7	Pressure plate <b>See NOTE</b>	175/00XXX
8	Pressure o ring <b>see Table 3 &amp; NOTE</b>	5005-XXX <input type="checkbox"/>
9	Vacuum o ring <b>see Table 3</b>	5005-XXX <input type="checkbox"/>
10	Vacuum poppet	10983V
11	Body	10951
12	Rubber/PTFE envelope gasket	5005-046

**SEAL KIT** - contains all parts marked   
 Part no. **20/1PVSK** contains Fortyt O rings  
 Part no. **20/0PVSK** contains Viton O rings

**NOTE**

Please note that additional tooling is required topeen the pressure o ring into the pressure plate. When a pressure plate needs replacing, Fort Vale strongly recommends the purchase of a pressure plate with a factory-fit pressure o ring. (See Table 4)

**TABLE 1**

Common Pressure Settings	Pressure Springs
28 to 30 PSI (1.93 Bar to 2.07 Bar)	5104-529

Pressure springs are available from 1 PSI (0.07 Bar) to 63 PSI (4.34 Bar)

**TABLE 2**

Common Vacuum Settings	Vacuum Springs
0.5" Hg (0.02 Bar)	5104-560
1" Hg (0.03 Bar)	5104-561
3" Hg (0.10 Bar)	5104-563

Vacuum springs are available from 0.5"Hg (0.02 Bar) to 28"Hg (0.94 Bar)

**TABLE 3 - See NOTE**

Seal Material	Pressure o ring	Vacuum o ring
Fortyt	5005-101	5005-108H
Viton	5005-102	5005-107

**TABLE 4**

Seal Material	Pressure plate	Pressure plate with o ring
Fortyt	175/0061	175/0061F
Viton	175/0031	175/0031V



**C SPANNER - PART NUMBER 400/3000**  
 For relief valve fitting and removal.  
 Size range 1/4" to 3".



2½" BSP Twinact Relief Valve - 2½" BSP male connection. Suitable for a pressure range of between 1-63 PSI (0.07 - 4.34 bar). Contact parts manufactured in 316 stainless steel fitted with Fortyt (FEP encapsulated silicone O ring) seal as standard. Complete with rubber/PTFE tank seal.

**Options** - combined pressure/vacuum version. Milk fitting version for hygienic applications. Nickel plated version. Other seal materials available.

## Specification

Weight 1.44 Kg  
 Fortyt Seal Temperature Range -55°C to +200°C  
 Viton Seal Temperature Range -20°C to +200°C

In-house test certificates confirming valve settings and serial numbers are supplied as standard.

Visual inspection and service (where necessary) is recommended on a 6 monthly basis.

## Range

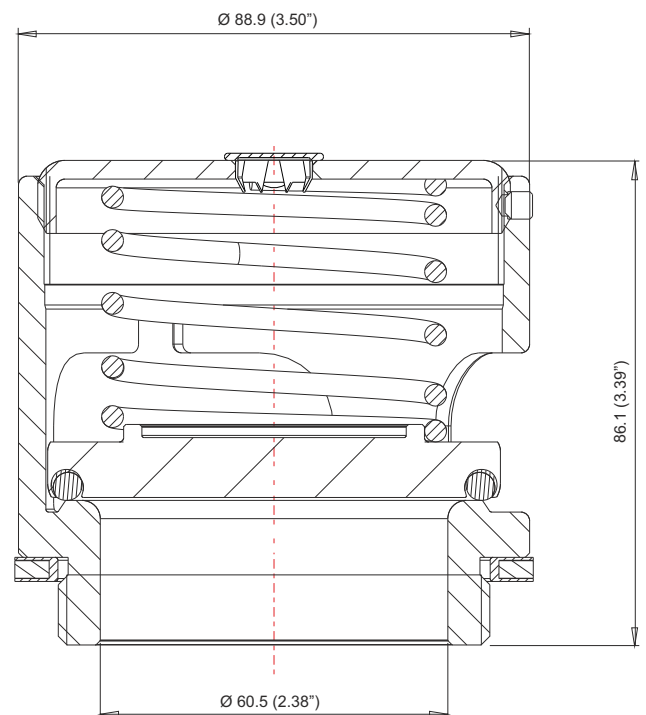
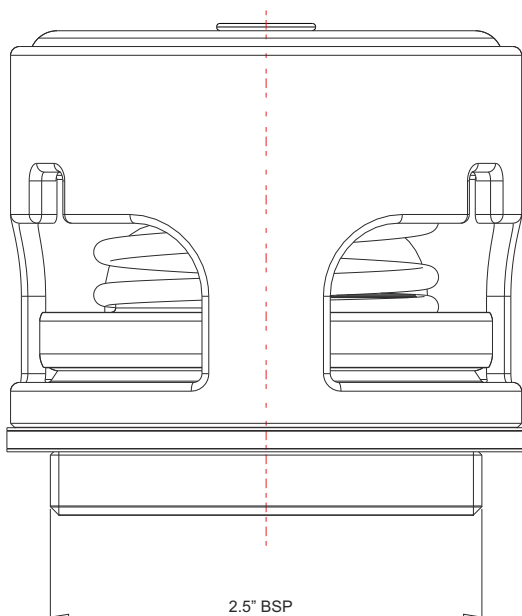
Part No.	Description
20/XXX00	Standard pressure only valve
20/XXXXX	Standard pressure/vacuum valve
2N/XXXXX	2½" Nickel plated valve, pressure/ vacuum
2M/XXXXX	2½" Milk Fitting valve

## Associated Parts

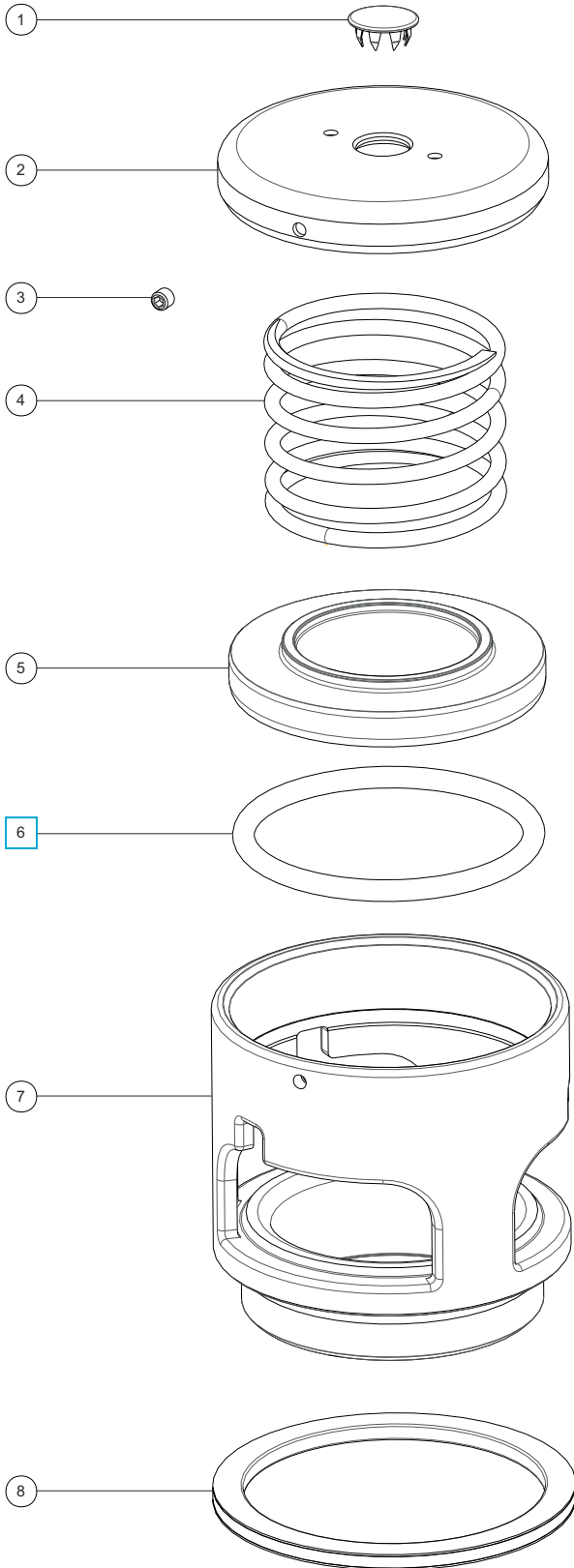
Part No.	Description
600/1000	2½" Tank weld in socket
176/3150	2½" Tank weld in flange
130/5000	2½" Clamped type gauze ring
5005-027	PTFE tank seal
5005-026	CNAF tank seal

## Fitting Details

Example shown : 20/XXX00



Fitting Details



Item	Description	Part No.
1	Stainless steel plug	10978
2	Top cap	10967/1
3	Grub screw	5121-001
4	Pressure spring <b>See Table 1</b>	5104-XXX
5	Pressure plate <b>See NOTE</b>	175/XXXX
6	Pressure o ring <b>See Table 2 &amp; NOTE</b>	5005-XXX <input type="checkbox"/>
7	Body assembly	10951
8	Rubber/PTFE envelope gasket	5005-046

**SEAL KIT** - contains all parts marked   
 Part number **20/1PSK** contains Fortyt O ring  
 Part number **20/0PSK** contains Viton O ring

**NOTE**

Please note that additional tooling is required to peen the pressure o ring into the pressure plate.  
 When a pressure plate needs replacing, Fort Vale strongly recommends the purchase of a pressure plate with a factory-fit pressure o ring. (See Table 3)

**TABLE 1**

Common Pressure Settings	Pressure Springs
28 to 30 PSI (1.93 Bar to 2.07 Bar)	5104-529

Pressure springs are available from 1 PSI (0.07 Bar) to 63 PSI (4.34 Bar)

**TABLE 2 - See NOTE**

Seal Material	Pressure o ring
Fortyt	5005-101
Viton	5005-102

**TABLE 3**

Seal Material	Pressure Plate	Pressure plate with o ring
Fortyt	175/0111	175/0111F
Viton	175/0121	175/0121V



**C SPANNER - PART NUMBER 400/3000**  
 For relief valve fitting and removal.  
 Size range 1 1/4" to 3".





2 1/2" Milk Fitting Twinact Relief Valve - DIN 11851/80mm connection. Suitable for a pressure range of between 1 - 63 PSI (0.07 - 4.34 bar) and a vacuum range of between 0.5" - 28" Hg (0.02 - 0.94 bar). Contact parts manufactured in 316 stainless steel fitted with Fortyt (FEP encapsulated silicone O ring) seals as standard. Complete with manual vent button.

**Options** - pressure only version. Other seal materials are available. Full range of BSP valves.

## Specification

Weight 1.91 Kg  
 Fortyt Seal Temperature Range -55°C to +200°C  
 Viton Seal Temperature Range -20°C to +200°C

In-house test certificates confirming valve settings and serial numbers are supplied as standard.

Visual inspection and service (where necessary) is recommended on a 6 monthly basis.

## Range

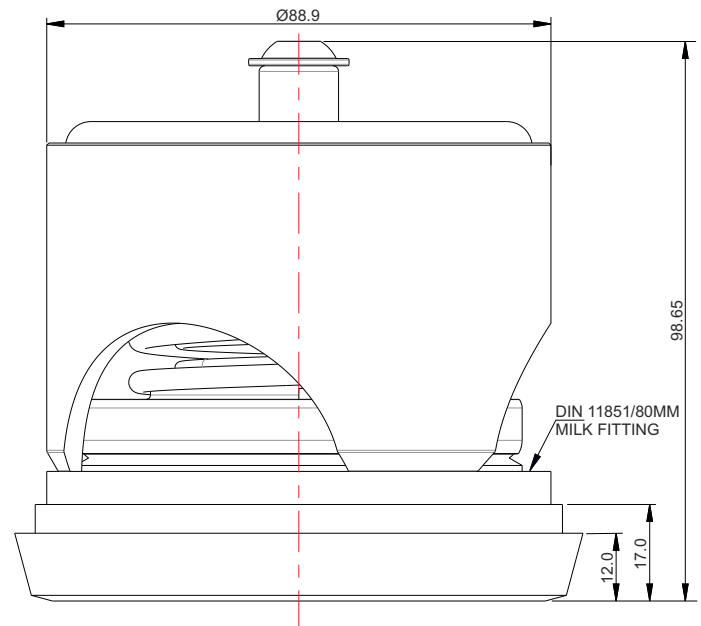
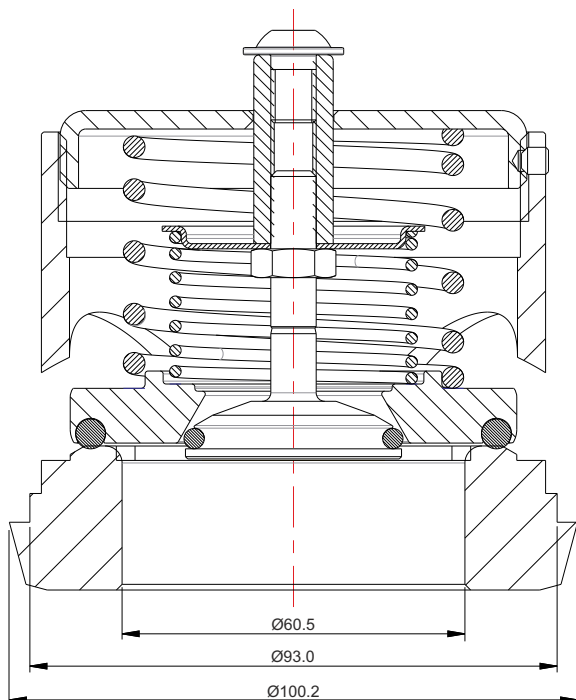
Part No.	Description
2M/XXXXX	Standard milk fitting 2 1/2" Twinact, pressure/vacuum
2M/XXX00	Standard milk fitting 2 1/2" Twinact, pressure only

## Associated Parts

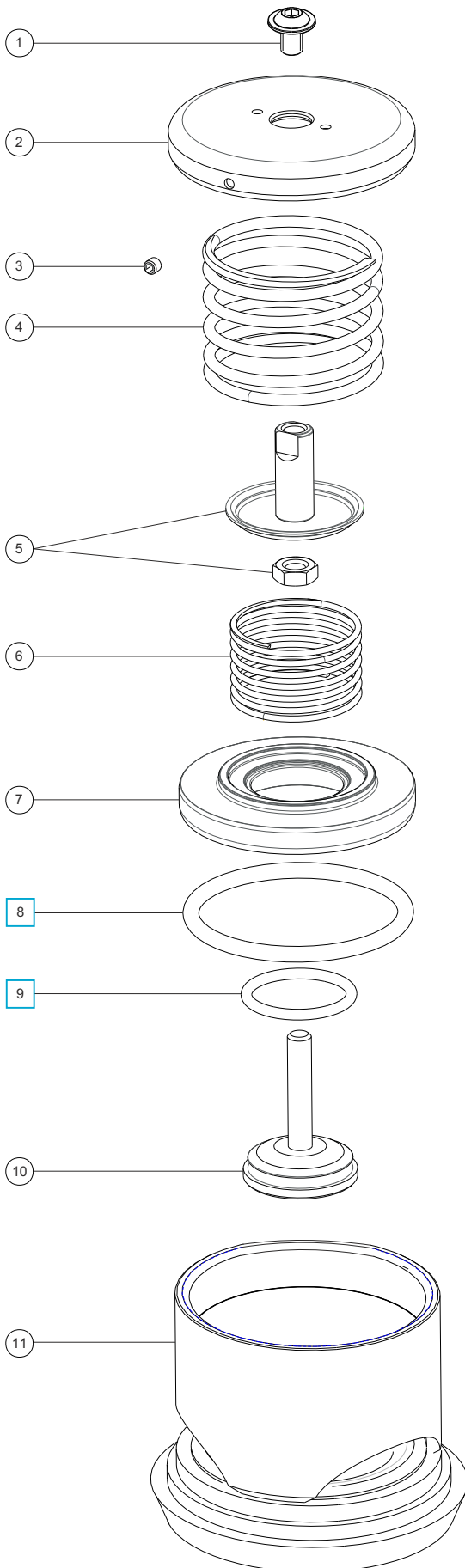
Part No.	Associated Parts
176/2550	80mm DIN 11851 milk fitting socket
176/2650	80mm DIN 11851 milk fitting nut
176/2685S	80mm DIN 11851 silicone seal
130/5000	2 1/2" clamped gauze ring

## Fitting Details

Example shown : 2M/XXXXX



Parts drawing



Item	Description	Part No.
1	Flanged button screw	5111-9812
2	Top cap	10967/1
3	Grubscrew	5121-001
4	Pressure spring <b>See Table 1</b>	5104-XXX
5	Spring pad assembly	130/0010
6	Vacuum spring <b>See Table 2</b>	5104-XXX
7	Pressure plate <b>See NOTE</b>	175/00XX
8	Pressure o ring <b>See Table 3 &amp; NOTE</b>	5005-XXX <input type="checkbox"/>
9	Vacuum o ring <b>See Table 3</b>	5005-XXX <input type="checkbox"/>
10	Vacuum poppet	10983V
11	Body	11021

**SEAL KIT** - contains all parts marked

Part no. **20/1PVSK** contains Fortyt O rings

Part no. **20/0PVSK** contains Viton O rings

**NOTE**

Please note that additional tooling is required to peen the pressure o ring into the pressure plate.

When a pressure plate needs replacing, Fort Vale strongly recommends the purchase of a pressure plate with a factory-fit pressure o ring. (See Table 4)

**TABLE 1**

Common Pressure Settings	Pressure Spring
28 to 30 PSI (1.93 to 2.07 Bar)	5104-529

Pressure springs are available from 1 PSI (0.07 Bar) to 63 PSI (4.34 Bar)

**TABLE 2**

Common Vacuum Settings	Vacuum Spring
0.5" Hg (0.02 Bar)	5104-560
1" Hg (0.03 Bar)	5104-561
3" Hg (0.10 Bar)	5104-563

Vacuum springs are available from 0.5"Hg (0.02 Bar) to 28"Hg (0.94 Bar)

**TABLE 3 - See NOTE**

Seal Material	Pressure o ring	Vacuum o ring
Fortyt	5005-101	5005-108H
Viton	5005-102	5005-107

**TABLE 4**

Seal Material	Pressure plate	Pressure plate with o ring
Fortyt	175/0061	175/0061F
Viton	175/0031	175/0031V



**C SPANNER - PART NUMBER 400/3000**

For relief valve fitting and removal.

Size range 1 1/4" to 3".

### DIN 11851 Socket & Nut



The DIN 11851 milk fitting is suitable for all hygienic applications and consists of a male socket and compatible nut.

It is available in three sizes - 50mm, 65mm and 80mm, designed for use with our 1½", 2" and 2½" relief valves.

Both components are manufactured in 316 stainless steel.

Description	Part No.
50mm socket	176/2660
50mm nut	176/2670
65mm socket	176/2620
65mm nut	176/2630
80mm socket	176/2550
80mm nut	176/2650

### Flameproof Gauzes



Clamped type flameproof gauze rings are available for our 1", 1½" and 2½" relief valves and are designed to be clamped around the valve body when transporting inflammable cargoes.

The gauze is constructed from 316 stainless steel wire of 300 microns with holes no greater than 500 microns mean diameter.

**Fitting a clamped gauze ring to a Minnow or a Twinact relief valve reduces the flow rate by 12%.**

**Fitting clamped gauze ring 176/2900 to a 65mm Super Maxi relief valve reduces the flow rate by 1%.**

Description	Part No.
1" clamped gauze ring – Minnow valves	179/0300
1½" clamped gauze ring – Twinact valves	200/5000
2½" clamped gauze ring – Twinact valves	130/5000
2½" clamped gauze ring – Super Maxi valves	176/2900

### Burst Disc Adaptor



The burst disc adaptor assembly is designed to hold a 65mm burst disc between the tank and a 2½" BSP relief valve. It is designed for use in conjunction with the Fort Vale manometer to monitor the integrity of the disc. (burst disc not included)

Description	Part No.
Burst disc adaptor	176/7020
Burst disc	862/####

### Weld-in Sockets & Weld-in Nipple



Tank Weld-in Sockets are available in four sizes - 1", 1½", 2" and 2½". The Tank Weld-in Nipple is available in one size only to accommodate a 1" Minnow relief valve with female thread. All are heavy duty and the sockets have oversized threads to alleviate the need for re-tapping after welding. Contact parts manufactured in 316 stainless steel.

Description	Part No.
1" weld-in nipple	600/1026
1" weld-in socket	600/1025
1½" weld-in socket	600/1010
2" weld-in socket	600/1017
2½" weld-in socket	600/1000

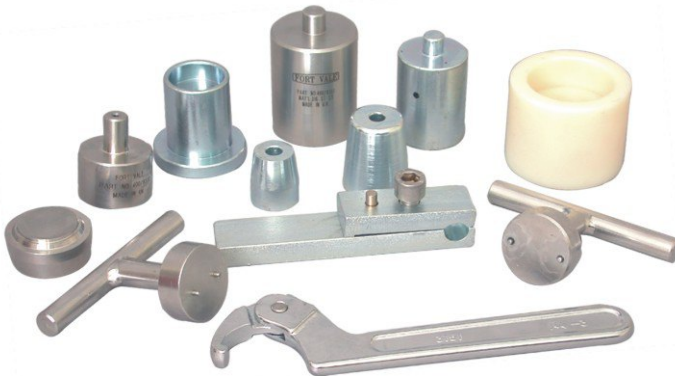
### Pressure Gauge



The pressure gauge is designed to be used for pressure readings of tanks. It may be fitted either above or below a burst disc. All models have a 63mm (2½") stainless steel casing, are oil damped and have dual markings in Bar and PSI from 0 - 7 Bar (0-100 PSI). The gauge has a ¼" BSP male connection (¼" NPT available). We offer a choice of rear entry or bottom entry and brass or stainless steel internal parts.

Description	Part No.
0-7 Bar / 0-100 PSI pressure gauge, bottom entry, brass internal parts	921/07BBSP
0-7 Bar / 0-100 PSI pressure gauge, rear entry, brass internal parts	921/07RBSP
0-7 Bar / 0-100 PSI pressure gauge, bottom entry, stainless steel internal parts	920/07BBSP

### Relief Valve Maintenance



The special tools necessary for satisfactory maintenance and refurbishment of Fort Vale Twinact relief valves are available as a universal kit, part number **400/2000**.

Description	Part No.
C spanner (1½" & 2½")	400/3000
O ring sleeve (2½")	400/8135
Vacuum assembly C clamp (1½" & 2½")	400/8310
Vacuum poppet tool (2½")	400/8320
Top cap assembly tool (1½" & 2½")	400/8330
Pressure plate lift spacer (2½")	400/8335
O ring sleeve (2½")	400/8350
Vacuum poppet O ring press (2½")	400/8351
Vacuum poppet tool (1½")	400/8420
Pressure plate lift spacer (1½")	400/8435
O ring sleeve (1½")	400/8450
Vacuum poppet O ring press (1½")	400/8451





**Fort Vale UK**  
**Head Office & Manufacturing Plant**

Tel : +44 (0)1282 687120  
Fax : +44 (0)1282 687110  
Email : sales@fortvale.com

**Fort Vale USA**

Tel : +1 281 471 8100  
Fax : +1 281 471 8116  
Email : ussales@fortvale.com

**Fort Vale Netherlands**

Tel : +31 (0)180 483333  
Fax : +31 (0)180 410797  
Email : bvsales@fortvale.com

**Fort Vale Russian Federation**

Tel : +7 916 538 7289  
Fax : +7 495 231 8225  
Email : rw@fortvale.ru

**Fort Vale P.R. China**

Tel : +86 21 6442 1367  
Fax : +86 21 6442 1376  
Email : cnsales@fortvale.com

**Fort Vale Singapore**

Tel : +65 6515 9950  
Fax : +65 6515 3034  
Email : sgsales@fortvale.com

[www.fortvale.com](http://www.fortvale.com)

All goods supplied will be subject to Fort Vale Engineering Ltd Terms and Conditions of Sale (Ref. FV4) which are available upon request, or may be viewed at [www.fortvale.com](http://www.fortvale.com).

Please note that this brochure and the contents herein remain the property of Fort Vale Engineering Limited.

This brochure may not be copied or reproduced, or the information contained herein divulged to any third party without the prior written permission of Fort Vale Engineering Limited.

Repair/refurbishment/resetting of Fort Vale valves may be carried out only by trained and authorised personnel. Fort Vale Engineering Limited shall not, in any circumstances, be liable for injuries, losses, expenses or damage, direct or consequential, sustained by the buyer or any person which may in any degree be attributable to the adoption, either by the buyer or any third party, of technical or other information, data or advice given on behalf of Fort Vale Engineering Limited or however otherwise caused in relation to the use of its products in accordance with Fort Vale Engineering Limited's recommendation.

The specifications included in this catalogue are intended to be generic and must be interpreted as equivalent or functionally equivalent. The identification of many items is facilitated by illustrations (photographs and line drawings). The mention of, or reference to specific companies, national standards, or trade names, including those that might appear on the photographs, is intended for illustration purposes only. It does not imply an endorsement, preference or availability of any specific standard, brand or supplier.

The data and information contained herein is being provided for information only and without responsibility, and Fort Vale Engineering Limited makes no representations or warranties, either expressed or implied, as to the accuracy, completeness, or fitness for a particular purpose. Fort Vale Engineering Limited does not accept any responsibility or liability with regard to the reliance on, or use of this data and information.