









Pressure and temperature switches



Selection guide

Pressure and temperature switches

Type	Pressure switches					
	KPU	KP KPI	KPS	CAS	MBC 5000 MBC 5100	RT
Ordering information found in this catalog on page		45	47		49	53
						
Measuring range	-0.9 to 28 bar (-13.05 to 406 psi)	-0.9 to 28 bar (-13.05 to 406 psi)	0 to 60 bar (0 to 870 psi)	0 to 60 bar (0 to 870 psi)	-0.2 to 400 bar (-2.9 to 5,800 psi)	-1 to 30 bar (-14.5 to 435 psi)
Contact system	SPDT	SPDT	SPDT	SPDT	SPDT	SPDT
Contact rating	FLA 24A @ 240Vac	FLA 16A @ 120Vac	FLA 6A @ 400Vac	Pilot duty (AC15) 0.1A @ 220Vac	Pilot duty (AC15) 0.5A @ 250 Vac	FLA 4A @ 400Vac
Electrical connection	Screw terminals	Screw terminals	Screw terminals	Screw terminals	DIN plug or Amp	Screw terminals
Process connection	NPT	BSPP or NPT	BSPP or NPT	BSPP or NPT	Flange, BSPP or NPT	BSPP or NPT
Contact material	Silver or Gold	Silver or Gold	Gold	Silver	Silver	Silver or Gold
Differential	Adjustable	Adjustable	Adjustable	Fixed	Fixed	Adjustable
Approvals	UL and CE	UL and CE	CE and Marine	CE and Marine	CE and Marine (MBC 5100 only)	CE and Marine
Enclosure	IP 33/44/55 NEMA 3R/12	IP 33/44/55 NEMA 3R/12	IP 67 NEMA 6	IP 67 NEMA 6	IP 65 NEMA 13	IP 54/66 NEMA 3S/4
Can be used together with:						
MBV 5000 test valve					•	

Type	Temperature switches					Differential switches			
	KPU	KP	RT	KPS	MBC 8000 MBC 8100	RT	CAS	MBC 5080 MBC 5180	RT
Ordering information found in this catalog on page		54	55	57	59			51	
									
Measuring range	0° to 150°C (32° to 302°F)	0° to 150°C (32° to 302°F)	-60° to 300°C (-76° to 572°F)	-10° to 200°C (14° to 392°F)	-10° to 200°C (14° to 392°F)	0° to 20°C (32° to 68°F)	0.2 to 2.5 bar (2.9 to 36.25 psi)	0.3 to 5 bar (4.35 to 72.5 psi)	0 to 11 bar (0 to 159.5 psi)
Contact system	SPDT	SPDT	SPDT	SPDT	SPDT	SPDT	SPDT	SPDT	SPDT
Contact rating	FLA 24A @ 240Vac	FLA 16A @ 120Vac	FLA 4A @ 400Vac	FLA 6A @ 400Vac	Pilot duty (AC15) 0.5A @ 250 Vac	FLA 4A @ 400Vac	Pilot duty (AC15) 0.5A @ 250 Vac	Pilot duty (AC15) 0.5A @ 250 Vac	FLA 4A @ 400Vac
Electrical connection	Screw terminals	Screw terminals	Screw terminals	Screw terminals	DIN plug	Screw terminals	Screw terminals	DIN plug	Screw terminals
Process connection	Remote or room sensor	Remote or room sensor	Remote or room sensor	Remote or rigid sensor	Remote or rigid sensor	Remote sensors	BSPP or NPT	Flange, BSPP or NPT	BSPP or NPT
Contact material	Silver or Gold	Silver	Silver or Gold	Gold	Silver	Silver or Gold	Silver	Silver	Silver or Gold
Differential	Adjustable	Adjustable	Adjustable	Adjustable	Fixed	Adjustable	Adjustable	Adjustable	Adjustable
Approvals	UL and CE	UL and CE	CE and Marine	CE and Marine	CE and Marine (MBC 8100 only)	CE and Marine	CE and Marine	Marine (MBC 5180)	CE and Marine
Enclosure	IP 33/44/55 NEMA 3R/12	IP 33/44/55 NEMA 3R/12	IP 54/66 NEMA 3S/4	IP 67 NEMA 6	IP 65 NEMA 13	IP 54/66 NEMA 3S/4	IP 67 NEMA 6	IP 65 NEMA 13	IP 54/66 NEMA 3S/4
Can be used together with:									
MBV 5000 test valve					•			•	



KP / KPI



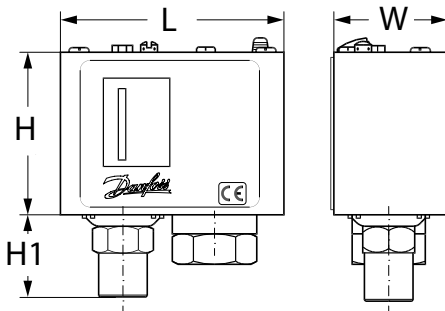
Pressure switches

- Wide regulation range
- Small dimensions
- Ultra-short bounce times
- Easy electrical connection
- Long operation life
- High contact load
- High pulsation protection



Technical data

Process connection	G 1/4" A (BSP; ISO 228/1)		
Enclosure	IP 30 / NEMA 2 (see accessories for higher enclosure covers)		
Media temperature	-40° to 100°C (-40° to 212°F)		
Ambient temperature	-40° to 65°C (-40 to 149°F)		
Electrical connection	Cable entry for 6 to 14 mm (0.24 to 0.55 in) diameter cable Rubber boot or 1/2 -14 NPT conduit nut		
Contact system	SPDT		
Contact rating	Non-inductive Amperes	16A @ 400Vac	
	FLA	16A @ 120Vac	
	Pilot duty DC	12W @ 240Vdc	



Dimensions and weight

H		W		L	
mm	in	mm	in	mm	in
60.96	2.4	43.18	1.7	838.2	33.0

H1		Weight	
mm	in	kg	lbs
33.02	1.3	0.30	0.66

Ordering - KP / KPI

Type	Process connection	Pressure range		Differential		Operating pressure		Reset	Code no.	
		bar	psi	bar	psi	max. bar	max. psi		Silver contacts	Gold contacts
KP 34	1/4 - 18 NPT (female)	0.13 to 1	2 to 15	0.20	3	4	58	Max.	060-214866	-
KP 34	1/4 - 18 NPT (female)	0.13 to 1	2 to 15	0.13 to 0.41	2 to 6	4	58	Automatic	060-214966	-
KP 35	1/4 - 18 NPT (female)	0.41 to 3.44	6 to 50	0.48	7	10	145	Max.	060-215066	-
KP 35	1/4 - 18 NPT (female)	0.41 to 3.44	6 to 50	0.41 to 2.2	6 to 32	10	145	Automatic	060-215166	-
KP 36	1/4 - 18 NPT (female)	1 to 10.3	15 to 150	0.69 to 4	10 to 58	16.9	245	Automatic	060-214466	-
KP 36	1/4 - 18 NPT (female)	1 to 10.3	15 to 150	0.69	10	16.9	245	Max.	060-214566	-
KP 37	1/4 - 18 NPT (female)	4 to 20.7	58 to 300	1.8 to 2.9	26 to 43	27.9	405	Automatic	060-214666	-
KP 37	1/4 - 18 NPT (female)	4 to 20.7	58 to 300	2.9	43	27.9	405	Max.	060-214766	-
KP35	G1/4A (BSPP)	-0.2 to 7.5	-2.9 to 109	0.7 to 4	10 to 58	17	246.5	Automatic	060-113366	060-504766
KP36	G1/4A (BSPP)	2 to 14	29 to 203	0.7 to 4	10 to 58	17	246.5	Automatic	060-110866	060-113766
KP36	G1/4A (BSPP)	4 to 12	58 to 203	0.5 to 1.6	7.25 to 23.2	17	246.5	Automatic	060-122166	-
KPI35	G1/4A (BSPP)	-0.2 to 8	-2.9 to 116	0.4 to 1.5	5.8 to 21.75	18	261	Automatic	060-121766	060-316466
KPI35	G1/4A (BSPP)	-0.2 to 8	-2.9 to 116	0.5 to 2	7.25 to 29	18	261	Automatic	060-121966	-
KPI36	G1/4A (BSPP)	2 to 12	29 to 174	0.5 to 1.6	7.5 to 23.2	18	261	Automatic	060-316966	-
KPI36	G1/4A (BSPP)	4 to 12	58 to 174	0.5 to 1.6	7.5 to 23.2	18	261	Automatic	060-118966	060-113866
KPI38	G1/4A (BSPP)	8 to 28	116 to 406	1.8 to 6	26 to 87	30	435	Automatic	060-508166	-

KPS



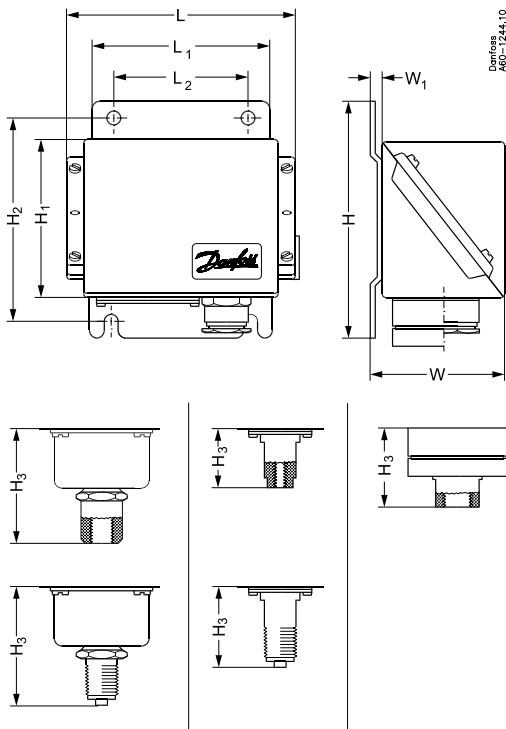
Pressure switches

- For harsh environments
- Available with all relevant land and marine approvals
- Robust and compact construction
- Resistance to shock and vibrations
- Covers most outdoor as well as indoor application requirements
- Suitable for alarm and regulation systems in factories, diesel plants, compressors, power stations and on board ships
- Long operation life



Technical data

Process connection	BSPP or NPT		
Enclosure	IP 67 / NEMA 6		
Ambient temperature	-40° to 70°C (-40° to 158°F)		
Electrical connection	Pg13.5 for 5 to 14 mm (0.20" to 0.55") cable		
Contact system	SPDT, gold plated		
Contact rating	Non-inductive Amperes	10A @ 440Vac	
	FLA	6A @ 440Vac	
	Pilot duty AC	4A @ 440Vac	
	Pilot duty DC	12W @ 220Vdc	



Dimensions and weight

Type	H		W		L		H1		H2		H3 (G1/4A)	
	mm	in	mm	in	mm	in	mm	in	mm	in	mm	in
KPS31 - 33	119.38	4.7	68.58	2.7	116.84	4.6	78.74	3.1	104.14	4.1	58.42	2.3
KPS35 - 39	119.38	4.7	68.58	2.7	116.84	4.6	78.74	3.1	104.14	4.1	30.48	1.2
KPS43 - 47	119.38	4.7	68.58	2.7	116.84	4.6	78.74	3.1	104.14	4.1	40.64	1.6

Type	H3 (G3/8A)		W1		L1		L2		Weight	
	mm	in	mm	in	mm	in	mm	in	mm	lbs
KPS31 - 33	60.96	2.4	6.35	0.25	88.9	3.5	68.58	2.7	1.0	2.2
KPS35 - 39	40.64	1.6	6.35	0.25	88.9	3.5	68.58	2.7	1.0	2.2
KPS43 - 47	-	-	6.35	0.25	88.9	3.5	68.58	2.7	1.32	2.9

Ordering - KPS

Type	Process connection	Pressure range		Differential		Media temperature		Operating pressure		Code no.
		<i>bar</i>	<i>psi</i>	<i>bar</i>	<i>psi</i>	°C	°F	<i>max. bar</i>	<i>max. psi</i>	
KPS31	G1/4A	0 to 2.5	0 to 36.25	0.1	1.45	-40 to 100	-40 to 212	6	87	060-311066
KPS31	G3/8A	0 to 2.5	0 to 36.25	0.1	1.45	-40 to 100	-40 to 212	6	87	060-310966
KPS33	G1/4A	0 to 3.5	0 to 51	0.2	2.9	-40 to 100	-40 to 212	10	145	060-310466
KPS33	G3/8A	0 to 3.5	0 to 51	0.2	2.9	-40 to 100	-40 to 212	10	145	060-310366
KPS35	G1/4A	0 to 8	0 to 116	0.4 to 1.5	5.8 to 22	-40 to 100	-40 to 212	12	174	060-310566
KPS35	G3/8A	0 to 8	0 to 116	0.4 to 1.5	5.8 to 22	-40 to 100	-40 to 212	12	174	060-310066
KPS35	G1/4A	0 to 8	0 to 116	0.4	5.8	-40 to 100	-40 to 212	12	174	060-310866
KPS37	G1/4A	6 to 18	87 to 261	0.85 to 2.5	12.3 to 36	-40 to 100	-40 to 212	22	319	060-310666
KPS37	G3/8A	6 to 18	87 to 261	0.85 to 2.5	12.3 to 36	-40 to 100	-40 to 212	22	319	060-310166
KPS39	G1/4A	10 to 35	145 to 507.5	2.0 to 6	29 to 87	-40 to 100	-40 to 212	45	652.5	060-310766
KPS39	G3/8A	10 to 35	145 to 507.5	2.0 to 6	29 to 87	-40 to 100	-40 to 212	45	652.5	060-310266
KPS43	G1/4	1 to 10	14.5 to 145	0.7 to 2.8	10 to 40.6	-25 to 100	-13 to 212	120	1740	060-312066
KPS45	G1/4	4 to 40	58 to 580	2.2 to 11	32 to 159.5	-25 to 100	-13 to 212	120	1740	060-312166
KPS47	G1/4	6 to 60	87 to 870	3.5 to 17	51 to 246.5	-25 to 100	-13 to 212	120	1740	060-312266

MBC 5000 / MBC 5100



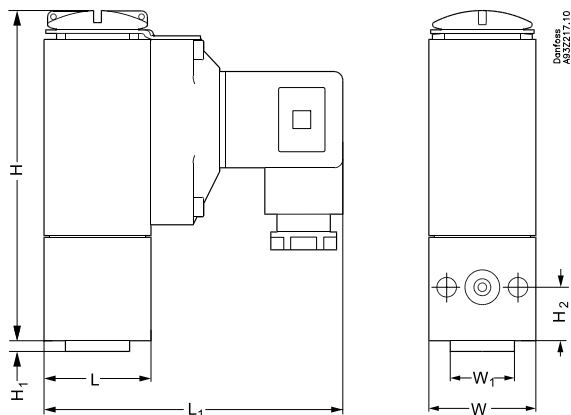
Block type compact pressure switches

- Compact design
- Wide regulation range
- Available with all relevant ship approvals (MBC5100)
- High vibration stability
- Built-in microswitch
- Wide application range
- To be used with MBV5000 block valve (flange versions)



Technical data

Process connection	BSPP or NPT with or without 7/32" flange		
Enclosure	IP 65 / NEMA 13		
Operation temperature	-40° to 85°C (-40° to 185°F) - bellows version -10° to 85°C (14 to 185°F) - diaphragm version -40° to 85°C (-40° to 185°F) - piston version		
Transport temperature	-50 to 85°C (-58 to 185°F) - bellows version -50 to 85°C (-58 to 185°F) - diaphragm version -40° to 85°C (-40° to 185°F) - piston version		
Electrical connection	DIN Plug Pg11 (Pg9 and Pg13.5 available on request)		
Contact system	SPDT microswitch Contact rating		
Contact rating	Non-inductive Amperes	10A @ 250Vac	
	FLA	3A @ 250Vac	
	Pilot duty AC	0.5A @ 250Vac	
	Pilot duty DC	12W@125Vdc	



Dimensions and weight

H		H1		H2		W	
mm	in	mm	in	mm	in	mm	in
92.5	3.64	30.0	0.12	15.0	0.59	30.0	1.18

W1		L		L1		Weight	
mm	in	mm	in	mm	in	kg	lbs
20.0	0.79	30.0	0.18	84.0	3.31	0.4	0.88

Ordering - MBC 5000

Version	Process connection	Pressure range		Differential		Operating pressure		Code no.
		<i>bar</i>	<i>psi</i>	<i>bar</i>	<i>psi</i>	<i>max. bar</i>	<i>max. psi</i>	
Bellows	G1/4 w/ flange	-0.2 to 1	-2.9 - 14.5	0.15 to 0.45	2.2 to 6.5	15	220	061B200566
Bellows	G1/4 w/ flange	-0.2 to 4	-2.9 - 58	0.15 to 0.45	2.2 to 6.5	15	220	061B200466
Bellows	G1/4 w/ flange	-0.2 to 10	-2.9 - 145	0.15 to 0.60	2.2 to 8.7	15	220	061B200266
Bellows	G1/4 w/ flange	5 to 30	72.5 - 435	0.40 to 1.5	5.8 to 21.75	45	650	061B200366
Diaphragm	G1/4 w/ flange	1 to 10	14.5 - 145	0.30 to 2.0	4.35 to 29	150	2175	061B300466
Diaphragm	G1/4 w/ flange	5 to 20	72.5 - 290	0.4 to 2.5	5.8 to 36.25	150	2175	061B300266
Diaphragm	G1/4 w/ flange	5 to 40	72.5 - 580	1.0 to 7.0	14.5 to 101.5	150	2175	061B300566
Diaphragm	G1/4 w/ flange	10 to 100	145 - 1450	1.7 to 14	24.65 to 203	150	2175	061B300366
Piston	G1/4	16 to 160	232 to 2320	12 to 30	174 to 435	600	8700	061B500266
Piston	G1/4	25 to 250	362.5 to 3625	12 to 40	174 to 580	600	8700	061B500166
Piston	G1/4	40 to 400	580 to 5800	15 to 50	174 to 725	600	8700	061B500066

Ordering - MBC 5100

Versions with marine approvals

Version	Process connection	Pressure range		Differential		Operating pressure		Code no.
		<i>bar</i>	<i>psi</i>	<i>bar</i>	<i>psi</i>	<i>max. bar</i>	<i>max. psi</i>	
Bellows	G1/4 w/ flange	-0.2 to 1	-2.9 to 14.5	0.15 to 0.45	2.2 to 6.53	15	220	061B000566
Bellows	G1/4 w/ flange	-0.2 to 4	-2.9 to 58	0.15 to 0.45	2.2 to 6.53	15	220	061B000466
Bellows	G1/4 w/ flange	-0.2 to 10	-2.9 to 145	0.15 to 0.60	2.2 to 8.7	15	220	061B000266
Bellows	G1/4 w/ flange	0.5 to 3	7.25 to 43.5	0.15 to 0.30	2.2 to 4.35	15	220	061B002966
Bellows	G1/4 w/ flange	1 to 6	14.5 to 87	0.15 to 0.45	2.2 to 6.53	15	220	061B000766
Bellows	G1/4 w/ flange	5 to 30	72.5 to 435	0.40 to 1.5	5.8 to 21.75	45	650	061B000366
Diaphragm	G1/4 w/ flange	0.5 to 3	7.25 to 43.5	0.25 to 0.8	3.63 to 11.6	150	2175	061B101766
Diaphragm	G1/4 w/ flange	1 to 6	14.5 to 87	0.30 to 2.0	4.35 to 29	150	2175	061B100966
Diaphragm	G1/4 w/ flange	1 to 10	14.5 - 145	0.30 to 2.0	4.35 to 29	150	2175	061B100466
Diaphragm	G1/4 w/ flange	5 to 20	72.5 to 291	0.4 to 2.5	5.8 to 36.25	150	2175	061B100266
Diaphragm	G1/4 w/ flange	5 to 25	72.5 to 362.5	0.4 to 2.5	5.8 to 36.25	150	2175	061B102466
Diaphragm	G1/4 w/ flange	5 to 40	72 to 580	1.0 to 7.0	14.5 to 101.5	150	2175	061B100566
Diaphragm	G1/4 w/ flange	10 to 100	145 to 1450	1.7 to 14	24.65 to 203	150	2175	061B100366
Piston	G1/4	16 to 160	232 to 2320	12 to 30	174 to 435	600	8700	061B510066
Piston	G1/4	25 to 250	362.5 to 3625	12 to 40	174 to 580	600	8700	061B510166
Piston	G1/4	40 to 400	580 to 5800	15 to 50	217.5 to 72.5	600	8700	061B510266

MBC 5080 / MBC 5180



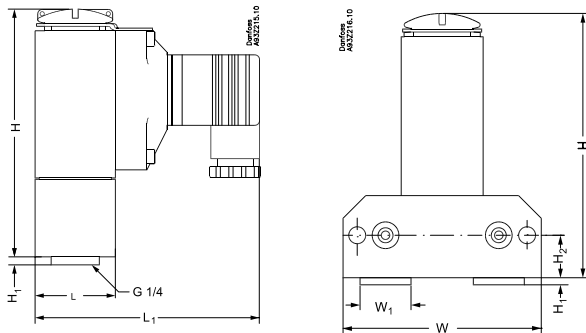
Block type differential pressure switches

- Compact design
- Wide regulation range
- Available with all relevant ship approvals (MBC 5180)
- High vibration stability
- Built-in microswitch
- Wide application range
- To be used with MBV 5000 block valve (flange versions)



Technical data

Process connection	G 1/4" (BSP; ISO 228/1) with or without 7/32" flange		
Enclosure	IP 65 / NEMA 4		
Operation temperature	-10 to 85°C (14° to 185°F)		
Transport temperature	-50 to 85°C (-58° to 185°F)		
Electrical connection	DIN Pg11 (Pg9 and Pg13.5 available on request)		
Contact system	SPDT microswitch		
Contact rating	Non-inductive Amperes	10A @ 250Vac	
	FLA	3A @ 250Vac	
	Pilot duty AC	0.5A @ 250Vac	
	Pilot duty DC	12W@125Vdc	



Dimensions and weight

H		H1		H2		W	
mm	in	mm	in	mm	in	mm	in
91.44	3.6	30.48	1.2	15.24	0.6	83.82	3.3

W1		L		L1		Weight	
mm	in	mm	in	mm	in	mm	lbs
30.48	1.2	2.54	0.1	20.32	0.8	0.41	0.9

Ordering - MBC 5080

Process connection	Pressure range		Differential		Operating pressure		Code no.
	<i>bar</i>	<i>psi</i>	<i>bar</i>	<i>psi</i>	<i>max. bar</i>	<i>max. psi</i>	
2 x G1/4	0 to 30	0 to 435	0.3 to 5	4.35 to 72.5	45	652.5	061B127066

Ordering - MBC 5180

Versions with marine approvals

Process connection	Pressure range		Differential		Operating pressure		Code no.
	<i>bar</i>	<i>psi</i>	<i>bar</i>	<i>psi</i>	<i>max. bar</i>	<i>max. psi</i>	
2 x G1/4	0 to 30	0 to 435	0.3 to 5	4.35 to 72.5	45	652.5	061B129066
2 x G1/4 w/ flange	0 to 30	0 to 435	0.3 to 5	4.35 to 72.5	45	652.5	061B128066

RT



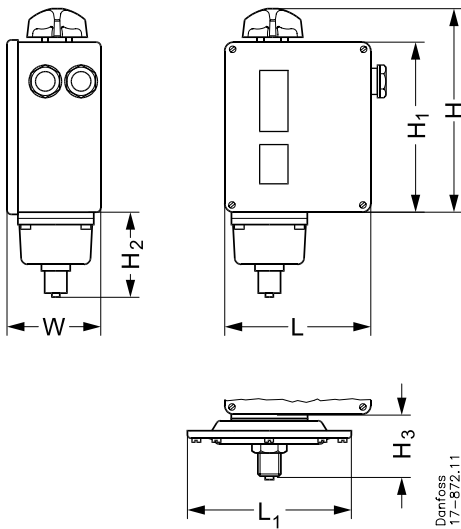
Pressure switches

- Wide application range
- Available with all relevant marine approvals
- High reliability
- Wide regulation range
- Very low differential
- High level of enclosure



Technical data

Process connection	BSPP, NPT or UNF		
Enclosure	IP 66 / NEMA 4X		
Media temperature	-40° to 100°C (-40° to 212°F)		
Ambient temperature	-50° to 70°C (-58° to 158°F)		
Electrical connection	Two Pg13.5 for 6 to 14 mm (0.24" to 0.55") cable		
Contact system	SPDT (interchangeable to other types)		
Contact rating	Non-inductive Amperes	10A @ 400Vac	
	FLA	4A @ 400Vac	
	Pilot duty AC	3A @ 400Vac	
	Pilot duty DC	12W @ 240Vdc	



Dimensions and weight

Type	H		H1		H2		H3	
	mm	in	mm	in	mm	in	mm	in
RT5, 110 112, 116, 117, 123, 200	144.78	5.7	124.46	4.9	60.96	2.4	-	-
RT113	149.86	5.9	124.46	4.9	60.96	-	45.72	1.8
RT 121	144.78	5.7	124.46	4.9	60.96	2.4	-	-

Type	W		L		L1		Weight	
	mm	in	mm	in	mm	in	mm	lbs.
RT5, 110 112, 116, 117, 123, 200	73.66	2.9	109.22	4.3	-	-	1.0	2.2
RT113	73.66	-	109.22	4.3	111.76	4.4	1.0	2.2
RT 121	73.66	2.9	109.22	4.3	-	-	1.0	2.2

(Total measurements are dependant on the process connection)

Ordering - RT

Type	Process connection	Pressure range		Differential		Operating pressure		Code no.
		<i>bar</i>	<i>psi</i>	<i>bar</i>	<i>psi</i>	<i>max. bar</i>	<i>max. psi</i>	
RT 5	G3/8A (BSPP)	4 to 17	58 to 247	1.2 to 4	17 to 58	22	319	017-525566
RT 110	G3/8A (BSPP)	0.2 to 3	2.9 to 43.5	0.08 to 0.25	1.16 to 3.63	7	101.5	017-529166
RT 113	G3/8A (BSPP)	0 to 0.3	0 to 4.4	0.01 to 0.05	0.15 to 0.73	0.4	7.25	017-519666
RT 116	G3/8A (BSPP)	1 to 10	14.5 to 145	0.3 to 1.3	4.35 to 18.85	22	301	017-520366
RT 117	G3/8A (BSPP)	10 to 30	145 to 435	1 to 4	14.5 to 58	42	609	017-529566
RT 200	G3/8A (BSPP)	0.2 to 6	2.9 to 87	0.25 to 1.2	3.63 to 17.40	22	309	017-523766
RT 121	G3/8A (BSPP)	-1 to 0	-14.5 to 0	0.09 to 0.4	1.3 to 5.8	7	101.5	017-521566
RT 112	G3/8A (BSPP)	0.1 to 1.1	14.5 to 16	0.07 to 0.16	1.02 to 2.32	7	101.5	017-519166

KP



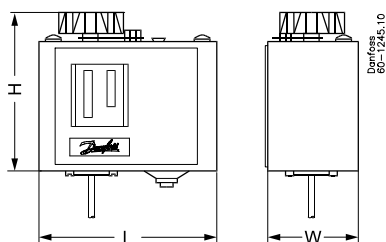
Temperature switches

- Wide regulation range
- Small dimensions
- Ultra-short bounce times
- Easy electrical connection
- Long operation life
- High contact load
- High pulsation protection



Technical data

Sensor type	Remote or room sensor		
Enclosure	IP 33 / NEMA 3R		
Ambient temperature	-40° to 65°C (-40° to 149°F)		
Electrical connection	Pg 13.5 for cable diameters from 3/16" to 9/16"		
Contact system	SPDT		
Contact rating	Non-inductive Amperes	16A @ 400Vac	
	FLA	16A @ 120Vac	
	Pilot duty DC	12W @ 240Vdc	
Charge type	Adsorption		



Dimensions and weight

H		L		W		Weight	
mm	in	mm	in	mm	in	kg	lbs
73.66	2.9	83.82	3.3	43.18	1.7	0.36	0.8

Ordering - KP

Type	Setting range		Differential		Sensor temperature		Remote sensor length		Reset	Contact material	Code no.
	°C	°F	°C	°F	max. °C	max. °F	m	ft			
KP 78	30 to 90	86 to 194	5 to 15	9 to 27	150	302	2	6.56	Automatic	Silver	060L118466
KP 78	30 to 90	86 to 194	5 to 20	9 to 36	150	302	2	6.56	Automatic	Silver	060L203966
KP 79	50 to 100	122 to 212	5 to 15	9 to 27	150	302	2	6.56	Automatic	Silver	060L112666
KP 79	50 to 98.9	122 to 210	5 to 15	9 to 27	150	302	2	6.56	Automatic	Silver	060L223866
KP 79	50 to 98.9	122 to 210	5.6	10	150	302	2	6.56	Manual	Silver	060L223966
KP 81	80 to 150	176 to 302	7 to 20	12.6 to 36	200	392	2	6.56	Automatic	Silver	060L112566
KP 81	80 to 150	176 to 302	7 to 20	12.6 to 36	200	392	3	9.84	Automatic	Silver	060L118366
KP 81	80 to 150	176 to 302	7 to 20	12.6 to 36	200	392	5	16.40	Automatic	Silver	060L117066
KP 81	80 to 150	176 to 302	8	14.4	200	392	2	6.56	Manual	Silver	060L115566
KP 81	80 to 115.6	176 to 240	16.2 to 81	9 to 45	248.9	480	2	6.56	Automatic	Silver	060L224066
KP 81	80 to 115.6	176 to 240	8.9	16	248.9	480	2	6.56	Manual	Silver	060L224166

RT



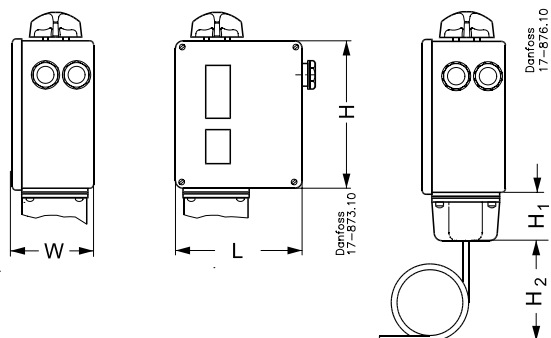
Temperature switches

- Wide application range
- Available with all relevant marine approvals
- High reliability
- Wide regulation range
- High stability and accuracy
- High level of enclosure



Technical data

Sensor type	Remote or room sensor		
Enclosure	IP 66 / NEMA 4		
Ambient temperature	-50° to 70°C (-58 to 158°F)		
Electrical connection	Two Pg13.5 for 6 to 14 mm (0.24" to 0.55") cable		
Contact system	SPDT (interchangeable to other types)		
Contact rating	Non-inductive Amperes	10A @ 400Vac	
	FLA	4A @ 400Vac	
	Pilot duty AC	3A @ 400Vac	
	Pilot duty DC	12W @ 240Vdc	
Charge type	Vapor, adsorption or partial		



Dimensions and weight

H		W		L	
mm	in	mm	in	mm	in
124.46	4.9	73.66	2.9	109.22	4.3

H1		H2		Weight	
mm	in	mm	in	kg	lbs
38.1	1.5	48.26	1.9	1.0	2.2

Ordering - RT

Type	Setting range		Remote sensor length		Differential		Differential		Sensor temperature		Charge	Code no.
	°C	°F	m	ft	low °C	low °F	high °C	high °F	max. °C	max. °F		
RT 3	-25 to 15	-13 to 59	2	6.56	2.8 to 10	5.0 to 18	1 to 4	1.8 to 7.2	150	302	Vapor	017-501466
RT 14	-5 to 30	23 to 86	2	6.56	2 to 8	3.6 to 14.4	2 to 10	3.6 to 18	150	302	Adsorption	017-509966
RT 101	25 to 90	77 to 194	2	6.56	2.4 to 10	4.3 to 18	3.5 to 20	6.3 to 36	300	572	Adsorption	017-500366
RT 107	70 to 150	158 to 302	2	6.56	6 to 25	10.8 to 45	1.8 to 8	3.2 to 14.4	215	419	Partial	017-513566

KPS



Temperature switches

- Robust design
- Available with all relevant ship approvals
- Wide temperature range
- Gold-plated contacts
- Sea water resistance

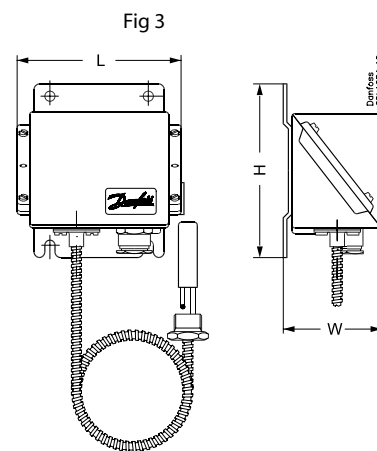
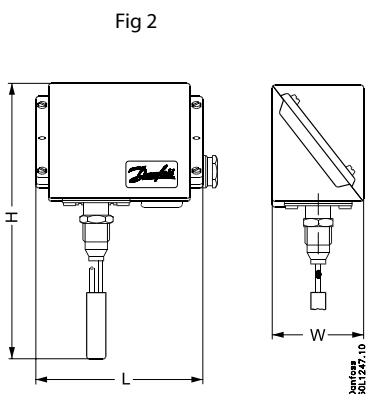
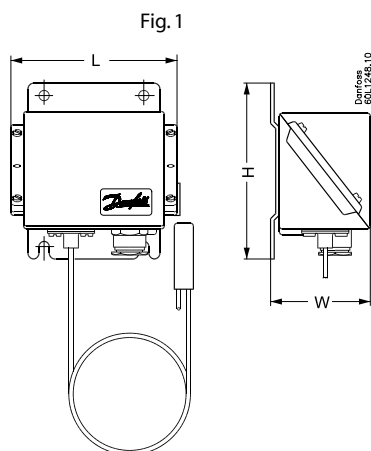


Technical data

Sensor type	Remote or rigid sensor		
Enclosure	IP 67 / NEMA 6		
Ambient temperature	-40° to 70°C (-40 to 158°F)		
Electrical connection	Pg13.5 for 5 to 14 mm (0.20" to 0.55") cable		
Contact system	SPDT, gold plated		
Contact rating	Non-inductive Amperes	10A @ 440Vac	
	FLA	6A @ 440Vac	
	Pilot duty AC	4A @ 440Vac	
	Pilot duty DC	12W@220Vdc	
Charge type	Adsorption		

Dimensions and weight

Type	H		W		L		Weight	
	mm	in	mm	in	mm	in	kg	lbs
Fig 1	119.38	4.7	68.58	2.7	116.84	4.6	1.18	2.6
Fig 2	106.68	4.2	60.96	2.4	116.84	4.6	1.0	2.2
Fig.3	119.38	4.7	68.58	2.7	116.84	4.6	1.18	2.6



Ordering - KPS

Remote sensor length equals 2 m (6.56')

Type	Setting range		Differential		Sensor temperature		Reset	Code no.	Code no.	Code no.
	°C	°F	°C	°F	max. °C	max. °F		Rigid sensor*	Remote sensor**	Armored remote sensor**
KPS 76	-10 to 30	14 to 86	3 to 10	5.4 to 18	80	176	Automatic	-	060L311366	060L311266
KPS 77	20 to 60	68 to 140	3 to 14	5.4 to 25.2	130	266	Automatic	060L311866	060L310266	060L310166
KPS 79	50 to 100	122 to 212	4 to 16	7.2 to 28.8	200	392	Automatic	060L312166	060L310566	060L310466
KPS 80	70 to 120	158 to 248	4.5 to 18	8.1 to 32.4	220	428	Automatic	060L312666	060L312966	060L312866
KPS 81	60 to 150	140 to 302	5 to 25	9.0 to 45	250	482	Automatic	-	060L310766	060L310666
KPS 83	100 to 200	212 to 392	6.5 to 30	11.7 to 54	300	572	Automatic	-	060L310966	060L310866

* Suitable sensor pocket insertion length equals 75 mm (3")

** Suitable sensor pocket insertion length equals 65 mm (2 1/2"), 75 mm (3") or 110 mm (4 1/3")

MBC 8000 / MBC 8100



Block type compact temperature switches

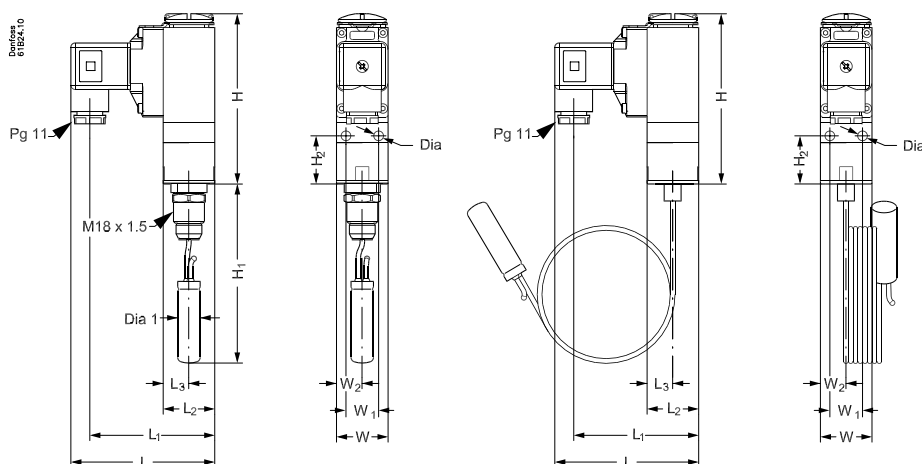
- Compact design
- Available with all relevant ship approvals (MBC 8100)
- Wide regulation range
- Vibration and shock stability
- Built-in microswitch
- Wide application range

Technical data

Sensor type	Remote or rigid sensor		
Enclosure	IP 65 / NEMA 13		
Ambient temperature	-40° to 70°C (-40 to 158°F)		
Electrical connection	Plug Pg 9, Pg 11 or Pg 13.5		
Contact system	SPDT microswitch		
Contact rating	Non-inductive Amperes	10A @ 250Vac	
	FLA	3A @ 250Vac	
	Pilot duty AC	0.5A @ 250Vac	
	Pilot duty DC	12W@125Vdc	
Charge type	Adsorption		

Dimensions and weight

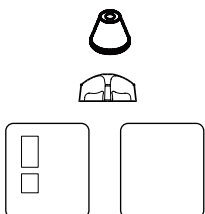
H		H1		H2		Dia 1		L		L1		L2		L3		W		W1		W2	
mm	in	mm	in	mm	in	mm	in	mm	in	mm	in	mm	in	mm	in	mm	in	mm	in	mm	in
99	3.90	105	4.13	28	1.10	13	0.51	82	3.23	71	2.80	30	1.18	15	0.59	30	1.18	20	0.79	15	0.59



Ordering - MBC 8100

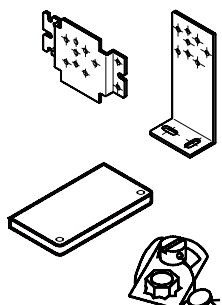
Setting range		Differential		Remote sensor length		Sensor temperature		Code no.	Code no.	Code no.
°C	°F	°C	°F	<i>m</i>	<i>ft</i>	<i>max. °C</i>	<i>max. °F</i>	<i>Rigid sensor</i>	<i>Remote sensor</i>	<i>Armored remote sensor</i>
-10 to 30	14 to 86	3	5.4	2	6.56	80	176	-	061B820166	061B810166
20 to 60	68 to 140	3	5.4	2	6.56	130	266	061B800266	-	061B810266
50 to 100	122 to 212	4	7.2	2	6.56	200	392	061B800366	061B820366	061B810366
70 to 120	158 to 248	5	9	2	6.56	220	428	061B800466	-	061B810466
60 to 150	140 to 302	6	10.8	2	6.56	250	482	061B800566	061B820566	061B810566

Accessories for temperature switches



For RT

	Code no.
Seal cap (setting only to be altered by tools; replaces knob)	017-436066
Spare setting knob	017-436366
Spare cover with windows	017-436166
Blank cover	017-436266



For KP / KPI

	Code no.
Wall bracket	060-105566
Wall bracket, angle-type	060-105666
Top cover for setting spindles, IP 44	060-109766
Protective cap, IP 44	060-003166
Blank enclosure box, IP55 / NEMA 12*	060-033066
Transparent enclosure box, IP 55 / NEMA 12*	060-062866
Setting sealing screw	060-105766

*Not for use with KP switch

Sensor pockets for RT and KP temperature switches

Process connection	Insertion length		Material	Code no.
	mm	in		
G1/2 (BSPP)	112	4 2/5	Brass	017-437066
G1/2 (BSPP)	112	4 2/5	18/8 steel	017-436966
G1/2 (BSPP)	465	18 1/3	Brass	017-421666

Sensor pockets for KPS temperature switches and MBC 8000 / MBC 8100

Process connection	Insertion length		Material	Code no.
	mm	in		
1/2 - 14 NPT	65	2 1/2	Brass	060L326566
1/2 - 14 NPT	75	3	Brass	060L326466
1/2 - 14 NPT	110	4 1/3	Brass	060L328066
1/2 - 14 NPT	110	4 1/3	18/8 steel	060L327066

Other

Description	Code no.
Gasket set for KPS temperature switch with remote sensor	060-327366
Heat conductive compound, tube	041E0110
Gasket set for KPS temperature switch with armored remote sensor	060L036666

MBV 5000



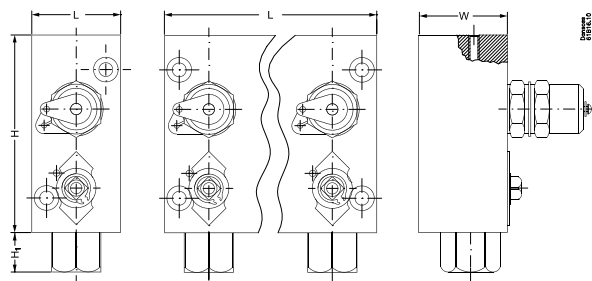
Pressure test valves

- Compact design
- Light material
- Many configuration possibilities
- Low installation costs
- Fast and easy to operate
- For use with the MBC block pressure switches, temperature switches and block MBS pressure transducers



Technical data

Pressure input connection	BSP or metric
Pressure output connection	M5x8 flange
Test pressure connection	M16x2
Operating pressure	0 to 180 bar (0 to 2610 psi)
Operating temperature	-20° to 120°C (-5 - 248°F)
Burst pressure	750 bar (10440 psi)



Dimensions and weight

Outputs no.	H		H1		W		L		Weight	
	mm	in	mm	in	mm	in	mm	in	kg	lbs
1	80	3.15	17	0.67	40	1.57	36	1.42	0.40	0.88
2	80	3.15	17	0.67	40	1.57	76	3.00	0.80	1.76
3	80	3.15	17	0.67	40	1.57	116	4.57	1.20	2.65
4	80	3.15	17	0.67	40	1.57	156	6.14	1.60	3.53
5	80	3.15	17	0.67	40	1.57	196	7.72	2.0	4.41

Ordering - MBV 5000






Inputs no.	Test connections no.	Code no. 1 output	Code no. 2 outputs	Code no. 3 outputs	Code no. 4 outputs	Code no. 5 outputs
1	1	061B7000	061B7009	061B7010	061B7011	061B7012
1	2	-	061B7005	-	-	-
1	3	-	-	061B7006	-	-
1	4	-	-	-	061B7007	-
1	5	-	-	-	-	061B7008
2	2	-	061B7001	-	-	-
3	3	-	-	061B7002	-	-
4	4	-	-	-	061B7003	-
5	5	-	-	-	-	061B7004

Temperature sensors and transducers








Selection guide

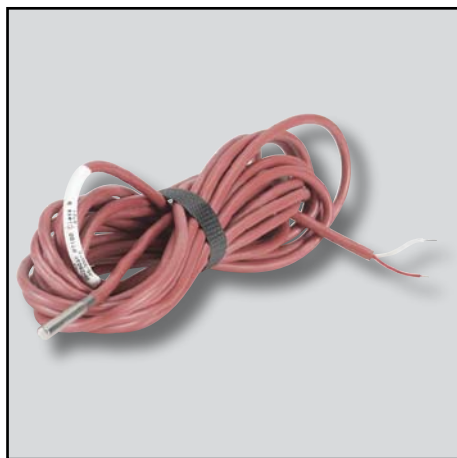
temperature sensors and transducers

Type	MBT 153	MBT 3270	MBT 3260	MBT 5250	MBT 3560 MBT 5560
Ordering information found in this catalog on page	66			67	71
					
Available with 4-20mA or voltage output					•
Sensor element	Pt 100, Pt 1000, NTC or PTC	Pt 100, Pt 1000, NTC or PTC	Pt 100 or Pt 1000	Pt 100, Pt 1000, NTC or PTC	
Measuring insert	Fixed	Fixed	Fixed	Changeable	Fixed
Media temperature	-50° to 200°C (-58° to 392° F)	-40° to 125°C (-40° to 257°F)	-50° to 120°C (-58° to 248°F)	-50° to 200°C (-58° to 392°F)	-50° to 200°C (-58° to 392°F)
Process connection	BSPP or NPT (when mounted with MBT120)	BSPP, NPT or Metric	BSPP or NPT	BSPP or NPT	BSPP or NPT
Electrical connection	Cable	Various plugs or cable	Plug	Plug	Various plugs or cable
Enclosure	IP 67 NEMA 6	IP 65 NEMA 13	IP 54 NEMA 12	IP 65 NEMA 13	IP 65/67 NEMA 13/6
Protection tube material	St. steel (when mounted with MBT 120)	St. steel or brass	Brass	St. steel	St. steel
Approvals				Marine	CE and Marine (MBT 5560)
Can be used together with:					
MBD1000 display (plug Pg11 only)					•

*See sensor pockets, MBT120, on page 72

Type	MBT 5252	MBT 5111	MBT 5113	MBT 5116	MBT 9110
Ordering information found in this catalog on page	69				
					
Available with 4-20mA or voltage output	•		•	•	•
Sensor element	Pt 100, Pt1000, NTC or PTC	Thermo-couple	Thermo-couple	Pt 100	
Measuring insert	Changeable	Fixed	Changeable	Changeable	
Media temperature	-50° to 400°C (-58° to 752°F)	50° to 800°C (122° to 1472°F)	50° to 800°C (122° to 1472°F)	-50° to 600°C (-58° to 1112°F)	
Process connection	BSPP or NPT	BSPP or NPT	BSPP or NPT	BSPP or NPT	
Electrical connection	B-head (pg. 16)	Cable	B-head (pg. 16)	B-head (Pg 16), Slim-line (Pg 13.3)	
Enclosure	IP 65 NEMA 13		IP 65 NEMA 13	IP 65 NEMA 13	IP 54 NEMA 3S
Protection tube material	St. steel	St. steel	St. steel	St. steel	
Approvals	CE and Marine	Marine	CE and Marine	CE and Marine	CE and Marine
Can be used together with:					
MBD1000 display (plug Pg11 only)					

MBT 153

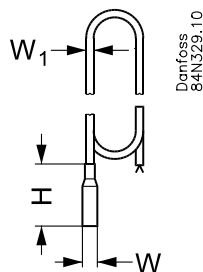


Cable type temperature sensor

- Reliable, robust and accurate temperature measurement and regulation
- Short response times
- Extremely flexible
- Can be combined with a sensor pocket (MBT 120)* to protect the silicone cable from the media
- Available with all relevant marine approvals

Technical data

Measuring range	-50° to 200°C (-58 to 392°F)
Cable type	PVC (Teflon cable available upon request)
Connection	2-wire or 4-wire
Sensor element	Pt 100 or Pt 1000



Dimensions and weight

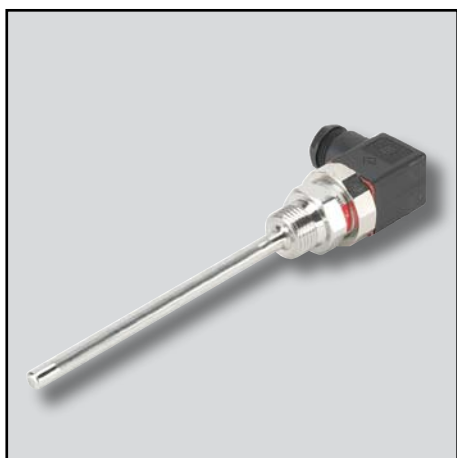
H		W		W1		Weight	
mm	in	mm	in	mm	in	kg	lbs
40.6	1.6	5.6	0.22	4.8	0.19	0.18	0.4

Ordering - MBT 153

Sensor element	Cable length		Max. temperature		Code no.	Code no.
	ft	m	°C	°F	2-wire	4-wire
Pt 100	11.5	3.5	100	212	084Z6030	-
Pt 100	28.0	8.5	100	212	084Z6032	-
Pt 1000	18.0	5.5	100	212	084Z6034	-
Pt 1000	11.5	3.5	100	212	084Z6033	-
Pt 1000	28.0	8.5	100	212	084Z6035	-
Pt 100	11.5	3.5	200	392	084Z6036	084Z6215
Pt 100	18.0	5.5	200	392	084Z6037	084Z6042
Pt 100	28.0	8.5	200	392	084Z6038	084Z6216
Pt 1000	11.5	3.5	200	392	084Z6039	-

*See sensor pockets, MBT120, on page 72

MBT 5250

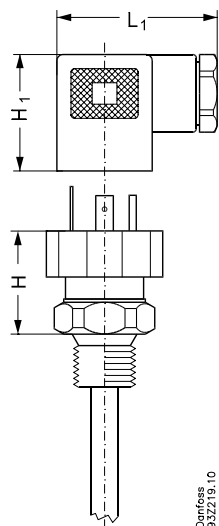


Temperature sensors

- Gold plated male and female connectors
- Available with all relevant marine approvals
- Interchangeable measuring insert
- High resistance towards vibration
- Can be combined with transducer, type MBT 9110, to provide 4-20mA signal
- Corrosion resistant sensor tube made of AISI 316 Ti
- Spring loaded element place-holder

Technical data

Measuring range	-50° to 200°C (-58° to 392°F)
Process connection	BSPP or NPT
Sensor element	Pt 100, Pt 1000, NTC* or PTC*
Electrical connection	Plug - Pg9, Pg11 or Pg13.5 (DIN 43650)
Enclosure	IP65 / NEMA 13



Dimensions and weight

H		L		L1		Weight	
mm	in	mm	in	mm	in	kg	lbs
55.9	2.2	10.2	0.4	50.8	2.0	0.14	0.3

Ordering - MBT 5250

Insertion length		Electrical connection	Process connection	Code no.
mm	in			
50	2	plug Pg 11	1/2 - 14 NPT	084Z8066
80	3 1/8	plug Pg 11	1/2 - 14 NPT	084Z8019
100	4	plug Pg 11	1/2 - 14 NPT	084Z8067
150	6	plug Pg 11	1/2 - 14 NPT	084Z8065
200	7 7/8	plug Pg 11	1/2 - 14 NPT	084Z8068

* Available upon request

MBT 5252



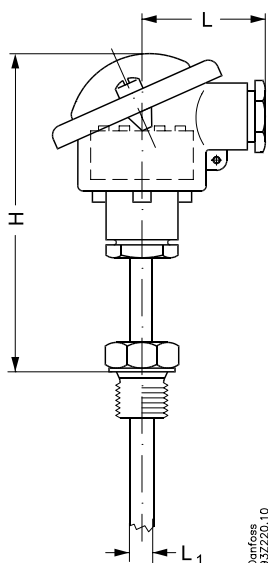
Temperature sensors and transducers

- Reliable, robust and accurate temperature measurement and regulation in industrial and maritime applications
- Heavy duty
- Versions available for high media temperatures (up to 400°C (752°F))
- High resistance towards vibration
- Available with all relevant marine approvals
- Available with built-in transducer, type MBT 9100, to provide 4 to 20 mA signal
- Interchangeable measuring insert
- Corrosion resistant sensor tube made of AISI 316 Ti
- Spring loaded element place-holder



Technical data

Measuring range	Low temperature version	-50° to 200°C (-58° to 392°F)
	High temperature version	-50° to 400°C (-58° to 752°F)
Process connection	BSPP or NPT	
Extension length	50 mm (2")	
Sensor element	Pt 100, Pt 1000, NTC* or PTC*	
Supply voltage	4 to 20 mA version only	8 to 35 V dc
Electrical connection	Plug - Pg9 (B-mini) or Pg16 (B-head)	
Enclosure	IP 65 / NEMA 13	



Danfoss
932220.10

Dimensions and weight

H		L		L1		Weight	
mm	in	mm	in	mm	in	kg	lbs
124.5	4.9	10.2	0.4	50.8	2.0	0.45	1.0

* Available upon request

Ordering - MBT 5252

Insertion length		4 to 20 mA transducer output		Electrical connection	Process connection	Code no.
<i>mm</i>	<i>in</i>	°C	°F			
50	2	0 to 100	32 to 212	2-wire	1/2 - 14 NPT	084Z6171
80	3 1/8	0 to 100	32 to 212	2-wire	1/2 - 14 NPT	084Z6172
100	4	0 to 100	32 to 212	2-wire	1/2 - 14 NPT	084Z6173
150	6	0 to 100	32 to 212	2-wire	1/2 - 14 NPT	084Z6174
200	7 7/8	0 to 100	32 to 212	2-wire	1/2 - 14 NPT	084Z6175
250	9 7/8	0 to 100	32 to 212	2-wire	1/2 - 14 NPT	084Z6176
50	2	-	-	2-wire, 3 terminals	1/2 - 14 NPT	084Z6165
80	3 1/8	-	-	2-wire, 3 terminals	1/2 - 14 NPT	084Z6166
100	4	-	-	2-wire, 3 terminals	1/2 - 14 NPT	084Z6167
150	6	-	-	2-wire, 3 terminals	1/2 - 14 NPT	084Z6168
200	7 7/8	-	-	2-wire, 3 terminals	1/2 - 14 NPT	084Z6169
250	9 7/8	-	-	2-wire, 3 terminals	1/2 - 14 NPT	084Z6170

MBT 3560 / MBT 5560



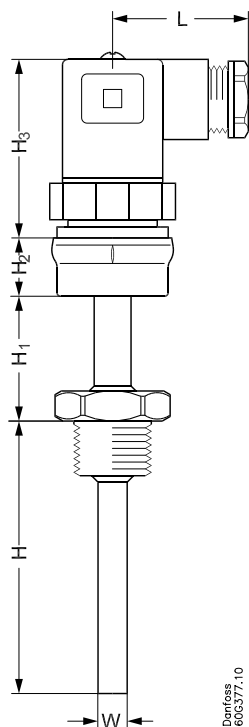
Temperature transducers

- Reliable, robust and accurate temperature measurement and regulation
- Ultra compact design
- Customized setting of temperature range available upon request
- Fixed measuring insert
- Available with all relevant marine approvals (MBT 5560)
- Corrosion resistant sensor tube made of AISI 316 Ti
- Spring loaded element place-holder



Technical data

Measuring range	With 33 mm (1.3") extension	-50° to 200°C (-60° to 390°F)
	Without extension	-50° to 100°C (-60° to 212°F)
Process connection	BSPP or NPT	
Output signal	4 to 20 mA or ratiometric	
Supply voltage	Output signal = 4 to 20 mA	10 to 30 V dc
	Output signal = ratiometric	4.75 to 8 V dc
Electrical connection	Various plugs or cable	
Enclosure	IP 65 / NEMA 13 or IP 67 / NEMA 6	



Dimensions and weight

H		H1		H2		H3	
mm	in	mm	in	mm	in	mm	in
50 to 250	2 to 9.8	33	1.3	16	5/8	49	1.93

L		W		Weight	
mm	in	mm	in	kg	lbs
37	1.45	8	10/32	0.17	0.37

Ordering - MBT 3560

Insertion length		Extension length		4 to 20 mA transducer setting		Electrical connection	Process connection	Code no.
mm	in	mm	in	°C	°F			
50	2	-	-	0 to 100	32 to 212	2-wire	G 1/4 A (BSPP)	084Z4030
100	4	-	-	0 to 100	32 to 212	2-wire	G 1/4 A (BSPP)	084Z4031
150	6	-	-	0 to 100	32 to 212	2-wire	G 1/4 A (BSPP)	084Z4032
200	7 7/8	-	-	0 to 100	32 to 212	2-wire	G 1/4 A (BSPP)	084Z4033
250	9 7/8	-	-	0 to 100	32 to 212	2-wire	G 1/4 A (BSPP)	084Z4034
50	2	33	1.3	0 to 200	32 to 392	2-wire	G 1/4 A (BSPP)	084Z4035
100	4	33	1.3	0 to 200	32 to 392	2-wire	G 1/4 A (BSPP)	084Z4036
150	6	33	1.3	0 to 200	32 to 392	2-wire	G 1/4 A (BSPP)	084Z4037
200	7 7/8	33	1.3	0 to 200	32 to 392	2-wire	G 1/4 A (BSPP)	084Z4038
250	9 7/8	33	1.3	0 to 200	32 to 392	2-wire	G 1/4 A (BSPP)	084Z4039
50	2	-	-	-50 to 200	-58 to 392	IEC947-5-2, MI2x1	1/4" NPT	084Z4096*
100	4	-	-	-50 to 200	-58 to 392	IEC947-5-2, MI2x1	1/4" NPT	084Z4097

* Output signal: Ratiometric

Ordering - MBT 5560

Versions with marine approvals

Insertion length		Extension length		4 to 20 mA transducer setting		Electrical connection	Process connection	Code no.
mm	in	mm	in	°C	°F			
50	2	-	-	0 to 100	32 to 212	2-wire	G 1/4 A (BSPP)	084Z4020
100	4	-	-	0 to 100	32 to 212	2-wire	G 1/4 A (BSPP)	084Z4021
150	6	-	-	0 to 100	32 to 212	2-wire	G 1/4 A (BSPP)	084Z4022
200	7 7/8	-	-	0 to 100	32 to 212	2-wire	G 1/4 A (BSPP)	084Z4023
250	9 7/8	-	-	0 to 100	32 to 212	2-wire	G 1/4 A (BSPP)	084Z4024
50	2	33	1.3	0 to 200	32 to 392	2-wire	G 1/4 A (BSPP)	084Z4025
100	4	33	1.3	0 to 200	32 to 392	2-wire	G 1/4 A (BSPP)	084Z4026
150	6	33	1.3	0 to 200	32 to 392	2-wire	G 1/4 A (BSPP)	084Z4027
200	7 7/8	33	1.3	0 to 200	32 to 392	2-wire	G 1/4 A (BSPP)	084Z4028
250	9 7/8	33	1.3	0 to 200	32 to 392	2-wire	G 1/4 A (BSPP)	084Z4029



Accessories and spare parts for temperature sensors and transducers

Sensor pockets for MBT 153 - MBT 120

Insertion length		Process connection	Code no.
mm	in		
50	2	1/2 - 14 NPT	084Z6070
100	4	1/2 - 14 NPT	084Z6071
200	7 7/8	1/2 - 14 NPT	084Z6073
250	9 7/8	1/2 - 14 NPT	084Z6074

Measuring inserts for MBT 5250 - MBT 150

Insertion length		Sensor element	Code no.
mm	in		
50	2	Pt 100	084Z8049
50	2	Pt 1000	084Z6012
80	3 1/8	Pt 100	084Z8072
100	4	Pt 100	084Z8015
100	4	Pt 1000	084Z6014
150	5 9/10	Pt 100	084Z8016
200	7 7/8	Pt 100	084Z8073

Measuring inserts for MBT 5252 without transducers - MBT 152

Insertion length		Sensor element	Code no.
mm	in		
50	2	Pt 100	084Z4302
80	3 1/8	Pt 100	084Z4303
100	4	Pt 100	084Z4304
150	6	Pt 100	084Z4305
200	7 7/8	Pt 100	084Z4306

Measuring inserts for MBT 5252 with 4 to 20 mA transducers - MBT 152

Insertion length		Transducer setting		Code no.
mm	in	°C	°F	
50	2	0 to 100	32 to 212	084Z4308
80	3 1/8	0 to 100	32 to 212	084Z4309
100	4	0 to 100	32 to 212	084Z4310
150	6	0 to 100	32 to 212	084Z4311
200	7 7/8	0 to 100	32 to 212	084Z4312
250	9 7/8	0 to 100	32 to 212	084Z4313

Sensor pockets for MBT 3560 / MBT 5560 - MBT 120

MBT3560 / MBT5560 Insertion length		Pocket insertion length		Process connection	Code no.
mm	in	mm	in		
50	2	37.5	1.47	G 1/2 A (BSPP)	084Z7258
50	2	37.5	1.47	1/2 - 14 NPT	084Z3033
100	4	87.5	3.44	G 1/2 A (BSPP)	084Z7259
100	4	87.5	3.44	1/2 - 14 NPT	084Z3053
150	6	137.5	5.41	G 1/2 A (BSPP)	084Z7260
200	7 7/8	187.5	7.38	G 1/2 A (BSPP)	084Z7261
250	9 7/8	237.5	9.35	G 1/2 A (BSPP)	084Z7262

Plug-in display for MBT 3560 / MBT 5560 - MBD 1000*

	Code no.
	060G2850

* For plug Pg9 versions only



Glossary

Adsorption charge	Consists of active carbon and CO ₂ ; flexible installation position and small dimensions
Bellows	A container which has an outlet nozzle that allows for the delivery of a controlled quantity of pressurized air to a controlled location
Cavitation	The pitting and wearing away of a solid surface as a result of the formation and collapse of air bubbles in a moving liquid
Cv value	Describes the flow capacity in gallons of water per minute
EPDM	Rubber material; suitable for water and glycol (14 to 248°F) and low pressure steam (max. 284°F / 58 psi)
FKM	Rubber material; suitable for oil and air, and for water at max. 140°F
Flange	The raised rim or lip of a fitting
Kv value	Describes the flow capacity of water in cubic meters per hour
Liquid hammer	An increase in pressure in a pipeline or vessel that occurs when the flow rate of a volume of water is suddenly changed or the flow is stopped
NBR	Rubber material; suitable for general use with oil, air or water
Piezoresistive	A material that has the property of changing its resistance under physical pressure or mechanical work
Pressostat	See Pressure Switches
Pt100/Pt1000	0-100/0-1000 Ohms resistance element
PTFE	Rubber material; suitable for steam and other heavy-duty applications (Teflon)
Pulse-snobber	Integrated nozzle in the passage between the measured medium and the pressure sensitive element; prevents damage due to cavitation, liquid hammer and pressure
Ratiometric	The output voltage as a ratio of the supply voltage

SPDT	Single pole double throw contact system
SPST	Single pole single throw contact system
Thermostat	See Temperature Switches
TPST	Three pole single throw contact system
Universal charge	Consists of liquid and gas; must be installed horizontally or upwards

Code number index

003N0051	25	018F7683	22	032U5263	17
003N0053	25	018F7691	22	032U5264	17
003N0056	25	018F7692	22	032U5265	17
003N0062	25	018F7693	22	032U5266	17
003N0063	25	032K140902	23	032U5267	17
003N0066	25	032U0149	20	032U5277	21
003N0068	25	032U0150	20	032U5278	21
003N0075	25	032U0165	20	032U5279	21
003N0077	25	032U0166	20	032U5280	21
003N0078	25	032U0167	20	032U6000	20
003N0079	25	032U0295	20	032U6320	20
003N0080	25	032U0296	20	032U6321	20
003N0091	25	032U1062	20	032U6322	20
003N0157	25	032U1063	20	032U6323	20
003N0278	25	032U1065	20	032U6324	20
003N0388	25	032U1066	20	032U6325	20
003N6115	25	032U1067	20	032U6326	20
003N6132	25	032U1068	20	032U6327	20
003N6162	25	032U1069	20	032U6328	20
003N6182	25	032U1070	20	032U6329	20
003N7120	25	032U1071	20	032U6330	20
003N7132	25	032U1072	20	032U6331	20
003N7162	25	032U1073	20	032U6501	9
003N7182	25	032U1074	20	032U6502	9
003N8125	25	032U1075	20	032U6503	9
003N8132	25	032U1076	20	032U6505	9
003N8162	25	032U1077	20	032U6506	9
003N8182	25	032U1078	20	032U6509	9
017-421666	60	032U1079	20	032U6511	9
017-436066	60	032U1080	20	032U6513	11
017-436166	60	032U1081	20	032U6514	11
017-436266	60	032U1082	20	032U6515	11
017-436366	60	032U2003	20	032U6516	11
017-436966	60	032U2004	20	032U6517	11
017-437066	60	032U2005	20	032U6518	11
017-500366	55	032U2006	20	032U6519	11
017-501466	55	032U2011	20	032U6520	11
017-509966	55	032U3174	21	032U6521	11
017-513566	55	032U3175	21	032U6522	11
017-519166	53	032U3176	21	032U6523	11
017-519666	53	032U3177	21	032U6524	11
017-520366	53	032U3178	21	032U6525	11
017-521566	53	032U3688	15	032U6526	11
017-523766	53	032U3689	15	032U6528	11
017-525566	53	032U3690	15	032U6529	11
017-529166	53	032U3691	15	032U6530	11
017-529566	53	032U3692	15	032U6532	13
018F7655	22	032U3693	15	032U6533	13
018F7658	22	032U3694	15	032U6534	13
018F7663	22	032U5260	17	032U6535	13
018F7681	22	032U5261	17	032U6536	13
018F7682	22	032U5262	17	032U6537	13

032U6538	13	042U1006	21	060G1146	31
032U6539	13	042U1007	21	060G1563	31
032U6540	13	042U1008	21	060G2850	38, 73
032U6541	13	042U1009	20	060G3737	31
032U6542	13	042U1010	20	060G5500	33
032U6543	13	060-003166	60	060G5501	33
032U6544	13	060-033066	60	060G5502	33
032U6545	13	060-062866	60	060G5503	33
032U6546	13	060-105566	60	060G5504	33
032U6547	13	060-105666	60	060G5505	33
032U6548	13	060-105766	60	060G5506	33
032U6549	13	060-109766	60	060G5507	33
032U6550	13	060-110866	45	060G5508	31
032U6551	13	060-113366	45	060G5509	31
032U6552	13	060-113766	45	060G5510	31
032U6553	13	060-113866	45	060G5511	31
032U6554	13	060-118966	45	060G5512	31
032U6555	13	060-121766	45	060G5513	31
032U6565	9	060-121966	45	060G5514	31
032U6567	9	060-122166	45	060G5548	31
032U8039	21	060-214466	45	060G5549	31
032U8040	21	060-214566	45	060G5550	31
032U8041	21	060-214666	45	060L036666	60
032U8042	21	060-214766	45	060L112566	54
032U8062	19	060-214866	45	060L112666	54
032U8063	19	060-214966	45	060L115566	54
032U8064	19	060-215066	45	060L117066	54
032U8065	19	060-215166	45	060L118366	54
032U8066	19	060-310066	47	060L118466	54
032U8067	19	060-310166	47	060L203966	54
032U8550	13	060-310266	47	060L223866	54
032U8551	13	060-310366	47	060L223966	54
032U8552	13	060-310466	47	060L224066	54
032U8553	13	060-310566	47	060L224166	54
032U8554	13	060-310666	47	060L310166	57
032U8555	13	060-310766	47	060L310266	57
032U8556	13	060-310866	47	060L310466	57
032U8557	13	060-310966	47	060L310566	57
032U8558	13	060-311066	47	060L310666	57
032U8559	13	060-312066	47	060L310766	57
032U8560	13	060-312166	47	060L310866	57
032U8561	13	060-312266	47	060L310966	57
041E0110	60	060-316466	45	060L311266	57
042N0120	22	060-316966	45	060L311366	57
042N0154	22	060-327366	60	060L311866	57
042N0156	22	060-504766	45	060L312166	57
042N6756	23	060-508166	45	060L312666	57
042N6757	23	060G000812	38	060L312866	57
042N7550	23	060G0009	38	060L312966	57
042N7551	23	060G1027	38	060L326466	60
042U1000	21	060G1135	31	060L326566	60
042U1001	21	060G1141	31	060L327066	60
042U1002	21	060G1142	31	060L328066	60
042U1003	21	060G1143	31	060N1032	37
042U1004	21	060G1144	31	060N1033	37
042U1005	21	060G1145	31	060N1034	37

060N1035	37	061B7009	61	084Z4303	72
060N1036	37	061B7010	61	084Z4304	72
060N1037	37	061B7011	61	084Z4305	72
060N1038	37	061B7012	61	084Z4306	72
060N1039	37	061B800266	59	084Z4308	72
060N1040	37	061B800366	59	084Z4309	72
060N1041	37	061B800466	59	084Z4310	72
060N1063	37	061B800566	59	084Z4311	72
060N1064	37	061B810166	59	084Z4312	72
060N1065	37	061B810266	59	084Z4313	72
060N1066	37	061B810366	59	084Z6012	72
060N1081	37	061B810466	59	084Z6014	72
060N1083	37	061B810566	59	084Z6030	66
060N1084	37	061B820166	59	084Z6032	66
060N1085	37	061B820366	59	084Z6033	66
060N1086	37	061B820566	59	084Z6034	66
060N1087	37	061H5178	38	084Z6035	66
061B000266	49	063G1266	35	084Z6036	66
061B000366	49	063G1267	35	084Z6037	66
061B000466	49	063G1274	35	084Z6038	66
061B000566	49	063G1275	35	084Z6039	66
061B000766	49	063G1282	35	084Z6042	66
061B0008	38	063G1283	35	084Z6070	72
061B002966	49	063G1290	35	084Z6071	72
061B100266	49	063G1291	35	084Z6073	72
061B100366	49	063G1298	35	084Z6074	72
061B100466	49	063G1299	35	084Z6165	69
061B100566	49	063G1341	35	084Z6166	69
061B100966	49	063G1342	35	084Z6167	69
061B101766	49	063G1343	35	084Z6168	69
061B102466	49	063G1344	35	084Z6169	69
061B127066	51	063G1345	35	084Z6170	69
061B128066	51	084Z3033	73	084Z6171	69
061B129066	51	084Z3053	73	084Z6172	69
061B200266	49	084Z4020	71	084Z6173	69
061B200366	49	084Z4021	71	084Z6174	69
061B200466	49	084Z4022	71	084Z6175	69
061B200566	49	084Z4023	71	084Z6176	69
061B300266	49	084Z4024	71	084Z6215	66
061B300366	49	084Z4025	71	084Z6216	66
061B300466	49	084Z4026	71	084Z7258	73
061B300566	49	084Z4027	71	084Z7259	73
061B500066	49	084Z4028	71	084Z7260	73
061B500166	49	084Z4029	71	084Z7261	73
061B500266	49	084Z4030	71	084Z7262	73
061B510066	49	084Z4031	71	084Z8015	72
061B510166	49	084Z4032	71	084Z8016	72
061B510266	49	084Z4033	71	084Z8019	67
061B7000	61	084Z4034	71	084Z8049	72
061B7001	61	084Z4035	71	084Z8065	67
061B7002	61	084Z4036	71	084Z8066	67
061B7003	61	084Z4037	71	084Z8067	67
061B7004	61	084Z4038	71	084Z8068	67
061B7005	61	084Z4039	71	084Z8072	72
061B7006	61	084Z4096	71	084Z8073	72
061B7007	61	084Z4097	71		
061B7008	61	084Z4302	72		