

VISION
installation:innovation

INSTALLATION SOLUTIONS 2013

Changing Gear



AUDIO



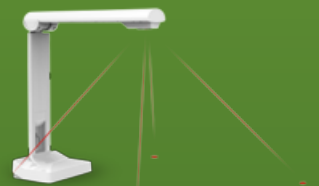
CONNECTIVITY



CONTROL



MOUNTS



VISUALIZER

visionaudiovisual.com



Changing Gear

In 2013 Vision is changing gear. Our range is set to double as we introduce some fantastic new products, including two cutting-edge **HDBaseT™** products.

We have eight new signal management products in the Techconnect range, including two HDMI-over-CAT5 products, an HDMI-over-IP product, and a simple VGA-over-CAT5 product.

We have added RS-232 to the Techconnect Control, redeveloped the Techconnect Tilt, and continue to work on more innovative products you'll see introduced later this year.

Our Techaudio range has been refreshed: we've taken all of the lessons we've learnt over the years and re-engineered our loudspeaker products from the ground up.

We have got involved in the Visualizer market with the exciting new Techcam DC-1000, and we have launched a new motorised Techmount for interactive whiteboards.

The Techconnect connectivity system now works in Le Grand™ and Tehalit™ dado rail (trunking) to allow our French and German partners to take advantage of Techconnect.

Vision is changing the gear you will use in your installations this year.

Stuart Lockhart
Vision General Manager.

Great support
and resources,
24/7



Find manuals, certification documentation, training videos, high resolution images, and product information at www.visionaudiovisual.com



MEET DAVE
HE'S GOT VISION
 He's an installer just like you,
 and he'll be offering useful tips
 through-out this catalogue.



CONTENTS

TECHCAM

DC-1000	Manual Focus Visualizer	4
----------------	-------------------------	---

TECHCONNECT

TC2	Lite Wall-Mount Faceplate Package	7
TC2-AMP2	2 x 20w Digital Amplifier Module	8
TC2-CTL3	Control	9
TC2-USBTP	USB-over-Twisted Pair	10
TC2-VGATP	VGA-over-Twisted Pair	11
TC2-TILT2	Table/Floor Mounted Faceplate	12
TC2 SPARES	Modules	13
	Backboxes and Surrounds	16
	Cables	18
TC2-HDBT	HDMI-over-CAT5	19
TC2-HDMIIP	HDMI-over-IP	20
TC2-HDMI14	HDMI Splitter	21
TC2-HDMI41	HDMI Switcher	22
TS-VGA	1:2 Distribution Amplifier	23
TC2-VGAHDMI	VGA-to-HDMI Converter	24
TC2-HDMIRPT	HDMI Repeater	25

TECHAUDIO

SP-1100P	Pair 20w Active Loudspeakers	26
SP-1200P	Pair 30w Active Loudspeakers	27
SP-1600	Pair 2-Way Wall Loudspeakers	28
CS-1600	Pair 6.5" Ceiling Loudspeakers	29
AV-1600	2 x 25w Digital Amplifier	30
SP-100V	Pair 100v Line Transformers	31

TECHMOUNT

TM-1200	Universal Projector Ceiling Mount	32
TM-TELE	Telescopic Projector Ceiling Mount	33
TM-CC	Close-Couple Universal Projector Mount	34
TM-CAGE	Universal Projector Security Enclosure	35
TM-LCD	Universal Flat-Panel Wall Mount	36
TM-1200 FP	Flat-Panel Ceiling Mount Adaptor	37
TM-WB	Whiteboard Wall Mount	38
TM-ST	Short-Throw Projector Wall Mount	39

DC-1000 Manual Focus Visualizer

- 1600 x 1200 (UXGA) resolution
- Laser pointers outline A4 capture area
- Wide focal-length with manual focus

Vision took a close look at how visualizers are used in the modern presentation environment. The DC-1000 redefines document cameras by stripping out unused features, adding really useful new features, and leveraging new CMOS technology to deliver a simple high quality device.

LASER POINTERS

Four laser pointers embedded in the camera head outline the capture area on the desk. Presenters can interact with the object or document they are showing without having to refer to the screen.

A4 CAPTURE AREA

At 255mm tall, the native capture area is slightly larger than an A4 piece of paper.

OPTIMUM RESOLUTION

Video from a visualizer is viewed on a 1600 x 1200 projector at best. Vision opted for 1600 x 1200 pixels which decreases the burden on the PC and USB bus, provides faster video, and crisp uncompressed video on projectors.

WIDE FOCAL-LENGTH

The DC-1000 features optics with a wide focal length so that as much as possible in the capture area is in focus at all times. A fine-tune focus ring can be adjusted for items which are especially close to the lens.

WEBCAM-READY

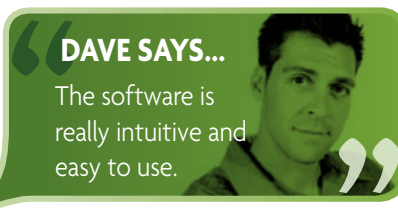
With the camera boom folded down the camera remains active, so the DC-1000 can be used as a normal webcam.

LED LIGHTS

Eight LED lights built into the camera head light to capture area.

SOFTWARE INCLUDED

The DC-1000 can be used with generic Microsoft Windows camera software and it comes with software which offers zoom, still and video capture, and image adjustment.



SPECIFICATIONS

PRODUCT DIMENSIONS: 255 x 109 x 77 mm
(height x width x depth with boom folded down)

PACKAGED DIMENSIONS: 365 x 175 x 125 mm

PRODUCT WEIGHT: 0.55 kg

PACKAGED WEIGHT: 0.85 kg

TECHNICAL DETAILS:

Capture size: 310 x 215mm

Maximum Resolution: 1600 x 1200 pixels

DPI: 100-300

Colour: 24 bit

Frame Rate: 640 x 480@30fps / 1280 x 1024@10fps / 1600 x 1200@6fps

Optical Zoom: N/A

Digital Zoom: maximum 500%

CAMERA:

Sensor Type: CMOS

Size: 1/4 inch

Capture Angle: 60 degrees

Signal to Noise Ratio: 42.3dB

Dynamic Range: 71dB

F-number: 2.8

Effective Focal Length: F=3.38mm

SOFTWARE FUNCTIONS:

Optical Character Reader (outputs to Microsoft Word)

Image Capture Formats:

BMP, JPEG, PNG, TIF, J2K, JP2, JPC, RAS, TGA

Video Capture Formats: AVI, WMA

Image Adjustment:

Brightness / Contrast / Sharpness

Saturation / Gamma / Noise control

Cropping / Rotating / Mirroring

Exposure adjustment:

Black line / Grey-scale / Inverse

COLOUR: White

CONSTRUCTION MATERIAL:

Aluminium and Plastic

ACCESSORIES INCLUDED:

- USB cable
- Capture Software (Windows only)

CONNECTIVITY: USB

POWER SUPPLY: via USB

POWER CONSUMPTION: Maximum 150mW, 3.3V
(< 15mA at 30fps / < 5mA standby)

WARRANTY: 2-year return to base

COMPLIANCES: RoHS, WEEE, and CE compliant

ORDER PART CODE: DC-1000 [SAP: 2575258]

Unparalleled Flexibility

The Techconnect² is the only family of products which seamlessly integrates connectivity, audio, and projector control. It allows you to create consistent, professional, high quality installations which can easily be revised at any time. The future-proof modular design makes upgrading and repairs simple.

THE ADVANTAGES ARE ENDLESS...

- Fast installation
- Solder-free, minimizing 'go-backs'
- Save time on ordering and administration
- Control, amplifier and connectivity parts all match
- All parts are made to work together
- Inputs are clearly identifiable
- No un-terminated connectors to confuse end-users
- Modular design allows retrospective changes
- One warranty covering the complete solution
- Convenient packages or individual parts

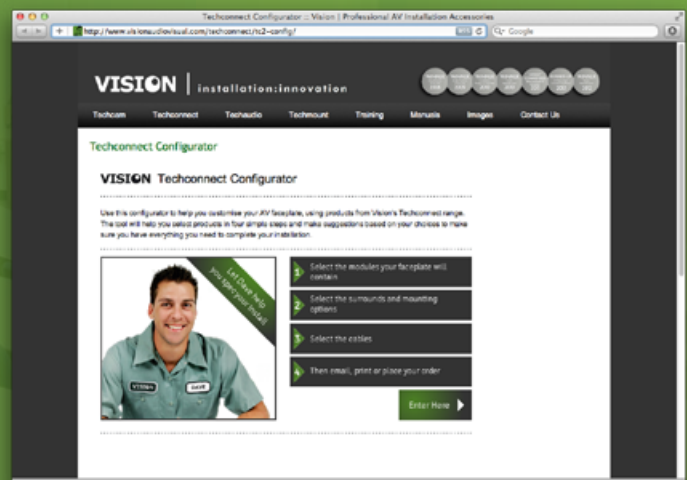
“ DAVE SAYS... ”

“I use the 'Lite' package as a basis for all of my installations, then add what I need.”



Online Techconnect Configurator

Go online to configure your own Techconnect faceplates. The intelligent interface helps you select the products you need and e-mails you a complete list of the required parts.



visionaudiovisual.com/techconnect/tc2-config/



Why buy Vision Cable?

INSTALLATION-GRADE CABLE

When choosing cable don't be fooled by a thick cable jacket. A major cost component of cables is copper, so cheap cables have inadequate copper. Compromising can result in cable which doesn't support high resolutions. The cross-sectional area of conductors allows sufficient current-carrying capacity to support a high resolution signal. AWG for Techconnect² cable:

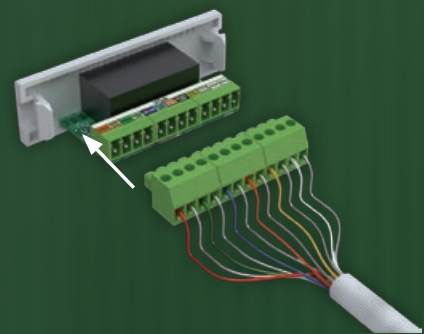
- VGA: 28AWG coax cables for red/green/blue
- Phono / Minijack: 26AWG
- S-Video: 28AWG

QUALITY CONSTRUCTION

Techconnect² cable shielding is evenly wound to prevent ghosting, flagging, and image jitter. Ferrite Cores included on VGA cables to eliminate radio-frequency induction noise. All cable jackets are easy-to-hide white or beige.

PLUG-AND-PLAY CONNECTIVITY

Unlike competing VGA cable, our quality cable has SDA and SCL data lines to support DDC2B (Display Data Channel) which allows the display device to communicate its supported display modes. Without these the user will not experience plug-and-play connectivity and will have to manually setup resolution and colour bit depth.



Robust Modules

HOW TOUGH CAN YOU GET?

Vision's design team bent, twisted, and smashed hundreds of samples to make sure Techconnect² is up to the rigors of an installation environment.

NOT BRITTLE

Our backboxes are carefully designed with convenient easy-push-out sections for trunking, and Techconnect² parts flex instead of breaking.

UNBREAKABLE... ALMOST

Try breaking a Techconnect² module and be amazed how rugged they are. You'll find it much harder than you expect.

BETTER RF ISOLATION

Using plastic gives our connectors better insulation characteristics eliminating EMF and RF noise and cross-talk.

BETTER FIT AND FINISH

Plastic also allows us to deliver a product whose fit and finish is greatly superior to metal.

POSITIVE CLIP-IN ACTION

The clip-in action of the modules has been carefully weighted to favour strength over ease of installation. They require solid force to clip into place which makes them extremely difficult to pull out without using the proper method.

DAVE SAYS...

"Techconnect backboxes don't shatter when I push out the cable holes."



TECHCONNECT FACEPLATE & CABLE PACKAGES

TC² Lite Wall-Mount Faceplate Package

FEATURES EASY PLUG-IN CABLES

With a minimal selection of modules, this package suits professional installers who can use it as a starting point and add more modules as required. Module and Cable packages are sold separately. Use your own cables with the module package or select one of our pre-terminated cable packages.



LITE MODULE PACKAGE



INCLUDED:

- 1 x 2-Gang UK Backbox (surface mount)
- 1 x 2-Gang Surround (accommodates 5 modules)
- 1 x VGA with Minijack Module
- 1 x USB (B-type on front) Module
- 1 x 3-Phono Module
- 3 x Blanking panels Module

LITE CABLE PACKAGE



INCLUDED:

- 1 x VGA Cables
- 1 x Minijack Cable
- 1 x 1-phono (RCA) Cable for Composite Video
- 1 x 2-phono (RCA) Cable for Stereo Audio

SPECIFICATIONS	Lite Module Package	Lite Cable Packages
BOX DIMENSIONS	150 x 90 x 60mm	5m: 250 x 250 x 55mm 7/10/15m: 250 x 250 x 60mm
FACEPLATE DIMENSIONS	146 x 86 x 46mm	
PACKAGED WEIGHT	0.5kg	5m: 1.0kg / 7m: 1.3kg / 10m: 1.8kg / 15m: 2.5kg
COLOUR	White (RAL9010)	White
INCLUDED	1 x VGA/Minijack 1 x USB 3 x Blanking panels 1 x 3-phono	1 x VGA 1 x 1-phono 1 x 2-phono 1 x 3.5mm minijack
WARRANTY	2-year return to base	2-year return to base
COMPLIANCES	RoHS, WEEE & CE compliant	RoHS, WEEE & CE compliant
ORDER PART	TC2-LT 1643286	TC2-LT5MCABLES, 1740257 TC2-LT7MCABLES, 2387878 TC2-LT10MCABLES, 1643287 TC2-LT15MCABLES, 1643288
BUNDLE PART CODES	Lite Techconnect² 5m Bundle - TC2-LT+TC2-LT5MCABLES, Part code: 1740257 Lite Techconnect² 7m Bundle - TC2-LT+TC2-LT7MCABLES, Part code: 2390426 Lite Techconnect² 10m Bundle - TC2-LT+TC2-LT10MCABLES, Part code: 1688515 Lite Techconnect² 15m Bundle - TC2-LT+TC2-LT15MCABLES, Part code: 1688516	

TECHCONNECT AMPLIFIER



TC²-AMP² 2 x 20w Digital Amplifier Module

- Extremely small 2 x 20w (RMS) at 8 ohms Digital Amplifier
- 2 x Stereo inputs (Input 1 is duplicated on front and rear)
- IR Remote control included

By using latest low-impedance digital amplifier chip technology the new Techconnect Amp² module outputs a massive 2 x 20w RMS (at 8 ohms) but fits into the space of a Techconnect module.

QUICK-ACCESS INPUT

Two Inputs are wired into the rear with removable phoenix connectors, however a new feature of this amplifier is that Input 1 is duplicated on the front panel with a minijack socket for convenience. This half-normalled input disconnects the rear terminal while in use.

GREEN D-CLASS AMPLIFIER

Digital amplifiers use no power unless they are amplifying program, so even on at full volume; unless it is receiving input it is effectively off. Digital amplifiers also have the advantage of running cold so a bulky heatsink is not necessary... but don't let size deceive you: the Techconnect Amp² can drive into a 4 ohm load allowing you to power up to four 8 ohm speakers (or two 4 ohm speakers).

LED DISPLAY

A clear display makes the product easy to use and a simple soft-control interface gives instant access to controls. Because the control panel can be installed anywhere in the room it is more convenient than traditional powered speakers where access to the controls can be awkward.

REMOTE CONTROL INCLUDED



IR receivers are positioned on the front for normal use and on the rear for integration with a control system such as the Techconnect Control².

EASY TO INSTALL AND UNINSTALL

We have paid special attention to creating a robust product that is simple and easy to install; the inputs and outputs are all via removable phoenix connectors which allow non-technical end users to uninstall it very easily if required. Short input cables are included for connection to the rear of adjacent input modules on the Techconnect.

WALL MOUNTED AND SECURE

Ideal when you don't have furniture to sit an amplifier on, and because it is mounted to the wall it is much less obvious as a target for theft. It is close at hand if volume adjustments need to be made, making it perfect for training rooms, boardrooms, and classrooms.

INTEGRATED TECHCONNECT FAMILY

Included is a single-gang backbox and surround, or alternately you can mount the amplifier module in a double-gang surround with other Techconnect modules.

EXTERNAL POWER SUPPLY

The compact transformer measuring just 42 x 95 x 28mm (wide x tall x deep) has interchangeable power prongs which fix directly to the transformer chassis. If necessary a normal figure-8 power cable can be plugged into the transformer. A 3m DC tail which can be shortened means easy routing of power cable through trunking.



SPECIFICATIONS

AMPLIFIER DIMENSIONS: 42 x 71 x 40mm

CARTON DIMENSIONS: 230 x 100 x 63mm

AMPLIFIER WEIGHT: 63 grams

PACKAGED WEIGHT: 1.1kg

COLOUR: White

INPUTS:

- 2 x Stereo inputs via removable phoenix connectors

TECHNICAL DETAILS:

2 x 20w @ 8 ohms

Total Harmonic Distortion:
less than or equal to 1% (20Hz~22kHz)

Frequency response (line in):
80Hz~22kHz(±2dB)

Signal to noise ratio (line in):
more than or equal to 98dB (A-weighted)

Rating input level/impedance:
Line in 500mV/50kΩ

Power consumption (rating condition):
less than or equal to 40W

ACCESSORIES INCLUDED:

- 1 x Single-gang Backbox
- 1 x Single-gang Surround
- 2 x 150mm input cables
- 2 x Unshielded Speaker cable 5m long
- 1 x Remote Control with batteries

POWER SUPPLY:

100-240v 50/60Hz AC External Power Supply – integrated transformer/plug type.
DC Output 12V 3A, DC Cable 4.8m.
Transformer Dimensions: 96 x 44 x 28mm
Interchangeable prongs including UK, EU, AU.
Note: a normal figure-8 cable be plugged into the transformer.

WARRANTY: 2-year return to base

COMPLIANCES: RoHS, WEEE & CE compliant

ORDER PART CODE:

TC2-AMP2 [SAP:1872510]

Bundled with SP-1300 loudspeakers:
TC2-AMP2+SP-1300W [SAP: 1703069]

Bundled with SP-1600 loudspeakers:
TC2-AMP2+SP-1600 [SAP: 2649199]

Bundled with CS-1600 loudspeakers:
TC2-AMP2 +CS-1600 [SAP: 2386006]

TECHCONNECT CONTROL

TC²-CTL³ Control

- Control projectors etc via IR, RS-232, RS-485, and 12V
- Schedule commands
- Powered by mains power or batteries

The Techconnect Control³ is the most flexible professional AV control device available. A simple control panel controls everything and only presents users with the functions they use every day. No tech support calls. No losing remote controls. All in a secure Techconnect module.

SIMPLE MODE

Hold down the two bottom buttons to put Control³ into learn mode, point the original device remote at the front of the Control³, and program one code per button. "Off" is pre-set to send the code twice for projectors, and the bottom buttons send codes repeatedly when held down.

ADVANCED MODE

Connect to a PC and use included software to allocate multiple RS-232, IR, and 12v triggers to each button. Commands for each button can be sent simultaneously, sequentially, or repeatedly if you hold the button down.

LABELS

Clear caps unclip off the buttons from the front to allow label changes. A set of printed labels are included, and users can print their own as necessary.

BACKLIT BUTTONS

Backlit buttons are easy to read. If any buttons are not used blank buttons are included which block the backlight.

SCHEDULING

Once programmed, a schedule can be setup.

DELAY

Commands can be delayed up to 60 seconds. For example when you turn a projector on it takes time to warm up so the motorised screen doesn't come down until the projector is ready.

DUPLICATION

Programs can be saved to a PC making duplication for a roll out simple.

NEED MORE BUTTONS?

If more than six buttons are required the software allows you to add another Control³ as an extension keypad which connects to the master via RS485. All commands are still held and sent by the master Control³.

CODE LIBRARY

An integrated library of IR and RS-232 codes speed programming up. IR codes can be added by using the original remote, or by copying and pasting the hex code if you have lost the remote.

BATTERY

The Control³ comes with a mains power adaptor, but can also be powered by 2 x AAA batteries (not included). A switch under the batteries selects the power source. Note: when running on battery backlights do not stay lit and 12v triggers will not be sent.

IR

The IR receiver for learning codes is on the front panel, and is accompanied by an IR emitter which eliminates the need to run an IR cable in smaller rooms. Two external IR emitters are included; one with a 10m cable, and one with a 200mm cable.

RS-232 AND 485

These two protocols use the same codes but RS-485 only requires two cables and can be run a longer distance. Note: a projector with an RS-232 port will not be able to decode RS-485 signal.

12V TRIGGER

Many projector screens can be controlled with a 12v trigger voltage. Note: Many projection screens with remote controls use RF which cannot be learned or sent by the Control³.



SPECIFICATIONS

PRODUCT DIMENSIONS:

71 x 42 x 31mm (length x width x height)

PACKAGED DIMENSIONS:

179 x 150 x 64 mm

PRODUCT WEIGHT:

63 grams

PACKAGED WEIGHT:

0.5kg

CONSTRUCTION MATERIAL:

Plastic

COLOUR:

White

POWER SUPPLY:

100-240v AC 50/60Hz External Power Supply – integrated transformer/plug type.
DC Output 12V 0.5A, DC Cable 3m,
Transformer size: 62 x 42 x 22 mm
Interchangeable prongs including UK, EU, AU.
Note: a normal figure-8 cable can be plugged into the transformer if preferred.

ACCESSORIES INCLUDED:

- 5 x Blanking buttons
- 1 x Labels
- 1 x Single-Gang Techconnect Backbox
- 1 x Single-Gang Techconnect Surround
- 1 x IR Blaster with 10m cable
- 1 x IR Blaster with 200mm cable (terminated with female minijack)

POWER CONSUMPTION:

Static: <= 5uA
Sending: <= 20mA
Copying: <= 10mA

WARRANTY:

2-year return to base

COMPLIANCE:

RoHS, WEEE & CE Compliant

ORDER PART CODE:

TC2CTL3 [SAP: 2643078]

TC²-USBTP USB-over-Twisted Pair

- Converts USB signal to run over 50m ethernet cable
- Comes with a transmitter and receiver
- Uses power from USB and works with all known interactive whiteboards

The TC²-USBTP converts USB to be run over a network cable, allowing flexible placement of the AV faceplate with respect to the interactive whiteboard. Installers are no longer restricted by the 5m maximum cable length. All parts are included in one box. Just install the transmitter module into the faceplate, and mount the receiver at the remote USB device.

MODULAR

As part of the Techconnect family of products the Techconnect Twist comes with a transmitter in the form of a modified USB-B module. Clip it into place on any Techconnect faceplate.

UP TO 50 METRES

The USB specification limits the length of a cable to 5 meters. Converting the signal to run over a twisted-pair cable – also known commonly as CAT5 or Ethernet – allows the signal to travel up to 50m.

SELF-POWERED

The Techconnect Twist transmitter is powered by USB so no additional power adaptors are required.

WEBCAM-READY

As well as interactive whiteboard applications, the Techconnect Twist can be used for other USB devices which work on USB 1.1 such as printers and webcams.

The receiver has a low-profile design to fit into SA4 trunking or Dado rail.



SPECIFICATIONS

RECEIVER DIMENSIONS:

95 x 24 x 21.2mm (length x width x height)

PACKAGED DIMENSIONS: 120 x 80 x 44mm

PRODUCT WEIGHT: 0.1kg per set

PACKAGED WEIGHT: 0.1kg per set

USB SPECIFICATION: 1.1

CONSTRUCTION MATERIAL: Plastic

COLOUR: White

PARTS INCLUDED:

- 2 x Mounting Screws
- 1 x Transmitter
- 1 x Receiver

WARRANTY: 2-year return to base

COMPLIANCES: RoHS, WEEE, CE, and CB.

ORDER PART CODE: TC2-USBTP [SAP:1795080]

DAVE SAYS...

“The applications are not limited to whiteboards. It even works with webcams!”



WHAT OUR CUSTOMERS SAY:

“The Vision product range just keeps on getting better and their customer support has never let us down yet. This enables Midland Technologies to continue delivering installations that are second to none, at an affordable price.”

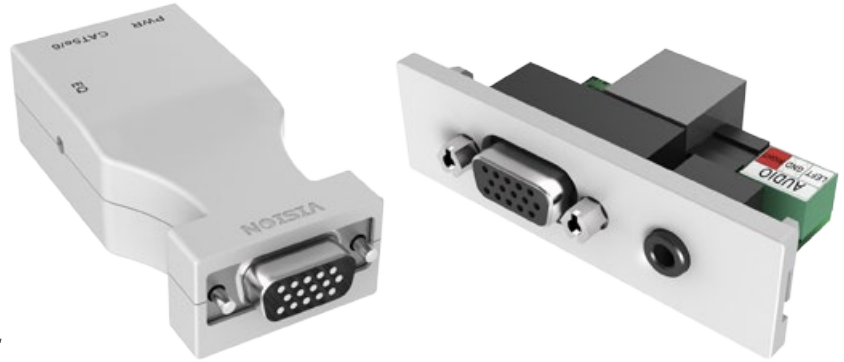


midlandtechnologieslimited

Jon Hempson

Midland Technologies Limited

TC²-VGATP VGA-over-Twisted Pair



- Carries VGA signal over CAT5e cable up to 60m (80m with CAT6)
- Audio loops through transmitter (not carried over CAT5 cable)
- Power adaptor can be used at either end

Vision's "Techconnect Twist" products allow a variety of signals to be transmitted long distances over standard unshielded CAT5 cable. Complete with an active transmitter and receiver the 'TC2-VGATP' enables use of cheap flexible CAT5 cable to route 'VGA' signal from a computer to a display device.

TECHCONNECT MODULE

The transmitter presents as a normal Vision Techconnect VGA and minijack module from the front, allowing tidy clip-in installation.

UP TO 60M

VGA signal is weak which limits cable length. The VGATP overcomes this and can send 1024 x 768 resolution signal through standard unshielded CAT5e cable up to 60m long. Using CAT6 cable extended the maximum length to 80m.

POE

Proprietary power-over-ethernet technology means only one mains power adaptor is required to power both the transmitter and receiver. The included international power adaptor can be used at either end.

FASTER INSTALLATION

Installers can take advantage in buildings which have been flood-wired with network cable. Where a CAT5 cable is already in place the installation is super-fast.

FUTURE-PROOF

Replacing VGA cable with a twisted pair cable means if in the future you need to replace the VGA with HDMI or DisplayPort you can just change the adaptors at the ends.

EQ

An equalisation adjustment pot on the receiver allows for varying cable length.

EASIER TO WORK WITH

Compared to VGA cable CAT5 is much less expensive and is easier to work with; it has a tighter bend-radius, is thinner, easier to pull, and simple to terminate.

Note: This product does not support the SCL and SDA lines which carry 'Display Data Channel' (DDC) or the related 'Extended Display Identification Data' (EDID) data.

“DAVE SAYS...”

“Future-proof your installation by using CAT5 instead of VGA cable”



SPECIFICATIONS

TRANSMITTER DIMENSIONS:

71 x 21 x 43 mm (length x width x height)

RECEIVER DIMENSIONS:

74 x 33 x 21 mm (length x width x height)

PACKAGED DIMENSIONS: 185 x 120 x 55 mm

PRODUCT WEIGHT: 0.2 kg per set

PACKAGED WEIGHT: 0.3 kg per set

RECOMMENDED MAXIMUM CABLE LENGTH:

CAT5e: 1024 x 768: 60m / 1280 x 1024: 50m / 1600 x 1200: 40m

CAT6: 1024 x 768: 80m / 1280 x 1024: 70m / 1600 x 1200: 60m

CONSTRUCTION MATERIAL: Plastic

COLOUR: White

POWER SUPPLY:

100/240v AC 50/60Hz External Power Supply – integrated transformer/plug type.

DC Output 12V 0.5A, DC Cable 1.8m. Transformer Dimensions: 62 x 42 x 22 mm

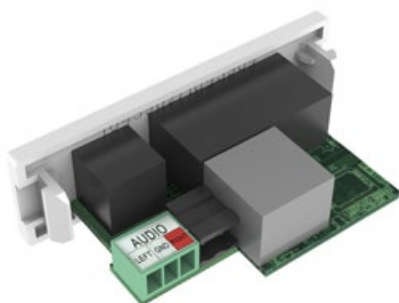
Interchangeable prongs including UK, EU, AU. Note: a normal figure-8 cable can be plugged into the transformer if preferred.

ACCESSORIES INCLUDED: -

WARRANTY: 2-year return to base

COMPLIANCES: RoHS, WEEE, CE, and CB compliant.

ORDER PART CODE: TC2 VGATP [SAP:2581578]



TC²-TILT² Table/Floor Mounted Faceplate

- Aluminium with thin 6.5mm bezel
- Variable faceplate height
- Surround (included) can accommodate up to 5 modules

Techconnect Tilt² compliments modern meeting room décor with sleek, clean design. It allows convenient placement of a modular AV faceplate in a table surface within easy reach.



QUALITY MATERIALS

The entire chassis is constructed from extruded aluminium, so where the box might be visible – for example a table with a glass surface – it looks attractive.

FLOOR BOX

With a depth of 96mm the Techconnect Tilt² can be mounted into false floors. A cutting guide is designed into the chassis to allow the depth to be reduced further.

EASY-ACCESS

The surround can be mounted near the surface directly under the lid so the users don't have to lean right over the table to see the inputs.

VARIABLE HEIGHT

If users prefer to leave cables plugged in with the lid closed, the surround can be lowered 65mm and mounted at the bottom of the chassis.

PULL-OUT-CABLE-STYLE

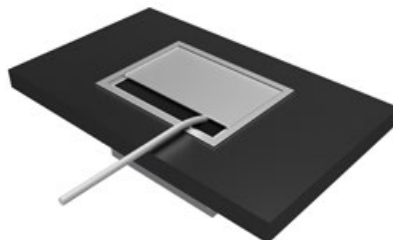
With the surround fitted in the lower position blank Techconnect modules can be modified to allow a cable to be installed under the table and pulled up from the faceplate.

MANUAL LID

With a simple manually operated flip-up lid the chassis can be smaller and there is no gas ram which can be prone to failure. The lid opens to 130 degrees.

COLLABORATE

With the ability to install up to five connectivity modules you could have five users connected to the AV display equipment sharing information simultaneously. Connectivity modules include HDMI, DisplayPort, Thunderbolt, VGA, and Ethernet. Vision also offers control and amplifier modules.



DAVE SAYS...

"All of the benefits of the modular Techconnect system, in a really attractive table box"



SPECIFICATIONS

PRODUCT DIMENSIONS:

163mm long x 126mm wide x 96mm deep

PACKAGED DIMENSIONS: 173 x 136 x 105 mm

PRODUCT WEIGHT: 0.45 kg

PACKAGED WEIGHT: 0.6 kg

CUTOUT: 151 x 114mm

COLOUR: Aluminium

CONSTRUCTION MATERIAL: Aluminium and Plastic

ACCESSORIES INCLUDED:

- 1 x TC2 SURR2G Double-gang UK surround
- Note: no modules are included*

WARRANTY: 2-year return to base

COMPLIANCES: RoHS compliant

ORDER PART CODE: TC-TILT2 [SAP: 2643079]

AV Specific Modules

3-PHONO



This 3-phono has interchangeable coloured rings to denote yellow/red/white (for composite video and audio), or red/green/blue (for component video). Also known as a Cinch or RCA connector.

Manu code: TC2 3PHO
Part code: 1643926

SVIDEO AND 2-PHONO



Useful for connecting a DVD player to a projector, S-video is far superior to composite video. This also has dual phono for stereo audio.

Manu code: TC2 SVID2PHO
Part code: 1643917

FEMALE VGA



Common 15-pin D-Sub type connector for PC display outputs.

Manu code: TC2 VGAF|
Part code: 1643901

MALE VGA



Common 15-pin D-Sub type connector for PC display outputs.

Manu code: TC2 VGAM
Part code: 1643905

BLANK



Simple blank modules for blanking off unused slots in the surround.

Manu code: TC2 BLANK
Part code: 1643928

USB A (ON FRONT) TO B



This has a "B" type socket on the rear as found on a printer chassis, and an "A" type socket on the front laptop chassis.

Manu code: TC2 USBA
Part code: 1643918

VGA-F AND MINIJACK



Common 15-pin D-Sub type connector for PC display outputs. 3.5mm Minijack audio socket included.

Manu code: TC2 VGAF3.5MM
Part code: 1643902

POWER SOCKET (AU)



Type I 10A/240V Female power socket for use in Australia, New Zealand, Fiji, Argentina, and Papua New Guinea.

Manu code: TCAU PWR
Part code: 1861094

POWER SOCKET (US)



Type I 10A/110V Female power socket for use in America and some parts of Asia.

Manu code: TCUS PWR
Part code: 2127265

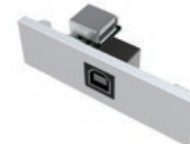
SERIAL MALE



9-pin D-sub connector commonly used for control applications.

Manu code: TC2 SERIALM
Part code: 1643931

USB B (ON FRONT) TO A



This has an "A" type socket on the rear as found on a laptop chassis, and a "B" type socket on the front as found on a printer chassis.

Manu code: TC2 USBB
Part code: 1643919

VGA-F D-SUB AND MINIJACK



Common 15-pin D-Sub type connector with a female socket on the rear rather than a phoenix connector. 3.5mm Minijack audio socket included.

Manu code: TC2 VGAF3.5MMD
Part code: 1643904

POWER SOCKET (EU)

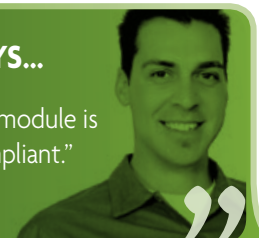


Type I 10A/240V Female power socket for use in Europe.

Manu code: TC2 PWREU
Part code: 2142593

“DAVE SAYS...

“The HDMI module is now 1.4 compliant.”



Home-Cinema Specific Modules

SINGLE PHONO



For use with RG59 coaxial cable for composite video signal. Also known as a Cinch or RCA connector.

Manu code: TC2 1PHO
Part code: 1643910

RF AERIAL



With integrated female to female barrel. RF connectors are used for aerials, and are commonly found on the rear of VCRs.

Manu code: TC2 RF
Part code: 1643914

HDMI



Short HDMI 1.4 cable included with female socket for easy connection. Thin flexible tail with slim-line connectors.

Manu code: TC2 HDMI
Part code: 1643913

F AERIAL



Female to female F barrel. F connectors have a pin and threaded locking mechanism and are commonly found on Sky receivers

Manu code: TC2 F
Part code: 1643930

BNC



Commonly used by AV professionals for composite video signal transmission or SDI. Its robust design means it has a better suited impedance profile, and locking mechanism

Manu code: TC2 BNC
Part code: 1643929

DISPLAY PORT



Digital replacement for VGA and DVI. It supports longer cables than HDMI and has a connector which latches.

Manu code: TC2 DP
Part code: 2252472

THUNDERBOLT

Also known as Mini DisplayPort. Combines and replaces function of USB, VGA and DVI.

Manu code: TC2 TB
Part code: 2291976



TECHCONNECT MODULES

Audio Specific Modules

2-PHONO WITH VOLUME



For use with stereo audio cable. Volume pot provides convenient control of volume, especially useful when using powered speakers that are not in easy reach.

Manu code: TC2 2PHOVOL
Part code: 1643911

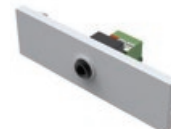
3.5MM MINIJACK WITH VOLUME



For use with stereo audio cable. Volume pot provides convenient control of volume, especially useful when using powered speakers that are not in easy reach.

Manu code: TC2 3.5MMVOL
Part code: 1643912

3.5MM MINIJACK



For use with stereo audio cable.

Manu code: TC2 3.5MM
Part code: 1740258

2-PHONO



For use with stereo audio cable.

Manu code: TC2 2PHO
Part code: 2250117

4-BARE WIRE TERMINAL



Used for speaker cable, these spring terminals are quick and secure.

Manu code: TC2 SPEAKER
Part code: 1643932

SPEAKON



Also known as NL-4, this is a versatile professional audio connector exclusively used for speaker cable.

Manu code: TC2 SPEAKON
Part code: 1643933

TOSLINK



Optical digital audio connector for home cinema applications. Carries the S/PDIF format.

Manu code: TC2 TOSLINK
Part code: 2252477

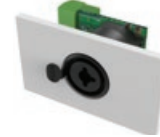
MALE XLR



Double-space accommodates a professional audio XLR connector for microphones and balanced line-level signals.

Manu code: TC2 XLRM
Part code: 1643921

FEMALE XLR & 6.3MM



The combo module accommodates both XLR and 1/4" Jack connectors. Terminations for both connectors are presented independently on the phoenix connector.

Manu code: TC2 XLRFJACK
Part code: 2124068

Network Specific Modules

RJ45/RJ11



Shielded female to female ethernet socket, which is backwards compatible with RJ11 phone jacks CAT5e.

Manu code: TC2 RJ45
Part code: 1643915

DUAL RJ45/RJ11



Two shielded female to female ethernet sockets, which are backwards compatible with RJ11 phone jacks CAT5e/CAT6.

Manu code: TC2 2RJ45
Part code: 1643916

DAVE SAYS...

"I can't find a faceplate which offers such a wide variety of connectors anywhere else!"



TECHCONNECT BACKBOXES AND SURROUNDS

UK

SINGLE-GANG UK SURROUND

Single-gang frame which accommodates two modules. Fits to any standard single-gang UK backbox (pattress).



Manu code: TC2 SURR1G
Part code: 1622115

SINGLE-GANG SURFACE MOUNT UK BACKBOX

Standard single-gang UK surface-mount backbox (pattress) 45mm deep.



Manu code: TC2 BACKBOX1G
Part code: 1643922

DOUBLE-GANG FLUSH MOUNT UK MUD-RING

Standard double-gang UK flush-mount mud-ring for hollow walls.



Manu code: TC2 MUDRING2G
Part code: 1643908

DOUBLE-GANG UK SURROUND

Double-gang frame which accommodates five modules. Fits to any standard double-gang UK backbox (pattress).



Manu code: TC2 SURR2G
Part code: 1622104

DOUBLE-GANG SURFACE MOUNT UK BACKBOX

Standard double-gang UK surface-mount backbox (pattress) 45mm deep.



Manu code: TC2 BACKBOX2G
Part code: 1620805

SINGLE-GANG FLUSH MOUNT UK MUD-RING

Standard single-gang UK flush-mount mud-ring for hollow walls.



Manu code: TC2 MUDRING1G
Part code: 2357413

DOUBLE-GANG TABLE MOUNTED UK BACKBOX

Double-gang UK backbox (pattress) for mounting onto a table. Aluminium.



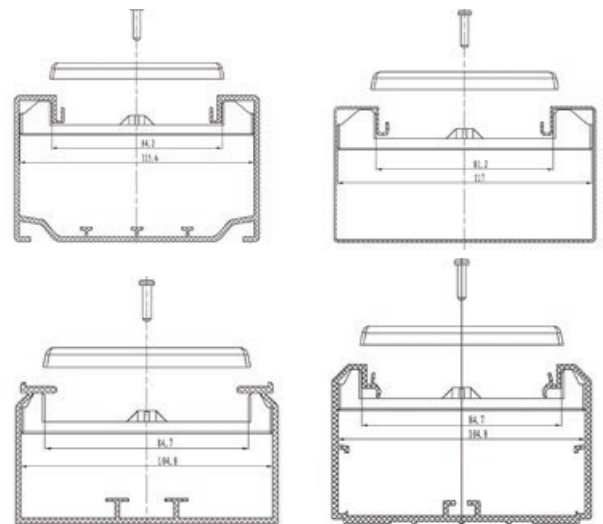
Manu code: TC2 BACKBOX2GT
Part code: 2485132

EUROPEAN TRUNKING ADAPTOR

Replaces the function of a backbox for five different common sizes of Dado trunking in Europe. Works for single-gang or double-gang surrounds.



Manu code: TC2 ADAPTOR
Part code: 1461181



TECHCONNECT BACKBOXES AND SURROUNDS

Australia / New Zealand

DOUBLE-GANG 2 MODULE AU SURROUND

Double-gang portrait frame which accommodates two modules. Fits any standard double-gang Australian backbox (e.g. Clipsal).



Manu code:
TCAU SURRE2
Part code: 1647885

DOUBLE-GANG 3 MODULE AU SURROUND

Double-gang portrait frame which accommodates three modules. Fits any standard double-gang Australian backbox (e.g. Clipsal).



Manu code:
TCAU SURRE3
Part code: 1598804

DOUBLE-GANG FLUSH MOUNT AU MUD-RING

Standard double-gang Australian flush-mount mud-ring for hollow (or dry) walls.



Manu code:
TCAU MUDRING
Part code: 1584557

Europe

3-GANG FR SURROUND

3-gang frame which accommodates 4 modules. Integrated mounting clip. Fits Legrand 65mm Dado rail.



Manu code:
TCFR SURRE65
Part code: 2357414

2-GANG DE SURROUND

2-gang frame which accommodates 5 modules. Fits to standard German backbox.



Manu code: TCDE SURRE2G
Part code: 2385506

2-GANG DADO-MOUNTING DE BACKBOX

Standard double-gang German backbox 55mm deep. Fixes into Hager Tehalit BRN13071 dado rail.



Manu code:
TCDE BACKBOX2G
Part code: 2385507

US / Canada

3-GANG US SURROUND

3-gang frame which accommodates six modules. Fits any standard 3-gang US backbox.



Manu code:
TCUS SURRE3G
Part code: 1532067

3-GANG FLUSH MOUNT US MUD-RING

Standard 3-gang US flush-mount mud-ring for hollow (or dry) walls.



Manu code: TCUS MUDRING3G
Part code: 1643924

1-GANG US SURROUND

1-gang frame which accommodates two modules. Fits any standard 1-gang US backbox.



Manu code:
TCUS SURRE1G
Part code: 1643925

1-GANG FLUSH MOUNT US MUD-RING

Standard 1-gang US flush-mount mud-ring for hollow (or dry) walls.



Manu code:
TCUS MUDRING1G
Part code: 1643909

“DAVE SAYS...”

“Techconnect modules are a standard size and can be used all over the world.”



Techconnect Cables

1-PHONO (RCA)



One end pre-terminated phoenix connector ready to plug into back of Techconnect² Module. Moulded connector on the other end. 26AWG

5m Manu code: 5M1PHO
Part Code: 2042094

7m Manu code: 7M1PHO
Part Code: 2391620

10m Manu code: 10M1PHO
Part code: 1461162

15m Manu code: 15M1PHO
Part code: 1472522

20m Manu code: 20M1PHO
Part code: 1461170

3.5MM MINI JACK



One end pre-terminated phoenix connector ready to plug into back of Techconnect² Module. Moulded connector on the other end. 26AWG

5m Manu code: TC2 5M3.5MM
Part Code: 2042096

7m Manu code: TC2 7M3.5MM
Part Code: 2393276

10m Manu code: TC 10M3.5MM
part code: 1461164

15m Manu code: TC15M3.5MM
Part code: 1474524

20m Manu code: 20M3.5MM
Part code: 1461172

2-PHONO (RCA)



One end pre-terminated phoenix connector ready to plug into back of Techconnect² Module. Moulded connector on the other end. 26AWG

5m Manu code: TC2 5M2PHO
Part Code: 2042095

7m Manu code: TC2 7M2PHO
Part Code: 2391621

10m Manu code: 10M2PHO
Part code: 1461163

15m Manu code: 15M2PHO
Part code: 1472523

20m Manu code: 20M2PHO
Part code: 1461171

VGA

One end pre-terminated phoenix connector ready to plug into back of Techconnect² Module. Moulded connector on the other end.

Ferrite core included on moulded connector end. Individually shielded coaxial cables for red, green and blue. 28AWG



5m Manu code: TC2 5MVGA
Part Code: 2042118

7m Manu code: TC2 7MVGA
Part Code: 2391623

10m Manu code: TC 10MVGA
Part code: 1461166

15m Manu code: TC2 15MVGA|
Part code: 1461168

20m Manu code: TC2 20MVGA
Part code: 1461174

S-VIDEO



One end pre-terminated phoenix connector ready to plug into back of Techconnect² Module. Moulded connector on the other end. 28AWG

5m Manu code: TC2 5MSVID
Part Code: 2042117

15m Manu code: 15MSVID
Part code: 1461167

“DAVE SAYS...”

“Datasheets for all the products are available on Vision’s website.”





TC²-HDBT HDMI-over-CAT5

- Transmits HDMI and RS-232 over a single CAT5 cable
- 70m and 100m versions
- PoE (only one power supply required)
- Analogue audio output at receiver

Using Valens Semiconductor's powerful HDBaseT™ chipsets, Vision's TC²-HDBT products squeeze uncompressed HDMI, RS-232 and power – all over one CAT5e cable up to 100m long! Sold as a transmitter and receiver set for standalone applications, or as separate parts for integration into a system which already has HDBT transmitters or receivers.

RS-232

Bi-directional RS-232 is supported for controlling remote display equipment. The TC²-HDBT an especially powerful solution for any AV application; staging, rental, digital signage, and corporate installations.

AUDIO OUTPUT

The receiver has an audio decoder built in which takes stereo audio from the HDMI signal and converts it to useful analogue format.

FULL HD

The HDBT solution transmits full v1.4 spec HDMI with no compression. 1080p@60Hz@48 bits, 4K x 2K. Full 3D support and HDCP compliant.

POE

When used as a standalone set the proprietary "power over ethernet" means only one power supply is required and can be used at either end – you choose.

EDID MANAGEMENT

Dip switches on the side can be adjusted to set various EDID (extended display identification data) scenarios.

SKEW-FREE

TC²-HDBT products do not require EQ adjustment.

TECHCONNECT TWIST

Vision offer a full suite of products which carry HDMI, RS-232, VGA, and USB over twisted-pair (CAT5) cable.

VISION QUALITY

Enclosed in robust metal chassis' with mounting ears included, Vision has used tried and tested industrial design to ensure stable heat management for reliable performance.



SPECIFICATIONS

TRANSMITTER DIMENSIONS:

105 x 88 x 25 mm (length x width x height)

RECEIVER DIMENSIONS: 108 x 106 x 25 mm

PACKAGED DIMENSIONS:

Set: 235 x 160 x 70 mm

Transmitter: 235 x 160 x 70 mm

Receiver: 235 x 160 x 70 mm

PRODUCT WEIGHT:

Set: 0.68 kg

Transmitter: 0.30 kg

Receiver: 0.38 kg

PACKAGED WEIGHT:

Set: 0.98 kg

Transmitter: 0.79 kg

Receiver: 0.82 kg

CONSTRUCTION MATERIAL: Metal

COLOUR: White

TECHNICAL DETAILS:

Signaling rates: 2.25Gbits x 3

Input Video Signal: 0.5-1.0 volts p-p

Input DDC Signal: 5 volts p-p (TTL)

Video(HDMI) format supported:

DTV/HDTV:1080p/1080i/720p/576p/480p/576i/480i

HDMI Version: 1.4 (3D)

Output Audio: PCM 2.0

Operating temperature range: -5 to +35°C (-41 to +95 °F)

Operating humidity range:
5 to 90 % RH (no condensation)

Power Consumption: 15 Watts (max.)

INPUTS:

- 1 x HDMI (type A)
- 1 x RS-232 (Phoenix connector)

OUTPUTS:

- 1 x HDMI (type A)
- 1 x RS-232 (Phoenix connector)
- 1 x Analogue Audio (Minijack 3.5mm)

POWER SUPPLY:

100-240v 50/60Hz AC External Power Supply – integrated transformer/plug type.

DC Output 12V 3A, DC Cable 1.8m. Transformer dimensions: 96 x 44 x 28mm.

Interchangeable prongs including UK, EU, AU.

Note: a normal figure-8 cable can be plugged into the transformer if preferred.

ACCESSORIES INCLUDED:

- 1 x Pair of mounting ears

WARRANTY: 2-year return to base

COMPLIANCES: RoHS, WEEE, CE, and CB compliant.

ORDER PART CODES:

70M VERSION:

Set: TC2-HDBT70 [SAP: 2643393]

Transmitter only: TC2-HDBT70Tx [SAP: 2649192]

Transmitter Receiver only:

TC2-HDBT70Rx [SAP: 2649240]

100M VERSION:

Set: TC2-HDBT100 [SAP: 2643395]

Transmitter only: TC2-HDBT100Tx [SAP: 2648974]

Transmitter Receiver only:

TC2-HDBT100Rx [SAP: 2648975]

DAVE SAYS...

"HDBaseT radically changes what is possible in the AV world"



TC²-HDMIIP HDMI-over-IP

- Transmits HDMI over a network
- Signal can flow through up to three network switches
- No cable length limit

Part of Vision's "Techconnect Twist" product family, the TC²-HDMIIP converts HDMI signal into TCP/IP packets for transmission over a 100/10 megabit ethernet network. With no visible loss of video or audio quality it is perfect for corporate and digital signage applications.



PEER TO PEER

The Techconnect TC²-HDMIIP comes as a transmitter and receiver set. It does not support multiple receivers paired to one transmitter.

FULL HD

Fully HDCP compliant, it supports a wide range of resolutions up to 1080P plus full digital audio. Note: 3D not supported.

PLUG AND PLAY

EDID (extended display identification data) is automatically passed through. Connect equipment and it just works.

EQ-FREE

The signal passes through a network without the normal skew and balancing distortion.

FULL-MOTION

Video is compressed using the JPEG protocol, but at 30 frames per second there is no visible degradation or delay. Images are full colour with smooth motion.

LAN PROTOCOLS

Despite using the standard IP protocols you don't need to be a network engineer. If you connect the transmitter directly to the receiver you don't need to use a network crossover cable.

DUAL-POWER

This product requires a power supply at each end.



DAVE SAYS...

"This is the perfect product for digital signage applications"



SPECIFICATIONS

TRANSMITTER DIMENSIONS:

110 x 58 x 26 mm (length x width x height)

RECEIVER DIMENSIONS:

as above

PACKAGED DIMENSIONS:

150 x 175 x 70 mm

PRODUCT WEIGHT:

0.48 kg per set

PACKAGED WEIGHT:

0.7 kg per set

CONSTRUCTION MATERIAL:

Metal

COLOUR:

White

TECHNICAL DETAILS:

Standard: IEEE-568B

Cable: CAT5/5E/6

Bandwidth: 50mbps

Frame rate: 30fps

HDMI format supported: 1080p @ 50/60Hz

HDMI Version: partial 1.4 e.g. 3D not supported

Maximum cable length: Standard Ethernet rules apply

CAT5: 80m between ethernet devices

CAT5e: 100m between ethernet devices

CAT6: 120m between ethernet devices

Maximum resolution: 1080p@50/60Hz

Operating temperature range: -5°C ~35 °C

Operating humidity range: 20%~90%

Power Consumption: 3 Watts (max) each

INPUTS:

- 1 x HDMI (type A)

OUTPUTS:

- 1 x HDMI (type A)

2 X POWER SUPPLY:

100-240v 50/60Hz AC External Power Supply – integrated transformer/plug type.

DC Output 5V 2A, DC Cable 1.8m. Transformer dimensions: 76 x 44 x 26mm.

Interchangeable prongs including UK, EU, AU.

Note: a normal figure-8 cable can be plugged into the transformer if preferred.

ACCESSORIES INCLUDED:

- 2 x Mounting ears

WARRANTY:

2-year return to base

COMPLIANCES:

RoHS, WEEE, CE, and CB compliant.

ORDER PART CODE:

TC2HDMIIP [SAP: 2643392]

TECHCONNECT SIGNAL MANAGEMENT

TC²-HDMI14 HDMI Splitter



- 1:4 HDMI distribution amplifier
- EDID user-configurable
- HDMI v1.4

Designed for demanding professional use, the Techconnect HDMI distribution amplifier has a 2.25Gbps bandwidth to manage the highest definition HDMI signals. Potential applications include digital signage in retail, corporate, and event venues; anywhere where displays are used.

SUPPORTS 3D

As an HDMI v1.4 device it supports up to 1080P and full 3D.

HDCP AUTHENTICATION

This is a plug and play device which takes care of HDCP authentication automatically.

UPGRADEABLE

As the HDMI specification is changed this device can have firmware upgraded via USB port.

MOUNTING EARS

A robust metal chassis comes with detachable mounting ears.

ADVANCED EDID

Dip switches on the side can be adjusted to set various EDID (extended display identification data) scenarios. This determines what resolution the splitter outputs. The same resolution will be distributed through all four outputs.

000 USE LOWEST EDID

Looks at all of the video resolution and audio capabilities of each output device and uses the lowest video and lowest audio settings. 100 works in the same way but outputs a stronger signal for long cables.

001 USE FIRST EDID

When turned on it will detect active devices started from output 1. It will use the EDID from the first device it detects. If there are no active devices when powered on it will use the first device connected. 101 works in the same way but outputs a stronger signal for long cables.

010 1080P + STEREO AUDIO

The splitter will use the embedded 1080P / stereo audio

011 1080i + STEREO AUDIO

The splitter will use the embedded 1080i / stereo audio

110 1080P + 5.1 AUDIO

The splitter will use the embedded 1080p / 5.1 audio

111 1080P + 7.1 AUDIO

The splitter will use the embedded 1080p / 7.1 audio

SPECIFICATIONS

PRODUCT DIMENSIONS:

175 x 88 x 24 mm (length x width x height)

PACKAGED DIMENSIONS:

305 x 125 x 85 mm

PRODUCT WEIGHT:

0.5 kg

PACKAGED WEIGHT:

0.7 kg

CONSTRUCTION MATERIAL:

Metal

COLOUR:

White

TECHNICAL DETAILS:

Video Amplifier Bandwidth: 2.25Gbps

Input Video Signal: 0.5-1.0 volts p-p

Input DDC Signal: 5 volts p-p (TTL)

Maximum Single Link Range: 1080P Deep Color

Maximum Video Format Supported: 1920x1200 / 1080P

Output Video: HDMI 1.4

Operating Temperature Range: -5 to +35°C (-41 to +95 °F)

Operating Humidity Range:

5 to 90 % RH (no condensation)

Power Consumption: 10 Watts (max.)

INPUTS:

- 1 x HDMI (type A)

OUTPUTS:

- 4 x HDMI (type A)

POWER SUPPLY:

100-240v 50/60Hz AC External Power Supply – integrated transformer/plug type.

DC Output 5V 2A, DC Cable 1.8m. Transformer dimensions: 76 x 44 x 26mm.

Interchangeable prongs including UK, EU, AU.

Note: a normal figure-8 cable can be plugged into the transformer if preferred.

ACCESSORIES INCLUDED:

- 2 x Mounting ears

WARRANTY:

2-year return to base

COMPLIANCE:

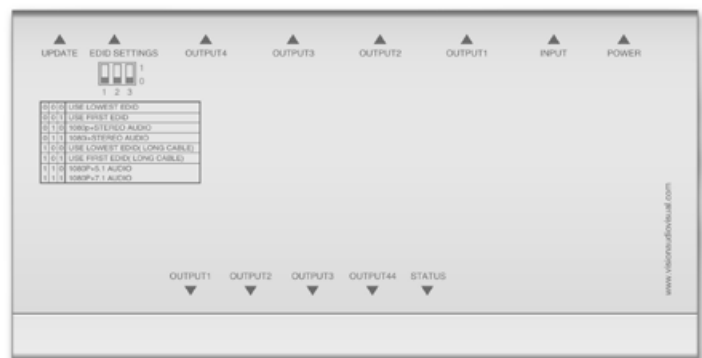
RoHS, WEEE & CE Compliant

ORDER PART CODE:

TC2-HDMI14 [SAP: 2643390]

DAVE SAYS...

“It is essential installers use HDMI signal management products with proper EDID control”



TECHCONNECT SIGNAL MANAGEMENT

TC²-HDMI41 HDMI Switcher

- 4:1 HDMI v1.4 switcher
- RS-232 and IR controllable
- Separate digital audio output



Professional applications demand the full gamut of HDMI features. Vision's Techconnect HDMI switcher is a reliable workhorse packed with everything you need. Ideal for corporate installations.

FAST SWITCHING

Advanced EDID (extended display identification data) management means super-fast switching.

CONTROL

Can be switched remotely by RS-232 or IR. The chassis features a minijack input for IR, and a normal IR receiver on the front panel.

ARC

Audio Return Channel (ARC) is a feature of HDMI 1.4 and allows audio to be passed from a display device back to the audio receiver in the system.

HEC

HDMI Ethernet Channel (HEC) allows any enabled devices to share the sync device's network connection.

FULL-SPECIFICATION

The TC²-HDMI41 switcher supports full HDCP authentication, 3D signal, and 1080P.

MOUNTING EARS

A robust metal chassis comes with detachable mounting ears.

ADVANCED EDID

Dip switches on the side can be adjusted to set various EDID scenarios. It reads and saves data from the display device.

UPGRADEABLE

If and when the HDMI specification changes this device can have firmware upgraded via USB port.



DAVE SAYS...

"Loads of control options make this switcher really useful."



SPECIFICATIONS

PRODUCT DIMENSIONS:

280 x 95 x 24 mm (length x width x height)

PACKAGED DIMENSIONS: 300 x 145 x 60 mm

PRODUCT WEIGHT: 0.5 kg

PACKAGED WEIGHT: 0.7 kg

CONSTRUCTION MATERIAL: Metal

COLOUR: White

TECHNICAL DETAILS:

Input Video Signal: 0.5-1.0 volts p-p

Input DDC Signal: 5 volts p-p (TTL)

Maximum Video Format Supported: 1080P

Audio Format Supported: DTS-HD, Dolby HD, PCM 7.1

Output Video: HDMI 1.4 with 3D and ARC

Operating Temperature Range:

-5 to +35°C (-41 to +95 °F)

Operating Humidity Range:

5 to 90 % RH (no condensation)

Power Consumption: 4 watts (Max.)

INPUTS:

- 4 x HDMI (type A)
- 1 x IR (3.5mm Minijack)
- 1 x RS-232 (9-pin D-sub)

OUTPUTS:

- 1 x HDMI (type A)
- 1 x Digital Audio (Toslink SPDIF)
- 1 x Digital Audio (Phono Coaxial)

POWER SUPPLY:

100-240v 50/60Hz AC External Power Supply – integrated transformer/plug type.

DC Output 5V 2A, DC Cable 1.8m. Transformer dimensions: 76 x 44 x 26mm.

Interchangeable prongs including UK, EU, AU.

Note: a normal figure-8 cable can be plugged into the transformer if preferred.

ACCESSORIES INCLUDED:

- 2 x Mounting ears
- 1 x Remote Control
- 1 x IR receiver extension cable

WARRANTY: 2-year return to base

COMPLIANCE: RoHS, WEEE & CE Compliant

ORDER PART CODE: TC2-HDMI41 [SAP: 2643391]

TECHCONNECT SIGNAL MANAGEMENT

TS-VGA Techsplitter 1:2 Distribution Amplifier

- Takes one VGA signal and duplicates it
- Unique snap-on mounting ears
- Includes 2m VGA Cable

Our high-bandwidth HD RGBHV splitter gets your computer image from A to B with technical integrity. There are many applications where you need to distribute your PC video output to more than one monitor – especially for AV environments where you need to split the signal to a projector and a local LCD monitor. Imagine making a presentation to your audience without an image on a small foldback monitor on the lectern to show you what is being projected onto the big screen behind you. You'd have to keep turning around to check that the content your audience is viewing is correct. Or in an office environment you might need to distribute a message to screens throughout your building. The VGA Splitter makes this possible with no fuss.

CLIP-ON MOUNTING EARS

It features a purpose-built chassis with mounting ears which allow easy attachment under tables, in cupboards, or lecterns. With a maximum resolution of 1920 x 1440 the Techsplitter is easily capable of transmitting HD signals. A computer image is split over 5 cables for transmission and is very weak, so it's important to keep each of the five signals at their strength to achieve full signal-to-noise ratio. Every time you introduce a join into a cable it reduces the signal strength by 3dB, which is almost half, so it's important to boost the signal as you go. Simply by introducing the VGA Splitter into the chain you can ensure maximum quality transmission over a long distance.

QUICK CONNECTION

RGBHV signal (informally known as "VGA") can be carried over five professional BNC interconnect cables, or for convenience we use 15-pin sockets as seen commonly on LCD monitors, projectors, and laptops. This cable provides a reliable and cheap method for quickly connecting devices.

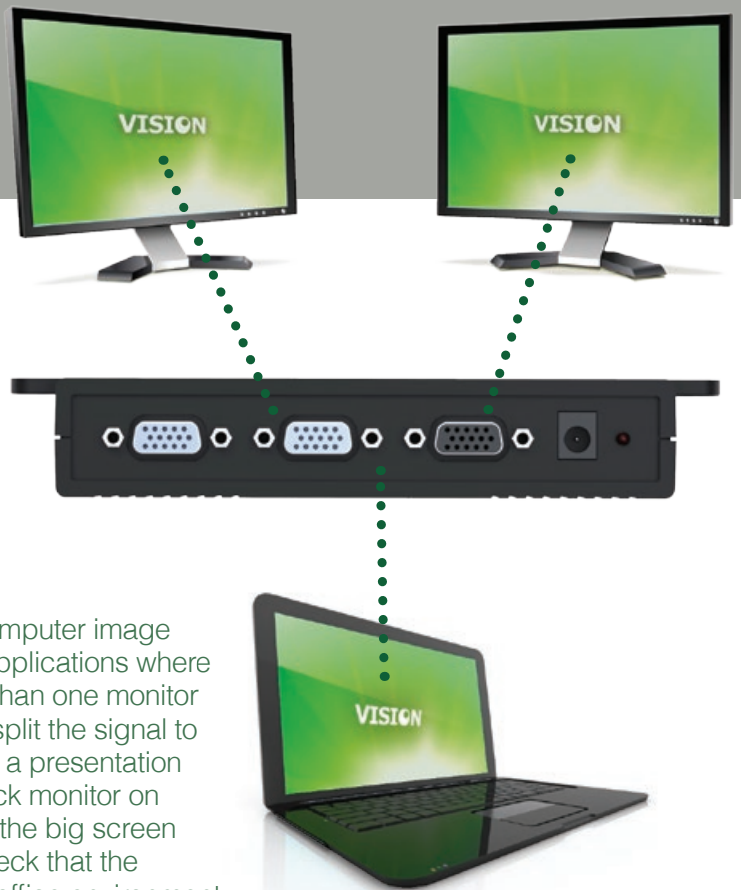
INTERCHANGEABLE POWER PLUG

The Techsplitter comes with interchangeable plugs for different countries. These include UK, EU, US, and Australian/New Zealand plugs.



DAVE SAYS...

"VGA shouldn't be run over cables longer than 20m without boosting."



SPECIFICATIONS

BOX DIMENSIONS: 180 x 150 x 60mm

CHASSIS DIMENSIONS: 145 x 55 x 28mm

PACKAGED WEIGHT: 0.4kg

PRODUCT WEIGHT: 0.2kg

OUTER CARTON QUANTITY: 36

OUTER CARTON WEIGHT: 19kg

COLOUR: Gun Metal

TECHNICAL DETAILS:

Supports DDC, DD2, DDC2B

I/O Interface: TTL Compatible; Vertical Sync & Horizontal Sync, Analog Signal; Supports sync on green

I/O Signal:

Video: TTL level Positive Analog 0.7vp-p/75 Positive

Sync: Separate sync, TTL Level

Horizontal sync. Positive/Negative

Vertical sync. Positive/Negative

Composite sync, TTL level

Maximum resolution: 1920 x 1440

Horizontal frequency: 30-100Hz

Vertical frequency: 43-120Hz

Bandwidth: 250MHz

Recommended Transmission distance:

Splitter Input: Cable should be no longer than 7.5m (25')
Splitter Output: Max 20m

ACCESSORIES INCLUDED:

- 1 x External 100-230v 9V/0.3A Power Transformer with UK, EU, US, and AU interchangeable plugs. 1.8m DC tail. Transformer dimensions: 60 x 40 x 22mm
- 1 x Male-to-male VGA Cable (2m)

WARRANTY: 2-year return to base

COMPLIANCES: RoHS, WEEE & CE compliant

ORDER PART CODE: TS-VGA [SAP: 1707561]

Notes:

1. If you connect a DDC type monitor to video out port, all other monitors must be able to support the highest resolution that the DDC monitor can provide.
2. These products are designed for VGA, SVGA, and Multisync monitors. They are not suitable for CGA, EGA, or MONO type monitors that use digital video signals.
3. Theoretically there is no limit to the number of splitters that can be chained, but the quality will deteriorate as you chain further and further away from the video signal.

TC²-VGAHDMI VGA-to-HDMI Converter

- Input: VGA and stereo audio
- Output: HDMI (v1.3b)
- VGA and audio pass-thru



With the world moving towards digital signal management the professional AV installer needs to be able to convert analogue VGA and audio signals to HDMI for switching, distribution, and long-distance transmission.

DIGITAL CONVERSION

The TC²-VGAHDMI combines analogue VGA and audio signals from a computer and digitizes them into one HDMI signal.

SMOOTH HAND-SHAKE

An HDCP key manager takes care of authentication.

LOOP THRU

The VGA and audio are passed through for connection to local equipment.

RESET

A convenient reset button can be pressed to re-synchronise if the PC resolution settings are changed.

ALUMINIUM CHASSIS

A tough chassis withstands the rigors of professional use. It also helps disperse heat keeping the processing chip cool.



DAVE SAYS...

“You need to make sure your system can take legacy formats.”



SPECIFICATIONS

PRODUCT DIMENSIONS:

89 x 68 x 29 mm (length x width x height)

PACKAGED DIMENSIONS: 110 x 110 x 65 mm

PRODUCT WEIGHT: 0.68 kg

PACKAGED WEIGHT: 0.8 kg

CONSTRUCTION MATERIAL: Aluminium

COLOUR: White

TECHNICAL DETAILS:

Maximum Supported Video Format: 1600x1200/60HZ

Operating Temperature Range: -5 to +35°C (-41 to +95 °F)

Operating Humidity Range:

5 to 90 % RH (no condensation)

Power Consumption: 10 watts (Max.)

INPUTS:

- 1 x VGA (15-pin d-sub)
- 1 x Stereo Audio (Minijack 3.5mm)

OUTPUTS:

- 1 x HDMI (type A)
- 1 x VGA (15-pin d-sub)
- 1 x Stereo Audio (2-phonos)

POWER SUPPLY:

100-240v 50/60Hz AC External Power Supply – integrated transformer/plug type.

DC Output 5V 2A, DC Cable 1.8m. Transformer dimensions: 76 x 44 x 26mm.

Interchangeable prongs including UK, EU, AU.

Note: a normal figure-8 cable can be plugged into the transformer if preferred.

ACCESSORIES INCLUDED: -

WARRANTY: 2-year return to base

COMPLIANCE: RoHS, WEEE & CE Compliant

ORDER PART CODE: TC2-VGAHDMI [SAP: 2643396]

TC²-HDMIRPT HDMI Repeater

- Joins HDMI cables together
- HDMI v1.4
- Powered by HDMI

The Techconnect HDMI repeater joins two HDMI cables to make a single long cable. The small chassis can hide in dado rail, and it suits any application where HDMI cables are used including corporate meeting rooms, home cinemas, classrooms, and churches.



30M LENGTH

Two cables can be joined together to create one 30m cable capable of 1080P. At lower resolution longer lengths of up to 50m are possible but this depends on cable quality. Note: daisy-chaining more than one repeater is not recommended.

MIS-MATCHED CABLES

If the two cables are varying lengths the longer one should be used between the source device and the repeater.

FULL RESOLUTION

A bandwidth of 1.65Gbps allows the TC²-HDMIRPT to transmit fully supported HDMI v1.4 1080p@60Hz, 48 bit. It supports 3D and is HDCP compliant.

AUTOMATIC EQ

Auto-adjustment of feedback, equalization and amplification. The installer does not need to pay attention to cable lengths.

ESD PROTECTION

The HDMI repeater has an electrostatic discharge filter to protect itself and expensive source and display equipment.



SPECIFICATIONS

PRODUCT DIMENSIONS:

51 x 32 x 19 mm (length x width x height)

PACKAGED DIMENSIONS: 65 x 40 x 20 mm

PRODUCT WEIGHT: 0.1 kg

PACKAGED WEIGHT: 0.1 kg

CONSTRUCTION MATERIAL: Metal

COLOUR: White

TECHNICAL DETAILS:

Bandwidth: 1.65 GBPS

Maximum Resolution: 1920 x 1200

Video Format Supported:

DTV/HDTV;1080P/1080i/720P/576P/480P/576i/480i

Output Video: HDMI 1.4+HDCP (repeats the source)

Output Audio: Support DTS-HD, Dolby-HD (repeats the source)

Maximum Transmission Distance @ 1080P:
24AWG 50m / 28AWG 36m / 30AWG 30m

EQ: up to 40dB @ 825MHz

Operating Temperature Range:

-5 to +35°C (-41 to +95 °F)

Operating Humidity Range:

5 to 90 % RH (no condensation)

Input Video Signal: 0.5-1.0 volts p-p

Power Consumption: 0.6 watts (via HDMI)

Input DDC Signal: 5 volts p-p (TTL)

INPUT:

- 1 x HDMI (type A)

OUTPUT:

- 1 x HDMI (type A)

ACCESSORIES INCLUDED: -

WARRANTY: 2-year return to base

COMPLIANCE: RoHS, WEEE & CE Compliant

ORDER PART CODE: TC2 HDMIRPT [SAP: 2643397]

“DAVE SAYS...”

“Beware cheap HDMI products which don't handle HDCP handshakes properly. You can depend on Vision gear.”





SP-1100P Pair 20w Active Loudspeakers

- Integrated 20 watt (RMS) amplifier
- Two inputs
- Easy-access volume dial on front

Designed for use in small meeting rooms and classrooms, the SP-1100P are Vision's most cost-effective audio solution and represent fantastic value. Great sound quality and Vision's trademark ease of installation are key features of this product.

VOLUME ON FRONT

The volume dial is on the front of the 'master' loudspeaker – the one containing the amplifier – so users can easily access it. Turning the volume dial fully anti-clockwise turns the power off.

EASY TO INSTALL

Simple "C" brackets are included for swift installation.

FLEXIBLE CONNECTIVITY

The rear panel of the master loudspeaker offers minijack and 2-phono inputs.

MDF FABRICATION

A sturdy MDF chassis provides a rigid acoustic chamber for distortion free sound, and the tuned bass reflex port enhances bass.

SUMMED INPUTS

The two line-level inputs are combined at the input stage meaning there is no input selection switch. When both inputs are used it is especially important that all source and display devices in the system are powered from the same mains power source.

SILK TWEETER

A proven two-way design with good quality driver components ensures users will get reliable service for many years.

“DAVE SAYS...

“These speakers sound far better than they should for the price”



SPECIFICATIONS

PRODUCT DIMENSIONS: 150 x 145 x 220 mm
(length x width x height for each speaker)

PACKAGED DIMENSIONS: 270 x 420 x 320 mm

PRODUCT WEIGHT: 3.4 kg (per pair)

PACKAGED WEIGHT: 5.0 kg (per pair)

CONSTRUCTION MATERIAL: MDF

COLOUR: White

TECHNICAL DETAILS:

Amplifier Output: 2 x 10w watts (RMS)

Woofer: 4"

Tweeter: 1.5" Silk

Input / Output Terminals: Phoenix connectors

Output Impedance: 4 ohms

Sensitivity: 85dB (1w/1m)

Frequency response: 80Hz-16kHz

ACCESSORIES INCLUDED:

- 2 x Wall brackets
- 1 x Euro Figure-8 Power cable 2m long
- 1 x UK Figure-8 Power cable 2m long
- 1 x 5m Speaker Cable

POWER SUPPLY: 240V Internal Power Supply

WARRANTY: 2-year return to base

COMPLIANCE: RoHS, WEEE, and CB Compliant

ORDER PART CODE: SP-1100P [SAP: 2648571]

SP-1200P Pair 30w Active Loudspeakers

- Integrated 30 watt (RMS) amplifier
- Two inputs, IR remote included
- Terminate to wall bracket and clip speaker on



With a powerful 30 watt amplifier built in, the SP-1200P powered loudspeakers suit any audio-visual presentation environments such as classrooms and meeting rooms, bars and restaurants. They are simple to install and sound great!

REMOTE CONTROL

A full range of options are presented on the IR remote control, including bass and treble adjustment.

VOLUME ON FRONT

A dial on the front of the 'master' loudspeaker – the one containing the amplifier – allows easy access to volume adjustment. Pushing the volume dial turns the power on and off.

EASY TO INSTALL

Unique brackets allow very fast installation:

1. Fit the bracket to the wall.
2. Terminate inputs and outputs to the bracket.
3. Clip loudspeaker onto the bracket. A locking mechanism secures it in place.

End users can easily swap out the loudspeakers with no specialist knowledge or tools.

EXTERNAL POWER SUPPLY

An external power supply helps overcome a distant mains power source, and allows all input and output signals to pass through the phoenix connector block, making de-installation very simple.

ENHANCED SOUND

A powerful amplifier coupled with a rigid chassis results in fantastic sound.

MEMORY

When power is connected the SP-1200P automatically comes on and remembers the previous input and volume setting. Restoring power brings the loudspeakers back to life automatically.

2-WAY DRIVERS

Built to last, the SP-1200P feature a proven two-way driver design with a professional passive cross-over.



SPECIFICATIONS

PRODUCT DIMENSIONS: 150 x 145 x 220 mm
(length x width x height for each speaker)

PACKAGED DIMENSIONS: 270 x 420 x 320 mm

PRODUCT WEIGHT: 3.8 kg (per pair)

PACKAGED WEIGHT: 5.4 kg (per pair)

CONSTRUCTION MATERIAL: MDF

COLOUR: White

TECHNICAL DETAILS:

Amplifier Output: 2 x 15w watts (RMS)

Woofer: 4"

Tweeter: 1.5" Silk

Input / Output Terminals: Phoenix connectors

Output Impedance: 4 ohms

Sensitivity: 85dB (1w/1m)

Frequency response: 80Hz-16kHz

ACCESSORIES INCLUDED:

- 2 x Wall brackets
- 1 x 5m Speaker Cable

POWER SUPPLY:

100/240v 50/60Hz AC External Power Supply – integrated transformer/plug type.

DC Output 5V 2A, DC Cable 1.8m.

Interchangeable prongs including UK, EU, AU. Note: a normal figure-8 cable can be plugged into the transformer if preferred.

WARRANTY: 2-year return to base

COMPLIANCE: RoHS, WEEE, and CB Compliant

ORDER PART CODE: SP-1200P [SAP: 2648572]

DAVE SAYS...

"The memory feature is ideal for exhibit applications where power is turned off every night."



SP-1600 Pair 2-Way Wall Loudspeakers

- Professional 50w loudspeakers
- Clip-on wall brackets with locking mechanism
- White, sold in pairs



Vision's SP-1600 loudspeakers are easier to install than any other speaker in its class, with superb sound quality and a robust chassis. They are powerful, professional, and acoustically optimised for the Vision range of amplifiers.

LOWER BASS RESPONSE

A structurally rigid MDF chassis and a specially tuned bass reflex port have extended the bass response down, resulting in more natural music reproduction.

RUGGED GRILLE

Refreshed industrial design makes the SP-1600 attractive and robust. The thick metal grille protects the drivers from physical interference.

TOUGH FINISH

The textured paint finish withstands the rigors of the professional use.

AV APPLICATIONS

AV presentation environments demand a wide dispersion so everyone in the audience can hear clearly, so the SP-1600 uses ferro-fluid cooled dome tweeters.

UNIQUE BRACKETS

Vision's unique brackets allow very fast installation and end users can even swap out the loudspeakers with no specialist knowledge or tools.

1. Fit the bracket to the wall.
2. Terminate cables to the bracket.
3. Clip loudspeaker into place. A locking mechanism secures the chassis in place.

CLOSE-FIT BRACKET

The slim profile brackets allow a very close fit to the walls of less than 20mm.

Note: these are passive loudspeakers – there is no amplifier built in – so they need to be used with an additional external amplifier.



DAVE SAYS...

"The clever brackets with the Vision loudspeakers are so easy to use"



SPECIFICATIONS

PRODUCT DIMENSIONS: 160 x 150 x 240 mm
(length x width x height for each speaker)

PACKAGED DIMENSIONS: 175 x 390 x 260 mm

PRODUCT WEIGHT: 3.3 kg (per pair)

PACKAGED WEIGHT: 5.0 kg (per pair)

CONSTRUCTION MATERIAL: 9mm MDF

COLOUR: White

TECHNICAL DETAILS:

Power Handling: 50w watts (RMS)

Woofer: 4"

Tweeter: 1" Silk

Input / Output Terminals: Phoenix connectors

Output Impedance: 8 ohms

Sensitivity: 85dB (1w/1m)

Frequency response: 75Hz-20kHz

ACCESSORIES INCLUDED:

- 2 x Wall brackets

WARRANTY: 2-year return to base

COMPLIANCE: RoHS & WEEE Compliant

ORDER PART CODE:

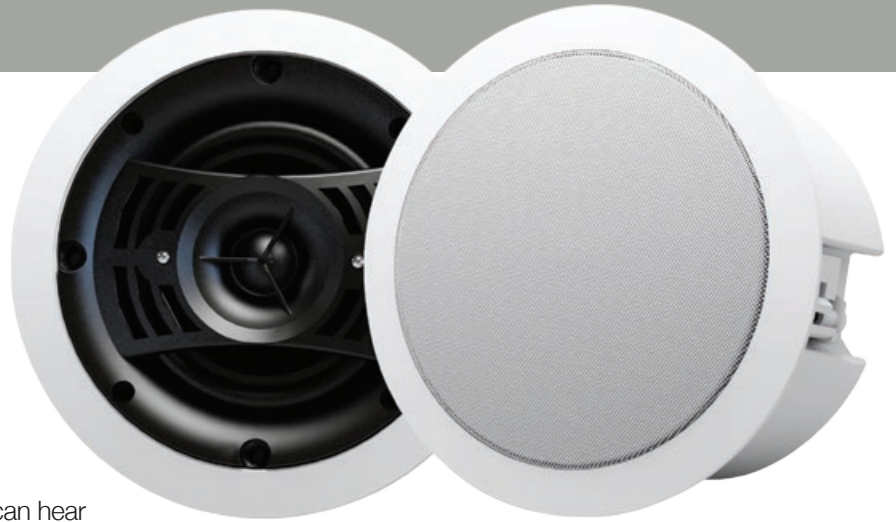
SP-1600 [SAP: 2648570]

Bundled with AV-1600 amplifier:
AV-1600+SP-1600 [SAP: 2649198]

Bundled with TC2-AMP2 amplifier:
TC2-AMP2+SP-1600 [SAP: 2649199]

CS-1600 Pair 6.5” Ceiling Loudspeakers

- Pair of ceiling mounted loudspeakers
- 6.5 Driver 2-Way format
- Distribute sound evenly so the whole audience can hear



The CS-1600 ceiling speakers feature a two-way design which gives full-bandwidth sound full of bass and clarity. The main driver is a 6.5” polypropylene cone complimented by a 1” ferro-fluid cooled silk tweeter. These low impedance speakers do no sacrifice frequency range in the way that 100/70v line speakers inherently do, and with the rear cabinet allowing full tuning of internal acoustics the bass is rich and deep without distortion.

HIGH SOUND PRESSURE LEVELS

Ceiling speakers inherently lack power at the bottom end, so we’ve tuned the CS-1600 to have a louder sensitivity of 90dB to punch through high-noise presentation environments.

SIMPLE TO FIT

Simple to mount into false ceiling tiles, the CS-1600 is the audio contractor’s ultimate product for ease of installation. Cut a 200mm hole and fit the speaker! It’s clean and easy.

SHALLOW CABINET

Only 5”(128mm) deep, no compromise needs to be made when positioning the CS-1600 in the ceiling. They can be placed optimally around the room and they fit in a wide variety of false-ceiling environments.

CONVERSION FOR 100V LINE

Where more than two pairs of speakers are required a “low impedance” amplifier is not appropriate; in this instance you’d use a “100v line” amplifier which is designed specifically to power many more speakers. Vision offer 100v line transformers which can be added to the CS-1600 to convert them for use with 100/70v line amplifiers.

These optional transformers are sold in pairs. Part Number: SP-100V [SAP: 2385504]



SPECIFICATIONS

LOUDSPEAKER DIMENSIONS:

230 x 128mm (9 x 5”)

CUTOUT SIZE: 200mm (7 7/8”)

CARTON DIMENSIONS: 312 x 260 x 260mm

SPEAKER WEIGHT: 3.2kg (per pair)

CARTON WEIGHT: 3.8kg (per pair)

POWER HANDLING: 30W RMS

WOOFER: 6.5”

TWEETER: 1” Silk

SPEAKER TERMINALS: Bare-wire spring type

NOMINAL IMPEDANCE: 8 ohms

SENSITIVITY: 90dB (1w/1m)

FREQUENCY RESPONSE: 70Hz-20kHz

COLOUR: White

ACCESSORIES INCLUDED: n/a

WARRANTY: 2-year return to base

COMPLIANCES: RoHS & WEEE

ORDER PART CODE:

CS-1600 [SAP: 2385505]

or AV-1600+CS-1600 bundle [SAP:2386005]

or TC2-AMP2+CS-1600 bundle [SAP:2386006]

“ DAVE SAYS...

“Dead-easy to install and the best sounding ceiling speakers in their class.”



AV-1600 2 x 25w Digital Amplifier



- 2 x 25w RMS (at 8 ohms) low impedance digital power amplifier
- 4 x Stereo inputs / 1 x Stereo Pre-Output / 1 x Balanced Mic input with Phantom Power
- Equipped for use as a 'Ceiling-Amplifier' to amplify a projector's audio output (so that you can use the projector remote control to switch)

Harnessing the latest digital amplifier and touch-control technology, the new AV-1600 is compact, flexible, easy to use and uses no power at idle.

MOUNTING EARS

Included Mounting hardware allows attachment to a wall, projector pole, or rack. It has 1U / half-rack-width chassis.

BACKLIT DIALS

The backlit dials are clear and easy to use. Useful LED indicators show the volume levels even in low light environments.

FLEXIBLE INPUTS AND OUTPUT

4 stereo inputs (via phono connectors) accept input from a variety of sources and the AV-1600 features a line-level pre-output, which feeds the sound on to a subwoofer for bass reinforcement, or a tape recorder recording, or even to a larger amplifier if you need more power! Comes with input and output cables meaning it is ready for use out of the box.

PHANTOM POWER

The microphone input is via a professional XLR connector, which means it is balanced to eliminate electro-magnetic noise induced on long cables, and outputs "Phantom Power" – a voltage which is required by lectern and other sensitive condenser microphones. This is unique to the AV-1600 in its class.



Rear View

CEILING AMPLIFIER WITH GROUND LIFT

A unique feature is the ability to use it in tandem with a data projector in the ceiling, meaning you can intuitively use the projector remote control to select inputs and control volume. Simply mount the amplifier up in the ceiling above the projector (making it much harder to steal), and run all of the audio through the projector into the AV-1600. The AV-1600 has a power output socket so that the projector and amp can share the same power outlet, and it also has a ground-lift switch to eliminate noise sometimes induced on audio signals by data projectors. Easy!



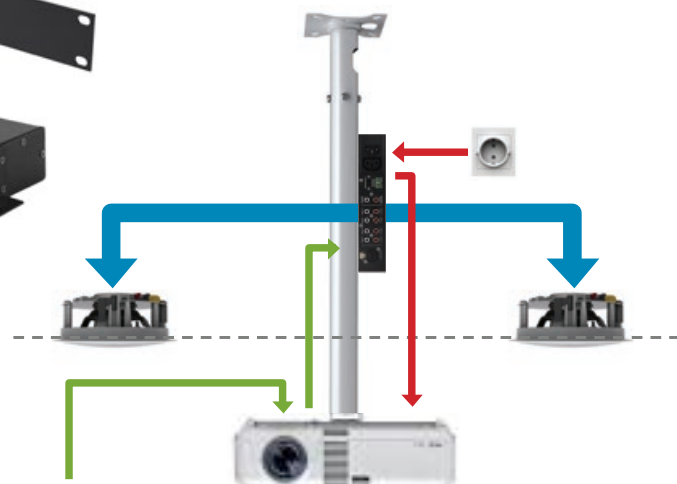
Ceiling Pole Configuration



Rack Configuration



Wall Ears Configuration



SPECIFICATIONS

AMPLIFIER DIMENSIONS: 220 x 165 x 44mm

CARTON DIMENSIONS: 265 x 211 x 145mm

AMPLIFIER WEIGHT: 1.2kg

PACKAGED WEIGHT: 2.8kg

COLOUR: Black

INPUTS:

- 4 x Stereo inputs via phono connectors
- 1 x Microphone inputs via balanced XLR

OUTPUTS:

- 1 x Stereo Line-level output via phono connectors

TECHNICAL DETAILS:

2 x 25w @ 8 ohms

Total Harmonic Distortion <2%

Frequency response (line in): 50Hz~17kHz

Signal to noise ratio (line in): 75dB

Rating input level/Impedance:

line in 400~450mV/47kohms

Power consumption (rating condition): <=100W

ACCESSORIES INCLUDED:

- 1 x 2-phono to 2-phono cable 2m long
- 1 x 2-phono to 3.5mm minijack cable 2m long
- 1 x Euro IEC Power cable 2m long
- 1 x UK IEC Power cable 2m long
- 2 x Unshielded Speaker Cable 5m long
- 1 x Pair wall/pole mounting ears
- 1 x Pair rack mounting ears

POWER SUPPLY: 100~240V Internal Power Supply

WARRANTY: 2-year return to base

COMPLIANCES: RoHS, WEEE & CE compliant

ORDER PART CODE: AV-1600 [SAP:2123319]

Bundled with SP-1300 loudspeakers:

AV-1600+SP-1300W [SAP: 2272851]

Bundled with SP-1600 loudspeakers:

AV-1600+SP-1600 [SAP: 2649198]

Bundled with CS-1600 loudspeakers:

AV-1600+CS-1600 [SAP: 2386005]



SP-100V Pair 100v Line Transformers

- Allows any low-impedance loudspeakers to be used with a 100/70V amplifier
- Includes 2 x 100/70v line transformers in safety-rated chassis
- Includes 4 / 8 / 16 / 30 wattage taps

For applications where more than two pairs of speakers are required installers use “100v line” amplifiers (70v in America) which are specially designed to power many loudspeakers – for example in retail environments or train stations.

100V LINE SIGNAL

To achieve distribution to many speakers daisy-chained over a long distance the 100v line amplifier outputs very strong “100 volt” signal. Loudspeakers for this type of amplifier need to be equipped with step-down transformers which convert this high-voltage signal to useable “speaker-level” signal.

NORMAL OPTIONS

Commonly loudspeaker manufacturers offer two versions of the same product: “low impedance” for use with normal amplifiers, and “100v line” with a 100v transformer built in for use in 100v line systems. Often the part number will end with a “t” to denote transformer. Normally the internal transformer cannot be bypassed if you need to use these loudspeakers with a low impedance amplifier.

VISION OFFERS FLEXIBILITY

Vision’s loudspeaker and amplifiers are all “low-impedance” because of the superior sound quality and greater power output. Instead of restricting installers to one or the other Vision offers the unique add-on SP-100V transformers which simply “retrofit” to any low impedance speakers. The SP-100V inserts between the 100v amplifier and the low impedance loudspeaker allowing any low-impedance loudspeakers need to be used with a 100v line amplifier.

SPECIFICATIONS

PRODUCT DIMENSIONS: 85 x 75 x 65mm

CARTON DIMENSIONS: 155 x 90 x 70mm

PRODUCT WEIGHT: 0.38 kg (each)

CARTON WEIGHT: 0.77 kg (per pair)

COLOUR: White

ACCESSORIES INCLUDED: n/a

WARRANTY: 2-year return to base

COMPLIANCES: CE, RoHS & WEEE Compliant

ORDER PART CODE: SP-100V [SAP: 2385504]

“DAVE SAYS...

“Only Vision offers a product that does this”



TM-1200 Universal Projector Ceiling Mount

- Projector ceiling mount with 1.1m pole cut to length onsite (overall length 1410mm)
- All parts included e.g. drilling jig, cathedral ceiling mechanism, trim disc etc.
- Cables can be routed after assembly

The Techmount is a universal projector ceiling bracket designed to secure 99% of data projectors safely and sturdily to ceilings. It has built in flexibility allowing quick assembly in a number of different configurations, including “flush-mount” where the projector is as close to the ceiling as possible.

The fixed pole has greater rigidity than telescopic mounts and because it is cut to length onsite it has an infinitely variable length. The overall length when the tilting mechanism is in place is 1410mm. A 1m male-to-female extension pole is available which can be daisy-chained. Order Code: TM-1200 EXT1M [SAP: 1562436]

SLOPING CEILINGS?

A tilting mechanism is included which tilts to a full 90 degrees, allowing you to use the bracket as a boom if need be.

SAFETY APPROVED

In line with best-practise a safety fall-arrest tether is included which secures the projector to your bracket. Independent testing on calibrated test equipment measured a breaking-strain of half a ton! We recommend a maximum safe working load of 10kg which is well within the limits of the product and up to BSi installation standard specification (PAS122:2009).

EASY FIT

Fitting the bracket to the projector is simple; most projectors have threaded inserts in the bottom for attachment. Not all use the same diameter screws we provide a selection to suit almost all projectors. Simply adjust the arms on our bracket over the attachment holes, and insert a screw into the projector.

OBSTRUCTION-FREE CABLE MANAGEMENT

Rather than having a bolt that runs through the pipe and blocks cable access, we use our unique quad-bolt ‘chute-through’ system which leaves cable access clear – even for a big VGA connector.

TOOLS INCLUDED

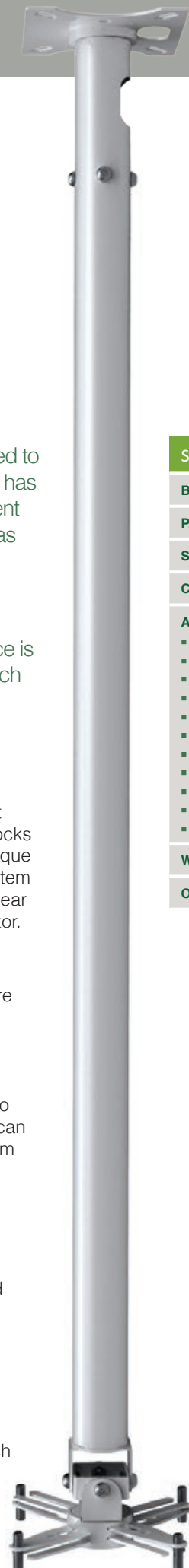
A spanner and pin-hex key are included. The only tool you’ll need is a 2” pipe cutter (ask your tool supplier for a cutter with a 6-67mm range, and a metal cutting disk). We’ve also included a drilling jig so you can easily and accurately drill 9mm holes into the pole.

SECURE

Quick-release mechanisms make life easier for thieves, so the TM-1200 is secure and features security bolts.

FINISH THE JOB PROPERLY!

Enhance aesthetics with the retrofittable trim disc which is fitted in false-ceiling environments to properly finish the installation.



SPECIFICATIONS
BOX DIMENSIONS: 1300 x 160 x 90mm
PACKAGED WEIGHT: 6kg
SAFE WORKING LOAD: 10kg
COLOUR: Satin White
ACCESSORIES INCLUDED:
<ul style="list-style-type: none"> ■ 1 x H50 Pin-Hex key ■ 1 x 17mm Spanner ■ 4 x M3 43mm screws ■ 4 x M4 43mm screws ■ 4 x M5 43mm screws ■ 4 x M6 43mm screws ■ 4 x M2.5 43mm pan slot for Optoma & Acer ■ 4 x M8 50mm Ceiling Fixtures with rawl plugs ■ 1 x Drilling Jig ■ 1 x Safety Tether ■ 1 x Ceiling Trim Disc
WARRANTY: 2-year return to base
ORDER PART CODE: TM-1200 [SAP: 1562435]



TM-TELE Telescopic Projector Ceiling Mount

- Universal projector ceiling mount with telescopic pole
- Overall length 440-735 mm
- Full adjustment: tilt at top for sloping ceilings / pitch and roll at the bottom

The TM-TELE Techmount is a projector ceiling bracket for anchoring any data projector safely to a ceiling. The telescopic design allows fast deployment and adjustment without the need cut and drill the pole. It has a greater range than most other telescopic mounts and the pole can be removed for “flush-mounting” the projector as close to the ceiling as possible. Note: unlike the TM-1200 the length of this bracket cannot be extended.

ONE-MAN INSTALLATION

Thoughtful design detail include a length adjustment clamp system which requires only one hand.

SLOPING CEILINGS

A tilting mechanism is included which tilts to a full 90 degrees, allowing you to use the bracket as a boom if need be.

SAFETY APPROVED

A back-up fall-arrest tether is included which secures the projector to your bracket, and the pole has a mechanical stop so that the two parts of the pole cannot be separated. Vision recommends a maximum safe working load of 10kg which is well within the limits of the product and meets the BSi installation standard specification (PAS122:2009).

EASY FIT

Projectors have threaded inserts in the bottom for attachment – but not all use the same diameter screws so Vision includes a selection to suit most projectors. Simply locate the “spider” arms on our bracket over the attachment holes, and insert a screw into the projector.

OBSTRUCTION-FREE CABLE MANAGEMENT

Vision’s unique ‘chute-through’ system leaves cable access clear – even for big VGA connectors.

TOOLS INCLUDED

A spanner and pin-hex key are included. Vision also includes a hex-key bit for a power drill to speed up installation.

SECURE

Quick-release mechanisms make life easier for thieves, so the TM-TELE is secure and features security bolts.



SPECIFICATIONS

BOX DIMENSIONS: 393 x 150 x 80 mm

PACKAGED WEIGHT: 3 kg

SAFE WORKING LOAD: 10kg

COLOUR: Satin White

ACCESSORIES INCLUDED:

- 1 x H50 Pin-Hex key
- 1 x 17mm Spanner
- 4 x M3 43mm screws
- 4 x M4 43mm screws
- 4 x M5 43mm screws
- 4 x M6 43mm screws
- 4 x M2.5 43mm pan slot
- 4 x M8 50mm Ceiling Fixtures with rawl plugs
- 1 x Safety Tether

WARRANTY: 2-year return to base

COMPLIANCES: TUV-GS

ORDER PART CODE: TM-TELE [SAP: 2418655]

DAVE SAYS...

“Just the mount when you’re doing it yourself”



TM-CC Close-Coupled Projector Ceiling Mount



- Universal projector ceiling mount for close-to-ceiling installation.
- All parts included and arrives 95% assembled reducing time onsite.
- 4 fully adjustable spider arms fit 99% of projectors.

The Techmount TM-CC is a universal projector ceiling bracket designed to secure 99% of data projectors safely and sturdily to ceilings. It is designed for applications where no 'drop' is required so no pole is included. It holds the projector 110mm away from the ceiling.

ROBUST CONSTRUCTION

High standard of finish and over-engineered for stability and safety. A rugged high-quality satin-white finish blends with ceiling tiles.

MANOEUVRABLE

The top and bottom parts can rotate 360 degrees, and the spider arms have a maximum span of 340mm.

SLOPING CEILINGS?

A tilting mechanism is built in allowing you to use the bracket with cathedral-type ceilings.

SAFETY APPROVED

As with all projector Techmounts a safety cable is included to attach to the projector. The TM-CC has a recommended maximum safe working load (SWL) of 10kg which is well within the limits of the product.

EASY FIT

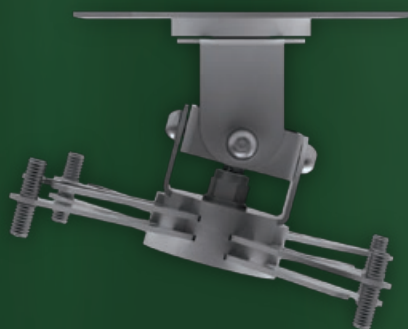
Fitting the bracket to the projector is simple; most projectors have threaded inserts in the bottom for attachment. Not all use the same diameter screws we provide a selection to suit almost all projectors. Simply adjust the arms on our bracket over the attachment holes, and insert a screw into the projector.

TOOLS INCLUDED

A spanner and pin-hex key are included.

SECURE

Quick-release mechanisms make life easier for thieves so the TM-CC comes with secure pin-hex bolts.



SPECIFICATIONS

BOX DIMENSIONS: 244 x 174 x 120mm

PACKAGED WEIGHT: 1.6kg

SAFE WORKING LOAD: 10kg

COLOUR: Satin White

ACCESSORIES INCLUDED:

- 1 x H50 Pin-Hex key
- 1 x 17mm Spanner
- 4 x M2.5 43mm pan slot for Optoma & Acer
- 4 x M3 43mm screws
- 4 x M4 43mm screws
- 4 x M5 43mm screws
- 4 x M6 43mm screws
- 4 x M8 50mm Ceiling Fixtures with rawl plugs
- 1 x Safety Tether

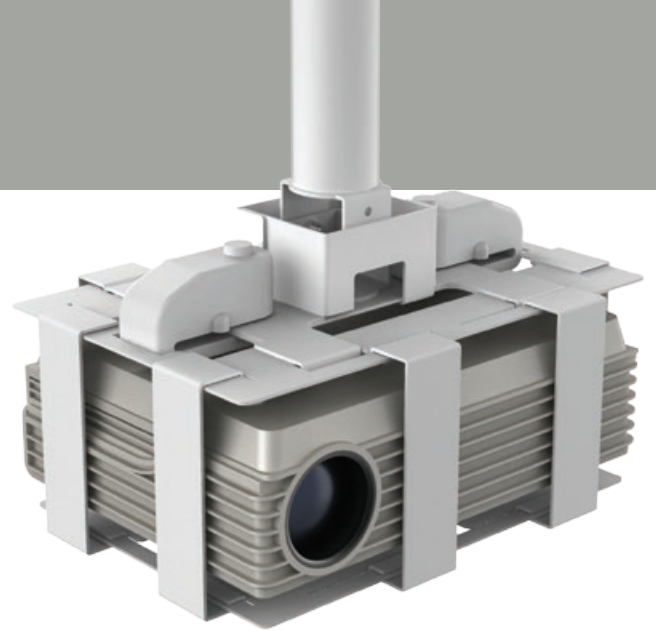
WARRANTY: 2-year return to base

ORDER PART CODE: TM-CC [SAP: 1932372]

DAVE SAYS...

"With the TM-1200 make sure you use a pipe cutter with a 6-67mm range and metal cutting disk"





TM-CAGE Projector Security Enclosure

- Universal projector security cage with audible alarms
- Security is by clever design rather than thick heavy steel
- Close-fitting - less obtrusive and more secure

AVAILABLE IN EIGHT DIFFERENT SIZE COMBINATIONS

a) Select a small or medium top plate package which includes the top and bottom plates, foam blocks, locking collars, and locks.

The small plate accommodates projectors up to 315 x 235mm

The medium plate accommodates projectors up to 375 x 300mm

b) Select a side package which includes eight side panels and comes in four sizes to allow for projectors of different heights; 80, 100, 120, and 160mm.

113DB AUDIBLE ALARM

Two hardened locks have built in motion-sensing alarms. A combined volume of 113dB is a strong deterrent. Push-locks speed up installation time.

2 LOCKS / 2 DIFFERENT KEYS

The two locks do not use the same key, creating delay for a thief as they struggle to figure out which key is for which lock. The same two keys are provided with every TM-CAGE so that a facility manager with a number of cages only needs to have two keys with him at any time.

COOLING, CABLE, & IR ACCESS

Sliding side panels allow unimpeded connectivity, open airflow, and IR remote control access.

LIGHTWEIGHT

The TM-CAGE is obvious enough to serve as an effective visual deterrent, but is unobtrusive. Just because it needs to be seen, doesn't mean it needs to be ugly! Weighing only 3.5kg, the enclosure assembles like a puzzle making it deceptively difficult to take apart.

ASSEMBLY STEPS

1. Set bottom plate on non-scratch surface
2. Put projector into place
3. Add side panels on long sides
4. Fit top plate
5. Add side panels on short sides
6. Attach Techmount Projector bracket
7. Fit collars
8. Fit locks

INTELLIGENT SECURITY

Security comes from intelligent design, rather than over-engineering.

FLAT-PACK

The modular design allows compact packaging, reducing freight and warehousing costs.

FITS ALL BRACKETS

Fits all Vision projector Techmounts including the TM-ST wall boom.

CLOSE-FITTING

The cage conforms as closely as possible to the size of the projector, which allows a more secure design and makes it more attractive. Security is enhanced because the projector can't be manoeuvred within the enclosure to squeeze it out of an aperture, and also an attempt to cut the cage would almost certainly damage the projector.

30° TILT

Unrestricted pitch and roll adjustment. When using with the TM-1200 a further 5° tilt is possible.

VIBRATION RESISTANT

The projector sits upside-down inside the cage on high density foam blocks which provide damping from vibration and protect the chassis of the projector.

SPECIFICATIONS

PLATE PACKAGE SIZES:

Small: Accommodates projectors up to 315 x 235mm
Medium: Accommodates projectors up to 375 x 300mm

SIDE PANEL SIZES:

80mm, 100mm, 120mm, 160mm

BOX DIMENSIONS:

Small Plate Package	286 x 287 x 84mm
Medium Plate Package	326 x 222 x 77mm
80mm Side Package	98 x 87 x 66mm
100mm Side Package	118 x 87 x 66mm
120mm Side Package	138 x 87 x 66mm
160mm Side Package	178 x 87 x 66mm

PACKAGED WEIGHT:

Small Plate Package	3.8 kg
Medium Plate Package	4.8 kg
80mm Side Package	1.0 kg
100mm Side Package	1.1 kg
120mm Side Package	1.2 kg
160mm Side Package	1.4 kg

SAFE WORKING LOAD: 7kg

COLOUR: Satin White

ACCESSORIES INCLUDED:

- 16 x High density packing foam blocks
- 1 x Lock Hex Key
- 2 x Disc Locks with one key each

WARRANTY: 2-year return to base

INDIVIDUAL PART CODES:

TM-CAGES [SAP:2061112]
 TM-CAGEM [SAP:2061105]
 TM-CAGE80 [SAP:2061106]
 TM-CAGE100 [SAP:2061107]
 TM-CAGE120 [SAP:2061108]
 TM-CAGE160 [SAP:2061160]

KIT CODES:

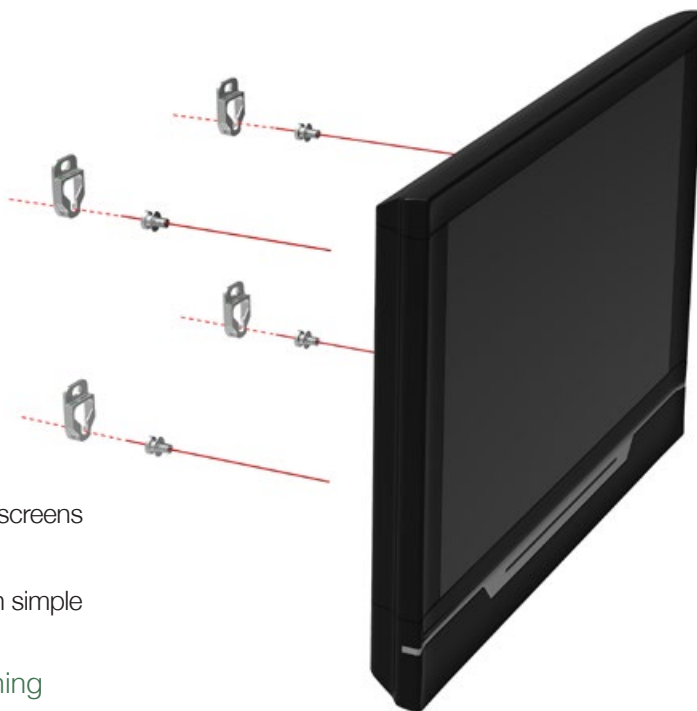
TM-CAGES+80 [SAP:2061184]
 TM-CAGES+100 [SAP:2061185]
 TM-CAGES+120 [SAP:2061186]
 TM-CAGES+160 [SAP:2061284]
 TM-CAGEM+80 [SAP:2061285]
 TM-CAGEM+100 [SAP:2061286]
 TM-CAGEM+120 [SAP:2061287]
 TM-CAGEM+160 [SAP:2061288]



TM-LCD Flat-Panel Wall Mount

- 1-size fits all flush-mount bracket for all LCD and Plasma screens
- Thumb-screws reduce parts and make installation faster
- Paper templates and spirit level make accurate installation simple

Smart design means the Techmount LCD can fit anything from a 15" LCD, to 42" plasmas, to huge 65" LCD screens.



ONE-TOOL BRACKET

The completely unique thumb-screw design cuts out the need for a screwdriver to attach the bracket to the back of the flat-screen – just use your hand! You just need one tool to attach the brackets to the wall.



FASTEST INSTALLATION EVER!

Vision has done away with the plate which normally attaches to the back of the screen cutting down the parts you pay for, and dramatically reducing assembly time onsite.



STRONG MACHINED PARTS

High tolerance cast-alloy brackets and milled thumbscrews slot together neatly to give a secure fit.

PAPER TEMPLATES INCLUDED

Mildly sticky paper templates with pre-printed VESA layouts assist with positioning of brackets on the wall.



SPIRIT LEVEL INCLUDED

Vision includes a calibrated level to help make sure everything is level.

CLOSE TO WALL

The TM-LCD holds the monitor a mere 10mm away from the wall and comes with wall attachment fixtures for large and small monitors.

SPECIFICATIONS

BOX DIMENSIONS: 130 x 90 x 55mm

PACKAGED WEIGHT: 0.5kg

SAFE WORKING LOAD: 4 x 12.5kg = 50kg

COLOUR: Aluminium

ACCESSORIES INCLUDED:

- 4 x M4x12 Thumb-screw Bolts
- 4 x ST8x50 Screws with M8 square washers
- 4 x RT expansion tube 6.5x45
- 4 x ST4x25 Screws with M4 square washers
- 4 x RT expansive tube 4x30
- 1 x Large Paper Template
- 1 x Small Paper Template
- 1 x Spirit Level with plastic clip

WARRANTY: 2-year return to base

ORDER PART CODE: TM-LCD [SAP:1932374]

OPTIONAL BOLT KIT:

TM-LCD SCREWS [SAP: 2274320]

4 x M5x12 Thumb-screw Bolts

4 x M6x14 Thumb-screw Bolts

4 x M8x16 Thumb-screw Bolts

TM-1200 FP Flat-Panel Ceiling Mount Adaptor

- Enables attachment of LCD screen to TM-1200 projector ceiling mount
- Works for any size LCD using VESA 75 to 400
- Tilt adjustment and locking system

This adaptor replaces the 'spider' on Vision's TM-1200 Techmount allowing AV installers to safely mount flat-panel screens to ceilings. Ideal for retail, receptions areas, pubs, or any other environment where digital signage is deployed.

Vision offers this adaptor as a spare part or bundled with the TM-1200. This adaptor can also be fitted to the TM-TELE and TM-CC.



VESA

On the rear panel of most LCD screens the mounting holes are setout in standard "VESA" configurations. For small monitors this is 75 x 75mm or 100 x 100mm.

For larger monitors it can be 200 x 200mm, 300 x 300mm, 400 x 400mm or any combination of these sizes. The TM-1200 FP attaches to all of these configurations.

EXTENSION ARMS

The adaptor plate fits directly to all VESA sizes up to 200 x 200mm. To fit larger sizes the included extension arms need to be fitted.

TILT SUPPORT

For heavier screens a tilt support is included which insures the tilt angle is maintained.

CABLE MANAGEMENT

Cables flow directly out of the TM-1200 pole to the centre of the screen for tidy routing.

TUV-GS CERTIFIED

The TM-1200 has been tested and certified by the strictest test house in the world.



SPECIFICATIONS

BOX DIMENSIONS: 240 x 240 x 70mm

PACKAGED WEIGHT: 1.91kg

SAFE WORKING LOAD: 20kg

COLOUR: Satin White

ACCESSORIES INCLUDED:

- 4 x M6x8 (diameter x length in mm) bolts
- 12 x M6x12 bolts
- 4 x M4x12 bolts
- 4 x M5x12 bolts
- 4 x M8x14 bolts
- 2 x M8x14 nuts and bolts
- 2 x M8 x 8 bolts
- 4 x VESA Extension Arms
- 1 x Tilt Support

WARRANTY: 2-year return to base

ORDER PART CODE: TM-1200 FP [SAP: 2530224]

TM-1200 Bundle: TM-1200+FP [SAP: 2574552]

TM-WB Whiteboard Wall Mount

- Wall mounted or portable variations
- 1.5m telescopic boom
- Optional portable stand available

The TM-WB allows teachers to engage with their audience in a more interactive way by lowering the whiteboard to the student's height. It is a totally universal wall mount for whiteboards and short-throw projectors. The wall mounted version transfers weight to the ground instead of the wall, making it simpler and safer to install.

Applications are not just limited to interactive whiteboards; any flat-panel wider than 1050mm can be accommodated.

ADJUSTABLE WHITEBOARD CLAMPS

Adjustable arms attach to any board. All sizes from 57" or larger, with a thickness of 28-78mm can be fitted. The arms allow up/down and side-to-side adjustment of the board in relation to the projector.

WALL MOUNT

Two 1.2m tall legs are attached to the wall, then the wall frame assembly is hung on the legs and locked in place. Cables can be routed to the floor through legs.

OR PORTABLE

An alternative portable version has four large castors and comes with counter weights and locking feet for stability.

HEIGHT RANGE

Maximum and minimum installation height is determined by the size of the whiteboard and the projector. Warning! In the lowest position the boom and projector can present a head height hazard

MOTORIZED

A high quality linear-drive motor drives the board and projector up and down. These motors are quiet, precise and rated for 12,000 cycles.

CONTROL

Activation is by a cable remote control.

TELESCOPIC BOOM

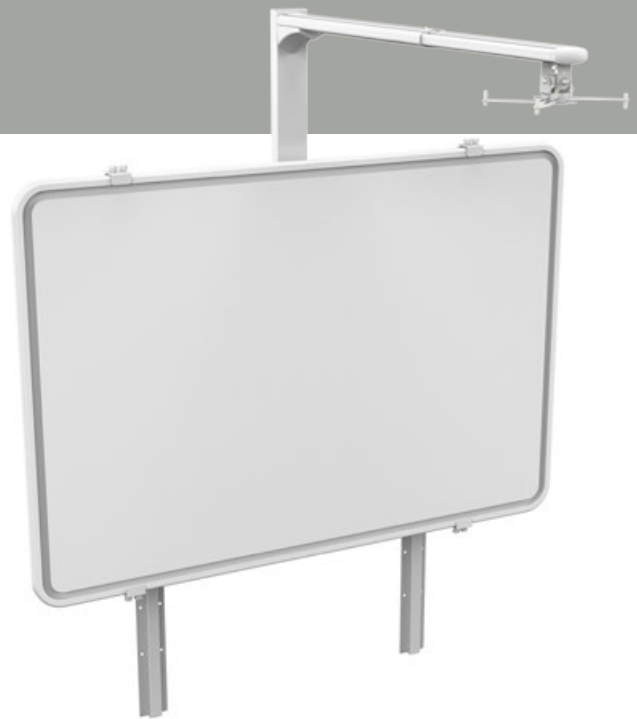
The 1.5m boom is fabricated from lightweight aluminium to reduce load on the wall mount. It has a range of 800-1500mm. Can be cut shorter for ultra-short-throw projectors.

HEAVY-DUTY

The TM-WB is designed to take the weight of interactive whiteboards and touch-panel LCDs up to 40kg. The boom can take projectors up to 10kg.

ROTATING BOOM

The portable versions includes a rotating mechanism so the boom can swing 90 degrees to fit through doors.



SPECIFICATIONS

PRODUCT DIMENSIONS:
TM-WBP: 1300 x 1230 x 1050/772 mm
 (height x width x depth with/without stabiliser down)

PACKAGED DIMENSIONS:
TM-WB: 1200 x 1100 x 140 mm
TM-WBP: 1200 x 1100 x 230 mm

PRODUCT WEIGHT:
TM-WB: 40.5 kg
TM-WBP: 88 kg

PACKAGED WEIGHT:
TM-WB: 45 kg
TM-WBP: 95 kg

SAFE WORKING LOAD:
Interactive Whiteboard / Touch-panel LCD: 50 kg
Projector: 10 kg

CONSTRUCTION MATERIAL: Aluminium and Steel

COLOUR: White and Aluminium

TECHNICAL DETAILS:
Motor Type: Linear-drive
Rated Cycles: 12000
Speed: 25mm/s
Pushing Force: 2000N
Pulling Force: 1800N

ACCESSORIES INCLUDED:

- 1 x EU Figure-8 Power cable 1.8m long
- 1 x UK Figure-8 Power cable 1.8m long

POWER SUPPLY: 240V 4.1A Internal Power Supply

WARRANTY: 2-year return to base

COMPLIANCES: RoHS, WEEE, and CE compliant

ORDER PART CODE:
Wall Mounted: TM-WB [SAP: 2643076]
Portable: TM-WBP [SAP:2718933]

TM-ST Short-Throw Projector Wall Mount



- Telescopic wall bracket for Ultra-Short-Throw and Short-Throw projectors
- Height adjustment on wall plate allows proper setup resulting in better image
- One-man installation in three easy stages

The Techmount ST (Short Throw) is designed to cater for all ST and UST projectors with no extra parts required. It features an innovative new lateral height adjustment which results in easy fine tuning. Featuring Vision's popular spider fitting, it fits all ultra-short-throw and short-throw projectors.

1.55M BOOM

The standard boom is 1.55m long, and a tilting mechanism is included to allow tilt adjustment for short-throw projectors. This tilt adjustment allows 20 degrees of tilt forward, and 20 degrees of tilt backwards.

EASY UP/DOWN ADJUSTMENT

Ultra short-throw projectors are susceptible to poor setup; tilting fore and aft will always result in an inferior image with uneven focus. The clever vertical adjustment screw means you adjust the boom to the correct throw distance, then turn the screw on the wall plate for height adjustment. The projector is kept perfectly perpendicular to the screen resulting in a perfect image.

TELESCOPIC DESIGN

The two-part boom allows easy adjustment of image size, and extends up to 1550mm – enough for most short throw projectors to project an image 2000mm wide – enough for use with a very large interactive whiteboard (up to and including 94") or a standard 2m projection screen.

MOUNTING TEMPLATE

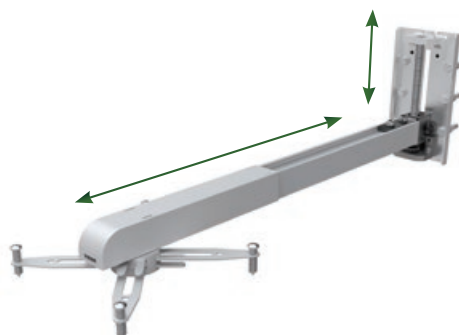
A useful paper template is included to help installers locate the wall plate with respect to common whiteboards.

LIGHTWEIGHT BOOM

The wall plate is made of steel for rigidity, and the boom is constructed of aluminium to reduce the overall cantilever load on the wall, and to allow excess length to be easily cut off.

PLENTY OF HEADROOM

A limiting factor of short-throw installations is the ceiling height; the bigger the image, the higher the projector needs to be. The Techmount is designed to mount the projector as close to the ceiling as possible.



SPECIFICATIONS

POLE LENGTH: 450-1550mm

WALLPLATE FOOTPRINT:
224 X 114mm (height x width)

BOX DIMENSIONS: 1400 x 150 x 140mm

PACKAGED WEIGHT: 5.9kg

SAFE WORKING LOAD:
0-750mm from wall: 7.5kg
750-1550mm from wall: 5.0kg

COLOUR: Satin White

ACCESSORIES INCLUDED:

- 1 x 4mm Pin-Hex key
- 1 x 5mm Pin-Hex key
- 4 x M2.5 43mm pan slot for Optoma & Acer
- 4 x M3 43mm screws
- 4 x M4 43mm screws
- 4 x M5 43mm screws
- 4 x M6 43mm screws
- 4 x ST8 50mm Wall Fixtures with rawl plugs
- 1 x Wall Plate Covers
- 1 x Boom Cover
- 1 x Tilting Mechanism
- 1 x Safety Fall-Arrest Tether

WARRANTY: 2-year return to base

ORDER PART CODE: TM-ST [SAP:1937671]

Ultra-Short-Throw Version with shorter 750mm boom: TM-UST [SAP: 1702370]

Optional Sanyo XE-50/XL50/XL51 Adaptor: TM-UST SAN [SAP:1833003]

DAVE SAYS...

"Ultra-short-throw projectors should always be kept perpendicular to the screen – otherwise the image will never look good."



Where to Buy Vision Products

We've got a network of distributors and resellers all over the world.
To find one near you please contact us at www.visionaudiovisual.com