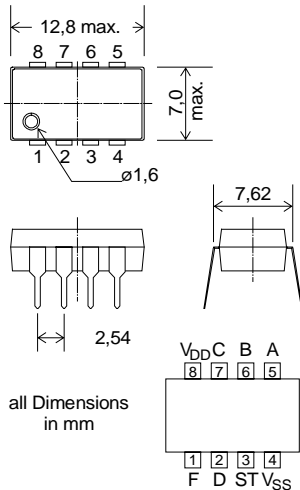


1510A

CRYSTAL OSCILLATOR WITH PROGRAMMABLE OUTPUT



Frequency Range	12 - 24,576 MHz	30 - 32 MHz
Standard Frequency	Table 1	
Divider Select	Table 2	
Frequency Stability	$\pm 100 \times 10^{-6}$	$\pm 150 \times 10^{-6}$
Operating Temperature Range	-10 ... +70°C	
Supply Voltage	+5 $\pm 0,5$ V	
Supply Current	20 mA max. (8 mA typ. at 16 MHz)	
Output Waveform	CMOS	
Output Symmetry	40 / 60%	
Output Rise-/Fall Time	15 ns max. (10 ns typ.)	
Load	50 pF	15 pF

Table 1

f_0 (MHz)	$f_0 / 2^1$ (MHz)	$f_0 / 2^2$ (MHz)	$f_0 / 2^3$ (MHz)	$f_0 / 2^4$ (kHz)	$f_0 / 2^5$ (kHz)	$f_0 / 2^6$ (kHz)	$f_0 / 2^7$ (kHz)	$f_0 / 2^8$ (kHz)
12,80000	6,400000	3,200000	1,600000	800,000	400,000	200,000	100,000	50,000
15,97440	7,987200	3,993600	1,996800	998,400	499,200	249,600	124,800	62,400
16,38400	8,192000	4,096000	2,048000	1024,000	512,000	256,000	128,000	64,000
17,73447	8,867238	4,433619	2,216809	1108,400	554,200	277,100	138,550	69,275
18,43200	9,216000	4,608000	2,304000	1152,000	576,000	288,000	144,000	72,000

Only those frequencies above are available in limited volume, there is no more production. 100% compatible replacement is the EXO-3C.

Table 2

INPUT			OUTPUT		
Select			ST	original frequency	divided frequency
C	B	A		F (OUT #1)	D (OUT #2)
L	L	L	H	f_0 clock	$f_0 / 2^1$ clock
L	L	H	H	f_0 clock	$f_0 / 2^2$ clock
L	H	L	H	f_0 clock	$f_0 / 2^3$ clock
L	H	H	H	f_0 clock	$f_0 / 2^4$ clock
H	L	L	H	f_0 clock	$f_0 / 2^5$ clock
H	L	H	H	f_0 clock	$f_0 / 2^6$ clock
H	H	L	H	f_0 clock	$f_0 / 2^7$ clock
H	H	H	H	f_0 clock	$f_0 / 2^8$ clock
-	-	-	L	L	L