



Wireless Products Ordering Guide

(02/15)

Application Diagrams

Fiber-to-the-Antenna Roof Top Applications	4
Fiber-to-the-Antenna Macro Site Applications	5
RF Path Macro Site Applications	6

Base Station Antenna Systems

Base Station Antennas	8
Metro Cell Antennas	9
RET Products	10

Cable Products

Fiber	
Hybrid FiberFeed® Trunk Cable	12
Hybrid FiberFeed® Tails	15
Installation Accessories	17
Fiber/Power Connection Management Enclosures	18
Coaxial	
50 Ohm Coaxial Cable	19
Cable Preparation Tools	19
Surge Arrestors	19

Microwave Antenna Systems

Antennas	21
Waveguide Cable Products	29
Flex Twist Assemblies	31
Installation Accessories	32
Pressurization Products	32

Cabinets

48V Power and Battery Cabinets	34
48V Battery Cabinets	41
24V Power and Battery Cabinets	47
24V Battery Cabinets	50
Small Cell Solution Cabinets	56
Empty Cabinets	58
Ancillary Components	60

RF Conditioning Products

Tower Mounted Amplifiers	62
Multiband Combiners (Diplexers)	66
Multiband Combiners (Triplexers)	67
Same Band Combiners (In-Band Diplexers)	68
Hybrid Combiners	69
Ancillary Products	69
Power Distribution Kits	69
Bias Tees	69
Smart Bias Tees	70
AISG Controllers	70

Structural Support Products

Tower	72
Roof Top	72
Monopole	73
Site Related	74
Microwave Antenna Installations	75

Distributed Coverage and Capacity Products

Passive Devices	78
Active DAS Solutions	80

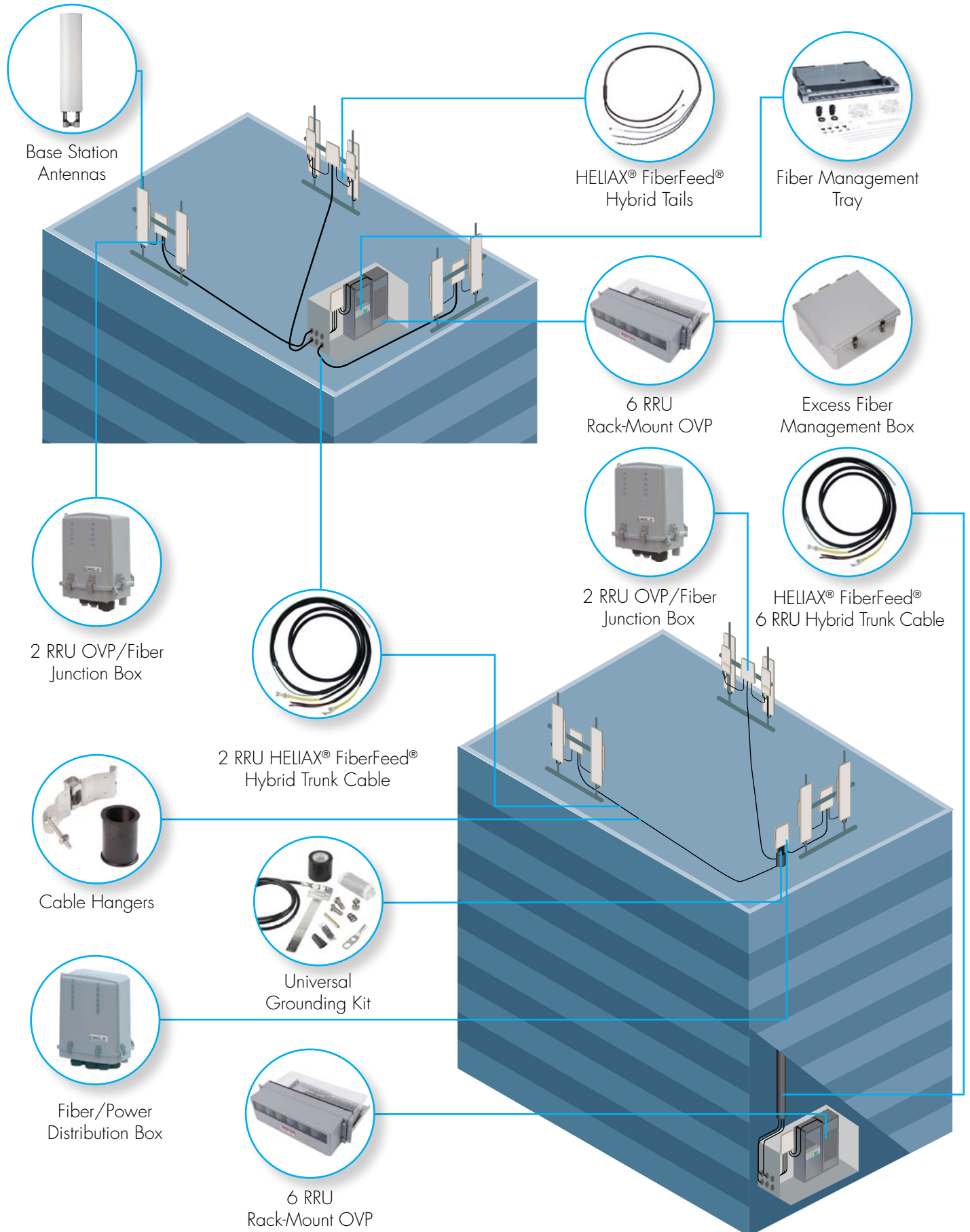


Wireless

Application Diagrams

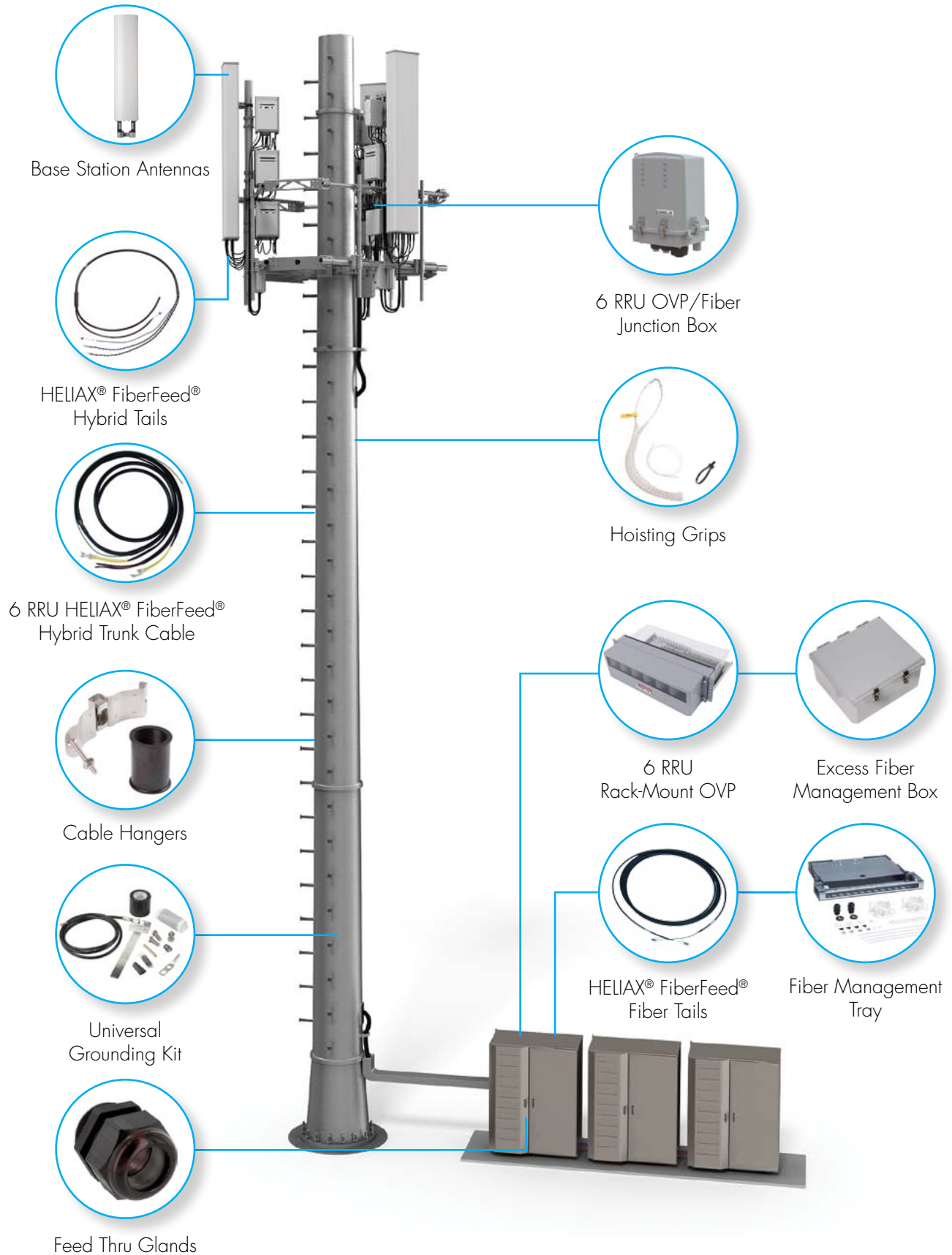
Fiber-to-the-Antenna Roof Top Applications

Application Diagrams



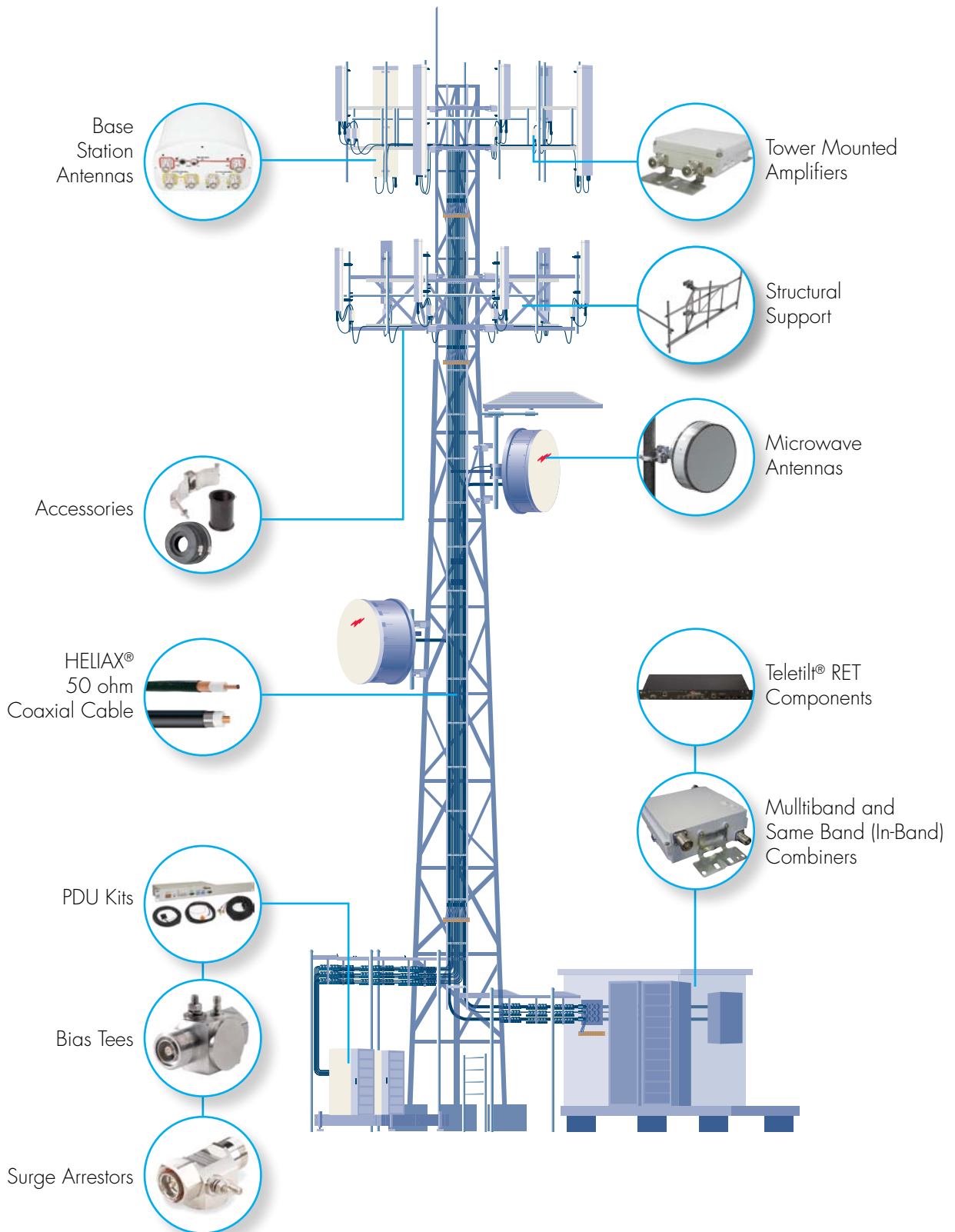
Fiber-to-the-Antenna Macro Site Applications

Application Diagrams



RF Path Macro Site Applications

Application Diagrams





Wireless

Base Station Antenna Systems

Base Station Antennas

Base Station Antenna Systems



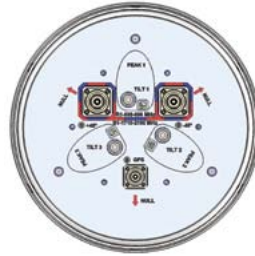
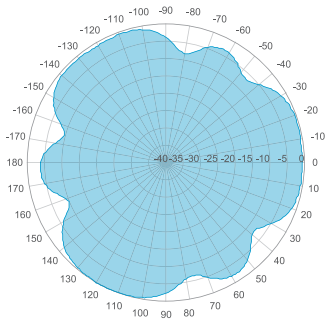
MODEL TYPE	COMMScope MODEL #	DESCRIPTION	# OF RF PORTS	BEAM TILT (DEGREE)	LENGTH (INCH)
Multiband Hex	SBNHH-1D65A	698–896 / 2x1710–2360 MHz, 65° HBW, Internal RET	6	0–18 / 0–10	55.0
Multiband Hex	SBNHH-1D65B	698–896 / 2x1710–2360 MHz, 65° HBW, Internal RET	6	0–14 / 0–7	72.0
Multiband Hex	SBNHH-1D65C	698–896 / 2x1710–2360 MHz, 65° HBW, Internal RET	6	0–11 / 0–7	96.0
Multiband Hex	SBNHH-1D85A*1	698–896 / 2x1710–2360 MHz, 85° HBW, Internal RET	6	0–15 / 0–10	53.5
Multiband Hex	SBNHH-1D85B	698–896 / 2x1710–2360 MHz, 85° HBW, Internal RET	6	0–10 / 0–6	72.0
Multiband Hex	SBNHH-1D85C	698–896 / 2x1710–2360 MHz, 85° HBW, Internal RET	6	0–9 / 0–6	96.0
Multiband Hex	SBNHH-1D45A*1	698–896 / 2x1710–2360 MHz, 45° HBW, Internal RET	6	2–18 / 1–9	55.0
Multiband Hex	SBNHH-1D45B	698–896 / 2x1710–2360 MHz, 45° HBW, Internal RET	6	0–14 / 0–8	72.0
Multiband Hex	SBNHH-1D45C	698–896 / 2x1710–2360 MHz, 45° HBW, Internal RET	6	0–10 / 0–8	96.0
Multiband Hex	UNNPX206R3	698–894 / 2x1710–2170 MHz, 35° HBW, Internal RET	6	0–10 / 0–10	62.4
Multiband Quad	SBNH-1D6565A*2	698–896 / 1710–2180 MHz, 65° HBW, Internal RET	4	0–18 / 0–10	50.9
Multiband Quad	SBNH-1D6565B*2	698–896 / 1710–2180 MHz, 65° HBW, Internal RET	4	0–10 / 0–6	72.7
Multiband Quad	SBNH-1D6565C*2	698–896 / 1710–2180 MHz, 65° HBW, Internal RET	4	0–11 / 0–7	96.4
Multiband Quad	SBNH-1D8585B*2	698–896 / 1710–2180 MHz, 85° HBW, Internal RET	4	0–10 / 0–6	72.8
Multiband Quad	SBNH-1D8585C*2	698–896 / 1710–2180 MHz, 85° HBW, Internal RET	4	0–9 / 0–6	96.4
Low band 700/850MHz	LNX-4514DSA1M	698–896 MHz, 45° HBW, factory installed RET	2	2–18	51.5
Low band 700/850MHz	LNX-6512DSA1M	698–896 MHz, 65° HBW, factory installed RET	2	0–15	48.5
Low band 700/850MHz	LNX-6513DSA1M	698–896 MHz, 65° HBW, factory installed RET	2	0–10	54.7
Low band 700/850MHz	LNX-6514DSA1M	698–896 MHz, 65° HBW, factory installed RET	2	0–10	72.7
Low band 700/850MHz	LNX-6515DSA1M	698–896 MHz, 65° HBW, factory installed RET	2	0–8	96.4
Low band 700/850MHz	LRX-8512DSA1M	698–960 MHz, 85° HBW, factory installed RET	2	0–15	50.9
Low band 700/850MHz	LNX-8513DSA1M	698–896 MHz, 85° HBW, factory installed RET	2	0–10	72.7
Low band 700/850MHz	LNX-8514DSA1M	698–896 MHz, 85° HBW, factory installed RET	2	0–8	96.4
High Band AVS/PCS Quad	HBXX-3319DSA2M	1710–2180 MHz, 33° HBW, factory installed RET	4	0–10	57.0
High Band AWS/PCS Quad	HH45A-2XB1	1710–2180 MHz, 45° HBW, Internal RET and internal SBT	4	2-12	50.3
High Band AWS/PCS Quad	HBXX-6516DSA2M	2x1710–2180 MHz, 65° HBW, factory installed RET	4	0–10	50.9
High Band AWS/PCS Quad	HBXX-6517DSA2M	2x1710–2180 MHz, 65° HBW, factory installed RET	4	0–6	74.9
High Band AWS/PCS	HBX-3319DSA1M	1710–2170 MHz, 33° HBW, factory installed RET	2	0–9	57.5
High Band AWS/PCS	HBX-4517DSA1M	1710–2180 MHz, 45° HBW, factory installed RET	2	0–10	57.5
High Band AWS/PCS	HBX-4519DSA1M	1710–2180 MHz, 45° HBW, factory installed RET	2	0–5	76.2
High Band AVS/PCS	HBX-6513DSA1M	1710–2180 MHz, 65° HBW, factory installed RET	2	0–18	27.4
High Band AVS/PCS	HBX-6516DSA1M	1710–2180 MHz, 65° HBW, factory installed RET	2	0–10	51.4
High Band AWS/PCS	HBX-6517DSA1M	1710–2180 MHz, 65° HBW, factory installed RET	2	0–6	74.9
High Band AVS/PCS	HBX-9014DSA1M	1710–2180 MHz, 90° HBW, factory installed RET	2	0–10	51.1
High Band AWS/PCS	HBX-9016DSA1M	1710–2180 MHz, 90° HBW, factory installed RET	2	0–6.7	4.7
Multibeam Antennas	5NXP1006F	5-Beam, 1710–2170 MHz, 12° HBW	10	6	35.0
Multibeam Antennas	5UPX0805F	5-Beam, 698–894 MHz, 14° HBW	10	6	63.7
Multibeam Antennas	2UNPX206.12R2	2-Beam, Dual Band, 698–896 / 1710-2170 MHz, 35° HBW	8	0–10 / 0–10	68.1

*1 – This antenna will be orderable in Q1 2015. Please contact your local sales representative for details.

*2 – This antenna will be discontinued and is orderable until end of Q2 2015. Please contact your local sales representative for suggested replacements.

Metro Cell Antennas with Internal Diplexer and GPS Antenna

Base Station Antenna Systems



COMMSCOPE MODEL #	TYPE	FREQUENCY BAND	LENGTH	WIDTH/DIAMETER	TILT	INTERNAL GPS	INTERNAL DIPLEXER	AVAILABILITY
NH360QS-DG-FOM	Dual Band Quasi Omni	698-896 MHz 1710-2170 MHz	28.7 in	12 in diameter	0-16° manual tilt on HB. Fixed tilt on LB.	Y	Y	Released
NH360QS-G-FOM	Dual Band Quasi Omni without diplexer	698-896 MHz 1710-2170 MHz	28.7 in	12 in diameter	0-16° manual tilt on HB. Fixed tilt on LB.	Y	N	Released
NH180QS-DG-FOM	Dual Band Half Omni (Heart shape)	698-896 MHz 1710-2170 MHz	28.7 in	12 in diameter	0-16° manual tilt on HB. Fixed tilt on LB.	Y	Y	Released
NH65TDG-F0	Dual Band Flat Panel	698-896 MHz 1710-2170 MHz	15.3 in	11.9 in wide	5° fixed tilt on LB. 0° fixed tilt on HB.	Y	Y	Released
NH65PS-DG-FOM	Dual Band Back-to-Back (Peanut shape)	698-896 MHz 1710-2170 MHz	28.7 in	12 in diameter	0-16° manual tilt on HB. Fixed tilt on LB.	Y	Y	Released
NH65SDG-FOM	Dual Band Flat Panel	698-896 MHz 1710-2170 MHz	28.7 in	11.9 in wide	0-16° manual tilt on HB. Fixed tilt on LB.	Y	Y	Released
V65S-1XR	High Band Flat Panel	1710-2690MHz	23.6 in	6.7 in wide	Internal RET 0-20°	N	N	Released
3XV65S-G-3XR	High band Tri Sector	3 x 1710-2690	24 in	8 in diameter	3 x internal RET 0-20°	Y	N	March 2015

Small Cell Mounting Kits

COMMSCOPE MODEL #	TYPE	APPLICATION	AVAILABILITY
MC-MNTS1	Mounting kit for canister small cells	Top of pole, side of pole, wall mount	Released

PRELIMINARY – Subject to change

*Please contact your CommScope sales representative.

Teletilt® RET Products

Base Station Antenna Systems



COMMSCOPE MODEL #	DESCRIPTION
ATM200-A20	Actuator, AISG 2.0
ATC200-LITE-USB	Portable Controller
ATC300-1000	Rack Mount Controller
ATSBTBOTTOMFF-4G	Bottom SBT, 698–2700 MHz, Female (BTS) Female (ANT) Connector
ATSBTBOTTOMFM-4G	Bottom SBT, 698–2700 MHz, Female (BTS) Male (ANT) Connector
ATSBTBOTTOMMF-4G	Bottom SBT, 698–2700 MHz, Male (BTS) Female (ANT) Connector
ATSBTTOPFF-4G	Top SBT, 698–2700 MHz, Female (BTS) Female (ANT) Connector
ATSBTTOPFM-4G	Top SBT, 698–2700 MHz, Female (BTS) Male (ANT) Connector
ATSBTTOPMF-4G	Top SBT, 698–2700 MHz, Male (BTS) Female (ANT) Connector
ATBTK-MF	Bias Tee Kit, Male (BTS) Female (ANT) Connector, 12m cable
ATBTK-FM	Bias Tee Kit, Female (BTS) Male (ANT) Connector, 12m cable
ATGK-CABLE	Grounding Kit, For RET Cable
ATGK-COMP	Grounding Kit, For RET Component
ATLP200-001	Lightning Protection Unit
ATJB200-A01-004	Junction Box, 4-Port (RET 1-4)
ATJB200-A01-00Z	Junction Box, 7-Port (RET 1-7)
ATCB-B01-C50	AISG RET Control Cable, 0.5 m (1.6 ft)
ATCB-B01-001	AISG RET Control Cable, 1 m (3.3 ft)
ATCB-B01-002	AISG RET Control Cable, 2 m (6.6 ft)
ATCB-B01-003	AISG RET Control Cable, 3 m (9.8 ft)
ATCB-B01-004	AISG RET Control Cable, 4 m (13.1 ft)
ATCB-B01-005	AISG RET Control Cable, 5 m (16.4 ft)
ATCB-B01-006	AISG RET Control Cable, 6 m (19.7 ft)
ATCB-B01-009	AISG RET Control Cable, 9 m (29.5 ft)
ATCB-B01-010	AISG RET Control Cable, 10 m (32.8 ft)
ATCB-B01-015	AISG RET Control Cable, 15 m (49.2 ft)
ATCB-B01-020	AISG RET Control Cable, 20m (65.6 ft)
ATCB-B01-030	AISG RET Control Cable, 30m (98.4 ft)
ATCB-B01-040	AISG RET Control Cable, 40 m (131.2 ft)
ATCB-B01-050	AISG RET Control Cable, 50 m (164.0 ft)
ATCB-B01-060	AISG RET Control Cable, 60 m (196.9 ft)
ATCB-B01-070	AISG RET Control Cable, 70 m (229.7 ft)
ATCB-B01-080	AISG RET Control Cable, 80 m (262.5 ft)
ATCB-B01-090	AISG RET Control Cable, 90 m (295.3 ft)
ATCB-B01-100	AISG RET Control Cable, 100 m (328.1 ft)
ATCB-B01-RM50	Right angle connector AISG RET Control Cable, 0.5m (1.6 ft), PIN key at 9 o'clock position
ATCB-B01-V1-RM50	Right angle connector AISG RET Control Cable, 0.5m (1.6 ft), PIN key at 6 o'clock position

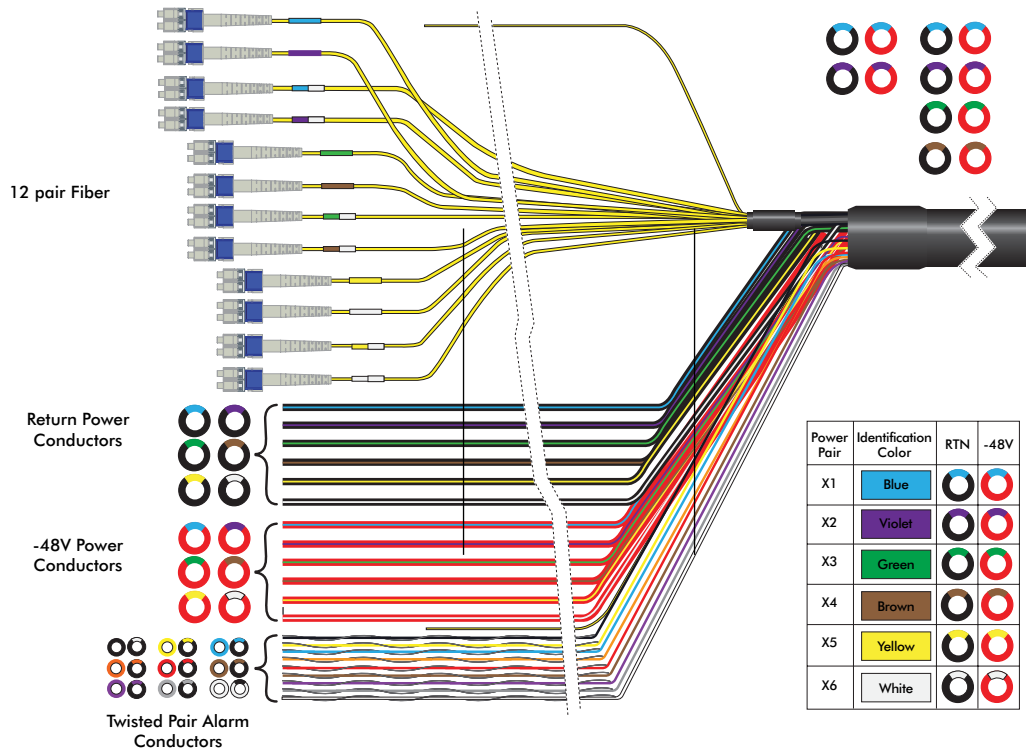
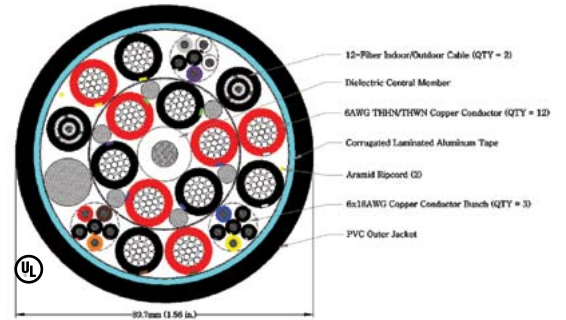


HELIAX® FiberFeed® Hybrid Trunk Cables

FiberFeed trunk cable assemblies are factory constructed specifically for the devices listed in this guide ensuring perfect compatibility and trouble free installation. Additional features that ease installation and ensure a long service life include:

- Robust breakout design tailored for specific enclosures
- Stranded construction for easy bending and maximum fiber protection
- Corrugated aluminum shield protects from crush and animal damage
- Integrated rip cords for length management
- Factory test certificate included with every cable assembly

Robust Stranded Cable Construction



Cable Series	RRUs Supported	Number of Power Conductors	Power Conductor Wire Gauge (AWG)	Number of Fibers	End 1 Power/Alarm Breakout (mm)	End 1 Fiber Breakout (mm)	End 2 Power/Alarm Breakout (mm)	End 2 Fiber Breakout (mm)
HFT406-8S48	2	4	6	8	585	4 x 535 4 x 585	585	4 x 1195 4 x 1245
HFT806-16S48	4	8	6	16	725	8 x 950 8 x 1000	725	8 x 950 8 x 1000
HFT1206-24S49	6	12	6	24	725	8 x 900 8 x 950 8 x 1000	725	8 x 900 8 x 950 8 x 1000



HELIX® FiberFeed® Hybrid Trunk Cables

HELIX® FiberFeed® Part Number Explanation

HFT	1206	24	S	49	100
HELIX® FiberFeed Tray-rated	# of Conductors and gauge	# of Fibers	Fiber Mode	Breakout Code	Length (in feet)



6 RRU Hybrid Trunk Cable, 6 AWG (6 x 12) *

HELIX® FiberFeed hybrid trunk, 12 x 6 AWG conductors, blunt cut top/bottom, 18 alarm wires blunt cut. 24 single mode fibers, 6-OVP box, DLC breakout, top and bottom. UL listed type TC-OFFER FT4.

LENGTH, FEET	COMMSCOPE MODEL #
10	HFT1206-24S49-10
20	HFT1206-24S49-20
30	HFT1206-24S49-30
40	HFT1206-24S49-40
50	HFT1206-24S49-50
60	HFT1206-24S49-60
70	HFT1206-24S49-70
80	HFT1206-24S49-80
90	HFT1206-24S49-90
100	HFT1206-24S49-100
110	HFT1206-24S49-110
120	HFT1206-24S49-120
130	HFT1206-24S49-130
140	HFT1206-24S49-140
150	HFT1206-24S49-150
160	HFT1206-24S49-160
170	HFT1206-24S49-170
180	HFT1206-24S49-180
190	HFT1206-24S49-190
200	HFT1206-24S49-200
210	HFT1206-24S49-210
220	HFT1206-24S49-220
230	HFT1206-24S49-230
240	HFT1206-24S49-240
250	HFT1206-24S49-250
260	HFT1206-24S49-260
270	HFT1206-24S49-270
280	HFT1206-24S49-280
290	HFT1206-24S49-290
300	HFT1206-24S49-300
310	HFT1206-24S49-310
320	HFT1206-24S49-320
330	HFT1206-24S49-330
340	HFT1206-24S49-340
350	HFT1206-24S49-350
360	HFT1206-24S49-360
370	HFT1206-24S49-370
380	HFT1206-24S49-380
390	HFT1206-24S49-390
400	HFT1206-24S49-400

2 RRU Hybrid Trunk Cable, 6 AWG (2 x 4)

HELIX® FiberFeed hybrid trunk 4 x 6 AWG conductors, blunt cut top/bottom, 10 alarm wires blunt cut. 8 single mode fibers, 2-OVP box, DLC breakout top. Distribution/6-OVP box DLC breakout bottom. UL listed type TC-OFFER FT4.

LENGTH, FEET	COMMSCOPE MODEL #
10	HFT406-8S48-10
20	HFT406-8S48-20
30	HFT406-8S48-30
40	HFT406-8S48-40
50	HFT406-8S48-50
60	HFT406-8S48-60
70	HFT406-8S48-70
80	HFT406-8S48-80
90	HFT406-8S48-90
100	HFT406-8S48-100
110	HFT406-8S48-110
120	HFT406-8S48-120
130	HFT406-8S48-130
140	HFT406-8S48-140
150	HFT406-8S48-150
160	HFT406-8S48-160
170	HFT406-8S48-170
180	HFT406-8S48-180
190	HFT406-8S48-190
200	HFT406-8S48-200
210	HFT406-8S48-210
220	HFT406-8S48-220
230	HFT406-8S48-230
240	HFT406-8S48-240
250	HFT406-8S48-250
260	HFT406-8S48-260
270	HFT406-8S48-270
280	HFT406-8S48-280
290	HFT406-8S48-290
300	HFT406-8S48-300
310	HFT406-8S48-310
320	HFT406-8S48-320
330	HFT406-8S48-330
340	HFT406-8S48-340
350	HFT406-8S48-350
360	HFT406-8S48-360
370	HFT406-8S48-370
380	HFT406-8S48-380
390	HFT406-8S48-390
400	HFT406-8S48-400

* White-jacketed cables are available for the 6 x 12 design. Add a "W" after the 49 breakout code to order cables with white jackets. Example: HFT1206-24S49W-100

HELIX® FiberFeed® Trunk Cables

HELIX® FiberFeed® Part Number Explanation

HFT	806	16	S	48	100
HELIX® FiberFeed Tray-rated	# of Conductors and gauge	# of Fibers	Fiber Mode	Breakout Code	Length (in feet)



4 RRU Hybrid Trunk Cable, 6 AWG (4 x 8)

HELIX® Fiberfeed trunk, 8 x 6 AWG conductors, blunt cut top/bottom, 14 alarm wires blunt cut, 16 single mode fibers, Distribution/6-OVP box, DLC breakout top and bottom. UL listed Type TC-OFFER FT4.

LENGTH, FEET	PART NUMBER
10	HFT806-16S48-10
20	HFT806-16S48-20
30	HFT806-16S48-30
40	HFT806-16S48-40
50	HFT806-16S48-50
60	HFT806-16S48-60
70	HFT806-16S48-70
80	HFT806-16S48-80
90	HFT806-16S48-90
100	HFT806-16S48-100
110	HFT806-16S48-110
120	HFT806-16S48-120
130	HFT806-16S48-130
140	HFT806-16S48-140
150	HFT806-16S48-150
160	HFT806-16S48-160
170	HFT806-16S48-170
180	HFT806-16S48-180
190	HFT806-16S48-190
200	HFT806-16S48-200

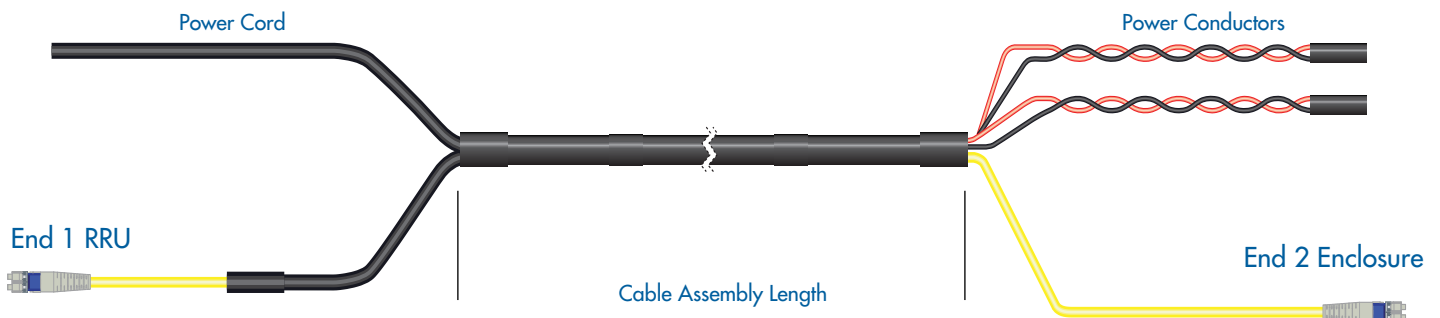
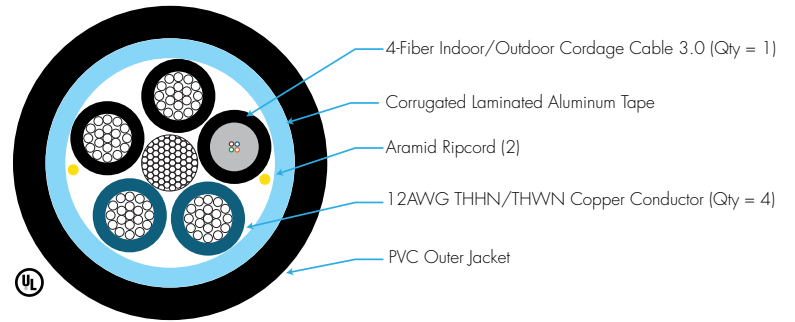
LENGTH, FEET	PART NUMBER
210	HFT806-16S48-210
220	HFT806-16S48-220
230	HFT806-16S48-230
240	HFT806-16S48-240
250	HFT806-16S48-250
260	HFT806-16S48-260
270	HFT806-16S48-270
280	HFT806-16S48-280
290	HFT806-16S48-290
300	HFT806-16S48-300
310	HFT806-16S48-310
320	HFT806-16S48-320
330	HFT806-16S48-330
340	HFT806-16S48-340
350	HFT806-16S48-350
360	HFT806-16S48-360
370	HFT806-16S48-370
380	HFT806-16S48-380
390	HFT806-16S48-390
400	HFT806-16S48-400

HELIAX® FiberFeed® Hybrid Tails

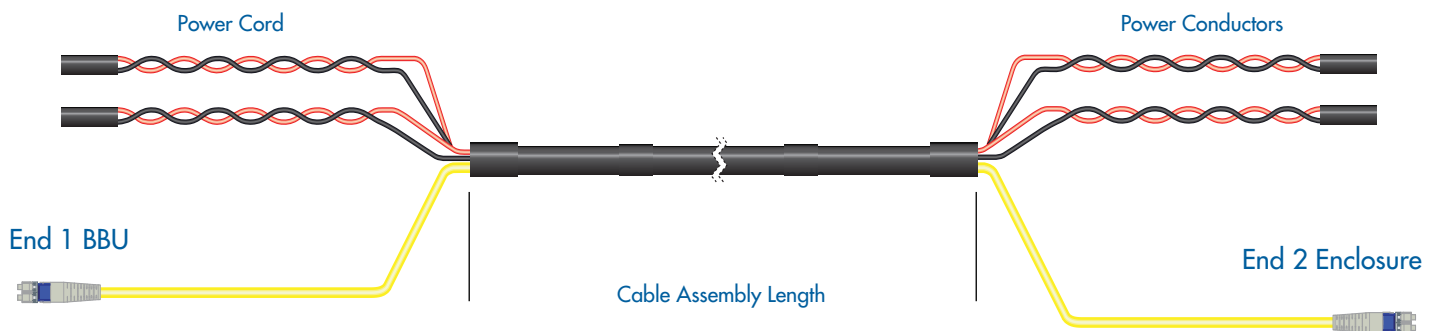
FiberFeed hybrid tails are constructed specifically for the conditions of the last few feet to the radio equipment. They utilize multiple power conductors to keep the cable profile as small as possible for easy routing. Features include:

- Smallest cable diameter for high flexibility
- Corrugated aluminum shield resists bird/animal damage
- Exact fit to OVP and RRU
- Configured to accept fiber protection sleeve for the highest fiber safeguarding available

Robust Stranded Cable Construction



Part Number	End 1 Breakout Lengths		End 2 Breakout Lengths	
	Power (mm)	Fiber (mm)	Power (mm)	Fiber (mm)
HFT412-2S28	1000	1000	2 x 660	800
HFT412-4S28	1000	2 x 1000	2 x 660	2 x 800
HFT412-2S29	1000	1000	2 x 850	1250
HFT412-4S29	1000	2 x 1000	2 x 850	2 x 1250

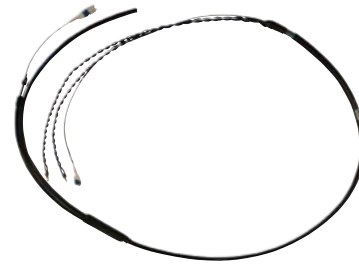


Part Number	End 1 Breakout Lengths		End 2 Breakout Lengths	
	Power (mm)	Fiber (mm)	Power (mm)	Fiber (mm)
HFT412-2S27	2 x 625	625	2 x 625	1250
HFT412-4S27	2 x 625	2 x 625	2 x 625	2 x 1250

HELIAX® FiberFeed® Hybrid Tails

HELIAX® FiberFeed® Part Number Explanation

HFT	412	2	S	29	9
HELIAX® FiberFeed Tray-rated	# of Conductors and gauge	# of Fibers	Fiber Mode	Breakout Code	Length (in feet)



Hybrid tails, 2 Fiber Ericsson or ALU BBU to 6-OVP Box

HELIAX® FiberFeed hybrid tail, junction box to BBU. 8 AWG wire equivalent via 4 x 12 AWG conductors, blunt cut at junction box, and BBU, 2 SM fibers, DLC breakout for junction box, 0.6 meter DLC at BBU. UL listed type TC-OFF-ER FT4.

LENGTH, FEET	PART NUMBER
3	HFT412-2S27-3
6	HFT412-2S27-6
9	HFT412-2S27-9
12	HFT412-2S27-12
15	HFT412-2S27-15
30	HFT412-2S27-30

Hybrid tails, 4 Fiber Ericsson or ALU BBU to 6-OVP Box

HELIAX® FiberFeed hybrid tail, junction box to BBU. 8 AWG wire equivalent via 4 x 12 AWG conductors, blunt cut at junction box, and BBU, 4 SM fibers, DLC breakout for junction box, 0.6 meter DLC at BBU. UL listed type TC-OFF-ER FT4.

LENGTH, FEET	PART NUMBER
3	HFT412-4S27-3
6	HFT412-4S27-6
9	HFT412-4S27-9
12	HFT412-4S27-12
15	HFT412-4S27-15
30	HFT412-4S27-30

Hybrid tails, 2 Fiber Ericsson or ALU RRU to 2-OVP Box

HELIAX FiberFeed hybrid tail, 2-OVP box to RRU. 8 AWG wire equivalent via 4 x 12 AWG conductors, blunt cut at junction box, power cord blunt cut at RRU, 2 SM fibers, DLC breakout for junction box, DLC breakout for RRU. UL listed type TC-OFF-ER FT4.

LENGTH, FEET	PART NUMBER
3	HFT412-2S28-3
6	HFT412-2S28-6
9	HFT412-2S28-9
12	HFT412-2S28-12
15	HFT412-2S28-15

Hybrid tails, 4 Fiber Ericsson or ALU RRU to 2-OVP Box

HELIAX FiberFeed hybrid tail, 2-OVP box to RRU. 8 AWG wire equivalent via 4 x 12 AWG conductors, blunt cut at junction box, power cord blunt cut at RRU, 4 SM fibers, DLC breakout for junction box, DLC breakout for RRU. UL listed type TC-OFF-ER FT4.

LENGTH, FEET	PART NUMBER
3	HFT412-4S28-3
6	HFT412-4S28-6
9	HFT412-4S28-9
12	HFT412-4S28-12
15	HFT412-4S28-15

Hybrid tails, 2 Fiber Ericsson or ALU RRU to 6-OVP Box

HELIAX FiberFeed hybrid tail, 6-OVP box to RRU. 8 AWG wire equivalent via 4 x 12 AWG conductors, blunt cut at junction box, power cord blunt cut at RRU, 2 SM fibers, DLC breakout for junction box, DLC breakout for RRU. UL listed type TC-OFF-ER FT4.

LENGTH, FEET	PART NUMBER
3	HFT412-2S29-3
6	HFT412-2S29-6
9	HFT412-2S29-9
12	HFT412-2S29-12
15	HFT412-2S29-15
20	HFT412-2S29-20
25	HFT412-2S29-25
30	HFT412-2S29-30

Hybrid tails, 4 Fiber Ericsson or ALU RRU to 6-OVP Box

HELIAX FiberFeed hybrid tail, 6-OVP box to RRU. 8 AWG wire equivalent via 4 x 12 AWG conductors, blunt cut at junction box, power cord blunt cut at RRU, 4 SM fibers, DLC breakout for junction box, DLC breakout for RRU. UL listed type TC-OFF-ER FT4.

LENGTH, FEET	PART NUMBER
3	HFT412-4S29-3
6	HFT412-4S29-6
9	HFT412-4S29-9
12	HFT412-4S29-12
15	HFT412-4S29-15
20	HFT412-4S29-20
25	HFT412-4S29-25
30	HFT412-4S29-30

HELIAX® FiberFeed® Accessories

The HELIAX installation accessories listed in this guide were selected specifically for the extra high demands and stresses of hybrid cable installation. Only the most robust designs proven by time and extensive testing on heavy hybrid cables are suitable for long term reliability in FiberFeed installations.

Features of the FiberFeed accessories include:

- Specifically sized and rigorously tested for each cable
- Stainless steel and EPDM components for long term reliability
- Universal tin plated grounding kit for any cable



Installation Accessories

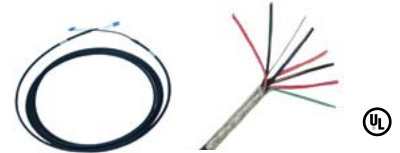
PART NUMBER	DESCRIPTION
19256BC	Hoisting grip for HFT406 and HFT806 series cables
29961-C	Hoisting grip for HFT1206 series cables
42396A-5	Standard hanger for HFT406 series cables, kit of 10
FA-3236-STH	Standard hanger with grommet for HFT806 series cables, kit of 10
FA-3540-STH	Standard hanger with grommet for HFT1206 series cables
SSH-38	SnapStak® hanger with grommet for HFT1206 series cables
43211A	Standard hanger for HFT412 series hybrid tails, kit of 10
252115	Snap in hanger for HFT406 and HFT806 series cables, kit of 10
SSH-12	SnapStak® hanger for HFT412 series hybrid tails, kit of 10
SHT-4	SnapStak® installation tool
ARA-22	Anchor rail adapter for snap-in cable hangers
FA-102993-HC3	Cable entry assembly, HFT412 series hybrid tails, four entry holes
FA-102997-HC3	Cable entry assembly, HFT406, HFT806 and HFT1206 series cables, one entry hole
2061664-1-HC3	Full AXSTM fiber protection sleeve, Ericsson
UG12158-15B4-T	Universal grounding kit
FA-R2CT	Fiber connection kit, ALU
FA-PCS10	Power cable seal kit, ALU RRU
FA-PCK	Power connector, Infinity interface, package of 6
FCCTL	Connector cleaning tool
FA-ERIC-FITTING	Ericsson cabinet hybrid jumper feed thru
FA-RCRT-PD	Cable splitter tool for length management with a power drill

WARNING: The hybrid fiber cables described in this ordering guide must be installed using the hangers and accessories with the corresponding part numbers also described in this guide. Failure to use these accessories may result in an improper installation and/or product damage. Please also follow proper hoisting and attachment procedures.

Overvoltage Protection

Raycap overvoltage protection boxes utilize proven Strikesorb® technology to safeguard capital investments in remote radio units. Models include sector boxes for protection up to 2 RRU and a main breakout box for protection for up to 6 RRU.

- Alarms for SPD sacrifice, Moisture detection and Intrusion
- Fully recognized to the UL 1449 3rd Edition Safety Standard
- Digital Voltmeter to monitor each DC circuit



Fiber and Power Cables for indoor connection to separate BBU and power supply

HELIAX® FiberFeed jumpers for use when BBU and power supply are separated by distances too far for hybrid tail connection. The jumpers contain 2 single mode fibers terminated to DLC connectors on each end. UL listed OFNR UL1666 for indoor/outdoor use.

Fiber/Power Connection Management Enclosures

PART NUMBER	DESCRIPTION
RC3DC-1064-PF-48	Raycap OVP box for 2 RRUs, 2 strikesorb modules, internal voltage indicator
RC3DC-3315-PF-48	Raycap OVP box for up to 6 RRUs, 6 strikesorb modules, internal voltage indicator
RCMDC-2260-RM-48	Raycap rack mount power protection system for 6 RRUs, 19 inch mounting brackets, digital voltage monitor
RC3DC-4750-PF-48	Raycap Distribution box, 0 strikesorb modules, large box
FE-14126-E	Excess Fiber Management Enclosure
FE-14192-R	Fiber management tray, indoor 19 inch rack mount, 14 x 19 x 1.75 inches
RTF-4575	Fiber management rack, 2U, 12 fibers, sliding drawer
RTF-4501	Fiber management rack, 2U, 12 fibers, fixed lid

LENGTH, FEET (METER)	PART NUMBER
16 (5)	FI-2SM-002-5M
32 (10)	FI-2SM-002-10M
49 (15)	FI-2SM-002-15M
65 (20)	FI-2SM-002-20M
115 (35)	FI-2SM-002-35M
164 (50)	FI-2SM-002-50M

Power tray cable for use when power supply and BBU are separated by distances too far for hybrid tail connection. Constructed with six 8 AWG conductors, braided shielding and a 10 AWG ground wire. UL listed type TC-ER for indoor/outdoor use.

PART NUMBER	DESCRIPTION
PWRT-608-S	Shielded Power Tray Cable, 6 x 8 AWG conductors, issued per foot.
FAJJK	OVP gland inserts, RC3DC-3315-PF-48, for separate fiber and power at the shelter/cabinet

HELIAX FiberFeed Fiber Trunks for use when BBU and power supply are separated by distances too far for hybrid tail connection. These discrete fiber trunks contain 12 single mode fibers, terminated to DLC connectors on each end. UL listed OFNR UL 1666 for indoor/outdoor use.

LENGTH, FEET (METER)	PART NUMBER
9.8 (3)	DFE-12SM-011-3M
16.4 (5)	DFE-12SM-011-5M
32.8 (10)	DFE-12SM-011-10M
40.2 (15)	DFE-12SM-011-15M
65.6 (20)	DFE-12SM-011-20M

Coaxial

Cable Products



50 Ohm Coaxial Cables

COMMSCOPE MODEL #	SIZE (inch)
520096102/00	7/8
AVA6-50	1-1/4
AVA6RK-50	1-1/4
AVA7-50	1-5/8
AVA7RK-50	1-5/8
FSI4-50B	1/2
FSI4RK-50B	1/2
HL4RPV-50	1/2
LDF4-50A	1/2
LDF4RK-50A	1/2



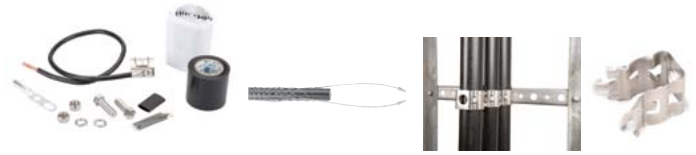
Cable Preparation Tools

FOR CABLE SIZE	COMMSCOPE MODEL #
1/2"	12HPT
1/2"	CPT4ARC1
7/8"	Z8HPT
7/8"	MCPT-78
-	MCPT-1412
-	MCPTL4



Surge Arrester

COMMSCOPE MODEL #	DESCRIPTION
ABTDFDM-ADBA	Dual Band Surge Arrester, DIN-F/DIN-M, AISG
ABTDFDM-ADBH	Dual Band Surge Arrester, DIN-F/DIN-M
ABTDMDF-ADBA	Dual Band Surge Arrester, DIN-M/DIN-F, AISG
ABTDMDF-ADBH	Dual Band Surge Arrester, DIN-M/DIN-F
APTDC-BDFDM-DBVU	Dual Band Surge Arrester, DIN-F Bulkhead/DIN-M
APTDFDM-DB	Dual Band Surge Arrester, DIN-F/DIN-M
APT-NFN-M-DB	Dual Band Surge Arrester, Types NF/N-M
DF-CAPKIT	Plated DIN-F End Cap Assembly



Installation Accessories and Tools

COMMSCOPE MODEL #	DESCRIPTION
31768A	Adapter, Angle
UA-3	Adapter, Universal Angle
STS3-23	Adapter, Stand-off 3-way Snap-in for 2-3" round members
TTS3-153	Adapter, Stand-off 3-way for 1.5-3" round members
SEC-412	Entry Cushion, 4 holes for 1/2" coaxial cable
SEC-378	Entry Cushion, Snap-Seal 3 holes for 7/8" coaxial cable
SEC-1158	Entry Cushion, Snap-Seal 1 hole for 1-5/8" coaxial cable
SG12-06B2A	Grounding Kit for 1/2" coaxial cable
SG12-12B2U	Grounding Kit for 1/2" coaxial cable
223158-2	Grounding Kit for 1/4" coaxial cable
SG114-06B2A	Grounding Kit for 1-1/4" coaxial cable
SG114-12B2U	Grounding Kit for 1-1/4" coaxial cable
SG158-06B2A	Grounding Kit for 1-5/8" coaxial cable
SG158-12B2U	Grounding Kit for 1-5/8" coaxial cable
SG78-06B2A	Grounding Kit for 7/8" coaxial cable
SG78-12B2U	Grounding Kit for 7/8" coaxial cable
UG12158-15B4-T	Grounding Kit, Universal
42396A-5	Hanger, Standard for 7/8" (EW90), Kit of 10
43211A	Hanger, Butterfly
L5CLICKB	Hanger, Double Click-on for 7/8" coaxial cable
L7CLICK	Hanger, Click-on for 1-5/8" coaxial cable
SSH-12	Hanger, SnapStak for 1/2" coaxial cable
SSH-12-4	Hanger, SnapStak for 1/2" coaxial cable, quadruple stack
SSH-114	Hanger, SnapStak for 1-1/4" coaxial cable
SSH-114-3	Hanger, SnapStak for 1-1/4" coaxial cable, triple stack
SSH-158	Hanger, SnapStak for 1-5/8" coaxial cable
SSH-158-3	Hanger, SnapStak for 1-5/8" coaxial cable, triple stack
SSH-78	Hanger, SnapStak for 7/8" coaxial cable
SSH-78-4	Hanger, SnapStak for 7/8" coaxial cable, quadruple stack
SSHR-10	Hanger Reinforcement Bar, SnapStak kit of 10
31771-4	Hardware Kit for ceiling mount
31769-1	Hardware Kit for hangers
19256B	Hoisting Grip for 7/8" coaxial cable
L5SGRIP	Hoisting Grip for 7/8" coaxial cable
L6SGRIP	Hoisting Grip for 1-1/4" coaxial cable
24312A	Hoisting Grip for 1-5/8" coaxial cable
L7SGRIP	Hoisting Grip for 1-5/8" coaxial cable
FTB	Tape, Black Selffusing, 15'
221213	Weatherproofing Kit, Connector/Splice
24437Z	Wrench, 1-1/4" Torque
244379	Wrench, 13/16" Torque



Wireless

Microwave Antenna Systems

Antennas

Microwave Antenna Systems



5.25–5.85 GHz Unlicensed, Standard Parabolic Unshielded

COMMSCOPE MODEL #	DESCRIPTION	GAIN, dBi	ANTENNA DIAMETER (Ft)
P2F-52-NXA	Parabolic Unshielded Antenna, 2', 5.25-5.85 GHz, single-polarized with type N female connector, gray antenna with radome	29.2	2
P3F-52-NXA	Parabolic Unshielded Antenna, 3', 5.25-5.85 GHz, single-polarized with type N female connector, gray antenna with radome	33	3
P4F-52-NXA/A	Parabolic Unshielded Antenna, 4', 5.25-5.85 GHz, single-polarized with type N female connector, gray antenna with radome	34.9	4
P6F-52-NXA/A	Parabolic Unshielded Antenna, 6', 5.25-5.85 GHz, single-polarized with type N female connector, gray antenna with radome	37.6	6
PX2F-52-NXA	Parabolic Unshielded Antenna, 3', 5.25-5.85 GHz, single-polarized with type N female connector, gray antenna with radome	29.2	2

6 GHz, Standard Parabolic Unshielded (P and PL series)

COMMSCOPE MODEL #	DESCRIPTION	GAIN, dBi	ANTENNA DIAMETER (Ft)
P2-57W-PXA	2 ft Standard Parabolic Unshielded Antenna, single-polarized, 5.725–6.425 GHz, CPR137G with radome	29.3	2
P2F-57W-NXA	2 ft Standard Parabolic Unshielded Antenna, single-polarized, 5.725–6.425 GHz, N female with radome	29.3	2
P4-57W-PXA/A	4 ft Standard Parabolic Unshielded Antenna, single-polarized, 5.725–6.425 GHz, CPR137G, gray antenna, molded gray radome	35	4
PL4-59-PXA/F	4 ft Standard Parabolic, Low VSWR Unshielded Antenna, single-polarized, 5.925–6.425 GHz, CPR137G, gray antenna, molded gray radome	35.4	4
PL4-65-P7A/F	4 ft Standard Parabolic, Low VSWR Unshielded Antenna, single-polarized, 6.425–7.125 GHz, CPR137G, gray antenna	36.3	4
PL4-65-PXA/F	4 ft Standard Parabolic, Low VSWR Unshielded Antenna, single-polarized, 6.425–7.125 GHz, CPR137G, gray antenna, molded gray radome	36.3	4
P6F-57W-NXA/A	6 ft Standard Parabolic Unshielded Antenna, single-polarized, unpressurized, 5.725–6.425 GHz, N Female, gray antenna, molded gray radome	38.5	6
PL6-57W-PXA/A	6 ft Standard Parabolic, Low VSWR Unshielded Antenna, single-polarized, 5.725–6.425 GHz, CPR137G, gray antenna, molded gray radome	38.5	6
PL6-59-PXA/F	6 ft Standard Parabolic, Low VSWR Unshielded Antenna, single-polarized, 5.925–6.425 GHz, CPR137G, gray antenna, molded gray radome	38.9	6
PL6-59W-PXA/C	6 ft Standard Parabolic, Low VSWR Unshielded Antenna, single-polarized, 5.925–7.125 GHz, CPR137G, gray antenna, molded gray radome	39.4	6
PL6-65-PXA/G	6 ft Standard Parabolic, Low VSWR Unshielded Antenna, single-polarized, 6.425–7.125 GHz, CPR137G, gray antenna, molded gray radome	39.8	6
PL8-57W-PXA	8 ft Standard Parabolic, Low VSWR Unshielded Antenna, single-polarized, 5.725–6.425 GHz, CPR137G, gray antenna, molded gray radome	41.2	8
PL8-59-PXA	8 ft Standard Parabolic, Low VSWR Unshielded Antenna, single-polarized, 5.925–6.425 GHz, CPR137G, gray antenna, molded gray radome	41.5	8
PL8-65-PXA	8 ft Standard Parabolic, Low VSWR Unshielded Antenna, single-polarized, 6.425–7.125 GHz, CPR137G, gray antenna, molded gray radome	42.3	8
PL12-59-P7M	12 ft Standard Parabolic, Low VSWR Unshielded Antenna, single-polarized, 5.925–6.425 GHz, CPR137G, gray antenna	45	12

Antennas

6 GHz, Standard Parabolic Unshielded Antennas for Relocation (PAR series)

COMMSCOPE MODEL #	DESCRIPTION	GAIN, dBi	ANTENNA DIAMETER (Ft)
PAR6-59PXA/B	6 ft Parabolic Unshielded Antenna for Relocation-Category A, single-polarized, 5.725- 5.850 Ghz and 5.925-6.425 GHz, CPR137G, gray antenna, molded gray radome	38.2	6
PAR6-65PXA/B	6 ft Parabolic Unshielded Antenna for Relocation-Category A, single-polarized, 6.425-7.125 GHz, CPR137G, gray antenna, molded gray radome	38.8	6
PAR8-59PXA	8 ft Parabolic Unshielded Antenna for Relocation-Category A, single-polarized, 5.925-6.425 GHz, CPR137G, gray antenna, molded gray radome	40.8	8
PAR8-59WPXA	8 ft Parabolic Unshielded Antenna for Relocation-Category A, single-polarized, 5.725 - 5.850 GHz & 5.925-7.125 GHz, CPR137G, gray antenna, molded gray radome	41	8
PARX6-59WPXA/B	6 ft Parabolic Unshielded Antenna for Relocation-Category A, dual-polarized, 5.725-5.850 GHz and 5.925-7.125 GHz, CPR137G, gray antenna, molded gray radome	38.3	6
PARX6-59PXA/A	6 ft Parabolic Unshielded Antenna for Relocation-Category A, dual-polarized, 5.925-6.425 GHz, CPR137G, gray antenna, molded gray radome	37.9	6
PARX6-59WPXA/A	6 ft Parabolic Unshielded Antenna for Relocation-Category A, dual-polarized, 5.925-7.125 GHz, CPR137G, gray antenna, molded gray radome	38.3	6
PARX8-59PXA	8 ft Parabolic Unshielded Antenna for Relocation-Category A, dual-polarized, 5.925-6.425 GHz, CPR137G, gray antenna, molded gray radome	40.7	8
PARX8-59WPXA	8 ft Parabolic Unshielded Antenna for Relocation-Category A, dual-polarized, 5.925-7.125 GHz, CPR137G, gray antenna, molded gray radome	40.7	8
PARX10-59WP7A	10 ft Parabolic Unshielded Antenna for Relocation-Category A, dual-polarized, 5.925-7.125 GHz, CPR137G, gray antenna	40.7	10

6 GHz, High Performance Low Profile (VHLP series)

COMMSCOPE MODEL #	DESCRIPTION	GAIN, dBi	ANTENNA DIAMETER (Ft)
VHLP3-6W-4GR	3 ft ValuLine® High Performance Low Profile Antenna, single-polarized, 5.925-7.125 GHz, PDR70, gray antenna, polymer gray radome	33	3
VHLP3-6W-4WH	3 ft ValuLine® High Performance Low Profile Antenna, single-polarized, 5.925-7.125 GHz, PDR70, white antenna, polymer white radome	33	3
VHLP3-6W-6GR	3 ft ValuLine® High Performance Low Profile Antenna, single-polarized, 5.925-7.125 GHz, CPR137G, gray antenna, polymer gray radome	33	3
VHLP3-6W-6WH	3 ft ValuLine® High Performance Low Profile Antenna, single-polarized, 5.925-7.125 GHz, CPR137G, white antenna, polymer white radome	33	3
VHLPX3-6W-6GR	3 ft ValuLine® High Performance Low Profile Antenna, dual-polarized, 5.925-7.125 GHz, CPR137G, gray antenna, polymer gray radome	33	3
VHLPX3-6W-6WH	3 ft ValuLine® High Performance Low Profile Antenna, dual-polarized, 5.925-7.125 GHz, CPR137G, white antenna, polymer white radome	33	3
VHLPX4-6W-6GR/B	4 ft ValuLine® High Performance Low Profile Antenna, dual-polarized, 5.925-7.125 GHz, CPR137G, gray antenna, polymer gray radome	37.3	4
VHLPX4-6W-6WH/B	4 ft ValuLine® High Performance Low Profile Antenna, dual-polarized, 5.925-7.125 GHz, CPR137G, white antenna, polymer white radome	37.3	4

Antennas

Microwave Antenna Systems

6 GHz, High Performance (HP series)

COMMSCOPE MODEL #	DESCRIPTION	GAIN, dBi	ANTENNA DIAMETER (FT)
HP4-65-P3A/C	4 ft High Performance Parabolic Shielded Antenna, single-polarized, 6.425–7.125 GHz, CPR137G, gray antenna, enhanced white radome	36	4
HP6-57-WP3A/A	6 ft High Performance Parabolic Shielded Antenna, single-polarized, 5.725–6.425 GHz, CPR137G, gray antenna, enhanced white radome	38.5	6
HP6-59-P3A/K	6 ft High Performance Parabolic Shielded Antenna, single-polarized, 5.925–6.425 GHz, CPR137G, gray antenna, enhanced white radome	38.9	6
HP6-59-WP3A/C	6 ft High Performance Parabolic Shielded Antenna, single-polarized, 5.925–7.125 GHz, CPR137G, gray antenna, enhanced white radome	39	6
HP6-65-P3A/K	6 ft High Performance Parabolic Shielded Antenna, single-polarized, 6.425–7.125 GHz, CPR137G, gray antenna, enhanced white radome	39.5	6
HPX6-59-P3A/K	6 ft High Performance Parabolic Shielded Antenna, dual-polarized, 5.925–6.425 GHz, CPR137G, gray antenna, enhanced white radome	38.8	6
HP8-59-P3A	8 ft High Performance Parabolic Shielded Antenna, single-polarized, 5.925–6.425 GHz, CPR137G, gray antenna, enhanced white radome	41.5	8
HP8-59-WP3A	8 ft High Performance Parabolic Shielded Antenna, single-polarized, 5.925–7.125 GHz, CPR137G, gray antenna, enhanced white radome	41.7	8
HP8-611-P3A	8 ft High Performance Parabolic Shielded Antenna, single-polarized, 5.925–6.425 GHz and 10.7–11.7 GHz CPR137G and CPR90G, gray antenna, enhanced white radome	41.3/44.7	8
HP8-65-P3A	8 ft High Performance Parabolic Shielded Antenna, single-polarized, 6.425–7.125 GHz, CPR137G, gray antenna, enhanced white radome	42.3	8
HPX8-59-P3A	8 ft High Performance Parabolic Shielded Antenna, dual-polarized, 5.925–6.425 GHz, CPR137G, gray antenna, enhanced white radome	41.3	8
WHP8-59-P3A		41.5	8
HP10-59-P1A	10 ft High Performance Parabolic Shielded Antenna, single-polarized, 5.925–6.425 GHz, CPR137G, gray antenna, standard white radome	42.9	10
HP10-59-P3A	10 ft High Performance Parabolic Shielded Antenna, single-polarized, 5.925–6.425 GHz, CPR137G, gray antenna, enhanced white radome	42.9	10
HP10-59-WP3A	10 ft High Performance Parabolic Shielded Antenna, single-polarized, 5.925–7.125 GHz, CPR137G, gray antenna, enhanced white radome	43.1	10
HP10-611-P1A	10 ft High Performance Parabolic Shielded Antenna, single-polarized, 10.700–11.700 GHz and 5.925–6.425 GHz, CPR137G and CPR90G, gray antenna, standard white radome	45.8/43	10
HPX10-59-P3A	10 ft High Performance Parabolic Shielded Antenna, dual-polarized, 5.925–6.425 GHz, CPR137G, gray antenna, enhanced white radome	43.1	10
HDX10-59-P3A	10 ft Dual Beam Parabolic Shielded Antenna, dual-polarized, 5.925–6.425 GHz, CPR137G, gray antenna, enhanced white radome	43.2	10
WHP10-59-P3A		42.9	10
HPX12-59-P3M	12 ft High Performance Parabolic Shielded Antenna, dual-polarized, 5.925–6.425 GHz, CPR137G, gray antenna, enhanced white radome	44.8	12

Antennas

6 GHz, Ultra High Performance (UHX series)

COMMSCOPE MODEL #	DESCRIPTION	GAIN, dBi	ANTENNA DIAMETER (Ft)
UHP6-59VW-P3A/B	6 ft Ultra High Performance Parabolic Shielded Antenna, single-polarized, 5.925–7.125 GHz, CPR137G, gray antenna, enhanced white radome	39.3	6
UHX6-59-P3A/L	6 ft Ultra High Performance Parabolic Shielded Antenna, dual-polarized, 5.925–6.425 GHz, CPR137G, gray antenna, enhanced white radome	38.8	6
UHX6-59VW-P3A/B	6 ft Ultra High Performance Parabolic Shielded Antenna, dual-polarized, 5.925–7.125 GHz and 5.725 - 5.85 GHz, CPR137G, gray antenna, enhanced white radome	38.8	6
UHX6-59VW-PGRA/B	6 ft Ultra High Performance Parabolic Shielded Antenna, dual-polarized, 5.925–7.125 GHz and 5.725 - 5.85 GHz, CPR137G, gray antenna, enhanced gray radome	38.8	6
UHX6-65-P3A/F	6 ft Ultra High Performance Parabolic Shielded Antenna, dual-polarized, 6.425–7.125 GHz, CPR137G, gray antenna, enhanced white radome	39.5	6
UHX6-65-PGRA/F	6 ft Ultra High Performance Parabolic Shielded Antenna, dual-polarized, 6.425–7.125 GHz, CPR137G, gray antenna, enhanced gray radome	39.5	6
UHX8-59-P3A	8 ft Ultra High Performance Parabolic Shielded Antenna, dual-polarized, 5.925–6.425 GHz, CPR137G, gray antenna, enhanced white radome	41.3	8
UHX8-59VW-PGRA	8 ft Ultra High Performance Parabolic Shielded Antenna, dual-polarized, 5.925–7.125 GHz and 5.725 - 5.85 GHz, CPR137G, gray antenna, enhanced gray radome	41.7	8
UHX8-65-P3A	8 ft Ultra High Performance Parabolic Shielded Antenna, dual-polarized, 6.425–7.125 GHz, CPR137G, gray antenna, enhanced white radome	42	8
UHX8-65-PGRA	8 ft Ultra High Performance Parabolic Shielded Antenna, dual-polarized, 6.425–7.125 GHz, CPR137G, gray antenna, enhanced gray radome	42	8
UHX10-59-P3A	10 ft Ultra High Performance Parabolic Shielded Antenna, dual-polarized, 5.925–6.425 GHz, CPR137G, gray antenna, enhanced white radome	43.2	10
UHX10-65-P3A	10 ft Ultra High Performance Parabolic Shielded Antenna, dual-polarized, 6.425–7.125 GHz, CPR137G, gray antenna, enhanced white radome	44	10
UHX10-59VW-P3A	10 ft Ultra High Performance Parabolic Shielded Antenna, dual-polarized, 5.925–7.125 GHz and 5.725 - 5.85 GHz, CPR137G, gray antenna, enhanced white radome	43.2	10
UHX10-59VW-P3M	10 ft Ultra High Performance Parabolic Shielded Antenna, dual-polarized, 5.925–7.125 GHz and 5.725 - 5.85 GHz, CPR137G, gray antenna, enhanced white radome	43.2	10
UHX12-59VW-PGRM	12 ft Ultra High Performance Parabolic Shielded Antenna, dual-polarized, 5.925–7.125 GHz, CPR137G, gray antenna, enhanced gray radome	44.8	12

7 GHz, High Performance Low Profile (VHLP series)

COMMSCOPE MODEL #	DESCRIPTION	GAIN, dBi	ANTENNA DIAMETER (Ft)
VHLPX3-7VW-6GR	1.0 m 3 ft Valuline® High Performance Low Profile Antenna, dual-polarized, 7.10–8.500 GHz, CPR112G, gray antenna, polymer gray radome	35.5	3
VHLPX3-7VW-6VWH	1.0 m 3 ft Valuline® High Performance Low Profile Antenna, dual-polarized, 7.10–8.500 GHz, CPR112G, white antenna, polymer white	35.5	3
VHLP3-7VW-6GR	1.0 m 3 ft Valuline® High Performance Low Profile Antenna, single-polarized, 7.10–8.500 GHz, CPR112G, gray antenna, polymer gray radome	35.5	3
VHLP3-7VW-6VWH	1.0 m 3 ft Valuline® High Performance Low Profile Antenna, single-polarized, 7.10–8.500 GHz, CPR112G, white antenna, polymer white	35.5	3

11 GHz, Standard Parabolic Unshielded (P and PL series)

COMMSCOPE MODEL #	DESCRIPTION	GAIN, dBi	ANTENNA DIAMETER (Ft)
P4-105-PXA/B	1.2 m 4 ft Standard Parabolic Unshielded Antenna, single-polarized, 10.500–10.700 GHz, CPR90G, gray antenna, molded gray radome	39.9	4

Antennas

11 GHz, High Performance (HP series)

COMMSCOPE MODEL #	DESCRIPTION	GAIN, dBi	ANTENNA DIAMETER (Ft)
HP4-105-P3A/D	1.2 m 4 ft High Performance Parabolic Shielded Antenna, single-polarized, 10.500–10.700 GHz, CPR90G, gray antenna, enhanced white radome	39.9	4
HP4-107-P3A/B	1.2 m 4 ft High Performance Parabolic Shielded Antenna, single-polarized, 10.700–11.700 GHz, CPR90G, gray antenna, enhanced white radome	40.4	4
HP10-107-P3A	3.0 m 10 ft High Performance Parabolic Shielded Antenna, single-polarized, 10.700–11.700 GHz, CPR90G, gray antenna, enhanced white radome	48.3	10

11 GHz, Ultra High Performance (UHX series)

COMMSCOPE MODEL #	DESCRIPTION	GAIN, dBi	ANTENNA DIAMETER (Ft)
UHX10-107-PGRA	3.0 m 10 ft Ultra High Performance Parabolic Shielded Antenna, dual-polarized, 10.700–11.700 GHz, CPR90G, gray antenna, gray radome	48	10

11 GHz, High Performance Low Profile (VHLP series)

COMMSCOPE MODEL #	DESCRIPTION	GAIN, dBi	ANTENNA DIAMETER (Ft)
VHLPX3-1.1V-6GR	1.0 m 3 ft ValuLine® High Performance Low Profile Antenna, dual-polarized, 10.125–11.700 GHz, CPR90G, gray antenna, polymer gray radome	38.4	3
VHLPX3-1.1V-6WH	1.0 m 3 ft ValuLine® High Performance Low Profile Antenna, dual-polarized, 10.125–11.700 GHz, CPR90G, white antenna, polymer white radome	38.4	3
VHLP4-1.1V-6GR	1.2 m 4 ft ValuLine® High Performance Low Profile Antenna, single-polarized, 10.125–11.700 GHz, CPR90G, gray antenna, polymer gray radome	40.7	4

13 GHz, High Performance Low Profile (VHLP series)

COMMSCOPE MODEL #	DESCRIPTION	GAIN, dBi	ANTENNA DIAMETER (Ft)
VHLPX3-1.3-1GR	1.0 m 3 ft ValuLine® High Performance Low Profile Antenna, dual-polarized, 12.700–13.250 GHz, WR75, gray antenna, polymer gray radome	40	3
VHLPX3-1.3-1WH	1.0 m 3 ft ValuLine® High Performance Low Profile Antenna, dual-polarized, 12.700–13.250 GHz, WR75, white antenna, polymer white radome	40	3
VHLPX3-1.3-2GR	1.0 m 3 ft ValuLine® High Performance Low Profile Antenna, dual-polarized, 12.700–13.250 GHz, PBR120, gray antenna, polymer gray radome	40	3
VHLPX3-1.3-2WH	1.0 m 3 ft ValuLine® High Performance Low Profile Antenna, dual-polarized, 12.700–13.250 GHz, PBR120, white antenna, polymer white radome	40	3
VHLPX3-1.3-3GR	1.0 m 3 ft ValuLine® High Performance Low Profile Antenna, dual-polarized, 12.700–13.250 GHz, UBR120, gray antenna, polymer gray radome	40	3
VHLPX3-1.3-3WH	1.0 m 3 ft ValuLine® High Performance Low Profile Antenna, dual-polarized, 12.700–13.250 GHz, UBR120, white antenna, polymer white radome	40	3
VHLP3-1.3-1GR	1.0 m 3 ft ValuLine® High Performance Low Profile Antenna, single-polarized, 12.700–13.250 GHz, WR75, gray antenna, polymer gray radome	40	3
VHLP3-1.3-1WH	1.0 m 3 ft ValuLine® High Performance Low Profile Antenna, single-polarized, 12.700–13.250 GHz, WR75, white antenna, polymer white radome	40	3
VHLP3-1.3-2GR	1.0 m 3 ft ValuLine® High Performance Low Profile Antenna, single-polarized, 12.700–13.250 GHz, PBR120, gray antenna, polymer gray radome	40	3
VHLP3-1.3-2WH	1.0 m 3 ft ValuLine® High Performance Low Profile Antenna, single-polarized, 12.700–13.250 GHz, PBR120, white antenna, polymer white radome	40	3
VHLP3-1.3-3GR	1.0 m 3 ft ValuLine® High Performance Low Profile Antenna, single-polarized, 12.700–13.250 GHz, UBR120, gray antenna, polymer gray radome	40	3
VHLP3-1.3-3WH	1.0 m 3 ft ValuLine® High Performance Low Profile Antenna, single-polarized, 12.700–13.250 GHz, UBR120, white antenna, polymer white radome	40	3

Antennas

13 GHz, High Performance Low Profile (VHLP series)

COMMSCOPE MODEL #	DESCRIPTION	GAIN, dBi	ANTENNA DIAMETER (Ft)
VHLPX3-1.5-1GR	1.0 m 3 ft ValuLine® High Performance Low Profile Antenna, dual-polarized, 14.400–15.350 GHz, WR75, gray antenna, polymer gray radome	41.1	3
VHLPX3-1.5-1WH	1.0 m 3 ft ValuLine® High Performance Low Profile Antenna, dual-polarized, 14.400–15.350 GHz, WR75, white antenna, polymer white radome	41.1	3
VHLPX3-1.5-2GR	1.0 m 3 ft ValuLine® High Performance Low Profile Antenna, dual-polarized, 14.400–15.350 GHz, PBR120, gray antenna, polymer gray radome	41.1	3
VHLPX3-1.5-2WH	1.0 m 3 ft ValuLine® High Performance Low Profile Antenna, dual-polarized, 14.400–15.350 GHz, PBR120, white antenna, polymer white radome	41.1	3
VHLPX3-1.5-3GR	1.0 m 3 ft ValuLine® High Performance Low Profile Antenna, dual-polarized, 14.400–15.350 GHz, UBR120, gray antenna, polymer gray radome	41.1	3
VHLPX3-1.5-3WH	1.0 m 3 ft ValuLine® High Performance Low Profile Antenna, dual-polarized, 14.400–15.350 GHz, UBR120, white antenna, polymer white radome	41.1	3
VHLP3-1.5-1GR	1.0 m 3 ft ValuLine® High Performance Low Profile Antenna, single-polarized, 14.400–15.350 GHz, WR75, gray antenna, polymer gray radome	41.1	3
VHLP3-1.5-1WH	1.0 m 3 ft ValuLine® High Performance Low Profile Antenna, single-polarized, 14.400–15.350 GHz, WR75, white antenna, polymer white radome	41.1	3
VHLP3-1.5-2GR	1.0 m 3 ft ValuLine® High Performance Low Profile Antenna, single-polarized, 14.400–15.350 GHz, PBR120, gray antenna, polymer gray radome	41.1	3
VHLP3-1.5-2WH	1.0 m 3 ft ValuLine® High Performance Low Profile Antenna, single-polarized, 14.400–15.350 GHz, PBR120, white antenna, polymer white radome	41.1	3
VHLP3-1.5-3GR	1.0 m 3 ft ValuLine® High Performance Low Profile Antenna, single-polarized, 14.400–15.350 GHz, UBR120, gray antenna, polymer gray radome	41.1	3
VHLP3-1.5-3WH	1.0 m 3 ft ValuLine® High Performance Low Profile Antenna, single-polarized, 14.400–15.350 GHz, UBR120, white antenna, polymer white radome	41.1	3

Antennas

18 GHz, High Performance Low Profile (VHLP series)

COMMSCOPE MODEL #	DESCRIPTION	GAIN, dBi	ANTENNA DIAMETER (ft)
VHLPX2-18-1GR/B	0.6 m 2 ft Valuline® High Performance Low Profile Antenna, dual-polarized, 17.700–19.700 GHz, UG-595/U modified, gray antenna, polymer gray radome	38.9	2
VHLPX2-18-3GR/B	0.6 m 2 ft Valuline® High Performance Low Profile Antenna, dual-polarized, 17.700–19.700 GHz, UBR220, gray antenna, polymer gray radome	38.9	2
VHLPX3-18-1GR	1.0 m 3 ft Valuline® High Performance Low Profile Antenna, dual-polarized, 17.700–19.700 GHz, UG-595/U modified, gray antenna, polymer gray radome	43.5	3
VHLPX3-18-1WH	1.0 m 3 ft Valuline® High Performance Low Profile Antenna, dual-polarized, 17.700–19.700 GHz, UG-595/U modified, white antenna, polymer white radome	43.5	3
VHLPX3-18-2GR	1.0 m 3 ft Valuline® High Performance Low Profile Antenna, dual-polarized, 17.700–19.700 GHz, PBR220, gray antenna, polymer gray radome	43.5	3
VHLPX3-18-2WH	1.0 m 3 ft Valuline® High Performance Low Profile Antenna, dual-polarized, 17.700–19.700 GHz, PBR220, white antenna, polymer white radome	43.5	3
VHLPX3-18-3GR	1.0 m 3 ft Valuline® High Performance Low Profile Antenna, dual-polarized, 17.700–19.700 GHz, UBR220, gray antenna, polymer gray radome	43.5	3
VHLPX3-18-3WH	1.0 m 3 ft Valuline® High Performance Low Profile Antenna, dual-polarized, 17.700–19.700 GHz, UBR220, white antenna, polymer white radome	43.5	3
VHLPX4-18-1GR/B	1.2 m 4 ft Valuline® High Performance Low Profile Antenna, dual-polarized, 17.700–19.700 GHz, UG-595/U modified, gray antenna, polymer gray radome	44.7	4
VHLPX4-18-3GR/B	1.2 m 4 ft Valuline® High Performance Low Profile Antenna, dual-polarized, 17.700–19.700 GHz, UBR220, gray antenna, polymer gray radome	44.7	4
VHLP1-18-1WH	0.3 m 1 ft Valuline® High Performance Low Profile Antenna, single-polarized, 17.700–19.700 GHz, UG-595, white antenna, polymer white radome	34.2	1
VHLP3-18-1GR	1.0 m 3 ft Valuline® High Performance Low Profile Antenna, single-polarized, 17.700–19.700 GHz, UG-595/U, gray antenna, polymer gray radome	43.5	3
VHLP3-18-1WH	1.0 m 3 ft Valuline® High Performance Low Profile Antenna, single-polarized, 17.700–19.700 GHz, UG-595/U, white antenna, polymer white radome	43.5	3
VHLP3-18-2GR	1.0 m 3 ft Valuline® High Performance Low Profile Antenna, single-polarized, 17.700–19.700 GHz, PBR220, gray antenna, polymer gray radome	43.5	3
VHLP3-18-2WH	1.0 m 3 ft Valuline® High Performance Low Profile Antenna, single-polarized, 17.700–19.700 GHz, PBR220, white antenna, polymer white radome	43.5	3
VHLP3-18-3GR	1.0 m 3 ft Valuline® High Performance Low Profile Antenna, single-polarized, 17.700–19.700 GHz, UBR220, gray antenna, polymer gray radome	43.5	3
VHLP3-18-3WH	1.0 m 3 ft Valuline® High Performance Low Profile Antenna, single-polarized, 17.700–19.700 GHz, UBR220, white antenna, polymer white radome	43.5	3
VHLP6-18-1WH/A	1.8 m 6 ft Valuline® High Performance Low Profile Antenna, single-polarized, 17.700–19.700 GHz, UG-595/U, white antenna, polymer white radome	47.8	6

Antennas

23 GHz, High Performance Low Profile (VHLP series)

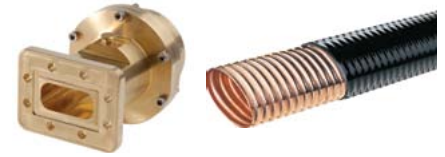
COMMSCOPE MODEL #	DESCRIPTION	GAIN, dBi	ANTENNA DIAMETER (Ft)
VHLPX1-23-2GR	0.3 m 1 ft Valuline® High Performance Low Profile Antenna, dual-polarized, 21.200–23.600 GHz, PBR220, gray antenna, polymer gray radome	35.3	1
VHLPX2-23-1GR/B	0.6 m 2 ft Valuline® High Performance Low Profile Antenna, dual-polarized, 21.200–23.600 GHz, UG-595/U modified, gray antenna, polymer gray radome	40.5	2
VHLPX3-23-1GR	1.0 m 3 ft Valuline® High Performance Low Profile Antenna, dual-polarized, 21.200–23.600 GHz, UG-595/U modified, gray antenna, polymer gray radome	44.8	3
VHLPX3-23-1WH	1.0 m 3 ft Valuline® High Performance Low Profile Antenna, dual-polarized, 21.200–23.600 GHz, UG-595/U modified, white antenna, polymer white radome	44.8	3
VHLPX3-23-2GR	1.0 m 3 ft Valuline® High Performance Low Profile Antenna, dual-polarized, 21.200–23.600 GHz, PBR220, gray antenna, polymer gray radome	44.8	3
VHLPX3-23-2VWH	1.0 m 3 ft Valuline® High Performance Low Profile Antenna, dual-polarized, 21.200–23.600 GHz, PBR220, white antenna, polymer white radome	44.8	3
VHLPX3-23-3GR	1.0 m 3 ft Valuline® High Performance Low Profile Antenna, dual-polarized, 21.200–23.600 GHz, UBR220, gray antenna, polymer gray radome	44.8	3
VHLPX3-23-3VWH	1.0 m 3 ft Valuline® High Performance Low Profile Antenna, dual-polarized, 21.200–23.600 GHz, UBR220, white antenna, polymer white radome	44.8	3
VHLP1-23-1WH	0.3 m 1 ft Valuline® High Performance Low Profile Antenna, single-polarized, 21.200–23.600 GHz, UG-595, white antenna, polymer white radome	35.3	1
VHLP3-23-1GR	1.0 m 3 ft Valuline® High Performance Low Profile Antenna, single-polarized, 21.200–23.600 GHz, UG-595/U, gray antenna, polymer gray radome	44.8	3
VHLP3-23-1WH	1.0 m 3 ft Valuline® High Performance Low Profile Antenna, single-polarized, 21.200–23.600 GHz, UG-595/U, white antenna, polymer white radome	44.8	3
VHLP3-23-2GR	1.0 m 3 ft Valuline® High Performance Low Profile Antenna, single-polarized, 21.200–23.600 GHz, PBR220, gray antenna, polymer gray radome	44.8	3
VHLP3-23-2VWH	1.0 m 3 ft Valuline® High Performance Low Profile Antenna, single-polarized, 21.200–23.600 GHz, PBR220, white antenna, polymer white radome	44.8	3
VHLP3-23-3GR	1.0 m 3 ft Valuline® High Performance Low Profile Antenna, single-polarized, 21.200–23.600 GHz, UBR220, gray antenna, polymer gray radome	44.8	3
VHLP3-23-3VWH	1.0 m 3 ft Valuline® High Performance Low Profile Antenna, single-polarized, 21.200–23.600 GHz, UBR220, white antenna, polymer white radome	44.8	3

26 GHz, High Performance Low Profile (VHLP series)

COMMSCOPE MODEL #	DESCRIPTION	GAIN, dBi	ANTENNA DIAMETER (Ft)
VHLPX3-26-1VWH	1.0 m 3 ft Valuline® High Performance Low Profile Antenna, dual-polarized, 24.250–26.500 GHz, UG-595/U, white antenna, polymer white radome	45.8	3
VHLPX3-26-2VWH	1.0 m 3 ft Valuline® High Performance Low Profile Antenna, dual-polarized, 24.250–26.500 GHz, PBR220, white antenna, polymer white radome	45.8	3
VHLPX3-26-3VWH	1.0 m 3 ft Valuline® High Performance Low Profile Antenna, dual-polarized, 24.250–26.500 GHz, UBR220, white antenna, polymer white radome	45.8	3
VHLP3-26-1WH	1.0 m 3 ft Valuline® High Performance Low Profile Antenna, single-polarized, 24.250–26.500 GHz, UG-595/U, white antenna, polymer white radome	45.8	3
VHLP3-26-2WH	1.0 m 3 ft Valuline® High Performance Low Profile Antenna, single-polarized, 24.250–26.500 GHz, PBR220, white antenna, polymer white radome	45.8	3
VHLP3-26-3WH	1.0 m 3 ft Valuline® High Performance Low Profile Antenna, single-polarized, 24.250–26.500 GHz, UBR220, white antenna, polymer white radome	45.8	3

Waveguide Cable Products

Microwave Antenna Systems



Elliptical Waveguide

COMMSCOPE MODEL #	DESCRIPTION
EW52	EW52, HELIAX® Standard Elliptical Waveguide, 5.6–6.425 GHz, black PE jacket
EW63	EW63, HELIAX® Standard Elliptical Waveguide, 5.925–7.125 GHz, black PE jacket
EW64	EW64, HELIAX® Standard Elliptical Waveguide, 6.425–7.75 GHz, black PE jacket
EW90	EW90, HELIAX® Standard Elliptical Waveguide, 10.2–11.7 GHz, black PE jacket
EW180	EW180, HELIAX® Standard Elliptical Waveguide, 17.3–19.7 GHz, black PE jacket
EW220	EW220, HELIAX® Standard Elliptical Waveguide, 21.2–23.6 GHz, black PE jacket
EWP52-50	EWP52, HELIAX® Premium Elliptical Waveguide, 5.0–5.85 GHz, black PE jacket
EWP52-56	EWP52, HELIAX® Premium Elliptical Waveguide, 5.6–6.2 GHz, black PE jacket
EWP52-58	EWP52, HELIAX® Premium Elliptical Waveguide, 5.725–6.425 GHz, black PE jacket
EWP52-59	EWP52, HELIAX® Premium Elliptical Waveguide, 5.925–6.425 GHz, black PE jacket
EWP63-59	EWP63, HELIAX® Premium Elliptical Waveguide, 5.925–6.575 GHz, black PE jacket
EWP63-59VV	EWP63, HELIAX® Premium Elliptical Waveguide, 5.8–7.125 GHz, black PE jacket
EWP63-65	EWP63, HELIAX® Premium Elliptical Waveguide, 6.425–7.125 GHz, black PE jacket
EWP90-105	EWP90, HELIAX® Premium Elliptical Waveguide, 10.2–10.7 GHz, black PE jacket
EWP90-105VV	EWP90, HELIAX® Premium Elliptical Waveguide, 10.5–11.7 GHz, black PE jacket
EWP90-107	EWP90, HELIAX® Premium Elliptical Waveguide, 10.7–11.7 GHz, black PE jacket
EWP180-180	EWP180, HELIAX® Premium Elliptical Waveguide, 17.7–19.7 GHz, black PE jacket

Connectors and Accessories

COMMSCOPE MODEL #	DESCRIPTION
EWFTK-52	EW52 FLARE TOOL KIT
1220ASC	Fixed-tuned UG-595/U for elliptical waveguide 220
1220ASCM	Fixed-tuned PBR220 for elliptical waveguide 220
163SE	Fixed-tuned CPR137G for elliptical waveguide 63
190SE	Fixed-tuned CPR90G for elliptical waveguide 90
190SEM	Fixed-tuned PDR100 for elliptical waveguide 90
252SE	Fixed-tuned CPR137G for elliptical waveguide 52
252SEM	Fixed-tuned PDR70 for elliptical waveguide 52
152DZ	Splice for elliptical waveguide 52
152SE	Fixed-tuned CPR159G for elliptical waveguide 52
1180SC	Fixed-tuned UG-595/U for elliptical waveguide 180
1180SCM	Fixed-tuned PBR220 for elliptical waveguide 180
45594-152B	Hardware Kit for 152 or 252 Connectors
45594-163B	Hardware Kit for 163 Connectors
55072-137	CPR137 FLANGE GASKET (HALF)
55072-159	GASKET
55072-90	GASKET
55674-137	WR137 PRESSURE INLET
31861	FLANGE GASKET (CPR 90)

Waveguide Cable Products

Connectors and Accessories (con't)

COMMScope MODEL #	DESCRIPTION
H090MC09-1C091-SG	90° H Plane Swept Bend for WR90, 8.2–12.4 GHz, with interface types CPR90G and CPR90G, 91 mm x 91 mm, gray
E137MC10-2C102-AN	90° E Plane Swept Bend for WR137, 5.85–6.425 GHz, with interface types CPR137G and CPR137G, 102 mm x 102 mm, unpainted
R090MB01-02CSG	WR90 STRAIGHT SECTION UG-39/U / CPR90G
R090MC01-02KSG	WR90 STRAIGHT SECTION CPR90G/PBR100
R137MC01-52CSN	WR137 STRAIGHT SECTION, CPR137G-CPR137G
R137MC02-79CSN	WR137 STRAIGHT SECTION CPR137G/CPR137G
R137MC03-30CSN	WR137 STRAIGHT SECTION CPR137G/CPR137G
R137MC03-56CSN	WR137 STRAIGHT SECTION CPR137G-CPR137G
R137MC04-06CSN	WR137 STRAIGHT SECTION CPR137G-CPR137G
R137MC09-14CSN	WR137 STRAIGHT SECTION CPR137G/CPR137G
R137MD01-52DSN	WR137 STRAIGHT SECTION CPR137G/CPR137G
33544-33	REATTACHMENT KIT, FOR EW63 CONNECTORS
33544-37	CONN REATTACHMENT KIT
33544-38	CONNECTOR REATTACHMENT KIT
33544-42	REATTACHMENT KIT FOR EW180 CONNECTORS
C137CNAG	ADAPTER, N-FEMALE TO CPR
C137CNGG	WAVEGUIDE TO COAX TRANSITION
C137DNNG	WR137 WAVEGUIDE TO COAX TRANSITION
C159CNAG	WR159 WAVEGUIDE TO COAX TRANSITION
C159CNSG	WR159 WAVEGUIDE TO COAX TRANSITION CPR159G TO TYPE-N
55219-13Z	HARDWARE KIT (CPR137G)
55219-90	FLANGE HARDWARE KIT
55224-42	HARDWARE KIT (CPR180)
55224-90	HARDWARE KIT (WR90)
39098-137	COVER & GASKET FOR 629
39098-42	TERMINATION LOAD
39099-137	LOAD TERMINATION
163DZ	CONNECTOR, SPLICE FOR EW63
164SE	EW64-CPR137G STEP-TUNED CONNECTOR
H137MC10-2C102-AN	WR137 HBEND 90°
H137MC10-2C102-SG	WR137 90DEGREE HBEND CPR137G/CPR137G
H137MC10-2C102-SN	WR137 HBEND 90°
D090CCBN	90° Rigid Twist for WR90, 10.7–11.7 GHz, with interface types CPR90G and CPR90G, 8 in, unpainted
D090CCSN	90° Rigid Twist for WR90, 8.2–12.4 GHz, with interface types CPR90G and CPR90G, 8 in, unpainted
D137CCAG	90° Rigid Twist for WR137, 5.85–6.425 GHz, with interface types CPR137G and CPR137G, 12 in, gray
D137CCAN	90° Rigid Twist for WR137, 5.85–6.425 GHz, with interface types CPR137G and CPR137G, 12 in, unpainted
D137CCBG	90° Rigid Twist for WR137, 6.425–7.125 GHz, with interface types CPR137G and CPR137G, 12 in, gray
D137CCSG	90° Rigid Twist for WR137, 5.85–8.2 GHz, with interface types CPR137G and CPR137G, 12 in, gray
C090CNBG	WR90 WAVEGUIDE TO COAX TRANSITION
C090CNSG	WR90 WAVEGUIDE TO COAX TRANSITION
55000A-13Z	Pressure Window for WR137, 5.85–8.2 GHz, mates to UG-343B/U
55000A-42	Pressure Window for WR42, 17.7–26.5 GHz, mates to UG-596A/U
55000A-90	Pressure Window for WR90, 8.2–12.4 GHz, mates to UG-40B/U
55001-13Z	Pressure Window for WR137, 5.85–8.2 GHz, mates to CPR137G
55001-15Z	Pressure Window for WR159, 4.9–7.05 GHz, mates to CPR159G

Flex Twist Assemblies

Microwave Antenna Systems



Flex Twist Assemblies

COMMSCOPE MODEL #	DESCRIPTION
F137ACS3	WR137 FLEX TWIST,900 MM,UG-343B/CPR137G
F137CCA1	WR137 FLEX TWIST,300 MM, CPR137G/CPR137G
F137CCA2	WR137 FLEX TWIST, 600MM, CPR137G/CPR137G
F137CCA3	WR137 FLEX TWIST,900 MM, CPR137G/CPR137G
F137CCA5	WAVEGUIDE FLEXTWIST CPR-137G 5.85-6.425GHz, 4' long
F137CCB2	WAVEGUIDE,FLEXTWIST,2',6.425-7
F137CCB3	WR137 FLEX TWIST, 900 MM
F137CCB5	WAVEGUIDE FLEXTWIST CPR-137G FLANGE 4' LONG
F137CCD2	KIT, ASSEMBLY 2FT FLEXTWIST WA
F137CCS1	WR137 FLEX TWIST 300MM
F137CCS2	WR137 FLEX TWIST 600MM
F137CCS3	WR137 FLEXIBLE TWIST
F137CCS5	WR137 FLEX TWIST 1200 MM CPR137G/CPR137G
F137CEB2	WR137 FLEX TWIST, 600 MM, CPR137G/CMR137
F137FFS2	WR137 FLEX TWIST,600 MM,CMR137/CMR137
F042ABS2	WR42 FLEX TWIST, 600MM, UG-596A,U/UG-595-U
F042ABS3	TWISTFLEX, 3 FEET
F042MMS3	WR42 FLEX TWIST,900MM,UBR220/UBR220
F090CCA2	WR90 FLEX TWIST 600 MM CPR90G/CPR90G
F090CCA3	STEP TWIST, 3" 180 DEG ANDREW, CPR 190 10.2-11.7
F090CCB2	WR90 FLEX TWIST 600MM CPR90G/CPR90G
F090CCB3	WAVEGUIDE FLEX TWIST CPR-90G FLANGE 36" LONG
F090CCB5	FLEXTWIST, 10.7- 11.7GHz, 1200MM, CPR-90G FLANGE
F090CCS1	WR90 FLEX TWIST 300MM CPR90F/CPR90G
F090CCS2	WAVEGUIDE CABLE 5.925-7.125GHz
F090CCS3	WR90 FLEX TWIST, 900MM CPR90G/CPR90G
F090CCS5	WR90 FLEX TWIST, 1200MM
F090CKA2	FLEXTWIST FLANGE
F090HNB3	WR90 FLEX TWIST, 900 MM,
F090HKS3	WR90 FLEX TWIST 900 MM PDR100/PBR100
F090PC0240CS	FLEX-TWIST WR 90 24" CPR90G
F159CCA3	EWP52 FLEX TWIST - 3 FEET
F159CCS5	WR159 FLEX TWIST 1200 MM

Installation Accessories

Microwave Antenna Systems



Hangers/Angle Adapters

COMMSCOPE MODEL #	DESCRIPTION
EWSH-127A	Universal Snap-in Hanger for elliptical waveguide 127A
EWSH-180	Universal Snap-in Hanger for elliptical waveguide 180
EWSH-220	Universal Snap-in Hanger for elliptical waveguide 220
EWSH-63	Universal Snap-in Hanger for elliptical waveguide 63
EWSH-90	Universal Snap-in Hanger for elliptical waveguide 90
243684	Angle Adapter, compact 3/8 in tapped hole

Pressurization Products



Dehydrators

COMMSCOPE MODEL #	DESCRIPTION
40525B	Low-pressure Desiccant Dehydrator, 3.0–8.0 psig, 120 Vac, 60 Hz
MRO50-8103Z	High-pressure Desiccant Dehydrator, 19 in rack mountable, 3.0–5.0 psig, 10–72 Vdc
MRO50-81045	High-pressure Desiccant Dehydrator, 19 in rack mountable, 3.0–5.0 psig, 115 Vac, 50/60 Hz

Accessories

COMMSCOPE MODEL #	DESCRIPTION
25436-20	MALE CONN, 1/8 NPT TO 1/4 POLYTUBE
25436-50-10	Comp Sleeve, for 3/8" Polytube, bag of 10
25436-52	Hex Pipe Nipple, 1/4" NPT threads, male
52665-3	Desiccant Replacement, 1.5 lb
3017	Gas Inlet Valve, male, 1/8" NPT
3017-2	Gas Inlet Valve, male, 1/4" NPT
3028-2	Pipe Tee, female, 1/4" NPT
EFTGP-24322	FITTING, STREET ELBOW, 1/8 NPT(MF)
EFTGP-25522	STREET TEE, 1/8 NPT(MF-F) (same as 3022)
6600D-2	2-port Distribution Manifold, wall mountable, 0–15.0 psig, 25 ft of tubing per port
6600D-4	4-port Distribution Manifold, wall mountable, 0–15.0 psig, 25 ft of tubing per port
6600D-6	6-port Distribution Manifold, wall mountable, 0–15.0 psig, 25 ft of tubing per port
AE01K-D0840-050	Polyethylene Tube, black, 3/8 in OD x 1/16 in wall x 50 ft (15.24 m) roll
AE01K-D0840-500	Polyethylene Tube, black, 3/8 in OD x 1/16 in wall x 500 ft (152.4 m) roll



Wireless

Cabinets

48V Power and Battery Cabinets

Cabinets

Specifications

	CommScope RBA84-36	CommScope RBA84-36	CommScope RBA84-36	CommScope RBA84-36	CommScope RBA72-36	CommScope RBA72-30
PeopleSoft Part Number	760187989	760188011	760187955	760160291	760187435	760185462
Cabinet Height (in)	84	84	84	84	72	72
Cabinet Width (in)	36	36	36	36	36	30
Cabinet Depth (in)	39	39	39	39	39	39
Weight, Empty (lbs)	800	800	800	800	650	475
Weight, Fully Loaded (lbs)	3200	3200	4400	4300	3900	1650
Mounting Options	Pad Only	Pad Only	Pad Only	Pad Only	Pad Only	Pad Only
Equipment Rack Size	23"	23"	23"	23"	23"	23"
Power System	GE Infinity S	GE Infinity S	GE Infinity S	GE Infinity S	GE Infinity S	GE Infinity S
DC Output (Amps)	600	400	600	400	400	600
Dual Voltage (24V) Possible	Yes	No	Yes	No	No	Yes
Available Rack Units	4	4	0	0	0	2
Electronics Compartment Cooling	Heat Exchanger	Heat Exchanger	Heat Exchanger	Heat Exchanger	Direct Air Cooling with Gore Filters	Heat Exchanger
Battery Type	Saft TelX (NiCad)	Saft TelX (NiCad)	VRLA	VRLA	VRLA	Saft TelX (NiCad)
# of Batteries / Saft Kits	6	6	24	24	24	3
Battery Capacity Size (Amp-Hr)	180	180	180	180	180	180
Battery Physical	Saft Kit #80-94825-02	Saft Kit #80-94825-02	22.1" D X 4.9" W X 12.6" H	22.1" D X 4.9" W X 12.6" H	22.1" D X 4.9" W X 12.6" H	Saft Kit #80-94778-02
Total Backup Reserve (Amp-Hr @ 48V)	1080	1080	1080	1080	1080	540
Battery Thermal Management	Direct Air Cooling	Direct Air Cooling	(3) Thermoelectric Cooler Units	(3) Thermoelectric Cooler Units	(3) Thermoelectric Cooler Units	Direct Air Cooling

Please refer to CO-107128.5-EN for more details.

48V Power and Battery Cabinets

Specifications

	CommScope RBA72-30	CommScope RBC36-24	CommScope RBC36-24
PeopleSoft Part Number	760185470	760184424	760185371
Cabinet Height (in)	72	36	36
Cabinet Width (in)	30	24	24
Cabinet Depth (in)	39	28	28
Weight, Empty (lbs)	450	200	225
Weight, Fully Loaded (lbs)	1600	425	450
Mounting Options	Pad Only	Pad, Pole, Wall, HFrame	Pad, Pole, Wall, HFrame
Equipment Rack Size	23"	19"	19"
Power System	GE Infinity S	GE Infinity F	GE Infinity S
DC Output (Amps)	400	150	300
Dual Voltage (24V) Possible	No	No	No
Available Rack Units	8	8	4
Electronics Compartment Cooling	Heat Exchanger	Heat Exchanger	Heat Exchanger
Battery Type	Saft TelX (NiCad)	Saft TelX (NiCad)	Saft TelX (NiCad)
# of Batteries / Saft Kits	3	1	1
Battery Capacity Size (Amp-Hr)	180	100	100
Battery Physical	Saft Kit #80-94778-02	Saft Kit #80-94769-02	Saft Kit #80-94769-02
Total Backup Reserve (Amp-Hr @ 48V)	540	100	100
Battery Thermal Management	Direct Air Cooling	Direct Air Cooling	Direct Air Cooling
Miscellaneous		Mounting requires the use of a separately purchased kit. Battery Pedestal for a 2nd 100Ahr Battery String is available.	Mounting requires the use of a separately purchased kit. Battery Pedestal for a 2nd 100Ahr Battery String is available.

48V Power and Battery Cabinets

Replacement Parts for 760187989



RBA84-36 GE 8RU 48/24V, HEX / Soft-DAC, Power & Battery Cabinet

PEOPLESOFT PART #	DESCRIPTION
760187989	RBA84-36 GE 8RU 48/24V, HEX / Soft-DAC, Power & Battery Cabinet

Common Field Replacement Units (FRUs) and Accessories for Cabinet # 760187989

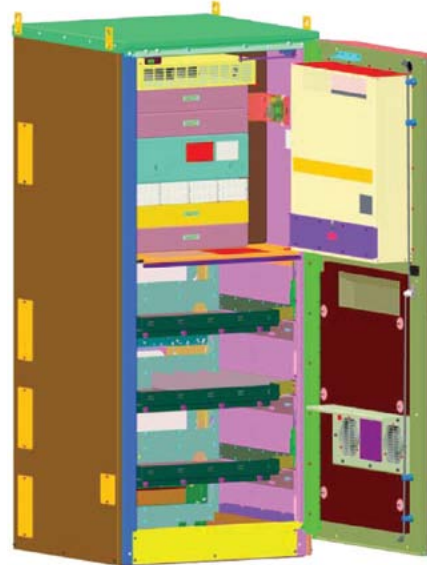
PEOPLESOFT PART #	DESCRIPTION
760199992	FRU – Front Door Assembly, RBA84-36, HEX-DAC, 48V
760133678	FRU – Assembly, Outer Loop Fan, RBA84-36, 48V
760199976	FRU – Assembly, Inner Loop Fan, RBA84-36 G2, 48V
760176941	FRU – Assembly, 2 Fan Tray, RBA72-36, 48V
760187427	FRU – (1) Rear Access Panel w/ 1/4-Turns, Small, RBA84-36
760198473	AMK - Shelf, Installation Aid, Soft Battery
760138370	FRU – Fan Power & Alarm Board, 48V
760132282	FRU – Door Handle, 216 Tool Insert
760023713	FRU – Door Switch
760159038	AMK – (20) Thin Wall 7/16” Nut Drivers

Accessories



PEOPLESOFT PART #	DESCRIPTION
109158878	Rectifier Module, 48V, 50A, 95%h Number: NE050AC48ATEZ
109142881	Converter Module, 24V, 75A, 95%h Number: NE075DC24A

Replacement Parts for 760188011



RBA84-36 48V-400A Power & Battery Cabinet w/ HEX & (3) Fan DAC

PEOPLESOFT PART #	DESCRIPTION
760188011	RBA84-36 GE 8RU 48V-400A, HEX / Soft-DAC, Power & Battery Cabinet

Common Field Replacement Units (FRUs) and Accessories for Cabinet # 760188011

PEOPLESOFT PART #	DESCRIPTION
760199992	FRU – Front Door Assembly, RBA84-36, HEX-DAC, 48V
760133678	FRU – Assembly, Outer Loop Fan, RBA84-36, 48V
760199976	FRU – Assembly, Inner Loop Fan, RBA84-36 G2, 48V
760176941	FRU – Assembly, 2 Fan Tray, RBA72-36, 48V
760187427	FRU – (1) Rear Access Panel w/ 1/4-Turns, Small, RBA84-36
760198473	AMK - Shelf, Install, Battery
760138370	FRU – Fan Power & Alarm Board, 48V
760132282	FRU – Door Handle, 216 Tool Insert
760023713	FRU – Door Switch
760159038	AMK – (20) Thin Wall 7/16” Nut Drivers

Accessories



PEOPLESOFT PART #	DESCRIPTION
109158878	Rectifier Module, 48V, 50A, 95%h Number: NE050AC48ATEZ

48V Power and Battery Cabinets

Replacement Parts for 760187955



RBA84-36 GE 8RU 48/24V, HEX / VRLA-TEC, Power & Battery Cabinet

PEOPLESOFT PART #	DESCRIPTION
760187955	RBA84-36 48/24V Power & Battery w/ HEX & (3) TEC

Common Field Replacement Units (FRUs) and Accessories for Cabinet # 760187955

PEOPLESOFT PART #	DESCRIPTION
760199992	FRU – Front Door Assembly, RBA84-36, HEX & 3 TEC, 48V
760133678	FRU – Assembly, Outer Loop Fan, RBA84-36, 48V
760199976	FRU – Assembly, Inner Loop Fan, RBA84-36 G2, 48V
760180224	FRU – Assembly, TEC Unit, 48V
760187427	FRU – (1) Rear Access Panel w/ 1/4-Turns, Small, RBA84-36
760138370	FRU – Fan Power & Alarm Board, 48V
760132282	FRU – Door Handle, 216 Tool Insert
760023713	FRU – Door Switch
760159038	AMK – (20) Thin Wall 7/16" Nut Drivers

Accessories



PEOPLESOFT PART #	DESCRIPTION
109158878	Rectifier Module, 48V, 50A, 95%h Number: NE050AC48ATEZ
109142881	Converter Module, 24V, 75A, 95%h Number: NE075DC24A

Replacement Parts for 760160291



RBA84-36 Power & Battery Cabinet 48V - 400A

PEOPLESOFT PART #	DESCRIPTION
760160291	RBA84-36 48V-400A Power & Battery Cabinet

Common Field Replacement Units (FRUs) and Accessories for Cabinet # 760160291

PEOPLESOFT PART #	DESCRIPTION
760133660	FRU – Front Door Assembly, RBA84-36, HEX & 3 TEC, 48V
760133611	FRU – Rear Access Panels, RBA84-36
760133678	FRU – Outer Loop Fan Tray, RBA84-36, 48V
760133686	FRU – Inner Loop Fan Tray, RBA84-36, 48V
760161349	FRU – Assembly, TEC Unit, RBA84-36, 48V
760171322	FRU – Fan Power & Alarm Board, 48V
760132282	FRU – Door Handle, 216 Tool Insert
760023713	FRU – Door Switch
760159038	AMK – (20) Thin Wall 7/16" Nut Drivers

Accessories



PEOPLESOFT PART #	DESCRIPTION
109158878	Rectifier Module, 48V, 50A Number: NE050AC48ATEZ

48V Power and Battery Cabinets

Replacement Parts for 760187435



RBA72-36 48V-400A Power & Battery Cabinet w/ DAC-Gore Filter & (3) TEC

PEOPLESOFT PART #	DESCRIPTION
760187435	RBA72-36 48V-400A Power & Battery w/ DAC-Gore Filter & (3) TEC

Common Field Replacement Units (FRUs) and Accessories for Cabinet # 760187435

PEOPLESOFT PART #	DESCRIPTION
760193953	FRU – Front Door Assembly, RBA72-36, DAC / Filter & 3 TEC, 48V
760193961	FRU – Assembly, Fan, Direct Air Cooling Intake, RBA72-36
760169680	FRU – Kit, Filter, Air, 12 x 9 x 2.24
760176925	FRU – Assembly, TEC Unit, 48V
760193979	FRU - (1) Rear Access Panel, Cover, Back, Top, RBA72-36 with Filter
760178087	FRU – (1) Rear Access Panel w/ 1/4-Turns, RBA72-36
760171322	FRU – Fan Power & Alarm Board, 48V
760132282	FRU – Door Handle, 216 Tool Insert
760023713	FRU – Door Switch
760159038	AMK – (20) Thin Wall 7/16" Nut Drivers



Accessories

PEOPLESOFT PART #	DESCRIPTION
109158878	Rectifier Module, 48V, 50A, 95%h Number: NE050AC48ATEZ
760193730	RBA72-36 Mounting Plinth

Replacement Parts for 760185462



RBA72-30 48V/24V PSV Power & Battery Cabinet

PEOPLESOFT PART #	DESCRIPTION
760185462	RBA72-30 48V/24V PSV Power & Battery Cabinet

Common Field Replacement Units (FRUs) and Accessories for Cabinet # 760185462

PEOPLESOFT PART #	DESCRIPTION
760169946	FRU – Front Door Assembly, RBA72-30 PSV, HEX, 48V
760169961	FRU – Rear Access Panel, Top, Solid, RBA72-30
760187252	FRU – Rear Access Panel, Bottom, Vented, RBA72-30
760160804	FRU – Outer Loop Fan Tray, RBA72-30 PSV, 48V
760168054	FRU – Inner Loop Fan Tray, RBA72-30 PSV, 48V
760138370	FRU – Fan Power & Alarm Board w/ 4 GMT Fuses, 48V
760132282	FRU – Door Handle, 216 Tool Insert
760023713	FRU – Door Switch
760159038	AMK – (20) Thin Wall 7/16" Nut Drivers



Accessories

PEOPLESOFT PART #	DESCRIPTION
109158878	Rectifier Module, 48V, 50A Number: NE050AC48ATEZ
109142881	Converter Module, 24V, 75A Number: NE075DC24A
760193722	RBA72-30 Mounting Plinth

48V Power and Battery Cabinets

Replacement Parts for 760185470



RBA72-30 Power & Battery Cabinet, 48V-400A

PEOPLESOFT PART #	DESCRIPTION
760185470	RBA72-30 48V-400A Power & Battery Cabinet

Replacement Parts for 760184424



RBC36-24 GE 2RU 48V-150A Power & Battery Cabinet

PEOPLESOFT PART #	DESCRIPTION
760184424	RBC36-24 GE 2RU 48V-150A Power & Battery

Common Field Replacement Units (FRUs) and Accessories for Cabinet # 760185470

PEOPLESOFT PART #	DESCRIPTION
760169946	FRU – Front Door Assembly, RBA72-30 PSV, HEX, 48V
760169961	FRU – Rear Access Panel, Top, Solid, RBA72-30
760187252	FRU – Rear Access Panel, Bottom, Vented, RBA72-30
760160804	FRU – Outer Loop Fan Tray, RBA72-30 PSV, 48V
760168054	FRU – Inner Loop Fan Tray, RBA72-30 PSV, 48V
760138370	FRU – Fan Power & Alarm Board w/ 4 GMT Fuses, 48V
760132282	FRU – Door Handle, 216 Tool Insert
760023713	FRU – Door Switch
760159038	AMK – (20) Thin Wall 7/16" Nut Drivers

Common Field Replacement Units (FRUs) and Accessories for Cabinet # 760184424

PEOPLESOFT PART #	DESCRIPTION
760191411	FRU – Front Door Assembly, RBC36-24, HEX
760193128	FRU – Assembly, Inner Loop Fan, RBC36-24 (No Inner Loop Fan Tray)
760193136	FRU – Assembly, Outer Loop Fan, RBC36-24 (Rack Mount, Old Design)
760193151	FRU - (1) Rear Access Panel, RBC36-24
760193144	FRU – Fan Power & Alarm Board, 48V
760132282	FRU – Door Handle, 216 Tool Insert
760023713	FRU – Door Switch
760159038	AMK – (20) Thin Wall 7/16" Nut Drivers

Accessories



PEOPLESOFT PART #	DESCRIPTION
109158878	Rectifier Module, 48V, 50A Number: NEO50AC48ATEZ
760193722	RBA72-30 Mounting Plinth

Accessories



PEOPLESOFT PART #	DESCRIPTION
109158878	Rectifier Module, 48V, 50A, 95%h Number: NEO50AC48ATEZ
760185447	AMK - Battery Pedestal, RBC36-24
760188490	AMK - HFrame / Wall Mount Kit
760189183	AMK - Mounting Plinth, RBC36-24
760191403	RBC36-24 Battery Pedestal (Factory Add)
760193540	AMK - Pole Mount, RBC36-24
760203471	FRU - Upper Door Inner Loop Fan, RBC36
760205211	FRU - Door Assembly w/ Inner Loop Fan, RBC36

48V Power and Battery Cabinets

Replacement Parts for 760185371



RBC36-24 GE 6RU 48V-300A Power & Battery Cabinet

PEOPLESOFT PART #	DESCRIPTION
760185371	RBC36-24 GE 6RU 48V-300A Power & Battery

Common Field Replacement Units (FRUs) and Accessories for Cabinet # 760185371

PEOPLESOFT PART #	DESCRIPTION
760191411	FRU – Front Door Assembly, RBC36-24, HEX
760193128	FRU – Assembly, Inner Loop Fan, RBC36-24
760193136	FRU – Assembly, Outer Loop Fan, RBC36-24
760193151	FRU - (1) Rear Access Panel, RBC36-24
760193144	FRU – Fan Power & Alarm Board, 48V
760132282	FRU – Door Handle, 216 Tool Insert
760023713	FRU – Door Switch
760159038	AMK – (20) Thin Wall 7/16" Nut Drivers



Accessories

PEOPLESOFT PART #	DESCRIPTION
109158878	Rectifier Module, 48V, 50A, 95%h Number: NE050AC48ATEZ
760185447	AMK - Battery Pedestal, RBC36-24
760188490	AMK - HFrame / Wall Mount Kit
760189183	AMK - Mounting Plinth, RBC36-24
760191403	RBC36-24 Battery Pedestal (Factory Add)
760193540	AMK - Pole Mount, RBC36-24

48V Battery Cabinets

Specifications

	CommScope RBA84-36	CommScope RBA84-36	CommScope RBA84-36	CommScope RBA84-36	CommScope RBA72-36	CommScope RBA72-36
PeopleSoft Part Number	760159616	760184671	760184655	760188045	760173310	760173294
Cabinet Height (in)	84	84	84	84	72	72
Cabinet Width (in)	36	36	36	36	36	36
Cabinet Depth (in)	39	39	39	39	39	39
Weight, Empty (lbs)	900	900	900	900	650	650
Weight, Fully Loaded (lbs)	4750	4750	3200	4000	3900	2700
Mounting Options	Pad Only	Pad Only	Pad Only	Pad Only	Pad Only	Pad Only
Battery Type	VRLA	VRLA	Safe TelX (NiCad)	Safe TelX (NiCad)	VRLA	Safe TelX (NiCad)
# of Batteries / Safe Kits	28	28	7	9	24	6
Battery Capacity Size (AmpHr)	180	180	180	180	180	150
Battery Physical	22.1" D X 4.9" W X 12.6" H	22.1" D X 4.9" W X 12.6" H	Safe Kit #80-94825-02	Safe Kit #80-94825-02	22.1" D X 4.9" W X 12.6" H	Safe Kit #80-94691-02
Total Backup Reserve (AmpHr @ 48V)	1260	1260	1260	1620	1080	900
Battery Thermal Management	(3) Thermoelectric Cooler Units	(3) Thermoelectric Cooler Units	Direct Air Cooling	Direct Air Cooling	(3) Thermoelectric Cooler Units	Direct Air Cooling
Maximum # of Independent Busses	1	3	3	3	3	3
Miscellaneous					The 760173310 can be converted to 760187435 via Kit #760193383.	

	CommScope RBA60-36	CommScope RBA60-36	CommScope 60EC48
PeopleSoft Part Number	760184630	760184614	760175521
Cabinet Height (in)	60	60	60
Cabinet Width (in)	36	36	31
Cabinet Depth (in)	39	39	30
Weight, Empty (lbs)	550	550	500
Weight, Fully Loaded (lbs)	3300	2300	2525
Mounting Options	Pad Only	Pad Only	Pad Only
Battery Type	VRLA	Safe TelX (NiCad)	VRLA
# of Batteries / Safe Kits	20	5	20
Battery Capacity Size (AmpHr)	180	180	145
Battery Physical	22.1" D X 4.9" W X 12.6" H	Safe Kit #80-94825-02	17.6" D X 6.9" W X 10.1" H
Total Backup Reserve (AmpHr @ 48V)	900	900	725
Battery Thermal Management	(3) Thermoelectric Cooler Units	Direct Air Cooling	Direct Air Cooling with Battery Heaters
Maximum # of Independent Busses	3	3	1

Please refer to CO-107128.5-EN for more details.

48V Battery Cabinets

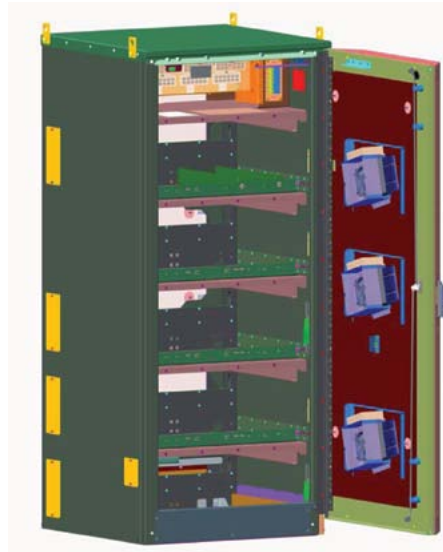
Replacement Parts for 760159616



RBA84-36 Battery Cabinet, 48V

PEOPLESOFT PART #	DESCRIPTION
760159616	RBA84-36 48V Battery Cabinet

Replacement Parts for 760184671



RBA84-36 48V, VRLA-TEC, Multi-Bus Battery Cabinet

PEOPLESOFT PART #	DESCRIPTION
760184671	RBA84-36 48V, VRLA-TEC, Multi-Bus Battery Cabinet

Common Field Replacement Units (FRUs) and Accessories for Cabinet # 760159616

PEOPLESOFT PART #	DESCRIPTION
760161331	FRU – Front Door Assembly, RBA84-36, 3 TEC, 48V
760133611	FRU – Rear Access Panels, RBA84-36
760161349	FRU – Assembly, TEC Unit, RBA84-36, 48V
760132282	FRU – Door Handle, 216 Tool Insert
760023713	FRU – Door Switch
760159038	AMK – (20) Thin Wall 7/16” Nut Drivers

Common Field Replacement Units (FRUs) and Accessories for Cabinet # 760184671

PEOPLESOFT PART #	DESCRIPTION
760187476	FRU – Front Door Assembly, RBA84-36, 3 TEC, 48V
760187427	FRU – Assembly, Panel, Cover, Rear, Small, 1/4-Turn
760176925	FRU – Assembly, TEC Unit, 48V
760132282	FRU – Door Handle, 216 Tool Insert
760023713	FRU – Door Switch
760159038	AMK – (20) Thin Wall 7/16” Nut Drivers

Accessories

PEOPLESOFT PART #	DESCRIPTION
760159772	AMK – Seismic Kit
848747147	AMK – Disconnect, Battery, 600A CB

48V Battery Cabinets

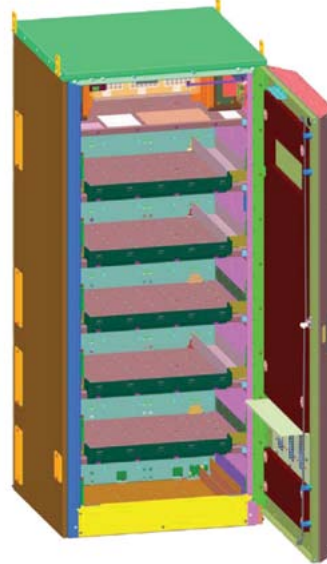
Replacement Parts for 760184655



RBA84-36 48V, Soft-DAC, Multi-Bus Battery Cabinet

PEOPLESOFT PART #	DESCRIPTION
760184655	RBA84-36 48V, Soft-DAC, Multi-Bus Battery Cabinet

Replacement Parts for 760188045



RBA84-36 48V, Soft-DAC, Multi-Bus Battery Cabinet

PEOPLESOFT PART #	DESCRIPTION
760188045	RBA84-36 48V, Soft-DAC, Multi-Bus, High Capacity Battery Cabinet

Common Field Replacement Units (FRUs) and Accessories for Cabinet # 760184655

PEOPLESOFT PART #	DESCRIPTION
760187450	FRU – Front Door Assembly, RBA84-36, 3 Fan, 48V
760187427	FRU – (1) Assembly, Panel, Cover, Rear, Small, 1/4-Turn
760187492	FRU – Assembly, RBA84-36, 3 Fan Tray, 48V
760198473	AMK - Shelf, Installation Aid, Soft Battery
760171322	FRU – Fan Power & Alarm Board, 48V
760132282	FRU – Door Handle, 216 Tool Insert
760023713	FRU – Door Switch
760159038	AMK – (20) Thin Wall 7/16" Nut Drivers

Common Field Replacement Units (FRUs) and Accessories for Cabinet # 760188045

PEOPLESOFT PART #	DESCRIPTION
760187450	FRU – Front Door Assembly, RBA84-36, 3 Fan, 48V
760187427	FRU – (1) Assembly, Panel, Cover, Rear, Small, 1/4-Turn
760187492	FRU – Assembly, RBA84-36, 3 Fan Tray, 48V
760171322	FRU – Fan Power & Alarm Board, 48V
760132282	FRU – Door Handle, 216 Tool Insert
760023713	FRU – Door Switch
760159038	AMK – (20) Thin Wall 7/16" Nut Drivers

48V Battery Cabinets

Replacement Parts for 760173310



RBA72-36 Battery Cabinet, 48V, VRLA/TEC

PEOPLESOFT PART #	DESCRIPTION
760173310	RBA72-36 48VVRLA/TEC Battery Cabinet

Replacement Parts for 760173294



RBA72-36 Battery Cabinet, 48V, SAFT/DAC

PEOPLESOFT PART #	DESCRIPTION
760173294	RBA72-36 48VSAFT/DAC Battery Cabinet

Common Field Replacement Units (FRUs) and Accessories for Cabinet # 760173310

PEOPLESOFT PART #	DESCRIPTION
760176883	FRU – Front Door Assembly, RBA72-36, 3 TEC, 48V
760178087	FRU – (1) Rear Access Panel w/ 1/4-Turns, RBA72-36
760176925	FRU – Assembly, TEC Unit, RBA72-36, 48V
760132282	FRU – Door Handle, 216 Tool Insert
760023713	FRU – Door Switch
760159038	AMK – (20) Thin Wall 7/16” Nut Drivers

Accessories

PEOPLESOFT PART #	DESCRIPTION
760180182	AMK – RBA72-36 Battery Heater Pads
760193730	RBA72-36 Mounting Plinth

Common Field Replacement Units (FRUs) and Accessories for Cabinet # 760173294

PEOPLESOFT PART #	DESCRIPTION
760176909	FRU – Front Door Assembly, RBA72-36, DAC, 48V
760178087	FRU – (1) Rear Access Panel with 1/4-Turns, RBA72-36
760176941	FRU – Assembly, DAC Fan, RBA72-36, 48V
760198473	AMK - Shelf, Installation Aid, Saft Battery
760171322	FRU – Fan Power & Alarm Board, 48V
760132282	FRU – Door Handle, 216 Tool Insert
760023713	FRU – Door Switch
760159038	AMK – (20) Thin Wall 7/16” Nut Drivers

Accessories

PEOPLESOFT PART #	DESCRIPTION
760180182	AMK – RBA72-36 Battery Heater Pads
760193730	RBA72-36 Mounting Plinth

48V Battery Cabinets

Replacement Parts for 760184630



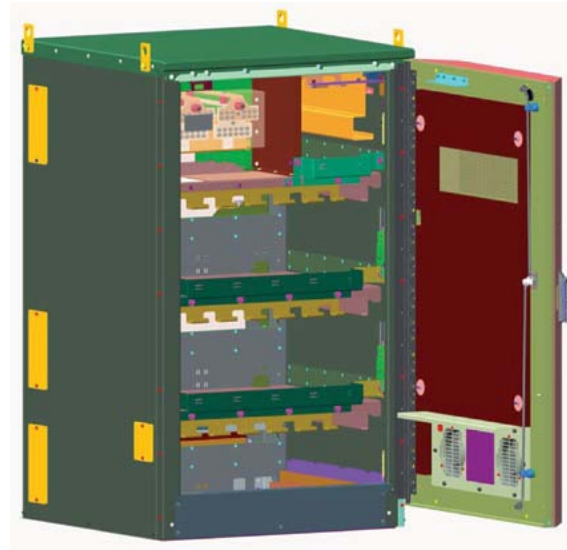
RBA60-36 48V, VRLA-TEC, Multi-Bus Battery Cabinet

PEOPLESOFT PART #	DESCRIPTION
760184630	RBA60-36 48V, VRLA-TEC, Multi-Bus Battery Cabinet

Common Field Replacement Units (FRUs) and Accessories for Cabinet # 760184630

PEOPLESOFT PART #	DESCRIPTION
760187419	FRU – Front Door Assembly, RBA60-36, 2 TEC, 48V
760187427	FRU – Assembly, Panel, Cover, Rear, Small, 1/4-Turn
760176925	FRU – Assembly, TEC Unit, 48V
760132282	FRU – Door Handle, 216 Tool Insert
760023713	FRU – Door Switch
760159038	AMK – (20) Thin Wall 7/16" Nut Drivers

Replacement Parts for 760184614



RBA60-36 48V, Saft-DAC, Multi-Bus Battery Cabinet

PEOPLESOFT PART #	DESCRIPTION
760184614	RBA60-36 48V, Saft-DAC, Multi-Bus Battery Cabinet

Common Field Replacement Units (FRUs) and Accessories for Cabinet # 760184614

PEOPLESOFT PART #	DESCRIPTION
760187393	FRU – Front Door Assembly, RBA60-36, 2 Fan, 48V
760187427	FRU – (1) Assembly, Panel, Cover, Rear, Small, 1/4-Turn
760176941	FRU – Assembly, RBA72-36, 2 Fan Tray, 48V
760198473	AMK - Shelf, Installation Aid, Saft Battery
760171322	FRU – Fan Power & Alarm Board, 48V
760132282	FRU – Door Handle, 216 Tool Insert
760023713	FRU – Door Switch
760159038	AMK – (20) Thin Wall 7/16" Nut Drivers

48V Battery Cabinets

Replacement Parts for 760175521



60EC48 48V Battery Cabinet

PEOPLESOFT PART #	DESCRIPTION
760175521	60EC48 48V Battery Cabinet

Common Field Replacement Units (FRUs) and Accessories for Cabinet # 760175521

PEOPLESOFT PART #	DESCRIPTION
760005181	FRU – Battery Heater Pad
760132241	FRU – Variable Speed Fan, 48V
760181123	FRU – Assembly, Rear Fan Cover
760181248	FRU – Front Door Cover Assembly
760181289	FRU – Fuse Kit, 500A
760181297	FRU – Fan Controller Assembly, 60EC48
760023713	FRU – Door Switch
760159038	AMK – (20) Thin Wall 7/16" Nut Drivers

24V Power and Battery Cabinets

Specifications

	CommScope RBA84-36	CommScope RBA84-36	CommScope RBA72-30
PeopleSoft Part Number	760188029	760133546	760185488
Cabinet Height (in)	84	84	72
Cabinet Width (in)	36	36	30
Cabinet Depth (in)	39	39	39
Weight, Empty (lbs)	800	820	475
Weight, Fully Loaded (lbs)	3200	4400	1650
Mounting Options	Pad Only	Pad Only	Pad Only
Equipment Rack Size	23"	23"	23"
Power System	GE Infinity S	GE Infinity S	GE Infinity S
DC Output (Amps)	1200	1200	1200
Dual Voltage (48V) Possible	Yes	Yes	Yes
Available 23" Rack Units	4	0	6
Electronics Compartment Cooling	Heat Exchanger	Heat Exchanger	Heat Exchanger
Battery Type	Saft TelX (NiCad)	VRLA	Saft TelX (NiCad)
# of Batteries / Saft Kits	6	24	3
Battery Capacity Size (AmpHr)	180	180	180
Battery Physical	Saft Kit #80-94825-02	22.1" D X 4.9" W X 12.6" H	Saft Kit #80-94778-02
Total Backup Reserve (AmpHr @ 24V)	2160	2160	1080
Battery Thermal Management	Direct Air Cooling	{3} Thermoelectric Cooler Units	Direct Air Cooling

24V Power and Battery Cabinets

Replacement Parts for 760188029



RBA84-36 GE 8RU 24/48V, HEX / Saft-DAC, Power & Battery Cabinet

PEOPLESOFT PART #	DESCRIPTION
760188029	RBA84-36 GE 8RU 24/48V, HEX / Saft-DAC, Power & Battery Cabinet

Common Field Replacement Units (FRUs) and Accessories for Cabinet # 760188029

PEOPLESOFT PART #	DESCRIPTION
760200006	FRU – Front Door Assembly, RBA84-36, HEX-DAC, 24V
760133629	FRU – Assembly, Inner Loop Fan, RBA84-36, 24V
760199984	FRU – Assembly, Inner Loop Fan, RBA84-36 G2, 24V
760176933	FRU – Assembly, 2 Fan Tray, RBA72-36, 24V
760187427	FRU – (1) Rear Access Panel w/ 1/4-Turns, Small, RBA84-36
760198473	AMK - Shelf, Installation Aid, Saft Battery
760133652	FRU – Fan Power & Alarm Board, 24V
760132282	FRU – Door Handle, 216 Tool Insert
760023713	FRU – Door Switch
760159038	AMK – (20) Thin Wall 7/16" Nut Drivers

Accessories

PEOPLESOFT PART #	DESCRIPTION
109160834	Rectifier Module, 24V, 100A, 95%h Model Number: NE100AC24ATEZ
109112471	Converter Module, 48V, 30A Model Number: NE030DC48A



Replacement Parts for 760133546



RBA84-36 Power & Battery Cabinet, 24V-Primary / 48V-Secondary

PEOPLESOFT PART #	DESCRIPTION
760133546	RBA84-36 24/48V PSV Power & Battery Cabinet

Common Field Replacement Units (FRUs) and Accessories for Cabinet # 760133546

PEOPLESOFT PART #	DESCRIPTION
760133603	FRU – Front Door Assembly, RBA84-36, HEX & 3 TEC, 24V
760133611	FRU – Rear Access Panels, RBA84-36
760133629	FRU – Outer Loop Fan Tray, RBA84-36, 24V
760133637	FRU – Inner Loop Fan Tray, RBA84-36, 24V
760133645	FRU – Assembly, TEC Unit, RBA84-36, 24V
760133652	FRU – Fan Power & Alarm Board, 24V
760132282	FRU – Door Handle, 216 Tool Insert
760023713	FRU – Door Switch
760159038	AMK – (20) Thin Wall 7/16" Nut Drivers

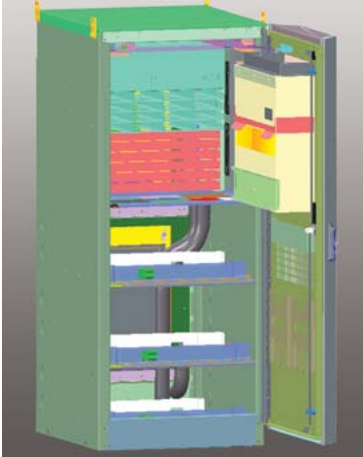
Accessories

PEOPLESOFT PART #	DESCRIPTION
109160834	Rectifier Module, 24V, 100A, 95%h Model Number: NE100AC24ATEZ
109112471	Converter Module, 48V, 30A Model Number: NE030DC48A



24V Power and Battery Cabinets

Replacement Parts for 760185488



RBA72-30 Power & Battery Cabinet, 24V-Primary / 48V-Secondary

PEOPLESOFT PART #	DESCRIPTION
760185488	RBA72-30 24/48V Power & Battery Cabinet

Common Field Replacement Units (FRUs) and Accessories for Cabinet # 760185488

PEOPLESOFT PART #	DESCRIPTION
760189217	FRU – Front Door Assembly, RBA72-30 PSV, HEX, 24V
760169961	FRU – Rear Access Panel, Top, Solid, RBA72-30
760187252	FRU – Rear Access Panel, Bottom, Vented, RBA72-30
760174342	FRU – Outer Loop Fan tray, RBA72-30 PSV, 24V
760189233	FRU – Inner Loop Fan Tray, RBA72-30 PSV, 24V
760133652	FRU – Fan Power & Alarm Board, 24V
760132282	FRU – Door Handle, 216 Tool Insert
760023713	FRU – Door Switch
760159038	AMK – (20) Thin Wall 7/16" Nut Drivers



Accessories

PEOPLESOFT PART #	DESCRIPTION
109160834	Rectifier Module, 24V, 100A, 95%h Model Number: NE100AC24ATEZ
109112471	Converter Module, 48V, 30A Model Number: NEO30DC48A
760193722	AMK - RBA72-30 Mounting Plinth

24V Battery Cabinets

Specifications

	CommScope RBA84-36	CommScope RBA84-36	CommScope RBA84-36	CommScope RBA84-36	CommScope RBA72-36	CommScope RBA72-36
PeopleSoft Part Number	760159624	760184663	760184648	760188037	760173302	760173286
Cabinet Height (in)	84	84	84	84	72	72
Cabinet Width (in)	36	36	36	36	36	36
Cabinet Depth (in)	39	39	39	39	39	39
Weight, Empty (lbs)	900	900	900	900	650	650
Weight, Fully Loaded (lbs)	5000	5000	3500	4000	3900	2500
Mounting Options	Pad Only	Pad Only	Pad Only	Pad Only	Pad Only	Pad Only
Battery Type	VRLA	VRLA	Safe TelX (NiCad)	Safe TelX (NiCad)	VRLA	Safe TelX (NiCad)
# of Batteries / Safe Kits	30	30	7	9	24	6
Battery Capacity Size (AmpHr)	180	180	180	180	180	150
Battery Physical	22.1" D X 4.9" W X 12.6" H	22.1" D X 4.9" W X 12.6" H	Safe Kit #80-94825-02	Safe Kit #80-94825-02	22.1" D X 4.9" W X 12.6" H	Safe Kit #80-94754-02
Total Backup Reserve (AmpHr @ 24V)	2700	2700	2700	3240	2160	1800
Battery Thermal Management	(3) Thermoelectric Cooler Units	(3) Thermoelectric Cooler Units	Direct Air Cooling	Direct Air Cooling	(3) Thermoelectric Cooler Units	Direct Air Cooling
Maximum # of Independent Busses	1	3	3	3	3	3
Miscellaneous		Kit #760183053 is available to convert 24V strings into 48V.	15th Battery String requires Safe Kit #80-94731-02 or an 8th kit of #80-94825-02. Kit #760183046 is available to convert 24V strings into 48V.		Kit #760183053 is available to convert 24V strings into 48V.	Kit #760183046 is available to convert 24V strings into 48V.

	CommScope RBA60-36	CommScope RBA60-36	CommScope 60ECv2
PeopleSoft Part Number	760184622	760184606	760180232
Cabinet Height (in)	60	60	60
Cabinet Width (in)	36	36	31
Cabinet Depth (in)	39	39	30
Weight, Empty (lbs)	550	550	500
Weight, Fully Loaded (lbs)	3300	2200	2525
Mounting Options	Pad Only	Pad Only	Pad Only
Battery Type	VRLA	Safe TelX (NiCad)	VRLA
# of Batteries / Safe Kits	20	5	20
Battery Capacity Size (AmpHr)	180	180	145
Battery Physical	22.1" D X 4.9" W X 12.6" H	Safe Kit #80-94825-02	17.6" D X 6.9" W X 10.1" H
Total Backup Reserve (AmpHr @ 24V)	1800	1800	1450
Battery Thermal Management	(3) Thermoelectric Cooler Units	Direct Air Cooling	Direct Air Cooling with Battery Heaters
Maximum # of Independent Busses	3	3	1

Please refer to CO-107128.5-EN for more details.

24V Battery Cabinets

Replacement Parts for 760159624



RBA84-36 Battery Cabinet, 24V

PEOPLESOFT PART #	DESCRIPTION
760159624	RBA84-36 24V Battery Cabinet

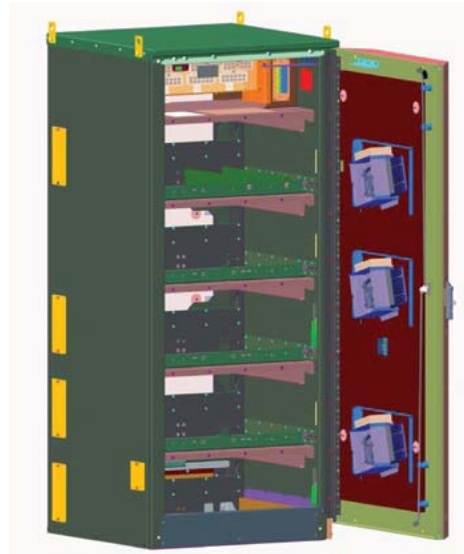
Common Field Replacement Units (FRUs) and Accessories for Cabinet # 760159624

PEOPLESOFT PART #	DESCRIPTION
760161372	FRU – Front Door Assembly, RBA84-36, 3 TEC, 24V
760133611	FRU – Rear Access Panels, RBA84-36
760133645	FRU – Assembly, TEC Unit, RBA84-36, 24V
760132282	FRU – Door Handle, 216 Tool Insert
760023713	FRU – Door Switch
760159038	AMK – (20) Thin Wall 7/16" Nut Drivers

Accessories

PEOPLESOFT PART #	DESCRIPTION
760159772	AMK – Seismic Kit
848747147	AMK – Disconnect, Battery, 600A CB

Replacement Parts for 760184663



RBA84-36 24V, VRLA-TEC, Multi-Bus Battery Cabinet

PEOPLESOFT PART #	DESCRIPTION
760184663	RBA84-36 24V, VRLA-TEC, Multi-Bus Battery Cabinet

Common Field Replacement Units (FRUs) and Accessories for Cabinet # 760184663

PEOPLESOFT PART #	DESCRIPTION
760187468	FRU – Front Door Assembly, RBA84-36, 3 TEC, 24V
760187427	FRU – Assembly, Panel, Cover, Rear, Small, 1/4-Turn
760176917	FRU – Assembly, TEC Unit, 24V
760132282	FRU – Door Handle, 216 Tool Insert
760023713	FRU – Door Switch
760159038	AMK – (20) Thin Wall 7/16" Nut Drivers

Accessories

PEOPLESOFT PART #	DESCRIPTION
760183053	AMK - RBAXX-36 Bus Bar Conversion, 24V to 48V, VRLA

24V Battery Cabinets

Replacement Parts for 760184648



RBA84-36 24V, Soft-DAC, Multi-Bus Battery Cabinet

PEOPLESOFT PART #	DESCRIPTION
760184648	RBA84-36 24V, Soft-DAC, Multi-Bus Battery Cabinet

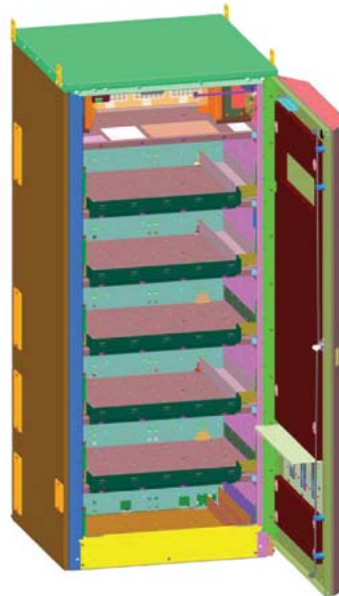
Common Field Replacement Units (FRUs) and Accessories for Cabinet # 760184648

PEOPLESOFT PART #	DESCRIPTION
760187443	FRU – Front Door Assembly, RBA84-36, 3 Fan, 24V
760187427	FRU – (1) Assembly, Panel, Cover, Rear, Small, 1/4-Turn
760187484	FRU – Assembly, RBA84-36, 3 Fan Tray, 24V
760198473	AMK - Shelf, Installation Aid, Soft Battery
760133652	FRU – Fan Power & Alarm Board, 24V
760132282	FRU – Door Handle, 216 Tool Insert
760023713	FRU – Door Switch
760159038	AMK – (20) Thin Wall 7/16" Nut Drivers

Accessories

PEOPLESOFT PART #	DESCRIPTION
760183046	AMK - RBAXX-36 Bus Bar Conversion, 24V to 48V, Soft

Replacement Parts for 760188037



RBA84-36 24V, Soft-DAC, Multi-Bus Battery Cabinet

PEOPLESOFT PART #	DESCRIPTION
760188037	RBA84-36 24V, Soft-DAC, Multi-Bus, High Capacity Battery Cabinet

Common Field Replacement Units (FRUs) and Accessories for Cabinet # 760188037

PEOPLESOFT PART #	DESCRIPTION
760187443	FRU – Front Door Assembly, RBA84-36, 3 Fan, 24V
760187427	FRU – (1) Assembly, Panel, Cover, Rear, Small, 1/4-Turn
760187484	FRU – Assembly, RBA84-36, 3 Fan Tray, 24V
760133652	FRU – Fan Power & Alarm Board, 24V
760132282	FRU – Door Handle, 216 Tool Insert
760023713	FRU – Door Switch
760159038	AMK – (20) Thin Wall 7/16" Nut Drivers

Accessories

PEOPLESOFT PART #	DESCRIPTION
760183046	AMK - RBAXX-36 Bus Bar Conversion, 24V to 48V, Soft

24V Battery Cabinets

Replacement Parts for 760173302



RBA72-36 Battery Cabinet, 24V, VRLA/TEC

PEOPLESOFT PART #	DESCRIPTION
760173302	RBA72-36 24V-VRLA/TEC Battery Cabinet

Common Field Replacement Units (FRUs) and Accessories for Cabinet # 760173302

PEOPLESOFT PART #	DESCRIPTION
760176875	FRU – Front Door Assembly, RBA72-36, 3 TEC, 24V
760178087	FRU – (1) Rear Access Panel w/ 1/4-Turns, RBA72-36
760176917	FRU – Assembly, TEC Unit, RBA72-36, 24V
760132282	FRU – Door Handle, 216 Tool Insert
760023713	FRU – Door Switch
760159038	AMK – (20) Thin Wall 7/16” Nut Drivers

Accessories

PEOPLESOFT PART #	DESCRIPTION
760180182	AMK – RBA72-36 Battery Heater Pads
760183053	AMK - RBAXX-36 Bus Bar Conversion, 24V to 48V, VRLA
760193730	RBA72-36 Mounting Plinth

Replacement Parts for 760173286



RBA72-36 Battery Cabinet, 24V, SAFT/DAC

PEOPLESOFT PART #	DESCRIPTION
760173286	RBA72-36 24V-SAFT/DAC Battery Cabinet

Common Field Replacement Units (FRUs) and Accessories for Cabinet # 760173286

PEOPLESOFT PART #	DESCRIPTION
760176891	FRU – Front Door Assembly, RBA72-36, DAC, 24V
760178087	FRU – (1) Rear Access Panel with 1/4-Turns, RBA72-36
760176933	FRU – Assembly, DAC Fan, RBA72-36, 24V
760198473	AMK - Shelf, Installation Aid, Saft Battery
760133652	FRU – Fan Power & Alarm Board, 24V
760132282	FRU – Door Handle, 216 Tool Insert
760023713	FRU – Door Switch
760159038	AMK – (20) Thin Wall 7/16” Nut Drivers

Accessories

PEOPLESOFT PART #	DESCRIPTION
760180182	AMK – RBA72-36 Battery Heater Pads
760183046	AMK - RBAXX-36 Bus Bar Conversion, 24V to 48V, SAFT
760193730	RBA72-36 Mounting Plinth

24V Battery Cabinets

Replacement Parts for 760184622



RBA60-36 24V, VRLA-TEC, Multi-Bus Battery Cabinet

PEOPLESOFT PART #	DESCRIPTION
760184622	RBA60-36 24V, VRLA-TEC, Multi-Bus Battery Cabinet

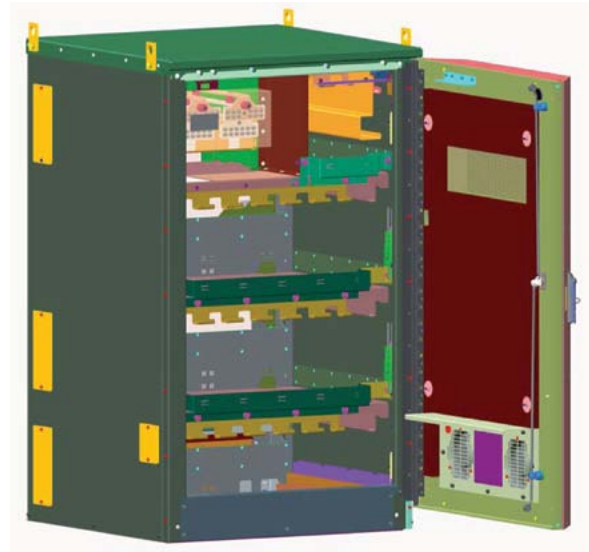
Common Field Replacement Units (FRUs) and Accessories for Cabinet # 760184622

PEOPLESOFT PART #	DESCRIPTION
760187401	FRU – Front Door Assembly, RBA60-36, 2 TEC, 24V
760187427	FRU – Assembly, Panel, Cover, Rear, Small, 1/4-Turn
760176917	FRU – Assembly, TEC Unit, 24V
760132282	FRU – Door Handle, 216 Tool Insert
760023713	FRU – Door Switch
760159038	AMK – (20) Thin Wall 7/16” Nut Drivers

Accessories

PEOPLESOFT PART #	DESCRIPTION
760183053	AMK - RBAXX-36 Bus Bar Conversion, 24V to 48V, VRLA

Replacement Parts for 760184606



RBA60-36 24V, Saft-DAC, Multi-Bus Battery Cabinet

PEOPLESOFT PART #	DESCRIPTION
760184606	RBA60-36 24V, Saft-DAC, Multi-Bus Battery Cabinet

Common Field Replacement Units (FRUs) and Accessories for Cabinet # 760184606

PEOPLESOFT PART #	DESCRIPTION
760187385	FRU – Front Door Assembly, RBA60-36, 2 Fan, 24V
760187427	FRU – (1) Assembly, Panel, Cover, Rear, Small, 1/4-Turn
760176933	FRU – Assembly, RBA72-36, 2 Fan Tray, 24V
760198473	AMK - Shelf, Installation Aid, Saft Battery
760133652	FRU – Fan Power & Alarm Board, 24V
760132282	FRU – Door Handle, 216 Tool Insert
760023713	FRU – Door Switch
760159038	AMK – (20) Thin Wall 7/16” Nut Drivers

Accessories

PEOPLESOFT PART #	DESCRIPTION
760183046	AMK - RBAXX-36 Bus Bar Conversion, 24V to 48V, Saft

24V Battery Cabinets

Replacement Parts for 760180232



60ECv2 24V Battery Cabinet

PEOPLESOFT PART #	DESCRIPTION
760180232	60ECv2 24V Battery Cabinet

Common Field Replacement Units (FRUs) and Accessories for Cabinet # 760180232

PEOPLESOFT PART #	DESCRIPTION
760005181	FRU – Battery Heater Pad
108764499	FRU – Fan Motor, Constant Speed, 24V
760181123	FRU – Rear Fan Cover Assembly
760181248	FRU – Front Door Cover Assembly
760181255	FRU – Fuse Kit, 400A & Actuator
760181263	FRU – Fan Controller Assembly, 60ECv2
760182170	FRU – Fan Controller Circuit Board, 24V, 60ECv2
760181271	FRU – Fan Thermal Probe 25ft, 60ECv2
760023713	FRU – Door Switch
760159038	AMK – (20) Thin Wall 7/16" Nut Drivers

Small Cell Solution Cabinets

Cabinets

Specifications

	CommScope RBC36	CommScope RBC36
PeopleSoft Part Number	760199224	760199711
Cabinet Height (in)	36	36
Cabinet Width (in)	24	49.7
Cabinet Depth (in)	22	22
Weight, As Shipped (lbs)	300	325
Weight, Fully Loaded (lbs)	500	525
Weight, Fully Loaded w/ Radios (lbs)	N/A	615
Mounting Options	Pole, HFrame, Wall, Pad	Pole, HFrame, Wall, Pad
Equipment Rack Size	19"	19"
Power System	Eltek FPS	Eltek FPS
Power System Voltage (V)	48	48
DC Output (Amps)	99	99
Available Rack Units	1	1
Electronics Compartment Cooling	Passive	Passive
Battery Type	Saft TelX (NiCad)	Saft TelX (NiCad)
# of Saft Kits	1	1
Battery Capacity Size (AmpHr)	100	100
Saft Battery Kit	#80-94769-02	#80-94769-02
Total Backup Reserve (AmpHr @ 48V)	100	100
Battery Compartment Cooling	Vented Compartment	Vented Compartment
Miscellaneous	<p>"Each mounting option requires a specific mounting kit</p> <p>Includes AC Load Center, AC Generator Inlet, RayCap AC Surge Protector</p> <p>RF Conditioning Equipment is Pre-Installed, Pre-Wired, & Pre-Tested"</p>	<p>"Each mounting option requires a specific mounting kit</p> <p>Includes AC Load Center, AC Generator Inlet, RayCap AC Surge Protector</p> <p>RF Conditioning Equipment is Pre-Installed, Pre-Wired, & Pre-Tested</p> <p>Vented Shrouds and Mounting Brackets for (4) Ericsson mRRU Radios"</p>

Small Cell Solution Cabinets

Cabinets

Replacement Parts for 760199224



RBC36 w/ RF Equipment & Eltek Shelf

PEOPLESOFT PART #	DESCRIPTION
760199224	RBC36 w/ RF Equipment & Eltek Shelf

Replacement Parts for 760199711



RBC36 w/ RF Equipment, Eltek Shelf, & mRRU Mounts and Shrouds

PEOPLESOFT PART #	DESCRIPTION
760199711	RBC36 w/ RF Equipment, Eltek Shelf, & mRRU Mounts and Shrouds

Common Field Replacement Units (FRUs) and Accessories for Cabinet # 760199224

PEOPLESOFT PART #	DESCRIPTION
760201632	FRU – Front Door Assembly, RBC36, Solid Door
760201640	FRU - (1) Rear Access Panel, RBC36
760023713	FRU – Door Switch
760159038	AMK – (20) Thin Wall 7/16" Nut Drivers

Common Field Replacement Units (FRUs) and Accessories for Cabinet # 760199711

PEOPLESOFT PART #	DESCRIPTION
760201632	FRU – Front Door Assembly, RBC36, Solid Door
760201640	FRU - (1) Rear Access Panel, RBC36
760023713	FRU – Door Switch
760159038	AMK – (20) Thin Wall 7/16" Nut Drivers

Accessories

PEOPLESOFT PART #	DESCRIPTION
241122.125	Rectifier Module, 24V, 48V, 35A, 95%h Model Number: Flatpack S 48/1800 HE
760189183	AMK - Mounting Plinth, RBC36
760185447	AMK - Battery Pedestal, RBC36
760191403	RBC36 Battery Pedestal (Factory Add)
760193540	AMK - Pole Mount, RBC36
760188490	AMK – HFrame / Wall Mount, RBC36

Accessories

PEOPLESOFT PART #	DESCRIPTION
241122.125	Rectifier Module, 24V, 48V, 35A, 95%h Model Number: Flatpack S 48/1800 HE
760189183	AMK - Mounting Plinth, RBC36
760185447	AMK - Battery Pedestal, RBC36
760191403	RBC36 Battery Pedestal (Factory Add)
760193540	AMK - Pole Mount, RBC36
760188490	AMK – HFrame / Wall Mount, RBC36

Equipment Cabinets

Specifications

	CommScope RBB48	CommScope RBA72	CommScope RBA72
PeopleSoft Part Number	760139568	760199331	760199349
Cabinet Height (in)	48	72	72
Cabinet Width (in)	30	30	30
Cabinet Depth (in)	26	39	39
Weight, Empty (lbs)	270	350	350
Mounting Options	Wall, HFrame	Pad Only	Pad Only
Equipment Rack Size	23"	19"	19"
Available Rack Units	22	39RU 6RU Vertical if 19" Rack is used	39RU 6RU Vertical if 19" Rack is used
Electronics Cooling	Heat Exchanger	Air Conditioner	Air Conditioner
Electronics Cooling Capacity for Hardened Equipment (W)	750	10000 BTU	10000 BTU
Electronics Cooling Voltage	48	230VAC	230VAC
Miscellaneous	Rack Rails are front-to-rear adjustable. 2-Piece Wall / H-Frame Mounting Brackets ships with the Cabinet.	1000W AC Heater Assembly	1000W AC Heater Assembly 125A AC Load Center – Located on the Exterior of the Right Wall – 125A, 2-Pole Main AC Breaker – 15A, 2-Pole Air Conditioner Breaker (Pre-Wired to the Air Conditioner) – 20A, 1-Pole GFCI Breaker (Pre-Wired to the GFCI Outlet)

Empty Cabinets

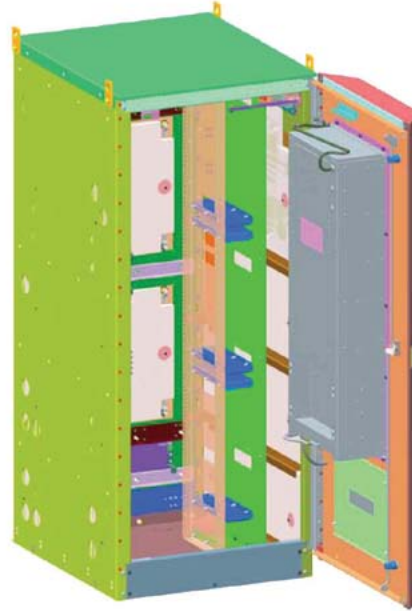
Replacement Parts for 760139568



RBB48 Backhaul

PEOPLESOFT PART #	DESCRIPTION
760139568	RBB48 Backhaul

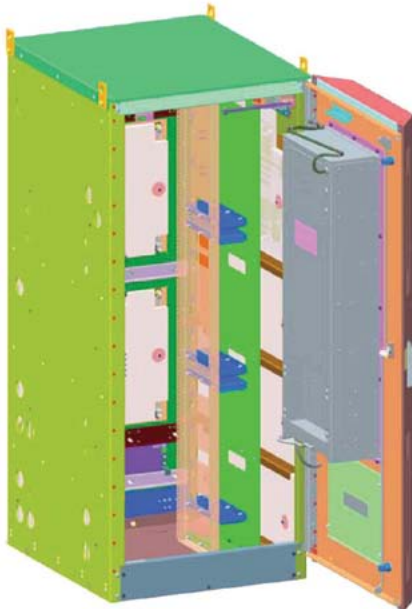
Replacement Parts for 760199331



RBA72 Equipment Cabinet w/ 10,000 BTU Air Conditioner

PEOPLESOFT PART #	DESCRIPTION
760199331	RBA72 Equipment Cabinet w/ 10,000 BTU Air Conditioner

Replacement Parts for 760199349



RBA72 Equipment Cabinet w/ 10,000 BTU Air Conditioner & 125A AC Load Center

PEOPLESOFT PART #	DESCRIPTION
760199349	RBA 72 Equipment Cabinet w/ 10,000 BTU Air Conditioner & 125A AC Load Center

Ancillary Components for CommScope Power Cabinets with GE Power



Circuit Breakers (Individually Ordered)

COMMSCOPE MODEL #	DESCRIPTION
407998145	Circuit Breaker, 1-Pole, 5A
407998152	Circuit Breaker, 1-Pole, 10A
407998160	Circuit Breaker, 1-Pole, 15A
407998186	Circuit Breaker, 1-Pole, 20A
407998194	Circuit Breaker, 1-Pole, 25A
407998202	Circuit Breaker, 1-Pole, 30A
408213486	Circuit Breaker, 1-Pole, 40A
407998228	Circuit Breaker, 1-Pole, 50A
407998236	Circuit Breaker, 1-Pole, 60A
407998244	Circuit Breaker, 1-Pole, 70A
407998251	Circuit Breaker, 1-Pole, 80A
407998277	Circuit Breaker, 1-Pole, 100A
848808551	Circuit Breaker, 2-Pole, 100A
408185346	Circuit Breaker, 2-Pole, 150A
408535752	Circuit Breaker, 3-Pole, 250A
848756916	2-Pole Circuit Breaker Adapter (2 Required with every 2 pole CB)
848756924	3-Pole Circuit Breaker Adapter (2 Required with every 3-Pole CB)

Battery Monitoring

COMMSCOPE MODEL #	DESCRIPTION
109142980	QS873A Thermal Probe
848719803	5 FT Cable to Connect (2) QS873A Thermal Probes
848822321	10 FT Cable to Connect (2) QS873A Thermal Probes



Wireless

RF Conditioning Products

Tower Mounted Amplifiers (TMAs)

RF Conditioning Products



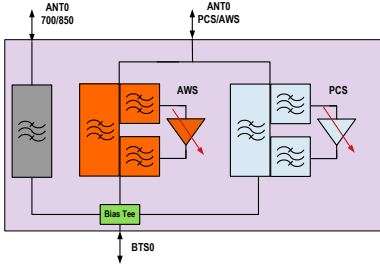
MODEL #	DESCRIPTION	CONFIGURATION	VARIABLE GAIN	DIPLEXED	BANDS					
					UPPER C 700 MHz	CELLULAR	PCS	AWS	AISG	RET Port
PCS/AWS										
E15S09P50	TMA PCS/AWS, 700-CELLBYP,Dplx'd BTS/ANT, VGain	Single	Yes	ANT/BTS	Bypass	Bypass	TMA	TMA	N	
E15S09P49	Twin TMA PCS/AWS,700-CELLBYP,Dplx'd,BTS/ANT,VGain	Stacked	Yes	ANT/BTS	Bypass	Bypass	TMA	TMA	N	
ETM19V2S12UB	TMA PCS/AWS,Diplexed BTS/ANT,AISG	Single	-	ANT/BTS	-	-	TMA	TMA	Y	
TMTADB1921IDA-V	Twin TMA PCS/AWS, 700CELLBYP,Dplx'd, BTS/ANT,VGain, AISG	Twin	Yes	ANT/BTS	Bypass	Bypass	TMA	TMA	Y	
TMA-SDB1921-DDA	2 pk TMA PCS/AWS,Diplexed BTS/ANT,AISG	Stacked	-	ANT/BTS	-	-	TMA	TMA	Y	
ETD19V2S12UB	TMA PCS/AWS,Diplexed BTS,AISG	Single	-	BTS	-	-	TMA	TMA	Y	
TMA-SDB1921HDA	2 pk TMA PCS/AWS,Diplexed BTS,AISG	Stacked	-	BTS	-	-	TMA	TMA	Y	
TMA4S1921-31A	4 pk TMA PCS/AWS. Diplexed BTS, AISG	Stacked	TBR*	BTS	-	-	TMA	TMA	Y	
ETT19V2S12UB	TMA PCS/AWS, AISG	Single	-	-	-	-	TMA	TMA	Y	
TMAT1921xB68-31AV	Twin TMA PCS/AWS. 600CELLBYP Diplexed BTS,VGain,AISG	Twin	TBR*	BTS	Bypass	Bypass	TMA	TMA	Y	
TMA2T1921xB68-31AV	2 pk Twin TMA PCS/AWS. 600CELLBYP Diplexed BTS,VGain,AISG	Stacked	TBR*	BTS	Bypass	Bypass	TMA	TMA	Y	
AWS										
ETW200VS12UB	<i>Replacement Model # TMA-T21-A-V</i>									
TMA-T21-A-V	Twin TMA,AISG,VGain	Twin	Yes	-	-	-	-	TMA	Y	
E15Z09P94	<i>Replacement TMA Model # E15Z09P93</i>									
E15Z09P93	Twin TMA AWS,700-CELL BYP,AISG,VGain	Twin	Yes	BTS	Bypass	Bypass	-	TMA	Y	
PCS										
E15S09P78	Twin TMA PCS,700/CELL BYP,Dplx'd BTS-AISG	Twin	-	BTS	Bypass	Bypass	TMA	-	Y	
TMA-T19-A-V	Twin TMA PCS, AISG, VGain	Twin	Yes	-	-	-	TMA	-	Y	
ETW190VS12UB	<i>Replacement TMA Model # TMA-T19-A-V</i>									
E15S09P80	PCS TMA	Single	-	-	-	-	TMA	-	N	
PCS/CELLULAR										
E15Z01P13	Twin TMA PCS/CELL,Diplexed BTS,AISG	Twin	-	BTS	-	TMA	TMA	-	Y	
E15Z01P1Z	TMA PCS/850,Diplexed BTS,AISG	Single	-	BTS	-	TMA	TMA	-	Y	
UPPER C 700 MHz										
E15R05P19	Twin TMA, 700UC,AISG,VGain	Twin	Yes	-	TMA	-	-	-	Y	
UPPER C 700 MHz/CELLULAR										
TMA-TDB78-DDA	Twin TMA 700UC/Cell,Dplx'd BTS/ANT,AISG,VGain	Twin	Yes	BTS/ANT	TMA	TMA	-	-	Y	
UPPER C 700 MHz/AWS										
TMA-TDB78-21HDA	Twin TMA 700UC/AWS, Dplx'd BTS, AISG,VGain	Twin	Yes	BTS	TMA	-	-	TMA	Y	
CELLULAR										
E15Z01P19	Cellular TMA	Single	-	-	-	TMA	-	-	N	

*To be released. Please ask your account manager for the variable gain version production release.

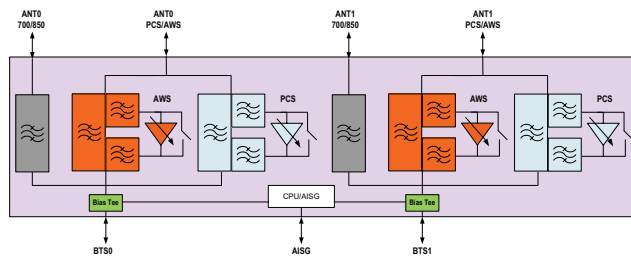
Tower Mounted Amplifiers (TMAs)

RF Conditioning Products

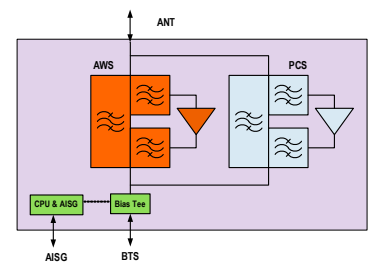
PCS/AWS TMA BLOCK DIAGRAMS



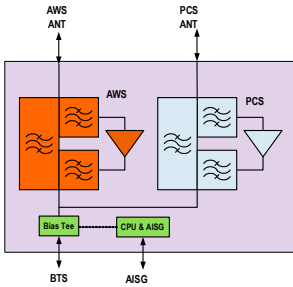
E15S09P49 and E15S09P50



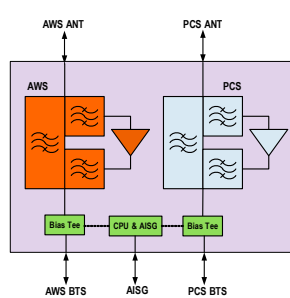
TMA-TDB1921B78DA-V



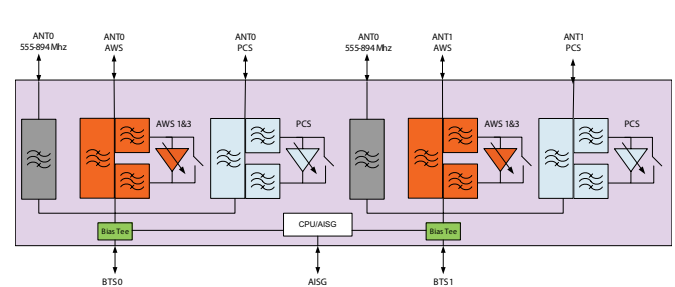
ETM19V2S12UB and
TMA-SDB1921-DDA



ETD19V2S12UB, TMA-SDB1921-HDA
and TMA4S1921-31A

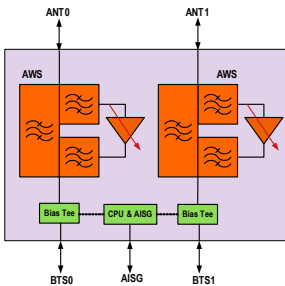


ETT19V2S12UB

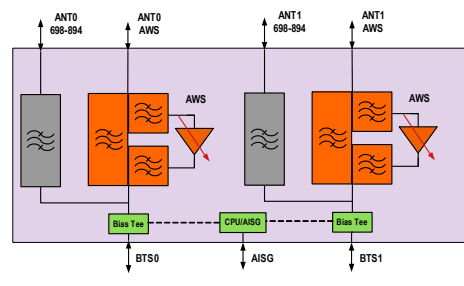


TMA1921xB68-31AV and
TMA2T1921x68-31AV

AWS TMA BLOCK DIAGRAMS



TMA-T21-AV

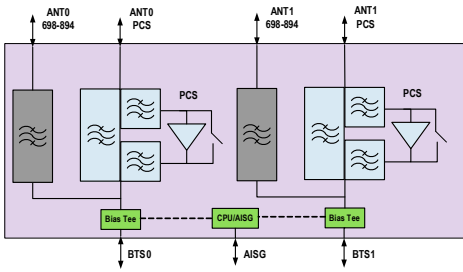


E15Z09P93

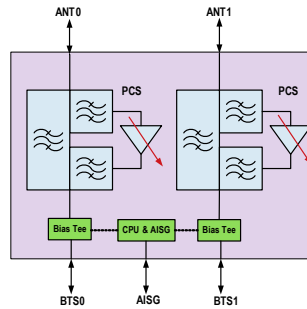
Tower Mounted Amplifiers (TMAs)

RF Conditioning Products

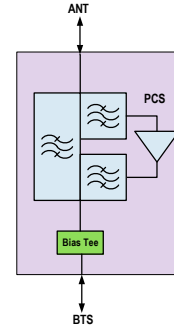
PCS TMA BLOCK DIAGRAMS



E15S09P78

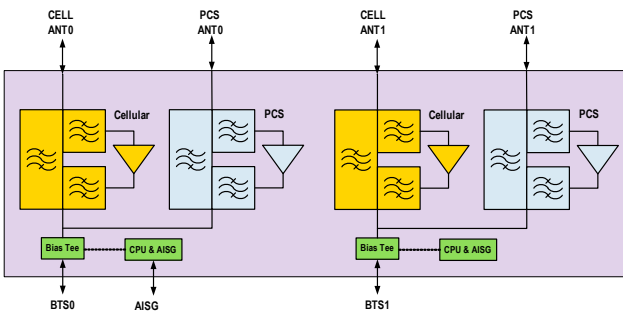


TMA-T19-AV

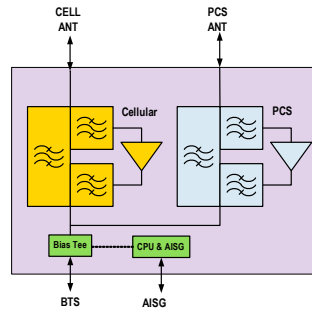


E15S09P80

PCS/CELLULAR TMA BLOCK DIAGRAMS



E15Z01P13

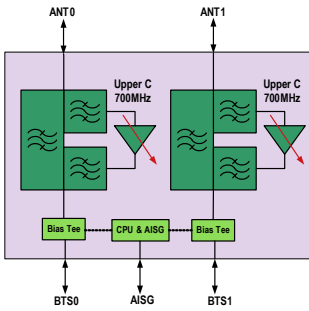


E15Z01P17

Tower Mounted Amplifiers (TMAs)

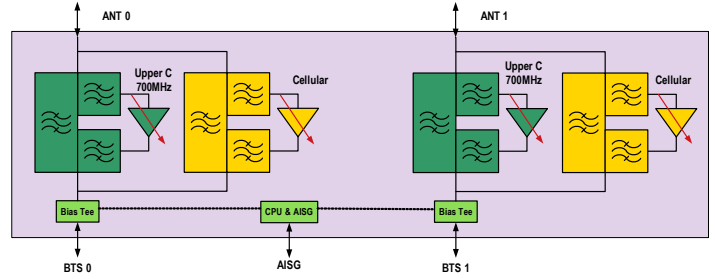
RF Conditioning Products

Upper C 700 MHz TMA BLOCK DIAGRAM



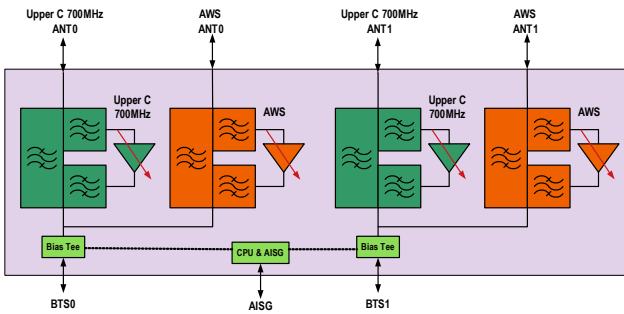
E15R05P19

Upper C 700 MHz/CELLULAR TMA BLOCK DIAGRAM



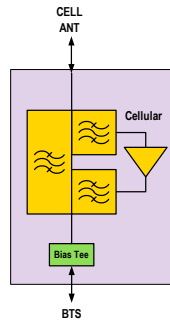
TMA-FDB78-DD-A

Upper C 700 MHz/AWS TMA BLOCK DIAGRAM



TMA-FDB7u21-DA

CELLULAR TMA BLOCK DIAGRAM



E15Z01P19

Combiners

RF Conditioning Products



Multi-Band Combiners (Diplexers)

COMMSCOPE MODEL #	DESCRIPTION	CONFIGURATION	DC/AISG Pass	BANDS				
				700 MHz	CELLULAR	PCS	AWS	
Diplexer 698-960/1710-2170 MHz								
CBC721-DF *	Diplexer 698-960/1710-2170 DCpass	Single	Port 1 / 2	Port 1	Port 1	Port 2	Port 2	
CBC721-DF-2X *	2pk Diplexer 698-960/1710-2170 DCpass	Stacked	Port 1 / 2	Port 1	Port 1	Port 2	Port 2	
CBC721-DF-19F-KIT	6pk Dipx 698-960/1710-2170 DCpas 19" ANT Front	6 Units, 19" Rack	Port 1 / 2	Port 1	Port 1	Port 2	Port 2	
CBC721-DF-19B-KIT	6pk Dipx 698-960/1710-2170 DCpas 19" ANT Back	6 Units, 19" Rack	Port 1 / 2	Port 1	Port 1	Port 2	Port 2	
CBC721-DF-23F-KIT	6pk Dipx 698-960/1710-2170 DCpas 23" ANT Front	6 Units, 23" Rack	Port 1 / 2	Port 1	Port 1	Port 2	Port 2	
CBC721-DF-23B-KIT	6pk Dipx 698-960/1710-2170 DCpas 23" ANT Back	6 Units, 23" Rack	Port 1 / 2	Port 1	Port 1	Port 2	Port 2	
CBC721-DF-7-DCB *	Diplexer 698-960/1710-2170 DChigh	Single	Port 2	Port 1	Port 1	Port 2	Port 2	
CBC721-DF-7-DCB-2X *	2pk Diplexer 698-960/1710-2170 DChigh	Stacked	Port 2	Port 1	Port 1	Port 2	Port 2	
CBC721-DF-21-DCB *	Diplexer 698-960/1710-2170 DClow	Single	Port 1	Port 1	Port 1	Port 2	Port 2	
CBC721-DF-21-DCB-2X *	2pk Diplexer 698-960/1710-2170 DClow	Stacked	Port 1	Port 1	Port 1	Port 2	Port 2	

Smart Diplexer 698-894/1710-2170 MHz

CBC721A-01 *	Diplexer 698-894/1710-2170 DCsns	Single	DC Sense	Port 1	Port 1	Port 2	Port 2
CBC721A-02 *	Diplexer 698-894/1710-2170 DCsns Snf	Single	DC Sense	Port 1	Port 1	Port 2	Port 2
CBC721A-03 *	Diplexer 698-894/1710-2170 DCsns Snf LOC	Single	DC Sense	Port 1	Port 1	Port 2	Port 2
CBC721A-03-2X *	2pk Dipx 698-894/1710-2170 DCsns Snf LOC	Stacked	DC Sense	Port 1	Port 1	Port 2	Port 2
CBC721A-08 *	Diplexer 698-894/1710-2170 DCsns Top	Single	DC Sense	Port 1	Port 1	Port 2	Port 2
CBC721A-08-2X *	2pk Dipx 698-894/1710-2170 DCsns Top	Stacked	DC Sense	Port 1	Port 1	Port 2	Port 2

Diplexer 698-787/824-894 MHz

CBC78-DF *	Diplexer 698-787/824-894 DCpass	Stacked	Port 1/2	Port 1	Port 2	-	-
CBC78-DF-2X *	2pk Diplexer 698-787/824-894 DCpass	Stacked	Port 1/2	Port 1	Port 2	-	-
CBC78-DF-19F-KIT	6pk Dipx 698-787/824-894 DCpass 19" ANT Front	6 Units, 19" Rack	Port 1/2	Port 1	Port 2	-	-
CBC78-DF-19B-KIT	6pk Dipx 698-787/824-894 DCpass 19" ANT Back	6 Units, 19" Rack	Port 1/2	Port 1	Port 2	-	-
CBC78-DF-23F-KIT	6pk Dipx 698-787/824-894 DCpass 23" ANT Front	6 Units, 23" Rack	Port 1/2	Port 1	Port 2	-	-
CBC78-DF-23B-KIT	6pk Dipx 698-787/824-894 DCpass 23" ANT Back	6 Units, 23" Rack	Port 1/2	Port 1	Port 2	-	-
CBC78-DF-7-DCB *	Diplexer 698-787/824-894 DChigh	Stacked	Port 2	Port 1	Port 2	-	-
CBC78-DF-7-DCB-2X *	2pk Diplexer 698-787/824-894 DChigh	Stacked	Port 2	Port 1	Port 2	-	-
CBC78-DF-8-DCB *	Diplexer 698-787/824-894 DClow	Single	Port 1	Port 1	Port 2	-	-
CBC78-DF-8-DCB-2X *	2pk Diplexer 698-787/824-894 DClow	Stacked	Port 1	Port 1	Port 2	-	-

* Shipped with pole/wall mounting brackets.

Combiners

RF Conditioning Products

Multi-Band Combiners Diplexers

COMMScope MODEL #	DESCRIPTION	CONFIGURATION	DC/AISG Pass	BANDS			
				700 MHz	CELLULAR	PCS	AWS
Diplexer 1710-1755&2110-2155/1850-1990 MHz							
E15S09P74 *	Diplexer AWS/PCS DCpass	Single	Port 1/2	-	-	Port 1	Port 2
E15S09P69 *	Diplexer AWS/PCS DCpass, high	Single	Port 2	-	-	Port 1	Port 2
E15S09P73 *	Diplexer AWS/PCS DCpass	Stacked	Port 1/2	-	-	Port 1	Port 2



Multi-Band Combiners (Triplexers)

COMMScope MODEL #	DESCRIPTION	CONFIGURATION	DC/AISG Pass	BANDS			
				700 MHz	CELLULAR	PCS	AWS
Triplexer 698-787/824-894/1710-2170 MHz							
CBC7821-DF *	Triplexer 700-750/850/AWS DCpass	Single	Port 1/2/3	Port 1	Port 2	Port 3	Port 3
CBC7821-DF-2X *	2pk Triplexer 700-750/850/AWS DCpass	Stacked	Port 1/2/3	Port 1	Port 2	Port 3	Port 3
CBC7821-821DCB *	Triplexer 700-750/850/AWS DClow	Single	Port 1	Port 1	Port 2	Port 3	Port 3
CBC7821-821DCB-2X *	2 pk Triplexer 700-750/850/AWS DClow	Stacked	Port 1	Port 1	Port 2	Port 3	Port 3
CBC7821-8DCB-2X *	2 pk Triplexer 700-750/850/AWS DClow+high	Stacked	Port 1/3	Port 1	Port 2	Port 3	Port 3
CBC7821-78DCB-2X *	2 pk Triplexer 700-750/850/AWS DChigh	Stacked	Port 3	Port 1	Port 2	Port 3	Port 3
CBC7821-DF-19FKIT	6 pk Tplx 700-750/850/AWS DCpass 19" ANT Front	6 Units, 19" Rack	Port 1/2/3	Port 1	Port 2	Port 3	Port 3
CBC7821-DF-19BKIT	6 pk Tplx 700-750/850/AWS DCpass 19" ANT Back	6 Units, 19" Rack	Port 1/2/3	Port 1	Port 2	Port 3	Port 3
CBC7821-DF-23FKIT	6 pk Tplx 700-750/850/AWS DCpass 23" ANT Front	6 Units, 23" Rack	Port 1/2/3	Port 1	Port 2	Port 3	Port 3
CBC7821-DF-23BKIT	6 pk Tplx 700-750/850/AWS DCpass 23" ANT Back	6 Units, 23" Rack	Port 1/2/3	Port 1	Port 2	Port 3	Port 3
CBC7821-821DCB23BK	6 pk Tplx 700-750/850/AWS DC low 23" ANT Back	6 Units, 23" Rack	Port 1	Port 1	Port 2	Port 3	Port 3
CBC7821-821DCB23FK	6 pk Tplx 700-750/850/AWS DC low 23" ANT Front	6 Units, 23" Rack	Port 1	Port 1	Port 2	Port 3	Port 3
CBC7821-821DCB19BK	6 pk Tplx 700-750/850/AWS DC low 19" ANT Back	6 Units, 19" Rack	Port 1	Port 1	Port 2	Port 3	Port 3
CBC7821-821DCB19FK	6 pk Tplx 700-750/850/AWS DC low 19" ANT Front	6 Units, 19" Rack	Port 1	Port 1	Port 2	Port 3	Port 3
Triplexer 698-894/1710-1755&2110-2155/1850-1990 MHz							
CBC71921-DF *	Triplexer 700-850/AWS/PCS DCpass	Single	Port 1/2/3	Port 1	Port 1	Port 2	Port 3
CBC71921-DF-2X *	2pk Triplexer 700-850/AWS/PCS DCpass	Stacked	Port 1/2/3	Port 1	Port 1	Port 2	Port 3
CBC71921-719DCB-2X *	2pk Triplexer 700-850/AWS/PCS DChigh	Stacked	Port 3	Port 1	Port 1	Port 2	Port 3
CBC71921-7DCB-2X *	2pk Triplexer 700-850/AWS/PCS DCmid+high	Stacked	Port 2/3	Port 1	Port 1	Port 2	Port 3
Quadplexer 698-798/824-894/1850-1990/1710-1780&2110-2360 MHz							
CB781921WFD5 **	Twin Quadplexer, 698-798/850/PCS/AWS-WCS DC Sense	Twin	DC/AISG Sense	Port 1	Port 2	Port 3	Port 4
CB781921W-DS	Quadplexer, 698-798/850/PCS/AWS-WCS DC Sense	Single	DC/AISG Sense	Port 1	Port 2	Port 3	Port 4

Optional Mounting

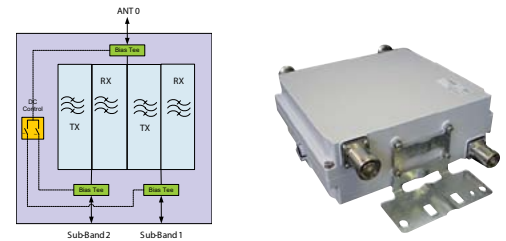
CBC819-MNT0D	Icebridge/cable tray for CBC78, CBC721, CBC71921, and CBC7821 family
CBC-MNT19	19" rack for E15S09P74, E15S09P69, CBC78, CBC721, CBC71921, CBC7821 family
CBC-MNT23	23" rack for CBC78, CBC721, CBC71921, and CBC7821 family

*Shipped with pole/wall mounting brackets.

**Can be stacked for ice bridge, 19", 23" rack mounting. No additional brackets required.

Combiners

RF Conditioning Products



Same Band Combiners (In-Band Diplexers)

COMMSCOPE MODEL #	DESCRIPTION	CONFIGURATION	DC/AISG Pass	AWS BANDS (PORT NO.)								
				A1	A2	B1	B2	C	D	E	F1	F2
AWS: 1710-1755 MHz/2110- 2155 MHz*												
DAWS-10A-CDEF	In-Band Diplexer, 10 MHz GB, AWS Tuning Version 1A 2110-2120/1710-1720 MHz & 2130-2155/1730-1755 MHz	Single	DC/AISG Sense	1	1	-	-	2	2	2	2	2
DAWS-10B2C-F	In-Band Diplexer, 10 MHz GB, AWS Tuning Version 2A 2125-2135/1725-1735 MHz & 2145- 2155/1745-1755 MHz	Single	DC/AISG Sense	-	-	-	1	1	-	-	2	2
DAWS-10B-EF	In-Band Diplexer, 10 MHz GB, AWS Tuning Version 3 2120-2130/1720-1730 MHz & 2140-2155/1740-1755 MHz	Single	DC/AISG Sense	-	-	1	1	-	-	2	2	2
TD-AWS-5-ABC-EF	In-Band Diplexer, 5 MHz GB, AWS Version 4 2110-2134.75/1710-1734.75 MHz & 2140.25- 2154.75/1740.25-1754.75 MHz	Twin	DC/AISG Sense	1	1	1	1	1	-	2	2	2
TD-AWS-5-ABCD-F	In-Band Diplexer, 5 MHz GB, AWS Tuning Version 5 2110-2139.75/1710-1739.75 MHz & 2145.25 -2159.75/1745.25-1759.75 MHz	Twin	DC/AISG Sense	1	1	1	1	1	1	-	2	2
TD-AWS-5-AB-DEF1	In-band Diplexer, 5 MHz AWS Tuning Version 6 2110-2129.75/1710-1729.75 MHz & 2135.25-2149.75/1735.25-1749.75 MHz	Twin	DC/AISG Sense	1	1	1	1	-	2	2	2	-

COMMSCOPE MODEL #	DESCRIPTION	CONFIG.	DC/AISG Pass	PCS BANDS (PORT NO.)										
				A3	A4	A5	D	B3	B4	B5	E	F	C3	C4
PCS: 1850-1910 MHz / 1930 - 1990 MHz*														
TD-PCS-5-AB_C	In-Band Diplexer, 5 MHz GB, PCS Tuning Version 1 1930-1945/1850-1865 MHz & 1950-1990/1870-1910 MHz	Twin	DC/AISG Sense	1	1	1	-	2	2	2	2	2	2	2
TD-PCS-5-A4_D-B4_G	In-band Diplexer, 5 MHz GB, PCS Tuning Version 2 1935-1950/1855-1870 MHz & 1955-1995/1875-1915 MHz	Twin	DC/AISG Sense	-	1	1	1	-	2	2	2	2	2	2
TD-PCS-5-BF_G	In-Band Diplexer, 5 MHz GB, PCS Tuning Version 3 1950-1965/1870-1885 MHz & 1970-1995/1890-1915 MHz	Twin	DC/AISG Sense	-	-	-	-	1	1	1	-	2	2	2
TD-PCS-5-B4_ECG	In-Band Diplexer, 5 MHz GB, PCS Tuning Version 4 1955-1970/1875-1890 MHz & 1977-1995/1895-1915 MHz	Twin	DC/AISG Sense	-	-	-	-	-	1	1	1	-	2	2
TD-PCS-A3-A4-G **	In-band Diplexer, 1930-1935/1850-1855 MHz & 1935-1995/1855-1915MHz	Twin	DC/AISG Sense	1	2	2	2	2	2	2	2	2	2	2
QD-PCS-A3-A4-G **	In-band Diplexer, 1930-1935/1850-1855 MHz & 1935-1995/1855-1915MHz	Quad	DC/AISG Sense	1	2	2	2	2	2	2	2	2	2	2

*Additional tuning version available, please consult your account manager.

**Please consult your account manager on availability

Combiners

RF Conditioning Products



Hybrid Combiners

COMMSCOPE MODEL #	DESCRIPTION	CONFIGURATION	DC/AISG Pass	BANDS			
				700 MHz	CELLULAR	PCS	AWS
Hybrid Combiner 2:1 698-2700 MHz							
CHB726-01	Hybrid Combiner 2:1 698-2700 MHz	Single	Port 2	Port 1/2	Port 1/2	Port 1/2	Port 1/2
CHB726-01-2X	2pk Hybrid Combiner 2:1 698-2700 MHz	Twin	Port 2	Port 1/2	Port 1/2	Port 1/2	Port 1/2

Ancillary Products



Power Distribution Kits

COMMSCOPE MODEL #	DESCRIPTION
EPD3603-DCSE	PDU Kit with 49 Feet of Cable
EPD3603-DCSP	PDU Kit with Sector Split BT Harness
EPD3603-DCS6	PDU, Rack Mounted with Cables



Bias Tees

COMMSCOPE MODEL #	DESCRIPTION	AISG CONNECTOR
ABTDFDM-ADBH	Bias-tee with DIN Male (ANT) DIN Female (BTS)	
ABTDMDF-ADBH	Bias-tee with DIN Female (ANT) DIN Male (BTS)	
ABTDFDM-ADBA	AISG Bias-tee with DIN Female (ANT) and DIN Male (BTS)	SMA Female
ABTDMDF-ADBA	AISG Bias-tee with DIN Male (ANT) and DIN Female (BTS)	SMA Female



Bias Tee Kits

COMMSCOPE MODEL #	DESCRIPTION	AISG CONNECTOR
ATBTK-FM	AISG Bias-tee kit: ABTDMDF-ADBA bias-tee, ATGK-COMP grounding kit and C100PSMSB-6M 6 m bias-tee cable	SMA Female
ATBTK-FM-12	AISG Bias-tee kit: ABTDMDF-ADBA bias-tee, ATGK-COMP grounding kit and C100PSMSB-12M 12 m bias-tee cable	SMA Female
ATBTK-MF	AISG Bias-tee kit: ABTDFDM-ADBA bias-tee, ATGK-COMP grounding kit and C100PSMSB-6M 6 m bias-tee cable	SMA Female

Ancillary Products

RF Conditioning Products



Smart Bias Tees

COMMSCOPE MODEL #	DESCRIPTION	AISG CONNECTOR
ATSBTBOTTOM-MF-4G	AISG Bias-tee with DIN Female (ANT) and DIN Male (BTS)	8-PIN
ATSBTBOTTOM-FM-4G	AISG Bias-tee with DIN Male (ANT) and DIN Female (BTS)	8-PIN
ATSBTBOTTOM-FF-4G	AISG Bias-tee with DIN Female (ANT) and Female (BTS)	8-PIN
ATSBTTOP-FM-4G	AISG Bias-tee with DIN Male (ANT) and DIN Female (BTS)	8-PIN
ATSBTTOP-MF-4G	AISG Bias-tee with DIN Female (ANT) and DIN Male (BTS)	8-PIN
ATSBTTOP-FM-4G	Top AISG Bias-tee, DIN Male (ANT) and DIN Female (BTS)	8-PIN
ATSBTTOP-MF-4G	Top AISG Bias-tee, DIN Female (ANT) and DIN Male (BTS)	8-PIN
ATSBTTOP-FF-4G	Top AISG Bias-tee, DIN Female (ANT) and DIN Female (BTS)	8-PIN



AISG Controllers

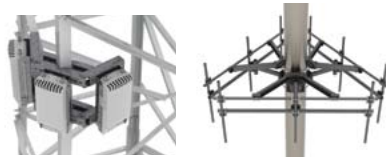
COMMSCOPE MODEL #	DESCRIPTION	AISG CONNECTOR
ATC200-LITE-USB	Portable AISG Controller	8-PIN FEMALE
ATC300-1000	Rack Mounted AISG Controller	8-PIN



Wireless

Structural Support Products

Tower (MTS)



Sector Frame

COMMScope MODEL #	COMPONENT OF SOLUTION PART #	DESCRIPTION
QTSF10-4-96	-	Quik-Tee Sector Frame 10'6" Face, W/4 96" Pipe
QTSF10-B	-	Quik-Tee Sector Frame, Base, 10'6" Face
QTSF12-4-96	-	Quik-Tee Sector Frame, 12'6" Face, W/4 96" Pipe
QTSF12-B	-	Quik-Tee Sector Frame, 12'6", Face Base
QTSF14-B	-	Quik-Tee Sector Frame, 14'6" Face Base
SFQV12-B	MTC3615V3	Sector Frame, Quik - V, 12' Face
SFQV7-B	-	Sector Frame, Quik - V, 7' Face
SFQV10-B	-	Sector Frame, Quik - V, 10' Face
SFQV14-B	-	Sector Frame, Quik - V, 14' Face
SFSU12-B	-	Stand-Off Sector Frame Base Kit
SFSU12-4-96	MTC3626GT, MTC3626SS1	Sector Frame Mount Kit, 12'Face W/4 96" PM
SFSU14-B	-	Stand-Off Sector Frame, 14' Face~
SFSU10-B	-	Stand-off Sector Frame, 10' Face~
SFSU7-B	-	Stand-off Sector Frame 7' Face Base Kit
SFSU14-4-96	-	Stand-off Sector Frame 14' Face (4) 96

Stabilizer

COMMScope MODEL #	COMPONENT OF SOLUTION PART #	DESCRIPTION
VSR-TSB	MTC3615V3	V-Stabilizers Mounting kite for Tower applications on 2" to 8" (50.8mm to 203.2mm) Round and Angle Members.

RRU

COMMScope MODEL #	COMPONENT OF SOLUTION PART #	DESCRIPTION
PMRU3	-	Mount for attaching up to 3 RRU's to Straight Tower Legs
PMRU3T	MTC3626GT, MTC3626SS1	Universal RRU Mount for Attaching up to Three RRU's to Straight or *Tapered Tower Legs From 2" to 8" Round and Angle Members
RR-DPM	-	Dual Pipe Mount for Straight or Tapered Legs
PM-SU35-96	MTC3626SS1	Universal Sliding Pipe Mount Kit, 3-1/2" OD x 96" Mounting Pipe. For 2" to 8" Round and Angle Members
MTC3326DHD	MTC3626SS1	Universal Dual RRH Mount Kit, 3-1/2" OD Mounting Pipe

RRU/MW

COMMScope MODEL #	COMPONENT OF SOLUTION PART #	DESCRIPTION
PM-SU4-63	MTC3626GT	Universal Sliding Pipe Mount Kit, 4-1/2" OD x 63" pipe. For 2" to 8" Round and Angle Members

MW

COMMScope MODEL #	COMPONENT OF SOLUTION PART #	DESCRIPTION
MD-CS-10R	MTC3626SS1	Microwave Dish Channel Support, 3-1/2" OD x 10' long pipe

Roof Top

Structural Support Products



Roof Frame, Non-Pen

COMMScope MODEL #	COMPONENT OF SOLUTION PART #	DESCRIPTION
RF-N12-B	-	Non-Pen Roof Mount w/ Face (kit/1), 12' 6" face
RF-N10L-B	MTC3626R	Non-Pen Roof Mount w/ Face (kit/1), 10' 6" face
RF-N14-B	-	Non-Pen Roof Mount w/ Face (kit/1), 14' 6" face
RF-N10-4-96	-	Mount, 10' Ballast w/ 96" Pipes (kit/1)~
RF-N12-4-96	-	Mount, 12' Ballast w/ 96" Pipes (kit/1)
RF-N10-3-96	-	Mount, 10' Ballast w/ 96" Pipes (kit/1)~
RF-N14-4-96	-	Mount, 14' Ballast w/ 96" Pipes (kit/1)~
MT-180	-	Multi-Sector Roof Frame, 2-3/8 OD Pipes (ordered separately)
RF-NL7-B	-	Heavy Duty, Non-penetrating Roof frame, 7'6" Base Kit
RF-NL7-72	-	Heavy Duty, Non-penetrating Roof frame, 7'6", with 3, 3-1/2 OC x 72" pipes
RF-NL7-96	-	Heavy Duty, Non-penetrating Roof frame, 7'6", with 3, 3-1/2 OC x 96" pipes

Tri-Pod

COMMScope MODEL #	COMPONENT OF SOLUTION PART #	DESCRIPTION
RM-SM190-60	-	Tripod Antenna Mount
RM-SM238-60	-	Tripod Antenna Mount, 2-3/8" OD pipe
TP-G412-B	MTC3626R	Universal Tripod Mount, base only for 4-1/2" OD Pipe (purchased separately)

RRU Mount

COMMScope MODEL #	COMPONENT OF SOLUTION PART #	DESCRIPTION
MTC3339IPM	-	RRH Pad Mount, Indoor Version
MTC3339PM	-	RRH Pad Mount
RF-NRK	MTC3626R	Non-Penetrating Roof Frame RRU Retrofit Kit
RR-TFS	-	Freestanding RRU Mount

Monopole Applications



Co-Location Platforms

COMMSCOPE MODEL #	COMPONENT OF SOLUTION PART #	DESCRIPTION
MC-K10M-996	-	Monopole Co-location T-Frame, 10' 6" face, 36" stand off, 12" 50" OD Pole, w/9 96" Pipe
MC-K10M-B	-	Monopole Co-location T-Frame, Base Kit, Pipe is to be purchased separately
MC-K12L-12-96	-	Monopole "T" Frame Kit, 12' 6", 30"-60", 12' 6" face, 36" stand off, w/12 96" Pipe
MC-K12LB	-	Monopole Co-location T-Frame, 12' 6" face, 36" stand off, 30 to 60" OD Pole, Base kit
MC-K12M-996	-	Monopole Co-location T-Frame, 12"-50", 12' 6" face, 36" stand off, w/9 96" Pipe
MC-K12S-B	-	Monopole Co-location T-Frame, 10"-30", 12' 6" face, 36" stand off, base Kit
MC-PA12S-B	-	Low-Profile Adj. Co-Lo Platform, 12' Base, 10" to 30" OD pole, Base Kit
MC-PK12S-12-96	MTC3626MPS	Low Pro. Co-Location Plat. Kit, 12' 6" Base, 10" to 30" OD pole, w/12 96"
MC-PK12S-996	-	Low Pro. Co-Location Plat. Kit, 12' 6" Base, 10" to 30" OD pole, w/9 96"
MC-PK12S-B	MTC3607	Low Pro. Co-Location Plat. Kit, 12' 6" face, 10" to 30" OD, Base Kit
MC-PK14L-996	-	Low Pro. Co-Location Plat. Kit, w/9 96" pipe
MC-PK14L-B	MTC3607L	Low Pro. Co-Location Plat. Kit, 14' 6" face, 30" to 60" Pole, base Kit
MC-PK14S-996	-	Low Pro. Co-Location Plat. Kit, 10" to 30" OD, 14' 6" face, w/9 96" pipe
MC-PK14S-B	-	Low Pro. Co-Location Plat. Kit, 10" to 30" OD, 14' 6" face, base Kit
MTC3314HK	MTC3607, MTC3607L	Top-Rail Hardware Kit



Stabilizer

COMMSCOPE MODEL #	COMPONENT OF SOLUTION PART #	DESCRIPTION
MTC3237	MTC3607	Monopole Stand-off Kicker Support
MTC3237L	MTC3607L	Monopole Stand-off Kicker Support

Structural Support Products



Dual Pipe

COMMSCOPE MODEL #	DESCRIPTION
MC-DPM2M-6-96	Monopole Dual Pipe Mount Kit, 15-50 OD
MC-DPM3M-6-96	Monopole Dual Pipe Mount Kit, 15-50 OD
MC-DPM35M-6-96	Monopole Dual Pipe Mount Kit, 15-50 OD



Ring Mounts

COMMSCOPE MODEL #	COMPONENT OF SOLUTION PART #	DESCRIPTION
RR-RM1560	MTC3627D	6 Sector Pipe Ring Mount for 15" to 60" OD
MC-RM1030-3	-	3 Sector universal Ring mount (10-30")
MC-RM1550-3	-	3 Sector universal Ring mount (12-50")
MC-RM3060-3	-	3 Sector universal Ring mount (30-60")

Chain Mounts

COMMSCOPE MODEL #	COMPONENT OF SOLUTION PART #	DESCRIPTION
CMLH30-63	MTC3627D	Heavy Duty Chain Mount Kit, 4-1/2" OD x 63" Pipe Mount, 8' Chain
CM-SH30	MTC3627D	Heavy Duty Stiff Arm Mount, Double 8' chains.



Site Related Components

Structural Support Products

Base Shoe

COMMSCOPE MODEL #	DESCRIPTION
VWB-S	Base Shoe for Waveguide Bridge Kits



Equipment Platform

COMMSCOPE MODEL #	DESCRIPTION
EQ-P4C0404-AL	4' x 4' Equipment Platform (4) Adj. Legs
EQ-P-DF	Equipment Platform Displacement Foot
EQ-P1015-AL	Equipment Platform, 10' x 15', 6 AL Legs

Pipe Column

COMMSCOPE MODEL #	DESCRIPTION
MF-130	Direct Burial Pipe Column, 3.5" OD x 160"



Plain End Pipe

COMMSCOPE MODEL #	COMPONENT OF SOLUTION PART #	DESCRIPTION
MT-649	MTC3626GT, MTC3607, MTC3607L	Plain End Pipe 2-3/8" OD x 36"
MT-651-96	MTC3615V3	2-3/8" OD X 96" Plain End Pipe
MT-650-63	MTC3627D	Plain End Pipe 2-3/8" OD x 63"
MT-651-150	MTC3607	Plain End Pipe 2-3/8" O.D. x 150"
MT-537-174	MTC3607L	Plain End Pipe 2-3/8" O.D. x 174"
MT54684	-	2 7/8" x 84" Plain End Pipe
MT54696	MTC3607, MTC3607L	2 7/8" x 96" Plain End Pipe
MT-546-150	MTC3615V3	Plain End Pipe 2-7/8" OD x 150"
MT-547-126	MTC3626R	Plain End Pipe 3-1/2" OD x 126"
MT-539	MTC3626R	Plain End Pipe 4-1/2" OD x 126"



Trapeze Bracket

COMMSCOPE MODEL #	DESCRIPTION
ATK306-U	Arrestor Trapeze Kit, 3 x 6

Z-Bracket

COMMSCOPE MODEL #	DESCRIPTION
ZB-H8	Horizontal Z-Bracket for 14 Runs Coax



Cross Over Plate

COMMSCOPE MODEL #	COMPONENT OF SOLUTION PART #	DESCRIPTION
XP-2025	MTC3615V3	Crossover Plate, 2-3/8" OD x 2-7/8" OD
XP-2030	MTC3607, MTC3607L	Crossover Plate 2.375" O.D. TO 3.5" O.D.

U-Bolt

COMMSCOPE MODEL #	COMPONENT OF SOLUTION PART #	DESCRIPTION
GUB-4240	MTC3626GT	1/2" x 2-1/2" x 4" Galvanized U-bolt Assembly
GUB-4352	MTC3615V3	1/2" X 3" X 5-1/4" Galvanized U-bolt Assembly

Pipe to Pipe Clamps

COMMSCOPE MODEL #	COMPONENT OF SOLUTION PART #	DESCRIPTION
BC-20-10	MTC3615V3	Pipe to Pipe clamps, 2-3/8" OD x 2-3/8" OD
MT-219MH	MTC3607, MTC3607L	3.5" OD X 2-7/8" OD Clamp Bracket Assembly

Threaded Rod

COMMSCOPE MODEL #	COMPONENT OF SOLUTION PART #	DESCRIPTION
MT-397-8	MTC3607, MTC3607L	1/2" X 8" Galvanized Threaded Rod



Waveguide Bridge Components

COMMSCOPE MODEL #	DESCRIPTION
WB-T24-3	Trapeze Kit 24" Three Rung
WB-K210-B15	Waveguide Bridge Kit W/15' Burial Posts
WB-K210-S	Waveguide Bridge Kit W/Base Shoe Posts
WB-K210-B	Waveguide Bridge Kit W/Burial Posts
WB-K410-B	Waveguide Bridge kit, 24" wide, 3 Rung BP
WB-IB24-3	Waveguide Bridge Support Bracket
WB-K110-B	Waveguide BridgeKit 12" wide, 3 Rung BP

Microwave Antenna Installations

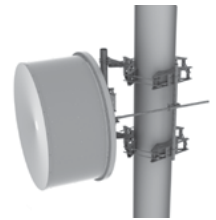
Structural Support Products

Universal Leg



COMMSCOPE MODEL #	DESCRIPTION
PM-SU4-63	Univ Pole Mt, Legs up to 8" dia, 4 1/2" mounting pipe
PML-SU4-63	Univ Pole Mt, Legs up to 16" dia, 4 1/2" mounting pipe

Collar Mount



COMMSCOPE MODEL #	DESCRIPTION
RM-DM-6	Monopole Collar Mount, 6' Ant, 12" to 50" Pole dia

Face Mount



COMMSCOPE MODEL #	DESCRIPTION
TF-M4S-8	8' Face Mt, Legs up to 8", one strut support
TF-M4S2-8	8' Face Mt, Legs up to 8", two strut supports
TFL-M4S-8	8' Face Mt, Legs up to 16", one strut support
TFL-M4S2-8	8' Face Mt, Legs up to 16", two strut supports

Hand Rail



COMMSCOPE MODEL #	DESCRIPTION
WT-HRM2-96	Hand Rail Mount, 2 3/8" OD, 96"

Tripod



COMMSCOPE MODEL #	DESCRIPTION
WT-TMA45-96	Water Tower Tripod Mount, 4-1/2" OD x 96" pipe

Chain Mount



COMMSCOPE MODEL #	DESCRIPTION
CMLH30-63	Chain Mt, Ant up to 4', Pole dia 8" to 30"
CMLH60-63	Chain Mt, Ant up to 4', Pole dia 8" to 60"
CMLH30-63	Chain Mt, Ant>4', Pole dia 8" to 30"
CMLH60-63	Chain Mt, Ant>4', Pole dia 8" to 60"

Mini-Monopole



COMMSCOPE MODEL #	DESCRIPTION
WTFMMP-Z	Mini-monopole, 7' tall

Microwave Antenna Installations

Structural Support Products



Strut Mount

COMMSCOPE MODEL #	DESCRIPTION
CM-SL30	Strut Support, Ant up to 4', Pole dia 8" to 30"
CM-SH30	Strut Support, Ant>4', Pole dia 8" to 30"
CM-SL60	Strut Support, Ant up to 4', Pole dia 8" to 60"
CM-SH60	Strut Support, Ant>4', Pole dia 8" to 60"
SA-BU	Strut Support Bracket
MD-CS-6R	Face Strut Support, Legs up to 8" dia, 6' pipe
MD-CS-8R	Face Strut Support, Legs up to 8" dia, 8' pipe
MD-CS-10R	Face Strut Support, Legs up to 8" dia, 10' pipe
MDL-CS-6R	Face Strut Support, Legs up to 16" dia, 6' pipe
MDL-CS-8R	Face Strut Support, Legs up to 16" dia, 8' pipe
MDL-CS-10R	Face Strut Support, Legs up to 16" dia, 10' pipe
VSTRUT-3KIT	Inboard Side Strut for VHLP 3' Antennas
VSTRUTP3KIT	Inboard Side Strut for VHLP 4' and 6' Antennas
520570-3	Outboard Side Strut Kit, 8', 10' and 12' Antennas



Wireless

Distributed Coverage and Capacity
Solutions

Passive Devices

Distributed Coverage and Capacity Solutions



Couplers

COMMScope MODEL #	DESCRIPTION
C-10-CPUSE-DAi6	10 dB, Air Directional Coupler, 698–2700 MHz
C-10-CPUSE-NAi6	10 dB, Air Directional Coupler, 698–2700 MHz
C-13-CPUSE-DAi6	13 dB, Air Directional Coupler, 698–2700 MHz
C-13-CPUSE-NAi6	13 dB, Air Directional Coupler, 698–2700 MHz
C-15-CPUSE-DAi6	15 dB, Air Directional Coupler, 698–2700 MHz
C-15-CPUSE-NAi6	15 dB, Air Directional Coupler, 698–2700 MHz
C-20-CPUSE-DAi6	20 dB, Air Directional Coupler, 698–2700 MHz
C-20-CPUSE-NAi6	20 dB, Air Directional Coupler, 698–2700 MHz
C-30-CPUSE-DAi6	30 dB, Air Directional Coupler, 698–2700 MHz
C-30-CPUSE-NAi6	30 dB, Air Directional Coupler, 698–2700 MHz
C-6-CPUSE-DAi6	6 dB, Air Directional Coupler, 698–2700 MHz
C-6-CPUSE-NAi6	6 dB, Air Directional Coupler, 698–2700 MHz
C-8-CPUSE-DAi6	8 dB, Air Directional Coupler, 698–2700 MHz
C-8-CPUSE-NAi6	8 dB, Air Directional Coupler, 698–2700 MHz



Hybrid Couplers

COMMScope MODEL #	DESCRIPTION
H-3-CPUSE-DAi6	Air Dielectric Hybrid Coupler, 698–2700 MHz
H-3-CPUSE-NAi6	Air Dielectric Hybrid Coupler, 698–2700 MHz



Tappers

COMMScope MODEL #	DESCRIPTION
CT-10-CPUSE-Di6	10dB, Tapper, 698–960/1710-2700 MHz
CT-10-CPUSE-Ni6	10dB, Tapper, 698–960/1710-2700 MHz
CT-13-CPUSE-Di6	13dB, Tapper, 698–960/1710-2700 MHz
CT-13-CPUSE-Ni6	13dB, Tapper, 698–960/1710-2700 MHz
CT-15-CPUSE-Di6	15dB, Tapper, 698–960/1710-2700 MHz
CT-15-CPUSE-Ni6	15dB, Tapper, 698–960/1710-2700 MHz
CT-20-CPUSE-Di6	20dB, Tapper, 698–960/1710-2700 MHz
CT-20-CPUSE-Ni6	20dB, Tapper, 698–960/1710-2700 MHz
CT-30-CPUSE-Di6	30dB, Tapper, 698–960/1710-2700 MHz
CT-30-CPUSE-Ni6	30dB, Tapper, 698–960/1710-2700 MHz
CT-6-CPUSE-Di6	6dB, Tapper, 698–960/1710-2700 MHz
CT-6-CPUSE-Ni6	6dB, Tapper, 698–960/1710-2700 MHz
CT-8-CPUSE-Di6	8dB, Tapper, 698–960/1710-2700 MHz
CT-8-CPUSE-Ni6	8dB, Tapper, 698–960/1710-2700 MHz

To learn more about CommScope DAS solution offerings, please contact a CommScope Distributed Coverage and Capacity Solutions sales representative.

Passive Devices



Power Splitters

COMMScope MODEL #	DESCRIPTION
S-2-CPULSE+HDi6	Two-way Reactive Power Splitter, 698–2700 MHz
S-2-CPULSE+HNi6	Two-way Reactive Power Splitter, 698–2700 MHz
S-3-CPULSE+HDi6	Three-way Reactive Power Splitter, 698–2700 MHz
S-3-CPULSE+HNi6	Three-way Reactive Power Splitter, 698–2700 MHz
S-4-CPULSE+HDi6	Four-way Reactive Power Splitter, 698–2700 MHz
S-4-CPULSE+HNi6	Four-way Reactive Power Splitter, 698–2700 MHz

Active DAS Solutions

To learn more about CommScope DAS solution offerings, please contact a CommScope sales representative.



CommScope, (NASDAQ: COMM)

helps companies around the world design, build and manage their wired and wireless networks. Our network infrastructure solutions help customers increase bandwidth; maximize existing capacity; improve network performance and availability; increase energy efficiency; and simplify technology migration. You will find our solutions in the largest buildings, venues and outdoor spaces; in data centers and buildings of all shapes, sizes and complexity; at wireless cell sites and in cable headends; and in airports, trains, and tunnels. Vital networks around the world run on CommScope solutions.



CommScope Certified Report Systems

WebTrak® gives you on-line factory test reports for Fiber, Hybrid Fiber, Twisted Pair Cables, Cable Assemblies and Base Station Antennas.

cTrak is our latest FREE mobile app to access factory tests on the go from your Android device, iPhone or iPad. Available from the Google store and iTunes.



On-line Self Paced Training Courses

COURSE #	DESCRIPTION
SP6000	Understanding the RF path
SP6101	Connector attachment training
SP6140	RET Antenna Systems
SP6160	PIM/VSWR certification
SP6170	Fiber to the antenna (FTTA)
SP6910	Antenna Theory
SP6920	Antenna Coverage and Capacity Solutions
SP6105	Microwave Radio Antenna Link Fundamentals
SP6107	Helix FiberFeed

Available on our website through the CommScope Infrastructure Academy.



Field Engineering Services (FES)

FES gives Andrew Solutions' customers' access to technical support where and when it is needed the most—in the field.



www.commscope.com

Visit our Web site or contact your local CommScope representative for more information.

© 2015 CommScope, Inc. All rights reserved.

All trademarks identified by ® or ™ are registered trademarks or trademarks, respectively, of CommScope.

This document is for planning purposes only and is not intended to modify or supplement any specifications or warranties relating to CommScope products or services.

CO-107364.5-EN (2/15)