

Aircraftscales.com

Aircraft weighing equipment, aircraft scales and more.

Aircraft Scales

M2000-3-10CS

M2000-3-10BS

M2000-3-25CS

M2000-3-25BS

M2000-3-50CS

920-4-10CS

Platform Scales

M2000-3-10KP

Load Cells

Large jet scales

M2000-3-100CS

920-4-100CS

Jack Adapters

Contact Us

M2000-3-25BS Quote: \$6495.00 + Shipping

Three 25,000lb cell transducers, one inch mounting, 75,000lbs total system capacity, digital indication.



M2000-3-25BS Box set in a Pelican case



Here are the kit components



Digital Indication, three load cell transducers and one inch mounting

M2000 Features:

Units conversion: lbs/kg

Resolution: +/- 520000 A/D internal counts

Sampling rate: 100 times a second per channel

Span stability: 2ppm/deg C

Zero Stability: 5nV/deg C

Linearity correction: 10 span entries

Calibration Method: calibration through software stored in flash memory

Calibration Sealing: physical seal or Class1 Audit Trail system, password protected

Tare: Keyboard and scale tare, multiple tare id's can be stored in memory

Time and Date: Y2K compliant time/date clock, internal battery backup

Power On: selectable on/off switch

Communications:

Analog Output: optional 4-20mA board via Smart Wire

Serial Output: 2 full duplex RS232/RS422 ports

IO Interface: peripheral expansion through Smart Wire multi drop RS485 port

External IO: up to 6 channel setpoint via Smart Wire

Baud Rate: 150-32,400 bps, selectable

Display:

Size: 6 digit, 7 segment 1" red LED

Filtering: Fast Step quick response algorithm adjustable filter

Modes: display from CH1, CH2, CH3, Scan, and total of all channels.

Electrical:

Power Requirements: 110VAC 12VDC 1A

Temperature Range: -10deg C to + 40deg C

Setpoints: 6 programmable setpoints per channel

Sense Amplifier: differential amplifier with 4 and 6 wire

RFI Protection: filtered signal, excitation and sense lines

Approvals:

Canada: Class III/IIHD 10000

USA: NTEP Class III/IIII 10000

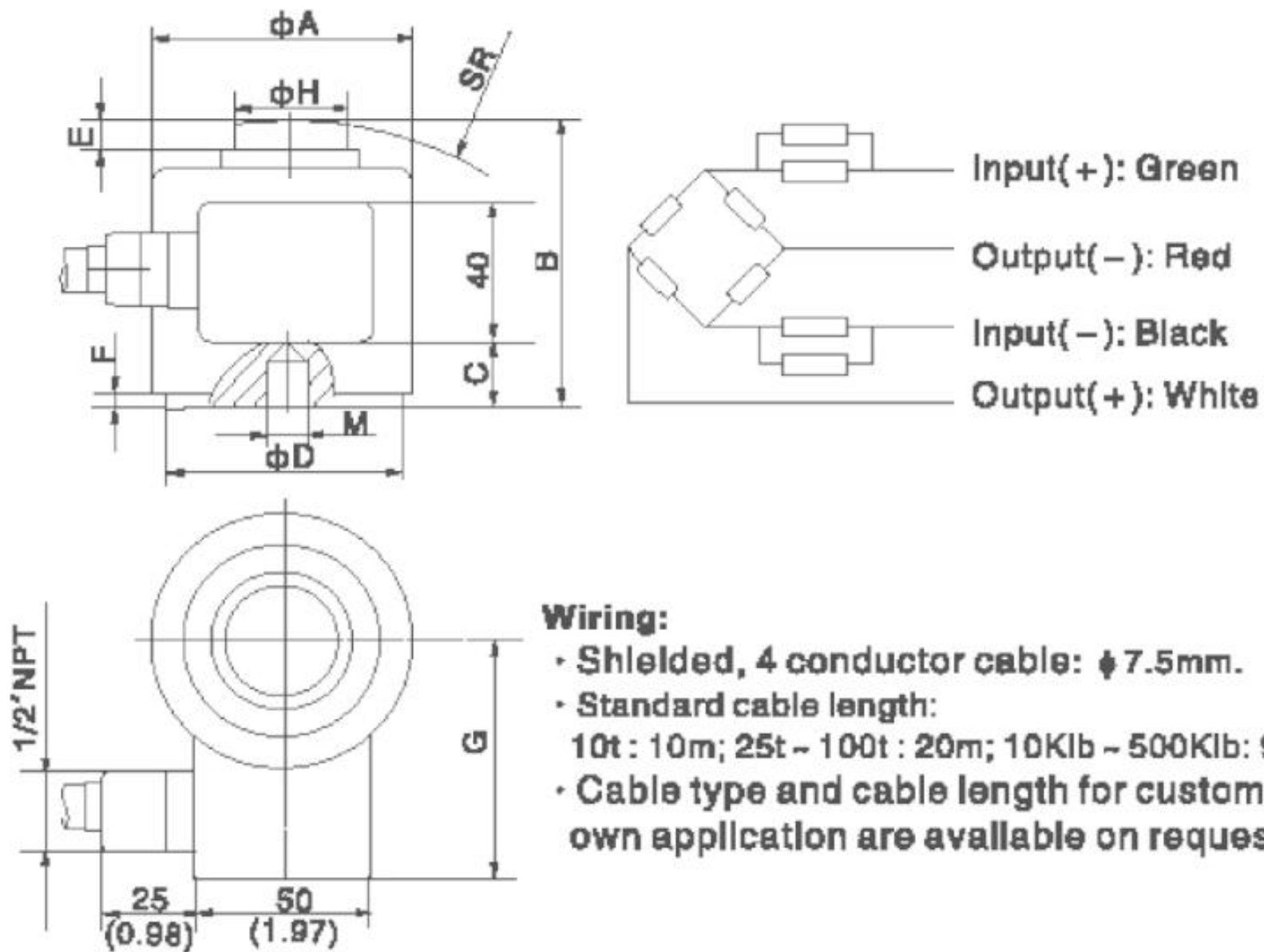
OIML: Pending

NIST traceable certification to calibration master.

One year warranty on parts and labor, calibration on sale. 10% charge on returned sets for inspection, certification, calibration checks and restocking.

Cell Specifications:

- Machined from steel to receive aircraft jack pads
- Calibrated to customer specifications
- Capacities are available in 5,000, 10,000, 15,000, 25,000, 30,000, 50,000 and 100,000lb cells
- Accuracy: 1/10th of 1% full span or better (factory calibration) 1/4 of 1% in the field or better
- One inch mounting on standard aircraft jacks
- Additional adapter mountings are available as an option (see below)



Wiring:

- Shielded, 4 conductor cable: ϕ 7.5mm.
- Standard cable length:
10t : 10m; 25t ~ 100t : 20m; 10Klb ~ 500Klb: 9m.
- Cable type and cable length for customer's own application are available on request.

Capacity	A	B	C	D	E	F	G	H	M
10,25t	73	82.5	38.23	58	7.75	2.6	64	31.8	M12X1.75
10,25,50K	(2.85)	(3.25)	(1.5)	(2.28)	(0.31)	(0.10)	(2.25)	(1.25)	1/2-20UNF

40,60t	105	127	65.07	82.5	9.4	4	87	58.7	M20X2.5 3/4-16UNF
100K	(4.13)	(5.0)	(2.56)	(3.25)	(0.37)	(0.16)	(3.43)	(2.31)	
100t	151.4	184.2	87.35	123.8	23.15	3.7	108	79.4	3/4-20UNF-2B
200K	(5.96)	(7.25)	(3.44)	(4.87)	(0.91)	(0.15)	(4.26)	(3.13)	
300K	151.4	184.2	87.35	123.8	23.15	3.7	108	79.4	3/4-20UNF-2B
500K	(5.96)	(7.25)	(3.44)	(4.87)	(0.91)	(0.15)	(4.26)	(3.13)	
	162.6	228.6	101.5	136.3	10.85	3.7	123	93.7	
	(6.40)	(9.0)	(4.0)	(5.37)	(0.43)	(0.15)	(4.84)	(3.69)	

Load cells are available in the capacities 5Klb, 10Klb, 15Klb, 25Klb, 50Klb 100Klb to 500Klb. They offer 17-4PH stainless steel construction, electronic hermetic sealing, oil-proof, waterproof and anti-corrosive gas and medium making them lightning protected in all kinds of environment. Multiform column design, for aircraft scale and other electronic testing and weighing devices.

Important Features

Capacities: 5Klb to 500Klb.

High accuracy.

Total stainless steel construction, four column construction, reliable performance.

With OIML approval:(PTB:D09-07.11)

Contact Larry Jackson for information and ordering at: larryjackson@jawsscales.com 561-281-6179