

PRODUCT DISCONTINUATION / WITHDRAWAL



Infineon Technologies Bipolar
 GmbH & Co. KG

PD_031_10 Change of housing Epoxy ceramic 42mm

PL = 57

Thyristors Ø41mm Epoxy disc → Ø 42mm Ceramic disc					
Discontinued Type			New Type		
Type	Ordering Code	Material Number	Type	Ordering Code	Material Number
T178F04TMC+V50-14.45S;	SP000090078	5454	no substitute	n.a.	n.a.
T178F04TMC;	SP000090077	5453	no substitute	n.a.	n.a.
M-12283-12;	not existent	1100837	no substitute	n.a.	n.a.
M-12283-10;	SP000102074	5400	no substitute	n.a.	n.a.
T348N02TOF;	SP000097149	5577	no substitute	n.a.	n.a.
T348N04TOF;	SP000097111	5581	no substitute	n.a.	n.a.
T348N06TOF;	SP000097150	5583	no substitute	n.a.	n.a.
T398N04TOF;(vT)	not existent	5616	no substitute	n.a.	n.a.
T398N07TOF;(vT)	SP000090104	5622	no substitute	n.a.	n.a.
T398N02TOF;(vT)	not existent	5614	no substitute	n.a.	n.a.
T398N06TOF;(vT)	SP000090103	5620	no substitute	n.a.	n.a.
T398N02TOF;	SP000097158	5615	T580N02TOF	SP000783088	1101651
T398N04TOF;	SP000097159	5619	T580N04TOF	SP000783092	1101652
T398N06TOF;	SP000097160	5621	T580N06TOF	SP000783096	1101653
T398N07TOF;	SP000090105	5623	no substitute	n.a.	n.a.
N728352;	SP000090074	5402	no substitute	n.a.	n.a.
068917;	not existent	5364	no substitute	n.a.	n.a.
34-1400-2;	not existent	5370	no substitute	n.a.	n.a.
T298N12TOF;	SP000097140	5543	T390N12TOF	n.a.	1101671
T298N14TOF;	SP000090099	5545	T390N14TOF	SP000783104	1101672
T298N16TOF;	SP000097141	5548	T390N16TOF	SP000783108	1101673
T178N12TOF;	SP000097123	5467	no substitute	n.a.	n.a.
T178N12TOF;(vT)	SP000090079	5466	no substitute	n.a.	n.a.
T178N14TOF;	SP000097124	5472	no substitute	n.a.	n.a.
T178N14TOF;(vT)	SP000090080	5469	no substitute	n.a.	n.a.
T178N14TOFMOD;(14TOFmod)	SP000090081	5471	no substitute	n.a.	n.a.
T178N16TOF;	SP000097125	5475	no substitute	n.a.	n.a.
T178N16TOFMOD;(17TOFmod)	SP000090082	5474	no substitute	n.a.	n.a.
T178N18TOF;	SP000097126	5477	no substitute	n.a.	n.a.
068798;(T218N12TOF)	not existent	5360	no substitute	n.a.	n.a.
T218N12TOF;(vT)	SP000090094	5524	no substitute	n.a.	n.a.
T218N14TOF;(vT)	SP000090095	5526	no substitute	n.a.	n.a.
T218N16TOF;(vT)	SP000090097	5530	no substitute	n.a.	n.a.
410403-24AC;	not existent	5372	no substitute	n.a.	n.a.
410403-24AWL;	SP000540884	5367	410403-24AWL	SP000783112	1101674
410403-74AW;	SP000540786	5378	410403-74AW	SP000783116	1101675
410403-77AW;	SP000553580	5379	no substitute	n.a.	n.a.
T218N10TOF;	SP000090093	5523	T300N10TOF	SP000783120	1101677
Date	31.03.2010				
Page	1 of 11				

PRODUCT DISCONTINUATION / WITHDRAWAL



Infineon Technologies Bipolar GmbH & Co. KG

PD_031_10 Change of housing Epoxy ceramic 42mm

PL = 57

Thyristors Ø41mm Epoxy disc → Ø 42mm Ceramic disc					
Discontinued Type			New Type		
Type	Ordering Code	Material Number	Type	Ordering Code	Material Number
T218N12TOF;	SP000097135	5525	T300N12TOF	SP000783124	1101679
T218N14TOF;	SP000097136	5529	T300N14TOF	SP000783128	1101680
T218N16TOF;	SP000097137	5533	T300N16TOF	SP000783132	1101681
T218N18TOF;	SP000097138	5535	T300N18TOF	SP000783136	1101682
T568N02TOF;	SP000090437	14914	T690N02TOF	SP000783140	1101683
T568N04TOF;	SP000090457	15675	T690N04TOF	SP000783144	1101684
T568N04TOFS1;	SP000090106	5624	no substitute	n.a.	n.a.
T568N06TOF;	SP000097422	17691	T690N06TOF	SP000783148	1101685
59330084;	not existent	5381	no substitute		
T358N12TOF;	SP000097151	5591	T430N12TOF	SP000783152	1101662
T358N14TOCmod;(14TOFmod)	SP000540792	5593	no substitute	n.a.	n.a.
T358N14TOF;	SP000097152	5595	T430N14TOF	SP000783156	1101663
T358N16TOCmod;(17TOFmod)	SP000544508	5596	no substitute	n.a.	n.a.
T358N16TOF;	SP000097153	5598	T430N16TOF	SP000783160	1101664
T358N18TOF;	SP000097154	5601	T430N18TOF	SP000783164	1101665
T378N08TOF;	SP0000	5603	no substitute	n.a.	n.a.
031-01081-001;	not existent	27444	no substitute	n.a.	n.a.
T378N12TOF;	SP000097155	5607	T470N12TOF	SP000783168	1101666
T378N14TOF;	SP000097156	5609	T470N14TOF	SP000783174	1101667
T378N16TOF;	SP000097157	5611	T470N16TOF	SP000783178	1101668
A158S12TBF;	SP000097109	5389	no substitute	n.a.	n.a.
T308F03TDC+V50-14.45S;	not existent	5551	no substitute	n.a.	n.a.

Date	31.03.2010
Page	2 of 11

PRODUCT DISCONTINUATION / WITHDRAWAL



Infineon Technologies Bipolar GmbH & Co. KG

PD_031_10 Change of housing Epoxy ceramic 42mm

PL = 57

Diodes Ø 41mm Epoxy disc → Ø 42mm Ceramic disc					
Discontinued Type			New Type		
Type	Ordering Code	Material Number	Type	Ordering Code	Material Number
D188S10T;	SP000096982	5059	no substitute	n.a.	n.a.
D238S12T;	SP000096987	5071	no substitute	n.a.	n.a.
D368S12T;	SP000097005	5093	no substitute	n.a.	n.a.
D368S14T;	SP000097006	5095	no substitute	n.a.	n.a.
D348S16T;	SP000096999	5080	no substitute	n.a.	n.a.
D348S20T;	SP000097001	5083	no substitute	n.a.	n.a.
D228S25T;	SP000096986	5065	no substitute	n.a.	n.a.
D438S16T;	SP000097029	5168	D450S16T	SP000785134	1101781
D438S20T;	SP000097030	5169	D450S20T	SP000785138	1101782
D448N02T;	SP000097013	5115	D650N02T	SP000782532	1101669
D448N04T;	SP000097014	5117	D650N04T	SP000782552	1101670
D448N06T;	SP000097015	5119	D650N06T	SP000782556	1101692
D448N07T;	SP000090025	5121	no substitute	n.a.	n.a.
D448N08T;	SP000097016	5123	D650N08T	SP000782560	1101693
D758N02T;	not existent	5125	D970N02T	SP000782564	1101694
D758N04T;	SP000097017	5127	D970N04T	SP000782568	1101695
D758N06T;	SP000097018	5129	D970N06T	SP000782572	1101696
D758N08T;	SP000097019	5131	D970N08T	SP000782576	1101697
D428N06T;	not existent	5098	no substitute	n.a.	n.a.
D428N10T;	not existent	5102	no substitute	n.a.	n.a.
D428N12T;	SP000097008	5104	D770N12T	SP000785142	1101711
D428N14T;	SP000097009	5106	D770N14T	SP000785146	1101712
D428N16T;	SP000097010	5108	D770N16T	SP000785152	1101713
D428N18T;	SP000097011	5110	D770N18T	SP000785168	1101714
D428N20T;	SP000097012	5113	D770N20T	SP000785174	1101715
D368S14T;	SP000097006	5095	no substitute	n.a.	n.a.
D368S12T;	SP000097005	5093	no substitute	n.a.	n.a.
D660N14T;	not existent	6216	no substitute	n.a.	n.a.
D660N18T;	SP000097289	6218	D950N18T	SP000782494	1101792
D660N22T;(PR)	SP000090596	26737	no substitute	n.a.	n.a.
D660N22T;	SP000097290	6219	D950N22T	SP000782498	1101793

Last order:	30.09.2010
Last delivery:	31.03.2011

Date	31.03.2010
Page	3 of 11

PRODUCT DISCONTINUATION / WITHDRAWAL



Infineon Technologies Bipolar
GmbH & Co. KG

PD_031_10 Change of housing Epoxy ceramic 42mm

PL = 57

REASONS FOR DISCONTINUATION:

Due to this change of housing the type name and material No must be changed for traceability. No change of silicon. Therefore the electrical and thermal data remain unchanged.

GRÜNDE DER ABKÜNDIGUNG:

Wegen dieser Gehäuseänderung müssen die Typennamen und Materialnummern geändert werden, um die Rückverfolgbarkeit zu gewährleisten. Keine Änderung des Siliziums. Dadurch bleiben die elektrischen und thermischen Daten unverändert.

Important:

Please note that for the new ceramic housings there will be differences in the gate- and auxiliary cathode connectors and pole piece diameter compared to Epoxy housings.

Based on the new connector design of gate and auxiliary cathode, we recommend using a flat connector 2.8mmx0.5mm for fixing the gate lead to the device. In case of using a round connector, we recommend soldering the gate lead to the gate connector.

In case of spare parts we recommend using new connectors for fixing existing gate leads to the new device.

Wichtig:

Bitte zu beachten, dass es bei den neuen Keramikgehäusen Unterschiede bei den Gate- und Hilfskathodeanschlüssen und dem Kontaktdurchmesser gegenüber den Epoxi-Gehäusen gibt.

Aufgrund des neuen Steckerdesigns für Gate und Hilfskathode empfehlen wir zum Anschluss der Gate Leitung einen Flachstecker 2.8mmx0.5mm. Bei Benutzung eines Rundsteckers empfehlen wir, die Gate Leitung anzulöten.

Bei Ersatzteilen empfehlen wir den Austausch der Stecker zum Anschluss der Gate Leitungen an das neue Gehäuse.

Date	31.03.2010
Page	4 of 11

PRODUCT DISCONTINUATION / WITHDRAWAL



Infineon Technologies Bipolar GmbH & Co. KG

PD_031_10 Change of housing Epoxy ceramic 42mm

PL = 57

DESCRIPTION OF HOUSINGS:

Basic types: A) Diodes with housing Ø42mm: D950N, D970N, D770N, D650N, D450S
 B) Thyristors with housing Ø42mm: T690N, T470N, T430N, T580N, T390N, T300N

OLD

A) B) diameter of housing 41mm, diameter of pole piece 23mm

auxiliary cathode connector: **4,8x0,8mm**
 gate connector: **2,8x0,8mm**

NEW

A) B) diameter of housing 42mm, diameter of pole piece 23mm

auxiliary cathode connector: **4,8x0,5mm**
 gate connector: **2,8x0,5mm**
additional gate connector:
Ø1,5 mm round, based on AMP-C60598-2

Date	31.03.2010
Page	5 of 11

PRODUCT DISCONTINUATION / WITHDRAWAL

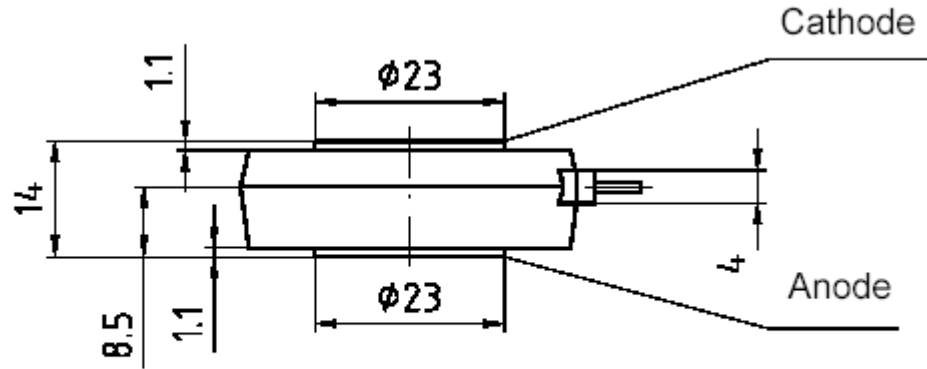


Infineon Technologies Bipolar GmbH & Co. KG

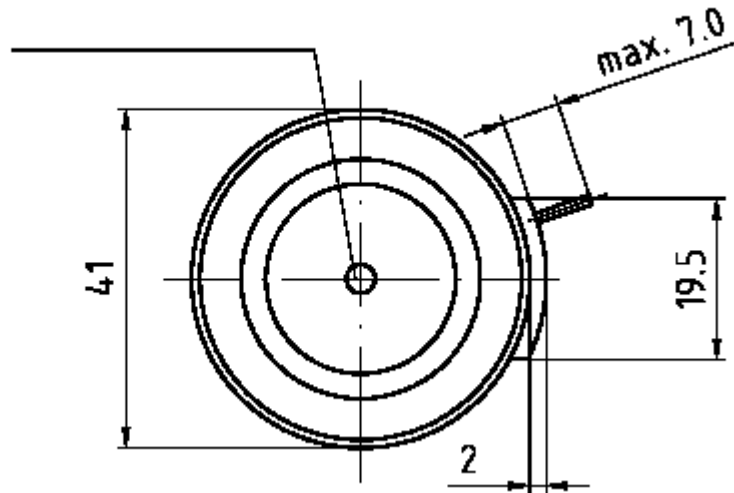
PD_031_10 Change of housing Epoxy ceramic 42mm

PL = 57

A) outline Epoxy diode housing Ø41mm



Ø3.5^{+0.1} x 2
both sides



Date	31.03.2010
Page	6 of 11

PRODUCT DISCONTINUATION / WITHDRAWAL

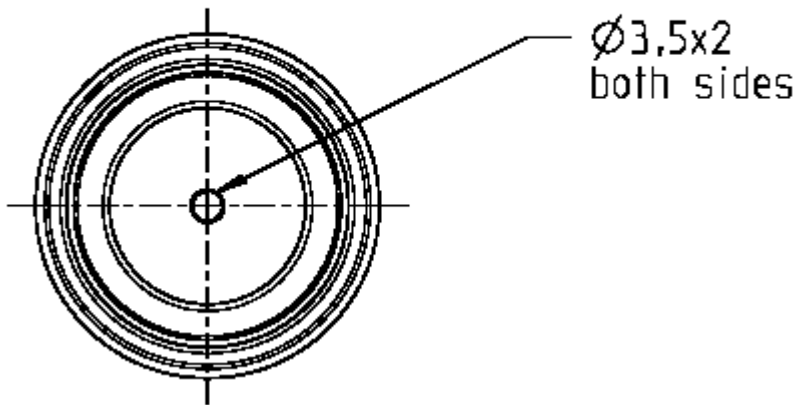
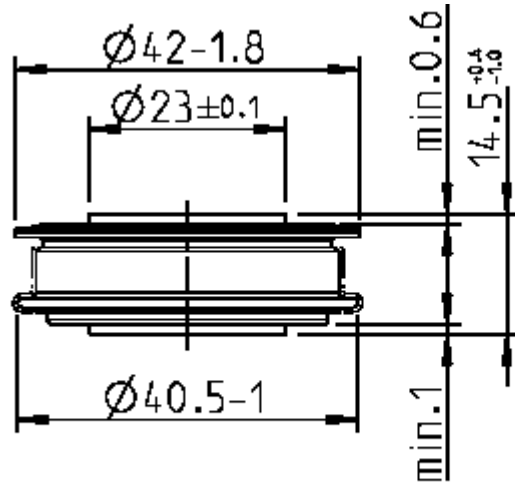


Infineon Technologies Bipolar GmbH & Co. KG

PD_031_10 Change of housing Epoxy ceramic 42mm

PL = 57

outline new ceramic diode housing Ø42mm



Date	31.03.2010
Page	7 of 11

PRODUCT DISCONTINUATION / WITHDRAWAL



Infineon Technologies Bipolar GmbH & Co. KG

PD_031_10 Change of housing Epoxy ceramic 42mm

PL = 57

Epoxy diode housing Ø41mm



Ceramic diode housing Ø42mm



Date	31.03.2010
Page	8 of 11

PRODUCT DISCONTINUATION / WITHDRAWAL

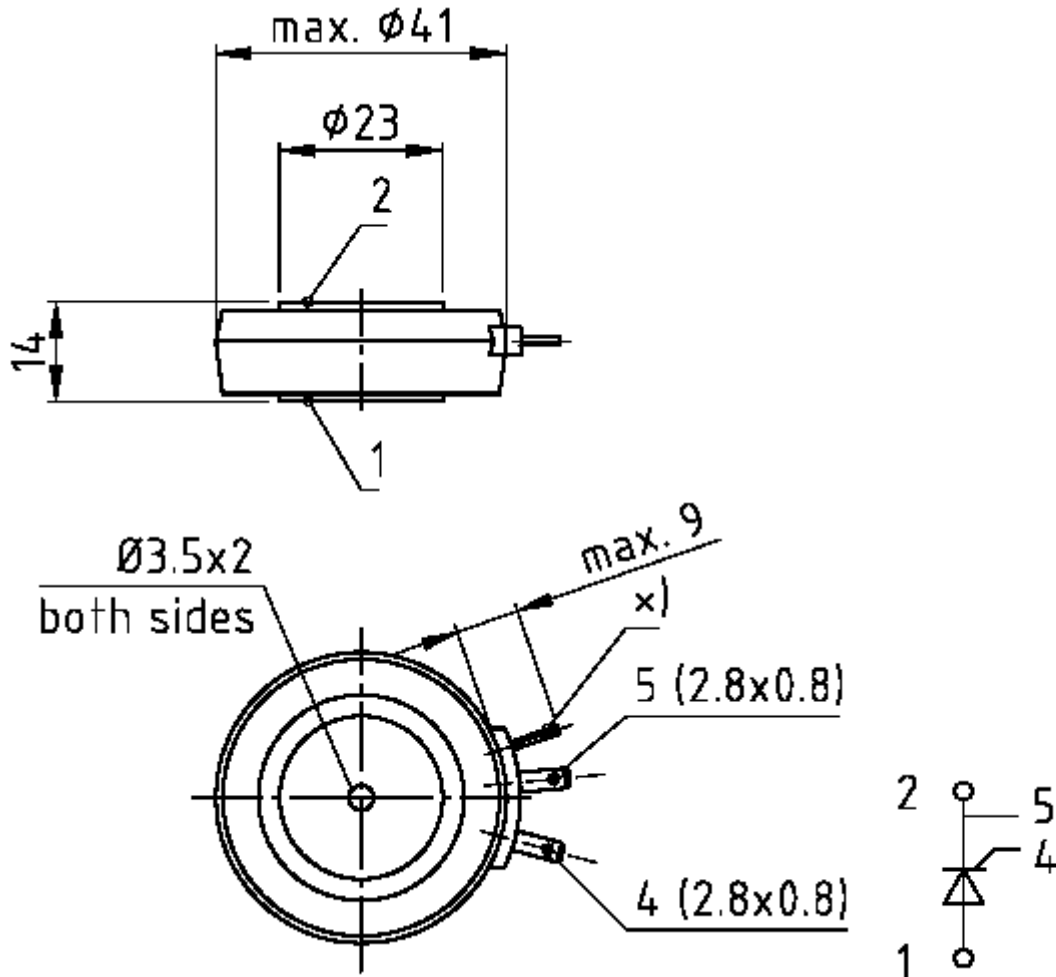


Infineon Technologies Bipolar GmbH & Co. KG

PD_031_10 Change of housing Epoxy ceramic 42mm

PL = 57

B) outline Epoxy thyristor housing Ø41mm



Date	31.03.2010
Page	9 of 11

PRODUCT DISCONTINUATION / WITHDRAWAL

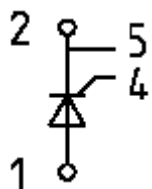
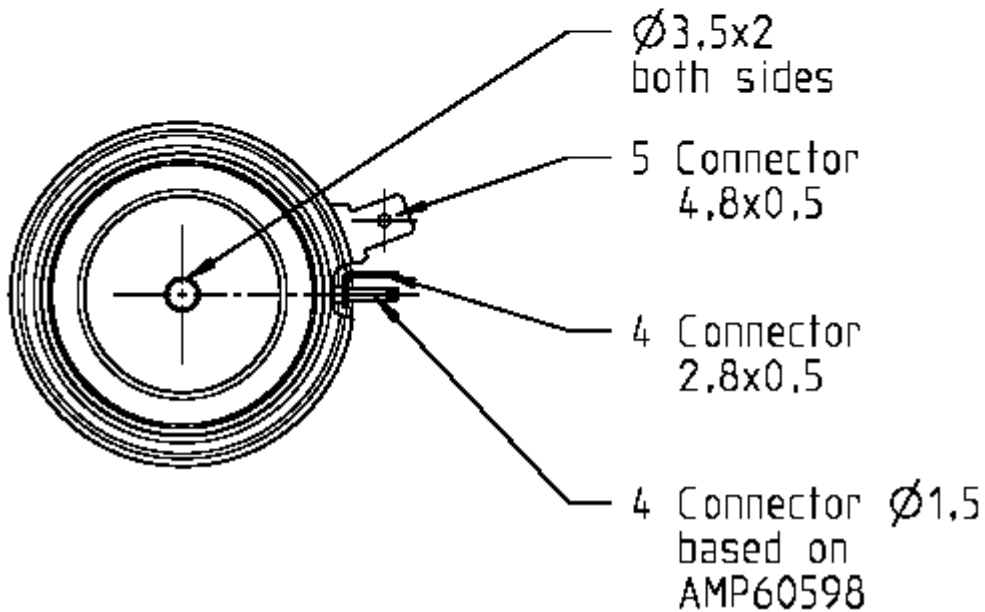
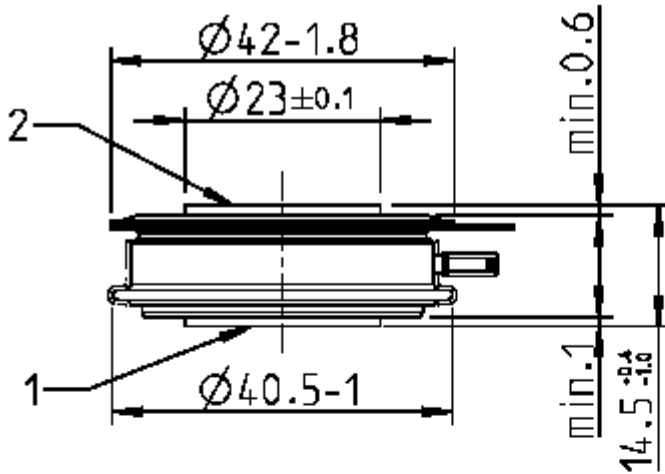


Infineon Technologies Bipolar GmbH & Co. KG

PD_031_10 Change of housing Epoxy ceramic 42mm

PL = 57

outline new ceramic thyristor housing Ø42mm



Date	31.03.2010
Page	10 of 11

PRODUCT DISCONTINUATION / WITHDRAWAL



Infineon Technologies Bipolar GmbH & Co. KG

PD_031_10 Change of housing Epoxy ceramic 42mm

PL = 57

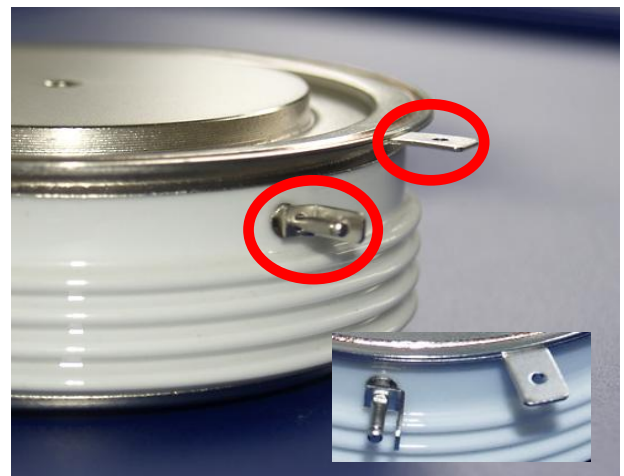
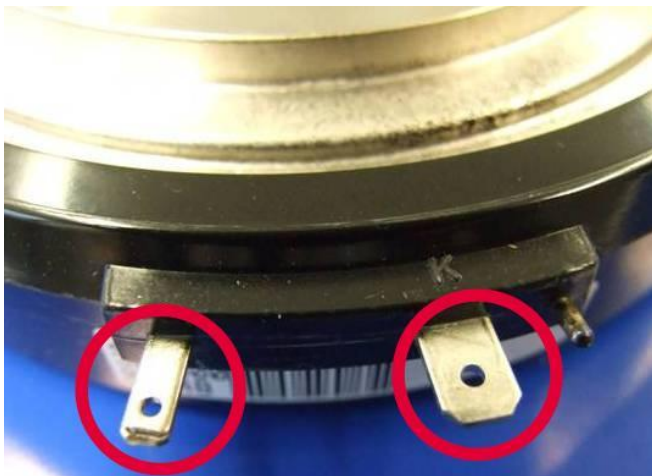
Epoxy thyristor housing Ø41mm Ceramic thyristor housing Ø42mm



Gate Connector

Epoxy housing

Ceramic housing



Date	31.03.2010
Page	11 of 11