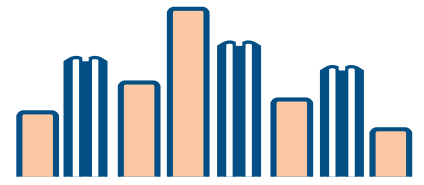
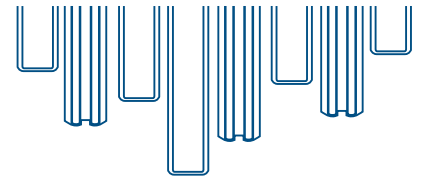


C  
2

# Light Crane Systems



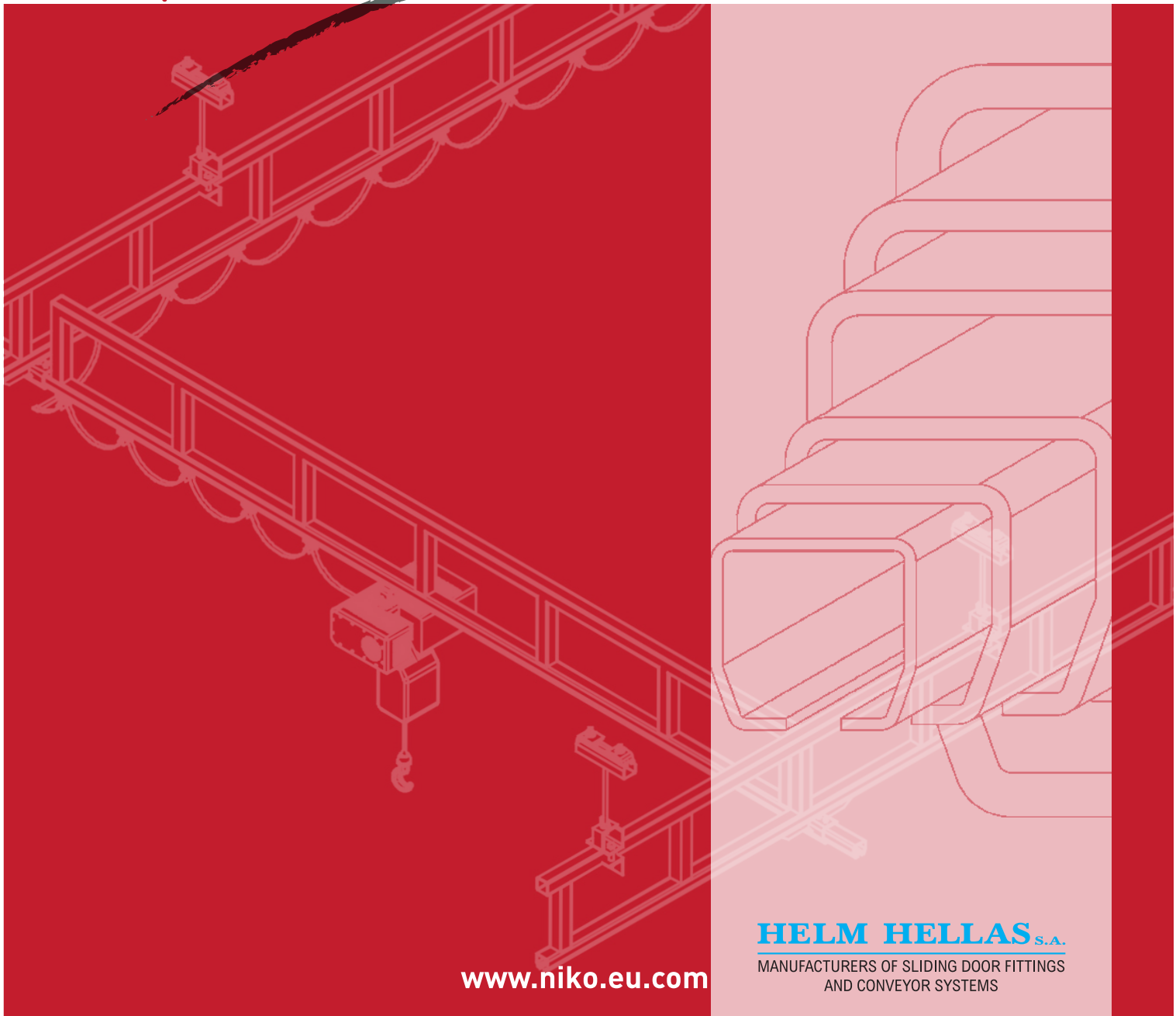
**NIKO**®



## Product Catalogue

Technical Information  
Component Specification

*NIKO ... Quality in Motion*



[www.niko.eu.com](http://www.niko.eu.com)

**HELM HELLAS** S.A.

MANUFACTURERS OF SLIDING DOOR FITTINGS  
AND CONVEYOR SYSTEMS



## Company Profile

Established in 1972, Helm Hellas S.A. is focused on designing developing, producing and marketing high quality sliding door fittings and overhead conveyor systems at the right price. Over 90 % of our products are exported to more than 60 countries worldwide with offices and warehouses in 7 countries worldwide.

Our program range includes more than 2.000 different assemblies & components. Our team of highly qualified engineers are continually working to improve our current product portofolio & extend it according to market requirements.

Helm Hellas S.A. enforces a continuous quality control program and is certified according to ISO:9001 and ISO:14000.

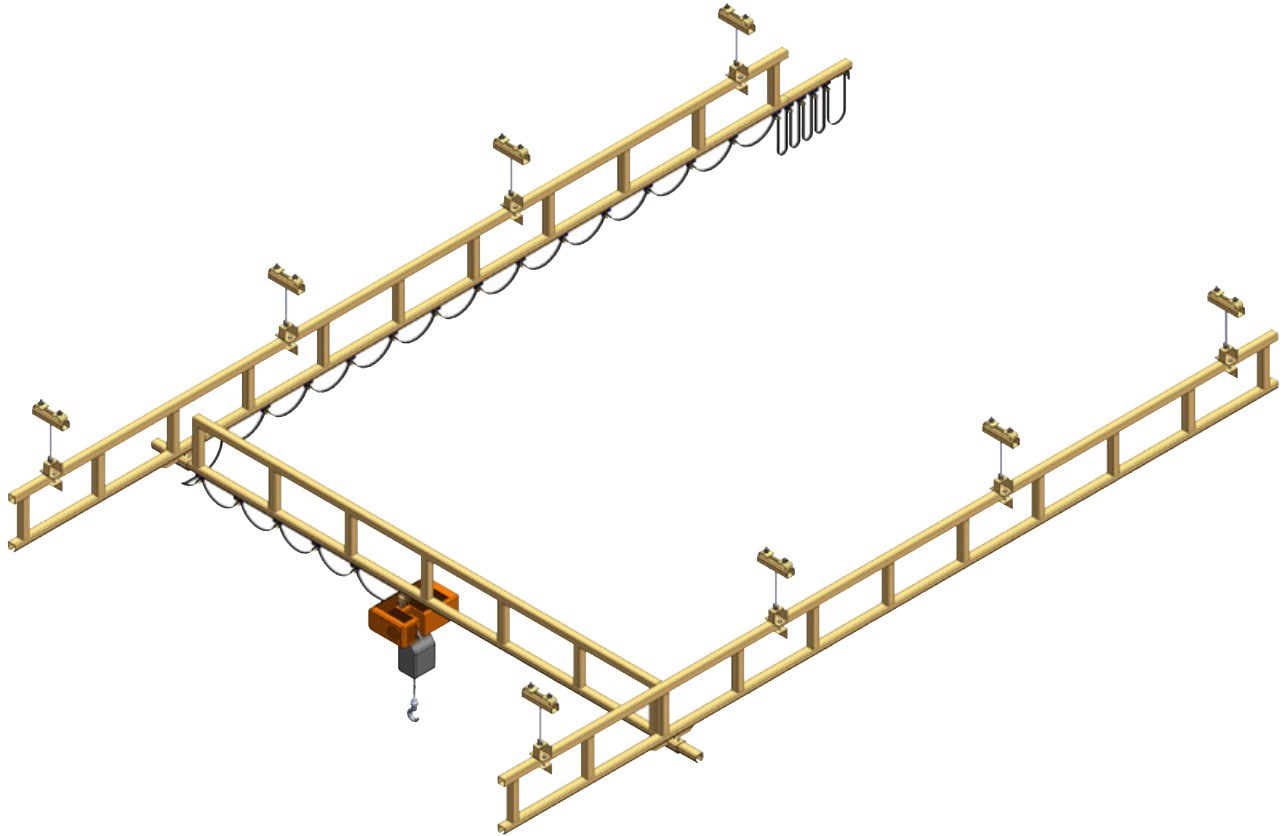


# Index

Introduction	Page	4
Light crane specifications	Page	5
Floor mounted crane with plain long travel tracks	Page	6
Floor mounted crane with reinforced long travel tracks	Page	7
Ceiling mounted crane with plain long travel tracks	Page	8
Ceiling mounted crane with reinforced long travel tracks	Page	9
Light crane main components	Page	10
Multiple bridge cranes	Page	11
Festoon & conductor options	Page	12
Power driven trolleys	Page	13
Telescopic monorail and cranes	Page	14
Interlocks	Page	15
Manipulator	Page	15
Conveyors systems	Page	16
Jib cranes	Page	17
Application photos	Page	18-21
Components specifications	Page	22-47
Track profiles	Page	22-23
Brackets & support joints	Page	24-34
Trolleys	Page	34-38
Load carriers	Page	38-40
End carriages	Page	40-42
Bridge interlocks	Page	43
Track transfer assembly	Page	44
Track end stops	Page	45
Cable trolleys	Page	46
Index	Page	47-48
Notes	Page	49-50

# NIKO Light Cranes – a versatile and economic solution for loads up to 2.000 kg and 10 meter span

NIKO Light Crane System provides an ergonomic and cost effective solution to conventional overhead crane systems particularly when there is a height and space restriction. Versatile and reliable overhead handling can be achieved for a variety of applications using the NIKO modular design. The robust design of our components and the high standard of manufacturing guarantees long life with the minimum of maintenance. Our program range consists of sliding door fittings, overhead conveyor systems, festoon systems, fall arrest systems and light cranes.

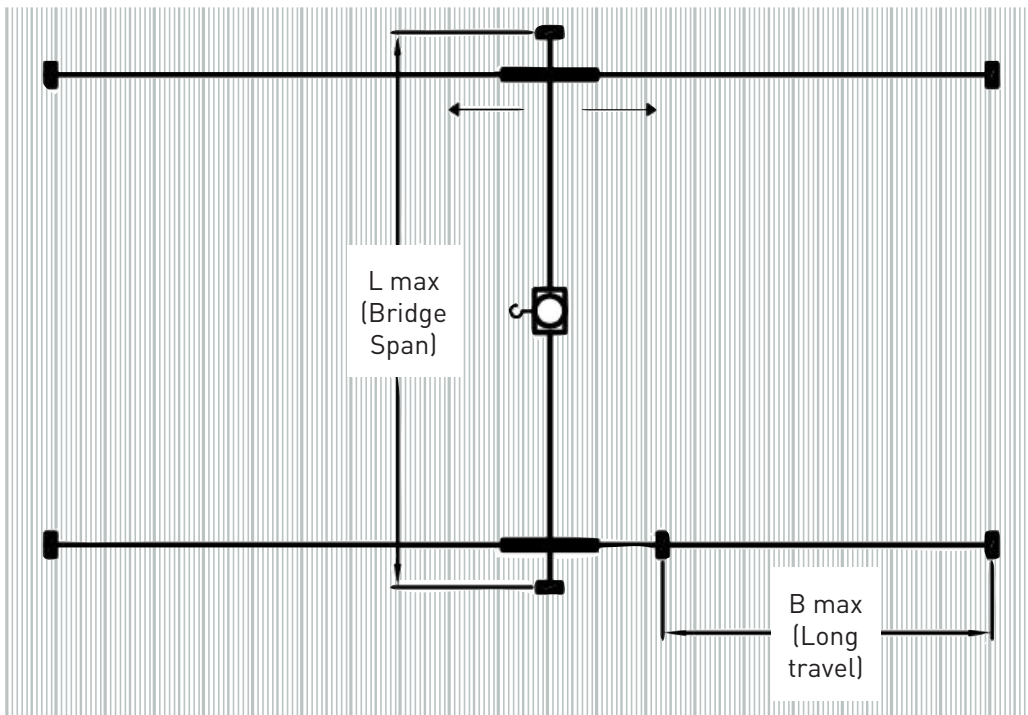


LIGHT CRANE SYSTEMS

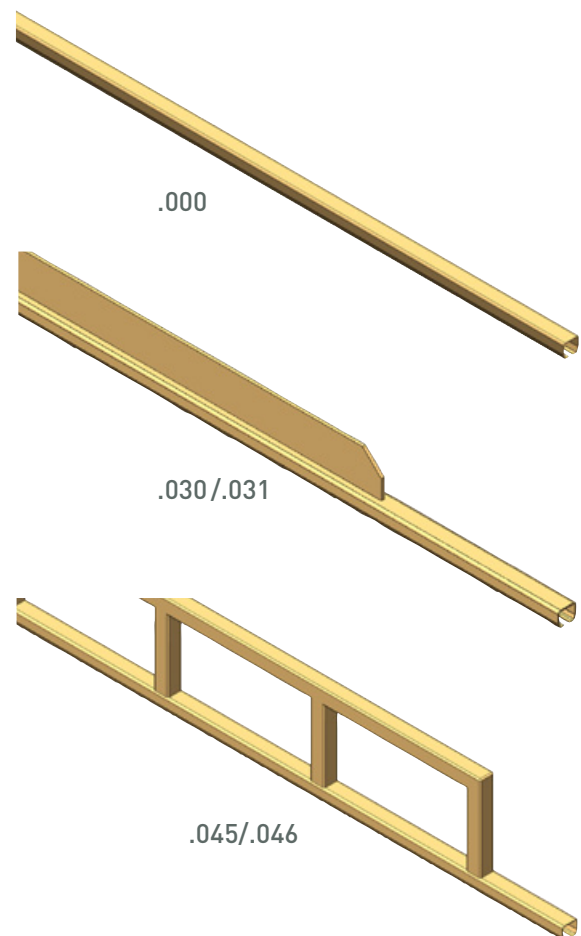
## Main Characteristics

- ✓ Loads up to 2.000 kg
- ✓ Bridge spans up to 10 meters
- ✓ Modular design allows extendibility and relocatability
- ✓ Cost effective
- ✓ Easy to install using a variety of supporting brackets.
- ✓ Large range of mounting options
- ✓ Connectivity with future or existing overhead conveyor system
- ✓ Telescopic cranes
- ✓ Manual or electric Travel
- ✓ Floor or ceiling mounted cranes.
- ✓ Components available in gold or silver finish.
- ✓ Stainless steel cranes.

# Light Crane Specifications



Capacity (Kg)	NIKO Profile No.	Bridge Span L max (m)	Long travel supporting distance B max (m)
80	23.000	1.50	1,00
	23.030	4.00	3,50
125	24.000	1.80	1,40
	24.030	5.00	4,40
250	24.045	9.00	8,00
	25.000	2.50	1,90
	25.030	6.00	5,20
500	25.045	8,50	7,00
	25.046	10,00	9,00
	26.000	2,50	1,80
750	26.030	6,00	5,20
	26.045	10,00	9,00
	26.031	1,80	1,80
1000	26.045	8,00	7,00
	26.046	10,00	9,00
	27.000	3,00	2,00
1600	27.030	6,00	6,00
	27.045	10,00	9,00
	27.000	1,50	1,00
	27.030	3,50	2,70
2000	27.045	8,50	7,00
	27.046	10,00	9,00
2000	27.045	7,00	6,00
	27.046	9,00	8,00

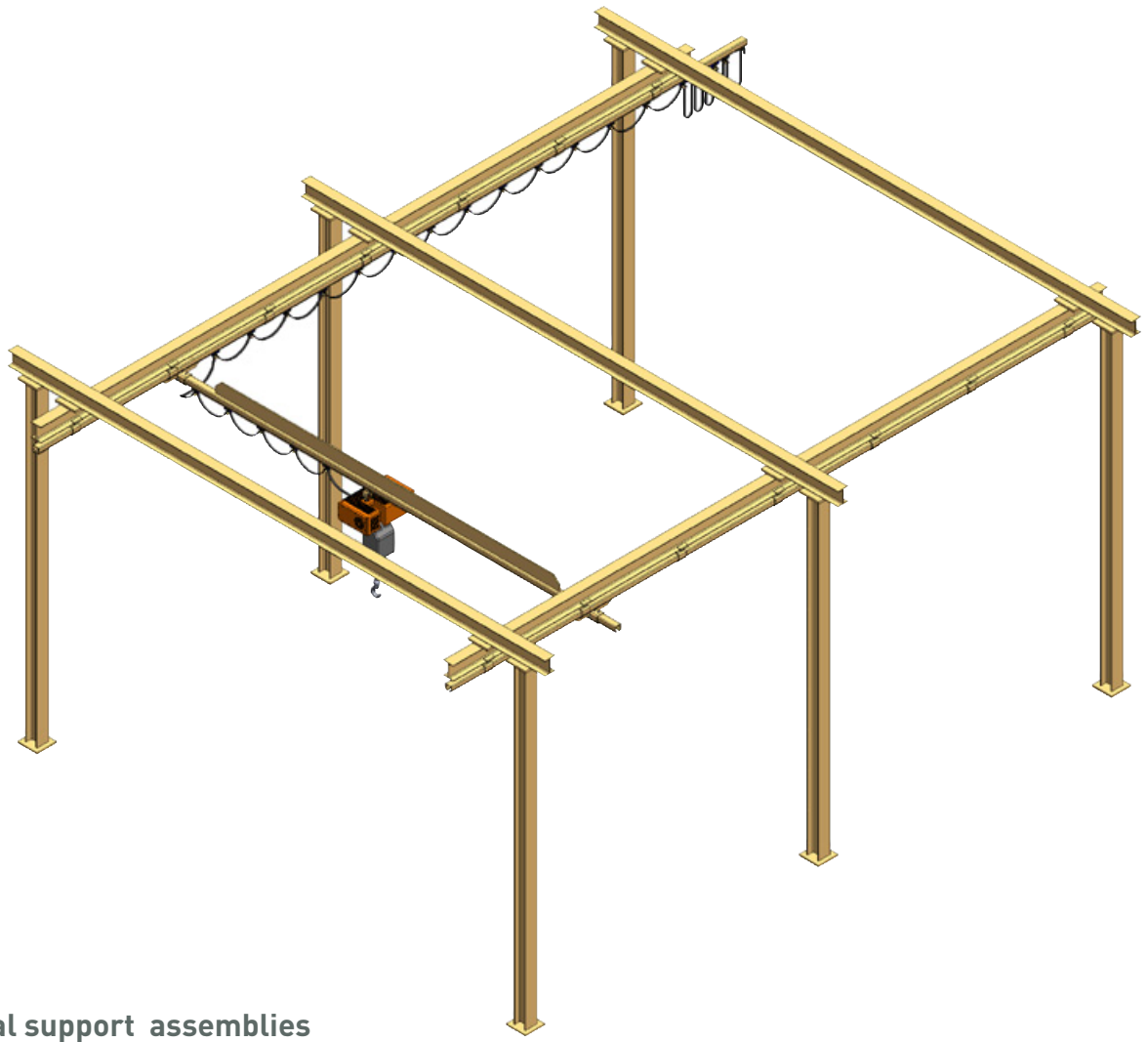


LIGHT CRANE SYSTEMS

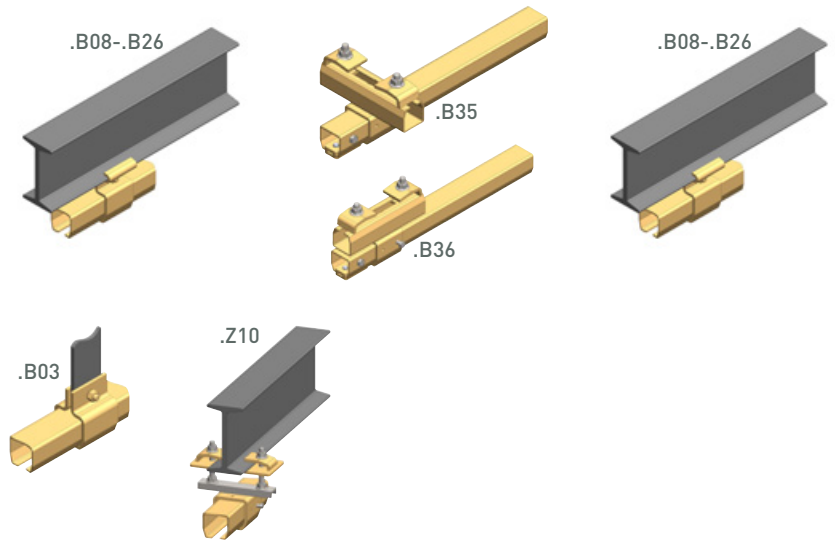
# Floor Mounted Crane with Standard Long Travel Tracks

Floor mounted cranes are particularly useful when the roof cannot support an overhead Crane. The bridge profile is usually reinforced to achieve longer spans and plain long travel track profiles can be used by supporting them directly to an I beam that runs parallel above.

LIGHT CRANE SYSTEMS

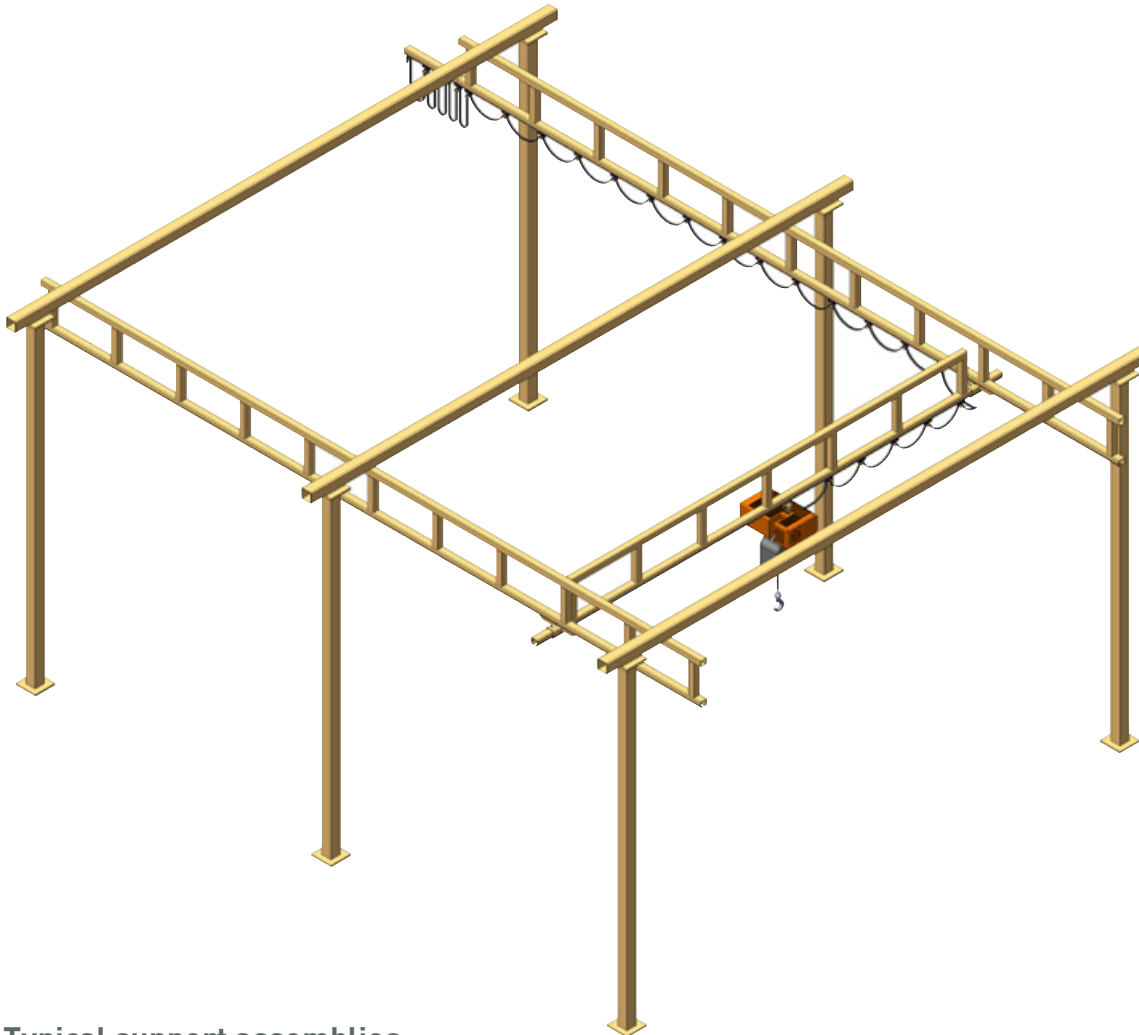


Typical support assemblies



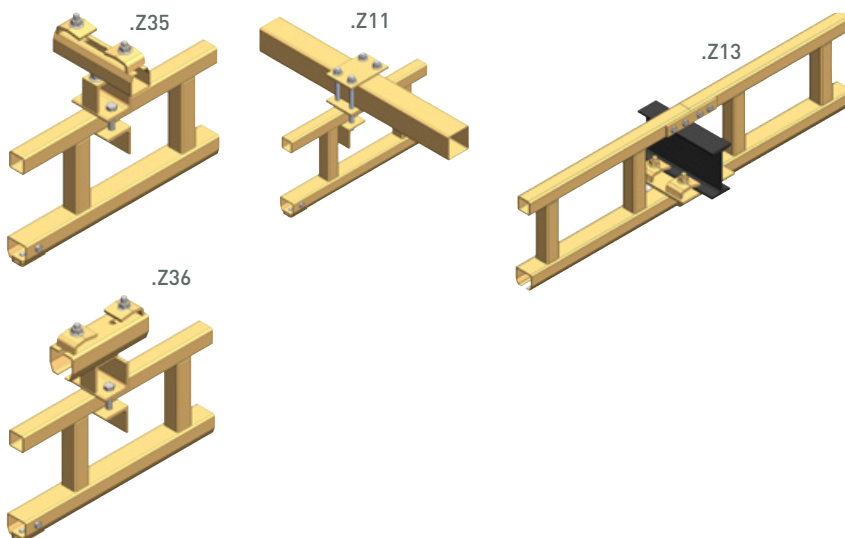
# Floor Mounted Crane with Reinforced Long Travel Tracks

By using reinforced track profiles in the long travel the support distance can be increased rendering the I beams along the track profiles unnecessary. This way installation time is also minimised.



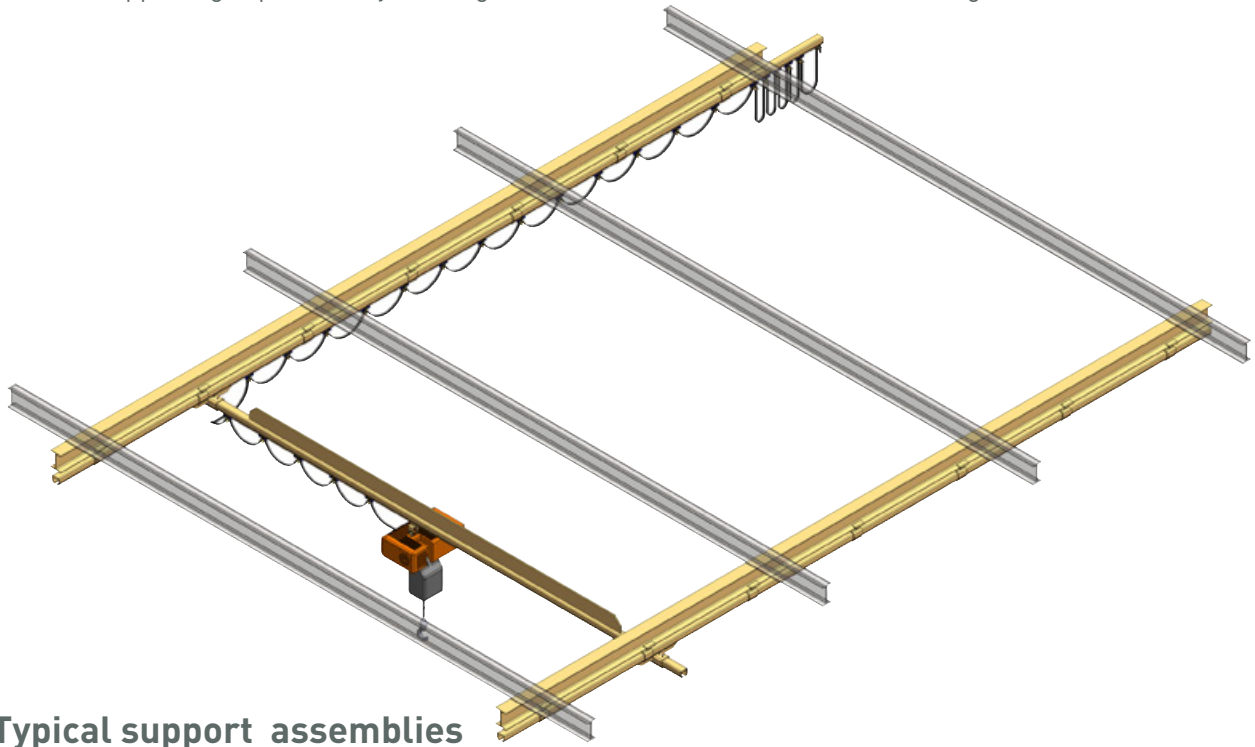
LIGHT CRANE SYSTEMS

## Typical support assemblies



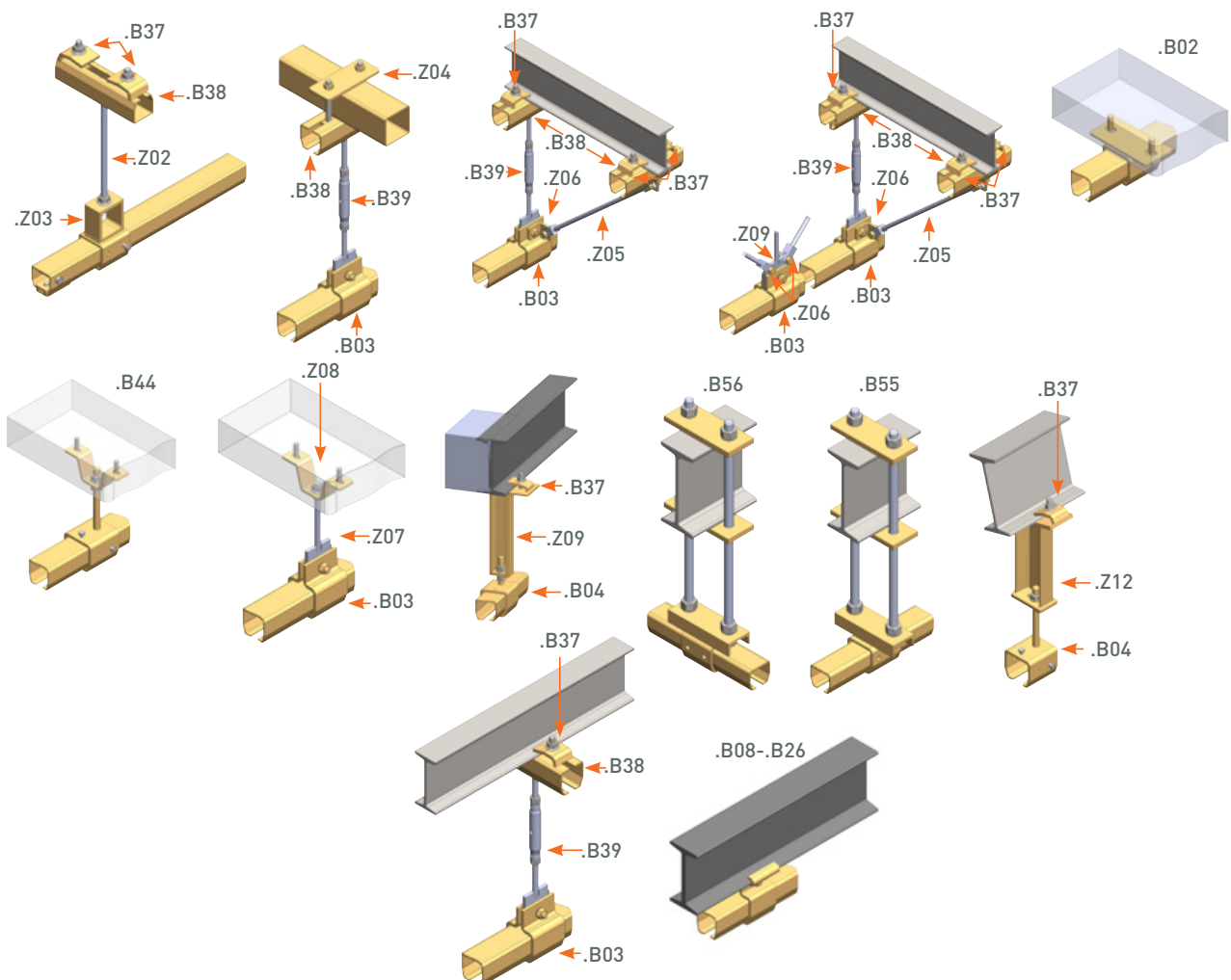
# Ceiling Mounted Crane with Plain Long Travel Tracks

Ceiling mounted cranes are useful where the floor space is limited. Since the cranes are directly mounted on the ceiling and no supporting columns are necessary the working floors are kept clear for other operations. However it requires an adequate ceiling structure. Standard long travel can be used when short distance supporting is possible by utilizing I beams or other structures at the ceiling.



LIGHT CRANE SYSTEMS

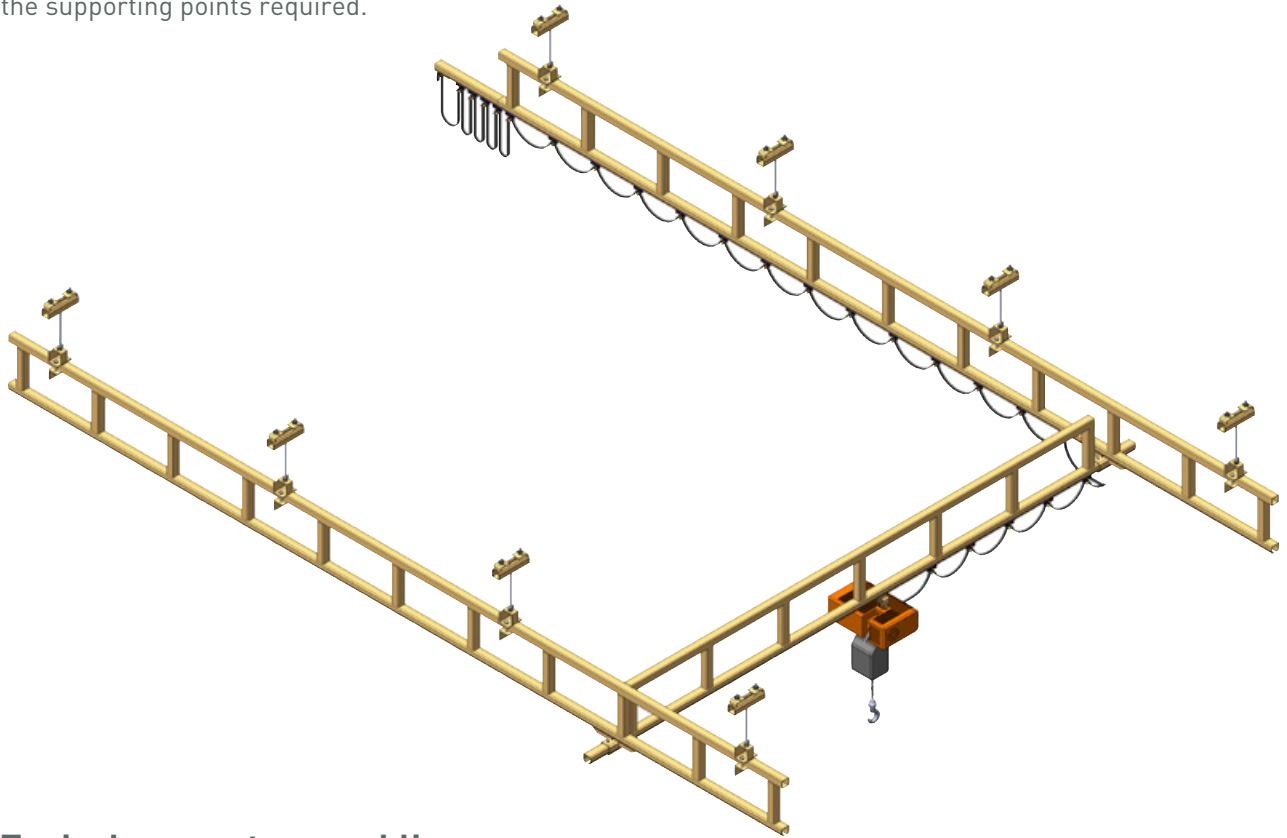
## Typical support assemblies



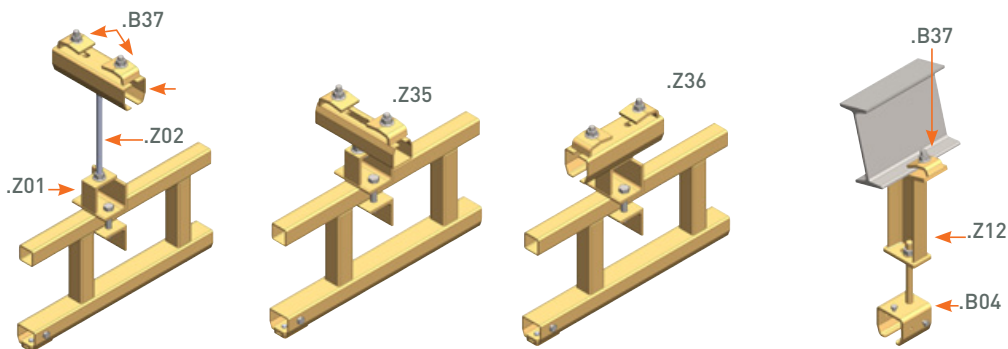


# Ceiling Mounted Crane with Reinforced Long Travel Track

In the case where the overhead steel structure is limited, reinforced track profiles can be used to minimise the supporting points required.

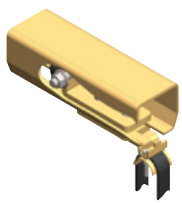
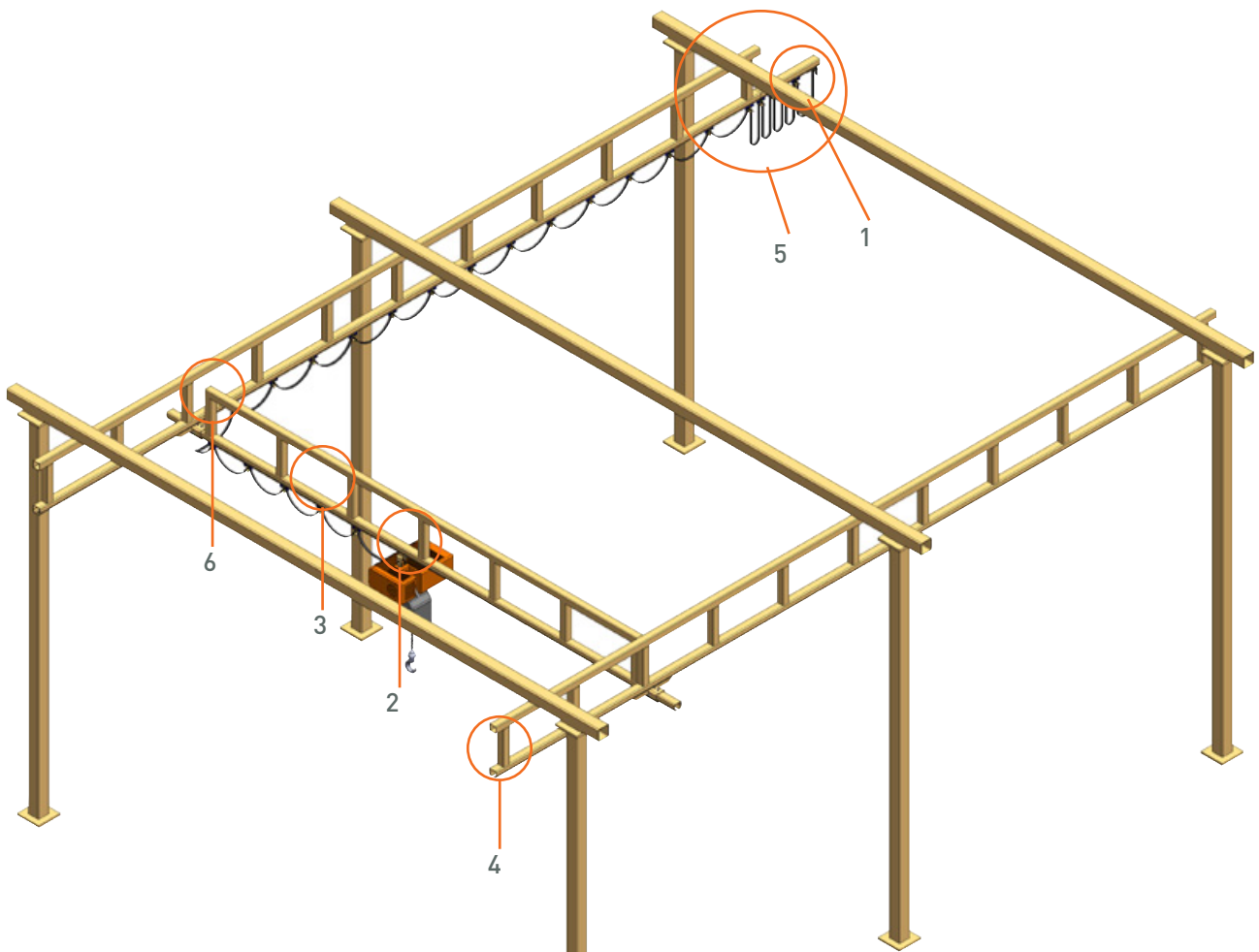


## Typical support assemblies

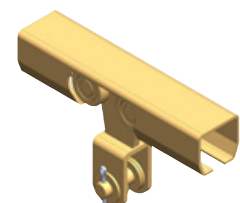


# NIKO Light Crane - main components

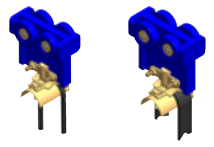
LIGHT CRANE SYSTEMS



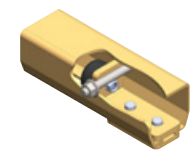
1. End stop with cable end clamp (.K02)



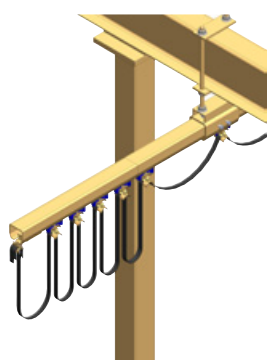
2. Trolley with pin (T46)



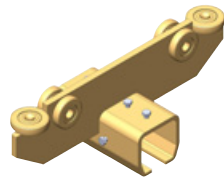
3. Cable trolley (.L00)



4. Track end stop (.X01 P)



5. Festoon Storage  
It is possible to extend one of the long travel profile for festoon storage purposes. This way no crane travel space is lost.

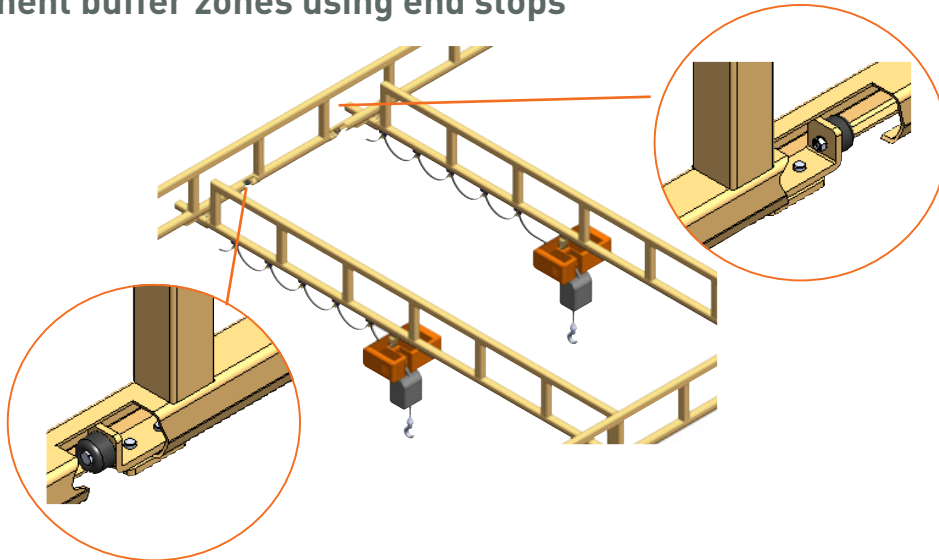


6. End carriage with track joint (.T54)

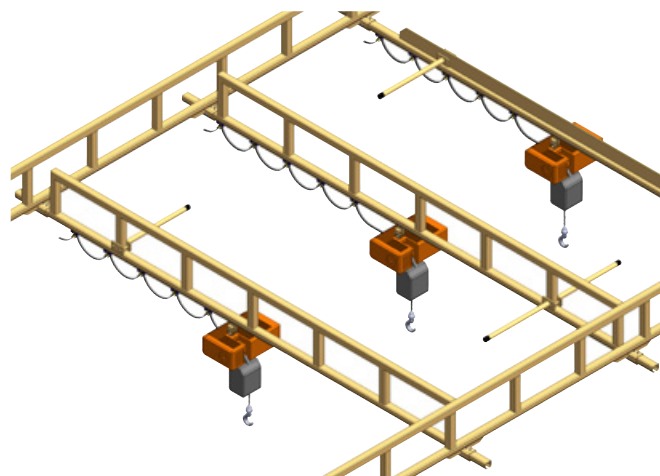
# Multiple Bridge Cranes

Multiple bridges can be used in the same long travel tracks in order to accommodate multiple operators working at the same time. To prevent one crane crashing into the other buffer zones can be created using different methods. This way it is also possible to use lower capacity long travel tracks with more than one bridge crane. For example a 500 kg runway can be used with 2 bridge cranes of 500 Kg each. In order to keep the distance between them and to avoid overloading the runways, buffer zones can be created.

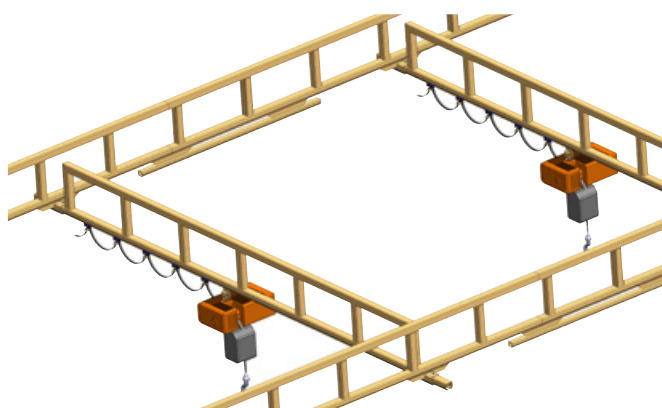
## Permanent buffer zones using end stops



## Buffer zones using distancers



## Mobile buffer zones

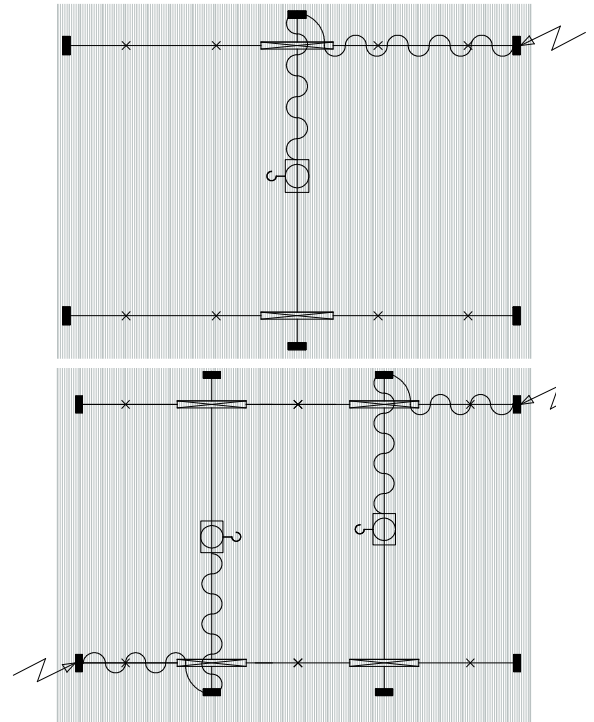
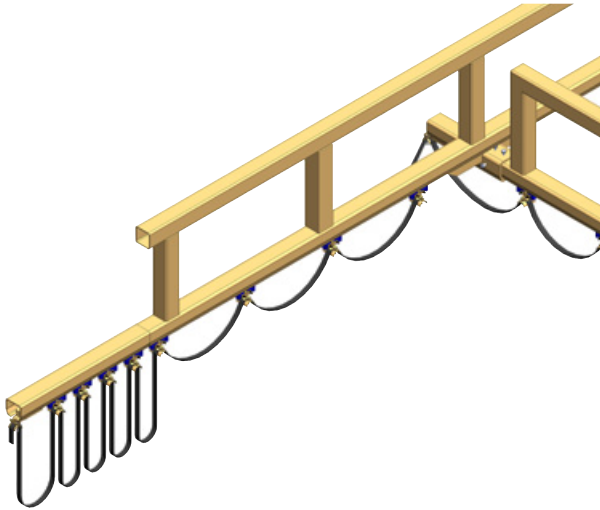


# Festoon & Conductor Options

Power can be brought to the hoist or any other lifting device using festoons or conductor bars. Festoon is almost always used in the bridge profile and conductor or as an option for the long travel profile.

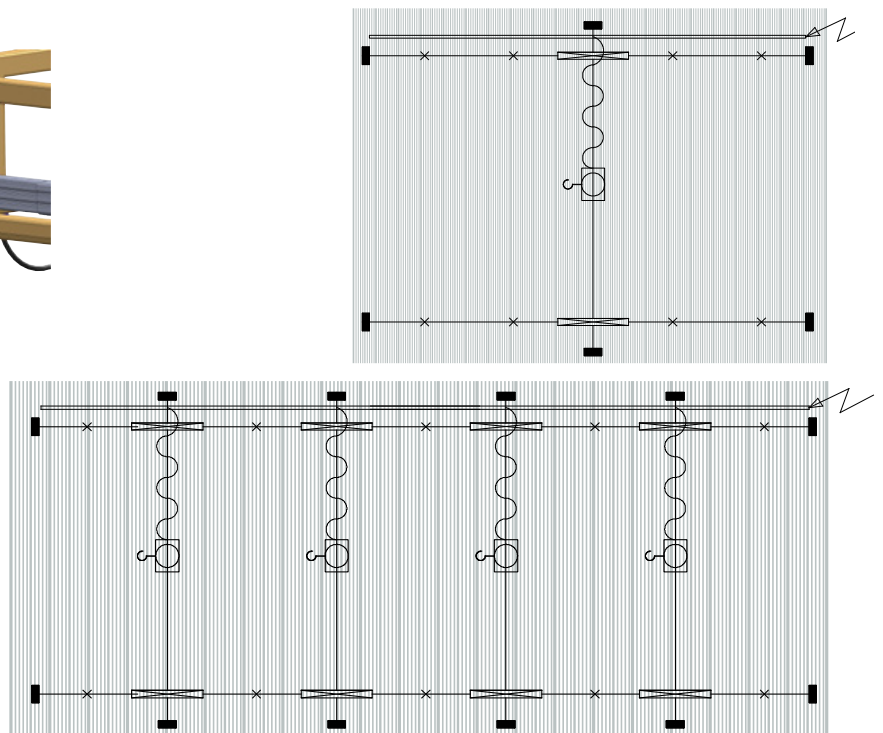
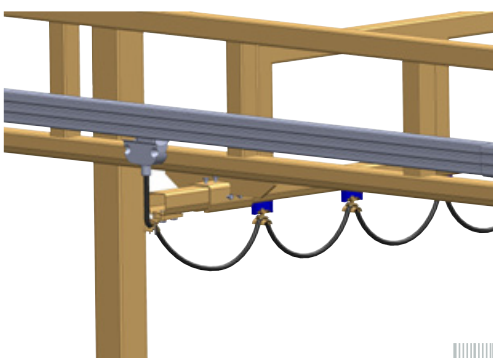
## Typical Festoon arrangements

When the distance that the festoon cable has to travel is relatively short then the bridge crane & the long travel profiles can be utilized. This requires minimum installation and is a low cost solution.



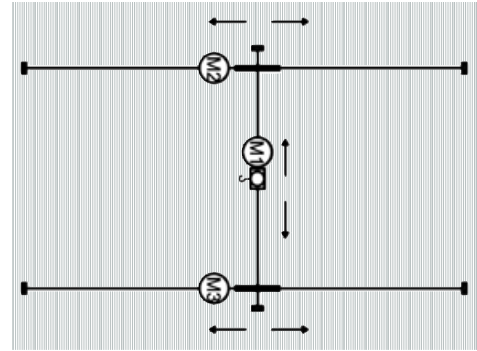
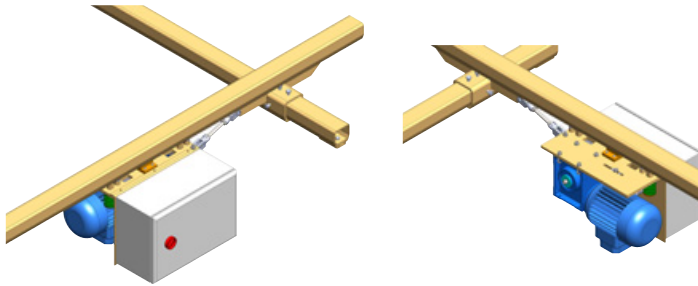
## Typical Conductor Bar arrangement

In very long cranes or with more than 2 bridges conductor bars are necessary. Conductor bars also eliminate the need for festoon parking space.

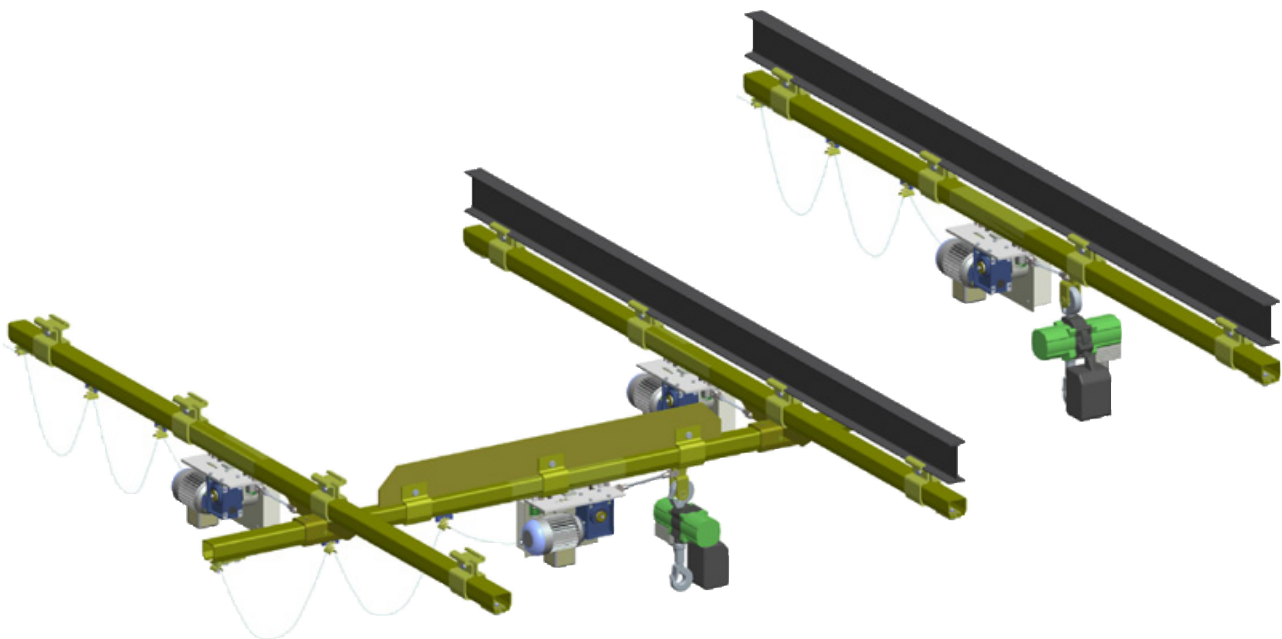
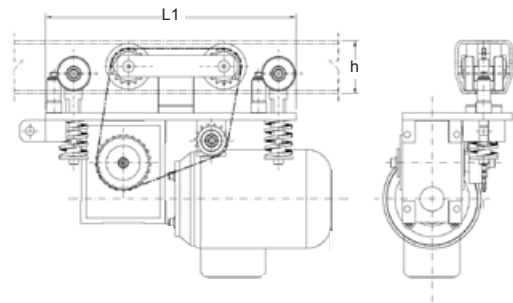


# Power Driven Trolleys

The light cranes can be electrically driven using our power driven trolleys. This is particularly useful for cranes that carry loads greater than 1000 Kg. The power driven trolley operates using 4 high quality friction wheels that ensure long life and accuracy of movement. Electric travel is possible in 3 options: Electric travel only of the trolley running in the cross bridge (M 1), electric travel only of the cross bridge itself (M2+M3) and complete electric travel in all movements (M 1+M2+M3). Our power driven trolleys have inverter controlled motors that allow soft start and soft stop travel.

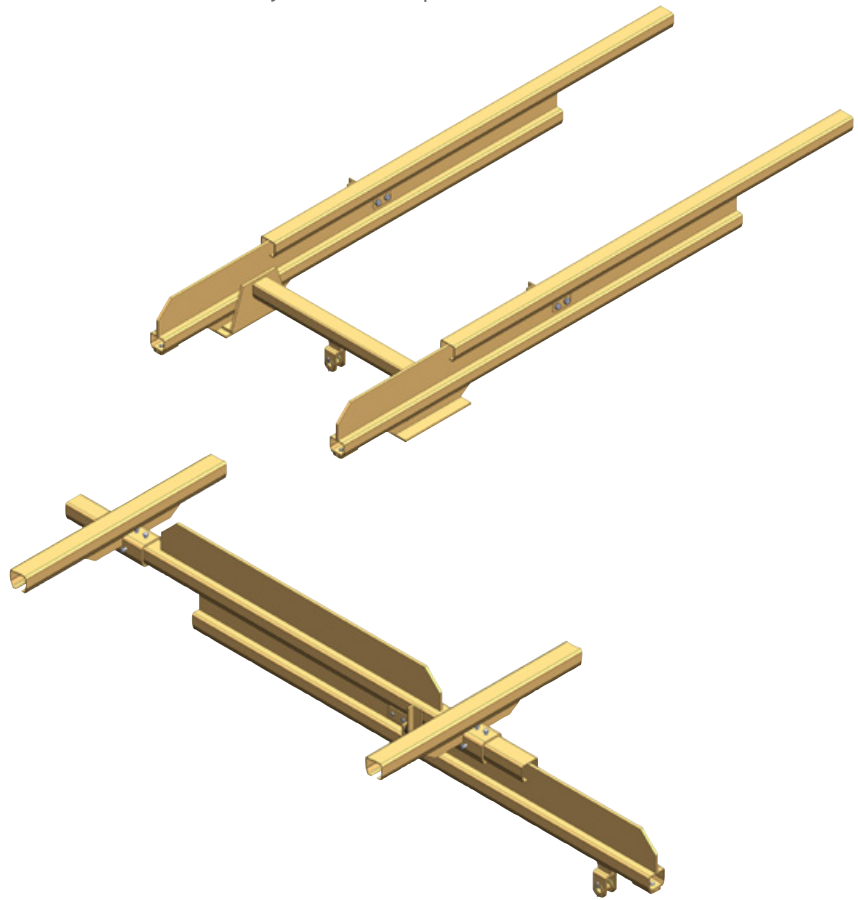
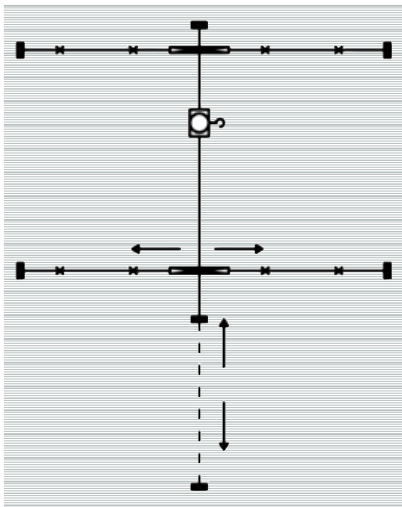


NIKO Profil No.	Power Driven Trolley	Transferred load (kg)	L <sub>1</sub> (mm)	h (mm)
25.000	25.H110	500	355	60
26.000	26.H110	1000	355	75
27.000	27.H110	2000	420	110

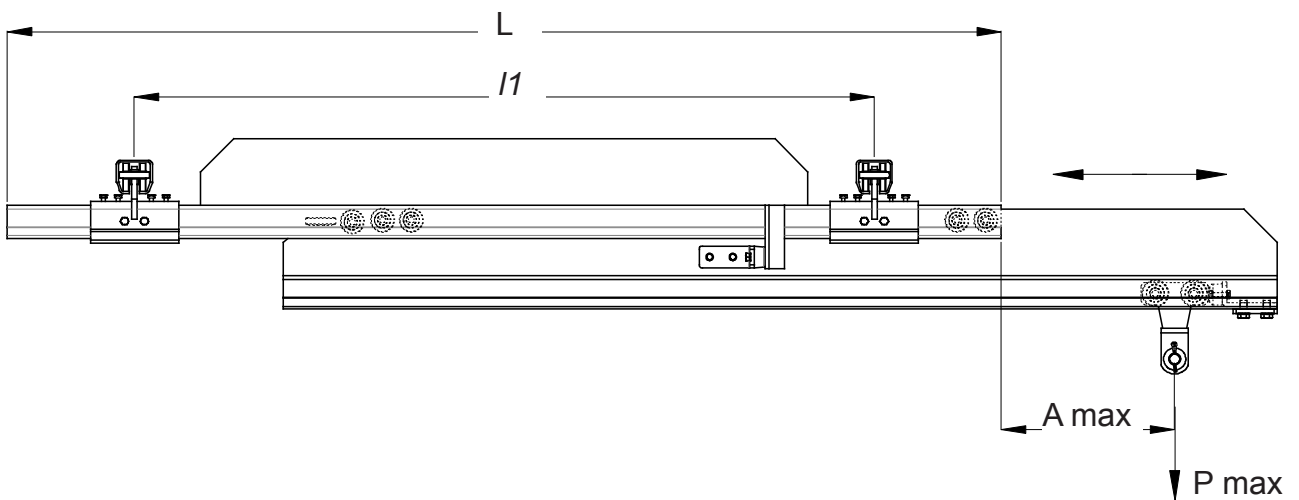


# Telescopic Monorail and Cranes

In order to cover a wider area than the supporting space structure permits, a telescopic cross bridge is available. Using our components telescopic cranes are also possible which are very often installed in containers and trucks and used in the automotive industry for tool suspension.



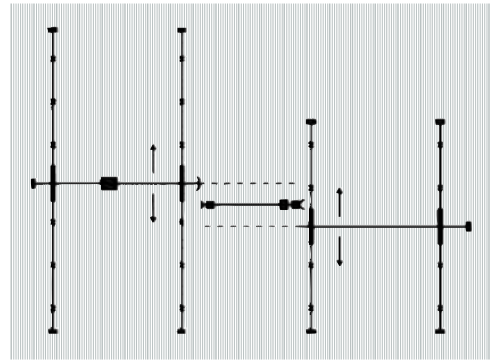
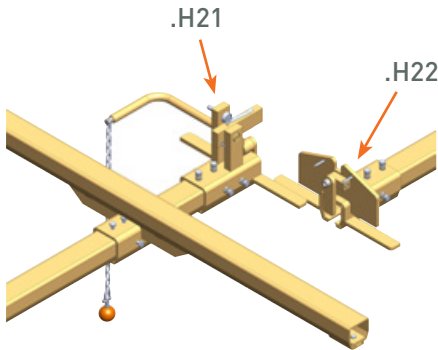
NIKO Profil No.	23.000	24.000	25.000	26.000	27.000
P max Kg	40	75	125	250	500
A max mm	1200	1200	1300	1300	1300



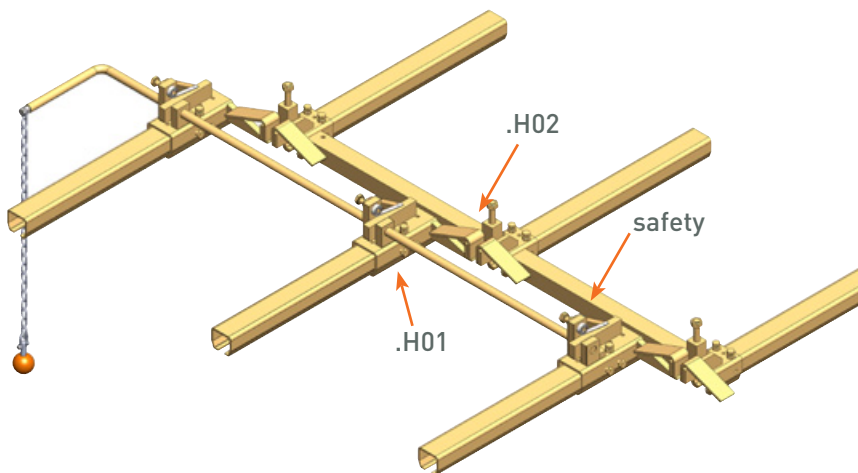
# Interlocks

Interlocks are used to connect a crane with another crane or an extended conveyor system. The load carrying trolley is transferred with safety from one system to the other.

## Interlock with self built safety (.H21/.H22)

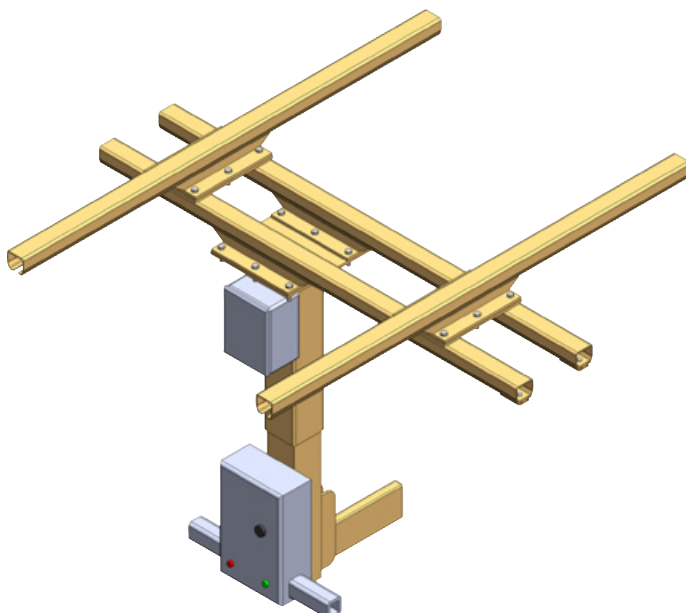


## Interlock with externally built safety (.H01/.H02)



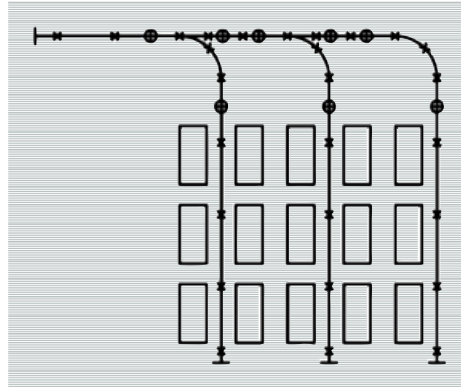
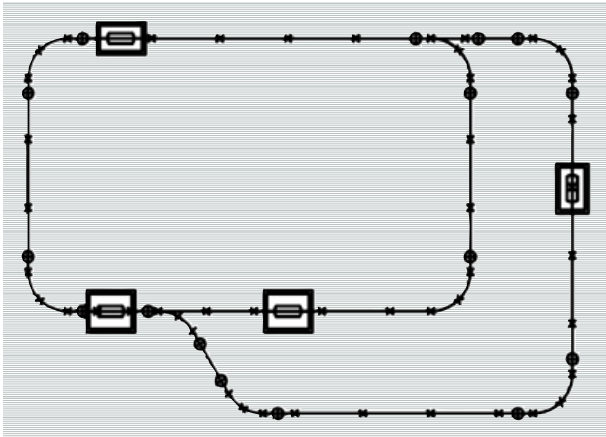
# Manipulator

Frequently our light cranes are used as a platform where different types of manipulators are suspended. Our engineering department is capable of providing bespoke solutions to our customers needs.

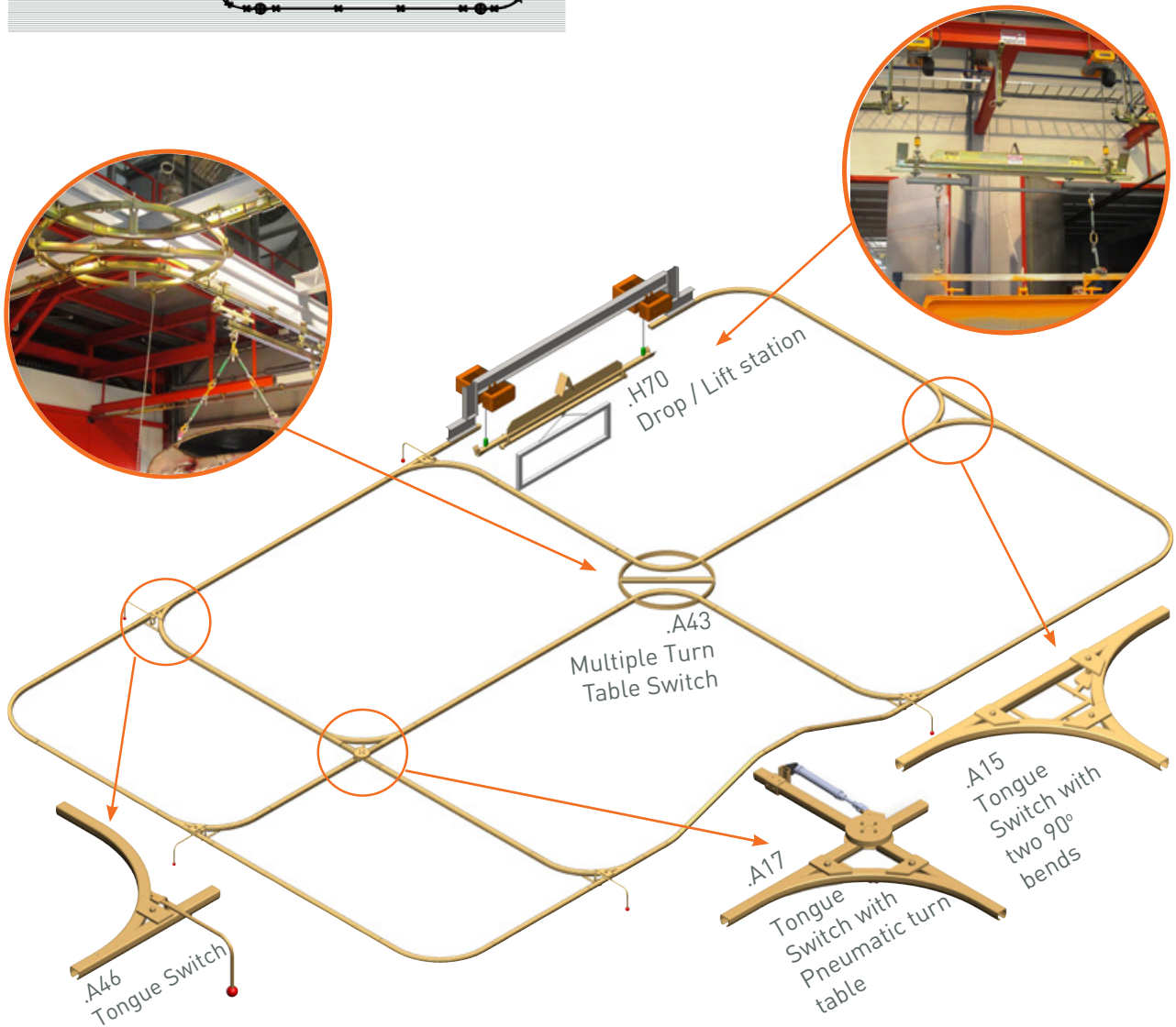


# Conveyors Systems

NIKO conveyor systems can be used in a variety of applications utilizing more than 2.000 components such as switches and turn tables. Please refer to our brochure C1 for more information.



LIGHT CRANE SYSTEMS



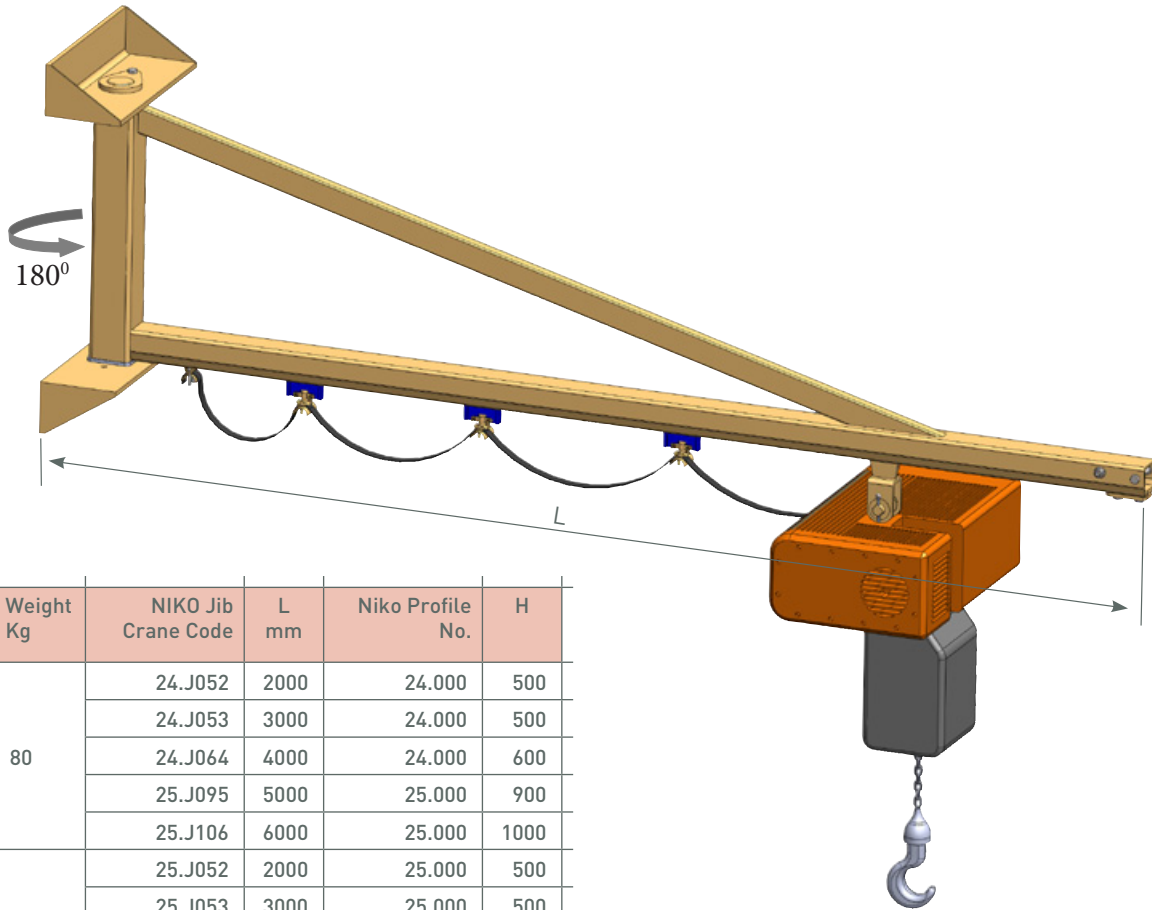
Light crane systems



# Jib Cranes

Utilizing our enclosed Profiles we produce high quality and low cost jib cranes suitable for wall or pillar mounting. Our standard range covers 180 degrees for capacities of up to 1.000 kg. Our jib crane sets come complete with a trolley for load suspension and the appropriate cable/hose trolleys.

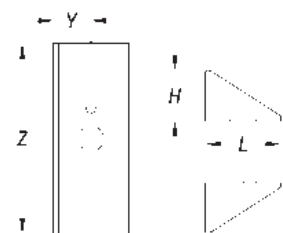
Our enclosed profile design offers ease of use and minimal pulling/pushing force in the operation of the jib cranes. This is critical for the ergonomic operation of the jib crane, and to minimise potential strain on the user.



LIGHT CRANE SYSTEMS

Weight Kg	NIKO Jib Crane Code	L mm	Niko Profile No.	H
80	24.J052	2000	24.000	500
	24.J053	3000	24.000	500
	24.J064	4000	24.000	600
	25.J095	5000	25.000	900
	25.J106	6000	25.000	1000
125	25.J052	2000	25.000	500
	25.J053	3000	25.000	500
	25.J064	4000	25.000	600
	25.J095	5000	25.000	900
	25.J106	6000	25.000	1000
250	25.J052	2000	25.000	500
	25.J063	3000	25.000	600
	25.J084	4000	25.000	800
	26.J095	5000	26.000	900
	26.J106	6000	26.000	1000
	26.J082	2000	26.000	800
500	26.J083	3000	26.000	800
	26.J094	4000	26.000	900
	27.J105	5000	27.000	1000
	27.J116	6000	27.000	1100
1000	27.J092	2000	27.000	900
	27.J093	3000	27.000	900
	27.J104	4000	27.000	1000

NIKO Profile No.	24.000
Wall Mounting Bracket Kit No	24.B90
H (mm)	100
L (mm)	150
Y (mm)	75
Z (mm)	380



# Application Photos



LIGHT CRANE SYSTEMS

Light crane systems

# Application Photos



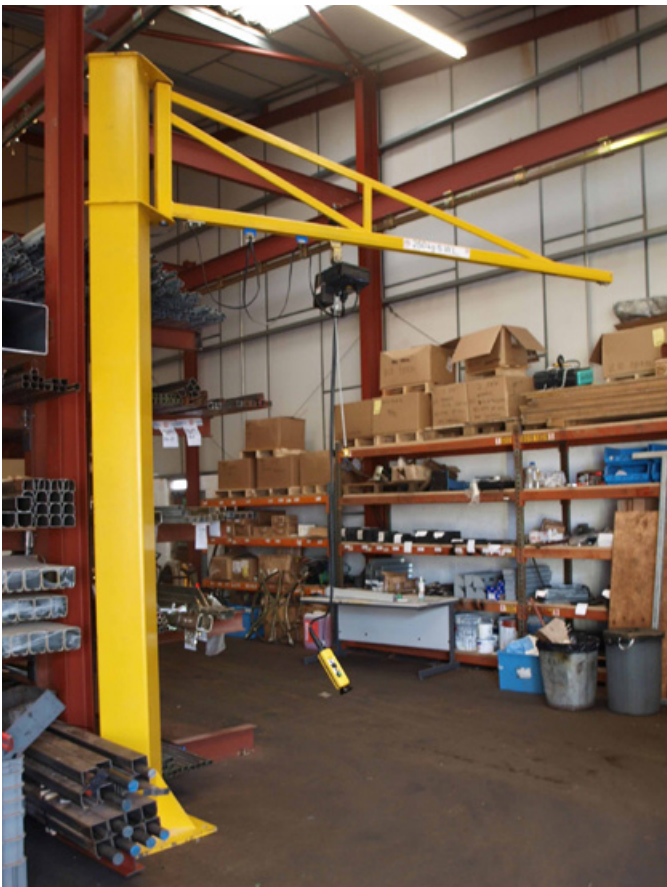
LIGHT CRANE SYSTEMS

# Application Photos

LIGHT CRANE SYSTEMS



# Application Photos



LIGHT CRANE SYSTEMS

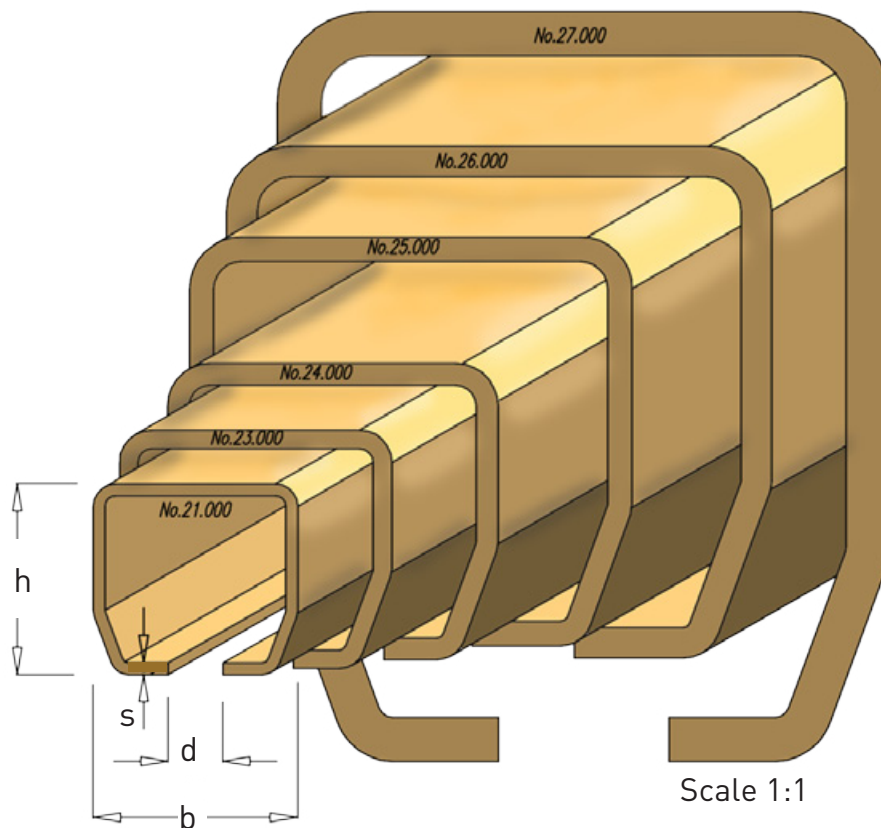
Light crane systems

# Component Specifications

## NIKO Track Profiles

Our wide range of 5 Track profile sizes can accommodate loads up to 2.000 kg. The NIKO enclosed track tapered design allows correct alignment of the trolleys and reduces the possibility of dust build up. This ensures the smooth running of the trolleys and the long life of the crane. NIKO light cranes require only 1-4% force of the weight being lifted in order to operate. For use in aggressive environments we can also offer Niko Cranes in stainless steel grade 304.

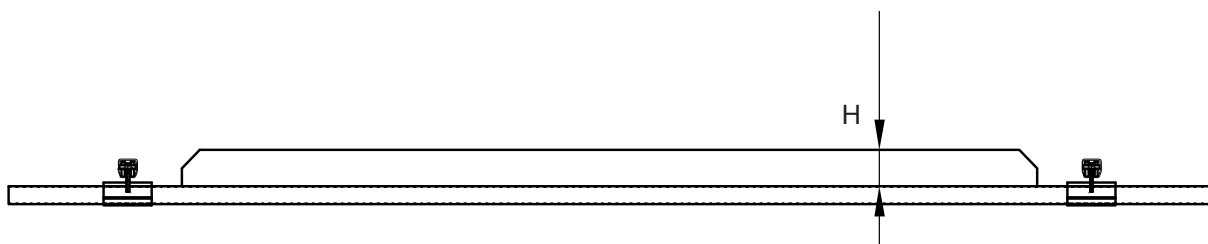
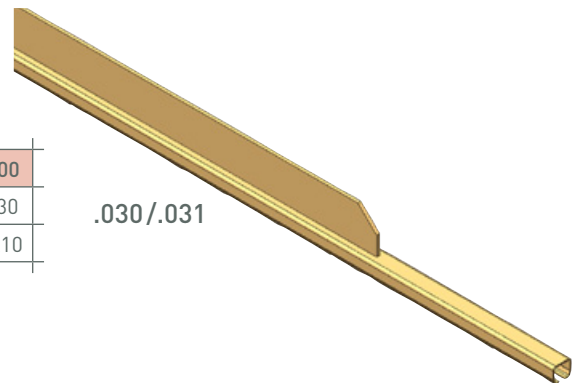
NIKO Profile No.	Dimensions			
	h (mm)	b (mm)	d (mm)	s (mm)
23.000	35,00	40,00	11,00	2,75
23.050 stainless steel	35,00	40,00	11,00	2,75
24.000	43,50	48,50	15,00	3,20
24.050 stainless steel	43,50	48,50	15,00	3,20
25.000	60,00	65,00	18,00	3,60
25.050 stainless steel	60,00	65,00 profile</td <td>18,00</td> <td>3,60</td>	18,00	3,60
26.000	75,00	80,00	22,00	4,50
27.000	110,00	90,00	25,00	6,50



# Reinforced Track with Welded Spine

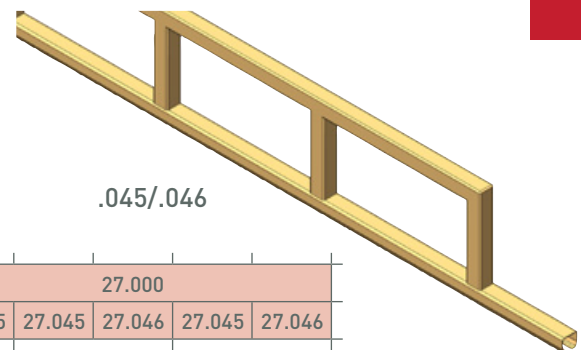
In order to increase the bridge span and the supporting distances of the profiles we have developed 2 types of reinforced tracks. Reinforced track with welded spine is a cost effective solution for relatively short spans or supporting distances. The welded spine reinforcement is also recommended for low head room requirement due to the low height of the spine.

NIKO Profile No.	23.000	24.000		25.000	26.000		27.000
Reinforced Track	23.030	24.030	24.031	25.030	26.030	26.031	27.030
HxS	80x8	100x8	120x8	120x10	150x10	180x10	180x10

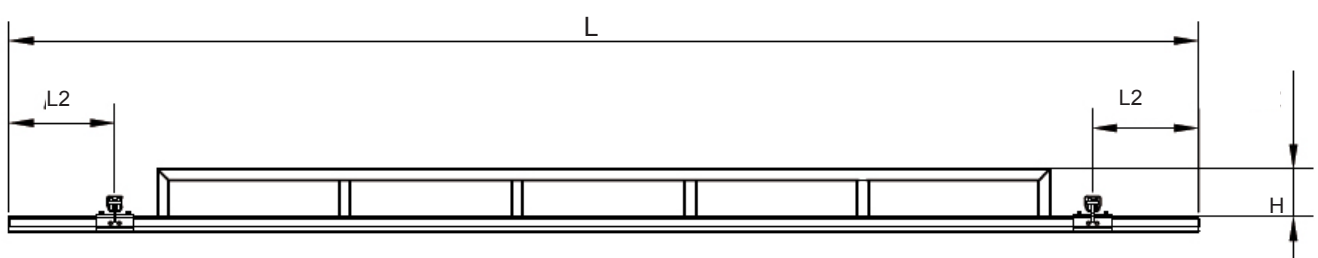


# Reinforced Track with welded square profiles (Trussed type)

Trussed type reinforcements are necessary for long spans and fewer supporting points.



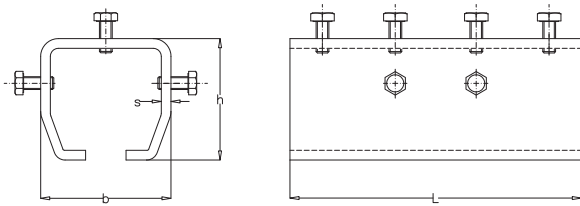
NIKO Profile No.	24.000	25.000		26.000			27.000				
Reinforced Track	24.045	25.045	25.046	26.045	26.045	26.046	27.045	27.045	27.046	27.045	27.046
P max (Kg)	125	250		500	750		1000	1600		2000	
L max (mm)	9	9	10	10	8	10	10	8,50	10	7	9
H (mm)	280	320	350	380	380	420	460	460	520	460	520
L2 max (mm)	450	500	500	550	550	550,00	600	600	600	600	600



# Splice Joint

**.B49**

The track sections are joined using the track joint by tightening the top screws first then aligning the profiles by means of the side screws.

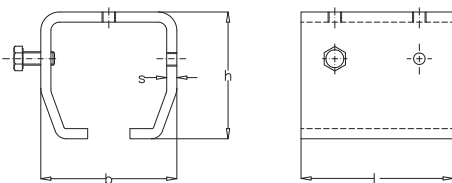


NIKO Profile No.	23.000	24.000	25.000	26.000	27.000
Splice joint No.	23.B49	24.B49	25.B49	26.B49	27.B49
L (mm)	120	150	180	200	250
h (mm)	45	54	75	93	134
b (mm)	49	60	80	100	118
s (mm)	4	4,5	6	8	10

# Support Bracket

**.B00/.B50**

This bracket can be used and adapted for specific applications where standard supports are unsuitable.



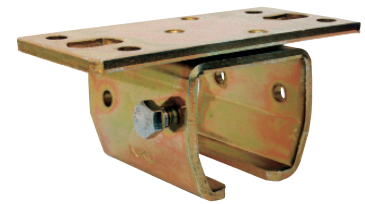
NIKO Profile No.	23.000	24.000	25.000	26.000	27.000
Support bracket No. Zinc plated	23.B00	24.B00	25.B00	26.B00	27.B00
Support bracket No. Black	23.B50	24.B50	25.B50	26.B50	27.B50
L (mm)	55	68	90	110	120
b (mm)	49	60	80	100	114
h (mm)	45	54	75	93	134
s (mm)	4	4,5	6	8	10



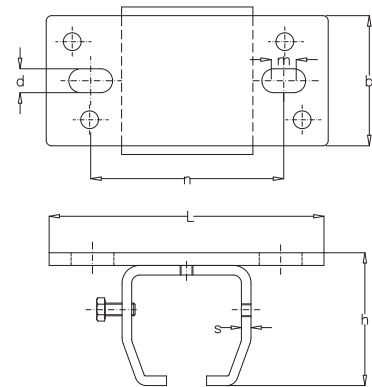
# Ceiling Support Bracket

**.B02**

This bracket is designed for bolting direct to overhead steelwork or ceiling.



NIKO Profile No.	23.000	24.000	25.000	26.000	27.000
Support bracket No.	23.B02	24.B02	25.B02	26.B02	27.B02
L (mm)	115	130	170	210	260
h (mm)	51	60	83	107	150
b (mm)	55	68	90	110	120
d (mm)	11	13	17	22	22
n (mm)	80	94	124	148	178,5
s (mm)	4	4,5	6	8	10
m (mm)	8	8	10	12	23,5



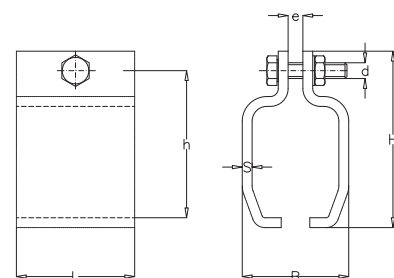
# Split Support Bracket

**.B03**

This bracket is generally used for variable height configurations.



NIKO Profile No.	21.000	23.000	24.000	25.000	26.000	27.000
Support bracket No.	21.B03	23.B03	24.B03	25.B03	26.B03	27.B03
B (mm)	36	48	56,5	77	96	110
H (mm)	64,5	80	88	132	150	180
L (mm)	40	50	50	90	110	120
h (mm)	49	59	70	94	111	148
s (mm)	3	4	4	6	8	10
e (mm)	6	8	8	10	10	15
d (mm)	M10	M12	M12	M16	M16	M16

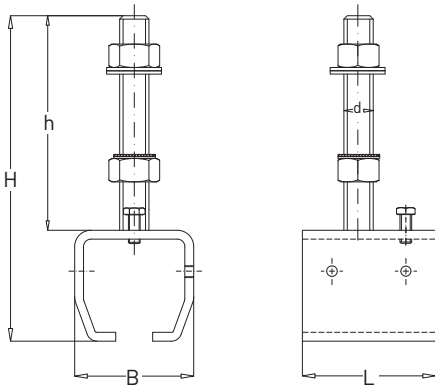
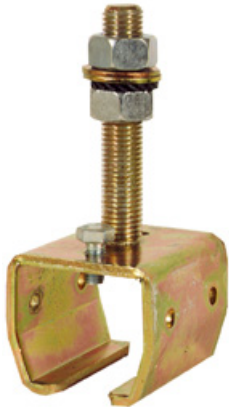


LIGHT CRANE SYSTEMS

# Adjustable Bracket

**.B04**

This allows us to adjust the height of the rails and to correct any misalignments.



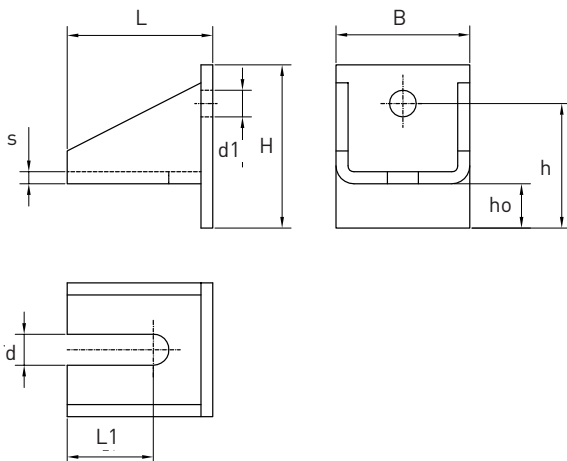
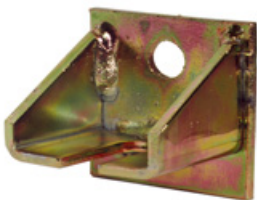
NIKO Profile No.	23.000	24.000	25.000	26.000	27.000
Bracket No.	23.B04	24.B04	25.B04	26.B04	27.B04
H (mm)	123	145	198	292	353
h (mm)	45	54	75	97	134
L (mm)	55	68	90	110	120
B (mm)	49	60	80	100	114
d (mm)	M12	M16	M20	M24	M30

LIGHT CRANE SYSTEMS

# Adjustable Wall Bracket

**.B05**

This is used in combination with the .B04 adjustable bracket and it usually mounted on the wall.



NIKO Profile No.	21.000	24.000	26.000
Adjustable wall bracket No.	21.B05	24.B05	26.B05
B (mm)	50	75	90
H (mm)	40	80	110
h (mm)	25	61	85
ho (mm)	-	22	31
L (mm)	49	60	98
L1 (mm)	31	31	60
s (mm)	5	5	8
d (mm)	11	17	21
d1 (mm)	Φ18	Φ18	Φ18

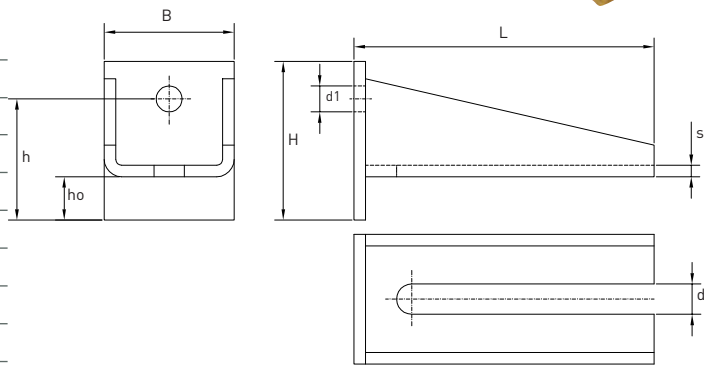
# Double Adjustable Wall Bracket

**.B06**

It can accommodate 2 .B04 adjustable brackets.



NIKO Profile No.	21.000	24.000	26.000	27.000
Bracket No.	21.B06	24.B06	26.B06	27.B06
B (mm)	60	75	90	90
H (mm)	49	80	110	110
h (mm)	35	61	85	85
ho (mm)	-	16	31	31
L (mm)	100	155	208	208
L1 (mm)	82	120	168	168
s (mm)	6	5	8	8
d (mm)	11	17	21	31
d1 (mm)	13	17	18	22



# Split Suspension Bracket

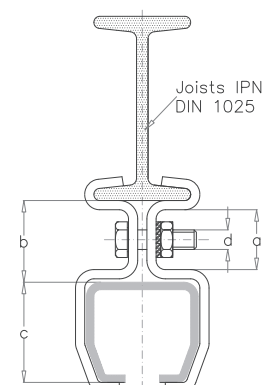
**.B08/.B26**

This bracket is used for mounting directly to the underside flange of a parallel I beam.



NIKO Profile No.	23.000	24.000	25.000	26.000	27.000
Dimension a in mm.	25	25	42	44	66
Dimension b in mm.	34	34	56	63	90
Dimension c in mm.	35	44	60	75	110
Dimension d in mm.	9 Φ	9 Φ	17 Φ	17 Φ	17 Φ
Screw type	M8x30	M8x30	M16x50	M16x50	M16x50
Material	50x4	50x4	90x6	110x8	120x10

Split Suspension Bracket Joist IPN DIN 1025					
For IPN 80x42	23.B08	24.B08			
For IPN 100x50	23.B10	24.B10	25.B10		
For IPN 120x58	23.B12	24.B12	25.B12		
For IPN 140x66	23.B14	24.B14	25.B14		
For IPN 160x74		24.B16	25.B16	26.B16	
For IPN 180x82		24.B18	25.B18	26.B18	
For IPN 200x90		24.B20	25.B20	26.B20	27.B20
For IPN 220x98			25.B22	26.B22	27.B22
For IPN 240x106			25.B24	26.B24	27.B24
For IPN 260x113			25.B26	26.B26	27.B26

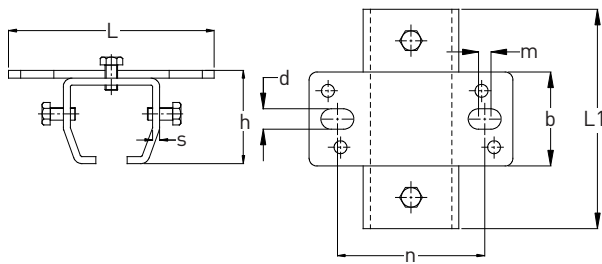
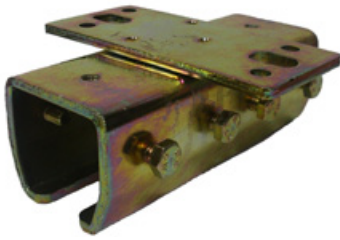


LIGHT CRANE SYSTEMS

# Ceiling Support Joint

**.B30**

This is a combination of a ceiling support and a splice joint.



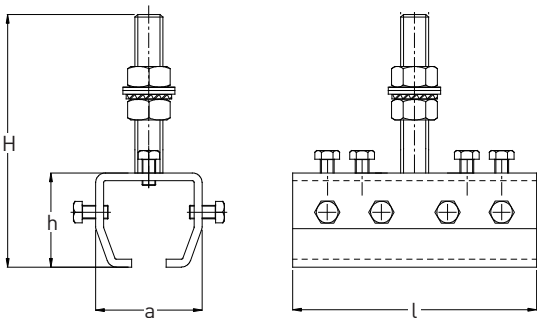
NIKO Profile No.	23.000	24.000	25.000	26.000	27.000
Support Joint No.	23.B30	24.B30	25.B30	26.B30	27.B30
L (mm)	115	130	170	210	260
h (mm)	51	60	83	107	150
s (mm)	4	4,5	6	8	10
b (mm)	55	68	90	110	120
m (mm)	8	8	10	12	23,5
n (mm)	80	94	124	148	178,5
d (mm)	11	13	17	22	22
L1 (mm)	120	150	180	200	250

LIGHT CRANE SYSTEMS

# Height Adjustable Support Joint

**.B11**

This is a combination of a height adjustable bracket and a splice joint.

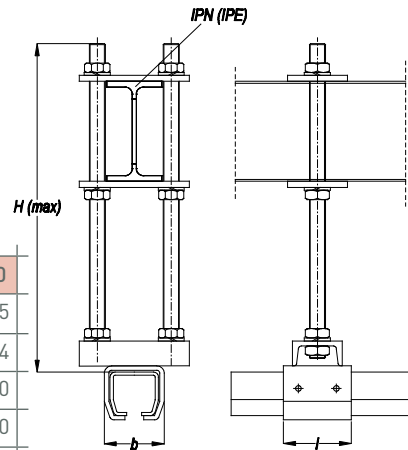


NIKO Profile No.	23.000	24.000	25.000	26.000	27.000
Support Joint No.	23.B11	24.B11	25.B11	26.B11	27.B11
H (mm)	135	145	215	292	353
h (mm)	45	54	75	93	134
a (mm)	49	60	82	100	118
l (mm)	120	150	180	200	250

## Height Adjustable support assembly (Parallel to the I-beam)

.B55

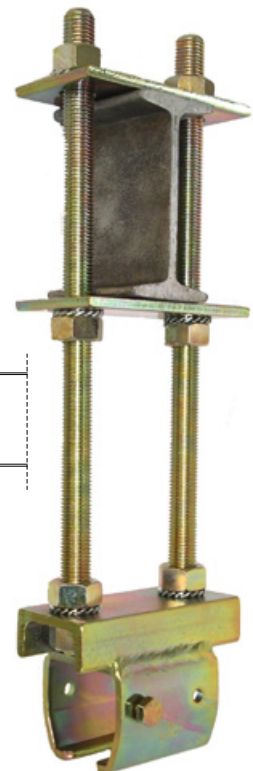
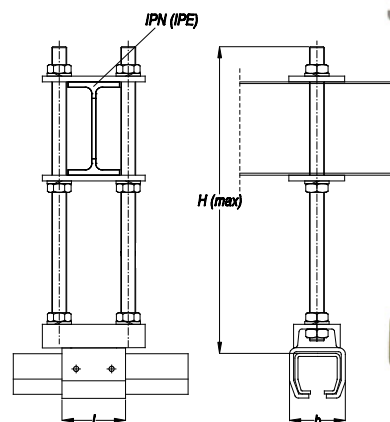
NIKO Profile No.	23.000	24.000	25.000	26.000	27.000
Bracket No.	23.B55	24.B55	25.B55	26.B55	27.B55
b (mm)	49	60	80	100	114
l (mm)	55	68	90	110	120
H max (mm)	500	500	500	500	500



## Height Adjustable Bracket (Vertical to the I-beam)

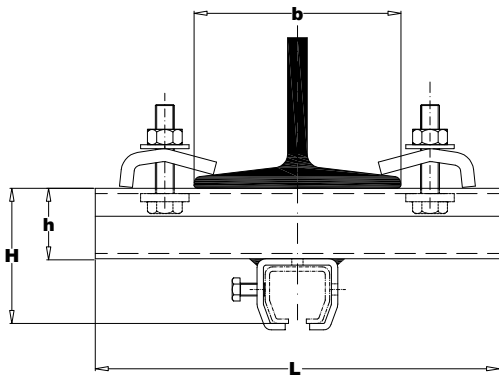
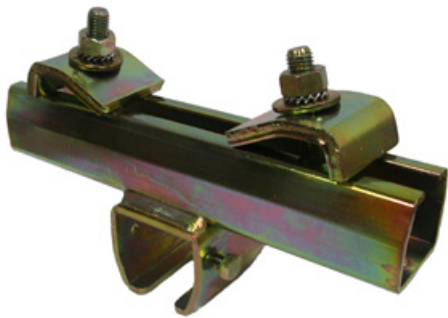
.B56

NIKO Profile No.	23.000	24.000	25.000	26.000	27.000
Bracket No.	23.B56	24.B56	25.B56	26.B56	27.B56
b (mm)	49	60	80	100	114
l (mm)	55	68	90	110	120
H max (mm)	500	500	500	500	500



## Adjustable Joist Clamp (Parallel to the I-beam)

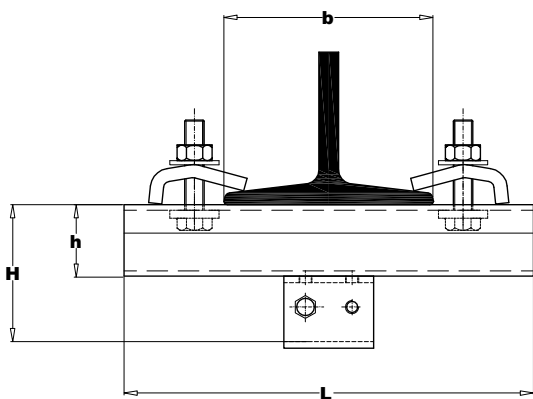
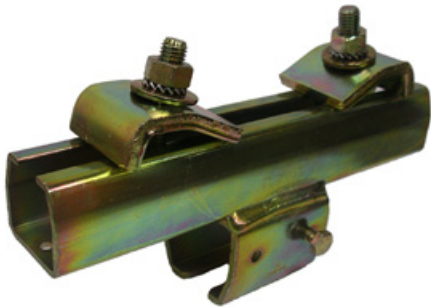
**.B35**



NIKO Profile No.	23.000	24.000	25.000	26.000	27.000
Bracket No.	23.B35	24.B35	25.B35	26.B35	27.B35
H (mm)	85	94	129	146	199
L (mm)	250		300		330
b (mm)	150		175		205
h (mm)	44		60		75

## Adjustable Joist Clamp (Vertical to the I-beam)

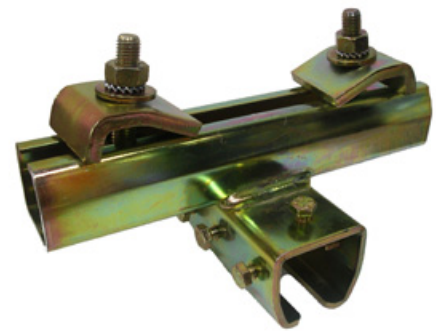
**.B36**



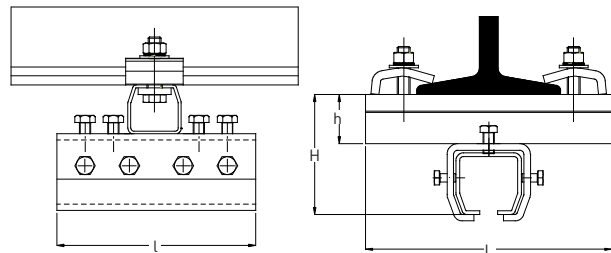
NIKO Profile No.	23.000	24.000	25.000	26.000	27.000
Bracket No.	23.B36	24.B36	25.B36	26.B36	27.B36
H (mm)	85	94	129	146	199
L (mm)	250		300		330
b (mm)	150		175		205
h (mm)	44		60		75

## Adjustable Joist Clamp Joint (Parallel to the I-beam)

.B71

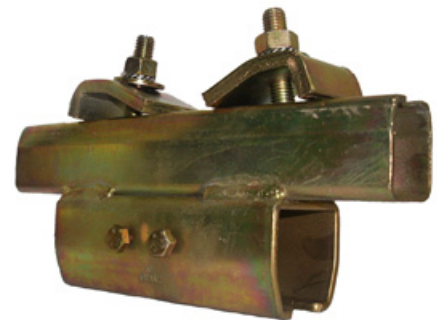


NIKO Profile No.	23.000	24.000	25.000	26.000	27.000
Adjustable joist No.	23.B71	24.B71	25.B71	26.B71	27.B71
H (mm)	85	94	129	146	199
L (mm)	250	250	300	300	330
h (mm)	44	44	60	60	75
l (mm)	120	150	180	200	250

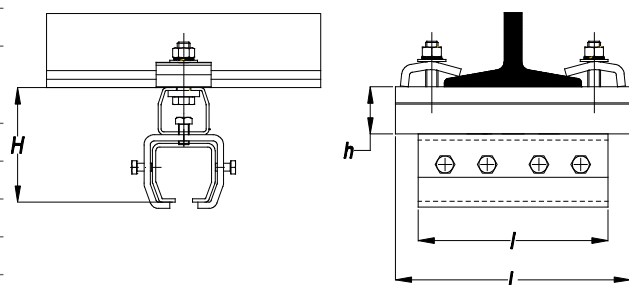


## Adjustable Joist Clamp Joint (Vertical to the I-beam)

.B72



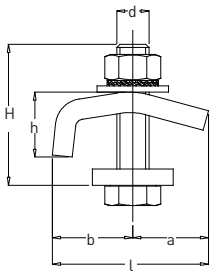
NIKO Profile No.	23.000	24.000	25.000	26.000	27.000
Adjustable joist No.	23.B72	24.B72	25.B72	26.B72	27.B72
H (mm)	41	50	69	86	124
h (mm)	44	44	60	60	75
l (mm)	120	150	180	200	270
L (mm)	250	250	300	300	330



# Adjustable Suspension Bracket

**.B37**

This item is used for clamping the adjustable suspension bracket to the support steelwork and is supplied with a bolt and square nut.



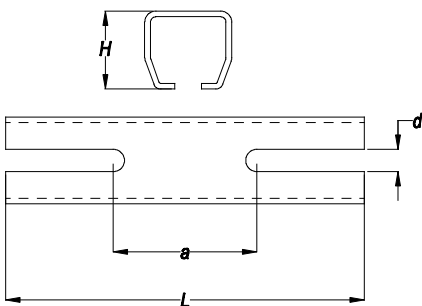
NIKO Profile No.	23.000	24.000	25.000	26.000
Bracket No.	23.B37	24.B37	25.B37	26.B37
l (mm)	62	62	80	80
a (mm)	30	30	40	40
b (mm)	32	32	40	40
h (mm)	24	24	30	30
d (mm)	M12	M12	M16	M16
H (mm)	60	60	70	70

LIGHT CRANE SYSTEMS

# Adjustable Suspension Bracket

**.B38**

These brackets are designed to accommodate variations in support steelwork distances relative to the track level. They are normally used in conjunction with the split support brackets.



NIKO Profile No.	23.000	24.000	25.000	26.000
Bracket No.	23.B38		25.B38	
L (mm)	198		260	
a (mm)	76		90	
d (mm)	12,5		18	
H (mm)	35		60	

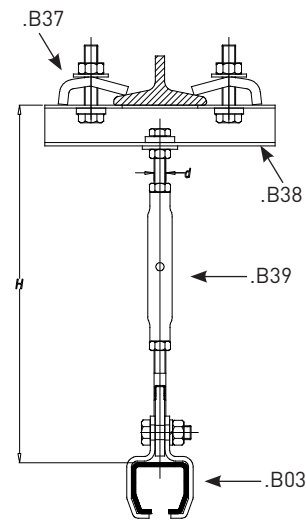


# Adjustable Suspension Bracket

**.B39**

This item is used for clamping the adjustable suspension bracket to the support steelwork and is supplied with a bolt and square nut.

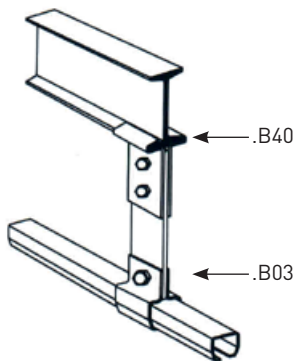
NIKO Profile No.	23.000	24.000	25.000	26.000
Turnbuckle No.	23.B39		25.B39	
H max (mm)	375		530	
H min (mm)	265		380	
d (mm)	M10		M16	



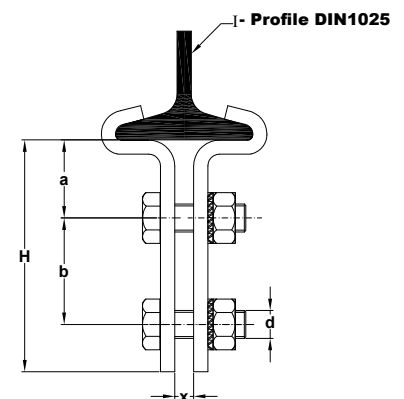
# Split Suspension Bracket

**.B40**

This is normally connected with a steel plate to the bracket B03.



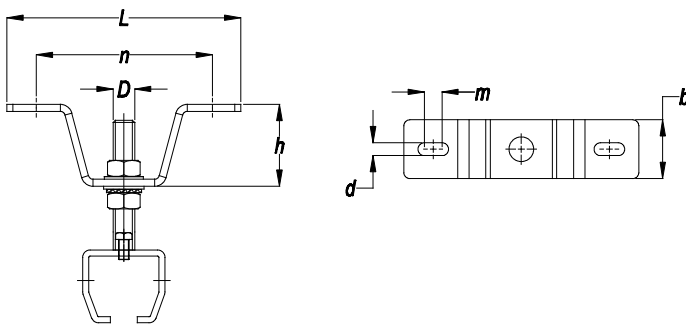
NIKO Profile No.	24.000 & 25.000			26.000 & 27.000	
Bracket No.	24.B40			26.B40	
Profile DIN 1025 IPN	100	120	140	160	180
X (mm)	8	16	24	16	24
a (mm)	33			40	
b (mm)	45			45	
d (mm)	M12			M16	
H (mm)	98			110	



LIGHT CRANE SYSTEMS

# Adjustable bracket with ceiling support

**.B44**

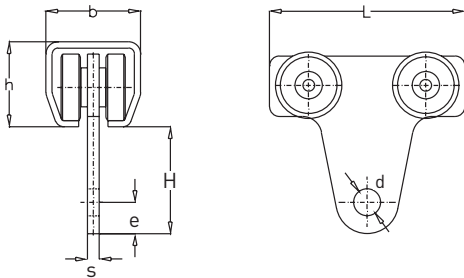


NIKO Profile No.	23.000	24.000	25.000
Bracket No.	23.B44	24.B44	25.B44
L (mm)	200	200	
n (mm)	150	150	
h (mm)	70	70	
m (mm)	15	15	
d (mm)	11	11	
b (mm)	50	50	
D (mm)	M16	M20	

LIGHT CRANE SYSTEMS

# 4-Wheel trolley with hole

**.T10**



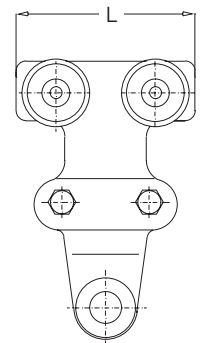
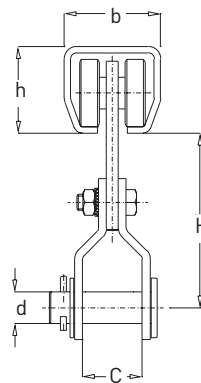
NIKO Profile No.	23.000	24.000	25.000	26.000	27.000
Item Ref	21.T10	24.T10	25.T10	26.T10	27.T10
SWL Kg	40	80	200	400	800
H (mm)	44	54	62	70	180
L (mm)	80	100	120	145	210
h (mm)	35	43,5	60	75	110
b (mm)	40	48,5	65	80	90
d (mm)	10	14	18	22	26
e (mm)	12	15	20	24	35
s (mm)	6	8	10	12	15

## 4-Wheel trolley with pin (bolted)

.T44

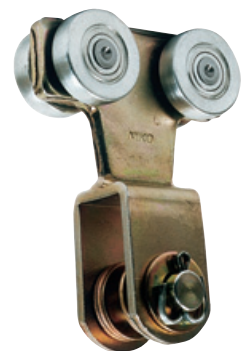


NIKO Profile No.	24.000	25.000	26.000
Item Ref	24.T44	25.T44	26.T44
SWL Kg	80	200	400
H (mm)	89	124	140
h (mm)	43,5	60	75
b (mm)	48,5	65	80
L (mm)	90	110	140
C (mm)	30	38	40
d (mm)	16	20	22

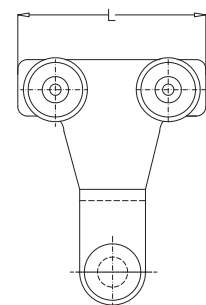
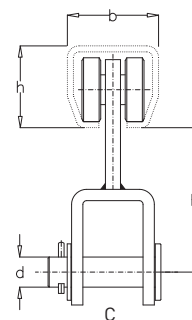


## 4-Wheel trolley with pin (welded)

.T46

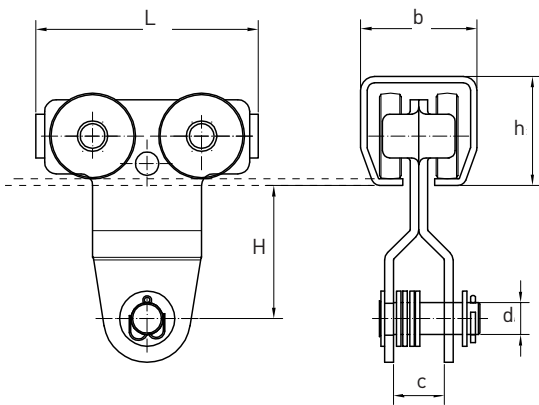


NIKO Profile No.	24.000	25.000	26.000	27.000
Item Ref	24.T46	25.T46	26.T46	27.T46
SWL Kg	80	200	400	1000
H (mm)	78	90	112	117
h (mm)	43,5	60	75	110
b (mm)	48,5	65	80	90
L (mm)	100	120	145	
C (mm)	32	32	40	40
d (mm)	16	20	20	20



## 4-Wheel trolley with pin and buffer (plate)

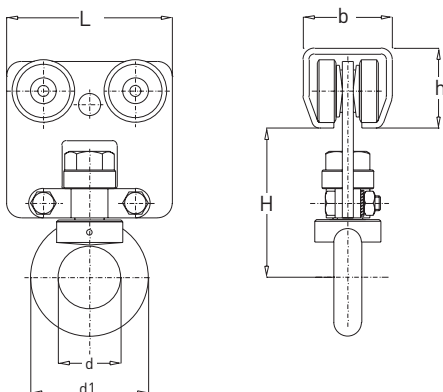
.T48



NIKO Profile No.	24.000	25.000	26.000	27.000
Item Ref	24.T48	25.T48	26.T48	27.T48
SWL Kg	125	250	500	1000
L (mm)	100	130	152	215
H (mm)	65	77	92	117
b (mm)	48,5	65	80	90
h (mm)	43,5	60	75	110
d (mm)	16	20	22	26
c (mm)	30	37	37	45

## 4-Wheel trolley with a rotating eye nut DIN 582 .T40

This trolley is suitable for hoists with hook suspension.



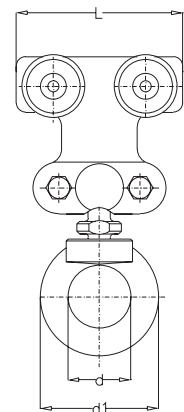
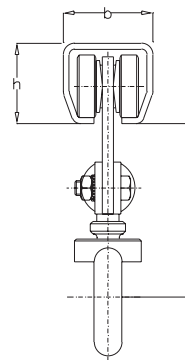
NIKO Profile No.	23.000	24.000	25.000	26.000	27.000
Item Ref	23.T40	24.T40	25.T40	26.T40	27.T40
SWL Kg	40	80	200	400	800
H (mm)	72	76,5	93	123	163
h (mm)	35	43,5	60	75	110
b (mm)	40	48,5	65	80	90
L (mm)	70	90	110	140	200
d (mm)	30	35	40	50	60
d1 (mm)	54	63	72	90	108

# 4-Wheel trolley with a rotating eye nut DIN 582 .T20

With a ball joint in order for the ring to rotate and oscillate.



NIKO Profile No.	23.000	24.000	25.000	26.000	27.000
Item Ref	23.T20	24.T20	25.T20	26.T20	27.T20
SWL Kg	40	80	200	400	800
H (mm)	85	96,5	122	145	182
h(mm)	35	43,5	60	75	110
b (mm)	40	48,5	65	80	90
L (mm)	70	90	110	140	200
d (mm)	30	35	40	50	60
d1 (mm)	54	63	72	90	108



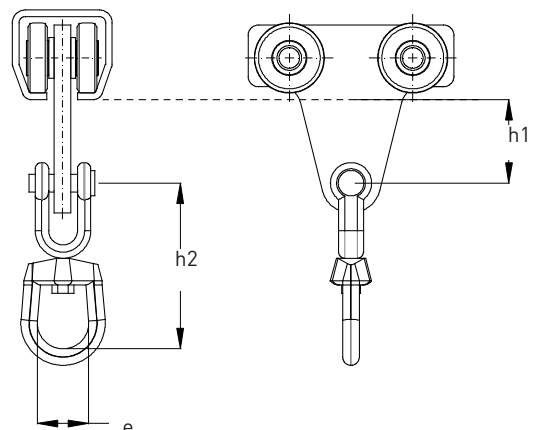
# 4-Wheel trolley with rotating ring

.T70



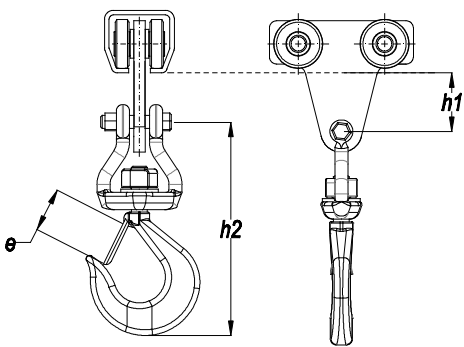
LIGHT CRANE SYSTEMS

NIKO Profile No.	23.000	24.000	25.000	26.000	27.000
Item Ref	23.T70	24.T70	25.T70	26.T70	27.T70
SWL Kg	40	80	200	400	1000
h1 (mm)	32	39	42	46	73
h2 (mm)	79	79	79	98	126
e (mm)	25	25	25	31	37



# 4-Wheel trolley with rotating hook

.T71



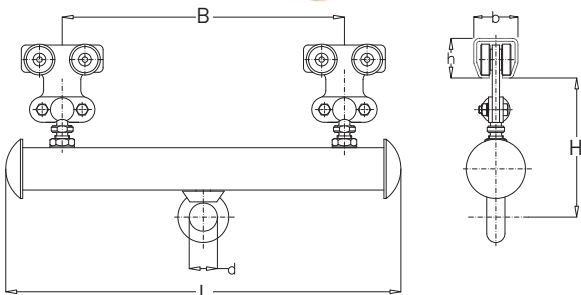
NIKO Profile No.	24.000	25.000	26.000	27.000
Item Ref	24.T71	25.T71	26.T71	27.T71
SWL Kg	80	200	400	1000
h1 (mm)	39	42	46	73
h2 (mm)	125	125	125	152
e (mm)	24	24	24	28

LIGHT CRANE SYSTEMS

# Flight bar with fixed eye nut

.T24

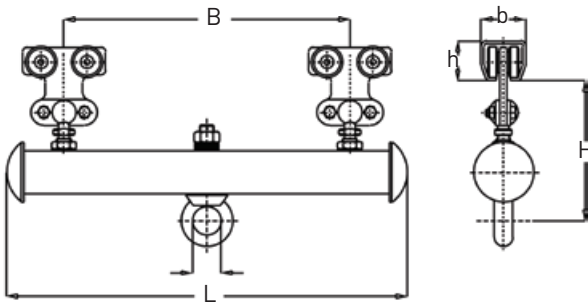
This trolley is suitable for increased load applications.



NIKO Profile No.	23.000	24.000	25.000	26.000	27.000
Item Ref	23.T24	24.T24	25.T24	26.T24	27.T24
SWL Kg	80	160	400	800	1600
H (mm)	123	145	179	204	262
h (mm)	35	43,5	60	75	110
b (mm)	40	48,5	65	80	90
B (mm)	180	300	420	600	700
L (mm)	300	450	600	700	1000
d (mm)	30	35	40	50	60

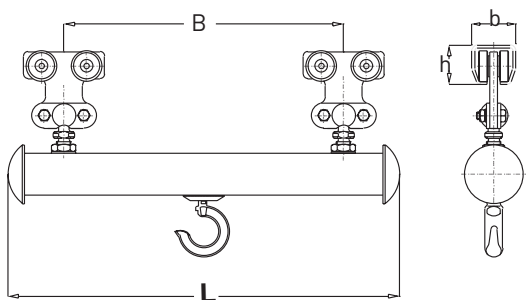
## Flight bar with rotating eye nut

.T26



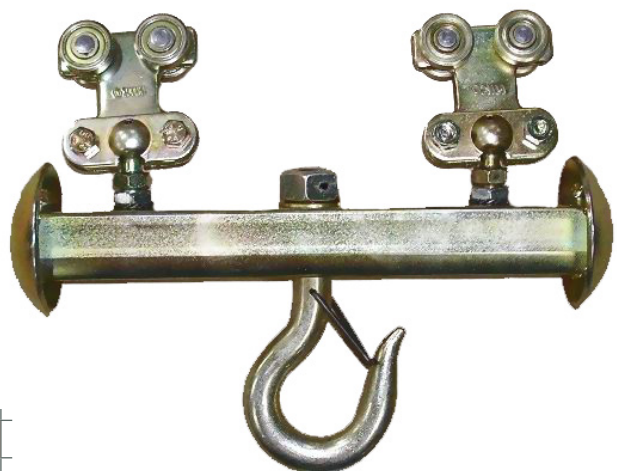
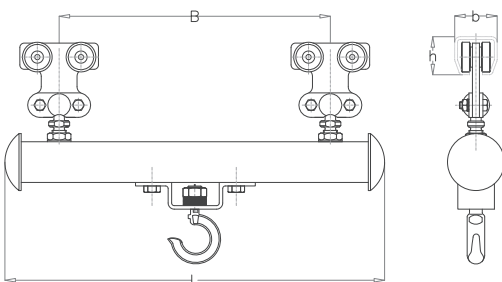
## Flight bar with fixed hook

.T28



## Flight bar with rotating hook

.T38

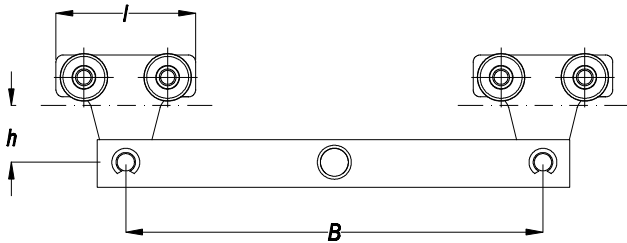


LIGHT CRANE SYSTEMS

NIKO Profile No.	23.000	24.000	25.000	26.000	27.000
Item Ref	23.T26	24.T26	25.T26	26.T26	27.T26
Item Ref	23.T28	24.T28	25.T28	26.T28	27.T28
Item Ref	23.T38	24.T38	25.T38	26.T38	27.T38
SWL Kg	80	160	400	800	1600
H (mm)	123	145	179	204	262
h (mm)	35	43,5	60	75	110
b (mm)	40	48,5	65	80	90
B (mm)	180	300	420	500	700
L (mm)	300	450	600	700	1000

## Flight bar with plates and pin

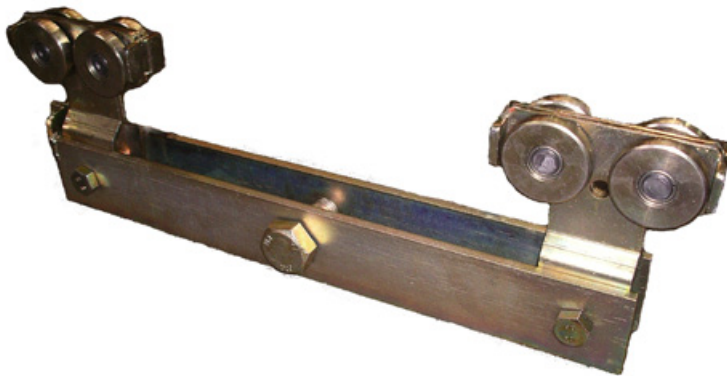
**.T84**



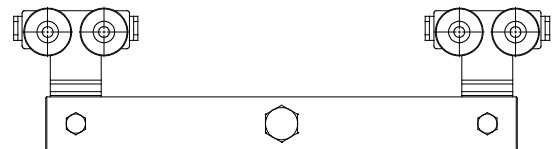
NIKO Profile No.	24.000	25.000	26.000	27.000
Item Ref	24.T84	25.T84	26.T84	27.T84
SWL Kg	160	400	800	1600
l (mm)	100	120	145	210
h (mm)	39	42	46	73
B (mm)	300	420	500	700

## Heavy duty hoist trolley

**.T49**



NIKO Profile No.	24.000	25.000	26.000	27.000
Item Ref	24.T49	25.T49	26.T49	27.T49
SWL Kg	250	500	1000	2000

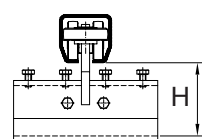
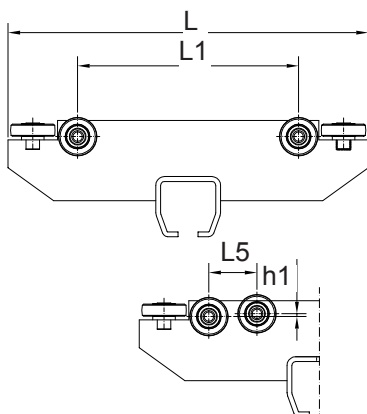


## End carriage with track joint

**.T54**

This range of trolleys is fitted with horizontal guide rollers and are used for connecting the bridge crane to the long travel tracks.

For standard crane applications it is recommended that only one end carriage is fixed on the crane bridge allowing the other to move freely and compensate for track misalignment.



NIKO Profile No.	23.000	24.000	25.000	26.000	27.000
End carriage with track joint	23.T54	24.T54	25.T54	26.T54	27.T54
L (mm)	350	400	450	500	600
L1 (mm)	242	270	276	280	340
L5 (mm)	40	50	60	70	100
H (mm)	52	63	91	109	163
h1 (mm)	0,5	2,6	3,5	4	5,5

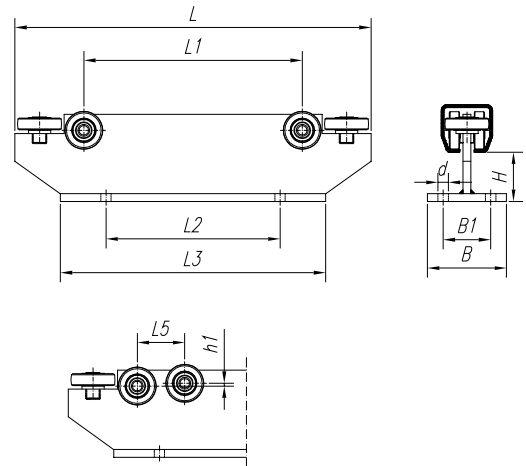


## End carriage with flat plate

.T51



NIKO Profile No.	23.000	24.000	25.000	26.000	27.000
End carriage with flat plate	23.T51	24.T51	25.T51	26.T51	27.T51
L (mm)	35040	400	450	500	600
L1 (mm)	242	270	276	280	340
L2 (mm)	200	220	220	260	300
L3 (mm)	290	315	335	370	440
B (mm)	60	70	100	120	150
B1 (mm)	36	46	60	80	100
d (mm)	8,5	11	13	17	21
L5 (mm)	40	50	60	70	100
H (mm)	31	45	64	72	74
h1 (mm)	0,5	2,6	3,5	4	5,5

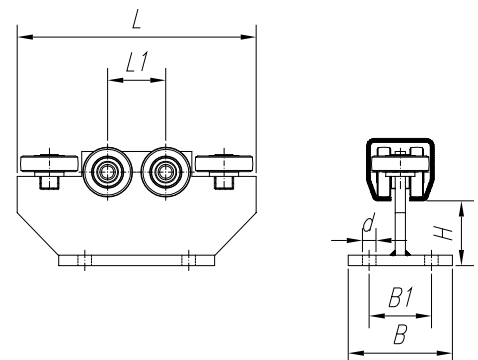


LIGHT CRANE SYSTEMS

## End carriage with flat plate-short

.T56

NIKO Profile No.	23.000	24.000	25.000	26.000	27.000
End carriage with flat plate-short	23.T56	24.T56	25.T56	26.T56	27.T56
L (mm)	150	180	230	300	360
L1 (mm)	42	50	56	80	100
B (mm)	60	70	100	120	150
B1 (mm)	36	46	60	80	100
d (mm)	8,5	11	13	17	21
H (mm)	31	45	64	72	74

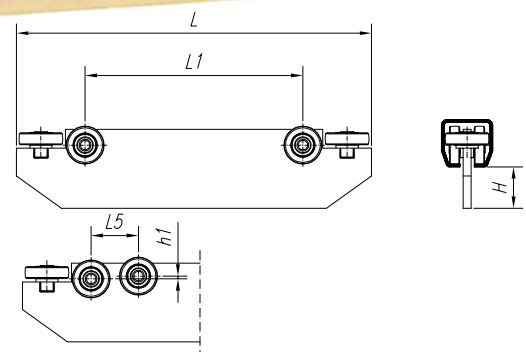


## End carriage

.T52



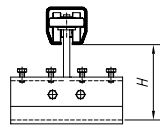
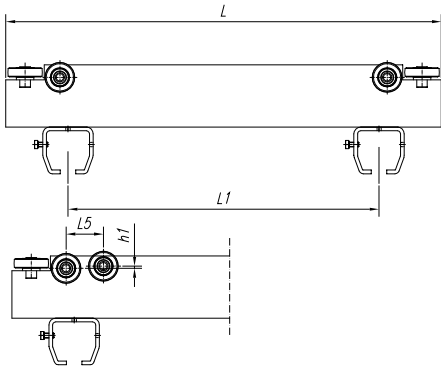
NIKO Profile No.	23.000	24.000	25.000	26.000	27.000
End carriage	23.T52	24.T52	25.T52	26.T52	27.T52
L (mm)	350	400	450	500	600
L1 (mm)	242	270	276	280	340
L5 (mm)	40	50	60	70	100
H (mm)	23	35	52	60	59
h1 (mm)	0,5	2,6	3,5	4	5,5



# End carriage with double track joint

**.T53**

We can supply double carriages for overhead cranes for suspending two NIKO rails.



NIKO Profile No.	23.000	24.000	25.000	26.000	27.000
End carriage with double track joint	23.T53	24.T53	25.T53	26.T53	27.T53
L (mm)	410	630	700	820	860
L1 (mm)	300	495	500	600	600
L5 (mm)	40	50	60	70	100
H (mm)	64	74	91	126	152
h1 (mm)	0,5	2,6	3,5	4	5,5

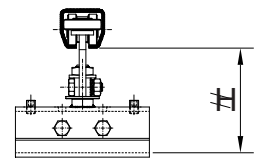
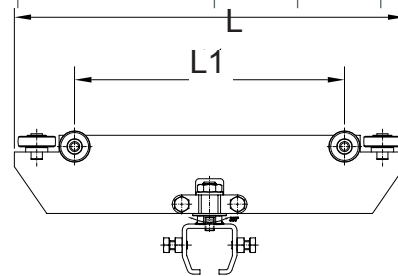
LIGHT CRANE SYSTEMS

# End carriage with rotating track joint

**.T55**

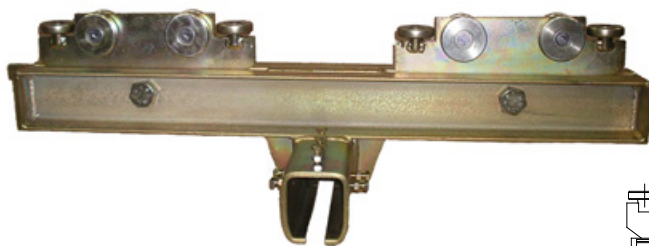


NIKO Profile No.	23.000	24.000	25.000	26.000	27.000
Item Ref	23.T55	24.T55	25.T55	26.T55	27.T55
L (mm)	350	400	450	500	600
L1 (mm)	242	270	276	280	340
H (mm)	94	99	159	168	256

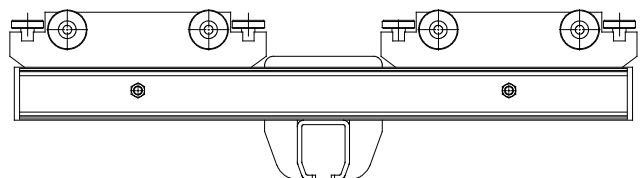


# Heavy duty end carriage trolley

**.T58**

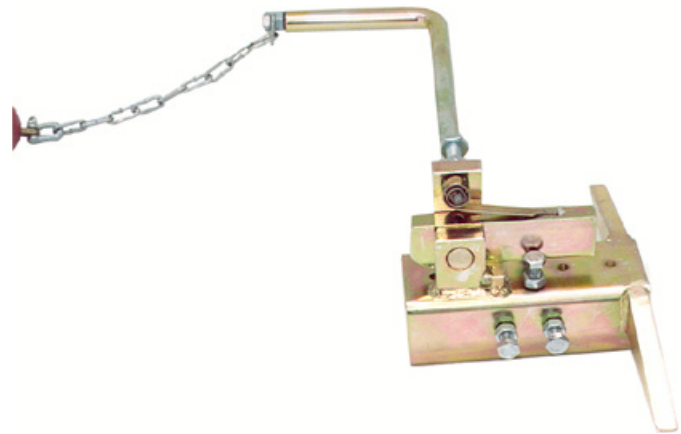


NIKO Profile No.	24.000	25.000	26.000	27.000
Item Ref	24.T58	25.T58	26.T58	27.T58

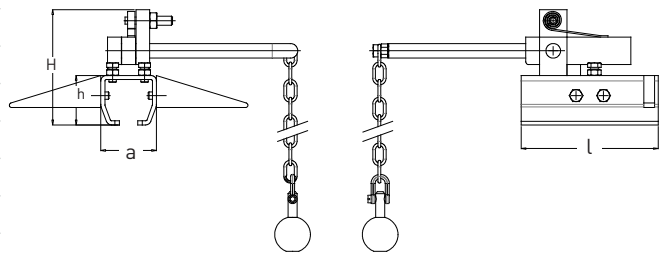


# Bridge Interlock (Part 1)

.H01

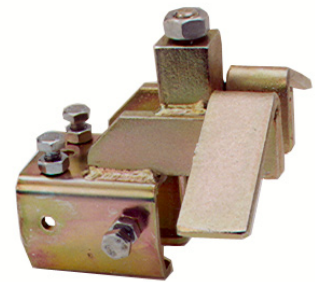


NIKO Profile No.	23.000	24.000	25.000	26.000	27.000
Item Ref	23.H01	24.H01	25.H01	26.H01	27.H01
a (mm)	49	60	80	100	118
h (mm)	45	54	75	93	134
l (mm)	120	150	180	200	250
H (mm)	117	126	170	188	229

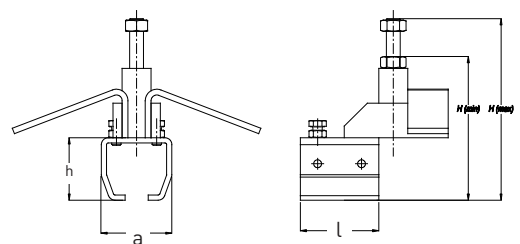


# Bridge Interlock (Part 2)

.H02



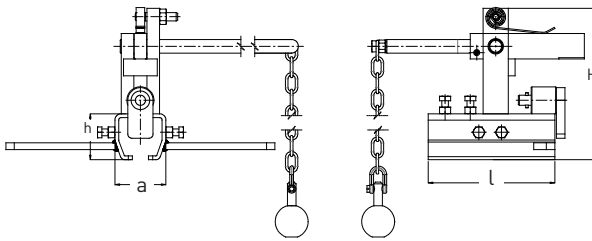
NIKO Profile No.	23.000	24.000	25.000	26.000	27.000
Item Ref	23.H02	24.H02	25.H02	26.H02	27.H02
a (mm)	49	60	80	100	118
h (mm)	45	54	75	93	134
l (mm)	120	150	180	200	250
H min (mm)	121	130	168	186	291
H max (mm)	147	156	209	227	359



LIGHT CRANE SYSTEMS

# Track transfer assembly (Part 1)

.H21

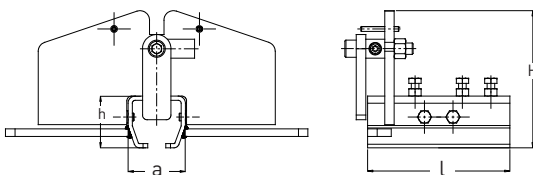
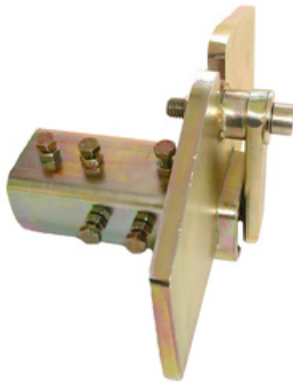


NIKO Profile No.	23.000	24.000	25.000	26.000	27.000
Item Ref	23.H21	24.H21	25.H21	26.H21	27.H21
a (mm)	49	60	80	100	118
h (mm)	45	54	75	93	134
l (mm)	120	150	180	200	250
H (mm)	170	179	220	268	-

LIGHT CRANE SYSTEMS

# Track transfer assembly (Part 2)

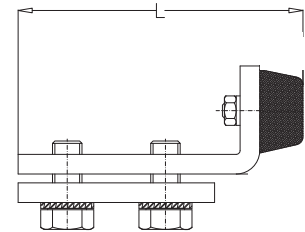
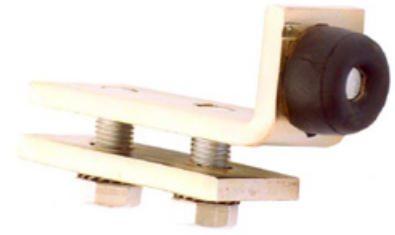
.H22



NIKO Profile No.	23.000	24.000	25.000	26.000	27.000
Item Ref	23.H22	24.H22	25.H22	26.H22	27.H22
a (mm)	49	60	80	100	118
h (mm)	45	54	75	93	134
l (mm)	120	150	180	200	250
H (mm)	-	144	165	183	-

# Track end stop

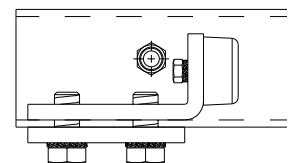
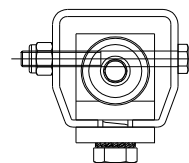
.X01



NIKO Profile No.	23.000	24.000	25.000	26.000	27.000
Item Ref	23.X01	24.X01	25.X01	26.X01	27.X01
L (mm)	73	87	122	145	145

# Track end stop with cross bolt

.X01P

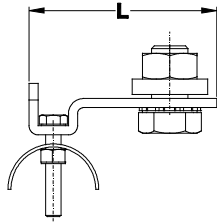
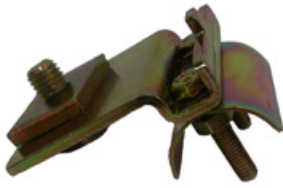


NIKO Profile No.	24.000	25.000	26.000	27.000
Item Ref	24.X01P	25.X01P	26.X01P	27.X01P

LIGHT CRANE SYSTEMS

## Cable end clamp

**.K00**



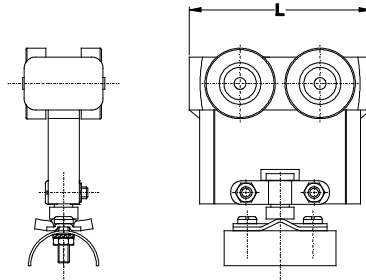
NIKO Profile No.	23.000	24.000	25.000	26.000
Item Ref	23.K00	24.K00	25.K00	26.K00
L (mm)	57	57	57	57

## Cable trolley (nylon)

**.L00**

This trolley is used for carrying flat cable for electrical power supply and can be adapted for hoses and round cables.

NIKO Profile No.	21.000	23.000	24.000	25.000	26.000	27.000
Cable trolley No.	23.L00		25.L00		27.L00	
For cable dimensions	flat up to 23x10mm & round up to 15mm diameter		flat up to 23x10mm & round up to 15mm diameter		flat up to 23x10mm & round up to 15mm diameter	
L (mm)	60		80		80	

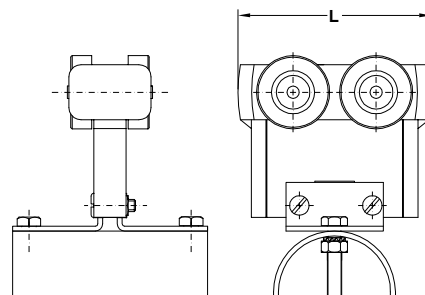


## Cable trolley (nylon)

**.L01**

This trolley is used for carrying flat cable for electrical power supply.

NIKO Profile No.	21.000	23.000	24.000	25.000	26.000	27.000
Cable trolley No.	23.L01		25.L01		27.L01	
For cable dimensions	flat up to 55x20mm		flat up to 55x20mm		flat up to 55x20mm	
L (mm)	60		80		80	



# Index

Part No.	Page
21.B03	25
21.B05	26
21.B06	27
21.T10	34
23.000	22
23.030	23
23.050	22
23.B00	24
23.B02	25
23.B03	25
23.B04	26
23.B08	27
23.B10	27
23.B11	28
23.B12	27
23.B14	27
23.B30	28
23.B35	30
23.B36	30
23.B37	32
23.B38	32
23.B39	33
23.B44	34
23.B49	24
23.B55	29
23.B56	29
23.B71	31
23.B72	31
23.H01	43
23.H02	43
23.H21	44
23.H22	44
23.K00	46
23.L00	46
23.L01	46
23.T20	37
23.T24	38
23.T26	39
23.T28	39
23.T38	39
23.T40	36
23.T51	41
23.T52	41
23.T53	42
23.T54	40

Part No.	Page
23.T54	40
23.T55	42
23.T56	41
23.T70	37
23.X01	45
24.000	22
24.030	23
24.031	23
24.045	23
24.050	22
24.B00	24
24.B02	25
24.B03	25
24.B04	26
24.B05	26
24.B06	27
24.B08	27
24.B10	27
24.B11	28
24.B12	27
24.B14	27
24.B16	27
24.B18	27
24.B20	27
24.B30	28
24.B35	30
24.B36	30
24.B37	32
24.B40	33
24.B44	34
24.B49	24
24.B55	29
24.B56	29
24.B71	31
24.B72	31
24.H01	43
24.H02	43
24.H21	44
24.H22	44
24.J052	17
24.J053	17
24.J064	17
24.K00	46
24.T10	34
24.T20	37

Part No.	Page
24.T24	38
24.T26	39
24.T28	39
24.T38	39
24.T40	36
24.T44	35
24.T46	35
24.T48	36
24.T49	40
24.T51	41
24.T52	41
24.T53	42
24.T54	40
24.T55	42
24.T56	41
24.T58	42
24.T70	37
24.T71	38
24.T84	40
24.X01	45
24.X01P	45
25.000	22
25.030	23
25.045	23
25.046	23
25.050	22
25.B00	24
25.B02	25
25.B03	25
25.B04	26
25.B10	27
25.B11	28
25.B12	27
25.B14	27
25.B16	27
25.B18	27
25.B20	27
25.B22	27
25.B24	27
25.B26	27
25.B30	28
25.B35	30
25.B36	30
25.B37	32
25.B38	32

Part No.	Page
25.B39	33
25.B44	34
25.B49	24
25.B55	29
25.B56	29
25.B71	31
25.B72	31
25.H01	43
25.H02	43
25.H110	13
25.H21	44
25.H22	44
25.J052	17
25.J053	17
25.J063	17
25.J084	17
25.J095	17
25.J106	17
25.K00	46
25.L00	46
25.L01	46
25.T10	34
25.T20	37
25.T24	38
25.T26	39
25.T28	39
25.T38	39
25.T40	36
25.T44	35
25.T46	35
25.T48	36
25.T49	40
25.T51	41
25.T52	41
25.T53	42
25.T54	40
25.T55	42
25.T56	41
25.T58	42
25.T70	37
25.T71	38
25.T84	40
25.X01	45
25.X01P	45
26.000	22

# Index

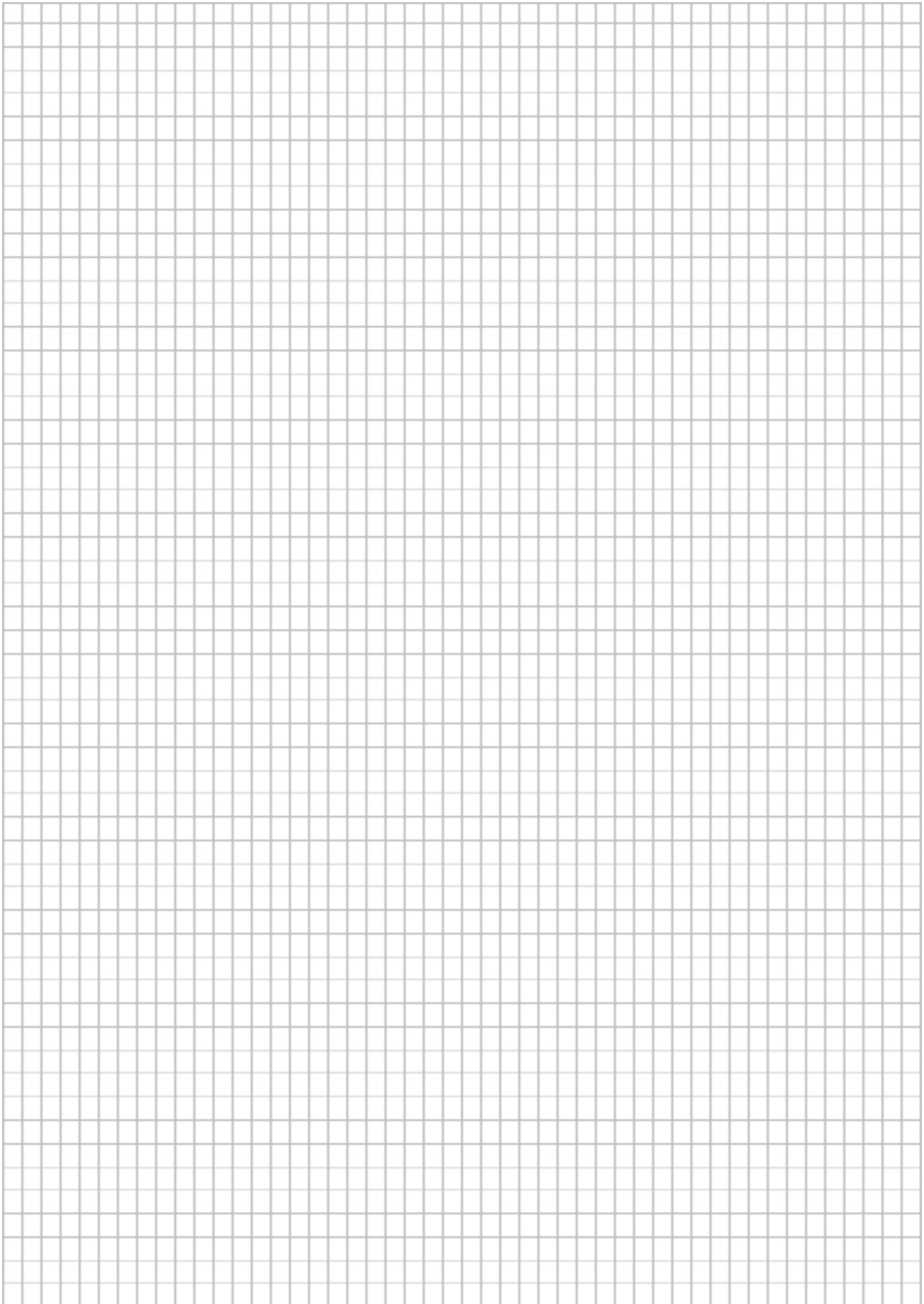
Part No.	Page
26.030	23
26.031	23
26.045	23
26.046	23
26.B00	24
26.B02	25
26.B03	25
26.B04	26
26.B05	26
26.B06	27
26.B11	28
26.B16	27
26.B18	27
26.B20	27
26.B22	27
26.B24	27
26.B26	27
26.B30	28
26.B35	30
26.B36	30
26.B37	32
26.B40	33
26.B49	24
26.B55	29
26.B56	29
26.B71	31
26.B72	31
26.H01	43
26.H02	43
26.H110	13
26.H21	44
26.H22	44
26.J082	17
26.J083	17
26.J094	17
26.J095	17
26.J106	17
26.K00	46
26.T10	34
26.T20	37
26.T24	38
26.T26	39
26.T28	39
26.T38	39
26.T40	36

Part No.	Page
26.T44	35
26.T46	35
26.T48	36
26.T49	40
26.T51	41
26.T52	41
26.T53	42
26.T54	40
26.T55	42
26.T56	41
26.T58	42
26.T70	37
26.T71	38
26.T84	40
26.X01	45
26.X01P	45
27.000	22
27.030	23
27.045	23
27.045	23
27.046	23
27.B00	24
27.B02	25
27.B03	25
27.B04	26
27.B06	27
27.B11	28
27.B20	27
27.B22	27
27.B24	27
27.B26	27
27.B30	28
27.B35	30
27.B36	30
27.B49	24
27.B55	29
27.B56	29
27.B71	31
27.B72	31
27.H01	43
27.H02	43
27.H111	13
27.H21	44
27.H22	44
27.J092	17

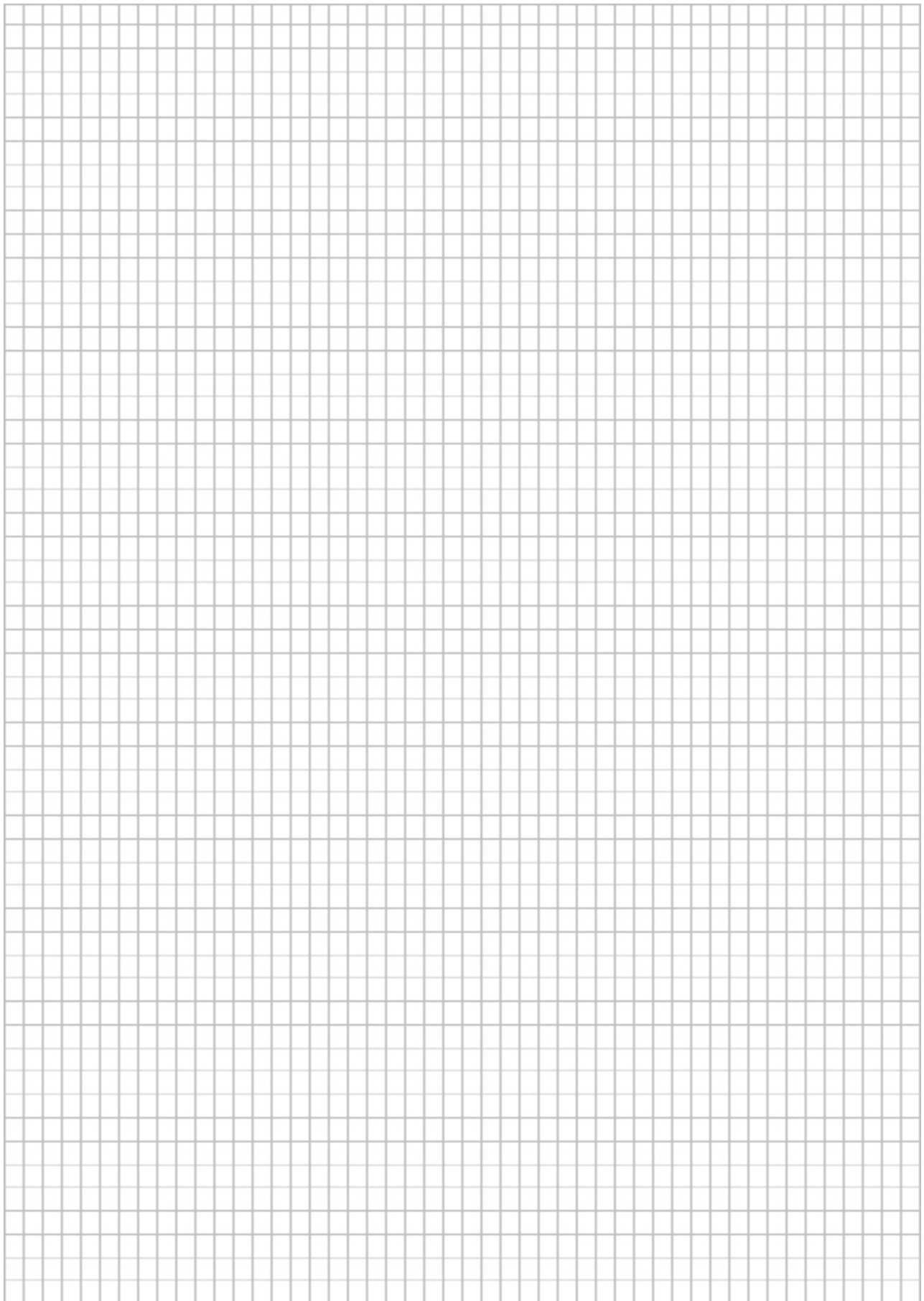
Part No.	Page
27.J093	17
27.J104	17
27.J105	17
27.J116	17
27.L00	46
27.L01	46
27.T10	34
27.T20	37
27.T24	38
27.T26	39
27.T28	39
27.T38	39
27.T40	36
27.T46	35
27.T48	36
27.T49	40
27.T51	41
27.T52	41
27.T53	42
27.T54	40
27.T55	42
27.T56	41
27.T58	42
27.T70	37
27.T71	38
27.T84	40
27.X01	45
27.X01P	45



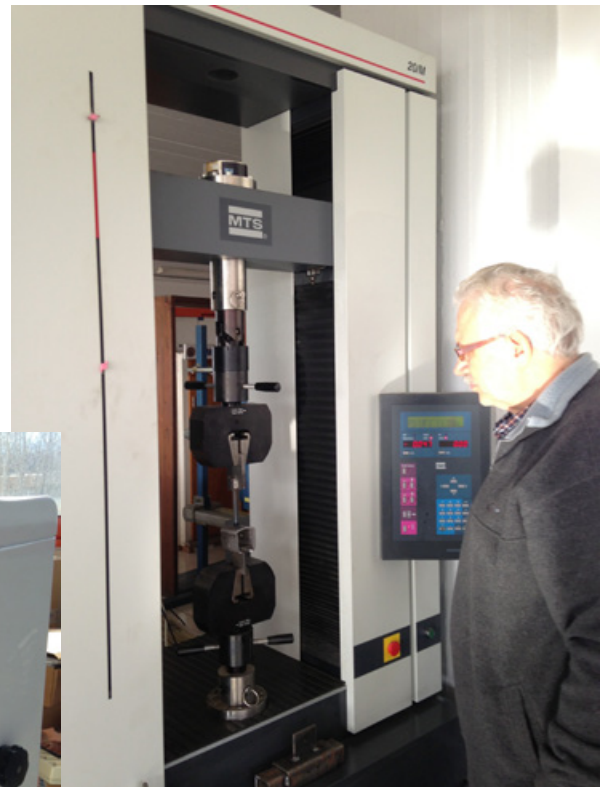
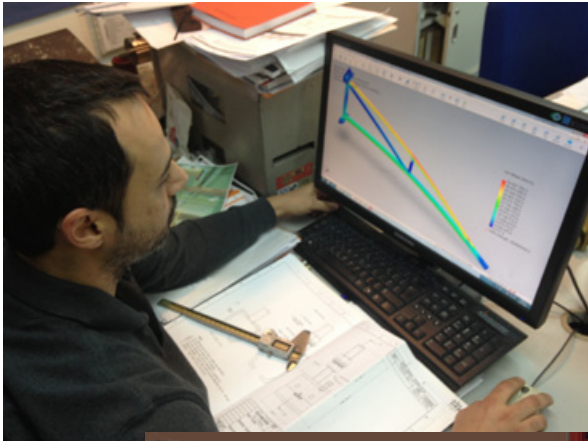
# Notes



# Notes



Our quality control department is manned by experienced and highly skilled engineers. Our test lab is equipped with endurance test stands, tensile stress equipment, hardness test machines and other laboratory equipment. Virtual stress analysis is also performed during the developing phase of every component.



LIGHT CRANE SYSTEMS





## TRADITION IS PROGRESS PRESERVED, PROGRESS IS TRADITION CONTINUED.

Helm Hellas 1972–2012

A family business for 40 years, Helm Hellas has been built on the twin foundations of Tradition and Progress, always heading towards a successful economic future.

## QUALITY IS THE RESULT OF ATTENTION TO DETAIL.

Quality will always be as standard for us, our products, our staff and our partners.

## OUR VISION.

We are an international company and our goal is to be market leaders in each of our business sectors.

## OUR VALUES

- ✓ We want to offer our customers the best quality at a reasonable price.
- ✓ We strive for continual improvement in our quality procedures – because we believe the company that doesn't move forward will be left behind.
- ✓ We respond to any demand on the market with the ongoing development of new products.
- ✓ We support our co-workers by ensuring they are highly motivated and well qualified.
- ✓ We want to expand into new sales markets to continue to win satisfied customers.

**AUSTRIA-NIKO Vertriebs GmbH**  
 Haifelderstraße 3  
 A – 2564 Weissenbach  
 Tel. 0043 (0) 2674 81005  
 Fax 0043 (0) 2674 81006  
 office.at@niko.eu.com

**CHINA-NIKO China**  
 Room 605, Building 8, No.335  
 Jinian Road, Hongkou District,  
 200434 Shanghai  
 Tel. 0086 139 1814 5645  
 info.cn@niko.eu.com

**GERMANY-NIKO Technik GmbH**  
 Friedrichstraße 269 A  
 D – 42551 Velbert  
 Tel. 0049 (0) 2051 6047 36  
 Fax 0049 (0) 2051 6047 38  
 office.de@niko.eu.com

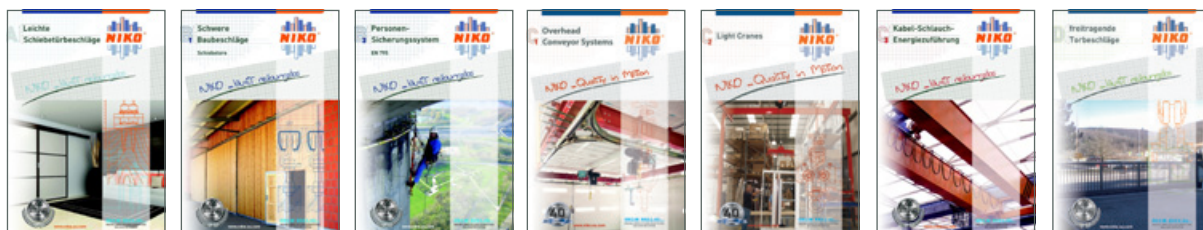
**GREECE-Helm Hellas S.A.**  
 82<sup>nd</sup> Km Athens-Korinthos  
 P.O. Box 209  
 201 00 KORINTHOS  
 Tel. 0030 (0) 27410 85803-6  
 Fax 0030 (0) 27410 25368  
 info@niko.eu.com

**POLAND- NIKO Polska**  
 Wojska Polskiego 65A  
 Wielun 98-300  
 Tel. 0048 504 00 35 56  
 info.pl@niko.eu.com

**UNITED KINGDOM-NIKO Ltd**  
 Units 15-21, Insight Business Park  
 Welsh Road East, Southam  
 Warwickshire – CV471NE– UK  
 Tel. 0044 (0) 1926 813111  
 Fax 0044 (0) 1926 815599  
 Sales@niko-ltd.co.uk

**USA-NIKO Track**  
 300 Highpoint Ave  
 Portsmouth, RI. 02871 USA  
 Tel. 001 (0) 401 683 7525  
 Fax 001 (0) 401 683 6450  
 Sales@NikoTrack.com

# www.niko.eu.com



Your **NIKO** agent will be happy to advise you:



Complete product range **NIKO**:

- A1 – Residential Sliding Door Hardware
- A2 – Sliding Curtains Hardware
- B1 – Heavy Duty Sliding Door Hardware
- B2 – Folding and Harmonica Door Hardware
- B3 – Garage Door and Door around the corner Hardware
- C1 – Overhead Conveyor Systems
- C2 – Light Cranes
- C3 – Cable Trolleys and Festoon Systems
- C4 – Personal Fall Arrest Systems (EN 795)
- D – Sliding Gate Hardware